

NOTES

- IMPORTANT - THE LENGTH OF TRANSMISSION LINE BETWEEN ANY ENTRANCE ASSEMBLY AND THE MOST DISTANT RECEIVER TERMINAL BOX SHALL NOT EXCEED FORTY (40) FEET IN CABLE LENGTH.
- TYPE RG-12/U COAXIAL CABLE SHALL BE IN ACCORDANCE WITH BUREAU OF SHIPS SPECIFICATIONS JAN-C-17.
- ALL TERMINAL BOXES COMPRISING THE ANTENNA TRANSFER ASSEMBLY SHALL BE MOUNTED WITHIN THE LIMITS OF A 36 INCH DIAMETER CIRCLE IN ORDER TO PERMIT THE USE OF A STANDARD 36 INCH PATCHCORD. THE ASSEMBLY SHALL BE MOUNTED ON A VERTICAL BULKHEAD AND IN A POSITION TO FACILITATE CONVENIENT OPERATION BY PERSONNEL.
- TERMINAL BOXES FOR RECEIVER CONNECTIONS SHALL BE LOCATED WITHIN A 36 INCH RADIUS OF REAR EDGE OF THE RECEIVER SHELF OF STANDARD RADIO OPERATING TABLES TO PERMIT USE OF STANDARD 36 INCH PATCHCORDS FOR CONNECTING RECEIVERS.
- THE TYPE 40083 JACKBOX SHALL BE MOUNTED WITHIN 36 INCHES OF THE FREQUENCY METER INPUT CONNECTION. JACKBOX SHALL BE MOUNTED ON FREQUENCY METER SUPPORTING STRUCTURE OR ON AN ADJACENT BULKHEAD.
- STUFFING TUBES FOR TYPE RG-12/U CABLE SHALL BE SIZE "8" IN ACCORDANCE WITH BUREAU OF SHIPS DRAWING 9-S-5168-L. TYPE OF TUBE SHALL BE SELECTED TO SUIT STRUCTURE INVOLVED. STUFFING TUBE PACKING SHALL BE IN ACCORDANCE WITH NAVAL RESEARCH LABORATORY DRAWING RA 92AA 814.
- TYPE 9-S-4441-L-4 CABLE STRAPS SHALL BE USED ON WATER-TIGHT STRUCTURES AND DECKS. TYPE 9-S-4442-L-4 SHALL BE USED ON NON-WATER-TIGHT STRUCTURES. CABLE STRAPS SHALL HAVE A MAXIMUM SPACING OF 18 INCHES AND SHALL BE INSTALLED IN ACCORDANCE WITH BUREAU OF SHIPS DRAWING 9-S-3960-1.
- STUFFING TUBES AND CABLE STRAPS FOR TYPE RG-12/U CABLE MUST BE INSTALLED IN A MANNER WHICH WILL CAUSE ABSOLUTELY NO DEFORMATION OF THE DIELECTRIC. THE SLIGHTEST DEFORMATION WILL CHANGE THE ELECTRICAL CHARACTERISTICS OF THE CABLE.
- BENDS IN TYPE RG-12/U CABLE SHALL HAVE A MINIMUM RADIUS 10 TIMES THE DIAMETER OF THE CABLE.
- ALL CABLE RUNS COMPRISING THIS SYSTEM SHALL BE DESIGNATED "10-84" AND MARKED "WITAL" FREQUENTLY IN ACCORDANCE WITH SUBSECTION 302-2 OF THE GENERAL SPECIFICATIONS FOR MACHINERY.

ALTERATION TABLE

NO.	REMARKS	DATE	BY
B	REVISED AND REDRAWN		NFN

- RE 61F 225 ENTRANCE INSULATOR-61471
- RE 20J 119 RECEIVER PROTECTIVE UNIT
- RE 13A 340 SPECIFICATIONS FOR RESISTORS
- RA 49F 215 CONCENTRIC JACK
- RA 62F 300 MISCELLANEOUS FITTINGS

- RA28A 234 STUFFING TUBE PACKING
- 9-S-5333 TERMINAL BOX
- 9-S-4441 SINGLE CABLE STRAPS
- 9-S-4442 SINGLE CABLE STRAPS
- 9-S-3665 STUFFING TUBES
- 9-S-3960 METHODS OF SUPPORTING CABLES
- JAN-C-17 GENERAL SPECS. FOR R.F. CABLES

REFERENCE DRAWINGS

DELINEATOR	IN CHARGE OF SHOP DRAWING	CHIEF DRAFTER
TRACER	N. F. NAZARE	
CHECKER		

APPROVAL

RADIO ENGINEERS ENGINEER-IN-CHARGE
J. F. Day *R. J. ...*
S. W. ...
 LT. COMMANDER, U. S. N. R.

RADIO DIVISION - BUREAU OF SHIPS
 NAVY DEPARTMENT - WASHINGTON, D. C.

RECEIVING ANTENNA TRANSMISSION LINE SYSTEM

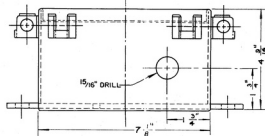
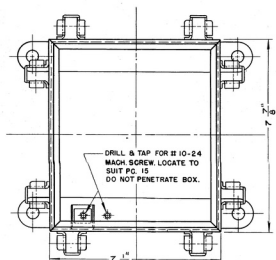
ARRANGEMENT AND DETAILS

TYPE PLAN

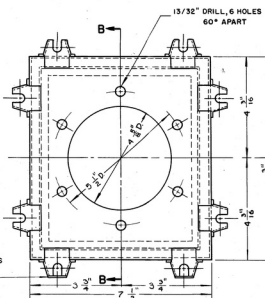
SCALE: N.T.S.
 SHEET BY: ...
 CHECKED BY: ...

DATE: 6 MARCH 1944

RE 62F 151C

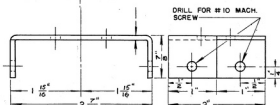
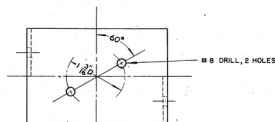


DRILLING FOR
WATERTIGHT ENTRANCE BOX
SCALE: 6"=1 FT.



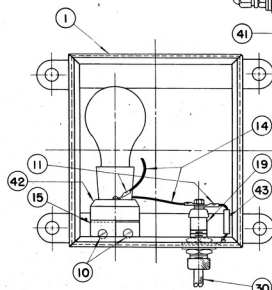
WELD BAR ACROSS EARS
TO PROVIDE HINGE AT
BOTTOM OF COVER.

DRILLING FOR
COVER OF W.T. ENTRANCE
SCALE: 6"=1 FT.

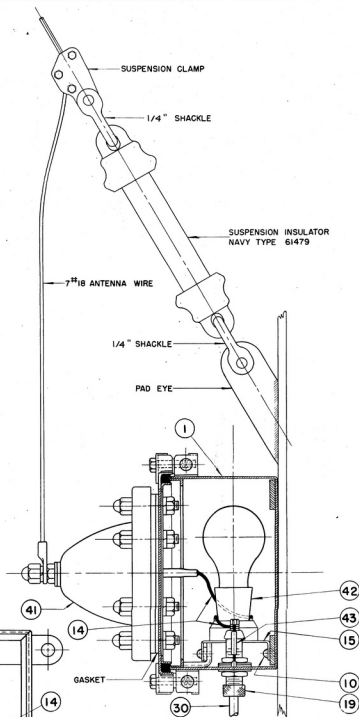


(5) BRACKET
FOR
PROTECTIVE LAMP
SCALE: 12"=1 FT.

SECTION B-B



BOX ASSEMBLY
FRONT VIEW
SCALE: 6"=1 FT.



DETAIL A

ENTRANCE ASSEMBLY
FOR OUTSIDE INSTALLATIONS
SCALE: 6"=1 FT.

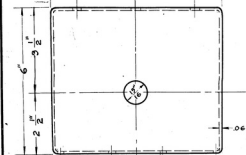
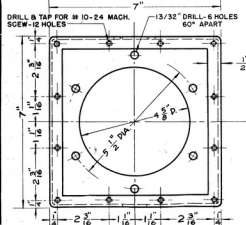
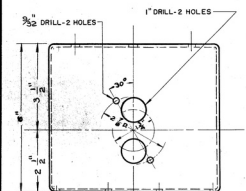
RADIO DIVISION BUREAU OF SHIPS
NAVY DEPARTMENT WASHINGTON, D.C.

RECEIVING ANTENNA
TRANSMISSION LINE SYSTEM
ARRANGEMENT AND DETAILS
TYPE PLAN

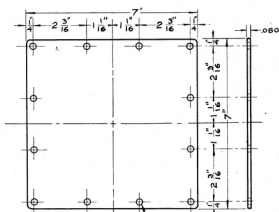
SCALE: I.S. SHOWN DATE: 10 NOV 1944

RE 62F 151

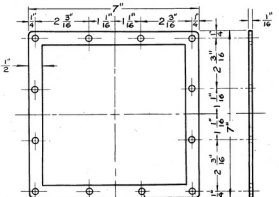
SHEET 2 C OF 5



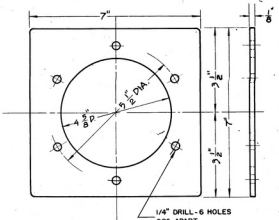
2 BOX



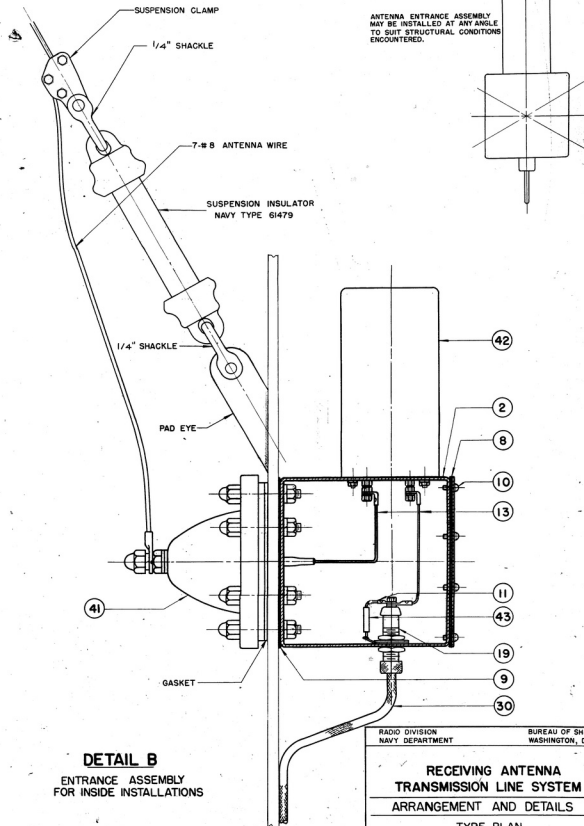
5 COVER



8 GASKET



9 GASKET



DETAIL B
ENTRANCE ASSEMBLY
FOR INSIDE INSTALLATIONS

RADIO DIVISION BUREAU OF SHIPS
NAVY DEPARTMENT WASHINGTON, D.C.

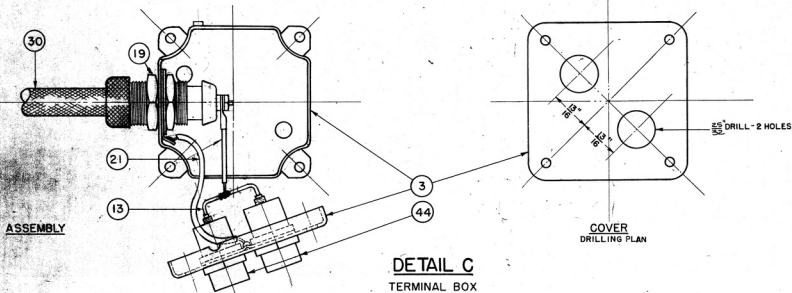
RECEIVING ANTENNA
TRANSMISSION LINE SYSTEM
ARRANGEMENT AND DETAILS

TYPE PLAN

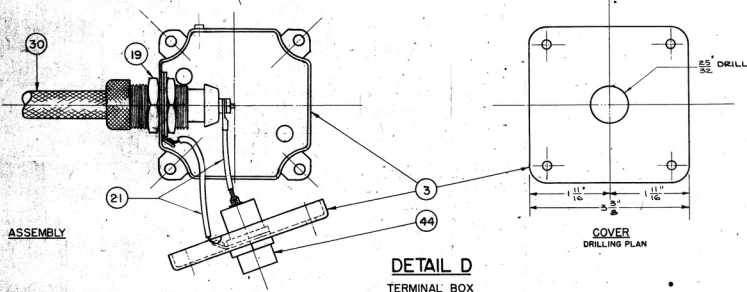
SCALE: 6"-1 FT DATE: 4 OCT 1944

RE 62F 15I

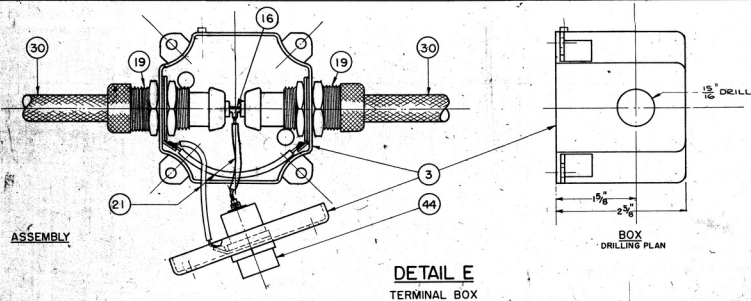
SHEET 3C OF 5



DETAIL C
TERMINAL BOX



DETAIL D
TERMINAL BOX



DETAIL E
TERMINAL BOX

RADIO DIVISION - BUREAU OF SHIPS
NAVY DEPARTMENT - WASHINGTON, D.C.

**RECEIVING ANTENNA
TRANSMISSION LINE SYSTEM
ARRANGEMENT AND DETAILS**
TYPE PLAN

SCALE - 1/2" = 1" DATE - 8 MARCH 1944

RE 62F 151

LIST OF PARTS

PART NUMBER	QUANTITIES PER DETAIL					DESCRIPTION	MATERIAL	SIZE	NAVY TYPE NO.	COMMERCIAL TYPE	DRAWING OR SPECIFICATION NO.	FURNISHED BY	REMARKS
	A	B	C	D	E								
1	1					ENTRANCE BOX (OUTSIDE)	STEEL		V-5-125		47-B-2	CONTRACTOR	
2		1				ENTRANCE BOX (INSIDE)	BRASS				47-B-2		
3			1	1	1	TERMINAL BOX ASSEMBLY		2 1/2" DEEP	TYPE D (NWS)		9-F-5333-L		
4													
5	1					COVER-FOR PART No.2	BRASS				47-B-2		
6													
7													
8		1				GASKET-FOR PART No.2	SYNTHETIC RUBBER				33-E-9		
9		1				GASKET-FOR PART No.2	SYNTHETIC RUBBER				33-E-9		
10	2	18				MACHINE SCREW	BRASS	10-24 E.H.			COMMERCIAL		
11	3	1				BOLDFING LUG	COPPER	FDE No.8 STUD		PIERCE No.28	COMMERCIAL		
12		2	1			800 WIRE-BARE	COPPER	No.10 B.S.S			COMMERCIAL		
13		2				CONNECTOR (LENGTH TO SUIT)	800 WIRE-BARE	No.10 B.S.S			COMMERCIAL		
14	2					BUSHING	800 WIRE-BARE	No.10 B.S.S			COMMERCIAL		
15				1		T LUG	COPPER				COMMERCIAL		
16													
17													
18	1	1	1	1	2	END SEAL			6x111		RA 62F 540		
19			2	2	3	CONNECTOR (3" LONG)	800 WIRE-BARE	No.10 B.S.S			COMMERCIAL		
20													
21													
22													
23						SOLID DIELECTRIC CABLE			EQ-12/U		JAN-C-17	CONTRACTOR	SEE NOTES No.1 & 2
24						CABLE STRAP		No.4			2-5-5141-L		SEE NOTE No.1
25						STUFFING TUBE		B			2-5-5166-L		SEE NOTE No.4
26						STUFFING TUBE PACKING		B			RA 62AA 314		SEE NOTE No.6
27													
28													
29													
30													
31	1	1				ENTRANCE INSULATOR			61471		EE 61F 293	BUSHIPS (DMO)	
32	1	1				RECEIVER PROTECTIVE UNIT			28004A		EE 28J 119		FOR DETAIL A USE LAMP SOCKET ONLY
33	1	1				REBUS OR STATIC LEAK		1 WATT, 2 MEG	43786		EE 18A 360		
34			2	1	1	CONCRETE JACK			49150		RA 47F 210		

 RADIO DIVISION - BUREAU OF SHIPS
 NAVY DEPARTMENT - WASHINGTON, D.C.

 RECEIVING ANTENNA
 TRANSMISSION LINE SYSTEM

ARRANGEMENT AND DETAILS

TYPE PLAN

SCALE

DATE: 6 MARCH, 1944

RE 62F 151

SHEET 30 OF 5