

## CHAPTER 9

# COAXIAL CONNECTORS

Coaxial connectors are classified according to a series designation (BNC, C, HN, N, etc.) and are identified by a military number (UG-( )/U). Table 9-1 identifies the series of common military-numbered connectors; the following paragraphs briefly describe each series. Table 9-1 also makes reference in the "TABLE" column, to other tables in this handbook which give more detailed data for the connectors. For a more complete listing of coaxial connectors, consult the current issue MIL-HDBK-216.

### 9.1 BNC SERIES

The BNC-series connectors (see figure 9-1) are small, lightweight, and weatherproof, with a bayonet-type coupling for quick connect and disconnect. They have a nominal impedance of 50 ohms, a peak voltage rating of 500 volts, and a practical frequency limit of 10,000 MHz (improved versions). This series is designed for use with small cables such as RG-55/U and RG-58/U. The BNC connectors are listed in table 9-2, installation procedures for standard BNC connectors are given in figure 9-2, figure 9-3 illustrates installation procedures for improved-series BNC connectors, and figure 9-4 is a mating diagram. Symbols used in the mating diagram are explained in figure 9-5.

### 9.2 C SERIES

The C-series connectors (see figure 9-6) are medium-sized, weatherproofed, and feature a bayonet-type coupling. They have a nominal impedance of 50 ohms, a peak rating of 1.5 kV, and a frequency limit of 10,000 MHz (except for the high-voltage type). The high-voltage type, rated at 4 kV (peak), should not be used above 2000 MHz. These connectors are designed for use with medium-sized cables. Common C-series connectors are listed in table 9-3, installation procedures are given in figure 9-7, and figure 9-8 is a mating diagram.

### 9.3 HN SERIES

The HN-series connectors (see figure 9-9) are medium-sized, weatherproofed, and use screw-type coupling. They have nominal impedance of 50 ohms. The HN-series connectors are listed in table 9-4, installation procedures are given in figures 9-10 and 9-11, and figure 9-12 is a mating diagram. These connectors were designed for use in high-voltage applications (up to 5 kV peak). However, results of tests conducted by U.S. Navy Underwater Sound Laboratories, in April 1952 and May 1957, indicate that at RF frequencies the voltage characteristics of HN connectors are no better than those of C and N series connectors. Consequently, the HN connectors should be used for replacement purposes only.

#### 9.4 LC AND LT SERIES

The LC- and LT-series connectors (see figure 9-13) are the largest series employing threaded couplings that are approved for use with flexible coaxial cables. Standard LC- and LT-connectors are rated at 5 kV (peak); certain LC-connectors are rated at 10 kV. LC-connectors are recommended at frequencies up to 1000 MHz; the LT-series may be used up to 2500 MHz. LT-connectors are a modified version of the LC-series, but the two are not interchangeable; however, adapters are available to permit interconnection of the LC- and LT-series. LC- and LT-series connectors are listed in table 9-5. Installation procedures are given in figure 9-14, figure 9-15 illustrates installation procedures, and figure 9-16 and 9-17 are mating diagrams for these series.

#### 9.5 N SERIES

The N-series connectors (see figure 9-18) are medium-sized, weatherproofed, and use a screw-type coupling. They have a peak rating of 15 kV and a frequency limit of 10,000 MHz. Both 50- and 70-ohm connectors are available; however, the 50- and 70-ohm connectors do not mate properly. N-series connectors are listed in table 9-6, installation procedures are given in figures 9-19 and 9-20, and figures 9-21 and 9-22 are mating diagrams.

#### 9.6 PULSE CONNECTORS

##### 9.6.1 Ceramic-Insert

Ceramic-insert pulse connectors (see figure 9-23) are commonly classified as Types A and B (see table 9-7).

Type A connectors are used in Naval avionics equipment. Although flash-overs across the ceramic-insert occasionally occur at high altitudes, no damage results to the connector and they may be used as soon as the voltage stress is relieved. Type B connectors are used for shipboard applications and have a peak-rating of 15 kV. Installation procedures for this series are given in figure 9-24, figure 9-25 is a mating diagram.

##### 9.6.2 Rubber-Insert

Rubber-insert pulse connectors (see figure 9-26) are weatherproofed, and are designed to mate with existing molded connectors of the Western-Electric Company type. These connectors have a peak voltage rating of 5 kV at an altitude of 50,000 feet, and can be connected to cables that have an insulating neoprene layer under the braid, such as RG-77 and 78/U. They also may be used with cables that have rubber under the braid, such as RG-25, -26, and -64/U, providing special care is used during connector assembly. Table 9-8 lists common rubber-insert pulse cable connectors. Figure 9-27 gives installation procedures for these connectors; figure 9-28 is a mating diagram.

##### 9.6.3 Triaxial

The triaxial pulse type connectors are shown in table 9-9.

### 9.7 QDL-SERIES

The QDL-series connectors (see figure 9-29) are large, weatherproofed, with quick-connect and -disconnect couplings. They have a nominal impedance of 50 ohms, a maximum peak voltage rating of 9 kV, and a practical frequency limit of 1000 MHz. Table 9-10 lists common QDL connectors, figure 9-30 gives installation information, and figure 9-31 is a mating diagram.

### 9.8 QDS-SERIES

The QDS-series connectors (see figure 9-32) are medium-sized, weatherproofed, and have quick-connect and -disconnect couplings. They have a nominal impedance of 50 ohms, a peak-rating of 1 kV, and a practical frequency limit of 10,000 MHz. Table 9-11 lists common QDS connectors, figure 9-33 gives installation information, and figure 9-34 is a mating diagram.

### 9.9 QL AND QM SERIES

QL and QM connectors (see table 9-12) are high power, high voltage, low VSWR connectors for use with large size cables RG-217, 218, 219, 220, and 221/U where series LC, LT, HN, C and N connectors have been used in the past. The QM series designated for use with RG-217/U and the QL series for use with RG-218, 219, 220 and 221/U have a maximum VSWR of 1.27 to 1 on mated pairs of cable assemblies up to 5,000 MHz. Corona extinction values range from 6,000 volts to 60 cycle RMS for the RG-217/U assemblies to 12,500 volts RMS for the RG-218/U assemblies.

### 9.10 SM-SERIES

The SM-series connectors (see figure 9-35) are nonweatherproof and are designed to be used with cables of 1/4-inch overall diameter or smaller. They are limited to frequencies below 1000 MHz and peak voltages below 100 volts. Table 9-13 lists common SM-series connectors, figure 9-36 gives installation information, and figure 9-37 is a mating diagram.

### 9.11 TWIN SERIES

The connectors shown in table 9-14 are known as Twin Connectors. They may be used with numerous small- and medium-sized cables. They are not constant-impedance connectors and will therefore introduce some voltage reflection. They are generally satisfactory at frequencies up to 200 megacycles and may be used with caution up to 500 megacycles. They may be used at peak voltages up to 500 volts.

These connectors are available in small twin-conductor types (weatherproof and non-weatherproof) and large twin-conductor types (nonweatherproof). The weatherproof and non-weatherproof feature is the only distinguishing feature. These two groups are not interchangeable.

### 9.12 TPS SERIES

Series TPS connectors (see table 9-15) are weatherproof and designed to produce minimum electrical discontinuities in small size solid dielectric 50 ohms coaxial

cable up to a frequency of 10,000 megacycles. They are rated at 500 volts RMS at sea-level. Their use is governed by the temperature limitations of their associated cables.

### 9.13 UHF SERIES

The UHF-series connectors (see figure 9-38) are available in both large and small sizes. They do not have a constant impedance, and provide satisfactory operation at frequencies up to 200 MHz. The peak-rating is 500 volts. Table 9-16 lists common UHF connectors, figure 9-39 gives installation information, and figure 9-40 is a mating diagram.

### 9.14 MINIATURE (SCREW-ON) SERIES

The connectors shown in table 9-17 are miniature, light weight, employing screw type couplings, and polytetrafluorethylene (teflon) dielectric. They have a nominal impedance of 50 ohms, a sea level breakdown voltage of 1500V RMS, a practical frequency limit of 10,000 MHz, and are designed for operation up to 200°C.

### 9.15 ADAPTERS AND ANCILLARY ITEMS

Adapters may be used to couple flexible cables with connectors of the same series, to connect flexible cables with connectors of different series, or to connect a flexible cable to a rigid line. The adapters used to couple cables containing connectors of the same series are listed and illustrated as follows:

<u>Connector Series</u>	<u>Table</u>	<u>Figure</u>	<u>Connector Series</u>	<u>Table</u>	<u>Figure</u>
BNC	9-8	9-41	Triaxial	9-9	
C	9-19	9-42	QDL	9-24	9-46
HN	9-20	9-43	QDS	9-24	9-46
LC	9-21	9-44	QL and QM	9-12	
LT	9-22	9-44	SM		9-47
N	9-23	9-45	Twin	9-14	
Pulse, Ceramic	9-23		TPS	9-15	
Pulse, Rubber	9-23		UHF	9-25	9-48
			Miniature	9-17	

Table 9-26 lists between-series adapters, and figure 9-29 shows examples of these. Table 9-27 lists adapters that are used to connect flexible cables to rigid lines. The adapter is installed on the rigid line and the cable is joined to the adapter with standard connectors. Table 9-28 lists adapters (cable clamp-rigid line clamp ends) that must be installed on both the flexible cable and the rigid line.

Table 9-1. Military-Numbered Connectors (Sheet 1 of 5)

UG-( )/U	SERIES	DESCRIPTION	TABLE
18	N	Plug	9-6
19	N	Panel Jack	9-6
20	N	Jack	9-6
21	N	Plug	9-6
22	N	Panel Jack	9-6
23	N	Jack	9-6
27	N	Angle Adapter	9-22
28	N	Tee Adapter	9-22
29	N	Adapter	9-22
30	N	Bulkhead Adapter	9-22
32	N	Cable-to-Rigid-Line Adapter	9-27
33	N	Cable-to-Rigid-Line Adapter	9-27
34	Ceramic Pulse	Plug	9-7
36	Ceramic Pulse	Plug	9-7
37	Ceramic Pulse	Receptacle	9-7
38	Ceramic Pulse	Receptacle	9-7
57	N	Adapter	9-22
58	N	Panel Receptacle	9-6
59	HN	Plug	9-4
60	HN	Jack	9-4
61	HN	Panel Jack	9-4
62	Ceramic Pulse	Receptacle	9-7
73	UHF	Plug	9-16
83	N to UHF	Adapter	9-26
88	BNC	Plug	9-2
89	BNC	Jack	9-2
90	BNC	Panel Jack	9-2
91	N	Plug	9-6
92	N	Jack	9-6
93	N	Panel Jack	9-6
94	N	Plug	9-6
95	N	Jack	9-6
96	N	Panel Jack	9-6
102	UHF	Plug	9-16
103	UHF	Panel Jack	9-16
104	UHF	Angle Adapter	9-25
105	UHF	Adapter	9-25
106	N, UHF	Hood	9-22, 9-25
107	N	Tee Adapter	9-22
111	UHF	Plug	9-16
146	N to UHF	Adapter	9-26
154	LC	Plug	9-5
155	LC	Adapter	9-16
156	LC	Plug	9-5
157	LC	Adapter	9-21
158	Ceramic Pulse	Panel Jack	9-7
159	N	Bulkhead Jack	9-6
160	N	Bulkhead Jack	9-6

UG-( )/U	SERIES	DESCRIPTION	TABLE
161	-	Cable-to-Rigid-Line Splice Adapter	9-28
166	Ceramic Pulse	Panel Jack	9-7
167	N	Plug	9-6
168	-	Cable-to-Rigid-Line Splice Adapter	9-28
173	UHF	Reducing Adapter	9-25
174	Ceramic Pulse	Plug	9-7
175	UHF	Reducing Adapter	9-25
176	UHF	Reducing Adapter	9-25
177	UHF	Hood	9-25
180	Rubber Pulse	Plug	9-8
181	Rubber Pulse	Bulkhead Jack	9-8
182	Rubber Pulse	Plug	9-8
185	BNC	Panel Receptacle	9-2
201	N to BNC	Adapter	9-26
202	N	Angle Adapter	9-22
203	UHF	Plug	9-16
204	N	Plug	9-6
207	-	Cable-to-Stub-Sup- ported-Line Adapter	9-28
208	LC	Angle Adapter	9-21
212	HN	Angle Adapter	9-20
215	LC	Adapter	9-21
216	LC	Angle Adapter	9-21
217	LC to HN	Adapter	9-26
218	LC to HN	Angle Adapter	9-26
219	LC	Angle Adapter	9-21
220	LC	Adapter	9-21
221	Ceramic Pulse	Adapter	9-16
222	Ceramic Pulse	Adapter	9-23
223	UHF	Bulkhead Receptacle	9-16
224	UHF	Bulkhead Adapter	9-25
231	N	Panel Receptacle	9-6
233	LC	Cable-to-Rigid-Line Adapter	9-27
234	LC	Cable-to-Rigid-Line Adapter	9-27
237	LC	Cable-to-Stub- Supported-Line Adapter	9-27
239	UHF	Hood	9-25
240	LC	Adapter	9-21
249	HN	Cable-to-Stub- Supported-Line Adapter	9-27
250	HN	Cable-to-Rigid-Line Adapter	9-27

AIAG 730

Table 9-1. Military-Numbered Connectors (Sheet 2 of 5)

UG-( )/U	SERIES	DESCRIPTION	TABLE
251	HN	Cable-to-Rigid-Line Adapter	9-27
253	BNC	Bulkhead Jack	9-2
255	BNC to UHF	Adapter	9-26
256	-	Cable-to-Rigid-Line Adapter	9-28
257	-	Cable-to-Rigid-Line Adapter	9-28
258	-	Cable-to-Rigid-Line Adapter	9-28
259	HN to LC	Adapter	9-26
260	BNC	Plug	9-2
261	BNC	Jack	9-2
262	BNC	Panel Jack	9-2
264	Rubber Pulse	Panel Receptacle	9-8
266	UHF	Bulkhead Receptacle	9-16
270	N to LC	Adapter	9-26
271	N to LC	Adapter	9-26
272	N	Cable-to-Stub-Supported-Line Adapter	9-27
273	BNC to UHF	Adapter	9-26
274	BNC	Tee Adapter	9-18
281	N	Panel Jack	9-2
282	BNC	Binding-Post Adapter	9-18
287	LC	Adapter	9-21
290	BNC	Panel Receptacle	9-2
291	BNC	Panel Jack	9-2
295	UHF	Plug	9-16
296	UHF	Panel Receptacle	9-16
297	UHF	Angle Adapter	9-25
298	UHF	Tee Adapter	9-25
299	UHF	Adapter	9-25
300	UHF	Bulkhead Adapter	9-25
306	BNC	Angle Adapter	9-18
307	UHF	Panel Adapter	9-25
309	BNC to HN	Adapter	9-26
313	-	Cable-to-Rigid-Line Adapter	9-28
315	-	Cable-to-Rigid-Line Adapter	9-28
316	-	Cable-to-Rigid-Line Adapter	9-28
318	N to UHF	Adapter	9-26
327	HN to LC	Tee Adapter	9-26
332	UHF	Binding-Post Adapter	9-25
333	HN	Jack	9-4
334	HN	Panel Jack	9-4
335	BNC to N	Adapter	9-26
336	Rubber Pulse	Bulkhead Adapter	9-23
337	-	Cable-to-Rigid-Line Adapter	9-28

UG-( )/U	SERIES	DESCRIPTION	TABLE
338	-	Cable-to-Rigid-Line Adapter	9-28
349	BNC to N	Adapter	9-26
350	Ceramic Pulse	Bulkhead Receptacle	9-7
352	LC	Panel Receptacle	9-5
357	UHF	Panel Receptacle	9-16
358	UHF	Plug	9-16
359	UHF	Angle Adapter	9-25
360	UHF	Adapter	9-25
363	UHF	Bulkhead Adapter	9-25
366	UHF	Hood	9-25
367	N	Panel Receptacle	9-6
370	N	Cable-to-Stub-Supported-Line Adapter	9-27
371	N	Cable-to-Rigid-Line Adapter	9-27
372	UHF	Hood	9-25
401	N	Cable-to-Stub-Supported-Line Adapter	9-27
402	N	Cable-to-Stub-Supported-Line Adapter	9-27
410	UHF	Reducing Adapter	9-25
413	HN	Tee Adapter	9-20
414	BNC	Adapter	9-18
427	HN	Panel Jack	9-4
447	BNC	Panel Receptacle	9-2
464	N	Tee Adapter	9-22
483	N	Jack	9-6
484	N	Jack	9-6
486	N	Plug	9-6
487	N	Plug	9-6
491	BNC	Adapter	9-18
492	BNC	Bulkhead Adapter	9-18
493	UHF	Adapter	9-25
494	HN	Plug	9-4
495	HN	Plug	9-4
496	HN	Panel Receptacle	9-4
497	HN to LC	Adapter	9-26
518	N	Cable-to-Stub-Supported-Line Adapter	9-27
519	N	Cable-to-Stub-Supported-Line Adapter	9-27
532	LT	Plug	9-5
533	LT	Adapter	9-21
534	LT	Angle Adapter	9-21
535	BNC	Angle Panel Receptacle	9-2
536	N	Plug	9-6
556	N	Bulkhead Jack	9-6
557	N	Plug	9-6
559	BNC to HN	Angle Adapter	9-26

AIAG 731

Table 9-1. Military-Numbered Connectors (Sheet 3 of 5)

UG-( )/U	SERIES	DESCRIPTION	TABLE	UG-( )/U	SERIES	DESCRIPTION	TABLE
560	HN	Panel Receptacle	9-4	704	C	Bulkhead Jack	9-3
564	C to N	Adapter	9-26	705	C	Bulkhead Receptacle	9-3
565	C to N	Adapter	9-26	706	C	Bulkhead Receptacle	9-3
566	C	Tee Adapter	9-19	707	C	Plug	9-3
567	C	Angle Adapter	9-19	708	C	Plug	9-3
568	C	Panel Receptacle	9-3	709	C	Plug	9-3
569	C	Bulkhead Receptacle	9-3	710	C	Angle Plug	9-3
570	C	Bulkhead Jack	9-3	711	C	Plug	9-3
571	C	Panel Jack	9-3	909	BNC	Bulkhead Jack	9-2
572	C	Jack	9-3	910	BNC	Bulkhead Jack	9-2
573	C	Plug	9-3	911	BNC	Bulkhead Receptacle	9-2
582	N	Cable-to-Air-Line Adapter	9-27	912	BNC	Bulkhead Receptacle	9-2
583	N	Cable-to-Air-Line Adapter	9-27	913	BNC	Angle Plug	9-2
586	LC to LT	Adapter	9-26	914	BNC	Adapter	9-18
587	LC to LT	Adapter	9-26	920	HN	Angle Adapter	9-20
589	BNC	Plug	9-2	923	SM	Jack	9-13
593	N	Panel Jack	9-6	924	BNC	Binding-Post Adapter	9-18
594	N	Angle Plug	9-6	925	HN	Plug	9-4
602	N	Jack	9-6	926	HN	Plug	9-4
603	N	Jack	9-6	927	HN	Jack	9-4
604	BNC	Bulkhead Receptacle	9-2	928	BNC	Panel Receptacle	9-2
606	BNC to N	Pressurized Adapter	9-26	929	HN	Panel Jack	9-4
624	BNC	Bulkhead Jack	9-2	930	HN	Panel Jack	9-4
625	BNC	Bulkhead Receptacle	9-2	934	QDL	Adapter	9-24
626	C	Plug	9-3	935	N	Panel Jack	9-6
627	C	Plug	9-3	936	N	Bulkhead Jack	9-6
628	C	Plug	9-3	937	C	Bulkhead Jack	9-3
629	C	Panel Jack	9-3	938	C	Panel Jack	9-3
630	C	Panel Jack	9-3	939	C	Bulkhead Jack	9-3
631	C	Bulkhead Jack	9-3	940	N	Jack	9-6
632	C	Bulkhead Jack	9-3	941	N	Plug	9-6
633	C	Jack	9-3	942	C	Plug	9-3
634	C	Bulkhead Receptacle	9-3	943	C	Plug	9-3
635	BNC to C	Adapter	9-26	944	C	Jack	9-3
636	BNC to C	Adapter	9-26	945	C	Angle Plug	9-3
637	C to UHF	Adapter	9-26	946	QDL	Plug	9-10
641	BNC	Binding-Post Adapter	9-18	959	BNC	Plug	9-2
642	C	Angle Adapter	9-19	965	LC	Cable-to-RG-128/U Adapter	9-27
643	C	Adapter	9-19	966	N to QDS	Adapter	9-26
646	UHF	Angle Adapter	9-25	967	QDS	Jack	9-11
657	BNC	Bulkhead Receptacle	9-2	968	QDS	Plug	9-11
680	N	Bulkhead Receptacle	9-6	970	UHF twin to UHF	Angle Adapter	9-26
690	BNC to SM	Adapter	9-26	971	UHF twin to C	Angle Adapter	9-26
691	BNC to SM	Pressurized Adapter	9-26	972	QDS	Panel Jack	9-11
692	SM	Plug	9-26	976	QDS	Adapter	9-24
693	SM	Plug	9-26	977	QDL to QDS	Adapter	9-26
694	SM	Angle Receptacle	9-26	978	BNC	Banana-Jack Adapter	9-18
695	SM	Adapter	9-13	981	UHF	Angle Adapter	9-25
696	SM	Receptacle	9-13	982	N	Plug	9-6
697	SM	Receptacle	9-13	987	BNC	Two-Banana-Jack Adapter	9-18
698	SM	Jack	9-13	989	QDL	Panel Receptacle	9-10
699	SM	Plug	9-13	997	N	Angle Panel Receptacle	9-6
700	SM	Jack	9-13				
701	C	Bulkhead Adapter	9-19				
702	C to HN	Adapter	9-26				
703	C to HN	Adapter	9-26				

AIAG 732

Table 9-1. Military-Numbered Connectors (Sheet 4 of 5)

UG-( )/U	SERIES	DESCRIPTION	TABLE
999	LC to N	Adapter	9-26
1003	N	Plug	9-6
1006	N	Plug	9-6
1010	QDS	Panel Receptacle	9-11
1013	N to QDL	Adapter	9-26
1017	UHF	Adapter	9-25
1018	N	Adapter	9-22
1019	HN	Adapter	9-20
1020	QDL	Plug	9-10
1021	HN	Plug	9-4
1032	C	Plug	9-3
1033	BNC	Plug	9-2
1034	BNC to N	Adapter	9-26
1035	BNC	Two-Banana-Jack Adapter	9-18
1041	HN	Plug	9-4
1047	N	Cable-to-Rigid-Line Adapter	9-27
1048	HN	Cable-to-Rigid-Line Adapter	9-27
1049	C	Cable-to-Rigid-Line Adapter	9-27
1055	BNC	Panel Jack	9-2
1056	BNC	Jack	9-2
1058	UHF	Angle Adapter	9-25
1059	UHF	Adapter	9-25
1061	QDL	Angle Adapter	9-24
1073	QDL	Jack	9-10
1074	QDL	Panel Jack	9-10
1075	QDL	Jack	9-10
1076	QDL	Panel Jack	9-10
1082	BNC	Plug	9-2
1084	Rubber Pulse	Tee Adapter	9-23
1085	Rubber Pulse	Angle Plug	9-8
1086	Rubber Pulse	Angle Jack	9-8
1090	BNC	Binding-Post Adapter	9-24
1094	BNC	Bulkhead Receptacle	9-2
1095	N	Panel Jack	9-6
1098	BNC	Angle Receptacle	9-2
1102	HN	Jack	9-4
1103	HN	Panel Jack	9-4
1104	BNC	Panel Receptacle	9-2
1107	HN to N	Adapter	9-26
1108	HN to N	Adapter	9-26
1109	HN	Tee Adapter	9-20
1110	Ceramic Pulse	Adapter	9-23
1111	QDS	Bulkhead Receptacle	9-11
1119	LC	Cable-to-Rigid-Line Adapter	9-27
1120	N	Cable-to-Rigid-Line Adapter	9-27
1121	N	Cable-to-Rigid-Line Adapter	9-27

UG-( )/U	SERIES	DESCRIPTION	TABLE
1122	N	Cable-to-Rigid-Line Adapter	9-27
1132	QDS	Panel Jack	9-11
1133	QDL	Plug	9-10
1134	QDS	Plug	9-11
1135	QDS	Jack	9-11
1136	BNC to QDS	Adapter	9-26
1137	HN to QDS	Adapter	9-26
1138	C	Bulkhead Adapter	9-19
1141	Ceramic Pulse	Panel Receptacle	9-7
1142	C to QDS	Adapter	9-26
1143	HN to QDS	Adapter	9-26
1144	N to QDS	Adapter	9-26
1145	QDS	Bulkhead Adapter	9-24
1146	BNC to QDS	Adapter	9-26
1154	N	Cable-to-Rigid-Line Adapter	9-27
1155	N	Cable-to-Rigid-Line Adapter	9-27
1160	-	Rigid-Line-to-Rigid- Line Adapter	9-28
1165	QDL	Panel Receptacle	9-10
1166	LT to N	Adapter	9-26
1167	LN to LT	Adapter	9-26
1168	LC to LT	Adapter	9-26
1173	QDS	Tee Adapter	9-24
1174	BNC	Angle Bulkhead Receptacle	9-2
1179	LC	Plug	9-5
1180	QDS	Bulkhead Receptacle	9-11
1185	N	Plug	9-6
1186	N	Jack	9-6
1187	N	Panel Jack	9-6
1189	LC	Plug	9-5
1190	C	Plug	9-3
1195	N	Plug	9-6
1213	HN	Plug	9-4
1214	HN	Jack	9-4
1215	HN	Panel Jack	9-4
1221	QDS	Angle Adapter	9-24
1249	QDL	Tee Adapter	9-24
1250	C to LT	Adapter	9-26
1251	LT	Cable-to-Rigid-Line Adapter	9-27
1258	LC	Plug	9-5
1264	LT	Angle Adapter	9-21
1274	LT	Cable-to-Rigid-Line Adapter	9-27
1275	QDL	Angle Panel Receptacle	9-10
1276	QDS	Angle Panel Receptacle	9-11

AIAG 733



Table 9-1. Military-Numbered Connectors (Sheet 5 of 5)

UG-( )/U	SERIES	DESCRIPTION	TABLE
1278	QDS	Plug	9-11
1279	QDL	Angle Plug	9-10
1287	C to LC	Panel Adapter	9-26
1288	C to LC	Adapter	9-26
1291	Rubber Pulse	Plug	
1292	Rubber	Receptacle	9-8
	Pulse		9-8
1293	Rubber	Receptacle	
	Pulse		9-8
1294	Rubber	Adapter	
	Pulse		9-23
1295	Rubber	Plug	
	Pulse		9-8
1296	Rubber	Receptacle	
	Pulse		9-8
1297	Rubber	Angle Receptacle	
	Pulse		9-8
1298	Ceramic	Adapter	
	Pulse		9-23
1301	Rubber	Panel Receptacle	
	Pulse		9-8
1302	Rubber	Plug	
	Pulse		9-8
1303	Rubber	Plug	
	Pulse		9-8
1304	Rubber	Panel Receptacle	
	Pulse		9-8
1379	Rubber	Receptacle	
	Pulse		
1400	Rubber	Bulkhead Receptacle	
	Pulse		9-18
CW-123	BNC	Cap and Chain	9-18
CW-155	BNC	Cap	9-18
CW-159	BNC	Shorting Cap	9-18
CW-282	BNC	Cap and Chain	9-18
M-358	UHF	Tee Adapter	9-25
M-359	UHF	Angle Adapter	9-25
M-360	UHF	Hood	9-25
M-365	UHF	Hood	9-25
MX-103	HN	Tapering Tool	9-20
MX-195	BNC	Hood	9-18
MX-367	BNC	Hood	9-18
MX-539	UHF	Hood	9-25
MX-543	UHF	Hood	9-25
MX-554	BNC	Resistor Termination	9-18
MX-913	N	Cap and Chain	9-22
MX-1142	C	Cap and Chain	9-19
MX-1143	C	Cap and Chain	9-19
MX-1144	C, QDS	Hood	9-19
MX-1556	UHF	Hood	9-24
MX-1870	C, QDS	Hood	9-19
MX-1899	QDS	Hood	9-24
MX-1913	QDS	Hood	9-24
MX-1914	QDS	Hood	9-24

UG-( )/U	SERIES	DESCRIPTION	TABLE
PL-258	UHF	Adapter	9-25
PL-259	UHF	Plug	9-17
PL-274	UHF	Bulkhead Adapter	9-25
PL-275	UHF	Bulkhead Adapter	9-25
PL-285	UHF	Adapter	9-25
PL-293	UHF	Angle Adapter	9-25
PL-295	UHF	Plug	9-17
PL-305	UHF	Adapter	9-25
PL-844	UHF	Plug	9-17
SO-239	UHF	Receptacle	9-17
SO-264	UHF	Panel Jack	9-17
SO-265	UHF	Panel Receptacle	9-17
TL-612	HN	Cable Dresser	9-20

AIAG 734

Table 9-2. BNC-Series Connectors (Sheet 1 of 2)

UG-( )/U	ILLUSTRATION*	DESCRIPTION	FOR RG-( )/U CABLE	A	B	C	D	E	REMARKS
88	A	Plug	55, 58, 141, 142, 223	7/16	9/16	1-1/32	-	-	-
88A	A	Plug	55, 58, 141, 142, 223	7/16	9/16	1-1/32	-	-	-
88B	A	Plug	55, 58, 141, 142, 223	7/16	9/16	1-1/32	-	-	-
88C	A	Plug	55, 58, 141, 142, 223	1/2	9/16	1-5/32	-	-	-
88D	A	Plug	55, 58, 141, 142, 223	1/2	9/16	1-5/32	-	-	-
89	B	Jack	55, 58, 141, 142, 223	7/16	3/8	1-3/32	-	-	-
89A	B	Jack	55, 58, 141, 142, 223	7/16	3/8	1-3/32	-	-	-
89B	B	Jack	55, 58, 141, 142, 223	1/2	3/8	1-1/8	-	-	-
89C	B	Jack	55, 58, 141, 142, 223	1/2	3/8	1-1/8	-	-	-
90	C	Panel Jack	55, 58, 141, 142, 223	7/16	3/8	1-3/32	35/64	-	Max Panel 3/16"
185	F	Panel Receptacle	-	-	3/8	1-1/16	5/8	-	Max Panel 13/64"
253A	-	Bulkhead Jack	55, 58, 141, 142, 223	-	-	-	-	-	Pressurized
253B	-	Bulkhead Jack	55, 58, 141, 142, 223	-	-	-	-	-	Pressurized
260	A	Plug	59, 62, 71, 140	7/16	9/16	1-1/32	-	-	Styrene
260A	A	Plug	59, 62, 71, 140	7/16	9/16	1-1/32	-	-	Styrene
260B	A	Plug	59, 62, 71, 140	1/2	9/16	1-5/32	-	-	Teflon
260C	A	Plug	59, 62, 71, 140	1/2	9/16	1-5/32	-	-	Teflon
261	B	Jack	59, 62, 71, 140	7/16	3/8	1-3/32	-	-	Styrene
261A	B	Jack	59, 62, 71, 140	7/16	3/8	1-3/32	-	-	Styrene
261B	B	Jack	59, 62, 71, 140	1/2	3/8	1-1/8	-	-	Teflon
261C	B	Jack	59, 62, 71, 140	1/2	3/8	1-1/8	-	-	Teflon
262	C	Panel Jack	59, 62, 71	7/16	3/8	1-3/32	19/64	-	Max Panel 1/4" Styrene
262A	C	Panel Jack	59, 62, 71	7/16	3/8	1-3/32	19/64	-	Max Panel 1/4" Styrene
262B	C	Panel Jack	59, 62, 71	1/2	3/8	1-1/8	19/64	-	Max Panel 1/4" Teflon
262C	C	Panel Jack	59, 62, 71	1/2	3/8	1-1/8	19/64	-	Max Panel 1/4" Teflon
290	F	Panel Receptacle	-	-	3/8	1-1/16	5/8	-	Max Panel 13/64" Styrene
290A	F	Panel Receptacle	-	-	3/8	1-3/64	5/8	-	Max Panel 13/64" Teflon
291	C	Panel Jack	55, 58, 223	7/16	3/8	1-3/32	19/64	-	Max Panel 1/4"
291A	C	Panel Jack	55, 58, 223	7/16	3/8	1-3/32	19/64	-	Max Panel 1/4"
291B	C	Panel Jack	55, 58, 223	1/2	3/8	1-3/32	19/64	-	Max Panel 1/4"
291C	C	Panel Jack	55, 58, 223	1/2	3/8	1-1/8	19/64	-	Max Panel 1/4"
447	F	Panel Receptacle	-	-	3/8	1-1/8	19/64	-	Max Panel 1/4"
535	L	Angle Panel Receptacle	-	-	3/8	1-1/16	5/8	-	Max Panel 13/64"
535A	G	Angle Bulkhead Receptacle	-	-	3/8	23/32	23/32	-	-
				3/8-32	3/8	31/32	23/32	-	Max Panel 1/16"

\*Illustrations referenced are contained in figure 9-1. These illustrations are for specific connectors and have been referenced for similar connectors to provide dimensioning information only.

\*\*Dimensions are representative and will vary with different connector manufacturers.

Table 9-2. BNC-Series Connectors (Sheet 2 of 2)

UG-( )/U	ILLUSTRATION*	DESCRIPTION	FOR RG-( )/U CABLE	A	B	C	D	E	REMARKS
DIMENSIONS ** (INCHES)									
589	A	Plug	Wire W-142	7/16	9/16	1-1/32	-	-	-
604	H	Bulkhead Receptacle	-	3/8-32	3/8	31/32	17/32	-	Max Panel 3/64"
624	K	Bulkhead Jack	59,62,71	7/16	3/8	1-3/32	17/32	1/2-28	Max Panel 7/64"
625	H	Bulkhead Receptacle	-	3/8-32	3/8	1-1/32	1/2	-	Max Panel 3/32"
625A	H	Bulkhead Receptacle	-	3/8-32	3/8	1-1/16	15/32	-	Max Panel 5/64"
625B	H	Bulkhead Receptacle	-	3/8-32	3/8	1-1/16	15/32	-	Max Panel 5/64"
657	H	Bulkhead Receptacle	-	3/8-32	3/8	1-19/64	19/32	-	Pressurized, Max Panel 5/32"
909	E	Bulkhead Jack	55,58,141,142,223	1/2	3/8	1-1/8	11/16	1/2-28	Max Panel 1/16"
909A	E	Bulkhead Jack	55,58,141,142,223	1/2	3/8	1-1/8	11/16	1/2-28	Max Panel 1/16"
910	E	Bulkhead Jack	59,62,71,140	1/2	3/8	1-1/8	11/16	1/2-28	Max Panel 1/16"
910A	E	Bulkhead Jack	59,62,71,140	1/2	3/8	1-1/8	11/16	1/2-28	Max Panel 1/16"
911	I	Bulkhead Receptacle	-	11/16	3/8	1-7/32	27/32	1/2-28	Pressurized, Max Panel 3/16"
911A	I	Bulkhead Receptacle	-	11/16	3/8	1-7/32	27/32	1/2-28	Pressurized, Max Panel 3/16"
912	H	Bulkhead Receptacle	-	3/8-32	3/8	1-5/64	33/64	-	Pressurized Max Panel 3/16"
913	D	Angle Plug	55,58,141,142,223	1/2	9/16	1-5/16	27/32	-	-
913A	D	Angle Plug	55,58,141,142,223	1/2	9/16	1-5/16	27/32	-	-
928	F	Panel Receptacle	-	-	3/8	1-1/16	5/8	-	Max Panel 13/64"
959A	A	Plug	8,9,31,213,214	3/4	9/16	1-21/32	-	-	-
1033	A	Plug	122	1/2	9/16	1-5/32	-	-	-
1033A	A	Plug	122	1/2	9/16	1-5/32	-	-	-
1055	C	Panel Jack	122	1/2	3/8	1-1/8	19/64	-	Max Panel 1/4"
1056	B	Jack	122	1/2	3/8	1-1/8	-	-	-
1056A	B	Jack	122	1/2	3/8	1-1/8	-	-	-
1082	A	Plug	122	1/2	9/16	1-5/32	-	-	-
1094	H	Bulkhead Receptacle	-	3/8-32	3/8	1-1/16	15/32	-	Max Panel 5/64"
1098	G	Angle Bulkhead Receptacle	-	3/8-32	3/8	31/32	23/32	-	Max Panel 1/16"
1104	J	Panel Receptacle	-	-	9/16	1-11/64	-	-	-
1174	G	Angle Bulkhead Receptacle	-	3/8-32	3/8	31/32	23/32	-	Max Panel 1/16"

\*Illustrations referenced are contained in figure 9-1. These illustrations are for specific connectors and have been referenced for similar connectors to provide dimensioning information only.

\*\*Dimensions are representative and will vary with different connector manufacturers.

AIAG 736

Table 9-3. C-Series Connectors (Sheet 1 of 2)

JUG-( )/U	ILLUSTRATION*	DESCRIPTION	FOR RG-( )/U CABLES	DIMENSIONS ** (INCHES)					REMARKS
				A	B	C	D	E	
568	J	Panel Receptacle	-	-	17/32	1-3/32	11/16	-	Max Panel 3/16"
569	H	Bulkhead Receptacle	-	-	17/32	1-3/32	3/4	3/4-32	Max Panel 5/64"
570	B	Bulkhead Jack	8, 9, 11, 13, 41, 63, 144, 213, 214, 216	3/4	17/32	1-13/32	3/4	3/4-32	Max Panel 3/32"
570A	B	Bulkhead Jack	8, 9, 11, 13, 41, 63, 144, 213, 214, 216	3/4	17/32	1-13/32	3/4	3/4-32	Max Panel 3/32"
571	C	Panel Jack	8, 9, 11, 13, 41, 63, 144, 213, 214, 216	3/4	17/32	1-13/32	11/16	-	Max Panel 3/16"
571A	C	Panel Jack	8, 9, 11, 13, 41, 63, 144, 213, 214, 216	3/4	17/32	1-13/32	11/16	-	Max Panel 3/16"
572	D	Jack	8, 9, 11, 13, 41, 63, 144, 213, 214, 216	3/4	17/32	1-13/32	-	-	-
572A	D	Jack	8, 9, 11, 13, 41, 63, 144, 213, 214, 216	3/4	3/4	1-1/2	-	-	-
573A	A	Plug	8, 9, 11, 13, 41, 63, 144, 213, 214, 216	3/4	3/4	1-1/2	-	-	-
573B	A	Plug	8, 9, 11, 13, 41, 63, 144, 213, 214, 216	3/4	3/4	1-1/2	-	-	-
626A	A	Plug	5, 6, 21, 143, 212, 213	3/4	3/4	1-1/2	-	-	-
626B	A	Plug	5, 6, 21, 143, 212, 213	3/4	3/4	1-1/2	-	-	-
627A	A	Plug	59, 62, 71	1/2	3/4	1-3/8	-	-	-
627B	A	Plug	59, 62, 71	1/2	3/4	1-3/8	-	-	-
628A	A	Plug	8, 9	3/4	3/4	1-3/4	-	-	High Voltage
628B	A	Plug	8, 9	3/4	3/4	1-3/4	-	-	High Voltage
629	C	Panel Jack	5, 6, 212	3/4	17/32	1-13/32	11/16	-	-
629A	C	Panel Jack	5, 6, 212	3/4	17/32	1-13/32	11/16	-	-
630	B	Bulkhead Jack	5, 6, 21, 143, 212, 213	3/4	17/32	1-13/32	3/4	3/4-32	Max Panel 3/32"
630A	B	Bulkhead Jack	5, 6, 21, 143, 212, 213	3/4	17/32	1-13/32	3/4	3/4-32	Max Panel 3/32"
631	E	Bulkhead Jack	59, 62, 71	1/2	17/32	1-9/32	19/32	5/8-24	Max Panel 5/32"
631A	E	Bulkhead Jack	59, 62, 71	1/2	17/32	1-9/32	19/32	5/8-24	Max Panel 5/32"
632	B	Bulkhead Jack	8, 9	3/4	17/32	1-11/16	3/4	3/4-32	High Voltage, Max Panel 3/32"
632A	B	Bulkhead Jack	8, 9	3/4	17/32	1-11/16	3/4	3/4-32	High Voltage, Max Panel 3/32"
633	D	Jack	5, 6, 21, 143, 212, 213	3/4	17/32	1-13/32	-	-	-
633A	D	Jack	5, 6, 21, 143, 212, 213	3/4	17/32	1-13/32	-	-	-
634	I	Bulkhead Receptacle	-	-	17/32	1-5/16	3/4	3/4-32	High Voltage, Max Panel 5/64"
704	E	Bulkhead Jack	55, 58, 223	1/2	17/32	1-9/32	19/32	5/8-24	Max Panel 5/32"
704A	E	Bulkhead Jack	55, 58, 223	1/2	17/32	1-9/32	19/32	5/8-24	Max Panel 5/32"
705	H	Bulkhead Receptacle	-	-	17/32	1-13/32	13/16	3/4-32	Pressurized, Max Panel 9/64"
706	G	Bulkhead Receptacle	-	3/8-32	17/32	1-5/32	37/64	-	Max Panel 5/64"
707A	A	Plug	14, 217	7/8	3/4	1-3/4	-	-	-
707B	A	Plug	14, 217	7/8	3/4	1-3/4	-	-	-
708A	A	Plug	17, 35, 218	1-5/16	3/4	2-1/8	-	-	-
708B	A	Plug	17, 35, 218	1-5/16	3/4	2-1/8	-	-	-
709A	A	Plug	55, 58, 223	1/2	3/4	1-3/8	-	-	-
709B	A	Plug	55, 58, 223	1/2	3/4	1-3/8	-	-	-

\*Illustrations referenced are contained in figure 9-6. These illustrations are for specific connectors and have been refer- need for similar connectors to provide dimensioning information only.

\*\*Dimensions are representative and will vary with different connector manufacturers.

Table 9-3. C-Series Connectors (Sheet 2 of 2)

UG-( )/U	ILLUSTRATION*	DESCRIPTION	FOR RG-( ) U CABLES	DIMENSIONS** (INCHES)					REMARKS
				A	B	C	D	E	
710A	F	Angle Plug	8,9,11,13,41,63,144,213,214,216	3/4	3/4	1-9/32	1	-	-
710B	F	Angle Plug	8,9,11,13,41,63,144,213,214,216	3/4	3/4	1-9/32	1	-	-
711A	A	Plug	117,118,211,228	1-5/16	3/4	2-1/8	-	-	-
711B	A	Plug	117,118,211,228	1-5/16	3/4	2-1/8	-	-	-
937	-	Bulkhead Jack	10,12,215	-	-	-	-	-	-
937A	-	Bulkhead Jack	10,12,215	-	-	-	-	-	-
938	C	Panel Jack	10,12,215	3/4	17/32	2-3/32	11/16	-	Armor Clamp, Max Panel 3/16"
938A	C	Panel Jack	10,12,215	3/4	17/32	2-3/32	11/16	-	Armor Clamp, Max Panel 3/16"
939	B	Bulkhead Jack	10,12,215	3/4	17/32	2-3/8	3/4	3-4-32	Armor Clamp, Max Panel 3/32", High Voltage
939A	B	Bulkhead Jack	10,12,215	3/4	17/32	2-3/8	3/4	3-4-32	Armor Clamp, Max Panel 3/32", High Voltage
942A	A	Plug	8,9,10,12,215	3/4	3/4	2-7/16	-	-	Armor Clamp, High Voltage
942B	A	Plug	8,9,10,12,215	3/4	3/4	2-7/16	-	-	Armor Clamp, High Voltage
943A	A	Plug	10,12,79,215	3/4	3/4	2-3/16	-	-	Armor Clamp
943B	A	Plug	10,12,79,215	3/4	3/4	2-3/16	-	-	Armor Clamp
944	D	Jack	10,12,79,215	3/4	17/32	2-3/32	-	-	Armor Clamp
944A	D	Jack	10,12,79,215	3/4	17/32	2-3/32	-	-	Armor Clamp
945A	F	Angle Plug	10,12,79,215	3/4	3/4	1-31/32	1	-	Armor Clamp
945B	F	Angle Plug	10,12,79,215	3/4	3/4	1-31/32	1	-	Armor Clamp
1032	A	Plug	65	3/4	3/4	1-3/4	-	-	-
1190	A	Plug	189	1-5/16	3/4	2-5/16	-	-	-

\*Illustrations referenced are contained in figure 9-6. These illustrations are for specific connectors and have been referenced for similar connectors to provide dimensioning information only.

\*\*Dimensions are representative and will vary with different connector manufacturers.

AIAG 738

Table 9-4. HN-Series Connectors (Sheet 1 of 2)

UG-( )/U	ILLUSTRATION*	DESCRIPTION	FOR RG-( )/U CABLES	A	B	C	D	REMARKS
				DIMENSIONS ** (INCHES)				
59A	A	Plug	8, 9, 31, 213, 214	11/16	7/8	2-3/8	-	
59B	A	Plug	8, 9, 31, 213, 214	11/16	7/8	2-33/64	-	
59C	A	Plug	8, 9, 31, 213, 214	3/4	7/8	2-3/16	-	
59D	A	Plug	8, 9, 31, 213, 214	3/4	7/8	2-1/4	-	
59E	A	Plug	8, 9, 31, 213, 214	3/4	7/8	2-1/4	-	
60A	B	Jack	8, 9, 31, 213, 214	11/16	3/4-20	2-17/32	-	
60B	B	Jack	8, 9, 31, 213, 214	11/16	3/4-20	2-33/64	-	
60C	B	Jack	8, 9, 31, 213, 214	3/4	3/4-20	2-5/16	-	
60D	B	Jack	8, 9, 31, 213, 214	3/4	3/4-20	2	-	
60E	B	Jack	8, 9, 31, 213, 214	3/4	3/4-20	2	-	
61A	C	Panel Jack	8, 9, 31, 213, 214	11/16	3/4-20	2-17/32	19/32	
61B	C	Panel Jack	8, 9, 31, 213, 214	11/16	3/4-20	2-33/64	37/64	
61C	C	Panel Jack	8, 9, 31, 213, 214	3/4	3/4-20	2-5/16	19/32	
61D	C	Panel Jack	8, 9, 31, 213, 214	3/4	3/4-20	2	41/64	
61E	C	Panel Jack	8, 9, 31, 213, 214	3/4	3/4-20	2	41/64	
333A	B	Jack	17, 18, 164, 218	1-5/16	3/4-20	2-7/16	-	
333B	B	Jack	17, 18, 164, 218	1-5/16	3/4-20	2-1/2	-	
334A	C	Panel Jack	17, 18, 164, 218	1-5/16	3/4-20	2-7/16	21/32	Max Panel 3/32"
334B	C	Panel Jack	17, 18, 164, 218	1-5/16	3/4-20	2-1/2	21/32	Max Panel 3/32"
427	C	Panel Jack	8, 9, 31, 213, 214	11/16	3/4-20	2-17/32	19/32	
427A	C	Panel Jack	8, 9, 31, 213, 214	3/4	3/4-20	2-5/16	19/32	
427B	C	Panel Jack	8, 9, 31, 213, 214	3/4	3/4-20	2-1/32	39/64	
427C	C	Panel Jack	8, 9, 31, 213, 214	3/4	3/4-20	2	41/64	
494	A	Plug	14, 74, 217	1	7/8	2	-	
494A	A	Plug	14, 74, 217	7/8	7/8	2-3/8	-	
495A	A	Plug	17, 18, 218	1-5/16	7/8	2-17/32	-	
495C	A	Plug	17, 18, 218	1-5/16	7/8	2-5/8	-	
495D	A	Plug	17, 18, 218	1-5/16	7/8	2-3/32	-	
496	D	Panel Receptacle	-	-	3/4-20	1-5/16	11/16	
560	D	Panel Receptacle	-	-	3/4-20	1-3/4	41/64	
925	A	Plug	8, 9, 10, 12, 116, 215	3/4	7/8	2-3/4	-	Armor Clamp
925A	A	Plug	8, 9, 10, 12, 116, 215	3/4	7/8	2-27/32	-	Armor Clamp
925B	A	Plug	8, 9, 10, 12, 116, 215	3/4	7/8	2-15/16	-	Armor Clamp
926	A	Plug	117, 118	1-5/16	7/8	2-15/32	-	
926A	A	Plug	117, 118	1-5/16	7/8	3-1/2	-	Armor Clamp

\*Illustrations referenced are contained in figure 9-9. These illustrations are for specific connectors and have been referenced for similar connectors to provide dimensioning information only.

\*\*Dimensions are r presentative and will vary with different connector manufacturers.

Table 9-4. HN-Series Connectors (Sheet 2 of 2)

UG-( )/U	ILLUSTRATION*	DESCRIPTION	FOR RG-( )/U CABLES	A	B	C	D	REMARKS
				DIMENSIONS ** (INCHES)				
926B	A	Plug	117, 118	1-5/16	7/8	3-1/2	-	Armor Clamp
927	B	Jack	8, 9, 10, 12, 116, 215	3/4	3/4-20	3	-	Armor Clamp
927A	B	Jack	8, 9, 10, 12, 116, 215	3/4	3/4-20	2-11/16	-	Armor Clamp
927B	B	Jack	8, 9, 10, 12, 116, 215	3/4	3/4-20	2-11/16	-	Armor Clamp
929	C	Panel Jack	8, 9, 10, 12, 116, 215	3/4	3/4-20	3	19/32	Armor Clamp
929A	C	Panel Jack	8, 9, 10, 12, 116, 215	3/4	3/4-20	2-11/16	41/64	Armor Clamp
929B	C	Panel Jack	8, 9, 10, 12, 116, 215	3/4	3/4-20	2-11/16	41/64	Armor Clamp
930	C	Panel Jack	8, 9, 10, 12, 116, 215	3/4	3/4-20	3	19/32	Armor Clamp
930A	C	Panel Jack	8, 9, 10, 12, 116, 215	3/4	3/4-20	2-11/16	41/64	Armor Clamp
930B	C	Panel Jack	8, 9, 10, 12, 116, 215	3/4	3/4-20	2-11/16	41/64	Armor Clamp
1021	A	Plug	14, 74, 224	7/8	7/8	3-1/8	-	Armor Clamp
1041	A	Plug	17, 18, 35, 218	1-5/16	7/8	3-1/2	-	Armor Clamp
1041A	A	Plug	17, 18, 25, 218	1-5/16	7/8	3-1/2	-	Armor Clamp
1102	B	Jack	17, 18, 35, 218	1-5/16	3/4-20	3-3/8	-	Armor Clamp
1103	C	Panel Jack	17, 18, 35, 218	1-5/16	3/4-20	3-3/8	21/32	Armor Clamp, Max Panel 3/32"
1213	A	Plug	8, 9	11/16	7/8	2-33/64	-	
1214	B	Jack	8, 9	11/16	3/4-20	2-59/64	-	
1215	C	Panel Jack	87, 165, 225	11/16	3/4-20	2-33/65	37/64	

\*Illustrations referenced are contained in figure 9-9. These illustrations are for specific connectors and have been referenced for similar connectors to provide dimensioning information only.

\*\*Dimensions are representative and will vary with different connector manufacturers.

AIAG 740

Table 9-5. LC- and LT-Series Connectors

UG-( )/U	ILLUSTRATION*	DESCRIPTION	FOR RG-( )/U CABLES	A	B	C	D	REMARKS
<u>LC CONNECTORS</u>								
154	B	Plug	17, 18	1-5/8	1-1/2 hex	3	-	-
154A	B	Plug	17, 18	1-5/16	1-1/2 hex	3-7/16	-	Armor Clamp
156	B	Plug	19, 20	2	2 hex	3	-	-
156A	B	Plug	19, 20	2	2 hex	3	-	-
352	C	Receptacle	-	-	1-1/4-18	2-1/4	1-1/4	-
352A	C	Receptacle	-	-	1-1/4-18	3-1/8	1-1/4	-
352B	C	Receptacle	-	-	1-1/4-18	3-1/16	7/8	Max Panel 15/64"
1179	-	Plug	85	-	-	-	-	-
1189	A	Plug	189	1-5/16	1-1/2 hex	3	-	-
1258	B	Plug	17, 164, 218	1-5/16	1-1/2 hex	2-9/16	-	-
<u>LT CONNECTORS</u>								
532A	B	Plug	117, 118, 211, 218	1-5/8	1-1/2 hex	3	-	-

\*Illustrations referenced are contained in figure 9-13. These illustrations are for specific connectors and have been referenced for similar connectors to provide dimensioning information only.

\*\*Dimensions are representative and will vary with different connector manufacturers.



Table 9-6. N-Seires Connectors (Sheet 1 of 3)

UG-( )/U	ILLUSTRATION*	DESCRIPTION	FOR RG-( )/U CABLES	DIMENSIONS ** (INCHES)				REMARKS
				A	B	C	D	
18	E	Plug	5,6,21,143,212	3/4	13/16	1-31/32	-	50-ohm
18A	E	Plug	5,6,21,143,212	11/16	13/16	1-13/16	-	50-ohm
18B	E	Plug	5,6,21,143,212	11/16	25/32	1-3/4	-	50-ohm
18C	E	Plug	5,6,21,143,212	3/4	25/32	1-1/2	-	50-ohm
18D	E	Plug	5,6,21,143,212	3/4	25/32	1-1/2	-	50-ohm
19	F	Panel Jack	5,6,21,212	3/4	5/8-24	1-31/32	1	50-ohm
19A	F	Panel Jack	5,6,21,212	11/16	5/8-24	1-7/8	1	50-ohm
19B	F	Panel Jack	5,6,21,212	11/16	5/8-24	1-13/16	11/16	50-ohm, Max Panel 11/64"
19C	F	Panel Jack	5,6,21,212	3/4	5/8-24	1-9/16	21/32	50-ohm, Max Panel 3/16"
19D	F	Panel Jack	5,6,21,212	3/4	5/8-24	1-9/16	21/32	50-ohm, Max Panel 3/16"
20	B	Jack	5,6,21,143,212	3/4	5/8-24	1-31/32	-	50-ohm
20A	B	Jack	5,6,21,143,212	11/16	5/8-24	1-7/8	-	50-ohm
20B	B	Jack	5,6,21,143,212	11/16	5/8-24	1-13/16	-	50-ohm
20C	B	Jack	5,6,21,143,212	3/4	5/8-24	1-9/16	-	50-ohm
20D	B	Jack	5,6,21,143,212	3/4	5/8-24	1-9/16	-	50-ohm
21	E	Plug	8,9,11,13,41,63,114,144,213,214,216	3/4	13/16	1-31/32	-	50-ohm
21A	E	Plug	8,9,11,13,41,63,114,144,213,214,216	11/16	13/16	1-13/16	-	50-ohm
21B	E	Plug	8,9,11,13,41,63,114,144,213,214,216	11/16	25/32	1-3/4	-	50-ohm
21C	E	Plug	8,9,11,13,41,63,114,144,213,214,216	11/16	25/32	1-3/4	-	50-ohm
21D	E	Plug	8,9,11,13,41,63,114,144,213,214,216	3/4	25/32	1-1/2	-	50-ohm
21E	E	Plug	8,9,11,13,41,63,114,144,213,214,216	3/4	25/32	1-1/2	-	50-ohm
22	F	Panel Jack	8,9,31,213,214	3/4	5/8-24	1-31/32	1	50-ohm
22A	F	Panel Jack	8,9,31,213,214	11/16	5/8-24	1-7/8	1	50-ohm
22B	F	Panel Jack	8,9,31,213,214	11/16	5/8-24	1-13/16	11/16	50-ohm, Max Panel 11/64"
22C	F	Panel Jack	8,9,31,213,214	11/16	5/8-24	1-13/16	11/16	50-ohm, Max Panel 11/64"
22D	F	Panel Jack	8,9,31,213,214	3/4	5/8-24	1-9/16	21/32	50-ohm, Max Panel 3/16"
22E	F	Panel Jack	8,9,31,213,214	3/4	5/8-24	1-9/16	21/32	50-ohm, Max Panel 3/16"
23	B	Jack	8,9,11,13,41,63,114,144,213,214,216	3/4	5/8-24	1-31/32	-	50-ohm
23A	B	Jack	8,9,11,13,41,63,114,144,213,214,216	11/16	5/8-24	1-7/8	-	50-ohm
23B	B	Jack	8,9,11,13,41,63,114,144,213,214,216	11/16	5/8-24	1-13/16	-	50-ohm
23C	B	Jack	8,9,11,13,41,63,114,144,213,214,216	11/16	5/8-24	1-13/16	-	50-ohm
23D	B	Jack	8,9,11,13,41,63,114,144,213,214,216	3/4	5/8-24	1-9/16	-	50-ohm
23E	B	Jack	8,9,11,13,41,63,114,144,213,214,216	3/4	5/8-24	1-9/16	-	50-ohm
58	A	Panel Receptacle	-	-	5/8-24	1-3/32	21/32	50-ohm, Max Panel 3/16"
58A	A	Panel Receptacle	-	-	5/8-24	1-3/32	21/32	50-ohm, Max Panel 3/16"
91	E	Plug	6,39	3/4	13/16	1-31/32	-	70-ohm
91A	E	Plug	6,39	11/16	13/16	1-13/16	-	70-ohm

\*Illustrations referenced are contained in figure 9-18. These illustrations are for specific connectors and have been referenced for similar connectors to provide dimensioning information only.

\*\*Dimensions are representative and will vary with different connector manufacturers.

Table 9-6. N-Series Connectors (Sheet 2 of 3)

UG-( )/U	ILLUSTRATION*	DESCRIPTION	FOR RG-( )/U CABLES	DIMENSIONS ** (INCHES)				REMARKS
				A	B	C	D	
92	B	Jack	6,39	3/4	5/8-24	1-31/32	-	70-ohm
92A	B	Jack	6,39	11/16	5/8-24	1-7/8	-	70-ohm
93	F	Panel Jack	6,39	3/4	5/8-24	1-31/32	1	70-ohm
93A	F	Panel Jack	6,39	11/16	5/8-24	1-7/8	1	70-ohm, Max Panel 11/64"
94	E	Plug	11,13,148,149,216	3/4	13/16	1-31/32	-	70-ohm
94A	E	Plug	11,13,148,149,216	11/16	13/16	1-13/16	-	70-ohm
95	B	Jack	11,13,148,149,216	3/4	5/8-24	1-31/32	-	70-ohm
95A	B	Jack	11,13,148,149,216	11/16	5/8-24	1-7/8	-	70-ohm
96	F	Panel Jack	11,13,148,149,216	3/4	5/8-24	1-31/32	1	70-ohm
96A	F	Panel Jack	11,13,148,149,216	11/16	5/8-24	1-7/8	1	70-ohm, Max Panel 11/64"
159A	G	Bulkhead Jack	5,6,21,212	11/16	5/8-24	1-13/16	29/32	50-ohm, Max Panel 9/32"
159B	G	Bulkhead Jack	5,6,21,212	3/4	5/8-24	1-3/4	29/32	50-ohm, Max Panel 9/32"
159C	G	Bulkhead Jack	5,6,21,212	3/4	5/8-24	1-3/4	29/32	50-ohm, Max Panel 9/32"
160A	G	Bulkhead Jack	8,9,11,13,41,63,114,144,213,214,216	11/16	5/8-24	1-13/16	29/32	50-ohm, Max Panel 9/32"
160B	G	Bulkhead Jack	8,9,11,13,41,63,114,144,213,214,216	11/16	5/8-24	1-13/16	29/32	50-ohm, Max Panel 9/32"
160C	G	Bulkhead Jack	8,9,11,13,41,63,114,144,213,214,216	3/4	5/8-24	1-3/4	29/32	50-ohm, Max Panel 9/32"
160D	G	Bulkhead Jack	8,9,11,13,41,63,114,144,213,214,216	3/4	5/8-24	1-3/4	29/32	50-ohm, Max Panel 9/32"
167	E	Plug	17,218	1-3/8	13/16	2-27/32	-	50-ohm
167A	E	Plug	17,218	1-5/16	13/16	2-1/4	-	50-ohm
167B	E	Plug	17,218	1-5/16	13/16	2-1/4	-	50-ohm
167C	E	Plug	17,218	1-5/16	13/16	2-1/4	-	50-ohm
167D	E	Plug	17,218	1-5/16	25/32	2-3/16	-	50-ohm
167E	E	Plug	17,218	1-5/16	25/32	2-3/16	-	50-ohm
204A	E	Plug	14,217	1	13/16	2	-	50-ohm
204B	E	Plug	14,217	7/8	13/16	1-3/4	-	50-ohm
204C	E	Plug	14,217	7/8	25/32	1-9/16	-	50-ohm
231	A	Panel Receptacle	29,55,58,223	-	5/8-24	1-3/32	21/32	50-ohm, Max Panel 3/16"
281	F	Panel Jack	29,55,58,223	3/4	5/8-24	1-31/32	1	50-ohm, Max Panel 3/16"
367	A	Panel Receptacle	-	-	5/8-24	1-3/32	21/32	50-ohm, Max Panel 3/16"
483	B	Jack:	81	11/16	5/8-24	1-13/16	-	50-ohm
484	B	Jack	81	1-1/4	5/8-24	1-11/16	-	50-ohm
486	E	Plug	81	11/16	25/32	1-3/4	-	50-ohm
487	E	Plug	82	1-1/4	13/16	1-47/64	-	50-ohm
536	E	Plug	55,58,223	11/16	13/16	1-3/4	-	50-ohm
536A	E	Plug	55,58,223	1/2	25/32	1-3/8	-	50-ohm
536B	E	Plug	55,58,223	1/2	25/32	1-3/8	-	50-ohm
556	G	Bulkhead Jack	55,58,223	11/16	5/8-24	1-13/16	59/64	50-ohm
556A	G	Bulkhead Jack	55,58,223	1/2	5/8-24	1-21/32	15/16	50-ohm, Max Panel 5/16"
556B	G	Bulkhead Jack	55,58,223	1/2	5/8-24	1-21/32	15/16	50-ohm, Max Panel 5/16"

\*Illustrations referenced are contained in figure 9-18. These illustrations are for specific connectors and have been referenced for similar connectors to provide dimensioning information only.

\*\*Dimensions are representative and will vary with different connector manufacturers.

AIAG 743

Table 9-6. N-Series Connectors (Sheet 3 of 3)

UG-( )/U	ILLUSTRATION*	DESCRIPTION	FOR RG-( )/U CABLES	DIMENSIONS ** (INCHES)				REMARKS
				A	B	C	D	
557	E	Plug	117,118	1-5/16	13/16	2-3/8	-	50-ohm, Armor Clamp
557A	E	Plug	117,118	1-5/16	25/32	3	-	50-ohm, Armor Clamp
593	F	Panel Jack	59,62,71	11/16	5/8-24	1-7/8	1	50-ohm
593A	F	Panel Jack	59,62,71	1/2	5/8-24	1-13/32	21/32	50-ohm, Max Panel 3/16"
594	H	Angle Plug	8,9,11,13,41,63,114,144,213,214,216	11/16	25/32	1-21/32	1-3/32	50-ohm
594A	H	Angle Plug	8,9,11,13,41,63,114,144,213,214,216	11/16	25/32	1-21/32	1-3/32	50-ohm
602	B	Jack	59,62,71	11/16	5/8-24	1-7/8	-	50-ohm
602A	B	Jack	59,62,71	1/2	5/8-24	1-13/32	-	50-ohm
602B	B	Jack	59,62,71	1/2	5/8-24	1-13/32	-	50-ohm
603	E	Plug	59,62,71	11/16	13/16	1-5/8	-	50-ohm
603A	E	Plug	59,62,71	1/2	25/32	1-3/8	-	50-ohm
680	C	Bulkhead Receptacle	-	5/8-24	5/8-24	1-9/16	3/4	50-ohm, Max Panel 3/32", Pressurized
935	F	Panel Jack	10,12,215	11/16	5/8-24	2-1/2	11/16	50-ohm, Armor Clamp, Max Panel 11/64"
935A	F	Panel Jack	10,12,215	3/4	5/8-24	2-1/4	21/32	50-ohm, Armor Clamp, Max Panel 3/16"
935B	F	Panel Jack	10,12,215	3/4	5/8-24	2-1/4	21/32	50-ohm, Armor Clamp, Max Panel 3/16"
936	G	Bulkhead Jack	10,12,215	11/16	5/8-24	2-1/2	59/64	50-ohm, Armor Clamp
936A	G	Bulkhead Jack	10,12,215	3/4	5/8-24	2-7/16	29/32	50-ohm, Armor Clamp
936B	G	Bulkhead Jack	10,12,215	3/4	5/8-24	2-7/16	29/32	50-ohm, Armor Clamp
940	B	Jack	10,12,215	11/16	5/8-24	2-1/2	-	50-ohm, Armor Clamp
940A	B	Jack	10,12,215	3/4	5/8-24	2-1/4	-	50-ohm, Armor Clamp
940B	B	Jack	10,12,215	3/4	5/8-24	2-1/4	-	50-ohm, Armor Clamp
941	E	Plug	10,12,215	11/16	25/32	2-7/16	-	50-ohm, Armor Clamp
941A	E	Plug	10,12,215	3/4	25/32	2-3/16	-	50-ohm, Armor Clamp
941B	E	Plug	10,12,215	3/4	25/32	2-3/16	-	50-ohm, Armor Clamp
982	E	Plug	18,118,219	1-5/16	25/32	3-1/16	-	50-ohm, Armor Clamp
997	D	Angle Panel Receptacle	-	-	5/8-24	1-1/8	29/32	50-ohm
997A	D	Angle Panel Receptacle	-	-	5/8-24	1-1/8	29/32	50-ohm
1003	E	Plug	63,114	11/16	25/32	1-3/4	-	50-ohm
1006	E	Plug	74	7/8	25/32	2-5/16	-	50-ohm, Armor Clamp
1095A	F	Panel Jack	55,58,223	1/2	5/8-24	1-13/32	21/32	50-ohm, Max Panel 3/16"
1185	E	Plug	8,9,213,214	3/4	25/32	1-1/2	-	50-ohm
1185A	E	Plug	8,9,213,214	3/4	25/32	1-1/2	-	50-ohm
1186	B	Jack	8,9,213,214	3/4	5/8-24	1-9/16	-	50-ohm
1186A	B	Jack	8,9,213,214	3/4	5/8-24	1-9/16	-	50-ohm
1187	F	Panel Jack	8,9,213,214	3/4	5/8-24	1-9/16	21/32	50-ohm, Max Panel 3/16"
1187A	F	Panel Jack	8,9,213,214	3/4	5/8-24	1-9/16	21/32	50-ohm, Max Panel 3/16"
1195	E	Plug	18	1-5/16	25/32	3-1/16	-	50-ohm, Armor Clamp

\*Illustrations referenced are contained in figure 9-18. These illustrations are for specific connectors and have been referenced for similar connectors to provide dimensioning information only.

\*\*Dimensions are representative and will vary with different connector manufacturers.

Table 9-7. Ceramic-Insert Pulse Connectors

UG-( )/U	DESCRIPTION	FOR USE WITH CABLE RG-( )/U
34	Plug	25,26,64,77,78
36	Plug (Note 2)	27
37A	Receptacle, Pressurized (Note 2)	-
38A	Receptacle, Pressurized (Note 2)	-
62A	Receptacle, Pressurized (Note 1)	-
158	Panel Jack (Note 2)	27
166	Panel Jack (Note 2)	28
174	Plug (Note 1)	-
350	Receptacle (Note 1)	-
1141	Panel Jack	27

NOTES:  
 1. Normally used in Naval aircraft equipment.  
 2. Normally used in shipboard equipment.  
 AIAG 745

Table 9-8. Rubber-Insert Pulse Connectors

UG-( )/U	DESCRIPTION	FOR USE WITH CABLE RG-( )/U
180A	Plug	25,26,64,77,78,88
181A	Panel Jack	25,26,64,77,78,88
182A	Jack	25,26,64,77,78,88
264	Receptacle	-
1085	Angle Plug	25,26,64,77,78,88
1086	Angle Jack	25,26,64,77,78,88
1291	Plug	156
1292	Receptacle (Triaxial), Pressurized	-
1293	Angle Receptacle (Triaxial), Pressurized	-
1295	Plug (Triaxial)	157,158
1296	Receptacle (Triaxial), Pressurized	-
1297	Angle Receptacle (Triaxial), Pressurized	-
1301	Panel Receptacle (Triaxial)	192,193
1302	Plug (Triaxial)	192,193
1303	Plug (Triaxial)	191
1304	Panel Receptacle (Triaxial)	191
1379	Receptacle	-
1400	Bulkhead Receptacle, Pressurized	- AIAG 746

\*

Table 9-9. Triaxial Type Pulse Connectors

Type	Functional Description	For use with cable types	Engineering data
UG-1291/U	Plug	RG-156/U	Watertight, triaxial corona free to 10 kv
UG-1292/U	Receptacle, pressurized		Watertight, triaxial corona free to 10 kv. Mates with UG-1291/U
UG-1293/U	Receptacle, right angle, pressurized		Watertight, triaxial corona free to 10 kv. Mates with UG-1291/U
UG-1294/U	Adapter (F-F)		Triaxial, corona free to 10 kv. Interconnects two UG-1291/U
UG-1295/U	Plug	RG-157 & 158/U	Triaxial; corona free to 14 kv.
UG-1296/U	Receptacle, pressurized		Triaxial; corona free to 14 kv mates with UG-1295/U
UG-1297/U	Receptacle, right angle, pressurized		Triaxial; corona free to 14 kv mates with UG-1295/U
UG-1298/U	Adapter (F-F)		Triaxial; corona free to 14 kv interconnects two UG-1295/U.
UG-1301/U	Receptacle, panel mounted	RG-192, 193/U	Triaxial; corona free to 15 kv
UG-1302/U	Plug	RG-192, 193/U	Triaxial; corona free to 15 kv; mates with UG-1301/U
UG-1303/U	Plug	RG-191/U	Triaxial; corona free to 25 kv; mates with UG-1304/U
UG-1304/U	Receptacle, Panel mounted	RG-191/U	Triaxial; corona free to 25 kv with UG-1303/U

AIAG 780

Table 9-10. QDL-Series Connectors

UG-( )/U	ILLUSTRATION*	DESCRIPTION	FOR RG-( )/U CABLES	DIMENSIONS ** (INCHES)				REMARKS
				A	B	C	D	
946A	A	Plug	17, 218	1-15/16	2-27/32	0.900	-	
989A	B	Panel Receptacle	-	-	3-59/64	1-15/32	-	
1020A	A	Plug	17, 18, 218, 219	1-15/16	3-5/8	0.968	-	
1073B	C	Jack	17, 18, 218, 219	-	4-21/32	0.968	-	
1074B	D	Panel Jack	17, 18, 218, 219	-	4-21/32	0.968	2-3/4	Armor Clamp
1075C	C	Jack	8, 9, 10, 12, 213, 214, 215	-	3-15/16	0.516	-	Armor Clamp
1076C	D	Panel Jack	8, 9, 10, 12, 213, 214, 215	-	3-15/16	0.516	2-5/32	Armor Clamp
1133A	A	Plug	14, 74, 217, 229	1-15/16	4-3/16	0.630	-	Armor Clamp
1165	-	Panel Receptacle	85	-	-	-	-	
1275	-	Angle Panel Receptacle	-	-	-	-	-	
1279	-	Angle Plug	17, 18	-	-	-	-	

\*Illustrations referenced are contained in figure 9-29. These illustrations are for specific connectors and have been referenced for similar connectors to provide dimensioning information only.

\*\*Dimensions are representative and will vary with different connector manufacturers.

AIAG 747

Table 9-11. QDS-Series Connectors

UG-( )/U	ILLUSTRATION*	DESCRIPTION	FOR RG-( )/U CABLES	A	B	C	D	E	REMARKS
967A	A	Jack	8, 10, 213, 215	5/8	3/4	2-1/16	-	-	Armor Clamp
967B	A	Jack	8, 10, 213, 215	5/8	3/4	2-1/16	-	-	Armor Clamp
968	D	Plug	8, 10, 213, 215	1	3/4	2-1/16	-	-	Armor Clamp
968A	D	Plug	8, 10, 213, 215	1	13/16	2-3/16	-	-	Armor Clamp
968B	D	Plug	8, 10, 213, 215	1	13/16	2-3/16	-	-	Armor Clamp
972A	B	Panel Jack	8, 10, 213, 215	5/8	3/4	2-1/16	23/32	-	Armor Clamp, Max Panel 3/8"
972B	B	Panel Jack	8, 10, 213, 215	5/8	3/4	2-1/16	23/32	-	Armor Clamp, Max Panel 3/8"
1010	E	Panel Receptacle	-	5/8	-	1-29/32	39/64	-	-
1111	F	Bulkhead Receptacle	-	5/8	-	1-3/32	3/4	3/4-32	Max Panel 3/32"
1132A	C	Bulkhead Jack	10, 12, 215	5/8	3/4	2-1/16	13/16	3/4-32	Armor Clamp, Max Panel 3/32"
1132B	C	Bulkhead Jack	10, 12, 215	5/8	3/4	2-1/16	13/16	3/4-32	Armor Clamp, Max Panel 3/32"
1134	D	Plug	14, 74, 224	1	7/8	2-5/16	-	-	Armor Clamp
1135	A	Jack	14, 74, 224	5/8	7/8	2-9/32	-	-	Armor Clamp
1180	F	Bulkhead Receptacle	-	5/8	-	1-3/32	3/4	3/4-32	Max Panel 3/32"
1276	G	Angle Bulkhead Receptacle	-	5/8	3/4-32	1-15/16	1	7/16	Max Panel 3/32"
1278	D	Plug	8, 9, 11, 213	1	13/16	1-1/2	-	-	-

\*Illustrations referenced are contained in figure 9-32. These illustrations are for specific connectors and have been referenced for similar connectors to provide dimensioning information only.

\*\*Dimensions are representative and will vary with different connector manufacturers.

AIAG 748

Table 9-12. QL- and QM-Series Connectors

A. QL CONNECTOR SERIES			
Type	Functional Description <sup>1/</sup>	For use with cable types	Engineering data
UG-1372/U	Plug	RG-189/U	
UG-1373/U	Adapter (F-F)		Adapts to UG-1372/U plug.
UG-1392/U	Plug	RG-218/U	
UG-1393/U	Plug	RG-220/U	
UG-1395/U	Plug, right-angle	RG-218/U	
UG-1396/U	Plug, right-angle	RG-220/U	
UG-1397/U	Receptacle	RG-218/U	
UG-1398/U	Receptacle	RG-220/U	
UG-1531/U	Adapter (7/8" - M)		
UG-1532/U	Adapter (7/8" - F)		
UG-1533/U	Receptacle		

<sup>1/</sup>Sex of contacts is indicated by the letters "F" and "M".

B. QM CONNECTOR SERIES			
Type	Functional Description	For use with cable types	Engineering data
UG-1394/U	Plug	RG-217/U	
UG-1399/U	Receptacle	RG-217/U	

AIAG781



Table 9-13. SM-Series Connectors

UG-( )/U	ILLUSTRATION*	DESCRIPTION	FOR RG-( )/U CABLES	DIMENSIONS ** (INCHES)				REMARKS
				A	B	C	D	
692	A	Plug	59,62,71	5/16	5/16 hex	3/4	-	
693	A	Plug	122	5/16	5/16 hex	3/4	-	
694	-	Angle Panel Receptacle	-	-	-	-	-	
696	B	Panel Receptacle	-	1/4-32	-	49/64	29/64	Pressurized, Max Panel 3/16"
697	C	Panel Receptacle	-	1/4-32	-	21/32	29/64	Max Panel 3/16"
698	D	Bulkhead Jack	122	1/4-32	5/16 hex	13/16	-	
699	A	Plug	55,58,223	5/16	5/16 hex	3/4	-	
700	D	Bulkhead Jack	55,58,223	1/4-32	5/16 hex	13/16	-	
923	D	Bulkhead Jack	59,62,71	1/4-32	5/16 hex	13/16	-	

\*Illustrations referenced are contained in figure 9-35. These illustrations are for specific connectors and have been referenced for similar connectors to provide dimensioning information only.

\*\*Dimensions are representative and will vary with different connector manufacturers.

AIAG 749

Table 9-14. Twin Connector Series

A. TWIN CONNECTOR SERIES (Small Twin, Nonweatherproof)				
Type	Functional Description <sup>1/</sup>	For use with cable types	Weather-proof	Engineering data
UG-102/U	Plug	RG-22/U	Yes	
UG-103A/U	Panel Jack	RG-22/U	No	Replaces UG-103/U
UG-104/U	Adapter, right-angle		No	
UG-105/U	Adapter, straight (F-F)		No	
UG-196/U	Adapter, tee (F-M-F)		No	
B. TWIN CONNECTOR SERIES (Small Twin, Weatherproof)				
UG-106/U	Hood	RG-22/U	No	For use with UG-422/U
UG-421B/U	Plug	RG-22/U	Yes	Replaces UG-421/U
UG-422/U	Receptacle	RG-22/U	Yes	
UG-423B/U	Jack, Panel	RG-22/U	Yes	Replaces UG-423/U & 423A/U
UG-493A/U	Adapter, straight (F-F)		Yes	Replaces UG-493/U
UG-969/U	Plug	RG-86/U	Yes	
UG-981/U	Adapter, right-angle (M-F)		Yes	
UG-1253/U	Plug	RG-181/U	Yes	Mates with UG-422/U
C. TWIN CONNECTOR SERIES (Large Twin, Nonweatherproof)				
UG-1057/U	Receptacle	RG-57/U	No	
UG-1058/U	Adapter, right-angle (M-F)		No	
UG-1059/U	Adapter, straight (M-F)		No	
UG-1060A/U	Plug	RG-57/U	Yes	Replaces UG-1060/U
UG-1556/U	Hood	RG-57/U	No	For use with UG-1057/U
UG-1363/U	Plug	RG-57/U		Used only with AT-317/BRR

<sup>1/</sup> Sex of contacts is indicated by the letters "F" and "M".

AIAG 782

Table 9-15. TPS Connector Series

Type	Functional description <sup>1/</sup>	For use with cable types	Engineering data
UG-1364/U	Receptacle, bulkhead	RG-58/U	Mounts in 7/16-inch "D" hole
UG-1365/U	Receptacle, bulkhead		Mounts in 7/16-inch "D" hole
UG-1366/U	Plug	RG-58/U	
UG-1367/U	Adapter (F-F)		Adapts 2 Jacks
UG-1369/U	Plug	RG-58/U	
UG-1431/U	Jack, bulkhead	RG-223/U	
UG-1412/U	Plug	RG-223/U	
UG-1368/U	Adapter, bulkhead		TPS female to BNC female
UG-1415/U	Jack	RG-58/U	
UG-1416/U	Jack	RG-223/U	
UG-1426/U	Adapter		TPS female to N female
UG-1427/U	Adapter		TPS female to N male
UG-1429/U	Adapter		TPS male to N male
UG-1443/U	Receptacle, bulkhead		
UG-1471/U	Receptacle, bulkhead, matched		

<sup>1/</sup> Sex of contacts is indicated by the letters "F" and "M".

AIAG 783

Table 9-16. UHF-Series Connectors

UG/( )/U	ILLUSTRATION*	DESCRIPTION	FOR RG-( )/U CABLES	DIMENSIONS ** (INCHES)			REMARKS
				A	B	C	
73	-	Plug	59	-	-	-	Small
102	F	Plug	22	5/8-24	1-1/2	-	Small Twin
103	D	Panel Jack	-	5/8-24	1-1/32	5/8	Small Twin
111	B	Plug	59	5/8-24	1-1/2	-	Small
203	B	Plug	55,59,62,71	5/8-24	1-1/2	-	Small
223	-	Bulkhead Receptacle	-	-	-	-	Small
266	-	Bulkhead Receptacle	8,9,11,58,59	-	-	-	Small
295	-	Plug	8,10	-	-	-	Small
296	-	Panel Receptacle	8,9,10,11,12,13,63,65	-	-	-	Small
357	H	Panel Receptacle	34	1-20	1-5/64	41/64	Large
358	A	Panel Receptacle	34	1-20	1-13/16	-	Large
PL-259A	B	Plug	8,9,10,11,12,13,63,65	5/8-24	1-1/2	-	Small
PL-295	G	Plug	57,130	1-20	1-13/16	-	Large Twin
PL-844	F	Plug	22	5/8-24	1-1/2	-	Small Twin
SO-239A	C	Receptacle	-	5/8-24	1-1/8	5/8	Small
SO-264	D	Panel Jack	-	5/8-24	1-1/32	5/8	Small Twin
SO-265	E	Panel Receptacle	-	1-20	1-1/16	41/64	Large Twin

\*Illustrations referenced are contained in figure 9-38. These illustrations are for specific connectors and have been referenced for similar connectors to provide dimensioning information only.

\*\*Dimensions are representative and will vary with different connector manufacturers.

AIAG 750

Table 9-17. Miniature (Screw-On) Series

Type	Functional description	For use with cable types	Engineering data
UG-1460/U	Plug	RG-178, 196/U	Mates with UG-1462/U and UG-1463/U
UG-1461/U	Plug Right Angle	RG-178, 196/U	Mates with UG-1462/U and UG-1463/U
UG-1462/U	Plug	RG-178, 196/U	Mates with UG-1460/U Right-Angle Plug UG-1461/U
UG-1463/U	Receptacle	RG-178, 196/U	Mates with UG-1460/U and Right-Angle Plug UG-1461/U
UG-1464/U	Receptacle	MINIATURE RF CABLES	
UG-1465/U	Plug	RG-188, 316/U	Mates with UG-1467 and UG-1468/U
UG-1466/U	Plug Right-Angle	RG-188, 316/U	Mates with UG-1467/U and UG-1468/U
UG-1467/U	Plug	RG-188, 316/U	Mates with UG-1465/U and Right-Angle Plug UG-1466/U
UG-1468/U	Receptacle	RG-188, 316/U	Mates with UG-1465/U and Right-Angle Plug UG-1466/U
UG-1619/U	Receptacle	MINIATURE RF CABLES	

AIAG 784

Table 9-18. BNC-Series Adapters and Miscellaneous Components

UG-( )/U	ILLUSTRATION*	DESCRIPTION	FOR RG-( )/U CABLES	A	B	C	D	REMARKS
				DIMENSIONS ** (INCHES)				
274	A	Adapter, Tee	-	9/16	27/32	1-9/32	3/8	Female-Male-Female
274A	A	Adapter, Tee	-	9/16	27/32	1-9/32	3/8	Female-Male-Female
274B	A	Adapter, Tee	-	9/16	27/32	1-9/32	3/8	Female-Male-Female
282B	-	Adapter, Binding-Post	-	-	-	-	-	Male
306	B	Adapter, Right-Angle	-	9/16	3/8	5/8	7/8	Male-Female
306A	B	Adapter, Right-Angle	-	9/16	3/8	5/8	7/8	Male-Female
414	C	Adapter	-	3/8	19/32	1-9/32	-	Female-Female, Max Panel 15/16"
414A	C	Adapter	-	3/8	19/32	1-9/32	-	Female-Female, Max Panel 15/64"
491	D	Adapter	-	9/16	1-7/32	-	-	Male-Male
491A	D	Adapter	-	9/16	1-7/32	-	-	Male-Male
491B	D	Adapter	-	9/16	1-7/32	-	-	Male-Male
492	E	Adapter, Bulkhead	-	3/8	1/2-28	1-1/32	47/64	Female-Female, Pressurized
492A	E	Adapter, Bulkhead	-	3/8	1/2-28	1-13/32	47/64	Female-Female, Pressurized
492B	E	Adapter, Bulkhead	-	3/8	1/2-28	1-13/32	47/64	Female-Female, Pressurized
492C	E	Adapter, Bulkhead	-	3/8	1/2-28	1-13/32	47/64	Female-Female, Pressurized
641	-	Adapter, Binding-Post	-	-	-	-	-	Male
914	F	Adapter	-	3/8	1-9/32	-	-	Female-Female
924	-	Adapter, Binding-Post	-	-	-	-	-	-
978	-	Adapter, Banana-Jack	-	-	-	-	-	-
987	-	Adapter, Two-Banana-Jack	-	-	-	-	-	-
1035	-	Adapter, Two-Banana-Jack	-	-	-	-	-	-
1090	-	Adapter, Binding-Post	-	-	-	-	-	-
CW-123/U	G	Cap and Chain	-	9/16	23/32	-	-	Female
CW-123A/U	G	Cap and Chain	-	9/16	23/32	-	-	2-1/2-inch Chain, Male
CW-155/U	G	Cap	-	9/16	23/32	-	-	2-1/2-inch Chain, Male
CW-155A/U	G	Cap	-	9/16	23/32	-	-	No Chain, Male
CW-159/U	G	Shorting Cap	-	9/16	23/32	-	-	No Chain, Male
CW-282/U	H	Cap and Chain	-	9/16	23/32	-	-	2-1/2-inch Chain, Male
MX-195/U	I	Hood	-	3/8	23/32	-	-	3-inch Chain, Female
MX-195A/U	J	Hood	55,58,223	11/16 sq	0.156	55/64	-	-
MX-367/U	J	Hood	59,62,71	0.156	13/16	-	-	-
MX-554/U	K	Resistor Termination	-	0.266	55/64	-	-	-
MX-554A/U	K	Resistor Termination	-	9/16	7/16	1-1/4	-	3-1/2-inch Chain, 100 ohms
			-	9/16	1/2	1-1/2	-	3-1/4-inch Chain, 100 ohms

\*Illustrations referenced are contained in Figure 9-41. These illustrations are for specific items and have been referenced for similar items to provide dimensioning information only.

\*\*Dimensions are representative and will vary with different manufacturers.

Table 9-19. C-Series Adapters and Miscellaneous Components

UG-( )/U	ILLUSTRATION*	DESCRIPTION	FOR RG-( )/U CABLES	A	B	C	D	REMARKS
566A	A	Adapter, Tee	-	3/4	17/32	1-1/32	1-17/32	Female-Male-Female
567	B	Adapter, Right-Angle	-	3/4	17/32	7/8	31/32	Male-Female
567A	B	Adapter, Right-Angle	-	3/4	17/32	7/8	31/32	Male-Female
642A	C	Adapter	-	3/4	1-29/64	-	-	Male-Male
643	D	Adapter	-	17/32	1-9/32	-	-	Female-Female
701	E	Adapter, Bulkhead	-	17/32	3/4-32	1-1/2	13/16	Female-Female, Pressurized, Max Panel 5/32"
1138	E	Adapter, Bulkhead	-	17/32	3/4-32	1-1/2	55/64	Female-Female, Max Panel 13/64"
MX-1142/U	F	Cap and Chain	-	3/4	25/32	-	-	2-1/2-inch Chain, Caps Female Connector
MX-1143/U	G	Cap and Chain	-	17/32	25/32	-	-	3-1/2-inch Chain, Caps Male Connector
MX-1144/U	H	Hood	8, 9, 11, 213, 214, 216	1/2	0.358	7/8	-	-
MX-1870/U	H	Hood	55, 58, 59, 62, 223	1/2	0.190	7/8	-	-

\*Illustrations referenced are contained in Figure 9-42. These illustrations are for specific items and have been referenced for similar items to provide dimensioning information only.

\*\*Dimensions are representative and will vary with different manufacturers.

AIAG 752

Table 9-20. HN-Series Adapters and Miscellaneous Components

UG-( )/U	ILLUSTRATION*	DESCRIPTION	DIMENSIONS ** (INCHES)				REMARKS
			A	B	C	D	
212A	A	Adapter, Right-Angle	7/8	3/4-20	1-5/32	1-1/32	Male-Female
212C	A	Adapter, Right-Angle	7/8	3/4-20	1-3/16	1-1/16	Male-Female
413	B	Adapter, Tee	3/4-20	29/32	1-15/16	-	Female-Female-Female
920	A	Adapter, Right-Angle	7/8	3/4-20	1-1/4	1-1/32	Male-Female
1019	C	Adapter	3/4-20	1-15/16	1-5/32	-	Female-Female, Max Panel 7/16"
1109	D	Adapter, Tee	7/8	3/4-20	1-1/16	2-5/16	Male-Female-Male
MX-103/U	-	Tapering Tool	-	-	-	-	Used to assemble RG-8,9,10,87, and
TL-612/U	-	Cable Dresser	-	-	-	-	116/U Cables

\*Illustrations referenced are contained in Figure 9-43. These illustrations are for specific items and have been referenced for similar items to provide dimensioning information only.

\*\*Dimensions are representative and will vary with different manufacturers.

AIAG 753



Table 9-21. LC- and LT-Series Adapters and Miscellaneous Components

UG-( )/U	ILLUSTRATION*	DESCRIPTION	A	B	C	D	REMARKS
			DIMENSIONS ** (INCHES)				
LC							
155	A	Adapter	1-1/4-18	2-1/2	-	-	Female-Female, mates with UG-154, 154A, 208, 208B/U
155B	A	Adapter	1-1/4-18	2-1/2	-	-	Female-Female, mates with UG-154A, 208B/U only
157	B	Adapter	1-3/4-16	2-1/2	-	-	Female-Female, mates with UG-156, 156A, 219, 219B/U
157B	B	Adapter	1-3/4-16	2-1/2	-	-	Female-Female, mates with UG-156A, 219B/U only
208	C	Adapter, Right-Angle	1-1/2 hex	1-1/4-18	2-3/16	1-3/4	Male-Female, mates with UG-154, 154A, 155, 155B/U
208B	C	Adapter, Right-Angle	1-1/2 hex	1-1/4-18	2-3/16	1-3/4	Male-Female, mates with UG-154A, 155B/U only
215	A	Adapter	1-1/4-18	2-1/2	-	-	Female-Female
216	C	Adapter, Right-Angle	1-1/2 hex	1-1/4-18	2-3/16	1-3/4	Male-Female, mates with UG-154, 154A, 287, 287B, 352, 352B/U
216B	C	Adapter, Right-Angle	1-1/2 hex	1-1/4-18	2-3/16	1-3/4	Male-Female, mates with UG-154A, 287B, 352B/U only
219	C	Adapter, Right-Angle	2 hex	1-3/4-16	3-1/8	2-13/32	Male-Female, mates with UG-156, 156A, 157, 157B/U
219B	C	Adapter, Right-Angle	2 hex	1-3/4-16	3-1/8	2-13/32	Male-Female, mates with UG-156A, 157B/U only
220	D	Adapter	2 hex	1-1/4-18	2-7/32	-	Male-Female
240	E	Adapter	1-3/4-16	1-1/4-18	2-1/4	-	Female-Female, connects UG-154A/U undercut to UG-156A/U
287	F	Adapter	1-1/4-18	2-1/2	1-1/2	-	Female-Female, max panel 15/64", mates with UG-154, 154A, 216, 216B, 352, 352B/U
287B	F	Adapter	1-1/4-18	2-1/2	1-1/2	-	Female-Female, max panel 15/64", mates with UG-154A, 216B, 352B/U only
LT							
533B	A	Adapter	1-1/4-18	2-1/2	-	-	Female-Female
534B	C	Adapter, Right-Angle	1-1/2 hex	1-1/4-18	2-3/16	1-3/4	Male-Female
1264	C	Adapter, Right-Angle	1-1/2 hex	1-1/4-18	2-3/16	1-3/4	Male-Female

NOTE: LC- and LT-connectors are not interchangeable.

\*Illustrations referenced are contained in figure 9-44. These illustrations are for specific items and have been referenced for similar items to provide dimensioning information only.

\*\*Dimensions are representative and will vary with different manufacturers.

AIAG 754

Table 9-22. N-Series Adapters and Miscellaneous Components

UG-( )/U	ILLUSTRATION*	DESCRIPTION	FOR RG-( )/U CABLES	A	B	C	D	REMARKS
				DIMENSIONS ** (INCHES)				
27A	A	Adapter, Right-Angle	-	25/32	5/8-24	1-1/8	63/64	Male-Female
27B	A	Adapter, Right-Angle	-	25/32	5/8-24	13/32	29/32	Male-Female
27C	A	Adapter, Right-Angle	-	25/32	5/8-24	-	1	Male-Female
28A	B	Adapter, Tee	-	5/8-24	29/32	1-3/4	-	Female-Female-Female
29A	C	Adapter	-	5/8-24	1-1/2	-	-	Female-Female
29B	C	Adapter	-	5/8-24	1-3/4	-	-	Female-Female
30	D	Adapter, Bulkhead	-	5/8-24	1-5/8	7/8	-	Female-Female, Max, Panel 1/4" Pressurized
30C	D	Adapter, Bulkhead	-	5/8-24	1-3/4	7/8	-	Female-Female, Max, Panel 1/4" Pressurized
30D	D	Adapter, Bulkhead	-	5/8-24	1-17/32	7/8	-	Female-Female, Max, Panel 1/4" Pressurized
57A	E	Adapter	-	25/32	1-19/32	-	-	Male-Male
57B	E	Adapter	-	25/32	1-19/32	-	-	Male-Male
106	F	Hood	8, 10, 12, 213, 215	11/32	3/4	-	-	-
107A	G	Adapter, Tee	-	5/8-24	25/32	1-5/32	1-3/4	Female-Male-Female
107B	G	Adapter, Tee	-	5/8-24	25/32	1-5/32	1-3/4	Female-Male-Female
202	H	Adapter, Right-Angle	-	5/8-24	1-23/32	1-1/32	-	Female-Female, Max, Panel 9/32"
464	-	Adapter, Tee	-	-	-	-	-	Female-Female-Male
1018	E	Adapter	-	25/32	1-11/32	-	-	Female-Female
MX-913/U	I	Cap and Chain	-	3/4	21/32	-	-	2-1/4-inch Chain

\*Illustrations referenced are contained in figure 9-45. These illustrations are for specific connectors and have been referenced for similar connectors to provide dimensioning information only.

\*\*Dimensions are representative and will vary with different connector manufacturers.

AIAG 755

Table 9-23. Pulse-Series Adapters

UG-( )/U	DESCRIPTION	REMARKS
CERAMIC		
221	Adapter	Female-Female, 6000 V Peak
222	Adapter	Female-Female, Has Cap and Chain, 15000 V Peak
222A	Adapter	Female-Female, Has Cap and Chain, 15000 V Peak
1110	Adapter	Couples UG-174/U to UG-34/U
1298	Adapter	Female-Female, Triaxial, Connects Two UG-1295/U
RUBBER		
336A	Adapter, Bulkhead	Pressurized
1084	Adapter, Tee	Used with RG-25, 26, 88/U
1294	Adapter	Female-Female, Triaxial, Connects Two UG-1291/U AIAG 756

Table 9-24. QDL- and QDS-Series Adapters and Miscellaneous Components

UG-( )/U	ILLUSTRATIONS*	DESCRIPTION	FOR RG-( )/U CABLES	DIMENSIONS ** (INCHES)				REMARKS
				A	B	C	D	
<b>QDL</b>								
934A	-	Adapter	-	-	3-1/2	-	-	Female-Female
1061A	G	Adapter, Right-Angle	-	1.246	-	3.481	3.378	Male-Female
1249	-	Adapter, Tee	-	1-15/16	-	3-53/64	4-25/32	Female-Male-Female
<b>QDS</b>								
976	A	Adapter	-	5/8	1-21/32	11/16	-	Female-Female, Max, Panel 1/2"
1145	B	Adapter, Bulkhead	-	5/8	3/4-32	1-25/32	3/4	Female-Female, Max, Panel 3/32"
1173	C	Adapter, Tee	-	5/8	1	2-3/16	1-45/64	Female-Male-Female
1221	D	Adapter, Right-Angle	-	5/8	1	1-1/8	1	Male-Female
MX-1144/U	E	Hood	-	1/2	0.358	7/8	-	-
MX-1870/U	E	Hood	55, 58, 59, 62, 223	1/2	0.190	7/8	-	-
MX-1899/U	F	Hood	55, 58, 59, 62	5/8-24	0.190	1	-	-
MX-1913/U	F	Hood	8, 9, 213, 214, 216	5/8-24	0.358	1	-	-
MX-1914/U	F	Hood	161, 174	5/8-24	0.093	1	-	-

\*Illustrations referenced are contained in figure 9-46. These illustrations are for specific connectors and have been referenced for similar connectors to provide dimensioning information only.

\*\*Dimensions are representative and will vary with different with different connector manufacturers.

AIAG 757

Table 9-25. UHF-Series Adapters and Miscellaneous Components

UG-( )/U	ILLUSTRATION*	DESCRIPTION	FOR RG-( )/U CABLES	DIMENSIONS ** (INCHES)			REMARKS
				A	B	C	
104	F	Adapter, Right-Angle	-	5/8-24	1-7/32	1-3/16	Small Twin, Male-Female
105	G	Adapter	-	5/8-24	1-1/8	-	Small Twin, Female-Female
106	D	Hood	8,9,10,11,12,13,63,65	0.345	3/4	-	Small
173	-	Adapter, Reducing	38,39	-	-	-	Small
175	K	Adapter, Reducing	29,55,58	7/16-14	1	0.207	Small
176	K	Adapter, Reducing	59,62,71	7/16-14	1	0.255	Small
177	D	Hood	29,55,58	0.155	3/4	-	Small
196	I	Adapter, Tee	-	5/8-24	1-5/8	1-9/32	Small Twin, Female-Male-Female
224	-	Adapter, Bulkhead	-	-	-	-	Small, Female-Female
239	-	Hood	59	-	-	-	Small
297A	-	Adapter, Right-Angle	-	-	-	-	Small, Male-Female
298	-	Adapter, Tee	-	-	-	-	Small, Female-Male-Female
299	-	Adapter	-	-	-	-	Small, Female-Female
300	-	Adapter, Bulkhead	-	-	-	-	Small, Female-Female
307	-	Adapter, Panel	-	-	-	-	Small, Female-Female
332	-	Adapter, Binding Post	-	-	-	-	-
359	-	Adapter, Right-Angle	-	-	-	-	-
360	E	Adapter	-	1-20	1-1/8	-	Large, Female-Female
363	B	Adapter, Bulkhead	-	5/8-24	2	-	Large, Female-Female
366	-	Hood	59	-	-	-	Small
372	D	Hood	8,9,10,11,12,13,63,65	0.360	7/8	-	Large
410	-	Adapter, Reducing	58	-	-	-	Small
493	-	Adapter	-	-	-	-	Twin, Female-Female
646	C	Adapter, Right-Angle	-	5/8-24	1-7/32	1-3/16	Small, Male-Female
981	-	Adapter, Right-Angle	-	-	-	-	Twin, Male-Female
1017	-	Adapter	-	-	-	-	-
1058	-	Adapter, Right-Angle	-	-	-	-	-
1059	-	Adapter	-	-	-	-	-
M-358	H	Adapter, Tee	-	-	-	-	Large Twin, Male-Female
M-359	C	Adapter, Right-Angle	-	5/8-24	1-5/8	1-9/32	Large Twin, Male-Female
M-360	C	Adapter, Right-Angle	-	5/8-24	1-7/32	1-3/16	Small, Female-Male-Female
M-365	D	Hood	8,9,10,11,12,13,63,65	0.345	3/4	-	Small
MX-539/U	D	Hood	57,130	0.518	7/8	-	Large Twin
MX-543/U	-	Hood	58,59	-	-	-	Small
MX-1556/U	-	Hood	8,9,11	-	-	-	Small
PL-258	A	Adapter	34	-	-	-	Large
PL-274	B	Adapter, Bulkhead	-	5/8-24	1-1/8	-	Small, Female-Female
PL-275	J	Adapter, Bulkhead	-	5/8-24	2	-	Small, Female-Female
PL-285	G	Adapter	-	5/8-24	2	-	Small Twin, Female-Female
PL-293	F	Adapter, Right-Angle	-	5/8-24	1-1/8	-	Small Twin, Female-Female
PL-305	L	Adapter	-	5/8-24	1-7/32	1-3/16	Small Twin, Male-Female
				1-20	1-1/8	-	Large Twin, Female-Female

\*Illustrations refer to figure 9-48. These illustrations are for specific connectors and have been furnished for similar connectors to provide dimensioning information only.

\*\*Dimensions are representative and will vary with different connector manufacturers.

AIAG 758

Table 9-26. Between-Series Adapters

UG-( )/U	MATING SERIES	TYPES OF ENDS	REMARKS
83B	N-UHF	N Female-UHF Male	1-9/16" x 25/32"
146A	N-UHF	N Male-UHF Female	1-9/32" x 25/32"
201A	N-BNC	N Male-BNC Female	1-5/16" x 13/16"
217A	LC-HN	LC Female-HN Female	2-13/64" x 1-1/4"
218A	LC-HN	LC Male-HN Female	2-1/8" x 1-3/8", Right-Angle
255	BNC-UHF	BNC Male-UHF Female	1-5/16" x 5/8"
259A	HN-LC	HN Female-LC Female	2-13/16" x 1-1/4"
270A	N-LC	N Female-LC Female	2-13/64" x 1-1/4"
271A	N-LC	N Female-LC Female	2-13/64" x 1-1/4"
273	BNC-UHF	BNC Female-UHF Male	1-11/32" x 3/4"
309	BNC-HN	BNC Female-HN Male	1-1/2" x 7/8"
318	N-UHF	N Male-UHF Male	1-17/32" x 3/4"
327A	HN-LC	LC Female-HN Female-LC Female	2-1/2" x 1-5/16", Tee
335	BNC-N	BNC Male-N Female	1-3/4" x 5/8"
349A	BNC-N	BNC Male-N Female	1-9/16" x 5/8"
497A	HN-LC	HN Female-LC Male	2-11/32" x 1-5/8"
559B	BNC-HN	BNC Male-HN Female	1-15/32" x 29/32" Right-Angle
564	C-N	C Female-N Male	1-3/8" x 25/32"
565A	C-N	C Male-N Female	1-17/32" x 3/4"
586B	LC-LT	LC Female-LT Female	2-1/2" x 1-1/4"
587B	LC-LT	LC Female-LT Female	2-1/2" x 1-1/4"
606	BNC-N	BNC Female-N Female	1-21/32" x 13/16", Pressurized
635	BNC-C	BNC Male-C Female	1-9/32" x 19/32"
636A	BNC-C	BNC Female-C Male	1-15/64" x 3/4"
637	C-UHF	C Female-UHF Male	1-3/8" x 13/16"
690	BNC-SM	BNC Female-SM Female	23/32 x 7/16"
691	BNC-SM	BNC Female-SM Male	Pressurized
702	C-HN	C Female-HN Male	1-1/2" x 27/32"
703A	C-HN	C Male-HN Female	1-1/2" x 3/4"
966	N-QDS	N Male-QDS Female	1-13/32" x 25/32"
970	UHF Twin-UHF	UHF Twin Male-UHF Female	Right Angle, One Pin Grounded
971	UHF Twin-C	UHF Twin Male-C Female	Right Angle, One Pin Grounded
977A	QDL-QDS	QDS Female-QDS Female	-
999A	LC-N	LC Male-N Female	2-1/4" x 1-5/8"
1013A	N-QDL	N Female-QDL Female	-
1034	BNC-N	BNC Male-N Male	1-1/2" x 25/32"
1107	HN-N	HN Male-N Male	1-27/32" x 27/32"
1108	HN-N	HN Female-N Male	1-9/16" x 25/32"
1136	BNC-QDS	BNC Male-QDS Female	1-9/64" x 5/8"
1137	HN-QDS	HN Male-QDS Female	1-1/2" x 27/32"
1142	C-QDS	C Female-QDS Male	1-9/32" x 1"
1143	HN-QDS	HN Female-QDS Male	1-21/32" x 1"
1144	N-QDS	N Female-QDS Male	1-29/64" x 1"
1146	BNC-QDS	BNC Female-QDS Male	1-9/32" x 1"
1166	LT-N	LT Male-N Female	3" x 1-5/8"
1167	LN-LT	LN Female-LT Male	3" x 1-5/8"
1168	LC-LT	LC Female-LT Male	3" x 1-5/8"
1250	C-LT	C Female-LT Male	2-1/4" x 1-5/8"
1287	C-LC	C Female-LC Female	2-7/32" x 1-1/4", Panel Type
1288	C-LC	C Female-LC Female	2-7/32" x 1-1/4"

AIAG 759

Table 9-27. Pressurized Adapters for Cable to Rigid Bead-Support, and Stub-Supported Lines

UG-( )/U	TYPES OF ENDS (Note 1)	CONNECTS	
		CABLE WITH	LINE (Note 2)
32	N Female-Rigid Line Clamp	N Male	7/8", 50-ohm Rigid
33	N Female-Rigid Line Clamp	N Male	7/8", 70-ohm Rigid
233	LC Female-Rigid Line Clamp	LC Male	7/8", 70-ohm Rigid
234	LC Female-Rigid Line Clamp	LC Male	7/8", 50-ohm Rigid
237	LC Female-Rigid Line Clamp	LC Male	7/8" Stub-supported
249	HN Female-Rigid Line Clamp	HN Male	7/8" Stub-supported
250	HN Female-Rigid Line Clamp	HN Male	7/8", 50-ohm Rigid
251	HN Female-Rigid Line Clamp	HN Male	7/8", 70-ohm Rigid
272	N Female-Rigid Line Clamp	N Male	7/8" Stub-supported
370	N Female-Rigid Line Clamp	N Male	5/8" Stub-supported
371	N Female-Rigid Line Clamp	N Male	3/8" Rigid
401	N Female-Rigid Line Clamp	N Male	5/8" Stub-supported
402A	N Female-Rigid Line Clamp	N Male	7/8" Stub-supported
518	N Female-Rigid Line Clamp	N Male	5/8" Stub-supported
519	N Female-Rigid Line Clamp	N Male	7/8" Stub-supported
582	N Female-Rigid Line Clamp	N Male	3" Air line
583	N Female-Rigid Line Clamp	N Male	1-5/8" Air line
965A	LC Female-Rigid Line Clamp	LC Male	1-5/8" RG-128/U
1047	N Female-Rigid Line Clamp*	N Male	7/8", 50-ohm Rigid
1048	HN Female-Rigid Line Clamp*	HN Male	7/8", 50-ohm Rigid
1049	C Female-Rigid Line Clamp*	C Male	7/8", 50-ohm Rigid
1119	LC Female-Rigid Line Clamp*	LC Male	1-5/8", 50-ohm Rigid
1120	N Female-Rigid Line Clamp	N Male	7/8", 50-ohm Rigid
1121	N Female-Rigid Line Clamp	N Male	1-5/8", 50-ohm Rigid
1122	N Female-Rigid Line Clamp	N Male	1-5/8", 50-ohm Rigid
1154	N Female-Rigid Line Clamp	N Male	1-5/8", 50-ohm Rigid
1155	N Female-Rigid Line Clamp	N Male	7/8", 50-ohm Rigid
1251	LT Female-Rigid Line Clamp	LT Male	1-5/8", 50-ohm Rigid
1274	LT Female-Rigid Line Clamp	LT Male	7/8", 50-ohm Rigid

NOTES:

1 Asterisks indicate that the adapter is not weatherproof.

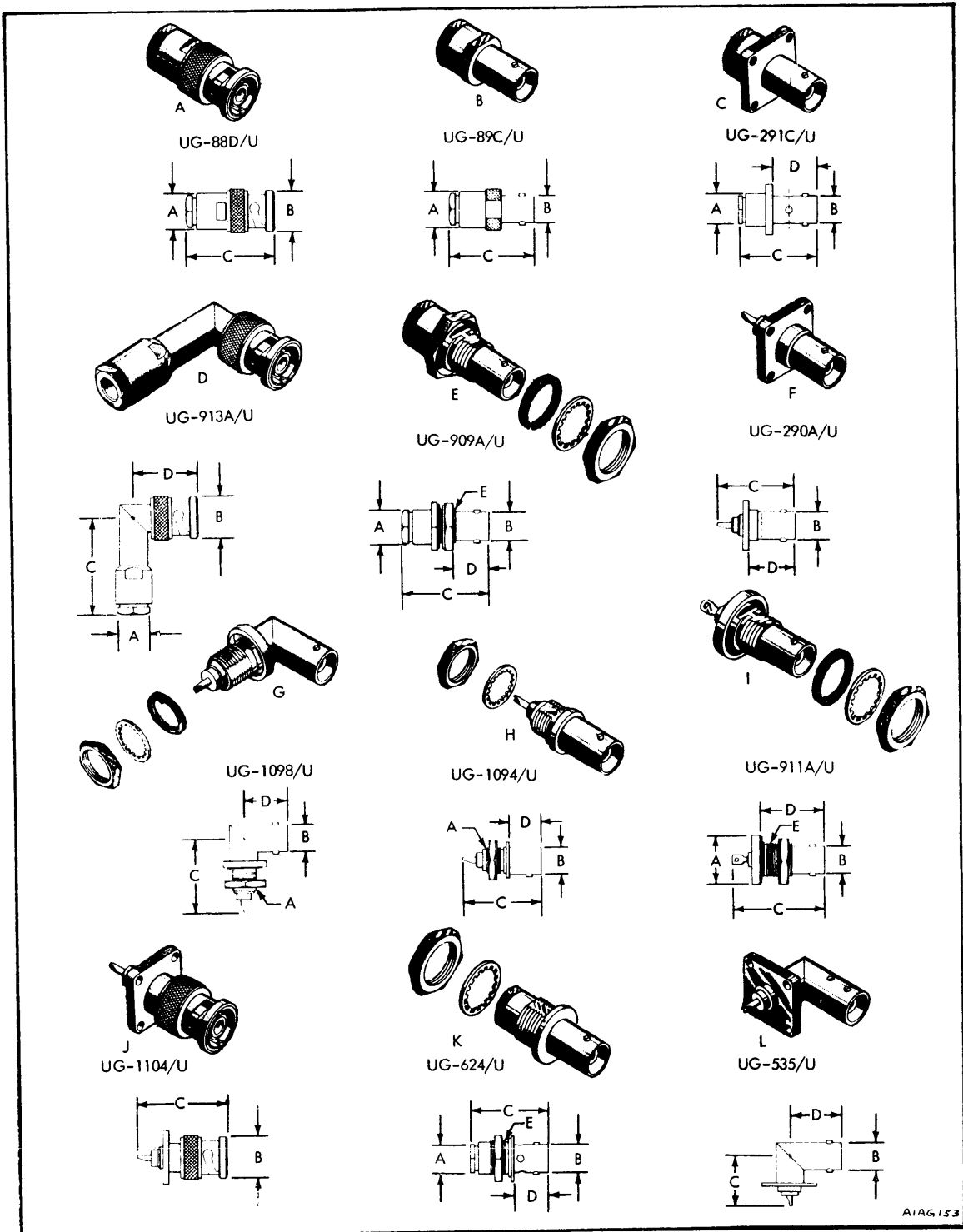
2 The adapter is installed directly on the rigid line. The cable couples to the adapter by means of connectors.

A IAG 760

Table 9-28. Pressurized Splice Adapters for Cable to Rigid Line

UG-( )/U	TYPES OF ENDS	RG-( )/U	CONNECTS	LINE
161	Cable Clamp-Rigid Line Clamp	19,20	3-1/8", 50-ohm Rigid	
168	Cable Clamp-Rigid Line Clamp	17,18	1-5/8" Rigid	
207	Cable Clamp-Rigid Line Clamp	14	RG-44/U Sub-supported	
256	Cable Clamp-Rigid Line Clamp	14	7/8", 70-ohm Rigid	
257	Cable Clamp-Rigid Line Clamp	14	7/8", 50-ohm Rigid	
258	Cable Clamp-Rigid Line Clamp	17,18	3-1/8", 50-ohm Rigid	
313	Cable Clamp-Rigid Line Clamp	81	7/8" Rigid	
315	Cable Clamp-Rigid Line Clamp	82	7/8" Rigid	
316	Cable Clamp-Rigid Line Clamp	82	1-5/8" Rigid	
337	Cable Clamp-Rigid Line Clamp	17,18	3-1/8" Rigid	
338	Cable Clamp-Rigid Line Clamp	19,20	3-1/8" Rigid	
1160	Cable Clamp-Rigid Line Clamp	7/8 Rigid	1-5/8" Rigid	
<b>A1AG 761</b>				





AIAG 153

Figure 9-1. BNC-Series Connectors

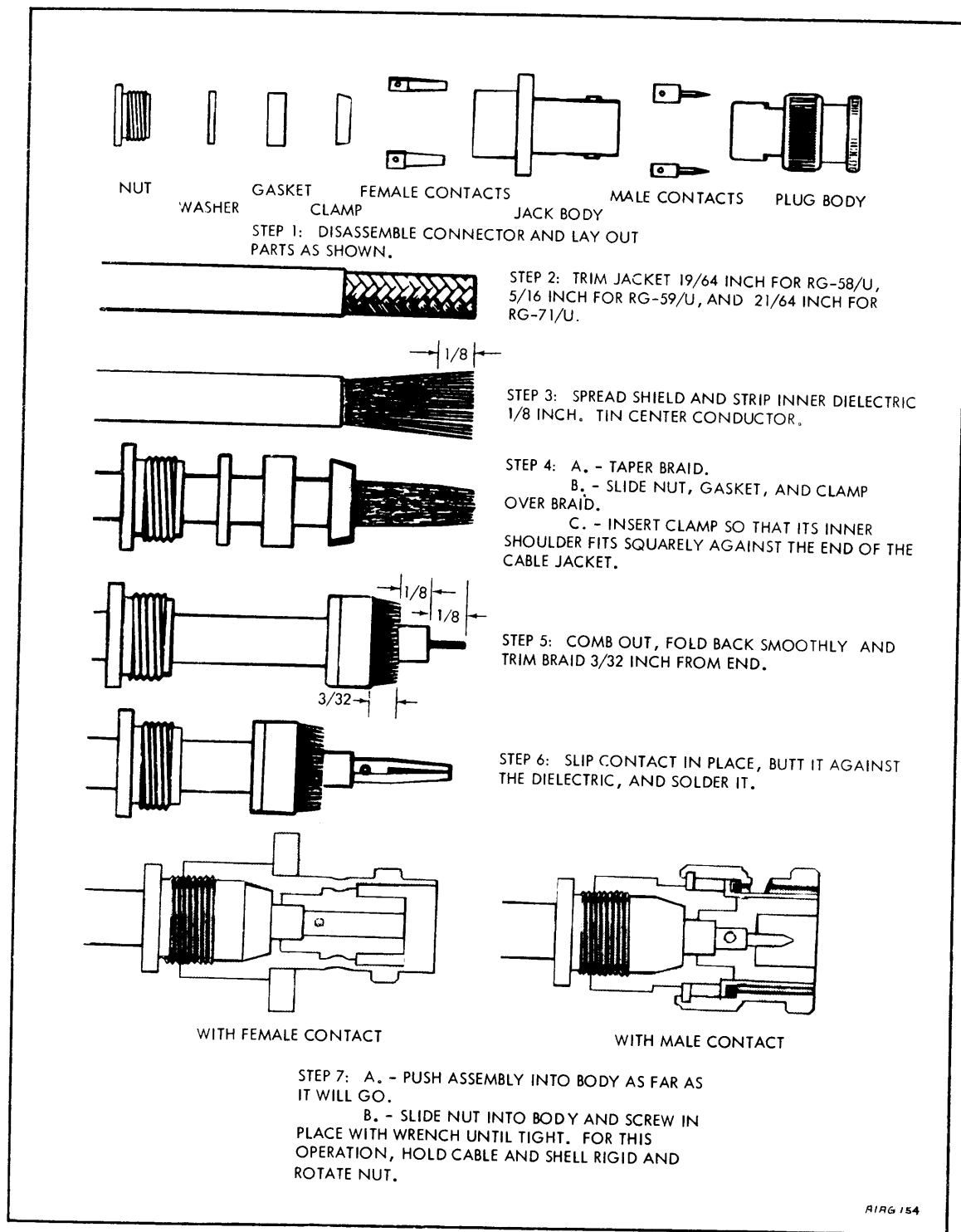


Figure 9-2. Installation of BNC-Series Connectors

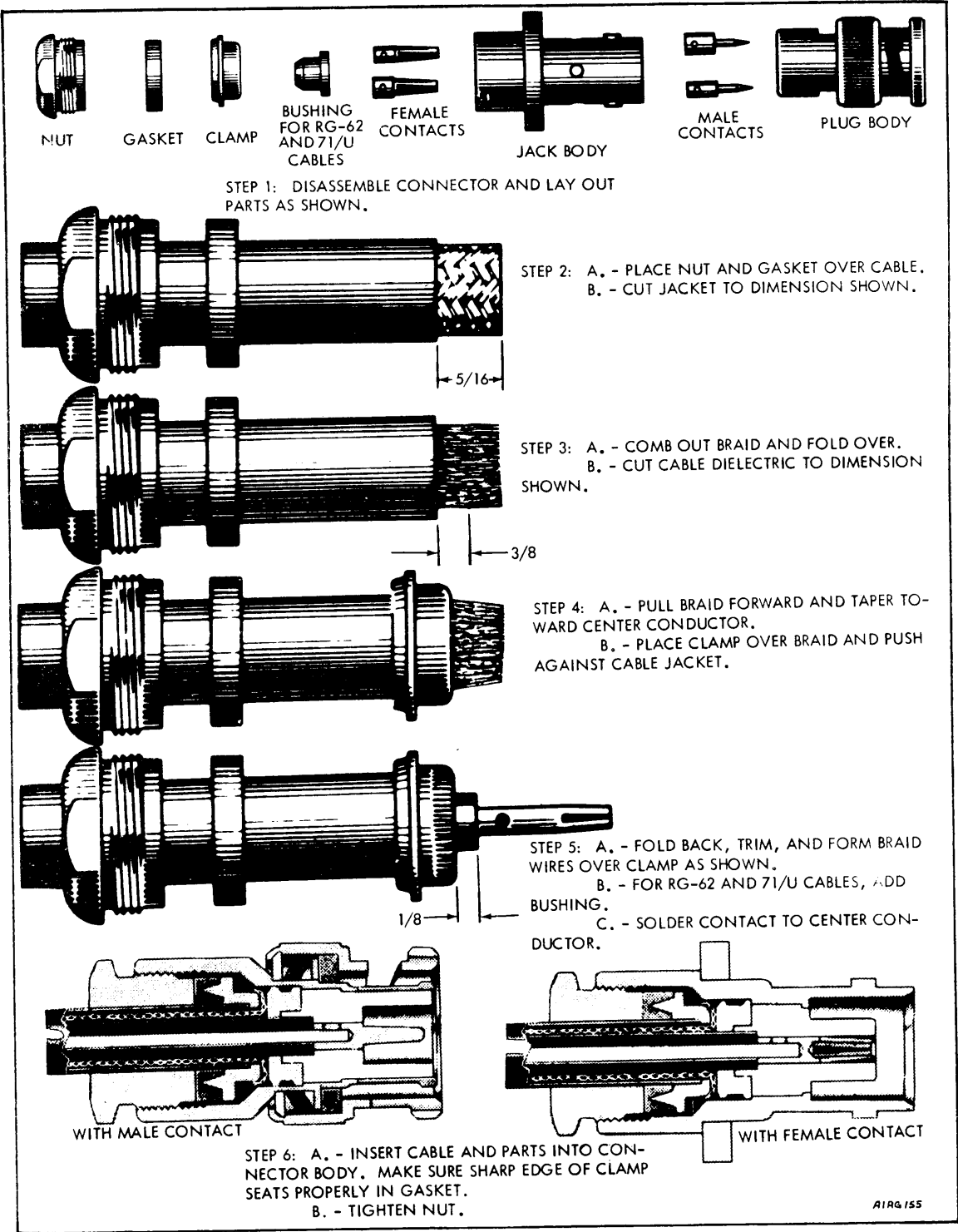
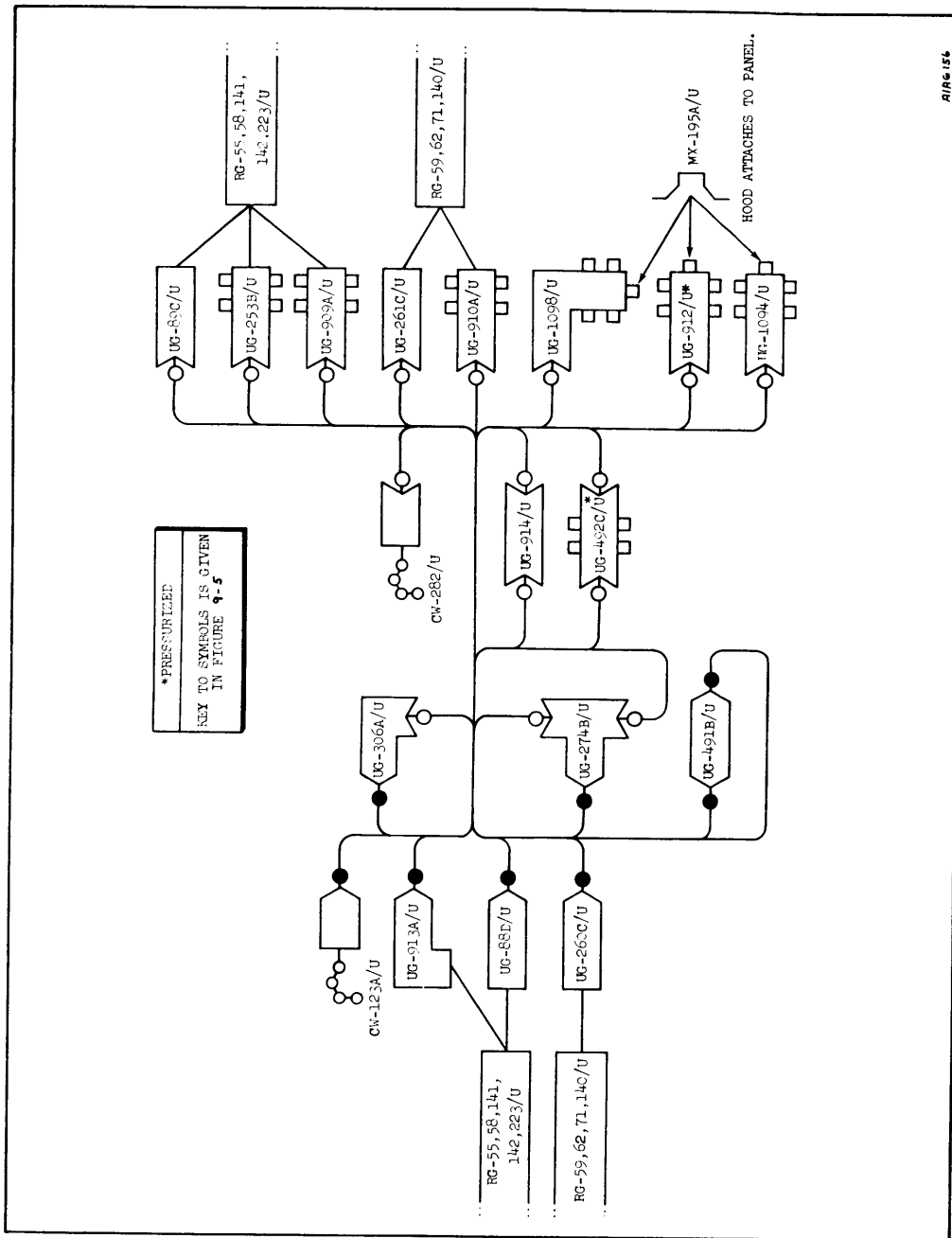


Figure 9-3. Installation of Improved BNC-Series Connectors



RI/6 156

Figure 9-4. Mating Diagram for BNC-Series Connectors

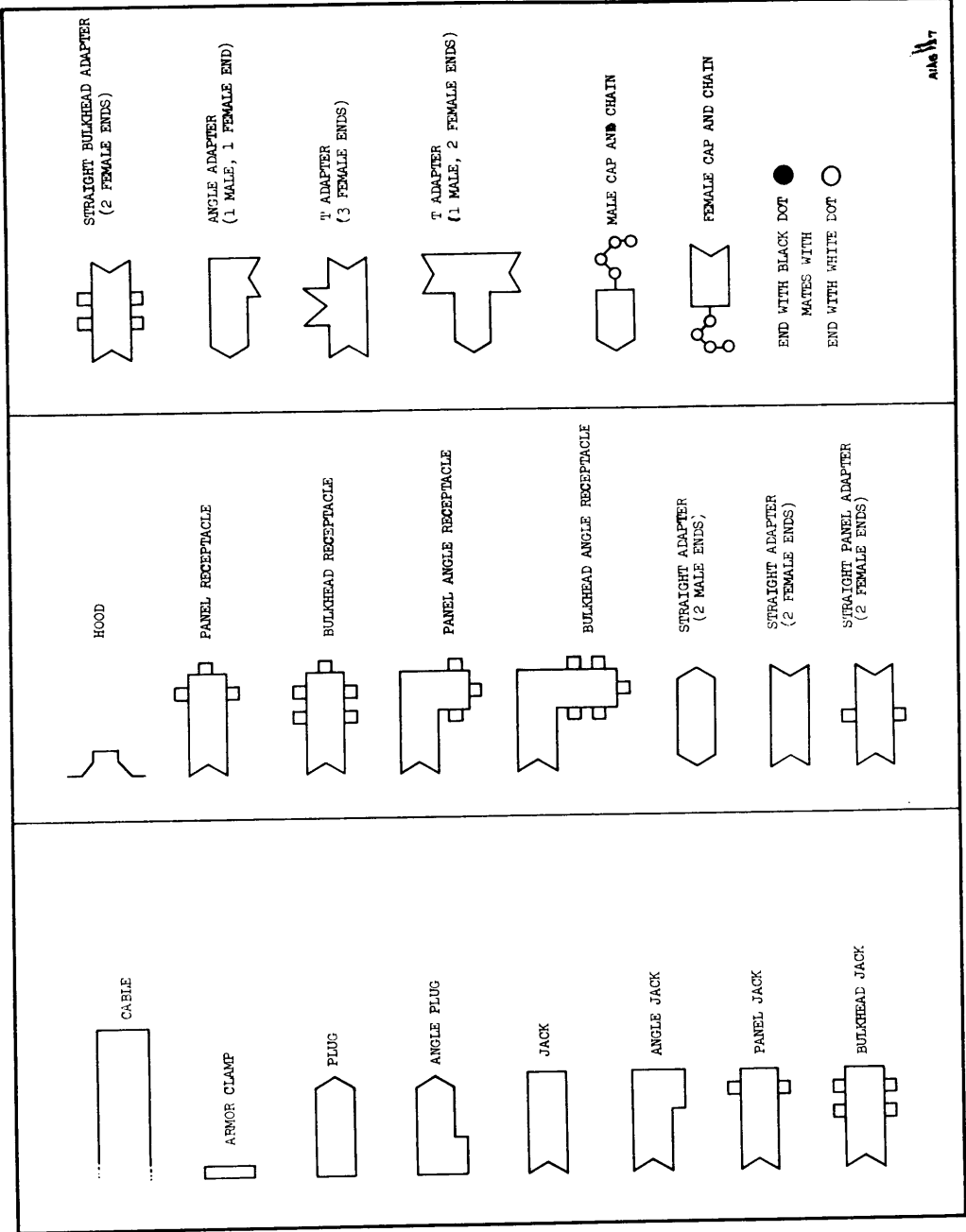


Figure 9-5. Symbols Used in Connector-Mating Diagrams

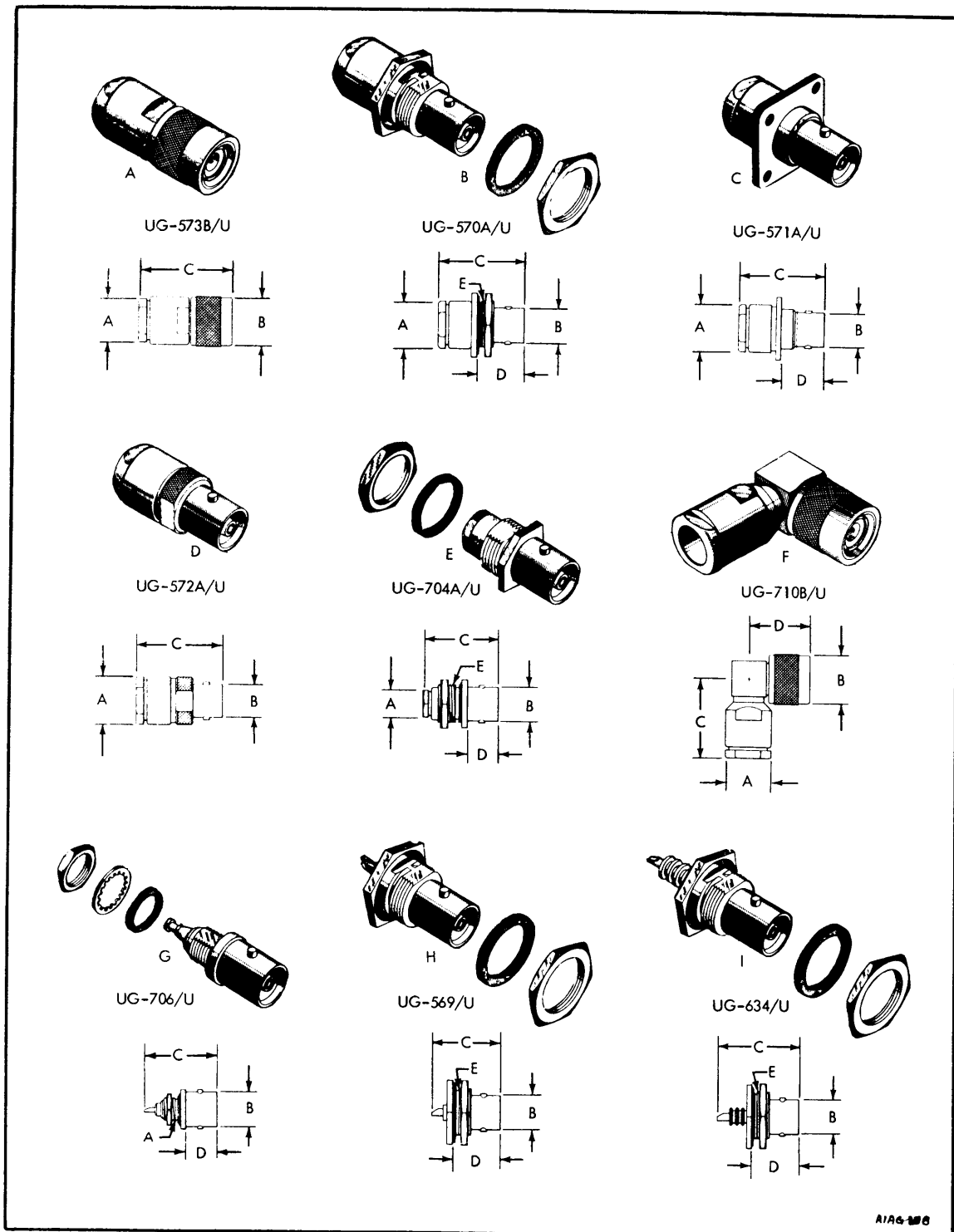


Figure C-Series Connectors

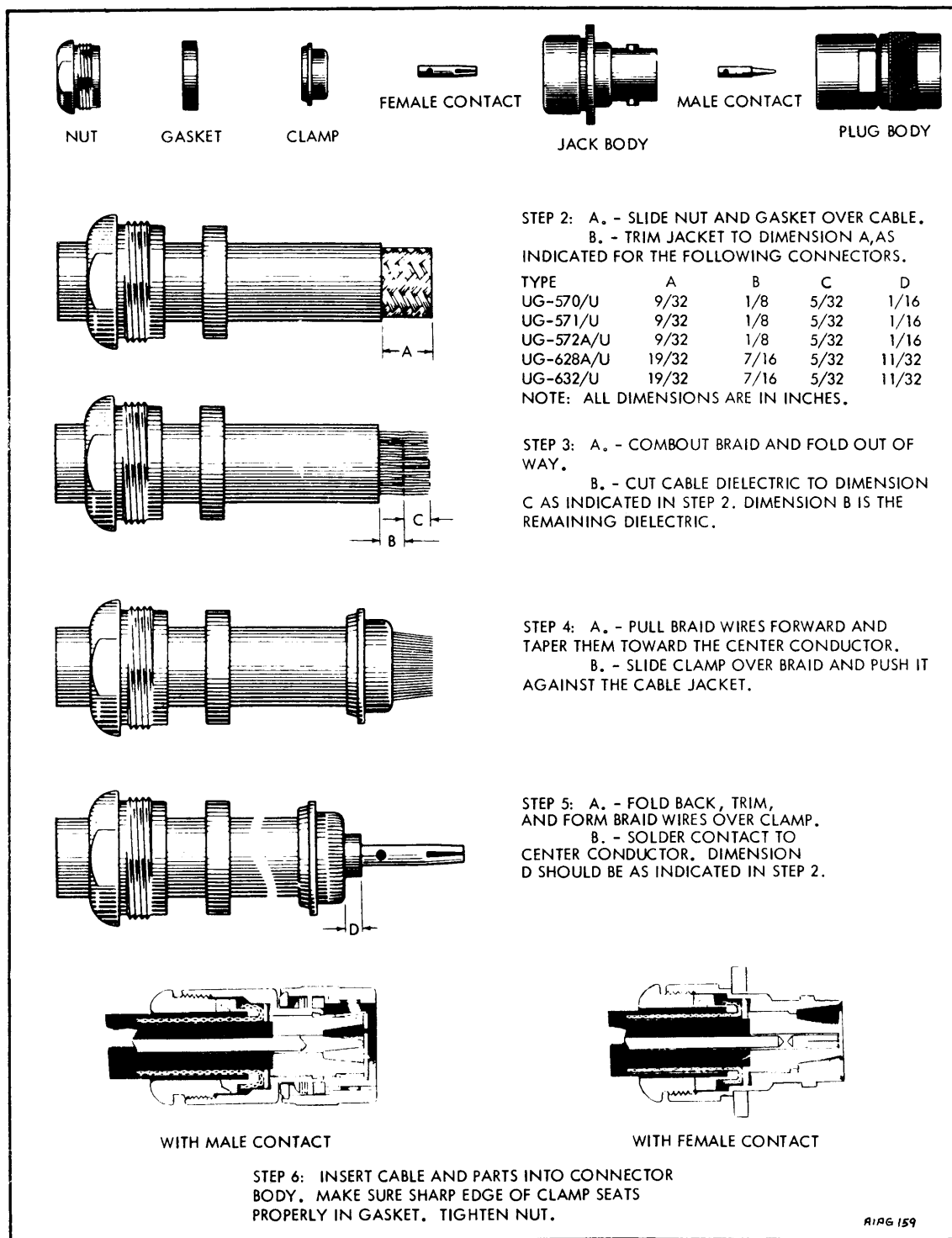


Figure 9-7. Installation of C-Series Connectors

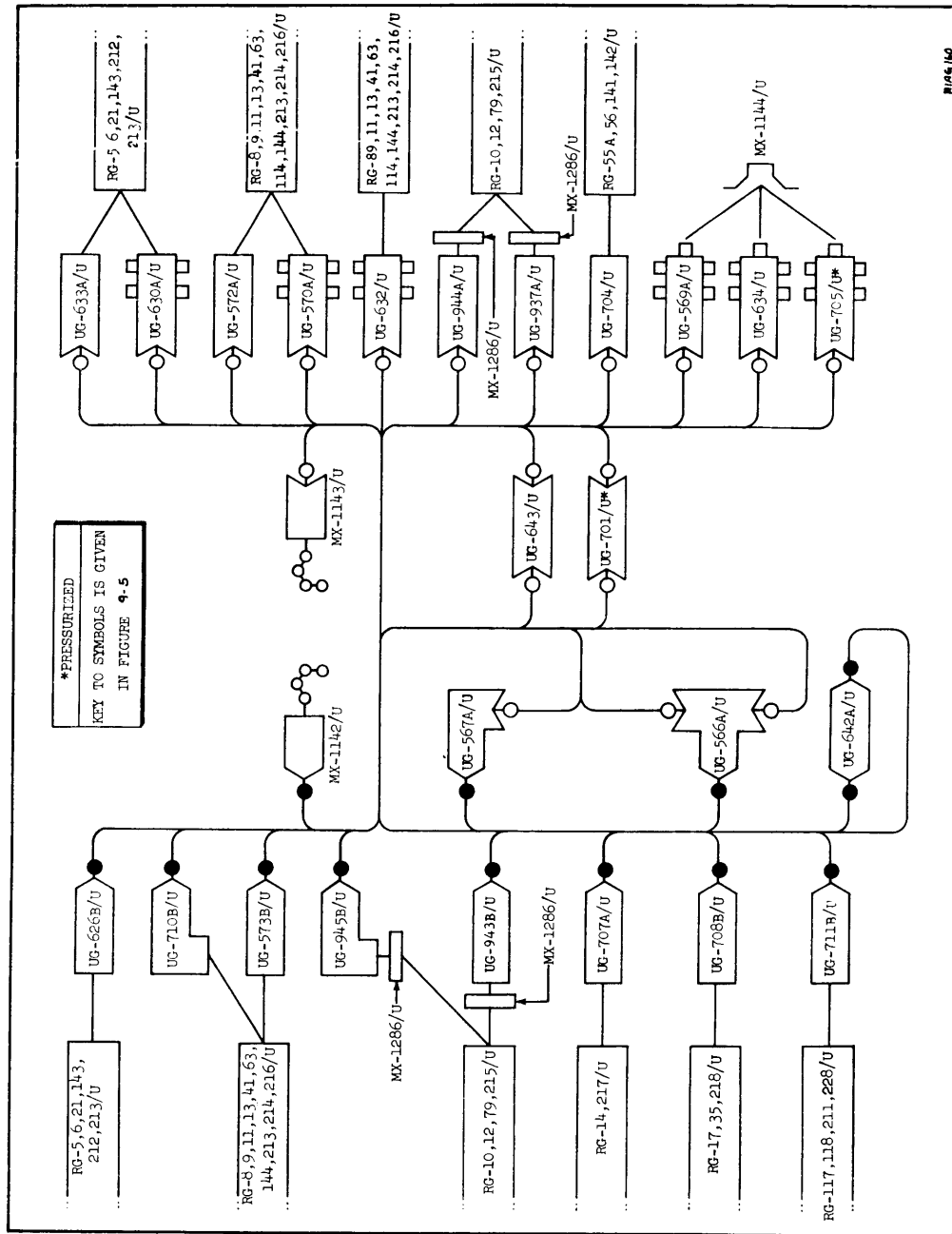


Figure 9-8. Mating Diagram for C-Series Connectors



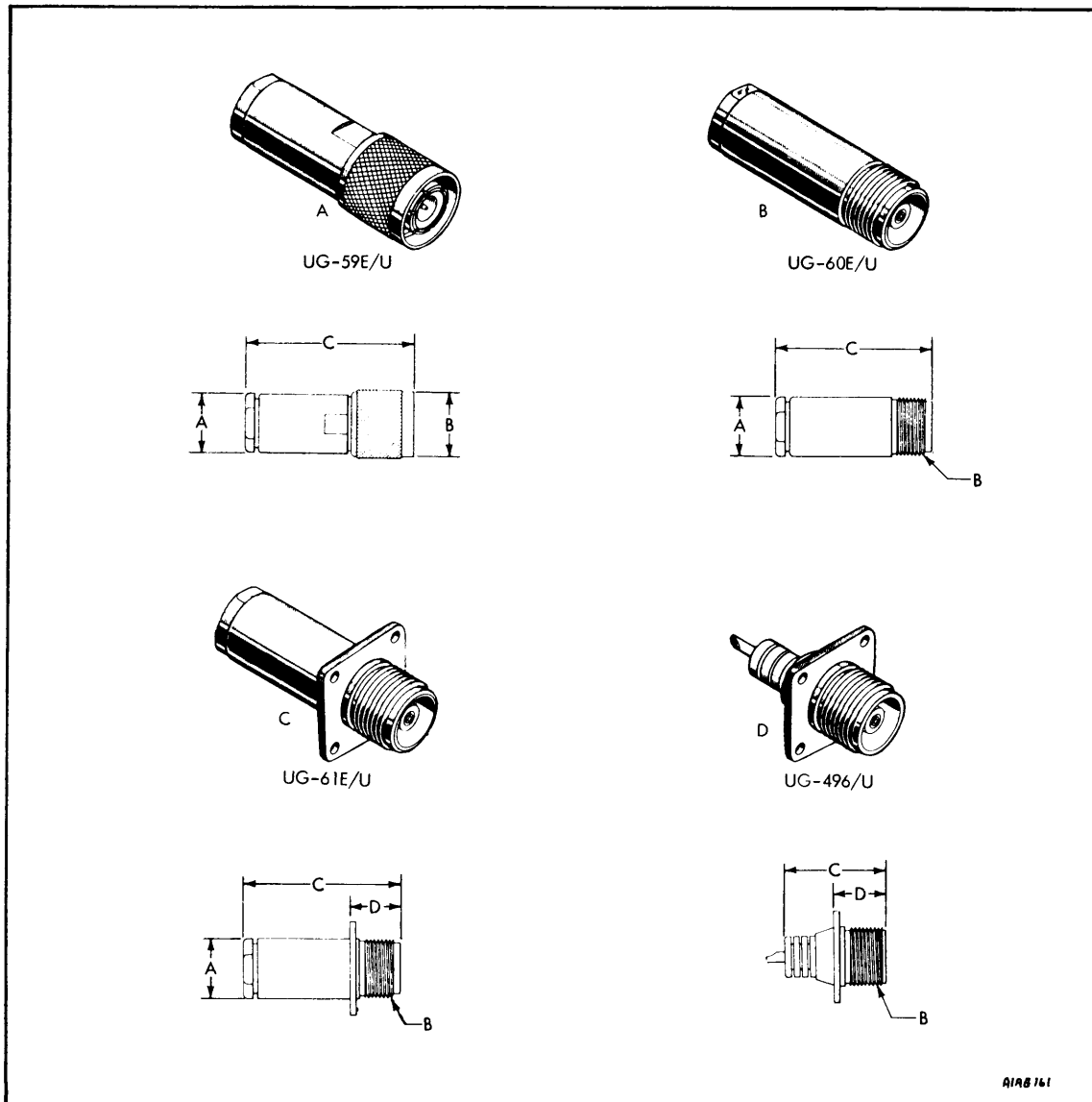


Figure 9-9. HN-Series Connectors

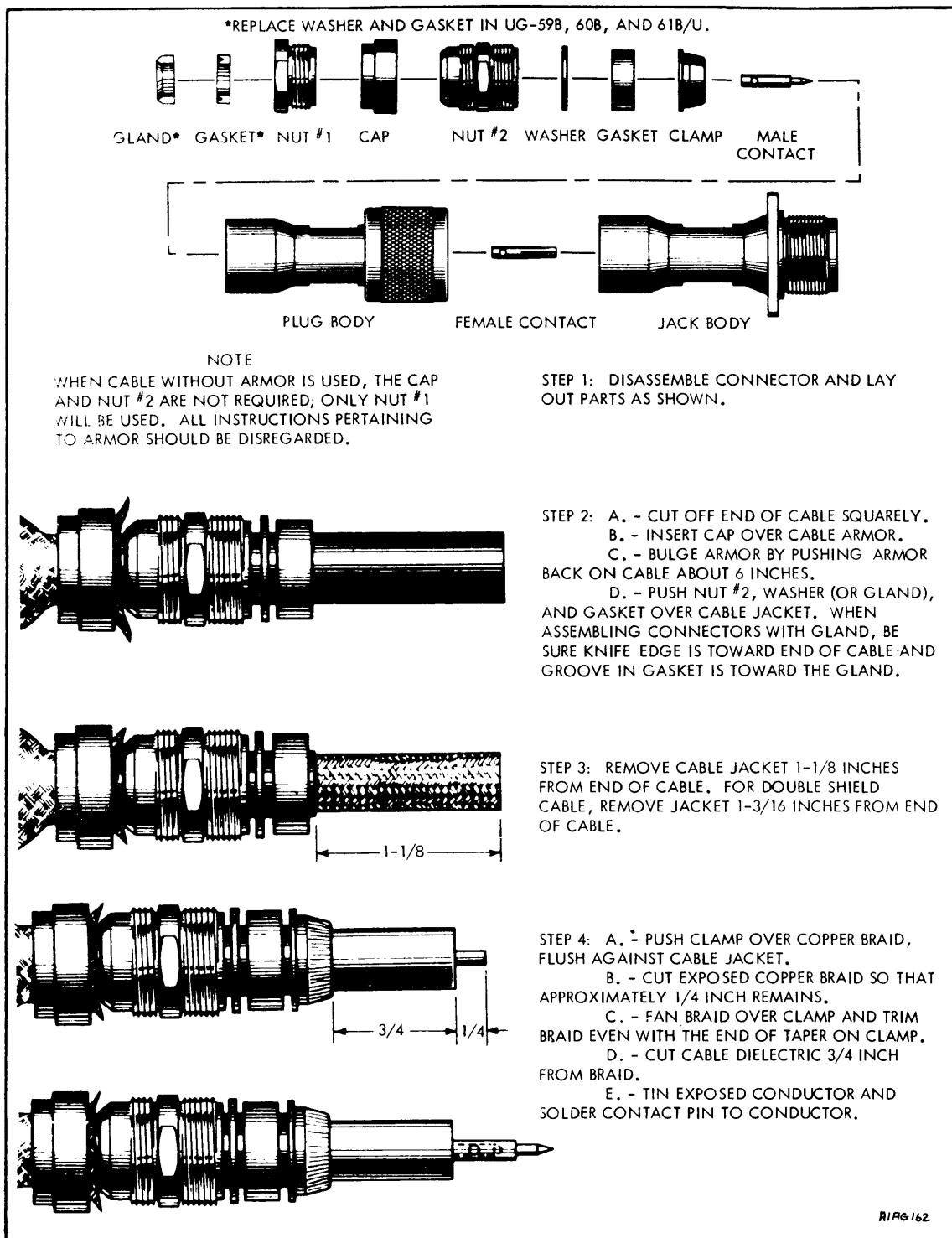
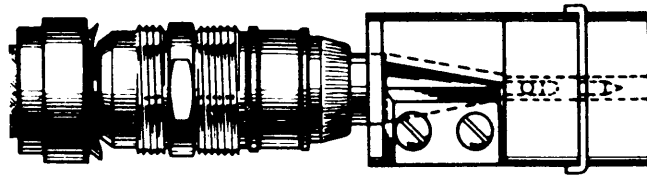
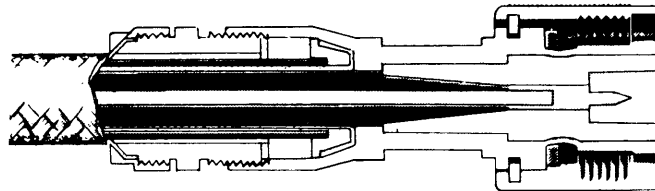


Figure 9-10. Installation of HN-Series Connectors (Sheet 1 of 2)

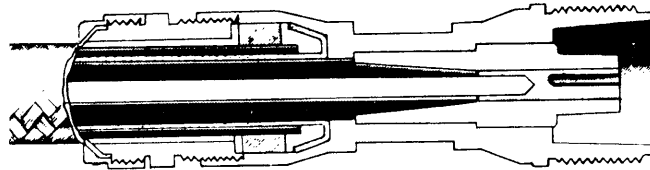


STEP 5: TAPER DIELECTRIC WITH MX-103/U TRIMMING TOOL. WHEN TAPERING DIELECTRIC OF CABLE FOR PLUG ASSEMBLY, PUSH CONTACT STOP OF TOOL TO BOTTOM OF SLOT. TOOL WILL STOP CUTTING WHEN SHOULDER OF CON-

TACT BUTTS AGAINST STOP. FOR JACK ASSEMBLY, SEE THAT THE STOP IS AT THE TOP OF THE SLOT. CABLE WILL BE PROPERLY TAPERED WHEN END OF CENTER CONTACT IS FLUSH WITH END OF TRIMMER BODY.



WITH MALE CONTACT



WITH FEMALE CONTACT

STEP 6: A. - APPLY A SMALL AMOUNT OF SILICONE COMPOUND (AMPHENOL 307 OR EQUIVALENT) TO THE TAPERED SURFACE OF THE DIELECTRIC.  
 B. - INSERT ASSEMBLY INTO CONNECTOR BODY.  
 C. - TIGHTEN NUT #1 (NUT #2 IF CABLE IS ARMORED) SECURELY WITH A WRENCH.

D. - STRAIGHTEN BULGE IN ARMOR.  
 E. - CUT ARMOR SO THAT IT CAN BE CLAMPED BETWEEN NUT #2 AND CAP.  
 F. - TIGHTEN CAP SECURELY ON NUT #2 WITH A WRENCH. IN CONNECTORS CONTAINING A GLAND, THE KNIFE EDGE SHOULD CUT THE GASKET IN HALF WHEN TIGHTENED SUFFICIENTLY.

RIAG163

Figure 9-10. Installation of HN-Series Connectors (Sheet 2 of 2)

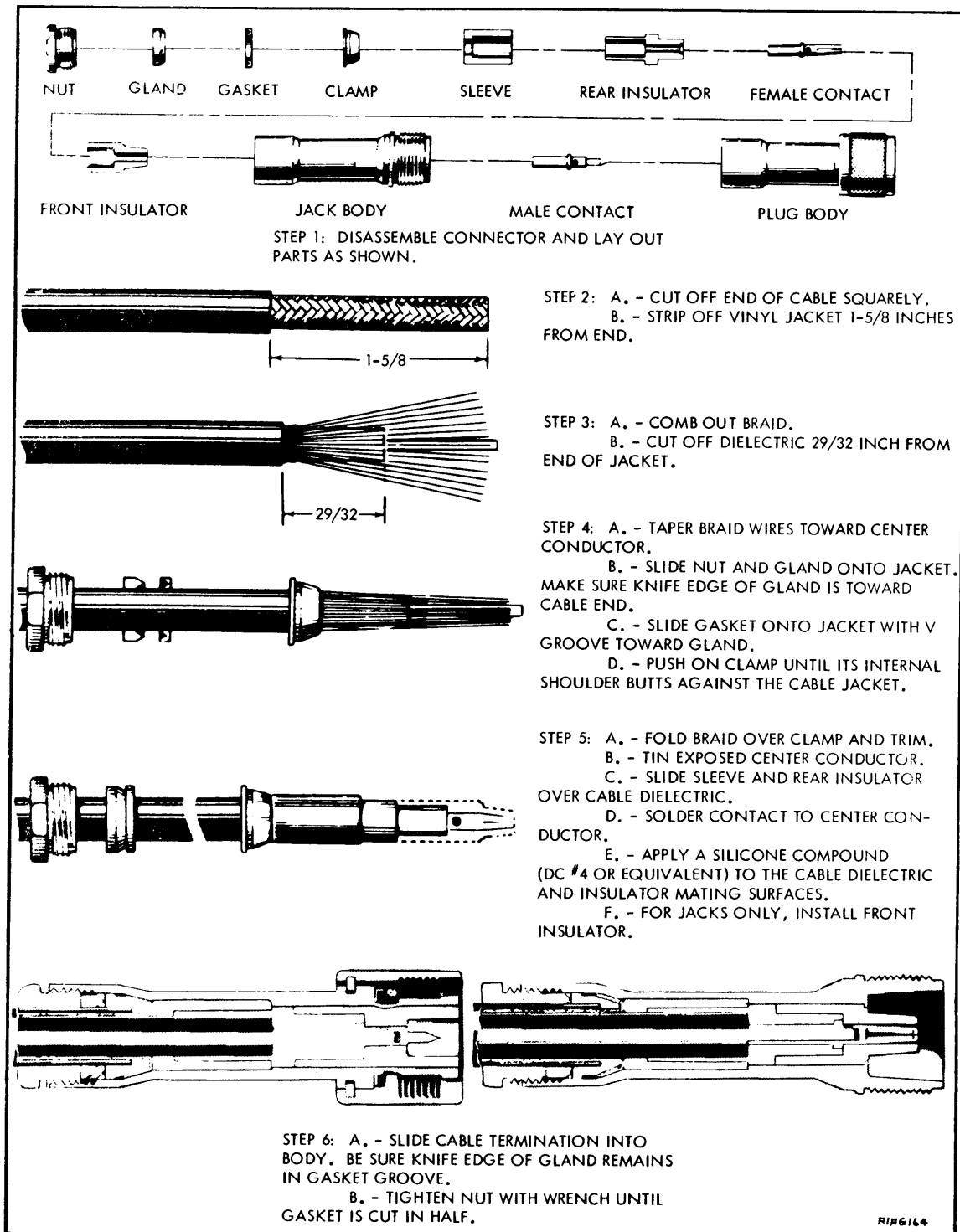


Figure 9-11. Installation of HN-Series Connectors (Captivated Contact)

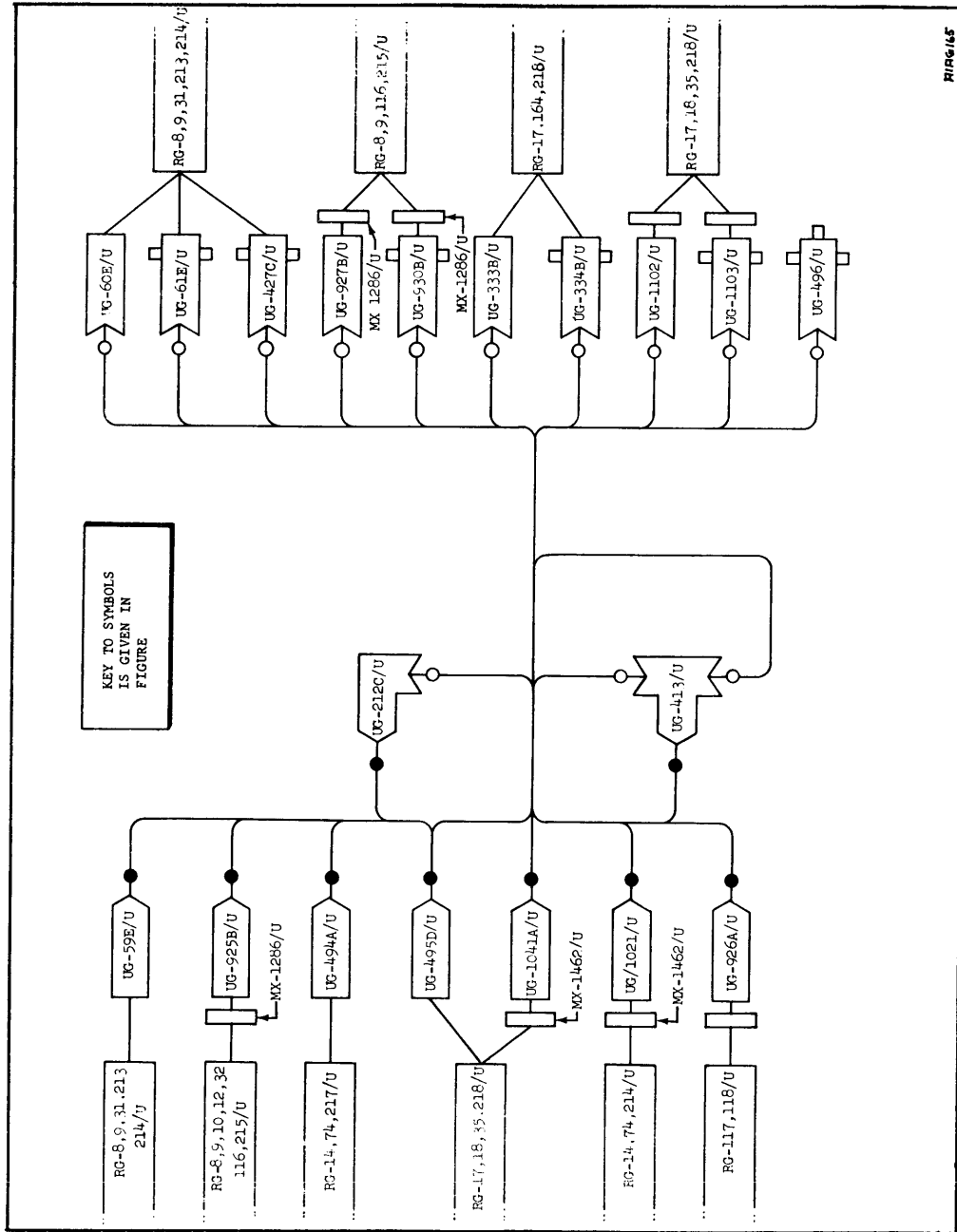


Figure 9-12. Mating Diagram for HN-Series Connectors

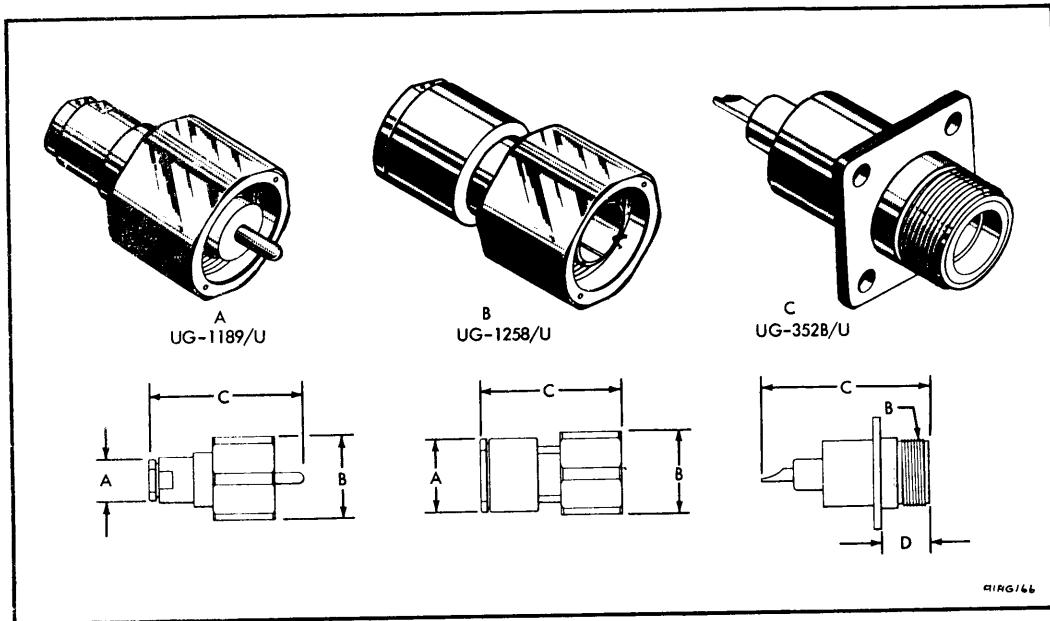


Figure 9-13. LC- and LT-Series Connectors

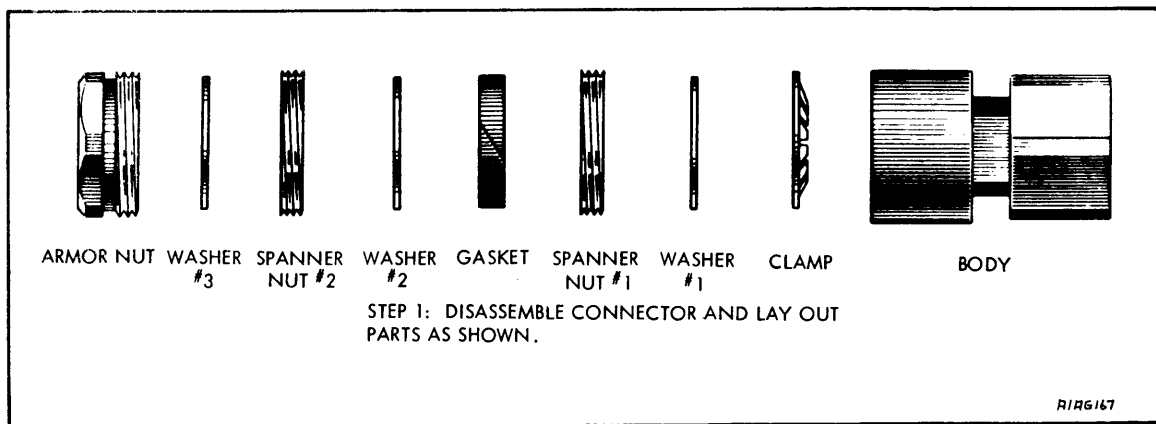


Figure 9-14. Installation of LC-Series Connectors (Sheet 1 of 2)

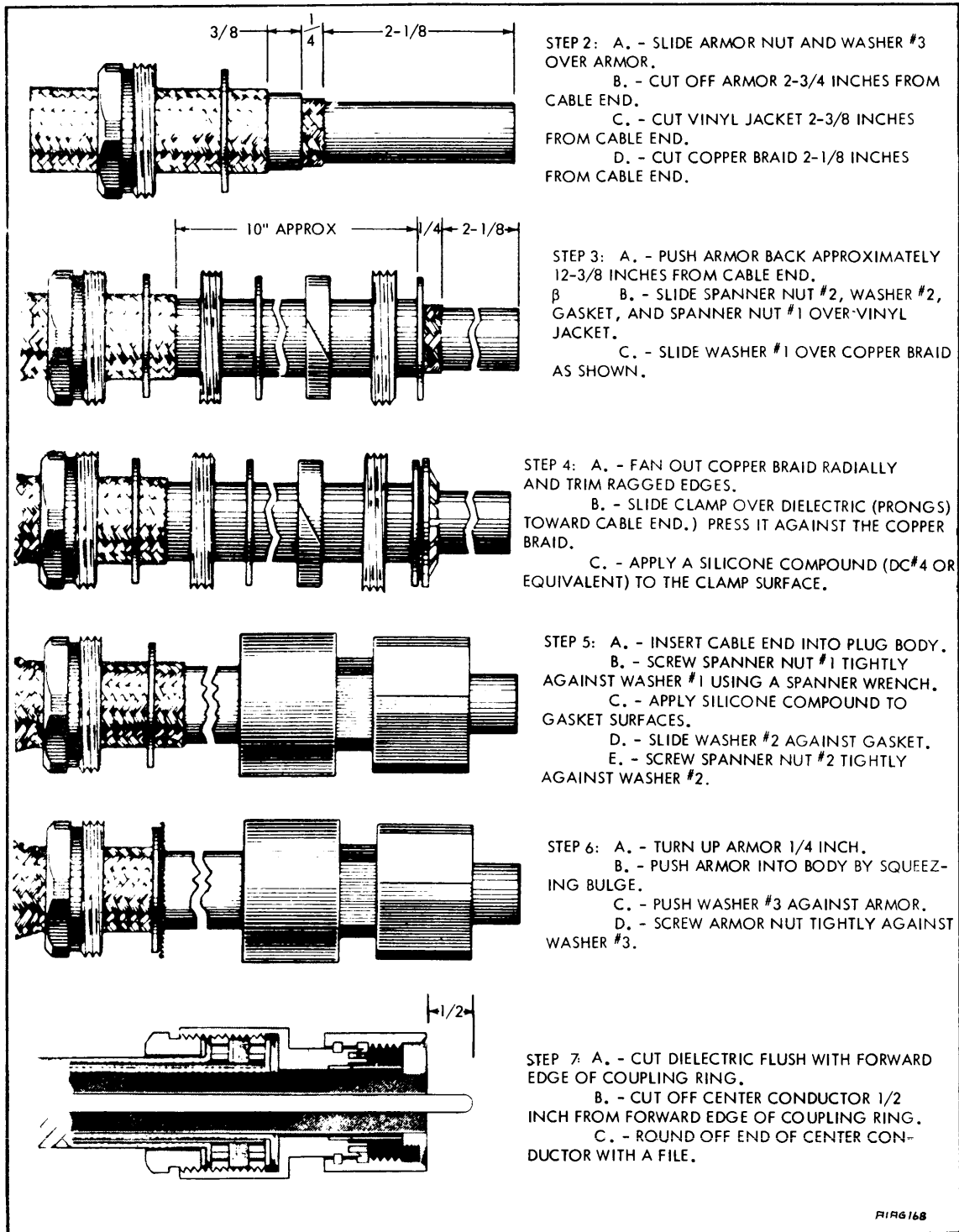


Figure 9-14. Installation of LC-Series Connectors (Sheet 2 of 2)

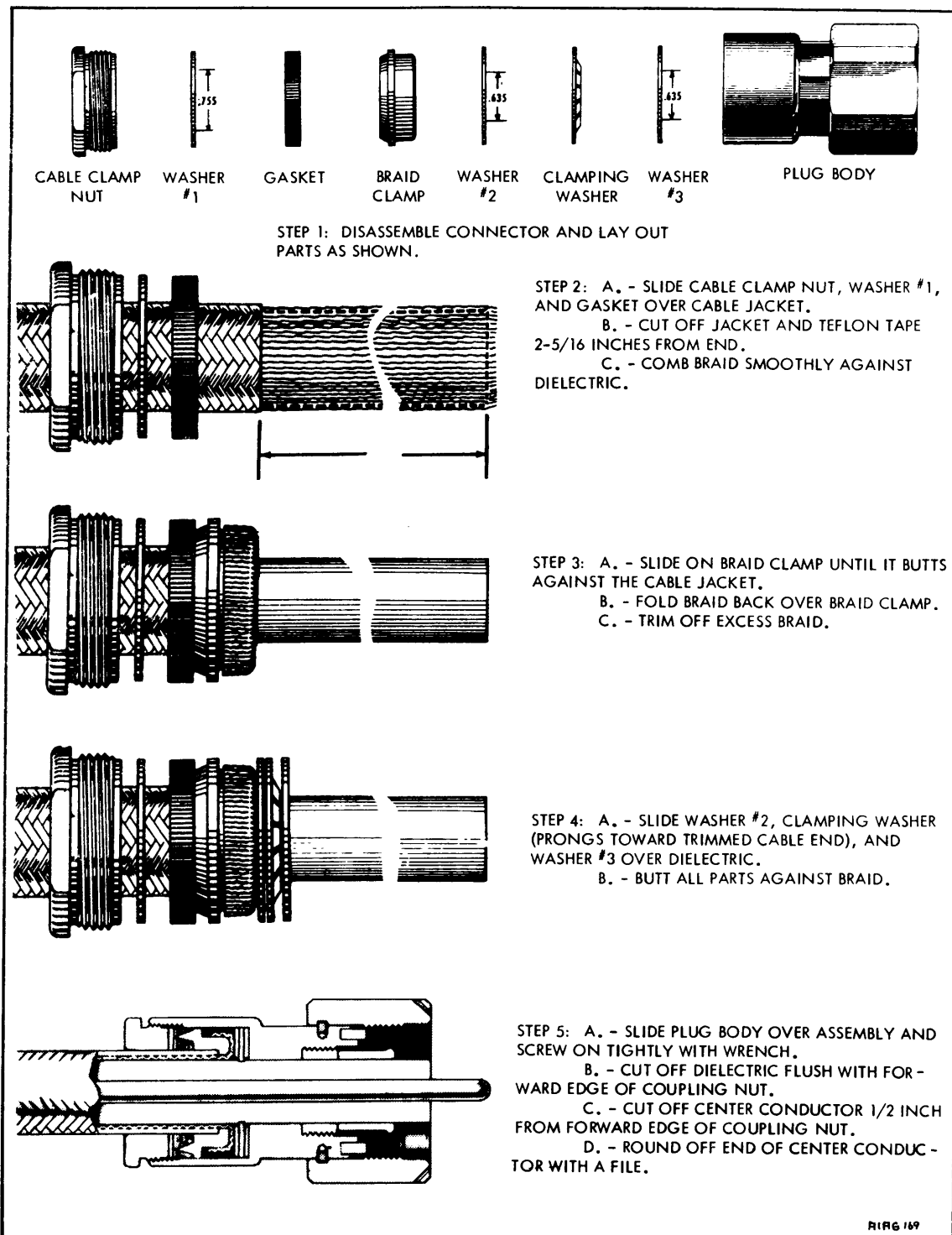


Figure 9-15. Installation of LT-Series Connectors



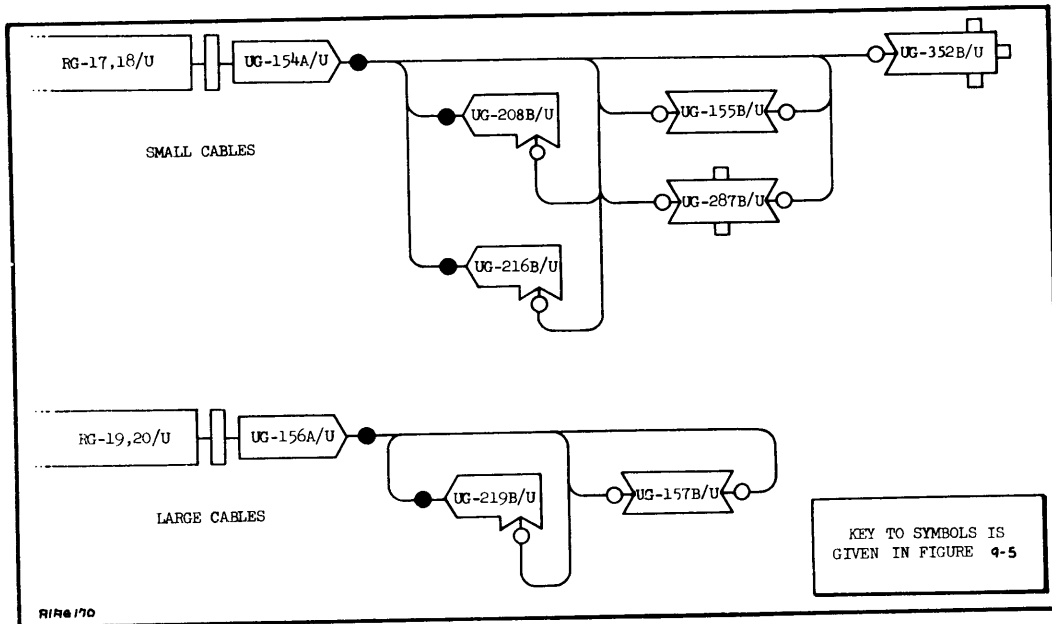


Figure 9-16. Mating Diagram for LC-Series Connectors

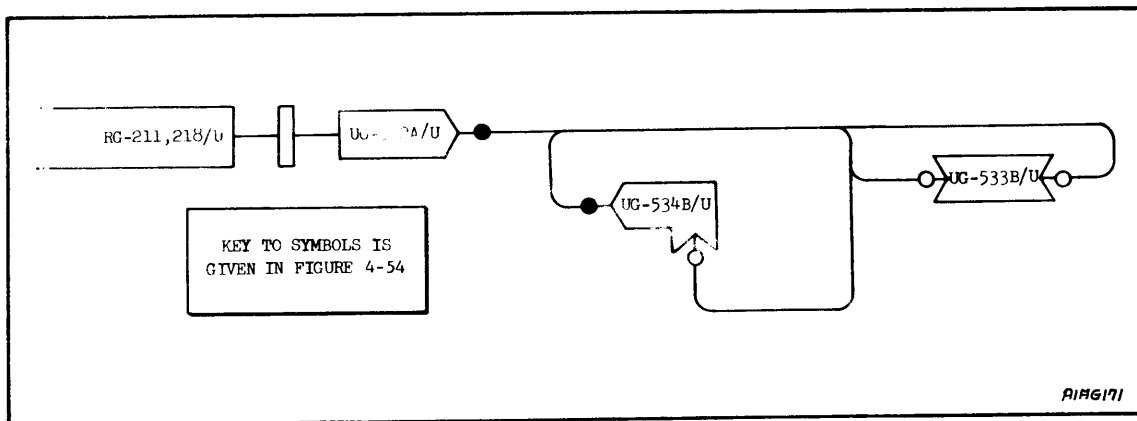
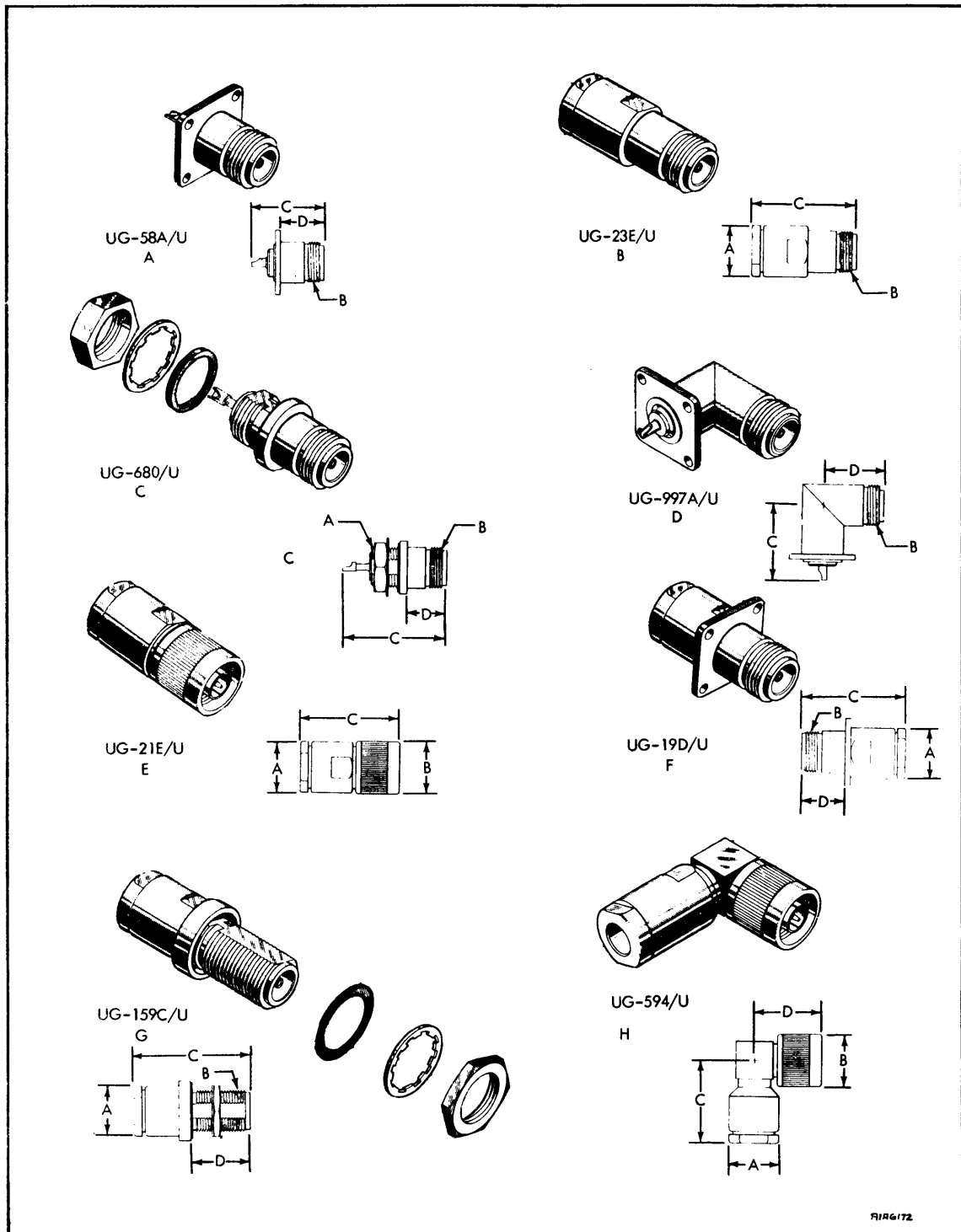


Figure 9-17. Mating Diagram for LT-Series Connectors



R196/72

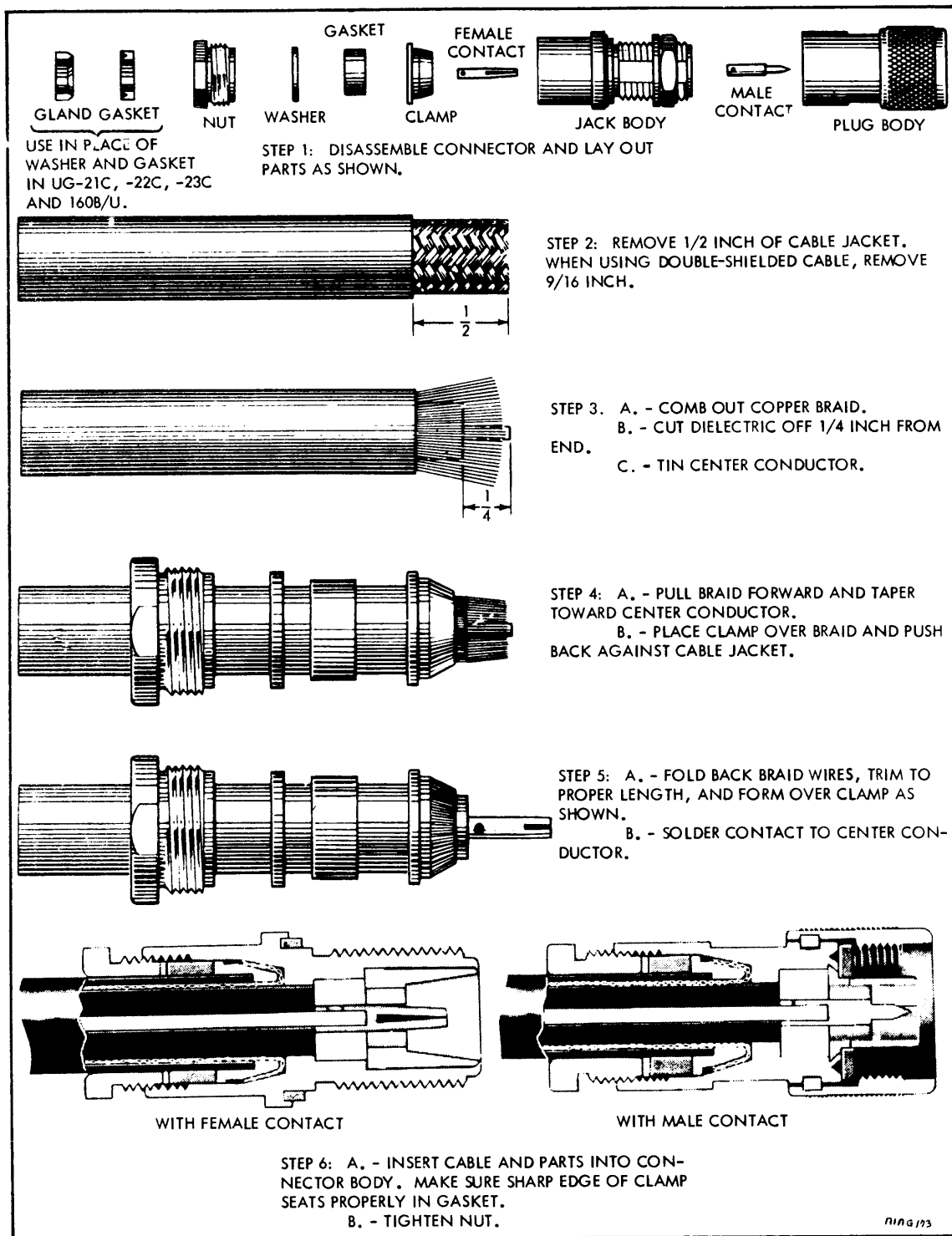


Figure 9-19. Installation of N-Series Connectors

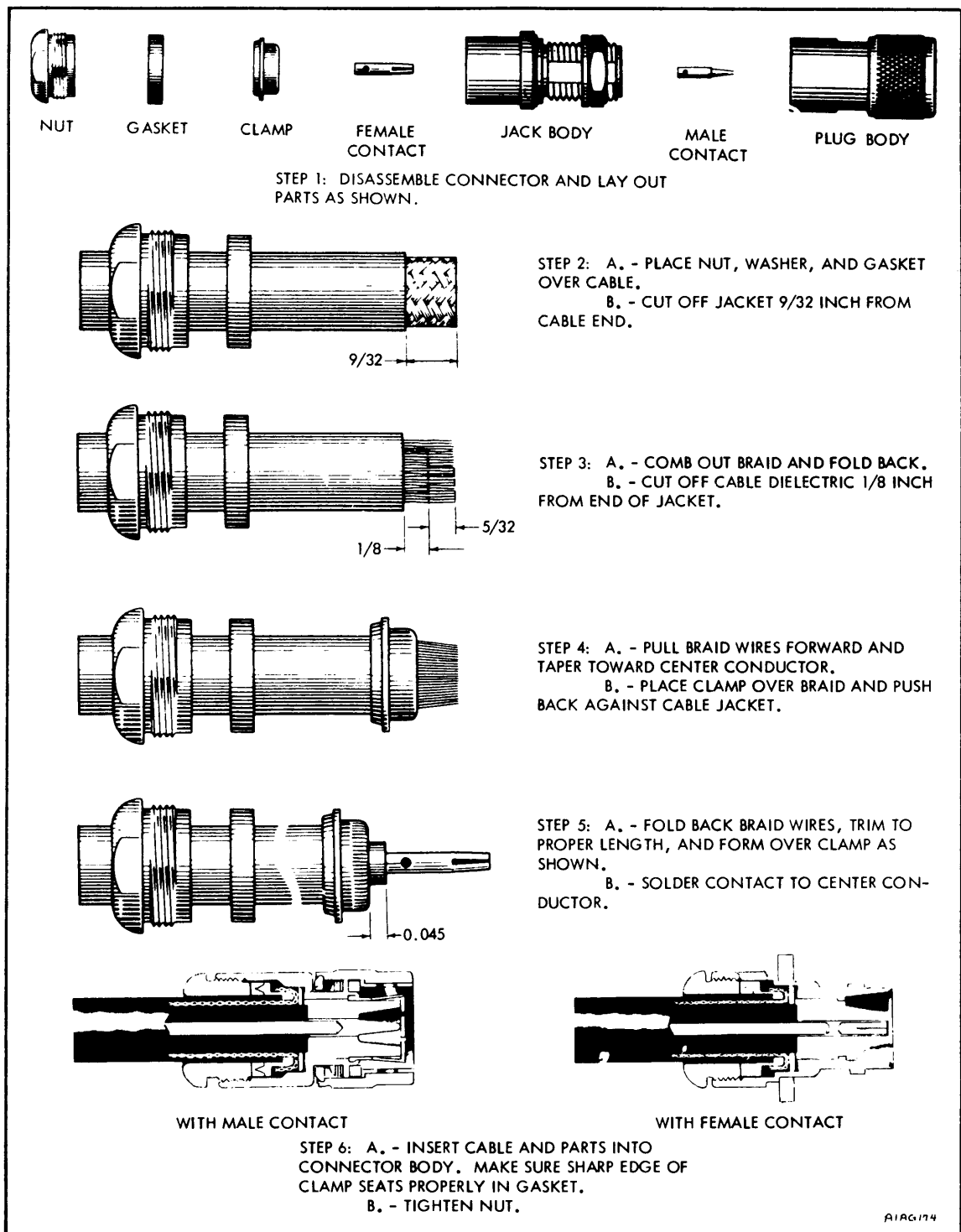


Figure 9-20. Installation of Improved N-Series Connectors

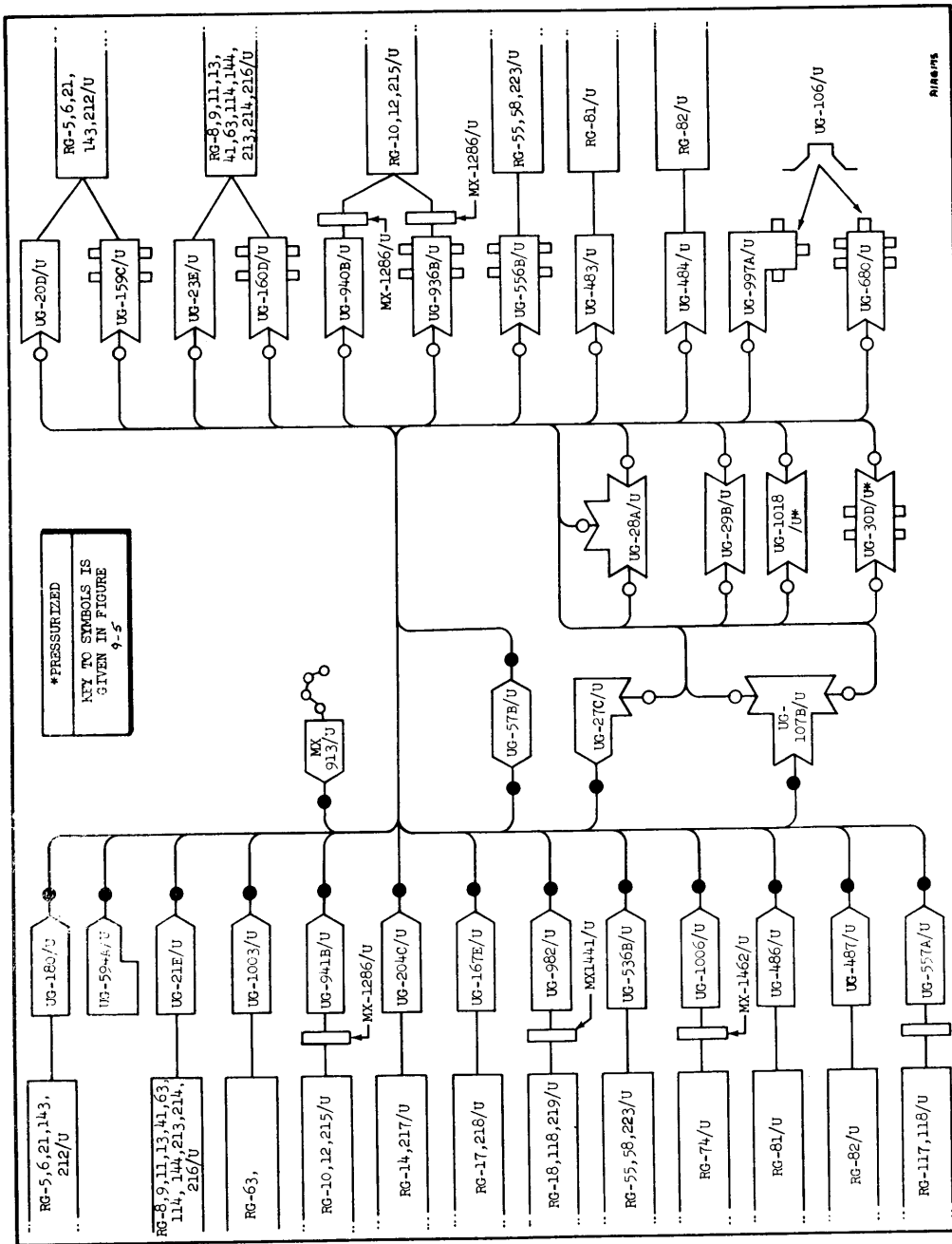


Figure 9-21. Mating Diagram for 50-Ohm, N-Series Connectors

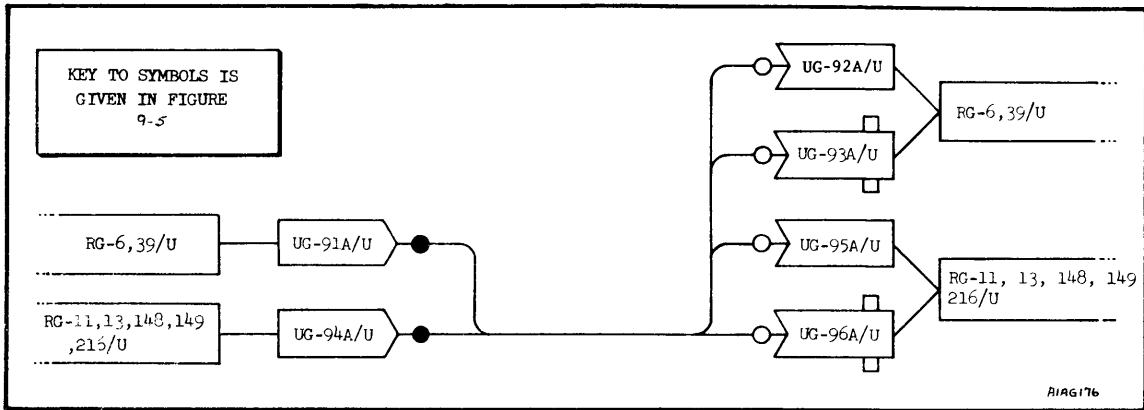


Figure 9-22. Mating Diagram for 70-Ohm, N-Series Connectors

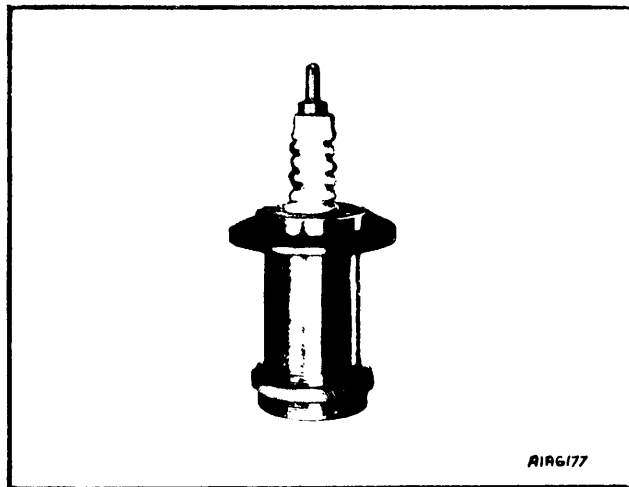


Figure 9-23. Ceramic-Insert Pulse Connector

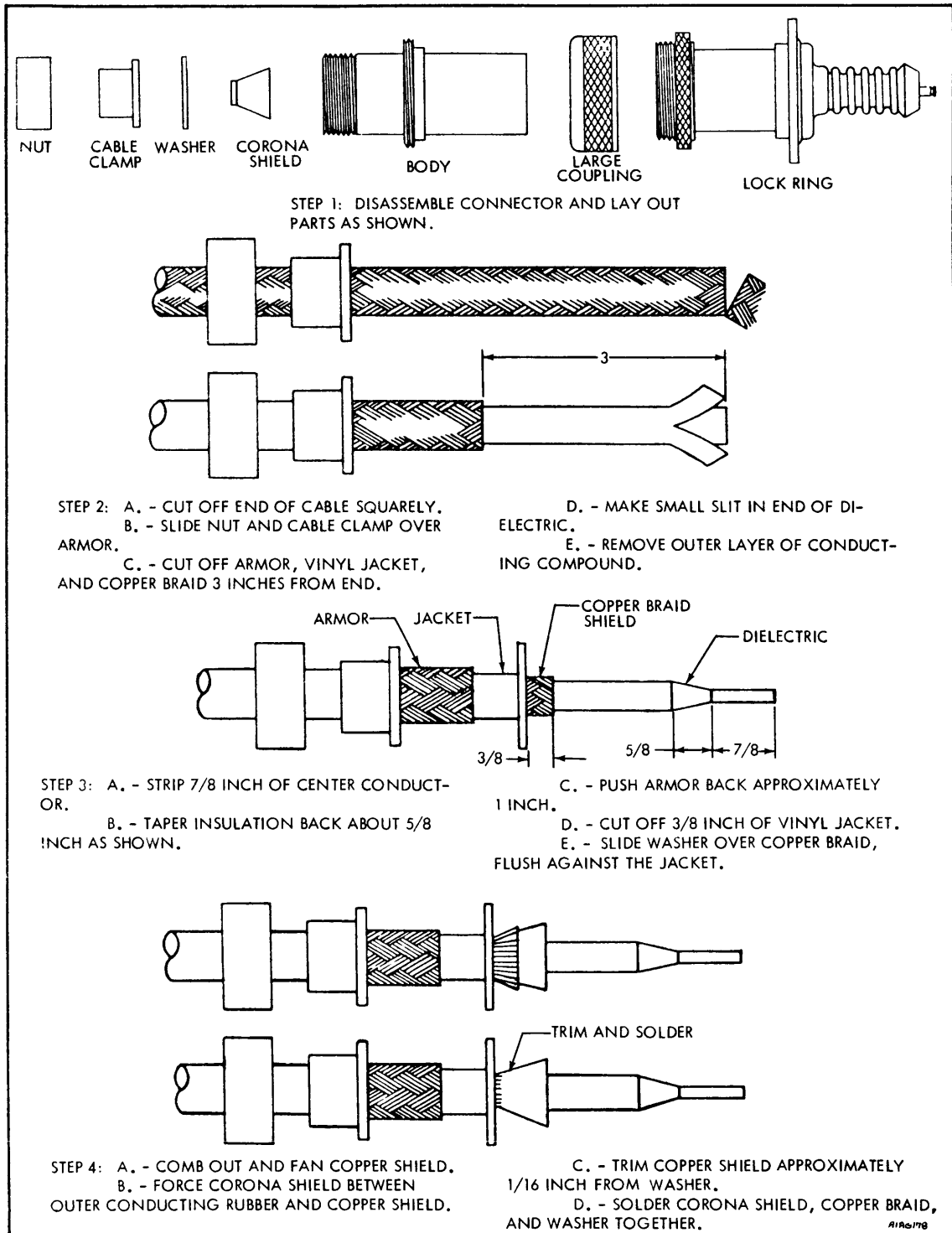


Figure 9-24. Installation of Ceramic-Insert Pulse Connectors (Sheet 1 of 2)

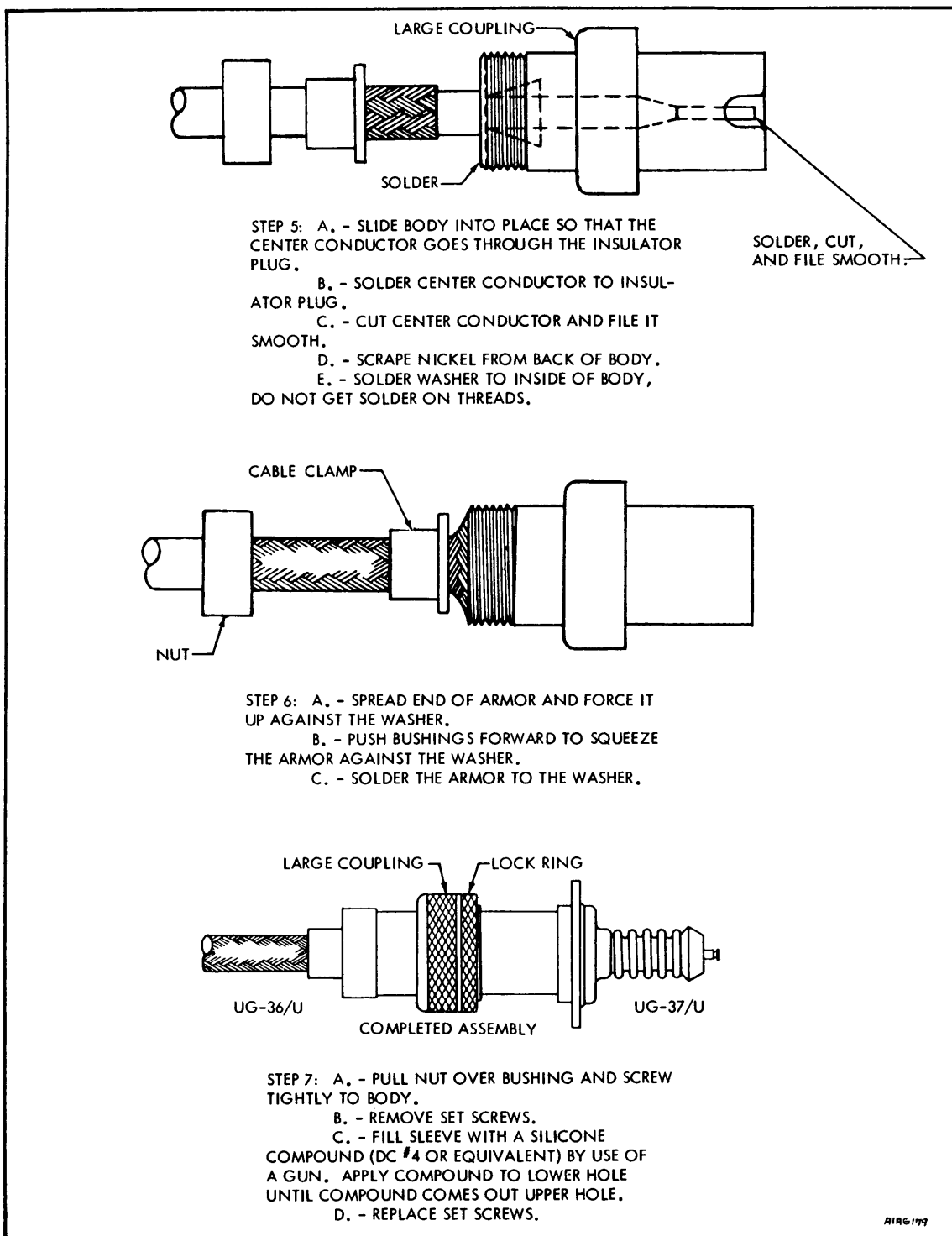


Figure 9-24. Installation of Ceramic-Insert Pulse Connectors (Sheet 2 of 2)



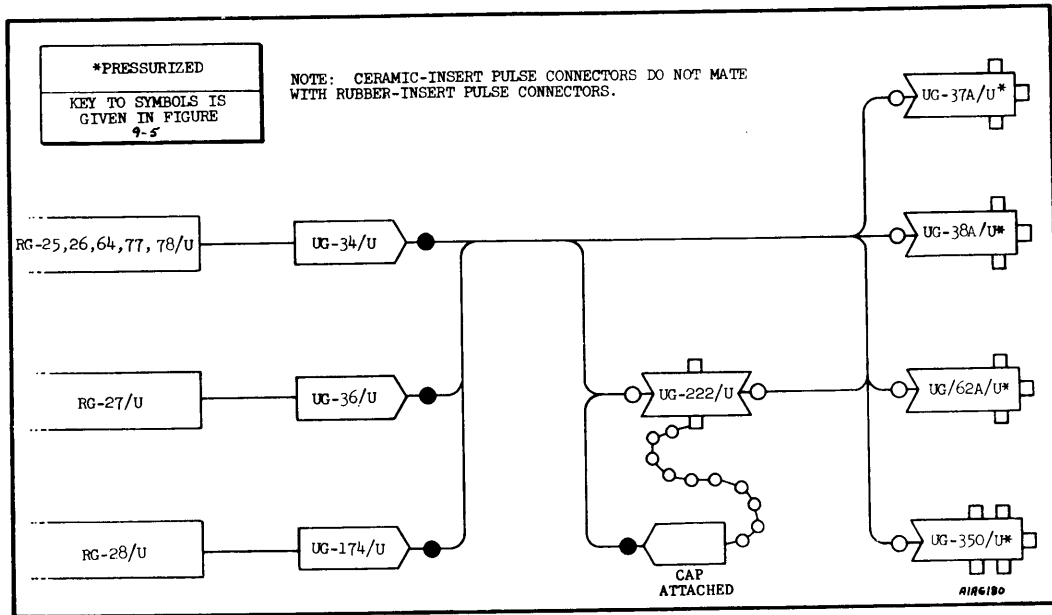


Figure 9-25. Mating Diagram for Ceramic-Insert Pulse Connectors

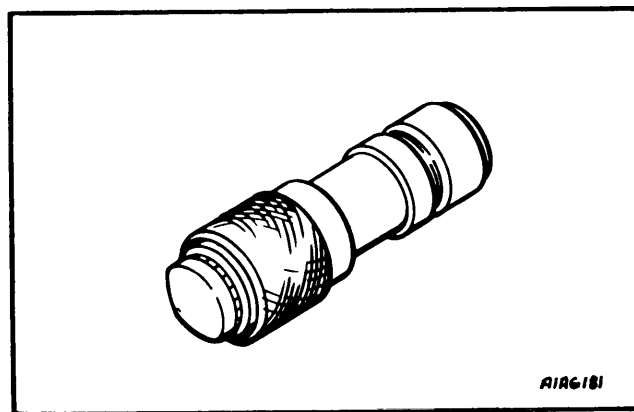


Figure 9-26. Rubber-Insert Pulse Connector

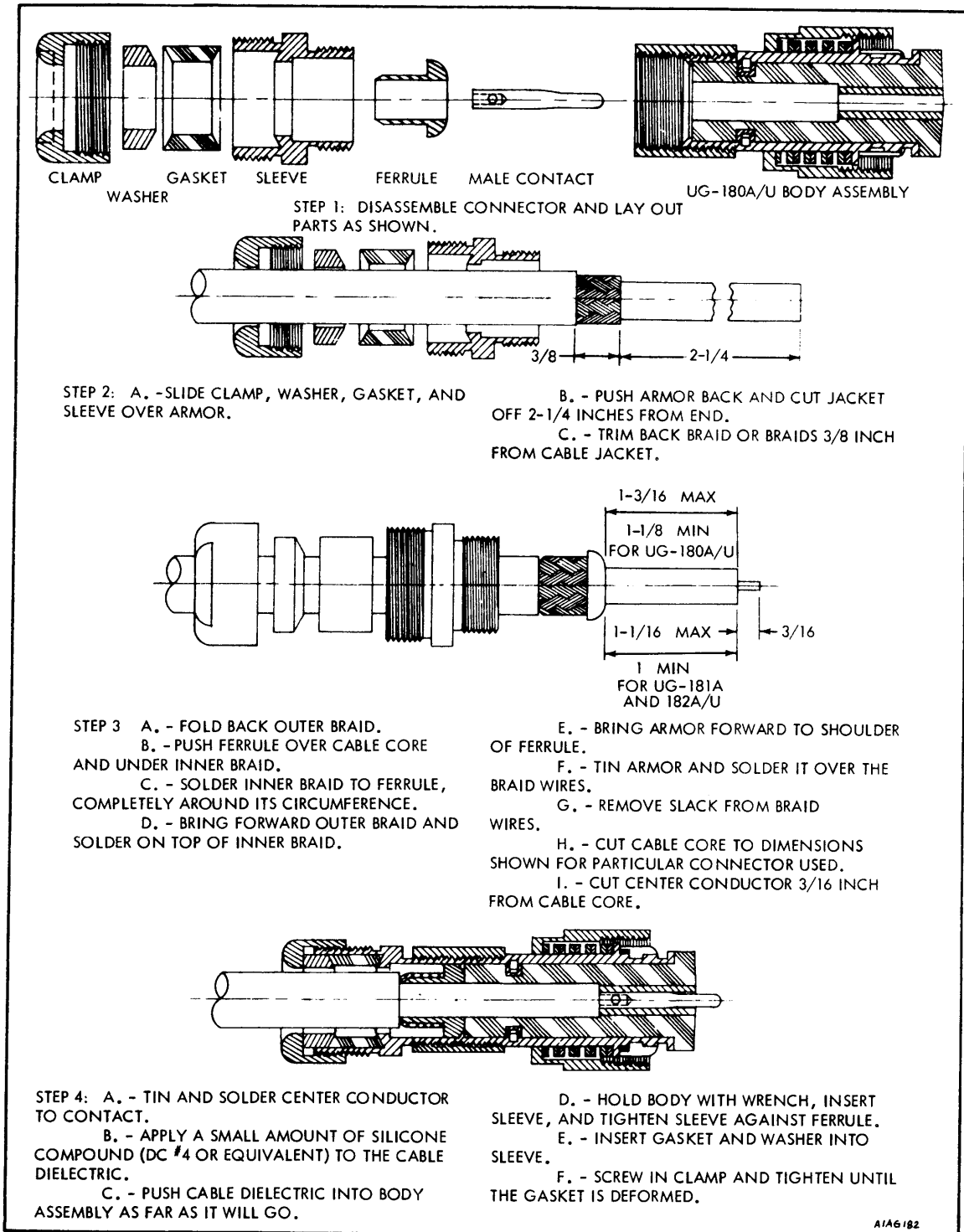


Figure 9-27. Installation of Rubber-Insert Pulse Connectors

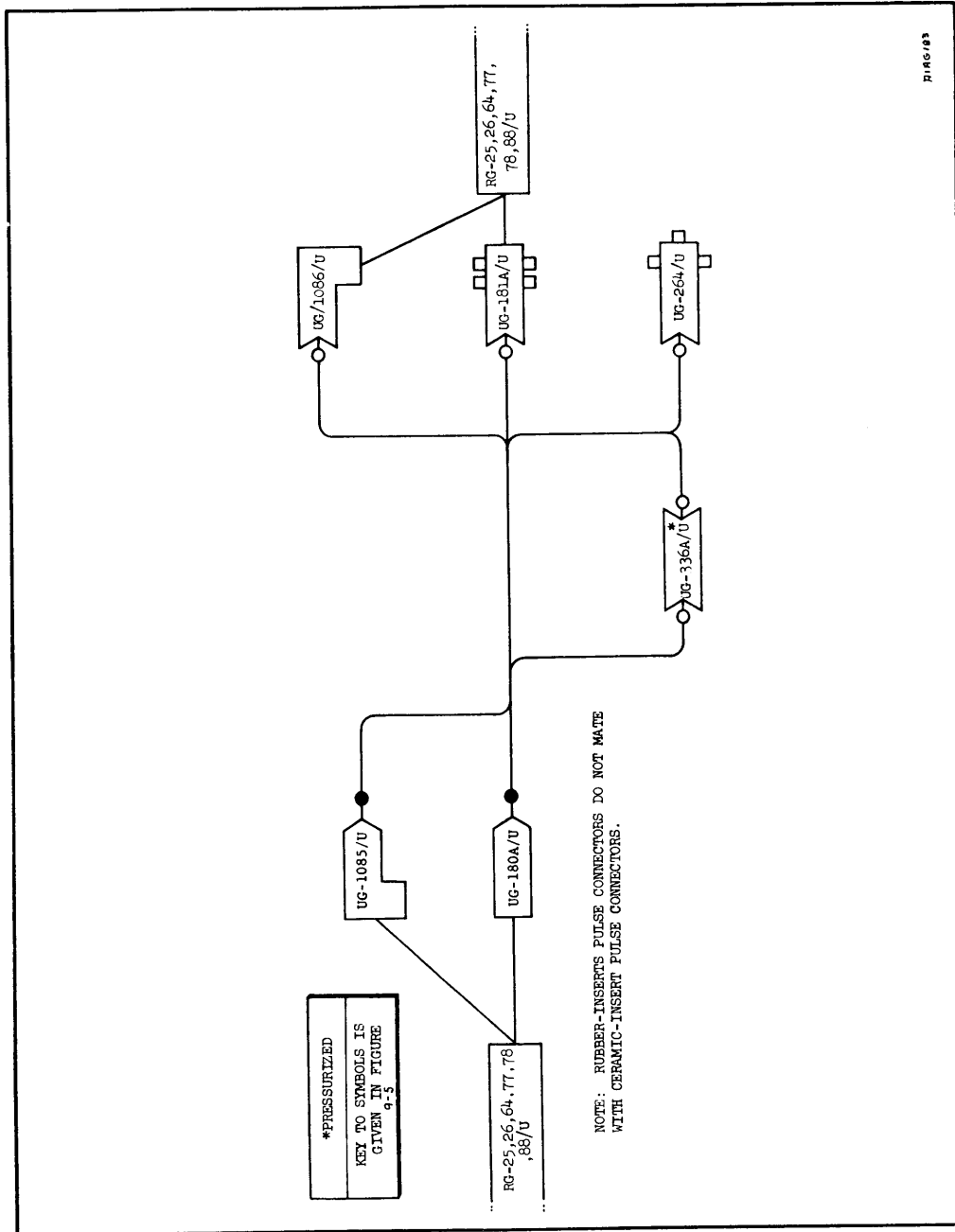


Figure 9-28. Mating Diagram for Rubber-Insert Pulse Connectors

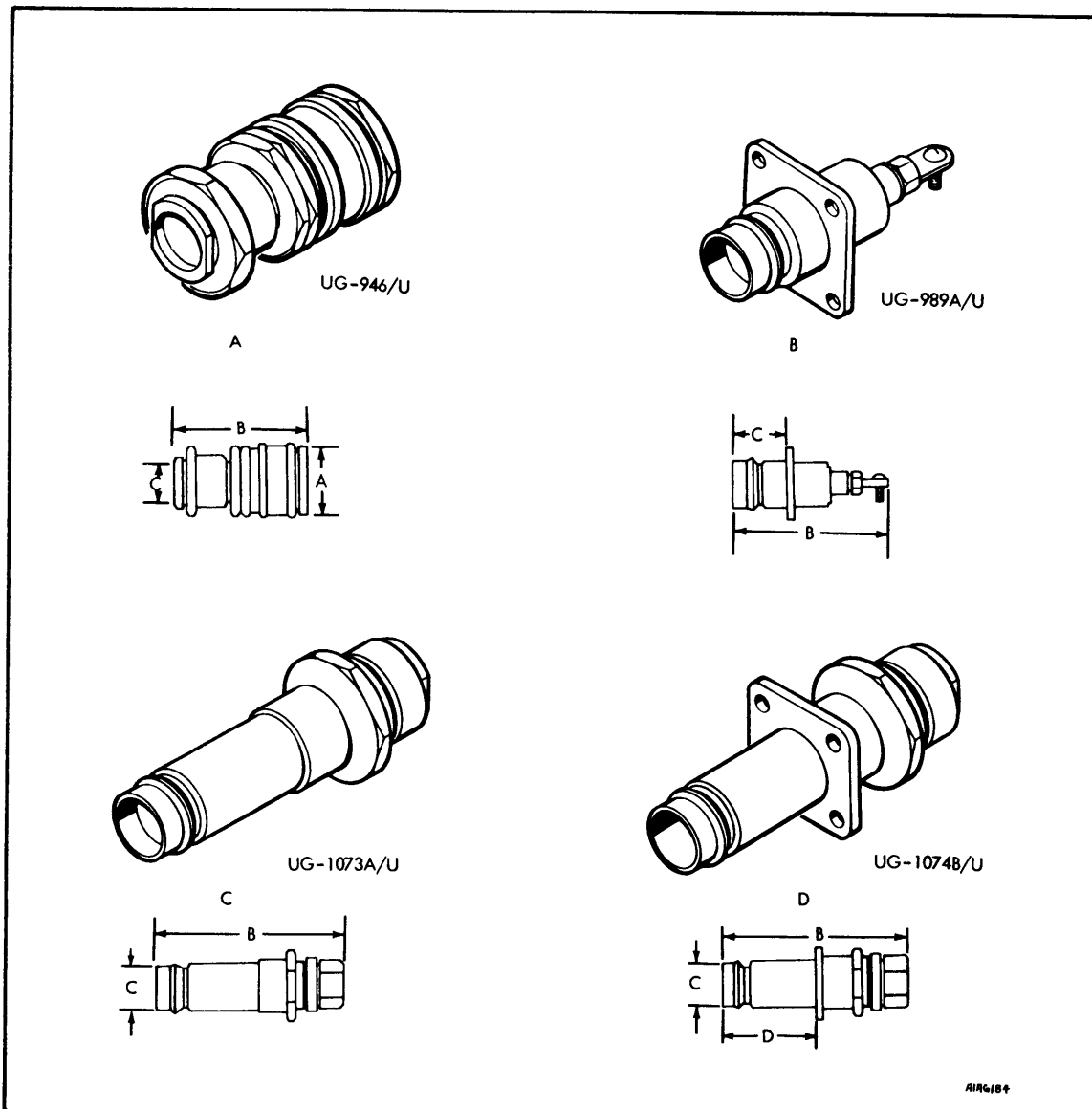


Figure 9-29. QDL-Series Connectors

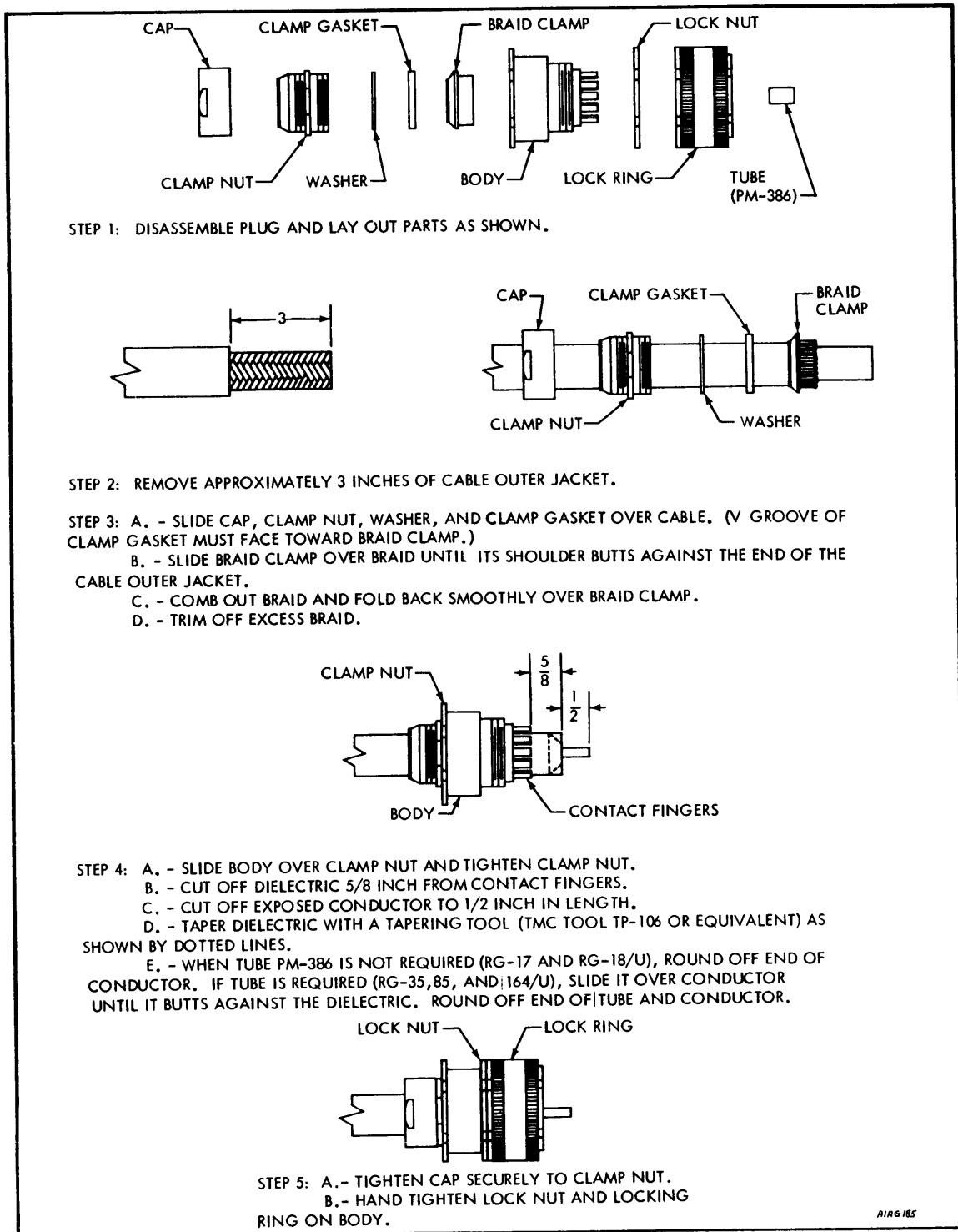


Figure 9-30. Installation of QDL-Series Connectors

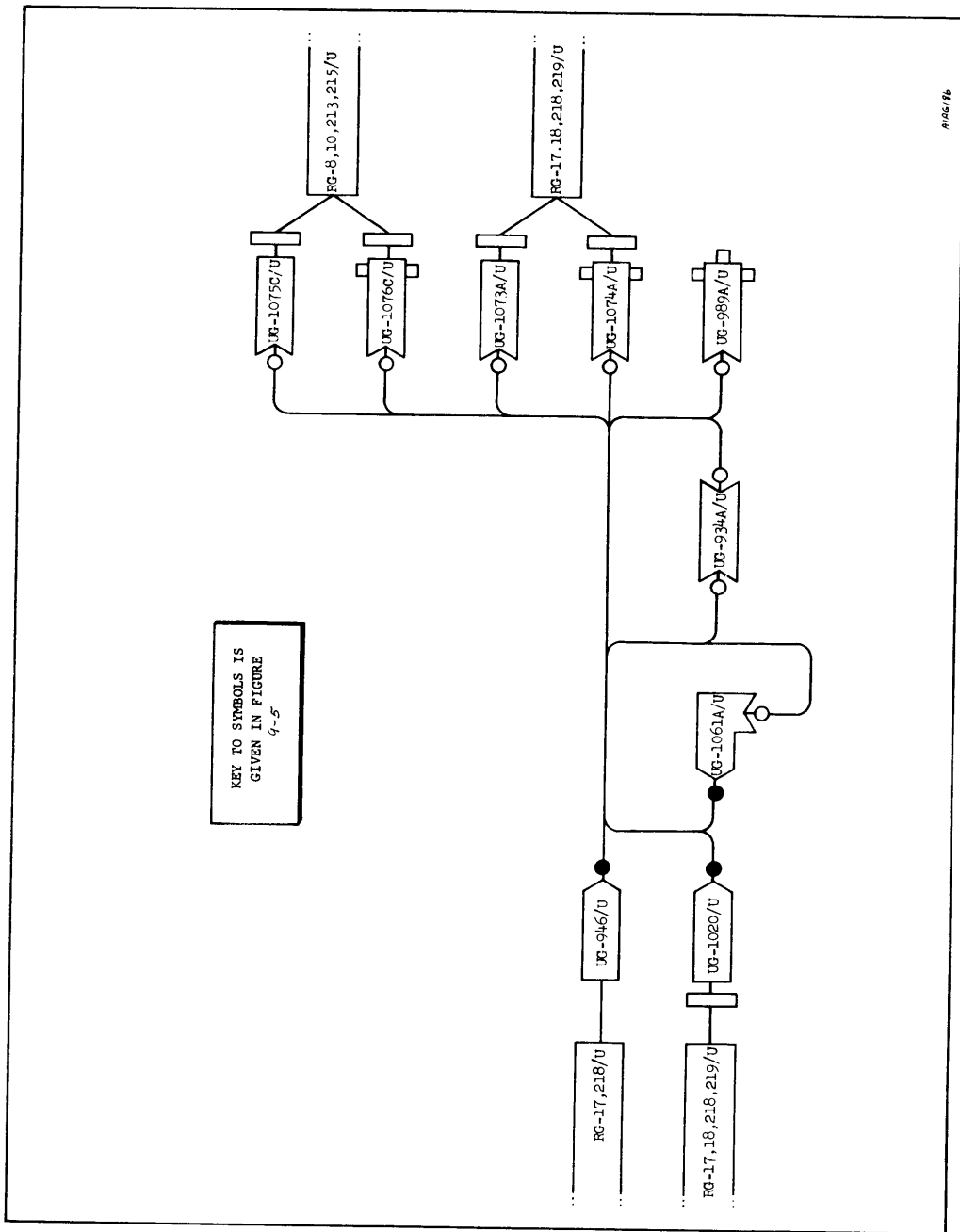


Figure 9-31. Mating Diagram for QDL-Series Connectors

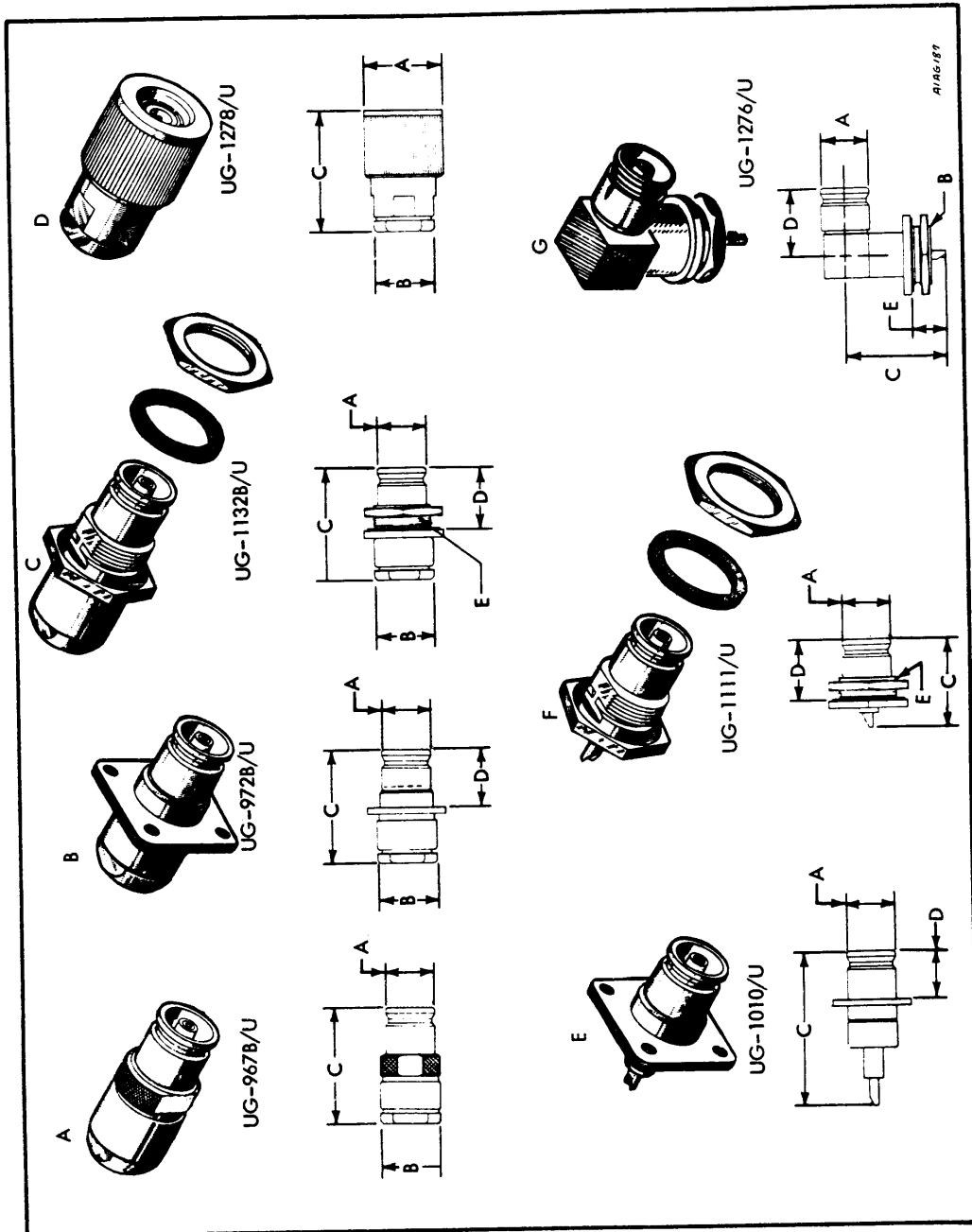


Figure 9-32. QDS-Series Connectors

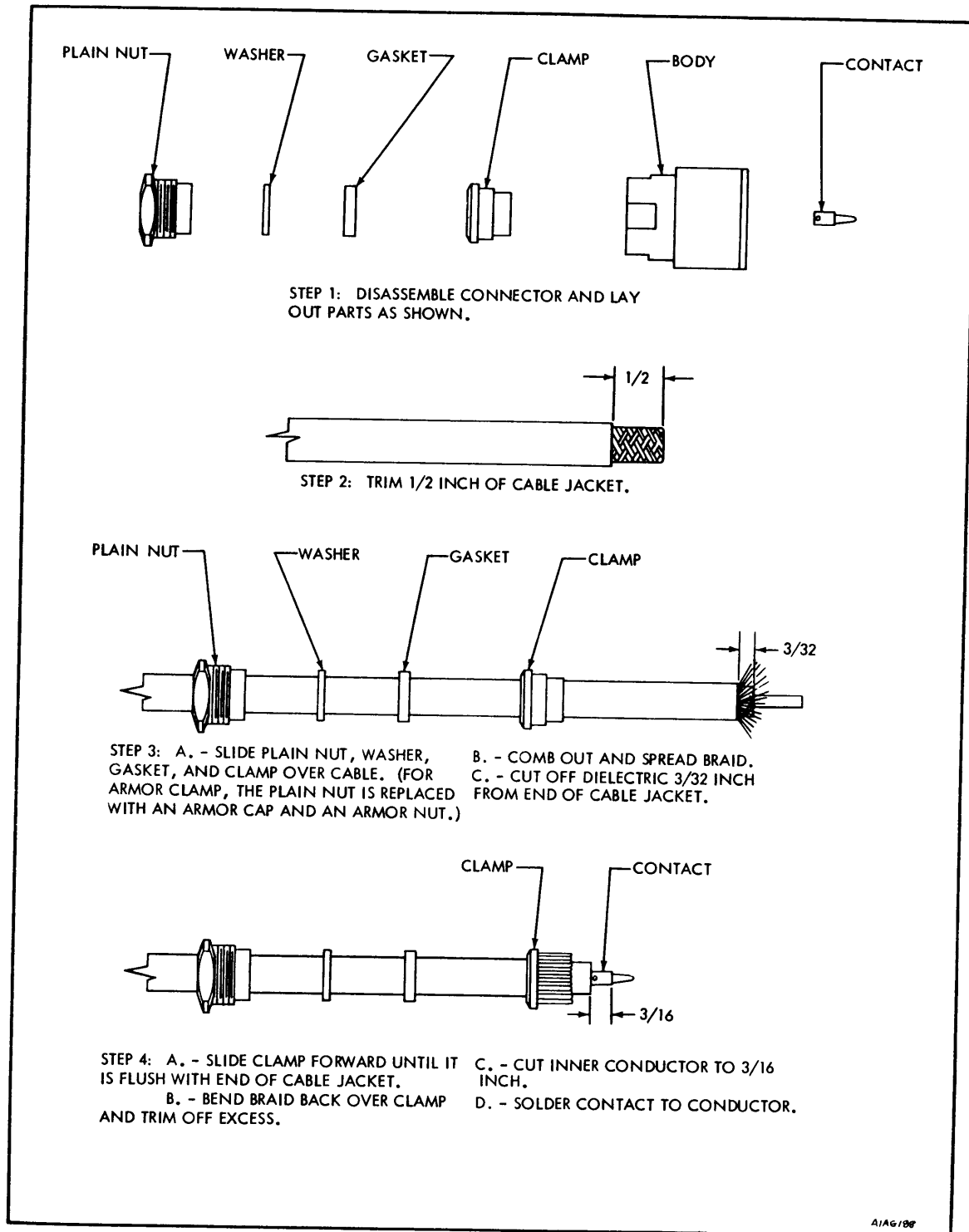


Figure 9-33. Installation of QDS-Series Connectors



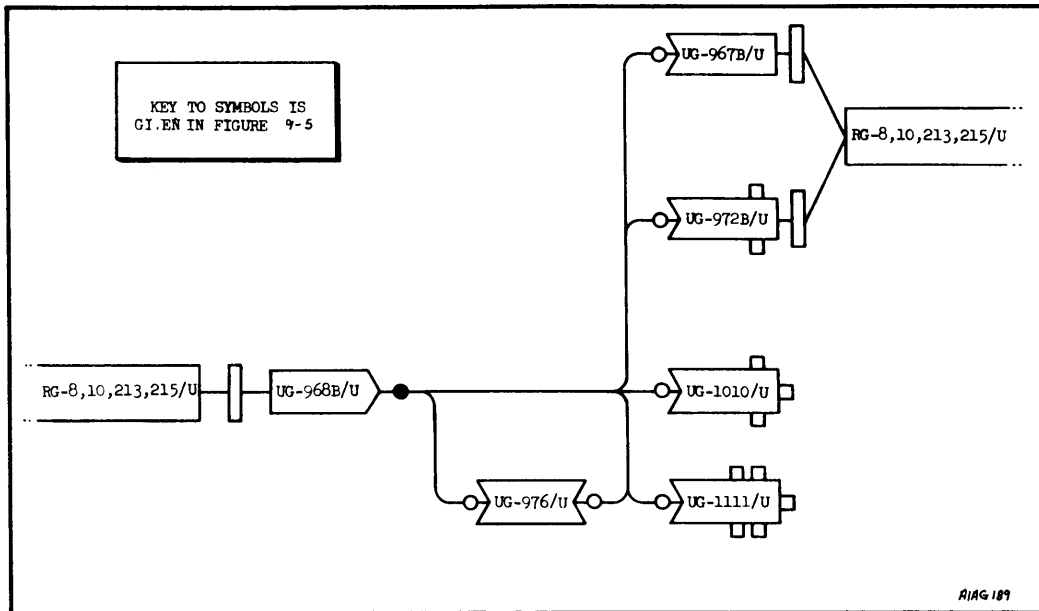


Figure 9-34. Mating Diagram for QDS-Series Connectors

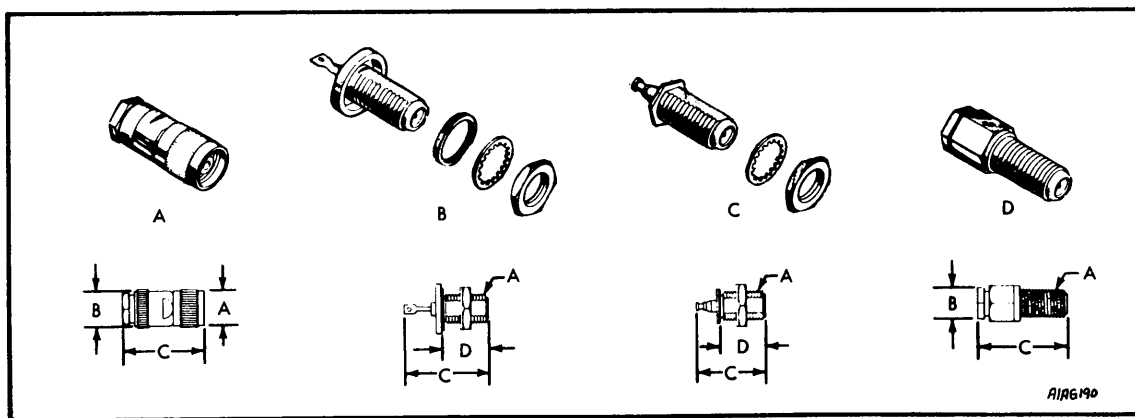


Figure 9-35. SM-Series Connectors

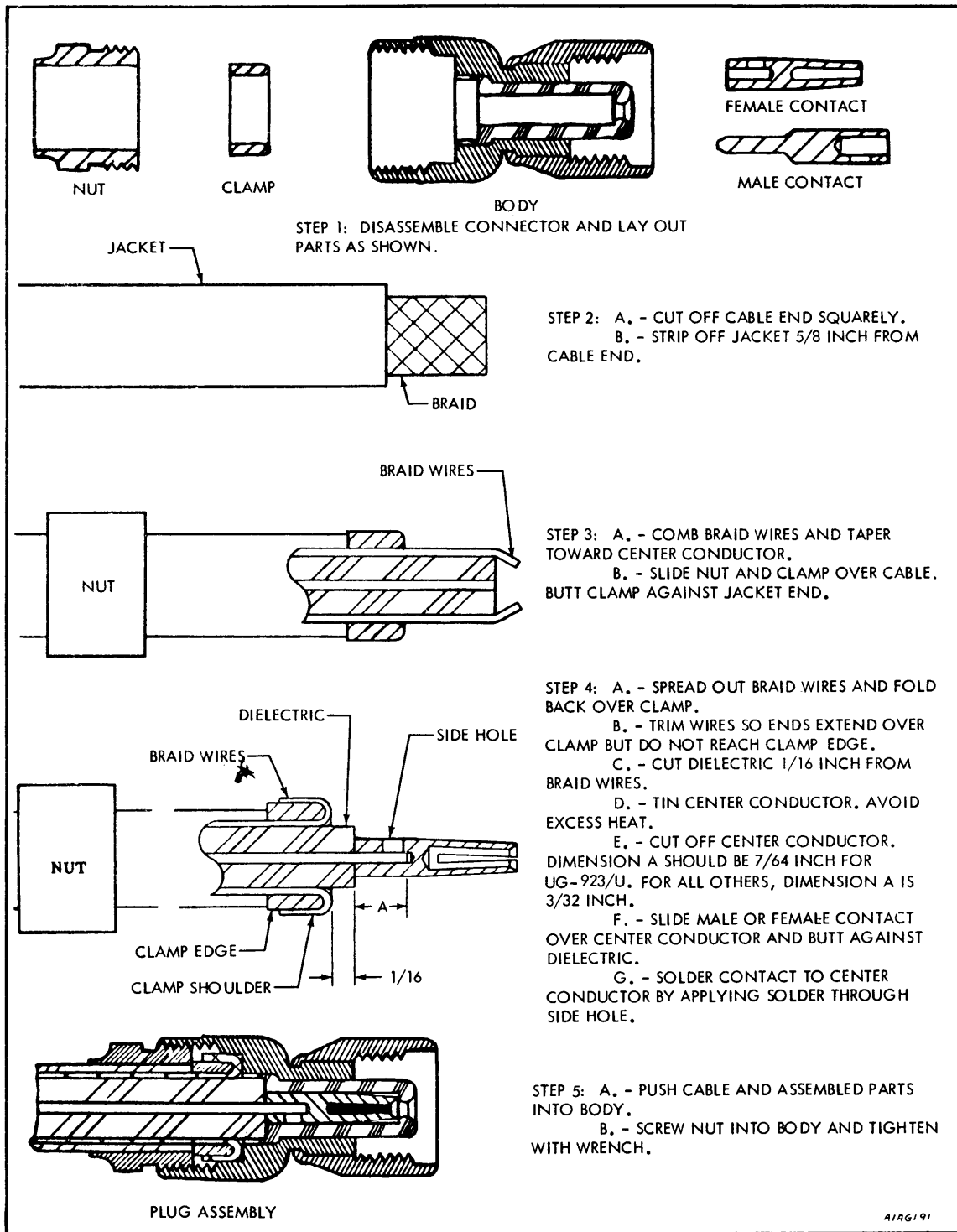


Figure 9-36. Installation of SM-Series Connectors

Figure 9-37. Mating Diagram for SM-Series Connectors

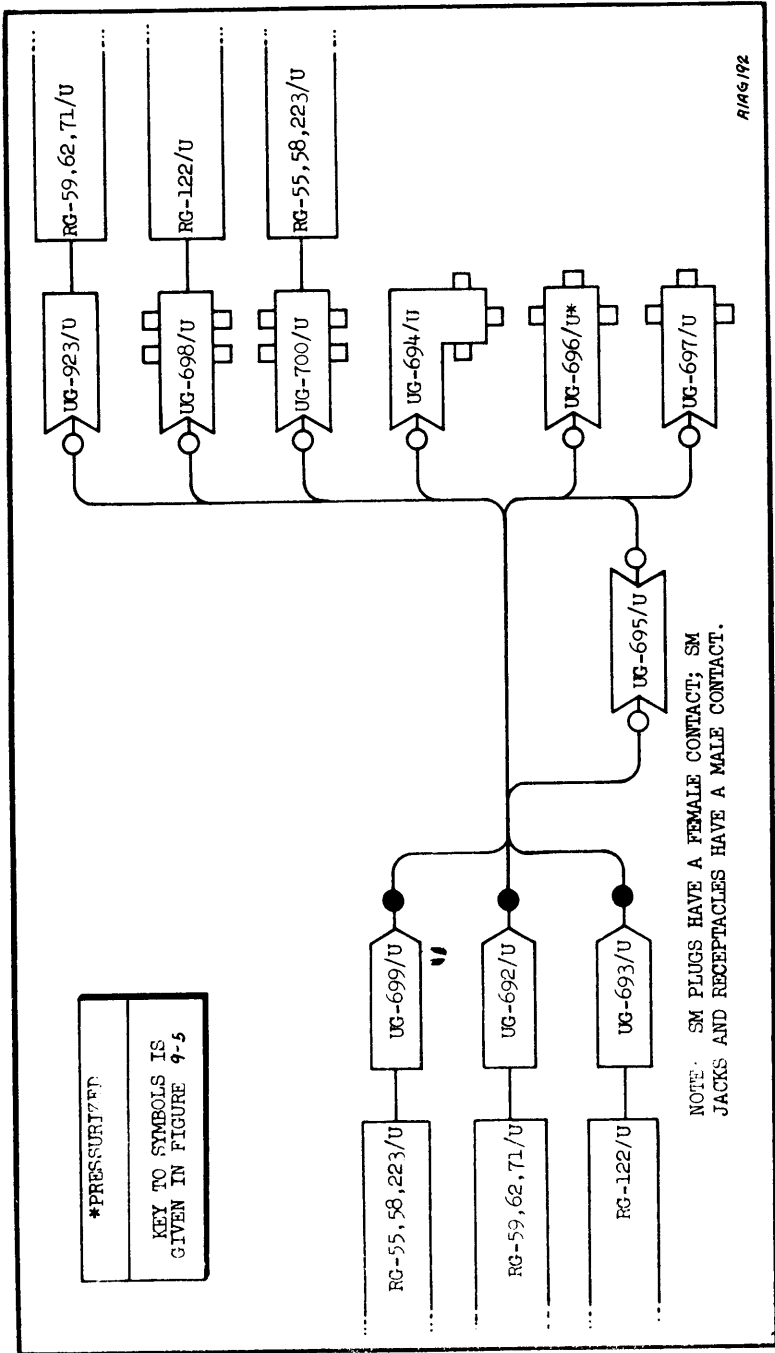
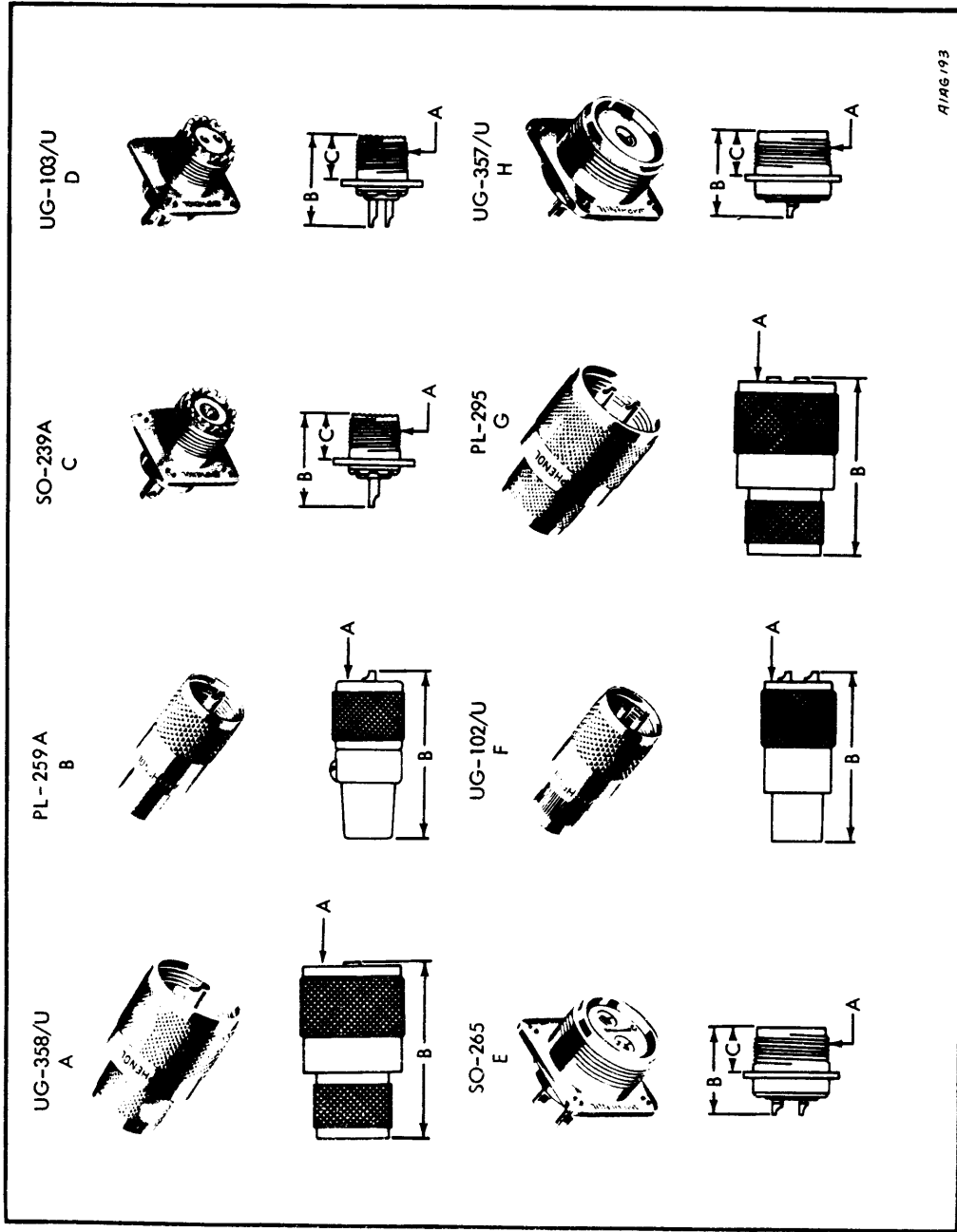


Figure 9-38. UHF-Series Connectors



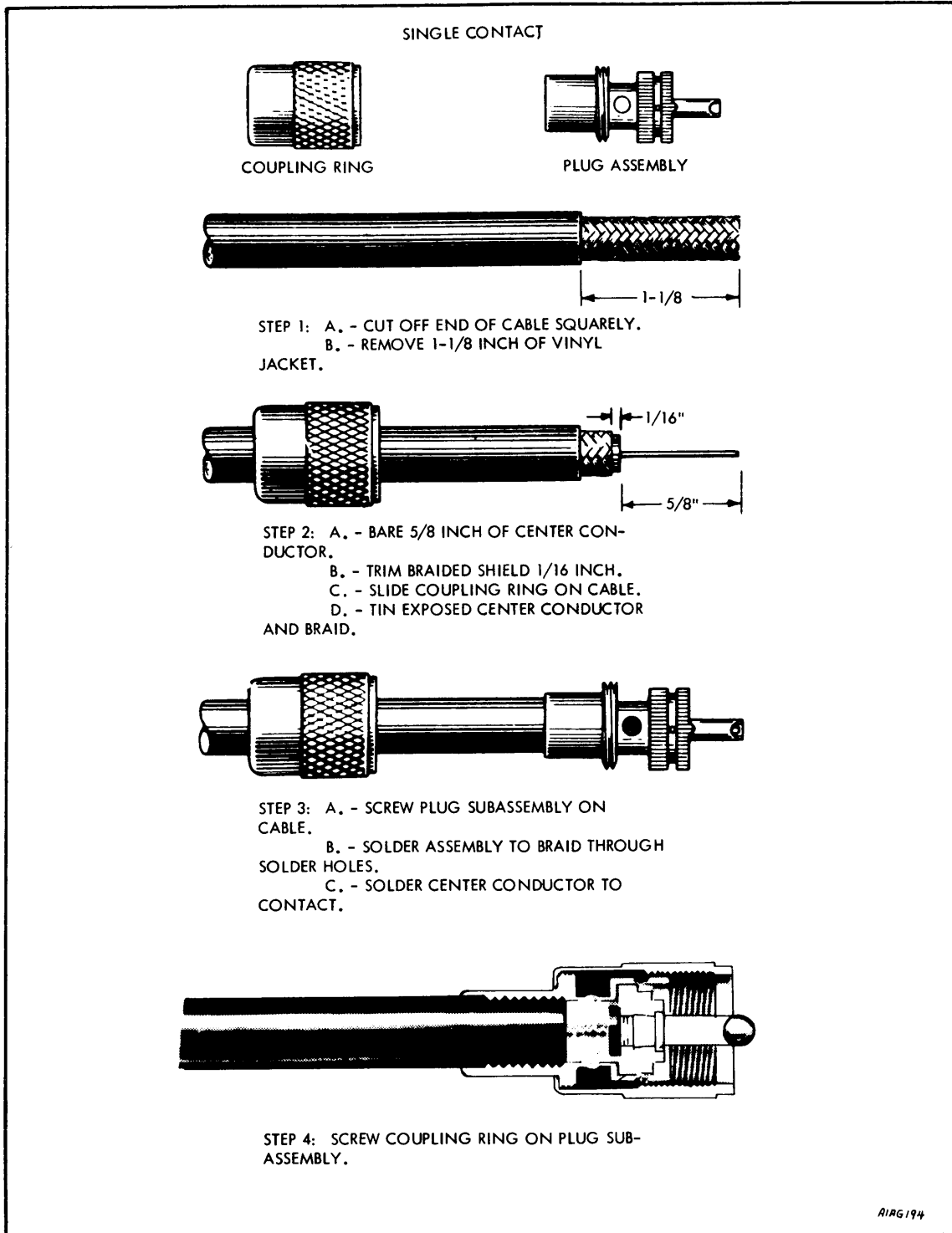


Figure 9-39. Installation of UHF-Series Connectors (Sheet 1 of 4)

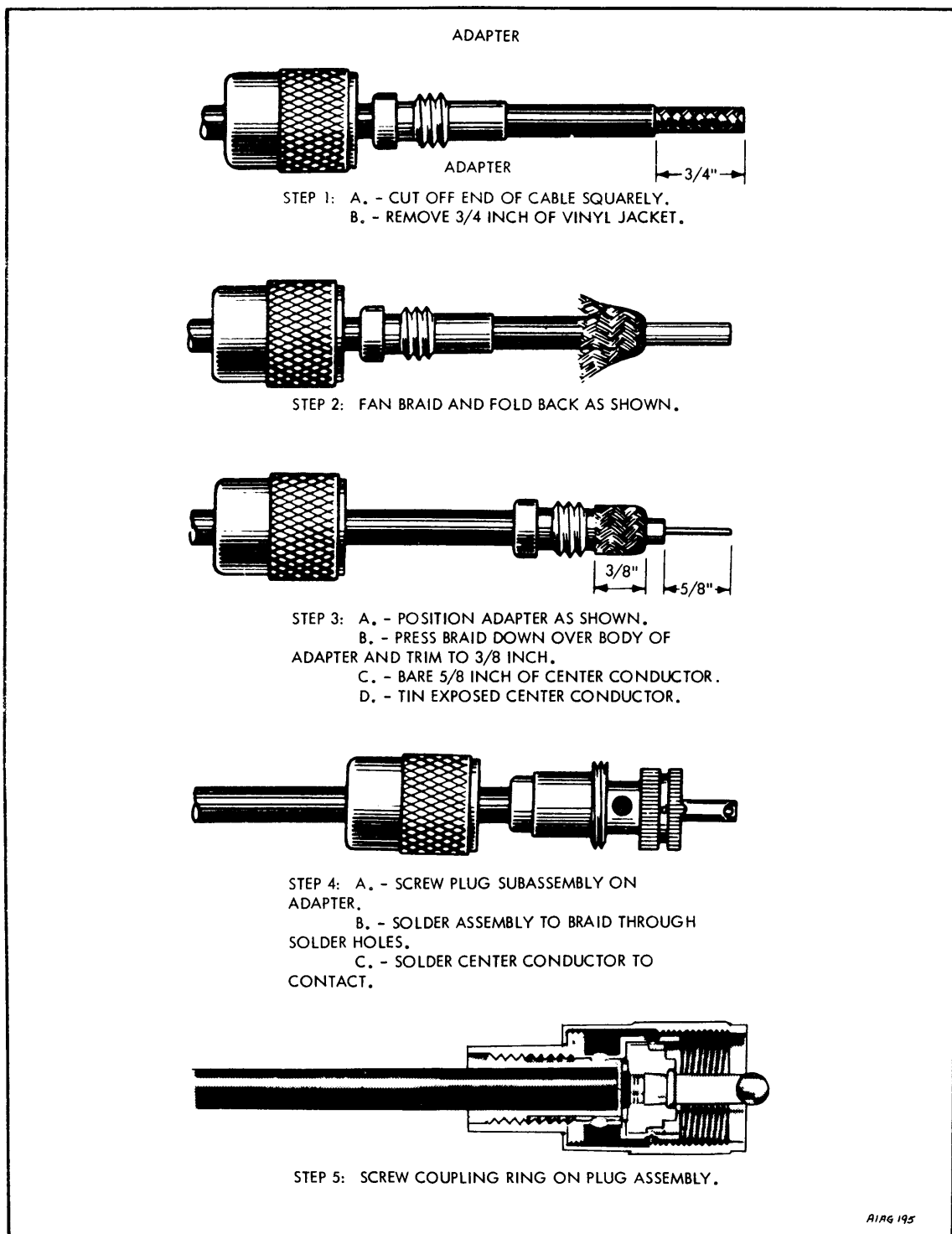


Figure 9-39. Installation of UHF-Series Connectors (Sheet 2 of 4)

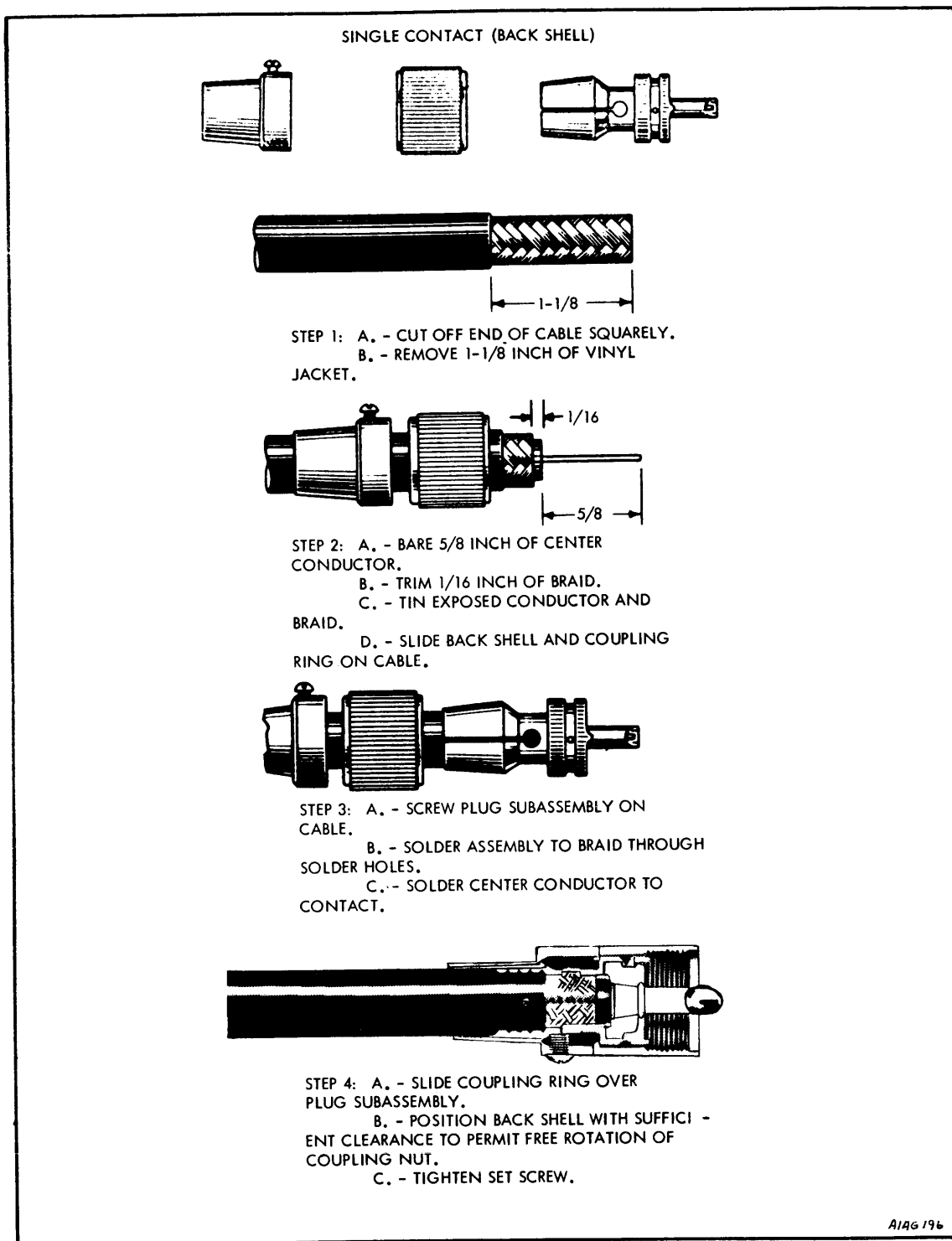


Figure 9-39. Installation of UHF-Series Connectors (Sheet 3 of 4)

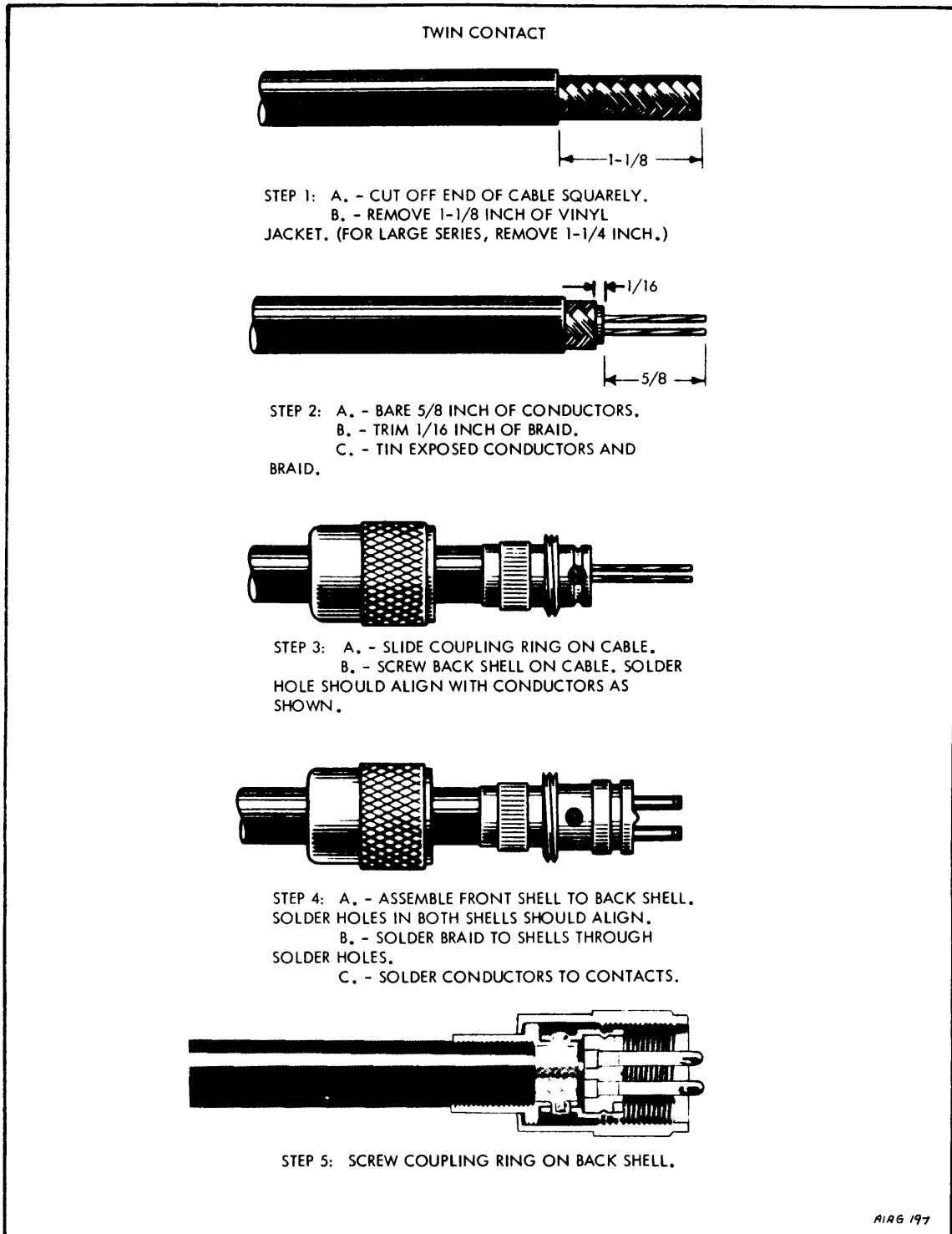


Figure 9-39. Installation of UHF-Series Connectors (Sheet 4 of 4)



Figure 9-40. Mating Diagrams for UHF Series Connectors (Sheet 1 of 2)

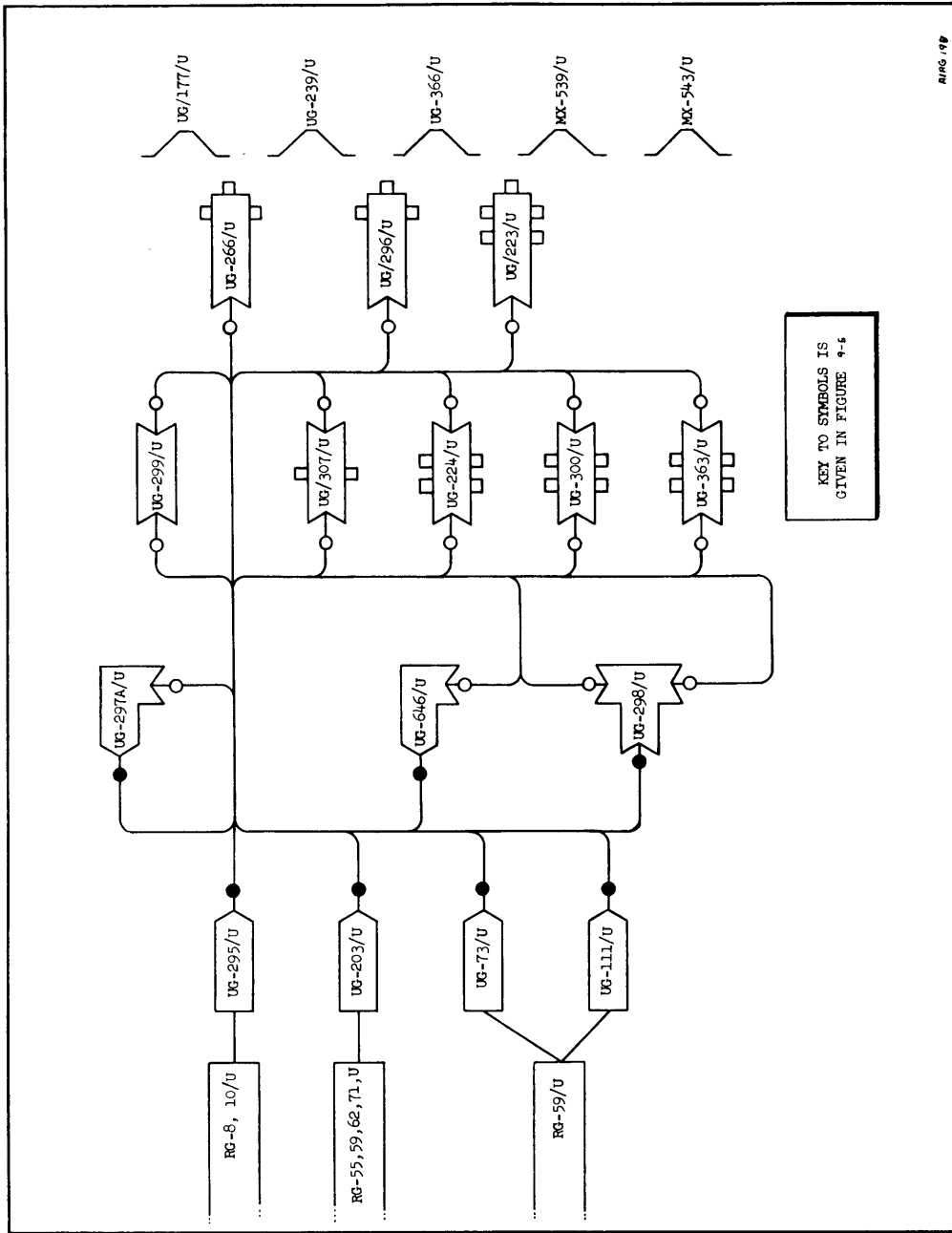
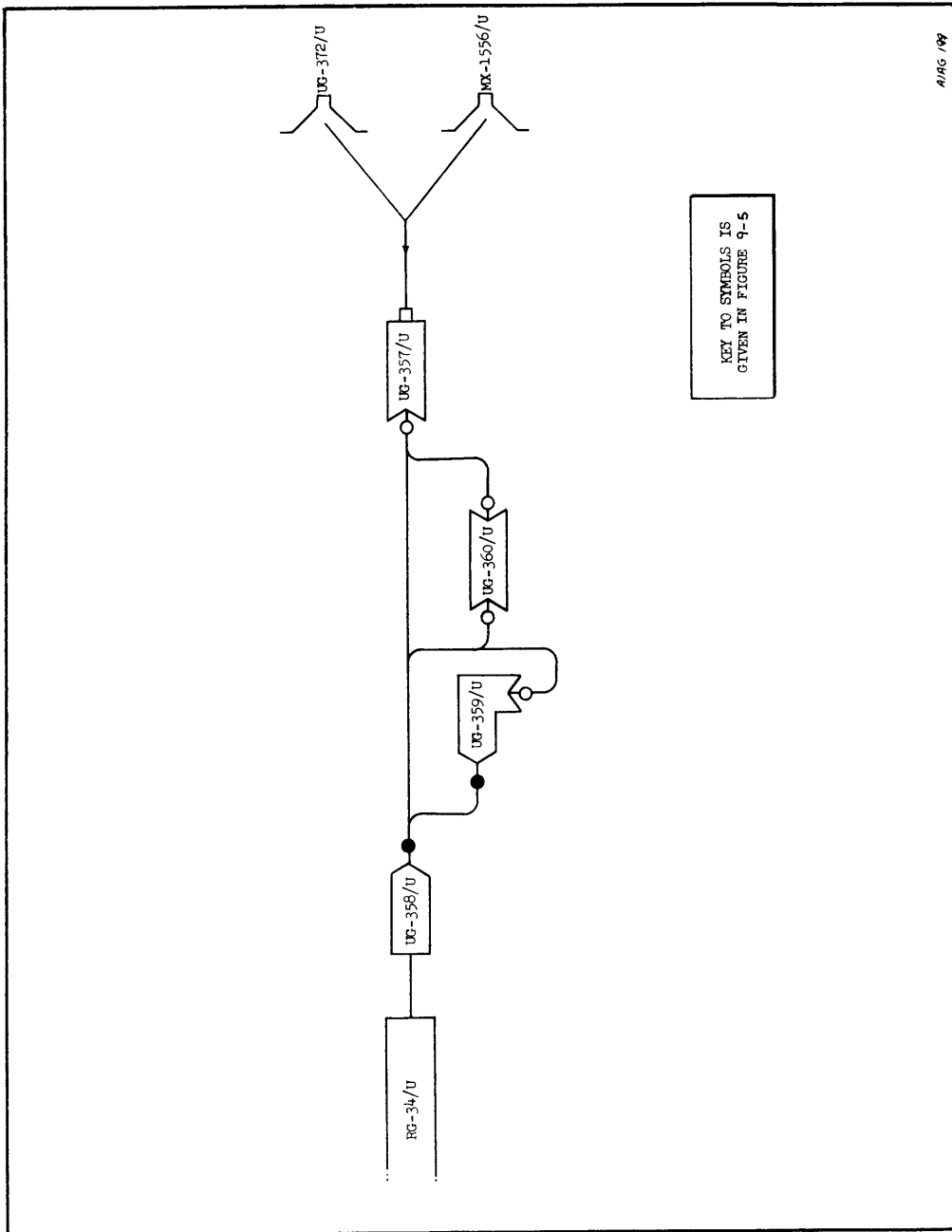


Figure 9-40. Mating Diagrams for UHF-Series Connectors (Sheet 2 of 2)



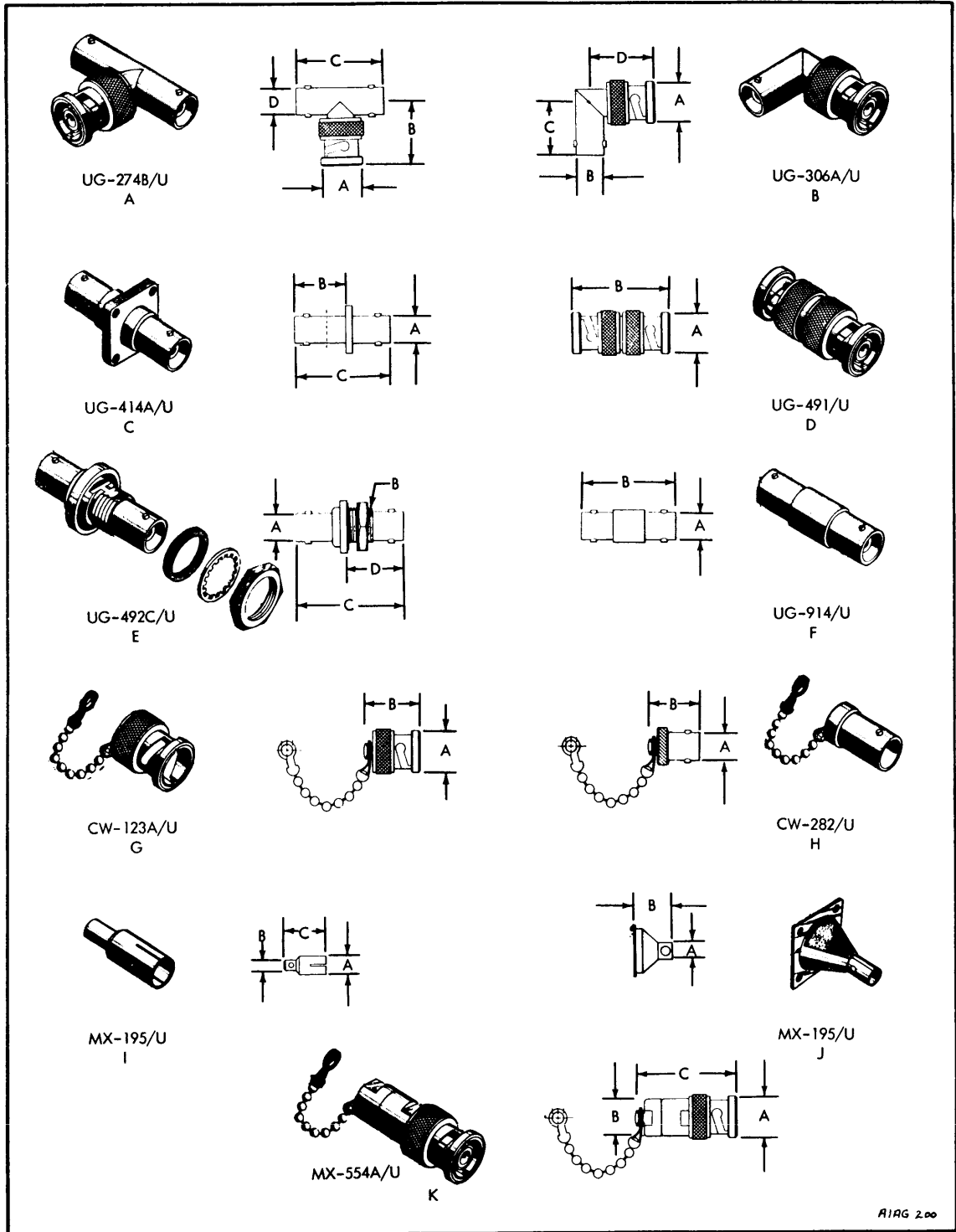


Figure 9-41. BNC-Series Adapters and Ancillary Items

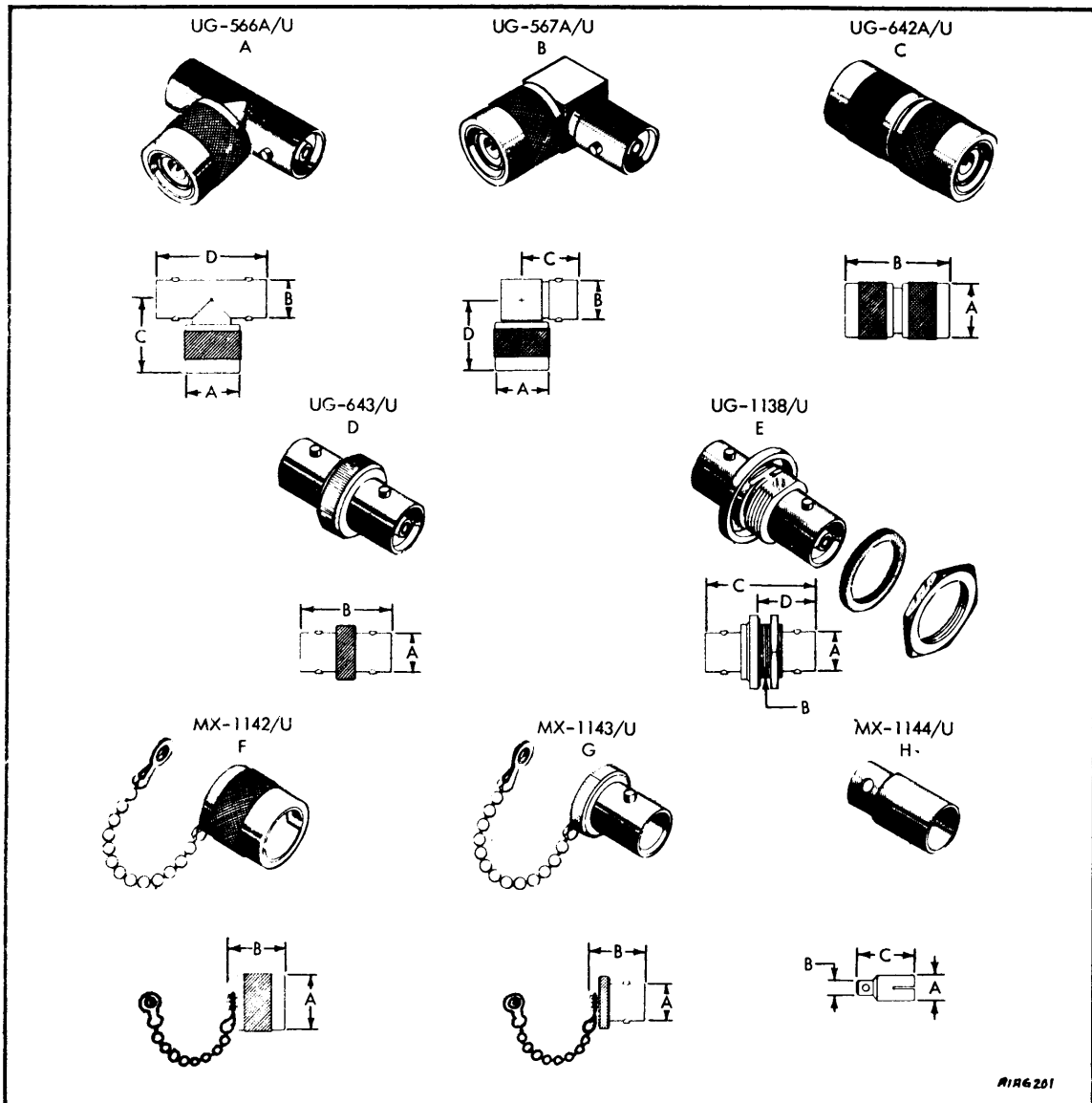
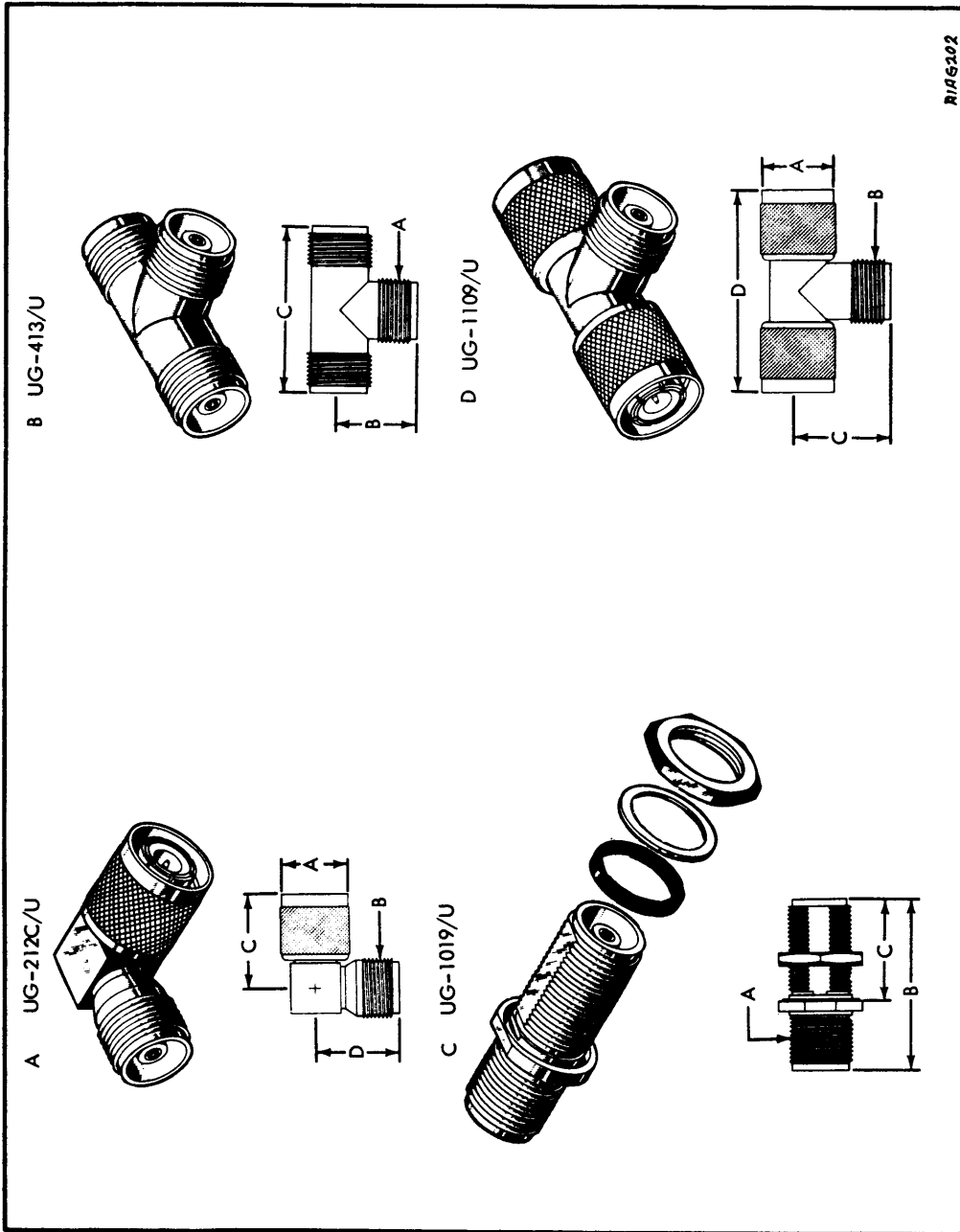


Figure 9-42. C-Series Adapters and Ancillary Items

Figure 9-43. HN-Series Adapters



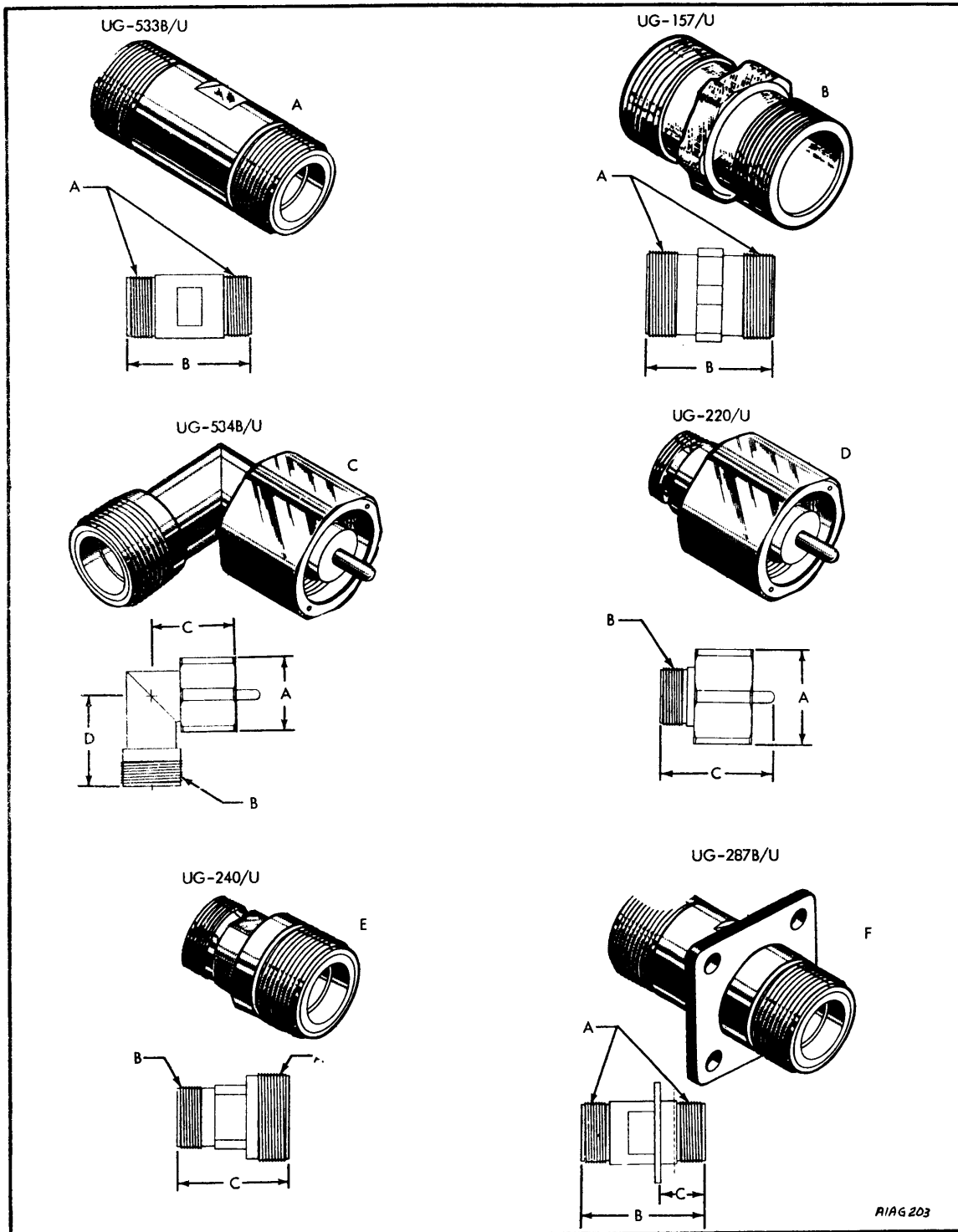


Figure 9-44. LC- and LT-Series Adapters

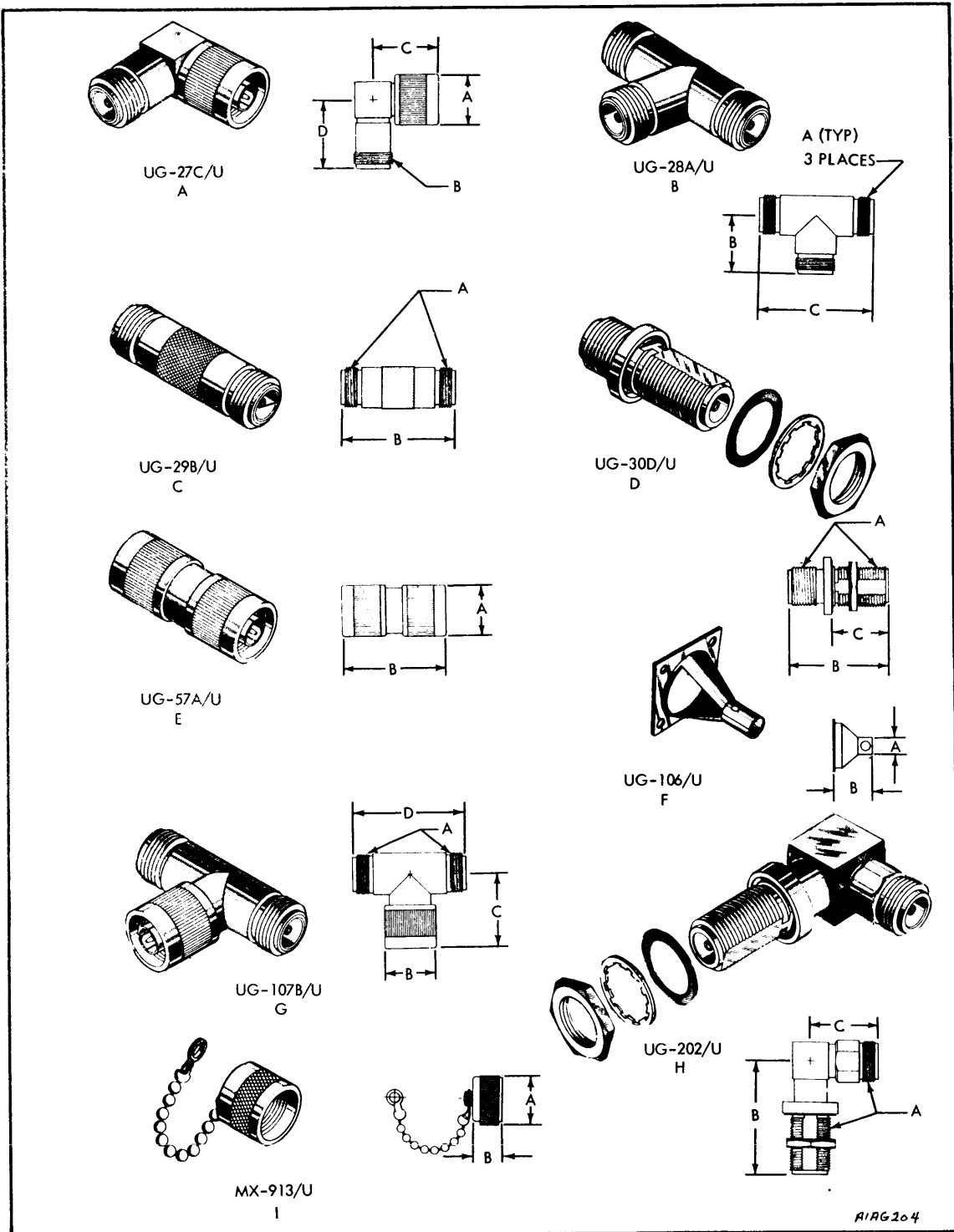


Figure 9-45. N-Series Adapters and Ancillary Items

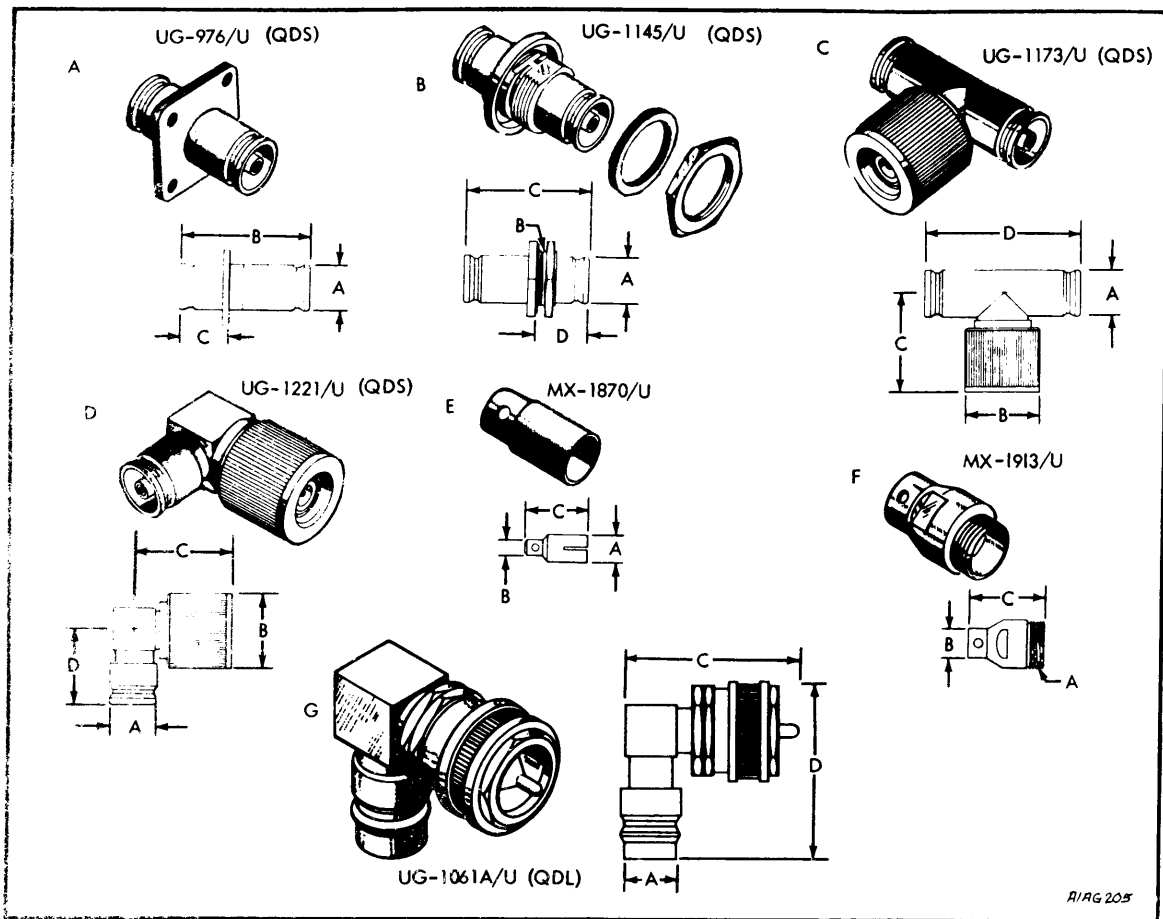


Figure 9-46. QDL- and QDS-Series Adapters and Ancillary Items



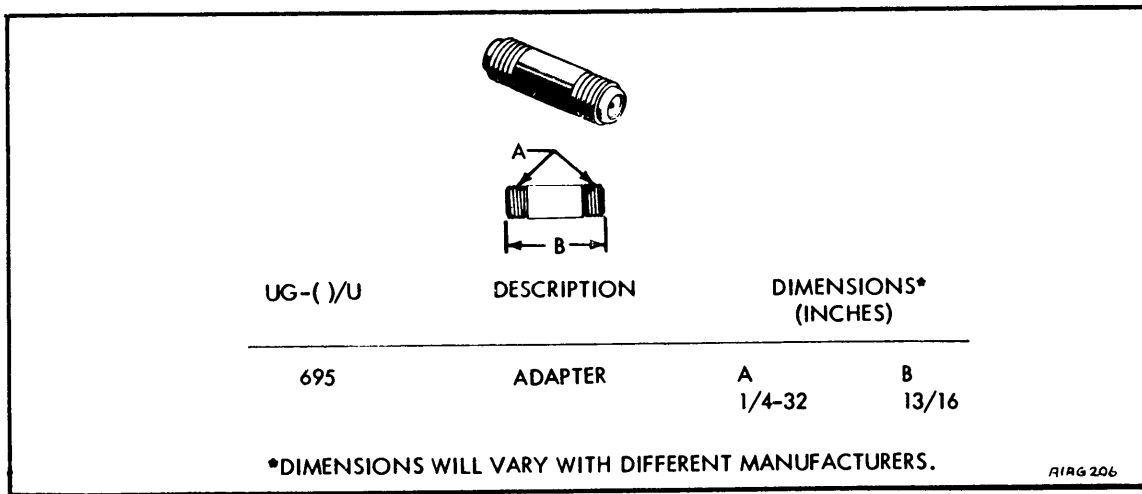


Figure 9-47. SM-Series Adapter

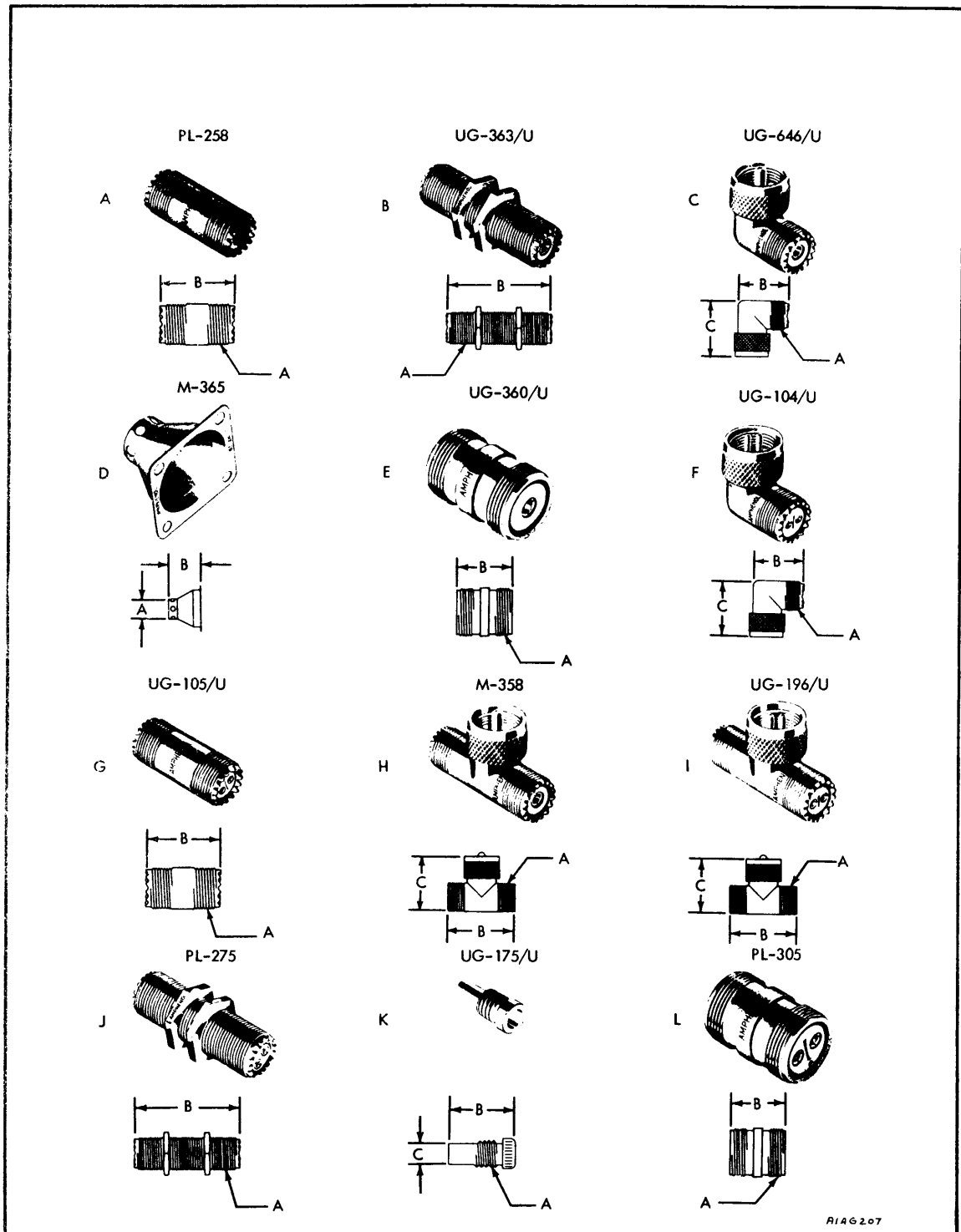


Figure 9-48. UHF-Series Adapters and Ancillary Items

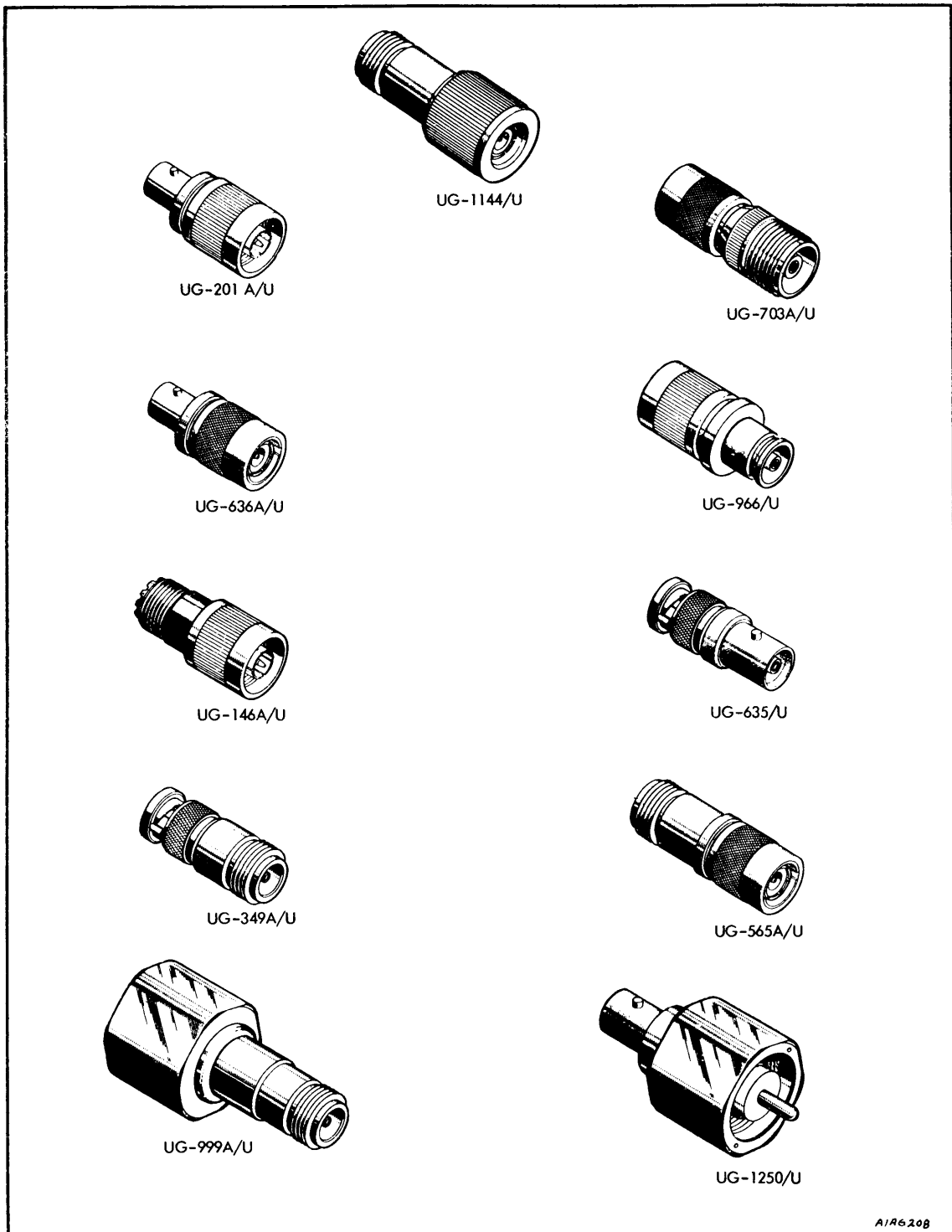


Figure 9-49. Typical Between-Series Adapters

