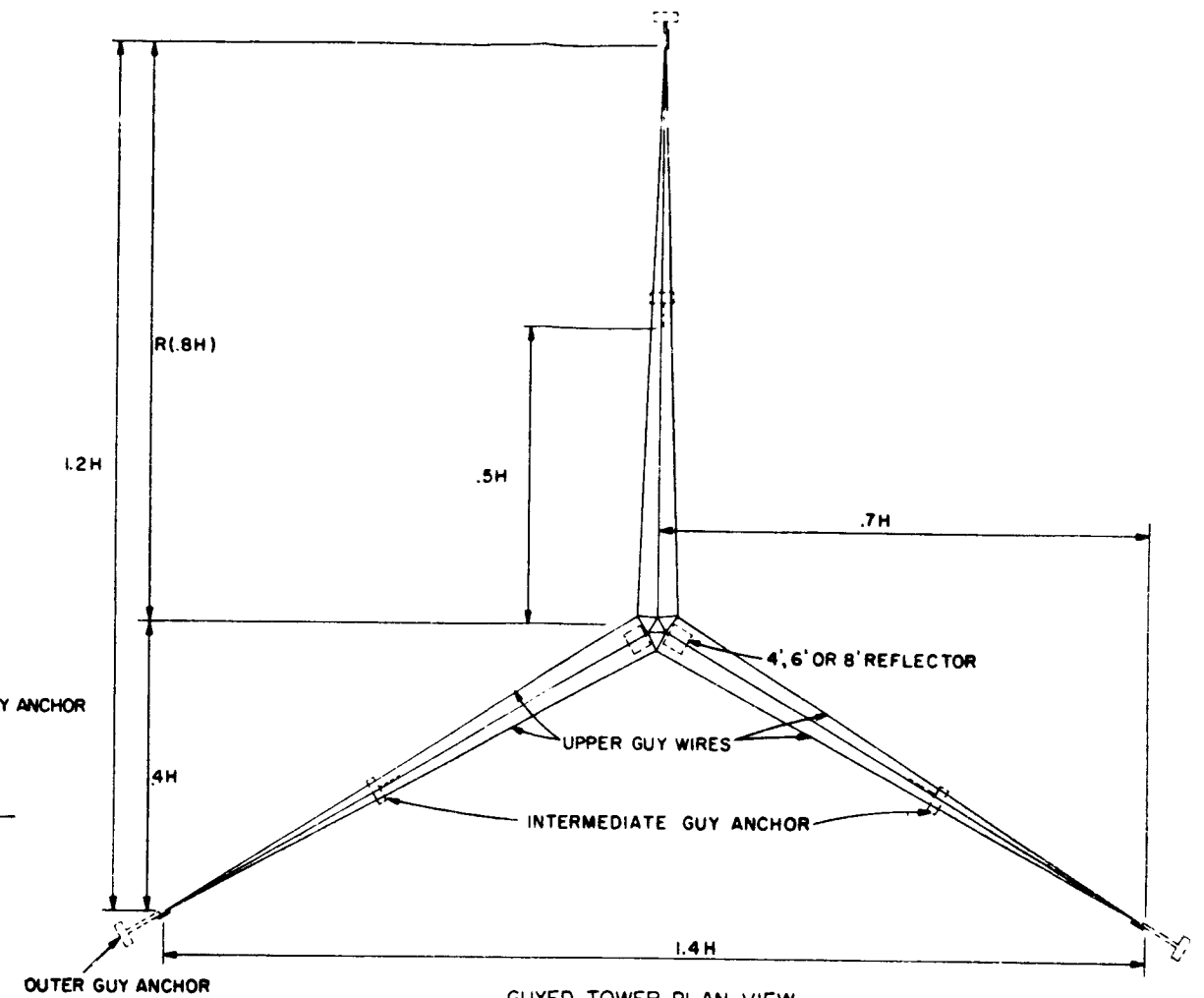
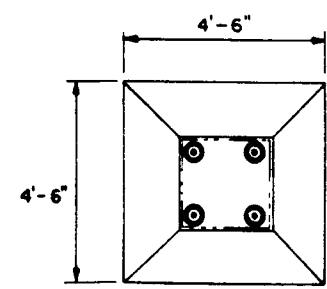


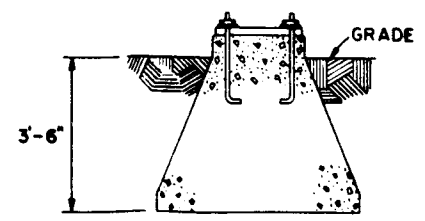
GUYED TOWER ELEVATION



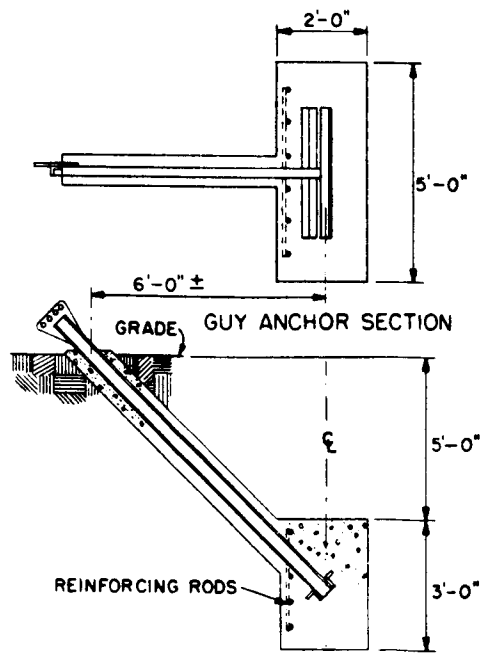
GUYED TOWER PLAN VIEW



TOWER FOUNDATION PLAN



TOWER FOUNDATION SECTION



GUY ANCHOR SECTION

NOTES

1. FOR COMPUTING GUYING AREA REQUIREMENTS AS INDICATED ON PLAN VIEW:  
 $H$  = HEIGHT OF TOWER  
 $R$  = GUY RADIUS - MAY EQUAL " $H$ " AND SHALL NOT BE LESS THAN  $.8H$
2. SIZE OF TOWER FOUNDATION & GUY ANCHORS SHOWN ARE TYPICAL FOR 250' TOWER AND WILL VARY DEPENDING ON TOWER HEIGHT, DESIGN LOAD, AND SOIL CONDITIONS.
3. TOWERS ARE PAINTED AND LIGHTED AS REQUIRED BY FCC & CAA REGULATIONS.
4. INTERMEDIATE GUY ANCHORS ARE NORMALLY REQUIRED FOR TOWERS OVER 200 FT. IN HEIGHT.
5. TOWERS ARE OF TRIANGULAR CROSS-SECTION WITH A 36" NOMINAL FACE WIDTH.
6. TOWERS AT LEVEL OF TOP GUY ATTACHMENT HAVE EXPANDED SECTION TO PROVIDE INCREASED TORQUE RESISTANCE.