

Figure 3-1. Antenna Coupler, Overall Functional Block Diagram

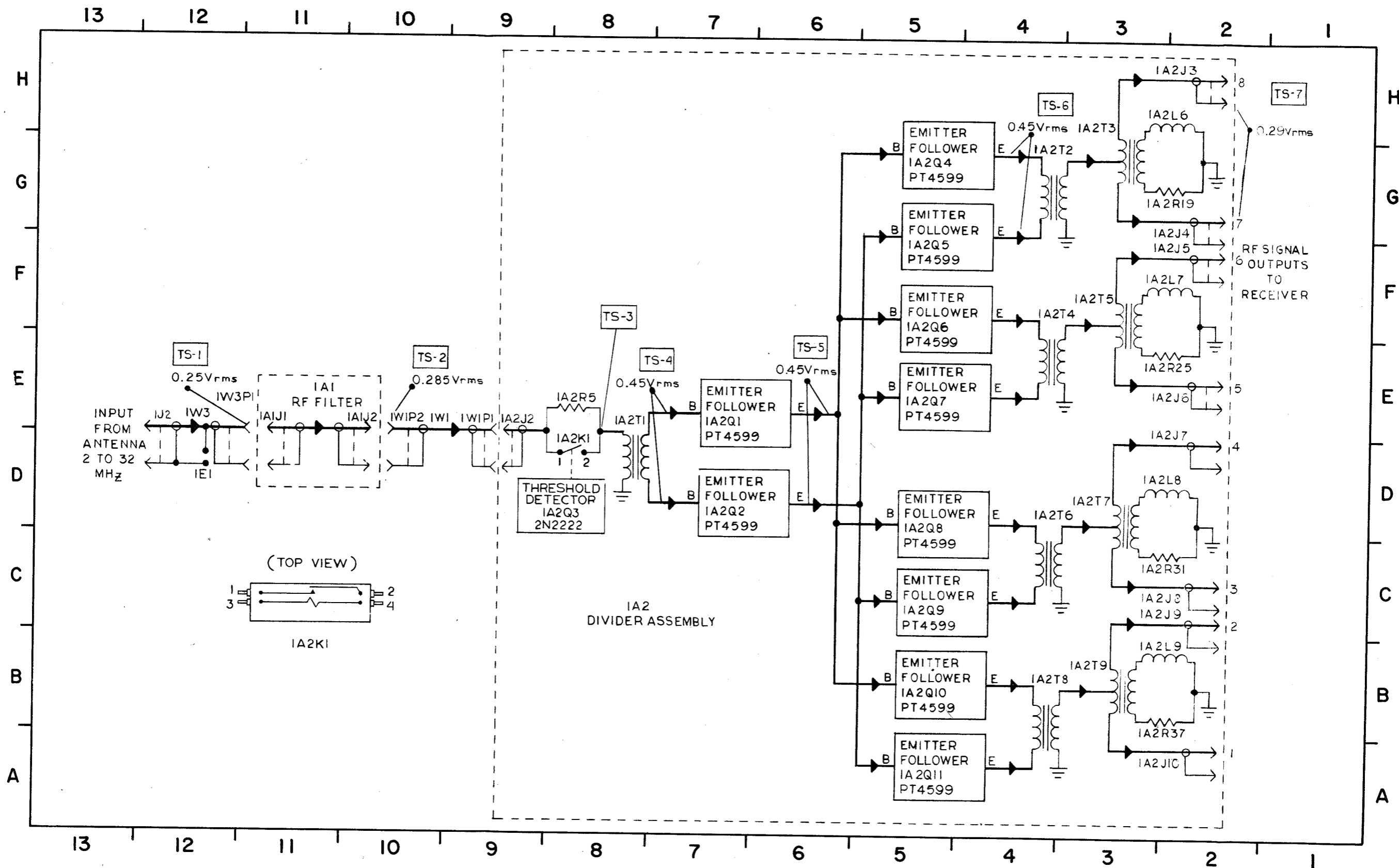


Figure 5-1. RF Signal Flow Diagram

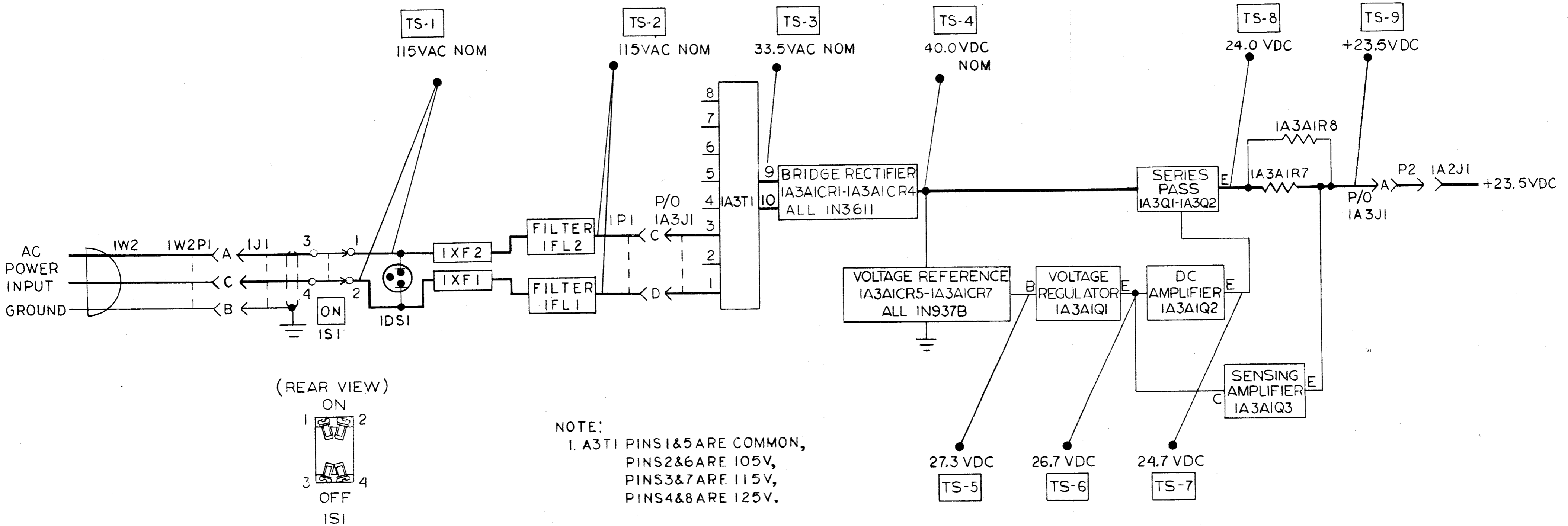


Figure 5-2. AC and +23.5 VDC Power Distribution, Antenna Coupler

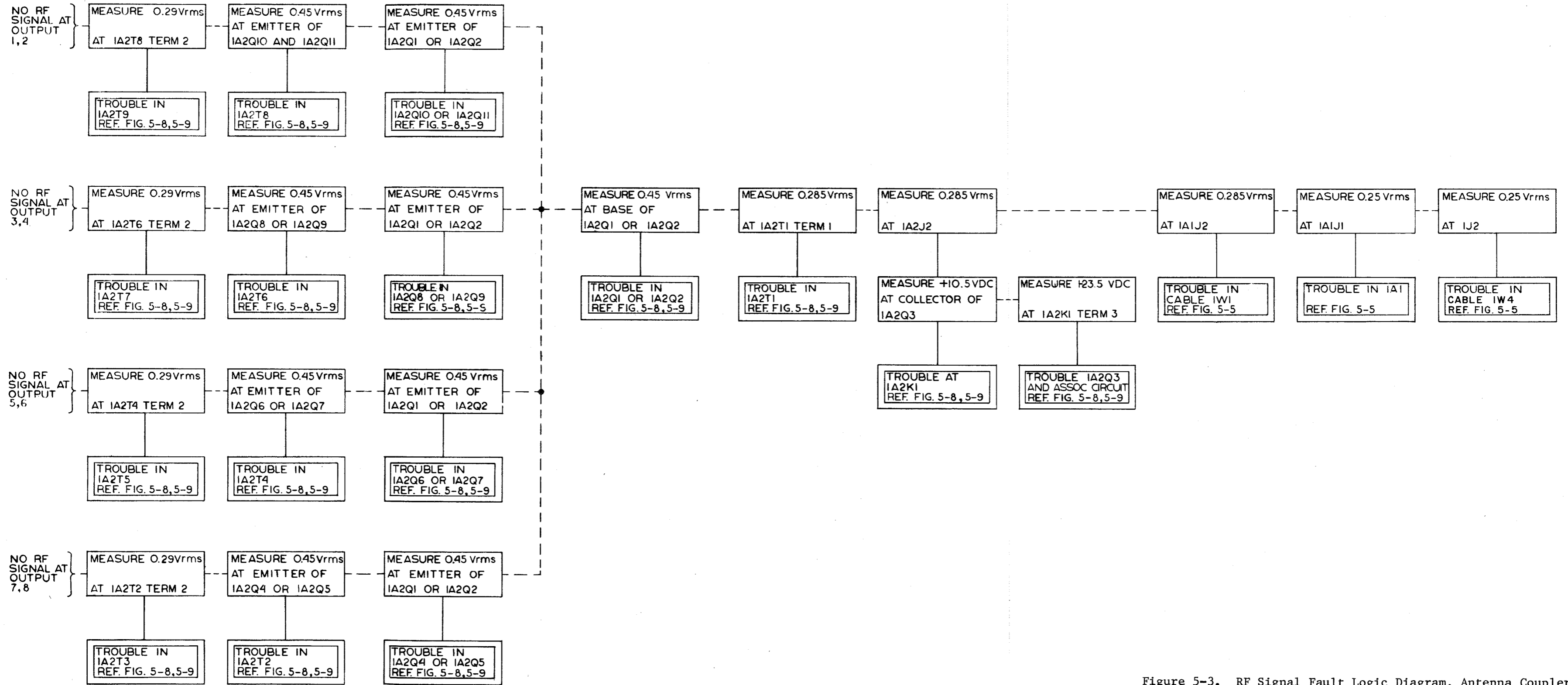


Figure 5-3. RF Signal Fault Logic Diagram, Antenna Coupler

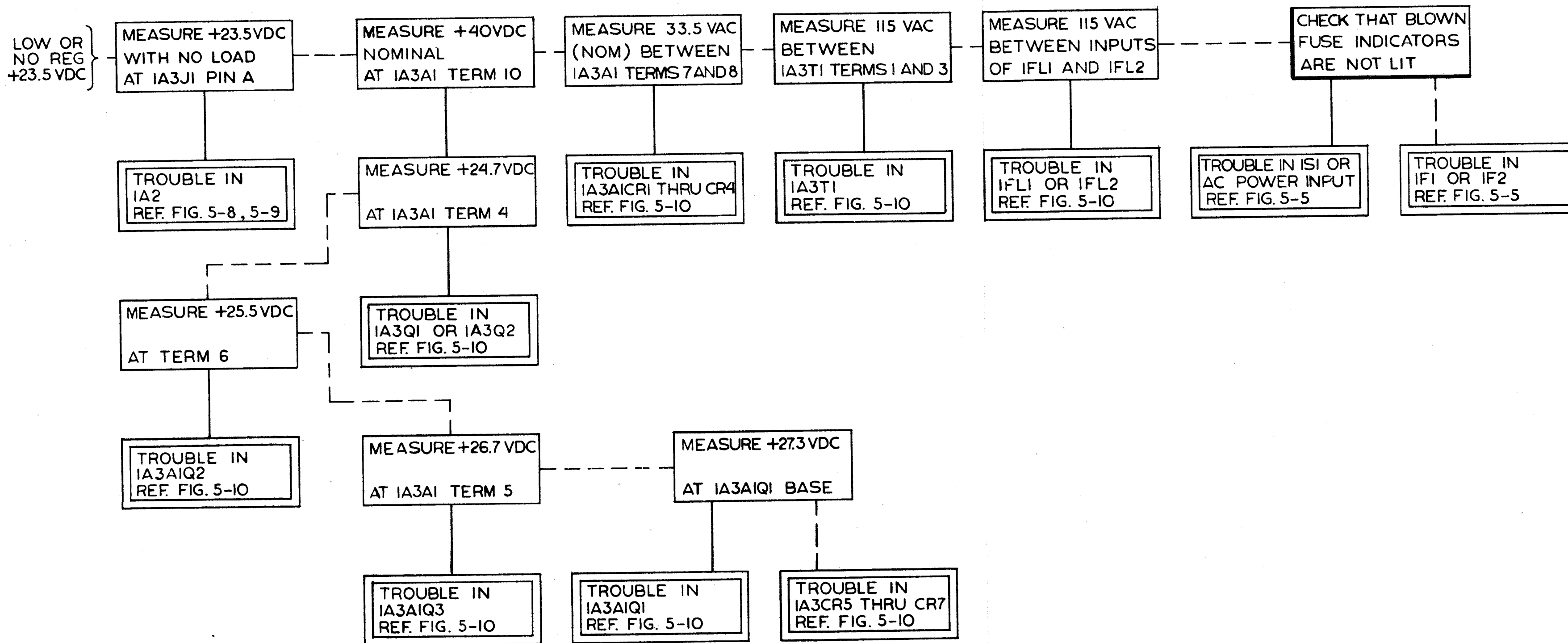


Figure 5-4. Power Distribution Fault Logic Diagram

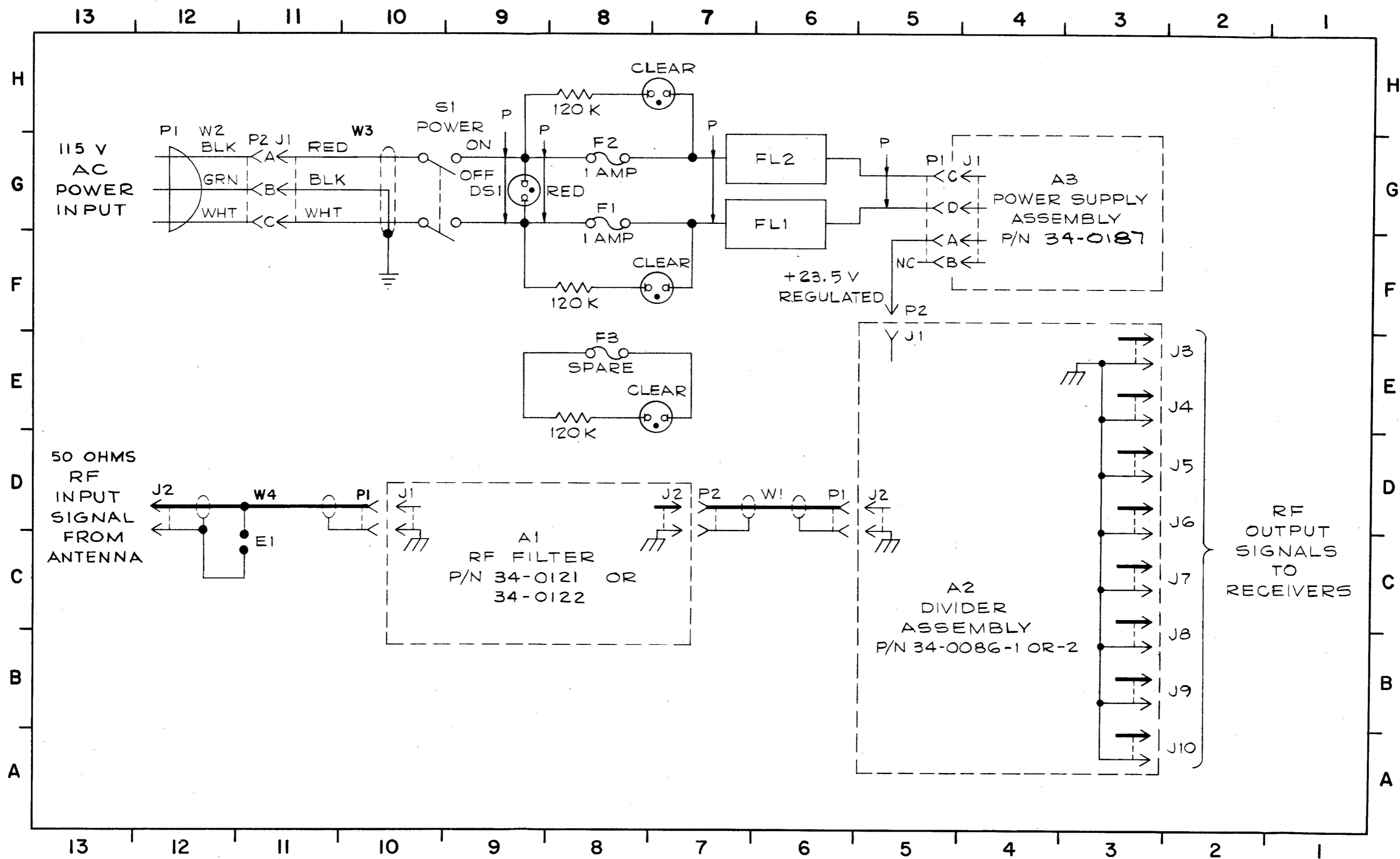


Figure 5-5. Antenna Coupler, Maintenance Schematic Diagram

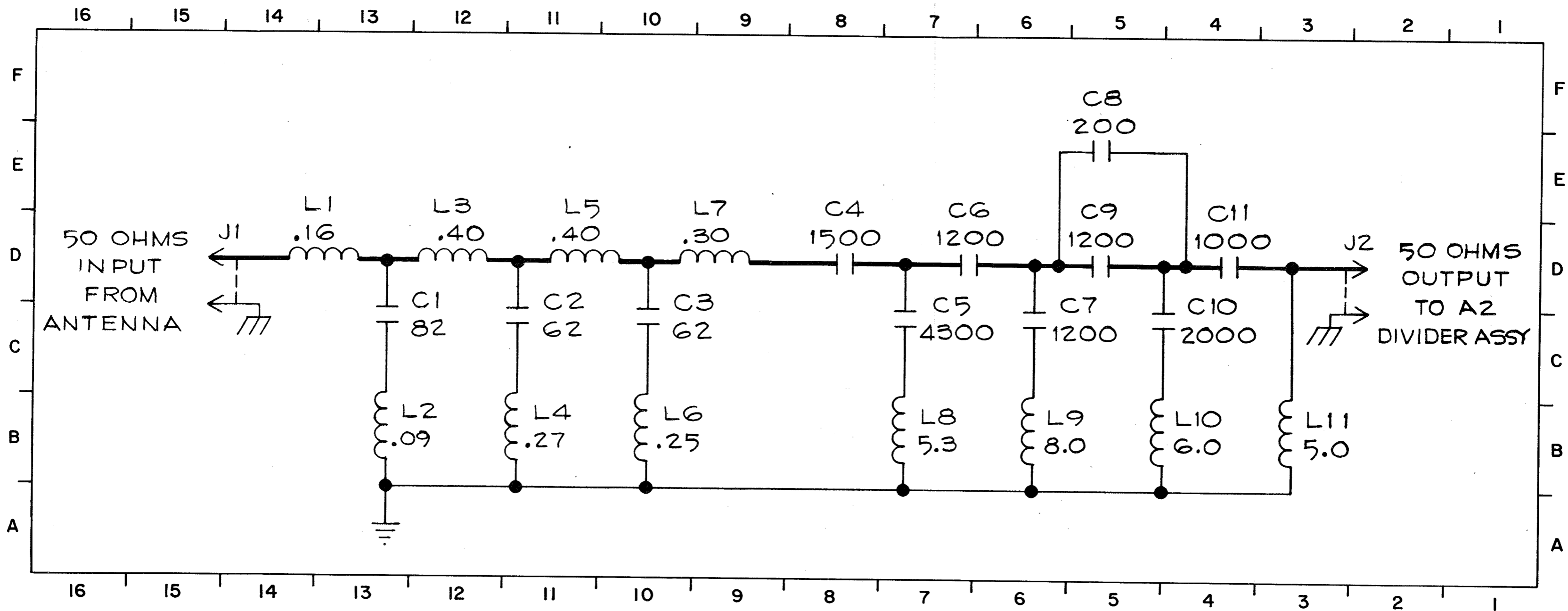


Figure 5-6. RF Filter, 1A1, 34-0121, Maintenance Schematic Diagram

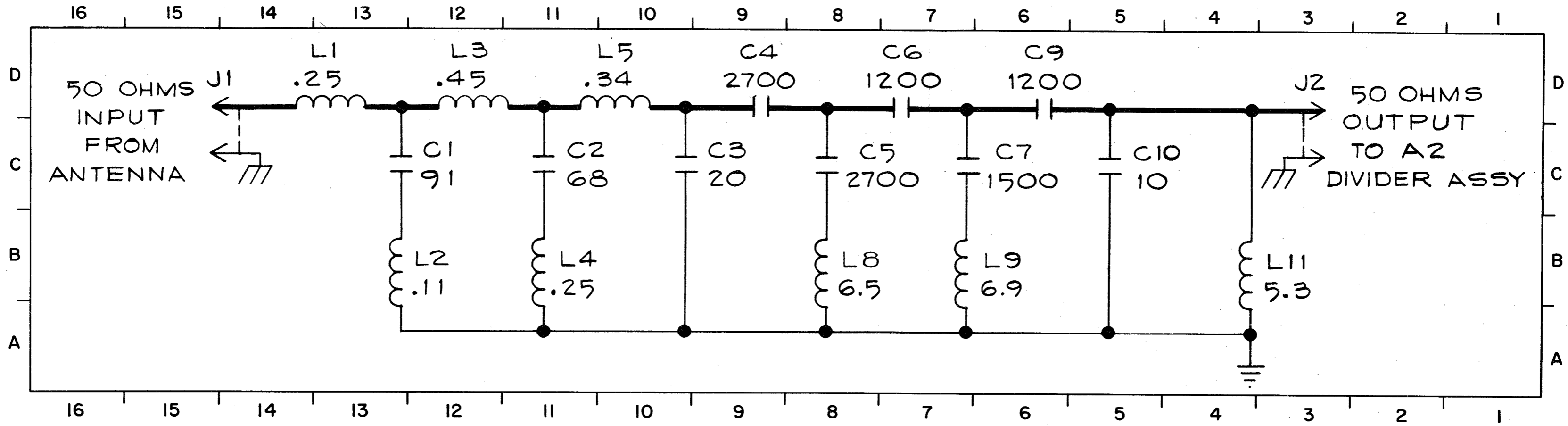


Figure 5-7. RF Filter, 1A1, 34-0122, Maintenance Schematic Diagram



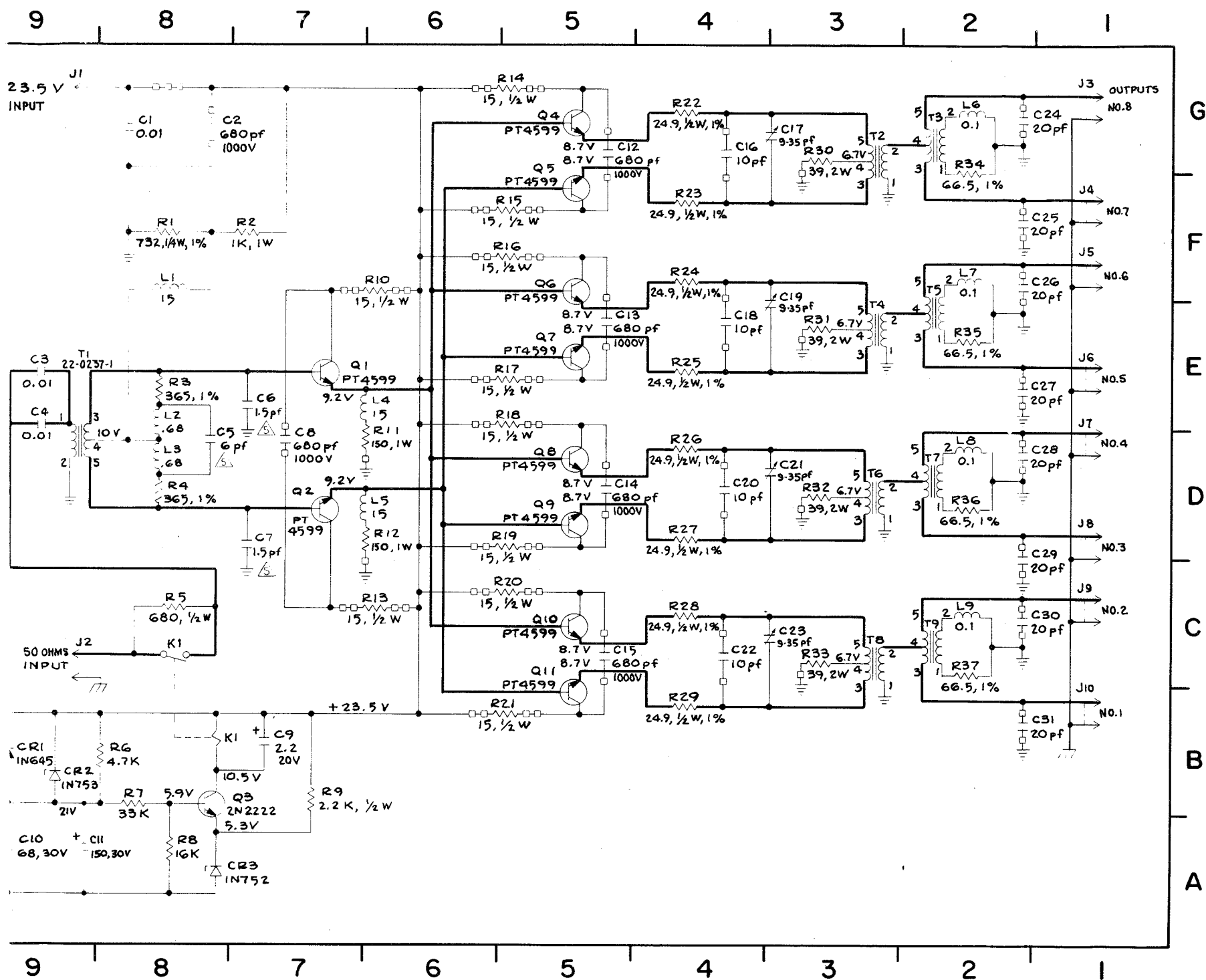


Figure 5-8. Divider Assembly, 1A2, 34-0086-1 Maintenance Schematic Diagram

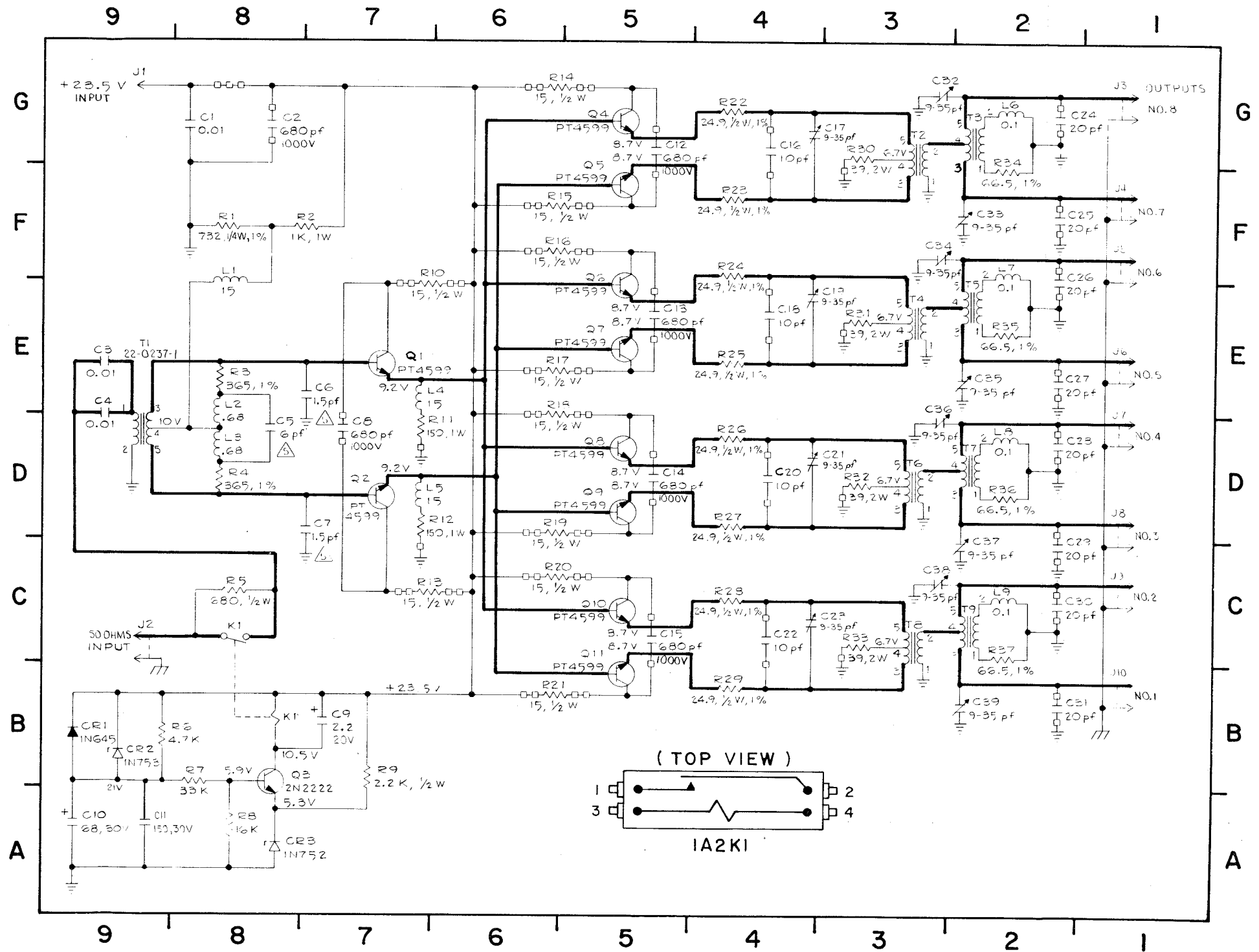


Figure 5-9. Divider Assembly, IA2, 34-0086-2, Maintenance Schematic Diagram

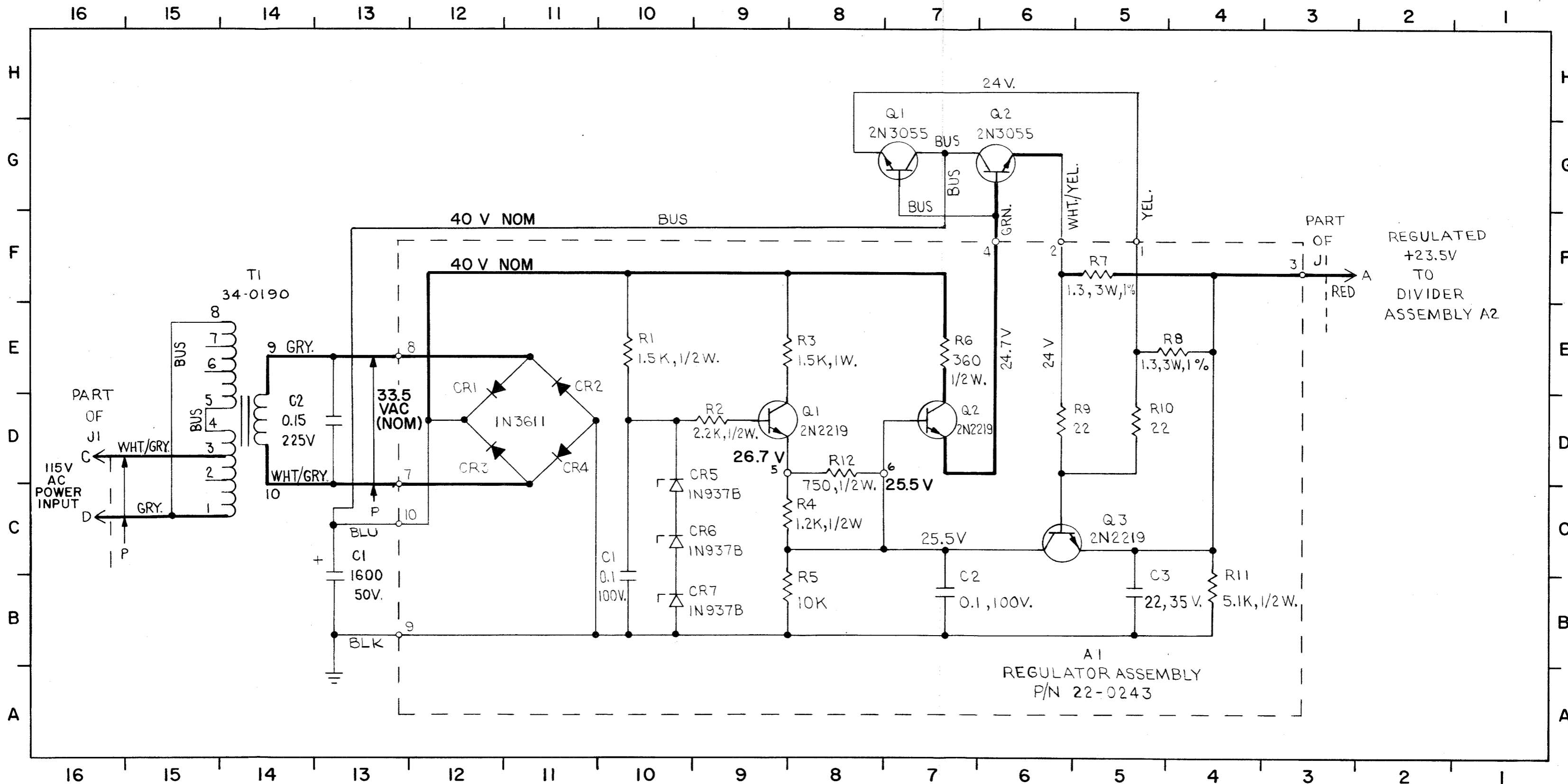


Figure 5-10. Power Supply, 1A3, Maintenance Schematic Diagram

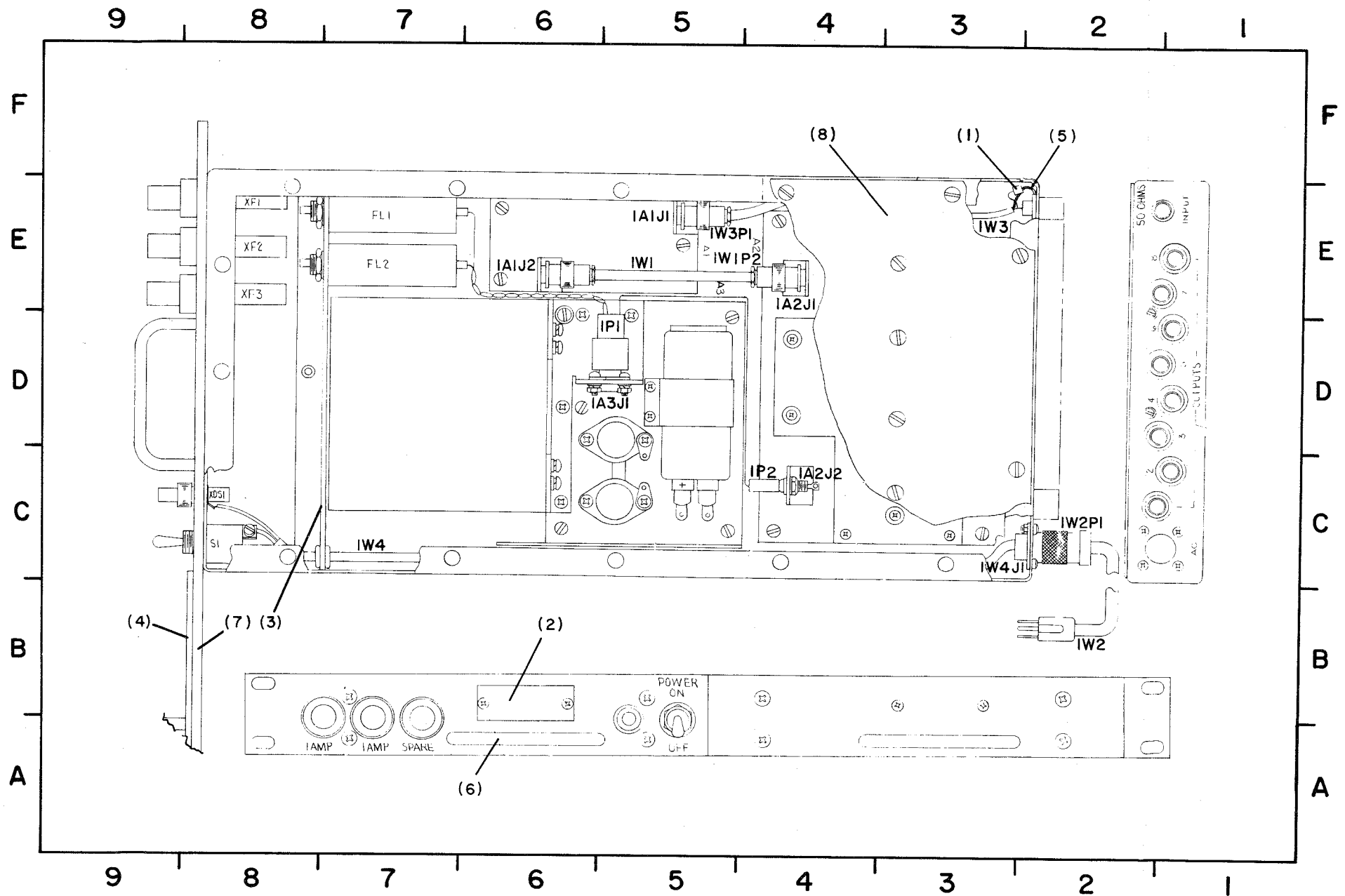


Figure 7-1. Antenna Coupler, Parts Location