

**RESTRICTED**

---

**SERVICE PLAN, U. S. NAVAL  
SHORE COMMUNICATION  
SYSTEM**

**Appendix I  
to Communication Instructions**

**1944**

**NAVY DEPARTMENT  
Office of Chief of Naval Operations**

(3)

COMMUNICATION INSTRUCTIONS

APPENDIX I

TABLE OF CONTENTS

	Article	Page
General instructions for shore radio stations.....	100	1
Point to point service.....	110	2
Ship-shore service.....	120	11
Basegram delivery authorities.....	130	15
Facilities for local district activities.....	140	16
Fleet shore signal stations.....	150	17
DF calibrating service.....	160	18
Landline facilities and services.....	170	20
Casualty plans.....	180	21

COMMUNICATION INSTRUCTIONS

APPENDIX I

**100. GENERAL INSTRUCTIONS FOR SHORE RADIO STATIONS**

**101. Changes to Appendix I.** Certain information contained in this Appendix is subject to change frequently. It shall be the responsibility of the authority concerned to report to the Chief of Naval Operations (DNC) any errors and all changes not subject to prior approval.

**102. Frequency usage.** When it becomes necessary or desirable for responsible commanders to set up frequencies, other than in connection with fleet tactical plans, at a location, or for a purpose, not indicated in DNC-1, prior authority shall be obtained from the Chief of Naval Operations (DNC) for such use. If circumstances are such as to make it impracticable to obtain this authority in advance, then the concurrence of the Chief of Naval Operations (DNC) will be requested as soon as possible thereafter. See article 6502.

**103. Operating schedules.** The officer in charge of all active shore radio stations listed in *U. S. Navy Radio Call Sign Book*, Part VI, shall prepare and keep up to date a daily operating schedule indicating time (GCT), purpose, and frequencies employed (receiving and transmitting) for all circuits, broadcasts, and guards for which the shore radio station is responsible in accordance with existing fleet and sea frontier communication plans and the service plan contained herein. Copies of these schedules shall be submitted in triplicate to the Chief of Naval Operations (DNC) via the district commandant the first of each quarter. These schedules shall be classified "restricted."

(ALL TIMES GCT UNLESS OTHERWISE NOTED)

**RESTRICTED**

COMMUNICATION INSTRUCTIONS

110. POINT TO POINT SERVICE

111. Circuit Designations.

For convenience in correspondence and discussion, the following designations may be used for the radio circuits shown:

- \*B1 BALBOA to Washington.
- D2 SAN DIEGO, San Pedro, San Nicolas, San Clemente, Imperial Beach, Pt. Arguello.
- \*F1 SAN FRANCISCO to Honolulu.
- F2 SAN FRANCISCO, San Diego, Puget Sound.
- \*\*F3 SAN FRANCISCO to Washington.
- F4 SAN FRANCISCO, Adak.
- F5 SAN FRANCISCO, Chungking.
- F6 SAN FRANCISCO, Noumea.
- F7 SAN FRANCISCO, Balboa.
- G1 GUANTANAMO, Great Exuma, Portland Bight, Miami.
- \*\*H1 HONOLULU to Canberra.
- H2 HONOLULU to Kwajalein.
- \*H3 HONOLULU to San Francisco.
- \*\*H4 HONOLULU to Noumea.
- H5 HONOLULU to Melbourne.
- \*H6 HONOLULU to Washington.
- \*J1 SAN JUAN to Washington.
- J2 SAN JUAN, Guantanamo, Balboa, Trinidad, Curacao.
- J3 SAN JUAN, St. Thomas, Antigua.
- \*L1 LONDONDERRY to Washington.
- M1 MIAMI, Key West, Air Stations (7th District).
- O1 NEW ORLEANS, Air Stations (8th District).
- P1 PUGET SOUND, Dutch Harbor, Kodiak, Adak.
- \*T1 TRINIDAD to Washington.
- T2 TRINIDAD, Georgetown.
- T3 TRINIDAD, Recife, Rio de Janeiro, Belem.
- \*\*W1 WASHINGTON to San Francisco.
- \*W2 WASHINGTON to Balboa.
- W3 WASHINGTON, Great Lakes, New Orleans, Miami, Charleston, Bermuda.
- W4 WASHINGTON, Philadelphia, New York, Boston, Norfolk, Charleston.
- \*W6 WASHINGTON to Honolulu.
- \*W7 WASHINGTON to San Juan.
- \*W8 WASHINGTON to Trinidad.
- \*\*W9 WASHINGTON, Recife.
- \*\*W10 WASHINGTON, Oran.
- \*\*W11 WASHINGTON to Londonderry.
- \*\*Z1 CANBERRA to Honolulu.
- Z2 KWAJALEIN to Honolulu.
- \*\*Z3 NOUMEA to Honolulu.
- Z4 MELBOURNE to Honolulu.

\*Radio teletypewriter, Boehme high speed and manual.

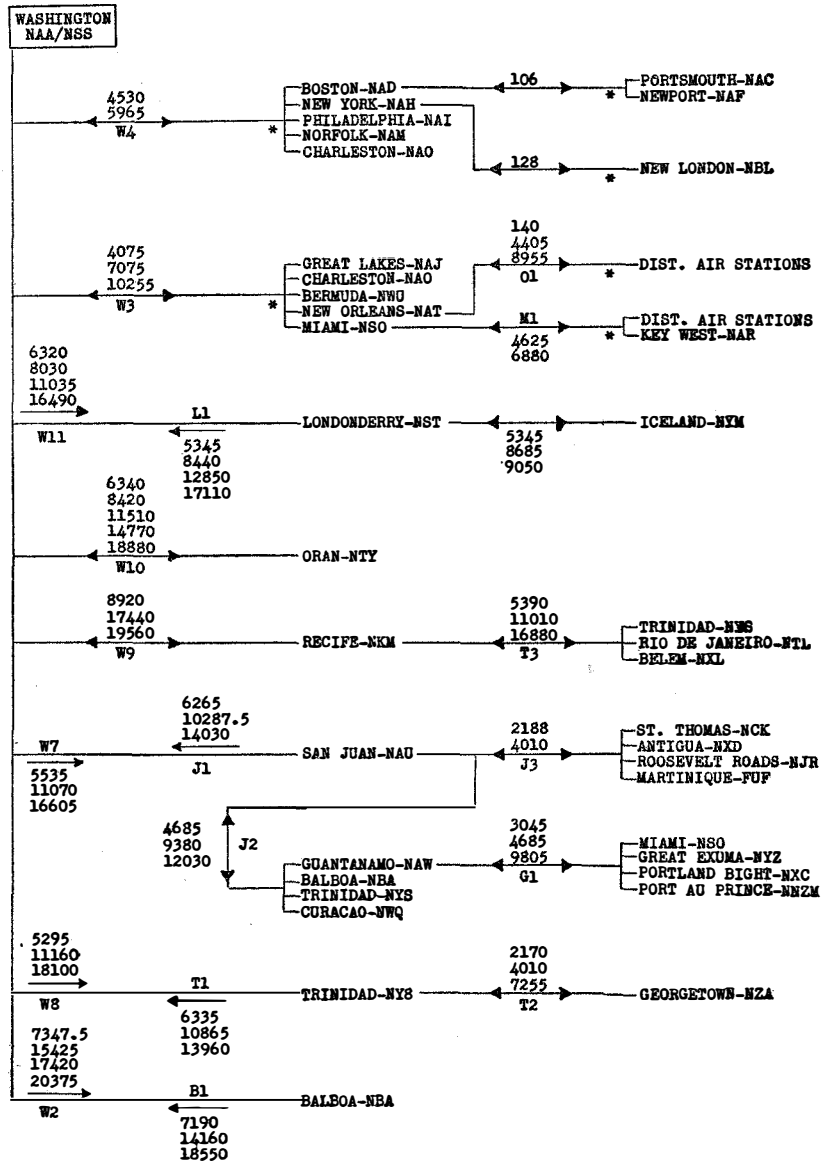
\*\*Boehme high speed and manual.

(ALL TIMES GCT UNLESS OTHERWISE NOTED)

APPENDIX I

112.

**ATLANTIC CIRCUITS**



\* RADIO STANDBY IN LIEU OF, OR OVERFLOW TRAFFIC FROM NAVY LEASED TELETYPEWRITER CIRCUITS.

**RESTRICTED**

COMMUNICATION INSTRUCTIONS

(ALL TIMES GCT UNLESS OTHERWISE NOTED)

**Ch. 2**

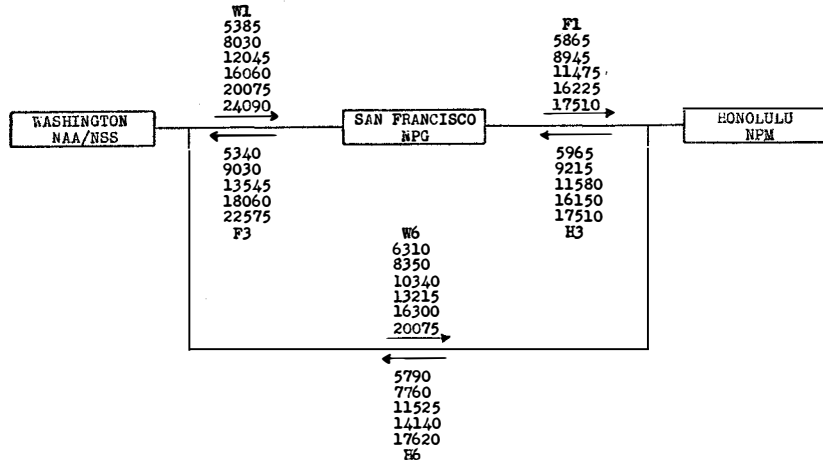
**4**

Ⓜ

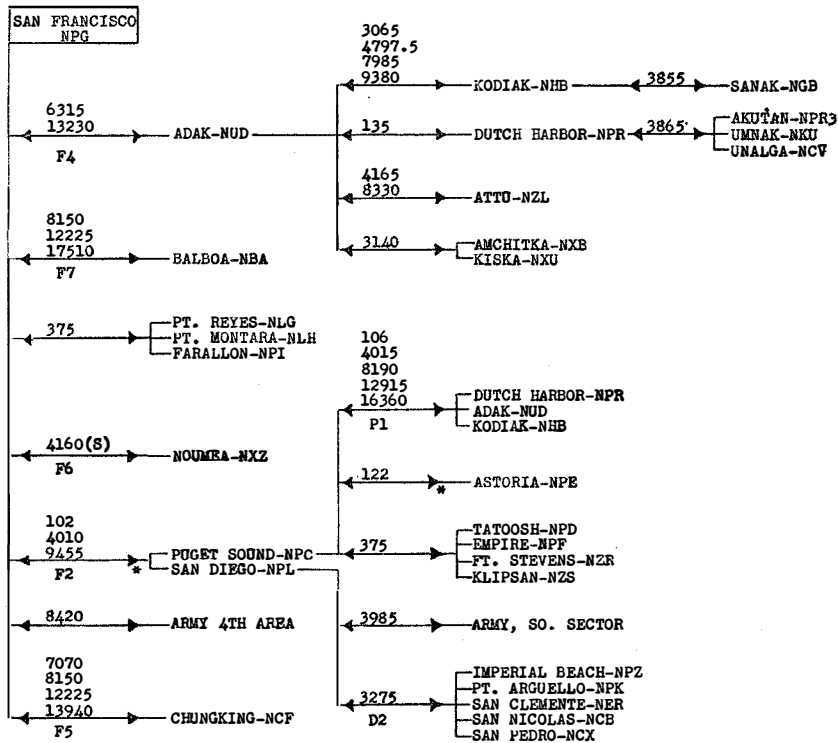


APPENDIX I

113. TRANSCONTINENTAL & OCEANIC CIRCUITS



114. PACIFIC CIRCUITS



\* RADIO STANDBY IN LIEU OF, OR OVERFLOW TRAFFIC FROM NAVY LEASED TELETYPEWRITER CIRCUITS.

**RESTRICTED**

COMMUNICATION INSTRUCTIONS

(ALL TIMES GCT UNLESS OTHERWISE NOTED)

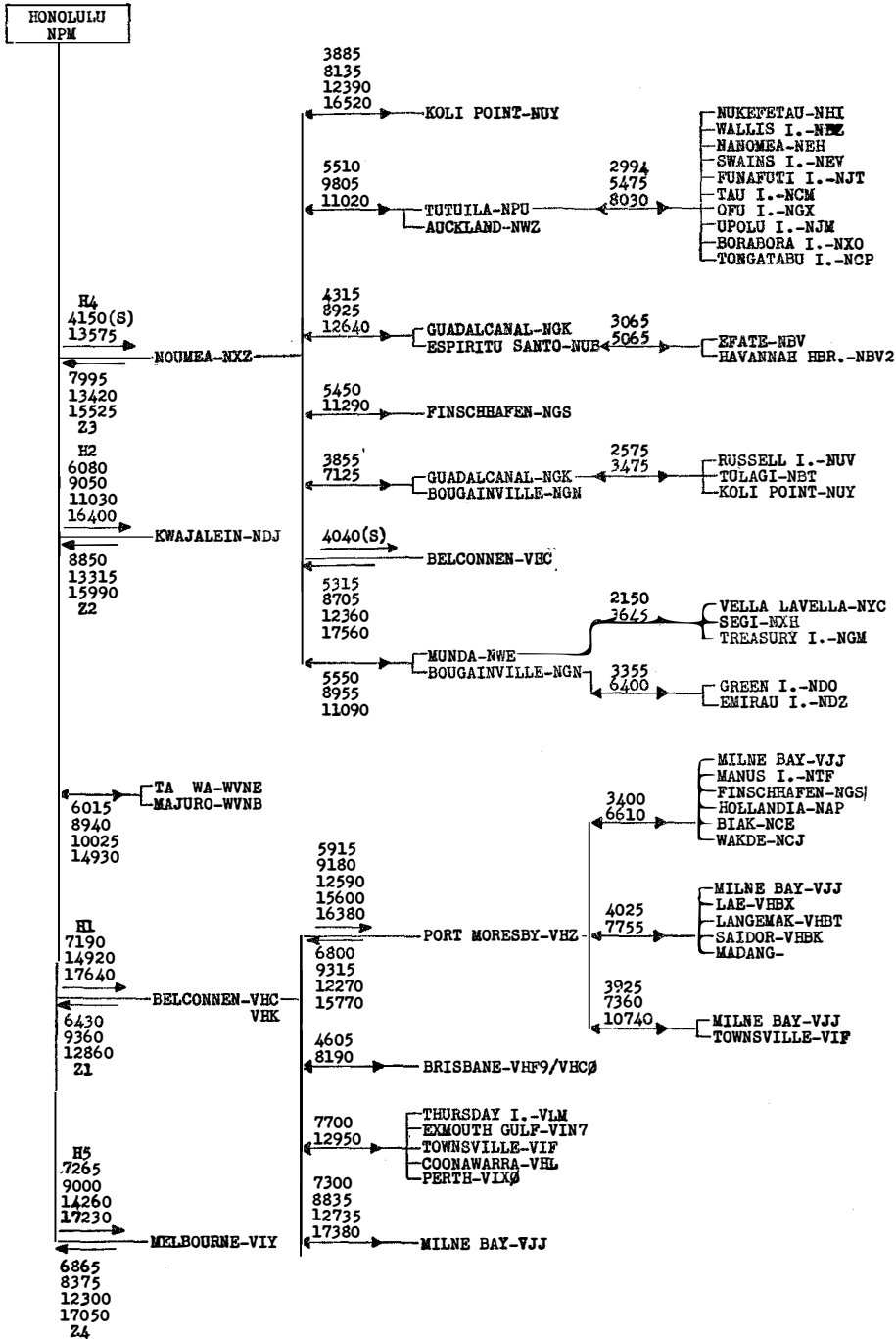
**Ch. 2**

6

④

APPENDIX I

115. SOUTH & SOUTHWEST PACIFIC CIRCUITS



**RESTRICTED**

**COMMUNICATION INSTRUCTIONS**

**(ALL TIMES GCT UNLESS OTHERWISE NOTED)**

**Ch. 2**

APPENDIX I

**116. Foreign point to point circuits**

Station	Call Sign	Schedule	Frequency (kc)	
			Trans.	Rec.
a. BALBOA..... LIMA.....	NBA OBE	0200, 1430, 1800, 2300.....	10035	12307
b. MIAMI..... NASSAU.....	NSO	Continuous.....	2956, 4625, 6880, 9960	
c. CORPUS CHRISTI..... VERA CRUZ.....	NWF XBTG2	0900, 1100, 1900.....	8000	
d. RECIFE..... FREETOWN..... FREETOWN..... ASCENSION, IS.....	NKM NZX VPU VPU ZBI	Continuous.....	{ 5475 11090	{ 5800 11090
e. WASHINGTON*..... LONDON..... LONDON..... LONDON..... LONDON.....	NSS GYC GZZ6 GYC5 GYJ5	0000..... 0600..... 1000..... 1600.....	8440 6320 11175 16860	9060 4485 11430 16255
f. WASHINGTON..... DAKAR.....	NSS FZK2	1630, 2100.....	14770	15470
g. WASHINGTON..... RIO DE JANEIRO.....	NSS PWZ	0500.....	8350	8445, 11190
h. WASHINGTON*..... OTTAWA..... OTTAWA.....	NSS CFF CFF	2015..... 1215.....	8920 6340	8824 4850
i. WASHINGTON*..... HALIFAX..... HALIFAX.....	NSS CFH CFH	2000..... 1200.....	8920 6340	8645 6600

\*Standby circuits to be used in case of cable or landline failure.

(ALL TIMES GCT UNLESS OTHERWISE NOTED)

**RESTRICTED**

**COMMUNICATION INSTRUCTIONS**

APPENDIX I

120. SHIP-SHORE SERVICE

**121. Primary fleet broadcast schedules.** These schedules are for the delivery of traffic by the F method to all U. S. naval vessels via primary area stations. Unless otherwise directed, the plan set forth below establishes the areas, shore stations, schedules, and procedure for vessels directed to comply with this plan and/or modifications thereto.

a. Vessels traversing areas not covered by this plan shall guard the appropriate area station for the area concerned as set forth in Appendix II.

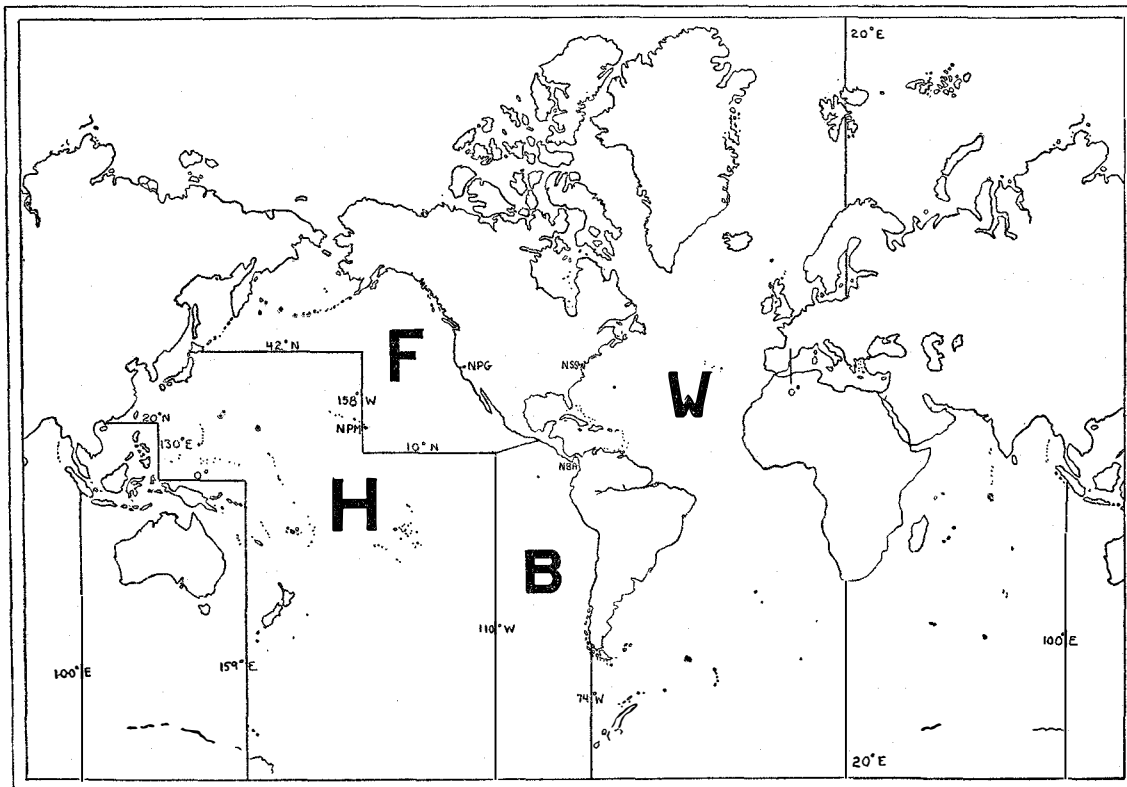
b. Vessels when required to shift the guard for these schedules from one area station (U. S. or British) to another while en route shall execute this shift at zero hours GCT.

c. Commanding officer of the vessel or the senior officer of vessels proceeding in company, when required, shall *prior to departure* insure that their area station (U. S. or British) has been advised of dates and area stations to which the guard will be shifted while en route.

d. Seniors diverting vessels at sea shall include this information in their orders in addition to insuring that the area stations concerned have been advised.

e. U. S. area stations shall exchange the information reported in accordance with paragraph b. once a day only, when necessary, by dispatch. (Note use of operating signal QWD.)

f. The following plan is now in effect.



(ALL TIMES GCT UNLESS OTHERWISE NOTED)

**RESTRICTED****COMMUNICATION INSTRUCTIONS**

f.—Continued.

	* Designator	Area station	Frequency (kc)	Schedule
1	W	WASHINGTON—NSS Area—In Atlantic west of 20° east longitude. In Mediterranean west of zero longitude.	18 4045 16180 8090 and 12135	Continuous. From 2330 to 1130. From 1130 to 2330. Continuous.
2	F	SAN FRANCISCO—NPG Area—In Pacific Ocean north of 42° north latitude and the area bounded by 158° west longitude 10° north latitude to 110° west longitude and thence along the line forming the northern boundary of the SOEASTPAC area.	19.8 4725 17740 7065 and 14150 66	Continuous. From 0400 to 1000. From 1700 to 2400. Continuous. Stand by for 19.8.
3	H	HONOLULU—NPM Area—In Pacific Ocean except SOEASTPAC area, SOWESPAC area, and Radio San Francisco area, unless otherwise directed.	26.1 56 8230 and 12345 4115 16460	Continuous except from 2200 each Thurs. to 0300 Fri. Standby for 26.1. Continuous. From 0900 to 1800. From 1500 to 0900.
4	B	BALBOA—NBA Area—In SOEASTPAC area. In Caribbean and South Atlantic areas upon specific arrangements in lieu of NSS.	24 8480 16470 13080	Every odd hour on the hour until clear. From 2100 to 0900 (odd hours only). From 1300 to 2300 (odd hours only). Every odd hour on the hour until clear.

\*To provide ships a quick and positive means of identifying fleet broadcasts, the designator indicated will be prefixed to the station's serial number of each message and transmitted as one group. Example: NR W167.

**122. Secondary fleet broadcast schedules.** These schedules are for the delivery of traffic by the F method to U. S. naval vessels via secondary area stations and are established for small units operating in a local area. Authorities establishing these schedules will prescribe the area, stations, and direct whenever they may be guarded in addition to or in lieu of the primary fleet broadcast schedules.

	* Designator	Area station	Frequency (kc)	Schedule
a	K	KEY WEST—NAR (GSF)	215	Hourly on the hour.
b	G	GUANTANAMO—NAW (GSF)	215	Hourly at 40 after the hour.
c	O	NEW ORLEANS—NAT (GSF)	215	Hourly at 20 after the hour.
d	C	BALBOA—NBA (PSF)	2052, 5005, 9285, 11190	Hourly on the hour.
f	R	RECIFE—NKM (SOLANT)	4295, 8590, 12885	Odd hours on the hour.
g	D	WASHINGTON—NAA (SUB-LANT).	15.6	Even hours at 20 after the hour.

\*To provide ships a quick and positive means of identifying fleet broadcasts, the designator indicated will be prefixed to the station's serial number of each message and transmitted as one group. Example: NR W167.

(ALL TIMES GCT UNLESS OTHERWISE NOTED)



APPENDIX I

	*Designator	Area station	Frequency (kc)	Schedule
<i>h</i>	N	NOUMEA—NXZ (LOTE)-----	3575, 4975, 8660, 12780----- 3575, 4975, 8660----- 3575, 4975, 8660, 12780----- 3575, 4975, 8660, 12780, 14290- 4975, 8660, 12780, 14290-----	From 0600 to 0900. From 0900 to 1700. From 1700 to 2000. From 2000 to 2200. From 2200 to 0600.
<i>i</i>	J	HONOLULU—NPM (JUMP)---	106, 8250, 12375----- 4125----- 16500-----	Continuous. From 0600 to 1930. From 1930 to 0600.
<i>j</i>	P	HONOLULU—NPM (SUB-PAC). .	16.68, 9090----- 6380----- 4525----- 14390----- 17370-----	Continuous. From 0600 to 2300. From 0800 to 2000. From 1900 to 0800. From 2200 to 0600.
<i>k</i>	V	NORFOLK—NAM (COM-FIVE).	102-----	Even hours on the hour.

\*To provide ships a quick and positive means of identifying fleet broadcasts, the designator indicated will be prefixed to the station's serial number of each message and transmitted as one group. Example: NR W167.

**123. Primary and secondary general broadcast schedules.** These schedules are for the dissemination of hydrographic reports, major and local weather and time signals to vessels via primary (general coverage) and secondary (local coverage) stations. Current schedules are published once a month in the weekly Hydrographic Bulletin; also, consult H. O. 206. These same stations and frequencies are employed for the delivery of BAMS traffic by the F method. See Appendix VIII.

**124. Ship-Shore Communications.** The facilities established for handling short and long distance ship-shore communications are listed in article 125.

*a.* The 4235 kc (NERK) series is employed for long distance communication. Except as indicated below, the stations handling this service normally guard the fundamental and second harmonic only and answer only on the frequency called. The following stations key the fundamental, second, third and fourth harmonic simultaneously except that during daylight hours (LCT) 4235 kc is not normally keyed unless ships are known to be within daylight range. Also, to assist ships in selecting the proper harmonic, these stations transmit V's and the radio call sign every hour for thirty seconds commencing as indicated.

WASHINGTON (NSS)----- On the hour.  
 SAN FRANCISCO (NPG)----- Two minutes after the hour.  
 BALBOA (NBA)----- One minute after the hour.  
 HONOLULU (NPM)----- Three minutes after the hour.  
 NOUMEA (NXZ)----- Four minutes after the hour.

Ships relying on the NERK series for delivery of traffic should keep a receiver and transmitter tuned to the best frequency as determined by these transmissions. In cases where the above stations cannot establish communication with a ship heard on the NERK series, an operating signal will be sent on the primary fleet broadcast schedule of the station called directing the ship to send blind on the frequency heard. Receipt and request for repetition will be transmitted on the primary fleet broadcast schedule if communication on NERK frequencies is not established after receipt of the message. In order to avoid

(ALL TIMES GCT UNLESS OTHERWISE NOTED)

**RESTRICTED**

COMMUNICATION INSTRUCTIONS

any ambiguity in the receipt of messages by shore stations, which may result from the use of the same indefinite call by two ships transmitting at approximately the same time on the same frequency, the date-time group will be repeated in the receipt for all traffic.

b. 2716 kc is employed for short distance communications and also as a port frequency for local communications, when required. Article 141, note 3, should be consulted regarding the use of this frequency by ships of the frontier forces and district activities.

**125. Ship-shore facilities and services.** The table below indicates the facilities established for ship-shore services. Consult current fleet and sea frontier communication plans for additional information.

SEE NOTES BELOW										SEE NOTES BELOW													
DISTRICT	STATION	CALL SIGN	1 2716 KC	2 500 KC	3 1455 KC	4 4235 KC	5 PRI. FREQ.	6 SEC. FREQ.	7 PRI. GEN.	8 SEC. GEN.	9 FT. FREQ.	DISTRICT	STATION	CALL SIGN	1 2716 KC	2 500 KC	3 1455 KC	4 4235 KC	5 PRI. FREQ.	6 SEC. FREQ.	7 PRI. GEN.	8 SEC. GEN.	9 FT. FREQ.
1	BOSTON	NAD	X							X		HOUMA	NXZ	X	X		4		X		X	B	
1	PORTSMOUTH	NAC	X									TUTUILA	NPU	X	X							X	B
1	NEWPORT	NAP	X								A	GUADALCANAL	NGK				X						B
3	NEW YORK	NAH	X						X			BOUGAINVILLE	NGN	X									B
3	NEW LONDON	NEL			X							BORA BORA	NKO	X	X							X	B
4	PHILADELPHIA	NAI	X									ESPIRITU SANTO	NUB	X	X							X	B
4	CAPE MAY	NOR	X									KPATE	NBV	X	X								B
5	NORFOLK	NAM	X					X	X			SUYA	NCN	X	X								B
6	CHARLESTON	NAO	X	X						X		MANUS	NFP	X	X								B
7	MIAMI	NMO	X	X	X																		
7	KEY WEST	NAR	X		X			X	X			U. S. COAST GUARD STATIONS											
8	NEW ORLEANS	NAT	X		X			X	X			BOSTON	NBP		X								
10	SAN JUAN	NAU	X		X				X			NEW LONDON	NBU		X								
10	GUANTANAMO	NAV	X	X	X			X	X			AMAGANSETT	WSL		X							X	
10	ST. THOMAS	NCK	X	X								NEW YORK	NBY		X								
10	CURACAO	NWQ	X	X								NORFOLK	NBN		X								
10	TRINIDAD	NYS	X	X	X							CHARLESTON	NMB		X								
11	SAN DIEGO	NPL	X	X			X		X			JACKSONVILLE	NBY		X								
12	SAN FRANCISCO	NPG	X		X	4	X		X			FT. LAUDERDALE	NOL		X								
13	ASTORIA	NPE	X						X			MIAMI	NAX		X							X	
13	PUGET SOUND	NPC	X			X			X			ST. PETERSBURG	NOP		X								
14	HONOLULU	NPH	X			4	X	X	X			MOBILE	NOQ		X								
15	BALEGA	NRA	X	X	X	4	X	X	X			NEW ORLEANS	NWU		X							X	
17	ADAK	NUD	X									GALVESTON	NOY		X								
17	DUTCH HARBOR	NPR	X	X		X			X			SAN JUAN	NMR		X								
17	KODIAK	NHB	X	X		X			X			LONG BEACH	NMQ		X								
17	ANCHITKA	NXB	X									SAN FRANCISCO	NMC		X							X	
	ARGENTIA	NWP	X	X								EUREKA	NPW		X							X	
	WASHINGTON	NSS	X			4	X	X	X			PORTLAND	KEK		X								
	LONDONDERRY	NST	X									SEATTLE	NWV		X								
	RECIFE	NEM	X	X	X			X				WESTPORT	NOV		X								
	BERMUDA	NWU	X									KETCHIKAN	NWJ		X							X	
	RIO DE JANEIRO	NFL							X			HONOLULU	NMO		X							X	
	CASABLANCA	NJO	X	X								PALO ALTO	NPS		X								

(ALL TIMES GCT UNLESS OTHERWISE NOTED)

APPENDIX I

- (1) SECONDARY SHIP-SHORE AND PORT FREQUENCY, short distance communications..... 2716 kc
- (2) INTERNATIONAL DISTRESS, emergency communications..... 500 kc
- (3) SHIP-SHORE FOR SUBMARINE AND SEA FRONTIERS, long distance communications..... 4155 kc (S)
- (4) PRIMARY SHIP-SHORE (NERK) long distance communications..... 4235 kc (S)#
- (5) PRIMARY FLEET BROADCASTS.
- (6) SECONDARY FLEET BROADCASTS.
- (7) PRIMARY GENERAL BROADCASTS.
- (8) SECONDARY GENERAL BROADCASTS.
- (9) PORT FREQUENCIES ESTABLISHED BY FORCES AFLOAT, A-2844 kc, B-355 kc (outside continental U. S.).

#Key and guard harmonics simultaneously. See article 124a.

**130. BASEGRAM DELIVERY AUTHORITIES**

**131.** The following basegram delivery authorities are now in effect: (See article 5350)

a. Commandants of following naval operating bases:

Londonderry	Bermuda	Rio de Janeiro
Oran	Key West	San Diego
Iceland	Guantanamo	San Pedro
Argentia	Trinidad	Kodiak
Newport	St. Thomas, V. I.	Dutch Harbor
Norfolk	Balboa	

b. Senior officer present afloat at:

- Casco Bay (Fleet Signal Station, Fort McKinley).
- Greenland (USCG Radio Greenland).

c. Commandants of following naval districts:

First	Eighth	Fourteenth
Third	Ninth	Fifteenth (Cristobal area)
Fourth	Tenth	Seventeenth
Sixth	Twelfth	
	Thirteenth	

d. Commanding officers of following submarine bases:

- New London.
- Midway.

e. Commandants of following navy yards:

- Portsmouth, N. H.
- Washington, D. C.

- f. Commander, Moroccan Sea Frontier (Radio, Casablanca).
- g. Commander, South Atlantic Force (Radio, Recife).
- h. Commander, South Pacific Force (Radio, Noumea).
- i. Commander, Southwest Pacific Force.
- k. Commander, Forward Area Central Pacific.

(ALL TIMES GCT UNLESS OTHERWISE NOTED)

**RESTRICTED****COMMUNICATION INSTRUCTIONS****140. FACILITIES FOR LOCAL DISTRICT ACTIVITIES**

141. Local naval district activities and ships attached thereto including those of the sea frontier forces that are based and operate within the district shall employ only those frequencies indicated in the table below for ship-shore communications while operating within their respective districts. These frequencies are authorized for "A3" only unless otherwise indicated. Consult current sea frontier and district communication plans for further information.

Frequency (kc)	Naval Districts													
	1	3	4	5	6	7	8	10	11	12	13	14	15	17
2058		X				X					X			
2090	X <sup>1</sup>				X									
2150	X							X						
2166														X
2170								X					X	
2188								X						X
2196									X		X			X
2240	Army frequency (See Note 1).													
2252					X									
2268			X											
2276				X <sup>2</sup>		X								
2436				X										
2530										X		X <sup>3</sup>		
2550									X			X		X
2572														X
2670	Coast Guard frequency (See Note 2).													
2716	Navy frequency (See Note 3).													
2738	Non-Govt. Coastal Harbor and ship calling.													
2780											X		X	
2830		X				X				X	X			
2838				X								X		
2854		X					X		X					
2902						X				X		X		
2916	X <sup>4</sup>													
2956			X			X				X				
3000	Scene of action frequency (See Note 4).													
3855														X
3865														X
3905														X

<sup>1</sup> Less Argentina.<sup>2</sup> Bermuda also.<sup>3</sup> Midway I. only.<sup>4</sup> Less Argentina.

Note 1—Assigned by the U. S. Army for general use in harbor defense operations. May be employed by the Navy and Coast Guard for establishing initial communications with Army units. Authorized for A1 and A3.

Note 2—Assigned by the U. S. Coast Guard for general use and emergency traffic only. May be employed by the Army and Navy for establishing initial communications with Coast Guard units. Authorized for A1 and A3.

Note 3—Assigned by the U. S. Navy for local ship-shore communications. May be employed by the Army and Coast Guard for establishing initial communications with Navy units. Ships assigned district frequencies may temporarily employ this frequency only when operating outside the district to which attached or based where equipment limitations prevent employing the proper frequency to communicate with these activities. Authorized for A1 and A3.

Note 4—Adopted as the combined joint and intra-Navy scene-of-action coordinating frequency. The following restrictions govern its employment and use:

(ALL TIMES GCT UNLESS OTHERWISE NOTED)

## APPENDIX I

(a) This frequency shall be employed only as an emergency or last resort frequency for intercommunication at *scenes of action* where it has been impossible to arrange a coordinated intercommunication plan of action in advance.

(b) This frequency is not to be used for any required communications for which an operational plan has been established except where equipment limitations permit no alternative.

**150. FLEET SHORE SIGNAL STATIONS**

**151.** With few exceptions all Coast Guard stations, naval harbor entrance control posts, and section bases maintain a visual signal service utilizing international code flags, blinker, and semaphore. The Army also maintains a limited number of coastwise signal stations, locations, and calls, which are indicated in the *U. S. Navy Visual Call Sign Book*.

The naval signal stations indicated below will accept traffic to be forwarded via the naval communication system in addition to their regular function. The call for any government shore signal station or a lightship is G. From a shore station or a lightship G calls any, or the senior, man-of-war. The designating letter H with numerals (1 to 99) is assigned locally by competent authorities to naval shore signal stations.

Dist.	Location
1	Newport, R. I. (West of War College). Casco Bay, Maine, Fort McKinley.
5	Norfolk, Va. (NOB, Top Building, No. 138). (NOB, Top Building, No. 143).
8	New Orleans, La. (roof, Unit 1, Port of Embarkation, opposite naval station).
10	Guantanamo Bay, Cuba, McCalla Hill. San Juan, P. R. (Naval Air Station).
11	San Diego, Calif. (Dist. Hdqtrs. Bldg.). San Clemente, Calif. (FTB). San Pedro, Calif. (NOB, Tower Administration Building).
12	San Francisco, Calif., Yerba Buena Island.
14	Pearl Harbor, T. H. (Navy Yard). Pearl Harbor, T. H. (Sub. Base). Pearl Harbor, T. H., Ford Island (Naval Air Station).
15	Balboa, C. Z. (NOB). Coco Solo, C. Z. (Sub. Base).
Sev.	Annapolis, Md. (U. S. S. Reina Mercedes, Naval Academy).
NOB	Bermuda.
NOB	Reykjavik, Iceland. Hvalfjordur, Iceland.
NOF	Recife (Top Headquarters Building). (Top Docks Administration Building).

(ALL TIMES GCT UNLESS OTHERWISE NOTED)

**RESTRICTED**

**COMMUNICATION INSTRUCTIONS**

**160. DF CALIBRATING SERVICE**

**161.** Detailed arrangements for the use of the following radio direction-finder calibrating facilities shall be made in advance with the commandant of the respective district or his local representative. All stations in this list can furnish service for calibrating DF on frequencies from about 150 to 1500 kc. Stations marked with an asterisk can furnish service for calibrating on high frequencies. Additional stations in this list will be equipped for high-frequency service.

Dist.	Target location	Target description
	ARGENTIA, NFLD. (H5) Lat. 47°17'55.4" north. Long. 53°59'35.3" west.	Harbor Entrance Control Post tower.
1	CASCO BAY, MAINE Lat. 43°37'27" north. Long. 70°12'41" west.	Harbor Entrance Control Post, Fort Williams, white flagpole. 300 yds., 300° true from Portland Head Lighthouse.
1	NARRAGANSETT BAY, R. I. (NAF8) Lat. 41°30'27.2" north. Long. 71°19'51" west.	Signal Tower, Coasters Harbor Island. Adjacent Naval War College. Steel self-supporting tower with observation room at top.
1	DEER ISLAND, MASS. (NAD8) Lat. 41°21'06" north. Long. 71°25'00" west.	Harbor Entrance Control Post, 70-foot signal mast with yard arm and masthead light located on highest point of land.
3	STATEN ISLAND, N. Y. (H3) Lat. 40°36'18" north. Long. 74°03'18" west.	Harbor Entrance Control Post, Fort Wadsworth. Absolute target is a point 20' east of signal tower.
3	FISHERS ISLAND, N. Y. (H4) Lat. 41°15'22" north. Long. 72°01'20" west.	Harbor Entrance Control Post, Fort Wright. Absolute target is signal mast top of Harbor Entrance Control Post.
3	STRATFORD SHOALS, N. Y. (NNFX) Lat. 41°03'36" north. Long. 73°06'06" west.	Coast Guard lookout tower on top of Middleground Lighthouse.
4	CAPE MAY, N. J. (NCR) Lat. 38°56'00" north. Long. 74°57'40" west.	Lighthouse, gray tower, red lantern, two white dwellings.
5	CAPE CHARLES CITY, VA (NAM6) Lat. 37°16'26.02" north. Long. 76°01'14.35" west.	2 75-foot lattice towers 150 feet apart. Absolute target is tower closest water. Both towers fly FIVE flag during daylight.
6	FOLLY ISLAND, S. C. (NAO8)* Lat. 32°40'59.89" north. Long. 79°53'21.91" west.	3-foot lattice wood square, painted black, secured to seaward side of structural steel antenna tower.
7	KEY WEST, FLA. (NAR) Lat. 24°33'22" north. Long. 81°48'23" west.	300-foot steel masts 600 feet apart. Absolute target flying FIVE flag during daylight hours.
8	BURWOOD, LA. (NAT1) Lat. 28°57'41.05" north. Long. 89°23'04.60" west.	1 85-foot wood pole with antenna sloping down to building 150 feet distant. Will fly FIVE flag when calibrating.
10	GUANTANAMO BAY, CUBA (NAW) Lat. 19°54'37" north. Long. 75°11'51" west.	

(ALL TIMES GCT UNLESS OTHERWISE NOTED)

**APPENDIX I**

Dist.	Target location	Target description
10	SAN JUAN, P. R. (NAU)* Lat. 18°28'03.9" north. Long. 66°05'38.8" west.	Center of NAU flat top antenna between supporting towers.
11	SAN DIEGO, CALIF. (Z8N) Lat. 32°42'22.009" north. Long. 117°14'46.510" west.	Elevated water tank southeasterly portion of Point Loma Radio Station reservation.
11	SAN CLEMENTE, CALIF. (Z8O) Lat. 33°00'09.663" north. Long. 118°33'8.223" west.	Transmitter building located on side hill above Wilson Cove. Absolute target 4-foot diamond on top of east wall of transmitter building.
11	TERMINAL IS., CALIF. (Z8J) Lat. 33°45'24.05" north. Long. 118°14'01.69" west.	150-foot standard steel radio tower on Roosevelt Base. Absolute target is 12-inch flood light on top of tower facing seaward.
12	SO. SAN FRANCISCO, CALIF. (NPG1). Lat. 37°39'41" north. Long. 122°23'03" west.	White water tank on Point, San Bruno, approximately 4¼ miles south of Hunter's Point.
12	POINT REYES, CALIF. (NLG1) Lat. 37°59'29" north. Long. 122°58'15" west.	Coast Guard lookout tower consisting of small white building mounted on 16-foot steel tower overlooking Drake's Bay.
13	NEW DUNGENESS, WASH. (NNYT) Lat. 48°10'55" north. Long. 123°06'31" west.	3 80-foot wooden masts, set at the corners of an equilateral triangle. Target is center of triangle.
13	PORT ANGELES, WASH. (NOW) Lat. 48°08'03" north. Long. 123°24'48" west.	Small red brick building located between a yellow barracks building to the east and a green barracks building to the west.
13	POINT NO POINT, WASH. (NNYX) Lat. 47°54'07" north. Long. 122°31'05" west.	Coast Guard lighthouse.
14	HONOLULU, T. H. (NMO) Lat. 21°15'32" north. Long. 157°48'44" west.	Coast Guard lighthouse on Diamond Head, Oahu, T. H.
15	COCO SOLO, C. Z. (NBA3) Lat. 09°22'27.1" north. Long. 79°53'08.5" west.	Signal tower on elevated water tank, NOB, Coco Solo, C. Z.
15	TABOQUILLA IS., GULF OF PANAMA (NBA4). Lat. 08°48'29" north. Long. 79°31'20" west.	Lookout tower atop Taboguilla Island. Absolute target (visible only from seaward side during calibration) is horizontal white panel on left hand side of tower's base.

**162.** The following locations are provided with mobile calibrating facilities in small boats and can furnish service from 1500 kc to 20,000 kc.

CASCO BAY\*  
BOSTON  
NEW YORK

NORFOLK  
BERMUDA\*\*  
CHARLESTON

NEW ORLEANS  
GALVESTON  
SAN JUAN

\*Arrangements to be made with COMDESLANT.

\*\*Arrangements to be made with COTCLANT.

(ALL TIMES GCT UNLESS OTHERWISE NOTED)

COMMUNICATION INSTRUCTIONS

**170. LANDLINE FACILITIES AND SERVICES**

**171. Administration.** The Chief of Naval Operations (DNC) maintains direct administrative control over all leased landline facilities over 100 miles. Commandants of the districts and river commands represent the Chief of Naval Operations (DNC) in administering control over all other facilities and services.

**172. Approval.** All new landline facilities and services and additions or modifications thereto shall be subject to prior approval by the Chief of Naval Operations (DNC) with the following modifications:

- a. In case of emergency where the military situation will not permit any delay. In such cases, approval will be requested as soon as possible thereafter.
- b. In case no basic change in a circuit is involved and only moves or minor rearrangements are necessary, where time does not permit prior approval.

**173. Leased facilities.** The naval communication system embraces leased landline facilities interconnecting Washington and the headquarters of districts 1, 3, 4, 5, 6, 7, 8, 9, and 12. The headquarters of districts 11, 12, and 13 are likewise connected. All district headquarters are in turn connected with their respective major activities. Supplementing these facilities, special telephone, teletypewriter, and telegraph terminations can be made available at certain shore establishments, located so as to permit the use of these facilities alongside or aboard ship. The temporary use of these instruments, portable connections, and installation of same, while in port, will be supplied by the commandant. Information requesting their availability is to be made through the commandant concerned.

**174. Teletypewriter services.** The term "teletype" and "teleprinter" are trade names for landline printing instruments used by the American Telephone & Telegraph Co., and the Western Union Telegraph Co. The term "teletypewriter" is a general term not directly associated with any particular company or instrument. These terms do not describe the kind of instrument or service; therefore, the model number of the printer shall be used to describe the instrument, and the terminology as indicated below for the particular service. There are five separate kinds of landline printing services, differing in rates as well as in communication usefulness. These services are:

- a. Leased teletypewriter service (TWL) (12 or 24 hours per day)..... AT&T or WU.
- b. Limited leased teletypewriter service (Telemeter).... WU.
- c. Teletypewriter exchange service (TWX)..... AT&T.
- d. Teletypewriter tie line (Delivery service)..... WU.
- e. Aeronautical service (C. A. A.)
  - Schedule A (weather)..... AT&T.
  - Schedule C (weather)..... WU.
  - Above either transmit and receiving or receiving only*
  - Schedule F (Airways control, voice only)..... AT&T.

**175. Navy-owned telephone facilities.** Requests for these facilities shall be forwarded to the Chief of Naval Operations (DNC) via the Bureau of Yards and Docks and should include a detailed plant design print indicating the proposed cable or wire construction, the estimated working lines by sections of cable or wire, the type and route of telephone company facilities, the switchboard location, and the telephone requirements by buildings.

**176. Navy-owned teletypewriter facilities.** Requests for these facilities shall be forwarded to the Bureau of Ships via the Chief of Naval Operations (DNC) and should include the equivalent information that is to accompany requests for government-owned telephone facilities.

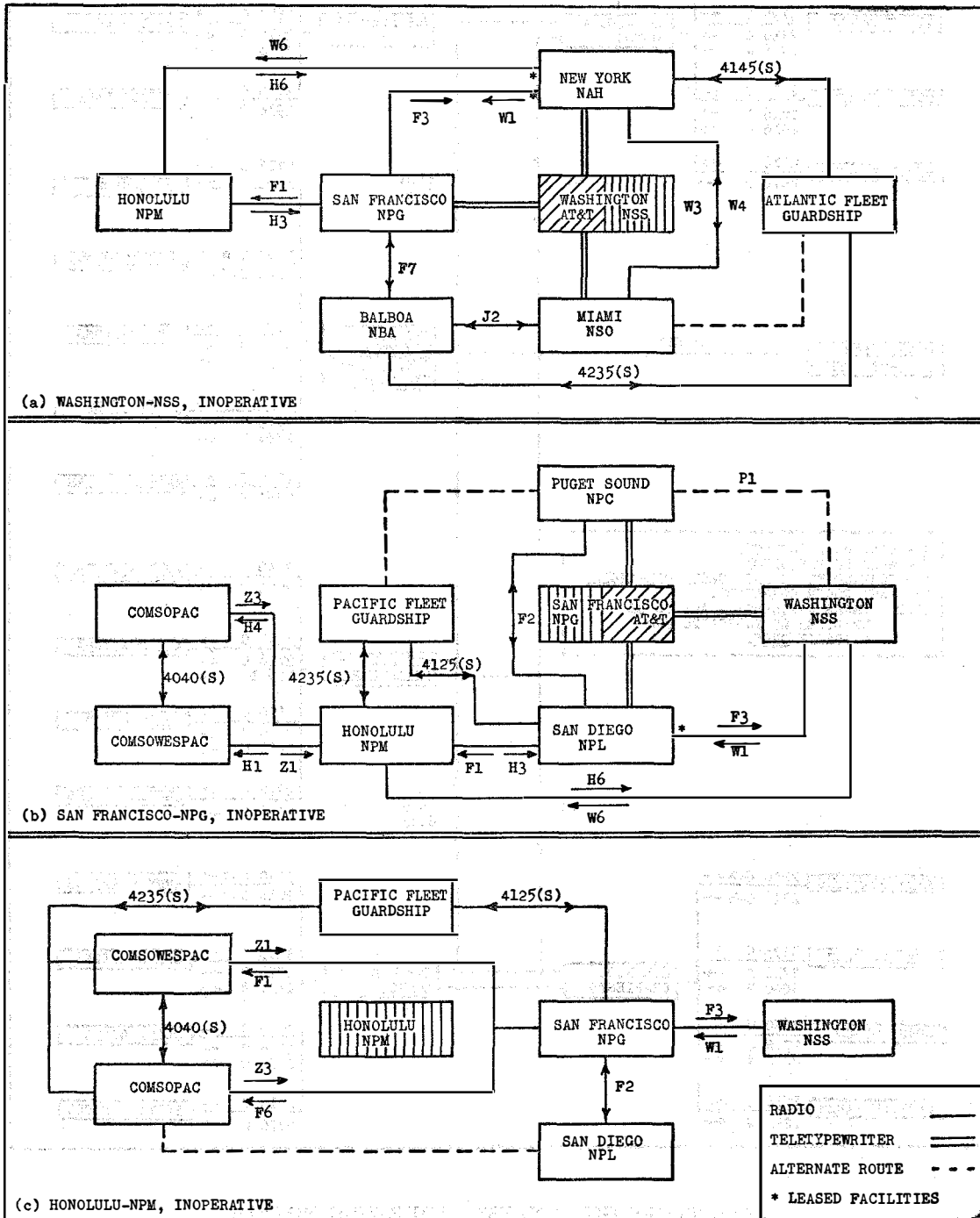
(ALL TIMES GCT UNLESS OTHERWISE NOTED)



APPENDIX I

180. CASUALTY PLANS

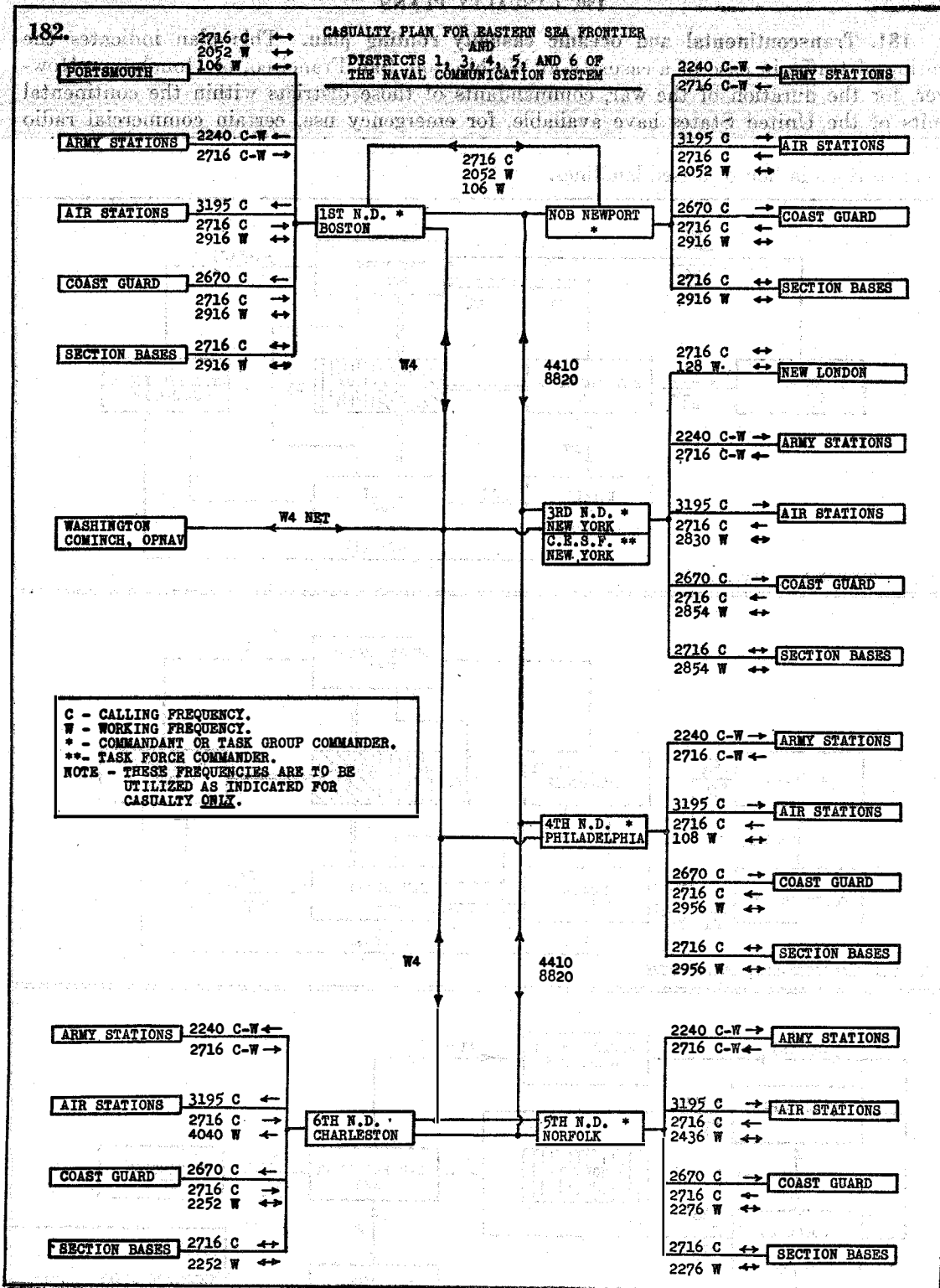
181. **Transcontinental and oceanic casualty routing plan.** This plan indicates the routing of traffic in case of a casualty at Washington, San Francisco, or Honolulu. However, for the duration of the war, commandants of those districts within the continental limits of the United States have available, for emergency use, certain commercial radio facilities prepared either to supplement or replace these circuits and those of certain other naval stations in lieu of leased landlines.



(ALL TIMES GCT UNLESS OTHERWISE NOTED)

**RESTRICTED**

**COMMUNICATION INSTRUCTIONS**



(ALL TIMES GCT UNLESS OTHERWISE NOTED)