

617-662-7700

MR. JACK WELCH

Bob Rivers

T-4

NAVSHIPS 0967-137-3014

UNCLASSIFIED

February 1967

TEMPORARY CHANGE T-4 to TECHNICAL MANUAL for RADIO RECEIVING SET AN/WRR-2A, AN/FRR-59A, NAVSHIPS 0967-137-3010 (Formerly NAVSHIPS 94715).

This temporary change contains information originally published as separate articles (Technical Manual Corrections) in the Electronics Information Bulletin, (EIB), number: 148, 661.

The instructions, described herein, for making these changes shall be followed only if they have not been previously accomplished at the time the EIB, in which the information appeared, was received.

The purpose of this Temporary Change is to assure that publications drawn from stock, subsequent to publication of this information in the EIB, can be corrected.

Insert this Temporary Change in the technical manual immediately behind the front cover and preceding the title page or preceding the latest change or correction in effect.

Make pen-and-ink corrections or changes to the technical manual as follows:

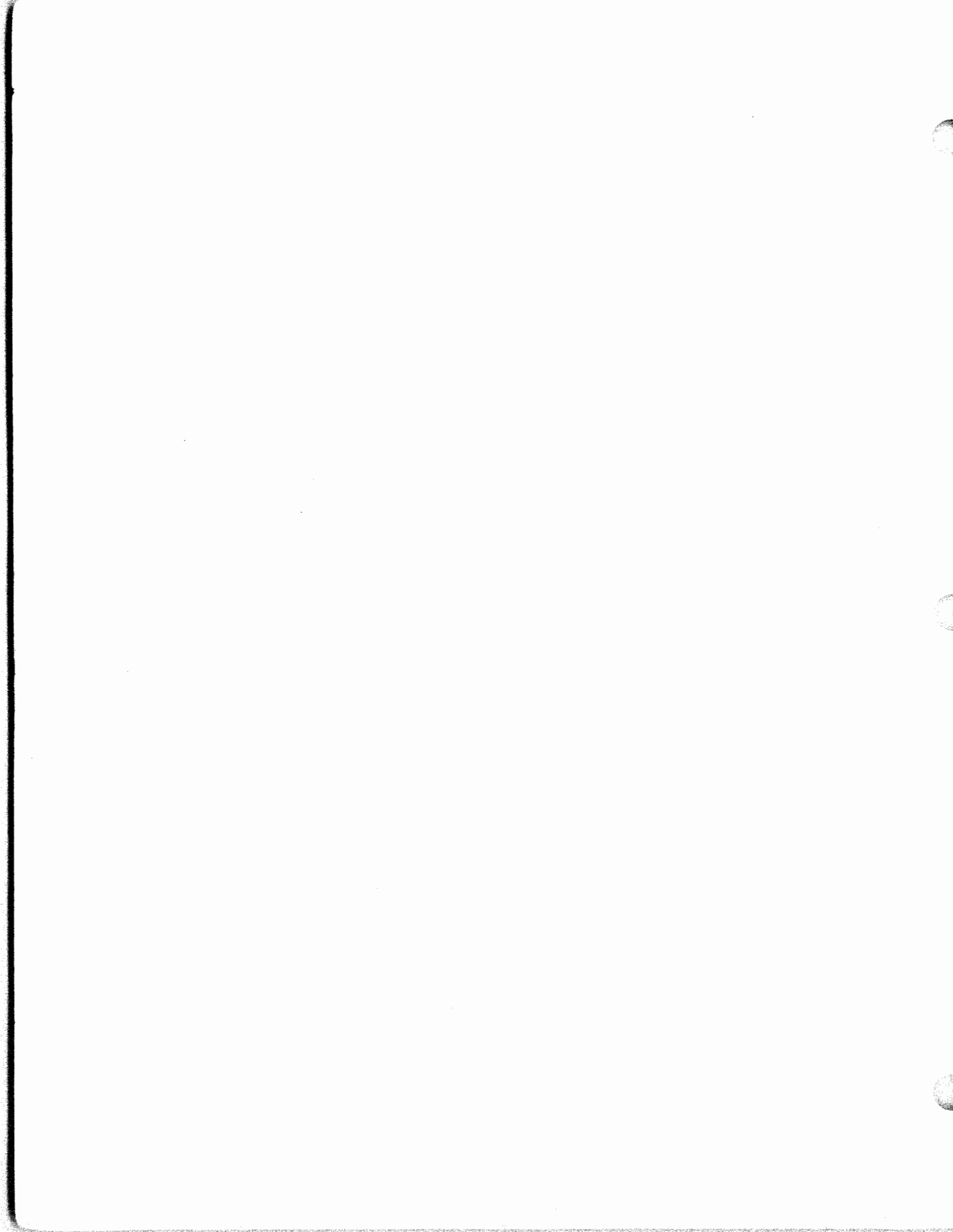
Change Table 5-14, page 5-80, step 8, second column, to read: ". J707: 10 vac, or more, measured on Band 4."

T-4

NAVSHIPS 0967-137-3014

UNCLASSIFIED

Page 1 (of 1)



NAVSHIPS 0967-137-3013
T-3 to NAVSHIPS 94715

22 September 1965

TEMPORARY CHANGE T3 TO TECHNICAL MANUAL FOR
RADIO RECEIVING SETS AN/WRR-2A & 2B and AN/FRR-59A & 59B
NAVSHIPS 94715

1. This temporary correction is in effect for AN/WRR-2B and AN/FRR-59B serial numbers A-1 and above supplied under NObsr 91231.
2. The purpose of this temporary correction is to include in the Technical Manual the production change made to improve the frequency response of the audio low pass filters FL1801 and FL1802. This change has been factory installed in AN/WRR-2B and AN/FRR-59B serial numbers A-1 and above.
3. The revised title page and list of effective pages, pages i & ii, shall be inserted in place of the original title page and list of effective pages, pages i & ii. The supplementary parts list, new page 7-0A, shall be inserted immediately preceding page 7-1.
4. Make the following pen and ink corrections. Insert this temporary correction in the Technical Manual immediately behind the front cover and preceding temporary correction T2.

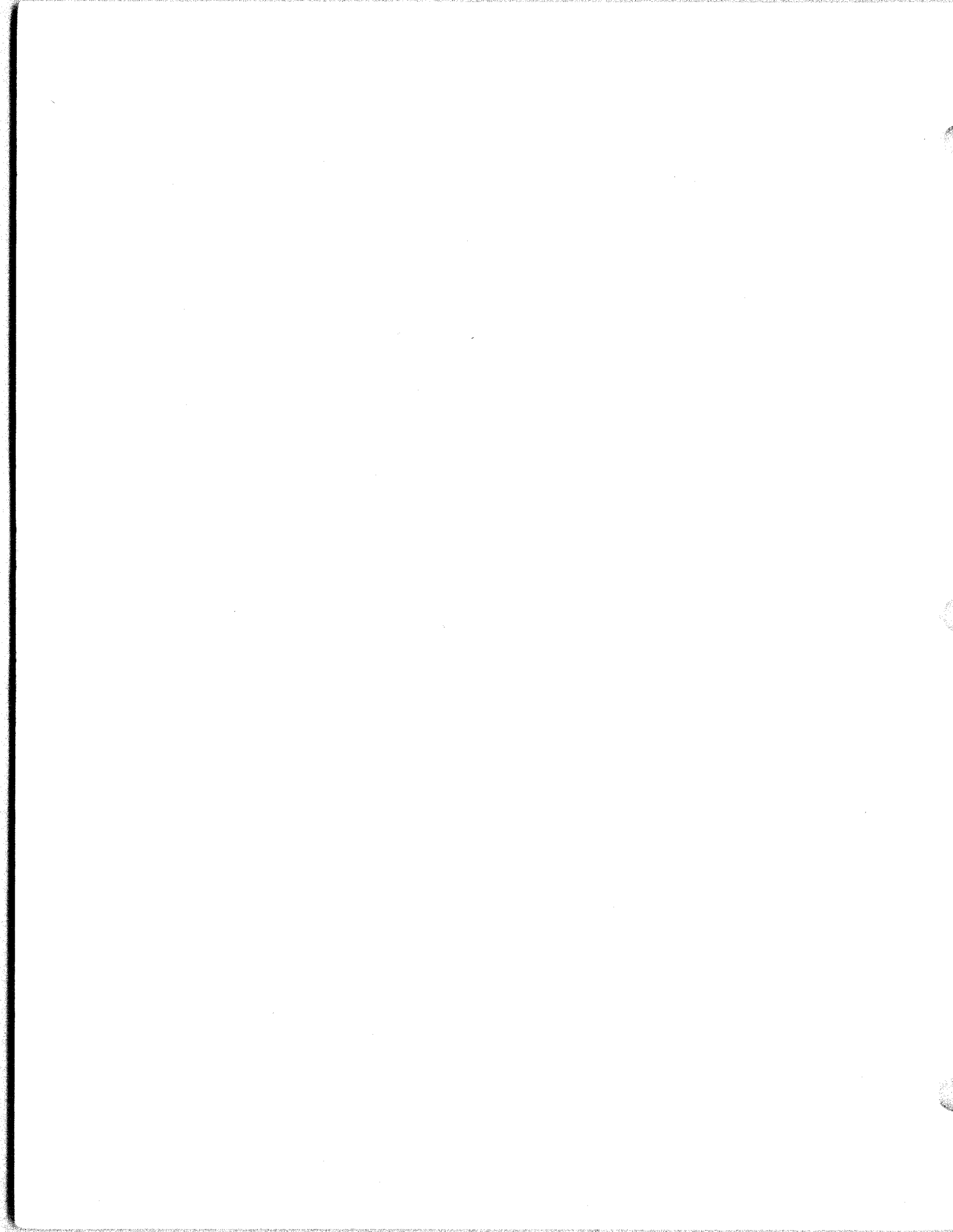
22 September 1965

<u>PAGE</u>	<u>ENTRY</u>	<u>ACTION</u>
4-27	Figure 4-30	Change C1039 from ".015" to ".015 for AN/WRR-2A and AN/FRR-59A equipments, .044 for AN/WRR-2B and AN/FRR-59B equipment".
4-30	Figure 4-35	Change C1140 from ".015" to ".015 for AN/WRR-2A and AN/FRR-59A equipments, .044 for AN/WRR-2B and AN/FRR-59B equipments".
5-67	Figure 5-48	Change "C1037, .015" to C1039, .015 for AN/WRR-2A and AN/FRR-59A equipments, .044 for AN/WRR-2B and AN/FRR-59B equipments".
5-101	Figure 5-71	Change C1140 from ".015" to ".015 for AN/WRR-2A and AN/FRR-59A equipments, .044 for AN/WRR-2B and AN/FRR-59B equipments".
5-109	Figure 5-77	Insert above FL1801 "R1677 thru R1680 apply to AN/WRR-2B and AN/FRR-59B equipments". Add "R1677, 150" from FL1801-1 to FL1801-3. Add "R1678, 150" from FL1801-3 to FL1801-2. Add "R1679, 150" from FL1802-1 to FL1802-3. Add "R1680, 150" from FL1802-3 to FL1802-2.
5-59/ 6-60	Figure 6-18	Insert above FL1801, location F7. "R1677 thru R1680 apply to AN/WRR-2B and AN/FRR-59B equipments". Add "R1677, 150" from FL1801-1 to FL1801-3. Location F7. Add "R1679, 150" from FL1802-1 to FL1801-2. Location G7. Add "R1679, 150" from FL1802-1 to FL1802-3. Location G7. Add "R1680, 150" from FL1802-3 to FL1802-2. Location H7.

T-3 to NAVSHIPS 94715

22 September 1965

<u>PAGE</u>	<u>ENTRY</u>	<u>ACTION</u>
6-63/6-64	Figure 6-19	Change C1039 from ".015" to ".015 for AN/WRR-2A and AN/FRR-59A equipments, .044 for AN/WRR-2B and AN/FRR-59B equipments".
		Change C1140 from ".015" to ".015 for AN/WRR-2A and AN/FRR-59A equipments, .044 for AN/WRR-2B and AN/FRR-59B equipments".



NAVSHIPS 94715

(Non Registered)

★
TECHNICAL MANUAL

for

RADIO RECEIVING SETS
AN/WRR-2A & 2B
and **AN/FRR-59A & 59B**

DEPARTMENT OF THE NAVY
BUREAU OF SHIPS

★
Approved by BuShips: 17 March 1964

LIST OF EFFECTIVE PAGES

PAGE NUMBER	CHANGE IN EFFECT
Title Page & ii iii thru xi 1 - 1 thru 1-4 2-1 thru 2-16 3-1 thru 3-13 4-1 thru 4-48 5-1 thru 5-118 6-1 thru 6-70 7-0A 7-1 thru 7-65 i-0 thru 1-2	T - 3 Original Original Original Original Original Original Original T - 3 Original Original

NATIONAL CO., INC. MALDEN, MASSACHUSETTS
ARVIN INDUSTRIES, INC. COLUMBUS, INDIANA

CONTRACT: NObsr 91085
CONTRACT: NObsr 91231

Errors found in this publication (other than obvious typographical errors) which have not been corrected by means of Temporary Changes or Permanent Changes should be reported. Such report should include the complete title of the publication and the publication number (short title), identify the page and line or figure and location of the error, and be forwarded to the Publications Section of the Bureau of Ships.

All requests for this publication should be directed to the Naval Supply Depot, 5801 Tabor Avenue, Philadelphia 20, Pennsylvania.

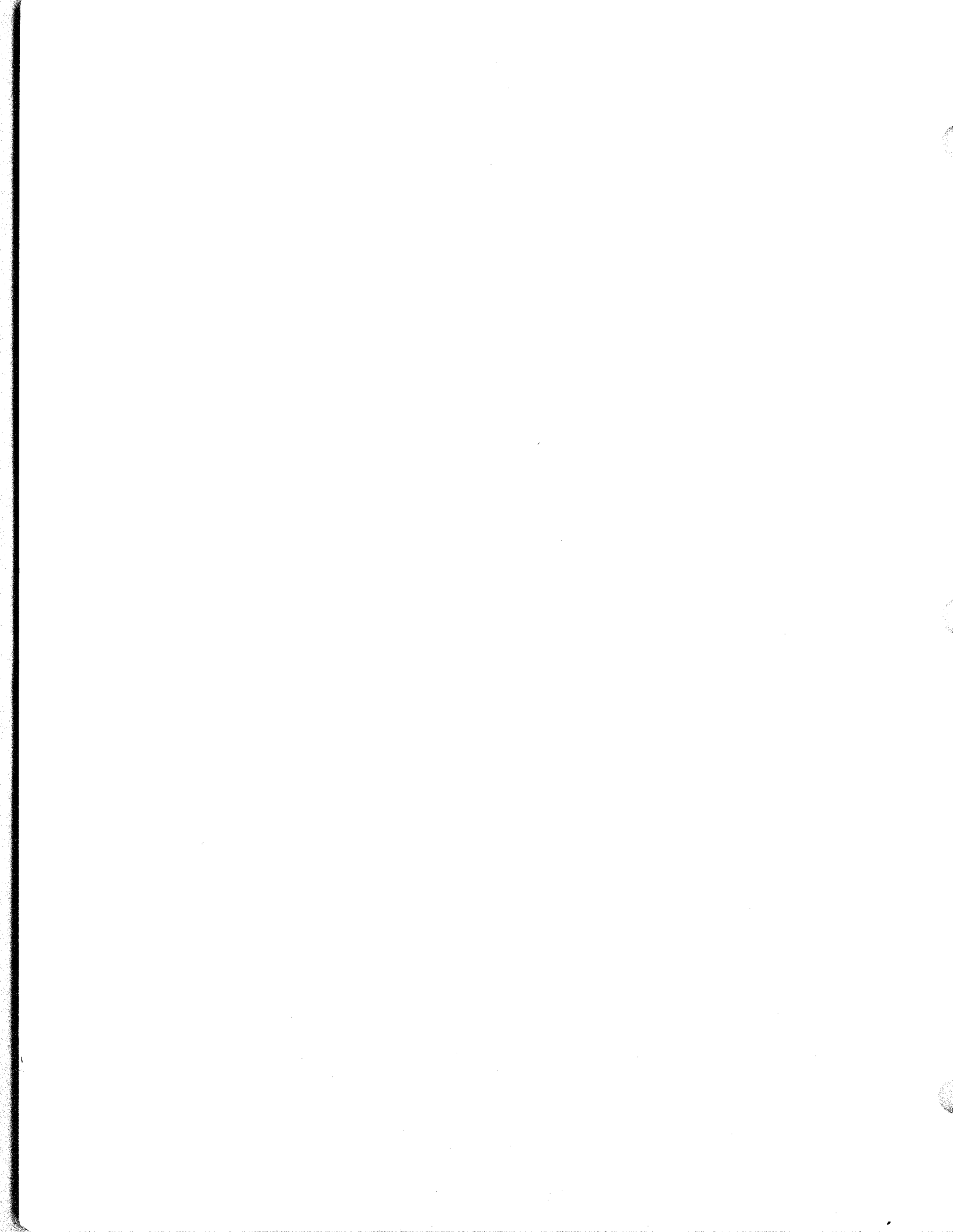
SECTION 7A

TABLE 7-0A RADIO RECEIVING SETS
 AN/WRR-2B AND AN/FRR-59B

SUPPLEMENTARY PARTS LIST

Applies to equipment supplied on contract NObsr 91231 only.

REF. DISIG.	NOTES	NAME AND DESCRIPTION	LOCATING FUNCTION
C714		CAPACITOR, FIXED CERAMIC DIELECTRIC: 500 vdc working 1000 uuf. \pm 20%; type no. CK70AW102M, 00656 type.	CR701 Feedthru by-pass Figure 5-55
C731		Same as C714	S702 Feedthru by-pass Figure 5-55
C745		Same as C714	V709 Screen Supply Feedthru By-pass Figure 5-55
C1039		CAPACITOR, FIXED, PAPER DIELECTRIC: 400 vdc working 0.044 uf. \pm 5%; 00656 dwg/part no. P323ZNP400V443P.	V1008 Figure 5-49
C1140		Same As C1039	V1109 Figure 5-72
R1677		RESISTOR, FIXED COMPOSITION: 150 ohms \pm 5% 1/2 W; type no. RC20GF151J.	J651 Demodulator Blister AF 5 KC Figure 5-78
R1678		Same as R1677	J651 Demodulator Blister AF 5 KC Figure 5-78
R1679		Same as R1677	J651 Demodulator Blister AF 5 KC Figure 5-78
R1680		Same as R1677	J651 Demodulator Blister AF 5 KC Figure 5-78

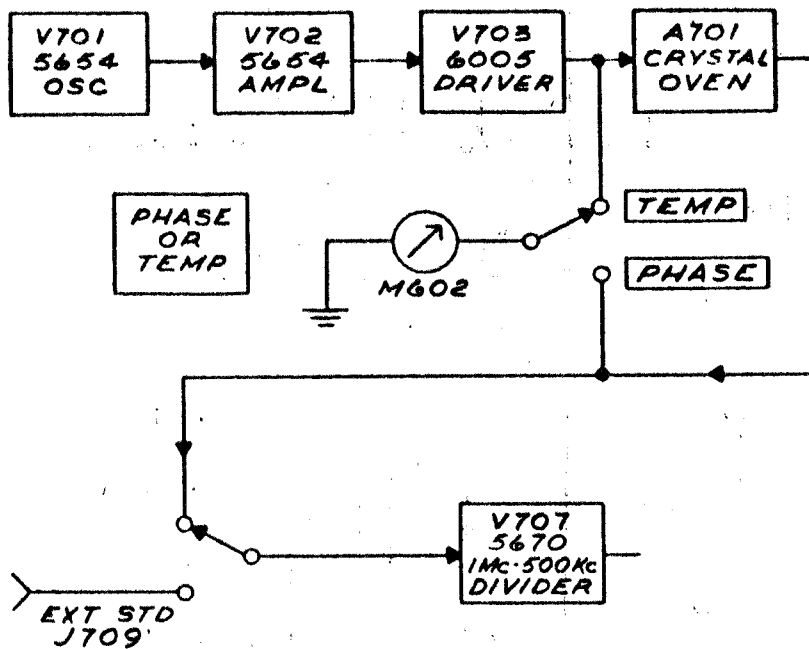


TEMPORARY CORRECTION T2 TO TECHNICAL MANUAL FOR
RADIO RECEIVING SETS AN/WRR-2A AND AN/FRR-59A
NAVSHIPS 94715

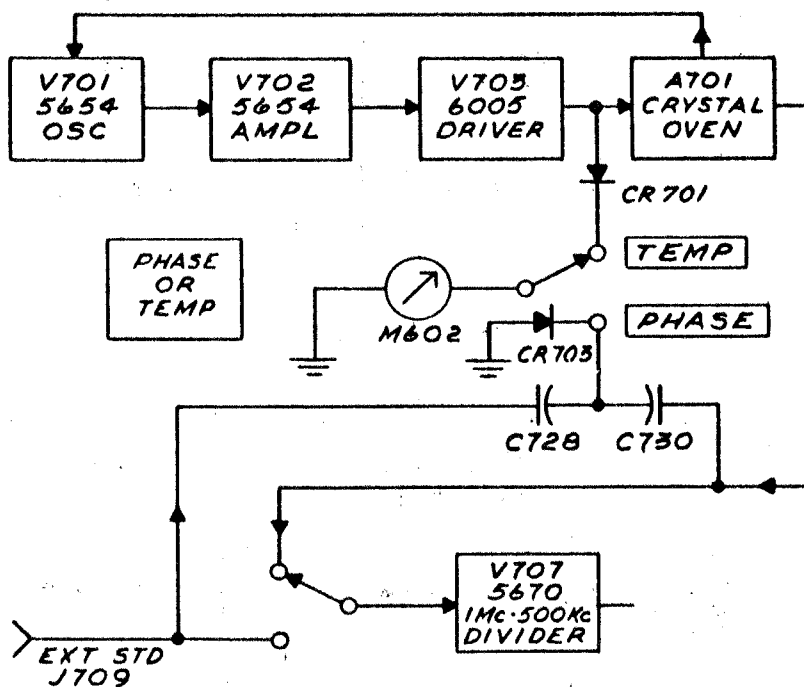
1. This temporary correction is in effect for all serial numbers of AN/WRR-2A and AN/FRR-59A.
2. The purpose of this temporary correction is to correct inaccuracies in the Technical Manual.
3. Wherever possible the corrections given in these pages should be copied directly into the Technical Manual.
4. Temporary corrections shall be inserted in the manual immediately behind the front cover, preceding any previous changes.

<u>Page</u>	<u>Entry</u>	<u>Action</u>
1-1	Paragraph 1-4a(9)	Delete "(9) CENTER OF GRAVITY: (See figure 2-1)".
2-13	Running Head	Change "Paragraph 2-4b(6)" to "Paragraph 2-5b(6)".
2-14	Running Head	Change "Paragraph 2-4d(2)(b)" to "Paragraph 2-5d(2)(c)".
2-14	Paragraph 2-5d(2)(d)	After "LINE A OUTPUT meter.", add: "Adjust the output of the signal generator for MINIMUM or ZERO."
2-15	Running Head	Change "Paragraph 2-4e(7)(e)" to "Paragraph 2-5e(7)(e)".
3-1	Paragraph 3-2a, lines 3, 4, and 5	Add period (.) after "receiver" in line 3. Delete "except the .5 KC/CONT. TUNING control which is located behind the filter cover on the converter drawer", in lines 3, 4, and 5.
4-3/ 4-4	Figure 4-3	Add note to figure 4-3: "OBSOLETE-SUPERSEDED BY FIGURE T2-1".
4-9	Figure 4-6	Change value of F2801 from "25 Amp" to ".25 Amp".
4-9	Figure 4-7	At wiper arm of R607B, add junction, 1/2-inch line, and arrow. Label arrow: "TO IF AMPS".
4-10	Figure 4-9	Add "KILOCYCLE" before "TUNING CONTROL".
4-14	Paragraph 4-6e, column 2, line 5	Change "IM" to "IF".
4-15	Figure 4-15	Change "TO 1KC TUNING METER" to "TO .5KC TUNING METER".
4-16	Figure 4-17	Add junction to output from "AGC RECTIFIER CR1601 CR1602". Connect junction to "SILENCER V1608B 12AT7WA" and add arrow to indicate signal flow (from agc to silencer).

<u>Page</u>	<u>Entry</u>	<u>Action</u>
4-17	Figure 4-19	Add junction where line from R1622 to C1616 crosses line from R1623 to ground.
4-18	Figure 4-20	Add position for "FAST" on S1605.
4-20	Figure 4-22	Change "Part OF R1665 (OPENS CCW)" to "PART OF R1664 (OPENS CCW)".
4-21	Paragraph 4-8f, column 2, line 4	Change "viltage" to "voltage".
4-23	Paragraph 4-8g, column 1, line 7	Change "resister" to "resistor".
4-32	Figure 4-37	Correct figure 4-37 as shown in figure T2-2.
5-80	Table 5-14, step 8, NORMAL INDICATION column	After "J707": delete "25 to 30 vac"; replace with "10 vac or more on Band 4 only".
6-47/ 6-48	Figure 6-15	Correct figure 6-15 as shown in figure T2-3.
7-10	C207 Description	Delete "300 vdc working 1600 mmf. $\pm 2\%$; MIL-C-5B type No. CM30E302G, 72136 type". Replace with "500 vdc working 1600 mmf. $\pm 2\%$; 42498 type A39096-2".
7-13	C253 Description	Delete "300 vdc working 1600 mmf. $\pm 2\%$; MIL-C-5B type No. CM30E302G, 72136 type". Replace with "500 vdc working 1600 mmf. $\pm 2\%$; 42498 type A39096-2".
7-46	C1023 Description	Delete "MIL-C-5B type No. CM15C150J, 72136 type". Replace with "42498 type A39096-1".
7-51	C1124 Description	Delete "MIL-C-5B type No. CM15C150J, 72136 type". Replace with "42498 type A39096-1".



INCORRECT



CORRECT

Figure T2-2. Corrections to figure 4-37, page 4-32

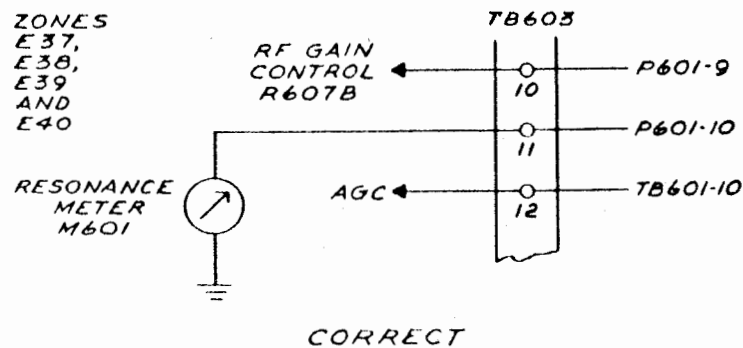
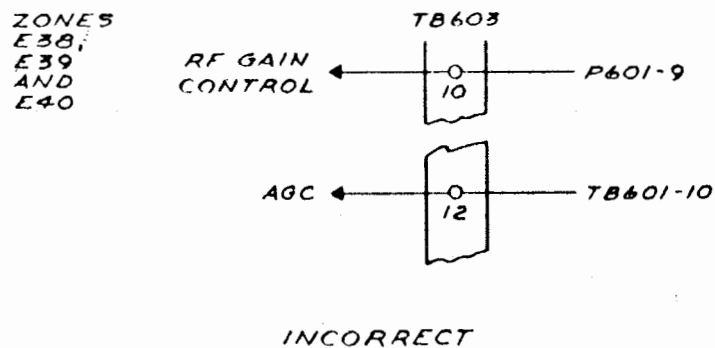
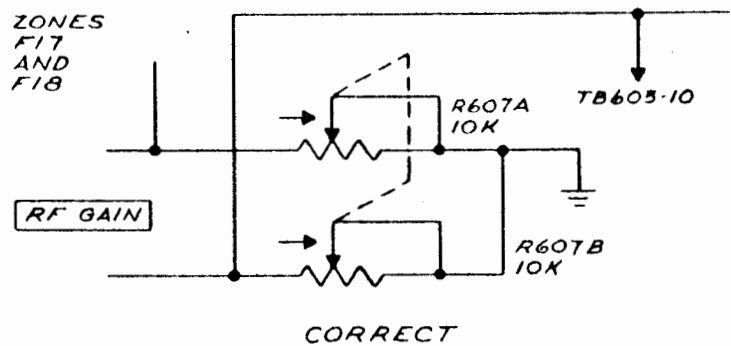
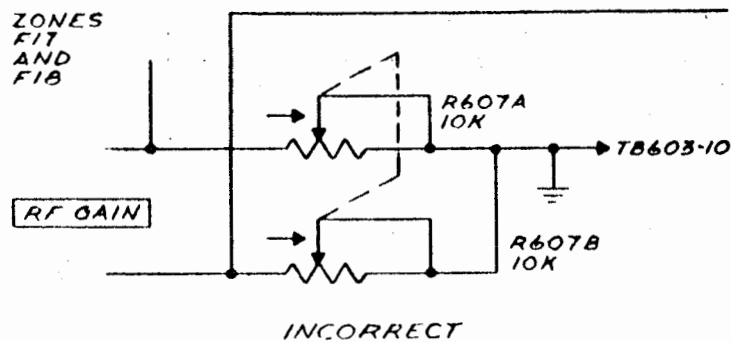


Figure T2-3. Corrections to figure 6-15, pp 6-47/6-48

TEMPORARY CORRECTION T1 TO TECHNICAL MANUAL FOR
RADIO RECEIVING SETS AN/WRR-2A AND AN/FRR-59A
NAVSHIPS 94715

1. This temporary correction is in effect for all serial numbers of AN/WRR-2A; and AN/FRR-59A.
2. The purpose of this temporary correction is to include in the Technical Manual the production change made to improve the operation of blocking oscillator V805 in the Synthesizer assembly for low primary power voltage, and to compensate for production variations in blocking transformer T801. This change has been factory installed in AN/WRR-2A serial number A-40 and above, and in AN/FRR-59A serial number A-70 and above.
3. Wherever possible the corrections given in these pages should be copied directly into the Technical Manual.
4. Temporary corrections shall be inserted in the manual immediately behind the front cover, preceding any previous changes.

20 July 1964

<u>Page</u>	<u>Entry</u>	<u>Action</u>
4-41	Figure 4-48	Change C822 from ".01" to "1200" Change C824 from "3-13" to "7-45" Change R836 from "220" to "1 K" Change R837 from "330 K" to "2.2 MEG"
5-91	Figure 5-63	Change C822 from ".01" to "1200" Change C824 from "3-13" to "7-45" Change R836 from "220" to "1 K" Change R837 from "330 K" to "2.2 MEG"
6-53/ 6-54	Table 6-7, V805, Pin No. 7	Change "-3" to "-6.8" Change "330k" to "2.2m"
6-55/ 6-56	Figure 6-17 Grids J, K, 26, 27, 28	Change C822 from ".01" to "1200" Change C824 from "3-13" to "7-45" Change R836 from "220" to "1 K" Change R837 from "330 K" to "2.2 MEG"
7-36	C822 Description	Delete "same as C814" Insert "Capacitor, Fixed, Mica Dielectric: 300 vdc working, 0.0012 μ f. $\pm 5\%$; type no. CM20C122J, 72136 type."
	C824 Description	Change "3-13 μ f." to "7-45 μ f." Change "CV11B130" to "CV11D450"
7-40	R836 Description	Change "220 ohms" to "1000 ohms" Change RC20GF221J" to "RC20GF102J"
	R837 Description	Change "330,000 ohms" to "2.2 megohms" Change RC20GF334J" to "RC20GF225J"