

TO 31R2-2GRR-114

NAVELEX 0967-LP-428-1020

TECHNICAL MANUAL

ILLUSTRATED PARTS BREAKDOWN

RECEIVER, RADIO

AN/GRR-23(V) AND AN/GRR-24(V)

INTERNATIONAL TELEPHONE AND TELEGRAPH CORPORATION

AEROSPACE/OPTICAL DIVISION

F34601-68-C-4219

F04606-76-C-0559

F34601-76-A-0003-SM25

F34601-81-G-2554-SM11

F34601-81-G-2554-SM22

F34601-81-G-2554-SM17

F09603-82-G-1480-SM02

BASIC AND ALL CHANGES HAVE BEEN MERGED TO MAKE THIS A COMPLETE PUBLICATION.

DISCLOSURE NOTICE - This information is furnished upon the condition that it will not be released to another nation without the specific authority of the Department of the Air Force and the Navy of the United States, that it will be used for military purposes only, that individual or corporate rights originating in the information, whether patented or not, will be respected, that the recipient will report promptly to the United States, any known or suspected compromise, and that the information will be provided substantially the same degree of security afforded it by the Department of Defense of the United States. Also, regardless of any other markings on the document, it will not be downgraded or declassified without written approval of the originating United States agency.

DISTRIBUTION STATEMENT B - Distribution authorized to U.S. Government Agencies only (Administrative or Operational Use) (1 March 1984). Other requests for this document shall be referred to 406 SCMS/GULAC, Robins AFB, GA 31098. Questions concerning technical content shall be referred to WR-ALC/GRWBBC.

WARNING - This document contains technical data whose export is restricted by the Arms Export Control Act (Title 22, U.S.C., Sec 2751, et seq.) or the Export Administration Act of 1979, as amended, Title 50, U.S.C., App. 2401, et seq. Violations of these export laws are subject to severe criminal penalties. Disseminate in accordance with provisions of DoD Directive 5230.25.

HANDLING AND DESTRUCTION NOTICE - Comply with distribution statement and destroy by any method that will prevent disclosure of contents or reconstruction of the document.

Published Under Authority of the Secretary of the Air Force and Navy

1 MARCH 1984

CHANGE 7 – 17 APRIL 2012

INSERT LATEST CHANGED PAGES. DESTROY SUPERSEDED PAGES.

LIST OF EFFECTIVE PAGES

NOTE: The portion of the text affected by the changes is indicated by a vertical line in the outer margins of the page. Changes to illustrations are indicated by shaded or screened areas, or by miniature pointing hands.

Dates of issue for original and changed pages are:

| | |
|--|---|
| Original 0 1 March 1984 | Change 4 27 March 1992 |
| Change 1 6 November 1987 | Change 5 4 January 1993 |
| Change 2 12 October 1989 | Change 6 25 November 1997 |
| Change 3 27 March 1991 | Change 7 17 April 2012 |

TOTAL NUMBER OF PAGES IN THIS PUBLICATION IS 138, CONSISTING OF THE FOLLOWING:

| Page No. | *Change No. | Page No. | *Change No. | Page No. | *Change No. |
|-----------------------------|-------------|-----------------------|-------------|----------|-------------|
| Title | 7 | 2-61 – 2-62 | 0 | | |
| A | 7 | 2-63 – 2-64 | 6 | | |
| i | 0 | 2-65 – 2-66 | 0 | | |
| ii Blank | 0 | 2-67 – 2-68 | 1 | | |
| 1-1 | 1 | 2-69 – 2-70 | 0 | | |
| 1-2 – 1-9 | 0 | 2-71 – 2-74 | 1 | | |
| 1-10 – 1-11 | 3 | 2-75 | 0 | | |
| 1-12 | 0 | 2-76 – 2-78 | 1 | | |
| 2-1 | 0 | 2-79 – 2-80 | 0 | | |
| 2-2 | 1 | 2-81 | 1 | | |
| 2-3 | 0 | 2-82 – 2-83 | 0 | | |
| 2-4 | 3 | 2-84 – 2-87 | 1 | | |
| 2-4A Added | 3 | 2-88 Blank | 1 | | |
| 2-4B Blank Added | 3 | 3-1 – 3-2 | 1 | | |
| 2-5 – 2-7 | 0 | 3-3 – 3-5 | 2 | | |
| 2-8 – 2-9 | 2 | 3-6 – 3-7 | 1 | | |
| 2-10 | 0 | 3-8 – 3-9 | 2 | | |
| 2-11 | 2 | 3-10 | 1 | | |
| 2-12 | 1 | 3-11 | 7 | | |
| 2-12A Added | 2 | 3-12 | 5 | | |
| 2-12B Blank Added | 2 | 3-13 – 3-14 | 1 | | |
| 2-13 | 2 | 3-15 | 2 | | |
| 2-14 – 2-20 | 0 | 3-16 Blank | 2 | | |
| 2-21 | 2 | 4-1 – 4-11 | 0 | | |
| 2-22 – 2-24 | 0 | 4-12 | 4 | | |
| 2-24A Added | 2 | | | | |
| 2-24B Blank Added | 2 | | | | |
| 2-25 | 2 | | | | |
| 2-26 – 2-45 | 0 | | | | |
| 2-46 – 2-47 | 1 | | | | |
| 2-48 – 2-49 | 0 | | | | |
| 2-50 | 1 | | | | |
| 2-51 – 2-52 | 4 | | | | |
| 2-53 – 2-54 | 0 | | | | |
| 2-55 | 1 | | | | |
| 2-56 – 2-58 | 0 | | | | |
| 2-59 | 5 | | | | |
| 2-60 | 2 | | | | |

*Zero in this column indicates an original page.

TABLE OF CONTENTS

| Section | Page Number |
|--|-------------|
| I INTRODUCTION..... | 1-1 |
| II GROUP ASSEMBLY PARTS LIST | 2-3 |
| Receiver, Radio, AN/GRR-23(V) and AN/GRR-24(V) | 2-1 |
| Receiver, Radio, AN/GRR-23(V) and AN/GRR-24(V) | 2-2 |
| Amplifier, Audio Frequency | 2-6 |
| Amplifier, Intermediate Frequency | 2-8 |
| Limiter, Electrical Noise | 2-14 |
| Amplifier, Buffer | 2-18 |
| Mixer-Multiplier, UHF | 2-20 |
| Mixer-Multiplier, UHF | 2-26 |
| Mixer-Multiplier, VHF | 2-30 |
| Mixer-Multiplier, VHF | 2-34 |
| Oscillator, Crystal Controlled | 2-38 |
| Oscillator, Crystal Controlled | 2-42 |
| Oscillator, Crystal Controlled | 2-46 |
| Power Supply | 2-52 |
| Preamplifier, AF/AGC-Squelch | 2-56 |
| Frame Assembly, Receiver, Radio, UHF and VHF | 2-58 |
| Interface Cable Kit | 2-66 |
| Preamplifier, AF/AGC-Squelch | 2-68 |
| Synthesizer, Electrical Frequency, 0-1701/GR | 2-72 |
| Oscillator/Multiplier | 2-80 |
| Preamplifier, AF/AGC-Squelch | 2-84 |
| III NUMERICAL INDEX..... | 3-1 |
| IV REFERENCE DESIGNATION INDEX..... | 4-1 |

SECTION I INTRODUCTION

1-1. GENERAL.

1-2. This Illustrated Parts Breakdown lists, illustrates, and describes assemblies, subassemblies and detail parts of Receiver, Radio AN/GRR=23 (V) and AN/GRR-24 (V).

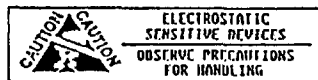
1-3. MANUAL ORGANIZATION AND CONTENT.

1-4. The illustrated parts breakdown consists of the following sections: Introduction (Section I), Group Assembly Parts List (Section II), Numerical Index (Section III) and Reference Designation Index (Section IV).

1-5. SECTION I, INTRODUCTION. The Introduction contains information and instructions for the use of the Illustrated Parts Breakdown.

ELECTROSTATIC SENSITIVE DEVICES.

This equipment contains electrostatic sensitive devices (ESDS). Special handling methods and materials must be utilized to prevent equipment damage. Refer to TO 00-25-234, section VII, for handling of ESDS devices. Also refer to applicable maintenance section before assembly/disassembly or repair is performed. Illustrations that contain ESDS devices have the following symbol attached:



1-6. SECTION II, GROUP ASSEMBLY PARTS LIST. The Group Assembly Parts List is divided into representative main assemblies. These main assemblies are as shown in figure 1.

1-7. Each main assembly is broken down into subassemblies, sub-subassemblies, and details thereof. Each item is arranged to indicate relationship to its next higher assembly (NHA), and is listed in order of disassembly except where the sequence of disassembly does not apply.

1-8. Formerly, the description of parts listed in the Group Assembly Parts List was indented to show relationship to the assemblies on which they are used. In this manual, however, the Group Assembly Parts List was compiled with an Electric Accounting Machine (EAM). Therefore, part descriptions appear in an even column, with a preceding "indent" code letter to indicate relationship. Examples of the EAM system are:

EAM Method

A Complete Item, Main Group or Main Assembly

B Assembly

B Attaching Parts for Assembly

C Detail Parts of Assembly

C Subassemblies

C Attaching Parts for Subassemblies

D Sub-subassemblies

D Attaching Parts for Sub-subassemblies

E Detail Parts of Sub-subassemblies

1-9. All parts of the unit are listed except parts that have lost their identity by being permanently joined to another part (e.g., two parts welded together) and items made from bulk stock (e.g., hook-up wire).

1-10. GROUP ASSEMBLY PARTS LIST COLUMN DATA. The Group Assembly Parts List consists of six columns (see page 2-3).

1-11. The figure and index number column contains an identifying number for each part shown in each illustration. This identifying number consists of the applicable figure number separated from the index number by a hyphen. Components and assemblies that have been added are identified by the addition of a suffix letter in the index number.

1-12. Part Numbers in the part number columns are Government standard part numbers, International Telephone and Telegraph, Aerospace/Optical Division, Electro-Optical Operations part numbers or vendor part numbers. A vendor part number is designated by a manufacturer's five digit code number appearing in the description column immediately after the nomenclature. All other part numbers are either Government standard or International Telephone and Telegraph, Aerospace/Optical Division, Electro-Optical Operations part numbers.

1-13. The indent column contains code letters indicating item relationships to the assemblies on which they are used, as described in paragraph 1-7.

1-14. The description column contains the names of the items as listed in Cataloging Handbook H6-1, or names assigned by the manufacturer, plus the additional modifiers necessary to insure identity of the items. Parts identified by Government standards are described by listing the name of the item only.

1-15. When the item is not a Government standard part or is manufactured by someone other than the equipment manufacturer, the manufacturer of the item is identified by a 5-digit code number after the item name enclosed in diagonals. Following the item manufacturer's code number is the number the equipment manufacturer has assigned to the item (e.g. "RELAY, ARMATURE/15432/SPEC DWG 425162-1"). The 5-digit manufacturer's code numbers are obtained from Cataloging Handbook H4-1.

Section I
Introduction

T.O. 31R2-2GRR-114
NAVELEX 0967-LP-428-1020

1-16. The units per assembly column indicates the number of units required per assembly, per subassembly, and per sub-subassembly as applicable. If more than one assembly is required, the total of such assemblies is shown. For detail or subassembly parts of this major assembly, the quantity required for ONE major assembly is shown. Where items are listed for reference purposes, the symbol "REF" is inserted in the units per assembly column.

1-17. The usable on code column contains coding symbols for assemblies and parts to indicate specific differences among the various equipments covered according to serial, type, or model. In addition, this column is used to differentiate between similar assemblies used on one equipment. This eliminates the necessity for more than one breakdown and illustration of the similar assemblies. In this manual, explanation of the usable on code numbers is given at the beginning of the individual parts list. Where the usable on code column is blank, the part listed is usable as a replacement on all articles covered by this manual.

1-18. Policies, general information, and procedures for changing source and maintenance coding are contained in T.O. 00-25-195. Generally, the source codes, and maintenance repair level codes herein (see Source Code and Repair Code columns) were assigned by Air Force personnel when this equipment was purchased. Assignment of codes was influenced by (a) maintenance policies of the Air Force base self-sufficiency program, (b) predicted maintenance actions, (c) base facilities and capabilities, (d) economic considerations. Definitions of these codes follow:

a. "P" Series—Parts Procured and under Inventory Stock Control:

1. Code "P" identifies parts which may be requisitioned and installed by any level of maintenance consistent with the activity's authorized scope of maintenance. Code "P" is applied to parts on which usage is anticipated or known. Restricted (emergency) service manufacture of code "P" items is considered practical but may be accomplished only after confirmation of non-availability from supply sources.

2. Code "PD" identifies parts which may be requisitioned and installed by AF activities authorized depot-level maintenance only. Code "PD" is applied to parts on which usage is anticipated or known. Restricted (emergency) service manufacture of code "PD" parts is considered practical but may be accomplished only after confirmation of non-availability from supply sources.

3. Code "P1" identifies parts which may be requisitioned and installed by any maintenance level consistent with the activity's authorized scope of maintenance. Code "P1" is applied to parts on which

usage is anticipated or known, and which service manufacture is considered impractical.

4. Code "PID" identifies parts which may be requisitioned and installed by AF activities authorized depot-level maintenance only. Code "PID" is applied to parts on which usage is anticipated or known, and which service manufacture is considered impractical.

5. Code "P2" identifies insurance type parts which can be installed by any activity within their authorized scope of maintenance. This code is applied to parts which have limited usage and are difficult, impractical or uneconomical to manufacture. These items are not subject to periodic replacement or wear-out. Infrequent replacement may result from deterioration or other unexpected occurrences. High reliability, long service life and delayed procurement items are included under this code.

6. Code "P2D" identifies insurance-type parts which may be installed by AF activities which are authorized depot-level maintenance only. This code is applied to parts as described under code "P2" and to delayed procurement items.

b. "M" Series—Manufacture, Parts not Procured:

1. Code "M" identifies parts, the manufacture and installation of which are within the capabilities of field maintenance activities; and to which all of the following conditions apply:

(a) Procurement is not justified because of low usage or peculiar storage and installation factors. Needs are to be met by local manufacture only as required.

(b) Their manufacture does not require tools, equipment, or skills not normally authorized at field maintenance level.

(c) Does not require test equipment not normally authorized at field maintenance level.

(d) Does not require material not normally available in AF inventory.

2. Code "M1" identifies parts which can be manufactured at activities authorized depot-level maintenance facilities and to which all of the following conditions apply:

(a) Procurement is not justified because of low usage or peculiar storage and installation factors. The need of base activities is to be met by requisitioning from the SM AMA or IM AMA.

(b) Their manufacture is beyond capabilities of field maintenance activities as outlined above.

(c) Their manufacture does not require tools or equipment not normally authorized at all AMAs.

c. "A" Series—Assemble, Assembly not Procured:

1. Code "A" identifies items capable of being assembled at any level of maintenance and is applied to assemblies of two or more parts, the majority of which are purchased and/or service manufactured.

2. Code "A1" identifies assemblies which can be assembled at AF activities authorized depot-level maintenance only and is applied to assemblies described under "A" code.

d. "X" Series—Parts Considered Impractical for Service Manufacture:

1. Code "X" is applied to main structural members or similar parts, which, if required, would suggest extensive repair. The need for a part or parts coded "X" (wing spars, center section structure, etc.) should normally result in a recommendation to retire the article from service.

2. Code "X1" identifies parts applicable at any level of maintenance consistent with the activity's authorized scope of maintenance and for which it is more feasible to obtain the next higher assembly; for example, an integral detail part such as a welded segment inseparable from its assembly; a part machined in a matched set; or a part of any assembly which, if required, would suggest extensive reconditioning of such assembly. In some cases, code "X1" may be used to indicate an integral detail part of an assembly which has no anticipated usage and as an assembly was source-coded "M" or "M1."

3. Code "X1D" identifies parts which are described under the "X1" code but which are applicable to AF activities authorized depot-level maintenance only.

4. Code "X2" identifies parts which are applicable to any level of maintenance consistent with the activity's authorized scope of maintenance, for which there is no anticipated usage, and which are impractical for service manufacture. This type of item will not be stocked. Such parts shall be obtained from reclamation or, if not available from this source, requisitioned through normal supply channels together with supporting justification for one-time procurement and immediate use. Repeated requests shall justify a change to a code "P1" or "P2", as applicable, if considered economical to procure and store such parts.

5. Code "X2D" identifies parts which are described under the "X2" code but which are applicable to AF activities authorized depot-level maintenance only. Repeated requests for such parts shall justify a change to a "P1D" or "P2D" code, as applicable, if considered economical and feasible to procure and stock such parts.

e. Code "U"—Parts not Procured, Manufactured, or Stocked. Code "U" is applied to installation drawings, diagrams, instruction sheets, field-service drawing numbers, and parts not otherwise of supply significance, including obsolete parts, which cannot be procured or service manufactured.

1-19. Codes for Parts Kits:

a. Code "F"—Minor or Field Parts Kit. Code "F" is applied to kits which are available to all maintenance

activities authorized to perform base level repair of the end item, including overhaul activities in support of field activities.

b. Code "D"—Major Overhaul Parts Kit. Code "D" is applied to kits which are available only to those activities authorized to perform depot level repair.

c. Identification of Components of Parts Kits:

1. Code "KF." Code "KF" is applied to items which are components of F-Kits.

2. Code "KD." Code "KD" is applied to items which are components of D-Kits.

3. Code "KB." Code "KB" is applied to items which are components of both an F-Kit and D-Kit.

4. Items which are source coded "KD", "KF", or "KB", and for which the application of such items are peculiar to repair kits, will not be stocked separately and will not be assigned a FSN or any additional source codes.

5. Items which are source coded "KD", "KF", or "KB", and for which the application of such items are common to repair kits and to other repair or overhaul applications, will be stocked separately in the appropriate commodity class if followed by the letter "P".

1-20. Maintenance Repair Level Codes. The following are the maintenance repair level codes and their definitions:

a. CODE "S"—NO REPAIR. Code "S" identifies items which are nonreparable and have no reclamation value. When these items fail they will be disposed of at user level as condemned material.

b. CODE "B"—NO REPAIR; RECONDITION. Code "B" identifies assemblies or parts that will be reconditioned at the user level by adjusting, cleaning, soldering broken connections, etc. If these items cannot be returned to serviceable condition by such means they will be disposed of at user level as condemned material. No repair parts or tools are specially procured for maintenance of these items.

c. CODE "F"—REPAIR AT FIELD LEVEL Code "F" identifies items which will be repaired by the field level maintenance activities. Normal servicing will be done by organizational level maintenance. Selected parts, tools, and technical order data are procured and provided to applicable field level maintenance activities for repair of these items. No SRA is established for these items. If the condition of these items is such that they cannot be returned to serviceable condition by the field level maintenance activity with authorized parts and tools, they will be disposed of as condemned material. If repair of "F" coded items cannot be accomplished due to non-availability of authorized parts, tools, or other capability, the applicable SM/IM will be so advised with request for disposition instructions. "F" coded critical items, regardless of condition, will be

Section I
Introduction

T.O. 31R2-2GRR-114
NAVELEX 0967-LP-428-1020

returned to supply for disposition instructions from the applicable SM/IM.

d. **CODE "D"--LIMITED FIELD REPAIR; DEPOT OVERHAUL.** Code "D" identifies items on which a limited degree of repair can be accomplished by field level maintenance activities. Normal servicing will be done at organizational level. SRA is established for overhaul of these items. A range of repair parts, tools, and technical order data consistent with the capability of repair are procured and provided to applicable field maintenance activities. Because of the design characteristics and complexity of repair, the degree of repair which is authorized on these items at the field maintenance level is necessarily determined by the degree of technical skills required and the cost of special tools, special test equipment, spare parts, and the predicted frequency of failure. If these items cannot be returned to serviceable condition with authorized parts and tools they will be returned to supply for shipment to the designated SRA.

e. **CODE "DM"--LIMITED FIELD REPAIR; MOBILE DEPOT OVERHAUL.** Code "DM" identifies items to which all the conditions of code "D" apply except that repair beyond field capability will be done by the mobile depot activity (MDA). If the MDA cannot repair these items, disposition instructions will be requested from the IM.

f. **CODE "L"--DEPOT LEVEL MAINTENANCE ONLY.** Code "L" identifies items that will be repaired only at designated SRA. Necessary parts, repair equipment or overhaul capabilities are available at these activities. Required functional checkout and bench check equipment may be provided to applicable organizational and field level maintenance activities for accomplishing external adjustment or calibration and for verifying serviceability of these items. Items found unserviceable will be returned to supply for shipment to the SRA.

g. **CODE "LM"--DEPOT LEVEL MAINTENANCE ONLY; MOBILE DEPOT ACTIVITY.** Code "LM" identifies items to which all conditions of Code "L" apply except that repair will be accomplished by MDA. If MDA cannot repair these items, they will determine whether these items should be condemned or sent to the SRA.

1-21. **SECTION III, NUMERICAL INDEX.** The numerical index is a list of all parts contained in the Group Assembly Parts List, arranged in the order specified in specification MIL-M-8910.

1-22. **NUMERICAL INDEX COLUMN DATA.** Briefly, the part number arrangement is as follows. Using the first character of the part number (from the left hand side), the sequence is:

- a. Letters A through Z (excluding O).

- b. Numerals 0 through 9 (the letter O is considered the numeral zero).

For the second and succeeding characters (from the left), the sequence is:

- a. Space (blank)
- b. Diagonal (slant) (/)
- c. Point (period) (.)
- d. Dash (-)
- e. Letters A through Z (excluding O)
- f. Numerals 0 through 9

1-23. Items which have part numbers stamped or otherwise shown on the physical article, but which are not required to be listed in the Group Assembly Parts List (e.g., welded parts) have their part numbers listed followed by a code showing the next higher assembly of which they are a part.

Example:

| PART NUMBER | FIGURE AND INDEX NUMBER | QUANTITY PER ARTICLE |
|-------------|-------------------------|----------------------|
| 427145-5 | (NHA) | 907365-G3 |

1-24. When another part number, other than the original manufacturer's number, has been assigned to a part, both numbers are shown in their proper numerical sequence. The part that is not listed in the part number column of the Group Assembly Parts List has a note showing the original manufacturer's part number.

Example:

| PART NUMBER | FIGURE AND INDEX NUMBER | QUANTITY PER ARTICLE |
|-------------|-------------------------|----------------------|
| 615302-8 | (See A-105) | |

1-25. **SECTION IV, REFERENCE DESIGNATION INDEX.** The reference designations listed in Section IV are cross-referenced to part and figure-index numbers to facilitate rapid identification of parts for which only the reference designation is known.

1-26. The Reference Designation Index includes all components of electronic equipment having reference designations. The Reference Designation Index is divided into three columns consisting of the following:

- a. Reference Designation - Listed in alphanumerical order.
- b. Figure And Index No. - Used to locate the corresponding Parts in the Group Assembly Parts List.
- c. Part Number - Assigned by the manufacturer of the part.

1-27. VENDOR'S CODES. The vendor's codes used in this manual are as follows:

CODE VENDOR'S NAME AND ADDRESS

00656 Aerovox, Inc.
740 Belleville Avenue
New Bedford, MA 02741

01121 Allen-Bradley Co.
1201 South 2nd Street
Milwaukee, WI 53204

01295 Texas Instruments, Inc.
Semiconductor Group
P.O. Box 225012 M/S 49
13500 N. Central Expressway
Dallas, TX 75265

01766 International Crystal Mfg. Co., Inc.
10 N. Lee Avenue
Oklahoma City, OK 73102

02111 Spectrol Electronics Corp.
Subsidiary of Carrier Corp.
17070 East Gale Avenue
P.O. Box 1220
City of Industry, CA 91749

02114 Amperex Electronic Corp.
Ferroxcube Division
5083 Kings Highway
Saugerties, NY 12477

02697 Parker-Hannifin Corp.
Seal Group, O-Ring Division
2360 Palumbo Drive
Lexington, KY 40509

02728 Electro-Flex Heat, Inc.
Northwood Industrial Park
P.O. Box 88
Bloomfield, CT 06002

02735 RCA Corp.
Solid State Division
Route 202
Somerville, NJ 08876

02768 Illinois Tool Works, Inc.
Fastex Division
195 Algonquin Road
Des Plaines, IL 60016

CODE VENDOR'S NAME AND ADDRESS

03038 Long-Lok Fasteners Corp.
13709 Normandie Avenue
Gardena, CA 90249

04713 Motorola Semiconductor Products Sales
Subsidiary of Motorola, Inc.
4828 East McDowell Road
Phoenix, AZ 85008

05236 Jonathan Mfg. Co.
1101 S. Acacia Avenue
Fullerton, CA 92631

05820 EG and G Wakefield Engineering
60 Audubon Road
Wakefield, MA 01880

06540 Mite Corp.
Amatom Electronic Hardware Division
446 Blake Street
New Haven, CT 06515

07047 The Ross Milton Co.
511 Second Street Pike
Southampton, PA 18966

07707 USM Corporation
Subsidiary of Emhart Industries, Inc.
USM Fastener Division
510 River Road
Shelton, CT 06484

08116 Bourns, Inc.
Magnetics Products
P.O. Box 1398
28151 Highway 74
Romoland, CA 92380

08806 General Electric Company
Miniature Lamp Products Department
Nela Park
Cleveland, OH 44112

09023 Cornell-Dubetier Electronics Division
Federal Pacific Electric Co.
2652 Dalrymple Street
Sanford, NC 27330

12040 National Semiconductor Corp.
P.O. Box 443, Commerce Drive
Danbury, CT 06810

12930 Sensitron, Inc.
Orange, CA 92667

12969 Unitrode Corporation
580 Pleasant Street
Watertown, MA 02172

13103 Thermalloy Co., Inc.
2021 W. Valley View Lane
P.O. Box 340839
Dallas, TX 75234

Section I
Introduction

T.O. 31R2-2GRR-114
NAVELEX 0967-LP-428-1020

| CODE | VENDOR'S NAME AND ADDRESS | CODE | VENDOR'S NAME AND ADDRESS |
|-------|---|-------|---|
| 13499 | Rockwell International Corp Commercial Electronics Operations and Defense Electronics Operations 400 Collins Road NE Cedar Rapids, IA 52498 | 27192 | Eaton Corp. Power Control Operations 4265 N. 30th Street Milwaukee, WI 53216 |
| 13715 | Fairchild Camera & Instrument Corp. Components Group Subsidiary of Schlumberger LTD 4300 Redwood Highway San Rafael, CA 94903 | 28480 | Hewlett-Packard Co. Corporate Headquarters 3000 Hanover Street Palo Alto, CA 94304 |
| 14655 | Cornell-Dubiller Electronics Division of Federal Pacific Electric Co. Government Contracts Department 150 Avenue L Newark, NJ 07101 | 31550 | ITT Aerospace/Optical Division 3700 East Pontiac Street P.O. Box 3700 Fort Wayne, IN 46801 |
| 14908 | Electronic Instrument and Speciality Corp. 42 Pleasant Street Stoneham, MA 02180 | 32293 | Intersil, Inc. Subsidiary of General Electric Co. 10900 N. Tantau Avenue Cupertino, CA 95014 |
| 15801 | Fenwall Electronics Division of Kidde Walter & Co., Inc. 63 Fountain Street Framingham, MA 01701 | 33095 | Spectrum Control, Inc. 8061 Avonia Road Fairview, PA 16415 |
| 15818 | Teledyne Semiconductor Teledyne, Inc., Co. 1300 Terra Bella Avenue Mountain View, CA 94043 | 34333 | Silicon General, Inc. 11651 Monarch Street Garden Grove, CA 92641 |
| 17856 | Siliconix, Inc. 2201 Laurelwood Road Santa Clara, CA 95054 | 42498 | National Radio 89 Washington Street Melrose, MA 02176 |
| 21845 | Solitron Devices, Inc. Semiconductor Group Florida Operations 1177 Blue Heron Blvd. Riviera Beach, FL 33404 | 43543 | Nytronics, Inc. Transformer Co. Division 61 Gates Avenue Geneva, NY 14456 |
| 21847 | TRW Microwave, Inc. Subsidiary of TRW, Inc. 825 Stewart Drive Sunnyvale, CA 94086 | 46384 | Penn Engineering & Mfg. Corp. Old Easton Road P.O. Box 1000 Danboro, PA 18916 |
| 22229 | Solitron Devices, Inc. Semiconductor Group San Diego Operations 8808 Balboa Avenue San Diego, CA 92123 | 49956 | Raytheon Co. Executive Offices 141 Spring Street Lexington, MA 02173 |
| 23730 | Mark Eyelet and Stamping, Inc. 63 Wakelee Road Wolcott, CT 06716 | 50508 | Magnetic Components, Inc. 9520 Ainslie Street Shiller Park, IL 60176 |
| 25088 | Siemens Corporation 186 Wood Avenue South Iselin, NJ 08830 | 51642 | Centre Engineering, Inc. 2820 E. College Avenue State College, PA 16801 |
| 27014 | National Semiconductor Corp. 2900 Semiconductor Drive Santa Clara, CA 95051 | 52333 | API Electronics, Inc. Rabro Drive Hauppauge, LI, NY 11788 |
| | | 52814 | Tech-Etch, Inc. Plymouth Industrial Park 45 Aldrin Road Plymouth, MA 02360 |

T.O. 31R2-2GRR-114
NAVELEX 0967-LP-428-1020

Section I
Introduction

| CODE | VENDOR'S NAME AND ADDRESS | CODE | VENDOR'S NAME AND ADDRESS |
|-------|--|-------|--|
| 54590 | RCA Corp. Distribution and Special Products Bldg. 206-2 Cherry Hill Offices Cherry Hill, NJ 08358 | 74545 | Hubbell Harvey, Inc. 584 Derby Milford Road Orange, CT 06477 |
| 56289 | Sprague Electric Co. 87 Marshall Street North Adams, MA 01247 | 74970 | E.F. Johnson Co. 299 10th Avenue SW Waseca, MN 56093 |
| 61957 | USM Corporation Subsidiary of Emhart Industries, Inc. 140 Federal Street Boston, MA 02107 | 75915 | Tracor Littelfuse, Inc. 800 E. Northwest Hwy. Des Plaines, IL 60016 |
| 71279 | Midland-Ross Corp. Cambion Division One Alewife Place Cambridge, MA 02140 | 76487 | James Millen Mfg. Co., Inc. Malden, MA 02148 |
| 71313 | Cardwell Condenser Corp. P.O. Box 517 80 E. Montauk Highway Lindenhurst, LI, NY 11757 | 78189 | Illinois Tool Works, Inc. Shakeproof Division St. Charles Road Elgin, IL 60120 |
| 71468 | ITT Cannon Electric Division of International Telephone & Telegraph Corp. P.O. Box 8040 10550 Tabert Avenue Fountain Valley, CA 92708 | 79953 | Zierick Mfg. Co. Radio Circle Mt. Kisco, NY 10549 |
| 71785 | TRW, Inc. TRW Cinch Connectors Division 1501 Morse Avenue Elk Grove Village, IL 60007 | 81348 | Federal Specifications Promulgated by General Services Administration Washington, DC |
| 72619 | Dialight Division Amperex Electronic Corp. 203 Harrison Place Brooklyn, NY 11237 | 82389 | Switchcraft, Inc. Subsidiary of Raytheon Co. 5555 N. Elston Avenue Chicago, IL 60630 |
| 72653 | G.C. Electronics Co. a Division of Hydrometals, Inc. 400 S. Wyman Street Rockford, IL 61101 | 82413 | Precision Tube Co., Inc. Wissahickon Ave. & Church Road North Wales, PA 19454 |
| 72982 | Erie Technological Products Division of Murata Erie North America, Inc. 645 W. 11th Street Erie, PA 16512 | 83330 | Herman H. Smith, Inc. A North American Philips Co. 1913 Atlantic Avenue Manasquan, NJ 08736 |
| 73138 | Beckman Instruments, Inc. Helipot Division Subsidiary of Smith Kline, Beckman Corp. 2500 Harbor Blvd. Fullerton, CA 92634 | 86577 | Precision Metal Products Co. P.O. Box 6026 Centennial Industrial Park Peabody, MA 01960 |
| 73445 | Amperex Electronic Corp. 230 Duffy Avenue Hicksville, NY 11802 | 91293 | Johanson Mfg. Co. Rockway Valley Road Boonton, NJ 07005 |
| | | 91836 | Kings Electronics Co., Inc. 40 Marbledale Road Tuckahoe, NY 10707 |
| | | 94375 | Automatic Connector, Inc. 400 Moreland Road Commack, NY 11725 |
| | | 95238 | Continental Connector Corp. 34-63 56th Street Woodside, NY 11377 |

Section I
Introduction

T.O. 31R2-2GRR-114
NAVELEX 0967-LP-428-1020

| CODE | VENDOR'S NAME AND ADDRESS | 1-28. | ABBREVIATIONS |
|-------|---|-------|------------------------------|
| 95275 | Vitramon, Inc. Box 544 Bridgeport, CT 06601 | AF | Audio Frequency |
| | | AGC | Automatic Gain Control |
| | | AMP | Ampere |
| | | C | Centigrade |
| 95987 | W.H. Brady Co. Weckesser Fastening Products Industrial Products Division 4444 W. Irving Park Road Chicago, IL 60641 | DWG | Drawing |
| | | FET | Field Effect Transistor |
| | | FIG | Figure |
| | | GMV | Guaranteed Minimum Value |
| | | HZ | Hertz |
| | | IF | Intermediate Frequency |
| 96341 | Microwave Associates, Inc. Subsidiary of M/A-COM, Inc. Northwest Industrial Park South Avenue Burlington, MA 01803 | KHz | Kilohertz |
| | | MHz | Megahertz |
| | | NHA | Next Higher Assembly |
| | | NPN | Negative Positive Negative |
| | | PCT | Percent |
| | | PF | Picofarad |
| 97954 | US Components, Inc. 35 Carlough Road Bohemia, NY 11716 | PNP | Positive Negative Positive |
| | | PORM | Plus or Minus |
| | | RF | Radio Frequency |
| | | RFI | Radio Frequency Interference |
| | | RMS | Root Mean Square |
| | | SPEC | Specification |
| | | JF | Microfarad |
| | | UHF | Ultra-High Frequency |
| | | USEC | Microsecond |
| | | VAC | Volts Alternating Current |
| | | VDC | Volts Direct Current |
| | | VHF | Very High Frequency |
| | | VRMS | Volts Root Mean Square |
| | | W | Watt |
| | | WVDC | Working Volts Direct Current |
| 98291 | Sealectro Corporation 225 Hoyt Mamaroneck, NY 10544 | | |
| 98410 | ETC - Molex, Inc. Subsidiary of Molex, Inc. 5201 Richmond Road Bedford Heights, OH 44146 | | |
| 98978 | International Electronic Research Corp. 135 W. Magnolia Blvd. P.O. Box 7704 Burbank, CA 91510 | | |
| 99378 | Atlee of Delaware, Inc. 1 Gill Street Woburn, MA 01801 | | |
| 99800 | American Precision Industries, Inc. Delevan Division 270 Quaker Road East Aurora, NY 14052 | | |

1-29. USABLE ON CODE. The following codes have been assigned in this manual.

USABLE
ON CODE

A - 8004203G1 Receiver, Radio, AN/GRR-24(V)1
B - 8004203G2 Receiver, Radio, AN/GRR-23(V)1
C - 8004203G3 Receiver, Radio, AN/GRR-24(V)2
D - 8004203G4 Receiver, Radio, AN/GRR-24(V)3
E - 8004203G5 Receiver, Radio, AN/GRR-24(V)4
F - 8004203G6 Receiver, Radio, AN/GRR-24(V)5
G - 8004203G7 Receiver, Radio, AN/GRR-24(V)6
H - 8004203G8 Receiver, Radio, AN/GRR-24(V)7
I - 8004203G9 Receiver, Radio, AN/GRR-24(V)8
J - 8004203G10 Receiver, Radio, AN/GRR-24(V)9
K - 8004203G11 Receiver, Radio, AN/GRR-23(V)2
L - 8004203G12 Receiver, Radio, AN/GRR-23(V)3
M - 8004203G13 Receiver, Radio, AN/GRR-23(V)4
N - 8004203G14 Receiver, Radio, AN/GRR-23(V)5
O - 8004203G15 Receiver, Radio, AN/GRR-23(V)6
P - 8004203G16 Receiver, Radio, AN/GRR-23(V)7
Q - 8004203G17 Receiver, Radio, AN/GRR-23(V)8
R - 8004203G18 Receiver, Radio, AN/GRR-23(V)9
S - 8004203G19 Receiver, Radio, AN/GRR-23(V)10
T - 8004203G20 Receiver, Radio, AN/GRR-24(V)10

Where no Usable On Code appears the assemblies or parts are applicable to all units. Refer to the Rivet Switch Radio Configuration Matrix for individual module applicability.

Receiver, Radio, AN/GRR-23(V) VHF

| Module | Part Number | (V) 1 | (V) 2 | (V) 3 | (V) 4 | (V) 5 | (V) 6 | (V) 7 | (V) 8 | (V) 9 | (V) 10 |
|------------------------|-------------|-------|-------|-------|-------|-------|-------|-------|-------|-------|--------|
| AF Amplifier | 8004244G1 | X | X | X | X | X | X | X | X | X | X |
| Power Supply | 8004245G1 | X | X | X | X | X | X | X | X | X | X |
| IF Amplifier | 8004247G1 | X | X | X | X | X | X | X | X | X | X |
| IF Amplifier | 8004247G2 | | | X | X | X | X | X | X | X | X |
| Mixer/Multiplier * | 8004241G1 | X | X | X | X | X | X | X | X | X | X |
| Mixer/Multiplier * | 8004241G2 | | X | X | X | X | X | X | X | X | X |
| Limiter, Elec Noise | 8004238G1 | X | X | X | X | X | X | X | X | X | X |
| Buffer Amplifier | 8116765G1 | X | X | X | X | X | X | X | X | X | X |
| Preamplifier | 8004239G1 | X | X | X | X | X | X | X | X | X | X |
| Preamplifier | 8008586G1 | | | X | X | X | X | X | X | X | X |
| Preamplifier | 8008586G2 | | | X | X | X | X | X | X | X | X |
| Crystal Oscillator | 8004290G1 | | | X | X | X | X | X | X | X | X |
| Crystal Oscillator | 8004290G2 | X | X | X | X | X | X | X | X | X | X |
| Crystal Oscillator | 8004290G3 | | X | X | X | X | X | X | X | X | X |
| Oscillator Multiplier | 8009546G1 | | | X | X | X | X | X | X | X | X |
| Synthesizer | 8008619G1 | | X | X | X | X | X | X | X | X | X |
| Bandpass Filter-50 kHz | 505564-4 | X | X | X | X | X | X | X | X | X | X |
| Bandpass Filter-25 kHz | 505564-3 | X | X | X | X | X | X | X | X | X | X |

*8004241G1 and 8004241G2 are interchangeable under the same NSN.

Table 1. Rivet Switch Radio Configuration Matrix (Sheet 1 of 2)

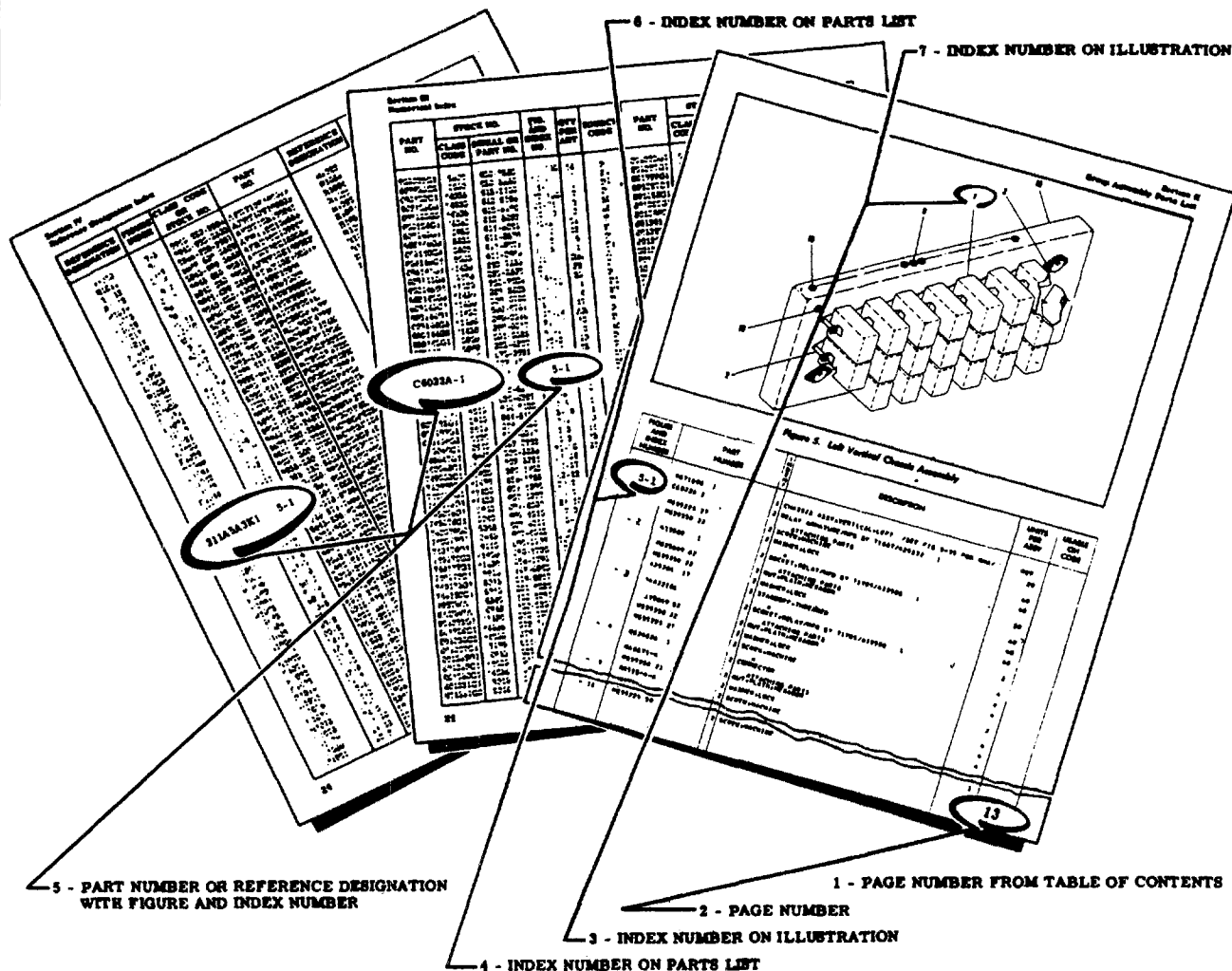
Receiver, Radio, AN/GRR-24 (V) UHF

| Module | Part Number | (V) 1 | (V) 2 | (V) 3 | (V) 4 | (V) 5 | (V) 6 | (V) 7 | (V) 8 | (V) 9 | (V) 10 |
|------------------------|-------------|-------|-------|-------|-------|-------|-------|-------|-------|-------|--------|
| AF Amplifier | 8004244G1 | X | X | X | X | X | X | X | X | X | X |
| Power Supply | 8004245G1 | X | X | X | X | X | X | X | X | X | X |
| IF Amplifier | 8004247G1 | X | X | X | X | X | X | X | X | X | X |
| IF Amplifier | 8004247G2 | | | X | X | X | X | X | X | X | X |
| Mixer/Multiplier * | 8004240G1 | | X | X | X | X | X | X | X | X | X |
| Mixer/Multiplier * | 8004240G2 | X | X | X | X | X | X | X | X | X | X |
| Limiter, Elec Noise | 8004238G1 | X | X | X | X | X | X | X | X | X | X |
| Buffer Amplifier | 8116765G1 | X | X | X | X | X | X | X | X | X | X |
| Preamplifier | 8004239G1 | X | X | X | X | X | X | X | X | X | X |
| Preamplifier | 8008586G1 | | | X | X | X | X | X | X | X | X |
| Preamplifier | 8008586G2 | | | X | X | X | X | X | X | X | X |
| Crystal Oscillator | 8004290G1 | X | X | X | X | X | X | X | X | X | X |
| Crystal Oscillator | 8004290G2 | | | | | | | | | | |
| Crystal Oscillator | 8004290G3 | | X | | | | | | | | |
| Oscillator Multiplier | 8009546G1 | | | | | | X | | | | X |
| Synthesizer | 8008619G1 | | | X | | | X | X | X | X | X |
| Bandpass Filter-50 kHz | 505564-4 | X | X | X | X | X | X | X | X | X | X |
| Bandpass Filter-25 kHz | 505564-3 | | | | | | | | | | |

*8004241G1 and 8004241G2 are interchangeable under the same NSN.

Table 1. Rivet Switch Radio Configuration Matrix (Sheet 2 of 2)

HOW TO USE THIS ILLUSTRATED PARTS BREAKDOWN

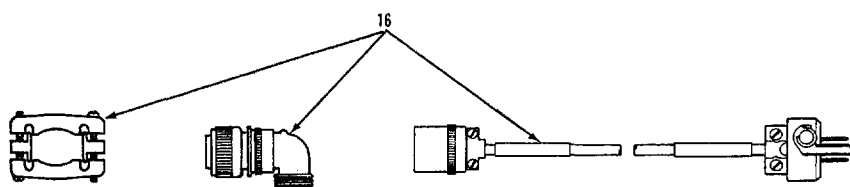
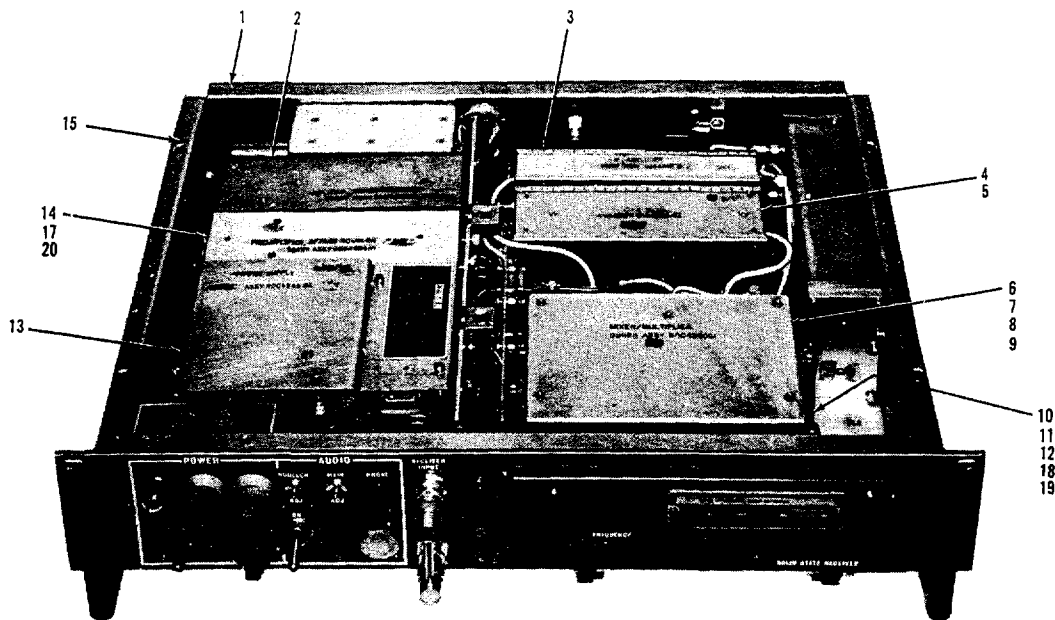


HOW TO FIND THE PART NUMBER IF THE LOCATION OF THE EQUIPMENT IN WHICH THE PART IS USED IS KNOWN:

- (1) Turn to the Table of Contents and find the page number for the equipment in which the part is used.
- (2) Turn to the page determined in step (1).
- (3) Locate the part and its index number on the illustration.
- (4) Find the corresponding index number on the Group Assembly Parts List to obtain description.

HOW TO FIND THE ILLUSTRATION FOR A PART IF THE PART NUMBER OR REFERENCE DESIGNATION IS KNOWN:

- (5) Refer to the Numerical Index or the Reference Designation Index, find the part number or reference designation and determine the figure and index number of that part number.
- (6) Turn to the Group Assembly Parts List, and find the first index number indicated in either the Numerical Index or Reference Designation Index for that part. If this illustration shows the part in a location other than the one desired, refer to the other figure numbers listed in the Numerical Index or Reference Designation Index, and repeat the above procedure.
- (7) On the face of the illustration, find the index number determined in step (6).



| INDEX NO. | DESCRIPTION | FIGURE NO. |
|-----------|---|------------|
| 1 | Receiver Radio, AN/GRR-23(V) and AN/GRR-24(V) | 2 |
| 2 | Amplifier, Audio Frequency | 3 |
| 3 | Amplifier, Intermediate Frequency | 4 |
| 4 | Limiter, Electrical Noise | 5 |
| 5 | Amplifier, Buffer | 6 |
| 6 | Mixer-Multiplier, UHF | 7 |
| 7 | Mixer-Multiplier, UHF | 8 |
| 8 | Mixer-Multiplier, VHF | 9 |
| 9 | Mixer-Multiplier, VHF | 10 |
| 10 | Oscillator, Crystal Controlled | 11 |
| 11 | Oscillator, Crystal Controlled | 12 |
| 12 | Oscillator, Crystal Controlled | 13 |
| 13 | Power Supply | 14 |
| 14 | Preamplifier, AF/AGC-Squelch | 15 |
| 15 | Frame Assembly, Receiver, Radio, UHF and VHF | 16 |
| 16 | Interface Cable Kit | 17 |
| 17 | Preamplifier, AF/AGC-Squelch | 18 |
| 18 | Synthesizer, Electrical Frequency, 0-1701/GR | 19 |
| 19 | Oscillator/Multiplier | 20 |
| 20 | Preamplifier, AF/AGC-Squelch | 21 |

Figure 1. Receiver, Radio, AN/GRR-23(V) and AN/GRR-24(V)

Section II
Group Assembly Parts List

T.O. 31R2-2GRR-114
 NAVELEX 0967-LP-428-1020

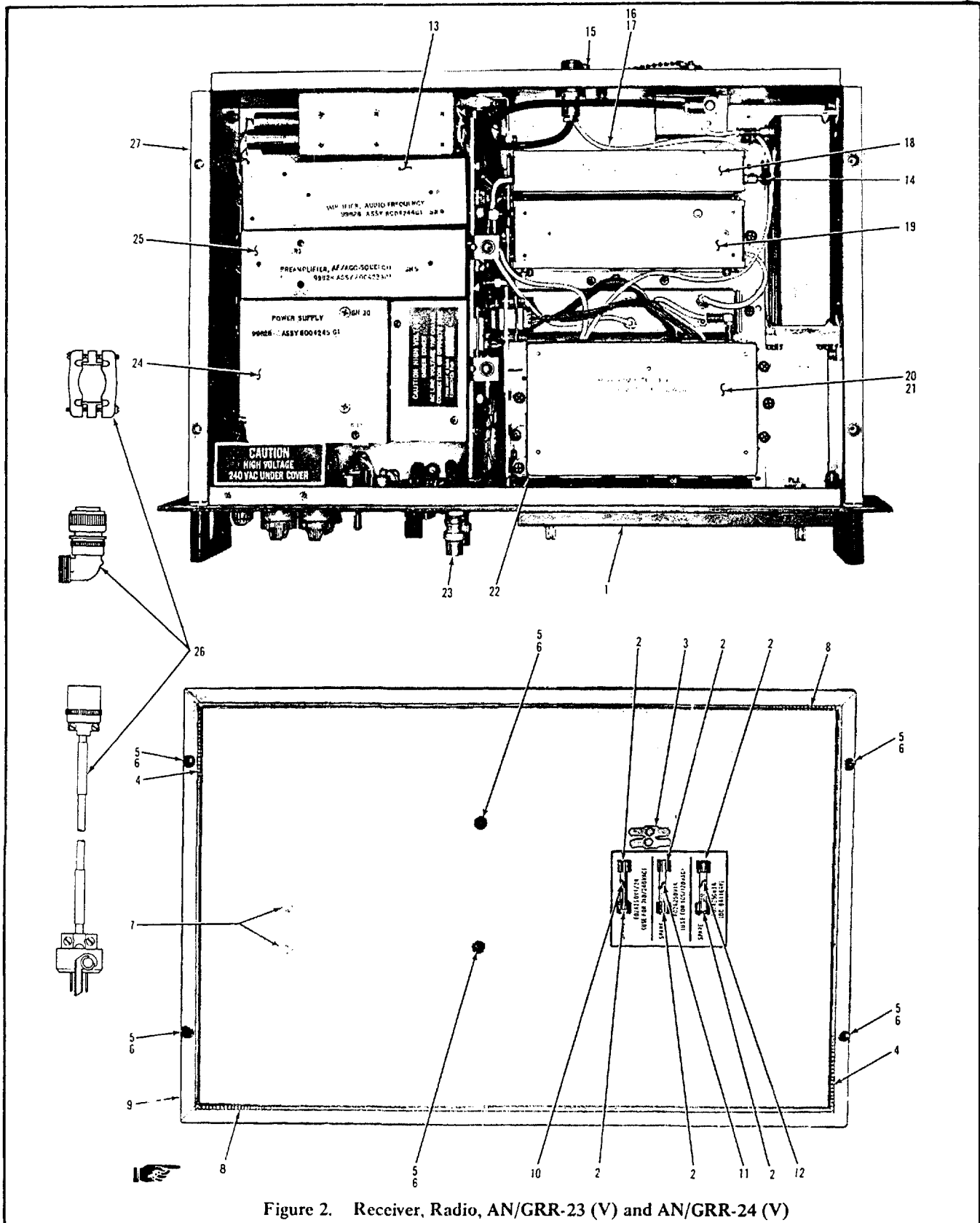


Figure 2. Receiver, Radio, AN/GRR-23 (V) and AN/GRR-24 (V)

**SECTION II
GROUP ASSEMBLY PARTS LIST**

| FIGURE AND INDEX NUMBER | PART NUMBER | IDENT | DESCRIPTION | UNITS PER ASSY | USABLE ON CODE |
|-------------------------|-------------|-----------------------|--|-------------------------------------|----------------|
| 2- | 8004203G1 | A | RECEIVER, Radio, AN/GRR-24(V)1 UHF | REF | A |
| | 8004203G2 | A | RECEIVER, Radio, AN/GRR-23(V)1 VHF | REF | B |
| | 8004203G3 | A | RECEIVER, Radio, AN/GRR-24(V)2 UHF | REF | C |
| | 8004203G4 | A | RECEIVER, Radio, AN/GRR-24(V)3 UHF | REF | D |
| | 8004203G5 | A | RECEIVER, Radio, AN/GRR-24(V)4 UHF | REF | E |
| | 8004203G6 | A | RECEIVER, Radio, AN/GRR-24(V)5 UHF | REF | F |
| | 8004203G7 | A | RECEIVER, Radio, AN/GRR-24(V)6 UHF | REF | G |
| | 8004203G8 | A | RECEIVER, Radio, AN/GRR-24(V)7 UHF | REF | H |
| | 8004203G9 | A | RECEIVER, Radio, AN/GRR-24(V)8 UHF | REF | I |
| | 8004203G10 | A | RECEIVER, Radio, AN/GRR-24(V)9 UHF | REF | J |
| | 8004203G11 | A | RECEIVER, Radio, AN/GRR-23(V)2 VHF | REF | K |
| | 8004203G12 | A | RECEIVER, Radio, AN/GRR-23(V)3 VHF | REF | L |
| | 8004203G13 | A | RECEIVER, Radio, AN/GRR-23(V)4 VHF | REF | M |
| | 8004203G14 | A | RECEIVER, Radio, AN/GRR-23(V)5 VHF | REF | N |
| | 8004203G15 | A | RECEIVER, Radio, AN/GRR-23(V)6 VHF | REF | O |
| | 8004203G16 | A | RECEIVER, Radio, AN/GRR-23(V)7 VHF | REF | P |
| | 8004203G17 | A | RECEIVER, Radio, AN/GRR-23(V)8 VHF | REF | Q |
| | 8004203G18 | A | RECEIVER, Radio, AN/GRR-23(V)9 VHF | REF | R |
| | 8004203G19 | A | RECEIVER, Radio, AN/GRR-23(V)10 VHF | REF | S |
| | - 1 | 8004203G20 | A | RECEIVER, Radio, AN/GRR-24(V)10 UHF | REF |
| 8004586-5 | | B | PLATE, Identification (replaced by 8004586-18 in later configurations) | 1 | |
| 8004586-6 | | B | PLATE, Identification (replaced by 8004586-19 in later configurations) | 1 | |
| 8004586-18 | | B | PLATE, Identification | 1 | A |
| 8004586-19 | | B | PLATE, Identification | 1 | B |
| 8004586-20 | | B | PLATE, Identification | 1 | C |
| 8004586-21 | | B | PLATE, Identification | 1 | D |
| 8004586-22 | | B | PLATE, Identification | 1 | E |
| 8004586-23 | | B | PLATE, Identification | 1 | F |
| 8004586-24 | | B | PLATE, Identification | 1 | G |
| 8004586-25 | | B | PLATE, Identification | 1 | H |
| 8004586-26 | | B | PLATE, Identification | 1 | I |
| 8004586-27 | | B | PLATE, Identification | 1 | J |
| 8004586-28 | | B | PLATE, Identification | 1 | K |
| 8004586-29 | | B | PLATE, Identification | 1 | L |
| 8004586-30 | | B | PLATE, Identification | 1 | M |
| 8004586-31 | | B | PLATE, Identification | 1 | N |
| 8004586-32 | | B | PLATE, Identification | 1 | O |
| 8004586-33 | | B | PLATE, Identification | 1 | P |
| 8004586-34 | | B | PLATE, Identification | 1 | Q |
| 8004586-35 | B | PLATE, Identification | 1 | R | |
| 8004586-36 | B | PLATE, Identification | 1 | S | |
| 8004586-37 | B | PLATE, Identification | 1 | T | |
| | | | ATTACHING PARTS | | |
| | MS35206-202 | B | SCREW | 2 | |
| | MS27183-2 | B | WASHER | 2 | |
| | MS35338-39 | B | WASHER | 2 | |
| | | | ---*--- | | |
| | 8004587G1 | B | COVER ASSEMBLY, Receiver | 1 | |

| FIGURE AND INDEX NUMBER | PART NUMBER | IDENT | DESCRIPTION | UNITS PER ASSY | USABLE ON CODE |
|-------------------------|--------------------|-------|---|----------------|----------------|
| 2 - 2 | 101001 | C | FUSEHOLDER (75915) spec dwg 509417-1 | 6 | |
| | MS16535-132 | C | ATTACHING PARTS RIVET ----- | 6 | |
| - 3 | 8004962-1 | C | SHIELD, RFI | 1 | |
| | S6125 | C | ATTACHING PARTS EYELET, Flat flange (07707) spec dwg 504857-2 ----- | 2 | |
| - 4 | 8004295-2 | C | SHIELD, Radio frequency interference (alternate part number 350C679H01) | 2 | |
| - 5 | 517689-1 | C | WASHER, Non-Metallic (used in early configurations, when exhausted use alternate part 5-102N674-70) | 6 | |
| | 5-102N674-70 | C | PACKING, Preformed (02697) spec dwg 508874-15 (alternate part used in later configurations) | 6 | |
| - 6 | LP51959-31 | C | SCREW, Self-locking (03038) spec dwg 511338-11 (used in early configurations) | 6 | |
| | LP24693C29 | C | SCREW, Self-locking (03038) spec dwg 511338-32 (used in later configurations) | 6 | |
| - 7 | 207-140201-00-0101 | C | BUTTON, Plug (02768) spec dwg 501062-1 | 2 | |
| - 8 | 8004295-1 | C | SHIELD, Radio frequency interference (alternate part number 350C679H01) | 2 | |
| - 9 | 8004587-1 | C | COVER, Receiver | 1 | |
| -10 | F02A250V1-2A | B | FUSE | 1 | |
| -11 | F02A250V1A | B | FUSE | 1 | |
| -12 | F02A250V3A | B | FUSE | 1 | |
| -13 | 8004244G1 | B | AMPLIFIER, Audio frequency (see figure 3 for breakdown) | 1 | |
| | 8004878G1 | B | CABLE ASSEMBLY, Special purpose, electrical | 1 | |
| -14 | UG1466U | C | CONNECTOR | 1 | |
| -15 | 025B3400B75 | C | CONNECTOR, Receptacle, electrical, 500 vdc (94375) spec dwg 502082-1 | 1 | |
| | KC19-54MOD | C | CONNECTOR, Receptacle, electrical, 500 vdc (91836) spec dwg 502082-1 (alternate part in later configurations) | 1 | |
| -16 | 516665-2 | C | MARKER, Identification | 1 | |
| -17 | RG188U | C | CABLE, RF | AR | |

| FIGURE AND INDEX NUMBER | PART NUMBER | I N D E N T | DESCRIPTION | UNITS PER ASSY | USABLE ON CODE |
|-------------------------|-------------|----------------------------|---|----------------|--------------------------------------|
| -18 | 8004247G1 | B | AMPLIFIER, Intermediate frequency (see figure 4 for breakdown) | 1 | |
| | 8004247G2 | B | AMPLIFIER, Intermediate frequency (see figure 4 for breakdown, optional module for use in secure voice configuration) | 1 | |
| -19 | 8116765G1 | B | AMPLIFIER, Buffer (see figure 6 for breakdown) | 1 | ABCF GHIJ KNOP QRST DELM |
| | 8004238G1 | B | LIMITER, Electrical noise (see figure 5 for breakdown, optional module for use in high pulse interference environments. Insert in place of 8116765G1 when used) | 1 | |
| -20 | 8004240G1 | B | MIXER-MULTIPLIER, UHF (see figure 7 for breakdown, used in early configurations, replaced by 8004240G2 in later configurations) | 1 | DEI |
| | 8004240G2 | B | MIXER-MULTIPLIER, UHF (see figure 8 for breakdown, replaces and is interchangeable 8004240G1, used in later configurations) | 1 | ACFG HJT |
| -21 | 8004241G1 | B | MIXER-MULTIPLIER, VHF (see figure 9 for breakdown, used in early configurations, replaced by 8004241G2 in later configurations) | 1 | LMQ |
| | 8004241G2 | B | MIXER-MULTIPLIER, VHF (see figure 10 for breakdown, replaces and is interchangeable with 8004241G1, used in later configurations) | 1 | BKNO PRS |
| -22 | 8004290G1 | B | OSCILLATOR, Crystal controlled (see figure 11 for breakdown, used in early configurations, replaced by 8004290G2 in later configurations) | 1 | EM |

| FIGURE AND INDEX NUMBER | PART NUMBER | IDENT | DESCRIPTION | UNITS PER ASSY | USABLE ON CODE |
|-------------------------|----------------|-------|--|----------------|----------------------|
| 2- | 8004290G2 | B | OSCILLATOR, Crystal controlled (see figure 12 for breakdown, replaces and is interchangeable with 8004290G1, used in later configurations) | 1 | ABIQ |
| | 8004290G3 | B | OSCILLATOR, Crystal controlled (see figure 13 for breakdown, for army use only) | 1 | CFKN |
| | 8008619G1 | B | SYNTHESIZER, Electrical frequency 0-1701/GR (see figure 19 for breakdown, optional module for all crystal controlled oscillators, part numbers 8004290G1, 8004290G2, 8004290G3, as applicable) | 1 | DGHJ LOPR |
| | 8009546G1 | B | OSCILLATOR/MULTIPLIER (optional module for crystal controlled oscillators, part numbers 8004290G1, 8004290G2, 8004290G3 and synthesizer 8008619G1, see figure 20 for breakdown) | 1 | ST |
| - 23 | 8006125-1 | B | ADAPTER, Modified | 1 | |
| - 24 | 8004245G1 | B | POWER SUPPLY (see figure 14 for breakdown) | 1 | |
| - 25 | 8004239G1 | B | PREAMPLIFIER, AF/AGC-Squeich (see figure 15 for breakdown, used in early configurations, replaced by 8008586G1 in later configurations) | 1 | CDEH KLMP |
| | 8008586G1 | B | PREAMPLIFIER, AF/AGC-Squeich (see figure 18 for breakdown, replacement module for 8004239G1 in later configurations) | 1 | ABFG IJNO QRST |
| | 8008586G2 | B | PREAMPLIFIER, AF/AGC-Squeich (see figure 21 for breakdown, optional module, can be used for any configuration, required for low frequency (16 Hz) response capability) | | |
| - 26 | 8006148G1 | B | INTERFACE CABLE KIT (see figure 17 for breakdown) | 1 | |
| - 27 | 8004206G1 | B | FRAME ASSEMBLY, Receiver, radio, AN/GRR-24(V) UHF (see figure 16 for breakdown) | 1 | ACDE FGHIT |
| | 8004206G2 | B | FRAME ASSEMBLY, Receiver, radio, AN/GRR-23(V) VHF (see figure 16 for breakdown) | 1 | BKLM NOPQS |
| | 8004206G3 | B | FRAME ASSEMBLY, Receiver, radio, AN/GRR-24(V) UHF (see figure 16 for breakdown) | 1 | J |
| | 8004206G4 | B | FRAME ASSEMBLY, Receiver, radio, AN/GRR-23(V) VHF (see figure 16 for breakdown) | 1 | R |
| 3- | 8004244G1 | A | AMPLIFIER, Audio frequency (see figure 2 for NHA) | REF | |
| | 8004354G1 | B | CIRCUIT CARD ASSEMBLY, Audio number 2 | 1 | |
| | | | ATTACHING PARTS | | |
| | MS35206-213 | B | SCREW | 4 | |
| | MS27183-3 | B | WASHER | 4 | |
| | MS35338-40 | B | WASHER | 4 | |
| | | | ----*---- | | |
| - 1 | CK63AW103M | C | CAPACITOR (alternate part 501240-85) | 3 | |
| - 2 | RCR07G101JR | C | RESISTOR | 3 | |
| - 3 | RCR07G103JR | C | RESISTOR | 2 | |
| - 4 | RCR07G182JR | C | RESISTOR | 1 | |
| - 5 | JAN2N1613 | C | TRANSISTOR | 4 | |
| - 6 | NF207 | C | HEAT SINK, Electronic component (05820) spec dwg 506475-1 (used in early configurations, vendor changed part number in later configurations) | 2 | |
| | 207CB | C | HEAT SINK (05820) spec dwg 506475-1 (used in later configurations) | 2 | |
| - 7 | RCR07G223JR | C | RESISTOR | 1 | |
| - 8 | M39003-01-2286 | C | CAPACITOR | 2 | |
| - 9 | RCR07G391JR | C | RESISTOR | 2 | |
| - 10 | M39003-01-2374 | C | CAPACITOR | 3 | |
| - 11 | RCR07G123JR | C | RESISTOR | 2 | |
| - 12 | CL65BH151KPE | C | CAPACITOR | 1 | |
| - 13 | RCR20G150JR | C | RESISTOR | 2 | |

Section II
Group Assembly Parts List

T.O. 31R2-2GRR-114
NAVELEX 0967-LP-428-1020

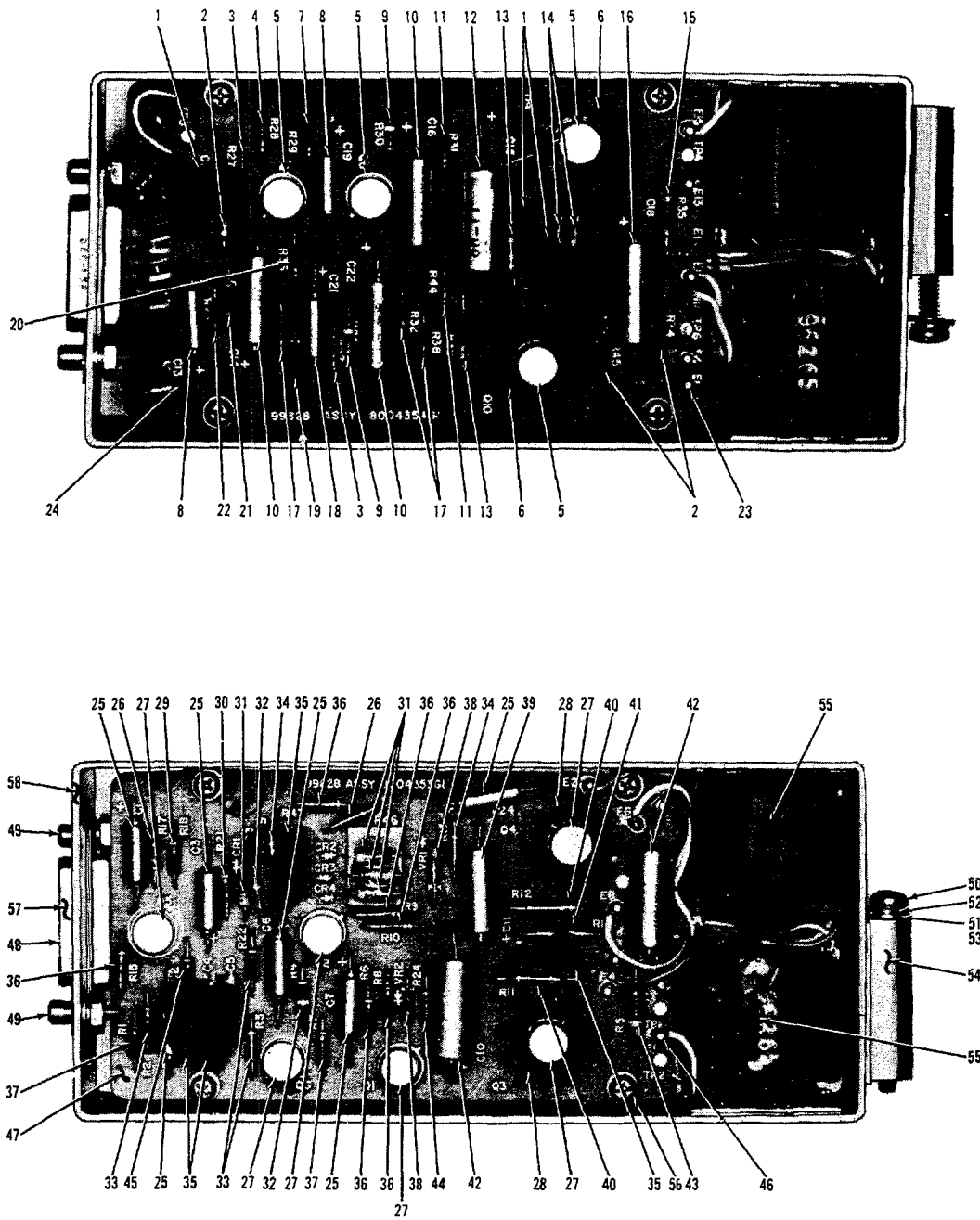


Figure 3. Amplifier, Audio Frequency

T.O. 31R2-2GRR-114
NAVELEX 0967-LP-428-1020

Section II
Group Assembly Parts List

| FIGURE AND INDEX NUMBER | PART NUMBER | INDEX | DESCRIPTION | UNITS PER ASSY | USABLE ON CODE |
|-------------------------|-------------------|-------|--|----------------|----------------|
| 3- 14 | JAN1N976B | C | SEMICONDUCTOR DEVICE, Diode | 2 | |
| - 15 | RCR20G470JR | C | RESISTOR | 1 | |
| - 16 | M39003-01-2312 | C | CAPACITOR | 1 | |
| - 17 | RCR07G821JR | C | RESISTOR | 3 | |
| - 18 | M39003-01-2359 | C | CAPACITOR | 1 | |
| - 19 | RCR07G273JR | C | RESISTOR | 1 | |
| - 20 | RCR07G221JR | C | RESISTOR | 1 | |
| - 21 | RCR07G472JR | C | RESISTOR | 1 | |
| - 22 | RCR07G102JR | C | RESISTOR | 1 | |
| | 8004409G1 | C | PRINTED WIRING BOARD | 1 | |
| - 23 | 5321-5 | D | TERMINAL, Stud, uninsulated, turret-type (06540) spec dwg 514266-302 | 11 | |
| - 24 | 8004409-1 | D | PRINTED WIRING BOARD | 1 | |
| | 8004353G1 | B | CIRCUIT CARD ASSEMBLY, Audio number 1 ATTACHING PARTS | 1 | |
| | MS35206-213 | B | SCREW | 4 | |
| | MS27183-3 | B | WASHER | 4 | |
| | MS35338-40 | B | WASHER | 4 | |
| | | | ----*---- | | |
| - 25 | M39003-01-2286 | C | CAPACITOR | 6 | |
| - 26 | RCR07G332JR | C | RESISTOR | 2 | |
| - 27 | JAN2N1613 | C | TRANSISTOR | 6 | |
| - 28 | NF207 | C | HEAT SINK, Electronic component (05820) spec dwg 506475-1 (used in early configurations, vendor changed part number in later configurations) | 2 | |
| | 207CB | C | HEAT SINK (05820) spec dwg 506475-1 (used in later configurations) | 2 | |
| - 29 | RCR07G222JR | C | RESISTOR | 1 | |
| - 30 | RCR07G331JR | C | RESISTOR | 1 | |
| - 31 | JAN1N914 | C | SEMICONDUCTOR DEVICE, Diode (CR4 deleted in later configurations) | 4 | |
| - 32 | RCR07G391JR | C | RESISTOR | 2 | |
| - 33 | RCR07G103JR | C | RESISTOR | 3 | |
| - 34 | RCR07G271JR | C | RESISTOR | 2 | |
| - 35 | CK63AW103M | C | CAPACITOR (alternate part 501240-85) | 4 | |
| - 36 | RCR07G102JR | C | RESISTOR | 6 | |
| - 37 | RCR07G153JR | C | RESISTOR | 2 | |
| - 38 | JAN1N976B | C | SEMICONDUCTOR DEVICE, Diode | 2 | |
| - 39 | M39003-01-2374 | C | CAPACITOR | 1 | |
| - 40 | RCR20G150JR | C | RESISTOR | 2 | |
| - 41 | RCR20G270JR | C | RESISTOR | 1 | |
| - 42 | M39003-01-2312 | C | CAPACITOR | 2 | |
| - 43 | RCR20G470JR | C | RESISTOR | 1 | |
| - 44 | RCR07G273JR | C | RESISTOR | 1 | |
| - 45 | RCR07G101JR | C | RESISTOR | 1 | |
| | 8004411G1 | C | PRINTED WIRING BOARD | 1 | |
| - 46 | 5321-5 | D | TERMINAL, Stud, uninsulated, turret-type (06540) spec dwg 514266-302 | 12 | |
| - 47 | 8004411-1 | D | PRINTED WIRING BOARD | 1 | |
| - 48 | 030-1952-000 | B | CONTACT, Electrical (71468) spec dwg 502056-401 | 11 | |
| | 403-30-15-119-410 | B | CONTACT, Electrical (71785) spec dwg 502056-401 (alternate part in later configurations) | 11 | |
| - 49 | 8004951-1 | B | PIN, Shoulder, headless ATTACHING PARTS | 2 | |
| | NAS671-6 | B | NUT | 2 | |
| | MS27183-5 | B | WASHER | 2 | |
| | MS35338-41 | B | WASHER | 2 | |
| | | | ----*---- | | |
| - 50 | MS35206-251 | B | SCREW | 1 | |
| - 51 | MS27183-7 | B | WASHER | 1 | |
| - 52 | MS35338-42 | B | WASHER | 1 | |

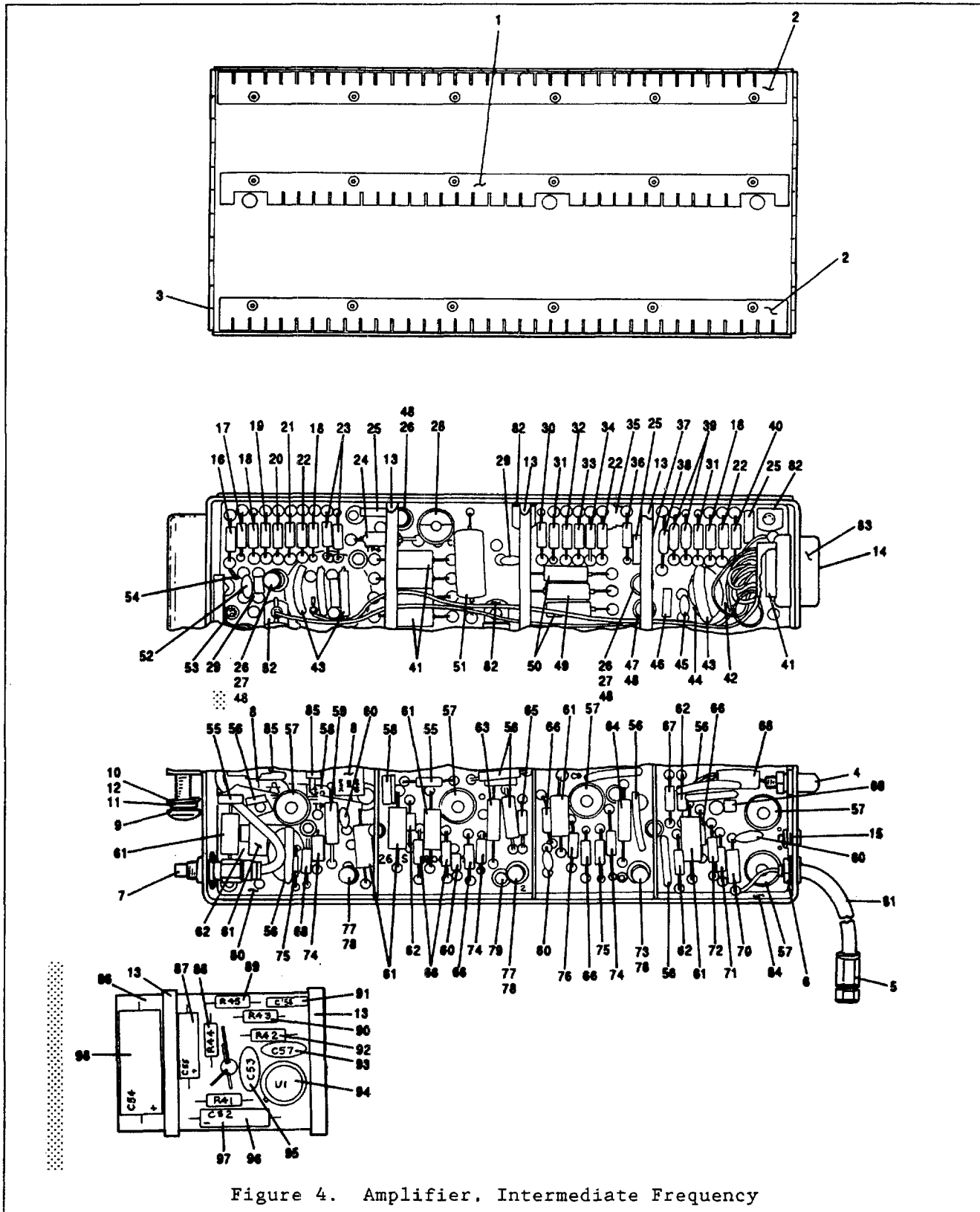


Figure 4. Amplifier, Intermediate Frequency

| FIGURE AND INDEX NUMBER | PART NUMBER | I N D E X | DESCRIPTION | UNITS PER ASSY | USABLE ON CODE |
|-------------------------|---------------|-----------|---|----------------|----------------|
| 3- 53 | 517689-1 | B | WASHER (used in early configurations, when exhausted use alternate part 5-646N674-70) | 1 | |
| | 5-646N674-70 | B | PACKING, Preformed (02697) spec dwg 508874-13 (alternate part used in later configurations) | 1 | |
| | 8004563G1 | B | CHASSIS, Electrical equipment | 1 | |
| - 54 | 8004475-2 | C | LUG, Mounting | 1 | |
| | MS16535-134 | C | ATTACHING PARTS RIVET | 4 | |
| | 52834 | C | TRANSFORMER, AF, primary impedance (1-3) 2904 ohms center tapped, secondary impedance (4-7) 600 ohms split secondary winding must deliver 1 watt into 120 ohms load, primary dc resistance 43 ohms porm 15 pct, secondary 37 ohms porm 15 pct (43543) spec dwg 515323-1 | 2 | |
| | AU0106 | C | TRANSFORMER, AF, primary impedance (1-3) 2904 ohms center tapped, secondary impedance (4-7) 600 ohms split, secondary winding must deliver 1 watt into 120 ohms load, primary dc resistance 43 ohms porm 15 pct, secondary 37 ohms porm 15 pct (08116) spec dwg 515323-1, alternate for 52834 | 2 | |
| | MS16535-65 | C | ATTACHING PARTS RIVET | 8 | |
| - 56 | 8004561-1 | C | BRACKET, Double angle | 4 | |
| | MS16535-65 | C | ATTACHING PARTS RIVET | 4 | |
| | DAC15PFO | C | CONNECTOR, Receptacle, electrical (71468) spec dwg 502056-102 (use until exhausted, vendor changed part numbers in later configurations) | 1 | |
| | DAU15PFO | C | CONNECTOR, Receptacle, electrical (71468) spec dwg 502056-102 (alternate part used in later configurations) | 1 | |
| | 234-15-11-100 | C | CONNECTOR, Receptacle, electrical (71785) spec dwg 502056-102 (alternate part used in later configurations) | 1 | |
| | M404R | C | ATTACHING PARTS EYELET, Metallic (23730) spec dwg 8004777-1 (use until exhausted, then replace with alternate part) | 2 | |
| | S-5008 | C | EYELET, Metallic (61957) spec dwg 8004777-1 (alternate part used in later configurations) | 2 | |
| - 58 | 8004563-1 | C | CHASSIS | 1 | |
| 4- | 8004247G1 | A | AMPLIFIER, Intermediate frequency (see figure 2 for NHA) | REF | 1 |
| | 8004247G2 | A | AMPLIFIER, Intermediate frequency (see figure 2 for NHA) | REF | 2 |
| | 8004601G1 | B | COVER ASSEMBLY, Amplifier | 2 | |
| | MS35206-213 | B | ATTACHING PARTS SCREW | 6 | |
| | MS35338-40 | B | WASHER | 6 | |
| | MS27183-3 | B | WASHER | 6 | |
| | LK1189-04P5 | B | SCREW, Flathead, self-locking (early configuration covers only) | 6 | |

Section II
Group Assembly Parts List

T.O. 31R2-2GRR-114
NAVELEX 0967-LP-428-1020

| FIGURE AND INDEX NUMBER | PART NUMBER | INDEX | DESCRIPTION | UNITS PER ASSY | USABLE ON CODE |
|-------------------------|-------------------|-------|--|----------------|----------------|
| 4- 1 | 8004601-5 | C | STRIP, Grounding ATTACHING PARTS | 1 | |
| | MS15535-63 | C | RIVET ----*---- | 6 | |
| - 2 | 165CM0D | C | CONTACT STRIP, RF grounding (52814) spec dwg 502071-7 ATTACHING PARTS | 2 | |
| | MS16535-63 | C | RIVET ----*---- | 12 | |
| - 3 | 8004601-1 | C | COVER, Top | 1 | |
| - 4 | 8004951-1 | B | PIN, Shoulder, headless ATTACHING PARTS | 1 | |
| | NAS671-6 | B | NUT | 1 | |
| | MS27183-5 | B | WASHER | 1 | |
| | MS35338-41 | B | WASHER ----*---- | 1 | |
| - 5 | UG1465J | B | CONNECTOR | 1 | |
| - 6 | 8004961-1 | B | SHIELD, Retainer ATTACHING PARTS | 1 | |
| | MS25082-12 | B | NUT | 1 | |
| | MS35333-39 | B | WASHER ----*---- | 1 | |
| - 7 | UG1468U | B | CONNECTOR (used in early configurations) | 1 | |
| | M39012-76-0002 | B | CONNECTOR (used in later configurations) | 1 | |
| - 8 | CK068X103K | B | CAPACITOR | 2 | |
| - 9 | MS35206-251 | B | SCREW | 1 | |
| - 10 | MS27183-7 | B | WASHER | 1 | |
| - 11 | MS35338-42 | B | WASHER | 1 | |
| - 12 | 517689-1 | B | WASHER, Non-Metallic (used in early configurations, when exhausted use alternate part 5-646N674-70) | 1 | |
| | 5-646N674-70 | B | PACKING, Preformed (02697) spec dwg 508874-13 (alternate part used in later configurations) | 1 | |
| - 13 | 8004885-1 | B | SPACER, Plate ATTACHING PARTS | 3 | |
| | MS35206-202 | B | SCREW | 3 | |
| | MS35190-210 | B | SCREW ----*---- | 3 | |
| - 14 | 030-1952-000 | B | CONTACT, Electrical (71468) spec dwg 502056-401 | 6 | |
| | 403-30-15-119-410 | B | CONTACT, Electrical (71785) spec dwg 502056-401 (alternate part in later configurations) | 6 | |
| - 15 | 8004886-1 | B | STRAP, Ground ATTACHING PARTS | 1 | |
| | MS35206-202 | B | SCREW | 1 | |
| | MS35338-39 | B | WASHER ----*---- | 1 | |
| | 8004743G1 | B | CIRCUIT CARD ASSEMBLY, Amplifier, IF number 2 ATTACHING PARTS | 1 | |
| | MS35206-214 | B | SCREW | 4 | |
| | NAS620-4 | B | WASHER | 4 | |
| | MS35338-40 | B | WASHER ----*---- | 4 | |
| - 16 | RCR07G100JR | C | RESISTOR | 1 | |
| - 17 | RCR07G510JR | C | RESISTOR | 1 | |
| - 18 | RCR07G222JR | C | RESISTOR | 3 | |
| - 19 | RCR07G680JR | C | RESISTOR | 1 | |
| - 20 | RCR07G122JR | C | RESISTOR | 1 | |
| - 21 | RCR07G182JR | C | RESISTOR | 1 | |
| - 22 | RCR07G101JR | C | RESISTOR | 3 | |
| - 23 | RCR07G821JR | C | RESISTOR | 2 | |
| - 24 | 8004819G3 | C | COIL, RF | 1 | |
| | RCR20G304JR | D | RESISTOR | 1 | |
| - 25 | CK068X103K | C | CAPACITOR | 3 | |

| FIGURE AND INDEX NUMBER | PART NUMBER | IDENT | DESCRIPTION | UNITS PER ASSY | USABLE ON CODE |
|-------------------------|------------------|-------|--|----------------|----------------|
| 4- 26 | 515341-1 | C | TRANSISTOR, NPN, silicon (Q5 and Q6 are JAN2N918 in later configurations) | 3 | |
| - 27 | JAN2N918 | C | TRANSISTOR (used in later configurations) | 2 | |
| | 515341-5 | C | TRANSISTOR (alternate part may be used in place of JAN2N918 in later configurations) | 2 | |
| - 28 | 538-011-15-60PFF | C | CAPACITOR, Variable, ceramic dielectric, 15.0 thru 60.0 pf, 200 wvdc (72982) spec dwg 501174-501 | 1 | |
| - 29 | CK60AW102M | C | CAPACITOR (alternate part 501240-58) | 2 | |
| - 30 | RCR07G222JR | C | RESISTOR (used in early configurations) | 1 | 1 |
| | RCR07G272JR | C | RESISTOR (used in later configurations) | 1 | 1 |
| - 31 | RCR07G102JR | C | RESISTOR | 1 | 1 |
| - 32 | RCR07G820JR | C | RESISTOR (used in early configurations) | 1 | 1 |
| | RCR07G470JR | C | RESISTOR (used in later configurations) | 1 | 1 |
| - 33 | RCR07G163JR | C | RESISTOR (used in early configurations) | 1 | 1 |
| | RCR07G752JR | C | RESISTOR (used in later configurations) | 1 | 1 |
| - 34 | RCR07G751JR | C | RESISTOR (R31 was RCR07G472JR in early configurations R36 was RCR07G102JR in early configurations) | 2 | 1 |
| | RCR07G472JR | C | RESISTOR (R31 used in early configurations) | 1 | 1 |
| | RCR07G102JR | C | RESISTOR (R36 used in early configurations) | 1 | 1 |
| - 35 | 2DB750S | C | RESISTOR, Thermal, 75 ohms, porm 5 pct @ 25 deg C, 0.4 watt maximum (12930) spec dwg 509413-3 | 1 | |
| - 36 | RCR07G392JR | C | RESISTOR | 1 | |
| - 37 | RN55D3011F | C | RESISTOR | 1 | |
| - 38 | RN55D5621F | C | RESISTOR | 1 | |
| - 39 | JAN1N751A | C | SEMICONDUCTOR DEVICE, Diode | 2 | |
| - 40 | RCR07G561JR | C | RESISTOR | 1 | |
| - 41 | MS75008-40 | C | COIL | 5 | |
| - 42 | 300-100W5R223K | C | CAPACITOR, Fixed, ceramic dielectric, 22,000 pf, porm 10 pct, 100 wvdc (51642) spec dwg 501170-4 (used in early configurations) | 1 | |
| | CK06BX223K | C | CAPACITOR (used in later configurations) | 1 | |
| | M39014-02-1206 | C | CAPACITOR (used in latest configurations) | 1 | |
| - 43 | CK63AW103M | C | CAPACITOR (alternate part 501240-85) | 4 | |
| - 44 | 300-100W5R104K | C | CAPACITOR Fixed, ceramic dielectric, 100,000 pf, porm 10 pct, 100 wvdc (51642) spec dwg 501170-12 (used in early configurations) | 1 | |
| - 45 | CK06BX104K | C | CAPACITOR (used in later configurations) | 1 | |
| - 46 | CK60BX101K | C | CAPACITOR (alternate part 501240-31) | 1 | |
| - 47 | CK06BX472K | C | CAPACITOR | 1 | |
| - 48 | JAN2N2222A | C | TRANSISTOR | 1 | |
| | 10047DAP | C | MOUNTING PAD, Electrical (07047) spec dwg 507253-12 | 4 | |
| - 49 | M39003-01-2271 | C | CAPACITOR | 1 | |
| - 50 | M39003/01-2304 | C | CAPACITOR | 2 | |
| - 51 | M39003-01-2306 | C | CAPACITOR | 1 | |
| - 52 | CK60BX150K | C | CAPACITOR (alternate part 501240-16) | 1 | |
| | 8004742G1 | C | PRINTED WIRING BOARD | 1 | |
| - 53 | 5151-5 | D | TERMINAL, Stud, uninsulated, turret-type (06540) spec dwg 514266-104 | 3 | |
| - 54 | 8004742-1 | D | PRINTED WIRING BOARD | 1 | |
| | 8004352G1 | B | CIRCUIT CARD ASSEMBLY, Amplifier, If. number 1 | 1 | |
| | MS35206-203 | B | ATTACHING PARTS | | |
| | NAS620-2 | B | SCREW | 3 | |
| | MS35338-39 | B | WASHER | 3 | |
| | | B | WASHER | 3 | |
| - 55 | RCR07G101JR | C | RESISTOR | 2 | |
| - 56 | CK63AW103M | C | CAPACITOR (alternate part 501240-85) | 8 | |
| - 57 | 538-011-15-60PFF | C | CAPACITOR, Variable, ceramic dielectric, 15.0 thru 60.0 pf, 200wvdc (72982) spec dwg 501174-501 | 5 | |
| - 58 | CK06BX103K | C | CAPACITOR | 2 | |

Section II
Group Assembly Parts List

T O 31R2-2GRR-114
NAVELEX 0967-LP-428-1020

| FIGURE AND INDEX NUMBER | PART NUMBER | I N D E N T | DESCRIPTION | UNITS PER ASSY | USABLE ON CODE |
|-------------------------|----------------|-------------|--|----------------|----------------|
| 4- 59 | 8004819G2 | C | COIL, RF | 1 | |
| | RCR20G621JR | D | RESISTOR | 1 | |
| - 60 | CK60AW102M | C | CAPACITOR (alternate part 501240-58) | 4 | |
| - 61 | MS75008-40 | C | COIL | 7 | |
| - 62 | JAN1N914 | C | SEMICONDUCTOR DEVICE, Diode | 4 | |
| - 63 | 8004819G3 | C | COIL, RF | 1 | |
| | RCR20G304JR | D | RESISTOR | 1 | |
| - 64 | 8004819G1 | C | COIL, RF | 1 | |
| | RCR20G621JR | D | RESISTOR | 1 | |
| - 65 | RCR07G331JR | C | RESISTOR | 1 | |
| - 66 | RCR07G222JR | C | RESISTOR | 7 | |
| - 67 | RCR07G123JR | C | RESISTOR | 1 | |
| - 68 | MS75008-24 | C | COIL (used in early configurations) | 1 | |
| | MS75008-25 | C | COIL (used in later configurations) | 1 | |
| - 69 | JB32J12 | C | RESISTOR, Thermal, 2K, porm 10 pct @ 25 deg c, 0.2 watt maximum (15801) spec dwg 509413-1 | 1 | |
| - 70 | CM05ED470J03 | C | CAPACITOR (used in early configurations) | 1 | |
| | CMR05E220J0DM | C | CAPACITOR (used in later configurations) | 1 | |
| - 71 | RCR07G202JR | C | RESISTOR (used in early configurations) | 1 | |
| | RCR07G182JR | C | RESISTOR (used in later configurations) | 1 | |
| - 72 | RCR07G162JR | C | RESISTOR | 1 | |
| - 73 | Deleted | | | 1 | |
| | 8009551-1 | C | TRANSISTOR, NPN, RF control, | 1 | |
| - 74 | M39003-01-2280 | C | CAPACITOR | 3 | |
| - 75 | RCR07G511JR | C | RESISTOR | 2 | |
| - 76 | RCR07G222JR | C | RESISTOR | 1 | |
| - 77 | 515341-1 | C | TRANSISTOR, NPN, silicon | 2 | |
| - 78 | 10047DAP | C | MOUNTING PAD, Electrical (07047) spec dwg 507253-12 | 3 | |
| | 8004414G1 | C | PRINTED WIRING BOARD | 1 | |
| - 79 | 5151-5 | D | TERMINAL, Stud, uninsulated, turret-type (06540) spec dwg 514266-104 | 3 | |
| - 80 | 8004414-1 | D | PRINTED WIRING BOARD | 1 | |
| - 81 | RG188AU | B | CABLE, RF | AR | |
| | 8004596G1 | B | CHASSIS, Electrical equipment, amplifier | 1 | |
| - 82 | 8004560-1 | C | BRACKET, Angle ATTACHING PARTS | 4 | |
| | MS16535-64 | C | RIVET | 2 | |
| | MS16535-63 | C | RIVET | 2 | |
| - 83 | DEC9PF0 | C | CONNECTOR, Receptacle, electrical (71468) spec dwg 502056-101 (use until exhausted, vendor changed part numbers in later configurations) | 1 | |
| | DEU9PF0 | C | CONNECTOR, Receptacle, electrical (71468) spec dwg 502056-101 (alternate part used in later configurations) | 1 | |
| | 234-09-11-100 | C | CONNECTOR, Receptacle, electrical (71785) spec dwg 502056-101 (alternate part in later configurations) ATTACHING PARTS | 1 | |
| | M404R | C | EYELET, Metallic (23730) spec dwg 8004777-1 (use until exhausted, then replace with alternate part) | 2 | |
| | S-5008 | C | EYELET, Metallic (61957) spec dwg 8004777-1 (alternate part used in later configurations) | 2 | |

| FIGURE AND INDEX NUMBER | PART NUMBER | INDEX | DESCRIPTION | UNITS PER ASSY | USABLE ON CODE |
|-------------------------|----------------|-------|--|----------------|----------------|
| 4- 84 | 8004596G2 | C | CHASSIS. Electrical equipment | 1 | |
| - 85 | FA5C102W | D | CAPACITOR, Fixed, ceramic dielectric, feed thru, 1000 pf. plus 150 pct minus 0 pct gmV @ 1 Khz, 2 vrms, 25 deg c, 500 wVdc (01121) spec dwg 501172-1 | 2 | |
| - 86 | 8136950 | C | CIRCUIT CARD ASSY, IF, AMP MOD | 1 | 2 |
| - 87 | M39003/01-2304 | D | CAPACITOR, 6.8 uF, 35 V | 1 | 2 |
| - 88 | RNC55H3742FS | D | RESISTOR 37.4 K | 1 | 2 |
| - 89 | RNC55H4022FS | D | RESISTOR 40.2 K | 1 | 2 |
| - 90 | RCR07G103JS | D | RESISTOR 10 K | 1 | 2 |
| - 91 | M39014/02-1230 | D | CAPACITOR 0.1 uF, 100 V | 1 | 2 |
| - 92 | RNC55H1003FS | D | RESISTOR 100 K | 1 | 2 |
| - 93 | 501240-10 | D | CAPACITOR 6.8 pF 1000 K | 1 | 2 |
| - 94 | 507742-1 | D | OP AMP (LM118H/883) | 1 | 2 |
| - 95 | 501240-88 | D | CAPACITOR 2200 pF, 1000 V | 1 | 2 |
| - 96 | RNC55H8061FS | D | RESISTOR 8.06 K | 1 | 2 |
| - 97 | M39003/01-2259 | D | CAPACITOR 39 uF, 10 V | 1 | 2 |
| - 98 | M39003/01-2311 | D | CAPACITOR 39 uF, 35 V | 1 | 2 |
| 5- | 8004238G1 | A | LIMITER, Electrical noise (see figure 2 for NHA) optional module for use in high pulse interference environments, insert in place of 8116765G1 when used | REF | DELM |
| - 1 | 8004594-1 | B | COVER | 1 | |
| | | | ATTACHING PARTS | | |
| | MS35206-213 | B | SCREW | 4 | |
| | NAS620-4 | B | WASHER | 4 | |
| | MS35338-40 | B | WASHER | 4 | |
| | | | -----* | | |
| - 2 | 8004594-2 | B | COVER | 1 | |
| | | | ATTACHING PARTS | | |
| | MS35206-213 | B | SCREW | 4 | |
| | NAS620-4 | B | WASHER | 4 | |
| | MS35338-40 | B | WASHER | 4 | |
| | | | -----* | | |
| | 8004376G1 | B | CIRCUIT CARD ASSEMBLY, Limiter number 1 | 1 | |
| | | | ATTACHING PARTS | | |
| | MS35206-213 | B | SCREW | 4 | |
| | NAS620-4 | B | WASHER | 4 | |
| | MS35338-40 | B | WASHER | 4 | |
| | | | -----* | | |
| - 3 | 8006113-1 | C | COVER, Shield | 1 | |
| - 4 | MS75008-25 | C | COIL | 2 | |
| - 5 | CK60BX470K | C | CAPACITOR (alternate part 501240-25) | 4 | |
| - 6 | CK60AW102M | C | CAPACITOR (alternate part 501240-58) | 6 | |
| - 7 | CK60BX680M | C | CAPACITOR (alternate part 501240-28) | 1 | |
| - 8 | MA47557 | C | SEMICONDUCTOR DEVICE, Diode, pin type (96341) spec dwg 511769-2 | 2 | |
| - 9 | RCR07G101JR | C | RESISTOR | 2 | |
| - 10 | RCR07G222JR | C | RESISTOR | 1 | |
| - 11 | RCR07G221JR | C | RESISTOR | 3 | |
| - 12 | RCR07G560JR | C | RESISTOR | 3 | |

| FIGURE AND INDEX NUMBER | PART NUMBER | I N D E N T | DESCRIPTION | UNITS PER ASSY | USABLE ON CODE |
|-------------------------|------------------|-------------|--|----------------|----------------|
| - 13 | RCR07G473JR | C | RESISTOR | 1 | |
| - 14 | RCR07G122JR | C | RESISTOR | 2 | |
| - 15 | JAN1N914 | C | SEMICONDUCTOR DEVICE, Diode | 2 | |
| - 16 | RCR07G123JR | C | RESISTOR | 1 | |
| - 17 | RCR07G510JR | C | RESISTOR | 1 | |
| - 18 | RCR07G680JR | C | RESISTOR | 1 | |
| - 19 | RCR07G102JR | C | RESISTOR | 4 | |
| - 20 | RCR07G332JR | C | RESISTOR | 1 | |
| - 21 | RCR07G223JR | C | RESISTOR | 1 | |
| - 22 | 504701-3 | C | DELAY LINE, 0.20 usec @ 20.6 MHz equals 1483 deg phase delay, minimum | 1 | |
| - 23 | 538-011-15-60PFF | C | CAPACITOR, Variable, ceramic dielectric, 15.0 thru 60.0 pf, 200 wvdc (72982) spec dwg 501174-501 | 6 | |
| - 24 | MS75008-28 | C | COIL | 1 | |
| - 25 | MS75008-37 | C | COIL | 1 | |
| - 26 | M39003-01-2295 | C | CAPACITOR | 2 | |
| - 27 | 2N5109 | C | TRANSISTOR, NPN, amplifier, with leads 0.50 inch min (54590) spec dwg 511806-2 | 1 | |
| - 28 | CK63AW103M | C | CAPACITOR (alternate part 501240-85) | 2 | |
| - 29 | RCR07G390JR | C | RESISTOR | 1 | |

Section II
Group Assembly Parts List

T.O. 31R2-2GRR-114
NAVELEX 0967-LP-428-1020

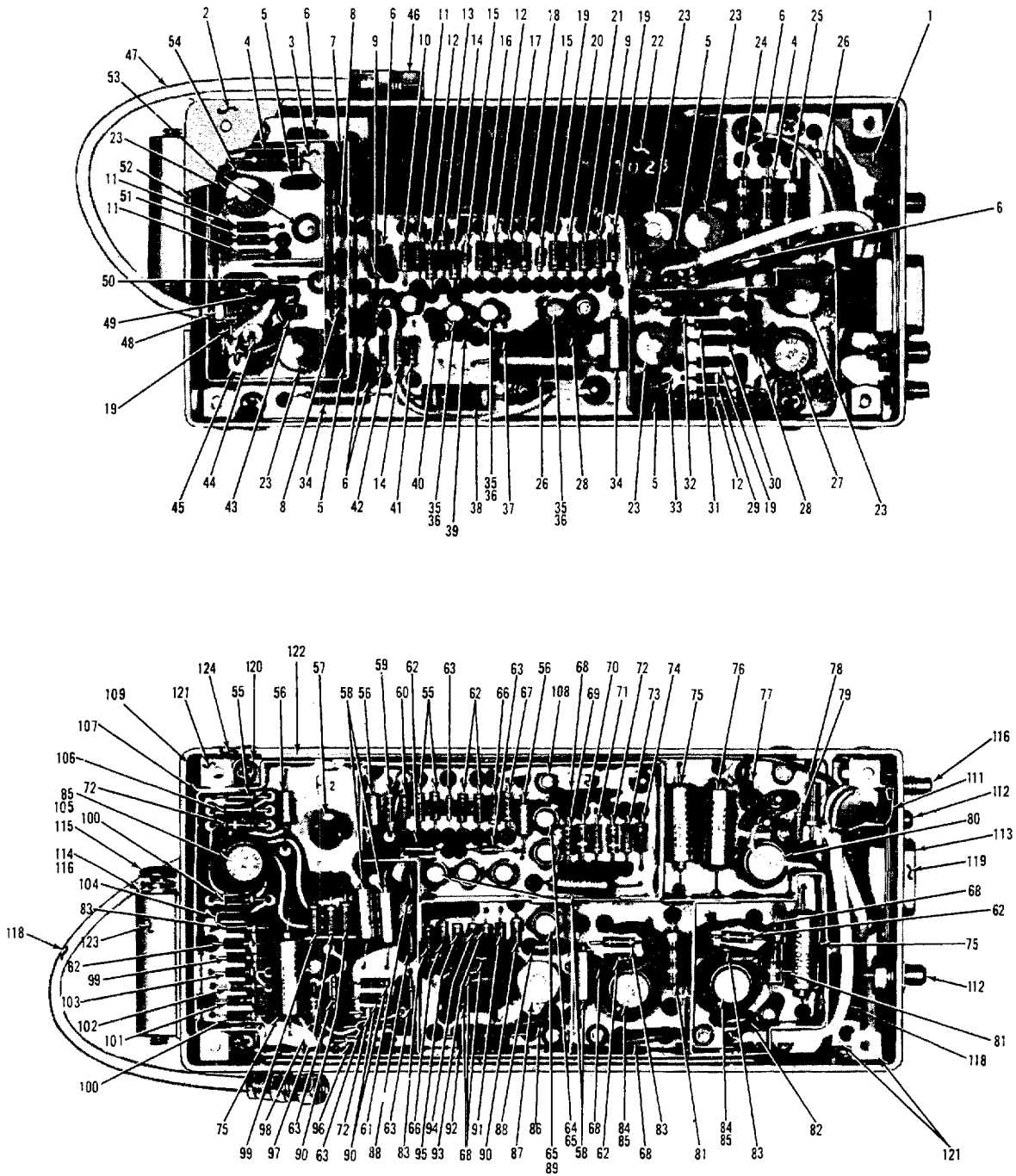


Figure 5. Limiter, Electrical Noise

T.O. 31R2-2GRR-114
NAVELEX 0967-LP-428-1020

Section II
Group Assembly Parts List

| FIGURE AND INDEX NUMBER | PART NUMBER | IDENT | DESCRIPTION | UNITS PER ASSY | USABLE ON CODE |
|-------------------------|----------------|-------|--|----------------|----------------|
| 5- 30 | RCR07G152JR | C | RESISTOR | 1 | |
| - 31 | RCR07G562JR | C | RESISTOR | 1 | |
| - 32 | MS75008-33 | C | COIL | 1 | |
| - 33 | CK60BX220K | C | CAPACITOR (alternate part 501240-19) | 1 | |
| - 34 | M39003-01-2286 | C | CAPACITOR | 2 | |
| - 35 | JAN2N2222A | C | TRANSISTOR | 3 | |
| - 36 | 10047DAP | C | MOUNTING PAD, Electrical (07047) spec dwg 507253-12 | 3 | |
| - 37 | 300-100W5R104K | C | CAPACITOR, Fixed, ceramic dielectric, 100,000 pf, perm 10 pct, 100 wvdc (51642) spec dwg 501170-12 (used in early configurations) | 1 | |
| | CK06BX104K | C | CAPACITOR (used in later configurations) | 1 | |
| - 38 | RCR32G471JR | C | RESISTOR | 1 | |
| - 39 | CK60BX101K | C | CAPACITOR (alternate part 501240-31) | 1 | |
| - 40 | 300-100W5R123K | C | CAPACITOR, Fixed, ceramic dielectric, 12,000 pf, perm 10 pct, 100 wvdc (51642) spec dwg 501170-1 (used in early configurations) | 1 | |
| | CK06BX123K | C | CAPACITOR (used in later configurations) | 1 | |
| - 41 | JAN1N753A | C | SEMICONDUCTOR DEVICE, Diode | 1 | |
| - 42 | RCR07G100JR | C | RESISTOR | 1 | |
| - 43 | 501202-1 | C | CAPACITOR, Fixed, ceramic dielectric, 82 pf, perm 10 pct, 1000 wvdc | 1 | |
| - 44 | MS75008-27 | C | COIL | 1 | |
| - 45 | MS75008-36 | C | COIL | 1 | |
| - 46 | UG1465U | C | CONNECTOR | 1 | |
| - 47 | RG188AU | C | CABLE, RF | AR | |
| - 48 | 8004961-1 | C | SHIELD, Retainer ATTACHING PARTS | 1 | |
| | MS25082-12 | C | NUT | 1 | |
| | MS35333-39 | C | WASHER | 1 | |
| | | | ---*--- | | |
| - 49 | CK61AW222M | C | CAPACITOR (alternate part 501240-88) | 1 | |
| - 50 | 5082-8906 | C | SEMICONDUCTOR DEVICE, Diode (28480) spec dwg 511785-1 | 1 | |
| - 51 | RCR07G240JR | C | RESISTOR | 1 | |
| - 52 | 8004769G1 | C | SHIELD ASSEMBLY, Electromagnetic interference | 1 | |
| | 8004604G1 | C | PRINTED WIRING BOARD | 1 | |
| - 53 | 5151-5 | D | TERMINAL, Stud, uninsulated, turret-type (06540) spec dwg 514266-104 | 11 | |
| - 54 | 8004604-1 | D | PRINTED WIRING BOARD | 1 | |
| | 8004377G1 | B | CIRCUIT CARD ASSEMBLY, Limiter number 2 ATTACHING PARTS | 1 | |
| | MS35206-213 | B | SCREW | 4 | |
| | NAS620-4 | B | WASHER | 4 | |
| | MS35338-40 | B | WASHER | 4 | |
| | | | ---*--- | | |
| - 55 | RCR07G102JR | C | RESISTOR | 3 | |
| - 56 | M39003-01-2280 | C | CAPACITOR | 3 | |
| - 57 | 62PAR1K | C | RESISTOR, Variable, nominal resistance 1K, 200 wvdc, 0.5 w @ 70 deg c (73138) spec dwg 509422-6 | 1 | |
| | 63X102603 | C | RESISTOR, Variable, cermet, nominal resistance 1K, perm 10 pct, 0.5 w max @ 70 deg c (02111) spec dwg 509422-6 (alternate for 62PAR1K) | 1 | |
| - 58 | M39003-01-2286 | C | CAPACITOR | 4 | |
| - 59 | RCR07G153JR | C | RESISTOR | 1 | |
| - 60 | RCR07G223JR | C | RESISTOR | 1 | |
| - 61 | CK60AX471K | C | CAPACITOR (alternate part 501240-43) | 1 | |
| - 62 | RCR07G202JR | C | RESISTOR | 6 | |
| - 63 | JAN1N914 | C | SEMICONDUCTOR DEVICE, Diode | 5 | |
| - 64 | JAN2N2222A | C | TRANSISTOR | 5 | |
| - 65 | 10047DAP | C | MOUNTING PAD, Electrical (07047) spec dwg 507253-12 | 6 | |
| - 66 | RCR07G101JR | C | RESISTOR | 2 | |

Section II
Group Assembly Parts List

T.O. 31R2-2GRR-114
NAVELEX 0967-LP-428-1020

| FIGURE AND INDEX NUMBER | PART NUMBER | IDENT | DESCRIPTION | UNITS PER ASSY | USABLE ON CODE |
|-------------------------|-------------------|-------|---|----------------|----------------|
| 5- 67 | RCR07G431JR | C | RESISTOR | 1 | |
| - 68 | CK63AW103M | C | CAPACITOR (alternate part 501240-85) | 7 | |
| - 69 | RCR07G333JR | C | RESISTOR | 1 | |
| - 70 | RCR07G390JR | C | RESISTOR | 1 | |
| - 71 | RCR07G271JR | C | RESISTOR | 1 | |
| - 72 | RCR07G392JR | C | RESISTOR | 3 | |
| - 73 | RCR07G182JR | C | RESISTOR | 1 | |
| - 74 | RCR07G221JR | C | RESISTOR | 1 | |
| - 75 | M39003-01-2306 | C | CAPACITOR | 3 | |
| - 76 | M39003-01-2374 | C | CAPACITOR | 1 | |
| - 77 | JAN1N759A | C | SEMICONDUCTOR DEVICE, Diode | 1 | |
| - 78 | RCR20G270JR | C | RESISTOR | 1 | |
| - 79 | RCR07G122JR | C | RESISTOR | 1 | |
| - 80 | JAN2N1613 | C | TRANSISTOR | 1 | |
| - 81 | MS75008-43 | C | COIL | 2 | |
| - 82 | CK61AW222M | C | CAPACITOR (alternate part 501240-88) | 1 | |
| - 83 | RCR07G510JR | C | RESISTOR | 4 | |
| - 84 | CA3023 | C | INTEGRATED CIRCUIT, Amplifier, wide band (54590) spec dwg 507294-1 | 2 | |
| - 85 | 7717-20DAP | C | INSULATOR, Disk (13103) spec dwg 507296-3 | 3 | |
| - 86 | CM05ED220J03 | C | CAPACITOR | 1 | |
| - 87 | 538-011-7-25PFB | C | CAPACITOR, Variable, ceramic dielectric, 7.0 thru 25.0 pf, 350 wvdc (72982) spec dwg 501174-202 | 1 | |
| - 88 | CK60AW152M | C | CAPACITOR (alternate part 501240-64) | 2 | |
| - 89 | 515341-1 | C | TRANSISTOR, NPN, silicon | 1 | |
| - 90 | RCR07G100JR | C | RESISTOR | 4 | |
| - 91 | RCR07G561JR | C | RESISTOR | 1 | |
| - 92 | MS75008-29 | C | COIL | 1 | |
| - 93 | RCR07G471JR | C | RESISTOR | 1 | |
| - 94 | RCR07G303JR | C | RESISTOR | 1 | |
| - 95 | RCR07G393JR | C | RESISTOR | 1 | |
| - 96 | RCR07G563JR | C | RESISTOR | 1 | |
| - 97 | RCR07G682JR | C | RESISTOR | 1 | |
| - 98 | RCR07G104JR | C | RESISTOR | 1 | |
| - 99 | RCR07G512JR | C | RESISTOR | 2 | |
| -100 | RCR07G511JR | C | RESISTOR | 2 | |
| -101 | RCR07G103JR | C | RESISTOR | 1 | |
| -102 | RCR07G472JR | C | RESISTOR | 1 | |
| -103 | RCR07G152JR | C | RESISTOR | 1 | |
| -104 | 300-100W5R104K | C | CAPACITOR, Fixed, ceramic dielectric, 100,000 pf, porm 10 pct, 100 wvdc (51642) spec dwg 501170-12 (used in early configurations) | 1 | |
| -105 | CK06BX104K | C | CAPACITOR (used in later configurations) | 1 | |
| | CA3018 | C | INTEGRATED CIRCUIT, Transistor array (54590) spec dwg 507295-1 | 1 | |
| -106 | RCR07G331JR | C | RESISTOR | 1 | |
| -107 | 8004770G1 | C | SHIELD ASSEMBLY, Electromagnetic interference | 1 | |
| | 8004606G1 | C | PRINTED WIRING BOARD | 1 | |
| -108 | 5151-5 | D | TERMINAL, Stud, uninsulated, turret-type (06540) spec dwg 514266-104 | 11 | |
| -109 | 8004606-1 | D | PRINTED WIRING BOARD | 1 | |
| -110 | UG1464U | B | CONNECTOR | 1 | |
| -111 | 1414-10 | B | TERMINAL, Lug, locking (83330) spec dwg 8102535-4 | 1 | |
| -112 | 8004951-1 | B | PIN, Shoulder, headless | 2 | |
| | | | ATTACHING PARTS | | |
| | MS35649-262 | B | NUT | 2 | |
| | MS27183-5 | B | WASHER | 2 | |
| | MS35338-41 | B | WASHER | 2 | |
| -113 | 030-1952-000 | B | CONTACT, Electrical (71468) spec dwg 502056-401 | 3 | |
| | 403-30-15-119-410 | B | CONTACT, Electrical (71785) spec dwg 502056-401 (alternate part in later configurations) | 3 | |

| FIGURE AND INDEX NUMBER | PART NUMBER | IDENTIFY | DESCRIPTION | UNITS PER ASSY | USABLE ON CODE |
|-------------------------|---------------|----------|--|----------------|------------------------------|
| 5-114 | 517689-1 | B | WASHER, Non-Metallic (used in early configurations, when exhausted use alternate part 5-646N674-70) | 1 | |
| | 5-646N674-70 | B | PACKING, Preformed (02697) spec dwg 508874-13 (alternate part used in later configurations) | 1 | |
| -115 | MS35206-251 | B | SCREW | 1 | |
| -116 | NAS620-8 | B | WASHER | 1 | |
| -117 | MS35338-42 | B | WASHER | 1 | |
| -118 | RG188AU | B | CABLE, RF | AR | |
| | 8004564G1 | B | CHASSIS, Electrical equipment | 1 | |
| -119 | DEC9PFO | C | CONNECTOR, Receptacle, electrical (71468) spec dwg 502056-101 (use until exhausted, vendor changed part numbers in later configurations) | 1 | |
| | DEU9PFO | C | CONNECTOR, Receptacle, electrical (71468) spec dwg 502056-101 (alternate part used in later configurations) | 1 | |
| | 234-09-11-100 | C | CONNECTOR, Receptacle, electrical (71785) spec dwg 502056-101 (alternate part in later configurations) | 1 | |
| | M404R | C | ATTACHING PARTS EYELET, Metallic (23730) spec dwg 8004777-1 (use until exhausted, then replace with alternate part) | 2 | |
| | S-5008 | C | EYELET, Metallic (61957) spec dwg 8004777-1 (alternate part used in later configurations) ---*--- | 2 | |
| -120 | 8004561-1 | C | BRACKET, Double angle ATTACHING PARTS | 4 | |
| | MS16535-65 | C | RIVET ---*--- | 4 | |
| -121 | 8004560-1 | C | BRACKET, Angle ATTACHING PARTS | 8 | |
| | MS16535-64 | C | RIVET ---*--- | 8 | |
| -122 | 8004761-2 | C | SHIELD, RF ATTACHING PARTS | 1 | |
| | MS16535-64 | C | RIVET ---*--- | 8 | |
| -123 | 8004475-2 | C | LUG, Mounting ATTACHING PARTS | 1 | |
| | MS16535-133 | C | RIVET ---*--- | 4 | |
| -124 | 8004564-2 | C | CHASSIS | 1 | |
| 6- | 8116765G1 | A | AMPLIFIER, Buffer (see figure 2 for NHA) | REF | ABCF GHIJ KNOP QRST |
| - 1 | 8004594-3 | B | COVER ATTACHING PARTS | 2 | |
| | MS35206-213 | B | SCREW | 8 | |
| | NAS620-4 | B | WASHER | 8 | |
| | MS35338-40 | B | WASHER ---*--- | 8 | |
| - 2 | UG1465U | B | CONNECTOR | 1 | |
| - 3 | 8004961-1 | B | SHIELD, Retainer ATTACHING PARTS | 1 | |
| | MS5082-12 | B | NUT | 1 | |
| | MS35333-39 | B | WASHER ---*--- | 1 | |

Section II
Group Assembly Parts List

T.O. 31R2-2GRR-114
NAVELEX 0967-LP-428-1020

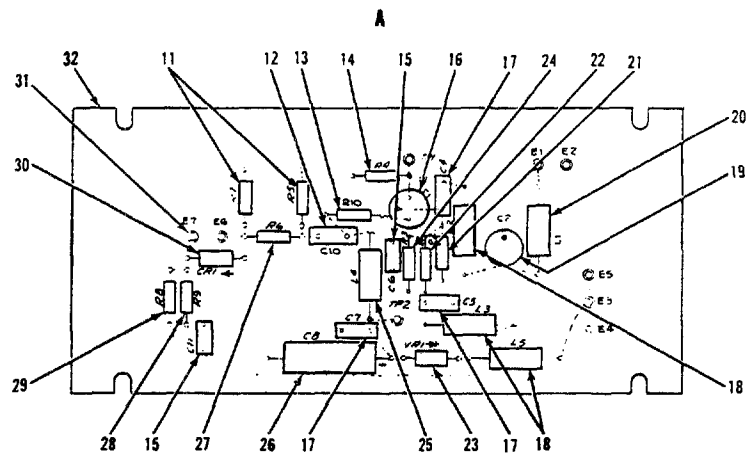
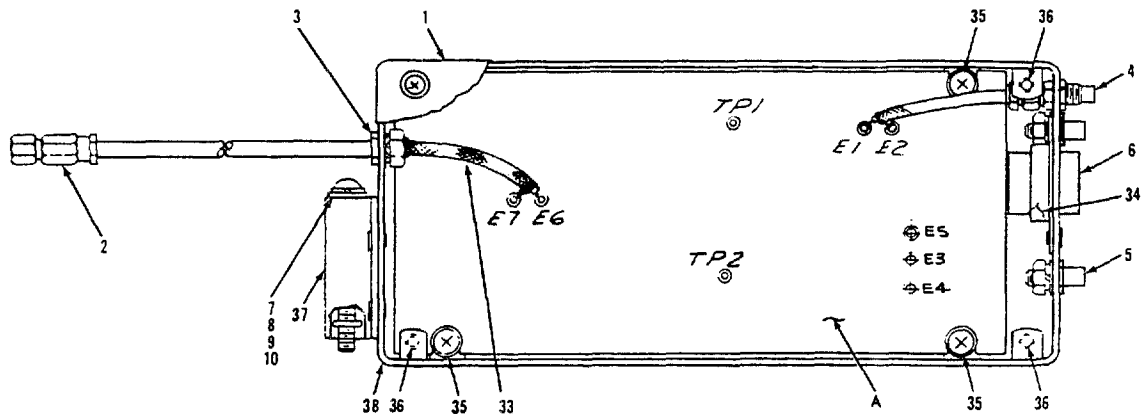


Figure 6. Amplifier, Buffer

| FIGURE AND INDEX NUMBER | PART NUMBER | IDENT | DESCRIPTION | UNITS PER ASSY | USABLE ON CODE |
|-------------------------|-------------------|-------|--|----------------|----------------|
| 6- 4 | UG1468U | B | CONNECTOR (used in early configurations) | 1 | |
| | M39012-76-0002 | B | CONNECTOR (used in later configurations) | 1 | |
| - 5 | 8004951-1 | B | PIN, Shoulder, headless | 2 | |
| | | | ATTACHING PARTS | | |
| | MS35649-262 | B | NUT | 2 | |
| | MS35338-41 | B | WASHER | 2 | |
| | MS27183-5 | B | WASHER | 2 | |
| | | | ----*---- | | |
| - 6 | 030-1952-000 | B | CONTACT, Electrical (71468) spec dwg 502056-401 | 3 | |
| | 403-30-15-119-410 | B | CONTACT, Electrical (71785) spec dwg 502056-401 (alternate part in later configurations) | 3 | |
| - 7 | MS35206-251 | B | SCREW | 1 | |
| - 8 | MS35338-42 | B | WASHER | 1 | |
| - 9 | NAS620-8 | B | WASHER | 1 | |
| - 10 | 517689-1 | B | WASHER, Non-Metallic (used in early configurations, when exhausted use alternate part 5-646N674-70) | 1 | |
| | 5-646N674-70 | B | PACKING, PREFORMED (02697) spec dwg 508874-13 (alternate part used in later configurations) | 1 | |
| | 8006766G1 | B | CIRCUIT CARD ASSEMBLY, Amplifier, buffer | 1 | |
| | | | ATTACHING PARTS | | |
| | MS35206-213 | B | SCREW | 4 | |
| | NAS620-4 | B | WASHER | 4 | |
| | MS35338-40 | B | WASHER | 4 | |
| | | | ----*---- | | |
| - 11 | RCR07G121JR | C | RESISTOR | 2 | |
| - 12 | OM05ED680J03 | C | CAPACITOR | 1 | |
| - 13 | RCR07G100JR | C | RESISTOR | 1 | |
| - 14 | RCR07G390JR | C | RESISTOR | 1 | |
| - 15 | CK60AW102M | C | CAPACITOR (alternate part 501240-58) | 2 | |
| - 16 | 2N5109 | C | TRANSISTOR, NPN, amplifier with leads 0.50 inch min (54590) spec dwg 511806-2 | 1 | |
| - 17 | CK61AW222M | C | CAPACITOR (alternate part 501240-88) | 3 | |
| - 18 | MS75008-37 | C | COIL | 3 | |
| - 19 | 538-011-15-60PFF | C | CAPACITOR, Variable, ceramic dielectric, 15.0 thru 60.0 pf, 200 wvdc (72982) spec dwg 501174-501 | 1 | |
| - 20 | MS75008-33 | C | COIL | 1 | |
| - 21 | RCR07G152JR | C | RESISTOR | 1 | |
| - 22 | RCR07G562JR | C | RESISTOR | 1 | |
| - 23 | JAN1N753A | C | SEMICONDUCTOR DEVICE, Diode | 1 | |
| - 24 | RCR07G102JR | C | RESISTOR | 1 | |
| - 25 | MS75008-25 | C | COIL | 1 | |
| - 26 | M39003-01-2295 | C | CAPACITOR | 1 | |
| - 27 | RCR07G470JR | C | RESISTOR | 1 | |
| - 28 | RCR07G101JR | C | RESISTOR | 1 | |
| - 29 | RCR07G222JR | C | RESISTOR | 1 | |
| - 30 | 5082-8906 | C | SEMICONDUCTOR DEVICE, Diode (28480) spec dwg 511785-1 | 1 | |
| | 8006767G1 | C | PRINTED WIRING BOARD, Amplifier, buffer | 1 | |
| - 31 | 5321-5 | D | TERMINAL, Stud, uninsulated, turret-type (06540) spec dwg 514266-302 | 6 | |
| - 32 | 8006767-1 | D | PRINTED WIRING BOARD | 1 | |
| - 33 | RG188AU | C | CABLE, RF | AR | |
| | 8006770G1 | B | CHASSIS, Electrical equipment, amplifier, buffer | 1 | |
| - 34 | DEC9PFO | C | CONNECTOR, Receptacle, electrical (71468) spec dwg 502056-101 (use until exhausted, vendor changed part numbers in later configurations) | 1 | |
| | DEU9PFO | C | CONNECTOR, Receptacle, electrical (71468) spec dwg 502056-101 (alternate part used in later configurations) | 1 | |

Section II
Group Assembly Parts List

T.O. 31R2-2GRR-114
NAVELEX 0967-LP-428-1020

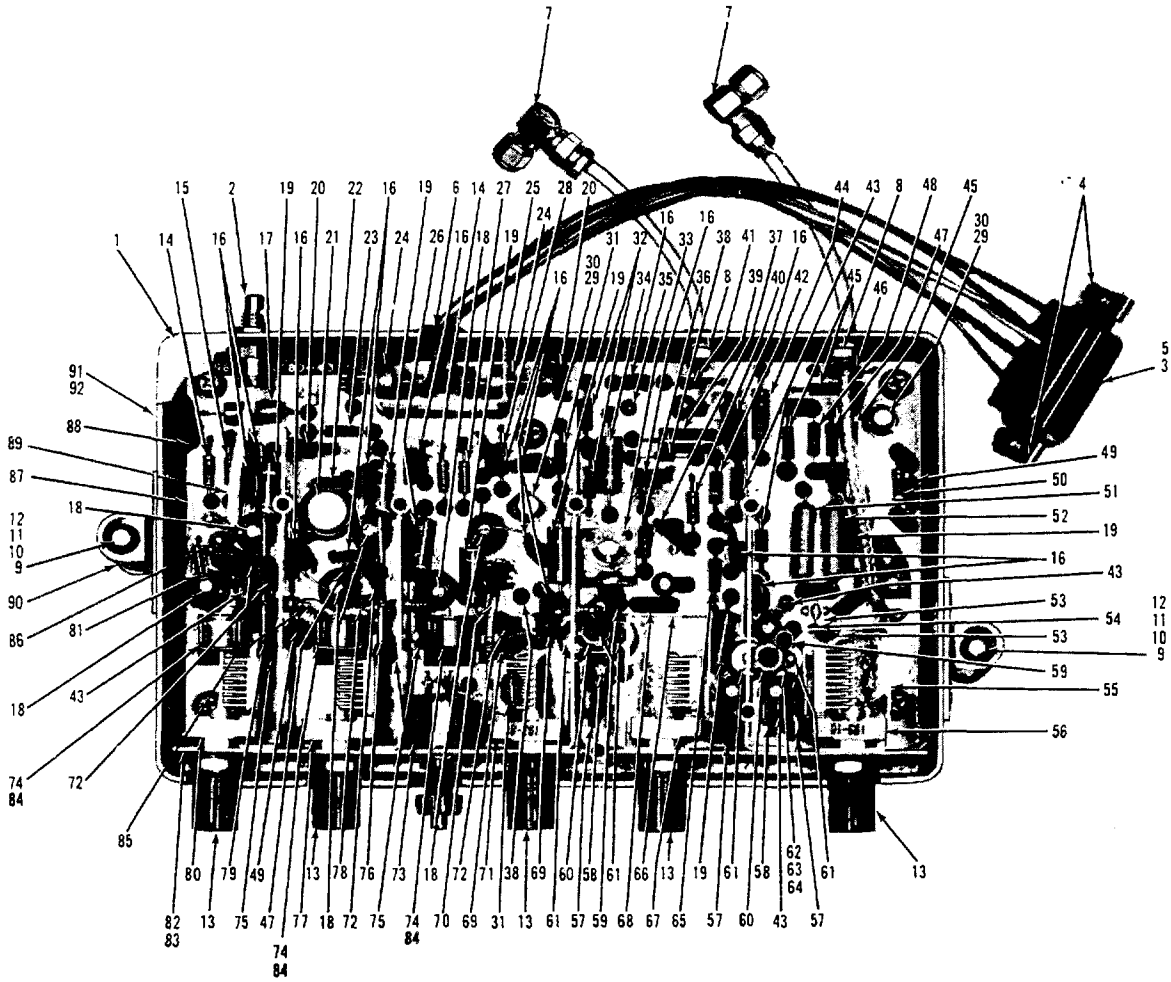


Figure 7. Mixer-Multiplier, UHF

| FIGURE AND INDEX NUMBER | PART NUMBER | I N D E X | DESCRIPTION | UNITS PER ASSY | USABLE ON CODE |
|-------------------------|-------------------|-----------------------|--|----------------|----------------|
| 6- | 234-09-11-100 | C | CONNECTOR, Receptacle, electrical (71785) spec dwg 502056-101 (alternate part used in later configurations) | 1 | |
| | M404R | C | ATTACHING PARTS EYELET, Metallic (23730) spec dwg 8004777-1 (use until exhausted, then replace with alternate part) | 2 | |
| | S-5008 | C | EYELET, Metallic (61957) spec dwg 8004777-1 (alternate part used in later configurations) | 2 | |
| - 35 | 8004561-1 | C | BRACKET, Mounting | 4 | |
| | MS16535-65 | C | ATTACHING PARTS RIVET | 4 | |
| - 36 | 8004560-1 | C | BRACKET, Mounting, single | 8 | |
| | MS16535-64 | C | ATTACHING PARTS RIVET | 8 | |
| - 37 | 8004475-2 | C | LUG, Mounting | 1 | |
| | MS16535-134 | C | ATTACHING PARTS RIVET | 4 | |
| - 38 | 8006770-1 | C | CHASSIS | 1 | |
| 7- | 8004240G1 | A | MIXER-MULTIPLIER, UHF (see figure 2 for NHA) used in early configurations, replaced by 8004240G2 in later configurations) | REF | DEI |
| - 1 | 8004869-1 | B | COVER, Top | 1 | |
| | MS35190-211 | B | ATTACHING PARTS SCREW | 6 | |
| - 2 | UG1468U | B | CONNECTOR (used in early configurations) | 1 | |
| | M39012-76-0002 | B | CONNECTOR (used in later configurations) | 1 | |
| - 3 | 030-1952-000 | B | CONTACT, Electrical (71468) spec dwg 502056-401 | 5 | |
| | 403-30-15-119-410 | B | CONTACT, Electrical (71785) spec dwg 502056-401 (alternate part in later configurations) | 5 | |
| - 4 | D20419 | B | RETAINER, Electrical connector (71468) spec dwg 502056-301 | 2 | |
| | 318-15-99-056 | B | RETAINER, Electrical connector (71785) spec dwg 502056-301 (alternate part in later configurations) | 2 | |
| - 5 | DAC15PFO | B | CONNECTOR, Receptacle, electrical (71468) spec dwg 502056-102 (use until exhausted, vendor changed part numbers in later configurations) | 1 | |
| | DAU15PFO | B | CONNECTOR, Receptacle, electrical (71468) spec dwg 502056-102 (alternate part used in later configurations) | 1 | |
| | 234-15-11-100 | B | CONNECTOR, Receptacle, electrical (71785) spec dwg 502056-102 (alternate part used in later configurations) | 1 | |
| - 6 | MS35489-4 | B | GROMMET | 1 | |
| - 7 | M39012-75-0004 | B | CONNECTOR | 2 | |
| - 8 | 8004961-1 | B | SHIELD, Retainer | 2 | |
| | MS25082-12 | B | ATTACHING PARTS NUT | 2 | |
| | MS35333-39 | B | WASHER | 2 | |
| - 9 | 517689-1 | B | WASHER, Non-Metallic (used in early configurations, when exhausted use alternate part 5-646N674-70) | 2 | |

Section II
Group Assembly Parts List

T.O. 31R2-2GRR-114
NAVELEX 0967-LP-428-1020

| FIGURE AND INDEX NUMBER | PART NUMBER | IDENT | DESCRIPTION | UNITS PER ASSY | USABLE ON CODE |
|-------------------------|----------------|-------|--|----------------|----------------|
| 7- | 5-646N674-70 | B | PACKING, Preformed (02697) spec dwg 508874-13 (alternate part used in later configurations) | 2 | |
| - 10 | MS35206-251 | B | SCREW | 2 | |
| - 11 | MS27183-7 | B | WASHER | 2 | |
| - 12 | MS35338-42 | B | WASHER | 2 | |
| - 13 | 500116-1 | B | ADAPTER, Shaft | 5 | |
| | 8004350G1 | B | CIRCUIT CARD ASSEMBLY, Mixer-Multiplier, UHF | 1 | |
| | | | ATTACHING PARTS | | |
| | MS35206-214 | B | SCREW | 5 | |
| | MS27183-3 | B | WASHER | 5 | |
| | MS35338-40 | B | WASHER | 5 | |
| | | | ---*--- | | |
| - 14 | RCR07G361JR | C | RESISTOR | 2 | |
| - 15 | RCR07G392JR | C | RESISTOR | 1 | |
| - 16 | CK60AW102M | C | CAPACITOR | 15 | |
| - 17 | M39003-01-2362 | C | CAPACITOR | 1 | |
| - 18 | 5601-1 | C | CAPACITOR, Fixed, ceramic dielectric, 1000 pf plus 100 pct minus 0 pct @ 1 kHz, 2 vrms, 25 deg c, 500 wvdc (00656) spec dwg 501171-1 (when exhausted use alternate part 54-803-012) | 6 | |
| | 54-803-012 | C | CAPACITOR, Fixed, ceramic dielectric, 1000 pf, plus 100 pct minus 0 pct @ 1 kHz, 2 vrms, 25 deg c, 500 wvdc (33095) spec dwg 501171-1 (alternate part used in later configurations) | 6 | |
| - 19 | MS75008-28 | C | COIL | 6 | |
| - 20 | CK06BX103K | C | CAPACITOR | 2 | |
| - 21 | JAN2N697 | C | TRANSISTOR | 1 | |
| - 22 | 300-100W5R104K | C | CAPACITOR, Fixed, ceramic dielectric, 100,000 pf porm 10 pct, 100 wvdc (51642) spec dwg 501170-12 | 1 | |
| - 23 | RCR07G152JR | C | RESISTOR | 1 | |
| - 24 | FA5C102W | C | CAPACITOR, Fixed, ceramic dielectric, feedthru, 1000 pf, plus 150 pct minus 0 pct gm v @ 1 kHz, 2 vrms, 25 deg c, 500 wvdc (01121) spec dwg 501172-1 | 4 | |
| - 25 | 8004851-1 | C | SHIELD, Filter mounting | 1 | |
| - 26 | MS75008-23 | C | COIL | 1 | |
| - 27 | RCR07G822JR | C | RESISTOR | 1 | |
| - 28 | RCR07G131JR | C | RESISTOR | 1 | |
| - 29 | JAN2N2222A | C | TRANSISTOR | 2 | |
| - 30 | 10047DAP | C | MOUNTING PAD, Electrical (07047) spec dwg 507253-12 | 2 | |
| - 31 | RCR07G202JR | C | RESISTOR | 2 | |
| - 32 | RCR07G223JR | C | RESISTOR | 2 | |
| - 33 | 189-505-5 | C | CAPACITOR, Variable, air dielectric, 1.7 to 11.0 pf, 375 wvdc (74970) spec dwg 501361-15 | 1 | |
| - 34 | MS75008-33 | C | COIL | 1 | |
| - 35 | CM05FD101J03 | C | CAPACITOR | 1 | |
| - 36 | RCR07G151JR | C | RESISTOR | 1 | |
| - 37 | 4DB270S | C | RESISTOR, Thermal, 27 ohms, porm 5 pct @ 25 deg c, 0.8 watt maximum (12930) spec dwg 509413-2 | 1 | |
| - 38 | 5082-8906 | C | SEMICONDUCTOR DEVICE, Diode (28480) spec dwg 511785-1 | 2 | |
| - 39 | MS75008-44 | C | COIL | 1 | |
| - 40 | RCR07G471JR | C | RESISTOR | 1 | |
| - 41 | RCR07G102JR | C | RESISTOR | 1 | |
| - 42 | RCR07G394JR | C | RESISTOR | 1 | |
| - 43 | RCR07G101JR | C | RESISTOR | 5 | |
| - 44 | RCR20G332JR | C | RESISTOR | 1 | |
| - 45 | RCR07G562JR | C | RESISTOR | 3 | |
| - 46 | JAN1N746A | C | SEMICONDUCTOR DEVICE, Diode | 1 | |
| - 47 | RCR07G103JR | C | RESISTOR | 2 | |
| - 48 | JAN1N753A | C | SEMICONDUCTOR DEVICE, Diode | 1 | |

T.O. 31R2-2GRR-114
NAVELEX 0967-LP-428-1020

Section II
Group Assembly Parts List

| FIGURE AND INDEX NUMBER | PART NUMBER | IDENTIFY | DESCRIPTION | UNITS PER ASSY | USABLE ON CODE |
|-------------------------|--------------|----------|--|----------------|----------------|
| 7- 49 | RCR07G221JR | C | RESISTOR | 2 | |
| - 50 | RCR07G102JR | C | RESISTOR | 1 | |
| - 51 | RN65D3570F | C | RESISTOR | 1 | |
| - 52 | RN65D1910F | C | RESISTOR | 1 | |
| - 53 | VK11CX471K | C | CAPACITOR, Fixed, ceramic dielectric, wafer chip, leadless, 470 pf, porm 10 pct (95275) spec dwg 501365-21 | 2 | |
| - 54 | 5082-8697 | C | SEMICONDUCTOR DEVICE, Diode, pin type (28480) spec dwg 511769-1 | 1 | |
| | 8004872G1 | C | CAPACITOR ASSEMBLY | 1 | |
| | MS25082-13 | C | ATTACHING PARTS | | |
| | MS35333-74 | C | NUT | 1 | |
| | | C | WASHER | 1 | |
| | | | -----* | | |
| - 55 | 8004920-1 | D | COIL, RF | 1 | |
| - 56 | 193-0010-001 | D | CAPACITOR, Variable, air dielectric, 2.2 to 34 pf, 375 wvdc (74970) spec dwg 501185-10 (vendor changed part numbers in later configurations) | 1 | |
| | 193-0010-053 | D | CAPACITOR, Variable, air dielectric, 2.2 to 34 pf, porm 10 pct, 375 wvdc (74970) spec dwg 501185-10 (used in later configurations) | 1 | |
| - 57 | CK60BX101K | C | CAPACITOR (alternate part 501240-31) | 3 | |
| - 58 | RCR07G104JR | C | RESISTOR | 3 | |
| - 59 | 56-590-65-4B | C | SHIELD, RF1, bead type (02114) spec dwg 512134-2 | 3 | |
| - 60 | 511830-2 | C | TRANSISTOR, FET N channel | 2 | |
| - 61 | 8006108-1 | C | CAPACITOR, Modified | 4 | |
| | 8004871G1 | C | RETAINER ASSEMBLY | 2 | |
| - 62 | TXBE019-021G | D | RETAINER, Thermal (98978) spec dwg 509403-1 | 1 | |
| | 5339-05903-3 | D | ATTACHING PARTS | | |
| | | D | EYELET, Metallic | 1 | |
| | | | -----* | | |
| - 63 | 8004871-4 | D | INSULATION TAPE, Thermal | 1 | |
| - 64 | 8004871-1 | D | PLATE, Mounting, retainer | 1 | |
| - 65 | RCR07G623JR | C | RESISTOR | 1 | |
| | 8004872G2 | C | CAPACITOR ASSEMBLY | 1 | |
| | MS25082-13 | C | ATTACHING PARTS | | |
| | MS35333-74 | C | NUT | 1 | |
| | | C | WASHER | 1 | |
| | | | -----* | | |
| - 66 | 8004919-1 | D | COIL, RF | 1 | |
| - 67 | 193-0008-001 | D | CAPACITOR, Variable, air dielectric, 2.0 to 27 pf, 375 wvdc (74970) spec dwg 501185-9 (vendor changed part numbers in later configurations) | 1 | |
| | 193-0008-053 | D | CAPACITOR, Variable, air dielectric, 2.0 to 27 pf, porm 10 pct, 375 wvdc (74970) spec dwg 501185-9 (used in later configurations) | 1 | |
| - 68 | CM05CD100J03 | C | CAPACITOR | 1 | |
| - 69 | CK60BX220K | C | CAPACITOR (alternate part 501240-19) | 1 | |
| | 8004813G1 | C | CAPACITOR ASSEMBLY | 1 | |
| | MS25082-13 | C | ATTACHING PARTS | | |
| | MS35333-74 | C | NUT | 1 | |
| | | C | WASHER | 1 | |
| | | | -----* | | |
| - 70 | 8004814-1 | D | COIL, RF | 1 | |
| - 71 | 193-0008-001 | D | CAPACITOR, Variable, air dielectric, 2.0 to 27 pf, 375 wvdc (74970) spec dwg 501185-9 (vendor changed part numbers in later configurations) | 1 | |
| | 193-0008-053 | D | CAPACITOR, Variable, air dielectric, 2.0 to 27 pf, porm 10 pct, 375 wvdc (74970) spec dwg 501185-9 (used in later configurations) | 1 | |

Section II
Group Assembly Parts List

T.O. 31R2-2GRR-114
NAVELEX 0967-LP-428-1020

| FIGURE AND INDEX NUMBER | PART NUMBER | IDENT | DESCRIPTION | UNITS PER ASSY | USABLE ON CODE |
|-------------------------|--------------|-------|---|----------------|----------------|
| 7- 72 | OK60AX471K | C | CAPACITOR | 4 | |
| - 73 | RV6LAYSA103A | C | RESISTOR | 1 | |
| - 74 | STC7627 | C | TRANSISTOR, NPN, power amplifier, RF, 5 w (01295) spec dwg 511800-1 (use until exhausted) | 3 | |
| | 2N3866A | C | TRANSISTOR, NPN, power (04713 or 54590) spec dwg 511800-1 (replaces STC7627 in later configurations) | 3 | |
| - 75 | RCR07G100JR | C | RESISTOR | 3 | |
| | 8004789G3 | C | CAPACITOR ASSEMBLY ATTACHING PARTS | 1 | |
| | MS25082-13 | C | NUT | 1 | |
| | MS35333-74 | C | WASHER | 1 | |
| | | | ----*---- | | |
| - 76 | 8004960-2 | D | COIL, RF | 1 | |
| - 77 | 193-0008-001 | D | CAPACITOR, Variable, air dielectric, 2.0 to 27 pf, 375 wvdc (74970) spec dwg 501185-9 (vendor changed part numbers in later configurations) | 1 | |
| | 193-0008-053 | D | CAPACITOR, Variable, air dielectric, 2.0 to 27 pf, porm 10 pct, 375 wvdc (74970) spec dwg 501185-9 (used in later configurations) | 1 | |
| - 78 | RCR07G203JR | C | RESISTOR | 1 | |
| | 8004789G2 | C | CAPACITOR ASSEMBLY ATTACHING PARTS | 1 | |
| | MS25082-13 | C | NUT | 1 | |
| | MS35333-74 | C | WASHER | 1 | |
| | | | ----*---- | | |
| - 79 | 8004960-1 | D | COIL, RF | 1 | |
| - 80 | 193-0008-001 | D | CAPACITOR, Variable, air dielectric, 2.0 to 27 pf, 375 wvdc (74970) spec dwg 501185-9 (vendor changed part numbers in later configurations) | 1 | |
| | 193-0008-053 | D | CAPACITOR, Variable, air dielectric, 2.0 to 27 pf, porm 10 pct, 375 wvdc (74970) spec dwg 501185-9 (used in later configurations) | 1 | |
| - 81 | RCR07G511JR | C | RESISTOR | 1 | |
| - 82 | 8004927G1 | C | SHIELD ASSEMBLY | 1 | |
| - 83 | FTSM7 | D | TERMINAL, Stud, insulated (98291) spec dwg 514264-701 | 3 | |
| | 8004849G1 | C | PRINTED WIRING BOARD | | |
| - 84 | 100-341-2 | D | CLIP, Spring, tension (99378) spec dwg 501909-1 ATTACHING PARTS | 3 | |
| | MS16535-64 | D | RIVET | 3 | |
| | | | ----*---- | | |
| - 85 | 4871-1-05-16 | D | TERMINAL, Stud, uninsulated, turret-type (71279) spec dwg 514264-404 | 5 | |
| - 86 | 5321-5 | D | TERMINAL, Stud, uninsulated, turret-type (06540) spec dwg 514266-302 | 12 | |
| - 87 | 8004849-1 | D | PRINTED WIRING BOARD | 1 | |
| - 88 | 8006128-1 | B | INSULATOR | 1 | |
| - 89 | RG188AU | B | CABLE, RF | AR | |
| | 8004870G1 | B | CHASSIS, Electrical equipment | 1 | |
| - 90 | 8004750-1 | C | LUG, Mounting ATTACHING PARTS | 2 | |
| | MS16535-133 | C | RIVET (used in early configurations) | 8 | |
| | MS16535-134 | C | RIVET (used in later configurations) | 8 | |
| | | | ----*---- | | |
| - 91 | SOS440-6 | C | STANDOFF, Threaded (46384) spec dwg 505127-42 | 5 | |
| - 92 | 8004870-1 | C | CHASSIS | 1 | |

| FIGURE AND INDEX NUMBER | PART NUMBER | IDENT | DESCRIPTION | UNITS PER ASSY | USABLE ON CODE |
|-------------------------|-------------------|-------|---|----------------|----------------|
| 8- | 8004240G2 | A | MIXER-MULTIPLIER, UHF (see figure 2 for for NHA) replaces and is interchangeable with 8004240G1, used in later configurations | REF | ACFG HJT |
| - 1 | 8004869-1 | B | COVER, Top | 1 | |
| | MS35190-211 | B | ATTACHING PARTS SCREW ----- | 6 | |
| - 2 | UG1468U | B | CONNECTOR (used in early configurations) | 1 | |
| | M39012-76-0002 | B | CONNECTOR (used in later configurations) | 1 | |
| - 3 | 030-1952-000 | B | CONTACT, Electrical (71468) spec dwg 502056-401 | 5 | |
| | 403-30-15-119-410 | B | CONTACT, Electrical (71785) spec dwg 502056-401 (alternate part in later configurations) | 5 | |
| - 4 | D20419 | B | RETAINER, Electrical connector (71468) spec dwg 502056-301 | 2 | |
| | 318-15-99-056 | B | RETAINER, Electrical connector (71785) spec dwg 502056-301 (alternate part in later configurations) | 2 | |
| - 5 | DAC15PFO | B | CONNECTOR, Receptacle, electrical (71468) spec dwg 502056-102 (use until exhausted, vendor changed part numbers in later configurations) | 1 | |
| | DAU15PFO | B | CONNECTOR, Receptacle, electrical (71468) spec dwg 502056-102 (alternate part used in later configurations) | 1 | |
| | 234-15-11-100 | B | CONNECTOR, Receptacle, electrical (71785) spec dwg 502056-102 (alternate part in later configurations) | 1 | |
| - 6 | MS35489-4 | B | GROMMET | 1 | |
| - 7 | M39012-75-0004 | B | CONNECTOR | 2 | |
| - 8 | 8004961-1 | B | SHIELD, Retainer ATTACHING PARTS | 2 | |
| | MS25082-12 | B | NUT | 2 | |
| | MS35333-39 | B | WASHER ----- | 2 | |
| - 9 | 517689-1 | B | WASHER, Non-metallic (used in early configurations, when exhausted use alternate part 5-646N674-70) | 2 | |
| | 5-646N674-70 | B | PACKING, Preformed (02697) spec dwg 508874-13 (alternate part used in later configurations) | 2 | |
| - 10 | MS35206-251 | B | SCREW | 2 | |
| - 11 | MS27183-7 | B | WASHER | 2 | |
| - 12 | MS35338-42 | B | WASHER | 2 | |
| - 13 | 500116-1 | B | ADAPTER, Shaft | 5 | |

| FIGURE AND INDEX NUMBER | PART NUMBER | INDEX | DESCRIPTION | UNITS PER ASSY | USABLE ON CODE |
|-------------------------|----------------|-------|--|----------------|----------------|
| - 14 | 2504-04-00 | B | TERMINAL. Lug type (78189) spec dwg 514260-2 ATTACHING PARTS | 1 | |
| | MS35206-214 | B | SCREW | 1 | |
| | MS35338-40 | B | WASHER | 1 | |
| | 8006164G1 | B | ----- CIRCUIT CARD ASSEMBLY. Mixer Multiplier, plier. UHF ATTACHING PARTS | 1 | |
| | MS35206-214 | B | SCREW | 4 | |
| | MS27183-3 | B | WASHER | 4 | |
| | MS35338-40 | B | WASHER | 4 | |
| | | | ----- | | |
| - 15 | M39003-01-2362 | C | CAPACITOR | 1 | |
| - 16 | CK60AW102M | C | CAPACITOR (alternate part 501240-58) | 13 | |
| | CK60AW102M | C | CAPACITOR (alternate part 501240-58) C20 and C24 used in early configurations | 2 | |
| | M39014-02-1407 | C | CAPACITOR (C20 and C24 used in later configurations) | 2 | |
| - 17 | CK06BX103K | C | CAPACITOR | 2 | |
| - 18 | JAN2N697 | C | TRANSISTOR | 1 | |
| - 19 | 300-100W5R104K | C | CAPACITOR, Fixed, ceramic dielectric. 100.000 pf, perm 10 pct, 100 wvdc (51642) spec dwg 501170-12 (used in early configurations) | 1 | |

Section II
Group Assembly Parts List

T.O. 31R2-2GRR-114
NAVELEX 0967-LP-428-1020

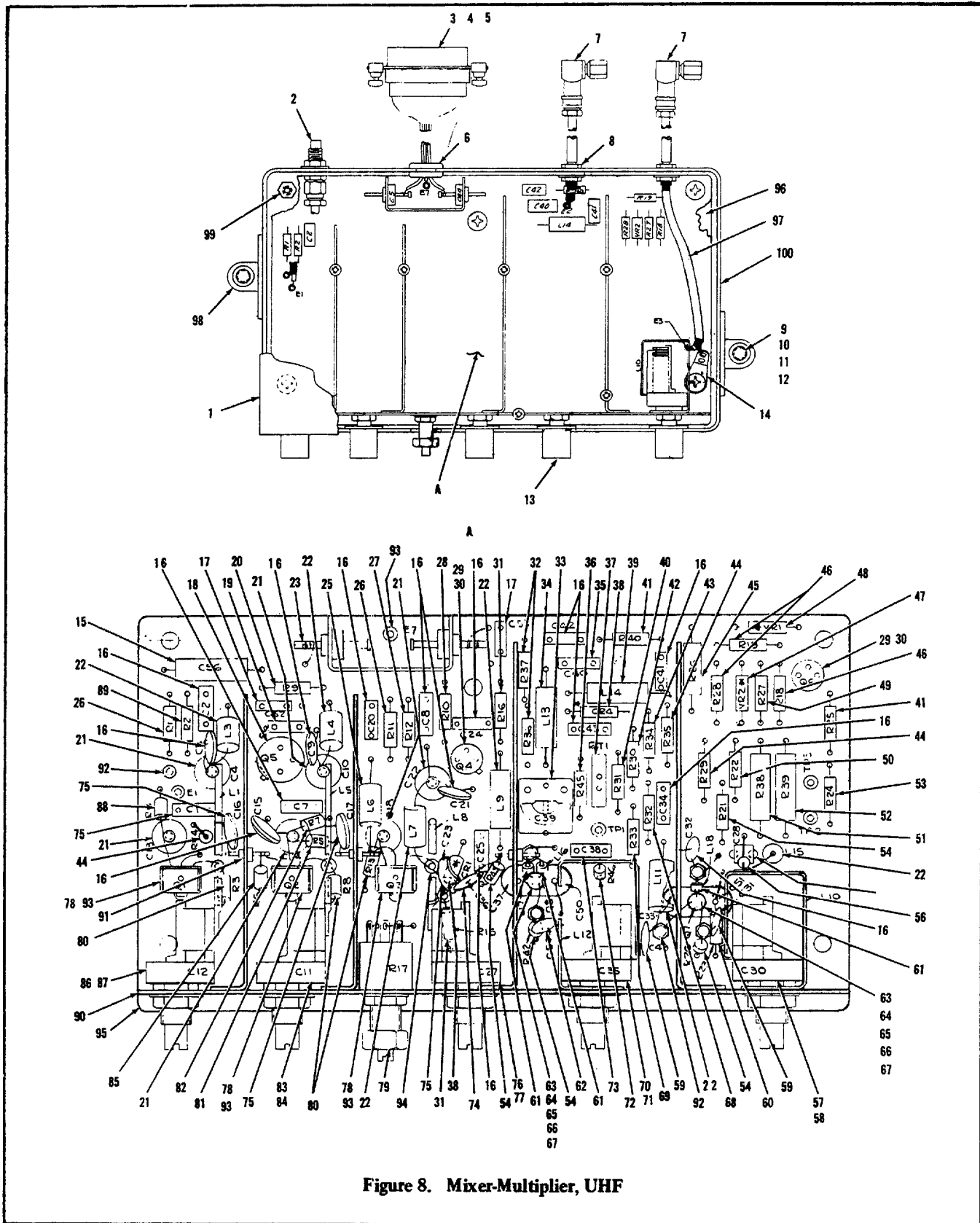


Figure 8. Mixer-Multiplier, UHF

| FIGURE AND INDEX NUMBER | PART NUMBER | INDENT | DESCRIPTION | UNITS PER ASSY | USABLE ON CODE |
|-------------------------|--------------|--------|--|----------------|----------------|
| 8- | CK06BX104K | C | CAPACITOR (used in later configurations) | 1 | |
| - 20 | RCR07G152JR | C | RESISTOR | 1 | |
| - 21 | 5601-1 | C | CAPACITOR, Fixed, ceramic dielectric, 1000 pf, plus 100 pct minus 0 pct @ 1 kHz, 25 deg c, 500 wvdc (00656) spec dwg 501171-1 (when exhausted use alternate part 54-803-012) | 6 | |
| | 54-803-012 | C | CAPACITOR, Fixed, ceramic dielectric, 1000 pf, plus 100 pct minus 0 pct @ 1 kHz 2 vrms, 25 deg c, 500 wvdc (33095) spec dwg 501171-1 (alternate part used in later configurations) | 6 | |
| - 22 | MS75008-28 | C | COIL | 6 | |
| - 23 | FA5C102W | C | CAPACITOR, Fixed, ceramic dielectric, feedthru, 1000 pf, plus 150 pct minus 0 pct gm v @ 1 kHz, 2 vrms, 25 deg c, 500 wvdc (01121) spec dwg 501172-1 | 4 | |
| - 24 | 8004851-1 | C | SHIELD, Filter mounting | 1 | |
| - 25 | MS75008-23 | C | COIL | 1 | |
| - 26 | RCR07G361JR | C | RESISTOR | 2 | |
| - 27 | RCR07G822JR | C | RESISTOR | 1 | |
| - 28 | RCR07G131JR | C | RESISTOR | 1 | |
| - 29 | JAN2N2222A | C | TRANSISTOR | 2 | |
| - 30 | 10047DAP | C | MOUNTING PAD, Electrical (07047) spec dwg 507253-12 | 2 | |
| - 31 | RCR07G202JR | C | RESISTOR | 2 | |
| - 32 | RCR07G223JR | C | RESISTOR | 2 | |
| - 33 | 189-505-5 | C | CAPACITOR, Variable, air dielectric, 1.7 to 11.0 pf, 375 wvdc (74970) spec dwg 501361-15 | 1 | |
| - 34 | MS75008-33 | C | COIL | 1 | |
| - 35 | CM05FD101J03 | C | CAPACITOR | 1 | |
| - 36 | RCR07G151JR | C | RESISTOR | 1 | |
| - 37 | 4DB270S | C | RESISTOR, Thermal, 27 ohms, porm 5 pct @ 25 deg c 0.8 watt max (12930) spec dwg 509413-2 | 1 | |
| - 38 | 5082-8906 | C | SEMICONDUCTOR DEVICE, Diode (28480) spec dwg 511785-1 | 2 | |
| - 39 | MS75008-44 | C | COIL | 1 | |
| - 40 | RCR07G333JR | C | RESISTOR | 1 | |
| - 41 | RCR07G102JR | C | RESISTOR | 2 | |
| - 42 | RCR07G105JR | C | RESISTOR | 1 | |
| - 43 | RCR07G394JR | C | RESISTOR | 1 | |
| - 44 | RCR07G101JR | C | RESISTOR | 3 | |
| - 45 | RCR20G332JR | C | RESISTOR | 1 | |
| - 46 | RCR07G562JR | C | RESISTOR | 3 | |
| - 47 | JAN1N753A | C | SEMICONDUCTOR DEVICE, Diode | 1 | |
| - 48 | JAN1N746A | C | SEMICONDUCTOR DEVICE, Diode | 1 | |
| - 49 | RCR07G153JR | C | RESISTOR | 1 | |
| - 50 | RCR07G334JR | C | RESISTOR | 1 | |
| - 51 | RN65D3570F | C | RESISTOR | 1 | |
| - 52 | RN65D1910F | C | RESISTOR | 1 | |
| - 53 | RCR07G475JR | C | RESISTOR | 1 | |
| - 54 | RCR07G104JR | C | RESISTOR | 4 | |
| - 55 | VK11CX471K | C | CAPACITOR, Fixed, ceramic dielectric, wafer chip, leadless, 470 pf, porm 10 pct (95275) spec dwg 501365-21 | 2 | |
| - 56 | 5082-8697 | C | SEMICONDUCTOR DEVICE, Diode, pin type (28480) spec dwg 511769-1 | 1 | |
| | 8004872G3 | C | CAPACITOR ASSEMBLY ATTACHING PARTS | 1 | |
| | MS25082-13 | C | NUT | 1 | |
| | MS35333-74 | C | WASHER | 1 | |
| - 57 | 8004920-2 | D | COIL, RF | 1 | |

Section II
Group Assembly Parts List

T.O. 31R2-2GRR-114
NAVELEX 0967-LP-428-1020

| FIGURE AND INDEX NUMBER | PART NUMBER | IDENT | DESCRIPTION | UNITS PER ASSY | USABLE ON CODE |
|-------------------------|--------------|-------|--|----------------|----------------|
| 8- 58 | 193-0010-001 | D | CAPACITOR, Variable, air dielectric, 2.2 to 34 pf, 375 wvdc (74970) spec dwg 501185-10 (vendor changed part numbers in later configurations) | 1 | |
| | 193-0010-053 | D | CAPACITOR, Variable, air dielectric, 2.2 to 34 pf, porm 10 pct, 375 wvdc (74970) spec dwg 501185-10 (used in later configurations) | 1 | |
| - 59 | CK60BX101K | C | CAPACITOR, (alternate part 501240-31) | 2 | |
| - 60 | ROR07G391JR | C | RESISTOR | 1 | |
| - 61 | 56-590-65-4B | C | SHIELD, RFI, bead type (02114) spec dwg 512134-2 | 3 | |
| - 62 | CK60BX101K | C | CAPACITOR (used in early configurations) | 1 | |
| | CK60BX150K | C | CAPACITOR, (used in later configurations, alternate part 501240-16) | 1 | |
| - 63 | SFC5538 | C | TRANSISTOR, FET, n channel, protected gates (01295) spec dwg 515346-1 (used in early configurations) | 2 | |
| | 515346-1 | C | TRANSISTOR, FET, n channel, protected gates (selected item in later configurations) | 2 | |
| | 8004871G1 | C | RETAINER ASSEMBLY | 2 | |
| - 64 | TXBE019-021G | D | RETAINER, Thermal (98978) spec dwg 509403-1 ATTACHING PARTS | 1 | |
| | 5339-05903-3 | D | EYELET ---*--- | 1 | |
| - 55 | 8004871-4 | D | INSULATION TAPE, Thermal | 1 | |
| - 66 | 8004871-1 | D | PLATE, Mounting, retainer | 1 | |
| - 67 | 8006108-1 | C | CAPACITOR, Modified | 4 | |
| - 58 | ROR07G623JR | C | RESISTOR | 1 | |
| - 59 | ROR07G471JR | C | RESISTOR | 1 | |
| | 8004872G2 | C | CAPACITOR ASSEMBLY ATTACHING PARTS | 1 | |
| | MS25082-13 | C | NUT | 1 | |
| | MS35333-74 | C | WASHER ---*--- | 1 | |
| - 70 | 8004919-1 | D | COIL, RF | 1 | |
| - 71 | 193-0008-001 | D | CAPACITOR, Variable, air dielectric, 2.0 to 27 pf, 375 wvdc (74970) spec dwg 501185-9 (vendor changed part numbers in later configurations) | 1 | |
| | 193-0008-053 | D | CAPACITOR, Variable, air dielectric, 2.0 to 27 pf, porm 10 pct, 375 wvdc (74970) spec dwg 501185-9 (used in later configurations) | 1 | |
| - 72 | ROR07G222JR | C | RESISTOR (value selected at test, tailor point) | 1 | |
| | ROR07G152JR | C | RESISTOR (value selected at test, tailor point) | 1 | |
| | ROR07G472JR | C | RESISTOR (value selected at test, tailor point) | 1 | |
| - 73 | CM05CD100J03 | C | CAPACITOR | 1 | |
| - 74 | CK60BX220K | C | CAPACITOR (alternate part 501240-19) | 1 | |
| - 75 | CK60AX471K | C | CAPACITOR (alternate part 501240-43) | 4 | |
| | 8004813G1 | C | CAPACITOR ASSEMBLY ATTACHING PARTS | 1 | |
| | MS25082-13 | C | NUT | 1 | |
| | MS35333-74 | C | WASHER ---*--- | 1 | |
| - 76 | 8004814-1 | D | COIL, RF | 1 | |
| - 77 | 193-0008-001 | D | CAPACITOR, Variable, air dielectric, 2.0 to 27 pf, 375 wvdc (74970) spec dwg 501185-9 (vendor changed part numbers in later configurations) | 1 | |
| - 77 | 193-0008-053 | D | CAPACITOR, Variable, air dielectric, 2.0 to 27 pf, porm 10 pct, 375 wvdc (74970) spec dwg 501185-9 (used in later configurations) | 1 | |
| - 78 | STC7627 | C | TRANSISTOR, NPN, power amplifier, rf, 5w (01295) spec dwg 511800-1 (use until exhausted) | 3 | |
| | 2N3866A | C | TRANSISTOR, NPN, power (04713 or 54590) spec dwg 511800-1 (replaces STC7627 in later configurations) | 3 | |
| - 79 | RV6LAYS103A | C | RESISTOR | 1 | |

T.O. 31R2-2GRR-114
NAVELEX 0967-LP-428-1020

Section II
Group Assembly Parts List

| FIGURE AND INDEX NUMBER | PART NUMBER | INDENT | DESCRIPTION | UNITS PER ASSY | USABLE ON CODE |
|-------------------------|--------------|--------|---|----------------|----------------|
| 8- 80 | RCR07G100JR | C | RESISTOR | 3 | |
| - 81 | RCR07G203JR | C | RESISTOR | 1 | |
| - 82 | RCR07G103JR | C | RESISTOR | 1 | |
| | 8004789G3 | C | CAPACITOR ASSEMBLY | 1 | |
| | | | ATTACHING PARTS | | |
| | MS25082-13 | C | NUT | 1 | |
| | MS35333-74 | C | WASHER | 1 | |
| | | | ----*---- | | |
| - 83 | 8004960-2 | D | COIL, RF | 1 | |
| - 84 | 193-0008-001 | D | CAPACITOR, Variable, air dielectric, 2.0 to 27 pf, 375 wvdc (74970) spec dwg 501185-9 (vendor changed part numbers in later configurations) | 1 | |
| | 193-0008-053 | D | CAPACITOR, Variable, air dielectric, 2.0 to 27 pf, perm 10 pct, 375 wvdc (74970) spec dwg 501185-9 (used in later configurations) | 1 | |
| - 85 | RCR07G221JR | C | RESISTOR | 1 | |
| - 85 | 8004789G2 | C | CAPACITOR ASSEMBLY | 1 | |
| | | | ATTACHING PARTS | | |
| | MS25082-13 | C | NUT | 1 | |
| | MS35333-74 | C | WASHER | 1 | |
| | | | ----*---- | | |
| - 86 | 8004960-1 | D | COIL, RF | 1 | |
| - 87 | 193-0008-001 | D | CAPACITOR, Variable, air dielectric, 2.0 to 27 pf, 375 wvdc (74970) spec dwg 501185-9 (vendor changed part numbers in later configurations) | 1 | |
| | 193-0008-053 | D | CAPACITOR, Variable, air dielectric, 2.0 to 27 pf, perm 10 pct, 375 wvdc (74970) spec dwg 501185-9 (used in later configurations) | 1 | |
| - 88 | RCR07G511JR | C | RESISTOR | 1 | |
| - 89 | RCR07G392JR | C | RESISTOR | 1 | |
| - 90 | 8004927G2 | C | SHIELD ASSEMBLY | 1 | |
| - 91 | FTSM7 | D | TERMINAL, Stud, insulated (98291) spec dwg 514264-701 | 3 | |
| | 8006163G1 | C | PRINTED WIRING BOARD | 1 | |
| - 92 | 4871-1-05-15 | D | TERMINAL, Stud, insulated (71279) spec dwg 514264-404 | 5 | |
| - 93 | 100-341-2 | D | CLIP, Spring, tension (99378) spec dwg 501909-1 | 3 | |
| | | | ATTACHING PARTS | | |
| | MS16535-64 | D | RIVET | 3 | |
| | | | ----*---- | | |
| - 94 | 5321-5 | D | TERMINAL, Stud, uninsulated, turret-type (06540) spec dwg 514266-302 | 11 | |
| - 95 | 8006163-1 | D | PRINTED WIRING BOARD | 1 | |
| - 96 | 8006128-1 | D | INSULATOR | 1 | |
| - 97 | RG188AU | B | CABLE, RF | AR | |
| | 8004870G2 | B | CHASSIS, Electrical equipment | 1 | |
| - 98 | 8004750-1 | C | LUG, Mounting | 2 | |
| | | | ATTACHING PARTS | | |
| | MS16535-133 | C | RIVET (used in early configurations) | 8 | |
| | MS16535-134 | C | RIVET (used in early configurations) | 8 | |
| | | | ----*---- | | |
| - 99 | SOS440-6 | C | STANDOFF, Threaded (46384) spec dwg 505127-42 | 5 | |
| -100 | 8004870-5 | C | CHASSIS | 1 | |

Section II
Group Assembly Parts List

T.O. 31R2-2GRR-114
NAVELEX 0967-LP-428-1020

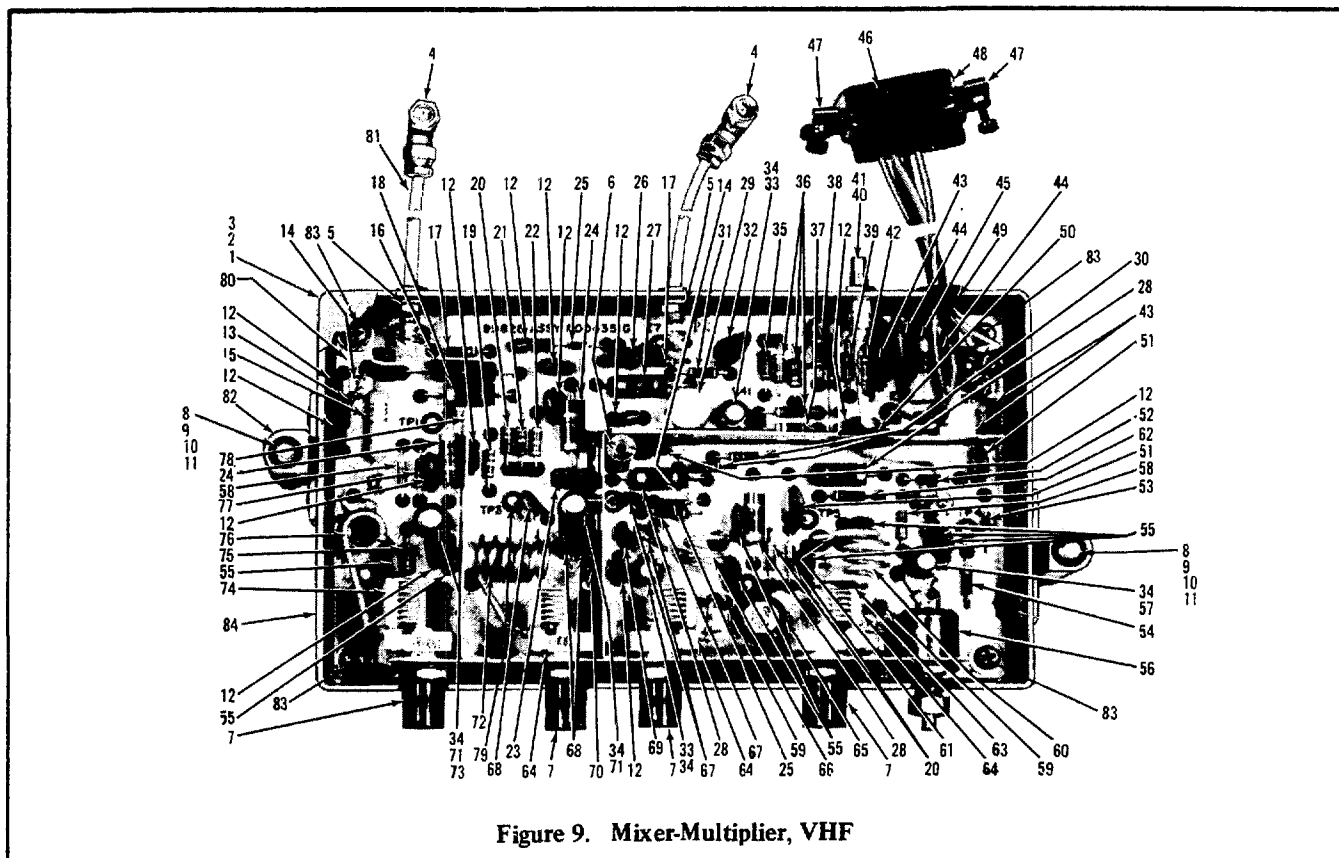


Figure 9. Mixer-Multiplier, VHF

| FIGURE AND INDEX NUMBER | PART NUMBER | IDENT | DESCRIPTION | UNITS PER ASSY | USABLE ON CODE |
|-------------------------|-------------|-------|--|----------------|----------------|
| 9- | 8004241G1 | A | MIXER-MULTIPLIER, VHF (see figure 2 for NHA) (used in early configurations, replaced by 8004241G2 in later configurations) | REF | LMQ |
| | 8004823G1 | B | COVER, Top | 1 | |
| | MS35190-221 | B | ATTACHING PARTS SCREW | 1 | |
| - 1 | 8004823-3 | C | SEAL, RFI | 1 | |
| - 2 | 8004823-2 | C | SEAL, RFI | 1 | |
| - 3 | 8004823-1 | C | COVER | 1 | |
| - 4 | UG1466U | B | CONNECTOR | 2 | |
| - 5 | 8004961-1 | B | SHIELD, Retainer | 2 | |
| | MS25082-12 | B | ATTACHING PARTS NUT | 2 | |
| | MS35333-39 | B | WASHER | 2 | |
| - 6 | 8004824-1 | B | STANDOFF, Threaded | 1 | |
| | MS35333-36 | B | ATTACHING PARTS WASHER | 1 | |
| - 7 | 500116-1 | B | ADAPTER, Shaft | 4 | |
| - 8 | MS35206-252 | B | SCREW | 2 | |
| - 9 | MS27183-7 | B | WASHER | 2 | |
| - 10 | MS35338-42 | B | WASHER | 2 | |
| - 11 | 517689-1 | B | WASHER, Non-metallic (used in early configurations, when exhausted use alternate part 5-546N674-70) | 2 | |

T.O. 31R2-2GRR-114
NAVELEX 0967-LP-428-1020

Section II
Group Assembly Parts List

| FIGURE AND INDEX NUMBER | PART NUMBER | I N D E X | DESCRIPTION | UNITS PER ASSY | USABLE ON CODE |
|-------------------------|-------------------|-----------|--|----------------|----------------|
| 9- | 5-646N674-70 | B | PACKING, <i>Preformed</i> (02697) spec dwg 508874-13 (alternate part used in later configurations) | 2 | |
| | 8004351G1 | B | CIRCUIT CARD ASSEMBLY, Mixer-Multiplier, VHF ATTACHING PARTS | 1 | |
| | MS35206-214 | B | SCREW | 4 | |
| | MS27183-4 | B | WASHER | 4 | |
| | MS35338-40 | B | WASHER | 4 | |
| | | | ---*--- | | |
| - 12 | CK60AW102M | C | CAPACITOR (alternate part 501240-58) | 12 | |
| - 13 | 5082-8697 | C | SEMICONDUCTOR DEVICE, Diode, pin type (28480) spec dwg 511769-1 | 1 | |
| - 14 | VK11CX102K | C | CAPACITOR, Fixed, ceramic dielectric, wafer chip, leadless 1000 pf, porm 10 pct (95275) spec dwg 501365-25 | 2 | |
| - 15 | RN65D1910F | C | RESISTOR | 1 | |
| - 16 | RN65D4020F | C | RESISTOR | 1 | |
| - 17 | RCR07G102JR | C | RESISTOR | 2 | |
| - 18 | MS75008-40 | C | COIL | 1 | |
| - 19 | RCR07G334JR | C | RESISTOR | 1 | |
| - 20 | RCR07G203JR | C | RESISTOR | 3 | |
| - 21 | RCR07G153JR | C | RESISTOR | 1 | |
| - 22 | RCR07G473JR | C | RESISTOR (used in early configurations) | 1 | |
| | RCR07G154JR | C | RESISTOR (used in later configurations) | 1 | |
| - 23 | CM05ED330J03 | C | CAPACITOR | 1 | |
| - 24 | MS75008-44 | C | COIL | 2 | |
| - 25 | 5082-8916 | C | SEMICONDUCTOR DEVICE, Diode (28480) spec dwg 511785-2 (use until exhausted) | 2 | |
| | 5082-2835 | C | SEMICONDUCTOR DEVICE, Diode (28480) spec dwg 511785-2 (alternate for 5082-8916) | 2 | |
| - 26 | CM05FD331J03 | C | CAPACITOR | 1 | |
| - 27 | MS75008-30 | C | COIL | 1 | |
| - 28 | MS75008-32 | C | COIL | 3 | |
| - 29 | 538-011-5-5-18PFA | C | CAPACITOR, Variable, ceramic dielectric, 5.5 thru 18.0 pf, 350 wvdc (72982) spec dwg 501174-102 | 1 | |
| - 30 | RCR07G103JR | C | RESISTOR | 2 | |
| - 31 | RCR07G300JR | C | RESISTOR | 1 | |
| - 32 | 4DB270S | C | RESISTOR, Thermal, 0.8 watt maximum (12930) spec dwg 509413-2 | 1 | |
| - 33 | JAN2N2222A | C | TRANSISTOR | 2 | |
| - 34 | 10047DAP | C | MOUNTING PAD, Electrical (07047) spec dwg 507253-12 | 5 | |
| - 35 | JAN1N753A | C | SEMICONDUCTOR DEVICE, Diode | 1 | |
| - 36 | RCR07G562JR | C | RESISTOR | 3 | |
| - 37 | RCR07G391JR | C | RESISTOR | 1 | |
| - 38 | RCR07G472JR | C | RESISTOR | 1 | |
| - 39 | JAN1N746A | C | SEMICONDUCTOR DEVICE, Diode | 1 | |
| - 40 | UG1468U | C | CONNECTOR (used in early configurations) | 1 | |
| | M39012-76-0002 | C | CONNECTOR (used in later configurations) | 1 | |
| - 41 | RG188AJ | C | CABLE, RF | AR | |
| - 42 | RCR07G302JR | C | RESISTOR | 1 | |
| - 43 | CK06BX103K | C | CAPACITOR | 3 | |
| - 44 | CK63AW103M | C | CAPACITOR (alternate part 501240-85) | 2 | |
| - 45 | MS75053-1 | C | COIL | 1 | |
| - 46 | 030-1952-000 | C | CONTACT, Electrical (71468) spec dwg 502056-401 | 5 | |
| | 403-30-15-119-410 | C | CONTACT, Electrical (71785) spec dwg 502056-401 (alternate part in later configurations) | 5 | |
| - 47 | U20419 | C | RETAINER, Electrical connector (71468) spec dwg 502056-301 | 2 | |
| | 318-15-99-056 | C | RETAINER, Electrical connector (71785) spec dwg 502056-301 (alternate part in later configurations) | 2 | |
| - 48 | DAC15PFO | C | CONNECTOR, Receptacle, electrical (71468) spec dwg 502056-102 (use until exhausted, vendor changed part numbers in later configurations) | 1 | |

Section II
Group Assembly Parts List

T.O. 31R2-2GRR-114
NAVELEX 0967-LP-428-1020

| FIGURE AND INDEX NUMBER | PART NUMBER | IDENT | DESCRIPTION | UNITS PER ASSY | USABLE ON CODE |
|-------------------------|---------------|-------|---|----------------|----------------|
| 9- | DAU15PFO | C | CONNECTOR, Receptacle, electrical (71468) spec dwg 502056-102 (alternate part used in later configurations) | 1 | |
| | 234-15-11-100 | C | CONNECTOR, Receptacle, electrical (71785) spec dwg 502056-102 (alternate part in later configurations) | 1 | |
| - 49 | MS35489-4 | C | GROMMET | 1 | |
| - 50 | MS35489-1 | C | GROMMET | 1 | |
| - 51 | CK61AW222M | C | CAPACITOR (alternate part 501240-88) | 2 | |
| - 52 | RCR07G682JR | C | RESISTOR | 1 | |
| - 53 | JAN1N914 | C | SEMICONDUCTOR DEVICE, Diode | 1 | |
| - 54 | RCR07G151JR | C | RESISTOR | 1 | |
| - 55 | CK60AX471K | C | CAPACITOR (alternate part 501240-43) | 3 | |
| - 56 | RV6LAYS103A | C | RESISTOR | 1 | |
| - 57 | 2N4072 | C | TRANSISTOR, NPN, RF amplifier (04713) spec dwg 511782-1 | 1 | |
| - 58 | RCR07G101JR | C | RESISTOR | 2 | |
| - 59 | RCR07G180JR | C | RESISTOR | 2 | |
| - 60 | 8004830-1 | C | COIL, RF | 1 | |
| - 61 | 8004827-1 | C | COIL, RF | 1 | |
| - 62 | RCR07G511JR | C | RESISTOR | 1 | |
| - 63 | RCR07G271JR | C | RESISTOR | 1 | |
| - 64 | 193-0006-001 | C | CAPACITOR, Variable, air dielectric, 1.7 to 20 pf, 375 wvdc (74970) spec dwg 501185-8 (vendor changed part numbers in later configurations) | 3 | |
| | 193-0006-053 | C | CAPACITOR, Variable, air dielectric, 1.7 to 20 pf, perm 10 pct, 375 wvdc (74970) spec dwg 501185-8 (used in later configurations) | 3 | |
| | MS35333-74 | C | ATTACHING PARTS WASHER ---*--- | 3 | |
| - 55 | STC7627 | C | TRANSISTOR, NPN, power amplifier, rf, 5w (01295) spec dwg 511800-1 (use until exhausted) | 1 | |
| - 65 | 2N3866A | C | TRANSISTOR, NPN, power (04713 or 54590) spec dwg 511800-1 (replaces STC7627 in later configurations) | 1 | |
| - 66 | 8004829-1 | C | COIL, RF | 1 | |
| - 67 | RCR07G222JR | C | RESISTOR | 1 | |
| - 68 | CK60BX101K | C | CAPACITOR (alternate part 501240-31) | 5 | |
| - 69 | JB32J12 | C | RESISTOR, Thermal, 0.2 watt maximum (15803) spec dwg 509413-1 | 1 | |
| - 70 | RCR07G301JR | C | RESISTOR | 1 | |
| - 71 | 3N140 | C | TRANSISTOR, FET, n channel (02735) spec dwg 511830-1 | 2 | |
| - 72 | 8006106-1 | C | COIL, RF | 1 | |
| - 73 | Deleted | C | TRANSISTOR, FET, n channel | 1 | |
| - 74 | 193-0008-001 | C | CAPACITOR, Variable, air dielectric, 2.0 to 27 pf, 375 wvdc (74970) spec dwg 501185-9 (vendor changed part numbers in later configurations) | 1 | |
| | 193-0008-053 | C | CAPACITOR, Variable, air dielectric, 2.0 to 27 pf, perm 10 pct, 375 wvdc (74970) spec dwg 501185-9 (used in later configurations) | 1 | |
| | MS35333-74 | C | ATTACHING PARTS WASHER ---*--- | 1 | |
| - 75 | RCR07G201JR | C | RESISTOR | 1 | |
| - 76 | 8006107-1 | C | COIL, RF | 1 | |
| - 77 | RCR07G104JR | C | RESISTOR | 1 | |
| - 78 | 8006109G1 | C | SHIELD, ASSEMBLY, RF | 1 | |
| | 8004602G1 | C | PRINTED WIRING BOARD | 1 | |
| - 79 | 5321-5 | D | TERMINAL, Stud, uninsulated, turret-type (06540) spec dwg 514266-302 | 17 | |
| - 80 | 8004602-1 | D | PRINTED WIRING BOARD | 1 | |
| - 81 | RG138AU | B | CABLE, RF | AR | |

T.O. 31R2-2GRR-114
NAVELEX 0967-LP-428-1020

Section II
Group Assembly Parts List

| FIGURE AND INDEX NUMBER | PART NUMBER | INDEPENDENT | DESCRIPTION | UNITS PER ASSY | USABLE ON CODE |
|-------------------------|--------------|-------------|--|----------------|----------------|
| 9- | 8004816G1 | B | CHASSIS, Electrical Equipment | 1 | |
| - 82 | 8004750-1 | C | LUG, Mounting | 2 | |
| | MS16535-133 | C | ATTACHING PARTS RIVET ----*---- | 8 | |
| - 83 | S0S440-8 | C | STANDOFF, Threaded (46384) spec dwg 505127-43 | 5 | |
| - 84 | 8004816-1 | C | CHASSIS | 1 | |
| 10 | 8004241G2 | A | MIXER-MULTIPLIER, VHF (see figure 2 for NHA) replaces and is interchangeable with 8004241G1 used in later configurations | REF | BKNO PRS |
| | 8004823G1 | B | COVER, Top | 1 | |
| | MS35190-221 | B | ATTACHING PARTS SCREW ----*---- | 1 | |
| - 1 | 8004823-3 | C | SEAL, RFI | 1 | |
| - 2 | 8004823-2 | C | SEAL, RFI | 1 | |
| - 3 | 8004823-1 | C | COVER | 1 | |
| - 4 | UG1466U | B | CONNECTOR | 2 | |
| - 5 | 8004961-1 | B | SHIELD, Retainer | 2 | |
| | MS25082-12 | B | ATTACHING PARTS NUT | 2 | |
| | MS35333-39 | B | WASHER ----*---- | 2 | |
| - 6 | 8004824-1 | B | STANDOFF, Threaded | 1 | |
| | MS35333-36 | B | ATTACHING PARTS WASHER ----*---- | 1 | |
| - 7 | 500116-1 | B | ADAPTER, Shaft | 4 | |
| - 8 | MS35206-252 | B | SCREW (used in early configurations) | 2 | |
| | MS35206-251 | B | SCREW (used in later configurations) | 2 | |
| - 9 | MS27183-7 | B | WASHER | 2 | |
| - 10 | MS35338-42 | B | WASHER | 2 | |
| - 11 | 517689-1 | B | WASHER, Non-metallic (used in early configurations, when exhausted use alternate part 5-646N674-70) | 2 | |
| | 5-646N674-70 | B | PACKING, Preformed (02697) spec dwg 508874-13 (alternate part used in later configurations) | 2 | |
| | 8006777G1 | B | CIRCUIT CARD ASSEMBLY, Mixer-Multiplier, VHF | 1 | |
| | MS35206-214 | B | ATTACHING PARTS SCREW | 4 | |
| | MS27183-4 | B | WASHER | 4 | |
| | MS35338-40 | B | WASHER ----*---- | 4 | |
| - 12 | CK60AW102M | C | CAPACITOR (alternate part 501240-58) | 12 | |
| - 13 | 5082-8697 | C | SEMICONDUCTOR DEVICE, Diode, pin type (28480) spec dwg 511769-1 | 1 | |
| - 14 | VK11CX102K | C | CAPACITOR, Fixed, ceramic dielectric, wafer chip, leadless, 1000 pf, perm 10 pct (95275) spec dwg 501365-25 | 2 | |
| - 15 | RN6501910F | C | RESISTOR | 1 | |
| - 16 | RN6503740F | C | RESISTOR | 1 | |
| - 17 | ROR07G102JR | C | RESISTOR | 2 | |
| - 18 | MS75008-40 | C | COIL | 1 | |
| - 19 | ROR07G334JR | C | RESISTOR | 1 | |
| - 20 | ROR07G203JR | C | RESISTOR | 3 | |
| - 21 | ROR07G153JR | C | RESISTOR | 1 | |
| - 22 | ROR07G154JR | C | RESISTOR | 1 | |
| - 23 | CM05E0330J03 | C | RESISTOR | 1 | |
| - 24 | MS75008-44 | C | CAPACITOR COIL | 1 | |

Section II
Group Assembly Parts List

T.O. 31R2-2GRR-114
NAVELEX 0967-LP-428-1020

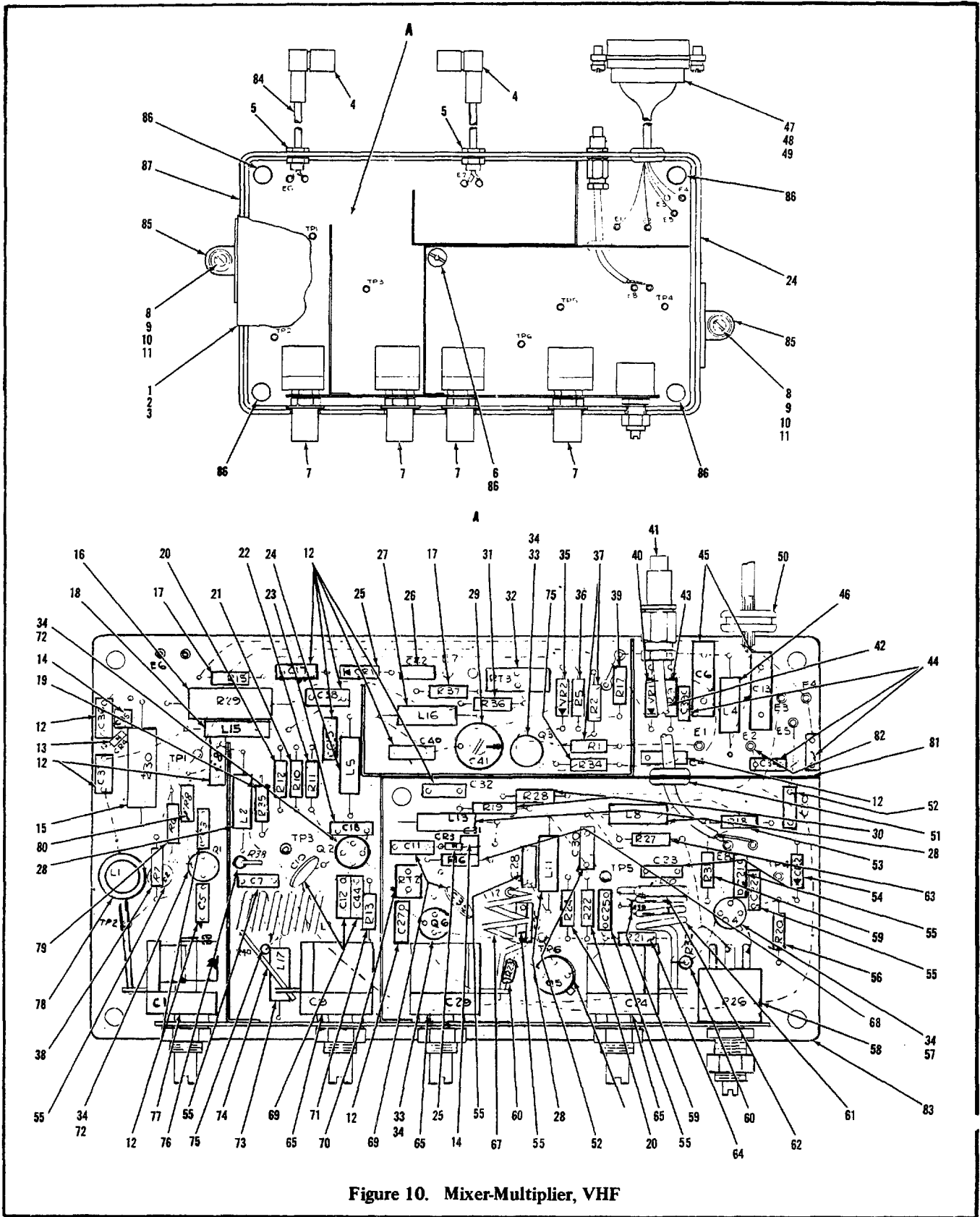


Figure 10. Mixer-Multiplier, VHF

T.O. 31R2-2GRR-114
NAVELEX 0967-LP-428-1020

Section II
Group Assembly Parts List

| FIGURE AND INDEX NUMBER | PART NUMBER | IDENTIFY | DESCRIPTION | UNITS PER ASSY | USABLE ON CODE |
|-------------------------|-------------------|----------|--|----------------|----------------|
| 10- 25 | 5082-8916 | C | SEMICONDUCTOR DEVICE, Diode (28480) spec dwg 511785-2 (use until exhausted) | 2 | |
| | 5082-2835 | C | SEMICONDUCTOR DEVICE, Diode (28480) spec dwg 511785-2 (alternate for 5082-8916) | 2 | |
| - 26 | CM05F0331J03 | C | CAPACITOR | 1 | |
| - 27 | MS75008-30 | C | COIL | 1 | |
| - 28 | MS75008-32 | C | COIL (L2 was MS75008-44 in early configurations) | 4 | |
| | MS75008-44 | C | COIL (L2 - used in early configurations) | 1 | |
| - 29 | 538-011-5-5-18PFA | C | CAPACITOR, Variable, ceramic dielectric, 5.5 thru 18.0 pf, 350 wvdc (72982) spec dwg 501174-102 | 1 | |
| - 30 | RCR07G1031R | C | RESISTOR | 2 | |
| - 31 | RCR07G300JR | C | RESISTOR | 1 | |
| - 32 | 4DB270S | C | RESISTOR, Thermal, 0.8 watt maximum (12930) spec dwg 509413-2 | 1 | |
| - 33 | JAN2N2222A | C | TRANSISTOR | 2 | |
| - 34 | 10047DAP | C | MOUNTING PAD, Electrical (07047) spec dwg 507253-12 | 5 | |
| - 35 | JAN1N753A | C | SEMICONDUCTOR DEVICE, Diode | 1 | |
| - 36 | RCR07G133JR | C | RESISTOR | 1 | |
| - 37 | RCR07G562JR | C | RESISTOR | 2 | |
| - 38 | RCR07G391JR | C | RESISTOR | 1 | |
| - 39 | RCR07G472JR | C | RESISTOR | 1 | |
| - 40 | JAN1N746A | C | SEMICONDUCTOR DEVICE, Diode | 1 | |
| - 41 | UG1468U | C | CONNECTOR (used in early configurations) | 1 | |
| | M39012-76-0002 | C | CONNECTOR (used in later configurations) | 1 | |
| - 42 | RG188AU | C | CABLE, RF | AR | |
| - 43 | RCR07G302JR | C | RESISTOR | 1 | |
| - 44 | CK068X103K | C | CAPACITOR | 3 | |
| - 45 | CK63AW103M | C | CAPACITOR (alternate part 501240-85) | 2 | |
| - 46 | MS75053-1 | C | COIL | 1 | |
| - 47 | DAC15PFO | C | CONNECTOR, Receptacle, electrical (71468) spec dwg 502056-102 (use until exhausted, vendor changed part numbers in later configurations) | 1 | |
| | DAU15PFO | C | CONNECTOR, Receptacle, electrical (71468) spec dwg 502056-102 (alternate part used in later configurations) | 1 | |
| | 234-15-11-100 | C | Connector, Receptacle, electrical (71785) spec dwg 502056-102 (alternate part in later configurations) | 1 | |
| - 48 | 030-1952-000 | C | CONTACT, Electrical (71468) spec dwg 502056-401 | 5 | |
| | 403-30-15-119-410 | C | CONTACT, Electrical (71785) spec dwg 502056-401 (alternate part in later configurations) | 5 | |
| - 49 | D20419-16 | C | RETAINER, Electrical connector (71468) spec dwg 502056-309 (used in early configurations) | 2 | |
| | D20419 | C | RETAINER, Electrical connector (71468) spec dwg 502056-301 (used in later configurations) | 2 | |
| | 318-15-99-056 | C | RETAINER, Electrical connector (71785) spec dwg 502056-301 (alternate part in later configurations) | 2 | |
| - 50 | MS35489-4 | C | GROMMET | 1 | |
| - 51 | MS35489-1 | C | GROMMET | 1 | |
| - 52 | CK61AW222M | C | CAPACITOR (alternate part 501240-88) | 2 | |
| - 53 | RCR07G682JR | C | RESISTOR | 1 | |
| - 54 | JAN1N914 | C | SEMICONDUCTOR DEVICE, Diode | 1 | |
| - 55 | CK60AX471K | C | CAPACITOR (alternate part 501240-43) | 8 | |
| - 56 | RCR07G151JR | C | RESISTOR | 1 | |
| - 57 | 2N4072 | C | TRANSISTOR, NPN, RF amplifier (04713) spec dwg 511782-1 | 1 | |
| - 58 | RV6LAYS103A | C | RESISTOR | 1 | |
| - 59 | RCR07G101JR | C | RESISTOR | 2 | |
| - 60 | RCR07G180JR | C | RESISTOR | 2 | |
| - 61 | 8004830-1 | C | COIL, RF | 1 | |
| - 62 | 8004827-1 | C | COIL, RF | 1 | |

Section II
Group Assembly Parts List

T.O. 31R2-2GRR-114
NAVELEX 0967-LP-428-1020

| FIGURE AND INDEX NUMBER | PART NUMBER | INDEPENDENT | DESCRIPTION | UNITS PER ASSY | USABLE ON CODE |
|-------------------------|--------------|-------------|---|----------------|----------------|
| 10- 63 | RCR07G511JR | C | RESISTOR | 1 | |
| - 64 | RCR07G271JR | C | RESISTOR | 1 | |
| - 65 | 193-0006-001 | C | CAPACITOR, Variable, air dielectric, 1.7 to 20 pf, 375 wvdc (74970) spec dwg 501185-8 (vendor changed part numbers in later configurations) | 3 | |
| | 193-0006-053 | C | CAPACITOR, Variable, air dielectric, 1.7 to 20 pf, porm 10 pct, 375 wvdc (74970) spec dwg 501185-8 (used in later configurations) | 3 | |
| | MS35333-74 | C | ATTACHING PARTS WASHER ----*---- | 3 | |
| - 66 | STC7627 | C | TRANSISTOR, NPN, power amplifier, rf (01295) spec dwg 511800-1 (use until exhausted) | 1 | |
| | 2N3866A | C | TRANSISTOR, NPN, power (04713 or 54590) spec dwg 5011800-1 (replaces STC7627 in later configurations) | 1 | |
| - 67 | 8004829-1 | C | COIL, RF | 1 | |
| - 68 | RCR07G222JR | C | RESISTOR | 1 | |
| - 69 | CK60BX101K | C | CAPACITOR (alternate part 501240-31) | 5 | |
| - 70 | JB32J12 | C | RESISTOR, Thermal, 0.2 watt maximum (15801) spec dwg 509413-1 | 1 | |
| - 71 | RCR07G301JR | C | RESISTOR | 1 | |
| - 72 | SFC6570 | C | TRANSISTOR, FET, n channel, protected gates (01295) spec dwg 515346-2 (used in early configurations) | 2 | |
| | 515346-2 | C | TRANSISTOR, FET, n channel, protected gates (selected item in later configurations) | 2 | |
| - 73 | MS75008-28 | C | COIL | 1 | |
| - 74 | 8006106-1 | C | COIL, RF | 1 | |
| - 75 | RCR07G681JR | C | RESISTOR (R34 was RCR07G391JR in early configurations) | 2 | |
| | RCR07G391JR | C | RESISTOR (used in early configurations) | 1 | |
| - 76 | RCR07G300JR | C | RESISTOR (value selected at test, tailor point) | 1 | |
| | RCR07G100JR | C | RESISTOR (value selected at test, tailor point) | 1 | |
| | RCR07G200JR | C | RESISTOR (value selected at test, tailor point) | 1 | |
| | RCR07G390JR | C | RESISTOR (value selected at test, tailor point) | 1 | |
| - 77 | 193-0008-001 | C | CAPACITOR, Variable, air dielectric, 2.0 to 27 pf, 375 wvdc (74970) spec dwg 501185-9 (vendor changed part numbers in later configurations) | 1 | |
| | 193-0008-053 | C | CAPACITOR, Variable, air dielectric, 2.0 to 27 pf, porm 10 pct, 375 wvdc (74970) spec dwg 501185-9 (used in later configurations) | 1 | |
| | MS35333-74 | C | ATTACHING PARTS WASHER ----*---- | 1 | |
| - 78 | 8006107-1 | C | COIL, RF | 1 | |
| - 79 | RCR07G104JR | C | RESISTOR | 1 | |
| - 80 | RCR07G684JR | C | RESISTOR | 1 | |
| - 81 | 8006109G1 | C | SHIELD, Assembly, RF | 1 | |
| | 8006776G1 | C | PRINTED WIRING BOARD | 1 | |
| - 82 | 5321-5 | D | TERMINAL, Stud, uninsulated, turret-type (06540) spec dwg 514266-302 | 17 | |
| - 83 | 8006776-1 | D | PRINTED WIRING BOARD | 1 | |
| - 84 | RG188AU | B | CABLE, RF | AR | |
| | 8004816G2 | B | CHASSIS, Electrical, equipment | 1 | |
| - 85 | 8004750-1 | C | LUG, Mounting ATTACHING PARTS | 2 | |
| | MS16535-133 | C | RIVET ----*---- | 8 | |
| - 86 | SOS440-8 | C | STANDOFF, Threaded (46384) spec dwg 505127-43 | 5 | |
| - 87 | 8004816-5 | C | CHASSIS | 1 | |

T.O. 31R2-2GRR-114
NAVELEX 0967-LP-428-1020

Section II
Group Assembly Parts List

| FIGURE AND INDEX NUMBER | PART NUMBER | IDENT | DESCRIPTION | UNITS PER ASSY | USABLE ON CODE |
|-------------------------|-------------------|-------|--|----------------|----------------|
| 11- | 8004290G1 | A | OSCILLATOR, Crystal controlled (see figure 2 for NHA) (used in early configurations, replaced by 8004290G2 in later configurations) | REF | EM |
| - 1 | 8004398-1 | B | COVER, Chassis, outer | 2 | |
| - 2 | 8004514-1 | B | INSULATION, Oscillator oven, top | 1 | |
| - 3 | 8004515-1 | B | INSULATION, Oscillator oven, bottom | 1 | |
| - 4 | 8004400-1 | B | RETAINER, Crystal holder | 2 | |
| | MS35190-223 | B | ATTACHING PARTS SCREW | 2 | |
| | | | ----*---- | | |
| | 8004406G1 | B | HOLDER, Crystal unit | 1 | |
| - 5 | 8004500-1 | C | HOLDER, Crystal | 1 | |
| | N440-5-8 | C | ATTACHING PARTS SCREW, Machine, binder head, nylon, molded (95987) spec dwg 511333-7 | 2 | |
| | | | ----*---- | | |
| - 6 | 8004406-4 | C | RUBBER | 1 | |
| - 7 | 8004715-1 | C | PLATE, Backing, holder, crystal | 1 | |
| - 8 | 8004498-1 | C | PLUG, Insulation | 1 | |
| - 9 | 8004499-1 | C | KNOB, Crystal holder | 1 | |
| - 10 | 504856-1 | B | EXTENSION, Shaft | 2 | |
| - 11 | M39012-21-0001 | B | CONNECTOR | 1 | |
| | 8105252-1 | B | WASHER, Flat | 1 | |
| | 8105252-9 | B | WASHER, Flat (used in later configurations) | 1 | |
| | | | ----*---- | | |
| - 12 | 020419 | B | RETAINER, Electrical connector (71468) spec dwg 502056-301 | 2 | |
| | 318-15-99-056 | B | RETAINER, Electrical connector (71785) spec dwg 502056-301 (alternate part in later configurations) | 2 | |
| - 13 | DEC9PF0 | B | CONNECTOR, Receptacle, electrical (71468) spec dwg 502056-101 (use until exhausted, vendor changed part numbers in later configurations) | 1 | |
| | DEU9PF0 | B | CONNECTOR, Receptacle, electrical (71468) spec dwg 502056-101 (alternate part used in later configurations) | 1 | |
| | 234-09-11-100 | B | CONNECTOR, Receptacle, electrical (71785) spec dwg 502056-101 (alternate part in later configurations) | 1 | |
| - 14 | 030-1952-000 | B | CONTACT, Electrical (71468) spec dwg 502056-401 | 6 | |
| | 403-30-15-119-410 | B | CONTACT, Electrical (71785) spec dwg 502056-401 (alternate part in later configurations) | 6 | |
| - 15 | UG1465U | B | CONNECTOR | 1 | |
| - 16 | MS35489-4 | B | GROMMET | 1 | |
| - 17 | MS35206-252 | B | SCREW | 4 | |
| - 18 | NAS620-8 | B | WASHER | 4 | |
| - 19 | MS35338-42 | B | WASHER | 4 | |
| - 20 | 517689-1 | B | WASHER, Non-metallic (used in early configurations, when exhausted use alternate part 5-646N674-70 | 4 | |
| | 5-646N674-70 | B | PACKING, Preformed (02697) spec dwg 508874-13 (alternate part used in later configurations) | 4 | |
| | 8004698G1 | B | OSCILLATOR, Crystal controlled | 1 | |
| | MS35206-213 | B | ATTACHING PARTS SCREW | 1 | |
| | MS35338-40 | B | WASHER | 1 | |
| | MS35649-242 | B | NUT | 1 | |
| | | | ----*---- | | |
| - 21 | 8004395G1 | C | COVER ASSEMBLY, Chassis | 1 | |
| | 133-107 | D | HEATING ELEMENT, Electrical, 52.6 ohms, porm 7.5 pct, 10 w (02728) spec dwg 506435-1 | 1 | |
| - 22 | 8004395-1 | D | COVER, Chassis | 1 | |
| | 8004395G2 | C | COVER ASSEMBLY, Chassis | 1 | |

Section II
Group Assembly Parts List

T.O. 31R2-2GRR-114
NAVELEX 0967-LP-428-1020

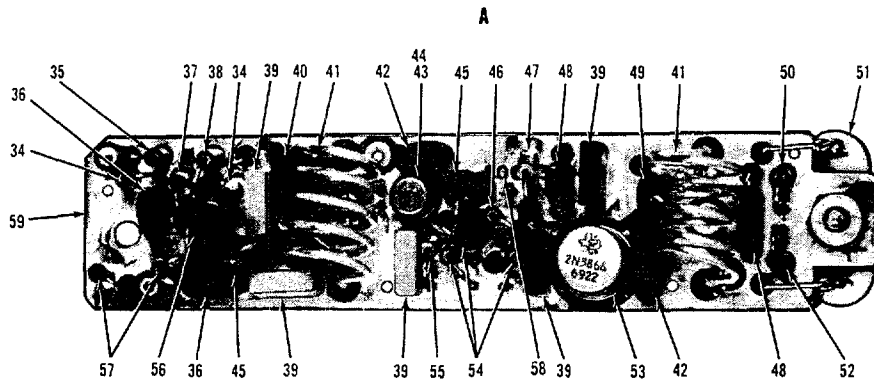
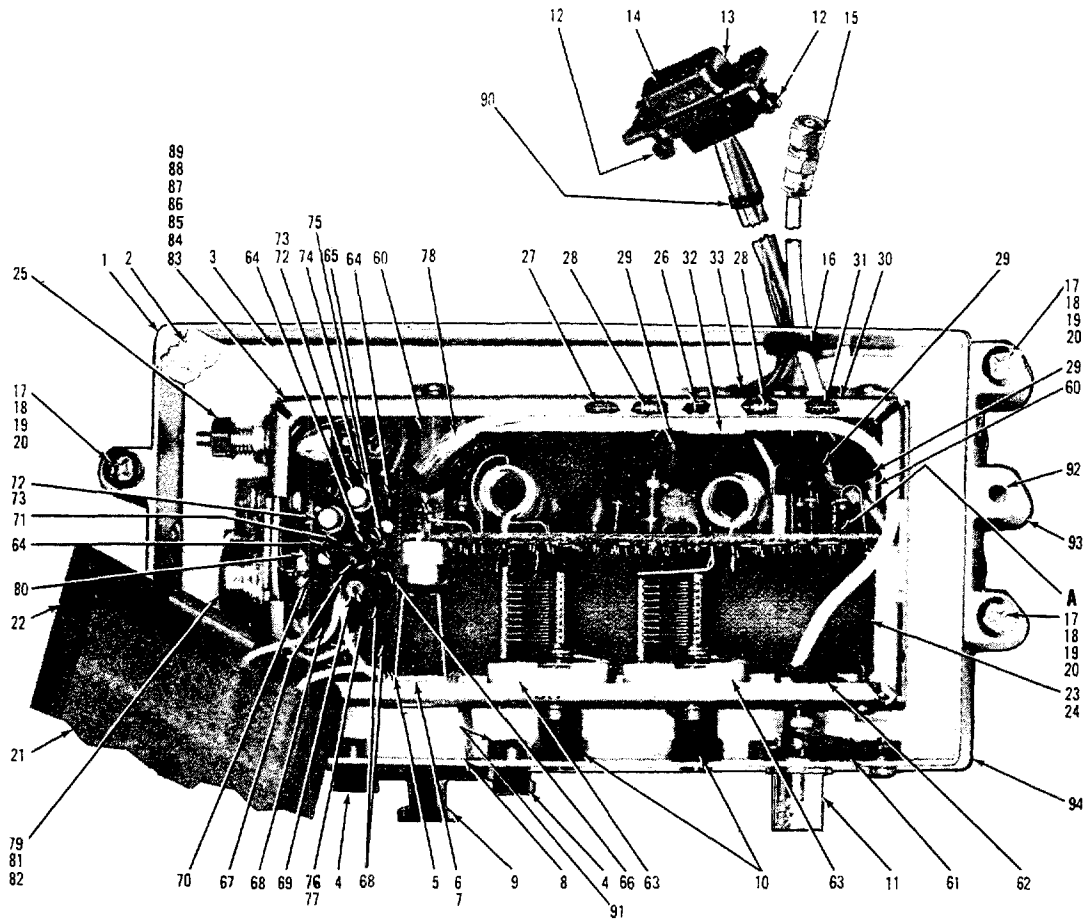


Figure 11. Oscillator, Crystal Controlled

T.O. 31R2-2GRR-114
NAVELEX 0967-LP-428-1020

Section II
Group Assembly Parts List

| FIGURE AND INDEX NUMBER | PART NUMBER | IDENTIFY | DESCRIPTION | UNITS PER ASSY | USABLE ON CODE |
|-------------------------|----------------|----------|---|----------------|----------------|
| 11- 23 | 133-107 | D | HEATING ELEMENT, Electrical, 52.6 ohms, perm 7.5 pct, 10 w (02728) spec dwg 506435-1 | 1 | |
| - 24 | 8004395-1 | D | COVER, Chassis | 1 | |
| - 25 | RV6LAYS102A | C | RESISTOR | 1 | |
| | AN960C416L | C | ATTACHING PARTS WASHER | 1 | |
| | | | -----* | | |
| - 26 | 2102-04-02 | C | TERMINAL, Lug (78189) spec dwg 514267-1 | 1 | |
| | MS35206-213 | C | ATTACHING PARTS SCREW | 1 | |
| | MS35649-242 | C | NUT | 1 | |
| | | | -----* | | |
| - 27 | ROR07G514JR | C | RESISTOR | 1 | |
| - 28 | 56-590-65-3B | C | SHIELD, RFI, Bead type (0211) spec dwg 512134-1 | 2 | |
| - 29 | CK06BX103K | C | CAPACITOR | 3 | |
| - 30 | 8004961-1 | C | SHIELD, Retainer | 1 | |
| | MS25082-12 | C | ATTACHING PARTS NUT | 1 | |
| | MS77068-4 | C | TERMINAL | 1 | |
| | | | -----* | | |
| - 31 | ROR07G330JR | C | RESISTOR | 1 | |
| - 32 | M39003-01-2306 | C | CAPACITOR | 1 | |
| - 33 | MS35489-4 | C | GROMMET | 1 | |
| | 8004349G1 | C | CIRCUIT CARD ASSEMBLY, Local oscillator | 1 | |
| | MS35206-213 | C | ATTACHING PARTS SCREW | 1 | |
| | MS35206-216 | C | SCREW | 1 | |
| | MS27183-3 | C | WASHER | 2 | |
| | MS35338-40 | C | WASHER | 2 | |
| | | | -----* | | |
| - 34 | ROR07G301JR | D | RESISTOR | 2 | |
| - 35 | ROR07G180JR | D | RESISTOR | 1 | |
| - 36 | CK60AW102M | D | CAPACITOR (alternate part 501240-58) | 2 | |
| - 37 | JAN1N914 | D | SEMICONDUCTOR DEVICE, Diode | 1 | |
| - 38 | ROR07G121JR | D | RESISTOR | 1 | |
| - 39 | CK06BX103K | D | CAPACITOR | 5 | |
| - 40 | CK60BX101K | D | CAPACITOR (alternate part 501240-31) | 1 | |
| - 41 | 8004343-1 | D | COIL, RF | 2 | |
| - 42 | CK60BX2R2K | D | CAPACITOR | 2 | |
| - 43 | JAN2N918 | D | TRANSISTOR (used in early configurations) | 1 | |
| | 515341-1 | D | TRANSISTOR, NPN, silicon, selected 2N918 (used in later configurations) | 1 | |
| - 44 | 10047DAP | D | MOUNTING PAD, Electrical (07047) spec dwg 507253-12 | 1 | |
| - 45 | MS75008-37 | D | COIL | 2 | |
| - 46 | ROR07G393JR | D | RESISTOR | 1 | |
| - 47 | ROR07G102JR | D | RESISTOR | 1 | |
| - 48 | CK60BX680M | D | CAPACITOR (alternate part 501240-28) | 2 | |
| - 49 | CK60AX471K | D | CAPACITOR (alternate part 501240-43) | 1 | |
| - 50 | ROR07G750JR | D | RESISTOR | 1 | |
| - 51 | 33302-3 | D | SOCKET, Crystal (76487) spec dwg 512396-1 (changed vendors in later configurations) | 1 | |
| | 33302B | D | SOCKET, Crystal (14908) spec dwg 512396-1 | 1 | |
| - 52 | ROR07G620JR | D | RESISTOR | 1 | |
| - 53 | STC7627 | D | TRANSISTOR, NPN, power amplifier, rf, 5w (01295) spec dwg 511800-1 | 1 | |
| - 54 | ROR07G203JR | D | RESISTOR | 3 | |
| - 55 | ROR07G821JR | D | RESISTOR | 1 | |
| - 56 | MS75008-32 | D | COIL | 1 | |
| - 57 | ROR07G303JR | D | RESISTOR | 2 | |
| | 8004312G1 | D | PRINTED WIRING BOARD | 1 | |
| - 58 | 5151-5 | E | TERMINAL, Stud, uninsulated, turret-type (06540) spec dwg 514266-104 | 2 | |

Section II
Group Assembly Parts List

T.O. 31R2-2GRR-114
NAVELEX 0967-LP-428-1020

| FIGURE AND INDEX NUMBER | PART NUMBER | INDENT | DESCRIPTION | UNITS PER ASSY | USABLE ON CODE |
|-------------------------|----------------|--------|--|----------------|----------------|
| 11- 59 | 8004312-1 | E | PRINTED WIRING BOARD | 1 | |
| - 60 | 8004396-1 | C | BAR, Spacer, threaded ATTACHING PARTS | 2 | |
| | MS35206-213 | C | SCREW | 2 | |
| | MS27183-3 | C | WASHER | 2 | |
| | MS35338-40 | C | WASHER | 2 | |
| | | | ----- | | |
| - 61 | M8113-04T | C | TERMINAL, Lug, crimp type (98410) spec dwg 514271-5 | 1 | |
| - 62 | M8113-04T | C | TERMINAL, Lug, crimp type (98410) spec dwg 514271-5 ATTACHING PARTS | 1 | |
| | MS35206-214 | C | SCREW | 1 | |
| | MS35338-40 | C | WASHER | 1 | |
| | MS35649-242 | C | NUT | 1 | |
| - 63 | 148-0004-001 | C | CAPACITOR, Variable, air dielectric, 3.2 to 50 pf, 375 wvdc (74970) spec dwg 501185-4 (used in early configurations, changed vendors in later configurations) | 2 | |
| | 148-0004-041 | C | CAPACITOR, Variable, air dielectric, 3.2 to 50 pf, perm 10 pct, 375 wvdc (71313) spec dwg 501185-4 (used in later configurations) ATTACHING PARTS | 2 | |
| | 8006103-1 | C | SCREW, Machine | 4 | |
| | MS35338-40 | C | WASHER | 4 | |
| | | | ----- | | |
| | 8004339G1 | C | CIRCUIT CARD ASSEMBLY, Oven control ATTACHING PARTS | 1 | |
| | MS35206-214 | C | SCREW | 2 | |
| | MS27183-3 | C | WASHER | 2 | |
| | | | ----- | | |
| - 64 | RCR07G102JR | D | RESISTOR | 3 | |
| - 65 | RCR07G122JR | D | RESISTOR | 1 | |
| - 66 | RCR20G302JR | D | RESISTOR | 1 | |
| - 67 | RCR07G433JR | D | RESISTOR | 1 | |
| - 68 | JB32J12 | D | RESISTOR, Thermal, 0.2 watt maximum (15801) spec dwg 509413-1 | 3 | |
| - 69 | RCR20G392JR | D | RESISTOR | 1 | |
| - 70 | JAN1N753A | D | SEMICONDUCTOR DEVICE, Diode | 1 | |
| - 71 | JAN1N756A | D | SEMICONDUCTOR DEVICE, Diode | 1 | |
| - 72 | JAN2N2222A | D | TRANSISTOR (replace Q5 with JAN2N912 when failure occurs) | 2 | |
| | JAN2N912 | D | TRANSISTOR (replacement for Q5-JAN2N2222A) | 1 | |
| - 73 | 10047DAP | D | MOUNTING PAD, Electrical (07047) spec dwg 507253-12 | 2 | |
| - 74 | RCR07G300JR | D | RESISTOR | 1 | |
| - 75 | RCR07G101JR | D | RESISTOR | 1 | |
| | 8004341G1 | C | PRINTED WIRING BOARD | 1 | |
| - 76 | 5321-5 | E | TERMINAL, Stud, uninsulated, turret-type (06540) spec dwg 514266-302 | 6 | |
| - 77 | 8004341-1 | E | PRINTED WIRING BOARD | 1 | |
| - 78 | RG188AJ | C | CABLE, RF | AR | |
| - 79 | 2N3771 | C | TRANSISTOR, NPN, silicon (04713) spec dwg 511793-1 (used in early configurations) | 1 | |
| | PE6011 | C | TRANSISTOR, NPN, power amplifier, 150w (52333) spec dwg 511793-1 (used in later configurations) ATTACHING PARTS | 1 | |
| | MS35206-229 | C | SCREW | 2 | |
| | MS27183-5 | C | WASHER | 2 | |
| | MS35338-41 | C | WASHER | 2 | |
| | MS25082-1 | C | NUT | 2 | |
| | | | ----- | | |
| - 80 | 8102535-2 | C | TERMINAL, Lug, locking | 1 | |
| - 81 | 2711-24827N140 | C | WASHER, Shouldered (06540) spec dwg 507292-6 | 2 | |

| FIGURE AND INDEX NUMBER | PART NUMBER | IDENT | DESCRIPTION | UNITS PER ASSY | USABLE ON CODE |
|-------------------------|----------------|-------|--|----------------|----------------|
| 11- 82 | 495320 | C | MOUNTING PAD, Electrical (02735) spec dwg 507292-1 | 1 | |
| | 8004392G1 | C | CHASSIS, Electrical equipment | 1 | |
| - 83 | 8004393-1 | D | BRACKET, Front | 2 | |
| - 84 | STSM7 | D | TERMINAL, Stud, insulated (98291) spec dwg 514264-601 | 6 | |
| - 85 | NCN4-2-040-3 | D | NUT, Captive (42498) spec dwg 508570-1 | 2 | |
| - 86 | 8004497-1 | D | FINGERS, Spring | 2 | |
| - 87 | 5339-08903-3 | D | EYELET | 4 | |
| - 88 | 5339-08904-3 | D | EYELET | 6 | |
| - 89 | 8004392-1 | D | CHASSIS, Electrical Equipment | 1 | |
| - 90 | MS3367-4-9 | B | STRAP | 2 | |
| | 8004397G1 | B | CHASSIS, Electrical equipment, outer | 1 | |
| - 91 | 44LN040C | C | NUT, Self-locking (86577) spec dwg 508566-1 | 2 | |
| | 8004578G1 | C | BRACKET, Mounting | 2 | |
| | | | ATTACHING PARTS | | |
| | MS16535-133 | C | RIVET | 8 | |
| | | | ----*---- | | |
| - 92 | MS21208C0820 | D | INSERT | 1 | |
| - 93 | 8004578-1 | D | BRACKET | 1 | |
| - 94 | 8004397-1 | D | CHASSIS, Electrical equipment | 1 | |
| 12- | 8004290G2 | A | OSCILLATOR, Crystal controlled (see figure 2 for MHA) replaces and is interchangeable with 8004290G1, used in later configurations | REF | ABIQ |
| - 1 | 8004398-1 | B | COVER, Chassis | 2 | |
| - 2 | 8004514-1 | B | INSULATION, Top | 1 | |
| - 3 | 8004515-1 | B | INSULATION, Bottom | 1 | |
| - 4 | 8004400-1 | B | RETAINER, Crystal holder | 2 | |
| | | | ATTACHING PARTS | | |
| | MS35190-223 | B | SCREW | 2 | |
| | | | ----*---- | | |
| | 8004406G1 | B | HOLDER, Crystal unit | 1 | |
| - 5 | 8004406-4 | C | RUBBER STRIP | 1 | |
| - 6 | 8004500-1 | C | HOLDER, Crystal | 1 | |
| | | | ATTACHING PARTS | | |
| | N440-5-8 | C | SCREW, Binder head, nylon, molded (95987) spec dwg 511333-7 | 2 | |
| | | | ----*---- | | |
| - 7 | 8004715-1 | C | PLATE, Backing, holder, crystal | 1 | |
| - 8 | 8004498-1 | C | PLUG, Insulation | 1 | |
| - 9 | 8004499-1 | C | KNOB, Crystal holder | 1 | |
| - 10 | 504856-1 | B | EXTENSION, Shaft | 2 | |
| - 11 | M39012-21-0001 | B | CONNECTOR | 1 | |
| | | | ATTACHING PARTS | | |
| | 8105252-1 | B | WASHER, Flat | 1 | |
| | 8105252-9 | B | WASHER, Flat (used in later configurations) | 1 | |
| | | | ----*---- | | |
| - 12 | D20419 | B | RETAINER, Electrical connector (71468) spec dwg 502056-301 | 2 | |
| | 318-15-99-056 | B | CONTACT, Electrical (71785) spec dwg 502056-301 (alternate part in later configurations) | 6 | |
| - 13 | DEC9PF0 | B | CONNECTOR, Receptacle, electrical (71468) spec dwg 502056-101 (use until exhausted, vendor changed part numbers in later configurations) | 1 | |
| | DEU9PF0 | B | CONNECTOR, Receptacle, electrical (71468) spec dwg 502056-101 (alternate part used in later configurations) | 1 | |
| | 234-09-11-100 | B | CONNECTOR, Receptacle, electrical (71785) spec dwg 502056-101 (alternate part in later configurations) | 1 | |

Section II
Group Assembly Parts List

T.O. 31R2-2GRR-114
 NAVELEX 0967-LP-428-1020

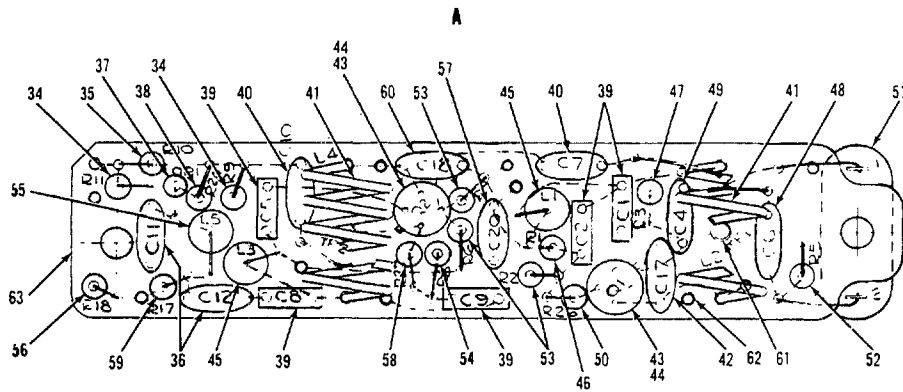
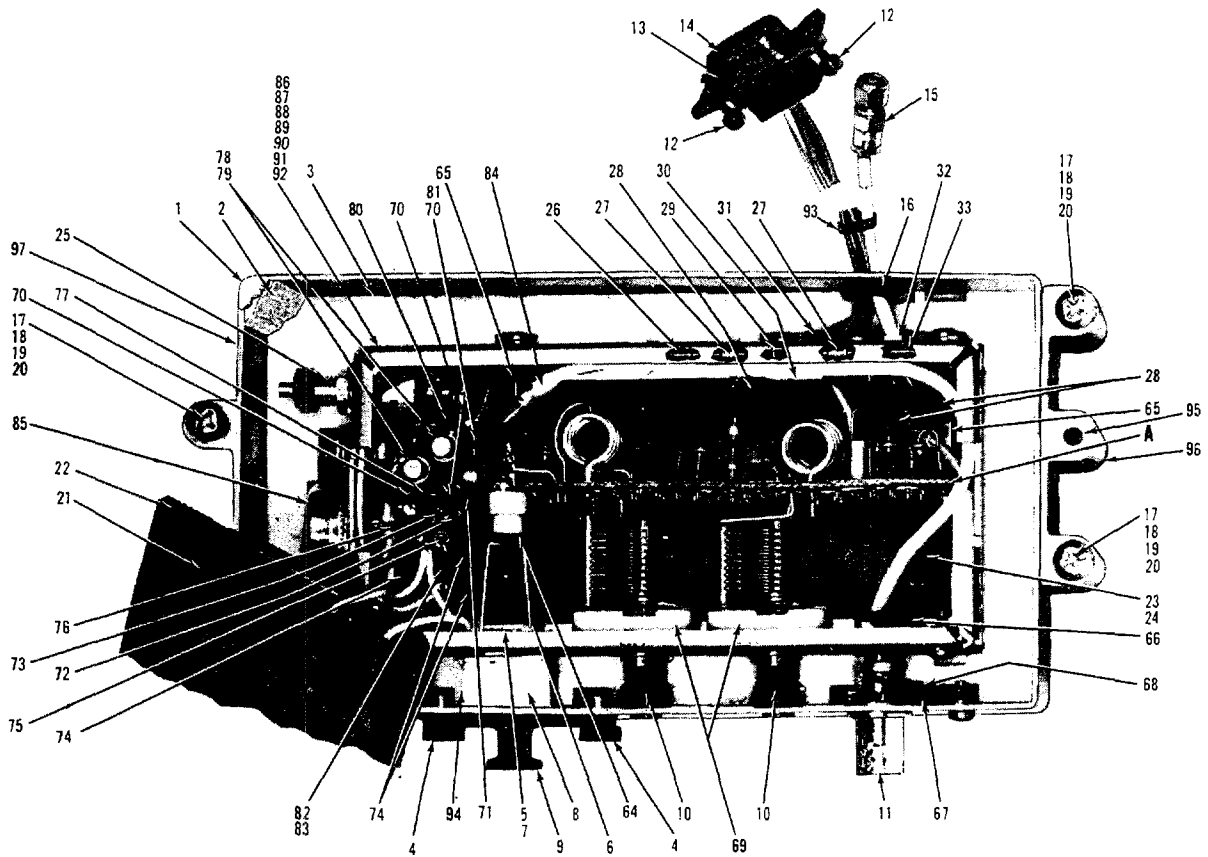


Figure 12. Oscillator, Crystal Controlled

T.O. 31R2-2GRR-114
NAVELEX 0967-LP-428-1020

Section II
Group Assembly Parts List

| FIGURE AND INDEX NUMBER | PART NUMBER | IDENT | DESCRIPTION | UNITS PER ASSY | USABLE ON CODE |
|-------------------------|-------------------|-------|---|----------------|----------------|
| 12- 14 | 030-1952-000 | B | CONTACT, Electrical (71468) spec dwg 502056-401 | 6 | |
| | 403-30-15-119-410 | B | CONTACT, Electrical (71785) spec dwg 502056-401 (alternate part in later configurations) | 6 | |
| - 15 | UG1465U | B | CONNECTOR | 1 | |
| - 16 | MS35489-4 | B | GROMMET | 1 | |
| - 17 | MS35206-252 | B | SCREW | 4 | |
| - 18 | NAS620-8 | B | WASHER | 4 | |
| - 19 | MS35338-42 | B | WASHER | 4 | |
| - 20 | 517689-1 | B | WASHER, Non-metallic (used in early configurations, when exhausted use alternate part 5-646N674-70) | 4 | |
| | 5-646N674-70 | B | PACKING, Preformed (02697) spec dwg 508874-13 (alternate part used in later configurations) | 4 | |
| | 8004698G2 | B | OSCILLATOR ASSEMBLY, Crystal Controlled ATTACHING PARTS | 1 | |
| | MS35206-213 | B | SCREW | 1 | |
| | MS35338-40 | B | WASHER | 1 | |
| | MS35649-242 | B | NUT | 1 | |
| | | | ----*---- | | |
| | 8004359G1 | C | COVER, Chassis | 1 | |
| - 21 | 133-107 | D | HEATING ELEMENT, Electrical (02728) spec dwg 506435-1 | 1 | |
| - 22 | 8004395-1 | D | COVER | 1 | |
| | 8004395G2 | C | COVER, Chassis | 1 | |
| - 23 | 133-107 | D | HEATING ELEMENT, Electrical (02728) spec dwg 506435-1 | 1 | |
| - 24 | 8004395-1 | D | COVER | 1 | |
| - 25 | RV6LAYS A102A | C | RESISTOR ATTACHING PARTS | 1 | |
| - | AN960C416L | C | WASHER | 1 | |
| | | | ----*---- | | |
| - 26 | RCR07G514JR | C | RESISTOR | 1 | |
| - 27 | 56-590-65-3B | C | SHIELD, RF interference, bead type (02114) spec dwg 512134-1 | 2 | |
| - 28 | CK06BX103K | C | CAPACITOR | 3 | |
| - 29 | 2102-04-02 | C | TERMINAL, Lug type (78189) spec dwg 514267-1 ATTACHING PARTS | 1 | |
| | MS35206-213 | C | SCREW | 1 | |
| | MS35649-242 | C | NUT | 1 | |
| | | | ----*---- | | |
| - 30 | M39003-01-2306 | C | CAPACITOR | 1 | |
| - 31 | MS35489-4 | C | GROMMET | 1 | |
| - 32 | 8004961-1 | C | SHIELD, Retainer ATTACHING PARTS | 1 | |
| | MS25082-12 | C | NUT | 1 | |
| | MS77068-4 | C | TERMINAL | 1 | |
| | | | ----*---- | | |
| - 33 | RCR07G330JR | C | RESISTOR | 1 | |
| | 8006789G1 | C | OSCILLATOR, Crystal ATTACHING PARTS | 1 | |
| | MS35206-213 | C | SCREW | 1 | |
| | MS35206-217 | C | SCREW | 1 | |
| | MS27183-3 | C | WASHER | 2 | |
| | MS35338-40 | C | WASHER | 2 | |
| | | | ----*---- | | |
| - 34 | RCR07G911JR | D | RESISTOR (R9 and R11 in earliest configurations, R11 changed and R2 deleted in later configurations) | 2 | |
| | RCR07G301JR | D | RESISTOR (R11 used in early configurations) | 1 | |
| | RCR07G820JR | D | RESISTOR (R11 used in later configurations) | 1 | |
| - 35 | RCR07G5R6JR | D | RESISTOR (used in earliest configurations) | 1 | |
| | RCR07G9R1JR | D | RESISTOR (used in early configurations) | 1 | |
| | RCR07G150JR | D | RESISTOR (used in later configurations) | 1 | |

Section II
Group Assembly Parts List

T.O. 31R2-2GRR-114
NAVELEX 0967-LP-428-1020

| FIGURE AND INDEX NUMBER | PART NUMBER | IDENT | DESCRIPTION | UNITS PER ASSY | USABLE ON CODE |
|-------------------------|--------------|-------|---|----------------|----------------|
| 12- 36 | CK60AW102M | D | CAPACITOR (alternate part 501240-58) | 2 | |
| - 37 | JAN1N914 | D | SEMICONDUCTOR DEVICE, Diode | 1 | |
| - 38 | RCR07G121JR | D | RESISTOR | 1 | |
| - 39 | CK06BX103K | D | CAPACITOR | 5 | |
| - 40 | CK60BX101M | D | CAPACITOR (C7 used in early configurations) | 1 | |
| | CK60BX101K | D | CAPACITOR (C7 added in later configurations, alternate part 501240-31) | 2 | |
| - 41 | 8004343-1 | D | COIL, RF | 2 | |
| - 42 | CK60BX2R2K | D | CAPACITOR (alternate part 501240-1) | 1 | |
| - 43 | 2N5179 | D | TRANSISTOR, NPN, silicon, rf, small signal (02735 or 04713) spec dwg 515351-1 | 2 | |
| - 44 | 10047DAP | D | MOUNTING PAD, Electrical (07047) spec dwg 507253-12 | 2 | |
| - 45 | MS75008-37 | D | COIL, RF | 2 | |
| - 46 | RCR07G393JR | D | RESISTOR | 1 | |
| - 47 | RCR07G102JR | D | RESISTOR | 1 | |
| - 48 | CK05BX820K | D | CAPACITOR | 1 | |
| - 49 | CK60AX471K | D | CAPACITOR (alternate part 501240-43) | 1 | |
| - 50 | RCR07G750JR | D | RESISTOR | 1 | |
| - 51 | 33302-3 | D | SOCKET, Crystal (76487) spec dwg 512396-1 (changed vendors in later configurations) | 1 | |
| | 33302B | D | SOCKET, Crystal (14908) spec dwg 512396-1 | 1 | |
| - 52 | RCR07G620JR | D | RESISTOR | 1 | |
| - 53 | RCR07G203JR | D | RESISTOR | 3 | |
| - 54 | RCR07G511JR | D | RESISTOR | 1 | |
| - 55 | MS75008-32 | D | COIL, RF | 1 | |
| - 56 | RCR07G303JR | D | RESISTOR | 1 | |
| - 57 | CK60BX220K | D | CAPACITOR (used in early configurations) | 1 | |
| | CK61AW222M | D | CAPACITOR, (used in later configurations, alternate part 501240-88) | 1 | |
| - 58 | RCR07G390JR | D | RESISTOR | 1 | |
| - 59 | RCR07G303JR | D | RESISTOR (used in earliest configurations) | 1 | |
| | RCR07G243JR | D | RESISTOR (used in early configurations) | 1 | |
| | RCR07G393JR | D | RESISTOR (used in later configurations) | 1 | |
| - 60 | CK60BX6R8K | D | CAPACITOR (alternate part 501240-10) | 1 | |
| | 8006790G1 | D | PRINTED WIRING BOARD | 1 | |
| - 61 | 5151-5 | E | TERMINAL, Stud, uninsulated, turret-type (06540) spec dwg 514266-104 | 2 | |
| - 62 | 5321-5 | E | TERMINAL, Stud, uninsulated, turret-type (06540) spec dwg 514266-302 | 1 | |
| - 63 | 8006790-1 | E | PRINTED WIRING BOARD | 1 | |
| - 64 | 506365-1 | C | GUIDE, Crystal | 1 | |
| - 65 | 8004396-1 | C | BAR, Spacer, threaded | 2 | |
| | | | ATTACHING PARTS | | |
| | MS35206-213 | C | SCREW | 2 | |
| | MS27183-3 | C | WASHER | 2 | |
| | MS35338-40 | C | WASHER | 2 | |
| | | | -----* | | |
| - 56 | M8113-04T | C | TERMINAL, Lug (98410) spec dwg 514271-5 | 1 | |
| | | | ATTACHING PARTS | | |
| | MS35206-214 | C | SCREW | 1 | |
| | MS35338-40 | C | WASHER | 1 | |
| | MS35649-242 | C | NUT | 1 | |
| | | | -----* | | |
| - 57 | M8113-04T | C | TERMINAL, Lug (98410) spec dwg 514271-5 | 1 | |
| - 68 | RCR07G750JS | C | RESISTOR | 1 | |
| - 69 | 148-0004-001 | C | CAPACITOR, Variable air dielectric, 3.2 to 50 pf, porm 10 pct, 375 wvdc (74970) spec dwg 501185-4 (used in early configurations, changed vendors in later configurations) | 2 | |
| | 148-0004-041 | C | CAPACITOR, Variable, air dielectric, 3.2 to 50 pf, porm 10 pct, 375 wvdc (71313) spec dwg 501185-4 (used in later configurations) | 2 | |

T.O. 31R2-2GRR-114
NAVELEX 0967-LP-428-1020

Section II
Group Assembly Parts List

| FIGURE AND INDEX NUMBER | PART NUMBER | INDENT | DESCRIPTION | UNITS PER ASSY | USABLE ON CODE |
|-------------------------|----------------|--------|---|----------------|----------------|
| 12- | | | ATTACHING PARTS | | |
| | 8006103-1 | C | SCREW, Machine | 4 | |
| | MS35338-40 | C | WASHER | 4 | |
| | | | ---*--- | | |
| | 8004339G1 | C | CIRCUIT CARD ASSEMBLY, Oven control | 1 | |
| | | | ATTACHING PARTS | | |
| | MS35206-214 | C | SCREW | 2 | |
| | MS27183-3 | C | WASHER | 2 | |
| | | | ---*--- | | |
| - 70 | RCR07G102JR | B | RESISTOR, (R15 replaced by RCR07G101JR in later configurations, see index 81) | 3 | |
| - 71 | RCR07G621JR | D | RESISTOR (used in early configurations) | 1 | |
| | RCR07G122JR | D | RESISTOR (used in later configurations) | 1 | |
| - 72 | RCR20G302JR | D | RESISTOR | 1 | |
| - 73 | RCR07G433JR | D | RESISTOR | 1 | |
| - 74 | JB32J12 | D | RESISTOR, Thermal, 0.2 watt (15801) spec dwg 509413-1 | 3 | |
| - 75 | RCR20G392JR | D | RESISTOR | 1 | |
| - 76 | JAN1N753A | D | SEMICONDUCTOR DEVICE, Diode | 1 | |
| - 77 | JAN1N756A | D | SEMICONDUCTOR DEVICE, Diode | 1 | |
| - 78 | JAN2N2222A | D | TRANSISTOR (Q5 replaced by JAN2N912 in later configurations) | 2 | |
| | JAN2N912 | D | TRANSISTOR (replaces JAN2N2222A, Q5, in later configurations) | 1 | |
| - 79 | 10047DAP | D | MOUNTING PAD, Electrical (07047) spec dwg 507253-12 | 2 | |
| - 80 | RCR07G300JR | D | RESISTOR | 1 | |
| - 81 | RCR07G101JR | D | RESISTOR, (R15 used in later configurations, see index 70 for early configuration usage) | 1 | |
| | 8004341G1 | D | PRINTED WIRING BOARD | 1 | |
| - 82 | 5321-5 | E | TERMINAL, Stud, unisulated, turret-type (06540) spec dwg 514266-302 | 6 | |
| - 83 | 8004341-1 | E | PRINTED WIRING BOARD | 1 | |
| - 84 | RG188AU | C | CABLE, RF | AR | |
| - 85 | 2N3771 | C | TRANSISTOR, NPN, silicon (04713) spec dwg 511793-1 (used in early configurations) | 1 | |
| | PE6011 | C | TRANSISTOR, NPN, power amplifier, 150w (52333) spec dwg 511793-1 (used in later configurations) | 1 | |
| | 14SE177 | C | TRANSISTOR, NPN, power (21845) spec dwg 511793-1 (alternate part in later configurations) | 1 | |
| | | | ATTACHING PARTS | | |
| | MS35206-229 | C | SCREW | 2 | |
| | 8102535-2 | C | TERMINAL, Lug, Locking | 1 | |
| | MS27183-5 | C | WASHER | 2 | |
| | 2711-24827N140 | C | WASHER, Shouldered (06540) spec dwg 507292-6 | 2 | |
| | 495320 | C | MOUNTING PAD, Electrical (02735) spec dwg 507292-1 | 1 | |
| | MS35338-41 | C | WASHER | 2 | |
| | MS25082-2 | C | NUT | 2 | |
| | | | ---*--- | | |
| - 86 | 8004392G1 | C | CHASSIS, Electrical equipment | 1 | |
| | 8004393-1 | D | BRACKET, Front | 2 | |
| - 87 | STSM7 | D | TERMINAL, Stud, insulated (98291) spec dwg 514264-601 | 6 | |
| - 88 | NCN4-2-040-3 | D | NUT, Captive (42498) spec dwg 508570-1 | 2 | |
| - 89 | 8004497-1 | D | FINGERS, Spring | 2 | |
| - 90 | 5339-08903-3 | D | EYELET | 4 | |
| - 91 | 5339-08904-3 | D | EYELET | 6 | |
| - 92 | 8004392-9 | D | CHASSIS, Electrical equipment | 1 | |
| - 93 | MS3367-4-9 | B | STRAP | 2 | |
| | 8004397G2 | B | CHASSIS, Electrical equipment | 1 | |
| - 94 | 44LN040C | C | NUT, Self-locking (86577) spec dwg 508566-1 | 2 | |
| | 8004578G1 | C | BRACKET, Mounting | 2 | |

Section II
Group Assembly Parts List

T O 31R2-2GRR-114
 NAVELEX 0967-LP-428-1020

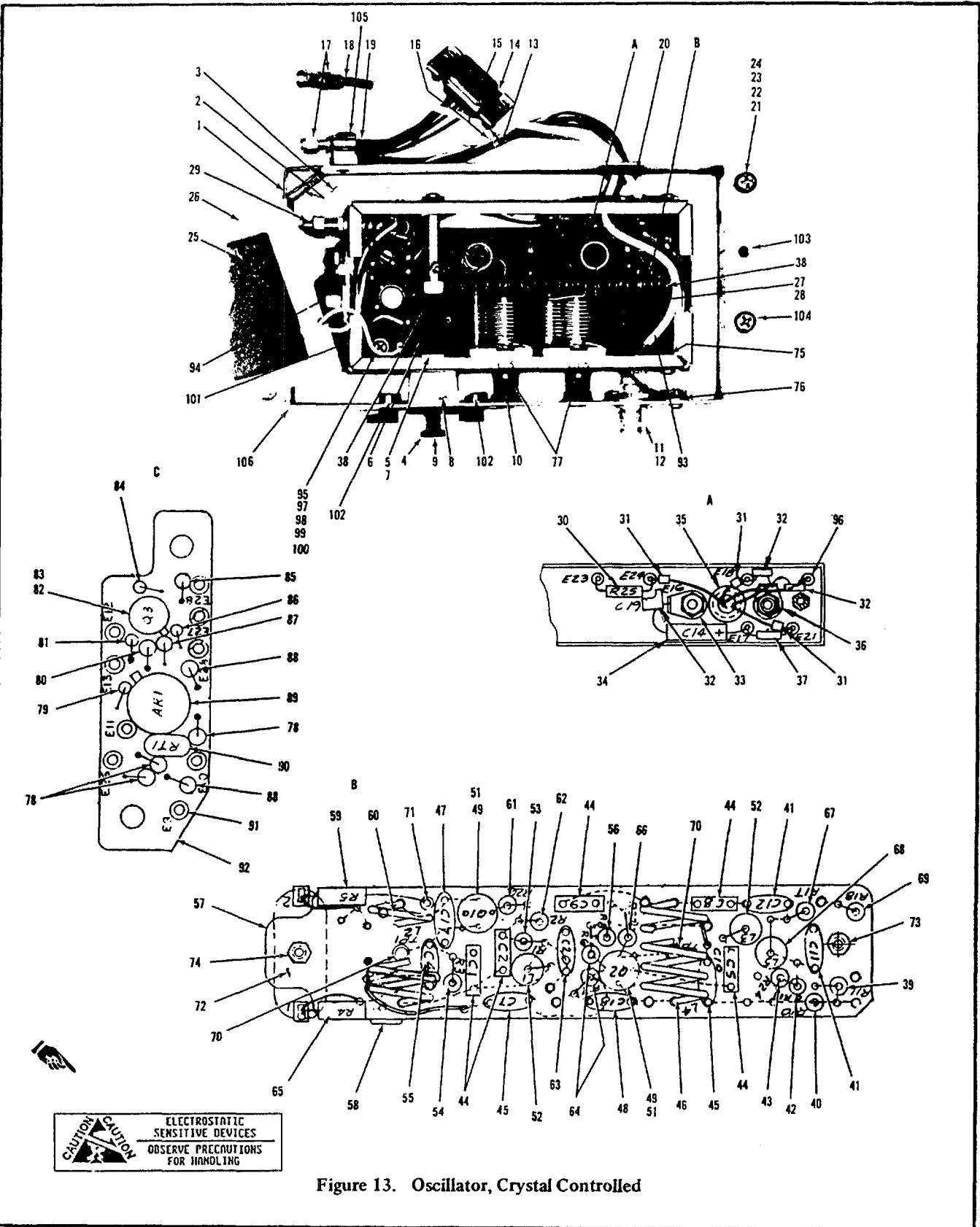


Figure 13. Oscillator, Crystal Controlled

| FIGURE AND INDEX NUMBER | PART NUMBER | INDENT | DESCRIPTION | UNITS PER ASSY | USABLE ON CODE |
|-------------------------|-------------------|--------|--|----------------|----------------|
| 12- | MS16535-133 | C | ATTACHING PARTS RIVET ----*---- | 8 | |
| - 95 | MS21208C0820 | D | INSERT | 1 | |
| - 96 | 8004578-1 | D | BRACKET | 1 | |
| - 97 | 8004397-5 | C | CHASSIS, Electrical equipment | 1 | |
| 13- | 8004290G3 | A | OSCILLATOR, Crystal controlled(ESDS)(see figure 2 for NHA) for Army use only | REF | CFKN |
| - 1 | 8004398-1 | B | COVER, Chassis | 2 | |
| - 2 | 8004514-1 | B | INSULATION, Top | 1 | |
| - 3 | 8004515-1 | B | INSULATION, Bottom | 1 | |
| - 4 | 8004400-1 | B | RETAINER, Crystal holder | 2 | |
| | MS35190-223 | B | ATTACHING PARTS SCREW ----*---- | 2 | |
| | 8004406G1 | B | HOLDER, Crystal unit | 1 | |
| - 5 | 8004406-4 | C | RUBBER STRIP | 1 | |
| - 6 | 8004500-1 | C | HOLDER, Crystal | 1 | |
| | N440-5-8 | C | ATTACHING PARTS SCREW, Binder head, nylon, molded (95987) spec dwg 511333-7 ----*---- | 2 | |
| - 7 | 8004715-1 | C | PLATE, Backing, holder, crystal | 1 | |
| - 8 | 8004498-1 | C | PLUG, Insulation | 1 | |
| - 9 | 8004499-1 | C | KNOB, Crystal holder | 1 | |
| - 10 | 504856-1 | B | EXTENSION, Shaft | 2 | |
| - 11 | M39012-21-0001 | B | CONNECTOR | 1 | |
| | 8105252-9 | B | ATTACHING PARTS WASHER, Flat (used in later configurations) ----*---- | 1 | |
| - 12 | 8105252-1 | B | WASHER, Flat | 1 | |
| - 13 | D20419 | B | RETAINER, Electrical connector (71468) spec dwg 502056-301 | 2 | |
| | 318-15-99-056 | B | RETAINER, Electrical connector (71785) spec dwg 502056-301 (alternate part in later configurations) | 2 | |
| - 14 | DEC9PF0 | B | CONNECTOR, Receptacle, electrical (71468) spec dwg 502056-101 (use until exhausted, vendor changed part numbers in later configurations) | 1 | |
| | DEU9PF0 | B | CONNECTOR, Receptacle, electrical (71468) spec dwg 502056-101 (alternate part used in later configurations) | 1 | |
| | 234-09-11-100 | B | CONNECTOR, Receptacle, electrical (71785) spec dwg 502056-101 (alternate part in later configurations) | 1 | |
| - 15 | 030-1952-000 | B | CONTACT, Electrical (71468) spec dwg 502056-401 | 6 | |
| | 403-30-15-119-410 | B | CONTACT, Electrical (71785) spec dwg 502056-401 (alternate part in later configurations) | 6 | |
| - 16 | MS3367-4-9 | B | STRAP | 2 | |
| - 17 | UG1465U | B | CONNECTOR | 2 | |
| - 18 | 516665-99 | B | TUBING, Marker, heat shrinkable | 1 | |
| - 19 | 516665-100 | B | TUBING, Marker, heat shrinkable | 1 | |
| - 20 | MS35489-6 | B | GROMMET | 1 | |
| - 21 | MS35206-252 | B | SCREW | 4 | |
| - 22 | NAS620-8 | B | WASHER | 4 | |
| - 23 | MS35338-42 | B | WASHER | 4 | |
| - 24 | 517689-1 | B | WASHER, Flat (used in early configurations, when exhausted use alternate part 5-646N674-70) | 4 | |
| | 5-646N674-70 | B | PACKING, Preformed (02697) spec dwg 508874-13 (alternate part used in later configurations) | 4 | |

Section II
Group Assembly Parts List

T.O. 31R2-2GRR-114
NAVELEX 0967-LP-428-1020

| FIGURE AND INDEX NUMBER | PART NUMBER | IDENT | DESCRIPTION | UNITS PER ASSY | USABLE ON CODE |
|-------------------------|----------------|-------|--|----------------|----------------|
| 13- | 8007416G1 | B | OSCILLATOR ASSEMBLY, Crystal controlled ATTACHING PARTS | 1 | |
| | MS35206-213 | B | SCREW | 1 | |
| | MS35338-40 | B | WASHER | 1 | |
| | MS35649-242 | B | NUT | 1 | |
| | | | ----*---- | | |
| | 8004395G1 | C | COVER, Chassis | 1 | |
| - 25 | 133-107 | D | HEATING ELEMENT, Electrical (02728) spec dwg 506435-1 | 1 | |
| - 26 | 8004395-1 | D | COVER | 1 | |
| | 8004395G2 | C | COVER, Chassis | 1 | |
| - 27 | 133-107 | D | HEATING ELEMENT, Electrical (02728) spec dwg 506435-1 | 1 | |
| - 28 | 8004395-1 | D | COVER | 1 | |
| - 29 | RV6LAYS251A | C | RESISTOR | 1 | |
| | | | ATTACHING PARTS | | |
| | AN960C416L | C | NUT | 1 | |
| | | | ----*---- | | |
| - 30 | RCR20G622JR | C | RESISTOR | 1 | |
| - 31 | 56-590-65-3B | C | SHIELD, Interference, bead type (02114) spec dwg 512134-1 | 3 | |
| - 32 | CK06BX103K | C | CAPACITOR | 3 | |
| - 33 | 2102-04-02 | C | TERMINAL, Lug type (78189) spec dwg 514267-1 | 1 | |
| | | | ATTACHING PARTS | | |
| | MS35206-213 | C | SCREW | 1 | |
| | MS35649-242 | C | NUT | 1 | |
| | | | ----*---- | | |
| - 34 | M39003-01-2306 | C | CAPACITOR | 1 | |
| - 35 | MS35489-6 | C | GROMMET | 1 | |
| - 36 | 8004961-1 | C | SHIELD, Retainer | 1 | |
| | | | ATTACHING PARTS | | |
| | MS25082-12 | C | NUT | 1 | |
| | MS77068-4 | C | TERMINAL | 1 | |
| | | | ----*---- | | |
| - 37 | RCR07G330JR | C | RESISTOR | 1 | |
| - 38 | 506365-1 | C | GUIDE, Crystal | 1 | |
| | 8007415G1 | C | OSCILLATOR, Crystal | 1 | |
| | | | ATTACHING PARTS | | |
| | MS35206-213 | C | SCREW | 1 | |
| | MS35206-216 | C | SCREW | 1 | |
| | MS27183-3 | C | WASHER | 2 | |
| | MS35338-40 | C | WASHER | 2 | |
| | | | ----*---- | | |
| - 39 | RCR07G221JR | D | RESISTOR | 1 | |
| - 40 | RCR07G150JR | D | RESISTOR | 1 | |
| - 41 | CK60AW102M | D | CAPACITOR (alternate part 501240-58) | 2 | |
| - 42 | JAN1N914 | D | SEMICONDUCTOR DEVICE, Diode | 1 | |
| - 43 | RCR07G121JR | D | RESISTOR | 1 | |
| - 44 | CK06BX103K | D | CAPACITOR | 5 | |
| - 45 | CK60BX101K | D | CAPACITOR (alternate part 501240-31) | 2 | |
| - 46 | 8004343-2 | D | COIL, RF | 1 | |
| - 47 | CK60BX2R2K | D | CAPACITOR (alternate part 501240-1) | 1 | |
| - 48 | CK60BX6R8K | D | CAPACITOR (alternate part 501240-10) | 1 | |
| - 49 | 2N5179 | D | TRANSISTOR, NPN, silicon, RF, small signal (02735 or 04713) spec dwg 515351-1 | 2 | |
| - 50 | 8007550-1 | D | TRANSISTOR | 1 | |
| - 51 | 10047DAP | D | MOUNTING PAD, Electrical (07047) spec dwg 507253-12 | 2 | |
| - 52 | MS75008-37 | D | COIL, RF | 2 | |
| - 53 | RCR07G393JR | D | RESISTOR | 1 | |
| - 54 | RCR07G102JR | D | RESISTOR (value selected at test, tailor point) | 1 | |
| | RCR07G821JR | D | RESISTOR (value selected at test, tailor point) | 1 | |
| | RCR07G122JR | D | RESISTOR (value selected at test, tailor point) | 1 | |
| - 55 | CK60AX471K | D | CAPACITOR (alternate part 501240-43) | 1 | |
| - 56 | RCR07G511JR | D | RESISTOR | 1 | |

| FIGURE AND INDEX NUMBER | PART NUMBER | IDENT | DESCRIPTION | UNITS PER ASSY | USABLE ON CODE |
|-------------------------|--------------|-------|--|----------------|----------------|
| 13- 57 | 33302-3 | D | SOCKET, Crystal (76487) spec dwg 512396-1 (changed vendors in later configurations) | 1 | |
| | 33302B | D | SOCKET, Crystal (14908) spec dwg 512396-1 | 1 | |
| - 58 | 508456-1 | D | NETWORK, Phase changing | 1 | |
| - 59 | RCR07G620JR | D | RESISTOR | 1 | |
| - 60 | 8004343-1 | D | COIL, RF | 1 | |
| - 61 | RCR07G750JR | D | RESISTOR | 1 | |
| - 62 | RCR07G183JR | D | RESISTOR (value selected at test, tailor point) | 1 | |
| | RCR07G153JR | D | RESISTOR (value selected at test, tailor point) | 1 | |
| | RCR07G203JR | D | RESISTOR (value selected at test, tailor point) | 1 | |
| - 63 | CK61AW222M | D | CAPACITOR (alternate part 501240-88) | 1 | |
| - 64 | RCR07G203JR | D | RESISTOR | 2 | |
| - 65 | RCR07G511JR | D | RESISTOR | 1 | |
| - 66 | RCR07G390JR | D | RESISTOR | 1 | |
| - 67 | RCR07G273JR | D | RESISTOR | 1 | |
| - 68 | MS75008-32 | D | COIL, RF | 1 | |
| - 69 | RCR07G303JR | D | RESISTOR | 1 | |
| | 8006790G1 | D | PRINTED WIRING BOARD | 1 | |
| - 70 | 5151-5 | E | TERMINAL, Stud, uninsulated, turret-type (06540) spec dwg 514266-104 | 2 | |
| - 71 | 5321-5 | E | TERMINAL, Stud, uninsulated, turret-type (06540) spec dwg 514266-302 | 1 | |
| - 72 | 8006790-1 | E | PRINTED WIRING BOARD | 1 | |
| - 73 | 8004396-1 | C | BAR, Spacer, threaded ATTACHING PARTS | 1 | |
| | MS35206-213 | C | SCREW | 1 | |
| | MS35338-40 | C | WASHER | 1 | |
| | MS27183-3 | C | WASHER | 1 | |
| | | | ----*---- | | |
| - 74 | 8004396-1 | C | BAR, Spacer, threaded ATTACHING PARTS | 1 | |
| | MS35206-213 | C | SCREW | 1 | |
| | MS27183-3 | C | WASHER | 1 | |
| | MS35338-40 | C | WASHER | 1 | |
| | | | ----*---- | | |
| - 75 | MB113-04T | C | TERMINAL, Lug (98410) spec dwg 514271-5 ATTACHING PARTS | 1 | |
| | MS35206-214 | C | SCREW | 1 | |
| | MS35338-40 | C | WASHER | 1 | |
| | MS35649-242 | C | NUT | 1 | |
| | | | ----*---- | | |
| - 76 | MB113-04T | C | TERMINAL, Lug (98410) spec dwg 514271-5 | 2 | |
| - 77 | 148-0004-001 | C | CAPACITOR, Variable, air dielectric, 3.9 to 75 pf, porm 10 pct, 375 wvdc (74970) spec dwg 501185-4 (used in early configurations, changed vendors in later configurations) | 2 | |
| | 148-0004-041 | C | CAPACITOR, Variable, air dielectric, 3.2 to 50 pf, porm 10 pct, 375 wvdc (71313) spec dwg 501185-4 (used in later configurations) | 2 | |
| | | | ATTACHING PARTS | | |
| | 8006103-1 | C | SCREW, Machine | 2 | |
| | MS35338-40 | C | WASHER | 2 | |
| | | | ----*---- | | |
| | 8007417G1 | C | CIRCUIT CARD ASSEMBLY, Oven control ATTACHING PARTS | 1 | |
| | MS35206-214 | C | SCREW | 2 | |
| | MS35338-40 | C | WASHER | 2 | |
| | MS27183-3 | C | WASHER | 2 | |
| | | | ----*---- | | |
| - 78 | RN55D3740F | D | RESISTOR | 3 | |
| - 79 | RCR05G823JS | D | RESISTOR | 1 | |
| - 80 | JAN1N751A | D | SEMICONDUCTOR DEVICE, Diode | 1 | |

Section II
Group Assembly Parts List

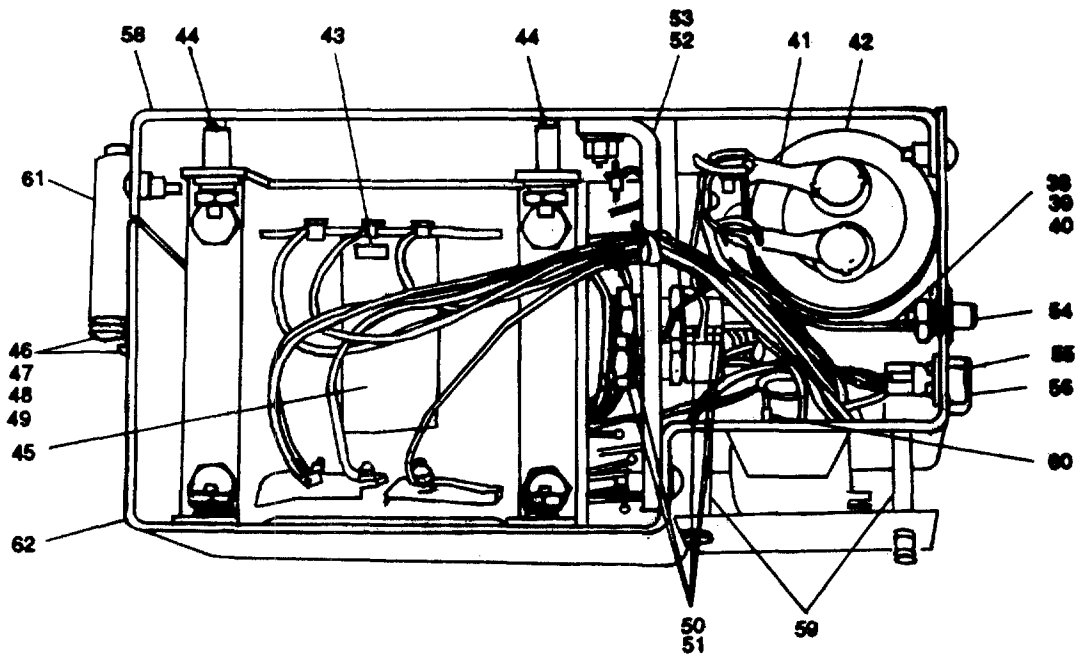
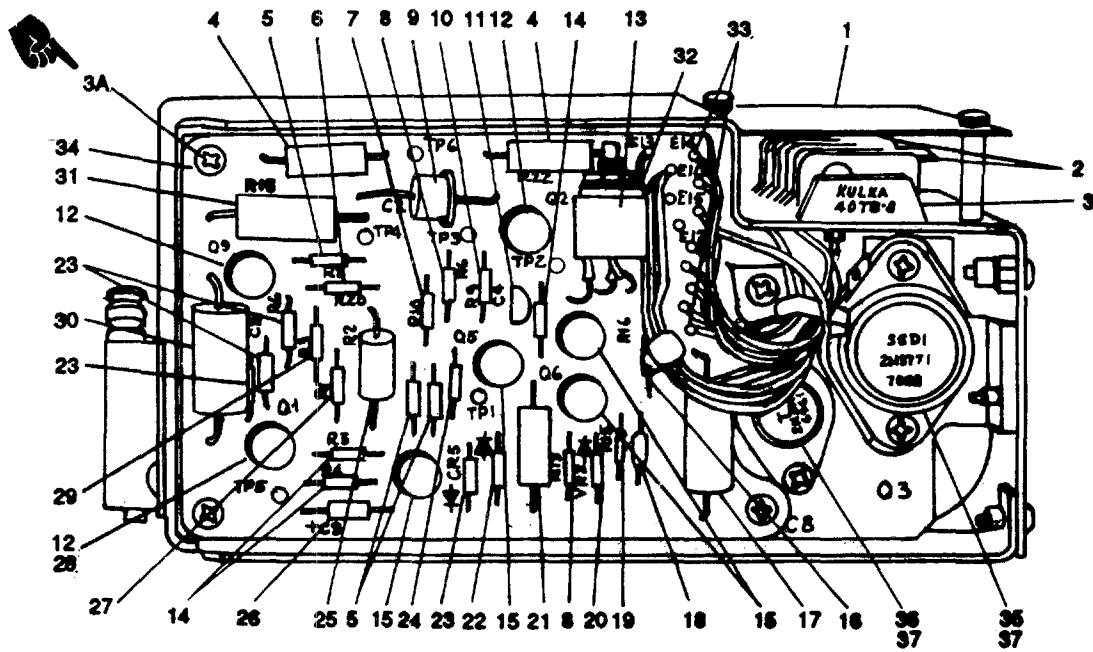
T O 31R2-2GRR-114
NAVELEX 0967-LP-428-1020

| FIGURE AND INDEX NUMBER | PART NUMBER | IDENT | DESCRIPTION | UNITS PER ASSY | USABLE ON CODE |
|-------------------------|----------------|-------|---|----------------|----------------|
| 13- 81 | RCR05G181JS | D | RESISTOR | 1 | |
| - 82 | JAN2N2907A | D | TRANSISTOR | 1 | |
| - 83 | 10047DAP | D | MOUNTING PAD, Electrical (07047) spec dwg 507253-12 | 1 | |
| - 84 | RCR05G102JS | D | RESISTOR | 1 | |
| - 85 | RW80UR499F | D | RESISTOR | 1 | |
| - 86 | RCR05G100JS | D | RESISTOR | 1 | |
| - 87 | RCR07G392JS | D | RESISTOR | 1 | |
| - 88 | RCR07G512JS | D | RESISTOR | 2 | |
| - 89 | U5B7741312 | D | INTEGRATED CIRCUIT, Amplifier, operational (ESDS) (13715) spec dwg 511854-1 | 1 | |
| | SN52741L00 | D | INTEGRATED CIRCUIT, Amplifier, operational (ESDS) (01295) spec dwg 511854-1 (alternate part in later configurations) | 1 | |
| | RM741T | D | INTEGRATED CIRCUIT, Amplifier, operational (ESDS) (49956) spec dwg 511854-1 (alternate part in latest configurations) | 1 | |
| - 90 | JB32J12 | D | RESISTOR, Thermal, 0.2 watt (15801) spec dwg 509413-1 | 1 | |
| | 8007422G1 | D | PRINTED WIRING BOARD | 1 | |
| - 91 | 5321-5 | E | TERMINAL, Stud, uninsulated, turret-type (06540) spec dwg 514266-302 | 9 | |
| - 92 | 8007422-1 | E | PRINTED WIRING BOARD | 1 | |
| - 93 | RG188AU | C | CABLE, RF | AR | |
| - 94 | PE6011 | C | TRANSISTOR, NPN, power (52333) spec dwg 511793-1 | 1 | |
| | 14SE177 | C | TRANSISTOR, NPN, power (21845) spec dwg 511793-1 (alternate part in later configurations) | 1 | |
| | | | ATTACHING PARTS | | |
| | MS35206-229 | C | SCREW | 2 | |
| | 8102535-2 | C | TERMINAL, Lug, locking | 1 | |
| | MS27183-5 | C | WASHER | 2 | |
| | 2711-24827N140 | C | WASHER, Shouldered (06540) spec dwg 507292-6 | 2 | |
| | 495320 | C | MOUNTING PAD, Electrical (02735) spec dwg 507292-1 | 1 | |
| | MS35338-41 | C | WASHER | 2 | |
| | MS25082-1 | C | NUT | 2 | |
| | | | ----*---- | | |
| | 8004392G2 | C | CHASSIS, Electronic equipment | 1 | |
| - 95 | 8004393-1 | D | BRACKET, Front | 2 | |
| - 96 | STSM7 | D | TERMINAL, Stud, insulated (98291) spec dwg 514264-601 | 6 | |
| - 97 | NCN4-2-040-3 | D | NUT, Captive (42498) spec dwg 508570-1 | 2 | |
| - 98 | 8004497-1 | D | FINGERS, Spring | 2 | |
| - 99 | 5339-08903-3 | D | EYELET | 4 | |
| -100 | 5339-08904-3 | D | EYELET | 6 | |
| -101 | 8004392-9 | D | CHASSIS, Electrical equipment | 1 | |
| | 8004397G3 | B | CHASSIS, Electronic equipment | 1 | |
| -102 | 44LN040C | C | NUT, Self-locking (86577) spec dwg 508566-1 | 2 | |
| | 8004578G1 | C | BRACKET, Mounting | 2 | |
| | | | ATTACHING PARTS | | |
| | MS16535-133 | C | RIVET | 8 | |
| | | | ----*---- | | |
| -103 | MS21208C0820 | D | INSERT | 1 | |
| -104 | 8004578-1 | D | BRACKET | 1 | |
| -105 | 101001 | C | FUSEHOLDER (75915) spec dwg 509417-1 | 1 | |
| | | | ATTACHING PARTS | | |
| | MS16535-132 | C | RIVET | 1 | |
| | | | ----*---- | | |
| -106 | 8004397-6 | C | CHASSIS, Electrical equipment | 1 | |

| FIGURE AND INDEX NUMBER | PART NUMBER | INDEX | DESCRIPTION | UNITS PER ASSY | USABLE ON CODE |
|-------------------------|----------------|-------|---|----------------|----------------|
| 14- - 1 | 8004245G1 | A | POWER SUPPLY (see figure 2 for NHA) | REF | |
| | 8004523-1 | B | COVER, Terminal strip ATTACHING PARTS | 1 | |
| | MS35206-214 | B | SCREW | 2 | |
| | MS27183-3 | B | WASHER | 2 | |
| | MS35338-40 | B | WASHER | 2 | |
| | | | ----- | | |
| - 2 | 8004716-1 | B | STRAP, Jumper, terminal board | 3 | |
| - 3 | 40TBB | B | TERMINAL BOARD ATTACHING PARTS | 1 | |
| | MS35206-218 | B | SCREW | 2 | |
| | | | ----- | | |
| - 3A | 8004355G1 | B | CIRCUIT CARD ASSEMBLY, Power supply ATTACHING PARTS | 1 | |
| | MS35206-215 | B | SCREW | 4 | |
| | MS27183-3 | B | WASHER | 4 | |
| | | | ----- | | |
| - 4 | RCR32G100JR | C | RESISTOR | 2 | |
| - 5 | RCR07G273JR | C | RESISTOR | 3 | |
| - 6 | RCR07G821JR | C | RESISTOR | 1 | |
| - 7 | RCR07G182JR | C | RESISTOR | 1 | |
| - 8 | RCR07G222JR | C | RESISTOR | 2 | |
| - 9 | JAN1N538 | C | SEMICONDUCTOR DEVICE, Diode | 1 | |
| - 10 | RCR07G562JR | C | RESISTOR | 1 | |
| - 11 | CK60AW102M | C | CAPACITOR (alternate part 501240-58) | 1 | |
| - 12 | JAN2N1132 | C | TRANSISTOR (Q1 replaced by JAN2N2904A in early configurations) | 3 | |
| - 13 | RV6NAYSLS01A | C | RESISTOR | 1 | |
| - 14 | RCR07G103JR | C | RESISTOR | 3 | |
| - 15 | JAN2N1613 | C | TRANSISTOR | 4 | |
| - 16 | RN55D2801F | C | RESISTOR | 1 | |
| - 17 | M39003-01-2312 | C | CAPACITOR | 1 | |
| - 18 | RN55D1241F | C | RESISTOR | 1 | |
| - 19 | RCR07G102JR | C | RESISTOR | 1 | |
| - 20 | JAN1N825 | C | SEMICONDUCTOR DEVICE, Diode | 1 | |
| - 21 | RCR32G182JR | C | RESISTOR | 1 | |
| - 22 | JAN1N754A | C | SEMICONDUCTOR DEVICE, Diode (used in early configurations, deleted in later configurations) | 1 | |
| | RCR07G751JR | C | RESISTOR (added in later configurations) | 1 | |
| - 23 | JAN1N914 | C | SEMICONDUCTOR DEVICE, Diode | 4 | |
| - 24 | RCR07G332JR | C | RESISTOR (used in early configurations) | 1 | |
| | RCR07G132JR | C | RESISTOR (used in later configurations) | 1 | |
| - 25 | RW69V2R2 | C | RESISTOR | 1 | |
| - 26 | M39003-01-2344 | C | CAPACITOR | 1 | |
| - 27 | RCR07G681JR | C | RESISTOR | 1 | |
| - 28 | JAN2N2904A | C | TRANSISTOR (replaced Q1, JAN2N1132 in early configurations) | 1 | |
| | 515392-1 | C | TRANSISTOR (Q1, used in later configurations) | 1 | |
| - 29 | RCR07G272JR | C | RESISTOR | 1 | |
| - 30 | M39003-01-2301 | C | CAPACITOR | 1 | |
| - 31 | RWR74S1001FR | C | RESISTOR | 1 | |
| | 8004445G1 | C | PRINTED WIRING BOARD | 1 | |
| - 32 | 8003155-2 | D | BRACKET, Angle ATTACHING PARTS | 1 | |
| | MS16535-13 | D | RIVET | 2 | |
| | | | ----- | | |
| - 33 | 5321-5 | D | TERMINAL, Stud, uninsulated, turret-type (06540) spec dwg 514266-302 | 19 | |
| - 34 | 8004445-1 | D | PRINTED WIRING BOARD | 1 | |

Section II
Group Assembly Parts List

T.O. 31R2-2GRR-114
NAVELEX 0967-LP-428-1020



Section II
Group Assembly Parts List

T.O. 31R2-2GRR-114
NAVELEX 0967-LP-428-1020

| FIGURE AND INDEX NUMBER | PART NUMBER | IDENT | DESCRIPTION | UNITS PER ASSY | USABLE ON CODE |
|-------------------------|-------------------|-------|--|----------------|----------------|
| 14- | | | ATTACHING PARTS | | |
| | MS35190-236 | B | SCREW | 4 | |
| | MS27183-6 | B | WASHER | 4 | |
| | MS35338-41 | B | WASHER | 4 | |
| | MS35649-262 | B | NUT | 4 | |
| | | | ----*---- | | |
| - 46 | MS35206-251 | B | SCREW | 2 | |
| - 47 | MS27183-7 | B | WASHER | 2 | |
| - 48 | MS35338-42 | B | WASHER | 2 | |
| - 49 | 517689-1 | S | WASHER, Non-metallic (used in early configurations, when exhausted use alternate part 5-646N674-70) | 2 | |
| | 5-646N674-70 | B | PACKING, Preformed (02697) spec dwg 508874-13 (alternate part used in later configurations) | 2 | |
| - 50 | JAN1N1614 | B | SEMICONDUCTOR DEVICE, Diode | 5 | |
| | | | ATTACHING PARTS | | |
| | MS25082-3 | B | NUT | 5 | |
| | MS35338-43 | B | WASHER | 5 | |
| | AN960-10L | B | WASHER | 10 | |
| | DF6C | B | INSULATING WASHER (02735) spec dwg 507293-1 | 10 | |
| | 512277-1 | B | BUSHING, Sleeve | 5 | |
| | | | ----*---- | | |
| - 51 | 1414-10 | B | TERMINAL, Lug, locking (83330) spec dwg 8102535-4 (used in early configurations) | 5 | |
| | MS35431-8 | B | TERMINAL, Lug (used in later configurations) | 5 | |
| | 8004522G1 | S | HEAT SINK | 1 | |
| | | | ATTACHING PARTS | | |
| | MS35206-216 | B | SCREW | 2 | |
| | MS35190-223 | B | SCREW | 3 | |
| | | | ----*---- | | |
| - 52 | 44LN056C | C | NUT, Self-locking, clinch (86577) spec dwg 508566-2 (used in early configurations) | 7 | |
| | 44LN125C | C | NUT, Self-locking, clinch (86577) spec dwg 508566-10 (used in later configurations) | 7 | |
| - 53 | 8004522-1 | C | HEAT SINK | 1 | |
| - 54 | 8004951-1 | B | PIN, Shoulder, headless | 2 | |
| | | | ATTACHING PARTS | | |
| | MS35649-262 | B | NUT | 2 | |
| | MS27183-5 | B | WASHER | 2 | |
| | MS35338-41 | B | WASHER | 2 | |
| | | | ----*---- | | |
| - 55 | DAC15PFO | B | CONNECTOR, Receptacle, electrical (71468) spec dwg 502056-102 (use until exhausted, vendor changed part numbers in later configurations) | 1 | |
| | DAU15PFO | B | CONNECTOR, Receptacle, electrical (71468) spec dwg 502056-102 (alternate part used in later configurations) | 1 | |
| | 234-15-11-100 | B | CONNECTOR, Receptacle, electrical (71785) spec dwg 502056-102 (alternate part in later configurations) | 1 | |
| | | | ATTACHING PARTS | | |
| | MS35190-224 | B | SCREW | 2 | |
| | NAS620-4L | B | WASHER | 2 | |
| | MS35338-40 | B | WASHER | 2 | |
| | MS35649-242 | B | NUT | 2 | |
| | | | ----*---- | | |
| - 56 | 030-1952-000 | B | CONTACT, Electrical (71468) spec dwg 502056-401 | 14 | |
| | 403-30-15-119-410 | B | CONTACT, Electrical (71785) spec dwg 502056-401 (alternate part in later configurations) | 14 | |
| | 8004876G1 | B | COVER ASSEMBLY, Chassis, bottom | 1 | |
| | | | ATTACHING PARTS | | |
| | MS35206-214 | B | SCREW | 4 | |
| | | | ----*---- | | |
| - 57 | 44LN056C | C | NUT, Self-locking, clinch (86577) spec dwg 508566-2 | 5 | |

| FIGURE AND INDEX NUMBER | PART NUMBER | I N D E N T | DESCRIPTION | UNITS PER ASSY | USABLE ON CODE |
|-------------------------|-------------------|----------------------------|---|----------------|----------------|
| 14- 58 | 8004876-1 | C | COVER, Chassis, bottom | 1 | |
| | 8004875G1 | B | CHASSIS, Electrical equipment, power supply | 1 | |
| - 59 | BS0S440-22 | C | STANDOFF, Threaded (46384) spec dwg 505127-4 | 2 | |
| - 60 | 44LN056C | C | NUT, Self-locking, clinch (86577) spec dwg 508566-2 | 3 | |
| - 61 | 8004475-2 | C | LUG, Mounting | 2 | |
| | MS16535-134 | C | ATTACHING PARTS RIVET | 4 | |
| - 62 | 8004875-1 | C | CHASSIS | 1 | |
| 15- | 8004239G1 | A | PREAMPLIFIER, AF/AGC Squelch (see figure 2 for NHA) used in early configurations, replaced by 8008586G1 in later configurations | REF | |
| - 1 | MS35206-251 | B | SCREW | 1 | |
| - 2 | MS27183-7 | B | WASHER | 1 | |
| - 3 | MS35338-42 | B | WASHER | 1 | |
| - 4 | 517689-1 | B | WASHER, Non-metallic (used in early configurations, when exhausted use alternate part 5-656N674-70) | 1 | |
| | 5-646N674-70 | B | PACKING, Preformed (02697) spec dwg 508874-13 alternate part used in later configurations) | 1 | |
| - 5 | 8004951-1 | B | PIN, Shoulder, headless | 2 | |
| | MS35649-262 | B | ATTACHING PARTS NUT | 2 | |
| | MS27183-5 | B | WASHER | 2 | |
| | MS35338-41 | B | WASHER | 2 | |
| - 6 | 030-1952-000 | B | CONTACT, Electrical (71468) spec dwg 502056-401 | 14 | |
| | 403-30-15-119-410 | B | CONTACT, Electrical (71785) spec dwg 502056-401 (alternate part in later configurations) | 14 | |
| | 8004356G1 | B | CIRCUIT CARD ASSEMBLY, Preamplifier, audio frequency | 1 | |
| | MS35206-213 | B | ATTACHING PARTS SCREW | 4 | |
| | MS27183-3 | B | WASHER | 4 | |
| | MS35338-40 | B | WASHER | 4 | |
| - 7 | RCR07G333JR | C | RESISTOR | 1 | |
| - 8 | JAN1N914 | C | SEMICONDUCTOR DEVICE, Diode | 2 | |
| - 9 | RCR07G562JR | C | RESISTOR | 2 | |
| - 10 | CL65BH151KPE | C | CAPACITOR | 1 | |
| - 11 | M39003-01-2374 | C | CAPACITOR | 2 | |
| - 12 | RV6NAYSL103A | C | RESISTOR | 1 | |
| - 13 | M39003-01-2286 | C | CAPACITOR | 4 | |
| - 14 | M39003-01-2368 | C | CAPACITOR | 2 | |
| - 15 | CP09A1KC683K3 | C | CAPACITOR | 2 | |
| - 16 | RCR07G154JR | C | RESISTOR | 2 | |
| - 17 | RCR07G394JR | C | RESISTOR | 2 | |
| - 18 | RCR07G124JR | C | RESISTOR | 1 | |
| - 19 | RCR07G822JR | C | RESISTOR | 1 | |
| - 20 | RCR07G152JR | C | RESISTOR | 2 | |
| - 21 | RCR07G151JR | C | RESISTOR | 2 | |
| - 22 | CP09A1KB103K3 | C | CAPACITOR | 3 | |
| - 23 | JAN2N2222A | C | TRANSISTOR | 3 | |
| - 24 | 10047DAP | C | MOUNTING PAD, Electrical (07047) spec dwg 507253-12 | 3 | |
| - 25 | JAN2N1613 | C | TRANSISTOR | 3 | |
| - 26 | RCR07G561JR | C | RESISTOR | 1 | |
| - 27 | RCR07G393JR | C | RESISTOR | 1 | |
| - 28 | RCR07G102JR | C | RESISTOR (R45 replaced in later configurations) | 4 | |
| | RCR07G122JR | C | RESISTOR (replaces R45, RCR07G102JR in later configurations) | 1 | |

Section II
Group Assembly Parts List

T.O. 31R2-2GRR-114
 NAVELEX 0967-LP-428-1020

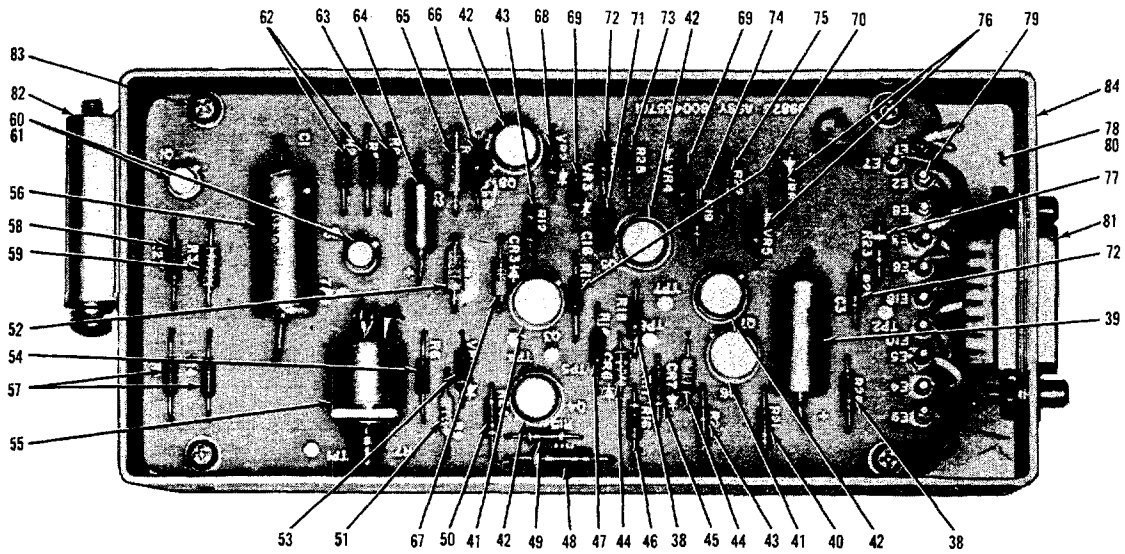
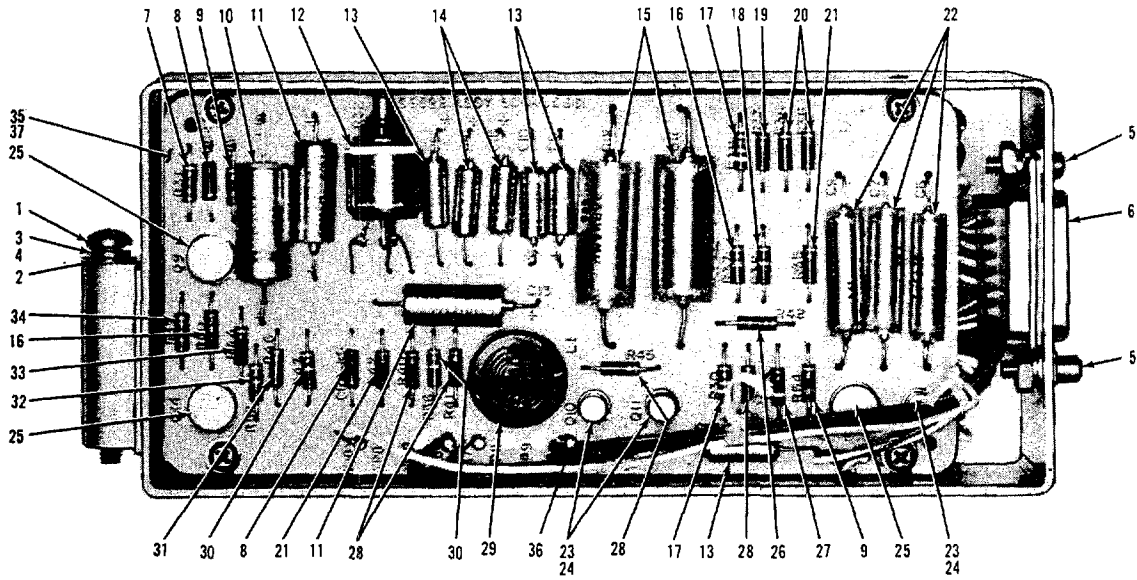


Figure 15. Preamplifier, AF/AGC-Squelch

| FIGURE AND INDEX NUMBER | PART NUMBER | IDENT | DESCRIPTION | UNITS PER ASSY | USABLE ON CODE |
|-------------------------|----------------|-------|---|----------------|----------------|
| 15- 29 | PCT050-14 | C | COIL, RF, 50 millihenries, perm 1 pct (13499) spec dwg 509404-301 | 1 | |
| - 30 | RCR07G104JR | C | RESISTOR | 2 | |
| - 31 | RCR07G221JR | C | RESISTOR | 1 | |
| - 32 | RCR07G224JR | C | RESISTOR | 1 | |
| - 33 | RCR07G222JR | C | RESISTOR | 1 | |
| - 34 | RCR07G272JR | C | RESISTOR | 1 | |
| | 8004420G1 | C | PRINTED WIRING BOARD | 1 | |
| - 35 | 8003155-2 | D | BRACKET, Angle ATTACHING PARTS | 1 | |
| | MS16535-13 | D | RIVET ----*---- | 2 | |
| - 36 | 5321-5 | D | TERMINAL, Stud, uninsulated, turret-type (06540) spec dwg 514266-302 | 12 | |
| - 37 | 8004420-1 | D | PRINTED WIRING BOARD | 1 | |
| | 8004357G1 | B | CIRCUIT CARD ASSEMBLY, Automatic gain control-squelch ATTACHING PARTS | 1 | |
| | MS35206-213 | B | SCREW | 4 | |
| | MS27183-3 | B | WASHER | 4 | |
| | MS35338-40 | B | WASHER ----*---- | 4 | |
| - 38 | RCR07G202JR | C | RESISTOR | 2 | |
| - 39 | M39003-01-2312 | C | CAPACITOR | 1 | |
| - 40 | RCR07G201JR | C | RESISTOR | 1 | |
| - 41 | JAN2N1613 | C | TRANSISTOR | 2 | |
| - 42 | JAN2N1132 | C | TRANSISTOR | 4 | |
| - 43 | RCR07G242JR | C | RESISTOR | 2 | |
| - 44 | JAN1N914 | C | SEMICONDUCTOR DEVICE, Diode | 2 | |
| - 45 | RCR07G753JR | C | RESISTOR | 1 | |
| - 46 | RCR07G472JR | C | RESISTOR | 1 | |
| - 47 | RN55D6041F | C | RESISTOR | 1 | |
| - 48 | RCR20G331JR | C | RESISTOR | 1 | |
| - 49 | RCR07G470JR | C | RESISTOR | 1 | |
| - 50 | RCR07G622JR | C | RESISTOR | 1 | |
| - 51 | RN55D8250F | C | RESISTOR | 1 | |
| - 52 | RN55D60R4F | C | RESISTOR | 1 | |
| - 53 | JAN1N753A | C | SEMICONDUCTOR DEVICE, Diode | 1 | |
| - 54 | RN55D2801F | C | RESISTOR | 1 | |
| - 55 | RV6NAYSL252A | C | RESISTOR | 1 | |
| - 56 | CP09A1KB104K3 | C | CAPACITOR | 1 | |
| - 57 | RN55D7151F | C | RESISTOR | 2 | |
| - 58 | RN55D1002F | C | RESISTOR | 1 | |
| - 59 | RN55D2430F | C | RESISTOR | 1 | |
| - 60 | JAN2N222A | C | TRANSISTOR | 2 | |
| - 61 | 10047DAP | C | MOUNTING PAD, Electrical (07047) spec dwg 507253-12 | 2 | |
| - 62 | RN55D4321F | C | RESISTOR | 2 | |
| - 63 | RN55D3321F | C | RESISTOR | 1 | |
| - 64 | M39003-01-2286 | C | CAPACITOR | 1 | |
| - 65 | RN55D2100F | C | RESISTOR | 1 | |
| - 66 | 15DB301S | C | RESISTOR, Thermal, 300 ohms, perm 5 pct, 0.2 watt maximum (12930) spec dwg 509413-4 | 1 | |
| - 67 | JAN1N914 | C | SEMICONDUCTOR DEVICE, Diode | 1 | |
| - 68 | JAN1N759A | C | SEMICONDUCTOR DEVICE, Diode | 1 | |
| - 69 | JAN1N751A | C | SEMICONDUCTOR DEVICE, Diode | 2 | |
| - 70 | RN55D1001F | C | RESISTOR | 1 | |
| - 71 | 300-100W5R104K | C | CAPACITOR, Fixed, ceramic dielectric, 100,000 pf, perm 10 pct, 100 wvdc (51642) spec dwg 501170-12 (used in early configurations) | 1 | |
| | CK06BX104K | C | CAPACITOR (used in later configurations) | 1 | |
| - 72 | RCR07G102JR | C | RESISTOR | 2 | |
| - 73 | RCR07G621JR | C | RESISTOR | 1 | |

Section II
Group Assembly Parts List

T.O. 31R2-2GRR-114
 NAVELEX 0967-LP-428-1020

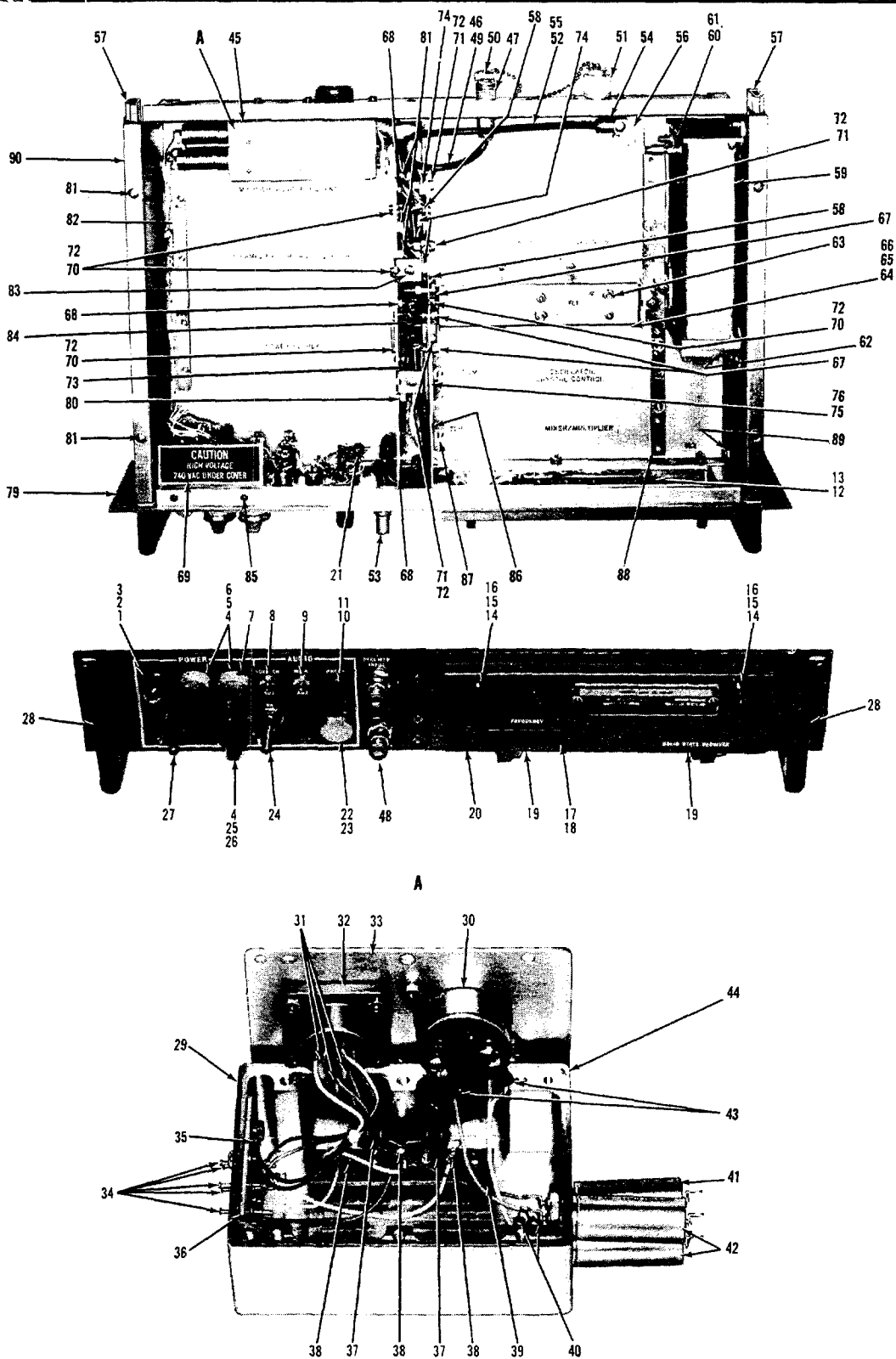


Figure 16. Frame Assembly, Receiver, Radio, UHF and VHF

| FIGURE AND INDEX NUMBER | PART NUMBER | I N D E N T | DESCRIPTION | UNITS PER ASSY | USABLE ON CODE |
|-------------------------|---------------|----------------------------|---|----------------|----------------|
| 15 - 74 | RCR07G152JR | C | RESISTOR | 1 | |
| - 75 | RCR07G103JR | C | RESISTOR | 1 | |
| - 76 | JAN1N755A | C | SEMICONDUCTOR DEVICE, Diode | 2 | |
| - 77 | RCR07G392JR | C | RESISTOR | 1 | |
| | 8004407G1 | C | PRINTED WIRING BOARD | 1 | |
| - 78 | 8003155-2 | D | BRACKET, Angle | 1 | |
| | | | ATTACHING PARTS | | |
| | MS16535-13 | D | RIVET | 2 | |
| | | | ---*--- | | |
| - 79 | 5321-5 | D | TERMINAL, Stud, uninsulated, turret-type (06540) spec dwg 514266-302 | 18 | |
| - 80 | 8004407-1 | D | PRINTED WIRING BOARD | 1 | |
| | 8004562G1 | B | CHASSIS, Electrical equipment | 1 | |
| - 81 | DAC15PFO | C | CONNECTOR, receptacle, electrical (71468) spec dwg 502056-102 (use until exhausted, vendor changed part number in later configurations) | 1 | |
| | DAU15PFO | C | CONNECTOR, Receptacle, electrical (71468) spec dwg 502056-102 (alternate part used in later config- urations) | 1 | |
| | 234-15-11-100 | C | CONNECTOR, Receptacle, electrical (71785) spec dwg 502056-102 (alternate part used in later config- urations) | 1 | |
| | | | ATTACHING PARTS | | |
| | M404R | C | EYELET, Metallic (23730) spec dwg 8004777-1 (used until exhausted, then replace with alternate part) | 2 | |
| | S-5008 | C | EYELET, Metallic, (61957)spec dwg 8004777-1 (alternate part used in later configurations) | 2 | |
| | | | ---*--- | | |
| - 82 | 8004475-2 | C | LUG, Mounting | 1 | |
| | | | ATTACHING PARTS | | |
| | MS16535-134 | C | RIVET | 4 | |
| | | | ---*--- | | |
| - 83 | 8004561-1 | C | BRACKET, Mounting | 4 | |
| | | | ATTACHING PARTS | | |
| | MS16535-65 | C | RIVET | 4 | |
| | | | ---*--- | | |
| - 84 | 8004562-1 | C | CHASSIS, Electrical equipment | 1 | |
| 16 - | 8004206G1 | A | FRAME ASSEMBLY, Receiver, radio, AN/GRR-24(V) UHF see figure 2 for NHA | REF | ACDE FGHIT |
| | 8004206G2 | A | FRAME ASSEMBLY, Receiver, radio, AN/GRR-23(V) VHF see figure 2 for NHA | REF | BKLM NOPQS |
| | 8004206G3 | A | FRAME ASSEMBLY, Receiver, radio, AN/GRR-24(V) UHF see figure 2 for NHA | REF | J |
| | 8004206G4 | A | FRAME ASSEMBLY, Receiver, radio, AN/GRR-23(V) VHF see figure 2 for NHA | REF | R |
| - 1 | 132-0997 | B | LENS, Indicator light, plastic, clear (72619) spec dwg 508121-1 | 1 | |
| - 2 | NE51 | B | LAMP, Glow (08806) | 1 | |
| - 3 | LH76-1 | B | LAMPHOLDER | 1 | |
| - 4 | CK60AX471K | B | CAPACITOR (alternate part 501240-43) | 3 | |
| - 5 | FO2A250V1A | B | FUSE, Cartridge, 1 amp, 105/120 volts input | 2 | |
| | FO2A250V1-2A | B | FUSE, Cartridge, 1/2 amp, 210-240 volts input | 2 | |
| - 6 | FHL17G2 | B | FUSEHOLDER | 2 | |
| - 7 | 151 | B | TERMINAL, Lug tpe (79963) spec dwg 514260-8 | 1 | |
| - 8 | RV6NAYSL252A | B | RESISTOR | 1 | |
| | | | ATTACHING PARTS | | |
| | 8006134-1 | B | NUT, Mounting | 1 | |
| | | | ---*--- | | |
| - 9 | RV6NAYSL502C | B | RESISTOR | 1 | |

| FIGURE AND INDEX NUMBER | PART NUMBER | IN D E N T | DESCRIPTION | UNITS PER ASSY | USABLE ON CODE |
|-------------------------|--------------|------------------------|---|----------------|----------------|
| | 8006134-1 | B | ATTACHING PARTS NUT, Mounting ----- | 1 | |
| - 10 | MS91528-0D1B | B | KNOB | 1 | |
| - 11 | RV6NAYSD502C | B | RESISTOR | 1 | |
| - 12 | 509137-1 | B | PLATE, Identification | 1 | |
| - 13 | 672-17 | B | CONNECTOR, Electrical, test point (95238) spec dwg 502084-1 | 1 | |
| | UTP16-157 | B | CONNECTOR, Electrical, test point (97954) spec dwg 502084-1 (alternate part in later configurations) | 1 | |
| | MS35206-217 | B | ATTACHING PARTS SCREW | 2 | |
| | MS27183-4 | B | WASHER | 2 | |
| | MS35338-40 | B | WASHER | 2 | |
| | N/A | C | PIN, Connector, electrical, test point (Pin not available separately, requi- sition the NHA connector and remove the required pins) | | |
| - 14 | 517689-1 | B | WASHER, Non-metallic (used in early configurations, when exhausted use alter- nate part 5-646N674-70) | 2 | |
| | 5-646N674-70 | B | PACKING, preformed (02697) spec dwg 508874-13 (alternate part used in later configurations) | 2 | |
| - 15 | 8004856-1 | B | SCREW, Captive | 2 | |
| - 16 | MS27183-7 | B | WASHER | 2 | |
| | 8004760G1 | B | HOLDER, ASSEMBLY, Card | 1 | |
| - 17 | 8004760-2 | C | TAPE, Pressure sensitive, adhesive | 1 | |
| - 18 | 8004760-1 | C | HOLDER, Card | 1 | |
| - 19 | MS35672-17 | B | PIN | 2 | |
| - 20 | 8004591-1 | B | DOOR, Front panel | 1 | |
| - 21 | B1C90-20 | B | PROTECTOR, Voltage, transient, dc striking voltage 90 porm 20 pct, surge striking voltage less than 1000 v (25088) spec dwg 509204-1 | 1 | |
| - 22 | S512 | B | COVER, Access, self-closing (82389) spec dwg 502072-1 | 1 | |
| - 23 | JJ034 | B | JACK | 1 | |
| - 24 | MS35058-23 | B | SWITCH | 1 | |
| | 8105252-2 | B | ATTACHING PARTS WASHER, Flat ----- | 1 | |
| - 25 | F02A250V3A | B | FUSE, Cartridge, 3 amp, 105/120 volts input | 1 | |
| - 26 | FHL18G2-2 | B | FUSEHOLDER | 1 | |
| - 27 | 7661K6 | B | SWITCH, Toggle, four pole, single throw, 2 position (27192) spec dwg 512984-2 | 1 | |
| | 8105252-2 | B | ATTACHING PARTS WASHER, Flat ----- | 1 | |
| - 28 | 8004517-2 | B | HANDLE, Bow, front panel | 2 | |
| | 8006103-5 | B | ATTACHING PARTS SCREW, Machine (used in early configurations) | 4 | |
| | 8006103-7 | B | SCREW, Machine (used in later configurations) | 4 | |
| | MS27183-7 | B | WASHER | 4 | |
| | MS35338-42 | B | WASHER | 4 | |
| | NAS671-8 | B | NUT | 4 | |
| - 29 | 8006068G1 | B | CONNECTOR, Filter | 1 | |
| | MS35206-228 | B | ATTACHING PARTS SCREW | 6 | |
| | MS35338-41 | B | WASHER | 6 | |
| - 30 | 7486G | C | CONNECTOR, Receptacle, electrical, three wire, twist-lock (74545) spec dwg 502079-3 | 1 | |

T.O. 31R2-2GRR-114
NAVELEX 0967-LP-428-1020

Section II
Group Assembly Parts List

| FIGURE AND INDEX NUMBER | PART NUMBER | IDENT | DESCRIPTION | UNITS PER ASSY | USABLE ON CODE |
|-------------------------|-----------------|-------|--|----------------|----------------|
| 16- | | | ATTACHING PARTS | | |
| | MS35206-227 | C | SCREW | 2 | |
| | MS35338-41 | C | WASHER | 2 | |
| | MS35649-262 | C | NUT | 2 | |
| | | | ----*---- | | |
| - 31 | CK60AX471K | C | CAPACITOR (alternate part 501240-43) | 3 | |
| - 32 | MS3102R18-8P | C | CONNECTOR | 1 | |
| | | | ATTACHING PARTS | | |
| | MS35206-216 | C | SCREW | 4 | |
| | MS35338-40 | C | WASHER | 4 | |
| | MS35649-242 | C | NUT | 4 | |
| | | | ----*---- | | |
| - 33 | 8006065-1 | C | PLATE, Mounting, connector | 1 | |
| | | | ATTACHING PARTS | | |
| | MS24693S1 | C | SCREW | 2 | |
| | | | ----*---- | | |
| | 8006067G1 | C | PLATE, Mounting, Capacitor | 1 | |
| | | | ATTACHING PARTS | | |
| | MS35206-216 | C | SCREW | 4 | |
| | MS35338-40 | C | WASHER | 4 | |
| | MS35649-242 | C | NUT | 4 | |
| | | | ----*---- | | |
| - 34 | FA5C102W | D | CAPACITOR, Fixed, ceramic dielectric, feedthru, 1000 pf, plus 150 pct minus 0 pct gm v @ 1 kHz, 2 vrms, 25 deg c, 500:vwvdc (01120) spec dwg 501172-1 | 5 | |
| - 35 | 5321-082-14 | D | TERMINAL, Stud, uninsulated (06540) spec dwg 514266-301 | 1 | |
| - 36 | 8006067-1 | D | PLATE, Mounting | 1 | |
| | 8004818G1 | C | TERMINAL BOARD | 1 | |
| | | | ATTACHING PARTS | | |
| | MS35206-214 | C | SCREW | 2 | |
| | MS27183-4 | C | WASHER | 2 | |
| | MS35338-40 | C | WASHER | 2 | |
| | | | ----*---- | | |
| - 37 | B1C90-20 | D | PROTECTOR, Voltage, transient, dc striking voltage 90 porm 20 pct, surge striking voltage less than 1000 v (25088) spec dwg 509204-1 | 2 | |
| | | | ATTACHING PARTS | | |
| | 8004815G4 | D | TERMINAL BOARD | 1 | |
| - 38 | NAS705S2 | E | TERMINAL | 3 | |
| - 39 | 8004815-2 | E | TERMINAL BOARD | 1 | |
| - 40 | RCR20G474JS | C | RESISTOR (added in later configurations) | 2 | |
| - 41 | NFT3H1P47L10-10 | C | CAPACITOR, RFI filter, feedthru, 0.47 uf, porm 10 pct, 100 vdc (14655) spec dwg 501370-2 (may be rated and marked for 200 vdc, but application shall be limited to 100 vdc max) | 1 | |
| | | | ATTACHING PARTS | | |
| | 104JX47492TA | C | CAPACITOR, RFI filter, feedthru, 0.47 uf, porm 10 pct, 100 wvdc (56289) spec dwg 501370-2 (alternate for NFT3H1P47L10-10, may be rated and marked for 200 vdc, but application shall be limited to 100 vdc max, use until exhausted, vendor changed part and part number in later configurations, see 103P536A5) | 1 | |
| | | | ATTACHING PARTS | | |
| | 103P536A5 | C | CAPACITOR, Filter, RFI, feedthru, 0.47 uf, 10 pct, 100 vdc (56289) spec dwg 501370-2 (alternate part in later configurations) | 1 | |
| | | | ATTACHING PARTS | | |
| | 508027-1 | C | TERMINAL, Lug (added in later configurations) | 1 | |
| | | | ----*---- | | |
| - 42 | NFT3H6P1L10-10 | C | CAPACITOR, RFI filter, feedthru, 0.1 uf, porm 10 pct, 600 vdc (14655) spec dwg 501370-1 | 2 | |

Section II
Group Assembly Parts List

T.O. 31R2-2GRR-114
NAVELEX 0967-LP-428-1020

| FIGURE AND INDEX NUMBER | PART NUMBER | IDENT | DESCRIPTION | UNITS PER ASSY | USABLE ON CODE |
|-------------------------|----------------|-------|---|----------------|-------------------------|
| 16- | 104JX10496TA | C | CAPACITOR, RFI filter, feedthru, 0.1 uf, porm 10 pct, 600 vdc (56289) spec dwg 501370-1 (alternate for NFT3H6P1L10-10, use until exhausted, vendor changed part and part number in later configurations, see 103P525A1) | 2 | |
| | 103P525A1 | C | CAPACITOR, Filter, RFI, feedthru, 0.1 uf, porm 10 pct, 600 vdc (56289) spec dwg 501370-1 (alternate part in later configurations) | 2 | |
| - 43 | AA82006T | C | TERMINAL, Lug, crimp type (98410) spec dwg 514271-1 (use until exhausted, then replace with AA92006T) | 2 | |
| | AA92006T | C | TERMINAL, Lug, crimp type (98410) spec dwg 514271-1 (vendor changed part and part number in later configurations) | 2 | |
| - 44 | 8006066-1 | C | HOUSING, Filter | 1 | |
| - 45 | 512139-2 | B | GASKET, Shielding, electronic | 1 | |
| | 8004928G1 | B | CABLE ASSEMBLY, Special purpose, electrical | 1 | |
| | 8105252-8 | B | WASHER, Flat | 1 | |
| | | | -----* | | |
| - 46 | 516665-6 | C | MARKER, Identification | 1 | |
| - 47 | UG556BU | C | CONNECTOR | 1 | |
| - 48 | M39012-19-0001 | C | CONNECTOR (used in early configurations) | 1 | |
| | M39012-19-0101 | C | CONNECTOR (used in later configurations) | 1 | |
| | 1224-02 | C | WASHER, Lock, tooth, internal (78189) spec dwg 517688-1 | 1 | |
| | | | -----* | | |
| - 49 | RG55BU | C | CABLE, RF | AR | |
| - 50 | M39012-25-0006 | B | COVER | 1 | |
| | | | ATTACHING PARTS | | |
| | MS35206-228 | B | SCREW | 1 | |
| | MS27183-5 | B | WASHER | 1 | |
| | MS35338-41 | B | WASHER | 1 | |
| | MS35649-262 | B | NUT | 1 | |
| | | | -----* | | |
| - 51 | KN89-26 | B | COVER, Electrical connector (91836) spec dwg 502082-2 | 1 | |
| | 2-N762 | B | COVER, Electrical connector (94375) spec dwg 502082-2 (alternate part in later configurations) | 1 | |
| | 8004929G1 | B | CABLE ASSEMBLY, Special purpose, electrical | 1 | |
| - 52 | 516665-1 | C | MARKER, Identification | 1 | |
| - 53 | M39012-19-0001 | C | CONNECTOR (used in early configurations) | 1 | |
| | M39012-19-0101 | C | CONNECTOR (used in later configurations) | 1 | |
| | 1224-02 | C | WASHER, Lock, tooth, internal (78189) spec dwg 517688-1 | 1 | |
| | | | -----* | | |
| - 54 | 50-011-3141 | C | CONNECTOR, Plug, electrical, 500 vdc (98291) spec dwg 502082-14 | 1 | |
| - 55 | RG55BU | C | CABLE, RF | AR | |
| - 56 | 8004747G1 | B | COUPLER, Antenna, UHF | 1 | ACDEF |
| | 8004503G1 | B | COUPLER, Antenna, VHF | 1 | GHIJT BKLMN OPQRS |
| | | | ATTACHING PARTS | | |
| | MS35206-214 | B | SCREW | 4 | |
| | MS27183-4 | B | WASHER | 4 | |
| | | | -----* | | |
| - 57 | 310014 | B | SLIDE, Drawer, extension (05236) spec dwg 512308-3 | 2 | |
| | MS35206-243 | B | SCREW | 4 | |
| | | | -----* | | |

Section II
Group Assembly Parts List

| FIG & INDEX NO. | PART NUMBER | INDENT | DESCRIPTION | | | | | | | UNITS PER ASSY | USABLE ON CODE |
|--------------------|----------------|--------|--|---|---|---|---|---|---|----------------------|-------------------------|
| | | | 1 | 2 | 3 | 4 | 5 | 6 | 7 | | |
| 16- 58 | 2102-06-03 | B | TERMINAL, Lug (78189) spec dwg 514267-2..... | | | | | | | 2 | |
| | | | ATTACHING PARTS | | | | | | | | |
| | MS35206-226 | B | SCREW | | | | | | | 2 | |
| | MS35649-262 | B | NUT..... | | | | | | | 2 | |
| | | | --- * --- | | | | | | | | |
| - 59 | 8004242G1 | B | FILTER, Tunable, UHF..... | | | | | | | 1 | ACDEF GHIJ |
| | 8004243G1 | B | FILTER, Tunable, VHF..... | | | | | | | 1 | BKLMN QPQR |
| | | | ATTACHING PARTS | | | | | | | | |
| | MS35206-243 | B | SCREW | | | | | | | 2 | |
| | MS35206-249 | B | SCREW | | | | | | | 1 | |
| | MS27183-7 | B | WASHER..... | | | | | | | 3 | |
| | MS35338-42 | B | WASHER..... | | | | | | | 1 | |
| | | | --- * --- | | | | | | | | |
| - 60 | UG146U | C | CONNECTOR (used in early configurations)..... | | | | | | | 2 | |
| | M39012-77-0002 | C | CONNECTOR (used in later configurations)..... | | | | | | | 2 | |
| - 61 | 8004556-1 | C | PROBE, Filter | | | | | | | 2 | |
| - 62 | JMC5219 | C | CAPACITOR, Variable, air dielectric, 0.8 to 12 | | | | | | | | ACDEF |
| | | | pf, 250 wvdc (91293) spec dwg 501194-1 | | | | | | | | GHIJ |
| | JMC5619-100 | C | CAPACITOR, Variable, air dielectric, 1.0 to 30 | | | | | | | 2 | BKLMN |
| | | | pf, 250 wvdc (91293) sec dwg 501194-3 | | | | | | | | QPQR |
| | 8004833-1 | C | SPRING, CONTACT | | | | | | | 2 | |
| - 63 | 505504-4 | B | FILTER, Bandpass, crystal, center frequency | | | | | | | 1 | ABCDE FGHIK LMNOP |
| | | | 20.600 MHz, 50 ohms input/output, 50 kHz channel spacing used in early configurations | | | | | | | | QST |
| | 505564-4 | B | FILTER, Bandpass, crystal, center frequency | | | | | | | 1 | ABCDE FGHIK LMNOP |
| | | | 20.600 MHz, 50 ohms input, complex impe- dance output, 50 kHz channel spacing used in later configurations | | | | | | | | QST |
| | 505504-6 | B | FILTER, Bandpass, crystal (optional module) | | | | | | | 1 | JR |
| | | | secure voice speech, center frequency 20.600 MHz, 50 ohms input/output, 100 kHz channel spacing | | | | | | | | |
| | 505564-3 | B | FILTER, Bandpass, crystal, center frequency | | | | | | | 1 | |
| | | | 20.600 MHz, 50 ohms input/output, optional module to be used if 25 kHz channel spacing is required, can be used in any configuration | | | | | | | | |
| | | | ATTACHING PARTS | | | | | | | | |
| | NAS671-4 | B | NUT..... | | | | | | | 2 | |
| | MS27183-4 | B | WASHER..... | | | | | | | 2 | |
| | MS35338-40 | B | WASHER..... | | | | | | | 2 | |
| | | | --- * --- | | | | | | | | |
| | 8004749G1 | B | BRACKET, Mounting, filter | | | | | | | 1 | |
| | | | ATTACHING PARTS | | | | | | | | |
| | MS35206-249 | B | SCREW | | | | | | | 1 | |
| | MS35206-226 | B | SCREW | | | | | | | 4 | |
| | MS27183-7 | B | WASHER..... | | | | | | | 1 | |
| | MS27183-5 | B | WASHER..... | | | | | | | 4 | |
| | MS35338-42 | B | WASHER..... | | | | | | | 1 | |
| | MS35338-41 | B | WASHER..... | | | | | | | 4 | |
| | | | --- * --- | | | | | | | | |
| - 64 | 8004951-1 | C | PIN, Shoulder, headless | | | | | | | 2 | |
| | | | ATTACHING PARTS | | | | | | | | |
| | MS35649-262 | C | NUT..... | | | | | | | 2 | |
| | MS35338-41 | C | WASHER..... | | | | | | | 2 | |
| | | | --- * --- | | | | | | | | |

Section II
Group Assembly Parts List

T O 31R2-2GRR-114
NAVELEX 0967-LP-428-1020

| FIGURE AND INDEX NUMBER | PART NUMBER | IDENT | DESCRIPTION | UNITS PER ASSY | USABLE ON CODE |
|-------------------------|-------------------|-------|--|----------------|----------------|
| 16- | 8004749G2 | C | BRACKET, Mounting, Filter | 1 | |
| | 8004475-5 | D | LUG, Mounting | 1 | |
| - 65 | MS16535-134 | D | ATTACHING PARTS RIVET | 4 | |
| | | | ----*---- | | |
| - 66 | 8004749-1 | D | BRACKET | 1 | |
| - 67 | 020418-2 | B | RETAINER, Electrical connector (71468) spec dwg 502056-302 | 4 | |
| | 318-15-99-058 | B | RETAINER, Electrical connector (71785) spec dwg 502056-302 (alternate part in later configurations) | 4 | |
| - 68 | 2102-06-03 | B | TERMINAL, Lug (78189) spec dwg 514267-2 ATTACHING PARTS | 3 | |
| | MS35190-235 | B | SCREW | 3 | |
| | MS35649-262 | B | NUT | 3 | |
| | | | ----*---- | | |
| - 69 | 8004832-1 | B | PLATE, Instruction ATTACHING PARTS | 1 | |
| | MS35190-221 | B | SCREW | 2 | |
| | | | ----*---- | | |
| | 8004948G1 | B | WIRING HARNESS, Branched ATTACHING PARTS | 1 | |
| | MS35206-213 | B | SCREW | 4 | |
| | MS35206-214 | B | SCREW | 6 | |
| | MS35338-40 | B | WASHER | 10 | |
| | NAS671-4 | B | NUT | 10 | |
| | | | ----*---- | | |
| - 70 | DAC15SF0 | C | CONNECTOR, Plug, electrical (71468) spec dwg 502056-202 (use until exhausted, vendor changed part numbers in later configurations) | 4 | |
| | DAU15SF0 | C | CONNECTOR, Plug, electrical (71468) spec dwg 502056-202 (alternate part used in later configura- tions) | 4 | |
| | 233-15-11-100 | C | CONNECTOR, Plug, electrical (71785) spec dwg 502056-202 (alternate part in later configurations) | 4 | |
| - 71 | DEC9SF0 | C | CONNECTOR, Plug, electrical (71468) spec dwg 502056-201 (use until exhausted, vendor changed part numbers in later configurations) | 3 | |
| | DEU9SF0 | C | CONNECTOR, Plug, electrical (71468) spec dwg 502056-201 (alternate part used in later configura- tions) | 3 | |
| | 233-09-11-100 | C | CONNECTOR, Plug, electrical (71785) spec dwg 502056-201 (alternate part in later configurations) | 3 | |
| - 72 | 030-1953-000 | C | CONTACT, Electrical (71468) spec dwg 502056-402 | 59 | |
| | 403-30-14-227-410 | C | CONTACT, Electrical (71785) spec dwg 502056-402 (alternate part in later configurations) | 59 | |
| - 73 | 1504-1-0519 | B | TERMINAL, Stud, Insulated, teflon (71279) spec dwg 514264-501 ATTACHING PARTS | 1 | |
| | MS35649-262 | B | NUT | 1 | |
| | MS27183-5 | B | WASHER | 1 | |
| | MS35338-41 | B | WASHER | 1 | |
| | | | ----*---- | | |
| | 8004512G1 | B | CHASSIS, Electrical equipment, right side ATTACHING PARTS | 1 | |
| | MS35206-230 | B | SCREW | 2 | |
| | MS35206-227 | B | SCREW | 2 | |
| | MS35190-237 | B | SCREW | 2 | |
| | | | ----*---- | | |
| - 74 | 8004821-1 | C | BUSHING, Sleeve | 5 | |
| - 75 | 56LN056C | C | NUT, Self-locking, clinch (86577) spec dwg 508566-3 | 4 | |

| FIGURE AND INDEX NUMBER | PART NUMBER | I N D E X | DESCRIPTION | UNITS PER ASSY | USABLE ON CODE |
|-------------------------|-------------|-----------------------|--|----------------|----------------|
| 16- 76 | 8004512-1 | C | DUCT | 1 | |
| | 8004209G1 | B | PANEL ASSEMBLY, Front | 1 | |
| | MS35190-237 | B | ATTACHING PARTS SCREW | 5 | |
| - 77 | 8004495-1 | C | HINGE, Door | 1 | |
| | MS16535-135 | C | ATTACHING PARTS RIVET | 3 | |
| - 78 | 58N091EXH3C | C | NUT, Plain, clinch (86577) spec dwg 508565-2 (used in early configurations) | 2 | |
| | 58N125EXH3C | C | NUT, Clinch, self-locking (86577) spec dwg 508565-4 (used in later configurations) | 2 | |
| - 79 | 8004209G2 | C | PANEL ASSEMBLY, Front | 1 | |
| | 8004518G1 | B | CHASSIS, Electrical equipment | 1 | |
| - 80 | 8004821-1 | C | BUSHING, Sleeve | 6 | |
| - 81 | 8004519-1 | C | NUT, Special | 4 | |
| - 82 | 8004510-1 | C | BLOCK, Mounting | 1 | |
| | MS16535-142 | C | ATTACHING PARTS RIVET | 4 | |
| - 83 | 8004519-2 | C | NUT, Special | 2 | |
| - 84 | 46N040EXH2C | C | NUT, Clinch, plain (86577) spec dwg 508565-1 (used in early configurations) | 4 | |
| | 46N062EXH2C | C | NUT, Clinch, self-locking (86577) spec dwg 508565-5 (used in later configurations) | 4 | |
| - 85 | 56LN056C | C | NUT, Clinch, self-locking (86577) spec dwg 508566-3 | 5 | |
| - 86 | 56LN093C | C | NUT, Clinch, self-locking (86577) spec dwg 508566-6 | 3 | |
| - 87 | 8004507-1 | C | BLOCK, Mounting | 1 | |
| | MS16535-140 | C | ATTACHING PARTS RIVET | 4 | |
| - 88 | 8004748-1 | C | BLOCK, Mounting | 1 | |
| | MS16535-140 | C | ATTACHING PARTS RIVET | 4 | |
| - 89 | 58LN056C | C | NUT, Clinch, self-locking (86577) spec dwg 508566-4 | 4 | |
| - 90 | 8004518G2 | C | FRAME, Electrical equipment | 1 | |

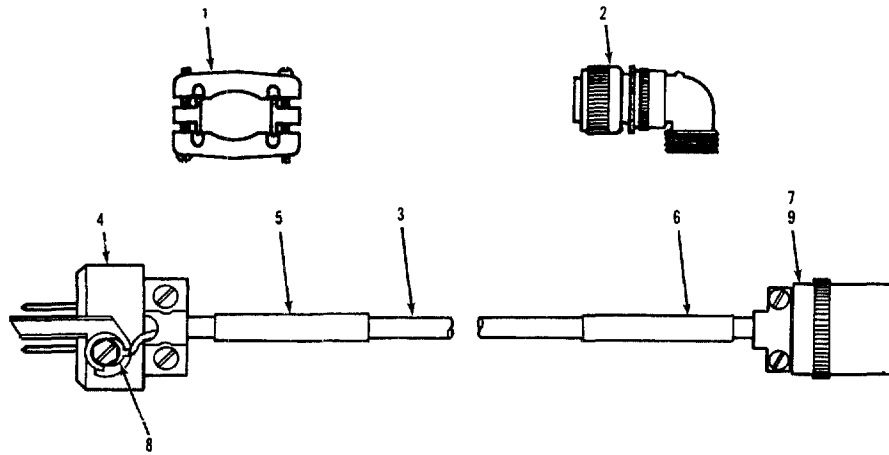


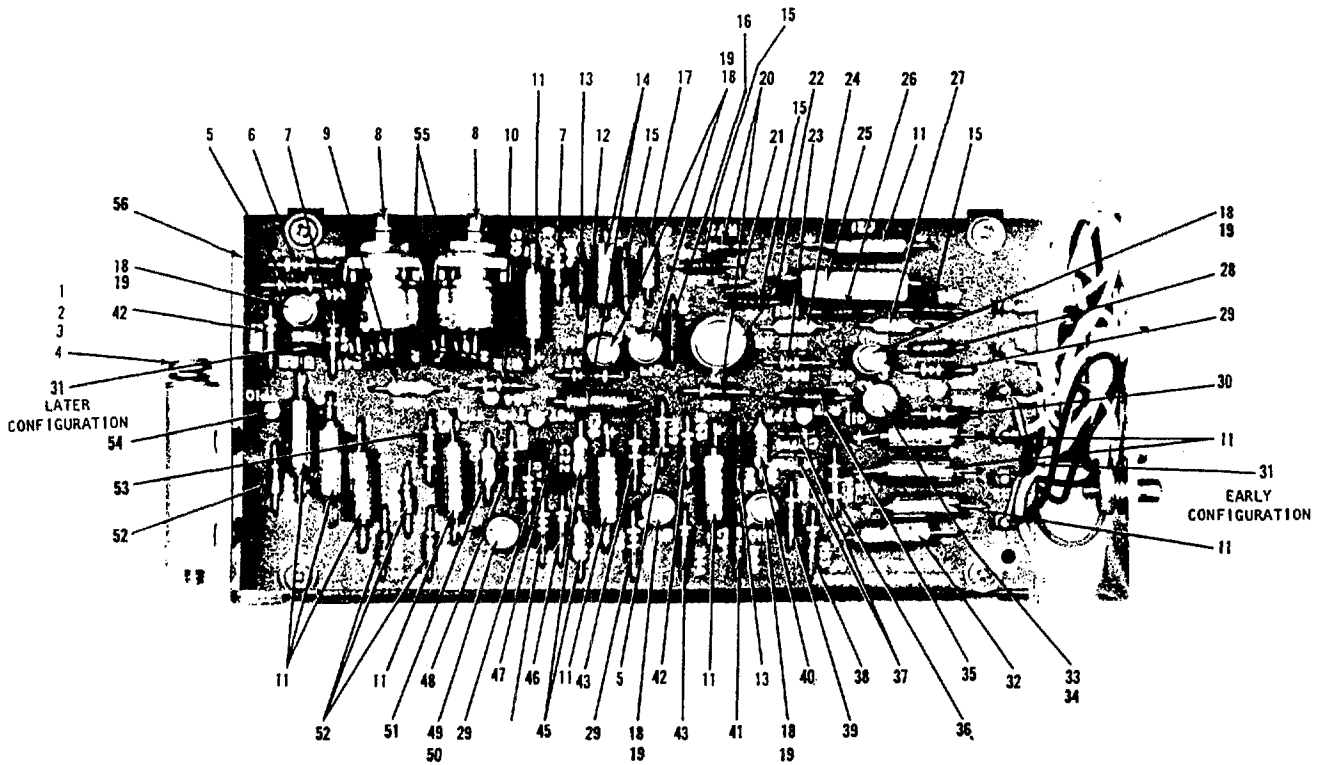
Figure 17. Interface Cable Kit

| FIGURE AND INDEX NUMBER | PART NUMBER | INDENT | DESCRIPTION | UNITS PER ASSY | USABLE ON CODE |
|-------------------------|--------------|--------|---|----------------|----------------|
| 17- | 8006148G1 | A | INTERFACE CABLE KIT (see figure 2 for NHA) | REF | |
| - 1 | MS3057-10A | B | CLAMP | 1 | |
| - 2 | MS3108A18-8S | B | CONNECTOR | 1 | |
| - 3 | 8006147G1 | B | CABLE ASSEMBLY, Special purpose, electrical | 1 | |
| - 4 | UP131M | C | CONNECTOR (preferred P/N WC596/13-3, fscm 81348) | 1 | |
| - 5 | 516665-20 | C | MARKER, Tubing, heat shrinkable | 1 | |
| - 6 | 516665-21 | C | MARKER, Tubing, heat shrinkable | 1 | |
| - 7 | 7484 | C | CONNECTOR, Receptacle, electrical, three wire, twist lock (74545) spec dwg 502079-1 | 1 | |
| - 8 | BB107-06T | C | TERMINAL, Lug, crimp type (98410) spec dwg 514273-2 | 3 | |
| - 9 | 507309-1. | C | INSULATOR, Electrical connector | 1 | |

| FIGURE AND INDEX NUMBER | PART NUMBER | IDENT | DESCRIPTION | UNITS PER ASSY | USABLE ON CODE |
|-------------------------|----------------|-------|--|----------------|----------------|
| 18- | 8008586G1 | A | PREAMPLIFIER, AF/AGC squelch (see figure 2 for NHA, replacement module for 8004239G1 in later configurations) | REF | |
| - 1 | MS35206-251 | B | SCREW | 1 | |
| - 2 | MS35338-42 | B | WASHER | 1 | |
| - 3 | MS27183-7 | B | WASHER | 1 | |
| - 4 | 517689-1 | B | WASHER, Non-metallic (used in early configurations, when exhausted use alternate part 5-646N674-70) | 1 | |
| | 5-646N674-70 | B | PACKING, Preformed (02697) spec dwg 508874-13 (alternate part used in later configurations) | 1 | |
| | 8008595G1 | B | CIRCUIT CARD ASSEMBLY, Preamplifier, audio frequency ATTACHING PARTS | 1 | |
| | MS35206-213 | B | SCREW | 4 | |
| | MS35338-40 | B | WASHER | 4 | |
| | MS27183-3 | B | WASHER | 4 | |
| | | | -----* | | |
| - 5 | RCR07G471JS | C | RESISTOR | 2 | |
| - 6 | RCR07G123JS | C | RESISTOR | 1 | |
| - 7 | RCR07G104JS | C | RESISTOR | 2 | |
| - 8 | RV6NAYSL253A | C | RESISTOR | 2 | |
| - 9 | RN55D3012F | C | RESISTOR | 1 | |
| - 10 | RCR07G183JS | C | RESISTOR | 1 | |
| - 11 | M39003-01-2362 | C | CAPACITOR | 11 | |
| - 12 | RCR07G470JS | C | RESISTOR | 1 | |
| - 13 | RN55D4022F | C | RESISTOR | 2 | |
| - 14 | RN60D3923F | C | RESISTOR | 2 | |
| - 15 | CK13BX103K | C | CAPACITOR | 4 | |
| - 16 | CK13BX103K | C | CAPACITOR (used in early configurations) | 1 | |
| | CK13BX223K | C | CAPACITOR (used in later configurations) | 1 | |
| - 17 | RN55D1823F | C | RESISTOR | 1 | |
| - 18 | JAN2N2222A | C | TRANSISTOR | 6 | |
| - 19 | 10047DAP | C | MOUNTING PAD, Electrical (07047) spec dwg 507253-12 | 6 | |
| - 20 | RCR07G102JS | C | RESISTOR | 2 | |
| - 21 | JAN1N4148 | C | SEMICONDUCTOR DEVICE, Diode | 1 | |
| - 22 | U5B7741312 | C | INTEGRATED CIRCUIT, Amplifier, operational (ESDS) (13715) spec dwg 511854-1 | 1 | |
| | SN52741L00 | C | INTEGRATED CIRCUIT, Amplifier, operational (ESDS) (01295) spec dwg 511854-1 (alternate part in later configurations) | 1 | |
| | RM741T | C | INTEGRATED CIRCUIT, Amplifier, operational (ESDS) (49956) spec dwg 511854-1 (alternate part in later configurations) | 1 | |
| - 23 | RCR07G683JS | C | RESISTOR | 1 | |
| - 24 | RN55D6041F | C | RESISTOR | 1 | |
| - 25 | CM20CC222J03 | C | CAPACITOR | 1 | |
| - 26 | RN55D8251F | C | RESISTOR | 1 | |
| - 27 | RN55D3011F | C | RESISTOR | 1 | |
| - 28 | RN55D3402F | C | RESISTOR | 1 | |
| - 29 | RCR07G103JS | C | RESISTOR | 4 | |
| - 30 | RCR07G224JS | C | RESISTOR | 1 | |
| - 31 | CK60AW102M | C | CAPACITOR (alternate part 501240-58) | 1 | |
| - 32 | M39003-01-2286 | C | CAPACITOR | 1 | |
| - 33 | 2N4222 | C | TRANSISTOR, FET, N-channel (04713) spec dwg 515384-1 (used in early configurations) | 1 | |
| | SFE1109 | C | TRANSISTOR, FET, N-channel (04713) spec dwg 515384-1 (used in later configurations) | 1 | |
| | U2793 | C | TRANSISTOR, FET, N-channel (15818) spec dwg 515384-1 (alternate for SFE1109 in later configurations) | 1 | |
| - 34 | 10047DAP | C | MOUNTING PAD, Electrical (07047) spec dwg 507253-12 | 1 | |
| - 35 | RN55D3012F | C | RESISTOR | 1 | |
| - 36 | RCR07G474JS | C | RESISTOR | 1 | |

Section II
Group Assembly Parts List

T O 31R2-2GRR-114
NAVELEX 0967-LP-428-1020



CAUTION **CAUTION**
ELECTROSTATIC SENSITIVE DEVICES
OBSERVE PRECAUTIONS FOR HANDLING

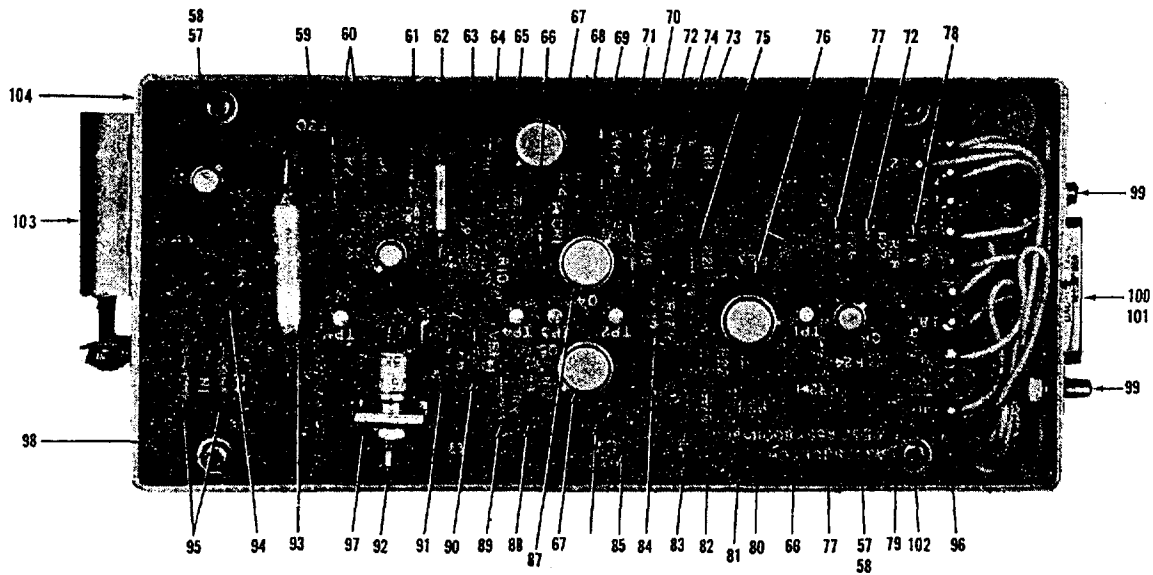


Figure 18. Preamplifier, AF/AGC-Squelch

| FIGURE AND INDEX NUMBER | PART NUMBER | IDENT | DESCRIPTION | UNITS PER ASSY | USABLE ON CODE | |
|-------------------------|-------------|----------------|-------------|---|----------------|--|
| 18- | 37 | 5082-8906 | C | SEMICONDUCTOR DEVICE, Diode (28480) spec dwg 511785-1 | 2 | |
| - | 38 | RCR07G162JS | C | RESISTOR | 1 | |
| - | 39 | RCR07G221JS | C | RESISTOR | 1 | |
| - | 40 | RN55D5621F | C | RESISTOR | 1 | |
| - | 41 | RN55D9311F | C | RESISTOR | 1 | |
| - | 42 | RCR07G472JS | C | RESISTOR | 2 | |
| - | 43 | RCR07G511JS | C | RESISTOR | 1 | |
| - | 44 | RCR07G124JS | C | RESISTOR | 1 | |
| - | 45 | RN55D6811F | C | RESISTOR | 2 | |
| - | 46 | RCR07G105JS | C | RESISTOR | 1 | |
| - | 47 | CK06BX104K | C | CAPACITOR | 1 | |
| - | 48 | RCR07G154JS | C | RESISTOR | 1 | |
| - | 49 | FN3495 | C | TRANSISTOR, FET, N-channel (17856) spec dwg 515383-1 | 1 | |
| | | U2792 | C | TRANSISTOR, FET, N-channel (15818) spec dwg 515383-1 (alternate part in later configurations) | 1 | |
| - | 50 | 10047DAP | C | MOUNTING PAD, Electrical (07047) spec dwg 507253-12 | 1 | |
| - | 51 | RN55D2212F | C | RESISTOR | 1 | |
| - | 52 | JAN1N914 | C | SEMICONDUCTOR DEVICE, Diode | 4 | |
| - | 53 | RCR07G332JS | C | RESISTOR | 1 | |
| | | 8008599G1 | C | PRINTED WIRING BOARD | 1 | |
| - | 54 | 5321-5 | D | TERMINAL STUD, Uninsulated, turret-type (06540) spec dwg 514266-302 | 11 | |
| - | 55 | 8003155-2 | D | BRACKET, Angle ATTACHING PARTS | 2 | |
| | | MS16535-13 | D | RIVET ----*---- | 4 | |
| - | 56 | 8008599-1 | D | PRINTED WIRING BOARD | 1 | |
| | | 8008596G1 | B | CIRCUIT CARD ASSEMBLY, AGC/Squelch ATTACHING PARTS | 1 | |
| | | MS35206-213 | B | SCREW | 4 | |
| | | MS35338-40 | B | WASHER | 4 | |
| | | MS27183-3 | B | WASHER ----*---- | 4 | |
| - | 57 | JAN2N2222A | C | TRANSISTOR | 3 | |
| - | 58 | 10047DAP | C | MOUNTING PAD, Electrical (07047) spec dwg 507253-12 | 3 | |
| - | 59 | RN55D1002F | C | RESISTOR | 1 | |
| - | 60 | RN55D4321F | C | RESISTOR | 2 | |
| - | 61 | RN55D3321F | C | RESISTOR | 1 | |
| - | 62 | M39003-01-2286 | C | CAPACITOR | 1 | |
| - | 63 | RN55D2100F | C | RESISTOR | 1 | |
| - | 64 | RN55D60R4F | C | RESISTOR | 1 | |
| - | 65 | 15DB301S | C | RESISTOR, Thermal, 0.2 w max (12930) spec dwg 509413-4 | 1 | |
| - | 66 | JAN1N914 | C | SEMICONDUCTOR DEVICE, Diode | 2 | |
| - | 67 | JAN2N2904A | C | TRANSISTOR | 2 | |
| - | 68 | RCR07G242JS | C | RESISTOR | 1 | |
| - | 69 | JAN1N759A | C | SEMICONDUCTOR DEVICE, Diode | 1 | |
| - | 70 | RN55D1001F | C | RESISTOR | 1 | |
| - | 71 | JAN1N751A | C | SEMICONDUCTOR DEVICE, Diode | 1 | |
| - | 72 | RCR07G102JS | C | RESISTOR | 2 | |
| - | 73 | RCR07G220JS | C | RESISTOR | 1 | |
| - | 74 | 300-100W5R104K | C | CAPACITOR, Fixed, ceramic dielectric, 100,000 pf, porm 10 pct, 100 wvdc (51642) spec dwg 501170-12 (used in early configurations) | 1 | |
| | | CK06BX104K | C | CAPACITOR (used in later configurations) | 1 | |
| - | 75 | RN55D2212F | C | RESISTOR | 1 | |
| - | 76 | RCR07G222JS | C | RESISTOR | 1 | |
| - | 77 | RCR07G104JS | C | RESISTOR | 2 | |
| - | 78 | RCR07G392JS | C | RESISTOR | 1 | |
| - | 79 | RCR07G202JS | C | RESISTOR | 1 | |
| - | 80 | RCR07G622JS | C | RESISTOR | 1 | |

Section II
Group Assembly Parts List

T.O. 31R2-2GRR-114
NAVELEX 0967-LP-428-1020

| FIGURE AND INDEX NUMBER | PART NUMBER | IDENT | DESCRIPTION | UNITS PER ASSY | USABLE ON CODE |
|-------------------------|-------------------|-------|--|----------------|----------------|
| 18- 81 | U5B7741312 | D | INTEGRATED CIRCUIT, Amplifier, operational (13715) spec dwg 511854-1 | 1 | |
| | SN52741L00 | C | INTEGRATED CIRCUIT, Amplifier, operational (01295) spec dwg 511854-1 (alternate part in later configurations) | 1 | |
| | RM741T | D | INTEGRATED CIRCUIT, Amplifier, operational (49956) spec dwg 511854-1 (alternate part in later configurations) | 1 | |
| - 82 | RCR07G684JS | C | RESISTOR | 1 | |
| - 83 | RN55D5112F | C | RESISTOR | 1 | |
| - 84 | RN55D6041F | C | RESISTOR | 1 | |
| - 85 | RCR20G331JS | C | RESISTOR | 1 | |
| - 86 | RCR07G470JS | C | RESISTOR | 1 | |
| - 87 | JAN2N1613 | C | TRANSISTOR | 1 | |
| - 88 | RCR07G622JS | C | RESISTOR | 1 | |
| - 89 | RN55D8250F | C | RESISTOR | 1 | |
| - 90 | JAN1N753A | C | SEMICONDUCTOR DEVICE, Diode | 1 | |
| - 91 | RN55D2801F | C | RESISTOR | 1 | |
| - 92 | RV6NAYSL252A | C | RESISTOR | 1 | |
| - 93 | CP09A1KB104K3 | C | RESISTOR | 1 | |
| - 94 | RN55D2430F | C | RESISTOR | 1 | |
| - 95 | RN55D7151F | C | RESISTOR | 2 | |
| | 8008598G1 | C | PRINTED WIRING BOARD | 1 | |
| - 96 | 5321-5 | D | TERMINAL STUD, Uninsulated, turret-type (06540) spec dwg 514266-302 | 16 | |
| - 97 | 3003155-2 | D | BRACKET, Angle ATTACHING PARTS | 1 | |
| | MS16535-13 | D | RIVET ----*---- | 2 | |
| - 98 | 8008598-1 | D | PRINTED WIRING BOARD | 1 | |
| - 99 | 8004951-1 | B | PIN, Guide ATTACHING PARTS | 2 | |
| | MS35649-262 | B | NUT | 2 | |
| | MS35338-41 | B | WASHER | 2 | |
| | MS27183-5 | B | WASHER ----*---- | 2 | |
| -100 | 030-1952-000 | B | CONTACT, Electrical (71468) spec dwg 502056-401 | 12 | |
| | 403-30-15-119-410 | B | CONTACT, Electrical (71785) spec dwg 502056-401 (alternate part in later configurations) | 12 | |
| | 8008594G1 | B | CHASSIS, Electrical equipment | 1 | |
| -101 | DAC15PFO | C | CONNECTOR, Receptacle, electrical (71468) spec dwg 502056-102 (use until exhausted, vendor changed part numbers in later configurations) | 1 | |
| | DAU15PFO | C | CONNECTOR, Receptacle, electrical (71468) spec dwg 502056-102 (alternate part used in later configurations) | 1 | |
| | 234-15-11-100 | C | CONNECTOR, Receptacle, electrical (71785) spec dwg 502056-102 (alternate part in later configurations) ATTACHING PARTS | 1 | |
| | M404R | C | EYELET, Metallic (23730) spec dwg 8004777-1 (use until exhausted, then replace with alternate part) | 2 | |
| | S-5008 | C | EYELET, Metallic (61957) spec dwg 8004777-1 (alternate part used in later configurations) ----*---- | 1 | |
| -102 | 8004561-1 | C | BRACKET, Angle ATTACHING PARTS | 4 | |
| | MS16535-65 | C | RIVET ----*---- | 4 | |
| -103 | 8004475-2 | C | LUG, Mounting ATTACHING PARTS | 1 | |
| | MS16535-134 | C | RIVET ----*---- | 4 | |
| -104 | 8008594-1 | C | CHASSIS | 1 | |

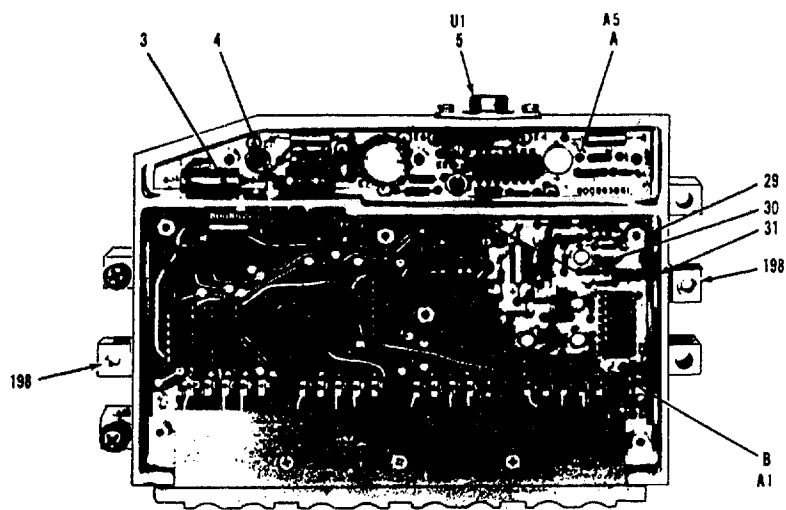
T O 31R2-2GRR-114
NAVELEX 0967-LP-428-1020

Section II
Group Assembly Parts List

| FIGURE AND INDEX NUMBER | PART NUMBER | IDENT | DESCRIPTION | UNITS PER ASSY | USABLE ON CODE |
|-------------------------|-------------|-------|--|----------------|----------------|
| 19- | 8008619G1 | A | SYNTHESIZER, Electrical frequency(ESDS) 0-1701/GR (see figure 2 for NHA, optional module for all crystal controlled oscillators, part numbers 8004290G1, 8004290G2 or 8004290G3 as applicable) | 1 | DGHJ LOPR |
| - 1 | 8008630-1 | B | COVER, Top | 1 | |
| | LP51957-3 | B | ATTACHING PARTS SCREW, Self-locking, panhead, 2-56x1/4 (03038) spec dwg 511337-3 ----*---- | 9 | |
| - 2 | 8008631-1 | B | COVER, Bottom | 1 | |
| | LP51957-3 | B | ATTACHING PARTS SCREW, Self-locking, panhead, 2-56x1/4 (03038) spec dwg 511337-3 ----*---- | 9 | |
| - 3 | 229-5001 | B | TERMINAL, Feed-thru, grounding (98291) spec dwg 514289-1 | 1 | |
| | MS35649-224 | B | ATTACHING PARTS NUT | 1 | |
| | MS35333-69 | B | WASHER ----*---- | 1 | |
| - 4 | 51712011 | B | FILTER, EMI, lowpass, feed-thru, 1500 pf, 200 wvdc (33095) spec dwg 501175-2 | 6 | |
| | 1415-8 | B | ATTACHING PARTS TERMINAL LUG, Locking (83330) spec dwg 8102535-3 ----*---- | 1 | |
| - 5 | PIG600 | B | INTEGRATED CIRCUIT, Switching regulator (12969) spec dwg 507384-1 | 1 | |
| | MS51957-14 | B | ATTACHING PARTS SCREW | 2 | |
| | MS35338-135 | B | WASHER ----*---- | 2 | |
| | 8008638G1 | B | CIRCUIT CARD ASSEMBLY, Switching regulator | 1 | |
| | 8008632-3 | B | ATTACHING PARTS SCREW, Special ----*---- | 3 | |
| - 6 | 501236-1 | C | CAPACITOR, Fixed, electrolytic, 22 uf, porm 10 pct, 15 v (selected from M39003-01-2271) | 2 | |
| - 7 | MS75008-40 | C | COIL, RF | 1 | |
| - 8 | 8008593G1 | C | COIL, RF | 1 | |
| - 9 | RCR05G105JS | C | RESISTOR (used in early configurations) | 1 | |
| | RCR05G135JS | C | RESISTOR (used in later configurations) | 1 | |
| - 10 | SG105J | C | INTEGRATED CIRCUIT, Voltage regulator (34333) spec dwg 507386-1 (use until exhausted, then replace with alternate part) | 1 | |
| | LM105H | C | INTEGRATED CIRCUIT, Voltage regulator (27014) spec dwg 507386-2 (alternate part replaces SG105J in later configurations) | 1 | |
| - 11 | JAN2N2323 | C | RECTIFIER, Silicon controlled (used in early configurations, deleted in later configurations) | 1 | |
| - 12 | A10012DIALL | C | MOUNTING PAD, Electrical (07047) spec dwg 507253-1 (used in early configurations, deleted in later configurations) | 1 | |
| - 13 | RCR05G102JS | C | RESISTOR (used in early configurations, deleted in later configurations) | 1 | |
| - 14 | RCR05G200JS | C | RESISTOR (used in early configurations, deleted in later configurations) | 1 | |
| - 15 | JAN1N755A | C | SEMICONDUCTOR DEVICE, Diode (used in early configurations, deleted in later configurations) | 1 | |
| - 16 | RCR05G100JS | C | RESISTOR | 1 | |
| - 17 | CK06BX104K | C | CAPACITOR | 1 | |
| - 18 | RJ50CP202 | C | RESISTOR, Variable | 1 | |

Section II
Group Assembly Parts List

T O 31R2-2GRR-114
 NAVELEX 0967-LP-428-1020



CAUTION CAUTION
 ELECTROSTATIC SENSITIVE DEVICES
 OBSERVE PRECAUTIONS FOR HANDLING

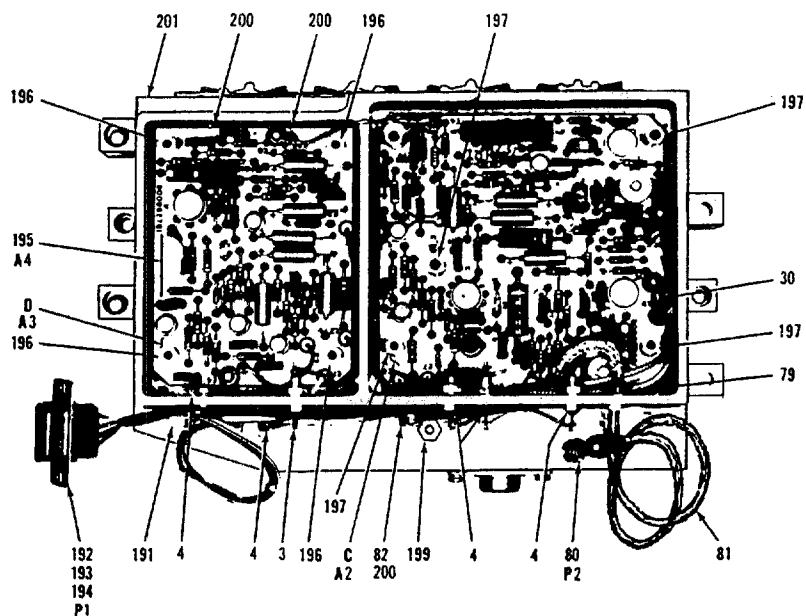
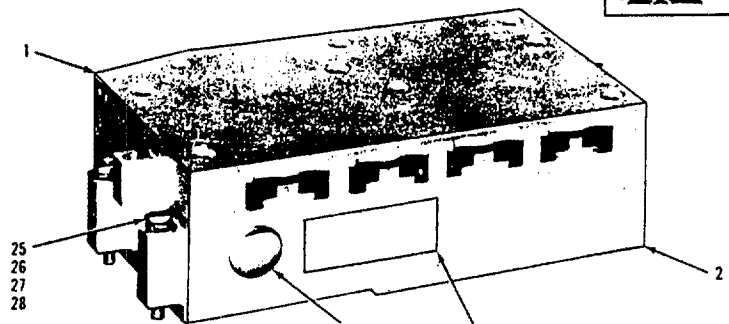


Figure 19. Synthesizer, Electrical Frequency, O-1701/GR (Sheet 1 of 4)

| FIGURE AND INDEX NUMBER | PART NUMBER | IDENT | DESCRIPTION | UNITS PER ASSY | USABLE ON CODE |
|-------------------------|----------------|-------|---|----------------|----------------|
| 19- 19 | RN55D3011F | C | RESISTOR | 1 | |
| - 20 | RN55D8251F | C | RESISTOR | 1 | |
| - 21 | CK06BX105K | C | CAPACITOR | 1 | |
| - 22 | MS75053-4 | C | INDUCTOR | 1 | |
| - 23 | M39003-01-2370 | C | CAPACITOR | 1 | |
| - 24 | 8008639-1 | C | PRINTED WIRING BOARD | 1 | |
| - 25 | MS51957-127 | B | SCREW | 4 | |
| - 26 | MS35338-42 | B | WASHER | 4 | |
| - 27 | NAS620C8 | B | WASHER | 4 | |
| - 28 | 5-646N674-70 | B | PACKING, Preformed (Q2697) spec dwg 508874-13 | 4 | |
| - 29 | CA50047 | B | CABLE, Coaxitube (82413) spec dwg 413710-12 | AR | |
| - 30 | 598 | B | TERMINAL, Lug (79963) spec dwg 514260-4 | 2 | |
| | | | ATTACHING PARTS | | |
| | MS51957-2 | B | SCREW | 2 | |
| | MS35338-134 | B | WASHER | 2 | |
| | | | ----*---- | | |
| - 31 | RG178BU | B | CABLE, RF | AR | |
| | 8008621G1 | B | CIRCUIT CARD ASSEMBLY, Divider/Control | 1 | |
| | | | ATTACHING PARTS | | |
| | 8008632-3 | B | SCREW, Special | 4 | |
| | 8008632-4 | B | SCREW, Special | 2 | |
| | 8009325-1 | B | CLIP, Grounding | 2 | |
| | | | ----*---- | | |
| - 32 | RCR07G201JS | C | RESISTOR | 2 | |
| - 33 | SN54196J00 | C | INTEGRATED CIRCUIT, High speed counter (01295) spec dwg 507380-1 | 3 | |
| - 34 | SN54H11J00 | C | INTEGRATED CIRCUIT, Positive AND gate (01295) spec dwg 507379-1 | 1 | |
| - 35 | M39003-01-2259 | C | CAPACITOR | 2 | |
| - 36 | RCR05G201JS | C | RESISTOR | 3 | |
| - 37 | 509435-1 | C | RESISTOR NETWORK, Fixed | 1 | |
| - 38 | MS75008-40 | C | COIL, RF | 2 | |
| - 39 | CK06BX103K | C | CAPACITOR | 4 | |
| - 40 | CK06BX103K | C | CAPACITOR (C11 used in early configurations) | 1 | |
| | CK06BX105K | C | CAPACITOR (C11 used in later configurations) | 1 | |
| - 41 | SN54197J00 | C | INTEGRATED CIRCUIT, High speed counter (01295) spec dwg 507381-1 | 1 | |
| - 42 | SN54H102J00 | C | INTEGRATED CIRCUIT, Edge triggered J-K flip-flop (01295) spec dwg 507382-1 | 1 | |
| - 43 | SN54H00J00 | C | INTEGRATED CIRCUIT, Logic NAND gate (ESDS) (01295) spec dwg 507378-1 | 1 | |
| - 44 | RCR05G470JS | C | RESISTOR (used in early configurations) | 1 | |
| | RCR05G100JS | C | RESISTOR (used in later configurations) | 1 | |
| - 45 | RCR05G471JS | C | RESISTOR | 2 | |
| - 46 | RCR05G151JS | C | RESISTOR | 2 | |
| - 47 | RCR07G102JS | C | RESISTOR | 1 | |
| - 48 | RCR07G302JS | C | RESISTOR | 1 | |
| - 49 | RCR07G220JS | C | RESISTOR | 1 | |
| - 50 | RCR07G330JS | C | RESISTOR | 1 | |
| - 51 | RCR05G182JS | C | RESISTOR | 1 | |
| - 52 | CK60AW102M | C | CAPACITOR (alternate part 501240-58) | 4 | |
| - 53 | JAN2N2857 | C | TRANSISTOR | 2 | |
| - 54 | 10047DAP | C | MOUNTING PAD, Electrical (07047) spec dwg 507253-12 | 2 | |
| - 55 | RCR05G222JS | C | RESISTOR | 1 | |
| - 56 | RCR05G221JS | C | RESISTOR | 1 | |
| - 57 | RCR05G102JS | C | RESISTOR | 2 | |
| - 58 | 2N4208 | C | TRANSISTOR, PNP, silicon, switching (04713) spec dwg 515385-1 | 2 | |
| | ST824 | C | TRANSISTOR, PNP, silicon, switching (04713) spec dwg 515385-1 (alternate part used in later configurations) | 2 | |

Section II
Group Assembly Parts List

T O 31R2-2GRR-114
NAVELEX 0967-LP-428-1020

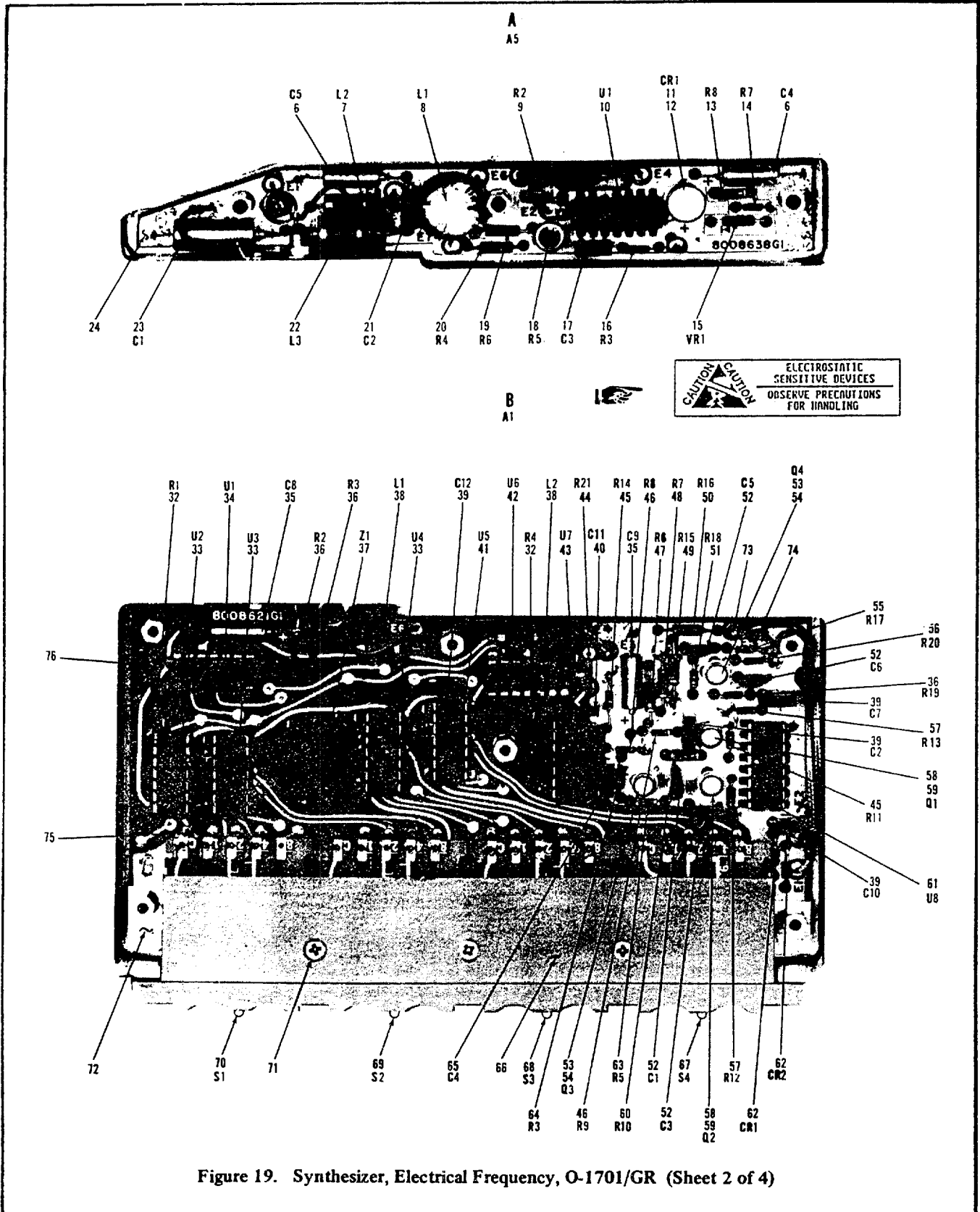


Figure 19. Synthesizer, Electrical Frequency, O-1701/GR (Sheet 2 of 4)

T O 31R2-2GRR-114
NAVELEX 0967-LP-428-1020

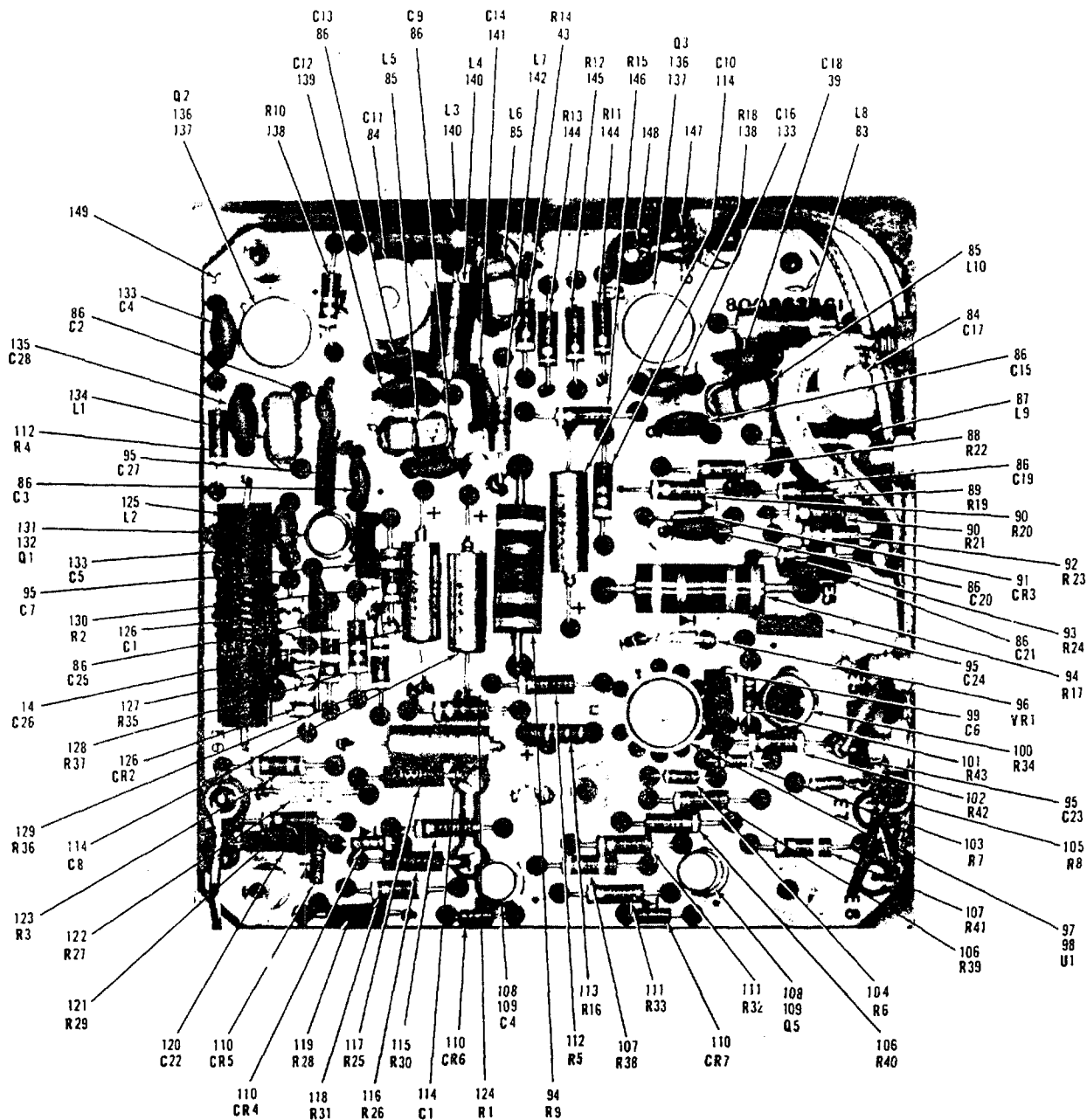
Section II
Group Assembly Parts List

| FIGURE AND INDEX NUMBER | PART NUMBER | IDENT | DESCRIPTION | UNITS PER ASSY | USABLE ON CODE |
|-------------------------|-------------------|-------|--|----------------|----------------|
| 19- 59 | 10047DAP | C | MOUNTING PAD, Electrical (07047) spec dwg 507253-12 | 2 | |
| - 60 | RCR05G301JS | C | RESISTOR | 1 | |
| - 61 | MC10531L | C | INTEGRATED CIRCUIT, Dual master-slaved flip-flop (04713) spec dwg 507377-2 | 1 | |
| - 62 | JAN1N4148 | C | SEMICONDUCTOR DEVICE, Diode | 2 | |
| - 63 | RCR05G271JS | C | RESISTOR | 1 | |
| - 64 | 5082-8906 | C | SEMICONDUCTOR DEVICE, Diode (28480) spec dwg 511785-1 (used in early configurations) | 1 | |
| | 5082-9429 | C | SEMICONDUCTOR DEVICE, Diode (28480) spec dwg 511785-4 (used in later configurations) | 1 | |
| | A2X1198 | C | SEMICONDUCTOR DEVICE, Diode (21847) spec dwg 511785-4 (used in later configurations, alternate part 5082-9429) | 1 | |
| - 65 | CK06BX333K | C | CAPACITOR | 1 | |
| - 66 | 8009301-1 | C | COVER, Switch | 1 | |
| | MS51959-8 | C | ATTACHING PARTS SCREW | 3 | |
| | | | -----* | | |
| - 67 | 512999-4 | C | SWITCH, Rotary, thumbwheel, 16 position | 1 | |
| - 68 | 512999-3 | C | SWITCH, Rotary, thumbwheel, 10 position | 1 | |
| - 69 | 512999-2 | C | SWITCH, Rotary, thumbwheel, 10 position, with decimal point | 1 | |
| - 70 | 512999-1 | C | SWITCH, Rotary, thumbwheel, 5 position | 1 | |
| | 8008635G1 | C | PLATE, Mounting | 1 | |
| - 71 | 42N062FL | D | NUT, Clinch (86577) spec dwg 508581-8 | 3 | |
| - 72 | 8008635-1 | D | PLATE | 1 | |
| | 8008622G1 | C | PRINTED WIRING BOARD | 1 | |
| - 73 | 180-2751-02-05-00 | D | TERMINAL, Stud (71279) spec dwg 514272-2 | 2 | |
| - 74 | 8007528-1 | D | TERMINAL, Stud | 2 | |
| - 75 | 514290-1 | D | TERMINAL, Stud | 19 | |
| - 76 | 8008622-1 | D | PRINTED WIRING BOARD | 1 | |
| - 77 | 1712 | B | BUTTON, Plug (72653) spec dwg 501058-7 | 1 | |
| - 78 | 8009303-1 | B | PLATE, Identification | 1 | |
| - 79 | 8004961-1 | B | RETAINER, Shield | 1 | |
| | | | ATTACHING PARTS | | |
| | MS25082-12 | B | NUT | 1 | |
| | MS35333-73 | B | WASHER | 1 | |
| | | | -----* | | |
| - 80 | UG1465U | B | CONNECTOR | 1 | |
| - 81 | RG316U | B | CABLE, RF | AR | |
| - 82 | 501912-1 | B | CLAMP | 1 | |
| | | | ATTACHING PARTS | | |
| | MS51957-14 | B | SCREW | 1 | |
| | MS15795-803 | B | WASHER | 1 | |
| | MS35338-135 | B | WASHER | 1 | |
| | | | -----* | | |
| | 8008624G1 | B | CIRCUIT CARD ASSEMBLY, RF generator | 1 | |
| | | | ATTACHING PARTS | | |
| | 8008632-2 | B | SCREW, Special | 5 | |
| | | | -----* | | |
| - 83 | MS18130-5 | C | COIL, RF | 1 | |
| - 84 | CV31A180 | C | CAPACITOR, Variable, ceramic dielectric, 5.5 pf to 18 pf, 350 wvdc (72982) spec dwg 501174-102 | 2 | |
| - 85 | 8008637G1 | C | COIL, RF | 3 | |
| - 86 | CK60AW102M | B | CAPACITOR (alternate part 501240-58) | 9 | |
| - 87 | MS18130-4 | C | COIL, RF | 1 | |
| - 88 | RCR07G121JS | C | RESISTOR | 1 | |
| - 89 | RCR07G300JS | C | RESISTOR | 1 | |
| - 90 | RCR07G181JS | C | RESISTOR | 2 | |
| - 91 | JAN1N4148 | C | SEMICONDUCTOR DEVICE, Diode | 1 | |
| - 92 | RCR07G683JS | C | RESISTOR | 1 | |

Section II
Group Assembly Parts List

T O 31R2-2GRR-114
NAVELEX 0967-LP-428-1020

C
A2



CAUTION CAUTION
ELECTROSTATIC SENSITIVE DEVICES
OBSERVE PRECAUTIONS FOR HANDLING

Figure 19. Synthesizer, Electrical Frequency, O-1701/GR (Sheet 3 of 4)

| FIGURE AND INDEX NUMBER | PART NUMBER | INDENT | DESCRIPTION | UNITS PER ASSY | USABLE ON CODE |
|-------------------------|----------------|--------|--|----------------|----------------|
| 19- 93 | RCR07G163JS | C | RESISTOR | 1 | |
| - 94 | RCR32G331JS | C | RESISTOR | 2 | |
| - 95 | CK06BX103K | C | CAPACITOR | 4 | |
| - 96 | IN5525B | C | SEMICONDUCTOR DEVICE, Diode, voltage regulator (04713) spec dwg 511864-8 | 1 | |
| - 97 | CA3118T | C | INTEGRATED CIRCUIT, Transistor array (ESDS) (54590) spec dwg 507387-1 (used in early configurations) | 1 | |
| | 84561 | C | INTEGRATED CIRCUIT, Transistor array (ESDS) (54590) spec dwg 507387-1 (used in later configurations) | 1 | |
| - 98 | 7717-20DAP | C | MOUNTING PAD, Electrical (13103) spec dwg 507296-3 | 1 | |
| - 99 | CK06BX104K | C | CAPACITOR | 1 | |
| -100 | RJ50CP202 | C | RESISTOR, Variable | 1 | |
| -101 | RCR05G152JS | C | RESISTOR | 1 | |
| -102 | RCR07G910JS | C | RESISTOR | 1 | |
| -103 | RCR05G472JS | C | RESISTOR | 1 | |
| -104 | RCR05G102JS | C | RESISTOR | 1 | |
| -105 | RCR05G562JS | C | RESISTOR | 1 | |
| -106 | RCR07G752JS | C | RESISTOR | 2 | |
| -107 | RCR07G242JS | C | RESISTOR | 2 | |
| -108 | JAN2N2222A | C | TRANSISTOR | 2 | |
| -109 | 10047DAP | C | MOUNTING PAD, Electrical (07047) spec dwg 507253-12 | 2 | |
| -110 | 5082-8906 | C | SEMICONDUCTOR DEVICE, Diode (28480) spec dwg 511785-1 (used in early configurations) | 4 | |
| | 5082-9429 | C | SEMICONDUCTOR DEVICE, Diode (28480) spec dwg 511785-4 (used in later configurations) | 4 | |
| | A2X1198 | C | SEMICONDUCTOR DEVICE, Diode (21847) spec dwg 511785-4 (used in later configurations, alternate part for 5082-9429) | 4 | |
| -111 | RN55D6810F | C | RESISTOR | 2 | |
| -112 | RCR07G201JS | C | RESISTOR | 2 | |
| -113 | RCR05G243JS | C | RESISTOR | 1 | |
| -114 | M39003-01-2289 | C | CAPACITOR | 4 | |
| -115 | RN55D1821F | C | RESISTOR | 1 | |
| -116 | RN55D1211F | C | RESISTOR | 1 | |
| -117 | RN55D1001F | C | RESISTOR | 1 | |
| -118 | RN55D9310F | C | RESISTOR | 1 | |
| -119 | RN55D8250F | C | RESISTOR | 1 | |
| -120 | CK06BX682K | C | CAPACITOR | 1 | |
| -121 | RCR07G822JS | C | RESISTOR | 1 | |
| -122 | RN55D2211F | C | RESISTOR | 1 | |
| -123 | RCR07G431JS | C | RESISTOR | 1 | |
| -124 | RCR07G561JS | C | RESISTOR | 1 | |
| -125 | 8008636G1 | C | COIL, RF | 1 | |
| -126 | MV1405 | C | SEMICONDUCTOR DEVICE, Diode (04713) spec dwg 511863-1 (used in early configurations) | 2 | |
| | SMV1245RL | C | SEMICONDUCTOR DEVICE, Diode (04713) spec dwg 511863-1 (used in later configurations) | 2 | |
| -127 | RCR07G104JS | C | RESISTOR (used in early configurations) | 1 | |
| | RCR07G103JS | C | RESISTOR (used in later configurations) | 1 | |
| -128 | RCR07G153JS | C | RESISTOR | 1 | |
| -129 | RCR07G392JS | C | RESISTOR | 1 | |
| -130 | RCR07G301JS | C | RESISTOR | 1 | |
| -131 | U311 | C | TRANSISTOR, FET, N-channel (17856) spec dwg 511827-1 (used in early configurations) | 1 | |
| | FN4247 | C | TRANSISTOR, FET, N-channel (17856) spec dwg 511827-1 (used in later configurations) | 1 | |
| | ITS30944 | C | TRANSISTOR, FET, N-channel (32293) spec dwg 511827-1 (alternate for FN4247, used in later configurations) | 1 | |
| -132 | 10047DAP | C | MOUNTING PAD, Electrical (07047) spec dwg 507253-12 | 1 | |
| -133 | CK60BX470K | C | CAPACITOR (alternate part 501240-25) | 3 | |
| -134 | 8009305G1 | C | COIL, RF | 1 | |

Section II
Group Assembly Parts List

T O 31R2-2GRR-114
NAVELEX 0967-LP-428-1020

D
A3

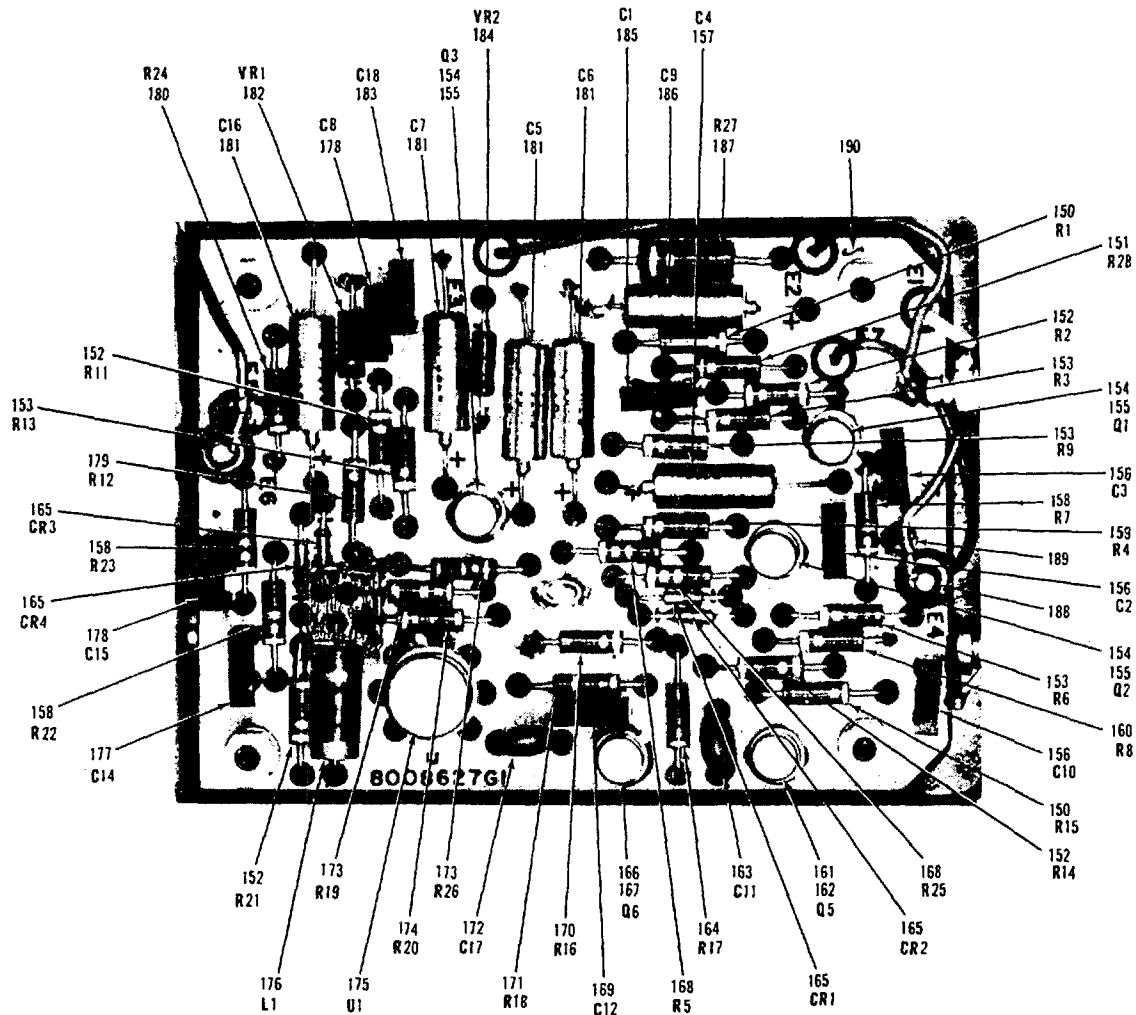


Figure 19. Synthesizer, Electrical Frequency, O-1701/GR (Sheet 4 of 4)

T.O. 31R2-2GRR-114
NAVELEX 0967-LP-428-1020

Section II
Group Assembly Parts List

| FIGURE AND INDEX NUMBER | PART NUMBER | IDENT | DESCRIPTION | UNITS PER ASSY | USABLE ON CODE |
|-------------------------|-------------------|-------|--|----------------|----------------|
| 19-135 | CK60BX6R8K | C | CAPACITOR (alternate part 501240-10) | 1 | |
| -136 | 515387-1 | C | TRANSISTOR, Selected 2N5109 | 2 | |
| -137 | A10012D1ALL | C | MOUNTING PAD, Electrical (07047) spec dwg 507253-1 | 2 | |
| -138 | RCR07G203JS | C | RESISTOR | 2 | |
| -139 | CK60BX150K | C | CAPACITOR (alternate part 501240-16) | 2 | |
| -140 | MS18130-1 | C | COIL, RF | 2 | |
| -141 | CK60BX220K | C | CAPACITOR (alternate part 501240-19) | 1 | |
| -142 | 1703-9 | C | INDUCTOR, Miniature, 0.07 mh, porm 10 pct, 1000 vrms, 1740 ma max dc current (99800) spec dwg 507385-1 | 1 | |
| -143 | RCR07G101JS | C | RESISTOR | 1 | |
| -144 | RCR07G121JS | C | RESISTOR | 2 | |
| -145 | RCR07G470JS | C | RESISTOR | 1 | |
| -146 | RCR07G390JS | C | RESISTOR | 1 | |
| | 8008625G1 | C | PRINTED WIRING BOARD | 1 | |
| -147 | 180-2751-02-05-00 | D | TERMINAL, Stud (71279) spec dwg 514272-2 | 2 | |
| -148 | 8007528-1 | D | TERMINAL, Stud | 2 | |
| -149 | 8008625-1 | D | PRINTED WIRING BOARD | 1 | |
| | 8008627G1 | B | CIRCUIT CARD ASSEMBLY, Phase comparator ATTACHING PARTS | 1 | |
| | 8008632-1 | B | SCREW, Special ----*---- | 4 | |
| -150 | RCR07G511JS | C | RESISTOR | 2 | |
| -151 | RCR07G270JS | C | RESISTOR | 1 | |
| -152 | RCR07G472JS | C | RESISTOR | 4 | |
| -153 | RCR07G101JS | C | RESISTOR | 4 | |
| -154 | JAN2N2222A | C | TRANSISTOR | 3 | |
| -155 | 10047DAP | C | MOUNTING PAD, Electrical (07047) spec dwg 507253-12 | 3 | |
| -156 | CK06BX473K | C | CAPACITOR | 3 | |
| -157 | M39003-01-2362 | C | RESISTOR | 1 | |
| -158 | RCR07G183JS | C | RESISTOR | 3 | |
| -159 | RCR07G562JS | C | RESISTOR | 1 | |
| -160 | RCR07G222JS | C | RESISTOR | 1 | |
| -161 | JAN2N2907A | C | TRANSISTOR | 1 | |
| -162 | 10047DAP | C | MOUNTING PAD, Electrical (07047) spec dwg 507253-12 | 1 | |
| -163 | CK60BX101K | C | CAPACITOR (alternate part 501240-31) | 1 | |
| -164 | RCR07G106JS | C | RESISTOR | 1 | |
| -165 | JAN1N4148 | C | SEMICONDUCTOR DEVICE, Diode | 4 | |
| -166 | 2N4393 | C | TRANSISTOR, FET, N-channel (22229) spec dwg 511799-1 | 1 | |
| -167 | 10047DAP | C | MOUNTING PAD, Electrical (07047) spec dwg 507253-12 | 1 | |
| -168 | RCR07G103JS | C | RESISTOR | 2 | |
| -169 | CK06BX103K | C | CAPACITOR | 1 | |
| -170 | RCR07G102JS | C | RESISTOR | 1 | |
| -171 | RCR07G242JS | C | RESISTOR | 1 | |
| -172 | CK60BX470K | C | CAPACITOR (alternate part 501240-25) | 1 | |
| -173 | RCR07G303JS | C | RESISTOR | 2 | |
| -174 | RCR07G302JS | C | RESISTOR | 1 | |
| -175 | LM101AH | C | INTEGRATED CIRCUIT, Operational amplifier (12040) spec dwg 507383-1 | 1 | |
| -176 | MS18130-22 | C | COIL, RF | 1 | |
| -177 | CK06BX154K | C | CAPACITOR | 1 | |
| -178 | CK06BX104K | C | CAPACITOR | 2 | |
| -179 | RCR07G681JS | C | RESISTOR | 1 | |
| -180 | RCR07G272JS | C | RESISTOR | 1 | |
| -181 | M39003-01-2289 | C | CAPACITOR | 4 | |
| -182 | 1N5534B | C | SEMICONDUCTOR DEVICE, Diode, voltage regulator (04713) spec dwg 511864-17 | 1 | |
| -183 | CK06BX224K | C | CAPACITOR | 1 | |
| -184 | 1N5523B | C | SEMICONDUCTOR DEVICE, Diode, voltage regulator (04713) spec dwg 511864-6 | 1 | |
| -185 | CK06BX222K | C | CAPACITOR | 1 | |

Section II
Group Assembly Parts List

T.O. 31R2-2GRR-114
 NAVELEX 0967-LP-428-1020

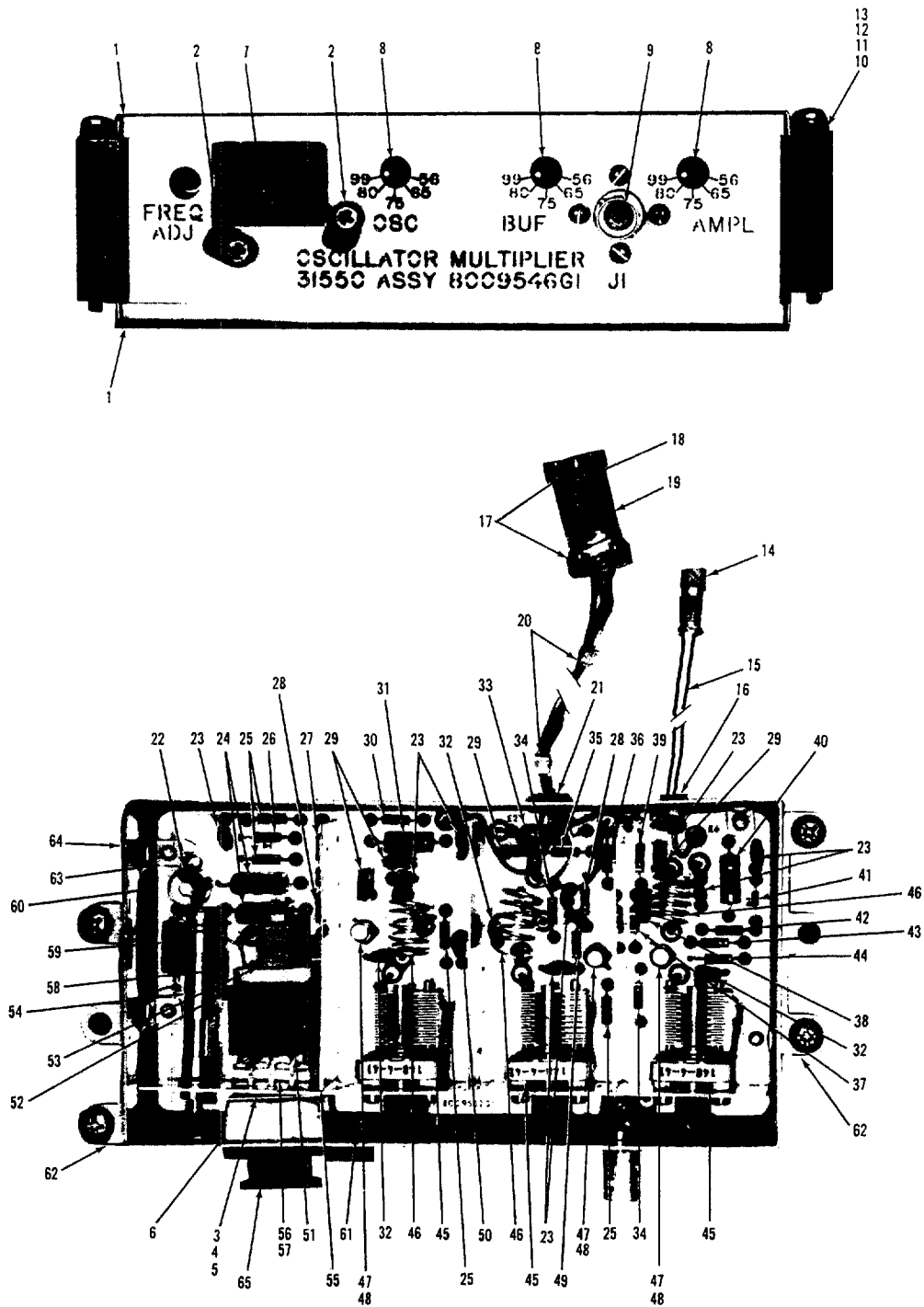


Figure 20. Oscillator/Multiplier

T O 31R2-2GRR-114
NAVELEX 0967-LP-428-1020

Section II
Group Assembly Parts List

| FIGURE AND INDEX NUMBER | PART NUMBER | I N D E N T | DESCRIPTION | UNITS PER ASSY | USABLE ON CODE |
|-------------------------|-------------------|----------------------------|---|----------------|----------------|
| 19-186 | M39003/01-2304 | C | CAPACITOR | 1 | |
| -187 | RCR20G751JS | C | RESISTOR | 1 | |
| | 8008628G1 | C | PRINTED WIRING BOARD | 1 | |
| -188 | 180-2751-02-05-00 | D | TERMINAL, Stud (71279) spec dwg 514272-2 | 2 | |
| -189 | 8007528-1 | D | TERMINAL, Stud | 2 | |
| -190 | 8008628-1 | D | PRINTED WIRING BOARD | 1 | |
| -191 | MS3367-4-9 | B | CLAMP | 2 | |
| -192 | D20419 | B | RETAINER, Electrical connector (71468) spec dwg 502056-301 | 2 | |
| | 318-15-99-056 | B | RETAINER, Electrical connector (71785) spec dwg 502056-301 (alternate part in later configurations) | 2 | |
| -193 | 030-1952-000 | B | CONTACT, Electrical (71468) spec dwg 502056-401 | 5 | |
| | 403-30-15-119-410 | B | CONTACT, Electrical (71785) spec dwg 502056-401 (alternate part in later configurations) | 5 | |
| -194 | DEC9PFO | B | CONNECTOR, Plug, electrical, 9 contacts (71468) spec dwg 502056-101 (use until exhausted, vendor changed part number in later configurations) | 1 | |
| | DEU9PFO | B | CONNECTOR, Receptacle, electrical (71468) spec dwg 502056-101 (alternate part used in later configurations) | 1 | |
| | 234-09-11-100 | B | CONNECTOR, Receptacle, electrical (71785) spec dwg 502056-101 (alternate part in later configurations) | 1 | |
| -195 | 508933-5 | B | REFERENCE GENERATOR | 1 | |
| | LP24693C1 | B | ATTACHING PARTS SCREW, Self-locking, flat head, 100 deg (03038) spec dwg 511338-2 ----*---- | 4 | |
| | 8008620G1 | B | HOUSING | 1 | |
| -196 | 8008633-1 | C | NUT, Special | 4 | |
| -197 | 8008632-2 | C | NUT, Special | 5 | |
| -198 | MS51835-307 | C | INSERT | 2 | |
| -199 | 44N093EXR4 | C | NUT, Clinch (86577) spec dwg 508565-6 | 3 | |
| -200 | 34N093FL | C | NUT, Clinch (86577) spec dwg 508581-9 | 3 | |
| -201 | 8008620-1 | C | HOUSING | 1 | |
| 20- | 8009546G1 | A | OSCILLATOR/MULTIPLIER (optional module for crystal controlled oscillators, part numbers 8004290G1, 8004290G2, 8004290G3, and synthesizer 8008619G1, see figure 2 for NHA) | REF | ST |
| - 1 | 8004398-1 | B | COVER, Chassis | 2 | |
| - 2 | 8004400-1 | B | RETAINER, Crystal holder ATTACHING PARTS | 2 | |
| | MS35190-223 | B | SCREW ----*---- | 2 | |
| | 8004406G1 | B | HOLDER, Crystal unit | 1 | |
| - 3 | 8004406-4 | C | RUBBER STRIP | 1 | |
| - 4 | 8004500-1 | C | HOLDER, Crystal ATTACHING PARTS | 1 | |
| | N440-5-8 | C | SCREW, Binder head, nylon, molded (95987) spec dwg 511333-7 ----*---- | 2 | |
| - 5 | 8004715-1 | C | PLATE, Backing, crystal holder | 1 | |
| - 6 | 8004498-1 | C | PLUG, Insulation | 1 | |
| - 7 | 8004499-1 | C | KNOB, Crystal holder | 1 | |
| - 8 | 504856-3 | B | EXTENSION, Shaft | 3 | |
| - 9 | 8009558-1 | B | CONNECTOR, Receptacle | 1 | |

Section II
Group Assembly Parts List

T O 31R2-2GRR-114
NAVELEX 0967-LP-428-1020

| FIGURE AND INDEX NUMBER | PART NUMBER | IDENT | DESCRIPTION | UNITS PER ASSY | USABLE ON CODE |
|-------------------------|-------------------|-------|--|----------------|----------------|
| 20- | | | ATTACHING PARTS | | |
| | AN520C3-4 | B | SCREW | 4 | |
| | AN935-3 | B | WASHER | 4 | |
| | | | -----* | | |
| - 10 | MS35206-252 | B | SCREW | 4 | |
| - 11 | NAS620-8 | B | WASHER | 4 | |
| - 12 | MS35338-42 | B | WASHER | 4 | |
| - 13 | 5-646N674-70 | B | PACKING, Preformed (02697) spec dwg 508874-13 | 4 | |
| - 14 | UG1465U | B | CONNECTOR | 1 | |
| - 15 | RG188AU | B | CABLE | AR | |
| - 16 | 8004961-1 | B | SHIELD, Retainer | 1 | |
| | | | ATTACHING PARTS | | |
| | MS25082-12 | B | NUT | 1 | |
| | MS35333-39 | B | WASHER | 1 | |
| | | | -----* | | |
| - 17 | D20419 | B | RETAINER, Electrical connector (71468) spec dwg 502056-301 | 2 | |
| | 318-15-99-056 | B | RETAINER, Electrical connector (71785) spec dwg 502056-301 (alternate part in later configurations) | 2 | |
| - 18 | 030-1952-000 | B | CONTACT, Electrical (71468) spec dwg 502056-401 | 4 | |
| | 403-30-15-119-410 | B | CONTACT, Electrical (71785) spec dwg 502056-401 (alternate part in later configurations) | 4 | |
| - 19 | DEC9PF0 | B | CONNECTOR, Receptacle, electrical (71468) spec dwg 502056-101 (use until exhausted, vendor changed part numbers in later configurations) | 1 | |
| | DEU9PF0 | B | CONNECTOR, Receptacle, electrical (71468) spec dwg 502056-101 (alternate part used in later configurations) | 1 | |
| | 234-09-11-100 | B | CONNECTOR, Receptacle, electrical (71785) spec dwg 502056-101 (alternate part in later configurations) | 1 | |
| - 20 | MS3367-4-9 | B | STRAP | 2 | |
| - 21 | MS35489-4 | B | GROMMET | 1 | |
| | 8009552G1 | B | CIRCUIT CARD ASSEMBLY, Oscillator/Multiplier | 1 | |
| | | | ATTACHING PARTS | | |
| | MS51957-13 | B | SCREW | 4 | |
| | MS35338-135 | B | WASHER | 4 | |
| | NAS620C4 | B | WASHER | 4 | |
| | | | -----* | | |
| - 22 | CV31A180 | C | CAPACITOR (used in early configurations) | 1 | |
| | CV31B250 | C | CAPACITOR (used in later configurations) | 1 | |
| - 23 | CK60AW102M | C | CAPACITOR (alternate part 501240-58) | 1 | |
| - 24 | CM15CD101J03 | C | CAPACITOR | 2 | |
| - 25 | RCR07G102JS | C | RESISTOR | 4 | |
| - 26 | JAN1N759A | C | SEMICONDUCTOR DEVICE, Diode | 1 | |
| - 27 | RCR07G751JS | C | RESISTOR | 1 | |
| - 28 | RCR07G473JS | C | RESISTOR | 1 | |
| - 29 | CK06BX104K | C | CAPACITOR | 4 | |
| - 30 | RCR07G100JS | C | RESISTOR | 2 | |
| - 31 | MS75101-9 | C | COIL | 1 | |
| - 32 | CK60BX100K | C | CAPACITOR (alternate part 501240-13) | 3 | |
| - 33 | MS75101-11 | C | COIL | 1 | |
| - 34 | RCR07G101JS | C | RESISTOR | 2 | |
| - 35 | RCR07G303JS | C | RESISTOR | 1 | |
| - 36 | RCR07G393JS | C | RESISTOR | 1 | |
| - 37 | RCR07G390JS | C | RESISTOR | 1 | |
| - 38 | M39014-02-1218 | C | CAPACITOR | 1 | |
| - 39 | RCR07G821JS | C | RESISTOR | 1 | |
| - 40 | MS75008-32 | C | COIL | 1 | |
| - 41 | JAN1N4148 | C | SEMICONDUCTOR DEVICE, Diode | 1 | |
| - 42 | RCR07G121JS | C | RESISTOR | 1 | |
| - 43 | RCR07G823JS | C | RESISTOR | 1 | |

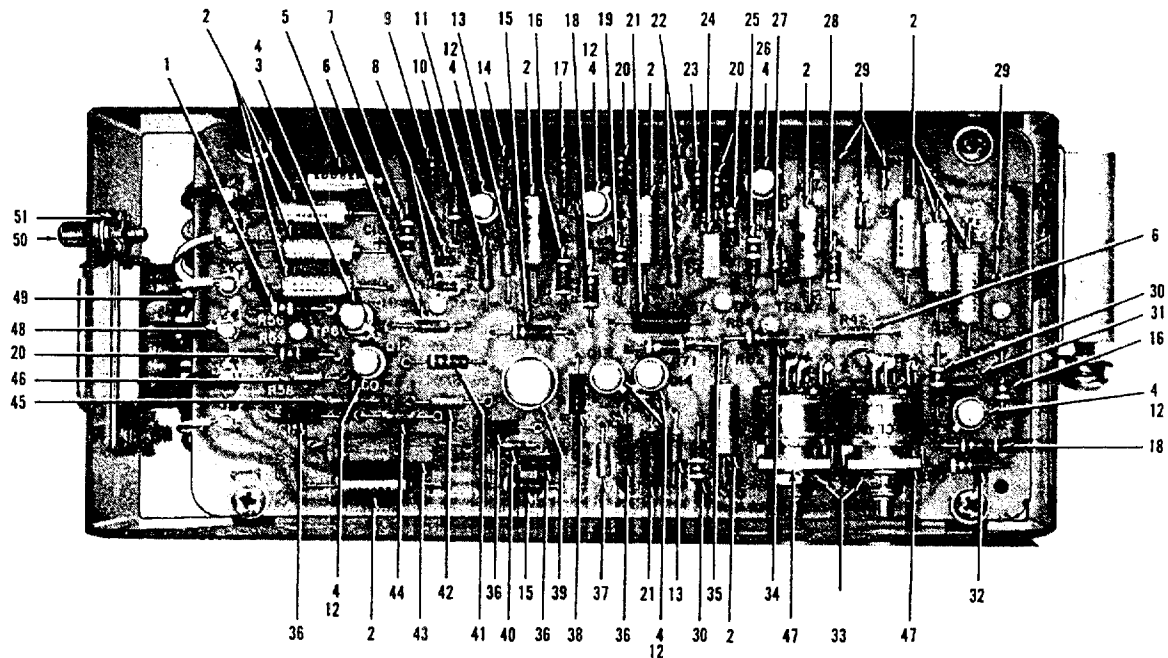
TO 31R2-2GRR-114
NAVELEX 0967-LP-428-1020

Section II
Group Assembly Parts List

| FIGURE AND INDEX NUMBER | PART NUMBER | IDENTIFY | DESCRIPTION | UNITS PER ASSY | USABLE ON CODE |
|-------------------------|--------------|----------|--|----------------|----------------|
| 20- 44 | RCR07G301JS | C | RESISTOR | 1 | |
| - 45 | 148-0004-041 | C | CAPACITOR, Variable, air dielectric, 3.2 to 50 pf, perm 10 pct, 375 wvdc (71313) spec dwg 501185-4 | 3 | |
| | 8006103-1 | C | ATTACHING PARTS | 6 | |
| | MS35338-135 | C | SCREW | 6 | |
| | | | WASHER | 6 | |
| | | | ----*---- | | |
| - 46 | 8004343-2 | C | COIL, RF | 3 | |
| - 47 | 2N5179 | C | TRANSISTOR, NPN, silicon, RF, small signal (02735 or 04713) spec dwg 515351-1 | 3 | |
| - 48 | 10047DAP | C | MOUNTING PAD, Electrical (07047) spec dwg 507253-12 | 3 | |
| - 49 | RCR07G563JS | C | RESISTOR | 1 | |
| - 50 | CK60BX2R2K | C | CAPACITOR (alternate part 501240-1) | 1 | |
| - 51 | 506365-1 | C | GUIDE, Crystal | 1 | |
| | | | ATTACHING PARTS | | |
| | MS51957-20 | C | SCREW | 1 | |
| | MS35338-135 | C | WASHER | 1 | |
| | MS35649-244 | C | NUT | 1 | |
| | | | ----*---- | | |
| - 52 | 33302-3 | C | SOCKET, Crystal (76487) spec dwg 512396-1 (changed vendors in later configurations) | 1 | |
| | 33302B | C | SOCKET, Crystal (14908) spec dwg 512396-1 | 1 | |
| - 53 | 8009557-1 | C | BLOCK, Crystal mounting | 1 | |
| | | | ATTACHING PARTS | | |
| | MS51957-14 | C | SCREW | 2 | |
| | MS35338-135 | C | WASHER | 2 | |
| | NAS620C4 | C | WASHER | 2 | |
| | | | ----*---- | | |
| - 54 | PC50H380 | C | CAPACITOR | 1 | |
| | 8009555G1 | C | SHIELD, Chassis | 1 | |
| - 55 | 8009553-1 | D | SHIELD, Oscillator | 3 | |
| - 56 | 8004497-1 | D | CONTACT, Spring | 2 | |
| | | | ATTACHING PARTS | | |
| | MS16535-63 | D | RIVET | 4 | |
| | | | ----*---- | | |
| - 57 | 8009554-1 | D | PLATE | 1 | |
| - 58 | RCR07G103JS | C | RESISTOR | 1 | |
| - 59 | CM15CD330J03 | C | CAPACITOR | 1 | |
| - 60 | 8009547-1 | C | PRINTED WIRING BOARD | 1 | |
| | 8009556G1 | B | CHASSIS, Electrical equipment | 1 | |
| - 61 | 44LN040C | C | NUT, Self-locking (86577) spec dwg 508566-1 | 2 | |
| - 62 | 8004578G1 | C | BRACKET, Angle | 2 | |
| | | | ATTACHING PARTS | | |
| | MS16535-133 | C | RIVET | 8 | |
| | | | ----*---- | | |
| - 63 | 8004560-1 | C | BRACKET, Angle | 4 | |
| | | | ATTACHING PARTS | | |
| | MS16535-64 | C | RIVET | 4 | |
| | | | ----*---- | | |
| - 64 | 8009556-1 | C | FRAME, Chassis | 1 | |
| - 65 | 434515 | B | CRYSTAL UNIT (01766) spec dwg 503855-1 (to complete part number, frequency must be specified in MHz to 8 digits. For frequency 10 to 10.99 MHz, the third digit of vendor part number shall be 3. For frequencies 11 to 19.9 MHz, third digit shall be 4.) | REF | |

Section II
Group Assembly Parts List

T O 31R2-2GRR-114
NAVELEX 0967-LP-428-1020



CAUTION **CAUTION**
ELECTROSTATIC
SENSITIVE DEVICES
OBSERVE PRECAUTIONS
FOR HANDLING

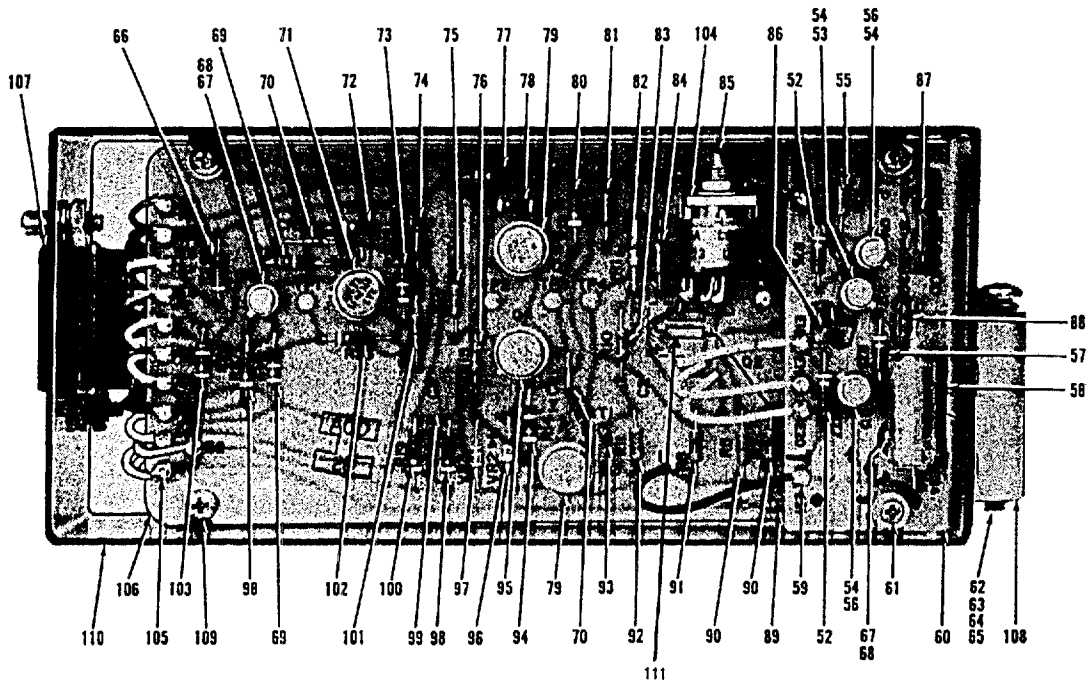


Figure 21. Preamplifier, AF/AGC-Squelch

| FIGURE AND INDEX NUMBER | PART NUMBER | IDENT | DESCRIPTION | UNITS PER ASSY | USABLE ON CODE |
|-------------------------|----------------|-------|---|----------------|----------------|
| 21- | 8008586G2 | A | PREAMPLIFIER, AF/AGC Squelch (ESDS)(see figure 2 for NHA, optional module, can be used for any Iqura-configuration, required for low frequency (16 Hz) response capability) | REF | |
| | 8008595G1 | B | CIRCUIT CARD ASSEMBLY, Preamp, AF ATTACHING PARTS | 1 | |
| | MS35206-213 | B | SCREW | 4 | |
| | MS35338-40 | B | WASHER | 4 | |
| | MS27183-3 | B | WASHER | 4 | |
| | | | -----* | | |
| - 1 | RCR07G224JS | C | RESISTOR | 1 | |
| - 2 | M39003-01-2362 | C | CAPACITOR | 11 | |
| - 3 | SFE1109 | C | TRANSISTOR (04713) spec dwg 515384-1 | 1 | |
| | U2793 | C | TRANSISTOR (15818) spec dwg 515384-1 (alternate part for SFE1109) | 1 | |
| - 4 | 10047DAP | C | MOUNTING PAD, Electrical (07047) spec dwg 507253-12 | 8 | |
| - 5 | M39003-01-2286 | C | CAPACITOR | 1 | |
| - 6 | RN55D3012F | C | RESISTOR | 2 | |
| - 7 | RCR07G474JS | C | RESISTOR | 1 | |
| - 8 | 5082-8906 | C | SEMICONDUCTOR DEVICE, Diode (28480) spec dwg 511785-1 | 2 | |
| - 9 | RCR07G162JS | C | RESISTOR | 1 | |
| - 10 | RCR07G221JS | C | RESISTOR | 1 | |
| - 11 | RN55D5621F | C | RESISTOR | 1 | |
| - 12 | JAN2N2222A | C | TRANSISTOR | 6 | |
| - 13 | RN55D4022F | C | RESISTOR | 2 | |
| - 14 | RN55D9311F | C | RESISTOR | 1 | |
| - 15 | RCR07G102JS | C | RESISTOR | 2 | |
| - 16 | RCR07G472JS | C | RESISTOR | 2 | |
| - 17 | RCR07G511JS | C | RESISTOR | 1 | |
| - 18 | RCR07G471JS | C | RESISTOR | 2 | |
| - 19 | RCR07G124JS | C | RESISTOR | 1 | |
| - 20 | RCR07G103JS | C | RESISTOR | 4 | |
| - 21 | RN60D3923F | C | RESISTOR | 2 | |
| - 22 | RN55D6811F | C | RESISTOR | 2 | |
| - 23 | RCR07G105JS | C | RESISTOR | 1 | |
| - 24 | CK06BX104K | C | CAPACITOR | 1 | |
| - 25 | RCR07G154JS | C | RESISTOR | 1 | |
| - 26 | U2792 | C | TRANSISTOR (15818) spec dwg 515383-1 | 1 | |
| - 27 | RN55D2212F | C | RESISTOR | 1 | |
| - 28 | RCR07G332JS | C | RESISTOR | 1 | |
| - 29 | JAN1N914 | C | SEMICONDUCTOR DEVICE, Diode | 4 | |
| - 30 | RCR07G104JS | C | RESISTOR | 2 | |
| - 31 | CK60AW102M | C | CAPACITOR (alternate part 501240-58) | 1 | |
| - 32 | RCR07G123JS | C | RESISTOR | 1 | |
| - 33 | RV6NAYSL253A | C | RESISTOR | 2 | |
| - 34 | RCR07G183JS | C | RESISTOR | 1 | |
| - 35 | RCR07G470JS | C | RESISTOR | 1 | |
| - 36 | CK13BX103K | C | CAPACITOR | 4 | |
| - 37 | RN55D1823F | C | RESISTOR | 1 | |
| - 38 | CK13BX223K | C | CAPACITOR | 1 | |
| - 39 | SN52741L00 | C | INTEGRATED CIRCUIT, Amplifier, operational (ESDS) (01295) spec dwg 511854-1 | 1 | |
| | RM741T | C | INTEGRATED CIRCUIT, Amplifier, operational (ESDS) (49956) spec dwg 511854-1 (alternate part for LU0) SN52741L00) | 1 | |
| - 40 | JAN1N4148 | C | SEMICONDUCTOR DEVICE, Diode | 1 | |
| - 41 | RCR07G683JS | C | RESISTOR | 1 | |
| - 42 | RN55D6041F | C | RESISTOR | 1 | |
| - 43 | CM20CC222J03 | C | CAPACITOR | 1 | |
| - 44 | RN55D8251F | C | RESISTOR | 1 | |
| - 45 | RN55D3011F | C | RESISTOR | 1 | |

Section II
Group Assembly Parts List

T O 31R2-2GRR-114
NAVELEX 0967-LP-428-1020

| FIGURE AND INDEX NUMBER | PART NUMBER | IDENT | DESCRIPTION | UNITS PER ASSY | USABLE ON CODE |
|-------------------------|-------------------|-------|---|----------------|----------------|
| 21- 46 | RN55D3402F | C | RESISTOR | 1 | |
| | 8008599G1 | C | PRINTED WIRING BOARD | 1 | |
| - 47 | 8003155-2 | D | BRACKET, Angle | 2 | |
| | | | ATTACHING PARTS | | |
| | MS16535-13 | D | RIVET | 4 | |
| | | | ----*---- | | |
| - 48 | 5321-5 | D | TERMINAL, Stud (06540) spec dwg 514266-302 | 11 | |
| - 49 | 8008599-1 | D | PRINTED WIRING BOARD | 1 | |
| - 50 | 8004951-1 | B | PIN, Guide | 2 | |
| | | | ATTACHING PARTS | | |
| | MS35649-262 | B | NUT | 2 | |
| | MS35338-41 | B | WASHER | 2 | |
| | MS27183-5 | B | WASHER | 2 | |
| | | | ----*---- | | |
| - 51 | 030-1952-000 | B | CONTACT, Electrical (71468) spec dwg 502056-401 | 12 | |
| | 403-30-15-119-410 | B | CONTACT, Electrical (71785) spec dwg 502056-401 (alternate part for 030-1952-000) | 12 | |
| | 8136892G1 | B | CIRCUIT CARD ASSEMBLY, Low frequency | 1 | |
| | | | ATTACHING PARTS | | |
| | MS35206-203 | B | SCREW | 2 | |
| | MS35338-39 | B | WASHER | 2 | |
| | MS27183-2 | B | WASHER | 2 | |
| | | | ----*---- | | |
| - 52 | RCR07G101JS | C | RESISTOR | 2 | |
| - 53 | JAN2N2907A | C | TRANSISTOR | 1 | |
| - 54 | 10047DAP | C | MOUNTING PAD, Electrical (07047) spec dwg 507253-12 | 3 | |
| - 55 | RN55D7151F | C | RESISTOR | 1 | |
| - 56 | JAN2N2222A | C | TRANSISTOR | 2 | |
| - 57 | RCR07G682JS | C | RESISTOR | 1 | |
| - 58 | M39003-01-2301 | C | CAPACITOR | 1 | |
| | 8136893G1 | C | PRINTED WIRING BOARD | 1 | |
| - 59 | 5321-082-14 | D | TERMINAL, Stud (06540) spec dwg 514266-301 | 5 | |
| - 60 | 8136893-1 | D | PRINTED WIRING BOARD | 1 | |
| - 61 | 8008632-5 | B | POST, Electrical-Mechanical equipment | 2 | |
| - 62 | MS35206-251 | B | SCREW | 1 | |
| - 63 | MS35338-42 | B | WASHER | 1 | |
| - 64 | MS27183-7 | B | WASHER | 1 | |
| - 65 | 5-646N674-70 | B | PACKING, Preformed (02697) spec dwg 508874-13 | 1 | |
| | 8008596G2 | B | CIRCUIT CARD ASSEMBLY, AGC/Squelch | 1 | |
| | | | ATTACHING PARTS | | |
| | MS35206-213 | B | SCREW | 2 | |
| | MS35338-40 | B | WASHER | 2 | |
| | MS27183-3 | B | WASHER | 2 | |
| | | | ----*---- | | |
| - 66 | RCR07G202JS | C | RESISTOR | 1 | |
| - 67 | JAN2N2222A | C | TRANSISTOR | 2 | |
| - 68 | 10047DAP | C | MOUNTING PAD, Electrical (07047) spec dwg 507253-12 | 2 | |
| - 69 | RCR07G104JS | C | RESISTOR | 2 | |
| - 70 | JAN1N914 | C | SEMICONDUCTOR DEVICE, Diode | 2 | |
| - 71 | SN52741L00 | C | INTEGRATED CIRCUIT, Amplifier, operational (ESDS) (01295) spec dwg 511854-1 | 1 | |
| | RM741T | C | INTEGRATED CIRCUIT, Amplifier, operational (ESDS) (49956) spec dwg 511854-1 (alternate part for SN52741L00) | 1 | |
| - 72 | RCR07G622JS | C | RESISTOR | 1 | |
| - 73 | RCR07G684JS | C | RESISTOR | 1 | |
| - 74 | RN55D5112F | C | RESISTOR | 1 | |
| - 75 | RN55D6041F | C | RESISTOR | 1 | |
| - 76 | RN55D1001F | C | RESISTOR | 1 | |
| - 77 | RCR20G331JS | C | RESISTOR | 1 | |
| - 78 | RCR07G470JS | C | RESISTOR | 1 | |
| - 79 | JAN2N2904A | C | TRANSISTOR | 2 | |

| FIGURE AND INDEX NUMBER | PART NUMBER | I N D E N T | DESCRIPTION | UNITS PER ASSY | USABLE ON CODE |
|-------------------------|----------------|-------------|---|----------------|----------------|
| 21- 80 | RCR07G622JS | C | RESISTOR | 1 | |
| - 81 | RN55D8250F | C | RESISTOR | 1 | |
| - 82 | JAN1N753A | C | SEMICONDUCTOR DEVICE, Diode | 1 | |
| - 83 | RN55D60R4F | C | RESISTOR | 1 | |
| - 84 | RN55D2801F | C | RESISTOR | 1 | |
| - 85 | RV6NAYSL252A | C | RESISTOR | 1 | |
| - 86 | M39003-01-2362 | C | CAPACITOR | 1 | |
| - 87 | RN55D7151F | C | RESISTOR | 1 | |
| - 88 | RN55D2430F | C | RESISTOR | 1 | |
| - 89 | RN55D1002F | C | RESISTOR | 1 | |
| - 90 | RN55D4321F | C | RESISTOR | 1 | |
| - 91 | RN55D3321F | C | RESISTOR | 1 | |
| - 92 | RN55D2100F | C | RESISTOR | 1 | |
| - 93 | 15D8301S | C | RESISTOR, Thermal, 0.2 w max (12930) spec dwg 509413-4 | 1 | |
| - 94 | RCR07G242JS | C | RESISTOR | 1 | |
| - 95 | JAN2N1613 | C | TRANSISTOR | 1 | |
| - 96 | JAN1N759A | C | SEMICONDUCTOR DEVICE, Diode | 1 | |
| - 97 | JAN1N751A | C | SEMICONDUCTOR DEVICE, Diode | 1 | |
| - 98 | RCR07G102JS | C | RESISTOR | 2 | |
| - 99 | CK06BX104K | C | CAPACITOR | 1 | |
| -100 | RCR07G220JS | C | RESISTOR | 1 | |
| -101 | RN55D2212F | C | RESISTOR | 1 | |
| -102 | RCR07G222JS | C | RESISTOR | 1 | |
| -103 | RCR07G392JS | C | RESISTOR | 1 | |
| | 8008598G2 | C | PRINTED WIRING BOARD | 1 | |
| -104 | 8003155-2 | D | BRACKET, Angle | 1 | |
| | | | ATTACHING PARTS | | |
| | MS16535-13 | D | RIVET | 2 | |
| | | | ---*--- | | |
| -105 | 5321-5 | D | TERMINAL, Stud (06540) spec dwg 514266-302 | 16 | |
| -106 | 8008598-6 | D | PRINTED WIRING BOARD | 1 | |
| | 8008594G2 | B | CHASSIS, Electrical equipment | 1 | |
| -107 | DAU15PF0 | C | CONNECTOR, Receptacle, electrical (71468) spec dwg 502056-102 | 1 | |
| | 234-15-11-100 | C | CONNECTOR, Receptacle, electrical (71785) spec dwg 502056-102 (alternate part for DAU15PF0) | 1 | |
| | | | ATTACHING PARTS | | |
| | S-5008 | C | EYELET, Metallic (61957) spec dwg 8004777-1 | 2 | |
| | | | ---*--- | | |
| -108 | 8004475-2 | C | LUG, Mounting | 1 | |
| | | | ATTACHING PARTS | | |
| | MS16535-134 | C | RIVET | 4 | |
| | | | ---*--- | | |
| -109 | 8004561-1 | C | BRACKET, Angle | 4 | |
| | | | ATTACHING PARTS | | |
| | MS16535-65 | C | RIVET | 4 | |
| | | | ---*--- | | |
| -110 | 8008594-8 | C | CHASSIS | 1 | |
| - 111 | RCR07G102J2 | C | RESISTOR (Added by ECP 594) | 1 | |
| | M39003/1-2271 | C | CAPACITOR (Added by ECP 594) | 1 | |
| | M81786/10-3 | D | INSULATION SLEEVING (Added by ECP 594) | 1 | |

**SECTION III
 NUMERICAL INDEX**

| PART NUMBER | FIGURE AND INDEX NUMBER | QTY. PER ART. | SOURCE CODE | REPAIR CODE | PART NUMBER | FIGURE AND INDEX NUMBER | QTY. PER ART. | SOURCE CODE | REPAIR CODE |
|--------------|-------------------------|---------------|-------------|-------------|---------------|-------------------------|---------------|-------------|-------------|
| AA82006T | 16- 43 | 2 | X2 | S | CMR05E220J0DM | 4- 70 | 1 | P1 | L |
| AA92006T | 16- 43 | 2 | X2 | S | CM05CD100J03 | 7- 68 | 2 | P1 | L |
| AN520C3-4 | 20- 9 | 4 | P1 | S | CM05ED220J03 | 5- 86 | 1 | P1 | L |
| AN935-3 | 20- 9 | 4 | P1 | S | CM05ED330J03 | 9- 23 | 2 | P1 | L |
| AN960-10L | 14- 50 | 10 | P1 | S | CM05ED470J03 | 4- 70 | 1 | P1 | L |
| AN960C416L | 11- 25 | 3 | P1 | S | CM05ED680J03 | 6- 12 | 1 | P1 | S |
| AU0106 | 3- 55 | 2 | P1 | S | CM05FD101J03 | 7- 35 | 2 | P1 | L |
| A10012D1ALL | 19- 12 | 3 | P1 | L | CM05FD331J03 | 9- 26 | 2 | P1 | L |
| | 19-137 | | | | CM15CD101J03 | 20- 24 | 2 | P1 | S |
| A2X1198 | 19- 64 | 5 | P1 | L | CM15CD330J03 | 20- 59 | 1 | P1 | S |
| | 19-110 | | | | CM20CC222J03 | 18- 25 | 1 | P1 | S |
| BB107-06T | 17- 8 | 3 | X2 | S | CP09A1KB103K3 | 15- 22 | 3 | P1 | S |
| | | | | | CP09A1KB104K3 | 15- 56 | 2 | P1 | S |
| BS0S440-22 | 14- 59 | 2 | P1 | S | CP09A1KC683K3 | 15- 15 | 2 | P1 | S |
| B1C90-20 | 16- 21 | 3 | P1 | S | CV31A180 | 19- 84 | 3 | P1 | S |
| | 16- 37 | | | | CV31B250 | 20- 22 | 1 | P1 | S |
| CA3018 | 5-105 | 1 | P1 | L | DAC15PF0 | 3- 57 | 8 | P1 | S |
| CA3023 | 5- 84 | 2 | P1 | L | | 7- 5 | | | L |
| CA3118T | 19- 97 | 1 | P1 | L | | 8- 5 | | | L |
| CA50047 | 19- 29 | AR | P1 | L | | 9- 48 | | | L |
| CK05BX820K | 12- 48 | 1 | P1 | S | | 10- 47 | | | L |
| CK06BX103K | 4- 8 | 51 | P1 | L | | 14- 55 | | | L |
| CK06BX104K | 4- 44 | 16 | P1 | L | | 15- 81 | | | L |
| CK06BX105K | 19- 21 | 2 | P1 | L | DAC15SF0 | 18-101 | | | L |
| CK06BX123K | 5- 40 | 1 | P1 | L | DAU15PF0 | 16- 70 | 4 | P1 | S |
| CK06BX154K | 19-177 | 1 | P1 | L | | 3- 57 | 8 | P1 | S |
| CK06BX222K | 19-185 | 1 | P1 | L | | 7- 5 | | | L |
| CK06BX223K | 4- 42 | 1 | P1 | L | | 8- 5 | | | L |
| CK06BX224K | 19-183 | 1 | P1 | L | | 9- 48 | | | L |
| CK06BX333K | 19- 65 | 1 | P1 | L | | 10- 47 | | | L |
| CK06BX472K | 4- 46 | 1 | P1 | L | | 14- 55 | | | L |
| CK06BX473K | 19-156 | 3 | P1 | L | | 15- 81 | | | L |
| CK06BX682K | 19-120 | 1 | P1 | L | DAU15SF0 | 18-101 | | | L |
| CK13BX103K | 18- 15 | 5 | P1 | S | DEC9PF0 | 16- 70 | 4 | P1 | S |
| CK13BX223K | 18- 16 | 1 | P1 | S | | 4- 83 | 8 | P1 | L |
| CK60AW102M | 4- 29 | 97 | P1 | L | | 5-119 | | | L |
| CK60AW152M | 5- 88 | 2 | P1 | L | | 6- 34 | | | L |
| CK60AX471K | 5- 61 | 34 | P1 | L | | 11- 13 | | | L |
| CK60BX100K | 20- 32 | 3 | P1 | S | | 12- 13 | | | L |
| CK60BX101K | 4- 45 | 24 | P1 | L | | 13- 14 | | | L |
| CK60BX101M | 12- 40 | 1 | P1 | S | | 19-194 | | | L |
| CK60BX150K | 4- 52 | 4 | P1 | S | DEC9SF0 | 20- 19 | | | L |
| CK60BX2R2K | 11- 42 | 5 | P1 | S | DEU9PF0 | 16- 71 | 3 | P1 | S |
| CK60BX220K | 5- 33 | 5 | P1 | L | | 4- 83 | 8 | P1 | L |
| CK60BX470K | 5- 5 | 8 | P1 | L | | 5-119 | | | L |
| CK60BX6R8K | 12- 60 | 3 | P1 | S | | 6- 34 | | | L |
| CK60BX680M | 5- 7 | 3 | P1 | L | | 11- 13 | | | L |
| CK61AW222M | 5- 50 | 11 | P1 | L | | 12- 13 | | | L |
| CK63AW103M | 3- 1 | 32 | P1 | S | | 13- 14 | | | L |
| CL65BH151KPE | 3- 12 | 2 | P1 | S | | 19-194 | | | L |
| | | | | | | 20- 19 | | | L |

Section III
Numerical Index

T O 31R2-2GRR-114
NAVELEX 0967-LP-428-1020

| PART NUMBER | FIGURE AND INDEX NUMBER | QTY. PER ART. | SOURCE CODE | REPAIR CODE | PART NUMBER | FIGURE AND INDEX NUMBER | QTY. PER ART. | SOURCE CODE | REPAIR CODE |
|--------------|-------------------------|---------------|-------------|-------------|--------------|-------------------------|---------------|-------------|-------------|
| DEU9SF0 | 16- 71 | 3 | P1 | S | JMC5619 | 16- 62 | 2 | P1 | S |
| DELETED | 9- 73 | 1 | | | KC19-54MOD | 2- 15 | 1 | P1 | S S |
| DF31A | 14- 36 | 1 | P1 | S | KN89-26 | 16- 51 | 1 | P1 | S |
| DF6C | 14- 50 | 10 | P1 | S | LH76-1 | 16- 3 | 1 | P1 | S S |
| D20418-2 | 16- 67 | 3 | P1 | S | LK 1189-04P5 | 4- 6 | 6 | P1 | L L |
| D20419 | 7- 4 | 18 | P1 | L | LM101AH | 19-175 | 1 | P1 | L L |
| | 8- 4 | | | L | LM105H | 19- 10 | 1 | P1 | L L |
| | 9- 47 | | | L | LP24693C1 | 19-195 | 4 | P1 | L L |
| | 10- 49 | | | L | LP24693C29 | 2- 6 | 6 | P1 | S L |
| | 11- 12 | | | | LP51957-3 | 19- 1 | 18 | P1 | S L |
| | 12- 12 | | | | | 19- 2 | | | |
| | 13- 13 | | | | LP51959-31 | 2- 6 | 6 | P1 | S |
| | 19-192 | | | L | MA47557 | 5- 8 | 2 | P1 | L L |
| D20419-16 | 20- 17 | | | | MC10531L | 19- 61 | 1 | P1 | L L |
| FAH5760V | 10- 49 | 2 | P1 | L | MS15795-803 | 19- 82 | 1 | P1 | L L |
| FA5C102W | 14- 42 | 1 | P1 | S | MS16535-13 | 14- 32 | 12 | P1 | S S |
| | 4- 85 | 15 | P1 | L | MS16535-132 | 2- 2 | 7 | P1 | S S |
| | 7- 24 | | | L | MS16535-133 | 5-123 | 84 | P1 | L S |
| | 8- 23 | | | L | MS16535-134 | 3- 54 | 40 | P1 | L S |
| | 16- 34 | | | | MS16535-135 | 16- 77 | 3 | P1 | S S |
| FHL17G2 | 16- 6 | 2 | P1 | S | MS16535-140 | 16- 87 | 8 | P1 | S S |
| FHL18G2-2 | 16- 26 | 1 | P1 | S | MS16535-142 | 16- 82 | 4 | P1 | S S |
| FN4247 | 19-131 | 1 | P1 | L | MS16535-63 | 4- 1 | 24 | P1 | L L |
| FN3495 | 18- 49 | 1 | P1 | S | MS16535-64 | 4- 82 | 36 | P1 | L L |
| FTSM7 | 7- 83 | 6 | X2 | L | MS16535-65 | 3- 55 | 28 | P1 | S L |
| | 8- 91 | | | L | MS18130-1 | 19-140 | 2 | P1 | S L |
| F02A250V1-2A | 2- 10 | 3 | P1 | S | MS18130-22 | 19-176 | 1 | P1 | L L |
| F02A250V1A | 2- 11 | 3 | P1 | S | MS18130-4 | 19- 87 | 1 | P1 | L L |
| F02A250V3A | 2- 12 | 2 | P1 | S | MS18130-5 | 19- 83 | 1 | P1 | L L |
| ITS30944 | 19-131 | 1 | P1 | L | MS21208C0820 | 11- 92 | 5 | P1 | S S |
| JAN1N1614 | 14- 50 | 5 | P1 | S | MS24693S1 | 16- 33 | 2 | P1 | S S |
| JAN1N4148 | 18- 21 | 9 | P1 | S | MS25082-1 | 11- 79 | 6 | P1 | S S |
| JAN1N538 | 14- 9 | 1 | P1 | S | MS25082-12 | 4- 6 | 16 | P1 | L L |
| JAN1N746A | 7- 46 | 4 | P1 | L | MS25082-13 | 7- 54 | 10 | P1 | L L |
| JAN1N751A | 4- 39 | 6 | P1 | L | MS25082-3 | 14- 50 | 5 | P1 | S S |
| JAN1N753A | 5- 41 | 10 | P1 | L | MS27183-2 | 2- 1 | 4 | P1 | S S |
| JAN1N754A | 14- 22 | 1 | P1 | S | MS27183-3 | 3- 63 | 63 | P1 | S S |
| JAN1N755A | 15- 76 | 3 | P1 | S | MS27183-4 | 9- 11 | 18 | P1 | L L |
| JAN1N756A | 11- 71 | 2 | P1 | S | MS27183-5 | 3- 49 | 29 | P1 | S S |
| JAN1N759A | 5- 77 | 4 | P1 | L | MS27183-6 | 14- 44 | 6 | P1 | S S |
| JAN1N825 | 14- 20 | 1 | P1 | S | MS27183-7 | 3- 51 | 24 | P1 | S S |
| JAN1N914 | 3- 31 | 35 | P1 | S | MS3057-10A | 17- 1 | 1 | P1 | S S |
| JAN1N976B | 3- 14 | 4 | P1 | S | MS3102R18-8P | 16- 32 | 1 | P1 | S S |
| JAN2N1132 | 14- 12 | 7 | P1 | S | MS3108A18-8S | 17- 2 | 1 | P1 | S S |
| JAN2N1613 | 3- 5 | 21 | P1 | S | MS3367-4-9 | 11- 90 | 10 | P1 | S S |
| JAN2N2222A | 4- 47 | 42 | P1 | L | MS35058-23 | 16- 24 | 1 | P1 | S S |
| JAN2N2323 | 19- 11 | 1 | P1 | L | MS35190-210 | 4- 13 | 3 | P1 | L L |
| JAN2N2857 | 19- 53 | 2 | P1 | L | MS35190-211 | 7- 1 | 12 | P1 | L L |
| JAN2N2904A | 14- 28 | 3 | P1 | S | MS35190-221 | 9- 4 | 4 | P1 | L L |
| JAN2N2907A | 13- 82 | 3 | P1 | S | MS35190-222 | 14- 37 | 2 | P1 | S S |
| JAN2N697 | 7- 21 | 2 | P1 | L | MS35190-223 | 11- 4 | 11 | P1 | S S |
| JAN2N912 | 11- 72 | 2 | P1 | S | MS35190-224 | 14- 55 | 2 | P1 | S S |
| JAN2N918 | 4- 27 | 3 | P1 | L | MS35190-235 | 16- 68 | 3 | P1 | S S |
| JB32J12 | 4- 69 | 10 | P1 | L | MS35190-236 | 14- 45 | 4 | P1 | S S |
| | 9- 69 | | | L | MS35190-237 | 16- 73 | 7 | P1 | S S |
| | 10- 70 | | | L | MS35190-240 | 14- 44 | 2 | P1 | S S |
| | 11- 68 | | | | MS35206-202 | 2- 1 | 6 | P1 | S L |
| | 12- 74 | | | | MS35206-203 | 4- 54 | 5 | P1 | S L |
| | 13- 90 | | | | MS35206-213 | 3- 77 | 77 | P1 | S L |
| JJ034 | 16- 23 | 1 | P1 | S | MS35206-214 | 4- 15 | 49 | P1 | S L |
| JMC5219 | 16- 62 | 2 | P1 | S | MS35206-215 | 14- 3 | 4 | P1 | S |

| PART NUMBER | FIGURE AND INDEX NUMBER | QTY. PER ART. | SOURCE CODE | REPAIR CODE |
|----------------|-------------------------|---------------|-------------|-------------|
| MS35206-216 | 11- 33 | 12 | P1 | S |
| MS35206-217 | 12- 33 | 3 | P1 | S |
| MS35206-218 | 14- 3 | 2 | P1 | S |
| MS35206-226 | 16- 58 | 6 | P1 | S |
| MS35206-227 | 16- 30 | 4 | P1 | S |
| MS35206-228 | 16- 29 | 7 | P1 | S |
| MS35206-229 | 11- 79 | 6 | P1 | S |
| MS35206-230 | 14- 35 | 6 | P1 | S |
| MS35206-243 | 16- 57 | 6 | P1 | S |
| MS35206-249 | 16- 59 | 2 | P1 | S |
| MS35206-251 | 3- 50 | 14 | P1 | S |
| MS35206-252 | 9- 8 | 20 | P1 | L |
| MS35333-36 | 9- 6 | 2 | P1 | L |
| MS35333-39 | 4- 6 | 12 | P1 | L |
| MS35333-69 | 19- 3 | 1 | P1 | L |
| MS35333-73 | 19- 79 | 1 | P1 | L |
| MS35333-74 | 7- 54 | 22 | P1 | L |
| MS35338-134 | 19- 30 | 2 | P1 | L |
| MS35338-135 | 19- 5 | 16 | P1 | L |
| MS35338-39 | 2- 1 | 8 | P1 | S |
| MS35338-40 | 3- | 138 | P1 | S |
| MS35338-41 | 3- 49 | 45 | P1 | S |
| MS35338-42 | 3- 52 | 42 | P1 | S |
| MS35338-43 | 14- 50 | 5 | P1 | S |
| MS35431-8 | 14- 41 | 7 | P1 | S |
| MS35489-1 | 9- 50 | 2 | P1 | L |
| MS35489-4 | 7- 6 | 9 | P1 | L |
| MS35489-6 | 13- 20 | 2 | P1 | S |
| MS35649-224 | 19- 3 | 1 | P1 | L |
| MS35649-242 | 11- 20 | 19 | P1 | S |
| MS35649-244 | 20- 51 | 1 | P1 | S |
| MS35649-262 | 5-112 | 31 | P1 | S |
| MS35672-17 | 16- 19 | 2 | P1 | S |
| MS51836-307 | 19-198 | 2 | P1 | L |
| MS51957-127 | 19- 25 | 4 | P1 | L |
| MS51957-13 | 20- 21 | 4 | P1 | S |
| MS51957-14 | 19- 5 | 5 | P1 | L |
| MS51957-2 | 19- 30 | 2 | P1 | L |
| MS51957-20 | 20- 51 | 1 | P1 | S |
| MS51958-59 | 14- 42 | 2 | P1 | S |
| MS51959-8 | 19- 66 | 3 | P1 | L |
| MS75008-23 | 7- 26 | 2 | P1 | L |
| MS75008-24 | 4- 68 | 1 | P1 | L |
| MS75008-25 | 4- 68 | 4 | P1 | L |
| MS75008-27 | 5- 44 | 1 | P1 | L |
| MS75008-28 | 5- 24 | 14 | P1 | L |
| MS75008-29 | 5- 92 | 1 | P1 | L |
| MS75008-30 | 9- 27 | 2 | P1 | L |
| MS75008-32 | 9- 28 | 11 | P1 | L |
| MS75008-33 | 5- 32 | 4 | P1 | L |
| MS75008-36 | 5- 45 | 1 | P1 | L |
| MS75008-37 | 5- 25 | 10 | P1 | L |
| MS75008-40 | 4- 41 | 17 | P1 | L |
| MS75008-43 | 5- 81 | 2 | P1 | L |
| MS75008-44 | 7- 39 | 6 | P1 | L |
| MS75053-1 | 9- 45 | 2 | P1 | L |
| MS75053-4 | 19- 22 | 1 | P1 | L |
| MS75101-11 | 20- 33 | 1 | P1 | S |
| MS75101-9 | 20- 31 | 1 | P1 | S |
| MS77068-4 | 11- 30 | 3 | P1 | S |
| MS91528-0D1B | 16- 10 | 1 | P1 | S |
| MV1405 | 19-126 | 2 | P1 | L |
| M39003-01-2259 | 4- 97 | 1 | P1 | L |

| PART NUMBER | FIGURE AND INDEX NUMBER | QTY. PER ART. | SOURCE CODE | REPAIR CODE |
|-----------------|-------------------------|---------------|-------------|-------------|
| M39003-01-2271 | 4- 49 | 1 | P1 | L |
| M39003-01-2280 | 4- 74 | 6 | P1 | L |
| M39003-01-2286 | 3- 8 | 21 | P1 | S |
| M39003-01-2289 | 19-114 | 8 | P1 | L |
| M39003-01-2295 | 5- 26 | 3 | P1 | L |
| M39003-01-2301 | 14- 30 | 2 | P1 | L |
| M39003-01-2304 | 4- 87 | 1 | P1 | S |
| M39003-01-2311 | 4- 98 | 1 | P1 | L |
| M39003-01-2306 | 4- 51 | 7 | P1 | L |
| M39003-01-2312 | 3- 16 | 5 | P1 | L |
| M39003-01-2344 | 14- 26 | 1 | P1 | S |
| M39003-01-2359 | 3- 18 | 1 | P1 | S |
| M39003-01-2362 | 7- 17 | 15 | P1 | S |
| M39003-01-2368 | 15- 14 | 2 | P1 | S |
| M39003-01-2370 | 19- 23 | 1 | P1 | L |
| M39003-01-2374 | 3- 10 | 7 | P1 | S |
| M39012-19-0001 | 16- 48 | 2 | P1 | S |
| M39012-19-0101 | 16- 48 | 2 | P1 | S |
| M39012-21-0001 | 11- 11 | 3 | P1 | S |
| M39012-25-0006 | 16- 50 | 1 | P1 | S |
| M39012-75-0004 | 7- 7 | | | |
| | 8- 7 | | | |
| M39012-76-0002 | 4- 7 | 6 | P1 | L |
| M39012-77-0002 | 16- 60 | 4 | P1 | S |
| M39014-02-1206 | 4- 42 | 1 | P1 | L |
| M39014-02-1218 | 20- 38 | 1 | P1 | S |
| M39014-02-1230 | 4- 91 | 1 | P1 | L |
| M39014-02-1407 | 8- 16 | 2 | P1 | L |
| M404R | 3- 57 | 11 | X1 | L |
| | 4- 83 | | | |
| | 5-119 | | | |
| | 6- 34 | | | |
| | 15- 81 | | | |
| | 18-101 | | | |
| M8113-04T | 11- 61 | 7 | X2 | S |
| | 11- 62 | | | |
| | 12- 66 | | | |
| | 12- 67 | | | |
| | 13- 75 | | | |
| | 13- 76 | | | |
| NAS620-2 | 4- 54 | 3 | P1 | L |
| NAS620-4 | 4- 15 | 32 | P1 | L |
| NAS620-4L | 14- 55 | 2 | P1 | S |
| NAS620-8 | 5-116 | 18 | P1 | L |
| NAS620C4 | 20- 21 | 6 | P1 | S |
| NAS620C8 | 19- 27 | 4 | P1 | L |
| NAS671-4 | 16- 63 | 12 | P1 | S |
| NAS671-6 | 3- 49 | 3 | P1 | S |
| NAS671-8 | 16- 28 | 2 | P1 | S |
| NAS705S2 | 16- 38 | 3 | P1 | S |
| NCN4-2-040-3 | 11- 85 | 6 | P1 | S |
| | 12- 88 | | | |
| | 13- 97 | | | |
| NE51 | 16- 2 | 1 | P1 | S |
| NFT3H1P47L10-10 | 16- 41 | 1 | P1 | S |
| NFT3H6P1L10-10 | 16- 42 | 2 | P1 | S |
| NF207 | 3- 6 | 4 | P1 | S |
| | 3- 28 | | | |
| N440-5-8 | 11- 5 | 8 | X1 | S |
| | 12- 6 | | | |
| | 13- 6 | | | |
| | 20- 4 | | | |
| PCT050-14 | 15- 29 | 1 | P1 | S |

| PART NUMBER | FIGURE AND INDEX NUMBER | QTY. PER ART. | SOURCE CODE | REPAIR CODE |
|-------------|-------------------------|---------------|-------------|-------------|
| PC50H380 | 20- 54 | 1 | P1 | S |
| PE6011 | 11- 79 | 4 | P1 | S |
| | 12- 85 | | | |
| | 13- 94 | | | |
| | 14- 35 | | | |
| PE6011-40 | 14- 35 | 1 | | |
| P1C600 | 19- 5 | 1 | P1 | L |
| RCR05G100JS | 13- 86 | 3 | P1 | S |
| RCR05G102JS | 13- 84 | 5 | P1 | S |
| RCR05G105JS | 19- 9 | 1 | P1 | L |
| RCR05G135JS | 19- 9 | 1 | P1 | L |
| RCR05G151JS | 19- 46 | 2 | P1 | L |
| RCR05G152JS | 19-101 | 1 | P1 | L |
| RCR05G181JS | 13- 81 | 1 | P1 | S |
| RCR05G182JS | 19- 51 | 1 | P1 | L |
| RCR05G200JS | 19- 14 | 1 | P1 | L |
| RCR05G201JS | 19- 36 | 3 | P1 | L |
| RCR05G221JS | 19- 56 | 1 | P1 | L |
| RCR05G222JS | 19- 55 | 1 | P1 | L |
| RCR05G243JS | 19-113 | 1 | P1 | L |
| RCR05G271JS | 19- 63 | 1 | P1 | L |
| RCR05G301JS | 19- 60 | 1 | P1 | L |
| RCR05G470JS | 19- 44 | 1 | P1 | L |
| RCR05G471JS | 19- 45 | 2 | P1 | L |
| RCR05G472JS | 19-103 | 1 | P1 | L |
| RCR05G562JS | 19-105 | 1 | P1 | L |
| RCR05G823JS | 13- 79 | 1 | P1 | S |
| RCR07G100JR | 4- 16 | 14 | P1 | L |
| RCR07G100JS | 20- 30 | 2 | P1 | S |
| RCR07G101JR | 3- 2 | 28 | P1 | S |
| RCR07G101JS | 19-143 | 8 | P1 | L |
| RCR07G102JR | 3- 22 | 41 | P1 | S |
| RCR07G102JS | 18- 20 | 10 | P1 | S |
| RCR07G103JR | 3- 3 | 17 | P1 | S |
| RCR07C103JS | 4- 90 | 1 | P1 | L |
| | 18- 29 | 8 | P1 | S |
| RCR07G104JR | 5- 98 | 12 | P1 | S |
| RCR07G104JS | 18- 7 | 5 | P1 | S |
| RCR07G105JR | 8- 42 | 1 | P1 | L |
| RCR07G105JS | 18- 46 | 1 | P1 | S |
| RCR07G106JS | 19-164 | 1 | P1 | L |
| RCR07G121JR | 6- 11 | 5 | P1 | S |
| RCR07G121JS | 19- 88 | 4 | P1 | L |
| RCR07G122JR | 4- 20 | 8 | P1 | L |
| RCR07G123JR | 3- 11 | 4 | P1 | S |
| RCR07G123JS | 18- 6 | 1 | P1 | S |
| RCR07G124JR | 15- 18 | 1 | P1 | S |
| RCR07G124JS | 18- 44 | 1 | P1 | S |
| RCR07G131JR | 7- 28 | 2 | P1 | L |
| RCR07G132JR | 14- 24 | 1 | P1 | S |
| RCR07G133JR | 10- 36 | 1 | P1 | L |
| RCR07G150JR | 12- 35 | 2 | P1 | S |
| RCR07G151JR | 7- 36 | 6 | P1 | L |
| RCR07G152JR | 5- 30 | 9 | P1 | L |
| RCR07G153JR | 3- 37 | 7 | P1 | S |
| RCR07G153JS | 19-128 | 1 | P1 | L |
| RCR07G154JR | 9- 22 | 4 | P1 | L |
| RCR07G154JS | 18- 48 | 1 | P1 | S |
| RCR07G162JR | 4- 72 | 1 | P1 | L |
| RCR07G162JS | 18- 38 | 1 | P1 | S |
| RCR07G163JR | 4- 33 | 1 | P1 | L |
| RCR07G163JS | 19- 93 | 1 | P1 | L |

| PART NUMBER | FIGURE AND INDEX NUMBER | QTY. PER ART. | SOURCE CODE | REPAIR CODE |
|-------------|-------------------------|---------------|-------------|-------------|
| RCR07G180JR | 9- 59 | 5 | P1 | L |
| RCR07G181JS | 19- 90 | 2 | P1 | L |
| RCR07G182JR | 3- 4 | 5 | P1 | L |
| RCR07G183JR | 13- 62 | 1 | P1 | S |
| RCR07G183JS | 18- 10 | 4 | P1 | S |
| RCR07G200JR | 10- 76 | 1 | P1 | L |
| RCR07G201JR | 9- 75 | 2 | P1 | L |
| RCR07G201JS | 19- 32 | 4 | P1 | L |
| RCR07G202JR | 4- 71 | 13 | P1 | L |
| RCR07G202JS | 18- 79 | 1 | P1 | S |
| RCR07G203JR | 7- 78 | 17 | P1 | L |
| RCR07G203JS | 19-138 | 2 | P1 | L |
| RCR07G220JS | 18- 73 | 2 | P1 | S |
| RCR07G221JR | 3- 20 | 10 | P1 | S |
| RCR07G221JS | 18- 39 | 1 | P1 | S |
| RCR07G222JR | 3- 29 | 20 | P1 | S |
| RCR07G222JS | 18- 76 | 2 | P1 | S |
| RCR07G223JR | 3- 7 | 7 | P1 | S |
| RCR07G224JR | 15- 32 | 1 | P1 | S |
| RCR07G224JS | 18- 30 | 1 | P1 | S |
| RCR07G240JR | 5- 51 | 1 | P1 | L |
| RCR07G242JR | 4- 76 | 3 | P1 | L |
| RCR07G242JS | 18- 68 | 4 | P1 | S |
| RCR07G243JR | 12- 59 | 1 | P1 | S |
| RCR07G270JS | 19-151 | 1 | P1 | L |
| RCR07G271JR | 3- 34 | 5 | P1 | S |
| RCR07G272JR | 4- 30 | 3 | P1 | L |
| RCR07G272JS | 19-180 | 1 | P1 | L |
| RCR07G273JR | 3- 19 | 6 | P1 | S |
| RCR07G300JR | 9- 31 | 5 | P1 | L |
| RCR07G300JS | 19- 89 | 1 | P1 | L |
| RCR07G301JR | 9- 70 | 5 | P1 | L |
| RCR07G301JS | 19-130 | 2 | P1 | L |
| RCR07G302JR | 9- 42 | 2 | P1 | L |
| RCR07G302JS | 19- 48 | 2 | P1 | L |
| RCR07G303JR | 5- 94 | 6 | P1 | L |
| RCR07G303JS | 19-173 | 3 | P1 | L |
| RCR07G330JR | 11- 31 | 3 | P1 | L |
| RCR07G330JS | 19- 50 | 1 | P1 | L |
| RCR07G331JR | 3- 30 | 3 | P1 | S |
| RCR07G332JR | 3- 26 | 4 | P1 | S |
| RCR07G332JS | 18- 53 | 1 | P1 | S |
| RCR07G333JR | 5- 69 | 3 | P1 | L |
| RCR07G334JR | 8- 50 | 3 | P1 | L |
| RCR07G361JR | 7- 14 | 4 | P1 | L |
| RCR07G390JR | 5- 29 | 6 | P1 | L |
| RCR07G390JS | 19-146 | 2 | P1 | L |
| RCR07G391JR | 3- 9 | 8 | P1 | L |
| RCR07G392JR | 4- 36 | 7 | P1 | L |
| RCR07G392JS | 13- 87 | 3 | P1 | L |
| RCR07G393JR | 5- 95 | 6 | P1 | L |
| RCR07G393JS | 20- 36 | 1 | P1 | L |
| RCR07G394JR | 7- 42 | 4 | P1 | L |
| RCR07G431JR | 5- 67 | 1 | P1 | L |
| RCR07G431JS | 19-123 | 1 | P1 | L |
| RCR07G433JR | 11- 67 | 2 | P1 | L |
| RCR07G470JR | 4- 32 | 3 | P1 | L |
| RCR07G470JS | 18- 12 | 3 | P1 | L |
| RCR07G471JR | 5- 93 | 3 | P1 | L |
| RCR07G471JS | 18- 5 | 2 | P1 | S |
| RCR07G472JR | 3- 21 | 7 | P1 | S |

| PART NUMBER | FIGURE AND INDEX NUMBER | QTY. PER ART. | SOURCE CODE | REPAIR CODE |
|-------------|-------------------------|---------------|-------------|-------------|
| RCR07G472JS | 18- 42 | 6 | P1 | S |
| RCR07G473JR | 5- 13 | 3 | P1 | L |
| RCR07G473JS | 20- 28 | 1 | P1 | S |
| RCR07G474JS | 18- 36 | 1 | P1 | S |
| RCR07G5R6JR | 12- 35 | 1 | P1 | S |
| RCR07G510JR | 4- 17 | 6 | P1 | L |
| RCR07G511JR | 4- 75 | 11 | P1 | L |
| RCR07G511JS | 18- 43 | 3 | P1 | S |
| RCR07G512JR | 5- 99 | 2 | P1 | L |
| RCR07G512JS | 13- 88 | 2 | P1 | S |
| RCR07G514JR | 11- 27 | 2 | P1 | S |
| RCR07G560JR | 5- 12 | 3 | P1 | L |
| RCR07G561JR | 4- 40 | 3 | P1 | L |
| RCR07G561JS | 19-124 | 1 | P1 | L |
| RCR07G562JR | 5- 31 | 16 | P1 | L |
| RCR07G562JS | 19-159 | 1 | P1 | L |
| RCR07G563JR | 5- 96 | 1 | P1 | L |
| RCR07G563JS | 20- 49 | 1 | P1 | S |
| RCR07G620JR | 11- 52 | 3 | P1 | S |
| RCR07G621JR | 12- 71 | 2 | P1 | S |
| RCR07G622JR | 15- 50 | 1 | P1 | S |
| RCR07G622JS | 18- 80 | 2 | P1 | S |
| RCR07G623JR | 7- 65 | 2 | P1 | L |
| RCR07G680JR | 4- 19 | 2 | P1 | L |
| RCR07G681JR | 10- 75 | 3 | P1 | L |
| RCR07G681JS | 19-179 | 1 | P1 | L |
| RCR07G682JR | 5- 97 | 3 | P1 | L |
| RCR07G682JS | 21- 57 | 1 | | |
| RCR07G683JS | 18- 23 | 2 | P1 | S |
| RCR07G684JR | 10- 80 | 1 | P1 | L |
| RCR07G684JS | 18- 82 | 1 | P1 | S |
| RCR07G750JR | 11- 50 | 3 | P1 | S |
| RCR07G750JS | 12- 68 | 1 | P1 | S |
| RCR07G751JR | 4- 34 | 3 | P1 | L |
| RCR07G751JS | 20- 27 | 1 | P1 | S |
| RCR07G752JR | 4- 33 | 1 | P1 | L |
| RCR07G752JS | 19-106 | 2 | P1 | L |
| RCR07G753JR | 15- 45 | 1 | P1 | S |
| RCR07G820JR | 4- 32 | 2 | P1 | L |
| RCR07G821JR | 3- 17 | 8 | P1 | S |
| RCR07G821JS | 20- 39 | 1 | P1 | S |
| RCR07G822JR | 7- 27 | 3 | P1 | L |
| RCR07G822JS | 19-121 | 1 | P1 | L |
| RCR07G823JS | 20- 43 | 1 | P1 | S |
| RCR07G9R1JR | 12- 35 | 1 | P1 | S |
| RCR07G910JS | 19-102 | 1 | P1 | L |
| RCR07G911JR | 12- 34 | 2 | P1 | S |
| RCR20G150JR | 3- 13 | 4 | P1 | S |
| RCR20G270JR | 3- 41 | 2 | P1 | S |
| RCR20G302JR | 11- 66 | 2 | P1 | S |
| RCR20G304JR | 4- 24 | 2 | P1 | L |
| RCR20G331JR | 15- 48 | 1 | P1 | S |
| RCR20G331JS | 18- 85 | 1 | P1 | S |
| RCR20G332JS | 7- 44 | 2 | P1 | L |
| RCR20G392JR | 11- 69 | 2 | P1 | S |
| RCR20G470JR | 3- 15 | 2 | P1 | S |
| RCR20G474JS | 16- 40 | 2 | P1 | S |
| RCR20G621JR | 4- 59 | 2 | P1 | L |
| RCR20G622JR | 13- 30 | 1 | P1 | S |
| RCR20G751JS | 19-187 | 1 | P1 | L |
| RCR32G100JR | 14- 4 | 2 | P1 | S |
| RCR32G182JR | 14- 21 | 1 | P1 | S |

| PART NUMBER | FIGURE AND INDEX NUMBER | QTY. PER ART. | SOURCE CODE | REPAIR CODE |
|--------------|-------------------------|---------------|-------------|-------------|
| RCR32G331JS | 19- 94 | 2 | P1 | L |
| RCR32G471JR | 5- 38 | 1 | P1 | L |
| RG178BU | 19- 31 | AR | P1 | L |
| RG188AU | 4- 81 | AR | P1 | L |
| RG188U | 2- 17 | AR | P1 | S |
| RG316U | 19- 81 | AR | P1 | L |
| RJ50CP202 | 19- 18 | 2 | P1 | S |
| RM741T | 13- 89 | 3 | P1 | S |
| | 18- 22 | | | |
| | 18- 81 | | | |
| | 21- 39 | | | |
| | 21- 71 | | | |
| RNC55H1003FS | 4- 92 | 1 | P1 | L |
| RNC55H3742FS | 4- 88 | 1 | P1 | L |
| RNC55H4022FS | 4- 89 | 1 | P1 | L |
| RNC55H8061FS | 4- 96 | 1 | P1 | L |
| RN55D1001F | 15- 70 | 3 | P1 | L |
| RN55D1002F | 15- 57 | 2 | P1 | S |
| RN55D1211F | 19-116 | 1 | P1 | S |
| RN55D1241F | 14- 18 | 1 | P1 | L |
| RN55D1821F | 19-115 | 1 | P1 | S |
| RN55D1823F | 18- 17 | 1 | P1 | S |
| RN55D2100F | 15- 65 | 2 | P1 | S |
| RN55D2211F | 19-122 | 1 | P1 | S |
| RN55D2212F | 18- 51 | 2 | P1 | S |
| RN55D2430F | 15- 59 | 2 | P1 | S |
| RN55D2801F | 14- 16 | 3 | P1 | S |
| RN55D3011F | 4- 37 | 3 | P1 | L |
| RN55D3012F | 18- 9 | 2 | P1 | L |
| RN55D3321F | 15- 63 | 2 | P1 | S |
| RN55D3402F | 18- 28 | 1 | P1 | S |
| RN55D3740F | 13- 78 | 3 | P1 | S |
| RN55D4022F | 18- 13 | 2 | P1 | S |
| RN55D4321F | 15- 62 | 4 | P1 | S |
| RN55D5112F | 18- 83 | 1 | P1 | L |
| RN55D5621F | 4- 38 | 2 | P1 | L |
| RN55D60R4F | 15- 52 | 2 | P1 | S |
| RN55D6041F | 15- 47 | 3 | P1 | L |
| RN55D6810F | 19-111 | 2 | P1 | L |
| RN55D6811F | 18- 45 | 2 | P1 | S |
| RN55D7151F | 15- 57 | 5 | P1 | S |
| RN55D8250F | 15- 51 | 3 | P1 | S |
| RN55D8251F | 18- 26 | 2 | P1 | S |
| RN55D9310F | 19-118 | 1 | P1 | L |
| RN55D9311F | 18- 41 | 1 | P1 | S |
| RN60D3923F | 18- 14 | 2 | P1 | S |
| RN65D1910F | 7- 52 | 4 | P1 | L |
| RN65D3570F | 7- 51 | 2 | P1 | L |
| RN65D3740F | 10- 16 | 1 | P1 | L |
| RN65D4020F | 9- 16 | 1 | P1 | L |
| RV6LAYS102A | 11- 25 | 2 | P1 | L |
| RV6LAYS103A | 7- 73 | 4 | P1 | L |
| RV6LAYS251A | 13- 29 | 1 | P1 | S |
| RV6NAYSD502C | 16- 11 | 1 | P1 | S |
| RV6NAYSL103A | 15- 12 | 1 | P1 | S |
| RV6NAYSL252A | 15- 55 | 3 | P1 | S |
| RV6NAYSL253A | 18- 8 | 2 | P1 | S |
| RV6NAYSL501A | 14- 13 | 1 | P1 | S |
| RV6NAYSL502C | 16- 9 | 1 | P1 | S |
| RWR74S1001FR | 14- 31 | 1 | P1 | S |
| RW69V2R2 | 14- 25 | 1 | P1 | S |
| RW80UR499F | 13- 85 | 1 | P1 | S |

**Section III
Numerical Index**

T O 31R2-2GRR-114
NAVELEX 0967-LP-428-1020

| PART NUMBER | FIGURE AND INDEX NUMBER | QTY. PER ART. | SOURCE CODE | REPAIR CODE | PART NUMBER | FIGURE AND INDEX NUMBER | QTY. PER ART. | SOURCE CODE | REPAIR CODE | | |
|--------------|-------------------------|---------------|-------------|-------------|--------------|-------------------------|---------------|-------------|-------------|----|---|
| S-5008 | 3- 57 | 12 | X1 | S | 030-1952-000 | 3- 48 | 108 | P1 | S | | |
| | 4- 83 | | | L | | 4- 14 | | | L | | |
| | 5-119 | | | L | | 5-113 | | | L | | |
| | 6- 34 | | | | | 6- 6 | | | | | |
| | 15- 81 | | | | | 7- 3 | | | L | | |
| | 18-101 | | | | | 8- 3 | | | L | | |
| | 21-107 | | | | | 9- 46 | | | L | | |
| SFC5538 | 8- 63 | 2 | P1 | L | | 10- 48 | | | | | |
| SFC6570 | 10- 72 | 2 | P1 | L | | 11- 14 | | | | | |
| SFE1109 | 18- 23 | 1 | P1 | S | | 12- 14 | | | | | |
| | 21- 3 | | | | | 13- 15 | | | | | |
| SG105J | 19- 10 | 1 | P1 | L | | 14- 56 | | | | | |
| SMV1245RL | 19-126 | 2 | P1 | L | | 15- 6 | | | | | |
| SN52741L00 | 13- 89 | 3 | P1 | S | | 18-100 | | | | | |
| | 18- 22 | | | | | 19-193 | | | | | |
| | 18- 41 | | | | | 20- 18 | | | L | | |
| | 21- 39 | | | | | 21- 51 | | | | | |
| | 21- 71 | | | | | 030-1953-000 | | | | | |
| SN54H00J00 | 19- 43 | 1 | P1 | L | | 16- 72 | | | 59 | P1 | S |
| SN54H102J00 | 19- 42 | 1 | P1 | L | | 1N5523B | | | 1 | P1 | L |
| SN54H11J00 | 19- 34 | 1 | P1 | L | | 1N5525B | | | 1 | P1 | L |
| SN54196J00 | 19- 33 | 3 | P1 | L | 1N5534B | 1 | P1 | L | | | |
| SN54197J00 | 19- 41 | 1 | P1 | L | 100-341-2 | 7- 84 | 6 | P1 | L | | |
| STC7627 | 7- 74 | 9 | P1 | L | 8- 93 | | | L | | | |
| | 8- 78 | | | L | 10047DAP | 4- 48 | 71 | P1 | L | | |
| | 9- 65 | | | L | 4- 78 | L | | | | | |
| | 10- 66 | | | L | 5- 36 | L | | | | | |
| | 11- 53 | | | L | 5- 65 | L | | | | | |
| STSM7 | 11- 84 | 18 | P1 | S | 7- 30 | | | | | | |
| | 12- 87 | | | | 8- 30 | | | | | | |
| | 13- 96 | | | | 9- 34 | | | | | | |
| ST824 | 19- 58 | 2 | P1 | L | 10- 34 | | | | | | |
| S0S440-6 | 7- 91 | 10 | P1 | L | 11- 44 | | | | | | |
| | 8- 99 | | | L | 11- 73 | | | | | | |
| S0S440-8 | 9- 82 | 10 | P1 | L | 12- 46 | | | | | | |
| | 10- 86 | | | L | 12- 79 | | | | | | |
| S512 | 16- 22 | 1 | P1 | S | 13- 51 | | | | | | |
| S6125 | 2- 3 | 2 | X2 | S | 13- 83 | | | | | | |
| TXBE019-021G | 7- 62 | 2 | P1 | L | 15- 24 | | | | | | |
| | 8- 64 | | | L | 15- 61 | | | | | | |
| UG1464U | 5-110 | 5 | P1 | L | 18- 19 | | | | | | |
| UG1465U | 4- 5 | 9 | P1 | L | 18- 34 | | | | | | |
| UG1466U | 2- 14 | 9 | P1 | S | 18- 50 | | | | | | |
| UG1468U | 4- 7 | 6 | P1 | L | 18- 58 | | | | | | |
| UG556BU | 16- 47 | 1 | P1 | S | 19- 54 | | | | | | |
| UP131M | 17- 4 | 1 | P1 | S | 19- 59 | | | | | | |
| UTP16-157 | 16- 13 | 1 | P1 | S | 19-109 | | | | | | |
| U2792 | 18- 49 | 1 | P1 | S | 19-132 | | | | | | |
| | 21- 26 | | | | 19-155 | | | | | | |
| U2793 | 18- 33 | 1 | P1 | S | 19-162 | | | | | | |
| | 21- 3 | | | | 19-167 | | | | | | |
| U311 | 19-131 | 1 | P1 | L | 20- 48 | | | | | | |
| U5B7741312 | 13- 89 | 3 | P1 | S | 21- 4 | | | | | | |
| | 18- 22 | | | | 21- 54 | | | | | | |
| | 18- 81 | | | | 21- 68 | | | | | | |
| VK11CX102K | 9- 14 | 4 | P1 | L | 2- 2 | 7 | P1 | S | | | |
| | 10- 14 | | | L | 101001 | | | | | | |
| VK11CX471K | 7- 53 | 4 | P1 | L | 103P525A1 | 16- 42 | 2 | | | | |
| | 8- 55 | | | L | 103P536A5 | 16- 41 | 1 | | | | |
| WC596/13-3 | 17- 4 | 1 | P1 | S | 104JX10496TA | 16- 42 | 2 | P1 | S | | |
| 025B3400B75 | 2- 15 | 1 | P1 | S | 104JX47492TA | 16- 41 | 1 | P1 | S | | |
| | | | | | 1224-02 | 16- 48 | 2 | P1 | S | | |
| | | | | | | 16- 53 | | | | | |

| PART NUMBER | FIGURE AND INDEX NUMBER | QTY. PER ART. | SOURCE CODE | REPAIR CODE | PART NUMBER | FIGURE AND INDEX NUMBER | QTY. PER ART. | SOURCE CODE | REPAIR CODE |
|---------------------------|-------------------------|---------------|-------------|-------------|--|-------------------------|---------------|-------------|-------------|
| 132-0997 133-107 | 16- 1 | 1 | P1 | S | 2-N762 208750S 2N3741 2N3771 2N3866A | 16- 51 | 1 | P1 | S |
| | 11- 21 | 6 | P1 | S | | 4- 35 | 1 | P1 | S |
| | 11- 23 | | | | | 14- 36 | 1 | P1 | S |
| | 12- 21 | | | | | 11- 79 | 2 | P1 | S |
| | 12- 23 | | | | | 12- 85 | | | |
| 14SE177 | 13- 25 | | | | 7- 74 | 8 | P1 | L | L |
| | 13- 27 | | | | 8- 78 | | | | L |
| | 12- 85 | 2 | P1 | S | 9- 65 | | | | L |
| 1414-10 | 13- 89 | | | | 10- 66 | | | | L |
| | 5-108 | 10 | X2 | L | 9- 57 | 2 | P1 | L | L |
| | 14- 41 | | | | 10- 57 | | | | L |
| 1415-8 148-0004-001 | 14- 42 | | | | 2N4208 | 19- 58 | 2 | P1 | L |
| | 14- 51 | | | | 2N4222 | 18- 33 | 1 | P1 | S |
| | 19- 4 | 1 | P1 | L | 2N4393 | 19-166 | 1 | P1 | S |
| 148-0004-041 | 11- 63 | 6 | P1 | S | 2N5109 | 5- 27 | 2 | P1 | L |
| | 12- 69 | | | | 6- 16 | | | | L |
| | 13- 77 | | | | 2N5179 | 12- 43 | 7 | P1 | S |
| 150B301S | 11- 63 | 9 | P1 | S | 13- 49 | | | | |
| | 12- 69 | | | | 20- 47 | | | | |
| | 13- 77 | | | | 207-140201-00-0101 | 2- 7 | 2 | P1 | S |
| 1504-1-0519 151 | 20- 45 | | | | 207CB | 3- 6 | 4 | P1 | S |
| | 15- 66 | 2 | P1 | S | 3- 28 | | | | |
| | 18- 65 | | | | 2102-04-02 | 11- 26 | 3 | P1 | S |
| 165CMOD 1703-9 1712 | 16- 73 | 1 | X2 | S | 12- 29 | | | | |
| | 16- 7 | 1 | P1 | S | 13- 33 | | | | |
| | 4- 2 | 2 | P1 | L | 2102-06-03 | 14- 37 | 7 | P1 | S |
| 180-2751-02-05-00 | 19-142 | 1 | P1 | L | 16- 58 | | | | |
| | 19- 77 | 1 | P1 | L | 16- 68 | | | | |
| | 19- 75 | 6 | P1 | L | 19- 3 | 1 | P1 | L | |
| 189-505-5 | 19-147 | | | | 229-5001 | 16- 71 | 3 | P1 | S |
| | 19-188 | | | | 233-09-11-100 | 16- 70 | 5 | P1 | S |
| | 7- 33 | 2 | P1 | L | 233-15-11-100 | 18-101 | | | |
| 193-0006-001 | 8- 33 | | | | 234-09-11-100 | 4- 83 | 9 | P1 | L |
| | 9- 64 | 6 | P1 | L | 5-119 | | | | L |
| | 10- 65 | | | | 6- 34 | | | | |
| 193-0006-053 | 9- 64 | 6 | P1 | L | 7- 5 | | | | L |
| | 10- 65 | | | | 11- 13 | | | | |
| | 7- 67 | 10 | P1 | L | 12- 13 | | | | |
| 193-0008-001 | 7- 71 | | | | 13- 14 | | | | |
| | 7- 77 | | | | 19-194 | | | | L |
| | 7- 80 | | | | 20- 19 | | | | |
| 193-0008-053 | 8- 71 | | | | 234-15-11-100 | 3- 57 | 6 | P1 | S |
| | 8- 77 | | | | 8- 5 | | | | L |
| | 8- 84 | | | | 9- 48 | | | | L |
| 193-0010-001 | 8- 87 | | | | 10- 47 | | | | L |
| | 9- 74 | | | | 14- 55 | | | | |
| | 10- 77 | | | | 15- 81 | | | | |
| 193-0010-053 | 7- 67 | 10 | P1 | L | 21-107 | | | | |
| | 7- 71 | | | | 2504-04-00 | 8- 14 | 1 | P1 | L |
| | 7- 77 | | | | 2711-24827N140 | 11- 81 | 6 | P1 | S |
| 193-0010-001 | 7- 80 | | | | 12- 85 | | | | |
| | 8- 71 | | | | 13- 94 | | | | |
| | 8- 77 | | | | 3N140 | 9- 71 | 2 | P1 | L |
| 193-0010-053 | 8- 84 | | | | 300-100W5R104K | 4- 44 | 8 | P1 | L |
| | 8- 87 | | | | 5- 37 | | | | L |
| | 9- 74 | | | | 5-104 | | | | L |
| 193-0010-001 | 10- 77 | | | | 7- 22 | | | | L |
| | 7- 56 | 2 | P1 | L | 8- 19 | | | | L |
| | 8- 58 | | | | 14- 43 | | | | |
| 193-0010-053 | 7- 56 | 2 | P1 | L | 15- 71 | | | | |
| | 8- 58 | | | | 18- 74 | | | | |

| PART NUMBER | FIGURE AND INDEX NUMBER | QTY. PER ART. | SOURCE CODE | REPAIR CODE |
|-------------------|-------------------------|---------------|-------------|-------------|
| 300-100W5R123K | 5- 40 | 1 | P1 | L |
| 300-100W5R223K | 4- 42 | 1 | P1 | L |
| 310014 | 16- 57 | 2 | P1 | S |
| 318-15-99-056 | 7- 4 | 18 | P1 | L |
| | 8- 4 | | | L |
| | 9- 47 | | | L |
| | 10- 49 | | | L |
| | 11- 12 | | | |
| | 12- 12 | | | |
| | 13- 13 | | | |
| | 19-192 | | | L |
| | 20- 17 | | | |
| 318-15-99-058 | 16- 67 | 4 | P1 | S |
| 33302-3 | 11- 51 | 4 | P1 | S |
| | 12- 51 | | | |
| | 13- 57 | | | |
| | 20- 52 | | | |
| 33302B | 11- 51 | 4 | P1 | S |
| | 12- 51 | | | |
| | 13- 57 | | | |
| | 20- 52 | | | |
| 34N093FL | 19-200 | 3 | P1 | L |
| 36D7033 | 14- 42 | 1 | P1 | S |
| 4DB270S | 7- 37 | 4 | P1 | L |
| | 8- 37 | | | L |
| | 9- 32 | | | L |
| | 10- 32 | | | L |
| 40TB8 | 14- 3 | 1 | P1 | S |
| 403-30-14-227-410 | 16- 72 | 59 | P1 | S |
| 403-30-15-119-410 | 3- 48 | 110 | P1 | S |
| | 4- 14 | | | L |
| | 5-113 | | | L |
| | 6- 6 | | | |
| | 7- 3 | | | L |
| | 8- 3 | | | L |
| | 9- 46 | | | L |
| | 10- 48 | | | L |
| | 11- 14 | | | |
| | 12- 14 | | | |
| | 13- 15 | | | |
| | 14- 56 | | | |
| | 15- 6 | | | |
| | 18-100 | | | |
| | 19-193 | | | L |
| | 20- 18 | | | |
| | 21- 51 | | | |
| 413710-12 | SEE CAS | 0047 | | |
| 42N062FL | 19- 71 | 3 | P1 | L |
| 434515 | 20- 65 | 1 | P1 | S |
| 44LN040C | 11- 91 | 10 | X2 | S |
| | 12- 94 | | | |
| | 13-102 | | | |
| | 14- 39 | | | |
| 44LN056C | 20- 61 | 15 | X2 | S |
| | 14- 57 | | | |
| | 14- 60 | | | |
| 44LN125C | 14- 52 | 7 | X2 | S |
| 44N093EXR4 | 19-199 | 3 | P1 | L |
| 46N040EXH2C | 16- 84 | 4 | X2 | S |
| 46N062EXH2C | 16- 84 | 4 | X2 | S |

| PART NUMBER | FIGURE AND INDEX NUMBER | QTY. PER ART. | SOURCE CODE | REPAIR CODE |
|--------------|-------------------------|---------------|-------------|-------------|
| 4871-1-05-16 | 7- 85 | 10 | X2 | L |
| | 8- 92 | | | L |
| 495320 | 11- 82 | 4 | P1 | S |
| | 12- 85 | | | |
| | 13- 94 | | | |
| | 14- 35 | | | |
| 495334-7 | 14- 35 | 4 | P1 | S |
| | 14- 36 | | | |
| 5-102N674-70 | 2- 5 | 6 | P1 | S |
| 5-646N674-70 | 3- 53 | 38 | P1 | S |
| | 4- 12 | | | L |
| | 5-114 | | | L |
| | 6- 10 | | | |
| | 7- 9 | | | L |
| | 8- 9 | | | L |
| | 9- 11 | | | L |
| | 10- 11 | | | L |
| | 11- 20 | | | |
| | 12- 20 | | | |
| | 13- 24 | | | |
| | 14- 49 | | | |
| | 15- 4 | | | |
| | 16- 14 | | | |
| | 18- 4 | | | |
| | 19- 28 | | | L |
| | 20- 13 | | | |
| 50-011-3141 | 16- 54 | 1 | P1 | S |
| 500116-1 | 7- 13 | 18 | P1 | L |
| | 8- 13 | | | L |
| | 9- 7 | | | L |
| | 10- 7 | | | L |
| 501058-7 | SEE 1712 | | | |
| 501062-1 | SEE 207-140201-00-0101 | | | |
| 501170-1 | SEE 300-100W5R123K | | | |
| 501170-12 | SEE 300-100W5R104K | | | |
| 501170-4 | SEE 300-100W5R223K | | | |
| 501171-1 | SEE 5601-1 | | | |
| | SEE 54-803-012 | | | |
| 501172-1 | SEE FA5C102W | | | |
| 501174-102 | SEE CV31A180 | | | |
| | SEE 538-011-5-51-8PFA | | | |
| 501174-202 | SEE 538-011-7-25PFB | | | |
| 501174-501 | SEE 538-011-15-60PFF | | | |
| 501175-2 | SEE 51712011 | | | |
| 501178-7 | SEE 36D7033 | | | |
| | SEE FAH5760V | | | |
| 501185-10 | SEE 193-0010-001 | | | |
| | SEE 193-0010-053 | | | |
| 501185-4 | SEE 148-0004-001 | | | |
| | SEE 148-0004-041 | | | |
| 501185-8 | SEE 193-0006-001 | | | |
| | SEE 193-0006-053 | | | |
| 501185-9 | SEE 193-0008-001 | | | |
| | SEE 193-0008-053 | | | |
| 501194-1 | SEE JMC5219 | | | |
| 501194-3 | SEE JMC5619 | | | |
| 501202-1 | 5- 43 | 1 | P1 | L |
| 501236-1 | 19- 6 | 2 | P1 | L |
| 501240-1 | SEE CK60BX2R2K | | | |
| 501240-10 | 4- 93 | 1 | P1 | L |
| | SEE CK60BX6R8K | | | |
| 501240-16 | SEE CK60BX150K | | | |

| PART NUMBER | FIGURE AND INDEX NUMBER | QTY. PER ART. | SOURCE CODE | REPAIR CODE |
|-------------|-------------------------|---------------|-------------|-------------|
| 501240-19 | SEE CK60BX220K | | | |
| 501240-25 | SEE CK60BX470K | | | |
| 501240-28 | SEE CK60BX680M | | | |
| 501240-31 | SEE CK60BX101K | | | |
| 501240-43 | SEE CK60AX471K | | | |
| 501240-58 | SEE CK60AW102M | | | |
| 501240-64 | SEE CK60AW152M | | | |
| 501240-85 | SEE CK63AW103M | | | |
| 501240-88 | 4-95 1 | | P1 | L |
| | SEE CK61AW222M | | | |
| 501361-15 | SEE 189-505-5 | | | |
| 501365-21 | SEE VK11CX471K | | | |
| 501365-25 | SEE VK11CX102K | | | |
| 501370-1 | SEE NF13H6P1L10-1 | | | |
| | SEE 104JX10496TA | | | |
| | SEE 103P525A1 | | | |
| 501370-2 | SEE NF13H1P47110-10 | | | |
| | SEE 104JX47492TA | | | |
| | SEE 103P536A5 | | | |
| 501909-1 | SEE 100-341-2 | | | |
| 501912-1 | 19-82 1 | | P1 | L |
| 502056-101 | SEE DE09PF0 | | | |
| | SEE DEU9PF0 | | | |
| | SEE 234-09-11 100 | | | |
| 502056-102 | SEE DA015PF0 | | | |
| | SEE DAU15PF0 | | | |
| | SEE 234-15-11 100 | | | |
| 502056-201 | SEE DE09SF0 | | | |
| | SEE DEU9SF0 | | | |
| | SEE 233-09-11 100 | | | |
| 502056-202 | SEE DA015SF0 | | | |
| | SEE DAU15SF0 | | | |
| | SEE 233-15-11 100 | | | |
| 502056-301 | SEE D20419 | | | |
| | SEE 318-15-99 056 | | | |
| 502056-302 | SEE D20418-2 | | | |
| | SEE 318-15-99 058 | | | |
| 502056-309 | SEE D20419-16 | | | |
| 502056-401 | SEE 030-1952-00 | | | |
| | SEE 403-30-15 119-410 | | | |
| 502056-402 | SEE 030-1953-00 | | | |
| | SEE 403-30-14 227-410 | | | |
| 502071-7 | SEE 165CMOD | | | |
| 502072-1 | SEE S512 | | | |
| 502079-1 | SEE 7484 | | | |
| 502079-3 | SEE 7486G | | | |
| 502082-1 | SEE 025B3400B75 | | | |
| | SEE KC19-54MOD | | | |
| 502082-14 | SEE 50-011-3141 | | | |
| 502082-2 | SEE KN89-26 | | | |
| | SEE 2-N762 | | | |
| 502084-1 | SEE 672-17 | | | |
| | SEE UTR16-157 | | | |
| 503855-1 | SEE 434515 | | | |
| 504701-3 | 5-22 1 | | P1 | L |
| 504856-1 | 11-10 6 | | P1 | S |
| | 12-10 | | | |
| | 13-10 | | | |
| 504856-3 | 20-8 3 | | P1 | S |
| 504857-2 | SEE S6125 | | | |
| 505127-4 | SEE BS0S440-22 | | | |
| 505127-42 | SEE SOS440-6 | | | |
| 505127-43 | SEE SOS440-8 | | | |

| PART NUMBER | FIGURE AND INDEX NUMBER | QTY. PER ART. | SOURCE CODE | REPAIR CODE |
|-------------|-------------------------|---------------|-------------|-------------|
| 505504-4 | 16-63 | 1 | P1 | S |
| 505504-6 | 16-63 | 1 | P1 | S |
| 505564-3 | 16-63 | 1 | P1 | S |
| 505564-4 | 16-63 | 1 | P1 | S |
| 506365-1 | 12-64 3 | | X2 | S |
| | 13-38 | | | |
| | 20-51 | | | |
| 506435-1 | SEE 133-107 | | | |
| 506475-1 | SEE NF207 | | | |
| | SEE 207CB | | | |
| 507253-1 | SEE A10012DIAL | | | |
| 507253-12 | SEE 10047DAP | | | |
| 507292-1 | SEE 495320 | | | |
| 507292-2 | SEE DF31A | | | |
| 507292-3 | SEE 495334-7 | | | |
| 507292-6 | SEE 2711-24827N140 | | | |
| 507293-1 | SEE DF6C | | | |
| 507294-1 | SEE CA3023 | | | |
| 507295-1 | SEE CA3018 | | | |
| 507296-3 | SEE 7717-20DAP | | | |
| 507309-1 | 17-9 1 | | P1 | S |
| 507377-2 | SEE MC 0531L | | | |
| 507378-1 | SEE SN54H00J00 | | | |
| 507379-1 | SEE SN54H11J00 | | | |
| 507380-1 | SEE SN54196J00 | | | |
| 507381-1 | SEE SN54197J00 | | | |
| 507382-1 | SEE SN54H102J00 | | | |
| 507383-1 | SEE LM101AH | | | |
| 507384-1 | SEE P10600 | | | |
| 507385-1 | SEE 1703-9 | | | |
| 507386-1 | SEE SG105J | | | |
| 507386-2 | SEE LM105H | | | |
| 507387-1 | SEE CA3118T | | | |
| 507742-1 | 4-94 1 | | P1 | L |
| | SEE 84561 | | | |
| 508027-1 | 16-40 1 | | P1 | S |
| 508121-1 | SEE 132-0997 | | | |
| 5082-2835 | 9-25 3 | | P1 | L |
| | 10-25 | | | L |
| 5082-8697 | 7-54 4 | | P1 | L |
| | 8-56 | | | L |
| | 9-13 | | | L |
| | 10-13 | | | L |
| 5082-8906 | 5-50 13 | | P1 | L |
| | 6-30 | | | |
| | 7-38 | | | L |
| | 8-38 | | | L |
| | 18-37 | | | |
| | 19-64 | | | L |
| | 19-110 | | | L |
| | 21-8 | | | |
| 5082-8916 | 9-25 4 | | P1 | L |
| | 10-25 | | | |
| 5082-9429 | 19-64 5 | | P1 | L |
| | 19-110 | | | |
| 508456-1 | 13-58 1 | | P1 | S |
| 508565-1 | SEE 46N040EXH2C | | | |
| 508565-2 | SEE 58N091EXH3C | | | |
| 508565-4 | SEE 58N125EXH3C | | | |
| 508565-5 | SEE 46N062EXH2C | | | |
| 508565-6 | SEE 44N093EXR4 | | | |
| 508566-1 | SEE 44IN040C | | | |
| 508566-10 | SEE 44IN125C | | | |

Section III
Numerical Index

T O 31R2-2GRR-114
NAVELEX 0967-LP-428-1020

| PART NUMBER | FIGURE AND INDEX NUMBER | QTY. PER ART. | SOURCE CODE | REPAIR CODE | PART NUMBER | FIGURE AND INDEX NUMBER | QTY. PER ART. | SOURCE CODE | REPAIR CODE |
|-------------|-------------------------|---------------|-------------|-------------|-------------|-------------------------|-----------------|-------------|-------------|
| 508566-2 | SEE 44 | N056C | | | 512139-2 | 16- 45 | 1 | P1 | S |
| 508566-3 | SEE 56 | N056C | | | 512277-1 | 14- 50 | 5 | P1 | S |
| 508566-4 | SEE 58 | N056C | | | 512308-3 | SEE 31 | 0014 | | |
| 508566-6 | SEE 56 | N093C | | | 512396-1 | SEE 33 | 02-3 | | |
| 508570-1 | SEE NCH | 4-2-04C-3 | | | | SEE 33 | 02B | | |
| 508581-7 | SEE 44 | N093FL | | | 512984-2 | SEE 76 | 1K6 | | |
| 508581-8 | SEE 42 | N062FL | | | 512999-1 | 19- 70 | 1 | P1 | L |
| 508874-13 | SEE 5- | 446N674-70 | | | 512999-2 | 19- 69 | 1 | P1 | L |
| 508874-15 | SEE 5- | 02N674-70 | | | 512999-3 | 19- 68 | 1 | P1 | L |
| 508933-5 | 19-195 | 1 | P1 | L | 512999-4 | 19- 67 | 1 | P1 | L |
| 509137-1 | 16- 12 | 1 | M | F | 514260-2 | SEE 25 | 04-04-00 | | |
| 509204-1 | SEE B1 | 090-20 | | | 514260-4 | SEE 59 | | | |
| 509403-1 | SEE TX | E019-021G | | | 514260-8 | SEE 15 | | | |
| 509404-301 | SEE PC | T050-14 | | | 514264-404 | SEE 48 | 11-1-05-16 | | |
| 509413-1 | SEE JB | 32J12 | | | 514264-501 | SEE 15 | 04-1-0519 | | |
| 509413-2 | SEE 40 | B270S | | | 514264-601 | SEE ST | M7 | | |
| 509413-3 | SEE 20 | B750S | | | 514264-701 | SEE FT | M7 | | |
| 509413-4 | SEE 15 | B301S | | | 514266-104 | SEE 51 | 1-5 | | |
| 509417-1 | SEE 10 | 1001 | | | 514266-301 | SEE 53 | 1-082-14 | | |
| 509422-6 | SEE 62 | FAR1K | | | 514266-302 | SEE 53 | 1-5 | | |
| | SEE 63 | X102603 | | | 514267-1 | SEE 21 | 02-04-02 | | |
| 509435-1 | 19- 37 | 1 | P1 | L | 514267-2 | SEE 21 | 02-06-03 | | |
| 511333-7 | SEE N4 | 40-5-8 | | | 514271-1 | SEE AA | 82006T | | |
| 511337-3 | SEE LP | 51957-3 | | | | SEE AA | 92006T | | |
| 511338-11 | SEE LP | 51959-31 | | | 514271-5 | SEE M8 | 13-04T | | |
| 511338-2 | SEE LP | 24693C1 | | | 514272-2 | SEE 18 | 0-2751-02-05-00 | | |
| 511338-32 | SEE LP | 24693C29 | | | 514273-2 | SEE 88 | 07-06T | | |
| 511769-1 | SEE 50 | 82-8697 | | | 514289-1 | SEE 22 | 9-5001 | | |
| 511769-2 | SEE MA | 47557 | | | 514290-1 | 19- 75 | 19 | X1 | L |
| 511782-1 | SEE 2N | 4072 | | | 5151-5 | 4- 53 | 34 | X2 | L |
| 511785-1 | SEE 50 | 82-8906 | | | | 4- 79 | | | L |
| 511785-2 | SEE 50 | 82-8916 | | | | 5- 53 | | | L |
| | SEE 50 | 82-2835 | | | | 5-108 | | | L |
| 511785-4 | SEE 50 | 82-9429 | | | | 11- 58 | | | |
| | SEE A2 | X1198 | | | | 12- 62 | | | |
| 511793-1 | SEE 2N | 3771 | | | | 13- 70 | | | |
| | SEE PE | 6011 | | | 515318-4 | SEE 91 | 97 | | |
| | SEE 14 | E177 | | | 515323-1 | SEE 52 | 834 | | |
| 511793-2 | SEE PE | 6011-40 | | | | SEE AU | 0106 | | |
| 511799-1 | SEE 2N | 4393 | | | 515341-1 | 4- 26 | 7 | P1 | L |
| 511800-1 | SEE ST | C7627 | | | | 4- 77 | | | L |
| | SEE 2N | 3866A | | | | 5- 89 | | | L |
| 511806-2 | SEE 2N | 5109 | | | | 11- 43 | | | |
| 511812-2 | SEE 2N | 3741 | | | 515341-5 | 4- 27 | 2 | P1 | S |
| 511827-1 | SEE U3 | 11 | | | 515346-1 | SEE SF | 05538 | | |
| | SEE FN | 4247 | | | 515346-1 | 8- 63 | 2 | P1 | L |
| | SEE ITS | 30944 | | | 515346-2 | SEE SF | 06570 | | |
| 511830-1 | SEE 3N | 140 | | | 515346-2 | 10- 72 | 2 | P1 | L |
| 511830-2 | 7- 60 | 2 | P1 | L | 515351-1 | SEE 2N | 5179 | | |
| 511833-1 | SEE A2 | 892 | | | 515383-1 | SEE FN | 3495 | | |
| | SEE BF | 167 | | | | SEE U2 | 792 | | |
| 511854-1 | SEE U5 | E7741312 | | | 515384-1 | SEE U2 | 793 | | |
| | SEE SN | 52741L00 | | | | SEE 2N | 4222 | | |
| | SEE RM | 741T | | | | SEE SF | E1109 | | |
| 511863-1 | SEE MV | 1405 | | | 515385-1 | SEE 2N | 4208 | | |
| | SEE SMV | 1245RL | | | | SEE ST | 824 | | |
| 511864-17 | SEE 1N | 534B | | | 515387-1 | 19-136 | 2 | P1 | L |
| 511864-6 | SEE 1N | 523B | | | 515392-1 | 14- 28 | 1 | P1 | S |
| 511864-8 | SEE 1N | 525B | | | 516665-1 | 16- 52 | 1 | X2 | S |
| 512134-1 | SEE 56 | 590-65-3B | | | 516665-100 | 13- 19 | 1 | X2 | S |
| 512134-2 | SEE 56 | 590-65-4B | | | 516665-2 | 2- 16 | 1 | X2 | S |

| PART NUMBER | FIGURE AND INDEX NUMBER | QTY. PER ART. | SOURCE CODE | REPAIR CODE |
|-------------------|-------------------------|---------------|-------------|-------------|
| 516665-20 | 17- 5 | 1 | X2 | S |
| 516665-21 | 17- 6 | 1 | X2 | S |
| 516665-6 | 16- 46 | 1 | X2 | S |
| 516665-99 | 13- 18 | 1 | X2 | S |
| 51712011 | 19- 4 | 6 | P1 | L |
| 517688-1 | SEE | 1224-02 | | |
| 517689-1 | 2- 5 | 36 | P1 | S |
| | 3- 53 | | | |
| | 4- 12 | | | L |
| | 5- 114 | | | L |
| | 6- 10 | | | |
| | 7- 9 | | | L |
| | 8- 9 | | | L |
| | 9- 11 | | | L |
| | 10- 11 | | | L |
| | 11- 20 | | | |
| | 12- 20 | | | |
| | 13- 24 | | | |
| | 14- 49 | | | |
| | 15- 4 | | | |
| | 16- 14 | | | |
| | 18- 4 | | | |
| 52834 | 3- 55 | 2 | P1 | 8 |
| 5321-082-14 | 16- 35 | 6 | X2 | S |
| | 21- 59 | | | |
| 5321-5 | 3- 23 | 185 | X2 | S |
| | 3- 46 | | | |
| | 6- 31 | | | |
| | 7- 86 | | | L |
| | 8- 94 | | | L |
| | 9- 79 | | | L |
| | 10- 82 | | | L |
| | 11- 76 | | | |
| | 12- 62 | | | |
| | 12- 82 | | | |
| | 13- 71 | | | |
| | 13- 91 | | | |
| | 14- 33 | | | |
| | 15- 36 | | | |
| | 15- 79 | | | |
| | 18- 54 | | | |
| | 18- 96 | | | |
| | 21- 48 | | | |
| 5339-05903-3 | 7- 62 | 2 | X2 | L |
| | 8- 64 | | | L |
| 5339-08903-3 | 11- 87 | 12 | X1 | S |
| | 12- 90 | | | |
| | 13- 99 | | | |
| 5339-08904-3 | 11- 88 | 18 | X1 | S |
| | 12- 91 | | | |
| | 13- 100 | | | |
| 538-011-15-60PFF | 4- 28 | 13 | P1 | L |
| | 4- 87 | | | L |
| | 6- 23 | | | L |
| | 6- 19 | | | |
| 538-011-5-5-18PFA | 9- 29 | 2 | P1 | L |
| | 10- 29 | | | L |
| 538-011-7-25PFB | 5- 87 | 1 | P1 | L |
| 54-803-102 | 7- 18 | 12 | P1 | L |
| | 8- 21 | | | L |
| 56-590-65-3B | 11- 28 | 7 | P1 | S |

| PART NUMBER | FIGURE AND INDEX NUMBER | QTY. PER ART. | SOURCE CODE | REPAIR CODE |
|--------------|-------------------------|---------------|-------------|-------------|
| | 12- 27 | | | |
| | 13- 31 | | | |
| 56-590-65-4B | 7- 59 | 6 | P1 | L |
| | 8- 61 | | | L |
| 56LN055C | 16- 75 | 9 | X2 | S |
| | 16- 85 | | | |
| 56LN093C | 16- 86 | 3 | X2 | S |
| 5601-1 | 7- 18 | 12 | P1 | L |
| | 8- 21 | | | L |
| 58LN093C | 16- 89 | 4 | X2 | S |
| 5601-1 | 16- 78 | 2 | P1 | S |
| | 16- 78 | 2 | X2 | S |
| 58LN056C | 19- 30 | 2 | P1 | L |
| 5BN091EXH3C | 5- 57 | 1 | P1 | L |
| 58N125EXH3C | 5- 57 | 1 | P1 | L |
| 598 | 16- 13 | 1 | P1 | S |
| 62PAR1K | 17- 7 | 1 | P1 | S |
| 63X102603 | 16- 30 | 1 | P1 | S |
| 672-17 | 16- 27 | 1 | P1 | S |
| 7484 | 17- 7 | 4 | P1 | S |
| 74856 | 19- 98 | | | L |
| 7661K6 | 14- 32 | 6 | X1 | S |
| 7717-20DAP | 15- 35 | | | |
| | 15- 78 | | | |
| 8003165-2 | 18- 55 | | | |
| | 18- 97 | | | |
| | 21- 47 | | | |
| | 2- | | REF | |
| | 2- | | REF | |
| | 2- | | REF | |
| 8004203G1 | 2- | | REF | |
| 8004203G10 | 2- | | REF | |
| 8004203G11 | 2- | | REF | |
| 8004203G12 | 2- | | REF | |
| 8004203G13 | 2- | | REF | |
| 8004203G14 | 2- | | REF | |
| 8004203G15 | 2- | | REF | |
| 8004203G16 | 2- | | REF | |
| 8004203G17 | 2- | | REF | |
| 8004203G18 | 2- | | REF | |
| 8004203G19 | 2- | | REF | |
| 8004203G2 | 2- | | REF | |
| 8004203G20 | 2- | | REF | |
| 8004203G3 | 2- | | REF | |
| 8004203G4 | 2- | | REF | |
| 8004203G5 | 2- | | REF | |
| 8004203G6 | 2- | | REF | |
| 8004203G7 | 2- | | REF | |
| 8004203G8 | 2- | | REF | |
| 8004203G9 | 2- | | REF | |
| 8004206G1 | 2- 26 | 1 | A | F |
| | 16- | | | |
| 8004206G2 | 2- 26 | 1 | A | F |
| | 16- | | | |
| 8004206G3 | 2- 27 | 1 | A | F |
| 8004208G4 | 16- | | | |
| | 2- 27 | 1 | A | F |
| 8004209G1 | 16- | | | |
| 8004209G2 | 16- 76 | 1 | X2 | S |
| 8004238G1 | 16- 79 | 1 | X1 | S |
| | 2- 19 | 1 | P1 | L |

Section III
Numerical Index

T.O. 31R2-2GRR-114
NAVELEX 0967-LP-428-1020

| PART NUMBER | FIGURE AND INDEX NUMBER | QTY. PER ART. | SOURCE CODE | REPAIR CODE |
|-------------|-------------------------|---------------|-------------|-------------|
| 8004239G1 | 5- 25 | 1 | P1 | L |
| | 2- 25 | | P1 | D |
| | 15- | | P1 | D |
| 8004240G1 | 2- 20 | 1 | P1 | L |
| | 7- | | P1 | L |
| 8004240G2 | 2- 20 | 1 | P1 | L |
| | 8- | | P1 | L |
| 8004241G1 | 2- 21 | 1 | P1 | L |
| | 9- | | P1 | L |
| 8004241G2 | 2- 21 | 1 | P1 | L |
| | 10- | | P1 | L |
| 8004242G1 | 16- 59 | 1 | P1 | F |
| 8004243G1 | 16- 59 | 1 | P2 | F |
| 8004244G1 | 2- 13 | 1 | P2 | D |
| | 3- | | P1 | D |
| 8004245G1 | 2- 24 | 1 | P1 | D |
| | 14- | | P1 | D |
| 8004247G1 | 2- 18 | 1 | P1 | L |
| | 4- | | P1 | L |
| 8004247G2 | | | | |
| 8004290G1 | 2- 22 | 1 | P1 | D |
| | 11- | | P1 | D |
| 8004290G2 | 2- 22 | 1 | P1 | D |
| | 12- | | P1 | D |
| 8004290G3 | 2- 22 | 1 | P1 | D |
| | 13- | | P1 | D |
| 8004295-1 | 2- 8 | 2 | X2 | S |
| 8004295-2 | 2- 4 | 2 | X2 | S |
| 8004312-1 | 11- 59 | 1 | X1 | S |
| 8004312G1 | 11- 57 | 1 | X1 | S |
| 8004339G1 | 11- 63 | 2 | P1 | F |
| | 12- 69 | | | |
| 8004341-1 | 11- 77 | 2 | X1 | S |
| | 12- 83 | | X1 | S |
| 8004341G1 | 11- 75 | 2 | X1 | S |
| | 12- 81 | | | |
| 8004343-1 | 11- 41 | 5 | X1 | S |
| | 12- 41 | | | |
| | 13- 60 | | | |
| 8004343-2 | 13- 46 | 4 | X1 | S |
| | 20- 46 | | | |
| 8004349G1 | 11- 33 | 1 | P1 | F |
| 8004350G1 | 7- 13 | 1 | X1 | L |
| 8004351G1 | 9- 11 | 1 | X1 | L |
| 8004352G1 | 4- 54 | 1 | P1 | L |
| 8004353G1 | 3- 24 | 1 | P1 | F |
| 8004354G1 | 3- | 1 | P1 | F |
| 8004355G1 | 14- 3 | 1 | P1 | F |
| 8004356G1 | 15- 6 | 1 | P1 | F |
| 8004357G1 | 15- 37 | 1 | P1 | F |
| 8004376G1 | 5- 2 | 1 | P1 | L |
| 8004377G1 | 5- 54 | 1 | P1 | L |
| 8004392-1 | 11- 89 | 1 | X1 | S |
| 8004392-9 | 12- 92 | 2 | X1 | S |
| | 13- 101 | | | |
| 8004392G1 | 11- 82 | 2 | X2 | S |
| | 12- 85 | | | |
| 8004392G2 | 13- 94 | 1 | X2 | S |
| 8004393-1 | 11- 83 | 6 | X1 | S |
| | 12- 86 | | | |
| | 13- 95 | | | |

| PART NUMBER | FIGURE AND INDEX NUMBER | QTY. PER ART. | SOURCE CODE | REPAIR CODE |
|-------------|-------------------------|---------------|-------------|-------------|
| 8004395-1 | 11- 22 | 6 | M | F |
| | 11- 24 | | | |
| | 12- 22 | | | |
| | 12- 24 | | | |
| | 13- 26 | | | |
| | 13- 28 | | | |
| 8004395G1 | 11- 20 | 3 | A | F |
| | 12- 20 | | | |
| | 13- 24 | | | |
| 8004395G2 | 11- 22 | 3 | A | F |
| | 12- 22 | | | |
| | 13- 26 | | | |
| 8004396-1 | 11- 60 | 6 | M | F |
| | 12- 65 | | | |
| | 13- 73 | | | |
| | 13- 74 | | | |
| 8004397-1 | 11- 94 | 1 | X2 | S |
| 8004397-5 | 12- 97 | 1 | X2 | S |
| 8004397-6 | 13- 110 | 1 | X2 | S |
| 8004397G1 | 11- 90 | 1 | X2 | S |
| 8004397G2 | 12- 93 | 1 | X2 | S |
| 8004397G3 | 13- 101 | 1 | X2 | S |
| 8004398-1 | 11- 1 | 8 | M | F |
| | 12- 1 | | | |
| | 13- 1 | | | |
| | 20- 1 | | | |
| 8004400-1 | 11- 4 | 8 | P1 | S |
| | 12- 4 | | | |
| | 13- 4 | | | |
| | 20- 2 | | | |
| 8004406-4 | 11- 6 | 4 | M | F |
| | 12- 5 | | | |
| | 13- 5 | | | |
| | 20- 3 | | | |
| 8004406G1 | 11- 4 | 4 | P1 | S |
| | 12- 4 | | | |
| | 13- 4 | | | |
| | 20- 2 | | | |
| 8004407-1 | 15- 80 | 1 | X1 | S |
| 8004407G1 | 15- 77 | 1 | X2 | S |
| 8004409-1 | 3- 24 | 1 | X1 | S |
| 8004409G1 | 3- 22 | 1 | X2 | S |
| 8004411-1 | 3- 47 | 1 | X1 | S |
| 8004411G1 | 3- 45 | 1 | X2 | S |
| 8004414-1 | 4- 80 | 1 | X1 | L |
| 8004414G1 | 4- 78 | 1 | X2 | L |
| 8004420-1 | 15- 37 | 1 | X1 | S |
| 8004420G1 | 15- 34 | 1 | X2 | S |
| 8004445-1 | 14- 34 | 1 | X1 | S |
| 8004445G1 | 14- 31 | 1 | A | F |
| 8004475-2 | 3- 54 | 7 | X2 | S |
| | 5- 123 | | | L |
| | 6- 37 | | | |
| | 14- 61 | | | |
| | 15- 82 | | | |
| | 18- 103 | | | |
| | 21- 108 | | | |
| 8004475-5 | 16- 65 | 1 | X2 | S |
| 8004495-1 | 16- 77 | 1 | X2 | S |

| PART NUMBER | FIGURE AND INDEX NUMBER | QTY. PER ART. | SOURCE CODE | REPAIR CODE |
|-------------|---|---------------|-------------|-------------|
| 8004497-1 | 11- 86 13- 98 20- 56 | 6 | X1 | S |
| 8004498-1 | 11- 8 12- 8 13- 8 20- 6 | 4 | X1 | S |
| 8004499-1 | 11- 9 12- 9 13- 9 20- 7 | 4 | X1 | S |
| 8004500-1 | 11- 5 12- 6 13- 6 20- 4 | 4 | X1 | S |
| 8004503G1 | 16- 56 | 2 | P1 | S |
| 8004507-1 | 16- 87 | 1 | X2 | S |
| 8004510-1 | 16- 82 | 1 | X1 | S |
| 8004512-1 | 16- 76 | 1 | X1 | S |
| 8004512G1 | 16- 73 | 1 | X2 | S |
| 8004514-1 | 11- 2 12- 2 13- 2 | 3 | P1 | S |
| 8004515-1 | 11- 3 12- 3 13- 3 | 3 | P1 | S |
| 8004517-2 | 16- 28 | 2 | X2 | S |
| 8004518G1 | 16- 79 | 1 | X2 | S |
| 8004518G2 | 16- 90 | 1 | X1 | S |
| 8004519-1 | 16- 81 | 4 | X2 | S |
| 8004519-2 | 16- 83 | 2 | X2 | S |
| 8004522-1 | 14- 53 | 1 | X1 | S |
| 8004522G1 | 14- 51 | 1 | X2 | S |
| 8004523-1 | 14- 1 | 1 | M | F |
| 8004524-1 | 14- 40 | 1 | M | F |
| 8004524-2 | 14- 38 | 1 | M | F |
| 8004524G1 | 14- 37 | 1 | A | F |
| 8004556-1 | 16- 61 | 2 | P1 | S |
| 8004560-1 | 4- 82 5-121 6- 36 20- 63 | 24 | X2 | L |
| 8004561-1 | 3- 56 5-120 6- 35 15- 83 18-102 | 36 | X2 | L |
| 8004562-1 | 15- 84 | 1 | X1 | S |
| 8004562G1 | 15- 80 | 1 | X2 | S |
| 8004563-1 | 3- 58 | 1 | X2 | S |
| 8004563G1 | 3- 53 | 1 | X2 | S |
| 8004564-2 | 5-124 | 1 | X1 | L |
| 8004564G1 | 5-118 | 1 | X2 | S |
| 8004578-1 | 11- 93 12- 96 13-104 | 6 | X2 | S |
| 8004578G1 | 11- 91 12- 94 13-102 20- 62 | 8 | X2 | S |
| 8004586-18 | 2- 1 | 1 | X2 | S |

| PART NUMBER | FIGURE AND INDEX NUMBER | QTY. PER ART. | SOURCE CODE | REPAIR CODE |
|-------------|-----------------------------------|---------------|-------------|-------------|
| 8004586-19 | 2- 1 | 1 | X2 | S |
| 8004586-20 | 2- 1 | 1 | X2 | S |
| 8004586-21 | 2- 1 | 1 | X2 | S |
| 8004586-22 | 2- 1 | 1 | X2 | S |
| 8004586-23 | 2- 1 | 1 | X2 | S |
| 8004586-24 | 2- 1 | 1 | X2 | S |
| 8004586-25 | 2- 1 | 1 | X2 | S |
| 8004586-26 | 2- 1 | 1 | X2 | S |
| 8004586-27 | 2- 1 | 1 | X2 | S |
| 8004586-28 | 2- 1 | 1 | X2 | S |
| 8004586-29 | 2- 1 | 1 | X2 | S |
| 8004586-30 | 2- 1 | 1 | X2 | S |
| 8004586-31 | 2- 1 | 1 | X2 | S |
| 8004586-32 | 2- 1 | 1 | X2 | S |
| 8004586-33 | 2- 1 | 1 | X2 | S |
| 8004586-34 | 2- 1 | 1 | X2 | S |
| 8004586-35 | 2- 1 | 1 | X2 | S |
| 8004586-36 | 2- 1 | 1 | X2 | S |
| 8004586-37 | 2- 1 | 1 | X2 | S |
| 8004586-5 | 2- 1 | 1 | X2 | S |
| 8004586-6 | 2- 1 | 1 | X2 | S |
| 8004587-1 | 2- 9 | 1 | M1 | D |
| 8004587G1 | 2- 1 | 1 | A | F |
| 8004591-1 | 16- 20 | 1 | X2 | S |
| 8004594-1 | 5- 1 | 1 | M1 | L |
| 8004594-2 | 5- 2 | 1 | M1 | L |
| 8004594-3 | 6- 1 | 2 | M1 | D |
| 8004596G1 | 4- 81 | 1 | X2 | L |
| 8004596G2 | 4- 84 | 1 | X1 | L |
| 8004601-1 | 4- 3 | 1 | X1 | L |
| 8004601-5 | 4- 1 | 1 | X1 | L |
| 8004601G1 | 4- 2 | 2 | P1 | L |
| 8004602-1 | 9- 79 | 1 | X1 | L |
| 8004602G1 | 9- 79 | 1 | X1 | L |
| 8004604-1 | 5- 54 | 1 | X1 | L |
| 8004604G1 | 5- 53 | 1 | X2 | L |
| 8004606-1 | 5-109 | 1 | X1 | L |
| 8004606G1 | 5-107 | 1 | X2 | L |
| 8004698G1 | 11- 20 | 1 | A | F |
| 8004698G2 | 12- 20 | 1 | A | F |
| 8004715-1 | 11- 7 12- 7 13- 7 20- 5 | 4 | X1 | S |
| 8004716-1 | 14- 2 | 3 | X2 | S |
| 8004742-1 | 4- 54 | 1 | X1 | L |
| 8004742G1 | 4- 52 | 1 | X2 | L |
| 8004743G1 | 4- 15 | 1 | P1 | L |
| 8004747G1 | 16- 56 | 1 | P1 | S |
| 8004748-1 | 16- 88 | 1 | X2 | S |
| 8004749-1 | 16- 66 | 1 | X1 | S |
| 8004749G1 | 16- 63 | 1 | X2 | S |
| 8004749G2 | 16- 64 | 1 | X1 | S |
| 8004749G2 | 16- 63 | 1 | X1 | S |
| 8004750-1 | 7- 90 8- 98 9- 81 10- 85 | 8 | X2 | L |
| 8004760-1 | 16- 18 | 1 | X1 | S |
| 8004760-2 | 16- 17 | 1 | X2 | S |
| 8004760G1 | 16- 16 | 1 | X2 | S |

Section III
Numerical Index

T O 31R2-2GRR-114
NAVELEX 0967-LP-428-1020

| PART NUMBER | FIGURE AND INDEX NUMBER | QTY. PER ART. | SOURCE CODE | REPAIR CODE |
|-------------|-------------------------|-------------------------|-------------|-------------|
| 8004761-2 | 5-122 | 1 | X2 | L |
| 8004769G1 | 5- 52 | 1 | X2 | L |
| 8004770G1 | 5-107 | 1 | X2 | L |
| 8004777-1 | | SEE M404R SEE S-5008 | | |
| 8004789G2 | 7- 78 | 2 | X2 | L |
| | 8- 85 | | | L |
| 8004789G3 | 7- 75 | 2 | X2 | L |
| | 8- 82 | | | L |
| 8004813G1 | 7- 69 | 2 | X2 | L |
| | 8- 75 | | | L |
| 8004814-1 | 7- 70 | 2 | X2 | L |
| | 8- 76 | | | L |
| 8004815-2 | 16- 39 | 1 | M | D |
| 8004815G4 | 16- 37 | 1 | X2 | S |
| 8004816-1 | 9- 83 | 1 | X1 | L |
| 8004816-5 | 10- 87 | 1 | X1 | L |
| 8004816G1 | 9- 80 | 1 | X2 | L |
| 8004816G2 | 10- 84 | 1 | X2 | L |
| 8004818G1 | 16- 36 | 1 | A | F |
| 8004819G1 | 4- 64 | 1 | P1 | L |
| 8004819G2 | 4- 59 | 1 | P1 | L |
| 8004819G3 | 4- 24 | 2 | P1 | L |
| | 4- 63 | | | L |
| 8004821-1 | 16- 74 | 11 | P1 | S |
| | 16- 80 | | | |
| 8004823-1 | 9- 3 | 2 | X2 | L |
| | 10- 3 | | | L |
| 8004823-2 | 9- 2 | 2 | M1 | L |
| | 10- 2 | | | L |
| 8004823-3 | 9- 1 | 2 | M1 | L |
| | 10- 1 | | | L |
| 8004823G1 | 9- 1 | 2 | X2 | L |
| | 10- 1 | | | L |
| 8004824-1 | 9- 6 | 2 | P1 | L |
| | 10- 6 | | | L |
| 8004827-1 | 9- 61 | 2 | M1 | L |
| | 10- 62 | | | L |
| 8004829-1 | 9- 66 | 2 | M1 | L |
| | 10- 67 | | | L |
| 8004830-1 | 9- 60 | 2 | M1 | L |
| | 10- 61 | | | L |
| 8004832-1 | 16- 68 | 1 | M | F |
| 8004833-1 | 16- 62 | 2 | P1 | F |
| 8004849-1 | 7- 87 | 1 | X1 | L |
| 8004849G1 | 7- 83 | 1 | X2 | L |
| 8004851-1 | 7- 25 | 2 | X2 | L |
| | 8- 24 | | | L |
| 8004856-1 | 16- 15 | 2 | P1 | S |
| 8004869-1 | 7- 1 | 2 | M1 | L |
| | 8- 1 | | | L |
| 8004870-1 | 7- 92 | 1 | X1 | L |
| 8004870-5 | 8-100 | 1 | X2 | L |
| 8004870G1 | 7- 89 | 1 | X2 | L |
| 8004870G2 | 8- 97 | 1 | X2 | L |
| 8004871-1 | 7- 64 | 2 | X2 | L |
| | 8- 66 | | | L |
| 8004871-4 | 7- 63 | 2 | X2 | L |
| | 8- 65 | | | L |
| 8004871G1 | 7- 61 | 4 | X2 | L |
| | 8- 63 | | | L |
| 8004872G1 | 7- 54 | 1 | A1 | L |

| PART NUMBER | FIGURE AND INDEX NUMBER | QTY. PER ART. | SOURCE CODE | REPAIR CODE |
|-------------|-------------------------|---------------|-------------|-------------|
| 8004872G2 | 7- 65 | 2 | X2 | L |
| | 8- 69 | | | L |
| 8004872G3 | 8- 56 | 1 | X2 | L |
| 8004875-1 | 14- 62 | 1 | X1 | S |
| 8004875G1 | 14- 58 | 1 | X2 | S |
| 8004876-1 | 14- 58 | 1 | X1 | S |
| 8004876G1 | 14- 56 | 1 | X2 | S |
| 8004878G1 | 2- 13 | 1 | M | F |
| 8004885-1 | 4- 13 | 3 | P1 | L |
| 8004886-1 | 4- 15 | 1 | X2 | L |
| 8004919-1 | 7- 66 | 2 | P1 | L |
| | 8- 70 | | | L |
| 8004920-1 | 7- 55 | 1 | P1 | L |
| 8004920-2 | 8- 57 | 1 | P1 | L |
| 8004927G1 | 7- 82 | 1 | X2 | L |
| 8004927G2 | 8- 90 | 1 | M | L |
| 8004928G1 | 16- 45 | 1 | M | F |
| 8004929G1 | 16- 51 | 1 | M | F |
| 8004948G1 | 16- 69 | 1 | X2 | S |
| 8004951-1 | 3- 49 | 15 | P1 | S |
| | 4- 4 | | | L |
| | 5-112 | | | L |
| | 6- 5 | | | |
| | 14- 54 | | | |
| | 15- 5 | | | |
| | 16- 64 | | | |
| | 18- 99 | | | |
| | 21- 50 | | | |
| 8004952-1 | 14- 44 | 2 | X2 | S |
| 8004960-1 | 7- 79 | 2 | M | L |
| | 8- 86 | | | L |
| 8004960-2 | 7- 76 | 2 | X2 | L |
| | 8- 83 | | | L |
| 8004961-1 | 4- 6 | 16 | P1 | L |
| | 5- 48 | | | L |
| | 6- 3 | | | |
| | 7- 8 | | | L |
| | 8- 8 | | | L |
| | 9- 5 | | | L |
| | 10- 5 | | | L |
| | 11- 30 | | | |
| | 12- 32 | | | |
| | 13- 36 | | | |
| | 19- 79 | | | L |
| | 20- 16 | | | |
| 8004962-1 | 2- 3 | 1 | X2 | S |
| 8006065-1 | 16- 33 | 1 | X2 | S |
| 8006066-1 | 16- 44 | 1 | X1 | S |
| 8006067-1 | 16- 36 | 1 | M | F |
| 8006067G1 | 16- 33 | 1 | A | F |
| 8006068G1 | 16- 29 | 1 | P1 | S |
| 8006103-1 | 11- 62 | 18 | X2 | S |
| | 12- 69 | | | |
| | 13- 77 | | | |
| | 20- 45 | | | |
| 8006103-5 | 16- 28 | 4 | X2 | S |
| 8006103-7 | 16- 28 | 4 | P1 | S |
| 8006106-1 | 9- 72 | 2 | P1 | L |
| | 10- 74 | | | |
| 8006107-1 | 9- 76 | 2 | M1 | L |
| | 10- 78 | | | L |

| PART NUMBER | FIGURE AND INDEX NUMBER | QTY. PER ART. | SOURCE CODE | REPAIR CODE | PART NUMBER | FIGURE AND INDEX NUMBER | QTY. PER ART. | SOURCE CODE | REPAIR CODE |
|-------------|-------------------------|---------------|-------------|-------------|-------------|-------------------------|---------------|-------------|-------------|
| 8006108-1 | 7- 61 | 8 | P1 | L | 8008622-1 | 19- 76 | 1 | X1 | L |
| | 8- 67 | | | L | 8008622G1 | 19- 72 | 1 | X1 | L |
| 8006109G1 | 9- 78 | 2 | M | L | 8008624G1 | 19- 82 | 1 | X1 | L |
| | 10- 81 | | | L | 8008625-1 | 19-149 | 1 | X1 | L |
| 8006113-1 | 5- 3 | 1 | X2 | L | 8008625G1 | 19-146 | 1 | X1 | L |
| 8006125-1 | 2- 23 | 1 | P1 | S | 8008627G1 | 19-149 | 1 | X1 | L |
| 8006128-1 | 7- 88 | 2 | X2 | L | 8008628-1 | 19-190 | 1 | X1 | L |
| | 8- 96 | | | L | 8008628G1 | 19-187 | 1 | X1 | L |
| 8006134-1 | 16- 8 | 2 | X2 | S | 8008630-1 | 19- 1 | 1 | M | L |
| | 16- 9 | | | | 8008631-1 | 19- 2 | 1 | M | L |
| 8006147G1 | 17- 3 | 1 | M | F | 8008632-1 | 19-149 | 4 | P1 | L |
| 8006148G1 | 17- 3 | 1 | M | F | 8008632-2 | 19- 82 | 10 | P1 | L |
| | 2- 26 | 1 | | | | 19-197 | | | |
| 8006163-1 | 8- 95 | 1 | X2 | L | 8008632-3 | 19- 5 | 7 | P1 | L |
| 8006163G1 | 8- 91 | 1 | X2 | L | | 19- 31 | | | |
| 8006164G1 | 8- 14 | 1 | X1 | L | 8008632-4 | 19- 31 | 2 | P1 | L |
| 8006766G1 | 6- 10 | 1 | A | F | 8008632-5 | 21- 61 | 2 | | |
| 8006767-1 | 6- 32 | 1 | X2 | S | 8008633-1 | 19-196 | 4 | P1 | L |
| 800676G1 | 6- 30 | 1 | X2 | S | 8008635-1 | 19- 72 | 1 | X2 | L |
| 8006770-1 | 6- 38 | 1 | X2 | S | 8008635G1 | 19- 70 | 1 | P1 | L |
| 8006770G1 | 6- 33 | 1 | X2 | S | 8008636G1 | 19-125 | 1 | P1 | L |
| 8006776-1 | 10- 83 | 1 | X2 | L | 8008637G1 | 19- 85 | 3 | P1 | L |
| 8006776G1 | 10- 81 | 1 | X2 | L | 8008638G1 | 19- 5 | 1 | X1 | L |
| 8006777G1 | 10- 11 | 1 | X1 | L | 8008639-1 | 19- 24 | 1 | X1 | L |
| 8006789G1 | 12- 33 | 1 | P1 | F | 8009301-1 | 19- 66 | 1 | P1 | L |
| 8006790-1 | 12- 63 | 2 | X2 | S | 8009303-1 | 19- 78 | 1 | X | L |
| | 13- 72 | | | | 8009305G1 | 19-134 | 1 | P1 | L |
| 8006790G1 | 12- 60 | 2 | X1 | S | 8009325-1 | 19- 31 | 2 | | L |
| | 13- 69 | | | | 8009546G1 | 2- 22 | 1 | P1 | D |
| 8007415G1 | 13- 38 | 1 | P1 | F | | 20- | | | |
| 8007416G1 | 13- 24 | 1 | A | F | 8009547-1 | 20- 60 | 1 | | |
| 8007417G1 | 13- 77 | 1 | P1 | F | 8009551-1 | 4- 73 | 1 | P1D | L |
| 8007422-1 | 13- 92 | 1 | X1 | S | 8009552G1 | 20- 21 | 1 | | |
| 8007422G1 | 13- 90 | 1 | X1 | S | 8009553-1 | 20- 55 | 3 | | |
| 8007528-1 | 19- 74 | 6 | X1 | L | 8009554-1 | 20- 57 | 1 | | |
| | 19-148 | | | | 8009555G1 | 20- 54 | 1 | | |
| | 19-189 | | | | 8009556-1 | 20- 64 | 1 | | |
| 8007550-1 | 13- 50 | 1 | P1 | S | 8009556G1 | 20- 60 | 1 | | |
| 8008586G1 | 2- 25 | 1 | P1 | D | 8009557-1 | 20- 53 | 1 | | |
| | 18- | | | | 8009558-1 | 20- 9 | 1 | | |
| 8008586G2 | 2- 25 | 1 | | | 8102535-2 | 11- 80 | 3 | X2 | S |
| | 21- | | | | | 12- 85 | | | |
| 8008593G1 | 19- 8 | 1 | P1 | L | | 13- 94 | | | |
| 8008594-1 | 18-104 | 1 | X1 | S | 8102535-3 | SEE 1415-8 | | | |
| 8008594-8 | 21-110 | 1 | | | 8102535-4 | SEE 1414-10 | | | |
| 8008594G1 | 18-100 | 1 | X1 | S | 8105252-1 | 11- 11 | 3 | X2 | S |
| 8008594G2 | 21-106 | 1 | | | | 12- 11 | | | |
| 8008595G1 | 18- 4 | 1 | X1 | S | | 13- 12 | | | |
| | 21- | | | | 8105252-2 | 16- 24 | 2 | X2 | S |
| 8008596G1 | 18- 56 | 1 | X1 | S | | 16- 27 | | | |
| 8008598-1 | 18- 98 | 1 | X2 | S | 8105252-8 | 16- 45 | 1 | X2 | S |
| 8008598-6 | 21-106 | 1 | | | 8105252-9 | 11- 11 | 3 | P1 | S |
| 8008598G1 | 18- 95 | 1 | X1 | S | | 12- 11 | | | |
| 8008598G2 | 21-103 | 1 | | | | 13- 11 | | | |
| 8008599-1 | 18- 56 | 1 | X1 | S | 8116765G1 | 2- 19 | 1 | P1 | F |
| | 21- 49 | | | | | 6- | | | |
| 8008599G1 | 18- 53 | 1 | X1 | S | 8136892G1 | 21- 51 | 1 | | |
| | 21- 46 | | | | 8136893-1 | 21- 60 | 1 | | |
| 8008619G1 | 2- 22 | 1 | P1 | L | 8136893G1 | 21- 58 | 1 | | |
| | 19- | | | L | 8136950 | 4- 86 | 1 | P1 | L |
| 8008620-1 | 19-201 | 1 | X1 | L | 84561 | 19- 97 | 1 | | L |
| 8008620G1 | 19-195 | 1 | X1 | L | 9197 | 14- 45 | 1 | P1 | S |
| 8008621G1 | 19- 31 | 1 | X1 | L | | | | | |

**SECTION IV
REFERENCE DESIGNATION INDEX**

| REFERENCE DESIGNATION | FIGURE AND INDEX NUMBER | PART NUMBER | REFERENCE DESIGNATION | FIGURE AND INDEX NUMBER | PART NUMBER | REFERENCE DESIGNATION | FIGURE AND INDEX NUMBER | PART NUMBER |
|-----------------------|-------------------------|----------------|-----------------------|-------------------------|-------------|-----------------------|-------------------------|----------------|
| W1 | 17- 3 | 8006147G1 | 1A1A1L1 | 19- 38 | MS 75008-40 | 1A1A2CR4 | 19-110 | A2X1198 |
| W1P1 | 17- 4 | WC596/13-3 | 1A1A1L2 | 19- 38 | MS 75008-40 | 1A1A2CR5 | 19-110 | 5082-8906 |
| W1P1 | 17- 4 | UP131M | 1A1A1Q1 | 19- 58 | 2N4208 | 1A1A2CR5 | 19-110 | 5082-9429 |
| W1P2 | 17- 7 | 7484 | 1A1A1Q1 | 19- 58 | ST824 | 1A1A2CR5 | 19-110 | A2X1198 |
| 1 | 2- | 8004203G1 | 1A1A1Q2 | 19- 58 | 2N4208 | 1A1A2CR6 | 19-110 | 5082-8906 |
| 1 | 2- | 8004203G2 | 1A1A1Q2 | 19- 58 | ST824 | 1A1A2CR6 | 19-110 | 5082-9429 |
| 1 | 2- | 8004203G3 | 1A1A1Q3 | 19- 53 | JAN2N857 | 1A1A2CR6 | 19-110 | A2X1198 |
| 1 | 2- | 8004203G4 | 1A1A1Q4 | 19- 53 | JAN2N857 | 1A1A2CR7 | 19-110 | 5082-8906 |
| 1 | 2- | 8004203G5 | 1A1A1R1 | 19- 32 | RCR07G201JS | 1A1A2CR7 | 19-110 | 5082-9429 |
| 1 | 2- | 8004203G6 | 1A1A1R10 | 19- 60 | RCR05G301JS | 1A1A2CR7 | 19-110 | A2X1198 |
| 1 | 2- | 8004203G7 | 1A1A1R11 | 19- 45 | RCR05G471JS | 1A1A2C1 | 19-114 | M39003-01-2289 |
| 1 | 2- | 8004203G8 | 1A1A1R12 | 19- 57 | RCR05G102JS | 1A1A2C10 | 19-114 | M39003-01-2289 |
| 1 | 2- | 8004203G9 | 1A1A1R13 | 19- 57 | RCR05G102JS | 1A1A2C11 | 19- 84 | CV31A180 |
| 1 | 2- | 8004203G10 | 1A1A1R14 | 19- 45 | RCR05G471JS | 1A1A2C12 | 19-139 | CK60BX150K |
| 1 | 2- | 8004203G11 | 1A1A1R15 | 19- 49 | RCR07G220JS | 1A1A2C13 | 19- 86 | CK60AW102M |
| 1 | 2- | 8004203G12 | 1A1A1R16 | 19- 50 | RCR07G330JS | 1A1A2C14 | 19-141 | CK60BX220K |
| 1 | 2- | 8004203G13 | 1A1A1R17 | 19- 55 | RCR05G222JS | 1A1A2C15 | 19- 86 | CK60AW102M |
| 1 | 2- | 8004203G14 | 1A1A1R18 | 19- 51 | RCR05G182JS | 1A1A2C16 | 19-133 | CK60BX470K |
| 1 | 2- | 8004203G15 | 1A1A1R19 | 19- 36 | RCR05G201JS | 1A1A2C17 | 19- 84 | CV31A180 |
| 1 | 2- | 8004203G16 | 1A1A1R2 | 19- 36 | RCR05G201JS | 1A1A2C18 | 19-139 | CK60BX150K |
| 1 | 2- | 8004203G17 | 1A1A1R20 | 19- 56 | RCR05G221JS | 1A1A2C19 | 19- 86 | CK60AW102M |
| 1 | 2- | 8004203G18 | 1A1A1R21 | 19- 44 | RCR05G470JS | 1A1A2C2 | 19- 86 | CK60AW102M |
| 1 | 2- | 8004203G19 | 1A1A1R21 | 19- 44 | RCR05G100JS | 1A1A2C20 | 19- 86 | CK60AW102M |
| 1 | 2- | 8004203G20 | 1A1A1R3 | 19- 36 | RCR05G201JS | 1A1A2C21 | 19- 86 | CK60AW102M |
| 1A1 | 2- 22 | 8004290G1 | 1A1A1R4 | 19- 32 | RCR07G201JS | 1A1A2C22 | 19-120 | CK06BX682K |
| 1A1 | 2- 22 | 8004290G2 | 1A1A1R5 | 19- 63 | RCR05G271JS | 1A1A2C23 | 19- 95 | CK06BX103K |
| 1A1 | 2- 22 | 8004290G3 | 1A1A1R6 | 19- 47 | RCR07G102JS | 1A1A2C24 | 19- 95 | CK06BX103K |
| 1A1 | 2- 22 | 8008619G1 | 1A1A1R7 | 19- 48 | RCR07G302JS | 1A1A2C25 | 19- 86 | CK60AW102M |
| 1A1 | 2- 22 | 8009546G1 | 1A1A1R8 | 19- 46 | RCR05G151JS | 1A1A2C26 | 19-114 | M39003-01-2289 |
| 1A1A1 | 19- 31 | 8008621G1 | 1A1A1R9 | 19- 46 | RCR05G151JS | 1A1A2C27 | 19- 95 | CK06BX103K |
| 1A1AR1 | 13- 89 | SN52741L00 | 1A1A1S1 | 19- 70 | 512999-1 | 1A1A2C28 | 19-135 | CK60BX6R8K |
| 1A1AR1 | 13- 89 | U5B7741312 | 1A1A1S2 | 19- 69 | 512999-2 | 1A1A2C3 | 19- 86 | CK60AW102M |
| 1A1AR1 | 13- 89 | RM741T | 1A1A1S3 | 19- 68 | 512999 3 | 1A1A2C4 | 19-133 | CK60BX470K |
| 1A1A1CR1 | 19- 62 | JAN1V4148 | 1A1A1S4 | 19- 67 | 512999-4 | 1A1A2C5 | 19-133 | CK60BX470K |
| 1A1A1CR2 | 19- 62 | JAN1V4148 | 1A1A1U1 | 19- 34 | SN54H11J00 | 1A1A2C6 | 19- 99 | CK06BX104K |
| 1A1A1CR3 | 19- 64 | 5082-8906 | 1A1A1U2 | 19- 33 | SN54196J00 | 1A1A2C7 | 19- 95 | CK06BX103K |
| 1A1A1CR3 | 19- 64 | 5082-9429 | 1A1A1U3 | 19- 33 | SN54196J00 | 1A1A2C8 | 19-114 | M39003-01-2289 |
| 1A1A1CR3 | 19- 64 | A2X1198 | 1A1A1U4 | 19- 33 | SN54196J00 | 1A1A2C9 | 19- 86 | CK60AW102M |
| 1A1A1C1 | 19- 52 | CK60AW102M | 1A1A1U5 | 19- 41 | SN54197J00 | 1A1A2L1 | 19-134 | 8009305G1 |
| 1A1A1C10 | 19- 39 | CK06BX103K | 1A1A1U6 | 19- 42 | SN54H102J00 | 1A1A2L10 | 19- 85 | 8008637G1 |
| 1A1A1C11 | 19- 40 | CK06BX103K | 1A1A1U7 | 19- 43 | SN54H00J00 | 1A1A2L2 | 19-125 | 8008636G1 |
| 1A1A1C11 | 19- 40 | CK06BX105K | 1A1A1U8 | 19- 61 | MC 10531L | 1A1A2L3 | 19-140 | MS18130-1 |
| 1A1A1C12 | 19- 39 | CK06BX103K | 1A1A1Z1 | 19- 37 | 509435-1 | 1A1A2L4 | 19-140 | MS18130-1 |
| 1A1A1C2 | 19- 39 | CK06BX103K | 1A1A2 | 19- 82 | 8008624G1 | 1A1A2L5 | 19- 85 | 8008637G1 |
| 1A1A1C3 | 19- 52 | CK60AW102M | 1A1A2CR1 | 19-126 | MV1405 | 1A1A2L6 | 19- 85 | 8008637G1 |
| 1A1A1C4 | 19- 65 | CK06BX333K | 1A1A2CR1 | 19-126 | SMV1245RL | 1A1A2L7 | 19-142 | 1703-9 |
| 1A1A1C5 | 19- 52 | CK60AW102M | 1A1A2CR2 | 19-126 | MV1405 | 1A1A2L8 | 19- 83 | MS18130-5 |
| 1A1A1C6 | 19- 52 | CK60AW102M | 1A1A2CR2 | 19-126 | SMV1245RL | 1A1A2L9 | 19- 87 | MS18130-4 |
| 1A1A1C7 | 19- 39 | CK06BX103K | 1A1A2CR3 | 19- 91 | JAN1N4148 | 1A1A2Q1 | 19-131 | U311 |
| 1A1A1C8 | 19- 35 | M39003-01-2259 | 1A1A2CR4 | 19-110 | 5082-8906 | 1A1A2Q1 | 19-131 | FN4247 |
| 1A1A1C9 | 19- 35 | M39003-01-2259 | 1A1A2CR4 | 19-110 | 5082-9429 | 1A1A2Q1 | 19-131 | ITS30944 |

Section IV
Reference Designation Index

T.O. 31R2-2GRR-114
NAVELEX 0967-LP-428-1020

| REFERENCE DESIGNATION | FIGURE AND INDEX NUMBER | PART NUMBER | REFERENCE DESIGNATION | FIGURE AND INDEX NUMBER | PART NUMBER | REFERENCE DESIGNATION | FIGURE AND INDEX NUMBER | PART NUMBER |
|-----------------------|-------------------------|-------------|-----------------------|-------------------------|----------------|-----------------------|-------------------------|----------------|
| 1A1A2Q2 | 19-136 | 515387-1 | 1A1A3C15 | 19-178 | CK06BX104K | 1A1A5R3 | 19- 16 | RCR05G100JS |
| 1A1A2Q3 | 19-136 | 515387-1 | 1A1A3C16 | 19-181 | M39003-01-2289 | 1A1A5R4 | 19- 20 | RN5508251F |
| 1A1A2Q4 | 19-108 | JAN2N2222A | 1A1A3C17 | 19-172 | CK60BX470K | 1A1A5R5 | 19- 18 | RJ50CP202 |
| 1A1A2Q5 | 19-108 | JAN2N2222A | 1A1A3C18 | 19-183 | CK06BX224K | 1A1A5R6 | 19- 19 | RN5503011F |
| 1A1A2R1 | 19-124 | RCR07G561JS | 1A1A3C2 | 19-156 | CK06BX473K | 1A1A5R7 | 19- 14 | RCR05G200JS |
| 1A1A2R10 | 19-138 | RCR07G203JS | 1A1A3C3 | 19-156 | CK06BX473K | 1A1A5R8 | 19- 13 | RCR05G102JS |
| 1A1A2R11 | 19-144 | RCR07G121JS | 1A1A3C4 | 19-157 | M39003-01-2362 | 1A1A5U1 | 19- 10 | SG105J |
| 1A1A2R12 | 19-145 | RCR07G470JS | 1A1A3C5 | 19-181 | M39003-01-2289 | 1A1A5U1 | 19- 10 | LM105H |
| 1A1A2R13 | 19-144 | RCR07G121JS | 1A1A3C6 | 19-181 | M39003-01-2289 | 1A1A5VR1 | 19- 15 | JAN1N755A |
| 1A1A2R14 | 19-143 | RCR07G101JS | 1A1A3C7 | 19-181 | M39003-01-2289 | 1A1CR1 | 11- 37 | JAN1N914 |
| 1A1A2R15 | 19-146 | RCR07G390JS | 1A1A3C8 | 19-178 | CK06BX104K | 1A1CR1 | 12- 37 | JAN1N914 |
| 1A1A2R16 | 19-113 | RCR05G243JS | 1A1A3C9 | 19-186 | M39003-01-2304 | 1A1CR1 | 13- 42 | JAN1N914 |
| 1A1A2R17 | 19- 94 | RCR32G331JS | 1A1A3L1 | 19-176 | MS18130-22 | 1A1CR1 | 20- 41 | JAN1N4148 |
| 1A1A2R18 | 19-138 | RCR07G203JS | 1A1A3Q1 | 19-154 | JAN2N2222A | 1A1C1 | 11- 39 | CK06BX103K |
| 1A1A2R19 | 19- 89 | RCR07G300JS | 1A1A3Q2 | 19-154 | JAN2N2222A | 1A1C1 | 12- 39 | CK06BX103K |
| 1A1A2R2 | 19-130 | RCR07G301JS | 1A1A3Q3 | 19-154 | JAN2N2222A | 1A1C1 | 13- 44 | CK06BX103K |
| 1A1A2R20 | 19- 90 | RCR07G181JS | 1A1A3Q5 | 19-161 | JAN2N2907A | 1A1C1 | 20- 23 | CK60AW102M |
| 1A1A2R21 | 19- 90 | RCR07G181JS | 1A1A3Q6 | 19-156 | 2N4393 | 1A1C10 | 11- 40 | CK60BX101K |
| 1A1A2R22 | 19- 88 | RCR07G121JS | 1A1A3R1 | 19-150 | RCR07G511JS | 1A1C10 | 12- 40 | CK60BX101K |
| 1A1A2R23 | 19- 92 | RCR07G683JS | 1A1A3R11 | 19-152 | RCR07G472JS | 1A1C10 | 13- 45 | CK60BX101K |
| 1A1A2R24 | 19- 93 | RCR07G163JS | 1A1A3R12 | 19-179 | RCR07G681JS | 1A1C10 | 20- 45 | 148-0004-041 |
| 1A1A2R25 | 19-117 | RN5501001F | 1A1A3R13 | 19-153 | RCR07G101JS | 1A1C11 | 11- 36 | CK60AW102M |
| 1A1A2R26 | 19-116 | RN5501211F | 1A1A3R14 | 19-152 | RCR07G472JS | 1A1C11 | 12- 38 | CK60AW102M |
| 1A1A2R27 | 19-122 | RN5502211F | 1A1A3R15 | 19-150 | RCR07G511JS | 1A1C11 | 13- 41 | CK60AW102M |
| 1A1A2R28 | 19-119 | RN5508250F | 1A1A3R16 | 19-170 | RCR07G102JS | 1A1C11 | 20- 32 | CK60BX100K |
| 1A1A2R29 | 19-121 | RCR07G822JS | 1A1A3R17 | 19-164 | RCR07G106JS | 1A1C12 | 11- 36 | CK60AW102M |
| 1A1A2R3 | 19-123 | RCR07G431JS | 1A1A3R18 | 19-171 | RCR07G242JS | 1A1C12 | 12- 36 | CK60AW102M |
| 1A1A2R30 | 19-115 | RN5501821F | 1A1A3R19 | 19-173 | RCR07G303JS | 1A1C12 | 13- 41 | CK60AW102M |
| 1A1A2R31 | 19-118 | RN5509310F | 1A1A3R2 | 19-152 | RCR07G472JS | 1A1C12 | 20- 23 | CK60AW102M |
| 1A1A2R32 | 19-111 | RN5506810F | 1A1A3R20 | 19-174 | RCR07G302JS | 1A1C13 | 11- 63 | 148-004-001 |
| 1A1A2R33 | 19-111 | RN5506810F | 1A1A3R21 | 19-152 | RCR07G472JS | 1A1C13 | 11- 63 | 148-004-041 |
| 1A1A2R34 | 19-100 | RJ50CP202 | 1A1A3R22 | 19-158 | RCR07G183JS | 1A1C13 | 12- 69 | 148-004-001 |
| 1A1A2R35 | 19-127 | RCR07G104JS | 1A1A3R23 | 19-158 | RCR07G183JS | 1A1C13 | 12- 69 | 148-004-041 |
| 1A1A2R35 | 19-127 | RCR07G103JS | 1A1A3R24 | 19-180 | RCR07G272JS | 1A1C13 | 13- 77 | 148-004-001 |
| 1A1A2R36 | 19-129 | RCR07G392JS | 1A1A3R25 | 19-158 | RCR07G103JS | 1A1C13 | 13- 77 | 148-004-041 |
| 1A1A2R37 | 19-128 | RCR07G153JS | 1A1A3R26 | 19-173 | RCR07G303JS | 1A1C13 | 20- 29 | CK06BX104K |
| 1A1A2R38 | 19-107 | RCR07G242JS | 1A1A3R27 | 19-137 | RCR20G751JS | 1A1C14 | 11- 32 | M39003-01-2306 |
| 1A1A2R39 | 19-106 | RCR07G752JS | 1A1A3R28 | 19-151 | RCR07G270JS | 1A1C14 | 12- 30 | M39003-01-2306 |
| 1A1A2R4 | 19-112 | RCR07G201JS | 1A1A3R3 | 19-153 | RCR07G101JS | 1A1C14 | 13- 34 | M39003-01-2306 |
| 1A1A2R40 | 19-106 | RCR07G752JS | 1A1A3R4 | 19-159 | RCR07G562JS | 1A1C14 | 20- 23 | CK60AW102M |
| 1A1A2R41 | 19-107 | RCR07G242JS | 1A1A3R5 | 19-168 | RCR07G103JS | 1A1C15 | 11- 29 | CK06BX103K |
| 1A1A2R42 | 19-102 | RCR07G910JS | 1A1A3R6 | 19-153 | RCR07G101JS | 1A1C15 | 12- 28 | CK06BX103K |
| 1A1A2R43 | 19-101 | RCR05G152JS | 1A1A3R7 | 19-158 | RCR07G183JS | 1A1C15 | 13- 32 | CK06BX103K |
| 1A1A2R5 | 19-112 | RCR07G201JS | 1A1A3R8 | 19-160 | RCR07G222JS | 1A1C15 | 20- 32 | CK60BX100K |
| 1A1A2R6 | 19-104 | RCR05G102JS | 1A1A3R9 | 19-153 | RCR07G101JS | 1A1C15 | 11- 29 | CK06BX103K |
| 1A1A2R7 | 19-103 | RCR05G472JS | 1A1A3U1 | 19-175 | LM101AH | 1A1C16 | 12- 28 | CK06BX103K |
| 1A1A2R8 | 19-105 | RCR05G562JS | 1A1A3VR1 | 19-182 | 1N5534B | 1A1C16 | 13- 32 | CK06BX103K |
| 1A1A2R9 | 19- 94 | RCR32G331JS | 1A1A3VR2 | 19-184 | 1N5525B | 1A1C16 | 20- 45 | 148-0004-041 |
| 1A1A2U1 | 19- 97 | CA3118T | 1A1A4 | 19-195 | 508933-5 | 1A1C17 | 11- 42 | CK60BX2R2K |
| 1A1A2U1 | 19- 97 | 34561 | 1A1A5 | 19- 5 | 8008638G1 | 1A1C17 | 12- 42 | CK60BX2R2K |
| 1A1A2VR1 | 19- 96 | 1N5525B | 1A1A5CR1 | 19- 11 | JAN2N2323 | 1A1C17 | 13- 47 | CK60BX2R2K |
| 1A1A3 | 19-149 | 8008627G1 | 1A1A5C1 | 19- 23 | M39003-01-2370 | 1A1C17 | 20- 23 | CK60AW102M |
| 1A1A3CR1 | 19-165 | JAN1N4148 | 1A1A5C2 | 19- 21 | CK06BX105K | 1A1C18 | 11- 42 | CK60BX2R2K |
| 1A1A3CR2 | 19-165 | JAN1N4148 | 1A1A5C3 | 19- 17 | CK06BX104K | 1A1C18 | 12- 60 | CK60BX6R8K |
| 1A1A3CR3 | 19-165 | JAN1N4148 | 1A1A5C4 | 19- 6 | 501236-1 | 1A1C18 | 13- 48 | CK60BX6R8K |
| 1A1A3CR4 | 19-165 | JAN1N4148 | 1A1A5C5 | 19- 6 | 501236-1 | 1A1C18 | 20- 29 | CK06BX104K |
| 1A1A3C1 | 19-185 | CK06BX222K | 1A1A5L1 | 19- 8 | 8008593G1 | 1A1C19 | 11- 29 | CK06BX103K |
| 1A1A3C10 | 19-156 | CK06BX473K | 1A1A5L2 | 19- 7 | MS75008-40 | 1A1C19 | 12- 28 | CK06BX103K |
| 1A1A3C11 | 19-163 | CK06BX101K | 1A1A5L3 | 19- 22 | MS75053-4 | 1A1C19 | 13- 32 | CK06BX103K |
| 1A1A3C12 | 19-169 | CK06BX103K | 1A1A5R2 | 19- 9 | RCR05G105JS | 1A1C19 | 20- 23 | CK60AW102M |
| 1A1A3C14 | 19-177 | CK06BX154K | 1A1A5R2 | 19- 9 | RCR05G135JS | 1A1C2 | 11- 39 | CK06BX103K |

| REFERENCE DESIGNATION | FIGURE AND INDEX NUMBER | PART NUMBER | REFERENCE DESIGNATION | FIGURE AND INDEX NUMBER | PART NUMBER | REFERENCE DESIGNATION | FIGURE AND INDEX NUMBER | PART NUMBER |
|-----------------------|-------------------------|----------------|-----------------------|-------------------------|---------------|-----------------------|-------------------------|-------------|
| 1A1C2 | 12- 39 | CK06BX103K | 1A1L2 | 13- 60 | 8004343-1 | 1A1Q4 | 11- 79 | 2N3771 |
| 1A1C2 | 13- 44 | CK06BX103K | 1A1L2 | 19- 4 | 51712011 | 1A1Q4 | 11- 79 | PE6011 |
| 1A1C2 | 20- 59 | CM15CD330J03 | 1A1L2 | 20- 46 | 8004343-2 | 1A1Q4 | 12- 85 | 2N3771 |
| 1A1C20 | 12- 57 | CK60BX220K | 1A1L3 | 11- 45 | MS75008-37 | 1A1Q4 | 12- 85 | PE6011 |
| 1A1C20 | 12- 57 | CK61AW222M | 1A1L3 | 12- 44 | MS75008-37 | 1A1Q4 | 12- 85 | 14SE177 |
| 1A1C20 | 13- 53 | CK61AW222M | 1A1L3 | 13- 52 | MS75008-37 | 1A1Q4 | 13- 94 | PE6011 |
| 1A1C20 | 20- 32 | CK60BX100K | 1A1L3 | 19- 4 | 51712011 | 1A1Q4 | 13- 94 | 14SE177 |
| 1A1C21 | 20- 45 | 148-0004-041 | 1A1L3 | 20- 33 | MS75101-11 | 1A1Q5 | 11- 72 | JAN2N2222A |
| 1A1C22 | 20- 38 | M39014-02-1218 | 1A1L4 | 11- 41 | 8004343-1 | 1A1Q5 | 11- 72 | JAN2N912 |
| 1A1C23 | 20- 23 | CK60AW102M | 1A1L4 | 12- 41 | 8004343-1 | 1A1Q5 | 12- 78 | JAN2N2222A |
| 1A1C24 | 20- 23 | CK60AW102M | 1A1L4 | 13- 46 | 8004343-2 | 1A1Q5 | 12- 78 | JAN2N912 |
| 1A1C25 | 20- 22 | CV31A180 | 1A1L4 | 19- 4 | 51712011 | 1A1RT1 | 11- 68 | JB32J12 |
| 1A1C25 | 20- 22 | CV31B250 | 1A1L4 | 20- 46 | 8004343-2 | 1A1RT1 | 12- 74 | JB32J12 |
| 1A1C3 | 11- 63 | 148-0004-001 | 1A1L5 | 11- 56 | MS75008-32 | 1A1RT1 | 13- 90 | JB32J12 |
| 1A1C3 | 11- 63 | 148-0004-041 | 1A1L5 | 12- 55 | MS75008-32 | 1A1RT2 | 11- 68 | JB32J12 |
| 1A1C3 | 12- 69 | 148-0004-001 | 1A1L5 | 13- 58 | MS75008-32 | 1A1RT2 | 12- 74 | JB32J12 |
| 1A1C3 | 12- 69 | 148-0004-041 | 1A1L5 | 19- 4 | 51712011 | 1A1RT3 | 11- 68 | JB32J12 |
| 1A1C3 | 13- 77 | 148-0004-001 | 1A1L5 | 20- 46 | 8004343-2 | 1A1RT3 | 12- 74 | JB32J12 |
| 1A1C3 | 13- 77 | 148-0004-041 | 1A1L6 | 11- 28 | 56-590-65-3B | 1A1R1 | 11- 46 | RCR07G393JR |
| 1A1C3 | 20- 54 | PC50H380 | 1A1L6 | 12- 27 | 56-590-65-3B | 1A1R1 | 12- 46 | RCR07G393JR |
| 1A1C4 | 11- 49 | CK60AX471K | 1A1L6 | 13- 31 | 56-590-65-3B | 1A1R1 | 13- 53 | RCR07G393JR |
| 1A1C4 | 12- 49 | CK60AX471K | 1A1L6 | 19- 4 | 51712011 | 1A1R1 | 20- 27 | RCR07G751JS |
| 1A1C4 | 13- 55 | CK60AX471K | 1A1L6 | 20- 40 | MS75008-32 | 1A1R10 | 11- 35 | RCR07G130JR |
| 1A1C4 | 20- 24 | CM15CD101J03 | 1A1L7 | 11- 28 | 56-590-65-3B | 1A1R10 | 12- 35 | RCR07G5R6JR |
| 1A1C5 | 11- 39 | CK06BX103K | 1A1L7 | 12- 27 | 56-590-65-3B | 1A1R10 | 12- 35 | RCR07G9R1JR |
| 1A1C5 | 12- 39 | CK06BX103K | 1A1L7 | 13- 31 | 56-590-65-3B | 1A1R10 | 12- 35 | RCR07G150JR |
| 1A1C5 | 13- 44 | CK06BX103K | 1A1L8 | 13- 31 | 56-590-65-3B | 1A1R10 | 13- 40 | RCR07G150JR |
| 1A1C5 | 20- 24 | CM15CD101J03 | 1A1P1 | 11- 13 | DEC9PF0 | 1A1R10 | 20- 43 | RCR07G823JS |
| 1A1C6 | 11- 48 | CK60BX680M | 1A1P1 | 11- 13 | DEU9PF0 | 1A1R11 | 11- 34 | RCR07G301JR |
| 1A1C6 | 12- 48 | CK05BX820K | 1A1P1 | 11- 13 | 234-09-11-100 | 1A1R11 | 12- 34 | RCR07G911JR |
| 1A1C6 | 20- 29 | CK06BX104K | 1A1P1 | 12- 13 | DEC9PF0 | 1A1R11 | 12- 34 | RCR07G301JR |
| 1A1C7 | 12- 40 | CK60BX101M | 1A1P1 | 12- 13 | DEU9PF0 | 1A1R11 | 12- 34 | RCR07G820JR |
| 1A1C7 | 12- 40 | CK60BX101K | 1A1P1 | 12- 13 | 234-09-11-100 | 1A1R11 | 13- 39 | RCR07G221JR |
| 1A1C7 | 13- 45 | CK60BX101K | 1A1P1 | 13- 14 | DEC9PF0 | 1A1R11 | 20- 25 | RCR07G192JS |
| 1A1C7 | 11- 48 | CK60BX680M | 1A1P1 | 13- 14 | DEU9PF0 | 1A1R12 | 11- 69 | RCR20G392JR |
| 1A1C7 | 20- 23 | CK60AW102M | 1A1P1 | 13- 14 | 234-09-11-100 | 1A1R12 | 12- 75 | RCR20G392JR |
| 1A1C8 | 11- 39 | CK06BX103K | 1A1P1 | 19-194 | DEC9PF0 | 1A1R12 | 13- 88 | RCR07G512JS |
| 1A1C8 | 12- 39 | CK06BX103K | 1A1P1 | 19-194 | DEU9PF0 | 1A1R12 | 20- 36 | RCR07G393JS |
| 1A1C8 | 13- 44 | CK06BX103K | 1A1P1 | 19-194 | 234-09-11-100 | 1A1R13 | 11- 66 | RCR20G302JR |
| 1A1C8 | 20- 29 | CK06BX104K | 1A1P1 | 20- 19 | DEC9PF0 | 1A1R13 | 12- 72 | RCR20G302JR |
| 1A1C9 | 11- 39 | CK06BX103K | 1A1P1 | 20- 19 | DEU9PF0 | 1A1R13 | 13- 78 | RN55D3740F |
| 1A1C9 | 12- 39 | CK06BX103K | 1A1P1 | 20- 19 | 234-09-11-100 | 1A1R13 | 20- 35 | RCR07G303JS |
| 1A1C9 | 13- 44 | CK06BX103K | 1A1P2 | 11- 15 | UG1465U | 1A1R14 | 11- 65 | RCR07G122JR |
| 1A1C9 | 20- 50 | CK60BX2R2K | 1A1P2 | 12- 15 | UG1465U | 1A1R14 | 12- 71 | RCR07G621JR |
| 1A1HR1 | 11- 21 | 133-107 | 1A1P2 | 13- 17 | UG1465U | 1A1R14 | 12- 71 | RCR07G122JR |
| 1A1HR1 | 12- 21 | 133-107 | 1A1P2 | 19- 80 | UG1465U | 1A1R14 | 13- 78 | RN55D3740F |
| 1A1HR1 | 13- 25 | 133-107 | 1A1P2 | 20- 14 | UG1465U | 1A1R14 | 20- 34 | RCR07G101JS |
| 1A1HR2 | 11- 23 | 133-107 | 1A1P3 | 13- 17 | UG1465U | 1A1R15 | 11- 75 | RCR07G101JR |
| 1A1HR2 | 12- 23 | 133-107 | 1A1Q1 | 11- 53 | STC7627 | 1A1R15 | 12- 70 | RCR07G102JR |
| 1A1HR2 | 13- 27 | 133-107 | 1A1Q1 | 12- 43 | 2N5179 | 1A1R15 | 12- 81 | RCR07G101JR |
| 1A1J1 | 11- 11 | M39012-21-0001 | 1A1Q1 | 13- 50 | 8007550-1 | 1A1R15 | 13- 88 | RCR07G512JS |
| 1A1J1 | 12- 11 | M39012-21-0001 | 1A1Q1 | 20- 47 | 2N5179 | 1A1R15 | 20- 37 | RCR07G390JS |
| 1A1J1 | 13- 11 | M39012-21-0001 | 1A1Q2 | 11- 43 | 515341-1 | 1A1R16 | 11- 25 | RV6LAYS102A |
| 1A1J1 | 20- 9 | 8009558-1 | 1A1Q2 | 11- 43 | JAN2N918 | 1A1R16 | 12- 25 | RV6LAYS102A |
| 1A1L1 | 11- 45 | MS75008-37 | 1A1Q2 | 12- 43 | 2N5179 | 1A1R16 | 13- 29 | RV6LAYS251A |
| 1A1L1 | 12- 44 | MS75008-37 | 1A1Q2 | 13- 49 | 2N5179 | 1A1R16 | 20- 39 | RCR07G821JS |
| 1A1L1 | 13- 52 | MS75008-37 | 1A1Q2 | 20- 47 | 2N5179 | 1A1R17 | 11- 57 | RCR07G303JR |
| 1A1L1 | 19- 4 | 51712011 | 1A1Q3 | 11- 72 | JAN2N2222A | 1A1R17 | 12- 59 | RCR07G303JR |
| 1A1L1 | 20- 31 | MS75101-9 | 1A1Q3 | 12- 78 | JAN2N2222A | 1A1R17 | 12- 59 | RCR07G243JR |
| 1A1L2 | 11- 41 | 8004343-1 | 1A1Q3 | 13- 92 | JAN2N2907A | 1A1R17 | 12- 59 | RCR07G393JR |
| 1A1L2 | 12- 41 | 8004343-1 | 1A1Q3 | 20- 47 | 2N5179 | 1A1R17 | 13- 57 | RCR07G273JR |

Section IV
Reference Designation Index

T.O. 31R2-2GRR-114
NAVELEX 0967-LP-428-1020

| REFERENCE DESIGNATION | FIGURE AND INDEX NUMBER | PART NUMBER | REFERENCE DESIGNATION | FIGURE AND INDEX NUMBER | PART NUMBER | REFERENCE DESIGNATION | FIGURE AND INDEX NUMBER | PART NUMBER |
|-----------------------|-------------------------|-------------|-----------------------|-------------------------|--------------|-----------------------|-------------------------|----------------|
| 1A1R17 | 20- 42 | RCR07G121JS | 1A1R7 | 20- 25 | RCR07G102JS | 1A2C11 | 8- 84 | 193-0008-053 |
| 1A1R18 | 11- 57 | RCR07G303JR | 1A1R8 | 11- 55 | RCR07G821JR | 1A2C11 | 9- 68 | CK60BX101K |
| 1A1R18 | 12- 56 | RCR07G303JR | 1A1R8 | 12- 54 | RCR07G511JR | 1A2C11 | 10- 69 | CK60BX101K |
| 1A1R18 | 13- 59 | RCR07G303JR | 1A1R8 | 13- 55 | RCR07G511JR | 1A2C12 | 7- 80 | 193-0008-001 |
| 1A1R18 | 20- 30 | RCR07G100JS | 1A1R8 | 20- 34 | RCR07G101JS | 1A2C12 | 7- 80 | 193-0008-053 |
| 1A1R19 | 11- 74 | RCR07G300JR | 1A1R9 | 11- 34 | RCR07G301JR | 1A2C12 | 8- 87 | 193-0008-001 |
| 1A1R19 | 12- 80 | RCR07G300JR | 1A1R9 | 12- 34 | RCR07G911JR | 1A2C12 | 8- 87 | 193-0008-053 |
| 1A1R19 | 13- 78 | RN5503740F | 1A1R9 | 20- 49 | RCR07G563JS | 1A2C12 | 9- 58 | CK60BX101K |
| 1A1R19 | 20- 44 | RCR07G301JS | 1A1J1 | 19- 5 | PIC 600 | 1A2C12 | 10- 59 | CK60BX101K |
| 1A1R2 | 11- 54 | RCR07G203JR | 1A1VR1 | 11- 70 | JAN1N753A | 1A2C13 | 7- 18 | 5601-1 |
| 1A1R2 | 12- 54 | RCR07G203JR | 1A1VR1 | 12- 76 | JAN1N753A | 1A2C13 | 7- 18 | 54-803-012 |
| 1A1R2 | 13- 52 | RCR07G133JR | 1A1VR1 | 13- 80 | JAN1N751A | 1A2C13 | 8- 21 | 5601-1 |
| 1A1R2 | 13- 62 | RCR07G153JR | 1A1VR1 | 20- 26 | JAN1N759A | 1A2C13 | 8- 21 | 54-803-012 |
| 1A1R2 | 13- 52 | RCR07G203JR | 1A1VR2 | 11- 71 | JAN1N756A | 1A2C13 | 9- 44 | CK63AW103M |
| 1A1R2 | 20- 25 | RCR07G102JS | 1A1VR2 | 12- 77 | JAN1N756A | 1A2C13 | 10- 45 | CK63AW103M |
| 1A1R20 | 11- 64 | RCR07G102JR | 1A1XY1 | 11- 51 | 33302-3 | 1A2C14 | 7- 18 | 5601-1 |
| 1A1R20 | 12- 70 | RCR07G102JR | 1A1XY1 | 11- 51 | 33302B | 1A2C14 | 7- 18 | 54-803-012 |
| 1A1R20 | 13- 87 | RCR07G392JS | 1A1XY1 | 12- 51 | 33302-3 | 1A2C14 | 8- 21 | 5601-1 |
| 1A1R21 | 11- 64 | RCR07G102JR | 1A1XY1 | 12- 51 | 33302B | 1A2C14 | 8- 21 | 54-803-012 |
| 1A1R21 | 12- 70 | RCR07G102JR | 1A1XY1 | 13- 57 | 33302-3 | 1A2C15 | 7- 16 | CK60AW102M |
| 1A1R21 | 13- 79 | RCR05G823JS | 1A1XY1 | 13- 57 | 33302B | 1A2C15 | 8- 16 | CK60AW102M |
| 1A1R22 | 11- 67 | RCR07G433JR | 1A1XY1 | 20- 52 | 33302-3 | 1A2C15 | 9- 12 | CK60AW102M |
| 1A1R22 | 12- 73 | RCR07G433JR | 1A1XY1 | 20- 52 | 33302B | 1A2C15 | 10- 12 | CK60AW102M |
| 1A1R22 | 13- 84 | RCR05G102JS | 1A1Z1 | 13- 58 | 508456-1 | 1A2C16 | 7- 72 | CK60AX471K |
| 1A1R23 | 11- 31 | RCR07G330JR | 1A2 | 2- 20 | 8004240G1 | 1A2C16 | 8- 75 | CK60AX471K |
| 1A1R23 | 12- 33 | RCR07G330JR | 1A2 | 2- 20 | 8004240G2 | 1A2C17 | 7- 72 | CK60AX471K |
| 1A1R23 | 13- 37 | RCR07G330JR | 1A2 | 2- 21 | 8004241G1 | 1A2C17 | 8- 75 | CK60AX471K |
| 1A1R24 | 11- 38 | RCR07G121JR | 1A2 | 2- 21 | 8004241G2 | 1A2C17 | 9- 12 | CK60AW102M |
| 1A1R24 | 12- 38 | RCR07G121JR | 1A2CR1 | 7- 38 | 5082-8906 | 1A2C17 | 10- 12 | CK60AW102M |
| 1A1R24 | 13- 43 | RCR07G121JR | 1A2CR1 | 8- 38 | 5082-8906 | 1A2C18 | 7- 18 | 5601-1 |
| 1A1R25 | 11- 27 | RCR07G514JR | 1A2CR1 | 9- 25 | 5082-8915 | 1A2C18 | 7- 18 | 54-803-012 |
| 1A1R25 | 12- 26 | RCR07G514JR | 1A2CR1 | 9- 25 | 5082-2835 | 1A2C18 | 8- 21 | 5601-1 |
| 1A1R25 | 13- 30 | RCR20G622JR | 1A2CR1 | 10- 25 | 5082-8916 | 1A2C18 | 8- 21 | 54-803-012 |
| 1A1R26 | 12- 50 | RCR07G750JR | 1A2CR1 | 10- 25 | 5082-2835 | 1A2C18 | 9- 23 | CM05ED330J03 |
| 1A1R26 | 13- 61 | RCR07G750JR | 1A2CR2 | 10- 54 | JAN1N914 | 1A2C18 | 10- 23 | CM05ED330J03 |
| 1A1R27 | 12- 58 | RCR07G390JR | 1A2CR2 | 9- 53 | JAN1N914 | 1A2C2 | 7- 16 | CK60AW102M |
| 1A1R27 | 13- 56 | RCR07G390JR | 1A2CR3 | 9- 25 | 5082-8916 | 1A2C2 | 8- 16 | CK60AW102M |
| 1A1R28 | 13- 85 | RW80UR499F | 1A2CR3 | 9- 25 | 5082-2835 | 1A2C2 | 9- 55 | CK60AX471K |
| 1A1R29 | 13- 86 | RCR05G100JS | 1A2CR3 | 10- 25 | 5082-8916 | 1A2C2 | 10- 55 | CK60AX471K |
| 1A1R3 | 11- 47 | RCR07G102JR | 1A2CR3 | 10- 25 | 5082-2835 | 1A2C20 | 7- 16 | CK60AW102M |
| 1A1R3 | 12- 47 | RCR07G102JR | 1A2CR4 | 7- 38 | 5082-8906 | 1A2C20 | 8- 15 | CK60AW102M |
| 1A1R3 | 13- 54 | RCR07G102JR | 1A2CR4 | 8- 38 | 5082-8906 | 1A2C20 | 8- 15 | M39014-02-1407 |
| 1A1R3 | 13- 54 | RCR07G821JR | 1A2CR4 | 9- 13 | 5082-8697 | 1A2C20 | 9- 51 | CK61AW222M |
| 1A1R3 | 13- 54 | RCR07G122JR | 1A2CR4 | 10- 13 | 5082-8697 | 1A2C20 | 10- 52 | CK61AW222M |
| 1A1R3 | 20- 28 | RCR07G473JS | 1A2CR5 | 7- 54 | 5082-8697 | 1A2C21 | 7- 16 | CK60AW102M |
| 1A1R30 | 13- 81 | RCR05G131JS | 1A2CR5 | 8- 56 | 5082-8697 | 1A2C21 | 8- 16 | CK60AW102M |
| 1A1R4 | 11- 50 | RCR07G750JR | 1A2C1 | 7- 72 | CK60AX471K | 1A2C21 | 9- 55 | CK60AX471K |
| 1A1R4 | 12- 68 | RCR07G750JS | 1A2C1 | 8- 75 | CK60AX471K | 1A2C21 | 10- 55 | CK60AX471K |
| 1A1R4 | 13- 56 | RCR07G511JR | 1A2C1 | 9- 74 | 193-0008-001 | 1A2C22 | 7- 18 | 5601-1 |
| 1A1R4 | 20- 58 | RCR07G103JS | 1A2C1 | 9- 74 | 193-0008-053 | 1A2C22 | 7- 18 | 54-803-012 |
| 1A1R5 | 11- 52 | RCR07G620JR | 1A2C1 | 10- 77 | 193-0008-001 | 1A2C22 | 8- 21 | 5601-1 |
| 1A1R5 | 12- 52 | RCR07G620JR | 1A2C1 | 10- 77 | 193-0008-053 | 1A2C22 | 8- 21 | 54-803-012 |
| 1A1R5 | 13- 59 | RCR07G620JR | 1A2C10 | 7- 13 | 5601-1 | 1A2C22 | 9- 55 | CK60AX471K |
| 1A1R5 | 20- 25 | RCR07G102JS | 1A2C10 | 7- 18 | 54-803-012 | 1A2C22 | 10- 55 | CK60AX471K |
| 1A1R6 | 11- 54 | RCR07G203JR | 1A2C10 | 8- 21 | 5601-1 | 1A2C23 | 7- 72 | CK60AX471K |
| 1A1R6 | 12- 53 | RCR07G203JR | 1A2C10 | 8- 21 | 54-803-012 | 1A2C23 | 8- 75 | CK60AX471K |
| 1A1R6 | 13- 64 | RCR07G203JR | 1A2C10 | 9- 68 | CK60BX101K | 1A2C23 | 9- 55 | CK60AX471K |
| 1A1R6 | 20- 30 | RCR07G100JS | 1A2C10 | 10- 59 | CK60BX101K | 1A2C23 | 10- 55 | CK60AX471K |
| 1A1R7 | 11- 54 | RCR07G203JR | 1A2C11 | 7- 77 | 193-0008-001 | 1A2C24 | 7- 15 | CK60AW102M |
| 1A1R7 | 12- 53 | RCR07G203JR | 1A2C11 | 7- 77 | 193-0008-053 | 1A2C24 | 8- 16 | CK60AW102M |
| 1A1R7 | 13- 54 | RCR07G203JR | 1A2C11 | 8- 84 | 193-0008-001 | 1A2C24 | 8- 15 | M39014-02-1407 |

| REFERENCE DESIGNATION | FIGURE AND INDEX NUMBER | PART NUMBER | REFERENCE DESIGNATION | FIGURE AND INDEX NUMBER | PART NUMBER | REFERENCE DESIGNATION | FIGURE AND INDEX NUMBER | PART NUMBER |
|-----------------------|-------------------------|--------------|-----------------------|-------------------------|------------------|-----------------------|-------------------------|----------------|
| 1A2C24 | 9- 64 | 193-0006-001 | 1A2C37 | 7- 61 | 8006108-1 | 1A2C56 | 8- 15 | M39003-01-2362 |
| 1A2C24 | 9- 64 | 193-0006-053 | 1A2C37 | 8- 67 | 8006108-1 | 1A2C6 | 7- 22 | 300-100W5R104K |
| 1A2C24 | 10- 65 | 193-0006-001 | 1A2C37 | 9- 12 | CK60AW102M | 1A2C6 | 8- 19 | 300-100W5R104K |
| 1A2C24 | 10- 65 | 193-0006-053 | 1A2C37 | 10- 12 | CK60AW102M | 1A2C6 | 9- 44 | CK63AW103M |
| 1A2C25 | 7- 16 | CK60AW102M | 1A2C38 | 7- 68 | OM05CD100J03 | 1A2C6 | 10- 45 | CK63AW103M |
| 1A2C25 | 8- 16 | CK60AW102M | 1A2C38 | 8- 73 | OM05CD100J03 | 1A2C7 | 7- 16 | CK60AW102M |
| 1A2C25 | 9- 55 | CK60AX471K | 1A2C38 | 9- 12 | CK60AW102M | 1A2C7 | 8- 16 | CK60AW102M |
| 1A2C25 | 10- 55 | CK60AX471K | 1A2C38 | 10- 12 | CK60AW102M | 1A2C7 | 9- 55 | CK60AX471K |
| 1A2C26 | 9- 55 | CK60AX471K | 1A2C39 | 7- 33 | 189-505-5 | 1A2C7 | 10- 55 | CK60AX471K |
| 1A2C26 | 10- 55 | CK60AX471K | 1A2C39 | 8- 33 | 189-505-5 | 1A2C8 | 7- 16 | CK60AW102M |
| 1A2C27 | 7- 71 | 193-0008-001 | 1A2C39 | 9- 43 | CK06BX103K | 1A2C8 | 8- 16 | CK60AW102M |
| 1A2C27 | 7- 71 | 193-0008-053 | 1A2C39 | 10- 44 | CK06BX103K | 1A2C8 | 9- 12 | CK60AW102M |
| 1A2C27 | 8- 77 | 193-0008-001 | 1A2C4 | 7- 18 | 5601-1 | 1A2C8 | 10- 12 | CK60AW102M |
| 1A2C27 | 8- 77 | 193-0008-053 | 1A2C4 | 7- 18 | 54-803-012 | 1A2C9 | 7- 16 | CK60AW102M |
| 1A2C27 | 9- 12 | CK60AW102M | 1A2C4 | 8- 21 | 5601-1 | 1A2C9 | 8- 16 | CK60AW102M |
| 1A2C27 | 10- 12 | CK60AW102M | 1A2C4 | 8- 21 | 54-803-012 | 1A2C9 | 9- 64 | 193-0006-001 |
| 1A2C28 | 7- 53 | VK11CX471K | 1A2C4 | 9- 12 | CK60AW102M | 1A2C9 | 9- 64 | 193-0006-053 |
| 1A2C28 | 8- 55 | VK11CX471K | 1A2C4 | 10- 12 | CK60AW102M | 1A2C9 | 10- 65 | 193-0006-001 |
| 1A2C28 | 9- 55 | CK60AX471K | 1A2C40 | 7- 35 | OM05FD101J03 | 1A2C9 | 10- 65 | 193-0006-053 |
| 1A2C28 | 10- 55 | CK60AX471K | 1A2C40 | 8- 35 | OM05FD101J03 | 1A2J1 | 7- 2 | UG1468U |
| 1A2C29 | 7- 24 | FA5C102W | 1A2C40 | 9- 12 | CK60AW102M | 1A2J1 | 7- 2 | M39012-76-0002 |
| 1A2C29 | 8- 23 | FA5C102W | 1A2C40 | 10- 12 | CK60AW102M | 1A2J1 | 8- 2 | UG1468U |
| 1A2C29 | 9- 64 | 193-0006-001 | 1A2C41 | 7- 16 | CK60AW102M | 1A2J1 | 8- 2 | M39012-76-0002 |
| 1A2C29 | 9- 64 | 193-0006-053 | 1A2C41 | 8- 16 | CK60AW102M | 1A2J1 | 9- 40 | UG1468U |
| 1A2C29 | 10- 65 | 193-0006-001 | 1A2C41 | 9- 29 | 538-011-5-5-18PF | 1A2J1 | 9- 40 | M39012-76-0002 |
| 1A2C29 | 10- 65 | 193-0006-053 | 1A2C41 | 10- 29 | 538-011-5-5-18PF | 1A2J1 | 10- 41 | UG1468U |
| 1A2C3 | 7- 16 | CK60AW102M | 1A2C41 | 10- 29 | 538-011-5-5-18PF | 1A2J1 | 10- 41 | M39012-76-0002 |
| 1A2C3 | 8- 16 | CK60AW102M | 1A2C42 | 7- 16 | CK60AW102M | 1A2L1 | 7- 79 | 8004960-1 |
| 1A2C3 | 9- 12 | CK60AW102M | 1A2C42 | 8- 16 | CK60AW102M | 1A2L1 | 8- 86 | 8004960-1 |
| 1A2C3 | 10- 12 | CK60AW102M | 1A2C42 | 9- 26 | OM05FD331J03 | 1A2L1 | 9- 76 | 8006107-1 |
| 1A2C30 | 7- 56 | 193-0010-001 | 1A2C42 | 10- 26 | OM05FD331J03 | 1A2L1 | 10- 78 | 8006107-1 |
| 1A2C30 | 7- 56 | 193-0010-053 | 1A2C43 | 7- 16 | CK60AW102M | 1A2L10 | 7- 55 | 8004920-1 |
| 1A2C30 | 8- 58 | 193-0010-001 | 1A2C43 | 8- 16 | CK60AW102M | 1A2L10 | 8- 57 | 8004920-2 |
| 1A2C30 | 8- 58 | 193-0010-053 | 1A2C43 | 9- 43 | CK06BX103K | 1A2L10 | 9- 61 | 8004827-1 |
| 1A2C30 | 9- 51 | CK61AW222M | 1A2C43 | 10- 44 | CK06BX103K | 1A2L10 | 10- 62 | 8004827-1 |
| 1A2C30 | 10- 52 | CK61AW222M | 1A2C44 | 7- 24 | FA5C102W | 1A2L11 | 7- 19 | MS75008-28 |
| 1A2C31 | 7- 57 | CK60BX101K | 1A2C44 | 8- 23 | FA5C102W | 1A2L11 | 8- 22 | MS75008-28 |
| 1A2C31 | 8- 59 | CK60BX101K | 1A2C44 | 9- 68 | CK60BX101K | 1A2L11 | 9- 28 | MS75008-32 |
| 1A2C31 | 9- 14 | VK11CX102K | 1A2C44 | 10- 69 | CK60BX101K | 1A2L11 | 10- 28 | MS75008-32 |
| 1A2C31 | 10- 14 | VK11CX102K | 1A2C46 | 7- 24 | FA5C102W | 1A2L12 | 7- 66 | 8004919-1 |
| 1A2C32 | 7- 15 | CK60AW102M | 1A2C46 | 8- 23 | FA5C102W | 1A2L12 | 8- 70 | 8004919-1 |
| 1A2C32 | 8- 16 | CK60AW102M | 1A2C49 | 7- 57 | CK60BX101K | 1A2L12 | 9- 66 | 8004829-1 |
| 1A2C32 | 9- 12 | CK60AW102M | 1A2C49 | 8- 59 | CK60BX101K | 1A2L12 | 10- 67 | 8004829-1 |
| 1A2C32 | 10- 12 | CK60AW102M | 1A2C5 | 7- 24 | FA5C102W | 1A2L13 | 7- 34 | MS75008-33 |
| 1A2C33 | 7- 61 | 8006108-1 | 1A2C5 | 8- 23 | FA5C102W | 1A2L13 | 8- 34 | MS75008-33 |
| 1A2C33 | 8- 67 | 8006108-1 | 1A2C5 | 9- 12 | CK60AW102M | 1A2L13 | 9- 28 | MS75008-32 |
| 1A2C33 | 9- 68 | CK60BX101K | 1A2C5 | 10- 12 | CK60AW102M | 1A2L13 | 10- 28 | MS75008-32 |
| 1A2C33 | 10- 69 | CK60BX101K | 1A2C50 | 7- 61 | 8006108-1 | 1A2L14 | 7- 39 | MS75008-44 |
| 1A2C34 | 7- 16 | CK60AW102M | 1A2C50 | 8- 67 | 8006108-1 | 1A2L14 | 8- 39 | MS75008-44 |
| 1A2C34 | 8- 16 | CK60AW102M | 1A2C50 | 9- 67 | 8006108-1 | 1A2L15 | 7- 19 | MS75008-28 |
| 1A2C34 | 9- 43 | CK06BX103K | 1A2C51 | 7- 61 | 8006108-1 | 1A2L15 | 8- 22 | MS75008-28 |
| 1A2C34 | 10- 44 | CK06BX103K | 1A2C51 | 8- 67 | 8006108-1 | 1A2L15 | 9- 18 | MS75008-40 |
| 1A2C35 | 7- 67 | 193-0008-001 | 1A2C52 | 7- 20 | CK06BX103K | 1A2L15 | 10- 18 | MS75008-40 |
| 1A2C35 | 7- 67 | 193-0008-053 | 1A2C52 | 8- 17 | CK06BX103K | 1A2L16 | 7- 59 | 56-590-65-4B |
| 1A2C35 | 8- 71 | 193-0008-001 | 1A2C53 | 7- 20 | CK06BX103K | 1A2L16 | 8- 51 | 56-590-65-4B |
| 1A2C35 | 8- 71 | 193-0008-053 | 1A2C53 | 8- 17 | CK06BX103K | 1A2L16 | 9- 27 | MS75008-30 |
| 1A2C35 | 9- 14 | VK11CX102K | 1A2C54 | 7- 57 | CK60BX101K | 1A2L16 | 10- 27 | MS75008-30 |
| 1A2C35 | 10- 14 | VK11CX102K | 1A2C54 | 8- 62 | CK60BX101K | 1A2L17 | 7- 59 | 56-590-65-4B |
| 1A2C36 | 7- 69 | CK60BX220K | 1A2C54 | 8- 62 | CK60BX150K | 1A2L17 | 8- 61 | 56-590-65-4B |
| 1A2C36 | 8- 74 | CK60BX220K | 1A2C55 | 7- 53 | VK11CX471K | 1A2L17 | 10- 73 | MS75008-28 |
| 1A2C36 | 9- 12 | CK60AW102M | 1A2C55 | 8- 55 | VK11CX471K | 1A2L18 | 7- 59 | 56-590-65-4B |
| 1A2C36 | 10- 12 | CK60AW102M | 1A2C56 | 7- 17 | M39003-01-2362 | | | |

Section IV
Reference Designation Index

T.O. 31R2-2GRR-114
NAVELEX 0967-LP-428-1020

| REFERENCE DESIGNATION | FIGURE AND INDEX NUMBER | PART NUMBER | REFERENCE DESIGNATION | FIGURE AND INDEX NUMBER | PART NUMBER | REFERENCE DESIGNATION | FIGURE AND INDEX NUMBER | PART NUMBER |
|-----------------------|-------------------------|---------------|-----------------------|-------------------------|-------------|-----------------------|-------------------------|----------------|
| 1A2L18 | 8- 61 | 56-590-65-4B | 1A2Q2 | 9- 71 | 3N140 | 1A2R15 | 10- 17 | RCR07G102JR |
| 1A2L2 | 9- 24 | MS 75008-44 | 1A2Q2 | 10- 72 | SFC6570 | 1A2R16 | 7- 31 | RCR07G202JR |
| 1A2L2 | 10- 28 | MS 75008-32 | 1A2Q2 | 10- 72 | 515346-2 | 1A2R16 | 8- 31 | RCR07G202JR |
| 1A2L2 | 10- 28 | MS 75008-44 | 1A2Q3 | 7- 74 | STC7627 | 1A2R16 | 9- 57 | RCR07G222JR |
| 1A2L3 | 7- 19 | MS 75008-28 | 1A2Q3 | 7- 74 | 2N3866A | 1A2R16 | 10- 68 | RCR07G222JR |
| 1A2L3 | 8- 22 | MS 75008-28 | 1A2Q3 | 8- 78 | STC7627 | 1A2R17 | 7- 73 | RV6LAYSAYA103A |
| 1A2L3 | 9- 72 | 8006106-1 | 1A2Q3 | 8- 78 | 2N3866A | 1A2R17 | 8- 79 | RV6LAYSAYA103A |
| 1A2L3 | 10- 74 | 8006106-1 | 1A2Q3 | 9- 33 | JAN2N2222A | 1A2R17 | 9- 38 | RCR07G472JR |
| 1A2L4 | 7- 19 | MS 75008-28 | 1A2Q3 | 10- 33 | JAN2N2222A | 1A2R17 | 10- 39 | RCR07G472JR |
| 1A2L4 | 8- 22 | MS 75008-28 | 1A2Q4 | 7- 29 | JAN2N2222A | 1A2R18 | 7- 45 | RCR07G562JR |
| 1A2L4 | 9- 45 | MS 75053-1 | 1A2Q4 | 8- 29 | JAN2N2222A | 1A2R18 | 8- 46 | RCR07G562JR |
| 1A2L4 | 10- 46 | MS 75053-1 | 1A2Q4 | 9- 57 | 2N4072 | 1A2R18 | 9- 52 | RCR07G682JR |
| 1A2L5 | 7- 76 | 8004960-2 | 1A2Q4 | 10- 57 | 2N4072 | 1A2R18 | 10- 53 | RCR07G682JR |
| 1A2L5 | 8- 83 | 8004960-2 | 1A2Q5 | 7- 21 | JAN2N697 | 1A2R19 | 7- 45 | RCR07G562JR |
| 1A2L5 | 9- 24 | MS 75008-44 | 1A2Q5 | 8- 18 | JAN2N697 | 1A2R19 | 8- 46 | RCR07G562JR |
| 1A2L5 | 10- 24 | MS 75008-44 | 1A2Q5 | 9- 65 | STC7627 | 1A2R19 | 9- 30 | RCR07G103JR |
| 1A2L6 | 7- 26 | MS 75008-23 | 1A2Q5 | 9- 65 | 2N3866A | 1A2R19 | 10- 30 | RCR07G103JR |
| 1A2L6 | 8- 25 | MS 75008-23 | 1A2Q5 | 10- 66 | STC7627 | 1A2R2 | 7- 15 | RCR07G592JR |
| 1A2L7 | 7- 19 | MS 75008-28 | 1A2Q5 | 10- 66 | 2N3866A | 1A2R2 | 8- 89 | RCR07G392JR |
| 1A2L7 | 8- 22 | MS 75008-28 | 1A2Q6 | 7- 29 | JAN2N2222A | 1A2R2 | 9- 36 | RCR07G562JR |
| 1A2L8 | 7- 70 | 8004814-1 | 1A2Q6 | 8- 29 | JAN2N2222A | 1A2R2 | 10- 37 | RCR07G562JR |
| 1A2L8 | 8- 76 | 8004814-1 | 1A2Q6 | 9- 33 | JAN2N2222A | 1A2R20 | 7- 58 | RCR07G104JR |
| 1A2L8 | 9- 28 | MS 75008-32 | 1A2Q6 | 10- 33 | JAN2N2222A | 1A2R20 | 8- 54 | RCR07G104JR |
| 1A2L8 | 10- 28 | MS 75008-32 | 1A2Q7 | 7- 60 | 511830-2 | 1A2R20 | 9- 54 | RCR07G151JR |
| 1A2L9 | 7- 19 | MS 75008-28 | 1A2Q7 | 8- 63 | SFC5538 | 1A2R20 | 10- 56 | RCR07G151JR |
| 1A2L9 | 8- 22 | MS 75008-28 | 1A2Q7 | 8- 63 | 515346-1 | 1A2R21 | 7- 43 | RCR07G101JR |
| 1A2L9 | 9- 60 | 8004830-1 | 1A2Q8 | 7- 60 | 511830-2 | 1A2R21 | 8- 54 | RCR07G104JR |
| 1A2L9 | 10- 61 | 8004830-1 | 1A2Q8 | 8- 63 | SFC5538 | 1A2R21 | 9- 63 | RCR07G271JR |
| 1A2P1 | 7- 5 | DAC15PF0 | 1A2Q8 | 8- 63 | 515346-1 | 1A2R21 | 10- 64 | RCR07G271JR |
| 1A2P1 | 7- 5 | DAU15PF0 | 1A2RT1 | 7- 37 | 4DB270S | 1A2R22 | 8- 50 | RCR07G334JR |
| 1A2P1 | 7- 5 | 234-15-11-100 | 1A2RT1 | 8- 37 | 4DB270S | 1A2R22 | 9- 20 | RCR07G203JR |
| 1A2P1 | 8- 5 | DAC15PF0 | 1A2RT2 | 9- 69 | JB32J12 | 1A2R22 | 10- 20 | RCR07G203JR |
| 1A2P1 | 8- 5 | DAU15PF0 | 1A2RT2 | 10- 70 | JB32J12 | 1A2R23 | 7- 43 | RCR07G101JR |
| 1A2P1 | 8- 5 | 234-15-11-100 | 1A2RT3 | 9- 32 | 4DB270S | 1A2R23 | 8- 60 | RCR07G391JR |
| 1A2P1 | 9- 48 | DAC15PF0 | 1A2RT3 | 10- 32 | 4DB270S | 1A2R23 | 9- 59 | RCR07G180JR |
| 1A2P1 | 9- 48 | DAU15PF0 | 1A2R1 | 7- 14 | RCR07G361JR | 1A2R23 | 10- 60 | RCR07G180JR |
| 1A2P1 | 9- 48 | 234-15-11-100 | 1A2R1 | 8- 26 | RCR07G361JR | 1A2R24 | 7- 49 | RCR07G221JR |
| 1A2P1 | 10- 47 | DAC15PF0 | 1A2R1 | 9- 36 | RCR07G562JR | 1A2R24 | 8- 53 | RCR07G473JR |
| 1A2P1 | 10- 47 | DAU15PF0 | 1A2R1 | 10- 37 | RCR07G562JR | 1A2R24 | 9- 20 | RCR07G203JR |
| 1A2P1 | 10- 47 | 234-15-11-100 | 1A2R10 | 7- 28 | RCR07G131JR | 1A2R24 | 10- 20 | RCR07G203JR |
| 1A2P2 | 7- 7 | UG1466U | 1A2R10 | 8- 28 | RCR07G131JR | 1A2R25 | 7- 50 | RCR07G102JR |
| 1A2P2 | 8- 7 | UG1466U | 1A2R10 | 9- 21 | RCR07G153JR | 1A2R25 | 8- 41 | RCR07G102JR |
| 1A2P2 | 9- 4 | UG1466U | 1A2R10 | 10- 21 | RCR07G153JR | 1A2R26 | 7- 44 | RCR20G332JR |
| 1A2P2 | 10- 4 | UG1466U | 1A2R11 | 7- 14 | RCR07G361JR | 1A2R26 | 8- 45 | RCR20G332JR |
| 1A2P3 | 7- 7 | UG1466U | 1A2R11 | 9- 26 | RCR07G361JR | 1A2R26 | 9- 56 | RV6LAYSAYA103A |
| 1A2P3 | 8- 7 | UG1466U | 1A2R11 | 9- 22 | RCR07G473JR | 1A2R26 | 10- 58 | RV6LAYSAYA103A |
| 1A2P3 | 9- 4 | UG1466U | 1A2R11 | 9- 22 | RCR07G154JR | 1A2R27 | 7- 47 | RCR07G103JR |
| 1A2P3 | 10- 4 | UG1466U | 1A2R11 | 10- 22 | RCR07G154JR | 1A2R27 | 8- 49 | RCR07G153JR |
| 1A2Q1 | 7- 74 | STC7627 | 1A2R12 | 7- 27 | RCR07G822JR | 1A2R27 | 9- 62 | RCR07G511JR |
| 1A2Q1 | 7- 74 | 2N3866A | 1A2R12 | 8- 27 | RCR07G822JR | 1A2R27 | 10- 63 | RCR07G511JR |
| 1A2Q1 | 8- 78 | STC7627 | 1A2R12 | 9- 20 | RCR07G203JR | 1A2R28 | 7- 45 | RCR07G562JR |
| 1A2Q1 | 8- 78 | 2N3866A | 1A2R12 | 10- 20 | RCR07G203JR | 1A2R28 | 8- 45 | RCR07G562JR |
| 1A2Q1 | 9- 71 | 3N140 | 1A2R13 | 7- 75 | RCR07G100JR | 1A2R28 | 9- 30 | RCR07G103JR |
| 1A2Q1 | 9- 73 | DELETED | 1A2R13 | 8- 80 | RCR07G100JR | 1A2R28 | 10- 30 | RCR07G103JR |
| 1A2Q1 | 10- 72 | SFC6570 | 1A2R13 | 9- 70 | RCR07G301JR | 1A2R29 | 7- 43 | RCR07G101JR |
| 1A2Q2 | 7- 74 | STC7627 | 1A2R13 | 10- 71 | RCR07G301JR | 1A2R29 | 8- 44 | RCR07G101JR |
| 1A2Q2 | 7- 74 | 2N3866A | 1A2R15 | 7- 31 | RCR07G202JR | 1A2R29 | 9- 15 | RN65D4020F |
| 1A2Q2 | 8- 78 | STC7627 | 1A2R15 | 8- 31 | RCR07G202JR | 1A2R29 | 10- 15 | RN65D3740F |
| 1A2Q2 | 8- 78 | 2N3866A | 1A2R15 | 9- 17 | RCR07G102JR | 1A2R3 | 7- 75 | RCR07G100JR |

| REFERENCE DESIGNATION | FIGURE AND INDEX NUMBER | PART NUMBER | REFERENCE DESIGNATION | FIGURE AND INDEX NUMBER | PART NUMBER | REFERENCE DESIGNATION | FIGURE AND INDEX NUMBER | PART NUMBER |
|-----------------------|-------------------------|-------------|-----------------------|-------------------------|----------------|-----------------------|-------------------------|----------------|
| 1A2R3 | 8- 80 | RCR07G100JR | 1A2R6 | 7- 49 | RCR07G221JR | 1A3C12 | 15- 15 | CP09A1KC683K3 |
| 1A2R30 | 8- 42 | RCR07G105JR | 1A2R6 | 8- 85 | RCR07G221JR | 1A3C12 | 18- 11 | M39003-01-2362 |
| 1A2R30 | 9- 15 | RN65D1910F | 1A2R6 | 9- 77 | RCR07G104JR | 1A3C12 | 21- 2 | M39003-01-2362 |
| 1A2R30 | 10- 15 | RN65D1910F | 1A2R6 | 10- 79 | RCR07G104JR | 1A3C13 | 15- 11 | M39003-01-2374 |
| 1A2R31 | 8- 40 | RCR07G333JR | 1A2R7 | 7- 47 | RCR07G103JR | 1A3C13 | 18- 11 | M39003-01-2362 |
| 1A2R31 | 9- 58 | RCR07G101JR | 1A2R7 | 8- 82 | RCR07G103JR | 1A3C13 | 21- 2 | M39003-01-2362 |
| 1A2R31 | 10- 59 | RCR07G101JR | 1A2R7 | 9- 75 | RCR07G201JR | 1A3C14 | 15- 10 | CL65BH151KPE |
| 1A2R32 | 7- 65 | RCR07G625JR | 1A2R7 | 10- 38 | RCR07G391JR | 1A3C14 | 18- 11 | M39003-01-2362 |
| 1A2R32 | 8- 68 | RCR07G623JR | 1A2R8 | 7- 75 | RCR07G100JR | 1A3C14 | 21- 2 | M39003-01-2362 |
| 1A2R32 | 9- 59 | RCR07G180JR | 1A2R8 | 8- 80 | RCR07G100JR | 1A3C15 | 15- 11 | M39003-01-2374 |
| 1A2R32 | 10- 60 | RCR07G180JR | 1A2R8 | 9- 58 | RCR07G101JR | 1A3C15 | 18- 15 | CK13BX103K |
| 1A2R33 | 7- 40 | RCR07G471JR | 1A2R8 | 10- 80 | RCR07G684JR | 1A3C15 | 21- 36 | CK13BX103K |
| 1A2R33 | 8- 69 | RCR07G471JR | 1A2R9 | 7- 23 | RCR07G152JR | 1A3C16 | 15- 71 | 300-100W5R104K |
| 1A2R34 | 7- 42 | RCR07G394JR | 1A2R9 | 8- 20 | RCR07G152JR | 1A3C16 | 15- 71 | CK06BX104K |
| 1A2R34 | 8- 43 | RCR07G394JR | 1A2R9 | 9- 42 | RCR07G302JR | 1A3C16 | 18- 15 | CK13BX103K |
| 1A2R34 | 9- 37 | RCR07G391JR | 1A2R9 | 10- 42 | RCR07G302JR | 1A3C16 | 21- 36 | CK13BX103K |
| 1A2R34 | 10- 75 | RCR07G681JR | 1A2VR1 | 7- 46 | JAN1N746A | 1A3C17 | 15- 13 | M39003-01-2286 |
| 1A2R34 | 10- 75 | RCR07G391JR | 1A2VR1 | 8- 48 | JAN1N746A | 1A3C17 | 18- 25 | QM20CC222J03 |
| 1A2R35 | 7- 43 | RCR07G101JR | 1A2VR1 | 9- 39 | JAN1N746A | 1A3C17 | 21- 43 | QM20CC222J03 |
| 1A2R35 | 8- 44 | RCR07G101JR | 1A2VR1 | 10- 40 | JAN1N746A | 1A3C18 | 15- 14 | M39003-01-2368 |
| 1A2R35 | 9- 19 | RCR07G334JR | 1A2VR2 | 7- 48 | JAN1N753A | 1A3C18 | 18- 16 | CK13BX103K |
| 1A2R35 | 10- 19 | RCR07G334JR | 1A2VR2 | 8- 47 | JAN1N753A | 1A3C18 | 18- 16 | CK13BX223K |
| 1A2R36 | 7- 32 | RCR07G223JR | 1A2VR2 | 9- 35 | JAN1N753A | 1A3C18 | 21- 38 | CK13BX223K |
| 1A2R36 | 8- 32 | RCR07G223JR | 1A2VR2 | 10- 35 | JAN1N753A | 1A3C19 | 18- 15 | CK13BX103K |
| 1A2R36 | 9- 31 | RCR07G300JR | 1A3 | 2- 25 | 8004239G1 | 1A3C19 | 21- 36 | CK13BX103K |
| 1A2R36 | 10- 31 | RCR07G300JR | 1A3 | 2- 25 | 8008586G1 | 1A3C2 | 15- 64 | M39003-01-2286 |
| 1A2R37 | 7- 32 | RCR07G223JR | 1A3 | 2- 25 | 8008586G2 | 1A3C2 | 18- 62 | M39003-01-2286 |
| 1A2R37 | 8- 32 | RCR07G223JR | 1A3CR1 | 18- 66 | JAN1N914 | 1A3C20 | 18- 15 | CK13BX103K |
| 1A2R37 | 9- 17 | RCR07G102JR | 1A3CR1 | 21- 70 | JAN1N914 | 1A3C20 | 21- 36 | CK13BX103K |
| 1A2R37 | 10- 17 | RCR07G102JR | 1A3CR2 | 18- 66 | JAN1N914 | 1A3C21 | 18- 11 | M39003-01-2362 |
| 1A2R38 | 7- 51 | RN65D3570F | 1A3CR2 | 21- 70 | JAN1N914 | 1A3C21 | 21- 2 | M39003-01-2362 |
| 1A2R38 | 8- 51 | RN65D3570F | 1A3CR3 | 15- 67 | JAN1N914 | 1A3C22 | 18- 47 | CK06BX104K |
| 1A2R38 | 10- 76 | RCR07G300JR | 1A3CR3 | 18- 52 | JAN1N914 | 1A3C22 | 21- 24 | CK06BX104K |
| 1A2R38 | 10- 76 | RCR07G100JR | 1A3CR3 | 21- 29 | JAN1N914 | 1A3C23 | 18- 31 | CK60AW102M |
| 1A2R38 | 10- 76 | RCR07G200JR | 1A3CR4 | 15- 8 | JAN1N914 | 1A3C23 | 21- 31 | CK60AW102M |
| 1A2R38 | 10- 76 | RCR07G390JR | 1A3CR4 | 18- 52 | JAN1N914 | 1A3C24 | 21- 58 | M39003-01-2301 |
| 1A2R39 | 7- 52 | RN65D1910F | 1A3CR4 | 21- 29 | JAN1N914 | 1A3C3 | 15- 39 | M39003-01-2312 |
| 1A2R39 | 8- 52 | RN65D1910F | 1A3CR5 | 15- 8 | JAN1N914 | 1A3C3 | 18- 74 | 300-100W5R104K |
| 1A2R39 | 10- 59 | RCR07G101JR | 1A3CR5 | 18- 52 | JAN1N914 | 1A3C3 | 18- 74 | CK06BX104K |
| 1A2R4 | 7- 81 | RCR07G511JR | 1A3CR5 | 21- 29 | JAN1N914 | 1A3C3 | 21- 99 | CK06BX104K |
| 1A2R4 | 8- 88 | RCR07G511JR | 1A3CR6 | 15- 44 | JAN1N914 | 1A3C4 | 15- 14 | M39003-01-2368 |
| 1A2R40 | 7- 41 | RCR07G102JR | 1A3CR6 | 18- 37 | 5082-8906 | 1A3C4 | 18- 11 | M39003-01-2362 |
| 1A2R40 | 8- 41 | RCR07G102JR | 1A3CR6 | 21- 8 | 5082-8906 | 1A3C4 | 21- 2 | M39003-01-2362 |
| 1A2R40 | 10- 75 | RCR07G681JR | 1A3CR7 | 15- 44 | JAN1N914 | 1A3C5 | 15- 13 | M39003-01-2286 |
| 1A2R42 | 7- 58 | RCR07G104JR | 1A3CR7 | 18- 37 | 5082-8906 | 1A3C5 | 18- 11 | M39003-01-2362 |
| 1A2R42 | 8- 54 | RCR07G104JR | 1A3CR7 | 21- 8 | 5082-8906 | 1A3C5 | 21- 2 | M39003-01-2362 |
| 1A2R43 | 7- 58 | RCR07G104JR | 1A3CR8 | 18- 52 | JAN1N914 | 1A3C6 | 15- 13 | M39003-01-2286 |
| 1A2R43 | 8- 54 | RCR07G104JR | 1A3CR8 | 21- 29 | JAN1N914 | 1A3C6 | 18- 11 | M39003-01-2362 |
| 1A2R44 | 7- 43 | RCR07G101JR | 1A3CR9 | 18- 21 | JAN1N4148 | 1A3C6 | 21- 2 | M39003-01-2362 |
| 1A2R44 | 8- 44 | RCR07G101JR | 1A3CR9 | 21- 40 | JAN1N4148 | 1A3C7 | 15- 22 | CP09A1KB103K3 |
| 1A2R45 | 7- 36 | RCR07G151JR | 1A3C1 | 15- 56 | CP09A1KB104K3 | 1A3C7 | 18- 11 | M39003-01-2362 |
| 1A2R45 | 8- 36 | RCR07G151JR | 1A3C1 | 18- 93 | CP09A1KB104K3 | 1A3C7 | 21- 2 | M39003-01-2362 |
| 1A2R46 | 8- 72 | RCR07G222JR | 1A3C10 | 21- 86 | M39003-01-2362 | 1A3C8 | 15- 22 | CP09A1KB103K3 |
| 1A2R46 | 8- 72 | RCR07G152JR | 1A3C10 | 15- 13 | M39003-01-2286 | 1A3C8 | 18- 11 | M39003-01-2362 |
| 1A2R46 | 8- 72 | RCR07G472JR | 1A3C10 | 18- 11 | M39003-01-2362 | 1A3C8 | 21- 2 | M39003-01-2362 |
| 1A2R5 | 7- 78 | RCR07G203JR | 1A3C10 | 21- 2 | M39003-01-2362 | 1A3C9 | 15- 22 | CP09A1KB103K3 |
| 1A2R5 | 8- 81 | RCR07G203JR | 1A3C11 | 15- 15 | CP09A1KC683K3 | 1A3C9 | 18- 11 | M39003-01-2362 |
| 1A2R5 | 9- 36 | RCR07G562JR | 1A3C11 | 18- 32 | M39003-01-2286 | 1A3C9 | 21- 2 | M39003-01-2362 |
| 1A2R5 | 10- 36 | RCR07G133JR | 1A3C11 | 21- 5 | M39003-01-2286 | 1A3L1 | 15- 29 | PC1050-14 |

Section IV
Reference Designation Index

T.O. 31R2-2GRR-114
NAVELEX 0967-LP-428-1020

| REFERENCE DESIGNATION | FIGURE AND INDEX NUMBER | PART NUMBER | REFERENCE DESIGNATION | FIGURE AND INDEX NUMBER | PART NUMBER | REFERENCE DESIGNATION | FIGURE AND INDEX NUMBER | PART NUMBER |
|-----------------------|-------------------------|---------------|-----------------------|-------------------------|-------------|-----------------------|-------------------------|--------------|
| 1A3P1 | 15- 81 | DAC15PFO | 1A3R1 | 15- 57 | RN55D7151F | 1A3R27 | 21- 98 | RCR07G102JS |
| 1A3P1 | 15- 81 | DAU15PFO | 1A3R1 | 18- 95 | RN55D7151F | 1A3R28 | 15- 72 | RCR07G102JR |
| 1A3P1 | 15- 81 | 234-15-11-100 | 1A3R1 | 21- 87 | RN55D7151F | 1A3R28 | 18- 78 | RCR07G392JS |
| 1A3P1 | 21-107 | DAU15PFO | 1A3R10 | 15- 65 | RN55D2100F | 1A3R28 | 21-103 | RCR07G392JS |
| 1A3P1 | 18-101 | DAC15PFO | 1A3R10 | 18- 64 | RN55D60R4F | 1A3R29 | 15- 72 | RCR07G102JR |
| 1A3P1 | 18-101 | DAU15PFO | 1A3R10 | 21- 83 | RN55D60R4F | 1A3R29 | 18- 79 | RCR07G202JS |
| 1A3P1 | 18-101 | 234-15-11-100 | 1A3R11 | 15- 48 | RCR20G331JR | 1A3R29 | 21- 66 | RCR07G202JS |
| 1A3P1 | 21-107 | 234-15-11-100 | 1A3R11 | 18- 63 | RN55D2100F | 1A3R3 | 15- 59 | RN55D2430F |
| 1A3Q1 | 15- 60 | JAN2N2222A | 1A3R11 | 21- 92 | RN55D2100F | 1A3R3 | 18- 94 | RN55D2430F |
| 1A3Q1 | 18- 57 | JAN2N2222A | 1A3R12 | 15- 43 | RCR07G242JR | 1A3R3 | 21- 88 | RN55D2430F |
| 1A3Q1 | 21- 67 | JAN2N2222A | 1A3R12 | 18- 88 | RCR07G622JR | 1A3R30 | 15- 17 | RCR07G394JR |
| 1A3Q10 | 15- 23 | JAN2N2222A | 1A3R12 | 21- 80 | RCR07G622JR | 1A3R30 | 18- 59 | RN55D1002F |
| 1A3Q10 | 18- 18 | JAN2N2222A | 1A3R13 | 15- 70 | RN55D1001F | 1A3R30 | 21- 89 | RN55D1002F |
| 1A3Q10 | 21- 12 | JAN2N2222A | 1A3R13 | 18- 85 | RCR20G331JS | 1A3R31 | 15- 7 | RCR07G333JR |
| 1A3Q11 | 15- 23 | JAN2N2222A | 1A3R13 | 21- 77 | RCR20G331JS | 1A3R31 | 18- 53 | RCR07G332JS |
| 1A3Q11 | 18- 33 | 2N4222 | 1A3R14 | 15- 47 | RN55D6041F | 1A3R31 | 21- 28 | RCR07G332JS |
| 1A3Q11 | 18- 32 | SFE1109 | 1A3R14 | 18- 68 | RCR07G242JS | 1A3R32 | 15- 12 | RV6NAYSL103A |
| 1A3Q11 | 21- 3 | SFE1109 | 1A3R14 | 21- 94 | RCR07G242JS | 1A3R32 | 18- 8 | RV6NAYSL253A |
| 1A3Q11 | 18- 32 | U2793 | 1A3R15 | 15- 49 | RCR07G470JR | 1A3R32 | 21- 33 | RV6NAYSL253A |
| 1A3Q11 | 21- 3 | U2793 | 1A3R15 | 18- 70 | RN55D1001F | 1A3R33 | 15- 19 | RCR07G822JR |
| 1A3Q12 | 15- 25 | JAN2N1613 | 1A3R15 | 21- 76 | RN55D1001F | 1A3R33 | 18- 48 | RCR07G154JS |
| 1A3Q12 | 18- 18 | JAN2N2222A | 1A3R16 | 15- 46 | RCR07G472JR | 1A3R33 | 21- 25 | RCR07G154JS |
| 1A3Q12 | 21- 12 | JAN2N2222A | 1A3R16 | 18- 96 | RCR07G470JS | 1A3R34 | 15- 20 | RCR07G152JR |
| 1A3Q13 | 15- 23 | JAN2N2222A | 1A3R16 | 21- 78 | RCR07G470JS | 1A3R34 | 18- 29 | RCR07G103JS |
| 1A3Q13 | 18- 18 | JAN2N2222A | 1A3R17 | 15- 45 | RCR07G753JR | 1A3R34 | 21- 20 | RCR07G103JS |
| 1A3Q13 | 21- 12 | JAN2N2222A | 1A3R17 | 18- 84 | RN55D6041F | 1A3R35 | 15- 21 | RCR07G151JR |
| 1A3Q14 | 15- 25 | JAN2N1613 | 1A3R17 | 21- 75 | RN55D6041F | 1A3R35 | 18- 46 | RCR07G105JS |
| 1A3Q14 | 18- 18 | JAN2N2222A | 1A3R18 | 15- 38 | RCR07G202JR | 1A3R35 | 21- 23 | RCR07G105JS |
| 1A3Q14 | 21- 12 | JAN2N2222A | 1A3R18 | 18- 72 | RCR07G102JS | 1A3R36 | 15- 20 | RCR07G152JR |
| 1A3Q15 | 21- 56 | JAN2N2222A | 1A3R18 | 21- 98 | RCR07G102JS | 1A3R36 | 18- 45 | RN55D6811F |
| 1A3Q16 | 21- 56 | JAN2N2222A | 1A3R19 | 15- 74 | RCR07G152JR | 1A3R36 | 21- 22 | RN55D6811F |
| 1A3Q17 | 21- 53 | JAN2N2907A | 1A3R19 | 18- 73 | RCR07G220JS | 1A3R37 | 15- 16 | RCR07G154JR |
| 1A3Q2 | 15- 60 | JAN2N2222A | 1A3R19 | 21-100 | RCR07G220JS | 1A3R37 | 18- 45 | RN55D6811F |
| 1A3Q2 | 18- 57 | JAN2N2222A | 1A3R2 | 15- 62 | RN55D4321F | 1A3R37 | 21- 22 | RN55D6811F |
| 1A3Q3 | 15- 41 | JAN2N1613 | 1A3R2 | 18- 60 | RN55D4321F | 1A3R38 | 15- 18 | RCR07G124JR |
| 1A3Q3 | 18- 67 | JAN2N2904A | 1A3R2 | 21- 90 | RN55D4321F | 1A3R38 | 18- 44 | RCR07G124JS |
| 1A3Q3 | 21- 79 | JAN2N2904A | 1A3R20 | 15- 43 | RCR07G242JR | 1A3R38 | 21- 19 | RCR07G124JS |
| 1A3Q4 | 15- 42 | JAN2N1132 | 1A3R20 | 18- 83 | RN55D5112F | 1A3R39 | 15- 17 | RCR07G394JR |
| 1A3Q4 | 18- 87 | JAN2N1613 | 1A3R20 | 21- 74 | RN55D5112F | 1A3R39 | 18- 29 | RCR07G103JS |
| 1A3Q4 | 21- 95 | JAN2N1613 | 1A3R21 | 15- 40 | RCR07G201JR | 1A3R39 | 21- 20 | RCR07G103JS |
| 1A3Q5 | 15- 42 | JAN2N1132 | 1A3R21 | 18- 75 | RN55D2212F | 1A3R4 | 15- 57 | RN55D7151F |
| 1A3Q5 | 18- 67 | JAN2N2904A | 1A3R21 | 21-101 | RN55D2212F | 1A3R4 | 18- 95 | RN55D7151F |
| 1A3Q5 | 21- 79 | JAN2N2904A | 1A3R22 | 15- 75 | RCR07G103JR | 1A3R40 | 15- 28 | RCR07G102JR |
| 1A3Q6 | 15- 41 | JAN2N1613 | 1A3R22 | 18- 82 | RCR07G684JS | 1A3R40 | 18- 51 | RN55D2212F |
| 1A3Q6 | 18- 57 | JAN2N2222A | 1A3R22 | 21- 73 | RCR07G684JS | 1A3R40 | 21- 27 | RN55D2212F |
| 1A3Q6 | 21- 67 | JAN2N2222A | 1A3R23 | 15- 77 | RCR07G392JR | 1A3R41 | 15- 28 | RCR07G102JR |
| 1A3Q7 | 15- 42 | JAN2N1132 | 1A3R23 | 18- 76 | RCR07G222JS | 1A3R41 | 18- 8 | RV6NAYSL253A |
| 1A3Q7 | 18- 49 | FN3495 | 1A3R23 | 21-102 | RCR07G222JS | 1A3R41 | 21- 33 | RV6NAYSL253A |
| 1A3Q7 | 18- 49 | U2792 | 1A3R24 | 15- 50 | RCR07G622JR | 1A3R42 | 15- 21 | RCR07G151JR |
| 1A3Q7 | 21- 26 | U2792 | 1A3R24 | 18- 77 | RCR07G104JS | 1A3R42 | 18- 9 | RN55D3012F |
| 1A3Q8 | 15- 42 | JAN2N1132 | 1A3R24 | 21- 69 | RCR07G104JS | 1A3R42 | 21- 6 | RN55D3012F |
| 1A3Q8 | 18- 18 | JAN2N2222A | 1A3R25 | 15- 73 | RCR07G621JR | 1A3R43 | 15- 30 | RCR07G104JR |
| 1A3Q8 | 21- 12 | JAN2N2222A | 1A3R25 | 18- 80 | RCR07G622JS | 1A3R43 | 18- 42 | RCR07G472JS |
| 1A3Q9 | 15- 25 | JAN2N1613 | 1A3R25 | 21- 72 | RCR07G622JS | 1A3R43 | 21- 16 | RCR07G472JS |
| 1A3Q9 | 18- 18 | JAN2N2222A | 1A3R26 | 15- 38 | RCR07G202JR | 1A3R44 | 15- 33 | RCR07G222JR |
| 1A3Q9 | 21- 12 | JAN2N2222A | 1A3R26 | 18- 77 | RCR07G104JS | 1A3R44 | 18- 43 | RCR07G511JS |
| 1A3RT1 | 15- 66 | 15DB301S | 1A3R26 | 21- 69 | RCR07G104JS | 1A3R44 | 21- 17 | RCR07G511JS |
| 1A3RT1 | 18- 65 | 15DB301S | 1A3R27 | 15- 58 | RN55D1002F | 1A3R45 | 15- 28 | RCR07G102JR |
| 1A3RT1 | 21- 93 | 15DB301S | 1A3R27 | 18- 72 | RCR07G102JS | 1A3R45 | 15- 28 | RCR07G122JR |

| REFERENCE DESIGNATION | FIGURE AND INDEX NUMBER | PART NUMBER | REFERENCE DESIGNATION | FIGURE AND INDEX NUMBER | PART NUMBER | REFERENCE DESIGNATION | FIGURE AND INDEX NUMBER | PART NUMBER |
|-----------------------|-------------------------|-------------|-----------------------|-------------------------|----------------|-----------------------|-------------------------|----------------|
| 1A3R45 | 18- 42 | RCR07G472JS | 1A3R66 | 18- 13 | RN55D4022F | 1A4C12 | 3- 42 | M39003-01-2312 |
| 1A3R45 | 21- 16 | RCR07G472JS | 1A3R66 | 21- 13 | RN55D4022F | 1A4C13 | 3- 8 | M39003-01-2286 |
| 1A3R46 | 15- 31 | RCR07G221JR | 1A3R67 | 18- 14 | RN60D3923F | 1A4C14 | 3- 10 | M39003-01-2374 |
| 1A3R46 | 18- 5 | RCR07G471JS | 1A3R67 | 21- 21 | RN60D3923F | 1A4C15 | 3- 12 | CL65BH151KPE |
| 1A3R46 | 21- 18 | RCR07G471JS | 1A3R68 | 18- 14 | RN60D3923F | 1A4C16 | 3- 10 | M39003-01-2374 |
| 1A3R47 | 15- 34 | RCR07G272JR | 1A3R68 | 21- 21 | RN60D3923F | 1A4C17 | 3- 1 | CK63AW103M |
| 1A3R47 | 18- 13 | RN55D4022F | 1A3R69 | 18- 5 | RCR07G471JS | 1A4C18 | 3- 16 | M39003-01-2312 |
| 1A3R47 | 21- 13 | RN55D4022F | 1A3R69 | 21- 18 | RCR07G471JS | 1A4C19 | 3- 9 | M39003-01-2286 |
| 1A3R48 | 15- 26 | RCR07G561JR | 1A3R7 | 15- 55 | RV6NAYSL252A | 1A4C2 | 3- 25 | M39003-01-2286 |
| 1A3R48 | 18- 41 | RN55D9311F | 1A3R7 | 18- 92 | RV6NAYSL252A | 1A4C20 | 3- 1 | CK63AW103M |
| 1A3R48 | 21- 14 | RN55D9311F | 1A3R7 | 21- 85 | RV6NAYSL252A | 1A4C21 | 3- 18 | M39003-01-2359 |
| 1A3R49 | 15- 9 | RCR07G562JR | 1A3R70 | 18- 7 | RCR07G104JS | 1A4C22 | 3- 10 | M39003-01-2374 |
| 1A3R49 | 18- 7 | RCR07G104JS | 1A3R70 | 21- 30 | RCR07G104JS | 1A4C23 | 3- 1 | CK63AW103M |
| 1A3R49 | 21- 30 | RCR07G104JS | 1A3R71 | 18- 12 | RCR07G470JS | 1A4C24 | 3- 25 | M39003-01-2286 |
| 1A3R5 | 15- 62 | RN55D4321F | 1A3R71 | 21- 35 | RCR07G470JS | 1A4C3 | 3- 25 | M39003-01-2286 |
| 1A3R5 | 18- 60 | RN55D4321F | 1A3R72 | 18- 20 | RCR07G102JS | 1A4C4 | 3- 35 | CK63AW103M |
| 1A3R5 | 21- 90 | RN55D4321F | 1A3R72 | 21- 15 | RCR07G102JS | 1A4C5 | 3- 35 | CK63AW103M |
| 1A3R50 | 15- 16 | RCR07G154JR | 1A3R73 | 18- 29 | RCR07G103JS | 1A4C6 | 3- 25 | M39003-01-2286 |
| 1A3R50 | 18- 6 | RCR07G123JS | 1A3R73 | 21- 20 | RCR07G103JS | 1A4C7 | 3- 25 | M39003-01-2286 |
| 1A3R50 | 21- 32 | RCR07G123JS | 1A3R74 | 21- 55 | RN55D7151F | 1A4C8 | 3- 35 | CK63AW103M |
| 1A3R51 | 15- 28 | RCR07G102JR | 1A3R75 | 21- 57 | RCR07G682JS | 1A4C9 | 3- 35 | CK63AW103M |
| 1A3R51 | 18- 40 | RN55D5621F | 1A3R76 | 21- 52 | RCR07G101JS | 1A4P1 | 3- 57 | DAC15PFO |
| 1A3R51 | 21- 11 | RN55D5621F | 1A3R77 | 21- 52 | RCR07G101JS | 1A4P1 | 3- 57 | DAU15PFO |
| 1A3R52 | 15- 32 | RCR07G224JR | 1A3R8 | 15- 63 | RN55D3321F | 1A4P1 | 3- 57 | 234-15-11-100 |
| 1A3R52 | 18- 39 | RCR07G221JS | 1A3R8 | 18- 61 | RN55D3321F | 1A4Q1 | 3- 27 | JAN2N1613 |
| 1A3R52 | 21- 10 | RCR07G221JS | 1A3R8 | 21- 91 | RN55D3321F | 1A4Q10 | 3- 5 | JAN2N1613 |
| 1A3R53 | 15- 27 | RCR07G393JR | 1A3R9 | 15- 51 | RN55D8250F | 1A4Q2 | 3- 27 | JAN2N1613 |
| 1A3R53 | 18- 38 | RCR07G162JS | 1A3R9 | 18- 99 | RN55D8250F | 1A4Q3 | 3- 27 | JAN2N1613 |
| 1A3R53 | 21- 9 | RCR07G162JS | 1A3R9 | 21- 81 | RN55D8250F | 1A4Q4 | 3- 27 | JAN2N1613 |
| 1A3R54 | 15- 9 | RCR07G562JR | 1A3U1 | 18- 81 | SN52741L00 | 1A4Q5 | 3- 27 | JAN2N1613 |
| 1A3R54 | 18- 10 | RCR07G183JS | 1A3U1 | 21- 71 | SN52741L00 | 1A4Q6 | 3- 27 | JAN2N1613 |
| 1A3R54 | 21- 34 | RCR07G183JS | 1A3U1 | 18- 81 | U5B7741312 | 1A4Q7 | 3- 5 | JAN2N1613 |
| 1A3R55 | 15- 52 | RN55D60R4F | 1A3U1 | 18- 81 | RM741T | 1A4Q8 | 3- 5 | JAN2N1613 |
| 1A3R55 | 18- 36 | RCR07G474JS | 1A3U1 | 21- 71 | RM741T | 1A4Q9 | 3- 5 | JAN2N1613 |
| 1A3R55 | 21- 7 | RCR07G474JS | 1A3U2 | 18- 22 | SN52741L00 | 1A4R1 | 3- 37 | RCR07G153JR |
| 1A3R56 | 15- 30 | RCR07G104JR | 1A3U2 | 18- 22 | U5B7741312 | 1A4R10 | 3- 36 | RCR07G102JR |
| 1A3R56 | 18- 30 | RCR07G224JS | 1A3U2 | 21- 39 | SN52741L00 | 1A4R11 | 3- 40 | RCR20G150JR |
| 1A3R56 | 21- 1 | RCR07G224JS | 1A3U2 | 18- 22 | RM741T | 1A4R12 | 3- 40 | RCR20G150JR |
| 1A3R57 | 18- 35 | RN55D3012F | 1A3U2 | 21- 39 | RM741T | 1A4R13 | 3- 34 | RCR07G271JR |
| 1A3R57 | 21- 6 | RN55D3012F | 1A3VR1 | 15- 53 | JAN1N753A | 1A4R14 | 3- 41 | RCR20G270JR |
| 1A3R58 | 18- 28 | RN55D3402F | 1A3VR1 | 18- 90 | JAN1N753A | 1A4R15 | 3- 34 | RCR07G271JR |
| 1A3R58 | 21- 46 | RN55D3402F | 1A3VR1 | 21- 82 | JAN1N753A | 1A4R16 | 3- 36 | RCR07G102JR |
| 1A3R59 | 18- 29 | RCR07G103JS | 1A3VR2 | 15- 68 | JAN1N759A | 1A4R17 | 3- 26 | RCR07G332JR |
| 1A3R59 | 21- 20 | RCR07G103JS | 1A3VR2 | 18- 69 | JAN1N759A | 1A4R18 | 3- 29 | RCR07G222JR |
| 1A3R6 | 15- 54 | RN55D2801F | 1A3VR2 | 21- 96 | JAN1N759A | 1A4R19 | 3- 45 | RCR07G101JR |
| 1A3R6 | 18- 91 | RN55D2801F | 1A3VR3 | 15- 69 | JAN1N751A | 1A4R2 | 3- 33 | RCR07G103JR |
| 1A3R6 | 21- 84 | RN55D2801F | 1A3VR3 | 18- 71 | JAN1N751A | 1A4R21 | 3- 30 | RCR07G331JR |
| 1A3R60 | 18- 27 | RN55D3011F | 1A3VR3 | 21- 97 | JAN1N751A | 1A4R22 | 3- 33 | RCR07G103JR |
| 1A3R60 | 21- 45 | RN55D3011F | 1A3VR4 | 15- 59 | JAN1N751A | 1A4R23 | 3- 32 | RCR07G391JR |
| 1A3R61 | 18- 26 | RN55D8251F | 1A3VR5 | 15- 76 | JAN1N755A | 1A4R24 | 3- 44 | RCR07G273JR |
| 1A3R61 | 21- 44 | RN55D8251F | 1A3VR6 | 15- 76 | JAN1N755A | 1A4R25 | 3- 22 | RCR07G102JR |
| 1A3R62 | 18- 24 | RN55D6041F | 1A4 | 2- 13 | 8004244G1 | 1A4R26 | 3- 19 | RCR07G273JR |
| 1A3R62 | 21- 42 | RN55D6041F | 1A4CR1 | 3- 30 | JAN1N914 | 1A4R27 | 3- 3 | RCR07G103JR |
| 1A3R63 | 18- 20 | RCR07G102JS | 1A4CR2 | 3- 30 | JAN1N914 | 1A4R28 | 3- 4 | RCR07G182JR |
| 1A3R63 | 21- 15 | RCR07G102JS | 1A4CR3 | 3- 30 | JAN1N914 | 1A4R29 | 3- 7 | RCR07G223JR |
| 1A3R64 | 18- 23 | RCR07G683JS | 1A4CR4 | 3- 30 | JAN1N914 | 1A4R3 | 3- 33 | RCR07G103JR |
| 1A3R64 | 21- 41 | RCR07G683JS | 1A4C1 | 3- 25 | M39003-01-2286 | 1A4R30 | 3- 9 | RCR07G391JR |
| 1A3R65 | 18- 17 | RN55D1823F | 1A4C10 | 3- 42 | M39003-01-2312 | 1A4R31 | 3- 11 | RCR07G123JR |
| 1A3R65 | 21- 37 | RN55D1823F | 1A4C11 | 3- 39 | M39003-01-2374 | 1A4R32 | 3- 17 | RCR07G821JR |

Section IV
Reference Designation Index

T.O. 31R2-2GRR-114
NAVELEX 0967-LP-428-1020

| REFERENCE DESIGNATION | FIGURE AND INDEX NUMBER | PART NUMBER | REFERENCE DESIGNATION | FIGURE AND INDEX NUMBER | PART NUMBER | REFERENCE DESIGNATION | FIGURE AND INDEX NUMBER | PART NUMBER |
|-----------------------|-------------------------|------------------|-----------------------|-------------------------|------------------|-----------------------|-------------------------|---------------|
| 1A4R33 | 3- 13 | RCR20G150JR | 1A5C2 | 6- 19 | 538-011-15-60PFF | 1A5L2 | 6- 18 | MS75008-37 |
| 1A4R34 | 3- 2 | RCR07G101JR | 1A5C20 | 5- 5 | CK60BX470K | 1A5L3 | 5- 32 | MS75008-33 |
| 1A4R35 | 3- 15 | RCR20G470JR | 1A5C22 | 5- 23 | 538-011-15-60PFF | 1A5L3 | 6- 18 | MS75008-37 |
| 1A4R36 | 3- 20 | RCR07G221JR | | | | 1A5L4 | 5- 4 | MS75008-25 |
| 1A4R37 | 3- 2 | RCR07G101JR | 1A5C23 | 5- 5 | CK60BX470K | 1A5L4 | 6- 25 | MS75008-25 |
| 1A4R38 | 3- 17 | RCR07G821JR | 1A5C24 | 5- 5 | CK60AW102M | 1A5L5 | 5- 4 | MS75008-25 |
| 1A4R39 | 3- 13 | RCR20G150JR | 1A5C25 | 5- 34 | M39003-01-2286 | 1A5L5 | 6- 18 | MS75008-37 |
| 1A4R4 | 3- 32 | RCR07G391JR | 1A5C26 | 5- 6 | CK60AW102M | 1A5L6 | 5- 45 | MS75008-36 |
| 1A4R40 | 3- 21 | RCR07G472JR | 1A5C27 | 5- 68 | CK63AW103M | 1A5L7 | 5- 81 | MS75008-43 |
| 1A4R41 | 3- 17 | RCR07G821JR | 1A5C28 | 5- 75 | M39003-01-2306 | 1A5L8 | 5- 81 | MS75008-43 |
| 1A4R42 | 3- 3 | RCR07G103JR | 1A5C29 | 5- 82 | CK61AW222M | 1A5L9 | 5- 92 | MS75008-29 |
| 1A4R43 | 3- 9 | RCR07G391JR | 1A5C3 | 5- 33 | CK60BX220K | 1A5P1 | 5-119 | DEC9PFO |
| 1A4R44 | 3- 11 | RCR07G123JR | 1A5C30 | 5- 68 | CK63AW103M | 1A5P1 | 5-119 | DEU9PFO |
| 1A4R45 | 3- 2 | RCR07G101JR | 1A5C31 | 5- 68 | CK63AW103M | 1A5P1 | 5-119 | 234-09-11-100 |
| 1A4R46 | 3- 26 | RCR07G332JR | 1A5C32 | 5- 58 | M39003-01-2286 | 1A5P1 | 6- 34 | DEC9PFO |
| 1A4R47 | 3- 36 | RCR07G102JR | 1A5C33 | 5- 88 | CK60AW152M | 1A5P1 | 6- 34 | DEU9PFO |
| 1A4R5 | 3- 43 | RCR20G470JR | 1A5C34 | 5- 68 | CK63AW103M | 1A5P1 | 6- 34 | 234-09-11-100 |
| 1A4R6 | 3- 36 | RCR07G102JR | 1A5C35 | 5- 68 | CK63AW103M | 1A5P2 | 5- 46 | UG1465U |
| 1A4R7 | 3- 37 | RCR07G153JR | 1A5C36 | 5- 68 | CK63AW103M | 1A5P2 | 6- 2 | UG1465U |
| 1A4R8 | 3- 36 | RCR07G102JR | 1A5C37 | 5- 86 | QM05ED220J03 | 1A5Q1 | 5- 27 | 2N5109 |
| 1A4R9 | 3- 36 | RCR07G102JR | 1A5C38 | 5- 87 | 538-011-7-25PFB | 1A5Q1 | 6- 16 | 2N5109 |
| 1A4T1 | 3- 55 | 52834 | 1A5C39 | 5- 88 | CK60AW152M | 1A5Q10 | 5- 64 | JAN2N2222A |
| 1A4T1 | 3- 55 | AU0106 | 1A5C4 | 5- 28 | CK63AW103M | 1A5Q11 | 5- 80 | JAN2N1613 |
| 1A4T2 | 3- 55 | 52834 | 1A5C4 | 6- 17 | CK61AW222M | 1A5Q2 | 5- 35 | JAN2N2222A |
| 1A4T2 | 3- 55 | AU0106 | 1A5C40 | 5- 56 | M39003-01-2280 | 1A5Q3 | 5- 35 | JAN2N2222A |
| 1A4VR1 | 3- 38 | JAN1N976B | 1A5C41 | 5- 61 | CK60AX471K | 1A5Q4 | 5- 35 | JAN2N2222A |
| 1A4VR2 | 3- 38 | JAN1N976B | 1A5C42 | 5- 75 | M39003-01-2306 | 1A5Q5 | 5- 89 | 515341-1 |
| 1A4VR3 | 3- 14 | JAN1N976B | 1A5C43 | 5- 58 | M39003-01-2286 | 1A5Q6 | 5- 64 | JAN2N2222A |
| 1A4VR4 | 3- 14 | JAN1N976B | 1A5C44 | 5- 58 | M39003-01-2286 | 1A5Q7 | 5- 64 | JAN2N2222A |
| 1A5 | 2- 19 | 8116765G1 | 1A5C45 | 5- 56 | M39003-01-2280 | 1A5Q8 | 5- 64 | JAN2N2222A |
| 1A5 | 2- 19 | 8004238G1 | 1A5C46 | 5- 56 | M39003-01-2280 | 1A5Q9 | 5- 64 | JAN2N2222A |
| 1A5CR1 | 5- 15 | JAN1N914 | 1A5C47 | 5- 68 | CK63AW103M | 1A5R1 | 5- 12 | RCR07G560JR |
| 1A5CR1 | 6- 30 | 5082-8906 | 1A5C48 | 5- 58 | M39003-01-2286 | 1A5R1 | 6- 22 | RCR07G562JR |
| 1A5CR10 | 5- 63 | JAN1N914 | 1A5C49 | 5- 75 | M39003-01-2306 | 1A5R10 | 5- 18 | RCR07G680JR |
| 1A5CR2 | 5- 15 | JAN1N914 | 1A5C5 | 5- 23 | 538-011-15-60PFF | 1A5R10 | 6- 13 | RCR07G100JR |
| 1A5CR3 | 5- 8 | MA47557 | 1A5C5 | 6- 17 | CK61AW222M | 1A5R11 | 5- 19 | RCR07G102JR |
| 1A5CR4 | 5- 8 | MA47557 | 1A5C5 | 5- 26 | M39003-01-2295 | 1A5R12 | 5- 17 | RCR07G510JR |
| 1A5CR5 | 5- 50 | 5082-8906 | 1A5C5 | 5- 104 | 300-100W5R104K | 1A5R13 | 5- 13 | RCR07G473JR |
| 1A5CR6 | 5- 63 | JAN1N914 | 1A5C50 | 5- 104 | CK06BX104K | 1A5R14 | 5- 16 | RCR07G123JR |
| 1A5CR7 | 5- 63 | JAN1N914 | 1A5C51 | 5- 6 | CK60AW102M | 1A5R15 | 5- 14 | RCR07G122JR |
| 1A5CR8 | 5- 63 | JAN1N914 | 1A5C52 | 5- 76 | M39003-01-2374 | 1A5R16 | 5- 12 | RCR07G560JR |
| 1A5CR9 | 5- 63 | JAN1N914 | 1A5C53 | 5- 43 | 501202-1 | 1A5R17 | 5- 12 | RCR07G560JR |
| 1A5C1 | 5- 5 | CK60BX470K | 1A5C54 | 5- 49 | CK61AW222M | 1A5R18 | 5- 51 | RCR07G240JR |
| 1A5C10 | 5- 23 | 538-011-15-60PFF | 1A5C55 | 5- 6 | CK60AW102M | 1A5R19 | 5- 11 | RCR07G221JR |
| 1A5C10 | 6- 12 | QM05ED680J03 | 1A5C6 | 5- 6 | CK60AW102M | 1A5R2 | 5- 31 | RCR07G562JR |
| 1A5C11 | 5- 26 | M39003-01-2295 | 1A5C6 | 6- 15 | CK60AW102M | 1A5R2 | 6- 21 | RCR07G152JR |
| 1A5C11 | 6- 15 | CK60AW102M | 1A5C7 | 5- 6 | CK60AW102M | 1A5R20 | 5- 11 | RCR07G221JR |
| 1A5C12 | 5- 28 | CK63AW103M | 1A5C7 | 6- 17 | CK61AW222M | 1A5R21 | 5- 11 | RCR07G221JR |
| 1A5C13 | 5- 34 | M39003-01-2286 | 1A5C8 | 5- 23 | 538-011-15-60PFF | 1A5R25 | 5- 9 | RCR07G101JR |
| 1A5C14 | 5- 37 | 300-100W5R104K | 1A5C8 | 6- 26 | M39003-01-2295 | 1A5R26 | 5- 10 | RCR07G222JR |
| 1A5C14 | 5- 37 | CK06BX104K | 1A5C8 | 5- 5 | CK60BX470K | 1A5R27 | 5- 42 | RCR07G100JR |
| 1A5C15 | 5- 39 | CK60BX101K | 1A5C9 | 5- 22 | 504701-3 | 1A5R28 | 5- 38 | RCR32G471JR |
| 1A5C16 | 5- 40 | 300-100W5R123K | 1A5DL1 | 5- 110 | UG1464U | 1A5R29 | 5- 14 | RCR07G122JR |
| 1A5C16 | 5- 40 | CK06BX123K | 1A5J1 | 6- 4 | UG1468U | 1A5R3 | 5- 30 | RCR07G152JR |
| 1A5C17 | 5- 23 | 538-011-15-60PFF | 1A5J1 | 6- 4 | UG1468U | 1A5R3 | 6- 24 | RCR07G102JR |
| 1A5C18 | 5- 7 | CK60BX680M | 1A5J1 | 6- 4 | M39012-76-0002 | 1A5R30 | 5- 74 | RCR07G221JR |
| 1A5C19 | 5- 6 | CK60AW102M | 1A5L1 | 5- 24 | MS75008-29 | 1A5R31 | 5- 83 | RCR07G510JR |
| 1A5C2 | 5- 23 | 538-011-15-60PFF | 1A5L1 | 6- 20 | MS75008-33 | 1A5R32 | 5- 62 | RCR07G202JR |
| | | | 1A5L10 | 5- 44 | MS75008-27 | 1A5R33 | 5- 78 | RCR20G270JR |
| | | | 1A5L2 | 5- 25 | MS75008-37 | 1A5R34 | 5- 79 | RCR07G122JR |
| | | | | | | 1A5R35 | 5- 83 | RCR07G510JR |

| REFERENCE DESIGNATION | FIGURE AND INDEX NUMBER | PART NUMBER | REFERENCE DESIGNATION | FIGURE AND INDEX NUMBER | PART NUMBER | REFERENCE DESIGNATION | FIGURE AND INDEX NUMBER | PART NUMBER |
|-----------------------|-------------------------|-------------|-----------------------|-------------------------|----------------|-----------------------|-------------------------|----------------|
| 1A5R36 | 5- 62 | ROR07G202JR | 1A5Z3 | 5-105 | CA3013 | 1A6J2 | 4- 7 | UG1468U |
| 1A5R37 | 5- 66 | ROR07G101JR | 1A6 | 2- 18 | 8004247G1 | 1A6J2 | 4- 7 | M39012-76-0002 |
| 1A5R38 | 5- 95 | ROR07G393JR | 1A6CR1 | 4- 62 | JAN1N914 | 1A6L1 | 4- 58 | MS75008-24 |
| 1A5R39 | 5- 94 | ROR07G303JR | 1A6CR2 | 4- 62 | JAN1N914 | 1A6L1 | 4- 58 | MS75008-25 |
| 1A5R4 | 5- 19 | ROR07G102JR | 1A6CR3 | 4- 62 | JAN1N914 | 1A6L10 | 4- 61 | MS75008-40 |
| 1A5R4 | 6- 14 | ROR07G390JR | 1A6CR4 | 4- 62 | JAN1N914 | 1A6L11 | 4- 61 | MS75008-40 |
| 1A5R40 | 5- 83 | ROR07G510JR | 1A6C1 | 4- 70 | OM05ED470J03 | 1A6L12 | 4- 41 | MS75008-40 |
| 1A5R41 | 5- 90 | ROR07G100JR | 1A6C1 | 4- 70 | OMR05E220J0DM | 1A6L13 | 4- 41 | MS75008-40 |
| 1A5R42 | 5- 93 | ROR07G471JR | 1A6C10 | 4- 60 | CK60AW102M | 1A6L14 | 4- 41 | MS75008-40 |
| 1A5R43 | 5- 96 | ROR07G563JR | 1A6C11 | 4- 58 | CK06BX103K | 1A6L15 | 4- 41 | MS75008-40 |
| 1A5R44 | 5- 57 | 62PAR1K | 1A6C12 | 4- 56 | CK63AW103M | 1A6L16 | 4- 24 | 8004819G3 |
| 1A5R44 | 5- 57 | 63X102603 | 1A6C13 | 4- 74 | M39003-01-2280 | 1A6L17 | 4- 41 | MS75008-40 |
| 1A5R45 | 5- 90 | ROR07G100JR | 1A6C14 | 4- 57 | 538-011-15- | 1A6L2 | 4- 61 | MS75008-40 |
| 1A5R46 | 5-101 | ROR07G103JR | | | 60PFF | 1A6L3 | 4- 64 | 8004819G1 |
| 1A5R47 | 5- 99 | ROR07G512JR | 1A6C15 | 4- 60 | CK60AW102M | 1A6L4 | 4- 61 | MS75008-40 |
| 1A5R48 | 5- 83 | ROR07G510JR | 1A6C16 | 4- 56 | CK63AW103M | 1A6L5 | 4- 63 | 8004819G3 |
| 1A5R49 | 5-106 | ROR07G331JR | 1A6C17 | 4- 58 | CK06BX103K | 1A6L6 | 4- 61 | MS75008-40 |
| 1A5R5 | 5- 29 | ROR07G390JR | 1A6C18 | 4- 74 | M39003-01-2280 | 1A6L7 | 4- 59 | 8004819G2 |
| 1A5R5 | 6- 11 | ROR07G121JR | 1A6C19 | 4- 57 | 538-011-15- | 1A6L8 | 4- 61 | MS75008-40 |
| 1A5R50 | 5- 55 | ROR07G102JR | | | 60PFF | 1A6L9 | 4- 61 | MS75008-40 |
| 1A5R51 | 5- 98 | ROR07G104JR | 1A6C2 | 4- 57 | 538-011-15- | 1A6P1 | 4- 83 | DEC9PFF0 |
| 1A5R52 | 5- 62 | ROR07G202JR | | | 60PFF | 1A6P1 | 4- 83 | DEU9PFF0 |
| 1A5R53 | 5-100 | ROR07G511JR | 1A6C20 | 4- 56 | CK63AW103M | 1A6P1 | 4- 83 | 234-09-11-100 |
| 1A5R54 | 5-103 | ROR07G152JR | 1A6C21 | 4- 56 | CK63AW103M | 1A6P2 | 4- 5 | UG1465U |
| 1A5R55 | 5- 72 | ROR07G392JR | 1A6C22 | 4- 60 | CK60AW102M | 1A6Q1 | 4- 73 | A2892 |
| 1A5R56 | 5- 90 | ROR07G100JR | 1A6C23 | 4- 56 | CK63AW103M | 1A6Q1 | 4- 73 | BF167 |
| 1A5R57 | 5- 72 | ROR07G392JR | 1A6C24 | 4- 85 | FA5C102W | 1A6Q1 | 4- 73 | 8009551-1 |
| 1A5R58 | 5- 55 | ROR07G102JR | 1A6C25 | 4- 85 | FA5C102W | 1A6Q2 | 4- 77 | 515341-1 |
| 1A5R59 | 5- 60 | ROR07G223JR | 1A6C26 | 4- 44 | 300-100W5R104K | 1A6Q3 | 4- 77 | 515341-1 |
| 1A5R6 | 5- 9 | ROR07G101JR | 1A6C26 | 4- 44 | CK06BX104K | 1A6Q4 | 4- 26 | 515341-1 |
| 1A5R6 | 6- 27 | ROR07G470JR | 1A6C28 | 4- 43 | CK63AW103M | 1A6Q5 | 4- 26 | 515341-1 |
| 1A5R60 | 5- 62 | ROR07G202JR | 1A6C29 | 4- 43 | CK63AW103M | 1A6Q5 | 4- 27 | JAN2N913 |
| 1A5R61 | 5- 59 | ROR07G153JR | 1A6C3 | 4- 57 | 538-011-15- | 1A6Q5 | 4- 27 | 515341-5 |
| 1A5R62 | 5- 62 | ROR07G202JR | | | 60PFF | 1A6Q6 | 4- 26 | 515341-1 |
| 1A5R63 | 5- 62 | ROR07G202JR | 1A6C30 | 4- 43 | CK63AW103M | 1A6Q6 | 4- 27 | JAN2N913 |
| 1A5R64 | 5- 66 | ROR07G101JR | 1A6C31 | 4- 52 | CK60BX150K | 1A6Q6 | 4- 27 | 515341-5 |
| 1A5R65 | 5- 67 | ROR07G431JR | 1A6C32 | 4- 28 | 538-011-15- | 1A6Q7 | 4- 47 | JAN2N222A |
| 1A5R66 | 5- 69 | ROR07G333JR | | | 60PFF | 1A6RT1 | 4- 35 | ZDB750S |
| 1A5R67 | 5- 72 | ROR07G392JR | 1A6C35 | 4- 29 | CK60AW102M | 1A6RT2 | 4- 59 | JB32J12 |
| 1A5R68 | 5- 70 | ROR07G390JR | 1A6C36 | 4- 29 | CK60AW102M | 1A6R1 | 4- 67 | ROR07G123JR |
| 1A5R69 | 5- 71 | ROR07G271JR | 1A6C37 | 4- 43 | CK63AW103M | 1A6R10 | 4- 66 | ROR07G222JR |
| 1A5R7 | 5- 21 | ROR07G223JR | 1A6C38 | 4- 46 | CK06BX472K | 1A6R11 | 4- 66 | ROR07G222JR |
| 1A5R7 | 6- 11 | ROR07G121JR | 1A6C39 | 4- 50 | M39003-01-2304 | 1A6R12 | 4- 55 | ROR07G331JR |
| 1A5R70 | 5- 73 | ROR07G182JR | 1A6C4 | 4- 56 | CK63AW103M | 1A6R13 | 4- 55 | ROR07G101JR |
| 1A5R71 | 5-100 | ROR07G511JR | 1A6C40 | 4- 50 | M39003-01-2304 | 1A6R14 | 4- 66 | ROR07G222JR |
| 1A5R72 | 5- 55 | ROR07G102JR | 1A6C41 | 4- 49 | M39003-01-2271 | 1A6R15 | 4- 75 | ROR07G511JR |
| 1A5R73 | 5- 91 | ROR07G561JR | 1A6C42 | 4- 51 | M39003-01-2306 | 1A5R15 | 4- 23 | ROR07G821JR |
| 1A5R74 | 5-100 | ROR07G472JR | 1A6C43 | 4- 42 | 300-100W5R223K | 1A6R17 | 4- 18 | ROR07G222JR |
| 1A5R75 | 5- 97 | ROR07G682JR | 1A6C43 | 4- 42 | CK06BX223K | 1A6R18 | 4- 23 | ROR07G821JR |
| 1A5R76 | 5- 99 | ROR07G512JR | 1A6C43 | 4- 42 | M39014-02-1206 | 1A6R19 | 4- 22 | ROR07G101JR |
| 1A5R77 | 5- 90 | ROR07G100JR | 1A6C44 | 4- 8 | CK06BX103K | 1A6R2 | 4- 66 | ROR07G222JR |
| 1A5R78 | 5- 19 | ROR07G102JR | 1A6C45 | 4- 8 | CK06BX103K | 1A6R20 | 4- 21 | ROR07G182JR |
| 1A5R8 | 5- 20 | ROR07G332JR | 1A6C46 | 4- 45 | CK60BX101K | 1A6R21 | 4- 18 | ROR07G222JR |
| 1A5R8 | 6- 29 | ROR07G222JR | 1A6C49 | 4- 25 | CK06BX103K | 1A6R22 | 4- 20 | ROR07G122JR |
| 1A5R9 | 5- 19 | ROR07G102JR | 1A6C5 | 4- 60 | CK60AW102M | 1A6R23 | 4- 19 | ROR07G680JR |
| 1A5R9 | 6- 28 | ROR07G101JR | 1A6C50 | 4- 25 | CK06BX103K | 1A6R24 | 4- 15 | ROR07G100JR |
| 1A5VR1 | 5- 41 | JAN1N753A | 1A6C51 | 4- 25 | CK06BX103K | 1A6R25 | 4- 17 | ROR07G510JR |
| 1A5VR1 | 6- 23 | JAN1N753A | 1A6C6 | 4- 56 | CK63AW103M | 1A6R26 | 4- 40 | ROR07G561JR |
| 1A5VR2 | 5- 77 | JAN1N759A | 1A6C7 | 4- 56 | CK63AW103M | 1A6R27 | 4- 22 | ROR07G101JR |
| 1A5Z1 | 5- 84 | CA3023 | 1A6C8 | 4- 74 | M39003-01-2280 | 1A6R28 | 4- 38 | RN5505621F |
| 1A5Z2 | 5- 84 | CA3023 | 1A6C9 | 4- 57 | 538-011-15- | 1A6R29 | 4- 22 | ROR07G101JR |
| | | | | | 60PFF | | | |

Section IV
Reference Designation Index

T.O. 31R2-2GRR-114
NAVELEX 0967-LP-428-1020

| REFERENCE DESIGNATION | FIGURE AND INDEX NUMBER | PART NUMBER | REFERENCE DESIGNATION | FIGURE AND INDEX NUMBER | PART NUMBER | REFERENCE DESIGNATION | FIGURE AND INDEX NUMBER | PART NUMBER |
|-----------------------|-------------------------|-----------------|-----------------------|-------------------------|----------------|-----------------------|-------------------------|----------------|
| 1A6R3 | 4- 71 | RCR07G202JR | 1FL2C2 | 16- 62 | JMC5619 | 1PS1Q2 | 14- 12 | JAN2N1132 |
| 1A6R3 | 4- 71 | RCR07G182JR | 1FL2J1 | 16- 60 | UG1464U | 1PS1Q3 | 14- 35 | PE6011 |
| 1A6R30 | 4- 33 | RCR07G163JR | 1FL2J1 | 16- 60 | M39012-77-0002 | 1PS1Q3 | 14- 35 | PE6011-40 |
| 1A6R30 | 4- 33 | RCR07G752JR | 1FL2J2 | 16- 60 | UG1464U | 1PS1Q4 | 14- 15 | JAN2N1613 |
| 1A6R31 | 4- 34 | RCR07G751JR | 1FL2J2 | 16- 60 | M39012-77-0002 | 1PS1Q5 | 14- 15 | JAN2N1613 |
| 1A6R31 | 4- 34 | RCR07G472JR | 1F1 | 16- 5 | F02A250V1A | 1PS1Q6 | 14- 15 | JAN2N1613 |
| 1A6R32 | 4- 37 | RN55D3011F | 1F1 | 16- 5 | F02A250V1-2A | 1PS1Q7 | 14- 15 | JAN2N1613 |
| 1A6R33 | 4- 31 | RCR07G102JR | 1F2 | 16- 5 | F02A250V1A | 1PS1Q8 | 14- 36 | 2N3741 |
| 1A6R34 | 4- 30 | RCR07G222JR | 1F2 | 16- 5 | F02A250V1-2A | 1PS1Q9 | 14- 12 | JAN2N1132 |
| 1A6R34 | 4- 30 | RCR07G272JR | 1F3 | 16- 25 | F02A250V3A | 1PS1R1 | 14- 27 | RCR07G681JR |
| 1A6R35 | 4- 32 | RCR07G820JR | 1J1 | 16- 30 | 7486G | 1PS1R10 | 14- 7 | RCR07G182JR |
| 1A6R35 | 4- 32 | RCR07G470JR | 1J14 | 16- 23 | JJ034 | 1PS1R11 | 14- 24 | RCR07G332JR |
| 1A6R36 | 4- 34 | RCR07G751JR | 1J15 | 16- 13 | 672-17 | 1PS1R11 | 14- 24 | RCR07G132JR |
| 1A6R36 | 4- 34 | RCR07G102JR | 1J15 | 16- 13 | UTP16-157 | 1PS1R12 | 14- 21 | RCR07G182JR |
| 1A6R37 | 4- 18 | RCR07G222JR | 1J2 | 16- 32 | MS3102R18-8P | 1PS1R13 | 14- 8 | RCR07G222JR |
| 1A6R38 | 4- 36 | RCR07G392JR | 1J3 | 16- 70 | DAC15SFO | 1PS1R14 | 14- 14 | RCR07G103JR |
| 1A6R4 | 4- 76 | RCR07G242JR | 1J3 | 16- 70 | DAU15SFO | 1PS1R15 | 14- 19 | RCR07G102JR |
| 1A6R40 | 4- 72 | RCR07G162JR | 1J3 | 16- 70 | 233-15-11-100 | 1PS1R16 | 14- 16 | RN55D2801F |
| 1A6R5 | 4- 66 | RCR07G222JR | 1J4 | 16- 70 | DAC15SFO | 1PS1R17 | 14- 13 | RV6NAYSL501A |
| 1A6R6 | 4- 75 | RCR07G511JR | 1J4 | 16- 70 | DAU15SFO | 1PS1R18 | 14- 18 | RN55D1241F |
| 1A6R7 | 4- 66 | RCR07G222JR | 1J4 | 16- 70 | 233-15-11-100 | 1PS1R19 | 14- 31 | RWR7481001FR |
| 1A6R8 | 4- 55 | RCR07G101JR | 1J5 | 16- 70 | DAC15SFO | 1PS1R2 | 14- 25 | RW69V2R2 |
| 1A6R9 | 4- 66 | RCR07G222JR | 1J5 | 16- 70 | DAU15SFO | 1PS1R20 | 14- 6 | RCR07G821JR |
| 1A6VR1 | 4- 39 | JAN1N751A | 1J5 | 16- 70 | 233-15-11-100 | 1PS1R21 | 14- 5 | RCR07G273JR |
| 1A6VR2 | 4- 39 | JAN1N751A | 1J6 | 16- 71 | DEC9SFO | 1PS1R22 | 14- 4 | RCR32G100JR |
| 1A7 | 16- 56 | 8004747G1 | 1J6 | 16- 71 | DEU9SFO | 1PS1R23 | 14- 4 | RCR32G100JR |
| 1C1 | 16- 34 | FA5C102W | 1J6 | 16- 71 | 233-09-11-100 | 1PS1R24 | 14- 22 | RCR07G751JR |
| 1C10 | 16- 4 | CK60AX471K | 1J7 | 16- 70 | DAC15SFO | 1PS1R3 | 14- 29 | RCR07G272JR |
| 1C11 | 16- 4 | CK60AX471K | 1J7 | 16- 70 | DAU15SFO | 1PS1R4 | 14- 14 | RCR07G103JR |
| 1C12 | 16- 31 | CK60AX471K | 1J7 | 16- 70 | 233-15-11-100 | 1PS1R5 | 14- 14 | RCR07G103JR |
| 1C13 | 16- 31 | CK60AX471K | 1J8 | 16- 71 | DEC9SFO | 1PS1R6 | 14- 8 | RCR07G222JR |
| 1C14 | 16- 31 | CK60AX471K | 1J8 | 16- 71 | DEU9SFO | 1PS1R7 | 14- 5 | RCR07G273JR |
| 1C2 | 16- 34 | FA5C102W | 1J8 | 16- 71 | 233-09-11-100 | 1PS1R8 | 14- 5 | RCR07G273JR |
| 1C3 | 16- 34 | FA5C102W | 1J9 | 16- 71 | DEC9SFO | 1PS1R9 | 14- 10 | RCR07G562JR |
| 1C4 | 16- 34 | FA5C102W | 1J9 | 16- 71 | DEU9SFO | 1PS1TB1 | 14- 3 | 40TB8 |
| 1C5 | 16- 34 | FA5C102W | 1J9 | 16- 71 | 233-09-11-100 | 1PS1T1 | 14- 45 | 9197 |
| 1C6 | 16- 42 | NFT3H6PIL10-10 | 1PS1 | 2- 24 | 8004245G1 | 1PS1VR1 | 14- 22 | JAN1N754A |
| 1C6 | 16- 42 | 104JX10496TA | 1PS1CR1 | 14- 50 | JAN1N1614 | 1PS1VR2 | 14- 20 | JAN1N825 |
| 1C6 | 16- 42 | 103P525A1 | 1PS1CR10 | 14- 50 | JAN1N1614 | 1R1 | 16- 8 | RV6NAYSL252A |
| 1C7 | 16- 42 | NFT3H6PIL10-10 | 1PS1CR2 | 14- 50 | JAN1N1614 | 1R2 | 16- 9 | RV6NAYSL502C |
| 1C7 | 16- 42 | 104JX10496TA | 1PS1CR3 | 14- 50 | JAN1N1614 | 1R3 | 16- 11 | RV6NAYSD502C |
| 1C7 | 16- 42 | 103P525A1 | 1PS1CR4 | 14- 50 | JAN1N1614 | 1R4 | 16- 40 | RCR20G474JS |
| 1C8 | 16- 41 | NFT3H1P47L10-10 | 1PS1CR5 | 14- 23 | JAN1N914 | 1R5 | 16- 40 | RCR20G474JS |
| 1C8 | 16- 41 | 104JX47492TA | 1PS1CR6 | 14- 23 | JAN1N914 | 1S1 | 16- 24 | MS35058-23 |
| 1C8 | 16- 41 | 103P536A5 | 1PS1CR7 | 14- 23 | JAN1N914 | 1S2 | 16- 27 | 7661K6 |
| 1C9 | 16- 4 | CK60AX471K | 1PS1CR8 | 14- 23 | JAN1N914 | 1TB1 | 16- 39 | 8004815-2 |
| 1DS1 | 16- 2 | NE51 | 1PS1CR9 | 14- 9 | JAN1N538 | 1W1 | 16- 45 | 8004928G1 |
| 1E1 | 16- 37 | B1C90-20 | 1PS1C1 | 14- 42 | 36D7033 | 1W1J12 | 16- 48 | M39012-19-0001 |
| 1E2 | 16- 37 | B1C90-20 | 1PS1C1 | 14- 42 | FAH5760V | 1W1J12 | 16- 48 | M39012-19-0101 |
| 1E8 | 16- 21 | B1C90-20 | 1PS1C2 | 14- 30 | M39003-01-2301 | 1W1J13 | 16- 47 | UG556BU |
| 1FL1 | 16- 63 | 505504-4 | 1PS1C3 | 14- 26 | M39003-01-2344 | 1W3 | 16- 51 | 8004929G1 |
| 1FL1 | 16- 63 | 505564-4 | 1PS1C4 | 14- 11 | CK60AW102M | 1W3J11 | 16- 53 | M39012-19-0001 |
| 1FL1 | 16- 63 | 505504-6 | 1PS1C5 | 14- 17 | M39003-01-2312 | 1W3J11 | 16- 53 | M39012-19-0101 |
| 1FL1 | 16- 63 | 505564-3 | 1PS1C6 | 14- 43 | 300-100W5R104K | 1W3P1 | 16- 54 | 50-011-3141 |
| 1FL2 | 16- 59 | 8004242G1 | 1PS1C6 | 14- 43 | OK06BX104K | 1W5 | 2- 13 | 8004878G1 |
| 1FL2 | 16- 59 | 8004243G1 | 1PS1P1 | 14- 55 | DAC15PFO | 1W5J10 | 2- 15 | 025B3400B75 |
| 1FL2C1 | 16- 62 | JMC5219 | 1PS1P1 | 14- 55 | DAU15PFO | 1W5J10 | 2- 15 | KC19-54MOD |
| 1FL2C1 | 16- 62 | JMC5619 | 1PS1P1 | 14- 55 | 234-15-11-100 | 1W5P1 | 2- 14 | UG1466U |
| 1FL2C2 | 16- 62 | JMC5219 | 1PS1Q1 | 14- 28 | JAN2N2904A | 1XDS1 | 16- 3 | LH76-1 |
| | | | 1PS1Q1 | 14- 28 | 515392-1 | 1XF1 | 16- 6 | FHL17G2 |
| | | | 1PS1Q1 | 14- 12 | JAN2N1132 | 1XF2 | 16- 6 | FHL17G2 |
| | | | | | | 1XF3 | 16- 26 | FHL18G2-2 |