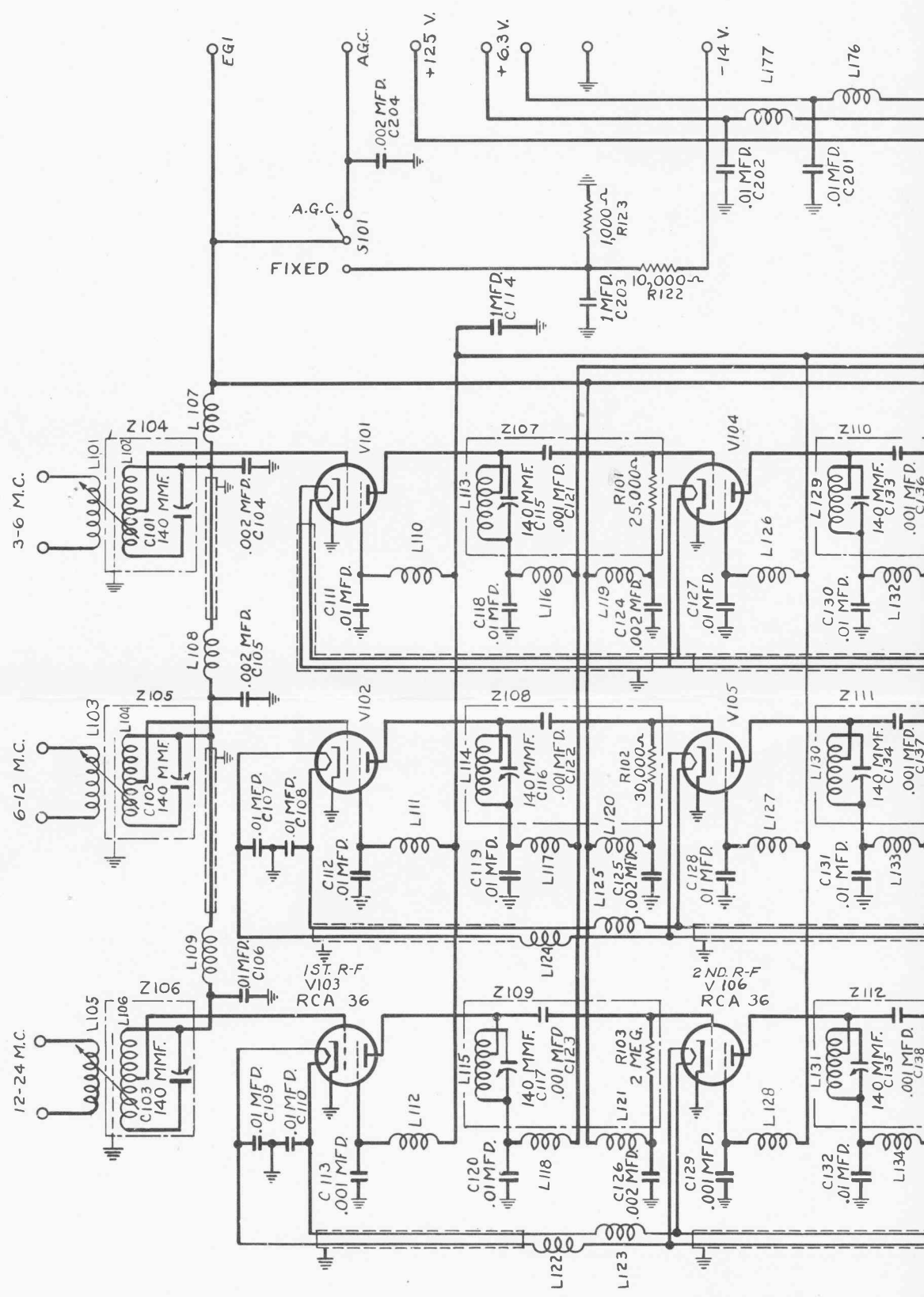


Figure 7—Type CRV-50096 Radio-Frequency Amplifier Unit (Schematic, T-601760—Sub. 5)



ITEM NUMBER SHOWN IN THE SCHEMATIC CAPACITOR C329 FOR THE IONIC BAND IDENTIFIED AS C329E.

BAND WIDTH IN KILOCYCLES	1	2	4	6	10
LITER SUFFIX LETTER	A	B	C	D	E

NOTE: SYMBOLS WITH PREFIX "Z" FOR TUNABLE ASSEMBLIES ARE NOT FOR COMMERCIAL APPLICATIONS.

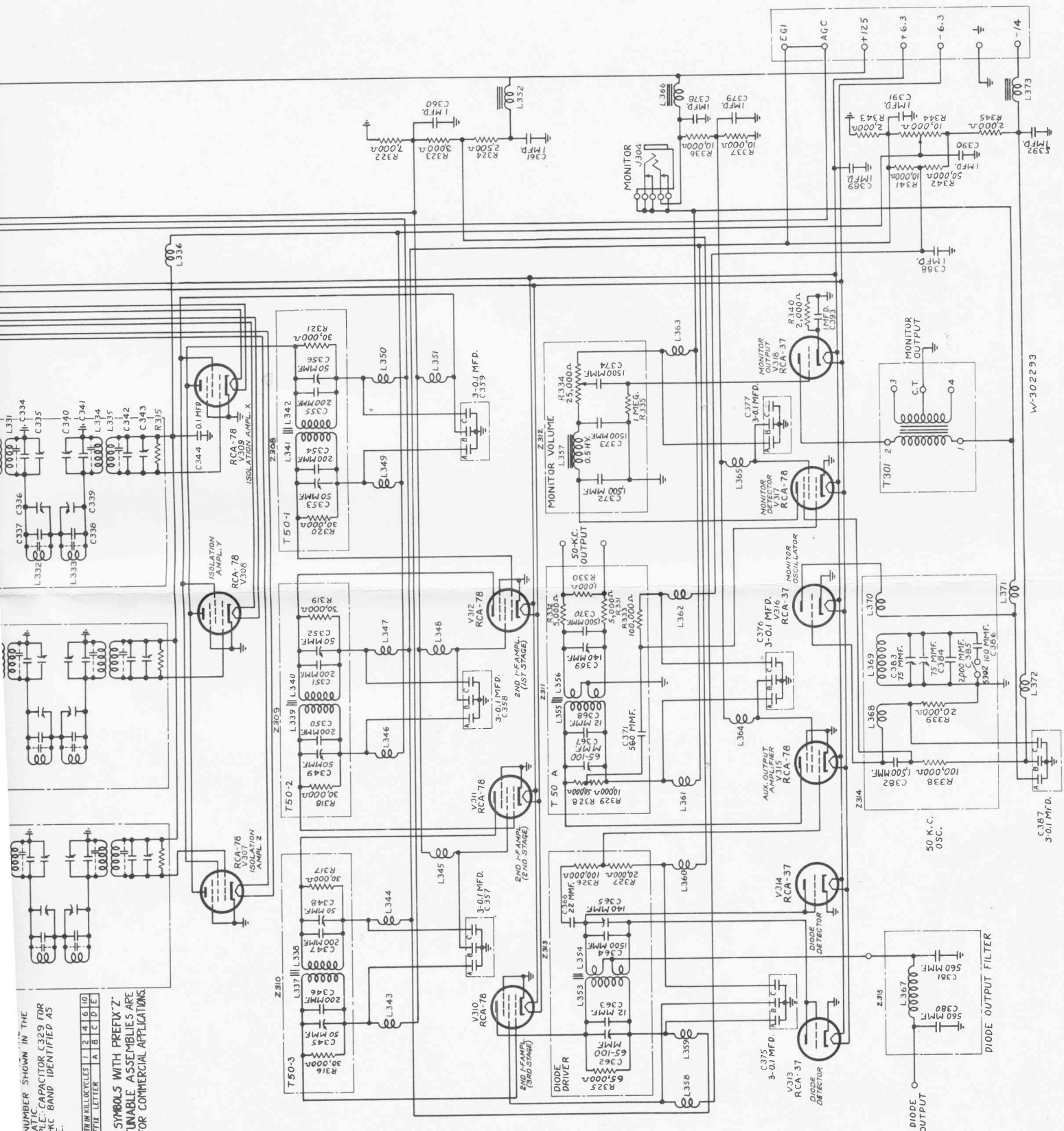
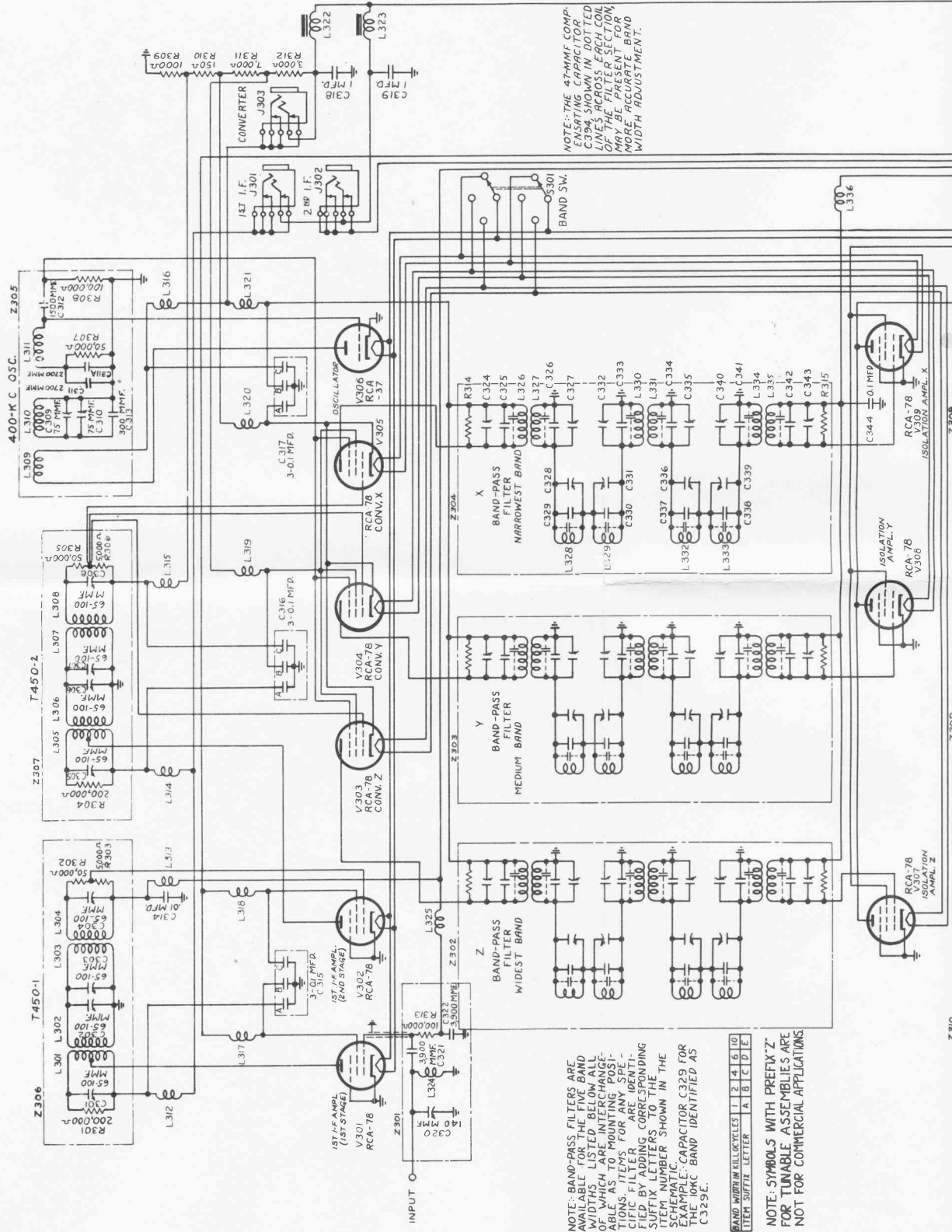


Figure 17—Type CRV-50097 Intermediate-Frequency Amplifier Unit (Schematic, W-302293—Sub. 4)



NOTE: THE 47-MMF. COMPENSATING CAPACITOR C394 SHOWN IN DOTTED LINE OF THE FILTER SECTION MAY BE PRESENT FOR MORE ACCURATE BAND WIDTH ADJUSTMENT.

NOTE: BAND-PASS FILTERS ARE AVAILABLE FOR THE FIVE BAND WIDTHS LISTED BELOW ALL OF WHICH ARE INTERCHANGEABLE AS SHOWN FOR ANY SPECIFIC FILTER. ARE IDENTIFIED BY ADDING CORRESPONDING SUFFIX LETTERS TO THE ITEM NUMBER SHOWN IN THE EXAMPLE. CAPACITOR C329 FOR THE 10KC BAND IDENTIFIED AS C329E.

BAND WIDTH IN KILOCYCLES	1	2	4	6	10
FILTER SUFFIX LETTER	A	B	C	D	E

NOTE: SYMBOLS WITH PREFIX 'Z' FOR TUNABLE ASSEMBLIES ARE NOT FOR COMMERCIAL APPLICATIONS.

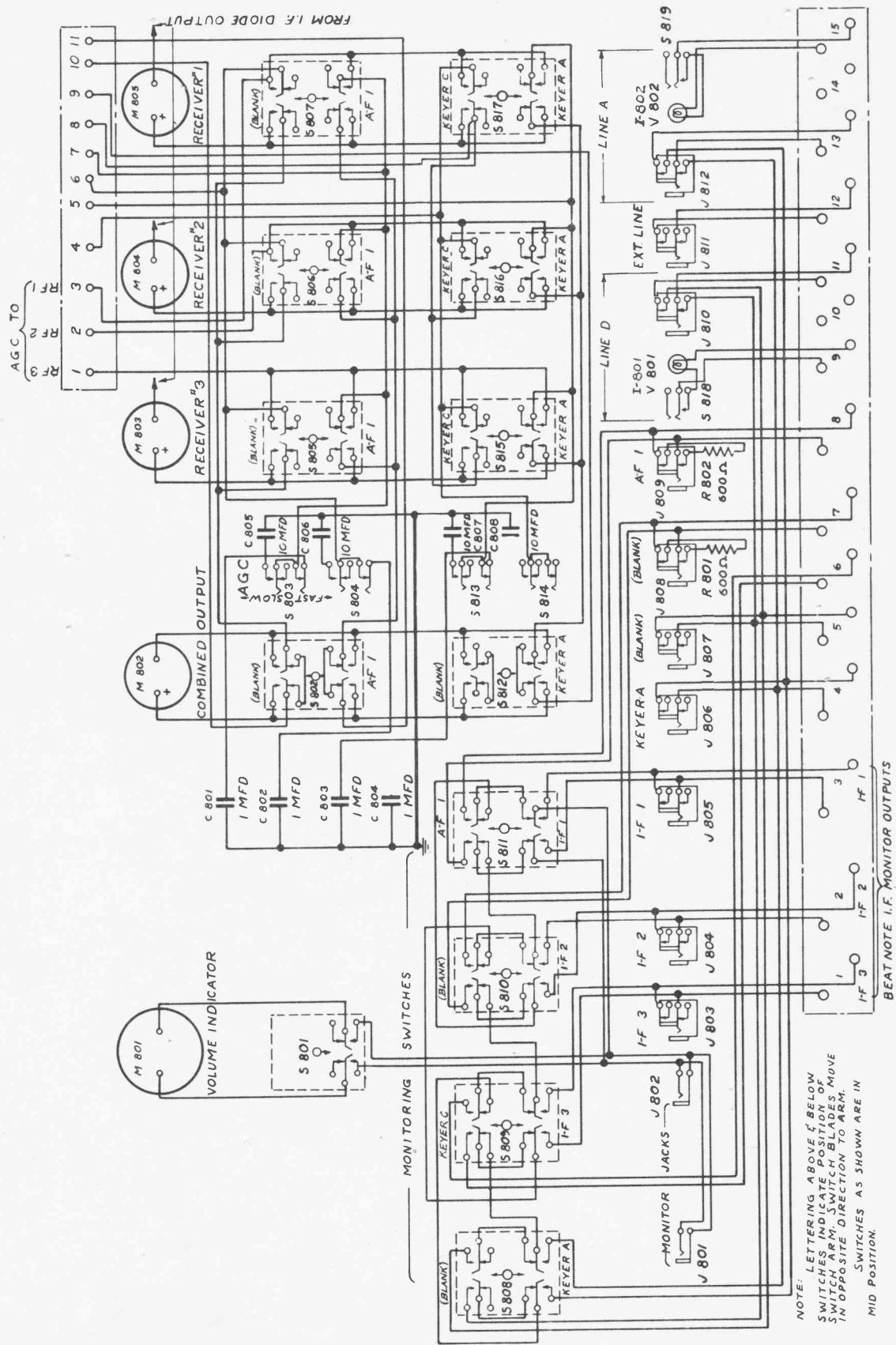
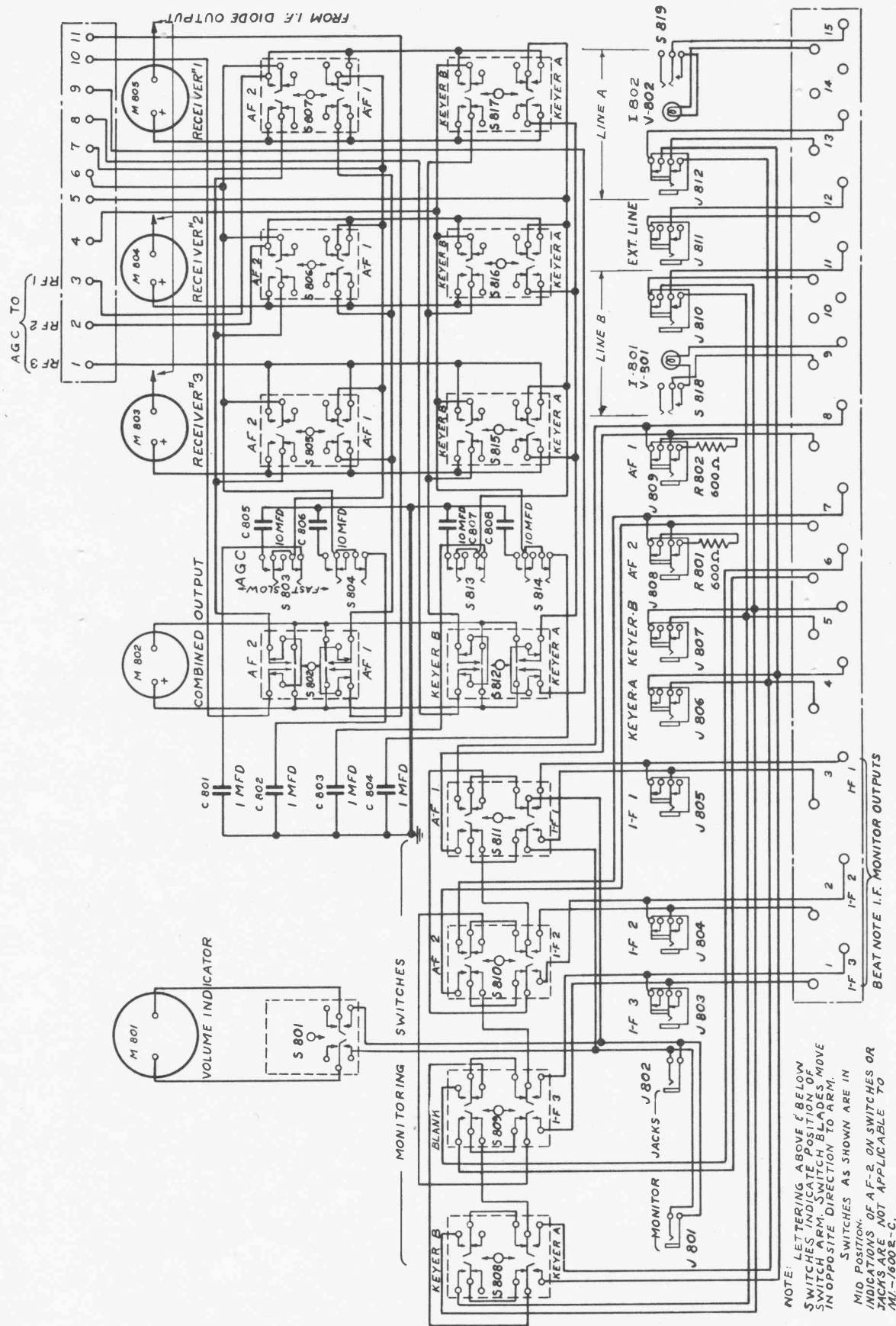


Figure 5—Type CRV-50099 Signal Control Panel Schematic (P-721905—Sub. 2)



NOTE: LETTERING ABOVE & BELOW SWITCHES INDICATES POSITION. SWITCH ARM SWITCH PLATES MOVE IN OPPOSITE DIRECTION TO ARM.

SWITCHES AS SHOWN ARE IN MID POSITION. IF A-F-2 ON SWITCHES OR JACKS ARE NOT APPLICABLE TO MI-1600R-C.

BEAT NOTE I.F. MONITOR OUTPUTS

Figure 7—Type CRV-50157 Signal Control Panel Schematic (P-721907—Sub. 2)

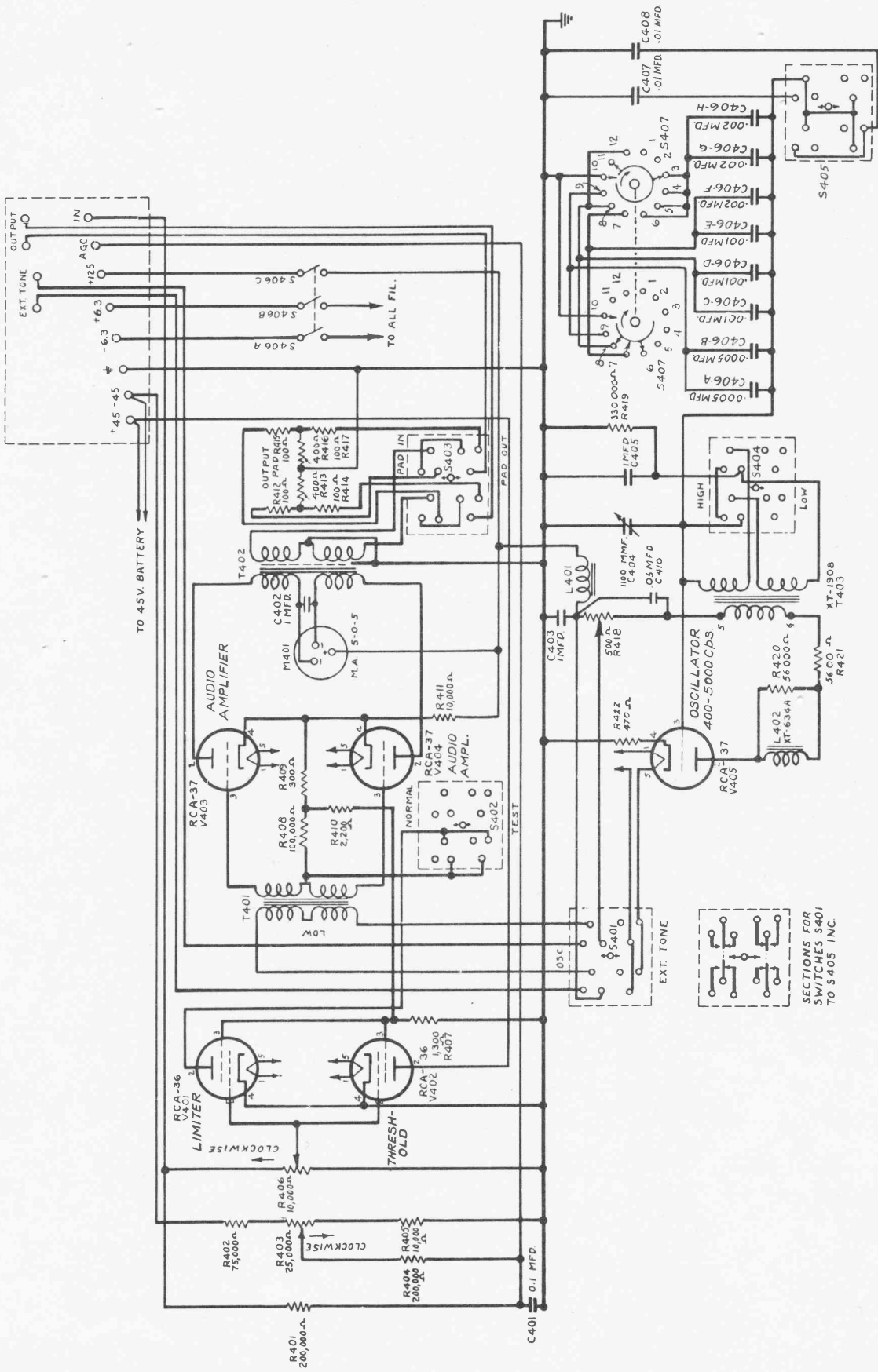


Figure 5—Type CRV-35007 Tone Keyer Unit Schematic (P-721914—Sub. 1)

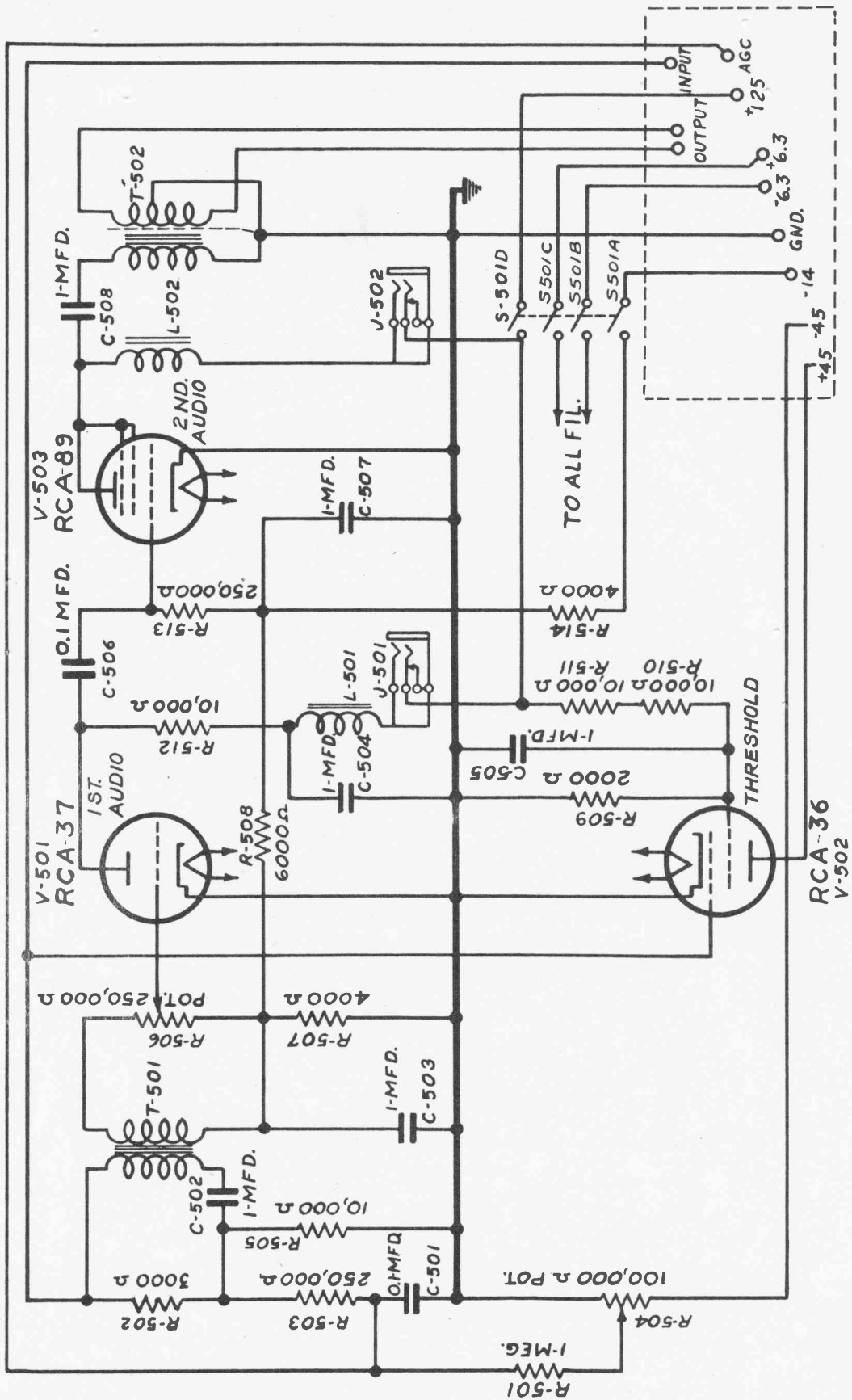


Figure 3—Type CRV-50098 Audio-Frequency Amplifier Unit Schematic (M-441152—Sub. 0)

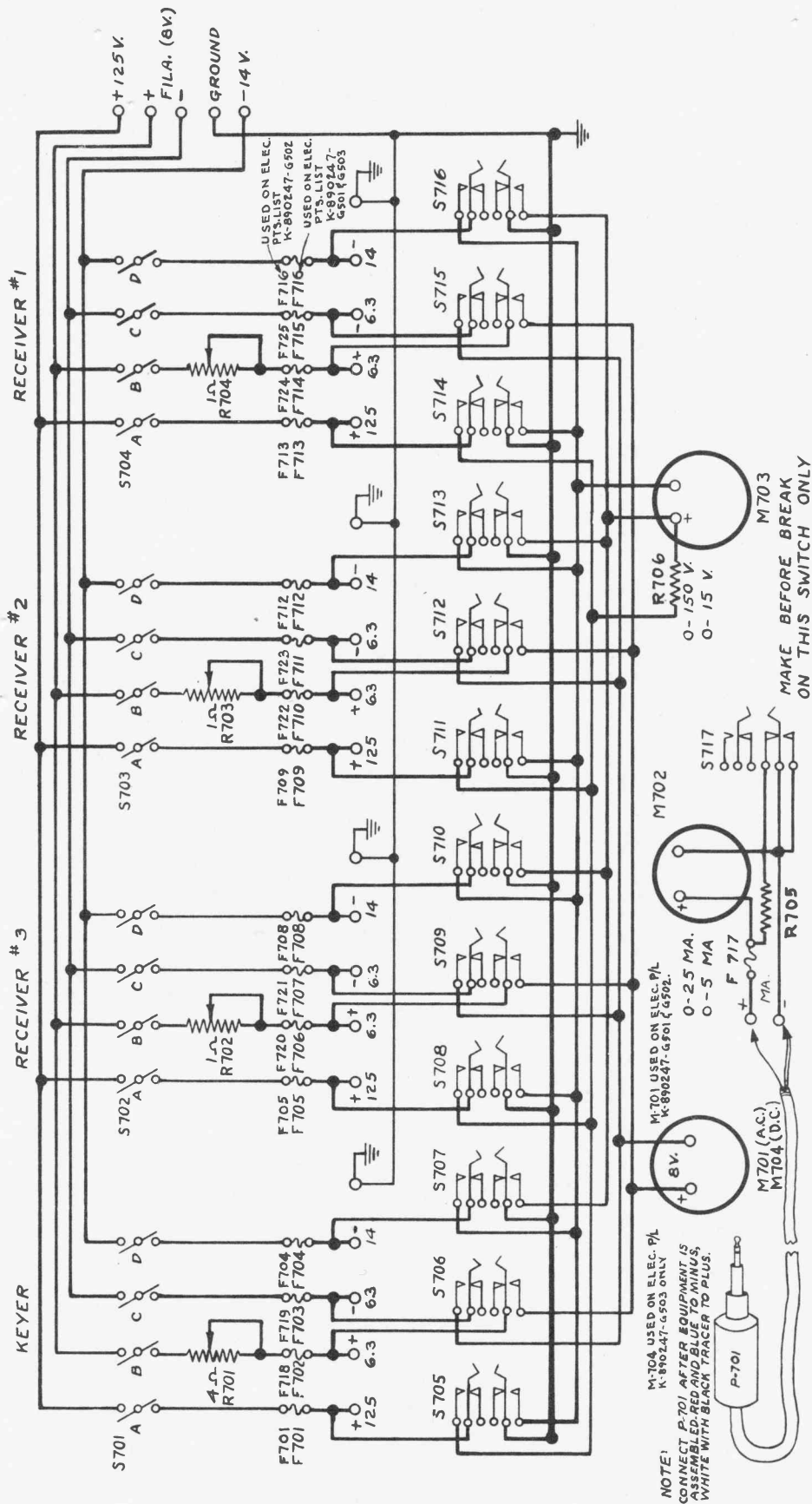


Figure 3—Type CRV-23275 Power Control Panel Schematic (M-440490—Sub. 1)

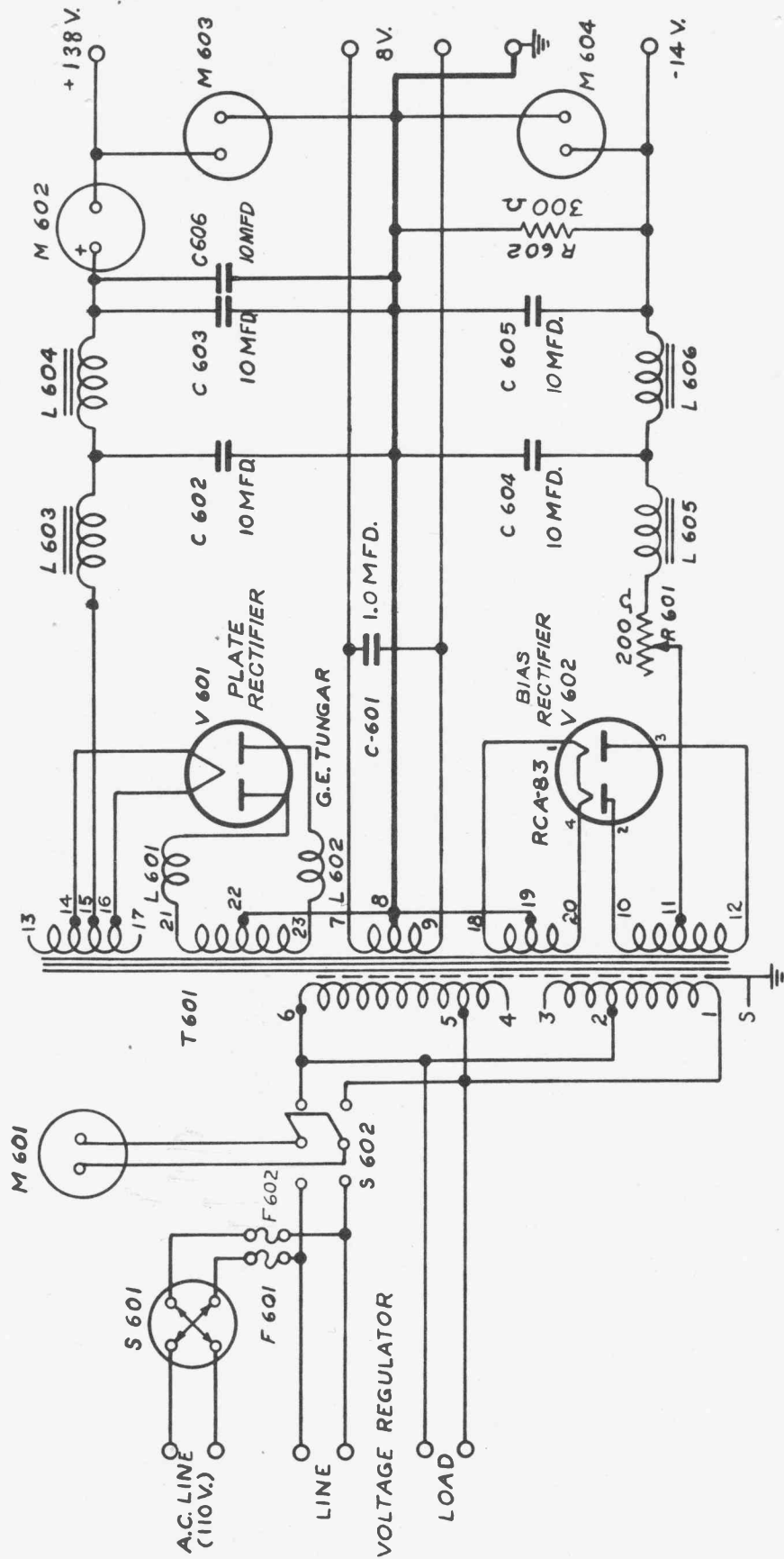


Figure 3—Type CRV-20136 Rectifier Power Unit Schematic (M-440499—Sub. 1)