

CHAPTER 6

PARTS LIST

6-1. INTRODUCTION.

Reference designations have been assigned to all maintenance parts of Antenna Coupler Group AN/SRA-22. They are included on drawings, diagrams, and the parts list. The letters of a reference designation indicate the kind of part, such as resistor, switch, or common hardware. The numbers differentiate between parts of the same generic group. Parts of the same major unit are prefixed with the same unit number.

6-2. MAINTENANCE PARTS LIST.

Table 6-1 lists all of the major units and their replaceable maintenance parts for Antenna Coupler Group AN/SRA-22. The parts of each major unit are grouped together. Column 1 lists the reference series of each major unit, followed by the reference designations of the parts in alphabetical and numerical order. Column 2 refers to the explanatory notes. Column 3 lists the source, maintenance, and recoverability code (SM&R Code) to be used in determining the procurement source, the maintenance echelon, and the recoverability status for the replaceable maintenance parts. Column 4 gives the name, description, and part number for all key parts (parts differing from any part previously listed in the table) and subkey parts (parts identical with a key part but appearing for the first time for a major unit). The description is omitted for succeeding duplicate parts; however, reference is made to the key part or subkey part for the data. All Collins Radio part numbers are prefixed "CPN." Column 5 gives the item number on the illustration which shows the physical location of the part in the equipment or references another appropriate illustration.

6-3. LIST OF MANUFACTURERS.

Table 6-2 lists manufacturers of parts used in Antenna Coupler Group AN/SRA-22. The first column indicates the abbreviations used in table 6-1 to identify manufacturers.

TABLE 6-1. MAINTENANCE PARTS LIST

REF DESIG	NOTES	SM&R CODE	NAME AND DESCRIPTION	FIG. NO.
Unit 1			COUPLER GROUP, ANTENNA: AN/SRA-22; c/o antenna coupler control and antenna coupler control and antenna coupler CPN 522 1285 00 COUPLER, ANTENNA: Inductive-capacitive coupling; 2.0 to 30.0 mc range; 115 or 230 vac, 47 to 63 cps, single phase operating power; CPN 544 7293 00	6-1 Item
1B1		P2FFR	FAN, TUBE, AXIAL: IMC Magnetics Corp. part no. BC2918B	436
1B2		P2FFR	MOTOR CONTROL: servo 115 vac, 60 cps 5%; 3400 RPM at max power output, two phase; G. M. Laboratories, Inc., part no. 665-53-213-1 CPN 229 0233 00	317
1B3		P2FFR	MOTOR, CONTROL: same as 1B2	313
1B4		P2FFR	MOTOR, CONTROL: same as 1B2	315

TABLE 6-1. (Continued)

REF DESIG	NOTES	SM&R CODE	NAME AND DESCRIPTION	FIG. NO.
1C1 through 1C4			NOT USED	6-1, Item
1C5		P1FFC	CAPACITOR, FIXED, PAPER DIELECTRIC: 230 vac working voltage; 1.5 uf 20% Sprague Electric type S8235	56
1C6		P1FFC	CAPACITOR, FIXED, PAPER DIELECTRIC: 220 vac working voltage; 5 uf 10%; Sprague Electric part no. 930 0591 00	440
1C7		P1FFC	CAPACITOR, VARIABLE, VACUUM DIELECTRIC: 5 to 465 pf; 10 kv peak at min capacity 5 kv peak at max capacity; incl hardware; 2-5/16 in. dia by 5-23/32 in. lg; CPN 919 0160 00	71
1C8	FC-5	P1FFC	CAPACITOR, FIXED, PAPER DIELECTRIC: same as 1C5	483
1C9	FC-5	P1FFC	CAPACITOR, FIXED, PAPER DIELECTRIC: Same as 1C5	484
1E1		P2FFC	STRIP, GROUND, SOLDERED: c/o nickel alloy contact, 0.187 in. dia by 0.140 in. lg; and beryllium copper 28 ga. ground strip 5/8 in. w by 1.113 in. lg; CPN 543 9967 002	36
1E2		P2FFC	CONTACT ASSEMBLY, ELECTRICAL: c/o two silver contacts, 0.375 in. by 0.414 in. by 0.447 in.; CPN 543 9929 002	93
1E3		P2FFC	TERMINAL, LUG: beryllium copper, square tongue end; 0.015 in. by 1/4 in. by 15/32 in.; CPN 506 0962 002	106
1E4		P2FFC	CONTACT, ELECTRICAL: coin silver, 0.234 in. dia by 0.250 in. lg overall; undercut; CPN 543 9893 002	108
1E5		P2FFC	CONTACT, ELECTRICAL: silver impregnated graphite contact w/beryllium copper holder; CPN 544 0694 00	128
1E6		P2FFC	CONTACT, ELECTRICAL: silver impregnated graphite contact w/beryllium copper holder; CPN 544 0695 00	129
1E7		P2FFC	RIBBON, SILVER: 0.010 in. by 0.125 in. by 19 ft; for use as RF tuning coil; CPN 998 0026 00	144

TABLE 6-1. (Continued)

REF DESIG	NOTES	SM&R CODE	NAME AND DESCRIPTION	FIG. NO.
1E8		P2FFC	CONTACT, ELECTRICAL: c/o bronze bracket w/ternary plated brass contact rivet; 5/16 in. by 0.625 in. by 1.062 in. approx overall; CPN 554 0077 002	6-1, Item 166
1E9		P2FFC	STRIP, H-V: silver ribbon per 320-0171-00; 2 in. lg by 1/8 in. width; CPN 544 0103 002	181
1E10		P2FFC	CONTACT, ELECTRICAL: coin silver; 1/16 in. by 1/4 in. by 1-1/4 in. overall; tapped 4-40 each end; CPN 543 9956 002	216
1E11		P2FFC	CONTACT, ELECTRICAL: coin silver; 0.250 in. dia by 0.240 in. lg overall; undercut and tapped; CPN 543 9959 002	223
1E12		NFFC	STRIP, GROUND: silver; 1/16 in. by 1/4 in. by 1-1/16 in.; CPN 543 9866 002	229
1E13		P2FFC	CONTACT, H. V. : coin silver, hard temper; 0.062 in. dia hole by 0.032 in. deep; 0.156 in. h overall; CPN 543 9962 002	141
1E14		NFFC	CONTACT ASSEMBLY, ELECTRICAL: c/o two contacts; silver 0.212 in. by 0.250 in. by 1.785 in.; CPN 543 9963 002	142
1E15			NOT USED	
1E16		P2FFC	CONTACT, ELECTRICAL: c/o bronze angle bracket w/ternary plated brass contact rivet; 1/2 in. by 0.593 in. by 0.930 in. approx overall; CPN 544 0079 002	165
1E17		P2FFC	INSULATOR, BOWL: round, dome, flanged, 2.687 in. lg by 5.250 in. dia; white glazed ceramic; CPN 190 6930 009	469
1E18			CONTACT, ELECTRICAL: coin silver contact point 1/4 in. dia; CPN 506 0993 002	153
1E19			CONTACT, ELECTRICAL: coin silver contact soldered on spring clip; CPN 544 2666 002	174
1E20			TERMINAL, LUG: CPN 304 0317 00	489
1H1		P2FFC	SHROUD, FRONT: glass cloth, epoxy coated; 1-5/32 in. h by 4-5/8 in. w by 6.359 in. lg; CPN 544 7299 002	5
1H2		P2FFC	SHROUD, OUTLET: glass cloth, epoxy coated; 1/2 in. h by 3-3/32 in. w by 6.375 in. lg; CPN 544 7298 002	10

TABLE 6-1. (Continued)

REF DESIG	NOTES	SM&R CODE	NAME AND DESCRIPTION	FIG. NO.
1H3		P2FFC	SHROUD, REAR: glass cloth, epoxy coated; 1/2 in. h by 2.187 in. w radius, 6.375 in. lg; CPN 544 7297 002	6-1, Item 13
1H4		P2FFC	SHROUD, BOTTOM: glass cloth, epoxy coated; 1/2 in. h by 5.875 in. w by 6.375 in. lg; CPN 544 7358 003	15
1H5		P2FFC	PLATE COIL BUSHING NO. 1: phenolic; 1/4 in. w, 2.650 in. id, 4-3/16 in. od; CPN 544 7304 002	17
1H6		P2FFC	PLATE COIL BUSHING NO. 2: phenolic; 1/4 in. w, 2.650 in. id, 4-3/16 in. od; CPN 544 7305 002	18
1H7		P2FFC	CORE, ADJUSTABLE TUNING: powdered iron core; 2.250 in. id by 4.500 in. lg; one end drilled 21/64 in. dia by 5/8 in. lg; other end drilled 1-5/16 in. dia by 2-1/8 in. lg; CPN 553 4440 003	28
1H8		NFFC	NUT, SLEEVE: aluminum; 1/4 in. hex by 1.375 in. lg overall; tapped 6-32 NC-2B 7/16 in. deep each end; CPN 543 9971 002	29
1H9		NFFC	Same as 1H8.	31
1H10		NFFC	SPACER, SLEEVE: plastic, 0.090 in. id, 0.125 in. od, 0.062 in. lg undercut to 0.156 in. dia; CPN 543 9987 002	79
1H11		NFFC	RING, RETAINING: aluminum; 90° semicircle; 0.050 in. by 0.687 in. by 0.687 in.; CPN 543 6951 002	89
1H12		NFFC	WASHER, FLAT: bronze, 0.375 in. id, 0.937 od, 0.025 in. thk; CPN 543 5644 003	95
1H13		NFFC	WASHER, SHOULDERED: phosphor bronze, 0.375 in. id, 0.937 in. od, 0.070 in. thk overall; CPN 544 0049 002	96
1H14		NFFC	SPACER, SLEEVE: silver graphite, 0.253 in. id, 0.3145 in. od, 0.187 in. lg; CPN 544 0050 00	98
1H15		P2FFC	RING, SLIP CONTACT: coin silver, 3.877 in. id, 4.085 in. od, 0.062 in. thk; CPN 544 0667 002	130
1H16		P2FFC	POST: brass, 0.087 in. id, 0.250 in. od, 0.102 in. lg; undercut; CPN 544 2683 002	131
1H17		P2FFC	POST: brass, 0.087 in. id, 0.250 in. od, 0.141 in. lg; undercut; CPN 544 2684 002	132

TABLE 6-1. (Continued)

REF DESIG	NOTES	SM&R CODE	NAME AND DESCRIPTION	FIG. NO.
1H18		P2FFC	POST: brass, 0.087 in. id, 0.250 in. od, 0.206 in. lg; undercut, CPN 544 2686 002	6-1, Item 133
1H19		P2FFC	POST: brass, 0.087 in. id, 0.250 in. od, 0.187 in. lg; undercut; CPN 544 2685 002	134
1H20		P2FFC	PIN, STOP: brass, 0.250 in. dia by 0.343 in. lg; undercut, grooved and tapped 4-40; CPN 544 2682 002	137
1H21			NOT USED	
1H22		NFFC	WASHER, FLAT: brass, 0.376 in. id, 0.750 in. od, 0.064 in. thk; CPN 543 5642 003	185
1H23		P2FFC	INSULATOR, STANDOFF: teflon; incl one 4-40 brass insert ea end; 1/4 in. dia by 2.500 in. lg; CPN 544 0096 002	189
1H24		P2FFC	SPACER, SLEEVE: same as 1H10	191
1H25		NFFC	SPACER, SLEEVE: plastic, 0.090 in. id, 0.125 in. od, 0.570 in. lg; undercut to 0.156 in. dia; CPN 543 9986 002	193
1H26			NOT USED	
1H27		NFFC	STUD, SWITCH: stainless steel, 0.086 in. dia by 1-1/4 in. lg; tapped 2-56 NC-2A both ends 3/8 in. deep; CPN 543 9988 002	195
1H28		P2FFC	NUT, PLAIN, ROUND: brass, 0.219 in. dia by 0.170 in. h overall; 4-40 NC-2B thd; CPN 544 0043 002	196
1H29		NFFC	WASHER, NONMETALLIC: teflon; 0.187 in. id, 5/16 in. od, 0.062 in. thk; CPN 543 5649 003	199
1H30		NFFC	SPACER, SLEEVE: aluminum, 0.113 in. id, 0.187 in. od, 0.178 in. lg; CPN 543 9848 002	199A
1H31		NFFC	WASHER, FLAT: round, shim brass, 0.255 in. id, 0.437 in. od, 0.003 in. thk; CPN 500 1086 003	207
1H32		NFFC	WASHER, FLAT: same as 1H31	208
1H33		NFFC	WASHER, FLAT: same as 1H31	209
1H34		NFFC	NUT, PLAIN, ROUND: same as 1H28	210
1H35		NFFC	WASHER, NONMETALLIC: same as 1H29	213
1H36		NFFC	SPACER, SLEEVE: same as 1H30	217

TABLE 6-1. (Continued)

REF DESIG	NOTES	SM&R CODE	NAME AND DESCRIPTION	FIG. NO.
1H37		NFFC	WASHER, NONMETALLIC: same as 1H29	6-1, Item 222
1H38		NFFC	INSULATOR, STANDOFF: teflon; 1/4 in. dia by 0.875 in. lg; tapped 4-40 NC-2B 0.220 in. deep ea end; CPN 544 0056 002	232
1H39		NFFC	WASHER, NONMETALLIC: same as 1H29	204
1H40		NFFC	SPACER, SLEEVE: same as 1H30	205
1H41		NFFC	NUT, SPECIAL: brass, 1/4 in. dia, 0.128 in. h, 4-40 NC-2B thd id	243
1H42		NFFC	BLOCK, MOUNTING: aluminum; 1/2 in. by 0.671 in. by 1-1/4 in.; CPN 543 9881 002	309
1H43		P2FFC	POST, MOUNTING: aluminum; 1/2 in. dia by 0.421 in. lg; undercut, tapped 8-32; CPN 544 0091 002	299
1H44		P2FFC	POST, MOUNTING: same as 1H43	306
1H45		P2FFC	POST, MOUNTING: same as 1H43	307
1H46		P2FFC	POST, HIGH VOLTAGE: c/o 1 post, 2 inserts and 2 discs; 0.375 in. dia by 0.750 in. lg overall; tapped 6-32 thd; CPN 544 2677 003	319
1H47		NFFC	SCREW, ANCHOR: stainless steel; cross recessed flat countersunk head; 8-32 thd, undercut, 0.500 in. overall; CPN 543 9905 002	321
1H48		P2FFC	POST, MOUNTING: same as 1H43	342
1H49		NFFC	WASHER, FLAT: brass, 0.265 in. id, 1/2 in. od, 0.010 in. thk; CPN 543 5650 003	378
1H50		NFFC	SHAFT: stainless steel; 0.2497 in. dia by 0.827 in. lg; one end undercut and tapped 4-40 NC-2B, 1/4 in. deep; CPN 543 9993 002	385
1H51		NFFC	PIN, STOP: stainless steel, 0.625 in. dia by 0.500 in. lg; incl flange; four tapped 4-40 holes, spaced 90° apart on 0.406 in. dia bolt circle; CPN 544 0022 002	391
1H52		NFFC	SPACER: aluminum tube, 0.058 in. thk material; 5/8 in. od, 0.125 in. thk; CPN 545 7665 002	435
1H53		NFFC	PIN, LOCATING: steel, 3/8 in. hex; thd 1/4-20 UNC-2A, 3/4 in. deep, 1-11/16 in. lg overall; CPN 544 7306 002	2

TABLE 6-1. (Continued)

REF DESIG	NOTES	SM&R CODE	NAME AND DESCRIPTION	FIG. NO.
1H54		P2FFC	POST, HIGH VOLTAGE: teflon rod 1/4 in. dia, 2.343 in. lg; thd one end 6-32 NC-2B, 1/2 in. deep, other 4-40 NC-2B 1/4 in. deep; CPN 544 7307 002	6-1, Item 465
1H55		NFFC	WASHER, FLAT: stainless steel, 0.192 in. id, 3/8 in. od, 0.062 in. thk; CPN 500 1122 003	466A
1H56		NFFC	WASHER, FLAT: synthetic rubber and cork; 1/16 in. thk, 0.250 in. id, 13/16 in. od; CPN 543 5584 003	473
1H57		NFFC	WASHER, FLAT: synthetic rubber and cork; 1/16 in. thk, 0.562 in. id, 7/8 in. od; CPN 543 5585 003	474
1H58		P2FFC	SCREW, CORE: nylon, 1/2 in. hex head, thd 5/16-18 UNC-2A, 5/8 in. deep, 2-5/8 in. lg overall; FSN 1N5305-709-7779	25
1H59		NFFC	SCREW, CAPTIVE: steel, pan head, cross recess drive, 5/8 in. lg; CPN 544 7337 002	1
1H60			SCREW, MACHINE: cross recessed pan head, 2-56 NC-2A, 3/16 in. lg; CPN 343 0123 00	3
1H61			SCREW, MACHINE: same as 1H60	6
1H62			LOCKWASHER, FLAT: stainless steel, #2 round, 7/32 in. od, 0.092 in. id, 0.018 in. thk; CPN 310 6320 00	7
1H63			SCREW, MACHINE: same as 1H60 except 1/2 in. lg; CPN 343 0128 00	8
1H64			NUT, HEX: 2-56 machine screw nut, fit class 2; 3/16 in. od, 1/16 in. thk; CPN 313 0037 00	9
1H65			SCREW, MACHINE: same as 1H63	11
1H66			NUT, HEX: same as 1H64	12
1H67			SCREW, MACHINE: same as 1H60	14
1H68			SCREW, MACHINE: cross recessed pan head, 4-40 NC-2A; 5/8 in. lg; CPN 343 0138 00	16
1H69			SCREW, MACHINE: cross recessed flat head, 8-32 NC-2A, 5/8 in. lg; CPN 342 0081 00	19
1H70			STUD, THREADED: 8-32 thd stainless steel; 3/4 in. lg; part no. 312-0097 00	30

TABLE 6-1. (Continued)

REF DESIG	NOTES	SM&R CODE	NAME AND DESCRIPTION	FIG. NO.
1H71			WASHER, LOCK: stainless steel, spring tempered, light #8; 0.168 in. id, 0.280 in. od; CPN 310 0283 00	6-1, Item 32
1H72			STUD, THREADED: same as 1H70	33
1H73			SCREW, MACHINE: nickel plated brass, cross recessed pan head, 2-56 NC-2A; 1/8 in. lg; CPN 343 0277 00	34
1H74			WASHER, LOCK: silicon bronze spring, #2 medium; CPN 310 0074 00	35
1H75			SCREW, MACHINE: cross recessed pan head, 6-32 NC-2A, 1/2 in. lg; CPN 343 0171 00	37
1H76			WASHER, SEALING: steel ring with sealing compound; fits bolt size dia 0.138 in.; CPN 310 0441 00	37A
1H77			NUT, HEX: stainless steel 6-32 thd, fit class 2; CPN 313 0045 00	38
1H78			WASHER, LOCK: stainless steel spring; medium #6; CPN 310 0282 00	39
1H79			LUG, SOLDER: brass, rolled, with hole for #8 screw; 3/8 in. w by 19/32 in. lg; CPN 304 6000 00	40
1H80			SCREW, MACHINE: same as 1H60	46
1H81			WASHER, LOCK: carbon steel retaining ring, external annealed; for shaft dia 3/16 in.; CPN 340 0742 00	48
1H82			SCREW, MACHINE: cross recessed pan head, thd 4-40 NC-2A, 3/8 in. lg; CPN 343 0287 00	50
1H83			TERMINAL, INSULATED: brass w/Melamine grade MME or better insulation; 4-40 tap, 3/8 in. lg; CPN 306 0234 00	51
1H84			SCREW, MACHINE: same as 1H82	52
1H85			TERMINAL, INSULATED: same as 1H83	53
1H86			SCREW, MACHINE: cross recessed flat head, thd 6-32, 7/16 in. lg; CPN 342 0169 00	54
1H87			NUT, HEX: plain hexagon 6-32, NC-2	55
1H88			SCREW, MACHINE: cross recessed pan head, thd 4-40 NC-2A; 3/4 in. lg; CPN 343 0284 00	57

TABLE 6-1. (Continued)

REF DESIG	NOTES	SM&R CODE	NAME AND DESCRIPTION	FIG. NO.
1H89			SCREW, MACHINE: cross recessed flat head, thd 4-40; 3/16 in. lg; CPN 342 0043 00	6-1, Item 59
1H90			SCREW, MACHINE: same as 1H82 except 1/4 in. lg; CPN 343 0285 00	60
1H91			WASHER, LOCK: silicon bronze spring; type B #4 light; CPN 310 0396 00	61
1H92			LUG, SOLDER: tinned brass or copper, #6; 0.020 in. thk; CPN 304 0140 00	62
1H93			SCREW, MACHINE: same as 1H75 except 1/4 in. lg; CPN 343 0167 00	66
1H94			SCREW, MACHINE: stainless steel; cross recessed flat head, 6-32 thd NC-2A; 1/4 in. lg; CPN 342 0060 00	70
1H95			SCREW, MACHINE: stainless steel; cross recessed flat head, 4-40 thd NC-2A; 5/16 in. lg; CPN 342 0045 00	70A
1H96			SETSCREW: stainless steel oval point; 4-48 thd, 1/8 in. lg; CPN 335 0019 00	73
1H97			PIN, ROLL: stainless steel, hollow cylindrical self-locking fastener pin; 0.062 in. dia by 7/16 in. lg; CPN 311 0420 00	75
1H98			SCREW, MACHINE: nickel plated brass, cross recessed fillister head, 4-40 thd NC-2A, 1 in. lg; CPN 347 0098 00	76
1H99			PIN, ROLL: same as 1H97	80
1H100			SCREW, MACHINE: same as 1H90	83
1H101			SETSCREW: same as 1H96	84
1H102			NUT, HEX: stainless steel, thd 4-40 class 2 fit; CPN 313 0051 00	86
1H103			SCREW, MACHINE: same as 1H82 except 5/16 in. lg; CPN 343 0286 00	88
1H104			SCREW, MACHINE: cross recessed pan head, thd 2-56 NC-2A, 1/8 in. lg; CPN 343 0297 00	91
1H105			WASHER, LOCK: silicon bronze spring; type B #2 light; CPN 310 0075 00	92
1H106			PIN, ROLL: same as 1H97	100

TABLE 6-1. (Continued)

REF DESIG	NOTES	SM&R CODE	NAME AND DESCRIPTION	FIG. NO.
				6-1, Item
1H07			SCREW, MACHINE: cross recessed flat head, thd 4-40 NC-2A; 1/4 in. lg; CPN 342 0044 00	101
1H108			SCREW, MACHINE: same as 1H104	104
1H109			SCREW, MACHINE: same as 1H104	105
1H110			SCREW, MACHINE: same as 1H88	110
1H111			WASHER, FLAT: stainless steel #4; 0.125 in. id, 0.312 od, 0.027 in. thk; CPN 310 0045 00	111
1H112			NUT, HEX: same as 1H102	112
1H113			SCREW, MACHINE: same as 1H110	113
1H114			WASHER, FLAT: same as 1H111	114
1H115			SETSCREW: stainless steel, multiple spline oval point; 6-32 thd; 1/8 in. lg; CPN 335 0020 00	116
1H116			SCREW, MACHINE: same as 1H104 except 5/16 in. lg; CPN 343 0300 00	121
1H117			WASHER, LOCK: same as 1H105	122
1H118			WASHER, FLAT: nickel plated brass; #2, .093 id, .250 in. od, .028 thk; CPN 310 0053 00	123
1H119			SCREW, MACHINE: same as 1H116	124
1H120			WASHER, LOCK: same as 1H105	125
1H121			SCREW, MACHINE: same as 1H119	126
1H122			WASHER, LOCK: same as 1H105	127
1H123			SCREW, MACHINE: same as 1H88	136
1H124			LUG, SOLDER: tinned brass or copper; #10, 3/16 in. od, .025 in. thk, 5/8 in. lg; CPN 304 0202 00	143
1H125			SCREW, MACHINE: same as 1H93	145
1H126			NOT USED	
1H127			WASHER, LOCK: CPN 373 3010 00	146
1H128			SCREW, MACHINE: same as 1H125	148
1H129			PIN, ROLL: same as 1H97	150

TABLE 6-1. (Continued)

REF DESIG	NOTES	SM&R CODE	NAME AND DESCRIPTION	FIG. NO.
1H130			NUT, HEX: same as 1H112	6-1, Item 154
1H131			WASHER, FLAT: nickel plated brass, #4, .125 in. id, .250 in. od, .028 thk; CPN 310 0054 00	155
1H132			WASHER, FLAT: nonmetallic corprene DC-100; .125 in. id, .312 in. od, .032 in. thk; CPN 302 0024 00	156
1H133			SCREW, MACHINE: same as 1H82 except 5/8 in. lg; CPN 343 0290 00	157
1H134			SCREW, MACHINE: nickel plated brass, cross recessed pan head, 6-32 thd NC 2A 3/16 in. lg; part no. 343 0327 00	161
1H135			WASHER, LOCK: silicon bronze type B; spring #6; .239 in. od, .141 in. id, .025 in. thk; CPN 310 0078 00	162
1H136			LUG, SOLDER: same as 1H92	163
1H137			SCREW, MACHINE: cross recessed fillister head, 6-32 thd NC 2A, 1/4 in. lg; CPN 347 0169 00	164
1H138			WASHER, LOCK: same as 1H135	165
1H139			LUG, SOLDER: same as 1H92	167
1H140			SCREW, MACHINE: same as 1H90	168
1H141			WASHER, FLAT: same as 1H131	169
1H142			SCREW, MACHINE: same as 1H137	172
1H143			NUT, HEX: same as 1H87 except 2-56 thd; CPN 313 0050 00	173
1H144			WASHER, LOCK: same as 1H74	173A
1H145			SCREW, MACHINE: nickel plated brass cross recessed flat head, 2-56 thd NC 2A 3/16 in. lg; CPN 342 0142 00	175
1H146			SHIELD, CORONA: corona shield pressed with 6-32 nuts; for mounting capacitor flange; CPN 544 2671 002	176
1H147			SCREW, MACHINE: nickel plated brass, cross recessed fillister head, 2-56 thd NC2A; 3/16 in. lg; CPN 347 0103 00	177

TABLE 6-1. (Continued)

REF DESIG	NOTES	SM&R CODE	NAME AND DESCRIPTION	FIG. NO.
1H148			SCREW, MACHINE: nickel plated brass cross recessed fillister head, 4-40 thd NC 2A; 3/16 in. lg; CPN 347 0089 00	6-1, Item 244
1H149			SCREW, CAPACITOR LEAD: capacitor drive lead screw, 1.875 in. lg by .2497 in. dia; threaded 1/4-23 for 1-1/16 in. one end, drilled and tapped 4-40 at other; CPN 544 6183 002	180
1H150			SCREW, MACHINE: same as 1H133	182
1H151			PLATE, H. V. OUTPUT: contact board, pressed; with high voltage contact bushings inserted; for use with plug 1P10, CPN 544 0097 002	187
1H152			SCREW, MACHINE: nickel plated brass; cross recessed flat head, 4-40 thd NC 2A; 5/8 in. lg; CPN 342 0157 00	188
1H153			WASHER, LOCK: silicon bronze type B, spring, medium, #4; .212 in. od, .115 in. id, .025 in. thk; CPN 310 0076 00	197
1H154			WASHER, FLAT: same as 1H131	198
1H155			SCREW, MACHINE: nickel plated brass, cross recessed round head, 4-40 thd NC-2A 1-1/4 in. lg; CPN 343 0295 00	200
1H156			WASHER, LOCK: same as 1H74	201
1H157			LUG, SOLDER: phosphor bronze, tinned #2; 13/32 in. lg; CPN 304 0331 00	202
1H158			WASHER, FLAT: same as 1H118	203
1H159			WASHER, LOCK: same as 1H153	211
1H160			WASHER, FLAT: same as 1H131	212
1H161			STUD, THREADED: cadmium plated brass, 4-40 thd, NC-2, 7/16 in. lg; CPN 312 0063 00	214
1H162			LUG, SOLDER: same as 1H157	215
1H163			SCREW, MACHINE: nickel plated brass, cross recessed pan head, 2-56 thd NC-2A; 3/8 in. lg; CPN 343 0201 00	218
1H164			WASHER, LOCK: same as 1H74	219
1H165			LUG, SOLDER: same as 1H157	220

TABLE 6-1. (Continued)

REF DESIG	NOTE	SM&R CODE	NAME AND DESCRIPTION	FIG. NO.
				6-1, Item
1H166			WASHER, FLAT: same as 1H118	221
1H167			SCREW, MACHINE: same as 1H163	224
1H168			WASHER, LOCK: same as 1H74	225
1H169			WASHER, FLAT: same as 1H118	226
1H170			WASHER, NONMETALLIC: same as 1H29	227
1H171			LUG, SOLDER: same as 1H157	228
1H172			SPACER, SLEEVE: same as 1H30	230
1H173			PLATE, H-V SWITCH: pressed plastic, with 1/4 in. bronze bearings inserted; CPN 544 7343 002	231
1H174			SPACER, SLEEVE: same as 1H25	233
1H175			STUD, THREADED: stainless steel, 4-40 thd; 1-3/8 in. lg; CPN 312 0020 00	234
1H176			STUD, THREADED: same as 1H175	235
1H177			STUD, THREADED: same as 1H175	236
1H178			SETSCREW: same as 1H96	237
1H179			PIN, ROLL: same as 1H97	238
1H180			SCREW, MACHINE: nickel plated brass, cross recessed pan head, 2-56 thd NC-2A; 1/4 in. lg; CPN 343 0299 00	239
1H181			SETSCREW: same as 1H97	246
1H182			SCREW, MACHINE: nickel plated brass; cross recessed pan head, 8-32 thd NC-2A; 3/8 in. lg; CPN 343 0309 00	247
1H183			SCREW, MACHINE: same as 1H90	248
1H184			WASHER, LOCK: same as 1H91	249
1H185			NUT, HEX: same as 1H37 except 4-40 thd NC-2; CPN 313 0051 00	250
1H186			WASHER, LOCK: same as 1H91	251
1H187			SCREW, MACHINE: same as 1H103	252
1H188			LOCK, POTENTIOMETER: same as 1H11	253
1H189			NOT USED	

TABLE 6-1. (Continued)

REF DESIG	NOTES	SM&R CODE	NAME AND DESCRIPTION	FIG. NO.
1H189A	FC-5		BRACKET, POTENTIOMETER MOUNT: formed aluminum; 1-7/8 in. w, 2-1/16 in. h; CPN 767 6012 001	6-1, Item 256
1H190			SETSCREW: same as 1H96	257
1H191			SETSCREW: same as 1H96	260
1H192			SCREW, MACHINE: same as 1H187	262
1H193			WASHER, LOCK: same as 1H91	263
1H194			WASHER, FLAT: same as 1H131	264
1H195			NUT, HEX: same as 1H143	266
1H196			WASHER, LOCK: same as 1H74	267
1H197			SCREW, MACHINE: nickel plated brass, cross recessed flat head, 2-56 thd NC-2A; 1/4 in. lg; part no. 342 0143 00	268
1H198			CLAMP, RETAINER: beryllium copper; CPN 545 3057 002	269A
1H199			SCREW, MACHINE: same as 1H182 except 1-1/4 in. lg; CPN 343 0317 00	270
1H200			SCREW, MACHINE: same as 1H90	271
1H201			BRACKET, CONNECTOR: formed aluminum; 1-3/4 in. by 13/16 in. by 5/8 in. ; CPN 544 7339 002	274
1H202			SCREW, MACHINE: same as 1H183	275
1H203			WASHER, FLAT: same as 1H131	276
1H204			SCREW, MACHINE: same as 1H183	278
1H205			WASHER, FLAT: same as 1H131	279
1H206			SCREW, MACHINE: same as 1H82 except 7/16 in. lg; CPN 343 0288 00	285
1H207			SUPPORT, COIL TAP: plastic type F. B. E. 1/4 in. thk; support for coil tap shaft; CPN 543 9969 002	286
1H208			SCREW, MACHINE: same as 1H68 except 1/2 in. lg; CPN 343 0137 00	287
1H209			SPACER, BAR: aluminum shroud spader, 6.375 in. lg; 3/32 in. thk; drilled and tapped for four 2-56 holes; CPN 544 7346 002	288

TABLE 6-1. (Continued)

REF DESIG	NOTES	SM&R CODE	NAME AND DESCRIPTION	FIG. NO.
1H210			SCREW, MACHINE: same as 1H208	6-1, Item 289
1H211			SPACER, BAR: aluminum shroud spacer, 5/16 in. by 3/16 in. by 6.375 in. lg; drilled and tapped for four 2-56 holes; CPN 544 7303 002	290
1H212			SPACER, BAR: same as 1H211	292
1H213			SPACER, BAR: aluminum shroud spacer, 11/16 in. by 7/16 in. by 6.375 in. lg; drilled and tapped for four 2-56 holes; CPN 544 7301 002	293
1H214			SCREW, MACHINE: nickel plated brass, cross recessed flat head, 8-32 thd NC-2A; 1/4 in. lg; CPN 342 0182 00	294
1H215			SPACER, BAR: same as 1H211 except for 8-32 screw tap in end; CPN 544 7302 002	295
1H216			SPACER, BAR: aluminum shroud spacer, 3/8 in. by 5/16 in. by 6.375 in. lg; bevelled; five 2-56 tapped holes; CPN 544 7300 002	296
1H217			SCREW, MACHINE: same as 1H94	297
1H218			SCREW, MACHINE: same as 1H182	298
1H219			SCREW, MACHINE: same as 1H217	300
1H220			SCREW, MACHINE: same as 1H218	301
1H221			SCREW, MACHINE: same as 1H214	302
1H222			SCREW, MACHINE: same as 1H218	305
1H223			SCREW, MACHINE: nickel plated brass, cross recessed fillister head; 8-32 thd NC-2A; 1 in. lg; CPN 347 0158 00	305A
1H224			POST, MOUNTING: same as 1H44	306A
1H225			SCREW, MACHINE: stainless steel; cross recessed flat head, 6-32 thd NC-2A; 3/8 in. lg; CPN 342 0062 00	308
1H226			SCREW, MACHINE: same as 1H214 except 1/2 in. lg; CPN 342 0186 00	310
1H227			BLOCK, GUIDE PIN: anodized aluminum right mounting block; CPN 544 7317 002	311
1H228			SCREW, MACHINE: stainless steel flat head, 4-40 thd NC-2A; 5/16 in. lg; CPN 342 0045 00	

TABLE 6-1. (Continued)

REF DESIG	NOTES	SM&R CODE	NAME AND DESCRIPTION	FIG. NO.
				6-1, Item
1H229			SCREW, MACHINE: same as 1H107	314
1H230			SCREW, MACHINE: same as 1H107	316
1H231			STUD, THREADED: silver plated brass; 6-32 thd NC-2; 5/16 in. lg; CPN 312 0031 00	318
1H232			STOP PIN, CAPACITOR DRIVE: stainless steel, threaded 8-32 for .125 in.; .250 in. lg; CPN 543 9955 002	320
1H233			SCREW, MACHINE: same as 1H145	347
1H234			SCREW, MACHINE: stainless steel; cross recessed flat head, 2-56 thd NC-2A; 3/16 in. lg; CPN 342 0132 00	350
1H235			SETSCREW: same as 1H96	355
1H236			SCREW, MACHINE: same as 1H234	357
1H237			BLOCK, STOP: cam actuating, 76° crescent .250 in. inside radius, .500 outside radius; .125 in. thk; two 2-56 tapped holes; CPN 544 0036 002	358
1H238			SCREW, MACHINE: same as 1H228	364
1H239			BLOCK, STOP: Vulkollan, with brass insert drilled and tapped for 4-40 thd; CPN 544 0003 002	365
1H240			WICK, OIL: felt oil wick, 1/16 in. dia, 3/16 in. lg; CPN 544 7353 002	373
1H241			PIN, ROLL: stainless steel, hollow cylindrical, self-locking fastener pin; .062 in. dia, 3/8 in. lg; CPN 311 0419 00	384
1H242			WASHER, FLAT: same as 1H49	379
1H243			WASHER, FLAT: same as 1H49	380
1H244			RING, RETAINER: phosphor bronze or beryllium copper; for use on .125 in. dia shaft; CPN 340 0021 00	388
1H245			ARM, STOP: stop arm pressed with bearing CPN 544 0024 002, and arm CPN 544 0026 002; assembly CPN 544 0044 002	389
1H246			SCREW, MACHINE: same as 1H90	390
1H247			SCREW, MACHINE: same as 1H90	414

TABLE 6-1. (Continued)

REF DESIG	NOTES	SM&R CODE	NAME AND DESCRIPTION	FIG. NO.
				6-1, Item
1H248			HUB, SUPPORT: aluminum; .750 mtg centers for .375 in. dia shaft; CPN 543 9907 002	417
1H249			SCREW, CAPTIVE: CPN 333 0189 00	420
1H250			WASHER, LOCK: stainless steel, spring tempered; .296 in. od, .168 in. id; CPN 310 0072 00	421
1H251			SCREW, MACHINE: same as 1H60 except 1/8 in. lg; CPN 343 0122 00	425
1H252			PLATE, BLOWER: CPN 544 7365 003	427
1H253			SCREW, MACHINE: stainless steel, cross recessed pan head, 8-32 thd NC-2A; 5/16 in. lg; CPN 343 0186 00	428
1H254			WASHER, LOCK: same as 1H250	425
1H255			NOT USED	
1H256			NOT USED	
1H257			SCREW, MACHINE: stainless steel, cross recessed pan head, 10-24 thd NC-2A; CPN 343 0207 00	433
1H258			WASHER, LOCK: stainless steel, spring; .337 in. od, 0.197 in. id; CPN 310 0284 00	434
1H259			NUT, HEX: stainless steel, 10-32 thd; 3/8 in. dia, 1/8 in. thk; CPN 313 0019 00	437
1H260			WASHER, LOCK: same as 1H256	438
1H261			BRACKET, CAPACITOR MOUNTING: capacitor mounting bracket, 2-5/8 in. lg; for use with CP-70 capacitors CPN 139 0153 00	439
1H262			SCREW, MACHINE: same as 1H90	441
1H263			WASHER, LOCK: same as 1H91	442
1H264			TERMINAL, INSULATED: same as 1H83	443
1H265			MOUNTING, BLOWER: aluminum blower motor mounting; 7-59/64 in. by 2.187 in.; CPN 544 7363 003	444
1H266			SCREW, MACHINE: stainless steel, cross recessed flat head, 4-40 thd NC-2A; 1/4 in. lg; CPN 330 2290 00	445

TABLE 6-1. (Continued)

REF DESIG	NOTES	SM&R CODE	NAME AND DESCRIPTION	FIG. NO.
1H267			CRADLE: formed aluminum, 7-25/32 in. by 6.052 in. by 3.0 in.; CPN 544 7360 00	6-1, Item 446
1H268			SCREW, MACHINE: same as 1H234 except 1/4 in. lg; CPN 342 0133 00	447
1H269			PLENUM: transition plenum, pressed; CPN 544 7336 002	448
1H270			NUT, HEX: cadmium brass, elastic stop nut; 1/4-20 thd NC-3B; CPN 333 0427 00	450
1H271			NUT, HEX: same as 1H270	452
1H272			PIN, GUIDE: same as 1H53	453
1H273			NUT, HEX: same as 1H64	454
1H274			WASHER, LOCK: stainless steel, spring; .175 in. od, .085 in. id; CPN 310 0275 00	455
1H275			SCREW, MACHINE: same as 1H268	456
1H276			CONNECTOR, COVER: electrical connector shield; 37/64 in. by 1-3/16 in. by 1-13/64 in.; Cannon part no. 024657-0000; CPN 371 0144 00	458
1H277			SCREW, MACHINE: same as 1H90	461
1H278			SCREW, MACHINE: same as 1H90	462
1H279			SCREW, MACHINE: nickel plated brass; cross recessed flat head, 6-32 thd NC-2A 3/4 in. lg; CPN 342 0172 00	464
1H280			SCREW, MACHINE: stainless steel, cross recessed pan head, 1/4-20 thd, 1 in. lg; CPN 343 0269 00	466
1H281			WASHER, FLAT: nickel plated brass, .625 in. od, .265 in. id; CPN 310 0061 00	467
1H282			WASHER, FLAT: corprene; .375 in. od, .172 in. id; CPN 302 0038 00	468
1H283			NUT, HEX: hex machine nut, 1/4-20 thd NC-2; CPN 313 0082 00	471
1H284			NUT, HEX: same as 1H283	472
1H285			RING, RETAINER: steel retaining ring for .187 in. shaft dia; CPN 342 0079 00	69

TABLE 6-1. (Continued)

REF DESIG	NOTES	SM&R CODE	NAME AND DESCRIPTION	FIG. NO.
1H286			CONDUIT, CABLE: aluminum tube, 1/2 in. od, .312 in. id, 6.487 in. lg; CPN 544 0047 002	6-1, Item 72
1H287A			BRACKET, POTENTIOMETER: aluminum, 1-1/2 in. w, 27/32 in. h, .718 in. thk; CPN 763 8775 00	498
1H288			RING, RETAINER: beryllium copper; shaft size .375 in.; CPN 340 0043 00	94
1H289			LUG, SOLDER: same as 1H124	147
1H290			RING, RETAINER: beryllium copper; shaft size .250 in.; CPN 340 0254 00	206
1H291			RING, RETAINER: spring steel, cadmium plated; shaft size .375 in.; CPN 340 0013 00	183
1H292			NUT, SELF-LOCKING: anodized dural machine screw stop nut with nylon insert; 2-56 NC-2 thd; .141 lg; CPN 333 0327	190
1H293			RING, RETAINER: beryllium copper, shaft size .250 in.; CPN 340 0038 00	281
1H294			RING, RETAINER: same as 1H290	377
1H295			NIPPLE, PIPE: aluminum, 1/8 in. pipe close nipple; FSN AX4730-186-7783	479
1H296			FITTING, PIPE "T": aluminum, 1/8 in. (female) pipe fitting; FSN AX4730-287-3699	480
1H297	FC-5		PLATE, MOUNTING, CAPACITOR: iridium aluminum; 4-3/4 in. by 3.0 in.; CPN 763 8772 001	485
1H298	FC-5		SCREW, MACHINE: stainless steel; cross point flat head, 10-32 NC-2A; 3/8 in. lg; CPN 342 0224 00	486
1H299	FC-5		SCREW, MACHINE: same as 1H93	487
1H300	FC-5		WASHER, LOCK: same as 1H78	488
1H301	FC-5		SCREW, MACHINE: stainless steel type 430; cross point flat heat machine screw, 2-56 NC-2A, 7/16 in. lg; CPN 342 0136 00	491
1H302	FC-5		SCREW, MACHINE: stainless steel type 430; cross point flat head machine screw, 6-32 NC-2A, 7/16 in. lg; CPN 342 0063 00	492

TABLE 6-1. (Continued)

REF DESIG	NOTES	SM&R CODE	NAME AND DESCRIPTION	FIG. NO.
1H303	FC-5		SPACER: plastic type PBE; .125 in. dia by .125 in. lg; CPN 543 9984 002	6-1, Item 493
1H304	FC-5		WASHER, FLAT, NONMETALLIC: CPN 302 0440 00	494
1H305	FC-5		NUT, SELF-LOCKING: 2-56 thd; CPN 333 0604 00	497
1H306	FC-5		SCREW, MACHINE: stainless steel type 430; cross point flat head machine screw; 4-40 NC-2A, 1-1/8 in. lg; CPN 342 0053 00	499
1H307	FC-5		SPACER: brass, .125 in. id, .750 in. lg; CPN 269 1411 00	500
1H308	FC-5		WASHER, NONMETALLIC: plastic, .125 in. id by .1875 in. od; CPN 302 0262 00	501
1H309	FC-5		NUT, SELF-LOCKING: 4-40 thd; CPN 333 0605 00	502
1H310	FC-5		COUPLING, HALF-SHAFT: stainless steel; CPN 763 6771 001	503
1H311	FC-5		INSERT, COUPLING: stainless steel; .500 in. od by .250 in. id by .250 in. thk; CPN 763 8770 001	504
1H312	FC-5		SETSCREW: same as 1H96	505
1H313			BLOCK, LOCK: Vulkollan Comp. TV-25; 5/32 in. by 3/8 in. by 1/4 in.; .187 in. radius groove; CPN 545 6098 002	17A
1H314			SPRING, LOCK: beryllium copper; CPN 545 6099 002	17B
1H315			SCREW, MACHINE: same as 1H60	17C
1H316			SETSCREW: CPN 328 0005 00	381B
1H1 through 1J6			NOT USED	
1J7		P2FFC	CONNECTOR, RECEPTACLE: electrical; low loss plastic dielectric; MS3102E-24-28P	41
1J8			CONNECTOR, RECEPTACLE: electrical; low loss plastic dielectric; Amphenol part no. 82-811; CPN 357 9415 00	43 44 45

TABLE 6-1. (Continued)

REF DESIG	NOTES	SM&R CODE	NAME AND DESCRIPTION	FIG. NO.
1J9		P2FFC	CONNECTOR, RECEPTACLE: electrical; low loss plastic dielectric; Cannon Elec. part no. DE-9P	6-1, Item 460
1J10		P2FFC	CONNECTOR, RECEPTACLE: electrical, brass; rd female contact; straight shape; incl strap; CPN 544 7314 002	463
1L1		P2FFC	FORM, COIL: ceramic; CPN 544 0112 003	160
1MP1			NOT USED	
1MP2		P2FFC	GEAR, SPUR: teflon; 52 teeth, 20° pressure angle, .125 in. w face, .1687 in. dia by .271 in. lg; CPN 544 0009 002	277
1MP3		P2FFC	GEAR, SPUR: teflon; 20 teeth, 20° pressure angle, .156 in. w face, .687 in. dia by .312 in. lg; CPN 544 0010 002	170
1MP4		P2FFC	GEAR ASSY: 1 steel gear w/68 teeth .0937 in. w face, 1 gearshaft w/30 teeth, .141 in. w face; .729 in. dia by 1.250 in. lg; CPN 544 0032 002	376
1MP5		P2FFC	GEAR, ASSEMBLY: stainless steel; c/o gearshaft w/24 teeth, .141 in. w face and spur gear with 30 teeth, .125 in. w face, 20° pres- sure angle, ea complement; .333 in. dia by .750 in. lg overall; CPN 543 9833 002	354
1MP6		P2FFC	GEARSHAFT, SPUR: stainless steel, 24 teeth, 20° pressure angle, .375 in. w face; .406 in. dia by .750 in. lg overall; CPN 543 9834 002	363
1MP7		P2FFC	GEAR-SHAFT ASSY: stainless steel; 30 teeth, 20° pressure angle, .090 in. w face, .333 in. dia by 1.265 in. lg; incl shaft CPN 544 7328 002	374
1MP8		P2FFC	COUPLING, SHAFT, RIGID: aluminum; 3/8 in. dia by 1/2 in. lg; CPN 544 7323 002	254
1MP9		P2FFC	COUPLING, SHAFT, RIGID: same as 1MP8	85
1MP10		P2FFC	GEARSHAFT, SPUR: stainless steel; 30 teeth, 20° pressure angle, .156 in. w face, .3125 in. pitch dia, 1.500 in. lg overall; CPN 543 9869 002	382
1MP11		P2FFC	GEAR-SHAFT ASSY: c/o 1 steel sector gear w/112 teeth, 20° pressure angle, .062 in. w face and 1 steel shaft; 1.781 in. dia by 1.406 in. lg; CPN 544 9464 003	381

TABLE 6-1. (Continued)

REF DESIG	NOTES	SM&R CODE	NAME AND DESCRIPTION	FIG. NO.
1MP12		P2FFC	SHAFT: stainless steel; .78125 in. by .8125 in. by 2.093 in.; incl 1 pin and 1 switch arm; CPN 543 9889 002	6-1, Item 304
1MP13		P2FFC	GEAR ASSY: c/o 2 stainless steel gears, w/100 teeth, .091 in. w face, other w/19 teeth, .140 in. w face, ea w/20° pressure angle; 1.062 in. dia by .718 in. lg; CPN 543 9891 002	368
1MP14		P2FFC	GEAR, SPUR: aluminum; 64 teeth, 20° pressure angle, .062 in. w face, .787 in. dia by .625 in. lg; CPN 544 7324 002	375
1MP15		P2FFC	GEAR-SHAFT ASSY: c/o 1 aluminum gear w/48 teeth, 20° pressure angle, .091 in. w/face, 1 shaft and 1 hub; .520 in. dia by .718 in. lg; CPN 543 9921 002	369
1MP16		P2FFC	GEAR ASSY: c/o AL gear w/84 teeth and 1 SST gearshaft w/18 teeth CPN 543 9931 002	361
1MP17		P2FFC	GEAR ASSY: c/o 1 aluminum gear with 96 teeth; 1 in. pitch dia, .091 in. w face and 1 steel spur gearshaft w/18 teeth, .1875 in. pitch dia, .125 in. w face, ea w/20° pressure angle, 96 diametrical pitch; 1.020 in. dia by 1 in. lg overall; CPN 544 7333 002	360
1MP18		P2FFC	GEAR-CAM ASSY: c/o aluminum gear w/124 teeth, 20° pressure angle, .062 in. w face and stainless steel hub, tapped for securing; 1.312 in. dia by .406 in. lg; CPN 543 9933 002	359
1MP19		P2FFC	GEAR ASSY: 1 aluminum gear w/42 teeth, .091 in. w face, 1 steel gearshaft w/20 teeth, .156 in. w face; 20° pressure angle ea; .4562 in. dia by .655 in. lg overall; CPN 543 9938 002	370
1MP20		P2FFC	GEAR ASSY: 1 steel gearshaft w/20 teeth, .156 in. w face, 1 aluminum gear w/49 teeth, .091 in. w face; 20° pressure angle ea; .530 in. dia by .655 in. lg; CPN 543 9939 002	371
1MP21		P2FFC	GEAR ASSY: 1 steel gearshaft w/20 teeth, .156 in. w face, 1 aluminum gear w/54 teeth, .091 in. w face; 20° pressure angle ea; .583 in. dia by .655 in. lg; CPN 543 8840 002	372
1MP22		P2FFC	GEAR-SHAFT ASSY: c/o 1 steel gear w/99 teeth, .093 in. w face, 20° pressure angle and 1 shaft; 1.578 in. dia by 1.187 in lg; CPN 543 9943 002	383

TABLE 6-1. (Continued)

REF DESIG	NOTES	SM&R CODE	NAME AND DESCRIPTION	FIG. NO.
1MP23		P2FFC	GEAR ASSY: c/o 1 steel gearshaft w/18 teeth, .156 in. w face, 1 gear w/60 teeth, .091 in. w face, ea w/20° pressure angle; .645 in. dia by .765 in. lg; CPN 543 9949 002	6-1, Item 353
1MP24		P2FFC	GEAR ASSY: c/o 1 steel gear w/20 teeth .188 in. w face, 1 plastic gear w/70 teeth, 3/32 in. w face ea w/20° pressure angle; 1.500 in. dia by .765 in. lg; CPN 543 9950 002	348 349
1MP25		P2FFC	GEAR ASSY: c/o 1 steel gearshaft w/24 teeth, .156 in. w face, and 1 gear w/81 teeth, .064 in. w face, ea w/20° pressure angle; 1.282 in. dia by .765 in. lg; CPN 543 9952 002	367
1MP26		P2FFC	GEAR-SHAFT ASSY: c/o stainless steel shaft and gear w/35 teeth, 20° pressure angle, .078 in. w face; .547 in. pitch dia by .360 in. lg overall; CPN 543 9851 002	386
1MP27		P2FFC	GEAR-SHAFT ASSY: c/o 1 plastic gear w/40 teeth, 20° pressure angle, 1/8 in. w face, 1 steel shaft and hub; 1.312 in. dia by .718 in. lg; CPN 543 9951 002	351
1MP28			NOT USED	
1MP28A	FC-5		PIN, SHAFT: switch drive, stainless steel; .2497 in. dia by 1-7/16 in. lg; CPN 543 9906 003	356
1MP29		P2FFC	GEAR, SPUR: teflon; 40 teeth, 20° pressure angle, .187 in. w face, 1.312 in. dia by .375 in. lg; CPN 544 0011 002	280
1MP30		P2FFC	GEAR ASSY: 1 aluminum gear w/56 teeth, .090 in. w face, 1 steel gearshaft w/18 teeth, .156 in. w face, 20° pressure angle ea; .0604 in. dia by .656 in. lg; CPN 543 9980 002	362
1MP31		P2FFC	BEARING, BALL, ANNULAR: ground; single row; radial; w/loading groove, self-contained; both rings flush, .1250 in. bore dia; flanged outer ring type, .2500 in. od ring, .296 in. od flange, .031 in. w flange; 2 steel shields; ABEC-5 tolerance; New Hamp. Ball Bearing part no. SFR144PPK28	335
1MP32		P2FFC	BEARING, BALL, ANNULAR: same as 1MP31	405
1MP33		P2FFC	BEARING, BALL, ANNULAR: same as 1MP31	336
1MP34		P2FFC	BEARING, BALL, ANNULAR: same as 1MP31	406

TABLE 6-1. (Continued)

REF DESIG	NOTES	SM&R CODE	NAME AND DESCRIPTION	FIG. NO.
1MP35		P2FFC	BEARING, BALL, ANNULAR: same as 1MP31	6-1, Item 333
1MP36		P2FFC	BEARING, BALL, ANNULAR: same as 1MP31	402
1MP37		P2FFC	BEARING, BALL, ANNULAR: single row; radial; .422 in. od by .1250 in. lg; New Hamp. Ball Bearing part no. SFR168PPK28	330
1MP38		P2FFC	BEARING, BALL, ANNULAR: same as 1MP37	396
1MP39		P2FFC	BEARING, BALL, ANNULAR: same as 1MP37	332
1MP40		P2FFC	BEARING, BALL, ANNULAR: same as 1MP37	404
1MP41		P2FFC	BEARING, BALL, ANNULAR: same as 1MP37	328
1MP42		P2FFC	BEARING, BALL, ANNULAR: same as 1MP37	392
1MP43		P2FFC	BEARING, BALL, ANNULAR: same as 1MP37	329
1MP44		P2FFC	BEARING, BALL, ANNULAR: same as 1MP37	418
1MP45		P2FFC	BEARING, BALL, ANNULAR: same as 1MP37	407
1MP46		P2FFC	GEAR, SPUR: plastic; 136 teeth, 20° pressure angle, 32 diametrical pitch, 4.250 in. pitch dia .125 in. w face; CPN 544 2687 002	142
1MP47			NOT USED	
1MP48		P2FFC	GEAR, SPUR : plastic; 80 teeth, 20° pressure angle, 32 diametrical pitch, 2.500 in. pitch dia, .125 in. w face; 2.562 in. dia by .218 in. lg; CPN 544 0632 002	158
1MP49		P2FFC	DRUM, LOADING: aluminum tube 2.500 in. dia od, 2.437 in. id, 5.000 in. lg; CPN 543 9865 002	107
1MP50		P2FFC	GEAR-PINION, TAP DRIVE: aluminum gear w/18 teeth 20° pressure angle, 32 diametrical pitch, .562 in. pitch dia, 5.125 in. w face; aluminum shaft, 1 support and hardware; .625 in. dia by 6.438 in. lg overall; CPN 543 9968 002	81
1MP51		P2FFC	SHAFT: brass, chrome plated; .250 in. dia by 6-5/16 in. lg; CPN 543 9856 002	82
1MP52		NFFC	GASKET: rubber; 8.734 in. id, 9.012 in. od, .139 in. thk; Parker Appliance part no. 47-741, 2-269	424

TABLE 6-1. (Continued)

REF DESIG	NOTES	SM&R	NAME AND DESCRIPTION	FIG. NO.
1MP53		P2FFC	GASKET, COVER: aluminum or aluminum casting alloy; .175 in. by 7 in. by 8 in.; CPN 544 7372 003	6-1, Item 2
1MP54		P2FFC	GASKET: plain rubber, .031 in. by 1.750 in. by 1.750 in.; 1.500 in. dia aperture; Bendix part no. 10-40450-22	42
1MP55		P2FFC	BEARING, BALL, ANNULAR: stainless steel; radial, flanged, single row; .250 in. dia bore; .422 in. od by .125 in. w overall; CPN 309 0671 00	64
1MP56		P2FFC	BEARING, BALL, ANNULAR: same as 1MP55	65
1MP57		P2FFC	SUPPORT, ROLLER: stainless steel; angle shaped; incl 2 pins; .520 in. by .620 in. by .750 in. approx overall; CPN 543 9937 002	67
1MP58		P2FFC	ROLLER, COIL: plastic roller w/bronze bearing .1875 in. id, .375 in. od, .377 in. lg overall; CPN 543 9896 002	68
1MP59		NFFC	COLLAR, SHAFT: brass, .250 in. id, .437 in. od, .3125 in. thk; CPN 544 2667 002	74
1MP60			SPRING, HELICAL, COMPRESSION: phosphor bronze wire .0126 in. dia; .115 in. od, 3/8 in. free lg; 9 active coils; CPN 544 0054 002	97
1MP61		P2FFC	GEAR, SPUR: plastic, 80 teeth, 20° pressure angle, 2.500 in. pitch dia; 1/8 in. w face; part no. 543 9878 002	102
1MP62		P2FFC	SPRING, HELICAL, TORSION: stainless steel wire .041 in. dia; 30 rh coils; 5/16 in. id by 1-7/8 in. free lg; CPN 543 9908 002	115
1MP63		P2FFC	SHAFT: aluminum; .2495 in. dia by 5.437 in. lg; CPN 543 9876 002	118
1MP64		P2FFC	BEARING, SLEEVE: bronze, flanged; .250 in. id, .468 in. od, .171 in. lg; CPN 543 9840 002	119
1MP65		P2FFC	FLANGE, BOLTING: aluminum, .921 in. dia by .687 in. lg; undercut; .250 in. id for mtg; CPN 544 2689 002	149
1MP66		P2FFC	SHAFT, OUTPUT: aluminum, .2497 in. od, .220 in. dia center groove, 2-5/16 in. lg overall; tapped; CPN 544 2669 002	151

TABLE 6-1. (Continued)

REF DESIG	NOTES	SM&R CODE	NAME AND DESCRIPTION	FIG. NO.	
1MP67	See EIB 664	P2FFC	GEAR, SPUR: teflon; 42 teeth, 20° pressure angle, 1.312 in. pitch dia, .156 in. w face; CPN 544 0008 002	6-1, Item 179	
1MP68		P2FFC	SPRING, HELICAL, EXTENSION: stainless steel wire, .016 in. dia, 7/64 in. od, 1/2 in. free lg; 24 active coils; CPN 543 9957 002	259	
1MP69		P2FFC	SPRING, HELICAL, EXTENSION: steel wire .026 in. dia; .200 in. dia by .645 in. lg overall; 9 active coils; CPN 544 0080 002	303	
1MP70		P2FFC	BEARING: bronze, .171 in. w by .250 in. id by .468 in. od; CPN 543 9840 002	322	
1MP71		P2FFC	BEARING, SLEEVE: bronze, flanged; .125 in. id, .344 in. od, .171 in. lg overall; CPN 543 9839 002	323	
1MP72		P2FFC	BEARING, SLEEVE: same as 1MP71	324	
1MP73		P2FFC	BEARING, SLEEVE: same as 1MP71	325	
1MP74		P2FFC	BEARING, SLEEVE: same as 1MP71	326	
1MP75		P2FFC	BEARING: same as 1MP70	327	
1MP76		P2FFC	BEARING, BALL, ANNULAR: same as 1MP31	331	
1MP77		P2FFC	BEARING, SLEEVE: same as 1MP71	334	
1MP78		P2FFC	BEARING, BRONZE, ANNULAR: same as 1MP31	337	
1MP79		P2FFC	BEARING: same as 1MP70	338	
1MP80		P2FFC	BEARING, SLEEVE: bronze, .125 in. id. 312 in. od, flattened one side to .281 in. w; .171 in. lg overall, flanged; CPN 543 9830 002	339	
1MP81				BEARING, SLEEVE: same as 1MP71	340
1MP82		P2FFC		BEARING, SLEEVE: same as 1MP71	341
1MP83		P2FFC		BEARING, SLEEVE: same as 1MP71	343
1MP84	P2FFC		BEARING: same as 1MP70	344	
1MP85	P2FFC		BEARING: same as 1MP70	345	
1MP86	P2FFC		SPRING, HELICAL, EXTENSION: same as 1MP68	387	
1MP87	P2FFC		BEARING: same as 1MP70	393	

TABLE 6-1. (Continued)

REF DESIG	NOTES	SM&R CODE	NAME AND DESCRIPTION	FIG. NO.
1MP88		P2FFC	BEARING: same as 1MP70	6-1, Item 395
1MP89		P2FFC	BEARING, BALL, ANNULAR: same as 1MP31	397
1MP90		P2FFC	BEARING, SLEEVE: same as 1MP71	398
1MP91		P2FFC	BEARING, SLEEVE: same as 1MP71	399
1MP92		P2FFC	BEARING, SLEEVE: same as 1MP71	400
1MP93		P2FFC	BEARING, SLEEVE: same as 1MP71	401
1MP94		P2FFC	BEARING, SLEEVE: same as 1MP71	403
1MP95		P2FFC	BEARING: same as 1MP70	408
1MP96			NOT USED	
1MP97		P2FFC	BEARING, SLEEVE: same as 1MP71	410
1MP98		P2FFC	BEARING, SLEEVE: same as 1MP80	411
1MP99		P2FFC	BEARING, SLEEVE: same as 1MP71	412
1MP100		P2FFC	BEARING, SLEEVE: same as 1MP71	413
1MP101		P2FFC	BEARING: same as 1MP70	415
1MP102		P2FFC	BEARING: same as 1MP70	416
1MP103		P2FFC	FEEDTHRU, ANTENNA: brass, 7/8 in. od 4-1/16 in. lg; thd one end 3/8-16 in. UNC-2A, other end 4-40 NC-2B, 1/4 in. deep; CPN 553 5771 003	476
1MP104		P2FFC	GASKET, FELT: felt .462 to .538 in. thk; 2-3/4 in. by 2-3/4 in.; CPN 544 7319 002	449
1MP105		P2FFC	GASKET: cork and rubber composition; .062 in. thk, 3-3/4 in. id, 5-1/4 in. od; CPN 543 3865 002	470
1MP106		P2FFC	WASHER, FLAT: 1/16 in. thk, .250 in. id 13/16 in. od; CPN 544 5583 003	475
1MP107		P2FFC	GASKET, FELT: felt .056 in. to .070 in. thk; 3-1/8 in. w by 6-11/16 in. lg; CPN 544 7322 002	478
1MP108		NFFC	COVER, FRONT: aluminum casting, 1-15/16 in. by 7 in. by 8 in.; incl 31 mtg holes; CPN 544 7392 002	49

TABLE 6-1. (Continued)

REF DESIG	NOTES	SM&R CODE	NAME AND DESCRIPTION	FIG. NO.
1MP109		NFFC	SUPPORT, CENTER TAP: aluminum, 5/16 in. by 7/16 in. by 1 in.; .250 in. id for mtg; CPN 543 9880 002	6-1, Item 63
1MP110		P2FFC	PLATE, END: plastic, 1/4 in. thk, 5.875 in. w by 6.875 in. lg; incl 39 mtg holes; CPN 544 7373 004	71
1MP111		P2FFC	HOUSING: aluminum, .750 in. hex by 9/16 in. lg; undercut and grooved; CPN 544 0029 002	99
1MP112		P2FFC	HUB, GEAR: stainless steel; incl gear flange and stop pin, .875 in. by 1.234 in. by 1.250 in; CPN 543 9903 002	103
1MP113		P2FFC	END PLATE, DRUM: aluminum, 2.435 in. dia by .500 in. thk; c/o 1 bearing, 1 contact; CPN 543 9903 002	109
1MP114		P2FFC	SUPPORT, SPRING: aluminum; .250 in. id, 3/4 in. od, .281 in. lg; undercut; CPN 543 9884 002	117
1MP115		P2FFC	PLATE, DRUM END: aluminum; 2.435 in. dia by .250 in. lg; .375 in. id for mtg; CPN 543 9858 002	120
1MP116		P2FFC	ROLLER: plastic; 5/8 in. dia by 13/32 in. lg; incl 2 bearings; CPN 544 2692 003	135
1MP117		P2FFC	SHAFT: copper, .250 in. hex by .557 in. lg; undercut, tapped one end 4-40 and other end 2-56; CPN 544 2681 002	138
1MP118		P2FFC	SHAFT: copper; .250 in. hex by .474 in. lg; undercut, tapped one end 4-40, other end 2-56; CPN 544 2679 002	139
1MP119		P2FFC	SHAFT: copper; .250 in. hex by .433 in. lg; undercut; tapped one end 4-40, other end 2-56; CPN 544 2678 002	140
1MP120		P2FFC	SHAFT: copper; .250 in. hex by .518 in. lg; undercut, tapped one end 4-40, other end 2-56; CPN 544 2680 002	141
1MP121		P2FFC	RACE, COIL SUPPORT: plastic; 3.325 in. dia by .280 in. w; CPN 544 2688 002	159
1MP122			NOT USED	
1MP122A	FC-4	P2FFC	PLUG, ALUMINUM: FSN IN4730-072-7051	422
1MP123			NOT USED	

TABLE 6-1. (Continued)

REF DESIG	NOTES	SM&R CODE	NAME AND DESCRIPTION	FIG. NO.
1MP123A	FC-4	P2FFC	GASKET, "O" RING: FSN KZ5330-171-8027	6-1, Item 423
1MP124		P2FFC	SPRING, HELICAL, COMPRESSION: stainless steel wire .018 in. dia; .118 in. od, .750 in. h, 1.218 in. free lg; 40 active turns; CPN 543 9821 002	159A
1MP125		NFFC	HUB: aluminum; .250 in. id, 13/16 in. od; flat one side to .656 in. w; 1/4 in. h overall; tapped for securing; CPN 543 9914 002	240
1MP126		NFFC	INSULATOR, PLATE: plastic; 3/16 in. by 1.562 in. by 1.718 in. overall; CPN 543 9958 002	245
1MP127			NOT USED	
1MP127A	FC-5		CAM, STOP: switch drive, aluminum, CPN 763 8776 001	258
1MP128		P2FFC	ACTUATOR, STOP: stainless steel; incl hub and hardware; .281 in. by .655 in. by .732 in.; CPN 543 9948 002	261
1MP129		P2FFC	STOP ASSEMBLY, DRUM: c/o 1 drum riveted; 1 spring stop; .203 in. by 3/4 in. by 2-1/8 in.; CPN 547 3772 003	282
1MP130		P2FFC	GEAR-SHAFT ASSEMBLY: c/o stainless steel shaft, 1 hub and 1 spur gear w/135 teeth, 20° pressure angle, .0937 in. w face; 1.427 in. dia by .750 in. lg overall; CPN 544 0035 002	366
1MP131			BEARING: same as 1MP70	394
1MP132			COLLAR, H-V: brass shield hub, .656 in dia by .125 in. high; for use with capacitor insulated gear 1MP67; CPN 543 9994 002	178
1MP133			PLATE, SECONDARY GEAR: aluminum gear, gear plate, 1/4 in. thk; CPN 544 7382 004	346
1MP134			PLATE, PRIMARY GEAR: CPN 544 7387 005	419
1MP135			CASE: welded case, 17-1/2 in. by 14-3/8 in. mtg centers; CPN 544 7374 004	477
1MP136			PLATE, NOMENCLATURE: CPN 544 5187 002	47
1MP137			PLATE, NOMENCLATURE: CPN 544 5186 002	426
1MP138			GAUGE, PRESSURE: 0 to 30 PSI pressure gauge; CPN P-7-101	482

TABLE 6-1. (Continued)

REF DESIG	NOTES	SM&R CODE	NAME AND DESCRIPTION	FIG. NO.
1MP 139			PLATE, MOUNTING: iridium aluminum, switch mounting plate with microswitch S14 riveted; CPN 767 6011 001	6-1, Item 490
1MP140			BEARING, BRONZE, ANNULAR: same as 1MP31	409
1MP141			ADAPTER, SWITCH: 3/8 in. dia; tapped 4-48 NF-2B; CPN 545 7608 002	381A
1MP142			BEARING-SHAFT, POTENTIOMETER: porous bronze, per MIL-B-5687A Type 1 Comp A; 3770 od, .1117 id; CPN 544 7325 002	291
1P1 through 1P6			NOT USED	
1P7		P2FFC	CONNECTOR, PLUG, ELECTRICAL: 24 rd female contacts; 500 vac, 700 vdc, 22 amps; straight shape; part no. MS3106 E-24-28S	
1P8		NFFC	CONNECTOR, PLUG, ELECTRICAL: 1 rd male contact; 50 ohms; single shape; Automatic Metal Products Co. part no. RF 0235	
1P9		P2FFC	CONNECTOR, RECEPTACLE, ELECTRICAL: low loss plastic dielectric; Cannon Elec. part no. DEF-9S-1	269
1P10		P2FFC	PIN, OUTPUT: brass; .750 in. dia.; undercut and grooved; 1.137 in. lg overall; CPN 544 0102 00	186
1R1 through 1R5			NOT USED	
1R6		NFFC	RESISTOR, VARIABLE, LINEAR PRECISION: 1 section, 100 ohms 5%; 0.5% max linearity; 1.5w at 65° C; rotary motion shaft type, 360° rotation; 10° over-travel; phenolic case; Duncan Electronics, Inc. part no. 3200-671	255
1R7		NFFC	RESISTOR, VARIABLE, LINEAR PRECISION: same as 1R6	90
1S1 through 1S7			NOT USED	

TABLE 6-1. (Continued)

REF DESIG	NOTES	SM&R CODE	NAME AND DESCRIPTION	FIG. NO.
1S8		P2FFC	SWITCH, THERMOSTATIC: contacts close on temp rise; +65°C, 6°C differential bimetal element; Fenwal type 67321; part no. 267 0098 00	6-1, Item 58
1S9		P2FFC	ROTOR, ELECTRICAL, SWITCH: approx 3/4 in. by 1.593 in. by 2.187 in. overall; incl ground strip assy and high voltage strip assy; CPN 543 9965 002	
1S10		P2FFC	SWITCH SECTION, ROTARY: phenolic insulation; brass silver contacts; 230 v max ac, dc; .25 amp; Oak Mfg Co. type MF	78
1S11		P2FFC	SWITCH SECTION, ROTARY: phenolic insulation; silver alloy contacts; 230 v max ac, dc, .25 amp; Oak Mfg Co. type A	192
1S12			SWITCH, WAFER: CPN 269 2604 090	506
1S13			SWITCH, WAFER: CPN 269 2627 010	495
1S14			MICROSWITCH: CPN 266 7041 000	496
1U1			VALVE, FILLER: CPN 2010772	481
Unit 2			CONTROL, COUPLER: controls tuning cap, position and series-shunt switch, coil position and tap control, power output switch and output selector switch; 115 v or 230 vac, 47 to 63 cps, single phase; 5-1/4 in. by 8-3/16 in. by 19 in. overall; CPN 544 7294 00	
2A1C		P2FFC	COUPLER, DIRECTIONAL: transmission line type, 2 to 30 mc frequency range; bidirectional; 3-3/4 in. by 4-15/16 in. by 8-5/16 in. overall; CPN 542 4116 004	5-5
2A1CR1		P1FFC	SEMICONDUCTOR DEVICE, DIODE: Sylvania part no. 1N82A	5-5
2A1CR2			SEMICONDUCTOR DEVICE, DIODE: same as 2A1CR1	5-5
2A1C1		P1FFC	CAPACITOR, VARIABLE, AIR DIELECTRIC: concentric type; 0.5 pf min, 3.0 pf max; Corning Glass Works part no. 682011	5-5
2A1C2		P1FFC	CAPACITOR, VARIABLE, AIR DIELECTRIC: same as 2A1C1	5-5
2A1C3		P2FFC	CAPACITOR, FIXED, MICA DIELECTRIC: 500 vdc; 500 pf +20%; Erie Resistor type 370	5-5

TABLE 6-1. (Continued)

REF DESIG	NOTES	SM&R CODE	NAME AND DESCRIPTION	FIG. NO.
2A1C4			CAPACITOR, FIXED, MICA DIELECTRIC: same as 2A1C3	5-5
2A1C5		P2FFC	CAPACITOR, FIXED, CERAMIC DIELECTRIC: 500 vdc working; 75 pf 2%; JAN -C-20A CC30VJ7506	5-5
2A1C6		P2FFC	CAPACITOR, FIXED, CERAMIC DIELECTRIC: same as 2A1C5	5-5
2A1C7		P2FFC	CAPACITOR, FIXED, CERAMIC DIELECTRIC: 500 vdc working; 1000 pf +80% -20%; Erie Resistor type 327	5-5
2A1C8		P2FFC	CAPACITOR, FIXED, CERAMIC DIELECTRIC: same as 2A1C7	5-5
2A1C9		P2FFC	CAPACITOR, FIXED, CERAMIC DIELECTRIC: same as 2A1C7	5-5
2A1C10		P2FFC	CAPACITOR, FIXED, CERAMIC DIELECTRIC: same as 2A1C7	5-5
2A1J1			NOT USED	
2A1J2		P2FFC	CONNECTOR, RECEPTACLE, ELECTRICAL: low loss plastic dielectric; UG-58A/U	5-5
2A1J3			NOT USED	
2A1J4			NOT USED	
2A1J12			CONNECTOR, RECEPTACLE, ELECTRICAL: same as 2A1J2	5-5
2A1L1		P2FFC	COIL, RADIO FREQUENCY: 3 universal wound pie sections, 75 turns ea; no. 36 AWG single silk enamel or single nylon enamel copper wire, approx 220 uh, 0.1 ampl Jeffers Elect. part no. 240 0037 00	5-5
2A 1L2		P2FFC	COIL, RADIO FREQUENCY: same as 2A1L1	5-5
2A1R1		P1FFC	RESISTOR, FIXED, FILM: 10 ohms $\pm 1\%$; 1/2 w; RN20X10R0F	5-5
2A1R2		P1FFC	RESISTOR, FIXED, FILM: same as 2A1R1	5-5
2A1R3a		P1FFC	RESISTOR, FIXED, FILM: 4,750 ohms $\pm 1\%$; 1/4 w; RN65B4751F	5-5
*2A1R3b		P1FFC	RESISTOR, FIXED, FILM: 4,870 ohms $\pm 1\%$; 1/4 w; RN65B4871F	5-5

* Per Operational Requirement

TABLE 6-1. (Continued)

REF DESIG	NOTES	SM R CODE	NAME AND DESCRIPTION	FIG. NO.
*2A1R3c		P1FFC	RESISTOR, FIXED, FILM: 4,990 ohms $\pm 1\%$; 1/4 w, RN65B4991F	5-5
*2A1R3d		P1FFC	RESISTOR, FIXED, FILM: 5,110 ohms $\pm 1\%$; 1/4 w; RN65B5111F	5-5
*2A1R3e		P1FFC	RESISTOR, FIXED, FILM: 5,230 ohms $\pm 1\%$; 1/4 w; RN65B5231F	5-5
*2A1R3f		P1FFC	RESISTOR, FIXED, FILM: 5,360 ohms $\pm 1\%$; 1/4 w; RN65B5361F	5-5
*2A1R3g		P1FFC	RESISTOR, FIXED, FILM: 5,490 ohms $\pm 1\%$; 1/4 w; RN65B5491F	5-5
*2A1R3h		P1FFC	RESISTOR, FIXED, FILM: tubular; 5,620 ohms $\pm 1\%$; 1/4 w; carbon film; 0.05%/deg-C 3/16 in. dia by 5/8 in. lg; RN65B5621F	5-5
*2A1R3j		P1FFC	RESISTOR, FIXED, FILM: 5,760 ohms $\pm 1\%$; 1/4 w; RN65B5761F	5-5
*2A1R3k		P1FFC	RESISTOR, FIXED, FILM: 5,900 ohms $\pm 1\%$; 1/4 w; RN65B5901F	5-5
*2A1R3m		P1FFC	RESISTOR, FIXED, FILM: 6,040 ohms $\pm 1\%$; 1/4 w; RN65B6041F	5-5
*2A1R3n		P1FFC	RESISTOR, FIXED, FILM: 6,190 ohms $\pm 1\%$; 1/4 w; RN65B6191F	5-5
*2A1R3p		P1FFC	RESISTOR, FIXED, FILM: 6,340 ohms $\pm 1\%$; 1/4 w; RN65B6341F	5-5
*2A1R3q		P1FFC	RESISTOR, FIXED, FILM: 6,490 ohms $\pm 1\%$; 1/4 w; RN65B491F	5-5
*2A1R3r		P1FFC	RESISTOR, FIXED, FILM: 6,650 ohms $\pm 1\%$; 1/4 w; RN65B6651F	5-5
*2A1R3s		P1FFC	RESISTOR, FIXED, FILM: 6,810 ohms $\pm 1\%$; 1/4 w; RN65B6811F	5-5
*2A1R3t		P1FFC	RESISTOR, FIXED, FILM: 6,980 ohms $\pm 1\%$; 1/4 w; RN65B6981F	5-5
2A1R4		P1FFC	RESISTOR, FIXED, FILM: same as 2A1R3a thru t	5-5
*2A1R5a		P1FFC	RESISTOR, FIXED, FILM: 51.1 ohms $\pm 1\%$; 1/4 w; RN65B51R1F	5-5

* Per Operational Requirement

TABLE 6-1. (Continued)

REF DESIG	NOTES	SM&R CODE	NAME AND DESCRIPTION	FIG. NO.
*2A1R5b		P1FFC	RESISTOR, FIXED, FILM: 100 ohms \pm 1%; 1/4 w; RN65B1000F	5-5
*2A1R5c		P1FFC	RESISTOR, FIXED, FILM: 147 ohms \pm 1%; 1/4 w; RN65B1470F	5-5
*2A1R5d		P1FFC	RESISTOR, FIXED, FILM: 196 ohms \pm 1%; 1/4 w; RN65B1960F	5-5
*2A1R5e		P1FFC	RESISTOR, FIXED, FILM: 249 ohms \pm 1%; 1/4 w; RN65B2490F	5-5
*2A1R5f		P1FFC	RESISTOR, FIXED, FILM: 301 ohms \pm 1%; 1/4 w; RN65B3010F	5-5
*2A1R5g		P1FFC	RESISTOR, FIXED, FILM: 348 ohms \pm 1%; 1/4 w; RN65B3480F	5-5
*2A1R5h		P1FFC	RESISTOR, FIXED, FILM: 402 ohms \pm 1%; 1/4 w; RN65B4020F	5-5
*2A1R5j		P1FFC	RESISTOR, FIXED, FILM: tubular; 464 ohms \pm 1%; 1/4 w; RN65B4640F	5-5
*2A1R5k		P1FFC	RESISTOR, FIXED, FILM: 511 ohms \pm 1%; 1/4 w; RN65B5110F	5-5
*2A1R5m		P1FFC	RESISTOR, FIXED, FILM: 562 ohms \pm 1%; 1/4 w; RN65B562	5-5
*2A1R5n		P1FFC	RESISTOR, FIXED, FILM: 619 ohms \pm 1%; 1/4 w; RN65B6190F	5-5
*2A1R5p		P1FFC	RESISTOR, FIXED, FILM: tubular; 681 ohms \pm 1%; 1/4 w; RN65B6810F	5-5
*2A1R5q		P1FFC	RESISTOR, FIXED, FILM: 750 ohms \pm 1%; 1/4 w; RN65B7500F	5-5
*2A1R5r		P1FFC	RESISTOR, FIXED, FILM: 825 ohms \pm 1%; 1/4 w; RN65B8250F	5-5
*2A1R5s		P1FFC	RESISTOR, FIXED, FILM: 909 ohms \pm 1%; 1/4 w; RN65B9090F	5-5
*2A1R5t		P1FFC	RESISTOR, FIXED, FILM: 953 ohms \pm 1%; 1/4 w; RN65B9530F	5-5
*2A1R5u		P1FFC	RESISTOR, FIXED, FILM: 1,000 ohms \pm 1%; 1/4 w; RN65B1001F	5-5
2A1R6		P1FFC	RESISTOR, FIXED, FILM: same as 2A1R5a thru u	5-5

* Per Operational Requirement

TABLE 6-1. (Continued)

REF DESIG	NOTES	SM&R CODE	NAME AND DESCRIPTION	FIG. NO.
2A1T1			COIL, RADIO FREQUENCY: 60 turns of no. 30 AWG, toroidal wound; CPN 542 0916 002	5-5
2A2		P2FFC	PROTECTOR, VSWR: reflected power overload protective circuit; CPN 553 2431 003	5-6
2A2C1		P3FFC	CAPACITOR, FIXED, ELECTROLYTIC: 2.2 uf \pm 20% vdc working; CPN 184 7377 00	5-6
2A2C2		P1FFC	CAPACITOR, FIXED, PAPER: 0.68 uf; CPN 951 1041 00	5-6
2A2CR1		P1FFC	SEMICONDUCTOR DEVICE, DIODE: silicon, type 1N456	5-6
2A2CR2		P1FFC	SEMICONDUCTOR DEVICE, DIODE: zener; silicon, type 1N963B; CPN 353 3085 00	5-6
2A2CR3		P1FFC	SEMICONDUCTOR DEVICE, DIODE: silicon, type 1N647; CPN 353 2852 00	5-6
2A2CR4		P1FFC	SEMICONDUCTOR DEVICE, PNP CON- TROLLED RECTIFIER: silicon, type 2N886; CPN 353 3369 00	5-6
2A2K1		P2FFC	RELAY, ARMATURE: CPN 974 0821 00	5-6
2A2R1		P1FFC	RESISTOR, FIXED, COMPOSITION: 1000 ohms \pm 1%; 1w	5-6
*2A2R2a		P1FFC	RESISTOR, FIXED, FILM: 215 ohms \pm 1%; 1/8 w; CPN 705 6564 00	5-6
*2A2R3a		P1FFC	RESISTOR, FIXED, FILM: same as 2A2R2a	5-6
*2A2R2b		P1FFC	RESISTOR, FIXED, FILM: 237 ohms \pm 1%; 1/8 w; CPN 705 6566 00	5-6
*2A2R3b		P1FFC	RESISTOR, FIXED, FILM: same as 2A2R2b	5-6
*2A2R2c		P1FFC	RESISTOR, FIXED, FILM: 261 ohms \pm 1%; 1/8 w; CPN 705 6568 00	5-6
*2A2R3c		P1FFC	RESISTOR, FIXED, FILM: same as 2A2R2c	5-6
*2A2R2d		P1FFC	RESISTOR, FIXED, FILM: 287 ohms \pm 1%; 1/8 w; CPN 705 6570 00	5-6
*2A2R3d		P1FFC	RESISTOR, FIXED, FILM: same as 2A2R2d	5-6
*2A2R2e		P1FFC	RESISTOR, FIXED, FILM: 316 ohms \pm 1%; 1/8 w; CPN 705 6572 00	5-6

* Per Operational Requirement

TABLE 6-1. (Continued)

REF DESIG	NOTES	SM&R CODE	NAME AND DESCRIPTION	FIG. NO.
*2A2R3e		P1FFC	RESISTOR, FIXED, FILM: same as 2A2R2e	5-6
*2A2R2f		P1FFC	RESISTOR, FIXED, FILM: 348 ohms $\pm 1\%$; 1/8 w; CPN 705 6574 00	5-6
*2A2R3f		P1FFC	RESISTOR, FIXED, FILM: same as 2A2R2f	5-6
*2A2R2g		P1FFC	RESISTOR, FIXED, FILM: 383 ohms $\pm 1\%$; 1/8 w; CPN 705 6576 00	5-6
*2A2R3g		P1FFC	RESISTOR, FIXED, FILM: same as 2A2R2g	5-6
*2A2R2h		P1FFC	RESISTOR, FIXED, FILM: 422 ohms $\pm 1\%$; 1/8 w; CPN 705 6578 00	5-6
*2A2R3h		P1FFC	RESISTOR, FIXED, FILM: same as 2A2R2h	5-6
*2A2R2j		P1FFC	RESISTOR, FIXED, FILM: 464 ohms $\pm 1\%$; 1/8 w; CPN 705 6580 00	5-6
*2A2R3j		P1FFC	RESISTOR, FIXED, FILM: same as 2A2R2j	5-6
*2A2R2k		P1FFC	RESISTOR, FIXED, FILM: 511 ohms $\pm 1\%$; 1/8 w; CPN 705 6582 00	5-6
*2A2R3k		P1FFC	RESISTOR, FIXED, FILM: same as 2A2R2k	5-6
*2A2R2m		P1FFC	RESISTOR, FIXED, FILM: 562 ohms $\pm 1\%$; 1/8 w; CPN 705 6584 00	5-6
*2A2R3m		P1FFC	RESISTOR, FIXED, FILM: same as 2A2R2m	5-6
*2A2R2n		P1FFC	RESISTOR, FIXED, FILM: 619 ohms $\pm 1\%$; 1/8 w; CPN 705 6586 00	5-6
*2A2R3n		P1FFC	RESISTOR, FIXED, FILM: same as 2A2R2n	5-6
*2A2R2p		P1FFC	RESISTOR, FIXED, FILM: 681 ohms $\pm 1\%$; 1/8 w; CPN 705 6588 00	5-6
*2A2R3p		P1FFC	RESISTOR, FIXED, FILM: same as 2A2R2p	5-6
*2A2R2q		P1FFC	RESISTOR, FIXED, FILM: 750 ohms $\pm 1\%$; 1/8 w; CPN 705 6590 00	5-6
*2A2R3q		P1FFC	RESISTOR, FIXED, FILM: same as 2A2R2q	5-6
*2A2R2r		P1FFC	RESISTOR, FIXED, FILM: 825 ohms $\pm 1\%$; 1/8 w; CPN 705 6592 00	5-6
*2A2R3r		P1FFC	RESISTOR, FIXED, FILM: same as 2A2R2r	5-6
2A2R4		P1FFC	RESISTOR, FIXED, FILM: 75 ohms $\pm 1\%$; 1/8 w; CPN 705 6542 00	5-6

* Per Operational Requirement

TABLE 6-1. (Continued)

REF DESIG	NOTES	SM&R CODE	NAME AND DESCRIPTION	FIG. NO.
2A2R5		P1FFC	RESISTOR, FIXED, COMPOSITION: 12,000 ohms $\pm 10\%$; 1/8 w; CPN 745 1398 00	5-6
2A2R6		P1FFC	RESISTOR, FIXED, COMPOSITION: 270K ohms $\pm 10\%$; 1/8 w; CPN 745 1454 00	5-6
2A2RT1		P1FFC	RESISTOR, THERMAL: 100 ohms $\pm 10\%$ at 25 C; CPN 714 1730 00	5-6
2A2TB1		NFFC	TERMINAL BOARD: phenolic; 2-3/4 in. by 2-3/4 in. by 0.093 in.; incl 16 terminals; CPN 549 5424 003	5-6
2CR1		P1FFC	SEMICONDUCTOR DEVICE, DIODE: JEDEC part no. 1N1084	5-4
2CR2		P1FFC	SEMICONDUCTOR DEVICE, DIODE: same as 2CR1	5-4
2CR3		P1FFC	SEMICONDUCTOR DEVICE, DIODE: Gen. Elect. part no. 1N536	5-3
2CR4		P1FFC	SEMICONDUCTOR DEVICE, DIODE: same as 2CR3	5-3
2CR5		P1FFC	SEMICONDUCTOR DEVICE, DIODE: same as 2CR3	5-3
2CR6		P1FFC	SEMICONDUCTOR DEVICE, DIODE: same as 2CR3	5-3
2C1	FC-5		NOT USED	
2C2	FC-5		NOT USED	
2C3		P3FFC	CAPACITOR, FIXED, ELECTROLYTIC: 40 vdc working; 280 uf; Sprague Elect. type 17D	5-3
2C4		P1FFC	CAPACITOR, FIXED, PAPER DIELECTRIC: 200 vdc working; 68,000 pf 20%; Sprague part no. P64510	5-4
2C5 through 2C7			NOT USED	
2C8		P2FFC	CAPACITOR, FIXED, CERAMIC DIELECTRIC: 500 vdc working; 10,000 pf +100% -20% CK63Y103Z	5-3
2C9		P2FFC	CAPACITOR, FIXED, CERAMIC DIELECTRIC: same as 2C8	5-3
2C10		P2FFC	CAPACITOR, FIXED, CERAMIC DIELECTRIC: same as 2C8	5-4

TABLE 6-1. (Continued)

REF DESIG	NOTES	SM&R CODE	NAME AND DESCRIPTION	FIG. NO.
2C11		P2FFC	CAPACITOR, FIXED, CERAMIC DIELECTRIC: same as 2C8	5-4
2C12		P3FFC	CAPACITOR, FIXED, ELECTROLYTIC: tantalum 20 uf, 20%; 50 vdc; Gen. Elect. part no. 298572	5-4
2C13		P2FFC	CAPACITOR, FIXED, CERAMIC DIELECTRIC: same as 2C8	5-4
2C14		P2FFC	CAPACITOR, FIXED, CERAMIC DIELECTRIC: same as 2C8	5-4
2C15		P2FFC	CAPACITOR, FIXED, CERAMIC DIELECTRIC: same as 2C8	5-4
2C16		P2FFC	CAPACITOR, FIXED, CERAMIC DIELECTRIC: same as 2C8	5-4
2C17		P2FFC	CAPACITOR, FIXED, CERAMIC DIELECTRIC: same as 2C8	5-4
2C18		P2FFC	CAPACITOR, FIXED, CERAMIC DIELECTRIC: same as 2C8	5-4
2C19		P2FFC	CAPACITOR, FIXED, CERAMIC DIELECTRIC: same as 2C8	5-4
2DS1		P2FFC	DIAL, SCALE: 0 to 100 ccw, linear, primary; 0 to 10 ccw, linear, secondary; 100 scale div ea; chrome dials, plastic knob; Borg Electronics Corp. type 1326	5-3
2DS2		P2FFC	DIAL, SCALE: same as 2DS1	5-3
2DS3		P1FFC	LAMP, GLOW: neon gas; 1/25 w, 65 vac, 90 vdc; 1-1/8 in. h overall; Gen Elect. part no. NE-51	5-3
2F1		P1FFC	FUSE, CARTRIDGE: 1.0 amp, 250 v max dc, normal instantaneous; F02G1R00A	5-3
2J1		NFFC	CONNECTOR, RECEPTACLE, ELECTRICAL: 1 rd female contact; 70 ohms straight shape; Industrial Prod. part no. 91025	5-3
2J2		NFFC	NOT USED	
2J3		NFFC	CONNECTOR, RECEPTACLE, ELECTRICAL: p/o 2K3; built in	5-3
2J4		P2FFC	CONNECTOR, RECEPTACLE, ELECTRICAL: 1 female contact; straight shape; Amphenol part no. 31-205	5-3

TABLE 6-1. (Continued)

REF DESIG	NOTES	SM&R CODE	NAME AND DESCRIPTION	FIG. NO.
2J5		P2FFC	CONNECTOR, RECEPTACLE, ELECTRICAL: low loss plastic dielectric; Amphenol part no. 26-4401-24P	5-3 5-4
2J6		P2FFC	CONNECTOR, RECEPTACLE, ELECTRICAL: low loss plastic dielectric; Amphenol part no. 26-4402-16S	5-4
2J7 through 2J10			NOT USED	
2J11		NFFC	CONNECTOR, RECEPTACLE, ELECTRICAL: p/o 2K3; built in	5-3
2J12			NOT USED	
2J13		NFFC	CONNECTOR, RECEPTACLE, ELECTRICAL: p/o 2K3; built in	5-3
2K1		NFFC	RELAY, ARMATURE: 4C; 27.5 vdc; Comar Electric Co. part no. XTSH 1130	5-3
2K2		NFFC	RELAY, ARMATURE: same as 2K1	5-3
2K3		P2FFC	RELAY, ARMATURE: 1A contact arrangement; 115 vac or 27.5 vdc 600 w; incl 2J11 and 2J13; Aemco part no. R-83	5-3
2M1		P2FFC	AMMETER: panel type; dc; 500 to 0 to 500 ma, 2% accuracy; Sun Meter Corp. part no. M 1321	5-3
2M2		P2FFC	AMMETER: same as 2M1	5-3
2M3		NFFC	WATTMETER: 0-100 and 0-1000 w scale; 2% deflection; 1000 ohms; Electric Design and Mfg. Co. part no. 458-0388-00	
2P1		NFFC	CONNECTOR, PLUG, ELECTRICAL: 1 rd male contact; Automatic Metal part no. RF0235	5-3
2P2		NFFC	CONNECTOR, PLUG, ELECTRICAL: same as 2P1	5-3
2P3		NFFC	CONNECTOR, PLUG, ELECTRICAL: same as 2P1	5-3
2P4		NFFC	CONNECTOR, PLUG, ELECTRICAL: 1 rd male contact; Industrial Prod. part no, 85000	5-3
2P5		P2FFC	CONNECTOR, PLUG, ELECTRICAL: 24 flat female contacts; Amphenol part no. 26-4501-24S	5-4

TABLE 6-1. (Continued)

REF DESIG	NOTES	SM&R CODE	NAME AND DESCRIPTION	FIG. NO.
2P6		P2FFC	CONNECTOR, PLUG, ELECTRICAL: 16 flat male contacts; Amphenol part no. 26-4502-16P	5-4
2P7 through 2P10			NOT USED	
2P11			CONNECTOR, PLUG, ELECTRICAL: same as 2P1	5-3
2P12			CONNECTOR, PLUG, ELECTRICAL: same as 2P1	5-3
2P13			CONNECTOR, PLUG, ELECTRICAL: UG 88D/U, Type BNC plug connector; CPN 357 9292 00	5-3
2R1			RESISTOR, VARIABLE, LINEAR PRECISION: 100 ohms $\pm 5\%$; $\pm 0.5\%$ linearity; 2 w; Duncan Electronics, Inc. Model 3202	5-3
2R2			RESISTOR, VARIABLE, LINEAR PRECISION: same as 2R1	5-3
2R3		P1FFC	RESISTOR, FIXED, COMPOSITION: 47 ohms $\pm 10\%$; 2w; RC42GF471K	5-4
2R4		P1FFC	RESISTOR, FIXED, COMPOSITION: 470 ohms $\pm 10\%$; 1/2 w; RC20GF471K	5-3
2R5		P1FFC	RESISTOR, FIXED, COMPOSITION: same as 2R4	5-3
2R6		P1FFC	RESISTOR, FIXED, FILM: 1000 ohms $\pm 1\%$; 1/4 w; CPN 705 7069 00	5-3
2R7		P1FFC	RESISTOR, FIXED, WIREWOUND: 20 ohms, $\pm 5\%$; 5 w; Dale Prod type RMS-5	5-4
2R8			RESISTOR, FIXED, COMPOSITION: 15 ohms $\pm 10\%$; 1/2 w; RC20GF181K	5-4
*2R9			RESISTOR, FIXED, COMPOSITION: 47 ohms, $\pm 10\%$; 1/2 w; RC20GF470K	
*2R10			RESISTOR, FIXED, COMPOSITION: same as 2R9	
2S1		P2FFC	SWITCH, ROTARY: Oak Mfg Co. type HC	5-3
2S2		P2FFC	SWITCH, ROTARY: Oak Mfg Co. type MF	5-3

*2R9 and 2R10 used with Marion Null Indicator meter only and are not used on equipment from serial number 97 up, except for serial numbers 98, 99, 104, and 108.

TABLE 6-1. (Continued)

REF DESIG	NOTES	SM&R CODE	NAME AND DESCRIPTION	FIG. NO.
2S3		P2FFC	SWITCH, ROTARY: Oak Mfg Co. part no. 89174-185	5-3
2S4		P2FFC	SWITCH, ROTARY: same as 2S3	5-3
2S5		P2FFC	SWITCH, TOGGLE: spdt; 250 vac at 6 amps, 30 vdc at 20 amps resistive; JAN-S-23 ST42D	5-3
2S6		P2FFC	SWITCH, TOGGLE: 4 pdt; 115 vac at 10 amps 28 vdc at 20 amps; MS25068-26	5-3
2S7		P2FFC	SWITCH, ROTARY: Oak Mfg Co. type H	5-3
2T1		P2FFC	TRANSFORMER, POWER, STEP-DOWN: 115 v, 230 v, 100 w, 50 to 60 cps, single phase primary, 30 vdc, center tapped, 500 ma secondary; Chicago Std; CPN 544 7334 002	5-3
2TB1		NFFC	TERMINAL BOARD: aluminum; 1/16 in. by 3 in. by 3-1/4 in.; CPN 544 7334 002	5-4
2TB2		NFFC	TERMINAL BOARD: phenolic; 1/16 in. by 1-11/16 in.; accommodates 4 terminals; CPN 544 7335 002	5-3
2TB3		NFFC	TERMINAL BOARD: phenolic; 3/32 in. by 1-1/2 in.; incl 6 terminals; CPN 544 9417 002	5-3
2TB4		NFFC	TERMINAL BOARD: phenolic; 3/32 in. by 1-1/2 in. by 1-15/16 in.; incl 6 terminals; CPN 544 9419 002	5-3
2XDS1 and 2XDS2			NOT USED	
2XDS3		P2FFC	LAMPHOLDER: for miniature bayonet base pilot light bulb; Drake Mfg Co. type 50	5-3
2XF1		P2FFC	FUSEHOLDER: extractor post; 125 v, 15 amp; Bussman part no. HKP-HJR	5-3

TABLE 6-2. ANTENNA COUPLER GROUP AN/SRA-22, LIST OF MANUFACTURERS

ABBREVIATION	NAME	ADDRESS
AGX	Aemco, Inc.	Mankato, Minnesota
AMP	Amphenol Electronics Corp.	Chicago, Illinois
AXD	Amplex Div. of Chrysler Corp. Automatic Metal Products Co.	Detroit, Michigan Brooklyn, New York
GBS	Borg Equip. Div. of Amphenol Borg Corp.	Janesville, Wisconsin
BUS	Bussman Manufacturing Co.	St. Louis, Missouri
CED	Cannon Electric Co. Chicago Standard Transformer Corp.	Los Angeles, Calif. Chicago, Illinois
CPN	Collins Radio Company	Cedar Rapids, Iowa
CGW	Corning Glass Works	Corning, New York
DMC	Drake Mfg. Co.	Chicago, Illinois
ERC	Erie Resistor Corp.	Erie, Pennsylvania
FEN	Fenwal, Inc.	Ashland, Mass.
GE	General Electric Co.	Schenectady, N. Y.
GML	G M Laboratories, Inc.	Chicago, Illinois
AAP	IMC Magnetics Corp.	Woodside, New York
IPC	Industrial Products Co.	Danbury, Conn.
JEDEC	Joint Electro Division Engr. Council	
JFE	Jeffers Electronics Corp.	St. Marys, Pa.
NHBB	New Hampshire Ball Bearings, Inc.	Peterborough, N. Y.
OAK	Oak Manufacturing Co.	Chicago, Illinois
PA	Parker Appliance Co., The	Cleveland, Ohio
SATA	Sarkes-Tarzian, Inc.	Bloomington, Ind.
SIC	Simpson Electric Co.	Chicago, Illinois
SPR	Sprague Electric Co.	North Adams, Mass.
	Sun Electric Corp.	Chicago, Illinois

ITEM NO.	REF. DESIG.	LOCATION	ITEM NO.	REF. DESIG.	LOCATION
1	1H59	7Z SH 1	60	1H90	6S SH 1
2	1MP53	6W SH 1	61	1H91	6S SH 1
3	1H60	3W SH 1	62	1H92	6R SH 1
4	Not Used		63	1MP109	6S SH 1
5	1H1	3X SH 1	64	1MP55	6R SH 1
6	1H61	2U SH 1	65	1MP56	3S SH 1
7	1H62	2U SH 1	66	1H93	9U SH 1
8	1H63	4S SH 1	67	1MP57	8T,8U,9P, SH 1
9	1H64	3T SH 1			
10	1H2	2V SH 1	68	1MP58	8T,8U SH 1
11	1H65	5T SH 1	69	1H285	8T SH 1
12	1H66	4S SH 1	70	1H94	3Y,5X,5Y, 6X SH 1
13	1H3	3U SH 1			
14	1H67	4W SH 1	70A	1H95	4Y,5Y SH 1
15	1H4	5V SH 1	71	1MP110	5X,7T SH 1
16	1H68	9R SH 1	72	1H286	6R SH 1
17	1H5	8S SH 1	73	1H96	6H,7H SH 1
17A	1H313	8S SH 1	74	1MP59	6H SH 1
17B	1H314	8S SH 1	75	1H97	1N SH 1
17C	1H315	8S SH 1	76	1H98	5Q SH 1
18	1H6	9R SH 1	77	Not Used	
19	1H69	5T SH 1	78	1S10	4P SH 1
20 thru	Not Used		79	1H10	40,4Q SH 1
24			80	1H99	6P SH 1
25	1H58	7U SH 1	81	1MP50	7Q SH 1
26	Not Used		82	1MP51	6R SH 1
27	Not Used		83	1H100	7Q SH 1
28	1H7	8V SH 1	84	1H101	6P SH 1
29	1H8	8W SH 1	85	1MP9	6P SH 1
30	1H70	8X SH 1	86	1H102	6P SH 1
31	1H9	7W SH 1	87	Not Used	
32	1H71	7X,8X SH 1	88	1H103	7Q SH 1
33	1H72	7X SH 1	89	1H11	6Q,7Q SH 1
34	1H73	7X SH 1	90	1R7	7R SH 1
35	1H74	7X SH 1	91	1H104	5P SH 1
36	1E1	7X SH 1	92	1H105	50 SH 1
37	1H75	9Z SH 1	93	1E2	5P SH 1
37A	1H76	9Z SH 1	94	1H288	5P SH 1
38	1H77	8X SH 1	95	1H12	5P SH 1
39	1H78	8X SH 1	96	1H13	5P SH 1
40	1H79	8X SH 1	97	1MP60	5P SH 1
41	1J7	8Z SH 1	98	1H14	50,5P SH 1
42	1MP54	8Z SH 1	99	1MP111	5P SH 1
43	1J8a	7W SH 1	100	1H106	1M SH 1
44	1J8b	8X SH 1	101	1H107	2L SH 1
45	1J8c	9Z SH 1	102	1MP61	2M SH 1
46	1H80	8Z SH 1	103	1MP112	2M SH 1
47	1MP136	7Z SH 1	104	1H108	2P SH 1
48	1H81	6Y SH 1	105	1H109	2R SH 1
49	1MP108	9Y SH 1	106	1E3	2R SH 1
50	1H82	6S SH 1	107	1MP49	2Q SH 1
51	1H83	7U SH 1	108	1E4	3S SH 1
52	1H84	6S SH 1	109	1MP113	3S SH 1
53	1H85	7U SH 1	110	1H110	2M SH 1
54	1H86	5S SH 1	111	1H111	2N SH 1
55	1H87	6V SH 1	112	1H112	2N SH 1
56	1C5	7U SH 1	113	1H113	2N SH 1
57	1H88	6S SH 1	114	1H114	2N SH 1
58	1S8	6S SH 1	115	1MP62	2N SH 1
59	1H89	6R SH 1	116	1H115	20 SH 1

ITEM NO.	REF. DESIG.	LOCATION	ITEM NO.	REF. DESIG.	LOCATION
117	1MP114	20 SH 1	173A	1H144	7C SH 1
118	1MP63	20 SH 1	174	1E19	7C SH 1
119	1MP64	2M SH 1	175	1H145	7B SH 1
120	1MP115	1N SH 1	176	1H146	7B SH 1
121	1H116	8R,9R, SH 1	177	1H147	7I SH 1
122	1H117	8R,9R SH 1	178	1MP132	7I SH 1
123	1H118	8R,9R SH 1	179	1MP67	7H SH 1
124	1H119	8R SH 1	180	1H149	7H SH 1
125	1H120	8R SH 1	181	1E9	4I SH 1
126	1H121	9R SH 1	182	1H150	4H SH 1
127	1H122	9R SH 1	183	1H291	4H SH 1
128	1E5	8R SH 1	184	Not Used	
129	1E6	8R SH 1	185	1H22	4H SH 1
130	1H15	7Q SH 1	186	1P10	4I SH 1
131	1H16	7Q SH 1	187	1H151	4H SH 1
132	1H17	8Q SH 1	188	1H152	5L SH 1
133	1H18	8Q SH 1	189	1H23	4H,4I SH 1
134	1H19	9Q SH 1	190	1H292	3A SH 1
135	1MP116	7Q,8Q,9P SH 1	191	1H24	3A SH 1
136	1H123	7P,8Q SH 1	192	1S11	3A SH 1
137	1H20	7O,8Q SH 1	193	1H25	3A SH 1
138	1MP117	7P SH 1	194	Not Used	
139	1MP118	8P SH 1	195	1H27	3A SH 1
140	1MP119	8P SH 1	196	1H28	3B,4B SH 1
141	1MP120	9P SH 1	197	1H153	3B,4B SH 1
142	1MP46	9O SH 1	198	1H154	3B,4B SH 1
143	1H124	7M SH 1	199	1H29	3B,4B SH 1
144	1E7	7O SH 1	199A	1H30	3B SH 1
145	1H125	7M SH 1	200	1H155	3A SH 1
146	1H127	7M SH 1	201	1H156	3A SH 1
147	1H289	7M SH 1	202	1H157	3A SH 1
148	1H128	6L SH 1	203	1H158	3A SH 1
149	1MP65	7M SH 1	204	1H39	3A SH 1
150	1H129	7M SH 1	205	1H40	3A SH 1
151	1MP66	6K SH 1	206	1H290	3B SH 1
152	Not Used		207	1H31	3B SH 1
153	1E18	6J SH 1	208	1H32	3B SH 1
154	1H130	7O SH 1	209	1H33	3B SH 1
155	1H131	7O SH 1	210	1H34	3A,4A SH 1
156	1H132	7O SH 1	211	1H159	3A,4A SH 1
157	1H133	6K SH 1	212	1H160	2B,4A SH 1
158	1MP48	7K SH 1	213	1H35	3B,4A SH 1
159	1MP121	7L SH 1	214	1H161	3B,4A SH 1
159A	1MP124	6L SH 1	215	1H162	4A SH 1
160	1L1	7N SH 1	216	1E10	4C SH 1
161	1H134	5A,6A SH 1	217	1H36	4C SH 1
162	1H135	5A SH 1	218	1H163	4A SH 1
163	1H136	5A SH 1	219	1H164	4A SH 1
164	1H137	6B,7A SH 1	220	1H165	4A SH 1
165	1H138	6B,7A SH 1	221	1H166	4A SH 1
166	1E8	7A SH 1	222	1H37	4A SH 1
167	1H139	6B SH 1	223	1E11	4C SH 1
168	1H140	5L SH 1	224	1H167	4A SH 1
169	1H141	5L SH 1	225	1H168	4A SH 1
170	1MP3	5L SH 1	226	1H169	4A SH 1
171	1C7	6A SH 1	227	1H170	4A SH 1
172	1H142	6C SH 1	228	1H171	4A SH 1
173	1H143	7C SH 1	229	1E12	4C SH 1
			230	1H172	4C SH 1
			231	1H173	3B SH 1

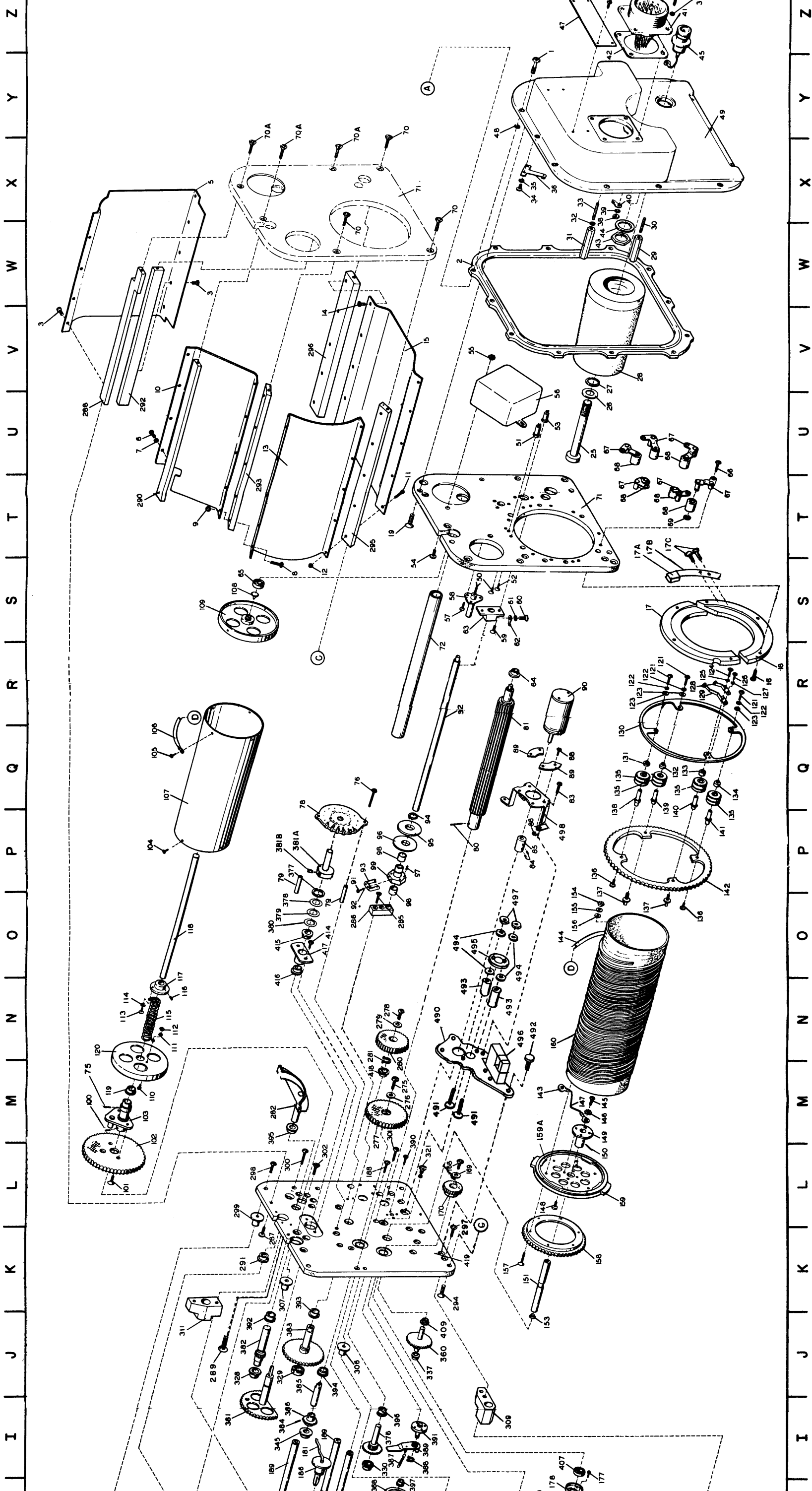
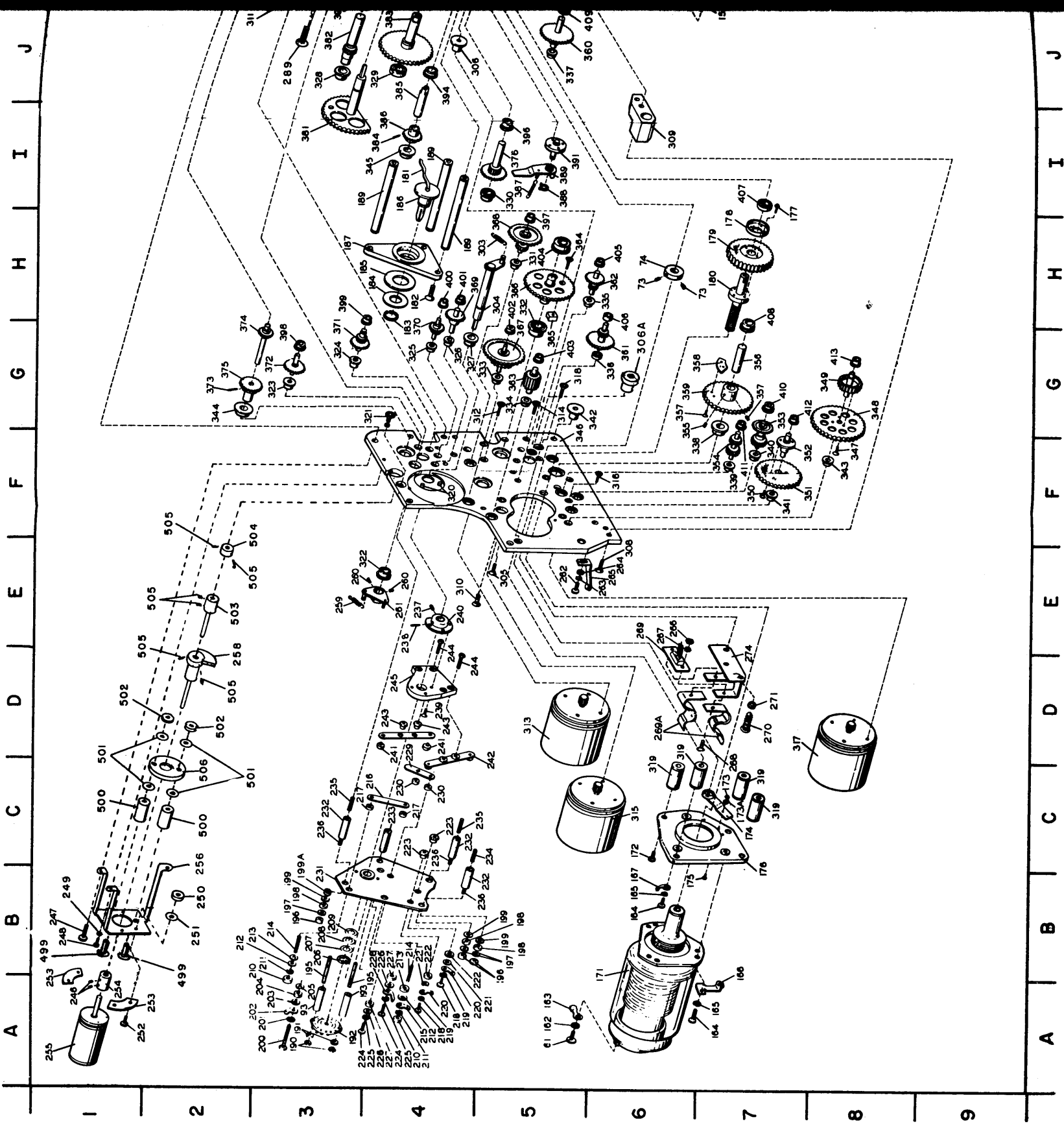


Figure 6-1. Antenna Coupler
CU-714/SRA-22, Exploded View
(Sheet 1 of 2)

ITEM NO.	REF. DESIG.	LOCATION	ITEM NO.	REF. DESIG.	LOCATION
232	1H38	3C,4C,5B SH 1	290	1H211	2T SH 1
233	1H174	4C SH 1	291	1MP142	3K SH 1
234	1H175	5B SH 1	292	1H212	2U SH 1
235	1H176	3C,4C SH 1	293	1H213	3T SH 1
236	1H177	3C,4B,5B SH 1	294	1H214	3T SH 1
237	1H178	4E SH 1	295	1H215	5T SH 1
238	1H179	4E SH 1	296	1H216	4V SH 1
239	1H180	4D SH 1	297	1H217	6L SH 1
240	1MP125	4E SH 1	298	1H218	3L SH 1
241	1E13	4C,4D SH 1	299	1H43	3L SH 1
242	1E14	5C SH 1	300	1H219	4M SH 1
243	1H41	4D SH 1	301	1H220	5M SH 1
244	1H148	4D SH 1	302	1H221	4M SH 1
245	1MP126	4D SH 1	303	1MP69	5H SH 1
246	1H181	4D SH 1	304	1MP12	5H SH 1
247	1H182	1A SH 1	305	1H222	5E SH 1
248	1H183	1B SH 1	305A	1H223	5E SH 1
249	1H184	1B SH 1	306	1H44	4J SH 1
250	1H185	1B SH 1	306A	1H224	6G SH 1
251	1H186	2B SH 1	307	1H45	4K SH 1
252	1H187	2B SH 1	308	1H225	6E SH 1
253	1H188	1A SH 1	309	1H42	6I SH 1
254	1MP8	1A SH 1	310	1H226	5E SH 1
255	1R6	1A SH 1	311	1H227	2J SH 1
256	1H189A	2B SH 1	312	1H228	5G SH 1
257	1H190	3E SH 1	313	1B3	5D SH 1
258	1MP127A	2D SH 1	314	1H229	5G SH 1
259	1MP68	3E SH 1	315	1B4	6C SH 1
260	1H191	4E SH 1	316	1H230	6F SH 1
261	1MP128	4E SH 1	317	1B2	8D SH 1
262	1H192	6E SH 1	318	1H231	6G SH 1
263	1H193	6E SH 1	319	1H46	7C SH 1
264	1H194	6E SH 1	320	1H232	4F SH 1
265	1E16	6E SH 1	321	1H47	4G,5M SH 1
266	1H195	6E SH 1	322	1MP70	4E SH 1
267	1H196	6E SH 1	323	1MP71	4E SH 1
268	1H197	7D SH 1	324	1MP72	3G SH 1
269	1P9	6E SH 1	325	1MP73	3G SH 1
269A	1H198	6E SH 1	326	1MP74	4G SH 1
270	1H199	6D SH 1	327	1MP75	5G SH 1
271	1H200	7D SH 1	328	1MP41	3J SH 1
272	Not Used	7D SH 1	329	1MP43	4J SH 1
273	Not Used		330	1MP37	5I SH 1
274	1H201		331	1MP76	5H SH 1
275	1H202	7D SH 1	332	1MP39	5H SH 1
276	1H203	5M SH 1	333	1MP35	5G SH 1
277	1MP2	5M SH 1	334	1MP77	5G SH 1
278	1H204	5M SH 1	335	1MP31	6H SH 1
279	1H205	5N SH 1	336	1MP33	6H SH 1
280	1MP29	5N SH 1	337	1MP78	5J SH 1
281	1H293	5N SH 1	338	1MP79	7F SH 1
282	1MP129	5N SH 1	339	1MP80	7F SH 1
283	Not Used	4M SH 1	340	1MP81	7F SH 1
284	Not Used		341	1MP82	7F SH 1
285	Not Used		342	1MP48	6G SH 1
286	1H206	5O SH 1	343	1MP83	8F SH 1
287	1H207	5O SH 1	344	1MP84	2G SH 1
288	1H208	4L SH 1	345	1MP85	4I SH 1
289	1H209	1U SH 1	346	1MP133	6G SH 1
	1H210	3J SH 1	347	1H233	8F SH 1
			348	1MP24	8G SH 1



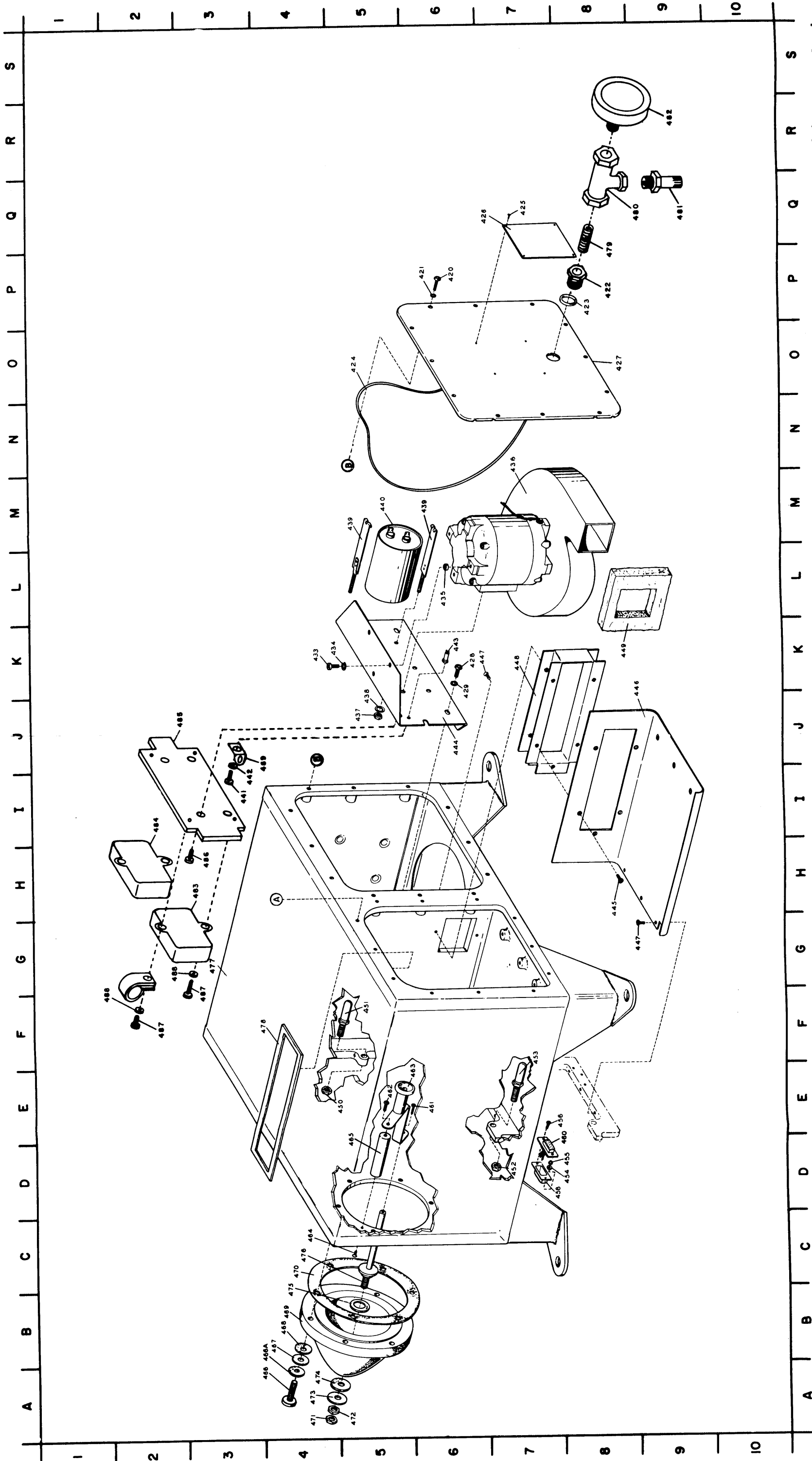


Figure 6-1. Antenna Coupler
CU-714/SRA-22, Exploded View
(Sheet 2 of 2)

ITEM NO.	REF. DESIG.	LOCATION	ITEM NO.	REF. DESIG.	LOCATION
349	1MP24	8G SH 1	407	1MP45	7I SH 1
350	1H234	7F SH 1	408	1MP95	7H SH 1
351	1MP27	8F SH 1	409	1MP140	6J SH 1
352	1MP27	8F SH 1	410	1MP97	7G SH 1
353	1MP23	7G SH 1	411	1MP98	7F SH 1
354	1MP5	7F SH 1	412	1MP99	8G SH 1
355	1H235	7G SH 1	413	1MP100	8G SH 1
356	1MP28A	7G SH 1	414	1H247	4O SH 1
357	1H236	7G SH 1	415	1MP101	4O SH 1
358	1H237	7G SH 1	416	1MP102	4N SH 1
359	1MP18	7G SH 1	417	1H248	4O SH 1
360	1MP17	6J SH 1	418	1MP44	5M SH 1
361	1MP16	6G SH 1	419	1MP134	6K SH 1
362	1MP30	6H SH 1	420	1H249	6P SH 2
363	1MP6	5G SH 1	421	1H250	6P SH 2
364	1H238	5H SH 1	422	1MP122A	8P SH 2
365	1H239	5G SH 1	423	1MP123A	8P SH 2
366	1MP130	5H SH 1	424	1MP52	5O SH 2
367	1MP25	5G SH 1	425	1H251	7Q SH 2
368	1MP13	5H SH 1	426	1MP137	7Q SH 2
369	1MP15	5H SH 1	427	1H252	8O SH 2
370	1MP19	4H SH 1	428	1H253	8O SH 2
371	1MP20	3G SH 1	429	1H254	6K SH 2
372	1MP21	3G SH 1	430	Not Used	6K SH 2
373	1H240	2G SH 1	431	Not Used	
374	1MP7	2G SH 1	432	Not Used	
375	1MP14	2G SH 1	433	1H257	4K SH 2
376	1MP4	5I SH 1	434	1H258	4K SH 2
377	1H294	4P SH 1	435	1H52	6L SH 2
378	1H49	4O SH 1	436	1B1	7M SH 2
379	1H242	4O SH 1	437	1H259	5J SH 2
380	1H243	4O SH 1	438	1H260	5J SH 2
381	1MP11	3I SH 1	439	1H261	5M,6M SH 2
381A	1MP141	5P SH 1	440	1C6	5M SH 2
381B	1H316	5P SH 1	441	1H262	3I SH 2
382	1MP10	3J SH 1	442	1H263	3J SH 2
383	1MP22	4J SH 1	443	1H264	6K SH 2
384	1H241	4I SH 1	444	1H265	6J SH 2
385	1H50	4I,4J SH 1	445	1H266	8H SH 2
386	1MP26	4I SH 1	446	1H267	8K SH 2
387	1MP86	5I SH 1	447	1H268	8H,7K SH 2
388	1H244	5I SH 1	448	1H269	6L SH 2
389	1H245	5I SH 1	449	1MP104	8L SH 2
390	1H246	5M SH 1	450	1H270	4E SH 2
391	1H51	5I SH 1	451	1H53	5F SH 2
392	1MP42	3K SH 1	452	1H271	7D SH 2
393	1MP87	4K SH 1	453	1H272	7F SH 2
394	1MP131	4J SH 1	454	1H273	7D SH 2
395	1MP88	4M SH 1	455	1H274	7D SH 2
396	1MP38	5I SH 1	456	1H275	7E SH 2
397	1MP89	5I SH 1	457	Not Used	
398	1MP90	3G SH 1	458	1H276	7D SH 2
399	1MP91	3H SH 1	459	Not Used	
400	1MP92	4H SH 1	460	1J9	7E SH 2
401	1MP93	4H SH 1	461	1H277	5E SH 2
402	1MP36	5H SH 1	462	1H278	5E SH 2
403	1MP94	5G SH 1	463	1J10	5E SH 2
404	1MP40	5H SH 1	464	1H279	4C SH 2
405	1MP32	6H SH 1	465	1H54	5E SH 2
406	1MP34	6H SH 1	466	1H280	4B SH 2

ITEM NO.	REF. DESIG.	LOCATION	ITEM NO.	REF. DESIG.	LOCATION
466A	1H55	4B SH 2	487	1H299	2F SH 2
467	1H281	4B SH 2	488	1H300	2F SH 2
468	1H282	4B SH 2	489	1E20	3J SH 2
469	1E17	4B SH 2	490	1MP139	6N SH 1
470	1MP105	4C SH 2	491	1H301	6M SH 1
471	1H283	4A SH 2	492	1H302	7M SH 1
472	1H284	4A SH 2	493	1H303	6N SH 1
473	1H56	4A SH 2	494	1H304	6N SH 1
474	1H57	4A SH 2	495	1S13	6N SH 1
475	1MP106	4B SH 2	496	1S14	6N SH 1
476	1MP103	4C SH 2	497	1H305	6O SH 1
477	1MP135	3G SH 2	498	1H287A	7P SH 1
478	1MP107	4F SH 2	499	1H306	1B SH 1
479	1H295	8Q SH 2	500	1H307	2C SH 1
480	1H296	8Q SH 2	501	1H308	2D SH 1
481	1U1	9Q SH 2	502	1H309	3D SH 1
482	1MP138	9R SH 2	503	1H310	2E SH 1
483	1C8	2H SH 2	504	1H311	2F SH 1
484	1C9	2H SH 2	505	1H312	2E SH 1
485	1H297	2J SH 2	506	1S12	2D SH 1
486	1H298	3H SH 2			