

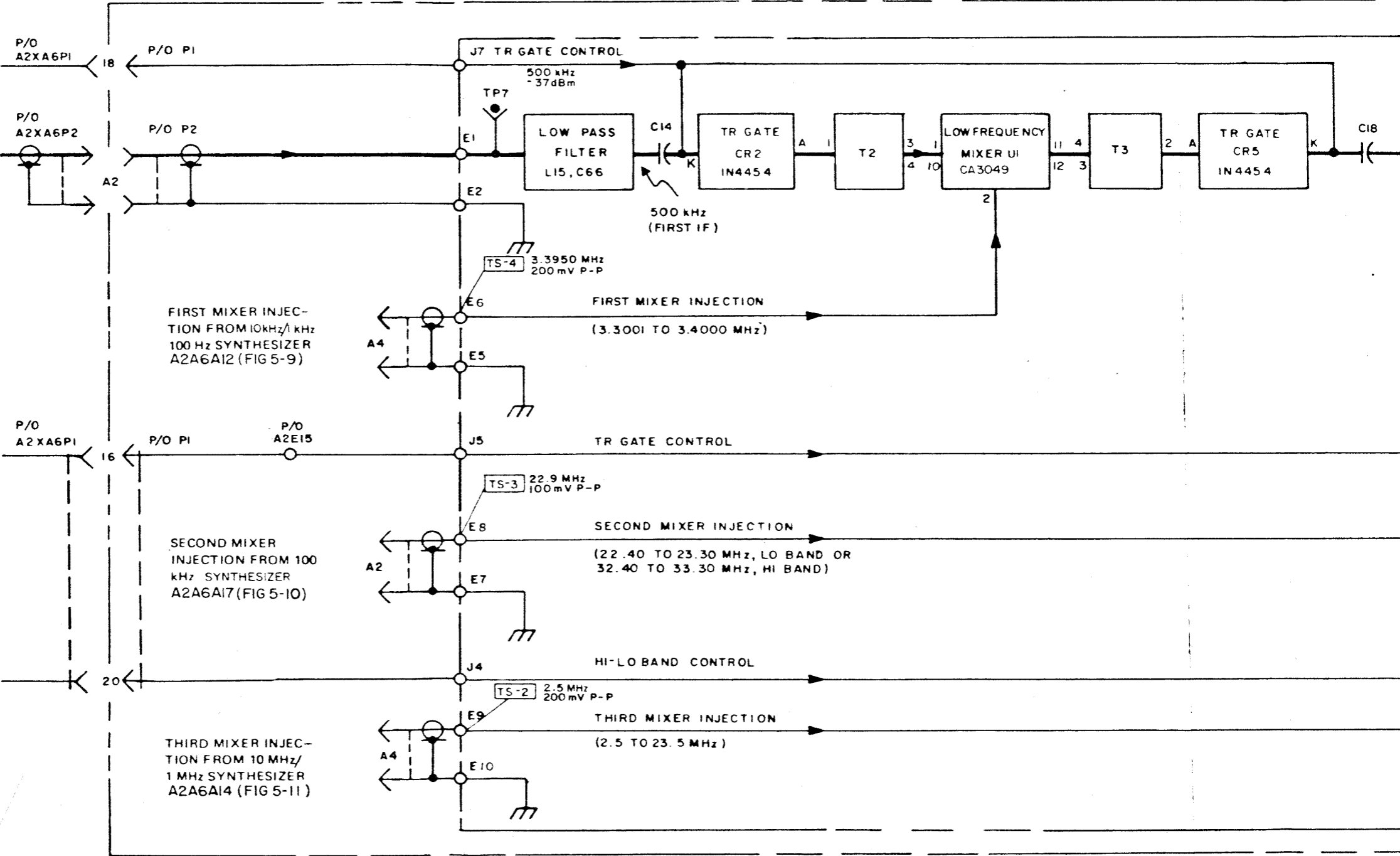
From Preliminary Manual

GND (KEYED)
+20 V (UNKEYED)
FROM TR RELAY
A2K3-11 (FIG 5-28, SH 2,
ZONE 7F)

500 kHz IF INPUT FROM
IF AMPLIFIER A2A12
(FIG 5-4)

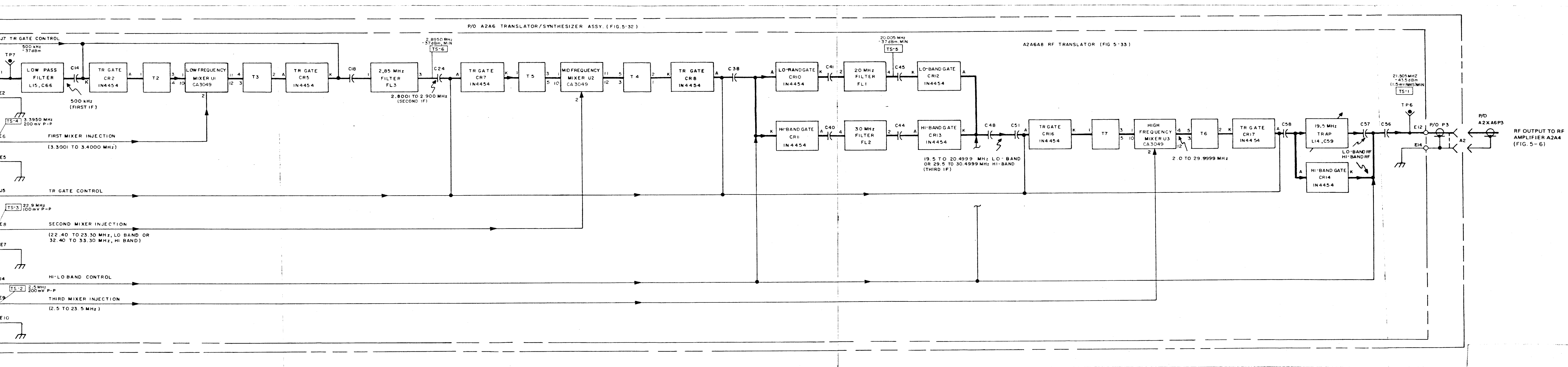
+20 V (KEYED)
GND (UNKEYED)
FROM TR RELAY
A2K3-12 (FIG 5-28, SH 2,
ZONE 7E)

+20 V (LO BAND)
GND (HI BAND)
FROM HI-LO FILTER
RELAY A2K2-B2
(FIG. 5-28, SH 2,
ZONE 7E)



From Preliminary Manual

From Preliminary Manual



From Preliminary Manual

Figure 5-5. IF-TO-RF Conversion, Signal Flow Diagram