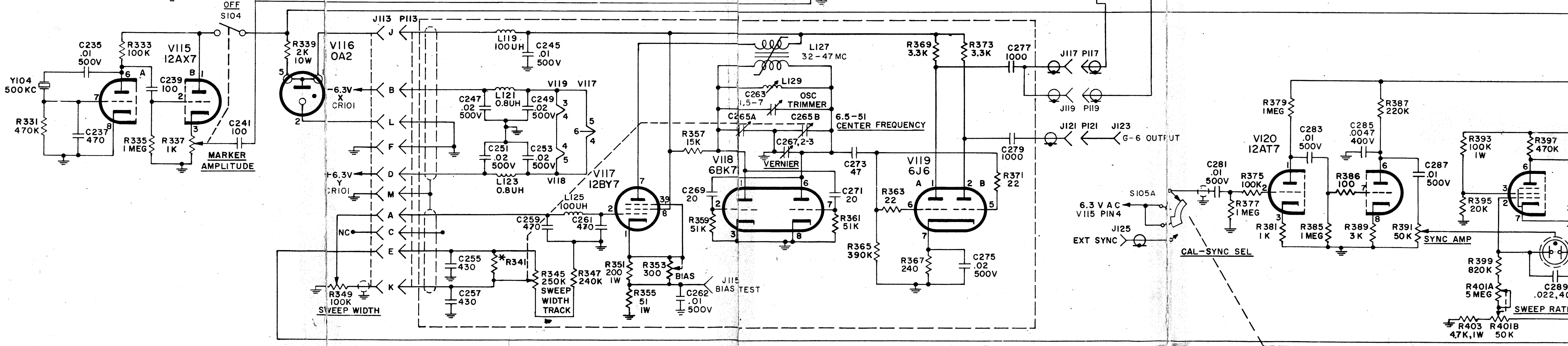
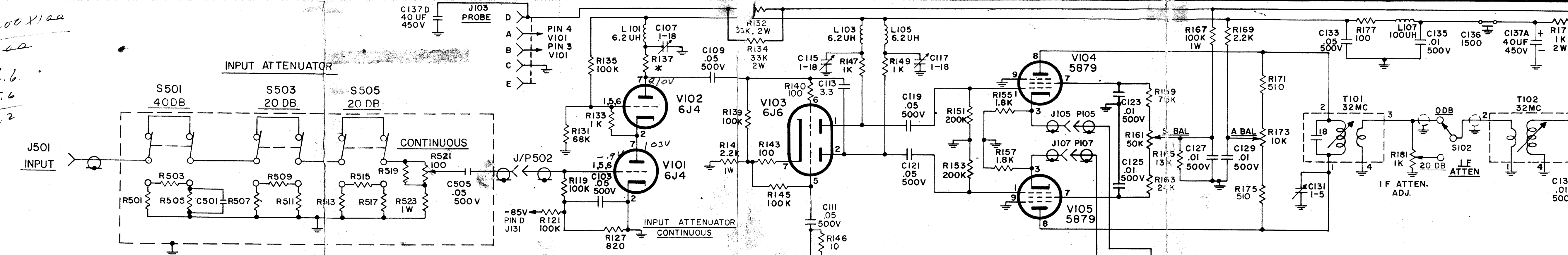
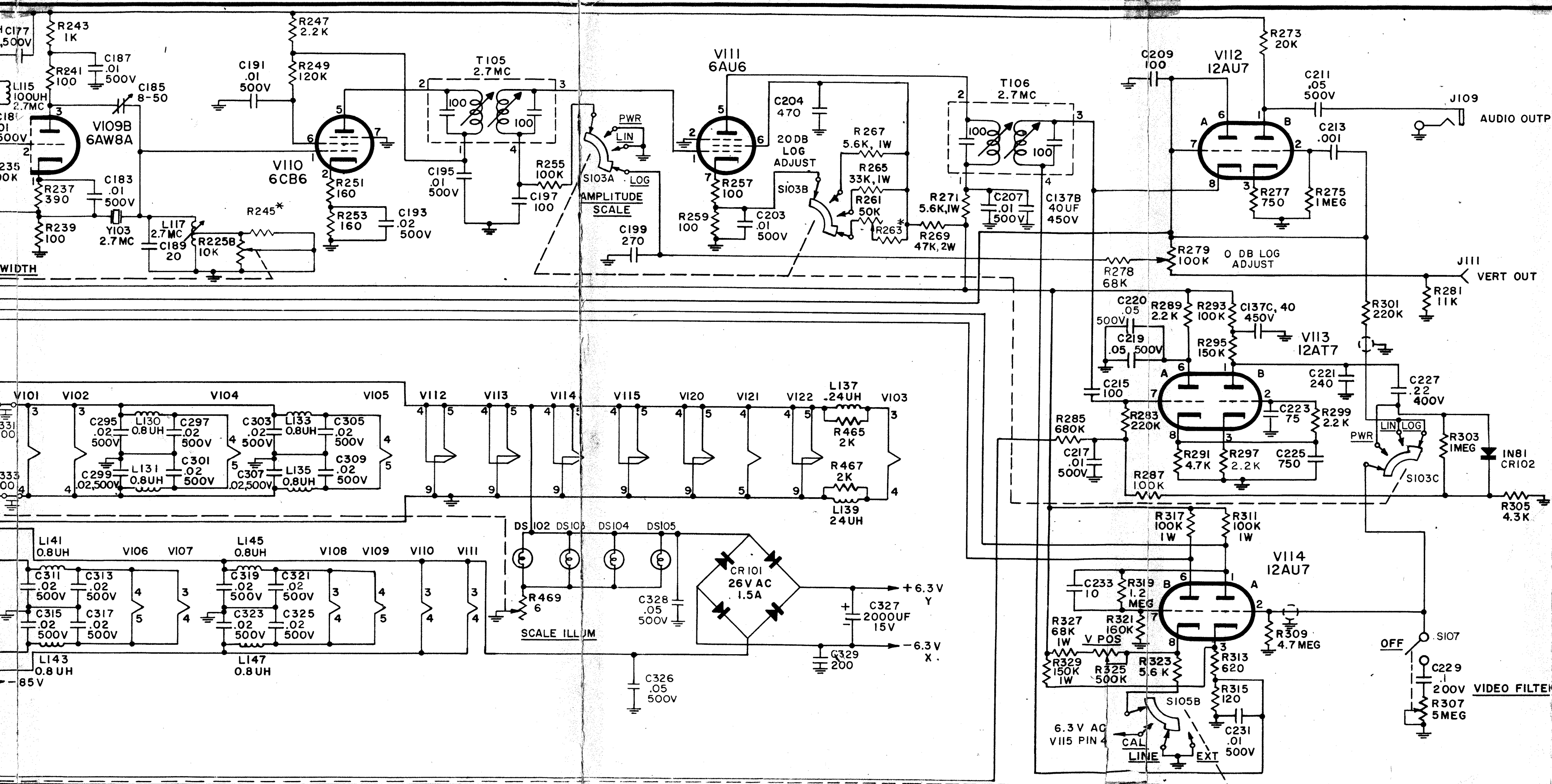


SYMBOL	72 Ω INPUT	50 Ω * INPUT
R501	73.4	51
R503	3600	2500
R505	73.4	51
R507	88	61.1
R509	356.4	247.5
R511	88	61.1
R513	88	61.1
R515	356.4	247.5
R517	88	61.1
R519	200	88
R523	5.6	3.9
C501	120	* *

200X100  
300  
66.6  
5.6  
722







- NOTES:
1. UNLESS OTHERWISE SPECIFIED ALL CAPACITANCE VALUES 1 OR GREATER ARE IN UUF. ALL CAPACITANCE VALUES LESS THAN 1 ARE IN UF.
  2. ALL FIXED RESISTORS ARE 1/2 W UNLESS OTHERWISE SPECIFIED.
  3. ALL VARIABLE RESISTORS ARE 2 W UNLESS OTHERWISE SPECIFIED.
  4. UNDERLINED TITLES ARE LOCATED ON THE FRONT PANEL.
  5. ROTARY SWITCHES ARE VIEWED FROM END OPPOSITE THE CONTROL KNOB EXCEPT FOR S101 WHICH IS VIEWED FROM THE CONTROL KNOB END.
  6. \* INDICATES FACTORY ADJUST COMPONENTS.
  7. \*\* INDICATES FACTORY ADJUST COMPONENTS FOR 50 OHM SET.

REFERENCE SYMBOL	NOMINAL VALUE	VALUE USED
R 341	91 K	150 K
R 137	820	910
R 123		0
R 245		0
R 263	43K, 1W	15K
C102**		
C104**		

- S C270 ADDED PER CO 4618, J.V.L. 2-17-61 M.E.
- R CO 4571, R386 ADDED 12H, 12/27/60 M.E.
- P AS PER CO 4383 F.B. 5-28-60
- D AS PER CO-4308 W.H. 4-5-60
- C AS PER CO-4189 W.H. 10-23-59
- B AS PER CO-4154 W.H. 9-21-59
- A AS PER CO 4011 E.A. 5-11-59
- K AS PER CO 3971 F.B. 4-3-59

J	AS PER CO-3893	W.H. 2-12-59	OF
H	AS PER CO 3875	EA 2-6-59	M.E.
G	AS PER CO 3833	F.B. 12-10-58	M.E.
F	AS PER CO-3823	I.P. 11-24-58	M.E.
E	AS PER CO-3807	W.H. 11-4-58	M.E.
D	AS PER CO-3805	W.H. 10-30-58	M.E.
C	AS PER CO-3797	W.H. 10-16-58	P.E.M.
B	AS PER CO-3777	W.H. 10-9-58	P.E.M.
A	AS PER CO-3772	W.H. 10-6-58	P.E.M.

SPA-3  
 J.S. 8-5-58  
 F.B. 9-4-58  
 P.E.M. 9/4/58

SPA-3 ANALYZER

P5-15169