

BULLETIN No. 1027
ISSUE 2
MARCH, 1947

TELETYPE

PRINTING TELEGRAPH SYSTEMS

PARTS

MULTIPLEX PRINTER 21-A



REG. U. S. PAT. OFF.

CORPORATION

SUBSIDIARY OF

Western Electric Company

CHICAGO, U. S. A.

TELETYPE

PRINTING TELEGRAPH SYSTEMS

PARTS

MULTIPLEX PRINTER 21-A

BELL SYSTEM NOTE:

When ordering parts from this Bulletin, each number should be followed by the letter M, without parentheses, in order to identify the item as one to be secured from the Teletype Corporation.

TELETYPE

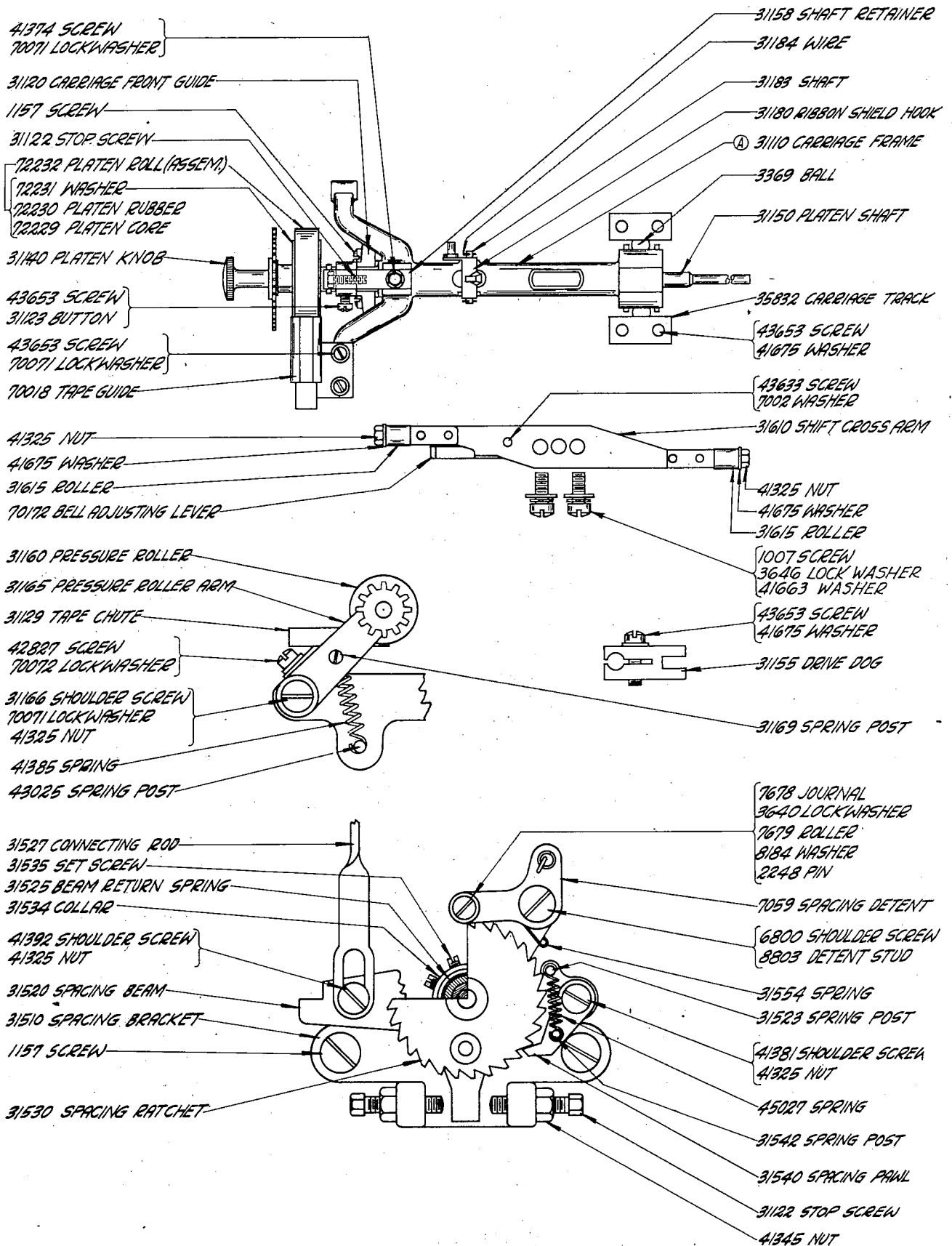
REG. U. S. PAT. OFF.

CORPORATION

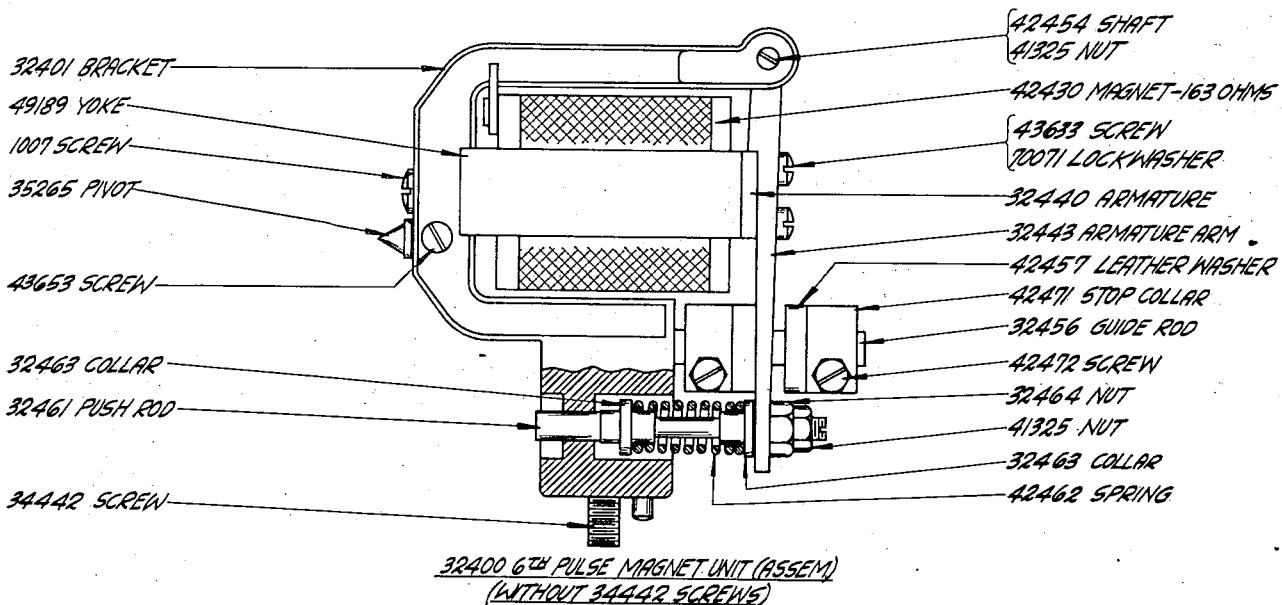
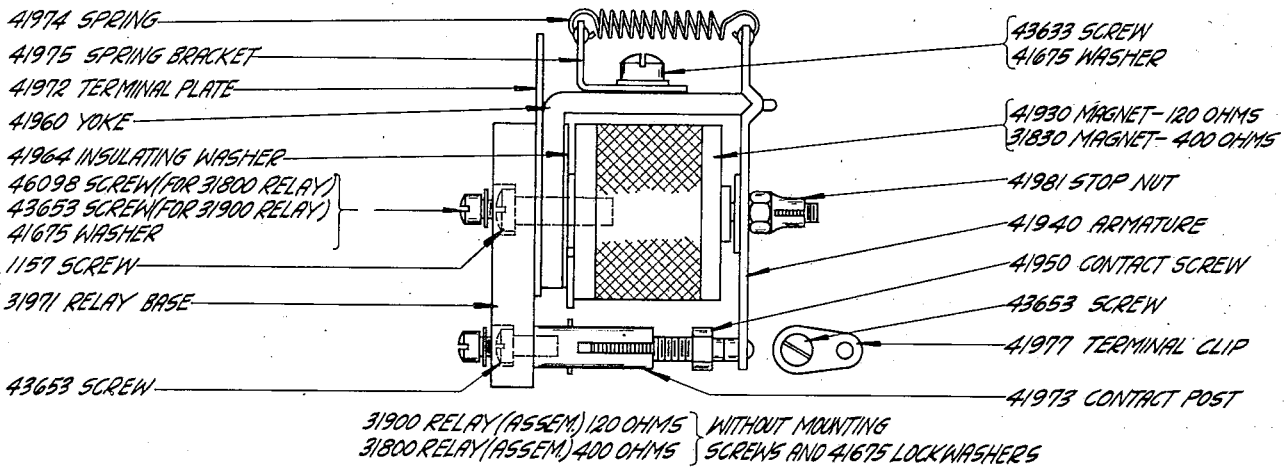
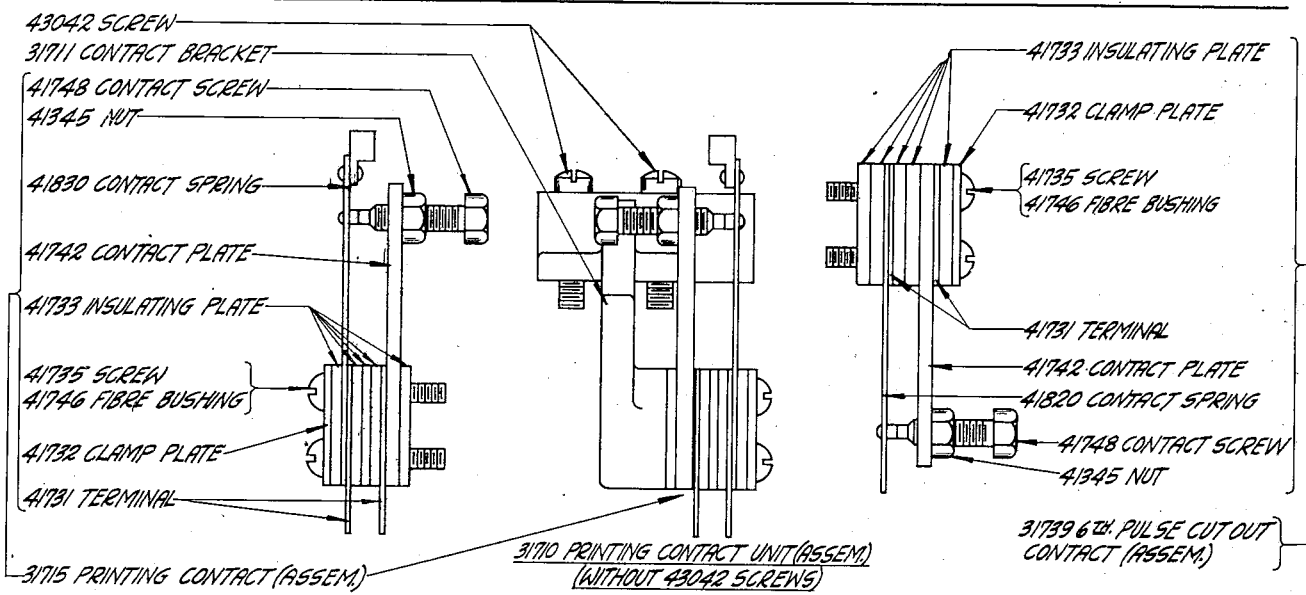
SUBSIDIARY OF

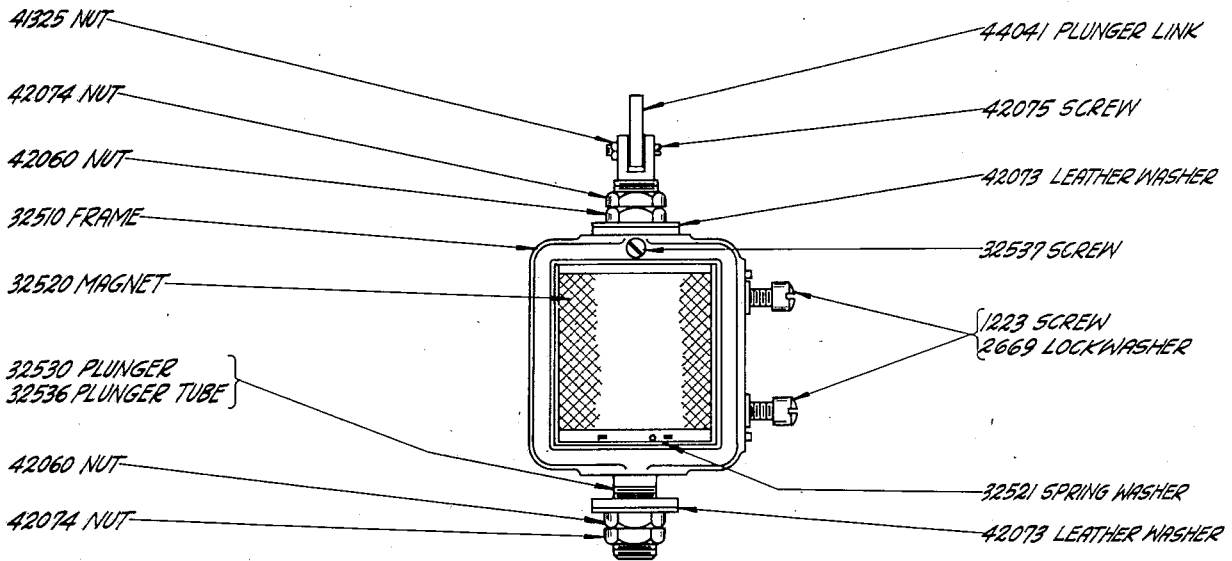
Western Electric Company

CHICAGO, U. S. A.

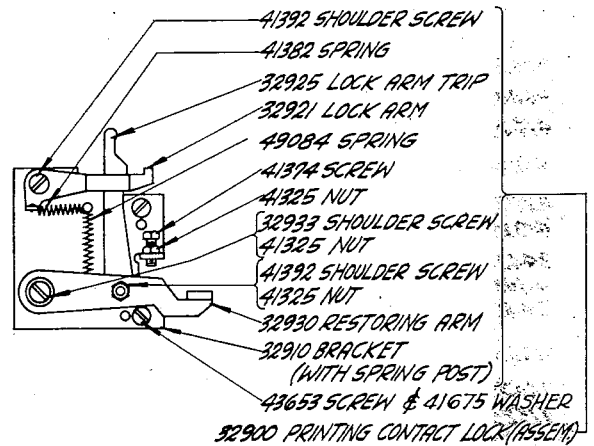
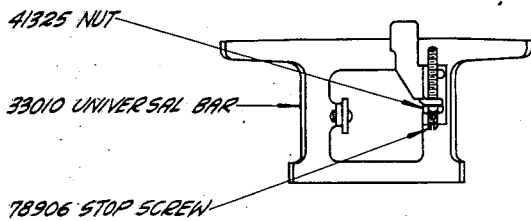
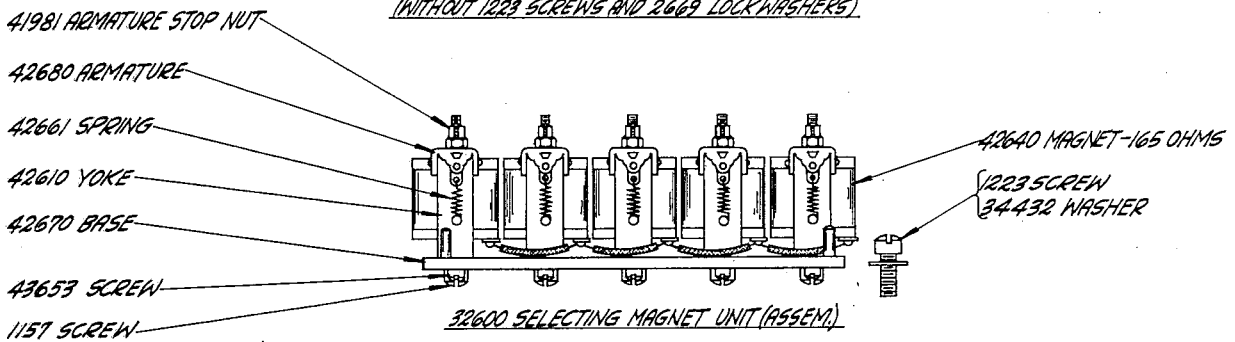


④ SEE PAGE 12

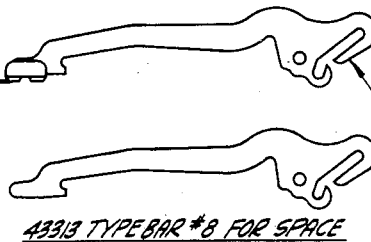




32500 PRINTING SOLENOID UNIT (ASSEM.)
(WITHOUT 1223 SCREWS AND 2669 LOCK WASHERS)

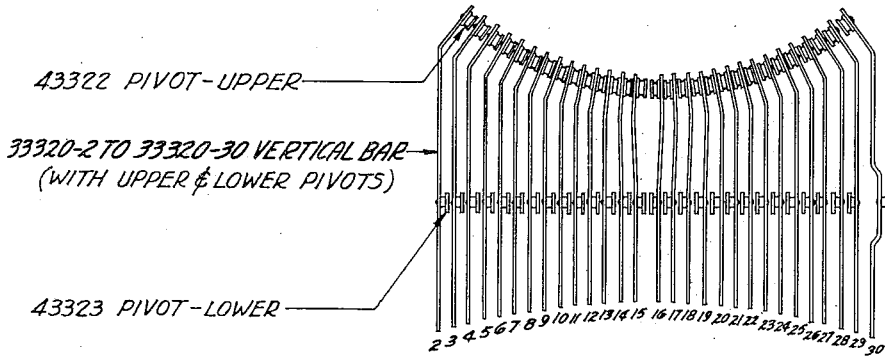


① 33312-7 AND 33312-9 TO 33312-35 TYPE.
ORDER TYPE BY NUMBERS STAMPED
ON TYPE BARS.
(FOR EXAMPLE ORDER: TYPE #33312-20)

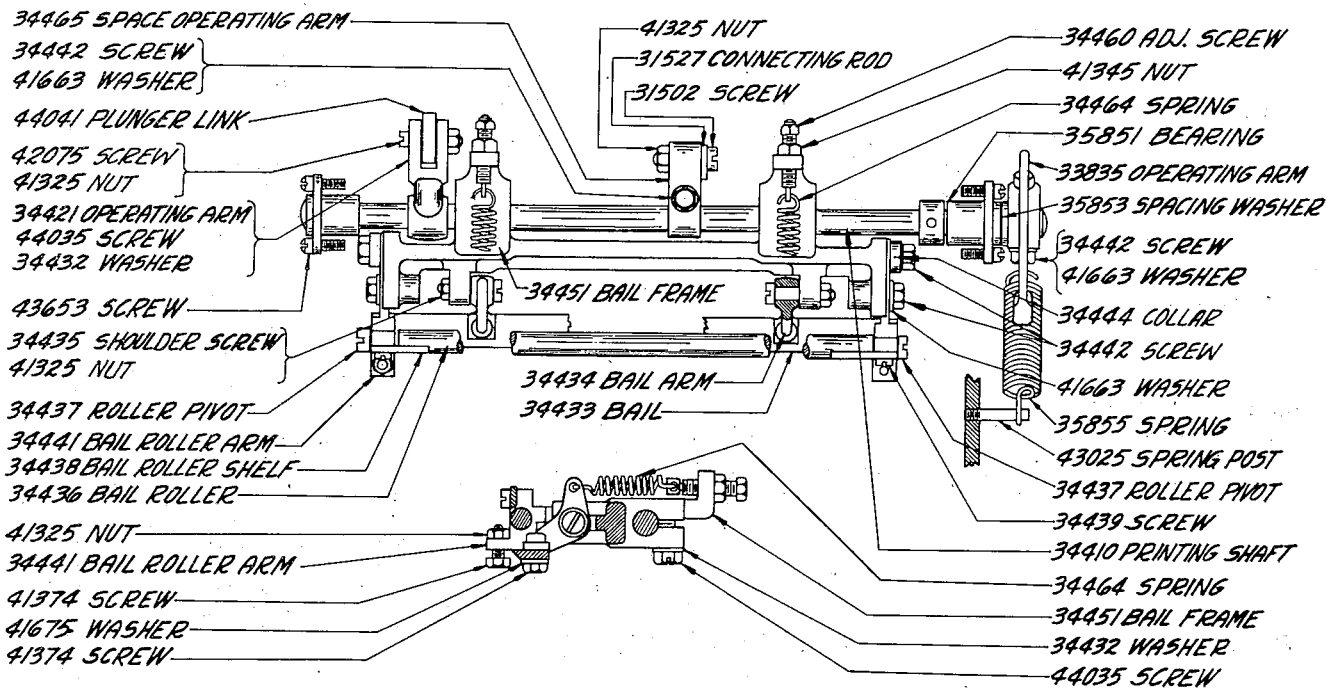


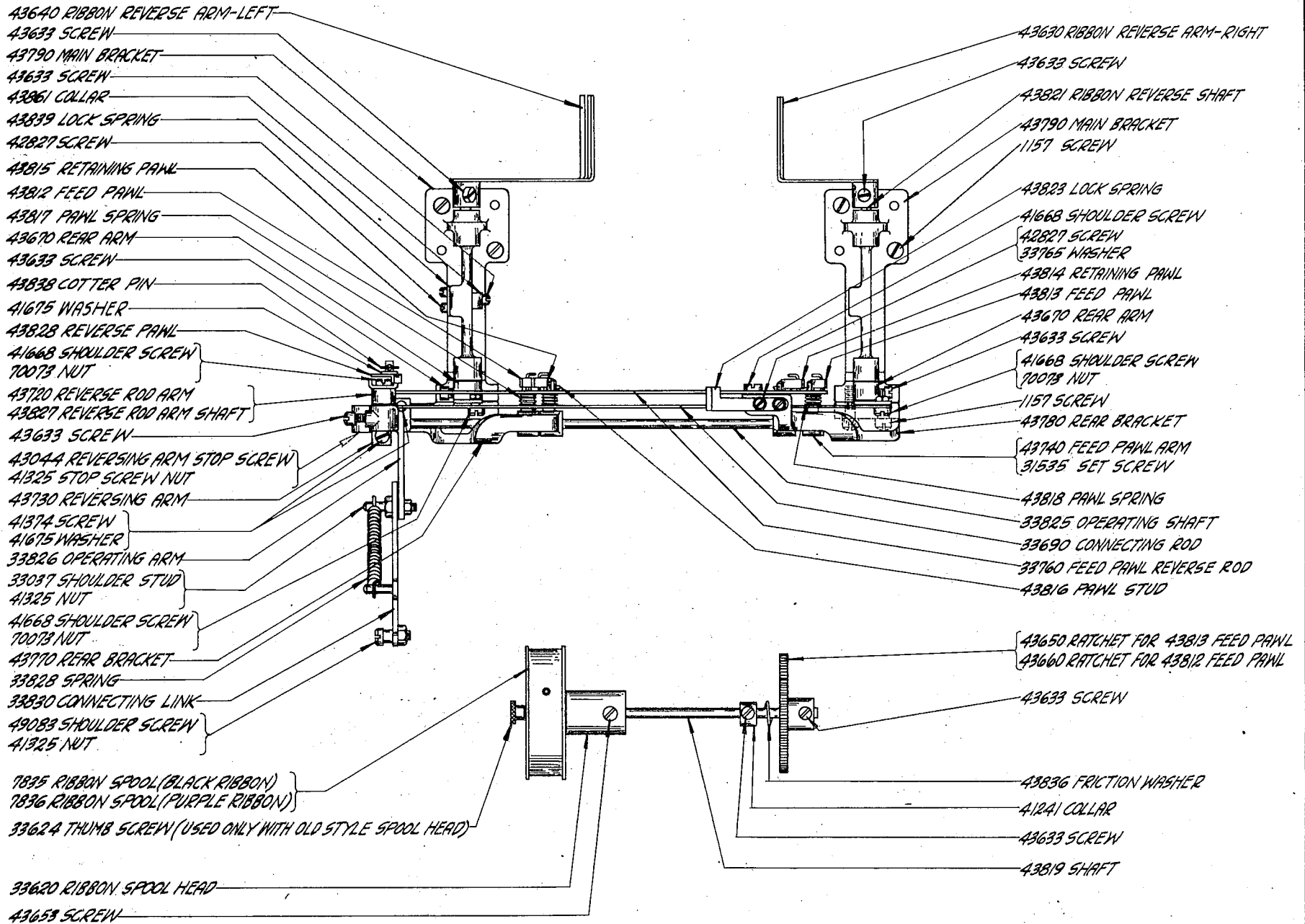
33310-7 AND 33310-9 TO 33310-35
TYPE BARS (WITH TYPE)
43311-7 AND 43311-9 TO 43311-35
TYPE BARS (WITHOUT TYPE)
ORDER TYPE BARS BY NUMBERS STAMPED
ON BARS (FOR EXAMPLE ORDER: TYPE BAR
(WITH TYPE) #33310-20 OR TYPE BAR
(WITHOUT TYPE) #43311-20)

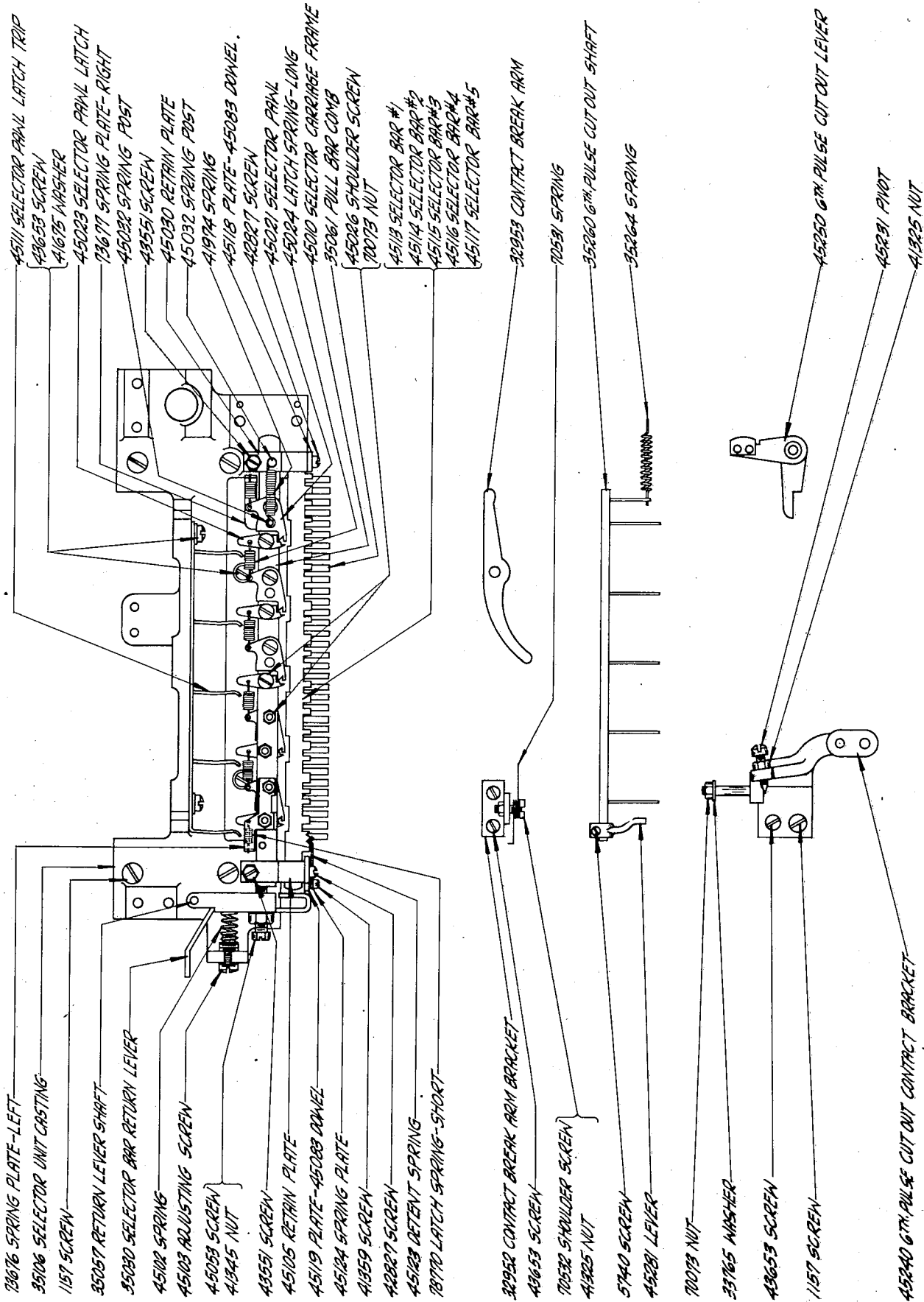
④ SEE PAGE 12

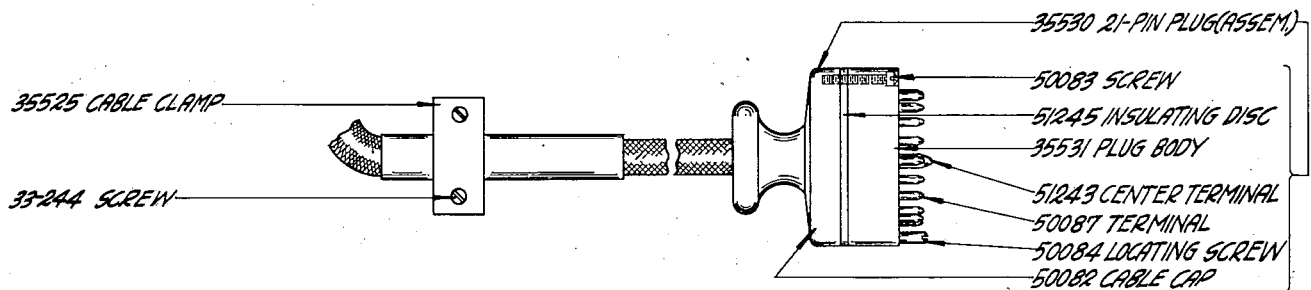
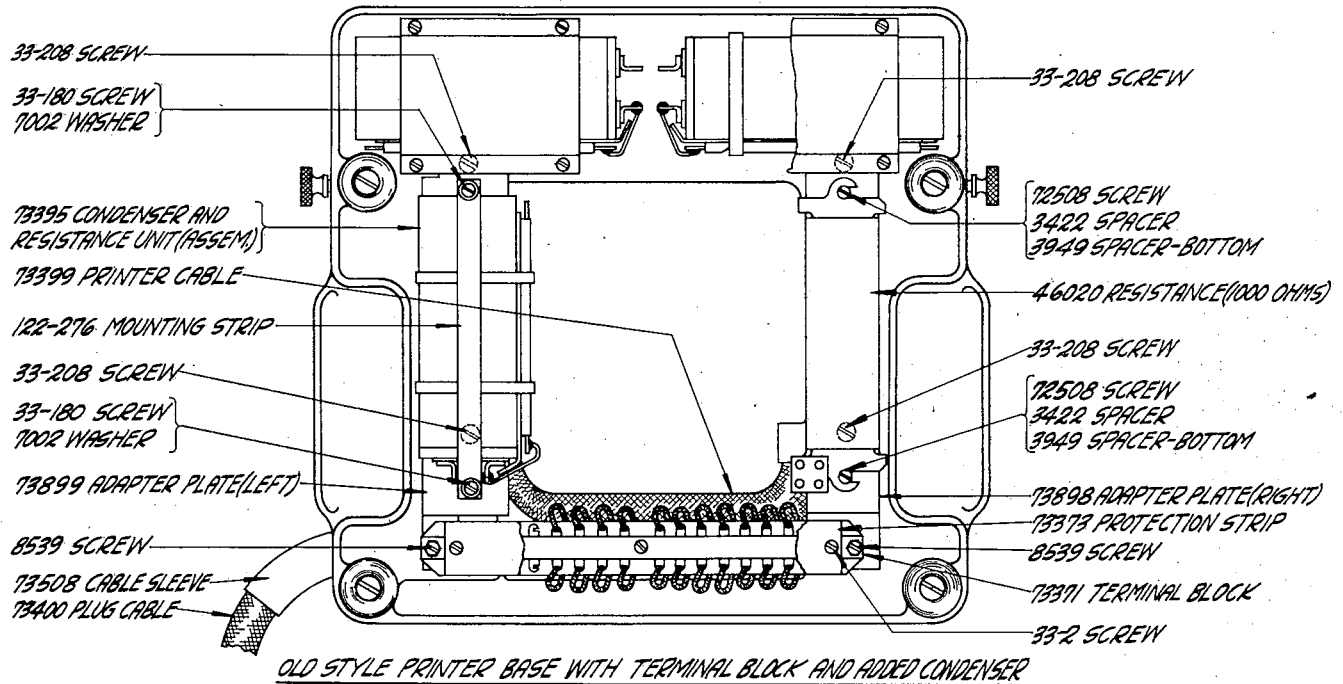
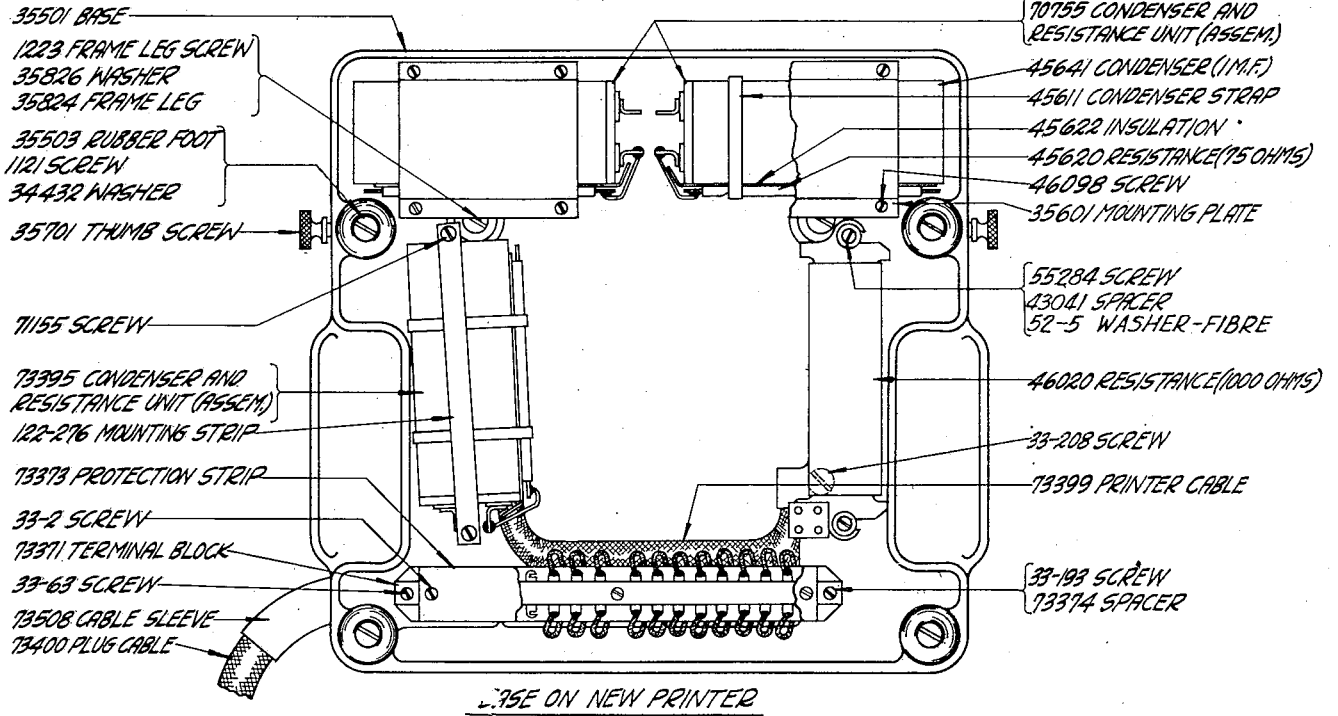


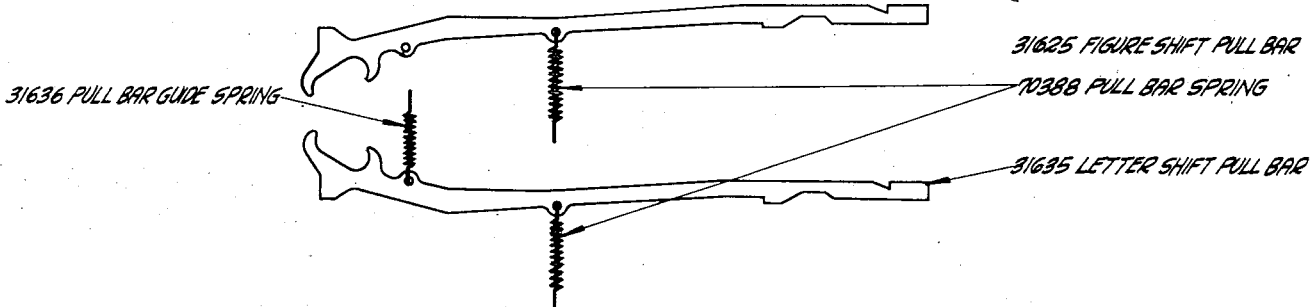
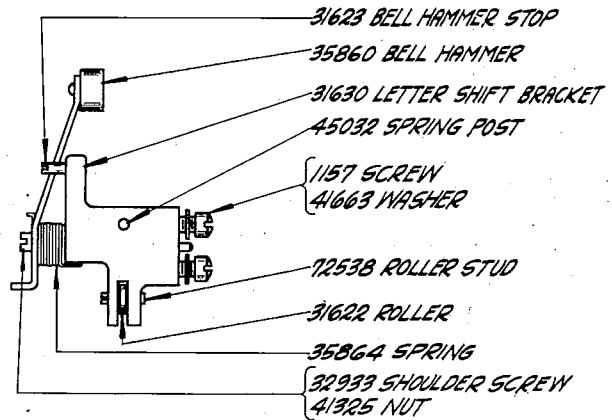
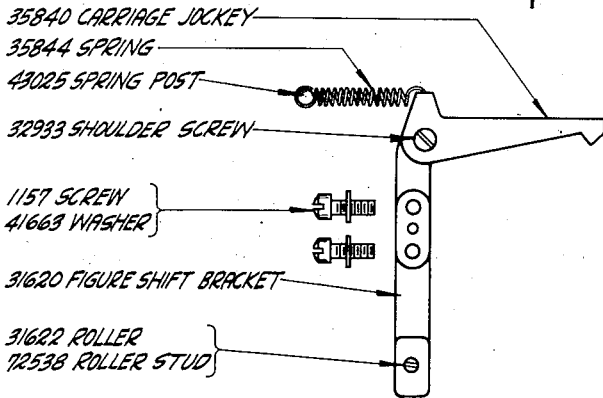
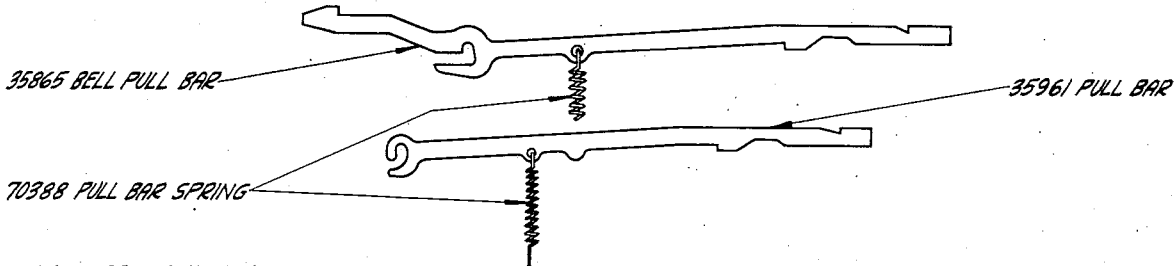
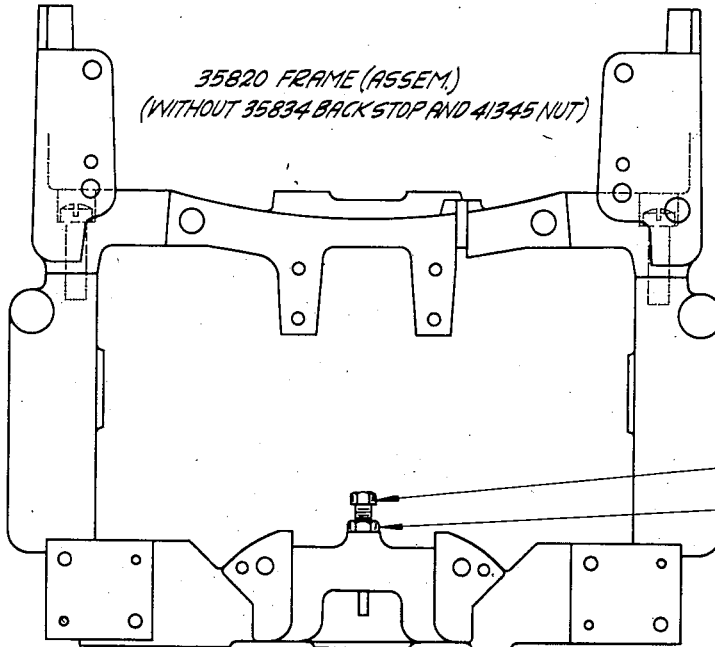
ORDER VERTICAL BARS BY NUMBERS STAMPED ON BARS
(FOR EXAMPLE ORDER: VERTICAL BAR #33320-10)

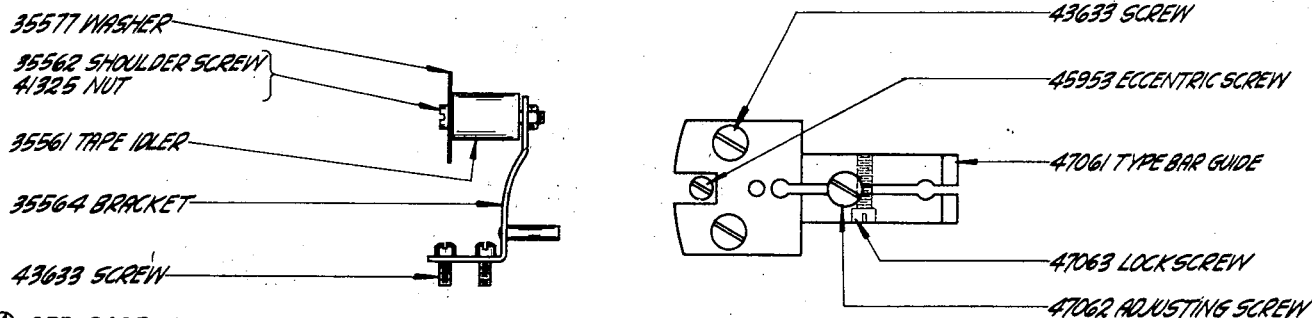
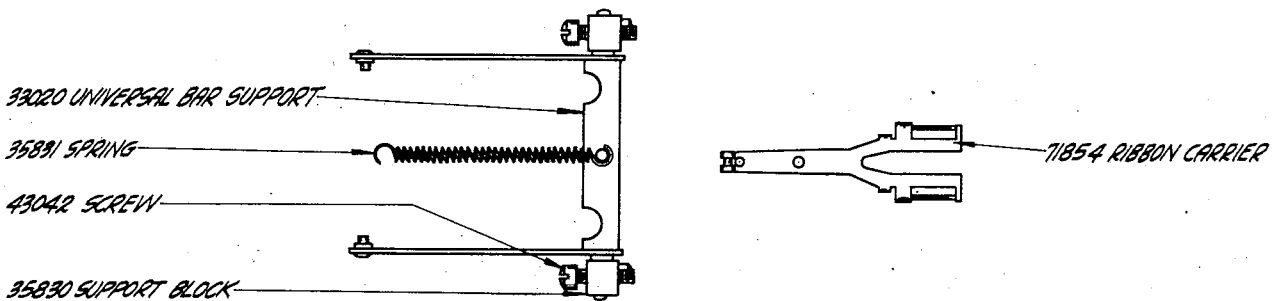
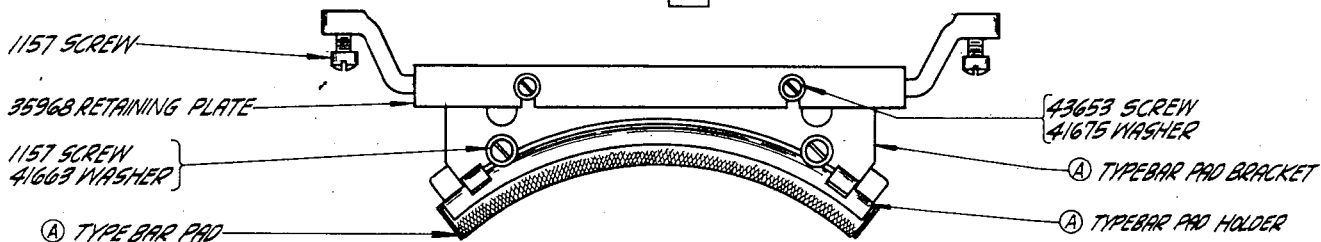
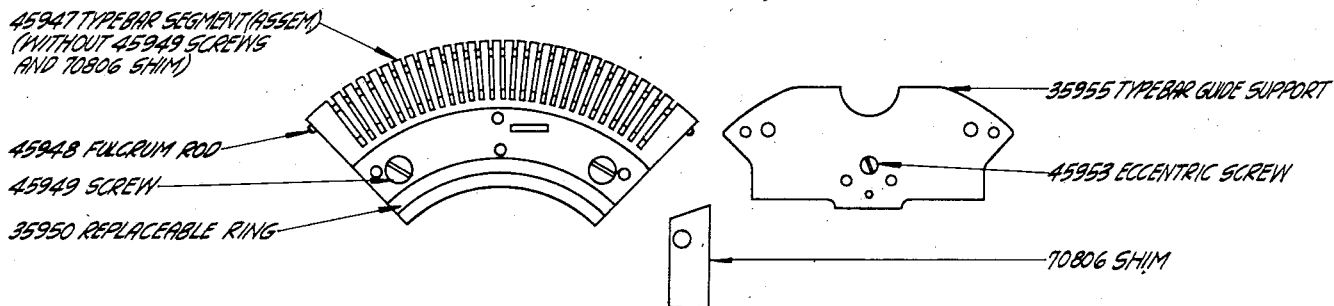
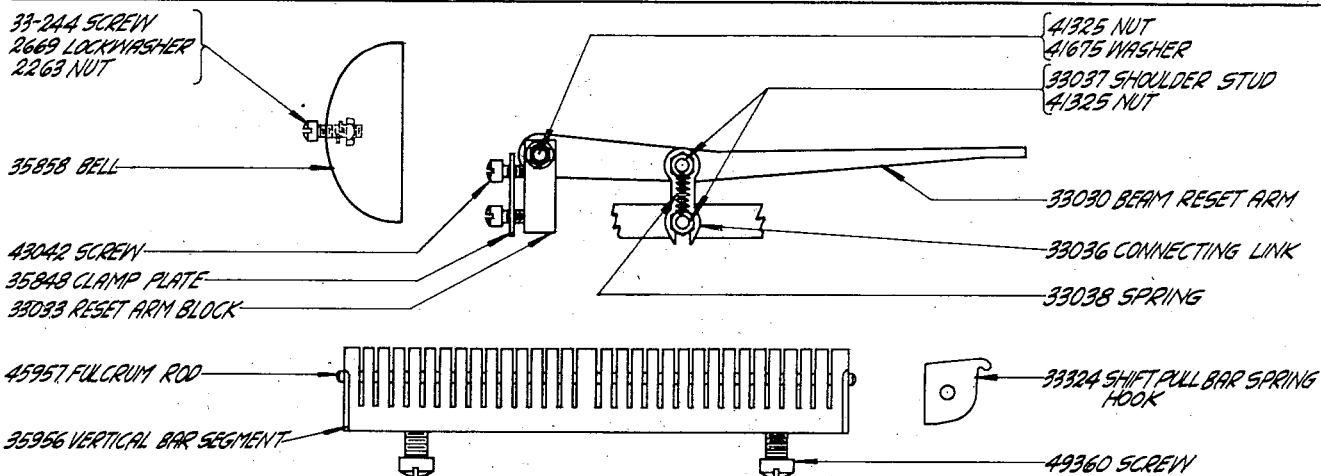


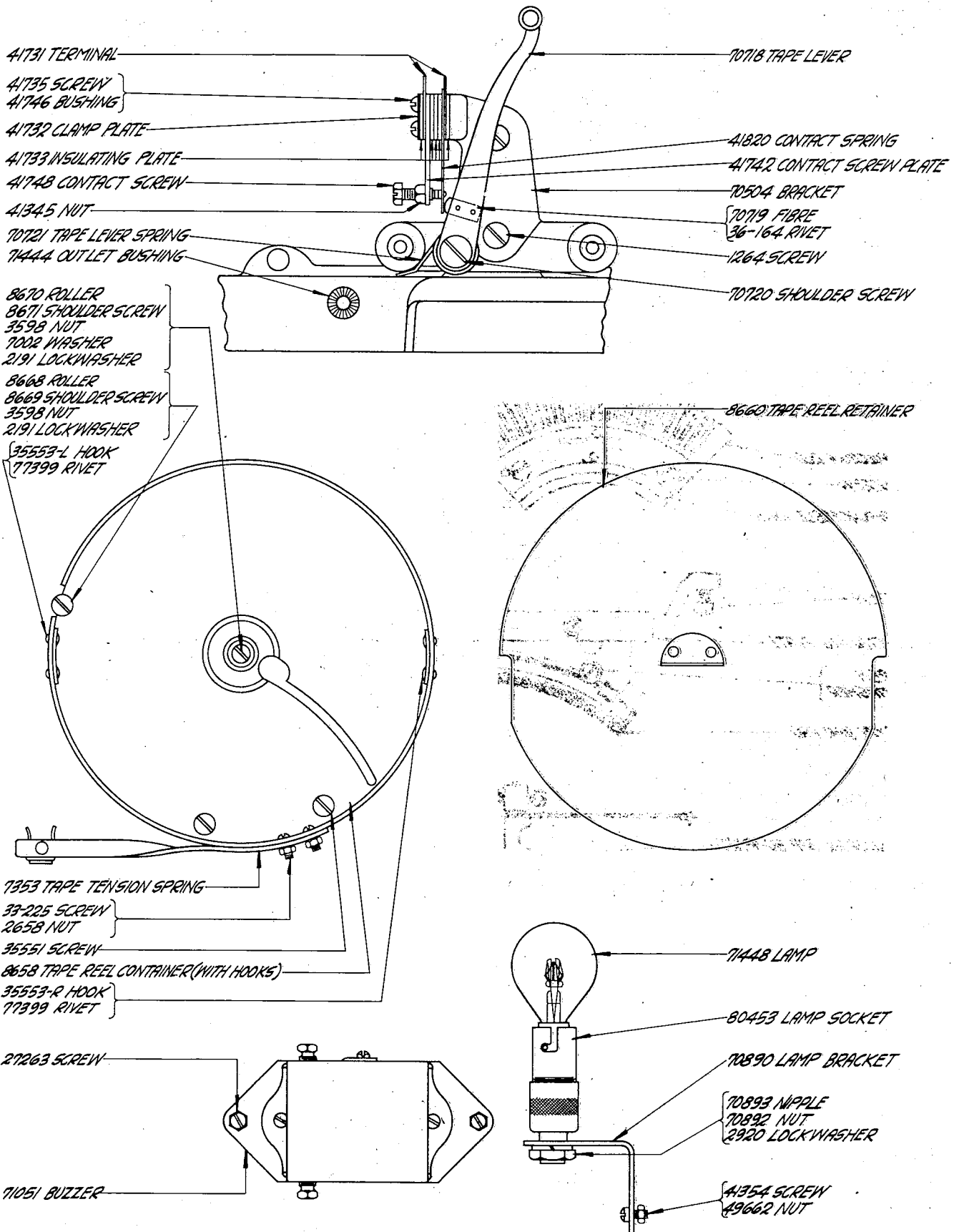


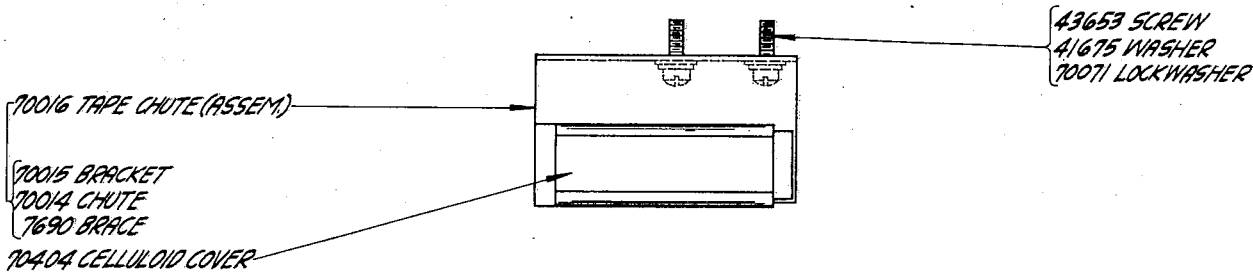
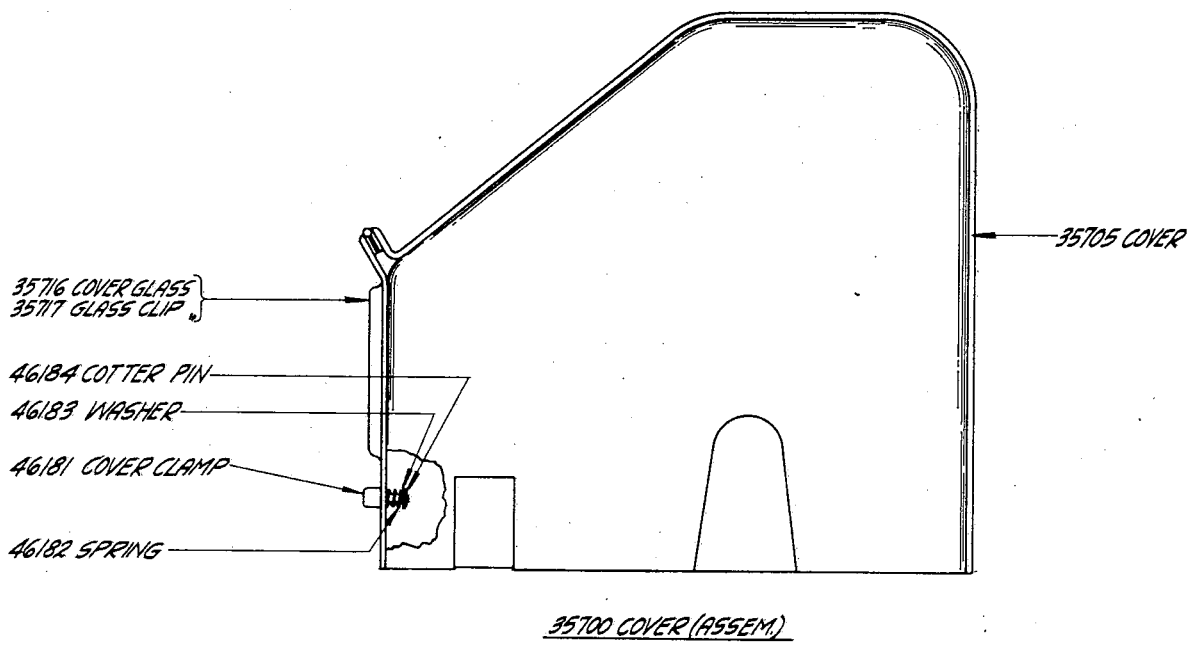








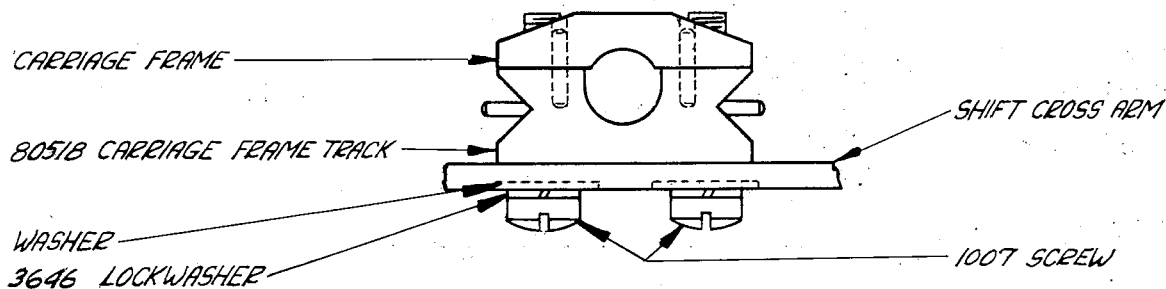




NOTES OF EXPLANATION

Page 1

The #31110 carriage frame has been redesigned to include a removable carriage frame track member #80518 which is assembled to the carriage frame by means of dowel pins, #1007 mounting screws and lock washers as shown in the figure.



When ordering the new #31110 carriage frame, it is also necessary to order the #80518 carriage frame track. This assembly of the #31110 carriage frame with a #80518 carriage frame track is interchangeable with the old style #31110 carriage frame.

No general replacement of old style carriage frames should be made.

Page 3

Numbers have been assigned as follows:

- 72990 Type Pallet . - 1,
- 75643 Type Bar #7 (with 72990 type pallet)
- 72991 Type Pallet = - #
- 75642 Type Bar #35 (with 72991 type pallet)
- 75640 Type Pallet S - 9
- 75641 Type Bar #13 (with 75640 type pallet)

Page 9

The type bar pad, type bar pad holder and type bar pad bracket shown on Page 9 are no longer available. When replacement of any of these parts is required, a complete new style type bar backstop No. 104979 should be ordered. The 104979 type bar backstop includes a 104978 leather strip and 33-111 strip mounting screws.

NUMERICAL INDEX

33-2	Screw (6-32 x 3/8),7	31625	Figure Shift Pull Bar,8	35260	6th Pulse Cutout Shaft,6
33-63	Screw (6-32 x 1/2),7	31630	Letter Shift Bracket,8	35264	Spring,6
33-180	Screw (6-40 x 31/32),7	31635	Letter Shift Pull Bar,8	35265	Pivot,2
33-193	Screw (6-32 x 1),7	31636	Pull Bar Guide Spring,8	35501	Base,7
33-208	Screw (10-32 x 1/2),7	31710	Printing Contact Unit (Assem.),2	35503	Rubber Foot,7
33-225	Screw (6-32 x 3/16),10			35525	Cable Clamp,7
33-244	Screw (8-32 x 3/4),7,9	31711	Contact Bracket,2	35530	21-Pin Plug (Assem.),7
36-164	Rivet,10	31715	Printing Contact (Assem.),2	35531	Plug Body,7
52-5	Washer - Fibre,7	31739	6th Pulse Cutout Contact (Assem.),2	35551	Screw (10-32 x 3/8),10
122-276	Mounting Strip,7			35553	Hook - Left and Right,10
1007	Screw (8-32 x 5/8),1,2	31800	Relay (Assem.) 400 Ohms,2	35561	Tape Idler,9
1121	Screw (10-32 x 3/8),7	31830	Magnet - 400 Ohms,2	35562	Shoulder Screw,9
1157	Screw (8-32 x 1/2),1,2,3,5,6,8,9	31900	Relay (Assem.) 120 Ohms,2	35564	Bracket,9
1223	Screw (10-32 x 1/2),3,7	31971	Relay Base,2	35577	Washer,9
1264	Screw (10-32 x 1/2),10	32400	6th Pulse Magnet Unit (Assem.),2	35601	Mounting Plate,7
2191	Lock Washer,10	32401	Bracket,2	35700	Cover (Assem.),11
2248	Pin,1	32440	Armature,2	35701	Thumb Screw,7
2263	Nut (8-32 Hex.),9	32443	Armature Arm,2	35705	Cover,11
2658	Nut (6-32 Hex.),10	32456	Guide Rod,2	35716	Cover Glass,11
2669	Lock Washer,3,9	32461	Push Rod,2	35717	Glass Clip,11
2920	Lock Washer,10	32463	Collar,2	35820	Frame (Assem.),8
3369	Ball,1	32464	Nut (5-40 Hex.),2	35824	Frame Leg,7
3422	Spacer,7	32500	Printing Solenoid Unit (Assem.),3	35826	Washer,7
3598	Nut (6-40 Hex.),10			35830	Support Block,9
3640	Lock Washer,1	32510	Frame,3	35831	Spring,9
3646	Lock Washer,1	32520	Magnet,3	35832	Carriage Track,1
3949	Spacer - Bottom,7	32521	Spring Washer,3	35834	Carriage Backstop,8
5740	Screw (2-56 x 1/4),6	32530	Plunger,3	35840	Carriage Jockey,8
6800	Shoulder Screw,1	32536	Plunger Tube,3	35844	Spring,8
7002	Washer,1,7,10	32537	Screw (8-40 x .244),3	35848	Clamp Plate,9
7059	Spacing Detent,1	32600	Selecting Magnet Unit (Assem.),3	35851	Bearing,4
7353	Tape Tension Spring,10			35853	Spacing Washer,4
7678	Journal,1	32900	Printing Contact Lock (Assem.),3	35855	Spring,4
7679	Roller,1			35858	Bell,9
7690	Brace,11	32910	Bracket (with Spring Post),3	35860	Bell Hammer,8
7835	Ribbon Spool (Black Ribbon),5	32921	Lock Arm,3	35864	Spring,8
7836	Ribbon Spool (Purple Ribbon),5	32925	Lock Arm Trip,3	35865	Bell Pull Bar,8
8184	Washer,1	32930	Restoring Arm,3	35950	Replaceable Ring,9
8539	Screw (6-40 x 1/2),7	32933	Shoulder Screw,3,8	35955	Type Bar Guide Support,9
8658	Tape Reel Container (with Hooks),10	32952	Contact Break Arm Bracket,6	35956	Vertical Bar Segment,9
8660	Tape Reel Retainer,10	32953	Contact Break Arm,6	35961	Pull Bar,8
8668	Roller,10	33010	Universal Bar,3	35968	Retaining Plate,9
8669	Shoulder Screw,10	33020	Universal Bar Support,9	41241	Collar,5
8670	Roller,10	33030	Beam Reset Arm,9	41325	Nut (5-40 Hex.),1,2,3,4,5,6,8,9
8671	Shoulder Screw,10	33033	Reset Arm Block,9	41345	Nut (8-40 Hex.),1,2,4,6,8,10
8803	Detent Stud (8-40),1	33036	Connecting Link,9	41359	Screw (2-56 x 1/8),6
27263	Screw (5-40 x 7/16),10	33037	Shoulder Stud (5-40),5,9	41374	Screw (5-40 x 5/16),1,3,4,5
31110	Carriage Frame,1	33038	Spring,9		
31120	Carriage Front Guide,1	33310	(See Page 15),3	41381	Shoulder Screw,1
31122	Stop Screw (8-40 x 17/32),1	33312	(See Page 15),3	41382	Spring,3
31129	Tape Chute,1	33320-2	to 33320-30 Vertical Bar,4	41385	Spring,1
31140	Platen Knob,1	33324	Shift Pull Bar Spring Hook,9	41392	Shoulder Screw,1,3
31150	Platen Shaft,1	33620	Ribbon Spool Head,5	41663	Washer,1,4,8,9
31155	Drive Dog,1	33624	Thumb Screw,5	41668	Shoulder Screw,5
31158	Shaft Retainer,1	33690	Connecting Rod,5	41675	Washer,1,2,3,4,5,6,9,11
31160	Pressure Roller,1	33760	Feed Pawl Reverse Rod,5	41731	Terminal,2,10
31165	Pressure Roller Arm,1	33765	Washer,5,6	41732	Clamp Plate,2,10
31166	Shoulder Screw,1	33825	Operating Shaft,5	41733	Insulating Plate,2,10
31169	Spring Post,1	33826	Operating Arm,5	41735	Screw (4-36 x 5/8),2,10
31180	Ribbon Shield Hook,1	33828	Spring,5	41742	Contact Plate,2,10
31183	Shaft,1	33830	Connecting Link,5	41746	Fibre Bushing,2,10
31184	Wire,1	33835	Operating Arm,4	41748	Contact Screw,2,10
31502	Screw (5-40 x 1/2),4	34410	Printing Shaft,4	41820	Contact Spring,2,10
31510	Spacing Bracket,1	34421	Operating Arm,4	41830	Contact Spring,2
31520	Spacing Beam,1	34432	Washer,3,4,7	41930	Magnet - 120 Ohms,2
31523	Spring Post,1	34433	Bail,4	41940	Armature,2
31525	Beam Return Spring,1	34434	Bail Arm,4	41950	Contact Screw,2
31527	Connecting Rod,1,4	34435	Shoulder Screw,4	41960	Yoke,2
31530	Spacing Ratchet,1	34436	Bail Roller,4	41964	Insulating Washer,2
31534	Collar,1	34437	Roller Pivot,4	41972	Terminal Plate,2
31535	Set Screw,1,5	34438	Bail Roller Shelf,4	41973	Contact Post,2
31540	Spacing Pawl,1	34439	Screw (3-48 x 17/64),4	41974	Spring,2,6
31542	Spring Post,1	34441	Bail Roller Arm,4	41975	Spring Bracket,2
31554	Spring,1	34442	Screw (8-32 x 1/2),2,4	41977	Terminal Clip,2
31610	Shift Cross Arm,1	34444	Collar,4	41981	Stop Nut (3-48),2,3
31615	Roller,1	34451	Bail Frame,4	42060	Nut (1/2-27 Hex.),3
31620	Figure Shift Bracket,8	34460	Adjusting Screw,4	42073	Leather Washer,3
31622	Roller,8	34464	Spring,4	42074	Nut (1/2-27 Hex.),3
31623	Bell Hammer Stop,8	34465	Space Operating Arm,4	42075	Screw (5-40 x 1/4),3,4
		35030	Selector Bar Return Lever,6	42430	Magnet - 163 Ohms,2
		35057	Return Lever Shaft,6	42454	Shaft,2
		35061	Pull Bar Comb,6	42457	Leather Washer,2
		35106	Selector Unit Casting,6		

NUMERICAL INDEX

42462	Spring, 2	45023	Selector Pawl Latch, 6	51243	Center Terminal, 7
42471	Stop Collar, 2	45024	Latch Spring - Long, 6	51245	Insulating Disc, 7
42472	Screw (4-48 x 5/16), 2	45026	Shoulder Screw, 6	55284	Screw (5-40 x 7/8), 7
42610	Yoke, 3	45027	Spring, 1	70014	Chute, 11
42640	Magnet - 165 Ohms, 3	45030	Retain Plate, 6	70015	Bracket, 11
42661	Spring, 3	45032	Spring Post, 6, 8	70016	Tape Chute (Assem.), 11
42670	Base, 3	45053	Screw (8-40 x 1/2), 6	70018	Tape Guide, 1
42680	Armature, 3	45083	Dowel, 6	70071	Lock Washer, 1, 2, 11
42827	Screw (3-48 x 1/4), 1, 5, 6	45102	Spring, 6	70072	Lock Washer, 1
43025	Spring Post, 1, 4, 8	45103	Adjusting Screw, 6	70073	Nut (3-48 Hex.), 5, 6
43041	Spacer, 7	45105	Retain Plate, 6	70172	Bell Adjusting Lever, 1
43042	Screw (5-40 x 3/4), 2, 9	45111	Selector Pawl Latch Trip, 6	70388	Pull Bar Spring, 8
43044	Screw (5-40 x 13/16), 5	45113	Selector Bar No. 1, 6	70404	Celluloid Cover, 11
43311	(See Page 15), 3	45114	Selector Bar No. 2, 6	70504	Bracket, 10
43313	Type Bar No. 8 for Space, 3	45115	Selector Bar No. 3, 6	70531	Spring, 6
43322	Pivot - Upper, 4	45116	Selector Bar No. 4, 6	70532	Shoulder Screw, 6
43323	Pivot - Lower, 4	45117	Selector Bar No. 5, 6	70718	Tape Lever, 10
43551	Screw (5-40 x 5/16), 6	45118	Plate, 6	70719	Fibre, 10
43630	Ribbon Reverse Arm - Right, 5	45119	Plate, 6	70720	Shoulder Screw, 10
43633	Screw (5-40 x 3/16), 1, 2, 5, 9	45123	Detent Spring, 6	70721	Tape Lever Spring, 10
43640	Ribbon Reverse Arm - Left, 5	45124	Spring Plate, 6	70755	Condenser and Resistance Unit (Assem.), 7
43650	Ratchet, 5	45231	Pivot, 6	70806	Shim, 9
43653	Screw (5-40 x 5/16), 1, 2, 3, 4, 5, 6, 9, 11	45240	6th Pulse Cutout Contact Bracket, 6	70890	Lamp Bracket, 10
43660	Ratchet, 5	45250	6th Pulse Cutout Lever, 6	70892	Nut (1/8-27 Hex.), 10
43670	Rear Arm, 5	45281	Lever, 6	70893	Nipple, 10
43720	Reverse Rod Arm, 5	45611	Condenser Strap, 7	71051	Buzzer, 10
43730	Reversing Arm, 5	45620	Resistance - 75 Ohms, 7	71155	Screw (6-32 x 1-1/4), 7
43740	Feed Pawl Arm, 5	45622	Insulation, 7	71444	Outlet Bushing, 10
43770	Rear Bracket, 5	45641	Condenser (1 M.F.), 7	71448	Lamp, 10
43780	Rear Bracket, 5	45947	Type Bar Segment (Assem.), 9	71854	Ribbon Carrier, 9
43790	Main Bracket, 5	45948	Fulcrum Rod, 9	72229	Platen Core, 1
43812	Feed Pawl, 5	45949	Screw (8-32 x 25/64), 9	72230	Platen Rubber, 1
43813	Feed Pawl, 5	45953	Eccentric Screw, 9	72231	Washer, 1
43814	Retaining Pawl, 5	45957	Fulcrum Rod, 9	72232	Platen Roll (Assem.), 1
43815	Retaining Pawl, 5	46020	Resistance - 1000 Ohms, 7	72508	Screw (6-40 x 3/4), 7
43816	Pawl Stud, 5	46098	Screw (5-40 x 1/2), 2, 7	72538	Roller Stud, 8
43817	Pawl Spring, 5	46181	Cover Clamp, 11	73371	Terminal Block, 7
43818	Pawl Spring, 5	46182	Spring, 11	73373	Protection Strip, 7
43819	Shaft, 5	46183	Washer, 11	73374	Spacer, 7
43821	Ribbon Reverse Shaft, 5	46184	Cotter Pin, 11	73395	Condenser and Resistance Unit (Assem.), 7
43823	Lock Spring, 5	47061	Type Bar Guide, 9	73399	Printer Cable, 7
43827	Reverse Rod Arm Shaft, 5	47062	Adjusting Screw, 9	73400	Plug Cable, 7
43828	Reverse Pawl, 5	47063	Lock Screw, 9	73508	Cable Sleeve, 7
43836	Friction Washer, 5	49083	Shoulder Screw, 5	73676	Spring Plate - Left, 6
43838	Cotter Pin, 5	49084	Spring, 3	73677	Spring Plate - Right, 6
43839	Lock Spring, 5	49189	Yoke, 2	73898	Adapter Plate - Right, 7
43861	Collar, 5	49360	Screw (14-24 x 7/8), 9	73899	Adapter Plate - Left, 7
44035	Screw (10-32 x 9/16), 4	49662	Nut (5-40 Hex.), 10	77399	Rivet, 10
44041	Plunger Link, 3, 4	50082	Cable Cap, 7	78770	Latch Spring - Short, 6
45010	Selector Carriage Frame, 6	50083	Screw (6-32 x 1-1/16), 7	78906	Stop Screw (5-40 x 29/32), 3
45021	Selector Pawl, 6	50084	Locating Screw, 7	80453	Lamp Socket, 10
		50087	Terminal, 7		

<u>TYPE BAR WITH TYPE</u>	<u>TYPE BAR</u>	<u>TYPE</u>	<u># ON TYPE BAR</u>	<u>LOWER CASE</u>	<u>UPPER CASE</u>
33310-7	43311-7	33312-7	#7	,	#
	43313		#8		
33310-9	43311-9	33312-9	#9	Q	1
33310-10	43311-10	33312-10	#10	A	-
33310-11	43311-11	33312-11	#11	Z	"
33310-12	43311-12	33312-12	#12	W	2
33310-13	43311-13	33312-13	#13	S	
33310-14	43311-14	33312-14	#14	X	/
33310-15	43311-15	33312-15	#15	E	3
33310-16	43311-16	33312-16	#16	D	\$
33310-17	43311-17	33312-17	#17	C	:
33310-18	43311-18	33312-18	#18	R	4
33310-19	43311-19	33312-19	#19	F	
33310-20	43311-20	33312-20	#20	V	;
33310-21	43311-21	33312-21	#21	T	5
33310-22	43311-22	33312-22	#22	G	&
33310-23	43311-23	33312-23	#23	B	?
33310-24	43311-24	33312-24	#24	Y	6
33310-25	43311-25	33312-25	#25	H	±
33310-26	43311-26	33312-26	#26	N	'
33310-27	43311-27	33312-27	#27	U	7
33310-28	43311-28	33312-28	#28	J	
33310-29	43311-29	33312-29	#29	M	%
33310-30	43311-30	33312-30	#30	I	8
33310-31	43311-31	33312-31	#31	K	(
33310-32	43311-32	33312-32	#32	O	9
33310-33	43311-33	33312-33	#33	L)
33310-34	43311-34	33312-34	#34	P	0
33310-35	43311-35	33312-35	#35	.	.

