

BULLETIN NO. 1067  
ISSUE 2  
DECEMBER, 1942

# TELETYPE

## PRINTING TELEGRAPH SYSTEMS

PARTS  
PERFORATOR TRANSMITTER (MODEL 15)



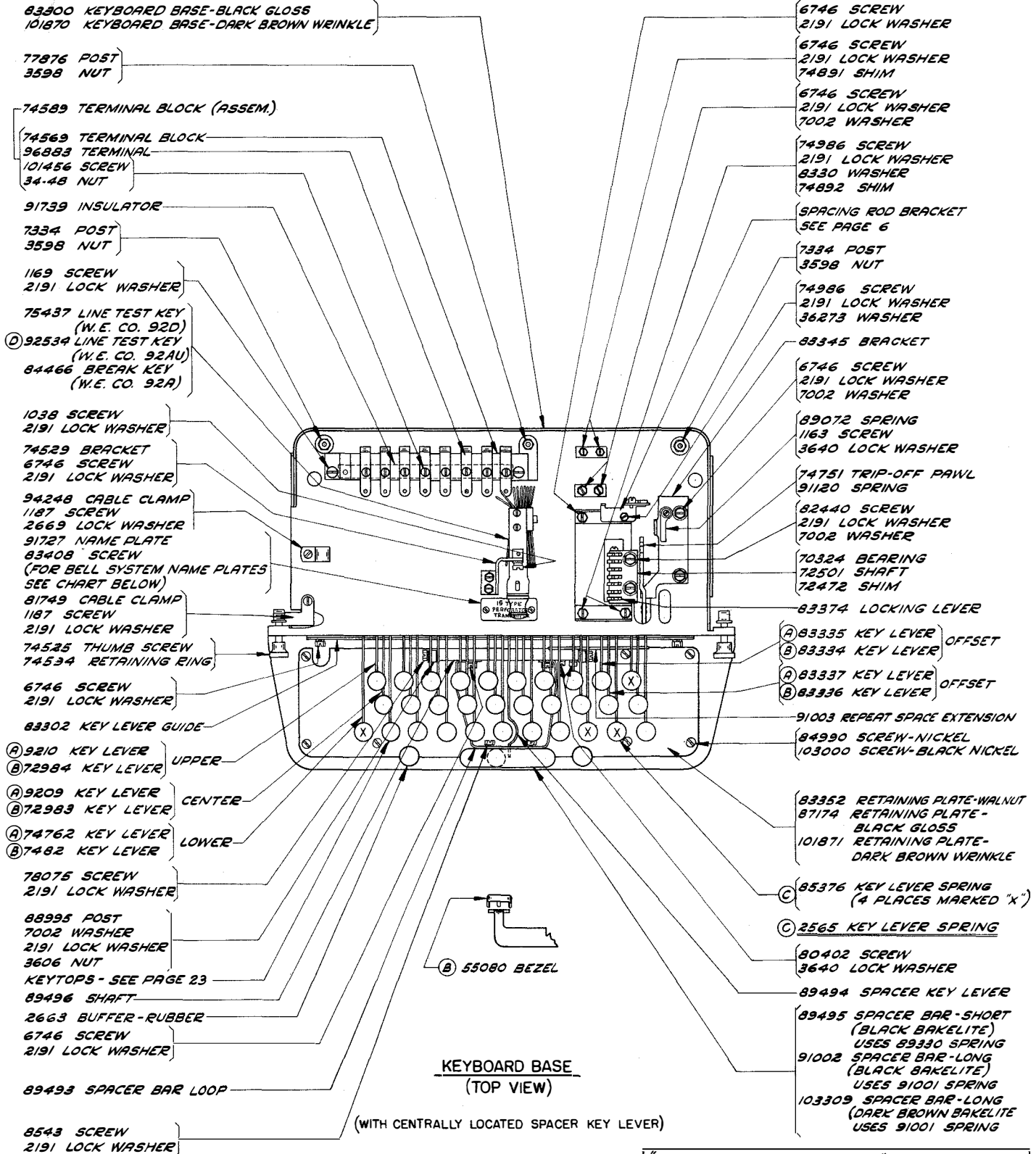


ALPHABETICAL INDEX

	<u>Page</u>
Break Key . . . . .	1
Cables . . . . .	24
Cable Clamps . . . . .	1,2,3,11,13,17
Cam Pulsing Contacts (Assem.) . . . . .	7
Cam Sleeve - Transmitter Shaft . . . . .	6
Condenser . . . . .	3
Connecting Links . . . . .	4
Contact Mounting (Assem.) . . . . .	6
Copyholders (Assem.) . . . . .	21
Counter Bracket - For Left-Hand Mounting . . . . .	17
Counter Casting - For Right-Hand Mounting . . . . .	17
Counter Control Contacts (Assem.) - Mounted on Keyboard . . . . .	7
Counter Control Contacts (Assem.) - Mounted on Perforator Unit . . . . .	9
Counter Control Unit . . . . .	5
Counter Mechanism (Assem.) . . . . .	16
Cover - Counter Mechanism . . . . .	17
Cover - Perforator Unit . . . . .	20
Cover - Perforator and Counter Unit . . . . .	20
Cover - Printer . . . . .	18,19
Electric Impulse Counter (Assem.) - With Accessories (Walnut) . . . . .	27
Filter Units (Assem.) . . . . .	8
Form Accumulating Shelf (Assem.) . . . . .	19
Gears . . . . .	6
Indicator - Counter . . . . .	17
Keyboard . . . . .	1,2,3
Key Levers . . . . .	1
Keytops . . . . .	23
Lamp - Counter . . . . .	17
Line Test Key . . . . .	1
Link Extensions . . . . .	10,12
Metal Tearing Edge Parts . . . . .	19
Magnets . . . . .	10,16
Name Plates . . . . .	1,19
Notes of Explanation . . . . .	29
Numerical Index . . . . .	30
Perforator Control Contacts (Assem.) . . . . .	7
Positive Action Perforating Parts . . . . .	14
Punch Block (Assem.) . . . . .	15
Punch Contacts (Assem.) . . . . .	9,11,13
Punch Contact and Latch (Assem.) . . . . .	14
Punch Unit Parts . . . . .	9,10,11,12,13,14

II  
(B-1067)

	<u>Page</u>
Resistor and Guard - For 220 Volt Operation . . . . .	15
Resistor - Flat Type . . . . .	2
Resistor - Round Type . . . . .	3,5,7,15
Selector Bars . . . . .	4
Selector Fingers . . . . .	10,12
Selector Levers . . . . .	10,12
Sets of Keytops . . . . .	23,25
Sets of Parts . . . . .	24
Set of Parts for Converting Bell System Keytop Arrangement "C" to "A" (for use on 15-A Perforator Transmitter) . . . . .	24
Set of Parts for Converting Bell System Keytop Arrangement "C" to "B" (for use on 15-B Perforator Transmitter) . . . . .	24
Set of Parts for Converting Bell System Keytop Arrangement "C" to "A" (for use on 15-D Perforator Transmitter) . . . . .	24
Set of Parts for Converting Bell System Keytop Arrangement "C" to "B" (for use on 15-E Perforator Transmitter) . . . . .	25
Set of Parts for Converting Bell System Keytop Arrangement "C" to "A" (for use on 15-J Perforator Transmitter) . . . . .	25
Set of Parts for Converting Bell System Keytop Arrangement "C" to "B" (for use on 15-K Perforator Transmitter) . . . . .	25
Set of Parts for Converting Bell System Keytop Arrangement "C" to "A" (for use on 15-M Perforator Transmitter) . . . . .	25
Set of Parts for Converting Bell System Keytop Arrangement "C" to "B" (for use on 15-N Perforator Transmitter) . . . . .	25
Set of Parts to Apply Adjustable Feed Punch Selector Lever and Selector Lever Guide . . . . .	27
Set of Parts to Apply Improved Counter Control Mechanism . . . . .	26
Set of Parts to Apply Long Spacer Bar to Perforator Transmitters Equipped with Space Mechanism Having Centrally Located Space Key Lever . . . . .	27
Set of Parts to Apply Lower Punch Operating Contacts and Adjustable Key Pressure Mechanism . . . . .	26
Set of Parts to Apply Space Mechanism with Centrally Located Space Key Lever . . . . .	26
Set of Parts to Apply Two-Piece Armature Lever and Follow-Through Feature . . . . .	26
Set of Parts to Equip a Perforator Transmitter With Positive Action Perforating Feature . . . . .	28
Set of Parts to Hold Universal Bar Depressed . . . . .	25
Set of Parts to Provide Cover Locating Stud and Terminal Block Guard . . . . .	14
Set of Parts to Provide Improved Operating Margins For the Punch Unit . . . . .	28
Set of Parts to Reduce Friction of the Repeat Space Rod Cutout . . . . .	27
Slide Plate . . . . .	5
Spacer Bars . . . . .	1,2
Tape Feed Parts . . . . .	10,11,12,13
Tape Gauge . . . . .	15
Tape Reel Bracket . . . . .	19
Tape Reel Container (Assem.) . . . . .	22
Terminal Block (Assem.) . . . . .	1,11
Tool - For Cleaning Punch Block . . . . .	15
Transmitter Parts . . . . .	6
Transmitter Shaft . . . . .	6
Universal Bar . . . . .	5



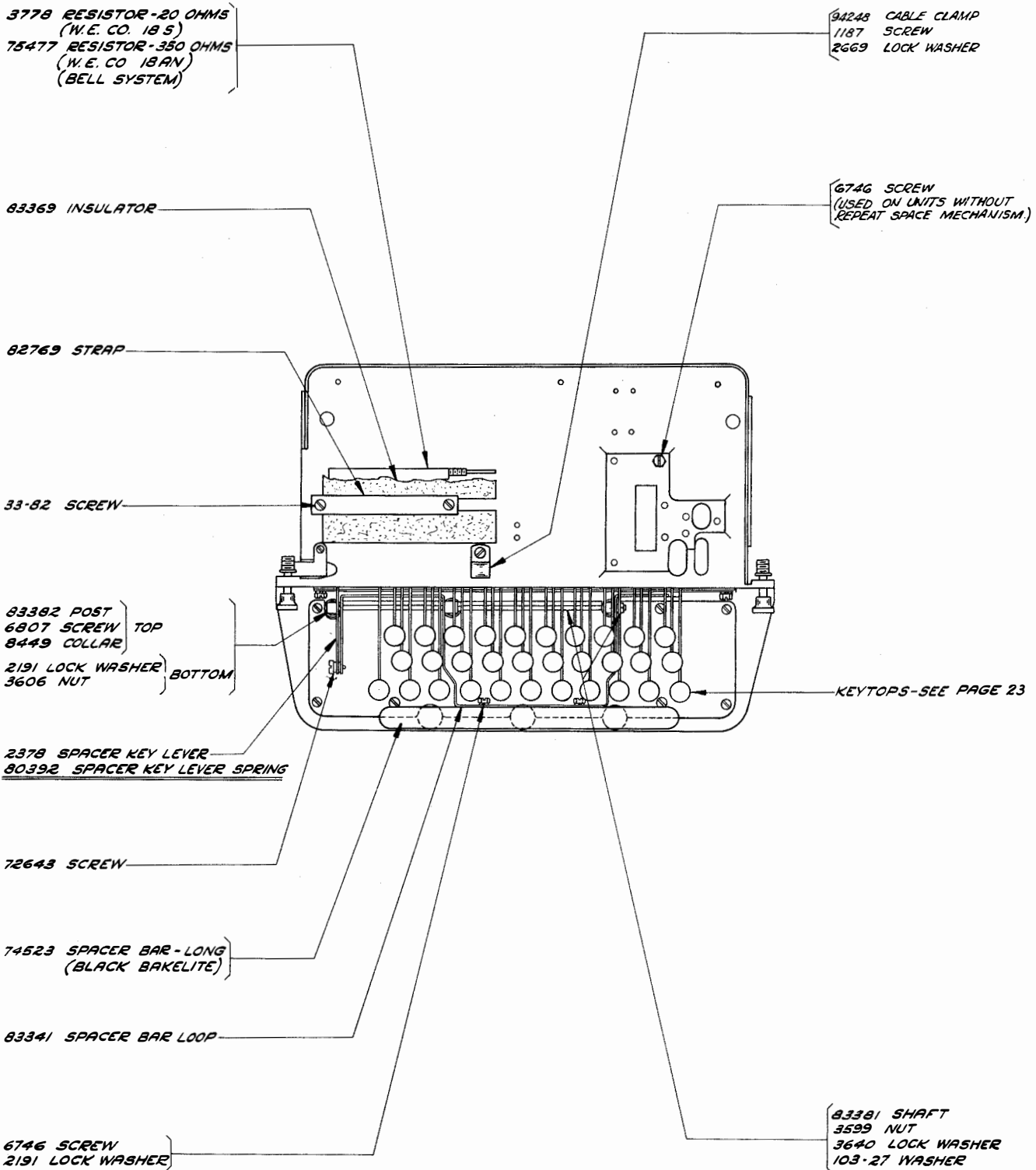
**CABLES**

FOR ALL CABLES AND WIRING DIAGRAM NUMBERS SEE CHART ON PAGE 24

- (A) FOR SPRING CUSHION OR PNEUMATIC KEYTOPS  
(B) FOR CELLULOID KEYTOPS  
(C) SEE PAGE 29 FOR NOTES OF EXPLANATION.

"PERFORATOR TRANSMITTER" NAME PLATES			
BELL SYSTEM CODE	PART NUMBER	BELL SYSTEM CODE	PART NUMBER
15-A	84168	15-J	102244
15-B	91288	15-K	102245
15-C	84963	15-L	102246
15-D	92164	15-M	102247
15-E	92165	15-N	102248
15-F	92166	15-P	102249
15-G	102242		

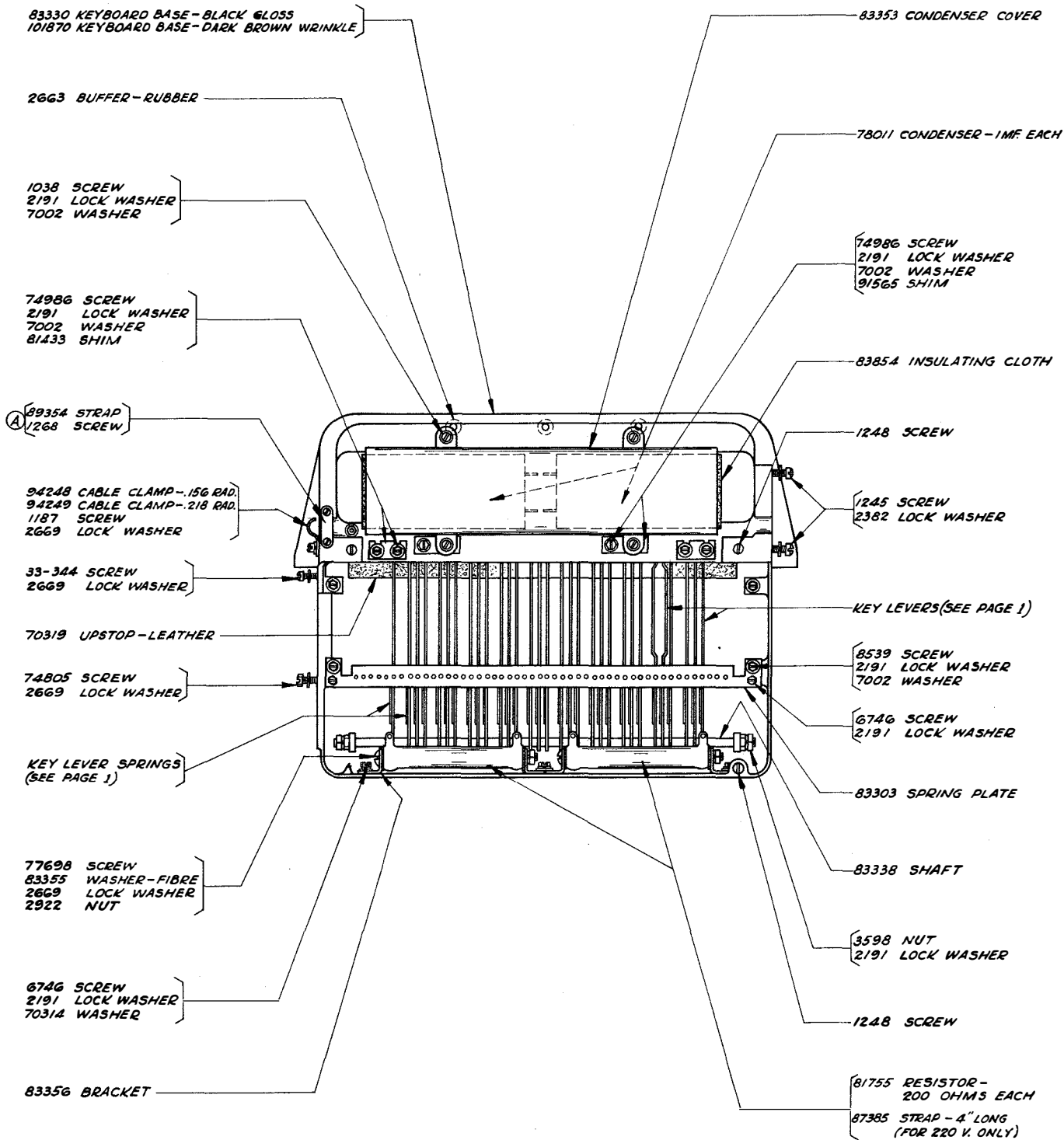
USE 83408 SCREWS FOR NAME PLATES



KEYBOARD BASE  
(TOP VIEW)

(WITH SPACER KEY LEVER LOCATED AT LEFT SIDE)

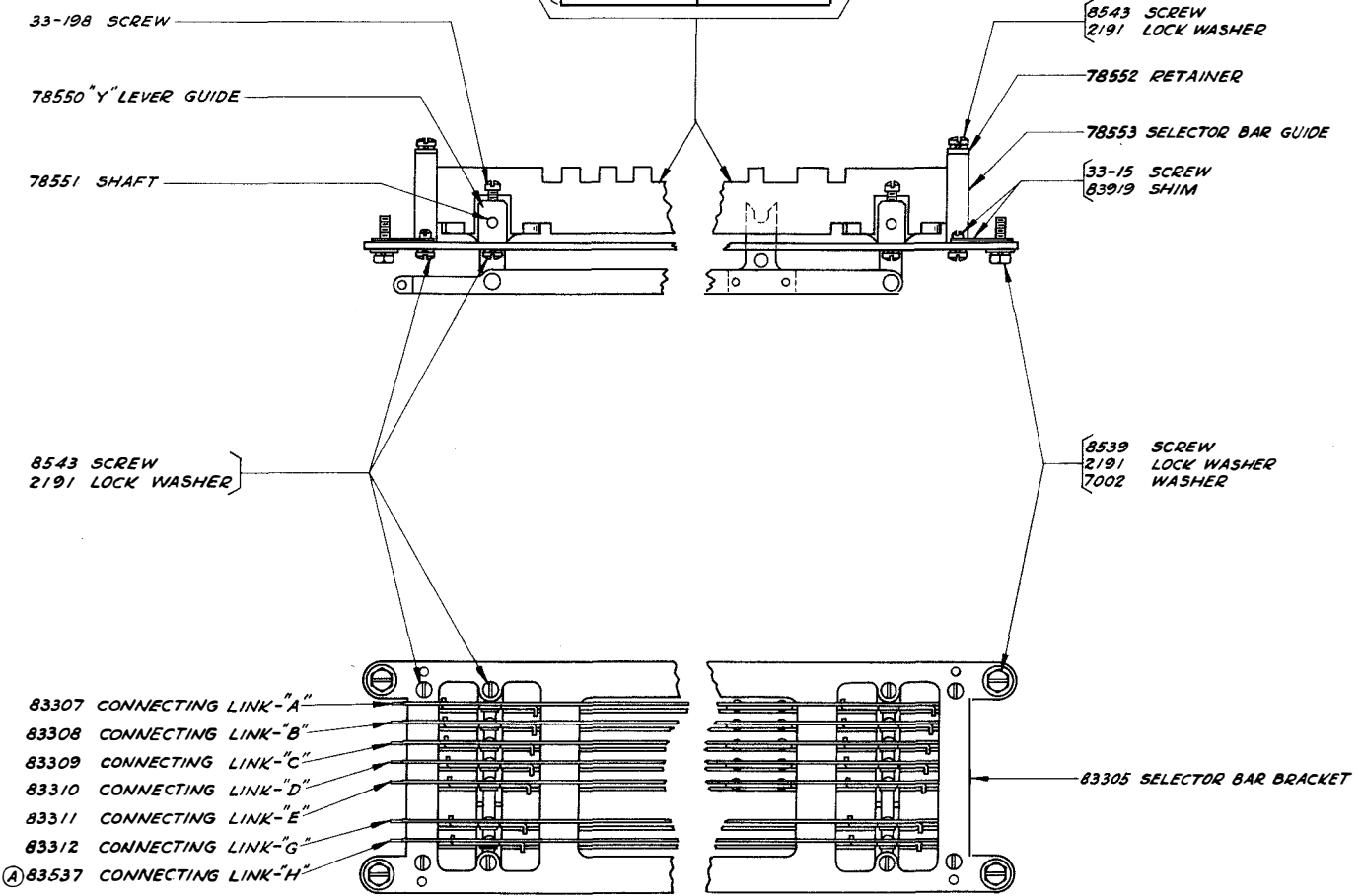
(PARTS NOT SHOWN OR LISTED SAME AS SHOWN ON PAGE 1)



KEYBOARD BASE  
(BOTTOM VIEW)

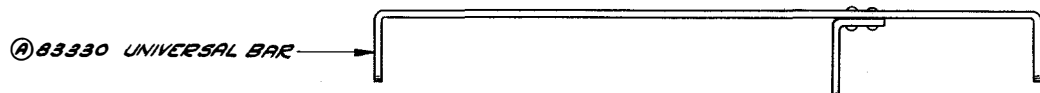
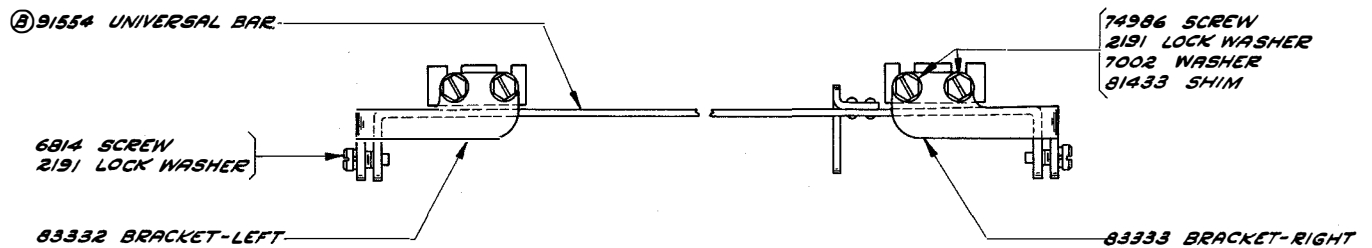
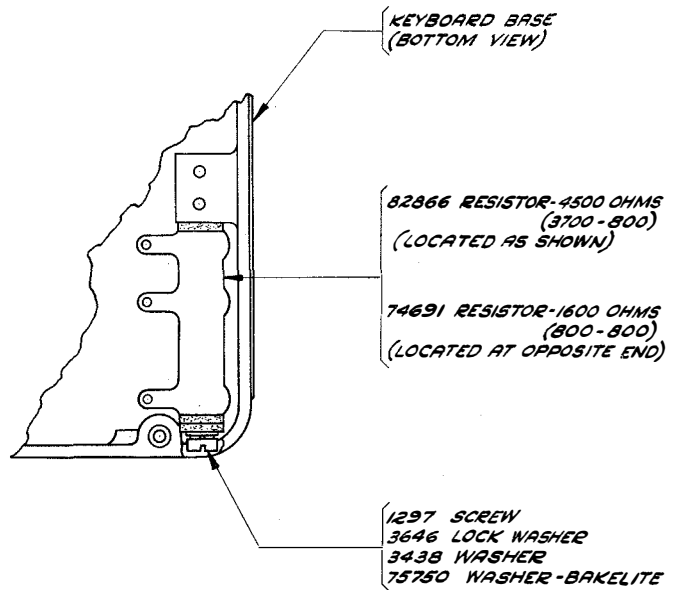
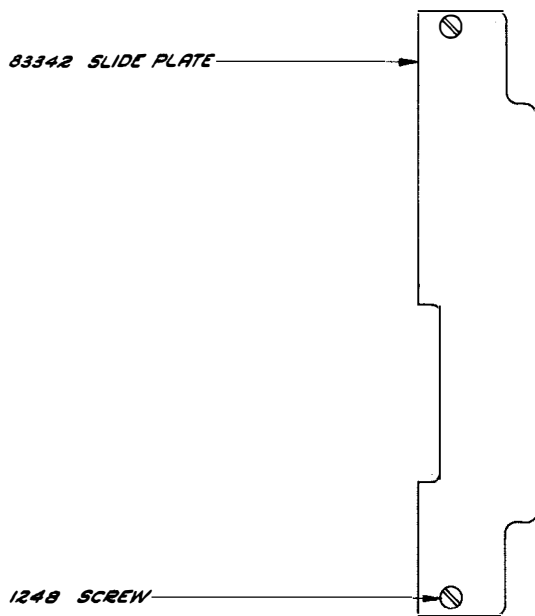
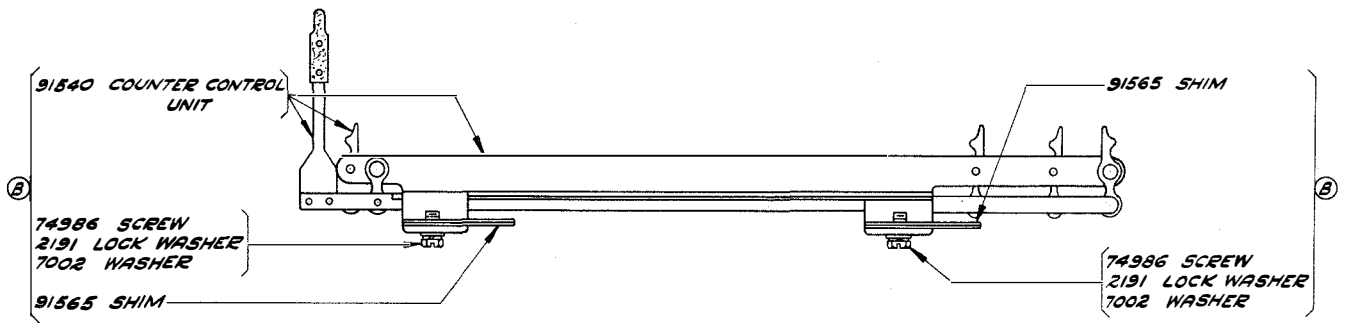
(A) SEE PAGE 29 FOR NOTES OF EXPLANATION.

SELECTOR BARS	
NO. STAMPED ON BAR	PART NUMBER
A-1	83314
A-2	83315
B-1	83316
B-2	83317
C-1	83318
C-2	83319
D-1	83320
D-2	83321
E-1	83322
E-2	83323
G-2	83324
H-1	83325
H-2	83326

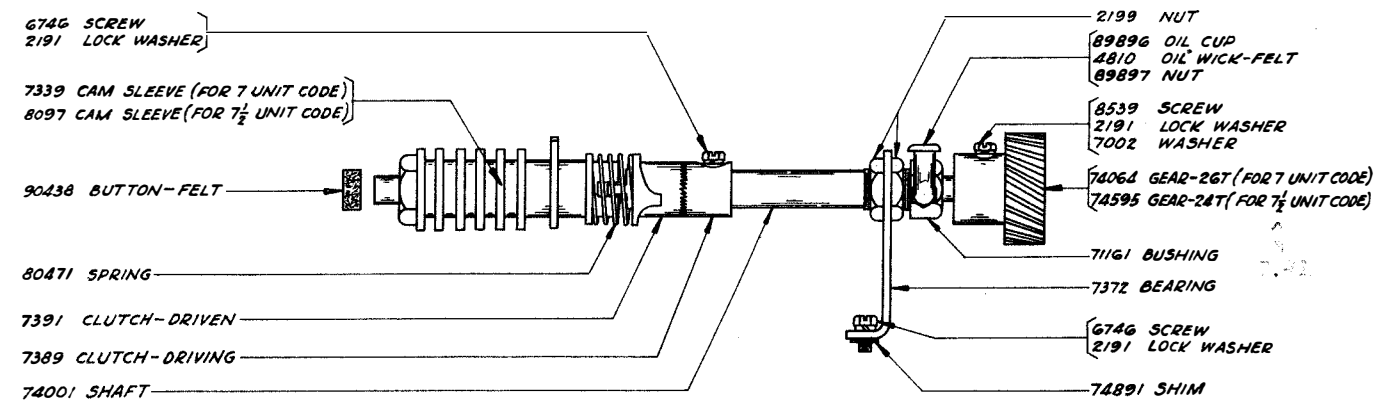
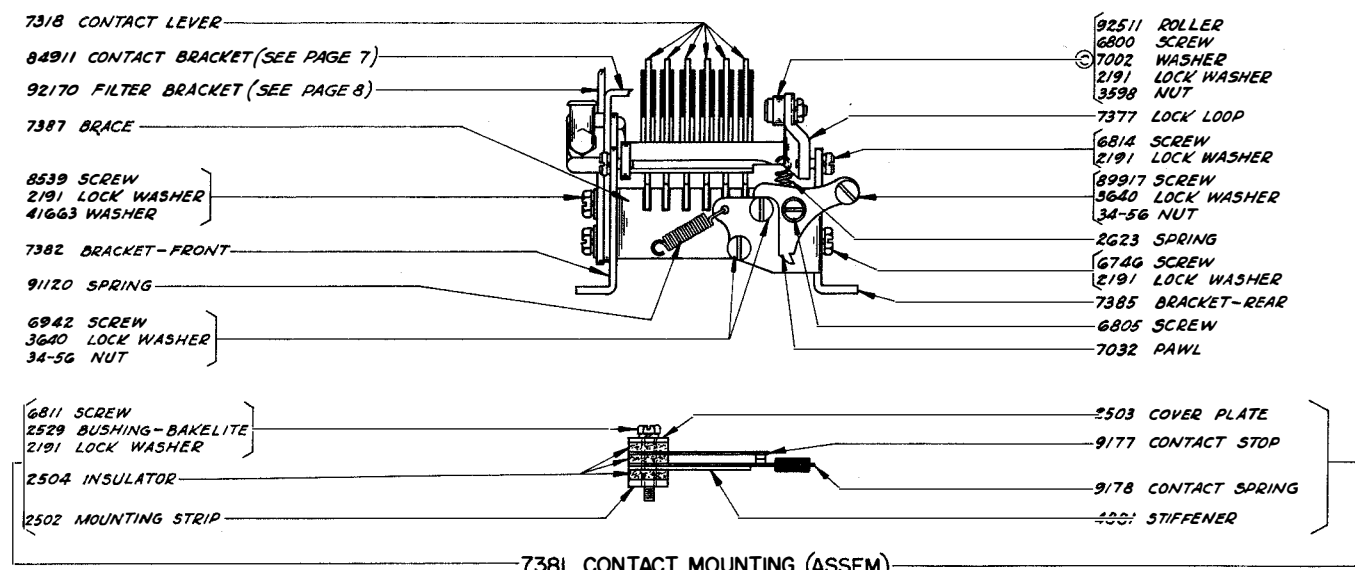
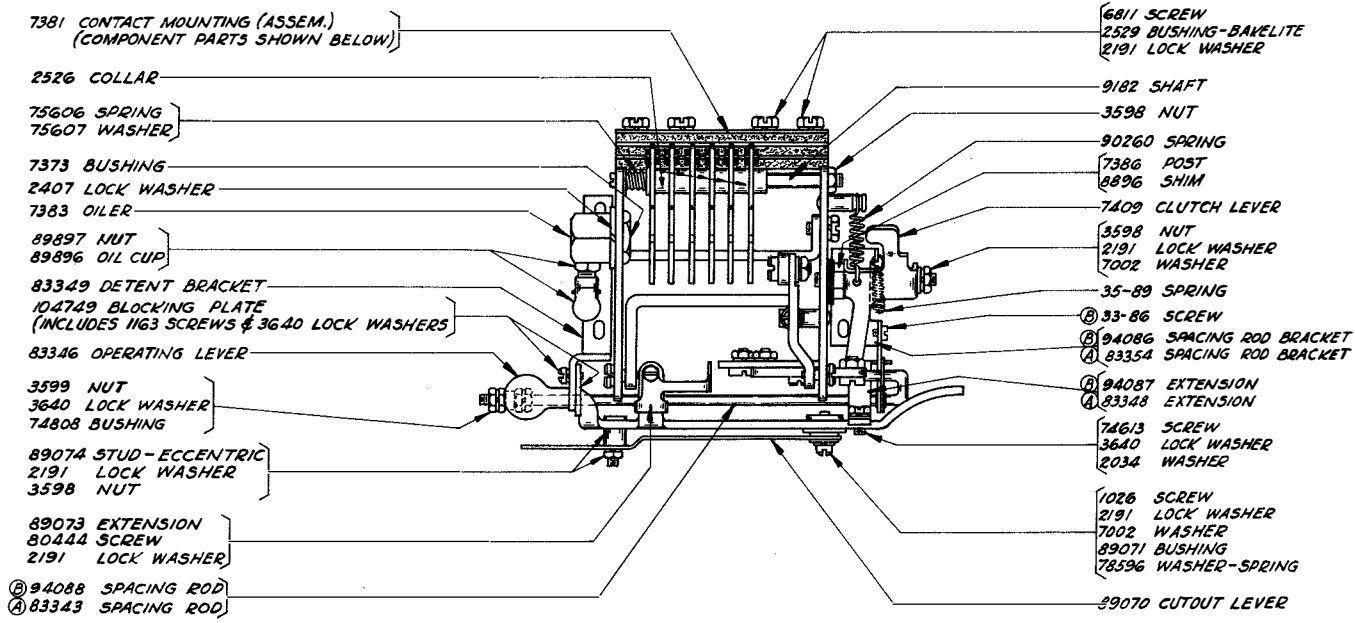


Ⓐ SEE PAGE 29 FOR NOTES OF EXPLANATION.

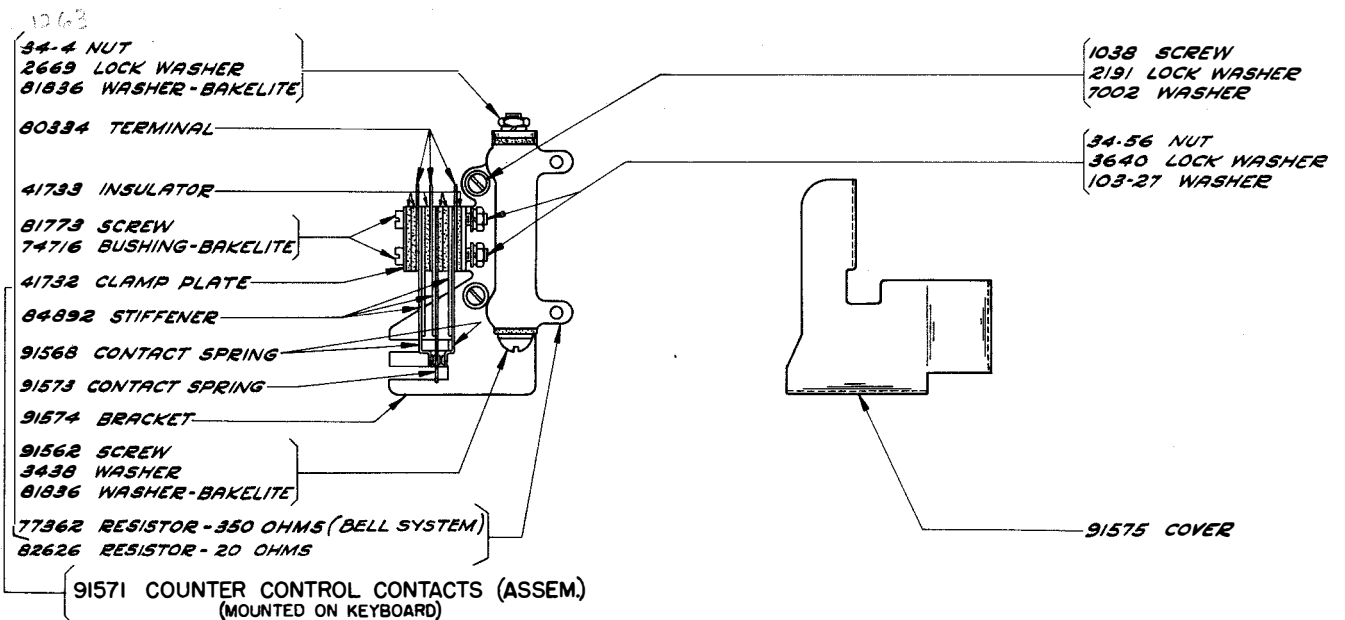
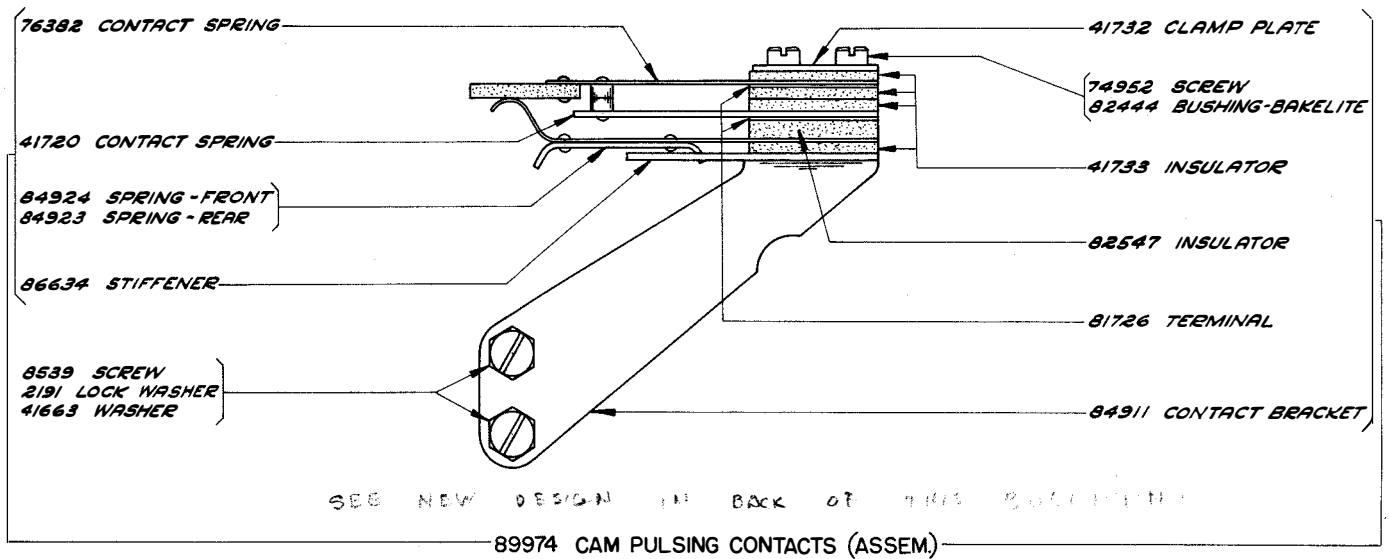
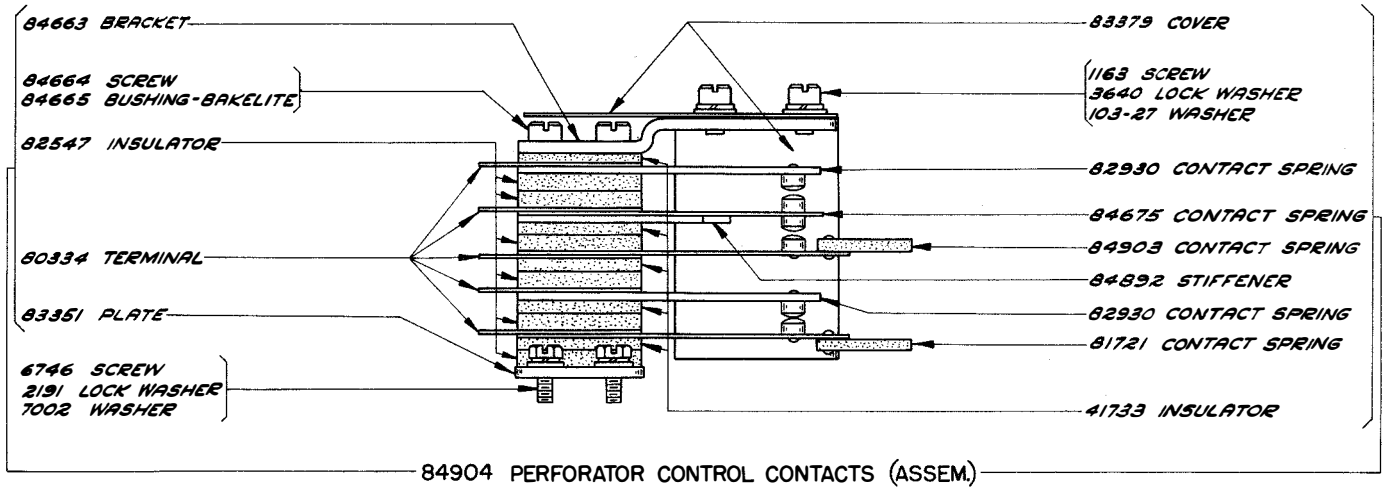


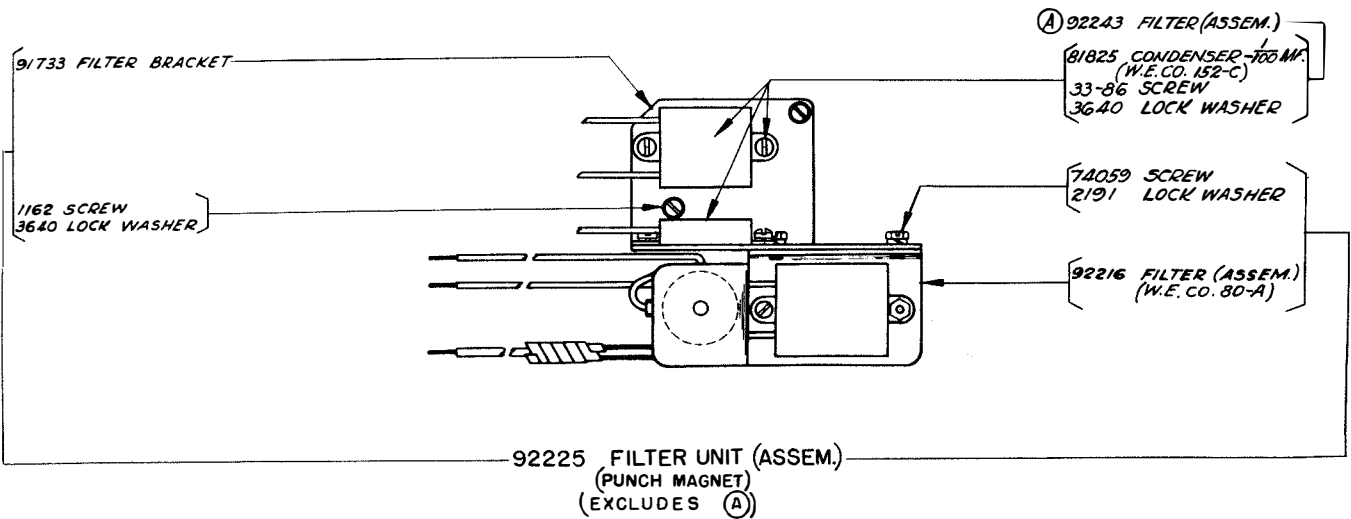
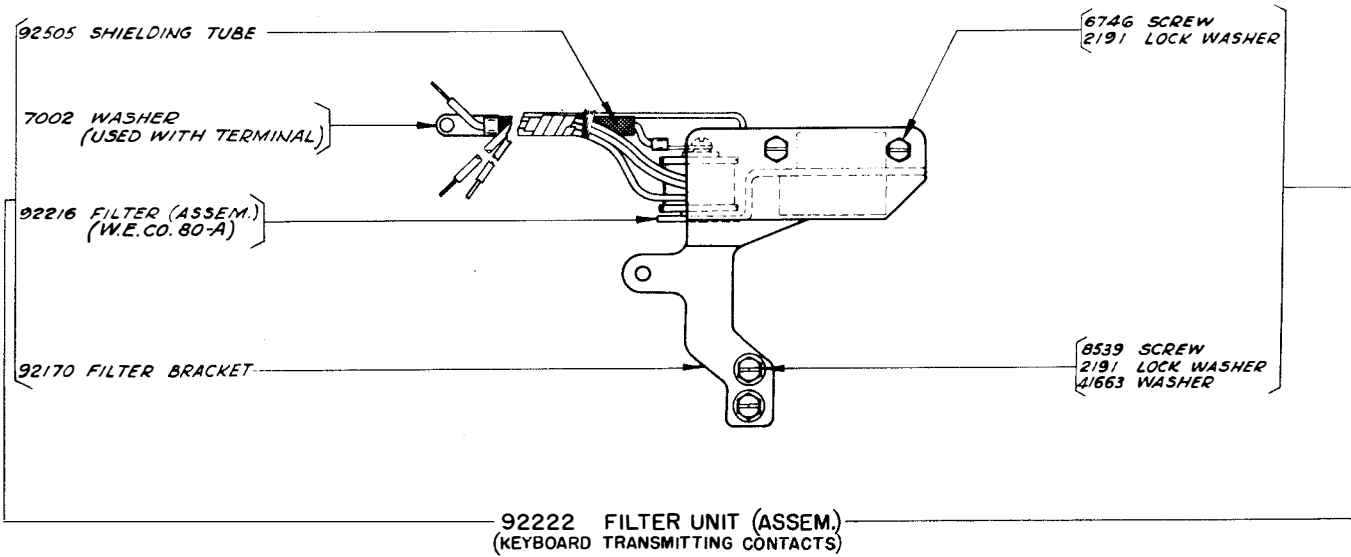
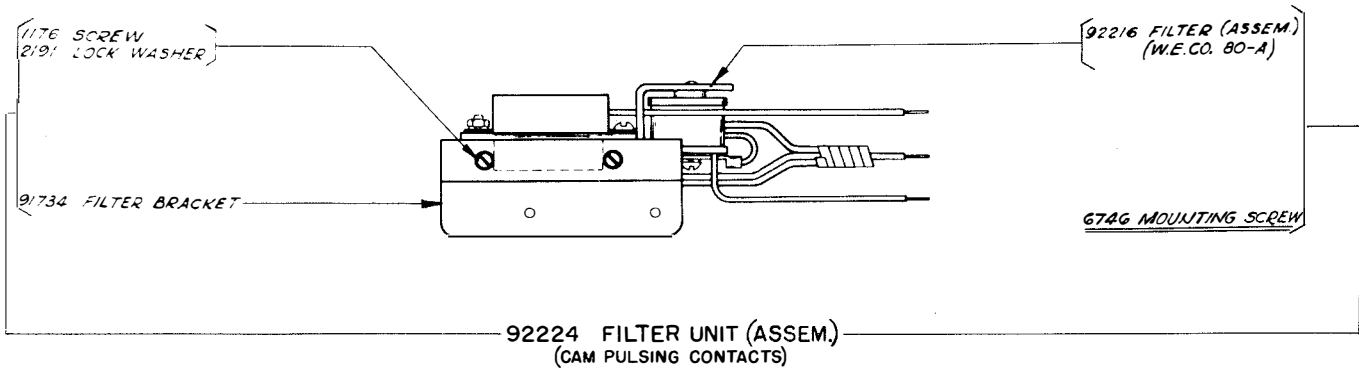


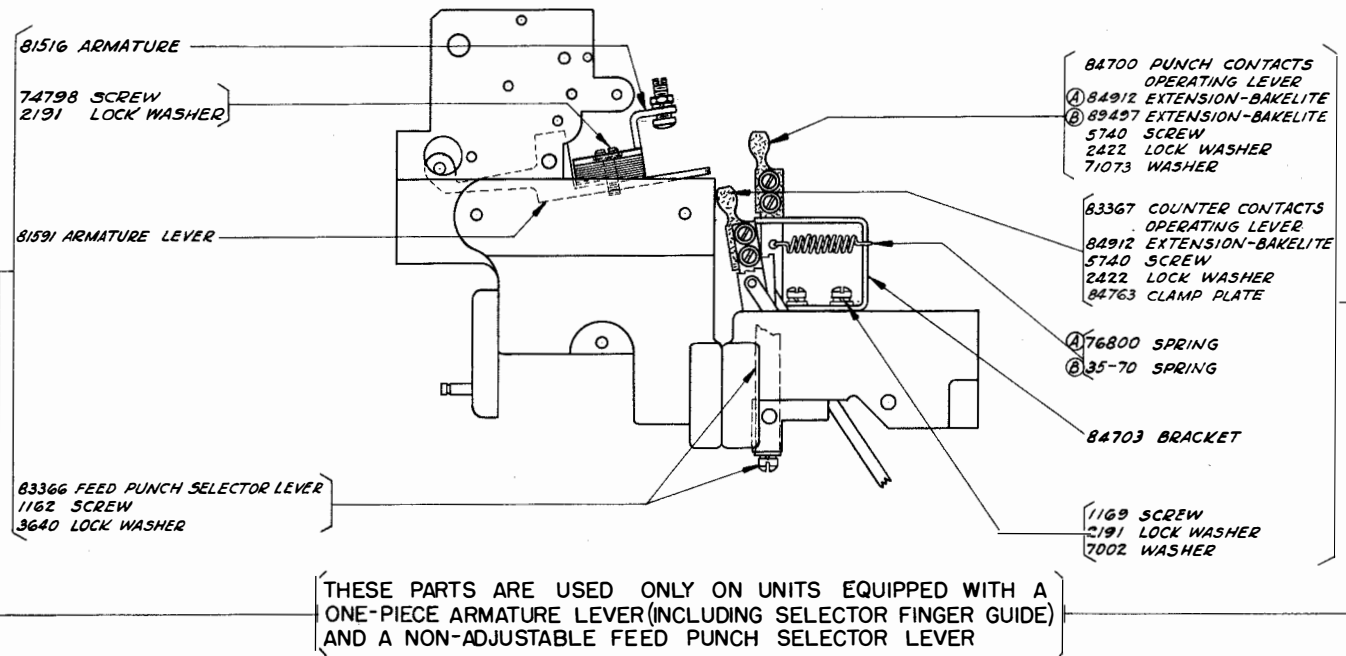
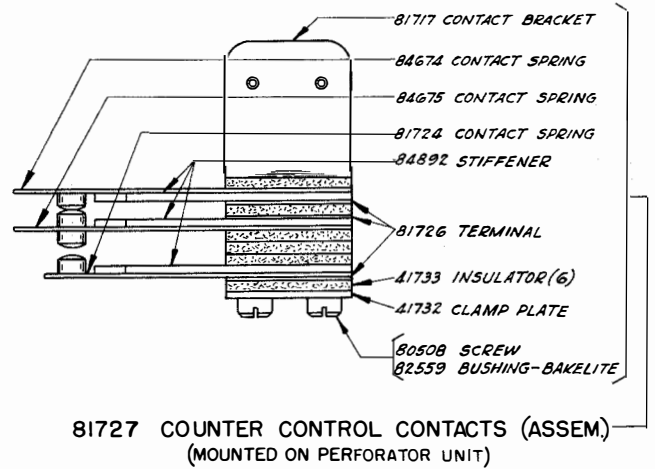
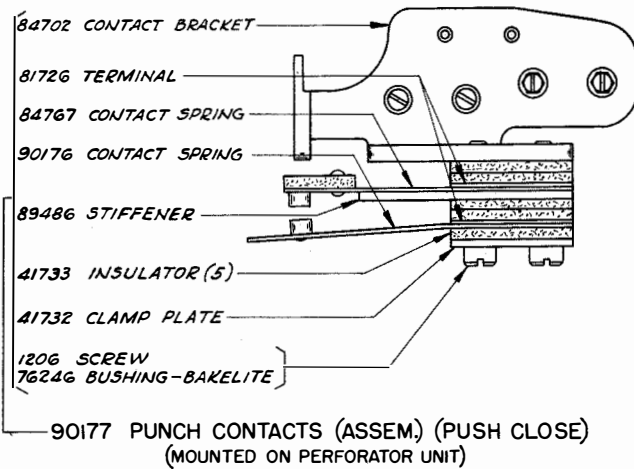
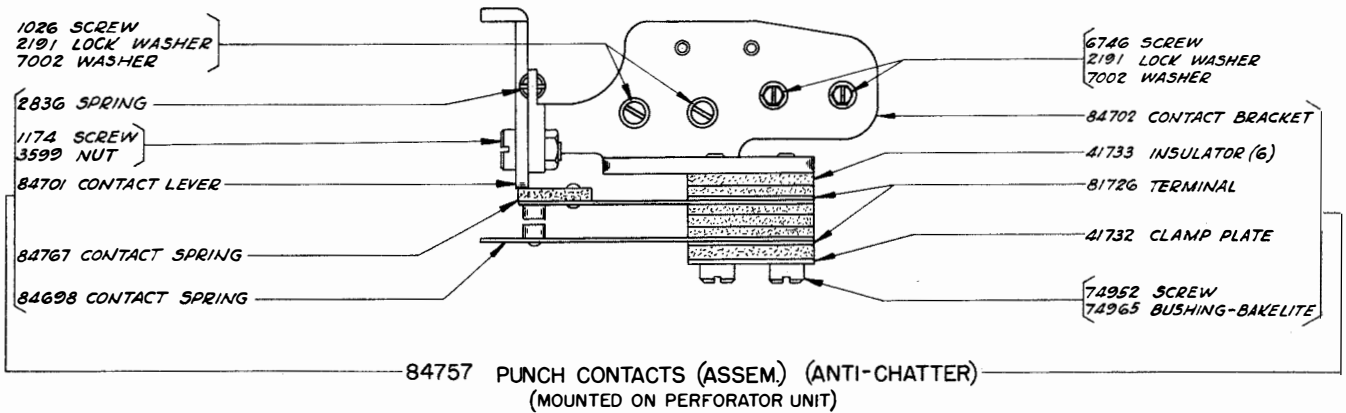
(A)(B) SEE PAGE 29 FOR NOTES OF EXPLANATION.



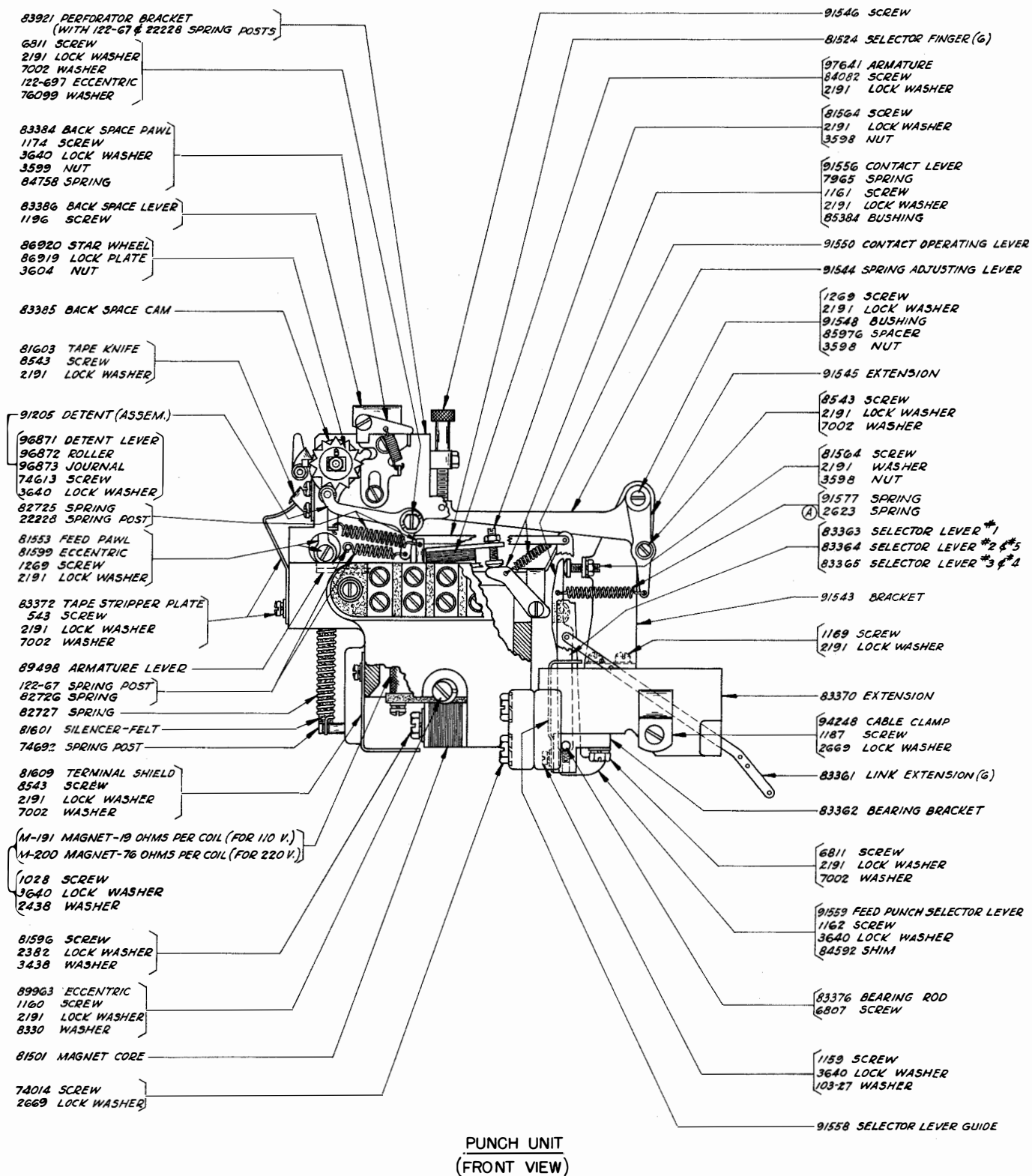
④ USED ON UNITS HAVING THE FEED PAWL ATTACHED TO THE ARMATURE LEVER. (SEE PAGES 10 & 11)  
 ② USED ON UNITS NOT HAVING THE FEED PAWL ATTACHED TO THE ARMATURE LEVER. (SEE PAGES 12 & 13)  
 ③ SEE PAGE 29 FOR NOTES OF EXPLANATION.







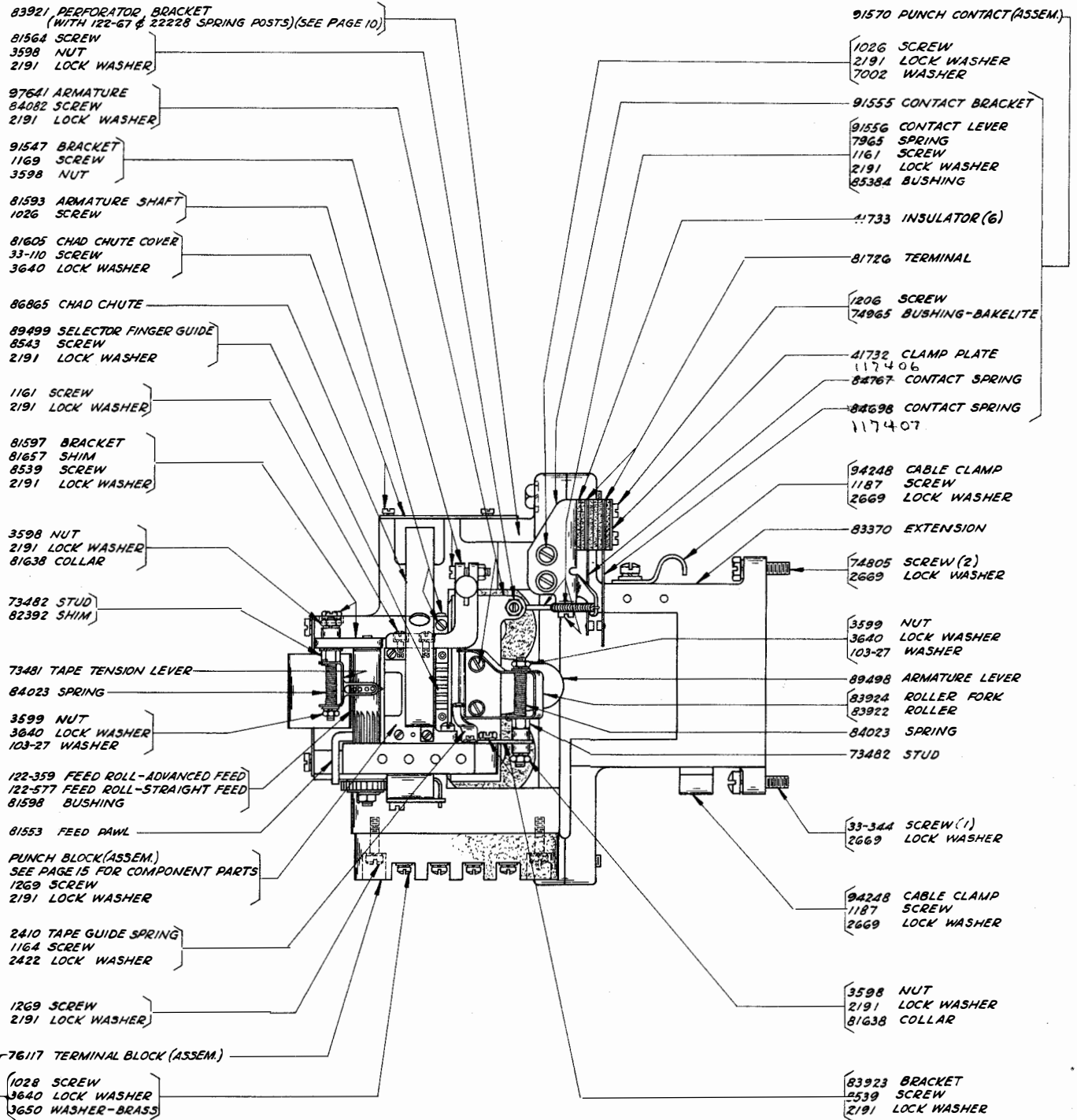
① USED WITH THE 84757 PUNCH CONTACTS (ASSEM.)  
② USED WITH THE 90177 PUNCH CONTACTS (ASSEM.)



PUNCH UNIT  
(FRONT VIEW)

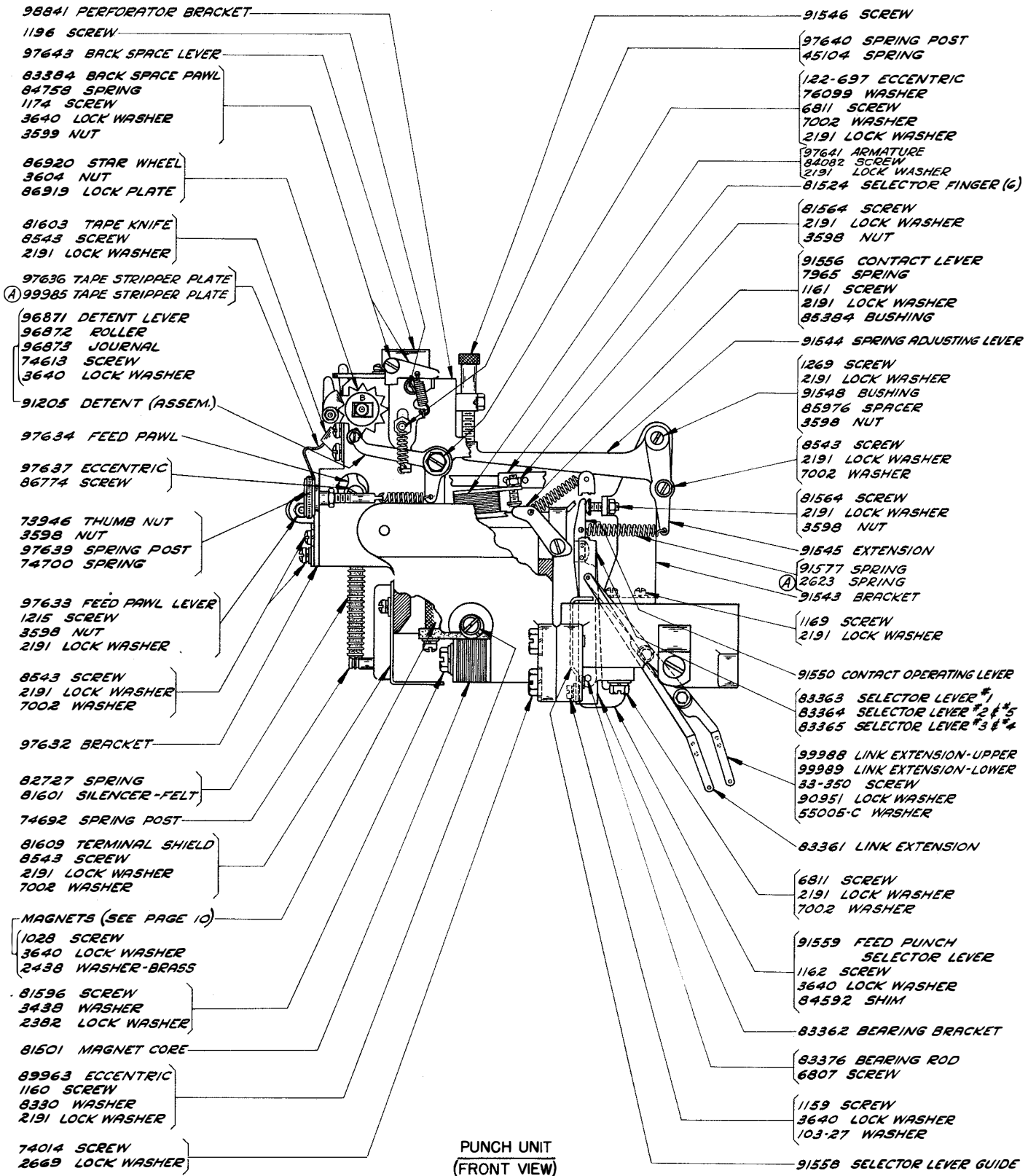
ALL PARTS LISTED ON THIS PAGE AND PAGE 11  
ARE USED ON UNITS HAVING THE FEED PAWL  
ATTACHED TO THE ARMATURE LEVER.

(A) USED ON UNITS HAVING THE 102883 PUNCH CONTACT AND LATCH (ASSEM.) (SEE PAGE 14.)



PUNCH UNIT  
(TOP VIEW)

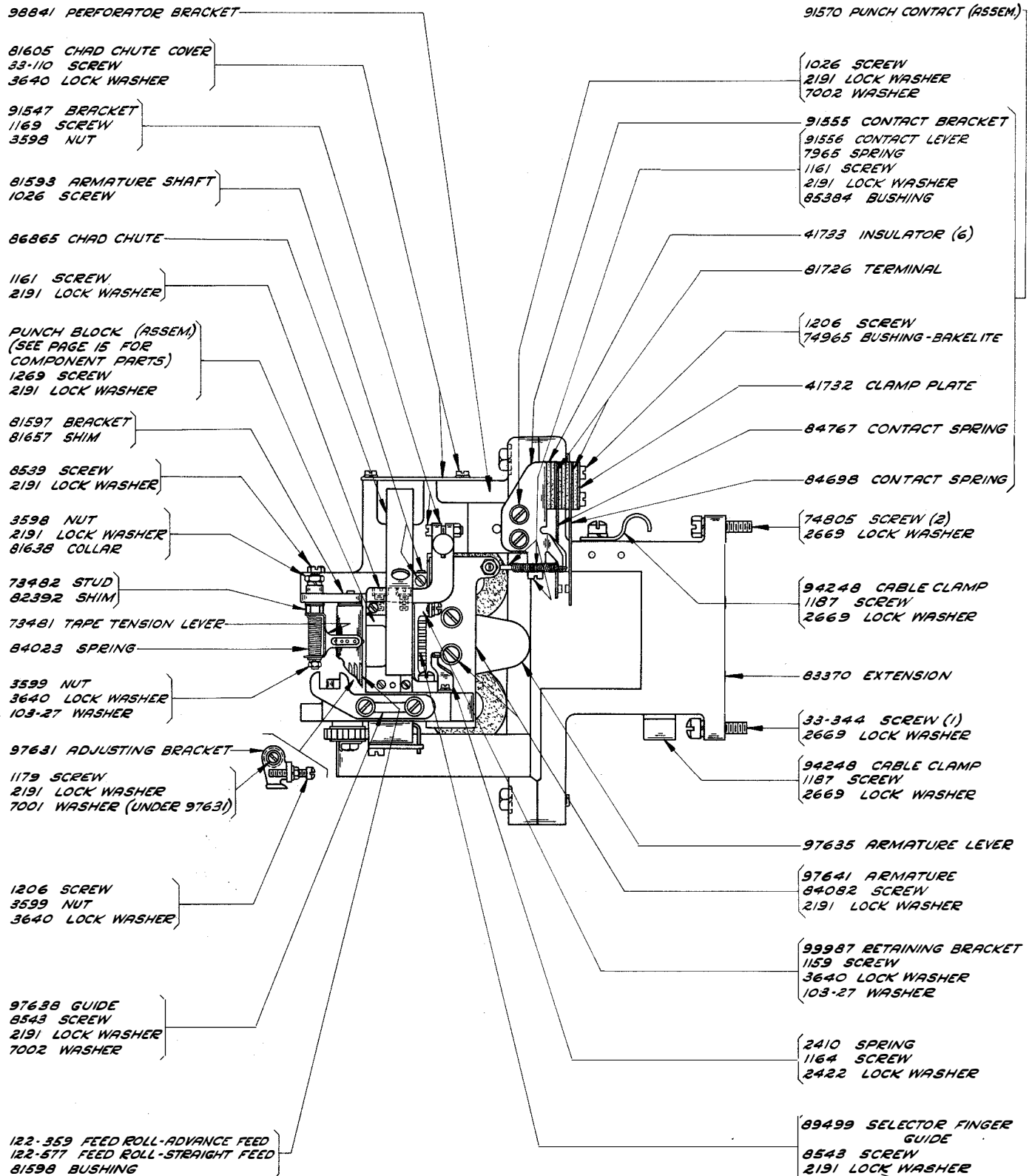
ALL PARTS LISTED ON THIS PAGE AND PAGE 10  
ARE USED ON UNITS HAVING THE FEED PAWL  
ATTACHED TO THE ARMATURE LEVER.



ALL PARTS LISTED ON THIS PAGE AND PAGE 13  
 ARE USED ON UNITS NOT HAVING THE FEED PAWL  
 ATTACHED TO THE ARMATURE LEVER.

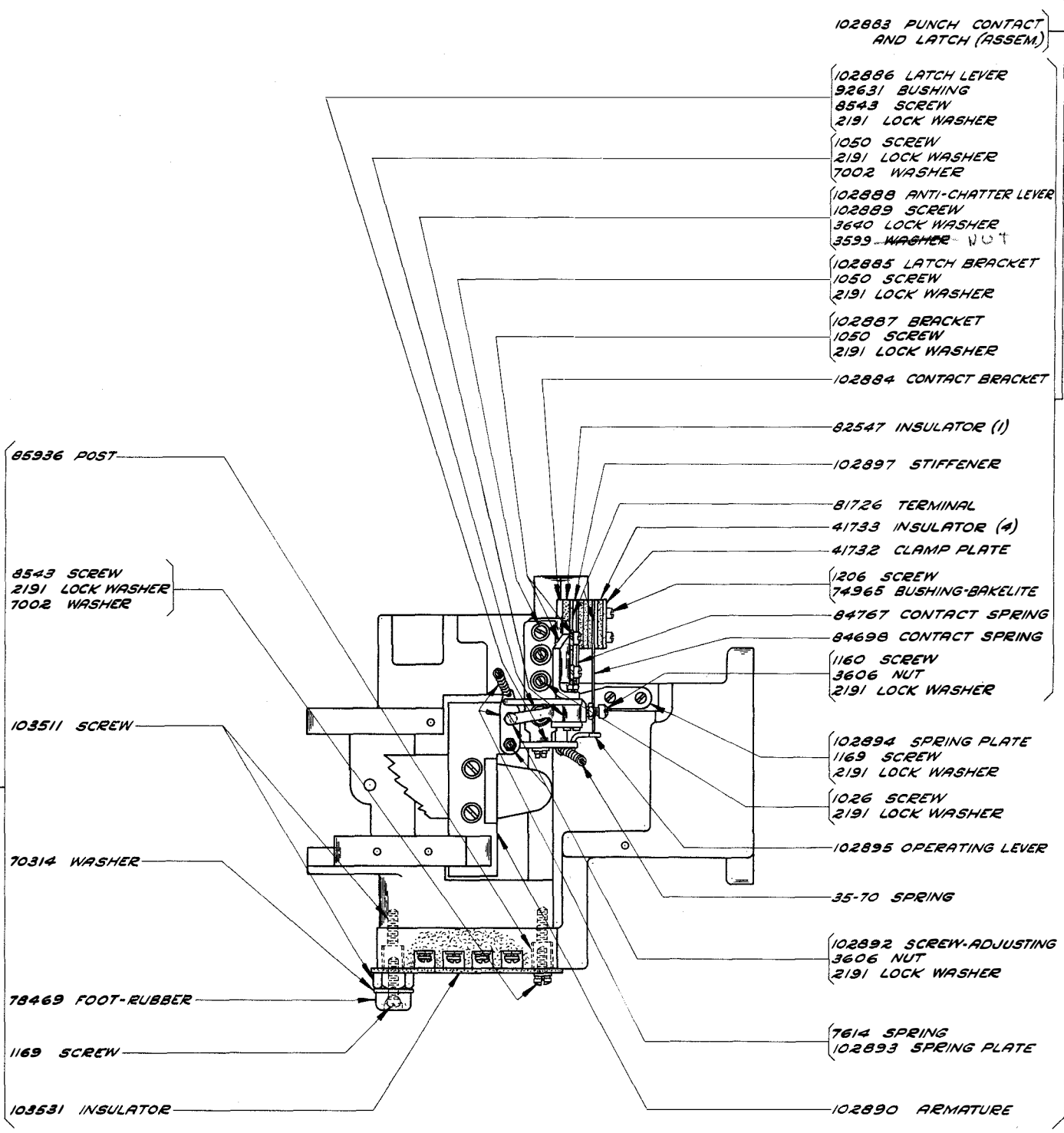
(A) USED ON UNITS HAVING THE 102883 PUNCH CONTACT AND LATCH (ASSEM.) (SEE PAGE 14)





PUNCH UNIT  
(TOP VIEW)

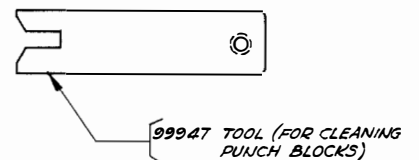
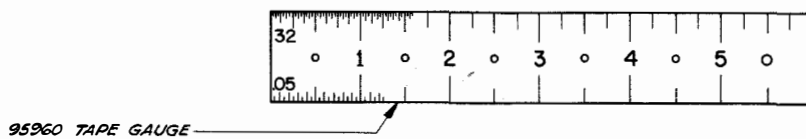
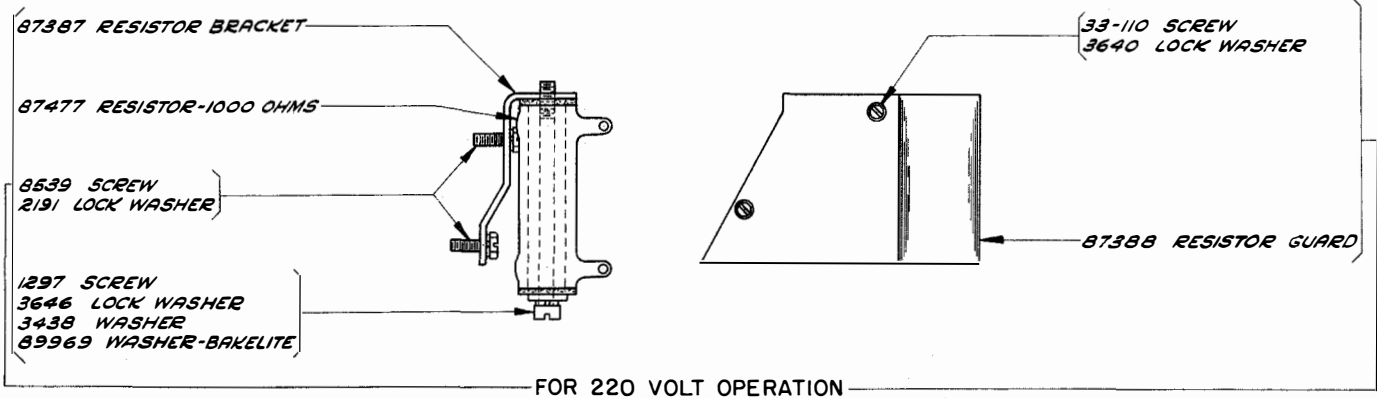
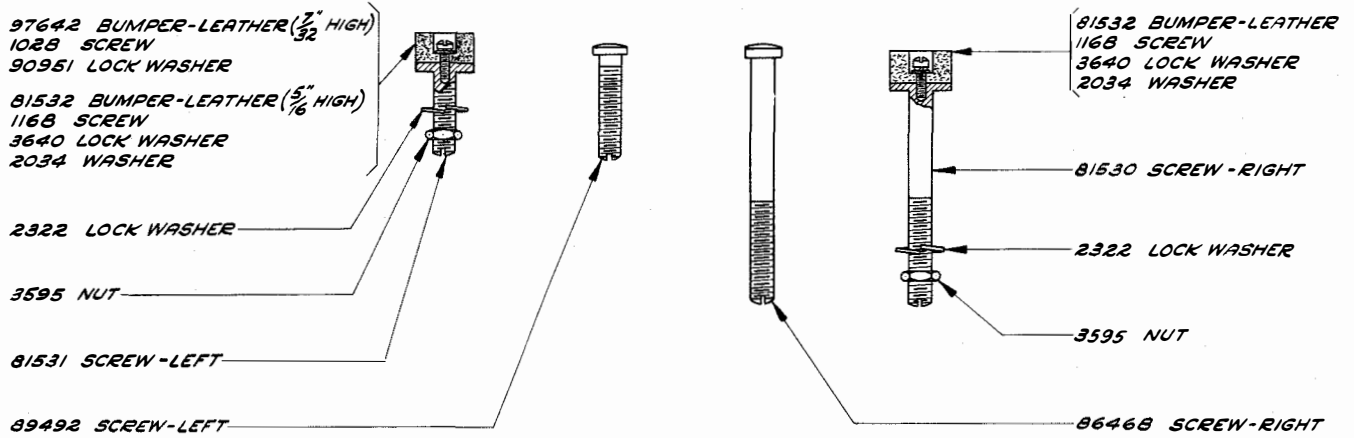
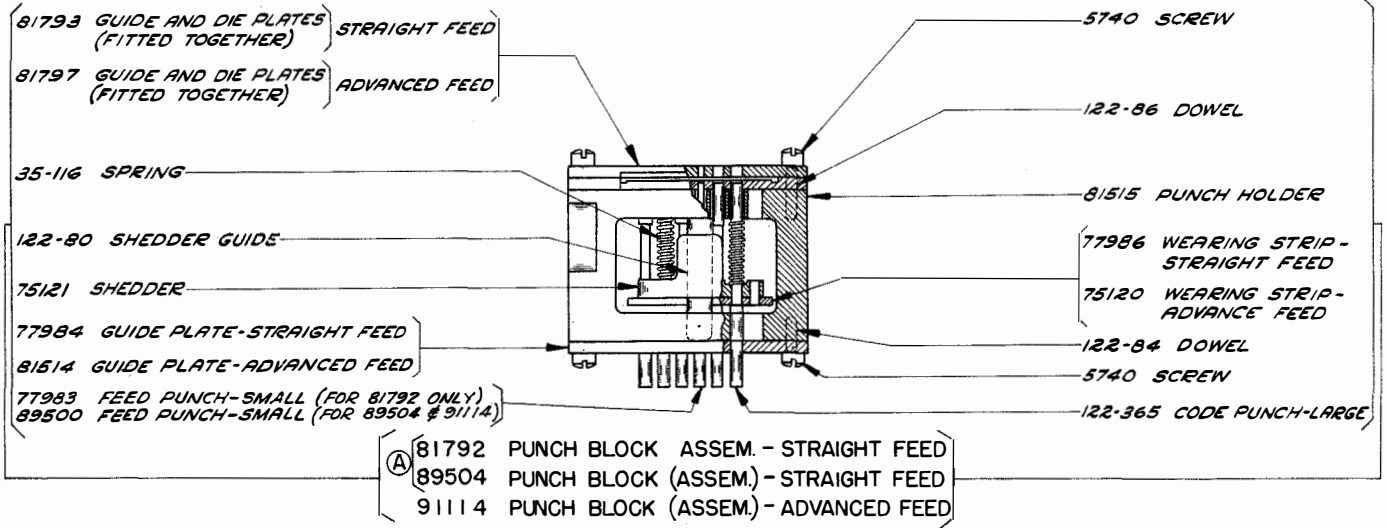
ALL PARTS LISTED ON THIS PAGE AND PAGE 12  
ARE USED ON UNITS NOT HAVING THE FEED PAWL  
ATTACHED TO THE ARMATURE LEVER.



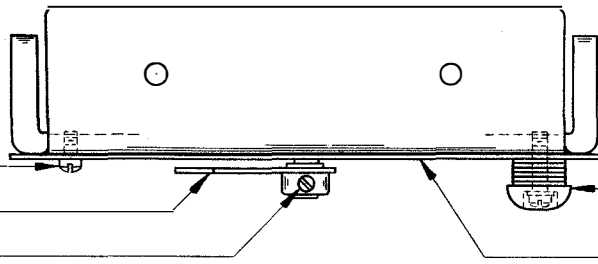
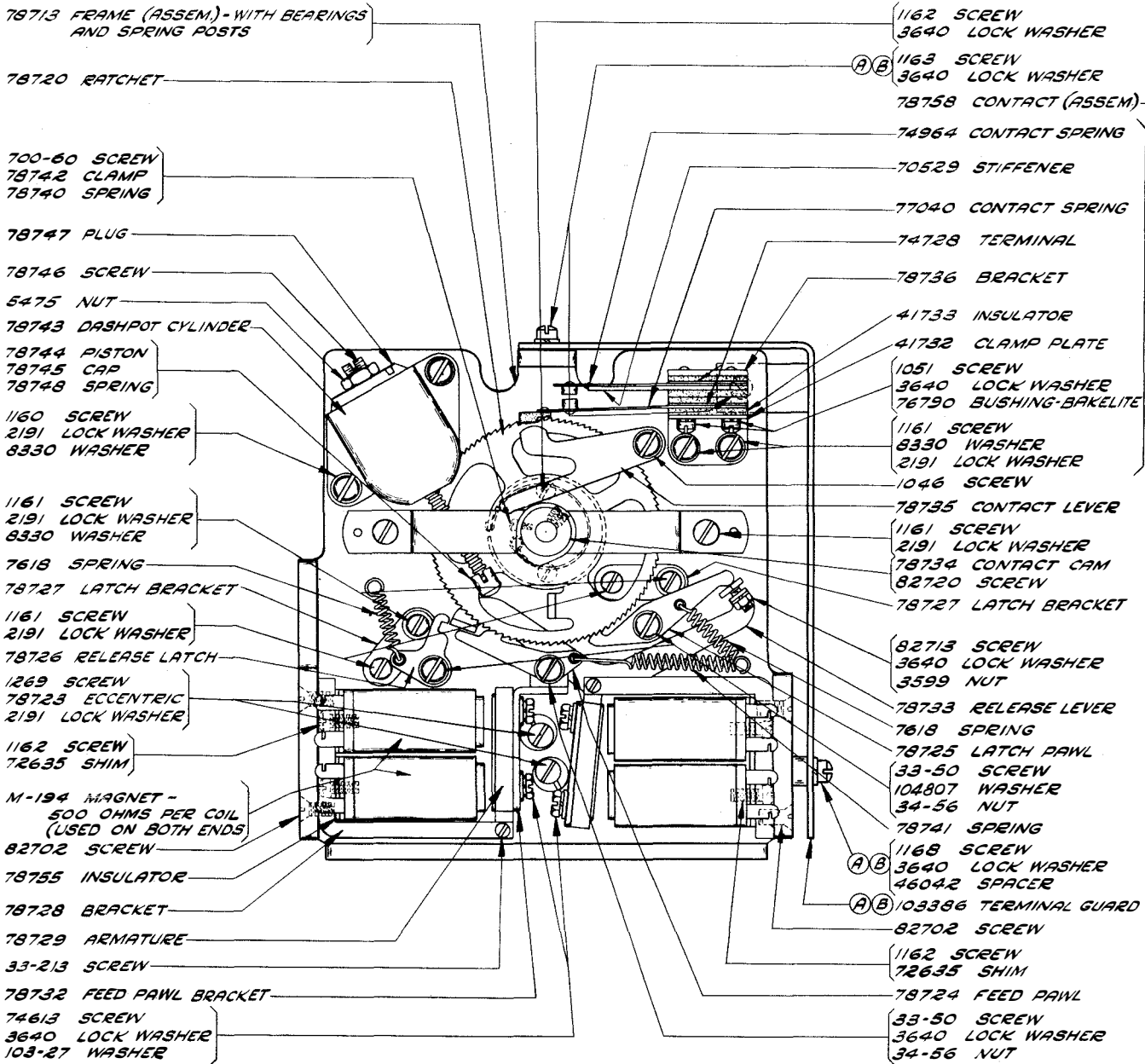
THESE PARTS CONSTITUTE THE POSITIVE ACTION PERFORATING FEATURE

103551 SET OF PARTS TO PROVIDE COVER LOCATING STOP AND TERMINAL BLOCK GUARD

(PARTS NOT SHOWN OR LISTED SAME AS SHOWN ON PAGES 12 & 13)

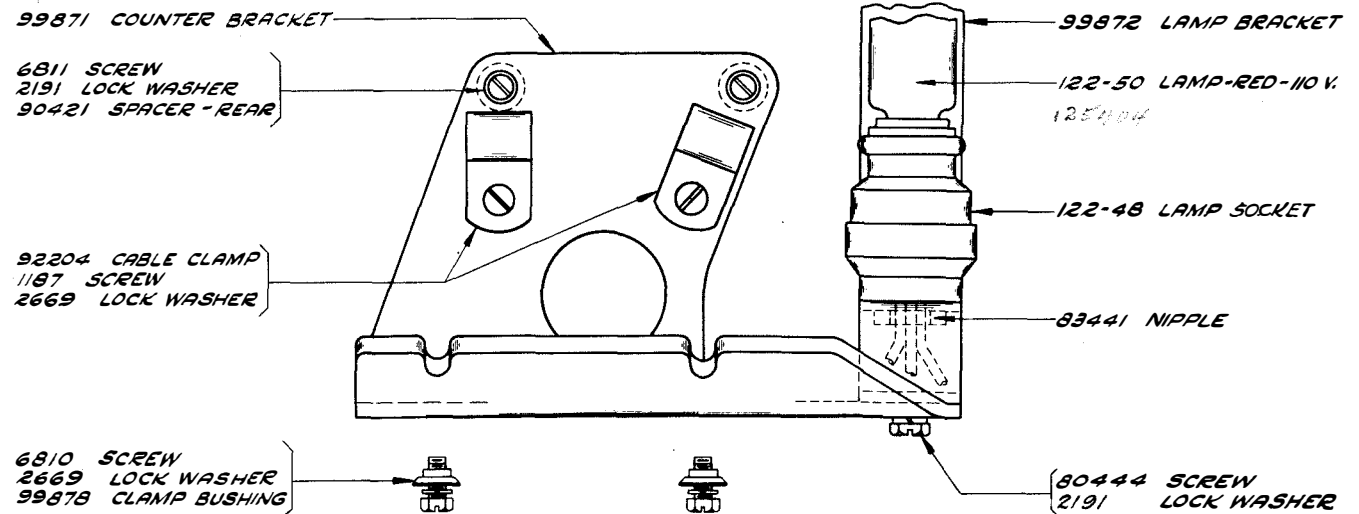
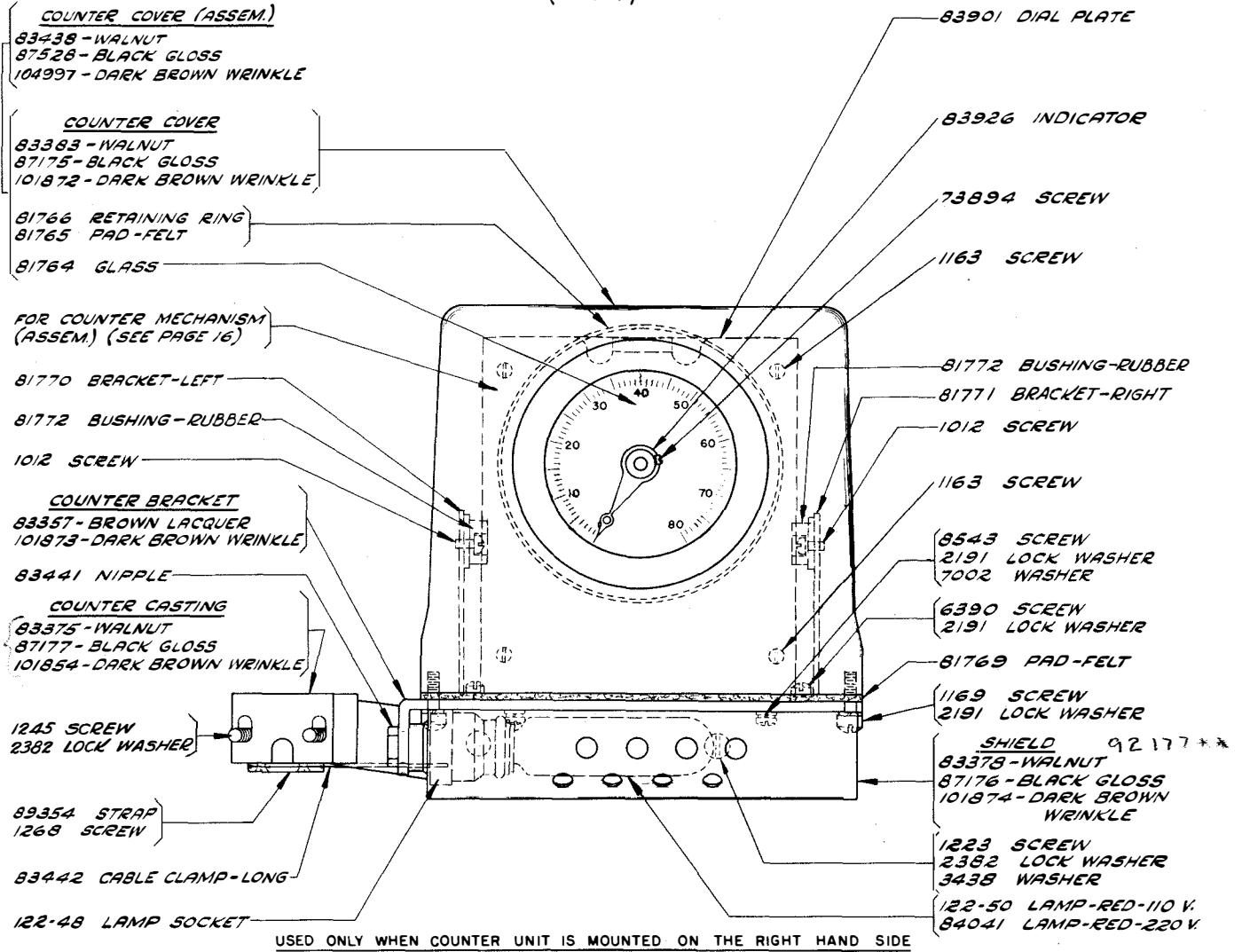


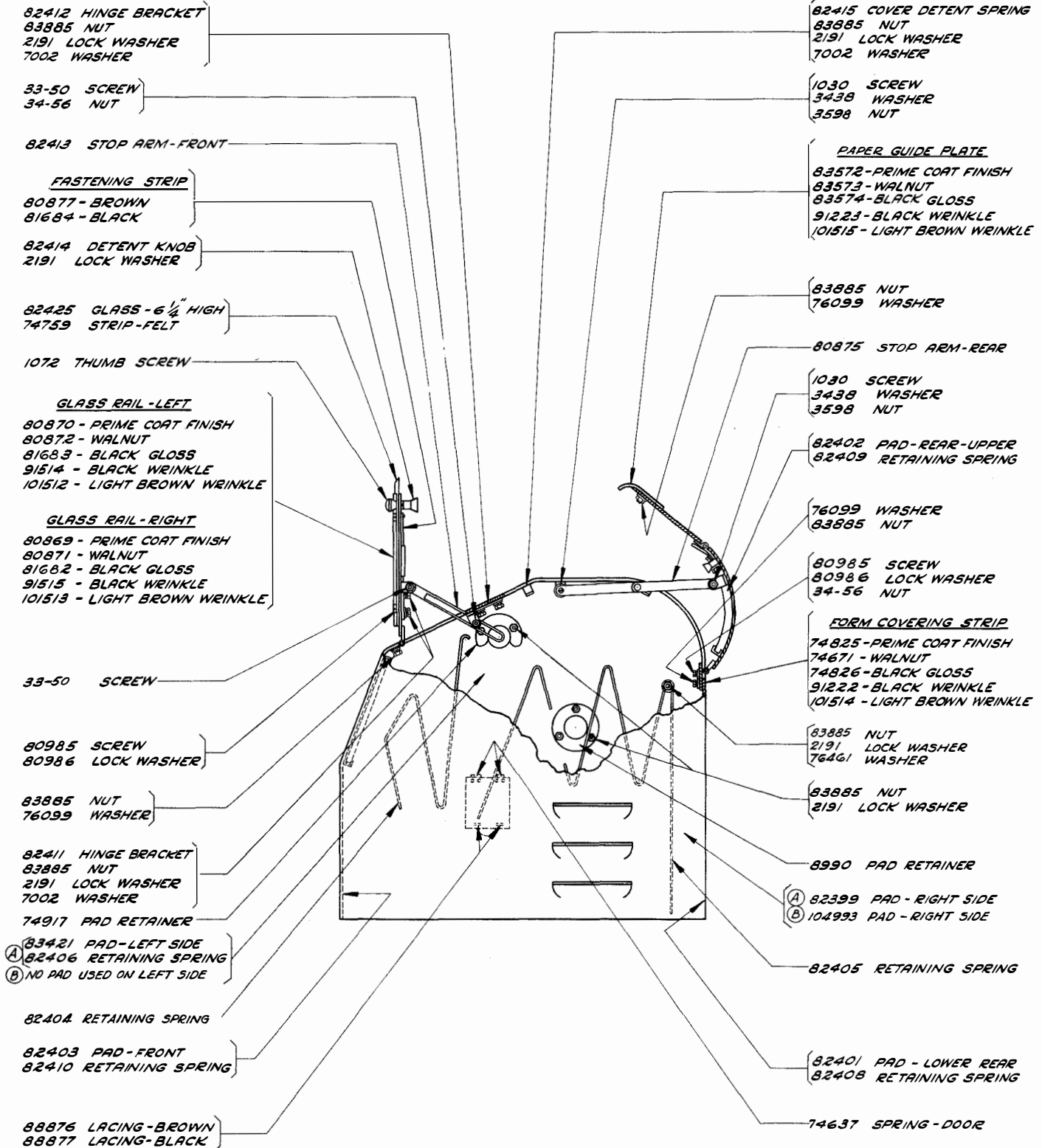
(A) SEE PAGE 29 FOR NOTES OF EXPLANATION.



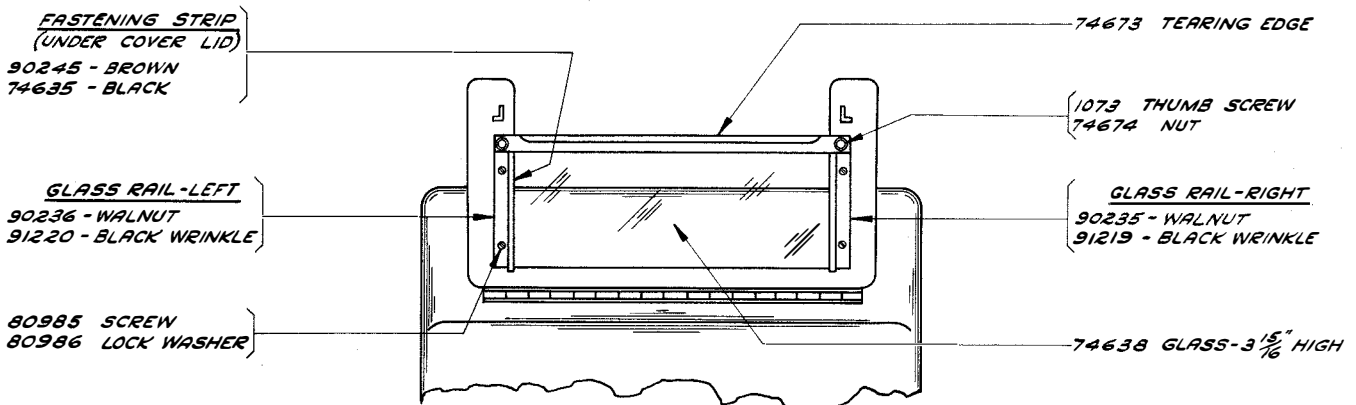
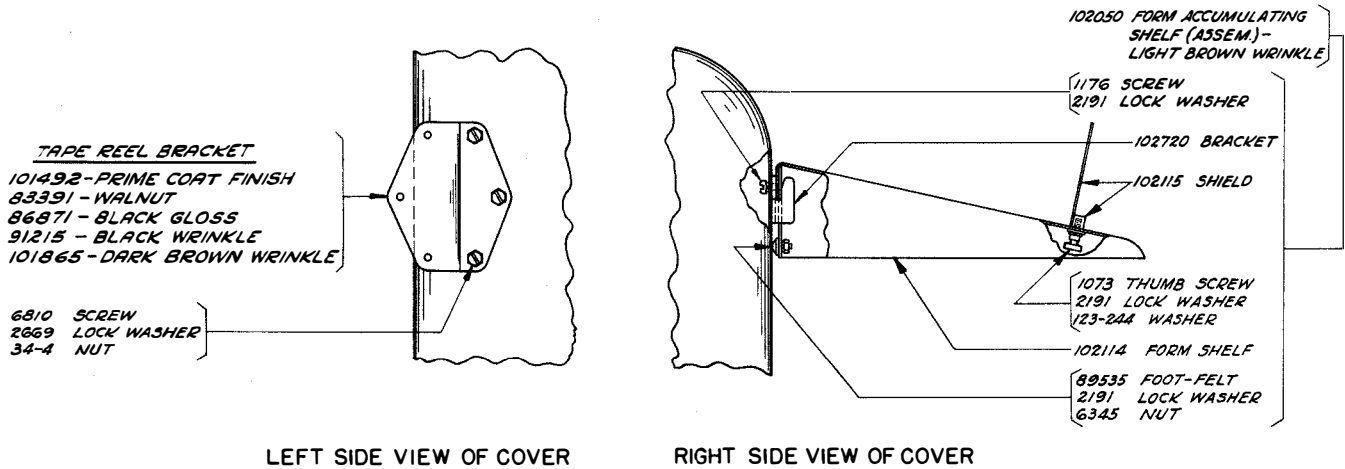
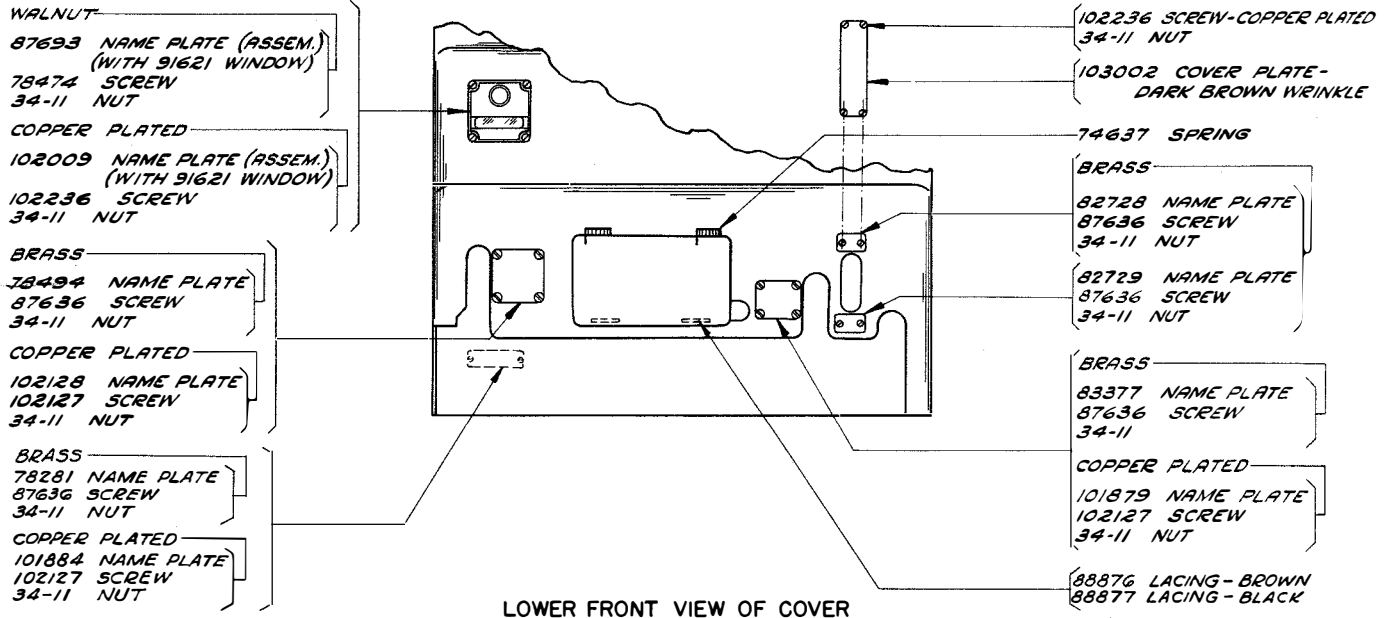
83437 COUNTER MECHANISM (ASSEM.) (EXCLUDES PARTS MARKED (A))  
(FOR LEFT OR RIGHT HAND MOUNTING)

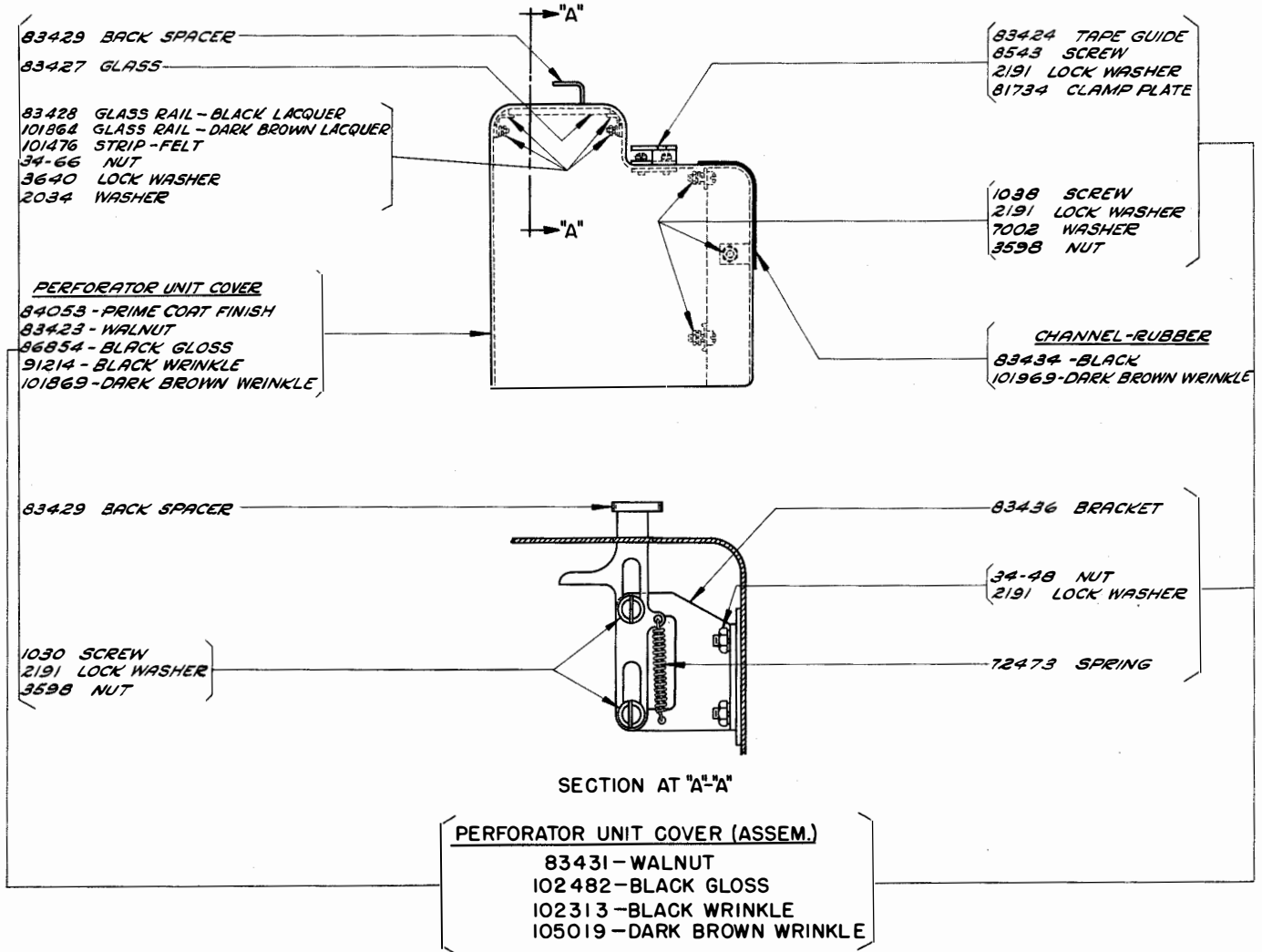
(B) PARTS ARE USED ONLY WHEN COUNTER MECHANISM (ASSEM.) IS MOUNTED ON THE LEFT HAND SIDE.



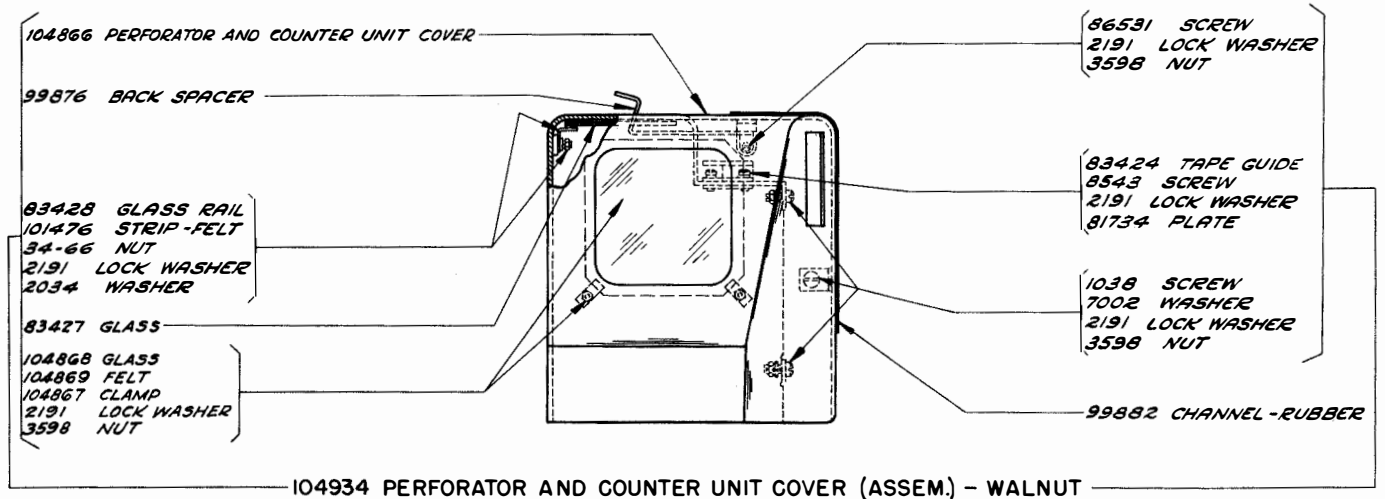


(A) USED ON COVERS EQUIPPED WITH A RIGHT HAND OFFSET COPYHOLDER.  
(B) USED ON COVERS EQUIPPED WITH A LEFT HAND OFFSET COPYHOLDER.



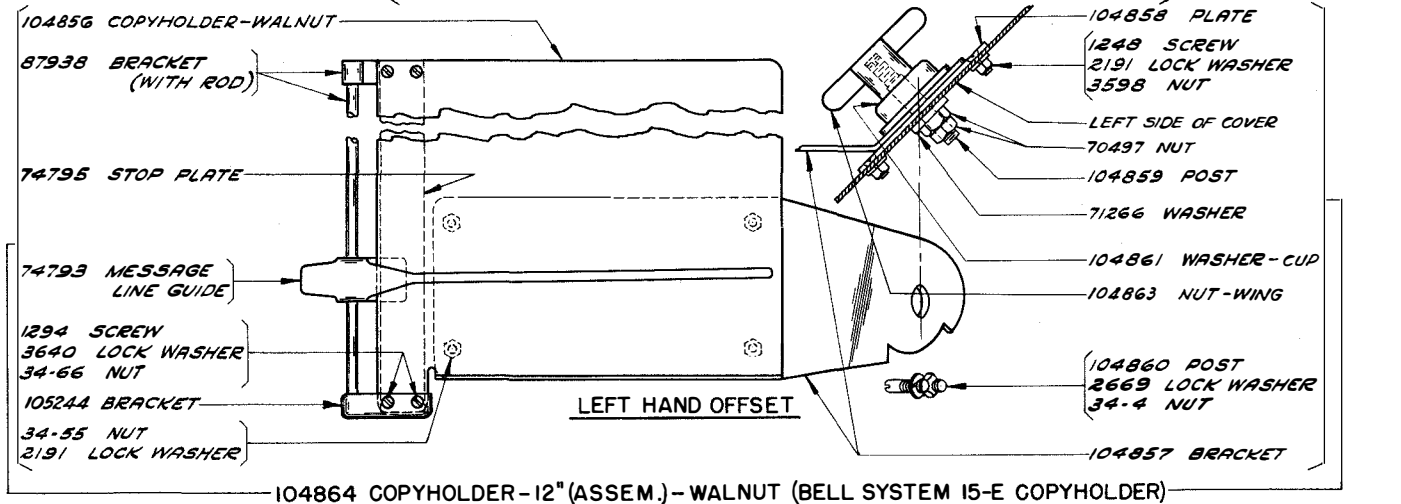
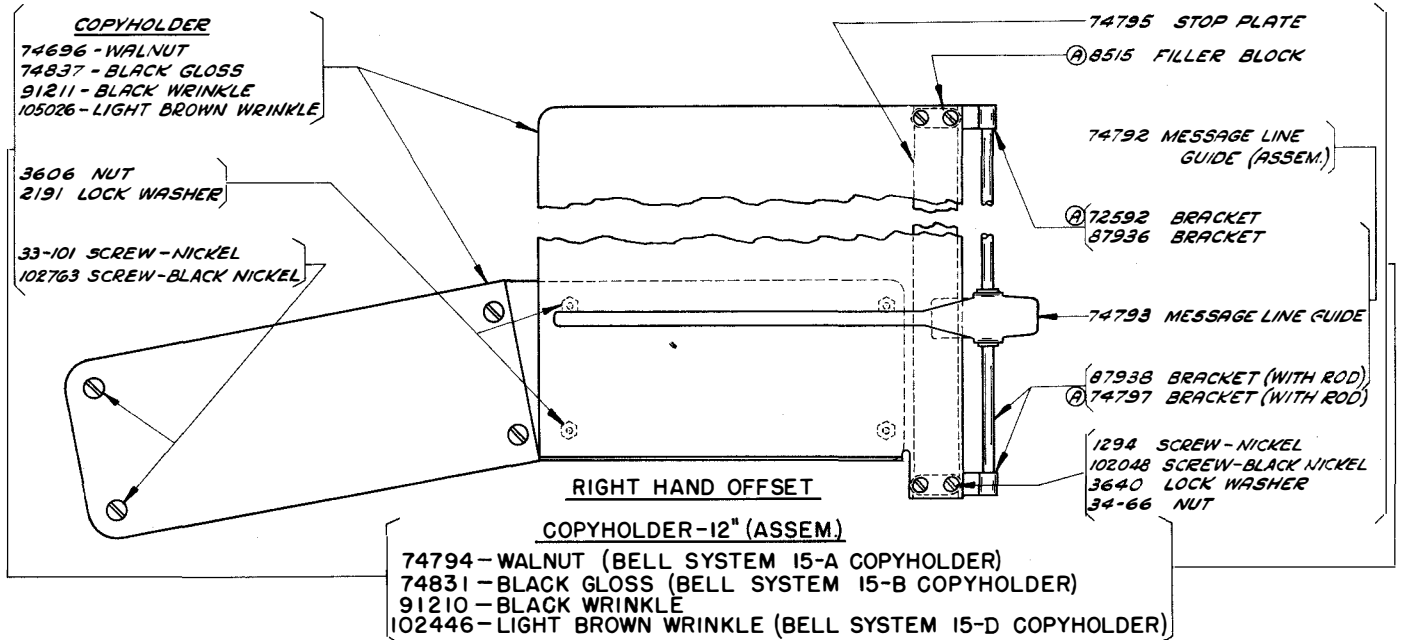
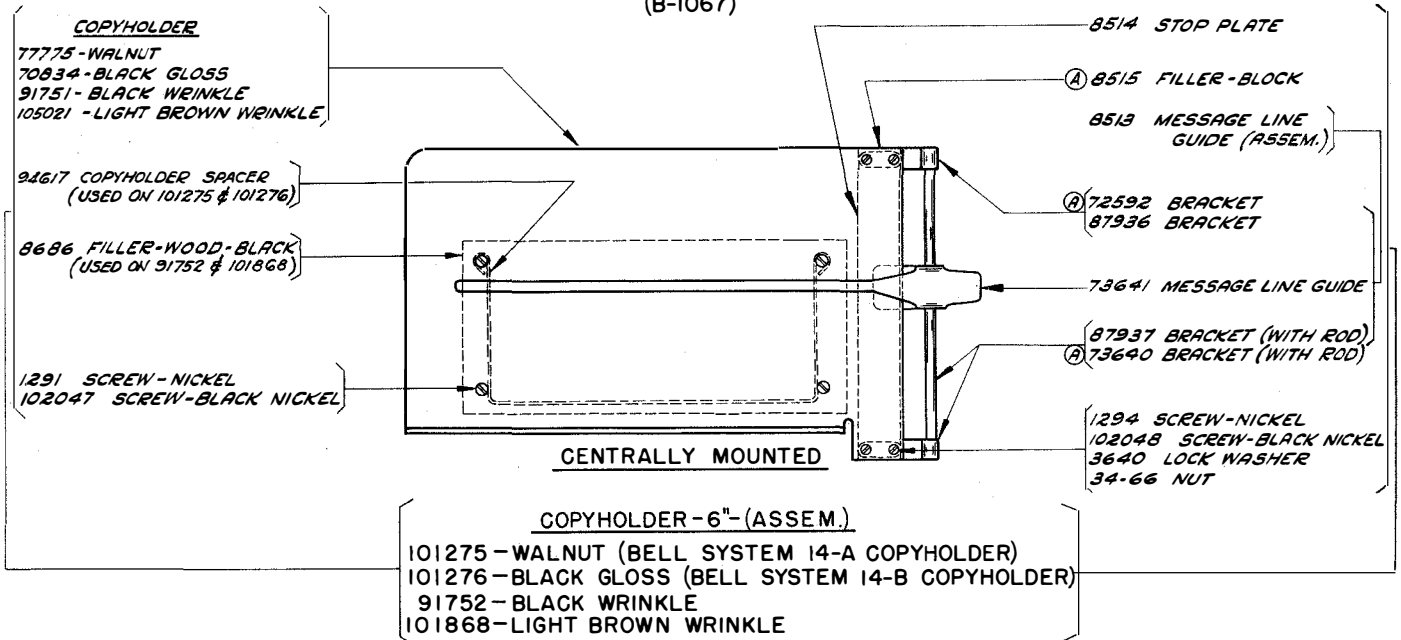


USED ONLY WHEN COUNTER UNIT IS MOUNTED ON RIGHT HAND SIDE



USED ONLY WHEN COUNTER UNIT IS MOUNTED ON LEFT HAND SIDE



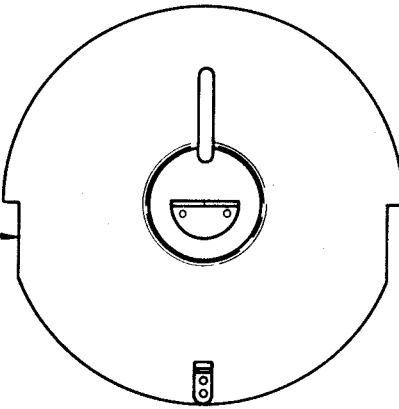


(A) SEE PAGE 29 FOR NOTES OF EXPLANATION.

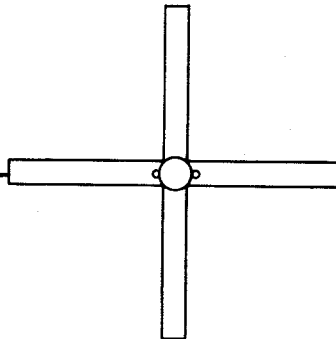
TAPE REEL COVER

- 101537 - PRIME COAT FINISH
- 83395 - WALNUT
- 86861 - BLACK GLOSS
- 91216 - BLACK WRINKLE
- 101866 - DARK BROWN WRINKLE

83394 H \* \*



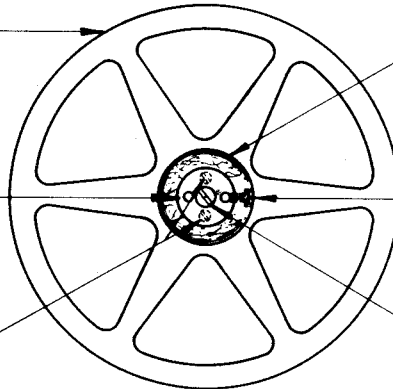
(A) 89089 TAPE RETAINER



(A) 89086 TAPE REEL

(A) 89088 FILLER - WOOD

(A) 89087 CORE



- 1179 SCREW
- 2191 LOCK WASHER
- 8330 WASHER

1207 SCREW

- 75087 SCREW
- 7037 SPACER (BETWEEN TAPE REEL & TAPE REEL CONTAINER)
- 7002 WASHER
- 2191 LOCK WASHER
- 3448 NUT

TAPE REEL CONTAINER (WITH HOOKS)

- 83392 - PRIME COAT FINISH
- 83393 - WALNUT
- 86856 - BLACK GLOSS
- 91217 - BLACK WRINKLE
- 101867 - DARK BROWN WRINKLE

- 35551 SCREW
- 2669 LOCK WASHER
- 34-4 NUT

HOOK - LEFT

- 77782 - WALNUT
- 77377 - BLACK GLOSS

77399 RIVET

- 8543 SCREW
- 2191 LOCK WASHER
- 3598 NUT

83390 TAPE TENSION SPRING

HOOK - RIGHT

- 77783 - WALNUT
- 77378 - BLACK GLOSS

77399 RIVET

- 8543 SCREW
- 2191 LOCK WASHER
- 3598 NUT

82279 CLIP

82281 GUIDE

TAPE REEL CONTAINER (ASSEM.)

- 89465 - WALNUT
- 102485 - BLACK GLOSS
- 101435 - BLACK WRINKLE
- 105020 - DARK BROWN WRINKLE

(A) SEE PAGE 29 FOR NOTES OF EXPLANATION.

### KEYTOPS

KIND OF KEYPADS	SPRING CUSHION			PNEUMATIC			CELLULOID		
	SET NUMBERS	78932	78936	82859	176	72703	82500	88651	75851
BELL SYSTEM ARRANGEMENTS	"A"	"B"	"C"	"A"	"B"	"C"	"A"	"B"	"C"
DESCRIPTION	COMPONENT PART NUMBERS			COMPONENT PART NUMBERS			COMPONENT PART NUMBERS		
A -	78946	78946	78946	3054	3054	3054	72031	72031	72031
B ?	78947			3055			72032		
B 5/8		78986	78986		72705	72705		75657	75657
C :	78948			3056			72033		
C 1/8		78984	78984		71995	71995		75655	75655
D \$	78949	78949	78949	3057	3057	3057	72034	72034	72034
E 3	78950	78950	78950	3058	3058	3058	72035	72035	72035
F !	78951			3059			72826		
F 1/4		78982	78982		71053	71053		75652	75652
G &	78952	78952	78952	3060	3060	3060	72037	72037	72037
H £	78953			3061			72038		
H #		78981			8255			75852	
H STOP			82607			82274			86630
I 8	78954	78954	78954	3062	3062	3062	72039	72039	72039
J '	78955	78955		3063	3063		72827	72827	
J ,			78993			75691			86631
K (	78956			3064			72041		
K 1/2		78988	78988		72707	72707		75653	75653
L )	78957			3065			72042		
L 3/4		78983	78983		71057	71057		75654	75654
M .	78958	78958	78958	3066	3066	3066	72824	72824	72824
N ,	78959			3067			72830		
N 7/8		78987	78987		72706	72706		75658	75658
O 9	78960	78960	78960	3068	3068	3068	72045	72045	72045
P 0	78961	78961	78961	3069	3069	3069	72046	72046	72046
Q 1	78962	78962	78962	3070	3070	3070	72047	72047	72047
R 4	78963	78963	78963	3071	3071	3071	72048	72048	72048
S BELL	78980	78980	78980	8177	8177	8177	72825	72825	72825
T 5	78964	78964	78964	3073	3073	3073	72050	72050	72050
U 7	78965	78965	78965	3074	3074	3074	72051	72051	72051
V ;	78966			3075			72052		
V 3/8		78985	78985		72704	72704		75656	75656
W 2	78967	78967	78967	3076	3076	3076	72053	72053	72053
X /	78968	78968	78968	3077	3077	3077	72054	72054	72054
Y 6	78969	78969	78969	3078	3078	3078	72055	72055	72055
Z "	78970	78970	78970	3079	3079	3079	72056	72056	72056
LTRS	78973	78973	78973	3082	3082	3082	72058	72058	72058
FIGS	78972	78972	78972	3081	3081	3081	72057	72057	72057
CAR RET	78976	78976	78976	3573	3573	3573	73151	73151	73151
LINE FEED	78978	78978	78978	3578	3578	3578	73152	73152	73152
BLANK	78971	78971	78971	3080	3080	3080	72061	72061	72061

### CABLES

PART NUMBER	DESCRIPTION	WIRING DIAGRAM NUMBER
74572	KEYBOARD (WITH LINE TEST KEY)	W.D. - 1424,1513,1627,1779,1995
83443	COUNTER (MOUNTED ON RIGHT)	W.D. - 1424,1513,1616,1627,1779,1782
83895	RESISTOR (110 VOLT OPERATION)	W.D. - 1424,1616,1627,1782,1995
84527	KEYBOARD (WITH BREAK KEY)	W.D. - 1616,1782
84554	PERFORATOR (WITH COUNTER CONTROL CONTACTS MOUNTED ON PERFORATOR UNIT)	W.D. - 1424,1513,1616
87385	RESISTOR STRAP (220 VOLT OPERATION)	W.D. - 1513,1779
87386	COUNTER RESISTOR (220 VOLT OPERATION)	W.D. - 1513,1779
91576	PERFORATOR (WITH COUNTER CONTROL CONTACTS MOUNTED ON KEYBOARD)	W.D. - 1627,1779,1782
99881	PERFORATOR AND COUNTER (MOUNTED ON LEFT)	W.D. - 1995

### SETS OF PARTS

86193 set of parts for converting Bell System keytop arrangement "C" to "A" (for use on 15-A perforator transmitter) consists of the following parts:

78947	Spring Cushion Keytop (B ?)	1
78948	Spring Cushion Keytop (C :)	1
78951	Spring Cushion Keytop (F !)	1
78953	Spring Cushion Keytop (H #)	1
78955	Spring Cushion Keytop (J ')	1
78956	Spring Cushion Keytop (K (	1
78957	Spring Cushion Keytop (L )	1
78959	Spring Cushion Keytop (N ,)	1
78966	Spring Cushion Keytop (V ;)	1
78971	Spring Cushion Keytop (Blank)	1
84168	Name Plate (15-A Perforator Transmitter)	1
91289	Name Plate (15-A Keyboard)	1

86192 set of parts for converting Bell System keytop arrangement "C" to "B" (for use on 15-B perforator transmitter) consists of the following parts:

78955	Spring Cushion Keytop (J ')	1
78971	Spring Cushion Keytop (Blank)	1
78981	Spring Cushion Keytop (H #)	1
91288	Name Plate (15-B Perforator Transmitter)	1
91290	Name Plate (15-B Keyboard)	1

92168 set of parts for converting Bell System keytop arrangement "C" to "A" (for use on 15-D perforator transmitter) consists of the following parts:

78947	Spring Cushion Keytop (B ?)	1
78948	Spring Cushion Keytop (C :)	1
78951	Spring Cushion Keytop (F !)	1
78953	Spring Cushion Keytop (H #)	1
78955	Spring Cushion Keytop (J ')	1
78956	Spring Cushion Keytop (K (	1
78957	Spring Cushion Keytop (L )	1
78959	Spring Cushion Keytop (N ,)	1
78966	Spring Cushion Keytop (V ;)	1
78971	Spring Cushion Keytop (Blank)	1
92164	Name Plate (15-D Perforator Transmitter)	1

92167 set of parts for converting Bell System keytop arrangement "C" to "E" (for use on 15-E perforator transmitter) consists of the following parts:

78955	Spring Cushion Keytop (J ')	1
78971	Spring Cushion Keytop (Blank)	1
78981	Spring Cushion Keytop (H #)	1
92165	Name Plate (15-E Perforator Transmitter)	1

104240 set of parts for converting Bell System keytop arrangement "C" to "A" (for use on 15-J perforator transmitter) consists of the following parts:

78947	Spring Cushion Keytop (B ?)	1
78948	Spring Cushion Keytop (C :)	1
78951	Spring Cushion Keytop (F !)	1
78953	Spring Cushion Keytop (H #)	1
78955	Spring Cushion Keytop (J ')	1
78956	Spring Cushion Keytop (K (	1
78957	Spring Cushion Keytop (L )	1
78959	Spring Cushion Keytop (N ,)	1
78966	Spring Cushion Keytop (V ;)	1
78971	Spring Cushion Keytop (Blank)	1
102244	Name Plate (15-J Perforator Transmitter)	1

104241 set of parts for converting Bell System keytop arrangement "C" to "B" (for use on 15-K perforator transmitter) consists of the following parts:

78955	Spring Cushion Keytop (J ')	1
78971	Spring Cushion Keytop (Blank)	1
78981	Spring Cushion Keytop (H #)	1
102245	Name Plate (15-K Perforator Transmitter)	1

104475 set of parts for converting Bell System keytop arrangement "C" to "A" (for use on 15-M perforator transmitter) consists of the following parts:

78947	Spring Cushion Keytop (B ?)	1
78948	Spring Cushion Keytop (C :)	1
78951	Spring Cushion Keytop (F !)	1
78953	Spring Cushion Keytop (H #)	1
78955	Spring Cushion Keytop (J ')	1
78956	Spring Cushion Keytop (K (	1
78957	Spring Cushion Keytop (L )	1
78959	Spring Cushion Keytop (N ,)	1
78966	Spring Cushion Keytop (V ;)	1
78971	Spring Cushion Keytop (Blank)	1
102247	Name Plate (15-M Perforator Transmitter)	1

104476 set of parts for converting Bell System keytop arrangement "C" to "B" (for use on 15-N perforator transmitter) consists of the following parts:

78955	Spring Cushion Keytop (J ')	1
78971	Spring Cushion Keytop (Blank)	1
78981	Spring Cushion Keytop (H #)	1
102248	Name Plate (15-N Perforator Transmitter)	1

92231 set of spring cushion keytops - same as 82859 set of spring cushion keytops (see page 23) except does not include 78971 "blank" keytop.

101592 set of spring cushion keytops - same as 82859 set of spring cushion keytops (see page 23) except does not include 78971 "blank" keytop and the 82507 "H stop" keytop is replaced by a 92258 "H" keytop with the "stop" designation omitted.

89069 set of parts, to hold universal bar depressed, consists of the following parts:

89073	Extension	1
80444	Screw	1
2191	Lock Washer	1
89070	Cutout Lever	1
89071	Bushing	1
7002	Washer	1
1026	Screw	1
89074	Stud-Eccentric	1
2191	Lock Washer	1
3598	Nut	1
89072	Spring	1
1163	Screw	1
3640	Lock Washer	1

91624 set of parts, to apply improved counter control mechanism, consists of the following parts:

91540	Counter Control Unit	1
74986	Screw	2
7002	Washer	2
2191	Lock Washer	2
91565	Shims	24
91571	Counter Control Contacts (Assem.)	1
7002	Washer	2
2191	Lock Washer	2
1038	Screw	2
91575	Cover	1
103-27	Washer	2
3640	Lock Washer	2
34-56	Nut	2
85376	Key Lever Spring	4
91554	Universal Bar	1
91576	Cable	1
75646	Drive Screw	4

91625 set of parts, to apply lower punch operating contacts and adjustable key pressure mechanism, consists of the following parts:

91550	Contact Operating Lever	1
91570	Punch Contact (Assem.)	1
91564	Armature	1
91543	Bracket	1
81564	Adjusting Screw	1
3598	Nut	1
2191	Lock Washer	1
91544	Spring Adjusting Lever	1
91548	Bushing	1
85976	Spacer	1
1269	Screw	1
3598	Nut	1
2191	Lock Washer	1
91545	Extension	1
8543	Screw	1
7002	Washer	1
2191	Lock Washer	1
91577	Spring	1
91547	Bracket	1
91546	Adjusting Screw	1
1169	Screw	1
3598	Nut	1
1161	Screw	2
2191	Lock Washer	2

91626 set of parts, to apply two-piece armature lever and follow-through feature, consists of the following parts:

89498	Armature Lever	1
89499	Selector Finger Guide	1
8543	Screw	4
2191	Lock Washer	4
89500	Punch - Small	1
83362	Bearing Bracket	1
91558	Selector Lever Guide	1
1159	Screw	2
103-27	Washer	2
3640	Lock Washer	2
91559	Feed Punch Selector Lever	1
84592	Shims	5
83923	Bracket	1

91627 set of parts, to apply space mechanism with centrally located spacer key lever, consists of the following parts:

88995	Post	2
7002	Washer	2
89493	Spacer Bar Loop	1
89496	Shaft	1
6746	Screw	2
2191	Lock Washer	2
91003	Repeat Space Extension	1
80402	Screw	2
3640	Lock Washer	2
78075	Screw	2
2191	Lock Washer	2
89495	Spacer Bar - Short	1
89494	Spacer Key Lever	1

Continued on next page

91627 set of parts (continued)

89330	Key Lever Spring - Spacer	1
83314	Selector Bar A-1	1
83315	Selector Bar A-2	1
83316	Selector Bar B-1	1
83317	Selector Bar B-2	1
83318	Selector Bar C-1	1
83319	Selector Bar C-2	1
83320	Selector Bar D-1	1
83321	Selector Bar D-2	1
83322	Selector Bar E-1	1
83323	Selector Bar E-2	1
83324	Selector Bar G-2	1

91631 set of parts, to apply long spacer bar to perforator transmitters equipped with space mechanism having centrally located spacer key lever, consists of the following parts:

91001	Key Lever Spring - Spacer	1
91002	Spacer Bar - Long	1

92828 set of parts, to apply adjustable feed punch selector lever and selector lever guide, consists of the following parts:

83362	Bearing Bracket	1
91559	Feed Punch Selector Lever	1
1162	Screw	1
3640	Lock Washer	1
84592	Shims	10
91558	Selector Lever Guide	1
1159	Screw	2
3640	Lock Washer	2
103-27	Washer	2
83923	Bracket	1

92996 electric impulse counter (assem.) - with accessories (walnut), consists of the following parts:

83437	Counter Mechanism (Assem.)	1
83901	Dial Plate	1
1163	Screw	4
83926	Indicator	1
73894	Screw	2
83357	Counter Bracket	1
81769	Pad - Felt	1
81770	Bracket - Left	1
81771	Bracket - Right	1
6390	Screw	4
2191	Lock Washer	4
81772	Bushing - Rubber	2
1012	Screw	2
122-48	Lamp Socket	1
83441	Nipple	1
122-50	Lamp - Red (110 Volt)	1
83378	Shield	1
8543	Screw	2
7002	Washer	2
2191	Lock Washer	2
83438	Counter Cover (assem.)	1
1169	Screw	2
2191	Lock Washer	2
83375	Counter Casting	1
1223	Screw	2
7438	Washer	2
2382	Lock Washer	2
83443	Cable	1
83442	Cable Clamp - Long	1
89354	Strap	1
1268	Screw	2
1245	Screw	2
2382	Lock Washer	2

94494 set of parts to reduce friction of the repeat space rod cutout, consists of the following parts:

94086	Spacing Rod Bracket	1
33-86	Screw	1
94087	Extension	1
94088	Spacing Rod	1

99037 set of parts to provide improved operating margins for the punch unit, consists of the following parts:

97635	Armature Lever	1
97641	Armature	1
84082	Screw	2
97632	Bracket	1
8543	Screw	2
2191	Lock Washer	2
97639	Spring Post	1
73946	Thumb Nut	1
3598	Nut	1
74700	Spring	1
97633	Feed Pawl Lever	1
1215	Screw	1
3598	Nut	1
2191	Lock Washer	1
97634	Feed Pawl	1
97637	Eccentric	1
86774	Screw	1
97631	Adjusting Bracket	1
7001	Washer	1
1206	Screw	1
3640	Lock Washer	1
3599	Nut	1
1179	Screw	1
97638	Guide	1
8543	Screw	2
7002	Washer	2
2191	Lock Washer	2
97636	Tape Stripper Plate	1
97643	Backspace Lever	1
97640	Spring Post	1
45104	Spring	1
97642	Leather Bumper	1
1028	Screw	1
90951	Lock Washer	1
99987	Retaining Bracket	1
1159	Screw	2
3640	Lock Washer	2
103-27	Washer	2
85936	Post	1
8543	Screw	1
2191	Lock Washer	1
7002	Washer	1
103531	Insulator	1
103511	Screw	1
70314	Washer	2
78469	Foot-Rubber	1
1169	Screw	1

102896 set of parts to equip a perforator transmitter with positive action perforating feature, consists of the following parts:

102883	Punch Contact and Latch (Assem.)	1
102890	Armature	1
102892	Screw - Adjusting	2
3606	Nut	2
2191	Lock Washer	2
102893	Spring Plate	1
7614	Spring	1
102894	Spring Plate	1
35-70	Spring	1
102895	Operating Lever	1
2623	Spring	1
99988	Link Extension (Assem.)	1
99989	Link Extension (Assem.)	1
33-350	Screw	2
55005-C	Washer	2
90951	Lock Washer	2
102244	Name Plate (15-J Perforator Transmitter)	1
102245	Name Plate (15-K Perforator Transmitter)	1
102246	Name Plate (15-L Perforator Transmitter)	1



NOTES OF EXPLANATION

Page 1

- (C) The 2565 key lever spring is used on all key levers (except spacer key lever) when the unit is equipped with parts marked (A) on pages 4 and 5.
- The 85376 key lever spring is used on the four key levers indicated by an "X" and all other key levers (except spacer key lever) use the 2565 key lever spring when the unit is equipped with parts marked (B) on page 5.
- (D) The 92534 line test key (W.E. Co. 92AU) differs from the 75437 line test key (W.E. Co. 92D) in that it is provided with a plunger or button which normally holds the contacts locked in the "operating" or "line" position. This plunger is intended to be released only by maintenance men for test purposes.

Page 3

- (A) The 89354 strap (with countersunk mounting holes) and the 1268 flat head screws, have replaced the 7623 strap, 1026 fillister head screws, and 2191 lock washers.

Pages 4 and 5

- (A) Parts marked (A) are used only on units having the 81727 counter control contacts (assem.), shown on page 9, mounted on the perforator unit.

Page 5

- (B) Parts marked (B) are used only on units having the 91571 counter control contacts (assem.), shown on page 7, mounted on the keyboard.

Page 6

- (C) In order to improve the keyboard touch, it is necessary that the clearance between the lockout lever and the lock loop be made adjustable. To accomplish this, the following changes have been made:

A slot has been provided in place of the hole in the 7377 lock loop, which retains the same number. The 7378 lock loop roller has been replaced by a 92511 roller, having a larger diameter in order to clear the head of the 6800 shoulder screw.

A 7002 washer, and a 2191 lock washer have been added under the 3598 nut which mounts the 6800 shoulder screw to the 7377 lock loop.

Note: The new style 92511 roller should not be used with the old style 7377 lock loop.

Page 15

- (A) The 89504 punch block (assem.) - straight feed, has replaced the 81792 punch block (assem.) - straight feed, and differs only in that the 89500 feed punch - small, for 89504, is .010" shorter than the 77983 feed punch - small, for 81792. The 89504 punch block (assem.) - straight feed, has a "X" stamped after the serial number for identification.

The 89504 punch block (assem.) - straight feed, is to be used with all armature assemblies that include the 89499 selector finger guide (see page 11 and 13).

The 81792 punch block (assem.) - straight feed, is to be used with the 81591 armature lever (see page 9).

Page 21

- (A) Parts marked (A) are old style parts, furnished for maintenance only. When 8513 or 74792 message line guide (assem.) is ordered, only the new style parts will be furnished.

Page 22

- (A) The 89086 tape reel, 89087 core (3/4" diameter), 89088 filler-wood and 89089 tape retainer have replaced the 75085 tape reel, 75086 core (1" diameter), 83387 filler-wood, and 83420 tape retainer respectively.

Note: The new style tape reel, core, filler-wood, and tape retainer must be used together as they are not individually interchangeable with the old style parts.

Page 23

- (A) When replacing a celluloid keytop, it is necessary to remove the 55080 bezel (see page 1), which in many cases becomes damaged. It is, therefore, recommended that for each celluloid keytop ordered, a 55080 bezel should also be ordered.

NUMERICAL INDEX

M-191	Magnet - 19 Ohms (For 110 V.), 10	1269	Screw (6-40 x 1/2), 10, 11,12,13,16,26	4881	Stiffener, 6
M-194	Magnet - 500 Ohms, 16	1291	Screw (6-32 x 3/4), 21	5475	Nut (3/16-40 Hex.), 16
M-200	Magnet - 76 Ohms (For 220 V.), 10	1294	Screw (4-36 x 1/2), 21	5740	Screw (2-56 x 1/4), 9,15
33-15	Screw (2-56 x 1/8), 4	1297	Screw (6-40 x 2-7/16), 5,15	6345	Nut (6-32 Hex.), 19
33-50	Screw (4-40 Shoulder), 18	2034	Washer, 6,15,20	6390	Screw (6-40 x 3/16), 17,27
33-82	Screw (10-32 x 1/2), 2	2191	Lock Washer, 1 to 22, 27,28,29	6746	Screw (6-40 x 5/16), 1,2, 6,7,8,9,26
33-86	Screw (4-40 x 1/8), 8,27	2199	Nut (7/16-32 Hex.), 6	6800	Screw (6-40 Shoulder), 6,29
33-101	Screw (6-32 x 3/8), 21	2322	Lock Washer, 15	6805	Screw (6-40 Shoulder), 6
33-110	Screw (4-40 x 3/16), 11,13,15	2378	Spacer Key Lever, 2	6807	Screw (6-40 x 3/16 Set), 2,10,12
33-198	Screw (6-40 x 1/4), 4	2382	Lock Washer, 3,10,12, 17,27	6810	Screw (10-32 x 3/8), 17,19
33-213	Screw (3-56 Pilot), 16	2407	Lock Washer, 6	6811	Screw (6-40 x 5/8), 6,9, 10,12,17
33-344	Screw (10-32 x 3/4), 3,11,13	2410	Tape Guide Spring, 11,13	6814	Screw (6-40 Pilot), 5,6
33-350	Screw (4-40 x 3/16), 12,28	2422	Lock Washer, 9,11,13	6942	Screw (4-40 x 9/32 Eccentric), 6
34-4	Nut (10-32 Hex.), 7,19,21,22	2438	Washer, 10,12	7001	Washer, 13,28
34-11	Nut (2-56 Hex.), 19	2502	Mounting Strip, 6	7002	Washer, 1,3 to 14,17,18, 20,22,25 to 29
34-48	Nut (6-32 Hex.), 1,20,22	2503	Cover Plate, 6	7032	Pawl, 6
34-56	Nut (4-40 Hex.), 6,7,16, 18,26	2504	Insulator, 6	7037	Spacer, 22
3-65	Nut (4-36 Hex.), 20,21	2526	Collar, 6	7318	Contact Lever, 6
35-70	Spring, 9,14,28	2529	Bushing - Bakelite, 6	7334	Post, 1
35-89	Spring, 6	2565	Key Lever Spring, 11,29	7339	Cam Sleeve (For 7 Unit Code), 6
35-116	Spring, 15	2623	Spring, 6,10,12,28	7372	Bearing, 6
103-27	Washer, 2,7,10 to 13,16, 26,27,28	2663	Lock Washer, 1,2,3,7,10, 11,12,13,17,19,21,22	7373	Bushing, 6
122-48	Lamp Socket, 17,27	2669	Spring, 9	7377	Lock Loop, 6,29
122-50	Lamp - Red - 110 V., 17,27	2836	Nut (3/16-24 Square), 3	7378	Lock Loop Roller, 29
122-67	Spring Post, 10,11	2922		7381	Contact Mounting (Assem.), 6
122-80	Shedder Guide, 15			7382	Bracket - Front, 6
122-84	Dowel, 15	3054		7383	Oiler, 6
122-86	Dowel, 15	3055		7385	Bracket - Rear, 6
122-359	Feed Roll - Advanced Feed, 11,13	3056		7386	Post, 6
122-365	Code Punch - Large, 15	3057		7387	Brace, 6
122-577	Feed Roll - Straight Feed, 11,13	3058		7389	Clutch - Driving, 6
122-697	Eccentric, 10,12	3059		7391	Clutch - Driven, 6
123-244	Washer, 19	3060		7409	Clutch Lever, 6
700-80	Screw (0-80 x 1/8), 16	3061		7482	Key Lever, 1
1012	Screw (6-40 Shoulder), 17,27	3062		7614	Spring, 14,28
1026	Screw (6-40 x 3/8), 6,9,11, 13,14,17,25,29	3063		7618	Spring, 16
1028	Screw (4-40 x 1/4), 10,11, 12,15,28	3064		7623	Strap, 29
1030	Screw (6-40 Shoulder), 18,20	3065		7965	Spring, 10,11,12,13
1038	Screw (6-40 x 9/32), 1,3,7, 20,26	3066		8097	Cam Sleeve (For 7-1/2 Unit Code), 6
1046	Screw (6-40 Shoulder), 16	3067		8176	Set of Pneumatic Keypops (Bell System Arrange- ment "A"), 23
1050	Screw (4-40 x 1/2), 14	3068		8177	Pneumatic Keypop (S BELL), 23
1051	Screw (4-40 x 1/2), 16	3069		8255	Pneumatic Keypop (H #), 23
1072	Screw (6-40 Thumb), 18	3070		8330	Washer, 1,10,12,16,22
1073	Screw (6-40 Thumb), 19	3071		8449	Collar, 2
1159	Screw (4-40 x 3/8), 10,12, 13,26,27,28	3072		8513	Message Line Guide (Assem.), 21,29
1160	Screw (6-40 x 5/16), 10,12, 14,16	3073		8515	Filler Block, 21
1161	Screw (6-40 x 1/4), 10,11, 12,13,16,26	3074		8539	Screw (6-40 x 1/2), 3,4,6,7,8,11,13,15
1162	Screw (4-40 x 1/4), 8,9,10, 12,16,27	3075		8543	Screw (6-40 x 1/2), 1,4, 10,11,12,13,14,17,20, 22,26,27,28
1163	Screw (4-40 x 3/16), 1,6,7, 16,17,25,27	3076		8686	Filler - Wood - Black, 21
1164	Screw (2-56 x 3/16), 11,13	3077		8896	Shim, 6
1168	Screw (4-40 x 5/16), 15,16	3078		8990	Pad Retainer, 18
1169	Screw (6-40 x 7/16), 1, 9 to 14,17,26,27,28	3595		9177	Contact Stop, 6
1174	Screw (4-40 Shoulder), 8	3598		9178	Contact Spring, 6
1176	Screw (6-40 x 3/16), 8,19			9182	Shaft, 6
1179	Screw (6-40 x 5/8), 13,22,28	3599		9209	Key Lever, 1
1187	Screw (10-32 x 1/4), 1,2,3, 10,11,13,17	3604		9210	Key Lever, 1
1196	Screw (6-40 Shoulder), 10,12			22228	Spring Post, 10,11
1206	Screw (4-40 x 9/16), 10,13, 14,28	3606		35551	Screw (10-32 x 3/8), 22
1207	Screw (4-36 x 5/16 Flat Head), 22	3640		36273	Washer, 1
1215	Screw (6-40 Shoulder), 12,28	3646		41663	Washer, 6,7,8
1223	Screw (10-32 x 1/2), 17,27	3650		41720	Contact Spring, 7
1245	Screw (10-32 x 1), 3,17,27	3778		41732	Clamp Plate, 7,9,11,13, 14,16
1248	Screw (6-40 x 1/2), 3,5,21	4810		41733	Insulator, 7,9,11,13,14,16
1268	Screw (138-40 x 5/16), 3,17,29			45104	Spring, 12,28
				46042	Spacer, 16

Pneumatic Keypops

(A -), 23
(B ?), 23
(C :), 23
(D \$), 23
(E 3), 23
(F !), 23
(G &), 23
(H &), 23
(I 8), 23
(J '), 23
(K ()), 23
(L ), 23
(M .), 23
(N ), 23
(O 9), 23
(P 0), 23
(Q 1), 23
(R 4), 23
(T 5), 23
(U 7), 23
(V ;), 23
(W 2), 23
(X /), 23
(Y 6), 23
(Z "), 23
(Blank), 23
(Figs.), 23
(Ltrs.), 23
Washer, 5,7,10,12, 15,17,18,27
Pneumatic Keypop (CAR RET), 23
Pneumatic Keypop (LINE FEED), 23
Nut (1/4-32 Hex.), 15
Nut (6-40 Hex.), 1,3,6, 10,11,12,13,18,20,21, 22,25 to 29
Nut (4-40 Hex.), 2,6,9, 10,11,12,13,14,16,28
Nut (5/32-40 Hex.), 10,12
Nut (6-40 Hex.), 1,2,14, 21,28
Lock Washer, 1,2,6 to 15, 20,21, 25 to 28
Lock Washer, 5, 15
Washer - Brass, 11
Resistor - 20 Ohms (W.E. Co. 18 S), 2
Oil Wick - Felt, 6

NUMERICAL INDEX

55005-C	Washer, 12,28	74569	Terminal Block, 1	76088	Washer, 18
55080	Bezel, 1,29	74572	Cable - Keyboard (With	76099	Washer, 10,12
70314	Washer, 3,14,16,28		Line Test Key), 24	76117	Terminal Block
70319	Upstop - Leather, 3	74589	Terminal Block (Assem.),1		(Assem.), 11
70324	Bearing, 1	74592	Screw (10-32 x 4-11/32	76246	Bushing - Bakelite, 9
70497	Nut (5/16-32 Hex.), 21		Headless), 7,9	76382	Contact Spring, 7
70529	Stiffener, 16	74594	Retaining Ring, 1	76461	Washer, 18
70834	Copyholder (Black Gloss),21	74595	Gear - 24 T (For 7-1/2	76790	Bushing - Bakelite,16
71053	Pneumatic Keytop (F 1/4),23		Unit Code), 6	76800	Spring, 9
71057	Pneumatic Keytop (L 3/4),23	74613	Screw (4-40 x 1/4), 6,10,	77040	Contact Spring,16
71073	Washer, 9		12,16	77362	Resistor - 350 Ohms
71161	Bushing, 6	74635	Fastening Strip (Under		(Bell System), 7
71266	Washer, 21		Cover Lid) (Black), 19	77377	Hook - Left (Black
71995	Pneumatic Keytop (C 1/8),23	74637	Spring - Door, 18,19		Gloss), 22
		74638	Glass - 3-15/16" High, 19	77378	Hook - Right (Black
		74671	Form Covering Strip		Gloss), 22
	<u>Celluloid Keytops</u>		(Walnut), 18	77399	Rivet, 22
72031	(A -), 23	74673	Tearing Edge, 19	77698	Bolt, 3
72032	(B ?), 23	74674	Nut (6-40 Special), 19	77775	Copyholder (Walnut),21
72033	(C :), 23	74691	Resistor - 1600 Ohms	77782	Hook - Left
72034	(D \$), 23		(800-800), 5		(Walnut), 22
72035	(E 3), 23	74692	Spring Post, 10,12	77783	Hook - Right
72037	(G &), 23	74696	Copyholder (Walnut), 21		(Walnut), 22
72038	(H £), 23	74700	Spring, 12,28	77876	Post, 1
72039	(I 8), 23	74716	Bushing - Bakelite, 7	77983	Feed Punch - Small,
72041	(K ( ), 23	74728	Terminal, 16		15,29
72042	(L ), 23	74751	Trip-off Pawl, 1	77984	Guide Plate -
72045	(O 9), 23	74759	Strip - Felt, 18		Straight Feed, 15
72046	(P 0), 23	74762	Key Lever, 1	77986	Wearing Strip -
72047	(Q 1), 23	74792	Message Line Guide		Straight Feed, 15
72048	(R 4), 23		(Assem.), 21,29	78011	Condenser - 1 M.F., 3
72050	(T 5), 23	74793	Message Line Guide, 21	78075	Screw (6-40 Shoulder),
72051	(U 7), 23	74794	Copyholder - 12" - (Assem.)		1,26
72052	(V ), 23		(Walnut) (Bell System	78281	Name Plate (Brass),19
72053	(W 2), 23	74795	15-A Copyholder), 21	78469	Foot - Rubber,
72054	(X /), 23	74797	Stop Plate, 21		14,16,28
72055	(Y 6), 23	74798	Bracket (With Rod), 21	78474	Screw (2-56 x 1/4),19
72056	(Z #), 23	74805	Screw (6-40 x 31/64), 9	78494	Name Plate (Brass),19
72057	(Figs.), 23	74808	Screw (10-32 x 3/4), 3,11,13	78550	"Y" Lever Guide, 4
72058	(Ltrs.), 23	74825	Bushing, 6	78551	Shaft, 4
72061	(Blank), 23		Form Covering Strip (Prime	78552	Retainer, 4
72472	Shim, 1	74826	Coat Finish), 18	78553	Selector Bar Guide,4
72473	Spring, 20		Form Covering Strip (Black	78596	Washer - Spring, 6
72501	Shaft, 1	74831	Gloss), 18	78713	Frame (Assem.) - With
72592	Bracket, 21		Copyholder - 12" (Assem.)		Bearings and Spring
72635	Shim, 16	74837	(Black Gloss) (Bell System	78720	Posts, 16
72643	Screw (6-40 x .375	74891	15-B Copyholder), 21	78723	Ratchet, 16
	Shoulder), 2	74892	Copyholder (Black Gloss),21	78724	Eccentric, 16
72703	Set of Pneumatic Keytops	74917	Shim, 1,6	78725	Feed Pawl, 16
	(Bell System Arrangement	74964	Shim, 1	78726	Latch Pawl, 16
	"B"), 23	74965	Pad Retainer, 18	78727	Release Latch, 16
			Contact Spring, 16	78728	Latch Bracket, 16
72704	<u>Pneumatic Keytops</u>	74986	Bushing - Bakelite, 9,11,	78729	Bracket, 16
72705	(V 3/8), 23		13,14	78732	Armature, 16
72706	(B 5/8), 23	75085	Screw (6-40 x 13/32), 1,3,	78733	Feed Pawl Bracket, 16
72707	(N 7/8), 23	75086	5,26	78734	Release Lever, 16
	(K 1/2), 23	75087	Tape Reel, 29	78735	Contact Cam, 16
		75120	Core (1" Diameter), 29	78736	Contact Lever, 16
72824	<u>Celluloid Keytops</u>		Screw (6-32 Shoulder), 22	78740	Bracket, 16
72825	(S Bell), 23	75121	Wearing Strip - Advance	78741	Spring, 16
72826	(F !), 23	75437	Feed, 15	78742	Spring, 16
72827	(J !), 23		Shedder, 15	78743	Clamp, 16
72830	(N ), 23	75477	Line Test Key (W.E. Co.	78744	Dashpot Cylinder, 16
72983	Key Lever, 1		92 D), 1,29	78745	Piston, 16
72984	Key Lever, 1	75606	Resistor - 350 Ohms (W.E.	78746	Cap, 16
73151	Celluloid Keytop (CAR	75607	Co. 18 AN) (Bell System),2		Screw (3/16-40 x
	RET), 23	75646	Spring, 6	78747	3/8 Special), 16
73152	Celluloid Keytop (LINE		Washer, 6	78748	Plug, 16
	FEED), 23	75652	Drive Screw, 26	78755	Spring, 16
73481	Tape Tension Lever, 11,13	75653		78758	Insulator, 16
73482	Stud, 11,13	75654	<u>Celluloid Keytops</u>	78932	Contact (Assem.), 16
73641	Message Line Guide, 21	75655	(F 1/4), 23		Set of Spring Cushion
73894	Screw (6-40 x 1/8 Set),	75656	(K 1/2), 23	78936	Keytops (Bell System
	16,17,27	75657	(L 3/4), 23		Arrangement "A"), 23
73946	Nut (6-40 Thumb), 12,28	75658	(C 1/8), 23		Set of Spring Cushion
74001	Shaft, 6	75691	(V 3/8), 23		Keytops (Bell System
74014	Screw (10-32 x 3/4), 10,12	75750	(B 5/8), 23		Arrangement "B"), 23
74059	Screw (6-40 x 7/32), 8	75851	(N 7/8), 23		
74064	Gear - 26 T (For 7 Unit		Pneumatic Keytop (J ,), 23	78946	<u>Spring Cushion Keytops</u>
	Code), 6		Washer - Bakelite, 5	78947	(A -), 23
74523	Spacer Bar - Long (Black	75852	Set of Celluloid Keytops	78948	(B ?), 23,24,25
	Bakelite), 2		(Bell System Arrangement	78949	(C :), 23,24,25
74525	Screw (1/4-32 Thumb), 1		"B"), 23	78950	(D \$), 23
74529	Bracket, 1		Celluloid Keytop (H #), 23		(E 3), 23

NUMERICAL INDEX

78951	Spring Cushion Keytops	81717	Contact Bracket, 9	83307	Connecting Link
78952	(F 1), 23,24,25	81721	Contact Spring, 7	83308	"A" 4
78953	(G 2), 23	81724	Contact Spring, 9	83309	"B" 4
78954	(H 3), 23,24,25	81726	Terminal, 7,9,11,13,14	83310	"C" 4
78955	(I 4), 23	81727	Counter Control Contacts	83311	"D" 4
78956	(J 1), 23,24,25	81734	(Assem.), 9,29	83312	"E" 4
78957	(K 2), 23,24,25	81749	Clamp Plate, 20		"G" 4
78958	(L 3), 23,24,25	81755	Cable Clamp, 1		
78959	(M 4), 23	81764	Resistor - 200 Ohms, 3	83314	Selector Bars
78960	(N 1), 23,24,25	81765	Counter Cover Glass, 17	83315	(A-1), 4,27
78961	(O 2), 23	81766	Counter Cover Pad -	83316	(A-2), 4,27
78962	(P 3), 23	81769	Felt, 17	83317	(B-1), 4,27
78963	(Q 4), 23	81770	Counter Cover Retaining	83318	(B-2), 4,27
78964	(R 5), 23	81771	Ring, 17	83319	(C-1), 4,27
78965	(T 6), 23	81772	Pad - Felt, 17,27	83320	(C-2), 4,27
78966	(U 7), 23	81773	Bracket - Left, 17,27	83321	(D-1), 4,27
78967	(V 1), 23,24,25	81774	Bracket - Right, 17,27	83322	(D-2), 4,27
78968	(W 2), 23	81792	Bushing - Rubber, 17,27	83323	(E-1), 4,27
78969	(X 3), 23	81793	Screw (4-40 x 29/32), 7	83324	(E-2), 4,27
78970	(Y 4), 23	81797	Punch Block (Assem.) -	83325	(G-2), 4,27
78971	(Z 5), 23	81825	Straight Feed, 15,29	83326	(H-1), 4
78972	(Blank), 23,24,25	81836	Guide and Die Plates	83330	(H-2), 4
78973	(Figs.), 23	82274	(Fitted Together)	83332	Universal Bar, 5
78974	(Ltrs.), 23	82279	Straight Feed, 15	83333	Bracket - Left, 5
78975	(Car Ret), 23	82281	Guide and Die Plates	83334	Bracket - Right, 5
78976	(Line Feed), 23	82292	(Fitted Together)	83335	Key Lever, 1
78977	(S Bell), 23	82299	Advanced Feed, 15	83336	Key Lever, 1
78978	(H #), 23,24,25	82301	Condenser - 1/100 MF	83337	Key Lever, 1
78979	(F 1/4), 23	82302	(W.E. Co. 152-C), 8	83338	Shaft, 3
78980	(L 3/4), 23	82401	Washer - Bakelite, 7	83341	Spacer Bar Loop, 1
78981	(C 1/8), 23	82402	Pneumatic Keytop (H	83342	Slide Bar, 5
78982	(V 3/8), 23	82403	STOP), 23	83343	Spacing Rod, 6
78983	(B 5/8), 23	82404	Clip, 22	83344	Bracket, 1
78984	(M 7/8), 23	82405	Guide, 22	83345	Operating Lever, 6
78985	(K 1/2), 23	82406	Shim, 11,13	83346	Extension, 6
78986	(J 1), 23	82407	Pad - Right Side, 18	83347	Detent Bracket, 6
80334	Terminal, 7	82408	Pad - Lower - Rear, 18	83348	Plate, 7
80392	Spacer Key Lever Spring, 1	82409	Pad - Rear - Upper, 18	83352	Retaining Plate -
80402	Screw (4-40 x 15/32), 1,26	82410	Pad - Front, 18	83353	Walnut, 1
80444	Screw (6-40 x 1/4), 6,17,25	82411	Retaining Spring, 18	83354	Condenser
80471	Spring, 6	82412	Retaining Spring, 18	83355	Cover, 3
80508	Screw (4-40 x 7/8), 9	82413	Retaining Spring, 18	83356	Spacing Rod Bracket, 6
80869	Glass Rail - Right (Prime	82414	Retaining Spring, 18	83357	Washer - Fibre, 3
	Coat Finish), 18	82415	Retaining Spring, 18	83361	Bracket, 3
80870	Glass Rail - Left (Prime	82425	Hinge Bracket, 18	83362	Counter Bracket -
	Coat Finish), 18	82440	Hinge Bracket, 18	83363	Brown Lacquer, 17,27
80871	Glass Rail - Right	82444	Stop Arm - Front, 18	83364	Link Extension, 10,12
	(Walnut), 18	82500	Detent Knob, 18	83365	Bearing Bracket, 10,
80872	Glass Rail - Left	82547	Cover Detent Spring, 18		12,25,27
	(Walnut), 18	82559	Glass - 6-1/4" High, 18	83366	Selector Lever #1,
80875	Stop Arm - Rear, 18	82607	Screw (6-40 x 7/16), 1	83367	10,12
80877	Fastening Strip - Brown, 18	82626	Bushing - Bakelite, 7	83369	Selector Lever #2,& #5,
80985	Screw (4-40 x 1/4), 18,19	82702	Set of Pneumatic Keytops	83370	10,12
80986	Lock Washer, 18,19	82713	(Bell System Arrangement	83372	Selector Lever #3,& #4,
81433	Shim, 3,5	82720	"C"), 23	83374	10,12
81501	Magnet Core, 10,12	82725	Insulator, 7,14	83375	Feed Punch Selector
81514	Guide Plate - Advanced	82726	Bushing - Bakelite, 9		Lever, 9
	Feed, 15	82727	Spring Cushion Keytop	83376	Counter Contacts
81515	Punch Holder, 15	82728	(H STOP), 23,25	83377	Operating Lever, 9
81516	Armature, 9	82729	Resistor - 20 Ohms	83378	Insulator, 2
81524	Selector Finger, 10,12	82859	(Bell System), 7	83379	Extension, 10,11,13
81530	Screw (1/4-32 Special), 15	82866	Screw (6-40 x 9/32), 16	83381	Tape Stripper Plate, 10
81531	Screw (1/4-32 Special), 15	82930	Screw (4-40 x 9/32	83382	Locking Lever, 1
81532	Bumper - Leather (5/16"	83300	Special), 16	83383	Counter Casting -
	High), 15	83302	Screw (6-40 x 1/4 Set), 16		Walnut, 17,27
81553	Feed Pawl, 10,11	83303	Spring, 10	83384	Bearing Rod, 10,12
81564	Screw (6-40 x 3/8 Special),	83305	Spring, 10	83385	Name Plate (Brass), 19
	10,11,12,26	83306	Spring, 10,12	83386	Shield, 17,27
81591	Armature Lever, 9	83307	Name Plate (Brass), 19	83387	Cover, 7
81593	Armature Shaft, 11,13	83308	Name Plate (Brass), 19	83388	Shaft, 2
81596	Screw (10-32 x 1-3/8), 10,12	83309	Strap, 2	83389	Post, 2
81597	Bracket, 11,13	83310	Set of Spring Cushion	83390	Counter Cover -
81598	Bushing, 11,13	83311	Keytops (Bell System	83391	Walnut, 17
81599	Eccentric, 10	83312	Arrangement "C"), 23,25	83392	Back Space Pawl, 10,12
81601	Silencer - Felt, 10,12	83313	Resistor - 4500 Ohms		Back Space Cam, 10
81603	Tape Knife, 10,12	83314	(3700-800), 5		Back Space Lever, 10
81605	Chad Chute Cover, 11,13	83315	Contact Spring, 7		Filler - Wood, 29
81609	Terminal Shield, 10,12	83316	Keyboard Base - Black		Tape Tension Spring, 22
81638	Collar, 11,13	83317	Gloss, 1,3		Tape Reel Bracket
81657	Shim, 11,13	83318	Key Lever Guide, 1		(Walnut), 19
81682	Glass Rail - Right (Black	83319	Spring Plate, 3		Tape Reel Container
	Gloss), 18	83320	Selector Bar Bracket, 4		(With Hooks) (Prime
81683	Glass Rail - Left (Black	83321			Coat Finish), 22
	Gloss), 18	83322			
81684	Fastening Strip - Black, 18	83323			

NUMERICAL INDEX

83393	Tape Reel Container (With Hooks) (Walnut), 22	84911	Contact Bracket, 6,7	89354	Strap, 3,17,29
83395	Tape Reel Cover (Walnut), 22	84912	Extension - Bakelite, 9	89465	Tape Reel Container (Assem.) (Walnut), 22
83408	Screw (4-40 x 3/16), 1	84923	Spring - Rear, 7	89486	Stiffener, 9
83420	Tape Retainer, 29	84924	Spring - Front, 7	89492	Screw (1/4-32 Special), 19
83421	Pad - Left Side, 18	84953	Name Plate (15-C Perforator Transmitter), 1	89493	Spacer Bar Loop, 1,26
83423	Perforator Unit Cover (Walnut), 20	84990	Screw (1/32-40 x 1/4), 1	89494	Spacer Key Lever, 1,26
83424	Tape Guide, 20	85376	Key Lever Spring, 1,26,29	89495	Spacer Bar - Short (Black Bakelite), 1,26
83427	Glass, 20	85384	Bushing, 10,11,12,13	89496	Shaft, 1,26
83428	Glass Rail (Black Lacquer), 20	85976	Post, 14,28	89497	Extension - Bakelite, 9
83429	Sack Spacer, 20	86192	Spacer, 10,26	89498	Armature Lever, 10,11,26
83431	Perforator Unit Cover (Assem.) (Walnut), 30	86193	Set of Parts for Converting Bell System Keypoint Arrangement "C" to "B" (For Use on 15-B Perforator Transmitter), 24	89499	Selector Finger Guide, 11,13,26,29
83434	Channel - Rubber - Black, 20	86468	Set of Parts for Converting Bell System Keypoint Arrangement "C" to "A" (For Use on 15-A Perforator Transmitter), 24	89500	Feed Punch - Small, 15,26,29
83436	Bracket, 20	86531	Screw (1/4-32 Special), 15	89504	Punch Block (Assem.) Straight Feed, 28,29
83437	Counter Mechanism (Assem.) (For Left or Right Hand Mounting), 16,27	86530	Screw (5-40 Shoulder), 20	89535	Foot - Felt, 19
83438	Counter Cover (Assem.) Walnut, 17,27	86531	Celluloid Keypoint (H STOP), 23	89596	Oil Cup, 6
83441	Nipple, 17,27	86531	Celluloid Keypoint (J ), 23	89897	Nut (10-32 Hex.), 6
83442	Cable Clamp - Long, 17,27	86534	Stiffener, 7	89917	Screw (4-40 Eccentric), 6,27
83443	Cable - Counter (Mounted on Right), 24,27	86664	Set of Celluloid Keypoints (Bell System Arrangement "C"), 23	89963	Eccentric, 10,12
83537	Connecting Link "H", 4	86774	Screw (5-40 Shoulder), 12,28	89969	Washer - Bakelite, 15
83572	Paper Guide Plate (Prime Coat Finish), 18	86854	Perforator Unit Cover (Black Gloss), 20	89974	Cam Pulsing Contacts (Assem.), 7
83573	Paper Guide Plate (Walnut), 18	86856	Tape Reel Container (With Hooks) (Black Gloss), 22	90176	Contact Spring, 9
83574	Paper Guide Plate (Black Gloss) 18	86861	Tape Reel Cover (Black Gloss), 22	90177	Punch Contacts (Assem.) (Push Close), 9
83854	Insulating Cloth, 3	86865	Chad Chute, 11,13	90235	Glass Rail - Right (Walnut), 19
83885	Nut (5-32 Hex.), 18	86871	Tape Reel Bracket (Black Gloss), 19	90236	Glass Rail - Left (Walnut), 19
83895	Cable - Resistor (110 Volt Operation), 24	86919	Lock Plate, 10,12	90245	Fastening Strip (Under Cover Lid) (Brown), 19
83901	Dial Plate, 16,17,27	86920	Star Wheel, 10,12	90260	Spring, 6
83919	Shim, 4	87174	Retaining Plate - Black Gloss, 1	90421	Spacer - Rear, 17
83921	Perforator Bracket (With 122-67 & 22228 Spring Posts), 10,11	87175	Counter Cover - Black Gloss, 17	90438	Button - Felt, 6
83922	Roller, 11	87176	Shield - Black Gloss, 17	90951	Lock Washer, 12,15,28
83923	Bracket, 11,26,27	87177	Counter Casting - Black Gloss, 17	91001	Spring, 1,27
83924	Roller Fork, 11	87385	Strap - 4" Long (For 220 V. Only), 3	91002	Spacer Bar - Long (Black Bakelite), 1,27
83926	Indicator, 15,17,27	87386	Cable - Counter Resistor (220 Volt Operation), 24	91003	Repeat Space Extension, 1,26
84023	Spring, 11,12	87387	Resistor Bracket, 15	91120	Spring, 1,6
84041	Lamp - Red - 220 V., 17	87388	Resistor Guard, 15	91205	Detent (Assem.), 10,12
84053	Perforator Unit Cover (Prime Coat Finish), 20	87477	Resistor - 1000 Ohms, 15	91210	Copyholder - 12" - (Assem.) (Black Wrinkle), 21
84082	Screw (5-40 x 13/32), 10,11,12,13,28	87528	Counter Cover (Assem.) Black Gloss, 17	91211	Copyholder (Black Wrinkle), 21
84168	Name Plate (15-A Perforator Transmitter), 1,24	87636	Screw (2-56 x 3/16), 19	91214	Perforator Unit Cover (Black Wrinkle), 20
84466	Break Key (W.E. Co. 92A), 1	87693	Name Plate (Assem.) (Walnut) (With 91621 Window), 19	91215	Tape Reel Bracket (Black Wrinkle), 19
84527	Cable - Keyboard (With Break Key), 24	87936	Bracket, 21	91216	Tape Reel Cover (Black Wrinkle), 22
84554	Cable - Perforator (With Counter Control Contacts Mounted on Perforator Unit), 24	87937	Bracket (With Rod), 21	91217	Tape Reel Container (Black Wrinkle), 21
84592	Shim, 10,12,26,27	87938	Bracket (With Rod), 21	91219	Glass Rail - Right (Black Wrinkle), 19
84663	Bracket, 7	88651	Set of Celluloid Keypoints (Bell System Arrangement "A"), 23	91220	Glass Rail - Left (Black Wrinkle), 19
84664	Screw (4-40 x 1-9/32), 7	88876	Lacing - Brown, 18,19	91222	Form Covering Strip (Black Wrinkle), 18
84665	Bushing - Bakelite, 7	88877	Lacing - Black, 18,19	91223	Paper Guide Plate (Black Wrinkle), 18
84674	Contact Spring, 9	88995	Post, 1,26	91288	Name Plate (15-B Perforator Transmitter), 1,24
84675	Contact Spring, 7,9	89069	Set of Parts to Hold Universal Bar Depressed, 25	91289	Name Plate (15-A Keyboard), 24
84698	Contact Spring, 9,11,13,14	89070	Cutout Lever, 6,25	91290	Name Plate (15-B Keyboard), 24
84700	Punch Contacts Operating Lever, 9	89071	Bushing, 6,25	91514	Glass Rail - Left (Black Wrinkle), 18
84701	Contact Lever, 9	89072	Spring, 1,25	91515	Glass Rail - Right (Black Wrinkle), 18
84702	Contact Bracket, 9	89073	Extension, 6,25	91540	Counter Control Unit, 5,26
84703	Bracket, 9	89074	Stud - Eccentric, 6,25	91543	Bracket, 10,12,26
84757	Punch Contacts (Assem.) (Anti-Chatting), 9	89086	Tape Reel, 22,29	91544	Spring Adjusting Lever, 10,12,26
84758	Spring, 10,12	89087	Core, 22,29	91545	Extension, 10,26
84763	Clamp Plate, 9	89088	Filler - Wood, 22,29	91546	Screw (10-32 Shoulder), 10,12,26
84767	Contact Spring, 9,11,13,14	89089	Tape Retainer, 22,29		
84892	Stiffener, 7,9	89330	Spring, 1,27		
84903	Contact Spring, 7				

NUMERICAL INDEX

91547	Bracket, 11,12,26	92258	Spring Cushion Keypad	101537	Tape Reel Cover
91548	Bushing, 10,12,26		(H), 25		(Prime Coat Finish),22
91550	Contact Operating	92505	Shielding Tube, 8	101592	Set of Spring Cushion
	Lever, 10,12,26	92511	Roller, 3,29		Keypads, 25
91554	Universal Bar, 5,26	92534	Line Test Key (W.E.	101854	Counter Bracket -
91555	Contact Bracket, 11,13		Co. 92AU), 1,29		Dark Brown Wrinkle,17
91556	Contact Lever, 10,11,12,13	92631	Bushing, 14	101864	Glass Rail (Dark
91558	Selector Lever Guide,	92828	Set of Parts to Apply		Brown Lacquer), 20
	10,12,26,27		Adjustable Feed Punch	101865	Tape Reel Bracket
91559	Feed Punch Selector		Selector Lever and		(Dark Brown Wrinkle),19
	Lever, 10,12,26,27	92996	Selector Lever Guide,27	101866	Tape Reel Cover (Dark
91562	Screw (10-32 x 2-1/2), 7		Electric Impulse Counter		Brown Wrinkle), 22
91565	Shim, 3,5,26		(Assem.) - With	101867	Tape Reel Container
91568	Contact Spring, 7		Accessories (Walnut),27		(With Hooks) (Dark
91570	Punch Contact (Assem.),	94086	Spacing Rod Bracket, 6,27		Brown Wrinkle), 22
	11,13,26	94087	Extension, 6,27	101868	Copyholder - 6" -
91571	Counter Control Contacts	94088	Spacing Rod, 6,27		(Assem.) (Light
	(Assem.), 7,26,29	94248	Cable Clamp, 1,2,3,10,11,13		Brown Wrinkle), 21
91573	Contact Springs, 7	94249	Cable Clamp, 3	101869	Perforator Unit Cover
91574	Bracket, 7	94494	Set of Parts to Reduce		(Dark Brown Wrinkle),20
91575	Cover, 7,26		Friction of the Repeat	101870	Keyboard Base - Dark
91576	Cable - Perforator (With		Space Rod Cutout, 27		Brown Wrinkle, 1,3
	Counter Control Contacts	94617	Copyholder Spacer, 21	101871	Retaining Plate - Dark
	Mounted on Keyboard),	95960	Tape Gauge, 15		Brown Wrinkle, 1
	24,26	96871	Detent Lever, 10,12	101872	Counter Cover - Dark
91577	Spring, 10,12	96872	Roller, 10,12		Brown Wrinkle, 17
91621	Window, 19	96873	Journal, 10,12	101873	Counter Bracket -
91624	Set of Parts to Apply	96883	Terminal, 1		Dark Brown Wrinkle,17
	Improved Counter Control	97631	Adjusting Bracket, 13,28	101874	Shield - Dark Brown
	Mechanism, 26	97632	Bracket, 12,28		Wrinkle, 17
91625	Set of Parts to Apply	97633	Feed Pawl Lever, 12,28	101879	Name Plate (Copper
	Lower Punch Operating	97634	Feed Pawl, 12,28		Plated), 19
	Contacts and Adjustable	97635	Armature Lever, 13,28	101884	Name Plate (Copper
	Key Pressure Mechanism,26	97636	Tape Stripper Plate, 12,28		Plated), 19
91626	Set of Parts to Apply Two-	97637	Eccentric, 12,28	101969	Channel - Rubber
	Piece Armature Lever and	97638	Guide, 12,28		(Dark Brown Wrinkle),20
	Follow-Through Feature,26	97639	Spring Post, 12,28	102009	Name Plate (Assem.)
91627	Set of Parts to Apply	97640	Spring Post, 12,28		(Copper Plated) (With
	Space Mechanism with	97641	Armature, 10,11,12,13,28		91621 Window), 19
	Centrally Located Key	97642	Bumper - Leather (7/32"	102047	Screw (6-32 x 3/4), 21
	Lever, 26		High), 15,28	102048	Screw (4-36 x 1/2), 21
91631	Set of Parts to Apply Long	97643	Backspacer Lever, 12,28	102050	Form Accumulating
	Spacer Bar to Perforator	98841	Perforator Bracket, 12,13		Shelf (Assem.) (Light
	Transmitter Equipped with	99037	Set of Parts to Provide		Brown Wrinkle), 19
	Space Mechanism Having		Improved Operating	102114	Form Shelf, 19
	Centrally Located Spacer		Margins for the Punch	102115	Shield, 19
	Key Lever, 27	99871	Unit, 28	102127	Screw (2-55 x 3/16), 19
91727	Name Plate (15 Type	99872	Counter Bracket, 17	102128	Name Plate (Copper
	Perforator Transmitter),1	99876	Lamp Bracket, 17		Plated), 19
91733	Filter Bracket, 8	99878	Backspacer, 20	102236	Screw (2-56 x 1/4), 19
91734	Filter Bracket, 8	99881	Clamp Bushing, 17		
91739	Insulator, 1		Cable - Perforator and	102242	<u>Name Plates</u>
91751	Copyholder (Black Wrinkle),21		Counter (Mounted on		(15-G Perforator
91752	Copyholder - 6" - (Assem.)		Left), 24	102244	Transmitter), 1
	(Black Wrinkle), 21	99882	Channel - Rubber, 20		(15-J Perforator
92164	Name Plate (15-D Perforator	99947	Tool, 15		Transmitter), 1,25,28
	Transmitter), 1,24	99985	Tape Stripper Plate, 12	102245	(15-K Perforator
92165	Name Plate (15-E Perforator	99987	Retaining Bracket, 13,28		Transmitter), 1,25,28
	Transmitter), 1,25	99988	Link Extension - Upper,	102246	(15-L Perforator
92166	Name Plate (15-F Perforator		12,28		Transmitter), 1,28
	Transmitter), 1	99989	Link Extension - Lower,	102247	(15-M Perforator
92167	Set of Parts for Converting		12,28		Transmitter), 1,25
	Bell System Keypad Arrange-	101275	Copyholder - 6" - (Assem.)	102248	(15-N Perforator
	ment "C" to "E" (For Use on		(Walnut) (Bell System		Transmitter), 1,25
	15-E Perforator Trans-	101276	14-A Copyholder), 21	102249	(15-P Perforator
	mitter), 25		Copyholder - 6" - (Assem.)		Transmitter), 1
92168	Set of Parts for Converting		(Black Gloss) (Bell	102313	Perforator Unit Cover
	Bell System Keypad Arrange-		System 14-B Copyholder),21		(Assem.) (Black
	ment "C" to "A" (For Use on	101435	Tape Reel Container (Assem.)		Wrinkle), 20
	15-D Perforator Trans-		(Black Wrinkle), 22	102446	Copyholder - 12" -
	mitter), 24	101456	Screw (6-32 x 9/32), 1		(Assem.) (Light
92170	Filter Bracket, 6,8	101476	Strip - Felt, 20		Brown Wrinkle) (Bell
92204	Cable Clamp, 17	101492	Tape Reel Bracket (Prime		System 15-D), 21
92216	Filter (Assem.) (W.E. Co.		Coat Finish), 19	102482	Perforator Unit Cover
	80-A), 8	101512	Glass Rail - Left (Light		(Assem.) (Black
92222	Filter Unit (Assem.), 8		Brown Wrinkle), 18		Gloss), 20
92224	Filter Unit (Assem.), 8	101513	Glass Rail - Right (Light	102485	Tape Reel Container
92225	Filter Unit (Assem.), 8		Brown Wrinkle), 18		(Assem.) (Black
92231	Set of Spring Cushion	101514	Form Covering Strip		Gloss), 22
	Keypads, 25	101515	(Light Brown Wrinkle), 18	102720	Bracket, 19
92243	Filter (Assem.), 8		Paper Guide Plate (Light	102883	Punch Contact and
			Brown Wrinkle), 18		Latch (Assem.), 12,14,28

NUMERICAL INDEX

102884	Contact Bracket, 14	103531	Insulator, 14,28	104807	Washer, 16
102885	Latch Bracket, 14	103551	Set of Parts to Provide	104856	Copyholder (Walnut), 21
102886	Latch Lever, 14		Cover Locating Stop	104857	Bracket, 21
102887	Bracket, 14		and Terminal Block	104858	Plate, 21
102888	Anti-Chatter Lever, 14		Guard, 14	104859	Post, 21
102889	Screw (4-40 Special), 14	104240	Set of Parts For Converting	104860	Post, 21
102890	Armature, 14,28		Bell System Keytop Arrange-	104861	Washer - Cup, 21
102892	Screw (6-40 x 13/32),		ment "C" to "A" (For Use	104863	Nut - Wing, 21
	14,28		on 15-J Perforator	104864	Copyholder - 12" -
102893	Spring Plate, 14,28		Transmitter), 25		(Assem.) (Walnut) (Bell
102894	Spring Plate, 14,28	104241	Set of Parts for Converting		System 15-E Copyholder),21
102895	Operating Lever, 14,28		Bell System Keytop Arrange-	104866	Perforator and Counter
102896	Set of Parts to Equip		ment "C" to "B" (For Use		Unit Cover, 20
	a Perforator Transmitter		on 15-K Perforator	104867	Clamp, 20
	With Positive Action		Transmitter), 25	104868	Glass, 20
	Perforating Feature, 28	104475	Set of Parts For Converting	104869	Felt, 20
102897	Stiffener, 14		Bell System Keytop Arrange-	104993	Pad - Right Side, 18
103000	Screw (6-40 x 1/4), 1		ment "C" to "A" (For Use	104997	Counter Cover (Assem.)
103002	Cover Plate (Dark Brown		on 15-M Perforator		Dark Brown Wrinkle, 17
	Wrinkle), 19		Transmitter), 25	105019	Perforator Unit Cover
103309	Spacer Bar - Long (Dark	104476	Set of Parts For Converting		(Assem.) (Dark Brown
	Brown Bakelite), 1		Bell System Keytop Arrange-		Wrinkle), 20
103386	Terminal Guard, 16		ment "C" to "B" (For Use	105020	Tape Reel Container
103511	Screw (6-40 Shoulder),		on 15-N Perforator		(Assem.) (Dark Brown
	14,28	104749	Transmitter), 25		Wrinkle), 22
			Blocking Plate, 6	105021	Copyholder (Light Brown
					Wrinkle), 21
				105244	Bracket, 21





ADDITIONS  
BULLETIN NO. 1037 (ISSUE 4)  
PARTS - TYPE BAR PAGE PRINTER (MODEL 15)  
AND  
BULLETIN NO. 1067 (ISSUE 2)  
PARTS - PERFORATOR TRANSMITTER (MODEL 15)

The 104667 set of parts (with control relay), required for adding a keyboard pulsing contact to a Model 15 perforator transmitter of a 19 type set not having a control relay, consists of the following parts:

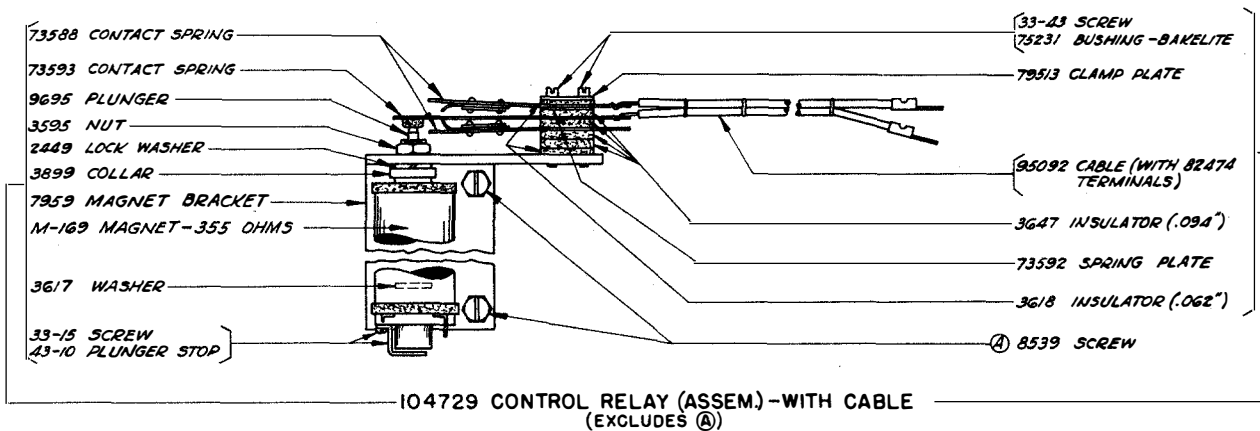
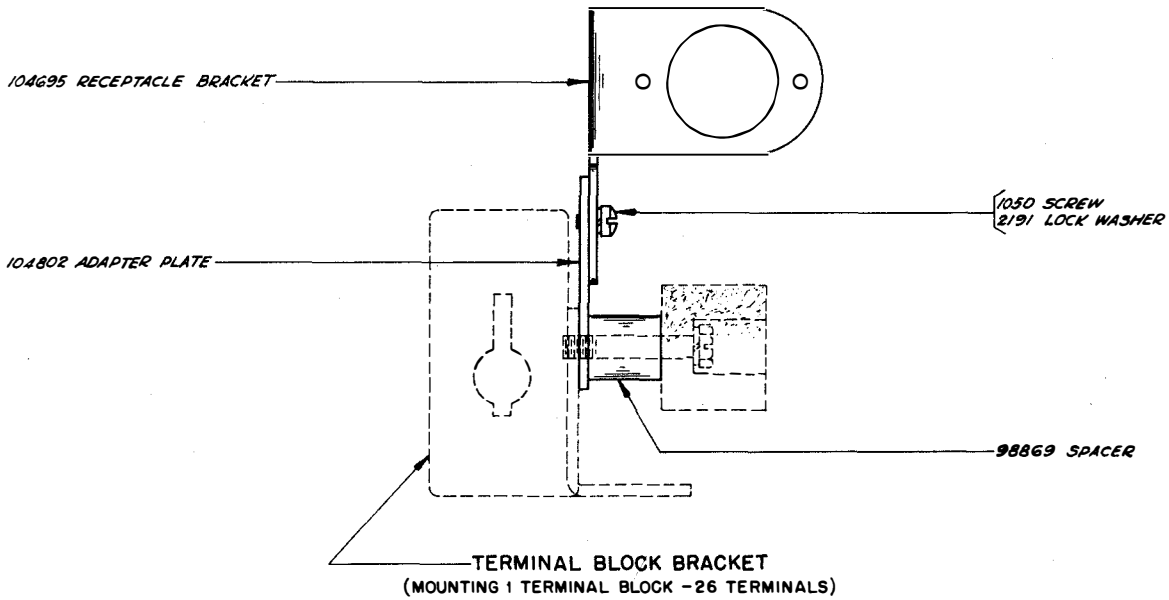
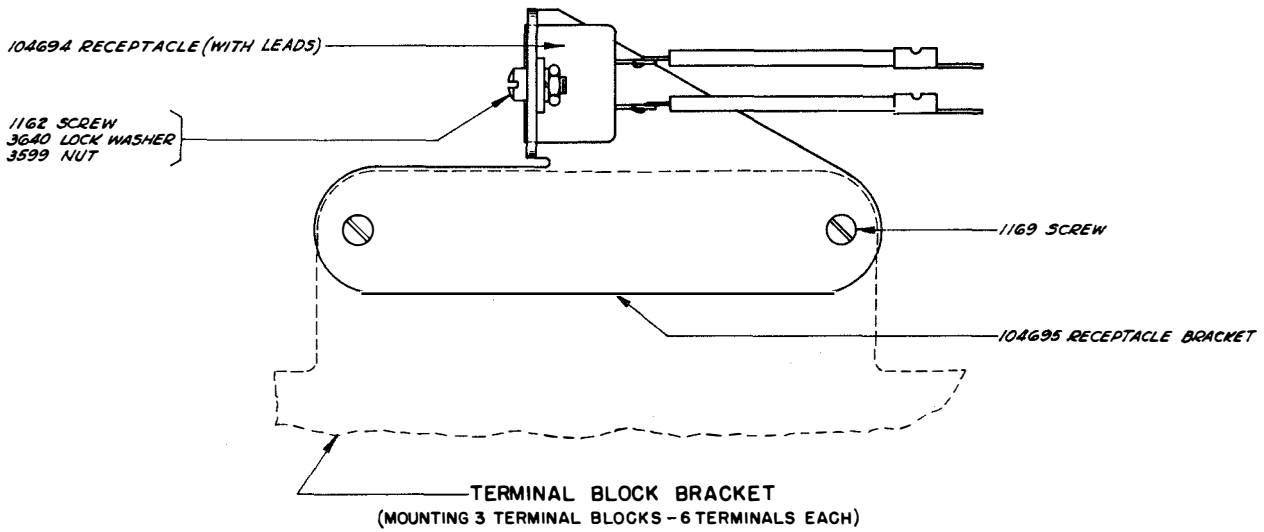
	104729	control relay - with cable	1
	8539	screw	2
	104694	receptacle - with cable	1
	1162	screw	2
	3640	lock washer	2
	3599	nut	2
(A)	104695	receptacle bracket	1
	1169	screw	2
	104802	adapter plate	1
	1050	screw	2
	2191	lock washer	2
	98869	spacer	2
	104691	contact (Assem.) - with cable and plug	1
	93112	screw	2
	3640	lock washer	2
	3599	nut	2
(B)	104692	contact operating arm	1
	27425	screw	2
	90791	lock washer	2
	104693	lock loop	1
	104721	plate - cover	1

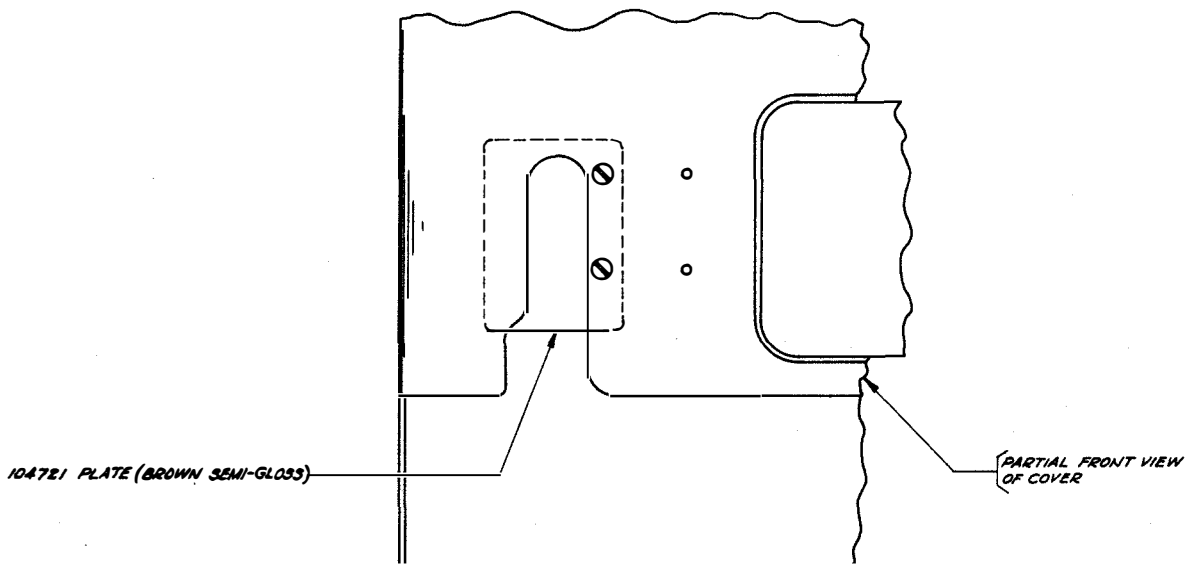
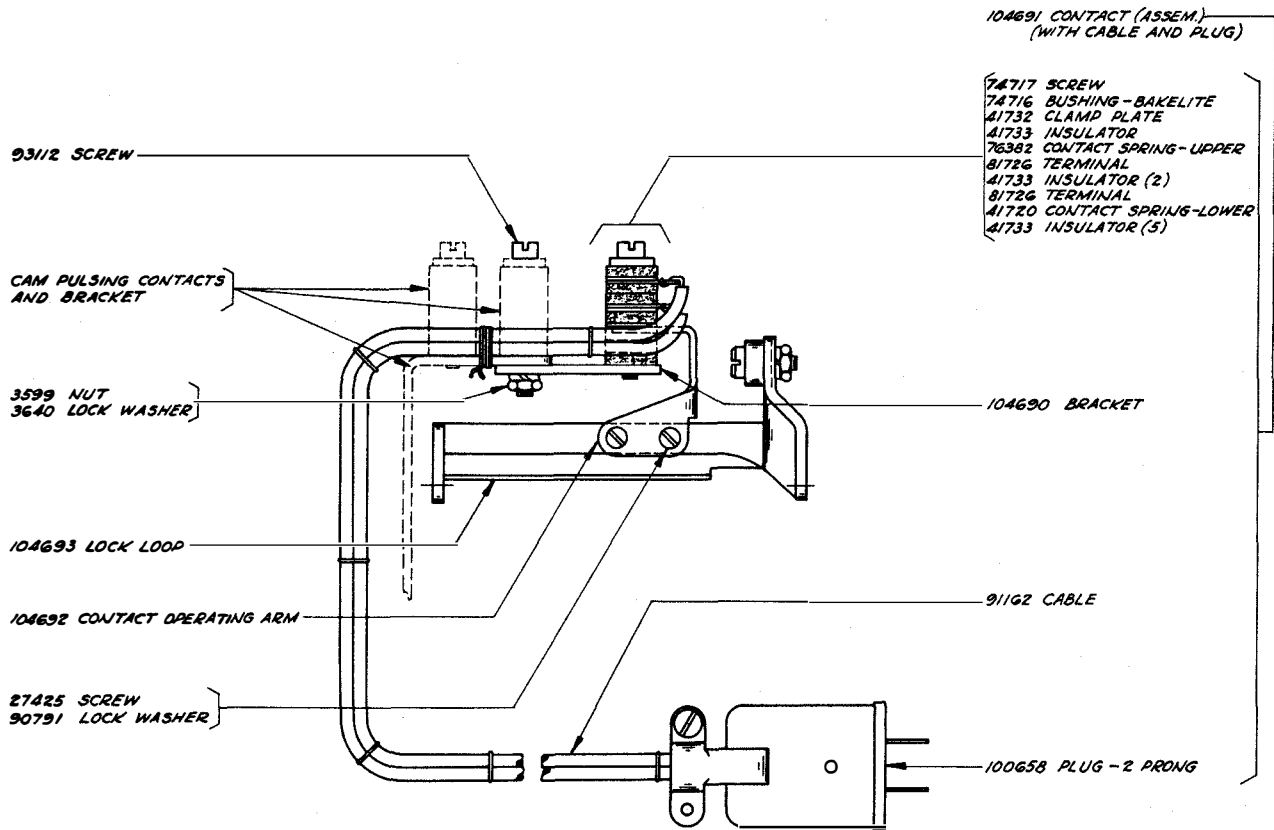
The 105067 set of parts (without control relay), required for adding a keyboard pulsing contact to a Model 15 perforator transmitter of a 19 type set having a control relay, consists of the following parts:

	95092	cable - control relay	1
	104694	receptacle - with cable	1
	1162	screw	2
	3640	lock washer	2
	3599	nut	2
(A)	104695	receptacle bracket	1
	1169	screw	2
	104802	adapter plate	1
	1050	screw	2
	2191	lock washer	2
	98869	spacer	2
	104691	contact (Assem.) - with cable and plug	1
	93112	screw	2
	3640	lock washer	2
	3599	nut	2
(B)	104692	contact operating arm	1
	27425	screw	2
	90791	lock washer	2
	104693	lock loop	1
	104721	plate - cover	1

(A) Used on Model 15 printer base (of a 19 type set.) See page 2 of this correction sheet for illustration of parts.

(B) Used on Model 15 perforator transmitter keyboard and Model 15 printer cover (of a 19 type set). See page 3 of this correction sheet for illustration of parts.







CHANGES IN PARTS BULLETINS

1052 (Issue 1)	1080 (Issue 1)	1090 (Issue 2)
1064 (Issue 1)	1082 (Issue 2)	1108 (Issue 1)
1067 (Issue 2)	1088 (Issue 2)	1117 (Issue 2)

On the perforators, reperfors, perforator transmitters and reperfors referred to in the above bulletins, the 122-577 feed roll (straight feed hole) has been replaced by a 110682 feed roll (straight feed hole).

The 122-359 feed roll (advance feed hole) has been replaced by a 110683 feed roll (advance feed hole).

The new feed rolls are designed to eliminate the use of the 81598 bushing.

110682 is equivalent to 122-577 plus 81598

110683 is equivalent to 122-359 plus 81598

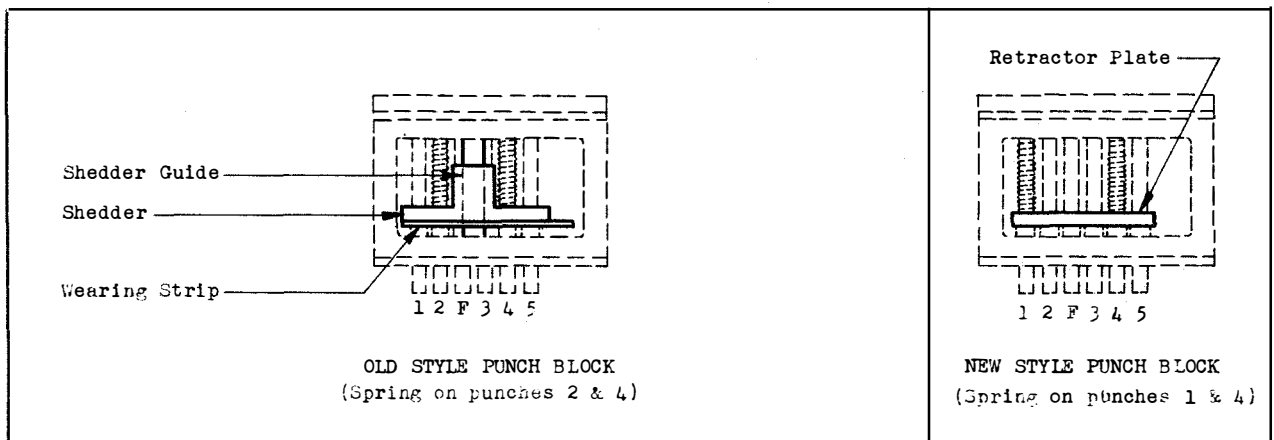
CHANGES AND ADDITIONS  
TO PARTS BULLETINS

1001	Issue 1	1067	Issue 2	1090	Issue 2
1012	Issue 2	1080	Issue 1	1093	Issue 1
1038	Issue 2	1082	Issue 2	1100	Issue 2
1052	Issue 1	1088	Issue 2	1117	Issue 2
1064	Issue 2	1089	Issue 1		

The punch block assemblies shown in the above bulletins have been redesigned and assigned new assembly numbers. Old style punch block assemblies are no longer furnished. On orders for old style blocks, new style assemblies which are fully interchangeable with the old style will be furnished.

The sketches below illustrate the difference between the old and new style assemblies, and it should be noted that the shedder and wearing strip are replaced by a retractor plate, and the shedder guides are not used. The shedder and wearing strip are no longer being furnished. When it is desired to replace a shedder or wearing strip, a retractor plate should be ordered instead.

The chart below may be used to determine the new style punch block assembly number which replaces an old style, and which retractor plate must be ordered to replace the old style shedder, and/or wearing strip.



Old Style Assembly Number	Apparatus Used On	Type of Punch Block			Shedder	Wearing Strip	New Style Assembly Number	Retractor Plate
		Number of Code Punch Holes	Type of Feed Hole	Grinding on Punches				
122-384	Perf. & nontyp. Reperf. (5 mag.)	5	Advanced	Cup Ground	122-367	122-368	112640	110902
122-575	Perf. & nontyp. Reperf. (5 mag.)	5	Straight	Cup Ground	122-367	122-574	111019	110901
77987	Perforator	6	Straight	Cup Ground	75121	77986	112642	110903
81510	Perforator	6	Advanced	Cup Ground	75121	75120	112643	110904
81792	Perf. Trans.	5	Straight	Cup Ground	75121	77986	111020	110901
85356	Nontyp. Reperf.	6	Advanced	V Notch	75121	75120	112645	110904
86113	Nontyp. Reperf.	5	Straight	V Notch	75121	77986	111021	110901
89504	Perf. Trans.	5	Straight	Cup Ground	75121	77986	111022	110901
91114	Perf. Trans.	5	Advanced	Cup Ground	75121	75120	112646	110902
94904	Perforator	7	Advanced	Cup Ground	94948	94950	112647	110905
95451	Typ. Reperf.	5	Straight	Cup Ground	122-367	122-574	111023	110901
97472	Nontyp. Reperf.	5	Advanced	V Notch	75121	75120	112648	110902
102790	Typ. Reperf.	5	Straight	Cup Ground	122-367	122-574	111024	110901
104573	Typ. Reperf.	5	Advanced	Cup Ground	122-367	122-368	112649	110902

CHANGES AND ADDITIONS  
BULLETIN NO. 1067 (ISSUE 2)  
PARTS - PERFORATOR TRANSMITTER (MODEL 15)  
(BELL SYSTEM)

Page 1

The 9209, 9210 and 74762 key levers, listed midway down the left hand side of the page, are designed for use with either spring cushion or pneumatic keytops, while the 7482, 72983 and 72984 key levers are designed for use with celluloid keytops only.

When it is desired to convert from celluloid keytops to either spring cushion or pneumatic keytops, a 72539 key lever disc (one for each key lever) must be ordered. The 72539 key lever disc is secured in position on the key lever by bending the two lugs.

Page 14

The "3599 washer" should read "3599 nut."

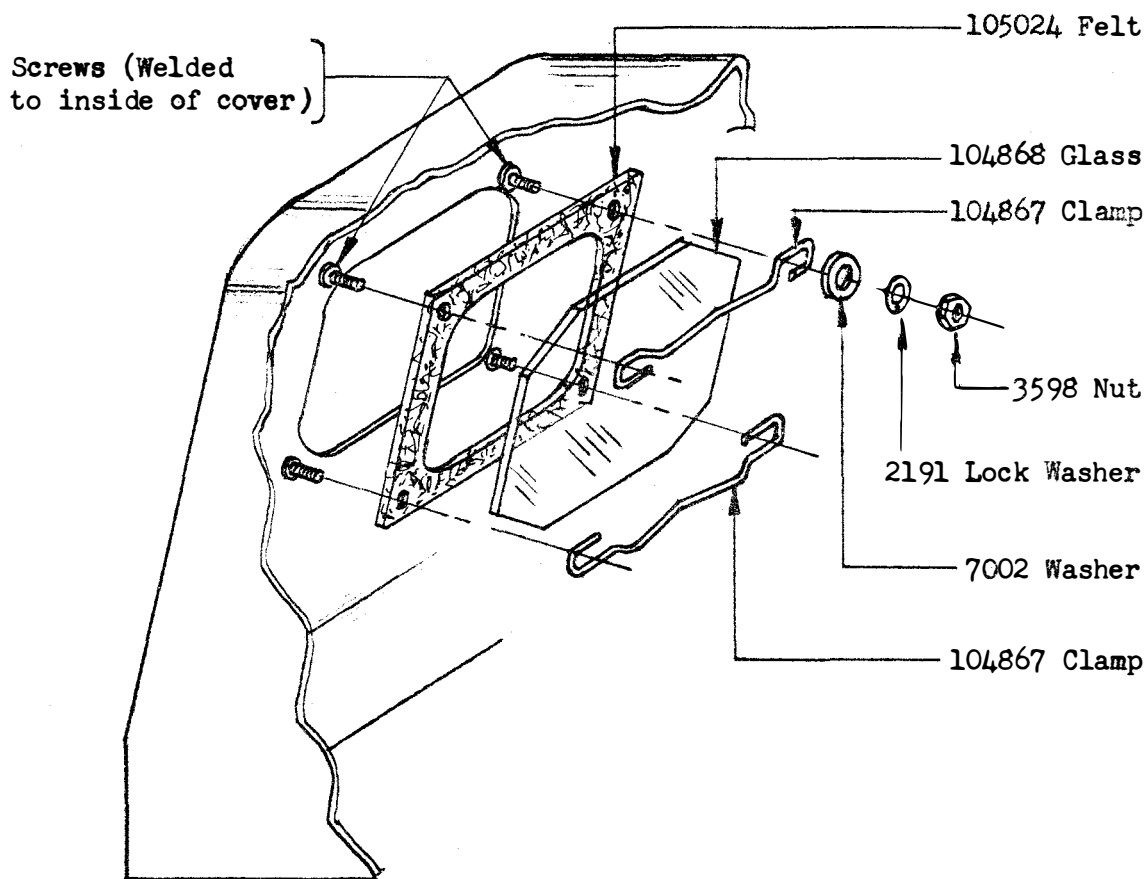
Page 19

The "78494 name plate" should read "74894 name plate."

CHANGES AND ADDITIONS  
TO BULLETIN NO. 1067 (ISSUE 2)  
PARTS - PERFORATOR TRANSMITTER (MODEL 15)

PAGE 20

In order to reduce glass breakage, the method of securing the 104868 glass in the 104934 perforator and counter unit cover (assem.) - walnut, has been changed as shown in the sketch below. It will be noted that the 104867 clamps, four of which were used in the old method, have been replaced by two of the redesigned clamps; the 104869 felt has been replaced by the 105024 felt; and four 7002 washers have been added.



METHOD OF SECURING GLASS TO COVER

The following other changes have also been made in the 104934 cover:

- (a) The 2191 lock washer, following the 34-66 nut, should read 3640 lock washer.
- (b) The 8543 and 1038 screws should read 111017 and 1160 screws, respectively.
- (c) The assembly number (104934) has been changed to 117750CA.



CHANGES AND ADDITIONS TO  
BULLETINS 1067, ISSUE 2 AND 1090, ISSUE 2  
PARTS - PERFORATOR TRANSMITTER  
MODEL 15

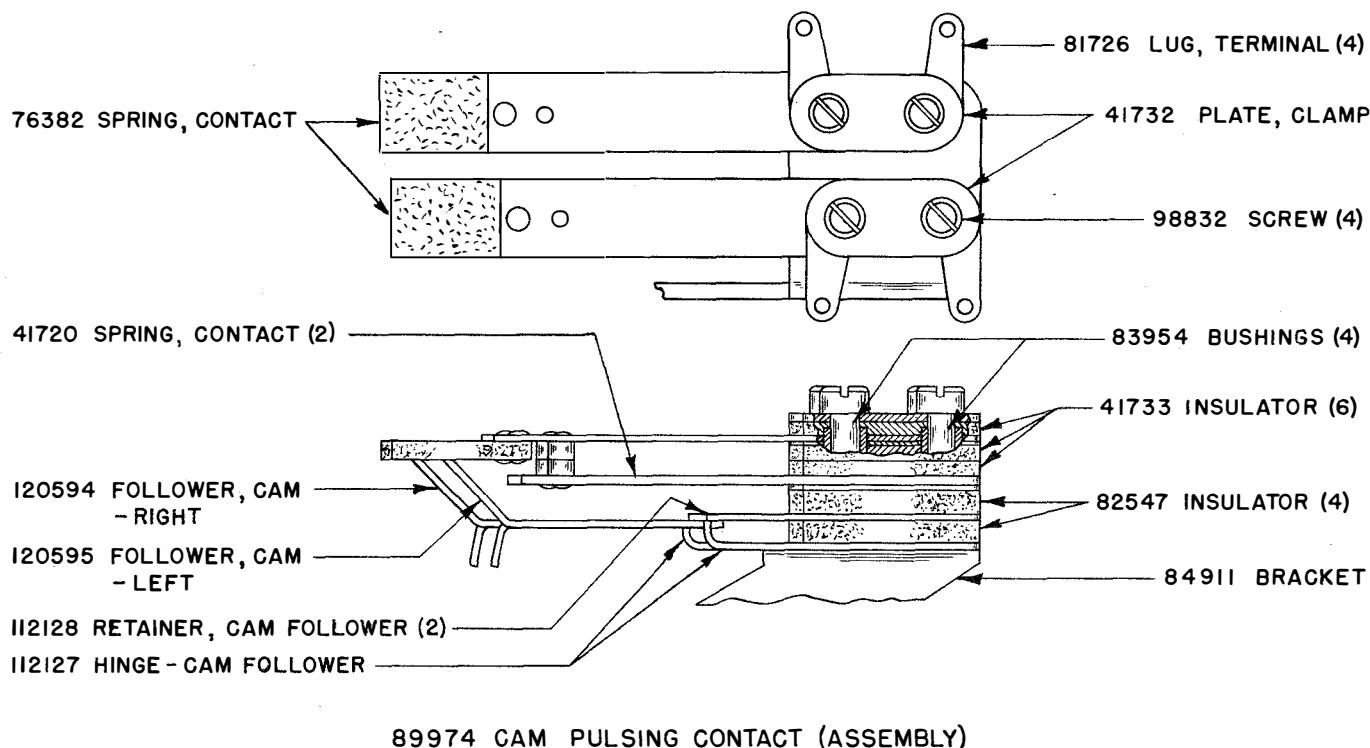
This correction sheet (which replaces EE-547) covers parts ordering information for the 89974 cam pulsing contact (assembly) which has been re-designed but retains its original assembly number.

Following is a list of the old style parts, also a sketch illustrating the new style parts.

84911 Contact Bracket	*82444 Bushing - Bakelite (2)
41720 Contact Spring (2)	82547 Clamping Plate (2)
76382 Contact Spring (2)	*86632 Stiffener (2)
41733 Insulator (8)	*84924 Spring - Front (2)
81726 Terminal (4)	*84923 Spring - Rear (2)
*74952 Screw (2)	

\*These five parts are no longer manufactured.

Old style parts not indicated by an asterisk (\*) are still available for use with old style assemblies.

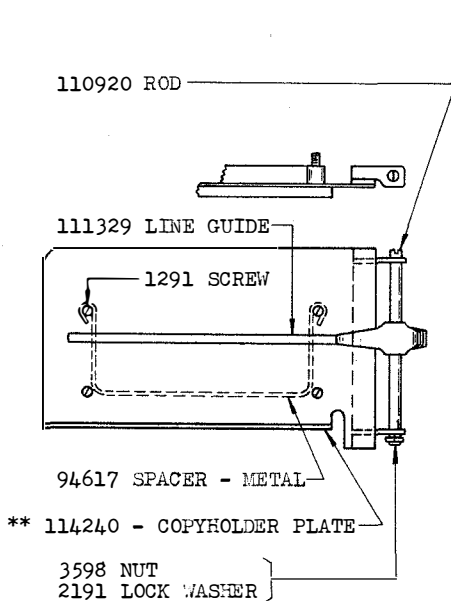


1025	ISSUE 3	1037	ISSUE 4	1082	ISSUE 2	1110	ISSUE 2
1028	ISSUE 2	1048	ISSUE 2	1088	ISSUE 2	1114	ISSUE 1
1030	ISSUE 2	1063	ISSUE 2	1090	ISSUE 2	1117	ISSUE 2
1031	ISSUE 3	1067	ISSUE 2	1094	ISSUE 2		

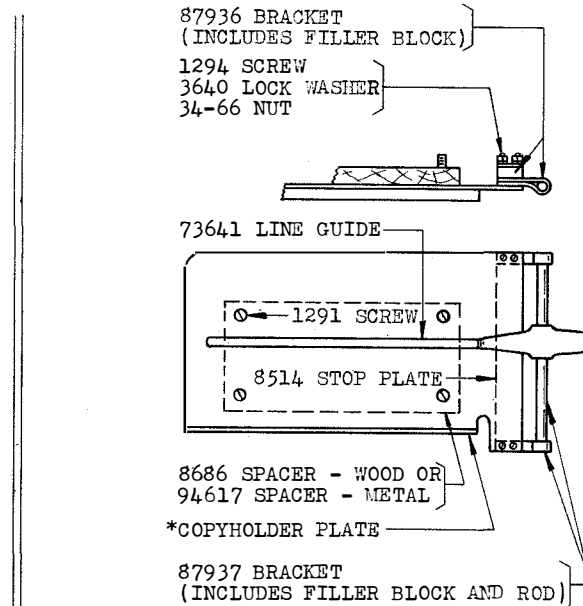
THE 6" COPYHOLDER ASSEMBLIES SHOWN IN THE ABOVE BULLETINS HAVE BEEN REDESIGNED AND ASSIGNED NEW ASSEMBLY NUMBERS. THE SKETCHES BELOW ILLUSTRATE THE DIFFERENCE BETWEEN THE NEW AND OLD ASSEMBLIES, WHICH ARE INTERCHANGEABLE, AND THE CHART LISTS THE NEW AND OLD ASSEMBLY NUMBERS.

THE 8686 SPACER (WOOD) IS NO LONGER AVAILABLE, 94617 SPACER (METAL) WILL BE FURNISHED INSTEAD.

THE 73641 LINE GUIDE HAS BEEN REPLACED BY 111329 LINE GUIDE, WHICH HAS THE CLIP HANDLE BENT FORWARD TO FACILITATE OPERATING THE GUIDE FROM THE FRONT RATHER THAN FROM THE SIDE.



NEW STYLE 6" COPYHOLDER (ASSEM.)



OLD STYLE 6" COPYHOLDER (ASSEM.)

NEW ASSEMBLY		FINISH	OLD ASSEMBLY		
NUMBER	SPACER	COLOR	SUFFIX	NUMBER	SPACER
115700AA	METAL	BLACK WRINKLE	AA	91752	WOOD
115700AB	METAL	GRAY GREEN WRINKLE	AB	-	METAL
115700AC	METAL	LIGHT BROWN WRINKLE	AC	101868	WOOD
115700AD	METAL	DARK BROWN WRINKLE	AD	113419	METAL
115700BA	METAL	BLACK HIGH GLOSS	BA	74833	WOOD
115700BA	METAL	BLACK HIGH GLOSS	BA	101276	METAL
115700BC	METAL	OLIVE GREEN	BC	80888	WOOD
115700CA	METAL	WALNUT	CA	74832	WOOD
115700CA	METAL	WALNUT	CA	101275	METAL
115700CB	METAL	MAHOGANY	CB	81881	WOOD
115700CB	METAL	MAHOGANY	CB	***84922	WOOD
115700CB	METAL	MAHOGANY	CB	101277	METAL

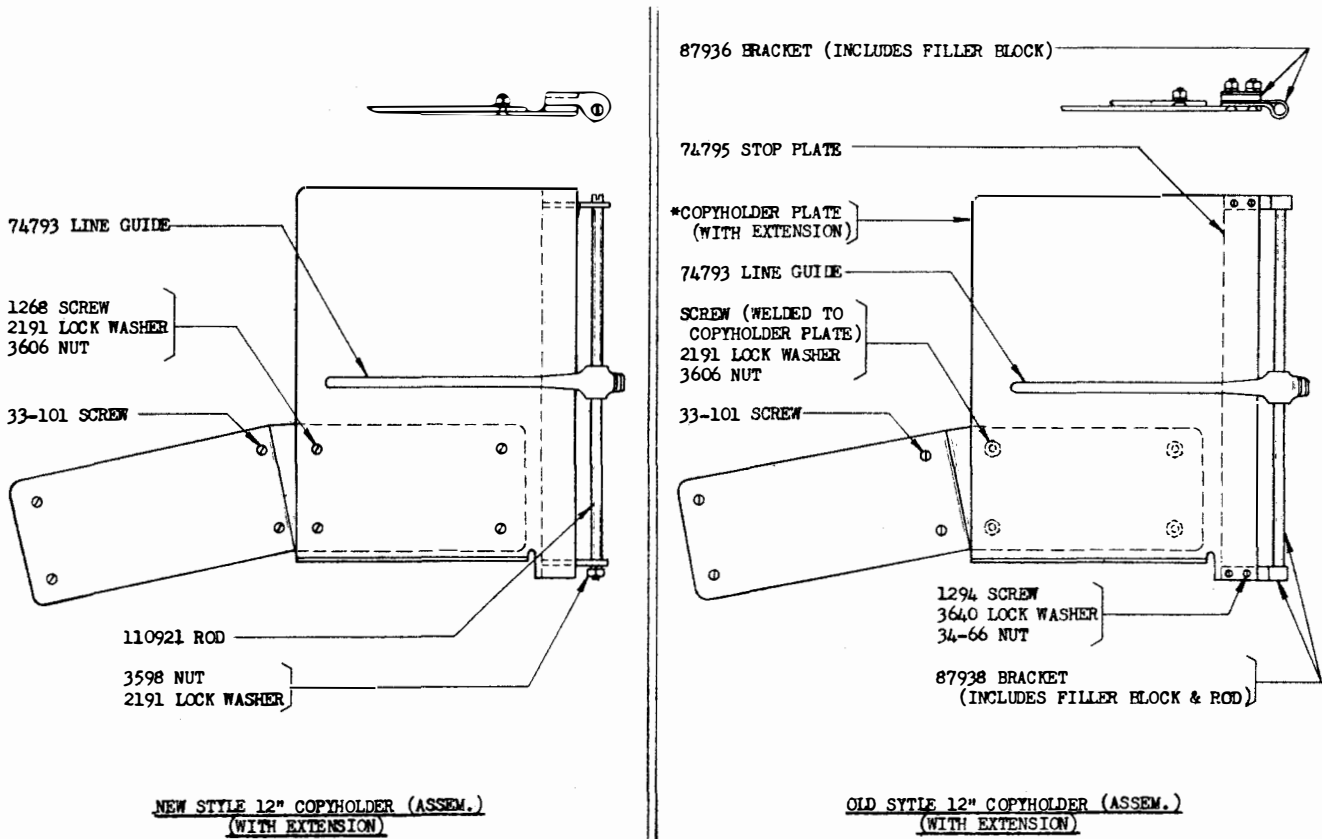
\* THE OLD STYLE COPYHOLDER PLATE IS NO LONGER AVAILABLE. WHEN IT BECOMES NECESSARY TO REPLACE AN OLD STYLE COPYHOLDER PLATE A NEW STYLE COPYHOLDER PLATE ALONG WITH ONE 110920 ROD, ONE 2191 LOCK WASHER AND ONE 3598 NUT SHOULD BE ORDERED INSTEAD.

\*\* ON ORDERS FOR NEW STYLE COPYHOLDER PLATES, CUSTOMER MUST INDICATE THE COLOR OF FINISH DESIRED BY ADDING A TWO-LETTER SUFFIX TO THE COPYHOLDER PLATE PART NUMBER. FOR EXAMPLE: ORDER "114240CA COPYHOLDER PLATE" WHEN A WALNUT FINISH COPYHOLDER PLATE IS DESIRED. (SEE "FINISH" COLUMN IN CHART ABOVE FOR FINISHES AND THEIR RESPECTIVE SUFFIXES.

\*\*\* THE 84922 COPYHOLDER ASSEMBLY (USED ON WHEATSTONE PERFORATOR COVER - WOOD) WAS LIKE 81881 COPYHOLDER ASSEMBLY, EXCEPT HAVING LONGER MOUNTING SCREWS. IN THE FUTURE, A STANDARD COPYHOLDER ASSEMBLY WILL BE FURNISHED IN PLACE OF 84922, AND THE LONGER MOUNTING SCREWS WILL BE INCLUDED WITH THE WHEATSTONE PERFORATOR COVER.

CHANGES AND ADDITIONS  
TO PARTS BULLETINS  
1037 (ISSUE 4)  
1063 (ISSUE 2)  
1067 (ISSUE 2)  
1114 (ISSUE 1)

The 12" copyholder assemblies (with extension) shown in the above bulletins have been redesigned and assigned new assembly numbers. The sketches below illustrate the difference between the new and old style assemblies, which are interchangeable and the chart lists the new and old assemblies numbers.



TELETYPE CODE (NEW ASSEMBLY)	FINISH		TELETYPE CODE (OLD ASSEMBLY)
	COLOR	SUFFIX	
115709CA	WALNUT	CA	74794
115709BA	BLACK HIGH GLOSS	BA	74831
115709CB	MAHOGANY	CB	82510
115709AC	LIGHT BROWN WRINKLE	AC	102446
115709AA	BLACK WRINKLE	AA	91210
115709AD	DARK BROWN WRINKLE	AD	-
115709AB	GREY GREEN WRINKLE	AB	-

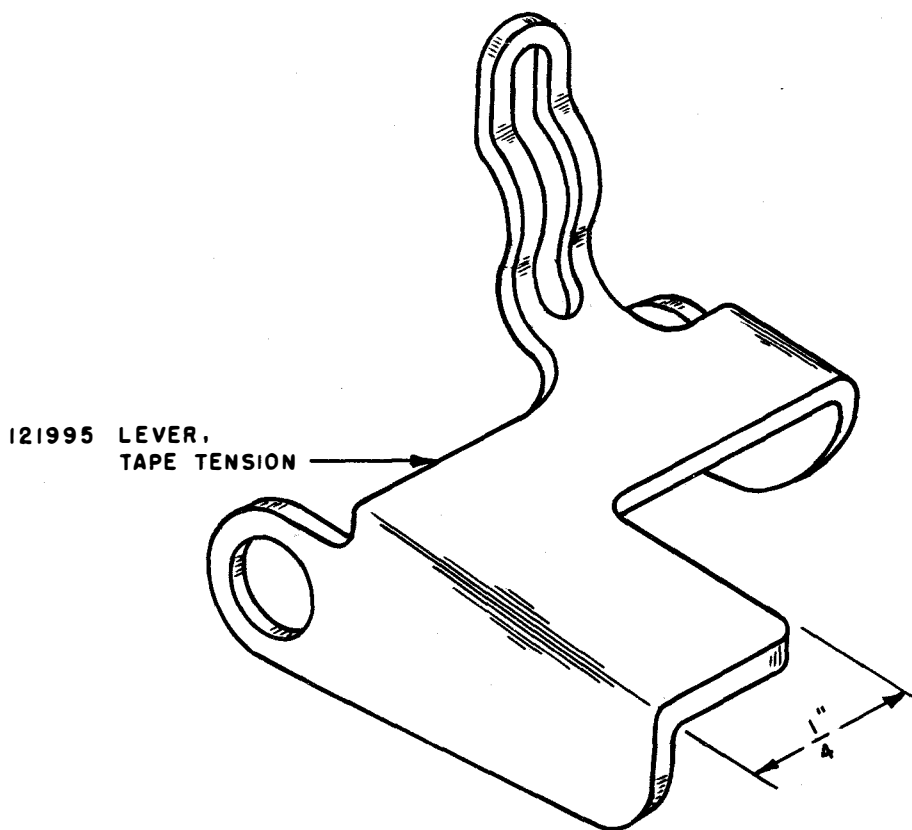
\*The old style copyholder plate (with extension) is no longer available. When it becomes necessary to replace an old style copyholder plate (with extension) a complete new style 12" copyholder (assem.) - (with extension) should be ordered.

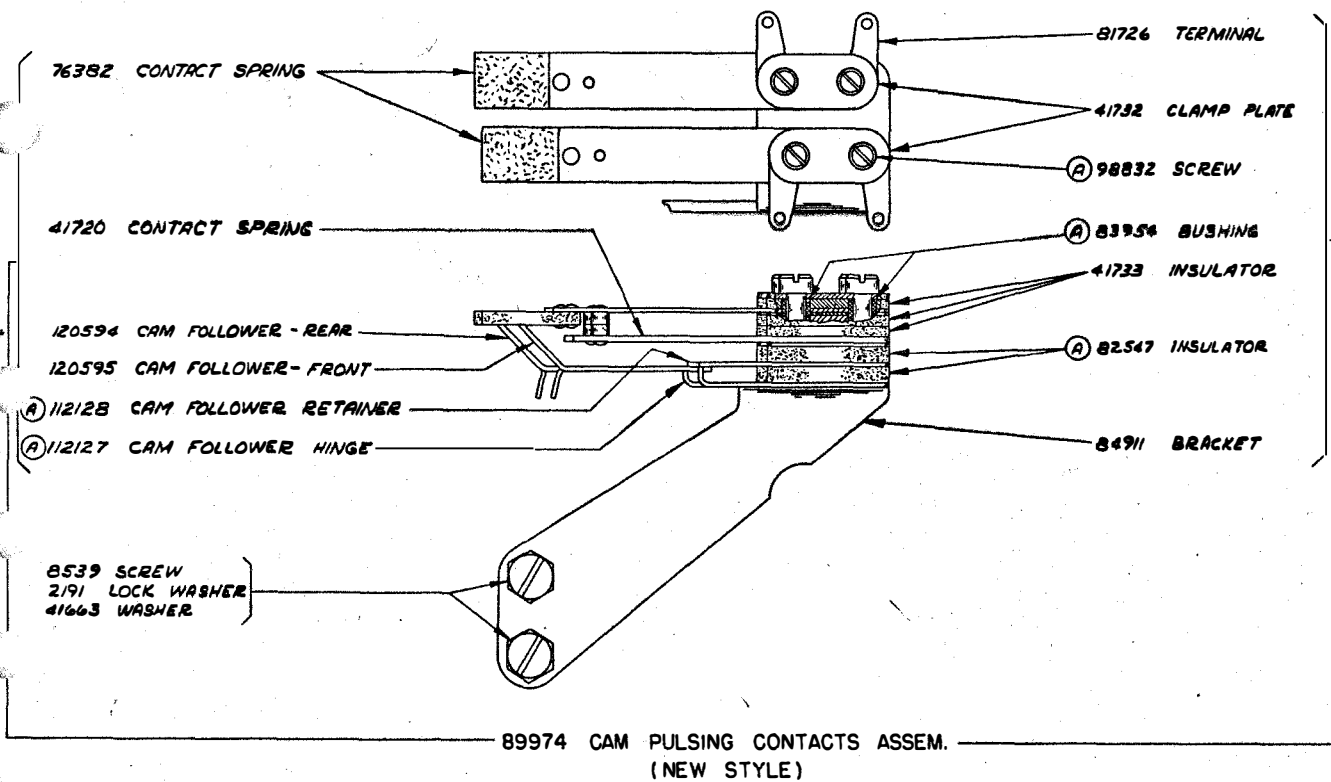
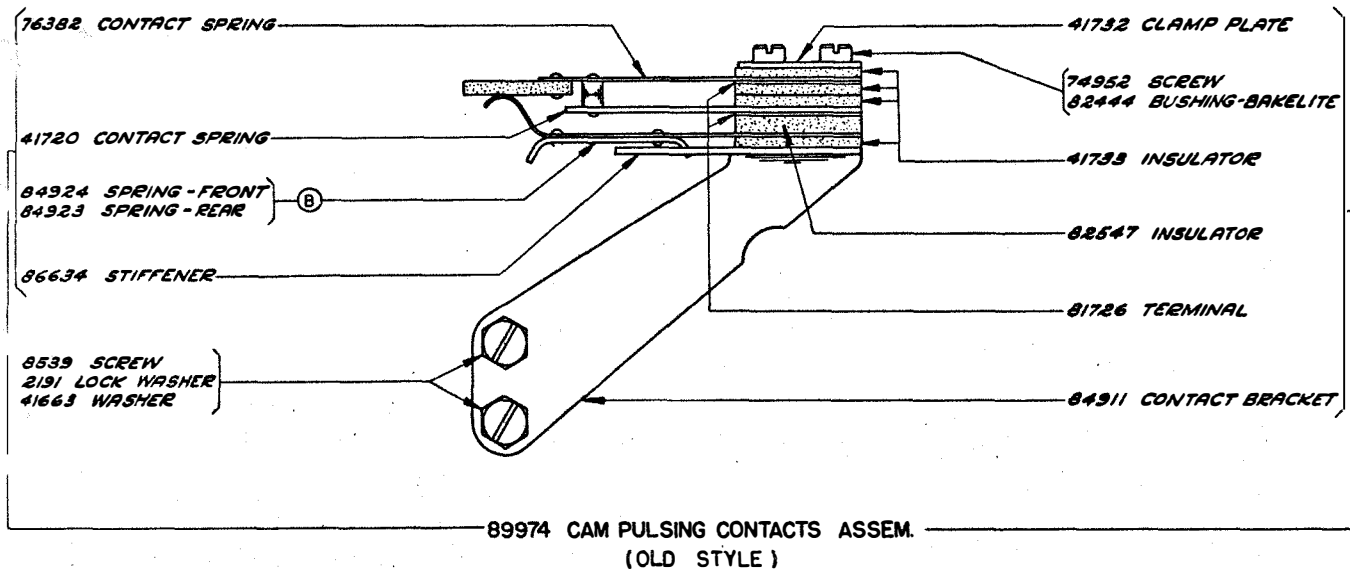
CHANGE AND ADDITION TO BULLETINS

1038	Issue 2	1089	Issue 1	1117	Issue 2
1067	Issue 2	1090	Issue 2	1126	Issue 1
1080	Issue 1	1093	Issue 1	1130	Issue 1
1082	Issue 2	1100	Issue 2	1132	Issue 1
1088	Issue 2	1108	Issue 2		

The 73481 tape tension lever has been replaced by a 121995 tape tension lever of improved design, which is provided with a 1/4" wide flat surface to serve as a finger hold as indicated on the sketch below.

New and old style tape tension levers are interchangeable.





**(A)** SETS OF PARTS FOR CONVERTING OLD STYLE ASSEMBLY TO NEW STYLE ASSEMBLY  
 THE 106994 SET OF PARTS CONSISTS OF THE PARTS MARKED **(A)** PLUS THE 120595 CAM FOLLOWER  
 THE 106995 SET OF PARTS CONSISTS OF THE PARTS MARKED **(A)** PLUS THE 120594 CAM FOLLOWER  
 (IF ONE PART IS CONVERTED, CHANGE ALL PARTS IN THE ASSOCIATED SET)

REFER TO SPEC. 5622S FOR INSTALLATION INSTRUCTIONS

**(B)** PARTS MARKED **(B)** ARE NO LONGER AVAILABLE FOR MAINTENANCE.

CHANGES AND ADDITIONS TO  
BULLETINS 1067B, ISSUE 2 AND 1090B, ISSUE 2  
PARTS - PERFORATOR TRANSMITTER  
MODEL 15

This correction sheet (which replaces (547EE) covers parts ordering information for the 89974 Cam Pulsing Contact Assembly which has been redesigned but retains its original assembly number.

To facilitate conversion of the 89974 Assembly, two sets of parts are provided as follows:

A 106994 Set of Parts for converting the front pulsing group of the 89974 Assembly. A 106995 Set of Parts for converting the rear pulsing group.

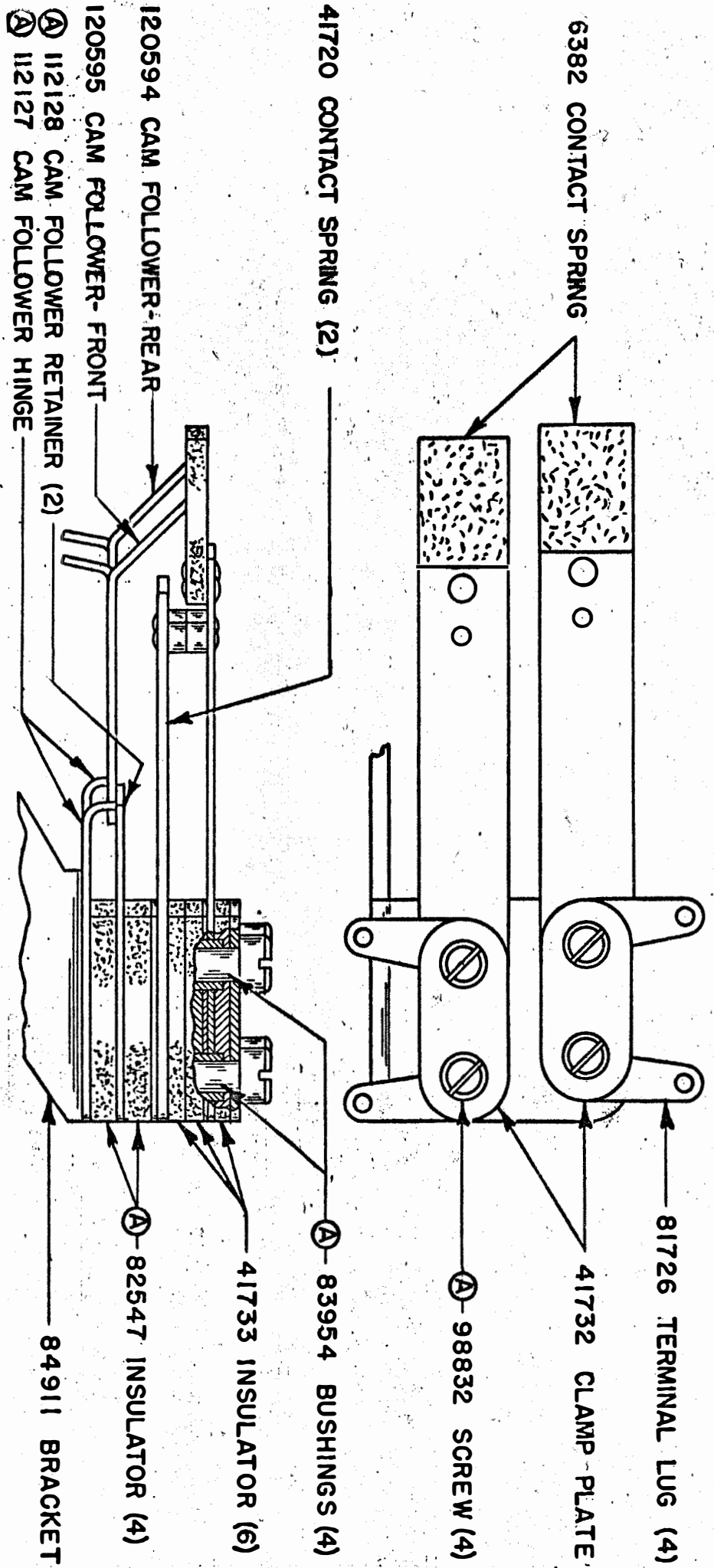
The 106994 Set of Parts (front pulsing group) applies as follows:

<u>New</u>	<u>Old</u>
1 - 120595 Cam Follower (front) replaces	- 84924 Spring (front)
1 - 112127 Cam Follower Hinge - Added	
1 - 112128 Cam Follower Retainer - Added	
2 - 98832 Screw 4-40 x 11/16 Fil. Hd. replaces	- 74952 Screw
2 - 83954 Bushing replaces	- 82444 Bushing
1 - 82547 Insulator replaces	- 41733 Insulator
	86634 Stiffener deleted

The 106995 Set of Parts (rear pulsing group) is identical to the 106994 Set of Parts except that the 120595 Cam Follower (front) is replaced by a 120594 Cam Follower (rear).

The following drawing shows the structure of the new 89974 Assembly.

Old style parts are still available for maintenance purposes with the exception of the 84923 and 84924 Springs.



6382 CONTACT SPRING  
 41720 CONTACT SPRING (2)  
 120594 CAM FOLLOWER-REAR  
 120595 CAM FOLLOWER-FRONT  
 ① 112128 CAM FOLLOWER RETAINER (2)  
 ① 112127 CAM FOLLOWER HINGE  
 ① 83954 BUSHINGS (4)  
 ① 82547 INSULATOR (4)  
 41733 INSULATOR (6)  
 84911 BRACKET  
 81726 TERMINAL LUG (4)  
 41732 CLAMP PLATE  
 ① 98832 SCREW (4)

THE 106994 SET OF PARTS CONSISTS OF THE PARTS MARKED ① PLUS THE 120595 CAM FOLLOWER  
 THE 106995 SET OF PARTS CONSISTS OF THE PARTS MARKED ① PLUS THE 120594 CAM FOLLOWER  
 89974 CAM PULSING CONTACT ASSEMBLY (SHOWING NEW STYLE PARTS)

R18  
 42081

CHANGES IN TELETYPE  
PART AND ASSEMBLY NUMBERS

In order to facilitate the use of automatic business machines in the conduct of its business, Teletype Corporation finds it necessary to eliminate all of its present part and assembly numbers containing dashes and/or letter prefixes. Such numbers have been replaced by others having 3 to 6 digits which may have a one-letter or a two-letter suffix.

The prefixes used with magnet, packing material, raw material such as wire in bulk, Teletype literature and wiring diagram numbers have been changed to suffixes, and in the case of bulletins and instruction manuals a suffix has been added to identify the items without reference to descriptions as shown in the following illustrations:

<u>Old Designation</u>	<u>New Designation</u>	<u>Description</u>
M121	121M	Magnet
PK10718	10718PK	Carton
RM31571	31571RM	Wire
121	121B	Bulletin
EE121	121EE	Correction Sheet
121	121MA	Instruction Manual
WD2186	2186WD	Wiring Diagram
S5037	5037S	Specification
S5333A	5333SA	Specification
S5333B	5333SB	Specification

All Teletype parts bulletins and price lists will eventually be changed to show the new as well as the old numbers for the convenience of Teletype Corporation customers.

\*When an item is ordered under an old number, the new number will be substituted for the old one and the old number will be shown immediately after the description of the items on all shipping papers and invoices.

Attached are two conversion lists of the active numbers involved; one with the old numbers and descriptions arranged numerically and the other with the new numbers arranged numerically. It is to be noted that some of the new numbers have already been used in Teletype parts catalogs.

\*\*Many numbers containing dashes cover parts considered obsolete and are not included in the attached lists. Occasionally one of these parts is reinstated, in which case the part will be shipped under the new number with the dash number shown immediately after the description. It is not intended to add such numbers to the correction sheet lists unless the part is to be commonly used.

\*Indicates change  
\*\*Indicates addition

Printed in U.S.A.



OLD TO NEW NUMBER CONVERSION LIST

Old No.	New No.	Description	Old No.	New No.	Description	Old No.	New No.	Description
4-8	74879	Stud	33-224	125178	Screw	35-33	112632	Spring
23-8	125105	Terminal	33-225	125179	Screw	35-34	125243	Spring
33-1	1157	Screw	33-227	125180	Screw	35-40	125244	Spring
33-2	125108	Screw	33-234	1177	Screw	35-42	110436	Spring
33-3	1158	Screw	33-238	1179	Screw	35-47	125246	Spring
33-4	1263	Screw	33-240	86850	Screw	35-52	4702	Spring
33-5	1159	Screw	33-252	125189	Screw	35-53	125248	Spring
33-6	1160	Screw	33-253	125190	Screw	35-54	112633	Spring
33-7	1161	Screw	33-254	125191	Screw	35-58	3608	Spring
33-8	125109	Screw	33-255	125192	Screw	35-68	125250	Spring
33-9	125110	Screw	33-257	125193	Screw	35-69	125251	Spring
33-10	1162	Screw	33-270	87636	Screw	35-70	110437	Spring
33-11	1163	Screw	33-271	125195	Screw	35-71	125252	Spring
33-12	125111	Screw	33-276	125197	Screw	35-72	125253	Spring
33-13	5740	Screw	33-278	125199	Screw	35-78	125254	Spring
33-14	1164	Screw	33-280	125005	Screw	35-80	125255	Spring
33-15	125112	Screw	33-282	125200	Screw	35-85	125257	Spring
33-16	1165	Screw	33-283	125201	Screw	35-86	4703	Spring
33-17	1166	Screw	33-296	125205	Screw	35-87	4708	Spring
33-18	125113	Screw	33-333	125006	Screw	35-88	110438	Spring
33-21	112620	Screw	33-334	112622	Screw	35-89	112634	Spring
33-22	125114	Screw	33-335	112623	Screw	35-99	125258	Spring
33-29	125116	Screw	33-336	125206	Screw	35-116	125262	Spring
33-32	125117	Screw	33-337	112624	Screw	35-126	3610	Spring
33-35	1168	Screw	33-341	125209	Screw	35-132	125267	Spring
33-37	1169	Screw	33-344	125211	Screw	35-133	125268	Spring
33-38	125119	Screw	33-346	125212	Screw	35-134	4705	Spring
33-39	1222	Screw	33-348	125213	Screw	35-137	112635	Spring
33-41	125120	Screw	33-350	125215	Screw	*35-140	112636	Spring
33-43	125122	Screw	33-360	1181	Screw	36-24	125272	Pin
33-49	1170	Screw	33-362	125217	Screw	36-28	125273	Pin
33-50	125124	Screw	34-1	125218	Nut	36-39	125276	Pin
33-53	1171	Screw	34-2	3595	Nut	36-45	125277	Pin
33-54	1172	Screw	34-4	112626	Nut	36-51	125278	Pin
33-57	125126	Screw	34-5	5475	Nut	36-56	3614	Pin
33-58	125127	Screw	34-6	3597	Nut	36-73	125280	Pin
33-63	125130	Screw	34-7	70073	Nut	36-80	125281	Pin
33-64	1173	Screw	34-8	3598	Nut	36-110	125288	Pin
33-65	125131	Screw	34-9	3599	Nut	36-114	125290	Pin
33-69	1223	Screw	34-10	125220	Nut	36-120	125269	Pin
33-70	125132	Screw	34-11	112627	Nut	*36-131	125092	Dowel
33-85	125138	Screw	*34-12	55257	Nut	36-132	125292	Pin
33-86	125139	Screw	34-13	125221	Nut	36-137	3614	Pin
33-89	125141	Screw	34-14	5815	Nut	36-147	125296	Pin
33-98	125142	Screw	34-16	125222	Nut	36-150	125297	Pin
33-101	125143	Screw	34-19	125223	Nut	36-153	110440	Pin
33-110	110434	Screw	34-24	125224	Nut	36-164	125300	Pin
33-111	49054	Screw	34-25	3600	Nut	43-10	125306	Stop
33-114	125146	Screw	34-27	125225	Nut	*43-12	71047	Washer
33-130	125149	Screw	34-28	3602	Nut	46-3	125307	Washer
33-132	125001	Screw	34-29	3603	Nut	61-7	3618	Insulator
33-153	125154	Screw	34-39	125227	Nut	61-10	125314	Screw
33-156	1162	Screw	34-41	125228	Nut	61-24	125010	Washer
33-157	1174	Screw	34-48	125229	Nut	61-25	125317	Insulator
33-158	125155	Screw	34-50	3604	Nut	100-74	5816	Washer
33-163	125157	Screw	*34-51	1036	Nut	100-75	3620	Washer
33-168	125159	Screw	34-55	3606	Nut	100-80	125328	Bushing
33-170	112621	Screw	34-56	110435	Nut	100-84	125330	Screw
33-179	125002	Screw	34-58	125231	Nut	100-85	3621	Terminal
33-180	125162	Screw	34-59	125009	Nut	100-96	110441	Shim
33-185	125163	Screw	34-61	125233	Nut	100-108	3624	Washer
33-193	125164	Screw	34-64	112628	Nut	100-112	125339	Terminal
33-194	125165	Screw	34-66	125235	Nut	100-120	125341	Bushing
33-195	1176	Screw	35-1	112629	Spring	103-27	125011	Washer
33-197	125167	Screw	35-2	112630	Spring	112-7	125373	Screw
33-198	125168	Screw	35-8	112631	Spring	122-5	125379	Post
33-206	125003	Screw	35-13	125236	Spring	122-11	125380	Chute
33-207	125170	Screw	35-24	125239	Spring	122-12	125381	Stud
33-208	125171	Screw	35-27	125241	Spring	122-18	125382	Cable
33-213	125176	Screw	35-28	125242	Spring	S-122-19	125383	Bracket
						S-122-20	125384	Bracket
						S-122-21	125385	Bracket

\*Indicates change

Old No.	New No.	Description	Old No.	New No.	Description	Old No.	New No.	Description
S-122-22	125386	Bracket	122-194	125463	Disk	122-511	125594	Guide Assem.
S-122-23	125387	Bracket	122-195	125464	Disk	122-528	125596	Key Lever Assem.
S-122-24	125388	Bracket	122-196	125465	Bezel	122-529	125597	Key Lever Assem.
122-25	125389	Bracket	S-122-234	3627	Bar	122-530	125598	Key Lever Assem.
122-26	125390	Washer	122-242	125467	Lever Assem.	122-531	125599	Key Lever Assem.
122-27	125391	Shaft	122-244	125468	Post	122-532	125600	Key Lever Assem.
122-28	125392	Stop	122-245	125469	Pawl	122-533	125601	Key Lever Assem.
122-29	125393	Pin	122-246	125470	Post	122-534	125602	Key Lever Assem.
122-35	125394	Plate	122-247	125471	Disk Assem.	122-535	125603	Key Lever Assem.
122-36	125395	Pin	122-249	125472	Stud	122-536	125604	Key Lever Assem.
S-122-37	125396	Guide	122-259	125479	Disk	122-537	125605	Key Lever Assem.
S-122-38	125397	Bar	122-275	125481	Bracket	122-538	125606	Key Lever Assem.
S-122-39	3625	Shaft	122-276	125013	Plate	122-539	125607	Key Lever Assem.
S-122-40	125398	Bracket	122-350	125487	Tape Reel	122-540	125608	Key Lever Assem.
122-42	125400	Gear	122-357	125488	Spacer	122-541	125609	Key Lever Assem.
122-43	125401	Gear	122-359	125490	Ratchet	122-542	125610	Key Lever Assem.
122-46	125402	Post	122-364	125492	Bracket	122-543	125611	Key Lever Assem.
122-48	125012	Socket	122-365	125493	Punch Pin	122-544	125612	Key Lever Assem.
122-49	125403	Fitting	122-366	125494	Punch Pin	122-545	125613	Key Lever Assem.
122-50	125404	Lamp	122-369	125495	Guide Plate	122-546	125614	Key Lever Assem.
122-51	125405	Bell Crank	122-374	125499	Punch Bar	122-547	125615	Key Lever Assem.
122-52	125406	Bell Crank	122-375	125500	Punch Bar	122-548	125616	Key Lever Assem.
122-53	125407	Bell Crank	122-376	125501	Punch Bar	122-549	125617	Key Lever Assem.
122-54	125408	Bell Crank	122-377	125502	Punch Bar	122-550	125618	Key Lever Assem.
122-55	125409	Bell Crank	122-378	125503	Punch Bar	122-551	125619	Key Lever Assem.
122-56	125410	Bushing	122-380	125504	Lever	122-552	125620	Key Lever Assem.
122-57	125411	Bushing	122-381	125505	Contact	122-553	125621	Key Lever Assem.
122-58	125412	Stud	122-382	125506	Bail	122-554	125622	Key Lever Assem.
122-60	125413	Ratchet	122-383	125507	Key Lever	122-555	125623	Key Lever Assem.
122-61	125414	Post	122-384	125640	Die Block	122-556	125624	Key Lever Assem.
122-62	125415	Pin	122-386	125508	Bail Assem.	122-557	125198	Key Lever Assem.
122-63	125416	Post	122-389	125511	Pawl Assem.	122-558	125625	Key Lever Assem.
122-65	125417	Stud	122-390	125512	Contact Assem.	122-559	125626	Key Lever Assem.
122-67	125418	Post	122-396	125514	Hammer Assem.	122-567	125631	Hammer Assem.
122-68	3626	Foot	122-431	125548	Paper Keytop	122-571	125633	Guide Plate
S-122-69	125419	Stop	122-432	125549	Paper Keytop	122-575	111019	Block
122-84	125421	Pin	122-433	125550	Paper Keytop	122-576	125636	Plate Assem.
122-86	125422	Pin	122-434	125551	Paper Keytop	122-577	125637	Ratchet Assem.
122-88	125423	Solenoid Assem.	122-435	125552	Paper Keytop	122-580	125638	Paper Keytop
122-89	125424	Bracket	122-438	125555	Head	122-581	125639	Paper Keytop
122-94	125425	Terminal Brd.	122-451	125560	Lever Assem.	122-582	125640	Paper Keytop
122-95	125426	Insulator	122-452	125561	Lever Assem.	122-586	125642	Bracket Assem.
122-97	125427	Bushing	122-453	125562	Cable Assem.	122-589	125643	Washer
122-100	125428	Plate	122-454	125563	Cable	122-592	125645	Guide
122-101	125429	Head	122-459	125565	Paper Keytop	122-593	125646	Plate
122-102	125430	Post	122-460	125566	Paper Keytop	122-594	125647	Plate
122-106	125431	Bracket Assem.	122-461	125567	Paper Keytop	122-596	125648	Key Lever
122-107	125433	Bracket	122-462	125568	Paper Keytop	122-597	125649	Key Lever
122-108	125434	Bushing	122-463	125569	Paper Keytop	122-598	125650	Key Lever
122-113	9575	Screw	122-464	125570	Paper Keytop	122-599	125651	Key Lever
122-116	125438	Lever Assem.	122-465	125571	Paper Keytop	122-600	125652	Key Lever
122-117	125439	Lever	122-466	125572	Paper Keytop	122-601	125653	Key Lever
122-118	125440	Terminal	122-467	125573	Paper Keytop	122-602	125654	Key Lever
122-119	125441	Contact Assem.	122-468	125574	Paper Keytop	122-603	125655	Key Lever
122-121	125443	Contact	122-469	125575	Paper Keytop	122-604	125656	Key Lever
122-124	125444	Spring	122-470	125576	Paper Keytop	122-605	125657	Key Lever
122-126	125445	Insulator	122-471	125577	Paper Keytop	122-606	125658	Key Lever
122-127	125446	Stud	122-472	125578	Paper Keytop	122-607	125659	Key Lever
122-128	125447	Bracket Assem.	122-473	125579	Paper Keytop	122-608	125660	Key Lever
122-129	125448	Bracket	122-474	125580	Paper Keytop	122-609	125661	Key Lever
S-122-130	125449	Lever Assem.	122-475	125581	Paper Keytop	122-610	125662	Key Lever
122-133	125450	Post	122-476	125582	Paper Keytop	122-611	125663	Key Lever
S-122-134	125451	Bell Crank	122-477	125583	Paper Keytop	122-612	125664	Key Lever
122-135	125452	Washer	122-478	125584	Paper Keytop	122-613	125665	Key Lever
S-122-136	125453	Bracket	122-479	125585	Paper Keytop	122-614	125666	Key Lever
122-137	125454	Gear Assem.	122-480	125586	Paper Keytop	122-615	125667	Key Lever
122-140	125456	Stud	122-481	125587	Paper Keytop	122-616	125668	Key Lever
122-143	125457	Connector	122-482	125588	Paper Keytop	122-617	125669	Key Lever
122-146	125458	Bearing	122-483	125589	Paper Keytop	122-618	125670	Key Lever
122-147	125459	Bushing	122-484	125590	Paper Keytop	122-619	125671	Key Lever

Old No.	New No.	Description	Old No.	New No.	Description	Old No.	New No.	Description
122-620	125672	Key Lever	138-44	126243	Gauge	400-3	125903	Brush
122-621	125673	Key Lever	138-55	110443	Scale	400-218	125914	Terminal
122-622	125674	Key Lever	138-58	110444	Scale	500-205	125935	Spring
122-623	125675	Key Lever	138-100	88993	Burnisher	700-55	125947	Screw
122-624	125676	Key Lever	138-125	126245	Gauge	700-59	125948	Screw
122-625	125677	Key Lever	138-126	126246	Gauge	700-71	3650	Washer
122-626	125678	Key Lever	138-127	125775	Wrench	W-1238	126234	Pin
122-697	125683	Bushing	138-128	125776	Wrench	* 55083-1	126096	"T" Bar
122-698	125684	Lever Assem.	138-129	125777	Wrench	* 55083-2	126097	"T" Bar
122-699	125685	Stud	138-137	110445	Tool	* 55083-3	126098	"T" Bar
122-700	125686	Lever Assem.	138-139	125783	Stone	* 55083-4	126099	"T" Bar
122-702	125687	Bushing	200-20	3639	Washer	* 55083-5	126100	"T" Bar
122-703	125688	Bracket Assem.	200-153	3640	Washer	* 55083-6	126101	"T" Bar
122-704	125689	Paper Keytop	200-214	125789	Shim	* 55083-7	126102	"T" Bar
122-705	125690	Paper Keytop	200-1032	3646	Washer	* 55083-8	126103	"T" Bar
122-706	125691	Paper Keytop	200-1134	125793	Pin	* 55083-9	126104	"T" Bar
122-707	125692	Paper Keytop	200-1139	3647	Insulator	* 55083-10	126105	"T" Bar
122-708	125693	Paper Keytop	200-1177	126251	Insulator	* 55083-11	126106	"T" Bar
122-709	125694	Paper Keytop	200-1348	125801	Washer	* 55083-12	126107	"T" Bar
122-710	125695	Paper Keytop	200-2212	3649	Washer	* 55083-13	126108	"T" Bar
123-7	3628	Bushing	300-106	125814	Guide	* 55083-14	126109	"T" Bar
123-8	71444	Bushing	300-107	125815	Contact Assem.	* 55083-15	126110	"T" Bar
123-36	3630	Bushing	300-108	125816	Mounting Bar	* 55083-16	126111	"T" Bar
123-37	125696	Post	300-109	125817	Mounting Bar	* 55083-17	126112	"T" Bar
123-164	3633	Bushing	300-110	125818	Insulator	* 55083-18	126113	"T" Bar
123-165	3634	Bushing	300-113	125820	Disk	* 55083-20	126114	"T" Bar
123-166	3635	Washer	300-121	125828	Shaft	* 55083-21	126115	"T" Bar
123-167	3636	Washer	300-128	125829	Lever	55084-A2	126156	Bar
123-244	125015	Washer	300-137	125833	Lever Guide	55084-A4	126157	Bar
123-308	125703	Terminal	300-152	125844	Adj. Lever	55084-A6	126158	Bar
125-9	3638	Condenser	300-170	125848	Cont. Lever	55084-A8	126159	Bar
125-176	125716	Switch Box	300-171	125849	Cont. Lever	55084-A10	126160	Bar
125-197	125097	Nipple	300-172	125850	Cont. Lever	55084-A12	126161	Bar
125-198	125098	Nut	300-173	125851	Cont. Lever	55084-A14	126162	Bar
125-208	125719	Nipple	300-174	125852	Cont. Lever	55084-A16	126163	Bar
125-209	125720	Nut	300-178	125855	Terminal	55084-A18	126164	Bar
125-237	125723	Fuse	300-179	125856	Terminal Block	55084-A20	126165	Bar
125-238	125724	Fuse	300-181	125858	Feed Pawl	55084-B1	126166	Bar
126-123	125016	Grommet	300-201	125860	End Bracket	55084-B3	126167	Bar
138-22	110442	Screw Driver	300-301	5556	Top Plate	55084-B5	126168	Bar
138-23	125752	Wrench	300-302	125861	Feed Wheel	55084-B7	126169	Bar
138-25	125754	Wrench	* 300-303	125862	Bearing	55084-B9	126170	Bar
138-26	125755	Wrench	300-312	125867	Bracket	55084-B11	126171	Bar
138-27	125756	Wrench	300-314	125868	Detent Assem.	55084-B13	126172	Bar
138-28	125757	Wrench	300-319	125871	Bracket	55084-B15	126173	Bar
138-30	125758	File	300-320	125872	Shaft	55084-B17	126174	Bar
138-33	125760	Wrench	300-322	125873	Latch			
138-34	125761	Wrench	300-400	125874	End Bracket			
138-36	125763	Wrench	300-506	4707	Washer			
138-43	126242	Gauge	300-510	125882	Terminal			

\*Indicates change

NEW TO OLD NUMBER CONVERSION LIST

New No.	Old No.	New No.	Old No.	New No.	Old No.	New No.	Old No.
*1036	34-51	9575	122-113	125138	33-85	125258	35-99
1157	33-1	49054	33-111	125139	33-86	125262	35-116
1158	33-3	*55257	34-12	125141	33-89	125267	35-132
1159	33-5	70073	34-7	125142	33-98	125268	35-133
1160	33-6	*71047	43-12	125143	33-101	125269	36-120
		71444	123-8				
1161	33-7	74879	4-8	125146	33-114	125272	36-24
1162	(33-10)	86850	33-240	125149	33-130	125273	36-28
	(33-156)	87636	33-270	125154	33-153	125276	36-39
1163	33-11	88993	138-100	125155	33-158	125277	36-45
1164	33-14	110434	33-110	125157	33-163	125278	36-51
1165	33-16	110435	34-56	125159	33-168	125280	36-73
1166	33-17	110436	35-42	125162	33-180	125281	36-80
1168	33-35	110437	35-70	125163	33-185	125288	36-110
1169	33-37	110438	35-88	125164	33-193	125290	36-114
1170	33-49	110440	36-153	125165	33-194	125292	36-132
1171	33-53	110441	100-96	125167	33-197	125296	36-147
1172	33-54	110442	138-22	125168	33-198	125297	36-150
1173	33-64	110443	138-55	125170	33-207	125300	36-164
1174	33-157	110444	138-58	125171	33-208	125306	43-10
1176	33-195	110445	138-137	125176	33-213	125307	46-3
1177	33-234	111019	122-575	125178	33-224	125314	61-10
1179	33-238	112620	33-21	125179	33-225	125317	61-25
1181	33-360	112621	33-170	125180	33-227	125328	100-80
1222	33-39	112622	33-334	125189	33-252	125330	100-84
1223	33-69	112623	33-335	125190	33-253	125339	100-112
1263	33-4	112624	33-337	125191	33-254	125341	100-120
3595	34-2	112626	34-4	125192	33-255	125373	112-7
3597	34-6	112627	34-11	125193	33-257	125379	122-5
3598	34-8	112628	34-64	125195	33-271	125380	122-11
3599	34-9	112629	35-1	125197	33-276	125381	122-12
3600	34-25	112630	35-2	125198	122-557	125382	122-18
3602	34-28	112631	35-8	125199	33-278	125383	S-122-19
3603	34-29	112632	35-33	125200	33-282	125384	S-122-20
3604	34-50	112633	35-54	125201	33-283	125385	S-122-21
3606	34-55	112634	35-89	125205	33-296	125386	S-122-22
3608	35-58	112635	35-137	125206	33-336	125387	S-122-23
3610	35-126	*112636	35-140	125209	33-341	125388	S-122-24
3614	(36-56)	112640	122-384	125211	33-344	125389	122-25
	(36-137)	125001	33-132	125212	33-346	125390	122-26
		125002	33-179	125213	33-348	125391	122-27
		125003	33-206				
3618	61-7	125005	33-280	125215	33-350	125392	122-28
3620	100-75	125006	33-333	125217	33-362	125393	122-29
3621	100-85	125009	34-59	125218	34-1	125394	122-35
3624	100-108	125010	61-24	125220	34-10	125395	122-36
3625	S-122-39	125011	103-27	125221	34-13	125396	S-122-37
3626	122-68	125012	122-48	125222	34-16	125397	S-122-38
3627	S-122-234	125013	122-276	125223	34-19	125398	S-122-40
3628	123-7	125015	123-244	125224	34-24	125400	122-42
3630	123-36	125016	126-123	125225	34-27	125401	122-43
3633	123-164	*125092	36-131	125227	34-39	125402	122-46
		125097	125-197				
3634	123-165	125098	125-198	125228	34-41	125403	122-49
3635	123-166	125105	23-8	125229	34-48	125404	122-50
3636	123-167	125108	33-2	125231	34-58	125405	122-51
3638	125-9	125109	33-8	125233	34-61	125406	122-52
3639	200-20	125110	33-9	125235	34-66	125407	122-53
3640	200-153	125111	33-12	125236	35-13	125408	122-54
3646	200-1032	125112	33-15	125239	35-24	125409	122-55
3647	200-1139	125113	33-18	125241	35-27	125410	122-56
3649	200-2212	125114	33-22	125242	35-28	125411	122-57
3650	700-71	125116	33-29	125243	35-34	125412	122-58
4702	35-52	125117	33-32	125244	35-40	125413	122-60
4703	35-86	125119	33-38	125246	35-47	125414	122-61
4705	35-134	125120	33-41	125248	35-53	125415	122-62
4707	300-506	125122	33-43	125250	35-68	125416	122-63
4708	35-87	125124	33-50	125251	35-69	125417	122-65
5475	34-5	125126	33-57	125252	35-71	125418	122-67
5556	300-301	125127	33-58	125253	35-72	125419	S-122-69
5740	33-13	125130	33-63	125254	35-78	125421	122-84
5815	34-14	125131	33-65	125255	35-80	125422	122-86
5816	100-74	125132	33-70	125257	35-85	125423	122-88

\*Indicates change

New No.	Old No.	New No.	Old No.	New No.	Old No.	New No.	Old No.
125424	122-89	125566	122-460	125651	122-599	125833	300-137
125425	122-94	125567	122-461	125652	122-600	125844	300-152
125426	122-95	125568	122-462	125653	122-601	125848	300-170
125427	122-97	125569	122-463	125654	122-602	125849	300-171
125428	122-100	125570	122-464	125655	122-603	125850	300-172
125429	122-101	125571	122-465	125656	122-604	125851	300-173
125430	122-102	125572	122-466	125657	122-605	125852	300-174
125431	122-106	125573	122-467	125658	122-606	125855	300-178
125433	122-107	125574	122-468	125659	122-607	125856	300-179
125434	122-108	125575	122-469	125660	122-608	125858	300-181
125438	122-116	125576	122-470	125661	122-609	125860	300-201
125439	122-117	125577	122-471	125662	122-610	125861	300-302
125440	122-118	125578	122-472	125663	122-611	125862	300-303
125441	122-119	125579	122-473	125664	122-612	125867	300-312
125443	122-121	125580	122-474	125665	122-613	125868	300-314
125444	122-124	125581	122-475	125666	122-614	125871	300-319
125445	122-126	125582	122-476	125667	122-615	125872	300-320
125446	122-127	125583	122-477	125668	122-616	125873	300-322
125447	122-128	125584	122-478	125669	122-617	125874	300-400
125448	122-129	125585	122-479	125670	122-618	125882	300-510
125449	S-122-130	125586	122-480	125671	122-619	125903	400-3
125450	122-133	125587	122-481	125672	122-620	125914	400-218
125451	S-122-134	125588	122-482	125673	122-621	125935	500-205
125452	122-135	125589	122-483	125674	122-622	125947	700-55
125453	S-122-136	125590	122-484	125675	122-623	125948	700-59
125454	122-137	125594	122-511	125676	122-624	126096	55083-1
125456	122-140	125596	122-528	125677	122-625	126097	55083-2
125457	122-143	125597	122-529	125678	122-626	126098	55083-3
125458	122-146	125598	122-530	125683	122-697	126099	55083-4
125459	122-147	125599	122-531	125684	122-698	126100	55083-5
125463	122-194	125600	122-532	125685	122-699	126101	55083-6
125464	122-195	125601	122-533	125686	122-700	126102	55083-7
125465	122-196	125602	122-534	125687	122-702	126103	55083-8
125467	122-242	125603	122-535	125688	122-703	126104	55083-9
125468	122-244	125604	122-536	125689	122-704	126105	55083-10
125469	122-245	125605	122-537	125690	122-705	126106	55083-11
125470	122-246	125606	122-538	125691	122-706	126107	55083-12
125471	122-247	125607	122-539	125692	122-707	126108	55083-13
125472	122-249	125608	122-540	125693	122-708	126109	55083-14
125479	122-259	125609	122-541	125694	122-709	126110	55083-15
125481	122-275	125610	122-542	125695	122-710	126111	55083-16
125487	122-350	125611	122-543	125696	123-37	126112	55083-17
125488	122-357	125612	122-544	125703	123-308	126113	55083-18
125490	122-359	125613	122-545	125716	125-176	126114	55083-20
125492	122-364	125614	122-546	125719	125-208	126115	55083-21
125493	122-365	125615	122-547	125720	125-209	126156	55084-A2
125494	122-366	125616	122-548	125723	125-237	126157	55084-A4
125495	122-369	125617	122-549	125724	125-238	126158	55084-A6
125499	122-374	125618	122-550	125752	138-23	126159	55084-A8
125500	122-375	125619	122-551	125754	138-25	126160	55084-A10
125501	122-376	125620	122-552	125755	138-26	126161	55084-A12
125502	122-377	125621	122-553	125756	138-27	126162	55084-A14
125503	122-378	125622	122-554	125757	138-28	126163	55084-A16
125504	122-380	125623	122-555	125758	138-30	126164	55084-A18
125505	122-381	125624	122-556	125760	138-33	126165	55084-A20
125506	122-382	125625	122-558	125761	138-34	126166	55084-B1
125507	122-383	125626	122-559	125763	138-36	126167	55084-B3
125508	122-386	125631	122-567	125775	138-127	126168	55084-B5
125511	122-389	125633	122-571	125776	138-128	126169	55084-B7
125512	122-390	125636	122-576	125777	138-129	126170	55084-B9
125514	122-396	125637	122-577	125783	138-139	126171	55084-B11
125548	122-431	125638	122-580	125789	200-214	126172	55084-B13
125549	122-432	125639	122-581	125793	200-1134	126173	55084-B15
125550	122-433	125640	122-582	125802	200-1348	126174	55084-B17
125551	122-434	125642	122-586	125814	300-106	126234	W-1238
125552	122-435	125643	122-589	125815	300-107	126242	138-43
125555	122-438	125645	122-592	125816	300-108	126243	138-44
125560	122-451	125646	122-593	125817	300-109	126245	138-125
125561	122-452	125647	122-594	125818	300-110	126246	138-126
125562	122-453	125648	122-596	125820	300-113	126251	200-1177
125563	122-454	125649	122-597	125828	300-121		
125565	122-459	125650	122-598	125829	300-128		