

BULLETIN NO. 1072
ISSUE 2
JUNE, 1944

TELETYPE

PRINTING TELEGRAPH SYSTEMS

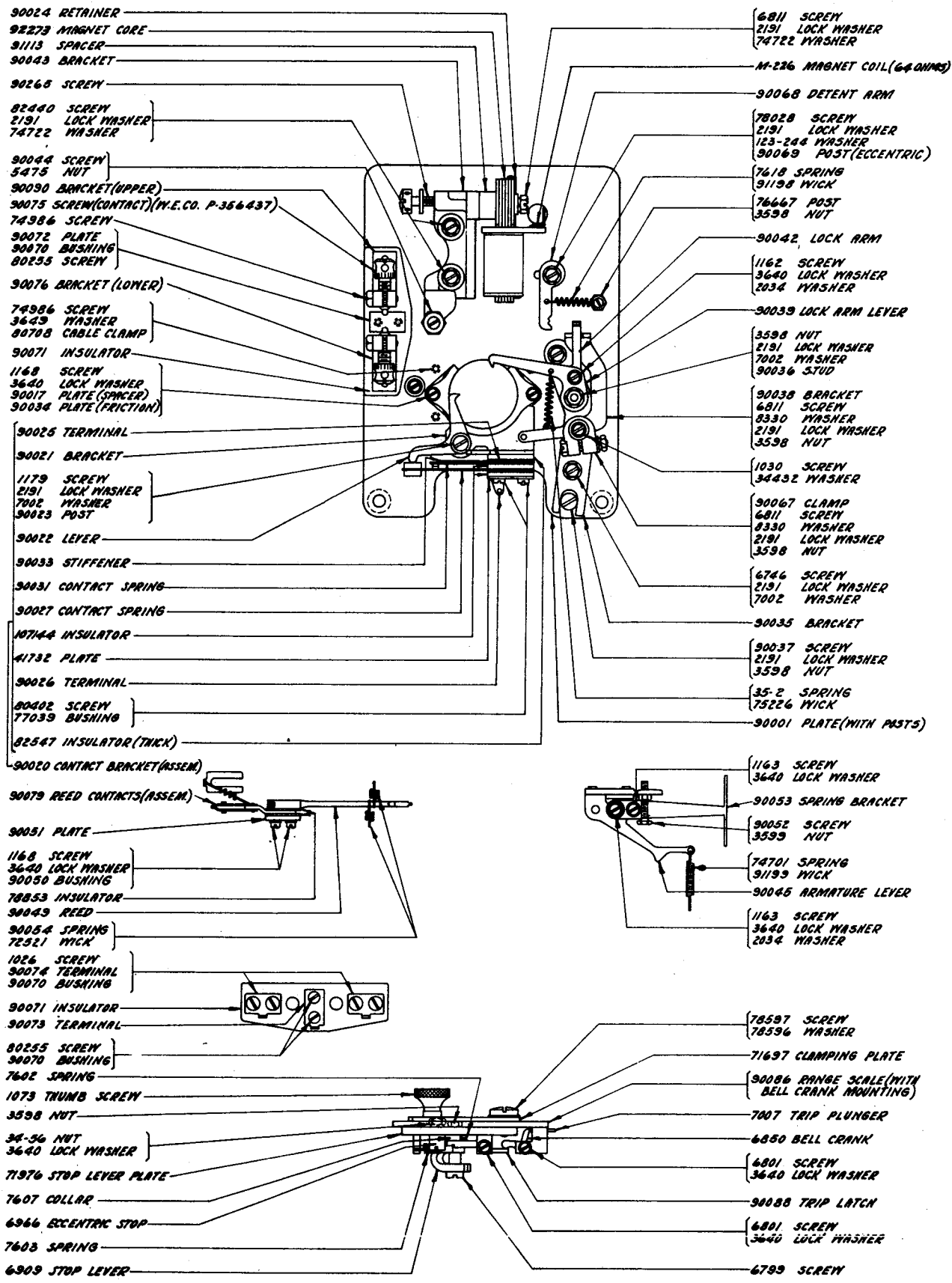
PARTS

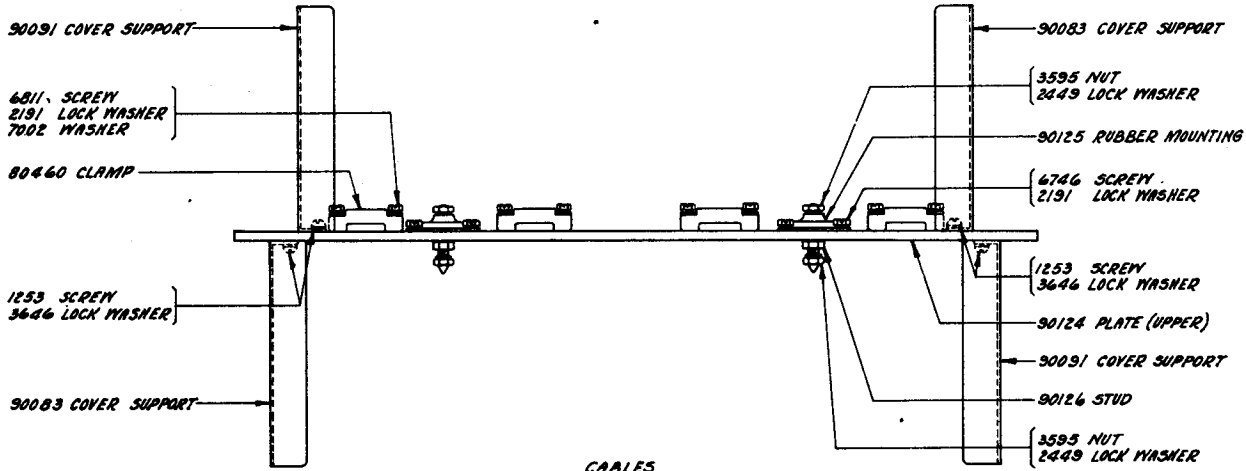
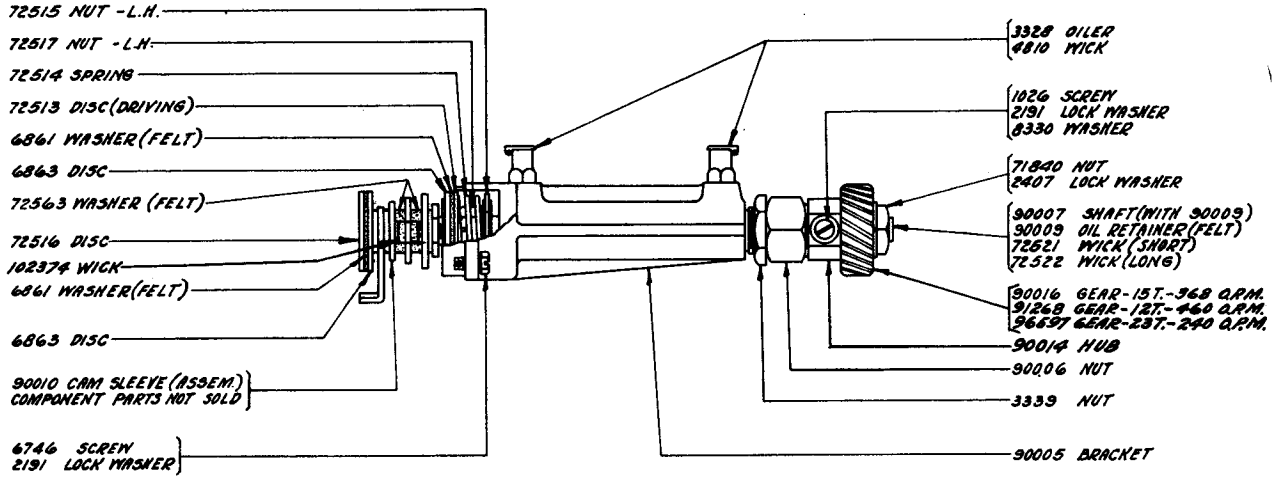
REGENERATOR UNIT AND PANEL



ALPHABETICAL INDEX

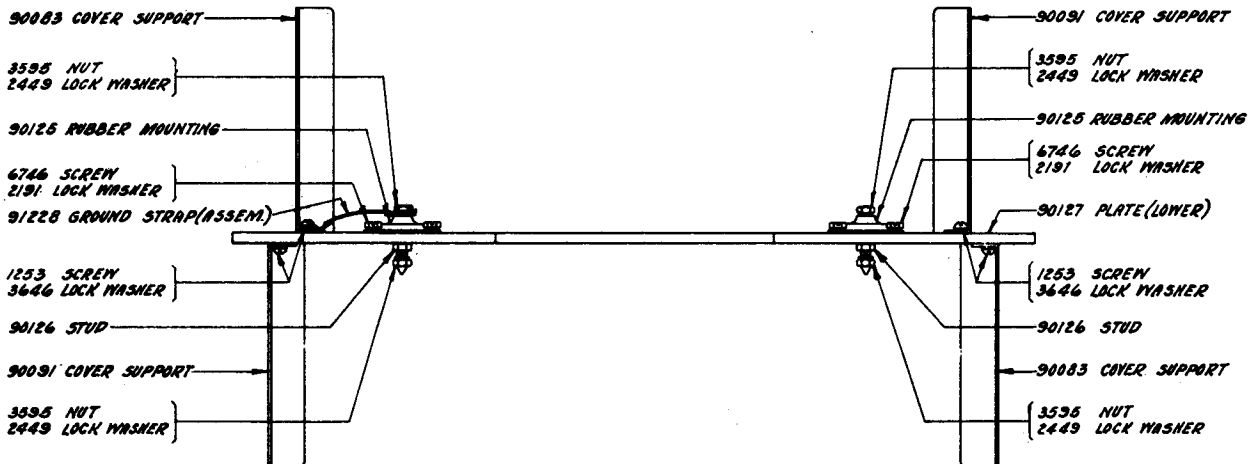
DESCRIPTION	PAGE NO.	DESCRIPTION	PAGE NO.
Armature Lever (Assem.) - - - - -	1	Motor Fan - - - - -	12
Ball Bearings (For Driving Shaft) - - - - -	4	Name Plates - - - - -	6,8,13
Bearing Bracket (Assem.) - - - - -	3	Numerical Index - - - - -	14
Cables - - - - -	2	Pad - Felt (Covers) - - - - -	5
Coils - - - - -	3	Panel Mounting Plate (Assem.) - - - - -	2
Condensers - - - - -	3,13	Pinions (For Motors) - - - - -	6,8,9,10
Covers - - - - -	5	Pin Plate - - - - -	3
Driving Shaft (Assem.) - - - - -	4	Range Finder (Assem.) - - - - -	1
Fuses - - - - -	4	Reed Contact (Assem.) - - - - -	1
Gear (For Main Shaft) - - - - -	2	Regenerator Panel (Assem.) - - - - -	3
Gears (For Driving Shaft) - - - - -	4	Regenerator Unit Plate (Assem.) - - - - -	1
Governor Brush Bracket (Assem.) - - - - -	11	Relay Holding Contact (Assem.) - - - - -	1
Governor Parts - - - - -	11,12	Resistors (Round Type) - - - - -	3,13
Guards - - - - -	3,4	Resistor Bracket (Assem.) - - - - -	13
Main Shaft (Assem.) - - - - -	2	Selector Magnet (Assem.) - - - - -	1
Motors - - - - -	6,7,8,9,10	Sending Contact Terminal (Assem.) - - - - -	1
Motor Control Relay - - - - -	3	Slip Connection (Assem.) - - - - -	3

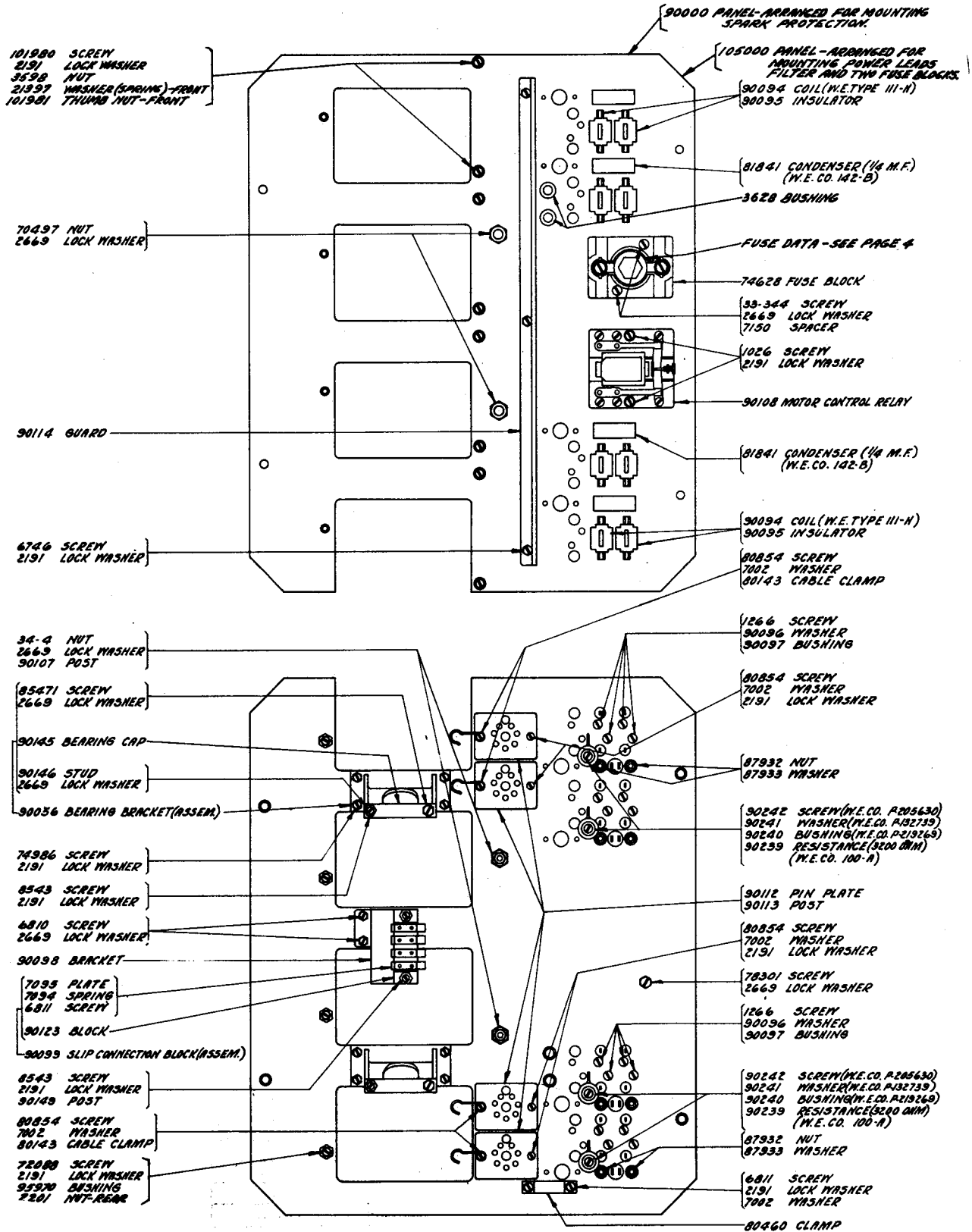


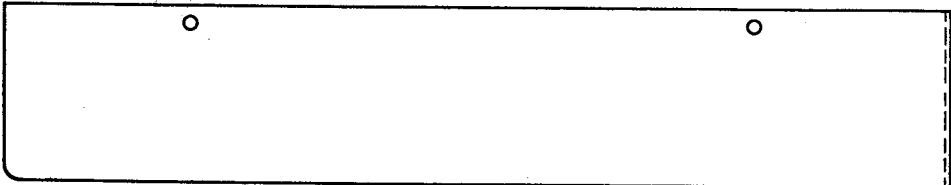
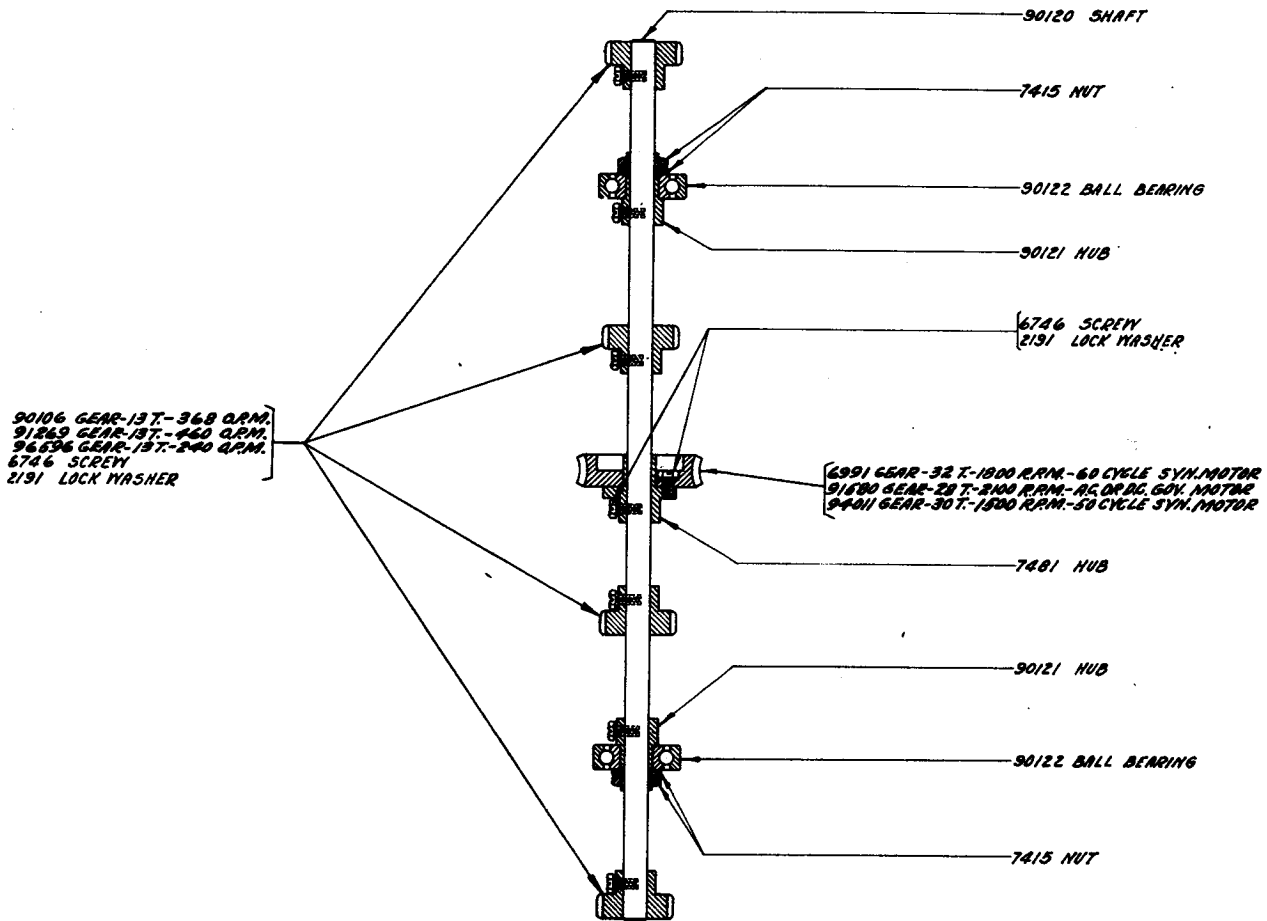


CABLES

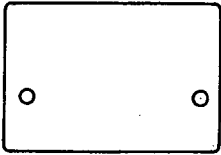
- 90127 REGENERATOR UNIT CABLE(WITH 90134 MULTIPLE PIN RECEPTACLE)
91015 POWER CABLE(WITH 72481 POLARIZED PLUS)
91016 REGENERATOR PANEL CABLE(WITH MOTOR CONTROL LEADS)
91017 REGENERATOR PANEL CABLE
- USED WITH 90000 PANEL
EQUIPPED WITH POWER RELAY
AND FUSE BLOCK ONLY.
- 91015 POWER CABLE(WITH 72481 POLARIZED PLUS)
104998 REGENERATOR PANEL CABLE(WITH MOTOR CONTROL LEADS)
104999 REGENERATOR PANEL CABLE
- USED WITH 105000 PANEL
EQUIPPED WITH POWER RELAY
AND FUSE BLOCK ONLY.
- 107111 POWER CABLE
107117 REGENERATOR PANEL CABLE
104999 REGENERATOR PANEL CABLE
- USED WITH 105000 PANEL
EQUIPPED WITH POWER FILTER,
AND TWO FUSE BLOCKS.







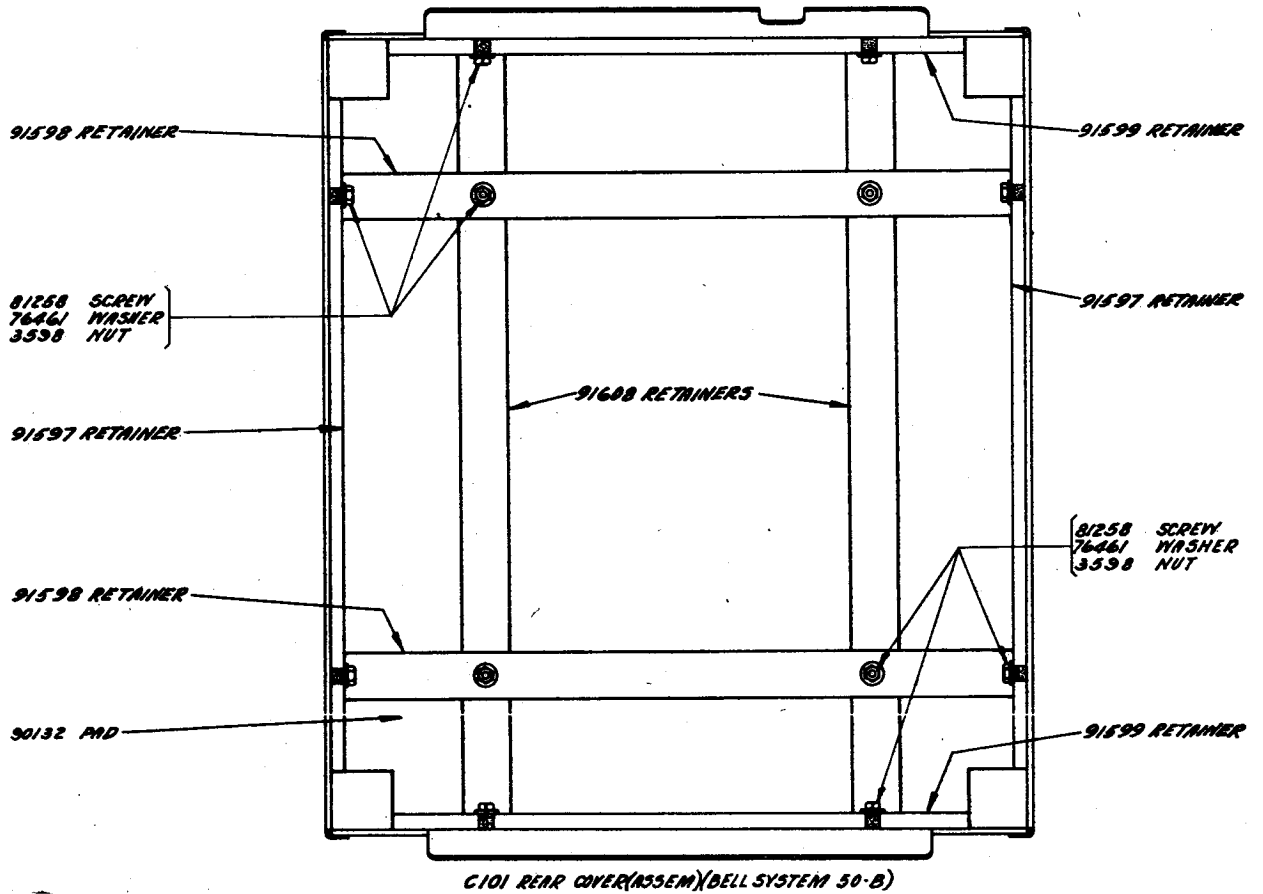
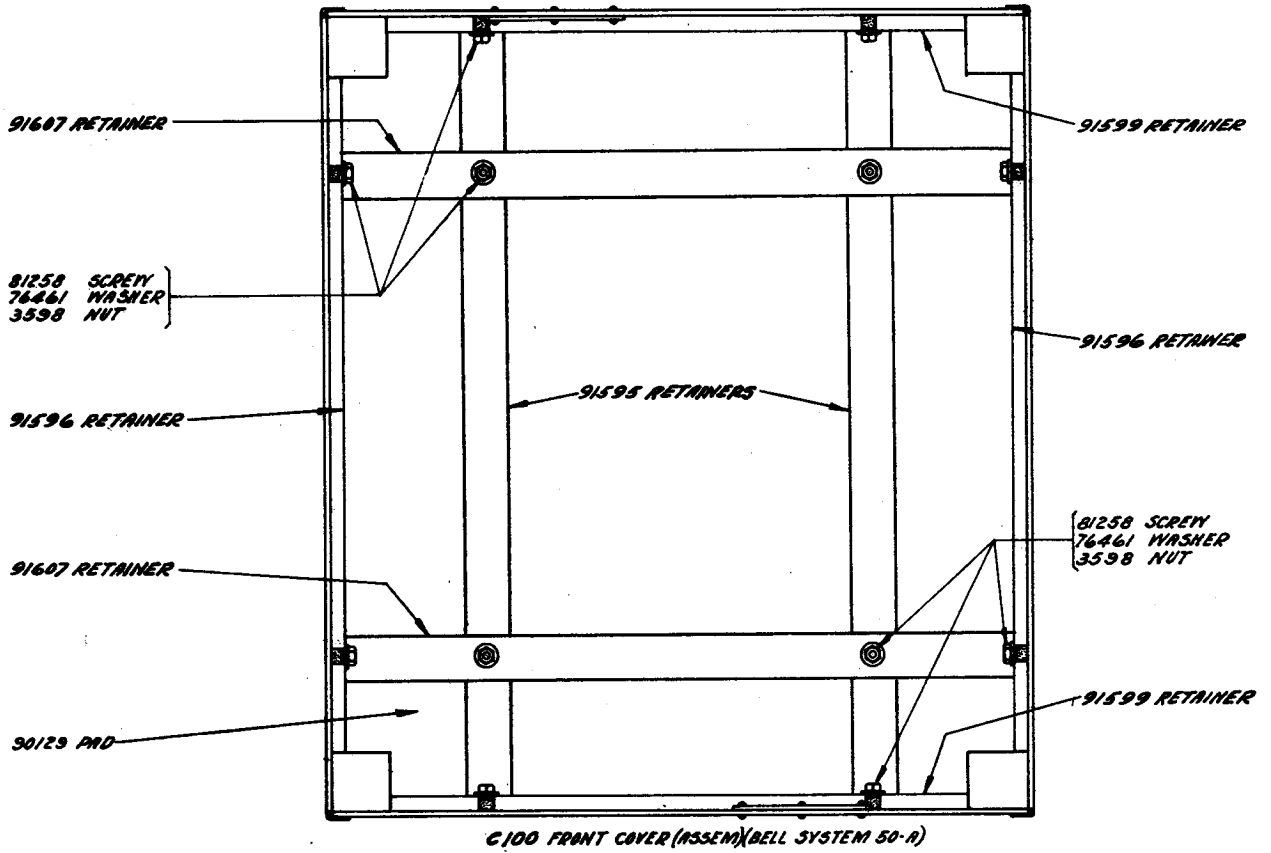
90115 GEAR GUARD

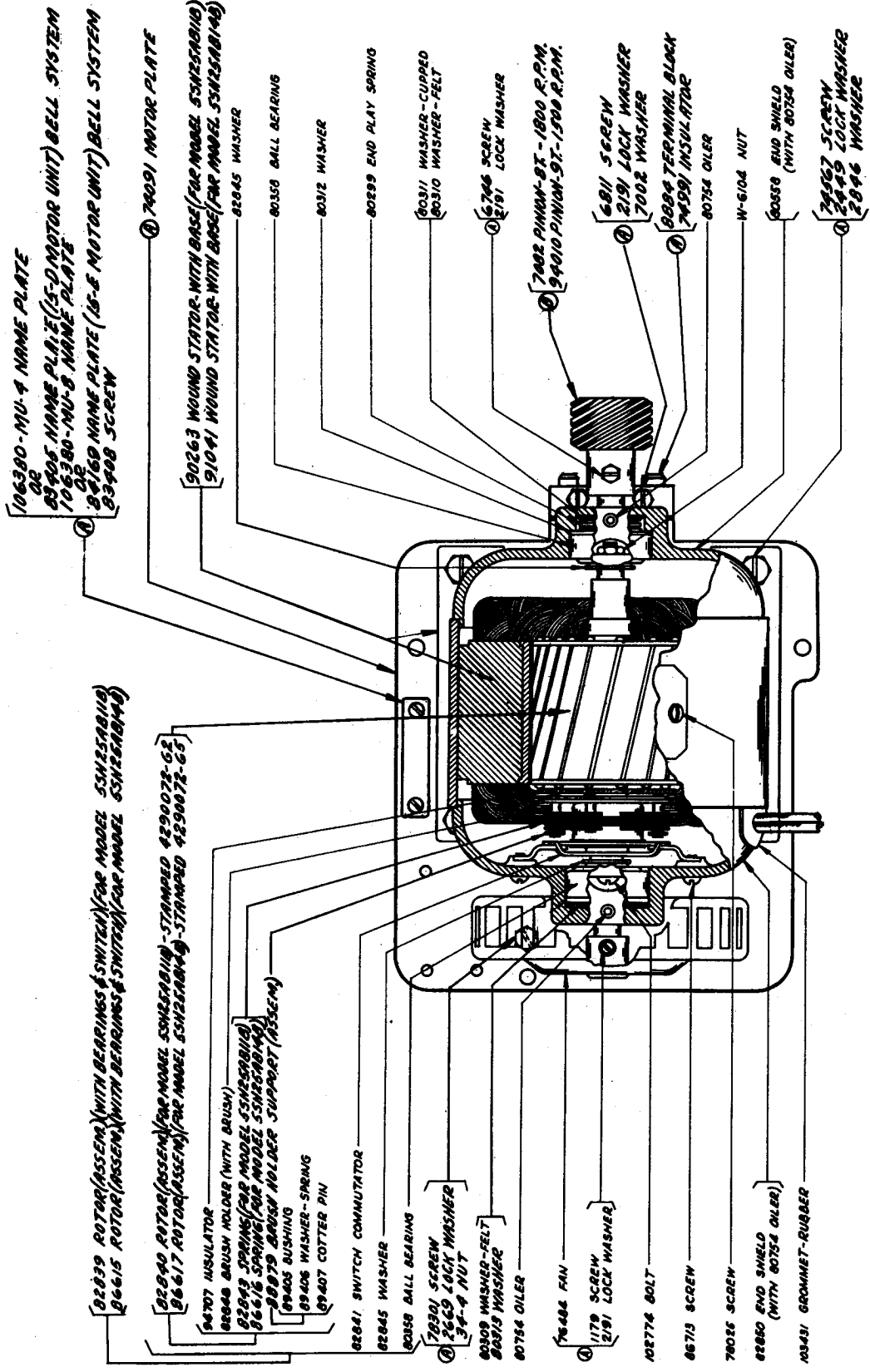


90148 GUARD

FUSE DATA				
TYPE OF MOTOR	AMPS.	FUSETRON	FUSETAT	ADAPTER
A.C. SYNCHRONOUS	3.2	103284	* 90109	* 91589
A.C. GOVERNED	1.25	103287	* 103384	* 110401
A.C. GOVERNED (TROPICAL)	1.6	*103286	—	—
D.C. GOVERNED	1.0	110404	* 91590	* 91590

* BELL SYSTEM STANDARD





NEW STYLE

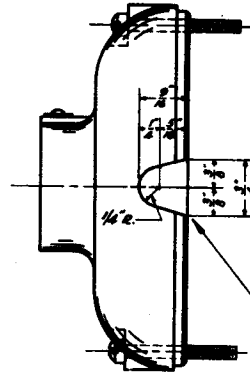
(SEE PAGE 7 FOR OLD STYLE)

82283 SYNCHRONOUS MOTOR, 1/40 H.P. 110 V., 60 CYCLE A.C. (G.E. MODEL 5SH25AB11B) - (EXCLUDES PARTS MARKED A AND B)

MU4 MOTOR UNIT (ASSEM.) INCLUDES 82283 MOTOR AND PARTS MARKED A (EXCLUDES PARTS MARKED B) (BELL SYSTEM 15 D)

82714 SYNCHRONOUS MOTOR, 1/40 H.P. 110 V., 50 CYCLE A.C. G.E. MODEL 5SH25AB14B - (EXCLUDES PARTS MARKED A AND B)

MU8 MOTOR UNIT (ASSEM.) INCLUDES 82714 MOTOR AND PARTS MARKED A (EXCLUDES PARTS MARKED B) (BELL SYSTEM 15 E)

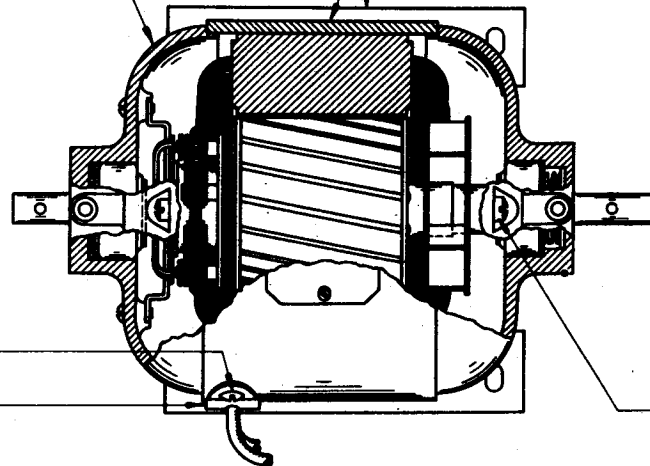


OLD STYLE 82850 END SHIELDS MAY BE WORKED OVER FOR USE WITH NEW STYLE MOTORS BY ADDING WIRE OUTLET HOLE AS ILLUSTRATED.

82850 END SHIELD - HAS BEEN REDESIGNED BUT RETAINS ITS ORIGINAL PART NUMBER. THE NEW STYLE END SHIELD (WITH WIRE OUTLET HOLE) CAN ALSO BE USED ON THE OLD STYLE MOTORS. THE OLD STYLE END SHIELD (WITHOUT WIRE OUTLET HOLE) CANNOT BE USED ON NEW STYLE MOTORS UNLESS IT BE WORKED OVER AS ILLUSTRATED ABOVE.

90263 WOUND STATOR (WITH BASE) - HAS BEEN REDESIGNED BUT RETAINS ITS ORIGINAL PART NUMBER. WHEN REPLACING AN OLD STYLE STATOR (WITH TAPPED HOLES FOR THE END SHIELD CLAMPING STUDS) WITH A NEW STYLE STATOR (WITH BODY HOLES FOR THE END SHIELD BOLTS) THE FOLLOWING NEW STYLE PARTS SHOULD BE ORDERED:

- 90263 WOUND STATOR (WITH BASE).....1
- 82850 END SHIELD.....1
- (OR WORK OVER OLD STYLE END SHIELD)
- 10343 GROMMET - RUBBER.....1
- 10274 BOLT.....2
- W-604 NUT.....2



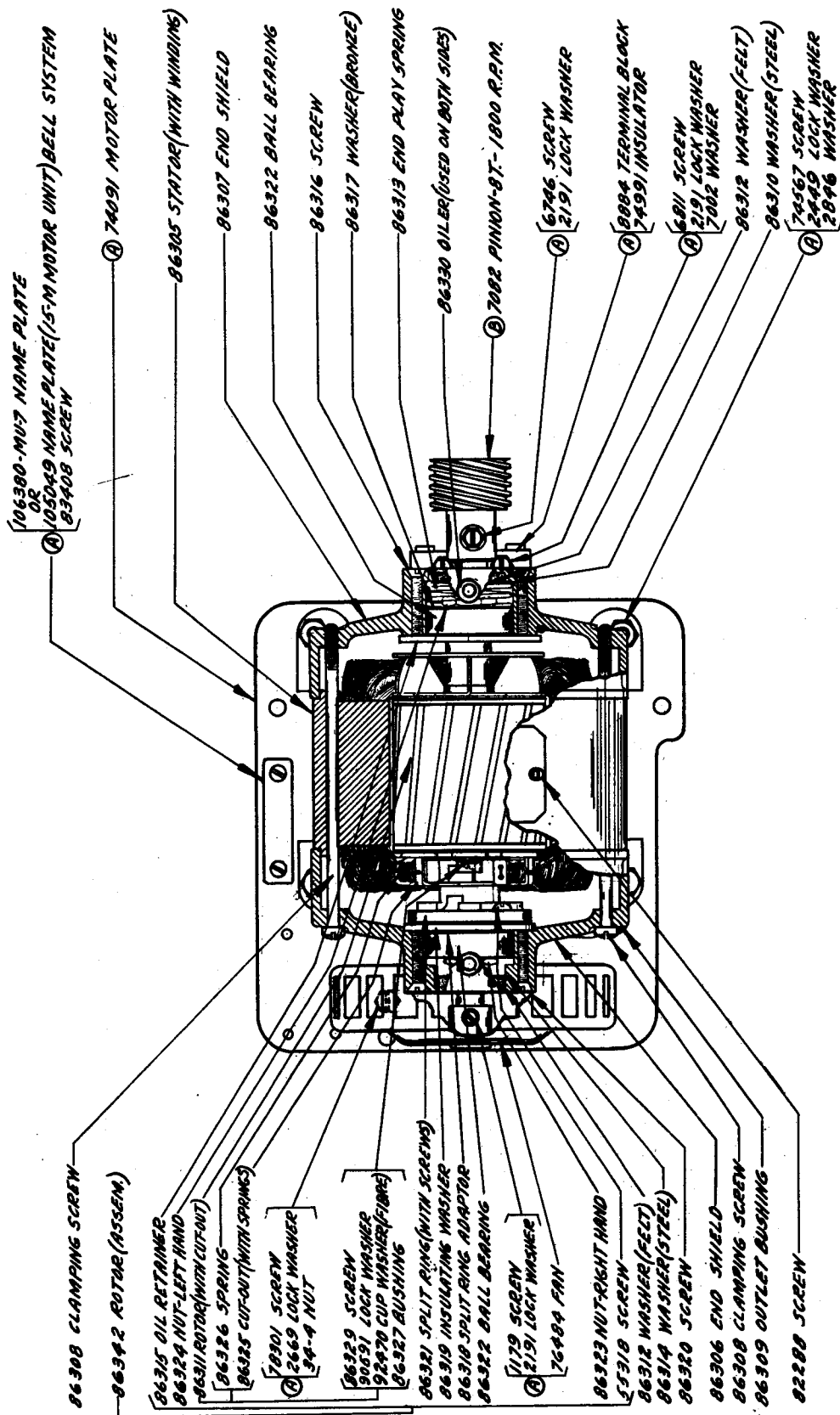
80351 SCREW

80307 OUTLET (WITH 80308 BUSHING - FIBRE)

80559 CLAMPING STUD

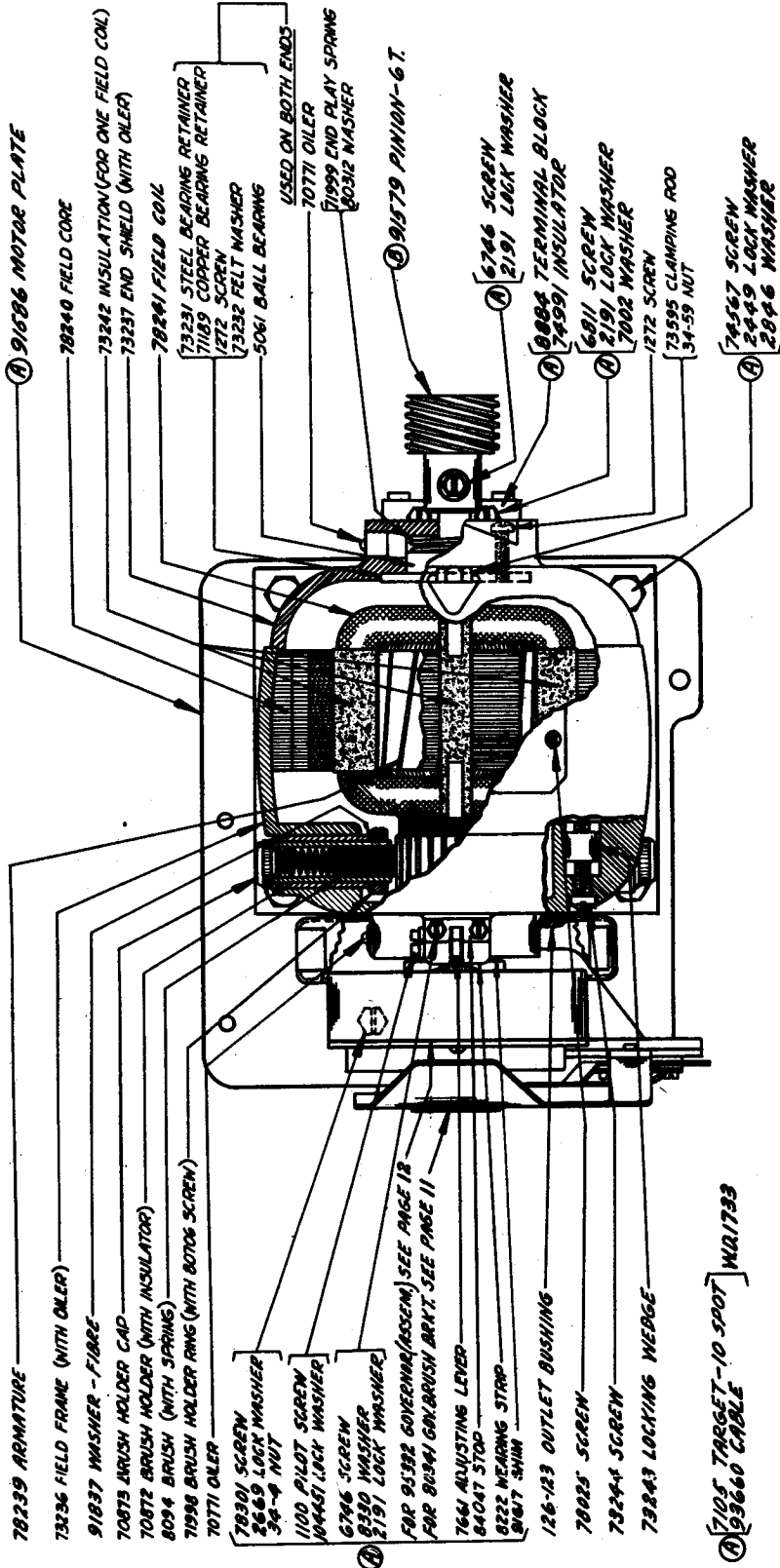
OLD STYLE

82283 SYNCHRONOUS MOTOR, 1/40 H.P., 110 V., 60 CYCLE A.C. (G.E. MODEL 5SH25AB11)
(PARTS NOT LISTED SAME AS ON NEW STYLE MOTOR, SHOWN ON PAGE 6)



- 106380-MU7 NAME PLATE
OR
105049 NAME PLATE (15-M MOTOR UNIT) BELL SYSTEM
83408 SCREW
- 74091 MOTOR PLATE
- 86305 STATOR (WITH WINDINGS)
- 86307 END SHIELD
- 86322 BALL BEARING
- 86316 SCREW
- 86317 WASHER (BRONZE)
- 86313 END PLAY SPRING
- 86330 OILER (USED ON BOTH SIDES)
- 7002 PINNION-8T-1800 R.P.M.
- 6746 SCREW
- 2191 LOCK WASHER
- 8884 TERMINAL BLOCK
- 4991 INSULATOR
- 6811 SCREW
- 2191 LOCK WASHER
- 7002 WASHER
- 86312 WASHER (FELT)
- 86310 WASHER (STEEL)
- 74557 SCREW
- 2449 LOCK WASHER
- 2846 WASHER
- 86308 CLAMPING SCREW
- 86342 ROTOR (ASSEM.)
- 86315 OIL RETAINER
- 86324 NUT-LEFT HAND
- 86311 ROTOR (WITH CUT-OUT)
- 86326 SPRING
- 86325 CUT-OUT (WITH SPRINGS)
- 78901 SCREW
- 2669 LOCK WASHER
- 34-A NUT
- 86329 SCREW
- 90591 LOCK WASHER
- 92470 CUP WASHER (FIBRE)
- 86327 BUSHING
- 86321 SPLIT RING (WITH SCREWS)
- 86319 INSULATING WASHER
- 86318 SPLIT RING ADAPTOR
- 86322 BALL BEARING
- 1179 SCREW
- 2191 LOCK WASHER
- 76484 FAN
- 86323 NUT-RIGHT HAND
- 55318 SCREW
- 86312 WASHER (FELT)
- 86314 WASHER (STEEL)
- 86320 SCREW
- 86306 END SHIELD
- 86308 CLAMPING SCREW
- 86309 OUTLET BUSHING
- 82288 SCREW

83799 SYNCHRONOUS MOTOR, 1/40 H.P. 110 V., 60 CYCLE A.C. (H.C. MODEL S-9005) - EXCLUDES PARTS MARKED (A) AND (B)
 MU 7 MOTOR UNIT (ASSEM.) INCLUDES 83799 MOTOR AND PARTS MARKED (A) EXCLUDES PARTS MARKED (B)
 (BELL SYSTEM 15 M)

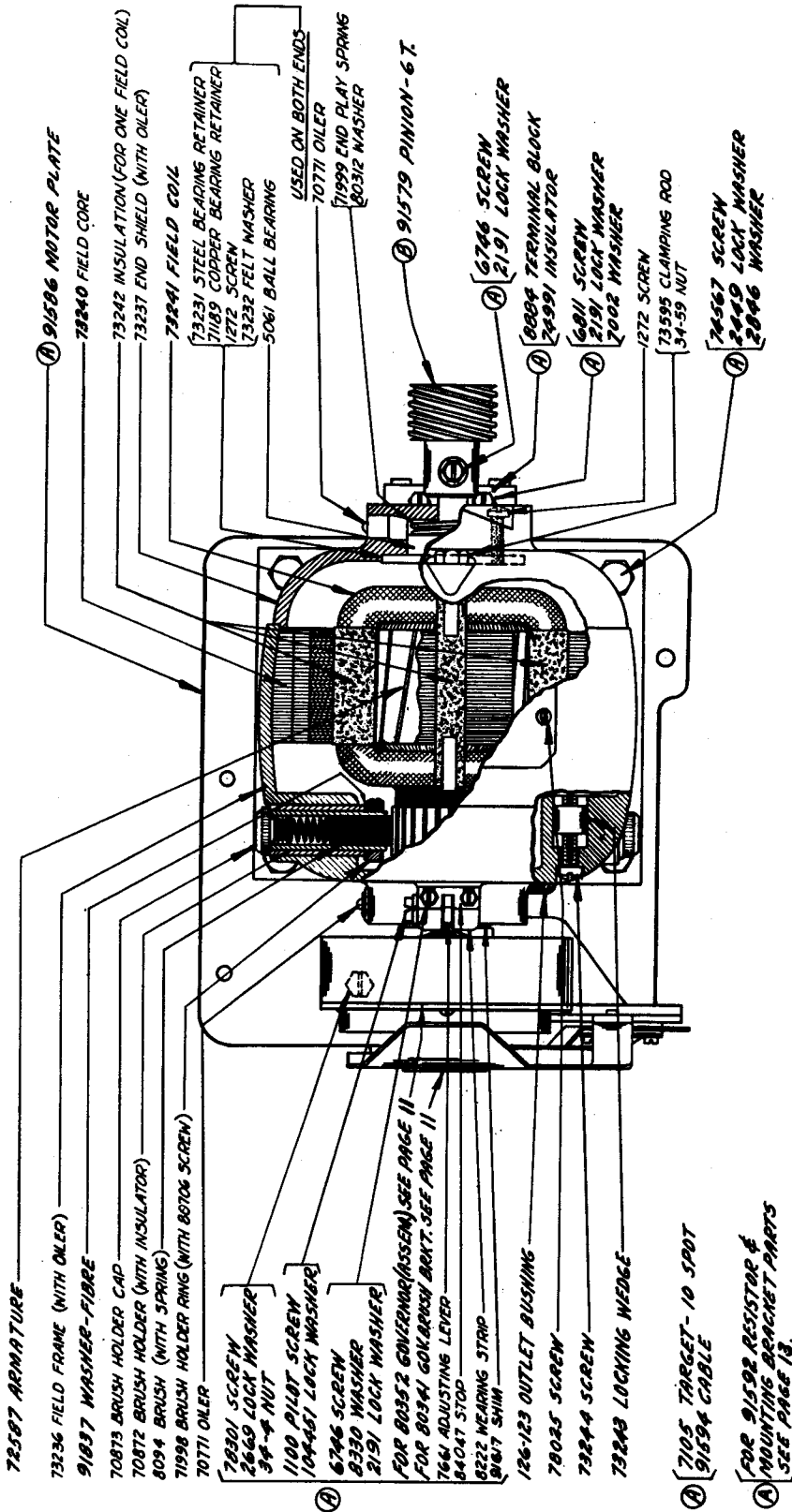


GOVERNED MOTOR

77953 MOTOR 1/25 H.P., 110 V., A.C. SERIES 50-60 CYCLE (G.E. MODEL 32989 OR 5BA65AA29) - EXCLUDES PARTS MARKED (A) AND (B)
 MU16 MOTOR UNIT (ASSEM.) INCLUDES 77953 MOTOR AND PARTS MARKED (A) (EXCLUDES PARTS MARKED (B))
 (BELL SYSTEM 15 N)

(A) 7105 TARGET-10 SPOT } WIA1793
 (A) 93660 CABLE }

(A) FOR 99661 RESISTOR &
 (A) MOUNTING BRACKET PARTS
 (SEE PAGE 13.)

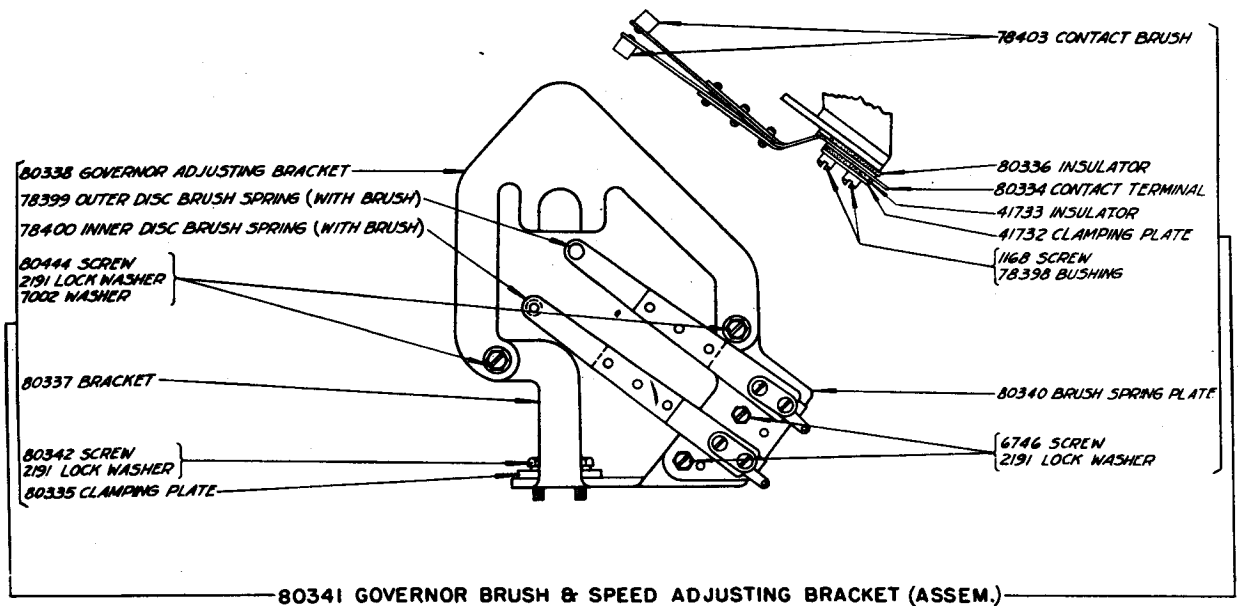
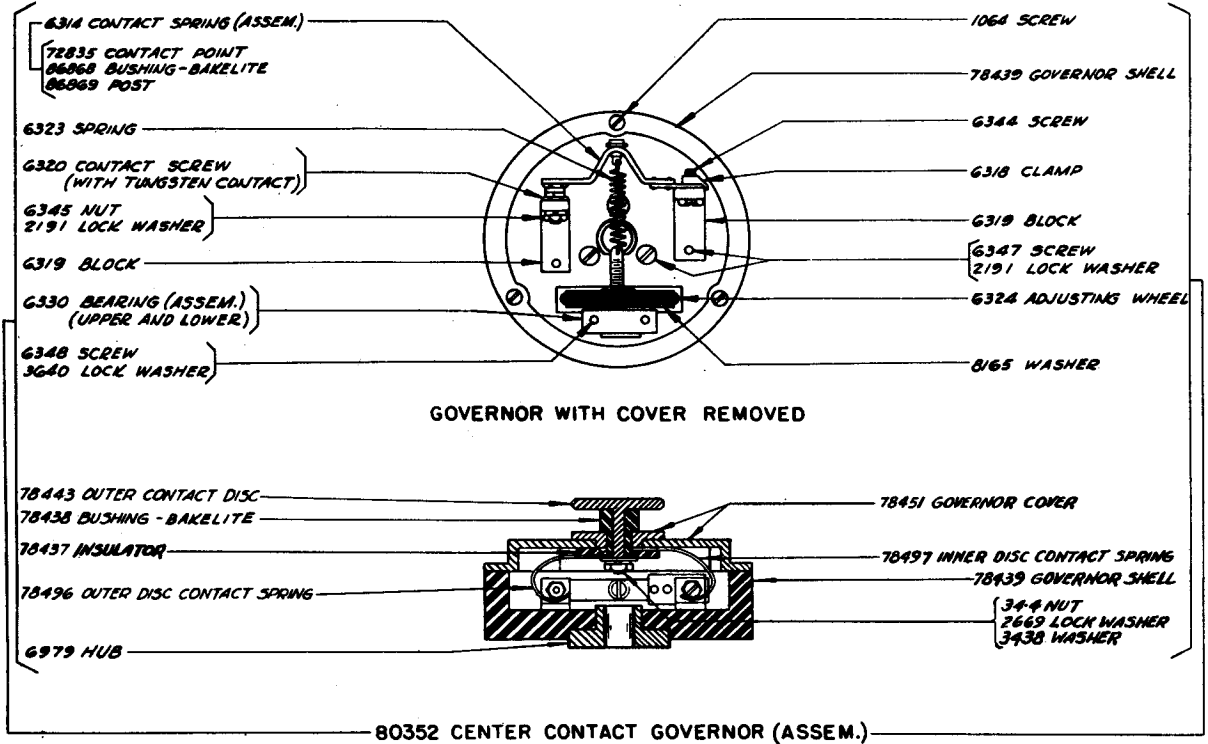


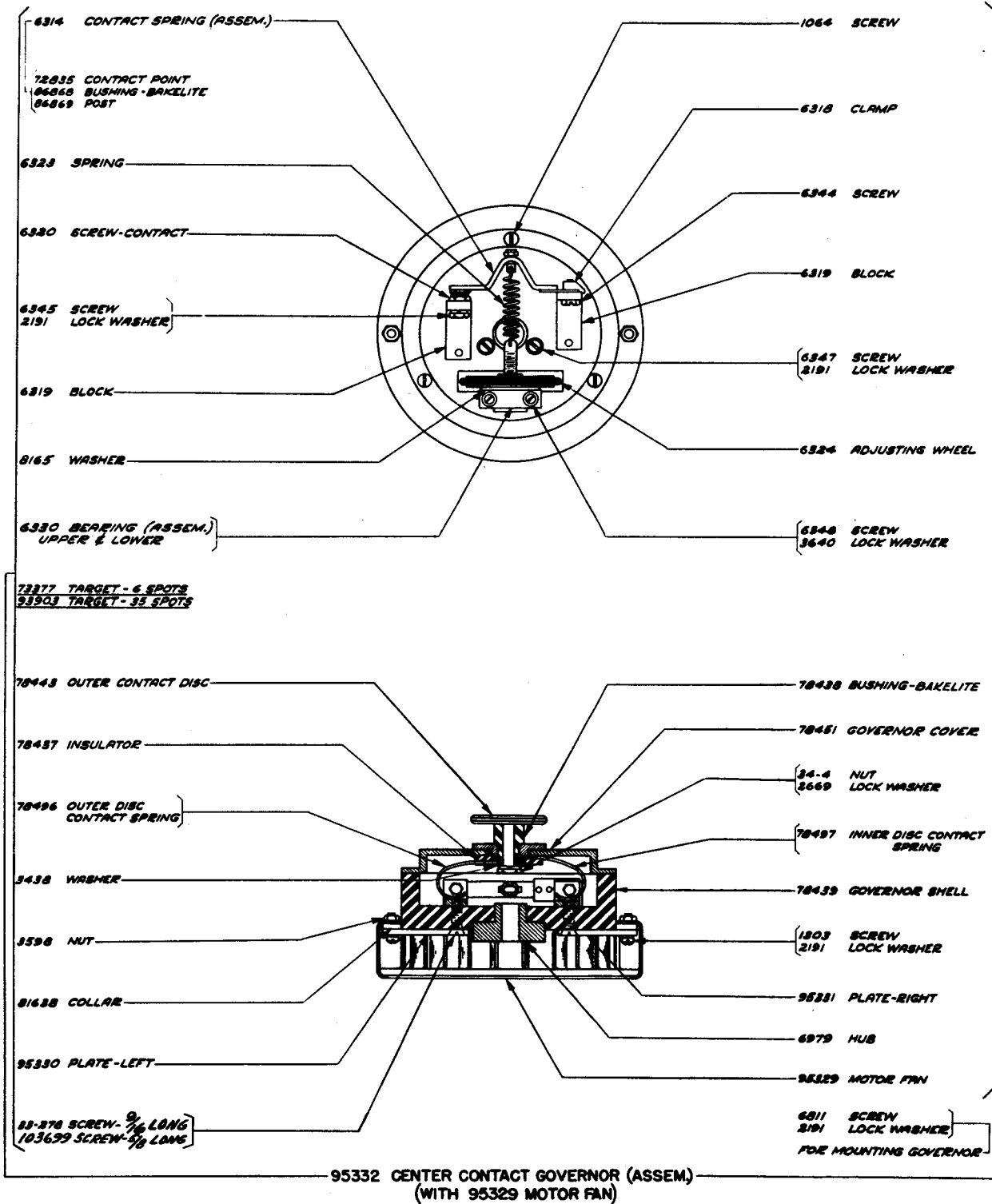
GOVERNED MOTOR
 72586 MOTOR, 1/17 H.R., 110 V., D.C. SHUNT, (G.E. MODEL 3153)—EXCLUDES PARTS MARKED (A) AND (B)
 MU10 MOTOR UNIT (ASSEM.) INCLUDES 72586 MOTOR AND PARTS MARKED (A) (EXCLUDES PARTS MARKED (B))
 (BELL SYSTEM 15 F)

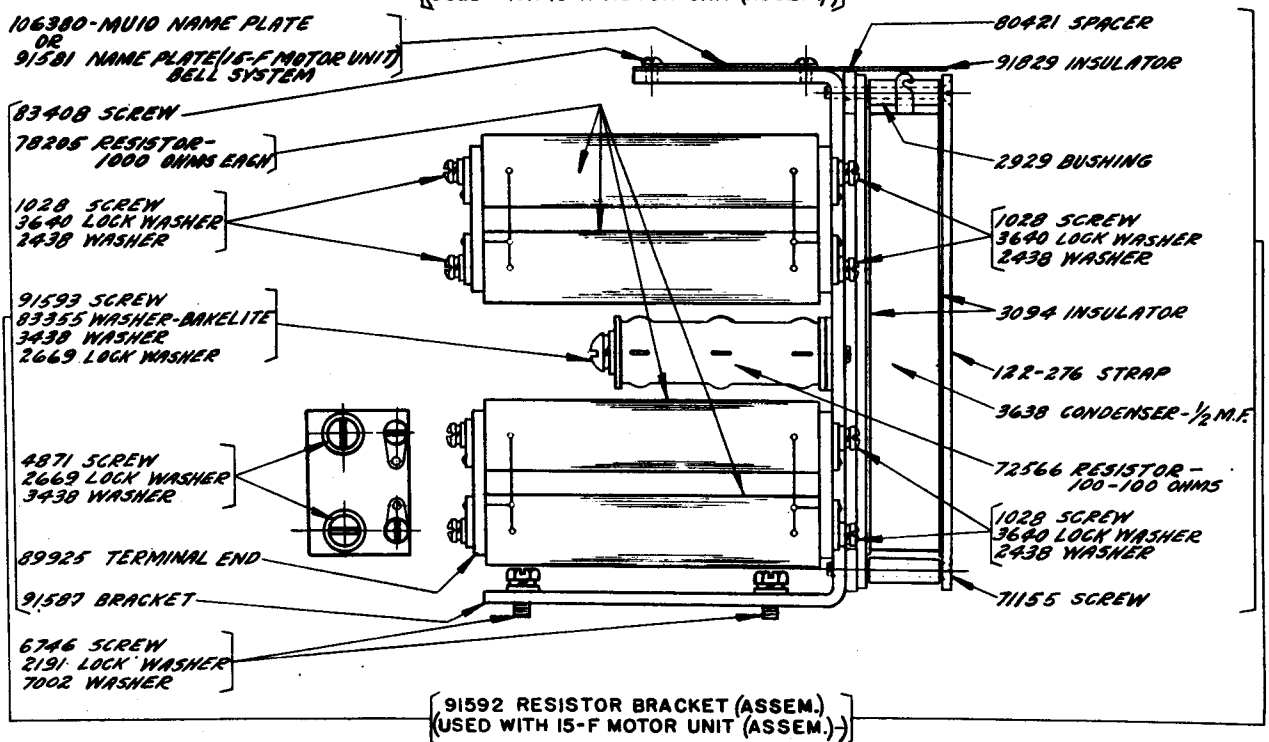
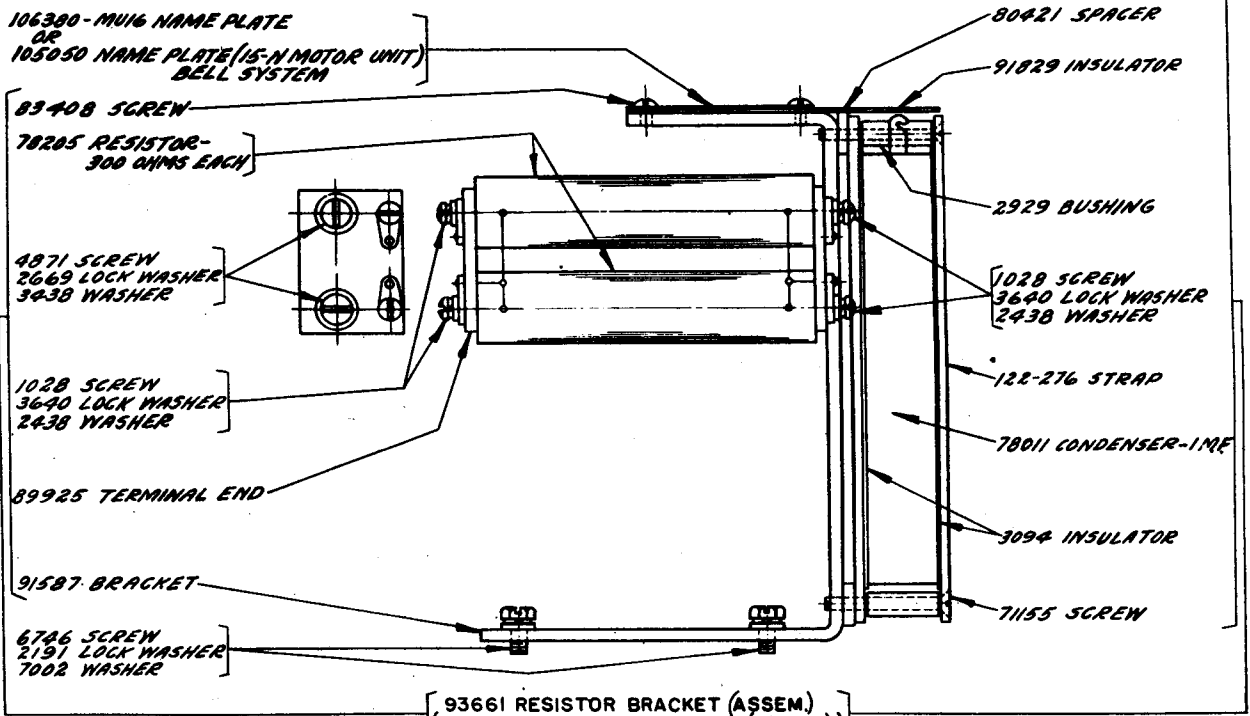
(A) 7105 TARGET-10 SPOT
 91594 CABLE
 (A) FOR 91592 RESISTOR &
 MOUNTING BRACKET PARTS
 SEE PAGE 13.

6811 SCREW
2191 LOCK WASHER
FOR MOUNTING GOVERNOR

7105 TARGET - 10 SPOTS
7106 TARGET - 11 SPOTS
72663 TARGET - 23 SPOTS







NUMERICAL INDEX

MU4	Motor Unit (Assem.)	6861	Washer, 2	73243	Locking Wedge, 9
	includes 82283 Motor, 6	6863	Disc, 2	73377	Target - 6 Spot, 12
MU7	Motor Unit (Assem.)	6909	Stop Lever, 1	73595	Clamping Rod, 9,10
	includes 83799 Motor, 8	6966	Eccentric Stop, 1	74091	Motor Plate, 6,8
MU8	Motor Unit (Assem.)	6979	Hub, 11,12	74567	Screw (1/4-20x9/16), 6,8
	includes 82714 Motor, 6	6991	Gear - 32T., 4		9,10
MU10	Motor Unit (Assem.)	7002	Washer, 1,2,3,6,8,9,10,	74628	Fuse Block; 3
	includes 72586 Motor, 10		11,13	74701	Spring, 1
MU16	Motor Unit (Assem.)	7007	Trip Plunger, 1	74722	Washer, 1
	includes 77953 Motor, 9	7082	Pinion - 8T., 6,8	74986	Screw (6-40x13/32), 1,3
M-226	Magnet Coil (64 Ohms), 1	7094	Spring, 3	74991	Insulator, 6,8,9,10
W-6104	Nut (Special), 6,7	7095	Plate, 3	75226	Wick, 1
33-278	Screw (6-32x9/16), 12	7105	Target - 10 Spot, 9,10,	76461	Washer, 5
33-344	Screw (10-32x3/4), 3		11	76484	Wan, 6,8
34-4	Nut (10-32 Hex.), 3,6,8,	7106	Target - 11 Spot, 11	76667	Post, 1
	9,10,11,12	7150	Spacer, 3	77039	Bushing, 1
34-56	Nut (4-40 Hex.), 1	7415	Nut (1/2-32 Hex.), 4	77953	Motor 1/25 H.P., 110V. A.C.
34-59	Nut (10-32 Hex.), 9,10	7481	Hub, 4		Series 50-60 Cycle (G.E.
35-2	Spring, 1	7602	Spring, 1		Model 32989 or 5BA65AA29,
122-276	Strap, 13	7603	Spring, 1		9
123-244	Washer, 1	7607	Collar, 1	78011	Condenser - 1 M.F., 13
126-123	Outlet Bushing, 9,10	7618	Spring, 1	78025	Screw (4-48x3/16), 6,9,10
1026	Screw (6-40x3/8), 1,2,3	7661	Adjusting Lever, 9,10	78028	Screw (6-40x15/16), 1
1028	Screw (4-40x1/4), 13	8094	Brush (with spring),	78205	Resistor - 1000 Ohms each,
1030	Screw (6-40 Shoulder), 1		9,10		13
1064	Screw (6-32x1/4), 11,12	8165	Washer, 11,12	78239	Armature, 9
1073	Thumb Screw (6-40), 1	8222	Wearing Strip, 9,10	78240	Field Core, 9
1100	Screw (1/4-32 Pilot), 9,10	8330	Washer, 1,2,9,10	78241	Field Coil, 9
1162	Screw (4-40x1/4), 1	8543	Screw (6-40x1/4), 3	78301	Screw (10-32x5/8), 3,6,8,
1163	Screw (4-40x3/16), 1	8884	Terminal Block, 6,8,9,		9,10
1168	Screw (4-40x5/16), 1,11		10	78398	Bushing, 11
1179	Screw (6-40x5/8), 1,6,8	21397	Washer (Spring), 3	78399	Outer Disc Brush Spring
1253	Screw (8-32x3/8), 2	34432	Washer, 1		(with brush), 11
1266	Screw (6-32x7/16), 3	41732	Plate, 1,11	78400	Inner Disc Brush Spring
1272	Screw (6-40x11/16), 2,9,10	41733	Insulator, 11		(with brush), 11
1303	Screw (6-40x13/32), 12	55318	Screw (6-32x1/4), 8	78403	Contact Brush, 11
2034	Washer, 1	70497	Nut (5/16-32 Hex.), 3	78437	Insulator, 11,12
2191	Lock Washer, 1,2,3,4,6,8,	70771	Oiler, 9,10	78438	Bushing - Bakelite, 11,12
	9,10,11,12,13	70872	Brush Holder (with	78439	Governor Shell, 11,12
2201	Nut - Rear, 3		insulator), 9,10	78443	Outer Contact Disc, 11,12
2407	Lock Washer, 2	70873	Brush Holder Cap, 9,10	78451	Governor Cover, 11,12
2438	Washer, 13	71155	Screw (6-32x1-1/4), 13	78496	Outer Disc Contact Spring
2449	Lock Washer, 2,6,8,9,10	71189	Copper Bearing Retainer		11,12
2669	Lock Washer, 3,6,8,9,10,11		9,10	78497	Inner Disc Contact Spring
	12,13	71697	Clamping Plate, 1		11,12
2846	Washer, 6,8,9,10	71840	Nut (7/16-32 Hex.), 2	78596	Washer, 1
2929	Bushing, 13	71976	Stop Lever Plate, 1	78597	Screw (10-32 Shoulder), 1
3094	Insulator, 13	71998	Brush Holder Ring (with	78853	Insulator, 1
3328	Oiler, 2		80706 Screw), 9	80143	Cable Clamp, 3
3339	Nut (9/16-32 Hex.), 2	71998	Brush Holder Ring (with	80255	Screw (4-40x21/64), 1
3438	Washer, 11,12,13		80706 Screw), 10	80299	End Play Spring, 6
3595	Nut (1/4-32 Hex.), 2	71999	End Play Spring, 9,10	80307	Outlet, 7
3598	Nut (6-40 Hex.), 1,3,5,12	72088	Screw (5-40x3/4), 3	80308	Bushing - fibre, 7
3599	Nut (4-40 Hex.), 1	72513	Disc (Driving), 2	80309	Washer - felt, 6
3628	Bushing, 3	72514	Spring, 2	80310	Washer - felt, 6
3638	Condenser, 1/2 M.F., 13	72515	Nut (5/16-32 L. H.	80311	Washer - cupped, 6
3640	Lock washer, 1,11,12,13		Special), 2	80312	Washer, 6,9,10
3646	Lock washer, 2	72516	Disc, 2	80313	Washer, 6
3649	Washer, 1	72517	Nut (5/16-32 L. H.	80334	Contact Terminal, 11
4810	Wick, 2		Special), 2	80335	Clamping Plate, 11
4871	Screw (3/16-24), 13	72521	Wick, 1,2	80336	Insulator, 11
5061	Ball Bearing, 9,10	72522	Wick, 2	80337	Bracket, 11
5475	Nut (3/16-40 Hex.), 1	72563	Washer, 2	80338	Governor Adjusting
6314	Contact Spring, 11,12	72566	Resistor - 100 - 100		Bracket, 11
6318	Clamp, 11,12		Ohms, 13	80340	Brush Spring Plate, 11
6319	Block, 11,12	72586	Motor 1/17 H.P., 110V.	80341	Governor Brush Bracket, 9,
6323	Spring, 11,12		D.C. Shunt, (G.E. Model		10,11
6324	Adjusting Wheel, 11,12		31531), 10	80342	Screw (6-40x23/64), 11
6330	Bearing (Assem.), 11,12	72587	Armature, 10	80351	Screw (8-36x5/16), 7
6344	Screw (6-32x11/32), 11,12	72665	Target - 23 Spot, 11	80352	Governor (Assem.), 10,11
6345	Nut (6-32 Hex.), 11,12	72835	Contact Point, 11,12	80358	Ball Bearing, 6
6347	Screw (6-32x3/8), 11,12	73232	Felt Washer, 9,10	80402	Screw (4-40x15/32), 1
6348	Screw (4-36x3/4), 11,12	73236	Field Frame (with oiler)	80421	Spacer, 13
6746	Screw (6-40x5/16), 1,3,4,		9,10	80444	Screw (6-40x1/4), 11
	6,8,9,10,11,13	73237	End Shield (with oiler)	80460	Clamp, 2,3
6799	Screw (6-40 Shoulder), 1		9,10	80558	End Shield, 6
6801	Screw (4-40 Pilot), 1	73240	Field Core, 10	80559	Clamping Stud, 7
6810	Screw (10-32x3/8), 3	73241	Field Coil, 10	80708	Cable Clamp, 1
6811	Screw (6-40x5/8), 1,2,3,	73242	Insulation (for one	80754	Oiler, 6
	6,8,9,10,11,12		field coil), 9,10	80854	Screw (6-40x1-7/16), 3
6850	Bell Crank, 1	73244	Screw (10-32x7/8), 9,10	81258	Screw (6-40x1-7/16), 5

NUMERICAL INDEX

81638	Collar, 12	89406	Washer - Spring, 6	90124	Plate (Upper), 2
81841	Condenser (1/4 M.F.) (W.E.Co. 142-B), 3	89407	Cotter Pin, 6	90125	Rubber Mounting, 2
82283	Synchronous Motor, 1/40 H.P. 110V., 60 Cycle A.C. (G.E. Model 55H25AB11B), 6,7	89925	Terminal End, 13	90126	Stud, 2
82288	Screw (4-40x1/4), 8	90000	Panel - Arranged for Mounting Spark Protection, 3	90127	Plate - Lower, 2
82440	Screw (6-40x7/16), 1	90001	Plate (with posts), 1	90129	Pad, 5
82547	Insulator (Thick), 1	90005	Bracket, 2	90132	Pad, 5
82714	Synchronous Motor, 1/40 H.P. 110V., 50 Cycle A.C. (G.E.Co. Model 55H25AB14B), 6	90006	Nut (9/16-32 Special), 2	90145	Bearing Cap, 3
82839	Rotor (Assem.) (with Bearings and switch (for Model 55H25AB11B), 6	90007	Shaft, 2	90146	Stud, 3
82840	Rotor (Assem.) (for Model 55H25AB11B), 6	90009	Oil Retainer, 2	90147	Regenerator Unit Cable (with 90134 Multiple Pin Receptacle), 2
82841	Switch Commutator, 6	90010	Cam Sleeve, 2	90148	Guard, 4
82843	Spring (for Model 55H25AB11B), 6	90014	Hub, 2	90149	Post, 3
82845	Washer, 6	90016	Gear - 15T., 2	90239	Resistance (3200 Ohms) (W.E.Co. 100 - A), 3
82848	Brush Holder (with brush) 6	90017	Plate (Spacer), 1	90240	Bushing (W.E.Co. P-219269), 3
82850	End Shield, 6,7	90020	Contact Bracket (Assem.) 1	90241	Washer (W.E.Co. P-132739), 3
83355	Washer - Bakelite, 13	90021	Bracket, 1	90242	Screw (8-32x2-7/8) (W.E. Co. P-205630), 3
83405	Name Plate (15-D Motor Unit) Bell System, 6	90022	Lever, 1	90263	Wound Stator - with base (for Model 55H25AB11B), 6,7
83408	Screw (4-40x3/16), 6,8,13	90023	Post, 1	90265	Screw (6-40 Special), 1
83799	Synchronous Motor, 1/40 H.P. 110V., 60 Cycle A.C. (H.C. Model S-9005) 8	90024	Retainer, 1	90591	Lock Washer, 8
84047	Stop, 9,10	90025	Terminal, 1	91015	Power Cable (with 72481 Polarized Club), 2
84169	Name Plate (15-E Motor Unit) Bell System, 6	90026	Terminal, 1	91016	Regenerator Panel Cable (with Motor Control Leads), 2
85471	Screw (10-32x1), 3	90027	Contact Spring, 1	91017	Regenerator Panel Cable, 2
86305	Stator (with winding), 8	90031	Contact Spring, 1	91041	Wound Stator - with base (for Model 55H25AB14B), 6
86306	End Shield, 8	90033	Stiffener, 1	91113	Spacer, 1
86307	End Shield, 8	90034	Plate (Friction), 1	91198	Wick, 1
86308	Clamping Screw (10-32x 4-3/8), 8	90035	Bracket, 1	91199	Wick, 1
86309	Outlet Bushing, 8	90036	Stud, 1	91228	Ground Strap, 2
86310	Washer (Steel), 8	90037	Screw (6-40 Eccentric),1	91268	Gear - 12T., 2
86311	Rotor (with cut-out), 8	90038	Bracket, 1	91269	Gear - 13T., 4
86312	Washer (felt), 8	90039	Lock Arm Lever, 1	91579	Pinion - 6T., 9,10
86313	End Play Spring, 8	90042	Lock Arm, 1	91580	Gear - 28T., 4
86314	Washer (Steel), 8	90043	Bracket, 1	91581	Name Plate (15-F Motor Unit Bell System, 13
86315	Oil Retainer, 8	90044	Screw (3/16-40 Pivot), 1	91586	Motor Plate, 9,10
86316	Screw (8-32x15/32), 8	90045	Armature Lever, 1	91587	Bracket, 13
86317	Washer (Bronze), 8	90049	Reel, 1	91592	Resistor Bracket (Assem.), 10,13
86318	Split Ring Adaptor, 8	90050	Bushing, 1	91593	Screw (3/16-24x2-1/2), 13
86319	Insulating Washer, 8	90051	Plate, 1	91594	Cable, 10
86320	Screw (8-32x1-1/16), 8	90052	Screw (4-40x5/8 Special) 1	91596	Retainer, 5
86321	Split Ring (with screws), 8	90053	Spring Bracket, 1	91598	Retainer, 5
86322	Ball Bearing, 8	90054	Spring, 1	91599	Retainer, 5
86323	Nut - Right Hand, 8	90056	Bearing Bracket (Assem.) 3	91607	Retainer, 5
86324	Nut - Left Hand, 8	90067	Clamp, 1	91617	Shim, 9,10
86325	Cut-out (with springs), 8	90068	Detent Arm, 1	91829	Insulator, 13
86326	Spring, 8	90069	Post (Eccentric), 1	91837	Washer - fibre, 9,10
86327	Bushing, 8	90070	Bushing, 1	92273	Magnet Core, 1
86329	Screw (4-40x7/16), 8	90071	Insulator, 1	92470	Cup Washer (fibre), 8
86330	Oiler, 8	90072	Plate, 1	93660	Cable, 9
86342	Rotor (Assem.), 8	90073	Terminal, 1	93661	Resistor Bracket (Assem.), 9,13
86615	Rotor (Assem.) with bearing and switch (for Model 55H25AB14B),6	90074	Terminal, 1	93903	Target - 35 Spot, 12
86616	Spring (for Model 55H25AB14B), 6	90076	Screw (8-64 Contact) (W.E. Co. P-356437), 1	94010	Pinion - 9T., 6
86617	Rotor (Assem.) (For Model 55H25AB14B), 6	90079	Bracket (Lower), 1	94011	Gear - 30T., 4
86713	Screw (4-48x5/16), 6	90083	Reed Contacts (Assem.), 1	94707	Insulator, 6
86869	Post, 11,12	90086	Cover Support, 2	95329	Motor Fan, 12
87932	Nut (8-32 Hex.), 3	90088	Range Scale (with bell crank mounting), 1	95330	Plate - Left, 12
87933	Washer, 3	90090	Trip Latch, 1	95331	Plate - Right, 12
88879	Brush Holder Support (Assem.), 6	90091	Bracket (Upper), 1	95332	Governor (Assem.), 9,12
89405	Bushing, 6	90094	Cover Support, 2	95970	Bushing, 3
		90095	Range Scale (with bell crank mounting), 1	96596	Gear - 13T., 4
		90096	Trip Latch, 1	96597	Gear - 23T., 2
		90097	Bracket (Upper), 1	101980	Screw (Special), 3
		90098	Cover Support, 2	101981	Thumb Nut (Special), 3
		90099	Reed Contacts (Assem.), 1	102374	Wick, 2
		90106	Coil (W.E. Type 111 - H) 3	102774	Bolt, 6,7
		90107	Insulator, 3	103284	Fusetron (Amps. 3.2), 4
		90108	Washer, 3	103286	Fusetron (Amps. 1.6), 4
		90112	Bushing, 3	103287	Fusetron (Amps. 1.25), 4
		90113	Bracket, 3		
		90114	Slip Connection Block (Assem.), 3		
		90115	Gear - 13T. - 3680.P.M.,4		
		90121	Post, 3		
		90122	Motor Control Relay, 3		
		90123	Pin Plate, 3		
			Post, 3		
			Guard, 3		
			Gear Guard, 4		
			Shaft, 4		
			Hub, 4		
			Ball Bearing, 4		
			Block, 3		

NUMERICAL INDEX

103431	Grommet - Rubber, 6,7	105000	Panel Arranged for	106380	MU-4 Name Plate, 6,8,13
103699	Screw (6-32x5/8), 12		Mounting Power Leads	107111	Power Cable, 2
104451	Lock Washer, 9,10		Filter and Fuse Blocks, 3	107117	Regenerator Panel Cable,
104998	Regenerator Panel Cable	105049	Name Plate (15-M Motor		2
	(with Motor Control		Unit) Bell System, 8	107144	Insulator, 1
	Leads), 2	105050	Name Plate (15-N Motor	110404	Fusetron (Amps. 1.0), 4
104999	Regenerator Panel Cable, 2		Unit Bell System), 13		