

DEC 30 1961

# TELETYPE

## PRINTING TELEGRAPH SYSTEMS

BULLETIN 1082B

PARTS

TYPING REPERFORATOR  
(MODEL 14)



REG. U. S. PAT. OFF.  
CORPORATION  
SUBSIDIARY OF  
*Western Electric Company*  
CHICAGO, U. S. A.

**ATTENTION - BELL SYSTEM ONLY**  
WHEN ORDERING PARTS FROM THIS BULLETIN, EACH NUMBER SHOULD BE  
PRECEDED BY THE LETTERS TP, WITHOUT PARENTHESES, IN ORDER TO  
IDENTIFY THE ITEM AS ONE TO BE SECURED FROM THE TELETYPE CORPORATION.



LIST OF EFFECTIVE PAGES  
AUGUST, 1957  
(Supersedes November, 1942 issue)

Page Numbers	Change In Effect
A	Change I
B to D	Original
1-1 to 1-11	Original
2-1 to 2-27	Original
3-1 to 3-4	Original
4-1 to 4-2	Original
5-1 to 5-10	Original
6-1 to 6-5	Original
7-1 to 7-8	Original
8-1 to 8-25	Original

The above list indicates the effective pages as of the date of issue. Upon receipt of Change Pages, insert them numerically and discard any superseded pages.

## TABLE OF CONTENTS

## SECTION 1

BASE AND KEYBOARD	Pages 1-1 through 1-11
Base (Sending - Receiving) . . . . .	1-2, 1-3
Base (Receiving-Only) . . . . .	1-4
Transmitting Unit . . . . .	1-5
Keyboard Shaft . . . . .	1-6
Switch Assemblies . . . . .	1-7
Signal Lamp . . . . .	1-7
Line Relay Assembly . . . . .	1-8
Tape-Out Alarm Mechanism . . . . .	1-9
Governor Circuit Parts . . . . .	1-9
Cables . . . . .	1-11

## SECTION 2

TYPING UNIT	2-1 through 2-21
Base Plate Mechanism . . . . .	2-2
Punch Block Assembly . . . . .	2-5, 2-6
Main Bail Bracket Assembly . . . . .	2-7
Main Shaft . . . . .	2-10
Holding Magnet Assembly . . . . .	2-11
Range Scale Assembly . . . . .	2-12
Keytops and Typepallets . . . . .	2-14 through 2-26
Cables . . . . .	2-27
Miscellaneous Keytops and Typepallets . . . . .	2-16 through 2-26

## SECTION 3

MOTOR ARRANGEMENTS	3-1 through 3-4
Gear Chart . . . . .	3-2
Filter Units . . . . .	3-3

## SECTION 4

COVER AND TAPE CONTAINER	4-2
--------------------------	-----

## SECTION 5

VARIABLE FEATURES	5-1 through 5-10
Counter Assembly . . . . .	5-2
Pull Bar Operated Contacts . . . . .	5-4
Tape Feed-Out and Metering Mechanism . . . . .	5-8
Copyholder Assembly . . . . .	5-10

## SECTION 6

OLD STYLE PARTS	6-1 through 6-5
-----------------	-----------------

## SECTION 7

NOTES OF EXPLANATION . . . . .	7-2, 7-3
MODIFICATION KITS . . . . .	7-4 through 7-8

## SECTION 8

NUMERICAL INDEX	8-1 through 8-
-----------------	----------------

APPARATUS COVERED

TYPING REPERFORATORS . . . . . FPR9, 19, 20, 21, 31, 34, 44, 47 & 76  
 MOTOR ARRANGEMENTS . . . . . DK, DV, GB, GU, H, HC & L  
 PALLET ARRANGEMENTS . . . . . 205, 222, 226, 248 & 373  
 KEYBOARD BASES . . . . . FK107, 203\*\*, 218\*\* & 219\*\*  
 RECEIVING-ONLY BASES . . . . . FB201\*\*, 202\*\*, 206\*\*, 207\*\* & 218\*\*  
 KEYTOP ARRANGEMENTS . . . . . BT, CB, KH, KQ & KU  
 COVER . . . . . FPRC208\*\*

BELL SYSTEM TO TELETYPE CODE DESIGNATION CONVERSION

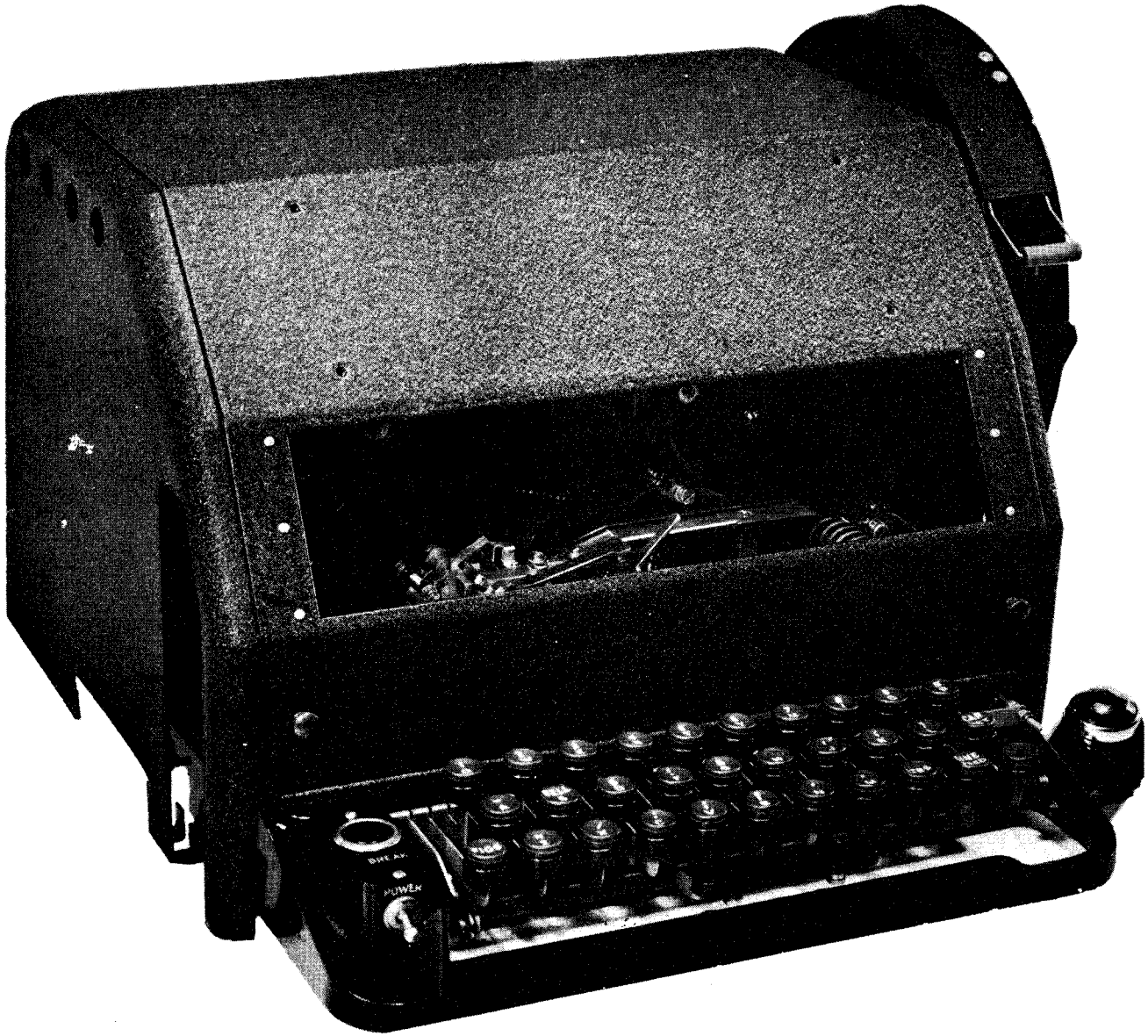
TYPING REPERFORATOR UNITS	
Bell System Code	Teletype Code
14F	FPR9DK205
14M	FPR20DK205
14N	FPR20DV205
14P	FPR20H205
14R	FPR20L205
14S	FPR19DK205
14T	FPR19H205
14U	FPR19DV205
14W	FPR19L205
14Y	FPR21GB226
14AA	FPR21H226
14AD	FPR21GB222
14AE	FPR21H222
14AG	FPR31HC205
14AH	FPR34HC205
14AU	FPR34HC248
14AK	FPR20DK248
14AL	FPR20H248
14AM	FPR47GB205
14AN	FPR47GU205
14AP	FPR44DK205
14AR	FPR44H205
14AP1	FPR44DK373
	* FPR76

BASE (RECEIVING-ONLY)	
Bell System Code	Teletype Code
14N**	FB206**1
14P**	FB207**1
14AB**	FB202**16
14AD**	FB201**15
KEYBOARD (SEND-RECEIVE)	
14M**	FK203**/CBL
14R	FK107KQ
14T	FK107KH
14W**	FK218**/CBL
14Y**	FK219**/KUL
14AA**	FK203**/KUL
COVER	
14M**	FPRC208**

\* Similar to 14AP-1

COLOR CODE CHART		
for parts and assemblies requiring a paint finish		
Bell System Code	Teletype Code	Paint Finish
37	AA	Black Wrinkle
40	AB	Gray Green Wrinkle
39	AC	Light Brown Wrinkle
38	AD	Dark Brown Wrinkle
Suffix to be applied following the part number		

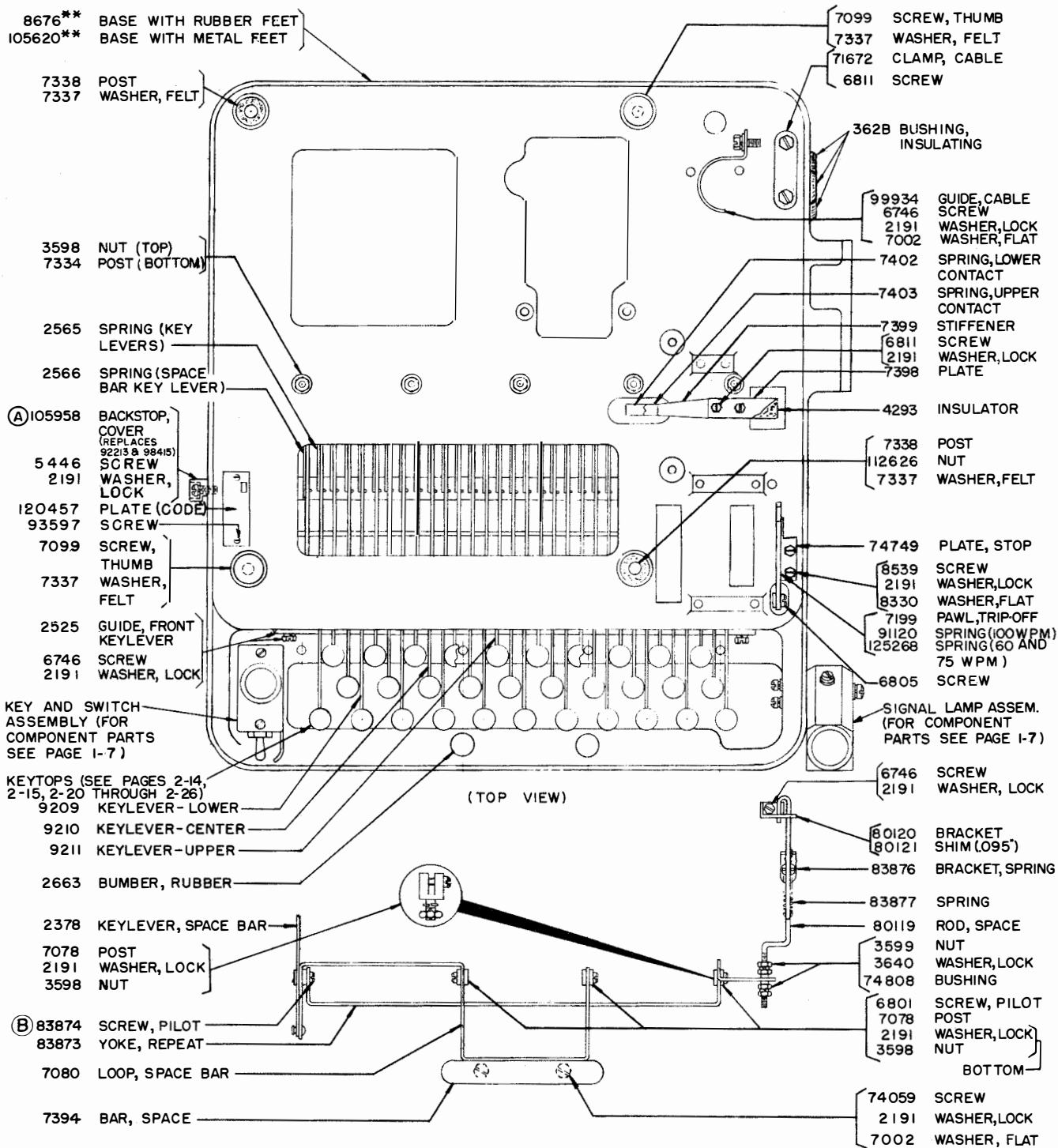
1082B



SENDING - RECEIVING TYPING REPERFORATOR WITH COVER

# SECTION I

## BASE AND KEYBOARD



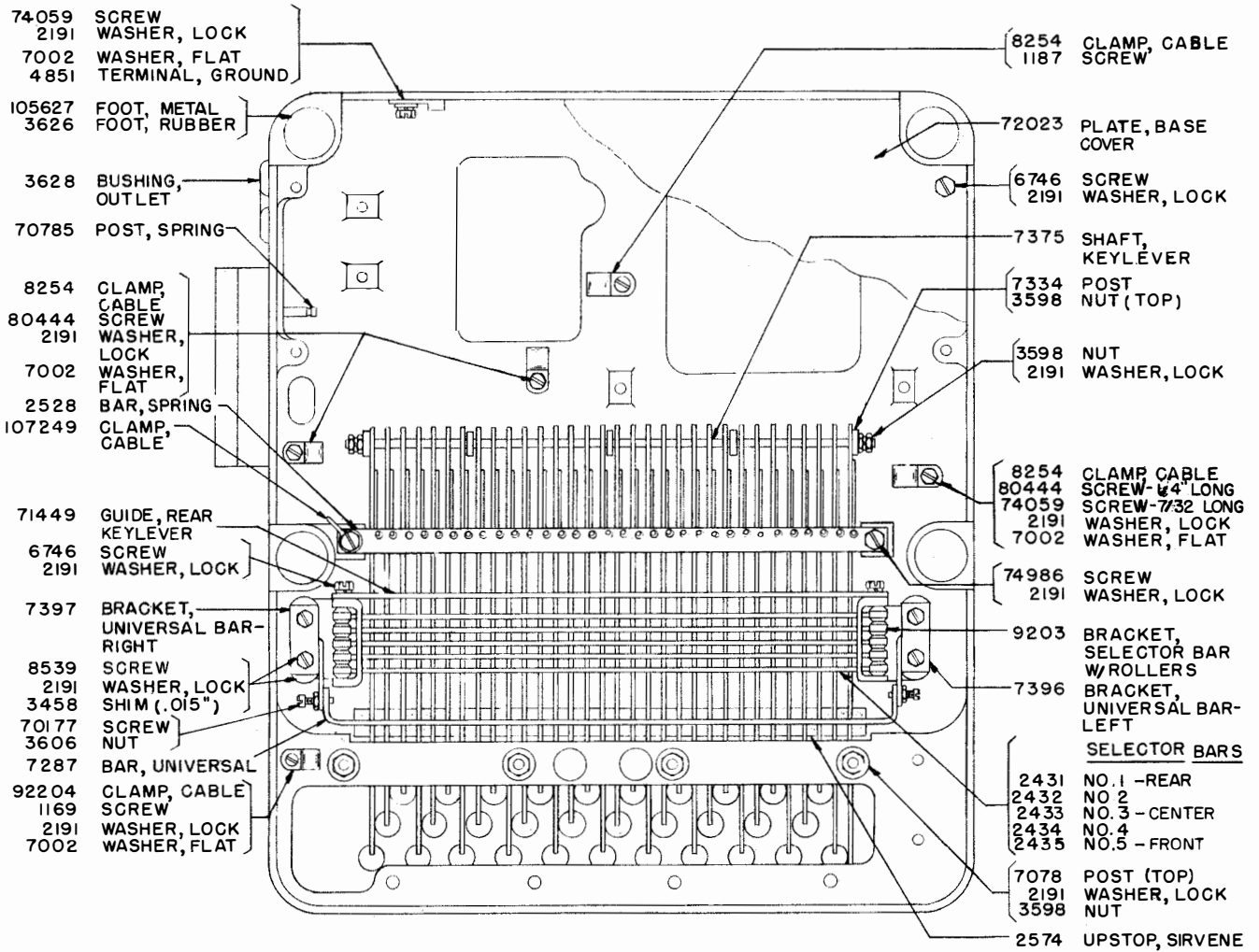
KEYBOARD BASE AND REPEAT SPACE MECHANISM

(A) FOR EXPLANATION SEE PAGE 7-2.

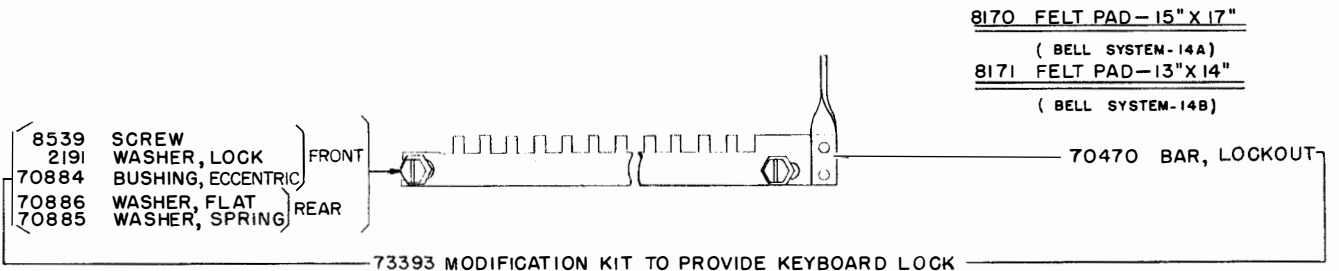
(B) UNITS NOT EQUIPPED WITH REPEAT SPACE MECHANISM REQUIRE THE 6801 PILOT SCREW IN PLACE OF THE 83874 PILOT SCREW.

\*\* FOR FINISH SUFFIX, SEE CHART ON PAGE C.

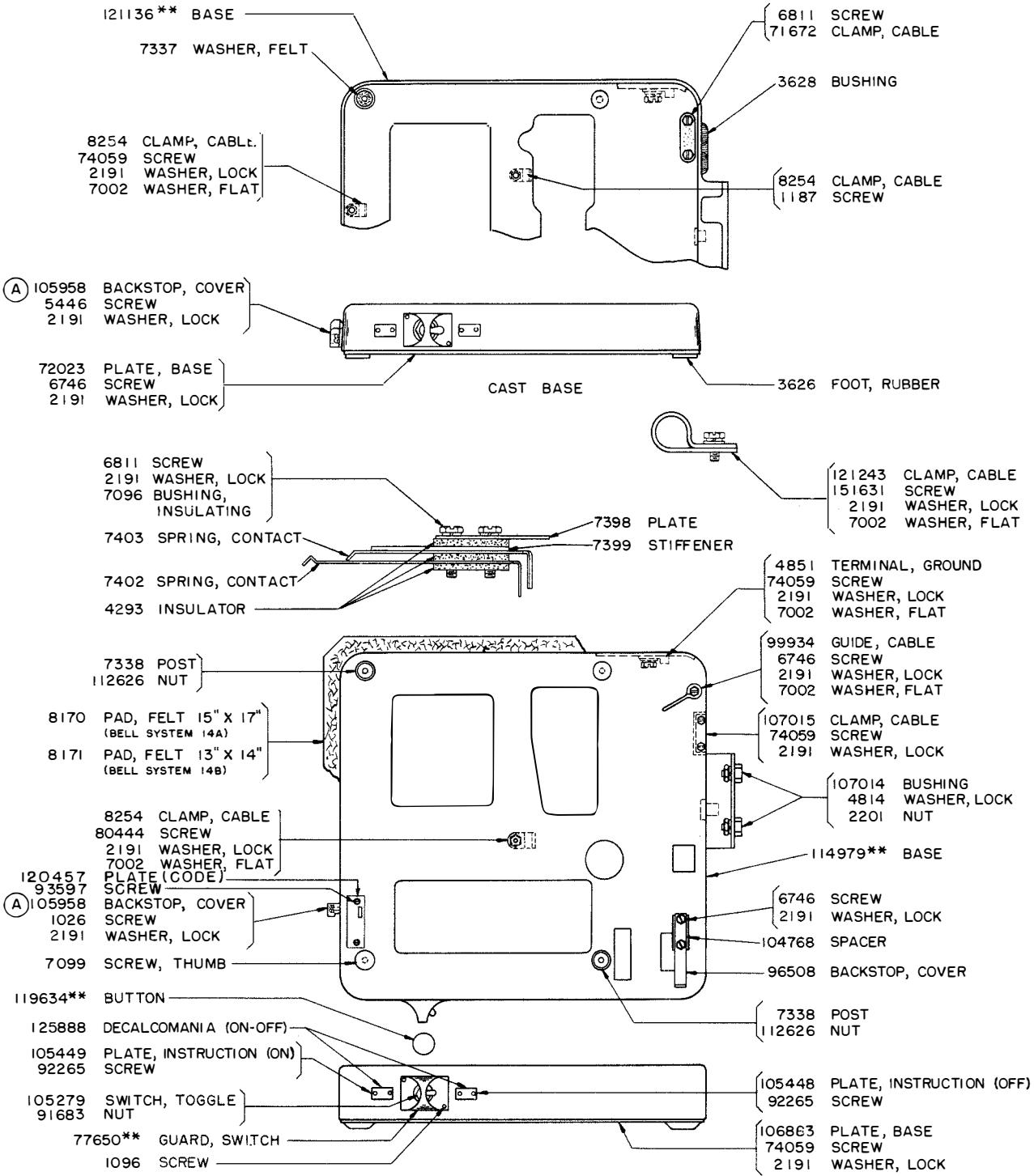




(BOTTOM VIEW)



KEYBOARD BASE AND KEYBOARD LOCK

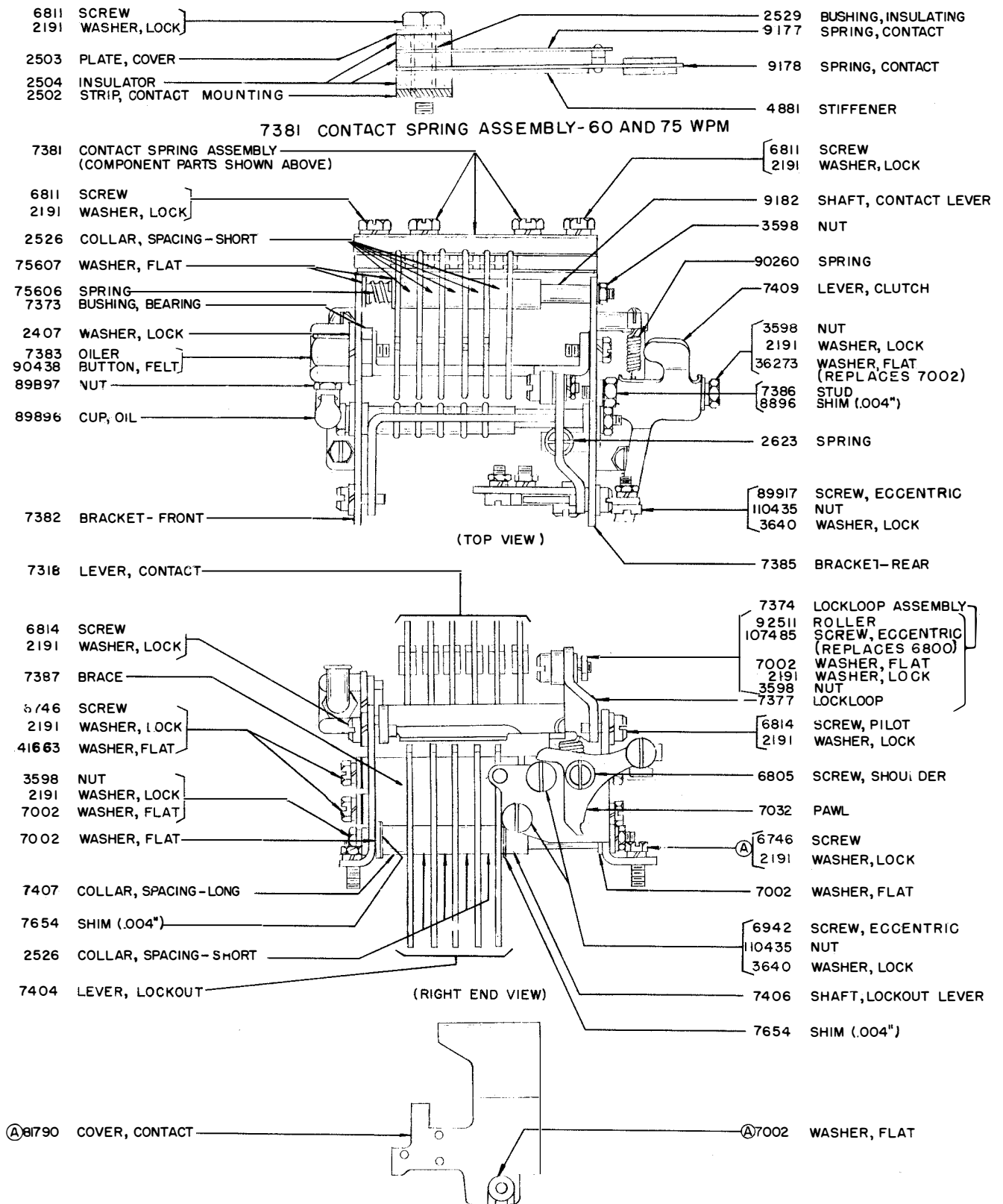


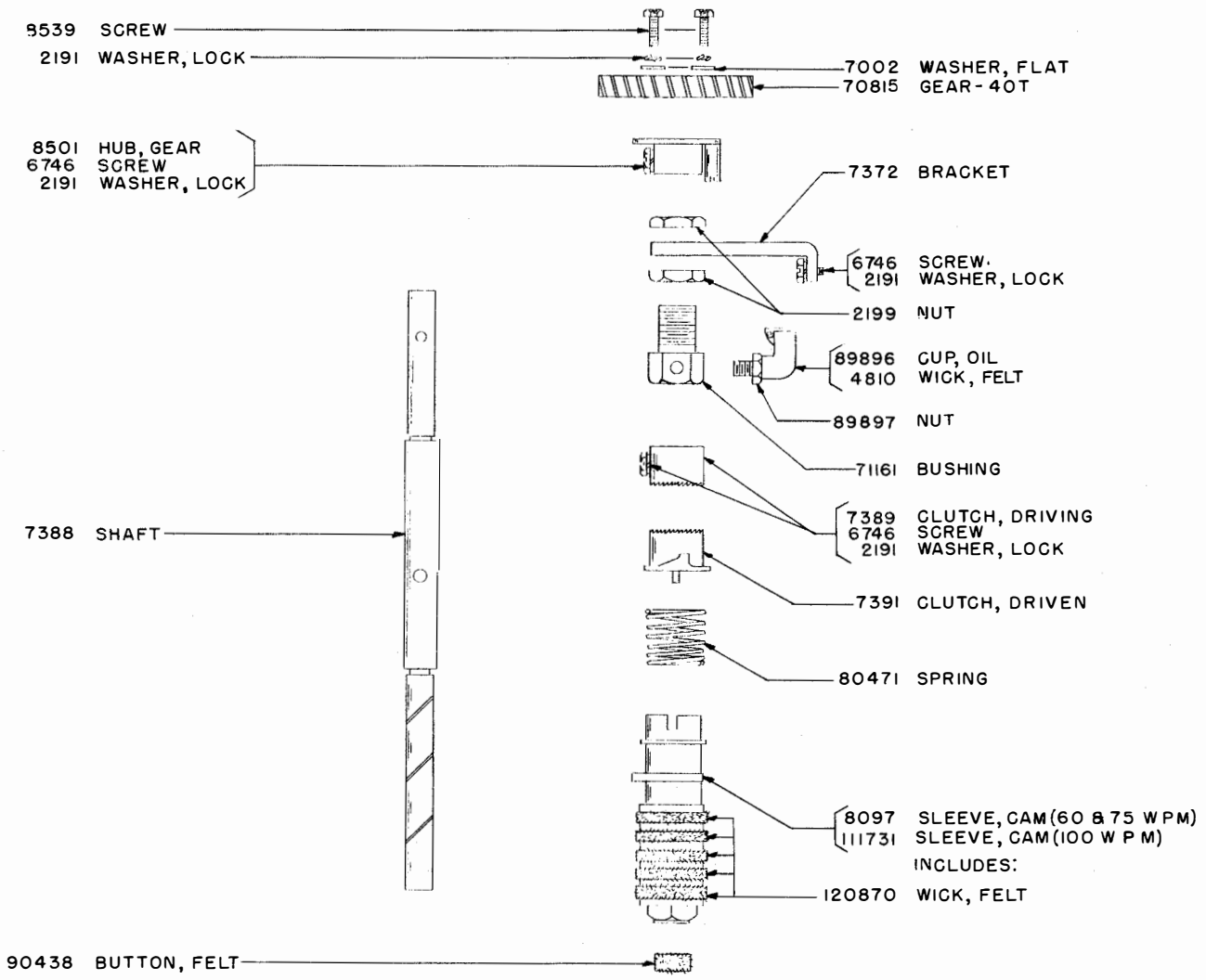
FORMED BASE (SHEET METAL)

RECEIVING-ONLY LOW BASES

(A) FOR EXPLANATION, SEE PAGE 7-2,  
PARAGRAPH (A) FOR PAGE 1-2.

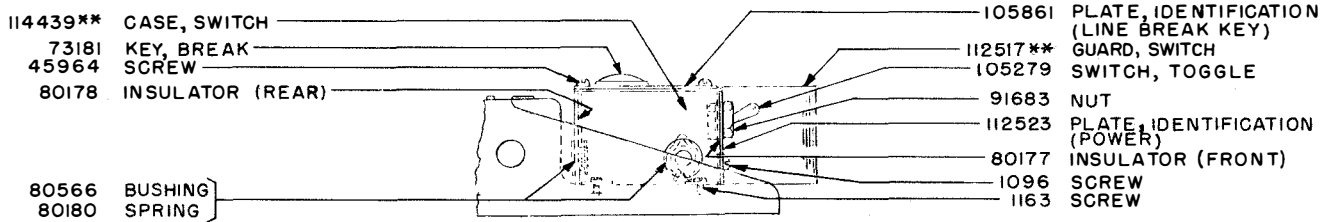
\*\* FOR FINISH SUFFIX, SEE CHART ON PAGE C



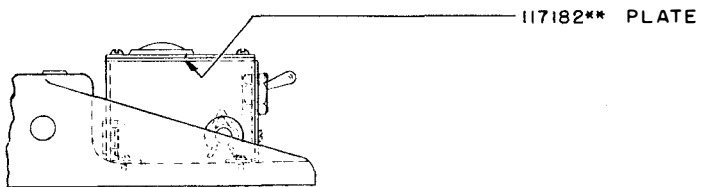


KEYBOARD SHAFT

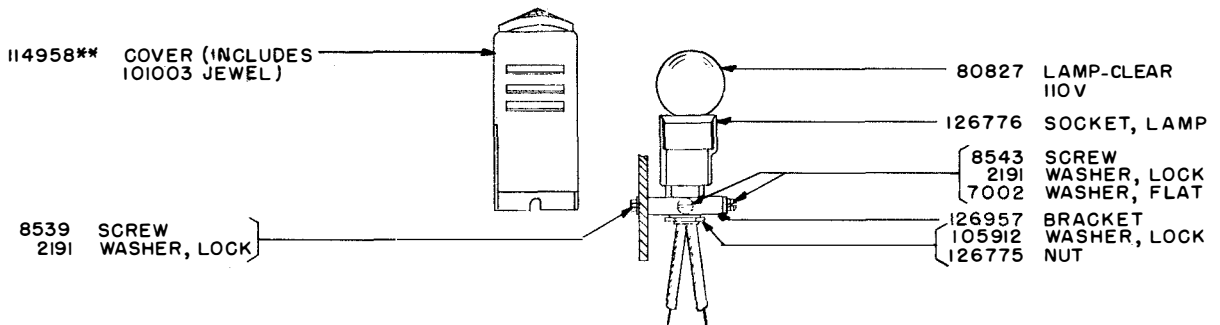
10828



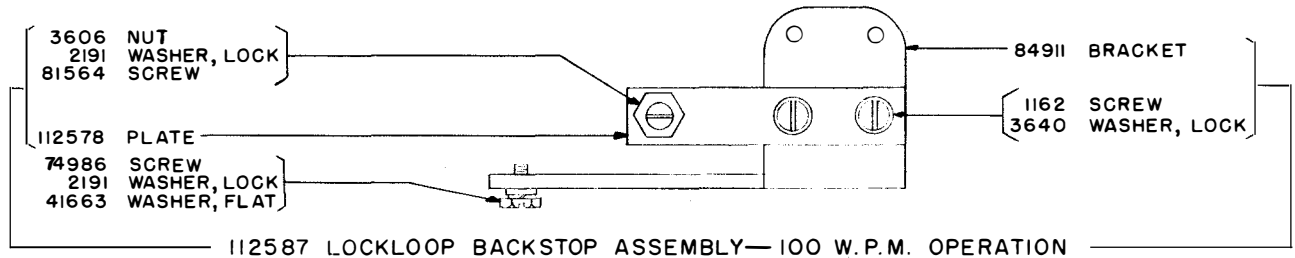
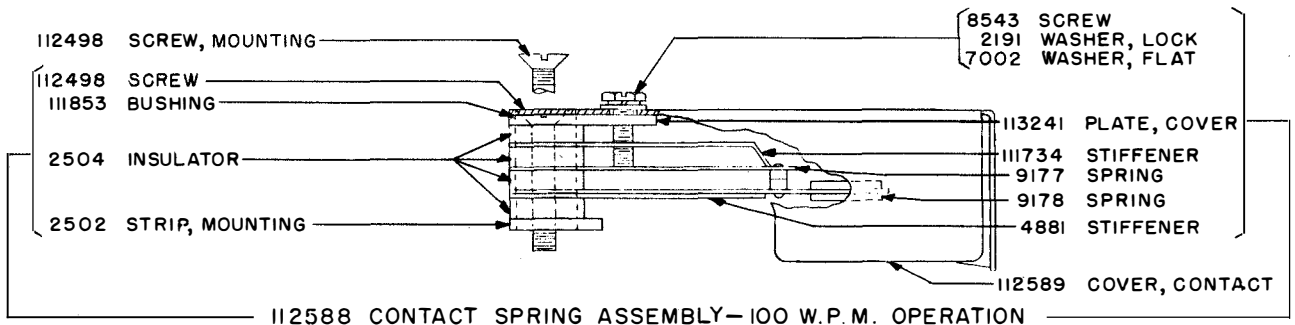
114968\*\* KEY AND SWITCH ASSEMBLY



117178\*\* KEY AND SWITCH ASSEMBLY  
 (PARTS NOT LISTED SAME AS ABOVE)

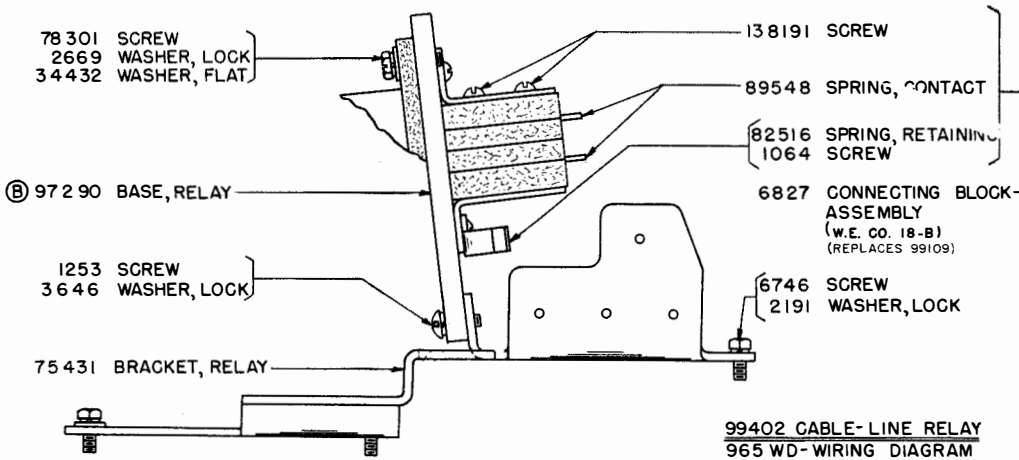
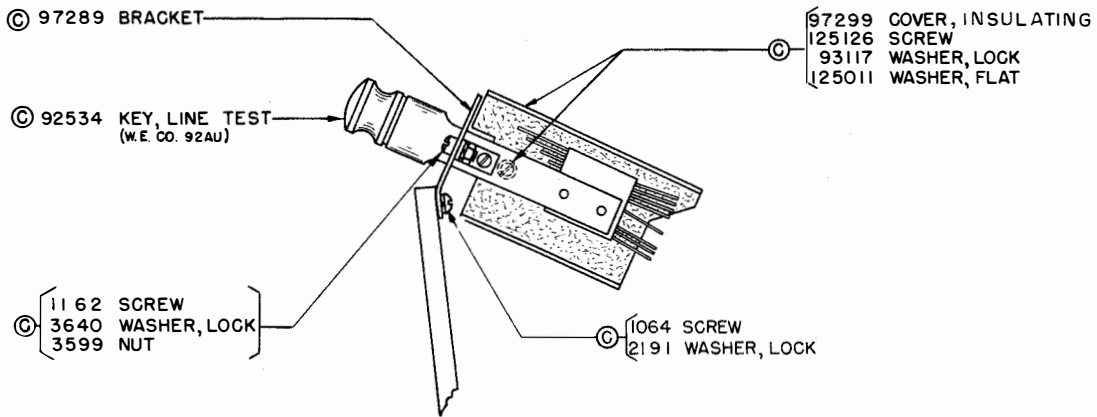
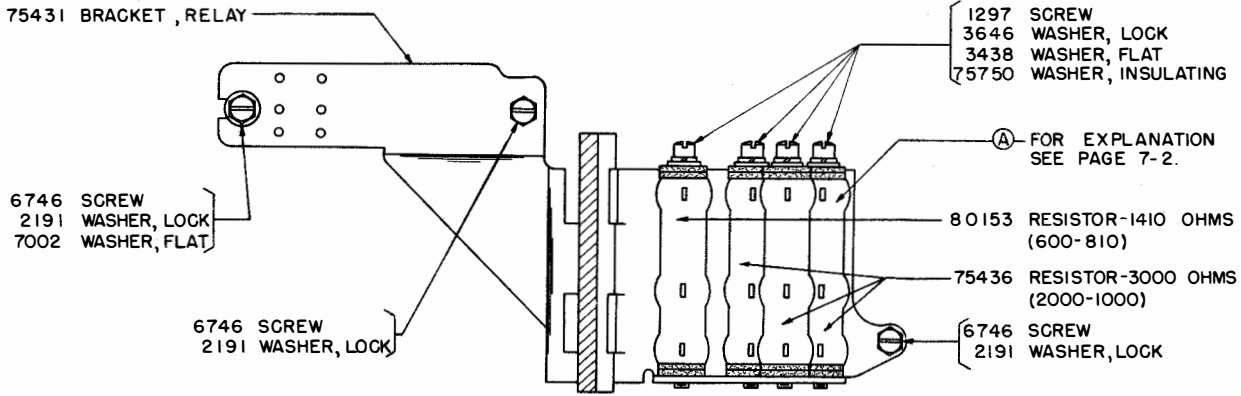


114959\*\* SIGNAL LAMP ASSEMBLY  
 (SEE PAGE 6-2 FOR OLD STYLE PARTS)



\*\* FOR FINISH SUFFIX, SEE CHART ON PAGE C.

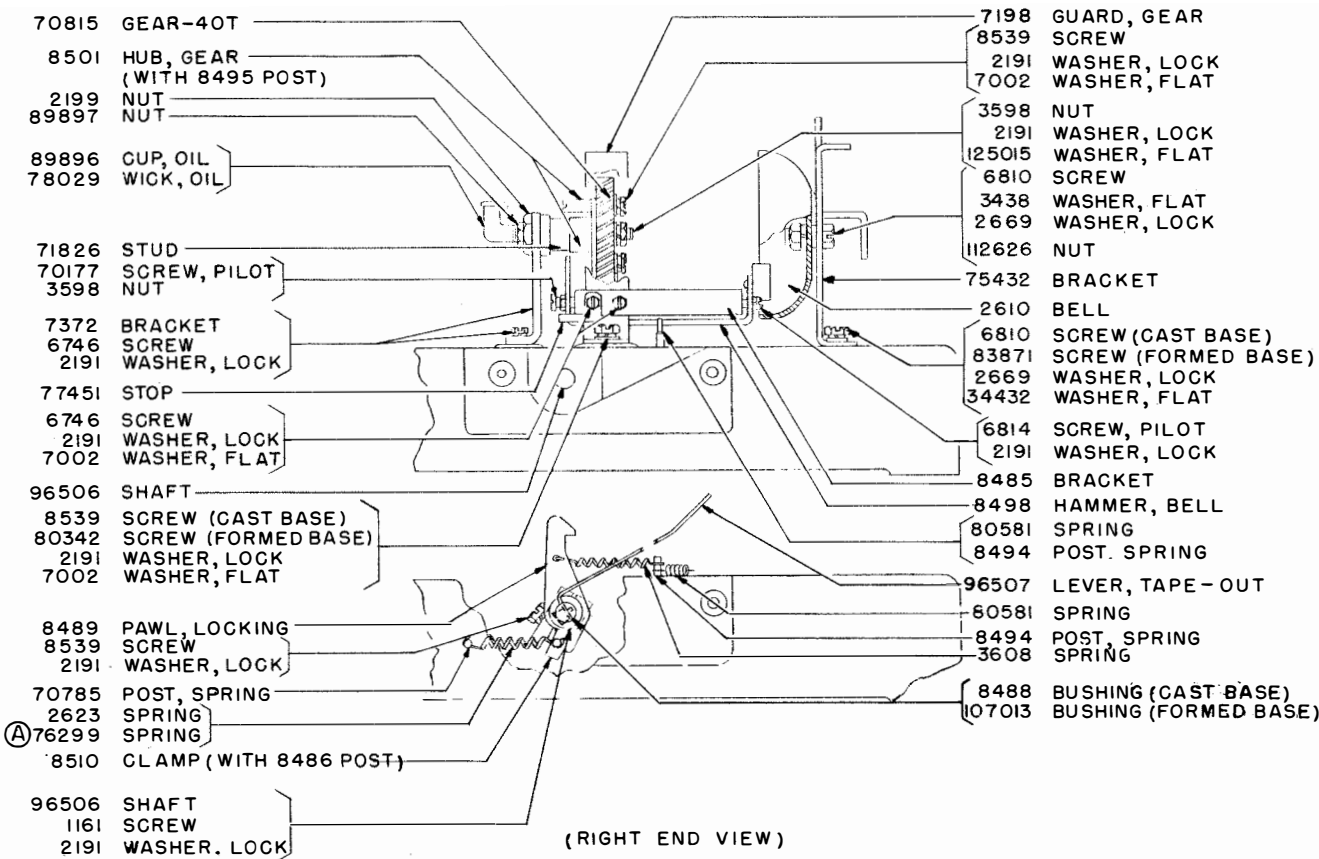
ORIGINAL



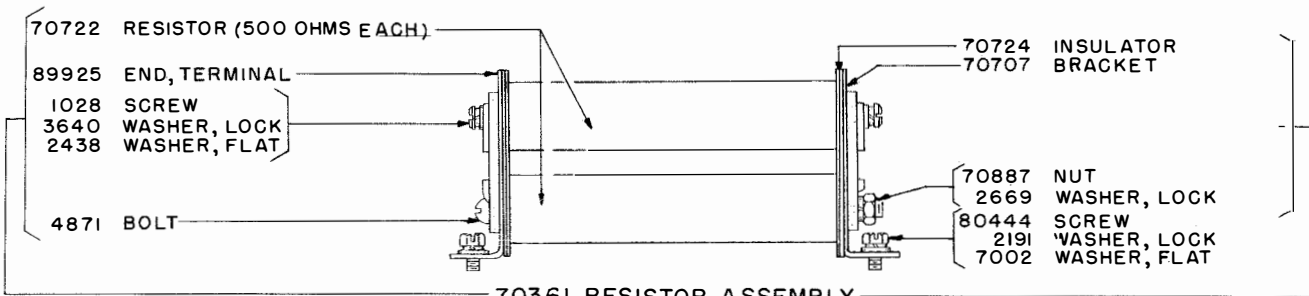
99408 LINE RELAY ASSEMBLY- WITHOUT LINE TEST KEY  
(EXCLUDES PARTS MARKED (C) )

99409 LINE RELAY ASSEMBLY-WITH LINE TEST KEY

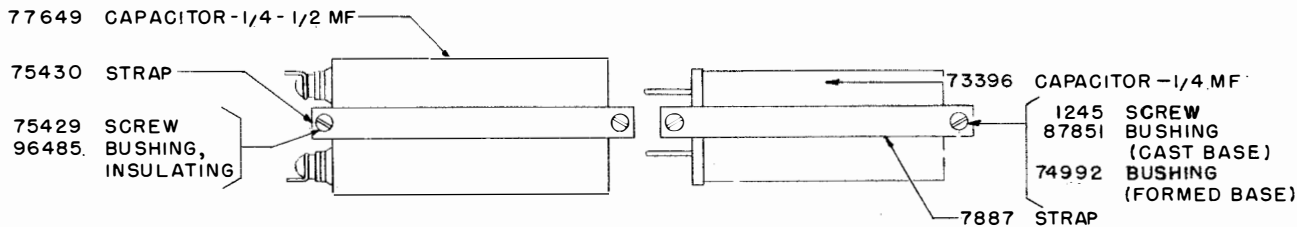
(A) (B) (C) FOR EXPLANATION SEE PAGE 7-2



TAPE-OUT ALARM MECHANISM

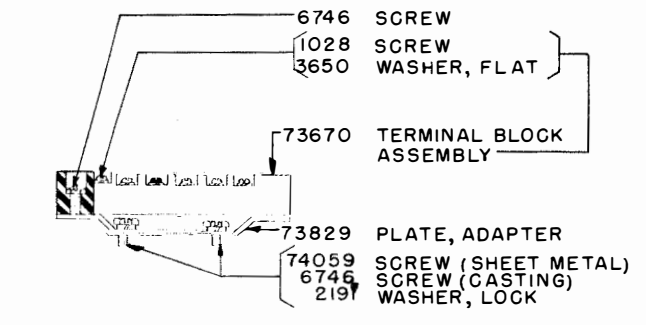
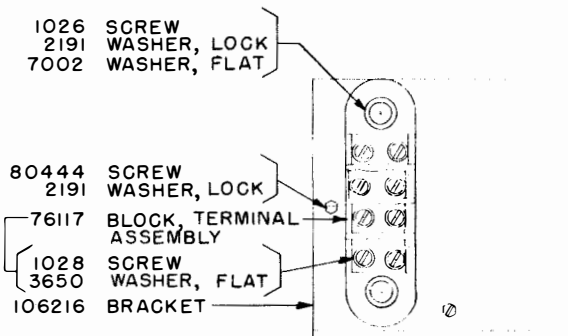
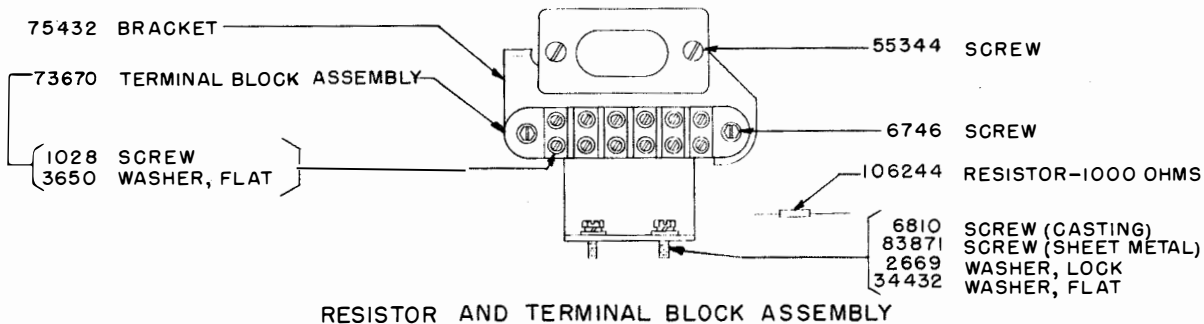
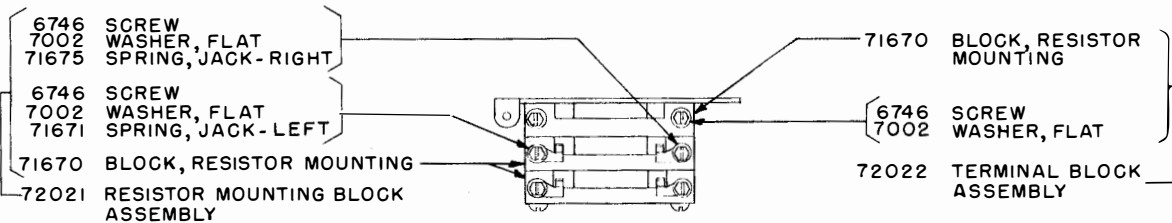
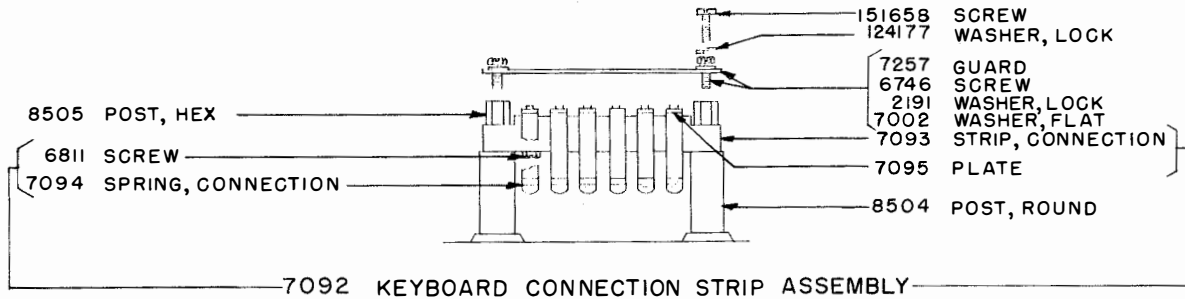
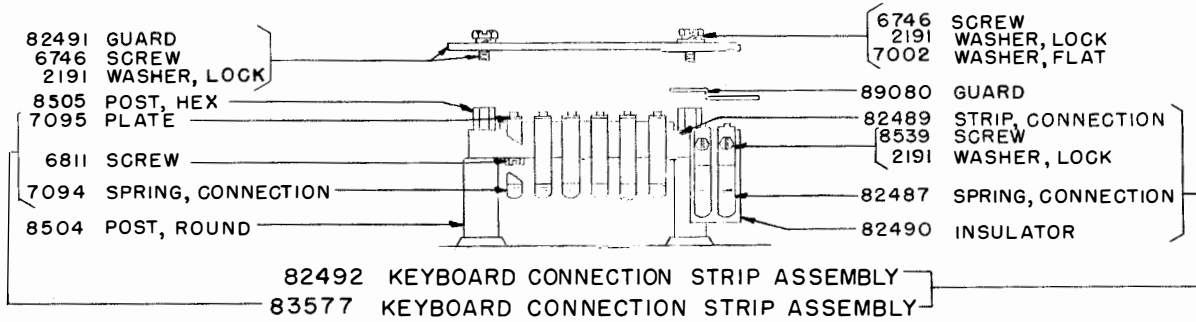


70361 RESISTOR ASSEMBLY  
 (250-500-1000 OHMS)



GOVERNOR CIRCUIT PARTS

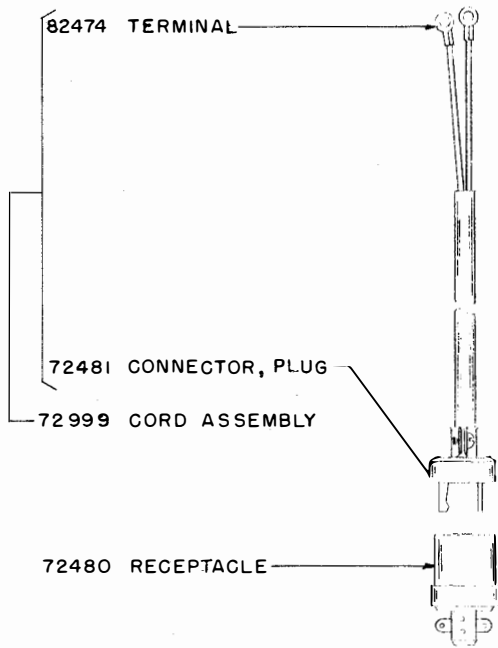
Ⓐ FOR EXPLANATION SEE PAGE 7-2



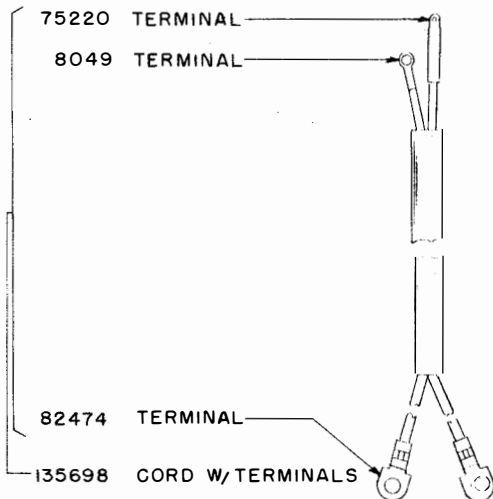
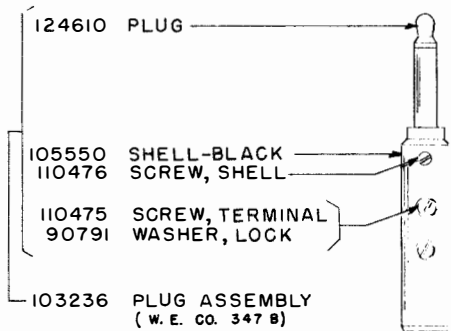
TERMINAL BLOCK ASSEMBLY WITH BRACKET

TERMINAL BLOCK ASSEMBLY WITH ADAPTER PLATE

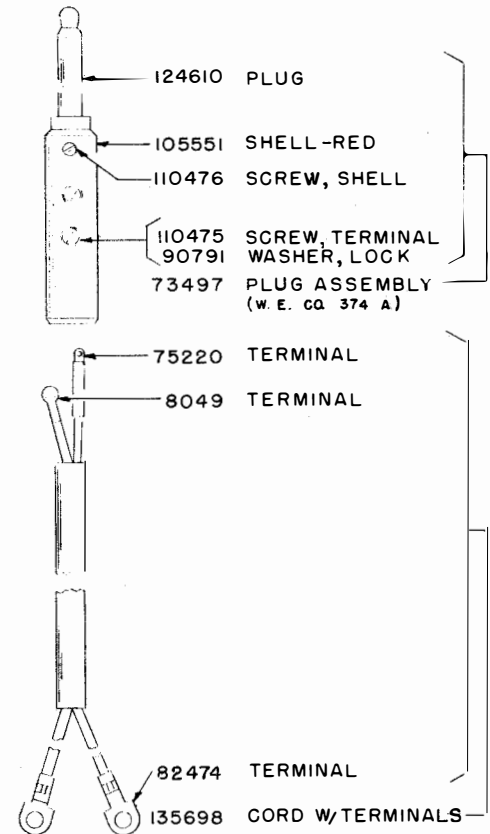




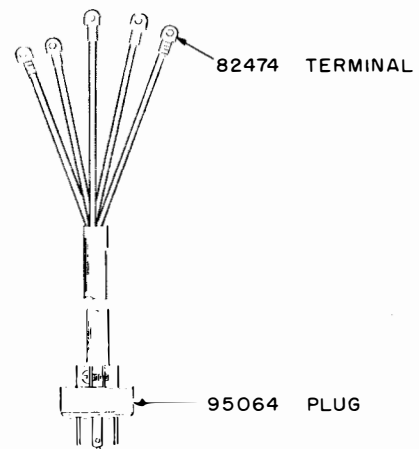
72426 CORD ASSEMBLY  
(APPROX. 35" LONG)



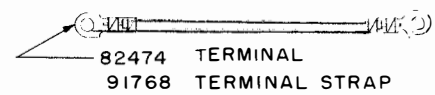
89438 LINE CORD ASSEMBLY-BLACK  
(APPROX. 41" LONG)



89472 LINE CORD ASSEMBLY-RED  
(APPROX. 41" LONG)



95052 CORD ASSEMBLY  
(APPROX. 41" LONG)

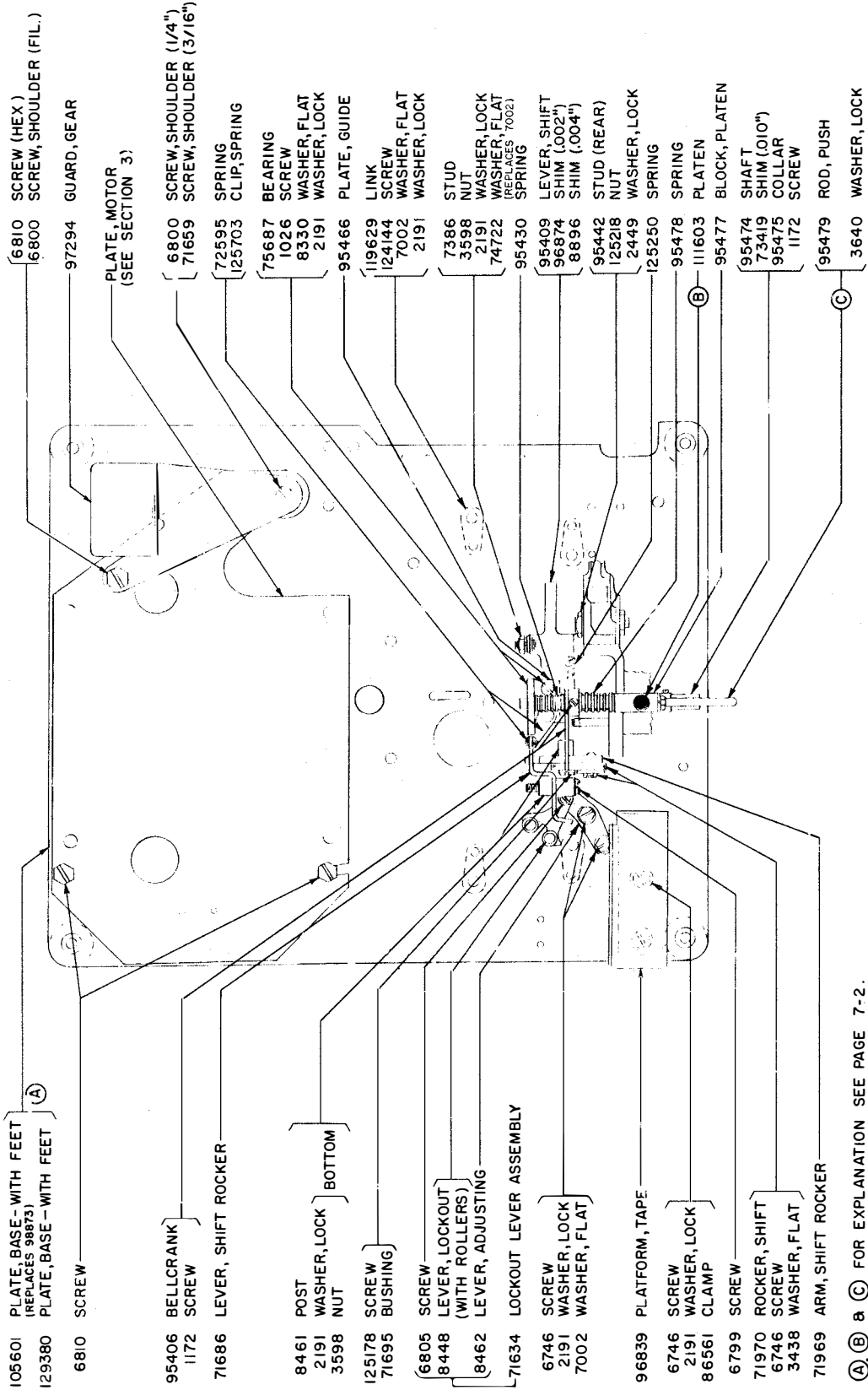


CORD ASSEMBLIES



SECTION 2

TYPING UNIT



105601 PLATE, BASE - WITH FEET  
(REPLACES 98873) (A)  
129380 PLATE, BASE - WITH FEET  
6810 SCREW

95406 BELLCRANK  
1172 SCREW  
71686 LEVER, SHIFT ROCKER

8461 POST  
2191 WASHER, LOCK } BOTTOM  
3598 NUT  
125178 SCREW  
71695 BUSHING

6805 SCREW  
8448 LEVER, LOCKOUT  
(WITH ROLLERS)  
8462 LEVER, ADJUSTING  
71634 LOCKOUT LEVER ASSEMBLY

6746 SCREW  
2191 WASHER, LOCK  
7002 WASHER, FLAT  
96839 PLATFORM, TAPE

6746 SCREW  
2191 WASHER, LOCK  
86561 CLAMP  
6799 SCREW  
71970 ROCKER, SHIFT  
6746 SCREW  
3438 WASHER, FLAT  
71969 ARM, SHIFT ROCKER

(A), (B), (C) FOR EXPLANATION SEE PAGE 7-2.

6810 SCREW (HEX)  
6800 SCREW, SHOULDER (FIL.)  
97294 GUARD, GEAR  
PLATE, MOTOR  
(SEE SECTION 3)

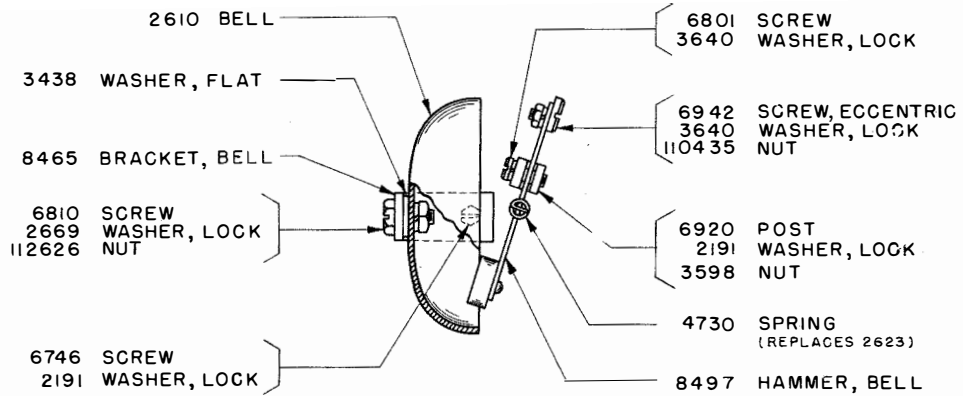
6800 SCREW, SHOULDER (1/4")  
71659 SCREW, SHOULDER (3/16")  
72595 SPRING  
125703 CLIP, SPRING  
75687 BEARING  
1026 SCREW  
8330 WASHER, FLAT  
2191 WASHER, LOCK  
95466 PLATE, GUIDE

119629 LINK  
124144 SCREW  
7002 WASHER, FLAT  
2191 WASHER, LOCK  
7386 STUD  
3598 NUT  
2191 WASHER, LOCK  
74722 WASHER, FLAT  
(REPLACES 7002)

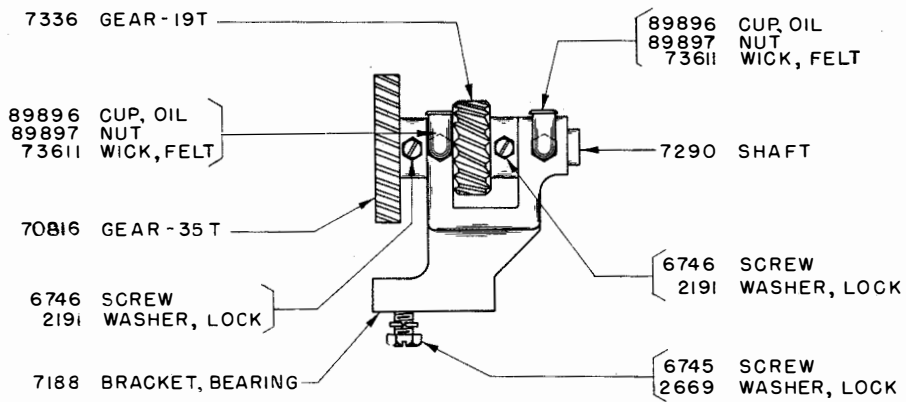
95430 SPRING  
95409 LEVER, SHIFT  
96874 SHIM (.002")  
8896 SHIM (.004")  
95442 STUD (REAR)  
125218 NUT  
2449 WASHER, LOCK  
125250 SPRING  
95478 SPRING  
111603 PLATEN  
95477 BLOCK, PLATEN

95474 SHAFT  
73419 SHIM (.010")  
95475 COLLAR  
1172 SCREW  
95479 ROD, PUSH  
3640 WASHER, LOCK

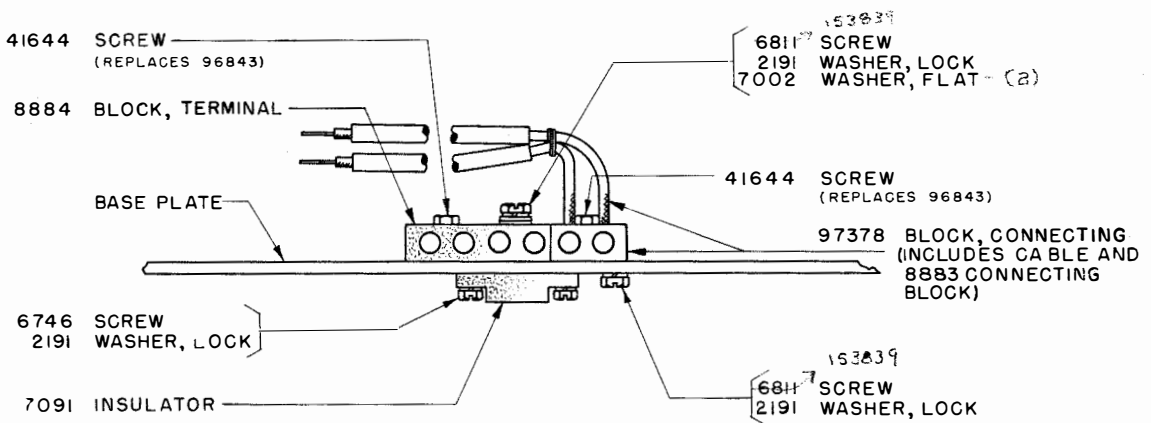
BASE PLATE MECHANISM



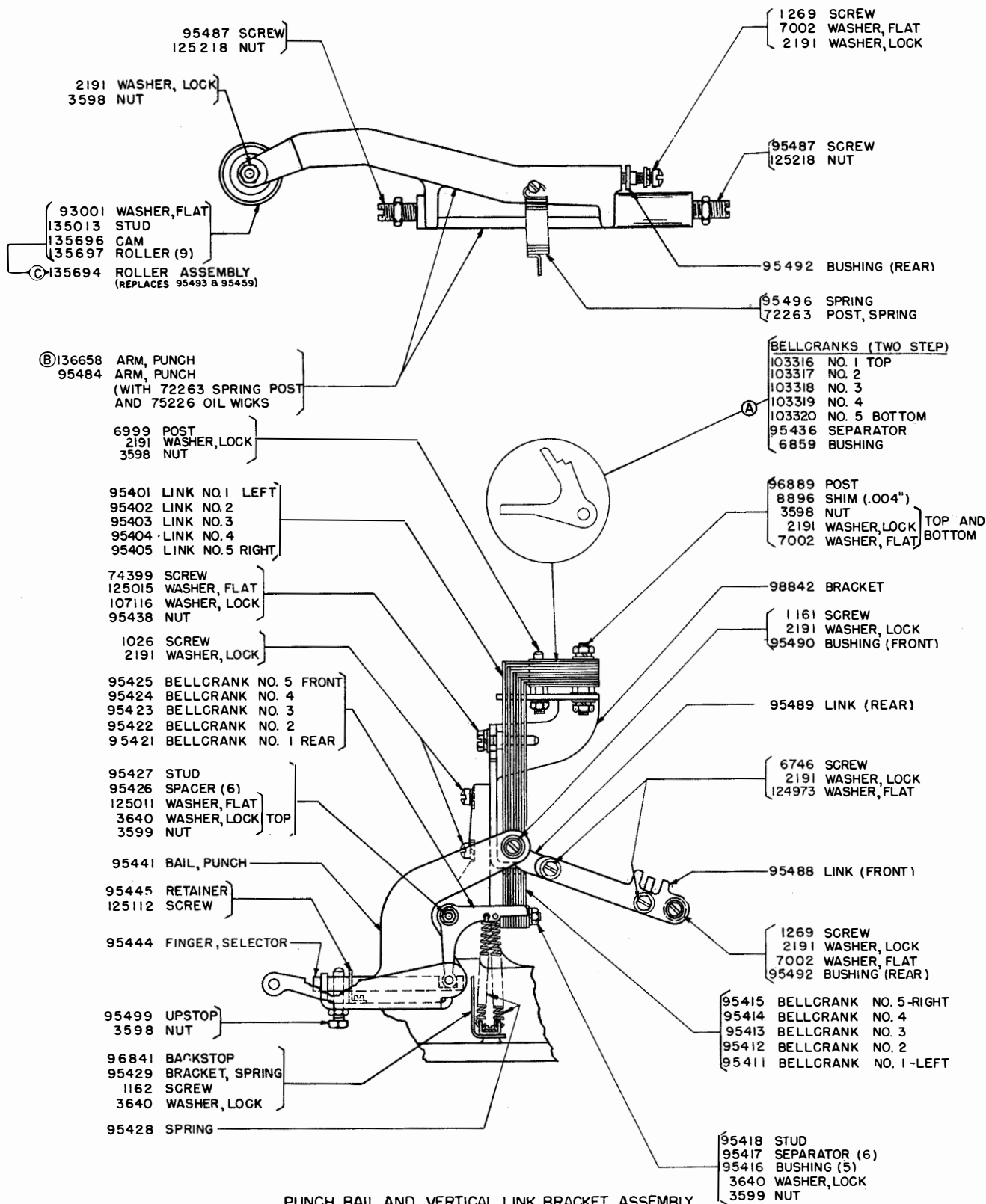
BELL BRACKET



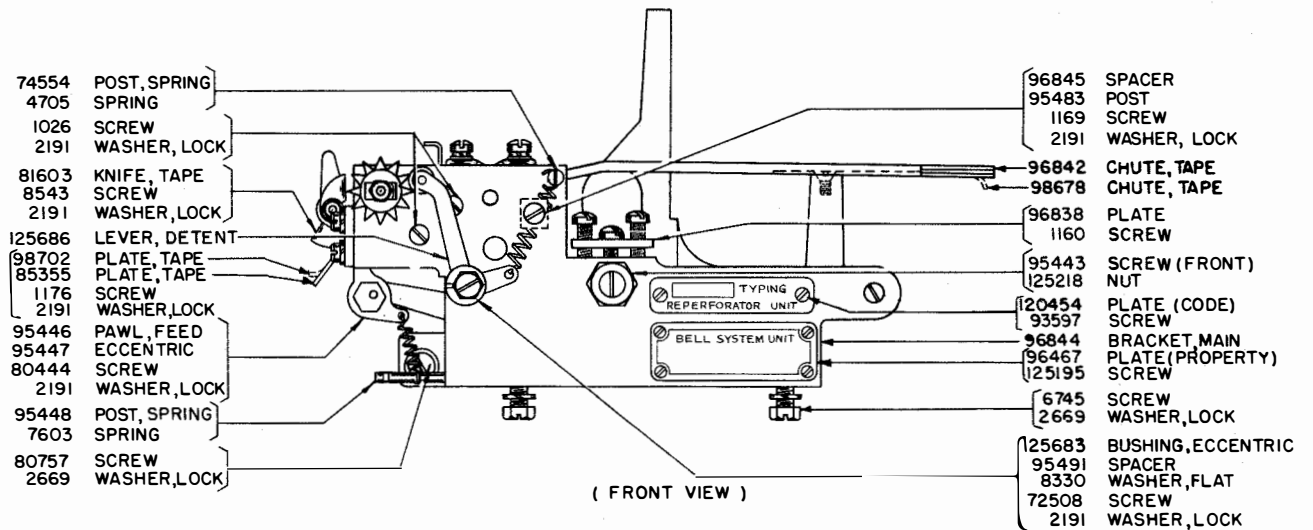
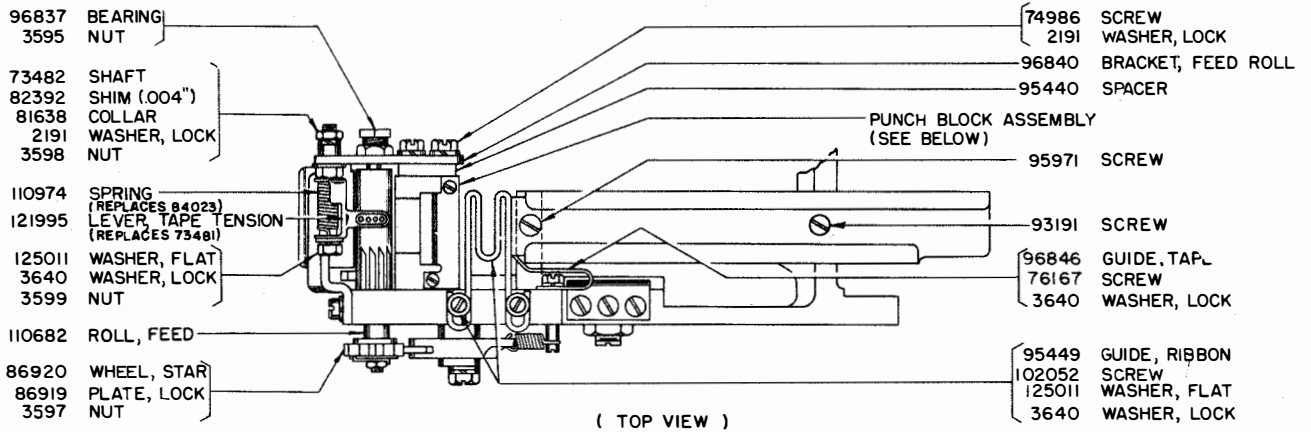
7.4 2  
INTERMEDIATE GEAR MECHANISM



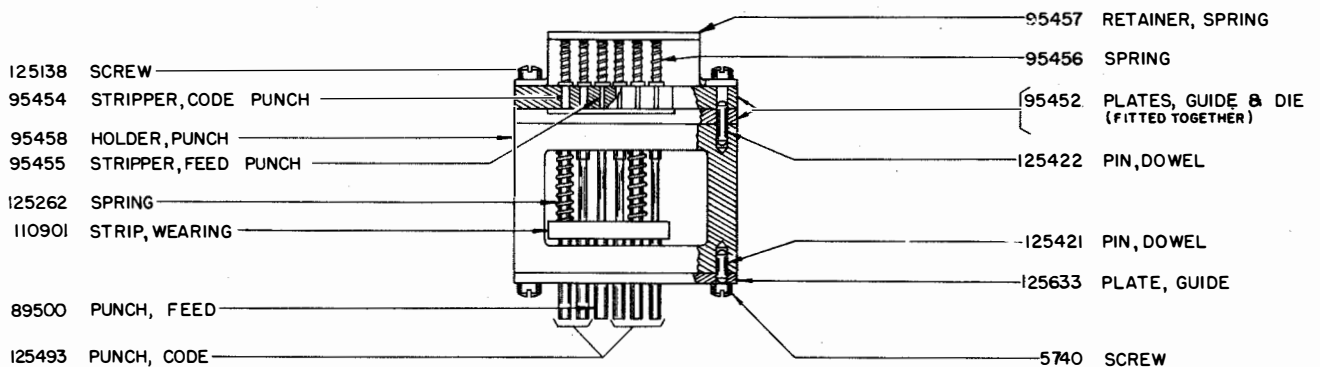
SLIP CONNECTION BLOCK



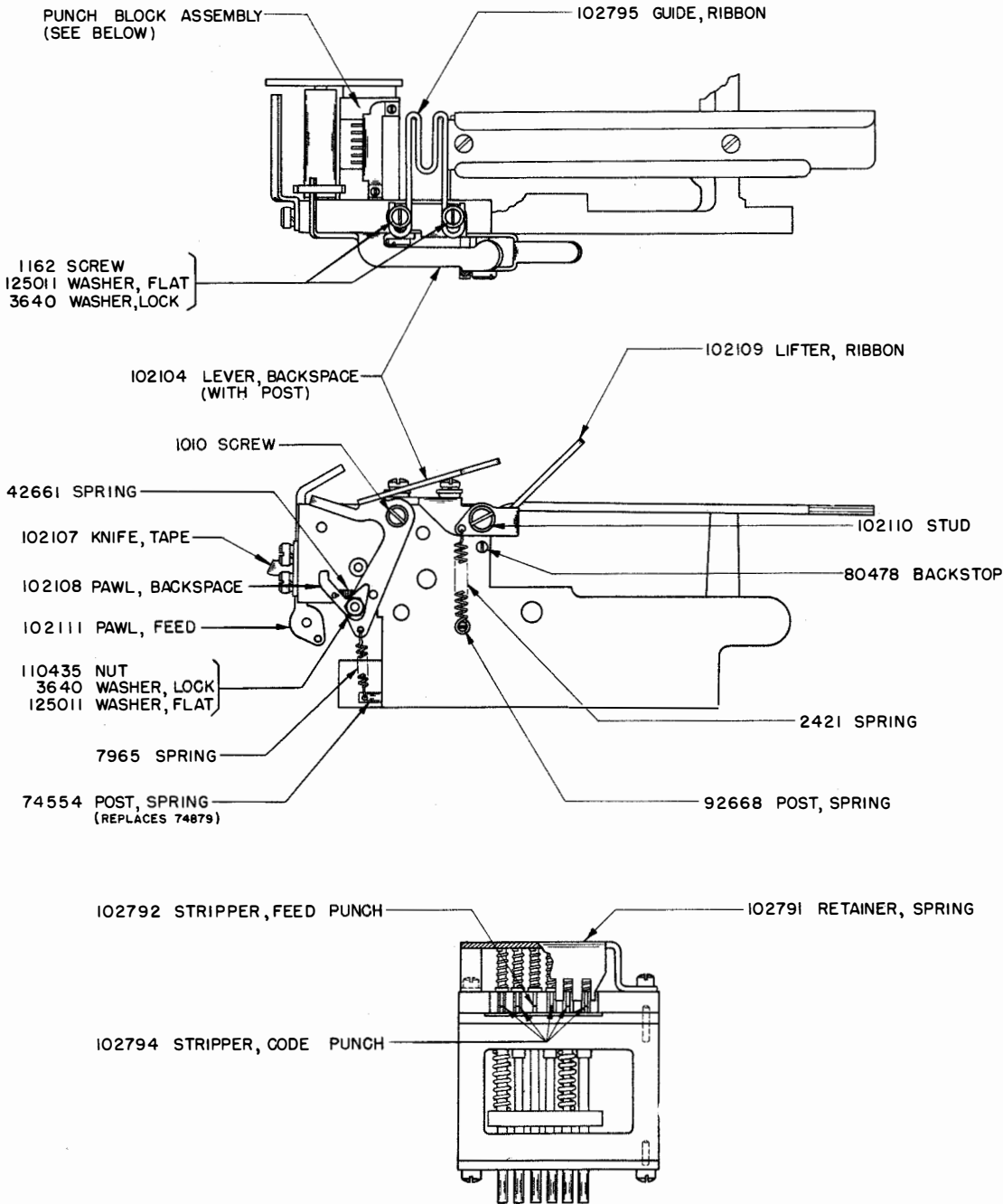
PUNCH BAIL AND VERTICAL LINK BRACKET ASSEMBLY



PUNCH BLOCK BRACKET ASSEMBLY



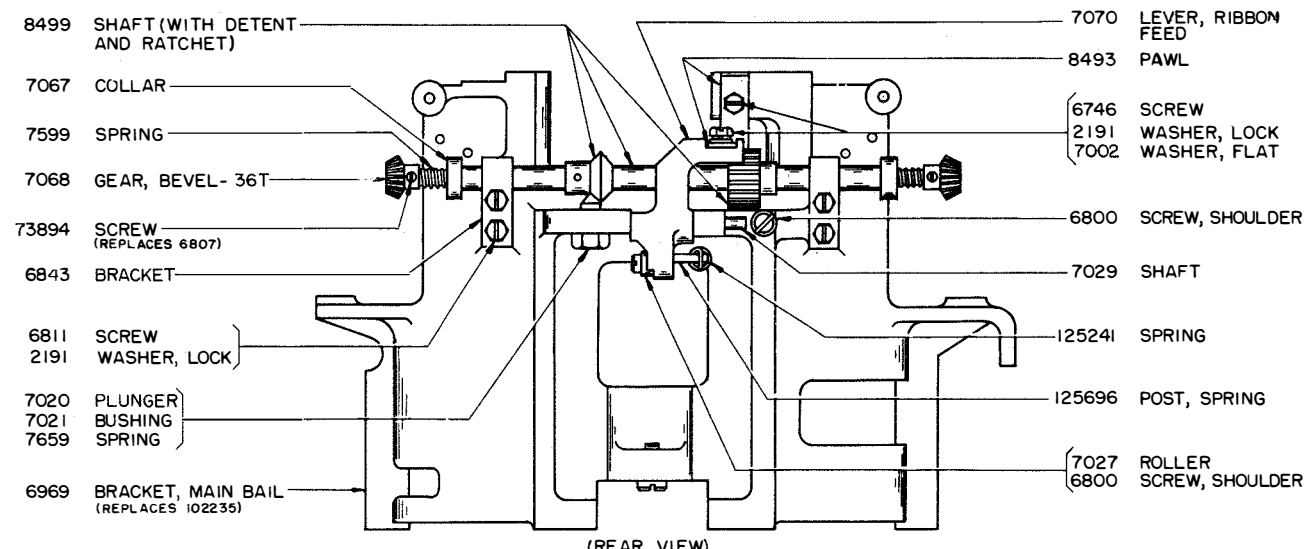
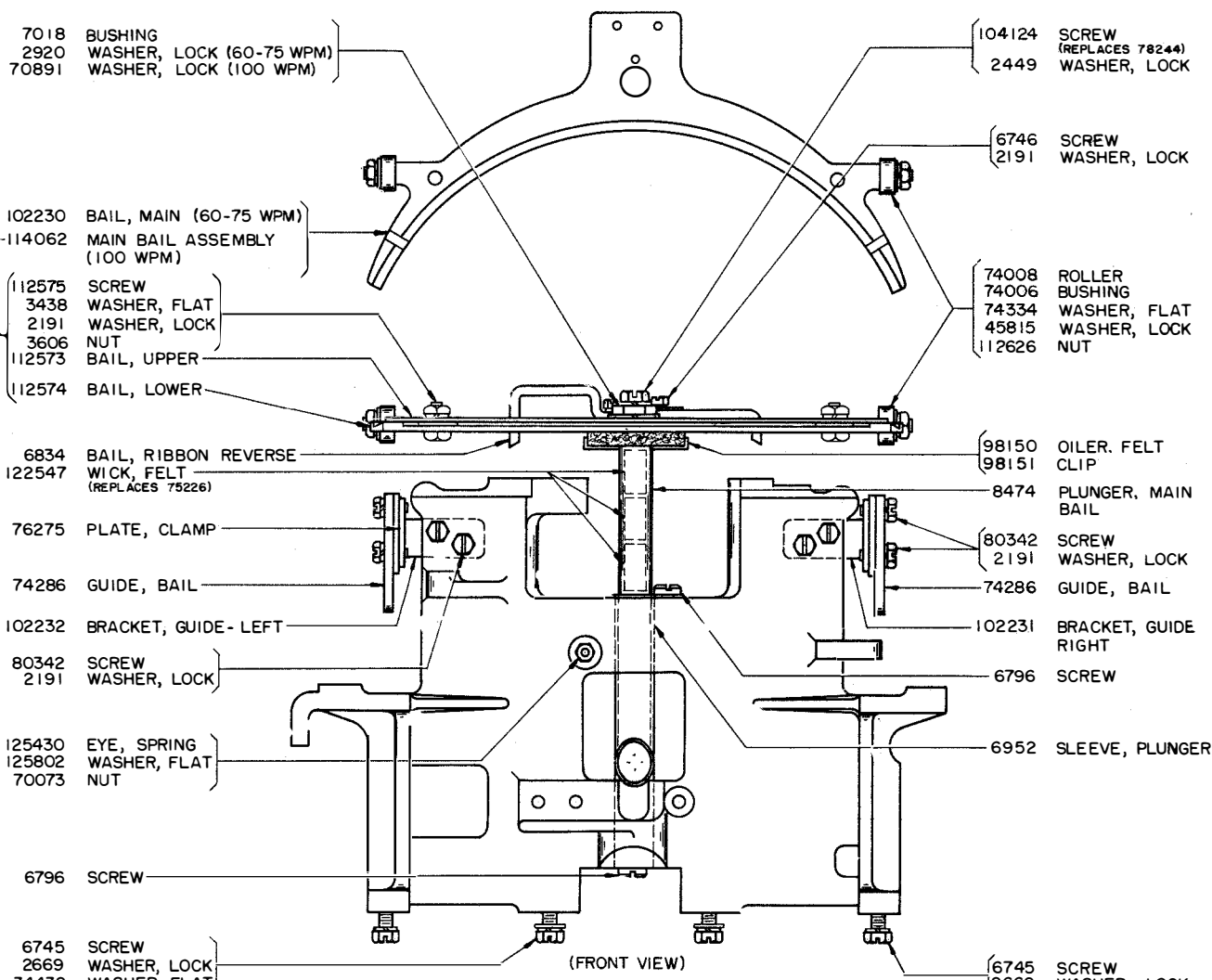
111023 PUNCH BLOCK ASSEMBLY-STRAIGHT FEED  
(REPLACES 95451)



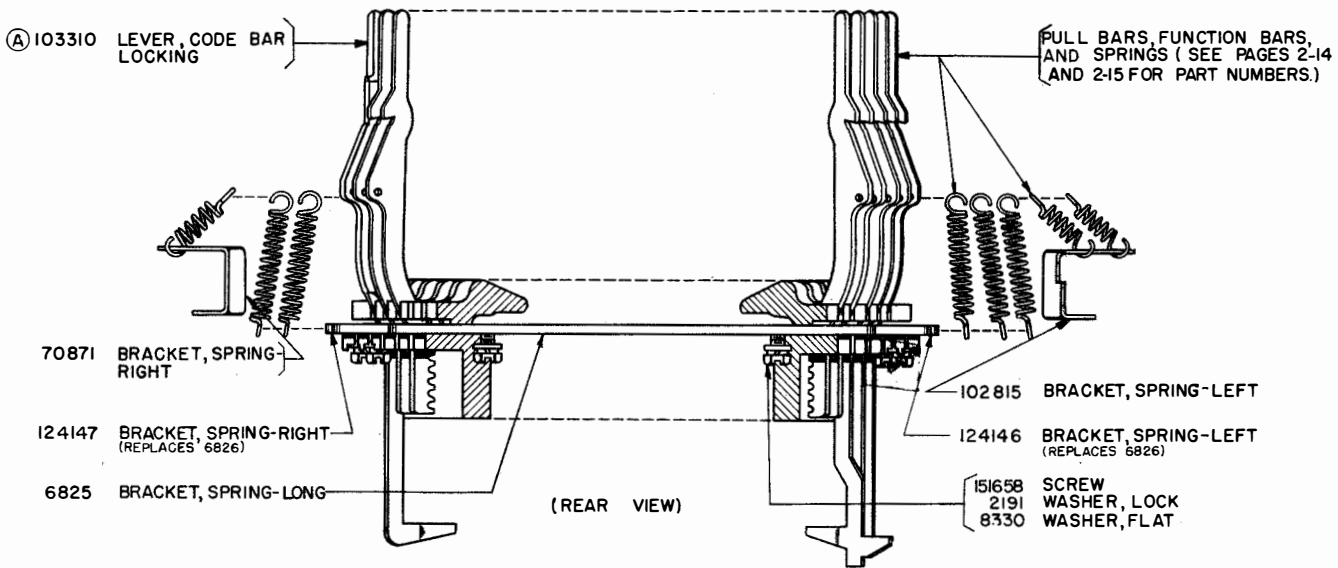
111024 PUNCH BLOCK ASSEMBLY  
 (REPLACES 102790)  
 (PARTS NOT LISTED SAME AS ON 111023 PUNCH BLOCK ASSEMBLY)

ALL PARTS LISTED ON THIS PAGE ARE USED ONLY ON UNITS EQUIPPED WITH A BACKSPACER. ALL OTHER PARTS ARE THE SAME AS SHOWN ON PAGE 2-5.

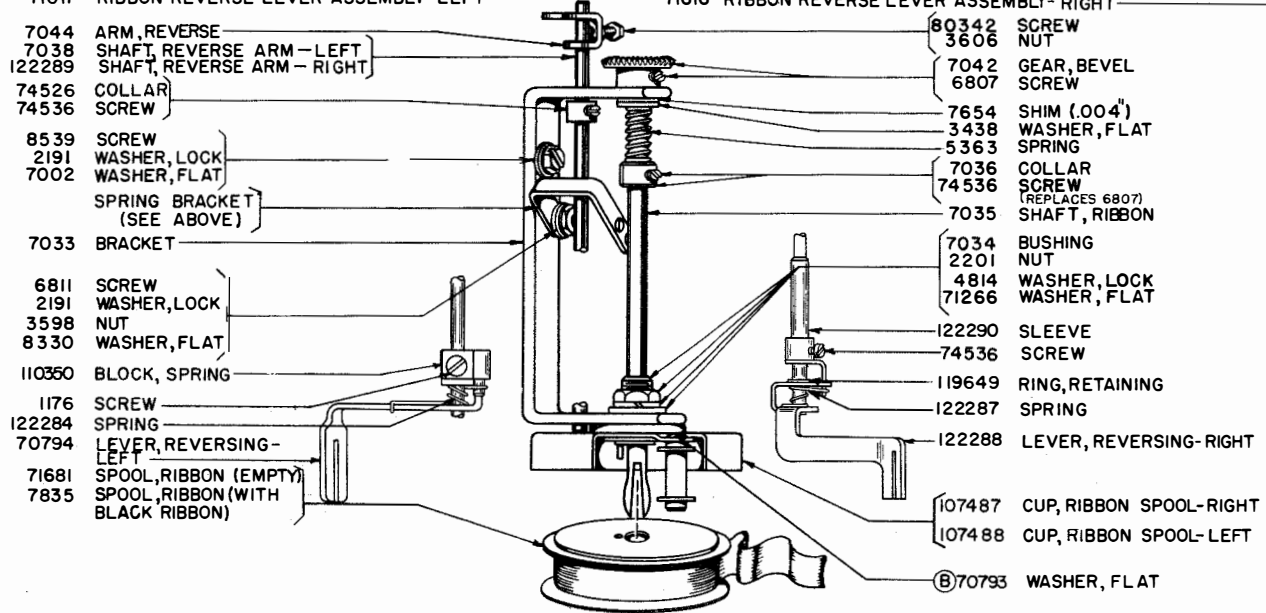
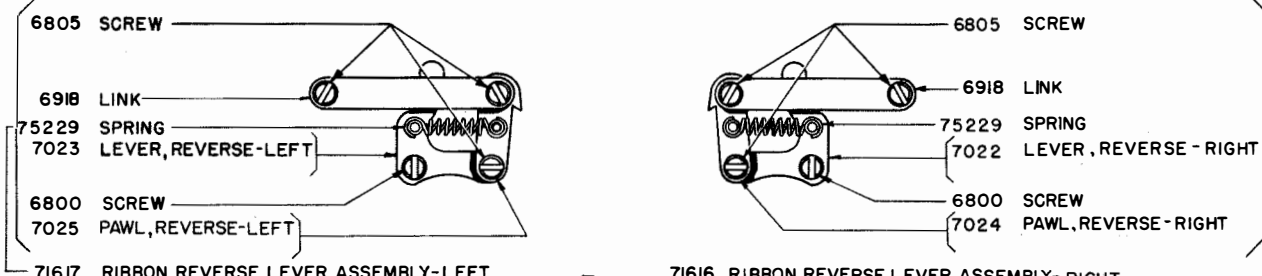




MAIN BAIL BRACKET ASSEMBLY

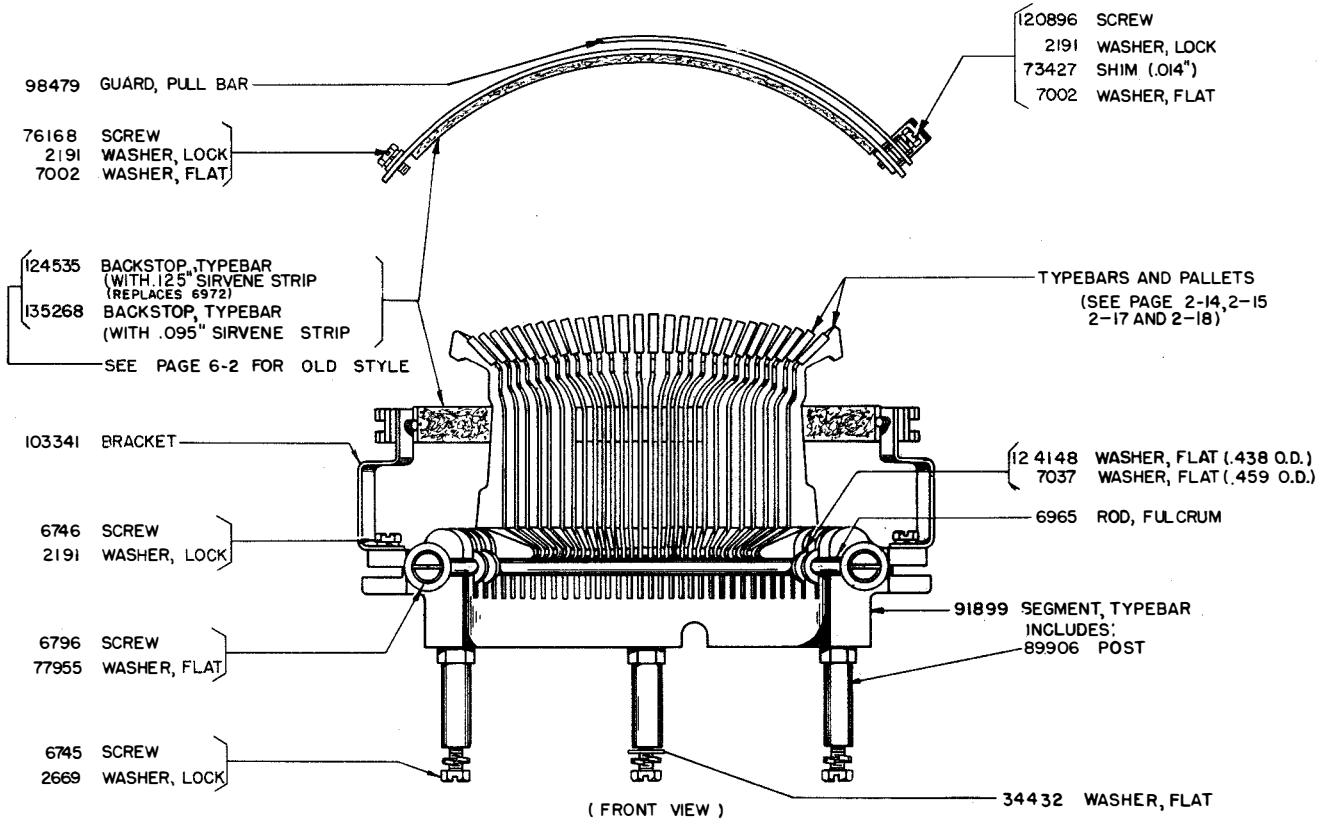
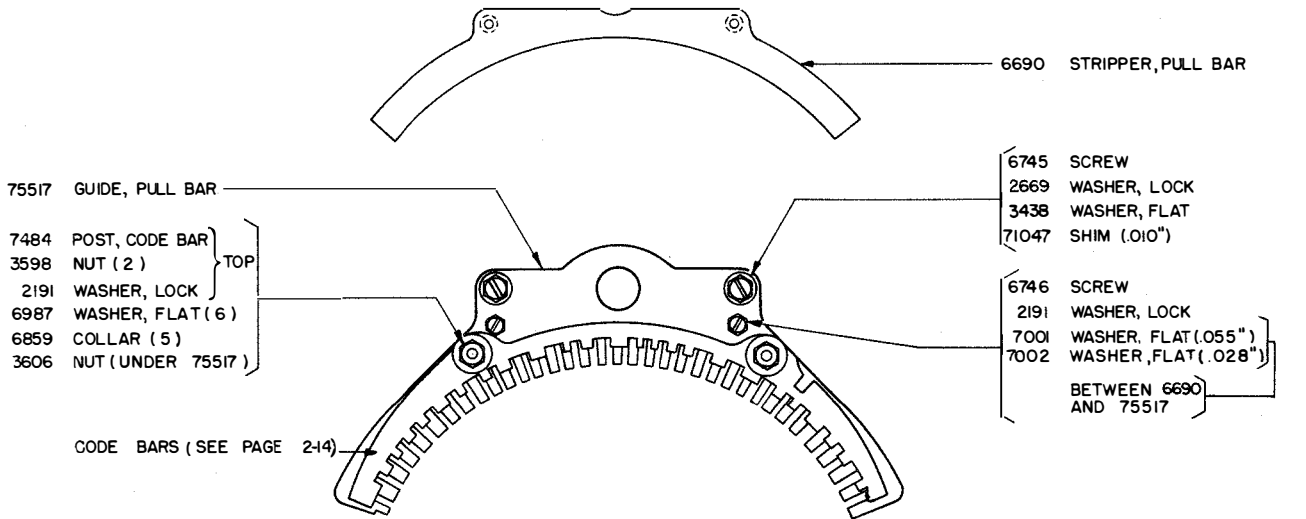


TYPE BAR BASKET ASSEMBLY

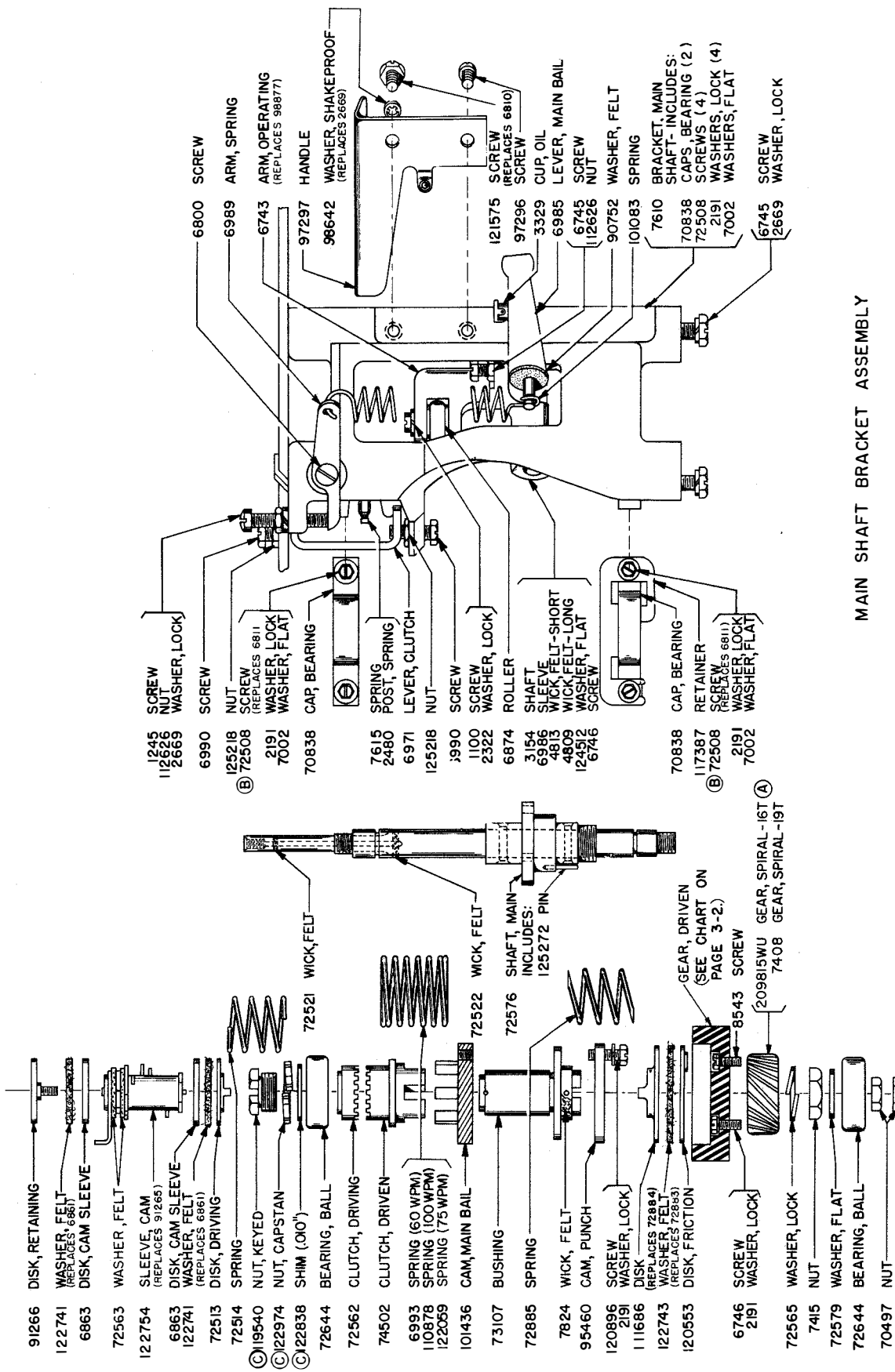


RIBBON FEED MECHANISM

(A) FOR EXPLANATION SEE PAGE 7-2  
 PARAGRAPH (A) FOR PAGE 2-4.  
 (B) FOR EXPLANATION SEE PAGE 7-3.



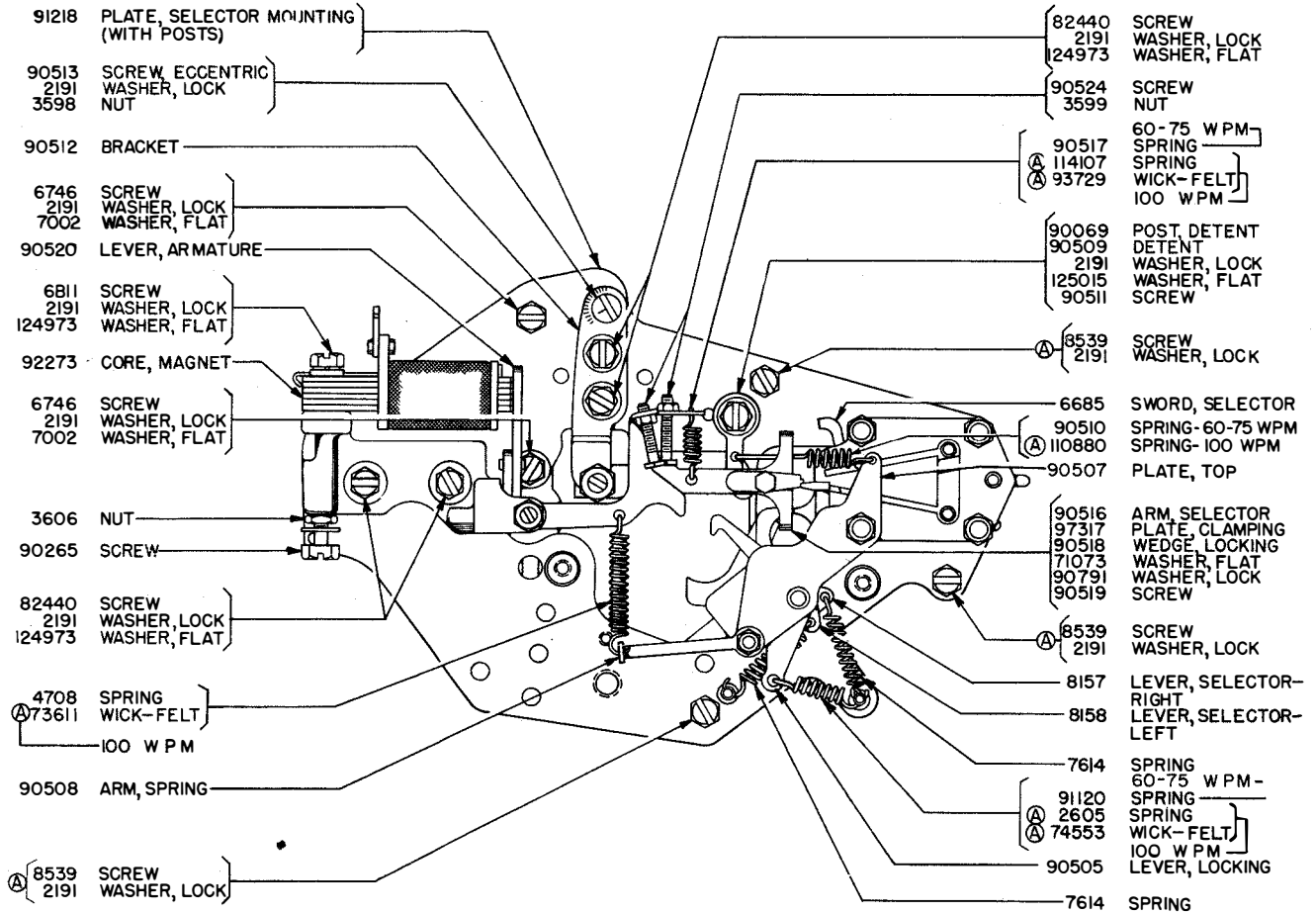
(FRONT VIEW)  
TYPEBAR BASKET AND CODE BAR ASSEMBLY.



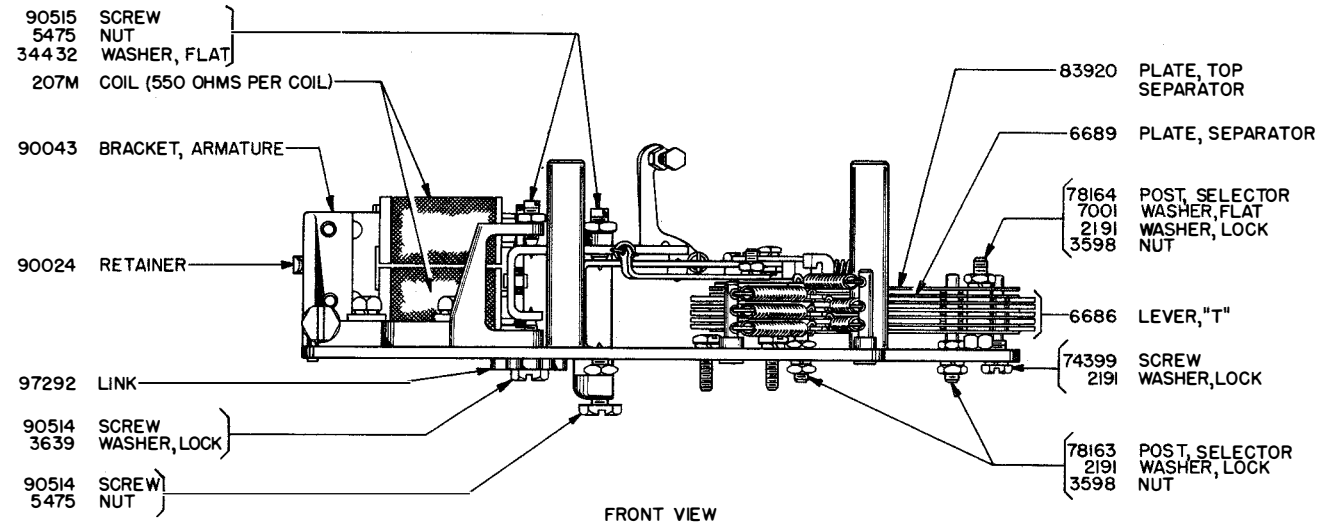
MAIN SHAFT BRACKET ASSEMBLY

MAIN SHAFT ASSEMBLY

(A)(B)(C) SEE PAGE 7-3 FOR EXPLANATION.

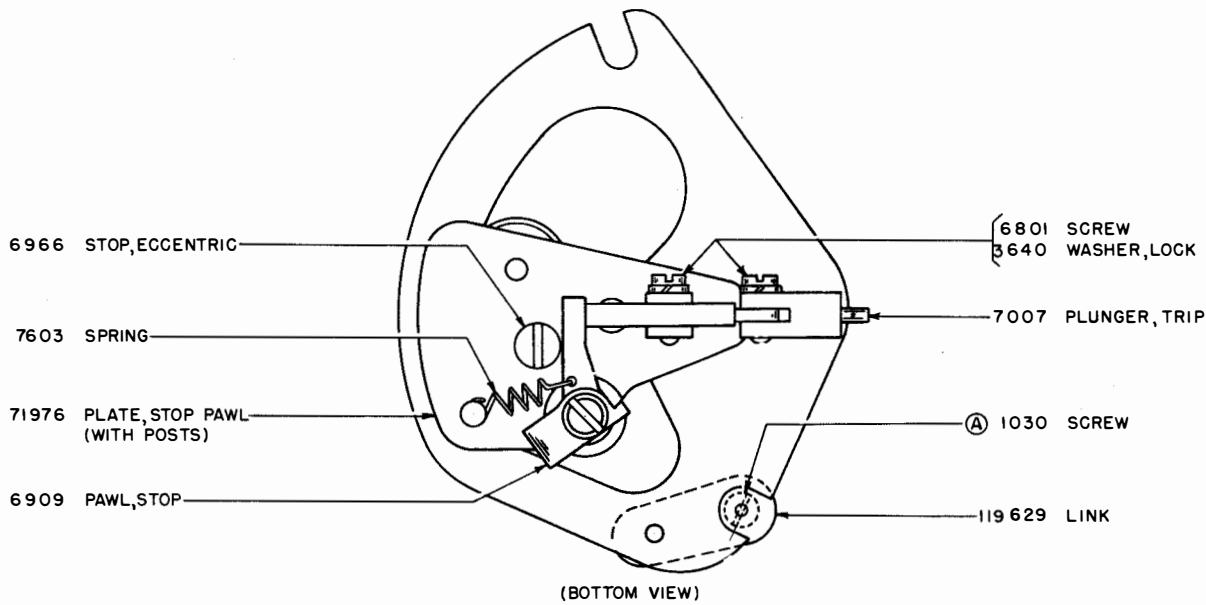
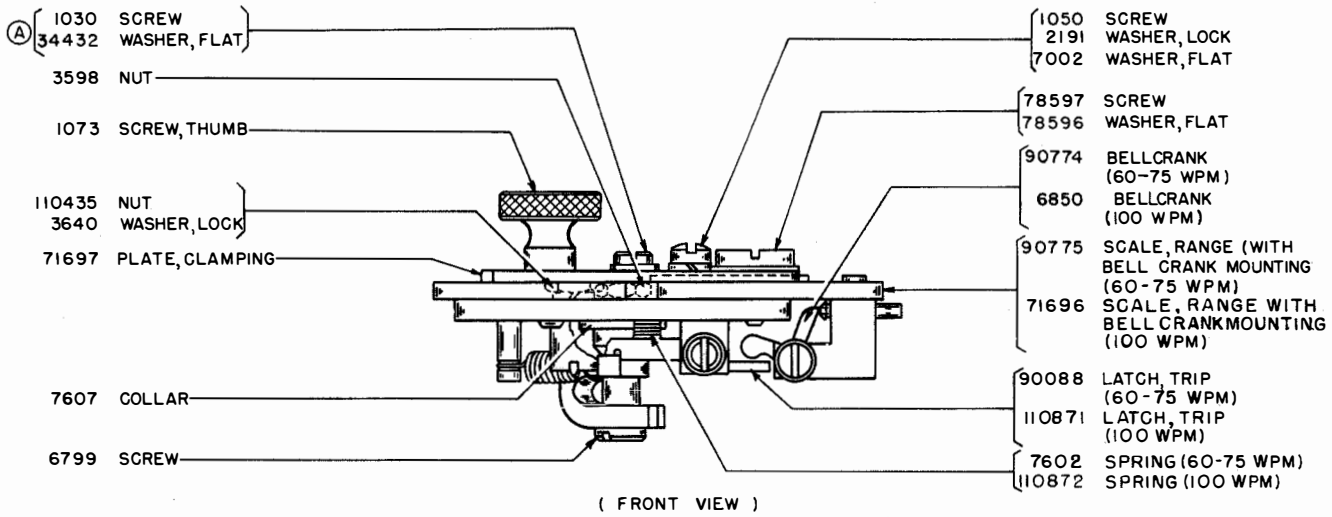


TOP VIEW

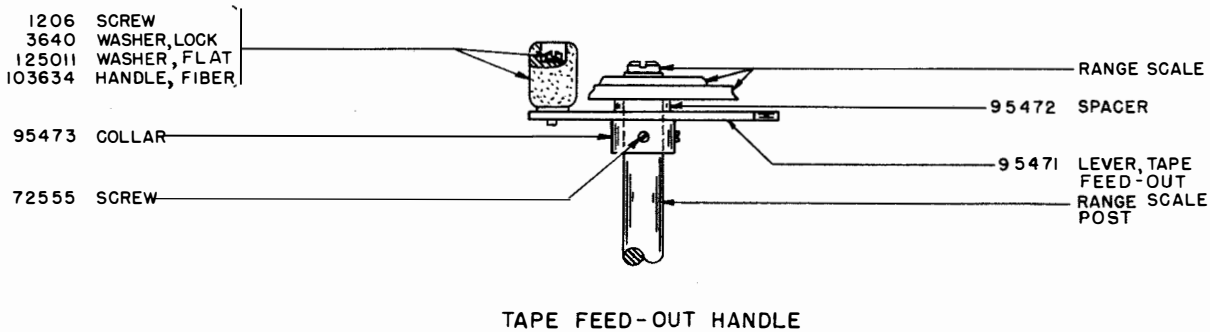


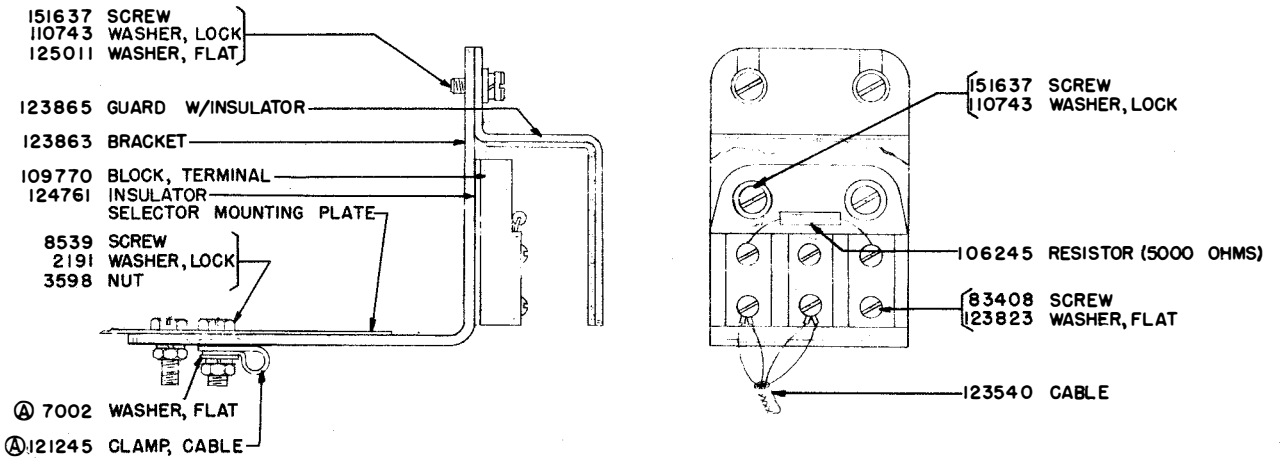
FRONT VIEW

98633 HOLDING MAGNET SELECTOR PLATE ASSEMBLY  
(EXCLUDES ABOVE PARTS MARKED (A) AND INCLUDES PARTS MARKED (C) ON PAGE 2-13)

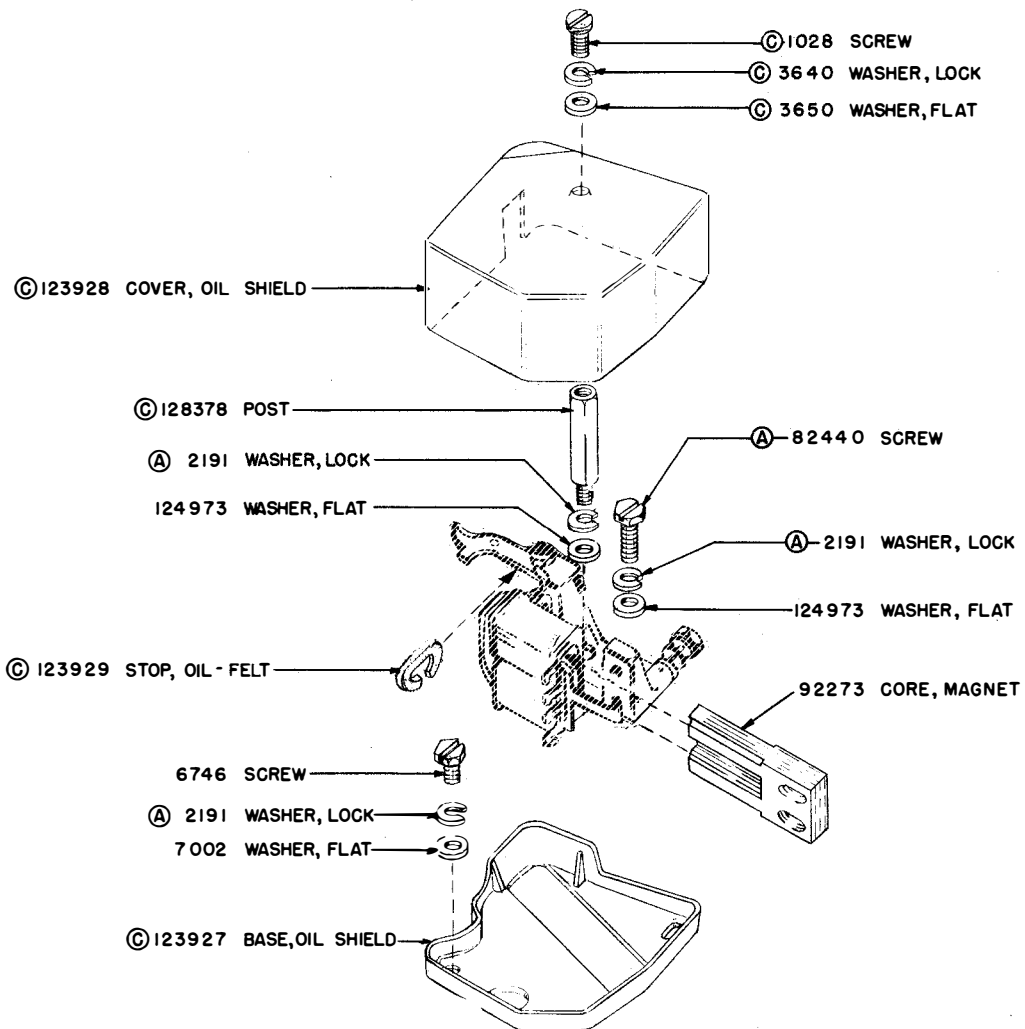


90760 RANGE SCALE ASSEMBLY (60-75 WPM)  
 119284 RANGE SCALE ASSEMBLY (100 WPM)  
 EXCLUDES PARTS MARKED (A)





Ⓑ 113702 SERIES-PARALLEL TERMINAL BLOCK ASSEMBLY  
(EXCLUDES PARTS MARKED Ⓐ)  
(SUPERSEDES SERIES-PARALLEL SWITCH SHOWN ON PAGE 6-3)



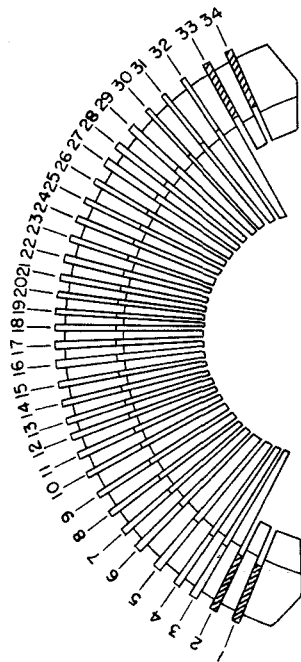
113693 MODIFICATION KIT TO PROVIDE AN OIL SHIELD FOR THE HOLDING  
MAGNET SELECTOR  
(EXCLUDES PARTS MARKED Ⓐ)

Ⓑ FOR EXPLANATION SEE PAGE 7-3.  
Ⓒ FOR EXPLANATION SEE PAGE 2-11.

**NOTE**

CHECK CAREFULLY THE POSITION OF PULL BARS IN TYPEBAR SEGMENT AND THE ARRANGEMENT OF THE PALLETTS ON THE TYPEBARS. IF THESE DIFFER IN ANY WAY WITH THE ARRANGEMENTS SHOWN ON THESE PAGES, THE PARTS MUST THEN BE ORDERED BY DESCRIPTION. FOR EXAMPLE, ORDER:  
 PALLET------(A -)  
 TYPEBAR #12 WITH PALLET---(A -)  
 KEYTOP------(A -)

105278  
 BELL SYSTEM "D"  
 78943  
 BELL SYSTEM "C"  
 78933  
 BELL SYSTEM "A"



CODE BARS	
STAMPED	PART NUMBER
1J	95461
2J	95462
3J	95463
4J	95464
5J	95465

NUMBER OF POSITION IN SEGMENT	PULL & FUNCTION BARS		SETS OF GOTHIC STYLE TYPEPALLETTS						TYPE BARS		SETS OF SPRING CUSHION KEYTOPS										
	DESCRIPTION	PART NUMBER	SPRING	TELETYPE ARRANGEMENT						WITH PALLET	WITHOUT PALLET	DESCRIPTION	PART NUMBER	TELETYPE ARRANGEMENT							
				373	205	222	248	226	105562					BT	CB	KO	KU	KH			
1	SPACE	6916	7965																		
2	LETTERS	6916	7965																		
3	BELL ON U.C."S"	Ⓐ 8457 Ⓑ 102877	7825																		
4	"S" PULL BAR	8458	7634																		
5	STANDARD	74185	7634																		
6	"	74185	7634																		
7	"	74185	7634																		
8	"	74185	7634																		
9	"	74185	7634																		
10	"	74185	7634																		
11	"	74185	7634																		
12	"	74185	7634																		
13	"	74185	7634																		



Line	Description	74185	7634	J	98908	X	98988	7431	II	J	78993	X
14	"	74185	7634	J	98956	X	98986	7431	11	J	89419	X
15	"	74185	7634	J	98902	X	98987			J	78955	X
16	"	74185	7634	A	98912	X	98991	7432	12	A	78946	X
17	"	74185	7634	A	98951	X	98990	7433	13	A	89414	X
18	"	74185	7634	T	98931	X	98992	7434	14	T	78964	X
19	"	74185	7634	E	98930	X	98993	7435	15	E	78950	X
20	"	74185	7634	N	98940	X	98996			N	78987	X
21	STANDARD CONTACT OPERATING	74185	7634	N	98948	X	98994			N	89426	X
22	STANDARD	74185	7634	N	98909	X	98995			N	78959	X
23	"	74185	7634	I	98917	X	98998	7436	16	I	78954	X
24	"	74185	7634	O	98933	X	98999	7437	17	O	78960	X
25	"	74185	7634	H	98924	X	99002			H	78981	X
26	"	74185	7634	H	98955	X	99000	7438	18	H	89418	X
27	"	74185	7634	H	98920	X	99001			H	78953	X
28	"	74185	7634	H	98962	X	99029			H	92258	X
29	"	74185	7634	L	98939	X	99005			L	78983	X
30	"	74185	7634	L	98958	X	99003	7439	19	L	89421	X
31	"	74185	7634	L	98945	X	99004			L	78957	X
32	"	74185	7634	U	98932	X	99006	7440	20	U	78965	X
33	"	74185	7634	M	98904	X	99007	7441	21	M	78958	X
34	"	74185	7634	Y	98929	X	99010	7442	22	Y	78969	X
35	"	74185	7634	P	98918	X	99011	7443	23	P	78961	X
36	"	74185	7634	P	104845	X	104951			P	99564	X
37	"	74185	7634	B	98938	X	99014			B	78986	X
38	"	74185	7634	B	98946	X	99012	7444	24	B	89425	X
39	"	74185	7634	B	98927	X	99013			B	78947	X
40	"	74185	7634	K	98937	X	99017			K	78988	X
41	"	74185	7634	K	98957	X	99015	7445	25	K	89420	X
42	"	74185	7634	K	98944	X	99016			K	78956	X
43	"	74185	7634	Z	98903	X	99019	7446	26	Z	78970	X
44	"	74185	7634	Z	98950	X	99018			Z	89422	X
45	STANDARD COUNTER RESET	74185	7634	<	101582	X	99032	7447	27	CAR RET	78976	X
46	"	74185	7634	<	98959	X	99021	7448	28	LINE FEED	78978	X
47	"	74185	7634	≡	101583	X	99033			(NO SYMBOL)	78971	X
48	"	74185	7634	≡	98960	X	99024	7885	29	FIGS	89413	X
49	"	74185	7634	≡	101579	X	99034			FIGS	78972	X
50	"	74185	7634	≡	102655	X	104953			FIGS	78972	X
51	FIGURES	6917	7825									
52	CONTACT OPERATING	136668	7634									
53	CODE BAR	103310										
54	LOCKING LEVER	6915	3610									

(A) BELL SIGNAL ONLY.  
 (B) SIGNAL, PRINT & SPACE ON "BELL" SELECTION.  
 (C) USED ON UNITS EQUIPPED WITH PULL BAR OPERATED CONTACTS.  
 (D) USED ON UNITS EQUIPPED WITH RIGHT RIBBON FEED.  
 (E) USED ON UNITS EQUIPPED WITH END-OF-LINE INDICATOR.  
 (F) USED ON UNITS EQUIPPED WITH TWO-STEP BELLCRANKS (SEE PAGE 2-8)  
 (G) USED ON UNITS EQUIPPED WITH ONE-STEP BELLCRANKS (SEE PAGE 7-2, PARAGRAPH A FOR PAGE 2-4)  
 MISCELLANEOUS TYPEPALLETS AND KEYTOPS ARE LISTED ON PAGES 2-16 THROUGH 2-26.

TYPEBAR ASSEMBLIES - GOTHIC STYLE  
(PALLETS STAMPED NO. 71)

PALLET DESCRIPTION		TYPEBAR WITH			NUMBER STAMPED	PALLET DESCRIPTION		TYPEBAR WITH			NUMBER STAMPED
LC	UC	PALLET	PALLET	TYPEBAR	ON BAR	LC	UC	PALLET	PALLET	TYPEBAR	ON BAR
A	-	98912	98991	7432	12	H	N	136910	7438K	7438	18
A	+	116297	7421A	7421	1	H	Ö	122445	7438B	7438	18
A	†	98951	98990	7432	12	I	8	98917	98998	7436	16
Ä		116282	7885A	7885	29	J		98921	98967	7421	1
Ä	.	116283	7448A	7448	28	J		98921	99027	7431	11
B	?	116295	7444A	7444	24	J	'	98902	98987	7431	11
B	⊕	98927	99013	7444	24	J	,	98908	98988	7431	11
B	⊕	98946	99012	7444	24	J	—	116290	7432A	7432	12
B	⊕	98938	99014	7444	24	J	✓	98956	98986	7431	11
C	:	98911	98981	7428	8	J	+	136909	7421E	7421	1
C	;	128709	7428B	7428	8	J	⊕	102660	7431A	7431	11
C	;	138827	7428L	7428	8	K		135954	7445G	7445	25
C	;	98947	98980	7428	8	K	(	98944	99016	7445	25
C	;	98934	98982	7428	8	K	—	98957	99015	7445	25
C	;	116288	7428A	7428	8	K	2	98937	99017	7445	25
D	"	116303	7429B	7429	9	L	)	98945	99004	7439	19
D	"	116287	7429C	7429	9	L	#	138826	7439K	7439	19
D	*	136899	7429G	7429	9	L	✓	98958	99003	7439	19
D	✓	98952	98983	7429	9	L	3	98939	99005	7439	19
D	\$	98943	98984	7429	9	M		116294	7441A	7441	21
D	f	116266	104957	7429	9	M	.	98904	99007	7441	21
D	⊗	116739	7429A	7429	9	M	?	98961	99009	7441	21
E	3	98930	98993	7434	14	M	%	98942	99008	7441	21
F		98922	98979	7427	7	N	'	98925	98997	7435	15
F	"	116725	7427G	7427	7	N	,	98909	98995	7435	15
F	!	98926	98977	7427	7	N	—	116292	7435A	7435	15
F	/	102659	104952	7427	7	N	⊕	138828	7435L	7435	15
F	%	105005	7427C	7427	7	N	⊕	98948	98994	7435	15
F	→	98953	98976	7427	7	N	8	98940	98996	7435	15
F	□	116740	7427A	7427	7	O	9	98933	98999	7437	17
F	□	98935	98978	7427	7	Ö	,	116296	7447A	7447	27
F	□	116744	7427B	7427	7	P	0	98918	99011	7443	23
F	Rd	136912	7427K	7427	7	Q	∅	104845	104951	7443	23
F		128717	7427E	7427	7	R	1	98915	98969	7423	3
G		116311	7425D	7425	5	R	4	98928	98985	7430	10
G	:	116286	7425C	7425	5	S		98923	99028	7421	1
G	:	136911	7425K	7425	5	S		98923	98989	7431	11
G	&	98919	98974	7425	5	S	'	98901	98966	7421	1
G	✓	98954	98973	7425	5	S	'	98901	104958	7431	11
G	@	116735	7425G	7425	5	S	/	116291	7431B	7431	11
G	⊕	116741	7425A	7425	5	S	⊕	101578	99031	7421	1
G	⊕	122444	7425B	7425	5	T	5	98931	98992	7433	13
G	⊕	116723	7425F	7425	5	U	7	98932	99006	7440	20
H		98962	99029	7438	18	V	"	138832	7424K	7424	4
H	£	98920	99001	7438	18	V	;	98910	98971	7424	4
H	#	98924	99002	7438	18	V	?	116285	7424B	7424	4
H	&	116293	7438C	7438	18	V	*	105009	104955	7424	4
H	%	116307	7438G	7438	18	V	⊕	105007	104954	7424	4
H	↓	98955	99000	7438	18	V	=	105002	7424A	7424	4
H	⊕	116742	7438A	7438	18	V	⊕	98949	98970	7424	4

TYPEBAR ASSEMBLIES - GOTHIC STYLE (Continued)  
(PALLETS STAMPED NO. 71)

PALLET DESCRIPTION		TYPEBAR WITH		NUMBER STAMPED		PALLET DESCRIPTION		TYPEBAR WITH		NUMBER STAMPED	
LC	UC	PALLET	PALLET	TYPEBAR	ON BAR	LC	UC	PALLET	PALLET	TYPEBAR	ON BAR
V	$\frac{3}{8}$	98936	98972	7424	4	.	.	98905	99023	7448	28
W	2	98916	98975	7426	6	.	,	98907	99022	7447	27
X	/	98941	98968	7422	2	,	,	98906	99020	7447	27
X	=	116284	7422A	7422	2	=	#	98914	99025	7448	28
Y	6	98929	99010	7442	22	=	#	98914	104950	78175	0
Z		128702	7446L	7446	26			98959	99021	7447	27
Z	"	98903	99019	7446	26	<	<	101582	99032	7447	27
Z	!	116289	7446A	7446	26	↑	↑	98960	99024	7448	28
Z	+	98950	99018	7446	26	≡	≡	101583	99033	7448	28
						∩	∩	101579	99034	7885	29
						∩	-	102655	104953	7885	29
						∩	-	102655	104956	*98895	29
							-	98913	99026	*98895	29
							∩	102653	99036	78175	0
						∇	∇	101580	99030	101728	00
						∧	∧	101581	99035	102298	30

\*Prints in "FIGURES" Position only.

GOTHIC STYLE PALLETS  
(PALLETS STAMPED NO. 71)

PALLET DESCRIPTION			PALLET DESCRIPTION			PALLET DESCRIPTION		
LC	UC	NUMBER	LC	UC	NUMBER	LC	UC	NUMBER
A	-	+98912	D	/	+98952	H	*	116280
A	+	+116297	D	✕	+116739	H	-	135734
A	†	+98951	D	☆	135730	H	—	135732
Å		+116282	D	CR	116738	H	&	+116293
Ä		+116283	D	If	116726	H	#	+98924
B		128701	E		138812	H	£	+98920
B	•	138731	E	3	+98930	H	%	+116307
B	"	+116295	F	'	+98922	H	°	136919
B	—	128722	F	"	128714	H	↓	+98955
B	)	136903	F	!"	+116725	H	→	122463
B	(	122465	F	!	+98926	H	☒	+116742
B	?	136896	F	(	122454	H	▽	138819
B	&	+98927	F	&	122452	H	▲	136902
B	\$	116279	F	—	116278	H	3/4	116728
B	*	138830	F	/	+102659	H	/12	138831
B	%	105008	F	%	+105005	H	B	116730
B	¢	105010	F	\$	128723	H	Bs	116724
B	#	116301	F	\$	116737	H	H	122448
B	#	116277	F	#	102656	H	Ñ	+136910
B	°	128712	F	@	128719	H	∅	+122445
B	∇	135959	F	π	135731	I	8	+98917
B	∓	138818	F	*	138727	i	8	122467
B	⊕	+98946	F	o	136901	J	'	+98921
B	⊗	138814	F	o	116729	J	,	+98902
B	⊛	+98938	F	+	128715	J	—	+98908
B	⊚	138821	F	→	+98953	J	—	+116290
B	DZ	138718	F	□	+116740	J	*	135956
C	.	128704	F	★	116299	J	%	128703
C	:	+98911	F	2 8 1 4 1 2	128706	J	¢	122468
C	;	+128709	F	2 8 1 4 1 2	+98935	J	=	116736
C	"	116300	F	∅	116720	J	+	+136909
C	)	136917	F	∅ <sup>2</sup>	116304	J	/	+98956
C	*	116306	F	Ä	122460	J	∅	+102660
C	&	122458	F	Ä	+116744	J	△	138824
C	%	116281	F	É	122447	J	∞	136900
C	#	128711	F	Ñ	102658	K		+135954
C	¢	116722	F	∅	+136912	K	"	138715
C	+	138723	F	Rd	+128717	K	(	+98944
C	+	138721	G		+116311	K	&	135955
C	—	+138827	G	•	138822	K	#	122457
C	○	+98947	G	:	+116286	K	°	135739
C	◓	128718	G	:	+136911	K	+	136905
C	◔	+98934	G	;"	116313	K	←	+98957
C	◕	+116288	G	)	122453	K	4 8 1 2	128707
C	◖	138737	G	*	138825	K	1 2	+98937
CH	CH	135952	G	@	+116735	L		122456
D	"	+116303	G	&	+98919	L	"	136915
D	/	+116287	G	%	105006	L	)	+98945
D	%	136904	G	q/c	105004	L	#	+138826
D	¢	138725	G	/	+98954	L	&	136908
D	¢	116265	G	□	+116741	L	/	138817
D	\$	+98943	G	1 4 1 2	116727	L	%	136907
D	£	+116266	G	A	116305	L	*	135738
D	¥	128720	G	Ñ	+122444	L	+	102654
D	*	+136899	G	Ñ	+116723	L	/	+98958
D	+	128724	H		+98962	L	8	128708

† Also listed under Typebar Assemblies.

GOTHIC STYLE PALLETS (Continued)  
(PALLETS STAMPED NO. 71)

PALLET DESCRIPTION			PALLET DESCRIPTION			PALLET DESCRIPTION		
LC	UC	NUMBER	LC	UC	NUMBER	LC	UC	NUMBER
L	4	+98939	S	π	105001	.	,	†98907
L	CR	138733	S	=	122455	.	Q	136898
M		†116294	S	/	128721	,	*	†98906
M	.	+98904	S	Q	†101578	#	#	135945
M	-	135735	T	'	135737	=	=	102652
M	?	+98961	T	5	+98931	=	#	102651
M	%	+98942	U	,	138735	=	#	†98914
M	8	138739	U	#	138813	=	§	102657
M	11	128705	U	%	138815	+	N	135950
N		138820	U	⊙	116731	X	X	135957
N	•	138732	U	7	+98932			†98959
N	.	+98909	V		136916	<	<	†101582
N	,"	+98925	V	,	138716	≡	≡	†98960
N	"	122466	V	:	+98910	≡	≡	†101583
N	-	†116292	V	;	135961	∞	∞	†101579
N	(	136918	V	"	†138832	∞	.	†102655
N	&	128716	V	—	128725	V	V	†101580
N	/	138811	V	(	122464	∧	∧	†101581
N	%	128710	V	?	†116285		-	†98913
N	#	138726	V	*	†105009		-	116309
N	*	136906	V	#	138724		Q	†102653
N	°	135736	V	&	116310		Q	122451
N	∧	138729	V	%	128713		T	116267
N	↑	†138828	V	∞	†105007		Z	116268
N	⊙	+98948	V	°	116721		Z	116269
N	⊙	122462	V	Ω	138722		4	116270
N	□	135960	V	=	†105002		5	116271
N	7	+98940	V	<	135958		6	116272
N	7	138738	V	⊙	+98949		7	116273
N	/	116315	V	⊙	122461		8	116274
O	/	136895	V	□	138730		9	116275
O	9	+98933	V	★	116298		0	116276
O	,	†116296	V	°	+98936	1	1	135740
O	OL	135953	V	EA	138717	2	%	122446
P	⊙	111053	V	X	138816	2	2	135741
P	⊙	138823	W	2	+98916	3	3	135742
P	⊙	+98918	X	/	+98941	4	4	135743
P	∅	†104845	X	&	138736	4	A	135750
P	N	116308	X	#	116733	5	5	135744
Q		116312	X	=	†116284	5	B	135751
Q	1	+98915	X	+	122450	6	6	135745
Q	1	116314	X	1	123646	6	C	135752
R	4	+98928	X	NBR	116743	7	7	135746
S	'	+98923	X	X	122459	7	D	135753
S	?	+98901	XX	XX	135949	8	8	135747
S	*	136914	Y	3	138728	8	E	135754
S	/	138734	Y	6	+98929	9	9	135748
S	/	†116291	Z		†128702	9	AA	135940
S	/	*136897	Z	"	+98903	0	0	135749
S	%	116302	Z	!	†116289	10	BB	135941
S	&	138829	Z	#	116734	11	CC	135942
S	#	138719	Z	/	135951	12	DD	135943
			Z	%	122449	13	EE	135944
			Z	+	+98950	14	-	135946
			Z	⊙	136913	15	-	135947
					+98905	16	-	135948

† Also listed under Typebar Assemblies.

\* Special: one character printed over the other makes the numeral 8.

## SPRING CUSHION KEYTOPS-GREEN

KEYTOP DESCRIPTION		NUMBER	KEYTOP DESCRIPTION		NUMBER	KEYTOP DESCRIPTION		NUMBER
LC	UC		LC	UC		LC	UC	
A		117998	B	5/12	123091	C	'	99535
A	-	78946	B	7/12	123057	C	.	91133
A	)	82608	B	10/12	128982	C	?	86461
A	*	117944	B	5/8	78986	C	&	89401
A	#	120791	B	1/5	99593	C	&c	120734
A	£	120809	B	1/3	78989	C	(	95167
A	+	113346	B	1/2	89545	C	*	117954
A	†	87484	B	4/	123072	C	#	113327
A	‡	89414	B	5	99447	C	£	120780
A	&	120756	B	5	95160	C	+	120749
A	Q	135475	B	10	113333	C	±	128986
A	1/16	90290	B	41	123028	C	x	96863
A	1/12	128973	B	A	99536	C	¢	91034
A	2/12	96523	B	@	99542	G	%	91808
A	1	117972	B	AT	138256	C	@	120754
A	CE	135465	B	B	123012	C	c/o	135411
A	OFF	129023	B	BEL	135464	C	-	135472
A	ON	118022	B	BIL	135457	C	°	95383
A	TAB	117937	B	BU	99612	C	∇	120810
A		85864	B	BX	135435	C	○	89423
B		113290	B	CE	138257	C	▽	118004
B	?	78947	B	CEL	99615	C	Δ	91144
B	*	82604	B	COMP	135469	C	∩	113250
B	∇	123065	B	CS	128949	C	1/12	78991
B	∩	92802	B	CUT	113292	C	3/12	123089
B	;	123083	B	DISC	123046	C	8/12	128980
B	—	138282	B	EJT	117945	C	11/12	96532
B	#	91876	B	END	123059	C	1/8	78984
B	£	117995	B	GR	97728	C	1/4	123033
B	&	92530	B	LA	113262	C	1/3	88940
B	&	117984	B	LAX	117963	C	2/3	78994
B	/	113328	B	M.C.	86463	C	1/2	95162
B	-	96533	B	MSG	118032	C	3	99445
B	)	123018	B	N	99566	C	3	118010
B	(	99190	B	OFF	113324	C	8/	123068
B	¢	95070	B	ON	99592	C	1j	113334
B	%	82603	B	QPO	113329	C	11	117982
B	a/c	135412	B	OZ	91810	C	20	123026
B	@	99543	B	PUSH	138280	C	AT	123043
B	+	123050	B	®	123079	C	C	123015
B	±	117948	B	RUSH	123031	C	.CC	99605
B	=	135471	B	START	138261	C	CON	123047
B	°	93889	B	STOP	135405	C	CVG	117960
B	Δ	97928	B	TAB	120750	C	DZ	97726
B	▲	99574	B	TOP	99539	C	EA	123085
B	>	120811	B	Z	128947	C	END	123007
B	★	138283	B		85884	C	GL	135436
B	⊕	89425	C		113291	C	L	135445
B	1/32	120745	C	:	78948	C	L/L	138251
B	2/12	117989	C	;	113253	C	OFF	113340
B	4/12	128970	C	"	91234	C	ON	99580

SPRING CUSHION KEYTOPS-GREEN (Continued)

KEYTOP DESCRIPTION			NUMBER	KEYTOP DESCRIPTION			NUMBER	KEYTOP DESCRIPTION			NUMBER
LC	UC			LC	UC			LC	UC		
C	ORD		118033	D	SKIP		135476	F	1		120763
C	R		89226	D	STOP		123077	F	3/		123067
C	△		120794	D	TAB		135454	F	3		117974
C	§		128945	D	VEM DAR		120795	F	7		99449
C	STOP		117997	D	WHO ARE YOU		120779	F	7		118015
CAMP	A		113274	D	X		120733	F	12		118007
			85882	D	YD		113254	F	A		128941
	C		135433	DZ	GR		99462	F	⊙		120790
	CH		89404	D			85866	F	ADM		135470
D	'		123086	E			135387	F	BOT		99540
D	"		95173	E	3		78950	F	Bs		99561
D	?		120786	E	ON		113323	F	CE		135477
D	(		92822	E	RA/3		99620	F	CHI		135394
D	*		95205	E	2		113301	F	DATA		138281
D	/		135448	E			85852	F	DZ		123023
D	\$		78949	F			83902	F	END		120724
D	¢		113318	F	.		123087	F	F		120807
D	&		90136	F	'		128968	F	FV		99606
D	#		94613	F	"		113344	F	FZ		123041
D	£		99600	F	:		135403	F	LGA		117958
D	¥		128996	F			78951	F	N		135449
D	@		117943	F	(		120815	F	Ñ		91294
D	%		82611	F	—		88851	F	NY		99554
D	⊥		118025	F	&		88878	F	o		113332
D	+		123038	F	π		135440	F	o		135396
D	o		128934	F	%		82612	F	OFF		99598
D	☆		128990	F	c/o		97649	F	ON		99175
D	↗		89415	F	*		90272	F	Rd		128927
D	°		118003	F	#		93085	F	SD		120784
D	5/16		90291	F	\$		99568	F	SE		118030
D	1/12		99453	F	¢		96598	F	SF		120731
D	3/12		96524	F	@		117940	F	START		96824
D	3/4		135404	F	→		89416	F	STOP		123076
D	1/3		99545	F	+		89249	F	SZ		123048
D	1		135453	F	±		117951	F	TAB		135400
D	1		118008	F	=		128984	F	WA		99630
D	2		117973	F	x		118001	F	WW		117968
D	ANS BACK		123019	F	2		123020	ff	5		113304
D	BELL		129000	F	o		135437	ffi	1		113300
D	Cr		120778	F	o		120761	fi	9		113307
D	CUT		99584	F	∅		99632	fl	0		113308
D	If		120721	F	□		135461	F			85867
D	LA		120782	F	★		99575	G			99578
D	m/n		99567	F	~		99597	G	'		138288
D	0		99041	F	2/12		128974	G	"		118000
D	∅		113257	F	3/12		117990	G	;		138259
D	OFF		99587	F	4/12		96525	G	)		120816
D	ON		113342	F	2/8		128935	G	?		120770
D	PLT		99616	F	1/4		78982	G	*		113251
D	PO		118029	F	1/2		91032	G	/		120747
D	SF		120757	F	0-1		120758	G	`		138291

SPRING CUSHION KEYTOPS-GREEN (Continued)

KEYTOP DESCRIPTION		NUMBER	KEYTOP DESCRIPTION		NUMBER	KEYTOP DESCRIPTION		NUMBER
LC	UC		LC	UC		LC	UC	
G	&	78952	H	→	123036	J	?	123040
G	@	95337	H	◆	92293	J	(	82610
G	#	123060	H	♣	97929	J	)	92823
G	£	120787	H	△	138268	J	&	93887
G	%	99569	H	☐	135463	J	*	88849
G	↘	89417	H	3/32	135408	J	%	91619
G	+	128985	H	3/12	128975	J	#	99558
G	☐	135462	H	3/4	120723	J	¢	82609
G	3/16	128940	H	1/3	120720	J	+	135473
G	5/12	96526	H	2/3	99544	J	↙	89419
G	1/4	120722	H	1/2	91134	J	1/16	128952
G	1/2	117953	H	5	117976	J	11/16	90292
G	0-3	120759	H	8	99556	J	4/12	128976
G	4	117975	H	9	99451	J	6/12	96527
G	8	99450	H	9	118009	J	1	120788
G	8	118016	H	ATH	91173	J	6	117977
G	ATH	91236	H	BELL	135406	J	9	99557
G	CG	99552	H	BF	135442	J	A	99546
G	CHI	117959	H	Bs	118020	J	△	135397
G	CN	123052	H	DZ	113338	J	BELL	98049
G	Ec	128942	H	END	120808	J	BJ	99588
G	FS	120755	H	FS	128930	J	BS	91295
G	Ñ	118019	H	H P	135443	J	CAMP	120817
G	OFF	99610	H	H/P	138250	J	CUT	99585
G	ON	99586	H	Ñ	138260	J	DO	99631
G	PP	91174	H	OFF	99176	J	EA	97730
G	R	120777	H	ON	99608	J	GL	113309
G	S	138267	H	PP	91235	J	KI	120796
G	STOP	99595	H	SA	120760	J	Mc	118024
G	TA	118031	H	Sp	99562	J	OFF	92997
G	TAB	86732	H	STOP	82607	J	ON	91807
G	TAC	123097	H	ST↓OP	106019	J	Pr	120792
G	W	135398	H	ST↓OP	123032	J	SGL	80552
G	X	117955	H	STRT	123099	J	START	138253
G		85868	H	SUR	123098	J	STOP	99541
H		92258	H	TAB	138284	J	TAB	117988
H	'	117996	H	TS	120762	J	TUL	120727
H	"	99565	H	t	120789	J	TULB	117964
H	;	135402	H	VT	135455	J	WHS	99617
H	—	117970	h	H	113279	J	YIP	135392
H	?	128929	H	H	85869	JZ	DO	113294
H	*	90275	I	8	78954	J		85870
H	&	89351	I	HO/8	99625	K	'	99537
H	%	91033	I	S	117942	K	"	123082
H	#	78981	I		85857	K	*	138262
H	£	78953	J		87129	K	#	120751
H	@	117949	J	'	78955	K	&	113345
H	°	90296	J	"	128951	K	(	135439
H	¢	94074	J	,	78993	K	%	78956
H	+	94000	J	.	120805	K	\$	117952
H	↓	89418	J	:	113296	K		138289



SPRING CUSHION KEYTOPS—GREEN (C ontinued)

KEYTOP DESCRIPTION			KEYTOP DESCRIPTION			KEYTOP DESCRIPTION		
LC	UC	NUMBER	LC	UC	NUMBER	LC	UC	NUMBER
K	°	135414	L	8/12	96529	M		85886
K	←	89420	L	9/12	117992	N		93735
K	+	135458	L	6/8	128937	N	,	78959
K	±	138255	L	3/4	78983	N	'	83904
K	5/12	128977	L	8	117979	N	"	92341
K	6/12	117991	L	@	128993	N	:	123054
K	7/12	96528	L	9/	123071	N	;	123066
K	8/12	123095	L	11	99461	N	!	123084
K	4/8	128936	L	11	118014	N	*	135459
K	1/2	78988	L	12	123024	N	-	99534
K	6/	123070	L	BALA	120730	N	—	120776
K	@	128992	L	Cr	135466	N	—	117985
K	7	117978	L	D	99548	N	(	89402
K	10	99452	L	DALA	120742	N	)	95168
K	10	118013	L	GM	113312	N	&	91835
K	BUF	123053	L	GN	113316	N	?	95071
K	BW	99553	L	L	123014	N	%	78990
K	BWR	99604	L	±	128944	N	@	98893
K	C	99547	L	LA	120732	N	¢	120765
K	HOU	117965	L	NA	113263	N	\$	120775
K	K	120806	L	OFF	113295	N	#	99169
K	KC	117966	L	ON	99594	N	£	135434
K	MEX	120729	L	SF	99633	N	¥	123000
K	NY	113293	L	I <sub>S</sub>	135395	N	/	128972
K	NYC	135393	L	TAB	135447	N	=	99043
K	6	128943	L	VOID	138258	N	∧	138277
K	OFF	99577	L	WA	99555	N	Ω	128987
K	ON	99601	L	WAR	99582	N	°	89208
K	PT	113255	L		85872	N	+	128967
K	START	135438	M		99559	N	⊕	89426
K	STOP	138274	M		78958	N	⊕	123035
K	TAB	135467	M	"	113317	N	φ	120753
K	x	89708	M	)	89403	N	□	135452
K		85871	M	(	99596	N	1/16	120746
L		99538	M	-	113297	N	3/16	120741
L	'	120752	M	?	78977	N	6/12	123092
L	"	138285	M	&	118002	N	8/12	128971
L	.	128928	M	%	82605	N	11/12	123058
L	)	78957	M	#	82606	N	7/8	78987
L	?	120735	M	¢	91878	N	1/6	99550
L	*	135399	M	°	93888	N	5/6	78995
L	&	135478	M	+	92294	N	1/3	120785
L	%	120771	M	13/16	90293	N	2/3	92538
L	/	135474	M	7/12	123093	N	1/2	120772
L	—	123006	M	2/3	118034	N	2/	123073
L	Ω	138254	M	2	92880	N	6	99448
L	+	86466	M	11	113349	N	6	118012
L	±	138263	M	MAKE	120801	N	6.6	123051
L	↘	87485	M	OFF	118023	N	7	95161
L	↙	89421	M	ON	113343	N	7/12	117993
L	6/12	128978	M	STOP	80138	N	ℓ	135444

SPRING CUSHION KEYTOPS—GREEN (Continued)

KEYTOP DESCRIPTION		NUMBER	KEYTOP DESCRIPTION		NUMBER	KEYTOP DESCRIPTION		NUMBER
LC	UC		LC	UC		LC	UC	
N	B/L	138252	S		88855	V	?	99629
N	BNA	120728	S	'	80551	V	2	117983
N	BRR	117961	S	"	123074	V	)	99549
N	CG	123029	S	-	135430	V	(	123017
N	CON	123045	S	&	135413	V	¢	88850
N	G	123049	S	?	128997	V	@	91809
N	GEN	113336	S	¶	83903	V	\$	128999
N	GR	123039	S	%	94648	V	#	95185
N	N	123013	S	@	117950	V	&	94496
N	N	128948	S	/	118028	V	+	99042
N	NA	99603	S	#	128998	V	±	128938
N	NY	135460	S	=	120814	V	⊕	89424
N	O	86464	S	+	123030	V	⊕	120793
N	OFF	99628	S	↙	135401	V	⊕	123037
N	ON	113341	S	\$	138264	V	°	91811
N	SH	97729	S	⊙	138276	V	/	91274
N	START	138275	S	BELL	78980	V	%	91528
N	STOP	138286	S	CA	99573	V	a/c	91035
N	'	97203	S	FO	128989	V	=	113252
N	-	113259	S	FS	123081	V	Ω	128995
N	K	113281	S	OFF	99614	V	<	135450
O	9	78960	S	ON	113313	V	□	138278
O	KI/9	99626	S	ORD	135456	V	★	117957
O	ON	113320	S	STOCK	120802	V	3/16	135409
O	G	113278	S	STOP	118021	V	1/12	120781
O		85858	S		85865	V	2/12	128969
OL		135432	T	5	135390	V	4/12	123090
P		135388	T	DO	78964	V	5/12	123056
P	π	138266	T	TU/5	113337	V	9/12	128981
P	1/12	96522	T		99622	V	1/10	128988
P	O	78961	U		85854	V	3/8	78985
P	∅	99564	U	,	135391	V	1/6	78992
P	∅	99560	U	#	138265	V	1/4	89546
P	Æ	113258	U	7	138273	V	2/3	88939
P	N	113325	U	7	78965	V	1/2	96493
P	Ö	113256	U	NA/7	*117935	V	0	95163
P	ON	123008	U	OFF	99624	V	1	95159
P	PM	99599	U		120774	V	1/	123069
P	RE/∅	99627	V		85856	V	4	99446
P		85859	V	.	123022	V	4	118011
Q	"	123063	V	:	93187	V	7	118005
Q	I	117941	V	'	96599	U	7	*117935
Q	1	78962	V	"	117994	V	40	123027
Q	NO/1	99618	V	"	99551	V	ACC	113335
Q		85850	V	"	118018	V	¢	128946
R		135389	V	;	78966	V	DL	99602
R	4	78963	V	-	128991	V	DLD	99609
R	ON	118026	V	-	89352	V	DLR	99607
R	YO/4	99621	V	*	120740	V	DZ	123044
R		85853	V	*	82613	V	FTW	117962

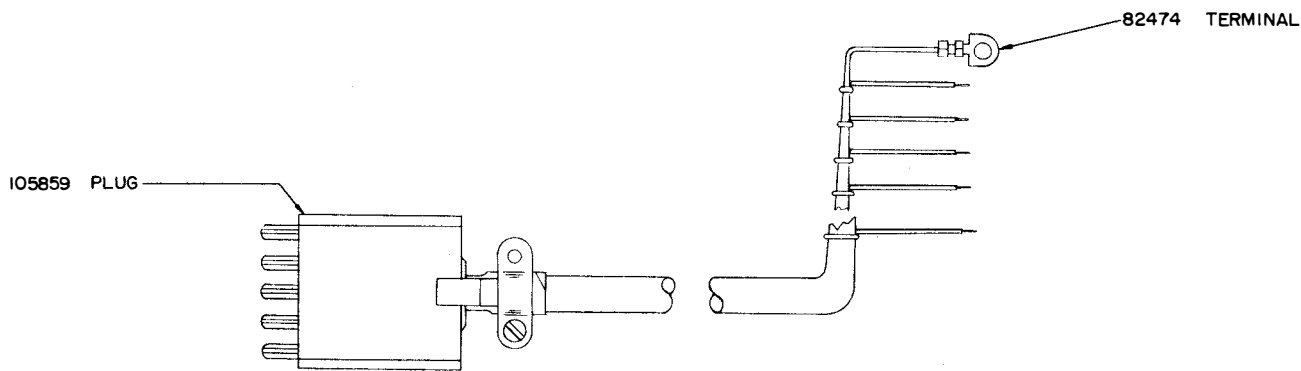
\* Combined U & V.

SPRING CUSHION KEYTOPS-GREEN (Continued)

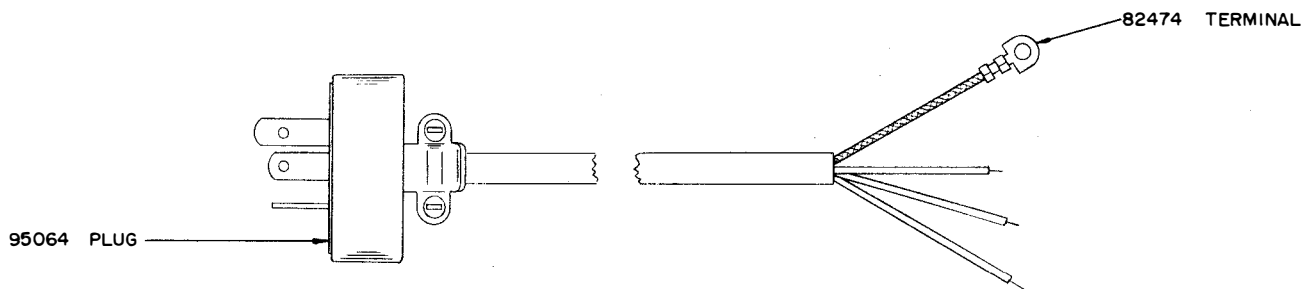
KEYTOP			KEYTOP			KEYTOP					
DESCRIPTION	LC	UC	NUMBER	DESCRIPTION	LC	UC	NUMBER	DESCRIPTION	LC	UC	NUMBER
V		FV	99613	Z		1/12	128931	,			91738
V		LB	113311	Z		7/12	128979	,			91243
V		OFF	120769	Z		9/12	96530	,			88853
V		ON	113322	Z		1/3	123078	,			89427
V		RM	97727	Z		1/2	97477	,			117986
V		STOP	135468	Z		1	99443	,			113289
V		U.S.	86462	Z		1	120743	,			113261
V		W	89227	Z		9	117980	,			78975
V		X	99589	Z		10	123025	,			85845
V			85883	Z		12	123042	,			138271
W		2	78967	Z		BELL	123075	,			138272
W		FU/2	99619	Z		J	89225	,			99210
W		ON	113321	Z		OFF	91806	,			85878
			85851	Z		ON	113326	-			98894
X			117936	Z		NYR	99583	-			90294
X		/	78968	Z		RES	99576	-			85860
X		%	135407	Z		SGL	123034	-			138292
X		#	120744	Z		STOP	123009	-			120803
X		&	91877	Z		TAB	84799	-			113299
X		+	92180	Z		X	99581	-			86336
X		¢	123062	Z			85880	-			113306
X		2/12	123088	Z		.	120725	-			123016
X		10/12	96531	Z		!	129020	-			113288
X		2	99444	Z		"	129014	-			135479
X		2	118017	Z		!	129013	-			129012
X		10	117981	Z		?	120773	=			95595
X		KO	113310	Z		-	129018	=			83906
X		M	89228	Z		-	89413	=			93185
X		OFF	113330	Z		-	99199	=			128950
X		ON	117938	Z		&	120726	=			135451
X		X	91273	Z		#	129015	?			113302
XX		XX	135429	Z		\$	129016	?			113287
			85881	Z		%	129017	!			113276
Y		*	117967	Z		(	129021	&			138270
Y		6	78969	Z		)	129022	&			118006
Y		ON	113331	Z		ON	120766	&			95169
Y		RO/6	99623	Z		STOP	123064	&			113305
			85855	Z		.	78979	&			113275
Z			117939	Z		,	83905	&			90295
Z		"	78970	Z		"	99579	)			85846
Z			138287	Z		;	113348	(			113285
Z		*	128932	Z		%	92824	)			113286
Z		#	123021	Z		°	99563	/			120737
Z		/	135431	Z		&	120739	/			129001
Z		%	94715	Z		\$	96534	/			123080
Z		c/o	117971	Z		CAR RET	135446	/			113347
Z		f	135441	Z		LINE FEED	117987	/			113282
Z		+	89422	Z		N	117969	/			117946
Z		@	117999	Z		ON	117947	/			128964
Z		°	123005	Z		Z	113283				120738
Z		&	135410	Z			78974	\$			85834

SPRING CUSHION KEYPOTS—GREEN (Continued)

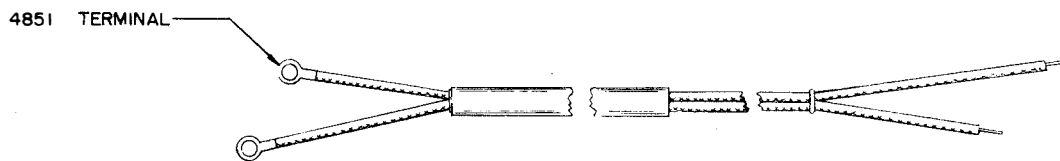
KEYTOP DESCRIPTION		NUMBER	KEYTOP DESCRIPTION		NUMBER	KEYTOP DESCRIPTION		NUMBER
LC	UC		LC	UC		LC	UC	
\$	F	113277	5	%	129007			78971
	\$	128965	5	©	86334			123002
	@	129002	5	B	135416			85876
¢	.	120736	5	ff	85839			120812
+	+	123096	5	T	113268			85889
#	C	99590		5	128957			99611
#	ON	120804	6		135382			120799
#		120764	6	"	86335			99571
#		128963	6	-	129008			78976
%	6	113298	6	C	135417			113314
%	J	113280	6	lb	85840			120818
%		128966	6	Y	113269			94329
*	*	135425		6	128958			120768
*	4	113303	7		135383			85888
£	X	113284	7	&	85841			85875
◇	.	93915	7	D	135418			85863
◇	0	86465	7	U	113270			85861
11/12	10/12	123094		7	128959			85849
5/8	ON	120813	8		135384			123011
5/8	RUSH	128933	8	'	129009			78972
1/2	1/2	120783	8	-	85842			123061
1/2	1/4	98540	8	=	128939			123003
1/2	%	138269	8	E	135419			120819
1		129024	8	I	113271			120767
1	!	129003		8	128960			99572
1	(	87478	9		135385			78978
1	EM LD	86338	9	(	129010			113315
1	ffi	85835	9	AA	135420			85877
1	OFF	123010	9	fi	85843			78973
1	Q	113264	9	0	113272			123004
1		128953		9	128961			120800
2		129025	0		135386			85890
2	"	129004	0	)	129011			85874
2	+	87456	0	fl	85844			94328
2	)	87479	0	P	113273			120797
2	EM SP	86337	10	BB	135421			123001
2	ffi	85836	11	CC	135422			85847
2	W	113265	11	STOP	120748			85879
2		128954	12	DD	135423			120798
3		129026	13	EE	135424			99570
3	#	129005	14	-	135426			96861
3	?	85837	15	-	135427			99591
3	E	113266	16	-	135428			113339
3		128955						128962
4		135380						85932
4	*	85838						85848
4	\$	129006						85887
4	A	135415						138290
4	R	113267						85862
4		128956						
5		135381						



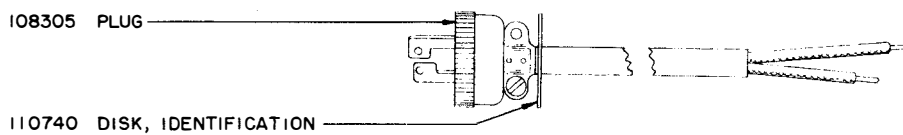
136725 CABLE ASSEMBLY



136741 CABLE ASSEMBLY



102842 CABLE ASSEMBLY

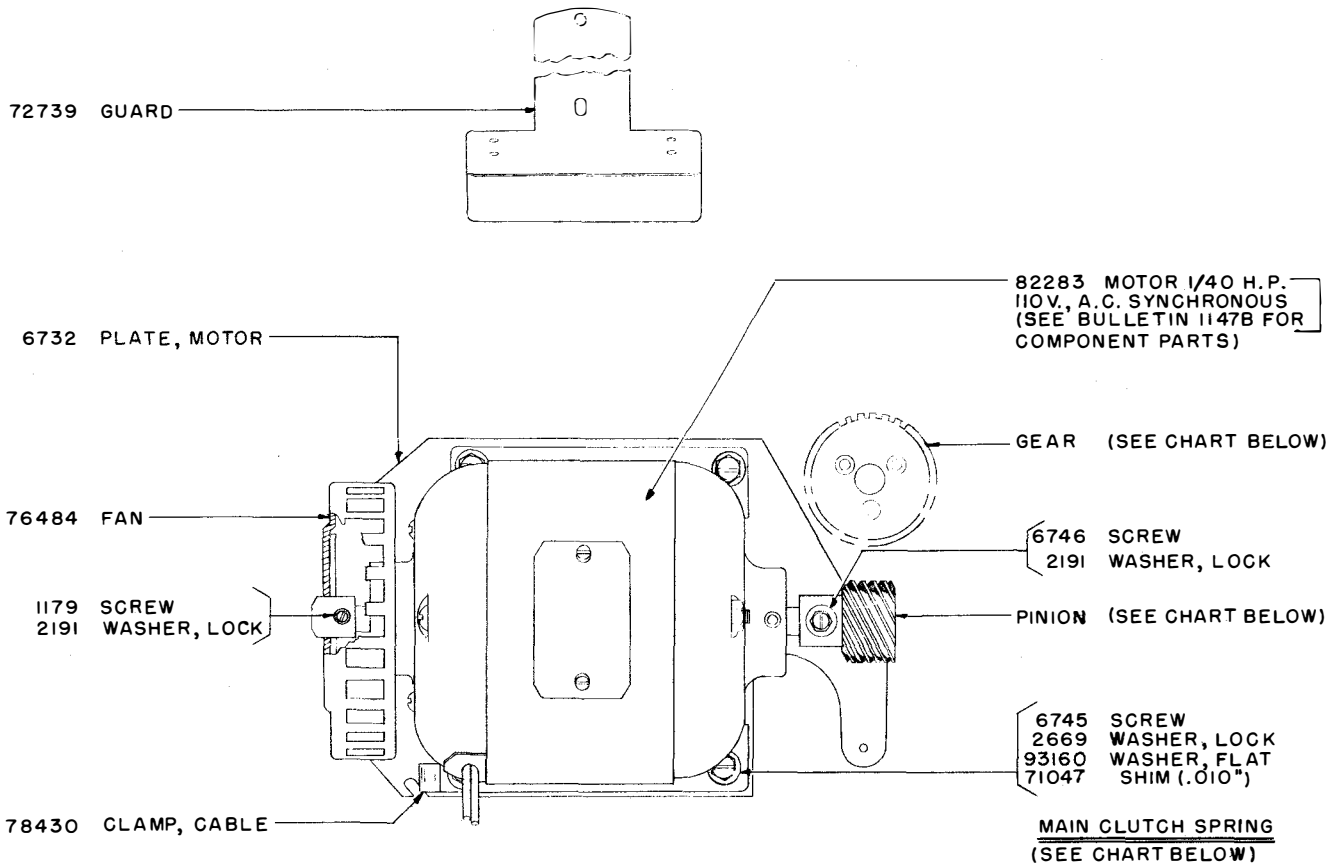


105603 CABLE ASSEMBLY



# SECTION 3

## MOTOR ARRANGEMENTS

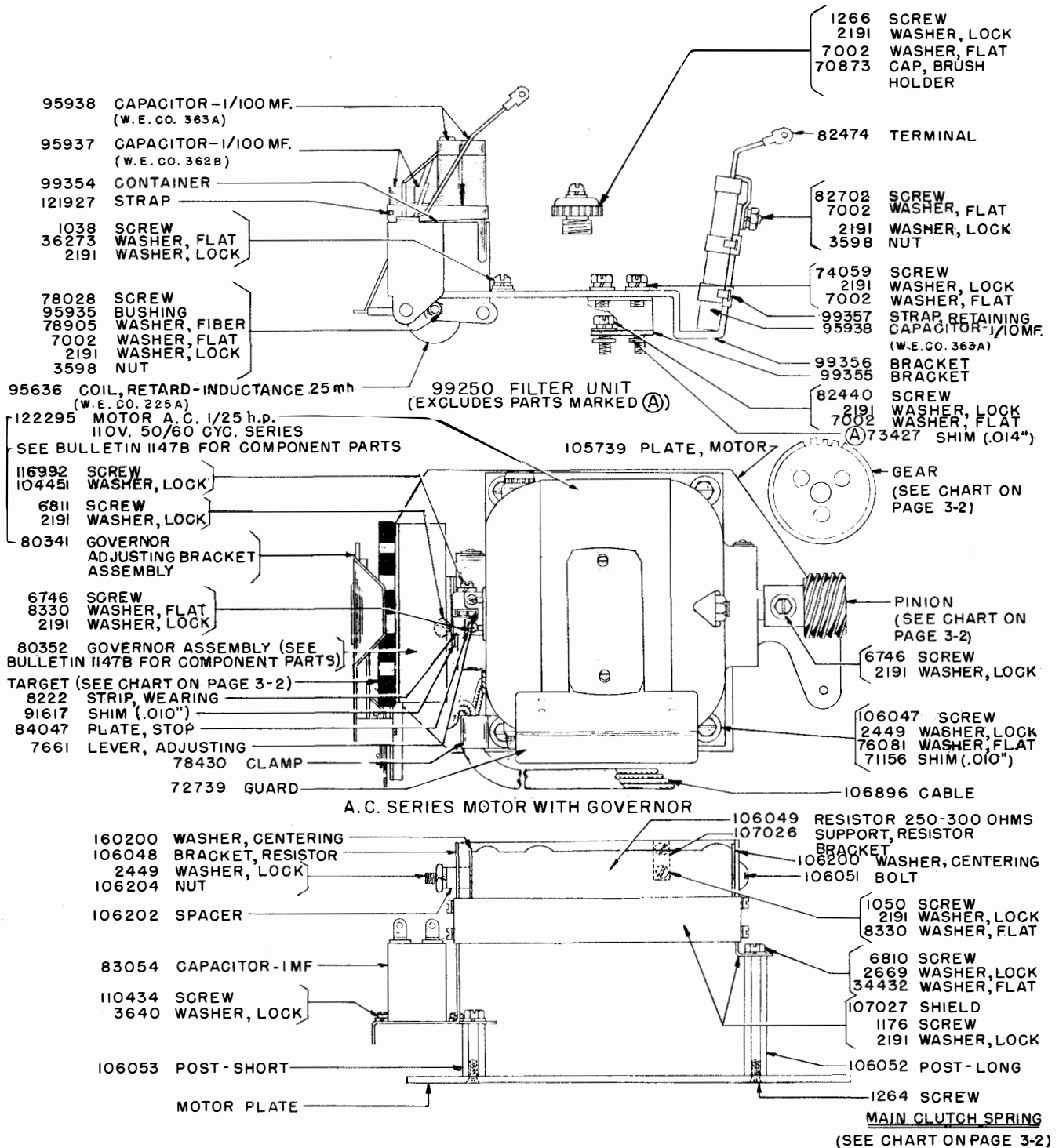


86933 MOTOR ARRANGEMENT "H" WITH GEARS AND CLUTCH SPRING FOR OPERATION AT 60 W P M  
 97476 MOTOR ARRANGEMENT "DK" WITH GEARS AND CLUTCH SPRING FOR OPERATION AT 75 W P M  
 112524 MOTOR ARRANGEMENT "HC" WITH GEARS AND CLUTCH SPRING FOR OPERATION AT 100 W P M

VARIABLE FEATURES OF MOTOR ARRANGEMENTS												
MOTOR ARRANGEMENT	W P M	O P M	GEARS				MOTOR SPEED (R.P.M.)	TARGET			MAIN CLUTCH SPRING	TYPE OF MOTOR
			MAIN SHAFT		MOTOR	PINION		NO.	SPOTS	BELL CODE		
			PART NO.	TEETH	PART NO.	TEETH						
86933 (H)	60	368	78509	30	78510	7	1800	—	—	—	6993	110 V., 60 CYC. A.C. SYNCHRONOUS (82293)
97476 (DK)	75	460	88945	24	94267	7	1800	—	—	—	122059	
112524 (HC)	100	600	110877	42	110876	16	1800	—	—	—	110878	
106174 (GB)	60	368	73106	35	71974	7	2102	7105	10	1G	6993	110V., 50/60 CYC., A.C. SERIES (12295)
110929 (GU)	75	460	6991	32	7082	8	2102	7105	10	1G	122059	
86928 (L)	60	368	73106	35	71974	7	2102	7105	10	1G	6993	110V., D.C. SHUNT (12293)
99282 (DV)	75	460	6991	32	7082	8	2102	SEE NOTE	—	—	122059	
—	100	600	110882	43	110881	14	2102	—	—	—	110878	A.C. SERIES OR D.C. SHUNT

NOTE:  
 TARGET NOT INCLUDED WITH "DV" MOTOR ARRANGEMENT.  
 SEE BULLETIN 1147B FOR SELECTION OF TARGET.





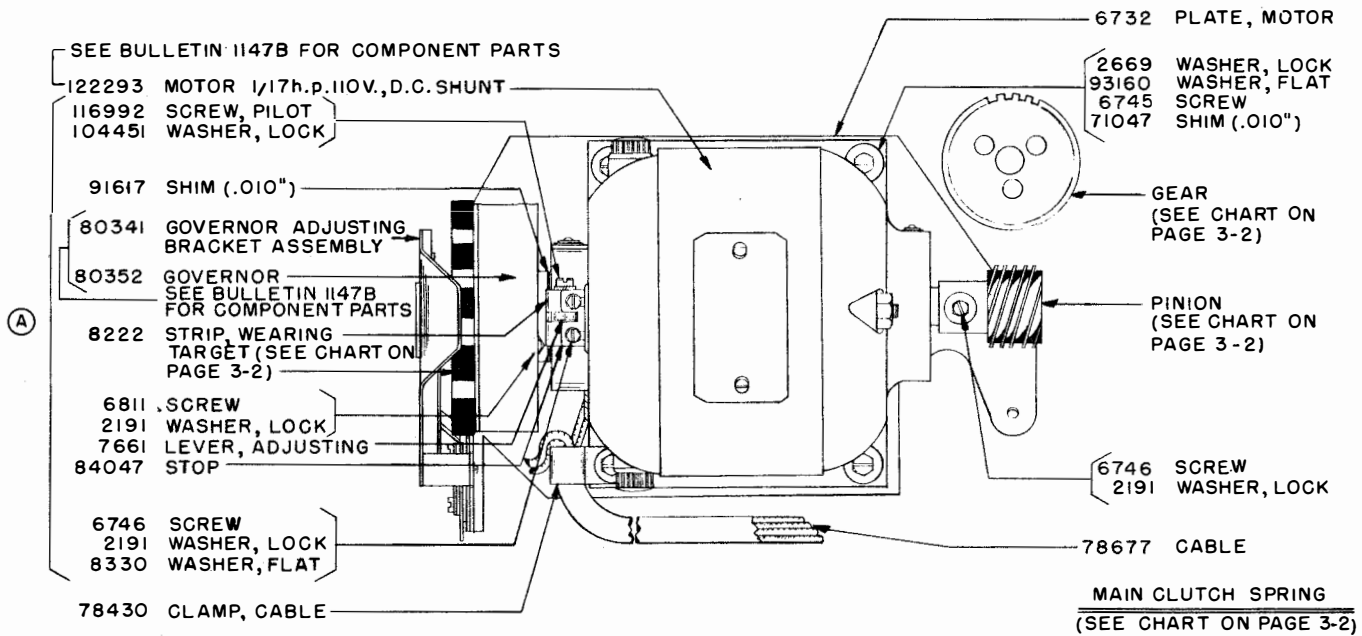
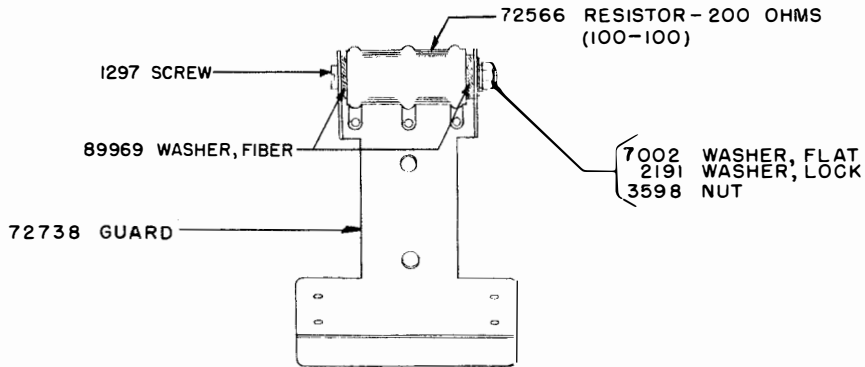
GOVERNOR RESISTOR AND CAPACITOR ASSEMBLY

106174 MOTOR ARRANGEMENT "GB"

(WITH GEARS AND CLUTCH SPRING FOR OPERATION AT 60 W P M)

110929 MOTOR ARRANGEMENT "GU"

(WITH GEARS AND CLUTCH SPRING FOR OPERATION AT 75 W P M)



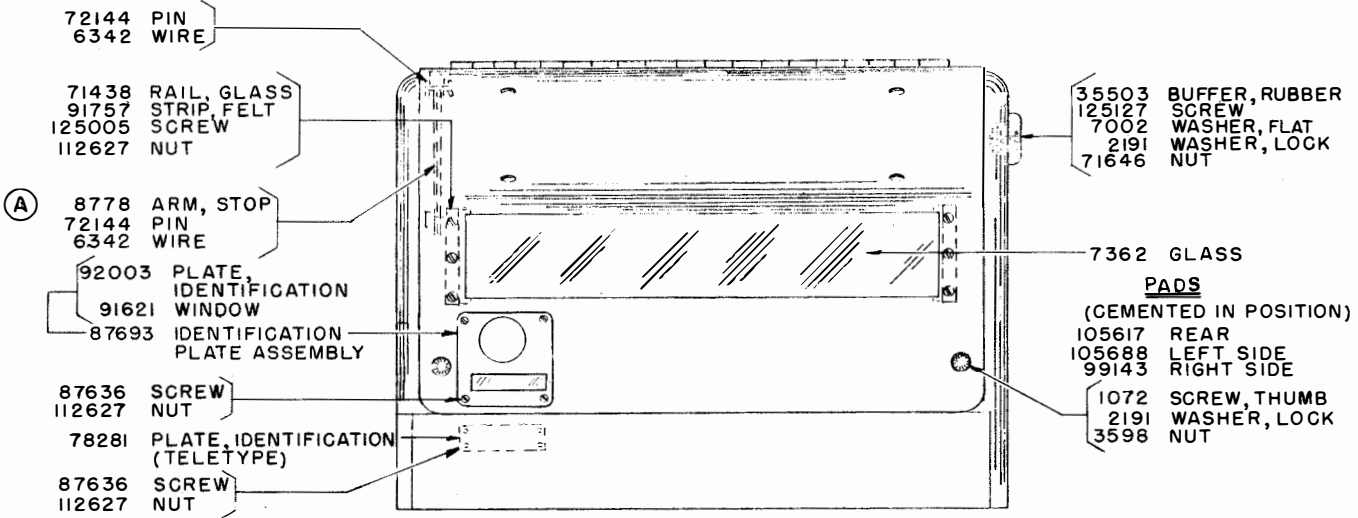
(A) 106264 MODIFICATION KIT TO PROVIDE GOVERNOR PARTS

86928 MOTOR ARRANGEMENT "L" WITH GEARS AND CLUTCH SPRING FOR OPERATION AT 60 W P M

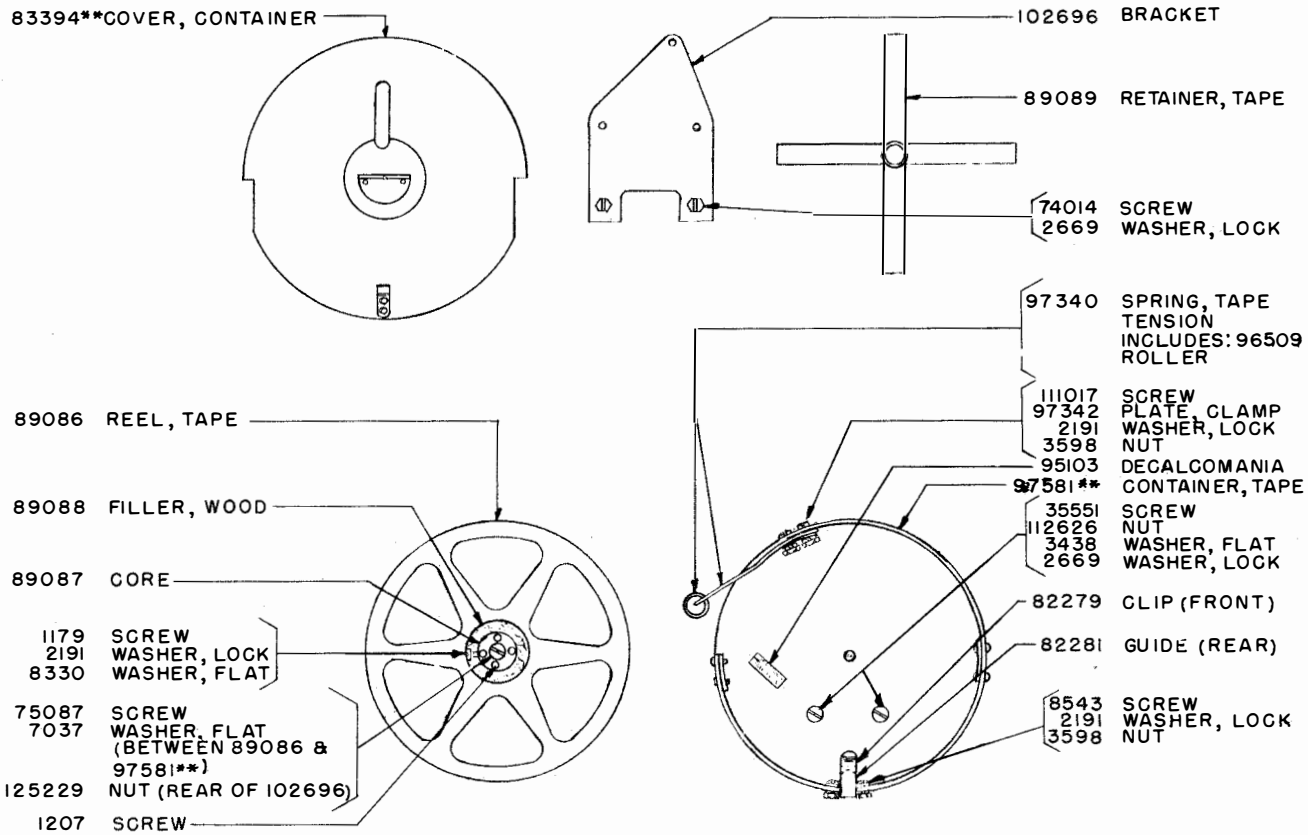
99282 MOTOR ARRANGEMENT "DV" WITH GEARS AND CLUTCH SPRING FOR OPERATION AT 75 W P M

SECTION 4

COVER AND TAPE CONTAINER



FPRC 200\*\* COVER ASSEMBLY



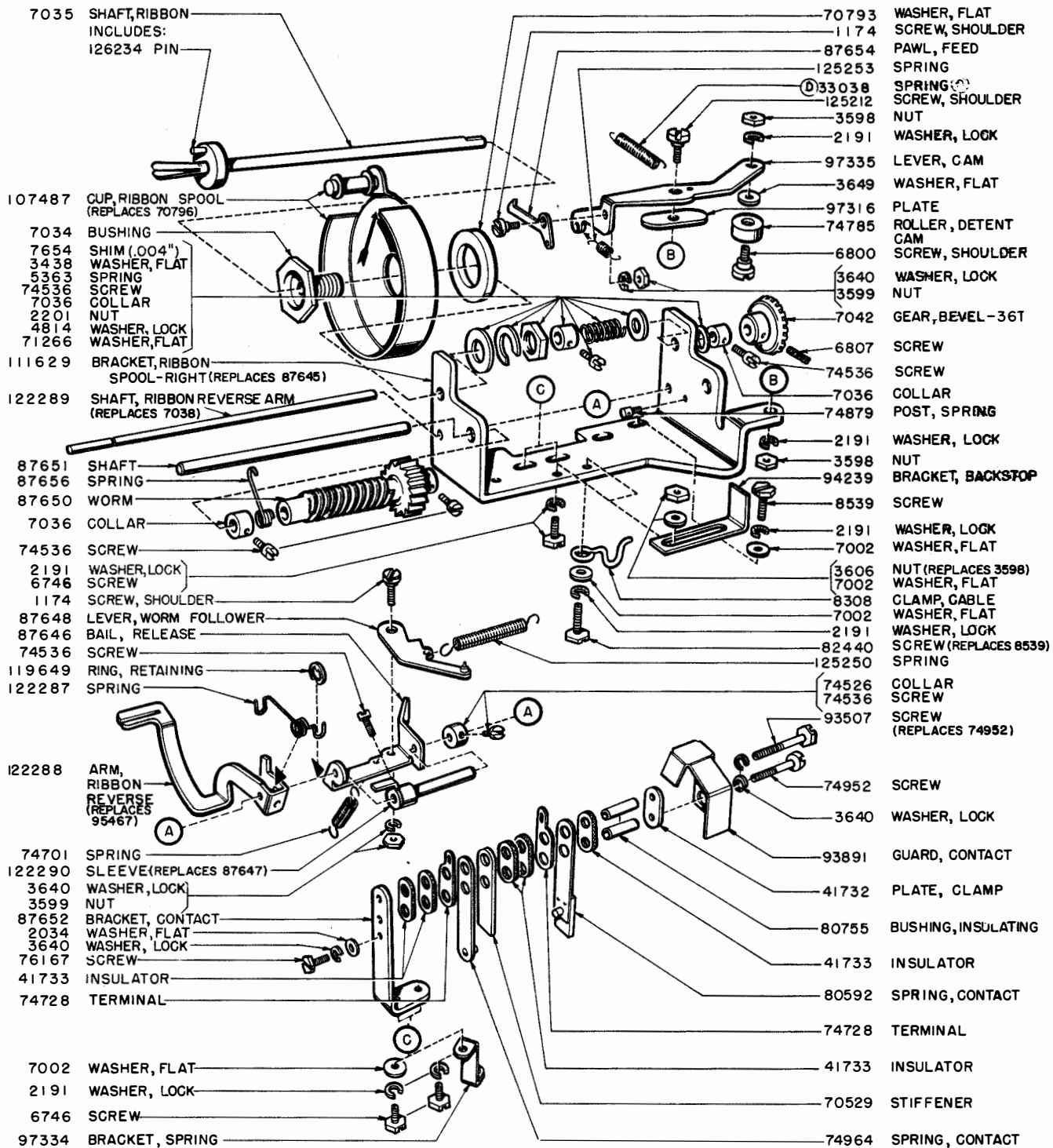
115702\*\* MODIFICATION KIT TO PROVIDE TAPE REEL PARTS

FPRC 208\*\* COVER WITH TAPE CONTAINER  
(BELL SYSTEM 14M\*\*)

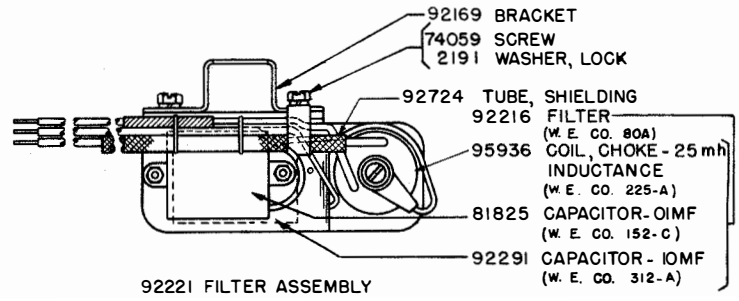
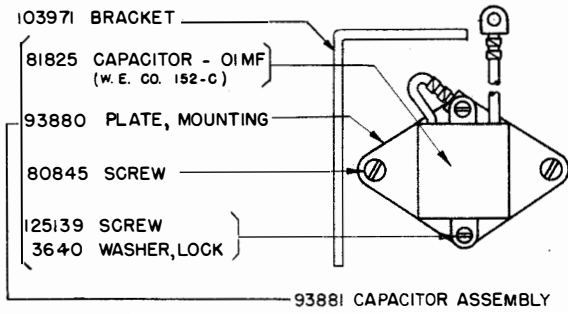
(A) FOR EXPLANATION, SEE PAGE 7-3  
\*\* FOR FINISH SUFFIX, SEE CHART ON PAGE C.

SECTION 5

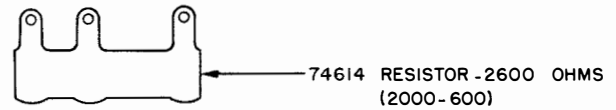
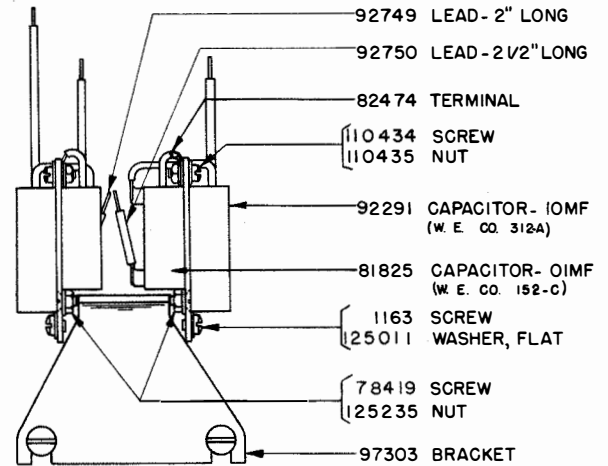
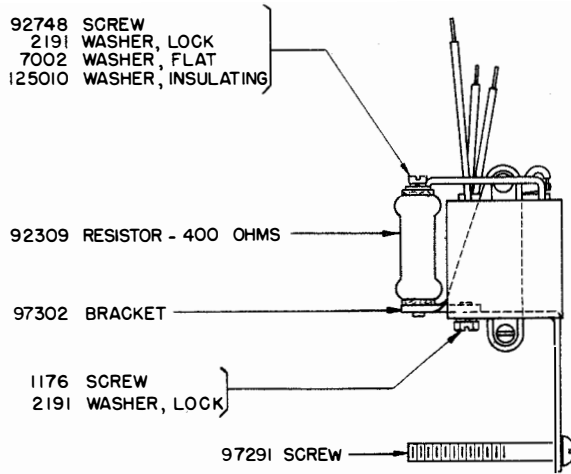
VARIABLE FEATURES



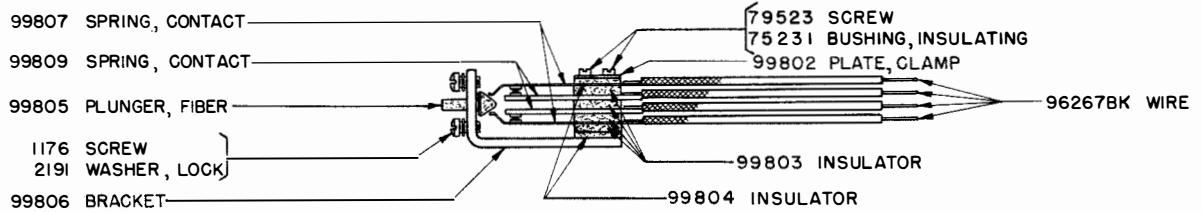
97333 COUNTER UNIT ASSEMBLY  
(EXCLUDES PART MARKED (D))



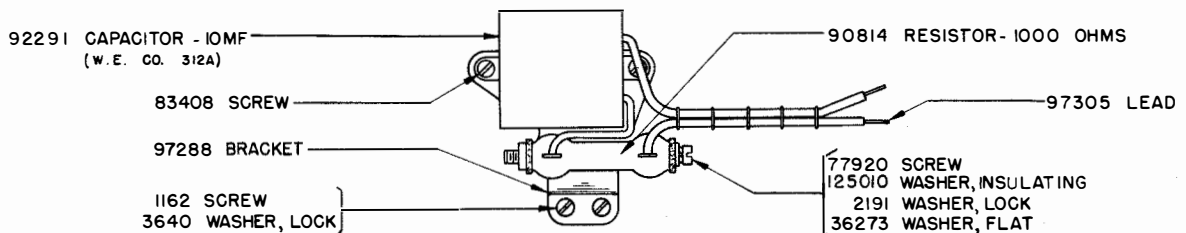
93885 TRANSMITTING CONTACTS FILTER ASSEMBLY



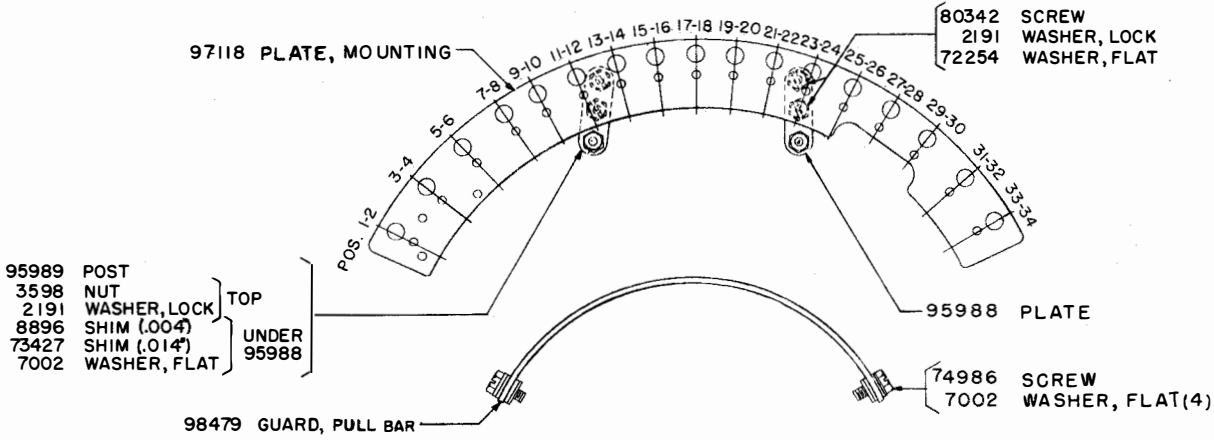
97301 LINE RELAY FILTER ASSEMBLY



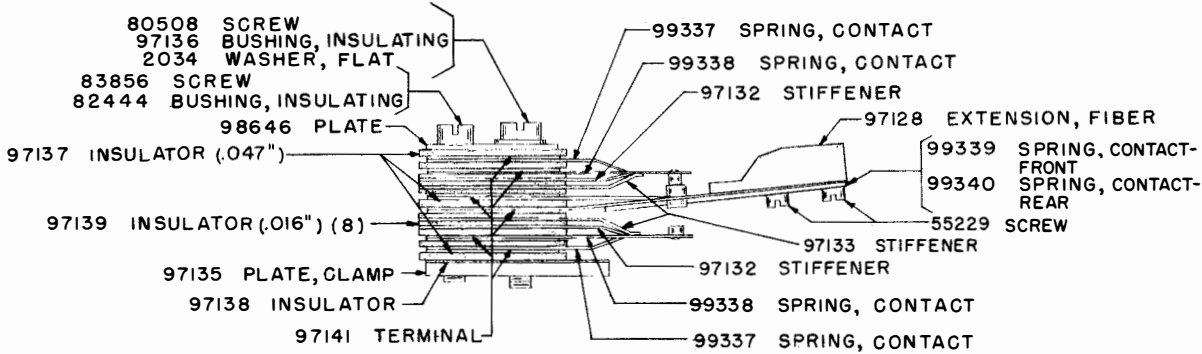
99745 LINE AND SELECTOR JACK ASSEMBLY



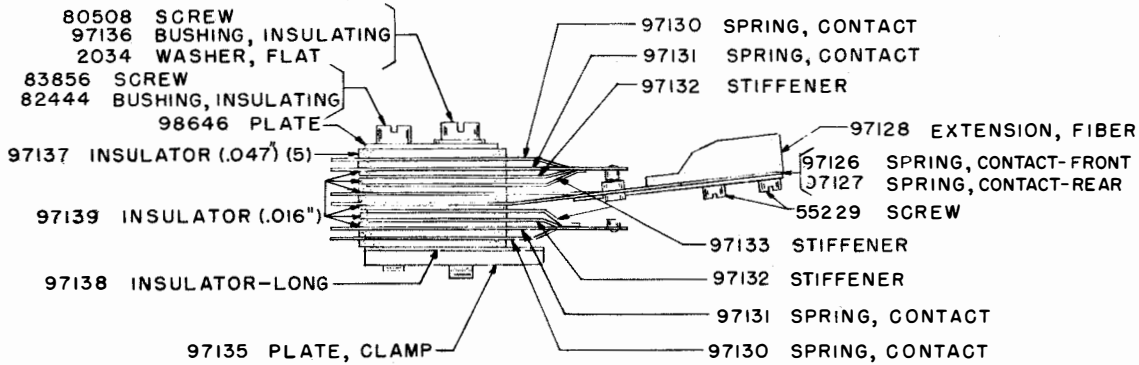
97304 WAVE SHAPER ASSEMBLY



99345 MODIFICATION KIT FOR MOUNTING  
PULL BAR CONTACT SPRING ASSEMBLY



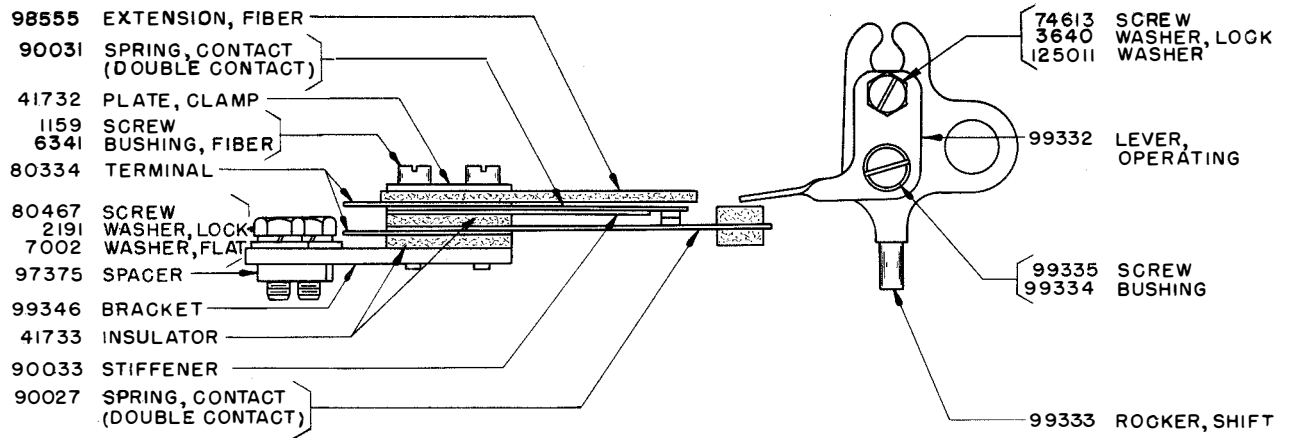
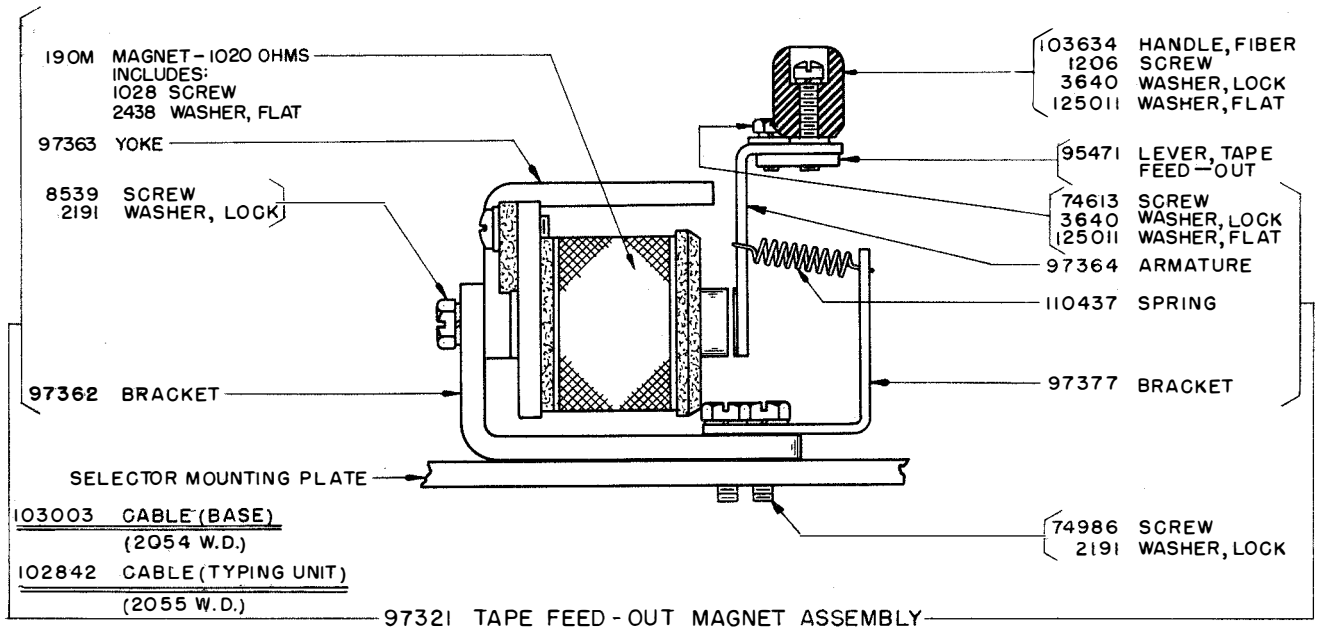
97140 CONTACT SPRING ASSEMBLY  
(USED IN POSITION "25-26" ONLY)



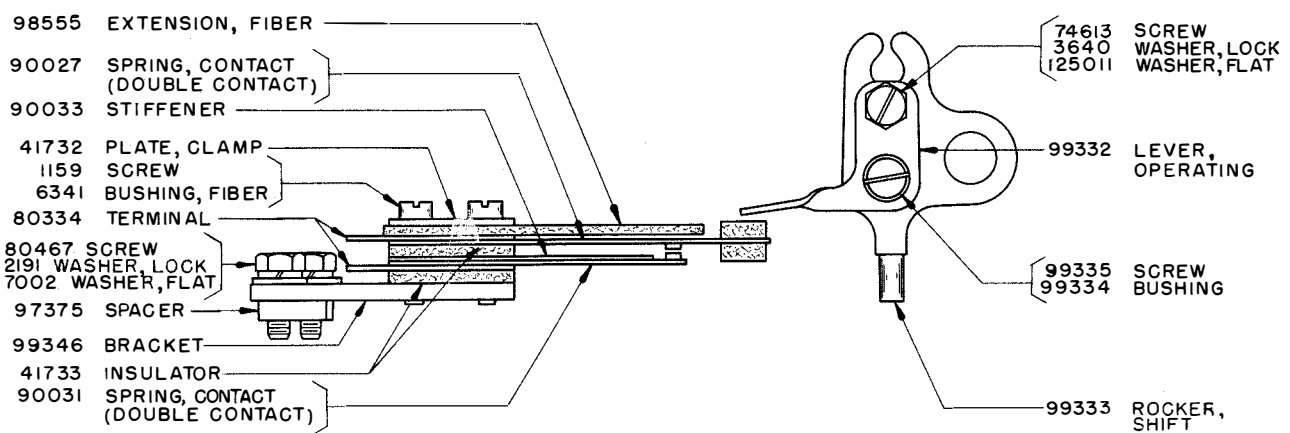
97125 CONTACT SPRING ASSEMBLY  
(USED IN ANY POSITION EXCEPT "25-26")

NOTE: THE USE OF 97140 AND 97125 CONTACT SPRING ASSEMBLIES INVOLVES PATENT QUESTIONS, AND THEY SHOULD BE USED IN ONLY SUCH SWITCHING CIRCUITS AND ARRANGEMENTS AS HAVE RECEIVED PATENT APPROVAL.

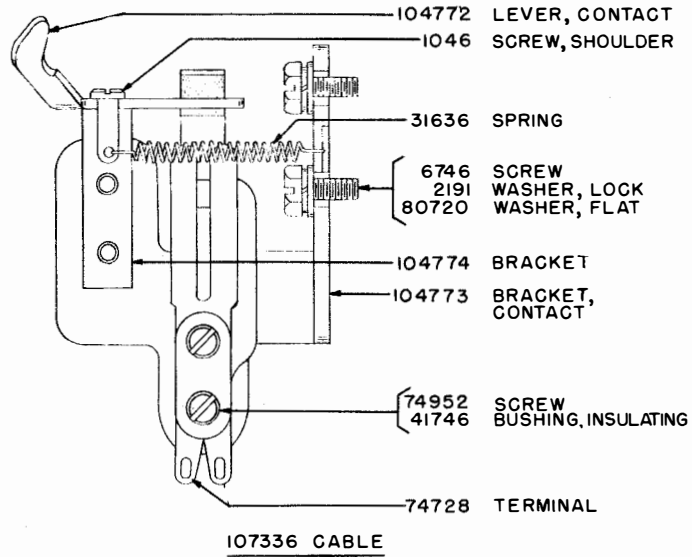
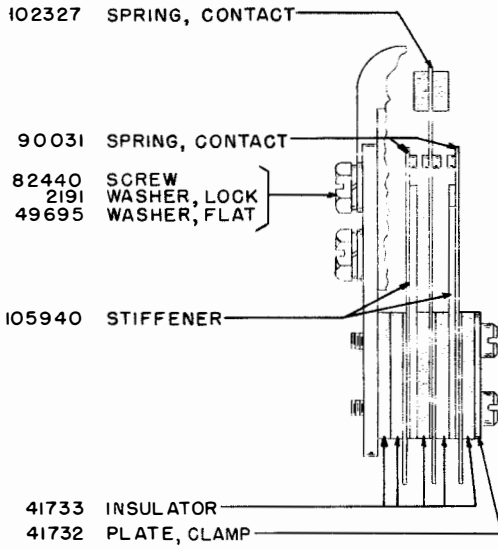




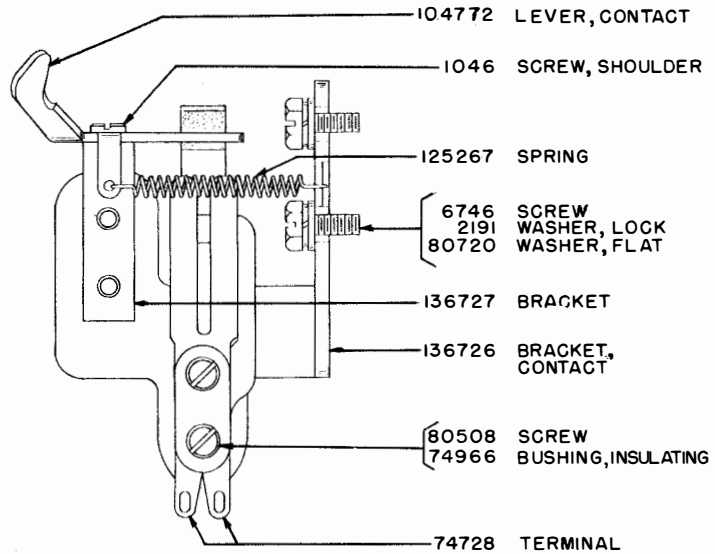
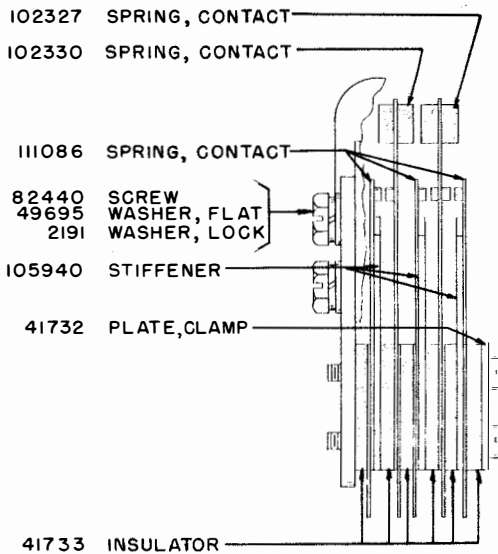
99343 "FIGURES MAKE" PLATEN SHIFT CONTACT MECHANISM  
(WITH DOUBLE CONTACT)



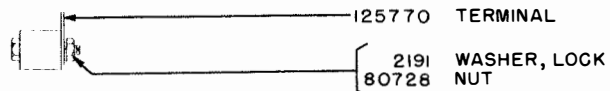
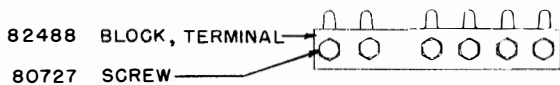
99342 "LETTERS MAKE" PLATEN SHIFT CONTACT MECHANISM  
(WITH DOUBLE CONTACT)



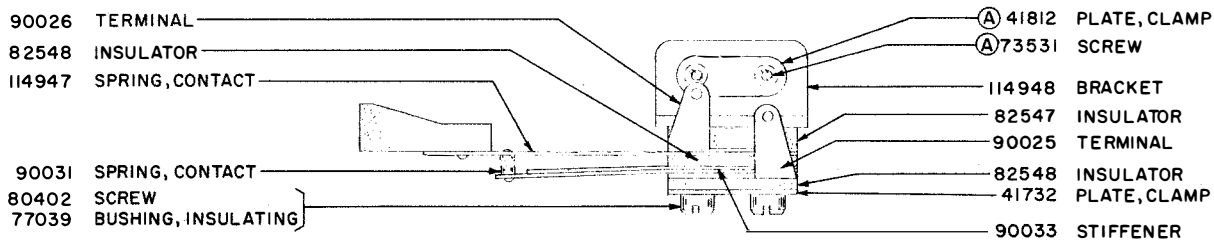
104682 UNIVERSAL TRANSFER CONTACT ASSEMBLY



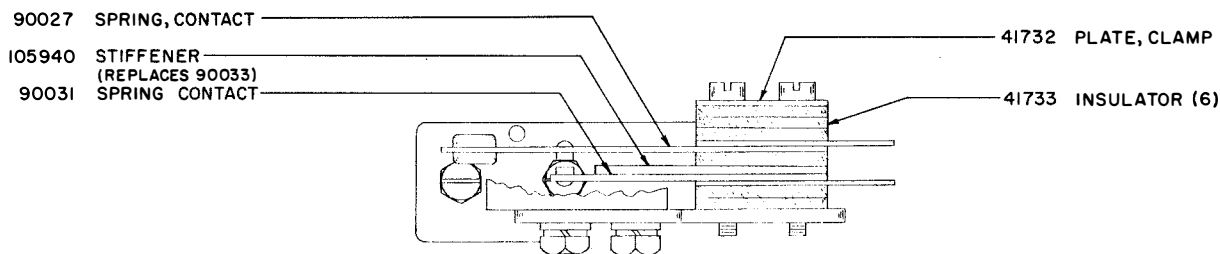
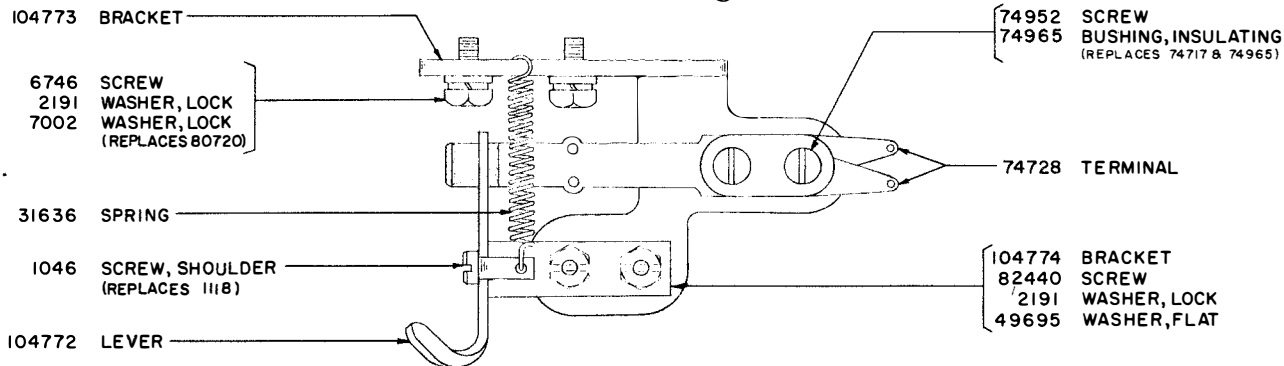
136721 UNIVERSAL TRANSFER CONTACT ASSEMBLY



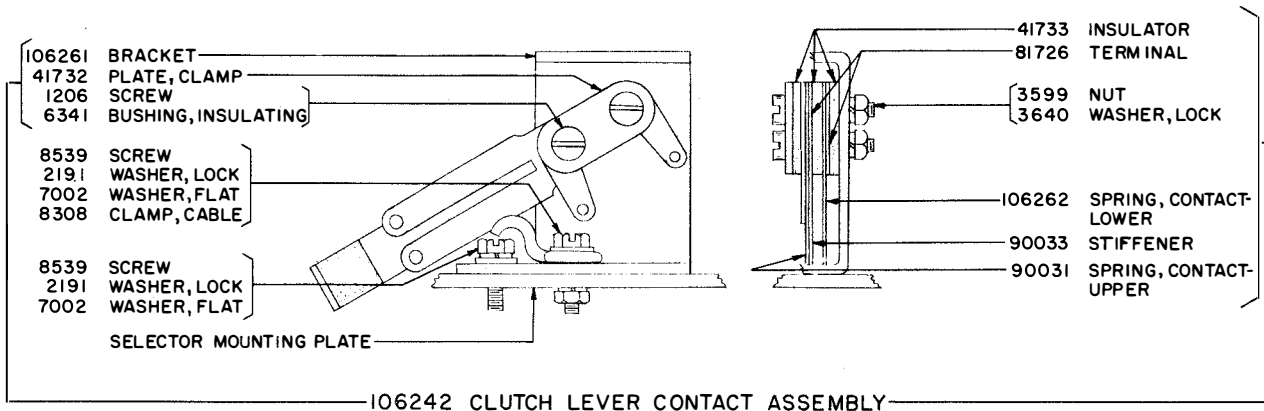
82619 TERMINAL BLOCK ASSEMBLY

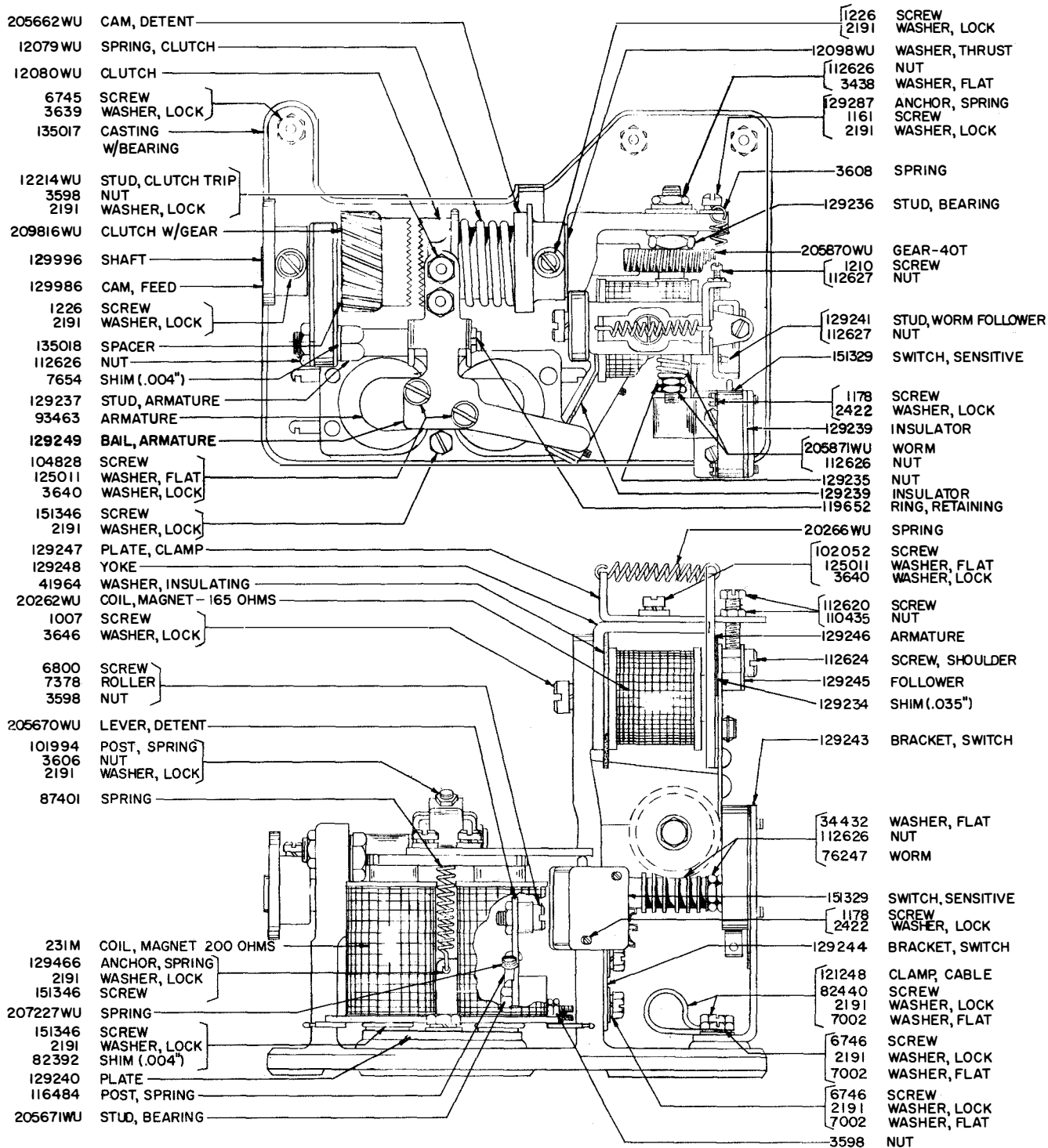


114949 TAPE-OUT CONTACT ASSEMBLY  
 (EXCLUDES PARTS MARKED ④)



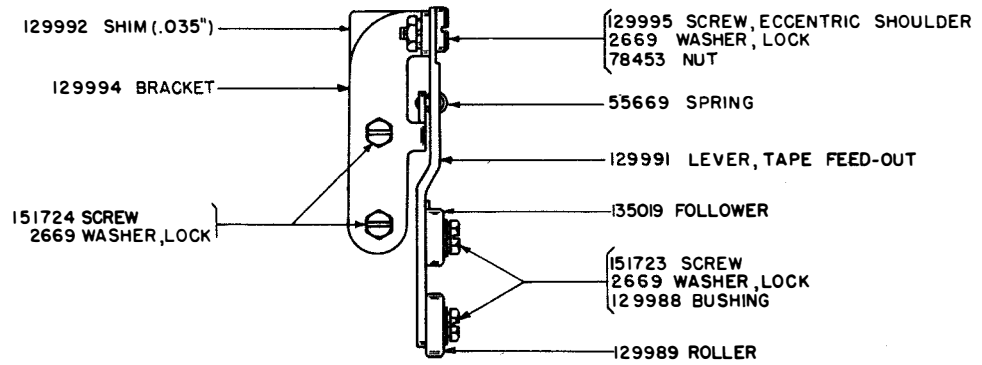
104771 UNIVERSAL CONTACT MECHANISM  
 (WITH DOUBLE CONTACTS)



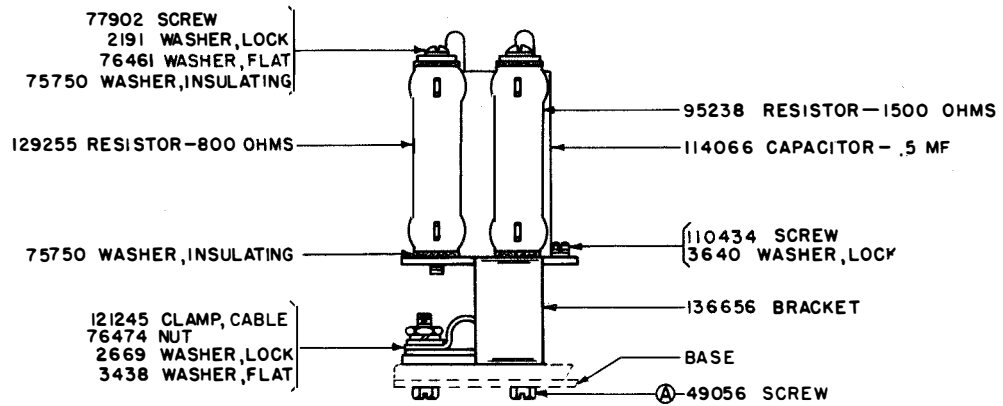


136659 TAPE FEED-OUT AND METERING MECHANISM

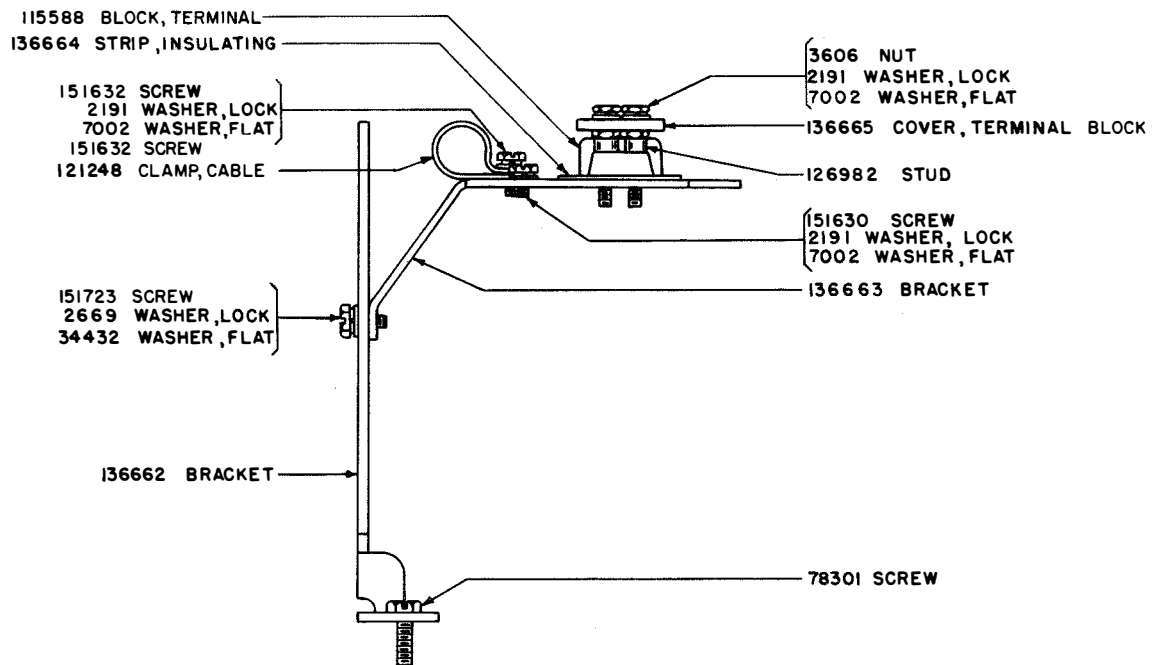
NOTE: THE 136659 TAPE FEED-OUT AND METERING MECHANISM ALSO INCLUDES THE TAPE FEED-OUT LEVER MECHANISM AND 49506 SCREWS MARKED (A) SHOWN ON PAGE 5-9, THE 209815 WU GEAR SHOWN ON PAGE 2-10 AND THE 136658 PUNCH ARM SHOWN ON PAGE 2-4.



Ⓐ TAPE FEED-OUT LEVER MECHANISM

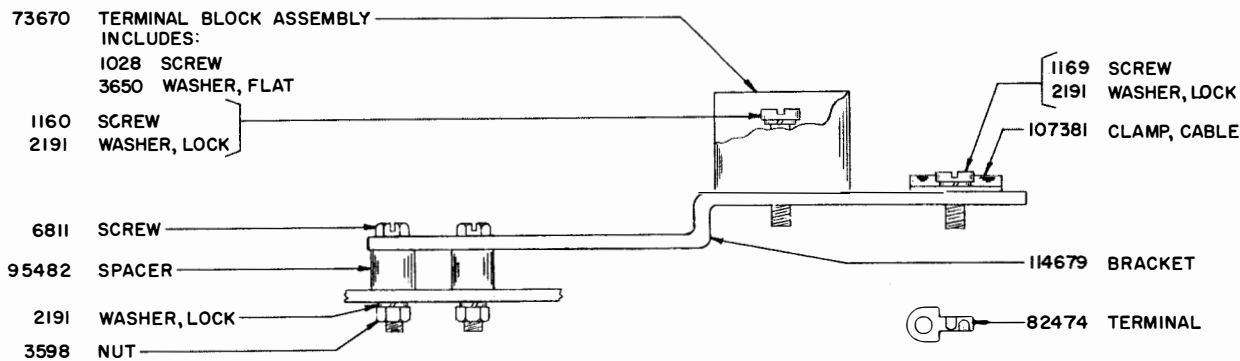
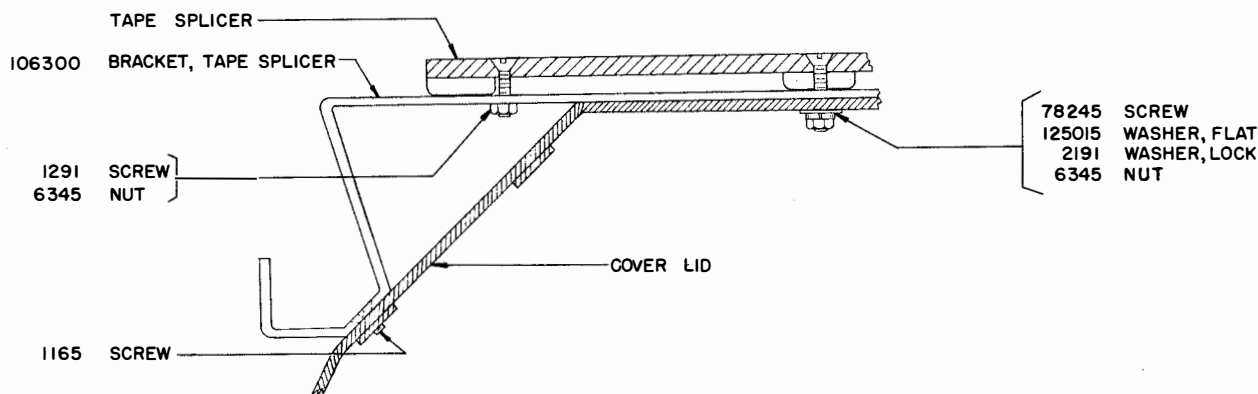
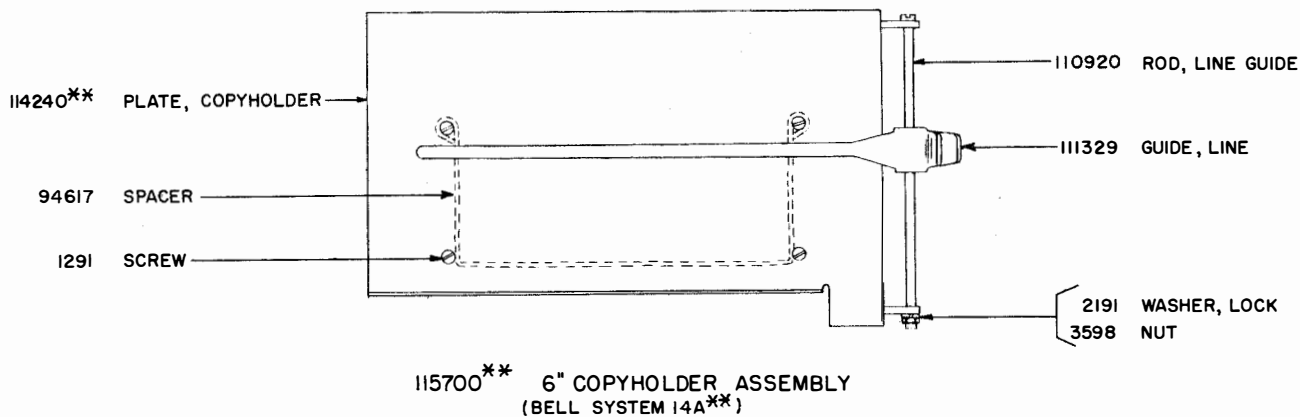


136657 RESISTOR AND CAPACITOR ASSEMBLY



136666 TERMINAL BLOCK BRACKET ASSEMBLY

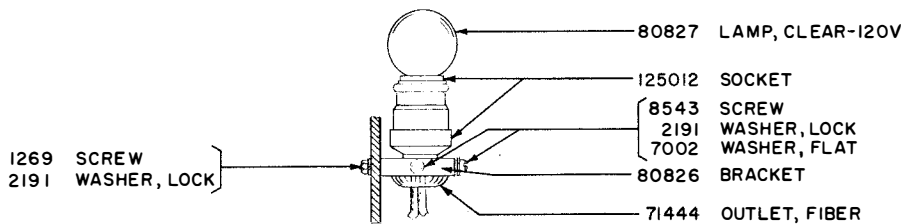
Ⓐ FOR EXPLANATION SEE NOTE ON PAGE 5-8.



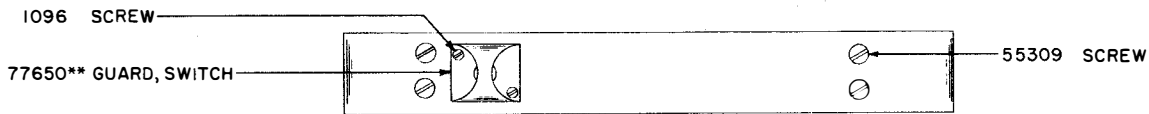
111194 MODIFICATION KIT. TO MODIFY A TYPING UNIT SO THAT IT MAY BE USED WITHOUT A BASE

\*\* FOR FINISH SUFFIX SEE CHART ON PAGE C.

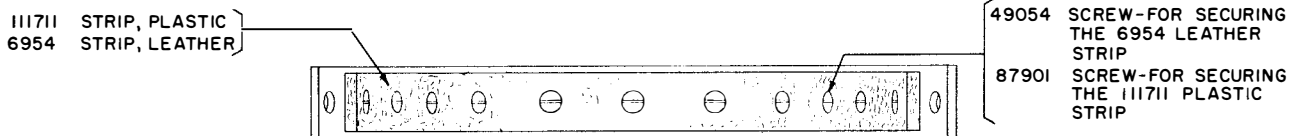
SECTION 6  
OLD STYLE PARTS



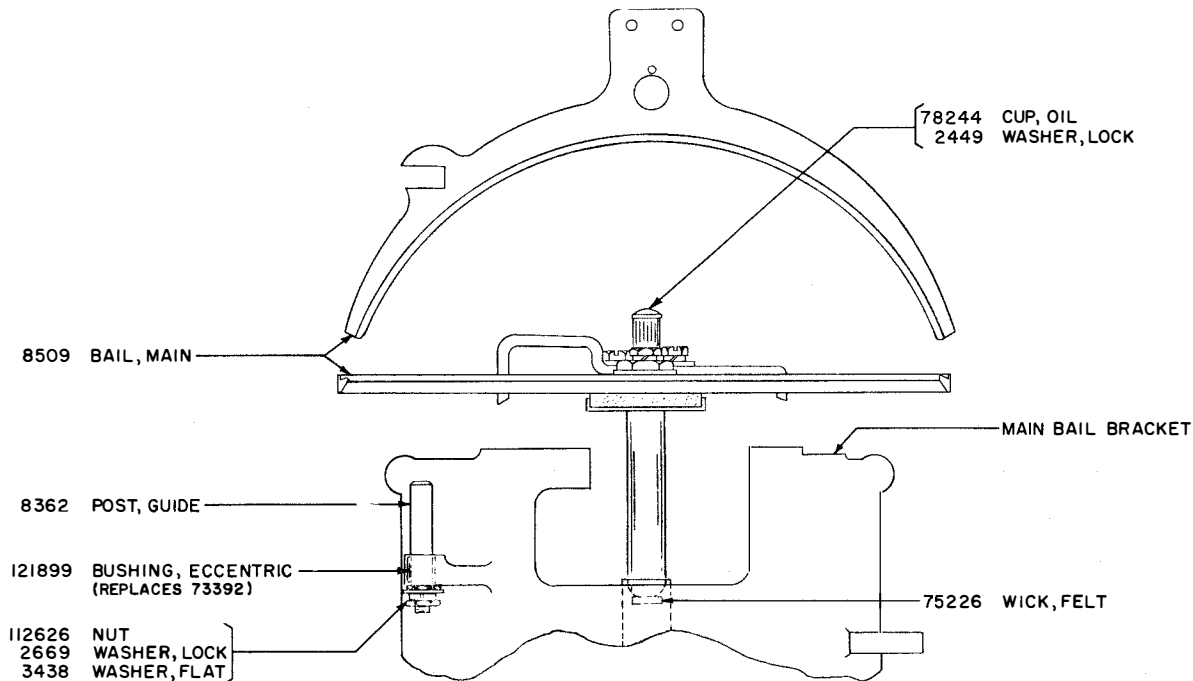
SIGNAL LAMP-OLD STYLE  
(SEE PAGE 1-7 FOR NEW STYLE)



115749\*\* FRONT PLATE ASSEMBLY



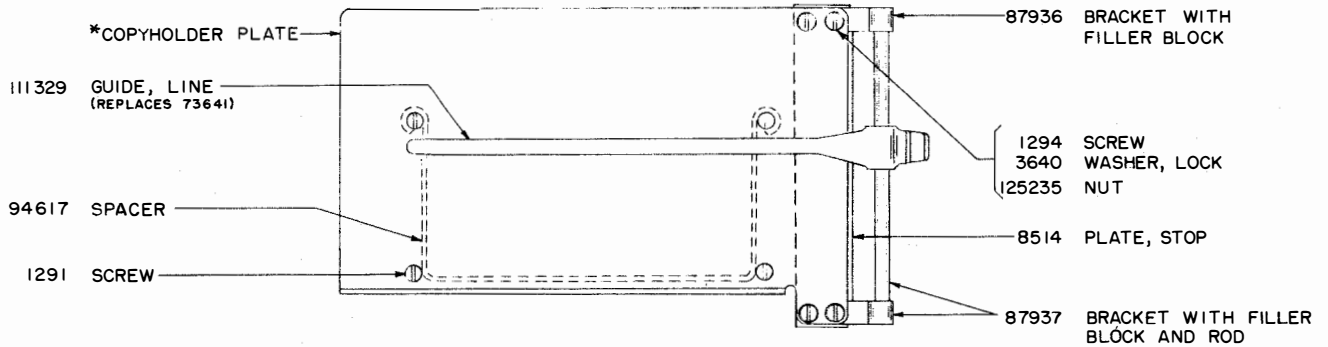
TYPE BAR BACKSTOP-OLD STYLE  
(SEE PAGE 2-9 FOR NEW STYLE)



MAIN BAIL (FOR SQUARE GUIDE POST)-OLD STYLE  
(SEE PAGE 2-7 FOR NEW STYLE)

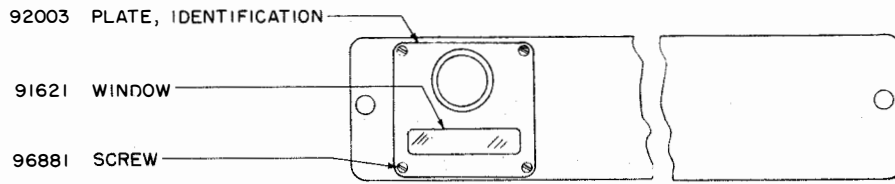
\*\*FOR FINISH SUFFIX SEE CHART ON PAGE C



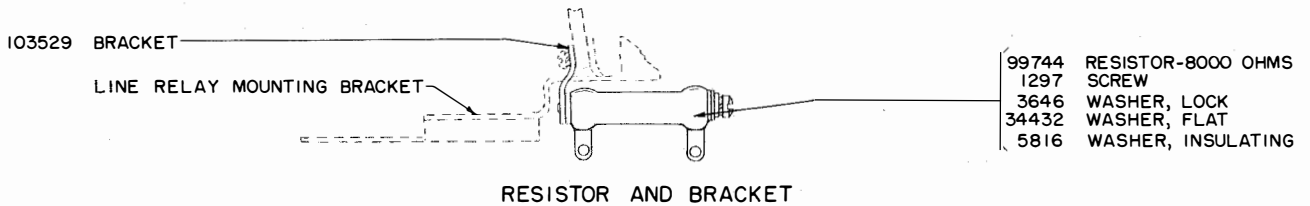


6" COPYHOLDER - OLD STYLE

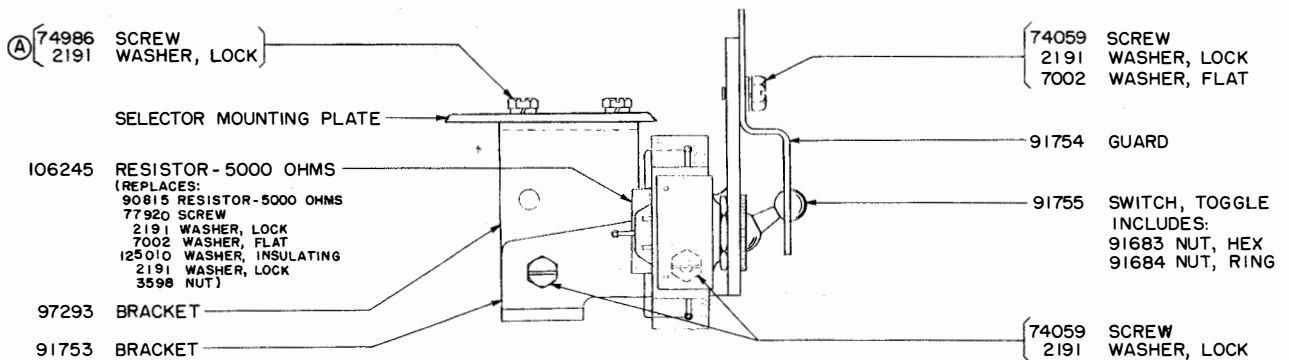
\*THE OLD STYLE COPYHOLDER PLATE IS NO LONGER AVAILABLE. WHEN IT BECOMES NECESSARY TO REPLACE AN OLD STYLE COPYHOLDER PLATE, A NEW STYLE COPYHOLDER PLATE, SHOWN ON PAGE 5-10, ALONG WITH ONE 110920 ROD, ONE 2191 LOCK WASHER AND ONE 3598 NUT SHOULD BE ORDERED.



124507\*\* FRONT COVER PLATE ASSEMBLY



RESISTOR AND BRACKET

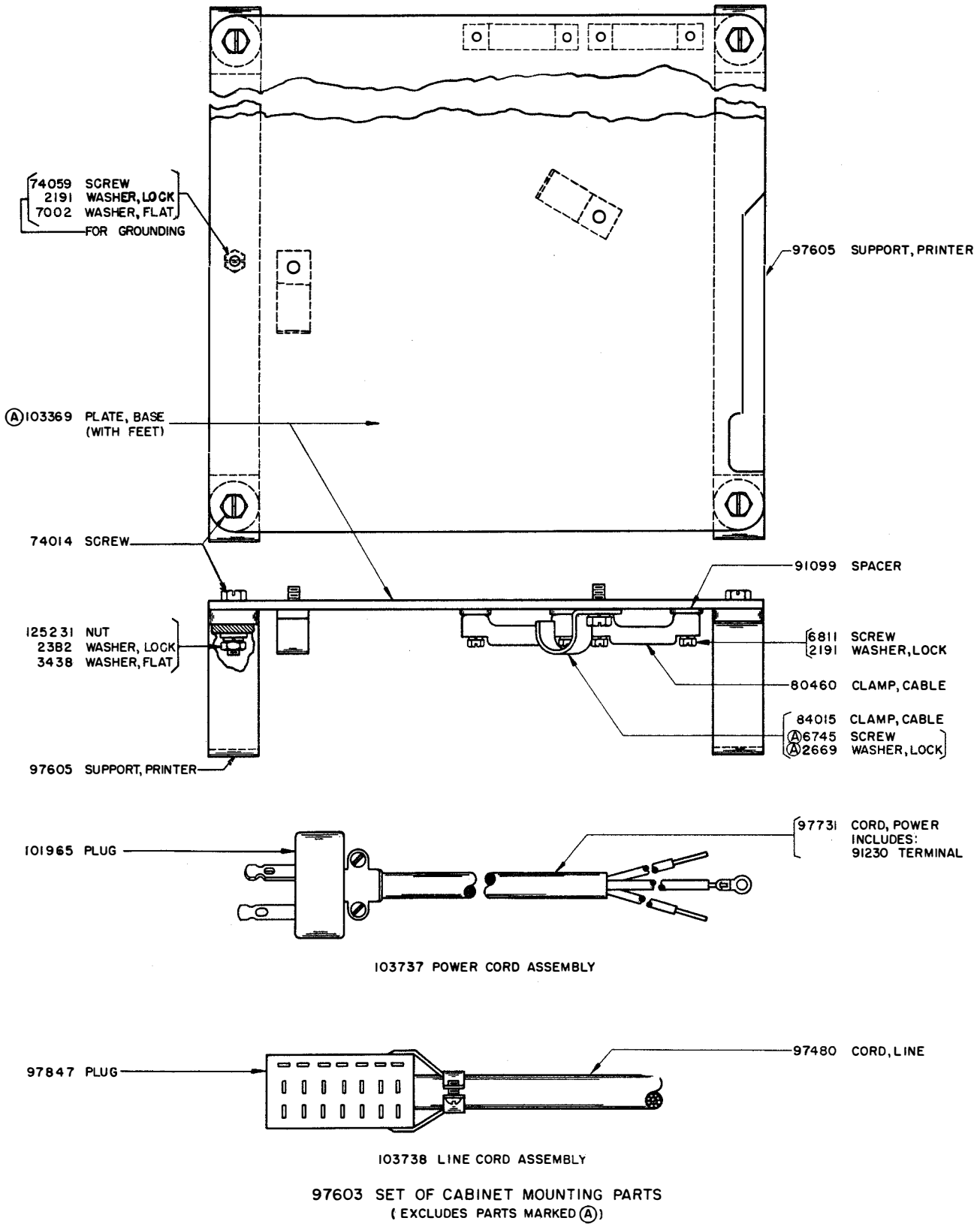


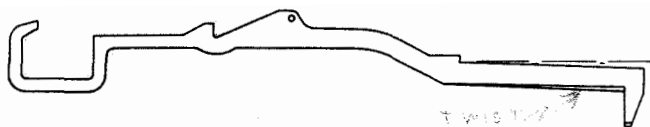
97298 SERIES-PARALLEL SWITCH BRACKET ASSEMBLY

(EXCLUDES PARTS MARKED (A))

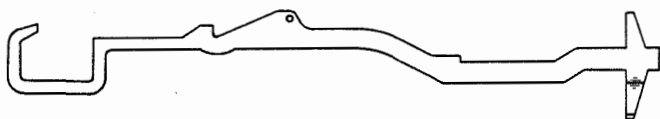
(ALSO SEE PAGE 7-3, PARAGRAPH (B) FOR PAGE 2-13)

\*\* FOR FINISH SUFFIX SEE CHART ON PAGE C.

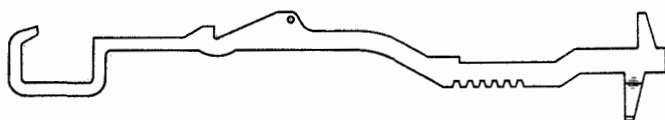




97119 PULL BAR—SPACE OR LTRS.



97120 PULL BAR—UPPER CASE "S"



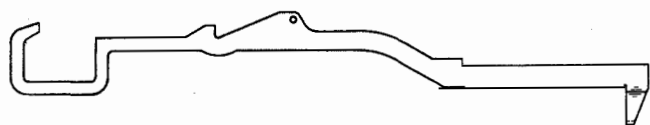
102878 PULL BAR—UPPER CASE "S"



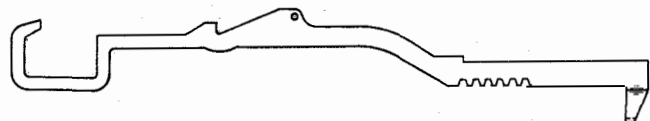
99459 PULL BAR "S"



99460 PULL BAR—STANDARD



97123 PULL BAR—BLANK



102864 PULL BAR—BLANK



97124 PULL BAR—FIGS

NUMBER OF POSITION IN SEGMENT	PULL BARS		PULL BAR SPRING	CONTACT ASSEMBLY NUMBER
	DESCRIPTION	PART NUMBER		
1	SPACE	97119	7965 & 49645	97125
1				
2	LTRS.	97119	7965 & 49645	97125
2				
3	UPPER CASE "S"	97120	112631	
3	UPPER CASE "S"	102878	7634	97125
4	"S"	99459	7634	
4				
5				
6				
7				
8				
9				
10				
11				
12				
13				
14				97125
15				
16				
17				
18				
19	STANDARD	99460	7634	
20				
21				
22				
23				
24				
25				97140
26				97140
27				
28				
29				
30				
31				97125
32	BLANK	97123	112631	
32	BLANK	102864	7634	
33	FIGS.	97124	7634	
33				
34				

(A) PULL BARS CANNOT BE USED IN POSITIONS MARKED (A) IF A STANDARD COVER IS USED.



# SECTION 7

## NOTES OF EXPLANATION AND MODIFICATION KITS

## NOTES OF EXPLANATION

## PAGE 1-2

- (A) The 105958 cover backstop, mounting screw and lock washer have replaced the old 92213 cover backstop, 74014 screw, 2669 lock washer and 3438 washer. These old parts were used on the earlier models and were mounted approximately in the center of the left side of the base.

## PAGE 1-8

- (A) This 75436 resistor (3000 ohms) is replaced by a 74614 resistor (2600 ohms), shown on page 5-3, when the 97301 line relay filter assembly is used.
- (B) The 97290 relay base does not have provisions for mounting the 99745 line and selector jack assembly, illustrated on page 5-3. If the line and selector jack assembly is used, a 99814 relay base should be ordered.

## PAGE 1-9

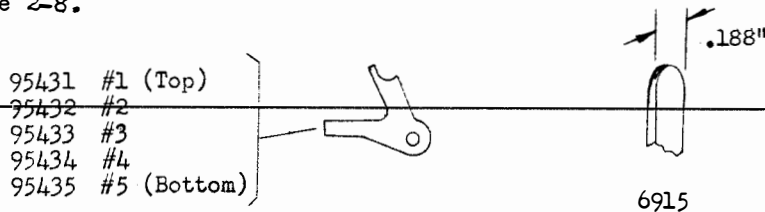
- (A) When the base is equipped with a 114949 tape-out contact assembly the 76299 spring is required.

## PAGE 2-2

- (A) The 129380 base plate has additional holes for mounting the 136739 tape feed-out and metering mechanism.
- (B) When it is necessary to replace a platen w/insert in an old style platen block, a 111602 brass insert is required in addition to the 111603 plastic insert. New style platen blocks do not require the brass insert.
- (C) The 95479 push rod has been redesigned to include the hexagonal portion as a part of the rod, but retains its original number. A 3599 nut is used with the old style rod.

## PAGE 2-4

- (A) Early models were equipped with the 95431 through 95435 one-step bellcranks and 6915 code bar locking lever illustrated below. The new style 103316 through 103320 two-step bellcranks require the 103310 code bar locking lever (.140" wide at tip), illustrated on page 2-8.



New and old style parts are not individually interchangeable but are interchangeable in sets.

- (B) The 136658 punch arm is used in place of the 95484 punch arm when the unit is equipped with the 136659 tape feed-out and metering mechanism.
- (C) When it is necessary to replace an old style one-piece cam roller, a new style 135694 roller assembly should be ordered instead. However, the new style 135013 stud can still be used with the old style cam roller.

## PAGE 2-8

- (B) The 70793 washer under the left ribbon spool cup is replaced by a 122286 back stop when the unit is equipped with upper case "H" motor control.

## PAGE 2-10

- (A) A 209815WU helical gear (16T) replaces the 4708 spiral gear (19T) when the unit is equipped with the 136659 tape feed-out and metering mechanism.
- (B) Units with serial numbers lower than 70,000 require 105960 screws (6-40 x 11/16") in place of the 72508 screws (6-40 x 3/4"). When the threads of the tapped holes in the 7610 main shaft bracket become damaged, a 124613 threaded steel insert may be ordered.
- (C) To permit adjustment of the selector clutch torque without the necessity of removing the selector cam sleeve, a 119540 keyed nut, a 122974 capstan nut, and a 122838 shim (.010") replace the old style nut and keyed nut.

Shims formerly supplied to adjust the selector clutch torque in the field are still available under the following numbers:

96763 Shim (.012")                      96764 Shim (.016")                      96765 Shim (.020")

New and old style parts are not individually interchangeable but are interchangeable in sets.

## PAGE 2-13

- (B) The 113702 series-parallel terminal block assembly replaces the series-parallel switch assembly. However, until the present stock is exhausted the old style 97298 series-parallel switch assembly is still available for maintenance purposes. See page 6-3.

## PAGE 4-2

- (A) The 8778 stop arm (7" long) is used on covers having the stop arm bracket located 3-3/8" from the cover hinge. If the stop arm bracket is located 2-7/8" from the cover hinge a 103968 stop arm (7-1/2" long) should be ordered instead.

## MODIFICATION KITS

(The parts involved are illustrated on the pages indicated below)

Set Number	Part Number	Description	Quantity	Page Number	Specification Number
97300	Mod. Kit	To Convert From Pulling Magnet to Holding Magnet Selector (With 113702 Terminal Block Assembly)			5253S
	1030	Screw	2	2-12	
	2669	Lock Washer (or 98642)	1	2-10	
	6800	Shoulder Screw	1	2-2	
	6810	Screw	1	2-2	
	34432	Washer	2	2-12	
	72563	Felt Washer	1	2-10	
	90760	Range Scale Assembly	1	2-12	
	91266	Cam Sleeve Retaining Disk	1	2-10	
	97294	Gear Guard	1	2-2	
	97296	Screw	1	2-10	
	97297	Handle	1	2-10	
	97378	Cable	1		
	98633	Holding Magnet Selector Plate Assembly	1	2-11,2-13	
	113702	Terminal Block Assembly	1	2-13	
	122754	Cam Sleeve Assembly	1	2-10	
	1856WD	Wiring Diagram	1		
97367	Mod. Kit	To Provide a Mechanical End-of-Line Indicator on a Typing Reperforator			5264S
	1169	Screw	1	1-4	
	2191	Lock Washer	1	1-4	
	7002	Washer	1	1-4	
	33038	Spring	1	5-2	
	82492	Keyboard Connection Strip Assembly	1	1-10	
	82619	Terminal Block Assembly	1	5-6	
	82709	Lamp Cable	1		
	89080	Guard	1	1-10	
	89233	Pull Bar	1	2-16	
	92204	Cable Clamp	1	1-4	
	97332	Counter Cable	1		
	97333	Counter Unit	1	5-2	
	99021	Typebar (with Pallet)	1	2-16	
	114959BA	Signal Lamp	1	1-7	
104994	Mod. Kit	To Provide a Tape Backspace Mechanism on a Typing Reperforator (Serial Nos. 49376 and up)			5799S
	1010	Shoulder Screw	1	2-6	
	1162	Screw	2	2-6	
	2421	Spring	1	2-6	
	3640	Lock Washer	1	2-6	
	7965	Spring	1	2-6	
	42661	Spring	1	2-6	
	80478	Spring Post	1	2-6	
	92668	Post	1	2-6	
	102104	Backspace Lever	1	2-6	
	102107	Tape Knife	1	2-6	
	102108	Backspace Pawl	1	2-6	
	102109	Ribbon Lifter	1	2-6	
	102110	Stud	1	2-6	
	102111	Feed Pawl	1	2-6	
	102795	Ribbon Guide	1	2-6	
	110435	Nut	1	2-6	



Set Number	Part Number	Description	Quantity	Page Number	Specification Number
	111024	Punch Block Assembly	1	2-6	
	125011	Washer	1	2-6	
105604	Mod. Kit	To Provide Clutch Lever Contact on a Typing Reperforator Equipped with a Holding Magnet Selector			5425S
	2191	Lock Washer	1	1-3	
	6746	Screw	1	1-3	
	7002	Washer	1	1-3	
	8308	Cable Clamp	1	5-7	
	99934	Cable Guide	1	1-3	
	105603	Cable	1		
	106242	Clutch Lever Contact Assembly	1	5-7	
106162	Mod. Kit	To Convert a (14P) FPR20H205 Typing Reperforator to a (14Y) FPR22D226 Typing Reperforator			5424S
	7105	Target - 10 Spot	1	3-2	
	71974	Pinion - 7T	1	3-2	
	73106	Gear - 35T	1	3-2	
	83408	Screw (or 93597)	2	2-5	
	99250	Filter Unit	1	3-3	
	105604	Set of Clutch Lever Contact Parts	1	1-3, 5-7	
	2191	Lock Washer	1	1-3	
	6746	Screw	1	1-3	
	7002	Washer	1	1-3	
	8308	Cable Clamp	1	5-7	
	99934	Cable Guide	1	1-3	
	105603	Cable	1		
	106242	Clutch Lever Contact Assembly	1	5-7	
106136		Set of Typepallets to Convert Arrg't 205 to 226	1		
	98902	Typepallet J	1	2-16	
	98909	Typepallet N	1	2-16	
	98910	Typepallet V	1	2-15	
	98911	Typepallet C	1	2-15	
	98920	Typepallet H	1	2-16	
	98923	Typepallet S	1	2-15	
	98926	Typepallet F	1	2-15	
	98927	Typepallet B	1	2-16	
	98944	Typepallet K	1	2-16	
	98945	Typepallet L	1	2-16	
	104845	Typepallet P	1	2-16	
	106264	Governor Parts	1	3-4	
	120454	Code Plate (Unstamped)	1	2-5	
	122295	Motor	1	3-3	
106243	Mod. Kit	To Convert a (14P) FPR20H205 Typing Reperforator to a (14AD) FPR22D222 Typing Reperforator			5424S
		The 106243 modification kit is the same as the 106162 modification kit listed above except that the 106137 set of typepallets replaces the 106136 set of typepallets.			
	106137	Set of Typepallets			
	98923	Typepallet S	1	2-15	
	98946	Typepallet B	1	2-16	

Set Number	Part Number	Description	Quantity	Page Number	Specification Number
	98947	Typepallet C ○	1	2-15	
	98948	Typepallet N ⊙	1	2-16	
	98949	Typepallet V ⊙	1	2-15	
	98950	Typepallet Z +	1	2-16	
	98951	Typepallet A †	1	2-16	
	98952	Typepallet D †	1	2-15	
	98953	Typepallet F →	1	2-15	
	98954	Typepallet G ↘	1	2-15	
	98955	Typepallet H ↓	1	2-16	
	98956	Typepallet J ↙	1	2-16	
	98957	Typepallet K ←	1	2-16	
	98958	Typepallet L ↖	1	2-16	
	102655	Typepallet M -	1	2-16	
	104845	Typepallet P ∅	1	2-16	
106299	Mod. Kit	For Mounting a Tape Splicer to a Reperforator Cover			5453S
	1165	Screw	1	5-10	
	1291	Screw	2	5-10	
	2191	Lock Washer	2	5-10	
	6345	Nut	4	5-10	
	78245	Screw	2	5-10	
	106300	Tape Splicer Bracket	1	5-10	
	125015	Washer	2	5-10	
106987	Mod. Kit	To Provide a Tape Feed-Out Magnet for a Typing Reperforator Equipped with Holding Magnet Selector			5604S
	190M	Magnet Assembly	1	5-5	
	1028	Screw	2	5-5	
	2191	Lock Washer	1	5-5	
	2438	Washer	2	5-5	
	3640	Lock Washer	1	5-5	
	8539	Screw	1	5-5	
	74613	Screw	1	5-5	
	82492	Keyboard Connection Strip Assembly	1	1-10	
	82619	Terminal Block Assembly	1	5-6	
	89080	Guard	1	1-10	
	97362	Bracket	1	5-5	
	97363	Magnet Yoke	1	5-5	
	97364	Armature Assembly	1	5-5	
	97377	Spring Bracket	1	5-5	
	102842	Cable Assembly	1		
	103003	Cable Assembly	1		
	110437	Spring	1	5-5	
	125011	Washer	1	5-5	
110893	Mod. Kit	To Convert a Typing Reperforator Equipped with a Synchronous Motor for Operation at 100 WPM			5480S
	2605	Spring	1	2-11	
	6850	Bellcrank	1	2-12	
	6971	Clutch Lever	1	2-10	
	70891	Lock Washer	1	2-7	
	71696	Range Scale	1	2-12	
	72563	Felt Washer	1	2-10	
	73611	Felt Wick	1	2-11	

Set Number	Part Number	Description	Quantity	Page Number	Specification Number
	74185	Pull Bar	28	2-15,2-16	
	74553	Felt Wick	1	2-11	
	93729	Felt Wick	1	2-11	
	95477	Platen Block	1	2-2	
	110871	Trip Latch	1	2-12	
	110872	Spring	1	2-12	
	110876	Gear - 16T	1	3-2	
	110877	Gear - 42T	1	3-2	
	110878	Spring	1	3-2	
	110880	Spring	1	2-11	
	111603	Platen	1	2-2	
	111686	Friction Disk	1	2-10	
	114062	Main Bail Assembly	1	2-7	
	114107	Spring	1	2-11	
	124535	Typebar Backstop (with .125" Sirvene Strip)	1	2-9	
	135268	Typebar Backstop (with .095" Sirvene Strip)	1	2-9	
110894	Mod. Kit	To Convert a Typing Reperforator Equipped with a Governed Motor for Operation at 100 WPM			5480S
	2605	Spring	1	2-11	
	6850	Bellcrank	1	2-12	
	6971	Clutch Lever	1	2-10	
	70891	Lock Washer	1	2-7	
	71696	Range Scale	1	2-12	
	72563	Felt Washer	1	2-10	
	73611	Felt Wick	1	2-11	
	74185	Pull Bar	28	2-15,2-16	
	74553	Felt Wick	1	2-11	
	93729	Felt Wick	1	2-11	
	95477	Platen Block	1	2-2	
	110871	Trip Latch	1	2-12	
	110872	Spring	1	2-12	
	110878	Spring	1	3-2	
	110880	Spring	1	2-11	
	110881	Pinion - 14T	1	3-2	
	110882	Gear - 43T	1	3-2	
	111603	Platen	1	2-2	
	111686	Friction Disk	1	2-10	
	114062	Main Bail Assembly	1	2-7	
	114107	Spring	1	2-11	
	124535	Typebar Backstop (with .125" Sirvene Strip)	1	2-9	
	135268	Typebar Backstop (with .095" Sirvene Strip)	1	2-9	
112594	Mod. Kit	To Provide Operation of Keyboard at 100 WPM (7.42 Unit Transmission)			5509S
	74986	Screw	2	1-7	
	91120	Trip-off Pawl Spring	1	1-3	
	111731	Cam Sleeve Assembly	1	1-6	
	112498	Screw	2	1-7	
	112587	Lockloop Backstop Assembly	1	1-7	
	112588	Contact Spring Assembly	1	1-7	
	112589	Contact Cover	1	1-7	

Set Number	Part Number	Description	Quantity	Page Number	Specification Number
113665	Mod. Kit	To Provide a Ribbon Reverse Arm Yield Spring Feature on a Typing Reperatorator			5650S
	1176	Screw	1	2-8	
	74536	Set Screw	1	2-8	
	110350	Spring Block	1	2-8	
	119649	Retaining Ring	1	2-8	
	122284	Spring	1	2-8	
	122286	Backstop	1	2-8	
	122287	Spring (Right)	1	2-8	
	122288	Ribbon Reverse Arm (Right)	1	2-8	
	122289	Shaft	1	2-8	
	122290	Sleeve	1	2-8	

SECTION 8

NUMERICAL INDEX

## NUMERICAL INDEX

190M	Magnet (1020 Ohms)	5-5, 7-6	2378	Keylever	1-2
207M	Coil (550 Ohms)	2-11	2382	Washer, Lock	6-4
231M	Coil, Magnet (200 Ohms)	5-8	2407	Washer, Lock	1-5
1007	Screw (8-32 x 5/8 Fil.)	5-8	2421	Spring,	2-6
1010	Screw, Shoulder (6-40)	2-6, 7-4	2422	Washer, Lock	5-8
1026	Screw (6-40 x 3/8 Fil.)	1-4, 1-10, 2-2, 2-4, 2-5	2431	Bar, Selector	1-3
1028	Screw (4-40 x 1/4 Fil.)	1-9, 1-10, 2-13, 5-5, 5-10, 7-6	2432	Bar, Selector	1-3
1030	Screw, Shoulder (6-40)	2-12, 7-4	2433	Bar, Selector	1-3
1038	Screw (6-40 x 9/32 Fil.)	3-3	2434	Bar, Selector	1-3
1046	Screw, Shoulder (6-40)	5-6, 5-7	2435	Bar, Selector	1-3
1050	Screw (6-40 x 7/32 Fil.)	2-12, 3-3	2438	Washer, Flat	1-9, 5-5, 7-6
1064	Screw (6-32 x 1/4 Rd.)	1-8	2449	Washer, Lock	2-2, 2-7, 3-3, 6-2
1072	Screw, Thumb (6-40)	4-2	2480	Post, Spring	2-10
1073	Screw, Thumb (6-40)	2-12	2502	Strip, Contact Mounting	1-5
1096	Screw (4-36 x 1/8 Rd.)	1-4, 1-7, 6-2	2503	Plate, Cover	1-5
1100	Screw, Pilot (1/4 - 32)	2-10	2504	Insulator	1-5, 1-7
1159	Screw (4-40 x 3/8 Fil.)	5-5	2525	Guide, Front Keylever	1-2
1160	Screw (6-40 x 5/16 Fil.)	2-5, 5-10	2526	Collar, Spacing	1-5
1161	Screw (6-40 x 1/4 Fil.)	1-9, 2-4, 5-8	2528	Bar, Spring	1-3
1162	Screw (4-40 x 1/4 Fil.)	1-7, 1-8, 2-4, 2-6, 5-3, 7-4	2529	Bushing, Insulating	1-5
1163	Screw (4-40 x 3/16 Fil.)	1-7, 5-3	2502	Strip, Mounting	1-7
1165	Screw (6-32 x 1/4 Flat)	5-10, 7-6	2565	Spring	1-2
1169	Screw (6-40 x 7/16 Fil.)	1-3, 2-5, 5-10, 6-2, 7-4	2566	Spring	1-2
1172	Screw (2-56 x 5/16 Fil.)	2-2	2574	Upstop, Sirvene	1-3
1174	Screw, Shoulder (4-40)	5-2	2605	Spring	2-11, 7-6, 7-7
1176	Screw (6-40 x 3/16 Fil.)	2-5, 2-8, 3-3, 5-3, 7-8	2610	Bell	1-9, 2-3
1178	Screw (2-56 x 7/16 Fil.)	5-8	2623	Spring	1-5, 1-9
1179	Screw (6-40 x 5/8 Fil.)	3-2, 4-2	2663	Bumper, Rubber	1-2
1187	Screw (10-32 x 1/4 Fil.)	1-3	2669	Washer, Lock	1-8, 1-9, 1-10, 2-3, 2-5, 2-7, 2-9, 2-10, 3-2, 3-3, 3-4, 4-2, 5-9, 6-2, 6-4, 7-2, 7-4
1206	Screw (4-40 x 9/16 Fil.)	2-12, 5-5, 5-7	2920	Washer, Lock	2-7
1207	Screw (4-36 x 5/16 Flat)	4-2	3154	Shaft	2-10
1210	Screw (2-56 x 5/8 Fil.)	5-8	3626	Foot, Rubber	1-4
1226	Screw (6-40 x 3/4 Fil.)	5-8	3329	Cup, oil	2-10
1245	Screw (10-32 x 1 Fil.)	1-9, 2-10	3438	Washer, Flat	1-8, 1-9, 2-2, 2-3, 2-7, 2-8, 2-9, 4-2, 5-2, 5-8, 5-9, 6-2, 6-4, 7-2
1253	Screw (8-32 x 3/8 Rd.)	1-8	3458	Shim (.015")	1-3
1264	Screw (10-32 x 1/2 Flat)	3-3	3595	Nut (1/4 - 32 Hex.)	2-5
1266	Screw (6-32 x 7/16 Rd.)	3-3	3597	Nut (5/32 - 40 Hex.)	2-5
1269	Screw (6-40 x 1/2 Fil.)	2-4	3598	Nut (6-40 Hex.)	1-2, 1-3, 1-5, 1-9, 2-2, 2-3, 2-4, 2-5, 2-8, 2-9, 2-11, 2-12, 2-13, 3-3, 3-4, 4-2, 5-2, 5-4, 5-8, 5-10
1291	Screw (6-32 x 3/4 Flat)	5-10, 6-3, 7-6	3599	Nut (4-40 Hex.)	1-2, 1-8, 2-4, 2-5, 2-11, 5-2, 5-7, 7-2
1294	Screw (4-36 x 1/2 Flat)	6-3	3606	Nut (6-40 Hex.)	1-3, 1-7, 2-7, 2-8, 2-9, 2-11, 5-2, 5-8, 5-9
1297	Screw (6-40 x 2-7/16 Fil.)	1-8, 3-4, 6-3	3608	Spring	1-9, 5-8
2034	Washer, Flat	5-2, 5-4	3610	Spring	2-15
2191	Washer, Lock	1-2, 1-3, 1-4, 1-5, 1-6, 1-7, 1-8, 1-9, 1-10, 2-2, 2-3, 2-4, 2-5, 2-7, 2-8, 2-9, 2-10, 2-11, 2-12, 2-13, 3-2, 3-3, 3-4, 4-2, 5-2, 5-3, 5-4, 5-5, 5-6, 5-7, 5-8, 5-9, 5-10, 6-2, 6-3, 6-4, 7-4, 7-5, 7-6	3626	Foot, Rubber	1-3
2199	Nut (7/16 - 32 Hex.)	1-6, 1-9	3628	Bushing, Insulating	1-2, 1-3, 1-4
2201	Nut (5/16 - 32 Hex.)	1-4, 2-8, 5-2	3639	Washer, Lock	2-11, 5-8
2322	Washer, Lock	2-10	3640	Washer, Lock	1-2, 1-5, 1-7, 1-8, 1-9, 2-2, 2-3, 2-4, 2-5, 2-6, 2-12, 2-13, 3-3, 5-2, 5-3, 5-5, 5-7, 5-8, 5-9, 6-3, 7-4, 7-6
			3646	Washer, Lock	1-8, 5-8, 6-3
			3649	Washer, Flat	5-2
			3650	Washer, Flat	1-10, 2-13, 5-10

4293	Insulator	1-2, 1-4	6969	Bracket, main Bail	2-7
4705	Spring	2-5	6971	Lever, Clutch	2-10, 7-6, 7-7
4708	Spring	2-11	6985	Lever, main Bail	2-10
4730	Spring	2-3	6986	Sleeve	2-10
4809	Wick, Felt	2-10	6987	Washer, Flat	2-9
4810	Wick, Felt	1-6	6989	Arm, Spring	2-10
4813	Wick, Felt	2-10	6990	Screw, Pilot (1/4 - 32)	2-10
4814	Washer, Lock	1-4, 2-8, 5-2	6991	Gear, Worm - 32T	3-2
4851	Terminal, Ground	1-3, 1-4, 2-27	6993	Spring	2-10, 3-2
4871	Bolt	1-9	6999	Post	2-4
4881	Stiffener	1-5, 1-7	7001	Washer, Flat	2-9, 2-11
5363	Spring	2-8, 5-2	7002	Washer, Flat	1-2, 1-3, 1-4, 1-5, 1-7, 1-8, 1-9, 1-10, 2-2, 2-3, 2-4, 2-7, 2-8, 2-9, 2-10, 2-11, 2-12, 2-13, 3-3, 3-4, 4-2, 5-2, 5-3, 5-4, 5-5, 5-7, 5-8, 5-9, 6-2, 6-3, 6-4, 7-4, 7-5
5446	Screw (6-40 x 9/16 Fil.)	1-2, 1-4	7007	Plunger, Trip	2-12
5475	Nut (3/16 - 40 Hex.)	2-11	7018	Bushing	2-7
5740	Screw (2-56 x 1/4 Fil.)	2-5	7020	Plunger	2-7
5816	Washer, Insulating	6-3	7021	Bushing	2-7
6341	Bushing, Insulating	5-5, 5-7	7022	Lever, Reverse	2-8
6342	Wire	4-2	7023	Lever, Reverse	2-8
6345	Nut (6-32 Hex.)	5-10, 7-6	7024	Pawl, Reverse	2-8
6685	Sword, Selector	2-11	7025	Pawl, Reverse	2-8
6686	Lever "T"	2-11	7027	Roller	2-7
6689	Plate, Separator	2-11	7029	Shaft	2-7
6690	Stripper, Pull Bar	2-9	7032	Pawl	1-5
6732	Plate, Motor	3-2, 3-4	7033	Bracket	2-8
6743	Arm, Operating	2-10	7034	Bushing	2-8, 5-2
6745	Screw (10-32 x 1/2 Hex.)	2-3, 2-5, 2-7, 2-9, 2-10, 3-2, 3-4, 5-8, 6-4	7035	Shaft, Ribbon	2-8, 5-2
6746	Screw (6-40 x 5/16 Hex.)	1-2, 1-3, 1-4, 1-5, 1-6, 1-8, 1-9, 1-10, 2-2, 2-3, 2-4, 2-7, 2-9, 2-10, 2-11, 2-13, 3-2, 3-3, 3-4, 5-2, 5-6, 5-7, 5-8, 7-5	7036	Collar	2-8, 5-2
6796	Screw (10-32 x 1/4 Fil.)	2-7, 2-9	7037	Washer, Flat	2-9, 4-2
6799	Screw, Shoulder (6-40)	2-2, 2-12	7038	Shaft, Reverse Arm	2-8
6800	Screw, Shoulder (6-40)	2-2, 2-7, 2-8, 2-10, 5-2, 5-8, 7-4	7042	Gear, Bevel - 36T	2-8, 5-2
6801	Screw, Pilot (4-40)	1-2, 2-3, 2-12	7044	Arm, Reverse	2-8
6805	Screw, Shoulder (6-40)	1-2, 1-5, 2-2, 2-8	7067	Collar	2-7
6807	Screw (6-40 x 3/16 Headless)	2-8, 5-2	7068	Gear, Bevel - 36T	2-7
6810	Screw (10-32 x 3/8 Hex.)	1-9, 1-10, 2-2, 2-3, 3-3, 7-4	7070	Lever, Ribbon Feed	2-7
6811	Screw (6-40 x 5/8 Hex.)	1-2, 1-4, 1-5, 1-10, 2-3, 2-7, 2-8, 2-11, 3-3, 3-4, 5-10, 6-4	7078	Post	1-2, 1-3
6814	Screw, Pilot (6-40)	1-5, 1-9	7080	Loop, Space Bar	1-2
6825	Bracket, Spring	2-8	7082	Gear, Helical - 8T	3-2
6827	Connecting Flock Assembly	1-8	7091	Insulator	2-3
6834	Bail, Ribbon Reverse	2-7	7092	Keyboard Connection Strip Assembly	1-10
6843	Bracket	2-7	7093	Strip, Connection	1-10
6850	Bellcrank	2-12, 7-6, 7-7	7094	Spring, Connection	1-10
6859	Collar	2-4, 2-9	7095	Plate	1-10
6863	Disk, Cam Sleeve	2-10	7096	Bushing, Insulating	1-4
6874	Roller	2-10	7099	Screw, Thumb (10-32)	1-2, 1-4
6909	Pawl, Stop	2-12	7105	Target - 10 Spot	3-2, 7-5
6915	Lever, Code Bar Locking	2-15, 7-2	7188	Bracket, Bearing	2-3
6916	Bar, Pull	2-14	7198	Guard, Gear	1-9
6917	Bar, Pull	2-15	7199	Pawl, Trip-Off	1-2
6918	Link	2-8	7257	Guard	1-10
6920	Post	2-3	7287	Bar, Universal	1-3
6942	Screw, Eccentric (4-40)	1-5, 2-3	7290	Shaft	2-3
6952	Sleeve, Plunger	2-7	7318	Lever, Contact	1-5
6954	Strip, Leather	6-2	7334	Post	1-2, 1-3
6965	Rod, Fulcrum	2-9	7336	Gear - 19T	2-3
6966	Stop, Eccentric	2-12	7337	Washer, Felt	1-2, 1-4
			7362	Glass	4-2
			7338	Post	1-2, 1-4
			7372	Bracket	1-6, 1-9
			7373	Bushing, Bearing	1-5
			7374	Lockloop Assembly	1-5

7375	Shaft, Keylever	1-3	7431	Typebar	2-15, 2-16
7377	Lockloop	1-5	7431A	Typebar	2-16
7378	Roller	5-8	7431B	Typebar	2-16
7380	Transmitting unit Assembly	1-5	7432	Typebar	2-15, 2-16
7381	Contact Spring Assembly	1-5	7432A	Typebar	2-16
7382	Bracket	1-5	7433	Typebar	2-15, 2-16
7383	Oiler	1-5	7434	Typebar	2-15, 2-16
7385	Bracket	1-5	7435	Typebar	2-15, 2-16
7386	Stud	1-5, 2-2	7435A	Typebar	2-16
7387	Brace	1-5	7435L	Typebar	2-16
7388	Shaft	1-6	7436	Typebar	2-15, 2-16
7389	Clutch, Driving	1-6	7437	Typebar	2-15, 2-16
7391	Clutch, Driven	1-6	7438	Typebar	2-15, 2-16
7394	Bar, Space	1-2	7438A	Typebar	2-16
7396	Bracket	1-3	7438B	Typebar	2-16
7397	Bracket	1-3	7438C	Typebar	2-16
7398	Plate	1-2, 1-4	7438G	Typebar	2-16
7399	Stiffener	1-2, 1-4	7438K	Typebar	2-16
7402	Spring, Contact	1-2, 1-4	7439	Typebar	2-15, 2-16
7403	Spring, Contact	1-2, 1-4	7439K	Typebar	2-16
7404	Lever, Lockout	1-5	7440	Typebar	2-15, 2-16
7406	Shaft, Lockout Lever	1-5	7441	Typebar	2-15, 2-16
7407	Collar, Spacing	1-5	7441A	Typebar	2-16
7408	Gear, Spiral - 19T	2-10, 7-3	7442	Typebar	2-15, 2-17
7409	Lever, Clutch	1-5	7443	Typebar	2-15, 2-16
7415	Nut (1/2 - 32 Hex.)	2-10	7444	Typebar	2-15, 2-16
7421	Typebar	2-14, 2-16	7444A	Typebar	2-16
7421A	Typebar	2-16	7445	Typebar	2-15, 2-16
7421E	Typebar	2-16	7445G	Typebar	2-16
7422	Typebar	2-14, 2-17	7446	Typebar	2-15, 2-17
7422A	Typebar	2-17	7446A	Typebar	2-17
7423	Typebar	2-14, 2-16	7446L	Typebar	2-17
7424	Typebar	2-14, 2-16, 2-17	7447	Typebar	2-15, 2-16, 2-17
7424A	Typebar	2-16	7447A	Typebar	2-16
7424B	Typebar	2-16	7448	Typebar	2-15, 2-16, 2-17,
7424K	Typebar	2-16	7448A	Typebar	2-16
7425	Typebar	2-14, 2-16	7484	Post, Code Bar	2-9
7425A	Typebar	2-16	7599	Spring	2-7
7425B	Typebar	2-16	7602	Spring	2-12
7425C	Typebar	2-16	7603	Spring	2-5, 2-12
7425D	Typebar	2-16	7607	Collar	2-12
7425F	Typebar	2-16	7610	Bracket, Main	2-10, 7-3
7425G	Typebar	2-16	7614	Spring	2-11
7425K	Typebar	2-16	7615	Spring	2-10
7426	Typebar	2-14, 2-17	7634	Spring	2-14, 2-15, 6-5
7427	Typebar	2-14, 2-16	7654	Shim (.004")	1-5, 2-8, 5-2, 5-8
7427A	Typebar	2-16	7659	Spring	2-7
7427B	Typebar	2-16	7661	Lever, Adjusting	3-3, 3-4
7427C	Typebar	2-16	7824	Wick, Felt	2-10
7427E	Typebar	2-16	7825	Spring	2-14, 2-15
7427G	Typebar	2-16	7835	<del>Sheet</del> Ribbon	2-8
7427K	Typebar	2-16	7885	Typebar	2-15, 2-16, 2-17
7428	Typebar	2-14, 2-16	7885A	Typebar	2-16
7428A	Typebar	2-16	7887	Strap	1-9
7428B	Typebar	2-16	7965	Spring	2-6, 2-14, 6-5, 7-4
7428L	Typebar	2-16	8049	Terminal	1-11
7429	Typebar	2-14, 2-16	8097	Sleeve, Cam	1-6
7429A	Typebar	2-16	8157	Lever, Selector	2-11
7429B	Typebar	2-16	8158	Lever, Selector	2-11
7429C	Typebar	2-16	8170	Pad, Felt	1-3, 1-4
7429G	Typebar	2-16	8171	Pad, Felt	1-3, 1-4
7430	Typebar	2-14, 2-16	8222	Strip, Wearing	3-3, 3-4



8254	Clamp, Cable	1-3, 1-4	41733	Insulator	5-2, 5-5, 5-6, 5-7
8308	Clamp, Cable	5-2, 5-7, 7-5	41746	Bushing, Insulating	5-6
8330	Washer, Flat	1-2, 2-2, 2-5, 2-8, 3-3, 3-4, 4-2	41812	Plate, Clamp	5-7
8362	Post, Guide	6-2	41964	Washer, Insulating	5-8
8448	Lever, Lockout	2-2	42661	Spring	2-6, 7-4
8457	Bar, Pull	2-14	45815	Washer, Lock	2-7
8458	Bar, Pull	2-14	45964	Screw (4-32 x 3/16 Rd.)	1-7
8461	Post	2-2	49054	Screw (2-56 x 3/16 Flat.)	6-2
8462	Lever, Adjusting	2-2	49056	Screw (10-32 x 7/8 Hex.)	5-9
8465	Bracket, Bell	2-3	49645	Spring	6-5
8474	Plunger, Main Bail	2-7	49695	Washer, Flat	5-6, 5-7
8485	Bracket	1-9	55229	Screw (1-64 x 1/8 Fil.)	5-4
8486	Post	1-9	55309	Screw (6-32 x 1/2 Oval)	6-2
8488	Bushing	1-9	55344	Screw (10-32 x 1-5/8 Fil.)	1-10
8489	Pawl, Locking	1-9	55669	Spring	5-9
8493	Pawl	2-7	70073	Nut (3-48 Hex.)	2-7
8494	Post, Spring	1-9	70177	Screw, Pilot (6-40)	1-3, 1-9
8495	Post	1-9	70361	Resistor Assembly	1-9
8497	Hammer, Bell	2-3	70470	Bar, Lockout	1-3
8498	Hammer, Bell	1-9	70497	Nut (5/16 - 32 Hex.)	2-10
8499	Shaft	2-7	70529	Stiffener	5-2
8501	Hub, Gear	1-6, 1-9	70707	Bracket	1-9
8504	Post, Round	1-10	70722	Resistor (500 Ohms)	1-9
8505	Post	1-10	70724	Insulator	1-9
8509	Bail, Main	6-2	70785	Post, Spring	1-3, 1-9
8510	Clamp	1-9	70793	Washer, Lock	2-8, 5-2, 7-3
8514	Plate, Stop	6-3	70794	Lever, Reversing	2-8
8539	Screw (6-40 x 1/2 Hex.)	1-2, 1-3, 1-6, 1-7, 1-9, 1-10, 2-8, 2-11, 2-13, 5-2, 5-5, 5-7, 7-6	70815	Gear-40T	1-6, 1-9
8543	Screw (6-40 x 1/4 Fil.)	1-7, 2-5, 2-10, 4-2, 6-2	70816	Gear-35T	2-3
8676	Base	1-2	70838	Cap, Bearing	2-10
8778	Arm, Stop	4-2, 7-3	70871	Bracket, Spring	2-8
8883	Block, Connecting	2-3	70873	Cap, Brush Holder	3-3
8884	Block, Terminal	2-3	70884	Bushing, Eccentric	1-3
8896	Shim (.004")	1-5, 2-2, 2-4, 5-4	70885	Washer, Spring	1-3
9177	Spring, Contact	1-5, 1-7	70886	Washer, Flat	1-3
9178	Spring, Contact	1-5, 1-7	70887	Nut (10-24 Hex.)	1-9
9182	Shaft, Contact Lever	1-5	70891	Washer, Lock	2-7, 7-6, 7-7
9203	Bracket	1-3	71047	Shim (.010")	2-9, 3-2, 3-4
9209	Keylever	1-2	71073	Washer, Flat	2-11
9210	Keylever	1-2	71156	Shim (.010)	3-3
9211	Keylever	1-2	71161	Bushing	1-6
12079WU	Spring, Clutch	5-8	71266	Washer, Flat	2-8, 5-2
12080WU	Clutch	5-8	71438	Rail, Glass	4-2
12098WU	Washer, Thrust	5-8	71444	Outlet, Fiber	6-2
12214WU	Stud, Clutch Trip	5-8	71449	Guide, Rear Keylever	1-3
20262WU	Coil, Magnet (165 Ohms.)	5-8	71616	Ribbon Reverse Lever Assembly	2-8
20266WU	Spring	5-8	71617	Ribbon Reverse Lever Assembly	2-
31636	Spring	5-6, 5-7	71634	Lockout Lever Assembly	2-2
33038	Spring	5-2, 7-4	71646	Nut (6-32 Hex.)	4-2
34432	Washer, Flat	1-8, 1-9, 1-10, 2-7, 2-9, 2-11, 2-12, 3-3, 5-8, 5-9, 6-3, 7-4	71659	Screw, Shoulder (6-40)	2-2
35503	Buffer, Rubber	4-2	71670	Block, Resistor Mounting	1-10
35551	Screw (10-32 x 3/8 Flat)	4-2	71671	Spring, Jack	1-10
36273	Washer, Flat	1-5, 3-3, 5-3	71672	Clamp, Cable	1-2, 1-4
41644	Screw, (8-40 x 9/16 Hex.)	2-3	71675	Spring, Jack	1-10
41663	Washer, Flat	1-5, 1-7	71681	Spool, Ribbon	2-8
41732	Plate, Clamp	5-2, 5-5, 5-6, 5-7	71686	Lever, Shift Rocker	2-2
			71695	Bushing	2-2
			71696	Scale, Range	2-12, 7-6, 7-7
			71697	Plate, Clamping	2-12
			71826	Stud	1-9
			71969	Arm, Shift Rocker	2-2

71970	Rocker, Shift	2-2	74613	Screw (4-40 x 1/4 Hex.)	5-5, 7-6
71974	Gear -7T	3-2, 7-5	74614	Resistor (2600 Ohms)	5-3, 7-2
71976	Plate, Stop Pawl	2-12	74728	Terminal	5-2, 5-6, 5-7
72021	Resistor Mounting Block Assembly	1-10	74749	Plate, Stop	1-2
72022	Terminal Block Assembly	1-10	74785	Roller, Detent Cam	5-2
72023	Plate, Base	1-3, 1-4	74701	Spring	5-2
72144	Pin	4-2	74722	Washer, Flat	2-2
72254	Washer, Flat	5-4	74952	Screw (4-40 x 5/8 Fil.)	5-2, 5-6, 5-7
72263	Post, Spring	2-4	74808	Bushing	1-2
72426	Cord Assembly	1-11	74879	Post, Spring	5-2
72480	Receptacle	1-11	74964	Spring, Contact	5-2
72481	Connector, Plug	1-11	74965	Bushing, Insulating	5-7
72508	Screw (6-40 x 3/4 Hex.)	2-5, 2-10, 7-3	74966	Bushing, Insulating	5-6
72513	Disk, Driving	2-10	74986	Screw (6-40 x 13/32 Hex.)	1-3, 1-7
72514	Spring	2-10		2-5, 5-4, 5-5, 6-3, 7-7	
72521	Wick, Felt	2-10	74992	Bushing	1-9
72522	Wick, Felt	2-10	75087	Screw, Shoulder (6-32)	4-2
72555	Screw (6-40 x 9/64 Rd.)	2-12	75220	Terminal	1-11
72562	Clutch, Driving	2-10	75226	Wick, Oil	2-4, 6-2
72563	Washer, Felt	2-10, 7-4, 7-6, 7-7	75229	Spring	2-8
72565	Washer, Lock	2-10	75231	Bushing, Insulating	5-3
72566	Resistor (200 Ohms)	3-4	75429	Screw (10-32 x 1/2 Flat)	1-9
72576	Shaft, Main	2-10	75430	Strap	1-9
72579	Washer, Flat	2-10	75431	Bracket, Relay	1-8
72595	Spring	2-2	75432	Bracket	1-9, 1-10
72644	Bearing, Ball	2-10	75436	Resistor (3000 ohms)	1-8, 7-2
72738	Guard	3-4	75517	Guide, Pull Bar	2-9
72739	Guard	3-2, 3-3	75606	Spring	1-5
72885	Spring	2-10	75607	Washer, Flat	1-5
72999	Cord Assembly	1-11	75687	Bearing	2-2
73106	Gear - 35T	3-2, 7-5	75750	Washer, Insulating	1-8, 5-9
73107	Bushing	2-10	76081	Washer, Flat	3-3
73181	Key, Break	1-7	76117	Terminal Block Assembly	1-10
73393	Modification Kit	1-3	76167	Screw (4-40 x 3/16 Hex.)	2-5, 5-2
73396	Capacitor	1-9	76168	Screw (6-40 x 3/16 Hex.)	2-9
73419	Shim (.010")	2-2	76247	Worm	5-8
73427	Shim (.014")	2-9, 3-3, 5-4	76275	Plate, Clamp	2-7
73482	Shaft	2-5	76299	Spring	1-9, 7-2
73497	Plug Assembly,	1-11	76461	Washer, Flat	5-9
73531	Screw (4-36 x 3/8 Fil.)	5-7	76474	Nut (10-32 Hex.)	5-9
73611	Wick, Felt	2-3, 2-11, 7-6, 7-7	76484	Fan	3-2
73670	Terminal Block Assembly	1-10, 5-10	77039	Bushing, Insulating	5-7
73829	Plate, Adapter	1-10	77451	Stop	1-9
73894	Screw (6-40 x 1/8 Headless)	2-7	77649	Capacitor	1-9
74006	Bushing	2-7	77650	Guard, Switch	1-4, 6-2
74008	Roller	2-7	77902	Screw (6-40 x 2-3/8 Rd.)	5-9
74014	Screw (10-32 x 3/4 Hex.)	4-2, 6-4, 7-2	77920	Screw (6-40 x 1-15/16 Fil.)	5-3
74059	Screw (6-40 x 7/32 Hex.)	1-2, 1-3, 1-4, 1-10, 3-3, 5-3, 6-3, 6-4	77955	Washer, Flat	2-9
74185	Bar, Pull	2-14, 2-15, 7-7	78028	Screw (6-40 x 15/16 Hex.)	3-3
74286	Guide, Bail	2-7	78029	Wick, Oil	1-9
74334	Washer, Flat	2-7	78163	Post, Selector	2-11
74399	Screw, Pilot (6-40)	2-4, 2-11	78164	Post, Selector	2-11
74502	Clutch, Driven	2-10	78175	Typebar	2-17
74526	Collar	2-8, 5-2	78244	Cup, oil	6-2
74536	Screw (6-40 x 5/32 Fil.)	2-8, 5-2, 7-8	78245	Screw (6-32 x 7/8 Flat)	5-10, 7-6
74553	Wick, Felt	2-11, 7-7	78281	Plate, Identification	4-2
74554	Post, Spring	2-5, 2-6	78301	Screw (10-32 x 5/8 Hex.)	1-8, 5-9
			78419	Screw (4-36 x 3/16 Flat.)	5-3
			78430	Clamp, Cable	3-3, 3-4
			78453	Nut (10-32 Hex.)	5-9

78509	Gear, Worm-30T	3-2	80121	Shim (.095")	1-2
78510	Gear, Helical-7T	3-2	80138	Keytop	2-23
78596	Washer, Flat	2-12	80153	Resistor (600 - 810 Ohms)	1-8
78597	Screw, Shoulder (10-32)	2-12	80177	Insulator	1-7
78677	Cable	3-4	80178	Insulator, Rear	1-7
78905	Washer, Fiber	3-3	80180	Spring	1-7
78933	Set of Keytops	2-14, 2-15	80334	Terminal	5-5
78943	Set of Keytops	2-14, 2-15	80341	Governor Adjusting Bracket Assembly	3-3, 3-4
78946	Keytop	2-15, 2-20	80342	Screw (6-40 x 2-3/64 Hex.)	1-9, 2-7, 2-8, 5-4
78947	Keytop	2-15, 2-20	80352	Governor Assembly	3-3, 3-4
78948	Keytop	2-14, 2-20	80402	Screw (4-40 x 15/32 Fil.)	5-7
78949	Keytop	2-14, 2-21	80444	Screw (6-40 x 1/4 Hex.)	1-3, 1-4, 1-9, 1-10, 2-5
78950	Keytop	2-15, 2-21	80460	Clamp, Cable	6-4
78951	Keytop	2-14, 2-21	80467	Screw (6-40 x 3/8 Hex.)	5-5
78952	Keytop	2-14, 2-22	80471	Spring	1-6
78953	Keytop	2-15, 2-22	80478	Backstop	2-6, 7-4
78954	Keytop	2-15, 2-22	80508	Screw (4-40 x 25/32 Fil.)	5-4, 5-6
78955	Keytop	2-15, 2-22	80551	Keytop	2-24
78956	Keytop	2-15, 2-22	80552	Keytop	2-22
78957	Keytop	2-15, 2-23	80566	Bushing	1-7
78958	Keytop	2-15, 2-23	80581	Spring	1-9
78959	Keytop	2-15, 2-23	80592	Spring, Contact	5-2
78960	Keytop	2-15, 2-24	80720	Washer, Flat	5-6
78961	Keytop	2-15, 2-24	80727	Screw (6-40 x 39/64 Hex.)	5-6
78962	Keytop	2-14, 2-24	80728	Nut (6-40 Hex.)	5-6
78963	Keytop	2-14, 2-24	80755	Bushing, Insulating	5-2
78964	Keytop	2-15, 2-24	80757	Screw (10-32 x 1/2 Fil.)	2-5
78965	Keytop	2-15, 2-24	80826	Bracket	6-2
78966	Keytop	2-14, 2-24	80827	Lamp, Clear	1-7, 6-2
78967	Keytop	2-14, 2-25	80845	Screw (10-32 x 1-13/16 Fil.)	5-3
78968	Keytop	2-14, 2-25	81564	Screw, Special (6-40)	1-7
78969	Keytop	2-15, 2-25	81603	Knife, Tape	2-5
78970	Keytop	2-15, 2-25	81638	Collar	2-5
78971	Keytop	2-15, 2-26	81726	Terminal	5-7
78972	Keytop	2-15, 2-26	81790	Cover, Contact,	1-5
78973	Keytop	2-14, 2-26	81825	Capacitor	5-3
78974	Keytop	2-25	82279	Clip	4-2
78975	Keytop	2-25	82281	Guide	4-2
78976	Keytop	2-15, 2-26	82283	Motor, 1/40 H.P. 110V., A.C. Synchronous	3-2
78977	Keytop	2-23	82392	Shim (.004")	2-5, 5-8
78978	Keytop	2-15, 2-26	82440	Screw (6-40 x 7/16 Hex.)	2-11, 2-13 3-3, 5-2, 5-6, 5-7, 5-8.
78979	Keytop	2-25	82444	Bushing, Insulating	5-4
78980	Keytop	2-14, 2-24	82474	Terminal	1-11, 5-10, 2-27, 3-3, 5-3
78981	Keytop	2-15, 2-22	82487	Spring, Connection	1-10
78982	Keytop	2-14, 2-21	82488	Block, Terminal	5-6
78983	Keytop	2-15, 2-23	82489	Strip, Connection	1-10
78984	Keytop	2-14, 2-20	82490	Insulator	1-10
78985	Keytop	2-14, 2-24	82491	Guard	1-10
78986	Keytop	2-15, 2-20	82492	Keyboard Connection Strip Assembly	1-10, 7-4, 7-6
78987	Keytop	2-15, 2-23	82516	Spring, Retaining	1-8
78988	Keytop	2-15, 2-23	82547	Insulator	5-7
78989	Keytop	2-20	82548	Insulator	5-7
78990	Keytop	2-23	82603	Keytop	2-20
78991	Keytop	2-20	82604	Keytop	2-20
78992	Keytop	2-24	82605	Keytop	2-23
78993	Keytop	2-14, 2-22			
78994	Keytop	2-20			
78995	Keytop	2-23			
79523	Screw (2-56 x 25/32 Fil.)	5-3			
80119	Rod, Space	1-2			
80120	Bracket	1-2			

82606	Keytop	2-23	85860	Keytop	2-25
82607	Keytop	2-22	85861	Keytop	2-26
82608	Keytop	2-20	85862	Keytop	2-26
82609	Keytop	2-22	85863	Keytop	2-26
82610	Keytop	2-22	85864	Keytop	2-20
82611	Keytop	2-21	85865	Keytop	2-24
82612	Keytop	2-21	85866	Keytop	2-21
82613	Keytop	2-24	85867	Keytop	2-21
82619	Terminal Block Assembly	5-6, 7-4, 7-6	85868	Keytop	2-22
82702	Screw (6-40 x 9/32 Flat)	3-3	85869	Keytop	2-22
82709	Cable	7-4	85870	Keytop	2-22
83054	Capacitor	3-3	85871	Keytop	2-23
83394	Cover, Container	4-2	85872	Keytop	2-23
83408	Screw (4-40 x 3/16 Rd.)	2-13, 5-3, 7-5	85874	Keytop	2-26
83577	Keyboard Connection Strip Assembly		85875	Keytop	2-26
	1-10		85876	Keytop	2-26
83856	Screw (4-40 x 11/16 Fil.)	5-4	85877	Keytop	2-26
83871	Screw (10-32 x 5/16 Hex.)	1-9, 1-10	85878	Keytop	2-25
83873	Yoke, Repeat	1-2	85879	Keytop	2-26
83874	Screw, Pilot (4-40)	1-2	85880	Keytop	2-25
83876	Bracket, Spring	1-2	85881	Keytop	2-25
83877	Spring	1-2	85882	Keytop	2-21
83902	Keytop	2-21	85883	Keytop	2-25
83903	Keytop	2-24	85884	Keytop	2-20
83904	Keytop	2-23	85885	Keytop	2-24
83905	Keytop	2-25	85886	Keytop	2-23
83906	Keytop	2-25	85887	Keytop	2-26
83920	Plate, Top Separator	2-11	85888	Keytop	2-26
84015	Clamp, Cable	6-4	85889	Keytop	2-26
84047	Plate, Stop	3-3, 3-4	85890	Keytop	2-26
84799	Keytop	2-25	85932	Keytop	2-26
84911	Bracket	1-7	86334	Keytop	2-26
85355	Plate, Tape	2-5	86335	Keytop	2-26
85834	Keytop	2-25	86336	Keytop	2-25
85835	Keytop	2-26	86337	Keytop	2-26
85836	Keytop	2-26	86338	Keytop	2-26
85837	Keytop,	2-26	86461	Keytop	2-20
85838	Keytop	2-26	86462	Keytop	2-25
85839	Keytop	2-26	86463	Keytop	2-20
85840	Keytop	2-26	86464	Keytop	2-24
85841	Keytop	2-26	86465	Keytop	2-26
85842	Keytop	2-26	86466	Keytop	2-23
85843	Keytop	2-26	86561	Clamp	2-2
85844	Keytop	2-26	86732	Keytop	2-22
85845	Keytop	2-25	86919	Plate, Lock	2-5
85846	Keytop	2-25	86920	Wheel, Star	2-5
85847	Keytop	2-26	86928	Motor Arrangement "L"	3-2, 3-4
85848	Keytop	2-26	86933	Motor Arrangement "H"	3-2
85849	Keytop	2-26	87129	Keytop	2-22
85850	Keytop	2-24	87401	Spring	5-8
85851	Keytop	2-25	87456	Keytop	2-26
85852	Keytop	2-21	87478	Keytop	2-26
85853	Keytop	2-24	87479	Keytop	2-26
85854	Keytop	2-24	87484	Keytop	2-20
85855	Keytop	2-25	87485	Keytop	2-23
85856	Keytop	2-24	87636	Screw (2-56 x 3/16 Rd.)	4-2
85857	Keytop	2-22	87646	Bail, Release	5-2
85858	Keytop	2-24	87648	Lever, Worm Follower	5-2
85859	Keytop	2-24	87649	Keytop	2-21
			87650	Worm	5-2
			87651	Shaft	5-2

87652	Bracket, Contact	5-2	89925	End, Terminal	1-9
87654	Pawl, Feed	5-2	89969	Washer, Fiber	3-4
87656	Spring	5-2	90024	Retainer	2-11
87693	Identification Plate Assembly	4-2	90025	Terminal	5-7
87851	Bushing	1-9	90026	Terminal	5-7
87901	Screw (2-56 x 1/8 Flat)	6-2	90027	Spring, Contact	5-5, 5-7
87936	Bracket	6-3	90031	Spring, Contact	5-5, 5-6, 5-7
87937	Bracket	6-3	90033	Stiffener	5-5, 5-7
88849	Keytop	2-22	90043	Bracket, Armature	2-11
88850	Keytop	2-24	90069	Post, Detent	2-11
88851	Keytop	2-21	90088	Latch, Trip	2-12
88853	Keytop	2-25	90136	Keytop	2-21
88855	Keytop	2-24	90260	Spring	1-5
88878	Keytop	2-21	90265	Screw, Special (6-40)	2-11
88939	Keytop	2-24	90272	Keytop	2-21
88940	Keytop	2-20	90275	Keytop	2-22
88945	Gear, Helical - 24T	3-2	90290	Keytop	2-20
89080	Guard	1-10, 7-4, 7-6	90291	Keytop	2-21
89086	Reel, Tape	4-2	90292	Keytop	2-22
89087	Core	4-2	90293	Keytop	2-23
89088	Filler, Wood	4-2	90294	Keytop	2-25
89089	Retainer, Tape	4-2	90295	Keytop	2-25
89208	Keytop	2-23	90296	Keytop	2-22
89225	Keytop	2-25	90438	Button, Felt	1-5, 1-6
89226	Keytop	2-21	90505	Lever, Locking	2-11
89227	Keytop	2-25	90507	Plate, Top	2-11
89228	Keytop	2-25	90508	Arm, Spring	2-11
89233	Bar, Pull	2-15, 7-4	90509	Detent	2-11
89249	Keytop	2-21	90510	Spring	2-11
89351	Keytop	2-22	90511	Screw (6-40 x 3/16 Hex.)	2-11
89352	Keytop	2-24	90512	Bracket	2-11
89401	Keytop	2-20	90513	Screw, Eccentric (6-40)	2-11
89402	Keytop	2-23	90514	Screw, Pilot (3/16 x 40)	2-11
89403	Keytop	2-23	90515	Screw (3/16 - 40 x 15/32 Headless)	2-11
89404	Keytop	2-21	90516	Arm, Selector	2-11
89413	Keytop	2-15, 2-25	90517	Spring	2-11
89414	Keytop	2-15, 2-20	90518	Wedge, Locking	2-11
89415	Keytop	2-14, 2-21	90519	Screw (2-56 x 3/16 Hex.)	2-11
89416	Keytop	2-14, 2-21	90520	Lever, Armature	2-11
89417	Keytop	2-14, 2-22	90524	Screw, Adjusting (4-40 Hex.)	2-11
89418	Keytop	2-15, 2-22	90752	Washer, Felt	2-10
89419	Keytop	2-15, 2-22	90760	Range Scale Assembly	2-12, 7-4
89420	Keytop	2-15, 2-23	90774	Crank, Bell	2-12
89421	Keytop	2-15, 2-23	90775	Scale, Range	2-12
89422	Keytop	2-15, 2-25	90791	Washer, Lock	1-11, 2-11
89423	Keytop	2-14, 2-20	90814	Resistor (1000 Ohms)	5-3
89424	Keytop	2-14, 2-24	91032	Keytop	2-21
89425	Keytop	2-15, 2-20	91033	Keytop	2-22
89426	Keytop	2-15, 2-23	91034	Keytop	2-20
89427	Keytop	2-25	91035	Keytop	2-24
89438	Line Cord Assembly	1-11	91099	Spacer	6-4
89472	Line Cord Assembly	1-11	91120	Spring	1-2, 2-11, 7-7
89500	Punch, Feed	2-5	91133	Keytop	2-20
89545	Keytop	2-20	91134	Keytop	2-22
89546	Keytop	2-24	91144	Keytop	2-20
89548	Spring, Contact	1-8	91173	Keytop	2-22
89708	Keytop	2-23	91174	Keytop	2-22
89896	Cup, Oil	1-5, 1-6, 1-9, 2-3	91218	Plate, Selector Mounting	2-11
89897	Nut (10-32 Hex.)	1-5, 1-6, 1-9, 2-3	91230	Terminal	6-4
89906	Post	2-9	91234	Keytop	2-20
89917	Screw, Eccentric (4-40)	1-5			

91235	Keytop	2-22	93085	Keytop	2-21
91236	Keytop	2-22	93117	Washer, Lock	1-8
91243	Keytop	2-25	93160	Washer, Flat	3-2, 3-4
91266	Disk, Retaining	2-10, 7-4	93185	Keytop	2-25
91273	Keytop	2-25	93187	Keytop	2-24
91274	Keytop	2-24	93191	Screw (4-40 x 5/16 Flat)	2-5
91294	Keytop	2-21	93463	Armature	5-8
91295	Keytop	2-22	93507	Screw (4-40 x 3/4 Hex.)	5-2
91528	Keytop	2-24	93597	Screw (4-40 x 3/16 Rd.)	1-2, 1-4, 2-5
91617	Shim (.010")	3-3, 3-4	93729	Wick, Felt	2-11, 7-7
91619	Keytop	2-22	93735	Keytop	2-23
91621	Window	4-2, 6-3	93880	Plate, Mounting	5-3
91683	Nut (15/32 - 32 Hex)	1-4, 1-7, 6-3,	93881	Capacitor Assembly	5-3
91684	Nut (15/32 - 32 Ring)	6-3	93885	Transmitting Contacts Filter Assembly	5-3
91738	Keytop	2-25	93887	Keytop	2-22
91753	Bracket	6-3	93888	Keytop	2-23
91754	Guard	6-3	93889	Keytop	2-20
91755	Switch, Toggle	6-3	93891	Guard, Contact	5-2
91757	Strip, Felt	4-2	93915	Keytop	2-26
91768	Strap, Terminal	1-11	94000	Keytop	2-22
91806	Keytop	2-25	94074	Keytop	2-22
91807	Keytop	2-22	94239	Bracket, Backstop	5-2
91808	Keytop	2-20	94267	Gear, Helical - 7T	3-2
91809	Keytop	2-24	94328	Keytop	2-26
91810	Keytop	2-20	94329	Keytop	2-26
91811	Keytop	2-24	94496	Keytop	2-24
91835	Keytop	2-23	94613	Keytop	2-21
91876	Keytop	2-20	94617	Spacer	5-10, 6-3
91877	Keytop	2-25	94648	Keytop,	2-24
91878	Keytop	2-23	94715	Keytop,	2-25
91899	Segment, Typebar	2-9	95052	Cord Assembly	1-11
92003	Plate, Identification	4-2, 6-3	95064	Plug	1-11, 2-27
92169	Bracket	5-3	95070	Keytop	2-20
92180	Keytop	2-25	95071	Keytop	2-23
92204	Clamp, Cable	1-3, 7-4	95103	Decalcomania	4-2
92213	Backstop, Cover	7-2	95159	Keytop	2-24
92216	Filter	5-3	95160	Keytop	2-20
92221	Filter Assembly	5-3	95161	Keytop	2-23
92258	Keytop	2-15, 2-22	95162	Keytop	2-20
92265	Screw (2-56 x 1/8 Rd.)	1-4	95163	Keytop	2-24
92273	Core, Magnet	2-11, 2-13	95167	Keytop	2-20
92291	Capacitor	5-3	95168	Keytop	2-23
92293	Keytop	2-22	95169	Keytop	2-25
92294	Keytop	2-23	95173	Keytop	2-21
92309	Resistor (400 Ohm)	5-3	95185	Keytop	2-24
92341	Keytop	2-23	95205	Keytop	2-21
92511	Roller	1-5	95238	Resistor (1500 Ohms)	5-9
92530	Keytop	2-20	95337	Keytop	2-22
92534	Key, Line Test	1-8	95383	Keytop	2-20
92538	Keytop	2-23	95401	Link	2-4
92668	Post	2-6, 7-4	95402	Link	2-4
92724	Tube, Shielding	5-3	95403	Link	2-4
92748	Screw (6-40 x 1-7/16 Fil.)	5-3	95404	Link	2-4
92749	Lead	5-3	95405	Link	2-4
92750	Lead	5-3	95406	Bellcrank	2-2
92802	Keytop	2-20	95409	Lever, Shift	2-2
92822	Keytop	2-21	95411	Bellcrank	2-4
92823	Keytop	2-22	95412	Bellcrank	2-4
92824	Keytop	2-25	95413	Bellcrank	2-4
92880	Keytop	2-23			
92997	Keytop	2-22			
93001	Washer, Flat	2-4			

95414	Bellcrank	2-4	95492	Bushing	2-4
95415	Bellcrank	2-4	95496	Spring	2-4
95416	Bushing	2-4	95499	Upstop	2-4
95417	Separator	2-4	95595	Keytop	2-25
95418	Stud	2-4	95636	Coil	3-3
95421	Bellcrank	2-4	95935	Bushing	3-3
95422	Bellcrank	2-4	95936	Coil, Choke	5-3
95423	Bellcrank	2-4	95937	Capacitor	3-3
95424	Bellcrank	2-4	95938	Capacitor	3-3
95425	Bellcrank	2-4	95971	Screw (4-40 x 1/2 Flat)	2-5
95426	Spacer	2-4	95988	Plate	5-4
95427	Stud	2-4	95989	Post	5-4
95428	Spring	2-4	96267BK	Wire	5-3
95429	Bracket, Spring	2-4	96467	Plate (Property)	2-5
95430	Spring	2-2	96485	Bushing	1-9
95431	Bellcrank	7-2	96493	Keytop	2-24
95432	Bellcrank	7-2	96506	Shaft	1-9
95433	Bellcrank	7-2	96507	Lever, Tape	1-9
95434	Bellcrank	7-2	96508	Backstop, Cover	1-4
95435	Bellcrank	7-2	96509	Roller	4-2
95436	Separator	2-4	96522	Keytop	2-24
95438	Nut (6-40 Special)	2-4	96523	Keytop	2-20
95440	Spacer	2-5	96524	Keytop	2-21
95441	Bail, Punch	2-4	96525	Keytop	2-21
95442	Stud	2-2	96526	Keytop	2-22
95443	Screw (1/4 x 32 x 7/8 Headless)	2-5	96527	Keytop	2-22
95444	Finger, Selector	2-4	96528	Keytop	2-23
95445	Retainer	2-4	96529	Keytop	2-23
95446	Pawl, Feed	2-5	96530	Keytop	2-25
95447	Eccentric	2-5	96531	Keytop	2-25
95448	Post, Spring	2-5	96532	Keytop	2-20
95449	Guide, Ribbon	2-5	96533	Keytop	2-20
95452	Plates, Guide & Die	2-5	96534	Keytop	2-25
95454	Stripper, Code Punch	2-5	96598	Keytop	2-21
95455	Stripper, Feed Punch	2-5	96599	Keytop	2-24
95456	Spring	2-5	96763	Shim (.012")	7-3
95457	Retainer, Spring	2-5	96764	Shim (.016")	7-3
95458	Holder, Punch	2-5	96765	Shim (.020")	7-3
95460	Cam, Punch	2-10	96824	Keytop	2-21
95461	Bar, Code	2-14	96837	Bearing	2-5
95462	Bar, Code	2-14	96838	Plate	2-5
95463	Bar, Code	2-14	96839	Platform, Tape	2-2
95464	Bar, Code	2-14	96840	Bracket, Feed Roll	2-5
95465	Bar, Code	2-14	96841	Backstop	2-4
95466	Plate, Guide	2-2	96842	Chute, Tape	2-5
95471	Lever, Tape Feed-Out	2-12, 5-5	96844	Bracket, Main	2-5
95472	Spacer	2-12	96845	Spacer	2-5
95473	Collar	2-12	96846	Guide, Tape	2-5
95474	Shaft	2-2	96861	Keytop	2-26
95475	Collar	2-2	96863	Keytop	2-20
95477	Block, Platen	2-2, 7-7	96874	Shim (.002")	2-2
95478	Spring	2-2	96881	Screw (2-56 x 5/64 Rd.)	6-3
95479	Rod, Push	2-2, 7-2	96889	Post	2-4
95482	Spacer	5-10	97118	Plate, Mounting	5-4
95483	Post	2-5	97119	Bar, Pull	6-5
95484	Arm, Punch	2-4, 7-2	97120	Bar, Pull	6-5
95487	Screw, Pilot (1/4 - 32)	2-4	97123	Bar, Pull	6-5
95488	Link	2-4	97124	Bar, Pull	6-5
95489	Link	2-4	97125	Contact Spring Assembly	5-4, 6-5
95490	Bushing	2-4	97126	Spring, Contact	5-4
95491	Spacer	2-5	97127	Spring, Contact	5-4

97128	Extension, Fiber	5-4			
97130	Spring, Contact	5-4			
97131	Spring, Contact	5-4			
97132	Stiffener	5-4			
97135	Plate, Clamp	5-4			
97136	Bushing, Insulating	5-4			
97137	Insulator	5-4			
97138	Insulator	5-4			
97139	Insulator	5-4			
97140	Contact Assembly	5-4, 6-5			
97141	Terminal	5-4			
97203	Keypal	2-24			
97288	Bracket	5-3			
97289	Bracket	1-8			
97290	Base, Relay	1-8, 7-2			
97291	Screw (10-32 x 1-3/4 Rd.)	5-3			
97292	Link	2-11			
97293	Bracket	6-3			
97294	Guard, Gear	2-2, 7-4			
97296	Screw (10-32 x 5/16 Fil.)	2-10, 7-4			
97297	Handle	2-10, 7-4			
97298	Series-Parallel Switch Bracket Assembly	6-3, 7-3			
97299	Cover, Insulating	1-8			
97300	Modification kit	7-4			
97301	Line Relay Filter Assembly	5-3, 7-2			
97302	Bracket	5-3			
97303	Bracket	5-3			
97304	Wave Shaper Assembly	5-3			
97305	Lead	5-3			
97316	Plate	5-2			
97317	Plate, Clamping	2-11			
97321	Tape Feed-Out Magnet Assembly	5-5			
97332	Cable	7-4			
97333	Counter Unit Assembly	5-2, 7-4			
97334	Bracket, Spring	5-2			
97335	Lever, Cam	5-2			
97340	Spring, Tape Tension	4-2			
97342	Plate, Clamp	4-2			
97362	Bracket	5-5, 7-6			
97363	Yoke	5-5, 7-6			
97364	Armature	5-5, 7-6			
97367	Modification Kit	7-4			
97375	Spacer	5-5			
97377	Bracket	5-5, 7-6			
97378	Block, Connecting	2-3, 7-4			
97476	Motor Arrangement "DK"	3-2			
97477	Keypal	2-25			
97480	Cord, Line	6-4			
97581	Container, Tape	4-2			
97603	Set of Cabinet Mounting Parts	6-4			
97605	Support, Printer	6-4			
97726	Keypal	2-20			
97727	Keypal	2-25			
97728	Keypal	2-20			
97729	Keypal	2-24			
97730	Keypal	2-22			
97731	Cord, Power	6-4			
97847	Plug	6-4			
97928	Keypal	2-20			
97929	Keypal	2-22			
98049	Keypal	2-22			
98150	Oiler, Felt	2-7			
98151	Clip	2-7			
98479	Guard, Pull Bar	2-9, 5-4			
98540	Keypal	2-26			
98555	Extension, Fiber	5-5			
98633	Holding Magnet Selector Plate Assembly	2-11, 7-4			
98642	Washer, Shakeproof	2-10			
98646	Plate	5-4			
98678	Chute, Tape	2-5			
98702	Plate, Tape	2-5			
98842	Bracket	2-4			
98893	Keypal	2-23			
98894	Keypal	2-25			
98895	Typepal	2-17			
98901	Typepal	2-14, 2-16, 2-19			
98902	Typepal	2-15, 2-16, 2-18, 7-5			
98903	Typepal	2-15, 2-17, 2-19			
98904	Typepal	2-15, 2-16, 2-19			
98905	Typepal	2-17, 2-19			
98906	Typepal	2-17, 2-19			
98907	Typepal	2-17, 2-19			
98908	Typepal	2-15, 2-16, 2-18			
98909	Typepal	2-15, 2-16, 2-19, 7-5			
98910	Typepal	2-14, 2-16, 2-19, 7-5			
98911	Typepal	2-14, 2-16, 2-18, 7-5			
98912	Typepal	2-15, 2-16, 2-18			
98913	Typepal	2-17, 2-19			
98914	Typepal	2-17, 2-19			
98915	Typepal	2-14, 2-16, 2-19			
98916	Typepal	2-14, 2-17, 2-19			
98917	Typepal	2-15, 2-16, 2-18			
98918	Typepal	2-15, 2-16, 2-19			
98919	Typepal	2-14, 2-16, 2-18			
98920	Typepal	2-15, 2-16, 2-18, 7-5			
98921	Typepal	2-16, 2-18			
98922	Typepal	2-16, 2-18			
98923	Typepal	2-14, 2-16, 2-19, 7-5			
98924	Typepal	2-15, 2-16, 2-18			
98925	Typepal	2-16, 2-19			
98926	Typepal	2-14, 2-16, 2-18, 7-5			
98927	Typepal	2-15, 2-16, 2-18, 7-5			
98928	Typepal	2-14, 2-16, 2-19			
98929	Typepal	2-15, 2-17, 2-19			
98930	Typepal	2-15, 2-16, 2-18			
98931	Typepal	2-15, 2-16, 2-19			
98932	Typepal	2-15, 2-16, 2-19			
98933	Typepal	2-15, 2-16, 2-19			
98934	Typepal	2-14, 2-16, 2-18			
98935	Typepal	2-14, 2-16, 2-18			
98936	Typepal	2-14, 2-17, 2-19			
98937	Typepal	2-15, 2-16, 2-18			
98938	Typepal	2-15, 2-16, 2-18			
98939	Typepal	2-15, 2-16, 2-19			
98940	Typepal	2-15, 2-16, 2-19			
98941	Typepal	2-14, 2-17, 2-19			
98942	Typepal	2-16, 2-19			
98943	Typepal	2-14, 2-16, 2-18			
98944	Typepal	2-15, 2-16, 2-18, 7-5			
98945	Typepal	2-15, 2-16, 2-18, 7-5			



98946	Typepallet	2-15,	2-16,	2-18,	7-5	99010	Typebar	2-15,	2-17	
98947	Typepallet	2-14,	2-16,	2-18,	7-6	99011	Typebar	2-15,	2-16	
98948	Typepallet	2-15,	2-16,	2-19,	7-6	99012	Typebar	2-15,	2-16	
98949	Typepallet	2-14,	2-16,	2-19,	7-6	99013	Typebar	2-15,	2-16	
98950	Typepallet	2-15,	2-17,	2-19,	7-6	99014	Typebar	2-15,	2-16	
98951	Typepallet	2-15,	2-16,	2-18,	7-6	99015	Typebar	2-15,	2-16	
98952	Typepallet	2-14,	2-16,	2-18,	7-6	99016	Typebar	2-15,	2-16	
98953	Typepallet	2-14,	2-16,	2-18,	7-6	99017	Typebar	2-15,	2-16	
98954	Typepallet	2-14,	2-16,	2-18,	7-6	99018	Typebar	2-15,	2-17	
98955	Typepallet	2-15,	2-16,	2-18,	7-6	99019	Typebar	2-15,	2-17	
98956	Typepallet	2-15,	2-16,	2-18,	7-6	99020	Typebar	2-17		
98957	Typepallet	2-15,	2-16,	2-18,	7-6	99021	Typebar	2-15,	2-17,	7-4
98958	Typepallet	2-15,	2-16,	2-18,	7-6	99022	Typebar	2-17		
98959	Typepallet	2-15,	2-17,	2-19		99023	Typebar	2-17		
98960	Typepallet	2-15,	2-17,	2-19		99024	Typebar	2-15,	2-17	
98961	Typepallet	2-16,	2-19			99025	Typebar	2-17		
98962	Typepallet	2-15,	2-16,	2-18		99026	Typebar	2-17		
98966	Typebar	2-14,	2-16			99027	Typebar	2-16		
98967	Typebar	2-16				99028	Typebar	2-14,	2-16	
98968	Typebar	2-14,	2-17			99029	Typebar	2-15,	2-16	
98969	Typebar	2-14,	2-16			99030	Typebar	2-17		
98970	Typebar	2-14,	2-16			99031	Typebar	2-16		
98971	Typebar	2-14,	2-16			99032	Typebar	2-15,	2-17	
98972	Typebar	2-14,	2-17			99033	Typebar	2-15,	2-17	
98973	Typebar	2-14,	2-16			99034	Typebar	2-15,	2-17	
98974	Typebar	2-14,	2-16			99035	Typebar	2-17		
98975	Typebar	2-14,	2-17			99036	Typebar	2-14,	2-17	
98976	Typebar	2-14,	2-16			99041	Keytop	2-21		
98977	Typebar	2-14,	2-16			99042	Keytop	2-24		
98978	Typebar	2-14,	2-16			99043	Keytop	2-23		
98979	Typebar	2-16				99143	Pad	4-2		
98980	Typebar	2-14,	2-16			99169	Keytop	2-23		
98981	Typebar	2-14,	2-16			99175	Keytop	2-21		
98982	Typebar	2-14,	2-16			99176	Keytop	2-22		
98983	Typebar	2-14,	2-16			99190	Keytop	2-20		
98984	Typebar	2-14,	2-16			99199	Keytop	2-25		
98985	Typebar	2-14,	2-16			99210	Keytop	2-25		
98986	Typebar	2-15,	2-16			99250	Filter Unit	3-3,	7-5	
98987	Typebar	2-15,	2-16			99282	Motor Arrangement "DV"			3-2, 3-4
98988	Typebar	2-15,	2-16			99332	Lever, Operating	5-5		
98989	Typebar	2-16				99333	Rocker, Shift	5-5		
98990	Typebar	2-15,	2-16			99334	Bushing	5-5		
98991	Typebar	2-15,	2-16			99335	Screw, Shoulder (6-40)		5-5	
98992	Typebar	2-15,	2-16			99337	Spring, Contact	5-4		
98993	Typebar	2-15,	2-16			99338	Spring, Contact	5-4		
98994	Typebar	2-15,	2-16			99339	Spring, Contact	5-4		
98995	Typebar	2-15,	2-16			99340	Spring, Contact	5-4		
98996	Typebar	2-15,	2-16			99342	"Letters Make" Platen Shift Contact Mechanism	5-5		
98997	Typebar	2-16				99343	"Figures Make" Platen Shift Contact Assembly	5-5		
98998	Typebar	2-15,	2-16			99345	Set of Parts	5-4		
98999	Typebar	2-15,	2-16			99346	Bracket	5-5		
99000	Typebar	2-15,	2-16			99354	Container	3-3		
99001	Typebar	2-15,	2-16			99355	Bracket	3-3		
99002	Typebar	2-15,	2-16			99356	Bracket	3-3		
99003	Typebar	2-15,	2-16			99357	Strap, Retaining	3-3		
99004	Typebar	2-15,	2-16			99402	Cable	1-8		
99005	Typebar	2-15,	2-16			99408	Line Relay Assembly		1-8	
99006	Typebar	2-15,	2-16			99409	Line Relay Assembly		1-8	
99007	Typebar	2-15,	2-16			99443	Keytop	2-25		
99008	Typebar	2-16								
99009	Typebar	2-16								

99444	Keytop	2-25	99580	Keytop	2-20
99445	Keytop	2-20	99581	Keytop	2-25
99446	Keytop	2-24	99582	Keytop	2-23
99447	Keytop	2-20	99583	Keytop	2-25
99448	Keytop	2-23	99584	Keytop	2-21
99449	Keytop	2-21	99585	Keytop	2-22
99450	Keytop	2-22	99586	Keytop	2-22
99451	Keytop	2-22	99587	Keytop	2-21
99452	Keytop	2-23	99588	Keytop	2-22
99453	Keytop	2-21	99589	Keytop	2-25
99459	Bar, Pull	6-5	99590	Keytop	2-26
99460	Bar, Pull	2-15, 6-5	99591	Keytop	2-26
99461	Keytop	2-23	99592	Keytop	2-20
99462	Keytop	2-21	99593	Keytop	2-20
99534	Keytop	2-23	99594	Keytop	2-23
99535	Keytop	2-20	99595	Keytop	2-22
99536	Keytop	2-20	99596	Keytop	2-23
99537	Keytop	2-22	99597	Keytop	2-21
99538	Keytop	2-23	99598	Keytop	2-21
99539	Keytop	2-20	99599	Keytop	2-24
99540	Keytop	2-21	99600	Keytop	2-21
99541	Keytop	2-22	99601	Keytop	2-23
99542	Keytop	2-20	99602	Keytop	2-24
99543	Keytop	2-20	99603	Keytop	2-24
99544	Keytop	2-22	99604	Keytop	2-23
99545	Keytop	2-21	99605	Keytop	2-20
99546	Keytop	2-22	99606	Keytop	2-21
99547	Keytop	2-23	99607	Keytop	2-24
99548	Keytop	2-23	99608	Keytop	2-22
99549	Keytop	2-24	99609	Keytop	2-24
99550	Keytop	2-23	99610	Keytop	2-22
99551	Keytop	2-24	99611	Keytop	2-26
99552	Keytop	2-22	99612	Keytop	2-20
99553	Keytop	2-23	99613	Keytop	2-25
99554	Keytop	2-21	99614	Keytop	2-24
99555	Keytop	2-23	99615	Keytop	2-20
99556	Keytop	2-22	99616	Keytop	2-21
99557	Keytop	2-22	99617	Keytop	2-22
99558	Keytop	2-22	99618	Keytop	2-24
99559	Keytop	2-23	99619	Keytop	2-25
99560	Keytop	2-24	99620	Keytop	2-21
99561	Keytop	2-21	99621	Keytop	2-24
99562	Keytop	2-22	99622	Keytop	2-24
99563	Keytop	2-25	99623	Keytop	2-25
99564	Keytop	2-15	99624	Keytop	2-24
99564	Keytop	2-24	99625	Keytop	2-22
99565	Keytop	2-22	99626	Keytop	2-24
99566	Keytop	2-20	99627	Keytop	2-24
99567	Keytop	2-21	99628	Keytop	2-24
99568	Keytop	2-21	99629	Keytop	2-24
99569	Keytop	2-22	99630	Keytop	2-21
99570	Keytop	2-26	99631	Keytop	2-22
99571	Keytop	2-26	99632	Keytop	2-21
99572	Keytop	2-26	99633	Keytop	2-23
99573	Keytop	2-24	99744	Resistor (8000 ohms)	6-3
99574	Keytop	2-20	99745	Line and Selector Jack Assembly	5-3,
99575	Keytop	2-21			7-2
99576	Keytop	2-25	99802	Plate, Clamp	5-3
99577	Keytop	2-23	99803	Insulator	5-3
99578	Keytop	2-21	99804	Insulator	5-3
99579	Keytop	2-25	99805	Plunger, Fiber	5-3

99806	Bracket	5-3		
99807	Spring, Contact	5-3		
99809	Spring, Contact	5-3		
99814	Base, Relay	7-2		
99934	Guide, Cable	1-2, 1-4, 7-5		
101003	Jewel	1-7		
101083	Spring	2-10		
101436	Cam, Main Bail	2-10		
101578	Typepallet	2-16, 2-19		
101579	Typepallet	2-15, 2-17, 2-19		
101580	Typepallet	2-17, 2-19		
101581	Typepallet	2-17, 2-19		
101582	Typepallet	2-15, 2-17, 2-19		
101583	Typepallet	2-15, 2-17, 2-19		
101728	Typebar	2-17		
101965	Plug	6-4		
101994	Post, Spring	5-8		
102052	Screw (4-40 x 9/32 Fil.)	2-5, 5-8		
102104	Lever, Backspace	2-6, 7-4		
102107	Knife, Tape	2-6, 7-4		
102108	Pawl, Backspace	2-6, 7-4		
102109	Lifter, Ribbon	2-6, 7-4		
102110	Stud	2-6, 7-4		
102111	Pawl, Feed	2-6, 7-4		
102230	Bail, Main	2-7		
102231	Bracket, Guide	2-7		
102232	Bracket, Guide	2-7		
102274	Set of Typepallets	2-14, 2-15		
102298	Typebar	2-17		
102327	Spring, Contact	5-6		
102330	Spring, Contact	5-6		
102651	Typepallet	2-19		
102652	Typepallet	2-19		
102653	Typepallet	2-14, 2-17, 2-18		
102654	Typepallet	2-18		
102655	Typepallet	2-15, 2-17, 2-19, 7-6		
102656	Typepallet	2-18		
102657	Typepallet	2-19		
102658	Typepallet	2-18		
102659	Typepallet	2-16, 2-18		
102660	Typepallet	2-16, 2-18		
102696	Bracket	4-2		
102791	Retainer, Spring	2-6		
102792	Stripper, Feed Punch	2-6		
102794	Stripper, Code Punch	2-6		
102795	Guide, Ribbon	2-6, 7-4		
102815	Bracket, Spring	2-8		
102842	Cable Assembly	2-27, 5-5, 7-6		
102864	Bar, Pull	6-5		
102877	Bar, Function	2-14		
102878	Bar, Pull	6-5		
103003	Cable	5-5, 7-6		
103236	Plug Assembly	1-11		
103310	Lever, Code Bar Locking	2-8, 2-15, 7-2		
103316	Bellcrank	2-4, 7-2		
103317	Bellcrank	2-4, 7-2		
103318	Bellcrank	2-4, 7-2		
103319	Bellcrank	2-4, 7-2		
103320	Bellcrank	2-4, 7-2		
103341	Bracket	2-9		
103369	Plate, Base	6-4		
103529	Bracket	6-3		
103634	Handle - Fiber	2-12, 5-5		
103737	Power Cord Assembly	6-4		
103738	Line Cord Assembly	6-4		
103968	Arm, Stop	7-3		
103971	Bracket	5-3		
104124	Screw (1/4-32 x 11/32 Hex.)	2-7		
104451	Washer, Lock	3-3, 3-4		
104682	Universal Transfer Contact Assembly	5-6		
104768	Spacer	1-4		
104771	Universal Contact Mechanism	5-7		
104772	Lever, Contact	5-6, 5-7		
104773	Bracket, Contact	5-6, 5-7		
104774	Bracket	5-6, 5-7		
104828	Screw (4-40 x 15/64 Fil.)	5-8		
104845	Typepallet	2-15, 2-16, 2-19, 7-5, 7-6		
104950	Typebar	2-17		
104951	Typebar	2-15, 2-16		
104952	Typebar	2-16		
104953	Typebar	2-15, 2-17		
104954	Typebar	2-16		
104955	Typebar	2-16		
104956	Typebar	2-17		
104957	Typebar	2-16		
104958	Typebar	2-16		
104994	Modification Kit	7-4		
105001	Typepallet	2-19		
105002	Typepallet	2-16, 2-19		
105004	Typepallet	2-18		
105005	Typepallet	2-16, 2-18		
105006	Typepallet	2-18		
105007	Typepallet	2-16, 2-19		
105008	Typepallet	2-18		
105009	Typepallet	2-16, 2-19		
105010	Typepallet	2-18		
105148	Set of Keytops	2-14, 2-15		
105278	Set of Keytops	2-14, 2-15		
105279	Switch, Toggle	1-4, 1-7		
105280	Set of Typepallets	2-14, 2-15		
105448	Plate, Instruction (off)	1-4		
105449	Plate, Instruction (on)	1-4		
105550	Shell	1-11		
105551	Shell	1-11		
105562	Set of Typepallets	2-14, 2-15		
105601	Plate, Base	2-2		
105603	Cable	2-27, 7-5		
105604	Modification Kit	7-5		
105617	Pad	4-2		
105620	Base	1-2		
105627	Foot, Metal	1-3		
105688	Pad	4-2		
105739	Plate, Motor	3-3		
105859	Plug	2-27		
105861	Plate, Identification	1-7		
105912	Washer, Lock	1-7		
105940	Stiffener	5-6, 5-7		
105958	Backstop, Cover	1-2, 1-4, 7-2		

105960	Screw (6-40 x 41/64 Hex.)	7-3	110881	Gear - 14T	3-2, 7-7
106019	Keytop	2-22	110882	Gear - 43T	3-2, 7-7
106047	Screw (1/4-32 x 1/2 Hex.)	3-3	110893	Modification Kit	7-6
106048	Bracket, Resistor	3-3	110894	Modification Kit	7-7
106049	Resistor (250-300 ohms)	3-3	110901	Strip, Wearing	2-5
106051	Bolt (1/4-20 x 6 Rd.)	3-3	110920	Rod, Line Guide	5-10
106052	Post	3-3	110929	Motor Arrangement "GU"	3-2, 3-3
106053	Post	3-3	110974	Spring	2-5
106136	Set of Typepallets	7-5	111017	Screw (6-40 x 5/16 Rd.)	4-2
106137	Set of Typepallets	7-5	111023	Punch Block Assembly	2-5
106162	Modification Kit	7-5	111024	Punch Block Assembly	2-6, 7-5
106174	Motor Arrangement "GB"	3-2, 3-3	111053	Typepallet	2-19
106200	Washer, Centering	3-3	111086	Spring, Contact	5-6
106202	Spacer	3-3	111194	Modification Kit	5-10
106204	Nut (1/4-20 Sq.)	3-3	111329	Guide, Line	5-10, 6-3
106216	Bracket	1-10	111439	Set of Typepallets	2-14, 2-15
106242	Clutch Lever Contact Assembly	5-7, 7-5	111602	Insert, Brass	7-2
106243	Modification Kit	7-5	111603	Platen	2-2, 7-2, 7-7
106244	Resistor (1000 ohms)	1-10	111629	Bracket, Ribbon Spool	5-2
106245	Resistor (5000 ohms)	2-13, 6-3	111686	Disk	2-10, 7-7
106261	Bracket	5-7	111711	Strip, Plastic	6-2
106262	Spring, Contact-Lower	5-7	111731	Sleeve, Cam	1-6, 7-7
106264	Set of Governor Parts	3-4, 7-5	111734	Stiffener	1-7
106299	Modification Kit	5-10, 7-6	111853	Bushing	1-7
106300	Bracket, Tape Splicer	5-10, 7-6	112498	Screw (6-40 x 3/4 Flat)	1-7, 7-7
106883	Plate, Base	1-4	112517	Guard, Switch	1-7
106896	Cable	3-3	112523	Plate, Identification	1-7
106987	Modification Kit	7-6	112524	Motor Arrangement "HC"	3-2
107013	Bushing	1-9	112573	Bail, Upper	2-7
107014	Bushing	1-4	112574	Bail, Lower	2-7
107015	Clamp, Cable	1-4	112575	Screw, Shoulder (6-40)	2-7
107026	Support, Resistor Bracket	3-3	112578	Plate	1-7
107027	Shield	3-3	112587	Lockloop Backstop Assembly	1-7, 7-7
107116	Washer, Lock	2-4	112588	Contact Spring Assembly	1-7, 7-7
107249	Clamp, Cable	1-3	112589	Cover, Contact	1-7, 7-7
107250	Set of Keytops	2-14, 2-15	112594	Modification Kit	7-7
107336	Cable	5-6	112624	Screw, Shoulder (4-40)	5-8
107381	Clamp, Cable	5-10	112620	Screw (4-40 x 1/2 Hex.)	5-8
107485	Screw, Eccentric (6-40)	1-5	112626	Nut (10-32 Hex.)	1-2, 1-4, 1-9, 2-3, 2-7, 2-10, 4-2, 5-8, 6-2
107487	Cup, Ribbon Spool	2-8, 5-2	112627	Nut (2-56 Hex.)	4-2, 5-8
107488	Cup, Ribbon Spool	2-8	112631	Spring	6-5
108305	Plug	2-27	113241	Plate, Cover	1-7
109770	Block, Terminal	2-13	113250	Keytop	2-20
110350	Block, Spring	2-8, 7-8	113251	Keytop	2-21
110434	Screw (4-40 x 3/16 Fil.)	3-3, 5-3, 5-9	113252	Keytop	2-24
110435	Nut (4-40 Hex.)	1-5, 2-3, 2-6, 2-12, 5-3, 5-8, 7-4	113253	Keytop	2-20
110437	Spring	5-5, 7-6	113254	Keytop	2-21
110475	Screw, Terminal (2-64 x 3/32)	1-11	113255	Keytop	2-23
110476	Screw, Shell (4-48 x 5/64)	1-11	113256	Keytop	2-24
110682	Roll, Feed	2-5	113257	Keytop	2-21
110740	Disk, Identification	2-27	113258	Keytop	2-24
110743	Washer, Lock	2-13	113259	Keytop	2-24
110871	Latch, Trip	2-12, 7-7	113261	Keytop	2-25
110872	Spring	2-12, 7-7	113262	Keytop	2-20
110876	Gear, Helical - 16T	3-2, 7-7	113263	Keytop	2-23
110877	Gear - 42T	3-2, 7-7	113264	Keytop	2-26
110878	Spring	2-10, 3-2, 7-7	113265	Keytop	2-26
110880	Spring	2-11, 7-7	113266	Keytop	2-26
			113267	Keytop	2-26
			113268	Keytop	2-26

113269	Keytop	2-26	
113270	Keytop	2-26	
113271	Keytop	2-26	
113272	Keytop	2-26	
113273	Keytop	2-26	
113274	Keytop	2-21	
113275	Keytop	2-25	
113276	Keytop	2-25	
113277	Keytop	2-26	
113278	Keytop	2-24	
113279	Keytop	2-22	
113280	Keytop	2-26	
113281	Keytop	2-24	
113282	Keytop	2-25	
113283	Keytop	2-25	
113284	Keytop	2-26	
113285	Keytop	2-25	
113286	Keytop	2-25	
113287	Keytop	2-25	
113288	Keytop	2-25	
113289	Keytop	2-25	
113290	Keytop	2-20	
113291	Keytop	2-20	
113292	Keytop	2-20	
113293	Keytop	2-23	
113294	Keytop	2-22	
113295	Keytop	2-23	
113296	Keytop	2-22	
113297	Keytop	2-23	
113298	Keytop	2-26	
113299	Keytop	2-25	
113300	Keytop	2-21	
113301	Keytop	2-21	
113302	Keytop	2-25	
113303	Keytop	2-26	
113304	Keytop	2-21	
113305	Keytop	2-25	
113306	Keytop	2-25	
113307	Keytop	2-21	
113308	Keytop	2-21	
113309	Keytop	2-22	
113310	Keytop	2-25	
113311	Keytop	2-25	
113312	Keytop	2-23	
113313	Keytop	2-24	
113314	Keytop	2-26	
113315	Keytop	2-26	
113316	Keytop	2-23	
113317	Keytop	2-23	
113318	Keytop	2-21	
113320	Keytop	2-24	
113321	Keytop	2-25	
113322	Keytop	2-25	
113323	Keytop	2-21	
113324	Keytop	2-20	
113325	Keytop	2-24	
113326	Keytop	2-24, 2-25	
113327	Keytop	2-20	
113328	Keytop	2-20	
113329	Keytop	2-20	
113330	Keytop	2-25	
113331	Keytop	2-25	
113332	Keytop	2-21	
113333	Keytop	2-20	
113334	Keytop	2-20	
113335	Keytop	2-24	
113337	Keytop	2-24	
113338	Keytop	2-22	
113339	Keytop	2-26	
113340	Keytop	2-20	
113341	Keytop	2-24	
113342	Keytop	2-21	
113343	Keytop	2-23	
113344	Keytop	2-21	
113345	Keytop	2-22	
113346	Keytop	2-20	
113347	Keytop	2-25	
113348	Keytop	2-25	
113349	Keytop	2-23	
113665	Modification Kit	7-8	
113693	Modification Kit	2-13	
113702	Series Parallel Terminal Block Assembly	2-13, 7-3, 7-4	
114062	Main Bail Assembly	2-7, 7-7	
114066	Capacitor	5-9	
114107	Spring	2-11, 7-7	
114240	Plate, Copyholder	5-10	
114439	Case, Switch	1-7	
114679	Bracket	5-10	
114947	Spring, Contact	5-7	
114948	Bracket	5-7	
114949	Tape-Out Contact Assembly	5-7, 7-2	
114958	Cover	1-7	
114959	Signal Lamp Assembly	1-7, 7-4	
114968	Key and Switch Assembly	1-7	
114979	Base	1-4	
115588	Block, Terminal	5-9	
115700	6" Copyholder Assembly	5-10	
115702	Set of Tape Reel Parts	4-2	
115749	Front Plate Assembly	6-2	
116265	Typepallet	2-18	
116266	Typepallet	2-16, 2-18	
116267	Typepallet	2-19	
116268	Typepallet	2-19	
116269	Typepallet	2-19	
116270	Typepallet	2-19	
116271	Typepallet	2-19	
116272	Typepallet	2-19	
116273	Typepallet	2-19	
116274	Typepallet	2-19	
116275	Typepallet	2-19	
116276	Typepallet	2-19	
116277	Typepallet	2-18	
116278	Typepallet	2-18	
116279	Typepallet	2-18	
116280	Typepallet	2-18	
116281	Typepallet	2-18	
116282	Typepallet	2-16, 2-18	
116283	Typepallet	2-16, 2-18	
116284	Typepallet	2-17, 2-19	
116285	Typepallet	2-16, 2-19	
116286	Typepallet	2-16, 2-18	

116287	Typepallet	2-16,	2-18	117939	Keytop	2-25
116288	Typepallet	2-16,	2-18	117940	Keytop	2-21
116289	Typepallet	2-17,	2-19	117941	Keytop	2-24
116290	Typepallet	2-16,	2-18	117942	Keytop	2-22
116291	Typepallet	2-16,	2-19	117943	Keytop	2-21
116292	Typepallet	2-16,	2-19	117944	Keytop	2-20
116293	Typepallet	2-16,	2-18	117945	Keytop	2-20
116294	Typepallet	2-16,	2-19	117946	Keytop	2-25
116295	Typepallet	2-16,	2-18	117947	Keytop	2-25
116296	Typepallet	2-16,	2-19	117948	Keytop	2-20
116297	Typepallet	2-16,	2-18	117949	Keytop	2-22
116298	Typepallet	2-19		117950	Keytop	2-24
116299	Typepallet	2-18		117951	Keytop	2-21
116300	Typepallet	2-18		117952	Keytop	2-22
116301	Typepallet	2-18		117953	Keytop	2-22
116302	Typepallet	2-19		117954	Keytop	2-20
116303	Typepallet	2-16,	2-18	117955	Keytop	2-22
116304	Typepallet	2-18		117957	Keytop	2-24
116305	Typepallet	2-18		117958	Keytop	2-21
116306	Typepallet	2-18		117959	Keytop	2-22
116307	Typepallet	2-16,	2-18	117960	Keytop	2-20
116308	Typepallet	2-19		117961	Keytop	2-24
116309	Typepallet	2-19		117962	Keytop	2-24
116310	Typepallet	2-19		117963	Keytop	2-20
116311	Typepallet	2-16,	2-18	117964	Keytop	2-22
116312	Typepallet	2-19		117965	Keytop	2-23
116313	Typepallet	2-18		117966	Keytop	2-23
116314	Typepallet	2-19		117967	Keytop	2-25
116315	Typepallet	2-19		117968	Keytop	2-21
116484	Post, Spring	5-8		117969	Keytop	2-25
116720	Typepallet	2-18		117970	Keytop	2-22
116721	Typepallet	2-19		117971	Keytop	2-25
116722	Typepallet	2-18		117972	Keytop	2-20
116723	Typepallet	2-16,	2-18	117973	Keytop	2-21
116724	Typepallet	2-18		117974	Keytop	2-21
116725	Typepallet	2-16,	2-18	117975	Keytop	2-22
116727	Typepallet	2-18		117976	Keytop	2-22
116728	Typepallet	2-18		117977	Keytop	2-22
116729	Typepallet	2-18		117978	Keytop	2-23
116730	Typepallet	2-18		117979	Keytop	2-23
116731	Typepallet	2-19		117980	Keytop	2-25
116733	Typepallet	2-19		117981	Keytop	2-25
116734	Typepallet	2-19		117982	Keytop	2-20
116735	Typepallet	2-16,	2-18	117983	Keytop	2-24
116736	Typepallet	2-18		117984	Keytop	2-20
116737	Typepallet	2-18		117985	Keytop	2-23
116738	Typepallet	2-18		117986	Keytop	2-25
116739	Typepallet	2-16,	2-18	117987	Keytop	2-25
116740	Typepallet	2-16,	2-18	117988	Keytop	2-22
116741	Typepallet	2-16,	2-18	117989	Keytop	2-20
116742	Typepallet	2-16,	2-18	117990	Keytop	2-21
116743	Typepallet	2-19		117991	Keytop	2-23
116744	Typepallet	2-16,	2-18	117992	Keytop	2-23
116992	Screw, Pilot (1/4-32)	3-3,	3-4	117993	Keytop	2-23
117178	Key and Switch Assembly	1-7		117994	Keytop	2-24
117182	Plate	1-7		117995	Keytop	2-20
117387	Retainer	2-10		117996	Keytop	2-22
117935	Keytop	2-24		117997	Keytop	2-21
117936	Keytop	2-25		117998	Keytop	2-20
117937	Keytop	2-20		117999	Keytop	2-25
117938	Keytop	2-25		118000	Keytop	2-21

118001	Keytop	2-21	120740	Keytop	2-24
118002	Keytop	2-23	120741	Keytop	2-23
118003	Keytop	2-21	120742	Keytop	2-23
118004	Keytop	2-20	120743	Keytop	2-25
118005	Keytop	2-24	120744	Keytop	2-25
118006	Keytop	2-25	120745	Keytop	2-20
118007	Keytop	2-21	120746	Keytop	2-23
118008	Keytop	2-21	120747	Keytop	2-21
118009	Keytop	2-22	120748	Keytop	2-26
118010	Keytop	2-20	120749	Keytop	2-20
118011	Keytop	2-24	120750	Keytop	2-20
118012	Keytop	2-23	120751	Keytop	2-22
118013	Keytop	2-23	120752	Keytop	2-23
118014	Keytop	2-23	120753	Keytop	2-23
118015	Keytop	2-21	120754	Keytop	2-20
118016	Keytop	2-22	120755	Keytop	2-22
118017	Keytop	2-25	120756	Keytop	2-20
118018	Keytop	2-24	120757	Keytop	2-21
118019	Keytop	2-22	120758	Keytop	2-21
118020	Keytop	2-22	120759	Keytop	2-22
118021	Keytop	2-24	120760	Keytop	2-22
118022	Keytop	2-20	120761	Keytop	2-21
118023	Keytop	2-23	120762	Keytop	2-22
118024	Keytop	2-22	120763	Keytop	2-21
118025	Keytop	2-21	120764	Keytop	2-26
118026	Keytop	2-24	120765	Keytop	2-23
118028	Keytop	2-24	120766	Keytop	2-25
118029	Keytop	2-21	120767	Keytop	2-26
118030	Keytop	2-21	120768	Keytop	2-26
118031	Keytop	2-22	120769	Keytop	2-25
118032	Keytop	2-20	120770	Keytop	2-21
118033	Keytop	2-21	120771	Keytop	2-23
118034	Keytop	2-23	120772	Keytop	2-23
119540	Nut, Capstan	2-10, 7-3	120773	Keytop	2-25
119629	Link	2-2, 2-12	120774	Keytop	2-24
119634	Button	1-4	120775	Keytop	2-23
119649	Ring, Retaining	2-8, 5-2, 7-8	120776	Keytop	2-23
119652	Ring, Retaining	5-8	120777	Keytop	2-22
120454	Plate	2-5, 7-5	120778	Keytop	2-21
120457	Plate (Code)	1-2, 1-4	120779	Keytop	2-21
120553	Disk, Friction	2-10	120780	Keytop	2-20
120720	Keytop	2-22	120781	Keytop	2-24
120721	Keytop	2-21	120782	Keytop	2-21
120722	Keytop	2-22	120783	Keytop	2-26
120723	Keytop	2-22	120784	Keytop	2-21
120724	Keytop	2-21	120785	Keytop	2-23
120725	Keytop	2-25	120786	Keytop	2-21
120726	Keytop	2-25	120787	Keytop	2-22
120727	Keytop	2-22	120788	Keytop	2-22
120728	Keytop	2-24	120789	Keytop	2-22
120729	Keytop	2-23	120790	Keytop	2-21
120730	Keytop	2-23	120791	Keytop	2-20
120731	Keytop	2-21	120792	Keytop	2-22
120732	Keytop	2-23	120793	Keytop	2-24
120733	Keytop	2-21	120794	Keytop	2-21
120734	Keytop	2-20	120795	Keytop	2-21
120735	Keytop	2-23	120796	Keytop	2-22
120736	Keytop	2-26	120797	Keytop	2-26
120737	Keytop	2-25	120798	Keytop	2-26
120738	Keytop	2-25	120799	Keytop	2-26
120739	Keytop	2-25	120800	Keytop	2-26
			120801	Keytop	2-23

120802	Keytop	2-24	
120803	Keytop	2-25	
120804	Keytop	2-26	
120805	Keytop	2-22	
120806	Keytop	2-23	
120807	Keytop	2-21	
120808	Keytop	2-22	
120809	Keytop	2-20	
120810	Keytop	2-20	
120811	Keytop	2-20	
120812	Keytop	2-26	
120813	Keytop	2-26	
120814	Keytop	2-24	
120815	Keytop	2-21	
120816	Keytop	2-21	
120817	Keytop	2-22	
120818	Keytop	2-26	
120819	Keytop	2-26	
120870	Wick, Felt	1-6	
120896	Screw (6-40 x 13/32 Hex.)	2-9,	
		2-10	
121136	Base	1-4	
121243	Clamp, Cable	1-4	
121245	Clamp, Cable	2-13, 5-9	
121248	Clamp, Cable	5-8, 5-9	
121575	Screw (10-32 x 5/16 Hex.)	2-10	
121899	Bushing, Eccentric	6-2	
121927	Strap	3-3	
121995	Lever, Tape Tension	2-5	
122059	Spring	2-10, 3-2	
122284	Spring	2-8, 7-8	
122286	Backstop	7-3, 7-8	
122287	Spring	2-8, 5-2, 7-8	
122288	Arm, Ribbon Reverse	2-8, 5-2, 7-8	
122289	Shaft, Ribbon Reverse Arm	2-8,	
		5-2, 7-8	
122290	Sleeve	2-8, 5-2, 7-8	
122293	Motor, 1/17 H.P. 110V., D.C. Shunt	3-2, 3-4	
122295	Motor, A.C. 1/25 H.P. 110V., 50/60		
	Cycle Series	3-2, 3-3, 7-5	
122444	Typepallet	2-16, 2-18	
122445	Typepallet	2-16, 2-18	
122446	Typepallet	2-19	
122447	Typepallet	2-18	
122448	Typepallet	2-18	
122449	Typepallet	2-19	
122450	Typepallet	2-19	
122451	Typepallet	2-19	
122452	Typepallet	2-18	
122453	Typepallet	2-18	
122454	Typepallet	2-18	
122455	Typepallet	2-19	
122456	Typepallet	2-18	
122457	Typepallet	2-18	
122458	Typepallet	2-18	
122459	Typepallet	2-19	
122460	Typepallet	2-18	
122461	Typepallet	2-19	
122462	Typepallet	2-19	
122463	Typepallet	2-18	
122464	Typepallet	2-19	
122465	Typepallet	2-18	
122466	Typepallet	2-19	
122467	Typepallet	2-18	
122468	Typepallet	2-18	
122547	Wick, Felt	2-7	
122741	Washer, Felt	2-10	
122743	Washer, Felt	2-10	
122754	Sleeve, Cam	2-10, 7-4	
122838	Shim (.010")	2-10, 7-3	
122974	Nut, Capstan	2-10, 7-3	
123000	Keytop	2-23	
123001	Keytop	2-26	
123002	Keytop	2-26	
123003	Keytop	2-26	
123004	Keytop	2-26	
123005	Keytop	2-25	
123006	Keytop	2-23	
123007	Keytop	2-20	
123008	Keytop	2-24	
123009	Keytop	2-25	
123010	Keytop	2-26	
123011	Keytop	2-26	
123013	Keytop	2-24	
123014	Keytop	2-23	
123015	Keytop	2-20	
123016	Keytop	2-25	
123017	Keytop	2-24	
123018	Keytop	2-20	
123019	Keytop	2-21	
123020	Keytop	2-21	
123021	Keytop	2-25	
123022	Keytop	2-24	
123023	Keytop	2-21	
123024	Keytop	2-23	
123025	Keytop	2-25	
123026	Keytop	2-20	
123027	Keytop	2-24	
123028	Keytop	2-20	
123029	Keytop	2-24	
123030	Keytop	2-24	
123031	Keytop	2-20	
123032	Keytop	2-22	
123033	Keytop	2-20	
123034	Keytop	2-25	
123035	Keytop	2-23	
123036	Keytop	2-22	
123037	Keytop	2-24	
123038	Keytop	2-21	
123039	Keytop	2-24	
123040	Keytop	2-22	
123041	Keytop	2-21	
123042	Keytop	2-25	
123043	Keytop	2-20	
123044	Keytop	2-24	
123045	Keytop	2-24	
123046	Keytop	2-20	
123047	Keytop	2-20	
123048	Keytop	2-21	
123049	Keytop	2-24	
123050	Keytop	2-20	



123051	Keytop	2-23	124507	Front Cover Plate Assembly	6-3
123052	Keytop	2-22	124512	Washer, Flat	2-10
123053	Keytop	2-23	124535	Backstop, Typebar	2-9, 7-7
123054	Keytop	2-23	124610	Plug	1-11
123056	Keytop	2-24	124613	Insert, Universal	7-3
123057	Keytop	2-20	124761	Insulator	2-13
123058	Keytop	2-23	124973	Washer, Flat	2-4, 2-11, 2-13
123059	Keytop	2-20	125005	Screw (2-56 x 3/16 Rd.)	4-2
123060	Keytop	2-22	125010	Washer, Insulating	5-3
123061	Keytop	2-26	125011	Washer, Flat	1-8, 2-4, 2-5, 2-6, 2-12, 2-13, 5-3, 5-5, 5-8, 7-5, 7-6
123062	Keytop	2-25	125012	Socket	6-2
123063	Keytop	2-24	125015	Washer, Flat	1-9, 2-4, 2-11, 5-10, 7-6
123064	Keytop	2-25	125112	Screw (2-56 x 1/8 Fil.)	2-4
123065	Keytop	2-20	125126	Screw (2-56 x 9/32 Fil.)	1-8
123066	Keytop	2-23	125127	Screw (6-32 x 7/16 Fil.)	4-2
123067	Keytop	2-21	125138	Screw (2-56 x 3/8 Fil.)	2-5
123068	Keytop	2-20	125139	Screw (4-40 x 1/8 Fil.)	5-3
123069	Keytop	2-24	125178	Screw, Shoulder (6-40)	2-2
123070	Keytop	2-23	125195	Screw (2-56 x 1/8 Rd.)	2-5
123071	Keytop	2-23	125212	Screw, Shoulder (6-40)	5-2
123072	Keytop	2-20	125218	Nut (1/4-32 Hex.)	2-2, 2-4, 2-5, 2-10
123073	Keytop	2-23	125229	Nut (6-32 Hex.)	4-2
123074	Keytop	2-24	125231	Nut (10-32 Hex.)	6-4
123075	Keytop	2-25	125235	Nut (4-36 Hex.)	5-3, 6-3
123076	Keytop	2-21	125241	Spring	2-7
123077	Keytop	2-21	125250	Spring	2-2, 5-2
123078	Keytop	2-25	125253	Spring	5-2
123079	Keytop	2-20	125262	Spring	2-5
123080	Keytop	2-25	125267	Spring	5-6
123081	Keytop	2-24	125268	Spring	1-2
123082	Keytop	2-22	125272	Pin	2-10
123083	Keytop	2-20	125421	Pin, Dowel	2-5
123084	Keytop	2-23	125422	Pin, Dowel	2-5
123085	Keytop	2-20	125430	Eye, Spring	2-7
123086	Keytop	2-21	125493	Punch, Code	2-5
123087	Keytop	2-21	125633	Plate, Guide	2-5
123088	Keytop	2-25	125683	Bushing, Eccentric	2-5
123089	Keytop	2-20	125686	Lever, Detent	2-5
123090	Keytop	2-24	125696	Post, Spring	2-7
123091	Keytop	2-20	125703	Clip, Spring	2-2
123092	Keytop	2-23	125770	Terminal	5-6
123093	Keytop	2-23	125802	Washer, Flat	2-7
123094	Keytop	2-26	125888	Decalcomania (On-Off)	1-4
123095	Keytop	2-23	126234	Pin	5-2
123096	Keytop	2-26	126749	Set of Typepallets	2-14, 2-15
123097	Keytop	2-22	126775	Nut (1/8-27 Hex.)	1-7
123098	Keytop	2-22	126776	Socket, Lamp	1-7
123099	Keytop	2-22	126957	Bracket	1-7
123540	Cable	2-13	126982	Stud	5-9
123646	Typepallet	2-19	128378	Post	2-13
123823	Washer, Flat	2-13	128701	Typepallet	2-18
123863	Bracket	2-13	128702	Typepallet	2-17, 2-19
123865	Guard	2-13	128703	Typepallet	2-18
123927	Base, Oil Shield	2-13	128704	Typepallet	2-18
123928	Cover, Oil Shield	2-13	128705	Typepallet	2-19
123929	Stop, Oil-Felt	2-13	128706	Typepallet	2-18
124144	Screw, Special (6-40)	2-2	128707	Typepallet	2-18
124146	Bracket, Spring	2-8			
124147	Bracket, Spring	2-8			
124148	Washer, Flat	2-9			
124177	Washer, Lock	1-10			

128708	Typepallet	2-18	
128709	Typepallet	2-16,	2-18
128710	Typepallet	2-19	
128711	Typepallet	2-18	
128712	Typepallet	2-18	
128713	Typepallet	2-19	
128714	Typepallet	2-18	
128715	Typepallet	2-18	
128716	Typepallet	2-19	
128717	Typepallet	2-16,	2-18
128718	Typepallet	2-18	
128719	Typepallet	2-18	
128720	Typepallet	2-18	
128721	Typepallet	2-19	
128722	Typepallet	2-18	
128723	Typepallet	2-18	
128724	Typepallet	2-18	
128725	Typepallet	2-19	
128927	Keytop	2-21	
128928	Keytop	2-23	
128929	Keytop	2-22	
128930	Keytop	2-22	
128931	Keytop	2-25	
128932	Keytop	2-25	
128933	Keytop	2-26	
128934	Keytop	2-21	
128935	Keytop	2-21	
128936	Keytop	2-23	
128937	Keytop	2-23	
128938	Keytop	2-24	
128939	Keytop	2-26	
128940	Keytop	2-22	
128941	Keytop	2-21	
128942	Keytop	2-22	
128943	Keytop	2-23	
128944	Keytop	2-23	
128945	Keytop	2-21	
128946	Keytop	2-24	
128947	Keytop	2-20	
128948	Keytop	2-24	
128949	Keytop	2-20	
128950	Keytop	2-25	
128951	Keytop	2-22	
128952	Keytop	2-22	
128953	Keytop	2-26	
128954	Keytop	2-26	
128955	Keytop	2-26	
128956	Keytop	2-26	
128957	Keytop	2-26	
128958	Keytop	2-26	
128959	Keytop	2-26	
128960	Keytop	2-26	
128961	Keytop	2-26	
128962	Keytop	2-26	
128963	Keytop	2-26	
128964	Keytop	2-25	
128965	Keytop	2-26	
128966	Keytop	2-26	
128967	Keytop	2-23	
128968	Keytop	2-21	
128969	Keytop	2-24	
128970	Keytop	2-20	
128971	Keytop	2-23	
128972	Keytop	2-23	
128973	Keytop	2-20	
128974	Keytop	2-21	
128975	Keytop	2-22	
128976	Keytop	2-22	
128977	Keytop	2-23	
128978	Keytop	2-23	
128979	Keytop	2-25	
128980	Keytop	2-20	
128981	Keytop	2-24	
128982	Keytop	2-20	
128984	Keytop	2-21	
128985	Keytop	2-22	
128986	Keytop	2-20	
128987	Keytop	2-23	
128988	Keytop	2-24	
128989	Keytop	2-24	
128990	Keytop	2-21	
128991	Keytop	2-24	
128992	Keytop	2-23	
128993	Keytop	2-23	
128995	Keytop	2-24	
128996	Keytop	2-21	
128997	Keytop	2-24	
128998	Keytop	2-24	
128999	Keytop	2-24	
129000	Keytop	2-21	
129001	Keytop	2-25	
129002	Keytop	2-26	
129003	Keytop	2-26	
129004	Keytop	2-26	
129005	Keytop	2-26	
129006	Keytop	2-26	
129007	Keytop	2-26	
129008	Keytop	2-26	
129009	Keytop	2-26	
129010	Keytop	2-26	
129011	Keytop	2-26	
129012	Keytop	2-25	
129013	Keytop	2-25	
129014	Keytop	2-25	
129015	Keytop	2-25	
129016	Keytop	2-25	
129017	Keytop	2-25	
129018	Keytop	2-25	
129020	Keytop	2-25	
129021	Keytop	2-25	
129022	Keytop	2-25	
129023	Keytop	2-20	
129024	Keytop	2-26	
129025	Keytop	2-26	
129026	Keytop	2-26	
129234	Shim (.035")	5-8	
129235	Nut (10-32 Hex.)	5-8	
129236	Stud, Bearing	5-8	
129237	Stud, Armature	5-8	
129239	Insulator	5-8	
129240	Plate	5-8	
129241	Stud, Worm Follower	5-8	

129243	Bracket, Switch	5-8	135417	Keytop	2-26
129244	Bracket, Switch	5-8	135418	Keytop	2-26
129245	Follower	5-8	135419	Keytop	2-26
129246	Armature	5-8	135420	Keytop	2-26
129247	Plate, Clamp	5-8	135421	Keytop	2-26
129248	Yoke	5-8	135422	Keytop	2-26
129249	Bail, Armature	5-8	135423	Keytop	2-26
129255	Resistor (800 ohms)	5-9	135424	Keytop	2-26
129287	Anchor, Spring	5-8	135425	Keytop	2-26
129380	Plate, Base	2-2, 7-2	135426	Keytop	2-26
129466	Anchor, Spring	5-8	135427	Keytop	2-26
129986	Cam, Feed	5-8	135428	Keytop	2-26
129988	Bushing	5-9	135429	Keytop	2-25
129989	Roller	5-9	135430	Keytop	2-24
129991	Lever, Tape Feed-Out	5-9	135431	Keytop	2-25
129992	Shim (.035")	5-9	135432	Keytop	2-24
129994	Bracket	5-9	135433	Keytop	2-21
129995	Screw, Eccentric (10-32)	5-9	135434	Keytop	2-23
129996	Shaft	5-8	135435	Keytop	2-20
135013	Stud	2-4, 7-2	135436	Keytop	2-20
135017	Casting	5-8	135437	Keytop	2-21
135018	Spacer	5-8	135438	Keytop	2-23
135019	Follower	5-9	135439	Keytop	2-22
135268	Backstop, Typebar	2-9, 7-7	135440	Keytop	2-21
135380	Keytop	2-26	135441	Keytop	2-25
135381	Keytop	2-26	135442	Keytop	2-22
135382	Keytop	2-26	135443	Keytop	2-22
135383	Keytop	2-26	135444	Keytop	2-23
135384	Keytop	2-26	135445	Keytop	2-20
135385	Keytop	2-26	135446	Keytop	2-25
135386	Keytop	2-26	135447	Keytop	2-23
135387	Keytop	2-21	135448	Keytop	2-21
135388	Keytop	2-24	135449	Keytop	2-21
135389	Keytop	2-24	135450	Keytop	2-24
135390	Keytop	2-24	135451	Keytop	2-25
135391	Keytop	2-24	135452	Keytop	2-23
135392	Keytop	2-22	135453	Keytop	2-21
135393	Keytop	2-23	135454	Keytop	2-21
135394	Keytop	2-21	135455	Keytop	2-22
135395	Keytop	2-23	135456	Keytop	2-24
135396	Keytop	2-21	135457	Keytop	2-20
135397	Keytop	2-22	135458	Keytop	2-23
135398	Keytop	2-22	135459	Keytop	2-23
135399	Keytop	2-23	135460	Keytop	2-24
135400	Keytop	2-21	135461	Keytop	2-21
135401	Keytop	2-24	135462	Keytop	2-22
135402	Keytop	2-22	135463	Keytop	2-22
135403	Keytop	2-21	135464	Keytop	2-20
135404	Keytop	2-21	135465	Keytop	2-20
135405	Keytop	2-20	135466	Keytop	2-23
135406	Keytop	2-22	135467	Keytop	2-23
135407	Keytop	2-25	135468	Keytop	2-25
135408	Keytop	2-22	135469	Keytop	2-20
135409	Keytop	2-24	135470	Keytop	2-21
135410	Keytop	2-25	135471	Keytop	2-20
135411	Keytop	2-20	135472	Keytop	2-20
135412	Keytop	2-20	135473	Keytop	2-22
135413	Keytop	2-24	135474	Keytop	2-23
135414	Keytop	2-23	135475	Keytop	2-20
135415	Keytop	2-26	135476	Keytop	2-21
135416	Keytop	2-26	135477	Keytop	2-21

135478	Keypal	2-23	136666	Terminal Board Bracket Assembly	5-9
135479	Keypal	2-25	136668	Bar, Pull	2-15
135694	Roller Assembly	2-4, 7-2	136721	Universal Transfer Contact Assembly	5-6
135696	Cam	2-4	136725	Cable Assembly	2-27
135697	Roller	2-4	136726	Bracket, Contact	5-6
135698	Cord	1-11	136727	Bracket	5-6
135730	Typepallet	2-18	136739	Tape Feed-Out and Metering Mechanism	7-2
135731	Typepallet	2-18	136741	Cable Assembly	2-27
135732	Typepallet	2-18	136895	Typepallet	2-19
135734	Typepallet	2-18	136896	Typepallet	2-18
135735	Typepallet	2-19	136897	Typepallet	2-19
135736	Typepallet	2-19	136898	Typepallet	2-19
135737	Typepallet	2-19	136899	Typepallet	2-16, 2-18
135738	Typepallet	2-18	136900	Typepallet	2-18
135739	Typepallet	2-18	136901	Typepallet	2-18
135740	Typepallet	2-19	136902	Typepallet	2-18
135741	Typepallet	2-19	136903	Typepallet	2-18
135742	Typepallet	2-19	136904	Typepallet	2-18
135743	Typepallet	2-19	136905	Typepallet	2-18
135744	Typepallet	2-19	136906	Typepallet	2-19
135745	Typepallet	2-19	136907	Typepallet	2-18
135746	Typepallet	2-19	136908	Typepallet	2-18
135747	Typepallet	2-19	136909	Typepallet	2-16, 2-18
135748	Typepallet	2-19	136910	Typepallet	2-16, 2-18
135749	Typepallet	2-19	136911	Typepallet	2-16, 2-18
135750	Typepallet	2-19	136912	Typepallet	2-16, 2-18
135751	Typepallet	2-19	136913	Typepallet	2-19
135752	Typepallet	2-19	136914	Typepallet	2-19
135753	Typepallet	2-19	136915	Typepallet	2-18
135754	Typepallet	2-19	136916	Typepallet	2-19
135940	Typepallet	2-19	136917	Typepallet	2-18
135941	Typepallet	2-19	136918	Typepallet	2-19
135942	Typepallet	2-19	136919	Typepallet	2-18
135943	Typepallet	2-19	138012	Keypal	2-20
135944	Typepallet	2-19	138191	Screw (3-48 x 1 Rd.)	1-8
135945	Typepallet	2-19	138250	Keypal	2-22
135946	Typepallet	2-19	138251	Keypal	2-20
135947	Typepallet	2-19	138252	Keypal	2-24
135948	Typepallet	2-19	138253	Keypal	2-22
135949	Typepallet	2-19	138254	Keypal	2-23
135950	Typepallet	2-19	138255	Keypal	2-23
135951	Typepallet	2-19	138256	Keypal	2-20
135952	Typepallet	2-18	138257	Keypal	2-20
135953	Typepallet	2-19	138258	Keypal	2-23
135954	Typepallet	2-16, 2-18	138259	Keypal	2-21
135955	Typepallet	2-18	138260	Keypal	2-22
135956	Typepallet	2-18	138261	Keypal	2-20
135957	Typepallet	2-19	138262	Keypal	2-22
135958	Typepallet	2-19	138263	Keypal	2-23
135959	Typepallet	2-18	138264	Keypal	2-24
135960	Typepallet	2-19	138265	Keypal	2-24
135961	Typepallet	2-19	138266	Keypal	2-24
136656	Bracket	5-9	138267	Keypal	2-22
136657	Resistor and Capacitor Assembly	5-9	138268	Keypal	2-22
136658	Arm, Punch	2-4, 7-2	138269	Keypal	2-26
136659	Tape Feed-Out and Metering Mechanism	5-8, 7-2, 7-3	138270	Keypal	2-25
136662	Bracket	5-9	138271	Keypal	2-25
136663	Bracket	5-9	138272	Keypal	2-25
136664	Strip, Insulating	5-9	138273	Keypal	2-24
136665	Cover, Terminal Board	5-9			

138274	Keytop	2-23		
138275	Keytop	2-24		
138276	Keytop	2-24		
138277	Keytop	2-23		
138278	Keytop	2-24		
138280	Keytop	2-20		
138281	Keytop	2-21		
138282	Keytop	2-20		
138283	Keytop	2-20		
138284	Keytop	2-22		
138285	Keytop	2-23		
138286	Keytop	2-24		
138287	Keytop	2-25		
138288	Keytop	2-21		
138289	Keytop	2-22		
138290	Keytop	2-26		
138291	Keytop	2-21		
138292	Keytop	2-25		
138715	Typepallet	2-18		
138716	Typepallet	2-19		
138717	Typepallet	2-19		
138718	Typepallet	2-18		
138719	Typepallet	2-19		
138721	Typepallet	2-18		
138722	Typepallet	2-19		
138723	Typepallet	2-18		
138724	Typepallet	2-19		
138725	Typepallet	2-18		
138726	Typepallet	2-19		
138727	Typepallet	2-18		
138728	Typepallet	2-19		
138729	Typepallet	2-19		
138730	Typepallet	2-19		
138731	Typepallet	2-18		
138732	Typepallet	2-19		
138733	Typepallet	2-19		
138734	Typepallet	2-19		
138735	Typepallet	2-19		
138736	Typepallet	2-19		
138737	Typepallet	2-18		
138738	Typepallet	2-19		
138739	Typepallet	2-19		
138811	Typepallet	2-19		
138812	Typepallet	2-18		
138813	Typepallet	2-19		
138814	Typepallet	2-18		
138815	Typepallet	2-19		
138816	Typepallet	2-19		
138817	Typepallet	2-18		
138818	Typepallet	2-18		
138819	Typepallet	2-18		
138820	Typepallet	2-19		
138821	Typepallet	2-18		
138822	Typepallet	2-18		
138823	Typepallet	2-19		
138824	Typepallet	2-18		
138825	Typepallet	2-18		
138826	Typepallet	2-16,	2-18	
138827	Typepallet	2-16,	2-18	
138828	Typepallet	2-16,	2-19	
138829	Typepallet	2-19		
138830	Typepallet	2-18		
138831	Typepallet	2-18		
138832	Typepallet	2-16,	2-19	
151329	Switch, Sensitive	5-8		
151346	Screw (6-40 x 3/8 Fil.)	5-8		
151630	Screw (6-40 x 1/4 Hex.)	5-9		
151631	Screw (6-40 x 5/16 Hex.)	1-4		
151632	Screw (6-40 x 3/8 Hex.)	5-9		
151637	Screw (4-40 x 1/4 Fil.)	2-13		
151658	Screw (6-40 x 5/16 Fil.)	1-10,		
		2-8		
151723	Screw (10-32 x 3/8 Hex.)	5-9		
151724	Screw (10-32 x 5/8 Hex.)	5-9		
160200	Washer, Centering	3-3		
178430	Clamp, Cable	3-2		
205662WU	Cam, Detent	5-8		
205670WU	Lever, Detent	5-8		
205671WU	Stud, Bearing	5-8		
205870WU	Gear - 40T	5-8		
205871WU	Worm	5-8		
207227WU	Spring	5-8		
209815WU	Gear - 16T	2-10,	7-3	
209816WU	Clutch	5-8		

