

Bulletin No. 1094  
Issue 1  
February, 1942

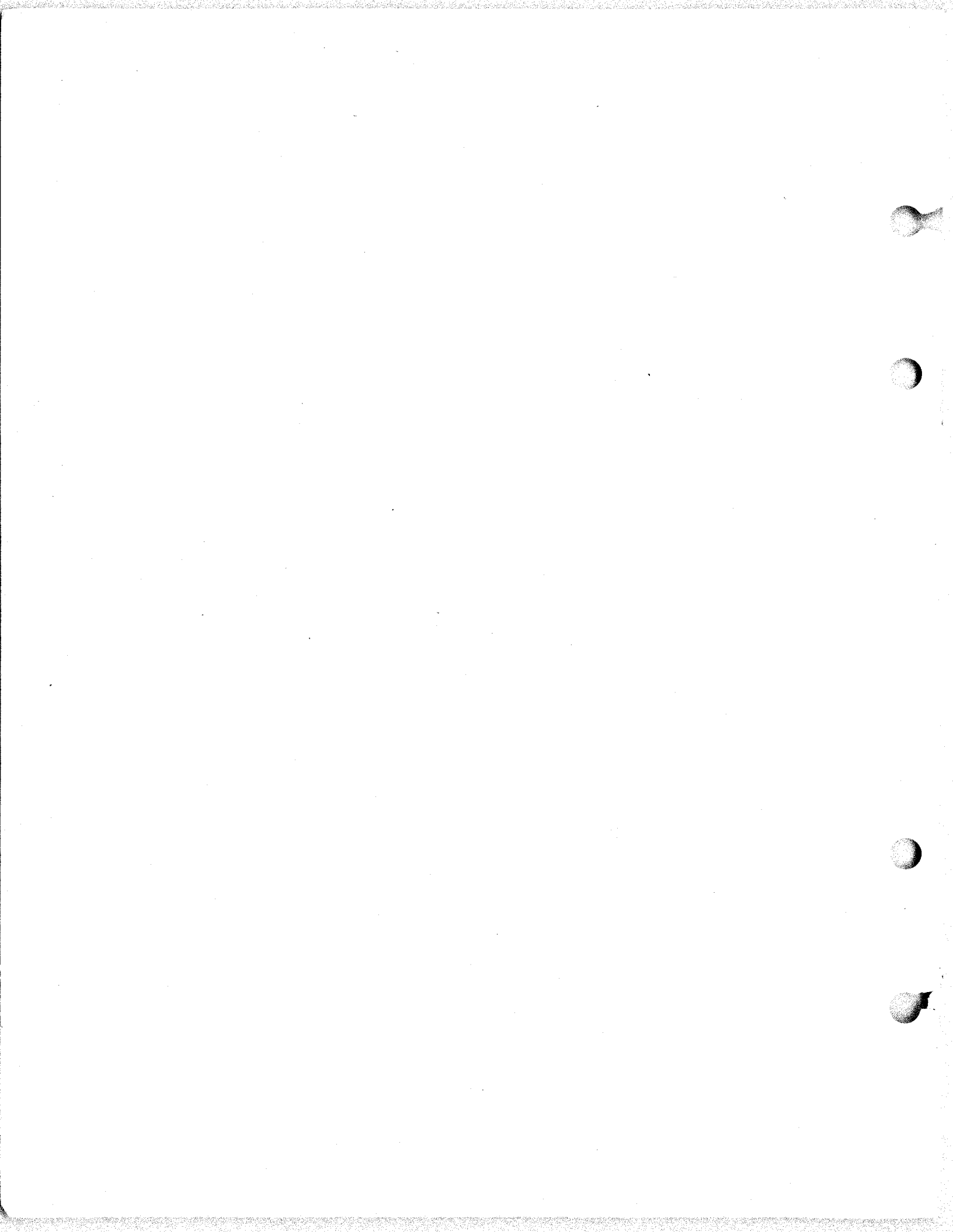
# TELETYPE

PRINTING TELEGRAPH SYSTEMS

PARTS  
TYPE BAR PAGE PRINTER  
(MODEL 15)



CORPORATION  
SUBSIDIARY OF  
*Western Electric Company*  
CHICAGO, U.S.A.



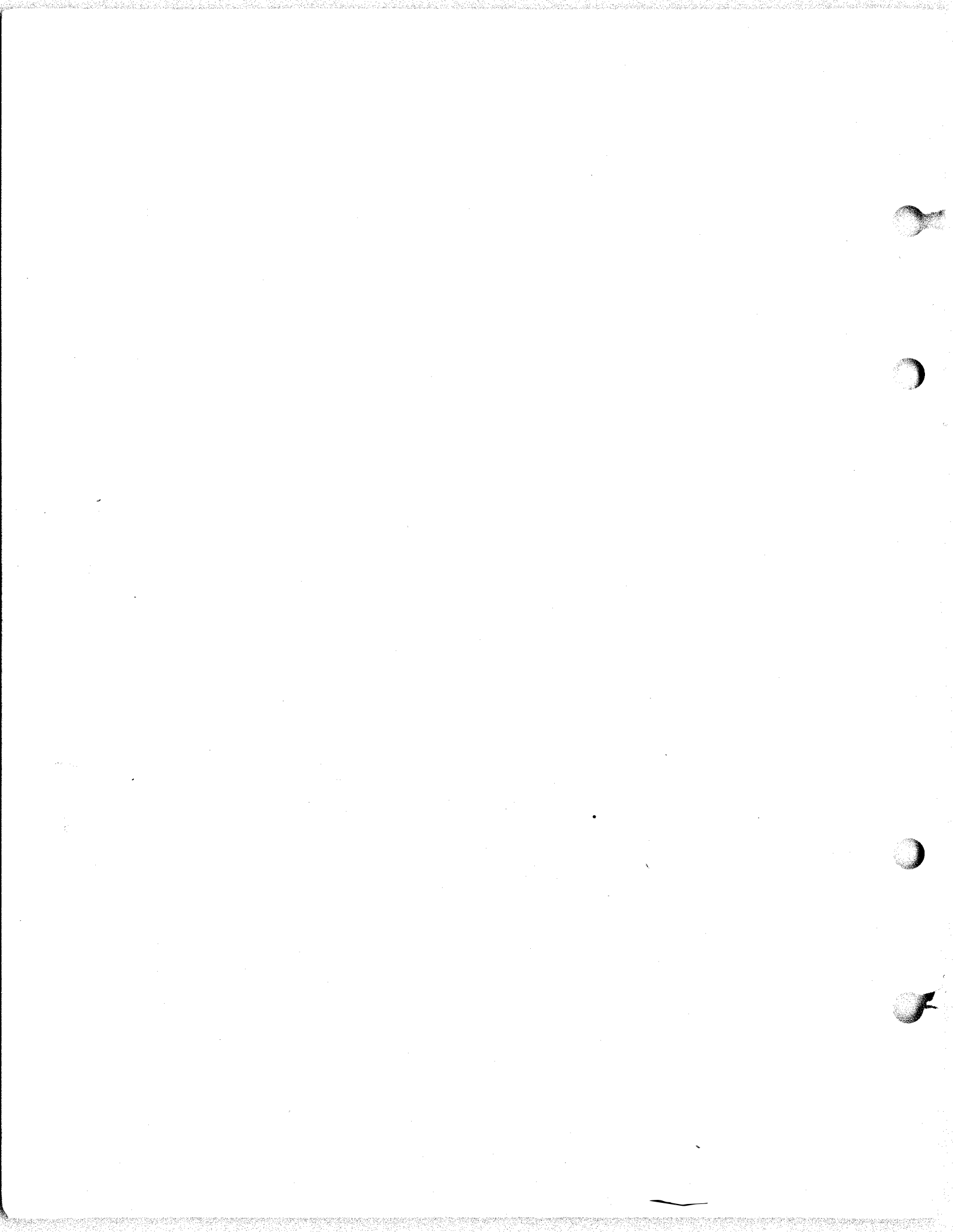
I  
ALPHABETICAL INDEX

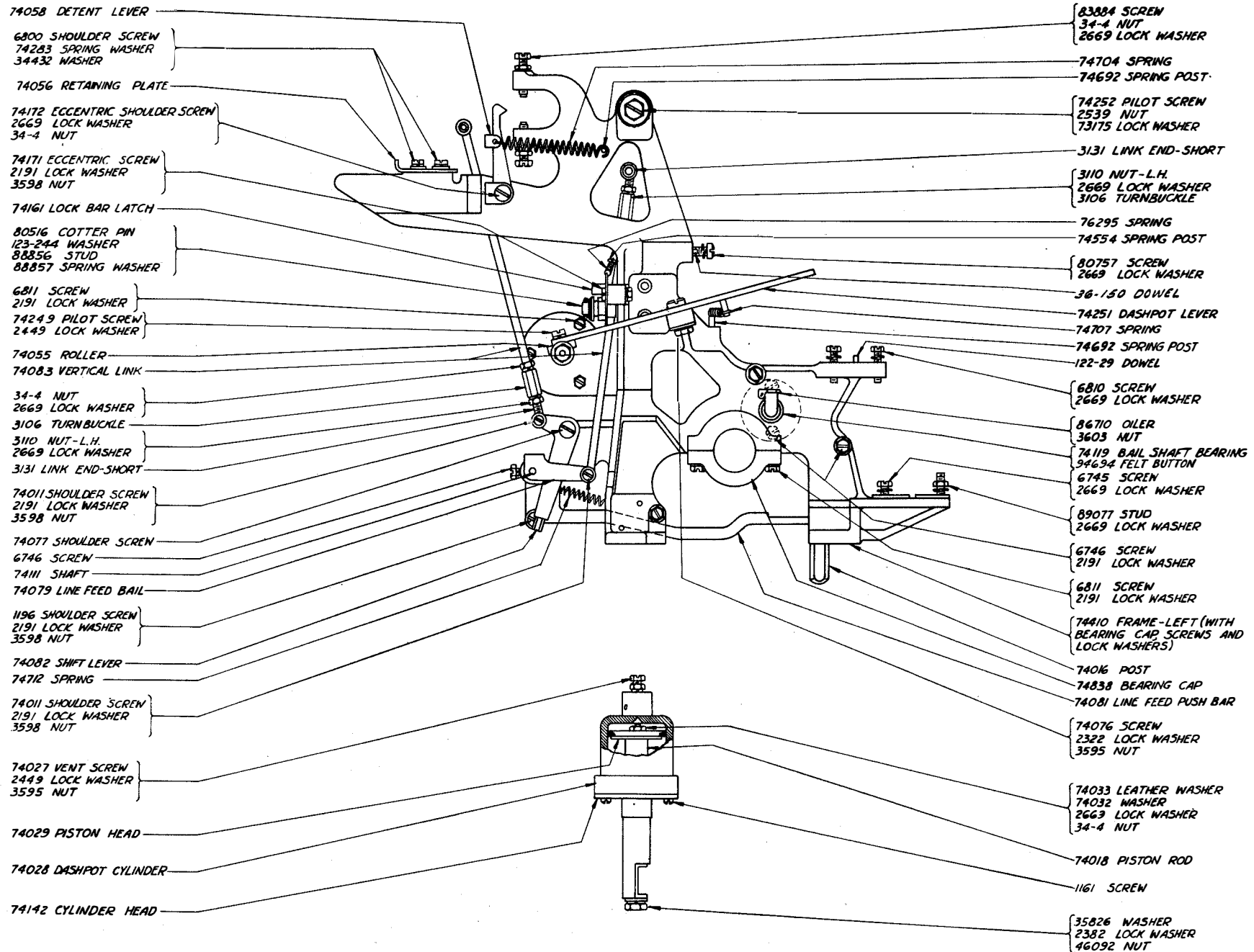
|   | <u>Page</u>     |
|---|-----------------|
| Armatures . . . . .   | 26              |
| Basket - Type Bar . . . . .                                   | 13,14           |
| Base (Assem.) . . . . .                                       | 17,22           |
| Bells . . . . .   | 2,5             |
| Bell Crank Levers (Assem.) . . . . .                          | 15              |
| Cables . . . . .  | 9,12,17,22,26   |
| Cam Sleeve (Assem.) . . . . .                                 | 3,23            |
| Carriage Return Spring Drum (Assem.) . . . . .                | 5               |
| Clamps - Cable . . . . .                                      | 17,21           |
| Condensers . . . . .  | 20,29           |
| Connecting Strip . . . . .                                    | 21              |
| Contact (Assem.) . . . . .                                    | 9,23            |
| Code Bars . . . . .   | 15,30           |
| Connecting Block . . . . .                                    | 18              |
| Control Relay (Assem.) . . . . .                              | 20              |
| Cords (Assem.) . . . . .                                      | 19              |
| Cover . . . . .   | 24              |
| Cover Doors . . . . .   | 24,25           |
| Cover Front Plates . . . . .                                  | 25              |
| Copyholder . . . . .  | 25              |
| Crank Handle . . . . .  | 9               |
| Cross Bar (Assem.) . . . . .                                  | 4,5             |
| Dashpot Parts . . . . .                                       | 1               |
| Felt Pads . . . . .   | 17,24           |
| Filter Units . . . . .  | 29              |
| Frame Parts - Left Side . . . . .                             | 1               |
| Frame Parts - Right Side . . . . .                            | 2               |
| Function Levers . . . . .                                     | 6,7,8           |
| Function Lever Bail (Assem.) . . . . .                        | 6,31            |
| Function Push Bar and Cross Bar (Assem.) . . . . .            | 4               |
| Fusetrons and Fustats . . . . .                               | 19              |
| Gears . . . . .   | 3,5,15,23,26,27 |
| Governor (Assem.) . . . . .                                   | 28              |
| Governor Brush and Speed Adjusting Bracket (Assem.) . . . . . | 28              |
| Guards . . . . .  | 18,21           |
| Handle . . . . .  | 9               |
| Index - Numerical . . . . .                                   | 34              |
| Jack (Assem.) . . . . .                                       | 18              |
| Key (Test) . . . . .  | 22              |
| Key Levers . . . . .  | 22              |
| Keyboard (Assem.) . . . . .                                   | 22              |
| Keyboard Shaft (Assem.) . . . . .                             | 23              |

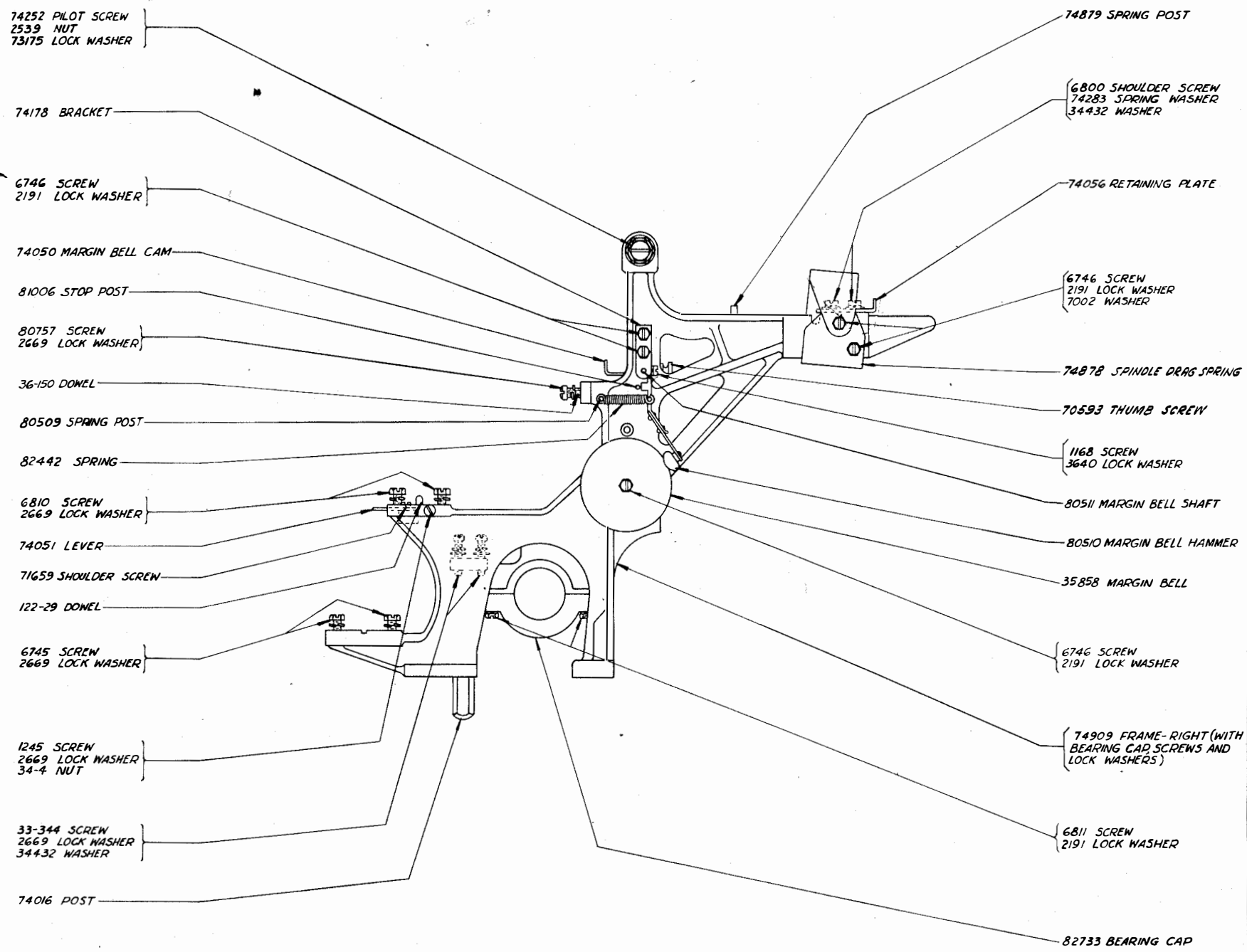
|  | <u>Page</u>    |
|--|----------------|
| Keyboard Track . . . . .   | 21             |
| Keytops . . . . .  | 7,16,22,30     |
| Lamp . . . . .   | 19             |
| Line and Selector Jack (Assem.) . . . . .                                  | 18             |
| Lock Bar Latch and Carriage Return Lock Bar (Assem.) . . . . .             | 5              |
| Margin Adjusting Screws . . . . .  | 14             |
| Margin Bell . . . . .  | 2              |
| Main Shaft (Assem.) . . . . .  | 3              |
| Message Line Guide . . . . .   | 25             |
| Motor Units . . . . .  | 26,27          |
| Motor Stop Contacts . . . . .  | 9              |
| Motor Stop Locking (Assem.) . . . . .                                      | 12             |
| Name Plates . . . . .  | 25,26,27       |
| Notes of Explanation . . . . .   | 32             |
| Numerical Index . . . . .  | 34             |
| Pads - Felt . . . . .  | 17,24          |
| Paper Roll Spindle . . . . .   | 21             |
| Pallets . . . . .  | 30             |
| Pinions . . . . .  | 26,27          |
| Platen (Assem.) - Friction Feed . . . . .                                  | 10             |
| Printing Bail (Assem.) . . . . .   | 4              |
| Platen Roll - Rubber and Steel Jacketed . . . . .                          | 9,11           |
| Power Line Cords . . . . .   | 19             |
| Pull Bars . . . . .  | 13,30          |
| Range Finder (Assem.) . . . . .  | 12             |
| Rear Cross Bar . . . . .   | 4,5            |
| Relay . . . . .  | 20             |
| Relay Base . . . . .   | 18             |
| Relay Connecting Block . . . . .   | 18             |
| Reset Lever Downstop and Unshift on Space Cut-out Lever (Assem.) . . . . . | 9              |
| Ribbon Feed Mechanism . . . . .  | 14,15          |
| Ribbon Lockout Lever (Assem.) . . . . .                                    | 13             |
| Ribbon Reverse Mechanism . . . . .   | 14,15          |
| Resistors . . . . .  | 18,20,21,22,29 |
| Resistance Mounting Block (Assem.) . . . . .                               | 17             |
| Rotors (Assem.) . . . . .  | 27             |
| Selector Bars . . . . .  | 22             |
| Selector Unit - Pulling Magnet (Assem.) . . . . .                          | 12             |
| Selector Vane (Assem.) . . . . .   | 6              |
| Send-Receive Break Mechanism . . . . .                                     | 18,31          |
| Set of Keytops . . . . .   | 7              |
| Set of Paper Guide Parts . . . . .   | 11             |
| Set of Parts to Convert from Friction Feed to Sprocket Feed . . . . .      | 11             |
| Set of Pallets . . . . .   | 7              |

III

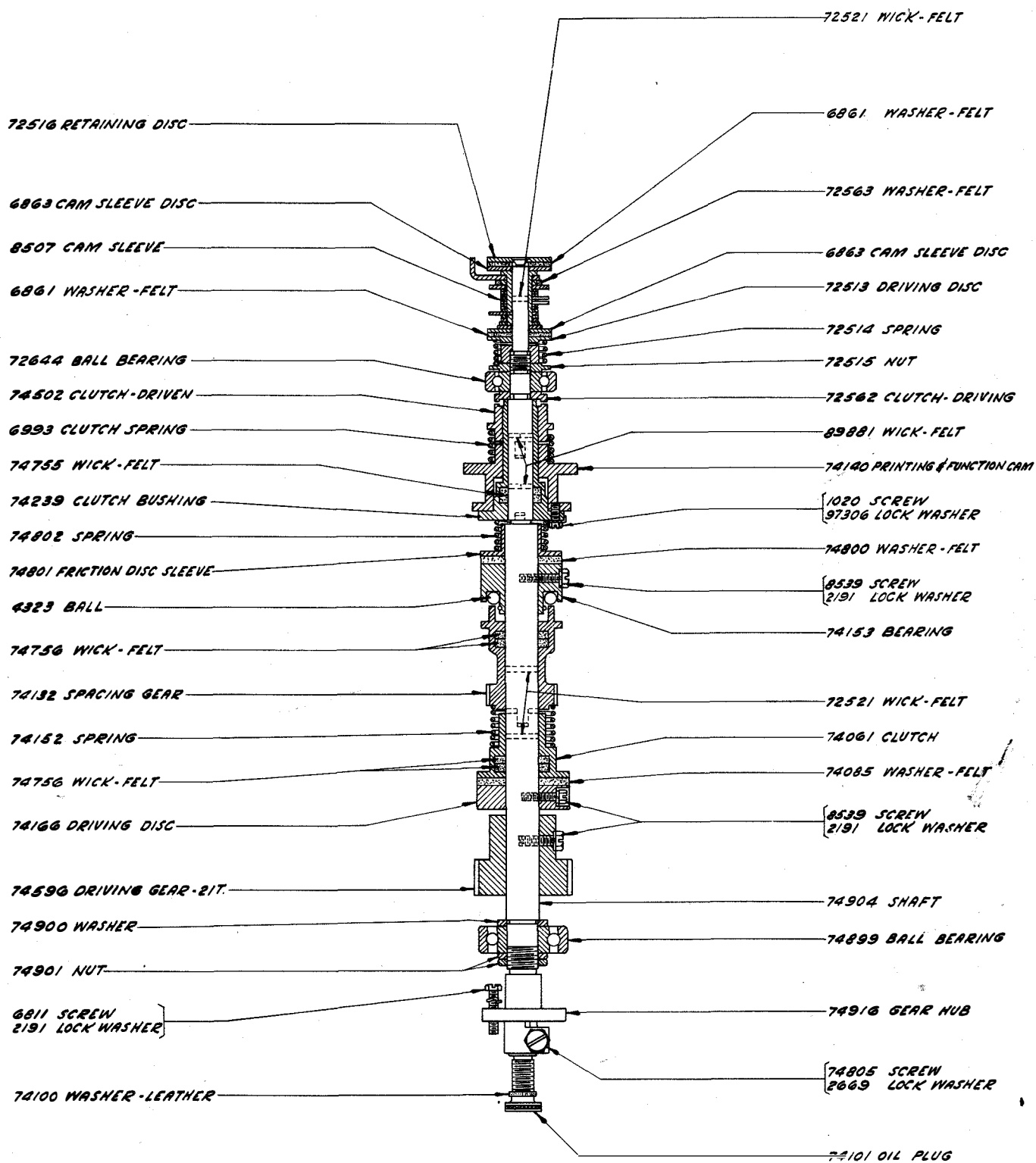
|  | <u>Page</u>    |
|--|----------------|
| Set of Parts for Tabulator . . . . .   | 16             |
| Set of Parts to Convert 15 Printer Sets to Disseminate Weather Map Data. . . . . | 7              |
| Set of Parts (New Sixth Vane Extension). . . . .                                 | 4              |
| Shaft - Keyboard . . . . .   | 23             |
| Shaft - Main . . . . .   | 3              |
| Sixth Vane Extension . . . . .   | 4              |
| Sixth Vane Detent Lever (Assem.) . . . . .                                       | 6              |
| Slip Connection Mounting (Assem.) . . . . .                                      | 21             |
| Spacing Cross Bar. . . . .   | 5              |
| Spacing Gear . . . . .   | 5              |
| Spacing Rack . . . . .   | 14             |
| Spring Drum (Assem.) . . . . .   | 5              |
| Switches . . . . .   | 17,19,26       |
| Tabulator Parts. . . . .   | 16             |
| Target Lamp (Assem.) . . . . .   | 19,26          |
| Terminal Block (Assem.) . . . . .  | 17,20,22       |
| Terminal Straps. . . . .   | 12,19          |
| Test Key . . . . .   | 22             |
| Toggle Switches. . . . .   | 17,19,26       |
| Tracks . . . . .   | 13,21          |
| Transmitter (Assem.) . . . . .   | 23             |
| Type Bars. . . . .   | 13,30          |
| Type Bar Backstop (Assem.) . . . . .   | 13             |
| Type Bar Basket (Assem.) . . . . .   | 13,14          |
| Type Bars (With Pallets) . . . . .   | 30             |
| Unshift on Space Cutout. . . . .   | 9              |
| Upper Case "H" Motor Stop Mechanism. . . . .                                     | 6,8,9,12,30,32 |
| Upper Case "M" Motor Stop Mechanism. . . . .                                     | 6,8,9,12,30,32 |
| Weather Map - Parts for Disseminating Data . . . . .                             | 7              |

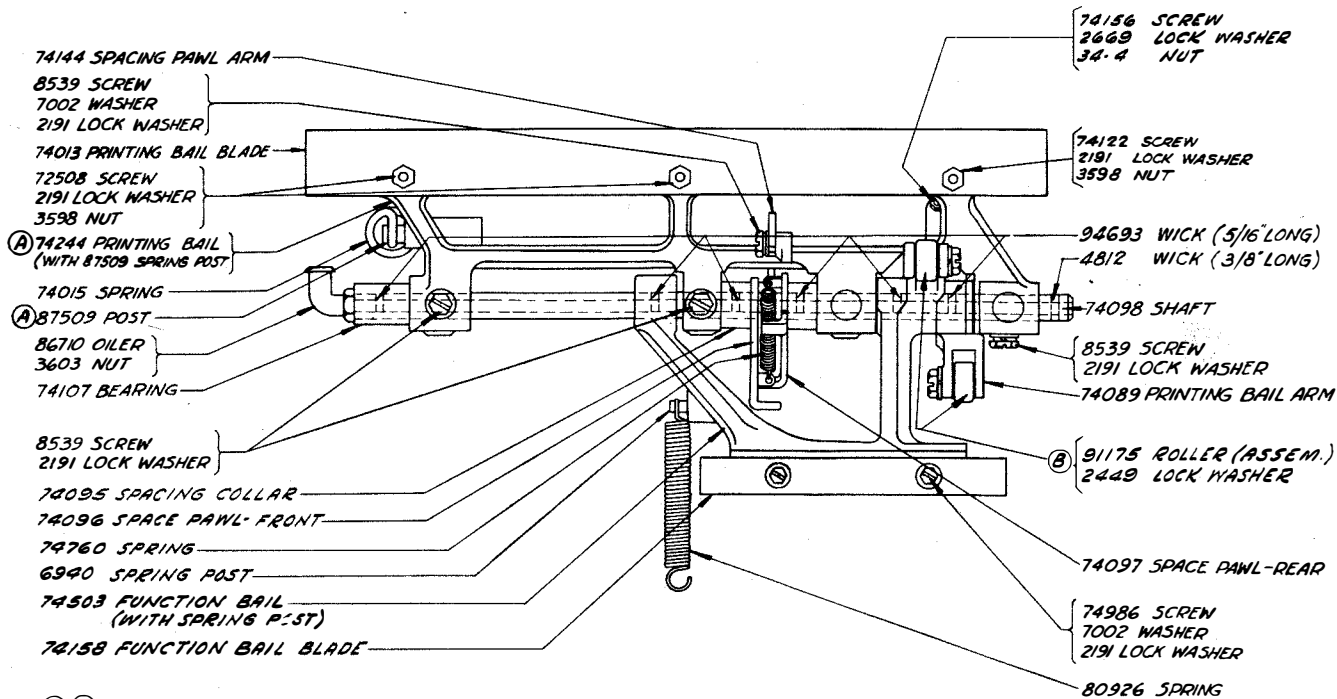
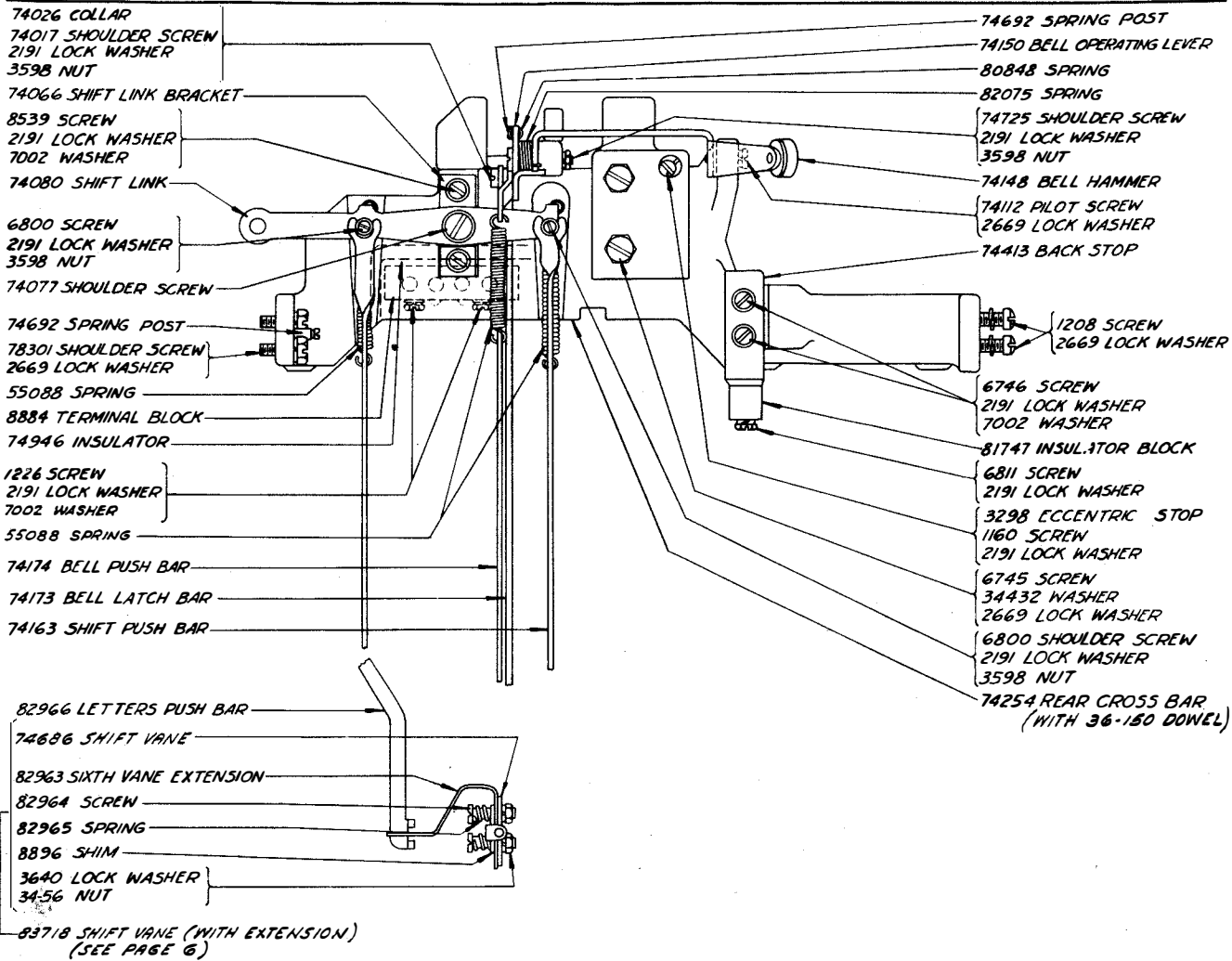




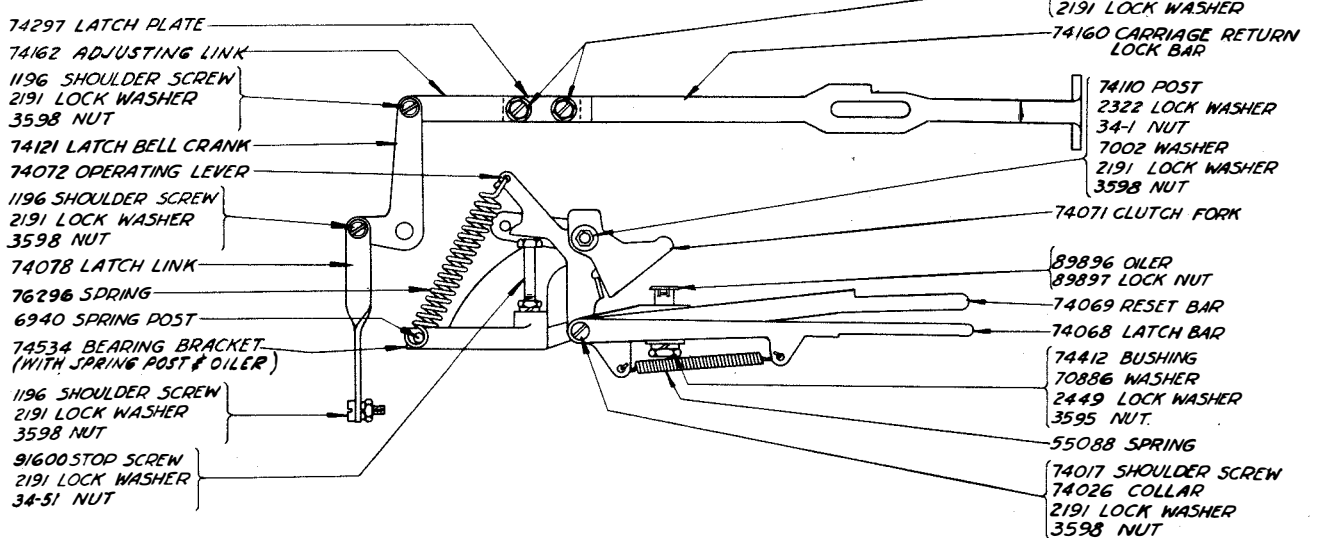
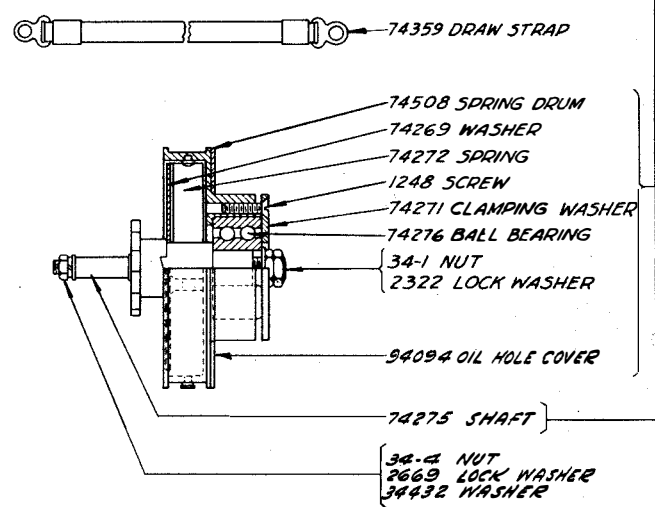
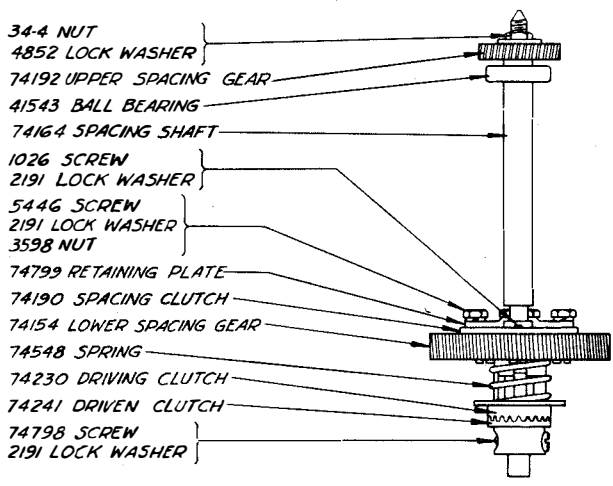
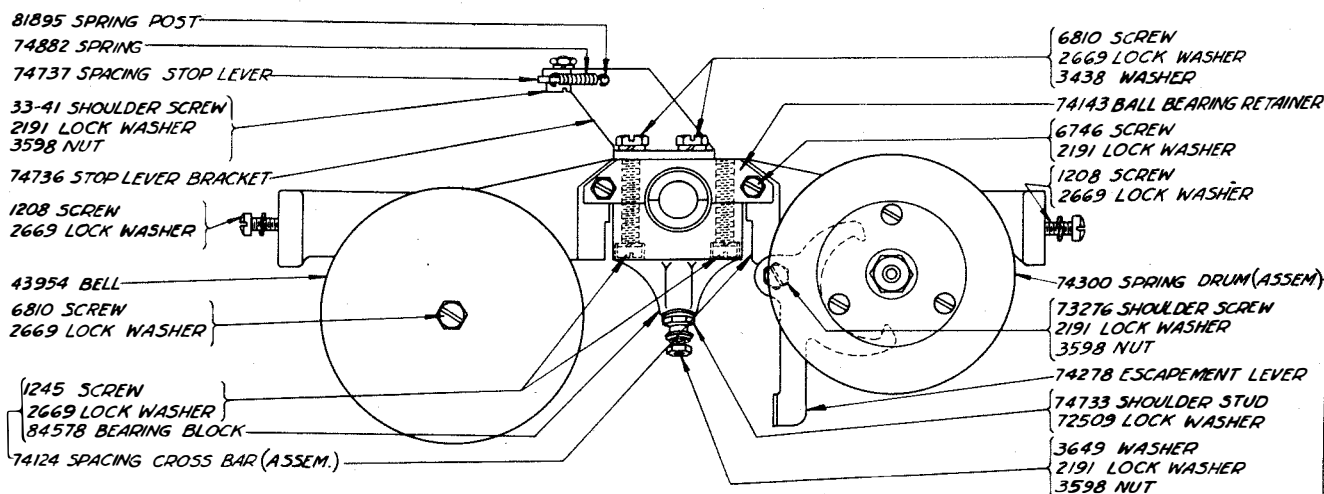


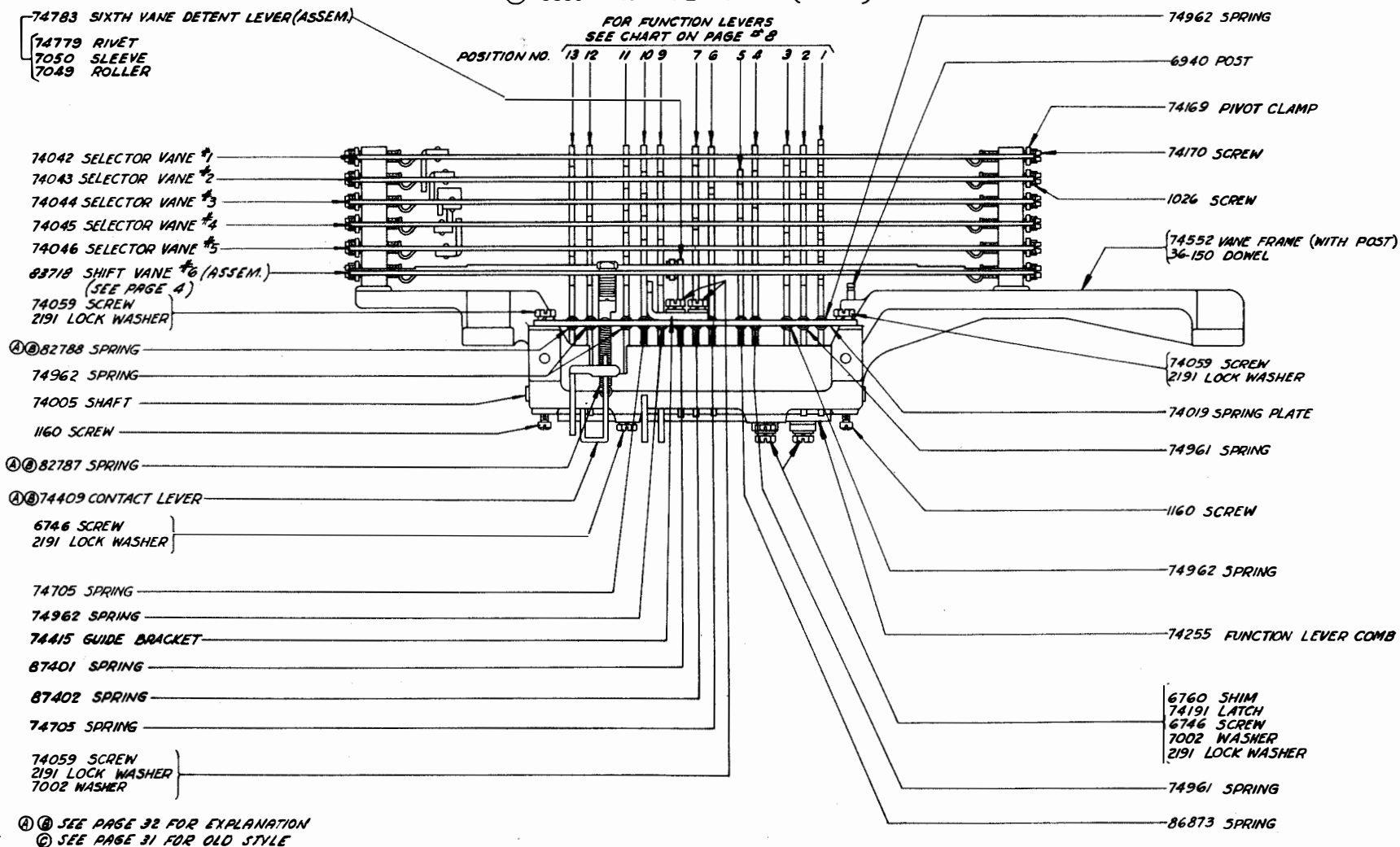
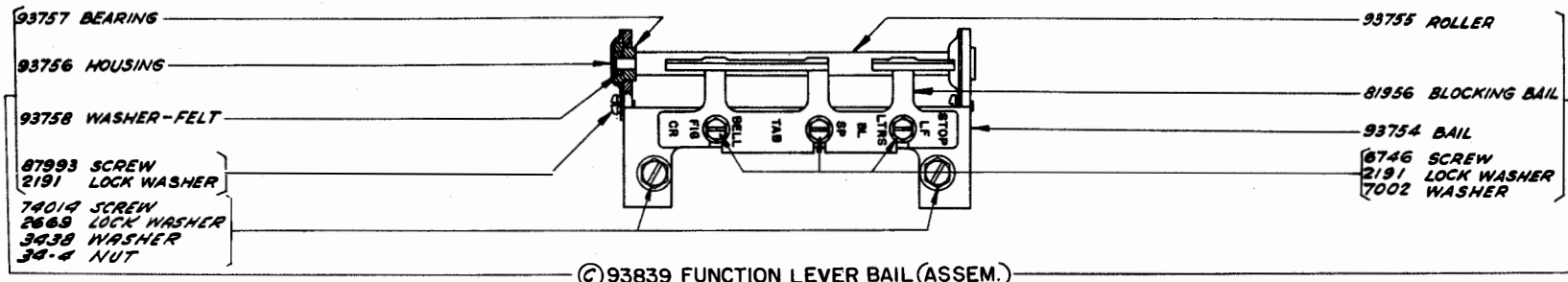






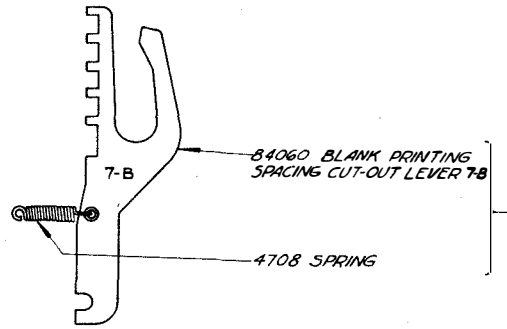
(A) (B) SEE PAGE 32 FOR EXPLANATION



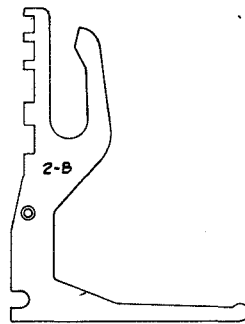


Ⓐ Ⓑ SEE PAGE 32 FOR EXPLANATION  
© SEE PAGE 31 FOR OLD STYLE

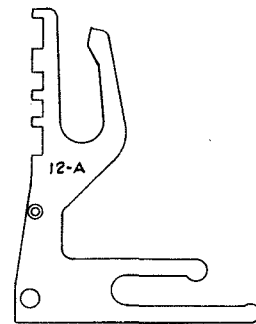
90103 SET OF PARTS FOR CONVERTING MODEL 15 PRINTER SETS, EQUIPPED WITH SPRING CUSHION KEYTOPS, TO DISSEMINATE WEATHER MAP DATA. INCLUDES 84061, 84927, 84928, 82750 & 90101.



84061 "BLANK" PRINTING-SPACING CUT-OUT LEVER (ASSEM)  
(SUPPRESSES PRINTING & SPACING ON LOWER CASE BLANK)



84927 CARRIAGE RETURN FUNCTION LEVER #2-B  
FOR C.R. AND L.F. OPERATION IN LOWER CASE ONLY



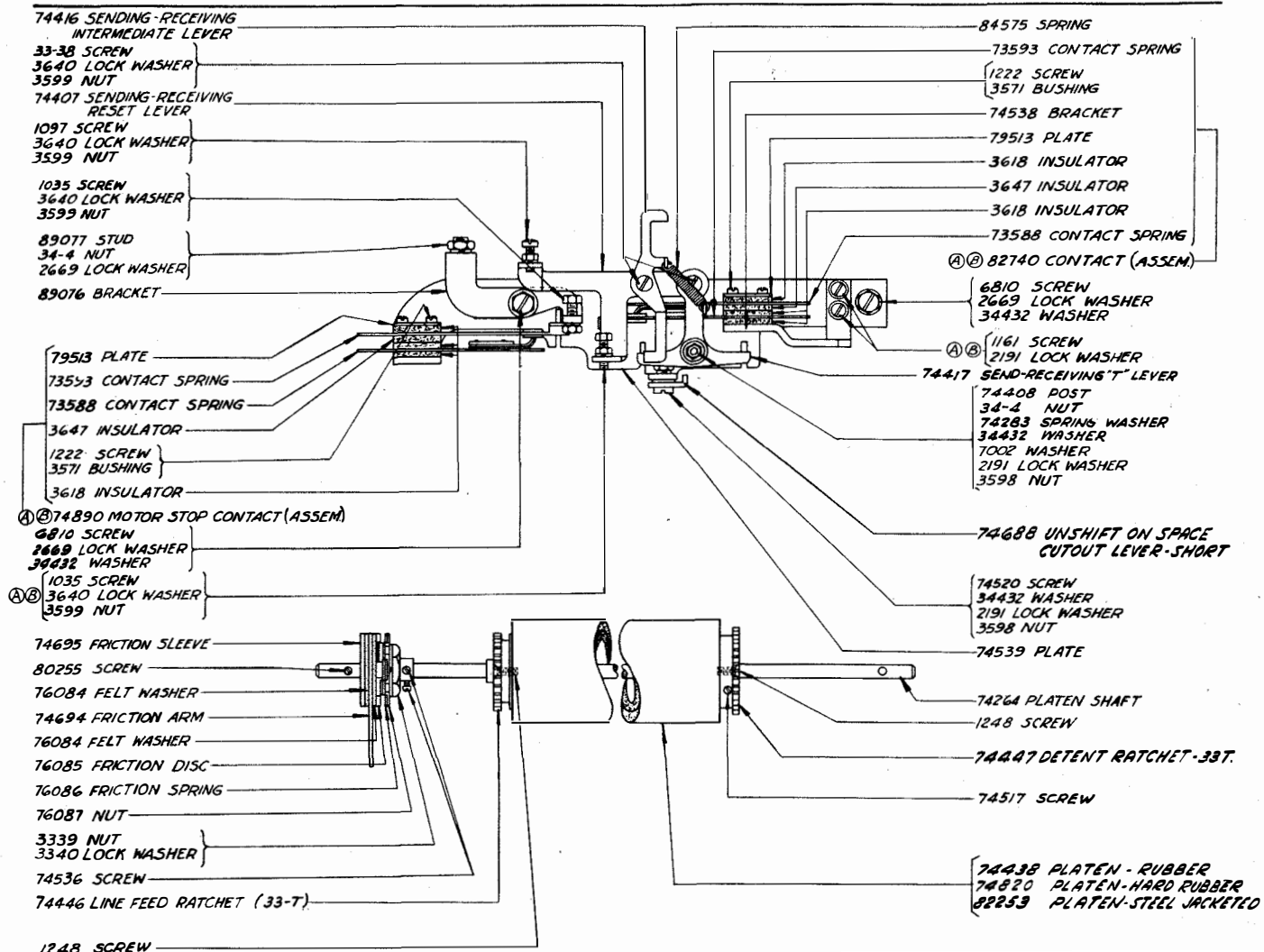
84928 LINE FEED FUNCTION LEVER #12-A

| 82750 SET OF TYPE PALLETS |              |          |              |
|---------------------------|--------------|----------|--------------|
| CAT. NO.                  | DESCRIP-TION | CAT. NO. | DESCRIP-TION |
| 82147                     | A ↑          | 82154    | L ↘          |
| 82148                     | D ↗          | 82420    | B ⊕          |
| 82149                     | F →          | 82421    | V ⊕          |
| 82150                     | G ↘          | 84069    | N ⊕          |
| 82151                     | H ↓          | 82423    | C ○          |
| 82152                     | J ↗          | 82751    | Z +          |
| 82153                     | K ←          | 84025    | -            |

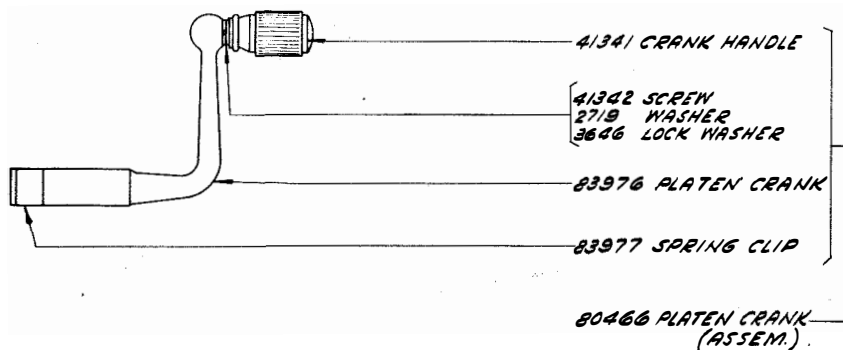
| 90101 SET OF SPRING CUSHION KEYTOPS |              |          |              |
|-------------------------------------|--------------|----------|--------------|
| CAT. NO.                            | DESCRIP-TION | CAT. NO. | DESCRIP-TION |
| 89413                               | -            | 89420    | K ←          |
| 89414                               | A ↑          | 89421    | L ↘          |
| 89415                               | D ↗          | 89422    | Z +          |
| 89416                               | F →          | 89423    | C ○          |
| 89417                               | G ↘          | 89424    | V ⊕          |
| 89418                               | H ↓          | 89425    | B ⊕          |
| 89419                               | J ↗          | 89426    | N ⊕          |

FUNCTION LEVERS

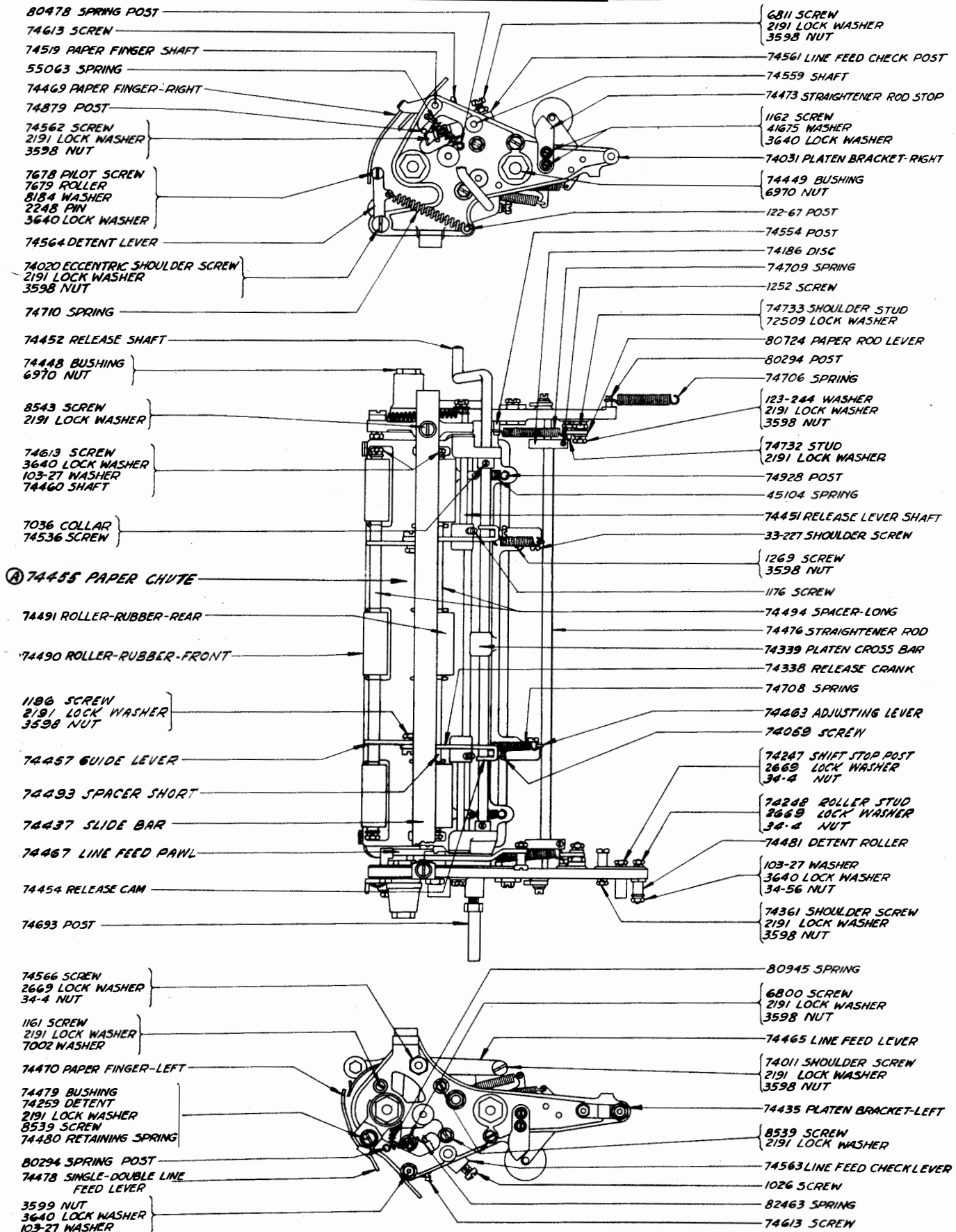
| CATALOG NUMBER                  | POSITION USED | FUNCTION PERFORMED   | SPRING | CODE SELECTION        | STAMPING |
|---------------------------------|---------------|--|--------|-----------------------|----------|
| 74040                           | 1             | LOCKS VANES  | 74962  | ALL COMBINATIONS      | 1        |
| 74131                           | 2             | CARRIAGE RETURN  | 74961  | --- 4 -               | 2        |
| 84927                           | 2             | CARRIAGE RETURN IN "LETTERS" POSITION ONLY.                          | 74961  | --- 4 -               | 2-B      |
| 74128                           | 3             | SHIFT TO "FIGURES" POSITION.   | 74962  | 1 2 - 4 5             | 3        |
| 74138                           | 4             | BELL ON "FIGURES" "S"  | 74961  | 1 - 3 - -             | 4        |
| 74109                           | 5             | RESETS SEND-RECEIVE BREAK MECHANISM                                  | 86873  | ANY PRINTED CHARACTER | 5-A      |
| 84792                           | 6             | TABULATION ON "FIGURES" "Z"  | 74705  | 1 - - - 5             | 6-A      |
| 86768                           | 6             | TABULATION ON "FIGURES" "G"  | 74705  | - 2 - 4 5             | 6-B      |
| 74932                           | 7             | SUPPRESSES PRINTING & SPACING ON "BLANK"                             | 87402  | - - - - -             | 7-A      |
| 84060                           | 7             | SUPPRESSES PRINTING & SPACING ON "BLANK", IN "LETTERS" POSITION ONLY | 4708   | - - - - -             | 7-B      |
| 74130                           | 9             | SHIFT TO "LETTERS" POSITION ON SPACE                                 | 74962  | - - 3 - -             | 9        |
| 74039                           | 10            | OPERATES SEND-RECEIVE BREAK MECHANISM ON "BLANK" SIGNAL.             | 74705  | - - - - -             | 10       |
| 74129                           | 11            | SHIFT TO "LETTERS" POSITION  | 74962  | 1 2 3 4 5             | 11       |
| 74127                           | 12            | LINE FEED  | 74962  | - 2 - - -             | 12       |
| 84928                           | 12            | LINE FEED IN "LETTERS" POSITION ONLY.                                | 74962  | - 2 - - -             | 12-A     |
| ④ 74038                         | 13            | MOTOR STOP ON "FIGURES" "M"  | 82788  | - - 3 4 5             | 13       |
| ④ 82271                         | 13            | MOTOR STOP ON "FIGURES" "H"  | 82787  | - - 3 - 5             | 13-D     |
| ④ ④ SEE PAGE 32 FOR EXPLANATION |               |  |        |                       |          |



SEE WIRING DIAGRAM FOR CABLES

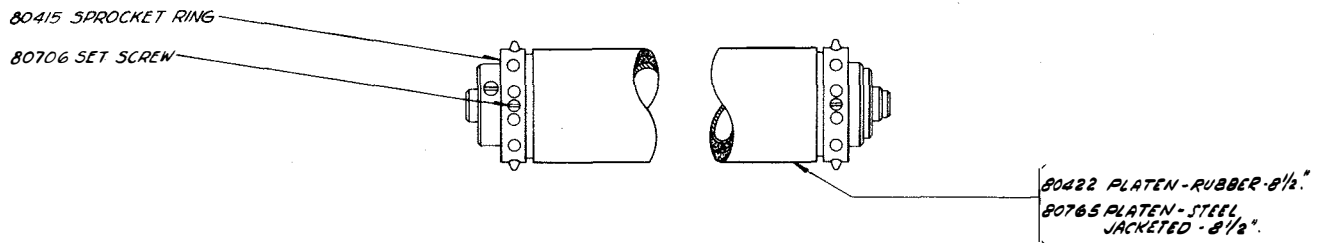
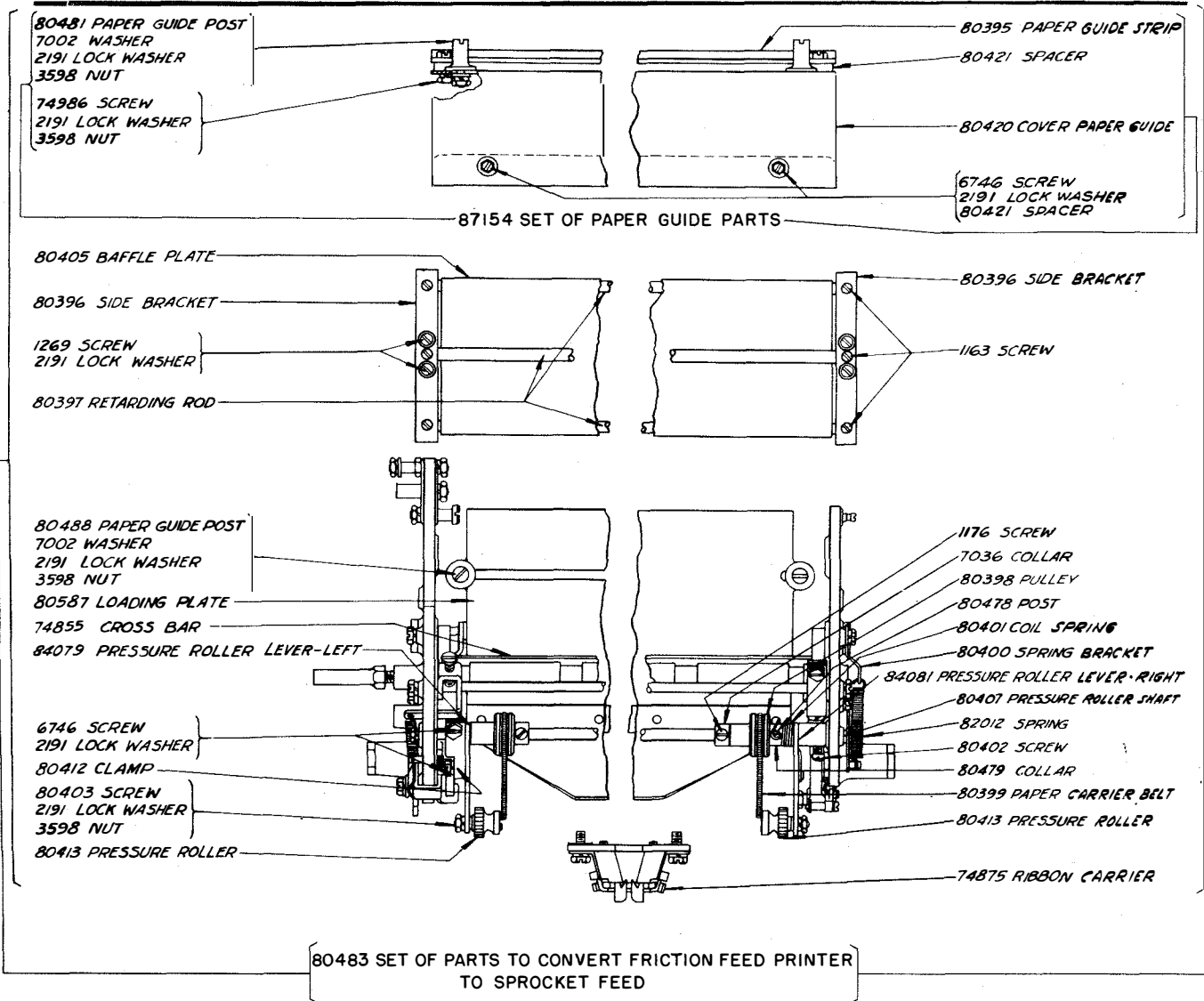


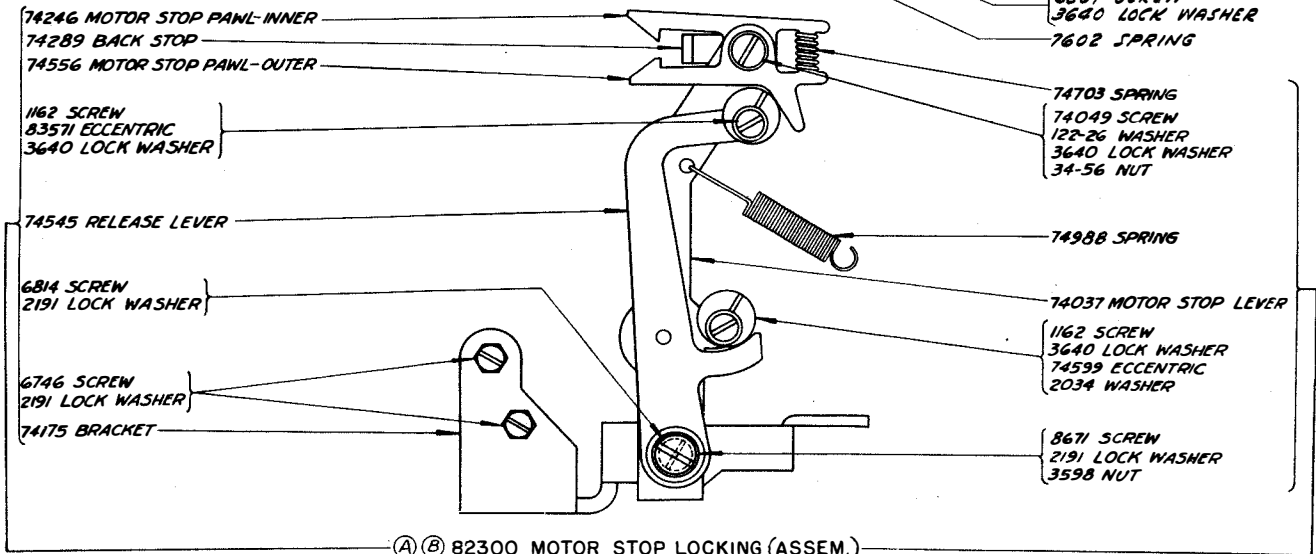
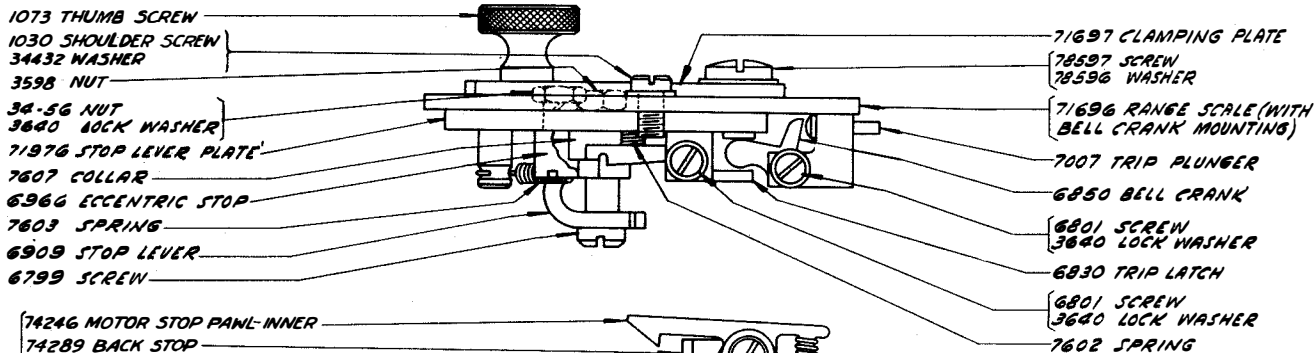
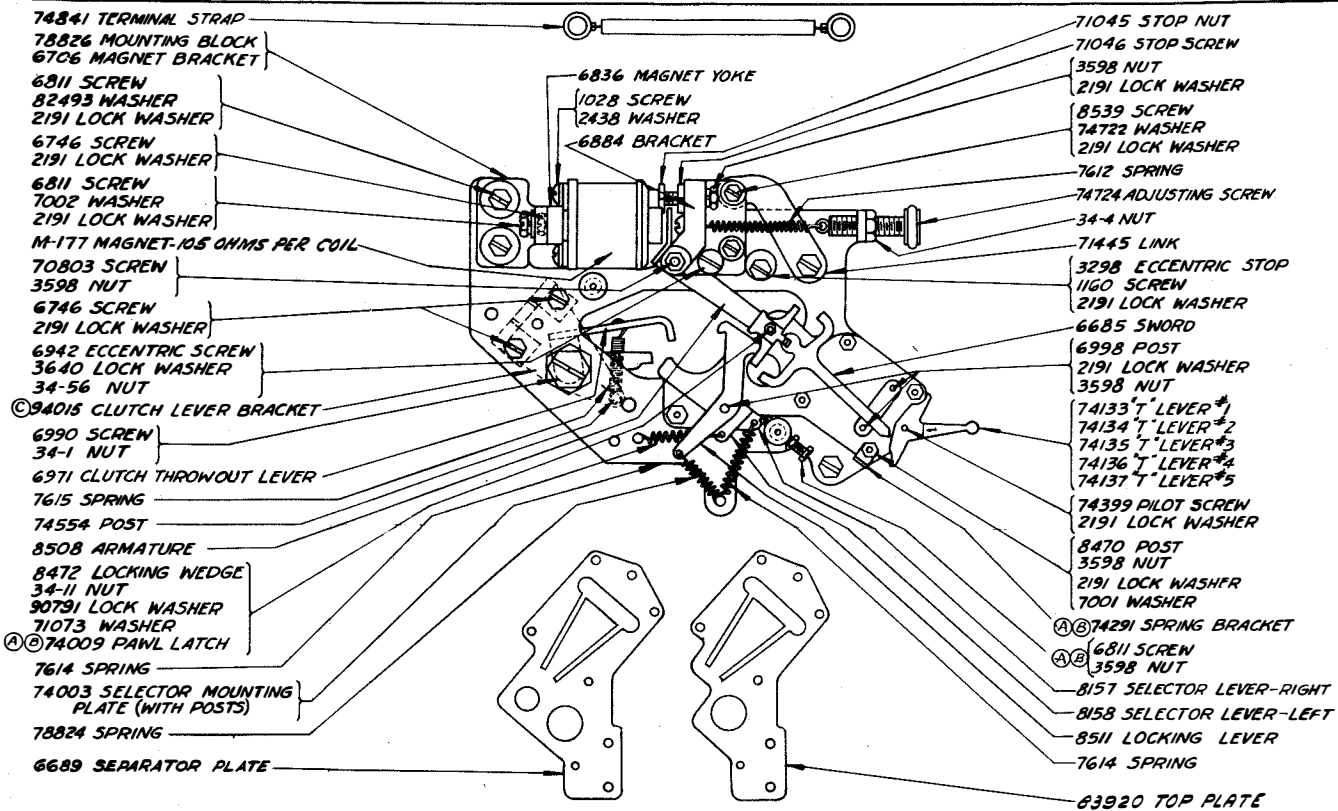
④ ④ SEE PAGE 32 FOR EXPLANATION



(A) SEE PAGE 32 FOR EXPLANATION



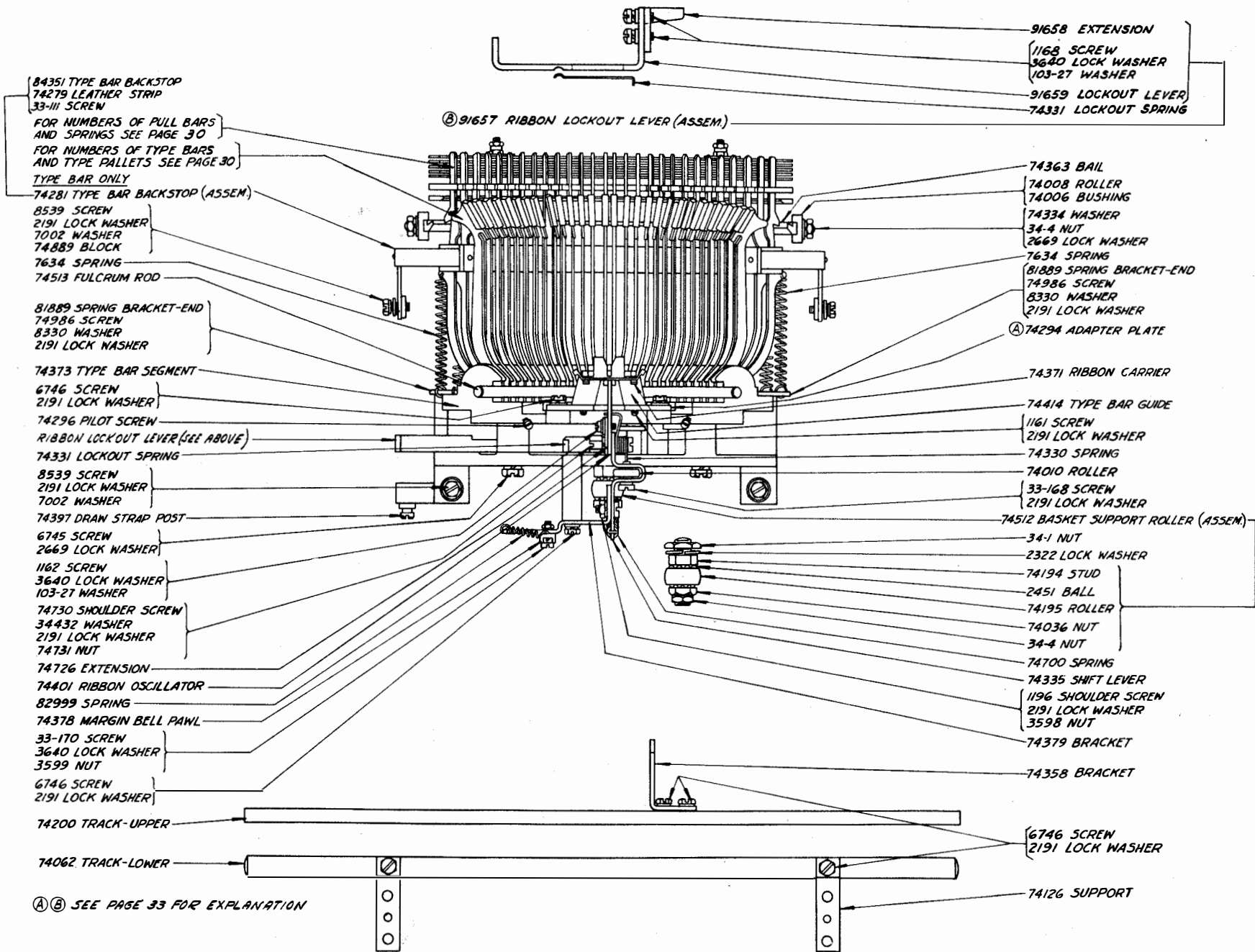


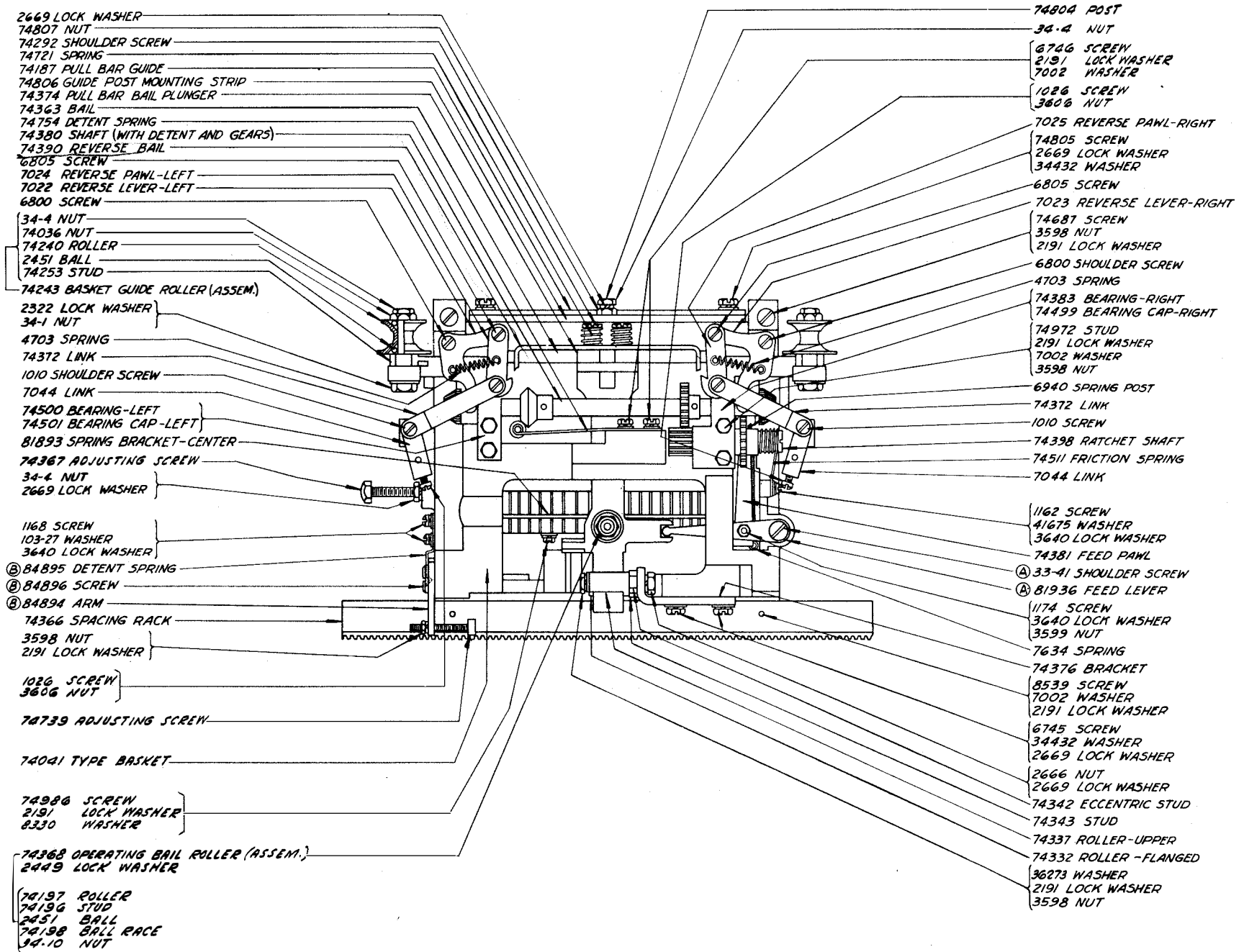


(A) (B) 82300 MOTOR STOP LOCKING (ASSEM.)

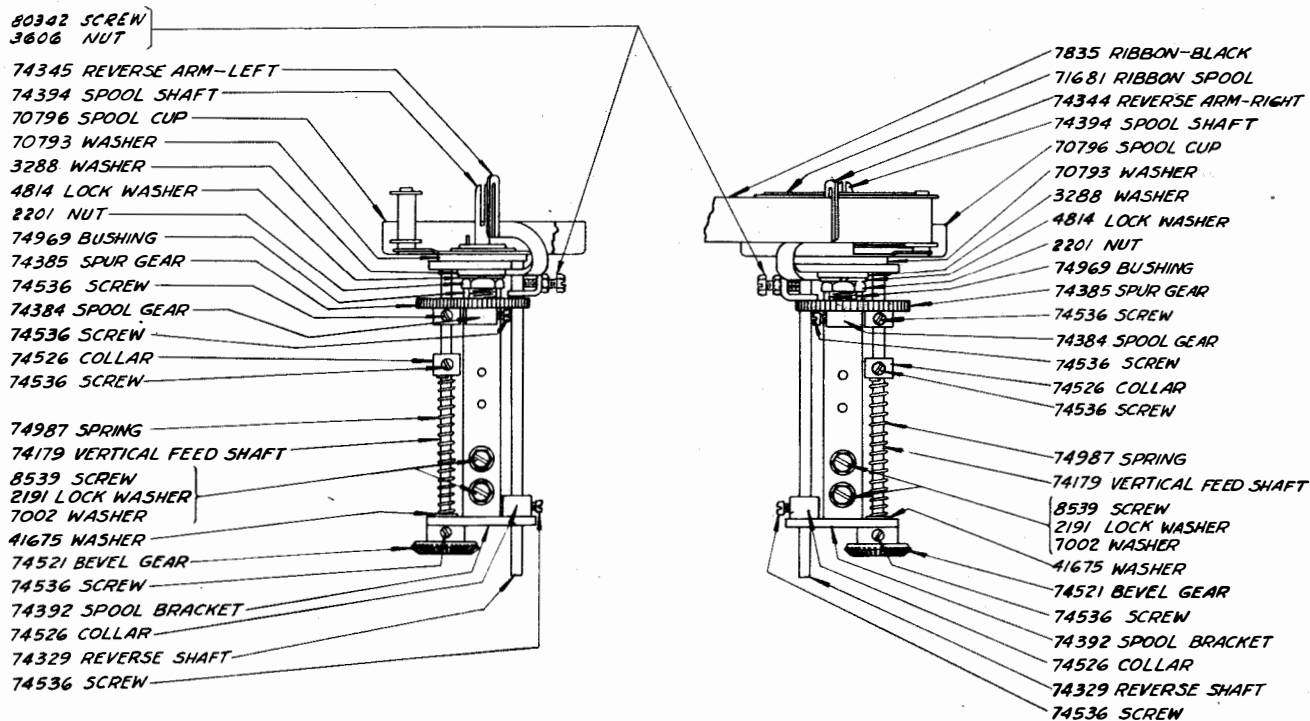
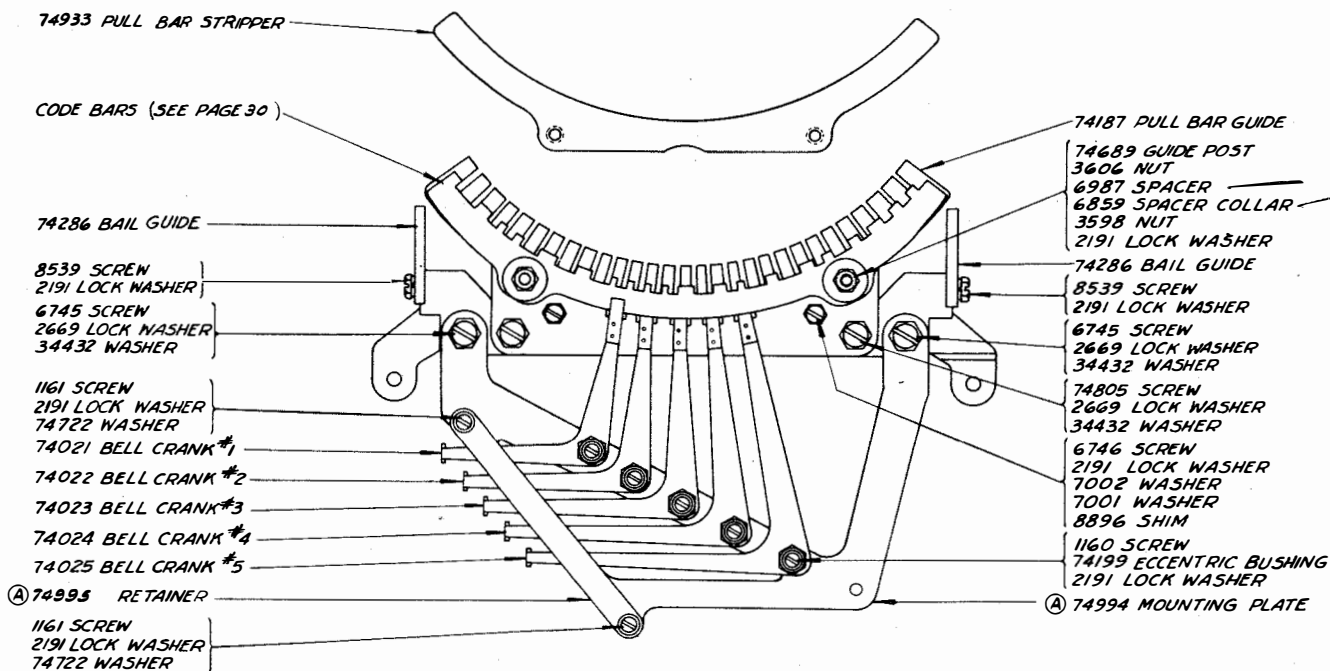
(A) (B) (C) SEE PAGE 32 FOR EXPLANATION

SEE WIRING DIAGRAM FOR CABLES

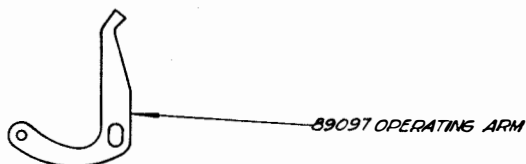
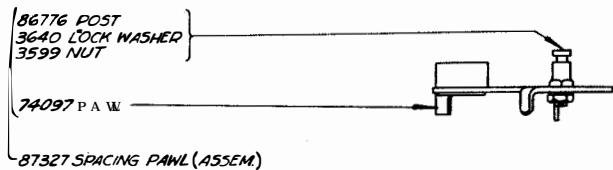
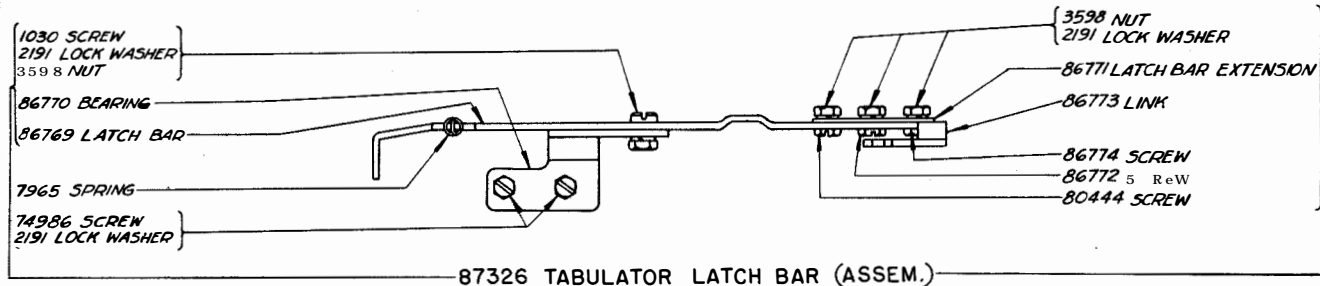
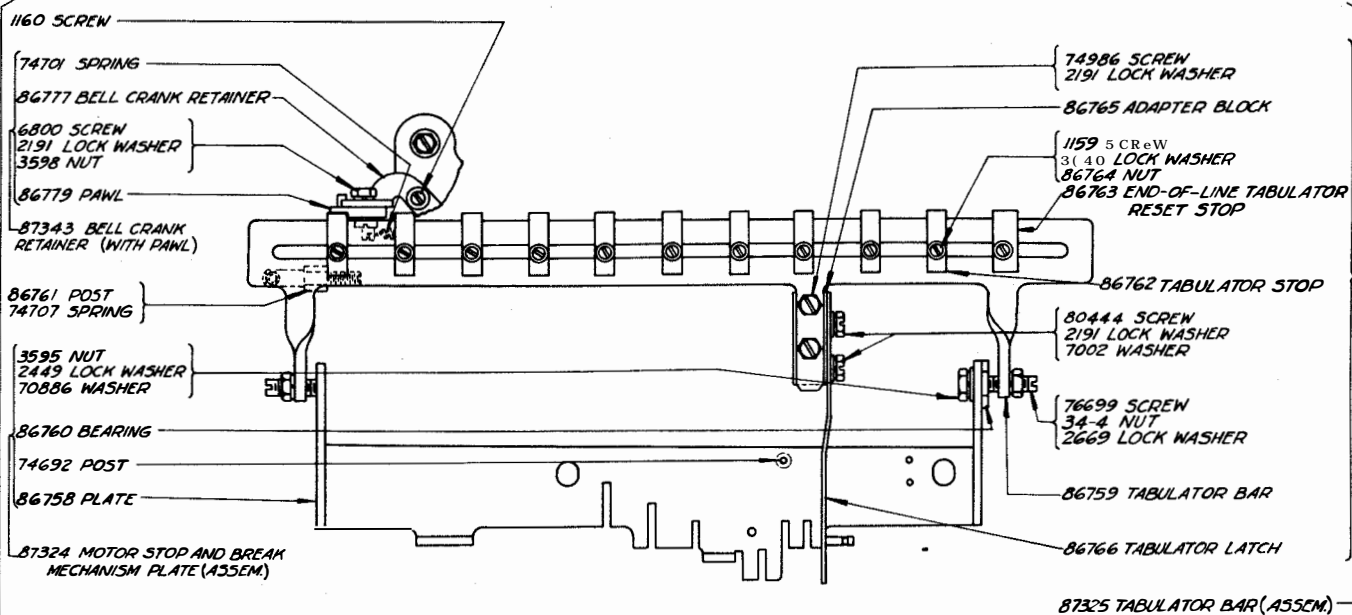




ⓐ ⓑ SEE PAGE 33 FOR EXPLANATION



(A) SEE PAGE 33 FOR EXPLANATION

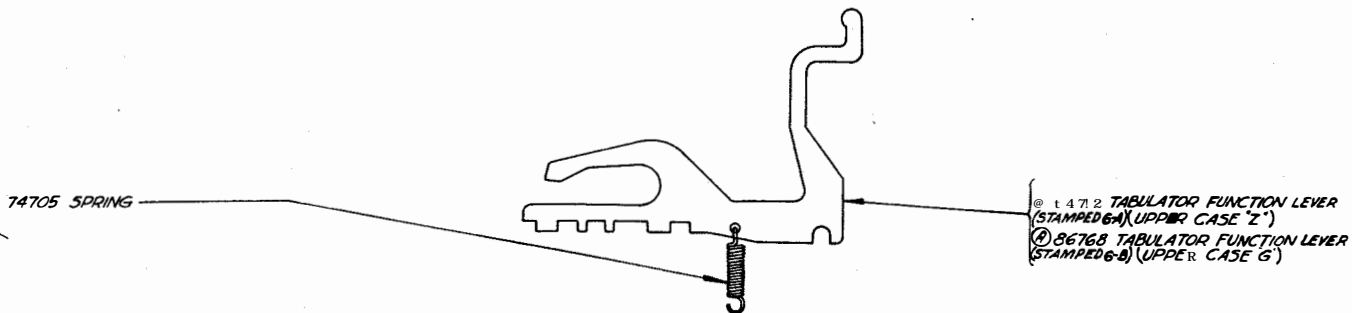


ⓐ 84799 SPRING CUSHION KEYTOP

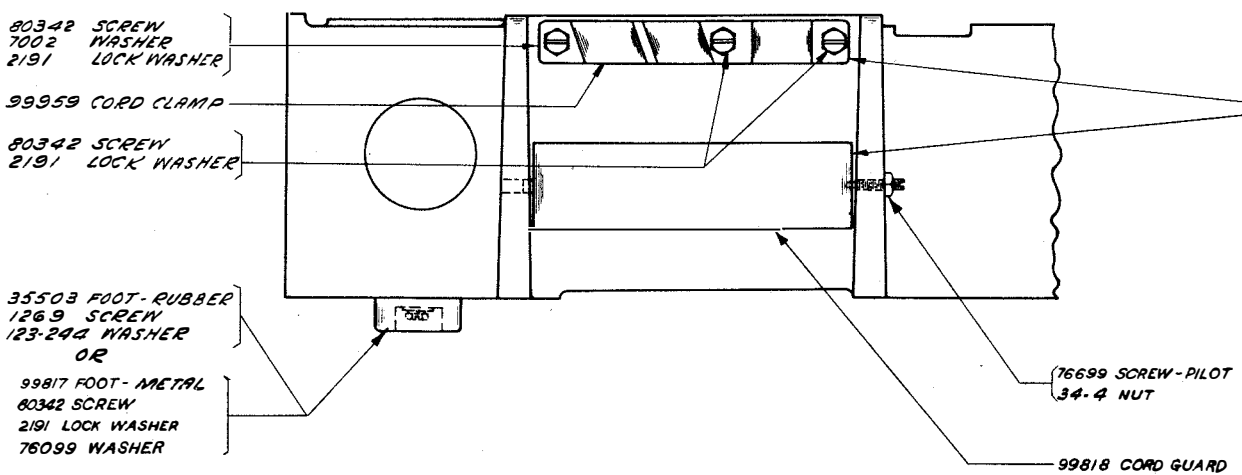
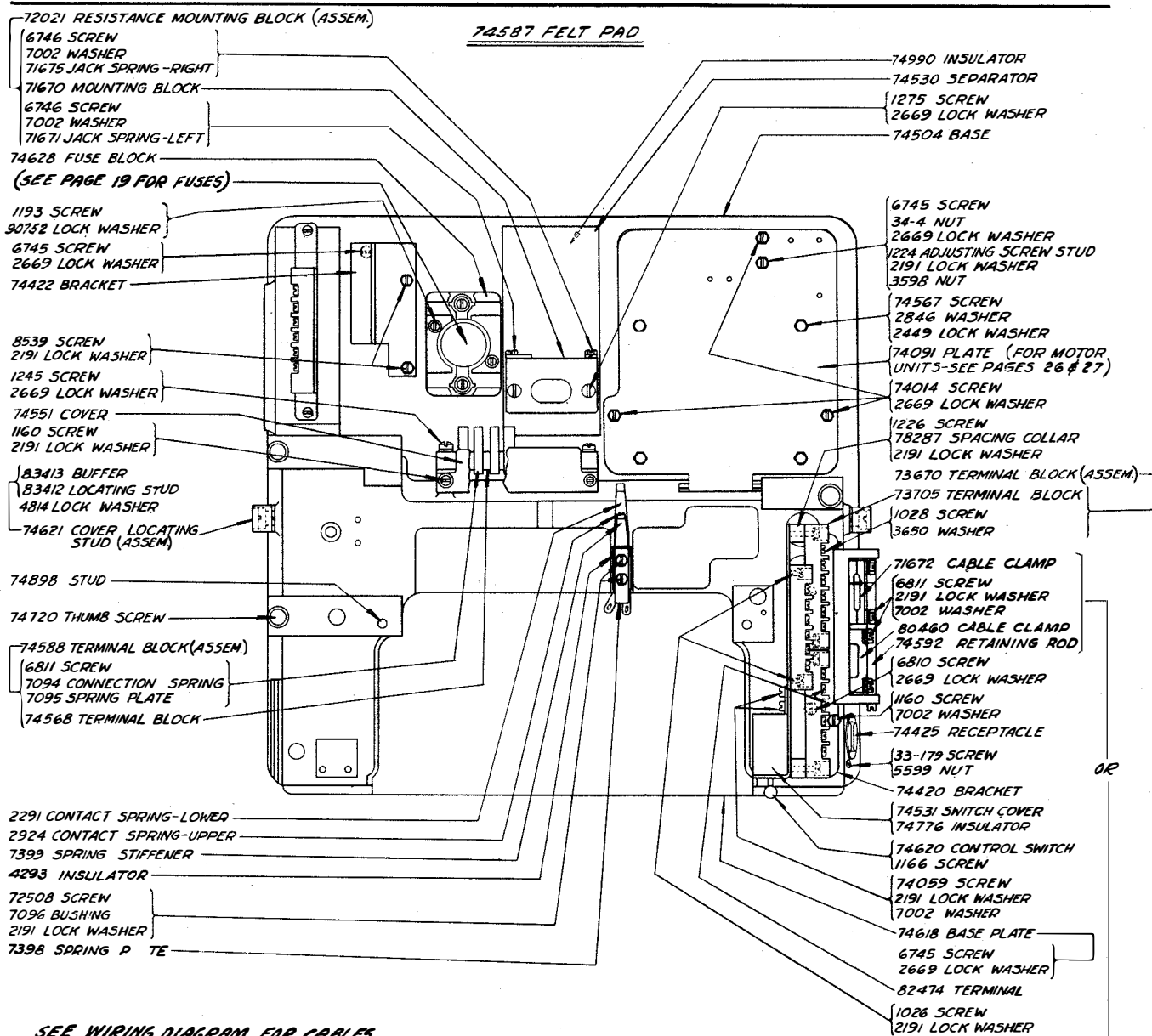
TAB Z

TAB G

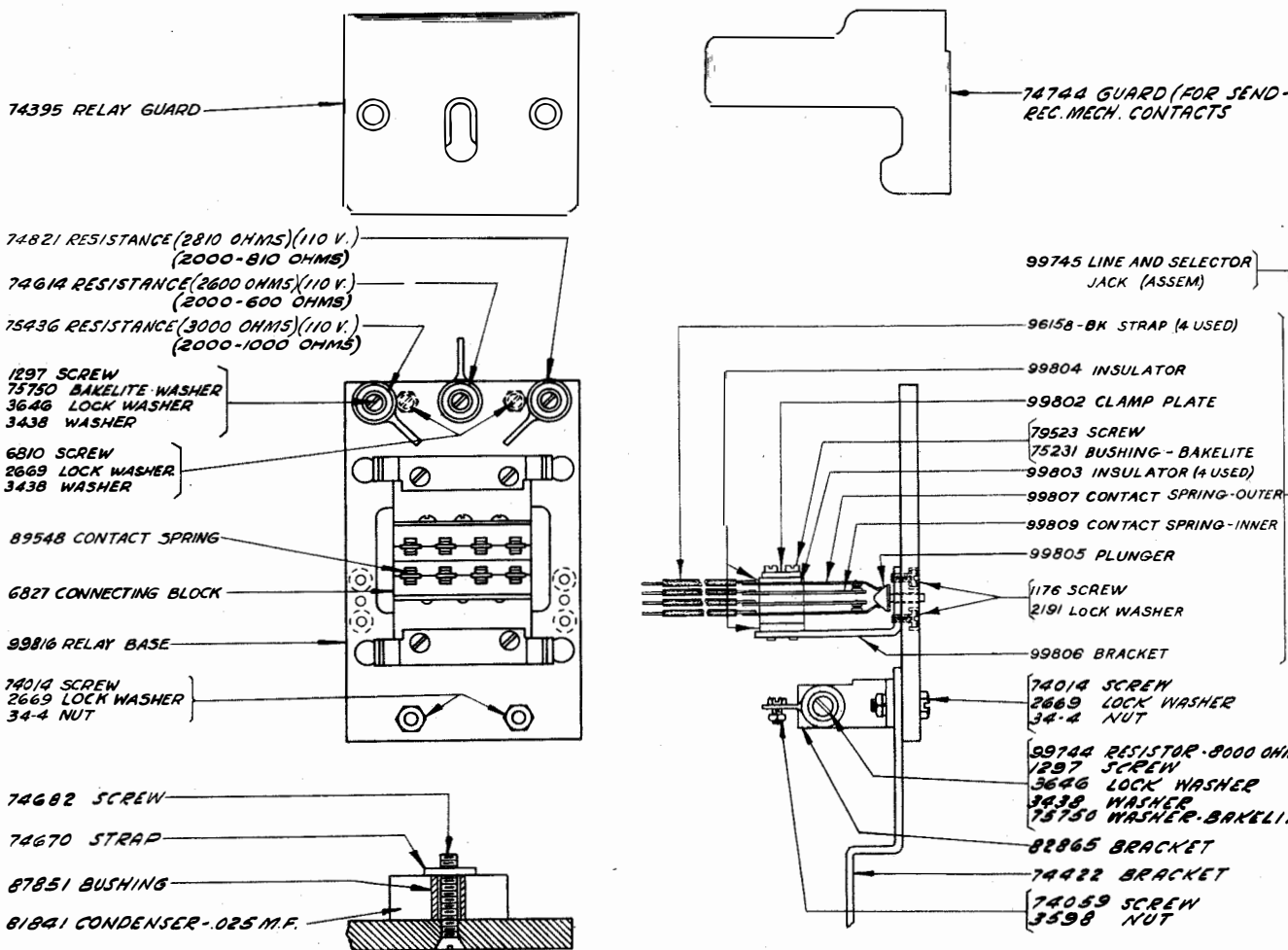
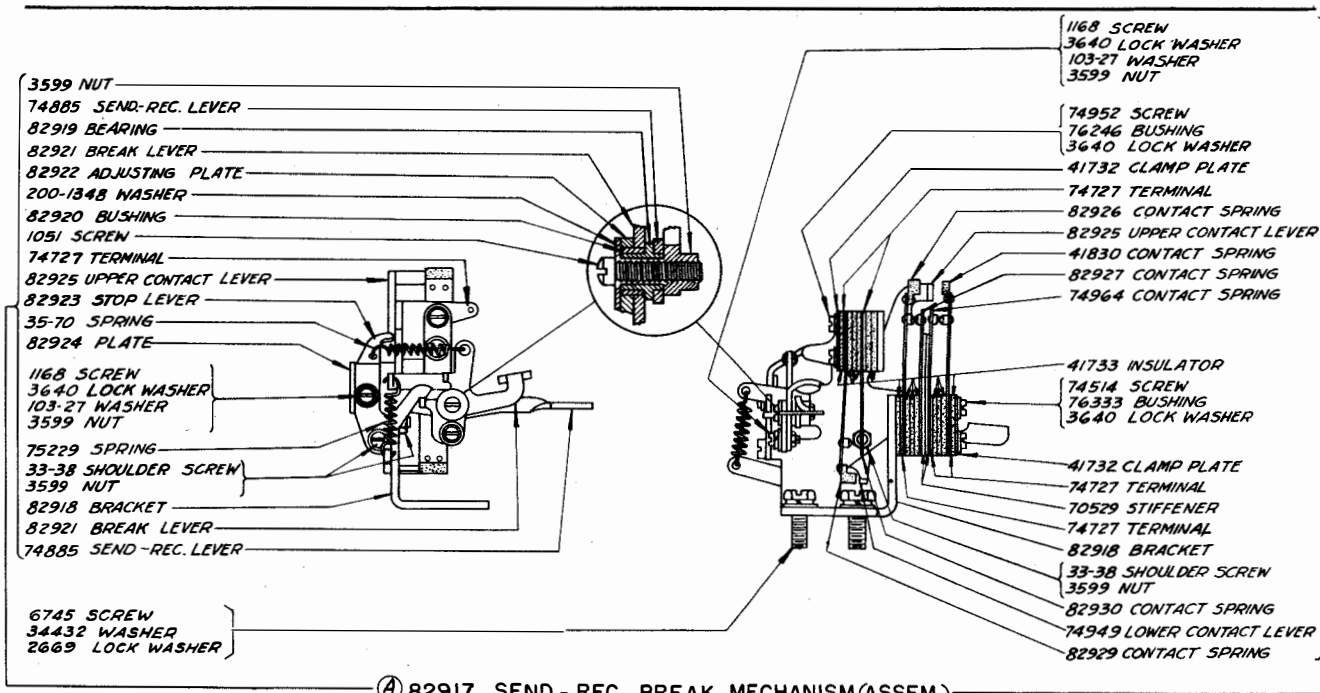
ⓐ 86732 SPRING CUSHION KEYTOP



84925 SET OF PARTS FOR TABULATOR (ASSEM.) (UPPER CASE "G")  
(EXCLUDES PARTS MARKED ⓑ)  
87860 SET OF PARTS FOR TABULATOR (ASSEM.) (UPPER CASE "Z")  
(EXCLUDES PARTS MARKED ⓐ)



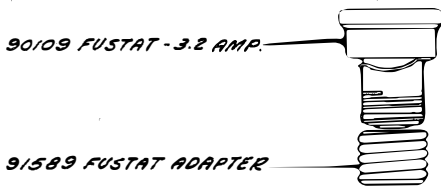
RIGHT SIDE OF 74504 BASE



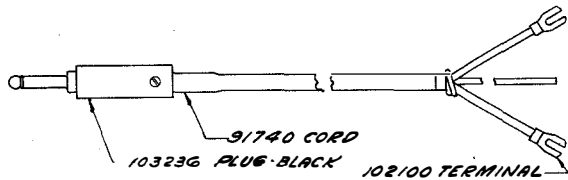
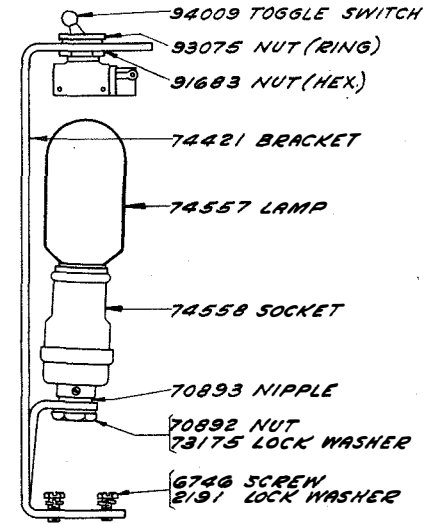
(A) SEE PAGE 31 FOR OLD STYLE

SEE WIRING DIAGRAM FOR CABLES

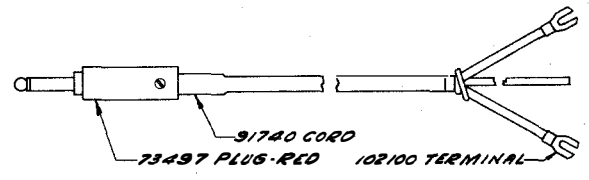




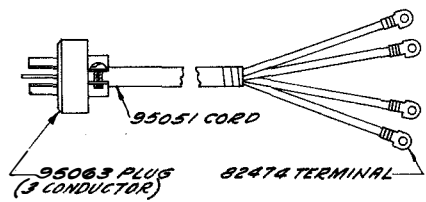
| FUSETRONS |         |
|-----------|---------|
| CAT. NO.  | AMPERES |
| 103290    | .6      |
| 103289    | .8      |
| 103287    | 1.25    |
| 103288    | 1.4     |
| 103286    | 1.6     |
| 103284    | 3.2     |
| 103285    | 6.25    |



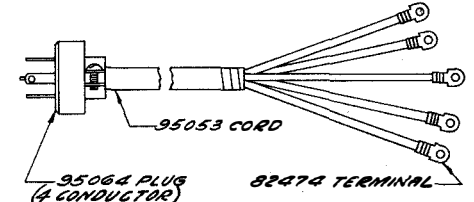
89438 LINE CORD (ASSEM.) WITH PLUG - BLACK



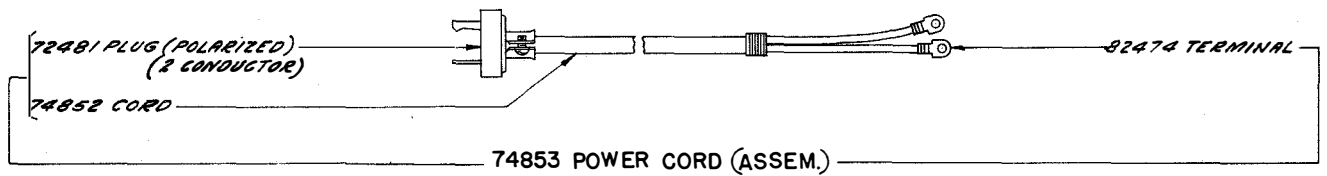
89472 LINE CORD (ASSEM.) WITH PLUG - RED

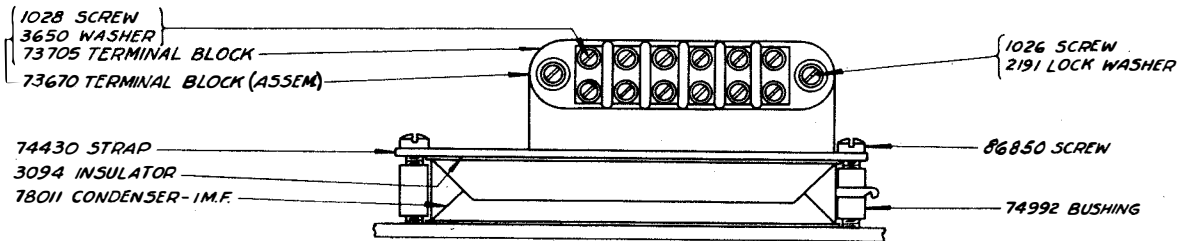
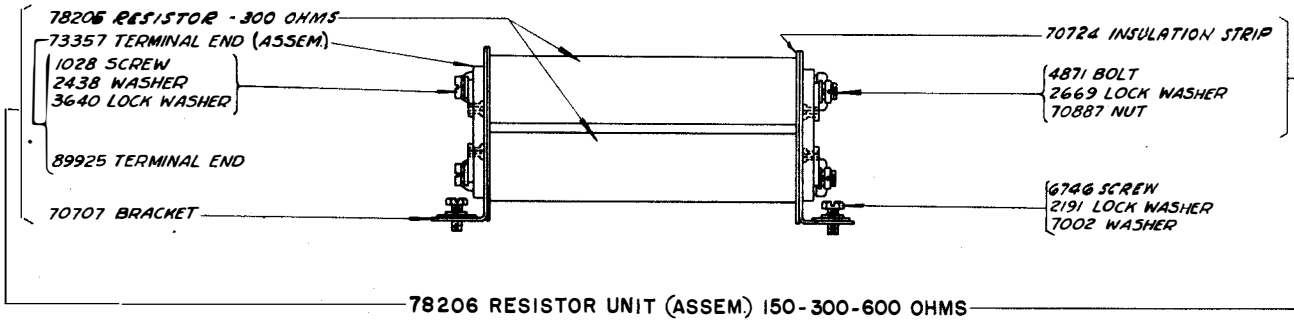
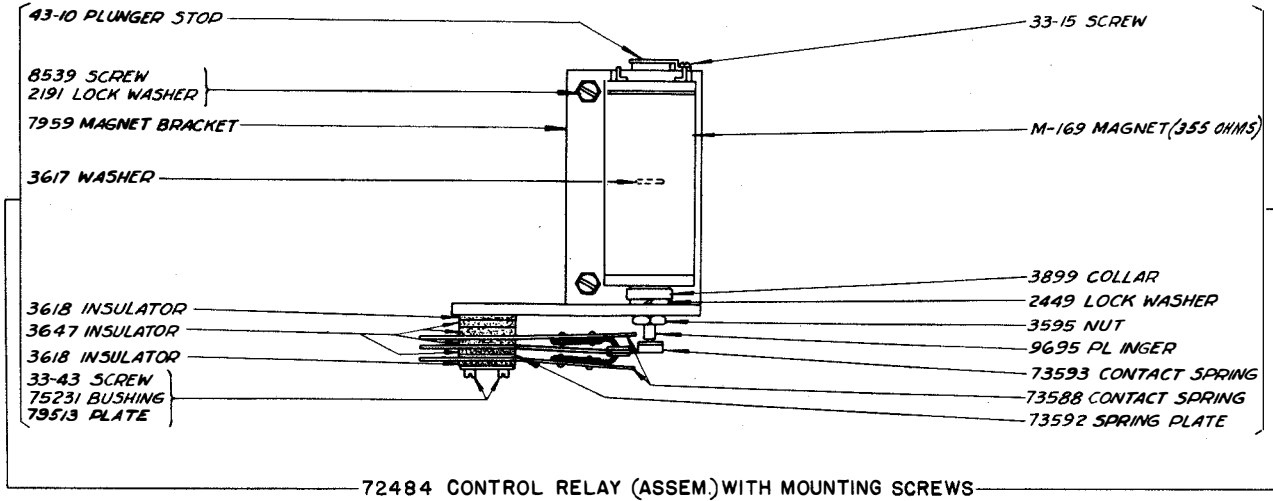


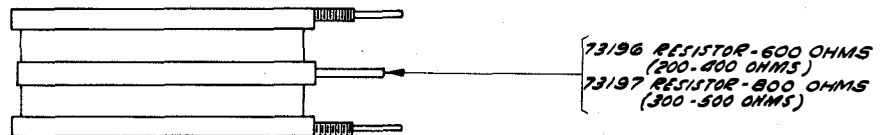
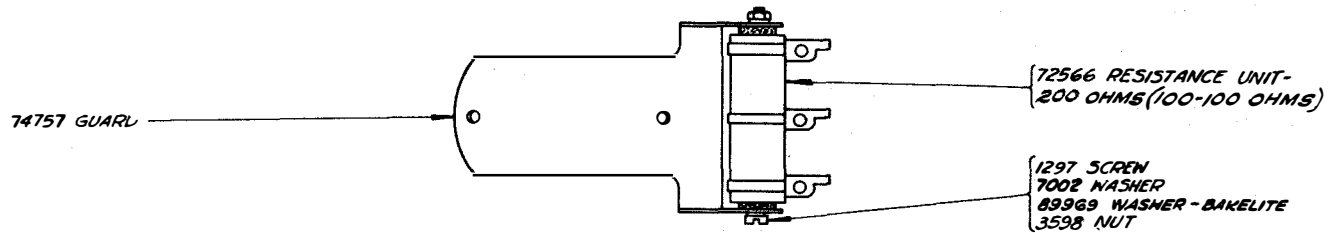
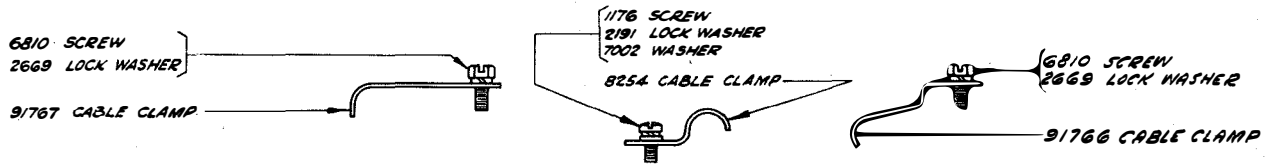
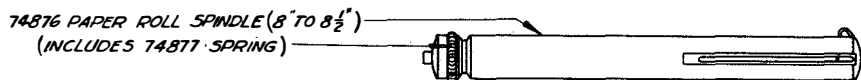
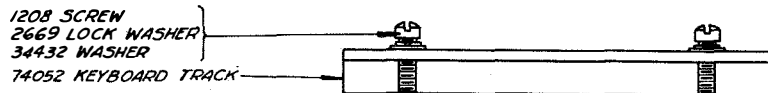
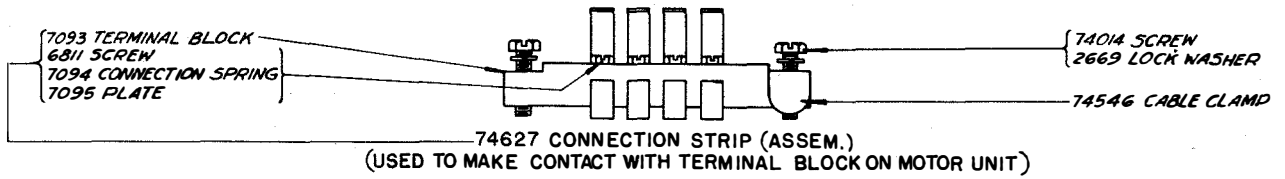
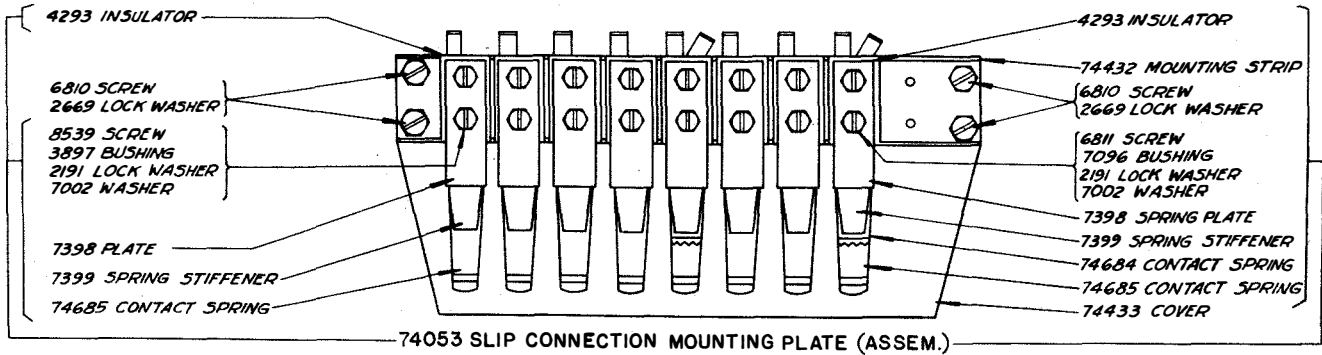
95050 CORD (ASSEM.) WITH PLUG - SHIELDED

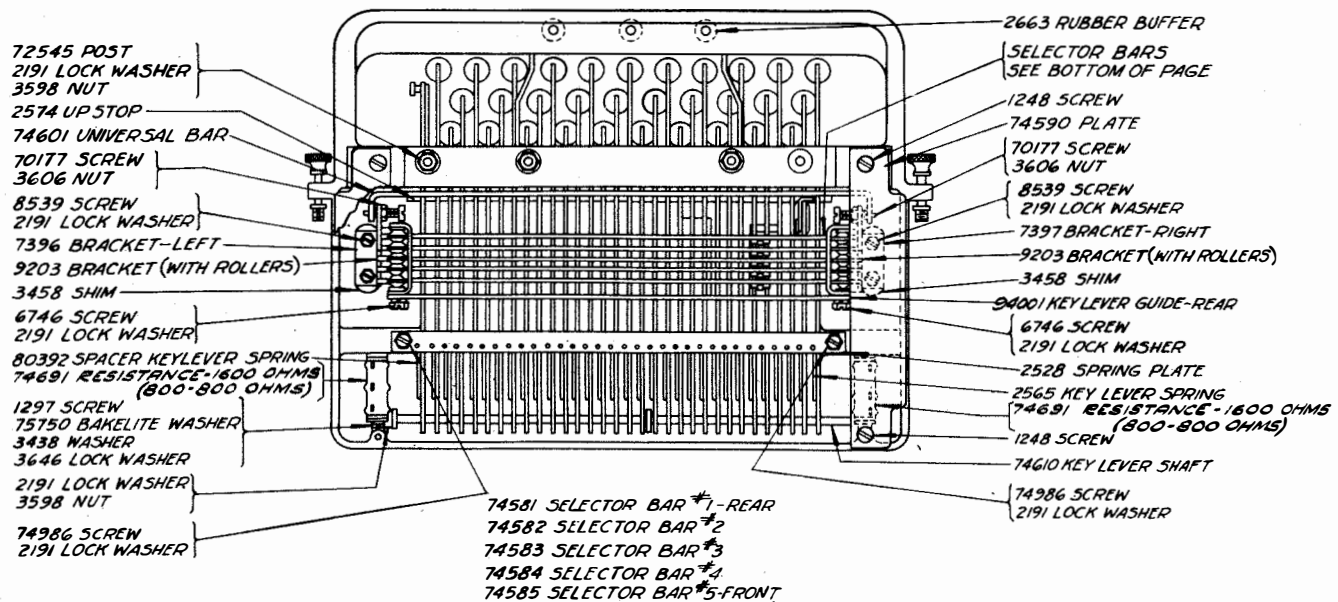
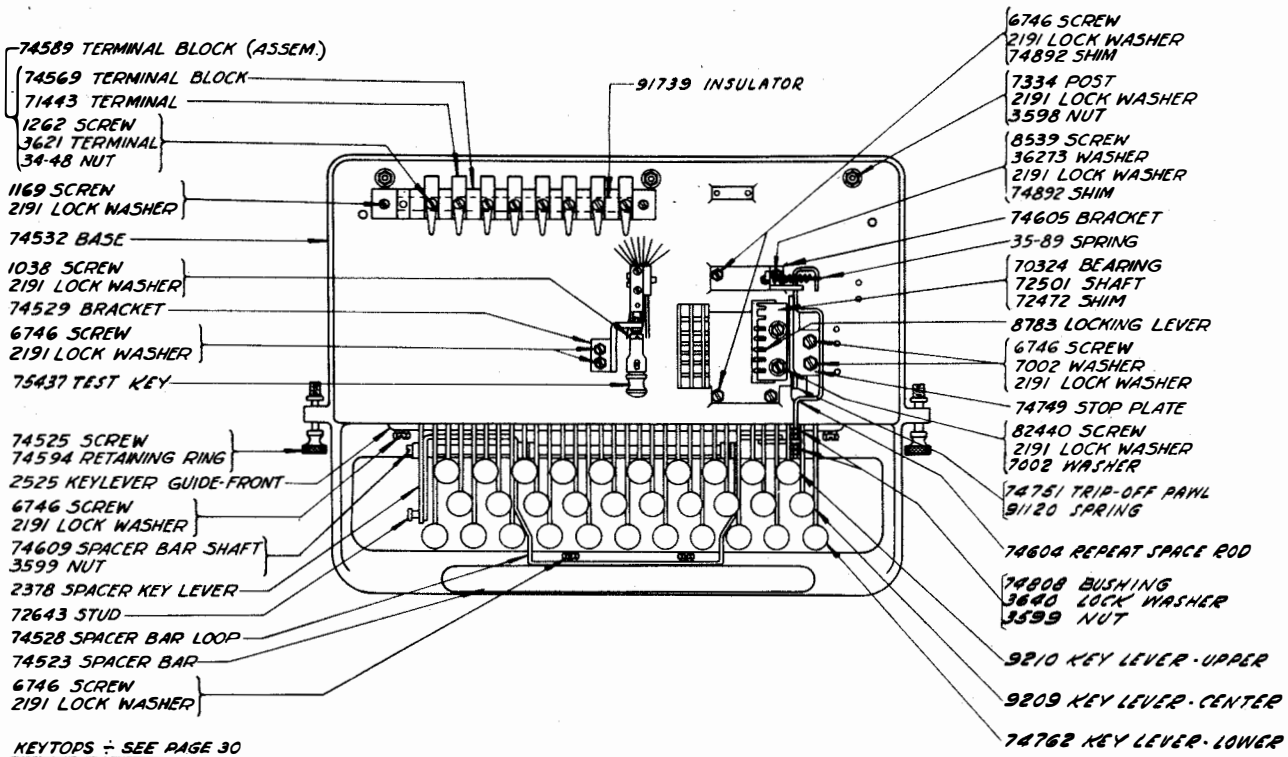


95052 CORD (ASSEM.) WITH PLUG - SHIELDED

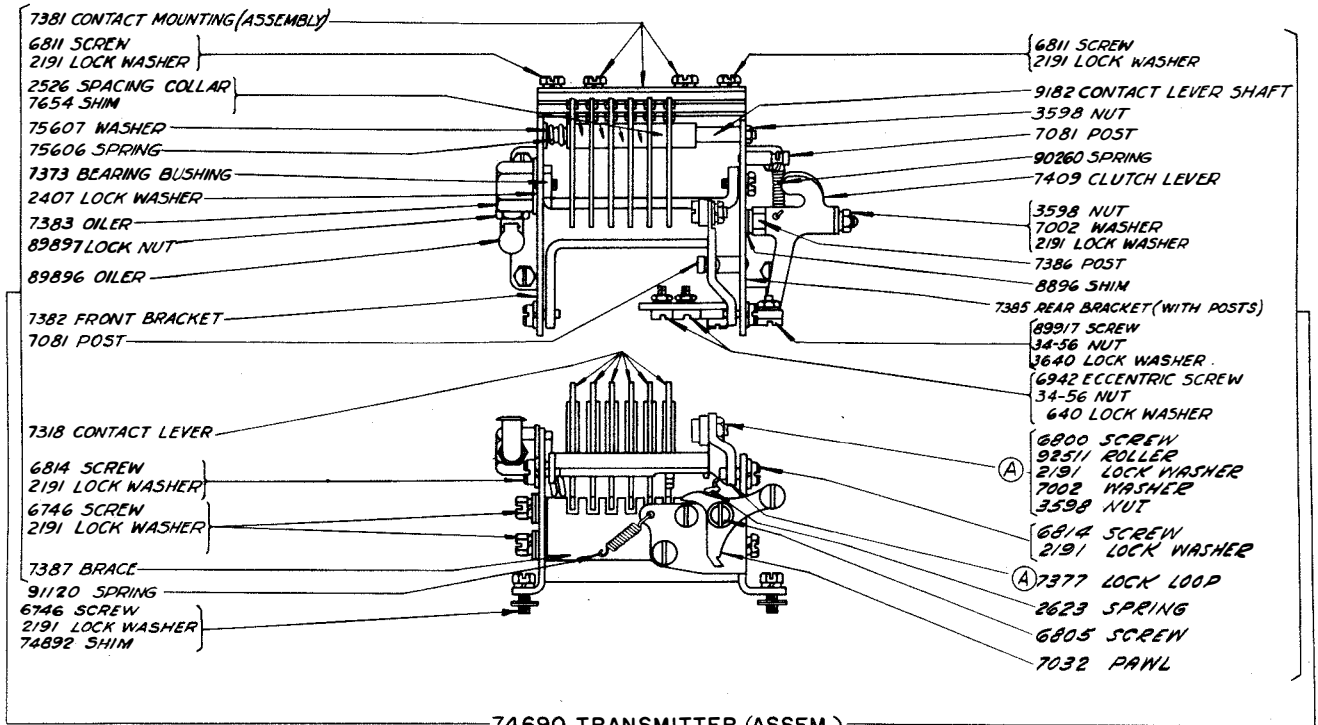




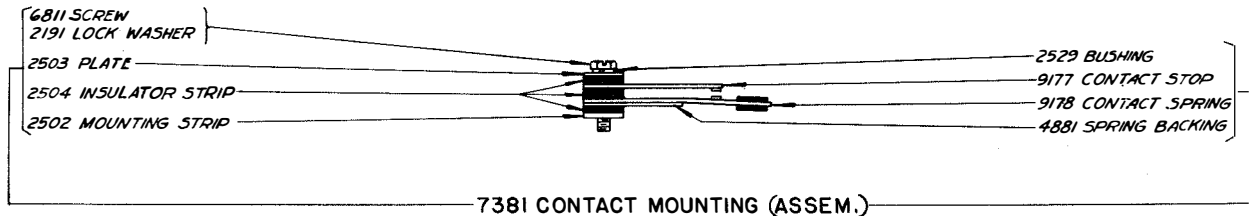




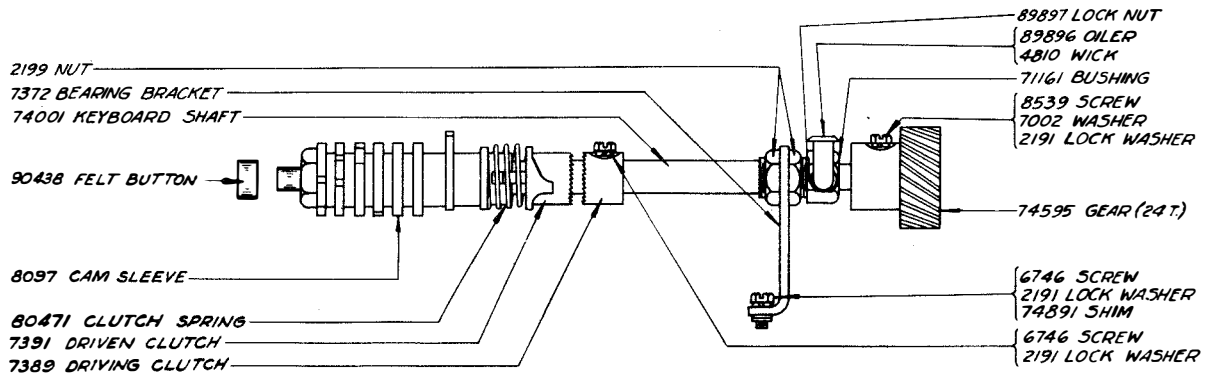
SEE WIRING DIAGRAM FOR CABLES



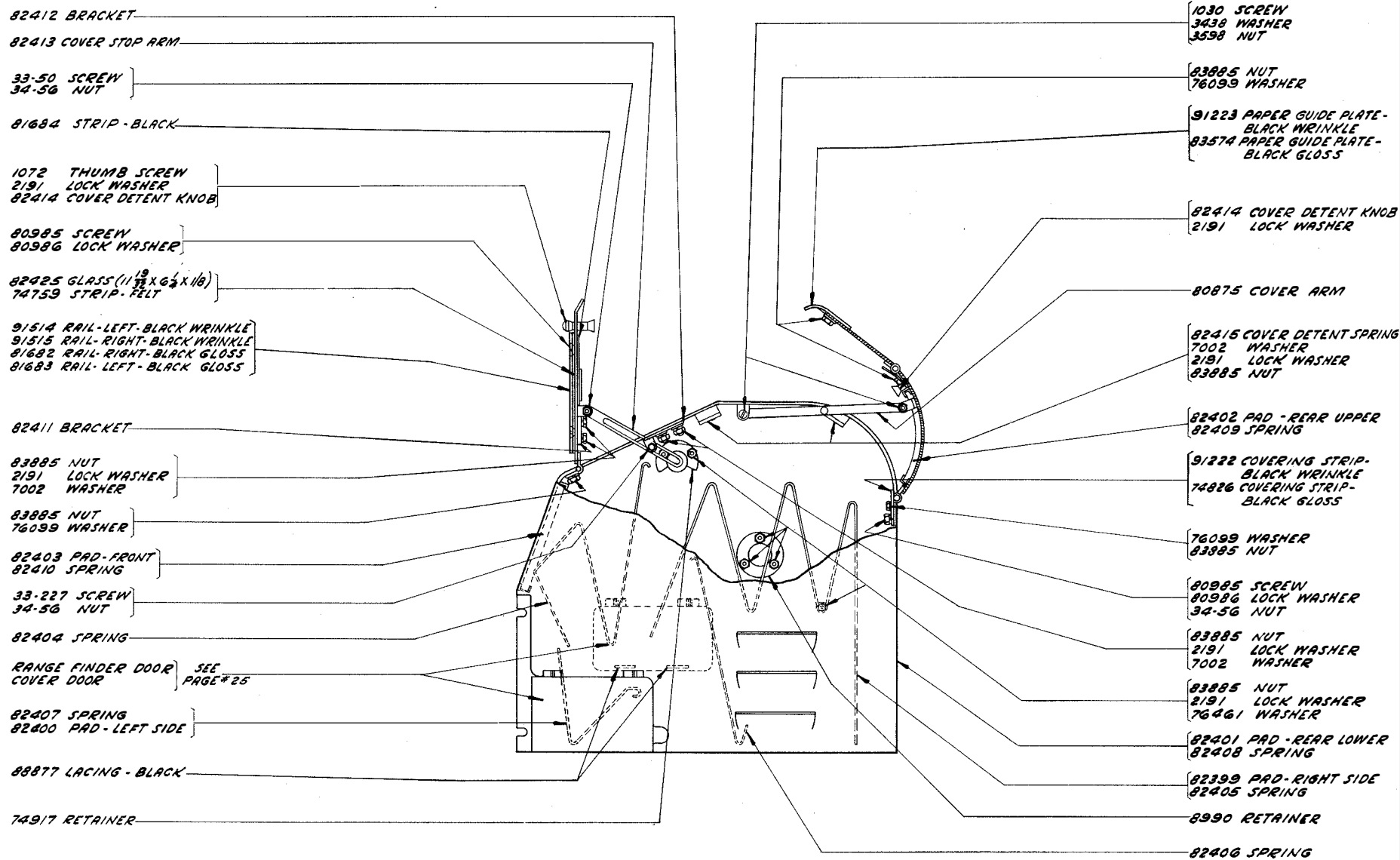
74690 TRANSMITTER (ASSEM.)  
WITH 7381 CONTACT MOUNTING (ASSEM.)



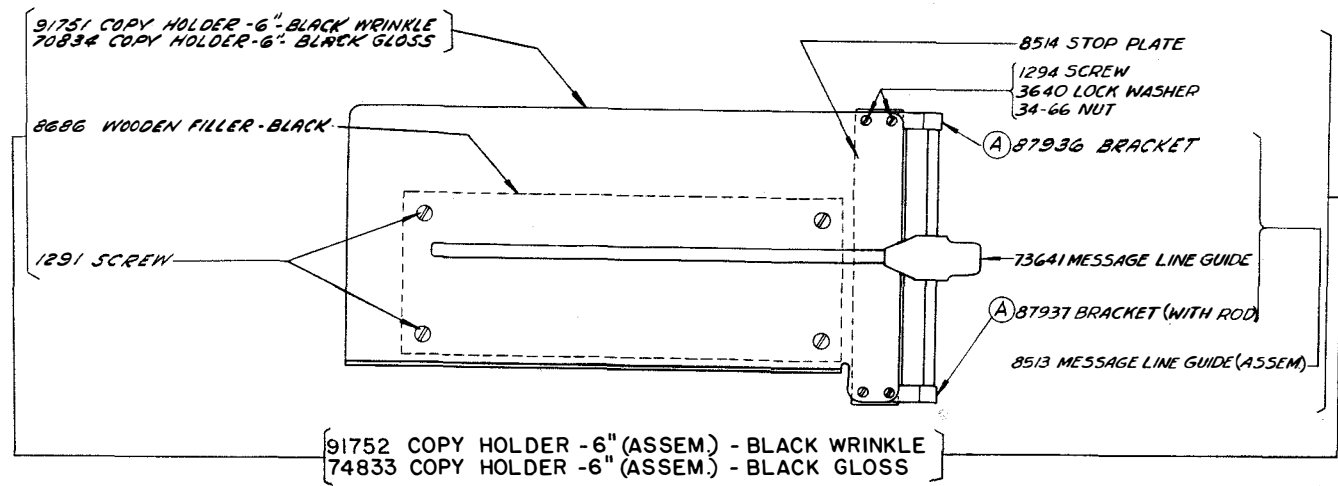
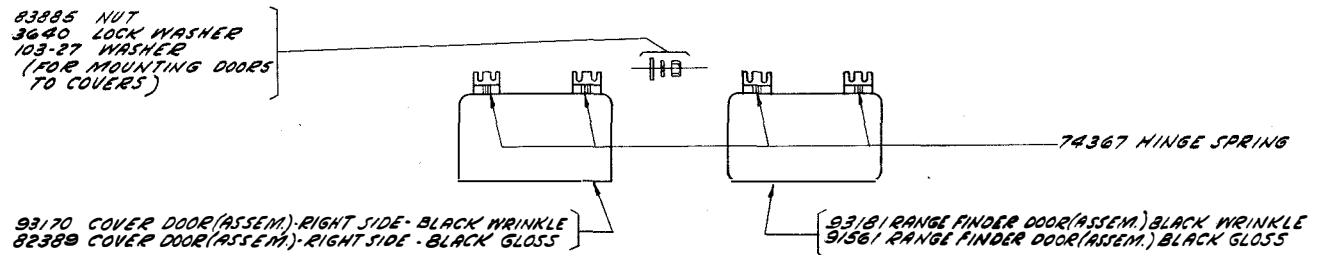
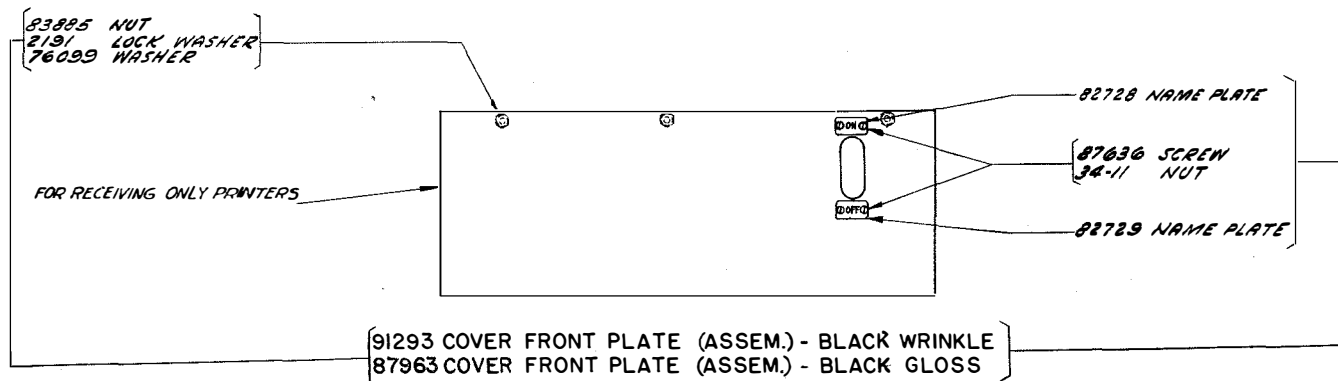
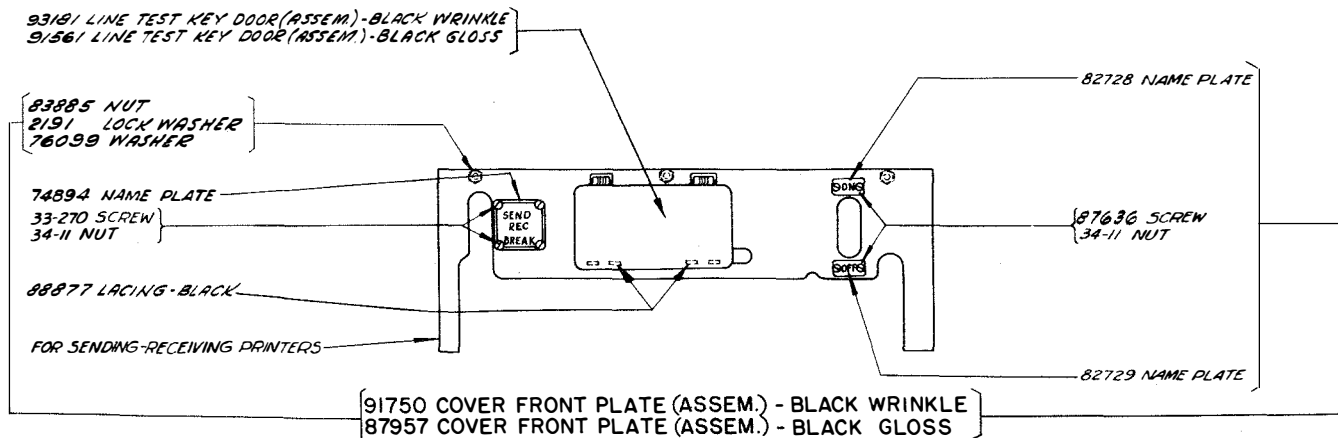
7381 CONTACT MOUNTING (ASSEM.)



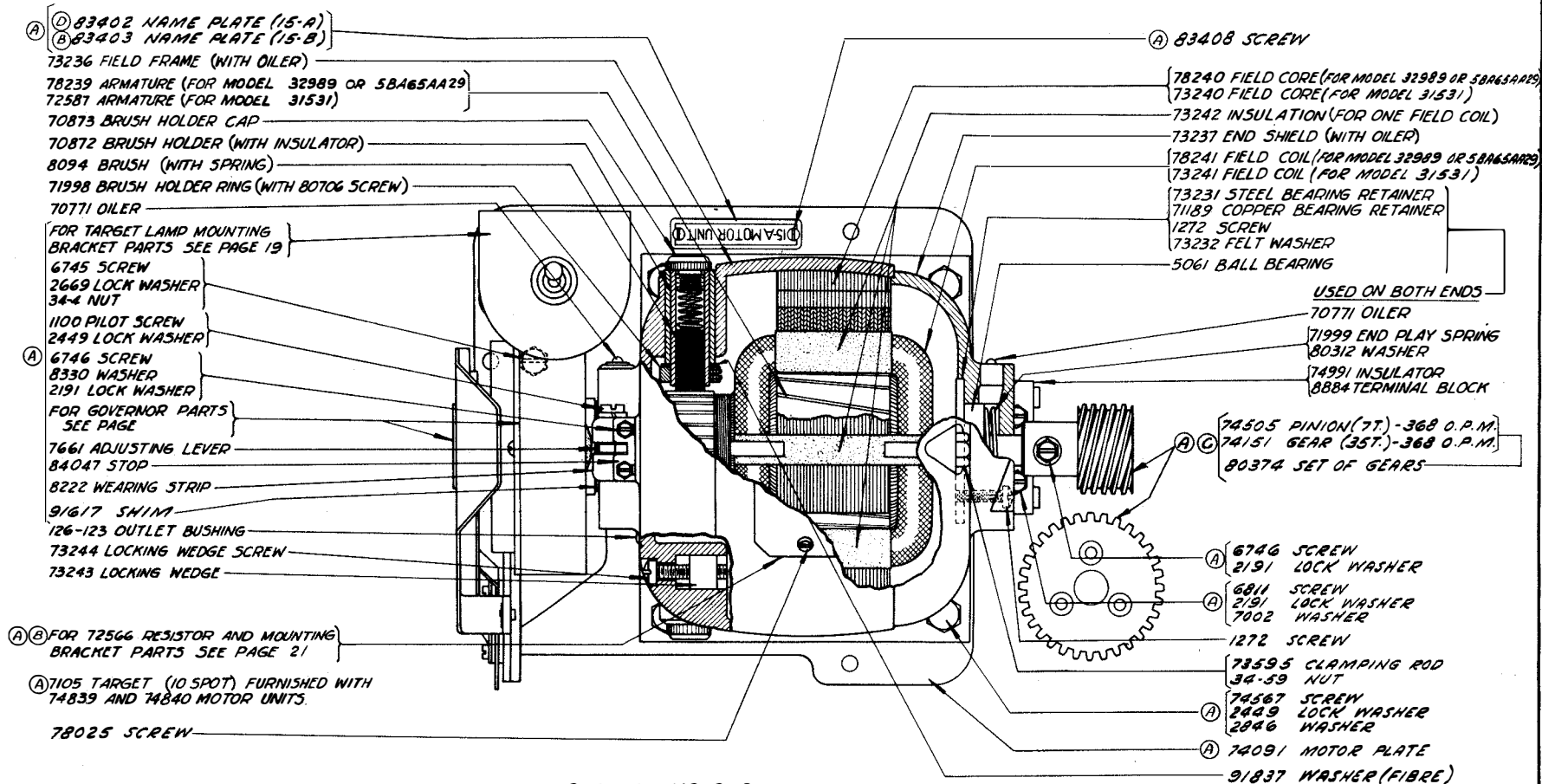
(A) SEE PAGE 33 FOR EXPLANATION



93183 COVER (ASSEM.) BLACK WRINKLE  
82322 COVER (ASSEM.) BLACK GLOSS



(A) SEE PAGE 33 FOR EXPLANATION

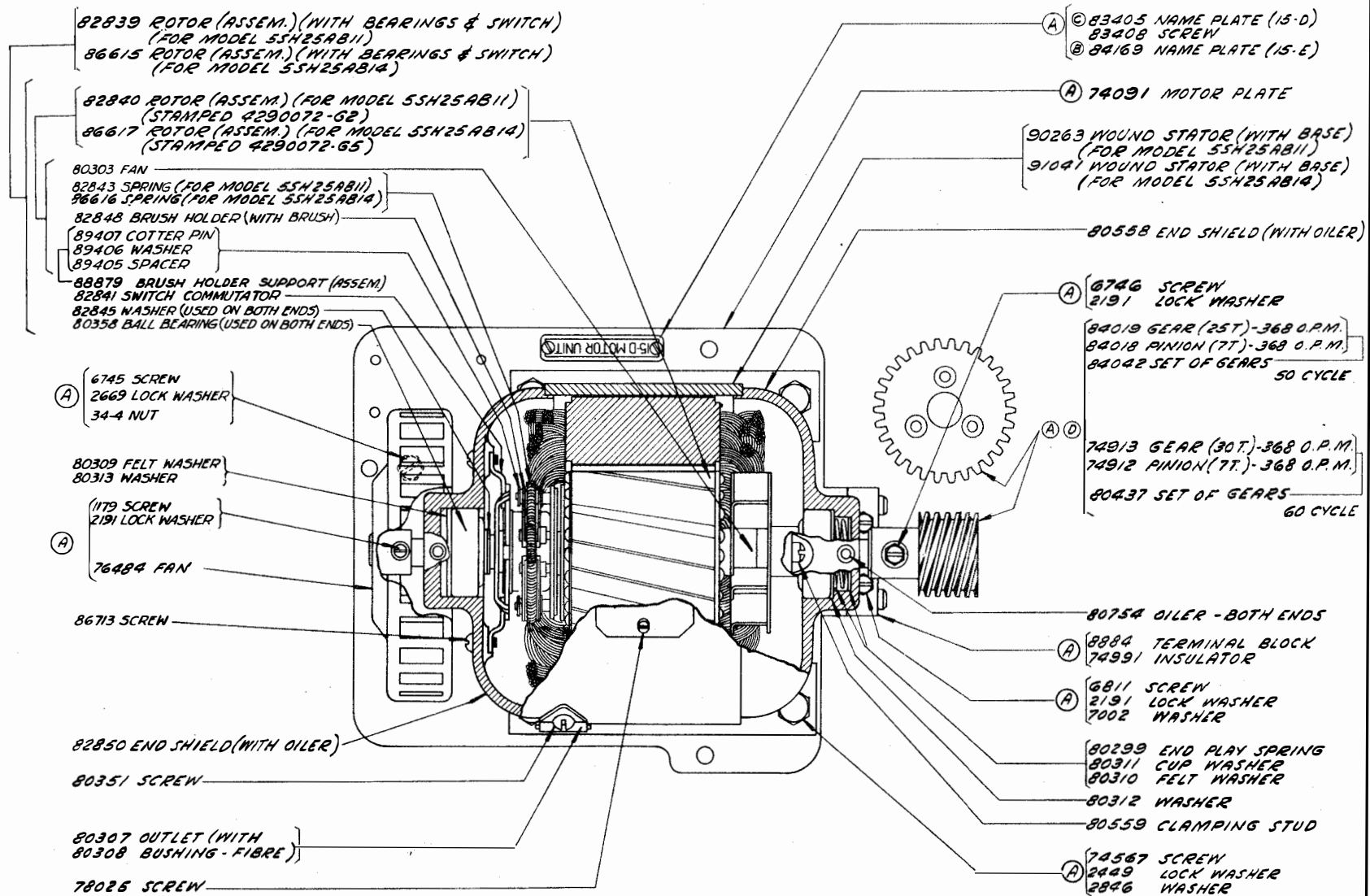


GOVERNED MOTORS

- 77953 MOTOR - 1/25 H.P. - 110V. - A.C. - 60 CYCLE (G.E. MODEL 32989 OR 5BA65AA29) (EXCLUDES PARTS MARKED (A))  
 74839 MOTOR UNIT (ASSEM.) (77953 MOTOR) (EXCLUDES PARTS MARKED (B) & (C))  
 72586 MOTOR 1/17 H.P. - 110V. - D.C. (G.E. MODEL 31531) (EXCLUDES PARTS MARKED (A))  
 74840 MOTOR UNIT (ASSEM.) (72586 MOTOR) (EXCLUDES PARTS MARKED (C) & (D))

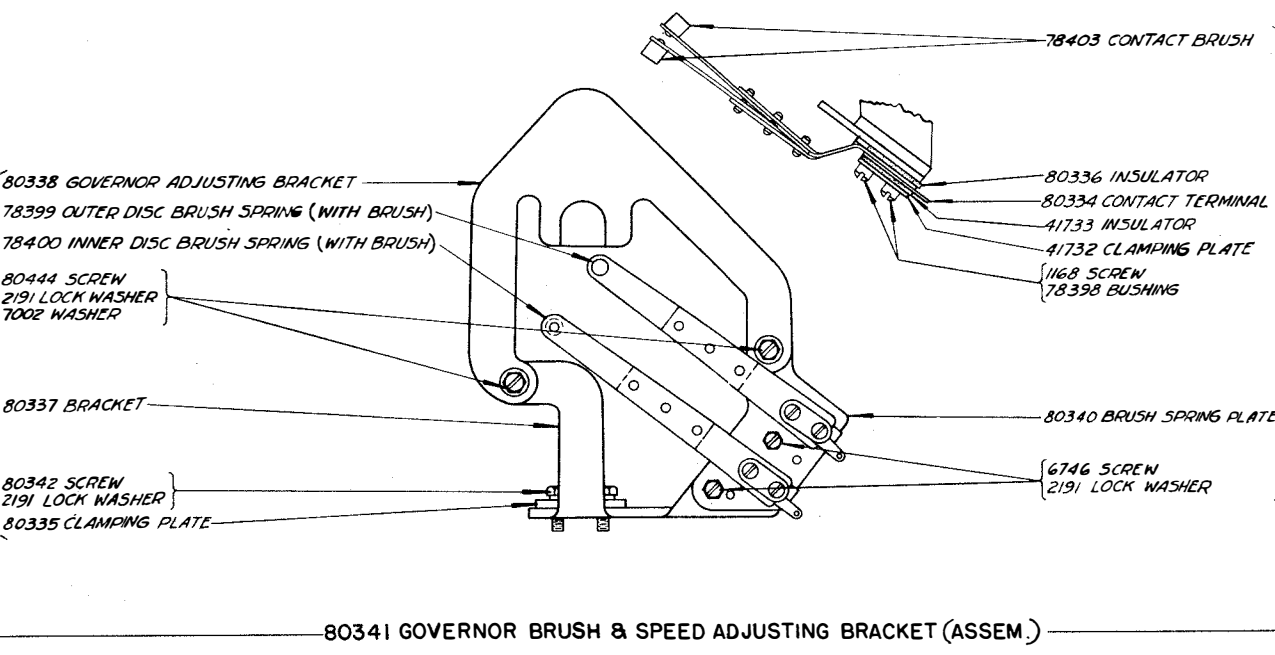
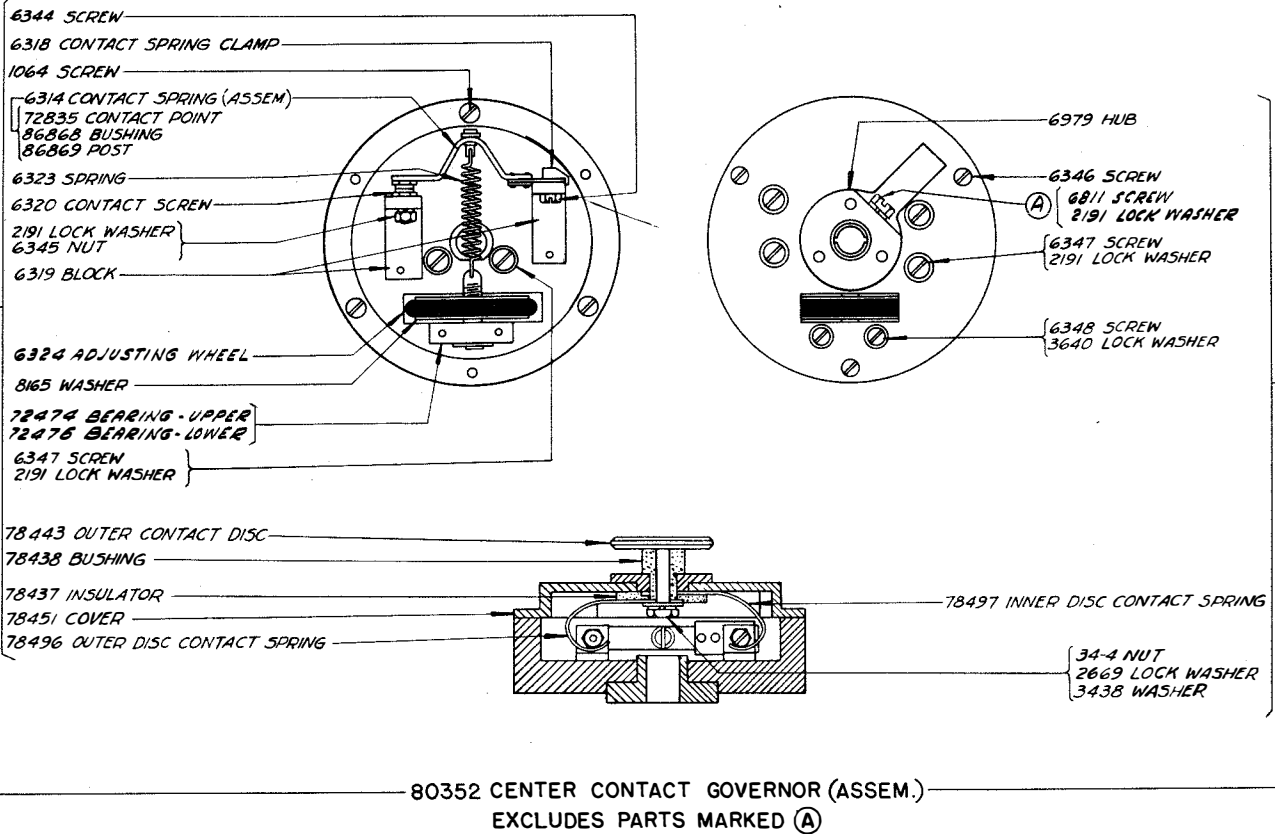
SEE WIRING DIAGRAM FOR CABLES

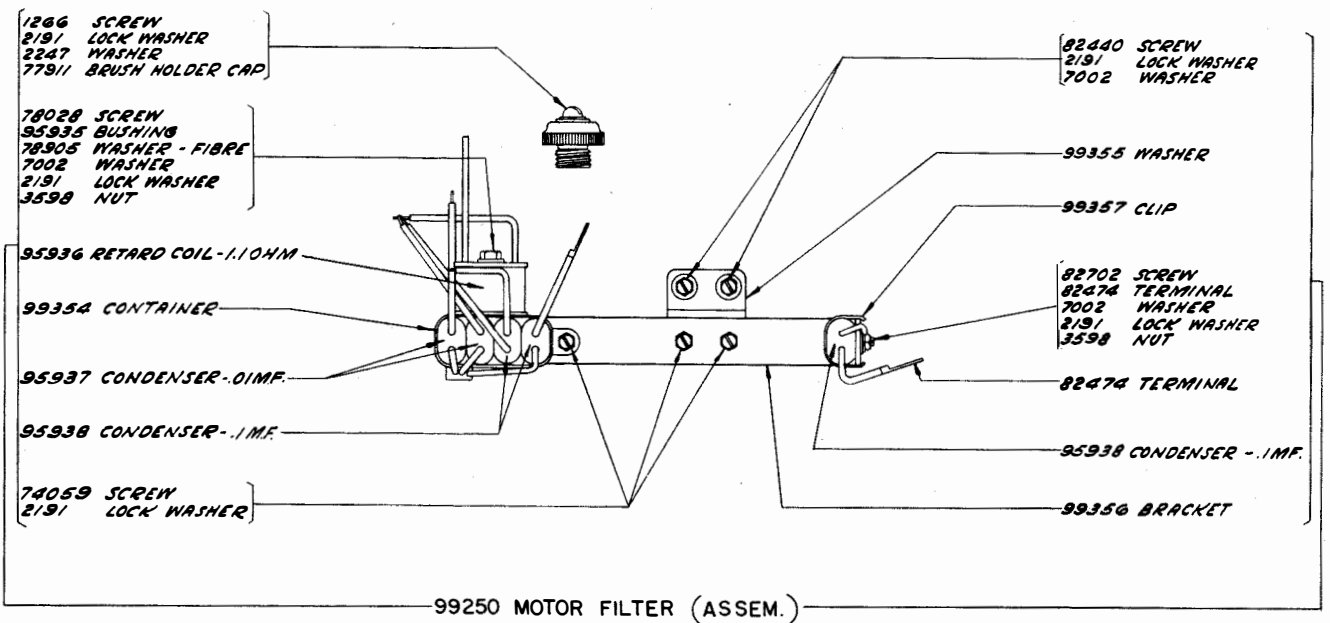
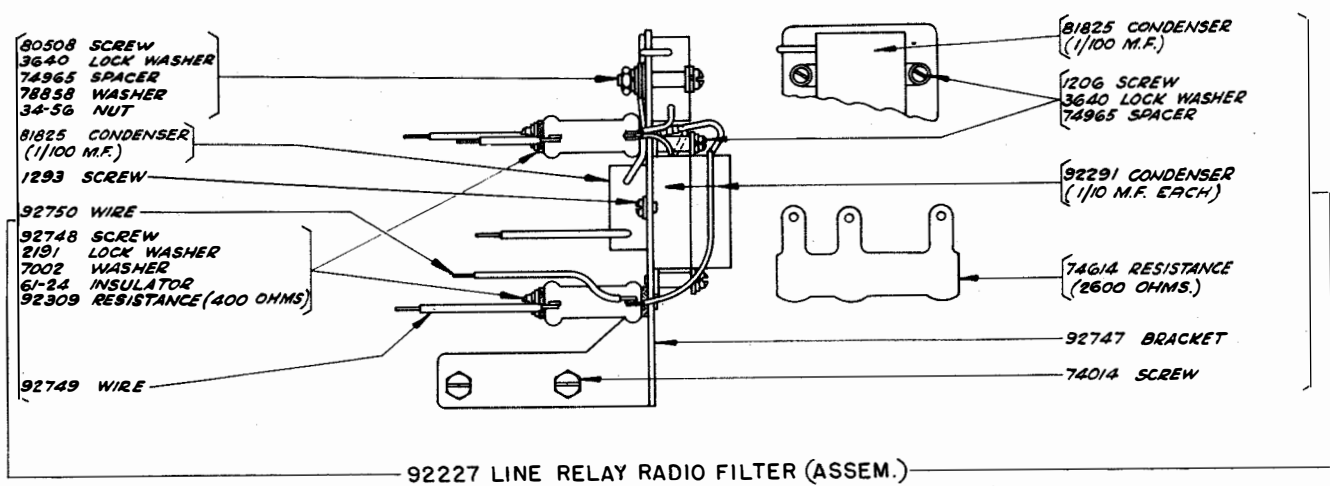
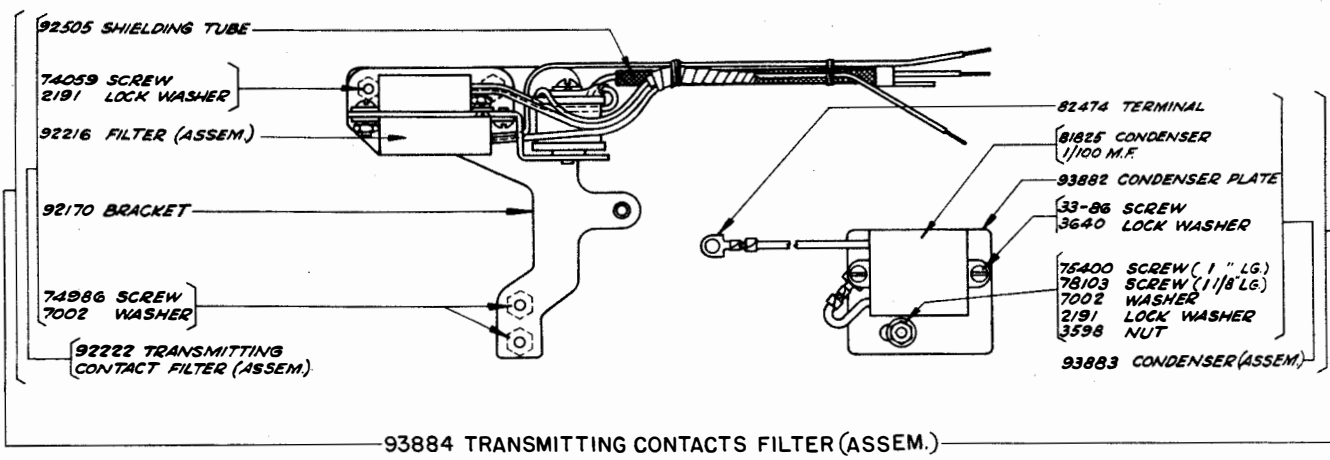




SYNCHRONOUS MOTORS

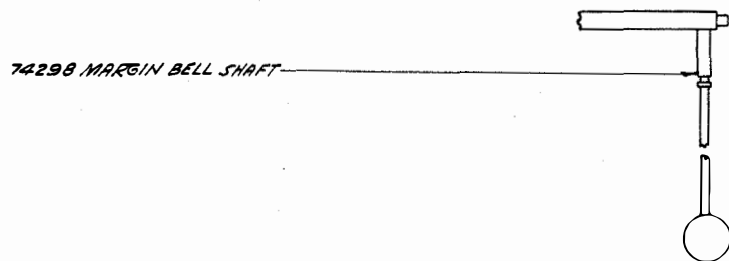
- 82283 SYNCHRONOUS MOTOR - 1/40 H.P. - 110V. - A.C. - 60 CYCLE (G.E. MODEL 5SH25AB11) (EXCLUDES PARTS MARKED (A))
- 80439 SYNCHRONOUS MOTOR UNIT (ASSEM.) (EXCLUDES PARTS MARKED (B) & (D))
- 82714 SYNCHRONOUS MOTOR - 1/40 H.P. - 110V. - A.C. - 50 CYCLE (G.E. MODEL 5SH25AB14) (EXCLUDES PARTS MARKED (A))
- 84901 SYNCHRONOUS MOTOR UNIT (ASSEM.) (EXCLUDES PARTS MARKED (C) & (D))



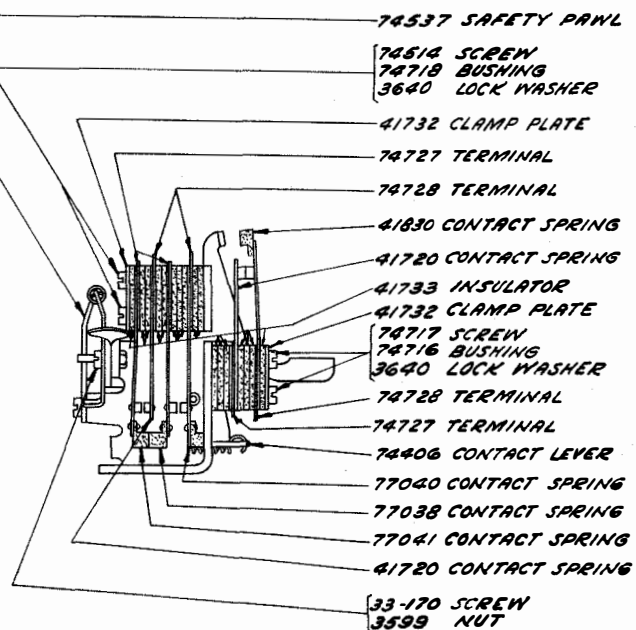
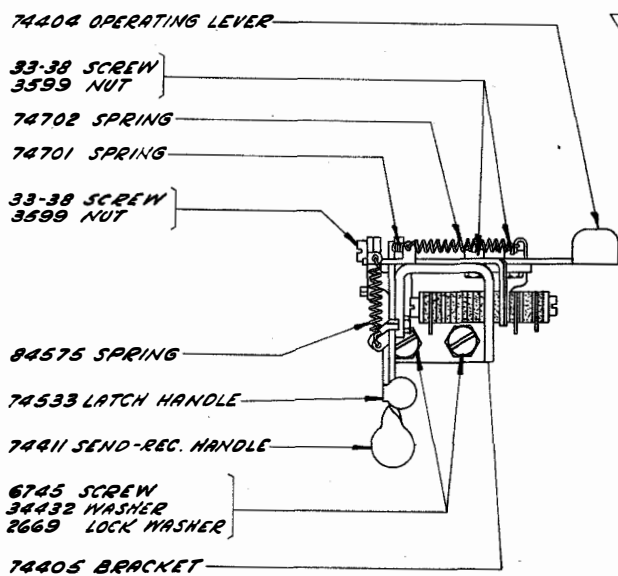
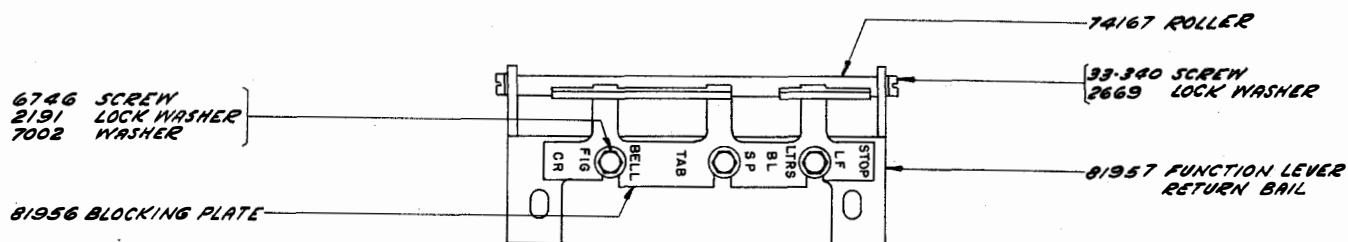




OLD STYLE PARTS



74298 MARGIN BELL SHAFT



NOTES OF EXPLANATION

Page 4

(A) The 87509 spring post (threaded) has replaced the 8486 spring post (not threaded). The 74244 printing bail, which is now tapped, includes the 87509 spring post. Old style 74244 printing bails (not tapped) necessitate the use of the 8486 spring post for replacement purposes.

(B) The original 3108 roller used on the function bail and the printing bail arm was replaced by a roller of new design consisting of one roller housing and nine rollers.

The 82986 pilot screw, which was redesigned and may be identified by the beveled end, must be used with the new style roller housing and rollers. It may also be used with the old style 3108 rollers.

The 2449 lock washer was retained for use with the new style roller housing and rollers.

An assembly number (91175) was assigned to the cam follower roller (Assem.) which consisted of one roller housing, nine rollers, and one pilot screw.

The 91175 cam follower roller (Assem.) has now been redesigned but retains the same number. This latest design of 91175 consists of one 82985 pilot screw, (which has not been changed) one roller housing, nine rollers, and two roller retaining washers.

Due to the fact that the rollers of both the later designs are tested as assemblies, it is recommended that whenever a roller housing or roller is to be replaced, the whole assembly 91175 be ordered.

Pages 6, 8, 9 and 12

(A) The 74764 motor stop mechanism (operating on upper case "M"), required to convert printers from switch to remote control, consists of all the parts marked (A) on pages 6, 8, 9, and 12 and the 80138 spring cushion keytop on page 30.

(B) The 82742 motor stop mechanism (operating on upper case "H"), required to convert printers from switch to remote control, consists of all the parts marked (B) on pages 6, 8, 9, and 12 and the 82607 spring cushion keytop on page 30.

Page 10

A paper chute with one centrally located hole for the pressure roller is available and may be ordered as 92745.

Page 12

(A) All the parts marked (A) on pages 6, 8, 9, and 12, and the 80138 spring cushion keytop on page 30, comprise the 74764 motor stop mechanism (operating on upper case "M") required to convert printers from switch to remote control.

(B) All the parts marked (B) on pages 6, 8, 9, and 12, and the 82607 spring cushion keytop on page 30, comprise the 82742 motor stop mechanism (operating on upper case "H") required to convert printers from switch to remote control.

(C) The 94015 clutch lever bracket supersedes the 74189 clutch lever bracket and differs from 74189 in that a cutout has been added between the two outer mounting holes. The 94015 new style bracket now mounts by means of two screws instead of three. The original design of the 74189 old style bracket mounted by means of two screws, but was later redesigned and made wider and mounted by means of three screws. To accommodate this change a hole was added in the selector mounting plate.

The 94015 new style clutch lever bracket is interchangeable with the 74189 old style bracket of the later design, but is not interchangeable with the original 74189 bracket which mounted by means of two screws.

Page 13

(A) The 74294 adapter plate formerly consisted of an adapter plate with two 2341 dowels. The new style 74294 adapter plate has two extruded projections instead of the dowels. The 2341 dowels, however, are available for maintenance on the old style adapter plates.

(B) In order that the ribbon may be locked sufficiently below the printing line, when stencils are being cut, the 74365 lockout lever has been replaced by the 91657 ribbon lockout lever (assem.). The 74331 lockout spring is assembled under the new lockout lever so as to extend outward from the ribbon oscillator, instead of toward the ribbon oscillator as in the previous construction.

Page 14

- (A) The 33-41 shoulder screw and 81936 ribbon feed lever have replaced the 33-346 shoulder screw and 74382 ribbon feed lever, respectively. None of the foregoing parts are interchangeable. When either an old style lever or screw is replaced by a new style part, the other old style part must also be replaced.
- (B) The 84894 arm, 84895 detent spring and 84896 screw have replaced the 74748 arm, 74747 detent spring and 74738 screw respectively. New and old style parts are not interchangeable. When an old style part is replaced by a new style part, the other old style parts must also be replaced. The new style parts may be ordered as 83855 set of parts.

Page 15

- (A) The 74994 mounting plate has replaced the 74188 mounting plate, and the 74995 retainer has replaced the 74193 retainer in order to obtain more clearance between the lower end of the bell crank retainer and the keyboard lock loop.

The old and new style parts are not interchangeable, as the hole for the lower mounting screw in the 74995 retainer and the 74994 mounting plate is located .062" higher than in the 74193 retainer and the 74188 mounting plate. The distance between centers of the two retainer mounting screw holes in the 74193 retainer and the 74188 mounting plate is 3.011" as compared with 2.932" in the 74995 retainer and the 74994 mounting plate.

Page 23

- (A) In order to improve the keyboard touch, it is necessary that the clearance between the lockout lever and the lock loop be made adjustable. To accomplish this, the following changes have been made:

A slot has been provided in place of the hole in the 7377 lock loop, which retains the same number. The 7378 lock loop roller has been replaced by a 92511 roller, having a larger diameter in order to clear the head of the 6800 shoulder screw.

A 7002 washer, and a 2191 lock washer have been added under the 3598 nut which mounts the 6800 shoulder screw to the 7377 lock loop.

Note: The new style 92511 roller should not be used with the old style 7377 lock loop.

Page 25

- (A) The 87936 bracket and 87937 bracket (with rod) have replaced the 72592 bracket, 73640 bracket (with rod) and the 8515 filler block.

NUMERICAL INDEX

|          |   |      |   |      |  |
|----------|---|------|---|------|--|
| M-169    | Magnet - 355 Ohms, 20   | 1245 | Screw (10-32 x 1), 2,5,17                                 | 4812 | Wick (3/8 Long), 4   |
| M-177    | Magnet - 105 Ohms per Coil, 12                                | 1248 | Screw (6-40 x 1/2), 5,9,22                                | 4814 | Lock Washer, 15,17   |
| 33-15    | Screw (2-56 x 1/8), 20  | 1252 | Screw (4-40 x 1/4), 10                                    | 4852 | Lock Washer, 5   |
| 33-38    | Screw (4-40 Shoulder), 9,18                                   | 1262 | Screw (6-32 x 5/16), 22                                   | 4871 | Bolt, 20   |
| 33-41    | Screw (6-40 Shoulder), 5,14, 33                               | 1266 | Screw (6-32 x 7/16), 29                                   | 4881 | Spring Backing, 23   |
| 33-43    | Screw (2-56 x 3/4), 20  | 1269 | Screw (6-40 x 1/2), 10,11,17                              | 5061 | Ball Bearing, 26   |
| 33-50    | Screw (4-40 Shoulder), 24                                     | 1272 | Screw (6-40 x 11/16), 26                                  | 5446 | Screw (6-40 x 9/16), 5   |
| 33-86    | Screw (4-40 x 1/8), 29  | 1275 | Screw (10-32 x 1-1/2), 17                                 | 5599 | Nut (8-32 Hex.), 17  |
| 33-111   | Screw (2-56 x 9/64), 13                                       | 1291 | Screw (6-32 x 3/4), 25                                    | 6314 | Contact Spring (Assem.), 28  |
| 33-168   | Screw (6-40 Pilot), 13  | 1293 | Screw (4-40 x 1/8), 29                                    | 6318 | Contact Spring Clamp, 28   |
| 33-170   | Screw (4-40 Shoulder), 13                                     | 1294 | Screw (4-36 x 1/2), 25                                    | 6319 | Block, 28  |
| 33-179   | Screw (8-32 x 3/8), 17  | 1297 | Screw (6-40 x 2-7/16), 18, 21,22                          | 6320 | Screw (6-32 Contact), 28   |
| 33-227   | Screw (4-40 Shoulder), 10, 24                                 | 2034 | Washer, 12  | 6323 | Spring, 28   |
| 33-270   | Screw (2-56 x 3/16), 25                                       | 2191 | Lock Washer, 1 to 6, 9 to 29, 33                          | 6324 | Adjusting Wheel, 28  |
| 33-344   | Screw (10-32 x 3/4), 2  | 2199 | Nut (7/16-32 Hex.), 23                                    | 6344 | Screw (6-32 x 11/32), 28   |
| 33-346   | Screw (6-40 Shoulder), 33                                     | 2201 | Nut (5/16-32 Hex.), 15                                    | 6345 | Nut (6-32 Hex.), 28  |
| 34-1     | Nut (1/4-32 Hex.), 5,12, 13,14                                | 2247 | Washer, 29  | 6346 | Screw (6-32 x 3/4), 28   |
| 34-4     | Nut (10-32 Hex.), 1,2,4,5, 6,9,10,12,13,14,16,17,18, 26,27,28 | 2248 | Pin, 10   | 6347 | Screw (6-32 x 3/8), 28   |
| 34-10    | Nut (8-40 Hex.), 14   | 2291 | Contact Spring-Lower, 17                                  | 6348 | Screw (4-36 x 3/4), 28   |
| 34-11    | Nut (2-56 Hex.), 12,25  | 2322 | Lock Washer, 1,5,13,14                                    | 6685 | Sword, 12  |
| 34-48    | Nut (6-32 Hex.), 22   | 2341 | Dowel, 32   | 6689 | Separator Plate, 12  |
| 34-51    | Nut (6-40 Hex.), 5  | 2378 | Spacer Key Lever, 22                                      | 6706 | Magnet Bracket, 12   |
| 34-56    | Nut (4-40 Hex.), 4,10,12, 23,24,29                            | 2382 | Lock Washer, 1  | 6745 | Screw (10-32 x 1/2), 1,2, 4,13,14,15,17,18,26,27                   |
| 34-59    | Nut (10-30 Hex.), 26  | 2407 | Lock Washer, 23   | 6746 | Screw (6-40 x 5/16), 1,2, 4,5,6,10 to 15,17,19,20, 22,23,26 to 28. |
| 34-66    | Nut (4-36 Hex.), 25   | 2438 | Washer, 12,20   | 6760 | Shim, 6  |
| 35-70    | Spring, 18  | 2449 | Lock Washer, 1,4,5,14,16, 17,20,26,27,32                  | 6799 | Screw (6-40 x 27/32), 12   |
| 35-89    | Spring, 22  | 2451 | Ball, 13,14   | 6800 | Screw (6-40 Shoulder), 1,2,4,10,14,16,23,33                        |
| 36-150   | Dowel, 1,2,4,6  | 2502 | Mounting Strip, 23  | 6801 | Screw (4-40 Pilot), 12   |
| 43-10    | Plunger Stop, 20  | 2503 | Plate, 23   | 6805 | Screw (6-40 Shoulder), 14,23                                       |
| 61-24    | Insulator, 29   | 2504 | Insulator Strip, 23                                       | 6810 | Screw (10-32 x 3/8), 1,2, 5,9,17,18,21                             |
| 103-27   | Washer, 10,13,14,18,25  | 2525 | Key Lever Guide - Front, 22                               | 6811 | Screw (6-40 x 5/8), 1 to 4, 10,12,17,21,23,26 to 28                |
| 122-26   | Washer, 12  | 2526 | Spacing Collar, 23  | 6814 | Screw (6-40 Pilot), 12,23  |
| 122-29   | Dowel, 1,2  | 2528 | Spring Plate, 22  | 6827 | Connecting Block, 18   |
| 122-67   | Post, 10  | 2529 | Bushing, 23   | 6830 | Trip Latch, 12   |
| 123-244  | Washer, 1,10,17   | 2539 | Nut (3/8-32 Hex.), 1,2                                    | 6836 | Magnet Yoke, 12  |
| 126-123  | Outlet Bushing, 26  | 2565 | Key Lever Spring, 22                                      | 6850 | Bell Crank, 12   |
| 200-1348 | Washer, 18  | 2574 | Upstop, 22  | 6859 | Spacer Collar, 15  |
| 1010     | Screw (6-40 Shoulder), 14                                     | 2623 | Spring, 23  | 6861 | Washer - Felt, 3   |
| 1020     | Screw (6-40 x 1/4), 3   | 2663 | Buffer - Rubber, 22                                       | 6863 | Cam Sleeve Disc, 3   |
| 1026     | Screw (6-40 x 3/8), 5,6, 10,14,17,20                          | 2666 | Nut (3/16-40 Hex.), 14                                    | 6884 | Bracket, 12  |
| 1028     | Screw (4-40 x 1/4), 12, 17,20                                 | 2669 | Lock Washer, 1 to 6, 9,10, 13 to 18,20,21,26 to 28        | 6909 | Stop Lever, 12   |
| 1030     | Screw (6-40 Shoulder), 12, 16,24                              | 2719 | Washer, 9   | 6940 | Spring Post, 4,5,6,14  |
| 1035     | Screw (4-40 x 3/8), 9   | 2846 | Washer, 17,26,27  | 6942 | Screw (4-40 Eccentric), 12,23                                      |
| 1038     | Screw (6-40 x 9/32), 22                                       | 2924 | Contact Spring - Upper, 17                                | 6966 | Eccentric Stop, 12   |
| 1051     | Screw (4-40 x 1/2), 18  | 3094 | Insulator, 20   | 6970 | Nut (3/8-32 Hex.), 10  |
| 1064     | Screw (6-32 x 1/4), 28  | 3106 | Turnbuckle, 1   | 6971 | Clutch Throw-out Lever, 12   |
| 1072     | Screw (6-40 Thumb), 24  | 3108 | Roller, 32  | 6979 | Hub, 28  |
| 1073     | Screw (6-40 Thumb), 12  | 3110 | Nut (10-32 L.H. -Hex.), 1                                 | 6987 | Spacer, 15   |
| 1097     | Screw (4-40 x 15/32), 9                                       | 3131 | Link End - Short, 1                                       | 6990 | Screw (1/4-32 Pilot), 12   |
| 1100     | Screw (1/4-32 Pilot), 26                                      | 3288 | Washer, 15  | 6993 | Clutch Spring, 3   |
| 1159     | Screw (4-40 x 3/8), 16  | 3298 | Eccentric Stop, 4,12                                      | 6998 | Post, 12   |
| 1160     | Screw (6-40 x 5/16), 4,6, 12,15,16,17                         | 3339 | Nut (9/16-32 Hex.), 9                                     | 7001 | Washer, 12,15  |
| 1161     | Screw (6-40 x 1/4), 1,9, 10,13,15                             | 3340 | Lock Washer, 9  | 7002 | Washer, 2,4,5,6,9 to 17, 20 to 24,26 to 29,33                      |
| 1162     | Screw (4-40 x 1/4), 10, 12,13,14                              | 3438 | Washer, 5,6,18,22,24,28                                   | 7007 | Trip Plunger, 12   |
| 1163     | Screw (4-40 x 3/16), 11                                       | 3458 | Shim, 22  | 7022 | Reverse Lever - Left, 14   |
| 1166     | Screw (4-36 x 1/4), 17  | 3571 | Bushing, 9  | 7023 | Reverse Lever - Right, 14  |
| 1168     | Screw (4-40 x 5/16), 2, 13,14,18,28                           | 3595 | Nut (1/4-32 Hex.), 1,5, 16,20                             | 7024 | Reverse Pawl - Left, 14  |
| 1169     | Screw (6-40 x 7/16), 22                                       | 3598 | Nut (6-40 Hex.), 1,4,5, 9 to 14, 16,17,18,21 to 24, 29,33 | 7032 | Reverse Pawl - Right, 14   |
| 1174     | Screw (4-40 Shoulder), 14                                     | 3599 | Nut (4-40 Hex.), 9,10,13,14, 16,18,22                     | 7036 | Pawl, 23   |
| 1176     | Screw (6-40 x 3/16), 10, 11,18,21                             | 3603 | Nut (1/4-32 Hex.), 1,4                                    | 7044 | Collar, 10,11  |
| 1179     | Screw (6-40 x 5/8), 27  | 3606 | Nut (6-40 Hex.), 14,15,22                                 | 7049 | Link, 14   |
| 1193     | Screw (10-32 x 7/8), 17                                       | 3617 | Washer, 20  | 7050 | Roller, 6  |
| 1196     | Screw (6-40 Shoulder), 1,5, 10,13                             | 3618 | Insulator, 9,20   | 7051 | Sleeve, 6  |
| 1206     | Screw (4-40 x 9/16), 29                                       | 3621 | Terminal, 22  | 7081 | Post, 23   |
| 1208     | Screw (10-32 x 5/8), 4,5, 21                                  | 3640 | Lock Washer, 2,4,9,10,12,13, 14,16,18,20,22,23,25,28,29   | 7093 | Terminal Block, 21   |
| 1222     | Screw (2-56 x 1/2), 9   | 3646 | Lock Washer, 9,18,22                                      | 7094 | Connection Spring, 17,21   |
| 1224     | Screw (6-40 Special), 17                                      | 3647 | Insulator, 9,20   | 7095 | Spring Plate, 17,21  |
| 1226     | Screw (6-40 x 3/4), 4,17                                      | 3649 | Washer, 5   | 7096 | Bushing, 17,21   |
|          |   | 3650 | Washer, 17,20   | 7105 | Target (10 Spot), 26   |
|          |   | 3897 | Bushing, 21   | 7318 | Contact Lever, 23  |
|          |   | 3899 | Collar, 20  | 7334 | Post, 22   |
|          |   | 4293 | Insulator, 17,21  | 7372 | Bearing Bracket, 23  |
|          |   | 4323 | Ball, 3   | 7373 | Bearing Bushing, 23  |
|          |   | 4703 | Spring, 14  | 7377 | Lock Loop, 23,33   |
|          |   | 4708 | Spring, 7,8   | 7378 | Lock Loop Roller, 33   |
|          |   | 4810 | Wick, 23  |      |  |



NUMERICAL INDEX

|       |  |       |   |       |   |
|-------|--|-------|---|-------|---|
| 7381  | Contact Mounting (Assem.), 23                        | 70707 | Bracket, 20                                     | 73640 | Bracket, 33                                 |
| 7382  | Front Bracket, 23                                    | 70724 | Insulation Strip, 20                            | 73641 | Message Line Guide, 25                      |
| 7383  | Oiler, 23  | 70771 | Oiler, 26                                       | 73670 | Terminal Block (Assem.), 17, 20             |
| 7385  | Rear Bracket (with Posts), 23                        | 70793 | Washer, 15                                      | 73705 | Terminal Block, 17, 20                      |
| 7386  | Post, 23   | 70796 | Spool Cup, 15                                   | 74001 | Keyboard Shaft, 23                          |
| 7387  | Brace, 23  | 70803 | Screw (6-40 Pivot), 12                          | 74003 | Selector Mounting Plate (with Posts), 12    |
| 7389  | Driving Clutch, 23                                   | 70834 | Copy Holder - 6" - Black Gloss, 25              | 74005 | Shaft, 6                                    |
| 7391  | Driven Clutch, 23                                    | 70872 | Brush Holder (with Insulator), 26               | 74006 | Bushing, 13                                 |
| 7396  | Bracket - Left, 22                                   | 70873 | Brush Holder Cap, 26                            | 74008 | Roller, 13                                  |
| 7397  | Bracket - Right, 22                                  | 70886 | Washer, 5, 16                                   | 74009 | Pawl Latch, 12                              |
| 7398  | Spring Plate, 17, 21                                 | 70887 | Nut (3/16-24 Hex.), 20                          | 74010 | Roller, 13                                  |
| 7399  | Spring Stiffener, 17, 21                             | 70892 | Nut (1/8-27 Hex.), 19                           | 74011 | Screw (6-40 Shoulder), 1, 10                |
| 7409  | Clutch Lever, 23                                     | 70893 | Nipple, 19                                      | 74013 | Printing Bail Blade, 4                      |
| 7602  | Spring, 12   | 71045 | Nut (6-40 Hex. - Stop), 12                      | 74014 | Screw (10-32 x 3/4), 6, 17, 18, 21, 29      |
| 7603  | Spring, 12   | 71046 | Screw (6-40 Special), 12                        | 74015 | Spring, 4                                   |
| 7607  | Collar, 12   | 71073 | Washer, 12                                      | 74016 | Post, 1, 2                                  |
| 7612  | Spring, 12   | 71161 | Bushing, 23                                     | 74017 | Screw (6-40 Shoulder), 4, 5                 |
| 7614  | Spring, 12   | 71189 | Copper Bearing Retainer, 26                     | 74018 | Piston Rod, 1                               |
| 7615  | Spring, 12   | 71443 | Terminal, 22                                    | 74019 | Spring Plate, 6                             |
| 7634  | Spring, 13, 14, 30                                   | 71445 | Link, 12  | 74020 | Screw (6-40 Eccentric Shoulder), 10         |
| 7654  | Shim, 23   | 71659 | Screw (6-40 Shoulder), 2                        | 74021 | Bell Crank #1, 15                           |
| 7661  | Adjusting Lever, 26                                  | 71670 | Mounting Block, 17                              | 74022 | Bell Crank #2, 15                           |
| 7678  | Screw (4-40 Pilot), 10                               | 71671 | Jack Spring - Left, 17                          | 74023 | Bell Crank #3, 15                           |
| 7679  | Roller, 10   | 71672 | Cable Clamp, 17                                 | 74024 | Bell Crank #4, 15                           |
| 7835  | Ribbon - Black, 15                                   | 71675 | Jack Spring - Right, 17                         | 74025 | Bell Crank #5, 15                           |
| 7959  | Magnet Bracket, 20                                   | 71681 | Ribbon Spool, 15                                | 74026 | Collar, 4, 5                                |
| 7965  | Spring, 16   | 71696 | Range Scale (with Bell Crank Mounting), 12      | 74027 | Screw (1/4-32 Special), 1                   |
| 8094  | Brush (with Spring), 26                              | 71697 | Clamping Plate, 12                              | 74028 | Dashpot Cylinder, 1                         |
| 8097  | Cam Sleeve, 23                                       | 71976 | Stop Lever Plate, 12                            | 74029 | Piston Head, 1                              |
| 8157  | Selector Lever - Right, 12                           | 71998 | Brush Holder Ring (with 80706 Screw), 26        | 74031 | Platen Bracket - Right, 10                  |
| 8158  | Selector Lever - Left, 12                            | 71999 | End Play Spring, 26                             | 74032 | Washer, 1                                   |
| 8165  | Washer, 28   | 72021 | Resistance Mounting Block (Assem.), 17          | 74033 | Washer - Leather, 1                         |
| 8184  | Washer, 10   | 72472 | Shim, 22  | 74036 | Nut (10-32 Hex.), 13, 14                    |
| 8222  | Wearing Strip, 26                                    | 72474 | Bearing - Upper, 28                             | 74037 | Motor Stop Lever, 12                        |
| 8254  | Cable Clamp, 21                                      | 72475 | Bearing - Lower, 28                             | 74038 | Function Lever, 8                           |
| 8330  | Washer, 13, 14, 26                                   | 72481 | Plug (Polarized), 19                            | 74039 | Function Lever #10, 8                       |
| 8470  | Post, 12   | 72484 | Control Relay (Assem.) with Mounting Screws, 20 | 74040 | Function Lever #1, 8                        |
| 8472  | Locking Wedge, 12                                    | 72501 | Shaft, 22                                       | 74041 | Type Basket, 14                             |
| 8486  | Spring Post, 32                                      | 72508 | Screw (6-40 x 3/4), 17                          | 74042 | Selector Vane #1, 6                         |
| 8507  | Cam Sleeve, 3  | 72509 | Lock Washer, 5, 10                              | 74043 | Selector Vane #2, 6                         |
| 8508  | Armature, 12   | 72513 | Driving Disc, 3                                 | 74044 | Selector Vane #3, 6                         |
| 8511  | Locking Lever, 12                                    | 72514 | Spring, 3                                       | 74045 | Selector Vane #4, 6                         |
| 8513  | Message Line Guide (Assem.), 25                      | 72515 | Nut (5/16-32 Hex.), 3                           | 74046 | Selector Vane #5, 6                         |
| 8514  | Stop Plate, 25                                       | 72516 | Retaining Disc, 3                               | 74049 | Screw (4-40 Shoulder), 12                   |
| 8515  | Filler Block, 33                                     | 72521 | Wick - Felt, 3                                  | 74050 | Margin Bell Cam, 2                          |
| 8539  | Screw (6 40 x 1/2), 3, 4, 10, 12 to 15, 17, 20 to 23 | 72545 | Post, 22  | 74051 | Lever, 2                                    |
| 8543  | Screw (6-40 x 1/4), 10                               | 72562 | Clutch - Driving, 3                             | 74052 | Keyboard Track, 21                          |
| 8671  | Screw (6-40 Shoulder), 12                            | 72563 | Washer - Felt, 3                                | 74053 | Slip Connection Mounting Plate (Assem.), 21 |
| 8686  | Wooden Filler Block, 25                              | 72566 | Resistance Unit (100-100 Ohms), 21              | 74055 | Roller, 1                                   |
| 8783  | Locking Lever, 22                                    | 72586 | Motor - 1/17 H.P. - 110 V. - D.C., 26           | 74056 | Retaining Plate, 1, 2                       |
| 8884  | Terminal Block, 4, 26, 27                            | 72587 | Armature, 26                                    | 74058 | Detent Lever, 1                             |
| 8896  | Shim, 4, 15, 23                                      | 72592 | Bracket, 33                                     | 74059 | Screw (6-40 x 7/32), 6, 10, 17, 18, 29      |
| 8990  | Retainer, 24   | 72643 | Stud, 22  | 74061 | Clutch, 3                                   |
| 9177  | Contact Stop, 23                                     | 72644 | Ball Bearing, 3                                 | 74062 | Track - Lower, 13                           |
| 9178  | Contact Spring, 23                                   | 72647 | Contact Point, 28                               | 74066 | Shift Link Bracket, 4                       |
| 9182  | Contact Lever Shaft, 23                              | 72835 | Lock Washer, 1, 2, 19                           | 74068 | Latch Bar, 5                                |
| 9203  | Bracket (with Rollers), 22                           | 73175 | Resistor, 21                                    | 74069 | Reset Bar, 5                                |
| 9209  | Key Lever - Center, 22                               | 73196 | Resistor, 21                                    | 74071 | Clutch Fork, 5                              |
| 9210  | Key Lever - Upper, 22                                | 73231 | Steel Bearing Retainer, 26                      | 74072 | Operating Lever, 5                          |
| 9695  | Plunger, 20  | 73232 | Washer - Felt, 26                               | 74076 | Screw (1/4-32 Shoulder), 1                  |
| 34432 | Washer, 1, 2, 4, 5, 9, 12 to 15, 18, 21              | 73236 | Field Frame (with Oiler), 26                    | 74077 | Screw (10-32 Shoulder), 1, 4                |
| 35503 | Foot - Rubber, 17                                    | 73237 | End Shield (with Oiler), 26                     | 74078 | Latch Link, 5                               |
| 35826 | Washer, 1  | 73240 | Field Core, 26                                  | 74079 | Line Feed Bail, 1                           |
| 35858 | Margin Bell, 2                                       | 73241 | Field Coil, 26                                  | 74080 | Shift Link, 4                               |
| 36273 | Washer, 14, 22                                       | 73242 | Insulation (for One Field Coil), 26             | 74081 | Line Feed Push Bar, 1                       |
| 41341 | Crank Handle, 9                                      | 73243 | Locking Wedge, 26                               | 74082 | Shift Lever, 1                              |
| 41342 | Screw (8-40 x 1-1/4), 9                              | 73244 | Screw (10/32 x 7/8), 26                         | 74083 | Vertical Link, 1                            |
| 41543 | Ball Bearing, 5                                      | 73276 | Screw (6-40 Shoulder), 5                        | 74085 | Washer - Felt, 3                            |
| 41675 | Washer, 10, 14, 15                                   | 73357 | Terminal End (Assem.), 20                       | 74089 | Printing Bail Arm, 4                        |
| 41732 | Clamp Plate, 18, 28                                  | 73497 | Plug - Red, 19                                  | 74091 | Plate, 17, 26, 27                           |
| 41733 | Insulator, 18, 28                                    | 73588 | Contact Spring, 9, 20                           | 74095 | Spacing Collar, 4                           |
| 41830 | Contact Spring, 18                                   | 73592 | Spring Plate, 20                                | 74096 | Space Pawl - Front, 4                       |
| 43954 | Bell, 5  | 73593 | Contact Spring, 9, 20                           | 74097 | Space Pawl - Rear, 4, 16                    |
| 45104 | Spring, 10   | 73595 | Clamping Rod, 26                                | 74098 | Shaft, 4                                    |
| 46092 | Nut (10-32 Hex.), 1                                  | 73595 | Clamping Rod, 26                                | 74100 | Washer - Leather, 3                         |
| 55063 | Spring, 10   |       |   |       |   |
| 55088 | Spring, 4, 5   |       |   |       |   |
| 70177 | Screw (6-40 Pilot), 22                               |       |   |       |   |
| 70324 | Bearing, 22  |       |   |       |   |
| 70529 | Stiffener, 18  |       |   |       |   |
| 70593 | Screw (6-40 Thumb), 2                                |       |   |       |   |

NUMERICAL INDEX

|       |                                     |       |                                    |       |   |
|-------|-------------------------------------|-------|------------------------------------|-------|---|
| 74101 | Oil Plug, 3                         | 74208 | Type Bar (without Pallets) #8, 30  | 74311 | Type Bar Pallet (H 8), 30                 |
| 74107 | Bearing, 4                          | 74209 | Type Bar (without Pallets) #9, 30  | 74312 | Type Bar Pallet (O 9), 30                 |
| 74109 | Function Lever #5, 8                | 74210 | Type Bar (without Pallets) #10, 30 | 74313 | Type Bar Pallet (I 8), 30                 |
| 74110 | Post, 5                             | 74211 | Type Bar (without Pallets) #11, 30 | 74314 | Type Bar Pallet (N 2), 30                 |
| 74111 | Shaft, 1                            | 74212 | Type Bar (without Pallets) #12, 30 | 74315 | Type Bar Pallet (E 3), 30                 |
| 74112 | Screw (10-32 Pilot), 4              | 74213 | Type Bar (without Pallets) #13, 30 | 74316 | Type Bar Pallet (T 5), 30                 |
| 74119 | Bail Shaft Bearing, 1               | 74214 | Type Bar (without Pallets) #14, 30 | 74317 | Type Bar Pallet (A -), 30                 |
| 74121 | Latch Bell Crank, 5                 | 74215 | Type Bar (without Pallets) #15, 30 | 74318 | Type Bar Pallet (J 1), 30                 |
| 74122 | Screw (6-40 x 3/4), 4               | 74216 | Type Bar (without Pallets) #16, 30 | 74319 | Type Bar Pallet (R 4), 30                 |
| 74124 | Spacing Cross Bar (Assem.), 5       | 74217 | Type Bar (without Pallets) #17, 30 | 74320 | Type Bar Pallet (D 8), 30                 |
| 74126 | Support, 13                         | 74218 | Type Bar (without Pallets) #18, 30 | 74321 | Type Bar Pallet (C 3), 30                 |
| 74127 | Function Lever #12, 8               | 74219 | Type Bar (without Pallets) #19, 30 | 74322 | Type Bar Pallet (F !), 30                 |
| 74128 | Function Lever #3, 8                | 74220 | Type Bar (without Pallets) #20, 30 | 74323 | Type Bar Pallet (W 2), 30                 |
| 74129 | Function Lever #11, 8               | 74221 | Type Bar (without Pallets) #21, 30 | 74324 | Type Bar Pallet (G &), 30                 |
| 74130 | Function Lever #9, 8                | 74222 | Type Bar (without Pallets) #22, 30 | 74325 | Type Bar Pallet (V ;), 30                 |
| 74131 | Function Lever #2, 8                | 74223 | Type Bar (without Pallets) #23, 30 | 74326 | Type Bar Pallet (Q 1), 30                 |
| 74132 | Spacing Gear, 3                     | 74224 | Type Bar (without Pallets) #24, 30 | 74327 | Type Bar Pallet (X /), 30                 |
| 74133 | "T" Lever #1, 12                    | 74225 | Type Bar (without Pallets) #25, 30 | 74328 | Type Bar Pallet (S '), 30                 |
| 74134 | "T" Lever #2, 12                    | 74226 | Type Bar (without Pallets) #26, 30 | 74329 | Reverse Shaft, 15                         |
| 74135 | "T" Lever #3, 12                    | 74227 | Type Bar (without Pallets) #27, 30 | 74330 | Spring, 13                                |
| 74136 | "T" Lever #4, 12                    | 74228 | Type Bar (without Pallets) #28, 30 | 74331 | Lockout Spring, 13, 32                    |
| 74137 | "T" Lever #5, 12                    | 74229 | Driving Clutch, 5                  | 74332 | Roller - Flanged, 14                      |
| 74138 | Function Lever #4, 8                | 74230 | Clutch Bushing, 3                  | 74333 | Washer, 13                                |
| 74140 | Printing and Function Cam, 3        | 74239 | Roller, 14                         | 74335 | Shift Lever, 13                           |
| 74142 | Cylinder Head, 1                    | 74240 | Driven Clutch, 5                   | 74337 | Roller - Upper, 14                        |
| 74143 | Ball Bearing Retainer, 5            | 74241 | Basket Guide Roller (Assem.), 14   | 74338 | Release Crank, 10                         |
| 74144 | Spacing Pawl Arm, 4                 | 74243 | Printing Bail, 4, 32               | 74339 | Platen Cross Bar, 10                      |
| 74148 | Bell Hammer, 4                      | 74244 | Motor Stop Pawl - Inner, 12        | 74342 | Eccentric Stud, 14                        |
| 74150 | Bell Operating Lever, 4             | 74246 | Shift Stop Post, 10                | 74343 | Stud, 14                                  |
| 74151 | Gear (35T) - 368 O.P.M., 26         | 74247 | Roller Stud, 10                    | 74344 | Reverse Arm - Right, 15                   |
| 74152 | Spring, 3                           | 74249 | Screw (1/4-32 Pilot), 1            | 74345 | Reverse Arm - Left, 15                    |
| 74153 | Bearing, 3                          | 74251 | Dashpot Lever, 1                   | 74358 | Bracket, 13                               |
| 74154 | Lower Spacing Gear, 5               | 74252 | Screw (3/8-32 Pilot), 1, 2         | 7 439 | Draw Strap, 5                             |
| 74156 | Screw (10-32 x 9/16), 4             | 74253 | Stud, 14                           | 74361 | Screw (6-40 Shoulder), 10                 |
| 74158 | Function Bail Blade, 4              | 74254 | Rear Cross Bar, 4                  | 74363 | Bail, 13, 14                              |
| 74160 | Carriage Return Lock Bar, 5         | 74255 | Function Lever Comb, 6             | 74365 | Lockout Lever, 32                         |
| 74161 | Lock Bar Latch, 1                   | 74259 | Detent, 10                         | 74366 | Spacing Rack, 14                          |
| 74162 | Adjusting Link, 5                   | 74264 | Platen Shaft, 9                    | 74367 | Screw (10-32 x 1-7/16), 14, 25            |
| 74163 | Shift Push Bar, 4                   | 74269 | Washer, 5                          | 74368 | Operating Bail Roller (Assem.), 14        |
| 74164 | Spacing Shaft, 5                    | 74271 | Washer, 5                          | 74371 | Ribbon Carrier, 13                        |
| 74166 | Driving Disc, 3                     | 74272 | Spring, 5                          | 74372 | Link, 14                                  |
| 74169 | Pivot Clamp, 6                      | 74275 | Shaft, 5                           | 74373 | Segment, 13                               |
| 74170 | Screw (10-32 Pivot), 6              | 74276 | Ball Bearing, 5                    | 74374 | Pull Bar Bail Plunger, 14                 |
| 74171 | Screw (10-40 Eccentric), 1          | 74278 | Escapement Lever, 5                | 74376 | Bracket, 14                               |
| 74172 | Screw (10-32 Eccentric Shoulder), 1 | 74279 | Leather Strip, 13                  | 74378 | Margin Bell Pawl, 13                      |
| 74173 | Bell Latch Bar, 4                   | 74281 | Type Bar Backstop (Assem.), 13     | 74379 | Bracket, 13                               |
| 74174 | Bell Push Bar, 4                    | 74283 | Washer - Spring, 1, 2, 9           | 74380 | Shaft (with Detent and Gears), 14         |
| 74175 | Bracket, 12                         | 74286 | Bail Guide, 15                     | 74381 | Feed Pawl, 14                             |
| 74178 | Bracket, 2                          | 74289 | Back Stop, 12                      | 74382 | Ribbon Feed Lever, 33                     |
| 74179 | Vertical Feed Shaft, 15             | 74291 | Spring Bracket, 12                 | 74383 | Bearing - Right, 14                       |
| 74180 | Code Bar "1D", 30                   | 74292 | Screw (10-32 Shoulder), 14         | 74384 | Spool Gear, 15                            |
| 74181 | Code Bar "2D", 30                   | 74294 | Adapter Plate, 13, 32              | 74385 | Spur Gear, 15                             |
| 74182 | Code Bar "3D", 30                   | 74296 | Screw (6-40 Pilot), 13             | 74390 | Reverse Bail, 14                          |
| 74183 | Code Bar "4D", 30                   | 74297 | Latch Plate, 5                     | 74392 | Spool Bracket, 15                         |
| 74184 | Code Bar "5D", 30                   | 74300 | Spring Drum (Assem.), 5            | 74394 | Spool Shaft, 15                           |
| 74185 | Standard Pull and Function Bar, 30  | 74302 | Type Bar Pallet (. .), 30          | 74395 | Relay Guard, 18                           |
| 74186 | Disc, 10                            | 74303 | Type Bar Pallet (Z "), 30          | 74397 | Draw Strap Post, 13                       |
| 74187 | Pull Bar Guide, 14, 15              | 74304 | Type Bar Pallet (K C), 30          | 74398 | Ratchet Shaft, 14                         |
| 74188 | Mounting Plate, 33                  | 74305 | Type Bar Pallet (B ?), 30          | 74399 | Screw (6-40 Pilot), 12                    |
| 74189 | Clutch Lever Bracket, 32            | 74306 | Type Bar Pallet (P O), 30          | 74401 | Ribbon Oscillator, 13                     |
| 74190 | Spacing Clutch, 5                   | 74307 | Type Bar Pallet (Y 6), 30          | 74407 | Sending - Receiving Reset Lever, 9        |
| 74191 | Latch, 6                            | 74308 | Type Bar Pallet (M .), 30          | 74408 | Post, 9                                   |
| 74192 | Upper Spacing Gear, 5               | 74309 | Type Bar Pallet (U 7), 30          | 74409 | Contact Lever, 6                          |
| 74193 | Retainer, 33                        | 74310 | Type Bar Pallet (L )), 30          | 74410 | Frame - Left, 1                           |
| 74194 | Stud, 13                            |       |                                    | 74412 | Bushing, 5                                |
| 74195 | Roller, 13                          |       |                                    | 74413 | Back Stop, 4                              |
| 74196 | Stud, 14                            |       |                                    | 74414 | Type Bar Guide, 13                        |
| 74197 | Roller, 14                          |       |                                    | 74416 | Sending - Receiving Intermediate Lever, 9 |
| 74198 | Ball Race, 14                       |       |                                    | 74417 | Send - Receiving "T" Lever, 9             |
| 74199 | Eccentric Bushing, 15               |       |                                    | 74420 | Bracket, 17                               |
| 74200 | Track - Upper, 13                   |       |                                    | 74421 | Bracket, 19                               |
| 74202 | Type Bar (without Pallets) #2, 30   |       |                                    | 74422 | Bracket, 17, 18                           |
| 74203 | Type Bar (without Pallets) #3, 30   |       |                                    | 74425 | Receptacle, 17                            |
| 74204 | Type Bar (without Pallets) #4, 30   |       |                                    | 74430 | Strap, 20                                 |
| 74205 | Type Bar (without Pallets) #5, 30   |       |                                    | 74432 | Mounting Strip, 21                        |
| 74206 | Type Bar (without Pallets) #6, 30   |       |                                    | 74433 | Cover, 21                                 |
| 74207 | Type Bar (without Pallets) #7, 30   |       |                                    | 74435 | Platen Bracket - Left, 10                 |

NUMERICAL INDEX

|       |  |       |                                     |       |  |
|-------|--|-------|-------------------------------------|-------|--|
| 74437 | Slide Bar, 10                                    | 74583 | Selector Bar #3, 22                 | 74687 | Screw (6-40 x 5/8), 14                         |
| 74438 | Platen - Rubber, 9                               | 74584 | Selector Bar #4, 22                 | 74688 | Unshift on Space Cut-out<br>Lever - Short, 9   |
| 74446 | Line Feed Ratchet (33T), 9                       | 74585 | Selector Bar #5 - Front, 22         | 74689 | Guide Post, 15                                 |
| 74447 | Detent Ratchet (33T), 9                          | 74587 | Pad - Felt, 17                      | 74690 | Transmitter (Assem.), 23                       |
| 74448 | Bushing, 10                                      | 74588 | Terminal Block (Assem.), 17         | 74691 | Resistance (800-800<br>Ohms), 22               |
| 74449 | Bushing, 10                                      | 74589 | Terminal Block (Assem.), 22         | 74692 | Spring Post, 1,4,16                            |
| 74451 | Release Lever Shaft, 10                          | 74590 | Plate, 22                           | 74693 | Post, 10                                       |
| 74452 | Release Shaft, 10                                | 74592 | Retaining Rod, 17                   | 74694 | Friction Arm, 9                                |
| 74454 | Release Cam, 10                                  | 74594 | Retaining Ring, 22                  | 74695 | Friction Sleeve, 9                             |
| 74455 | Paper Chute, 10                                  | 74595 | Gear - 24T, 23                      | 74700 | Spring, 13                                     |
| 74457 | Guide Lever, 10                                  | 74596 | Driving Gear - 21T, 3               | 74701 | Spring, 16                                     |
| 74460 | Shaft, 10  | 74599 | Eccentric, 12                       | 74703 | Spring, 12                                     |
| 74463 | Adjusting Lever, 10                              | 74601 | Universal Bar, 22                   | 74704 | Spring, 1                                      |
| 74465 | Line Feed Lever, 10                              | 74604 | Repeat Space Rod, 22                | 74705 | Spring, 6,7,16                                 |
| 74467 | Line Feed Pawl, 10                               | 74605 | Bracket, 22                         | 74706 | Spring, 10                                     |
| 74469 | Paper Finger - Right, 10                         | 74609 | Spacer Bar Shaft, 22                | 74707 | Spring, 1,16                                   |
| 74470 | Paper Finger - Left, 10                          | 74610 | Key Lever Shaft, 22                 | 74708 | Spring, 10                                     |
| 74473 | Straightener Rod Stop, 10                        | 74613 | Screw (4-40 x 1/4), 10              | 74709 | Spring, 10                                     |
| 74476 | Straightener Rod, 10                             | 74614 | Resistance (2600 Ohms), 18,29       | 74710 | Spring, 10                                     |
| 74478 | Single - Double Line Feed<br>Lever, 10           | 74618 | Base Plate, 17                      | 74712 | Spring, 1                                      |
| 74479 | Bushing, 10                                      | 74620 | Control Switch, 17                  | 74719 | Relay Base, 33                                 |
| 74480 | Retaining Spring, 10                             | 74621 | Cover Locating Stud (Assem.),<br>17 | 74720 | Screw (1/4-20 Thumb), 17                       |
| 74481 | Detent Roller, 10                                | 74625 | Cable, 12                           | 74721 | Spring, 14                                     |
| 74490 | Roller - Rubber - Front, 10                      | 74627 | Connection Strip (Assem.), 21       | 74722 | Washer, 12,15                                  |
| 74491 | Roller - Rubber - Rear, 10                       | 74628 | Fuse Block, 17                      | 74724 | Screw (10-32 Thumb), 12                        |
| 74493 | Spacer - Short, 10                               | 74642 | Type Bar (with Pallets) #2,<br>30   | 74725 | Screw (6-40 Shoulder), 4                       |
| 74494 | Spacer - Long, 10                                | 74643 | Type Bar (with Pallets) #3,<br>30   | 74726 | Extension, 13                                  |
| 74499 | Bearing Cap - Right, 14                          | 74644 | Type Bar (with Pallets) #4,<br>30   | 74727 | Terminal, 18                                   |
| 74500 | Bearing - Left, 14                               | 74645 | Type Bar (with Pallets) #5,<br>30   | 74730 | Screw (6-40 Shoulder), 13                      |
| 74501 | Bearing Cap - Left, 14                           | 74646 | Type Bar (with Pallets) #6,<br>30   | 74731 | Nut (6-40 Hex.), 13                            |
| 74502 | Clutch - Driven, 3                               | 74647 | Type Bar (with Pallets) #7,<br>30   | 74732 | Stud, 10                                       |
| 74503 | Function Bail (with Spring<br>Post), 4           | 74648 | Type Bar (with Pallets) #8,<br>30   | 74733 | Shoulder Stud, 5,10                            |
| 74504 | Base, 17   | 74649 | Type Bar (with Pallets) #9,<br>30   | 74736 | Stop Lever Bracket, 5                          |
| 74505 | Pinion (7T) -368 O.P.M., 26                      | 74650 | Type Bar (with Pallets) #10,<br>30  | 74737 | Spacing Stop Lever, 5                          |
| 74508 | Spring Drum, 5                                   | 74651 | Type Bar (with Pallets) #11,<br>30  | 74738 | Screw (10-32 Shoulder), 33                     |
| 74511 | Friction Spring, 14                              | 74652 | Type Bar (with Pallets) #12,<br>30  | 74739 | Screw (6-40 Special), 14                       |
| 74512 | Basket Support Roller<br>(Assem.), 13            | 74653 | Type Bar (with Pallets) #13,<br>30  | 74744 | Guard, 18                                      |
| 74513 | Fulcrum Rod, 13                                  | 74654 | Type Bar (with Pallets) #14,<br>30  | 74747 | Detent Spring, 33                              |
| 74514 | Screw (4-40 x 55/64), 18                         | 74655 | Type Bar (with Pallets) #15,<br>30  | 74748 | Arm, 33  |
| 74517 | Screw (6-40 x 1/2), 9                            | 74656 | Type Bar (with Pallets) #16,<br>30  | 74749 | Stop Plate, 22                                 |
| 74519 | Paper Finger Shaft, 10                           | 74657 | Type Bar (with Pallets) #17,<br>30  | 74751 | Trip-off Pawl, 22                              |
| 74520 | Screw (6-40 Eccentric), 9                        | 74658 | Type Bar (with Pallets) #18,<br>30  | 74754 | Detent Spring, 14                              |
| 74521 | Bevel Gear, 15                                   | 74659 | Type Bar (with Pallets) #19,<br>30  | 74755 | Wick - Felt, 3                                 |
| 74523 | Spacer Bar, 22                                   | 74660 | Type Bar (with Pallets) #20,<br>30  | 74756 | Wick - Felt, 3                                 |
| 74525 | Screw (1/4-32 Thumb), 22                         | 74661 | Type Bar (with Pallets) #21,<br>30  | 74757 | Guard, 21                                      |
| 74526 | Collar, 15                                       | 74662 | Type Bar (with Pallets) #22,<br>30  | 74759 | Strip - Felt, 24                               |
| 74528 | Spacer Bar Loop, 22                              | 74663 | Type Bar (with Pallets) #23,<br>30  | 74760 | Spring, 4                                      |
| 74529 | Bracket, 22                                      | 74664 | Type Bar (with Pallets) #24,<br>30  | 74762 | Key Lever - Lower, 22                          |
| 74530 | Separator, 17                                    | 74665 | Type Bar (with Pallets) #25,<br>30  | 74764 | Motor Stop Mechanism<br>(Upper Case M), 32     |
| 74531 | Switch Cover, 17                                 | 74666 | Type Bar (with Pallets) #26,<br>30  | 74776 | Insulator, 17                                  |
| 74532 | Base, 22   | 74667 | Type Bar (with Pallets) #27,<br>30  | 74779 | Rivet, 6                                       |
| 74534 | Bearing Bracket (with Spring<br>Post and Oil), 5 | 74668 | Type Bar (with Pallets) #28,<br>30  | 74783 | Sixth Vane Detent Lever<br>(Assem.), 6         |
| 74536 | Screw (6-40 x 5/32), 9,10,15                     | 74670 | Strap, 18                           | 74789 | Cable, 9                                       |
| 74538 | Bracket, 9                                       | 74682 | Screw (10-32 x 1-1/8), 18           | 74798 | Screw (6-40 x 31/64), 5                        |
| 74539 | Plate, 9   | 74684 | Contact Spring, 21                  | 74799 | Retaining Plate, 5                             |
| 74545 | Release Lever, 12                                | 74685 | Contact Spring, 21                  | 74800 | Washer - Felt, 3                               |
| 74546 | Cable Clamp, 21                                  | 74686 | Shift Vane, 4                       | 74801 | Friction Disc Sleeve, 3                        |
| 74548 | Spring, 5  |       |                                     | 74802 | Spring, 3                                      |
| 74551 | Cover, 17  |       |                                     | 74804 | Post, 14                                       |
| 74552 | Vane Frame (with Post), 6                        |       |                                     | 74805 | Screw (10-32 x 3/4),<br>3,14,15                |
| 74554 | Spring Post, 1,10,12                             |       |                                     | 74806 | Guide Post Mounting<br>Strip, 14               |
| 74556 | Motor Stop Pawl - Outer, 12                      |       |                                     | 74807 | Nut (10-32 Hex.), 14                           |
| 74557 | Lamp, 19   |       |                                     | 74808 | Bushing, 22                                    |
| 74558 | Socket, 19                                       |       |                                     | 74820 | Platen - Hard Rubber, 9                        |
| 74559 | Shaft, 10  |       |                                     | 74821 | Resistance (2810 Ohms), 18                     |
| 74561 | Line Feed Check Post, 10                         |       |                                     | 74826 | Covering Strip - Black<br>Gloss, 24            |
| 74562 | Screw (6-40 x 3/4), 10                           |       |                                     | 74833 | Copyholder - 6" - (Assem.),<br>Black Gloss, 25 |
| 74563 | Line Feed Check Lever, 10                        |       |                                     | 74838 | Bearing Cap, 1                                 |
| 74564 | Detent Lever, 10                                 |       |                                     | 74839 | Motor Unit (Assem.)<br>(77953 Motor), 26       |
| 74566 | Screw (10-32 Shoulder), 10                       |       |                                     | 74840 | Motor Unit (Assem.),<br>(72586 Motor), 26      |
| 74567 | Screw (1/4-20 x 9/16), 17,<br>26,27              |       |                                     | 74841 | Terminal Strap, 12                             |
| 74568 | Terminal Block, 17                               |       |                                     | 74852 | Cord - 20" Long, 29                            |
| 74569 | Terminal Block, 22                               |       |                                     | 74853 | Power Cord (Assem.), 19                        |
| 74572 | Cable, 22  |       |                                     | 74855 | Cross Bar, 11                                  |
| 74573 | Power Cable (in Base), 17                        |       |                                     | 74875 | Ribbon Carrier, 11                             |
| 74574 | Line Cable (in Base), 17                         |       |                                     |       |  |
| 74575 | Relay Cable (WD-1221, 1277),<br>18               |       |                                     |       |  |
| 74581 | Selector Bar #1 - Rear, 22                       |       |                                     |       |  |
| 74582 | Selector Bar #2, 22                              |       |                                     |       |  |

NUMERICAL INDEX

|       |  |       |                                       |       |  |
|-------|--|-------|---------------------------------------|-------|--|
| 74876 | Paper Roll Spindle (8 to 8-1/2") (Includes 74877 Spring), 21 | 78403 | Contact Brush, 28                     | 80307 | Outlet, 27   |
| 74878 | Spindle Drag Spring, 2                                       | 78437 | Insulator, 28                         | 80308 | Bushing - Fibre, 27  |
| 74879 | Spring Post, 2,10  | 78438 | Bushing, 28                           | 80309 | Washer - Felt, 27  |
| 74882 | Spring, 5  | 78443 | Outer Contact Disc, 28                | 80310 | Washer - Felt, 27  |
| 74885 | Send - Receive Lever, 18                                     | 78451 | Cover, 28                             | 80311 | Cup Washer, 27   |
| 74889 | Block, 13  | 78496 | Outer Disc Contact Spring, 28         | 80312 | Washer, 26,27  |
| 74890 | Motor Stop Contact (Assem.), 9                               | 78497 | Inner Disc Contact Spring, 28         | 80313 | Washer, 27   |
| 74891 | Shim, 23   | 78596 | Washer, 12                            | 80334 | Contact Terminal, 28   |
| 74892 | Shim, 22,23  | 78597 | Screw (10-32 Shoulder), 12            | 80335 | Clamping Plate, 28   |
| 74894 | Name Plate, 25   | 78824 | Spring, 12                            | 80336 | Insulator, 28  |
| 74898 | Stud, 17   | 78826 | Mounting Block, 12                    | 80337 | Bracket, 28  |
| 74899 | Ball Bearing, 3  | 78858 | Washer, 29                            | 80338 | Governor Adjusting Bracket, 28                                     |
| 74900 | Washer, 3  | 78905 | Washer - Fibre, 29                    |       |  |
| 74901 | Nut (15/32-32 Hex.), 3                                       | 78946 | Spring Cushion Keytop (A -), 30       | 80340 | Brush Spring Plate, 28   |
| 74904 | Shaft, 3   | 78947 | Spring Cushion Keytop (B ?), 30       | 80341 | Governor Brush and Speed Adjusting Bracket (Assem.), 28            |
| 74909 | Frame - Right, 2   |       |                                       | 80342 | Screw (6-40 x 23/64), 15, 17,28                                    |
| 74912 | Pinion (7T) - 368 O.P.M., 27                                 | 78948 | Spring Cushion Keytop (C :), 30       | 80351 | Screw (8-36 x 5/16), 27  |
| 74913 | Gear (30T) - 368 O.P.M., 27                                  | 78949 | Spring Cushion Keytop (D \$), 30      | 80352 | Center Contact Governor (Assem.), 28                               |
| 74916 | Gear Hub, 3  | 78950 | Spring Cushion Keytop (E 3), 30       | 80358 | Ball Bearing, 27   |
| 74917 | Retainer, 24   | 78951 | Spring Cushion Keytop (F !), 30       | 80374 | Set of Gears, 26   |
| 74928 | Post, 10   | 78952 | Spring Cushion Keytop (G &), 30       | 80392 | Spacer Key Lever Spring, 22  |
| 74932 | Function Lever #7, 8   | 78953 | Spring Cushion Keytop (H #), 30       | 80395 | Paper Guide Strip, 11  |
| 74933 | Pull Bar Stripper, 15  | 78954 | Spring Cushion Keytop (I 8), 30       | 80396 | Side Bracket, 11   |
| 74946 | Insulator, 4   | 78955 | Spring Cushion Keytop (J '), 30       | 80397 | Retarding Rod, 11  |
| 74949 | Lower Contact Lever, 18                                      | 78956 | Spring Cushion Keytop (K ()), 30      | 80398 | Pulley, 11   |
| 74952 | Screw (4-40 x 5/8), 18                                       | 78957 | Spring Cushion Keytop (L ))), 30      | 80399 | Paper Carrier Belt, 11   |
| 74961 | Spring, 6,7  | 78958 | Spring Cushion Keytop (M .), 30       | 80400 | Spring Bracket, 11   |
| 74962 | Spring, 6,7  | 78959 | Spring Cushion Keytop (N ,), 30       | 80401 | Coil Spring, 11  |
| 74964 | Contact Spring, 18   | 78960 | Spring Cushion Keytop (O 9), 30       | 80402 | Screw (4-40 x 15/32), 11   |
| 74965 | Spacer, 29   | 78961 | Spring Cushion Keytop (P 0), 30       | 80403 | Screw (6-40 Shoulder), 11  |
| 74969 | Bushing, 15  | 78962 | Spring Cushion Keytop (Q 1), 30       | 80405 | Baffle Plate, 11   |
| 74972 | Stud, 14   | 78963 | Spring Cushion Keytop (R 4), 30       | 80407 | Pressure Roller Shaft, 11  |
| 74986 | Screw (6-40 x 13/32), 4,11, 13,14,16,22,29                   | 78964 | Spring Cushion Keytop (T 5), 30       | 80412 | Clamp, 11  |
| 74987 | Spring, 15   | 78965 | Spring Cushion Keytop (U 7), 30       | 80413 | Pressure Roller, 11  |
| 74988 | Spring, 12   | 78966 | Spring Cushion Keytop (V ;), 30       | 80415 | Sprocket Ring, 11  |
| 74990 | Insulator, 17  | 78967 | Spring Cushion Keytop (W 2), 30       | 80420 | Cover Paper Guide, 11  |
| 74991 | Insulator, 26,27   | 78968 | Spring Cushion Keytop (X /), 30       | 80421 | Spacer, 11   |
| 74992 | Bushing, 20  | 78969 | Spring Cushion Keytop (Y 6), 30       | 80422 | Platen - Rubber - 8-1/2", 11                                       |
| 74994 | Mounting Plate, 15,33  | 78970 | Spring Cushion Keytop (Z " ), 30      | 80437 | Set of Gears, 27   |
| 74995 | Retainer, 15,33  | 78971 | Spring Cushion Keytop (Blank), 30     | 80439 | Synchronous Motor Unit (Assem.), 27                                |
| 75229 | Spring, 18   | 78972 | Spring Cushion Keytop (Figs.), 30     | 80444 | Screw (6-40 x 1/4), 16, 28   |
| 75231 | Bushing - Bakelite, 18,20                                    | 78973 | Spring Cushion Keytop (Ltrs.), 30     | 80460 | Cable Clamp, 17  |
| 75400 | Screw (6-40 x 1), 29   | 78976 | Spring Cushion Keytop (Car. Ret.), 30 | 80466 | Platen Crank (Assem.), 9   |
| 75436 | Resistance (3000 Ohms), 18                                   | 78978 | Spring Cushion Keytop (Line Feed), 30 | 80471 | Clutch Spring, 23  |
| 75437 | Test Key, 22   | 78979 | Spring Cushion Keytop (. .), 30       | 80478 | Spring Post, 10,11   |
| 75606 | Spring, 23   | 78980 | Spring Cushion Keytop (S Bell), 30    | 80479 | Collar, 11   |
| 75607 | Washer, 23   | 79513 | Plate, 9,20                           | 80481 | Paper Guide Post, 11   |
| 75750 | Washer - Bakelite, 18,22                                     | 79523 | Screw (2-56 x 25/32), 18              | 80483 | Set of Parts to Convert Friction Feed Printer to Sprocket Feed, 11 |
| 76084 | Washer - Felt, 9   | 80138 | Spring Cushion Keytop (M Stop), 30,32 | 80488 | Paper Guide Post, 11   |
| 76085 | Friction Disc, 9   |       |                                       | 80508 | Screw (4-40 x 25/32), 29   |
| 76086 | Friction Spring, 9   |       |                                       | 80509 | Spring Post, 2   |
| 76087 | Nut (9/16-32 Special), 9                                     |       |                                       | 80510 | Margin Bell Hammer, 2  |
| 76099 | Washer, 17,24,25   |       |                                       | 80511 | Margin Bell Shaft, 2   |
| 76246 | Bushing, 18  |       |                                       | 80516 | Cotter Pin, 1  |
| 76284 | Terminal Strap, 19   |       |                                       | 80551 | Spring Cushion Keytop (S ' ), 30                                   |
| 76295 | Spring, 1  |       |                                       | 80558 | End Shield (with Oiler), 27  |
| 76296 | Spring, 5  |       |                                       | 80559 | Clamping Stud, 27  |
| 76333 | Bushing, 18  |       |                                       | 80587 | Loading Plate, 11  |
| 76461 | Washer, 24   |       |                                       | 80706 | Screw (6-40 x 3/16 Set), 11  |
| 76484 | Fan, 27  |       |                                       | 80724 | Paper Rod Lever, 10  |
| 76699 | Screw (10-32 Pivot), 16,17                                   |       |                                       | 80754 | Oiler, 27  |
| 77775 | Copyholder - 6" - Walnut, 25                                 |       |                                       | 80757 | Screw (10-32 x 1/2), 1,2   |
| 77911 | Brush Holder Cap, 29   |       |                                       | 80765 | Platen - Steel Jacketed - 8-1/2", 11                               |
| 77953 | Motor - 1/25 H.P. - 110 v. - A.C. - 60 Cycle, 26             |       |                                       | 80848 | Spring, 4  |
| 78011 | Condenser - 1 MF., 20  |       |                                       | 80875 | Cover Arm, 24  |
| 78025 | Screw (4-48 x 3/16), 26,27                                   |       |                                       | 80926 | Spring, 4  |
| 78028 | Screw (6-40 x 15/16), 29                                     |       |                                       | 80945 | Spring, 10   |
| 78103 | Screw (6-40 x 1-1/8), 29                                     |       |                                       | 80985 | Screw (4-40 x 1/4), 24   |
| 78205 | Resistor - 300 Ohms, 20                                      |       |                                       | 80986 | Lock Washer, 24  |
| 78206 | Resistor Unit (Assem.) 150-300-600 Ohms, 20                  |       |                                       | 81006 | Stop Post, 2   |
| 78239 | Armature, 26   |       |                                       | 81682 | Rail - Right, Black Gloss, 24                                      |
| 78240 | Field Core, 26   |       |                                       |       |  |
| 78241 | Field Coil, 26   |       |                                       |       |  |
| 78287 | Spacing Collar, 17   |       |                                       |       |  |
| 78301 | Screw (10-32 x 5/8), 4                                       |       |                                       |       |  |
| 78369 | Plug, 19   |       |                                       |       |  |
| 78398 | Bushing, 28  |       |                                       |       |  |
| 78399 | Outer Disc Brush Spring (with Brush), 28                     |       |                                       |       |  |
| 78400 | Inner Disc Brush Spring (with Brush), 28                     |       |                                       |       |  |

NUMERICAL INDEX

|       |  |       |  |       |  |
|-------|--|-------|--|-------|--|
| 81683 | Rail - Left - Black Gloss, 24                                | 82918 | Bracket, 18  | 84901 | Synchronous Motor Unit (Assem.), 27                      |
| 81684 | Strip - Black, 24  | 82919 | Bearing, 18  | 84925 | Set of Parts for Tabulator (Assem.) (Upper Case "G"), 16 |
| 81747 | Insulator Block, 4   | 82920 | Bushing, 18  | 84927 | Carriage Return Function Lever #2-B, 7, 8                |
| 81825 | Condenser, 29  | 82921 | Break Lever, 18                                      | 84928 | Line Feed Function Lever #12-A, 7, 8                     |
| 81841 | Condenser, 18  | 82922 | Adjusting Plate, 18                                  | 86615 | Rotor (Assem.) (with Bearings and Switch), 27            |
| 81889 | Spring Bracket - End, 13                                     | 82923 | Stop Lever, 18                                       | 86616 | Spring, 27   |
| 81893 | Spring Bracket - Center, 14                                  | 82924 | Plate, 18  | 86617 | Rotor (Assem.), 27                                       |
| 81895 | Spring Post, 5   | 82925 | Upper Contact Lever, 18                              | 86710 | Oiler, 1, 4  |
| 81936 | Feed Lever, 14, 33   | 82926 | Contact Spring, 18                                   | 86713 | Screw (4-48 x 5/16), 27                                  |
| 81956 | Blocking Ball, 6   | 82927 | Contact Spring, 18                                   | 86732 | Spring Cushion Keytop (TAB G), 16, 30                    |
| 82012 | Spring, 11   | 82929 | Contact Spring, 18                                   | 86758 | Plate, 16  |
| 82075 | Spring, 4  | 82930 | Contact Spring, 18                                   | 86759 | Tabulator Bar, 16  |
| 82147 | Type Bar Pallet (A ↑), 7, 30                                 | 82933 | Sixth Vane Extension, 4                              | 86760 | Bearing, 16  |
| 82148 | Type Bar Pallet (D ↘), 7, 30                                 | 82934 | Screw (4 40 Shoulder), 4                             | 86761 | Post, 16   |
| 82149 | Type Bar Pallet (F →), 7, 30                                 | 82965 | Spring, 4  | 86762 | Tabulator Stop, 16                                       |
| 82150 | Type Bar Pallet (G ↘), 7, 30                                 | 82966 | Letters Push Bar, 4                                  | 86763 | End-of-Line Tabulator Reset Stop, 16                     |
| 82151 | Type Bar Pallet (H ↑), 7, 30                                 | 82986 | Screw (1/4-32 Pilot), 32                             | 86764 | Nut (4-40 Special), 16                                   |
| 82152 | Type Bar Pallet (J ↑), 7, 30                                 | 82999 | Spring, 13   | 86765 | Adapter Block, 16  |
| 82153 | Type Bar Pallet (K ←), 7, 30                                 | 83402 | Name Plate (15-A), 26                                | 86766 | Tabulator Latch, 16                                      |
| 82154 | Type Bar Pallet (L ↘), 7, 30                                 | 83403 | Name Plate (15-B), 26                                | 86768 | Function Lever #6, 8, 16                                 |
| 82253 | Platen - Steel Jacketed, 9                                   | 83405 | Name Plate, 27                                       | 86769 | Latch Bar, 16  |
| 82271 | Function Lever #13, 8  | 83408 | Screw (4-40 x 3/16), 26, 27                          | 86770 | Bearing, 16  |
| 82283 | Synchronous Motor - 1/40 H.P. - 110 V. - A.C. - 60 Cycle, 27 | 83412 | Locating Stud, 17                                    | 86771 | Latch Bar Extension, 16                                  |
| 82300 | Motor Stop Locking (Assem.), 12                              | 83413 | Buffer, 17   | 86772 | Screw (6 40 Eccentric), 16                               |
| 82322 | Cover (Assem.) - Black Gloss, 24                             | 83571 | Eccentric, 12  | 86773 | Link, 16   |
| 82388 | Cover Door (Assem.) - Right Side - Walnut, 25                | 83574 | Paper Guide Plate - Black Gloss, 24                  | 86774 | Screw (6-40 Shoulder), 16                                |
| 82389 | Cover Door (Assem.) - Right Side - Black Gloss, 25           | 83718 | Shift Vane #6 (Assem.), 4, 6                         | 86776 | Post, 16   |
| 82399 | Pad - Right Side, 24   | 83855 | Set of Parts, 33                                     | 86777 | Bell Crank Retainer, 16                                  |
| 82400 | Pad - Left Side, 24  | 83884 | Screw (10-32 x 3/4), 1                               | 86779 | Pawl, 16   |
| 82401 | Pad - Rear Lower, 24   | 83885 | Nut (6-32 Hex.), 24, 25                              | 86850 | Screw (10-32 x 1-1/4), 20                                |
| 82402 | Pad - Rear Upper, 24   | 83920 | Top Plate, 12  | 86868 | Bushing, 28  |
| 82403 | Pad - Front, 24  | 83976 | Platen Crank, 9                                      | 86869 | Post, 28   |
| 82404 | Spring, 24   | 83977 | Spring Clip, 9                                       | 86873 | Spring, 6, 7   |
| 82405 | Spring, 24   | 84018 | Pinion (7T), 27                                      | 87154 | Set of Paper Guide Parts, 11                             |
| 82406 | Spring, 24   | 84019 | Gear (25T), 27                                       | 87324 | Motor Stop and Break Mechanism Plate (Assem.), 16        |
| 82407 | Spring, 24   | 84025 | Type Bar Pallet ( - ), 7, 30                         | 87325 | Tabulator Bar (Assem.), 16                               |
| 82408 | Spring, 24   | 84042 | Set of Gears, 27                                     | 87326 | Tabulator Latch Bar (Assem.), 16                         |
| 82409 | Spring, 24   | 84047 | Stop, 26   | 87327 | Spacing Pawl (Assem.), 16                                |
| 82410 | Spring, 24   | 84060 | Blank Printing Spacing Cut-out Lever 7-B, 7, 8       | 87343 | Bell Crank Retainer (with Pawl), 16                      |
| 82411 | Bracket, 24  | 84061 | "Blank" Printing - Spacing Cut-out Lever (Assem.), 7 | 87401 | Spring, 6  |
| 82412 | Bracket, 24  | 84069 | Type Bar Pallet (N ⊕), 7, 30                         | 87402 | Spring, 6, 8   |
| 82413 | Cover Stop Arm, 24   | 84079 | Pressure Roller Lever - Left, 11                     | 87509 | Post, 4, 32  |
| 82414 | Cover Detent Knob, 24  | 84081 | Pressure Roller Lever - Right 11                     | 87636 | Screw (2-56 x 3/16), 25                                  |
| 82415 | Cover Detent Spring, 24                                      | 84169 | Name Plate (15-E), 27                                | 87851 | Bushing, 18  |
| 82420 | Type Bar Pallet (B ⊕), 7, 30                                 | 84351 | Type Bar Backstop, 13                                | 87860 | Set of Parts for Tabulator (Assem.) (Upper Case "Z"), 16 |
| 82421 | Type Bar Pallet (V ⊕), 7, 30                                 | 84575 | Spring, 9  | 87936 | Bracket, 25, 33  |
| 82423 | Type Bar Pallet (C ⊙), 7, 30                                 | 84578 | Bearing Block, 5                                     | 87937 | Bracket (with Rod), 25, 33                               |
| 82425 | Glass (11-19/32 x 6-1/4 x 1/8), 24                           | 84734 | Type Bar (with Pallets) #2, 30                       | 87957 | Cover Front Plate (Assem.) - Black Gloss, 25             |
| 82440 | Screw (6-40 x 7/16), 22, 29                                  | 84735 | Type Bar (with Pallets) #3, 30                       | 87963 | Cover Front Plate (Assem.) - Black Gloss, 25             |
| 82442 | Spring, 2  | 84736 | Type Bar (with Pallets) #4, 30                       | 87993 | Screw (6-40 x 5/32), 6                                   |
| 82463 | Spring, 10   | 84737 | Type Bar (with Pallets) #5, 30                       | 88856 | Stud, 1  |
| 82474 | Terminal, 17, 19, 29   | 84738 | Type Bar (with Pallets) #10, 30                      | 88857 | Washer - Spring, 1                                       |
| 82607 | Spring Cushion Keytop (H Stop), 30, 32                       | 84740 | Type Bar (with Pallets) #11, 30                      | 88877 | Lacing - Black, 24, 25                                   |
| 82702 | Screw (6-40 x 9/32), 29                                      | 84742 | Type Bar (with Pallets) #14, 30                      | 88879 | Brush Holder Support (Assem.), 27                        |
| 82714 | Synchronous Motor - 1/40 H.P. - 110 V. - A.C. - 50 Cycle, 27 | 84743 | Type Bar (with Pallets) #17, 30                      | 89076 | Bracket, 9   |
| 82718 | Shift Vane (with Extension), 4                               | 84745 | Type Bar (with Pallets) #18, 30                      | 89077 | Stud, 1, 9   |
| 82728 | Name Plate "On", 25  | 84746 | Type Bar (with Pallets) #20, 30                      | 89097 | Operating Arm, 16  |
| 82729 | Name Plate "Off", 25   | 84747 | Type Bar (with Pallets) #21, 30                      | 89405 | Spacer, 27   |
| 82733 | Bearing Cap, 2   | 84749 | Type Bar (with Pallets) #22, 30                      | 89406 | Washer, 27   |
| 82740 | Contact (Assem.), 9  | 84750 | Type Bar (with Pallets) #24, 30                      | 89407 | Cotter Pin, 27   |
| 82742 | Motor Stop Mechanism (Upper Case H), 32                      | 84752 | Type Bar (with Pallets) #25, 30                      | 89413 | Spring Cushion Keytop ( - ), 7, 30                       |
| 82750 | Set of Type Bar Pallets, 7                                   | 84792 | Function Lever #6, 8, 16                             | 89414 | Spring Cushion Keytop (A ↑), 7, 30                       |
| 82751 | Type Bar Pallet (Z +), 7, 30                                 | 84799 | Spring Cushion Keytop (TAB Z), 16, 30                | 89415 | Spring Cushion Keytop (D ↘), 7, 30                       |
| 82787 | Spring, 6, 8   | 84894 | Arm, 14, 33  | 89416 | Spring Cushion Keytop (F →), 7, 30                       |
| 82788 | Spring, 6, 8   | 84895 | Detent Spring, 14, 33                                |       |  |
| 82839 | Rotor (Assem.) (with Bearings and Switch), 27                | 84896 | Screw (10-32 Shoulder), 14, 33                       |       |  |
| 82840 | Rotor (Assem.), 27   |       |  |       |  |
| 82841 | Switch Commutator, 27  |       |  |       |  |
| 82843 | Spring, 27   |       |  |       |  |
| 82845 | Washer, 27   |       |  |       |  |
| 82848 | Brush Holder (with Brush), 27                                |       |  |       |  |
| 82850 | End Shield (with Oiler), 27                                  |       |  |       |  |
| 82865 | Bracket, 18  |       |  |       |  |
| 82917 | Send - Receive Break Mechanism (Assem.), 18                  |       |  |       |  |

NUMERICAL INDEX

|       |  |       |  |        |                                     |
|-------|--|-------|--|--------|-------------------------------------|
| 89417 | Spring Cushion Keytop (G), 7,30                | 91600 | Screw (6-40 x 31/32), 5                              | 94015  | Clutch Lever Bracket, 12,32         |
| 89418 | Spring Cushion Keytop (H), 7,30                | 91617 | Shim, 26   | 94094  | Oil Hole Cover, 5                   |
| 89419 | Spring Cushion Keytop (J), 7,30                | 91657 | Ribbon Lockout Lever (Assem.), 13,32                 | 94693  | Wick (5/16 Long), 4                 |
| 89420 | Spring Cushion Keytop (K), 7,30                | 91658 | Extension, 13  | 94694  | Button - Felt, 1                    |
| 89421 | Spring Cushion Keytop (L), 7,30                | 91659 | Lockout Lever, 13                                    | 95050  | Cord (Assem.) with Plug, 19         |
| 89422 | Spring Cushion Keytop (Z), 7,30                | 91683 | Nut (15/32-32 Hex.), 19                              | 95051  | Cord, 19                            |
| 89423 | Spring Cushion Keytop (CO), 7,30               | 91739 | Insulator, 22  | 95052  | Cord (Assem.) with Plug, 19         |
| 89424 | Spring Cushion Keytop (VD), 7,30               | 91740 | Cord, 19   | 95053  | Cord, 19                            |
| 89425 | Spring Cushion Keytop (B), 7,30                | 91750 | Cover Front Plate (Assem.) - Black Wrinkle, 25       | 95063  | Plug - 3 Prong, 19                  |
| 89426 | Spring Cushion Keytop (ND), 7,30               | 91751 | Copyholder - 6" - Black Wrinkle, 25                  | 95064  | Plug - 4 Prong, 19                  |
| 89438 | Line Cord (Assem.) with Plug - Black, 19       | 91752 | Copyholder - 6" - (Assem.) - Black Wrinkle, 25       | 95935  | Bushing, 29                         |
| 89439 | Plug, 19                                       | 91766 | Cable Clamp, 21                                      | 95936  | Retard Coil, 29                     |
| 89472 | Line Cord (Assem.) with Plug - Red, 19         | 91767 | Cable Clamp, 21                                      | 95937  | Condenser - .01 M.F., 29            |
| 89548 | Contact Spring, 18                             | 91837 | Washer - Fibre, 26                                   | 95938  | Condenser - .1 M.F., 29             |
| 89881 | Wick - Felt, 3                                 | 92170 | Bracket, 29  |        |                                     |
| 89896 | Oiler, 5,23                                    | 92216 | Filter (Assem.), 29                                  |        |                                     |
| 89897 | Nut (10-32 Hex.), 5,23                         | 92222 | Transmitting Contact Filter (Assem.), 29             | 96158  | Strap, 18                           |
| 89917 | Screw (4-40 Eccentric), 23                     | 92227 | Line Relay Radio Filter (Assem.), 29                 | 96559  | Pallet - P Ø, 30                    |
| 89925 | Terminal End, 20                               | 92291 | Condenser (1/10 M.F.), 29                            | 97306  | Lock Washer, 3                      |
| 89969 | Washer - Bakelite, 21                          | 92309 | Resistance (400 Ohms), 29                            | 99250  | Motor Filter (Assem.), 29           |
| 90101 | Set of Spring Cushion Keytops, 7               | 92505 | Shielding Tube, 29                                   | 99354  | Container, 29                       |
| 90103 | Set of Parts, 7                                | 92511 | Roller, 23,33  | 99355  | Washer, 29                          |
| 90109 | Fustat - 3.2 Amp., 19                          | 92745 | Paper Chute, 32                                      | 99356  | Bracket, 29                         |
| 90260 | Springs, 23                                    | 92747 | Bracket, 29  | 99357  | Clip, 29                            |
| 90263 | Wound Stator (with Base), 27                   | 92748 | Screw (6-40 x 1-7/16), 29                            | 99564  | Keytop - P Ø, 30                    |
| 90438 | Felt Button, 23                                | 92749 | Wire, 29   | 99744  | Resistor - 8000 Ohms, 18            |
| 90752 | Lock Washer, 17                                | 92750 | Wire, 29   | 99745  | Line and Selector Jack (Assem.), 18 |
| 90791 | Lock Washer, 12                                | 92814 | Line Relay Cable, 17                                 | 99802  | Clamp Plate, 18                     |
| 91041 | Wound Stator (with Base), 27                   | 93075 | Nut (15/32-32 Ring), 19                              | 99803  | Insulator, 18                       |
| 91120 | Spring, 22,23                                  | 93170 | Cover Door (Assem.) - Right Side - Black Wrinkle, 25 | 99804  | Insulator, 18                       |
| 91175 | Roller (Assem.), 4,32                          | 93181 | Line Test Key Door (Assem.) - Black Wrinkle, 25      | 99805  | Plunger, 18                         |
| 91222 | Covering Strip - Black Wrinkle, 24             | 93183 | Cover (Assem.) - Black Wrinkle, 24                   | 99806  | Bracket, 18                         |
| 91223 | Paper Guide Plate - Black Wrinkle, 24          | 93754 | Bail, 6  | 99807  | Contact Spring Outer, 18            |
| 91280 | Terminal, 19                                   | 93755 | Roller, 6  | 99809  | Contact Spring Inner, 18            |
| 91293 | Cover Front Plate (Assem.) - Black Wrinkle, 25 | 93756 | Housing, 6   | 99816  | Relay Base, 18                      |
| 91514 | Rail - Left - Black Wrinkle, 24                | 93757 | Bearing, 6   | 99817  | Foot - Aluminum, 17                 |
| 91515 | Rail - Right - Black Wrinkle, 24               | 93758 | Washer - Felt, 6                                     | 99818  | Cord Guard, 17                      |
| 91561 | Line Test Key Door (Assem.) - Black Gloss, 24  | 93839 | Function Lever Bail (Assem.), 6                      | 99959  | Cord Clamp, 17                      |
| 91589 | Fustat Adapter, 19                             | 93882 | Condenser Plate, 29                                  | 102100 | Terminal, 19                        |
|       |  | 93883 | Condenser (Assem.), 29                               | 102985 | Type Bar (with Pallet), 30          |
|       |  | 93884 | Transmitting Contacts Filter (Assem.), 29            | 103236 | Plug - Black, 19                    |
|       |  | 94001 | Key Lever Guide - Rear, 22                           | 103284 | Fusetron - 3.2 Amp., 19             |
|       |  | 94009 | Toggle Switch, 19                                    | 103285 | Fusetron - 6.25 Amp., 19            |
|       |  |       |  | 103286 | Fusetron - 1.6 Amp., 19             |
|       |  |       |  | 103287 | Fusetron - 1.25 Amp., 19            |
|       |  |       |  | 103288 | Fusetron - 1.4 Amp., 19             |
|       |  |       |  | 103289 | Fusetron - .8 Amp., 19              |
|       |  |       |  | 103290 | Fusetron - .6 Amp., 19              |
|       |  |       |  | 103536 | Cord, 19                            |
|       |  |       |  | 103537 | Cord, 19                            |