

# TELETYPE

## PRINTING TELEGRAPH SYSTEMS

### PARTS

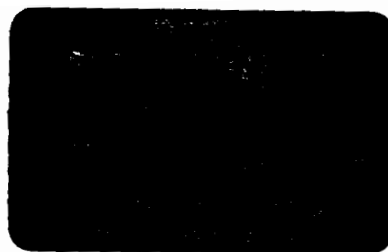
#### DISTRIBUTORS

(XD79 AND XD95)

#### MOTOR ARRANGEMENTS

(EX, EY, EZ AND GW)

XD79EZ	14AA	TRANSMITTER DISTRIBUTOR
XD79EY	14AB	TRANSMITTER DISTRIBUTOR
XD79EX	14AD	TRANSMITTER DISTRIBUTOR
XD95GW	14ABM	TRANSMITTER DISTRIBUTOR



REG. U. S. PAT. OFF.  
CORPORATION

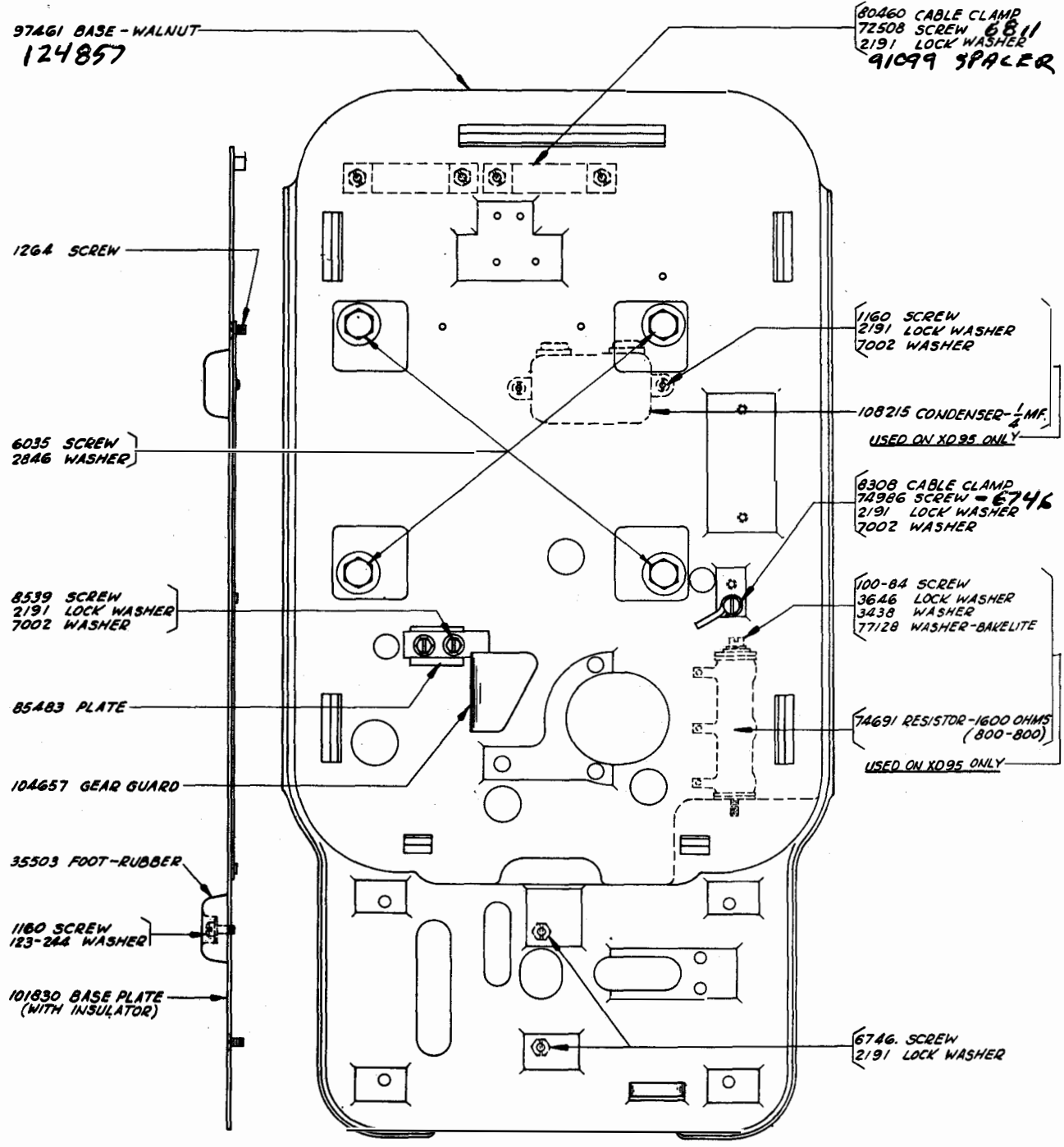
SUBSIDIARY OF

*Western Electric Company*

CHICAGO, U. S. A.

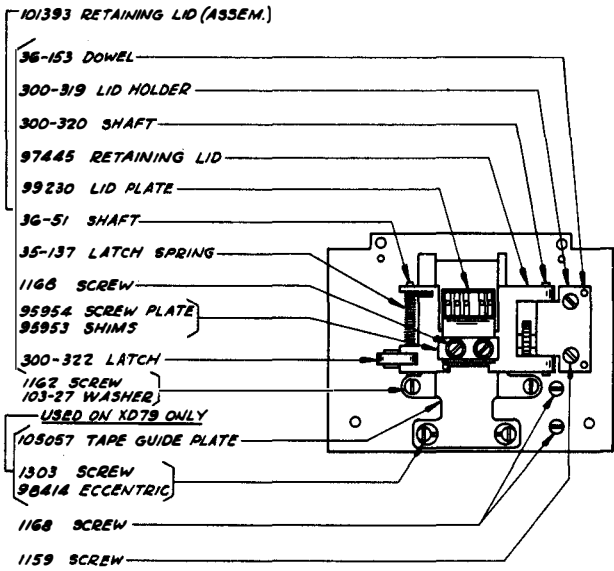
ALPHABETICAL INDEX

DESCRIPTION	PAGE NO.	DESCRIPTION	PAGE NO.
Bail (Assem.) - - - - -	7	Motors - - - - -	10,11,12
Base - Walnut - - - - -	1	Motor Arrangement "EX" - - - - -	11
Base Plate - - - - -	1	Motor Arrangement "EY" - - - - -	12
Brushes - Distributor - - - - -	5	Motor Arrangement "EZ" - - - - -	10
Brushes - Governor - - - - -	13	Motor Arrangement "GW" - - - - -	12
Brush Holder (Assem.) - - - - -	5	Motor-Governed (A.C. Series) - - - - -	12
Cable - - - - -	8,11,12	Motor-Governed (D.C. Shunt) - - - - -	11
Cables (Assem.) - - - - -	8	Motor - Governor Filter (Assem.) - - - - -	14
Cable Clamps - - - - -	1	Motor - Synchronous - - - - -	10
Center Contact Governor (Assem.) - - - - -	13	Operating Lever (Assem.) - - - - -	7
Clutch Lever (Assem.) - - - - -	6	Pinions - - - - -	10,11,12
Condenser (Assem.) - - - - -	14	Plugs - Cords - - - - -	8
Condensers - - - - -	1,7,14	Power Cord (Assem.) - - - - -	8
Contact Screw Bridge (Assem.) - - - - -	3	Resistors (Flat Type) - - - - -	14
Cords (Assem.) - - - - -	8	Resistors (Round Type) - - - - -	1,14
Disc (Assem.) - - - - -	5	Resistor and Bracket (Assem.) - - - - -	14
Distributor Cover - Walnut - - - - -	9	Resistor Unit (Assem.) - - - - -	14
Feed Lever (Assem.) - - - - -	6	Retaining Lid (Assem.) - - - - -	2
Feed Pawl - - - - -	6	Snap Panel - Walnut - - - - -	9
Feed Roll - - - - -	2	Synchronous Motor - - - - -	10
Foot - Rubber - - - - -	1	Tape Exit Guide - - - - -	9
Gear Guard - - - - -	1	Tape Guide Plates - - - - -	2
Gears - - - - -	10,11,12	Tape-Out Contact (Assem.) - - - - -	2
Governed Motor (A.C. Series) - - - - -	12	Tape Sensing Lever Bearing Bracket - - - - -	3
Governed Motor (D.C. Shunt) - - - - -	11	Tape Sensing Levers (Assem.) - - - - -	3
Governor Brush Bracket (Assem.) - - - - -	13	Target - 10 Spot - - - - -	13
Guard - Governor - - - - -	14	Terminal Blocks (Assem.) - - - - -	3,7
Magnet (Assem.) - - - - -	6	Top Plate (Assem.) - - - - -	2
Main Shaft (Assem.) - - - - -	5	Transmitter Brush Filter (Assem.) - - - - -	7
Main Shaft Bracket (Assem.) - - - - -	4	Transmitter Cover - Walnut - - - - -	9

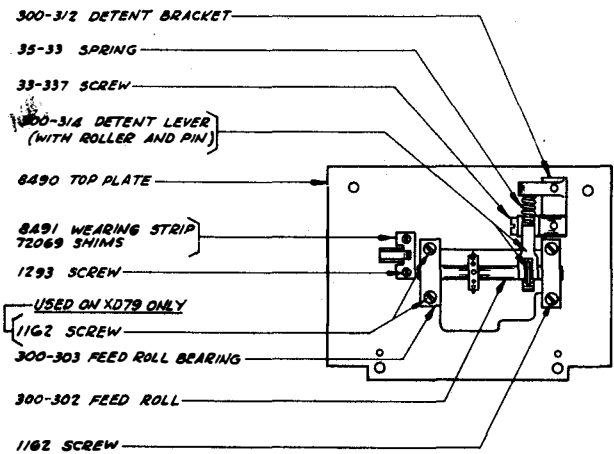


BASE - WALNUT  
(TOP VIEW)

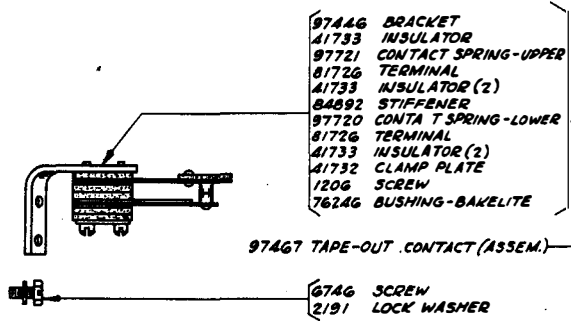
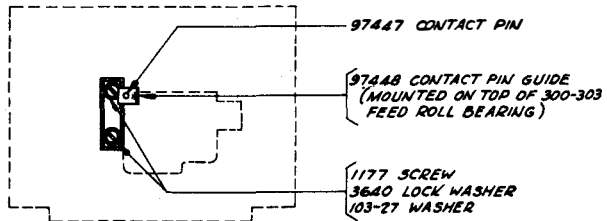
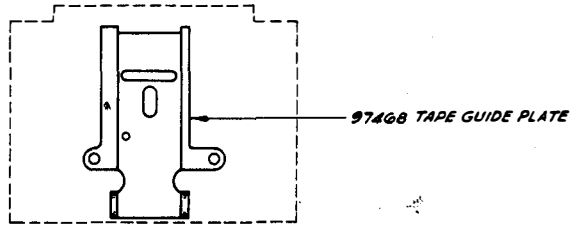
UNLESS OTHERWISE SPECIFIED  
ALL PARTS SHOWN ON THIS PAGE  
ARE COMMON TO XD79 AND XD95



TOP PLATE (ASSEM.)  
(TOP VIEW)

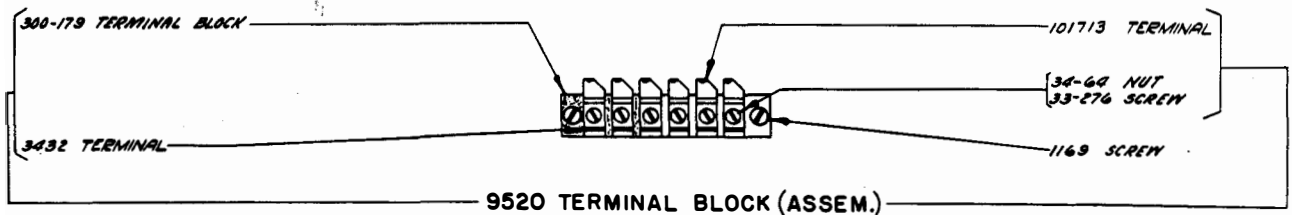
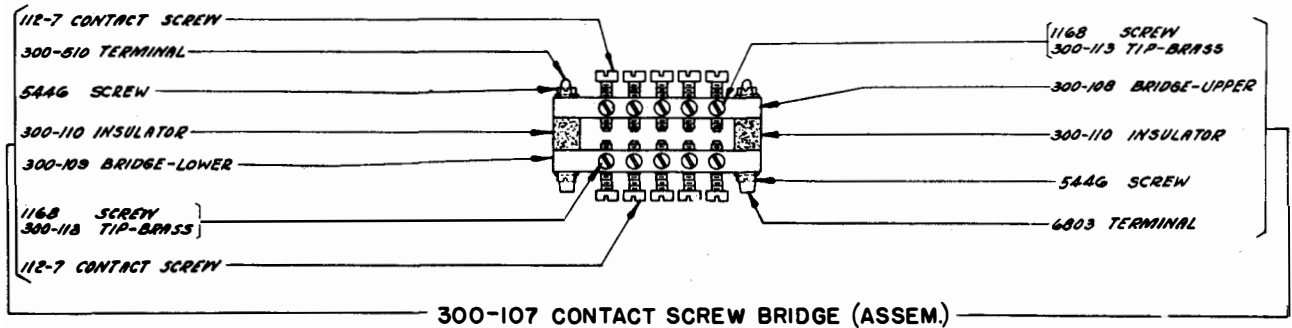
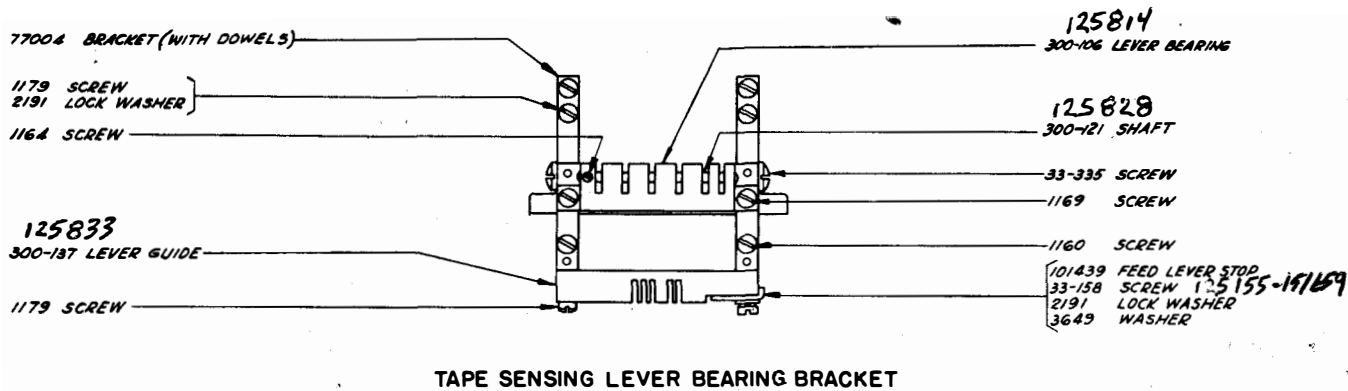
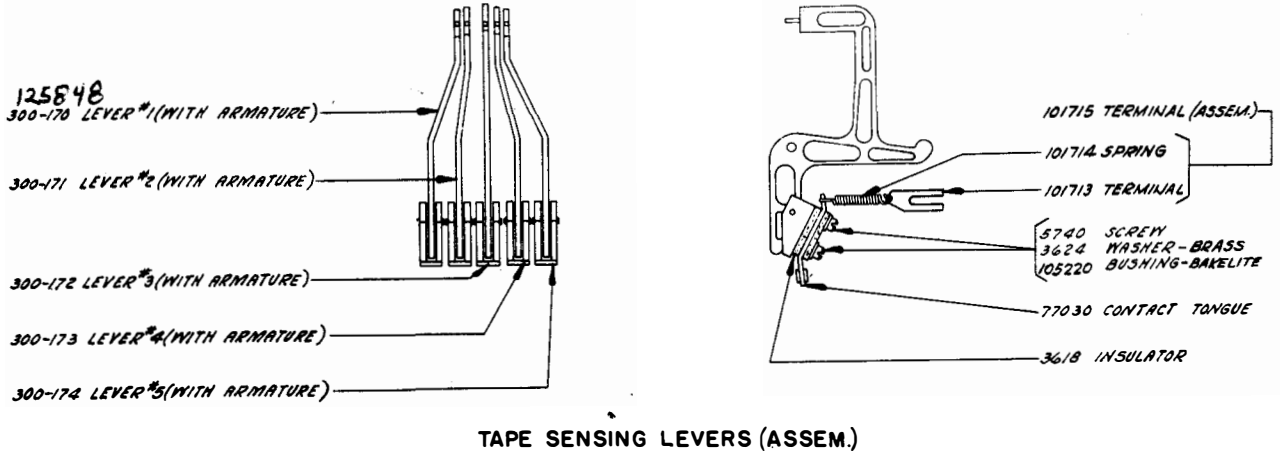


TOP PLATE (ASSEM.)  
(BOTTOM VIEW)

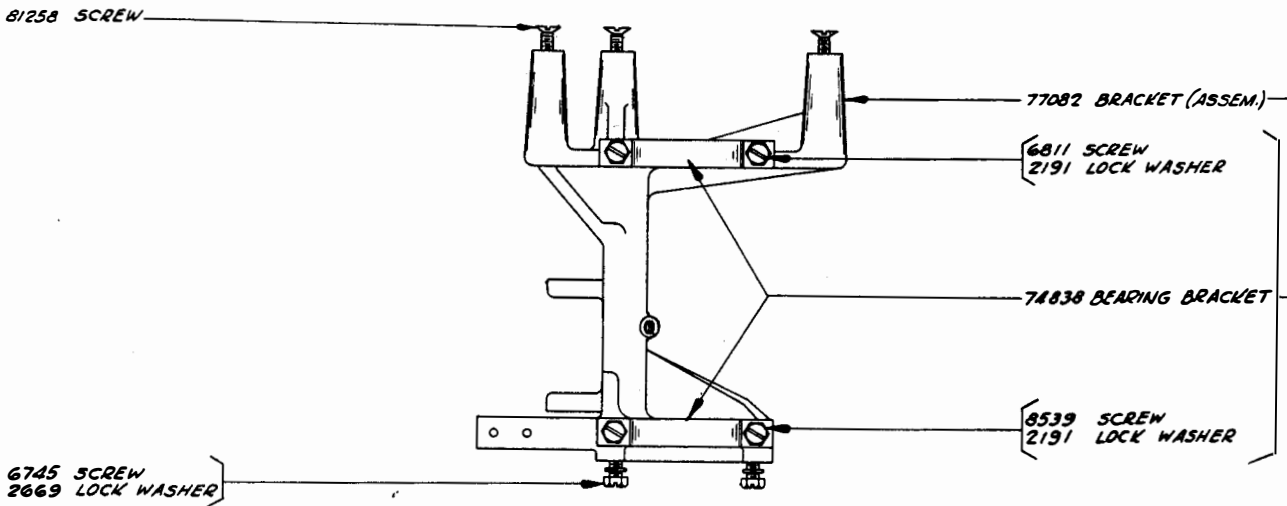


UNLESS OTHERWISE SPECIFIED  
ALL PARTS SHOWN ABOVE  
ARE COMMON TO XD79 AND XD95

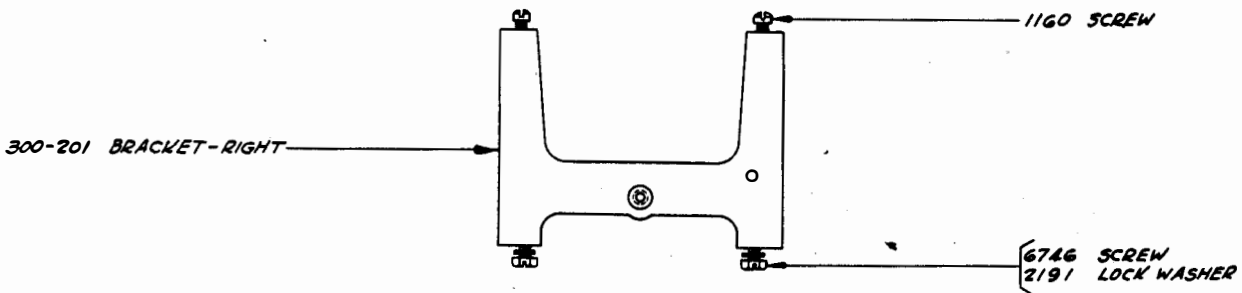
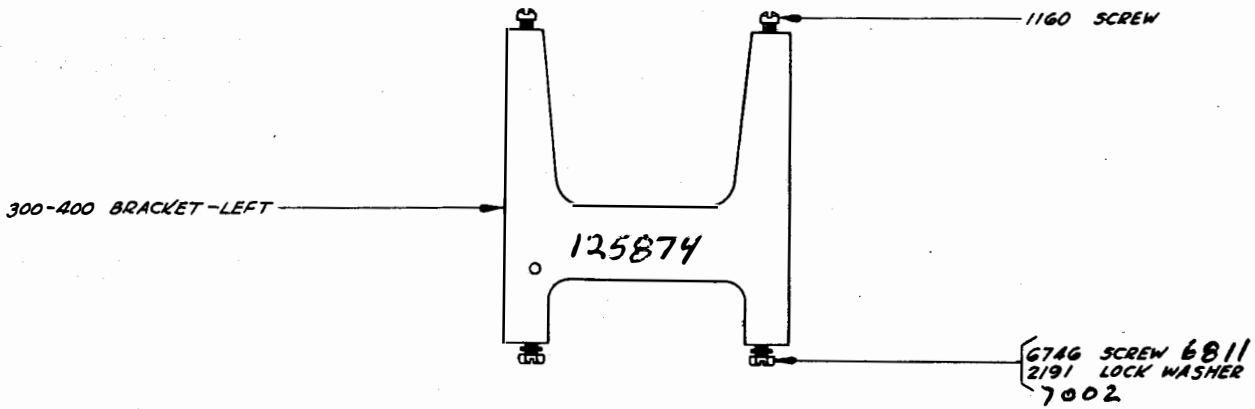
ALL PARTS SHOWN ABOVE  
ARE USED ON XD95 ONLY



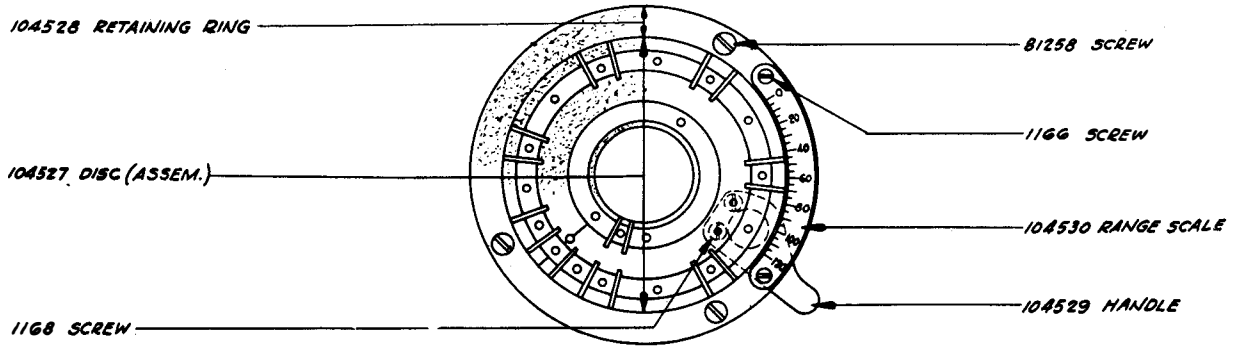
ALL PARTS SHOWN ON THIS PAGE  
ARE COMMON TO XD79 AND XD95



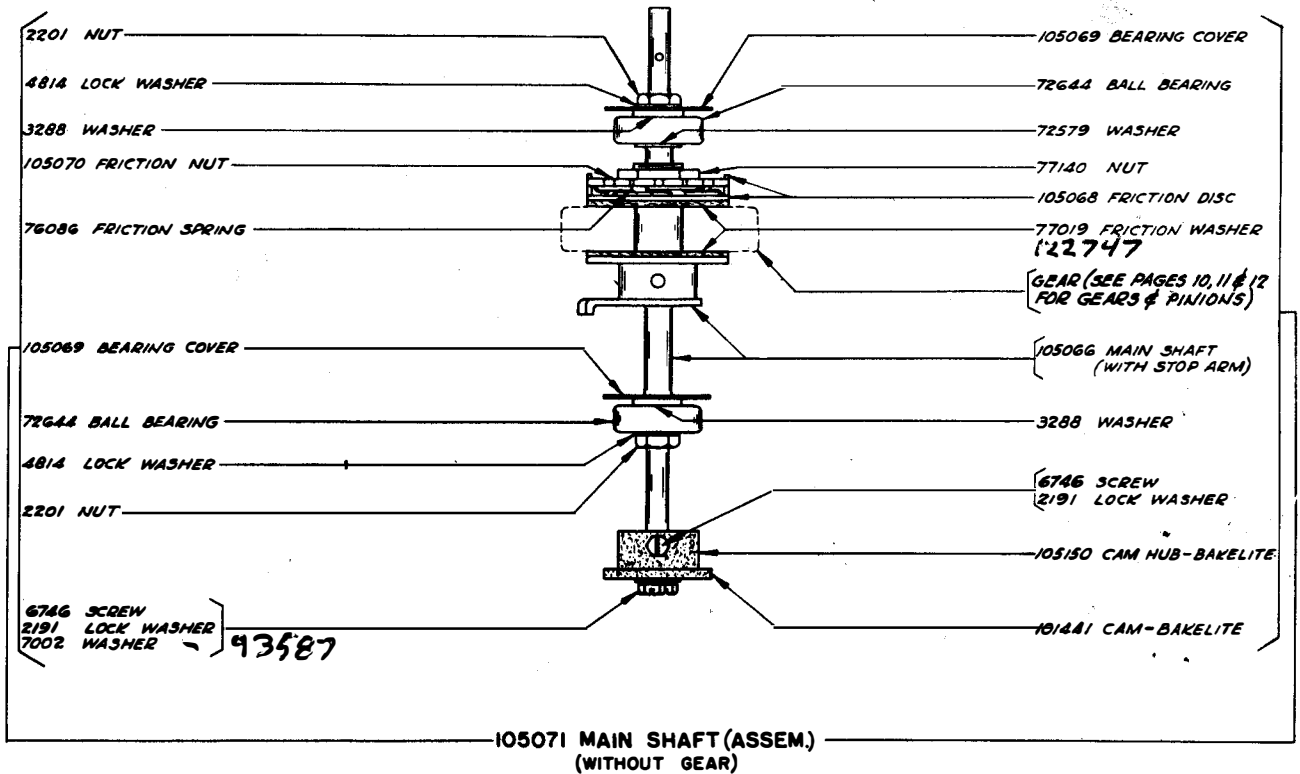
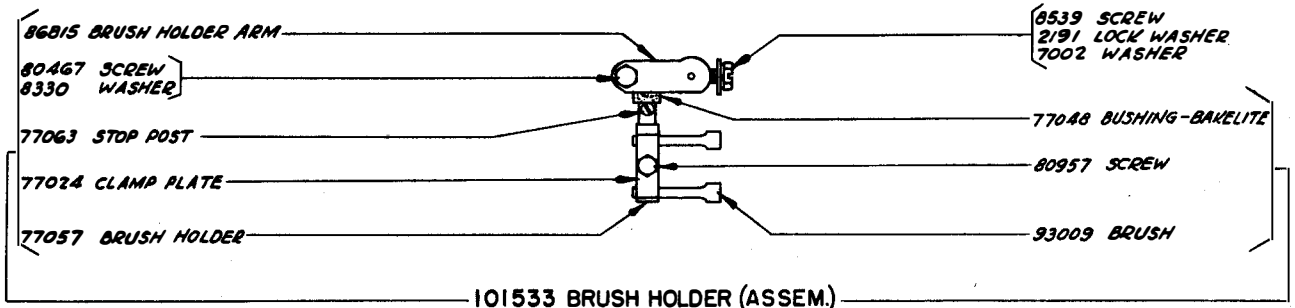
MAIN SHAFT BRACKET (ASSEM.)



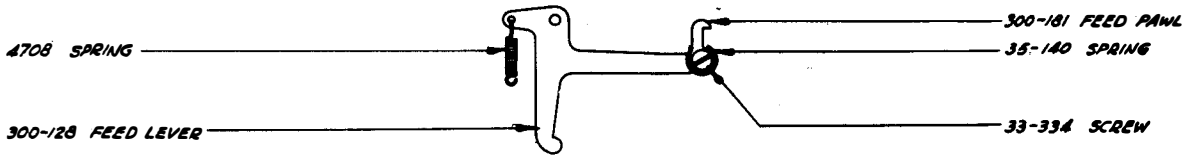
ALL PARTS SHOWN ON THIS PAGE.  
ARE COMMON TO XD79 AND XD95



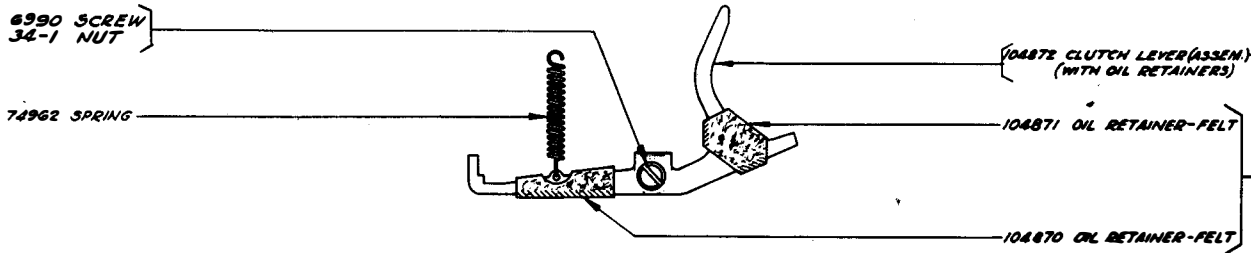
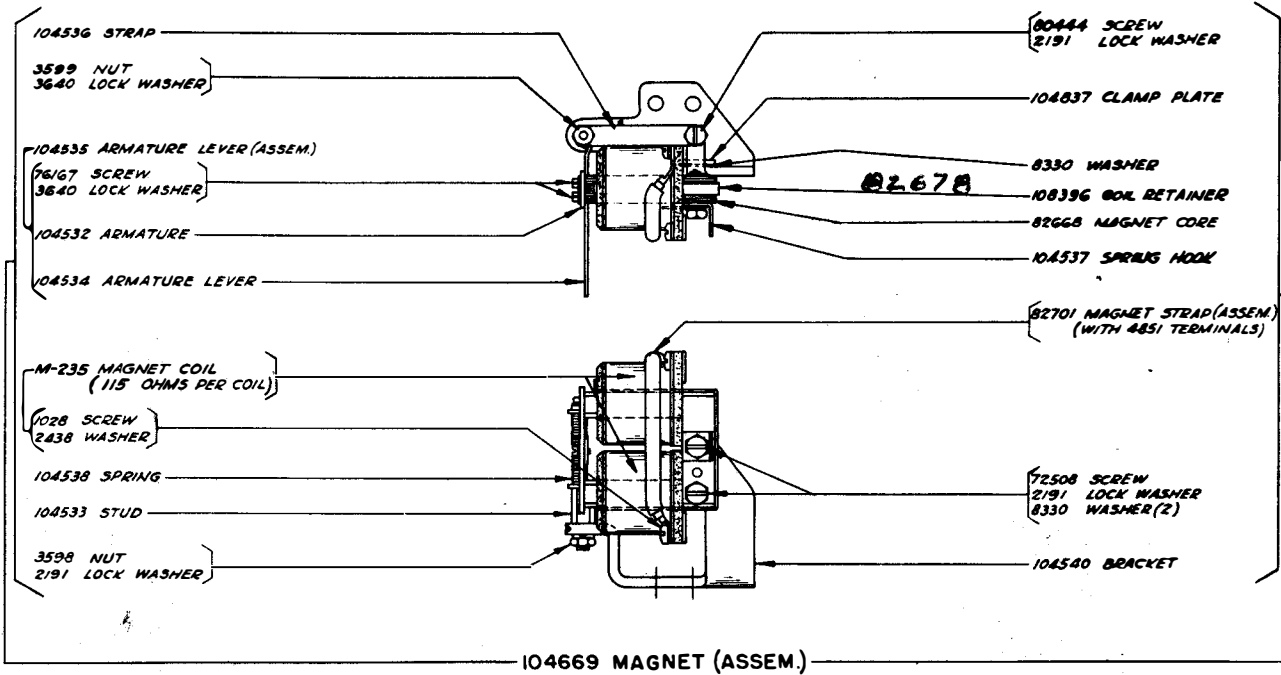
DISC (ASSEM.)



ALL PARTS SHOWN ON THIS PAGE  
ARE COMMON TO XD79 AND XD95



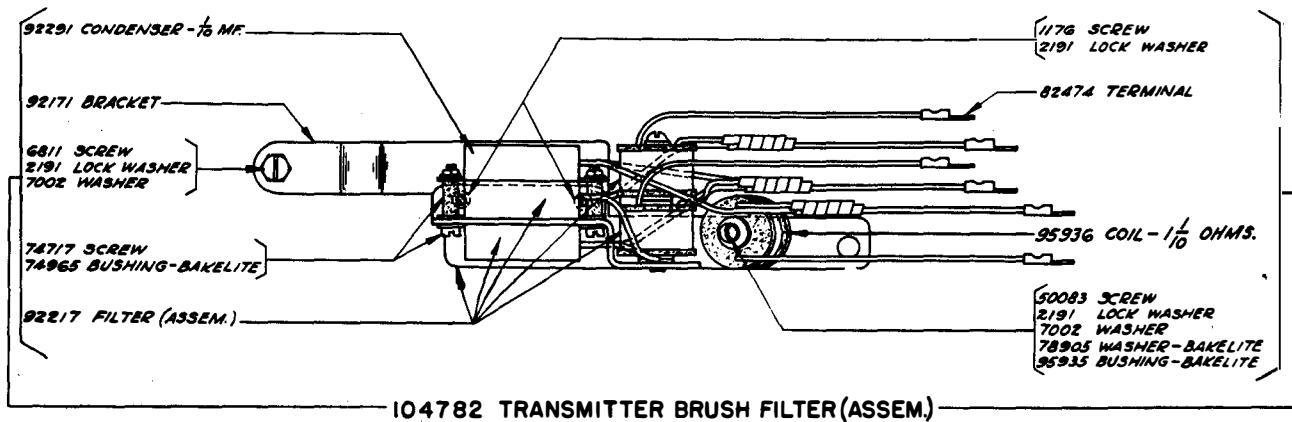
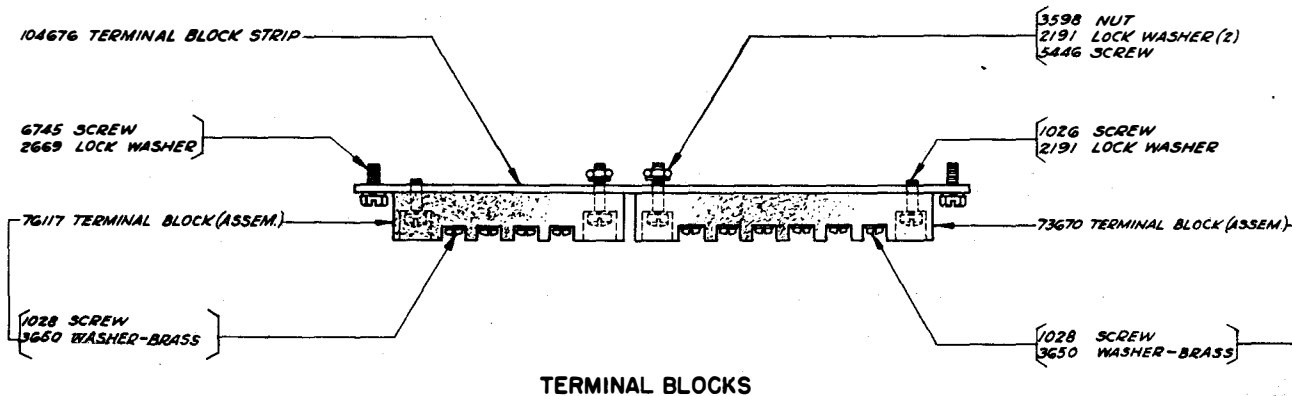
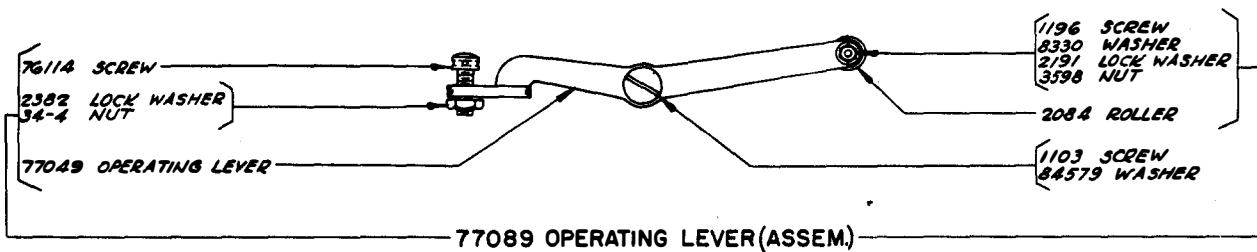
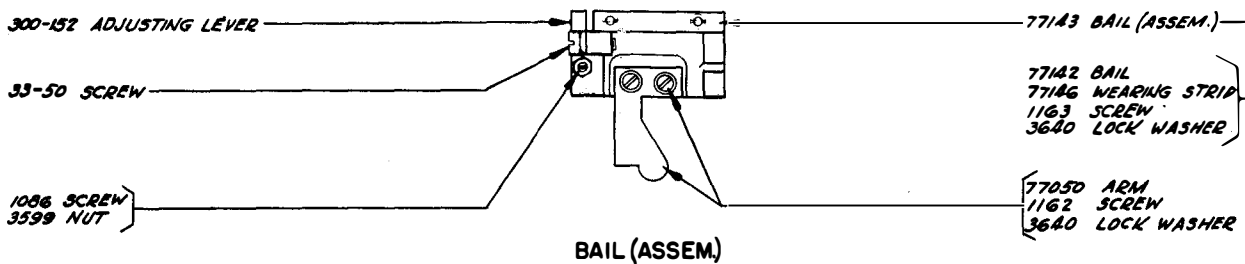
FEED LEVER (ASSEM.)



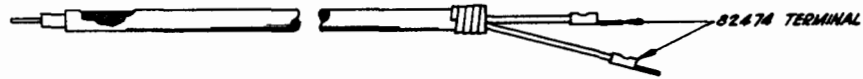
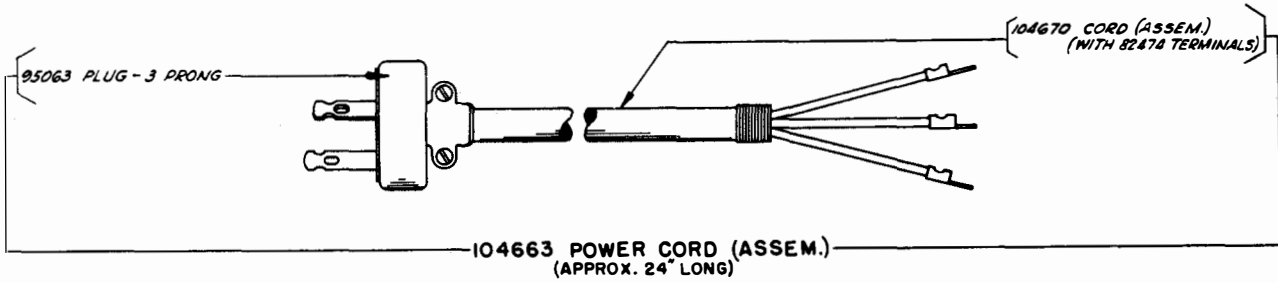
CLUTCH LEVER (ASSEM.)

ALL PARTS SHOWN ON THIS PAGE  
ARE COMMON TO XD79 AND XD95

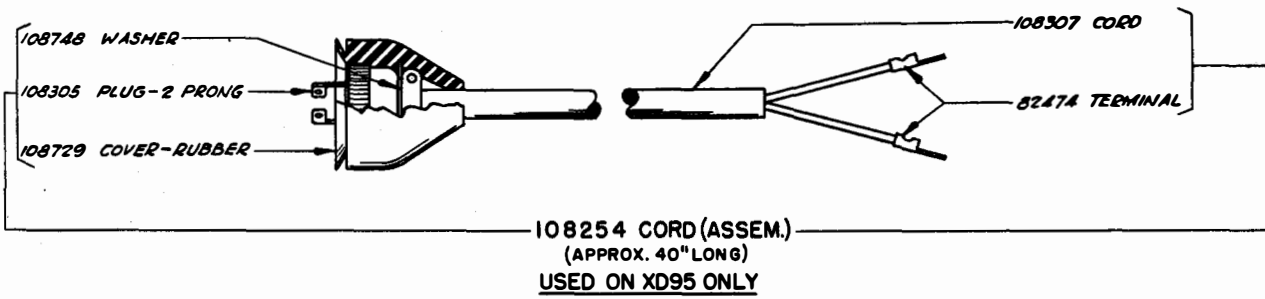
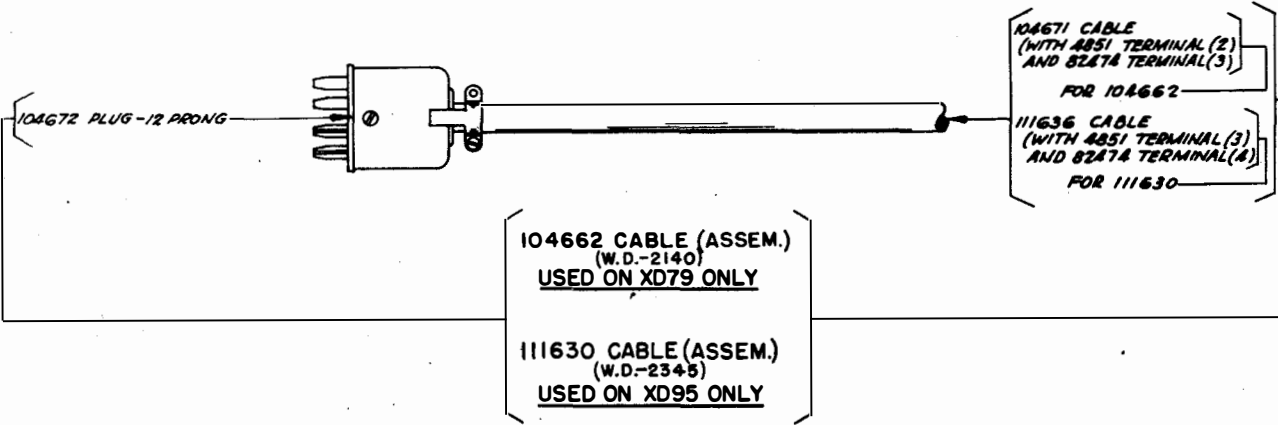




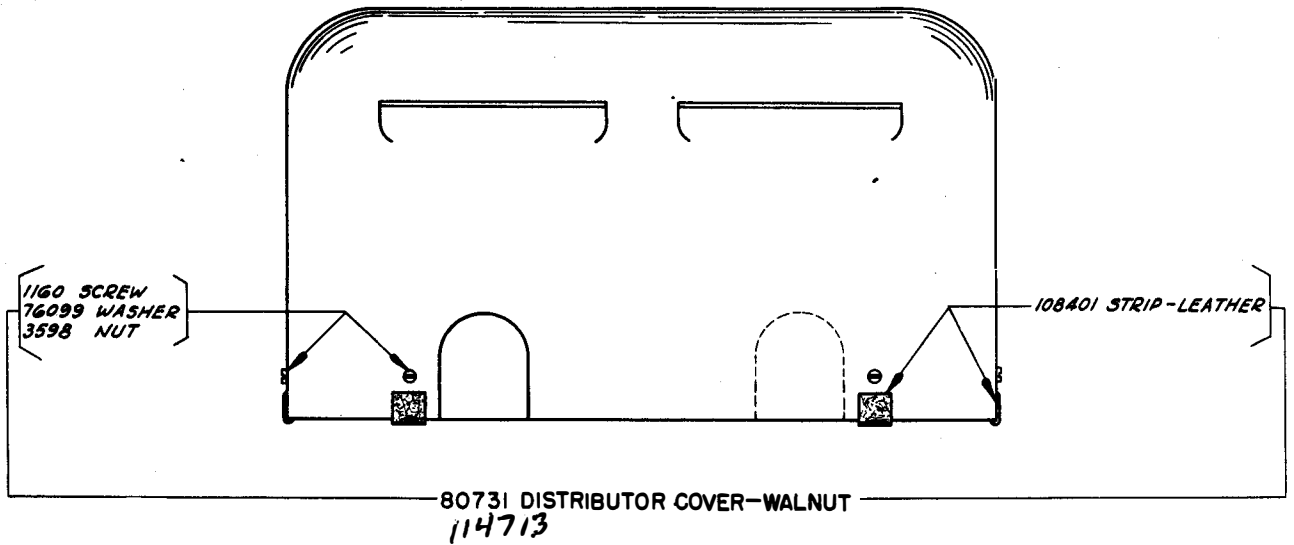
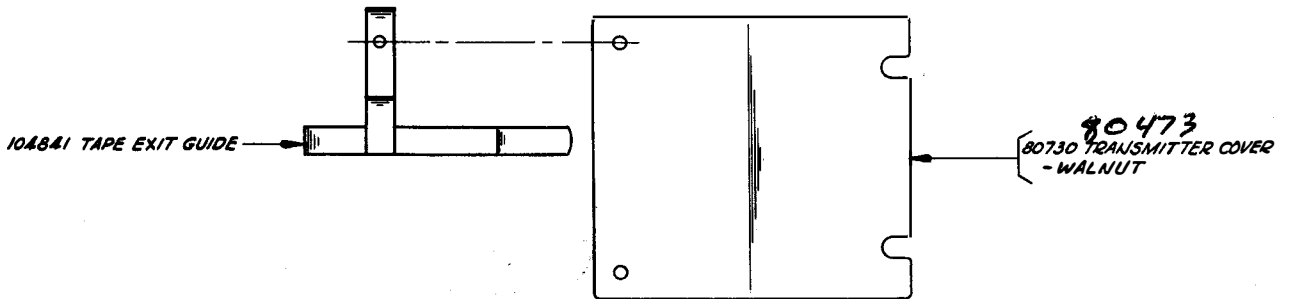
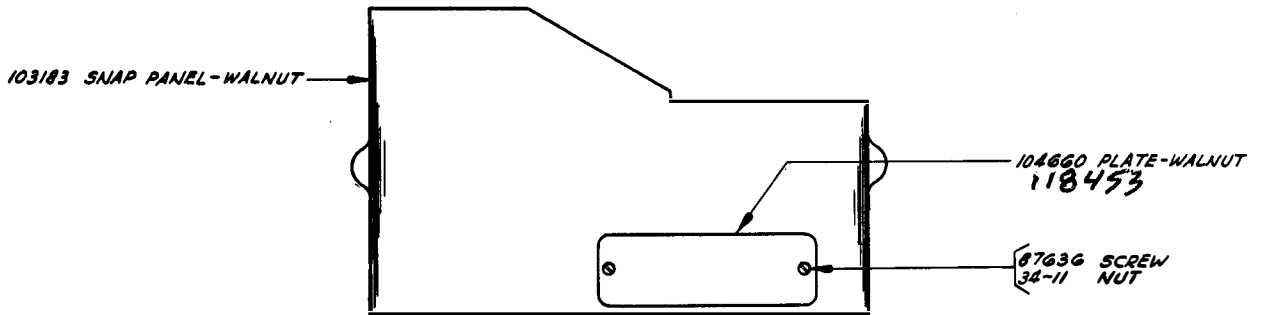
ALL PARTS SHOWN ON THIS PAGE  
ARE COMMON TO XD79 AND XD95



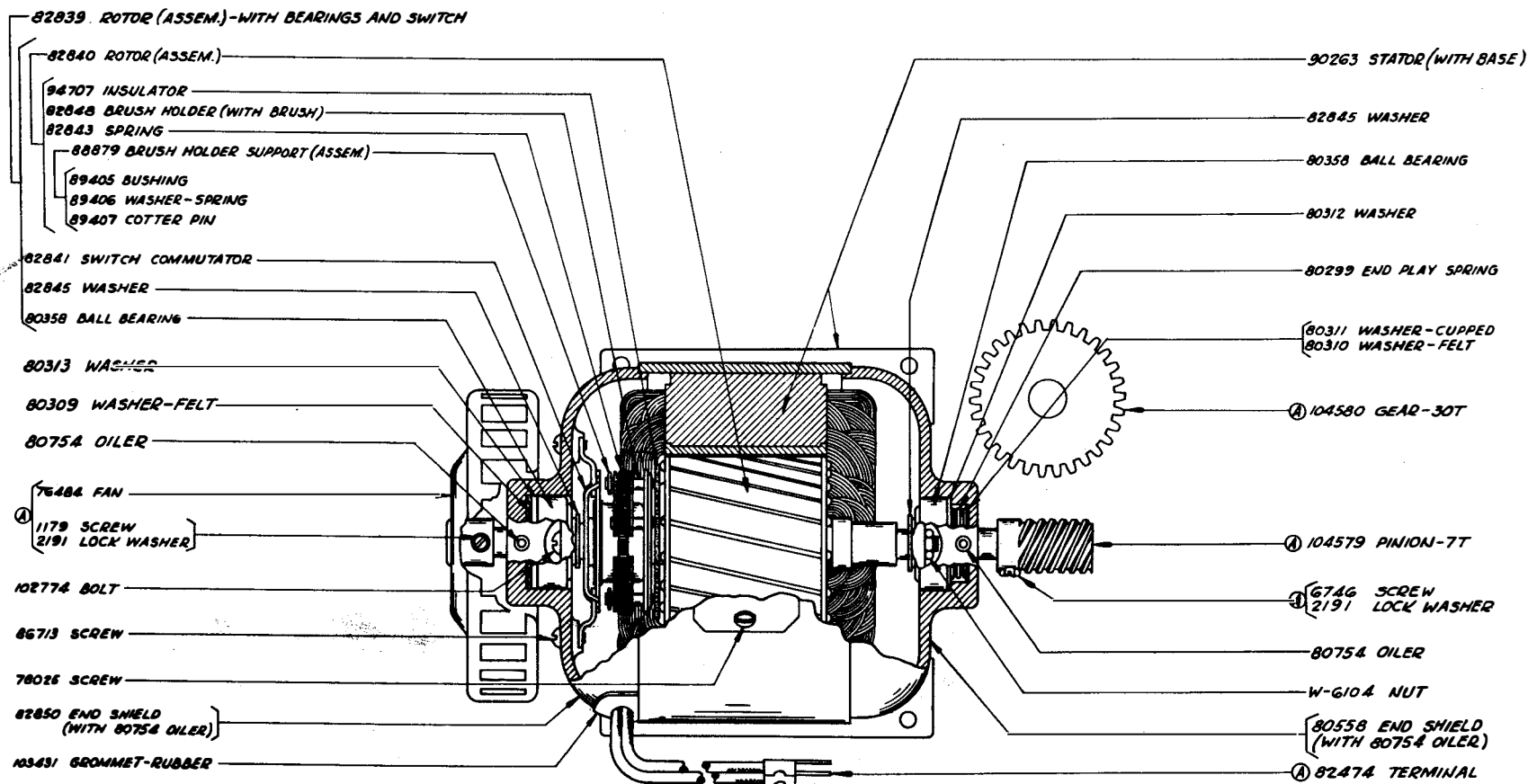
104801 CORD (ASSEM.)-SHIELDED  
(APPROX. 14" LONG)



UNLESS OTHERWISE SPECIFIED  
ALL PARTS SHOWN ON THIS PAGE  
ARE COMMON TO XD79 AND XD95



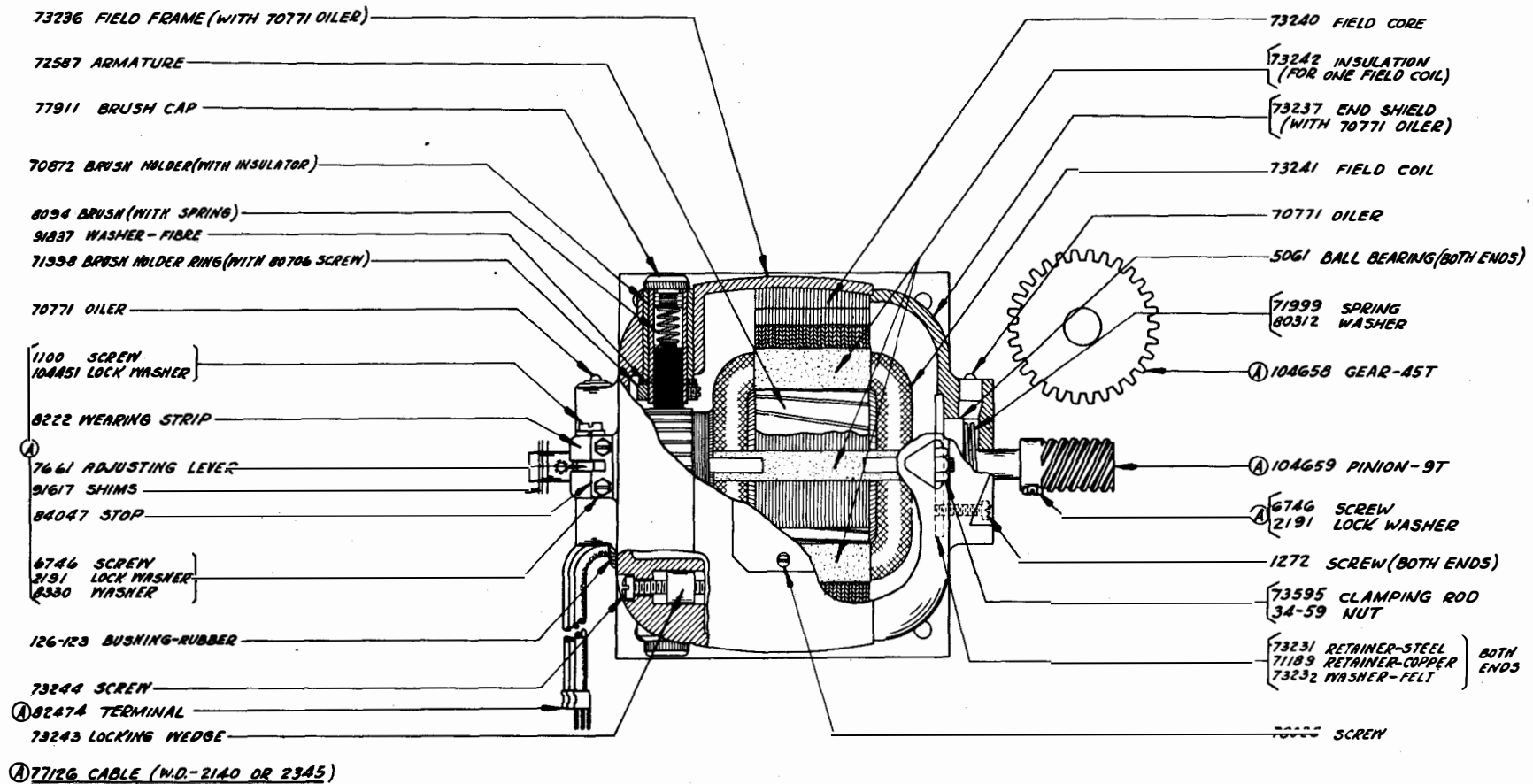
ALL PARTS SHOWN ON THIS PAGE  
ARE COMMON TO XD79 AND XD95



**SYNCHRONOUS MOTOR**

82283 MOTOR, 1/40 H.P., 110 V., 60 CYCLE A.C. (G.E. MODEL 5SH25AB11B)—EXCLUDES PARTS MARKED (A)

104675 MOTOR ARRANGEMENT "EZ", INCLUDES 82283 MOTOR AND PARTS MARKED (A)



**GOVERNED MOTOR - D.C. SHUNT**

72586 MOTOR, 1/17 H.P., 110V., D.C. SHUNT (G.E. MODEL 5BY30A3) - EXCLUDES PARTS MARKED (A)

104673 MOTOR ARRANGEMENT "EX", INCLUDES 72586 MOTOR, PARTS MARKED (A) AND

70361 RESISTOR UNIT (ASSEM.) - SEE PAGE 14

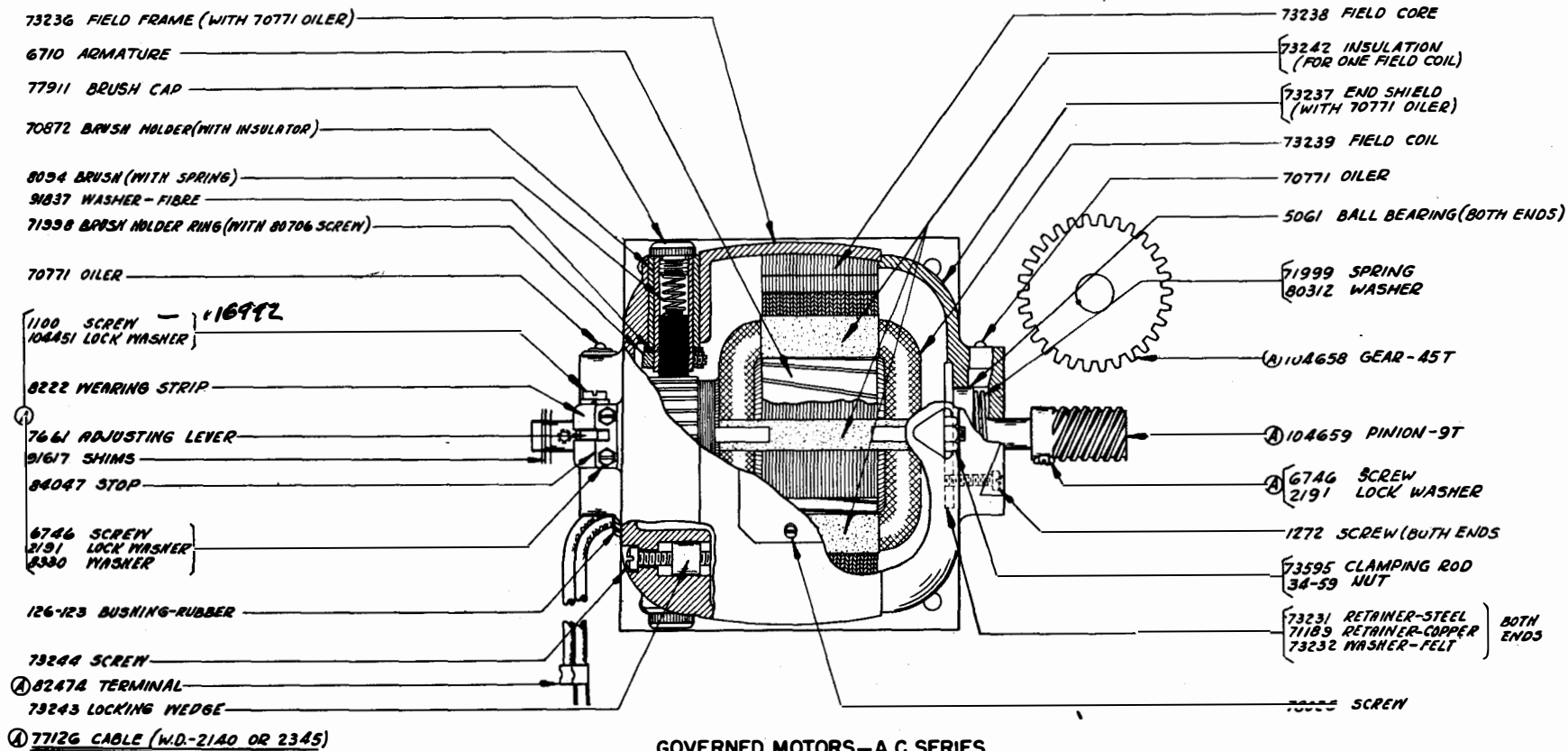
80352 CENTER CONTACT GOVERNOR (ASSEM.) - SEE PAGE 13

86811 GUARD - GOVERNOR - SEE PAGE 14

86853 GOVERNOR BRUSH BRACKET (ASSEM.) - SEE PAGE 13

CONDENSER (ASSEM.) - SEE PAGE 14

RESISTOR & BRACKET - SEE PAGE 14



-12-  
(B-1125)

6708 MOTOR, 1/25 H.P., 110 V., 60 CYCLE, A.C. SERIES (G.E. MODEL 5BA65AA77)—EXCLUDES PARTS MARKED (A)

104674 MOTOR ARRANGEMENT "EY", INCLUDES 6708 MOTOR, PARTS MARKED (A) AND 122295

78206 RESISTOR UNIT (ASSEM.)—SEE PAGE 14

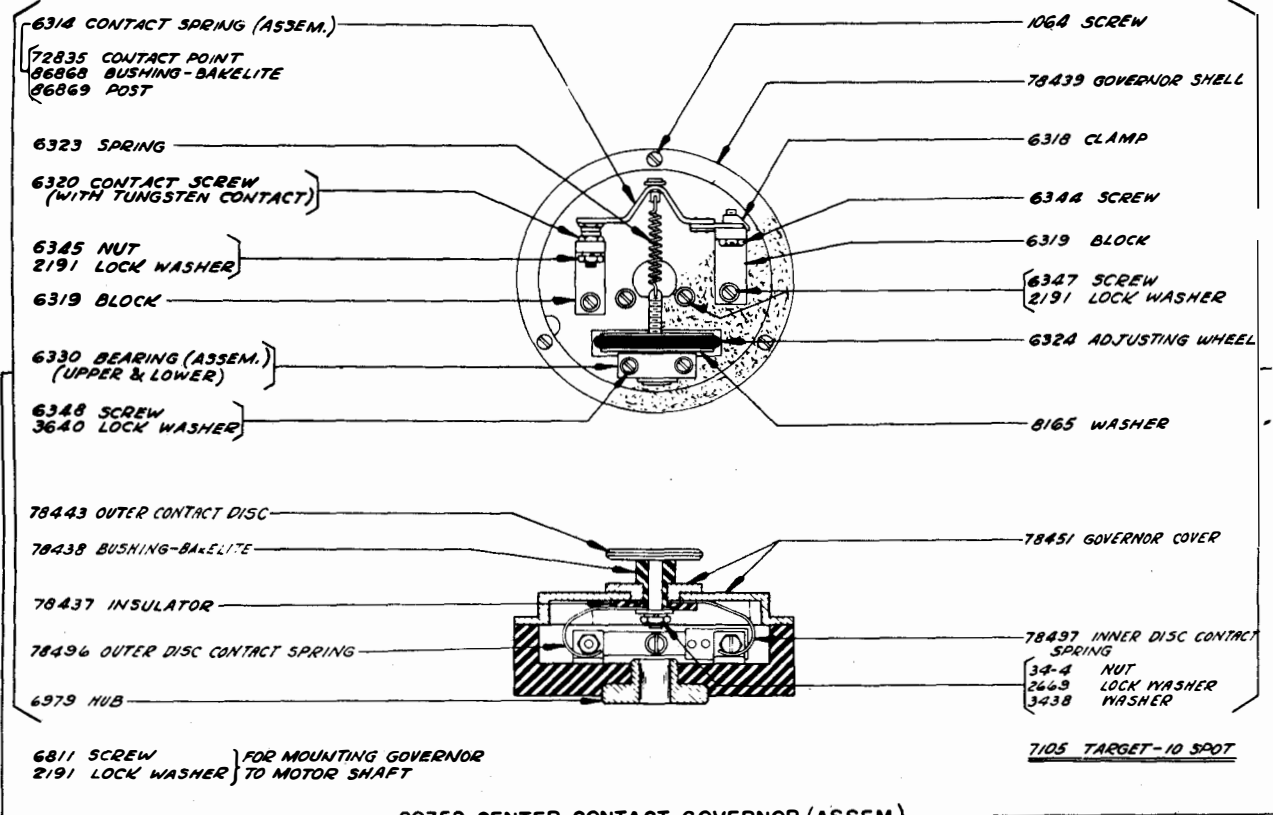
80352 CENTER CONTACT GOVERNOR (ASSEM.)—SEE PAGE 13

86811 GUARD—GOVERNOR—SEE PAGE 14

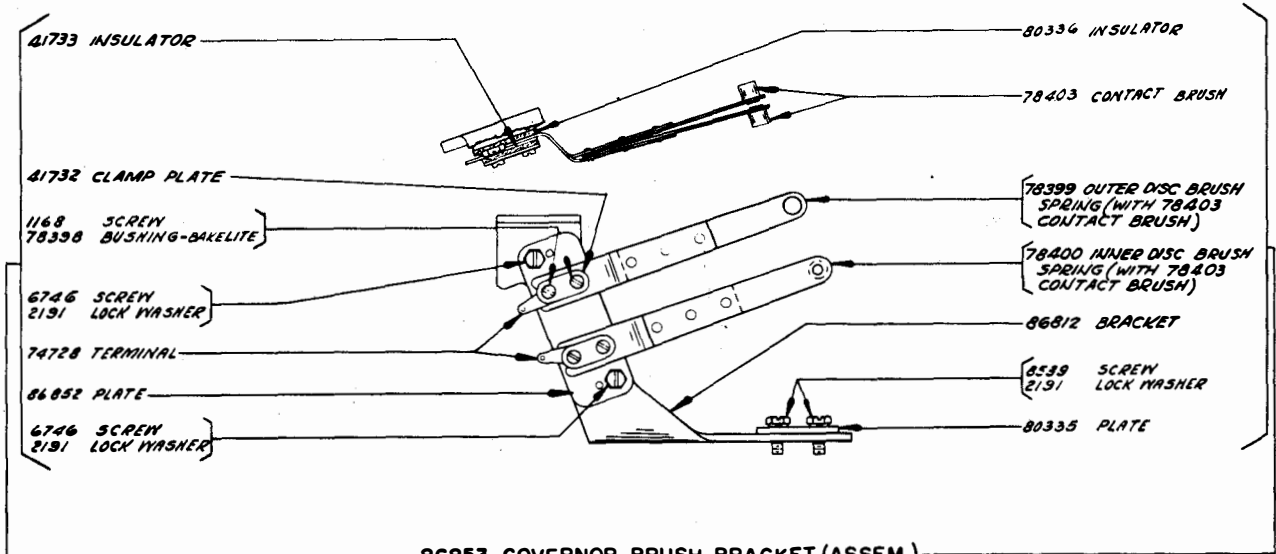
86853 GOVERNOR BRUSH BRACKET (ASSEM.)—SEE PAGE 13

CONDENSER (ASSEM.)—SEE PAGE 14

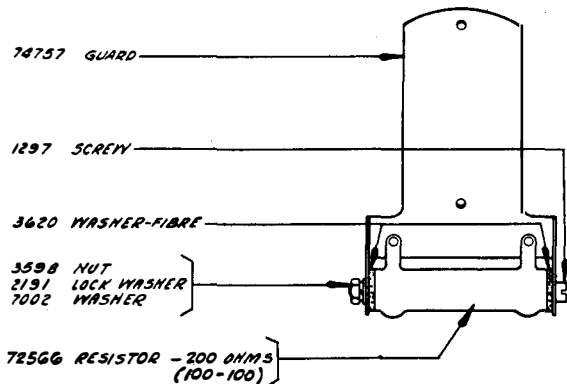
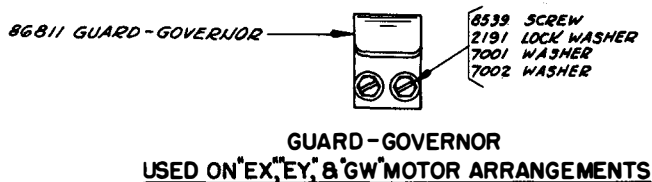
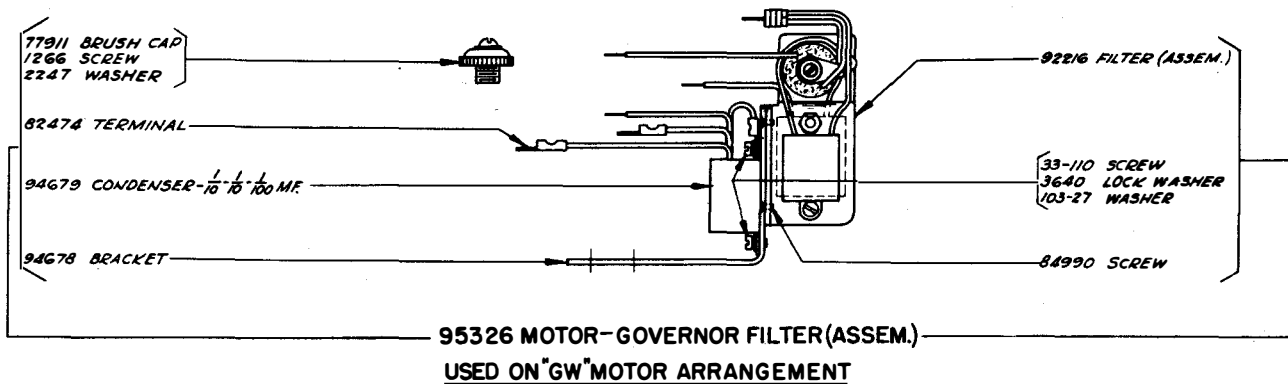
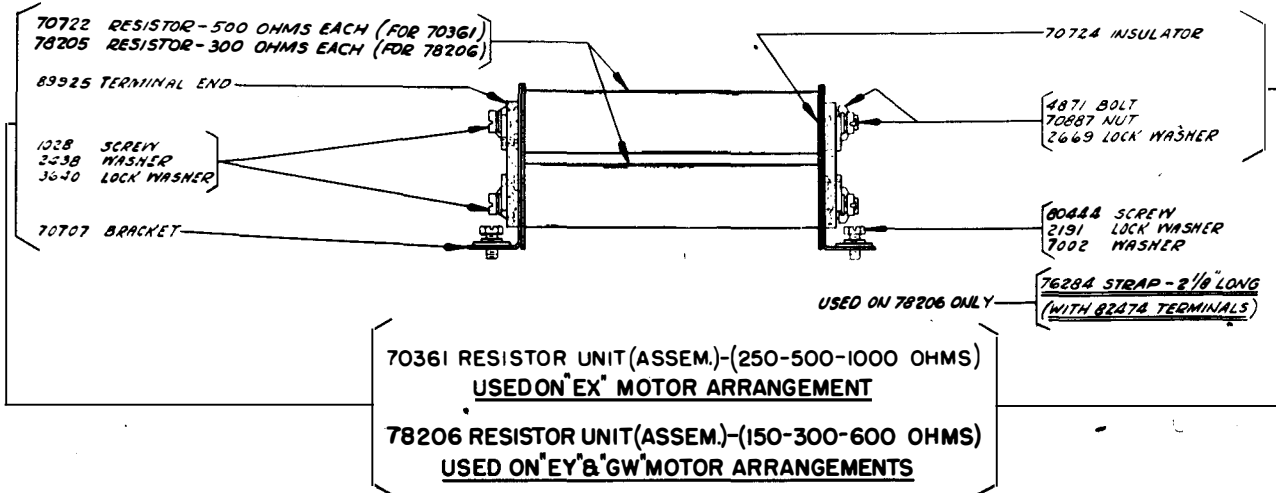
111604 MOTOR ARRANGEMENT "GW", SAME AS "EY" (SHOWN ABOVE) PLUS A 95326 MOTOR-GOVERNOR FILTER (ASSEM.)—SEE PAGE 14



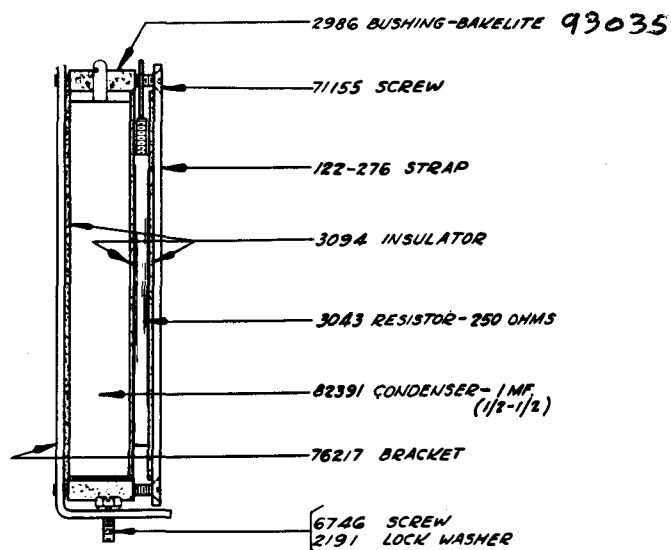
**80352 CENTER CONTACT GOVERNOR (ASSEM.)  
 USED ON 'EX', 'EY' & 'GW' MOTOR ARRANGEMENTS**



**86853 GOVERNOR BRUSH BRACKET (ASSEM.)  
 USED ON 'EX', 'EY' & 'GW' MOTOR ARRANGEMENTS**



RESISTOR & BRACKET  
USED ON "EX" MOTOR ARRANGEMENT



CONDENSER (ASSEM.)  
USED ON "EX", "EY", & "GW" MOTOR ARRANGEMENTS



NUMERICAL INDEX

M-235	Magnet Coil (115 Ohms), 6	2191	Lock Washer, 1 to 7, 10 to 14	71189	Retainer - Copper, 11, 12
W-6104	Nut (.164-36 Hex.), 10	2201	Nut (5/16-32 Hex.), 5	71998	Brush Holder Ring (with 80706 screw), 11, 12
33-50	Screw (4-40 Shoulder), 7	2247	Washer, 14	71999	Spring, 11, 12
33-110	Screw (4-40 x 3/16), 14	2382	Lock Washer, 7	72069	Shims, 2
33-158	Screw (6-40 x 1/2), 3	2438	Washer, 4, 6	72508	Screw (6-40 x 3/4), 1, 6
33-276	Screw (3-48 x 5/16), 3	2669	Lock Washer, 4, 7, 13, 14	72566	Resistor - 200 Ohms (100-100), 14
33-334	Screw (4-40 Shoulder), 6	2846	Washer, 1	72579	Washer, 5
33-335	Screw (1/4-32 Pilot), 3	2986	Bushing - Bakelite, 14	72586	Governed Motor 1/17 H.P. 110 V., D.C. Shunt (G.E. Model 5BY30A3), 11
33-337	Screw (4-40 Shoulder), 8	3043	Resistor (250 Ohms), 14	72587	Armature, 11
34-1	Nut (1/4-32 Hex.), 6	3094	Insulator, 14	72644	Ball Bearing, 5
34-4	Nut (10-32 Hex.), 7, 13	3288	Washer, 5	72835	Contact Point, 13
34-11	Nut (2-56 Hex.), 9	3432	Terminal, 3	73231	Retainer - Steel, 11, 12
34-59	Nut (10-32 Hex.), 11, 12	3438	Washer, 1, 13	73232	Washer - Felt, 11, 12
34-64	Nut (3-48 square), 3	3598	Nut (6-40 Hex.), 6, 7, 9, 14	73236	Field Frame (with 70771 oiler), 11, 12
35-33	Spring, 2	3599	Nut (4-40 Hex.), 6, 7	73237	End Shield (with 70771 Oiler), 11, 12
35-137	Latch Spring, 2	3618	Insulator, 3	73238	Field Core, 12
35-140	Spring, 6	3620	Washer - Fibre, 14	73239	Field Coil, 12
36-51	Shaft, 2	3624	Washer - Brass, 3	73240	Field Core, 11
36-153	Dowel, 2	3646	Lock Washer, 1	73241	Field Coil, 11
100-84	Screw (8-40 x 2-17/32), 1	3649	Washer, 3	73242	Insulation (for one Field Coil), 11, 12
103-27	Washer, 2, 14	3650	Washer - Brass, 7	73243	Locking Wedge, 11, 12
112-7	Contact Screw, 3	4708	Spring, 6	73244	Screw (10-30 x 7/8), 11, 12
122-276	Strap, 14	4814	Lock Washer, 5	73595	Clamping Rod, 11, 12
123-244	Washer, 1	4851	Terminal, 8	73670	Terminal Block (Assem.), 7
126-123	Bushing - Rubber, 11, 12	4871	Bolt (3/16-24 x 4), 14	74691	Resistor - 1600 Ohms (800-800), 1
300-106	Lever Bearing, 3	5061	Ball Bearing, 11, 12	74717	Screw (4-40 x 23/32), 7
300-107	Contact Screw Bridge, Assem., 3	5446	Screw (6-40 x 9/16), 3, 7	74728	Terminal, 13
300-108	Bridge - Upper, 3	5740	Screw (2-56 x 1/4), 3	74757	Guard, 14
300-109	Bridge - Lower, 3	6035	Screw (1/4-20 x 5/8), 1	74962	Spring, 6
300-110	Insulator, 3	6314	Contact Spring (Assem.), 13	74965	Bushing - Bakelite, 7
300-113	Tip - Brass, 3	6318	Clamp, 13	74986	Screw (6-40 x 13/32), 1
300-121	Shaft, 3	6319	Block, 13	76086	Friction Spring, 5
300-128	Feed Lever, 6	6320	Contact Screw (with Tungsten Contact), 13	76099	Washer, 9
300-137	Lever Guide, 3	6323	Spring, 13	76114	Screw (10-32 special), 7
300-152	Adjusting Lever, 7	6324	Adjusting Wheel, 13	76117	Terminal Block (Assem.), 7
300-170	Lever #1 (with Armature), 3	6330	Bearing (Assem.) - (Upper and Lower), 13	76167	Screw (4-40 x 3/16), 6
300-171	Lever #2 (with Armature), 3	6344	Screw (6-32 x 11/32), 13	76217	Bracket, 14
300-172	Lever #3 (with Armature), 3	6345	Nut (6-32 Hex.), 13	76246	Bushing - Bakelite, 2
300-173	Lever #4 (with Armature), 3	6347	Screw (6-32 x 3/8), 13	76284	Strap - 2-1/8" long (with 82474 Terminals), 14
300-174	Lever #5 (with Armature), 3	6348	Screw (4-36 x 3/4), 13	76484	Fan, 10
300-179	Terminal Block, 3	6708	Governed Motor 1/25 H.P., 110 V. 60 cycle, A.C. Series (G.E. Model 5BA65AA77), 12	77004	Bracket, 3
300-181	Feed Pawl, 6	6710	Armature, 12	77019	Friction Washer, 5
300-201	Bracket - Right, 4	6745	Screw (10-32 x 1/2), 4, 7	77024	Clamp Plate, 5
300-302	Feed Roll, 2	6746	Screw (6-40 x 5/16), 1, 2, 4, 5, 10, 11, 12, 13, 14	77030	Contact Tongue, 3
300-303	Feed Roll Bearing, 2	6803	Terminal, 3	77048	Bushing - Bakelite, 5
300-312	Detent Bracket, 2	6811	Screw (6-40 x 5/8), 4, 7, 13	77049	Operating Lever, 7
300-314	Detent Lever (with roller and pin), 2	6979	Hub, 13	77050	Arm, 7
300-319	Lid Holder, 2	6990	Screw (1/4-32 Pilot), 6	77057	Brush Holder, 5
300-320	Shaft, 2	7001	Washer, 14	77063	Stop Post, 5
300-322	Latch, 2	7002	Washer, 1, 5, 7, 14	77082	Bracket (Assem.), 4
300-400	Bracket - Left, 4	7661	Adjusting Lever, 11, 12	77089	Operating Lever (Assem.), 7
300-510	Terminal, 3	8094	Brush (with Spring), 11, 12	77126	Cable, 11, 12
1026	Screw (6-40 x 3/8), 7	8165	Washer, 13	77129	Washer - Bakelite, 1
1028	Screw (4-40 x 1/4), 6, 7, 14	8222	Wearing Strip, 11, 12	77140	Nut (9/16-32 Special), 5
1064	Screw (6-32 x 1/4), 13	8308	Cable Clamp, 1	77142	Bail, 7
1086	Screw (4-40 x 3/8), 7	8330	Washer, 5, 6, 7, 11, 12	77143	Bail (Assem.), 7
1100	Screw (1/4-32 Pilot), 11, 12	8490	Top Plate, 2	77146	Wearing Strip, 7
1103	Screw (3/16-40 Shoulder), 7	8491	Wearing Strip, 2	77911	Brush Cap, 11, 12, 14
1159	Screw (4-40 x 3/8), 2	8539	Screw (6-40 x 1/2), 1, 5, 13, 14	78025	Screw (4-48 x 7/32), 10, 11, 12
1160	Screw (6-40 x 5/16), 1, 3, 4, 8	9520	Terminal Block (Assem.), 3	78205	Resistor - 300 Ohms, 14
1162	Screw (4-40 x 1/4), 2, 7	35503	Foot - Rubber, 1	78206	Resistor Unit (Assem.) (150-300-600 Ohms), 11, 14
1163	Screw (4-40 x 5/16), 7	41732	Clamp Plate, 2, 13	78398	Bushing - Bakelite, 13
1164	Screw (2-56 x 3/16), 3	41733	Insulator, 2, 13	78399	Outer Disc Brush Spring (with 78403 Contact Brush), 13
1166	Screw (4-36 x 1/4), 5	50083	Screw (6-32 x 1-1/8), 7	78400	Inner Disc Brush Spring (with 78403 Contact Brush), 13
1168	Screw (4-40 x 5/16), 2, 3, 5, 13	70361	Resistor Unit (Assem.) (250-500-1000 Ohms), 11, 14	78403	Contact Brush, 13
1169	Screw (6-40 x 7/16), 3	70707	Bracket, 14		
1176	Screw (6-40 x 3/16), 7	70722	Resistor (500 Ohms), 14		
1177	Screw (4-40 x 11/32), 2	70724	Insulator, 14		
1179	Screw (6-40 x 5/8), 3, 10	70771	Oiler, 11, 12		
1196	Screw (6-40 Shoulder), 7	70872	Brush Holder (with Insulator), 11, 12		
1206	Screw (4-40 x 9/16), 2	70887	Nut (3/16-24 Hex.), 14		
1264	Screw (10-32 x 1/2), 1	71155	Screw (6-32 x 1-1/4), 14		
1266	Screw (6-32 x 7/16), 14				
1272	Screw (6-40 x 11/16), 11, 12				
1293	Screw (4-40 special), 2				
1297	Screw (6-40 x 2-7/16), 14				
1303	Screw (6-40 x 13/32), 2				
2084	Roller, 7				

NUMERICAL INDEX

78431	Governor Cover,13	86812	Bracket,13	104451	Lock Washer,11,12
78437	Insulator,13	86815	Brush Holder Arm,5	104527	Disc (Assem.),5
78438	Bushing - Bakelite,13	86852	Plate,13	104528	Retaining Ring,5
78439	Governor Shell,13	86853	Governor Brush Bracket (Assem.),11,12,13	104529	Handle,5
78443	Outer Contact Disc,13	36868	Bushing - Bakelite,13	104530	Range Scale,5
78496	Outer Disc Contact Spring,13	86869	Post,13	104532	Armature,6
78497	Inner Disc Contact Spring,13	87636	Screw (2-56 x 3/16),9	104533	Stud,6
78905	Washer - Bakelite,7	88879	Brush Holder Support (Assem.),10	104534	Armature Lever,6
80299	End Play Spring,10	89405	Bushing,10	104535	Armature Lever (Assem.),6
80309	Washer - Felt,10	89406	Washer - Spring,10	104536	Strap,6
80310	Washer - Felt,10	89407	Cotter Pin,10	104538	Spring,6
80311	Washer - Cupped,10	89925	Terminal End,14	104540	Bracket,6
80312	Washer,10,11,12	90263	Stator (with Base),10	104579	Pinion - 7T,10
80313	Washer,10	91617	Shim,11,12	104580	Gear - 30T,10
80335	Plate,13	91837	Washer - Fibre,11,12	104657	Gear Guard,1
80336	Insulator,13	92171	Bracket,7	104658	Gear - 45T,11,12
80352	Center Contact Governor (Assem.),11,12,13	92216	Filter (Assem.),14	104659	Pinion - 9T,11,12
80358	Ball Bearing,10	92217	Filter (Assem.),7	104660	Plate - Walnut,9
80444	Screw (6-40 x 1/4),6,14	92291	Condenser - 1/10 MF.,7	104662	Cable (Assem.),8
80460	Cable Clamp,1	93009	Brush,5	104663	Power Cord (Assem.),8
80467	Screw (6-40 x 3/8),5	94678	Bracket,14	104669	Magnet (Assem.),6
80558	End Shield (with 80754 Oiler),10	94679	Condenser (1/10 - 1/10 - 1/100 MF.),14	104670	Cord (Assem.) (with 82474 Terminals),8
80706	Screw (6-40 x 3/16 Set),11,12	94707	Insulator,10	104671	Cable (with 4851 and 82474 Terminals),8
80730	Transmitter Cover - Walnut,9	95063	Plug - 3 Prong,8	104672	Plug - 12 Prong,8
80731	Distributor Cover - Walnut,9	95326	Motor - Governor Filter (Assem.),14	104673	Motor Arrangement "EX",11
80754	Oiler,10	95935	Bushing - Bakelite,7	104674	Motor Arrangement "EY",12
80957	Screw (4-40 x 1/4),5	95936	Coil - 1-1/10 Ohms,7	104675	Motor Arrangement "EZ",10
81258	Screw (6-40 x 5/8 flat head),4,5	95953	Shims,2	104676	Terminal Block Strip,7
81726	Terminal,2	95954	Screw Plate,2	104782	Transmitter Brush Filter (Assem.),7
82283	Terminal,2	97445	Retaining Lid,2	104801	Cord (Assem.)-(Shielded),8
82283	Synchronous Motor 1/40 H.P. 110 V., 60 Cycle A.C. (G.E. Model 5SH25AB11B).10	97446	Bracket,2	104837	Clamp Plate,6
82391	Condenser - 1 MF. (1/2 - 1/2),14	97447	Contact Pin,2	104841	Tape Exit Guide,9
82474	Terminal,7,8,10,11,12,14	97448	Contact Pin Guide,2	104870	Oil Retainer (Felt),6
82668	Magnet Core,6	97448	Base - Walnut,1	104871	Oil Retainer (Felt),6
82701	Magnet Strap (Assem.) (with 4851 Terminals),6	97461	Tape-Out Contact (Assem.),2	104872	Clutch Lever (Assem.) (with Oil Retainer),6
82839	Rotor (Assem.) - with Bearings and Switch,10	97467	Tape Guide Plate,2	105057	Tape Guide Plate,2
82840	Rotor (Assem.),10	97468	Contact Spring - Lower,2	105066	Main Shaft (with Stop Arm),5
82841	Switch Commutator,10	97721	Contact Spring - Upper,2	105068	Friction Disc,5
82843	Spring,10	98414	Eccentric,2	105069	Bearing Cover,5
82845	Washer,10	99230	Lid Plate,2	105070	Friction Nut,5
82848	Brush Holder (with Brush),10	101393	Retaining Lid (Assem.),2	105071	Main Shaft (Assem.),5
82850	End Shield (with 80754 Oiler),10	101439	Feed Lever Stop,3	105150	Cam Hub - Bakelite,5
84047	Stop,11,12	101441	Cam - Bakelite,5	105220	Bushing - Bakelite,3
84579	Washer,7	101533	Brush Holder (Assem.),5	108215	Condenser (1/4 MF.),1
84892	Stiffener,2	101713	Terminal,3	108254	Cord (Assem.),8
84990	Screw (.138-40 x 1/4),14	101714	Spring,3	108305	Plug - 2 Prong,8
85483	Plate,1	101715	Terminal (Assem.),3	108307	Cord,8
86713	Screw (4-48 x 5/16),10	101830	Base Plate (with Insulator),1	108396	Coil Retainer,6
86811	Guard - Governor,11,12,14	102774	Bolt (8-36 x 4-3/8 Special),10	108401	Strip - Leather,9
		103183	Snap Panel - Walnut,9	108729	Cover - Rubber,8
		103431	Grommet - Rubber,10	108748	Washer,8
		104357	Spring Hook,6	111604	Motor Arrangement "GW",12
				111630	Cable (Assem.),8
				111636	Cable (with 4851 and 82474 Terminals),8