

BULLETIN No. 1127

ISSUE I

AUGUST, 1945

TELETYPE

PRINTING TELEGRAPH SYSTEMS

PARTS

WHEATSTONE PERFORATOR OPERATING UNIT

(WPEOU2)

WHEATSTONE PERFORATOR OPERATING UNIT TABLE

(WPEOUT2)

MOTOR UNITS

(MU4 AND MU27)

COVER ASSEMBLY

(C173)



CORPORATION

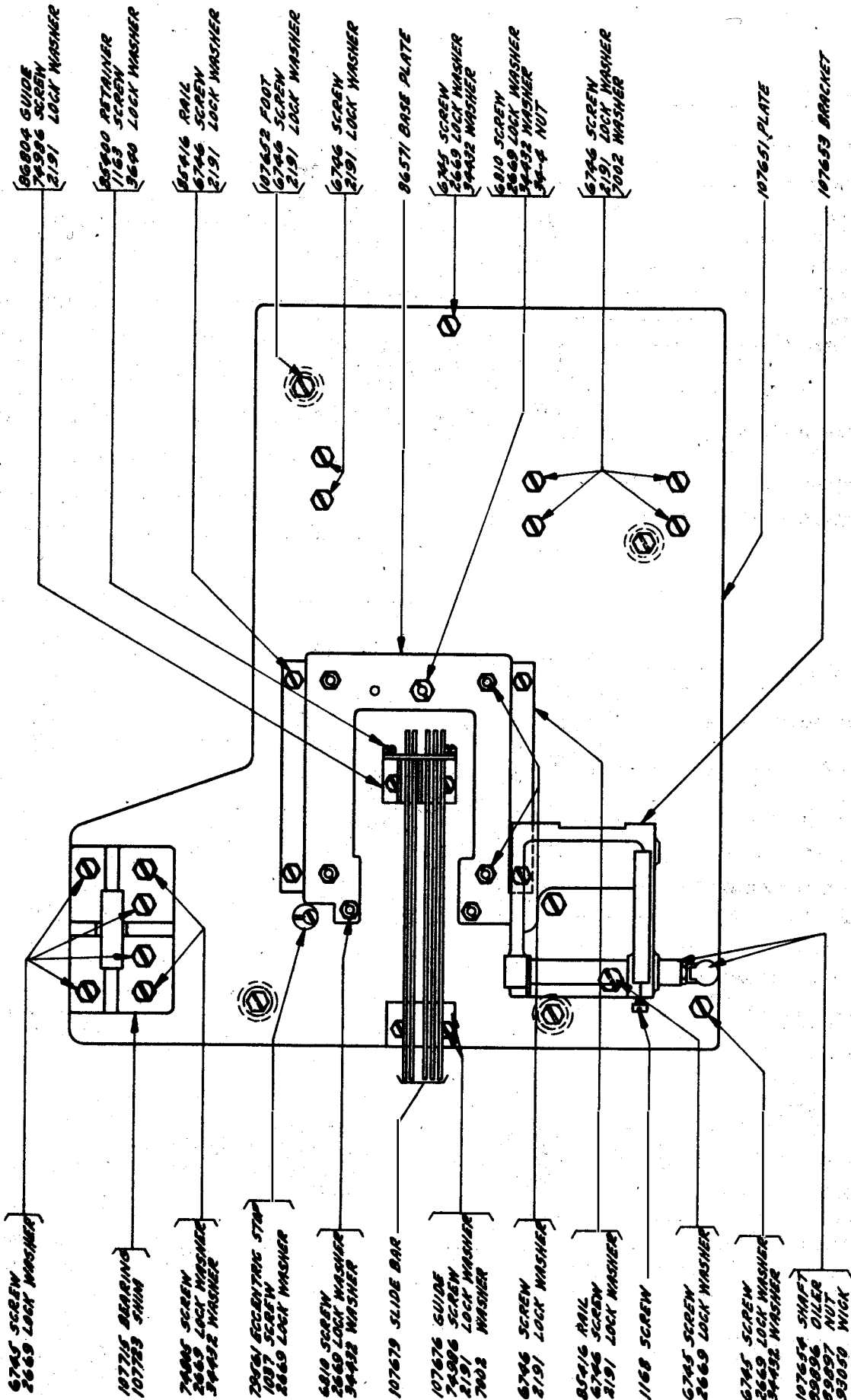
SUBSIDIARY OF

Western Electric Company

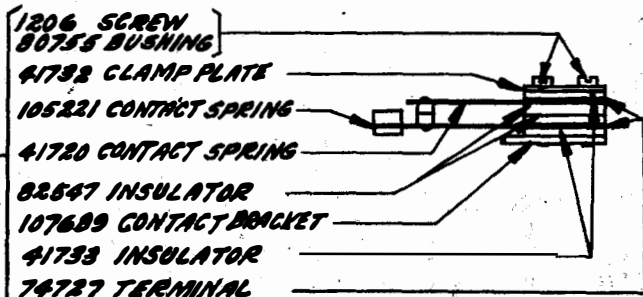
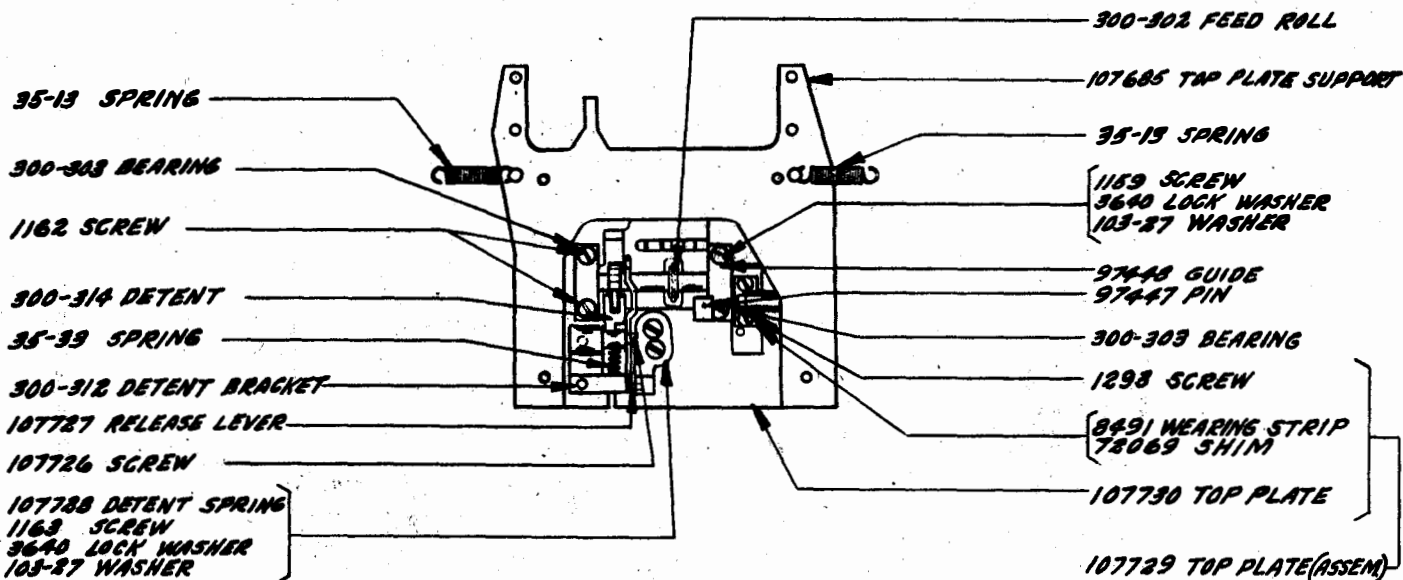
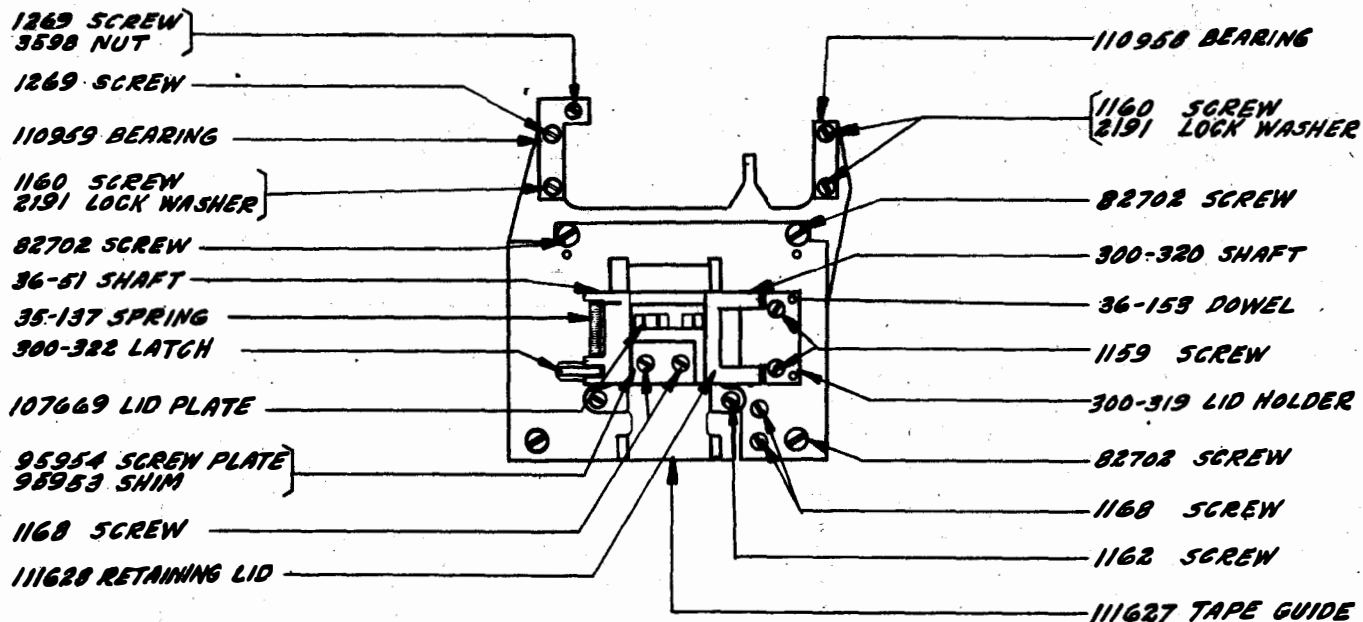
CHICAGO, U.S.A.

ALPHABETICAL INDEX

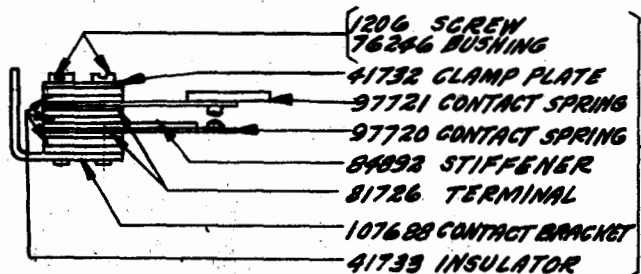
DESCRIPTION	PAGE NO.	DESCRIPTION	PAGE NO.
Base Frame (Assem.) - - - - -	6,7	Motor Unit (Assem.) - - - - -	13,14
Base Plate - - - - -	1	Name Plates - - - - -	17,19
Cables - - - - -	1,6,18	Operating Shaft (Assem.) - - - - -	9
Code Bars - - - - -	11	Plugs - - - - -	5,18
Code Bar Links - - - - -	12	Receptacles - - - - -	18
Coil, Magnet - - - - -	5	Resistors - - - - -	6,10
Condenser - - - - -	6,16	Selector Levers - - - - -	11
Contact Spring (Assem.) - - - - -	2,5	Shift Bell Crank (Assem.) - - - - -	10
Cord (Assem.) - - - - -	10	Side Frames - - - - -	8
Covers - - - - -	17	Table (Assem.) - - - - -	19
Electrical Service (Assem.) - - - - -	18	Tape Stop Rod (Assem.) - - - - -	5
Filter Unit (Assem.) - - - - -	16	Target Lamp (Assem.) - - - - -	16
Gears - - - - -	4,9,13,14	Throwout Lever (Assem.) - - - - -	12
Governor (Assem.) - - - - -	15	Tie Rod (Assem.) - - - - -	9
Governor Brush and Speed Adjusting Bracket -	15	Toggle Switch - - - - -	5,16
Magnet Coil - - - - -	5	Transmitter (Assem.) - - - - -	3
Main Shaft (Assem.) - - - - -	4	Transmitter Shaft (Assem.) - - - - -	4
Motors - - - - -	13,14	Transmitter Top Plate (Assem.) - - - - -	2



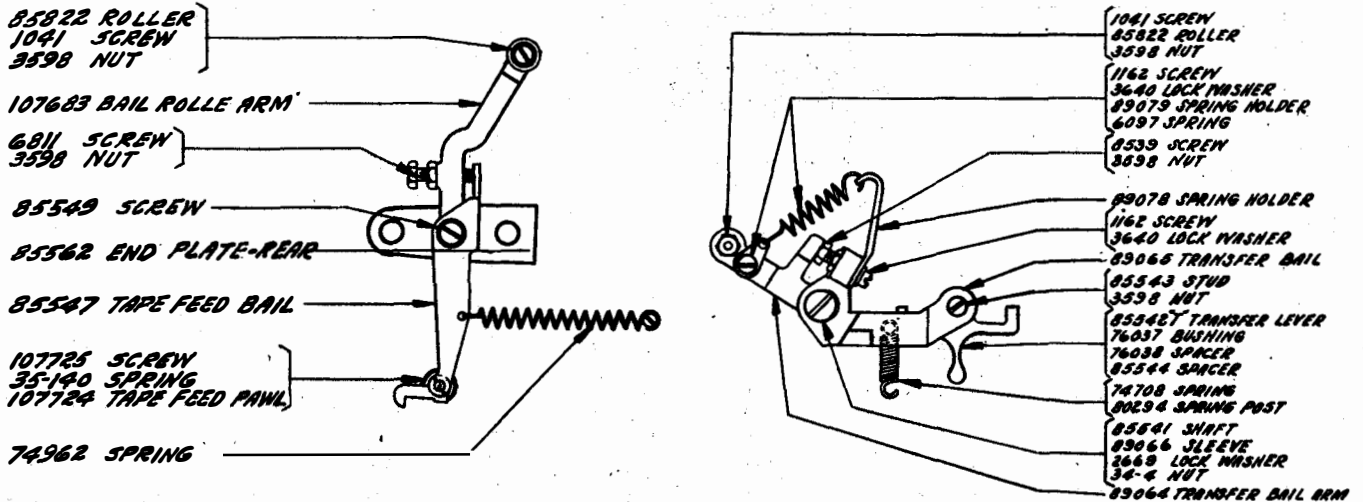
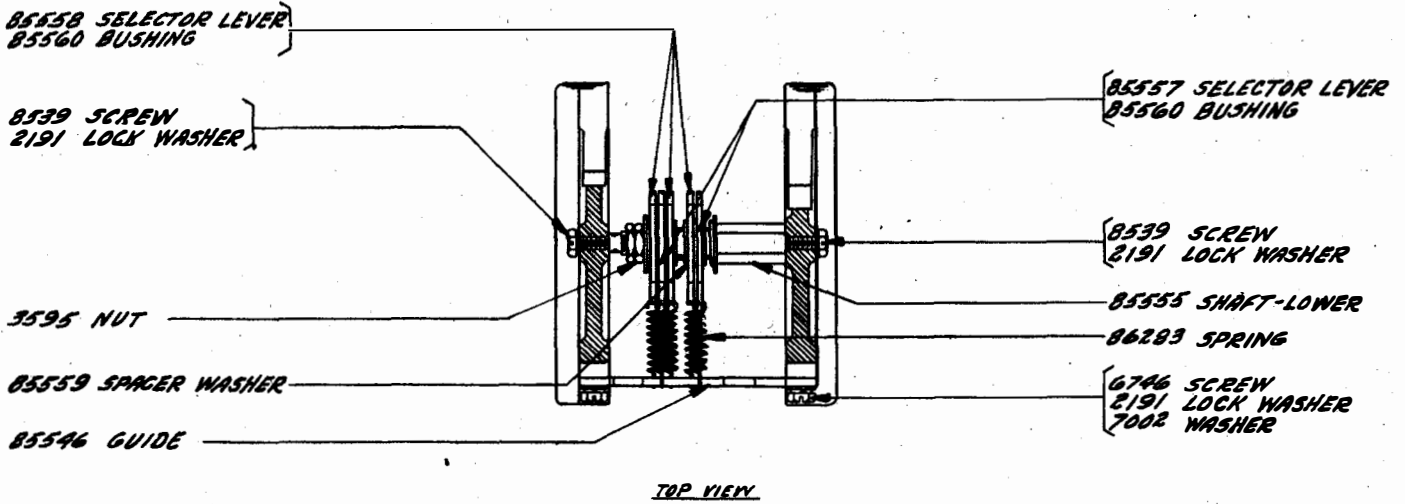
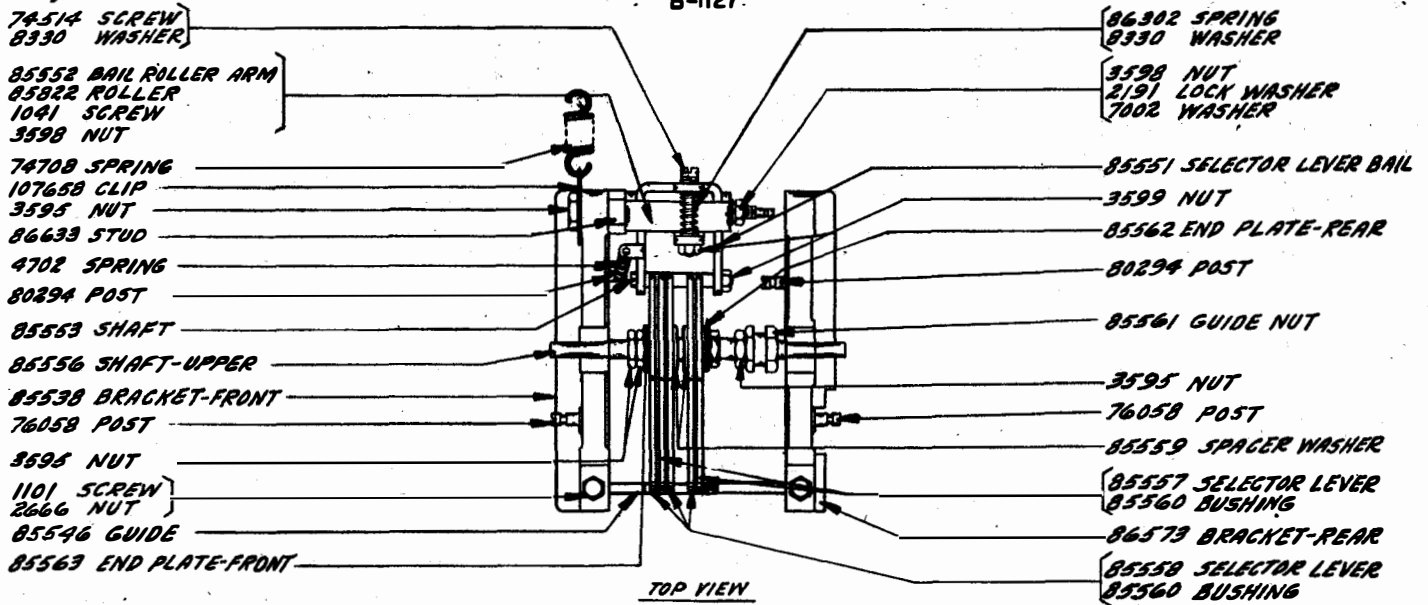
107643 CABLE WITH 82474 TERMINALS

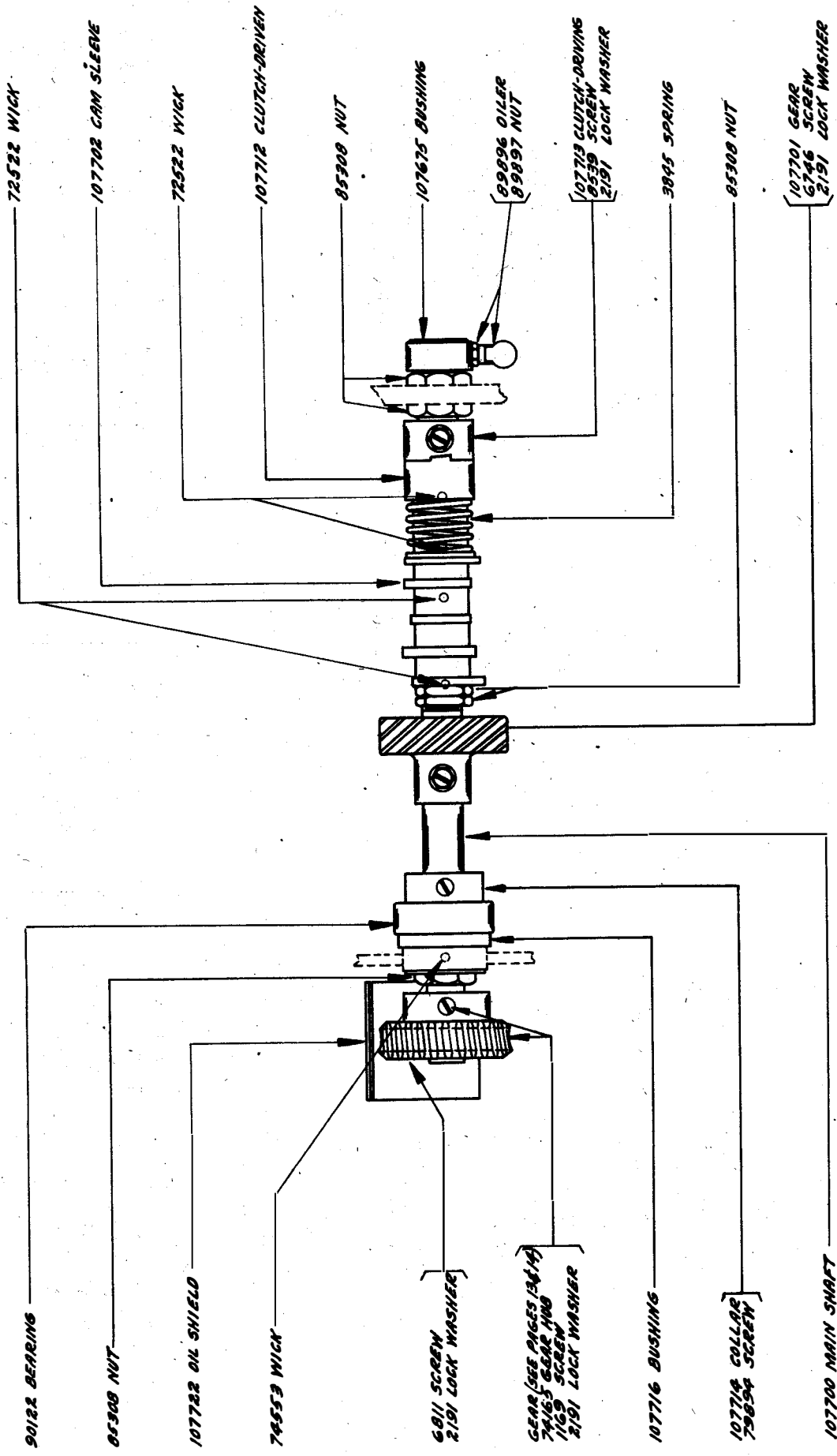


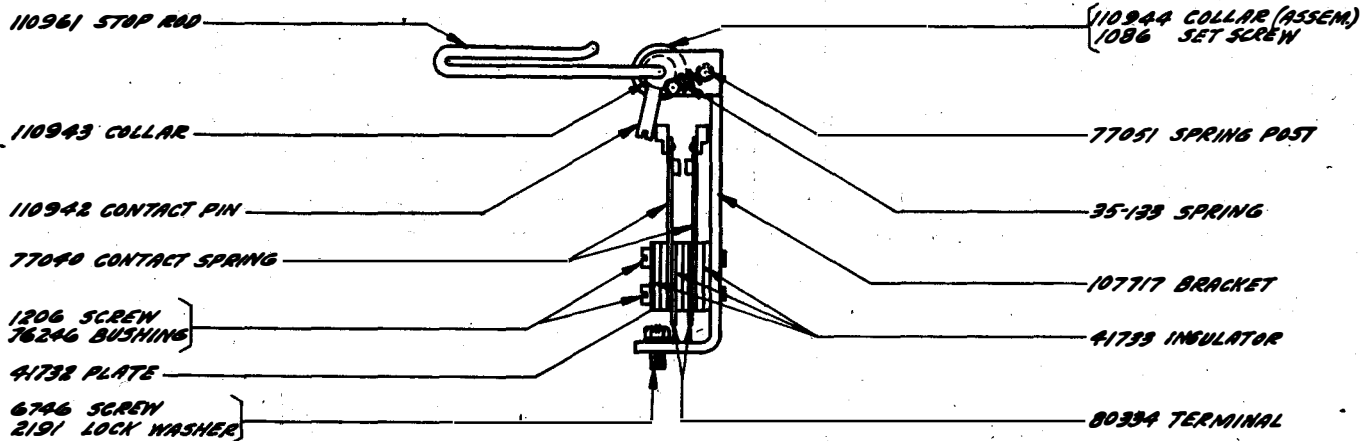
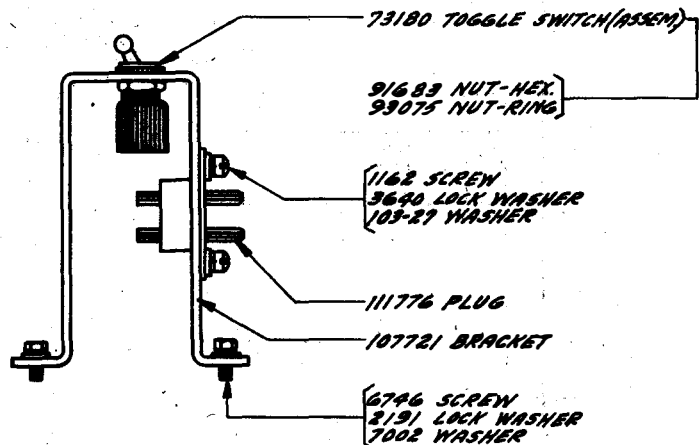
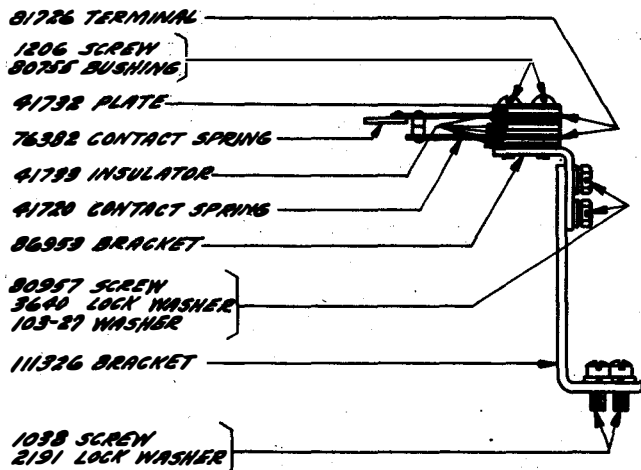
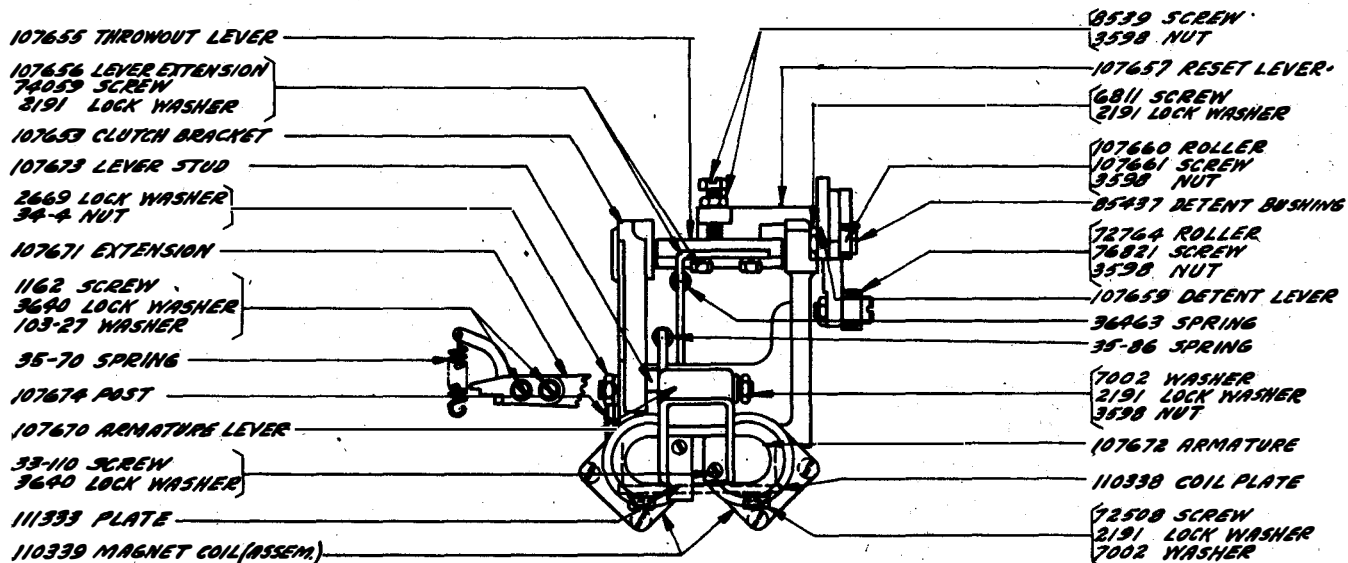
107740 CONTACT (ASSEM)
1163 MOUNTING SCREW
3640 LOCK WASHER

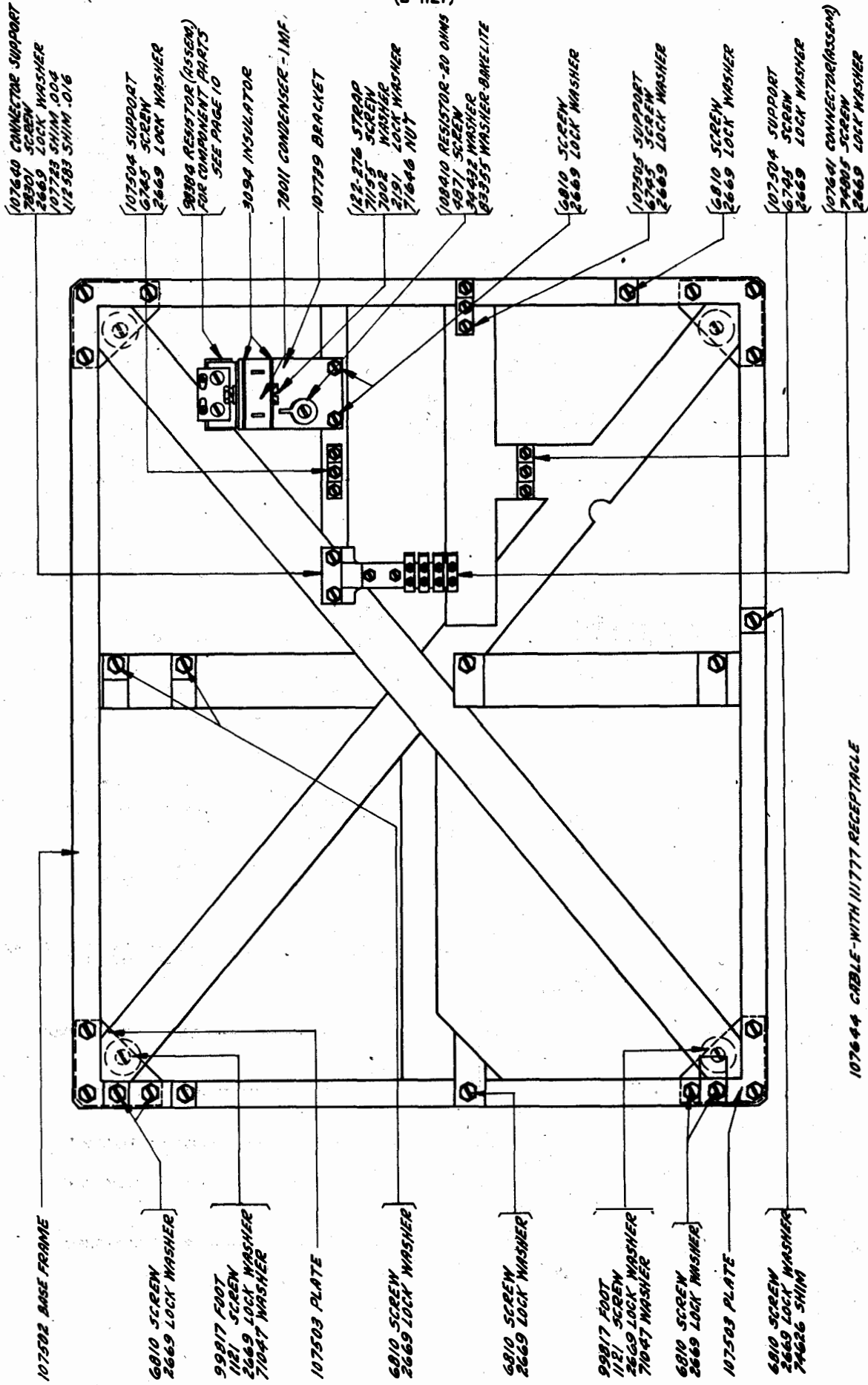


107687 CONTACT (ASSEM)
1162 MOUNTING SCREW
3640 LOCK WASHER
103-27 WASHER

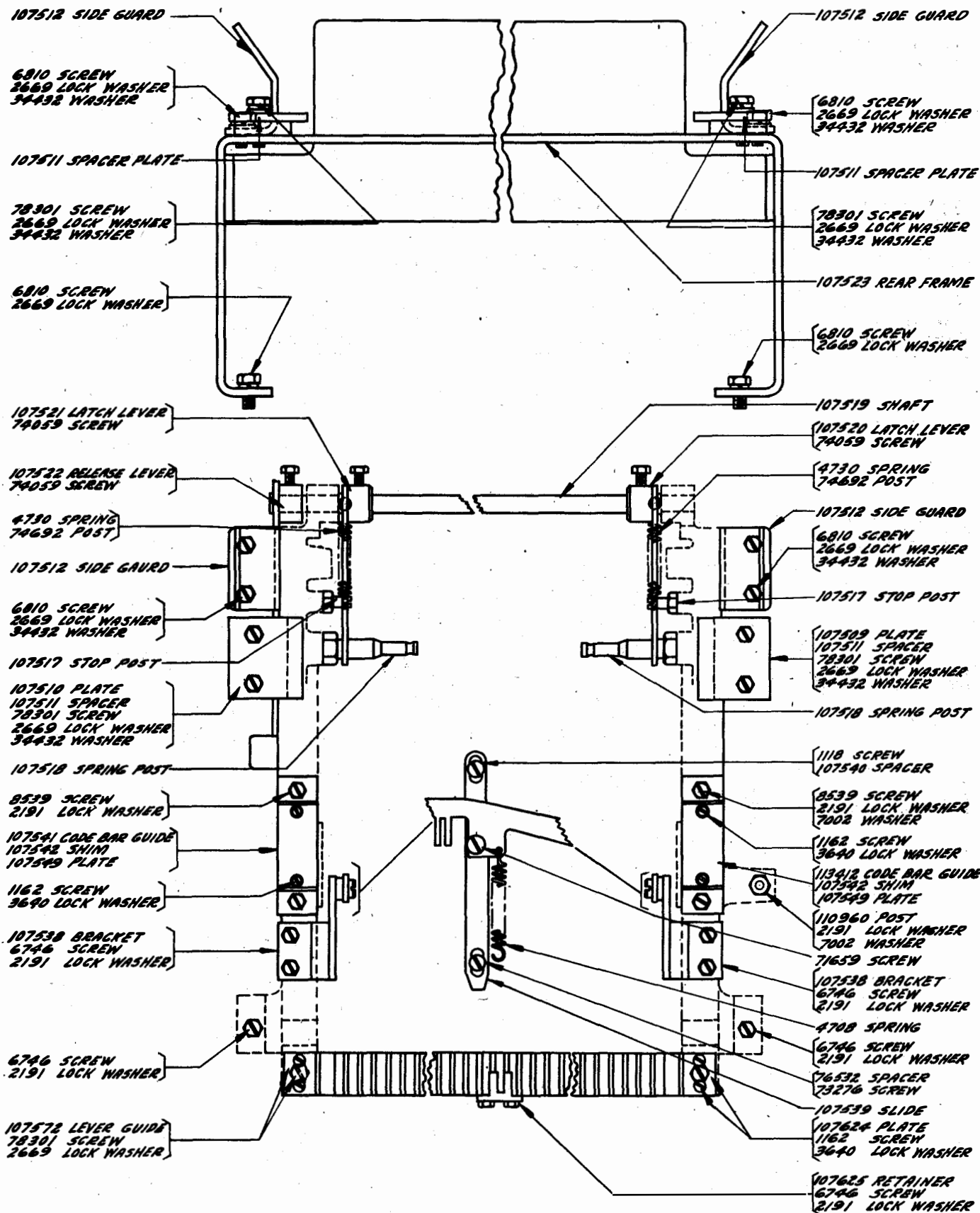


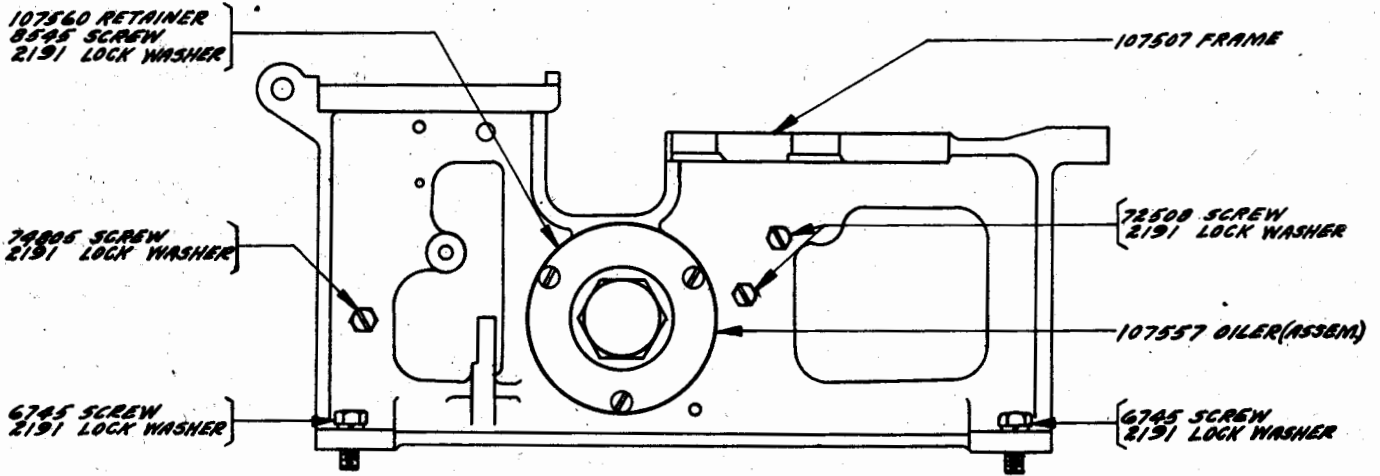
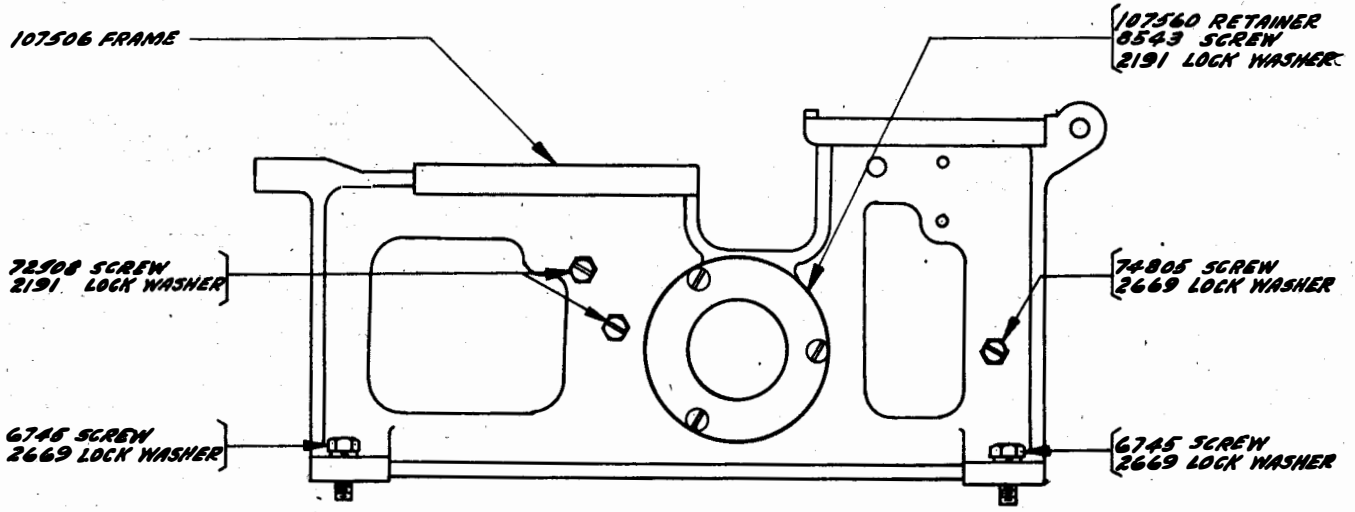


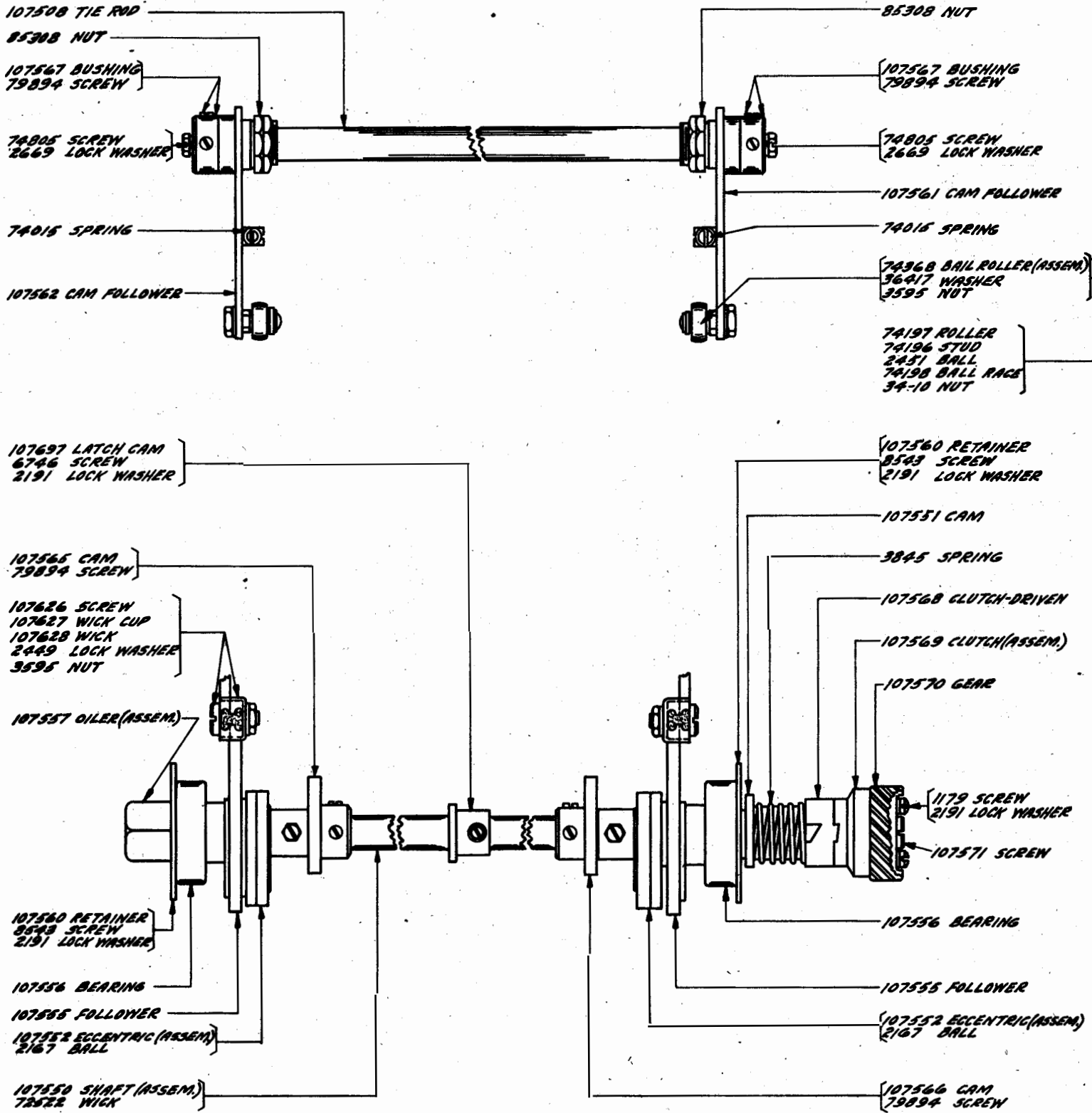




107644 CABLE WITH 11177 RECEPTACLE
107648 MOTOR CABLE WITH 82474 TERMINALS







107543 CODE BAR GUIDE
107544 SHIM
8539 SCREW
2191 LOCK WASHER

107532 SHIFT LINK
107531 BELL CRANK

94669 SCREW
3599 NUT

5446 SCREW
2191 LOCK WASHER
107528 CROSS BAR

55048 SPRING
1118 SCREW

76299 SPRING
107529 POST

6746 SCREW
2191 LOCK WASHER

6746 SCREW
2191 LOCK WASHER
7002 WASHER

107694 LATCH BRACKET
35-85 SPRING

74017 SCREW
3598 NUT

107695 LATCH LEVER
2582 ROLLER
1047 SCREW
3598 NUT

107691 LINK

107690 BUSHING
75508 SCREW
2191 LOCK WASHER
7002 WASHER

107530 LATCH LEVER
107693 BELL CRANK

107533 SHIFT LATCH
107534 SHIFT LATCH

35-88 SPRING
55048 SPRING

76299 SPRING
117692 BUSHING

1010 SCREW
3598 NUT

107529 POST
74712 SPRING

94669 SCREW
3599 NUT

6811 SCREW
2191 LOCK WASHER
7002 WASHER

107696 LATCH

80444 SCREW
2191 LOCK WASHER
7002 WASHER

107536 SPRING BRACKET

70722 RESISTOR-500 OHMS

73357 TERMINAL END (ASSEM)

1028 SCREW
2438 WASHER
9640 LOCK WASHER

89925 TERMINAL END

4871 SCREW
2669 LOCK WASHER
70887 NUT

6746 SCREW
2191 LOCK WASHER
7002 WASHER

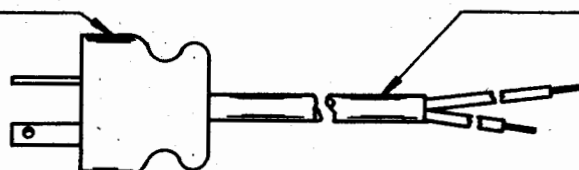
81584 BRACKET

70724 INSULATION STRIP

98384 RESISTOR UNIT (ASSEM) 250-500-1000 OHMS

89274 PLUG

107647 CORD



107646 CORD (ASSEM)

107545 CODE BAR

107546 SHIFT CODE BAR

107631 PLATE
6746 SCREW
2191 LOCK WASHER
8330 WASHER

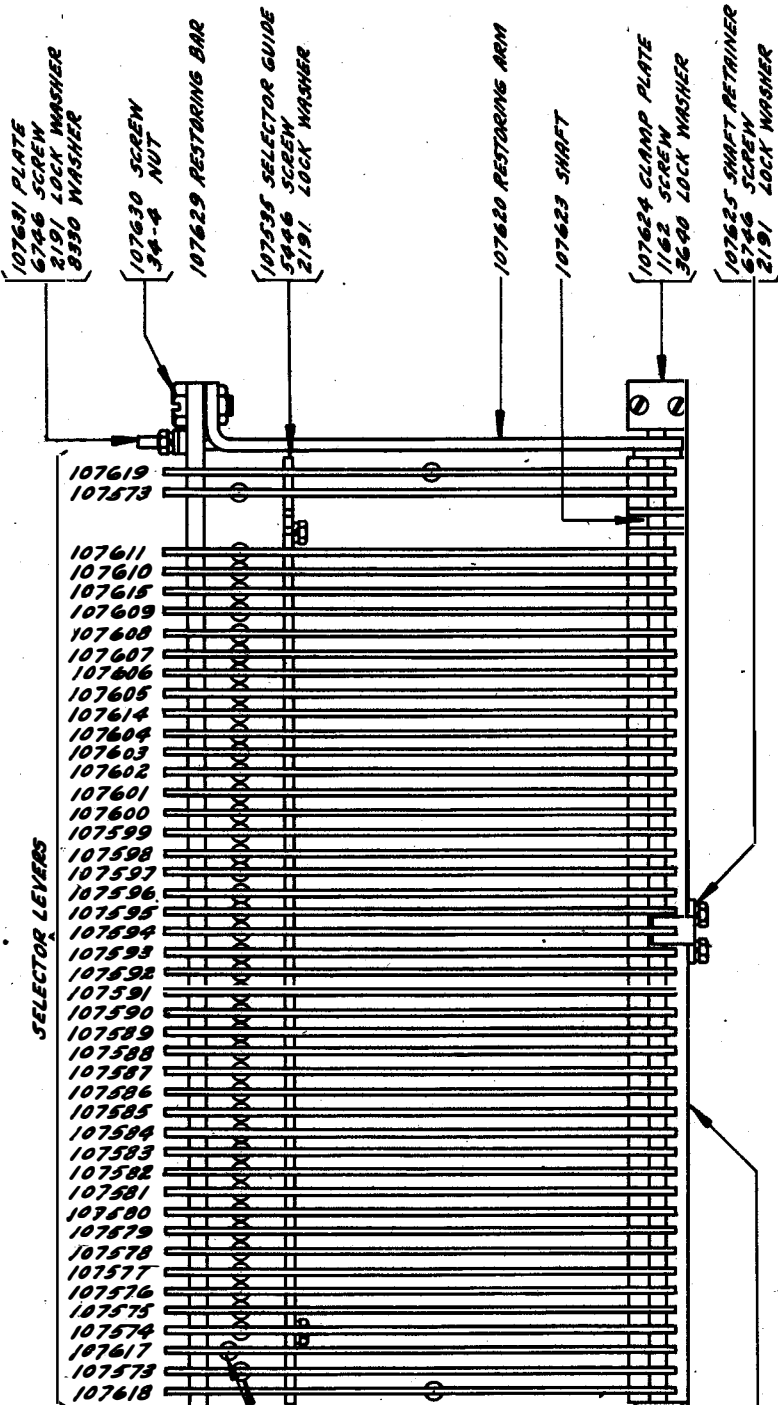
107630 SCREW
34-4 NUT

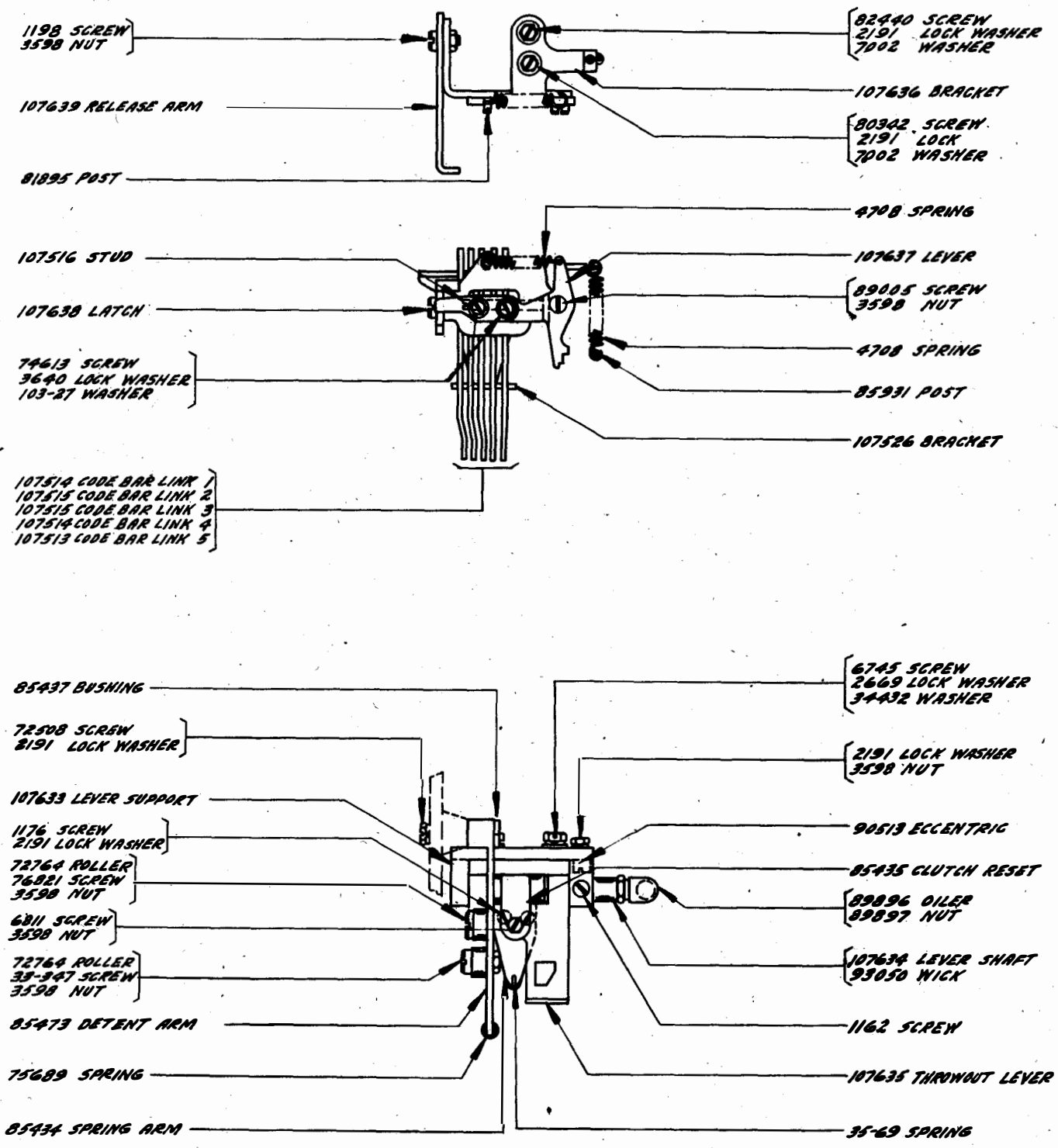
107632 SPRING

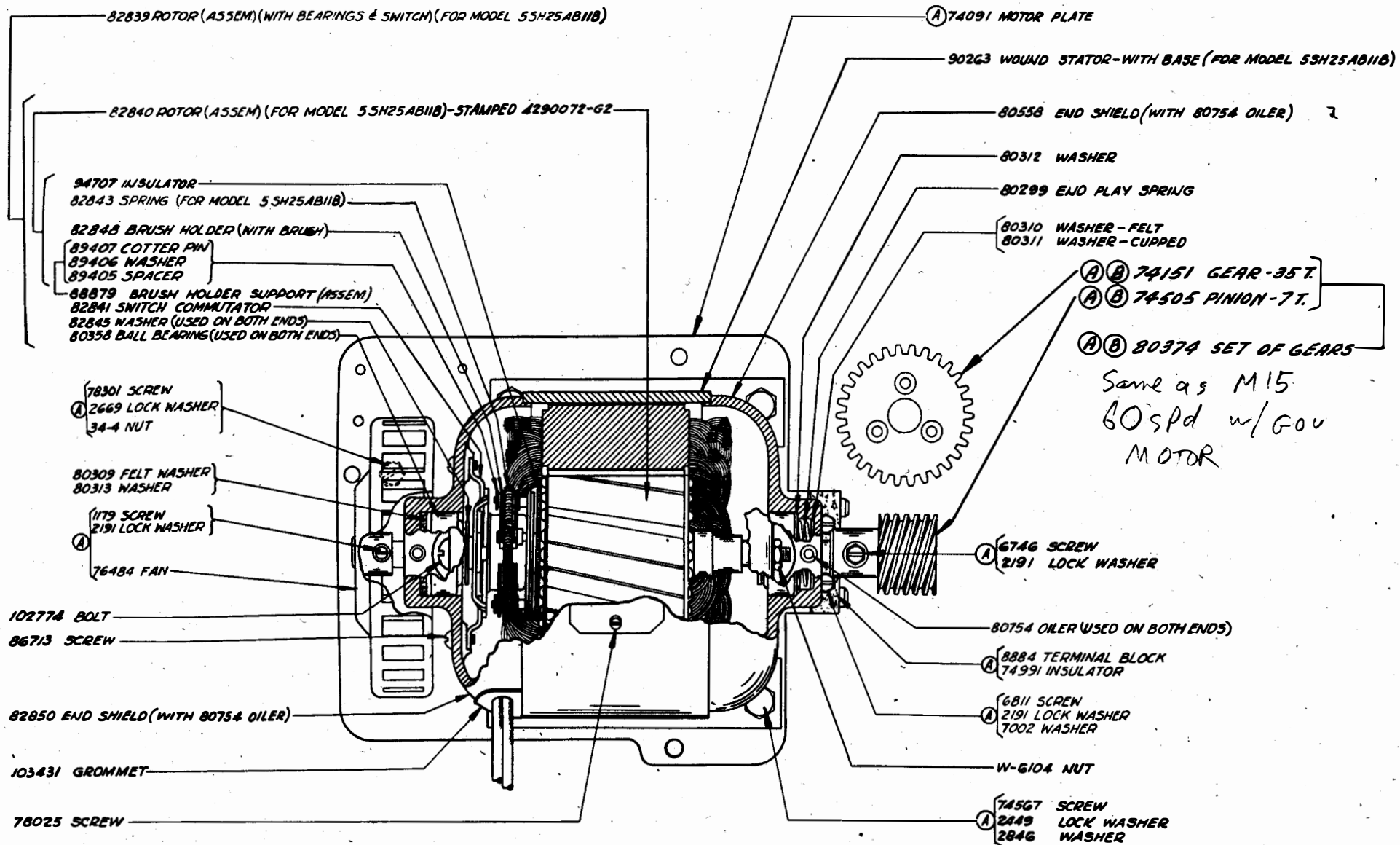
107621 RESTORING ARM

107624 CLAMP PLATE
1162 SCREW
3640 LOCK WASHER

107572 SELECTOR GUIDE

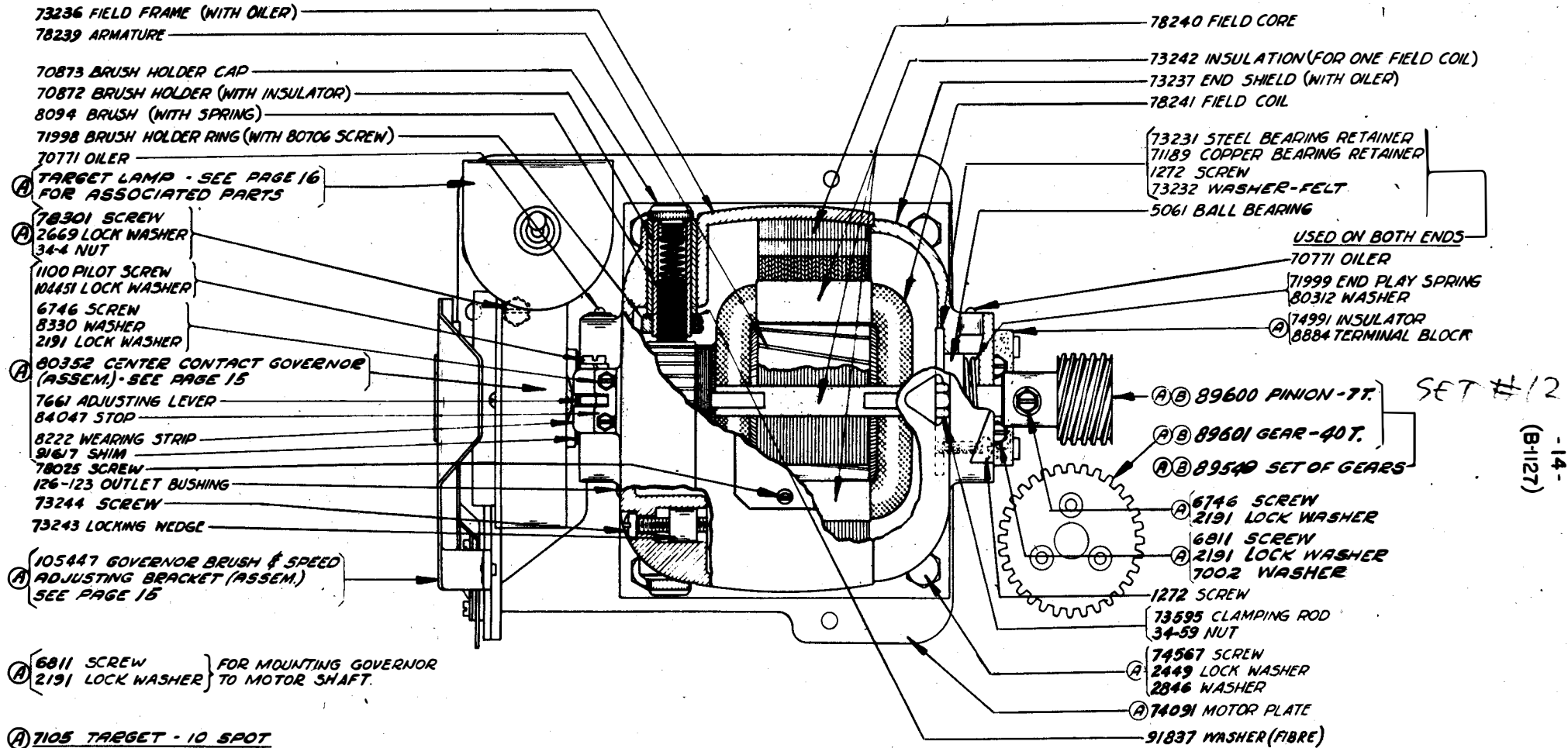






SYNCHRONOUS MOTORS

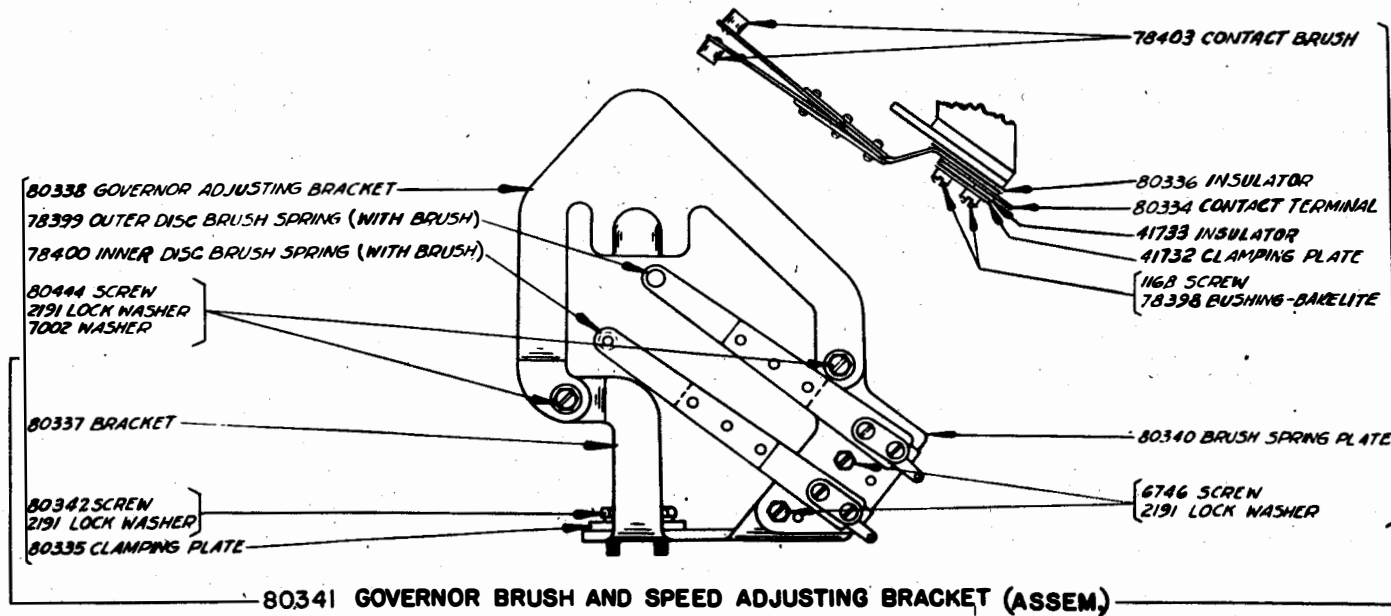
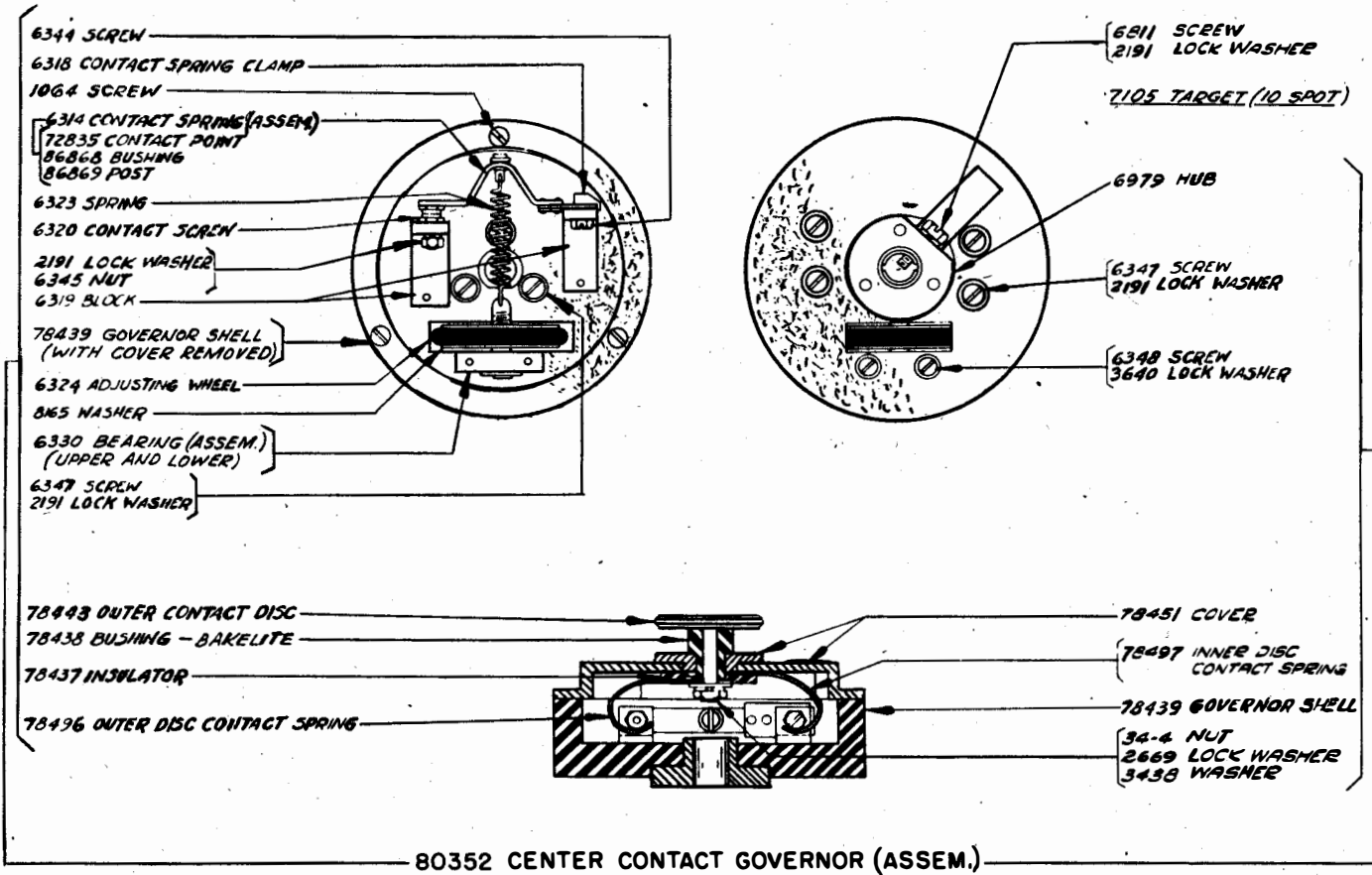
82283 MOTOR, 1/40 H.P., 110 V., 60 CYCLE A.C. (G.E. MODEL 55H25AB11B) - EXCLUDES PARTS MARKED (A)
 MU4 MOTOR UNIT (ASSEM.) INCLUDES 82283 MOTOR AND ALL PARTS LISTED ON THIS PAGE
 EXCEPT PARTS MARKED (B)

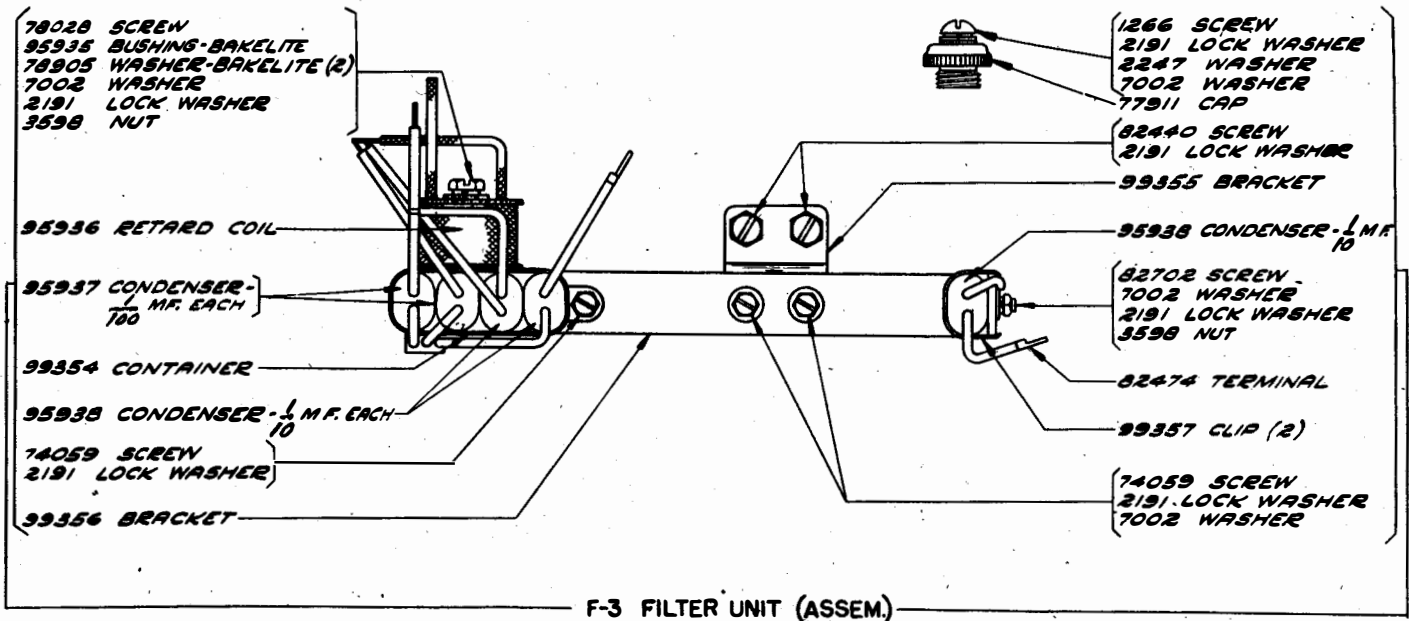
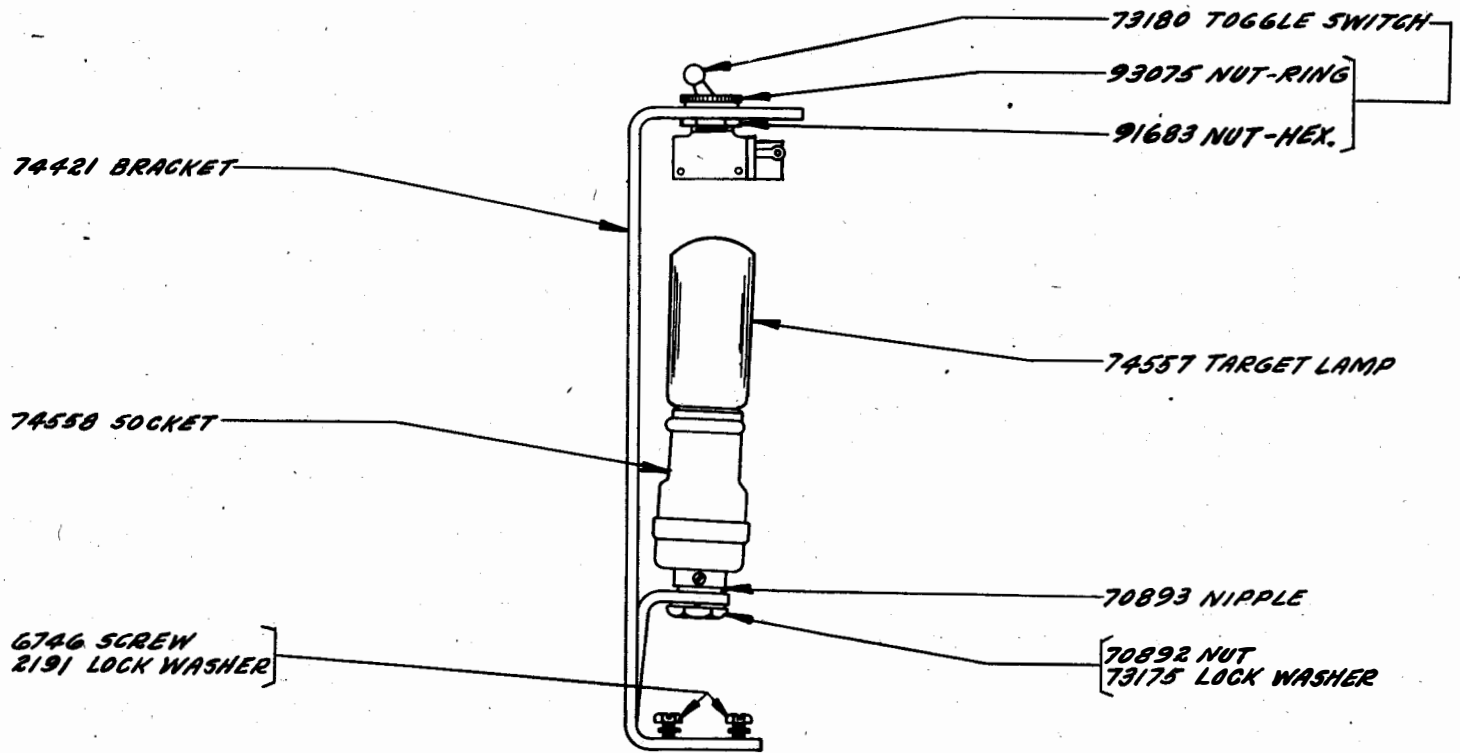


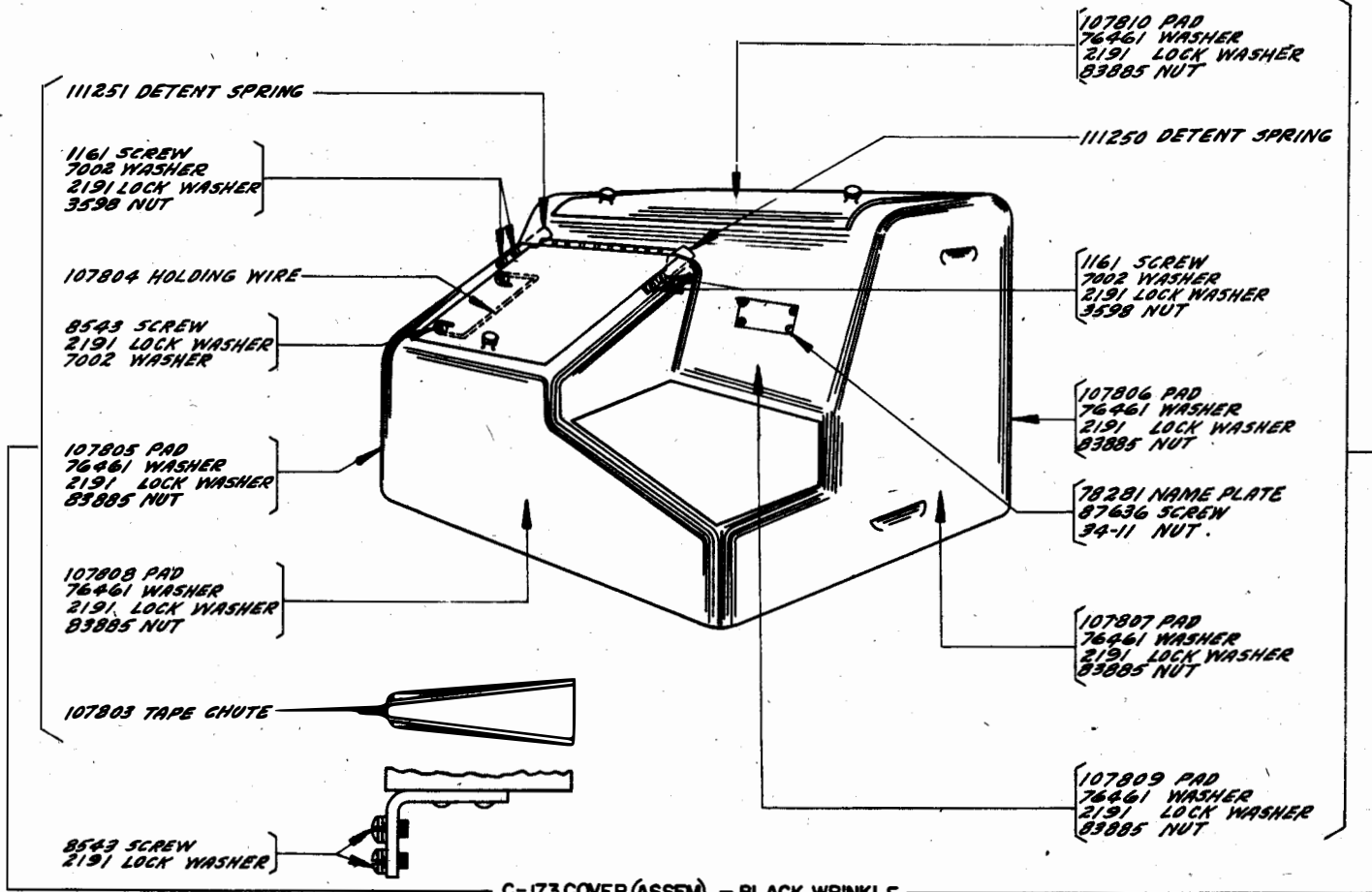
-14-
(B-1127)

77953 SERIES MOTOR, 1/25 H.P., 115 V., A.C. 60 CYCLE (G. E. MODEL 32989 OR 5BA65AA29), - EXCLUDES PARTS MARKED (A)

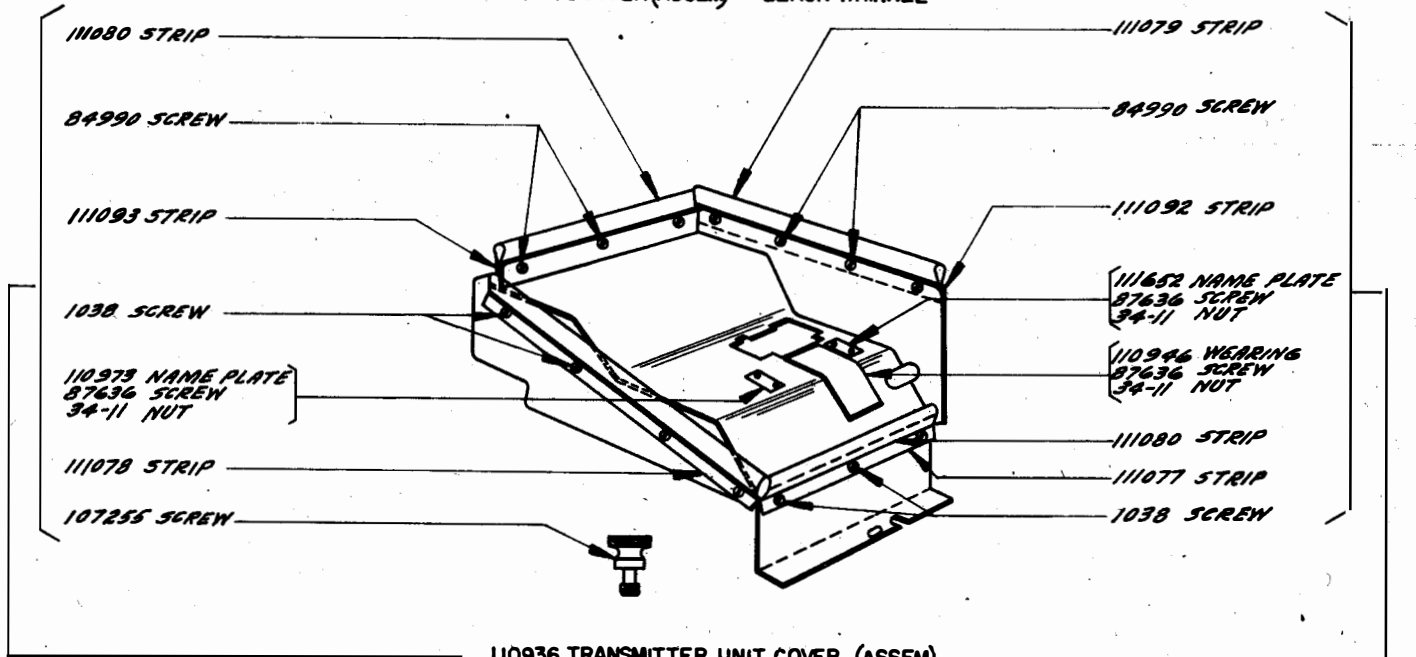
MU-27 MOTOR UNIT (ASSEM.) INCLUDES F-3 FILTER UNIT (ASSEM.) SHOWN ON PAGE 16 AND ALL PARTS LISTED ON THIS PAGE EXCEPT PARTS MARKED (B)



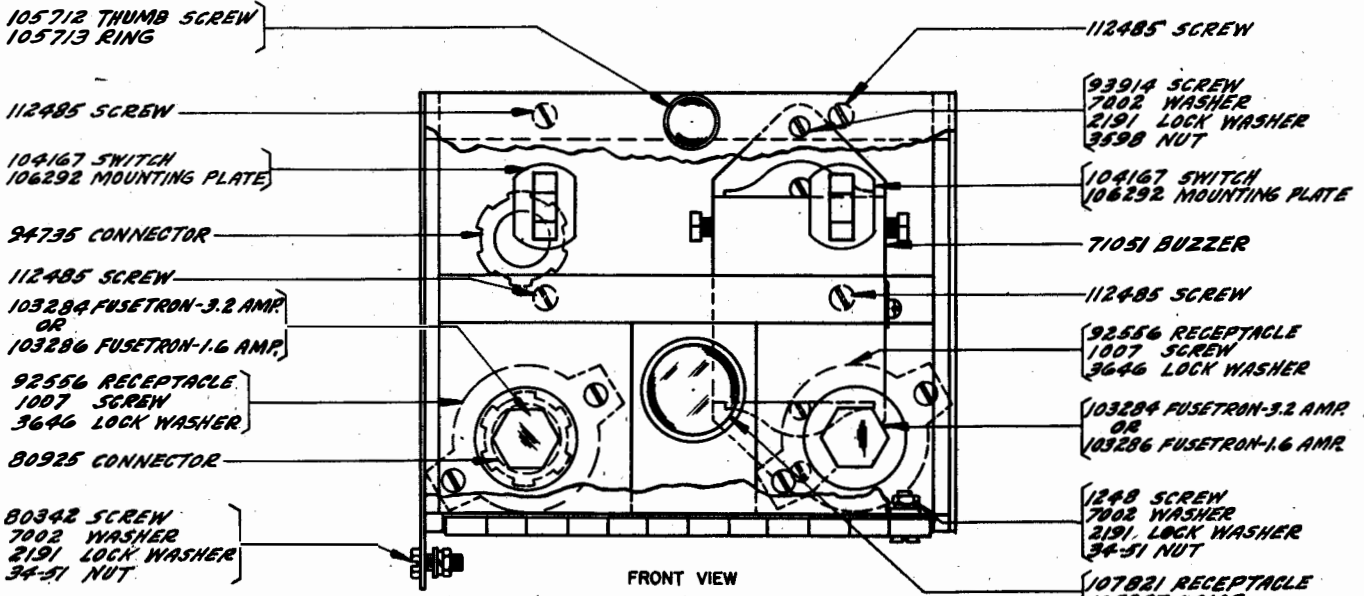




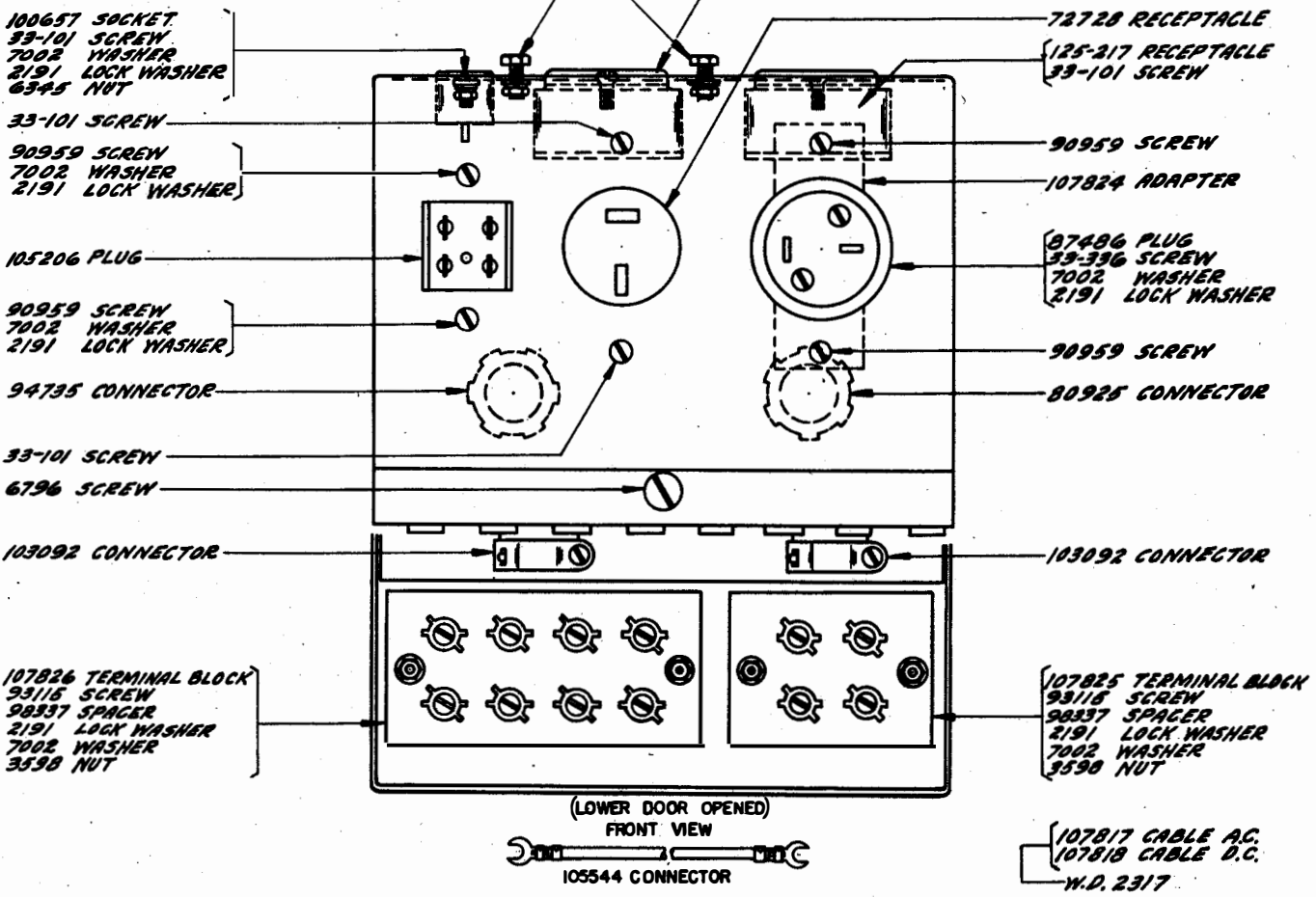
C-173 COVER (ASSEM) - BLACK WRINKLE



110936 TRANSMITTER UNIT COVER (ASSEM)



FRONT VIEW
107815 ELECTRICAL SERVICE (ASSEM)



107816 ELECTRICAL SERVICE (ASSEM)

104017 STUD
2669 LOCK WASHER
34-4 NUT
1187 SCREW
2669 LOCK WASHER

1169 SCREW
76099 WASHER

101861 FOOT

102533 DISC
73776 SCREW
84579 WASHER
2669 LOCK WASHER

80342 SCREW
2191 LOCK WASHER
7002 WASHER

102533 DISC
73776 SCREW
2669 LOCK WASHER
84579 WASHER

104018 MOUNTING

101861 FOOT

1169 SCREW
76099 WASHER

104017 STUD
2669 LOCK WASHER
34-4 NUT
1187 SCREW
34-4 NUT

107828 PLATE
93191 SCREW
103449 STUD
7002 WASHER
2191 LOCK WASHER
3539 NUT

74899 NAME PLATE
87638 SCREW

ELECTRICAL SERVICE (ASSEM.)
FOR COMPONENT PARTS
SEE PAGE 18

111651 NAME PLATE
87638 SCREW

111650 NAME PLATE
87638 SCREW

101861 FOOT
1169 SCREW
76099 WASHER

90935 STUD
2669 LOCK WASHER
34-4 NUT

1169 SCREW
76099 WASHER

101861 FOOT

102533 DISC
73776 SCREW
84579 WASHER
2669 LOCK WASHER

104017 STUD
2669 LOCK WASHER
34-4 NUT
1187 SCREW
2669 LOCK WASHER

102533 DISC
73776 SCREW
2669 LOCK WASHER
84579 WASHER

112590 MOUNTING

101861 FOOT

1169 SCREW
76099 WASHER

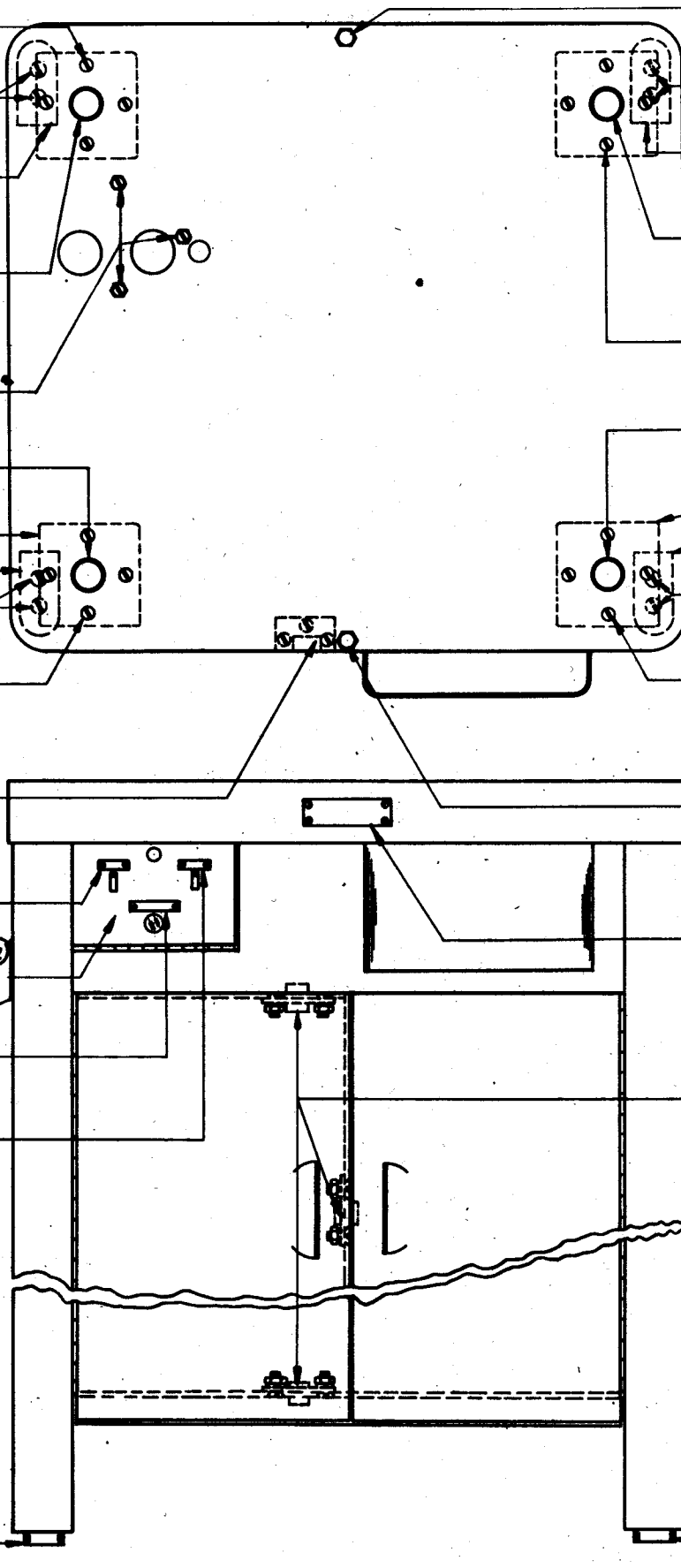
104017 STUD
2669 LOCK WASHER
34-4 NUT
1187 SCREW
2669 LOCK WASHER

90935 STUD
2669 LOCK WASHER
34-4 NUT

78281 NAME PLATE
78474 SCREW
34-11 NUT

102533 LATCH
93191 SCREW
3640 LOCK WASHER
3539 NUT

101861 FOOT
1169 SCREW
76099 WASHER



NUMERICAL INDEX

C173	Cover (Assem.) - Black Wrinkle, 17	3598	Nut (6-40 Hex.), 2, 3, 5, 10, 12, 16, 17, 18, 19	73237	End Shield (with Oiler), 14
F3	Filter Unit (Assem.), 16	3599	Nut (4-40 Hex.), 3, 10	73242	Insulation (for one field coil), 14
MU4	Motor Unit (Assem.), 13	3610	Spring, 10	73243	Locking Wedge, 14
MU27	Motor Unit (Assem.), 14	3640	Lock Washer, 1, 2, 3, 5, 7, 10, 11, 12	73244	Screw (10-32 x 5/8), 14
W6104	Nut (.164-36 Hex.), 13	3646	Lock Washer, 14	73357	Terminal End (Assem.), 10
33-101	Screw (6-32 x 3/8), 18	3845	Spring, 4, 9	73276	Screw (6-40 Shoulder), 7
33-110	Screw (4-40 x 3/16), 5	4132	Clamping Plate, 15	73376	Screw (.190-32 x 1-3/16), 19
33-336	Screw (6-32 x 3/8), 18	4702	Spring, 3	73595	Clamping Rod, 14
33-347	Screw (6-40 x 9/32), 12	4708	Spring, 7, 12	74015	Spring, 9
34-4	Nut (10-32 Hex.), 1, 3, 5, 11, 13, 14, 15, 19	4730	Spring, 7	74017	Screw (6-40 Shoulder), 10
34-10	Nut (8-40 Hex.), 9	4871	Bolt (3/16-24 x 4), 6, 10	74059	Screw (6-40 x 7/32), 5, 16, 7
34-11	Nut (2-56 Hex.), 17, 19	5061	Ball Bearing, 14	74091	Motor Plate, 13, 14
34-51	Nut (6-40 Hex.), 18	5446	Screw (6-40 x 9/16), 11	74151	Gear - 35T, 13
34-59	Nut (10-30 Hex.), 14	6097	Spring, 3	74165	Gear Hub, 4
35-13	Spring, 2	6314	Contact Spring (Assem.), 15	74196	Stud, 9
35-33	Spring, 2	6318	Contact Spring Clamp, 15	74197	Roller, 9
35-69	Spring, 12	6319	Block, 15	74198	Ball Race, 9
35-70	Spring, 5	6320	Screw (6-32 Contact), 15	74368	Ball Roller (Assem.), 9
35-85	Spring, 10	6323	Spring, 15	74421	Bracket, 16
35-86	Spring, 5	6324	Adjusting Wheel, 15	74505	Pinion - 7T, 13
35-88	Spring, 10	6330	Bearing (Assem.), 15	74514	Screw (4-40 x 55/64), 3
35-133	Spring, 5	6344	Screw (6-32 x 11/32), 15	74553	Wick, 4
35-137	Spring, 2	6345	Nut (10-32 x 1/2), 15, 18	74557	Target, 16
35-140	Spring, 3	6347	Screw (6-32 x 3/8), 15	74558	Scket, 16
36-51	Shaft, 2	6745	Screw (10-32 x 1/2), 1, 6, 8, 12	74567	Screw (1/4-20 x 33/64), 13, 14
36-153	Dowel, 2	6746	Screw (6-40 x 5/16), 1, 3, 4, 5, 7, 9, 10, 11, 13, 14, 15, 16	74613	Screw (4-40 x 1/4), 12
103-27	Washer, 2, 5, 12	6796	Screw (10-32 x 1/8), 18	74626	Shim, 6
122-276	Strap, 6	6810	Screw (10-32 x 3/8), 1, 6, 7	74692	Post, 7
125-217	Receptacle, 18	6811	Screw (6-40 x 5/8), 4, 5, 10, 12, 13, 14, 15	74708	Spring, 3
126-123	Outlet Bushing, 14	6979	Hub, 15	74727	Terminal, 2
300-302	Feed Roll, 2	7002	Washer, 1, 3, 5, 6, 7, 10, 12 to 19	74805	Screw (10-32 x 3/4), 1, 6, 9
300-303	Bearing, 2	7105	Target - 10 Spot, 14, 15	74893	Name Plate, 19
300-312	Detent Bracket, 2	7661	Adjusting Lever, 14	74962	Spring, 3
300-314	Detent, 2	8094	Brush (with Spring), 14	74986	Screw (6-40 x 13/32), 1
300-319	Lid Holder, 2	8165	Washer, 15	74991	Insulator, 13, 14
300-320	Shaft, 2	8222	Wearing Strip, 14	75689	Spring, 12
300-322	Latch, 2	8330	Washer, 3, 11, 14	76037	Bushing, 3
1007	Screw (8-32 x 5/8), 18	8491	Wearing Strip, 2	76038	Spacer, 3
1010	Screw (6-40 Shoulder), 10	8539	Screw (6-40 x 1/2), 4, 5, 7, 10, 3	76058	Spring Post, 3
1028	Screw (4-40 x 1/4), 10	8543	Screw (6-40 x 1/4), 9, 17, 8	76099	Washer, 19
1037	Screw (6-40 x 5/16), 1	8884	Terminal Block, 13, 14	76246	Bushing, 2, 5
1038	Screw (6-40 x 9/32), 5, 17	34432	Washer, 6, 12, 1, 7	76299	Spring, 10
1041	Screw (6-40 Shoulder), 3	35826	Washer, 6	76382	Contact Spring, 5
1043	Screw (10-32 x 5/16), 6	36417	Washer, 9	76461	Washer, 17
1047	Screw (6-40 Shoulder), 10	36463	Spring, 5	76484	Fan, 13
1064	Screw (6-32 x 1/4), 15	417 0	Contact Spring, 2, 5	76532	Spacer, 7
1086	Screw (4-40 x 3/8 Set), 5	41732	Plate, 2, 5	76821	Screw (6-40 x 1/4), 5, 12
1100	Screw (1/4-32 Pilot), 13	41733	Insulator, 2, 5, 15	77040	Contact Spring, 5
1101	Screw (3/16-40 x 1/4), 3	55048	Spring, 10	77051	Spring Post, 5
1118	Screw (6-40 Shoulder), 7, 10, 12	70724	Insulation Strip, 10	77911	Cap, 16
1159	Screw (4-40 x 3/8), 2	70771	Oiler, 14	77953	Series Motor, 1/25 H.P., 115 V., A.C. 60 Cycle, 14
1160	Screw (6-40 x 5/16), 2	70722	Resistor - 500 Ohms, 10	78011	Condenser - M.F., 6
1161	Screw (6-40 x 1/4), 17	70872	Brush Holder (with Insulator), 14	78025	Screw (4-48 x 3/16), 13, 14
1162	Screw (4-40 x 1/4), 2, 3, 5, 7, 11, 12	70873	Brush Holder Cap, 14	78208	Screw (6-40 x 15/16), 16
1163	Screw (4-40 x .188), 1, 2	70887	Nut (3/16-24 Hex.), 10	78239	Armature, 14
1168	Screw (4-40 x 5/16), 1, 2, 15	70892	Nut (1/8-27 Hex.), 16	78240	Field Core, 14
1169	Screw (6-40 x 7/16), 4, 19	70893	Nipple, 16	78241	Field Coil, 14
1176	Screw (6-40 x 3/16), 12	71047	Washer, 6	78281	Name Plate, 17, 19
1179	Screw (6-40 x 5/8), 9, 13	71051	Buzzer, 18	78301	Screw (10-32 x 5/8), 6, 7, 13, 14
1187	Screw (10-32 x 1/4), 19	71155	Screw (6-32 x 1-1/4), 6	78398	Bushing - Bakelite, 15
1206	Screw (4-40 x 9/16), 2, 5	71189	Copper Bearing Retainer, 14	78399	Outer Disc Brush Spring (with Brush), 15
1248	Screw (6-40 x 1/2), 18	71555	Retaining Lid (Assem.), 2	78400	Inner Disc Brush Spring, 15
1266	Screw (6-32 x 7/16), 16	71646	Nut (6-32 Hex.), 6	78403	Contact Brush, 15
1269	Screw (6-40 x 1/2), 2	71659	Screw (6-40 Shoulder), 7	78437	Insulator, 15
1272	Screw (6-40 x 11/16), 14	71998	Brush Holder Ring (with 80706 Screw), 14	78438	Bushing - Bakelite, 15
1293	Screw (4-40 x 1/8), 2	71999	End Play Spring, 14	78439	Governor Shell, 15
2167	Ball, 9	72069	Shim, 2	78443	Outer Contact Disc, 15
2191	Lock Washer, 1 to 19	72508	Screw (6-40 x 3/4), 5, 8, 12, 10	78451	Cover, 15
2247	Washer, 16	72522	Wick, 4, 9	78454	Screw (2-56 x 1/4), 19
2438	Washer, 10	72728	Receptacle, 18	78496	Outer Disc Contact Spring, 15
2449	Lock Washer, 9, 13, 14	72764	Roller, 5, 12	78497	Inner Disc Contact Spring, 15
2451	Ball, 9	72835	Contact Point, 15	78905	Washer - Bakelite, 16
2582	Roller, 10	73175	Lock Washer, 16	79561	Eccentric Stop, 1
2666	Nut (3/16-40 Hex.), 3	73180	Toggle Switch (Assem.), 5, 16	79894	Screw (10-32 x 3/16), 4, 9
2669	Lock Washer, 1, 3, 5 to 10, 12 to 15, 19	73231	Steel Bearing Retainer, 14		
2846	Washer, 13, 14	73232	Washer - Felt, 14		
3094	Insulator, 6	73236	Field Frame (with Oiler), 14		
3438	Washer, 15				
3595	Nut (1/4-32 Hex.), 3, 9				

NUMERICAL INDEX

80294	Spring Post, 3	85562	End Plate (Rear), 3	104167	Switch, 18
80299	End Play Spring, 13	85563	End Plate (Front), 3	104451	Lock Washer, 14
80309	Felt Washer, 13	85822	Roller, 3	105206	Plug, 18
80310	Washer - Felt, 13	85931	Post, 12	105221	Contact Spring, 2
80311	Washer - Cupped, 13	86283	Spring, 3	105447	Governor Brush and Speed Adjusting Bracket (Assem.) 14
80312	Washer, 13, 14	86302	Spring, 3	105544	Connector, 18
80313	Washer, 13	86571	Base Plate, 1	105712	Screw (10-32 Thumb), 18
80334	Terminal, 5, 15	86573	Bracket (Rear), 3	105713	Ring, 18
80335	Clamping Plate, 15	86633	Stud, 3	105887	Lamp, 18
80336	Insulator, 15	86713	Screw (4-48 x 5/16), 13	106292	Mounting Plate, 18
80337	Bracket, 15	86804	Guide, 1	107255	Screw (10-32 x 5/8), 17
80338	Governor Adjusting Bracket, 15	86868	Bushing, 15	107502	Base Frame, 6
80340	Brush Spring Plate, 15	86869	Post, 15	107503	Plate, 6
80341	Governor Brush and Speed Adjusting Bracket (Assem.), 15	86953	Bracket, 5	107504	Support, 6
80342	Screw (6-40 x 23/64), 12, 15, 18, 19	87486	Plug, 18	107505	Support, 6
80352	Center Contact Governor (Assem.), 14, 15	87636	Screw (2-56 x 3/16), 17	107506	Frame, 8
80358	Ball Bearing, 13	87638	Screw (2-56 x 3/32), 19	107508	Tie Rod, 9
80374	Set of Gears, 13	88879	Brush Holder Support (Assem.), 13	107509	Plate, 7
80444	Screw (6-40 x 1/4), 10, 15	89005	Screw (6-40 x 9/32), 12	107510	Plate, 7
80558	End Shield (with 80754 Oiler), 13	89064	Transfer Bail Arm, 3	107511	Spacer, 7
80754	Oiler, 13	89065	Transfer Bail, 3	107512	Side Guards, 7
80755	Bushing, 2, 5	89066	Sleeve, 3	107513	Code Bar Link #5, 12
80957	Screw (4-40 x 1/4), 5	89078	Spring Holder, 3	107514	Code Bar Link #1, #4, 12
80925	Connector, 18	89079	Spring Holder, 3	107515	Code Bar Link #2, #3, 12
81584	Bracket, 10	89274	Plug, 10	107516	Stud, 12
81726	Terminal, 2, 5	89405	Spacer, 13	107517	Stop Post, 7
81895	Post, 12	89406	Washer, 13	107518	Spring Post, 7
82283	Motor, 1/40 H.P., 110 V., 60 Cycle A.C. (G.E. Model 5SH25A811B), 13	89407	Cotter Pin, 13	107519	Shaft, 7
82440	Screw (6-40 x 7/16), 12, 16	89549	Set of Gears, 14	107520	Latch Lever, 7
82474	Terminal, 16	89600	Pinion - 7T, 14	107521	Latch Lever, 7
82547	Insulator, 2	89601	Gear - 40T, 14	107522	Release Lever, 7
82702	Screw (6-40 x 9/32), 2, 16	89896	Oiler, 1, 12	107523	Rear Frame, 7
82839	Rotor (Assem.) (with Bearings and Switch), 13	89897	Nut (10-32 Hex.), 1, 12	107526	Bracket, 12
82840	Rotor (Assem.), 13	89925	Terminal End, 10	107528	Cross Bar, 10
82841	Switch Commutator, 13	90122	Bearing, 4	107529	Post, 10
82843	Spring, 13	90263	Wound Stator - with base, 13	107530	Latch Lever, 10
82845	Washer, 13	90513	Eccentric, 12	107531	Bell Crank, 10
82848	Brush Holder (with Brush), 13	90935	Stud, 19	107532	Shift Link, 10
82850	End Shield (with 80754 Oiler), 13	90959	Screw (6-32 x 3/8), 18	107533	Shift Latch, 10
83355	Washer - Bakelite, 6	91617	Shim, 14	107534	Shift Latch, 10
83885	Nut (6-32 Hex.), 17	91683	Nut (15/32-32 Hex.), 5, 16	107535	Selector Guide, 11
84047	Stop, 14	91837	Washer (Fibre), 14	107536	Spring Bracket, 10
84579	Washer, 19	92556	Receptacle, 18	107538	Bracket, 7
84892	Stiffener, 2	93050	Wick, 1, 12	107539	Slide, 7
84990	Screw (138-40 x 17/64), 17	93075	Nut (15/32-32 Ring), 5, 16	107540	Spacer, 7
85308	Nut (5/8-32 Hex.), 4, 9	93115	Screw (6-40 x 9/32), 18	107541	Code Bar Guide, 7
85400	Retainer, 1	93191	Screw (4-40 x 5/16), 19	107542	Shim, 7
85416	Rail, 1	93914	Screw (6-40 x 7/32), 18	107543	Code Bar Guide, 10
85434	Spring Arm, 12	94669	Screw (4-40 Shoulder), 10	107544	Shim, 10
85435	Clutch Reset, 12	94707	Insulator, 13	107545	Code Bar, 11
85437	Detent Bushing, 5, 12	94735	Connector, 18	107546	Shift Code Bar, 11
85473	Detent Arm, 12	95935	Bushing - Bakelite, 16	107549	Plate, 7
85538	Bracket (Front), 3	95936	Retard Coil, 16	107550	Shaft (Assem.), 9
85541	Shaft, 3	95937	Condenser 1/100 M.F., 16	107551	Cam, 9
85542	"T" Transfer Lever, 3	95938	Condenser 1/10 M.F., 16	107552	Eccentric (Assem.), 9
85543	Stud, 3	95953	Shim, 2	107555	Follower, 9
85544	Spacer, 3	95954	Screw Plate, 2	107556	Bearing, 9
85546	Guide, 3	97447	Pin, 2	107557	Oiler (Assem.), 8, 9
85547	Tape Feed Bail, 3	97448	Guide, 2	107560	Retainer, 8, 9
85549	Screw (1/4-32 Pilot), 3	97720	Contact Spring, 2	107561	Cam Follower, 9
85551	Selector Lever Bail, 3	97721	Contact Spring, 2	107562	Cam Follower, 9
85552	Bail Roller Arm, 3	98337	Spacer, 18	107565	Cam, 9
85553	Shaft, 3	98384	Resistor (Assem.), 6, 10 (250-500-1000 Ohms)	107566	Cam, 9
85555	Shaft - Lower, 3	99355	Bracket, 16	107567	Bushing, 9
85556	Shaft - Upper, 3	99356	Bracket, 16	107568	Clutch - Driven, 9
85557	Selector Lever, 3	99357	Clip, 16	107569	Clutch (Assem.), 9
85558	Selector Lever, 3	99354	Container, 16	107570	Gear - 25T, 9
85559	Spacer Washer, 3	99817	Foot, 6	107571	Screw (5/16-32 Special), 9
85560	Bushing, 3	100657	Socket, 18	107572	Selector Guide, 11, 7
85561	Nut (1/4-32 Hex.), 3	101861	Foot, 19	107620	Restoring Arm, 11
		102533	Disc, 19	107621	Restoring Arm, 11
		102774	Bolt (8-36 x 4-3/8), 13	107623	Shaft, 11
		103092	Connector, 18	107624	Plate, 7, 11
		103284	Fusetron - 3.2 Amp., 18	107625	Retainer, 7, 11
		103286	Fusetron - 1.6 Amp., 18	107626	Screw (1/4-32 Shoulder), 9
		103431	Grommet, 13	107627	Wick Cup, 9
		103450	Stud, 19	107628	Wick, 9
		104017	Stud, 19	107629	Restoring Bar, 11
		104018	Mounting, 19	107630	Screw (10-32 Shoulder), 11
				107631	Plate, 11

NUMERICAL INDEX

107632	Spring, 11	107687	Contact (Assem.), 2	107816	Electrical Service
107633	Lever Support, 12	107688	Contact Bracket, 2	(Assem.), 18	
107634	Lever Shaft, 12	107689	Contact Spring, 2	107817	Cable, A.C., 18
107635	Throwout Lever, 12	107690	Bushing, 10	107818	Cable, D.C., 18
107636	Bracket, 12	107691	Link, 10	107821	Receptacle, 18
107637	Lever, 12	107692	Bushing, 10	107824	Adapter, 18
107638	Latch, 12	107693	Bell Crank, 10	107826	Terminal Block, 18
107639	Release Arm, 12	107694	Latch Bracket, 10	107828	Plate, 19
107640	Connector Support, 6	107695	Latch Lever, 10	108410	Resistor - 20 Ohms, 6
107641	Connector (Assem.), 6	107696	Latch, 10	110338	Coil Plate, 5
107643	Cable (with 82474	107697	Latch Cam, 9	110339	Magnet Coil (Assem.), 5
	Terminals), 1	107700	Main Shaft, 4	110936	Transmitter Unit Cover
107644	Cable (with 111777	107701	Gear, 4	(Assem.), 17	
	Receptacle), 6	107702	Cam Sleeve, 4	110942	Contact Pin, 5
107646	Cord (Assem.), 10	107712	Clutch - Driven, 4	110943	Collar, 5
107647	Cord, 10	107713	Clutch - Driving, 4	110944	Collar, 5
107648	Motor Cable (with 82474	107714	Collar, 4	110946	Wearing Strip, 17
	Terminals), 6	107715	Bearing, 1	110958	Bearing, 2
107651	Plate, 1	107716	Bushing, 4	110959	Bearing, 2
107652	Foot, 1	107717	Bracket, 5	110961	Stop Rod, 5
107653	Clutch Bracket, 1, 5	107721	Bracket, 5	110973	Name Plate, 17
107654	Shaft, 1	107722	Oil Shield, 4	111077	Strip, 17
107655	Throwout Lever, 5	107723	Shim (.004), 1, 6	111078	Strip, 17
107656	Lever Extension, 5	107724	Tape Feed Pawl, 3	111079	Strip, 17
107657	Reset Lever, 5	107725	Screw (4-40 Shoulder), 3	111080	Strip, 17
107658	Clip, 3	107726	Screw (4-40 Shoulder), 2	111092	Strip, 17
107659	Detent Lever, 5	107727	Release Lever, 2	111093	Strip, 17
107660	Roller, 5	107728	Detent Spring, 2	111250	Detent Spring, 17
107661	Screw (6-40 Shoulder), 5	107729	Top Plate (Assem.), 2	111251	Detent Spring, 17
107669	Lid Plate, 2	107730	Top Plate, 2	111326	Bracket, 5
107670	Armature Lever, 5	107739	Bracket, 6	111333	Plate, 5
107671	Extension, 5	107740	Contact (Assem.), 2	111627	Tape Guide, 2
107672	Armature, 5	107803	Tape Chute, 17	111628	Retaining Lid, 2
107673	Lever Stud, 5	107804	Holding Wire, 17	111650	Name Plate, 19
107674	Post, 5	107805	Pad, 17	111651	Name Plate, 19
107675	Bushing, 4	107806	Pad, 17	111652	Name Plate, 17
107676	Guide, 1	107807	Pad, 17	111776	Plug, 5
107679	Slide Bar, 1	107810	Pad, 17	112485	Screw (6-32 x 1/4), 18
107683	Bail Roller Arm, 3	107815	Electrical Service (Assem.),	112583	Shim (.016), 6
107685	Top Plate Support, 2		18	112590	Mounting, 19
				113412	Code Bar Guide, 7