

TELETYPE

PRINTING TELEGRAPH SYSTEMS

BULLETIN 1147B

PARTS FOR STANDARD MOTORS
AND GOVERNORS



ATTENTION - BELL SYSTEM ONLY
WHEN ORDERING PARTS FROM THIS BULLETIN, EACH NUMBER SHOULD BE
PRECEDED BY THE LETTERS TP, WITHOUT PARENTHESES, IN ORDER TO
IDENTIFY THE ITEM AS ONE TO BE SECURED FROM THE TELETYPE CORPORATION.



- A -
(1147B)

LIST OF EFFECTIVE PAGES

OCTOBER, 1952

PAGE NUMBERS	CHANGE IN EFFECT	PAGE NUMBERS	CHANGE IN EFFECT
A 1 to 19	Original Original		

The above list indicates the effective pages as of the date of issue. When a change takes place in any of the following pages this page likewise changes.

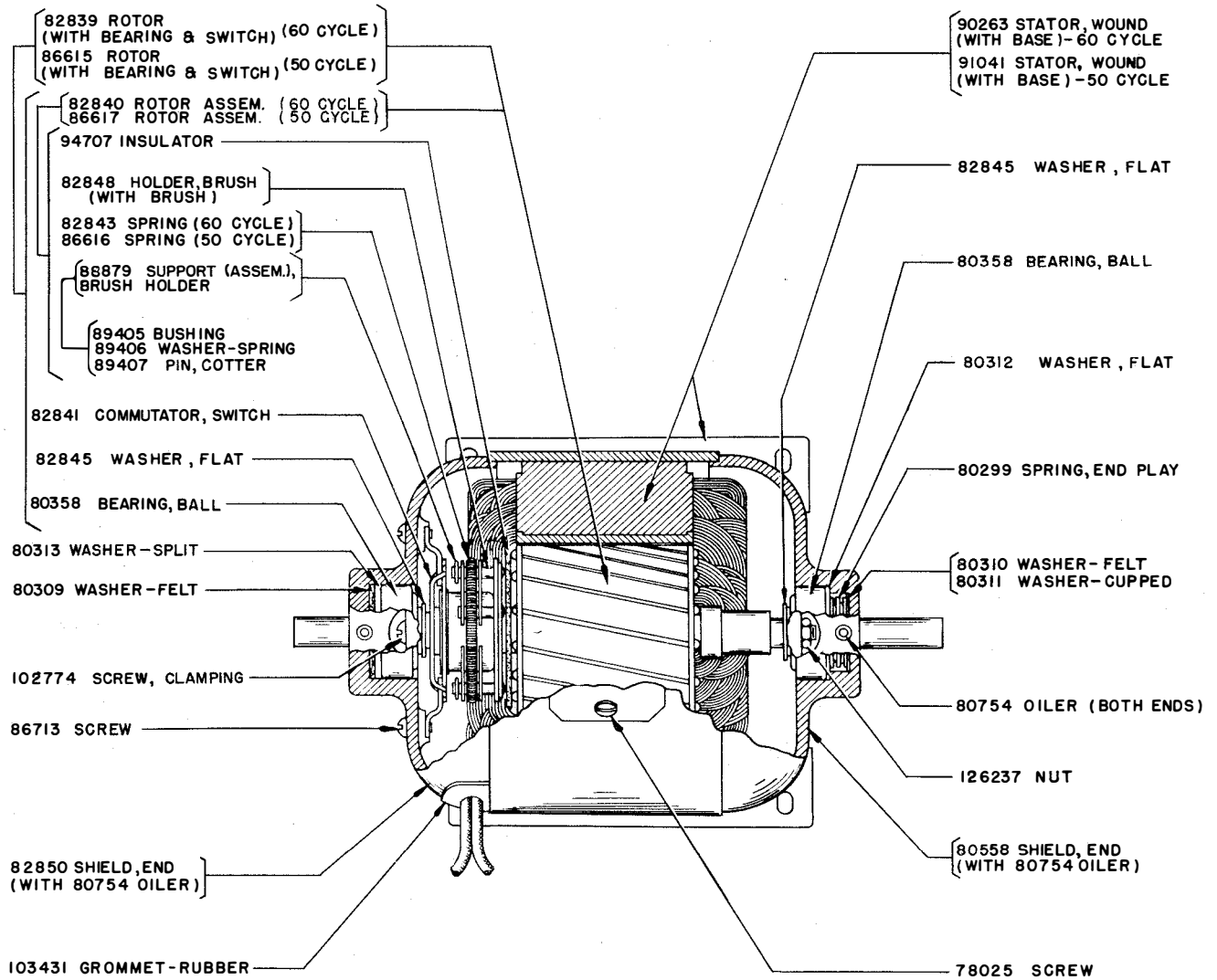
ORIGINAL

THIS BULLETIN SUPERSEDES CORRECTION SHEETS 480EE, 506EE, and 650EE and SUPPLEMENTS THE FOLLOWING PARTS BULLETINS

1028	1041	1072	1084	1096	1104	1109	1119	1126	1133
1030	1048	1079	1087	1100	1105	1110	1120	1127	1137
1031	1051	1080	1088	1101	1106	1114	1122	1130	1141
1036	1063	1082	1094	1102	1107	1116	1123	1131	1143
1037	1064	1083	1095	1103	1108	1117	1125	1132	1144
									1145

CONTENTS			
MOTOR NUMBER	DESCRIPTION	MODEL NUMBER	SEE PAGE
(C) 6707	D.C. Shunt, 1/20 H.P., 110 Volts	28479 or 5BY30A6	8
(A) 6708	A.C. Series, 1/25 H.P., 110 Volts, 50-60 Cycle	28478 or 5BA65AA77	6
(C) 8280	D.C. Shunt, 1/20 H.P., 220 Volts	31382 or 5BY30A7	8
(A) 70735	A.C. Series, 1/25 H.P., 220 Volts, 60 Cycle	31E10 or 5BA65AA116	6
(B) 71610	D.C. Shunt, 1/17 H.P., 12 Volts	31661 or 5BY30A9	8
(C) 72586	D.C. Shunt, 1/17 H.P., 110 Volts	31531 or 5BY30A3	8
(C) 73644	D.C. Shunt, 1/17 H.P., 220 Volts	33373 or 5BY30A10	8
(D) 74931	A.C. Synchronous, 1/40 H.P., 110 Volts, 60 Cycle	39078 or 5SH25AB1	3
(A) 77953	A.C. Series, 1/25 H.P., 110 Volts, 60 Cycle	32989 or 5BA65AA29	6
(D) 78217	A.C. Synchronous, 1/50 H.P., 110 Volts, 60 Cycle	37233	3
(D) 80553	A.C. Synchronous, 1/50 H.P., 110 Volts, 60 Cycle	38367, 5SH25AB2 or 5SH25AB21	3
82283	A.C. Synchronous, 1/40 H.P., 110 Volts, 60 Cycle	5SH25AB11	3
82283	A.C. Synchronous, 1/40 H.P., 110 Volts, 60 Cycle	5SH25AB11B	2
(D) 82622	A.C. Synchronous, 1/40 H.P., 110 Volts, 60 Cycle	5SH25AB7	3
82714	A.C. Synchronous, 1/40 H.P., 110 Volts, 50 Cycle	5SH25AB14B	2
83799	A.C. Synchronous, 1/40 H.P., 115 Volts, 60 Cycle	S-9005	5
92575	A.C. Synchronous, 1/40 H.P., 115 Volts, 60 Cycle	S-9017	4
(E) 104038	A.C. Series, 1/25 H.P., 115 Volts, 50-60 Cycle	S-9050	10
104061	A.C. Synchronous, 1/40 H.P., 115 Volts, 50 Cycle	S-9049	5
(F) 106875	A.C. Series, 1/25 H.P., 115 Volts, 50-60 Cycle	S-9057	6
(F) 107151	A.C. Series, 1/25 H.P., 115 Volts, 50-60 Cycle	S-9058	6
114321	A.C. Synchronous, 1/40 H.P., 115 Volts, 25 Cycle	S-9060	4
122293	D.C. Shunt, 1/17 H.P., 110 Volts	5BY30A3A	9
122295	A.C. Series, 1/25 H.P., 110 Volts, 50-60 Cycle	5BA65AA77A	7
122297	A.C. Series, 1/25 H.P., 110 Volts, 60 Cycle	5BA65AA29A	7
122299	A.C. Series, 1/25 H.P., 220 Volts, 60 Cycle	5BA65AA116A	7
122301	D.C. Shunt, 1/17 H.P., 220 Volts	5BY30A10A	9
126766	D.C. Shunt, 1/20 H.P., 110 Volts	5BY30A6A	9
126768	D.C. Shunt, 1/20 H.P., 220 Volts	5BY30A7A	9
GOVERNOR PARTS	DESCRIPTION		SEE PAGE
80341	Governor Brush and Speed Adjusting Bracket Assem. For all Units except Transmitter Distributor		11
86853	Governor Brush and Speed Adjusting Bracket Assem. For Transmitter Distributor only		12
80352	Governor, Center Contact Assembly		12
95332	Governor, Center Contact Assembly (with fan)		13
91522	Governor Disk Assem. - Rear		14
82341	Governor Disk Assem. - Front		14
103311	Two Speed Governor Assem.		14
82005	Governor Brush Holder Assem.		15
103543	Two Speed Governor Parts - for AC Installation		15
103544	Two Speed Governor Parts - for DC Installation		15
103435	Governor Switch Assembly		16
82397	Capacitor Mounting Plate Assembly		16
82398	Resistor Bracket Assembly		16
103312	Two Speed Governor parts - for AC Installation		16
103313	Two Speed Governor Parts - For DC Installation		16
7485	Governor (Peripheral Contact Type)		17

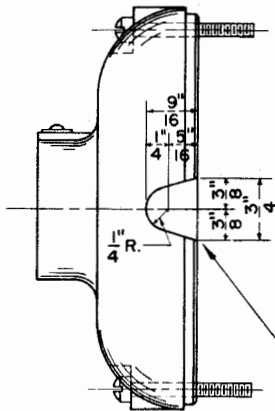
(A) See Note 1 on page 6 (D) See Note 1 on page 3
 (B) See Note 2 on page 8 (E) See Note 1 on page 10
 (C) See Note 1 on page 8 (F) See Note 2 on page 6



82283 MOTOR, SYNCHRONOUS 1/40 H.P., 110V., 60 CYCLE A.C. (G. E MODEL 5SH25ABI1B)
(NEW STYLE-SEE PAGE 3 FOR OLD STYLE)

82714 MOTOR, SYNCHRONOUS 1/40 H.P., 110V., 50 CYCLE A.C. (G. E. MODEL 5SH25ABI4B)

-3-
(1147B)

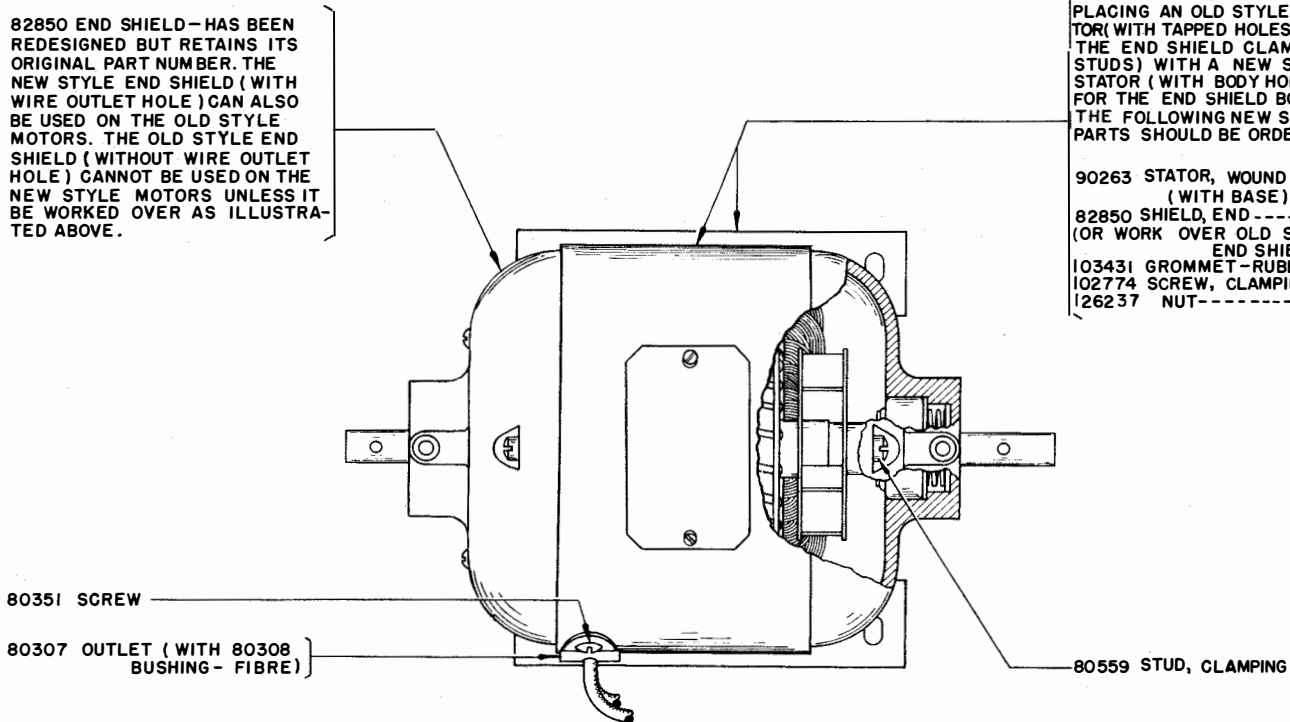


OLD STYLE 82850 END SHIELDS MAY BE WORKED OVER FOR USE WITH NEW STYLE MOTORS BY ADDING WIRE OUTLET HOLE AS ILLUSTRATED.

82850 END SHIELD—HAS BEEN REDESIGNED BUT RETAINS ITS ORIGINAL PART NUMBER. THE NEW STYLE END SHIELD (WITH WIRE OUTLET HOLE) CAN ALSO BE USED ON THE OLD STYLE MOTORS. THE OLD STYLE END SHIELD (WITHOUT WIRE OUTLET HOLE) CANNOT BE USED ON THE NEW STYLE MOTORS UNLESS IT BE WORKED OVER AS ILLUSTRATED ABOVE.

THE 90263 WOUND STATOR (WITH BASE) HAS BEEN REDESIGNED BUT RETAINS ITS ORIGINAL PART NUMBER. WHEN REPLACING AN OLD STYLE STATOR (WITH TAPPED HOLES FOR THE END SHIELD CLAMPING STUDS) WITH A NEW STYLE STATOR (WITH BODY HOLES FOR THE END SHIELD BOLTS) THE FOLLOWING NEW STYLE PARTS SHOULD BE ORDERED:

90263 STATOR, WOUND1
(WITH BASE)
82850 SHIELD, END1
(OR WORK OVER OLD STYLE
END SHIELD)
103431 GROMMET—RUBBER--1
102774 SCREW, CLAMPING---2
126237 NUT-----2



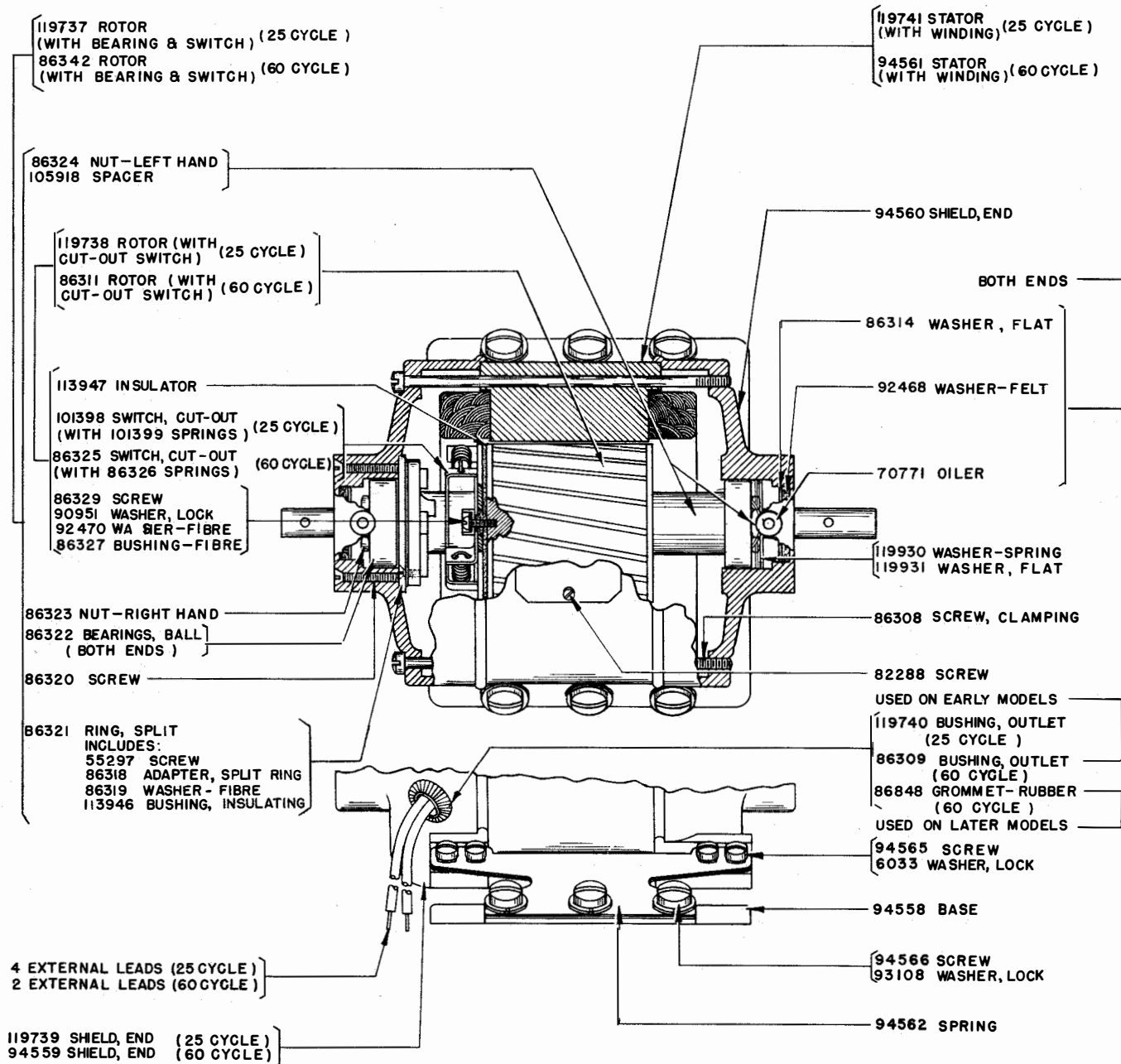
82283 MOTOR, SYNCHRONOUS 1/40 H.P., 110 V., 60 CYCLE A.C. (G.E. MODEL 5SH25AB11)
OLD STYLE—SEE PAGE 2 FOR NEW STYLE
PARTS NOT LISTED SAME AS THOSE SHOWN ON PAGE 2

NOTE 1

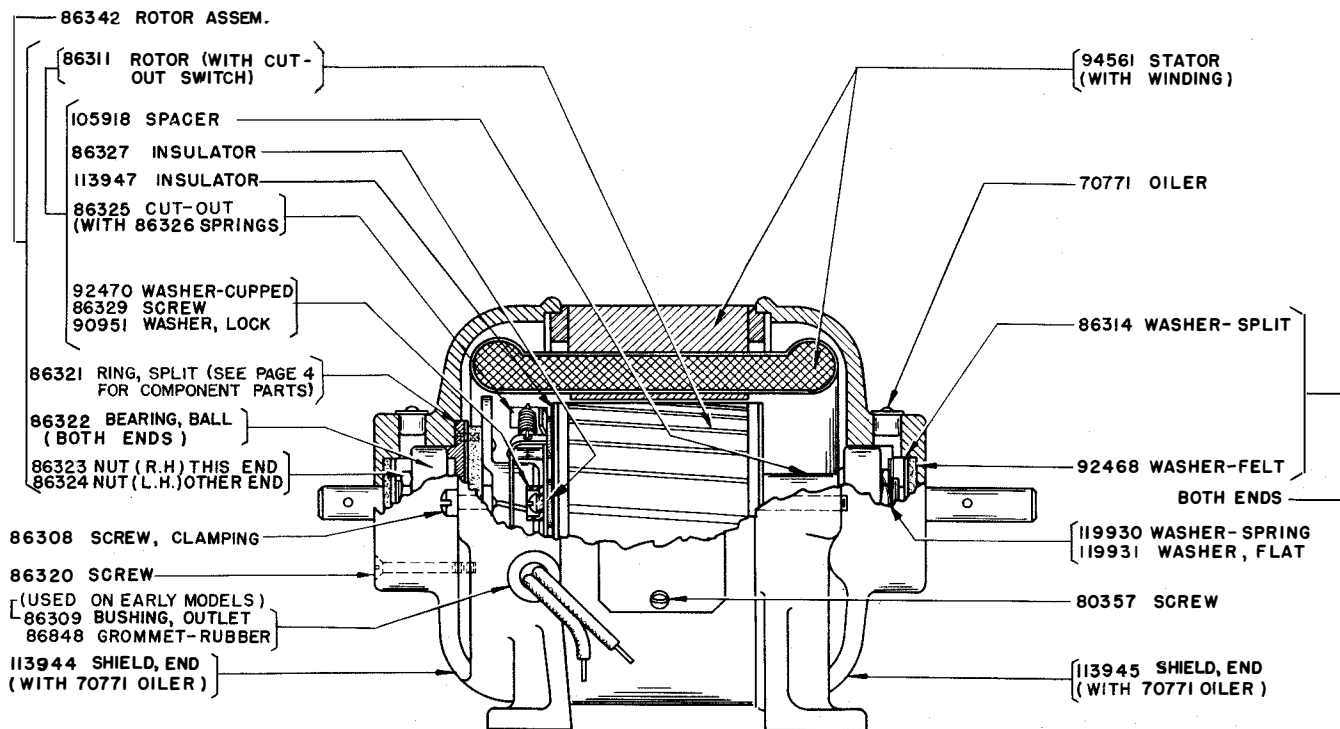
THE FOLLOWING FOUR MOTORS ARE THE EARLY MODELS OF THE NEW STYLE 82283 MOTOR AND ARE NO LONGER AVAILABLE. WHEN IT IS DESIRED TO REPLACE ANY ONE OF THESE FOUR OBSOLETE MOTORS AN 82283 MOTOR (G.E. MODEL 5SH25AB11B) SHOULD BE ORDERED INSTEAD.

74931 MOTOR (MODEL 39078 OR 5SH25AB1)
78217 MOTOR (MODEL 73233)
80553 MOTOR (MODEL 38367, 5SH25AB2 OR 5SH25AB21)
82622 MOTOR (MODEL 5SH25AB7)

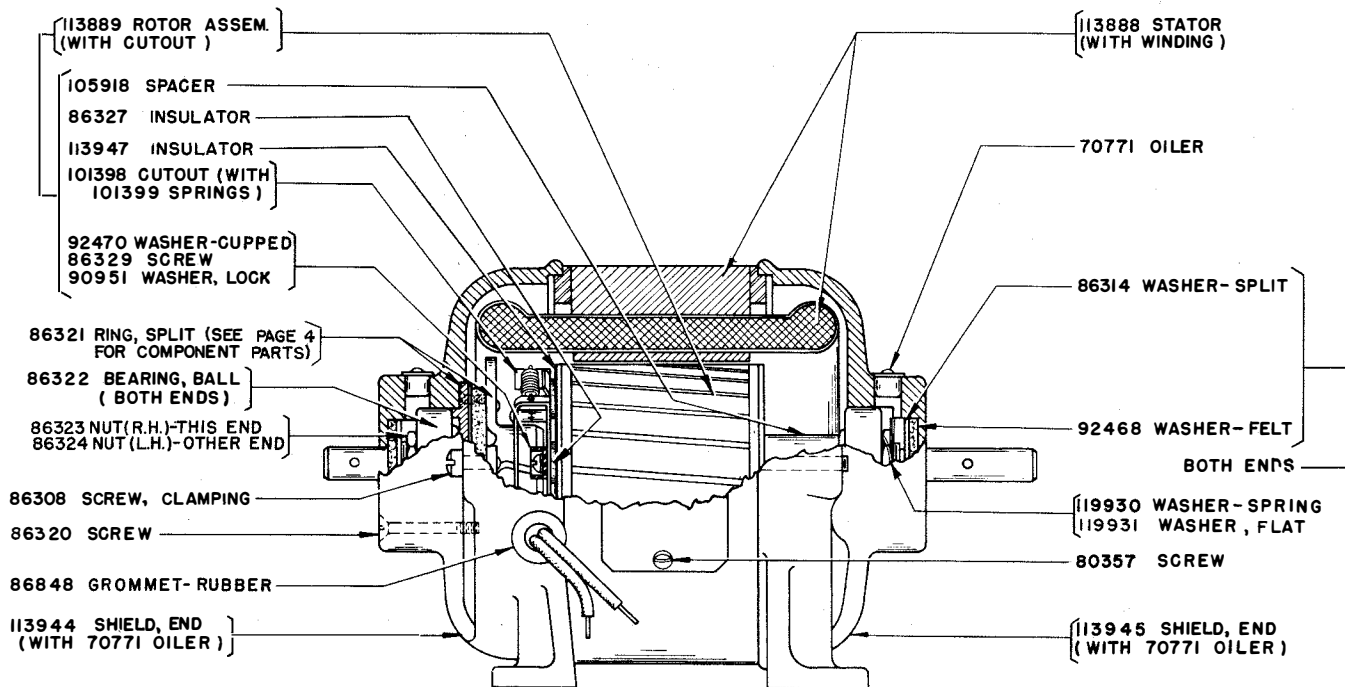
ORIGINAL



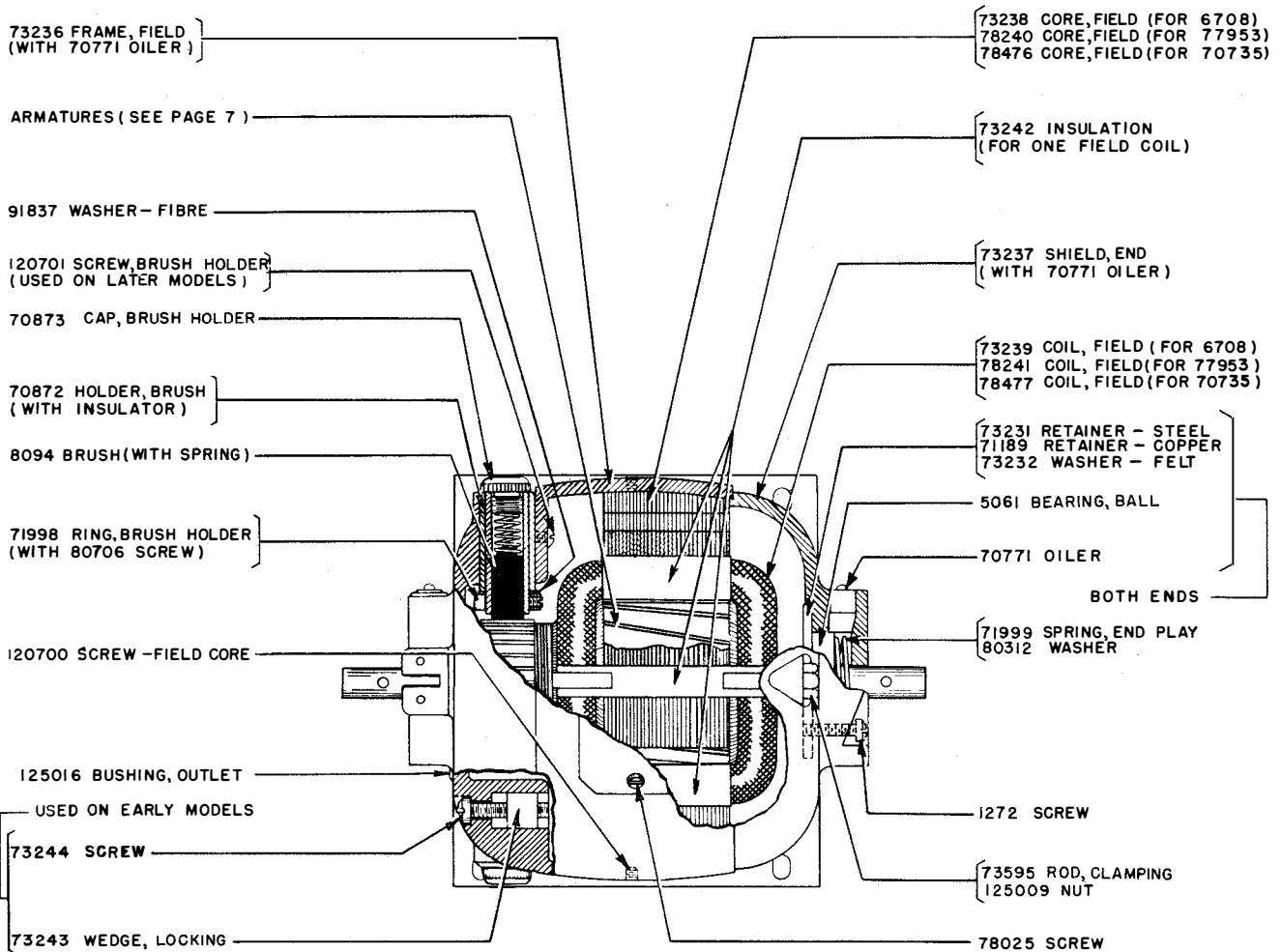
114321 MOTOR, SYNCHRONOUS 1/40 H.P. 115 V., 25 CYCLE A.C. (H.C. MODEL S-9060)
92575 MOTOR, SYNCHRONOUS 1/40 H.P. 115 V., 60 CYCLE A.C. (H.C. MODEL S-9017)



83799 MOTOR, SYNCHRONOUS 1/40 H.P., 115 V., 60 CYCLE A.C. (H.C. MODEL S-9005)



104061 MOTOR, SYNCHRONOUS 1/40 H.P., 115 V., 50 CYCLE A.C. (H.C. MODEL S-9049)



6708 MOTOR, SERIES 1/25 H.P., 110V., 60 CYCLE A.C. (G.E. MODELS 28478 OR 5BA65AA77)

77953 MOTOR, SERIES 1/25 H.P., 110V., 60 CYCLE A.C. (G.E. MODELS 32989 OR 5BA65AA29)

70735 MOTOR, SERIES 1/25 H.P., 220V., 60 CYCLE A.C. (G.E. MODELS 31810 OR 5BA65AA116)

NOTE 1

THE 6708, 77953, AND 70735 MOTORS ARE NO LONGER AVAILABLE ON FUTURE ORDERS, MOTORS SHOWN ON PAGE 7 WILL BE FURNISHED. PARTS LISTED ON PAGES 6 AND 7 ARE AVAILABLE FOR REPLACEMENT. INSTRUCTIONS FOR MODIFYING THE PRESENT ARMATURES FOR TWO 80358 BEARINGS MAY BE OBTAINED BY REQUESTING SPECIFICATION 5651S. (BEARINGS NOT FURNISHED WITH SPECIFICATION)

NOTE 2

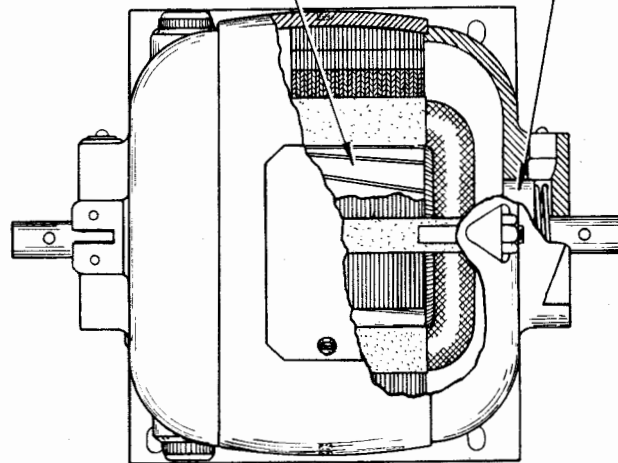
THE 106875 MOTOR (ELECTRIC SPRAYIT, MODEL S-9057) WAS SUPPLIED AS A WAR TIME SUBSTITUTE FOR THE 77953 MOTOR AND IS NO LONGER AVAILABLE. WHEN IT BECOMES NECESSARY TO REPLACE THE 106875 MOTOR OR ANY OF ITS COMPONENTS A COMPLETE 122297 MOTOR MUST BE ORDERED.

THE 107151 MOTOR (ELECTRIC SPRAYIT, MODEL S-9058) WAS SUPPLIED AS A WAR TIME SUBSTITUTE FOR THE 6708 MOTOR AND IS NO LONGER AVAILABLE. WHEN IT BECOMES NECESSARY TO REPLACE THE 107151 MOTOR OR ANY OF ITS COMPONENTS A COMPLETE 122295 MOTOR MUST BE ORDERED.

PARTS (FOR NEW MOTORS) ARE SAME AS CORRESPONDING MOTOR LISTED ON PAGE 6 EXCEPT AS SHOWN BELOW.

122296 ARMATURE (WITH BEARINGS)
(FOR 6708 OR 122295)
122298 ARMATURE (WITH BEARINGS)
(FOR 77953 OR 122297)
122300 ARMATURE (WITH BEARINGS)
(FOR 70735 OR 122299)

80358 BEARING, BALL
BOTH ENDS

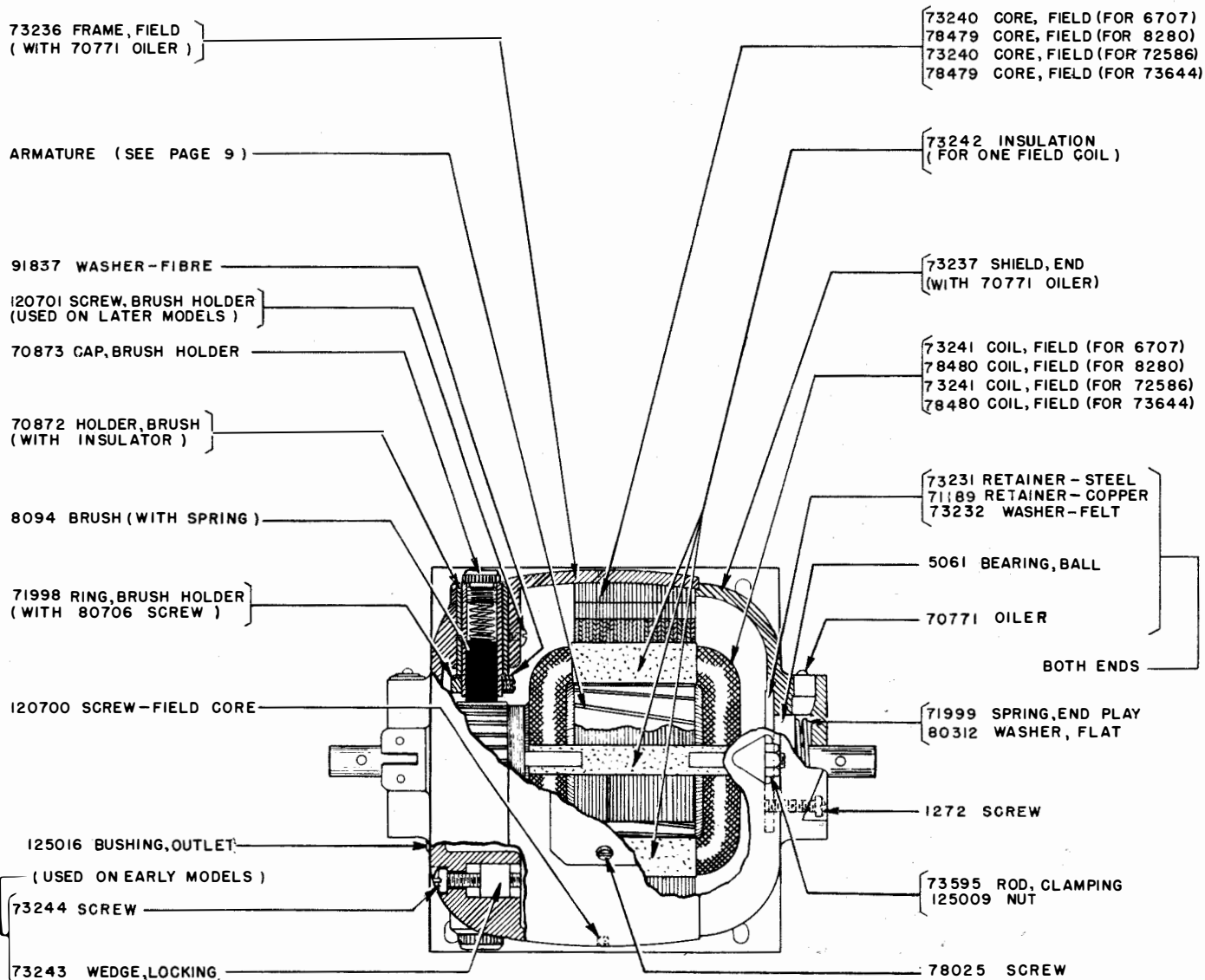


- 122295 MOTOR, SERIES 1/25 H.P., 110V., 60 CYCLE A.C. (G.E. MODEL 5BA65AA77A)
(SUPERSEDES THE 6708 MOTOR)
122297 MOTOR, SERIES 1/25 H.P., 110V., 60 CYCLE A.C. (G.E. MODEL 5BA65AA29A)
(SUPERSEDES THE 77953 MOTOR)
122299 MOTOR, SERIES 1/25 H.P., 220V., 60 CYCLE A.C. (G.E. MODEL 5BA65AA116A)
(SUPERSEDES THE 70735 MOTOR)

WHEN THE ABOVE ARMATURES ARE INSTALLED IN THE MOTORS SHOWN ON PAGE 6, THE FOLLOWING PARTS (USED WITH THE 5061 BEARING) ARE TO BE OMITTED.

73231 RETAINER - STEEL (2), 71189 RETAINER - COPPER (2), 73232 WASHER - FELT (2) AND 1272 SCREW (8)

MAKE CERTAIN THAT THE OUTER RACE OF THE OLD BEARING IS REMOVED FROM EACH END SHIELD BEFORE THE NEW ARMATURE (WITH 10 MM. BEARINGS) IS INSERTED. PLACE THE LARGE DIAMETER OF THE 71999 END PLAY SPRING (WITH IT'S 80312 WASHER) ADJACENT TO THE BEARING.



6707 MOTOR, SHUNT 1/20 H.P., 110V., D.C. (G.E. MODEL 28479 OR 5BY30A6)
 8280 MOTOR, SHUNT 1/20 H.P., 220V., D.C. (G.E. MODEL 31382 OR 5BY30A7)
 72586 MOTOR, SHUNT 1/17 H.P., 110V., D.C. (G.E. MODEL 31531 OR 5BY30A3)
 73644 MOTOR, SHUNT 1/17 H.P., 220V., D.C. (G.E. MODEL 33373 OR 5BY30A10)

NOTE 1

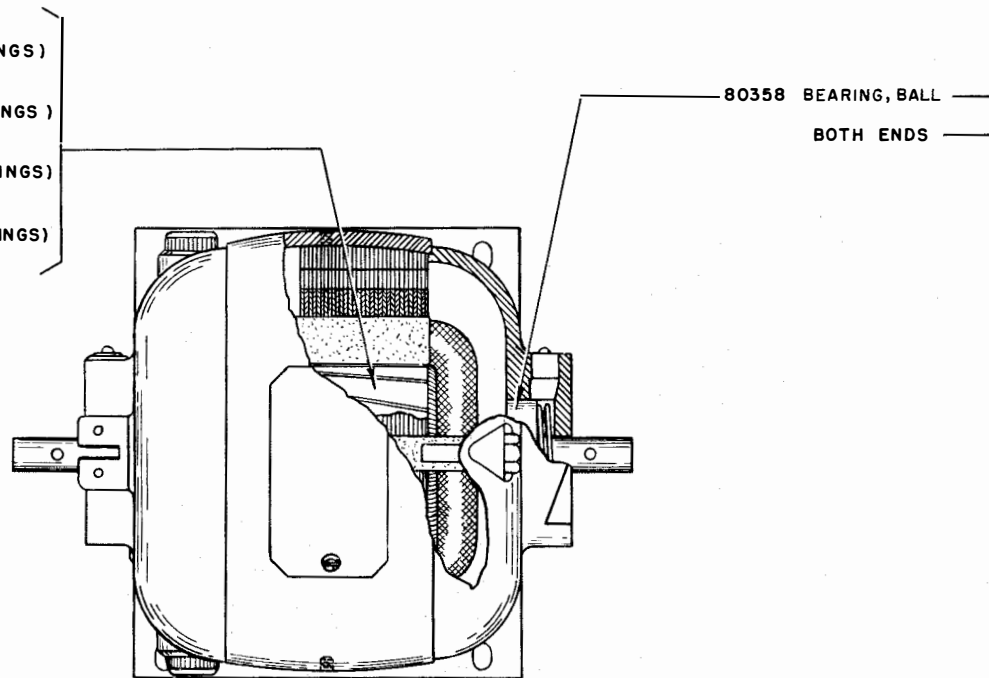
THE 6707, 8280, 72586, AND 73644 MOTORS ARE NO LONGER AVAILABLE. ON FUTURE ORDER, MOTORS SHOWN ON PAGE 9 WILL BE FURNISHED. PARTS LISTED ON PAGES 8 AND 9 ARE AVAILABLE FOR REPLACEMENT. INSTRUCTIONS FOR MODIFYING THE PRESENT ARMATURES FOR TWO 80358 BEARINGS MAY BE OBTAINED BY REQUESTING SPECIFICATION 5651S. (BEARINGS NOT FURNISHED WITH SPECIFICATION)

NOTE 2

THE 71610 MOTOR (12 VOLT) IS NO LONGER MANUFACTURED. ALL PARTS SHOWN ABOVE, WITH THE EXCEPTION OF THE ARMATURE, BRUSH, FIELD CORE AND FIELD COIL, ARE STILL AVAILABLE FOR USE WITH 71610 MOTOR.

PARTS (FOR NEW MOTORS) ARE SAME AS THE CORRESPONDING MOTOR LISTED ON PAGE 8 EXCEPT AS SHOWN BELOW.

122294 ARMATURE (WITH BEARINGS)
(FOR 72586 OR 122293)
122302 ARMATURE (WITH BEARINGS)
(FOR 73644 OR 122301)
126767 ARMATURE (WITH BEARINGS)
(FOR 6707 OR 126766)
126769 ARMATURE (WITH BEARINGS)
(FOR 8280 OR 126768)

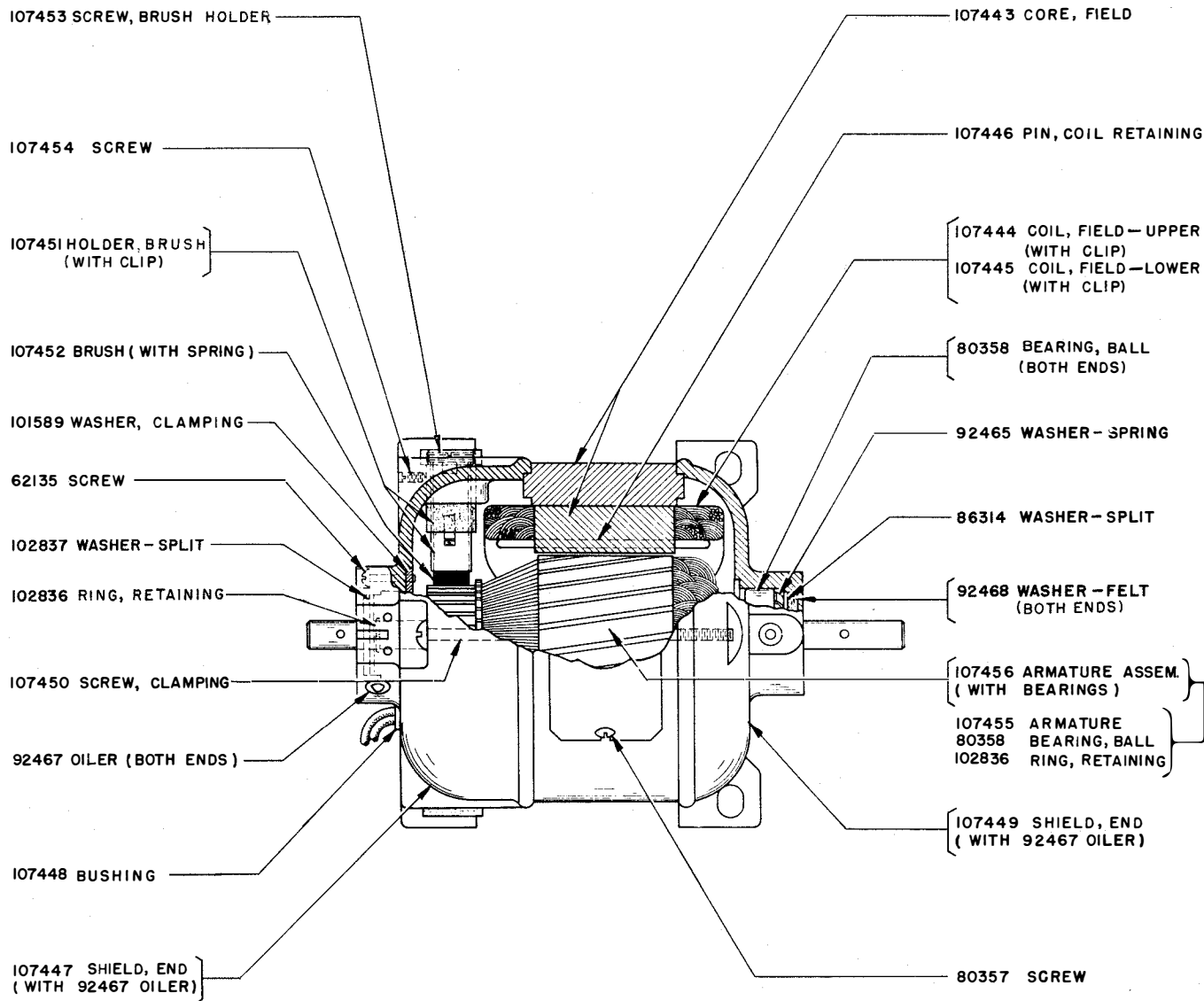


122293 MOTOR , SHUNT 1/17 H.P., 110V., D.C. (G.E. MODEL 5BY30A3A)
(SUPERSEDES THE 72586)
122301 MOTOR , SHUNT 1/17 H.P., 220V., D.C. (G.E. MODEL 5BY30A10A)
(SUPERSEDES THE 73644)
126766 MOTOR , SHUNT 1/20 HP, 110V., D.C. (G.E. MODEL 28479, 5BY30A6 OR 5BY30A6A)
(SUPERSEDES THE 6707)
126768 MOTOR , SHUNT 1/20 H.P., 220V., D.C. (G.E. MODEL 31382, 5BY30A7 OR 5BY30A7A)
(SUPERSEDES THE 8280)

WHEN THE ABOVE ARMATURES ARE INSTALLED IN THE MOTORS SHOWN ON PAGE 8, THE FOLLOWING PARTS (USED WITH THE 5061 BEARING) ARE TO BE OMITTED.

73231 RETAINER - STEEL (2), 71189 RETAINER - COPPER (2), 73232 WASHER - FELT (2),
AND 1272 SCREW (8).

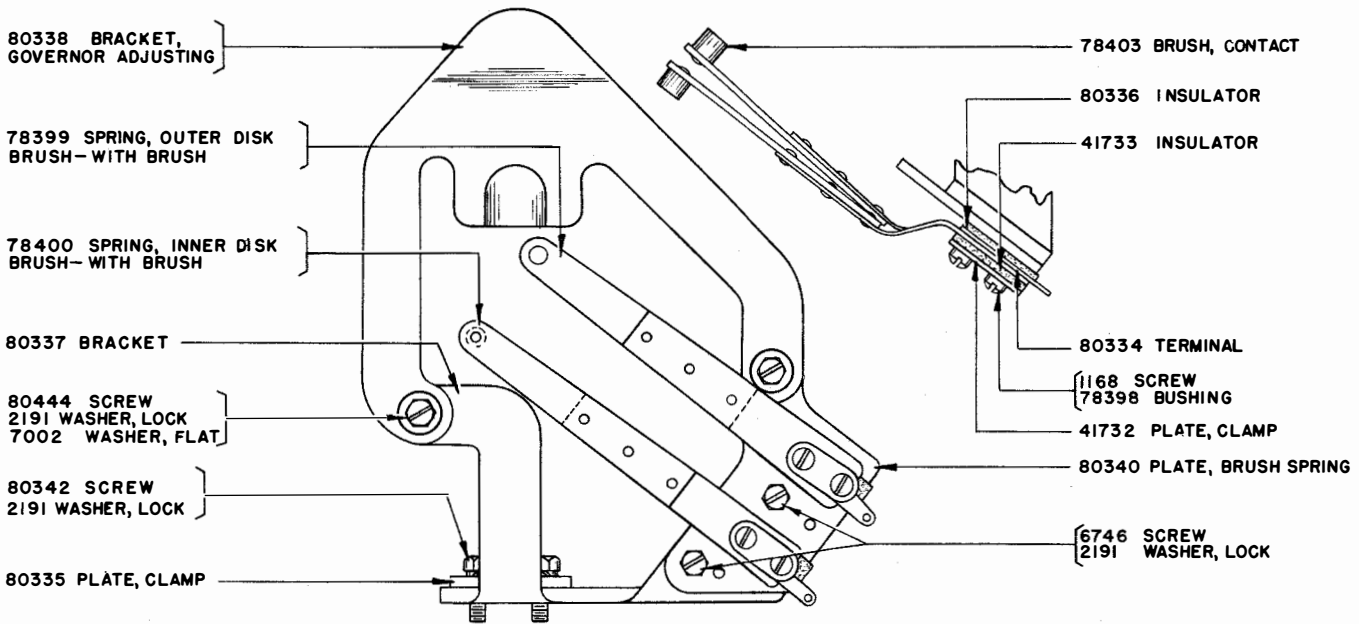
MAKE CERTAIN THAT THE OUTER RACE OF THE OLD BEARING IS REMOVED FROM EACH END SHIELD BEFORE THE NEW ARMATURE (WITH 10 MM. BEARINGS) IS INSERTED. PLACE THE LARGE DIAMETER OF THE 71999 END PLAY SPRING (WITH IT'S 80312 WASHER) ADJACENT TO THE BEARING.



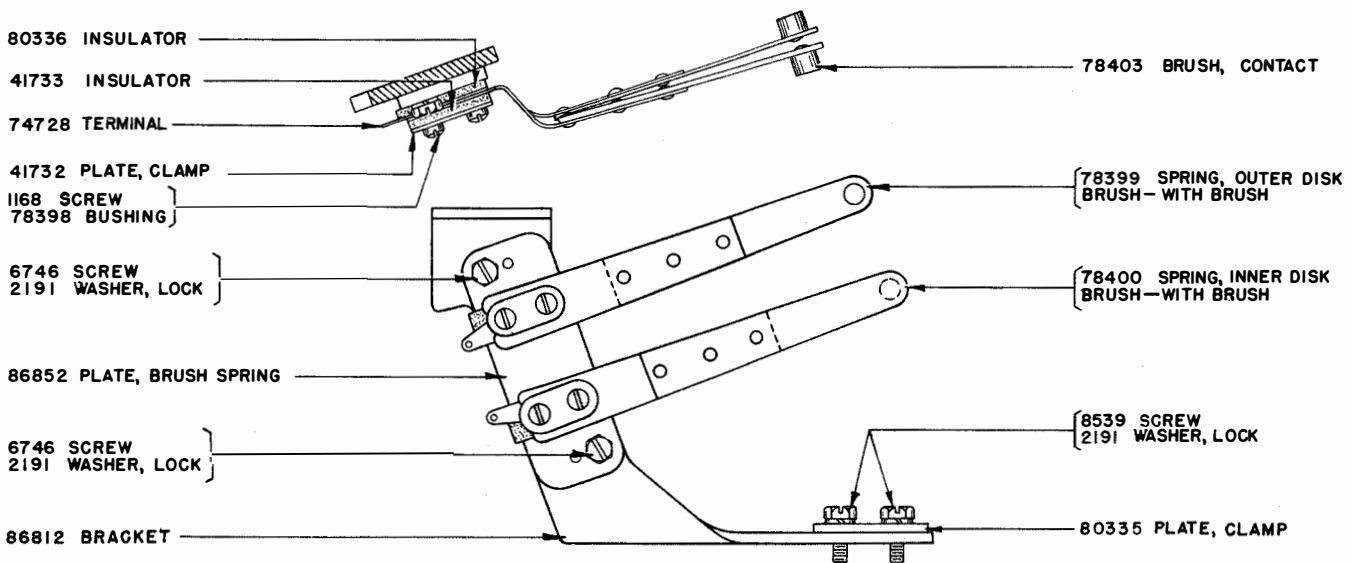
104038 MOTOR, SERIES 1/25 H.P., 115V., 50-60 CYCLE A.C. (H.C. MODEL S - 9050)

NOTE 1

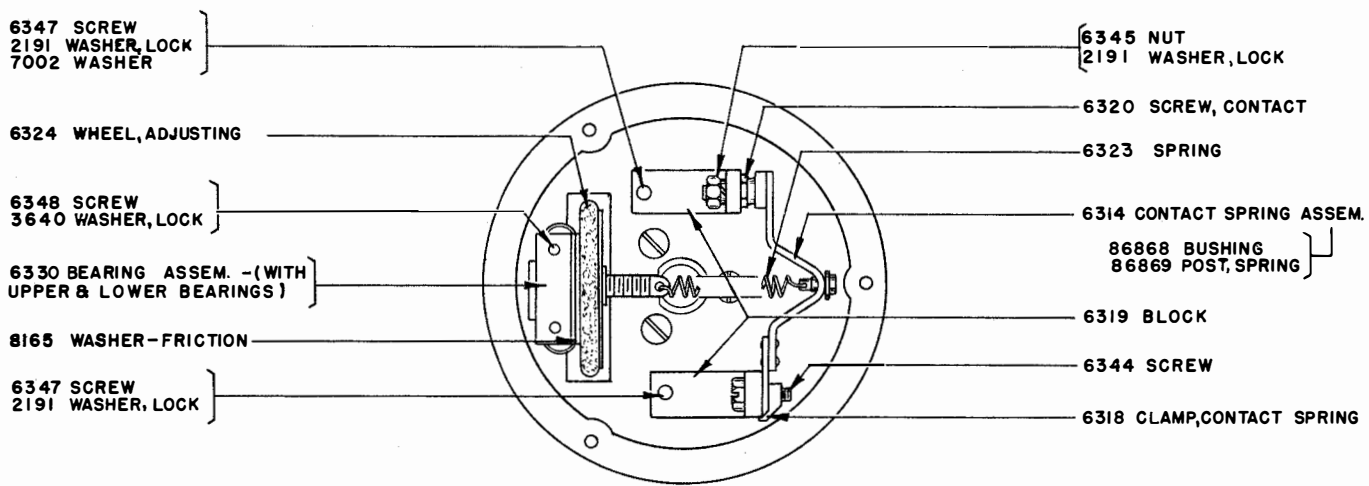
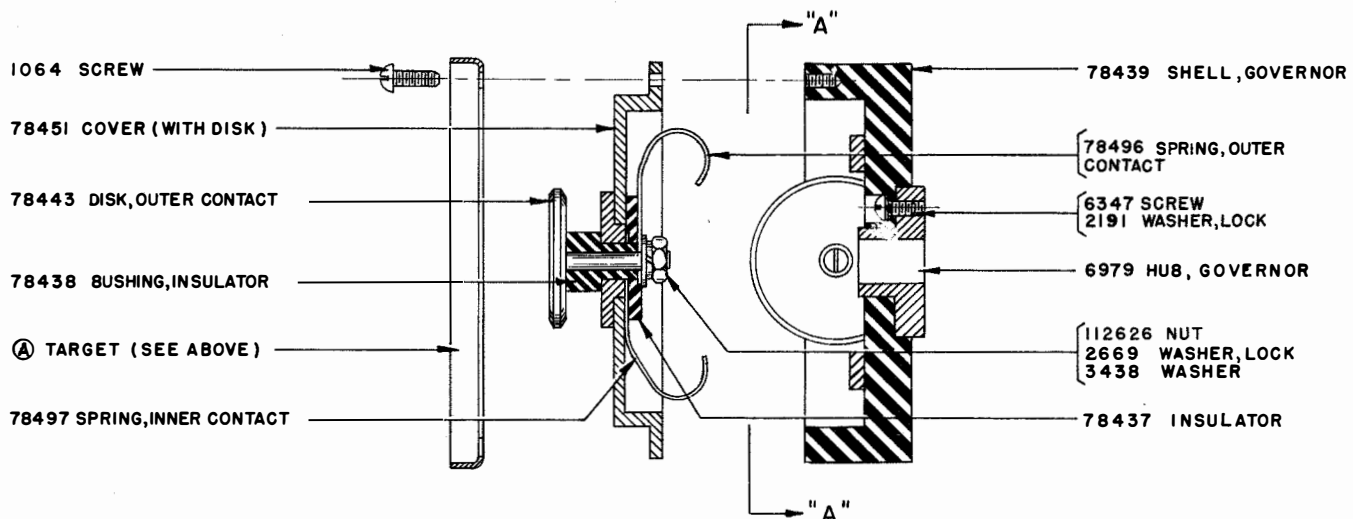
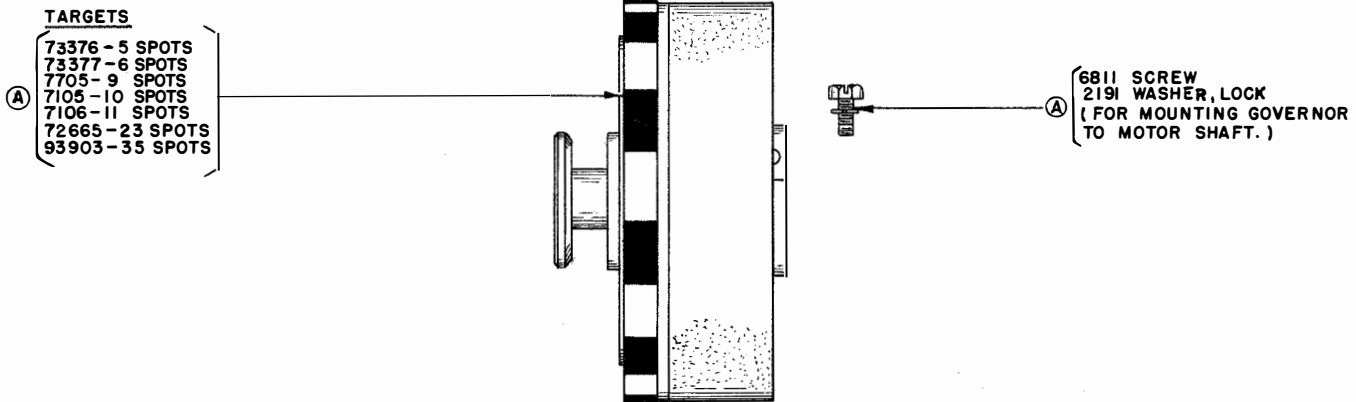
THE 104038 SERIES MOTOR IS NO LONGER AVAILABLE. ON FUTURE ORDERS FOR NEW MOTORS A 122297 SERIES MOTOR (SHOWN ON PAGE 7) WILL BE SUBSTITUTED. PARTS LISTED ABOVE WILL BE SUPPLIED SO LONG AS THEY ARE AVAILABLE.



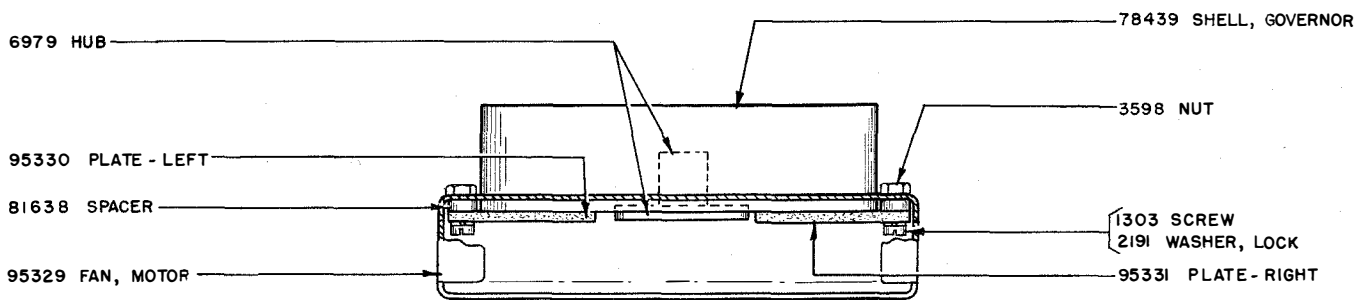
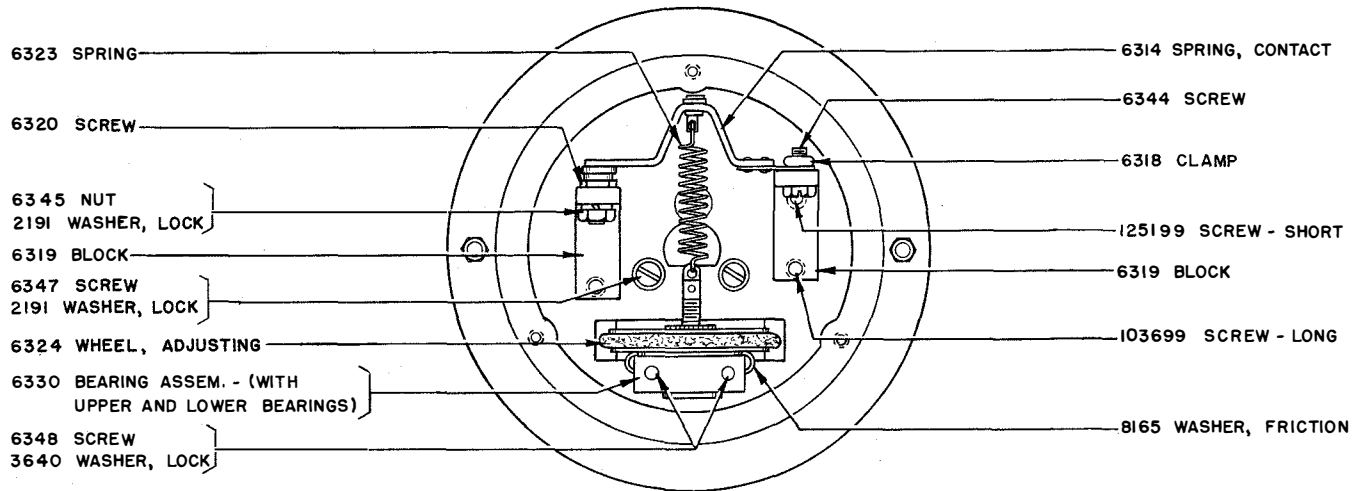
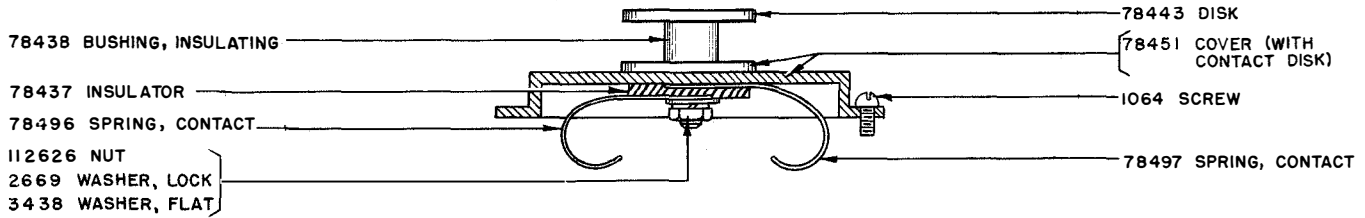
80341 GOVERNOR BRUSH & SPEED ADJUSTING BRACKET ASSEM.
(MAY BE USED ON ALL UNITS EXCEPT TRANSMITTER DISTRIBUTORS)



86853 GOVERNOR BRUSH & SPEED ADJUSTING BRACKET ASSEM.
(FOR USE WITH TRANSMITTER DISTRIBUTORS ONLY)

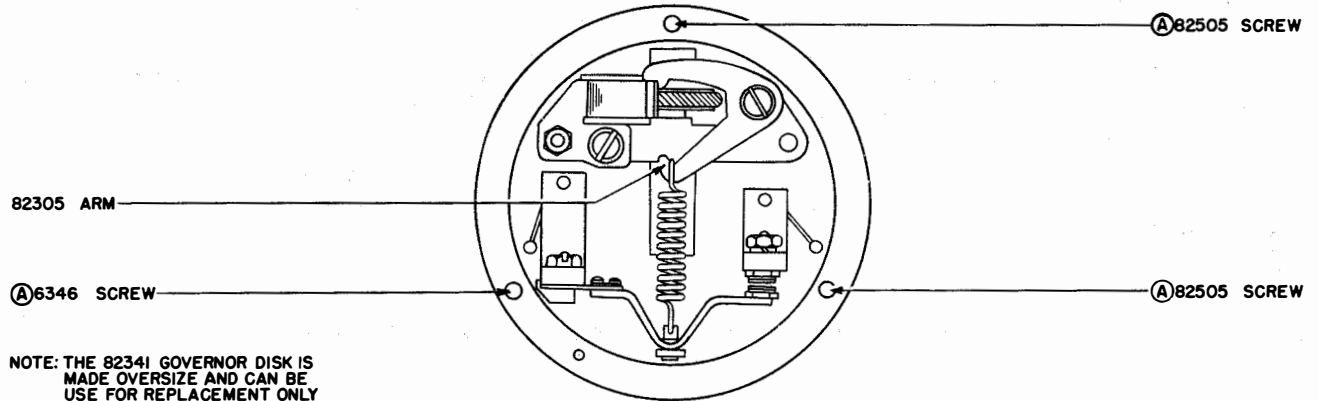
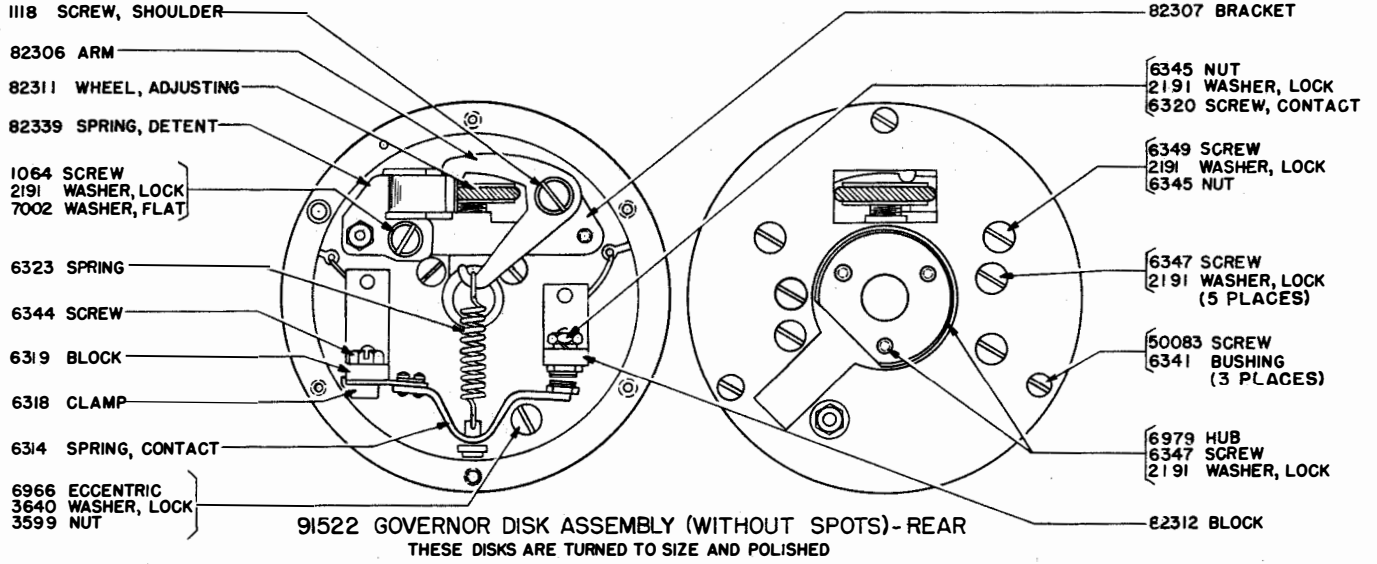


VIEW AT "A - A"
80352 GOVERNOR, CENTER CONTACT ASSEM.
(EXCLUDES PARTS MARKED (A))



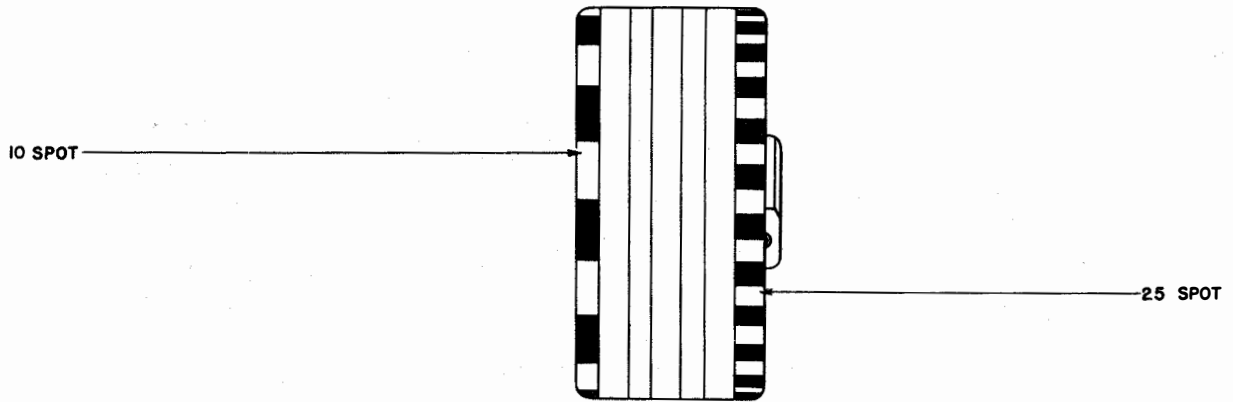
95332 GOVERNOR, CENTER CONTACT (WITH FAN)

(1147B)



NOTE: THE 82341 GOVERNOR DISK IS MADE OVERSIZE AND CAN BE USE FOR REPLACEMENT ONLY AT POINTS WHERE FACILITIES ARE AVAILABLE FOR TURNING DOWN THE DISK AND APPLYING THE SPOTS.

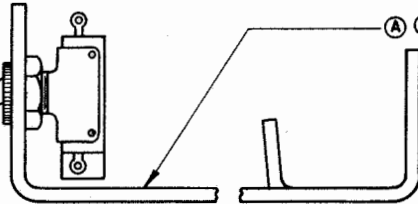
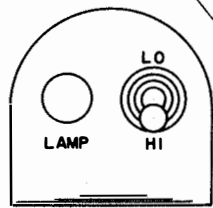
82341 GOVERNOR DISK ASSEMBLY- FRONT
PARTS SHOWN BUT NOT LISTED SAME AS ABOVE.
(EXCLUDES PARTS MARKED A)



103311 TWO SPEED GOVERNOR ASSEMBLY (WITH SPOTS)
(INCLUDES ALL PARTS LISTED ABOVE)

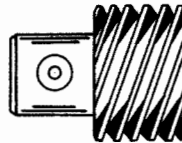
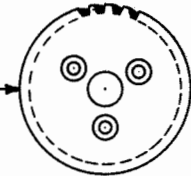
NOTE: FOR PARTS USED IN CONJUNCTION WITH THE 103311 TWO SPEED GOVERNOR ASSEMBLY, SUCH AS RESISTOR, RESISTOR BRACKET AND GOVERNOR BRUSH HOLDER ASSEMBLY-SEE PAGES 15 AND 16

82344 SWITCH, TOGGLE (A) (B)
INCLUDES
91683 NUT, HEX.
91684 NUT, RING



(A) (B) 91276 BRACKET

84106 GEAR (32T) (A) (B)

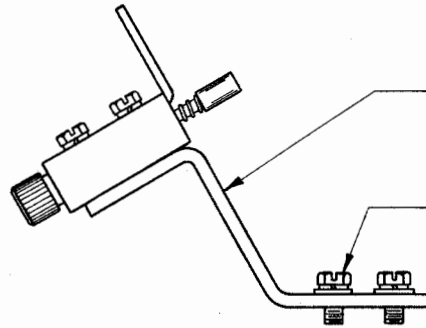
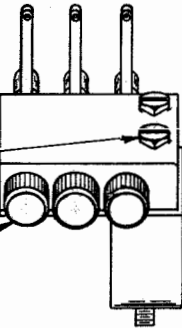


(A) (B) 84105 PINION (B T)

82361 HOLDER, BRUSH

6811 SCREW
2191 WASHER, LOCK

6305 BRUSH



82316 BRACKET,
BRUSH HOLDER

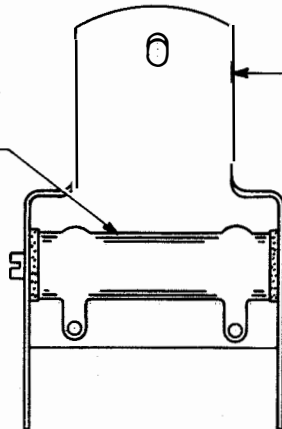
6746 SCREW
2191 WASHER, LOCK
7002 WASHER, FLAT

(A) 92721 CABLE AC

(B) 91275 CABLE DC

(A) & (B) 82005 GOVERNOR BRUSH HOLDER ASSEMBLY

(B) 95222 RESISTOR-FIXED (40 OHMS)



(B) 91506 BRACKET

1297 SCREW
89969 WASHER, BAKELITE
7002 WASHER, FLAT
3598 NUT

WIRING DIAGRAMS (1755 WD - AC
1815 WD - DC)

103543 TWO SPEED GOVERNOR PARTS-FOR AC INSTALLATION

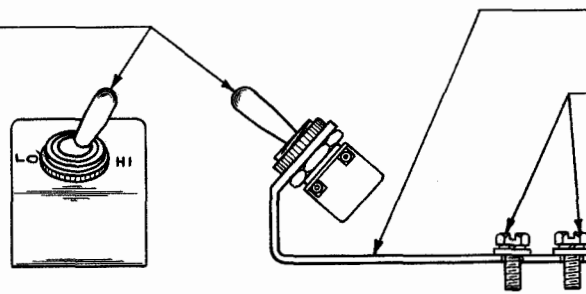
(INCLUDES ALL PARTS MARKED (A) ON THIS PAGE AND 103311 SET OF PARTS SHOWN ON PAGE 14)

103544 TWO SPEED GOVERNOR PARTS-FOR DC INSTALLATION

(INCLUDES ALL PARTS MARKED (B) ON THIS PAGE AND 103311 SET OF PARTS SHOWN ON PAGE 14)

ALL PARTS SHOWN OR LISTED ABOVE ARE FOR USE WITH MODEL 15 PRINTER

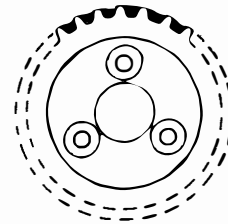
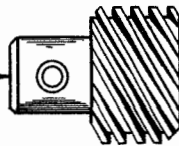
98899 SWITCH, TOGGLE
INCLUDES
91683 NUT
91684 NUT, RING



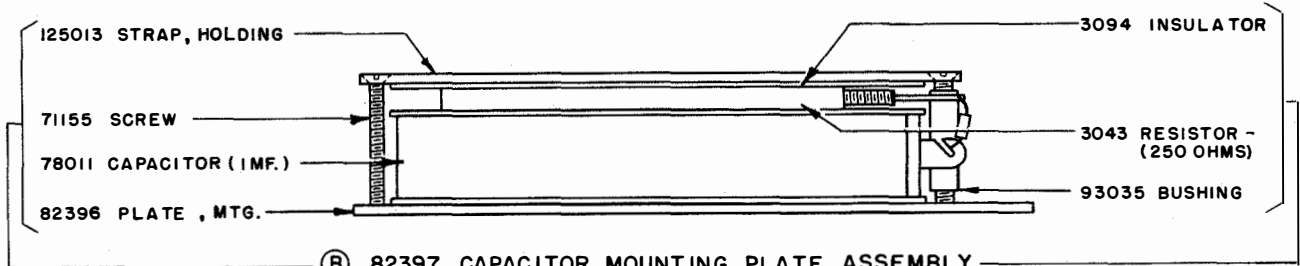
102788 BRACKET
74986 SCREW
2191 WASHER, LOCK
7002 WASHER, FLAT

(A) & (B) 103435 GOVERNOR SWITCH ASSEMBLY

7082 PINION (8T) (A) (B)



(A) (B) 6991 GEAR (32T)



125013 STRAP, HOLDING

71155 SCREW

78011 CAPACITOR (IMF.)

82396 PLATE, MTG.

3094 INSULATOR

3043 RESISTOR - (250 OHMS)

93035 BUSHING

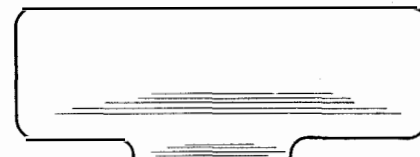
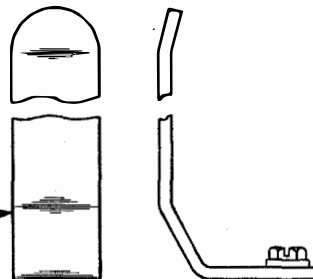
(B) 82397 CAPACITOR MOUNTING PLATE ASSEMBLY

82000 GUARD, WHEEL

6746 SCREW
7002 WASHER, FLAT (A) (B)

(A) 98846 CABLE - AC

(B) 103315 CABLE - DC



82350 BRACKET

119895 RESISTOR - (20 OHMS)

1297 SCREW
3598 NUT
7002 WASHER, FLAT
2191 WASHER, LOCK
89969 WASHER, FIBER

82285 RESISTOR - (100 & 200 OHMS)

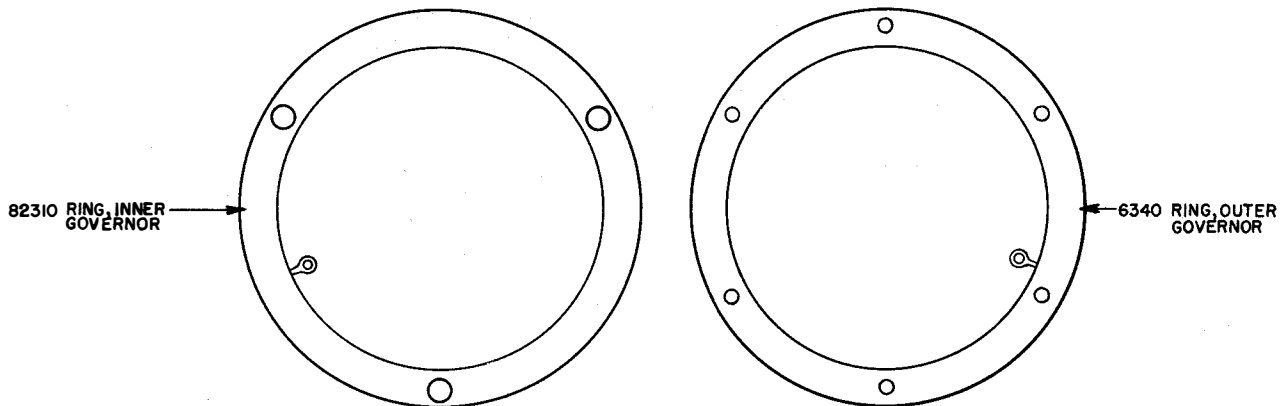
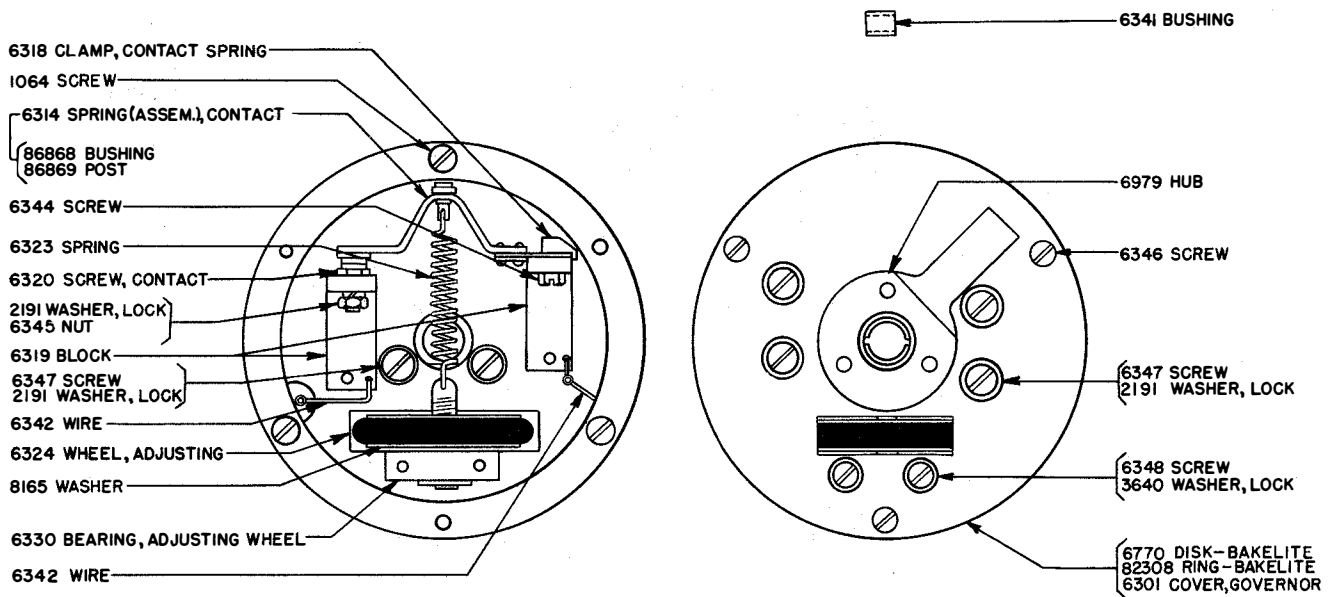
(B) 82398 RESISTOR BRACKET ASSEMBLY

103312 TWO SPEED GOVERNOR PARTS - FOR AC INSTALLATION

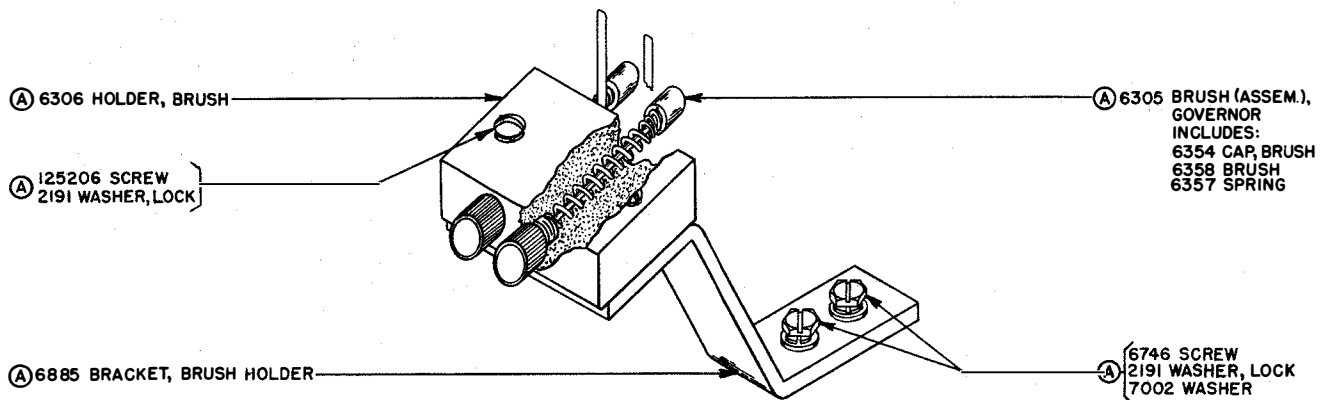
(INCLUDES ALL PARTS MARKED (A), 103311 SET OF PARTS SHOWN ON PAGE 14 AND 82005 SET OF PARTS SHOWN ON PAGE 15)

103313 TWO SPEED GOVERNOR PARTS - FOR DC INSTALLATION

(INCLUDES ALL PARTS MARKED (B), 103311 SET OF PARTS SHOWN ON PAGE 14 AND 82005 SET OF PARTS SHOWN ON PAGE 15)
ALL PARTS SHOWN OR LISTED ABOVE ARE FOR USE WITH MODEL 14 PRINTER



THESE GOVERNOR RINGS ARE MADE OVERSIZE AND CAN BE USED FOR REPLACEMENT ONLY AT POINTS WHERE FACILITIES ARE AVAILABLE FOR TURNING THEM DOWN AFTER RINGS HAVE BEEN ASSEMBLED IN GOVERNOR.



7485 GOVERNOR (PERIPHERAL CONTACT TYPE)
 EXCLUDES PARTS MARKED (A)

ORIGINAL

NUMERICAL INDEX

1064	Screw (6-32 x 1/4), 12,13,14,17	73243	Wedge, Locking,	6,8	82841	Commutator, Switch	2
1118	Screw, Shoulder (6-40)	73244	Screw (10-32 x 7/8)	6,8	82843	Spring (60 Cycle)	2
1168	Screw, (4-40 x 5/16)	73376	Target (5 Spots)	12	82845	Washer, Flat	2
1272	Screw, (6-40 x 11/16)	73377	Target (6 Spots)	12	82848	Holder, Brush	2
1297	Screw (6-40 x 7/16)	73595	Rod, Clamping	6,8	82850	Shield, End	2,3
1303	Screw (6-40 x 13/32)	73644	Motor, DC Shunt	1,8	83625	Switch, Cut-Out	4
1755	W.D. A.C. Wiring Diagram	74728	Terminal	11	83799	Motor, AC Synchronous	1,5
1815	W.D. D.C. Wiring Diagram	74931	Motor, AC Synchronous	1	84105	Pinion	15
2191	Washer, Lock, 11,12,13,14,15,16,	74986	Screw (6-40 x 13/32)	16	84106	Gear	15
		77953	Motor, AC Series	1,6	86308	Screw, Clamping (10-32 x 4 3/8)	4,5
3043	Resistor	78011	Capacitor	16	86309	Bushing, Outlet	4,5
3094	Insulator	78025	Screw (4-48 x 3/16)	2,6,8	86311	Rotor (With Cut-Out Switch)	4,5
3438	Washer, Flat	78217	Motor, AC Synchronous	1			4,5
3598	Nut (6-40 Hex)	78240	Core, Field	6	86314	Washer, Split	4,5,10
3599	Nut (4-40 Hex.)	78241	Coil, Field	6	86318	Adapter, Split Ring	4
3640	Washer, Lock,	78398	Bushing	11	82319	Washer, Fiber	4
5061	Bearing, Ball	78399	Spring	11	86320	Screw (8-32 x 1 1/16)	4,5
6033	Washer, Lock	78400	Spring	11	86321	Ring, Split	4,5
6301	Cover, Governor	78403	Brush, Contact	11	86322	Bearing, Ball	4,5
6305	Brush (Assem.)	78437	Insulator	12,13	86323	Nut - Right Hand (7/16-24)	4,5
6306	Holder, Brush	78438	Bushing, Insulator	12,13	86324	Nut - Left Hand (7/16 -24)	4,5
6314	Spring, Contact	78439	Shell, Governor	12,13	86325	Cut-Out	5
6318	Clamp, Contact Spring, 12,13,14	78443	Disk	12,13	86326	Spring	4,5
		78451	Cover	12,13	86327	Insulator	4,5
6319	Block	78469	Spring	12	86329	Screw (4-40 x 7/16)	4,5
6320	Screw, Contact (6-32 x 9/32),	78476	Core, Field	6	86342	Rotor Assem.	4,5
		78477	Coil, Field	6	86615	Rotor (50 Cycle)	2
6323	Spring	78479	Core, Field	8	86616	Spring (50 Cycle)	2
6324	Wheel, Adjusting	78480	Coil, Field	8	86617	Rotor Assem. (50 Cycle)	2
6330	Bearing	78496	Spring, Contact	13	86713	Screw (4-48 x 5/16)	2
6340	Ring, Outer Governor	78497	Spring, Contact	12,13	86812	Bracket	11
6341	Bushing	80299	Spring, End Play	2	86848	Grommet, Rubber	4,5
6342	Wire	80307	Outlet	3	86852	Plate, Brush Spring	11
6344	Screw (6-32 x 11/32)	80308	Bushing, Fiber	3	86853	Governor Brush And Speed	1,11
		80309	Felt	2		Adjusting Bracket Assem.	1,11
6345	Nut (6-32 Hex)	80310	Washer, Felt	2	86868	Bushing	12,17
6346	Screw (6-32 x 3/4)	80311	Washer, Copper	2	86869	Post, Spring	12,17
6347	Screw (6-32 x 3/8)	80312	Washer, Flat	2,6,8	88879	Support, Assem.	2
6348	Screw (4-36 x 3/4)	80313	Washer, Split	2	89405	Bushing	2
6349	Screw (6-32 x 1/2)	80334	Terminal	11	89406	Washer, Spring	2
6354	Cap, Brush	80335	Plate, Clamp	11	89407	Pin, Cotter	2
6357	Spring	80336	Insulator	11	89969	Washer, Fiber	15,16
6358	Brush	80337	Bracket	11	90263	Stator, Wound	2,3
6707	Motor, Shunt	80338	Bracket, Governor Adjusting	11	90951	Washer, Lock	4,5
6708	Motor	80340	Plate, Brush Spring	11	91041	Stator, Wound	2
6746	Screw (6-40 x 5/16)	80341	Governor Brush And Speed	1,11	91275	Cable, DC	15
6770	Disk, Bakelite		Adjusting Bracket Assem.	1,11	91276	Bracket	15
6811	Screw (6-40 x 5/8)	80342	Screw (6-40 x 23/64)	11	91506	Bracket	15
6885	Bracket, Brush Holder	80351	Screw (8-36 x 5/16)	3	91522	Disk (Assem.), Governor - Rear	1,14
6966	Eccentric	80352	Governor, Center Contact	1,12		Nut (15/32 x 32)	15,16
6979	Hub		Assem.	1,12	91683	Nut, Ring (15/32 x 32)	15,16
6991	Gear	80357	Screw (4-48 x 1/4)	5,10	91684	Washer, Fiber	6,8
7002	Washer, Flat	80358	Bearing, Ball	2,7,9,10	91837	Washer, Spring	10
7082	Pinion	80444	Screw (6-40 x 1/4)	11	92465	Oiler	10
7105	Target (10 Spots)	80553	Motor, AC Synchronous	1	92467	Washer, Felt	4,5,10
7106	Target (11 Spots)	80558	Shield, End	2	92470	Washer, Flat	4,5
7485	Governor (Peripheral Contact)	80559	Stud, Clamping	3	92575	Motor, AC Synchronous	1,4
	Type	80706	Screw (6-40 x 3/16)	6,8	92721	Cable, AC	15
7705	Target (9 Spots)	80754	Oiler	2	93035	Bushing	16
8094	Brush	81638	Spacer	13	93108	Washer, Lock	4
8165	Washer, Friction	82000	Guard, Wheel	16	93903	Target (35 Spots)	12
8280	Motor, Shunt	82005	Governor Brush Holder	1,15	94707	Insulator	2
8539	Screw (6-40 x 1/2)	82283	Assembly	1,15	94558	Base	4
41732	Plate, Clamp	82285	Motor, AC Synchronous	1,2,3	94559	Shield, End	4
41733	Insulator	82288	Resistor	16	94560	Shield, End	4
50083	Screw (.138 - 32 x 1 1/8)	82288	Screw (4-40 x 1/4)	4	94561	Stator	4,5
55297	Screw (6-32 x 5/16)	82305	Arm	14	94562	Spring	4
62135	Screw (6-32 x 5/8)	82306	Arm	14	94565	Screw (8-32 x 13/32)	4
70735	Motor, AC Series	82307	Bracket	14	94566	Screw, Shoulder (8-32)	4
70771	Oiler	82307	Ring, Bakelite	17	95222	Resistor	15
70872	Holder, Brush	82308	Ring, Inner Governor	17	95329	Fan, Motor	13
70873	Cap, Brush Holder	82310	Wheel, Adjusting	14	95330	Plate - Left	13
71155	Screw (6-32 x 1/4)	82311	Block	14	95331	Plate - Right	13
71610	Motor, DC Shunt	82312	Bracket, Brush Holder	15	95332	Governor, Center Contact	1,13
71189	Retainer, Copper	82316	Spring, Detent	14	98846	Cable, AC	16
71998	Ring, Brush Holder	82339	Disk (Assem.), Governor - Front	1,14	98899	Switch, Toggle	16
71999	Spring, End Play	82341	Switch, Toggle	15	101589	Washer, Clamping	10
72586	Motor, DC Shunt	82344	Bracket	16	101398	Cut-Out	4,5
72665	Target (23 Spots)	82350	Holder, Brush	15	101399	Spring	4,5
73231	Retainer, Steel	82361	Plate, Mtg.	16	102774	Screw, Clamping (8-36 x 4 3/8)	2,3
73232	Washer, Felt	82396	Plate, Capacitor Mounting,	1,16		Bracket	16
73236	Frame, Field	82397	Bracket (Assem.), Resistor	1,16	102788	Ring, Retaining	10
73237	Shield, End	82398	Screw (6-32 x 11/32)	14	102837	Washer, Split	10
73238	Core, Field	82505	Motor, AC Synchronous	1	103311	Governor (Assem.), Two Speed	1
73239	Coil, Field	82622	Motor, Synchronous	1,2	103312	Governor Parts, Two Speed	1,16
73240	Core, Field	82714	Rotor (60 Cycle)	2	103313	Governor Parts, Two Speed	1,14,16
73241	Coil, Field	82839	Rotor Assem. (60 Cycle)	2			
73242	Insulation, Field Coil	82840					

103315	Cable, AC	16,	107453	Screw, Brush Holder		120701	Screw, Brush Holder	
103431	Grommet, Rubber	2,3		(6-32 x 1/2)	10		(8-32 x 5/16)	6,8
103435	Switch Assem.	1,16	107454	Screw, (10-32 x 5/16)	10	122293	Motor, Shunt	1,9
103543	Governor Parts - Two Speed	1,15	107455	Armature	10	122294	Armature	9
			107456	Armature Assem.	10	122295	Motor	1,7
103544	Governor Parts - Two Speed	1,15	112626	Nut (10-32 Hex.)	12,13	122296	Armature	7
			113888	Stator	5	122297	Motor, AC Series	1,7
103699	Screw (6-32 x 5/8)	13	113889	Rotor Assem. (with cut-out)	5	122298	Armature	7
104038	Motor, AC Series	1,10			5	122299	Motor, AC Series	1,7
104061	Motor, AC Synchronous	1,5	113944	Shield, End	5	122300	Armature	7
105918	Spacer	4,5	113945	Shield, End	5	122301	Motor, DC Shunt	1,9
106875	Motor, AC Series	1	113946	Bushing, Insulating	4	122302	Armature	9
107443	Core, Field	10	113947	Insulator	4,5	125009	Nut (10-32 Hex.)	6,8
107444	Coil, Field	10	114321	Motor, AC Synchronous	1,4	125013	Strap, Holding	16
107445	Coil, Field	10	119737	Rotor	4	125016	Bushing, Outlet	6,8
107446	Pin, Coil Retaining	10	119738	Rotor	4	125199	Screw, Short (6-32x9/16)	13
107447	Shield, End	10	119739	Shield, End	4	125206	Screw (6-32 x 5/8)	17
107448	Bushing	10	119740	Bushing, Outlet	4	126237	Nut (.164-36 Hex.)	2,3
107449	Shield, End	10	119741	Stator	4	126766	Motor, DC Shunt	1,9
107450	Screw, Clamping (10-32 x 3 5/8)	10	119895	Resistor	16	126767	Armature	9
			119930	Washer, Spring	4,5	126768	Motor, DC Shunt	1,9
107451	Holder, Brush	1,10	119931	Washer, Flat	4,5	126769	Armature	9
107452	Brush	10	120700	Screw, Field Core (12-28-5/16)	6,8			

NOTES OF EXPLANATION

Page 2

- (A) The 91020 cam sleeve replaces the 86157 cam sleeve on 6 unit machines when the improved mechanical mounting parts (marked (D) on page 3) are used.

Page 3

- (A) The 8157 selector lever - right and 8158 selector lever - left are used on all 5 unit machines and on the 6 unit machines not having the improved mechanical mounting parts (marked (D) on page 3).
- (B) The 91023 selector lever - right and 91022 selector lever - left replace the 8157 selector lever - right and 8158 selector lever - left on 6 unit machines when the improved mechanical mounting parts (marked (D) on page 3) are used.
- (C) The 91636 post (which serves as a guide in the lower slot of the 86123 space-out lever - see page 5) has replaced the 86131 post.
- (D) See notes (A) under pages 2 and 4 and notes (A) and (B) under page 3.

Page 4

- (A) The 90088 trip latch replaces the 6830 trip latch on 6 unit machines when the improved mechanical mounting parts (marked (D) on page 3) are used. The 6830 trip latch, however, is used on all 5 unit machines, and on the 5 unit machines not having the improved mechanical mounting parts.

Page 5

- (A) The 3598 nut, 2191 lock washer, and 123-244 washer replace the 1189 screw and 6987 washer when the 91636 post is used. (See page 3) The 1189 screw and 6987 washer were used with the 86131 post.

Page 9

- (C) G. E. Model 5SH25AB1 (74931) - Superseded by G. E. Model 5SH25AB7 (82622)
G. E. Model 5SH25AB7 (82622) - Superseded by G. E. Model 5SH25AB11 (82283)
- (D) The Rotor for Model 5SH25AB11 (82283) motor is stamped 4290072-G2.
The Rotor for Model 5SH25AB14 (82714) motor is stamped 4290072-G5.

Pages 9 and 10

- (A) Replacement motors for the Bell System should be ordered by the following new numbers which have been assigned to motors equipped with an additional 89946 "Bell System Service" name plate and 91685 name plate mounting screws.

91888	Motor	1/17 H.P., 110V., D.C.	(Instead of 72586)
91890	Motor	1/25 H.P., 110V., 60 cycle A.C. Gov.	(Instead of 77953)
91892	Motor	1/40 H.P., 110V., 60 cycle A.C. Syn.	(Instead of 82283)
91894	Motor	1/40 H.P., 110V., 50 cycle A.C. Syn.	(Instead of 82714)

Note: All motor units (assem.) will retain their present types and numbers but will automatically include the above new motors equipped with "Bell System Service" name plates and screws when furnished to the Bell System.

- (B) No gears or pinions are included in the motors or motor units (assem.)

