



BULLETIN 1149B

PARTS

MODEL 28
PAGE PRINTER SET
(KSR & RO)



TELETYPE[®]
CORPORATION

5555 TOUHY AVENUE, SKOKIE, ILLINOIS



TABLE OF CONTENTS

SECTION	TITLE	ISSUE
573-100-800TC	28 Page Printer Set Modification Kits (KSR-RO)	1
573-115-800TC	28 and 29 Typing Unit (LP) - Parts	1
573-116-800TC	28 Send-Receive Keyboard (LK) and 28 Receive-Only Base (LB) - Parts	1
573-133-800TC	28 Electrical Service Unit (LESU) for Keyboard Send-Receive and Receive-Only Sets - Parts	1
573-133-804TC	28 Electrical Service Unit (LESU) for Wall Mounted KSR/RO - Parts	1
573-134-800TC	28 Console and Table Model Cabinets (LAC) and 28 Table (LT) - Parts	1
573-134-801TC	28 Skintight Cover (LPC) - KSR/RO - Parts	1
573-134-804TC	28 Wall Mounted Cabinet (LPC) - Parts	1
573-136-803TC	28 Apparatus Cabinet (LBAC) for Page Printers - Parts	1

NOTE:

For Motors, refer to Bulletin 295B.



28 PAGE PRINTER SET MODIFICATION KITS
(KSR/RO)

MODIFICATION KITS (Continued)

Kit Number	Description	Specification Number
159370	Modification Kit to Provide a Normally Closed Contact Mechanism on Stunt Box	5782S
161119	Modification Kit to Provide Printer with Code Bar Shift Magnet for Continuous Spacing	5777S
161441	Modification Kit to Convert Typing Unit from Sprocket Feed to Friction Feed	5910S
162012	Modification Kit to Provide Stunt Box with Shift Slide Mechanism	5824S
162013	Modification Kit to Provide Stunt Box with Shift Slide Mechanism	5824S
162613	Modification Kit to Provide Printer with Auxiliary Connector Mounting Parts	5820S
162866	Modification Kit to Provide Stunt Box with Normally Open and Normally Closed Contacts	5782S
163518	Modification Kit to Adapt the Vertical Tabulator Control Mechanism for Use with an LXD	5751S
164079	Modification Kit to Provide Stunt Box with a Two-Letter Code Directing Call Mechanism	
165668	Modification Kit to Provide Cabinets with 48 Volt DC Incandescent Copylight System	50306S
172625	Modification Kit to Convert Friction Feed Typing Unit to Sprocket Feed	5792S
174491	Modification Kit to Provide Keyboard Signal Generator Contacts with R. F. Suppression	50015S

28 and 29 TYPING UNIT (LP)

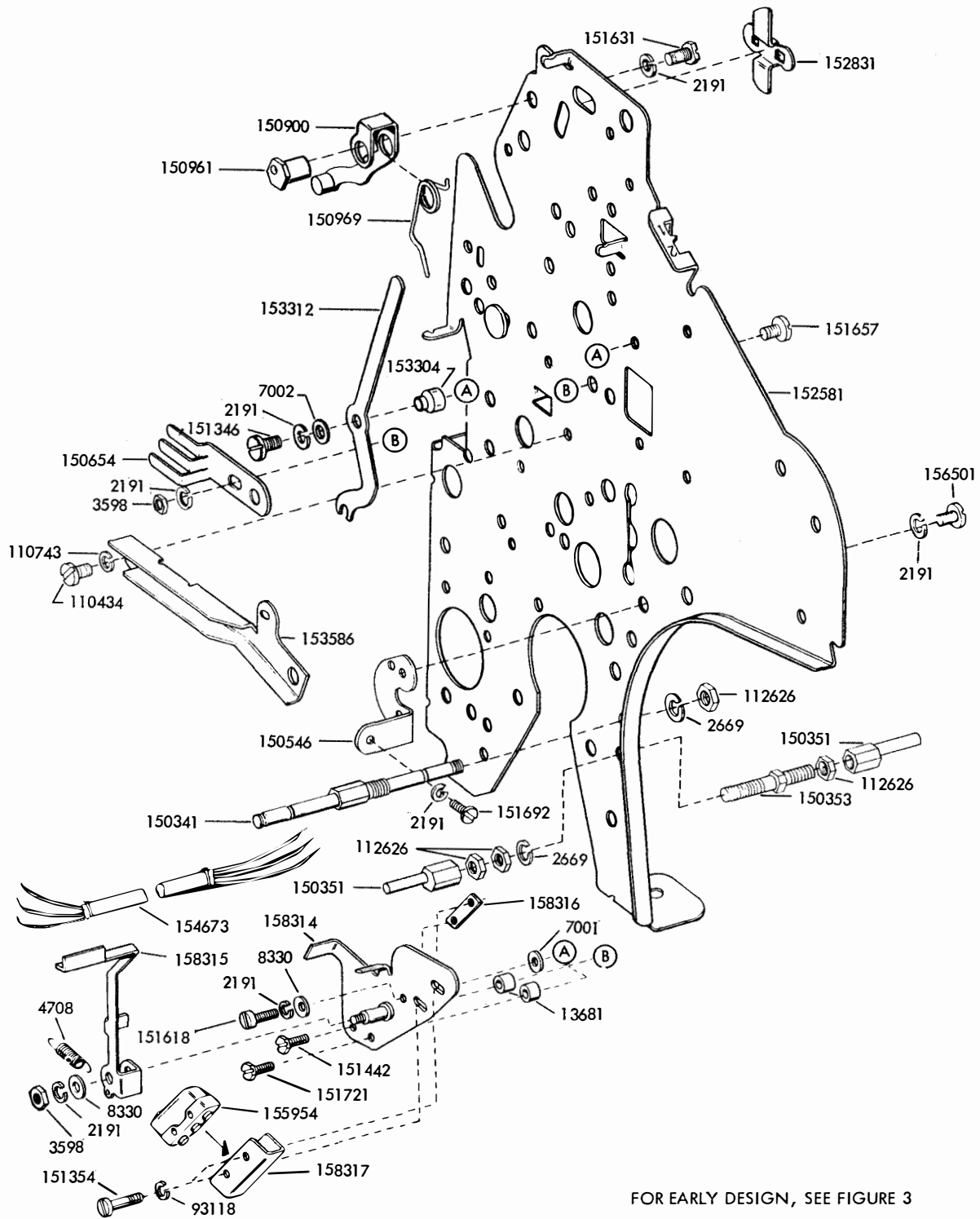
PARTS

FIGURE	CONTENTS	PAGE
1	Left Side Frame Mechanism	6
2	Right Side Frame Mechanism	7
3	Left and Right Side Frame Mechanism	8
4	Left and Right Side Frame Mechanism	9
5	Left and Right Side Frames (Wall Mounted)	10
6	Pressure Roller Mechanism	11
7	Pressure Roller Mechanism	12
8	Space Suppression Mechanism	13
9	Space Suppression, Stunt Shift Control and Code Bar Suppression Mechanism (8 Level)	14
10	Space Suppression Mechanism	15
11	Print Suppression Mechanism	16
12	Page Feed-Out and Form Starter Mechanism	17
13	Paper Spindle and Reset Bail Mechanism	18
14	Paper Spindle and Reset Bail Mechanism	19
15	Reset Bail Mechanism	20
16	Sprocket Feed Mechanism	21
17	Line Feed and Platen Mechanism	22
18	Left Side Linkage and Rocker Shaft Mechanism	23
19	Left Side Linkage and Stripper Blade Mechanism	24
20	Right Side Linkage and Type Box Carriage Mechanism	25
21	Right Side Linkage and Type Box Carriage Mechanism	26
22	Main Shaft Mechanism	27
23	Main Shaft Mechanism	28
24	Line Feed Clutch and Function Clutch Mechanism	29
25	Trip Shaft Mechanism	30
26	Trip Shaft Mechanism	31
27	Carriage Return and Spacing Drum Mechanism	32
28	Carriage Return and Spacing Drum Mechanism	33
29	Front Plate Mechanism	34
30	Front Plate Mechanism	35
31	Front Plate Mechanism	36
32	Front Plate Mechanism (8 Level)	37
33	Front Plate Mechanism	38
34	Front Plate Mechanism	39
35	Code Bar Positioning Mechanism	40
36	Code Bar Positioning Mechanism (8 Level)	41
37	Code Bar Positioning Mechanism	42
38	Selector Mechanism	43
39	Selector Mechanism (8 Level)	44
40	Selector Knob Mechanism	45
41	Selector Magnet Mechanism	46
42	Selector Magnet Mechanism (8 Level)	47
43	Selector Magnet Mechanism	48
44	Right Ribbon Feed Mechanism	49
45	Left Ribbon Feed Mechanism	50
46	Code Bar Mechanism	51

FIGURE	CONTENTS(continued)	PAGE
47	Code Bar Mechanism	52
48	150036 Printing Carriage Assembly	53
49	Type Box and Pallets	54
50	Type Box and Pallets	55
51	Typepallet Chart	56
52	Typepallet Charts	57
53	Typepallet Charts	58
54	Stunt Box - Major Components	59
55	Stunt Box - Major Components	60
56	Shift Mechanism Components	61
57	Function Levers	62
58	Switch Assemblies and Components	63
59	Switch Assemblies and Components	64
60	Cable Assemblies	65
61	Function Bars	66
62	Function Bar Condition Chart	67
63	Function Bar Condition Chart	68
64	152302 (Sprocket Feed) and 155763 (Friction Feed) Modification Kits to Provide Page Feed-Out on Upper Case "Z"	69
65	152303 and 176821 Modification Kits to Provide Page Feed-Out Transmitter Control	70
66	154780 and 178141 Modification Kits to Provide Horizontal Tabulator XD Control	70
67	Page Feed-Out Form Length Gear and Disk Modification Kits	71
68	152304 Modification Kit to Provide Horizontal Tabulation (continued on next page)	72
69	152304 Modification Kit to Provide Horizontal Tabulation (continued from preceding page)	73
70	159362 Modification Kit to Provide Spacers for Centering Narrow Paper Roll on Spindle	74
71	151799 Modification Kit to Provide Latches for Paper Spindle	74
72	152315 and 154743 Modification Kits to Provide Manual Selection of Stunt Box Operation	74
73	154727 Modification Kit to Provide Auxiliary Connector	75
74	152317 Modification Kit to Provide Horizontal Tabulator XD Control	75
75	152337, 157509 and 173283 Modification Kits to Provide On-Line Stunt Shift Control	76
76	153912 Modification Kit to Provide Figs-Ltrs Code Bar Manual Shifting	77
77	152312 Modification Kit to Convert Printer for Use with Lightweight Set	77
78	160886 and 194093 Modification Kits to Provide Local Form Feed-Out (Receiving Only Base)	77
79	152340 Modification Kit to Provide Multi-Copy Paper Handling	78
80	153910 Modification Kit to Provide Function Suppression for "AZ" Stunt Box	78
81	152345 Modification Kit to Provide Off-Line Stunt Shift Control	79
82	152350 Modification Kit to Provide Keyboard Lock	80
83	153919 Modification Kit to Provide Auxiliary Connector	80
84	152915 and 157511 Modification Kits to Provide Local Reverse Line Feed	81
85	Sprocket Feed Paper Handling Modification Kits (Typing Unit and Cabinet)	82
86	Sprocket Feed Paper Handling Modification Kits (Typing Unit and Cabinet - Wall Mounted)	83
87	153911 Modification Kit to Provide Continuous Spacing (continued on next page)	84
88	153911 Modification Kit to Provide Continuous Spacing (continued from preceding page)	85
89	152348 Automatic Carriage Return and Line Feed and 153945 "O" Code Bar and Bellcrank Modification Kits	86
90	154742 Modification Kit to Provide Four Lines Per Inch	86
91	155051 Auxiliary Cable Assembly	87

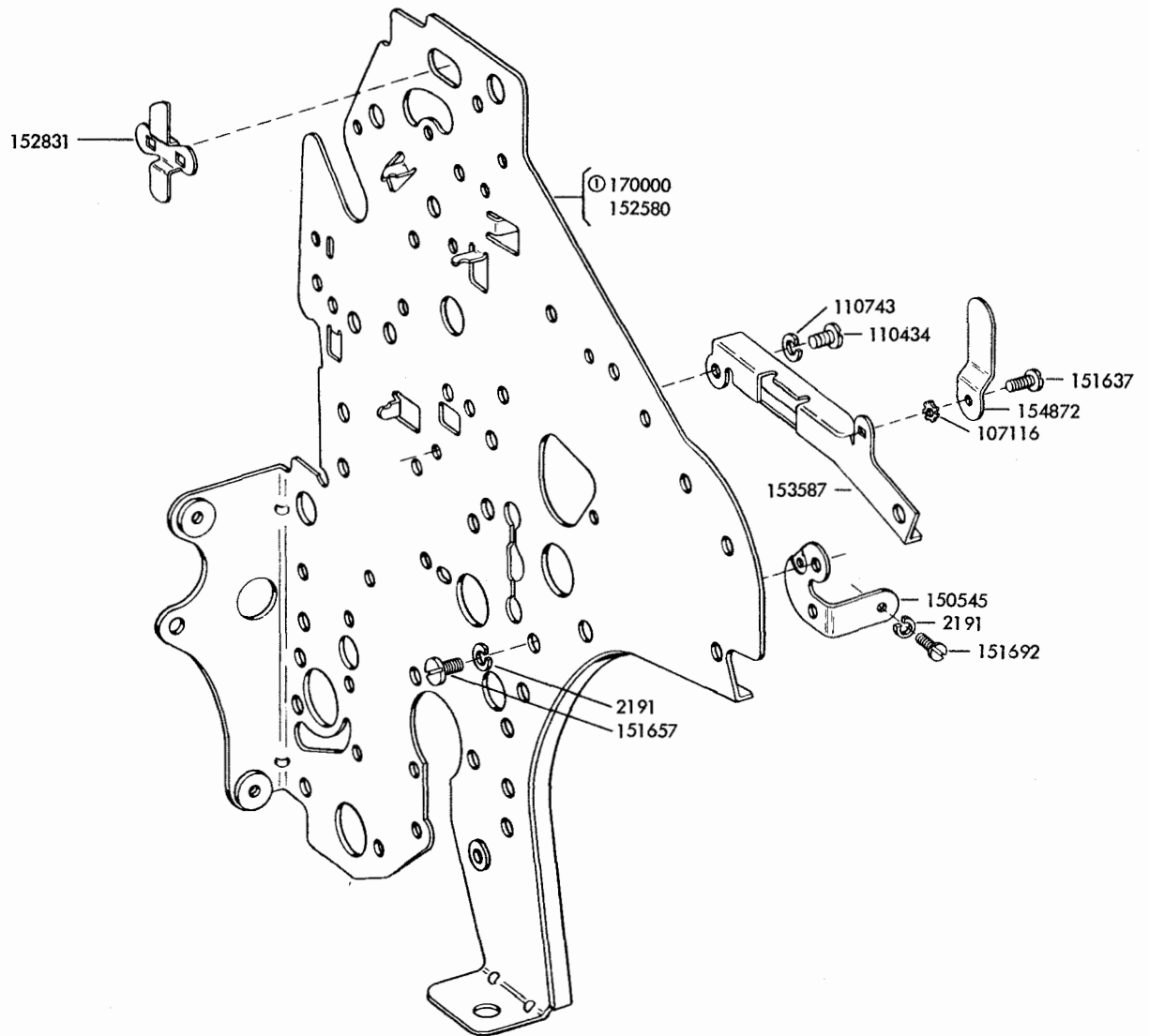
FIGURE	CONTENTS(continued)	PAGE
92	154753 Modification Kit to Provide Auxiliary Connector	87
93	154755 Modification Kit to Provide 5 Spaces Per Inch Horizontally	88
94	159395 Modification Kit to Provide 6 Spaces Per Inch Horizontally	88
95	163292 Modification Kit to Provide 8 Spaces Per Inch Horizontally	88
96	154792 Modification Kit to Provide 12 Spaces Per Inch Horizontally	88
97	Vertical Tabulation Modification Kits	89
98	154770 Modification Kit to Provide Vertical Tabulation on Upper Case "J" and "Z" (Includes the 163535 Mod. Kit in Figure 108)	90
99	154778 Modification Kit to Provide External Pulse Shift Feature (continued on next page)	91
100	154778 Modification Kit to Provide External Pulse Shift Feature (continued from preceding page)	92
101	154785 Modification Kit to Provide Universal Contacts	93
102	157508 Modification Kit to Provide Horizontal Tabulation (continued on next page)	94
103	157508 Modification Kit to Provide Horizontal Tabulation (continued from preceding page)	95
104	152917 and 157510 Modification Kits to Provide Local Back Space	96
105	161280 Modification Kit to Provide On-Line Reverse Line Feed	97
106	163183 Modification Kit to Provide D.C. Magnet Operated Print Suppression	98
107	163947 Modification Kit to Provide Improved Manual Platen Line Feed	99
108	163535 Modification Kit to Provide Transmitter Control for the Vertical Tabulator	99
109	164270 Modification Kit to Provide Copy Display	100
110	157514 Modification Kit to Provide Automatic Carriage Return and Line Feed	101
111	172181 Modification Kit to Provide Copy Display	101
112	163146 Modification Kit to Provide Universal Contact	102
113	159366 Modification Kit to Provide a Friction Feed Printer with Paper-Out Alarm	103
114	179369 Modification Kit to Provide Copy Display	104
115	Selective Calling Function Lever Modification Kits	105
116	179724 Modification Kit to Provide Two Color Ribbon Printing - Right Side (continued on next page)	106
117	179724 Modification Kit to Provide Two Color Ribbon Printing - Left Side (continued from preceding page)	107
118	194995 and 199245 Modification Kits to Provide Paper Jam Alarm	108
119	174043 Modification Kit to Provide Paper Feed Failure Indicator	109
	Notes of Explanation	110
	Notes of Explanation (Continued)	111
	Numerical Index	112

NOTES



FOR EARLY DESIGN, SEE FIGURE 3

FIGURE 1. LEFT SIDE FRAME MECHANISM



① PECULIAR TO 8 LEVEL UNITS

FOR EARLY DESIGN, SEE FIGURE 3

FIGURE 2. RIGHT SIDE FRAME MECHANISM

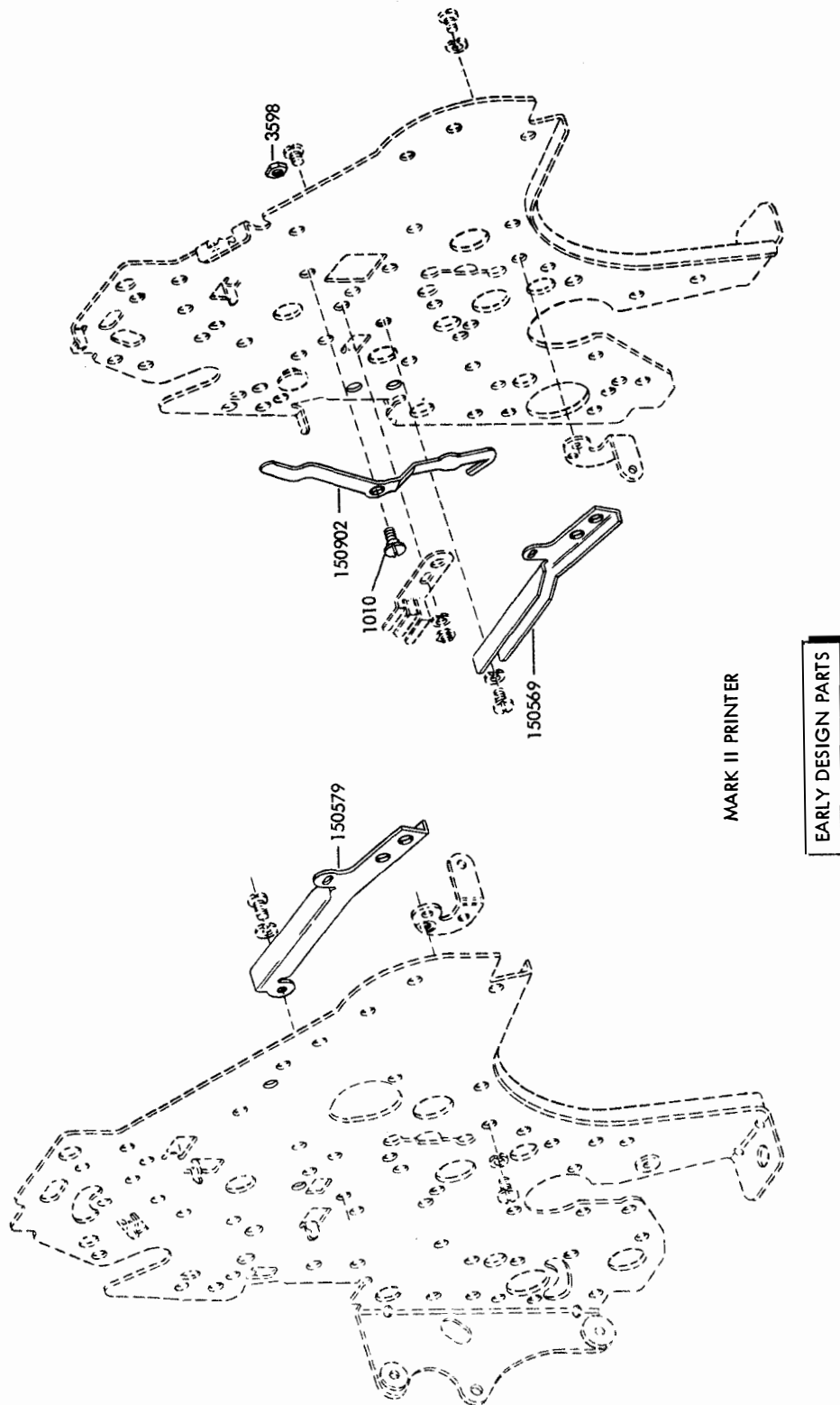
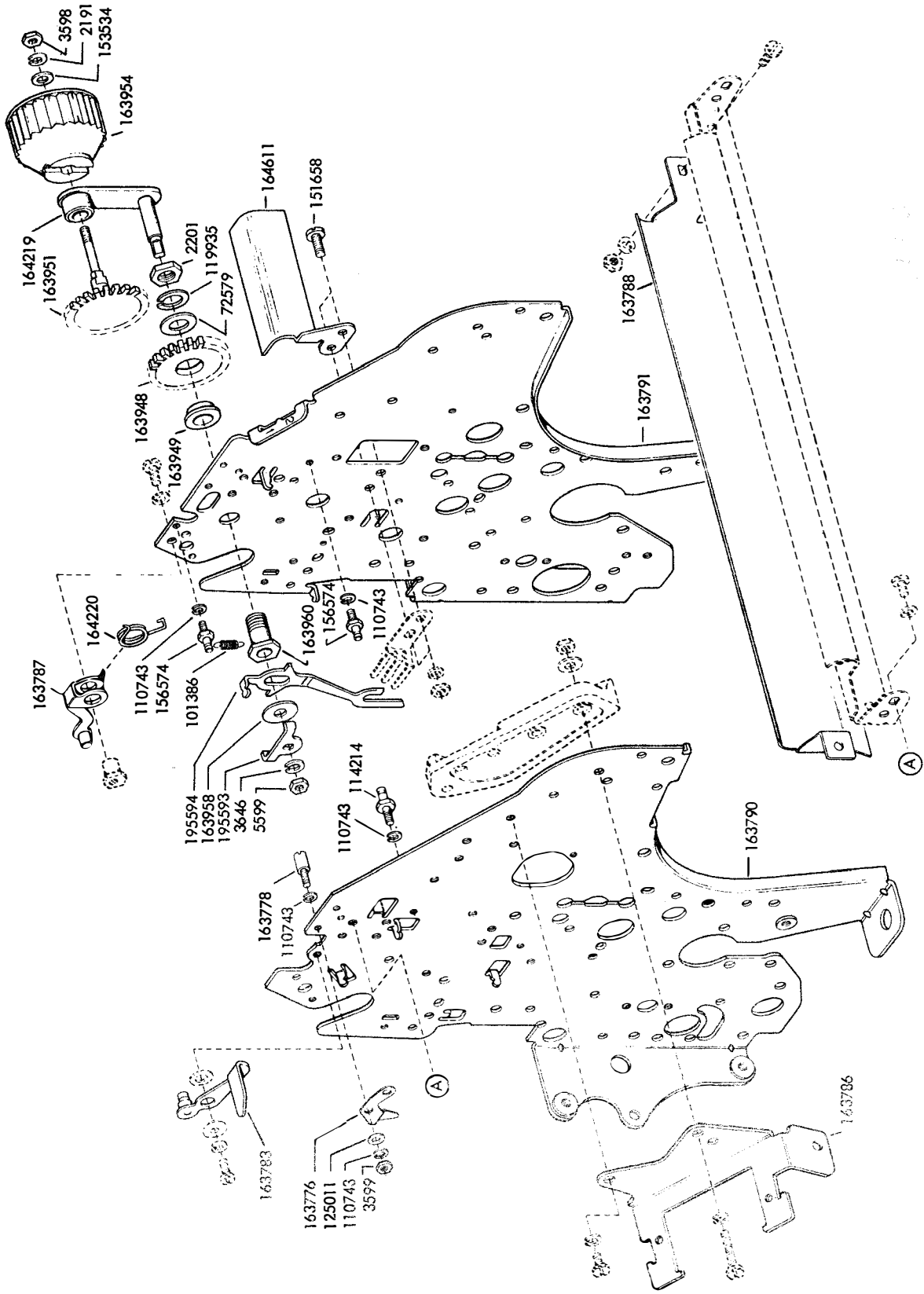


FIGURE 3. LEFT AND RIGHT SIDE FRAME MECHANISM

See Fig. 107



SEE NOTE 1 ON PAGE 110

FIGURE 4. LEFT AND RIGHT SIDE FRAME MECHANISM

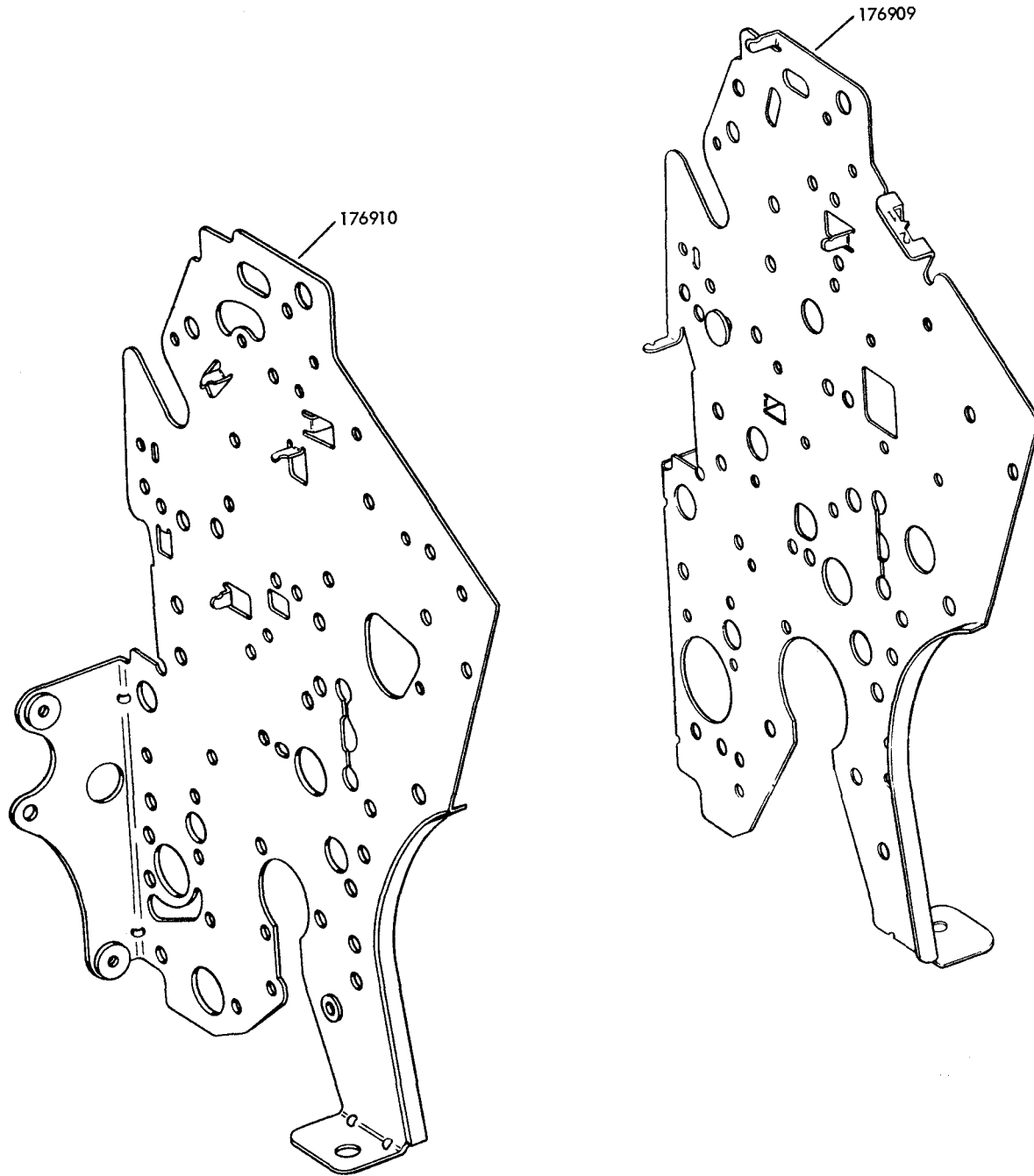


FIGURE 5. LEFT AND RIGHT SIDE FRAMES (WALL MOUNTED)

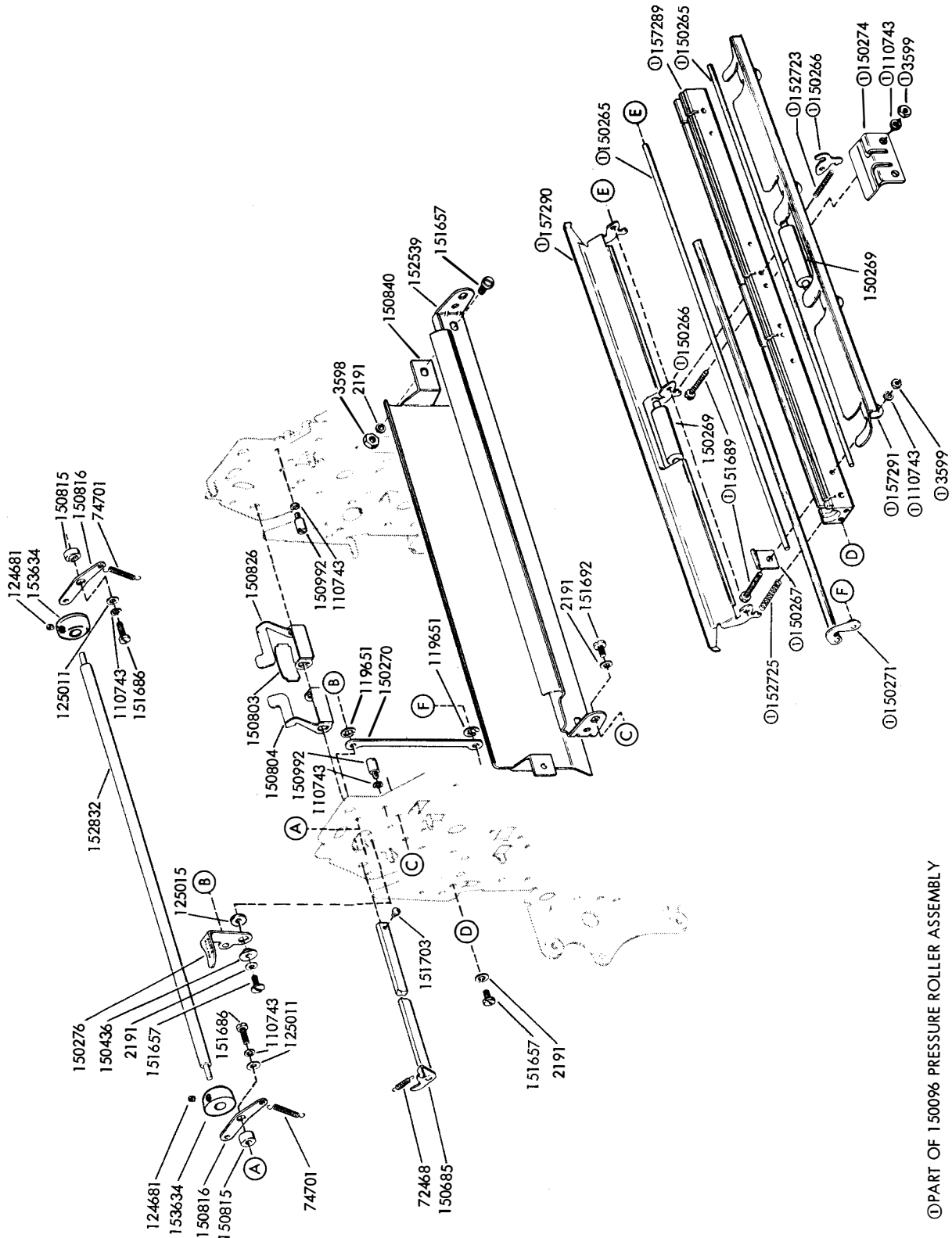
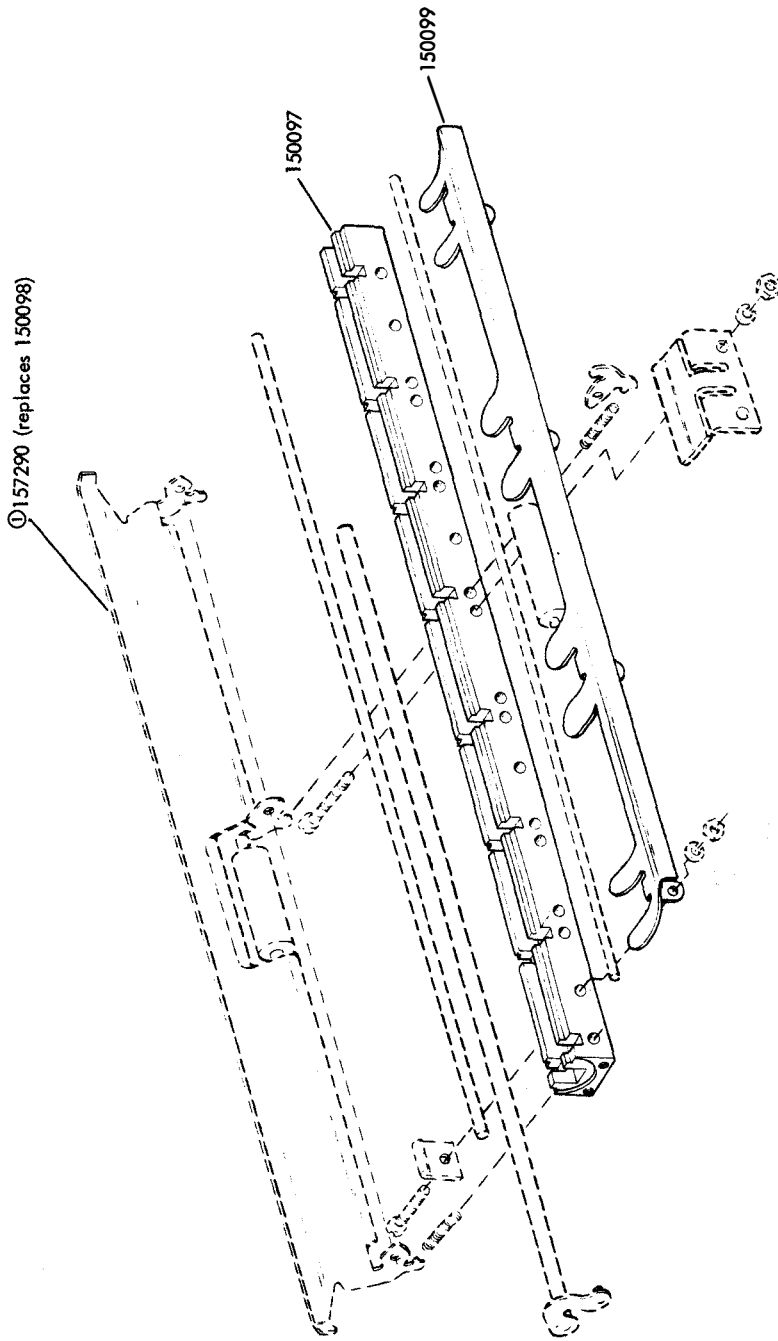


FIGURE 6. PRESSURE ROLLER MECHANISM

⓪ PART OF 150096 PRESSURE ROLLER ASSEMBLY

FOR EARLY DESIGN, SEE FIGURE 7



EARLY DESIGN PARTS

① SEE NOTE 2 ON PAGE 110

FIGURE 7. PRESSURE ROLLER MECHANISM

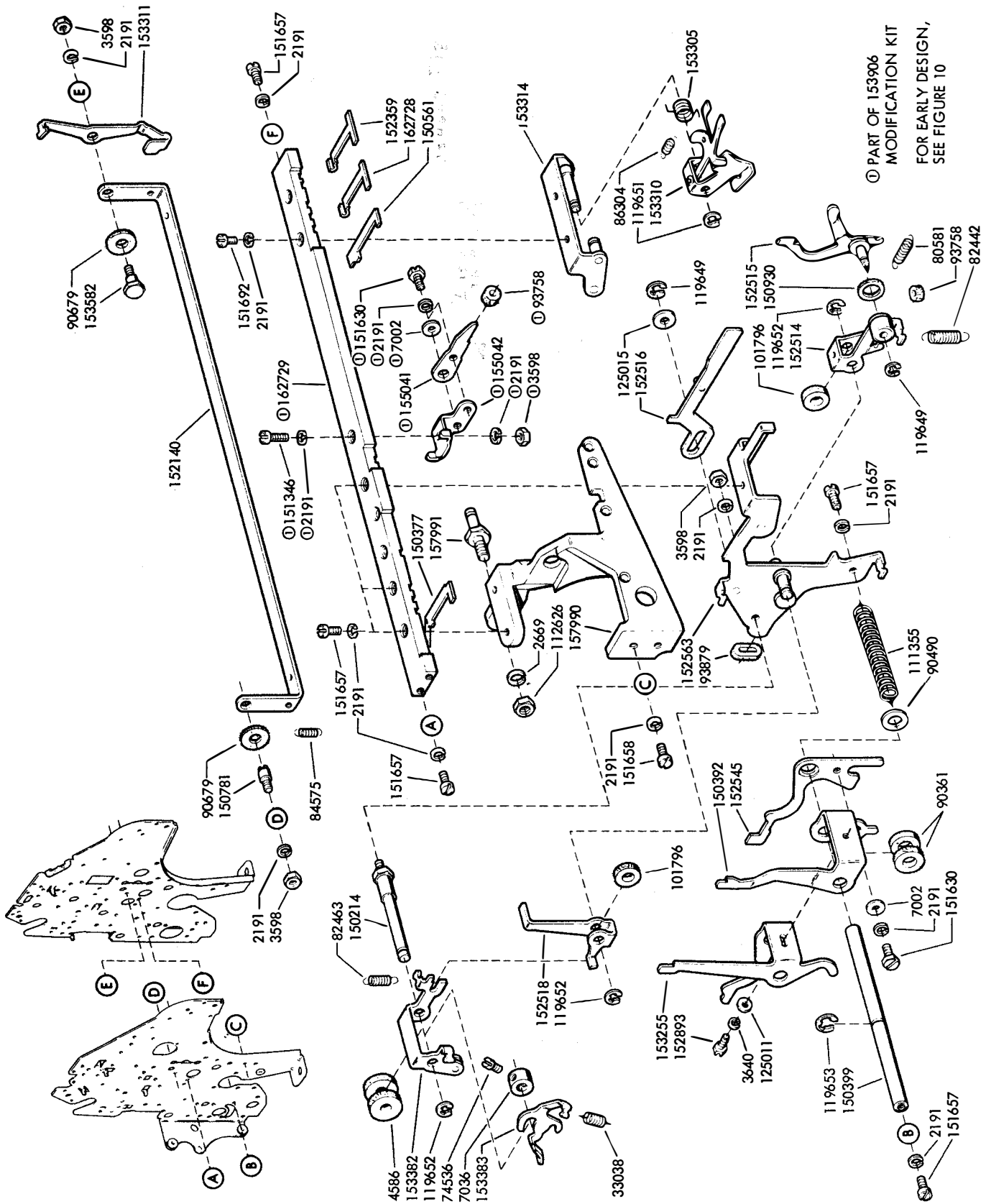


FIGURE 8. SPACE SUPPRESSION MECHANISM

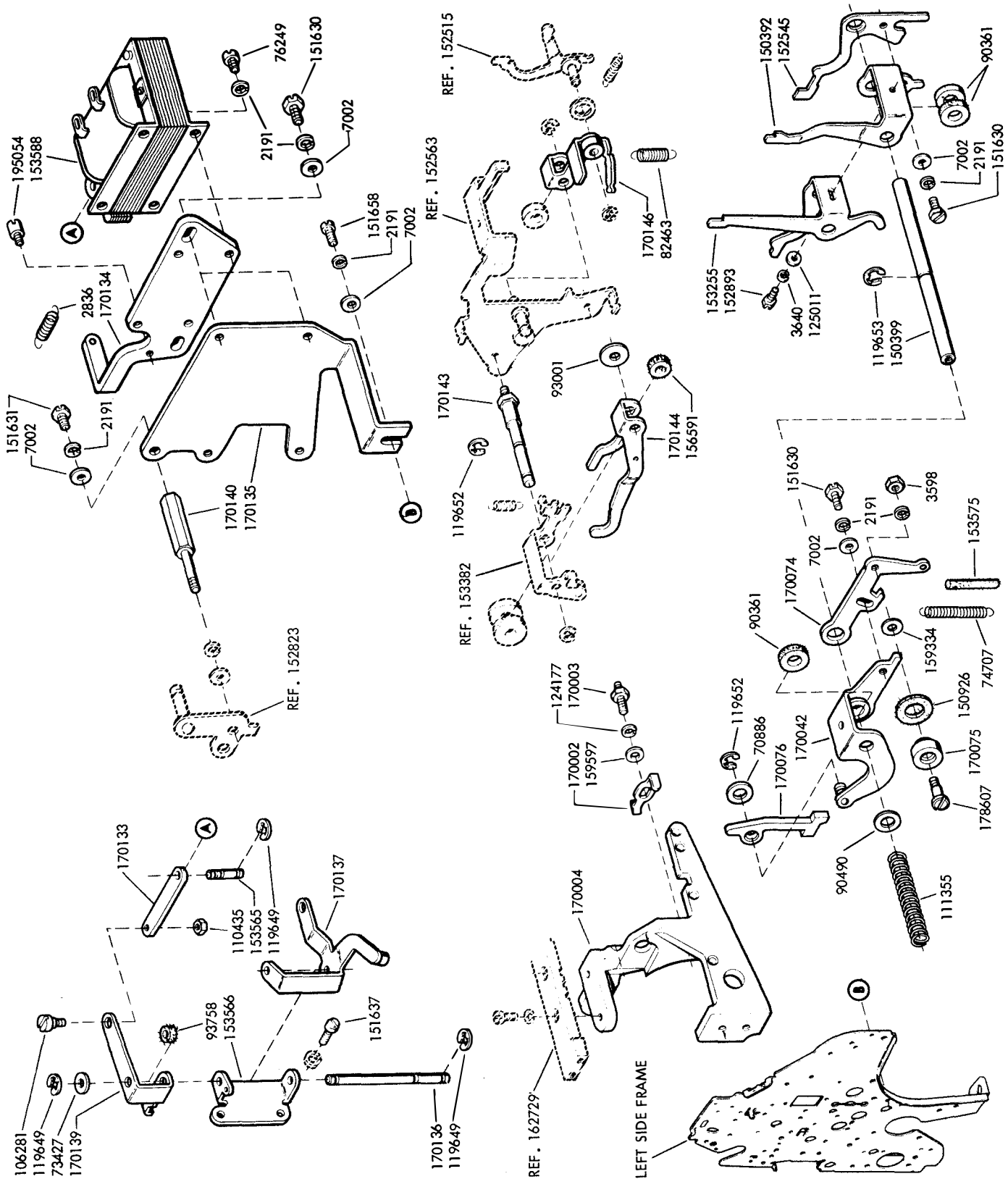


FIGURE 9. SPACE SUPPRESSION, STUNT SHIFT CONTROL AND CODE BAR SUPPRESSION MECHANISM (8 LEVEL)

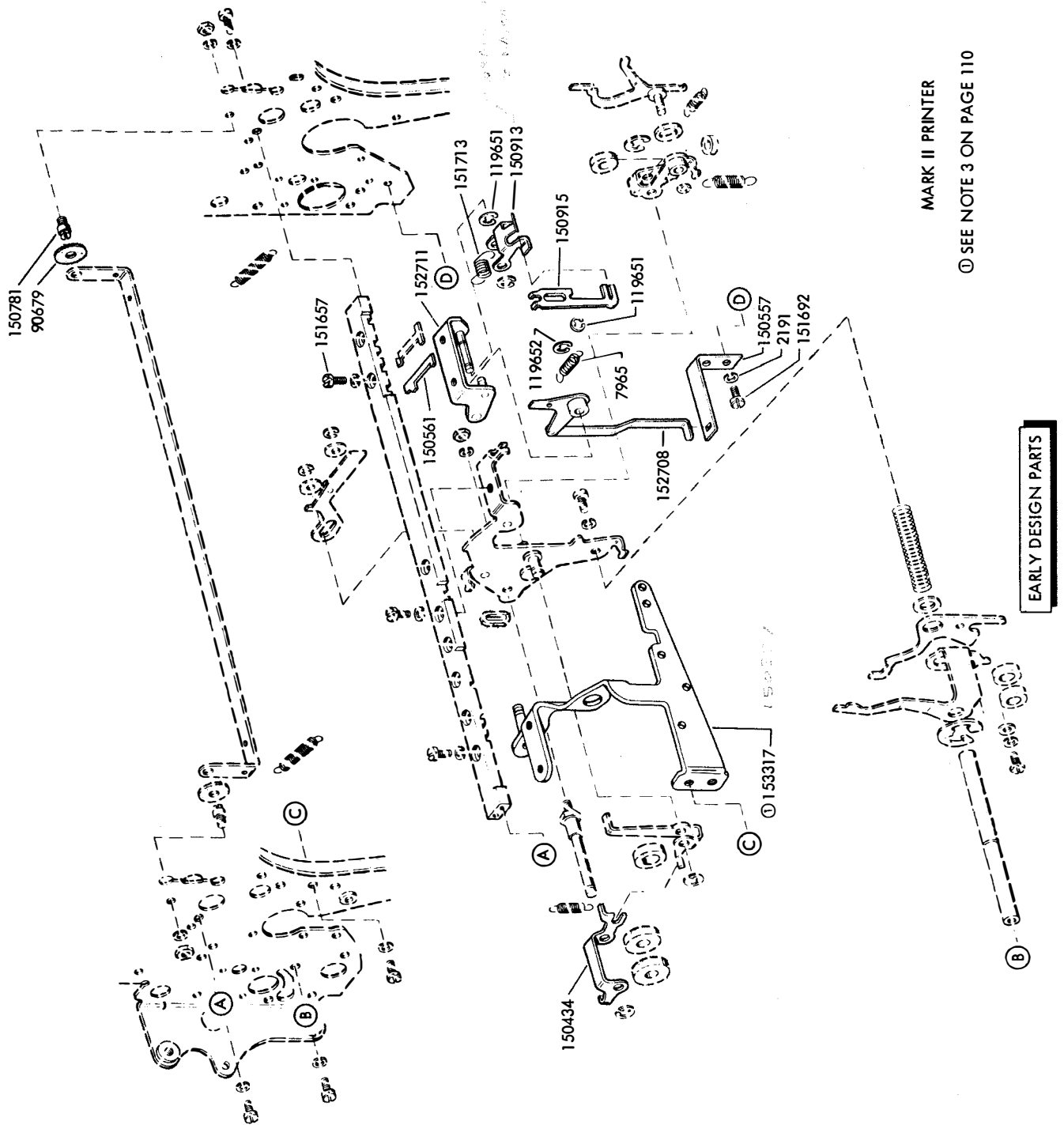
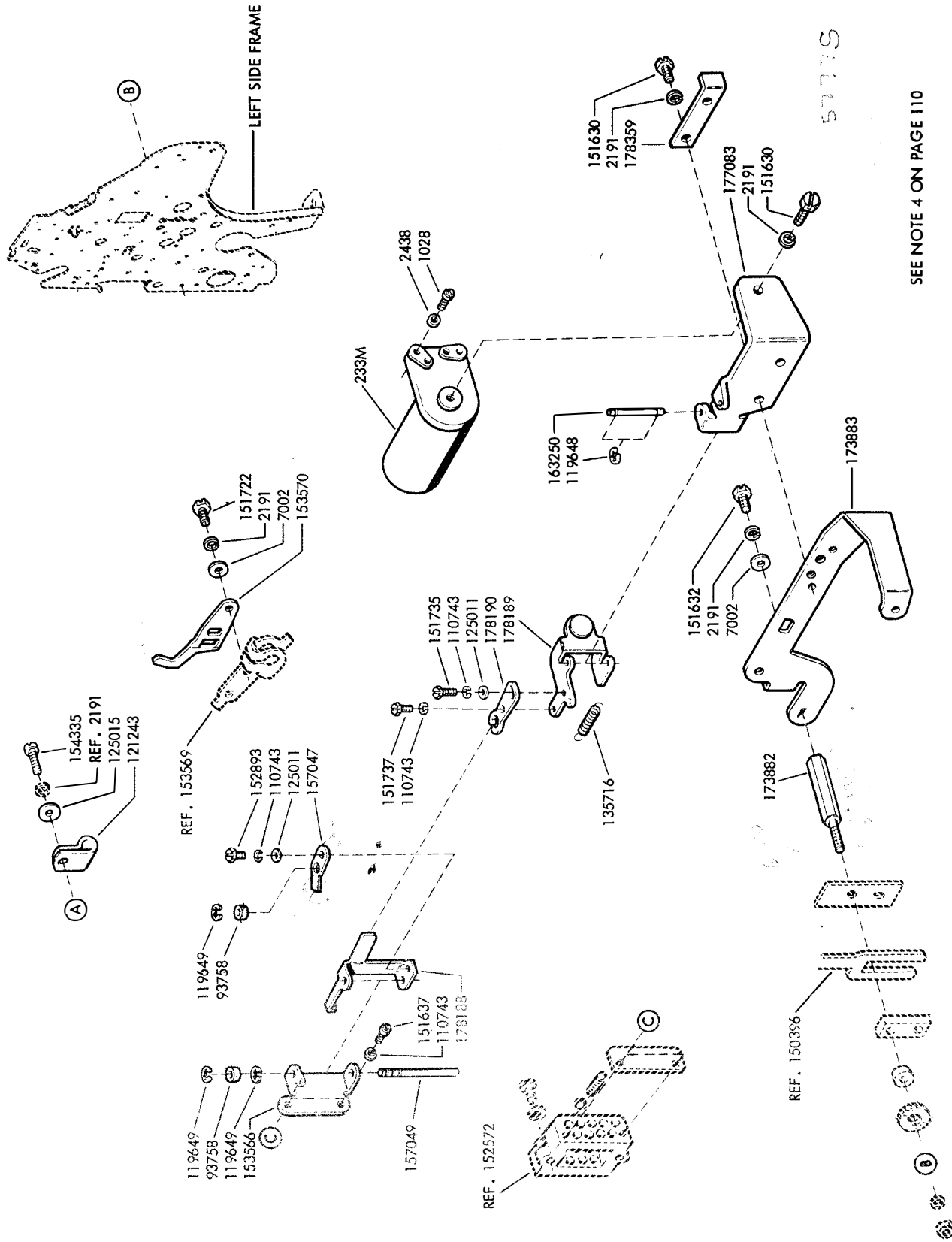


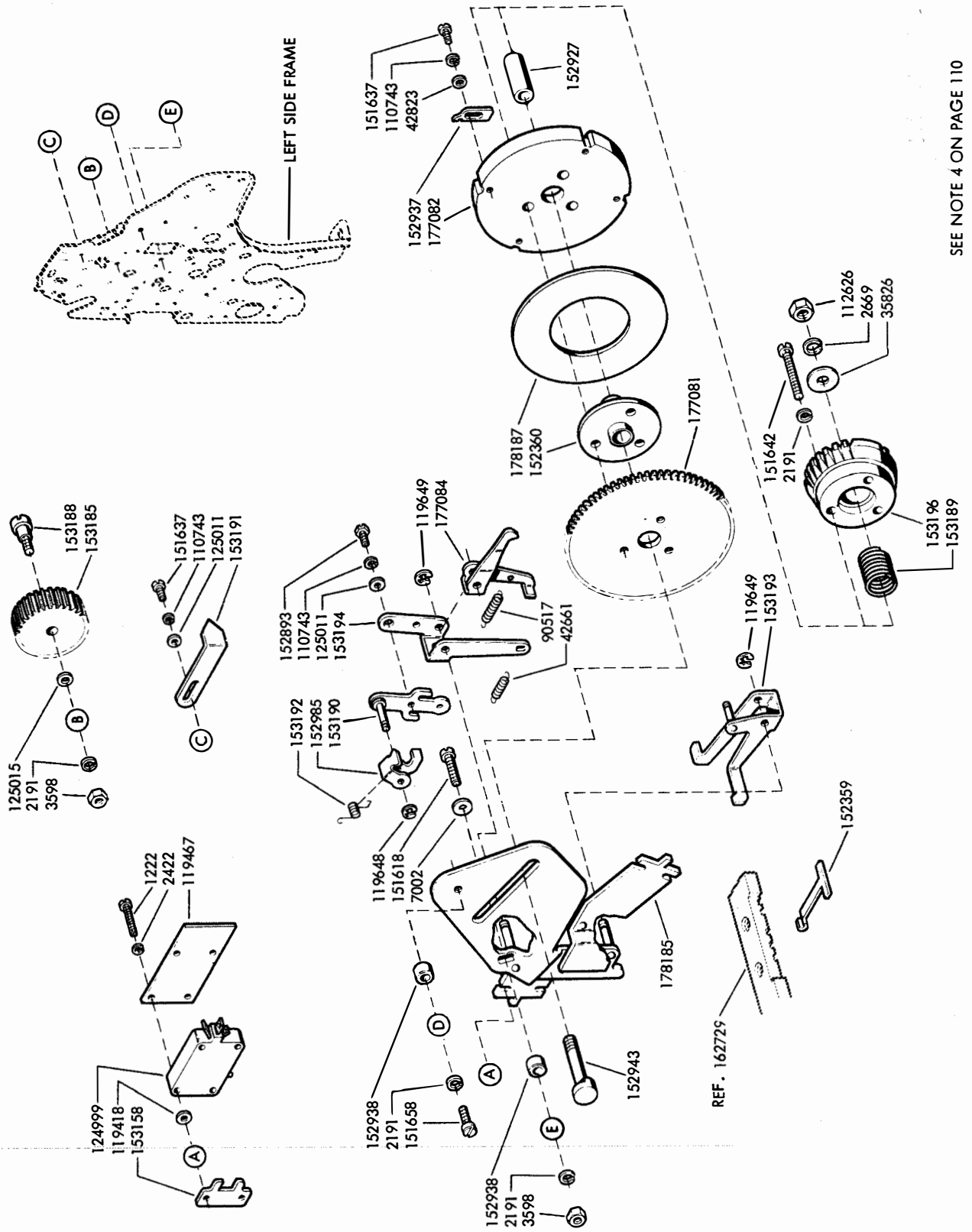
FIGURE 10. SPACE SUPPRESSION MECHANISM



57779

SEE NOTE 4 ON PAGE 110

FIGURE 11. PRINT SUPPRESSION MECHANISM



SEE NOTE 4 ON PAGE 110

FIGURE 12. PAGE FEED-OUT AND FORM STARTER MECHANISM

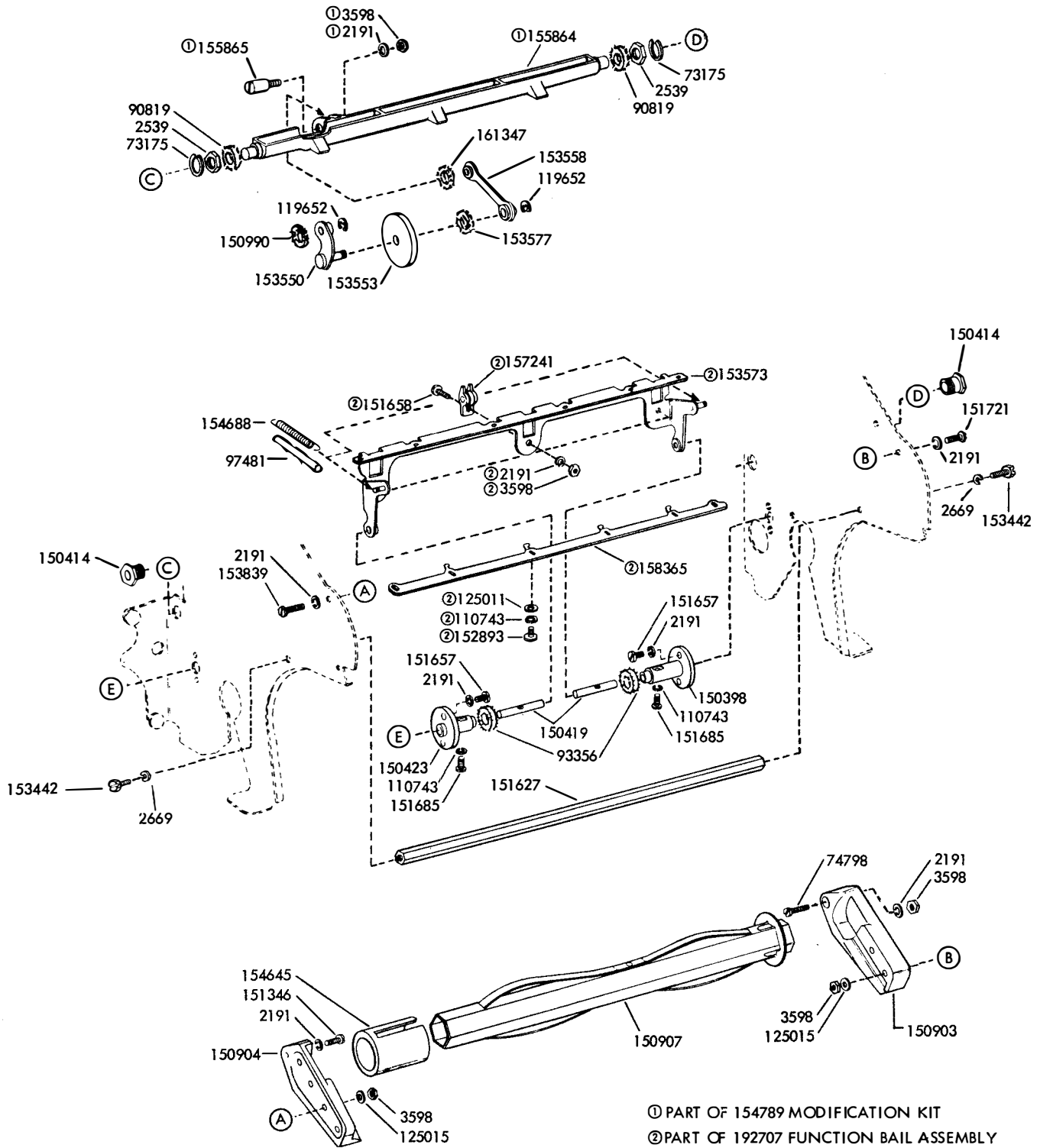
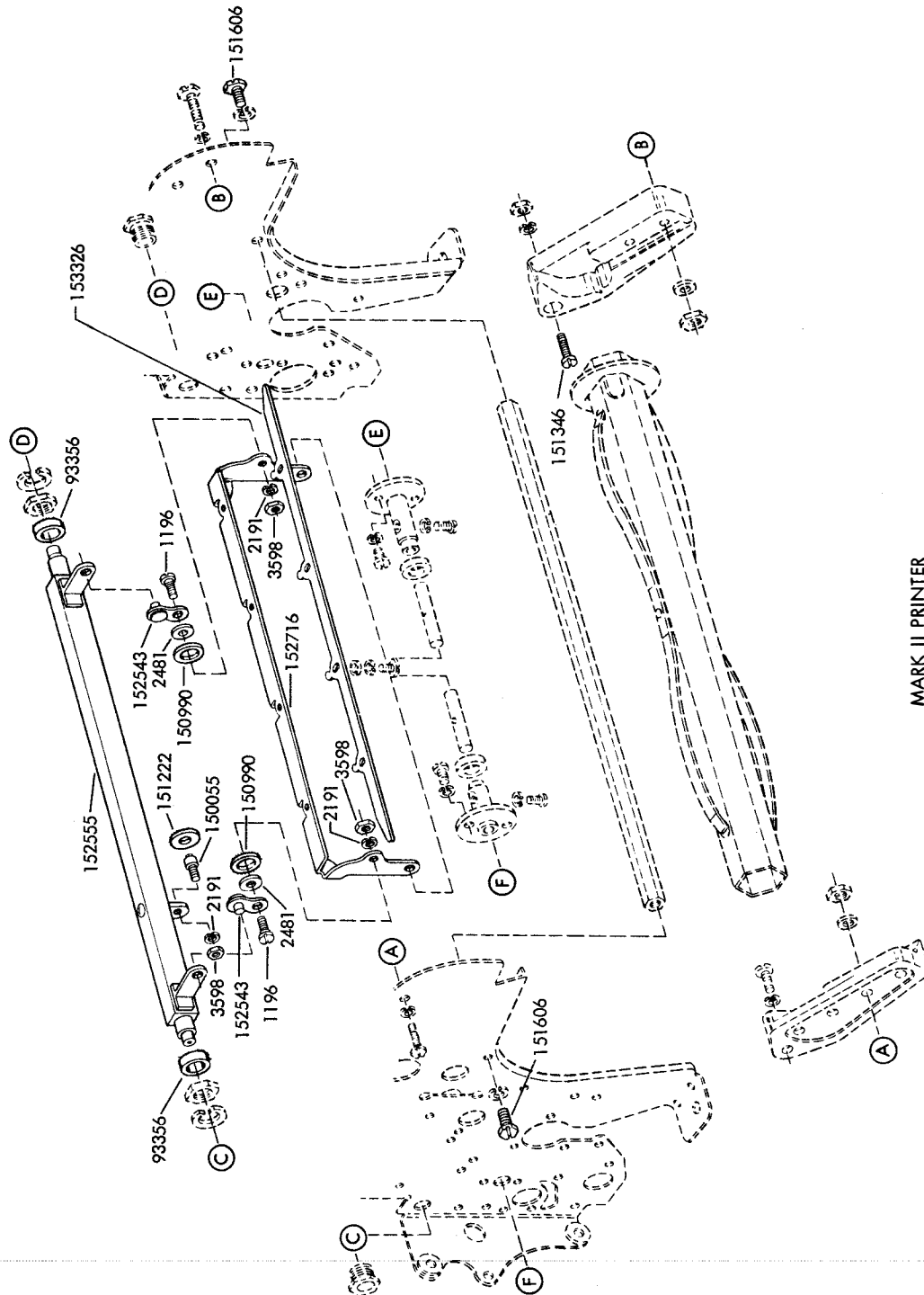


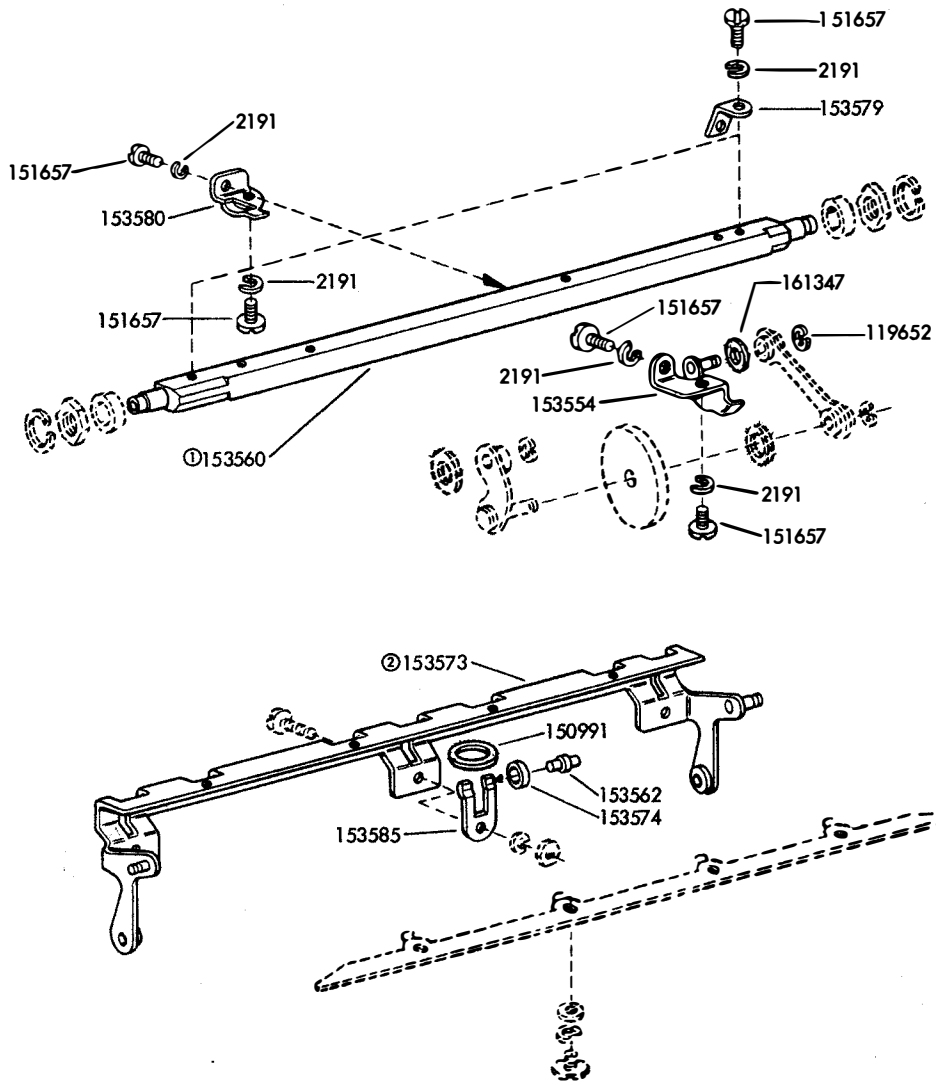
FIGURE 13. PAPER SPINDLE AND RESET BAIL MECHANISM



MARK II PRINTER

EARLY DESIGN PARTS

FIGURE 14. PAPER SPINDLE AND RESET BAIL MECHANISM



① SEE NOTE 5 ON PAGE 110

② SEE NOTE 6 ON PAGE 110

EARLY DESIGN PARTS

FIGURE 15. RESET BAIL MECHANISM

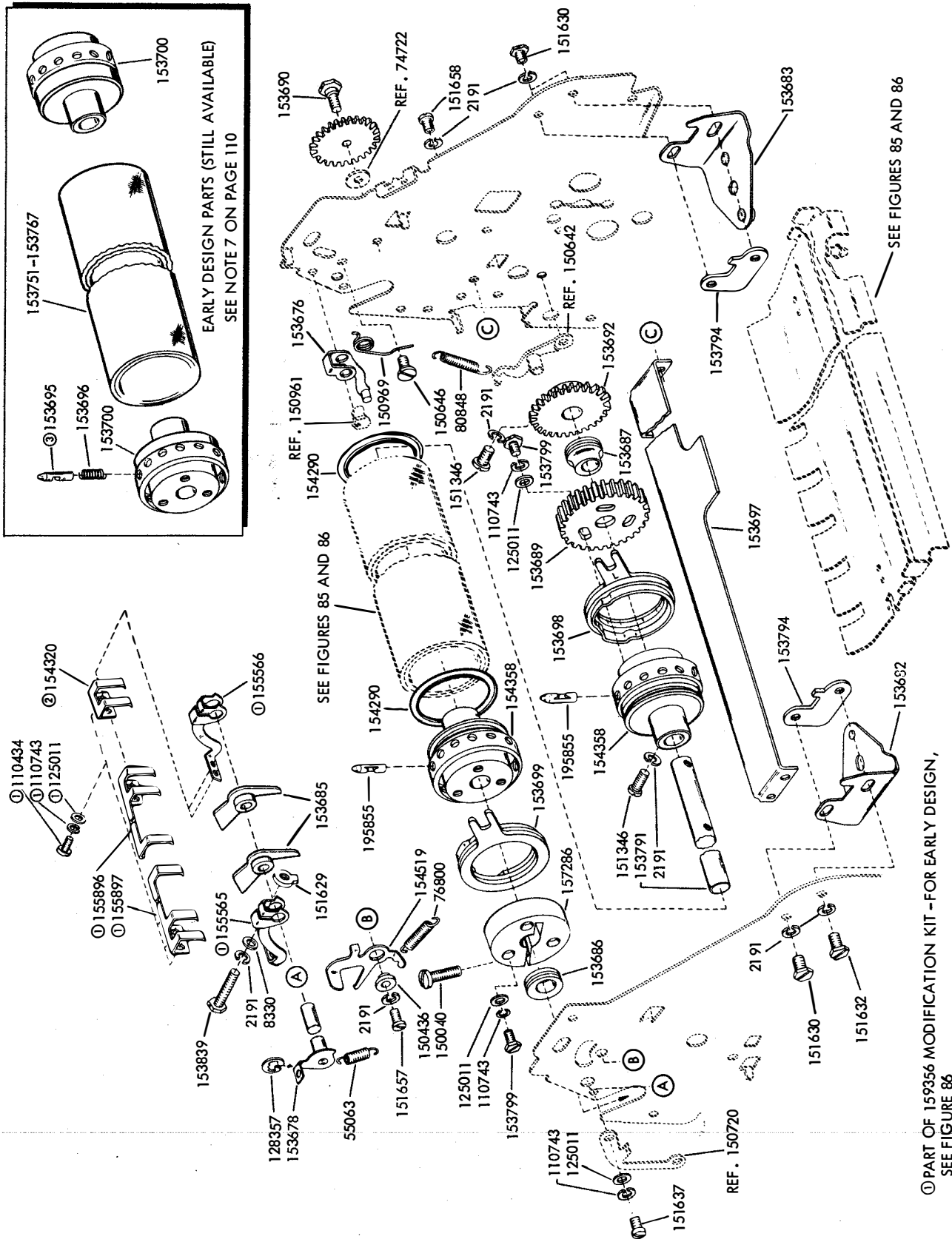


FIGURE 16. SPROCKET FEED MECHANISM

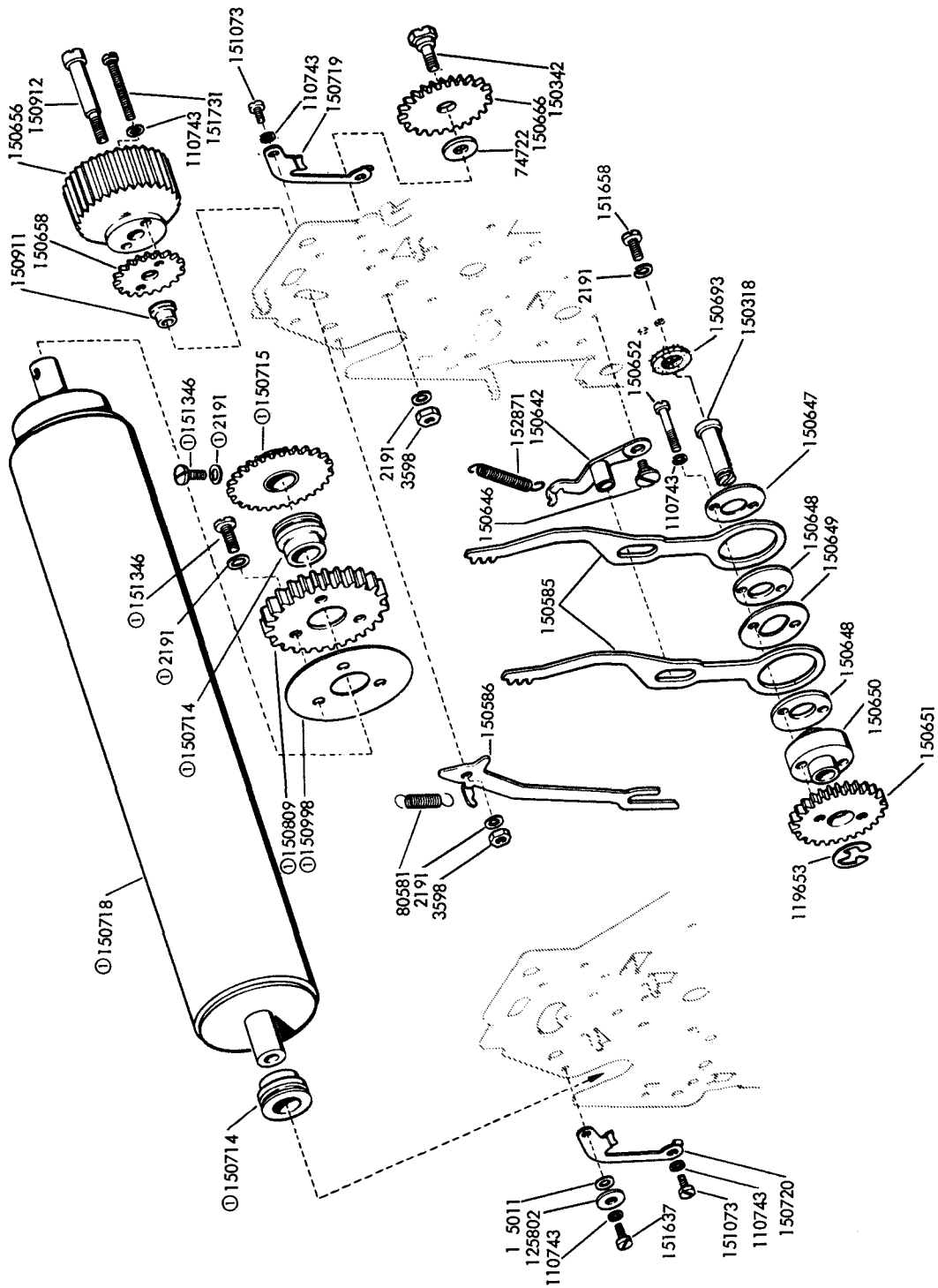
① PART OF 159356 MODIFICATION KIT - FOR EARLY DESIGN, SEE FIGURE 86

② USED WITH PAPER FORM WIDTHS OF 4-1/4" OR NARROWER

③ THE 153695 PIN (STEEL) IS NO LONGER AVAILABLE. IT HAS BEEN REPLACED WITH A 195955 PIN (PLASTIC)

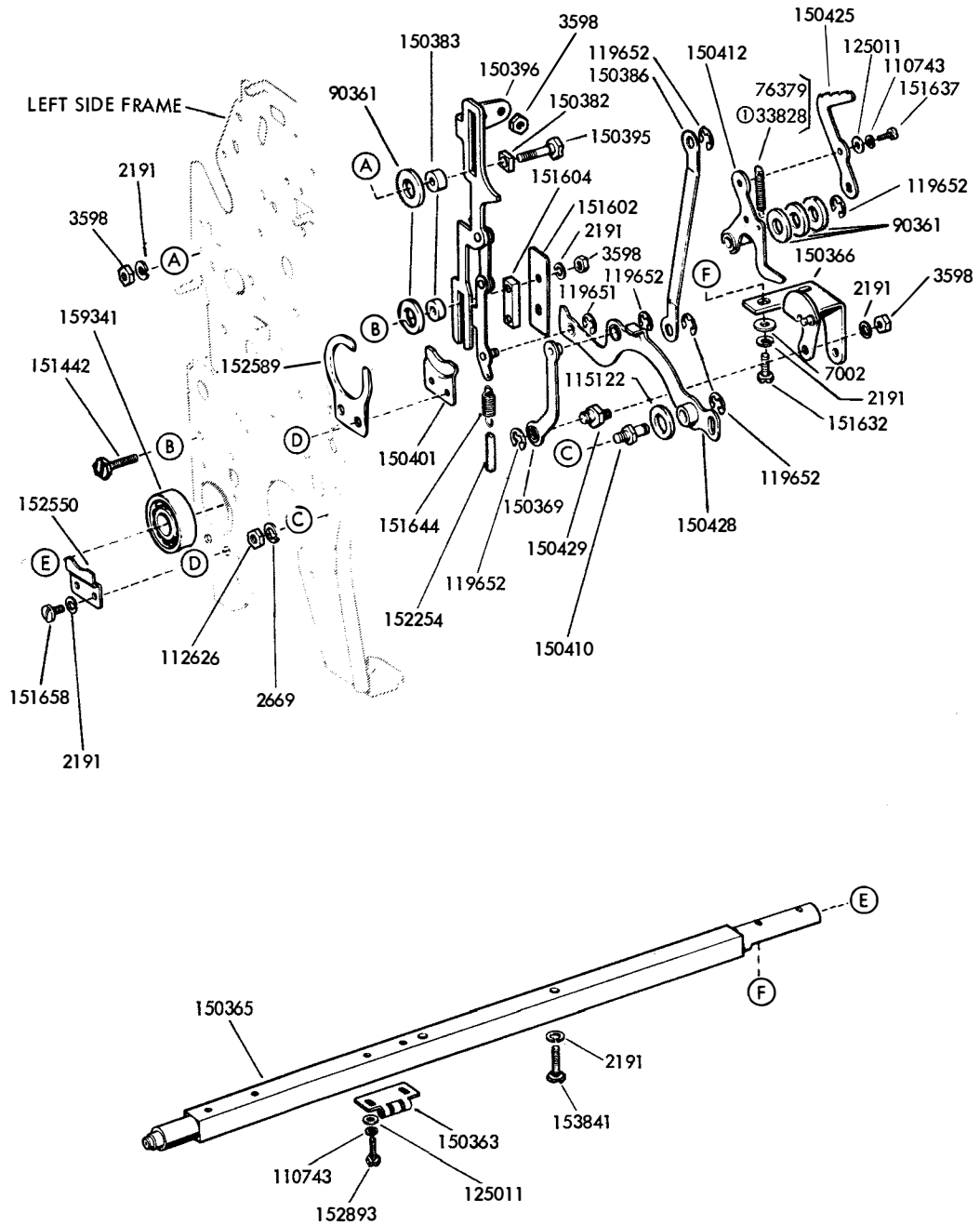
SEE FIGURES 85 AND 86

153751-153767
 EARLY DESIGN PARTS (STILL AVAILABLE)
 SEE NOTE 7 ON PAGE 110



⊙ PART OF 150833 PLATEN ASSEMBLY

FIGURE 17. LINE FEED AND PLATEN MECHANISM



①PECULIAR TO 8 LEVEL UNITS

FOR EARLY DESIGN, SEE FIGURE 19

FIGURE 18. LEFT SIDE LINKAGE AND ROCKER SHAFT MECHANISM

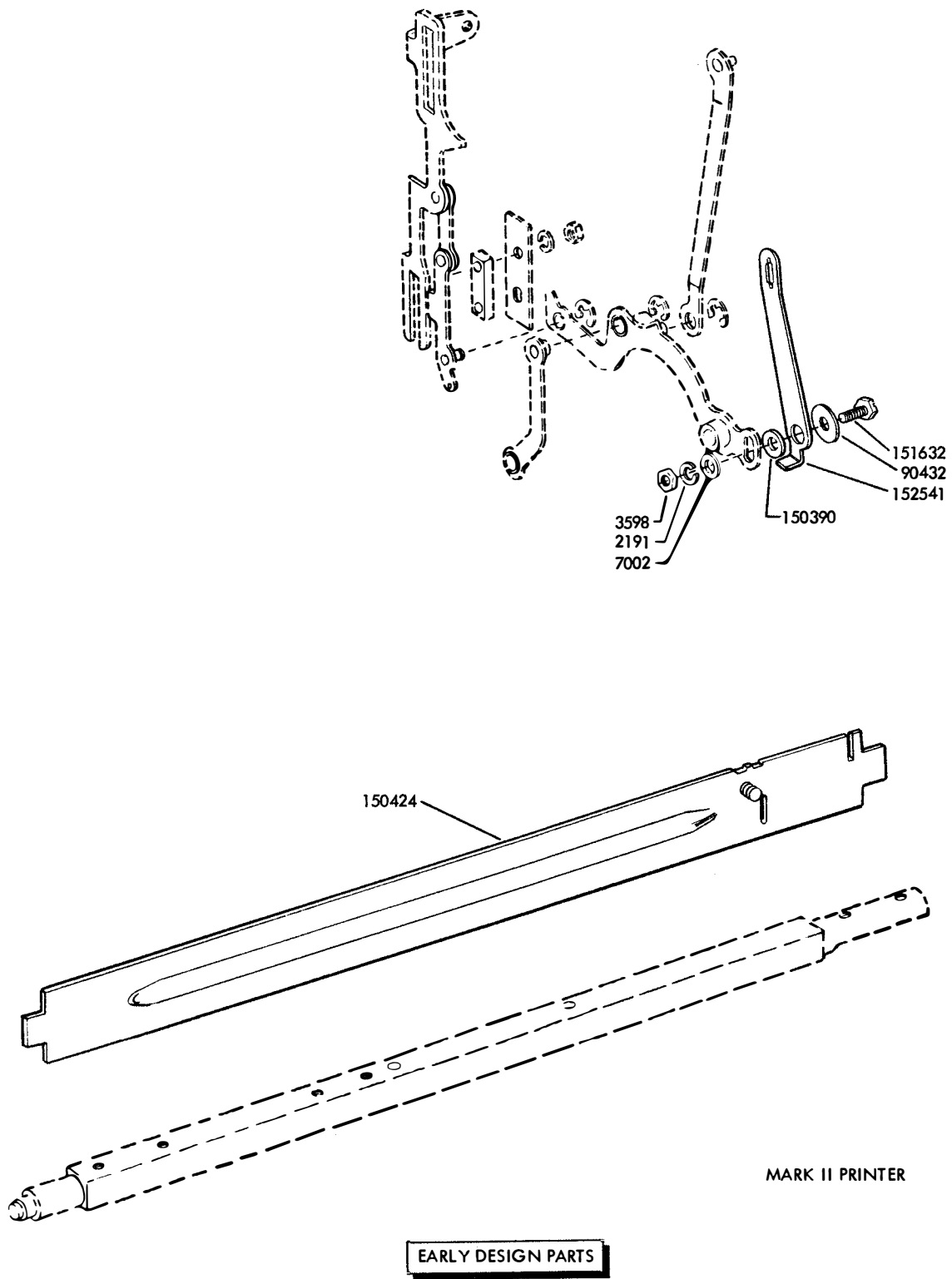


FIGURE 19. LEFT SIDE LINKAGE AND STRIPPER BLADE MECHANISM

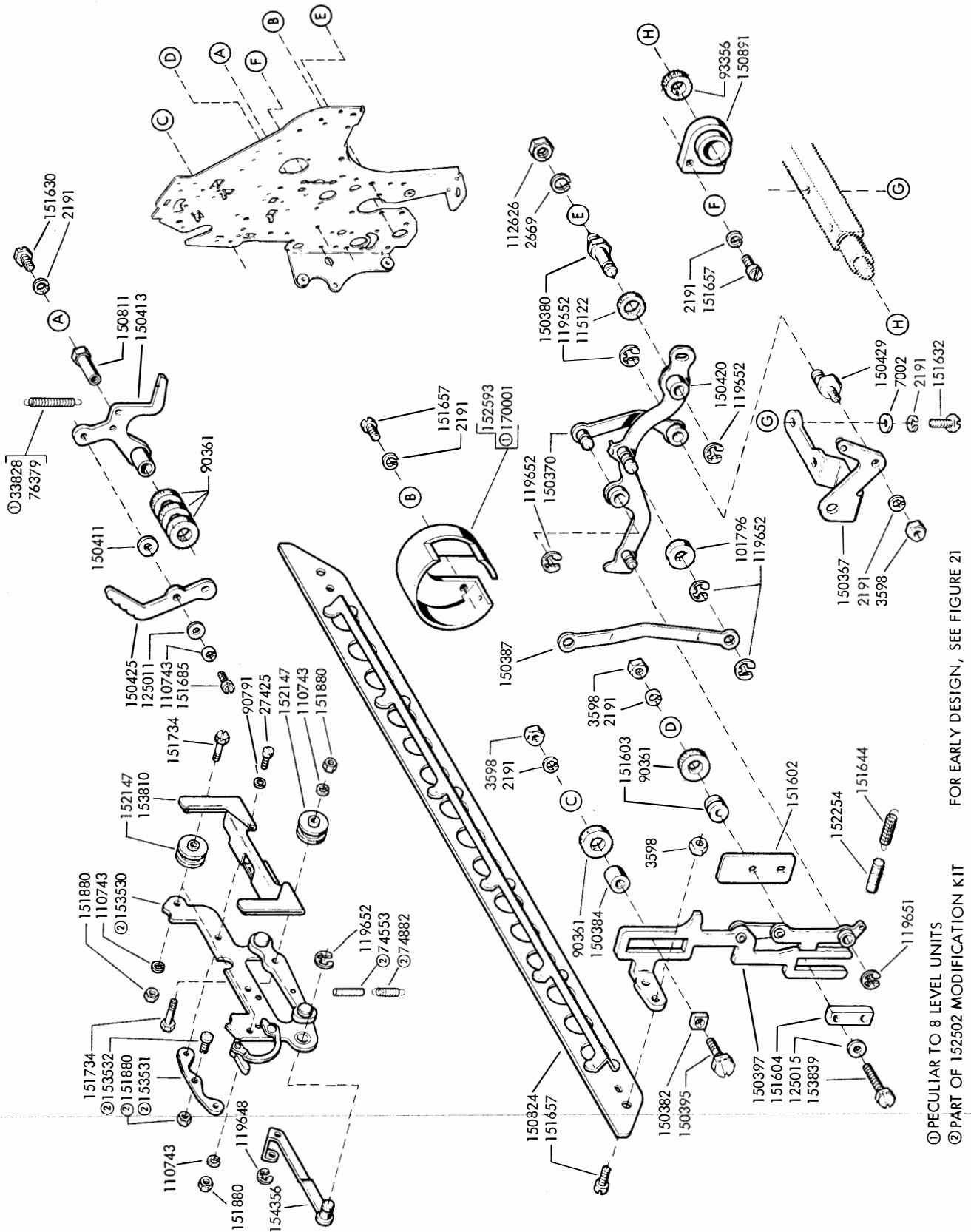
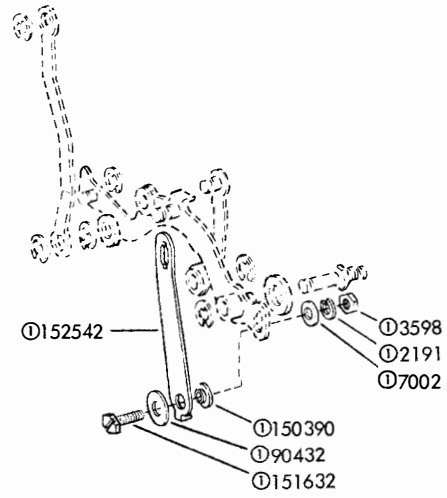
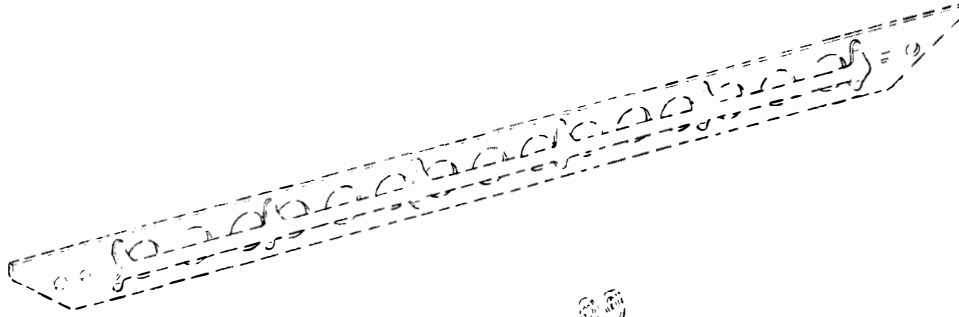
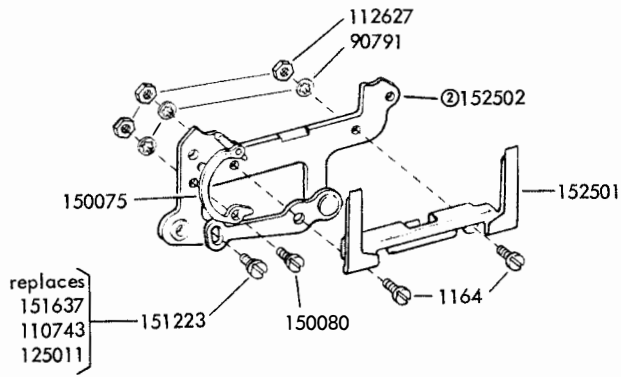


FIGURE 20. RIGHT SIDE LINKAGE AND TYPE BOX CARRIAGE MECHANISM

① PECULIAR TO 8 LEVEL UNITS
 ② PART OF 152502 MODIFICATION KIT

FOR EARLY DESIGN, SEE FIGURE 21

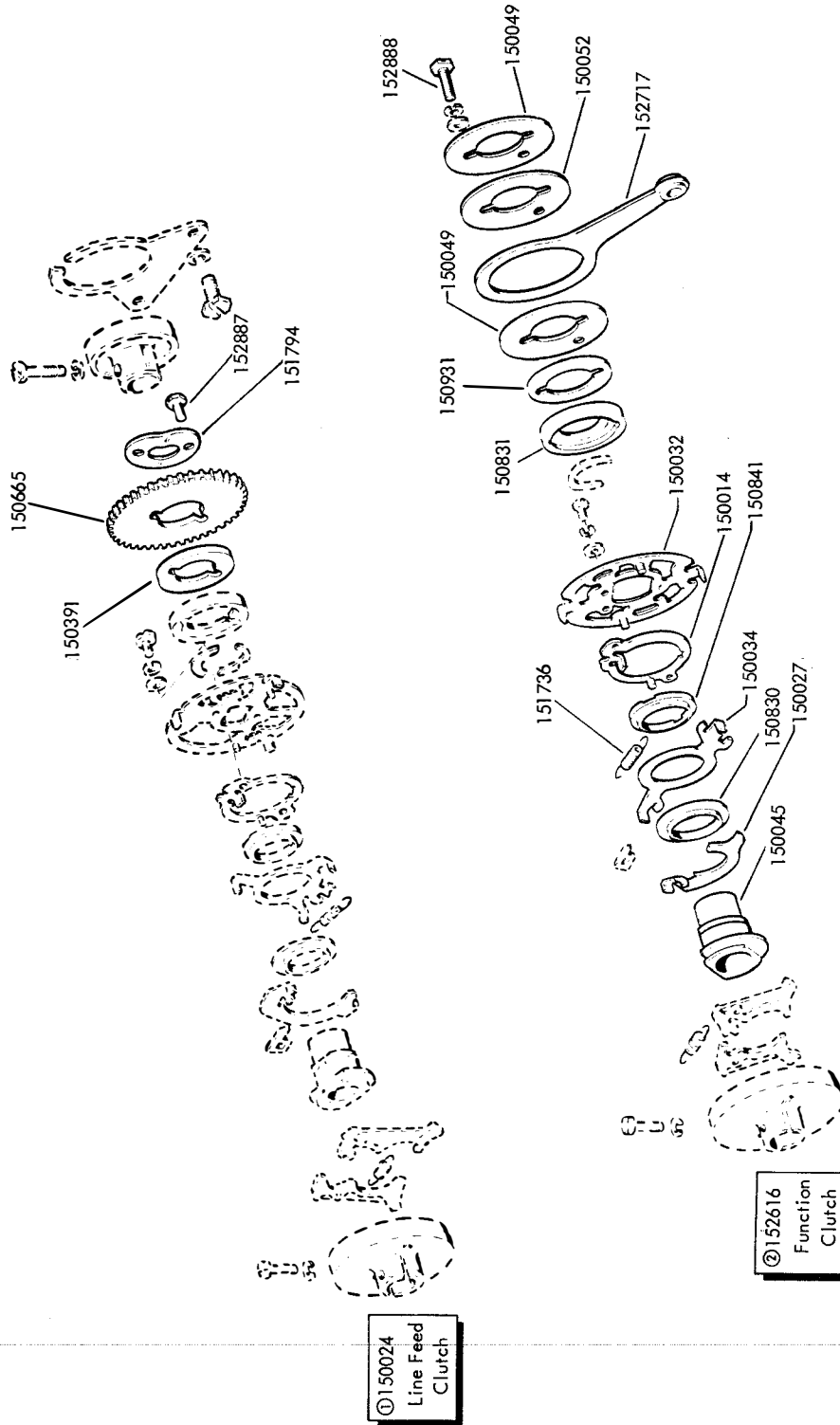


① MARK II PRINTER

② SEE NOTE 8 ON PAGE 110

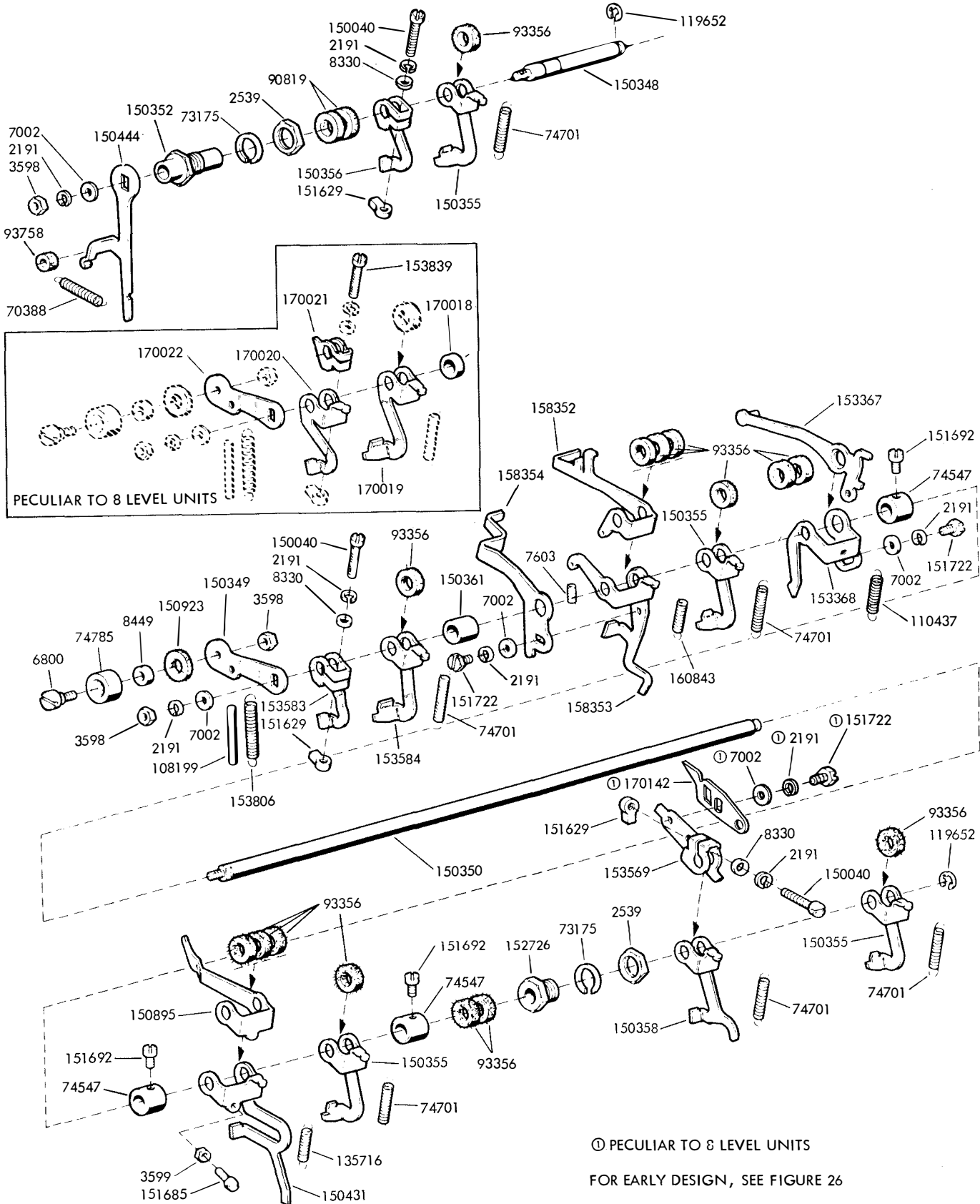
EARLY DESIGN PARTS

FIGURE 21. RIGHT SIDE LINKAGE AND TYPE BOX CARRIAGE MECHANISM



- ① MARK II PRINTER
- ② TWO-STOP FUNCTION CLUTCH

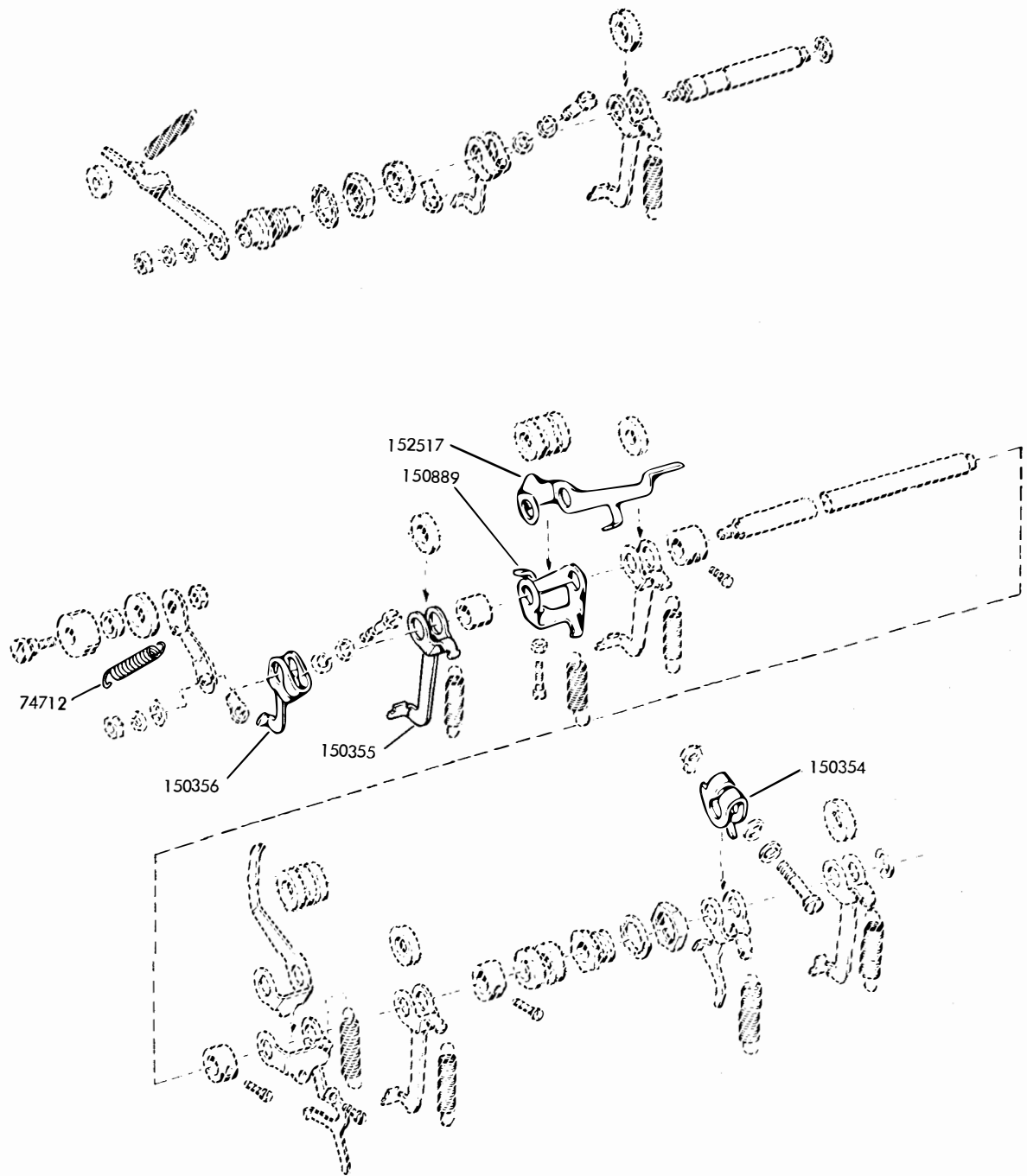
FIGURE 24. LINE FEED CLUTCH AND FUNCTION CLUTCH MECHANISM



Ⓚ PECULIAR TO 8 LEVEL UNITS

FOR EARLY DESIGN, SEE FIGURE 26

FIGURE 25. TRIP SHAFT MECHANISM



MARK II PRINTER

EARLY DESIGN PARTS

FIGURE 26. TRIP SHAFT MECHANISM

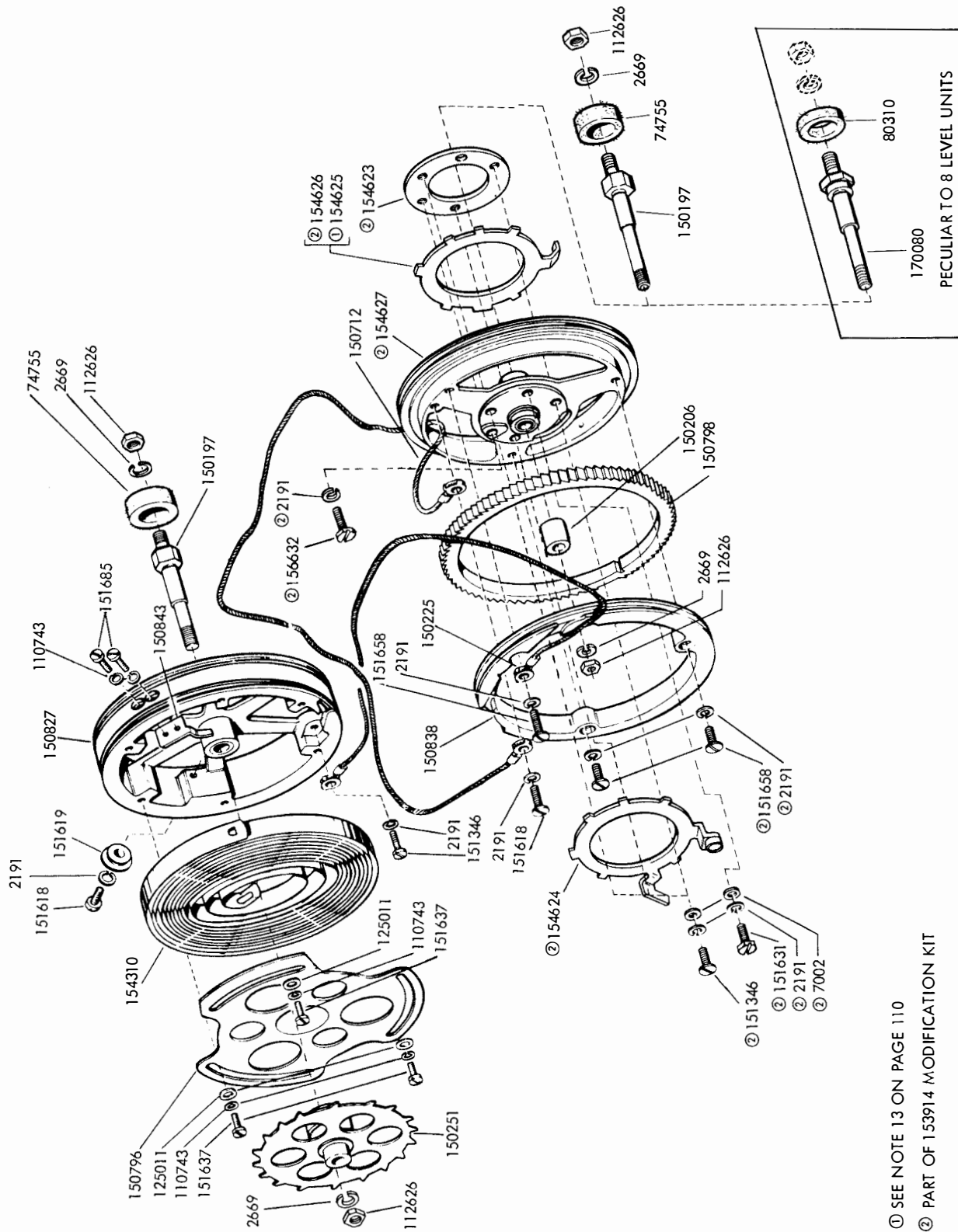
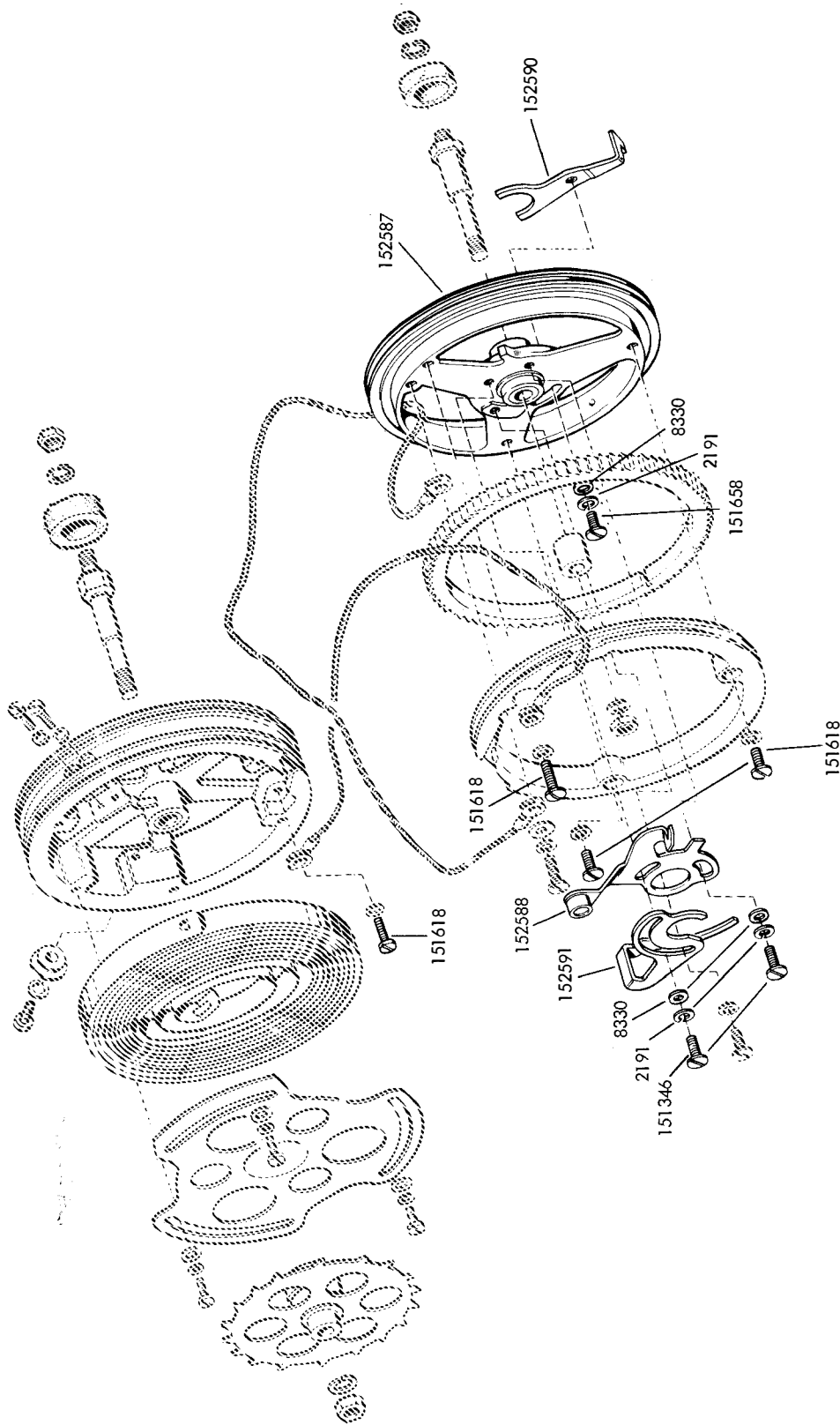


FIGURE 27. CARRIAGE RETURN AND SPACING DRUM MECHANISM

① SEE NOTE 13 ON PAGE 110

② PART OF 153914 MODIFICATION KIT

FOR EARLY DESIGN, SEE FIGURE 28



EARLY DESIGN PARTS

MARK II PRINTER

FIGURE 28. CARRIAGE RETURN AND SPACING DRUM MECHANISM

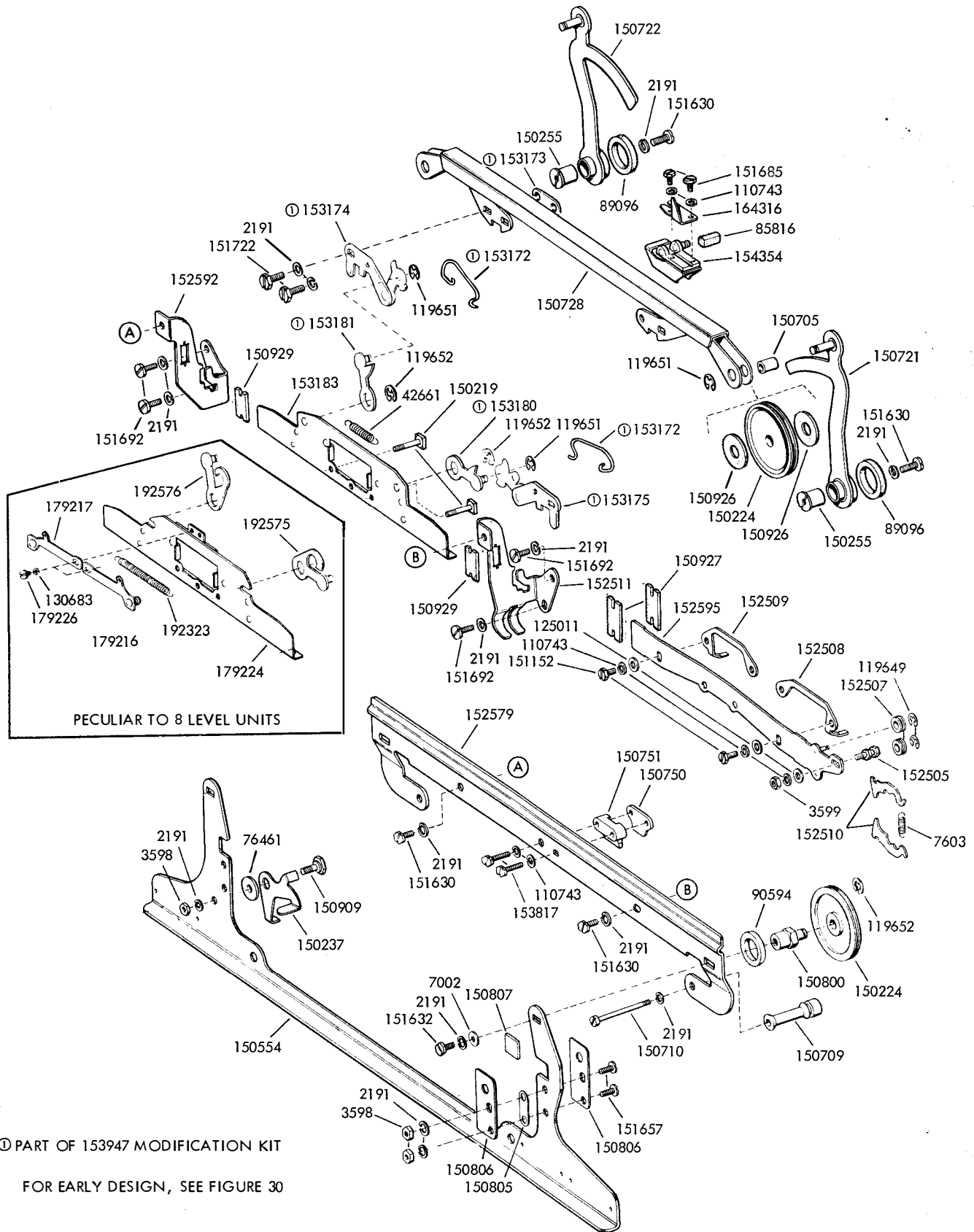
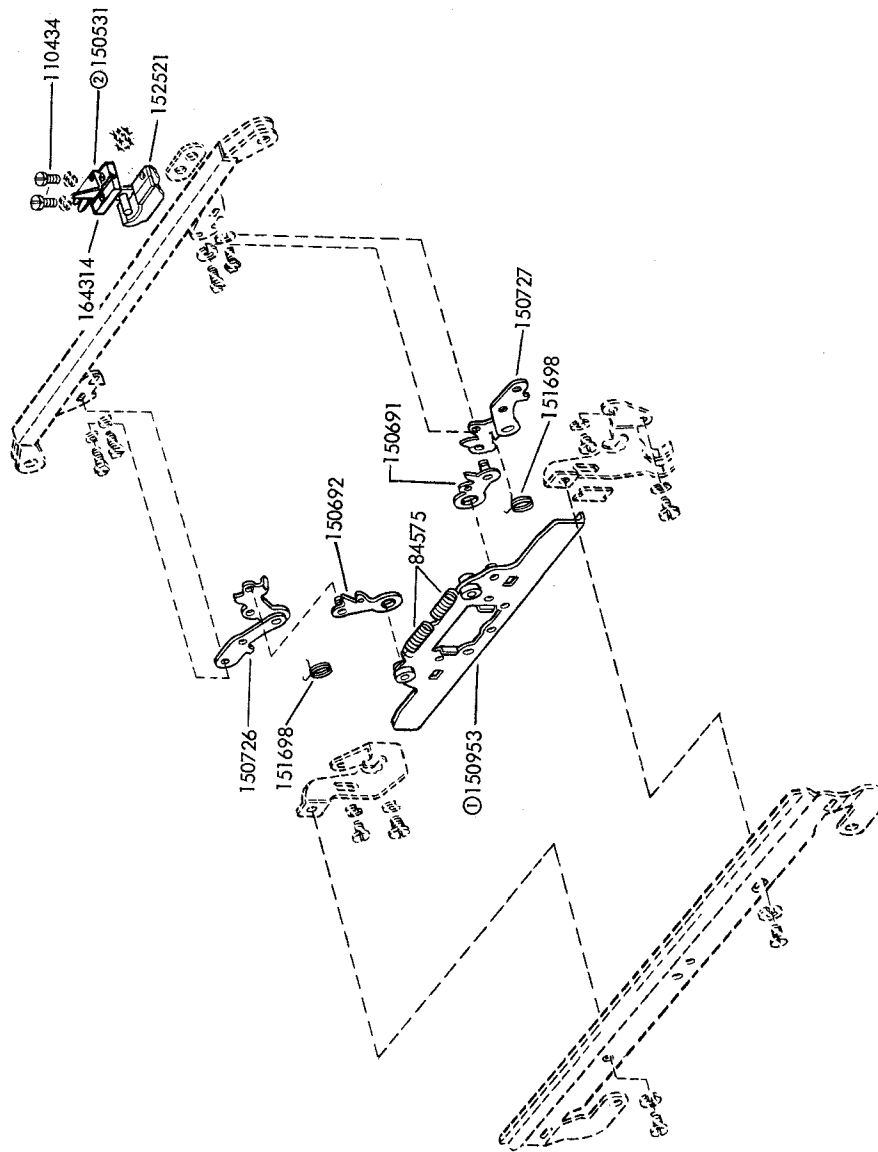


FIGURE 29. FRONT PLATE MECHANISM



EARLY DESIGN PARTS

- ① SEE NOTE 14 ON PAGE 110
- ② SEE NOTE 15 ON PAGE 110

FIGURE 30. FRONT PLATE MECHANISM

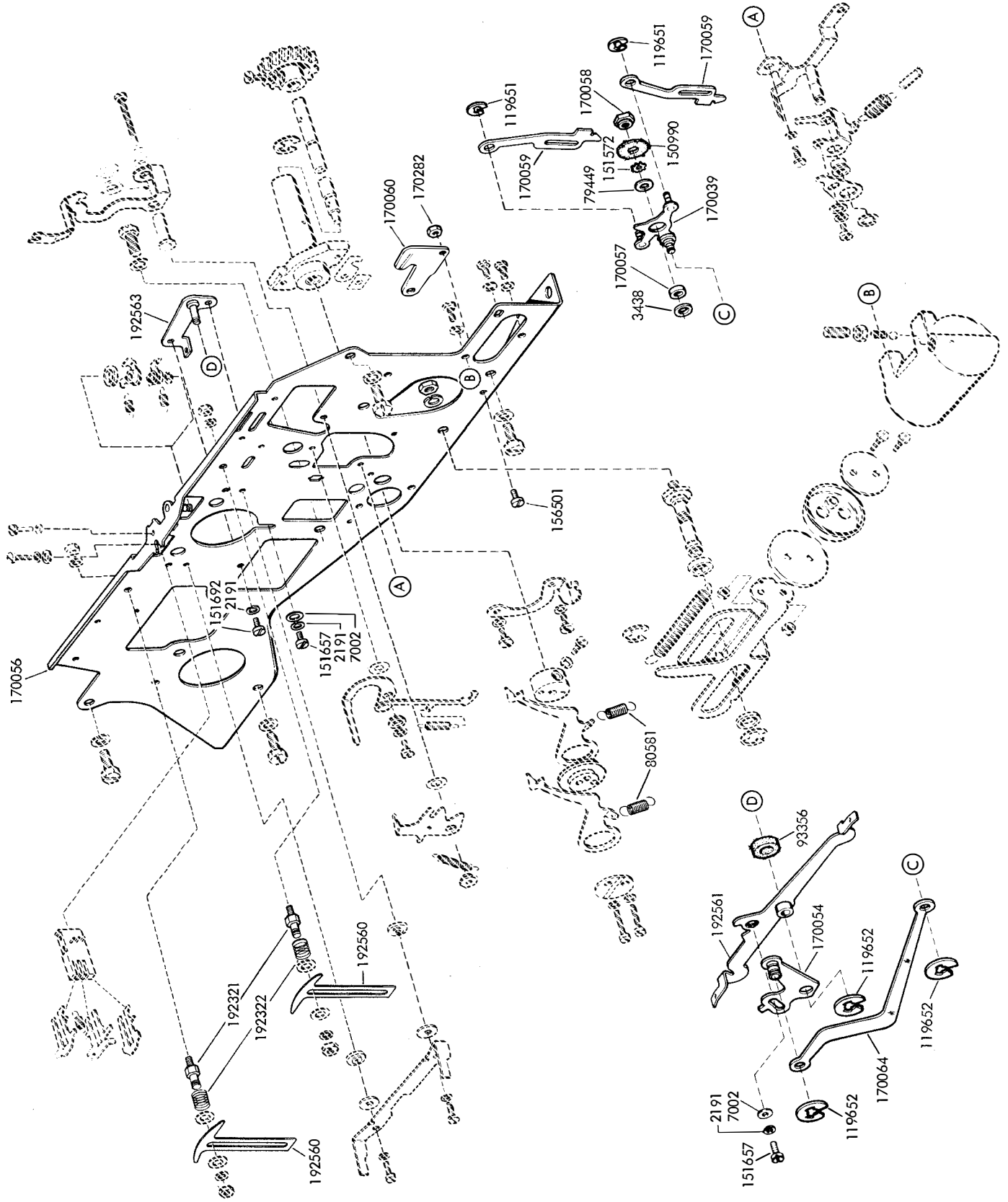
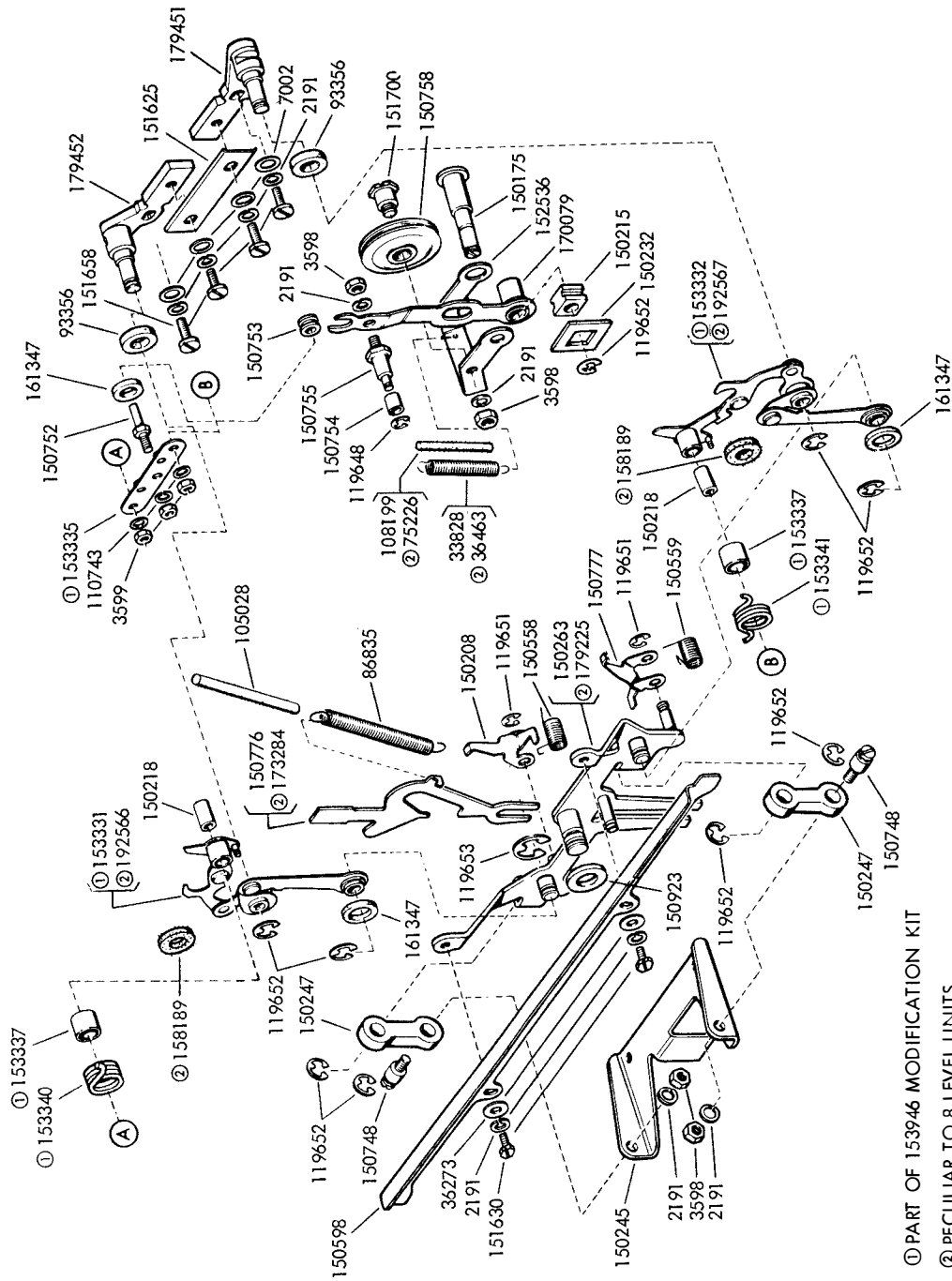
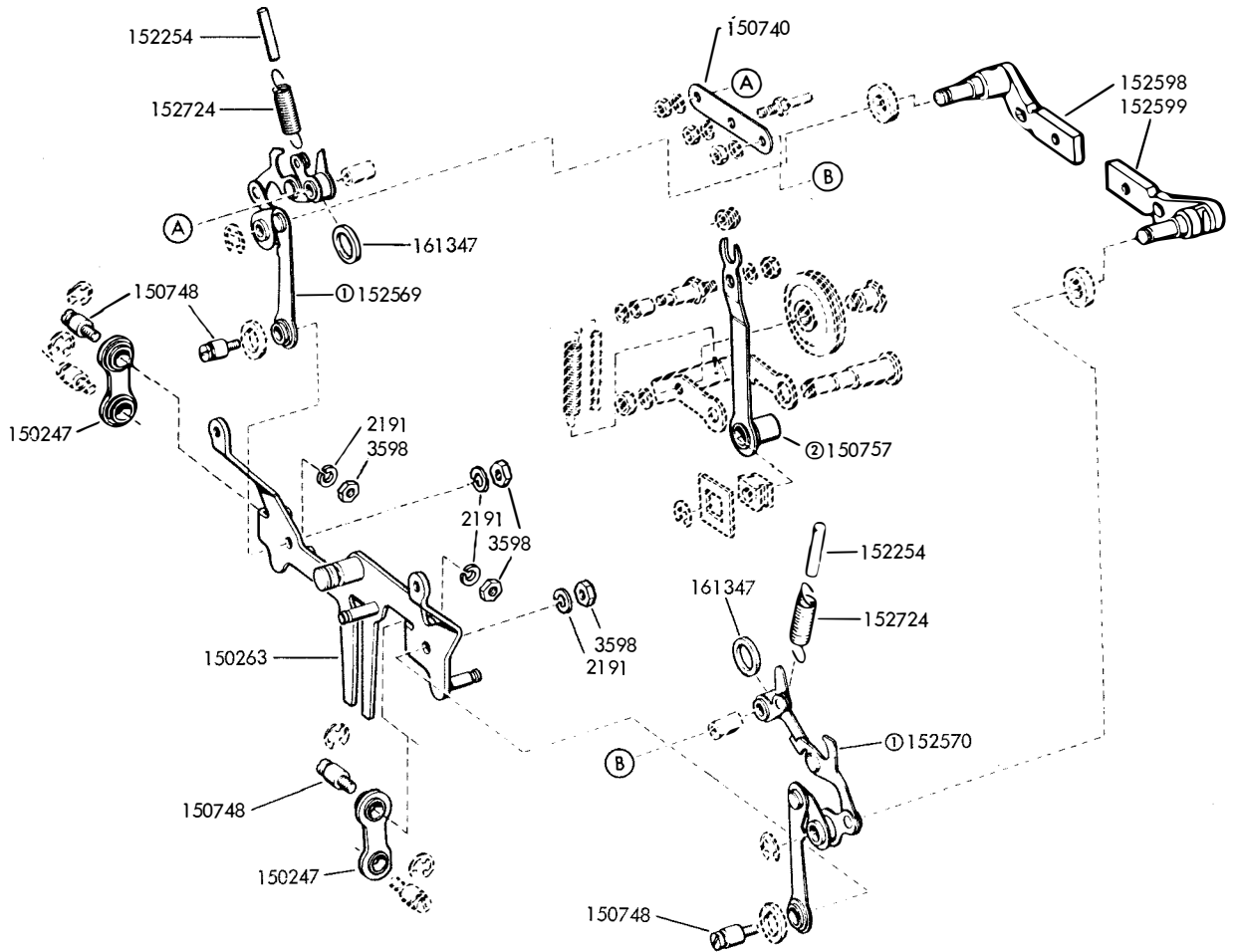


FIGURE 32. FRONT PLATE MECHANISM (8 LEVEL)



① PART OF 153946 MODIFICATION KIT
 ② PECULIAR TO 8 LEVEL UNITS
 FOR EARLY DESIGN, SEE FIGURE 34

FIGURE 33. FRONT PLATE MECHANISM



① SEE NOTE 18 ON PAGE 110

② SEE NOTE 19 ON PAGE 110

EARLY DESIGN PARTS

FIGURE 34. FRONT PLATE MECHANISM

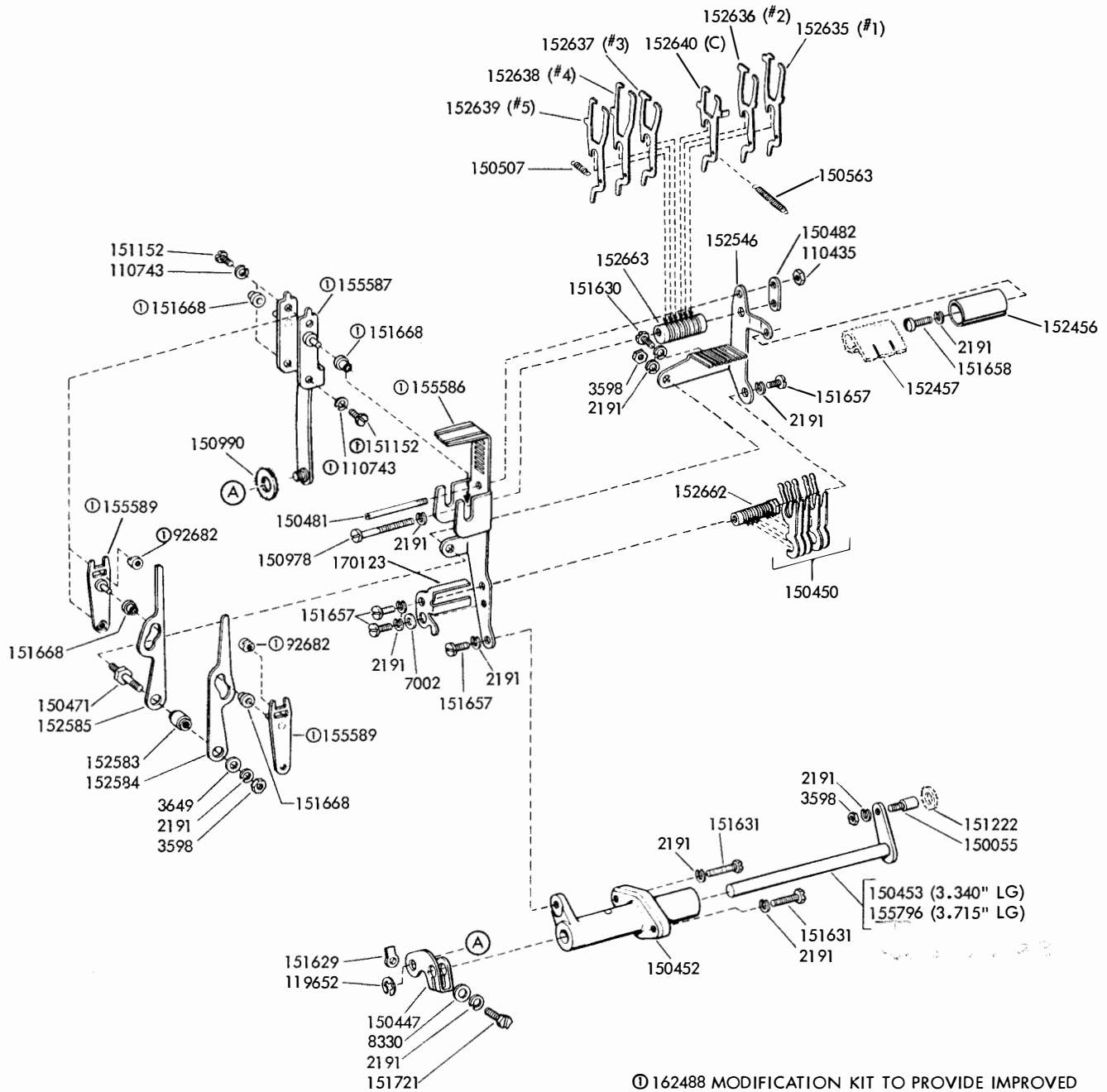


FIGURE 35. CODE BAR POSITIONING MECHANISM

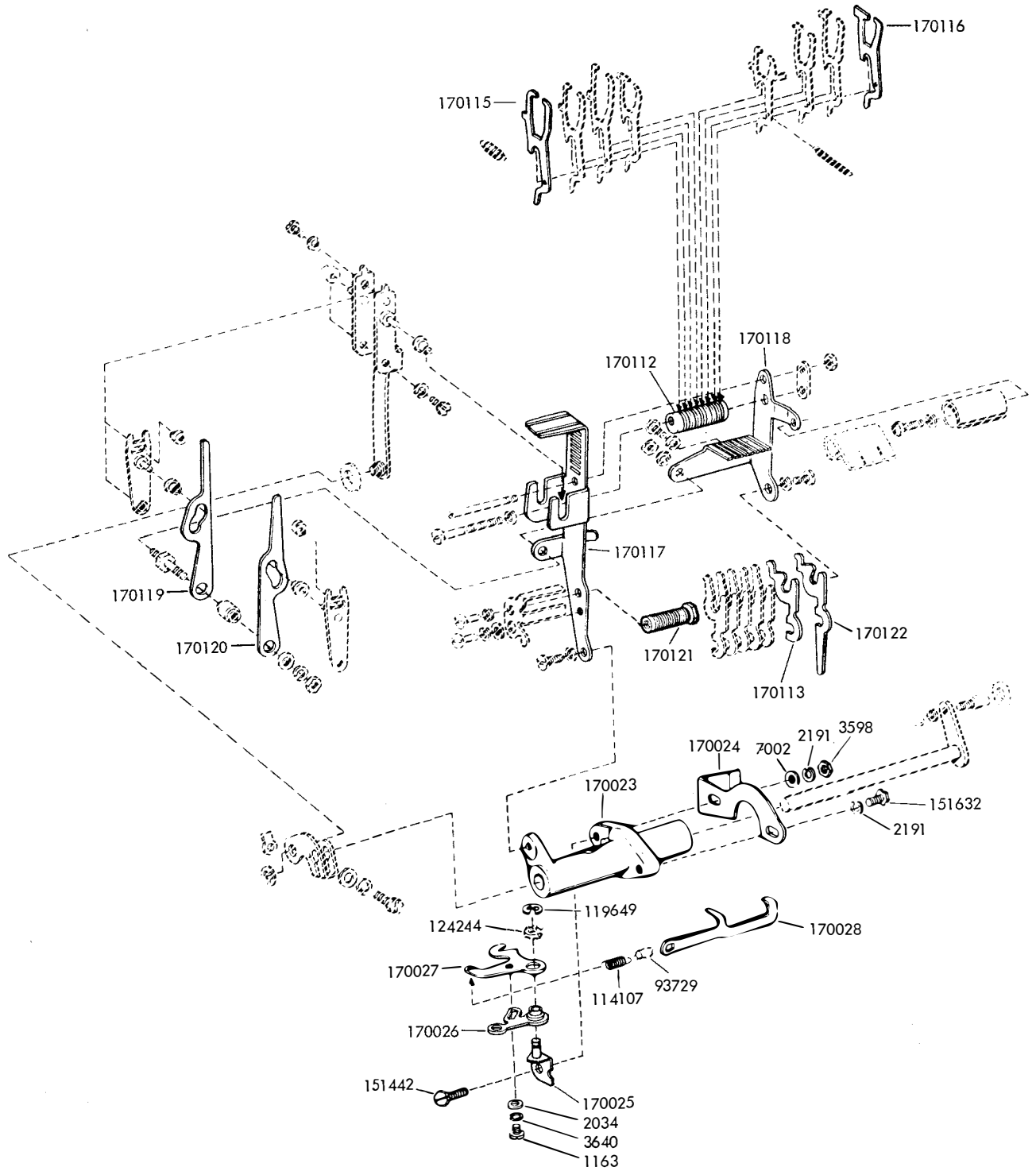
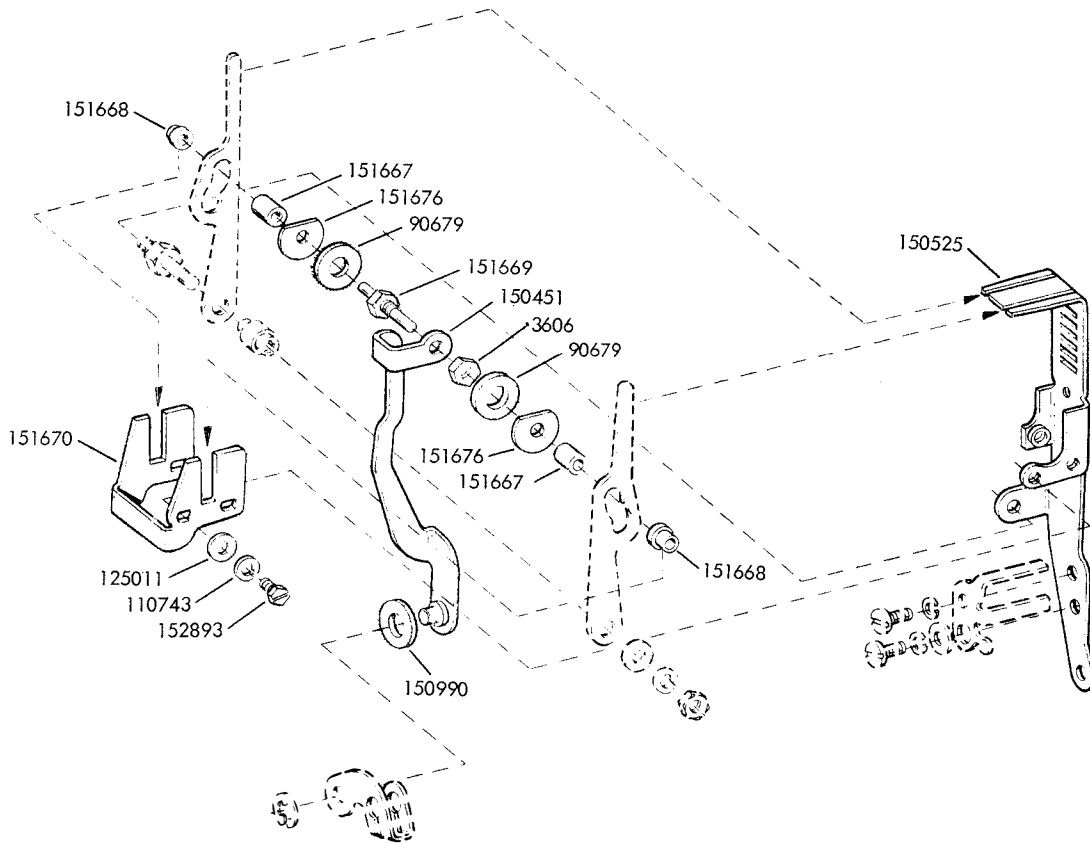
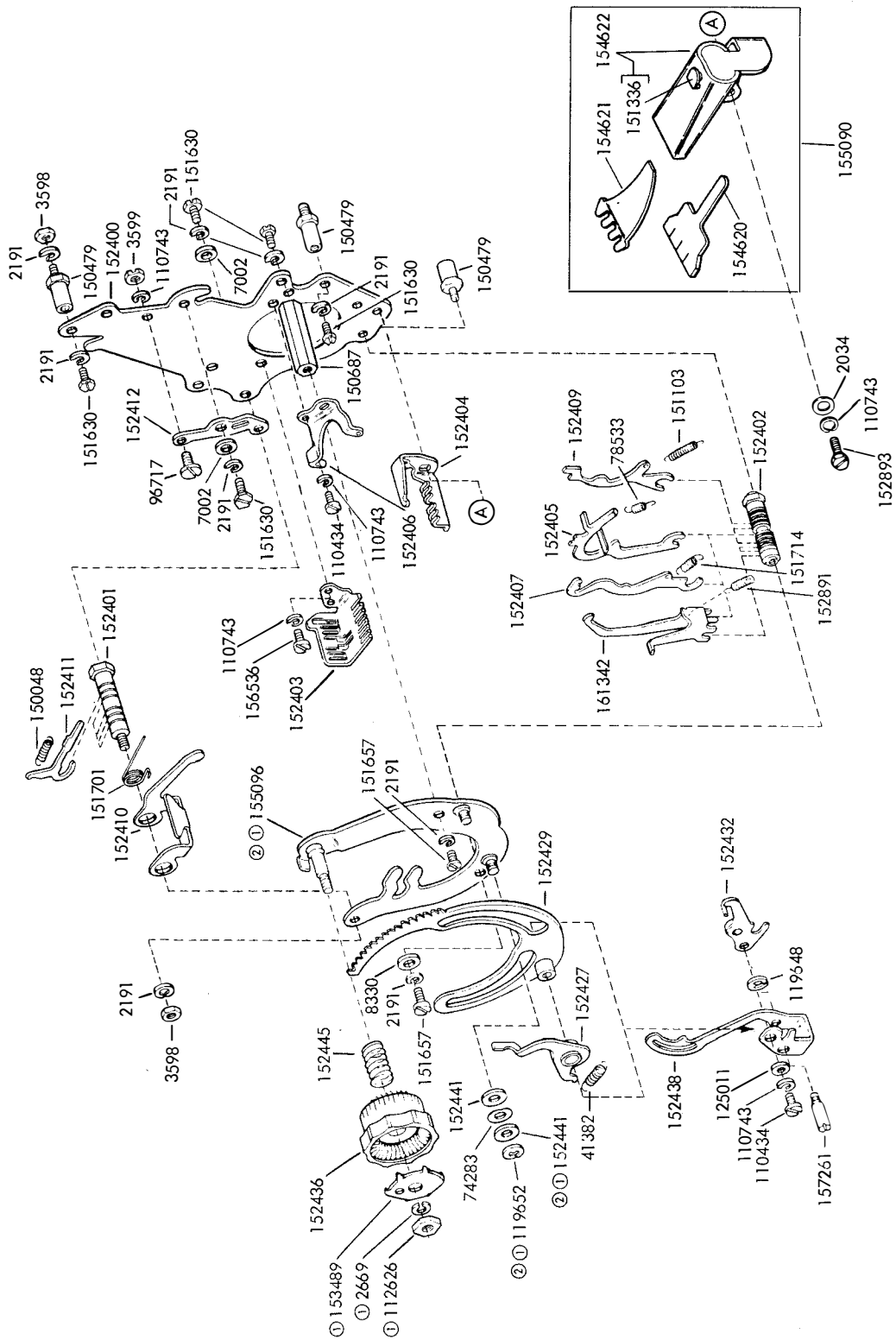


FIGURE 36. CODE BAR POSITIONING MECHANISM (8 LEVEL)



EARLY DESIGN PARTS

FIGURE 37. CODE BAR POSITIONING MECHANISM



- ① PART OF 153904 MODIFICATION KIT
- ② PART OF 154723 MODIFICATION KIT

FOR EARLY DESIGN, SEE FIGURE 40

FIGURE 38. SELECTOR MECHANISM

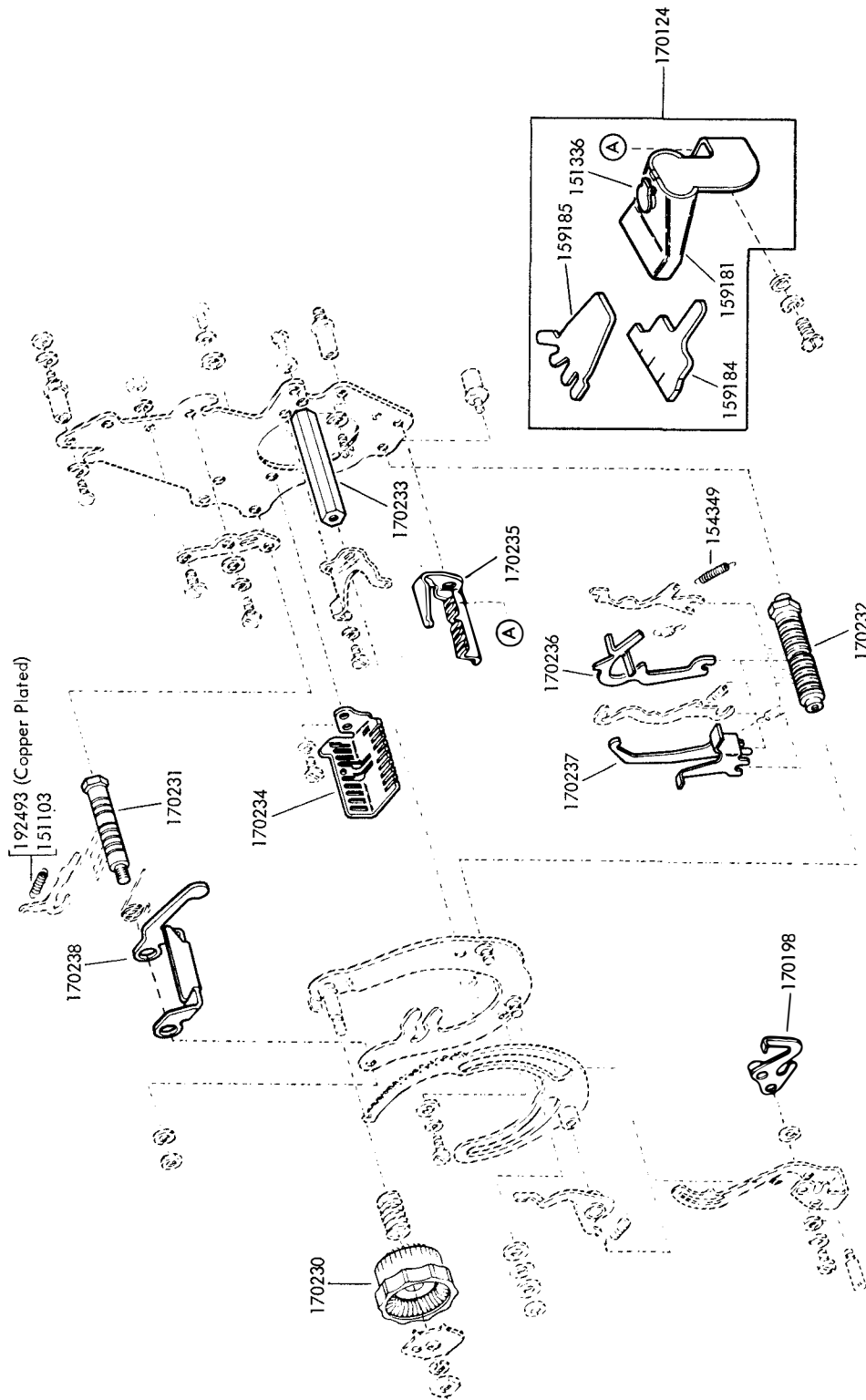
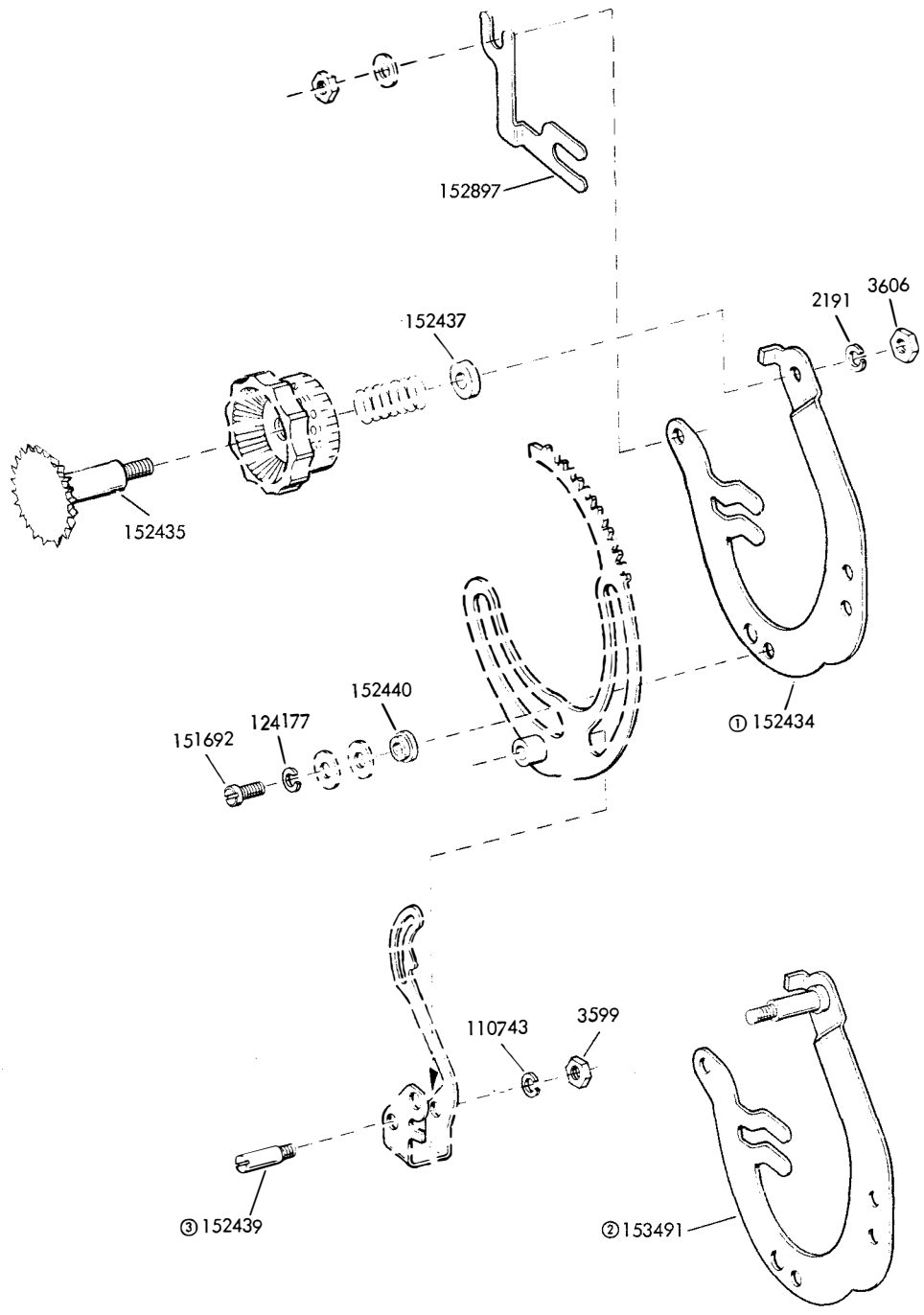


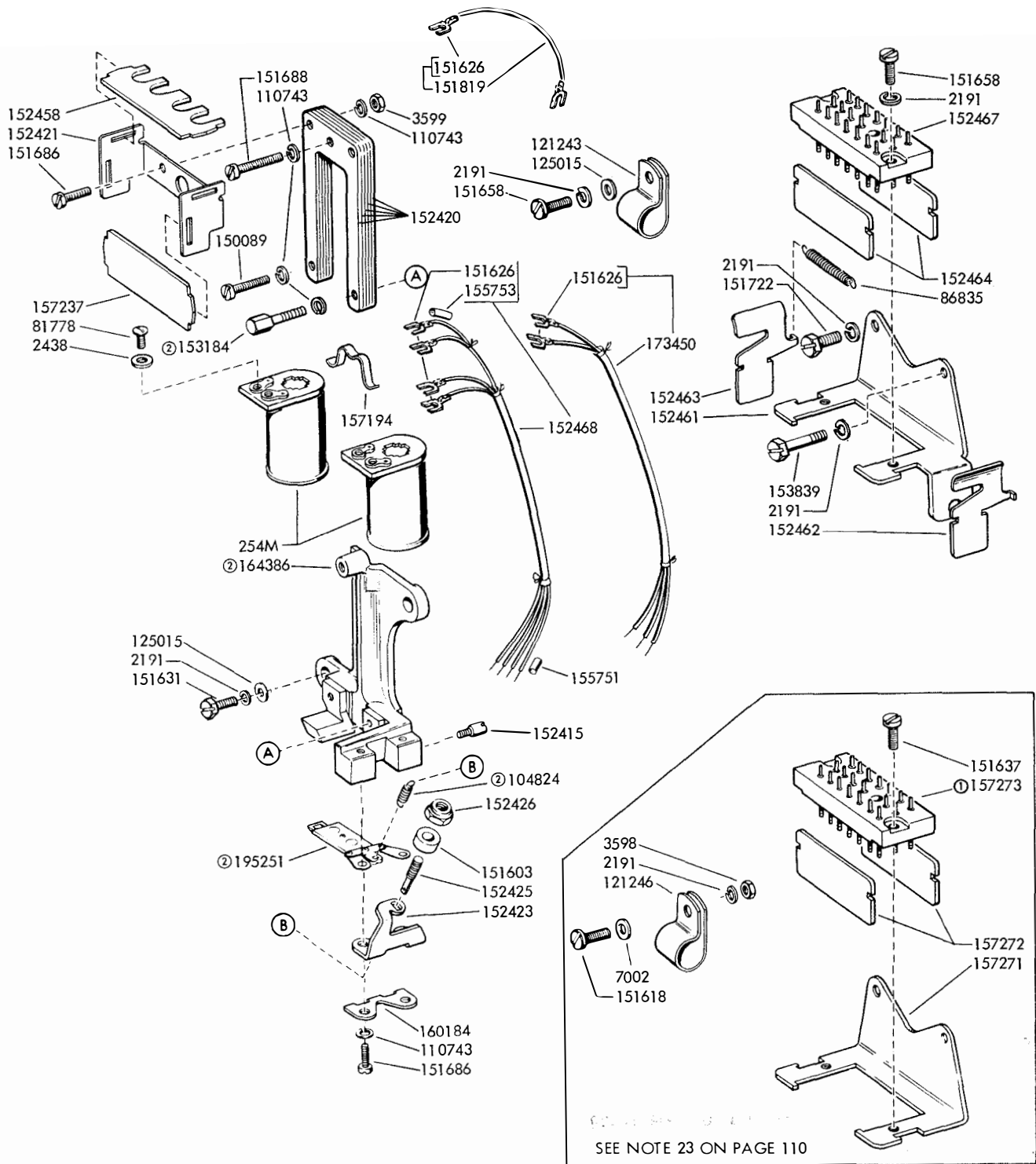
FIGURE 39. SELECTOR MECHANISM (8 LEVEL)



- ① SEE NOTE 20 ON PAGE 110
- ② SEE NOTE 21 ON PAGE 110
- ③ SEE NOTE 22 ON PAGE 110

EARLY DESIGN PARTS

FIGURE 40. SELECTOR KNOB MECHANISM



① PART OF 173690 CABLE ASSEMBLY (SEE FIGURE 60)

② PART OF 153949 MODIFICATION KIT

FOR EARLY DESIGN, SEE FIGURE 43

FIGURE 41. SELECTOR MAGNET MECHANISM.

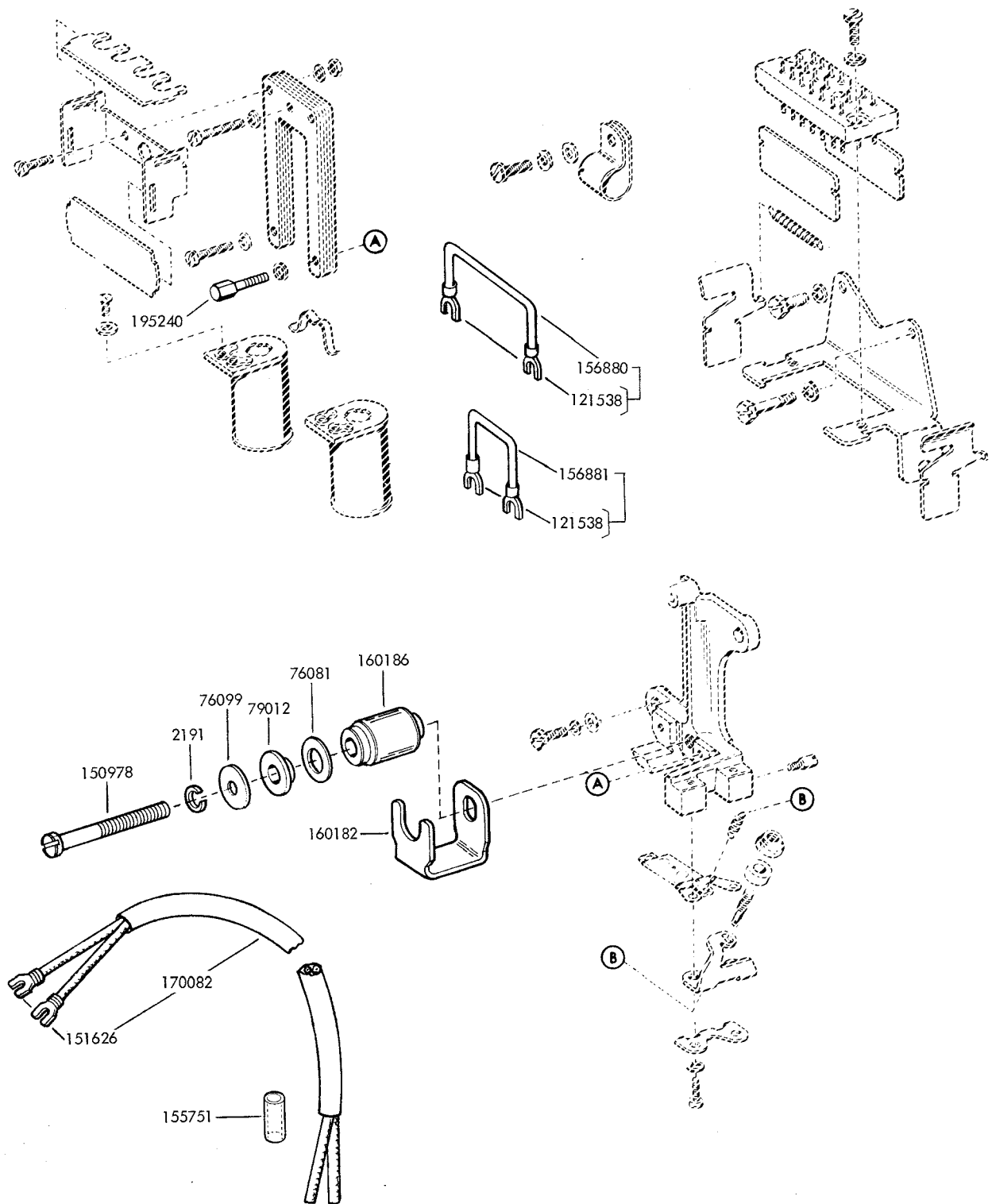
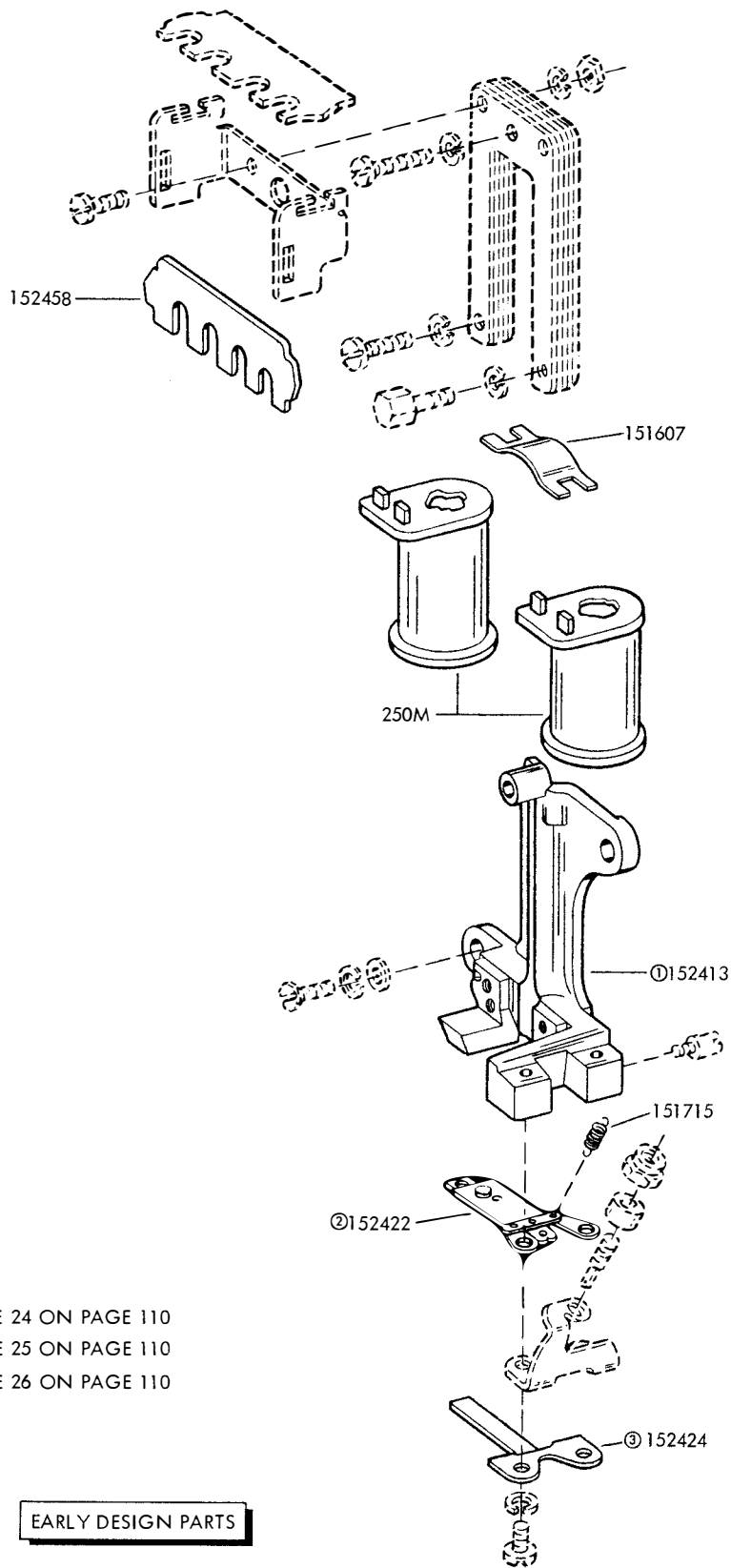


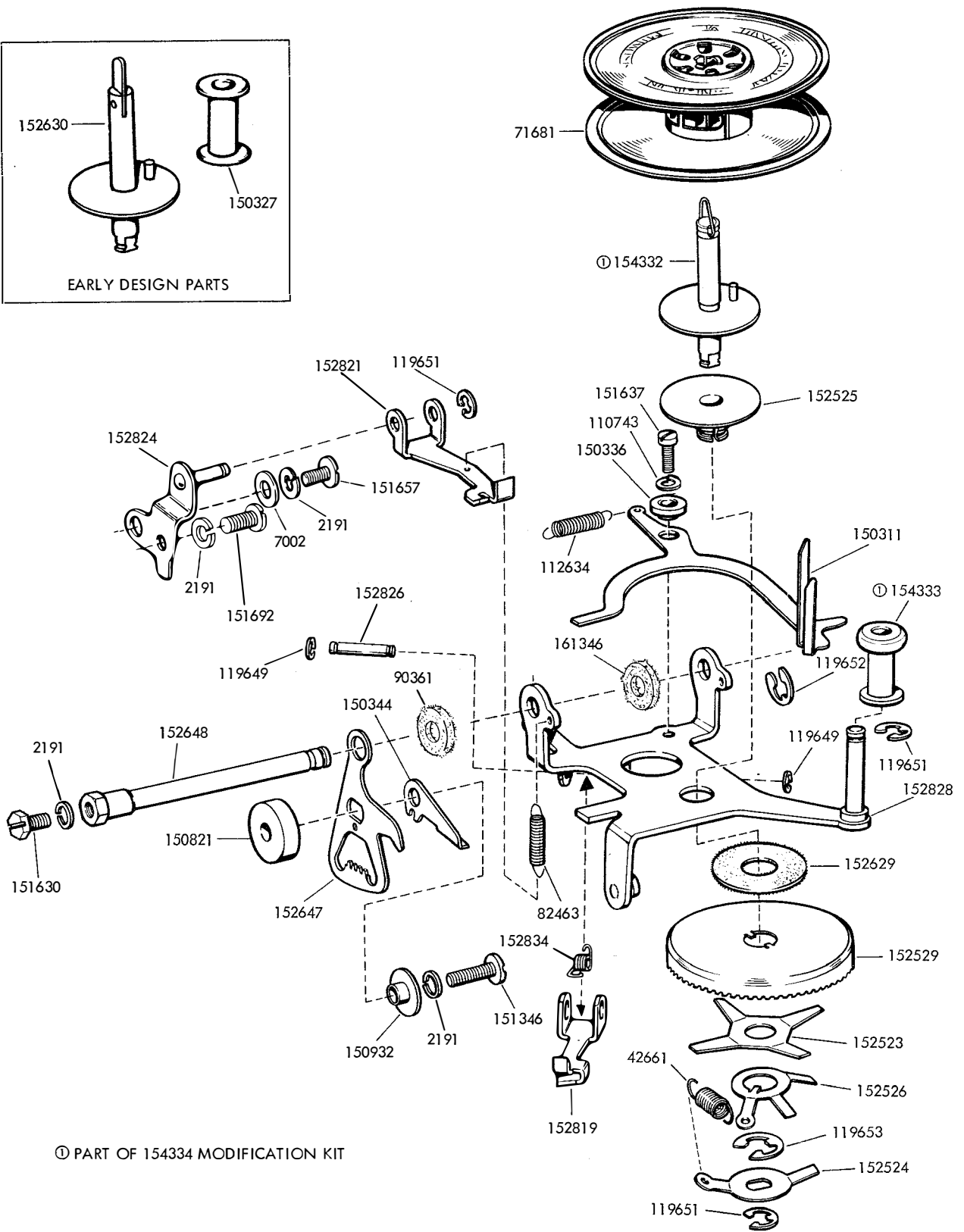
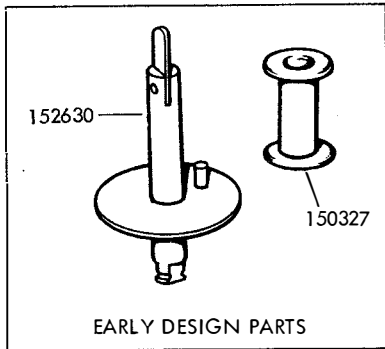
FIGURE 42. SELECTOR MAGNET MECHANISM (8 LEVEL)



- ① SEE NOTE 24 ON PAGE 110
- ② SEE NOTE 25 ON PAGE 110
- ③ SEE NOTE 26 ON PAGE 110

EARLY DESIGN PARTS

FIGURE 43. SELECTOR MAGNET MECHANISM



⓪ PART OF 154334 MODIFICATION KIT

FIGURE 44. RIGHT RIBBON FEED MECHANISM

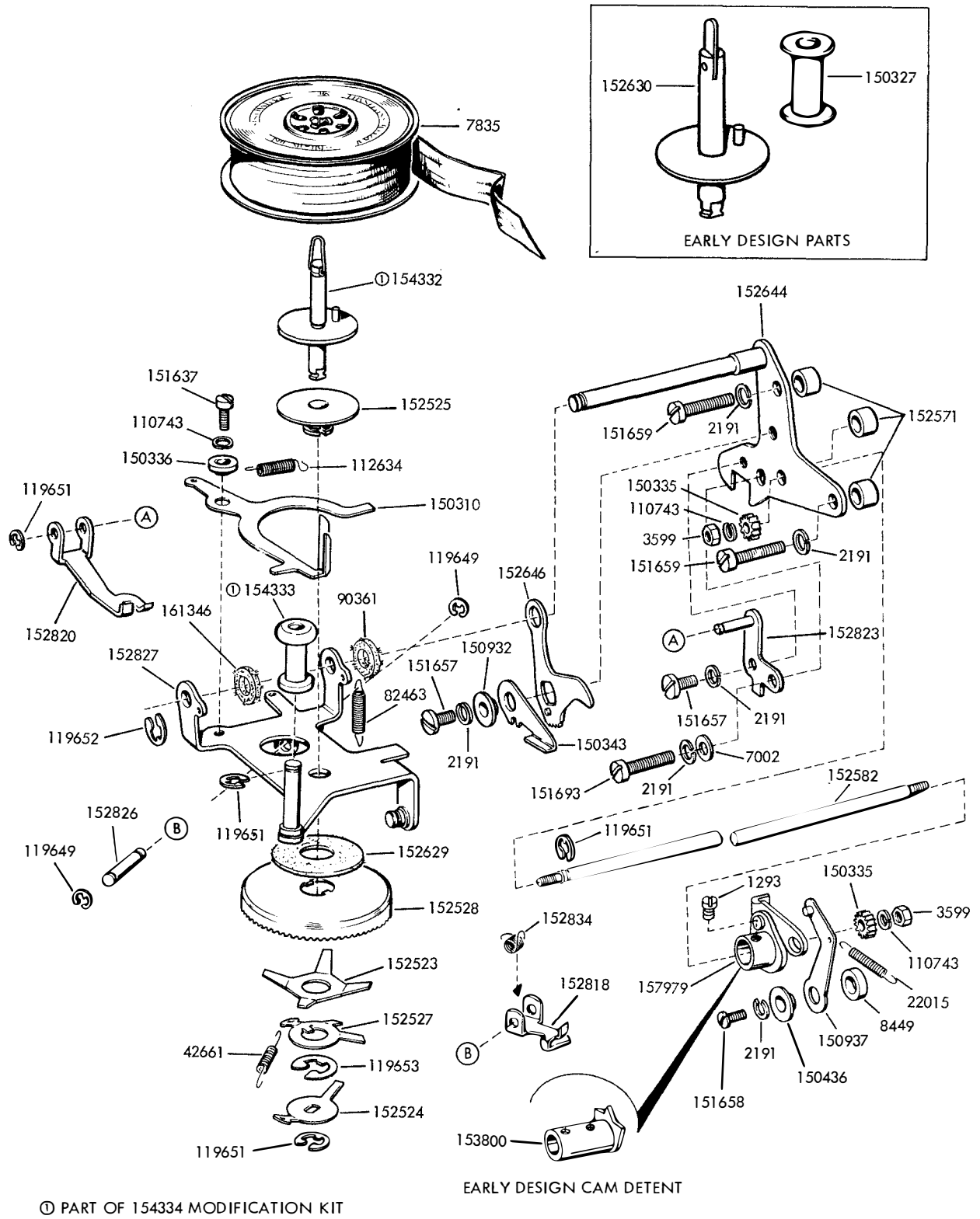
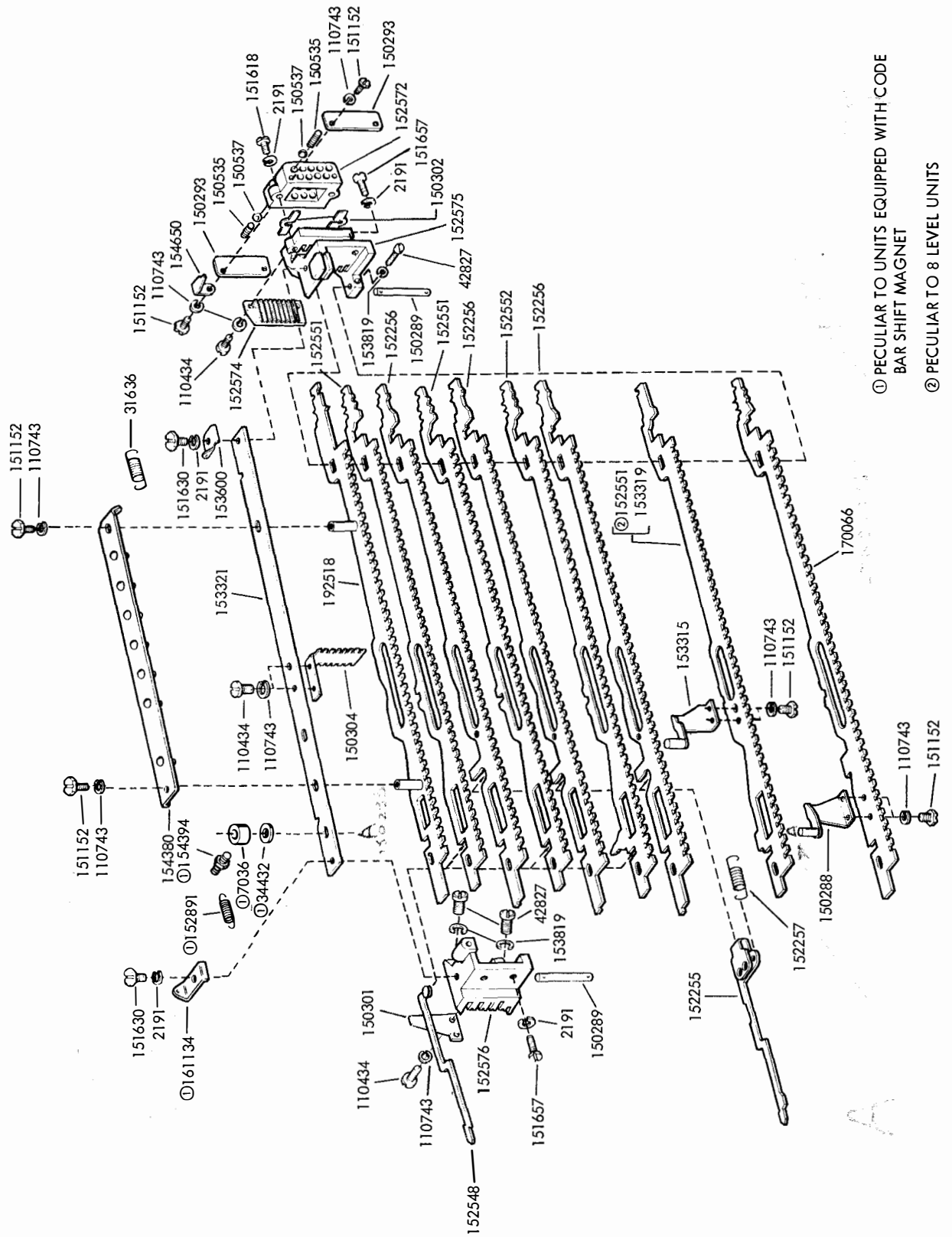


FIGURE 45. LEFT RIBBON FEED MECHANISM



- ① PECULIAR TO UNITS EQUIPPED WITH CODE BAR SHIFT MAGNET
- ② PECULIAR TO 8 LEVEL UNITS FOR EARLY DESIGN, SEE FIGURE 47

FIGURE 46. CODE BAR MECHANISM

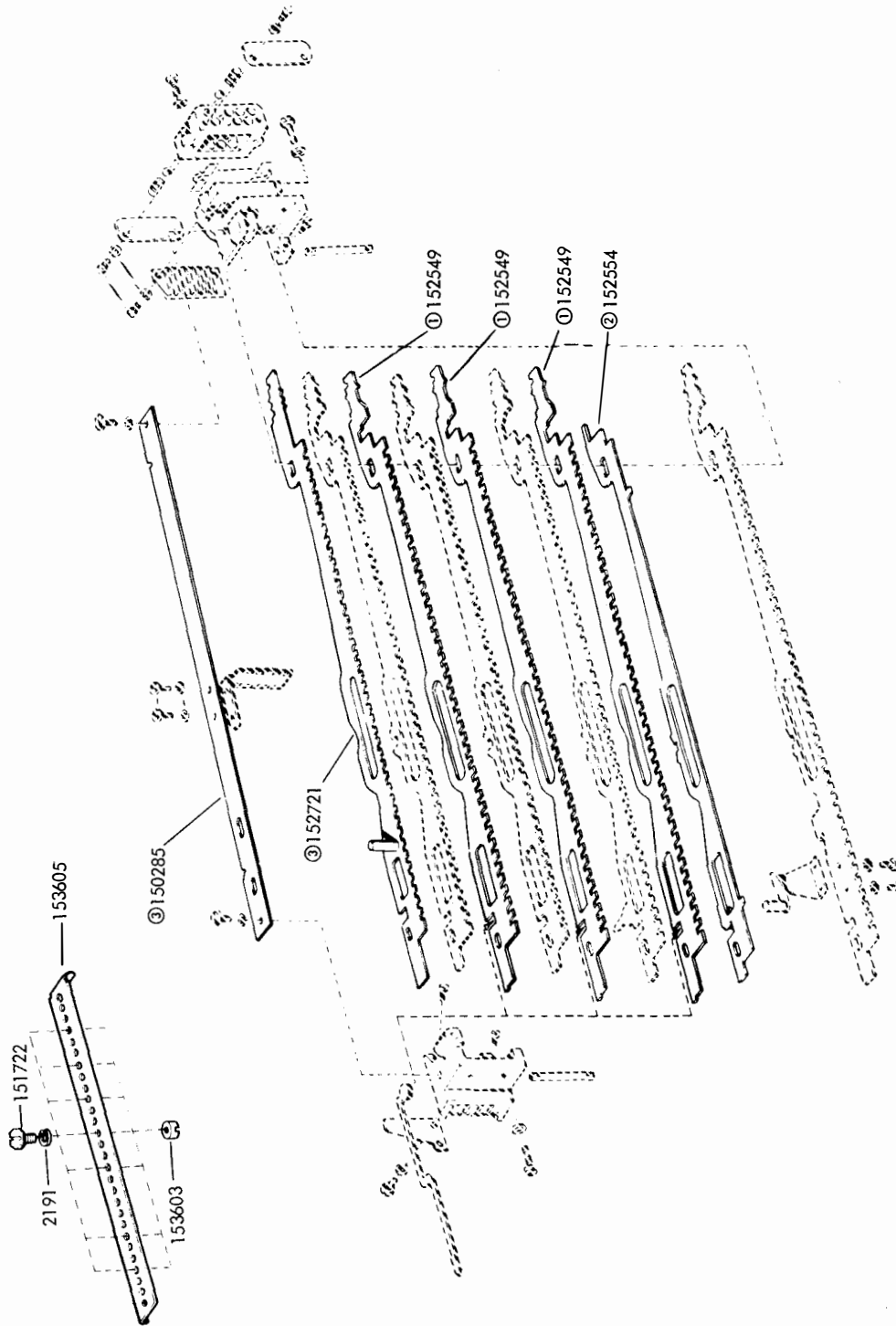


FIGURE 47. CODE BAR MECHANISM

EARLY DESIGN PARTS

① PECULIAR TO UNITS WITH SERIAL NUMBERS 8699 AND LOWER

② SEE NOTE 27 ON PAGE 110

③ SEE NOTE 28 ON PAGE 110

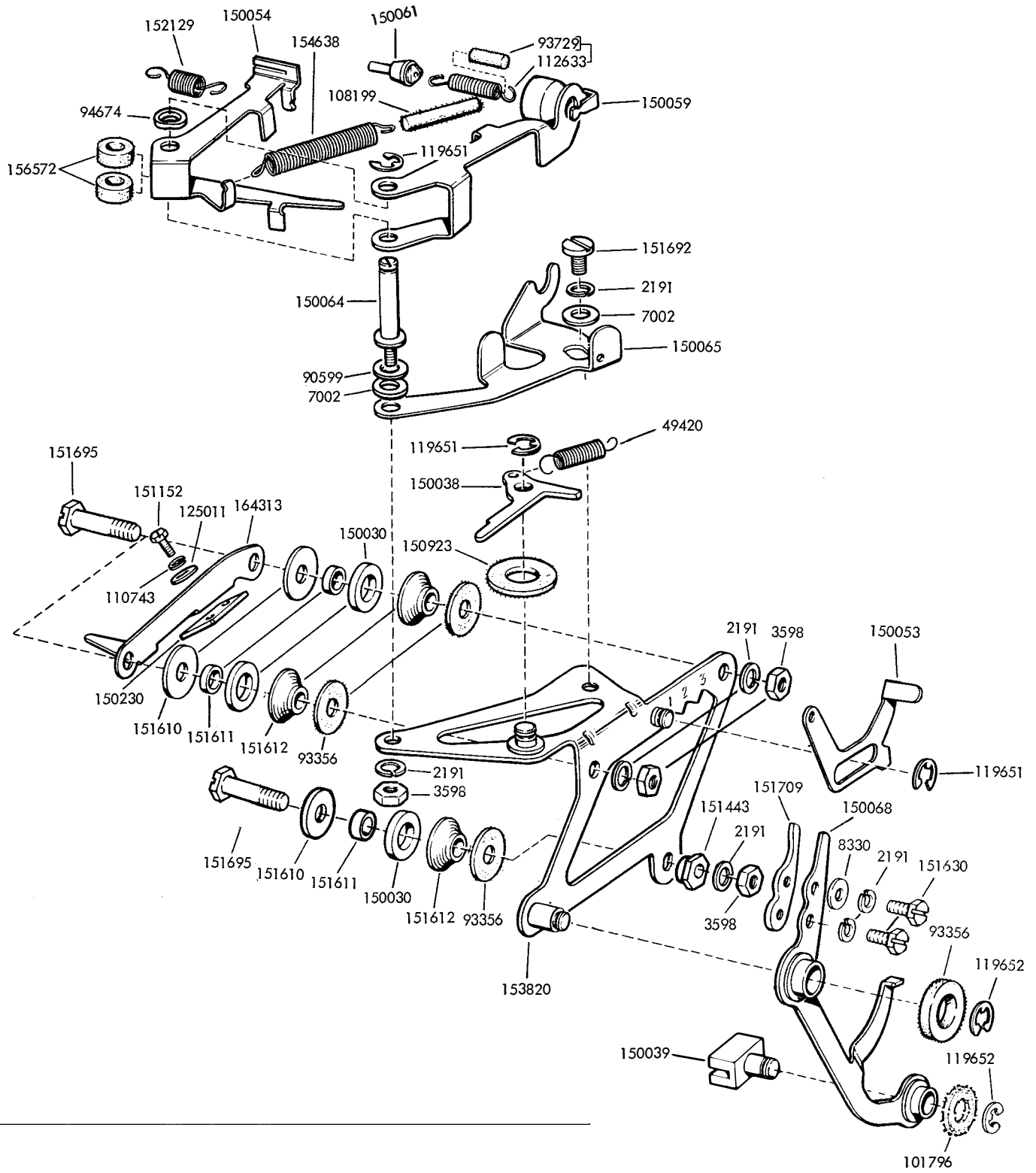
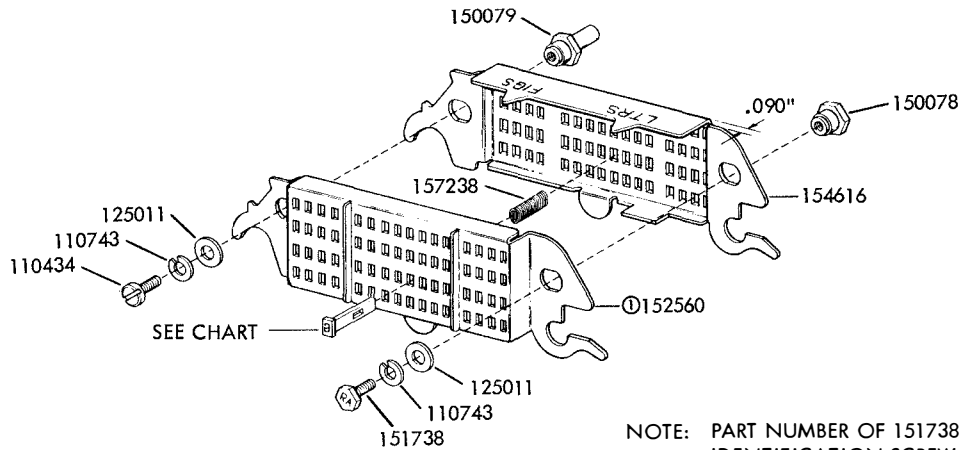


FIGURE 48. 150036 PRINTING CARRIAGE ASSEMBLY



NOTE: PART NUMBER OF 151738 IDENTIFICATION SCREW TO INCLUDE TWO LETTER SUFFIX OF TYPE BOX ARRANGEMENT.

MURRAY STYLE PALLETS

PALLET	NUMBER	PALLET	NUMBER
A	157600	S	157618
B	157601	T	157619
C	157602	U	157620
D	157603	V	157621
E	157604	W	157622
F	157605	X	157623
G	157606	Y	157624
H	157607	Z	157625
I	157608	1	157626
J	157609	2	157627
K	157610	3	157628
L	157611	4	157629
M	157612	5	157630
N	157613	6	157631
O	157614	7	157632
P	157615	8	157633
Q	157616	9	157634
R	157617	-	157642

THE ABOVE PALLETS ARE COMMON TO ALL MURRAY STYLE ARRANGEMENTS

① SEE NOTE 29 ON PAGE 110

SEE FIGURES 51, 52 AND 53 FOR PALLET ARRANGEMENTS

FOR EARLY DESIGN, SEE FIGURE 50

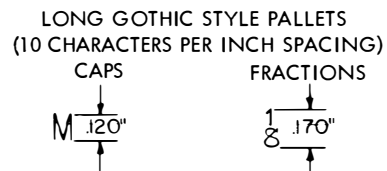
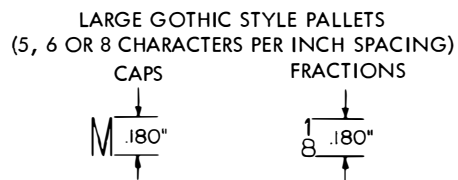
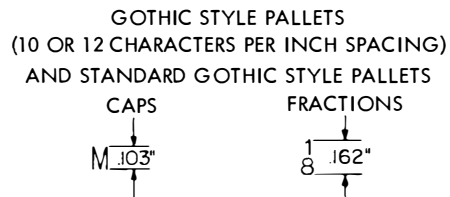
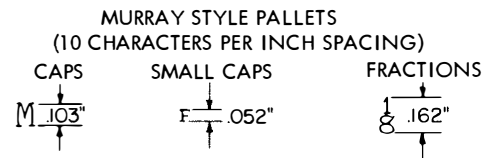
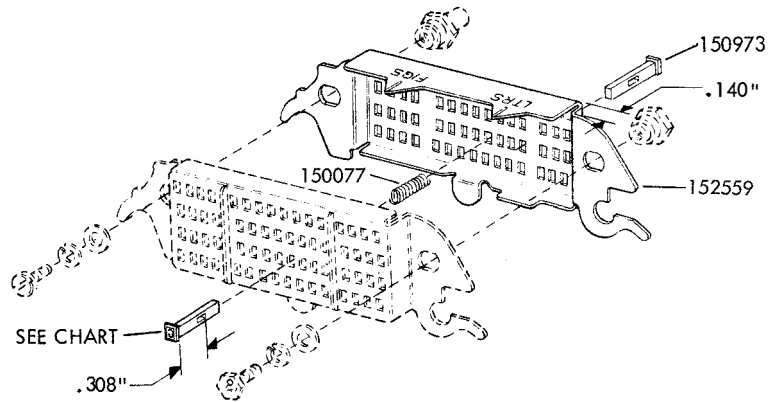


FIGURE 49. TYPE BOX AND PALLETS



MURRAY STYLE PALLETS

PALLET	NUMBER	PALLET	NUMBER	PALLET	NUMBER	PALLET	NUMBER
A	150100	X	150123	!	150146	↘	151947
B	150101	Y	150124	&	150147	↙	151948
C	150102	Z	150125	;	150148	+	151949
D	150103	1	150126	/	150149	○	151950
E	150104	2	150127	▼	150150	⊖	151951
F	150105	3	150128	⊖	150151	⊕	151952
G	150106	4	150129	⊕	150152	⊗	151953
H	150107	5	150130	⊗	150153	x	154536
I	150108	6	150131	⊘	150154	ñ	154537
J	150109	7	150132	⊙	150155	∞	154538
K	150110	8	150133	⊚	150156	Δ	154539
L	150111	9	150134	⊛	150157	⊞	154540
M	150112	-	150143	⊜	150158	□	154541
N	150113	.	150135	⊝	150159	⊞	154542
O	150114	,	150136	%	150160	⊞	154543
P	150115	"	150137	⊞	150161	∧	154544
Q	150116	(150138	*	150162	v	154545
R	150117	?	150139	←	151941	⊚	154546
S	150118	∅	150140	→	151942	@	154547
T	150119)	150141	↓	151943	∥	154548
U	150120	⌘	150142	↑	151944	°	154549
V	150121	\$	150144	↖	151945	BLANK	150973
W	150122	:	150145	↗	151946		

SEE NOTE 30 ON PAGE 110

EARLY DESIGN PARTS

FIGURE 50. TYPE BOX AND PALLETS

***GOTHIC STYLE PALLETS (12-TO-INCH SPACING)**

PALLET	NUMBER	155705	155706	155707	161462	161363	161364	162056	179057
		X	X	X	X	X	X	X	X
&	155467	X	X	X	X	X			X
\$	155468	X	X	X	X	X	X	X	X
%	155470			X	X	X	X	X	
!	155471		X	X	X	X			
4	155472		X	X	X	X			
#	155473	X	X	X	X	X		X	X
5	155474	X		X	X				
6	155475	X		X	X				
7	155476	X		X	X				
8	155477	X		X	X				
9	155478	X		X	X				
+	155479								X
,		M	M	M	M	M			M
;		M	M	M	M	M			M
:		M	M						M
?		M	M						M
@		M	M						M
!		M	M						M
←	161366						X		
→	161367					X			
↓	161368					X			
↑	161369					X			
↖	161370					X			
↗	161371					X			
↘	161372					X			
↙	161373					X			
○	161374					X			
⊙	161375					X			
⊚	161376					X			
⊛	161377					X			
β	155483								X

M= REFER TO MURRAY TYPEPALLET CHART

***LARGE GOTHIC STYLE PALLETS**

PALLET	NUMBER	154643	153818	160765	160999	152963	164218	164348
		TV	TM	TM	TM	TM	TV	TM
0	157764	X	X				X	
1	157766	X	X	X	X	X	X	X
2	157767	X	X	X	X	X	X	X
3	157768	X	X				X	X
4	157769	X	X				X	X
5	157770	X	X				X	X
6	157771	X	X	X	X	X	X	X
7	157773	X	X				X	X
8	157774	X	X				X	X
9	157775	X	X				X	X
!	157776	X	X				X	X
#	157779	X	X	X	X	X	X	X
0	157823		X	X				
1	157824		X	X				
2	157825		X	X				
3	157826		X	X				
4	157827		X	X				
5	157828		X	X				
6	157829		X	X				
7	163308						X	X
8	163309						X	X
9	163310						X	X
!	163311						X	X
2	163312						X	X
3	163313						X	X
4	163314						X	X

THE PALLETS LISTED BELOW ARE COMMON TO ALL GOTHIC STYLE ARRANGEMENTS (12-TO-INCH SPACING)

PALLET	NUMBER	PALLET	NUMBER
A	155432	T	155451
B	155433	U	155452
C	155434	V	155453
D	155435	W	155454
E	155436	X	155455
F	155437	Y	155456
G	155438	Z	155457
H	155439	1	155458
I	155440	2	155459
J	155441	3	155460
K	155442	4	155461
L	155443	5	155462
M	155444	6	155463
N	155445	7	155464
O	155446	8	155465
P	155447	9	155466
Q	155448	/	155469
R	155449	.	157636
S	155450	-	157642

* USED WITH 154792 MOD. KIT (SEE FIGURE 96)

THE PALLETS LISTED BELOW ARE COMMON TO ALL LARGE GOTHIC STYLE ARRANGEMENTS

PALLET	NUMBER	PALLET	NUMBER
A	157729	U	157749
B	157730	V	157750
C	157731	W	157751
D	157732	X	157752
E	157733	Y	157753
F	157734	Z	157754
G	157735	1	157755
H	157736	2	157756
I	157737	3	157757
J	157738	4	157758
K	157739	5	157759
L	157740	6	157760
M	157741	7	157761
N	157742	8	157762
O	157743	9	157763
P	157744	.	157765
Q	157745	/	157772
R	157746	\$	157777
S	157747	&	157778
T	157748		

* USED WITH 154755, 159395 OR 163292 MOD. KIT (SEE FIGURES 93, 94 AND 95)

FIGURE 52. TYPEPALLET CHARTS

LONG GOTHIC STYLE PALLETS		155693 "MP"	155709 "KH"	162058 "VA"	194026 "AC"	194027 "AD"	194929 "AE"	195461 "AH"
PALLET	NUMBER							
*	155654	X	X					X
†	155657	X	X					X
‡	155658	X	X					X
§	155660	X						
⊕	155661	X						
⊖	155662	X						
→	155663	X						
*	155664	X						
∞	155665	X						
\$	155667	X	X					
?	155668	X						X
!	155669	X						
~	155670	X						
9	155671	X						X
.	155672	X	X	X	X	X	X	X
''	155673	X	X	X	X			
7	155885	X	X	X	X			
8	155886	X						
4	155887	X						
3	155888	X						
1	155889	X						
0	155890	X						
2	155891	X	X					
-	155655	X	X	X				X
∅	155884			X				
∅	155895				X			X
±	194018			X	X			
+	194019			X	X	X		
→	194020				X		M	
=	194021					X		
↖	194035			X	X	M		
†	194036			X	X	M		
↓	194037			X		M		
∨	194038				X	M		
←	194039				X	M		
↗						M		
∩						M		
⊕						M		
⊖						M		
□						M		
∅						M		
⊕	195486					X		
⊖	195487					X		
⊕	195488					X		

M= REFER TO MURRAY
TYPEPALLET CHART

STANDARD GOTHIC STYLE PALLETS		178832 "YL"	193803 "AB"	195009 "AF"
PALLET	NUMBER			
.		M	M	M
*		M	M	M
†		M	M	M
‡		M	M	M
§		M	M	M
⊕		M	M	M
⊖		M	M	M
→		M	M	M
*		M	M	M
∞		M	M	M
\$		M	M	M
?		M	M	M
!		M	M	M
~		M	M	M
9		M	M	M
.		M	M	M
''		M	M	M
7		M	M	M
8		M	M	M
4		M	M	M
3		M	M	M
1		M	M	M
0		M	M	M
2	159787			

M= REFER TO MURRAY
TYPEPALLET CHART

THE PALLETS LISTED BELOW ARE COMMON
TO ALL LONG GOTHIC STYLE

ARRANGEMENTS			
PALLET	NUMBER	PALLET	NUMBER
A	155618	U	155638
B	155619	V	155639
C	155620	W	155640
D	155621	X	155641
E	155622	Y	155642
F	155623	Z	155643
G	155624	1	155644
H	155625	2	155645
I	155626	3	155646
J	155627	4	155647
K	155628	5	155648
L	155629	6	155649
M	155630	7	155650
N	155631	8	155651
O	155632	9	155652
P	155633	'	155653
Q	155634		
R	155635	/	155656
S	155636	#	155659
T	155637	§	155666

THE PALLETS LISTED BELOW ARE COMMON
TO ALL STANDARD GOTHIC STYLE

ARRANGEMENTS			
PALLET	NUMBER	PALLET	NUMBER
A	159752	S	159770
B	159753	T	159771
C	159754	U	159772
D	159755	V	159773
E	159756	W	159774
F	159757	X	159775
G	159758	Y	159776
H	159759	Z	159777
I	159760	1	159778
J	159761	2	159779
K	159762	3	159780
L	159763	4	159781
M	159764	5	159782
N	159765	6	159783
O	159766	7	159784
P	159767	8	159785
Q	159768	9	159786
R	159769		

FIGURE 53. TYPEPALLET CHARTS

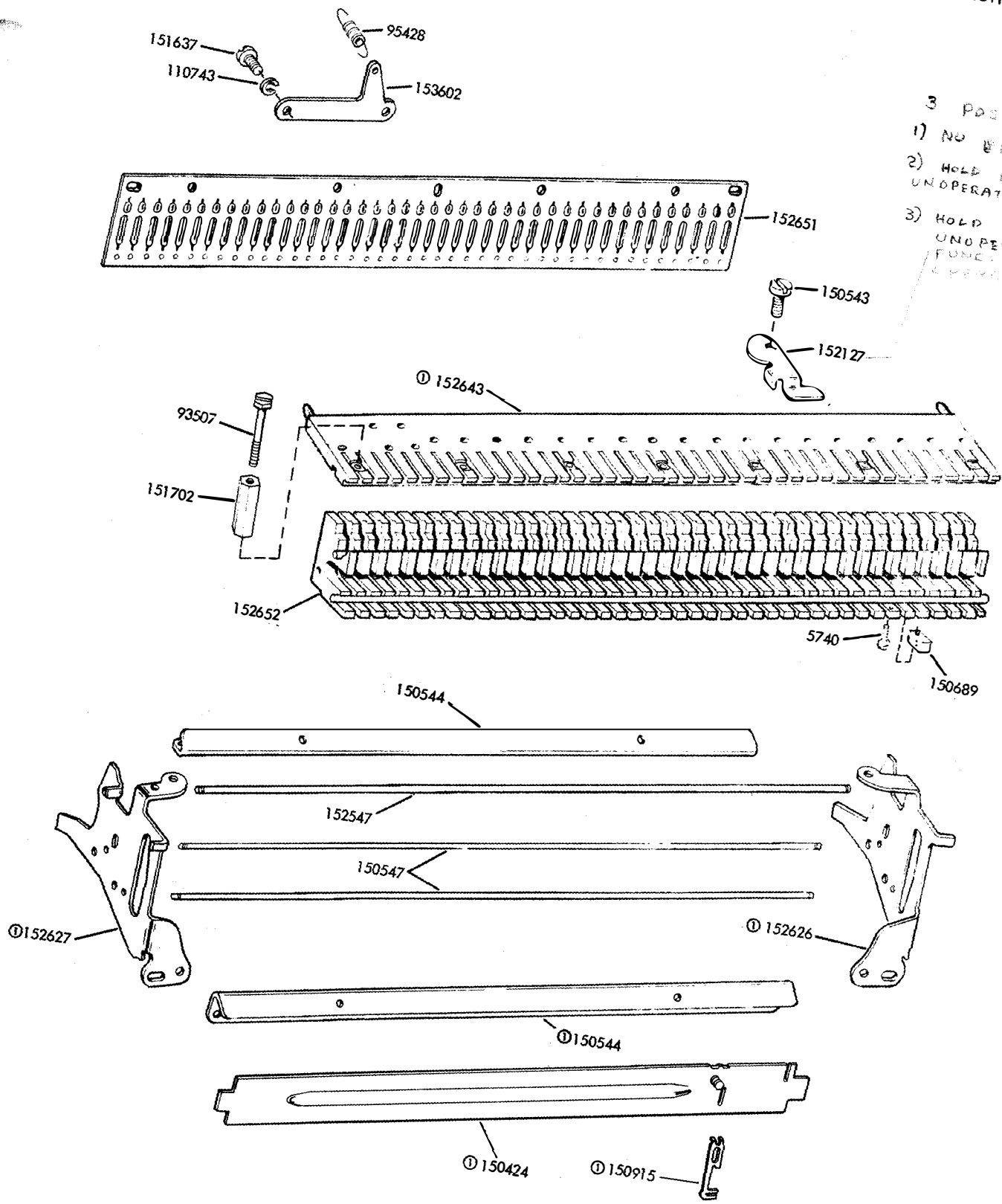
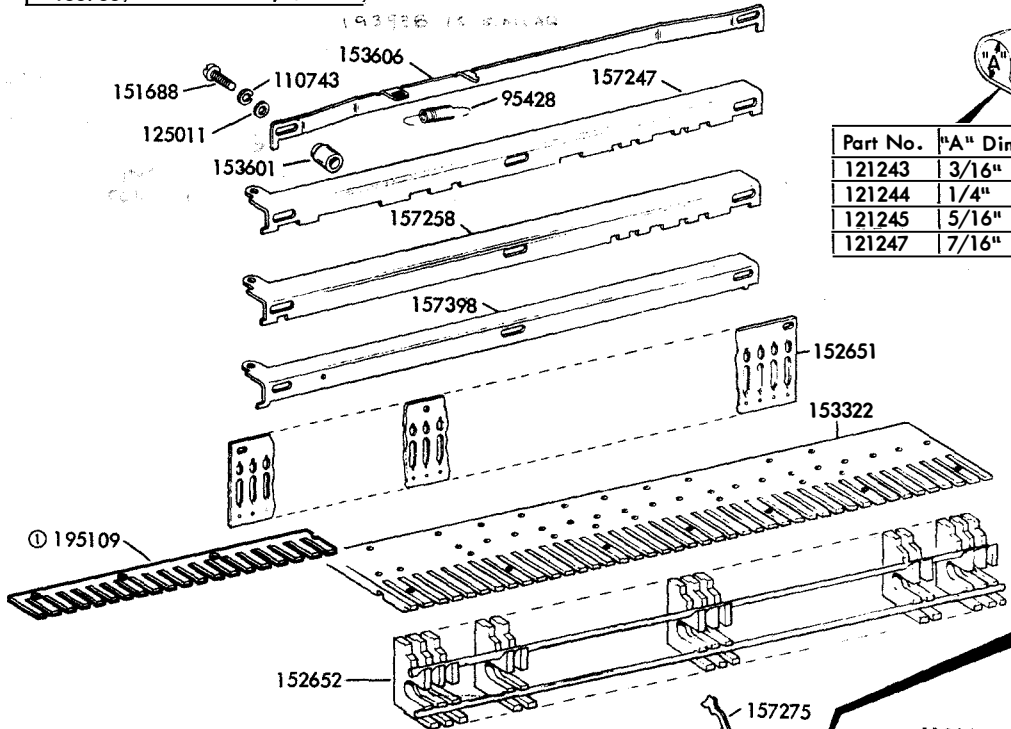


FIGURE 54. STUNT BOX - MAJOR COMPONENTS

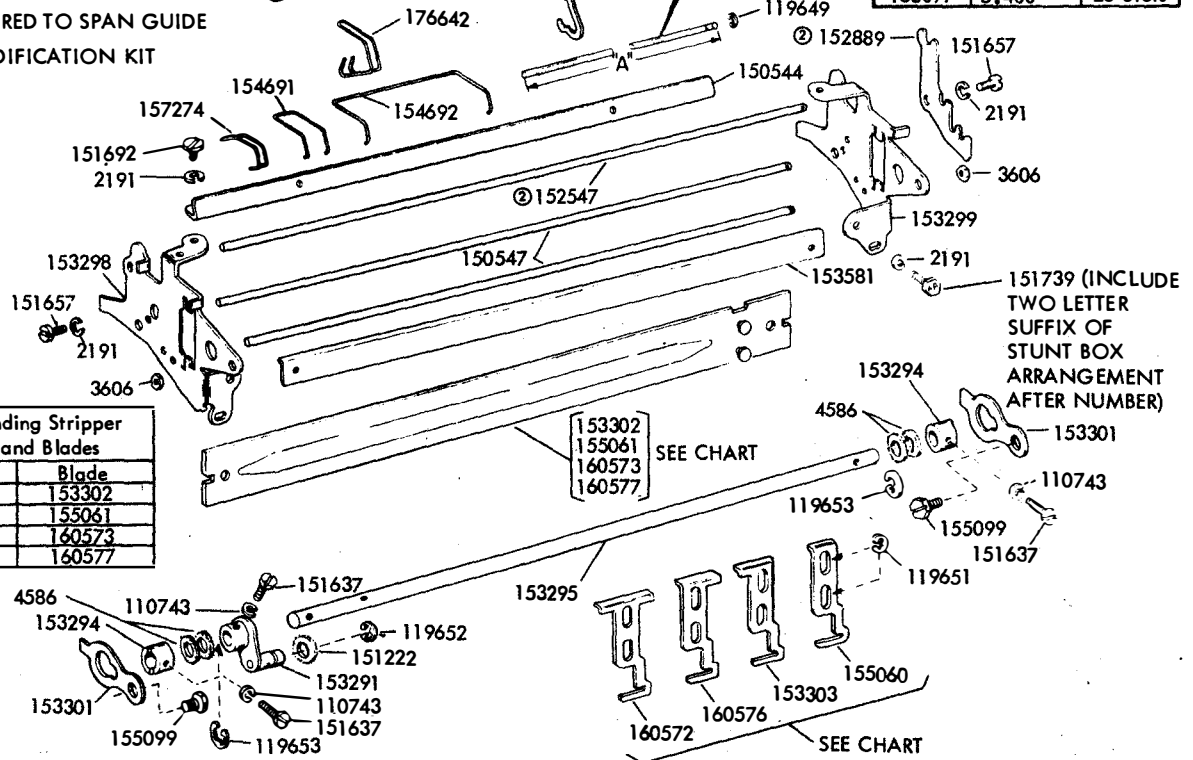
Part No.	"A" Dim.	"B" Dim.
155750	.091" to .101"	0.500"
155751	.114" to .124"	1.000"
155752	.057" to .067"	0.375"
155753	.114" to .124"	0.500"
155754	.057" to .067"	0.500"
155755	.162" to .178"	0.625"



Part No.	"A" Dim.
121243	3/16"
121244	1/4"
121245	5/16"
121247	7/16"

Part No.	"A" Dim.	Span
153318	6.077"	28 Slots
153838	1.062"	5 Slots
154666	3.237"	15 Slots
154667	2.796"	13 Slots
154668	1.921"	9 Slots
154669	5.640"	26 Slots
155071	1.484"	7 Slots
155072	3.890"	18 Slots
155073	4.984"	23 Slots
155074	7.390"	34 Slots
155075	7.828"	36 Slots
155076	2.139"	10 Slots
155077	5.400"	25 Slots

① TWO REQUIRED TO SPAN GUIDE
 ② 195266 MODIFICATION KIT



Corresponding Stripper Slides and Blades	
Slide	Blade
153303	153302
155060	155061
160572	160573
160576	160577

153302
 155061
 160573
 160577
 SEE CHART

151739 (INCLUDE TWO LETTER SUFFIX OF STUNT BOX ARRANGEMENT AFTER NUMBER)

160572
 160576
 153303
 155060
 SEE CHART

FIGURE 55. STUNT BOX - MAJOR COMPONENTS

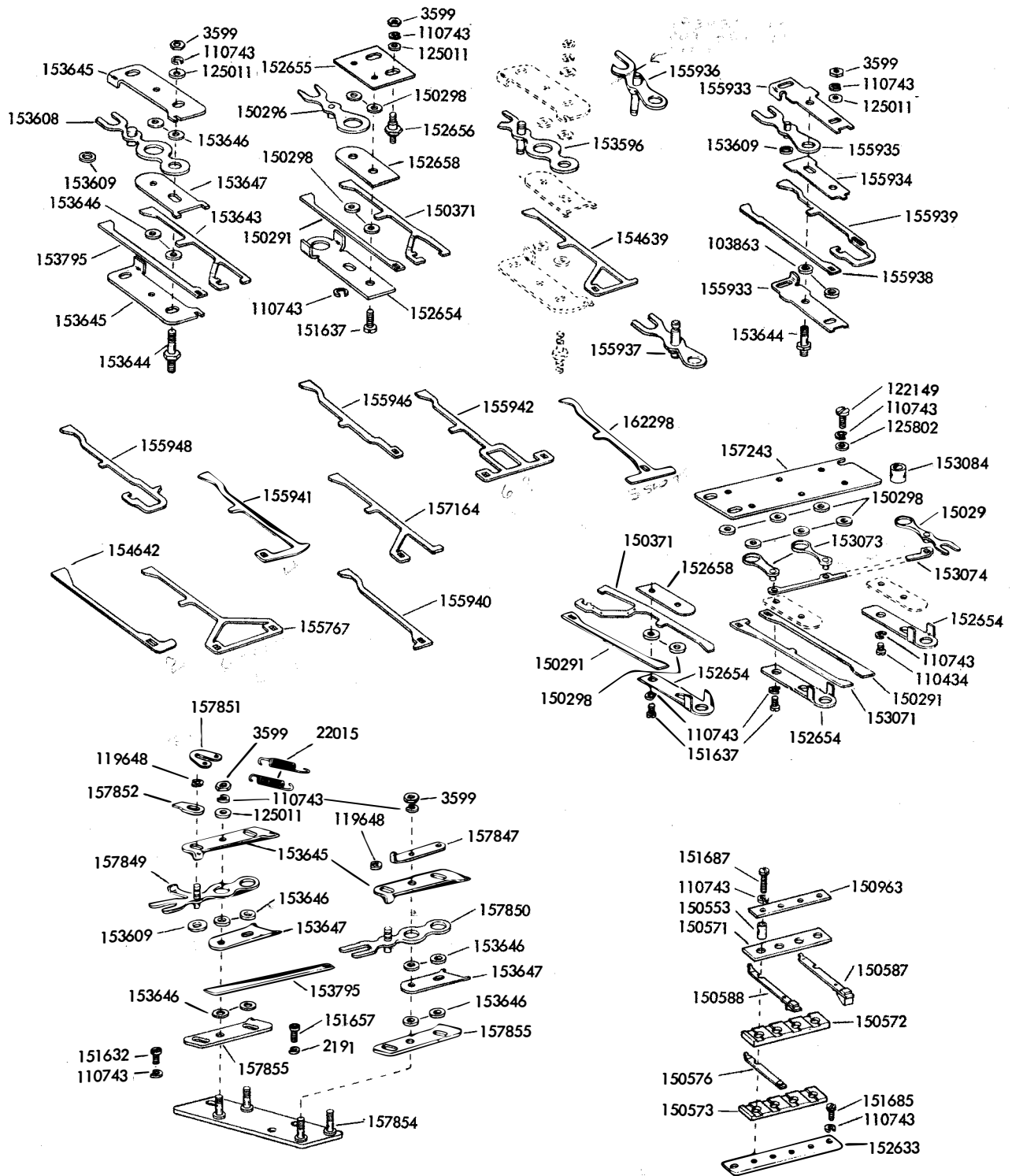
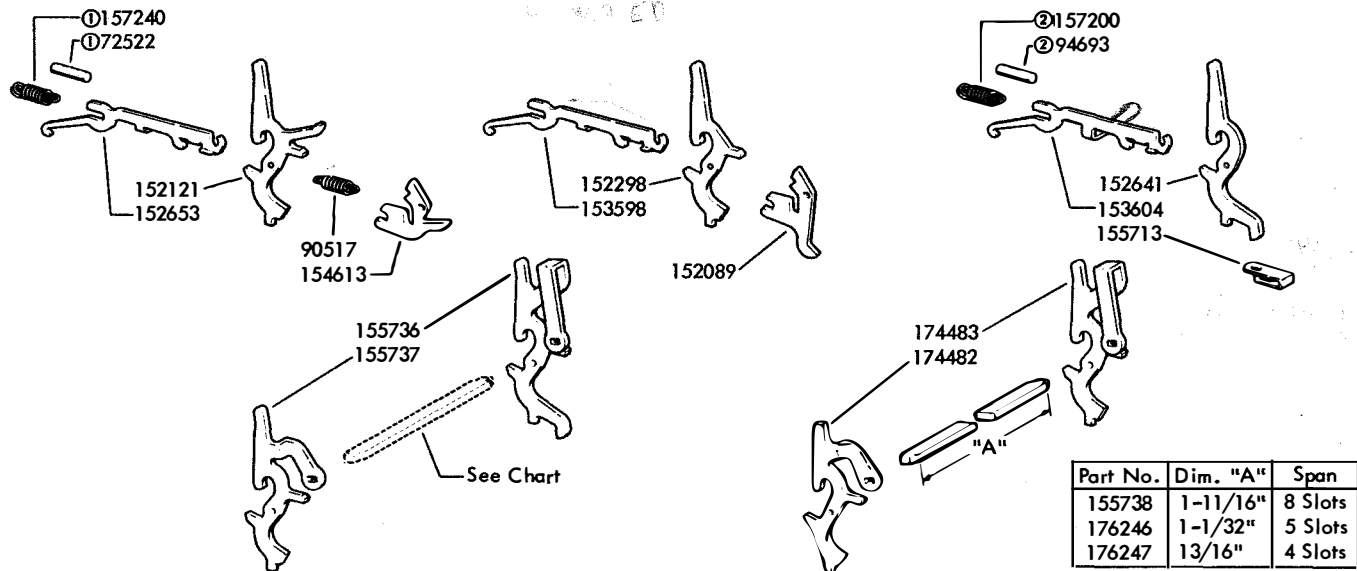


FIGURE 56. SHIFT MECHANISM COMPONENTS

SECTION 573-115-800

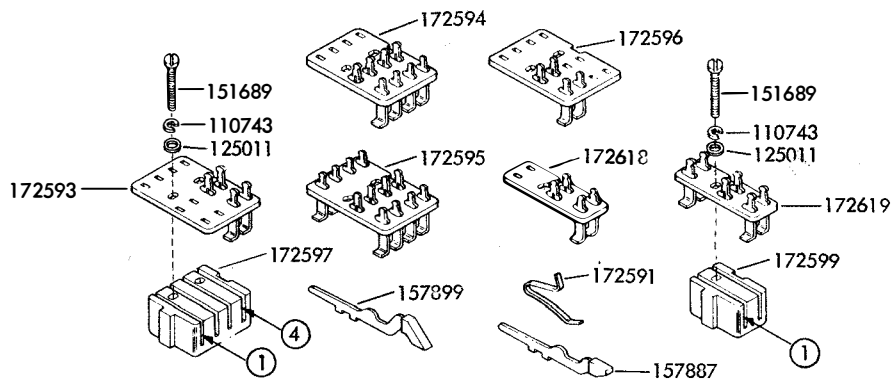


Part No.	Dim. "A"	Span
155738	1-11/16"	8 Slots
176246	1-1/32"	5 Slots
176247	13/16"	4 Slots

152659	174484	161649	157207	162059	157206	163943
152642	173141	194414	162484	193655	154646	157205
152299	163271	154647	164311	153670	163944	

①Used on Units Equipped with One-Stop and Three-Stop Clutches
 ②Used on Units Equipped with Two-Stop Clutches

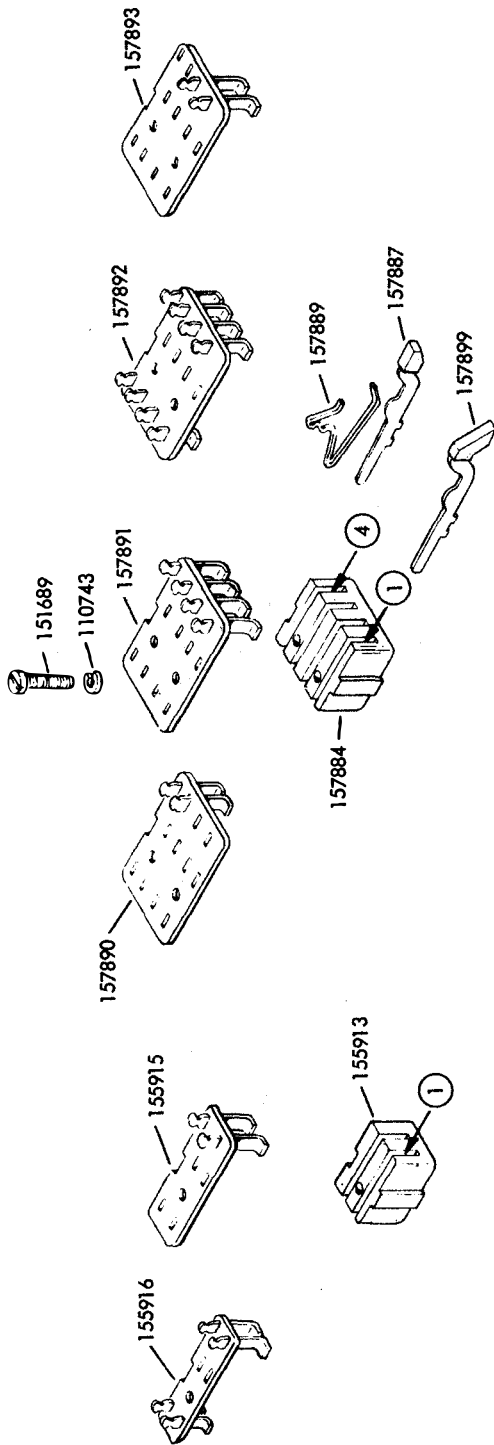
FIGURE 57. FUNCTION LEVERS



SWITCH ASSEMBLY NO.	CONTACT PLATE NO.	CONTACT ARM POSITION				SWITCH ASSEMBLY NO.	CONTACT PLATE NO.	CONTACT ARM POSITION			
		1	2	3	4			1	2	3	4
172500	172593			157887	157887	172546	172595	157899		157887	
172501	172593			157887		172547	172595	157887	157899	157887	
172502	172593				157887	172548	172596		157899		
172503	172594	157887	157899	157899	157887	172549	172595				157887
172504	172594	157887				172550	172595	157899			157899
172505	172594	157899			157899	172551	172594		157887	157887	157887
172506	172594		157887			172552	172594	157899		157887	157887
172507	172594	157899				172553	172595		157887	157899	
172508	172594	157887	157899			172554	172594		157899		157899
172509	172594	157899		157899		172555	172595	157899	157887	157899	157899
172510	172594	157899		157899	157887	172556	172595	157887	157887		157887
172511	172594	157899	157899	157899	157899	172557	172594	157887		157887	157887
172512	172594	157887	157887	157899		172558	172595	157899			
172513	172593			157899		172559	172594	157899	157887		
172514	172594	157887	157887	157887	157887	172560	172595	157899	157899	157887	157887
172515	172594	157887	157887	157887		172561	172594		157887	157899	
172516	172594		157887		157887	172562	172594			157899	
172517	172594	157899	157887	157899	157887	172563	172594	157887	157899	157887	157899
172518	172594		157887	157899	157887	172564	172594	157899	157887		157899
172519	172594	157899			157887	172565	172595	157899	157887		
172520	172594	157899		157887	157899	172566	172595		157899		
172521	172593				157899	172567	172595		157887		157899
172522	172594	157887	157899		157887	172568	172595	157887			157887
172523	172594	157899	157887	157887	157899	172569	172595		157887	157887	
172524	172594	157887			157887	172570	172595		157887		
172525	172595	157887	157887	157887	157887	172571	172594	157887	157887		157887
172526	172596		157887			172572	172593			157899	157899
172527	172595			157887							
172528	172595	157887		157887		172600	172618	157887			
172529	172595			157887	157887	172601	172618		157887		
172530	172595	157887	157887	157887		172602	172618	157887	157887		
172531	172595	157887		157887	157887	172603	172619	157887			
172532	172595	157887				172604	172619		157887		
172533	172595	157887	157887			172605	172619	157887	157887		
172534	172594		157899	157887		172606	172618	157899			
172535	172594			157899	157887	172607	172618	157899	157899		
172536	172594	157899	157887	157899		172608	172619	157899			
172538	172595		157887	157887	157887						
172539	172595		157887		157887						
172540	172594		157899	157887	157887						
172541	172594	157899	157887	157887	157887						
172542	172594	157887	157899	157887	157887						
172543	172594	157899		157887							
172544	172595		157899		157887						
172545	172595	157899		157899							

FOR EARLY DESIGN, SEE FIGURE 59

FIGURE 58. SWITCH ASSEMBLIES AND COMPONENTS



SWITCH ASSEMBLY N.C.	CONTACT PLATE NO.		CONTACT ARM POSITION				SWITCH ASSEMBLY NO.	CONTACT PLATE NO.	CONTACT ARM POSITION			
	1	2	1	2	3	4			1	2	3	4
155917	155915	157887					160192	157892	157887	157887	157887	157887
155918	155915	157887					160193	157892	157887	157887	157887	157887
155919	155915	157887					160194	157892	157887	157887	157887	157887
155920	155916	157887					160195	157891	157891	157899	157899	157887
155921	155916	157887					160196	157891	157891	157899	157899	157887
155922	155916	157887					160197	157891	157899	157887	157887	157887
155923	155915	157899					160198	157891	157892	157887	157887	157887
155924	155915	157899					160199	157892	157887	157887	157887	157887
155925							160200	157892	157887	157887	157887	157887
155926							160201	157891	157899	157887	157887	157887
155927							160202	157891	157899	157887	157887	157887
155928							160203	157891	157887	157899	157887	157887
155929							160204	157891	157899	157887	157887	157887
							160205	157892	157899	157899	157899	157887
							160206	157892	157899	157899	157899	157899
							160207	157892	157899	157899	157899	157899
							160208	157892	157887	157887	157887	157887
							160209	157893	157899	157899	157899	157899
							160210	157892	157899	157899	157899	157899
							160211	157892	157899	157887	157887	157887
							160212	157891	157899	157887	157887	157887
							160213	157891	157899	157887	157887	157887
							160214	157892	157899	157887	157887	157887
							160215	157891	157899	157887	157887	157887
							160216	157892	157899	157887	157887	157887
							160217	157892	157887	157887	157887	157887
							160218	157893	157887	157887	157887	157887
							160219	157892	157899	157899	157899	157887
							160220	157891	157899	157899	157899	157887
							160221	157892	157899	157899	157899	157887
							160222	157892	157887	157887	157887	157887

SEE NOTE 31 ON PAGE 111

EARLY DESIGN PARTS

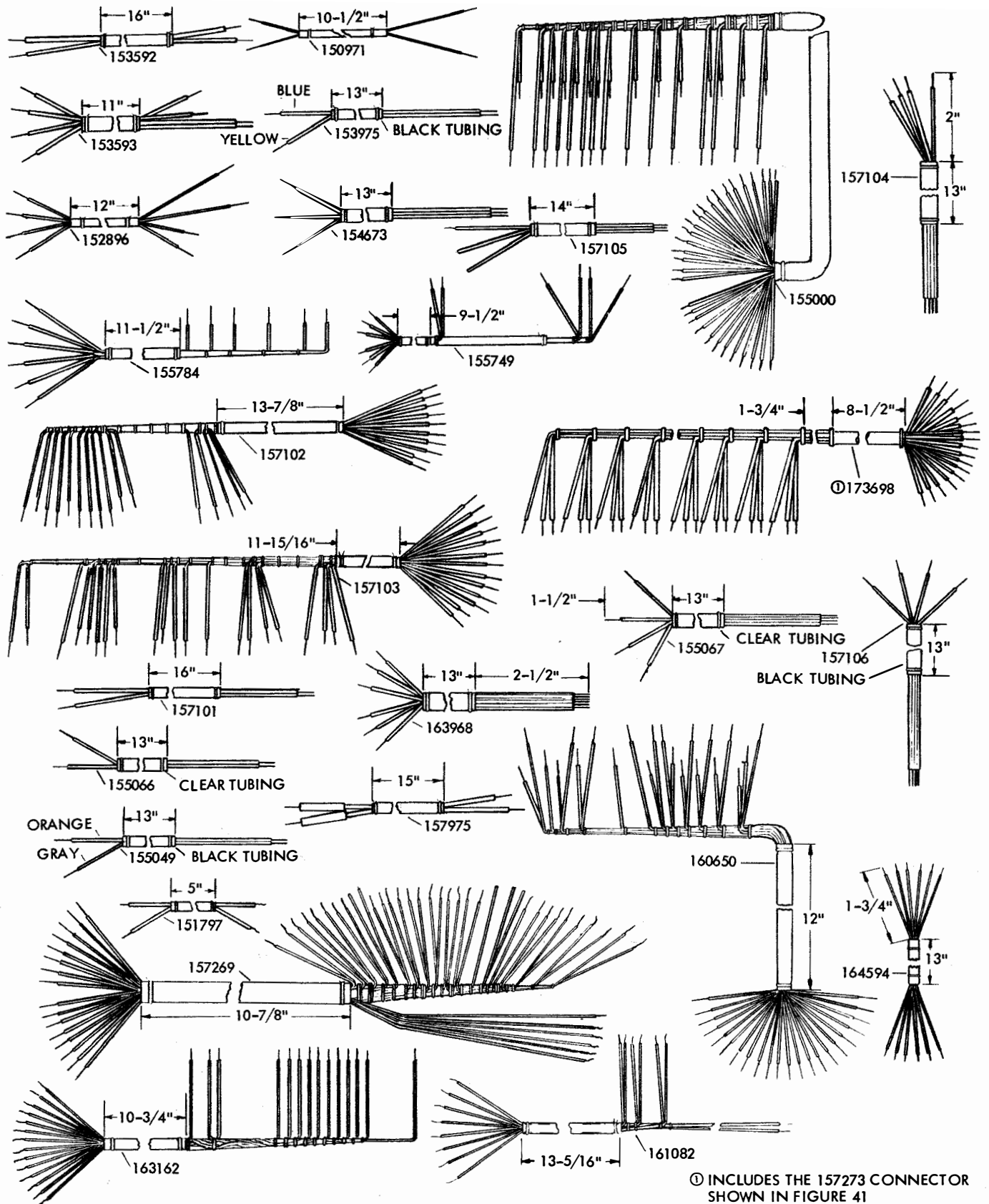
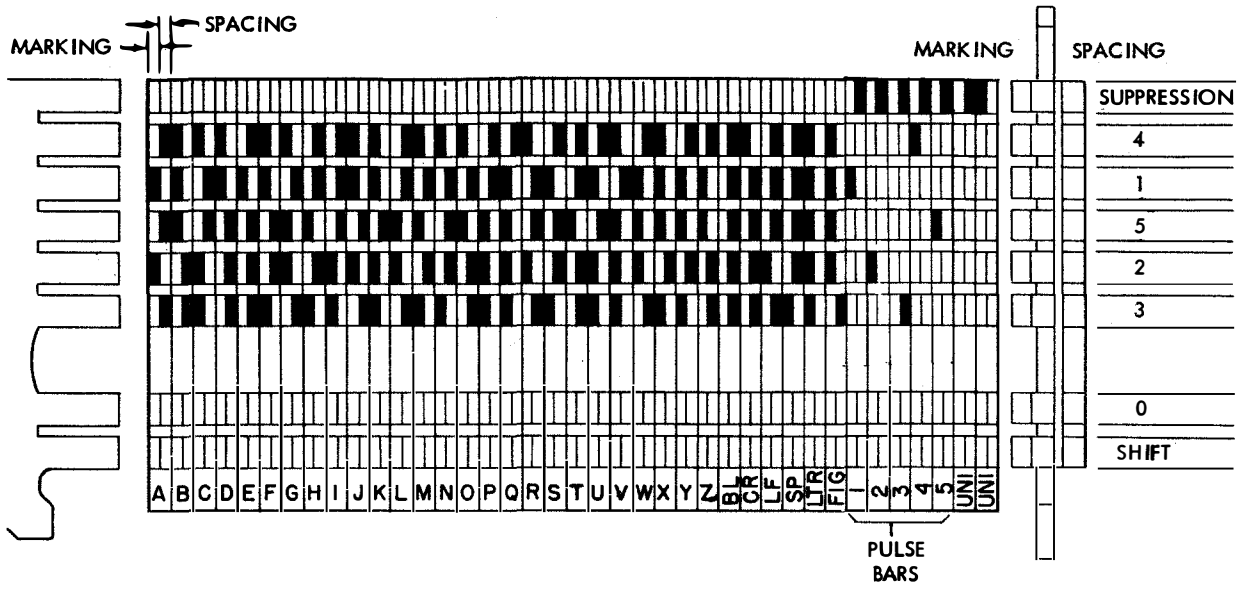


FIGURE 60. CABLE ASSEMBLIES

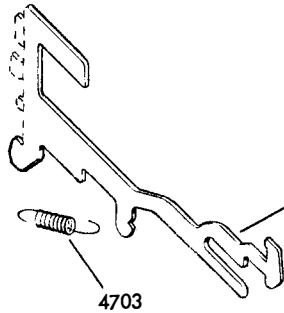


BLANK SQUARES INDICATE THE TINES THAT SHOULD BE REMOVED TO CODE THE 153440 FUNCTION BAR.

ADDITIONAL CODE BAR LEVELS AT WHICH THE FUNCTION BAR CAN BE CONTROLLED:

SUPPRESSION TINES	MARKING SPACING	NON-PRINT PRINT	} THESE TERMS APPLY ONLY TO SELECTIVE CALLING
0 TINES	MARKING SPACING	SELECT NON-SELECT	
SHIFT TINES	MARKING SPACING	UPPER CASE LOWER CASE	

NOTE: FOR REMOVING TINES, USE 161686 TINE TOOL



CODED FUNCTION BAR (ALSO SEE CHARTS, FIGURES 62 AND 63)

- 152665 — THROUGH — 152704
- 153160 — THROUGH — 153169
- 153409 — THROUGH — 153438
- 153520 — THROUGH — 153528
- 155100 — THROUGH — 155135
- 155141 — THROUGH — 155145
- 155176 — THROUGH — 155180
- 155191 — THROUGH — 155218
- 155246 — THROUGH — 155250
- 155286 — THROUGH — 155290
- 155296 — THROUGH — 155300
- 155306 — THROUGH — 155307
- 155311 — THROUGH — 155315
- 155326 — THROUGH — 155330
- 155336 — THROUGH — 155340
- 155366 — THROUGH — 155370
- 162636 — THROUGH — 162640

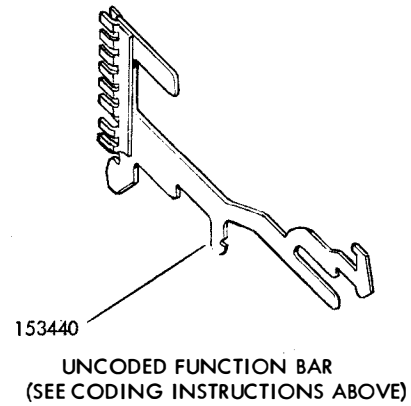
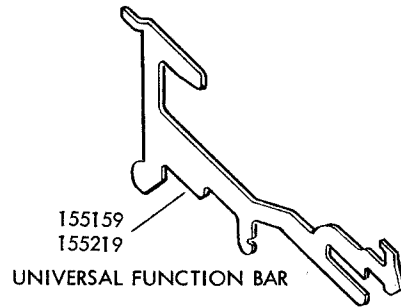


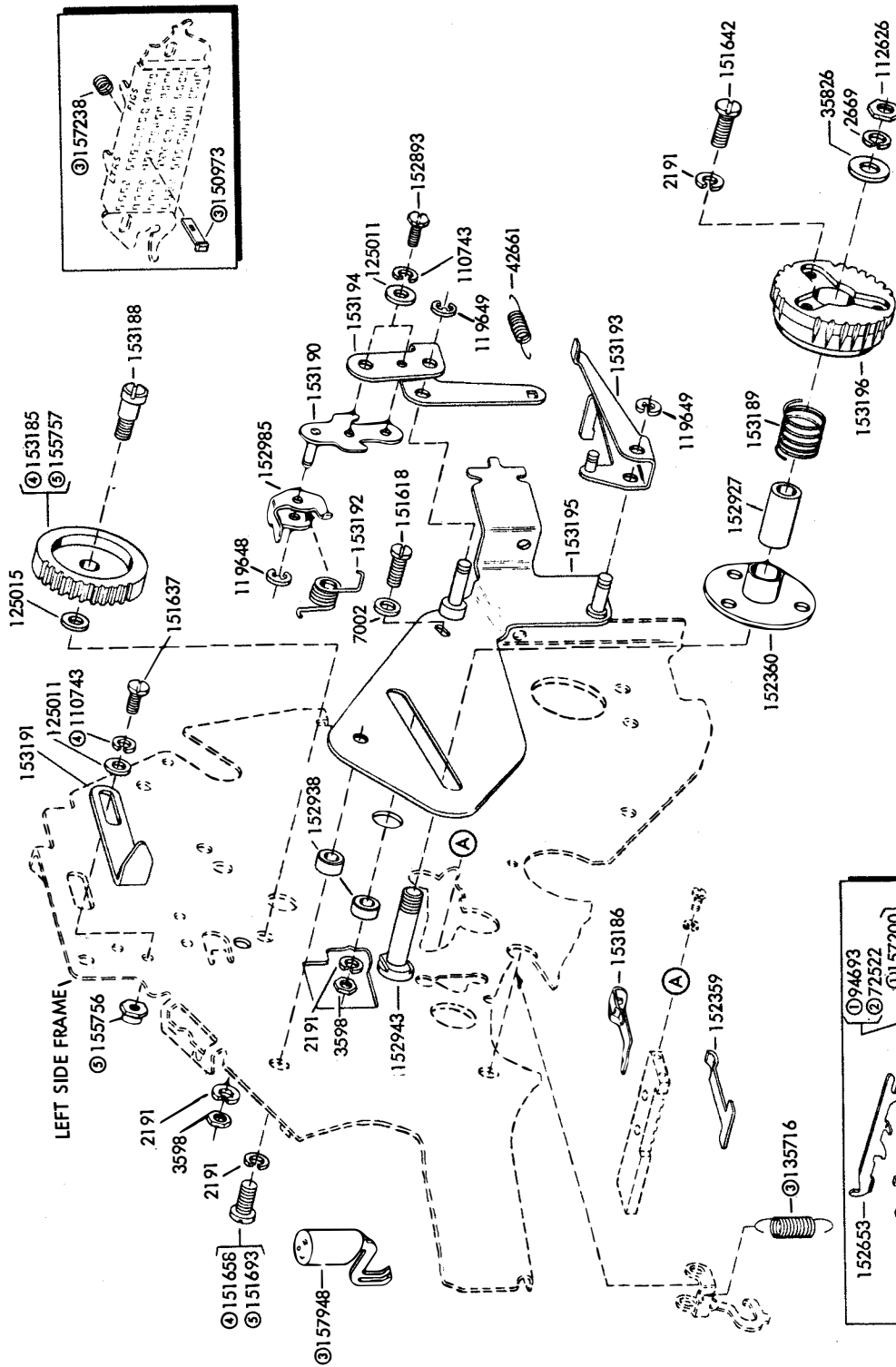
FIGURE 61. FUNCTION BARS

CONDITION OF TYPING UNIT FOR FUNCTION BAR SELECTION	NO RESTRICTIONS	UPPER CASE	LOWER CASE	SELECT	NON-SELECT	PRINT	NON-PRINT	CONDITION OF TYPING UNIT FOR FUNCTION BAR SELECTION
A	152676			155100	153409	155191		A
B	152677	153526		155101	153410	155192		B
C	152678	153520		155102	153411	155193		C
D	152679	153521		155103	153412	155194		D
E	152680	153166		155104	153413	155195		E
F	152681	153160	155326	155105	153414	155196	155286	F
G	152682	153162	155327	155106	153415	155197	155287	G
H	152683	152673	155328	155107	153416	155198	155288	H
I	152684	155249	155329	155108	153417	155199	155289	I
J	152685	152694	155330	155109	153418	155200	155290	J
K	152686	153529		155110	153419	155201		K
L	152687	153522		155111	153420	155202		L
M	152688	152674		155112	153421	155203		M
N	152689	153523		155113	153422	155204	155294	N
O	152690	153528		155114	153423	155205		O
P	152691	152650	155336	155115	153424	155206	155296	P
Q	152692	153165	155337	155116	153425	155207	155297	Q
R	152695	153167	155338	155117	153426	155208	155298	R
S	152696	152672	155339	155118	153427	155209	155299	S
T	152697	153524	153169	155119	153428	155210	155300	T
U	152698	155248	155340	155120	153429	155211		U
V	152699	153164		155121	153430	155212		V
W	152700	153163		155122	153431	155213		W
X	152701	153525		155123	153432	155214		X
Y	152702	153527		155124	153433	155215		Y
Z	152703	153161		155125	153434	155216	155306	Z
BLANK LETTERS	152669	152693	152675	155312		155217	155307	BLANK LETTERS
FIGURES	152665			155313		153438		FIGURES
SPACE	152666							SPACE
CARRIAGE-RETURN	155129			155314	152670			CARRIAGE-RETURN
LINE FEED	152667			155128		155127		LINE FEED
ANY CHARACTER OR FUNCTION	152668			155315		153435	155130	ANY CHARACTER OR FUNCTION
M & N	152704	153168		155311	152671			M & N
M & V				155132				M & V
PULSE #1				155218				PULSE #1
" #2						162636		" #2
" #3						162637		" #3
" #4						162638		" #4
" #5						162639		" #5
UNIV.						162640	155159	UNIV.
POSITION OF FUNCTION BAR TINES		MARKING	SPACING	MARK-ING	SPACING	SPAC-ING	MARKING	SUPPRESSION LEVEL ZERO LEVEL SHIFT LEVEL

FIGURE 62. FUNCTION BAR CONDITION CHART

CONDITION OF TYPING UNIT FOR FUNCTION BAR SELECTION	PRINT NON-SELECT	PRINT UPPER CASE	PRINT SELECT	SELECT LOWER CASE	PRINT LOWER CASE	SELECT UPPER CASE	NON-SELECT LOWER CASE	CONDITION OF TYPING UNIT FOR FUNCTION BAR SELECTION
A								A
B								B
C								C
D								D
E								E
F		155141						F
G		155135						G
H		155142		155133				H
I		155143						I
J		155131						J
K		155144						K
L		155145						L
M								M
N								N
O								O
P					155176		155366	P
Q					155177		155367	Q
R					155178		155368	R
S					155179		155369	S
T		153437			155180		155370	T
U								U
V								V
W								W
X								X
Y								Y
Z		155134				155246		Z
BLANK LETTERS						155247		BLANK LETTERS
FIGURES								FIGURES
SPACE								SPACE
CARRIAGE-RETURN								CARRIAGE-RETURN
LINE FEED								LINE FEED
ANY CHARACTER OR FUNCTION	153436							ANY CHARACTER OR FUNCTION
M & N						155126		M & N
M & V								M & V
PULSE #1								PULSE #1
" 2								" 2
" 3								" 3
" 4								" 4
" 5								" 5
UNIV.								UNIV.
POSITION OF FUNCTION BAR TINES	SPACING	SPACING	SPACING	MARKING	SPACING	MARKING	SPACING	SUPPRESSION LEVEL
	SPACING	MARKING	MARKING	SPACING	SPACING	MARKING	SPACING	ZERO LEVEL
								SHIFT LEVEL

FIGURE 63. FUNCTION BAR CONDITION CHART



NOTE: THE 157513 MODIFICATION KIT (PART OF 152302) CONSISTS OF ALL PARTS ON THIS PAGE EXCEPT THOSE MARKED ① AND ②

NOTE: THE 162847 MODIFICATION KIT (PART OF 155763) CONSISTS OF ALL PARTS ON THIS PAGE EXCEPT THOSE MARKED ③ AND ④

① USED ON UNITS EQUIPPED WITH A TWO-STOP FUNCTION CLUTCH

② USED ON UNITS EQUIPPED WITH A ONE-STOP FUNCTION CLUTCH

SPECIFICATION 57515

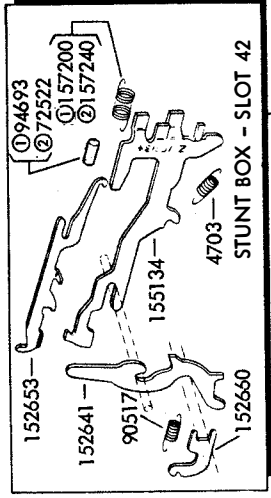


FIGURE 64. 152302 (SPROCKET FEED) AND 155763 (FRICTION FEED) MODIFICATION KITS TO PROVIDE PAGE FEED-OUT ON UPPER CASE "Z"

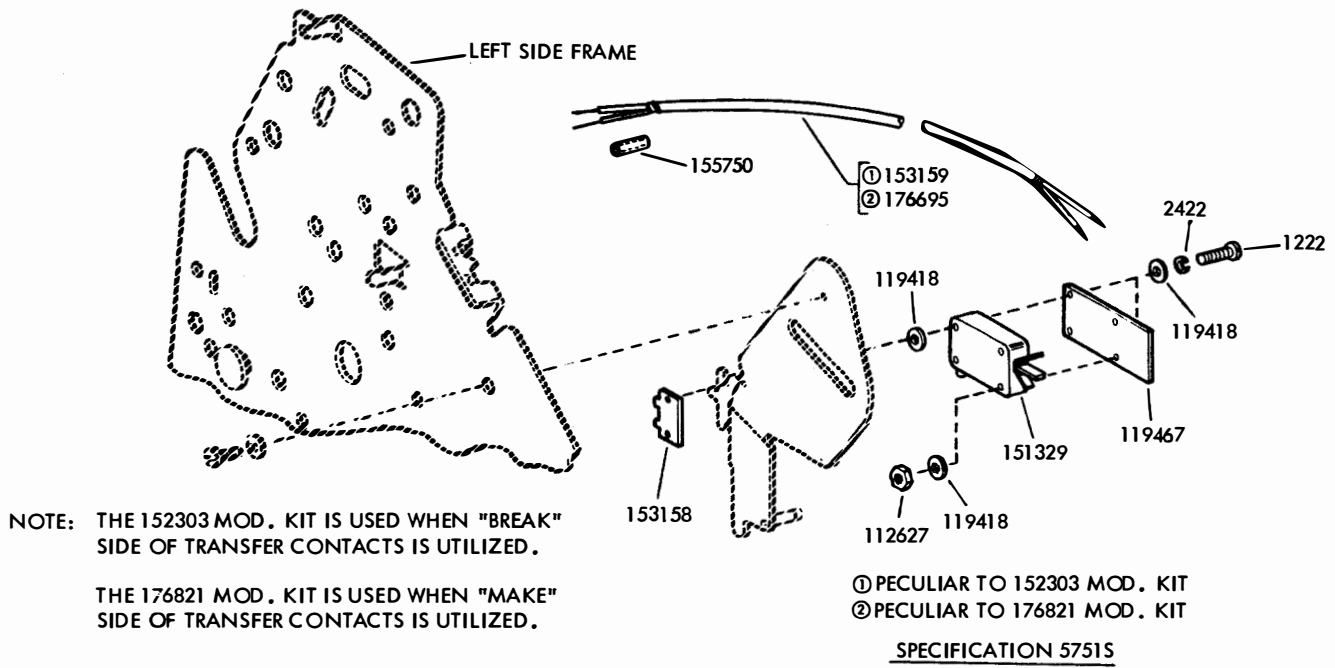


FIGURE 65. 152303 AND 176821 MODIFICATION KITS TO PROVIDE PAGE FEED-OUT TRANSMITTER CONTROL

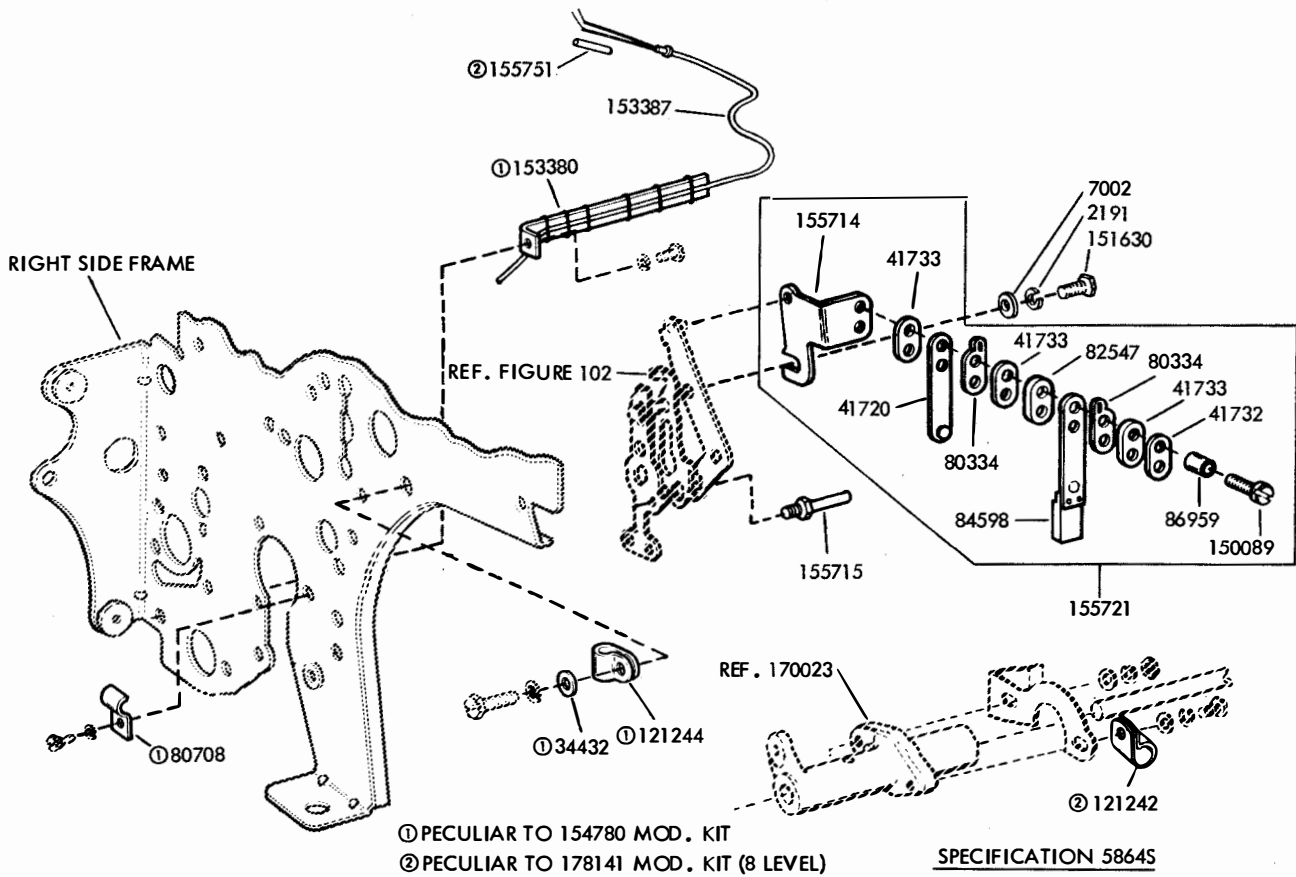
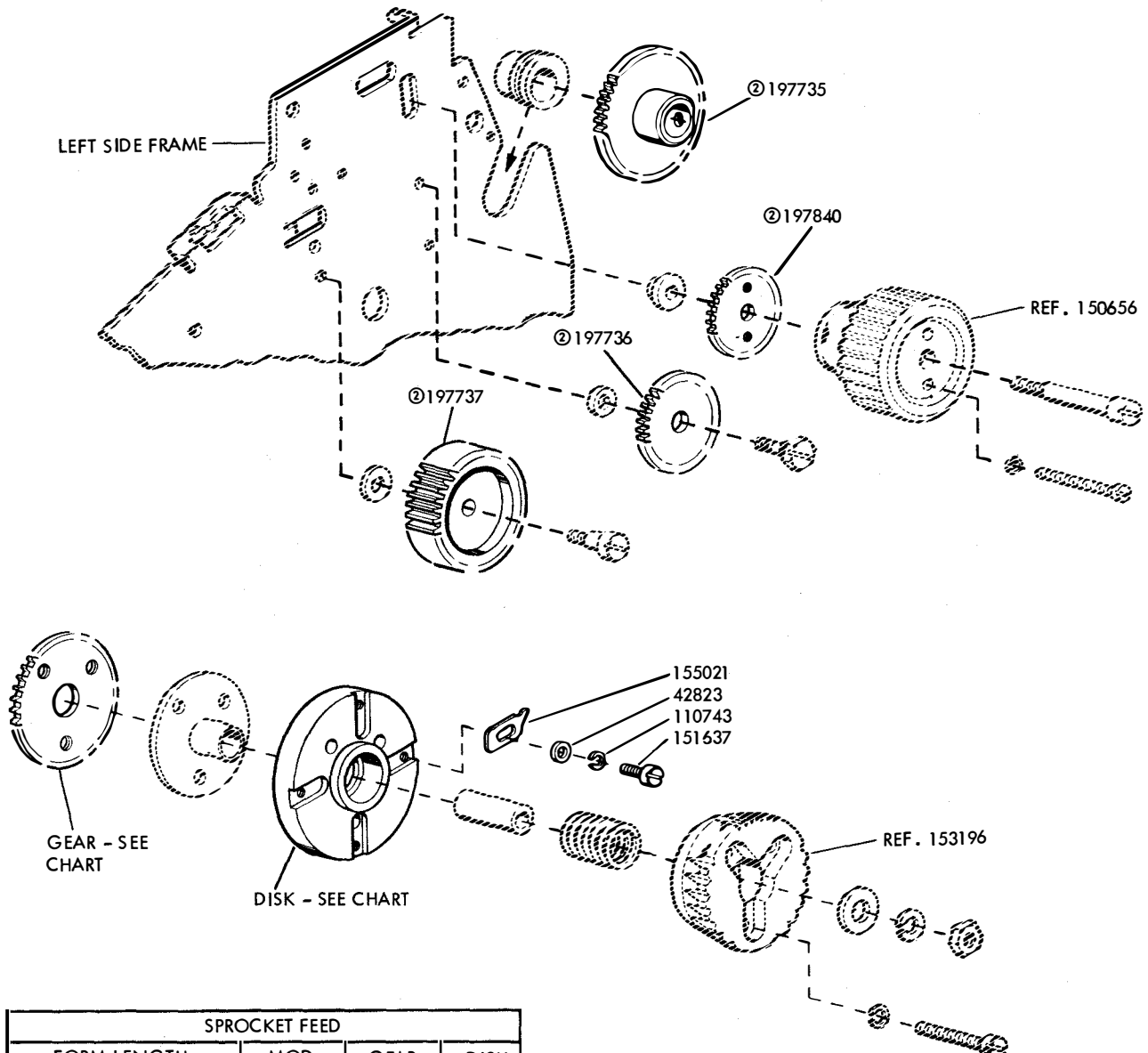


FIGURE 66. 154780 AND 178141 MODIFICATION KITS TO PROVIDE HORIZONTAL TABULATOR XD CONTROL



SPROCKET FEED			
FORM LENGTH IN INCHES	MOD. KIT	GEAR NO.	DISK NO.
7-1/2, 15	153927	153207	153217
3-1/2, 7, 14	153928	153206	153216
6-1/2, 13	153929	153205	153215
3, 6, 12	153930	153204	153214
5-1/2, 11	153931	153203	153213
5, 10	153932	153202	153212
9-1/2	153933	153201	153211
4-1/2, 9	153934	153200	153210
8-1/2	153935	153199	153209
2, 4, 8	153936	153198	153208
3-2/3, 7-1/3, 14-2/3	161140	161250	161260
3-1/4, 6-1/2, 13	①197847	197732	197730
4-1/4	①197848	197731	197729

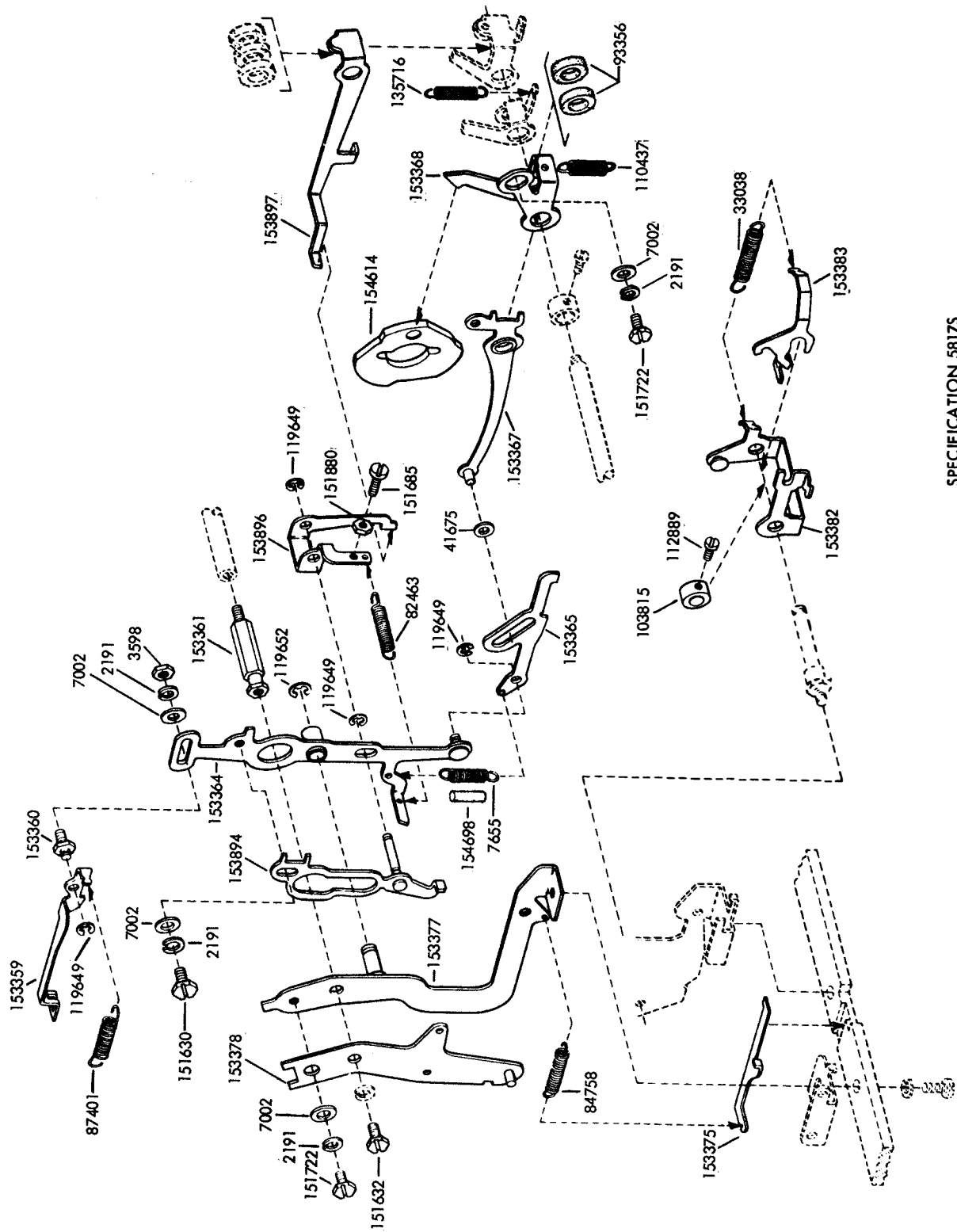
FRICTION FEED			
FORM LENGTH IN INCHES	MOD. KIT	GEAR NO.	DISK NO.
5-1/2, 11	155765	155758	153213
2, 4, 8	161767	155759	153208

① THE 197847 AND 197848 MOD. KITS CAN ONLY BE USED WITH THE 154742 MOD. KIT (4 LINES PER INCH)

② PART OF 197847 AND 197848 MOD. KITS ONLY

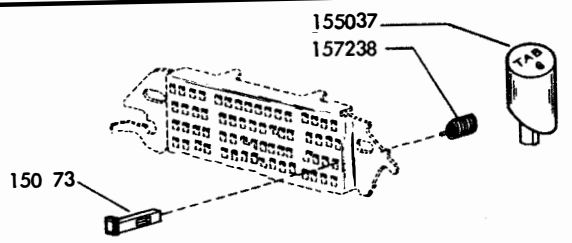
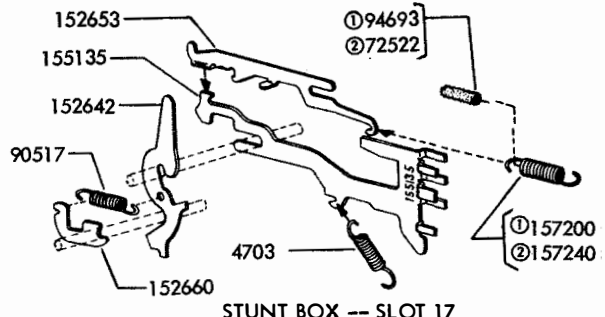
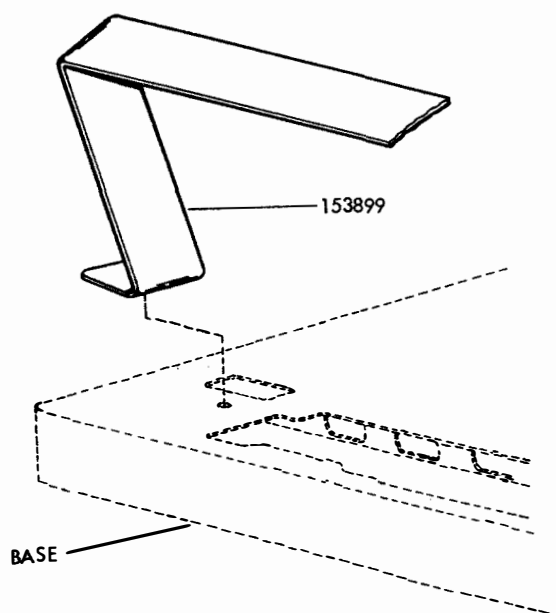
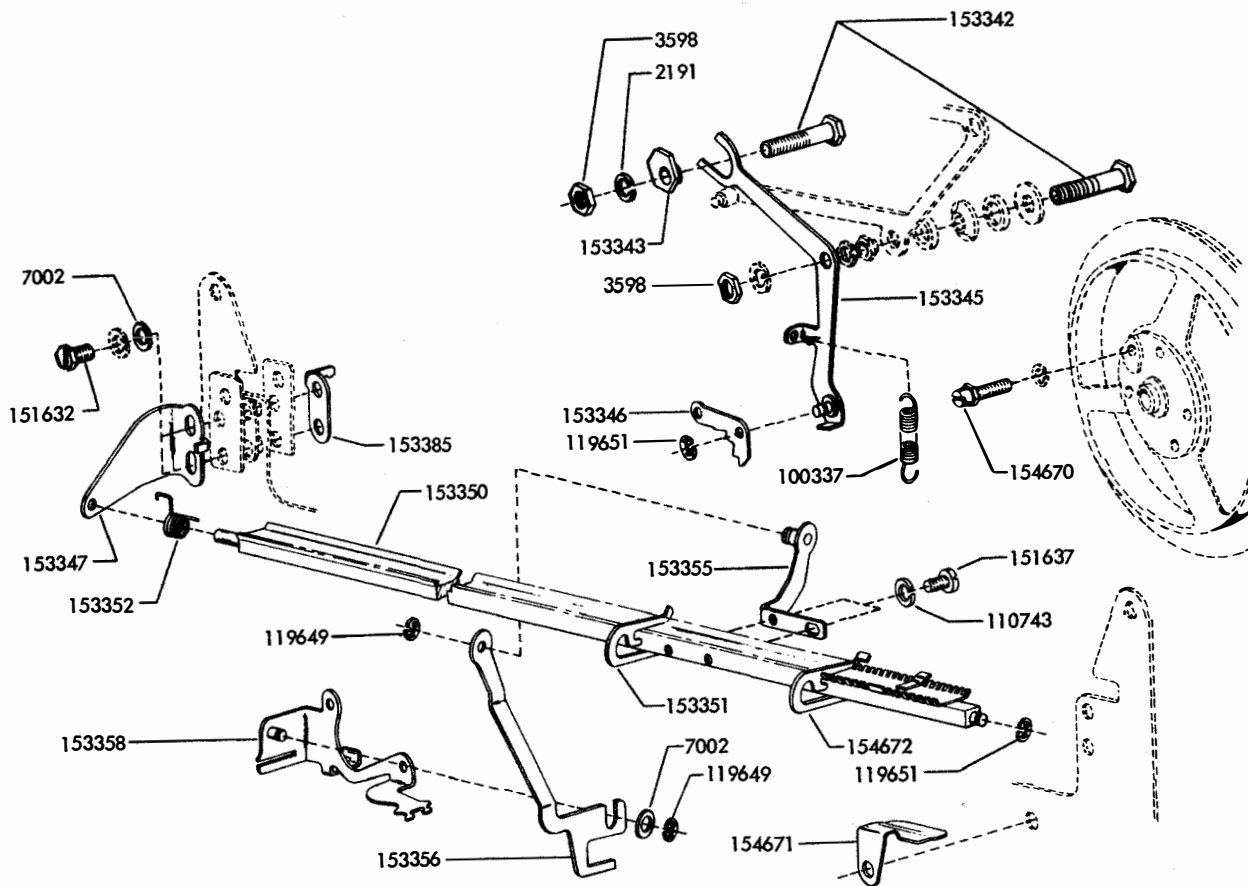
SPECIFICATION 57515

FIGURE 67. PAGE FEED-OUT FORM LENGTH GEAR AND DISK MODIFICATION KITS



SPECIFICATION 58175

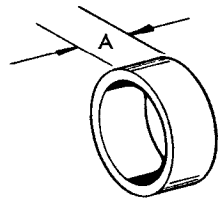
FIGURE 68. 152304 MODIFICATION KIT TO PROVIDE HORIZONTAL TABULATION
(CONTINUED ON NEXT PAGE)



①USED ON UNITS EQUIPPED WITH A TWO-STOP FUNCTION CLUTCH
 ②USED ON UNITS EQUIPPED WITH A ONE-STOP FUNCTION CLUTCH

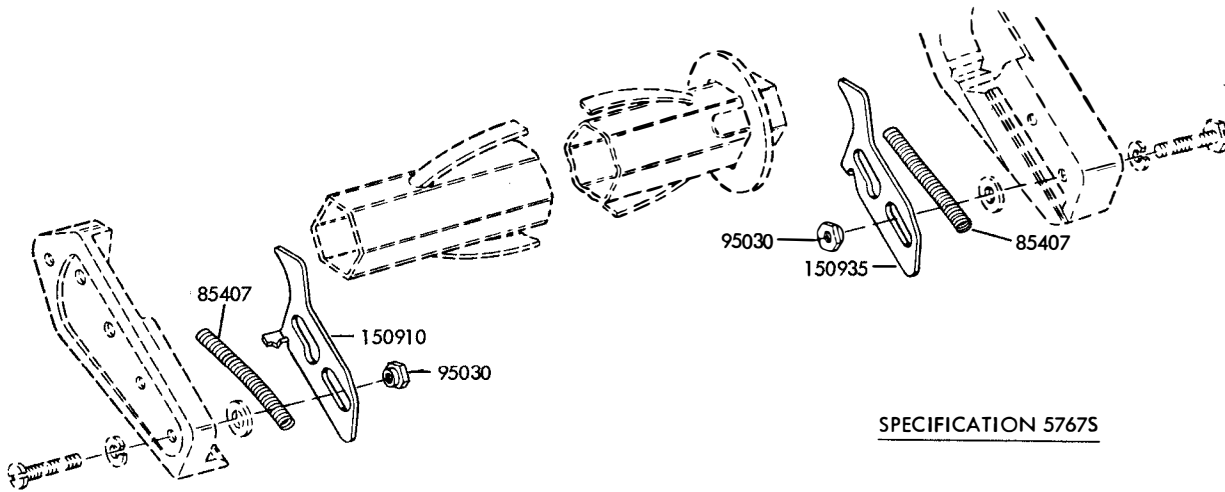
SPECIFICATION 58175

FIGURE 69. 152304 MODIFICATION KIT TO PROVIDE HORIZONTAL TABULATION (CONTINUED FROM PRECEDING PAGE)



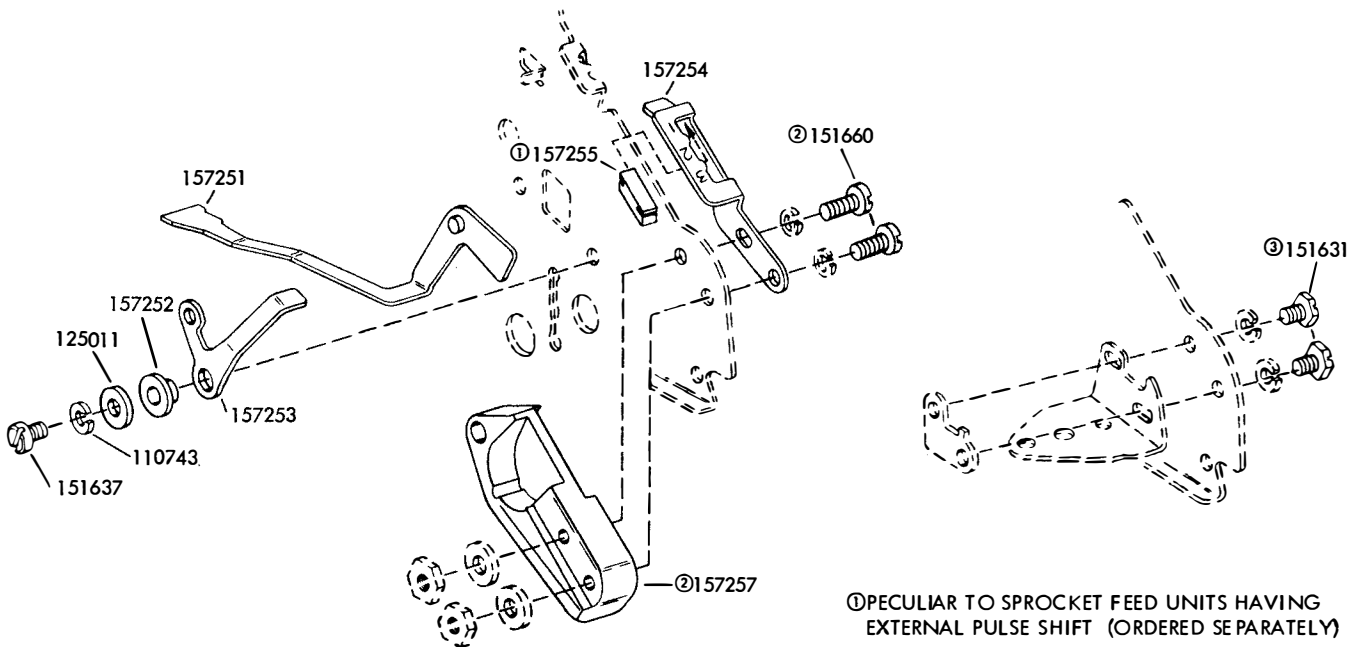
Part No.	Dim. "A"
155581	.250
155582	.500
155583	1.000
155584	2.000

FIGURE 70. 159362 MODIFICATION KIT TO PROVIDE SPACERS FOR CENTERING NARROW PAPER ROLL ON SPINDLE



SPECIFICATION 5767S

FIGURE 71. 151799 MODIFICATION KIT TO PROVIDE LATCHES FOR PAPER SPINDLE



- ① PECULIAR TO SPROCKET FEED UNITS HAVING EXTERNAL PULSE SHIFT (ORDERED SEPARATELY)
- ② PECULIAR TO 154743 - FRICTION FEED
- ③ PECULIAR TO 152315 - SPROCKET FEED

SPECIFICATION 5800S

FIGURE 72. 152315 AND 154743 MODIFICATION KITS TO PROVIDE MANUAL SELECTION OF STUNT BOX OPERATION

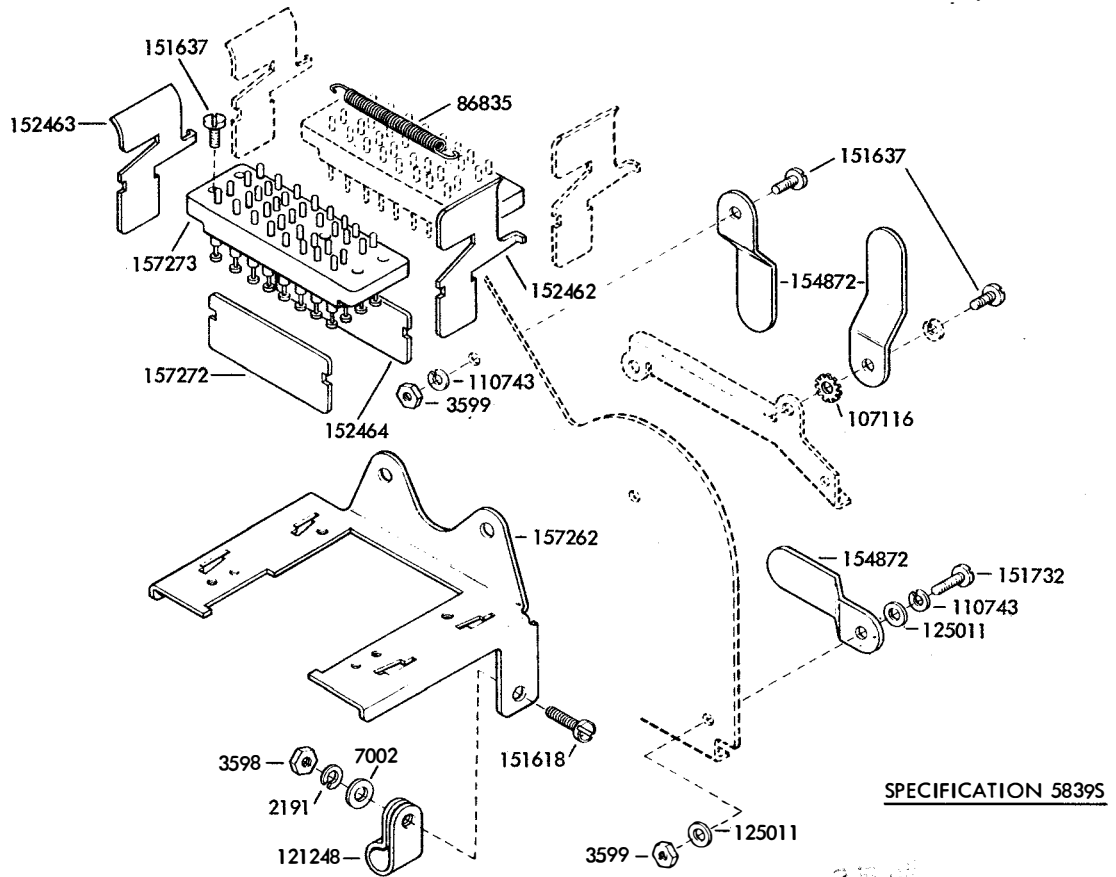


FIGURE 73. 154727 MODIFICATION KIT TO PROVIDE AUXILIARY CONNECTOR

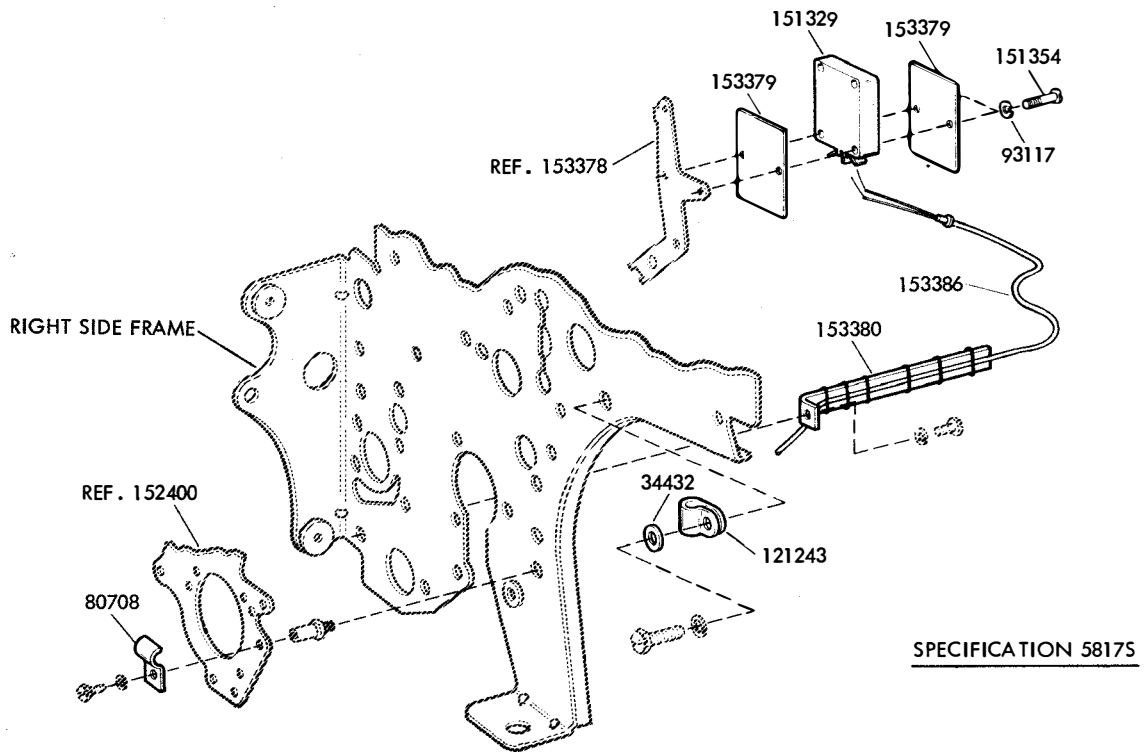


FIGURE 74. 152317 MODIFICATION KIT TO PROVIDE HORIZONTAL TABULATOR XD CONTROL

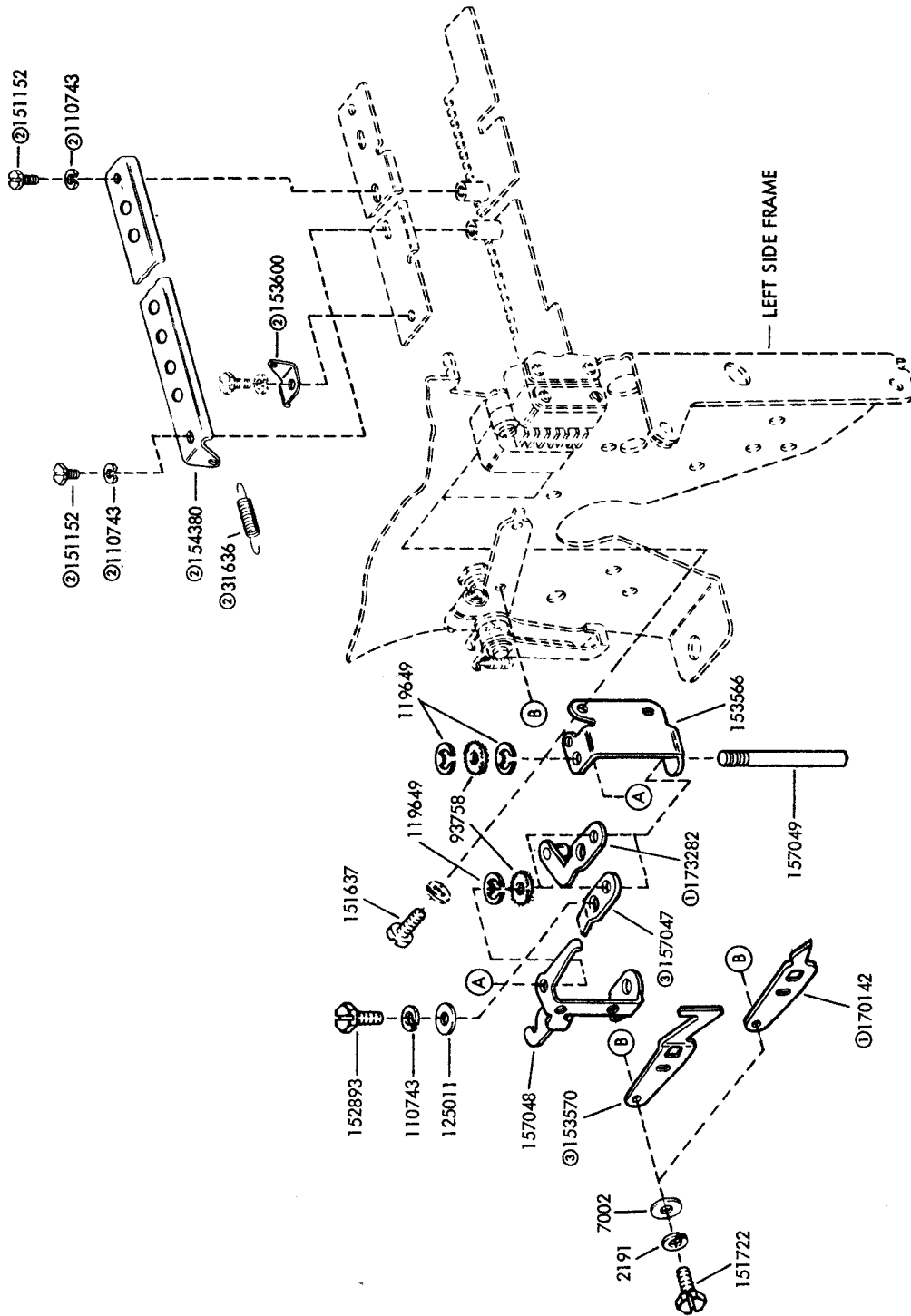


FIGURE 75. 152337, 157509 AND 173283 MODIFICATION KITS TO PROVIDE ON-LINE STUNT SHIFT CONTROL

SPECIFICATION 5823S

- ① PART OF 173283 MOD. KIT
- ② PART OF 152337 AND 173283 MOD. KITS
- ③ PART OF 152337 AND 157509 MOD. KITS

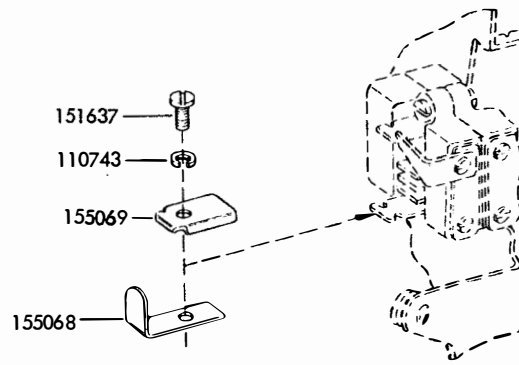
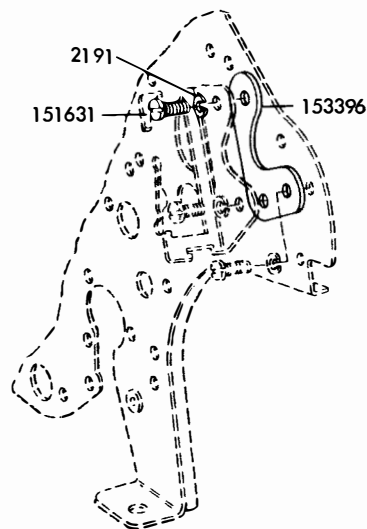
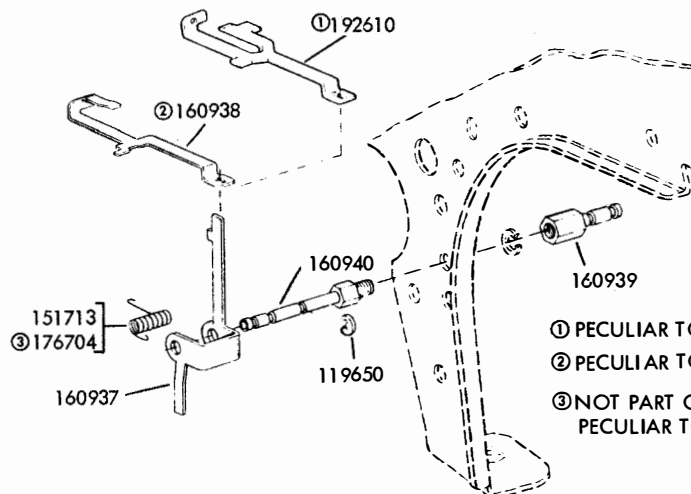


FIGURE 76. 153912 MODIFICATION KIT TO PROVIDE FIGS-LTRS CODE BAR MANUAL SHIFTING



SPECIFICATION 57935

FIGURE 77. 152312 MODIFICATION KIT TO CONVERT PRINTER FOR USE WITH LIGHTWEIGHT SET



- ① PECULIAR TO 194093 (Used with vertical tab)
- ② PECULIAR TO 160886 (Used with page feedout)
- ③ NOT PART OF 160886 OR 194093 MOD. KITS. PECULIAR TO KEYBOARD BASE

SPECIFICATION 58905

FIGURE 78. 160886 AND 194093 MODIFICATION KITS TO PROVIDE LOCAL FORM FEED-OUT (RECEIVING ONLY BASE)

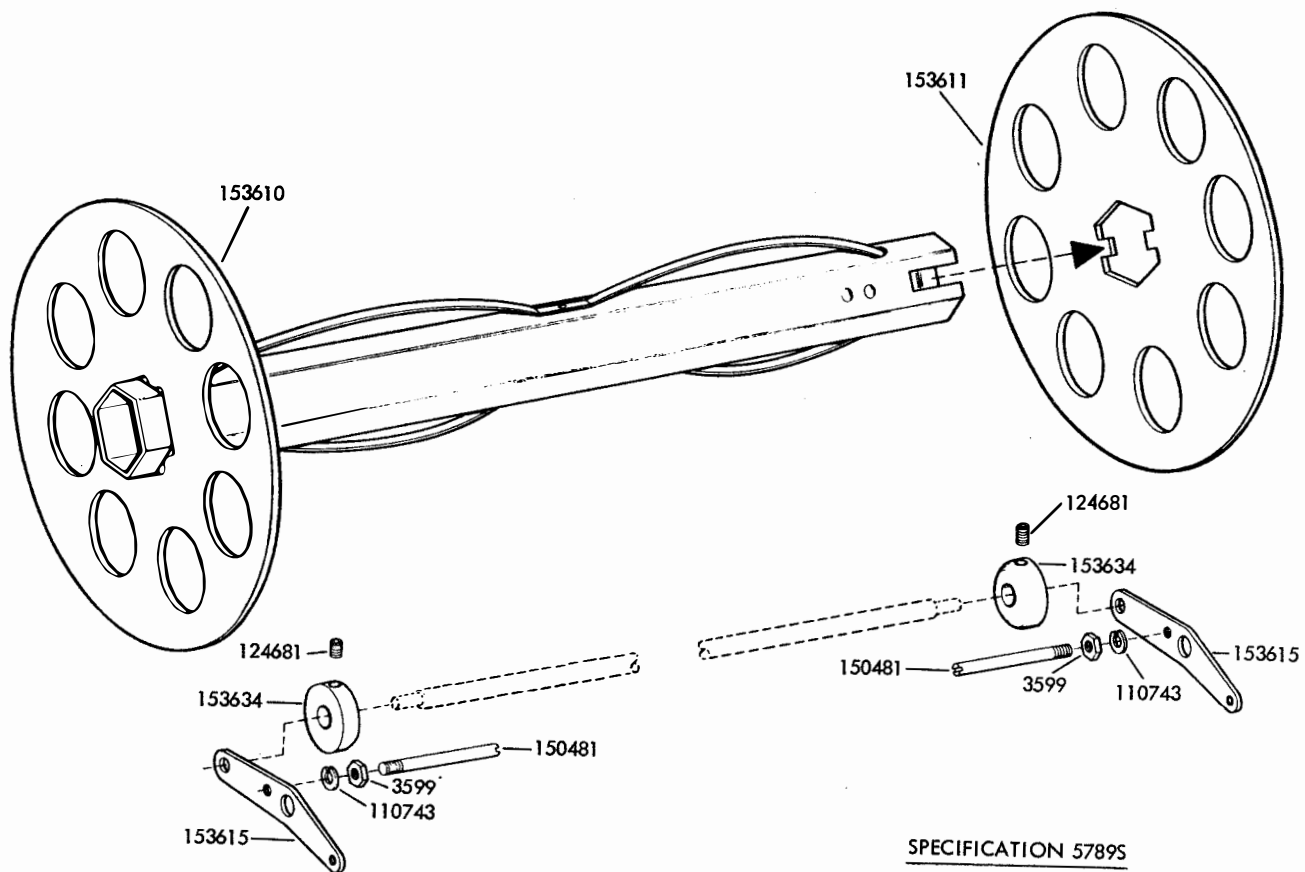


FIGURE 79. 152340 MODIFICATION KIT TO PROVIDE MULTI-COPY PAPER HANDLING

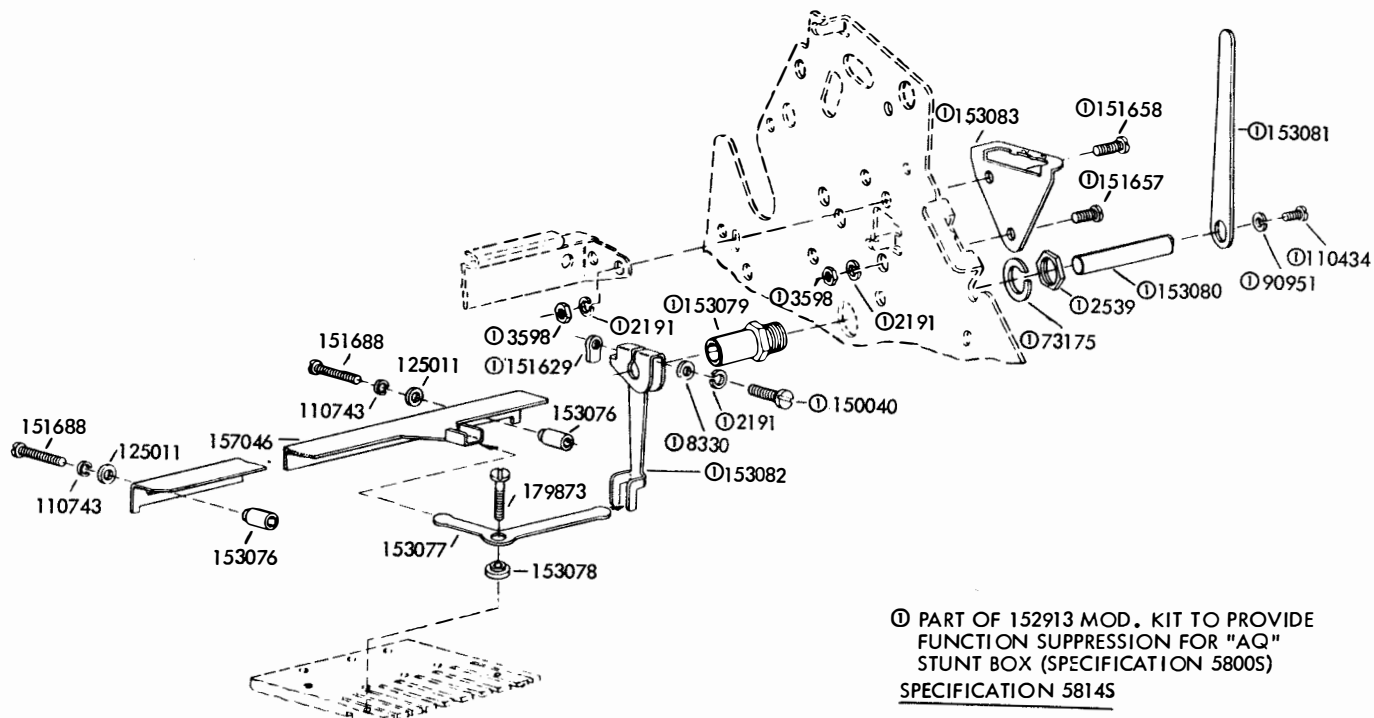
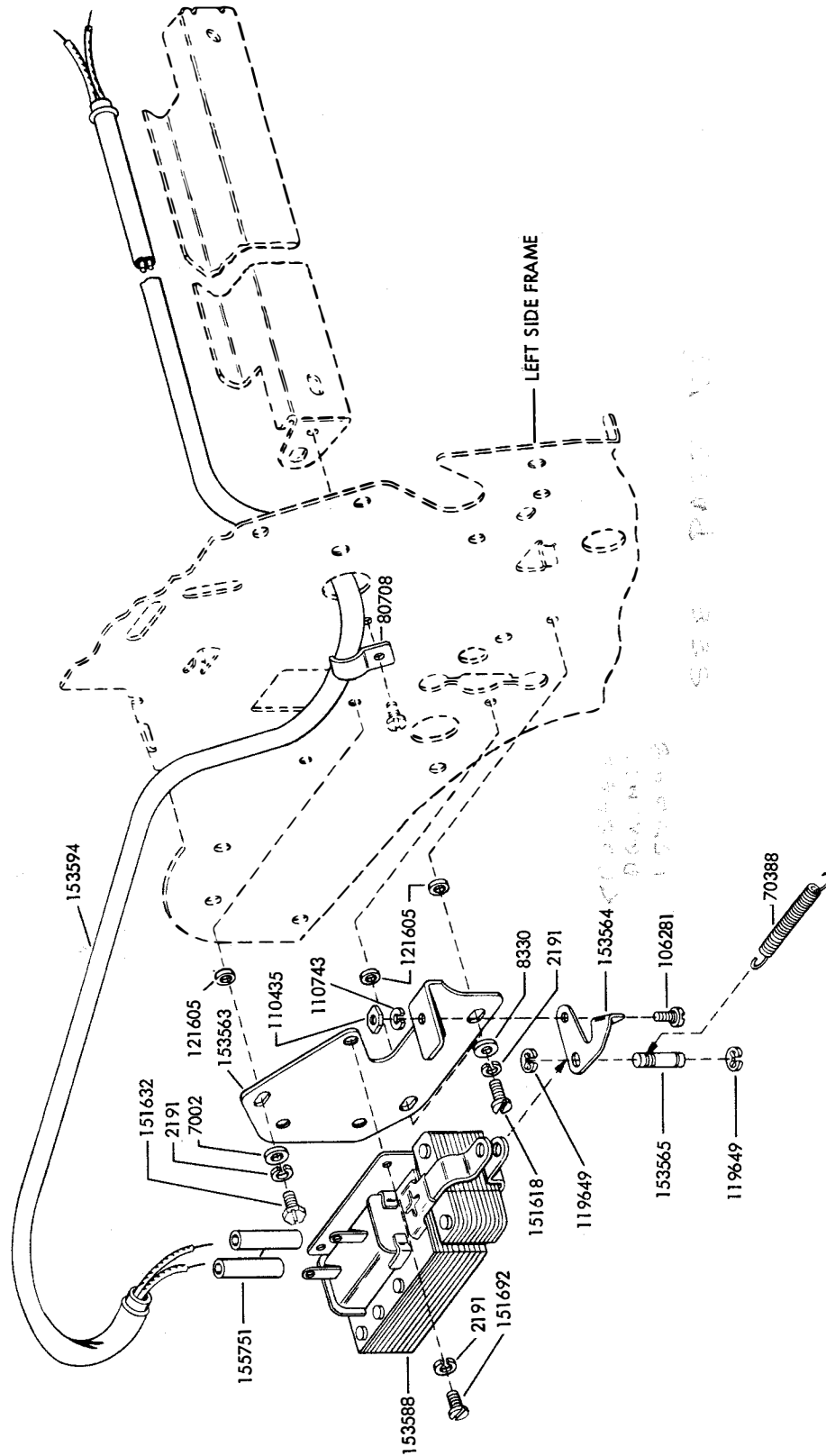
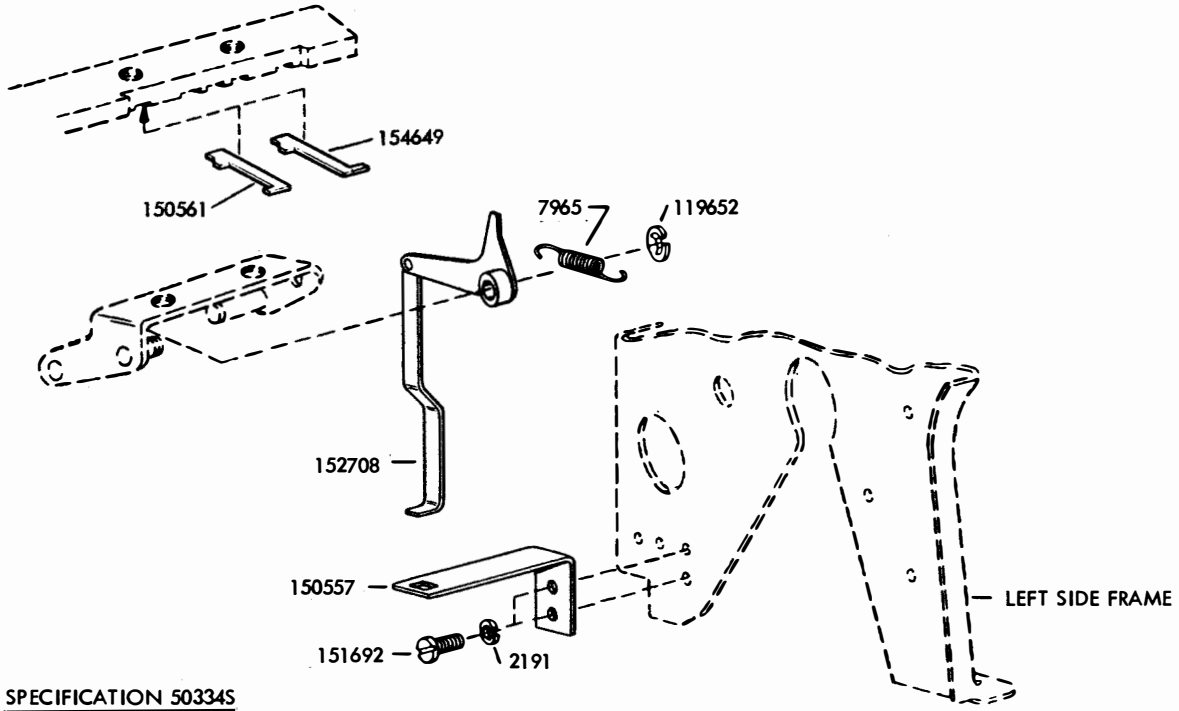


FIGURE 80. 153910 MODIFICATION KIT TO PROVIDE FUNCTION SUPPRESSION FOR "AZ" STUNT BOX



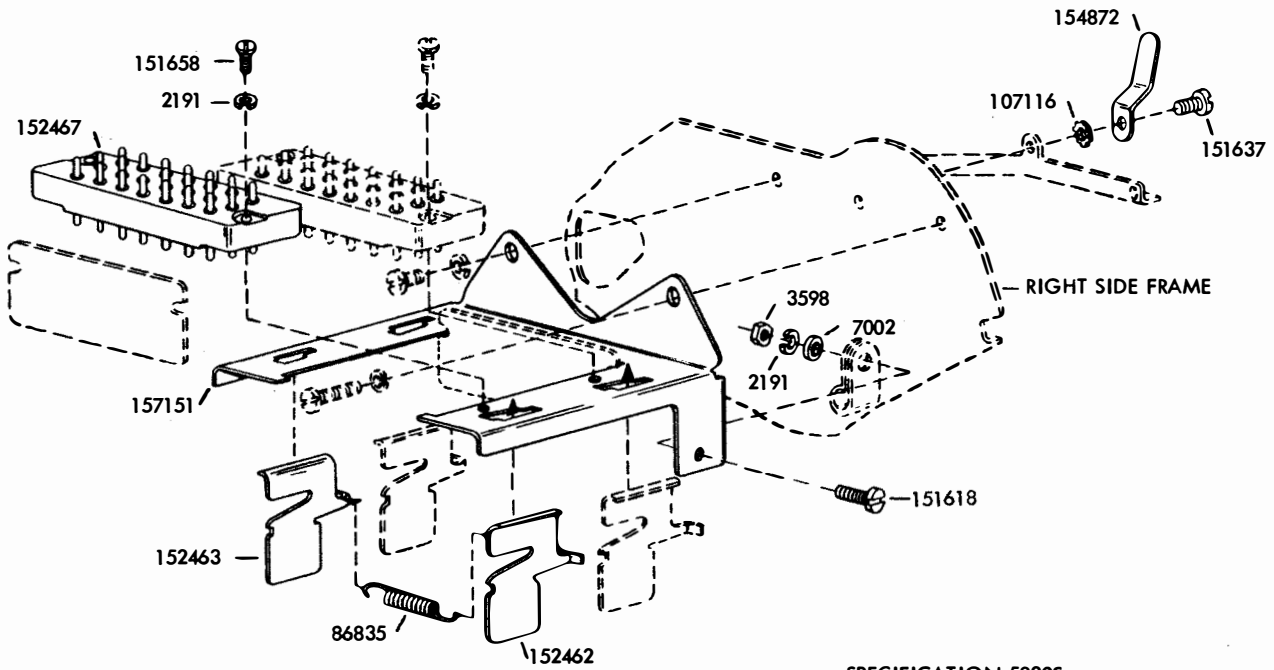
SPECIFICATION 58235

FIGURE 81. 152345 MODIFICATION KIT TO PROVIDE OFF-LINE STUNT SHIFT CONTROL



SPECIFICATION 50334S

FIGURE 82. 152350 MODIFICATION KIT TO PROVIDE KEYBOARD LOCK



SPECIFICATION 5820S

FIGURE 83. 153919 MODIFICATION KIT TO PROVIDE AUXILIARY CONNECTOR

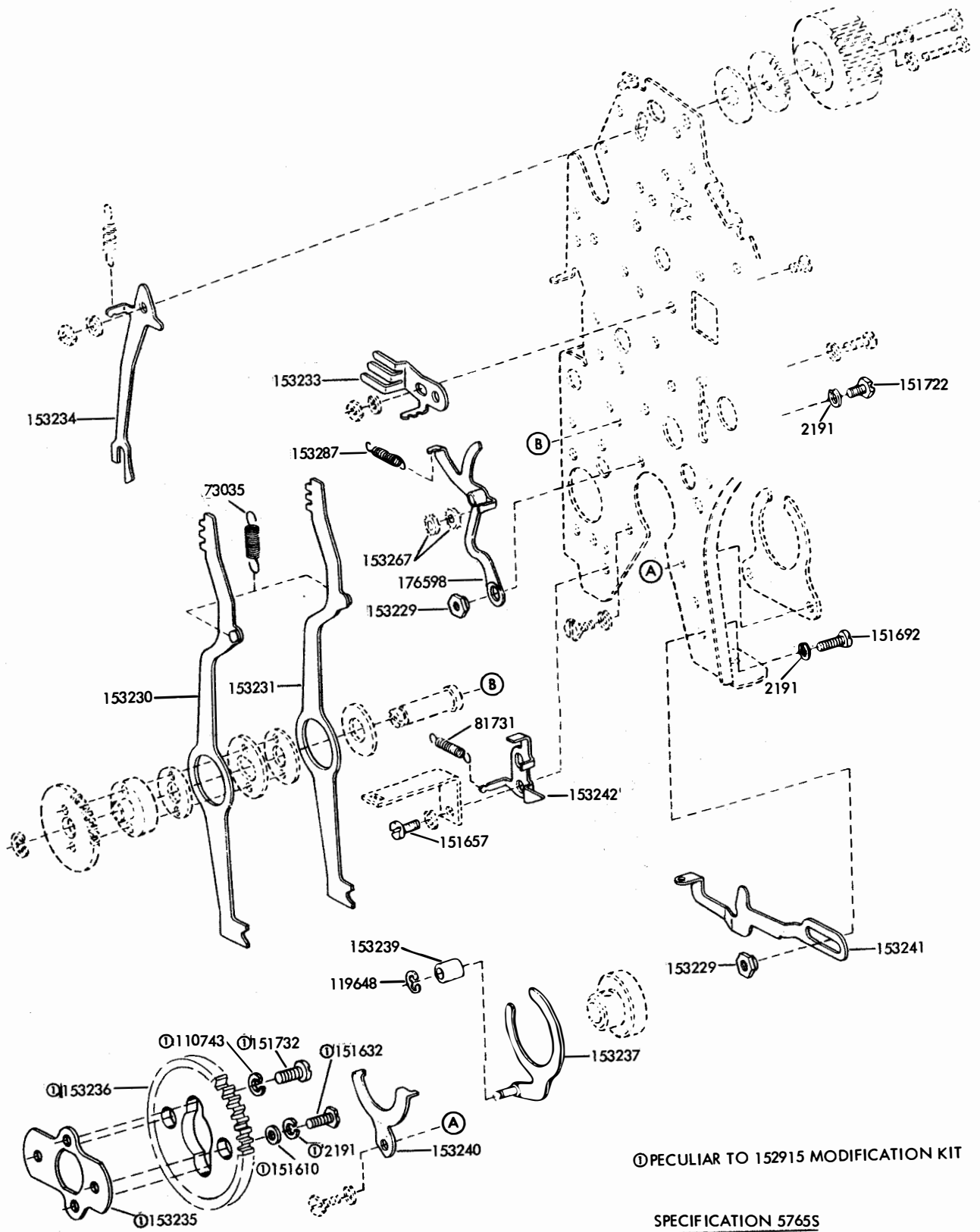
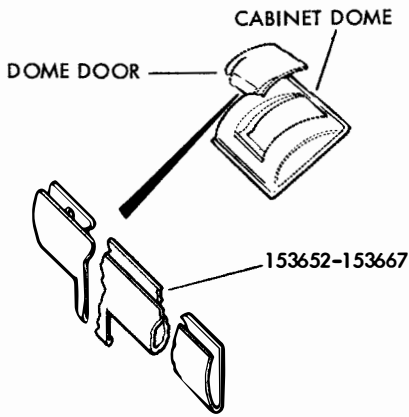
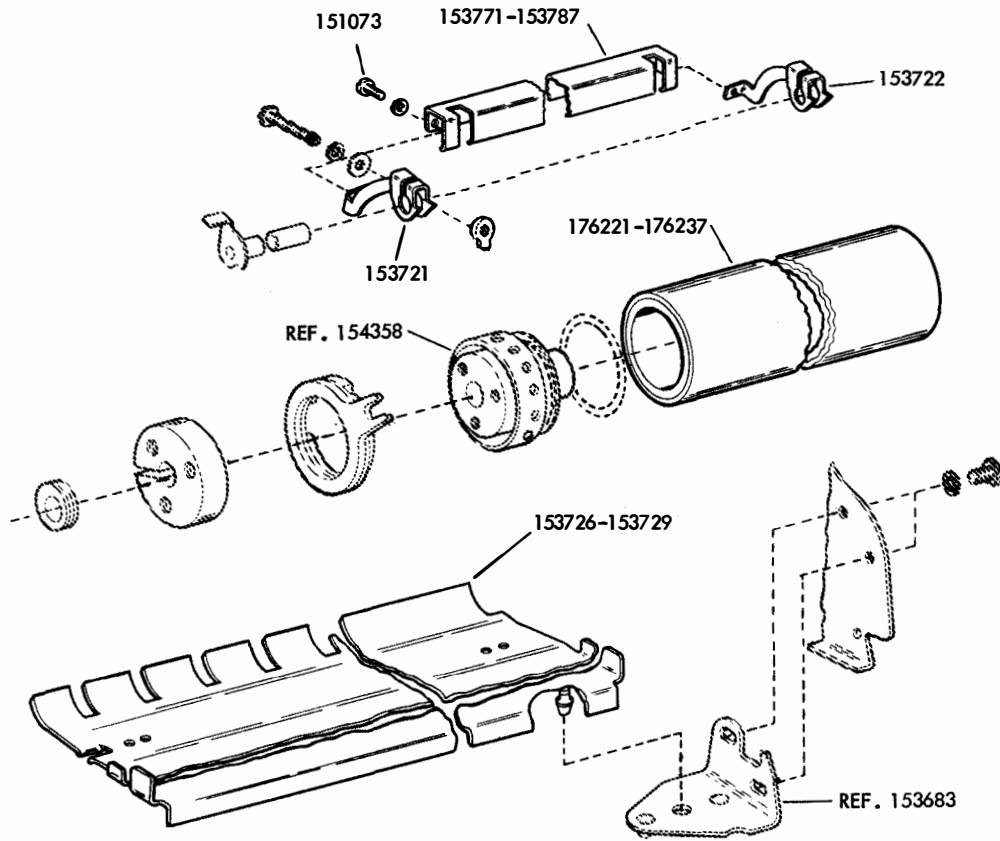


FIGURE 84. 152915 AND 157511 MODIFICATION KITS TO PROVIDE LOCAL REVERSE LINE FEED



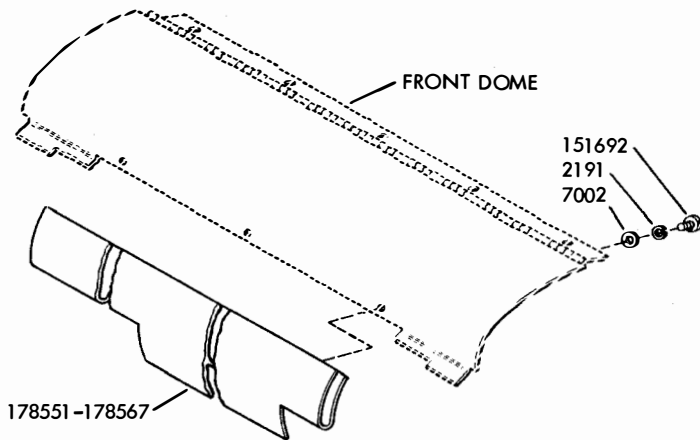
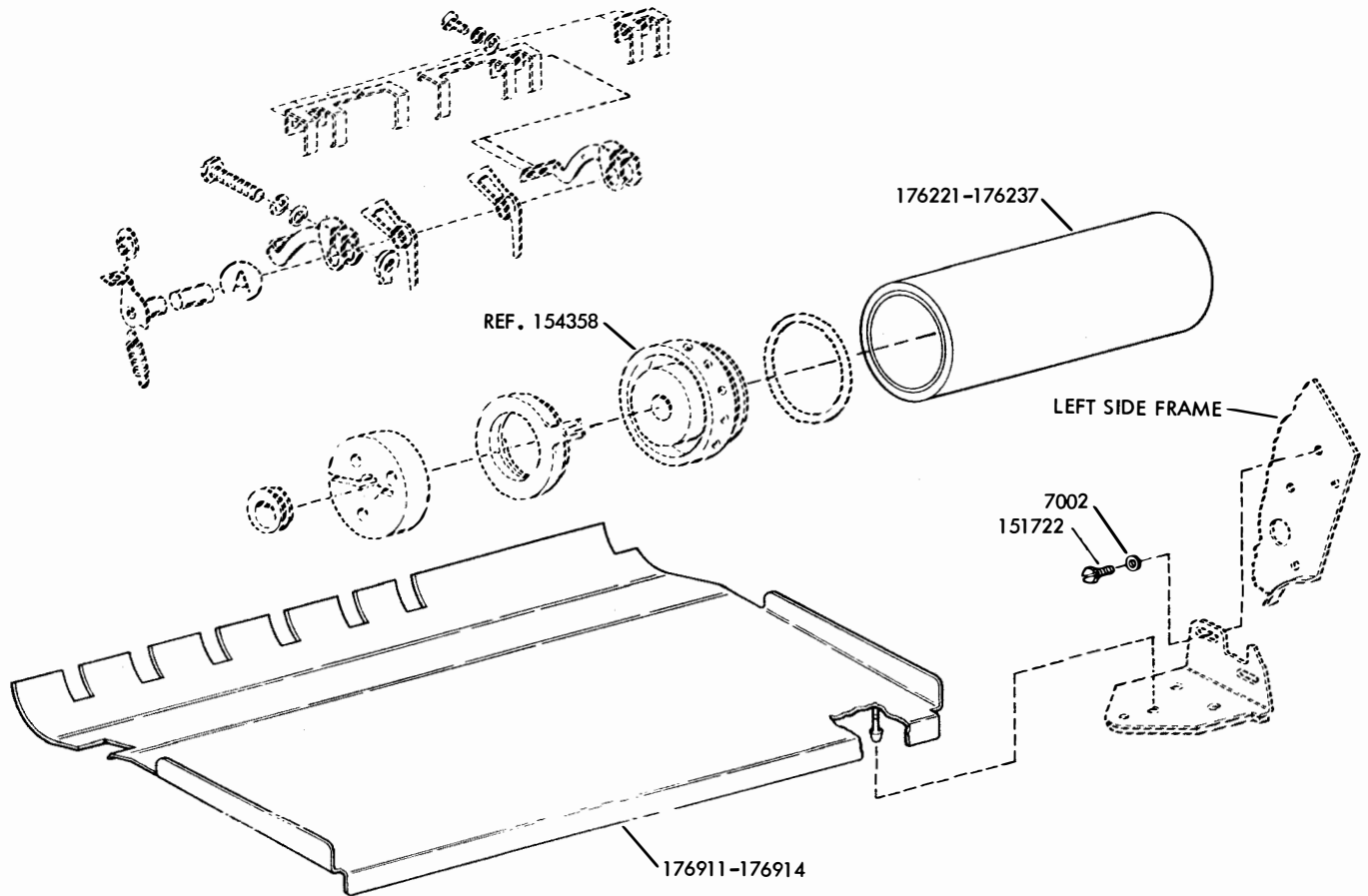
SEE NOTE 32 ON PAGE 111

SPECIFICATION 57925

① PAPER WIDTHS	PAPER TRAY	GUIDE BRACKET	MOD. KIT: PAPER HANDLING PARTS		
			KIT. NO.	PLATEN	FORM GUIDE
9"	153727	153771	176181	176221	153652
8-1/2"	153726	153772	176182	176222	153653
8"	153727	153773	176183	176223	153654
7-1/2"	153726	153774	176184	176224	153655
7"	153727	153775	176185	176225	153656
6-1/2"	153726	153776	176186	176226	153657
6-3/8"	153728	153777	176187	176227	153658
6-1/4"	153729	153778	176188	176228	153659
6"	153727	153779	176189	176229	153660
5-3/4"	153728	153780	176190	176230	153661
5-1/2"	153726	153781	176191	176231	153662
5"	153727	153782	176192	176232	153663
4-1/2"	153726	153783	176193	176233	153664
4-5/16"	153729	153784	176194	176234	153665
4-1/4"	153728	153785	176195	176235	153665
4"	153727	153786	176196	176236	153666
3-5/8"	153726	153787	176197	176237	153667

① THE WIDTH SHOWN IS THE OVERALL DIMENSION OF THE PAPER AND THE DISTANCE BETWEEN SPROCKET PIN HOLES IS 1/2" LESS.

FIGURE 85. SPROCKET FEED PAPER HANDLING MODIFICATION KITS (TYPING UNIT AND CABINET)



② Paper Widths	Paper Tray	Mod. Kit Paper Handling Parts		
		Kit No.	Platen	Form Guide
9"	176912	178568	175221	178551
8-1/2"	176911	178559	176222	178552
8"	176912	178570	176223	178553
7-1/2"	176911	178571	176224	178554
7"	176912	178572	176225	178555
6-1/2"	176911	178573	176226	178556
6-3/8"	176913	178574	176227	178557
6-1/4"	176914	178575	176228	178558
6"	176912	178576	176229	178559
5-3/4"	176913	178577	175230	178560
5-1/2"	176911	178578	176231	178561
5"	176912	178579	176232	178562
4-1/2"	176911	178580	176233	178563
4-5/16"	176914	178581	176234	178564
4-1/4"	176913	178582	176235	178565
4"	176912	178583	176236	178566
3-5/8"	176911	178584	176237	178567

② THE WIDTH SHOWN IS THE OVERALL DIMENSION OF THE PAPER AND THE DISTANCE BETWEEN SPROCKET PIN HOLES IS 1/2" LESS.

FOR REFERENCED PARTS, SEE FIGURE 16

SPECIFICATION 57925

FIGURE 86. SPROCKET FEED PAPER HANDLING MODIFICATION KITS (TYPING UNIT AND CABINET - WALL MOUNTED)

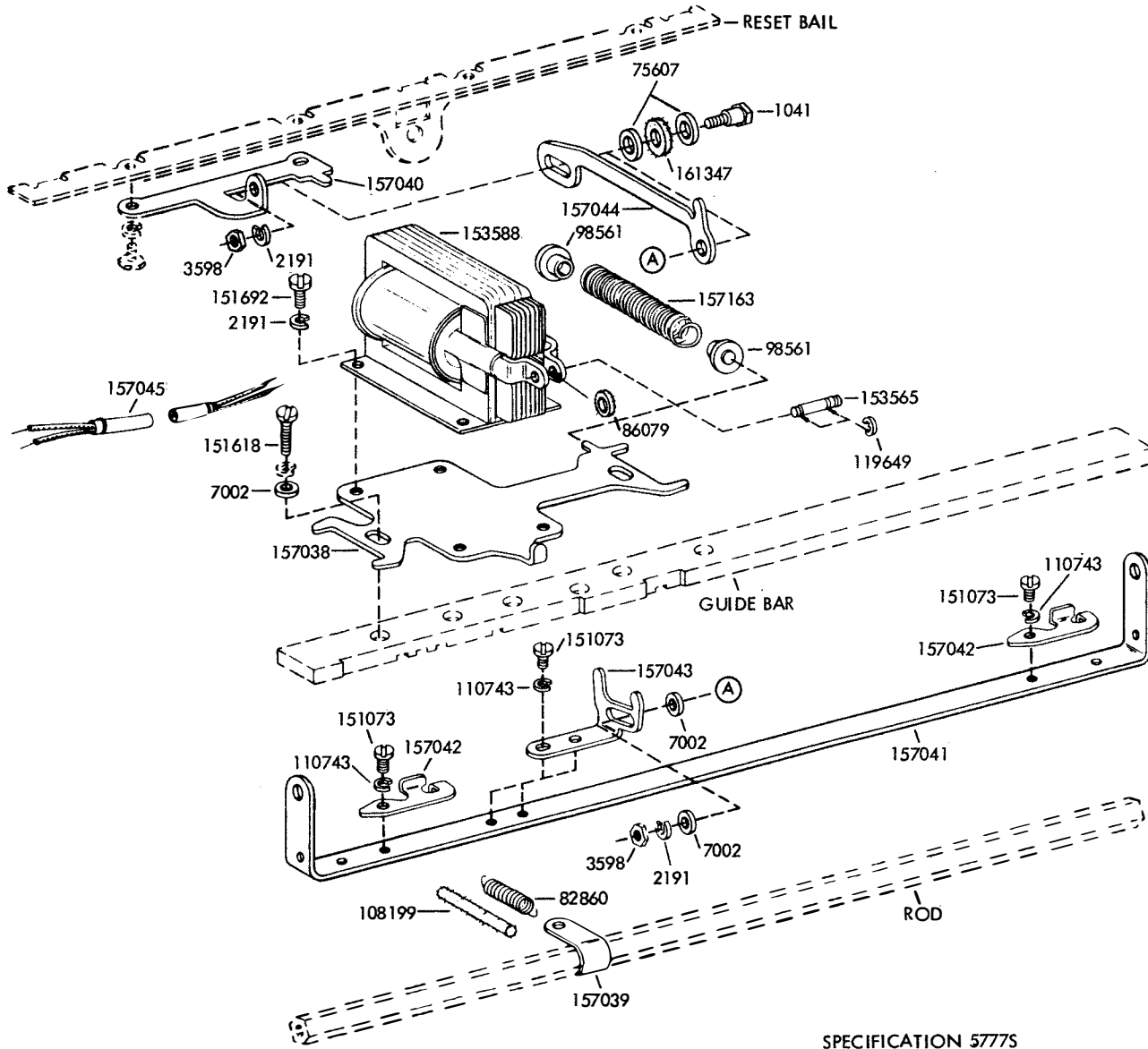
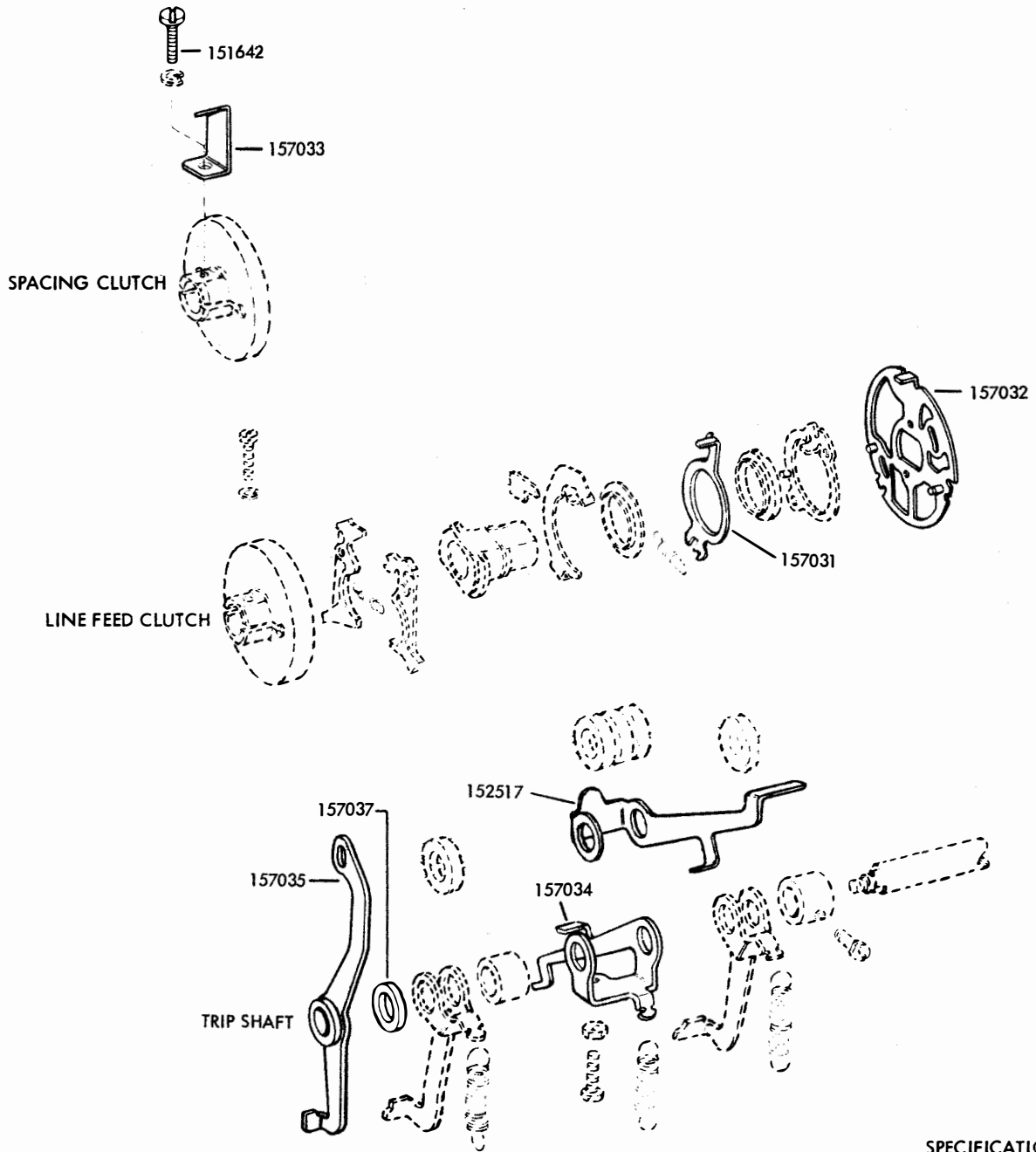


FIGURE 87. 153911 MODIFICATION KIT TO PROVIDE CONTINUOUS SPACING
(CONTINUED ON NEXT PAGE)



SPECIFICATION 5775

FIGURE 88. 153911 MODIFICATION KIT TO PROVIDE CONTINUOUS SPACING
(CONTINUED FROM PRECEDING PAGE)

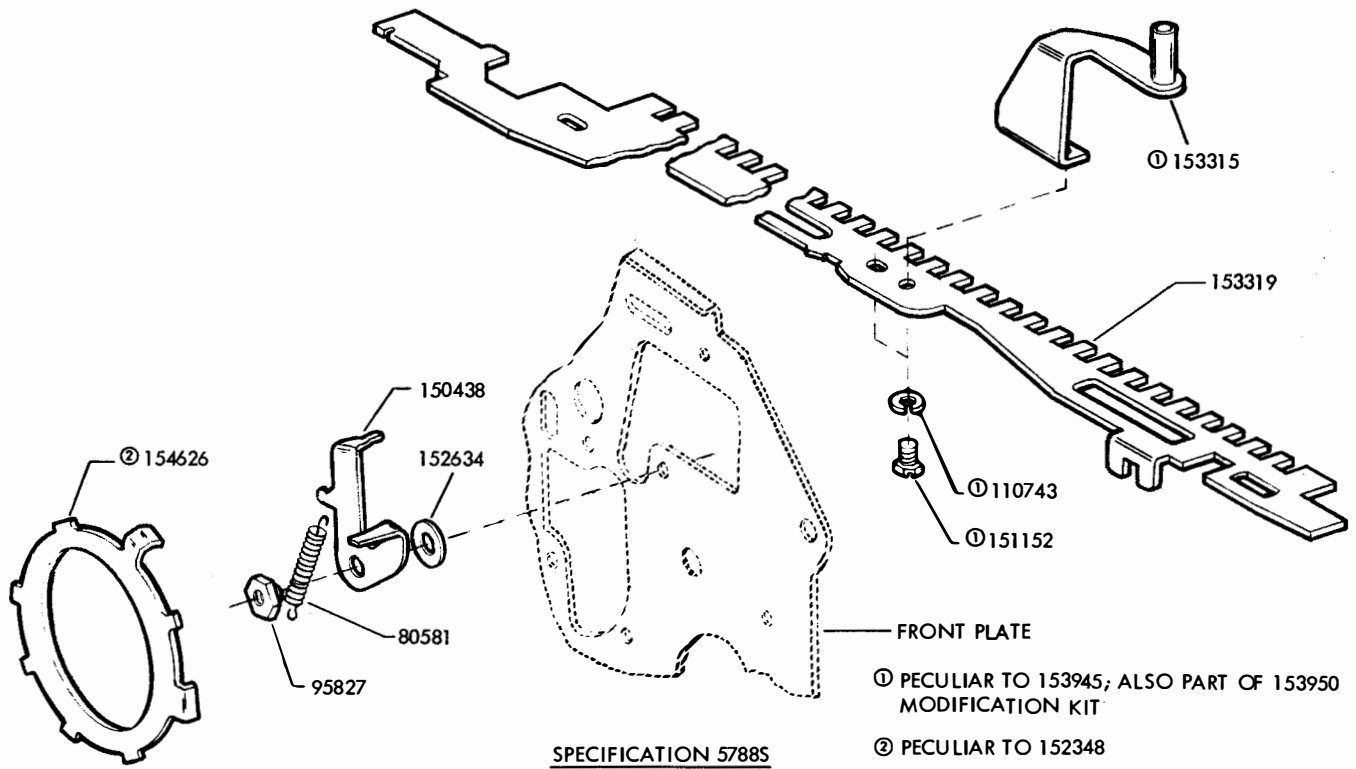


FIGURE 89. 152348 AUTOMATIC CARRIAGE RETURN AND LINE FEED AND 153945 "O" CODE BAR AND BELLCRANK MODIFICATION KITS

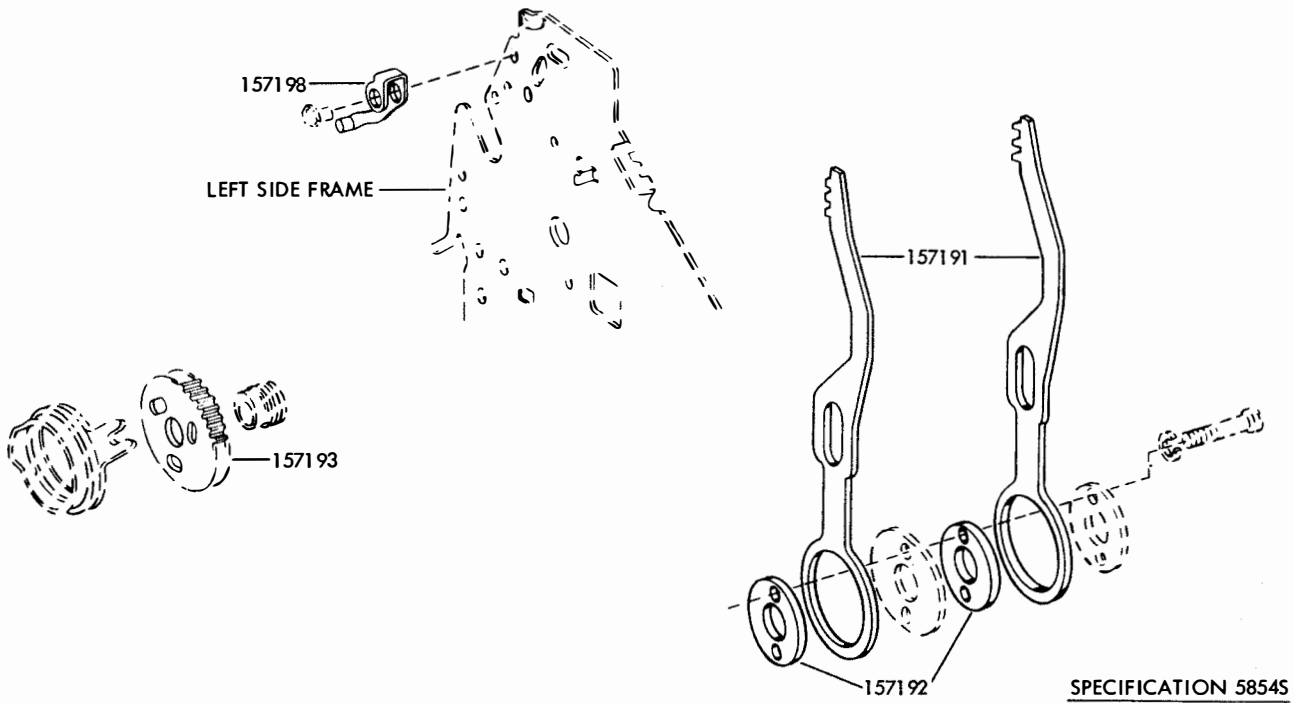


FIGURE 90. 154742 MODIFICATION KIT TO PROVIDE FOUR LINES PER INCH

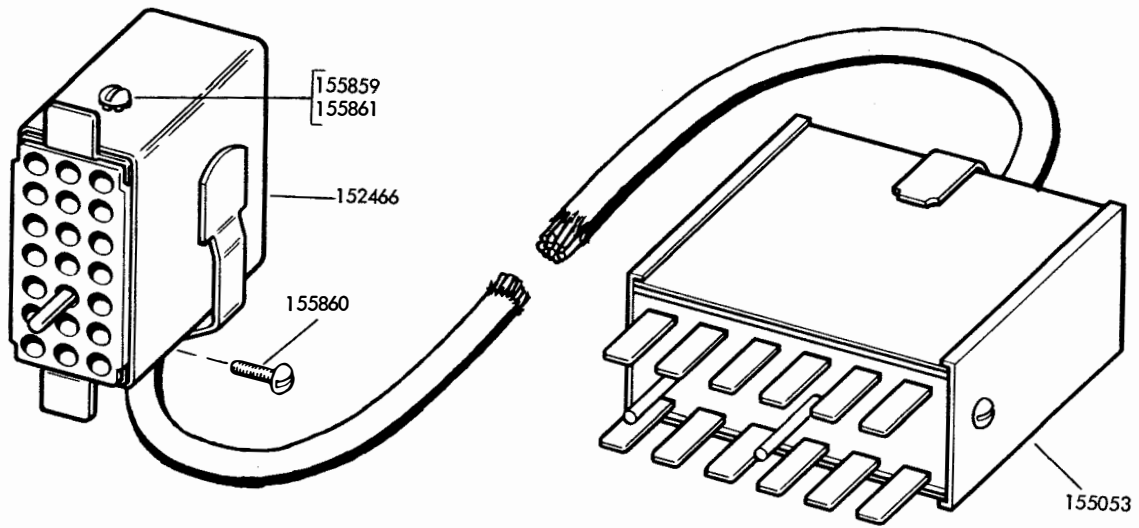
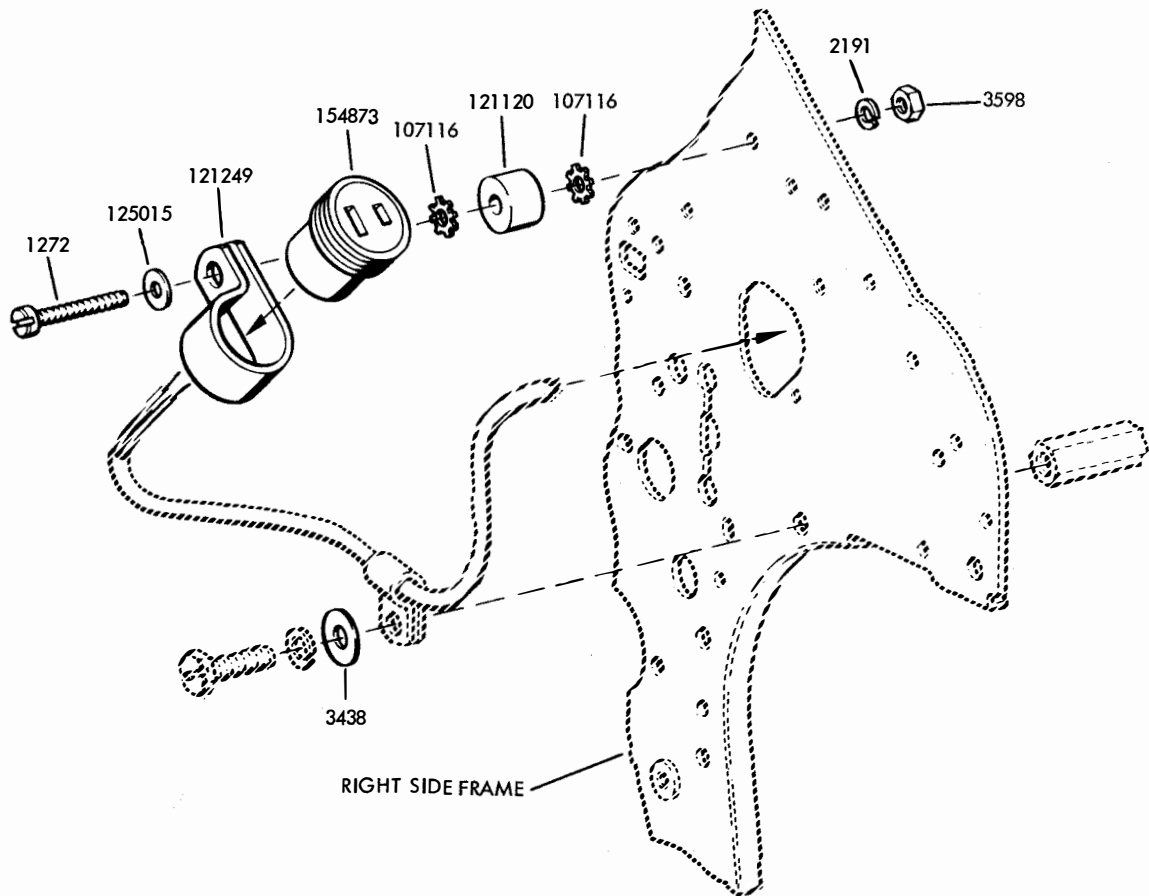


FIGURE 91. 155051 AUXILIARY CABLE ASSEMBLY



SPECIFICATION 5821 S

FIGURE 92. 154753 MODIFICATION KIT TO PROVIDE AUXILIARY CONNECTOR

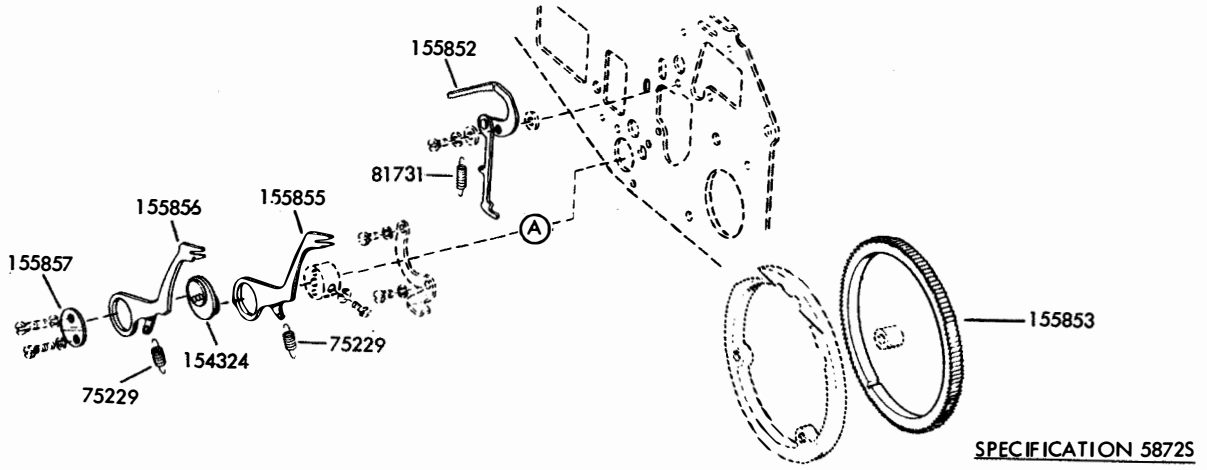


FIGURE 93. 154755 MODIFICATION KIT TO PROVIDE 5 SPACES PER INCH HORIZONTALLY

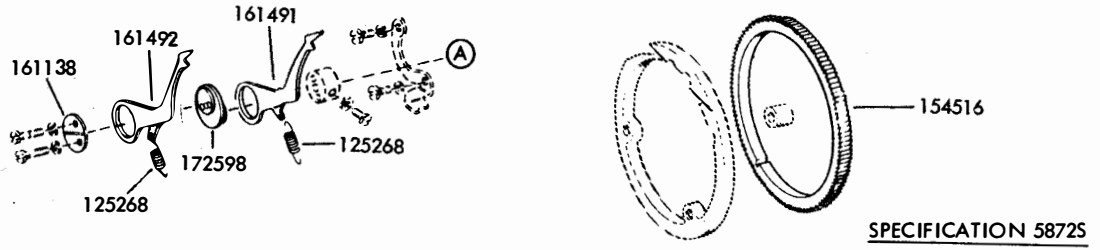


FIGURE 94. 159395 MODIFICATION KIT TO PROVIDE 6 SPACES PER INCH HORIZONTALLY

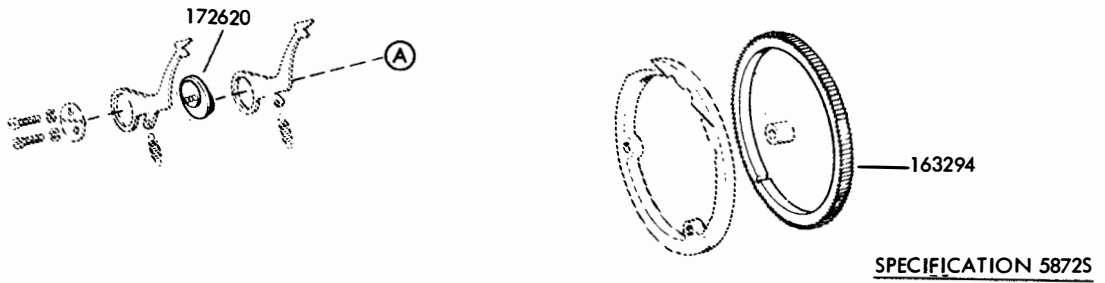


FIGURE 95. 163292 MODIFICATION KIT TO PROVIDE 8 SPACES PER INCH HORIZONTALLY

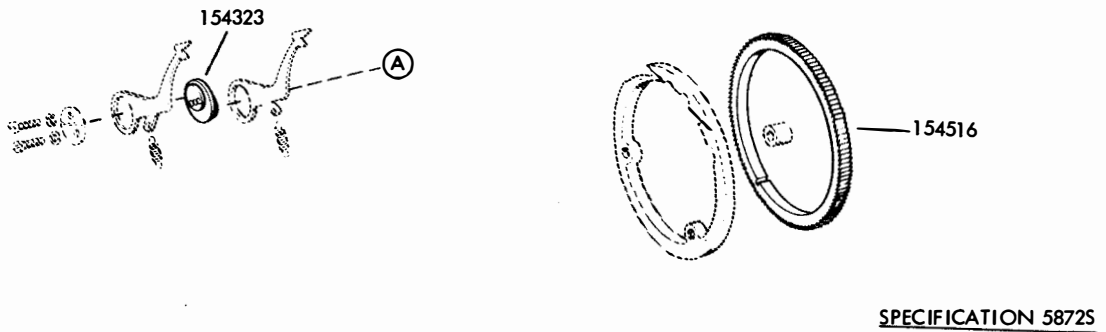
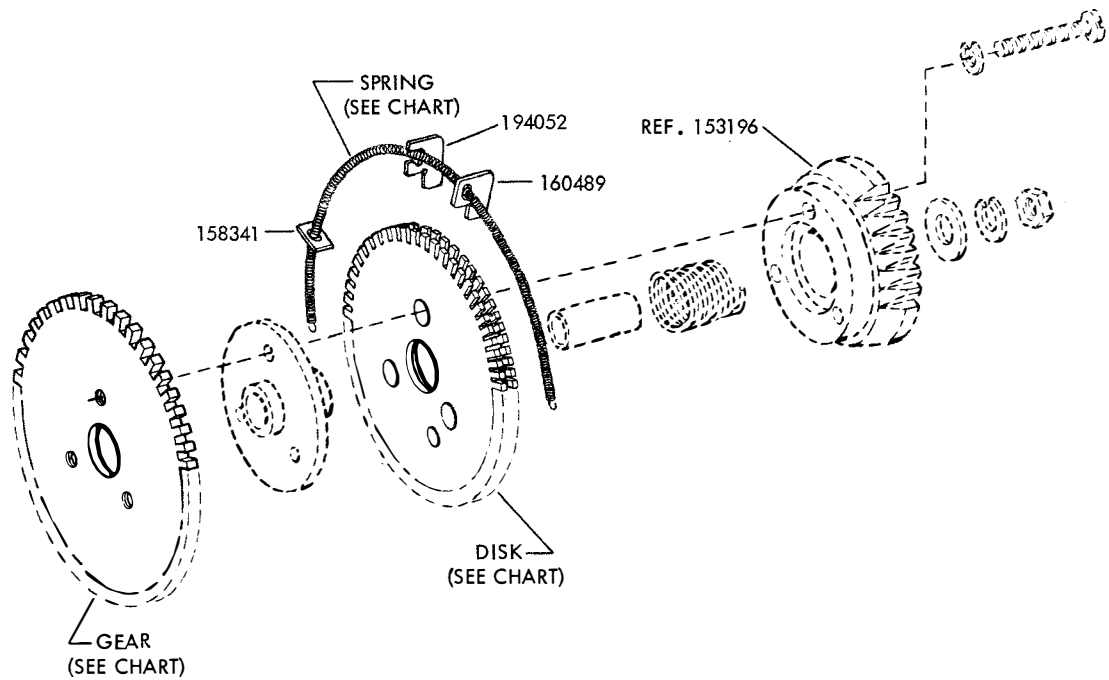


FIGURE 96. 154792 MODIFICATION KIT TO PROVIDE 12 SPACES PER INCH HORIZONTALLY

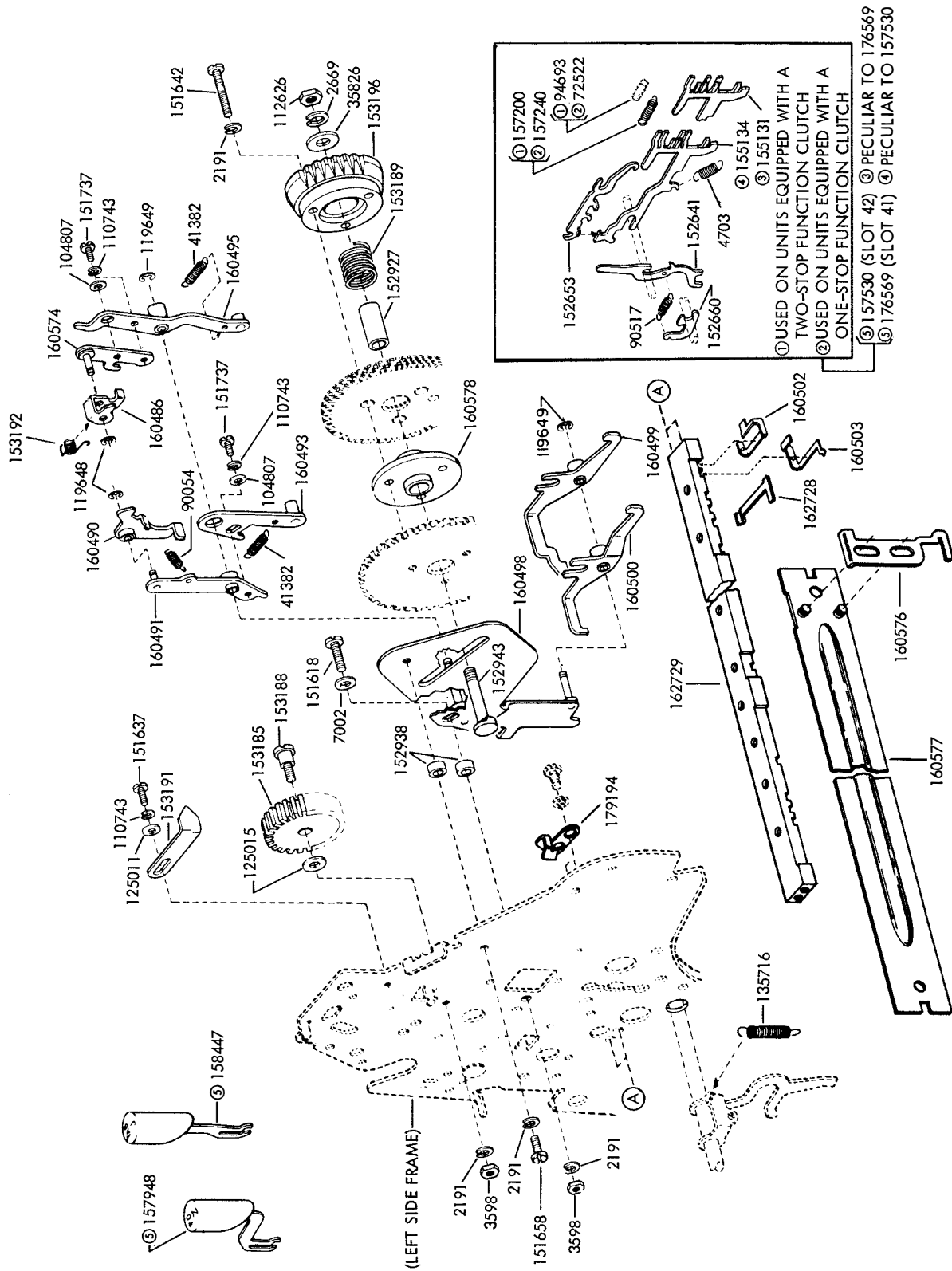


FORM LENGTH IN INCHES	MOD KIT	GEAR NO.	DISK NO.	SPRING NO.
8, 4, 2	154760	153198	160505	160527
8-1/2	154761	153199	160506	160528
9, 4-1/2	154762	153200	160507	160529
9-1/2	154763	153201	160508	160530
10, 5	154764	153202	160509	160531
11, 5-1/2	154765	153203	160510	160532
12, 6, 3	154766	153204	160511	160533
13, 6-1/2	154767	153205	160512	160534
14, 7, 3-1/2	154768	153206	160513	160535
15, 7-1/2	154769	153207	160514	160536
14-2/3, 7-1/3, 3-2/3	192706	161250	192704	160536
13, 6-1/2, 3-1/4	①197849	197732	197734	160534
4-1/4	①197850	197731	197733	160528

SPECIFICATION 50004S

① THE 197849 AND 197850 MOD. KITS CAN ONLY BE USED WITH THE 154742 MOD. KIT (4 LINES PER INCH)
 THE 197849 AND 197850 MOD. KITS ALSO INCLUDE THE 197735, 197736, 197737 AND 197840 SPUR GEARS SHOWN IN THEIR RESPECTIVE POSITIONS IN FIGURE 67

FIGURE 97. VERTICAL TABULATION MODIFICATION KITS



THE 154770 MODIFICATION KIT TO PROVIDE VERTICAL TABULATION CONSISTS OF ALL PARTS ON THIS PAGE EXCEPT THOSE MARKED ⑤

SPECIFICATION 500045

FIGURE 98. 154770 MODIFICATION KIT TO PROVIDE VERTICAL TABULATION ON UPPER CASE "J" AND "Z" (INCLUDES THE 163535 MOD. KIT IN FIGURE 108)

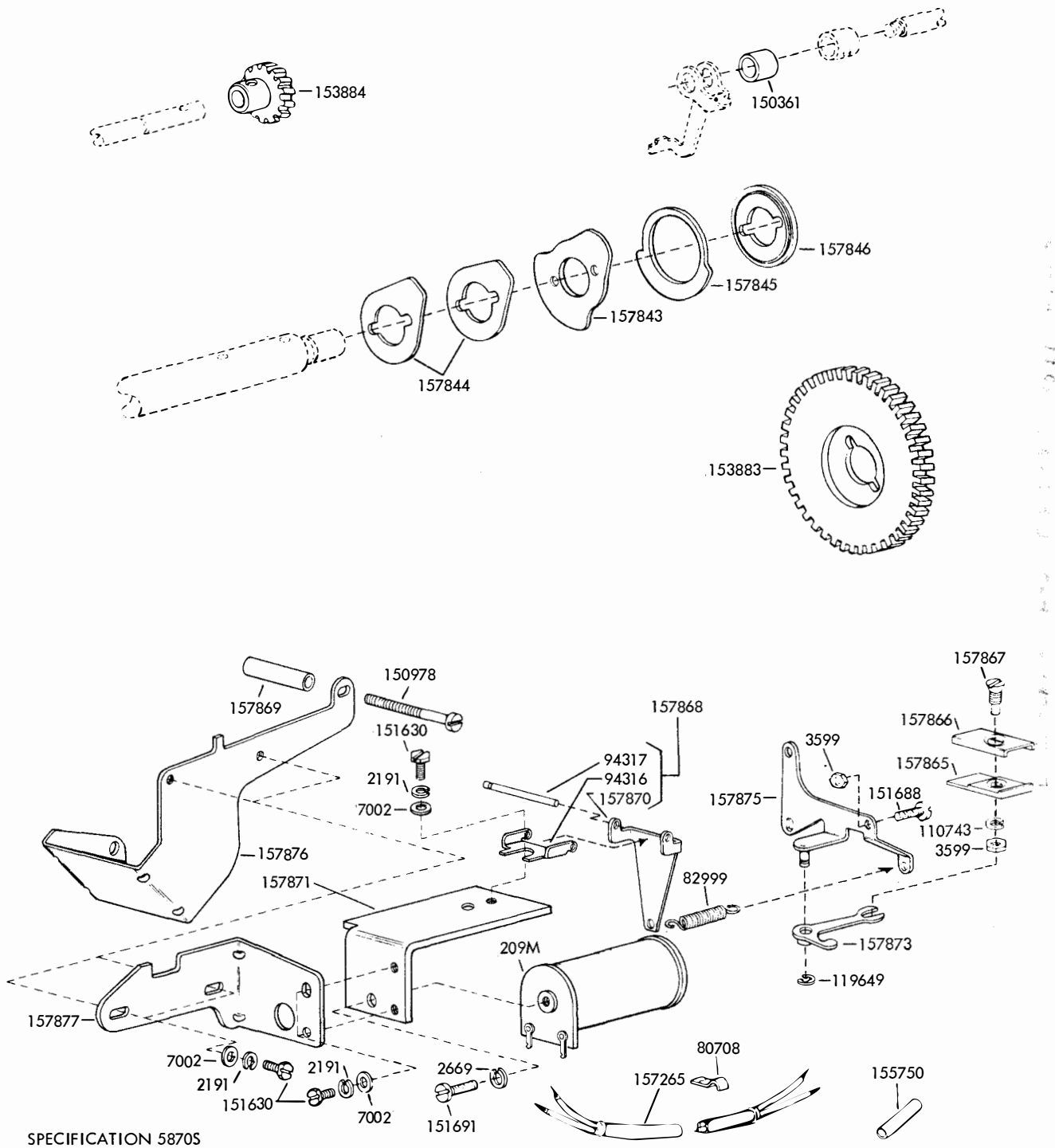
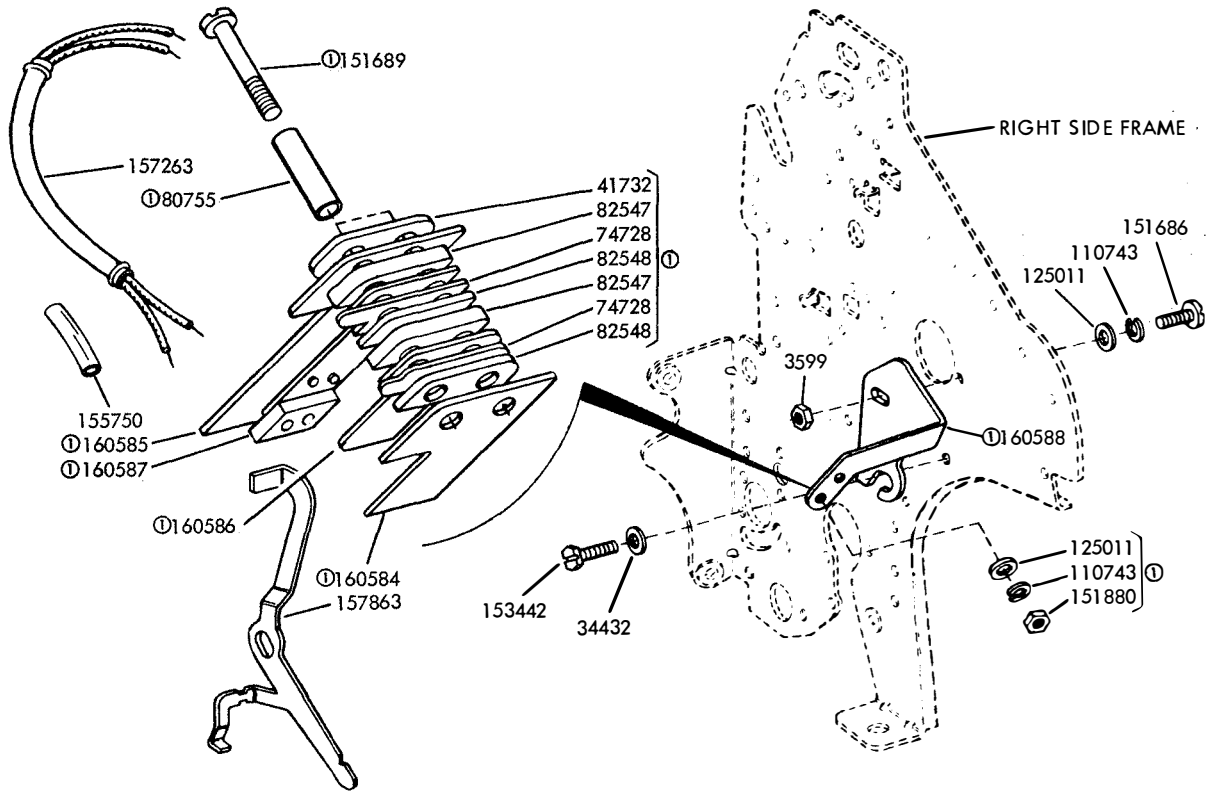
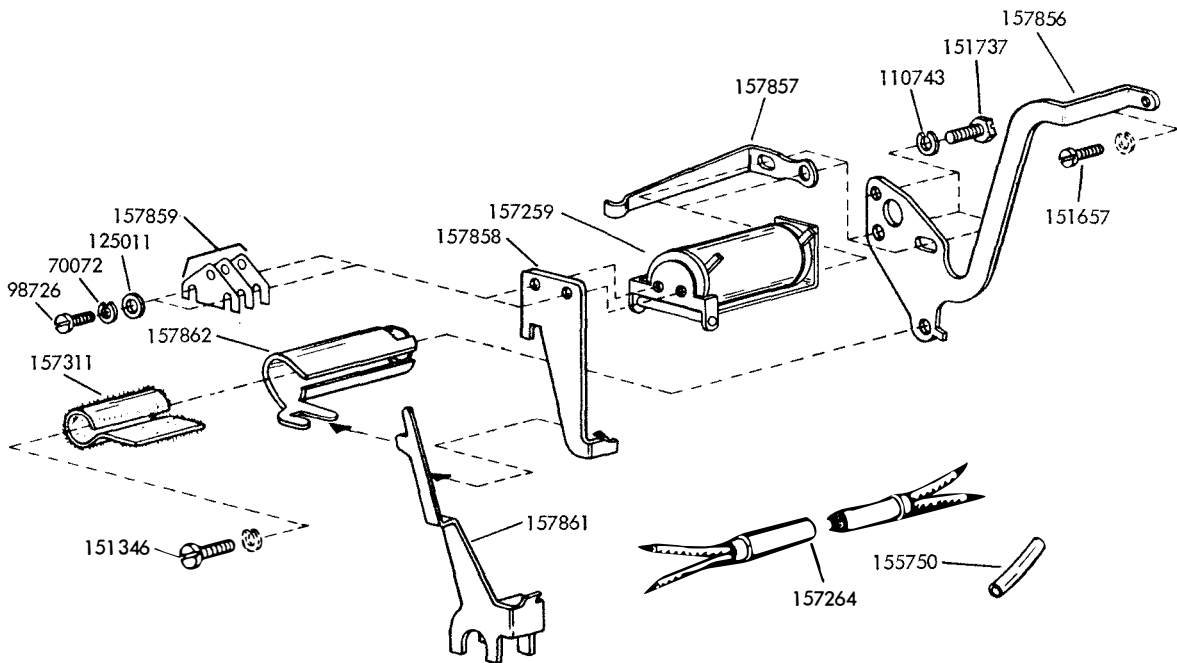


FIGURE 99. 154778 MODIFICATION KIT TO PROVIDE EXTERNAL PULSE SHIFT FEATURE
(CONTINUED ON NEXT PAGE)



①PART OF 160589 CONTACT ASSEMBLY



SPECIFICATION 58705

FIGURE 100. 154778 MODIFICATION KIT TO PROVIDE EXTERNAL PULSE SHIFT FEATURE
(CONTINUED FROM PRECEDING PAGE)

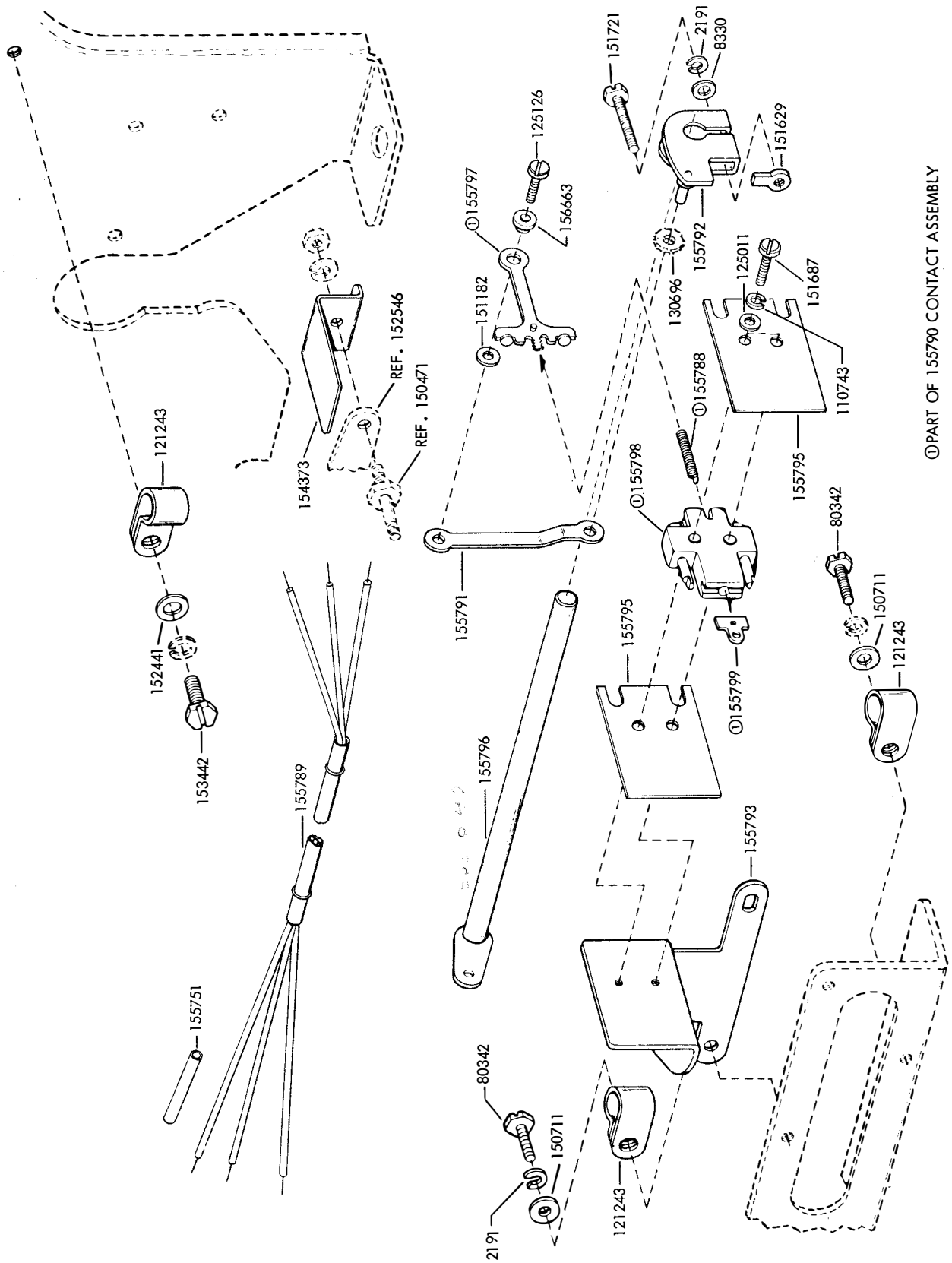


FIGURE 101. 154785 MODIFICATION KIT TO PROVIDE UNIVERSAL CONTACTS

①PART OF 155790 CONTACT ASSEMBLY

SPECIFICATION 5804S

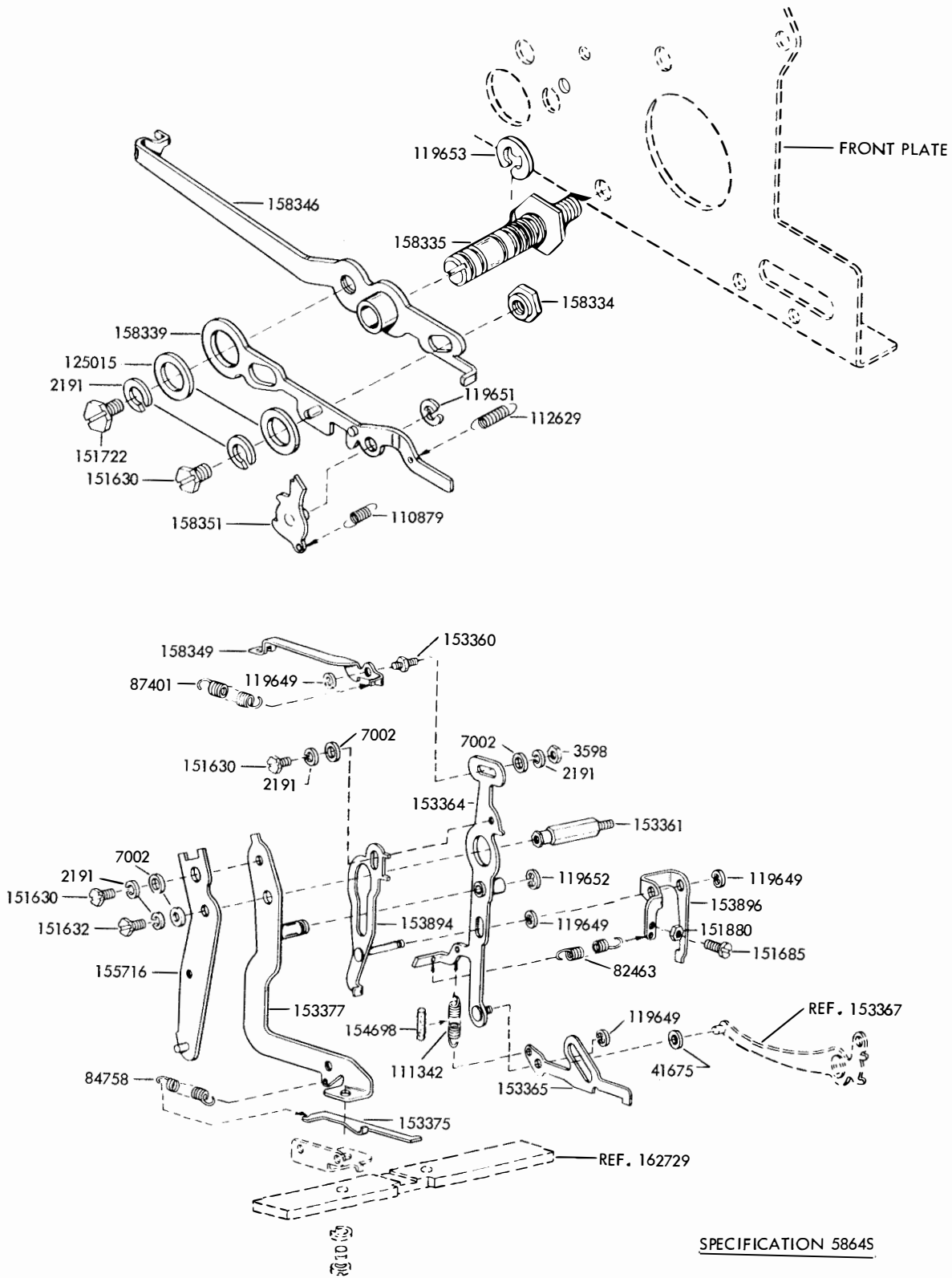


FIGURE 102. 157508 MODIFICATION KIT TO PROVIDE HORIZONTAL TABULATION
(CONTINUED ON NEXT PAGE)

SPECIFICATION 58645

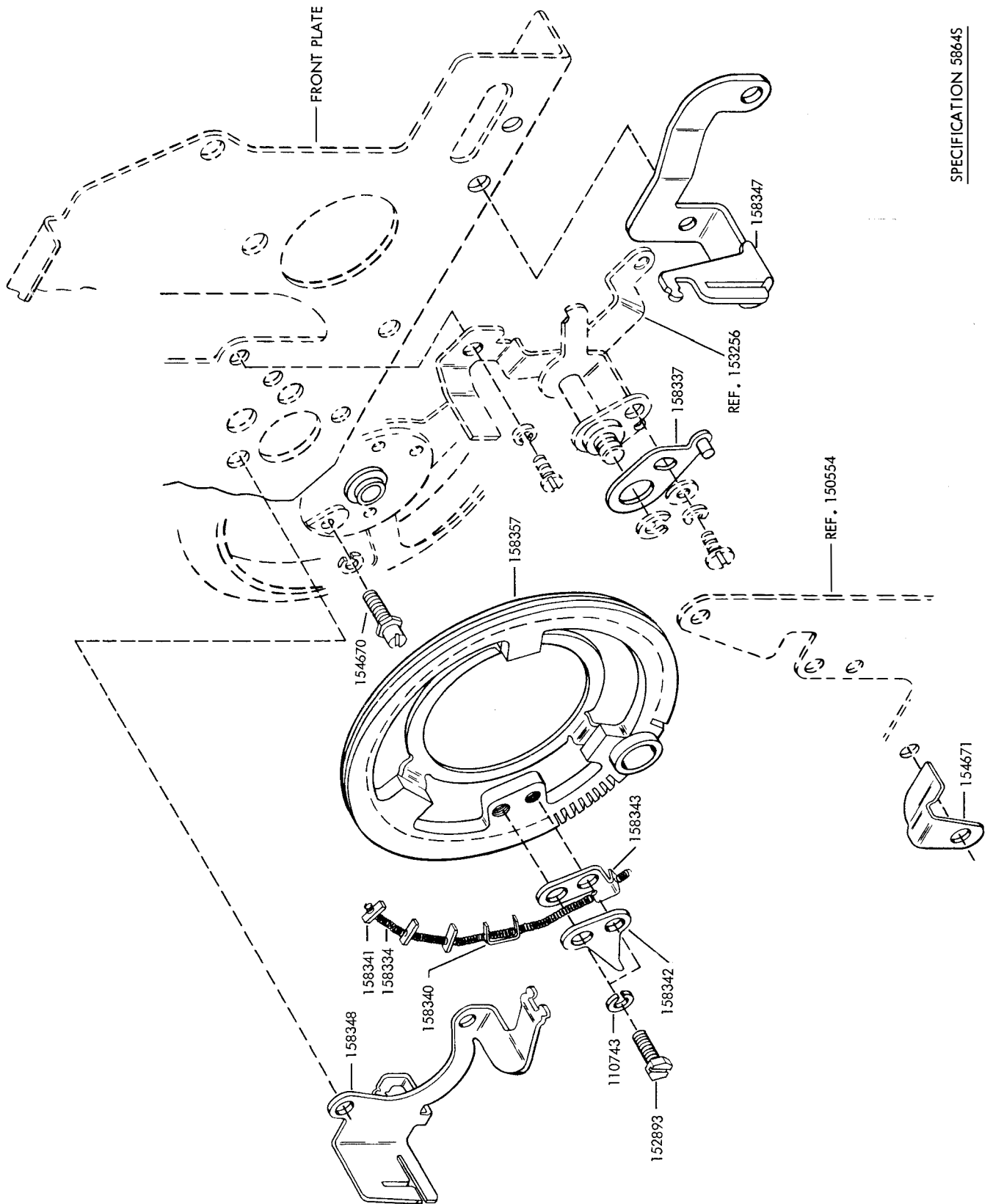
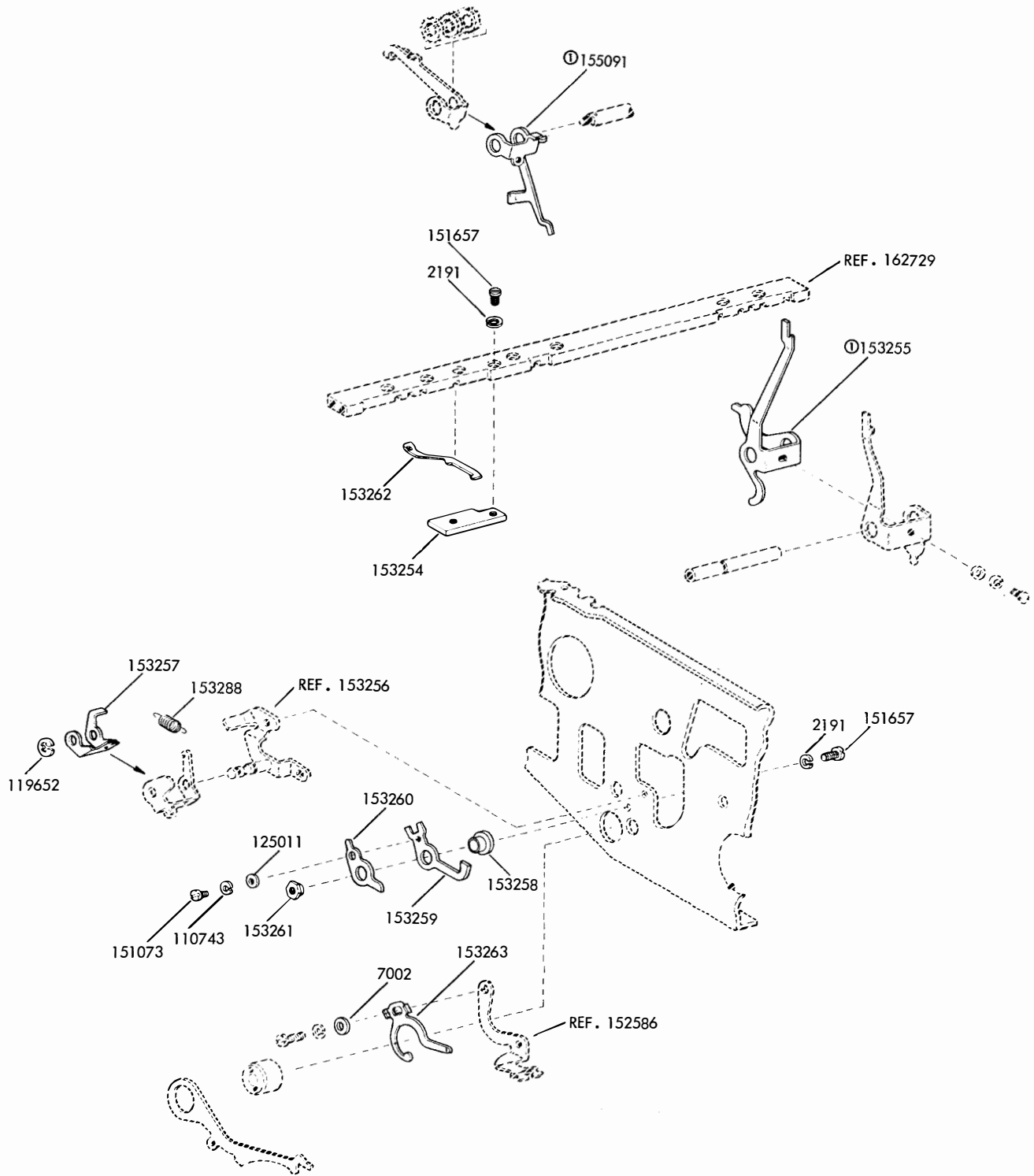


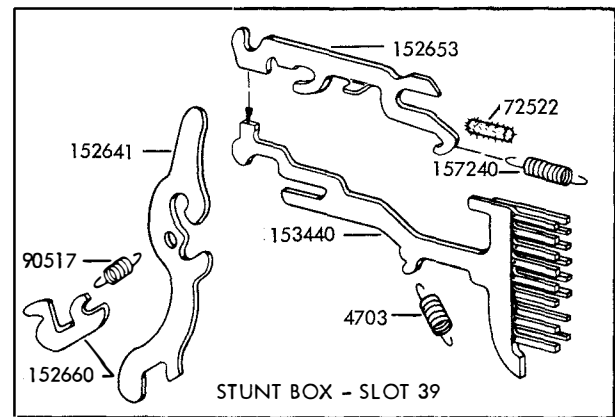
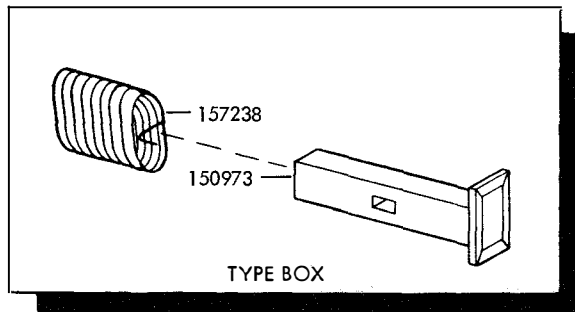
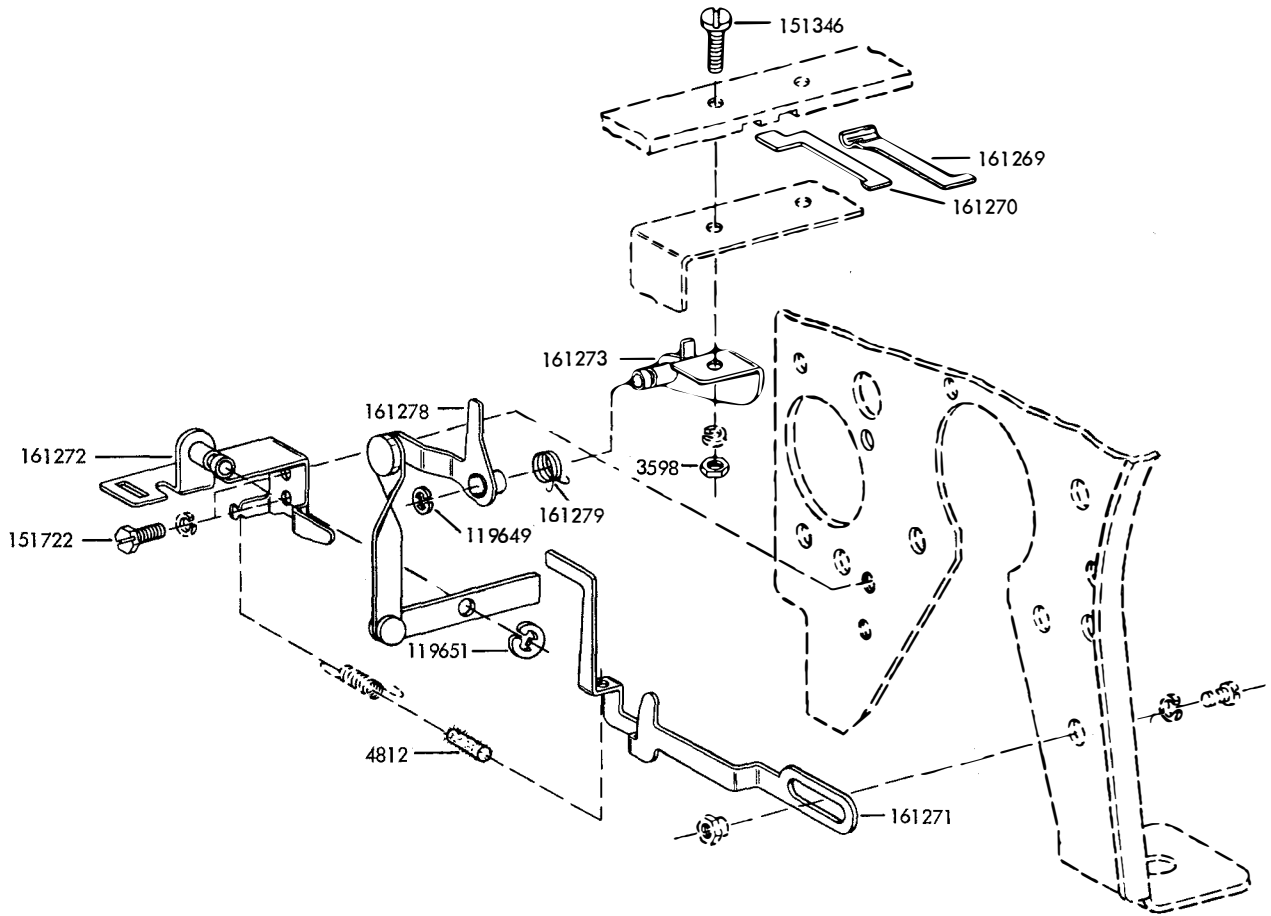
FIGURE 103. 157508 MODIFICATION KIT TO PROVIDE HORIZONTAL TABULATION
(CONTINUED FROM PRECEDING PAGE)



SPECIFICATION 57665

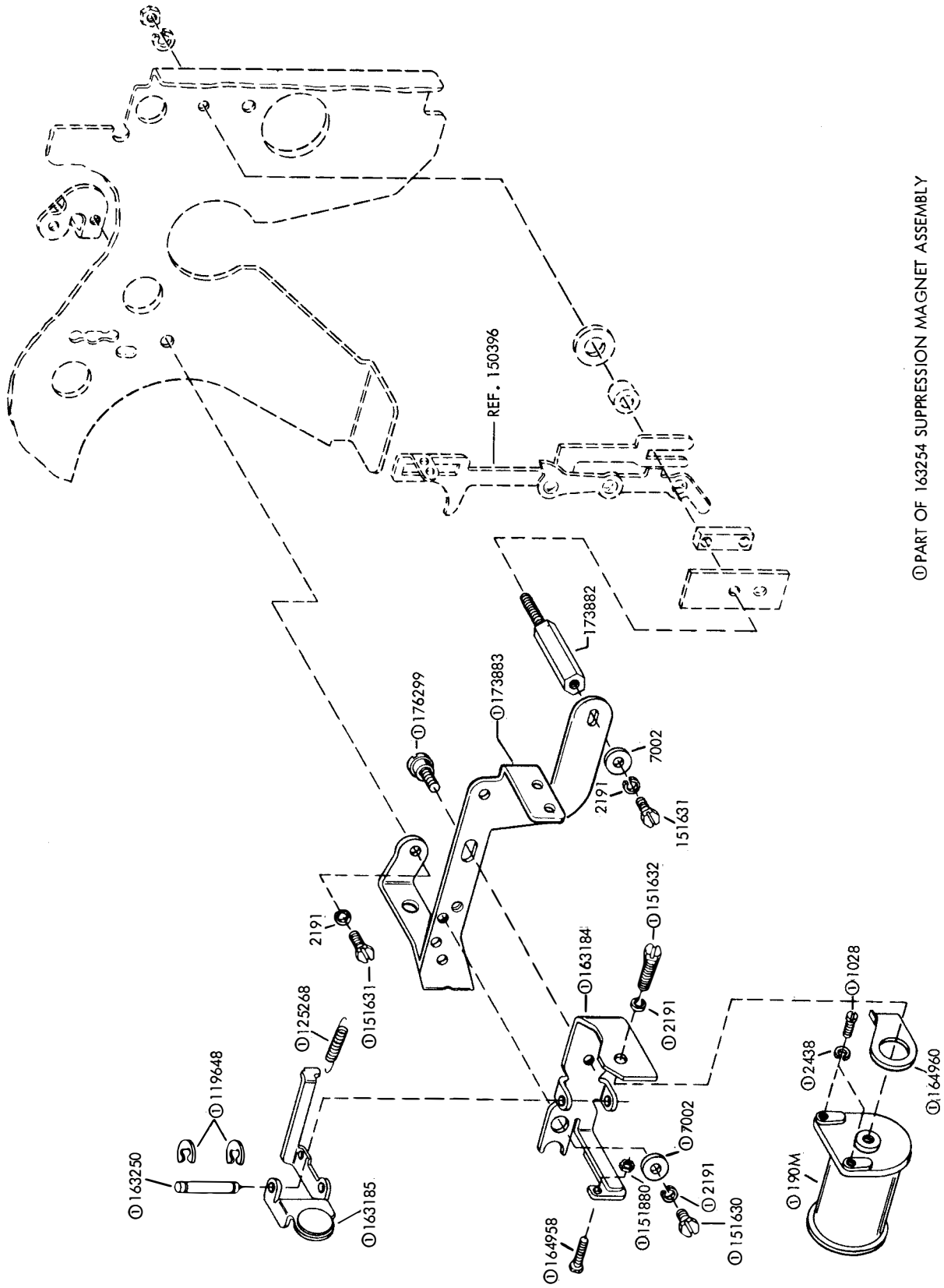
① PECULIAR TO 152917 MODIFICATION KIT

FIGURE 104. 152917 AND 157510 MODIFICATION KITS TO PROVIDE LOCAL BACK SPACE



SPECIFICATION 58985

FIGURE 105. 161280 MODIFICATION KIT TO PROVIDE ON-LINE REVERSE LINE FEED



① PART OF 163254 SUPPRESSION MAGNET ASSEMBLY

SPECIFICATION 5946S

FIGURE 106. 163183 MODIFICATION KIT TO PROVIDE D.C. MAGNET OPERATED PRINT SUPPRESSION

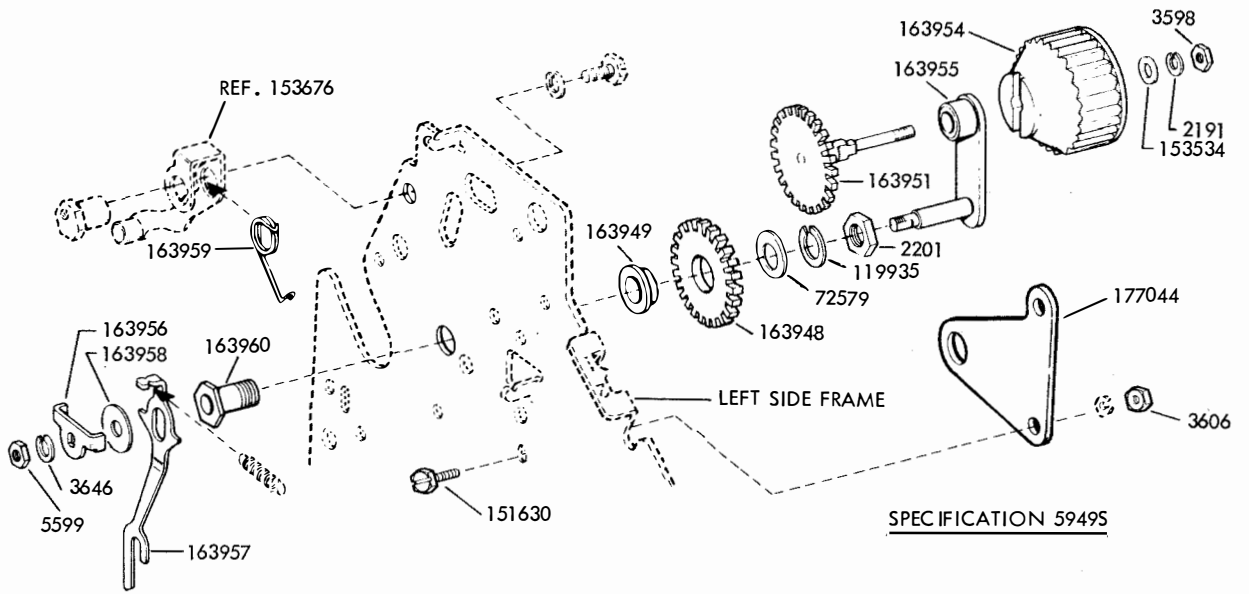


FIGURE 107. 163947 MODIFICATION KIT TO PROVIDE IMPROVED MANUAL PLATEN LINE FEED

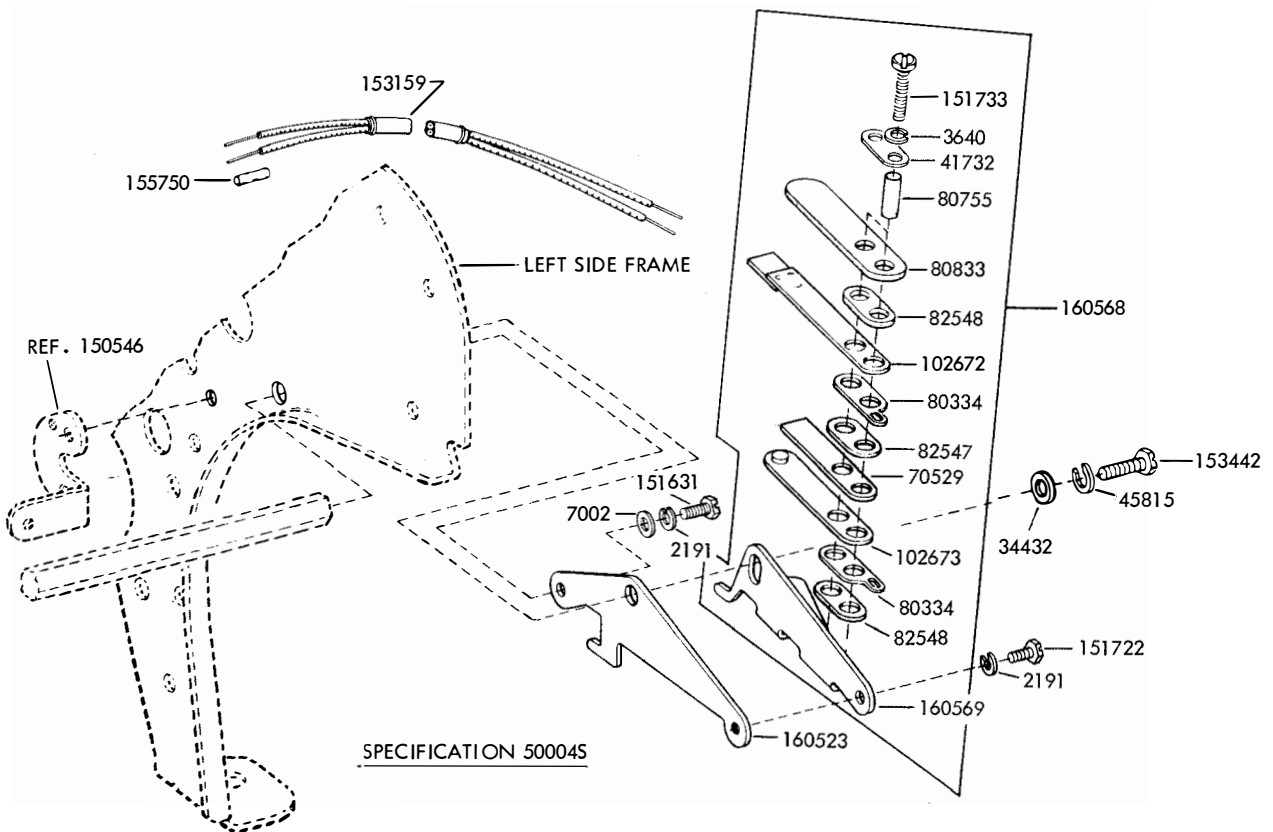
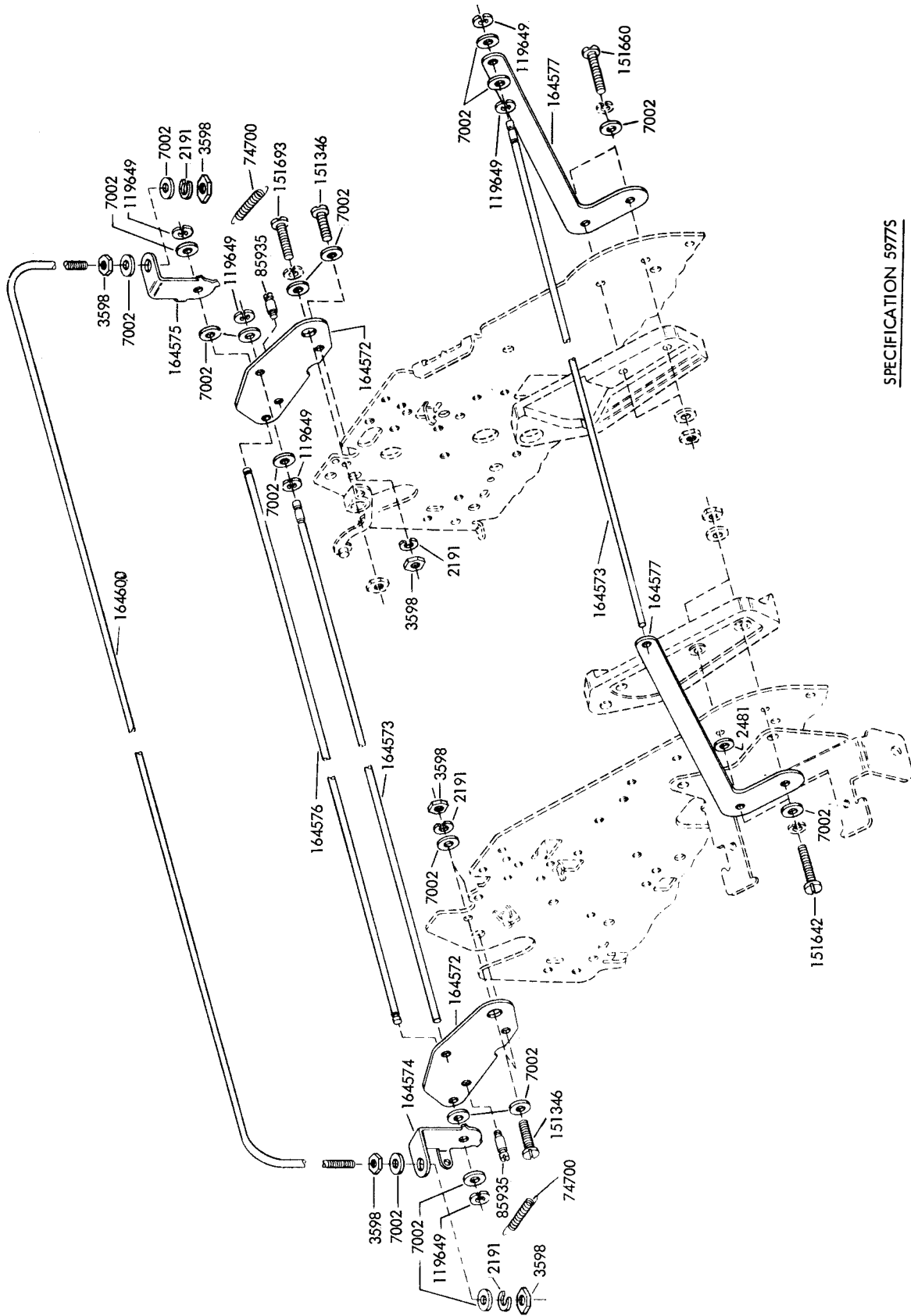
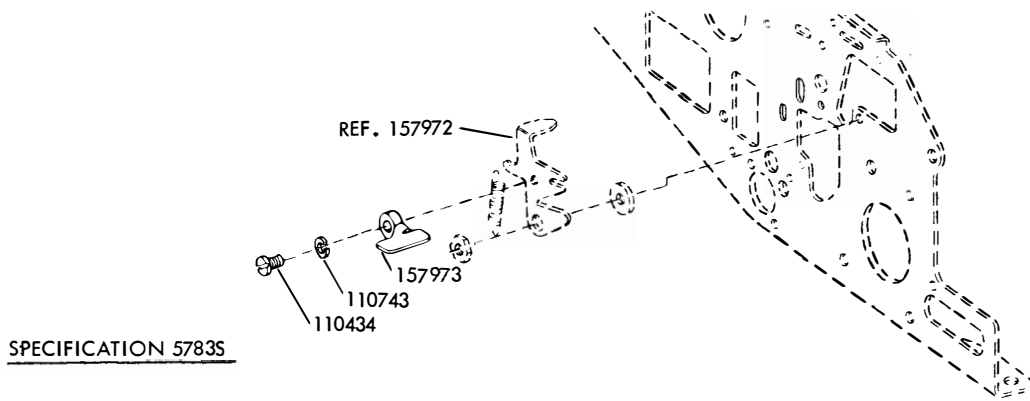


FIGURE 108. 163535 MODIFICATION KIT TO PROVIDE TRANSMITTER CONTROL FOR THE VERTICAL TABULATOR



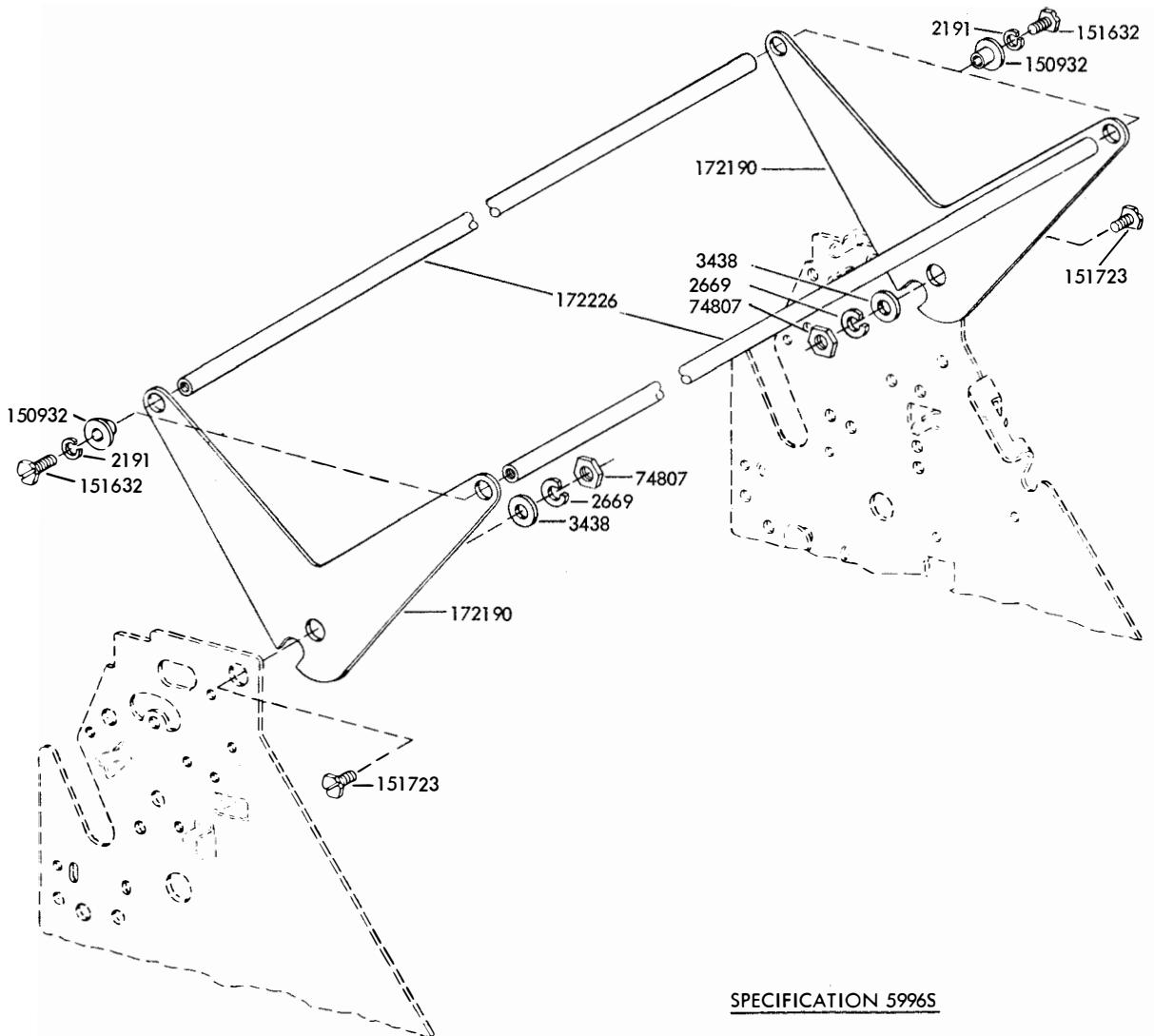
SPECIFICATION 59775

FIGURE 109. 164270 MODIFICATION KIT TO PROVIDE COPY DISPLAY



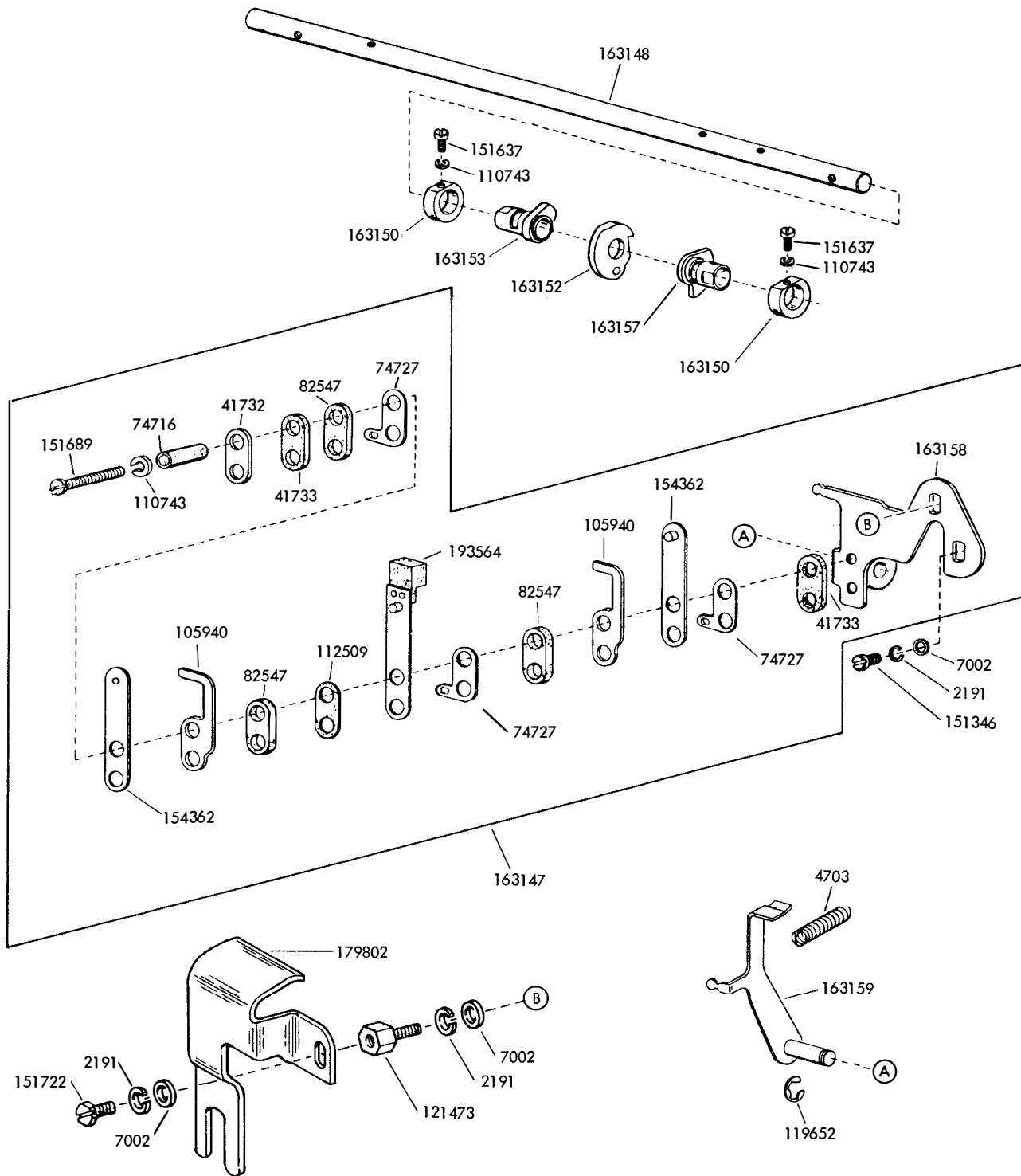
SPECIFICATION 5783S

FIGURE 110. 157514 MODIFICATION KIT TO PROVIDE AUTOMATIC CARRIAGE RETURN AND LINE FEED



SPECIFICATION 5996S

FIGURE 111. 172181 MODIFICATION KIT TO PROVIDE COPY DISPLAY



SPECIFICATION 58045

FIGURE 112. 163146 MODIFICATION KIT TO PROVIDE UNIVERSAL CONTACT

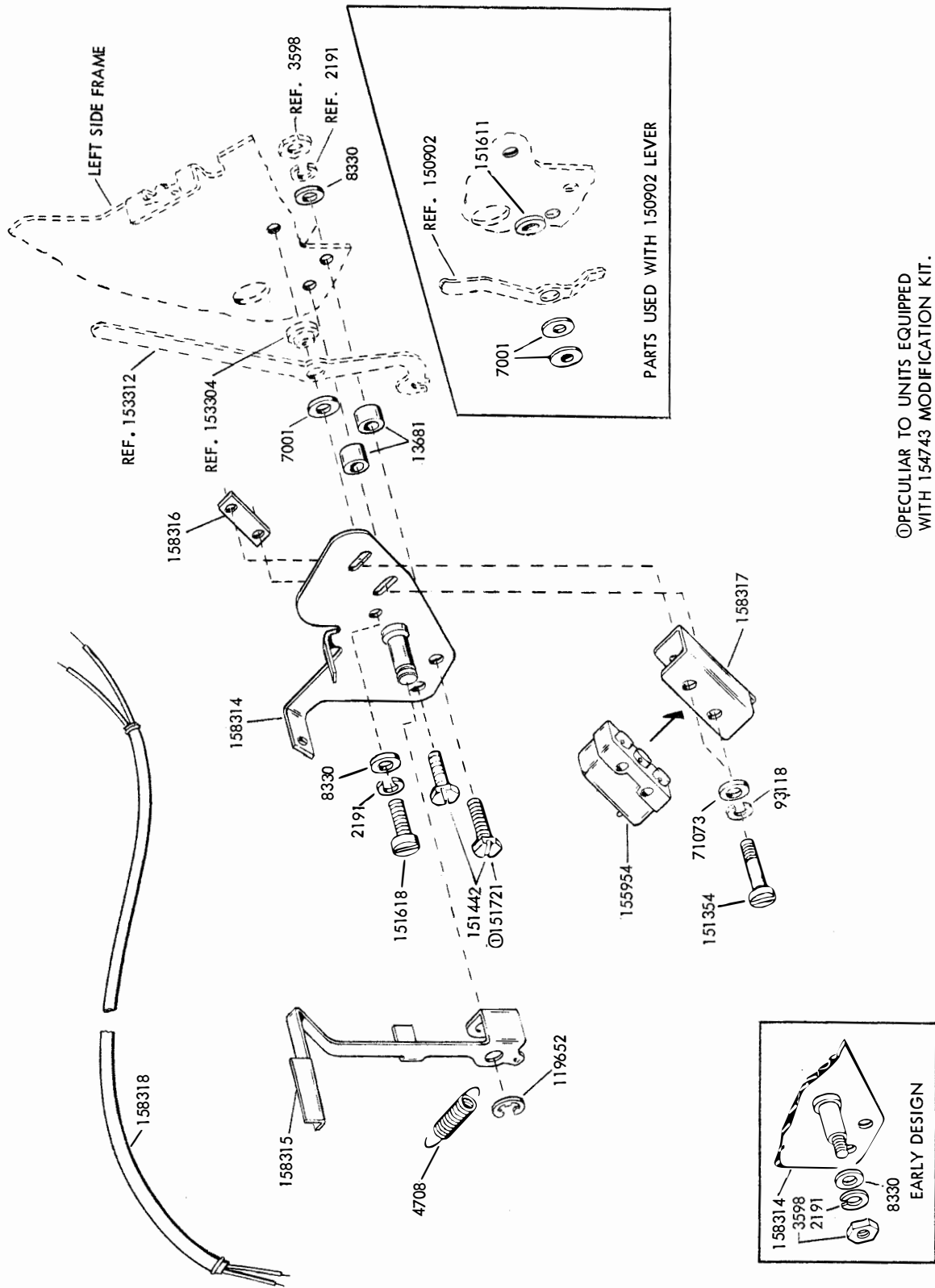
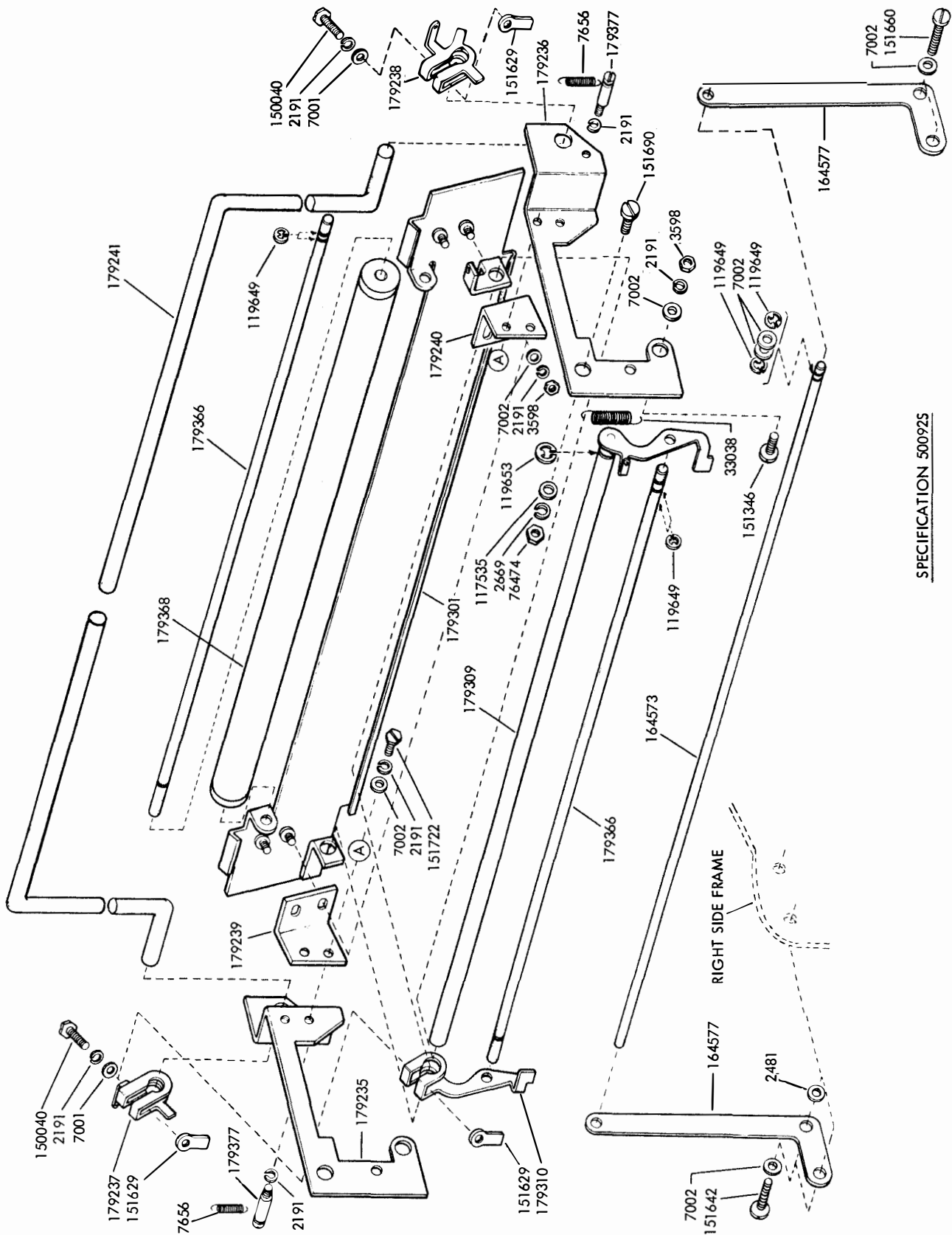


FIGURE 113. 159366 MODIFICATION KIT TO PROVIDE A FRICTION FEED PRINTER WITH PAPER-OUT ALARM

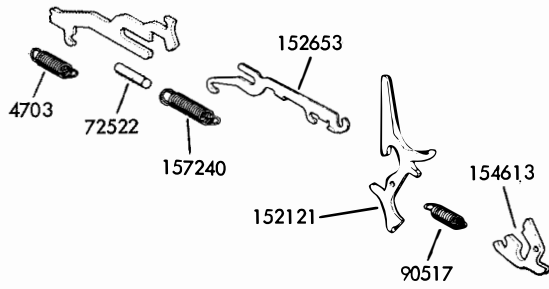
Ⓞ PECULIAR TO UNITS EQUIPPED WITH 154743 MODIFICATION KIT.

SPECIFICATION 58885

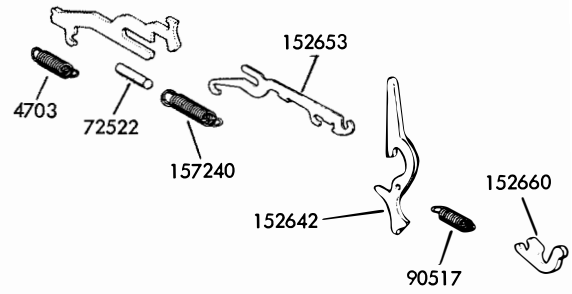


SPECIFICATION 500925

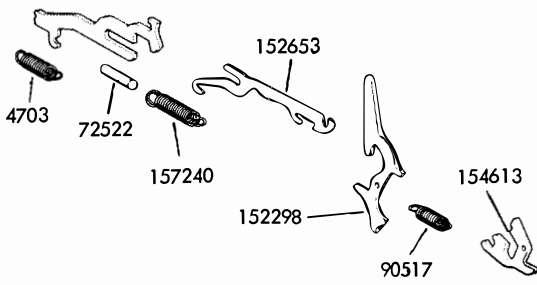
FIGURE 114. 179369 MODIFICATION KIT TO PROVIDE COPY DISPLAY



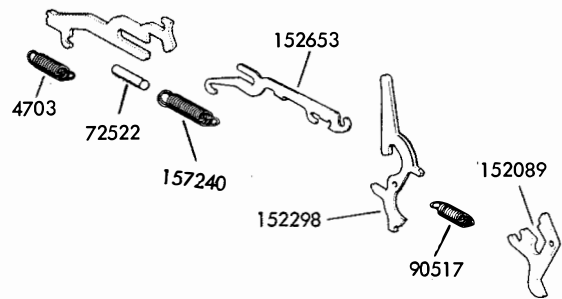
153915 (SEQUENTIAL)



153916 (WITHOUT LATCHING)

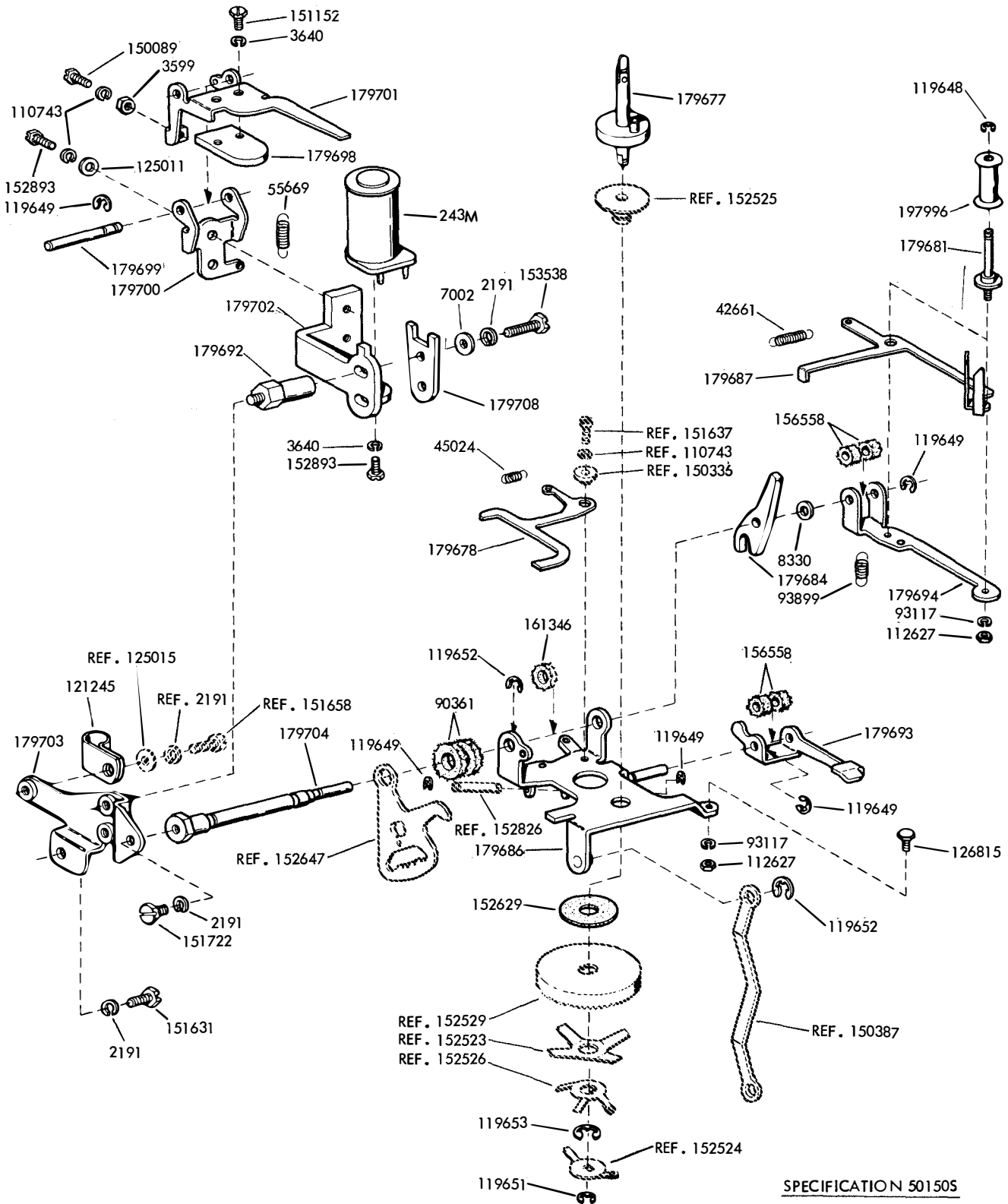


153917 (LATCHING BY STRIPPER BAIL LATCH)



153918 (LATCHING WITH RELEASE LATCH)

FIGURE 115. SELECTIVE CALLING FUNCTION LEVER MODIFICATION KITS



SPECIFICATION 501505

FIGURE 116. 179724 MODIFICATION KIT TO PROVIDE TWO COLOR RIBBON PRINTING - RIGHT SIDE (CONTINUED ON NEXT PAGE)

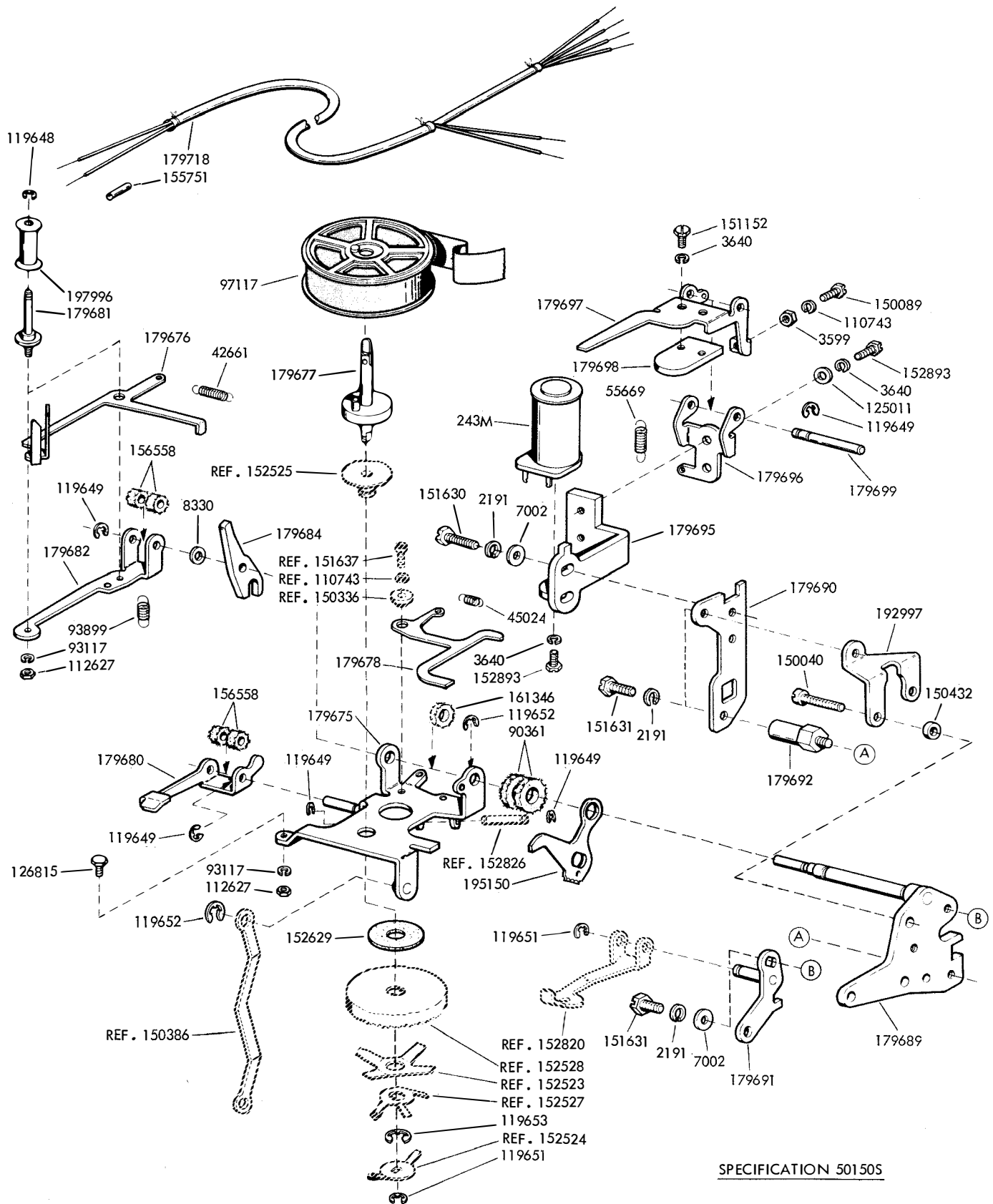


FIGURE 117. 179724 MODIFICATION KIT TO PROVIDE TWO COLOR RIBBON PRINTING - LEFT SIDE (CONTINUED FROM PRECEDING PAGE)

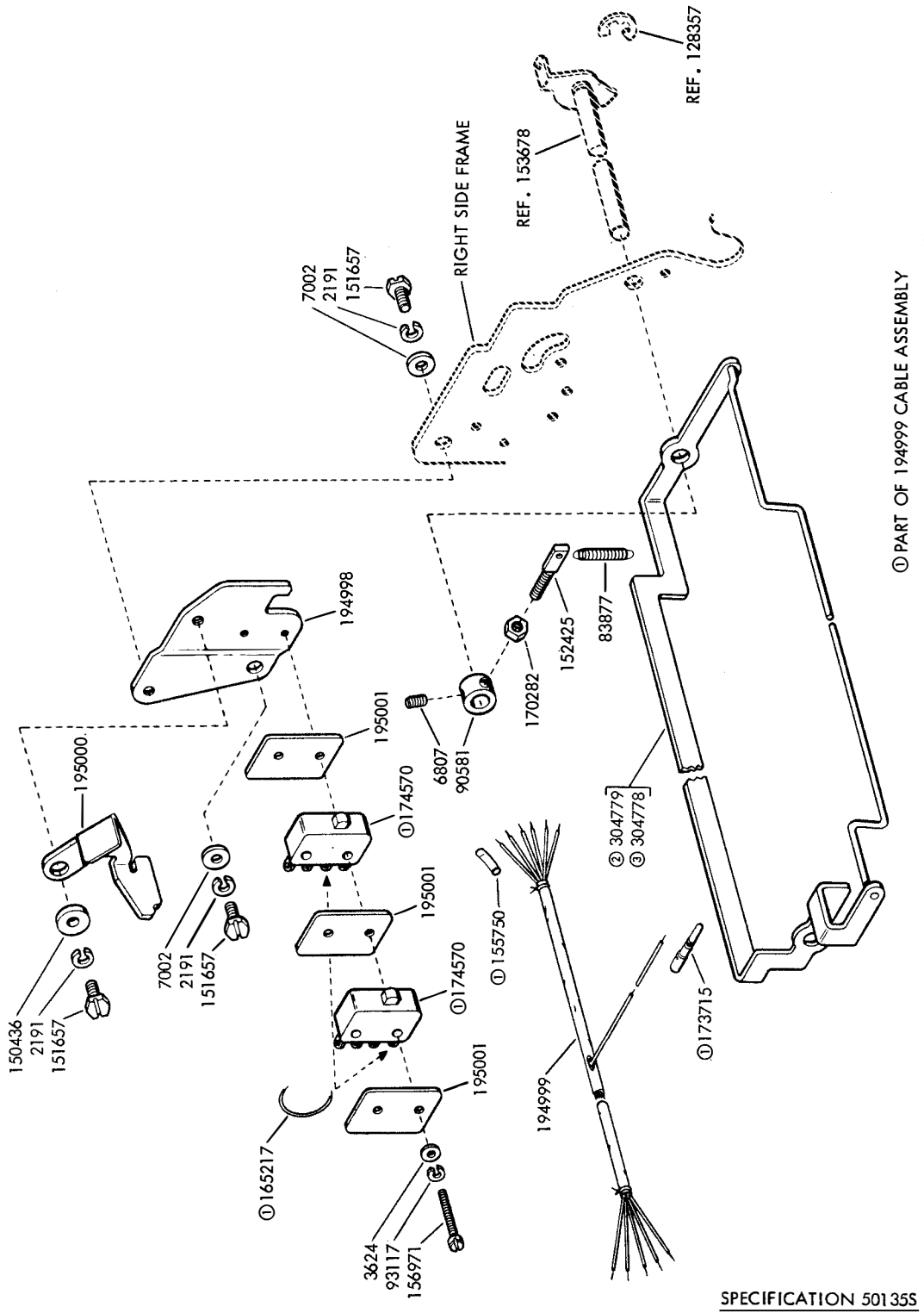


FIGURE 118. 194995 AND 199245 MODIFICATION KITS TO PROVIDE PAPER JAM ALARM

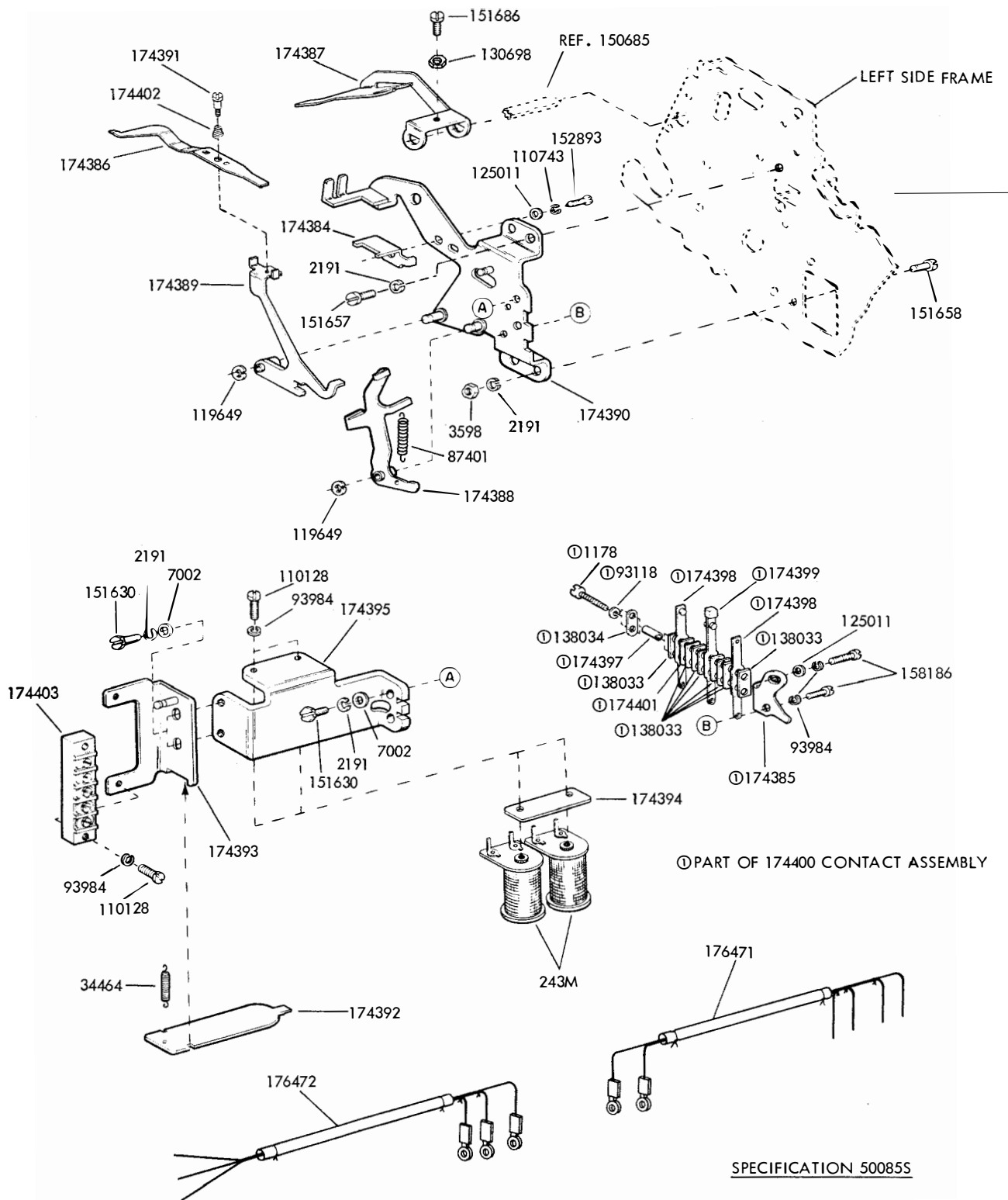


FIGURE 119. 174043 MODIFICATION KIT TO PROVIDE PAPER FEED FAILURE INDICATOR

NOTES OF EXPLANATION

- NOTE 1: (Figure 4) Parts shown in Figure 4 are peculiar to LP68.
- NOTE 2: (Figure 7) The 150098 Pressure Bail is no longer available. It has been replaced by a 157290 Pressure Bail. When replacing the 150098 with the 157290 Pressure Bail, two 150269 Rollers and four 150026 Guide Levers are removed. All other parts are available for maintenance.
- NOTE 3: (Figure 10) The 153317 Bearing Bracket is no longer available. It has been replaced by a 157990 Bearing Bracket, a 157991 Stud, a 2669 Lock Washer and a 112626 Screw.
- NOTE 4: (Figures 11 and 12) Parts shown in Figures 11 and 12 are peculiar to LP98.
- NOTE 5: (Figure 15) The 153560 Cam Shaft is no longer available. It has been replaced by a 154789 Modification Kit to replace the 153560 Cam Shaft and associated parts (see Figure 13 for components).
- NOTE 6: (Figure 15) The 153573 Bail has been redesigned but retains its original number (see Figure 13 for late design).
- NOTE 7: (Figure 16) The 153700 Platen Hub has been replaced by a new 154358 Platen Hub. The 153571 through 153767 Rubber Platens have been replaced by new 176221 through 176237 Rubber Platens. The new platen hub may be identified by ① a rectangular groove in the platen locating diameter of the hub (for a neoprene "O" ring) and ② a shoulder to act as a stop for the platen. The early design rubber platen has ① formed lugs to position the platen against the hub and ② the inside diameter is increased at each end to fit the platen hub. The new rubber platen has no positioning lugs and the inside diameter is uniform from end to end. The old style rubber platens can be used with the new hubs, but the new rubber platens cannot be used with the old style hubs.
- NOTE 8: (Figure 21) Since the type box alignment cannot be adjusted, the 152502 Type Box Carriage Plate is no longer available. It has been replaced by a 152502 Modification Kit to provide Type Box Alignment (See Figure 20 for components).
- NOTE 9: (Figure 22) The 163459 Gear is used on LP72, LP84 and LP94.
- NOTE 10: (Figure 22) The 153883 Gear is used on LP8.
- NOTE 11: (Figure 22) The 163503 Gear is used on LP72 and LP94.
- NOTE 12: (Figure 22) The 178764 Gear is used on LP84.
- NOTE 13: (Figure 27) The 154625 Space Suppression Ring is used on LP6, LP7, LP8 and LP9.
- NOTE 14: (Figure 30) The 150953 Slide Assembly is no longer available. It has been replaced by a 153183 Slide Assembly and a 153946 Modification Kit to provide improved Horizontal Positioning Knee Link Assembly (see Figures 29 and 33 for components).
- NOTE 15: (Figure 30) The 150531 Clamp Plate is no longer available. It has been replaced by a 164316 Clamp Plate (shown in Figure 29).
- NOTE 16: (Figure 31) The 3649 Flat Washer and 153884 Gear are used on LP8.
- NOTE 17: (Figure 31) The 150438 Bellcrank is used on LP3 and LP8.
- NOTE 18: (Figure 34) The 152569 and 152570 Shift Slide Drive Linkages are no longer available. They are replaced by a 153946 Modification Kit to provide improved Horizontal Positioning Knee Link Assembly (see Figure 33 for components).
- NOTE 19: (Figure 34) The 150757 Arm is no longer available. It has been replaced by a 170079 Arm.
- NOTE 20: (Figure 40) The 152434 Plate is no longer available. It has been replaced by a 153904 Modification Kit to provide improved Range Scale Sector Mounting (see Figure 38 for components).
- NOTE 21: (Figure 40) The 153491 Plate is no longer available. It has been replaced by a 154723 Modification Kit to provide improved Range Scale Sector Mounting (see Figure 38 for components).
- NOTE 22: (Figure 40) The 152439 Shaft is no longer available. It has been replaced by a 157261 Shaft and a 119648 Retaining Ring.
- NOTE 23: (Figure 41) Parts shown enclosed are peculiar to LP94.
- NOTE 24: (Figure 43) The 152413 Magnet Bracket is no longer available. It has been replaced by a 164386 Magnet Bracket.
- NOTE 25: (Figure 43) The 152422 Armature is no longer available. It has been replaced by a 160180 Armature.
- NOTE 26: (Figure 43) The 152424 Stop Plate is no longer available. It has been replaced by a 160184 Stop Plate.
- NOTE 27: (Figure 47) The 152554 Code Bar is used on LP3.
- NOTE 28: (Figure 47) The 150285 Tie Bar and the 152721 Code Bar are used on LP3, LP4, LP5 and LP7.
- NOTE 29: (Figure 49) The 152560 Pallet Box Rear Plate is no longer available. It has been replaced by a 194054 Set of Parts consisting of a 179396 Front Plate and a 179397 Rear Plate. The new plates may be identified by a letter "X" stamped in the top center of each plate between the "LTRS" and "FIGS" stamping. Old and new style plates are interchangeable in pairs only. The old style 154616 Front Plate is still available for replacement purposes.
- NOTE 30: (Figure 50) The old and new style type boxes may be identified by the depth of the Pallet Box Front Plate (new style being shallower). The old style pallets cannot be used in the new style type boxes. New style pallets can be used in either new or old style type boxes. The old style 150077 Pallet Spring is no longer

NOTES OF EXPLANATION

available and is replaced by a new style 157238 Pallet Spring. Only the new style spring can be used universally with either the new or old style typepallets and typeboxes. However, the old style springs can be used with the new style pallets in an old style type box. The old and new style pallets may be identified by the length of the shank from the rear of the pallet head to the far end of the elongated hole. (The old style being the longer - See Figures 49 and 50).

NOTE 31: (Figure 59) The switch assemblies shown in Figure 59 are no longer available. They have been replaced by new style switch assemblies shown in Figure 58. The replacements are as follows: The 155917 through 155924 Switch Assemblies have been replaced by 172600 through 172607 Switch Assemblies respectively. The 157070 through 157100 Switch Assemblies have been replaced by 172500 through 172530 Switch Assemblies respectively. The 160192 through 160197 Switch Assemblies have been replaced by 172531 through 172536 Switch Assemblies respectively. The 160198 Switch Assembly has been replaced by a 172534 Switch Assembly. The 160199 through 160218 Switch Assemblies have been replaced by 172538 through 172557 Switch Assemblies respectively. The 160219 Switch Assembly has been replaced by a 172560 Switch Assembly. The 160220 Switch Assembly has been replaced by a 172559 Switch Assembly.

NOTE 32: (Figure 85) The 153701 through 153717 Modification Kits are no longer available. They have been replaced by 176181 through 176197 Modification Kits respectively; However, the parts remain the same with the exception of the 153751 through 153767 Platens which have been replaced by the new 176221 through 176237 Platens respectively. The old style 153751 through 153767 Platens are still available for replacement purposes (see Figure 16 and Note 7).

NUMERICAL INDEX

Part Number	Description and Page Number	Part Number	Description and Page Number	Part Number	Description and Page Number
190M	Coil, Magnet 98	7603	Spring 30, 34	74882	Spring 25
209M	Coil, Magnet 91	7655	Spring 72	75226	Wick, Felt 38
233M	Coil, Magnet 16	7656	Spring 104	75229	Spring 36, 88
243M	Coil, Magnet 106, 107, 108	7835	Ribbon W/Spool (Black) 50	75607	Washer, Flat 84
250M	Coil, Magnet 48	7965	Spring 15, 80	76081	Washer, Flat 47
254M	Coil, Magnet 46	8330	Washer, Flat 6, 21, 30, 33, 40, 43, 53, 78, 79, 93, 103, 106, 107	76099	Washer, Flat 47
1010	Screw, Shoulder (6-40) 8			76249	Screw (6-40 x 1/8 Fil) 14
1028	Screw (4-40 x 1/4 Fil) 16, 98	8449	Spacer (.094") 30, 50	76379	Spring 23, 25
1041	Screw, Shoulder (6-40) 84	13681	Spacer (.187") 6, 103	76461	Washer, Flat 34
1163	Screw (4-40 x 3/16 Fil) 41	22015	Spring 50, 61	76474	Nut (10-32 Hex) 104
1164	Screw (2-56 x 3/16 Fil) 26	27425	Screw (2-56 x 5/32 Fil) 25	76800	Spring 21
1178	Screw (2-56 x 7/16 Fil) 109	31636	Spring 51, 76	78533	Spring 43
1196	Screw, Shoulder (6-40) 19	33038	Spring 13, 72, 104	79012	Insulator 47
1214	Screw, Set (10-32) 36	33828	Spring 23, 25, 38	79449	Shim (.008") 37
1222	Screw (2-56 x 1/2 Fil) 17, 69	34432	Washer, Flat 51, 70, 75, 92, 99	80310	Washer, Felt 32
1272	Screw (6-40 x 11/16 Fil) 87	34464	Spring 109	80334	Terminal, Contact 70, 99
1293	Screw (4-40 x 1/8 Fil) 50	35826	Washer, Flat 17, 69, 90	80342	Screw (6-40 x 23/64 Hex) 60, 93
2034	Washer, Flat 41, 43	36273	Washer, Flat 38	80581	Spring 13, 22, 36, 37, 86
2191	Washer, Lock 6, 7, 9, 11, 13 to 28, 30, 32 to 34, 36 to 41, 43, 45 to 47, 49 to 53, 60, 61, 69, 70, 72, 73, 75 to 81, 83, 84, 87, 90, 91, 93, 94, 96, 98 to 104, 106 to 109	36463	Spring 38	80708	Clamp, Cable 70, 75, 79, 91
		41382	Spring 43, 90	80755	Bushing, Insulating 92, 99
2201	Nut (5/16-32 Hex) 9, 99	41675	Washer, Flat 72, 94	80833	Guard, Contact Spring 99
2422	Washer, Lock 17, 69	41720	Spring, Contact 70	80848	Spring 21
2438	Washer, Flat 16, 46, 98	41732	Plate, Clamp 70, 92, 99, 102	81731	Spring 36, 81, 88
2481	Washer, Flat 19, 100, 104	41733	Insulator (.062") 70, 102	81778	Screw (4-40 x 3/16 Fil) 46
2539	Nut (3/8-32 Hex) 18, 30, 78	42661	Spring 17, 34, 49, 50, 69, 106, 107	82442	Spring 13
2669	Washer, Lock 6, 13, 17, 18, 23, 25, 32, 36, 43, 69, 90, 91, 101, 104	42823	Washer, Flat 17, 27, 28, 71	82463	Spring 13, 14, 49, 50, 72, 94
		42827	Screw (3-48 x 1/4 Fil) 51	82547	Insulator (.094") 70, 92, 99, 102
2836	Spring 14	45024	Spring 106, 107	82548	Insulator (.062") 92, 99
3438	Washer, Flat 37, 87, 101	45027	Spring 36	82860	Spring 84
3598	Nut (6-40 Hex) 6, 8, 9, 11, 13, 14, 17 to 19, 22 to 28, 30, 34, 36, 38 to 41, 43, 46, 53, 69, 72, 73, 75, 78, 80, 84, 87, 90, 94, 97, 99, 100, 103, 104, 109	45815	Washer, Lock 99	82999	Spring 91
		49420	Spring 53	83877	Spring 108
3599	Nut (4-40 Hex) 9, 11, 30, 34, 36, 38, 43, 45, 46, 50, 61, 62, 75, 78, 91, 92, 106, 107	55063	Spring 21	84575	Spring 13, 35
		55669	Spring 106, 107	84598	Spring, Contact 70
3606	Nut (6-40 Hex) 42, 45, 60, 99	70072	Washer, Lock 92	84758	Spring 72, 94
3624	Washer, Flat 108	70388	Spring 30, 79	85407	Spring 74
3640	Washer, Lock 13, 14, 41, 99, 106, 107	70529	Stiffener 99	85816	Wick, Felt 34
		70886	Washer, Flat 14	85935	Post, Spring 100
3646	Washer, Lock 9, 99	71073	Washer, Flat 103	86079	Washer, Felt 84
3649	Washer, Flat 36, 40	71681	Spool, Ribbon 49	86304	Spring 13
4586	Washer, Felt 13, 60	72468	Spring 11	86835	Spring 38, 46, 75, 80
4703	Spring 66, 69, 73, 90, 97, 102, 105	72522	Wick, Felt 62, 69, 73, 90, 97, 105	86959	Bushing, Insulating 70
		72579	Washer, Flat 9, 99	87401	Spring 72, 94, 109
4708	Spring 6, 103	73035	Spring 81	89096	Washer, Felt 34
4812	Wick, Felt 97	73175	Washer, Lock 18, 30, 78	89897	Nut (10-32 Hex) 36
5599	Nut (8-32 Hex) 9, 99	73427	Washer, Flat 14	90054	Spring 90
5740	Screw (2-56 x 1/4 Fil) 59	73520	Wick, Felt 36	90361	Washer, Felt 13, 14, 23, 25, 49, 50, 106, 107
6800	Screw, Shoulder (6-40) 30	74283	Washer, Spring 43	90432	Washer, Flat 24, 26
6807	Screw, Set (6-40) 108	74536	Screw, Set (6-40) 13	90490	Shim (.005") 13, 14
7001	Washer, Flat 6, 103, 104	74547	Collar 30	90517	Spring 17, 62, 69, 73, 90, 97, 105
7002	Washer, Flat 6, 13, 14, 16, 17, 23 to 26, 28, 30, 34, 36 to 38, 40, 41, 43, 46, 49, 50, 53, 69, 70, 72, 73, 75, 76, 79, 80, 83, 84, 90, 91, 94, 96, 98 to 100, 102, 104, 106 to 109	74553	Wick, Felt 25	90581	Collar 108
		74700	Spring 100	90594	Post, Spring 34
7036	Collar, Locking 13, 51	74701	Spring 11, 30	90599	Shim (.008") 53
		74707	Spring 14	90679	Washer, Felt 13, 15, 42
		74712	Spring 31	90791	Washer, Lock 25, 26
		74716	Bushing 102	90819	Washer, Felt 18, 30
		74722	Washer, Flat 22	90951	Washer, Lock 78
		74727	Terminal, Contact 102	92682	Nut (4-40 Spl) 40
		74728	Terminal, Contact 92	93001	Washer, Flat 14
		74755	Washer, Felt 32	93117	Washer, Lock 75, 106 to 108
		74785	Roller 30	93118	Washer, Lock 6, 103, 109
		74798	Screw (6-40 x 31/64 Fil) 18	93356	Washer, Felt 18, 19, 25, 27, 30, 37, 38, 53, 72
		74807	Nut (10-32 Hex) 101		

NUMERICAL INDEX (Continued)

Part Number	Description and Page Number	Part Number	Description and Page Number	Part Number	Description and Page Number
93507	Screw (4-40 x 3/4 Hex) 59	119649	Ring, Retaining 13, 14, 16, 17, 34, 36, 41, 49, 50, 60, 69, 72, 73, 76, 79, 84, 90, 91, 94, 97, 104, 106, 107, 109	150025	Clutch Assembly 27
93729	Wick, Felt 41, 53	119650	Ring, Retaining 77, 107	150026	Lever, Shoe Release 27, 28
93758	Washer, Felt 13, 14, 16, 30, 76	119651	Ring, Retaining 11, 13, 15, 23, 25, 34, 37, 38, 49, 50, 53, 60, 73, 94, 97, 106, 107	150027	Lever, Shoe Release 27, 29
93879	Oiler, Felt 13	119652	Ring, Retaining 13 to 15, 18, 20, 23, 25, 28, 30, 34, 36 to 38, 40, 43, 49, 50, 53, 60, 72, 80, 94, 96, 102, 103, 106, 107	150029	Wick, Felt 27, 28
93899	Spring 106, 107	119653	Ring, Retaining 13, 14, 22, 36, 38, 49, 50, 60, 94, 104, 106, 107	150030	Roller, Bearing 53
93984	Washer, Lock 109	119935	Washer, Lock 9	150032	Disk, Clutch Cam (2 Stop) 29
94316	Yoke 91	120824	Washer, Felt 28	150033	Disk (3 Stop) 27
94317	Shaft 91	121120	Collar 78	150034	Disk (2 Stop) 29
94674	Washer, Cup 53	121242	Clamp, Cable (1/8" ID) 70	150035	Disk (3 Stop) 27
94693	Wick, Felt 62, 69, 73, 90	121243	Clamp, Cable (3/16" ID) 16, 46, 60, 75, 93	150036	Carriage Assembly 53
95030	Nut, Shoulder (6-40 Hex) 74	121244	Clamp, Cable (1/4" ID) 60, 70	150038	Latch 53
95428	Spring 59, 60	121245	Clamp, Cable (5/16" ID) 60, 106	150039	Slide, Printing Arm 53
95827	Bushing 36, 86	121246	Clamp, Cable (3/8" ID) 46	150040	Screw (6-40 x 5/8 Fil) 21, 27, 28, 30, 78, 104, 107
96717	Screw, Shoulder (4-40) 43	121247	Clamp, Cable (7/16" ID) 60	150043	Shoe, Clutch 27, 28
97117	Ribbon W/Spool (Red-Black) 107	121248	Clamp, Cable (1/2" ID) 75	150044	Shoe, Clutch 27, 28
97481	Wick, Felt 18	121249	Clamp, Cable (5/8" ID) 87	150045	Bearing, Sleeve 27, 29
98561	Bushing 84	121473	Post 102	150046	Bearing 27
98726	Screw (3-48 x 1/4 Fil) 92	121538	Terminal 47	150047	Bearing 28
100337	Spring 73	121605	Bushing 79	150048	Spring 43
101386	Spring 9	122149	Screw, Special (4-40) 61	150049	Spacer, Clutch 29
101796	Washer, Felt 13, 25, 36, 53	124177	Washer, Lock 14, 45	150050	Spacer, Clutch 28
102672	Spring, Contact 99	124244	Washer, Felt 41	150051	Cam, Eccentric 28
102673	Spring, Contact 99	124681	Screw, Set (6-40) 11, 78	150052	Cam, Eccentric 29
103815	Collar 72	124999	Switch, Sensitive 17	150053	Bracket 53
103863	Spacer 61	125011	Washer, Flat 9, 11, 13, 14, 16 to 18, 21 to 23, 25, 26, 32, 34, 36, 42, 43, 53, 54, 60, 61, 63, 69, 74 to 76, 78, 90, 92, 93, 96, 106, 107, 109	150054	Bail W/Roller 53
104807	Washer, Flat 90	125015	Washer, Flat 11, 13, 16 to 18, 25, 46, 60, 69, 87, 90, 93	150055	Stud (6-40) 19, 40
104824	Spring 46	125126	Screw (2-56 x 9/32 Fil) 93	150056	Arm 28
105028	Wick, Felt 38	125238	Spring 36	150059	Bail 53
105940	Stiffener 102	125268	Spring 88, 98	150061	Head, Print Hammer 53
106281	Screw, Shoulder (4-40) 14, 79	125802	Washer, Flat 22, 36, 61	150064	Stud (6-40) 53
107116	Washer, Lock 7, 75, 80, 87	126815	Screw (2-56 x 15/64 Hex) 106, 107	150065	Bracket, Stop 53
108199	Wick, Felt 30, 38, 53, 84	128357	Ring, Retaining 21	150068	Arm 53
110128	Screw (4-40 x 3/8 Fil) 109	130683	Washer, Lock 34	150075	Latch 26
110434	Screw (4-40 x 3/16 Fil) 6, 7, 21, 27, 35, 36, 43, 51, 54, 61, 78, 101	130696	Washer, Felt 93	150077	Spring 55
110435	Nut (4-40 Hex) 14, 40, 79	130698	Nut (4-40 Hex) 109	150078	Nut, Shoulder (4-40 Hex) 54
110743	Washer, Lock 6, 7, 9, 11, 16 to 18, 21 to 23, 25 to 28, 32, 34, 36, 38, 40, 42, 43, 45, 46, 49, 50, 51, 53, 54, 59, 60 to 64, 69, 71, 73 to 79, 81, 84, 85, 90 to 93, 95, 96, 101, 102, 106, 107, 109	135716	Spring 16, 30, 69, 72, 90	150079	Stud (4-40) 54
110872	Spring	138033	Insulator (.031") 109	150080	Screw, Shoulder (2-56) 26
110879	Spring 94	138034	Plate, Clamping 109	150089	Screw (4-40 x 1/2 Fil) 36, 46, 70, 106, 107
111342	Spring 94	139555	Spring 36	150091	Gear (27T) 27
111355	Spring 13, 14	145301	Latch 62	150096	Roller Assembly 11
112509	Insulator (.031") 102	150000	Drum, Clutch 27, 28	150097	Bar, Cross 12
112626	Nut (10-32 Hex) 6, 13, 17, 23, 25, 32, 36, 43, 69, 90	150001	Drum, Clutch 28	150099	Guide, Rear Paper 12
112627	Nut (2-56 Hex) 26, 70, 106, 107	150004	Cam 28	150100	thru
112629	Spring 94	150010	Plate, Retaining 27	150162	Pallet, Type 55
112633	Spring W/Wick 53	150013	Disk, Adjusting 27, 28	150175	Stud (10-32) 38
112634	Spring 49, 50	150014	Disk, Adjusting 27, 29	150184	Link 36
112889	Screw (4-40 x 1/8 Fil) 72	150016	Spacer, Clutch 28	150193	Hub 36
114127	Washer, Flat 41	150021	Clutch Assembly 28	150194	Plate 36
114214	Bushing 9			150196	Bail 36
115122	Washer, Felt 23, 25			150197	Stud (10-32) 32
117535	Washer, Flat 104			150202	Gear, (18T) 36
119418	Washer, Flat 17, 70			150203	Retainer 36
119467	Insulator (.032") 17, 70			150206	Spacer 32
119648	Ring, Retaining 16, 17, 25, 38, 43, 61, 69, 81, 90, 98, 100, 106, 107			150208	Bail 38

NUMERICAL INDEX (Continued)

Part Number	Description and Page Number	Part Number	Description and Page Number	Part Number	Description and Page Number
150229	Retainer 36	150383	Spacer 23	150572	Separator 61
150230	Plate 53	150384	Spacer 25	150573	Separator 61
150232	Retainer, Oil 38	150386	Link 23	150576	Spring, Contact 61
150233	Roller 36	150387	Link, Ribbon Drive 25	150579	Guide, Right 8
150234	Roller 36	150390	Bushing 24, 26	150585	Bar, Line Feed 22
150235	Slide, Transfer 36	150391	Spacer 29	150586	Lever 22
150237	Lever, Escapement 34	150392	Bail 13, 14	150587	Spring 61
150241	Spring 27, 28	150395	Screw, Shoulder (6-40) 23, 25	150588	Spring, Contact 61
150244	Link 27	150396	Lever 23	150598	Track, Printing 38
150245	Bracket 38	150397	Lever 25	150642	Bellcrank 22
150247	Link 38, 39	150398	Stud, Left Pivot 18	150646	Screw, Shoulder (6-40) 21, 22
150251	Wheel, Ratchet 32	150399	Shaft 13, 14	150647	Eccentric 22
150255	Bushing 34	150401	Clamp 23	150648	Eccentric 22
150263	Bail 38, 39	150410	Stud (10-32) 23	150649	Washer, Spacing 22
150265	Shaft 11	150411	Washer, Flat 25	150650	Bushing 22
150266	Lever, Guide 11	150412	Arm, Follower 23	150651	Gear (28T) 22
150267	Clamp 11	150413	Arm, Follower 25	150652	Screw (4-40 x 37/64 Fil) 22
150269	Roller, Pressure 11	150414	Bushing 18	150654	Guide 6
150270	Link 11	150419	Shaft 18	150656	Handwheel 22
150271	Arm 11	150420	Lever 25	150658	Gear (21T) 22
150274	Bracket, Clamp 11	150423	Stud, Right Pivot 18	150665	Gear (42T) 29
150276	Lever 11	150424	Blade, Stripper 24, 59	150666	Gear (28T) 22
150285	Bar, Tie 52	150425	Lever, Lock 23, 25	150668	Collar, Spacing 36
150288	Bracket 51	150428	Lever 23	150669	Shim (.002") 36
150289	Stud (3-48) 51	150429	Stud, Eccentric 23, 25	150670	Shim (.004") 36
150291	Slide 61	150431	Lever, Trip 30	150672	Bearing 36
150293	Plate, Retaining 51	150432	Washer, Flat 107	150673	Shaft 36
150296	Fork 61	150434	Bail, Transfer 15	150677	Pawl, Feed 36
150298	Bushing 61	150436	Bushing 11, 21, 36, 50, 108	150678	Pawl, Feed 36
150301	Plate, Retaining 51	150438	Bellcrank 36, 86	150685	Plate 11
150302	Shim (.006") 51	150440	Hub 27	150687	Stud (6-40) 43
150304	Bracket, Guide 51	150441	Gear (21T) 27	150689	Block, Guide 59
150310	Lever, Ribbon 50	150444	Lever 30	150691	Link 35
150311	Lever, Ribbon 49	150447	Arm 40	150692	Link 35
150318	Stud (6-40) 22	150450	Arm 40	150693	Stud (6-40) 22
150327	Roller 49, 50	150451	Link 42	150694	Slide 36
150335	Gear (12T) 50	150452	Bearing 40	150705	Bushing 34
150336	Bushing 36, 49, 50	150453	Shaft 40	150709	Spacer 34
150341	Post, Spring 6	150471	Stud (6-40) 40	150710	Screw (6-40 x 1-1/4 Fil) 34
150342	Screw, Shoulder (6-40) 22	150479	Stud (6-40) 43	150711	Washer, Flat 93
150343	Lever 50	150481	Shaft 40, 78	150712	Rope, Draw Wire 32
150344	Lever 49	150482	Plate 40	150714	Bearing, Sleeve 22
150348	Shaft 30	150507	Spring 40	150715	Gear (32T) 22
150349	Arm, Follower 30	150525	Bracket 42	150718	Platen 22
150350	Shaft 30	150531	Plate, Clamp 35	150719	Retainer 22
150351	Stud, Eccentric 6	150535	Spring 51	150720	Retainer 22
150352	Bushing 30	150536	Spring 36	150721	Arm 34
150353	Stud (10-32) 6	150537	Ball, Bearing 36, 51	150722	Arm 34
150354	Arm, Trip 31	150538	Cylinder, Dashpot 36	150726	Link 35
150355	Lever, Latch 30, 31	150543	Screw (3-48 x 13/32 Fil) 59	150727	Link 35
150356	Lever, Trip 30, 31	150544	Handle 59, 60	150728	Rail 34
150358	Lever, Trip 30	150545	Bracket 7	150731	Slide 36
150361	Spacer 30, 91	150546	Bracket 6	150733	Slide 36
150363	Plate 23	150547	Shaft 59, 60	150738	Guide 36
150364	Stud, Eccentric 27	150549	Collar 27	150740	Plate 39
150365	Shaft, Rocker 23	150553	Bushing, Insulating 61	150746	Bushing 36
150366	Bracket 23	150554	Plate 34	150748	Stud (6-40) 38, 39
150367	Bracket 25	150557	Bracket 15, 80	150750	Plate 34
150369	Link 23	150558	Spring 38	150751	Block, Guide 34
150370	Link 25	150559	Spring 38	150752	Stud (4-40) 38
150371	Slide 61	150561	Arm 13, 15, 80	150753	Roller 38
150377	Arm 13	150563	Spring 40	150754	Roller 38
150380	Stud (10-32) 25	150569	Guide, Left 8	150755	Stud (6-40) 38
150382	Block, Guide 23, 25	150571	Plate, Spacing 61	150757	Arm 39

NUMERICAL INDEX (Continued)

Part Number	Description and Page Number	Part Number	Description and Page Number	Part Number	Description and Page Number
150758	Pulley 38	150991	Washer, Felt 20	151659	Screw (6-40 x 1/2 Fil) 50
150770	Bellcrank 36	150992	Stud (4-40) 11	151660	Screw (6-40 x 7/8 Fil) 74, 99, 104
150771	Bellcrank 36	150998	Spacer 22	151661	Screw (6-40 x 1 Fil) 36
150776	Lever, Lock 38	151073	Screw (4-40 x 5/32 Fil) 22, 82, 84, 96	151667	Roller 42
150777	Bail 38			151668	Roller 40, 42
150781	Stud (6-40) 13, 15	151103	Spring 43, 44	151669	Stud (6-40) 42
150796	Disk 32	151152	Screw (4-40 x 3/16 Hex) 34, 40, 51, 53, 76, 86, 106, 107	151670	Bracket 42
150798	Ratchet 32			151676	Shim (.010") 42
150800	Stud (6-40) 34	151182	Washer, Insulating 93	151683	Box Assembly, Type (RE) 56
150803	Spring 11	151222	Washer, Felt 18, 40, 60	151685	Screw (4-40 x 5/16 Fil) 18, 25, 27, 30, 32, 34, 36, 61, 72, 94
150804	Finger, Paper 11	151223	Screw, Shoulder (4-40) 26	151686	Screw (4-40 x 3/8 Fil) 11, 36, 46, 92, 109
150805	Shim (.012") 34	151329	Switch, Sensitive 70, 75	151687	Screw (4-40 x 7/16 Fil) 61, 93
150806	Plate 34	151336	Oiler 43, 44	151688	Screw (4-40 x 5/8 Fil) 27, 46, 60, 78, 91
150807	Oiler, Felt 34	151346	Screw (6-40 x 3/8 Fil) 6, 13, 18, 19, 21, 22, 27, 32, 33, 36, 49, 92, 97, 100, 102, 104	151689	Screw (4-40 x 3/4 Fil) 11, 28, 63, 64, 92, 102
150809	Geor (32T) 22			151690	Screw (10-32 x 5/16 Fil) 27, 104
150811	Stud (6-40) 25	151354	Screw (2-56 x 15/32 Fil) 6, 75, 103	151691	Screw (10-32 x 3/8 Fil) 91
150815	Bushing 11	151442	Screw (6-40 x 1/2 Hex) 6, 23, 41, 103	151692	Screw (6-40 x 3/16 Fil) 6, 7, 11, 13, 15, 30, 34, 36, 37, 45, 49, 53, 60, 79, 80, 81, 83, 84
150816	Lever 11			151693	Screw (6-40 x 9/16 Fil) 27, 50, 69, 100
150821	Spacer 49	151443	Eccentric 53	151695	Screw (6-40 x 5/8 Hex) 53
150824	Track 25	151572	Washer, Lock 37	151698	Spring 35
150826	Guide, Finger 11	151602	Plate 23, 25	151700	Screw, Shoulder (6-40) 38
150827	Drum, Spring 32	151603	Spacer 25, 46	151701	Spring, Torsion 43
150830	Bushing, Shoulder 27, 29	151604	Block, Guide 23, 25	151702	Nut (4-40 Hex) 59
150831	Ring, Retaining 27, 29	151606	Screw (10-32 x 1/4 Hex) 19, 36	151703	Pin 11
150833	Platen Assembly 22	151607	Retainer, Spring 48	151709	Arm 53
150838	Ring, Retaining 32	151610	Washer, Flat 27, 53, 81	151713	Spring 14, 77
150840	Bracket, Guide 11	151611	Bushing 53, 103	151714	Spring 34
150841	Bearing 27, 29	151612	Spacer 53	151715	Spring 48
150843	Plate 32	151618	Screw (6-40 x 7/16 Fil) 6, 17, 32, 33, 46, 51, 69, 75, 79, 80, 84, 90, 103	151721	Screw (6-40 x 3/4 Hex) 6, 18, 40, 93, 103
150889	Lever, Trip 31	151619	Bushing 32	151722	Screw (6-40 x 3/16 Hex) 16, 30, 34, 46, 52, 72, 76, 81, 83, 94, 97, 99, 102, 104, 106
150891	Block 25	151625	Strip 38	151723	Screw (10-32 x 3/8 Hex) 36, 101
150895	Arm, Trip 30	151626	Terminal 46, 47	151728	Spring 27, 28
150900	Bail, Detent 6	151627	Rod 18	151731	Screw (4-40 x 7/8 Fil) 22
150902	Lever 8	151629	Nut (6-40 Spl) 21, 30, 40, 78, 93, 104	151732	Screw (4-40 x 11/32 Fil) 27, 75, 81
150903	Block, Left Paper Spindle 18	151630	Screw (6-40 x 1/4 Hex) 13, 14, 15, 21, 25, 27, 28, 34, 36, 38, 40, 43, 49, 51, 53, 70, 72, 91, 94, 98, 99, 107, 109	151733	Screw (4-40 x 9/16 Fil) 28, 99
150904	Block, Right Paper Spindle 18			151734	Screw (4-40 x 3/8 Hex) 25
150907	Spindle, Paper 18	151631	Screw (6-40 x 5/16 Hex) 6, 14, 32, 40, 46, 74, 77, 98, 99, 106, 107	151735	Screw (4-40 x 5/16 Hex) 16
150909	Screw, Shoulder (6-40) 34	151632	Screw (6-40 x 3/8 Hex) 16, 21, 23 to 27, 34, 41, 61, 72, 73, 79, 81, 94, 98, 101	151736	Spring 27, 29
150910	Latch 74	151637	Screw (4-40 x 1/4 Fil) 7, 14, 16, 17, 21 to 23, 26, 32, 36, 46, 49, 50, 59 to 61, 69, 71, 73 to 77, 80, 90, 102	151737	Screw (4-40 x 11/64 Hex) 16, 27, 28, 90, 92
150911	Bushing, Shoulder 22	151640	Lever, Shoe 28	151738**	Screw, Identification (4-40) 54
150912	Screw, Shoulder (6-40) 21	151642	Screw (6-40 x 3/4 Fil) 17, 27, 28, 69, 85, 90, 100, 104	151739**	Screw, Identification (6-40) 60
150913	Bail 15	151644	Spring 23, 25	151794	Washer, Spring 27, 29
150915	Blade, Stripper 15, 59	151657	Screw (6-40 x 1/4 Fil) 6, 7, 11, 13, 15, 18, 20, 21, 25, 34, 36, 37, 40, 43, 49 to 51, 60, 61, 78, 81, 92, 96, 108, 109	151797	Cable 65
150923	Washer, Felt 30, 38, 53	151658	Screw (6-40 x 5/16 Fil) 9, 13, 14, 17, 18, 21 to 23, 32, 33, 36, 38, 40, 46, 50, 69, 78, 80, 90, 109	151799	Modification Kit 74
150926	Washer, Felt 14, 34			151819	Jumper (3" Black) 46
150927	Oiler, Felt 34			151880	Nut (4-40 Hex) 25, 36, 72, 92, 94, 98
150929	Oiler, Felt 34			151930	Box Assembly, Type (RA) 56
150930	Washer, Felt 13			151931	Box Assembly, Type (RC) 56
150931	Spacer 29			151937	Box Assembly, Type (RD) 56
150932	Bushing, Shoulder 49, 50, 101			151938	Box Assembly, Type (RN) 56
150935	Latch 74				
150937	Lever 50				
150953	Slide Assembly 35				
150961	Bushing, Eccentric 6				
150963	Plate, Retaining 61				
150969	Spring 6, 21				
150970	Bearing, Ball 27				
150971	Cable 65				
150973	Pallet, Dummy 55, 69, 73, 97				
150975	Cup, Dashpot 36				
150978	Screw (6-40 x 1-1/8 Fil) 40, 47, 91				
150987	Spacer 36				
150990	Washer, Felt 18, 19, 37, 40, 42				

NUMERICAL INDEX (Continued)

Part Number	Description and Page Number	Part Number	Description and Page Number	Part Number	Description and Page Number
151941		152453	Clutch Assembly 28	152582	Shaft 50
thru		152456	Holder, Wick 40	152583	Bearing, Sleeve 40
151953	Pallet, Type 55	152457	Wick, Felt 40	152584	Lever 40
152089	Latch 62, 105	152458	Shield 46, 48	152585	Lever 40
152121	Lever, Function 62, 105	152461	Bracket 46	152586	Bracket 36
152127	Clip 59	152462	Latch, Right 46, 75, 80	152587	Drum, Spacing 33
152129	Spring 53	152463	Latch, Left 46, 75, 80	152588	Arm 33
152140	Bail 13	152464	Insulator (.062") 46, 75	152589	Clomp 23
152147	Bearing, Ball 25	152466	Connector, Receptacle (20 Pt) 87	152590	Lever, Cutout 33
152254	Wick, Felt 23, 25, 39	152467	Connector, Plug (20 Pt) 46, 80	152591	Arm, Automatic CR & LF 33
152255	Bar w/Retainer 51	152468	Cable 46	152592	Guide 34
152256	Bar, Code 51	152501	Guide, Ribbon 26	152593	Housing, Bearing 25
152257	Spring 51	152502	Modification Kit to Provide a Type Box Alignment Adjustment 25, 26	152595	Slide 34
152298	Lever, Function 62, 105	152505	Stud (4-40) 34	152596	Slide, Shift 36
152299	Lever, Function 62	152507	Roller, Detent 34	152598	Plate, Left 39
152302	Modification Kit 69	152508	Bracket 34	152599	Plate, Right 38
152303	Modification Kit 70	152509	Bracket 34	152626	Bracket 59
152304	Modification Kit 72, 73	152510	Lever, Detent 34	152627	Bracket 59
152312	Modification Kit 77	152511	Guide 34	152629	Washer, Friction 49, 50, 106, 107
152315	Modification Kit 74	152514	Bail 13	152630	Shaft 49, 50
152317	Modification Kit 75	152516	Slide 13	152633	Plate, Mounting 61
152337	Modification Kit 76	152517	Arm, Trip Lever 31	152634	Washer, Flat 36, 86
152340	Modification Kit 78	152518	Bail 13	152635	Lever, Transfer (1) 40
152345	Modification Kit 79	152521	Slide 34	152636	Lever, Transfer (2) 40
152348	Modification Kit 86	152523	Spring 49, 50	152637	Lever, Transfer (3) 40
152350	Modification Kit 80	152524	Bracket 49, 50	152638	Lever, Transfer (4) 40
152357	Stud (4-40) 62	152525	Hub 49, 50	152639	Lever, Transfer (5) 40
152359	Arm 13, 17, 69	152526	Plate 49	152640	Lever, Function (C) 40
152360	Sleeve 17, 69	152527	Plate 50	152641	Lever, Function 62, 69, 90, 97
152400	Plate 43	152528	Ratchet, Ribbon 50	152642	Lever, Function 62, 73, 105
152401	Guide 43	152529	Ratchet, Ribbon 49	152643	Guide 59
152402	Guide 43	152536	Bail 38	152644	Bracket 50
152403	Bracket 43	152537	Clamp 27	152646	Lever, Reversing 50
152404	Bracket 43	152538	Plate, Front 36	152647	Lever, Reversing 49
152405	Lever, Marking Lock 43	152539	Guide 11	152648	Stud (6-40) 49
152406	Bracket 43	153541	Arm 24	152651	Plate, Guide 59, 60
152407	Lever, Spacing Lock 43	152542	Arm 26	152652	Bar, Guide 59, 60
152409	Lever, Selecting 43	152543	Link 19	152653	Pawl, Function 62, 69, 73, 90, 97, 105
152410	Bail, Reset 43	152545	Lever 13, 14	152654	Plate, Guide 61
152411	Lever, Push 43	152546	Bracket 40	152655	Plate, Adjusting 61
152412	Link 43	152547	Shaft 59, 60	152656	Stud (6-40) 61
152413	Bracket Assembly 48	152548	Bar, Shift 51	152658	Plate 61
152415	Stud (4-40) 46	152549	Bar, Code 52	152659	Lever, Function 62
152420	Lamination 46	152550	Clamp 23	152660	Plate, Spring 62, 69, 73, 90, 97, 105
152421	Bracket 46	152551	Bar, Code 51	152662	Shaft 40
152422	Armature 48	152552	Bar, Code 51	152663	Guide 40
152423	Bracket 46	152554	Bar, Code 52	152665	thru
152424	Plate, Stop 48	152555	Shaft 19	152704	Bar, Function 66, 67
152425	Post, Spring 46, 108	152559	Plate, Front Pallet Box 55	152708	Lever, Keyboard Lock 15, 80
152426	Nut, Self-Locking (6-40 Hex) 46	152560	Plate, Rear Pallet Box 54	152711	Bracket 15
152427	Latch W/Hub 43	152563	Bracket 13	152716	Bail 19
152429	Rack, Selector 43	152569	Linkage 39	152717	Arm 29
152432	Arm, Stop 43	152570	Linkage 39	152721	Bar, Code 52
152434	Plate 45	152571	Spacer 50	152723	Spring 11
152435	Stud (6-40) 45	152572	Bracket 51	152724	Spring 39
152436	Knob Assembly 43	152573	Retainer 28	152725	Spring 11
152437	Spacer 45	152574	Plate 51	152726	Bushing 30
152438	Bail 43	152575	Bracket 51	152742	Box Assembly, Type (RG) 56
152439	Shaft 45	152576	Bracket 51	152752	Box Assembly, Type (RH) 56
152440	Bushing 45	152579	Track 34	152818	Lever, Left Detent 50
152441	Washer, Flat 43, 93	152580	Frame, Right Side 7	152819	Lever, Right Detent 49
152445	Spring 43	152581	Frame, Left Side 6		
152447	Shaft 28				
152450	Cam, Selector 28				

NUMERICAL INDEX (Continued)

Part Number	Description and Page Number	Part Number	Description and Page Number	Part Number	Description and Page Number
152820	Lever, Left Feed 50	153192	Spring 17, 69, 90	153321	Bracket, Tie 51
152821	Lever, Right Feed 49	153193	Lever 17, 69	153322	Guide 60
152823	Bracket 50	153194	Bail 17, 69	153323	Ring 28
152824	Bracket 49	153195	Plate 69	153326	Blade 19
152826	Pin, Detent 49, 50	153196	Handwheel 17, 69, 90	153331	Linkage 38
152827	Bracket, Left Spool 50	153198	Gear, (48T) 71, 89	153332	Linkage 38
152828	Bracket, Right Spool 49	153199	Gear, (51T) 71, 89	153335	Plate 38
152831	Clip 6, 7	153200	Gear, (54T) 71, 89	153337	Bushing 38
152832	Shaft 11	153201	Gear, (57T) 71, 89	153340	Spring 38
152834	Spring 49, 50	153202	Gear, (60T) 71, 89	153341	Spring 38
152871	Spring 22	153203	Gear, (66T) 71, 89	153342	Screw (6-40 x 15/16 Hex) 73
152881	Box Assembly, Type (RB) 56	153204	Gear, (72T) 71, 89	153343	Bushing, Eccentric 73
152887	Screw (4-40 x 1/2 Hex) 27, 28, 29	153205	Gear, (78T) 71, 89	153345	Arm W/Stud 73
152888	Screw (4-40 x 7/16 Hex) 29	153206	Gear, (84T) 71, 89	153346	Pawl 73
152889	Plate, Retaining 60	153207	Gear, (90T) 71, 89	153347	Bracket 73
152890	Washer, Flat 36	153208		153350	Shaft 73
152891	Spring 43, 51		thru	153351	Clip, Stop 73
152893	Screw (4-40 x 1/4 Hex) 13, 14, 16 to 18, 23, 42, 43, 69, 76, 95, 106, 107, 109	153217	Disk 71	153352	Spring 73
152896	Cable 65	153229	Bushing, Shoulder 81	153355	Bracket 73
152897	Guide 45	153230	Bar, Line Feed 81	153356	Arm 73
152913	Modification Kit 78	153231	Bar, Line Feed 81	153358	Bracket W/Stud 73
152915	Modification Kit 81	153233	Guide 81	153359	Arm, Slide 72
152917	Modification Kit 96	153234	Lever 81	153360	Stud (6-40) 72, 94
152927	Bushing 17, 69, 90	153235	Plate 27, 81	153361	Post 72, 94
152937	Plate 17	153236	Gear (42T) 81	153364	Lever 72, 94
152938	Spacer 17, 69, 90	153237	Arm 81	153365	Arm 72, 94
152943	Screw, Special (10-32) 17, 69, 90	153239	Roller 81	153367	Arm 30, 72
152985	Bail 17, 69	153240	Retainer, Bearing 81	153368	Bail, Follower 30, 72
153071	Slide 61	153241	Link 81	153375	Arm, Slide 72, 94
153073	Link 61	153242	Bracket 81	153377	Bracket W/Studs 72, 94
153074	Link 61	153254	Bracket 96	153378	Plate W/Pin 72
153076	Bushing, Shoulder 78	153255	Bail 13, 14, 96	153379	Plate, Insulating 75
153077	Bellcrank 78	153256	Bracket 36	153380	Bracket 70, 75
153078	Bushing, Shoulder 78	153257	Bail 96	153382	Bail, Transfer 13, 72
153079	Bushing, Bearing 78	153258	Bushing 96	153383	Arm 13, 72
153080	Shaft 78	153259	Arm 96	153385	Plate 73
153081	Lever 78	153260	Plate 96	153386	Cable Assembly 75
153082	Lever 78	153261	Bushing, Threaded 96	153387	Cable Assembly 70
153083	Bracket 78	153262	Arm 96	153396	Plate 77
153084	Spacer 61	153263	Arm, Stop 96	153409	
153139	Box Assembly, Type (RJ) 56	153267	Washer, Felt 81		thru
153158	Plate, Nut 17, 70	153287	Spring 81	153435	Bar, Function 66, 67
153159	Cable Assembly 70, 99	153288	Spring 96	153436	Bar, Function 66, 68
153160		153291	Arm 60	153437	Bar, Function 66, 68
		153292	Plate 28	153438	Bar, Function 66, 67
		153293	Spacer 28	153440	Bar, Function 66, 67, 97
		153294	Cam 60	153442	Screw (10-32 x 1/2 Hex) 18, 92, 93, 99
		153296	Eccentric 28		
153169	Bar, Function 66, 67	153298	Bracket, Right 60	153489	Detent 43
153172	Spring 34	153299	Bracket, Left 60	153491	Plate 45
153173	Plate, Clamp 34	153300	Arm 28	153508	Box Assembly, Type (RS) 56
153174	Link 34	153301	Arm 60	153510	Box Assembly, Type (RU) 56
153175	Link 34	153302	Blade, Stripper 60	153513	Box Assembly, Type (RW) 56
153180	Link 34	153303	Slide, Stripper 60	153514	Box Assembly, Type (RY) 56
153181	Link 34	153304	Bushing, Shoulder 6	153516	Box Assembly, Type (RZ) 56
153183	Slide 34	153305	Spring 13	153518	Box Assembly, Type (RW) 57
153184	Post 46	153310	Bail 13	153520	
153185	Gear, Spur (30T) 17, 69, 90	153311	Arm 13		thru
153186	Arm, Slide 69	153312	Lever 6	153528	Bar, Function 66, 67
153188	Screw, Shoulder (6-40) 17, 69, 90	153314	Bracket 13	153529	Bar, Function 67
		153315	Bracket 51, 86	153530	Plate 25
153189	Spring 17, 69, 90	153317	Bracket 15	153531	Plate, Adjusting 25
153190	Arm 17, 69	153318	Shaft 60	153532	Screw, Adjusting (4-40) 25
153191	Pointer 17, 69, 90	153319	Bar, Code 51, 86	153534	Washer, Flat 9, 99

NUMERICAL INDEX (Continued)

Part Number	Description and Page Number	Part Number	Description and Page Number	Part Number	Description and Page Number
153538	Screw (6-40 x 7/16 Hex) 106	153692	Gear (33T) 21	153946	Modification Kit to Add an Improved Oscillator Shift Knee Link Assembly 38
153550	Link 18	153695	Pin 21	153947	Modification Kit to Add an Improved Oscillator Shift Knee Link Assembly 34
153553	Roller 18	153696	Spring 21	153949	Modification Kit to Add an Improved Magnet Bracket 46
153554	Bracket W/Stud 20	153697	Bracket 21	153950	Modification Kit to Add Bracket to "O" Code Bar 86
153558	Link 18	153698	Cam, Feed 21	153975	Cable 65
153560	Shaft 20	153699	Cam, Feed 21	154253	Stud (6-40) 36
153562	Shaft 20	153700	Hub, Platen 21	154290	Ring, "O" 21
153563	Bracket 79	153721	Arm 82	154310	Spring, Carriage Return 32
153564	Lever 79	153722	Arm 82	154320	Finger, Left Paper 21
153565	Pin 14, 79, 84	153726	thru	154323	Cam, Eccentric 88
153566	Bracket 14, 16, 76	153729	Guide, Paper 82	154324	Cam, Eccentric 88
153569	Arm, Trip 30	153751	thru	154332	Shaft, Ribbon Spool 49, 50
153570	Arm, Suppression 16, 76	153767	Platen, Rubber 21	154333	Roller 49, 50
153573	Bail 18, 20	153771	thru	154334	Modification Kit to Provide Increased Ribbon Height 49, 50
153574	Roller 20	153787	Bracket, Guide 82	154335	Screw, 6-40 x 9/32 Fil 16
153575	Wick, Felt 14	153791	Shaft 21	154349	Spring 44
153576	Cam, Function 28	153794	Plate, Adjusting 21	154354	Slide 34
153577	Washer, Felt 18	153795	Slide 61	154356	Bail, Typebox 25
153579	Bracket, Spring 20	153799	Screw (4-40 x 21/64 Hex) 21	154358	Hub, Platen 21
153580	Cam 20	153800	Cam 50	154362	Spring, Contact 102
153581	Handle 60	153806	Spring 30	154373	Shield, Oil 93
153582	Screw, Shoulder (6-40) 13	153810	Guide, Ribbon 25	154380	Bracket W/Post 51, 76
153583	Lever, Trip 30	153815	Clutch Assembly 28	154389	Cam, Eccentric 36
153584	Lever, Latch 30	153817	Screw (4-40 x 3/8 Hex) 34, 36	154394	Post, Spring 51
153585	Clamp 20	153819	Washer, Lock 51	154516	Ratchet 88
153586	Guide 6	153820	Frame, Printing Carriage 53	154519	Lever, Latch 21
153587	Guide 7	153823	Collar 28	154536	thru
153588	Solenoid 14, 79, 84	153824	Clamp 28	154549	Pallet, Type 55
153592	Cable 65	153838	Shaft 60	154613	Latch 62, 105
153593	Cable 65	153839	Screw (6-40 x 5/8 Hex) 18, 21, 25, 30, 46	154614	Cam, Spacing 27, 72
153594	Cable Assembly 79	153841	Screw (6-40 x 9/16 Hex) 23	154616	Plate, Front Pallet Box 54
153596	Fork W/Post 61	153883	Gear (33T) 27, 91	154620	Wick, Lubricating 43
153598	Pawl, Function 62	153884	Gear (11T) 36, 91	154621	Retainer 43
153600	Bracket, Spring 51, 76	153894	Plate 72, 94	154622	Lubricator 43
153601	Bushing, Shoulder 60	153896	Bail, Latch 72, 94	154623	Ring, Retaining 32
153602	Plate 59	153897	Arm, Trip 72	154624	Ring 32
153603	Nut (6-40 Spl) 52	153899	Bracket, Guard 73	154625	Ring 32
153604	Pawl, Function 62	153904	Modification Kit to Provide Parts for Improved Range Scale Sector Mounting 43	154626	Ring 32, 86
153605	Bracket 52	153905	Modification Kit to Add Universal Spacing Drum 32	154627	Drum, Spacing 32
153606	Slide, Blocking 60	153910	Modification Kit to Add Trip Shaft Support Bracket 13	154638	Spring 53
153608	Fork 61	153911	Modification Kit 78	154639	Slide 61
153609	Roller 61	153912	Modification Kit 84, 85	154642	Slide 61
153610	Spindle, Paper 78	153914	Modification Kit 77	154643	Box Assembly, Type (RV) 57
153611	Disk, Paper Spindle 78	153915	Modification Kit to Add Universal Spacing Drum with Automatic Carriage Return and Line Feed 32	154645	Spacer 18
153615	Lever 78	153916	Modification Kit 105	154646	Lever, Function 62
153634	Collar 11, 78	153917	Modification Kit 105	154647	Lever, Function 62
153643	Slide 61	153918	Modification Kit 105	154649	Arm 80
153644	Stud (6-40) 61	153919	Modification Kit 105	154650	Clip 51
153645	Plate, Guide 61	153927	Modification Kit 80	154666	thru
153646	Bushing 61	153927	thru	154669	Shaft 60
153647	Plate 61	153936	Modification Kit 71	154670	Screw, Special (6-40) 73, 95
153652	thru	153945	Modification Kit 86	154671	Bracket 73, 95
153667	Guide, Form 82			154672	Bracket, Clip Stop 73
153670	Lever, Function 22			154673	Cable 6, 65
153676	Bail, Detent 21			154688	Spring 18
153678	Bracket 21				
153682	Bracket 21				
153683	Bracket 21				
153685	Arm W/Hub 21				
153686	Bearing, Right 21				
153687	Bearing, Left 21				
153689	Gear (33T) 21				
153690	Gear (28T) 21				

NUMERICAL INDEX (Continued)

Part Number	Description and Page Number	Part Number	Description and Page Number	Part Number	Description and Page Number
154691	Clip 60	155159	Bar, Function 66, 67	155714	Bracket 70
154692	Clip 60	155176	thru	155715	Stud (6-40) 70
154694	Disk, Clutch 27, 28	155180	Bar, Function 66, 68	155716	Plate, W/Pin 94
154698	Wick, Felt 72, 94	155191	thru	155721	Contact Assembly 70
154723	Modification Kit to Provide Parts for Improved Range Scale Sector Mounting 43	155218	Bar, Function 66, 67	155736	Lever, Function 62
154727	Modification Kit 75	155219	Bar, Function 66, 67	155737	Lever, Function 62
154742	Modification Kit 86	155246	Bar, Function 66, 68	155738	Bail, Blocking 62
154743	Modification Kit 74	155247	Bar, Function 66, 68	155749	Cable 65
154753	Modification Kit 87	155248	thru	155750	Sleeve, Insulating (3/32 ID x 1/2" Lg) 60, 70, 91, 92, 99, 108
154755	Modification Kit 88	155250	Bar, Function 66, 67	155751	Sleeve, Insulating (1/8 ID x 1" Lg) 46, 47, 60, 70, 79, 93, 107
154760	thru	155286	thru	155752	Sleeve, Insulating (5/64 ID x 1/2" Lg) 60
154769	Modification Kit 89	155290	Bar, Function 66, 67	155753	Sleeve, Insulating (1/8 ID x 1/2" Lg) 46, 60
154770	Modification Kit 90	155294	Bar, Function 67	155754	Sleeve, Insulating (1/16 ID x 1/2" Lg) 60
154771	Modification Kit 90	155296	thru	155755	Sleeve, Insulating (11/64 ID x 5/8" Lg) 60
154778	Modification Kit 91, 92	155300	Bar, Function 66, 67	155756	Nut (4-40 Spl) 69
154780	Modification Kit 70	155306	thru	155757	Gear (28T) 69
154785	Modification Kit 93	155307	Bar, Function 66, 67	155758	Gear (66T) 71
154789	Modification Kit to Provide Replacement Parts for the 153560 Shaft and Associated Parts 18	155311	thru	155759	Gear (48T) 71
154792	Modification Kit 88	155315	Bar, Function 66, 67	155763	Modification Kit 69
154872	Bracket 7, 75, 80	155326	thru	155765	Modification Kit 71
154873	Connector, Receptacle (2 Pt) 87	155330	Bar, Function 66, 67	155767	Slide 61
155000	Cable 65	155336	thru	155784	Cable 65
155021	Plate 71	155340	Bar, Function 66, 67	155788	Spring 93
155037	Keylever Assembly 73	155366	thru	155789	Cable Assembly 93
155041	Plate 13	155370	Bar, Function 66, 68	155790	Contact Assembly 93
155042	Bracket 13	155432	thru	155791	Link 93
155044	Spacer 28	155479	Pallet, Type 57	155792	Arm, W/Stud 93
155047	Disk 28	155483	Pallet, Type 57	155793	Bracket, Mounting 93
155049	Cable 65	155497	Box Assembly, Type (XK) 56	155795	Insulator (.031") 93
155051	Cable Assembly 87	155565	Arm, Right 21	155796	Shaft 40, 93
155053	Connector, Plug (12 Pt) 87	155566	Arm, Left 21	155797	Arm, Contact 93
155060	Slide, Stripper 60	155581	thru	155798	Block, Terminal 93
155061	Blade, Stripper 60	155584	Spacer 74	155799	Terminal 93
155066	Cable 65	155586	Bracket 40	155852	Arm, W/Link 88
155067	Cable 65	155587	Link, W/Stud 40	155853	Ratchet 88
155068	Bracket 77	155589	Plate, W/Stud 40	155855	Pawl, Spacing 88
155069	Bracket 77	155618	thru	155856	Pawl, Spacing 88
155071	thru	155673	Pallet, Type 58	155857	Retainer 88
155077	Shaft 60	155693	Box Assembly, Type (WP) 58	155859	Screw (4-40 x 1/2 Pan Hd) 87
155081	Post, Spring 36	155697	Box Assembly, Type (WV) 56	155860	Screw (4-40 x 3/8 Rd) 87
155090	Lubricator Assembly 43	155699	Box Assembly, Type (WX) 56	155861	Washer, Lock 87
155091	Lever, Trip 96	155701	Box Assembly, Type (WY) 56	155864	Shaft, Cam 18
155096	Plate, W/Studs 43	155703	Box Assembly, Type (XA) 56	155865	Stud (6-40) 18
155099	Screw, Shoulder (6-40) 60	155704	Box Assembly, Type (XC) 56	155868	thru
155100	thru	155705	Box Assembly, Type (XD) 57	155870	Pallet, Type 56
155125	Bar, Function 66, 67	155706	Box Assembly, Type (XE) 57	155877	Pallet, Type 56
155126	Bar, Function 66, 68	155707	Box Assembly, Type (XF) 57	155878	Pallet, Type 56
155127	thru	155708	Box Assembly, Type 56	155884	thru
155130	Bar, Function 66, 67	155709	Box Assembly, Type 58	155891	Pallet, Type 58
155131	Bar, Function 66, 68, 90	155710	Box Assembly, Type 56	155895	Pallet, Type 58
155132	Bar, Function 66, 67	155713	Clip 62	155896	Finger, Left Paper 21
155133	Bar, Function 66, 68			155897	Finger, Right Paper 21
155134	Bar, Function 66, 68, 69, 90			155913	Block, Contact 64
155135	Bar, Function 66, 68, 73			155915	Plate, Contact 64
155141	thru			155916	Plate, Contact 64
155145	Bar, Function 66, 68				

NUMERICAL INDEX (Continued)

Part Number	Description and Page Number	Part Number	Description and Page Number	Part Number	Description and Page Number
155917		157192	Eccentric 86	157678	Pallet, Type 56
thru		157193	Gear (44T) 86	157716	
155929	Switch Assembly 64	157194	Retainer, Spring 46	thru	
155933	Plate, Guide 61	157198	Bail, Detent 86	157724	Pallet, Type 56
155934	Plate 61	157200	Spring 62, 69, 73, 90	157726	
155935	For W/Post 61	157205	Lever, Function 62	thru	
155936	Fork w/Post 61	157206	Lever, Function 62	157728	Pallet, Type 56
155937	Fork W/Post 61	157207	Lever, Function 62	157729	
155938	Slide 61	157237	Shield 46	thru	
155939	Slide 61	157238	Spring 69, 73, 97	157779	Pallet, Type 57
155940	Slide 61	157240	Spring 62, 69, 73, 90, 97, 105	157790	
155941	Slide 61	157241	Bracket, Roller 18	thru	
155942	Slide 61	157243	Plate 61	157792	Pallet, Type 56
155946	Slide 61	157247	Bar 60	157823	
155948	Slide 61	157251	Arm W/Pin 74	thru	
155954	Switch 6, 103	157252	Bushing 74	157829	Pallet, Type 57
156501	Screw (6-40 x 7/32 Fil) 6, 37	157253	Lever 74	157843	Cam 91
156536	Screw (4-40 x 1/8 Fil) 43	157254	Bracket 74	157844	Plate, Spacer 91
156558	Washer, Felt 106, 107	157255	Block 74	157845	Plate 91
156572	Washer, Felt 53	157257	Block, Left Paper Spindle 74	157846	Spacer, Shoulder 91
156574	Post, Spring 9	157258	Bar W/Post 60	157847	Bracket, Spring 61
156591	Washer, Felt 14	157259	Relay 92	157849	Lever 61
156632	Screw (6-40 x 13/32 Hex) 32	157261	Shaft 43	157850	Lever 61
156663	Insulator 93	157262	Bracket, Double Connector 75	157851	Plate, Spring 61
156881	Jumper (1-1/2" Black) 47	157263	Cable Assembly 92	157852	Arm 61
156971	Screw (2-56 x 3/4 Fil) 108	157264	Cable Assembly 92	157854	Plate 61
157000	Box Assembly, Type (WB) 56	157265	Cable Assembly 91	157855	Plate, Guide 61
157001	Box Assembly, Type (WC) 56	157269	Cable 65	157856	Bracket 92
157002	Box Assembly, Type (WD) 56	157271	Bracket 46	157857	Spring 92
157003	Box Assembly, Type (WE) 56	157272	Insulator (.062") 46, 75	157858	Extension, Armature 92
157004	Box Assembly, Type (WF) 56	157273	Connector, Plug (35 Pt) 46, 65, 75	157859	Shim (.006") 92
157007	Box Assembly, Type (WG) 56			157861	Lever, Start 92
157009	Box Assembly, Type (WH) 56	157274	Clip 60	157862	Bracket, Guide 92
159011	Box Assembly, Type (WJ) 56	157275	Clip, Spring 60	157863	Lever 92
157013	Box Assembly, Type 56	157289	Bar, Cross 11, 21	157865	Plate 91
157015	Box Assembly, Type 56	157290	Bail, Pressure 11, 12	157866	Bracket 91
157017	Box Assembly, Type 56	157291	Guide, Rear Paper 11	157867	Screw, Pilot (4-40) 91
157018	Box Assembly, Type 56	157311	Wick, Felt 92	157868	Armature 91
157030	Box Assembly, Type 56	157398	Bar 60	157869	Spacer 91
157031	Disk 85	157505	Clutch Assembly 27	157870	Armature 91
157032	Disk 85	157506	Clutch Assembly 27	157871	Bracket 91
157033	Plate, Cam 85	157508	Modification Kit 94, 95	157873	Lever 91
157034	Lever, Trip 85	157509	Modification Kit 76	157875	Bracket 91
157035	Lever W/Hub, Trip 85	157510	Modification Kit 96	157876	Bracket 91
157038	Plate, Mounting 84	157511	Modification Kit 81	157877	Bracket 91
157039	Clip, Spring 84	157513	Modification Kit 69	157884	Block, Contact 64
157040	Bracket 84	157514	Modification Kit 101	157887	Arm, Contact (NO) 63, 64
157041	Bail 84	157530	Modification Kit 69, 90	157889	Spring, Contact 64
157042	Bracket 84	157600		157890	
157043	Bracket, Adjusting 84	thru		thru	
157044	Link 84	157634	Pallet, Type 54	157893	Plate, Contact 64
157045	Cable Assembly 84	157635	Pallet, Type 56	157899	Arm, Contact (NC) 63, 64
157046	Bar 78	157636	Pallet, Type 56, 57	157948	Keylever Assembly 69, 90
157047	Lever 16, 76	157637		157972	Bellcrank 36
157048	Lever 76	thru		157973	Extension 101
157049	Pin 16, 76	157641	Pallet, Type 56	157975	Cable 65
157070		157642	Pallet, Type 54, 56, 57	157979	Link, Toggle 50
thru		157643		157990	Bracket 13
157100	Switch Assembly 64	thru		157991	Stud (10-32) 13
157101		157657	Pallet, Type 56	158186	Screw (4-40 x 7/32 Fil) 109
thru		157659	Pallet, Type 56	158189	Washer, Felt 38
157106	Cable Assembly 65	157660	Pallet, Type 56	158314	Bracket 6, 103
157151	Bracket 80	157662		158315	Follower, Bellcrank 6, 103
157163	Spring 84	thru		158316	Plate, Nut 6, 103
157164	Slide 61	157675	Pallet, Type 56		
157191	Bar, Line Feed 86				

NUMERICAL INDEX (Continued)

Part Number	Description and Page Number	Part Number	Description and Page Number	Part Number	Description and Page Number
158317	Insulator, Switch 6, 103	160576	Slide, Stripper 60, 90	162636	thru
158318	Cable Assembly 103	160577	Blade, Stripper 60, 90	162640	Bar, Function 66, 67
158334	Spring, Tension 94, 95	160578	Sleeve, Pinion 90	162728	Arm 13, 90
158335	Stud (10-32) 36, 94	160584	Shield, Insulating 92	162729	Bar, Guide 13, 90
158337	Plate, W/Pin 95	160585	Shield, Insulating 92	162847	Modification Kit 69
158339	Arm, W/Pin 94	160586	Spring, Contact 92	163146	Modification Kit 102
158340	Bracket, Stop 95	160587	Spring, Contact 92	163147	Contact Assembly 102
158341	Plate, Stop 89, 95	160588	Bracket, Contact 92	163148	Shaft 102
158342	Arm 95	160589	Contact Assembly 92	163150	Collar 102
158343	Bracket, Spring 95	160650	Cable 65	163152	Cam 102
158346	Lever 94	160751	Pallet, Type 56	163153	Cam, Trip 102
158347	Bracket 95	160755	Box Assembly, Type (XM) 57	163157	Cam, Drive 102
158348	Bracket 95	160843	Spring 30	163158	Bracket 102
158349	Arm, Slide 94	160844	Box Assembly, Type (XN) 56	163159	Lever 102
158351	Pawl 94	160886	Modification Kit 77	163162	Cable 65
158352	Bail, Trip 30	160937	Bail 77	163183	Modification Kit 98
158353	Bail, Stop 30	160938	Arm, Slide 77	163184	Bracket, Magnet 98
158354	Arm, Extension 30	160939	Post, Spring 77	163185	Armature 98
158357	Wheel, Horizontal Tab 95	160940	Post 77	163197	Pallet, Type 56
158365	Blade 18	160999	Box Assembly, Type (XP) 57	163198	Pallet, Type 56
158447	Keylever Assembly 90	161081	Box Assembly, Type (YG) 57	163250	Pin 16, 98
159181	Lubricator 44	161082	Cable 65	163254	Magnet Assembly 98
159184	Wick, Lubricating 44	161134	Bracket, Spring 51	163271	Lever, Function 62
159185	Retainer, Wick 44	161138	Retainer 88	163292	Modification Kit 88
159334	Washer, Insulating 14	161140	Modification Kit 71	163294	Ratchet 88
159341	Bearing, Ball 23, 28	161250	Gear (88T) 71, 89	163295	Box Assembly, Type (YC) 57
159356	Modification Kit to Replace Old Style Guide Bracket 21	161260	Disk 71	163308	thru
159362	Modification Kit 74	161269	Arm, Slide (L.F.) 97	163314	Pallet, Type 57
159366	Modification Kit 103	161270	Arm, Slide (Reverse L.F.) 97	163459	Gear (66T) 27
159395	Modification Kit 88	161271	Link 97	163503	Gear (26T) 27
159597	Washer, Flat 14	161272	Bracket 97	163535	Modification Kit 99
159752	thru	161273	Bracket 97	163590	Gear (60T) 27
159787	Pallet, Type 58	161278	Spring 97	163776	Stop 9
160182	Bracket, W/Button 47	161280	Modification Kit 97	163778	Stud (4-40) 9
160184	Plate, Stop 46	161308	thru	163783	Lever 9
160186	Bushing, Shoulder 47	161317	Pallet, Type 56	163786	Bracket 9
160192	thru	161342	Lever, Start 43	163787	Bail, Detent 9
160222	Switch Assembly 64	161346	Washer, Felt 49, 50, 106, 107	163788	Bracket, Guide 9
160486	Bail 90	161347	Washer, Felt 18, 20, 36, 38, 39, 84	163790	Frame, Right 9
160489	Plate, Form Stop 89	161362	Box Assembly, Type (XR) 57	163791	Frame, Left 9
160490	Pawl 90	161363	Box Assembly, Type (XS) 57	163943	Lever, W/Pin, Function 62
160491	Plate 90	161364	Box Assembly, Type (XT) 57	163944	Lever, Function 62
160493	Plate, Adjusting 90	161365	Box Assembly, Type (XU) 57	163947	Modification Kit 99
160495	Plate 90	161366	thru	163948	Gear (28T) 9, 99
160498	Plate, Mounting 90	161377	Pallet, Type 57	163949	Bushing 9, 99
160499	Lever, Blocking 90	161491	Pawl, Feed 88	163951	Gear, W/Shaft (28T) 9, 99
160500	Lever, Blocking 90	161492	Pawl, Feed 88	163954	Handwheel 9, 99
160502	Slide, Form Out 90	161649	Lever 62	163955	Arm 99
160503	Slide, Tab 90	161686	Tool, Tine 66	163956	Lever 9, 99
160505	thru	161767	Modification Kit 71	163957	Lever 9, 99
150514	Disk, Retaining 89	161769	Box Assembly, Type (XW) 56	163958	Washer, Flat 9, 99
160523	Plate, Mounting 99	162056	Box Assembly, Type (XZ) 57	163959	Spring 99
160527	thru	162058	Box Assembly, Type (YA) 58	163960	Bushing 9, 99
160536	Spring 89	162059	Lever 62	163968	Cable 65
160568	Contact Assembly 99	162298	Slide 61	164218	Box Assembly, Type (YJ) 57
160569	Bracket 99	162298	Slide 61	164219	Arm 9
160572	Slide, Stripper 60	162484	Lever, Function 62	164220	Spring 9
160573	Blade, Stripper 60	162488	Modification Kit 40	164270	Modification Kit 100
160574	Arm, W/Stud 90	162539	Box Assembly, Type (YB) 56	164311	Lever, Function 62
		162573	Retainer 27	164313	Bracket 53
		162605	Box Assembly, Type (YF) 56	164314	Plate 35
				164316	Plate 34

NUMERICAL INDEX (Continued)

Part Number	Description and Page Number	Part Number	Description and Page Number	Part Number	Description and Page Number
164348	Box Assembly, Type (YK) 57	170123	Bracket, Retaining 40	174384	Guide 109
164386	Bracket 46	170124	Lubricator Assembly 44	174385	Bracket 109
164498	Box Assembly, Type (YL) 56	170125	Lever, Shoe Release 28	174386	Knife 109
164572	Plate, Mounting 100	170128	Clutch Assembly 28	174387	Finger, Paper 109
164573	Rod 100, 104	170133	Link 14	174388	Lever 109
164574	Bracket, Right 100	170134	Plate 14	174389	Lever 109
164575	Bracket, Left 100	170135	Bracket 14	174390	Bracket 109
164576	Rod 100	170136	Shaft 14	174391	Screw, Shoulder (2-56) 109
164577	Bracket 100, 104	170137	Bail 14	174392	Armature 109
164586	Box Assembly, Type (YE) 56	170139	Bail 14	174393	Bracket 109
164594	Cable 65	170140	Stud (6-40) 14	174394	Yoke 109
164600	Holder, Paper 100	170142	Arm, Suppression 30, 76	174395	Bracket 109
164611	Guard 9	170143	Stud, Bearing 14	174397	Bushing 109
164958	Screw (4-40 x 1/2 Hex) 98	170144	Bail 14	174398	Spring, Contact 109
164960	Insulator (.015") 98	170145	Cam 28	174399	Spring, Contact 109
165217	Jumper (1-1/2" Green) 108	170146	Bail 14	174400	Contact Assembly 109
170000	Frame 7	170164	Box Assembly, Type (TA) 56	174401	Insulator (.015") 109
170001	Housing, Bearing 25	170194	Washer, Spring 28	174402	Spring 109
170002	Bracket 14	170198	Arm, Stop 44	174403	Strip, Terminal 109
170003	Post, Anchor 14	170230	Knob 44	174482	Lever 62
170004	Bracket 14	170231	Guide, Upper 44	174483	Lever 62
170018	Bushing 30	170232	Guide, Lower 44	174484	Lever 62
170019	Lever, Latch 30	170233	Stud (6-40) 44	174570	Switch 108
170020	Lever, Trip 30	170234	Bracket, Guide 44	176181	
170021	Arm, Clamp 30	170235	Bracket, Spring 44	thru	
170022	Arm, Cam 30	170236	Lever 44	176197	Modification Kit 82
170023	Bearing 41	170237	Lever, Start 44	176221	
170024	Bracket 41	170238	Bail, Reset 44	thru	
170025	Bracket 41	170282	Nut (6-40 Hex) 37, 108	176237	Platen, Rubber 82, 83
170026	Bellcrank 41	172181	Modification Kit 101	176246	Bail, Blocking 62
170027	Bellcrank 41	172190	Bracket 101	176247	Bail, Blocking 62
170028	Link 41	172226	Rod, Copy Holder 101	176299	Screw, Shoulder (6-40) 98
170039	Bellcrank 37	172500		176471	Cable Assembly 109
170042	Bail 14	thru		176472	Cable Assembly 109
170054	Arm 37	172536	Switch Assembly 63	176569	Modification Kit 90
170056	Plate 37	172538		176598	Bellcrank 81
170057	Bearing 37	thru		176642	Clip 60
170058	Nut, Shoulder (10-32 Hex) 37	172572	Switch Assembly 63	176651	Box Assembly, Type (YP) 56
170059	Pawl, Drive 37	172591	Spring, Contact Arm 63	176695	Cable Assembly 70
170060	Plate, Guide 37	172593	Plate, Contact 63	176704	Spring, Torsion 77
170062	Boil 36	172594	Plate, Contact 63	176821	Modification Kit 70
170063	Lever 36	172595	Plate, Contact 63	176909	Frame, Left 10
170064	Link, Drive 37	172596	Plate, Contact 63	176910	Frame, Right 10
170066	Bar, Code 51	172597	Block, Contact 63	176911	
170067	Washer, Spacing 28	172598	Cam, Eccentric 88	thru	
170071	Clutch Assembly 28	172599	Block, Contact 63	176914	Guide, Paper 83
170074	Arm 14	172600		176918	Shaft 28
170075	Roller 14	thru		177044	Template 99
170076	Pawl 14	172608	Switch Assembly 63	177081	Gear (68T) 17
170079	Arm 38	172618	Plate, Contact 63	177082	Disk 17
170080	Stud (10-32) 32	172619	Plate, Contact 63	177083	Yoke 16
170082	Cable Assembly 47	172620	Cam, Eccentric 88	177084	Lever 17
170110	Camsleeve 28	172723	Box Assembly, Type (YM) 56	177089	Box Assembly, Type (YR) 56
170111	Shaft 28	173141	Lever, Function 62	178141	Modification Kit 70
170112	Guide 41	173282	Bail 76	178185	Bracket, Switch 17
170113	Arm 41	173283	Modification Kit 76	178187	Disk 17
170115	Lever, Transfer 41	173284	Lever, Lock 38	178188	Lever 16
170116	Lever, Transfer 41	173450	Cable w/Terminals 46	178189	Armature 16
170117	Bracket 41	173698	Cable Assembly 46, 65	178190	Extension, Armature 16
170118	Bracket 41	173715	Terminal, Plug Type 108	178359	Bracket 16
170119	Lever 41	173882	Stud (6-40) 16, 98	178551	
170120	Lever 41	173883	Bracket, Mounting 16, 98	thru	
170121	Shaft 41	174043	Modification Kit 109	178567	Guide, Form 83
170122	Lever 41	174086	Box Assembly, Type (TB) 56		

NUMERICAL INDEX (Continued)

Part Number	Description and Page Number	Part Number	Description and Page Number	Part Number	Description and Page Number
178568		179692	Spacer 106, 107	194035	
thru		179693	Bail, Right Lifter 106	thru	
178584	Modification Kit 83	179694	Bail, Right Roller 106	194039	Pallet, Type 58
178607	Stud, Cam Follower 14	179695	Bracket, Left Magnet 107	194052	Plate, Form Stop 89
178724	Box Assembly, Type (YS) 56	179696	Bracket, Left Hinge 107	194093	Modification Kit 77
178764	Gear (26T) 27	179697	Lever, Left Stop 107	194414	Lever, Function 62
178809	Box Assembly, Type (YT) 56	179698	Armature 106, 107	194929	Box Assembly, Type (AE) 50
178852	Box Assembly, Type (YU) 58	179699	Shaft 106, 107	194995	Modification Kit 108
179057	Box Assembly, Type (YV) 57	179700	Bracket, Right Hinge 106	194998	Plate, Mounting 108
179088	Pallet, Type 56	179701	Lever, Right Stop 106	194999	Cable Assembly 108
179194	Bracket 90	179702	Bracket, Right Magnet 106	195000	Lever, Operating 108
179216	Arm, Slide 34	179703	Bracket 106	195001	Insulator (.032") 108
179217	Arm, Slide 34	179704	Shaft, Right 106	195009	Box Assembly, Type (AF) 58
179224	Slide Assembly 34	179708	Plate, Adjusting 106	195054	Stud (4-40) 14
179225	Bail 38	179718	Cable 107	195109	Plate, Stop 60
179226	Screw, Shoulder (4-40) 34	179724	Modification Kit 106, 107	195218	Box Assembly, Type (AG) 56
179235	Bracket, Mounting 104	179802	Cover 102	195240	Post 47
179236	Bracket, Mounting 104	179814	Box Assembly, Type (TD) 56	195251	Armature 46
179237	Clamp, Left 104	179873	Screw (3-48 x 5/8 Fil) 78	195266	Modification Kit to Add Shaft and Retainer 60
179238	Clamp, Right 104	192321	Stud (4-40) 37		
179239	Bracket, Right Mounting 104	192322	Spring 37	195461	Box Assembly, Type (AH) 58
179240	Bracket, Left Mounting 104	192323	Spring 34	195486	
179241	Rack, Copy Display 104	192493	Spring 44	thru	
179301	Plate, Paper Guide 104	192518	Bar, Code 51	195488	Pallet, Type 58
179309	Finger, Left Paper 104	192560	Slide 37	195855	Pin, Sprocket Feed 21
179310	Finger, Right Paper 104	192561	Bar 37	195996	Gear (63T) 27
179366	Shaft 104	192563	Bracket 37	197713	Box Assembly, Type (AK) 56
179368	Roller, Paper Guide 104	192566	Link, Left Drive 38	197729	Disk 71
179369	Modification Kit 104	192567	Link, Right Drive 38	197730	Disk 71
179377	Post 104	192575	Link, Right 34	197731	Gear (68T) 71, 89
179451	Plate, Right 38	192576	Link, Left 34	197732	Gear (104T) 71, 89
179452	Plate, Left 38	192580	Cam 28	197733	Disk, Retaining 89
179666	Box Assembly, Type (YW) 56	192610	Arm, Slide 77	197734	Disk, Retaining 89
179675	Bracket, Left 107	192704	Disk, Retaining 89	197735	Gear (44T) 71, 89
179676	Lever, Left Guide 107	192706	Modification Kit 89	197736	Gear (34T) 71, 89
179677	Shaft, Ribbon Spool 106, 107	192707	Bail Assembly 18	197737	Gear (40T) 71, 89
179678	Lever 106, 107	192997	Bracket 107	197840	Gear (31T) 71, 89
179680	Bail, Left Lifter 107	193564	Spring, Contact 102	197847	Modification Kit 71
179681	Post 106, 107	193578	Box Assembly, Type (YZ) 56	197848	Modification Kit 71
179682	Bail, Left Roller 107	193655	Lever, Function 62	197849	Modification Kit 89
179684	Lever 106, 107	193803	Box Assembly, Type (AB) 58	197850	Modification Kit 89
179686	Bracket, Right 106	194018	thru	197996	Roller 106, 107
179687	Lever, Right Guide 106	thru		199245	Modification Kit 108
179689	Bracket, Left 107	194021	Pallet, Type 58	304778	Bail 108
179690	Plate 107	194026	Box Assembly, Type (AC) 58	304779	Bail 108
179691	Bracket, Left 107	194027	Box Assembly, Type (AD) 58		



28 SEND-RECEIVE KEYBOARD (LK)
AND
28 RECIEVE-ONLY BASE (LB)
PARTS

SECTION 573-116-800

Figure	Contents	Page	Figure	Contents	Page
1	Keyboard or Base Mechanism (Mark II)	4	36	Function Bail Mechanism (Mark III)	34
2	Tachometer and Governor Adjustment Linkage	5	37	154224 and 164234 Intermediate Gear Assemblies (Mark III)	34
3	Code Bar Mechanism (Mark II)	6	38	154151 Universal Bail Assembly (Mark III)	35
4	Function and Code Levers (Mark II)	7	39	15/152 Ball Lock Bar Assembly (Mark III)	35
5	151890 Intermediate Gear Assembly - with Overload	8	40	Trip Lever Mechanism (Wall Mounted)	36
6	Intermediate Gear Mechanism	8	41	192550 Ball Lock Bar Assembly (Wall Mounted)	36
7	Carriage Return Mechanism (Mark II)	9	42	Keyboard Hood and Mounting Parts (Mark III)	37
8	Keyboard Lock and Local Line Feed Mechanism (Mark II)	9	43	Keyboard Top Plates (Mark III)	38
9	Keyboard Mechanism (Mark II)	10	44	Keyboard Mechanism (Wall Mounted)	39
10	Base Mechanism (Mark II)	11	45	Code Bar Mechanism (Mark III)	40
11	Receiving-only Base Covers (Mark II)	12	46	Signal Generator Frame Mechanism (Mark III)	41
12	Keylever Assemblies	13	47	Signal Generator Shaft Mechanism (Mark III)	42
13	Keylever Assemblies	14	48	Signal Generator Front Plate Mechanism (Mark III)	43
14	Signal Generator Mechanism (Mark II)	15	49	Signal Generator Rear Plate Mechanism (Mark III)	44
15	Signal Generator Mechanism (Mark II)	16	50	154165 (w/Arc Suppression), 154225 (w/RF Suppression-Neutral Transmission) and 162892 (w/RF Suppression - Polar Transmission) Contact Box Assemblies (Mark III)	45
16	Signal Generator Mechanism (Mark II)	17	51	174410 Contact Box Assembly w/RF Suppression and Shielded Signal Lines-Polar Transmission (Mark III)	46
17	Signal Generator Mechanism (Mark II)	18	52	163775 Modification Kit to Provide Repeat on Space Mechanism (Mark III)	47
18	152333 (Electrical) and 153902 (Mechanical) Modification Kits to Provide Signal Line Break Mechanism on Keyboard (Mark II)	19	53	Keyboard Cable Components	47
19	151887 Modification Kit to Provide Repeat on Space Mechanism (Mark II)	19	54	154147 Modification Kit to Provide Local Paper Feed-Out Motor Starting Mechanism (Mark III)	48
20	Gear Sets	20	55	154141 and 164494 Modification Kits to Provide Electrical Signal Line Break Mechanism (Mark III)	48
21	152343 Modification Kit to Provide End-of-Line Switch (Mark II)	20	56	164005 (for Mark III) and 164077 (for Mark II) Modification Kits to Provide Universal Keyboard Switch	49
22	152334 Modification Kit to Provide Paper Feed-out Motor Starting Mechanism (Mark II)	21	57	162224 Modification Kit to Add Lock Bar Contact to Keyboard (Mark III)	49
23	152911 (Less Switch) 152344 (With Switch) Modification Kits to Provide Signal Line Break Mechanism on Base (Mark II)	21	58	154145 Modification Kit to Provide Local Reverse Line Feed Mechanism (Mark III)	50
24	152342 (Local-Remote) Switch (Base) 154681 (Print-Suppression) Modification Kits to Provide Switch on Base (Mark II)	22	59	154146 Modification Kit to Provide Local Back Space Mechanism (Mark III)	50
25	152338 Modification Kit to Provide Time Delay Mechanism on Keyboard or Base (Mark II)	23	60	154142 Modification Kit to Provide Keyboard with Time Delay Mechanism (Mark III)	51
26	152918 Modification Kit to Provide Local Back Space Mechanism on Keyboard (Mark II)	24	61	164660 (100 MA) and 194424 (50 MA) Modification Kits to Provide Synchronous Pulsed Transmission (Mark III)	52
27	152916 Modification Kit to Provide Local Reverse Line Feed Mechanism on Keyboard (Mark II)	25	62	195415 Modification Kit to Provide a Three Speed Gear Shift (60, 67 and 100 WPM, 7.42 Unit Code)	53
28	Auxiliary Cables for Keyboard or Base (Mark II)	26	63	164926 and 146320 Modification Kits to Provide Paper Winding Facilities for Send-Receive and Receive-only Bases Mounted in an Apparatus Cabinet	54
29	154783 Modification Kit to Equip a Keyboard with Off-Line Contacts	27			
30	154783 Modification Kit to Equip a Keyboard with Off-Line Contacts (Continued)	28			
31	158359 Modification Kit to Provide Busy Key Switch (Base)	29			
32	161435 Modification Kit to Provide Neutral & Inverse Transmission (Mark II)	30			
33	Keyboard Base Parts (Mark III)	31			
34	Keyboard Base for Remote Controlled Gear Shift Mechanism	32			
35	Keyboard or Base Mechanism (Wall Mounted)	33			

Figure	Contents	Page	Figure	Contents	Page
64	Remote Controlled Shift Gear Mechanism (60 and 100 WPM, 7.42 Unit Code)	55	66	Answer-Back Mechanism	57
65	162641 (Mark II) and 163359 (Mark III) Modification Kits to Provide Variable Speed Gear Shift Mechanism (60,75 and 100 WPM, 7.42 Unit Code)	56	67	Answer-Back Mechanism (Continued)	58
			68	Answer-Back Mechanism (Continued)	59
			69	Coding Keyboard Answer-Back	
				Drum Blade	60
				Numerical Index	61

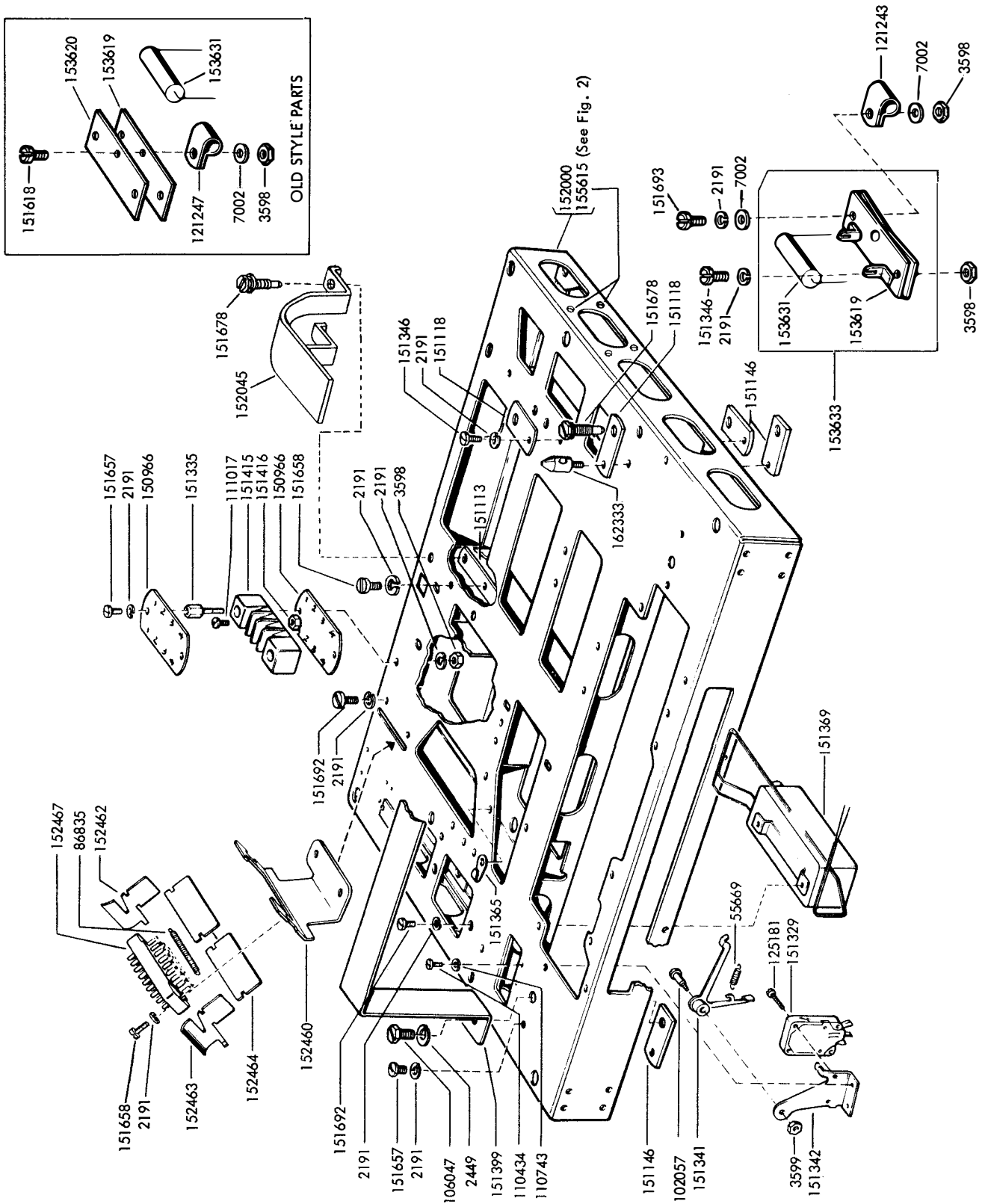


FIGURE 1. KEYBOARD OR BASE MECHANISM (MARK II)

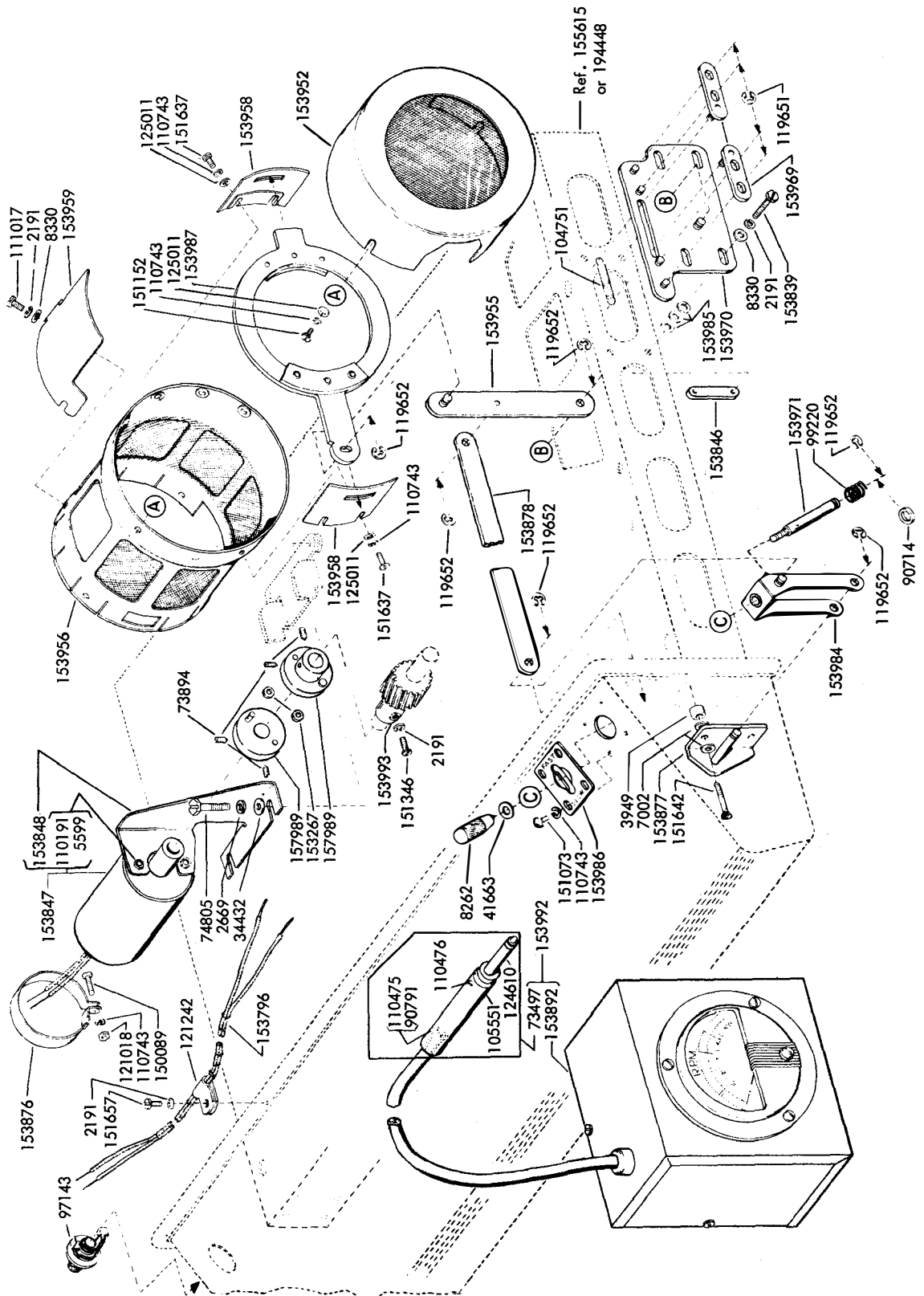


FIGURE 2. TACHOMETER AND GOVERNOR ADJUSTMENT LINKAGE

SPECIFICATION 58195

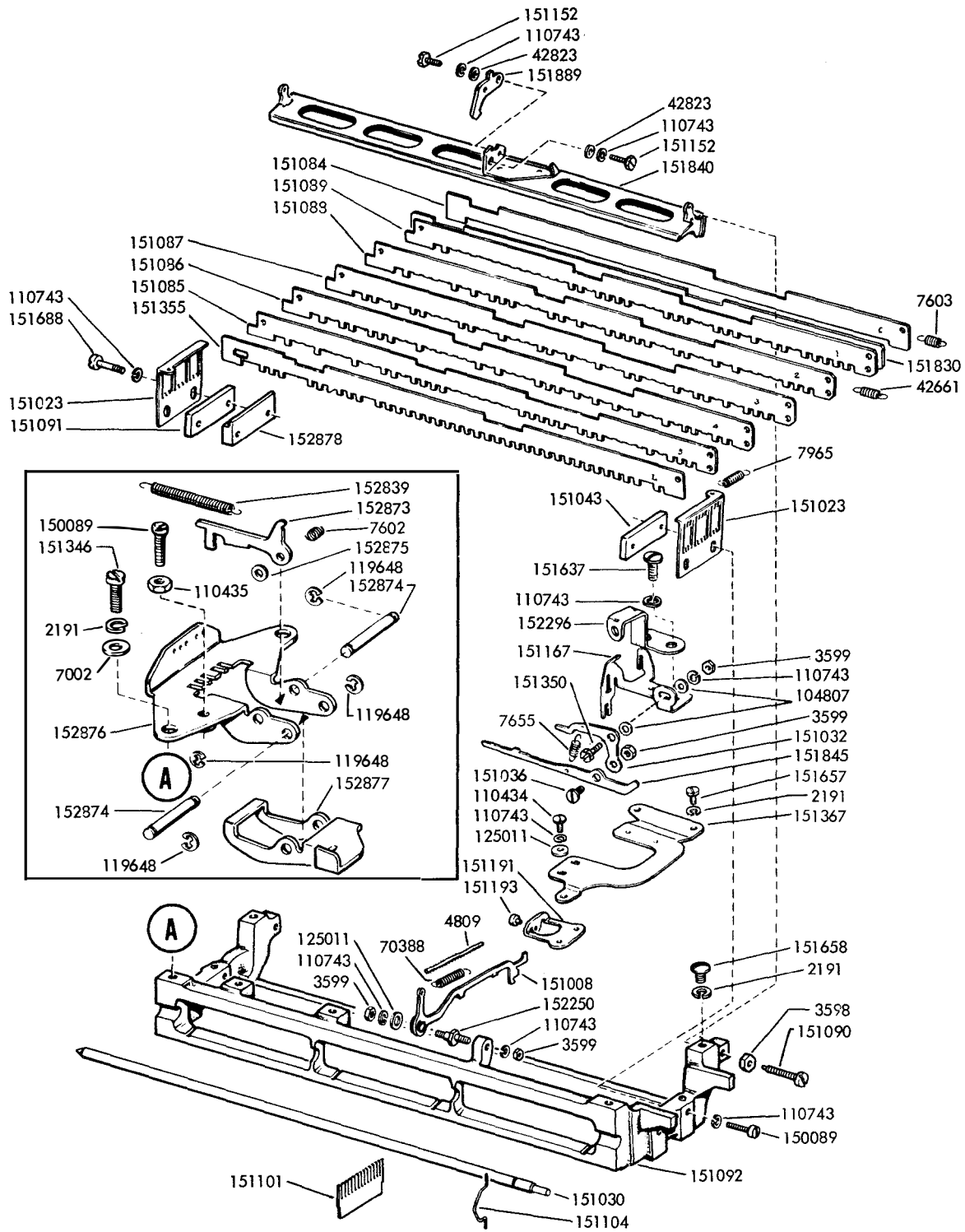


FIGURE 3. CODE BAR MECHANISM (MARK II)

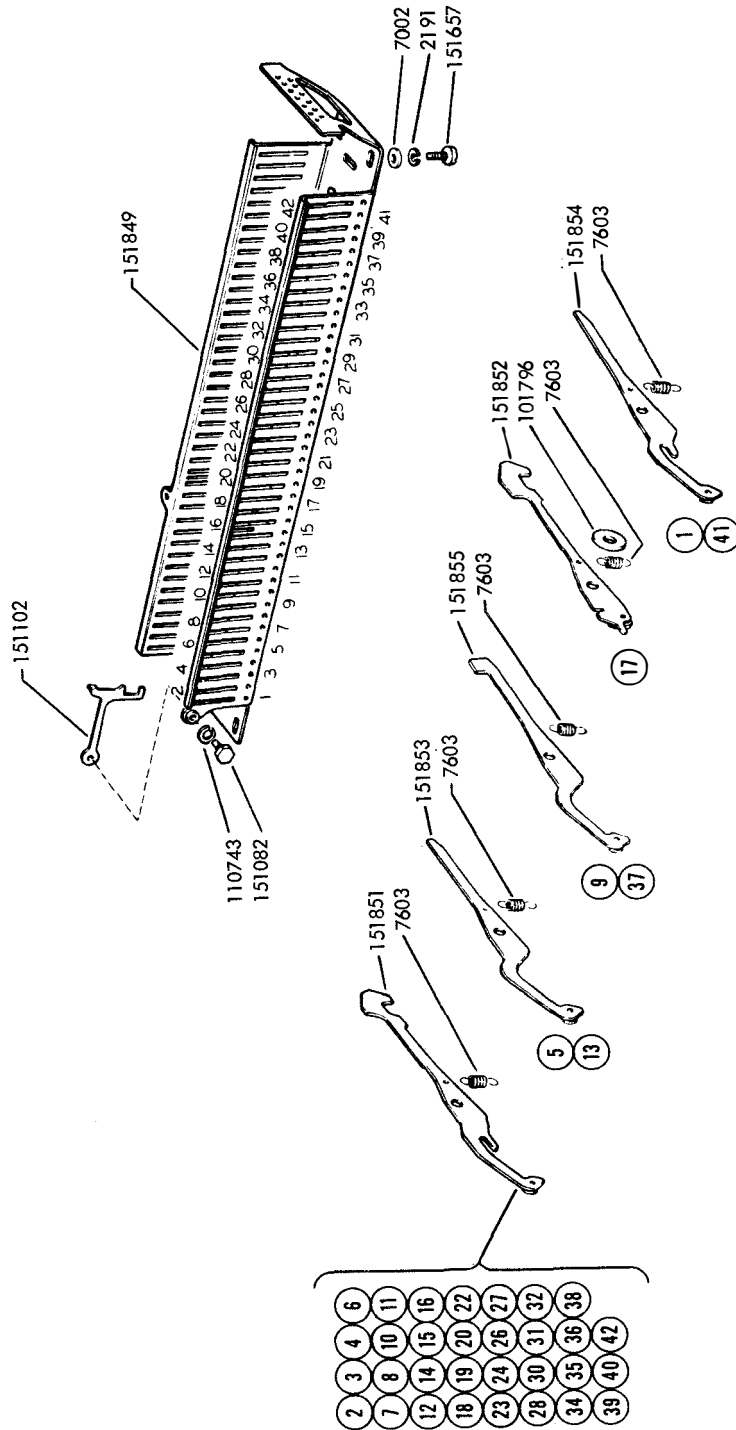


FIGURE 4. FUNCTION AND CODE LEVERS (MARK II)

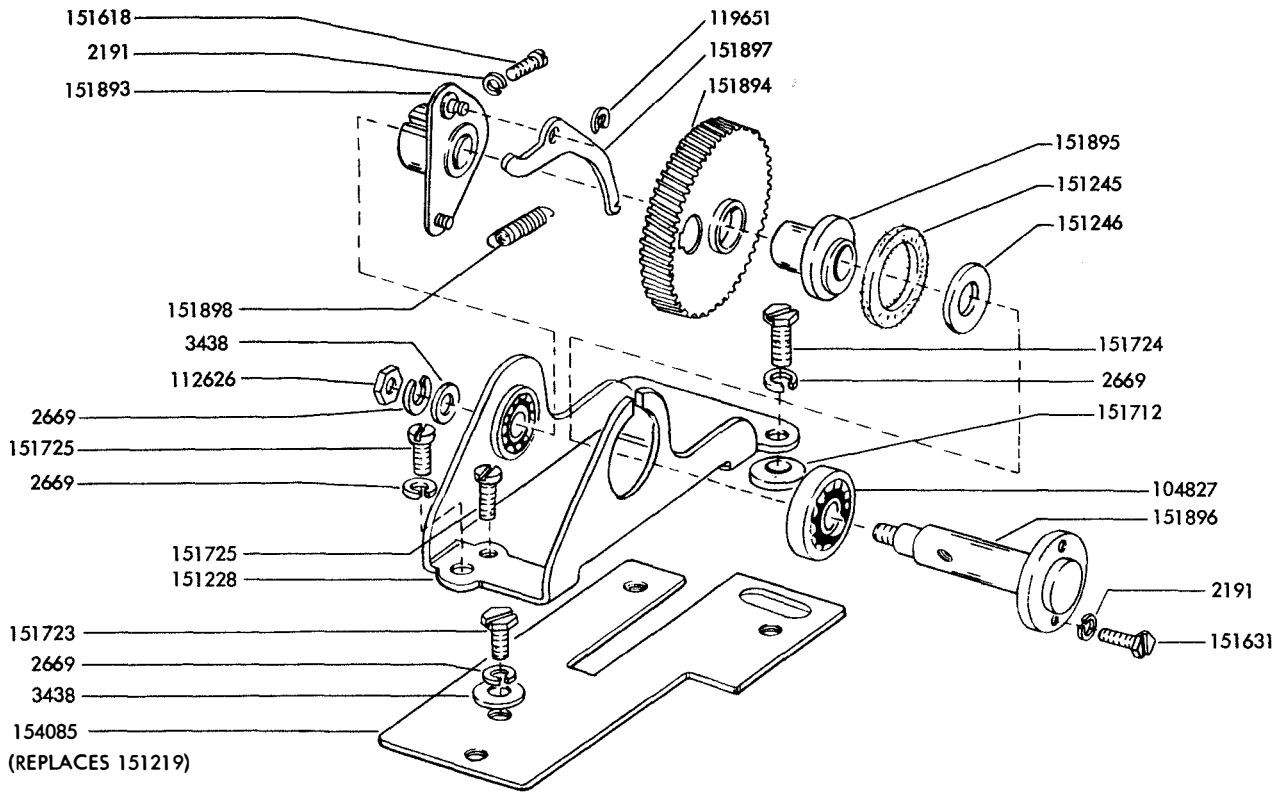


FIGURE 5. 151890 INTERMEDIATE GEAR ASSEMBLY - WITH OVERLOAD

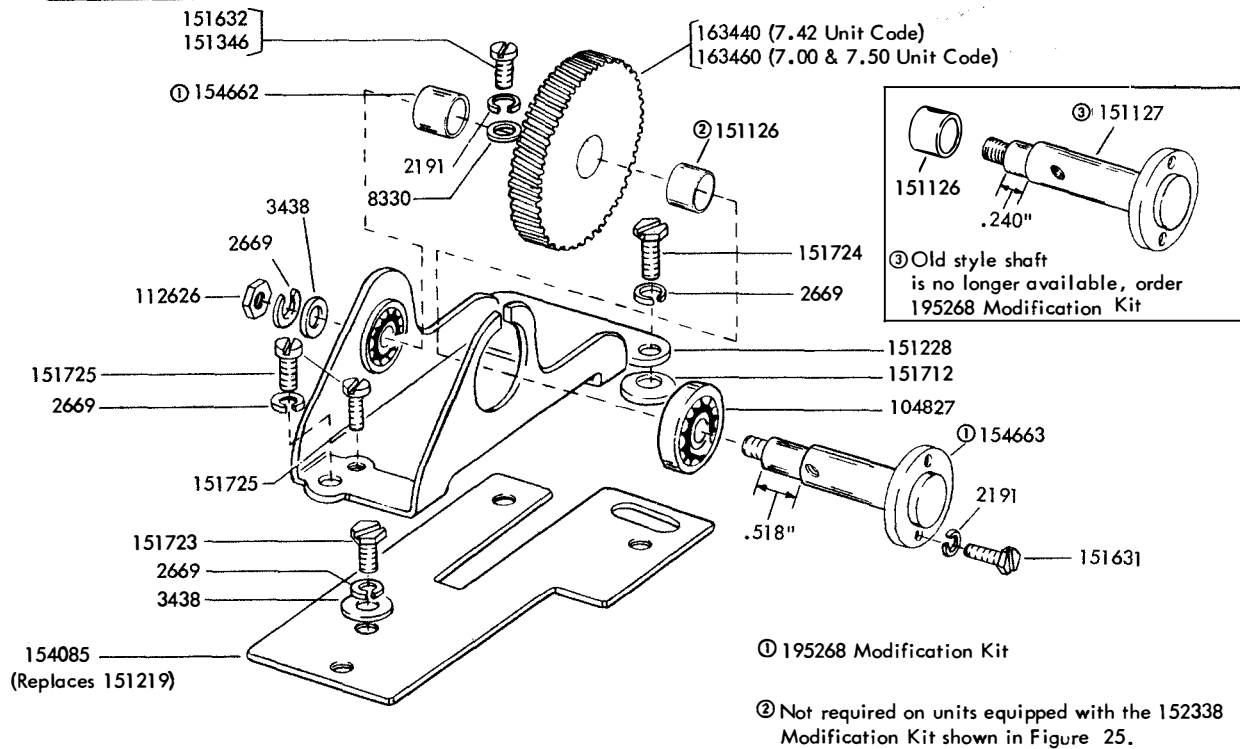


FIGURE 6. INTERMEDIATE GEAR MECHANISM

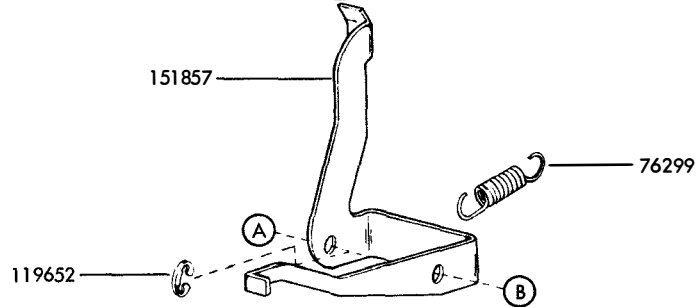
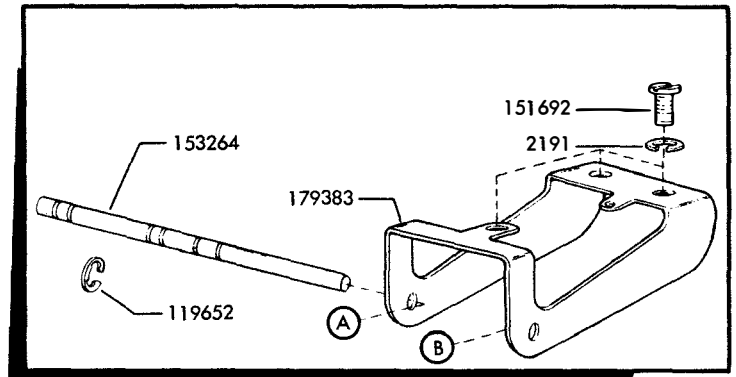
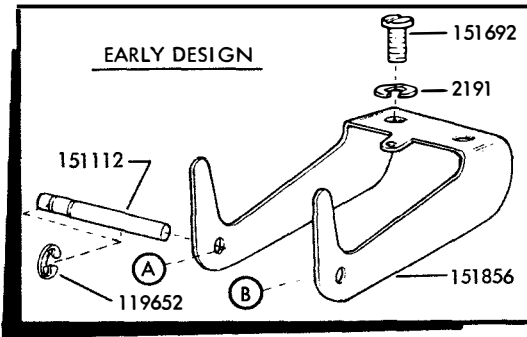


FIGURE 7. CARRIAGE RETURN MECHANISM (MARK II)

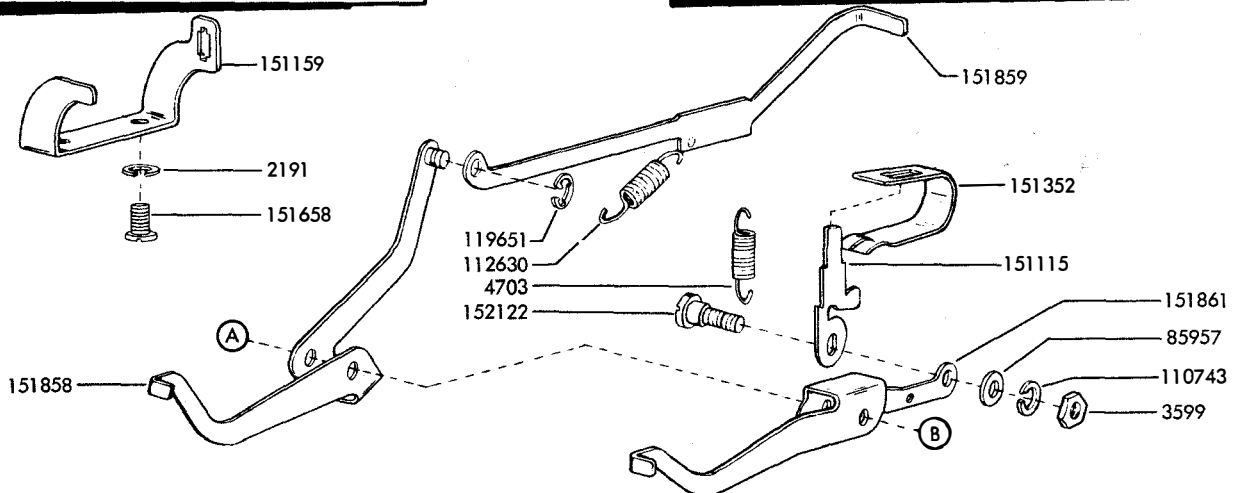
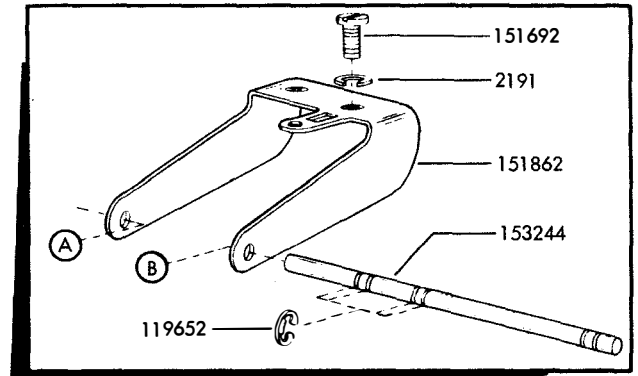
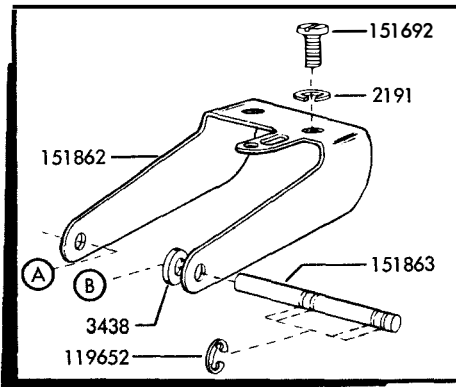


FIGURE 8. KEYBOARD LOCK AND LOCAL LINE FEED MECHANISM (MARK II)

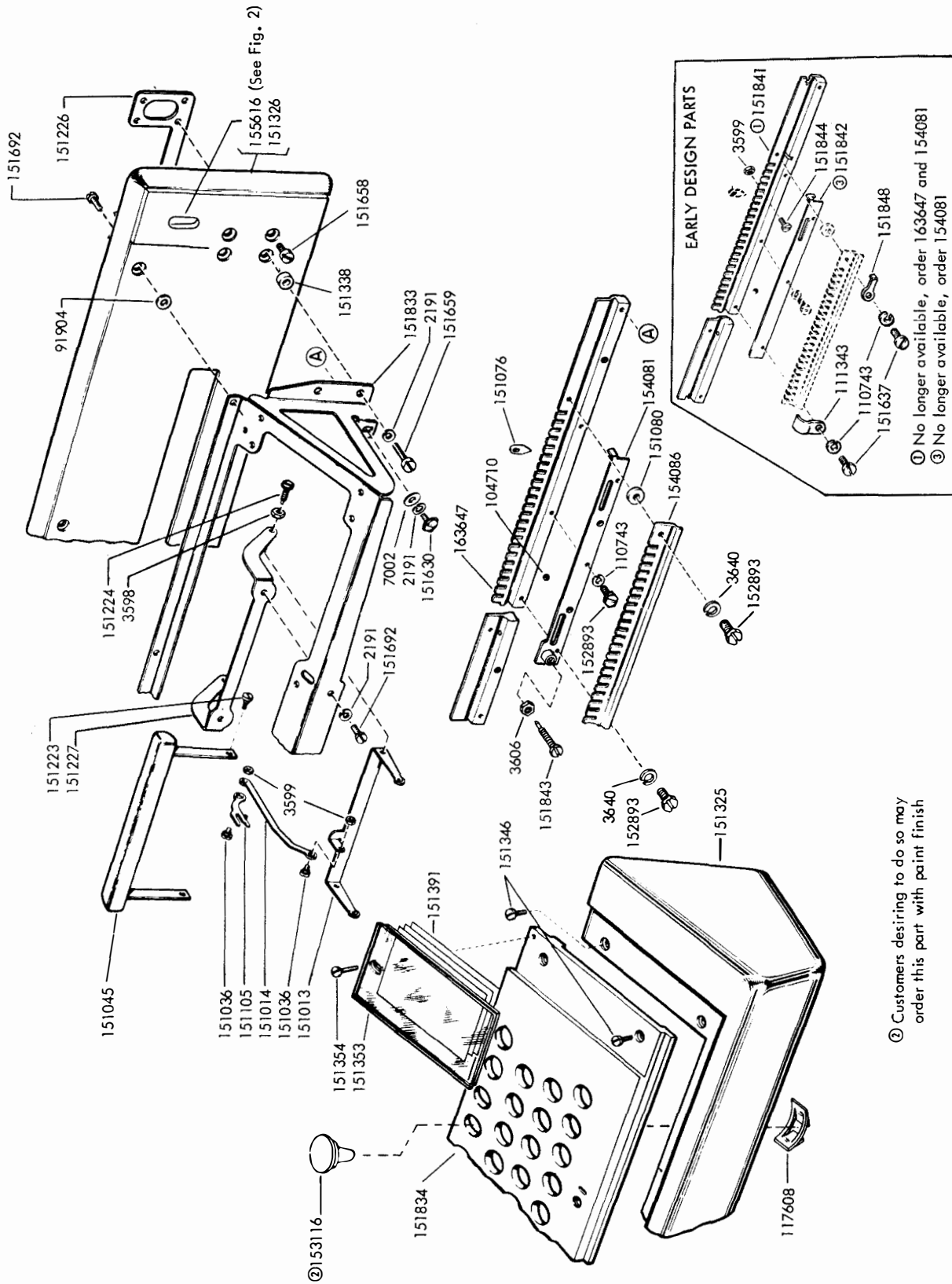
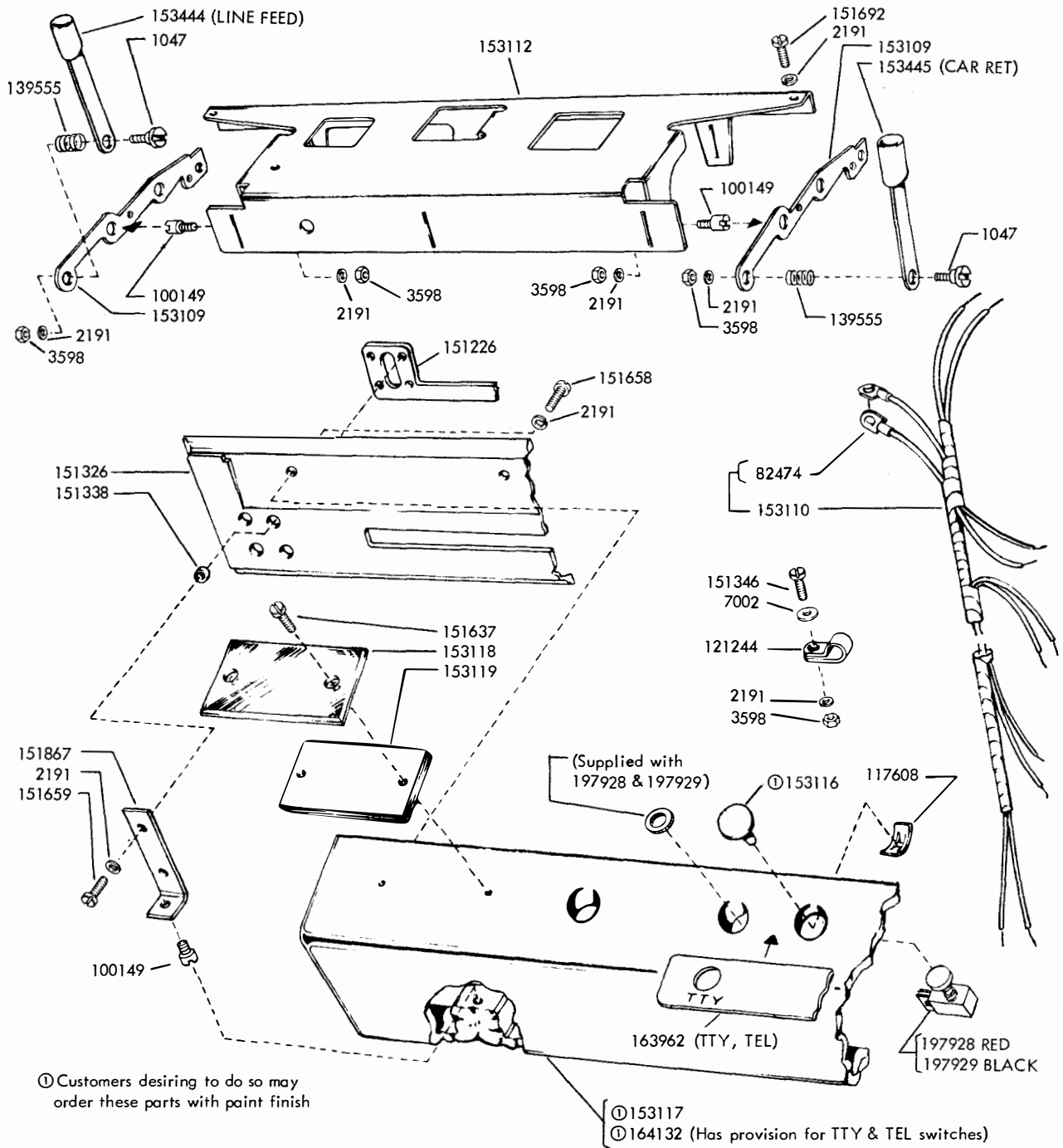


FIGURE 9. KEYBOARD MECHANISM (MARK II)



Also see Figure 11 for other variations.

FIGURE 10. BASE MECHANISM (MARK II)

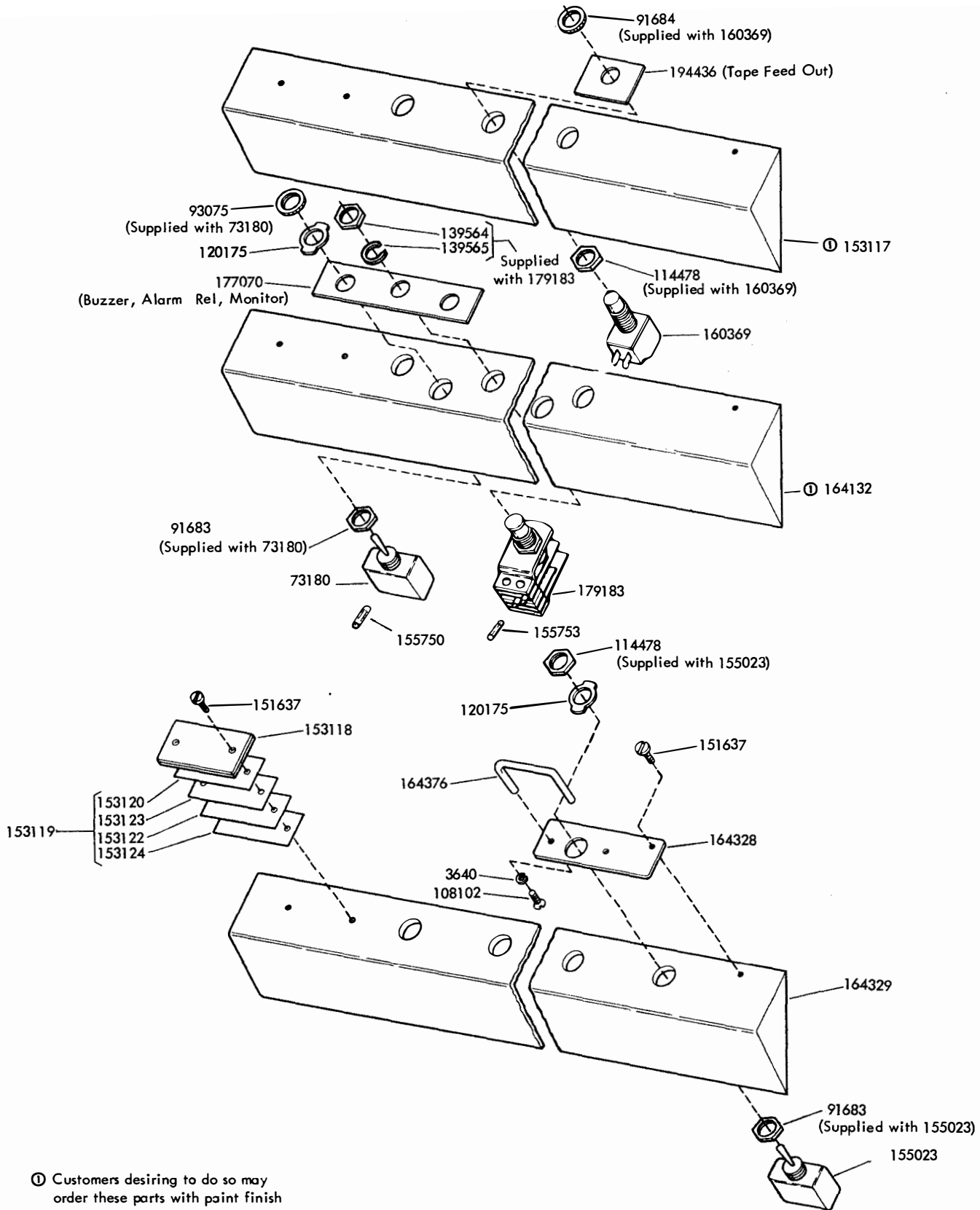
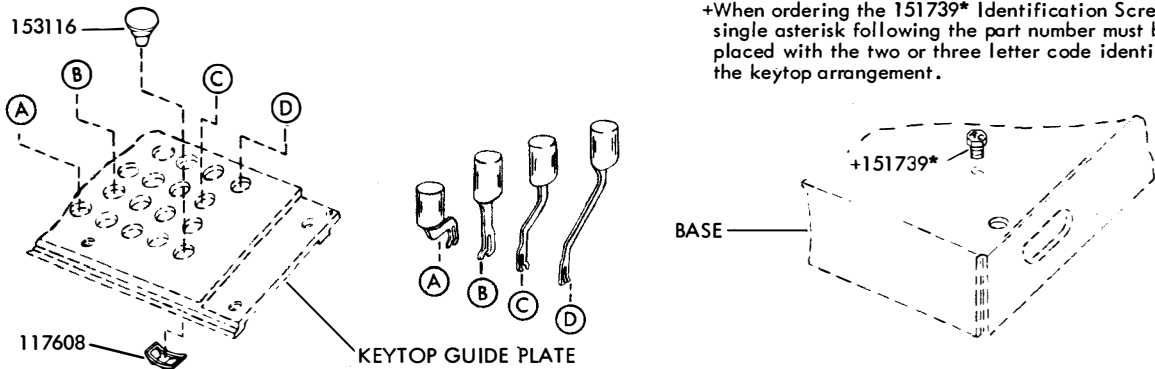


FIGURE 11. RECEIVING-ONLY BASE COVERS (MARK II)



KEYTOP DESCRIPTION	PART NUMBER	KEYTOP DESCRIPTION	PART NUMBER	KEYTOP DESCRIPTION	PART NUMBER	KEYTOP DESCRIPTION	PART NUMBER	KEYTOP DESCRIPTION	PART NUMBER
E 3	151294	Q 1	151292	W 2	151293	LTRS	151320	⓪KBD LOCK	151289
I 8	151299	R 4	151295	X /	151314	LINE FEED	151321	⓪BREAK	151290
M .	151319	S BELL	151303	Y 6	151297	⓪LOC LF	151286	⓪REPT	151291
O 9	151300	T 5	151296	CAR RET	151311	⓪LOC CR	151287	⓪SEND	164434
P 0	151901	U 7	151298	FIGS	151312	⓪KBD UNLK	151288	⓪RECEIVE	164435

⓪RED KEYTOPS, ALL OTHER KEYTOPS ARE GRAY-GREEN, ALL CHARACTERS ARE WHITE

KEYLEVER ASSEMBLIES					KEYLEVER ASSEM. MOD. KITS					KEYLEVER ASSEMBLIES					KEYLEVER ASSEM. MOD. KITS				
KEYTOP DESCRIPTION	PART NUMBER	KEYTOP ARRANGEMENTS				151934 ARA to ARC	152904 ARC to ARD	152905 ARC to ARB	152906 ARC to ARA	KEYTOP DESCRIPTION	PART NUMBER	KEYTOP ARRANGEMENTS				151934 ARA to ARC	152904 ARC to ARD	152905 ARC to ARB	152906 ARC to ARA
		ARA	ARB	ARC	ARD							ARA	ARB	ARC	ARD				
A -	151302	X	X	X					J ↗	152010				X		X			
A ↑	152001				X	X			J ,	151904			X	X					
B ?	151317	X						X	K (151309	X							X	
B 5/8	151909		X	X	X				K 1/2	151905		X	X	X					
B ⊕	152002				X	X			K ←	152011			X	X					
C 1/8	151907		X	X	X				L)	151310	X							X	
C O	152003				X	X			L 3/4	151906		X	X	X					
C :	151315	X						X	L ↘	152012			X	X					
D \$	151304	X	X	X					N 7/8	151910		X	X	X					
D /	152004				X	X			N ⊕	152013			X	X					
F I	151305	X						X	N ,	151318	X							X	
F 1/4	151902		X	X	X				V 3/8	151908		X	X	X					
F →	152005				X	X			V ⊕	152014				X	X				
G &	151306	X	X	X					V ;	151316	X							X	
G ↘	152006				X	X			Z "	151313	X	X	X						
H #	152009	X	X					X	X	152015			X	X					
H STOP	151903			X	X				-	152016			X	X					
H ↓	152008				X	X													
J ^	151308	X	X					X											

FIGURE 12. KEYLEVER ASSEMBLIES

KEYTOP DESCRIPTION	PART NUMBER	KEYTOP DESCRIPTION	PART NUMBER	KEYTOP DESCRIPTION	PART NUMBER
A #	154530	F 1/3	158435	N ▼	152138
A +	157329	G	157323	N OFF	155029
A	157365	G ON	154527	N n	157353
A ?	158418	G ▼	154532	N *	157357
A @	158438	G TAB	155037	N START	157942
B RUSH	152133	G ♂	157348	N %	157946
B OFF	152136	G TFO	157356	N &	157949
B	154525	G FO	157359	N @	157951
B %	155034	G £	157955	N +	157959
B &	157342	G :	158422	N e	157970
B *	157345	G OFF	158444	N -	158412
B !	157354	G •	158454	N)	158427
B EJT	157334	H	151307	P ∅	151301
B ▼	157944	H £	152007	R TAB	158450
B DZ	157961	H +	157358	S ▼	152131
B @	158414	H OFF	154528	S ▼	157367
B #	158417	H •	155026	S ⏏	154535
B -	158419	H ?	157360	S ON	155030
B ¢	158434	H →	157968	S /	157328
B TAB	158443	H FO	158431	S s	157351
B ON	158452	H &	158440	S #	158439
C W-R-U	164457	J	152134	S STOP	158445
C	154523	J	157349	U 7	157327
C #	155035	J YIP	157362	V	154524
C 1/4	157321	J ∅	152017	V %	152139
C %	157339	J ¢	152018	V =	157325
C ON	157343	J BELL	152132	V *	155033
C c	157346	J x	154533	V #	155039
C 1/2	157945	J ON	155031	V ¢	157336
C &	157957	J 1/2	157320	V &	157361
C (158410	J *	157340	V x	157943
C +	158420	J %	157341	V !	157950
C O	158441	J YD	157958	V EA	157953
D ?	154531	J Yd	157962	V °	157960
D	155038	J #	157965	V ⊕	157971
D °	157322	J =	158423	V)	158411
D ☒	157326	J TAB	158447	V -	158415
D OFF	157331	K	154521	V ,	158428
D /	157355	K &	157338	V ±	158442
D &	157956	K κ	157350	X #	154529
D ∅	157967	K NYC	157363	X	157332
D 158421	158421	K STOP	157941	X FO	158430
D BO	158448	K ▼	158424	Z	152135
D TAB	158455	K +	158453	Z TAB	155027
E #	157940	L	154522	Z ON	155028
F	154520	L &	157947	Z OFF	155032
F %	152020	L L	157966	Z %	157337
F #	152130	L .	158425	Z z	157352
F ¢	155025	L ?	158436	Z VERT	157344
F &	155036	L ATL	158449	Z FO	157948
F 3/4	155040	L OFF	158451	Z !	158429
F f	157347	L STOP	152019	Z *	158437
F CHI	157364	M "	157335	LOC RLF	153283
F ñ	157963	M %	157952	LOC B SP	153284
F TAB	158406	M	157366	.	152137
F DATA	158408	M #	157954	- \\	154534
F ▼▼	158409	M ∞	157969	BELL -	157330
F *	158413	M (158426	ON .	157333
F F	158433	M M	158432	.	158407
		N	154526	, .	158416
				HERE IS	163852

FIGURE 13. KEYLEVER ASSEMBLIES

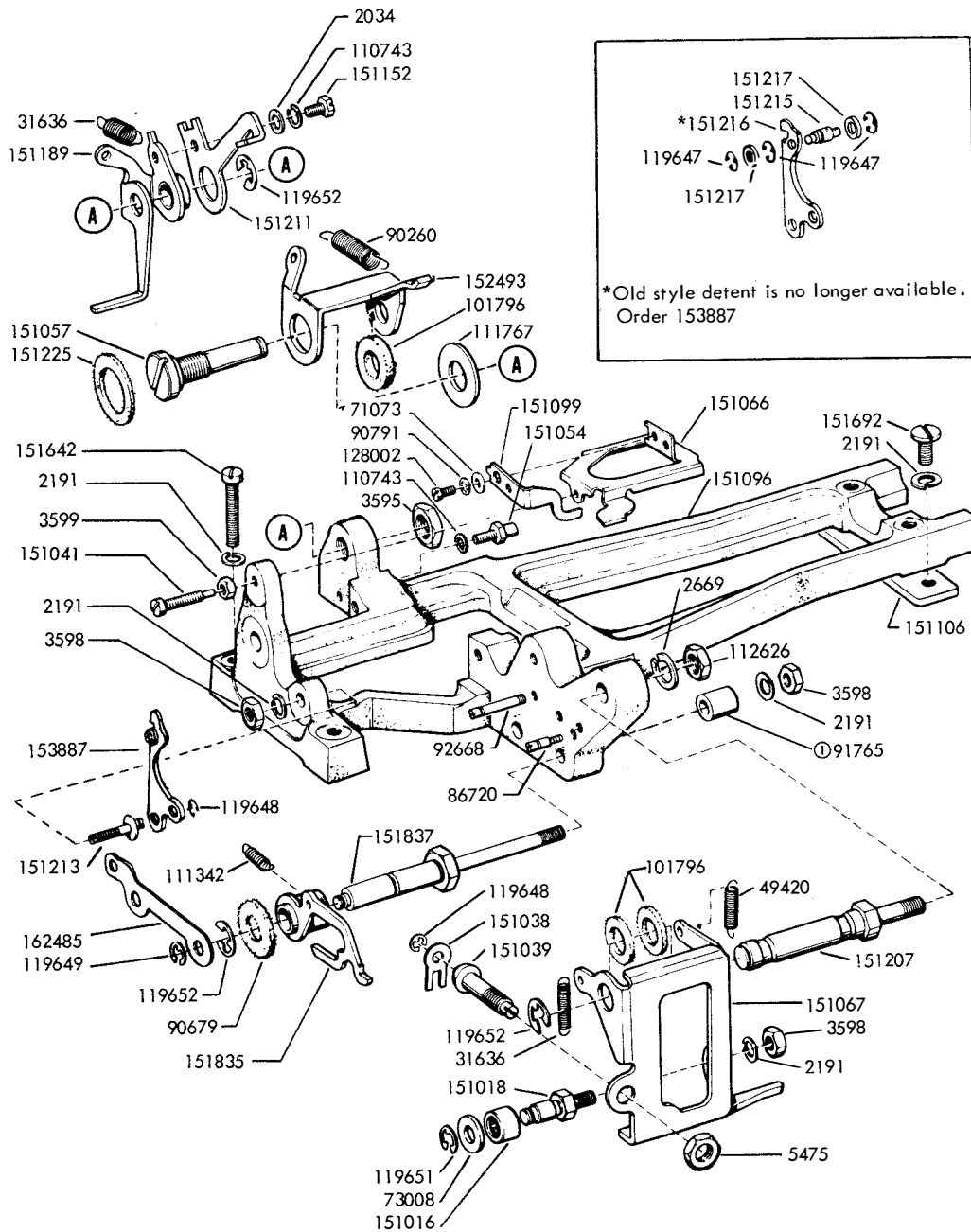


FIGURE 14. SIGNAL GENERATOR MECHANISM (MARK II)

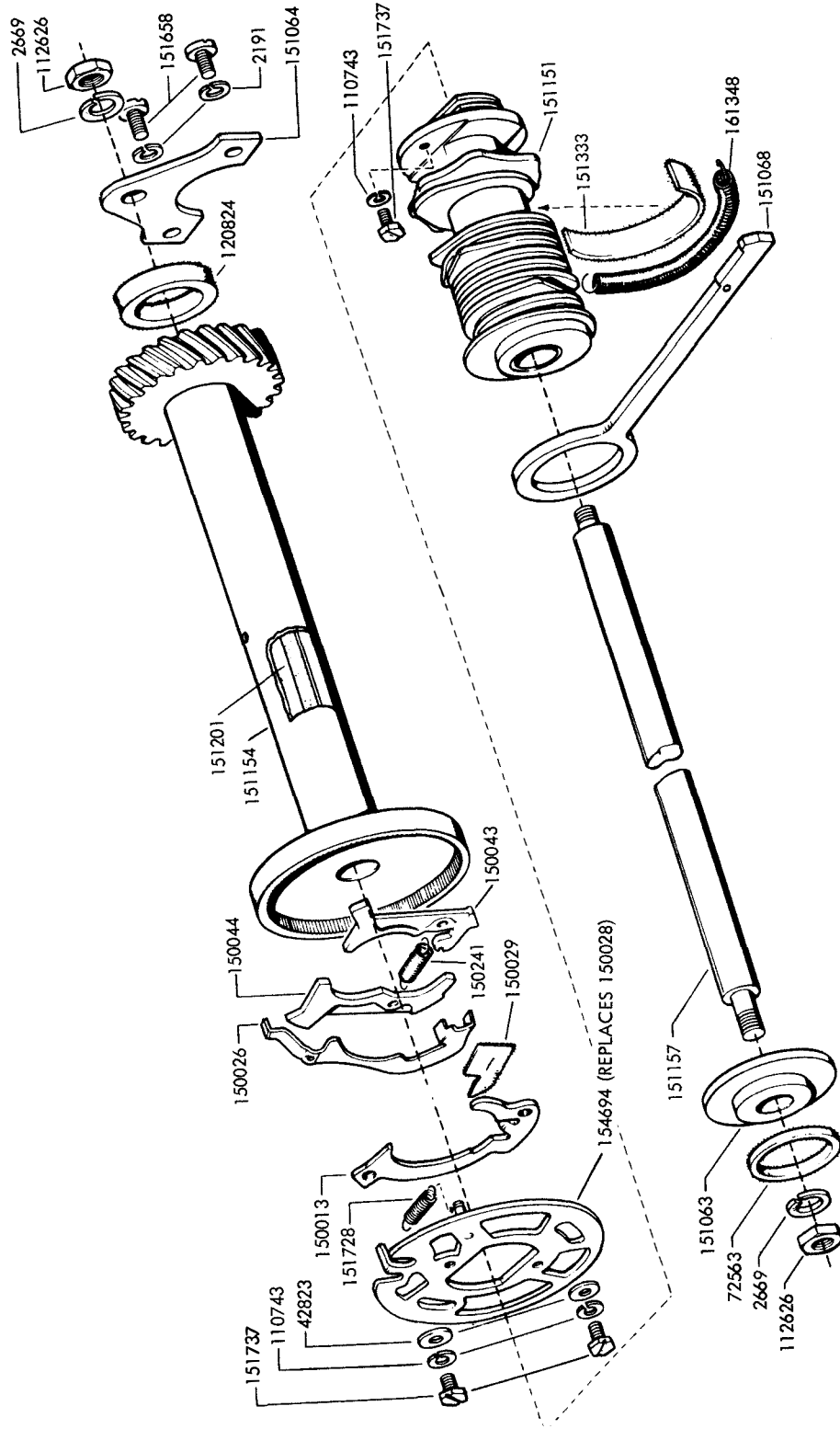


FIGURE 15. SIGNAL GENERATOR MECHANISM (MARK II)

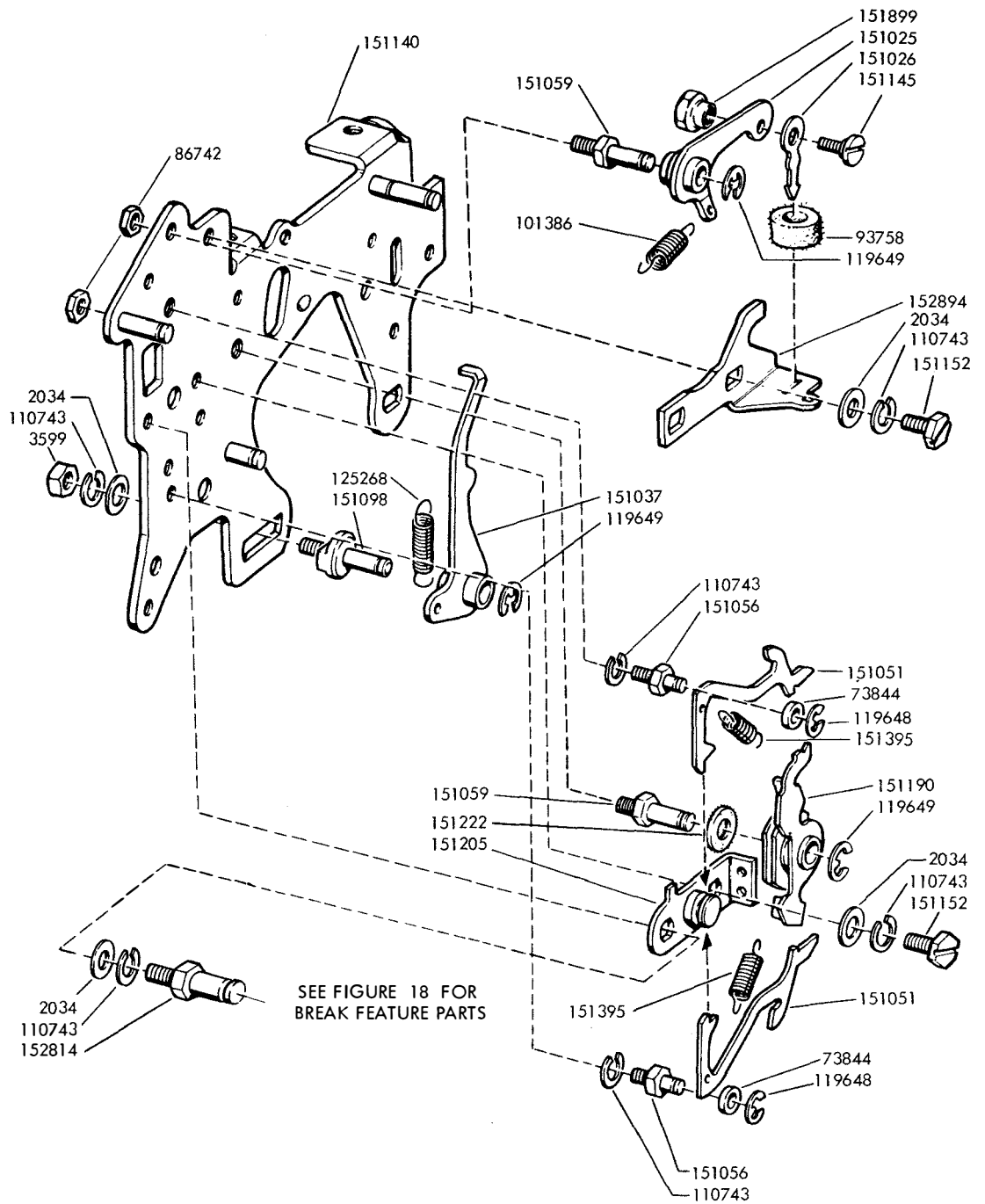


FIGURE 16. SIGNAL GENERATOR MECHANISM (MARK II)

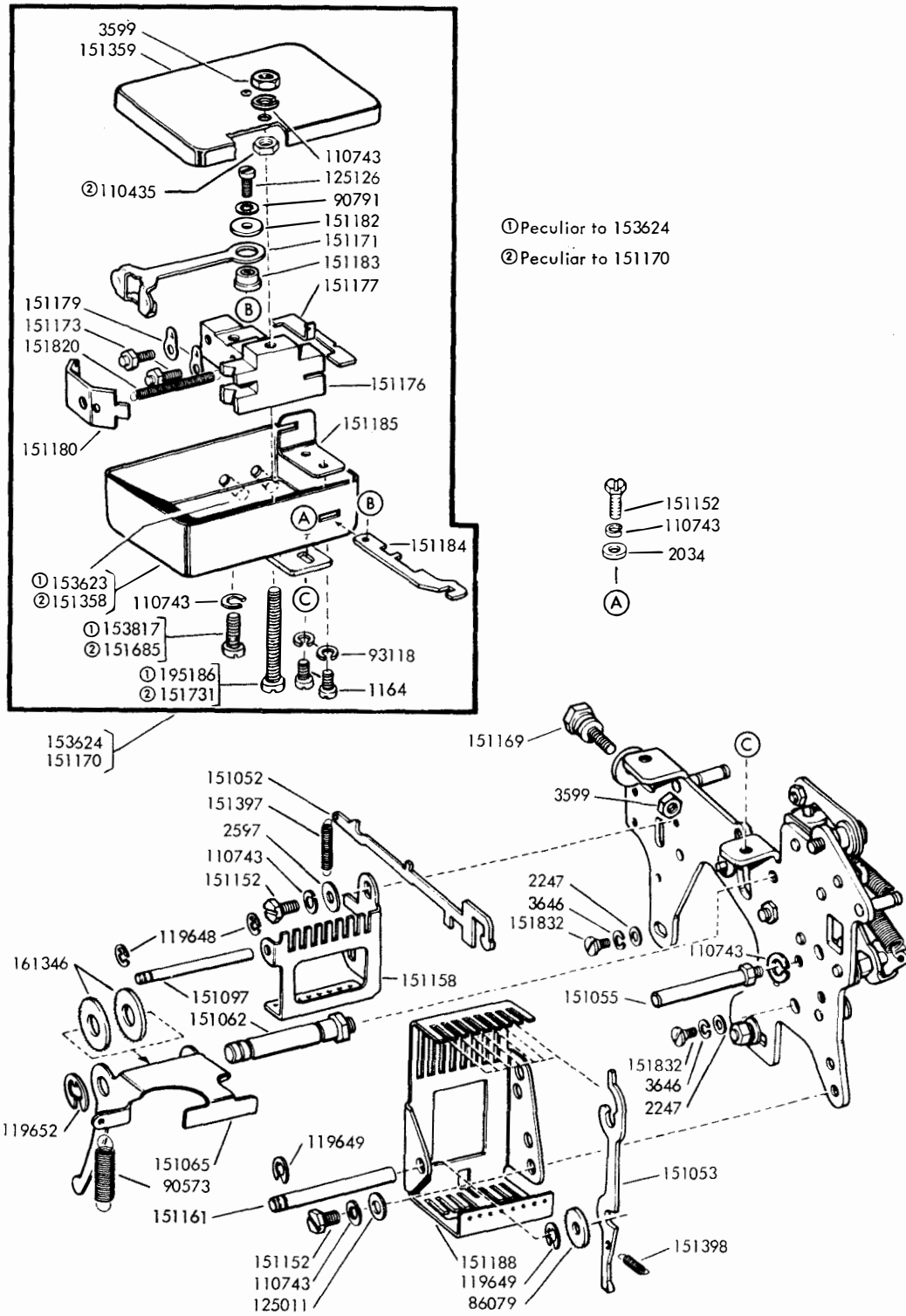


FIGURE 17. SIGNAL GENERATOR MECHANISM (MARK II)

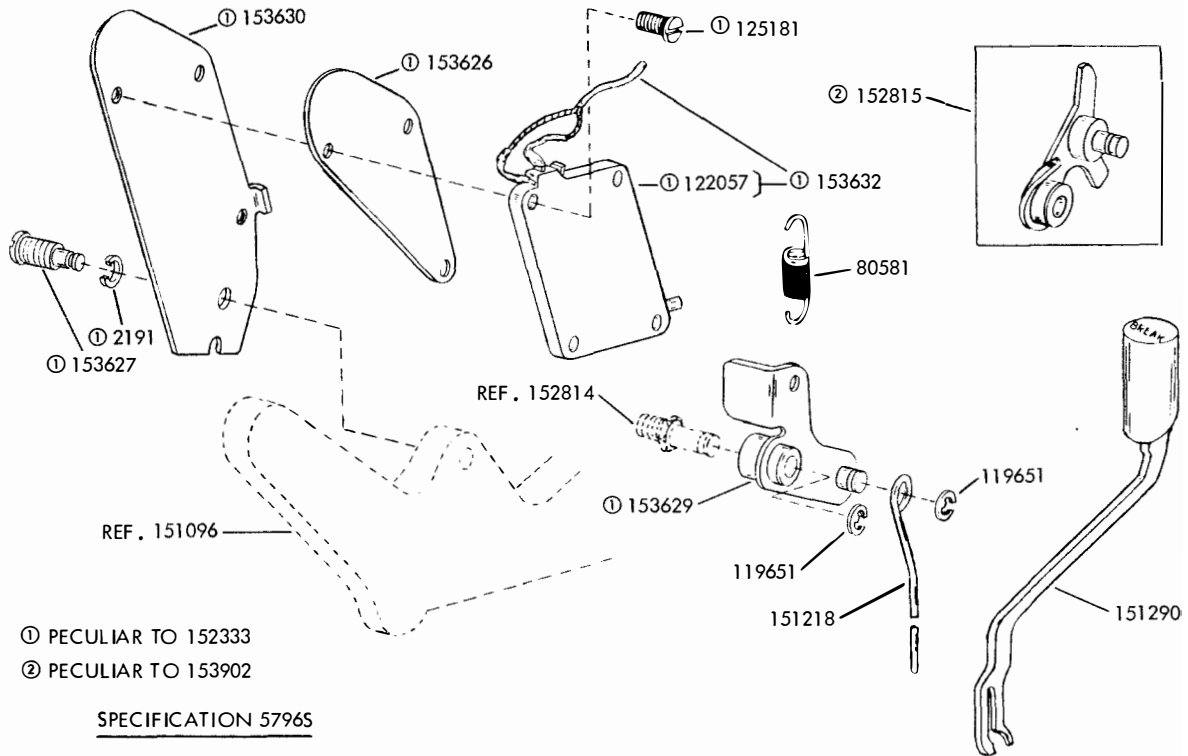


FIGURE 18. 152333 (ELECTRICAL) and 153902 (MECHANICAL) MODIFICATION KITS TO PROVIDE SIGNAL LINE BREAK MECHANISM ON KEYBOARD (MARK II)

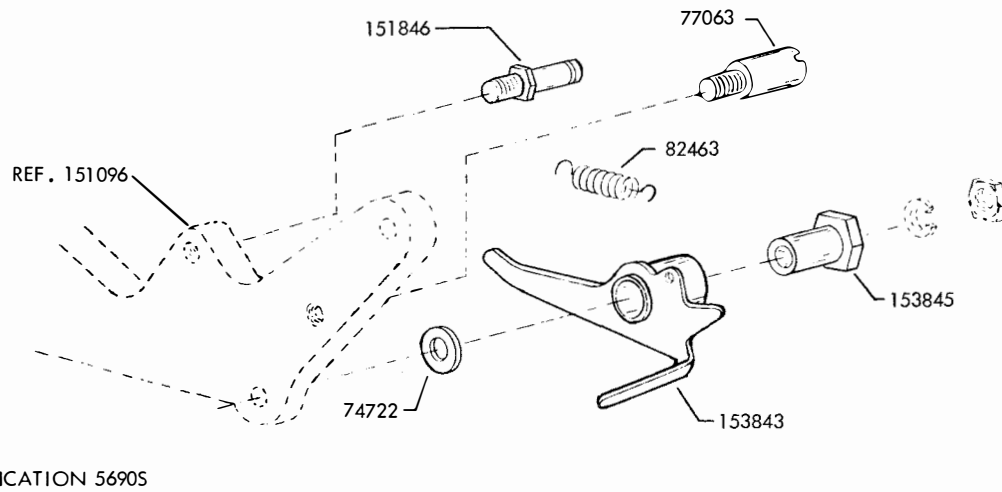
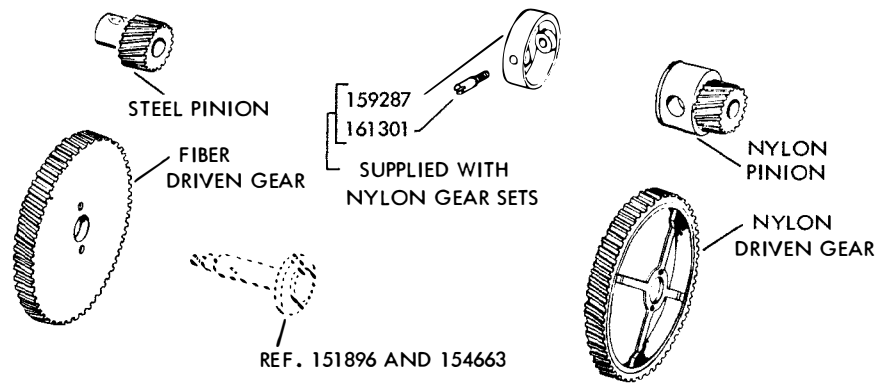


FIGURE 19. 151887 MODIFICATION KIT TO PROVIDE REPEAT ON SPACE MECHANISM (MARK II)



GEAR SETS											
WPM	OPM	BAUD	UNIT CODE	SET NUMBER		PINION			GEAR		
				FIBER	NYLON	TEETH	STEEL	NYLON	TEETH	FIBER	NYLON
60	368	45.45	7.42	151060	161293	14	151130	159278	96	151131	159279
				①159660	—	10	①159661	—	57	①159662	—
				②161111	—	14	②161106	—	96	151131	—
67	404	50	7.42	152766	—	13	152765	—	81	152764	—
				①159667	—	15	①159663	—	78	①159664	—
71	428	50	7.00	—	163504	18	—	163461	117	—	163462
75	460	56.88	7.42	151075	161294	17	151132	159281	93	151133	159282
				①159675	—	14	①159665	—	64	①159666	—
100	600	74.2	7.42	151100	161295	20	151134	159284	84	151135	159285
				①159700	—	20	①159668	—	70	①159669	—
				—	—	20	②153993	—	84	151135	—
107	643	75	7.00	—	163505	24	—	163463	104	—	163464

①USED WITH SYNCHRONOUS MOTORS OPERATING AT 3000 RPM ON 50 CYCLES
②SPECIAL GEARS FOR LMU10

FIGURE 20. GEAR SETS

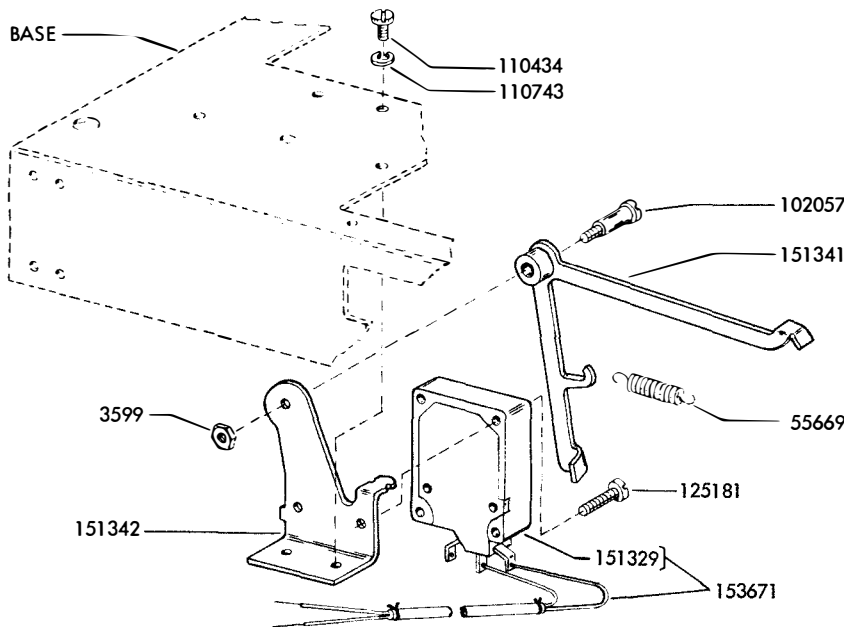


FIGURE 21. 152343 MODIFICATION KIT TO PROVIDE END-OF-LINE SWITCH (MARK II)

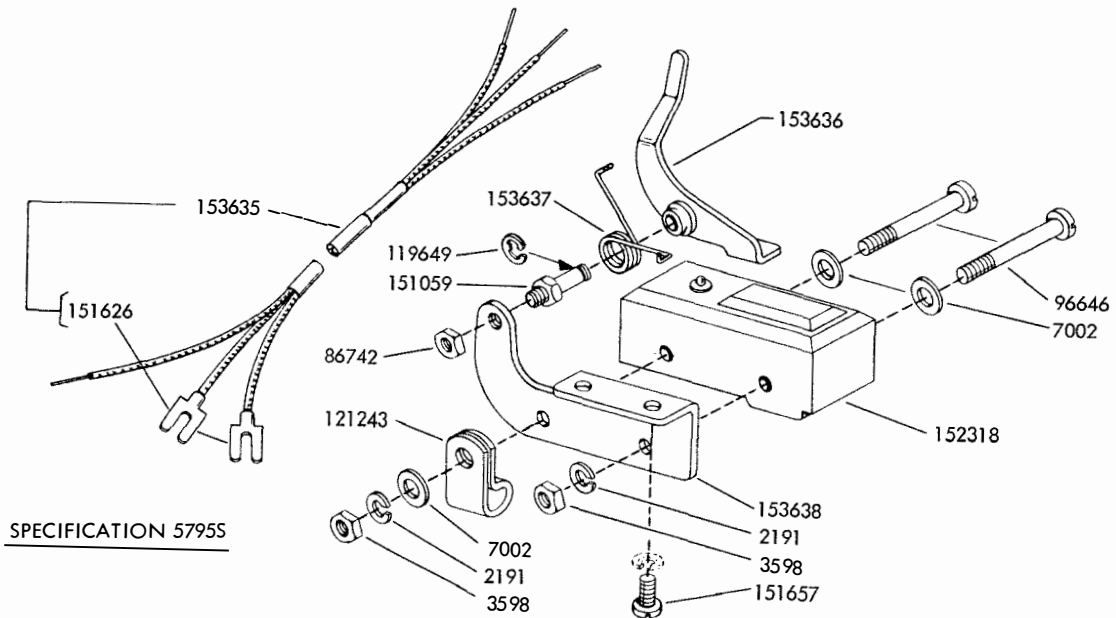


FIGURE 22. 152334 MODIFICATION KIT TO PROVIDE PAPER FEED-OUT MOTOR STARTING MECHANISM (MARK II)

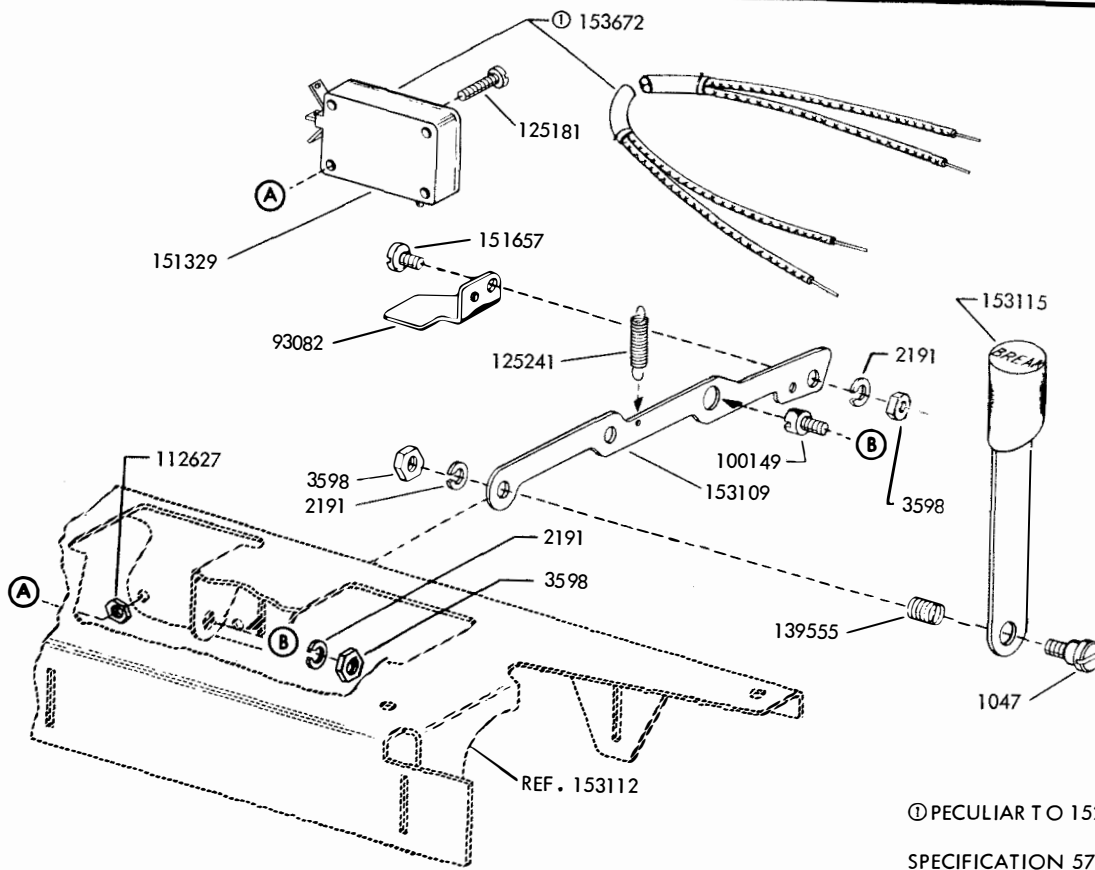
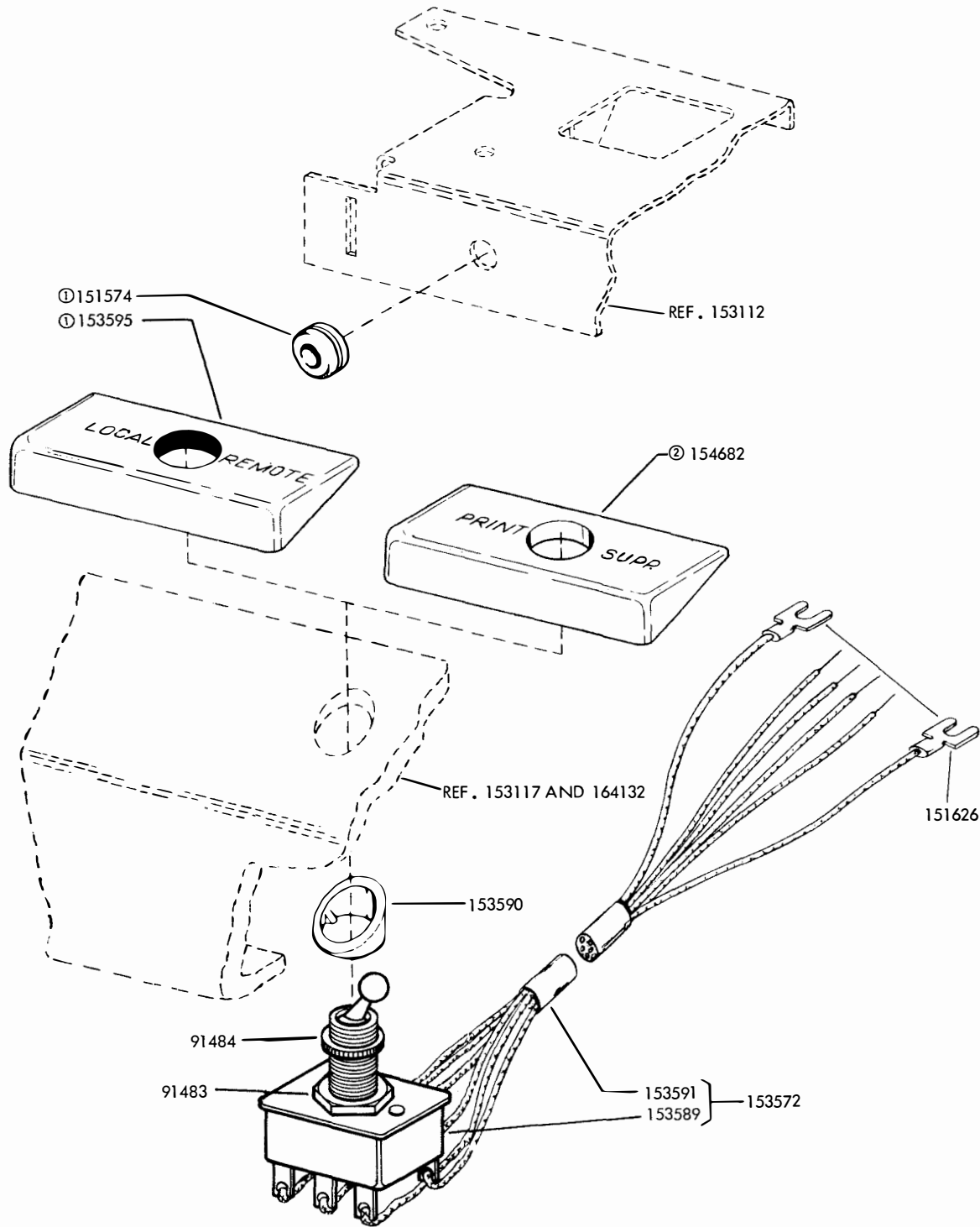


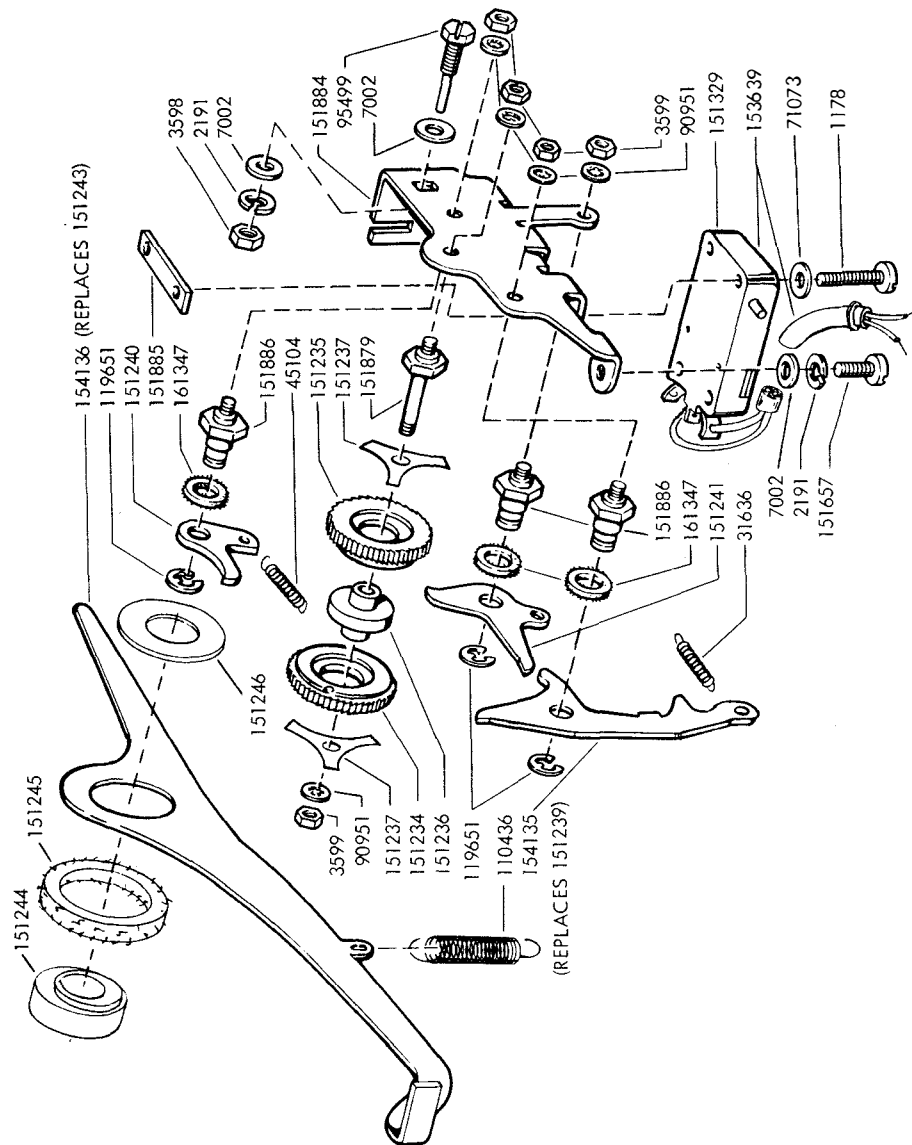
FIGURE 23. 152911 (LESS SWITCH) 152344 (WITH SWITCH) MODIFICATION KITS TO PROVIDE SIGNAL LINE BREAK MECHANISM ON BASE (MARK II)



① PECULIAR TO 152342

② PECULIAR TO 154681

FIGURE 24. 152342 (LOCAL-REMOTE) SWITCH (BASE) 154681 (PRINT SUPPRESSION) MODIFICATION KITS TO PROVIDE SWITCH ON BASE (MARK II)



SPECIFICATION 56615

FIGURE 25. 152338 MODIFICATION KIT TO PROVIDE TIME DELAY MECHANISM ON KEYBOARD OR BASE (MARK II)

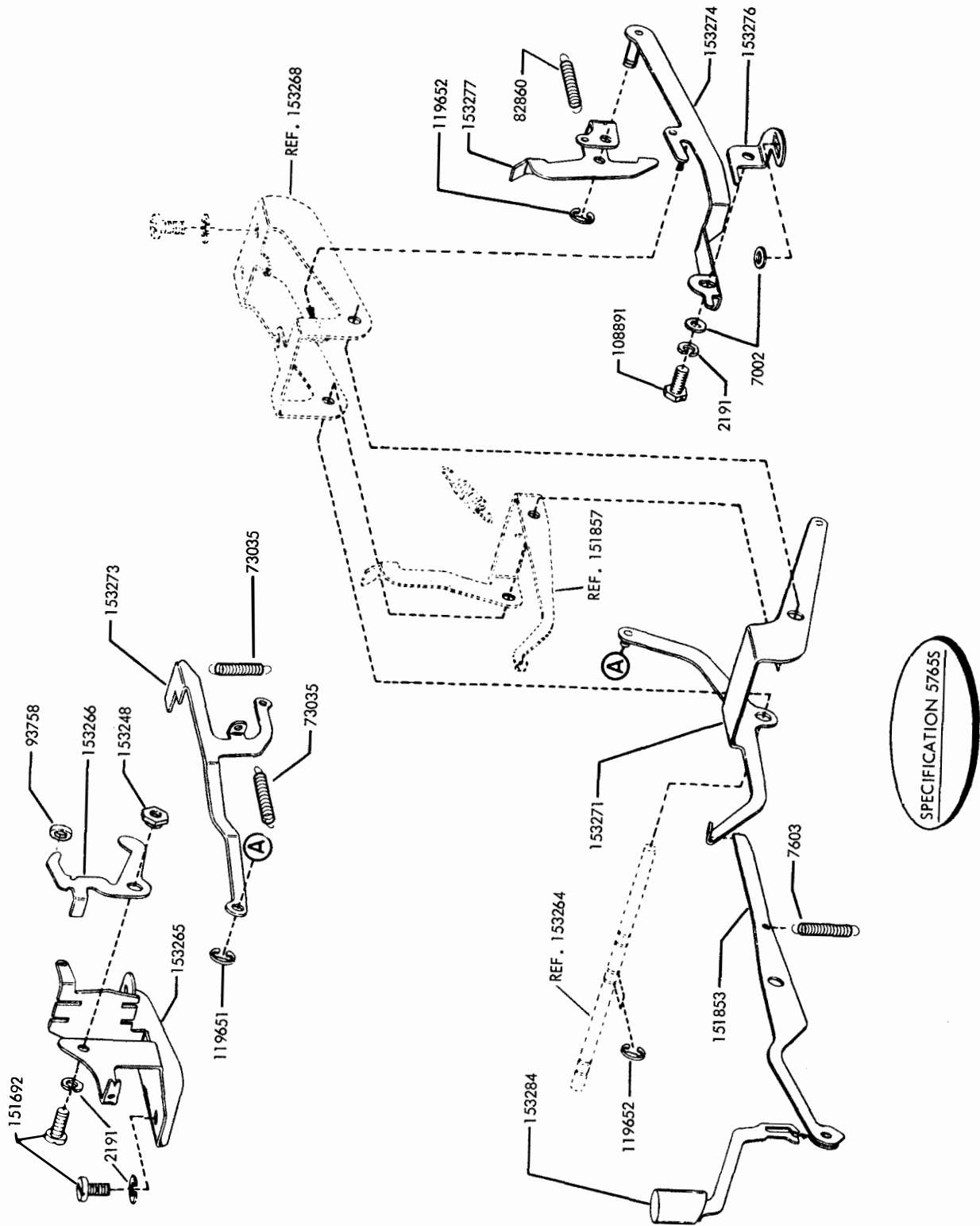


FIGURE 26. 152918 MODIFICATION KIT TO PROVIDE LOCAL BACK SPACE MECHANISM ON KEYBOARD (MARK II)

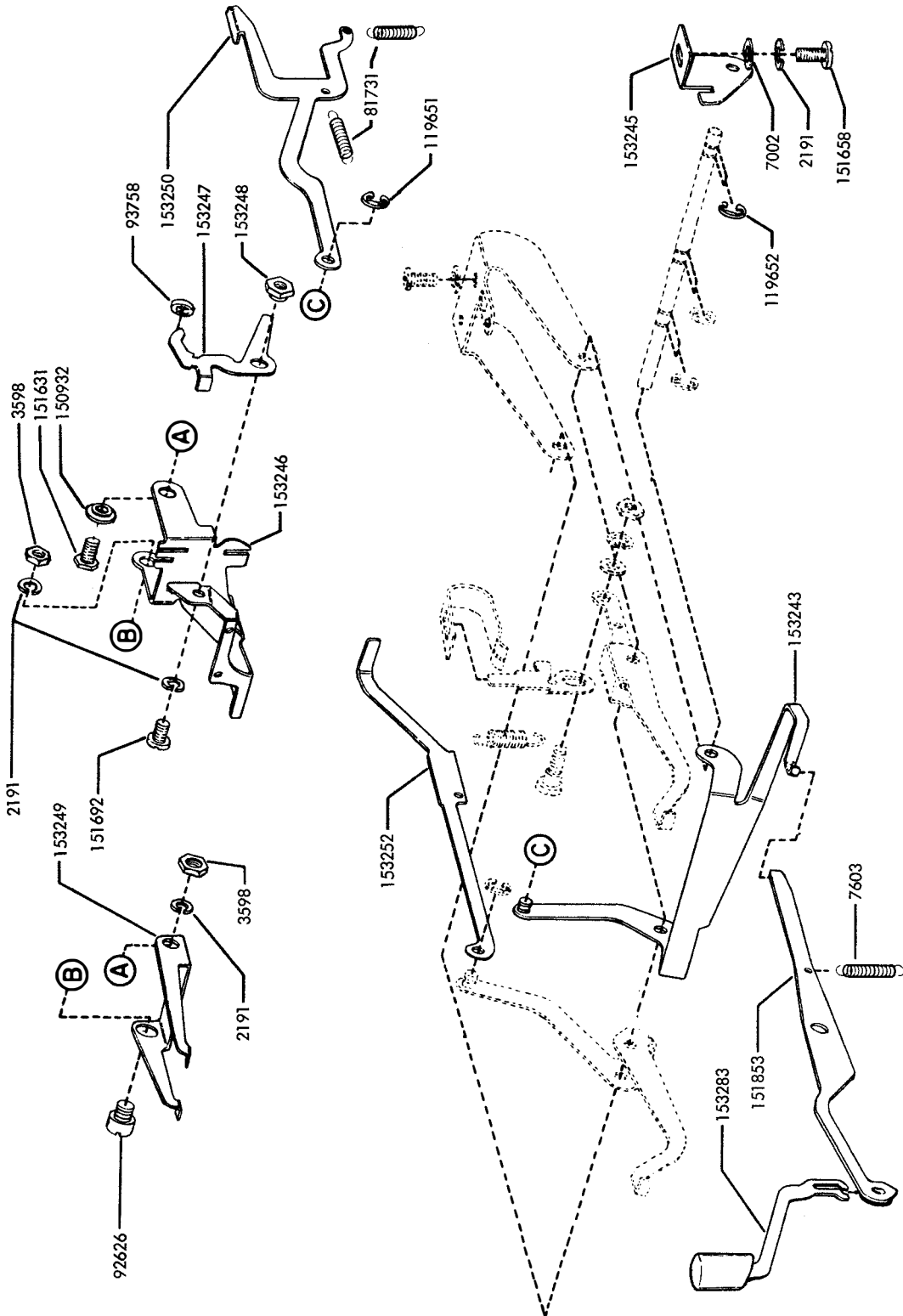


FIGURE 27. 152916 MODIFICATION KIT TO PROVIDE LOCAL REVERSE LINE FEED MECHANISM ON KEYBOARD (MARK II)

SEE FIGURE 8 FOR REFERENCE PARTS

SPECIFICATION 57655

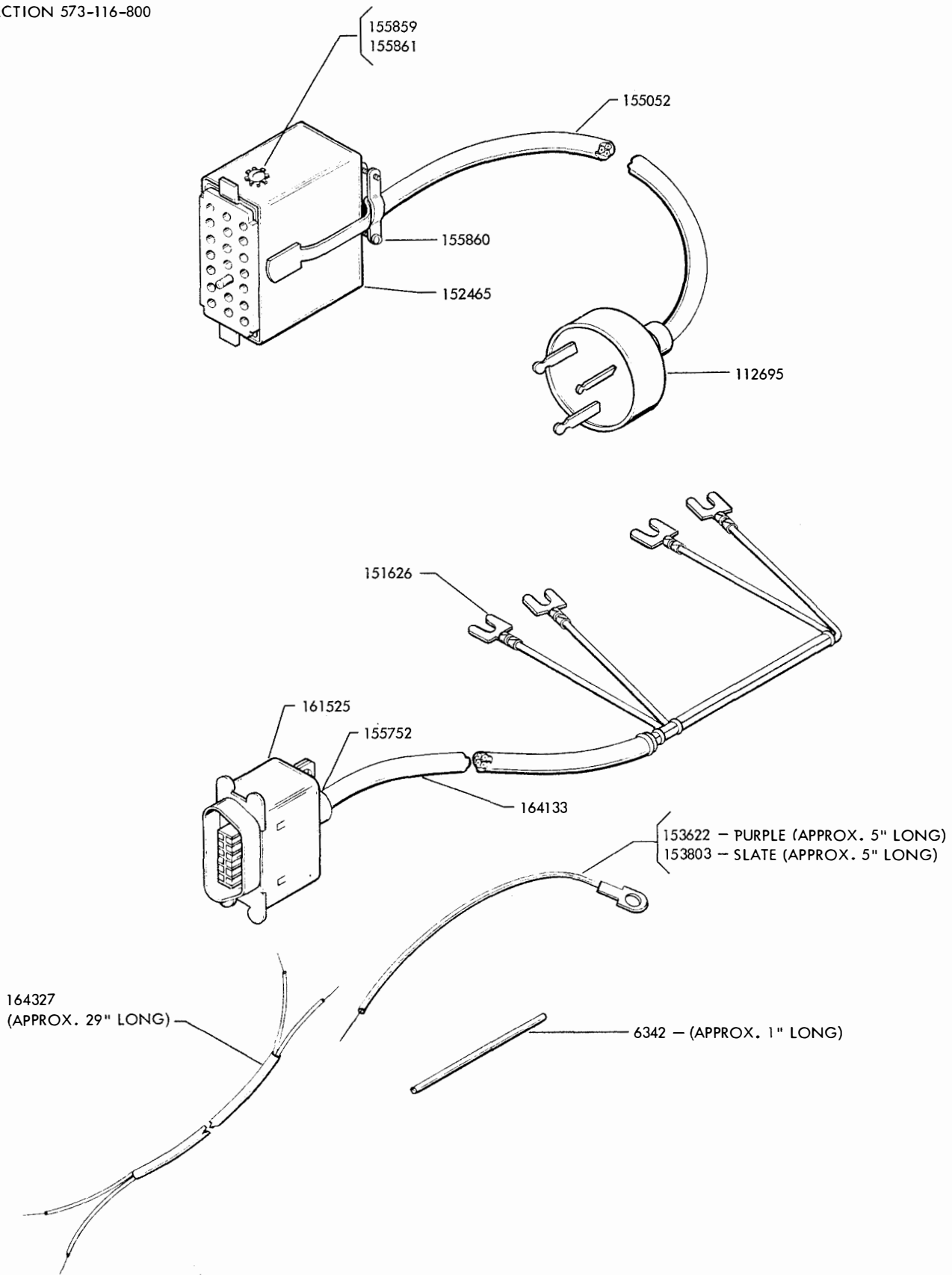
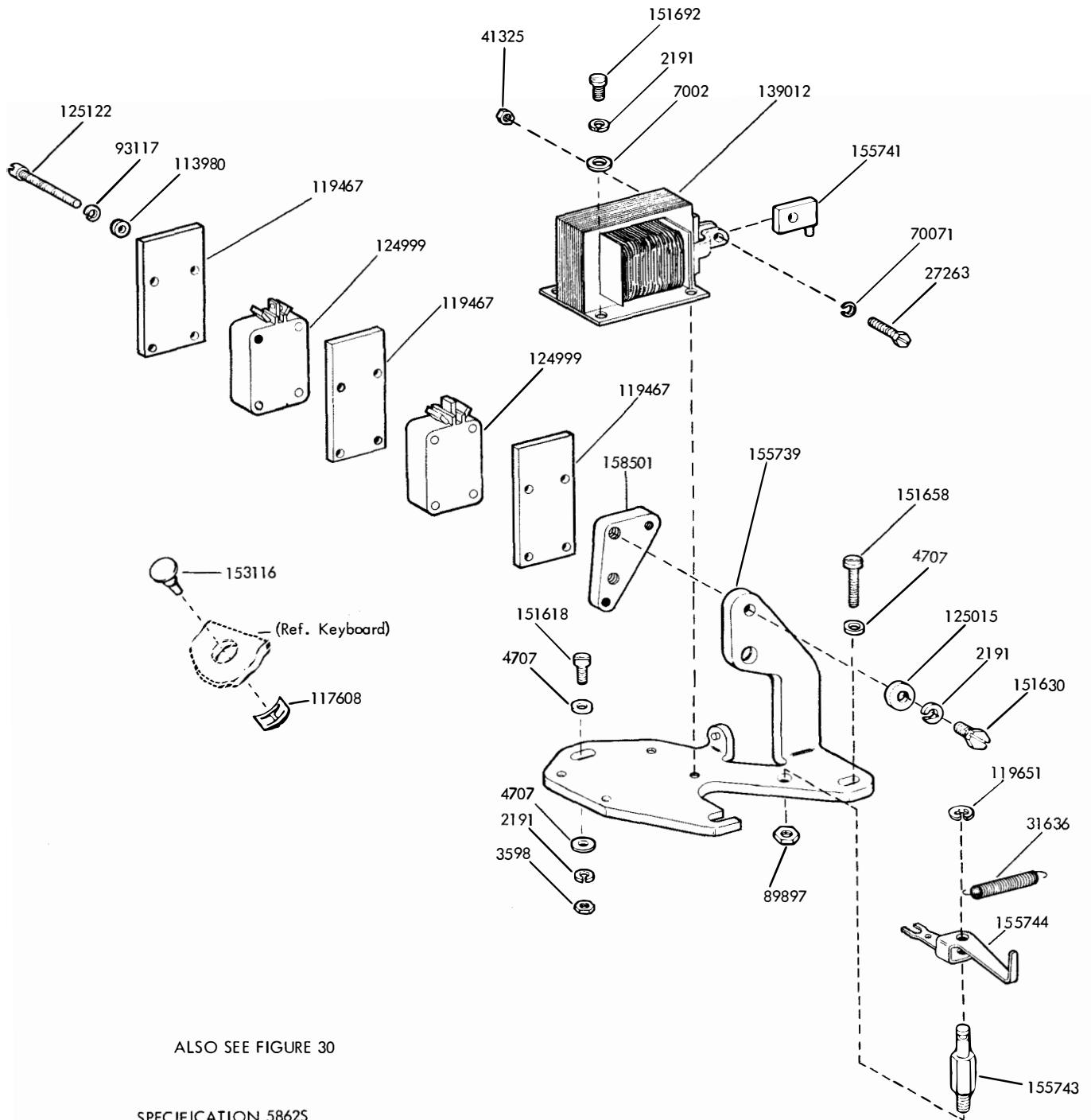


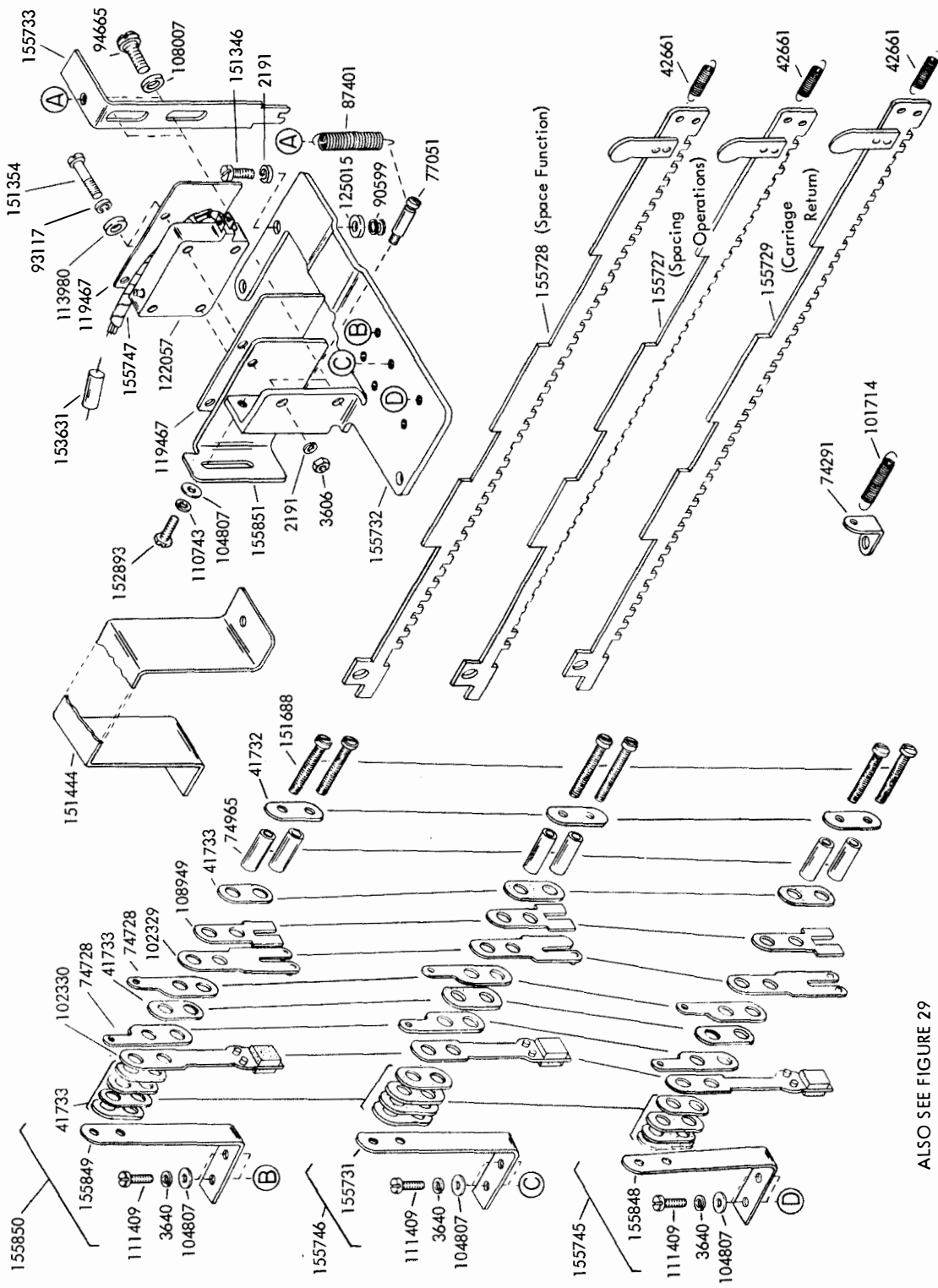
FIGURE 28. AUXILIARY CABLES FOR KEYBOARD OR BASE (MARK II)



ALSO SEE FIGURE 30

SPECIFICATION 58625

FIGURE 29. 154783 MODIFICATION KIT TO EQUIP A KEYBOARD WITH OFF-LINE CONTACTS



ALSO SEE FIGURE 29

SPECIFICATION 58625

FIGURE 30. 154783 MODIFICATION KIT TO EQUIP A KEYBOARD WITH OFF-LINE CONTACTS (Continued)

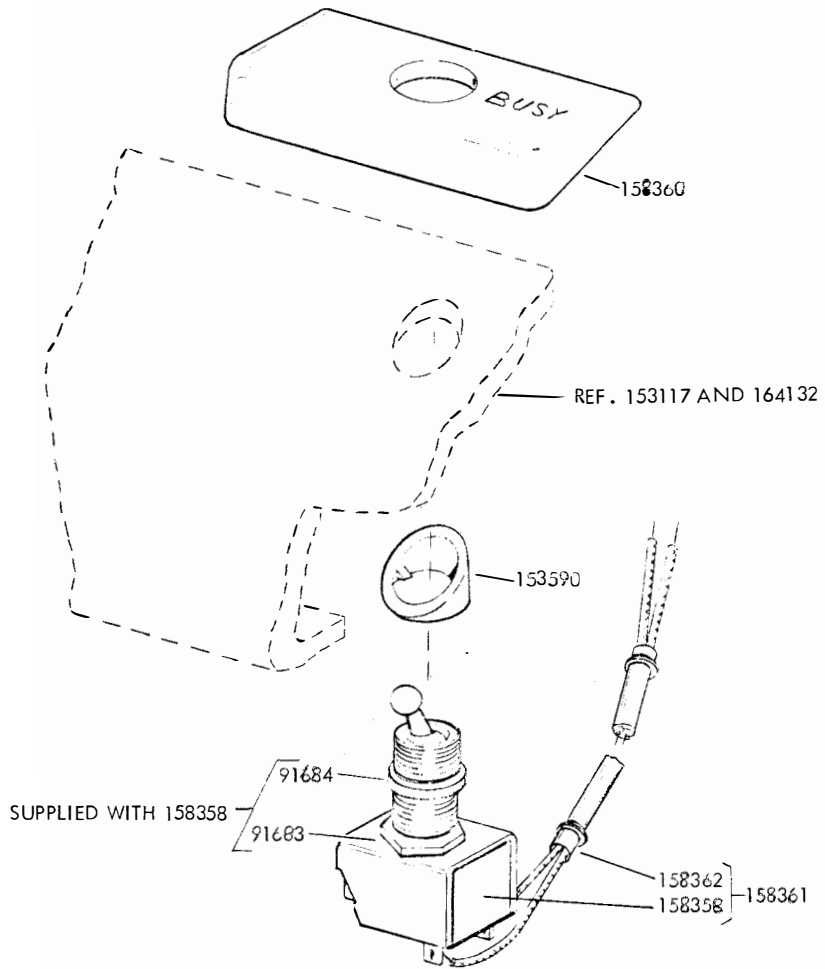


FIGURE 31. 158359 MODIFICATION KIT TO PROVIDE BUSY KEY SWITCH (BASE)

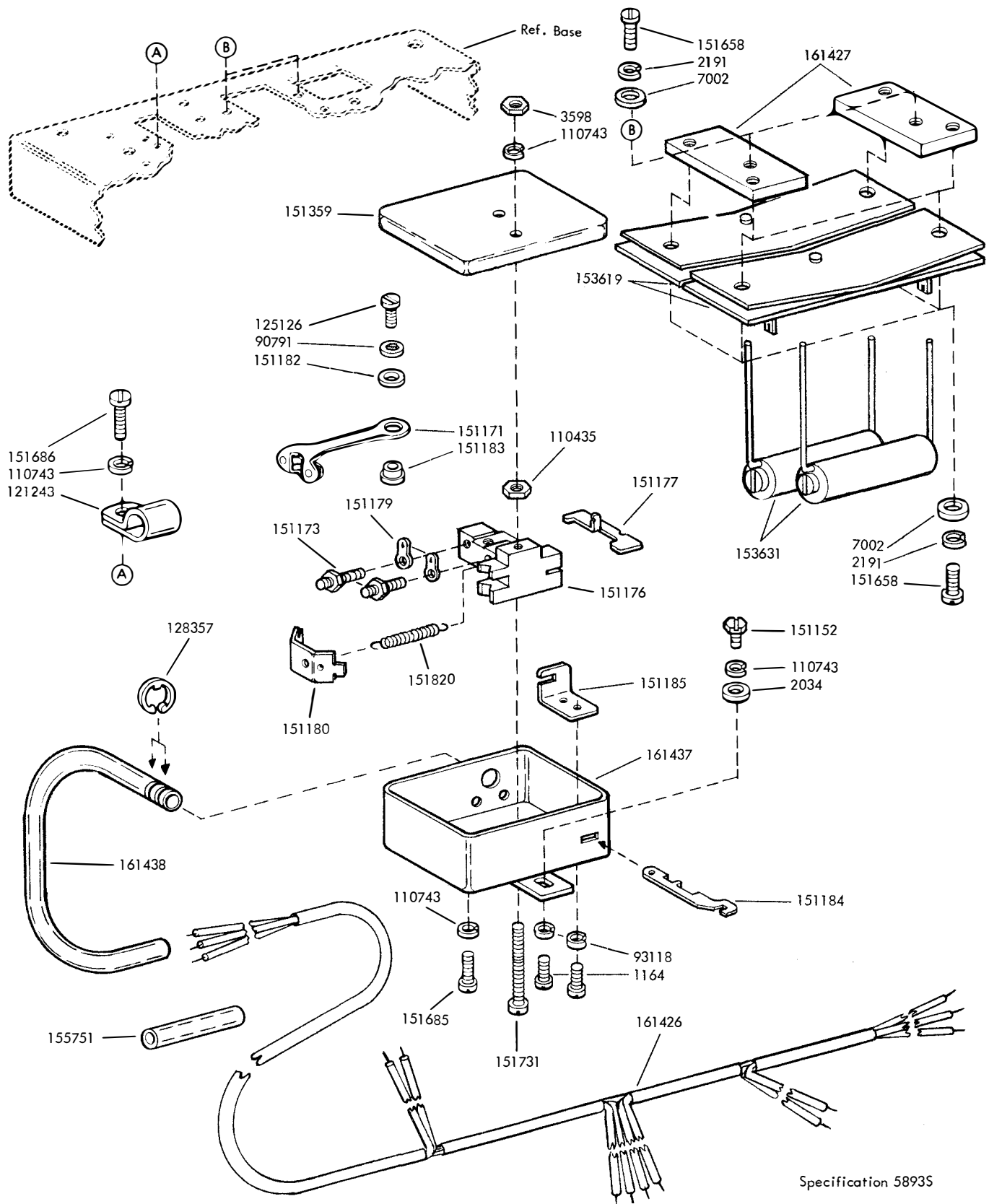
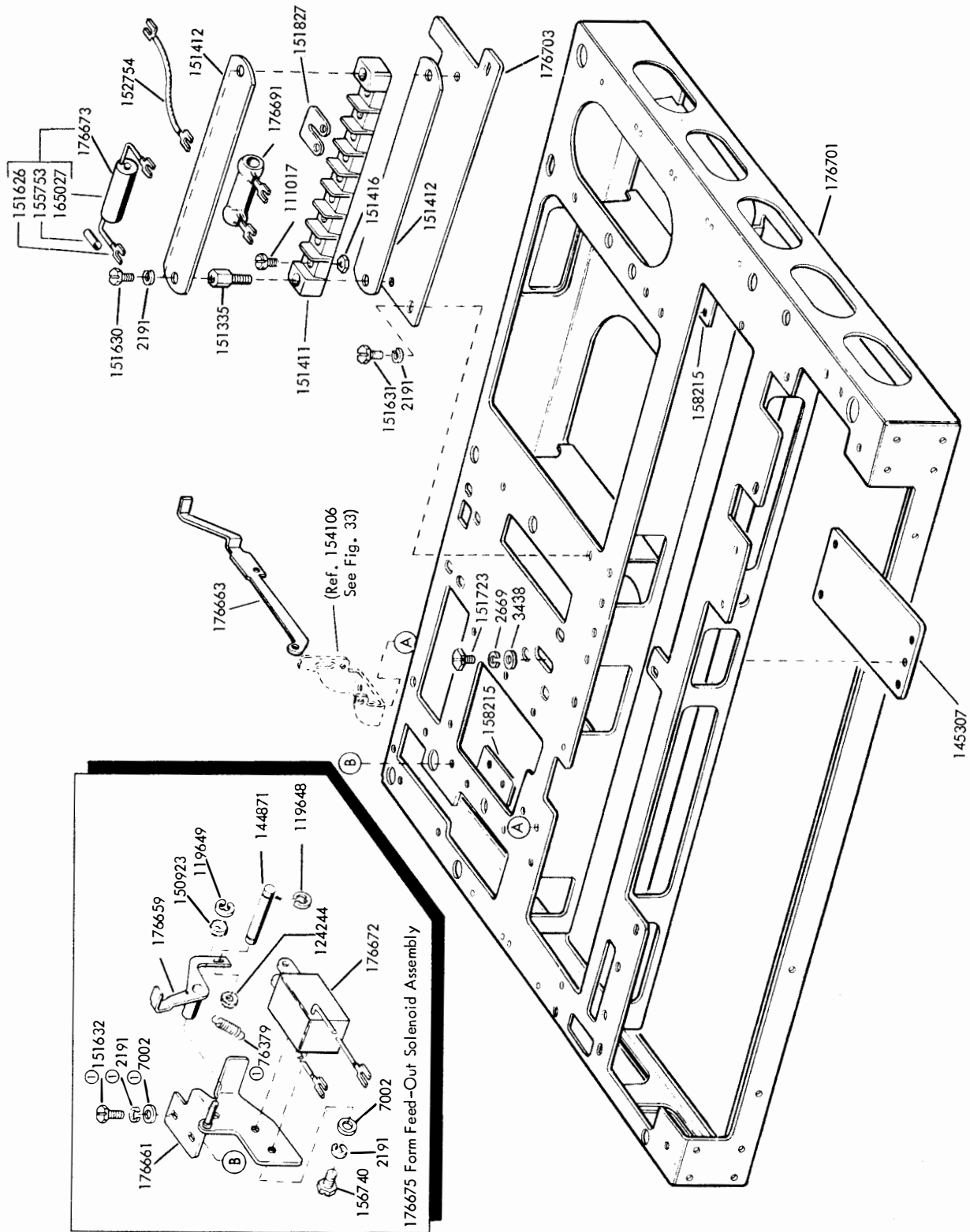


FIGURE 32. 161435 MODIFICATION KIT TO PROVIDE NEUTRAL & INVERSE TRANSMISSION (MARK II)



① Not Part of 176675 Assembly

FIGURE 34. KEYBOARD BASE FOR REMOTE CONTROLLED GEAR SHIFT MECHANISM

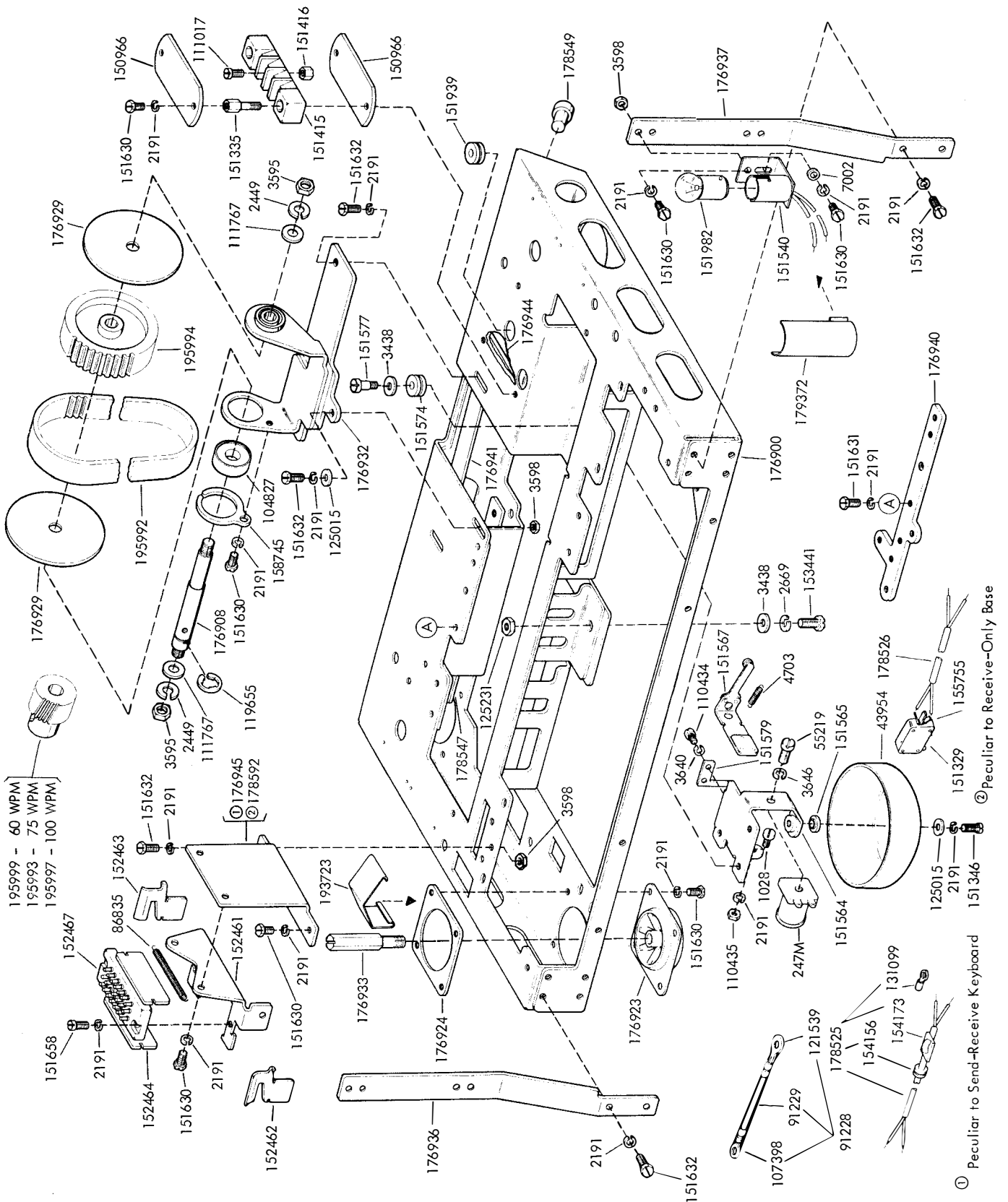


FIGURE 35. KEYBOARD OR BASE MECHANISM (WALL MOUNTED)

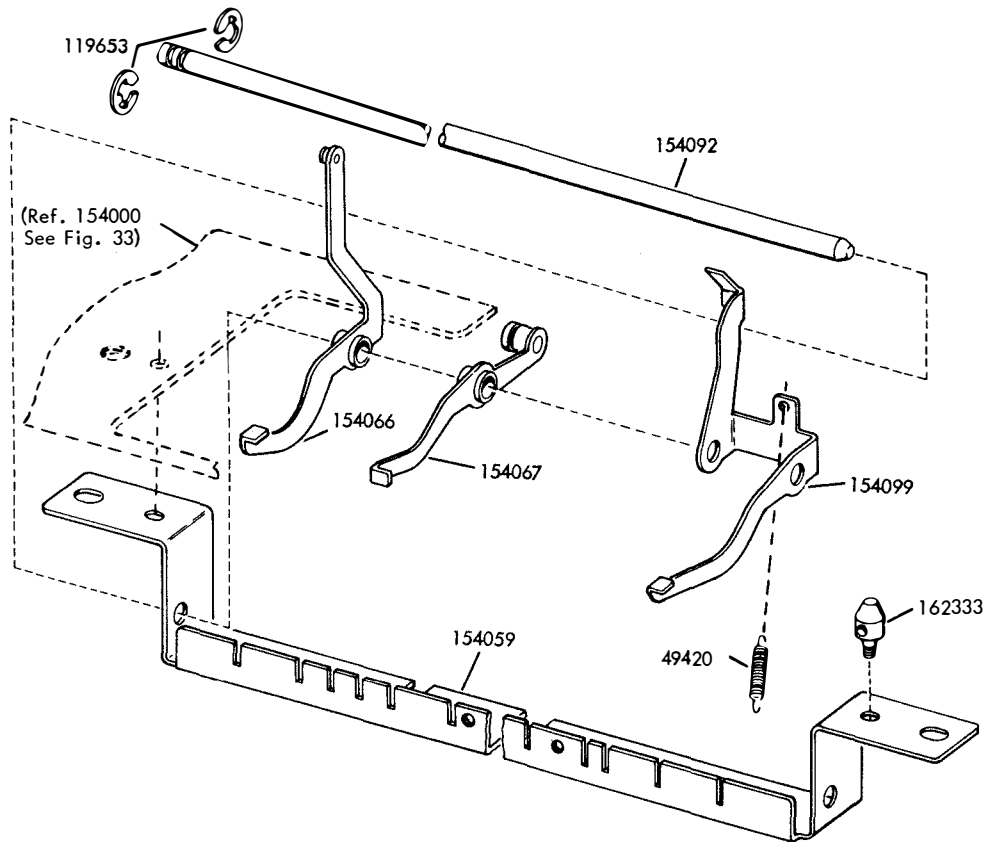


FIGURE 36. FUNCTION BAIL MECHANISM (MARK III)

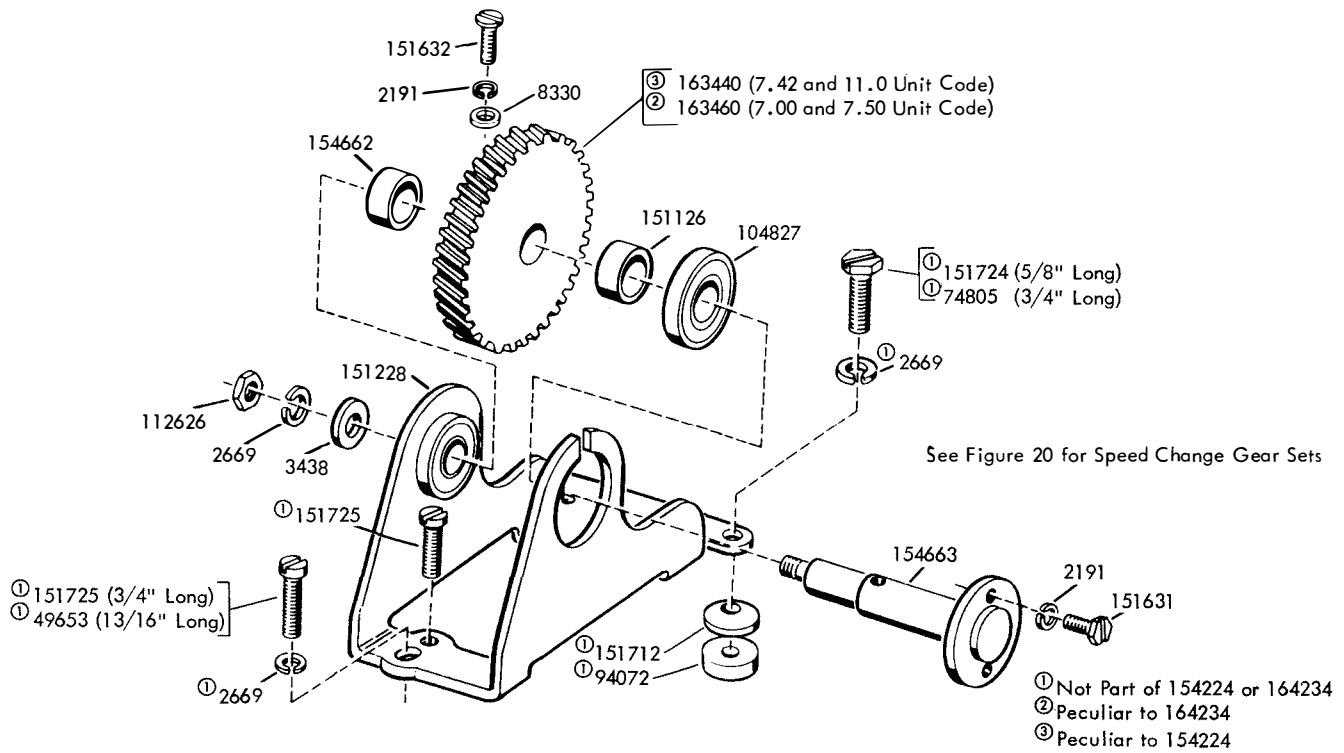


FIGURE 37. 154224 AND 164234 INTERMEDIATE GEAR ASSEMBLIES (MARK III)

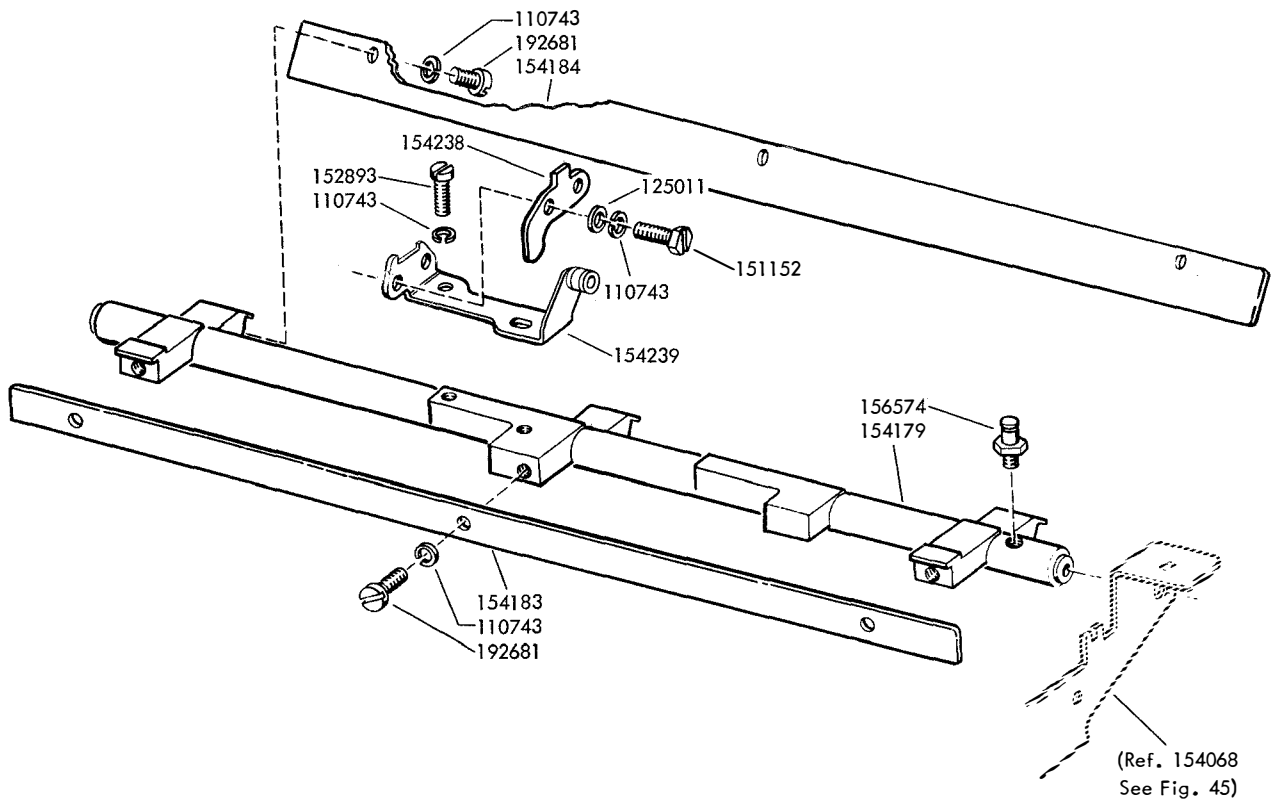


FIGURE 38. 154151 UNIVERSAL BAIL ASSEMBLY (MARK III)

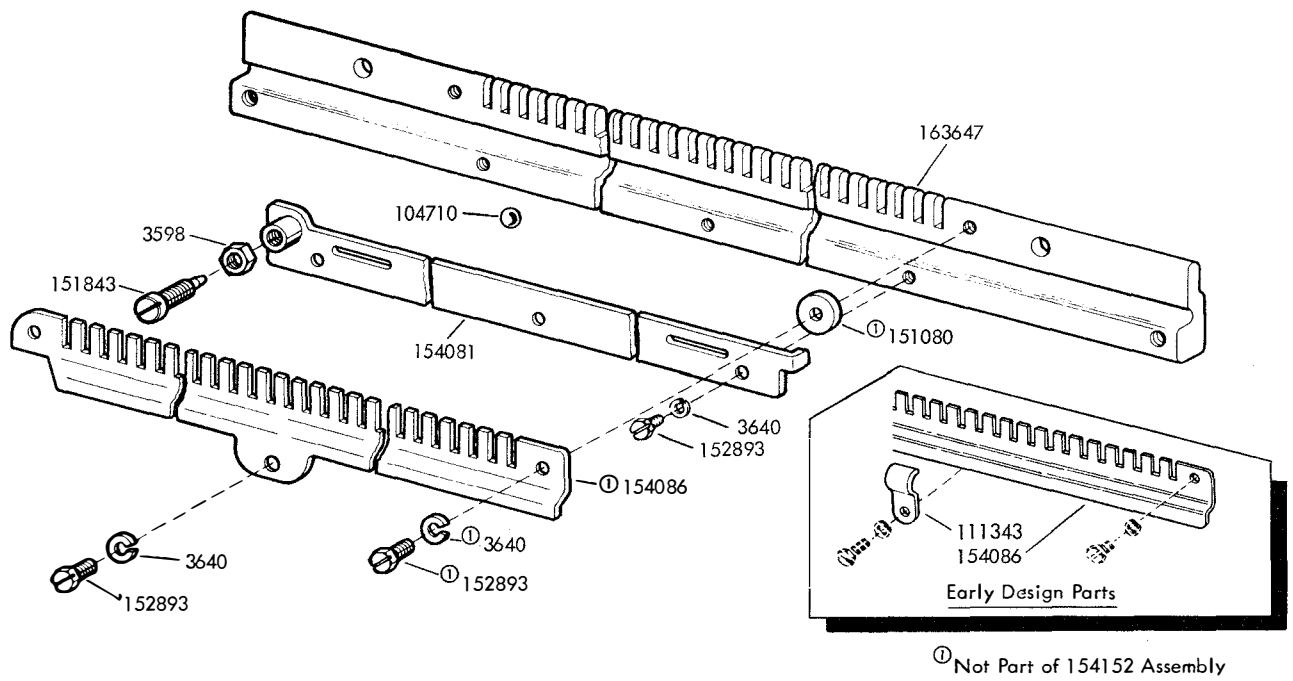


FIGURE 39. 154152 BALL LOCK BAR ASSEMBLY (MARK III)

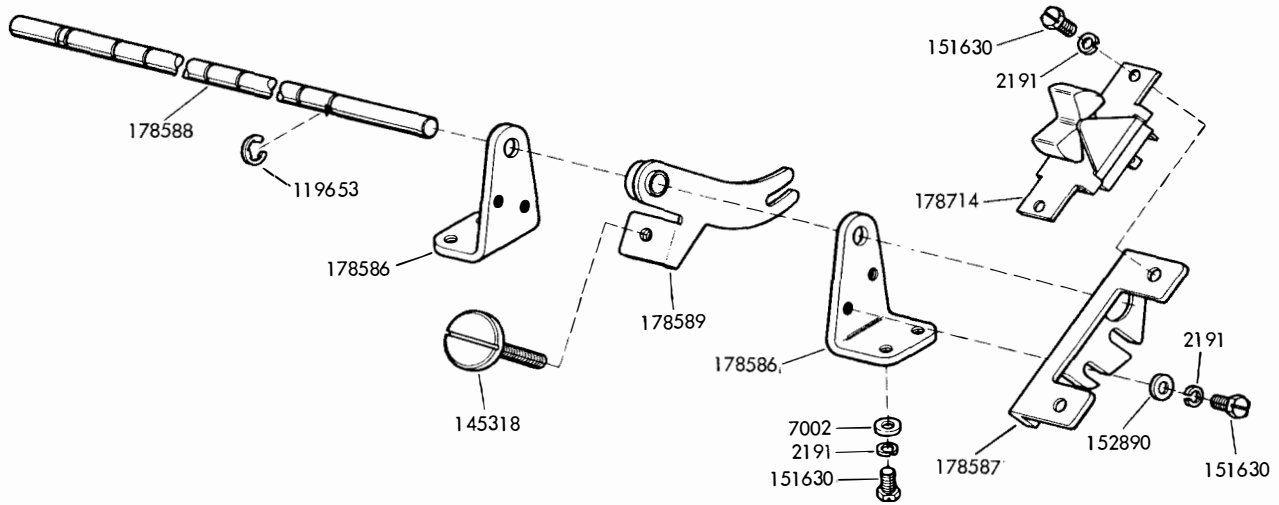
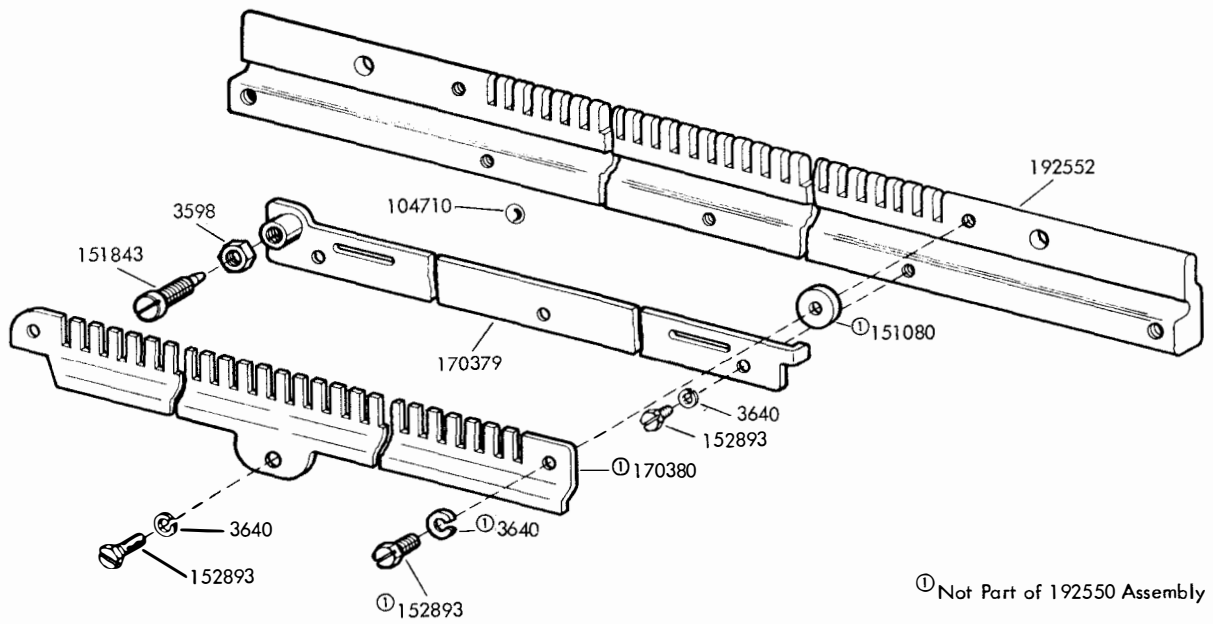


FIGURE 40. TRIP LEVER MECHANISM (WALL MOUNTED)



WALL MOUNTED

FIGURE 41. 192550 BALL LOCK BAR ASSEMBLY (WALL MOUNTED)

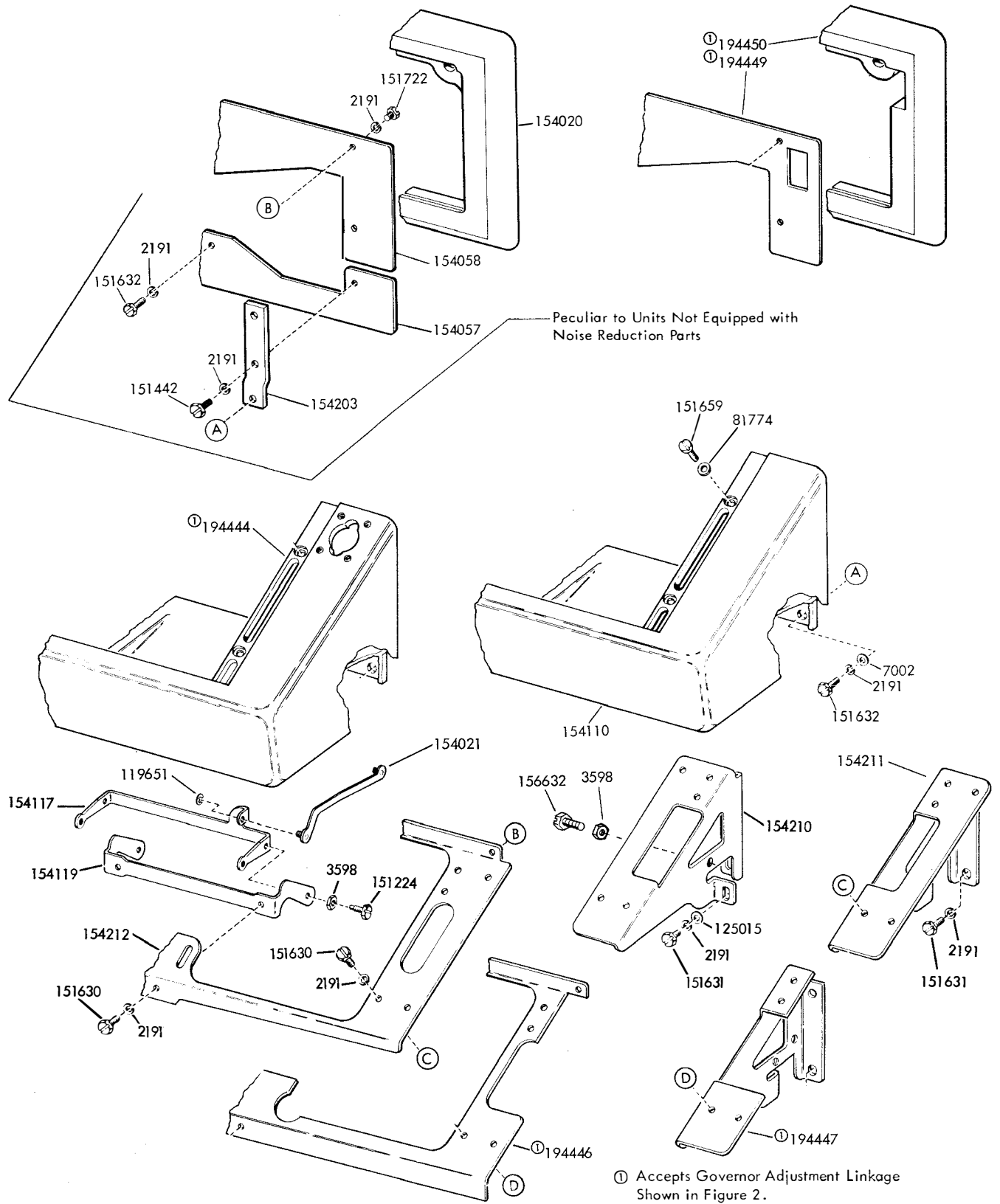


FIGURE 42. KEYBOARD HOOD AND MOUNTING PARTS (MARK III)

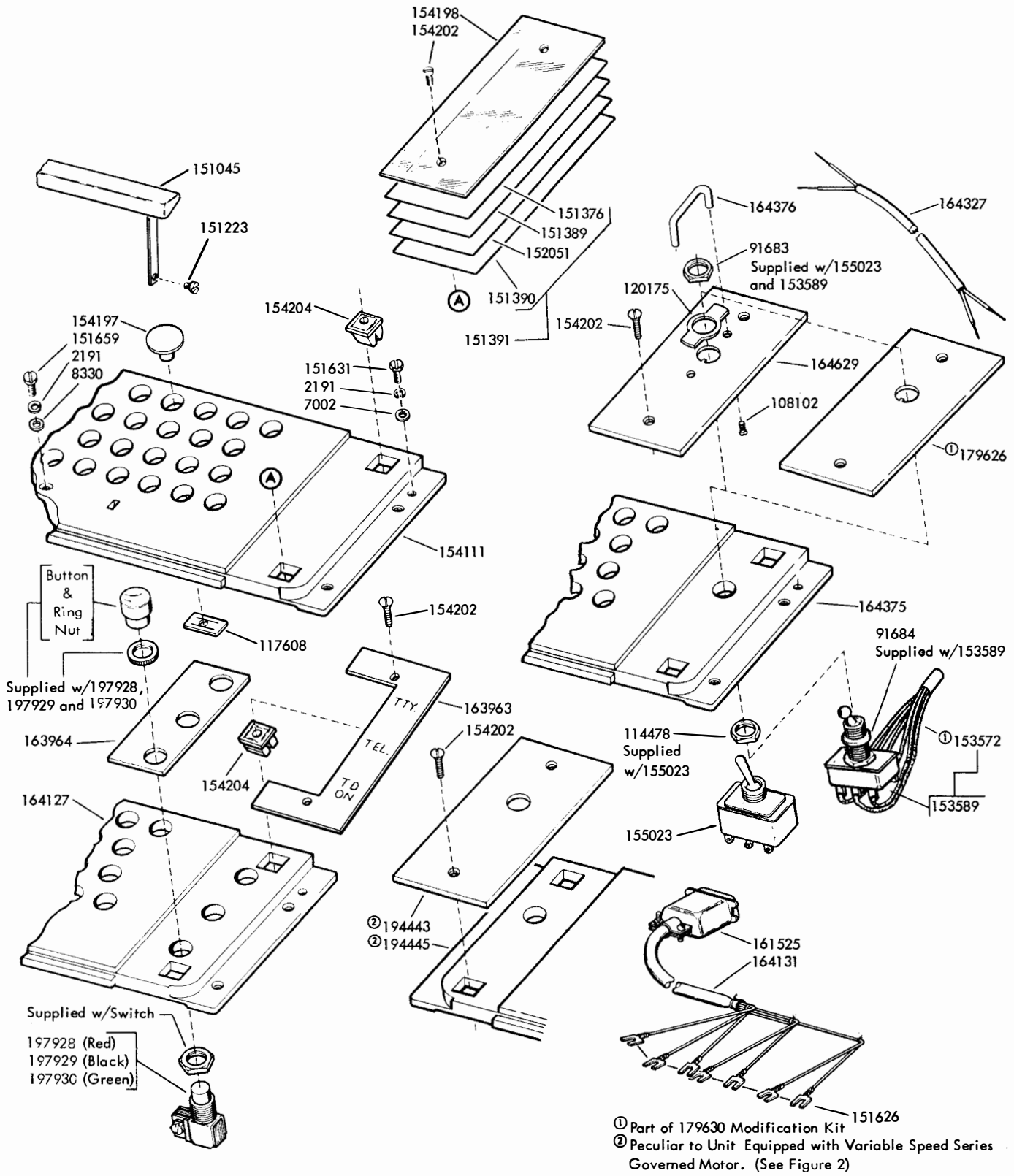


FIGURE 43. KEYBOARD TOP PLATES (MARK III)

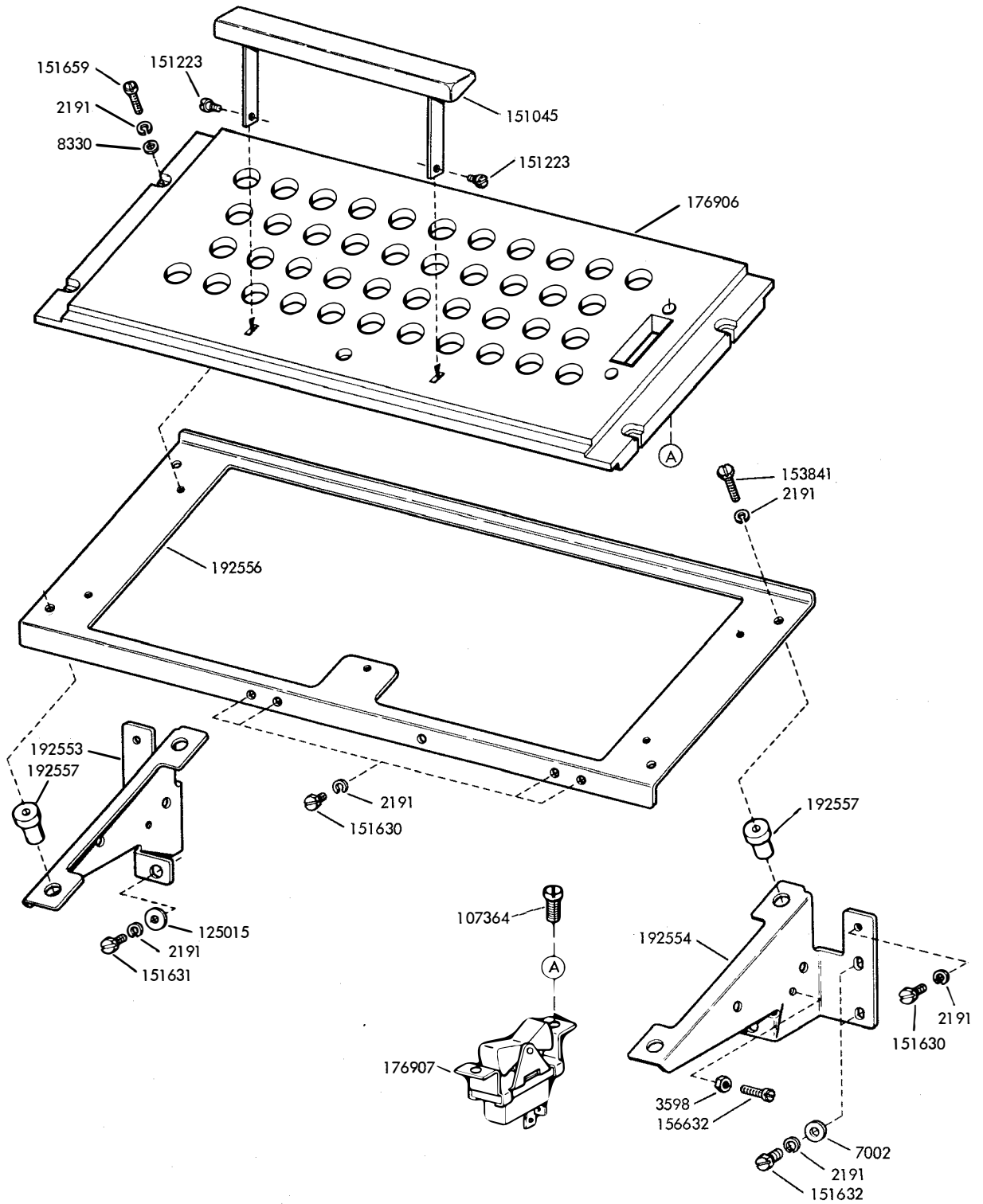


FIGURE 44. KEYBOARD MECHANISM (WALL MOUNTED)

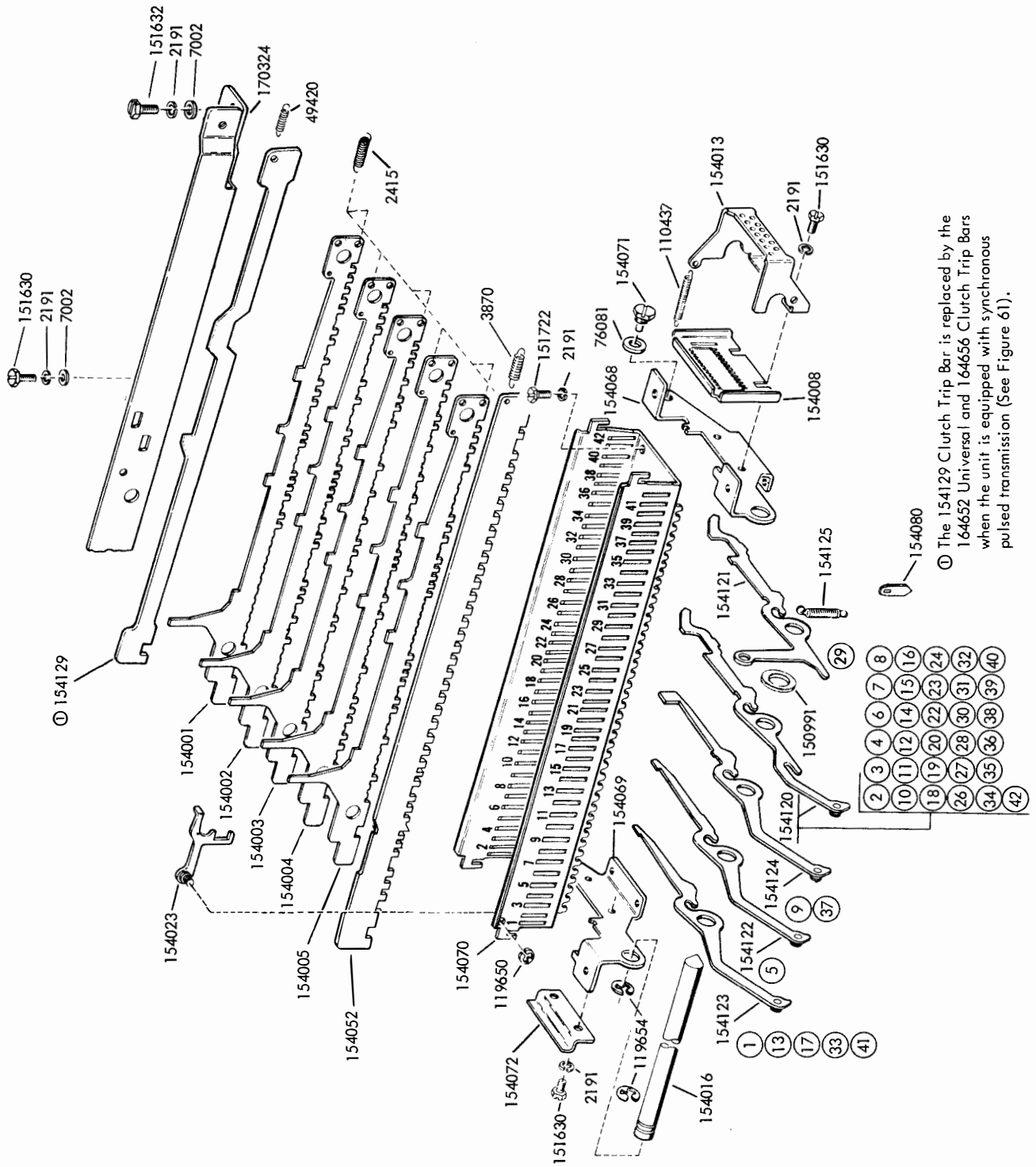
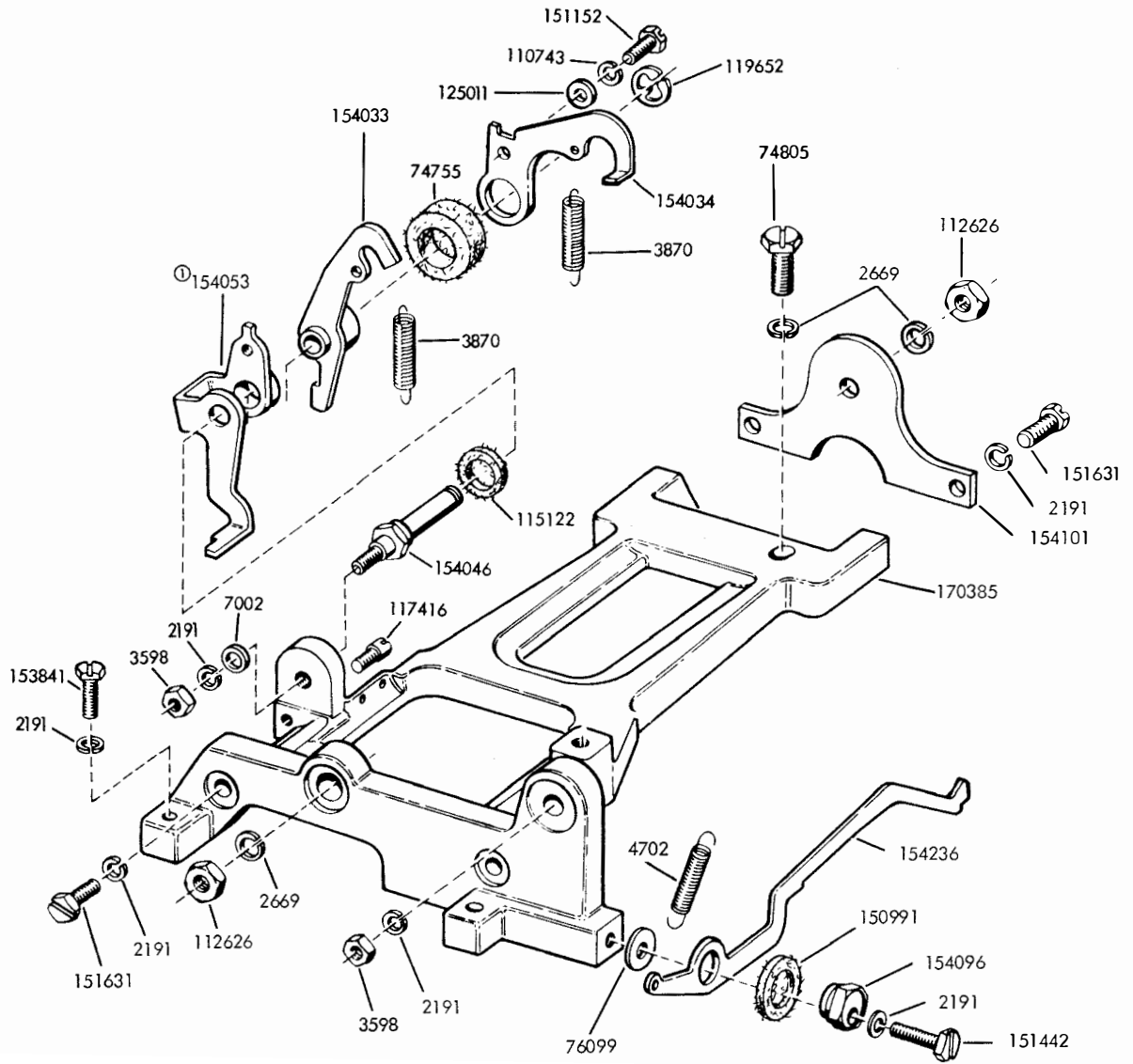
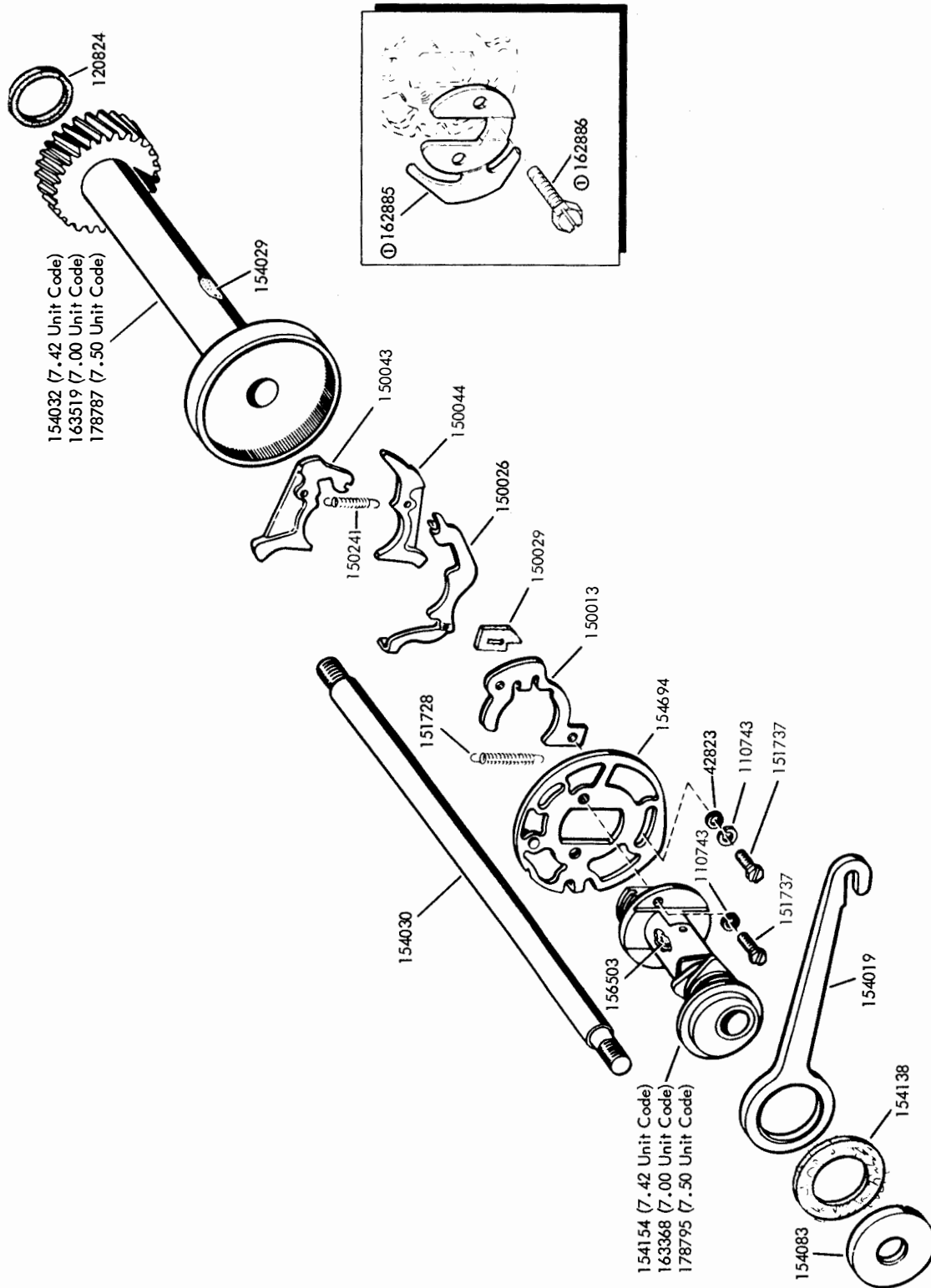


FIGURE 45. CODE BAR MECHANISM (MARK III)



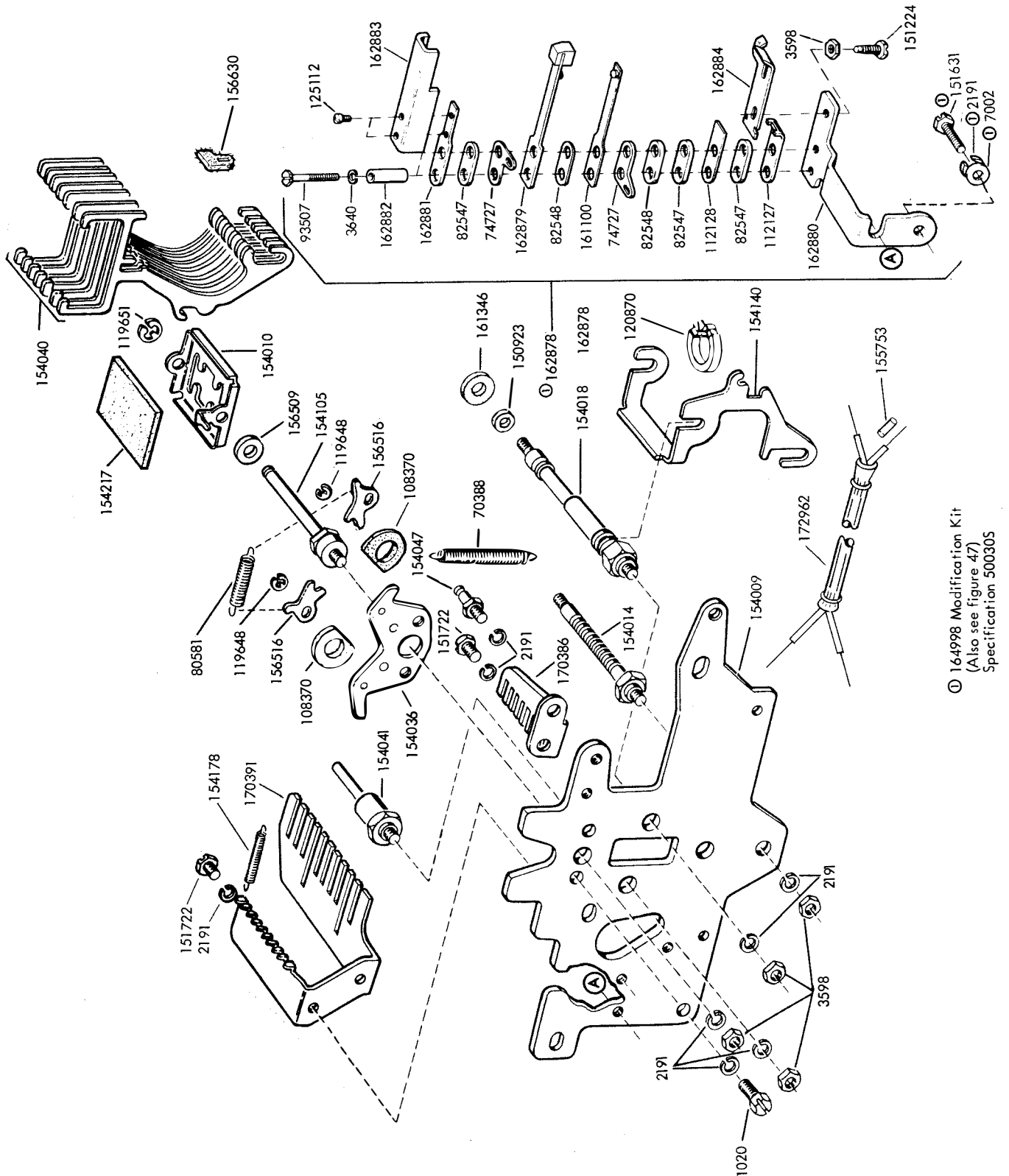
① The 154053 Clutch Trip Bail is replaced by the 164485 Bail when the unit is equipped with synchronous pulsed transmission (See Figure 61).

FIGURE 46. SIGNAL GENERATOR FRAME MECHANISM (MARK III)



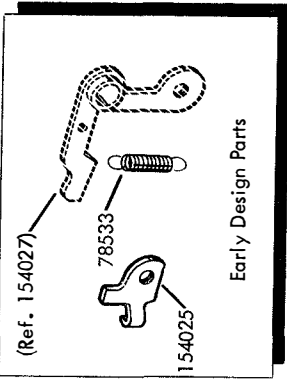
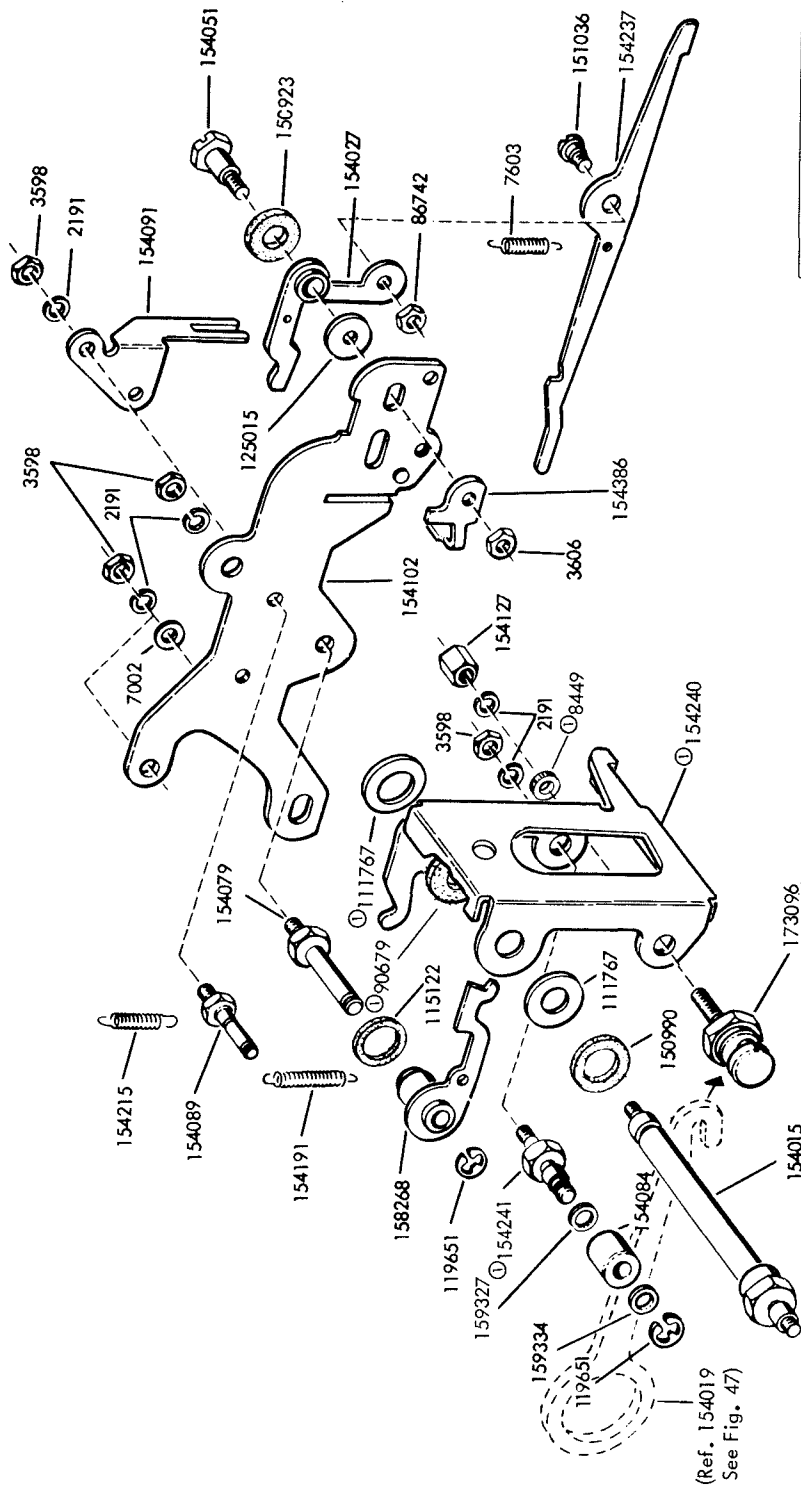
① Part of 164998 Modification Kit
(See Figure 48)

FIGURE 47. SIGNAL GENERATOR SHAFT MECHANISM (MARK III)



① 164998 Modification Kit
 (Also see figure 47)
 Specification 500305

FIGURE 48. SIGNAL GENERATOR FRONT PLATE MECHANISM (MARK III)



① 154350 Modification Kit to provide new style code bar bolt

(Ref. 154019 See Fig. 47)

FIGURE 49. SIGNAL GENERATOR REAR PLATE MECHANISM (MARK III)

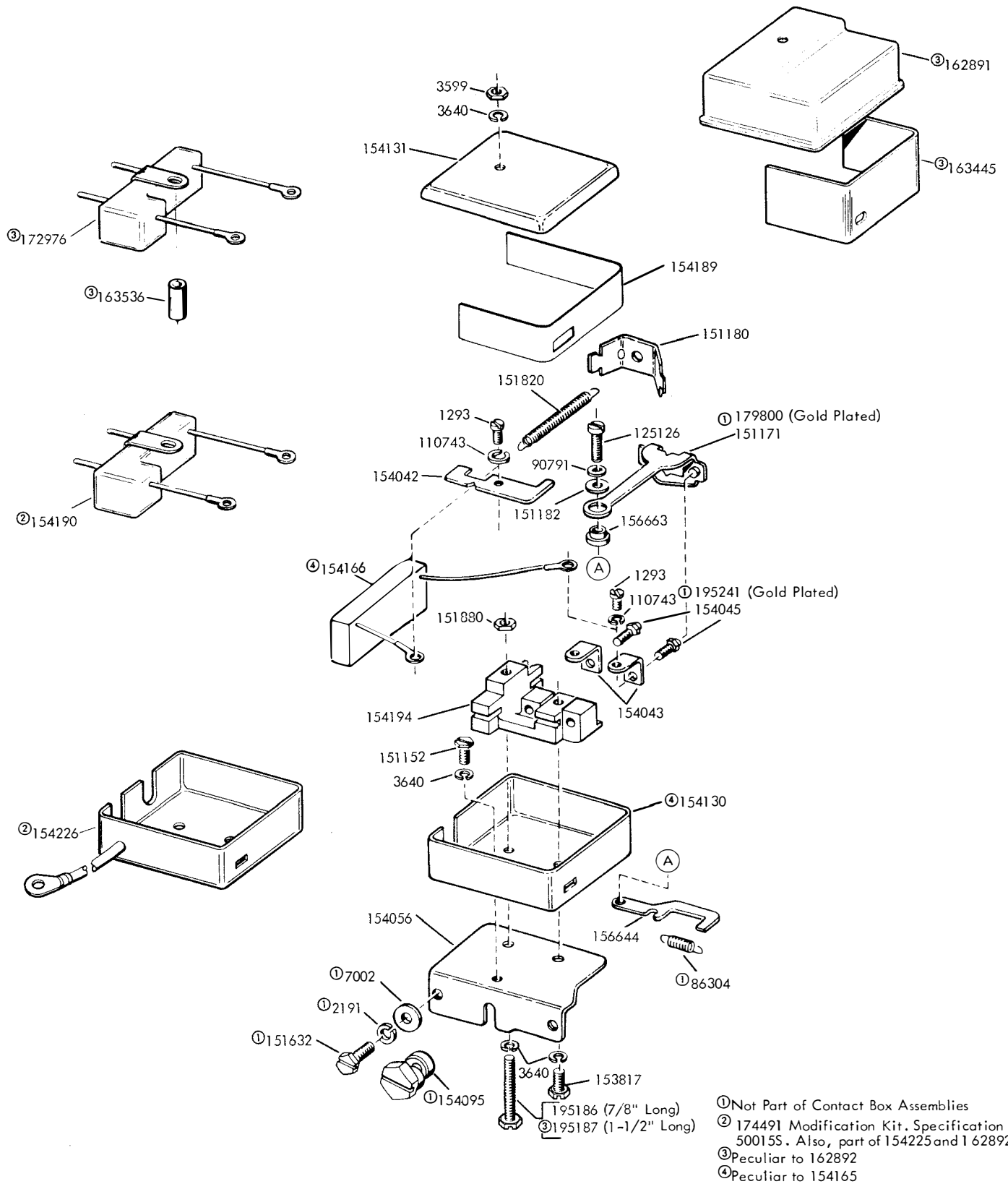
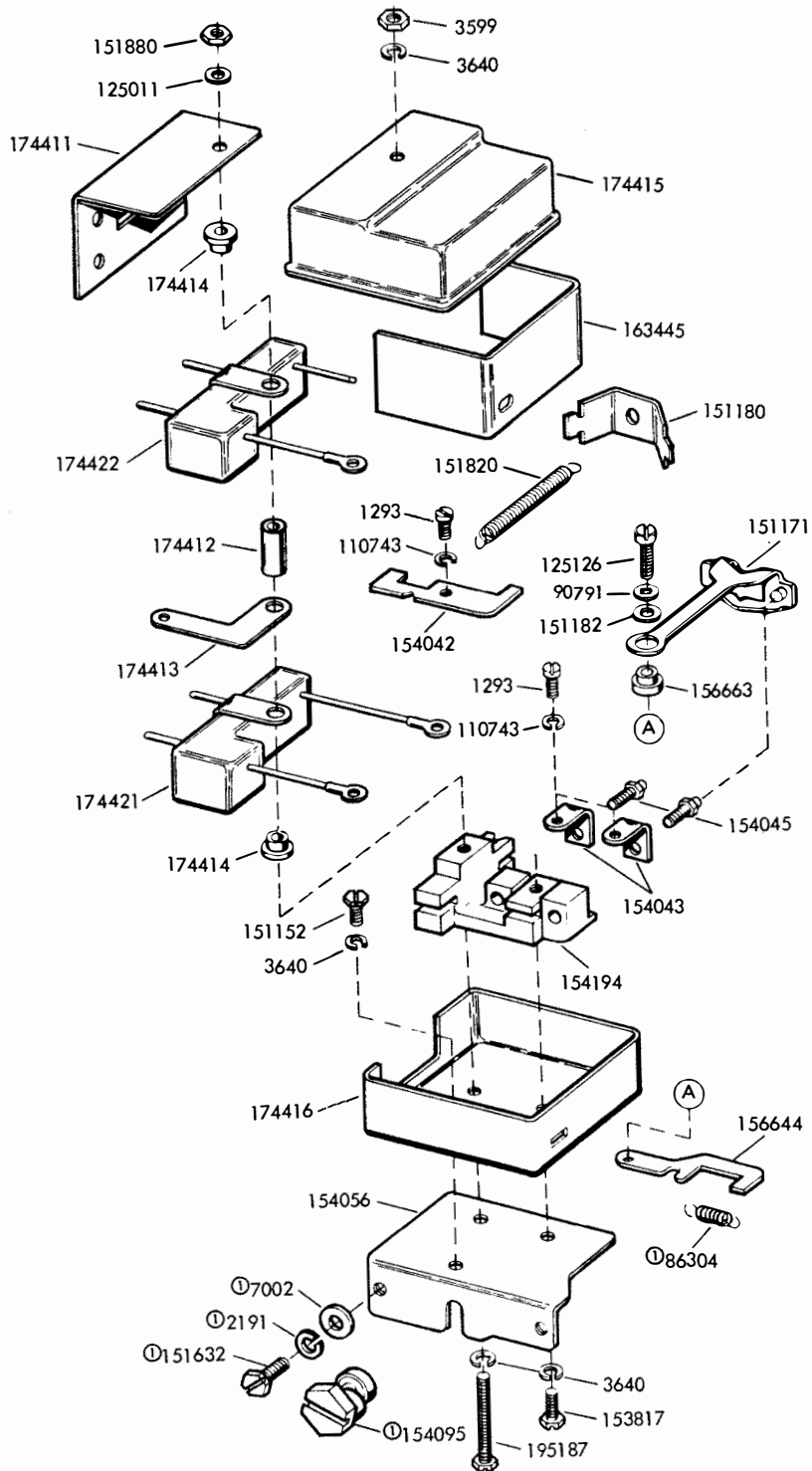


FIGURE 50. 154165 (W/ARC SUPPRESSION), 154225 (W/RF SUPPRESSION-NEUTRAL TRANSMISSION) AND 162892 (W/RF SUPPRESSION - POLAR TRANSMISSION) CONTACT BOX ASSEMBLIES (MARK III)



Ⓐ Not Part of 174410 Assembly

FIGURE 51. 174410 CONTACT BOX ASSEMBLY W/RF SUPPRESSION AND SHIELDED SIGNAL LINES-POLAR TRANSMISSION (MARK III)

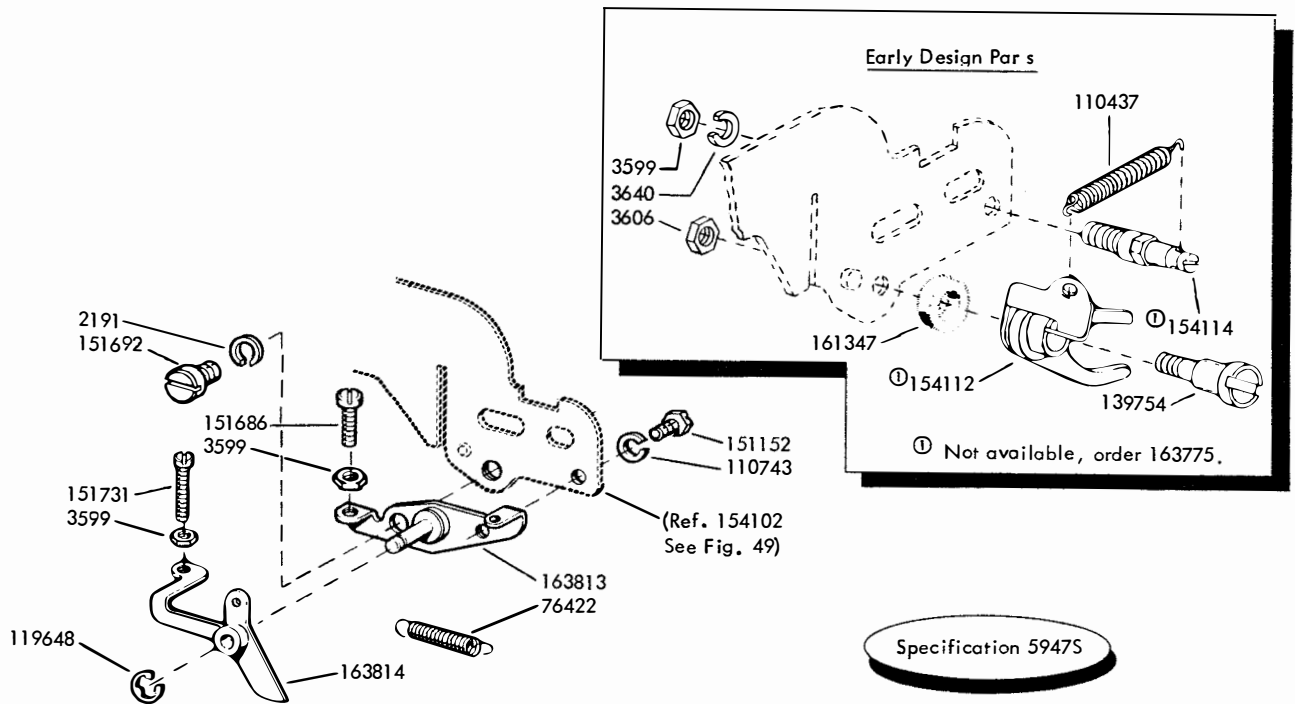


FIGURE 52. 163775 MODIFICATION KIT TO PROVIDE REPEAT ON SPACE MECHANISM (MARK III)

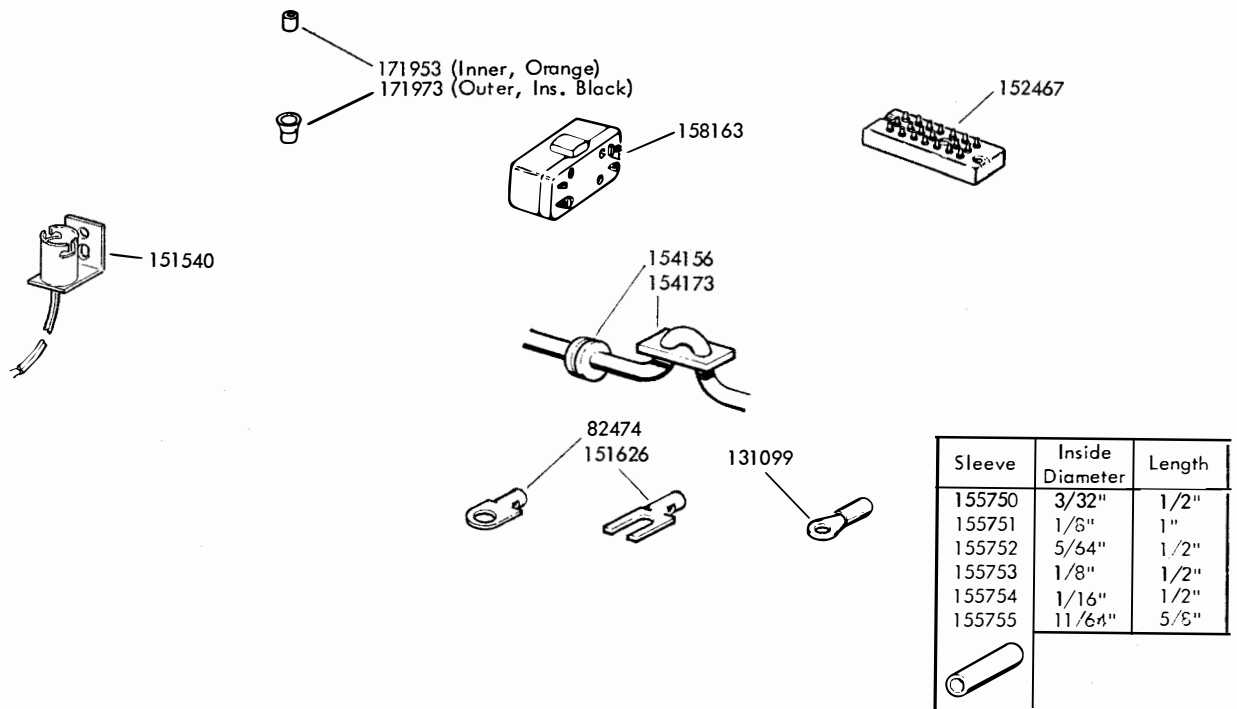


FIGURE 53. KEYBOARD CABLE COMPONENTS

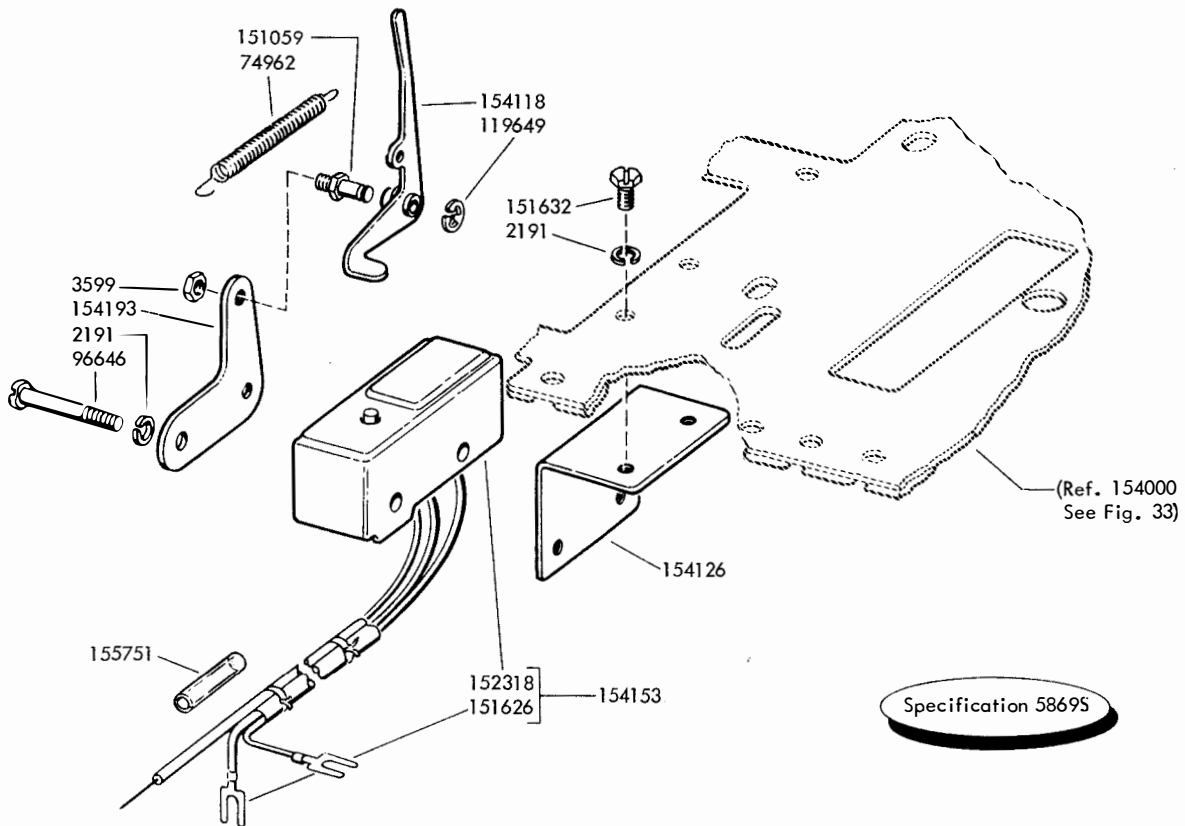


FIGURE 54. 154147 MODIFICATION KIT TO PROVIDE LOCAL PAPER FEED-OUT MOTOR STARTING MECHANISM (MARK III)

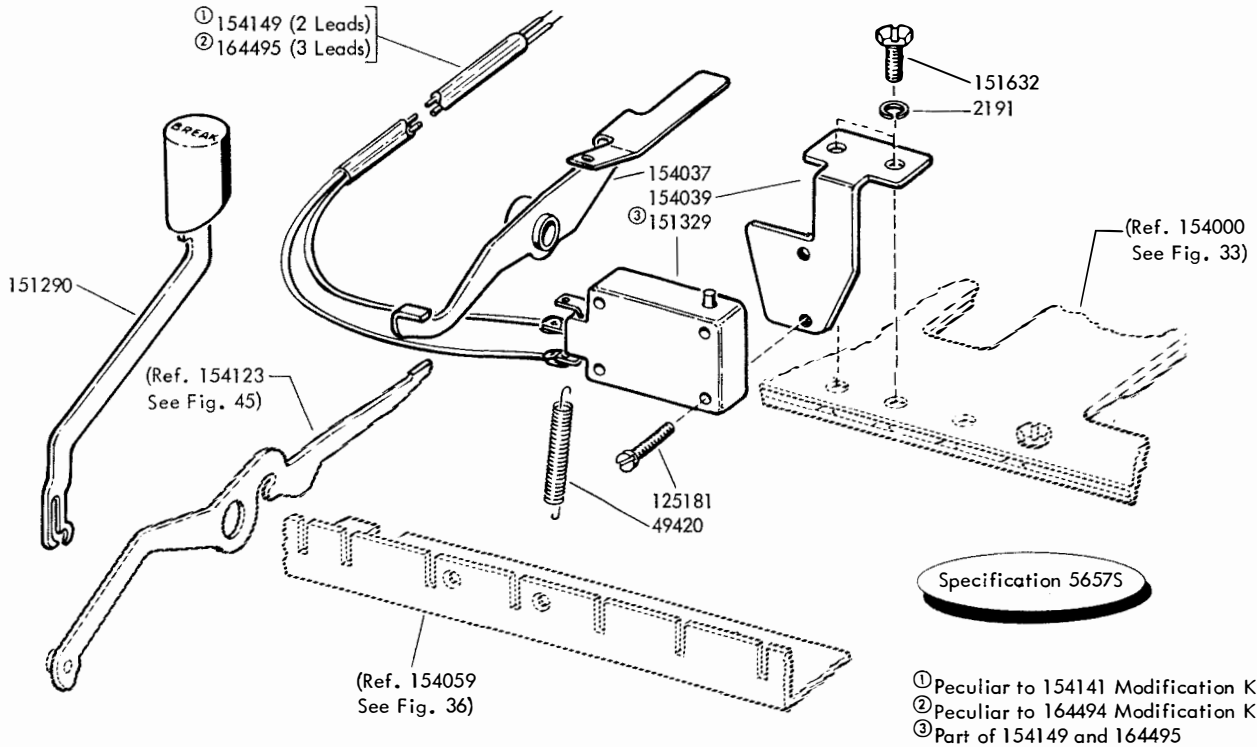


FIGURE 55. 154141 AND 164494 MODIFICATION KITS TO PROVIDE ELECTRICAL SIGNAL LINE BREAK MECHANISM (MARK III)

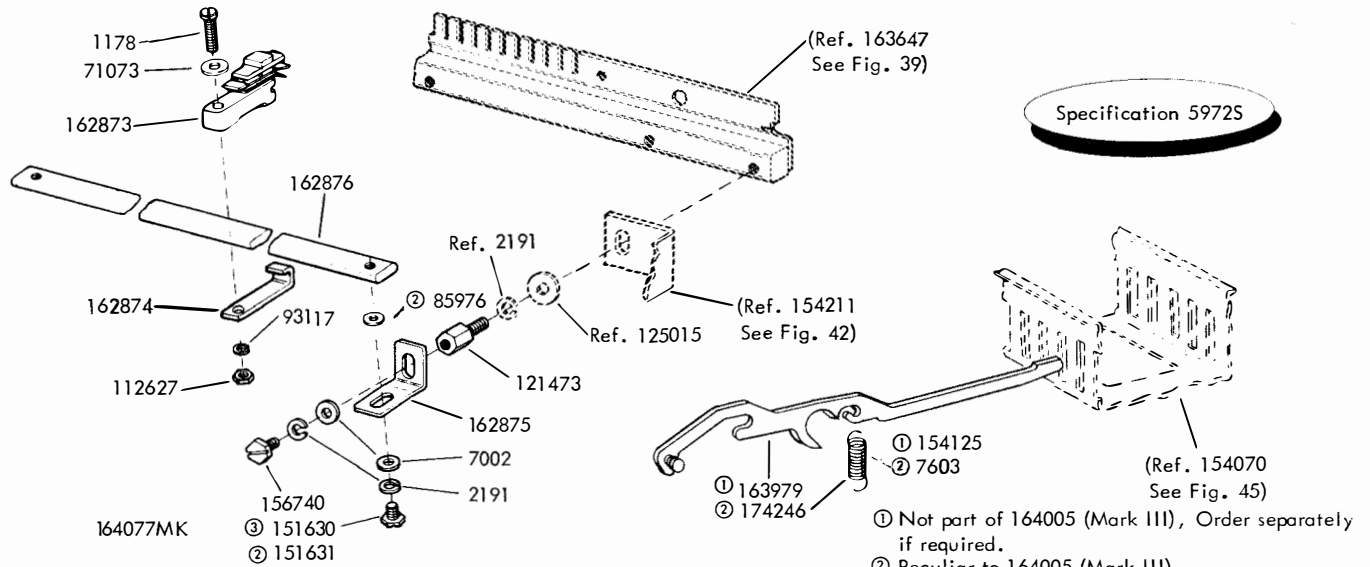


FIGURE 56. 164005 (FOR MARK III) AND 164077 (FOR MARK II) MODIFICATION KITS TO PROVIDE UNIVERSAL KEYBOARD SWITCH

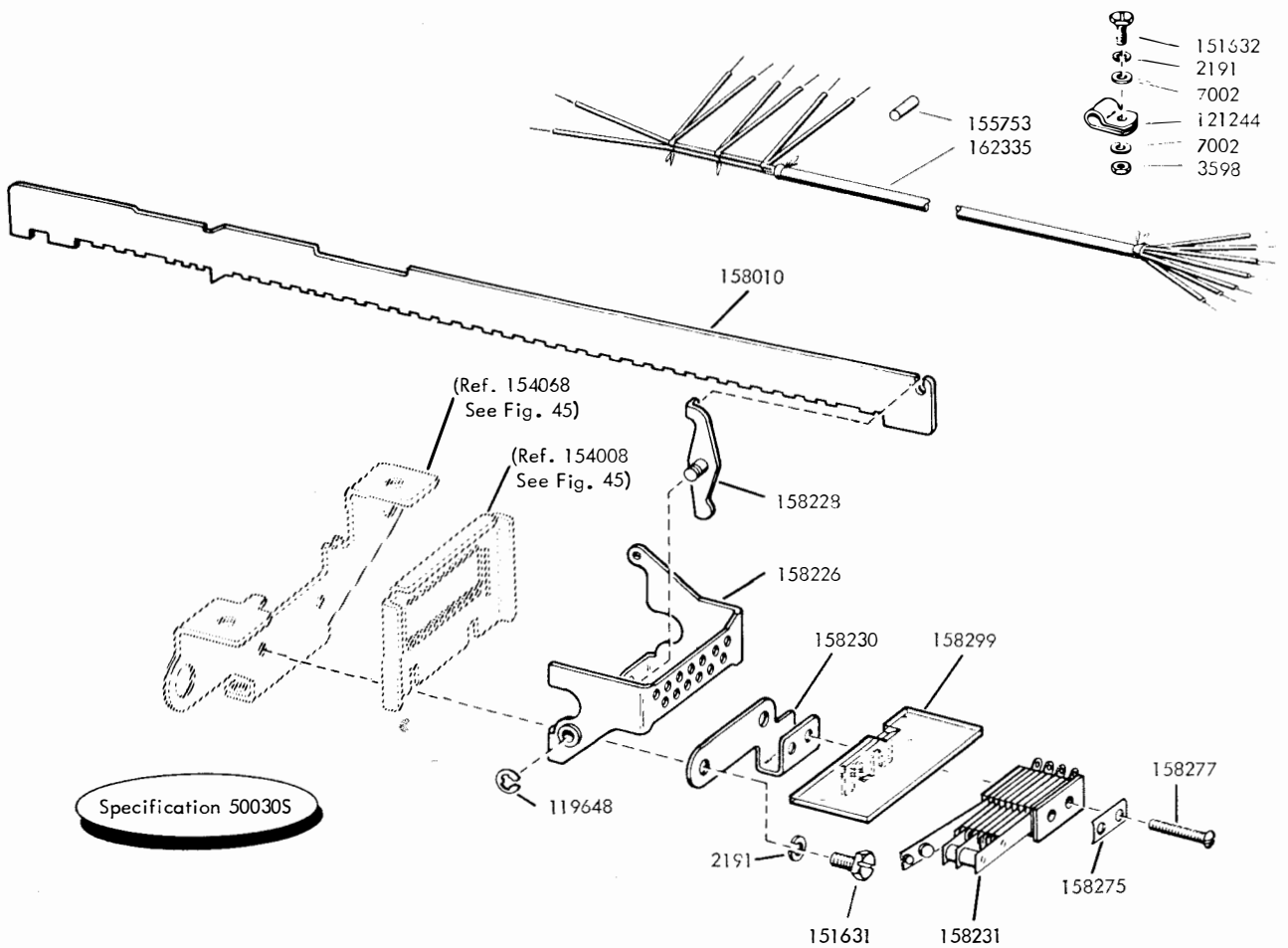


FIGURE 57. 162224 MODIFICATION KIT TO ADD LOCK BAR CONTACT TO KEYBOARD (MARK III)

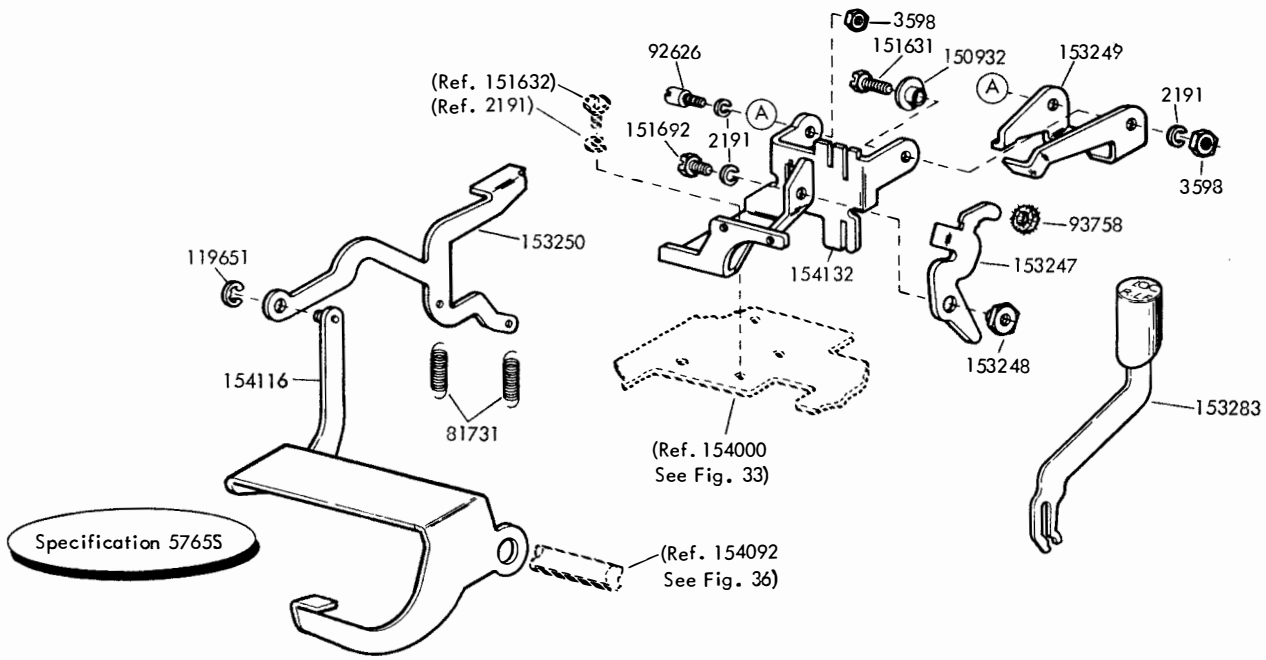


FIGURE 58. 154145 MODIFICATION KIT TO PROVIDE LOCAL REVERSE LINE FEED MECHANISM (MARK III)

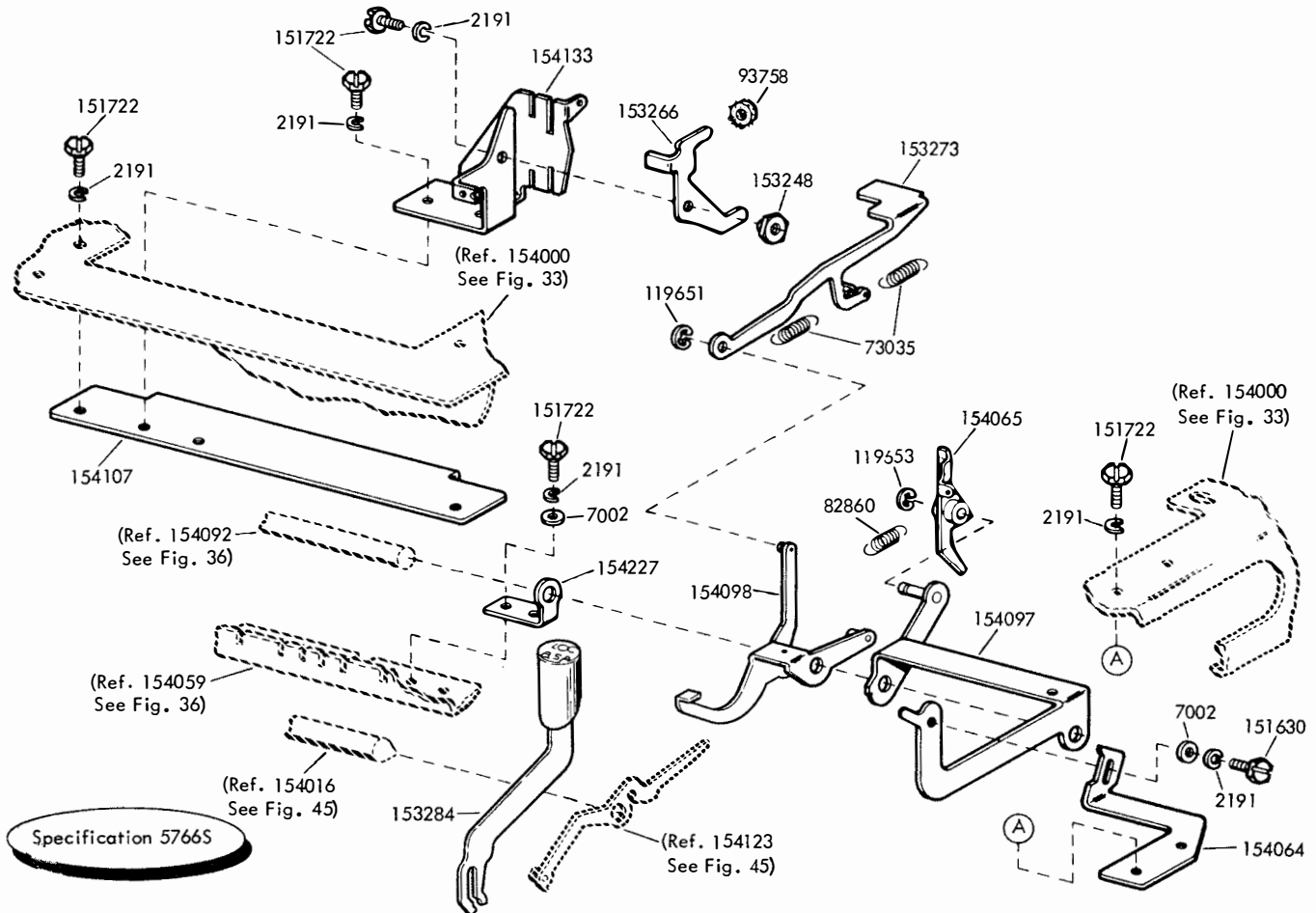
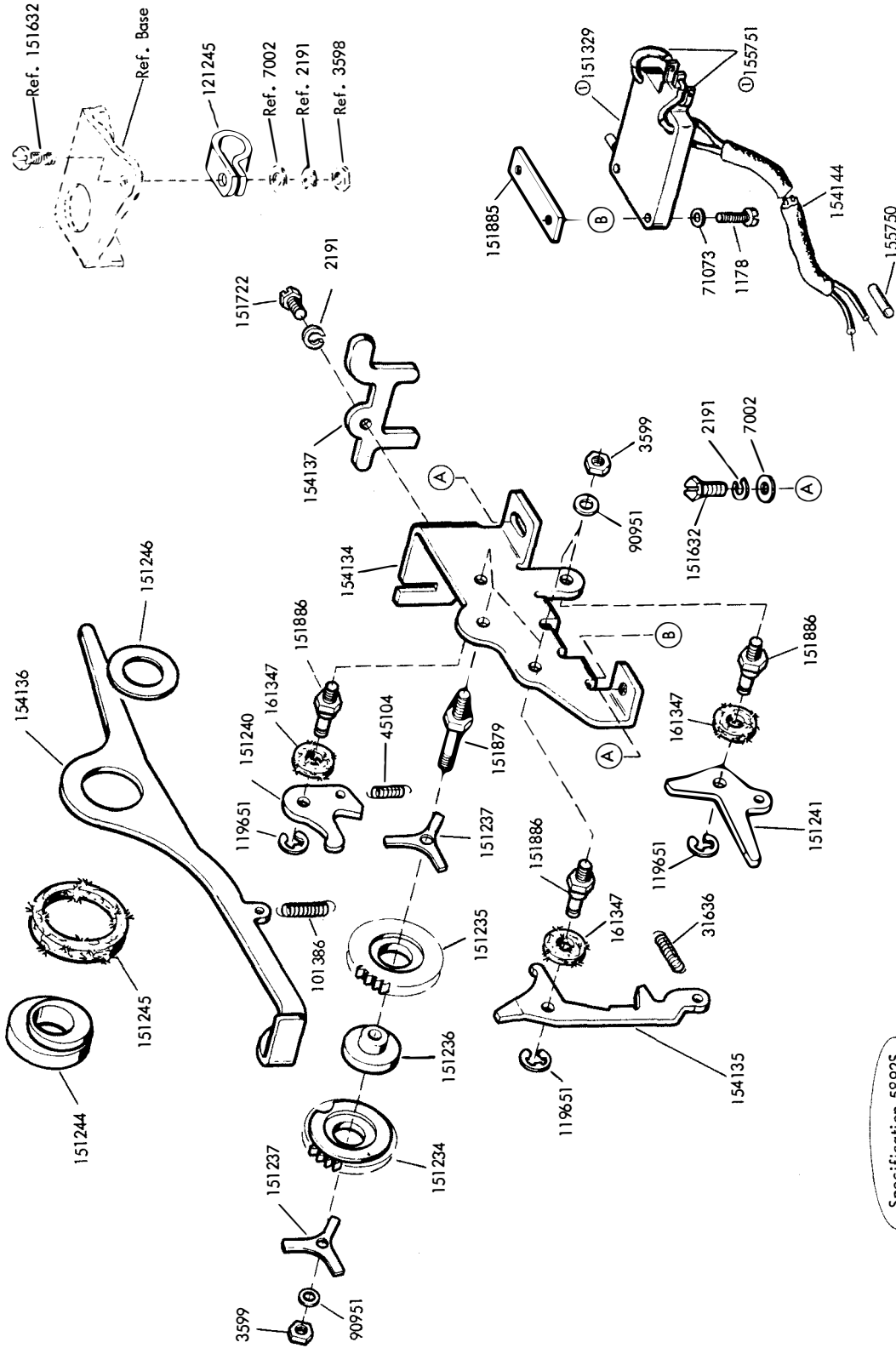


FIGURE 59. 154146 MODIFICATION KIT TO PROVIDE LOCAL BACK SPACE MECHANISM (MARK III)



Specification 58925

Part of 154144

FIGURE 60. 154142 MODIFICATION KIT TO PROVIDE KEYBOARD WITH TIME DELAY MECHANISM (MARK III)

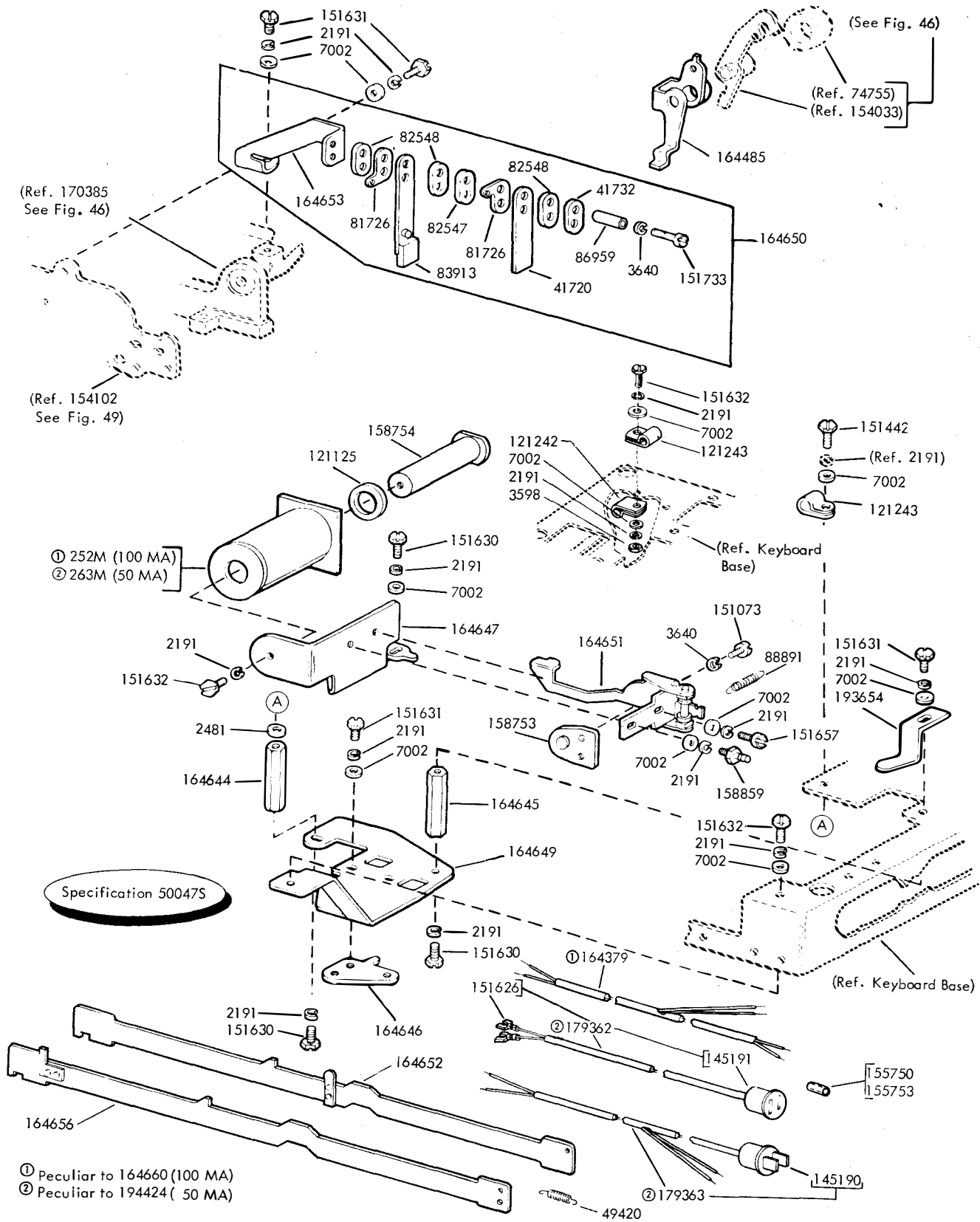


FIGURE 61. 164660 (100 MA) and 194424 (50 MA) MODIFICATION KITS TO PROVIDE SYNCHRONOUS PULSED TRANSMISSION (MARK III)

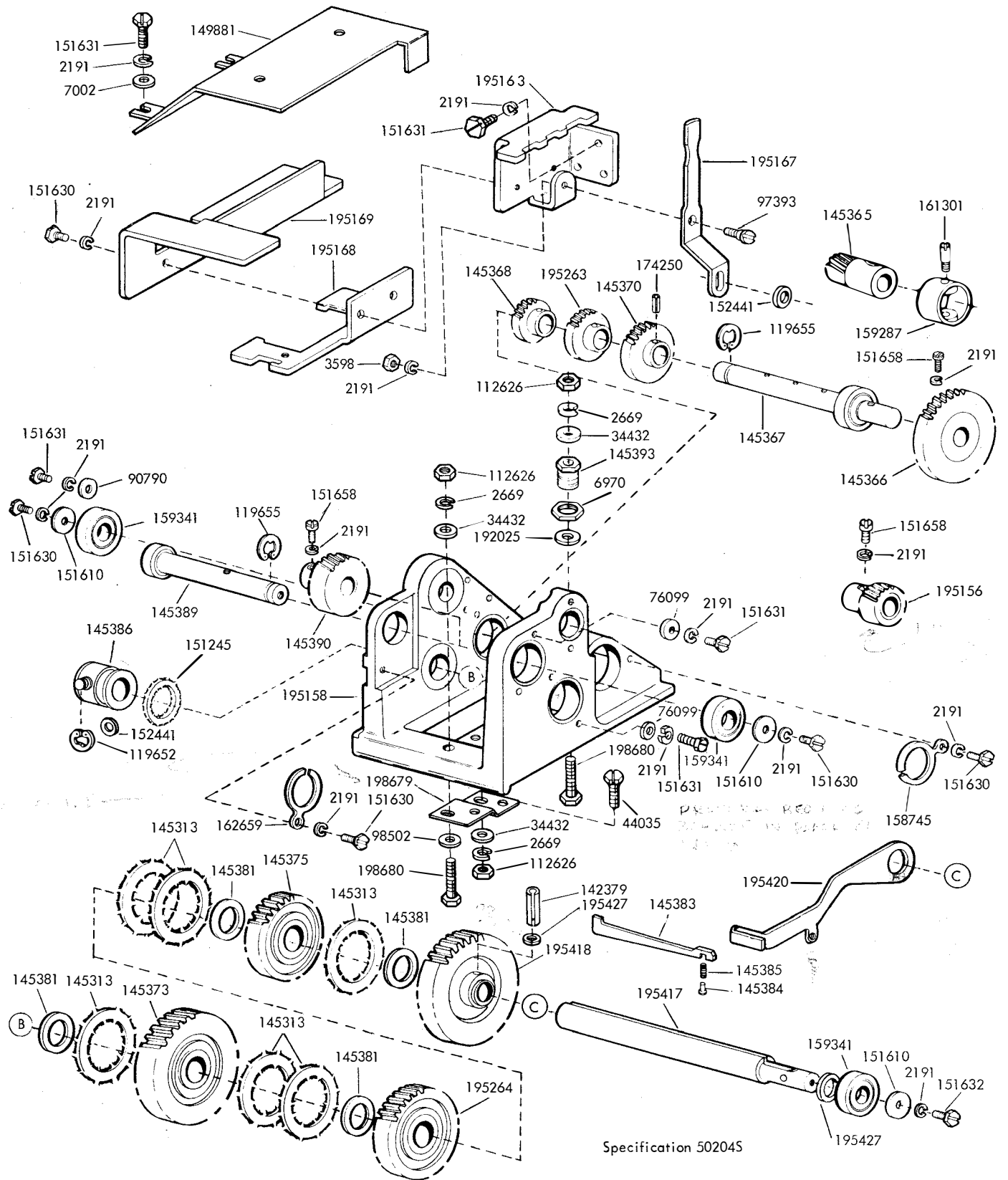


FIGURE 62. 195415 MODIFICATION KIT TO PROVIDE A THREE SPEED GEAR SHIFT (60, 67 and 100 WPM, 7.42 UNIT CODE)

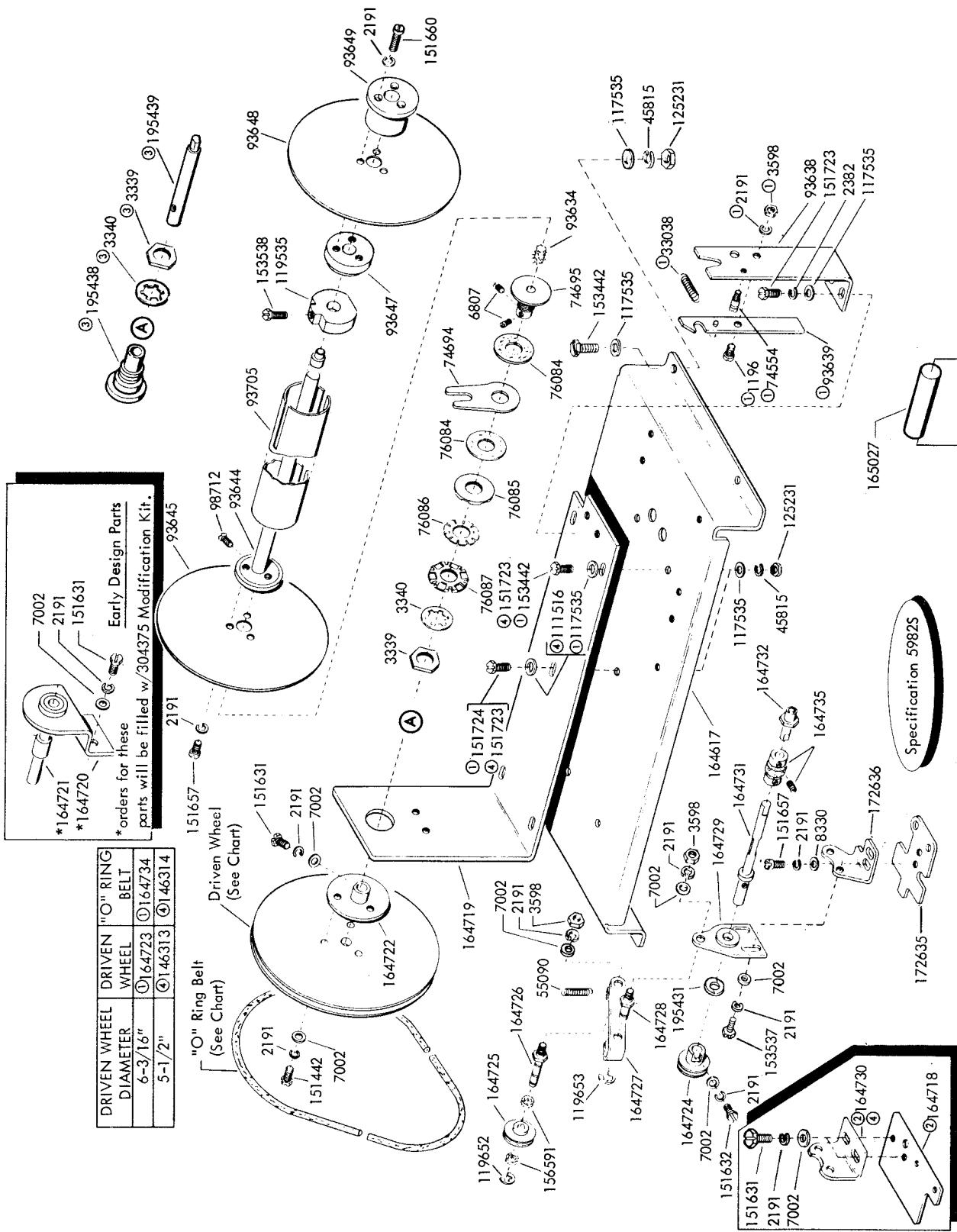


FIGURE 63. 164926 AND 146320 MODIFICATION KITS TO PROVIDE PAPER WINDING FACILITIES FOR SEND-RECEIVE AND RECEIVE-ONLY BASES MOUNTED IN AN APPARATUS CABINET

- ① Peculiar to 164926
- ② The 164718 Adapter Plate and 164730 Bracket replace the 172635 Adapter Plate and 172636 Bracket for the Mark III Keyboard. Also not part of 164926.
- ③ 304375 Modification Kit to replace early design bearing
- ④ Peculiar to 146320

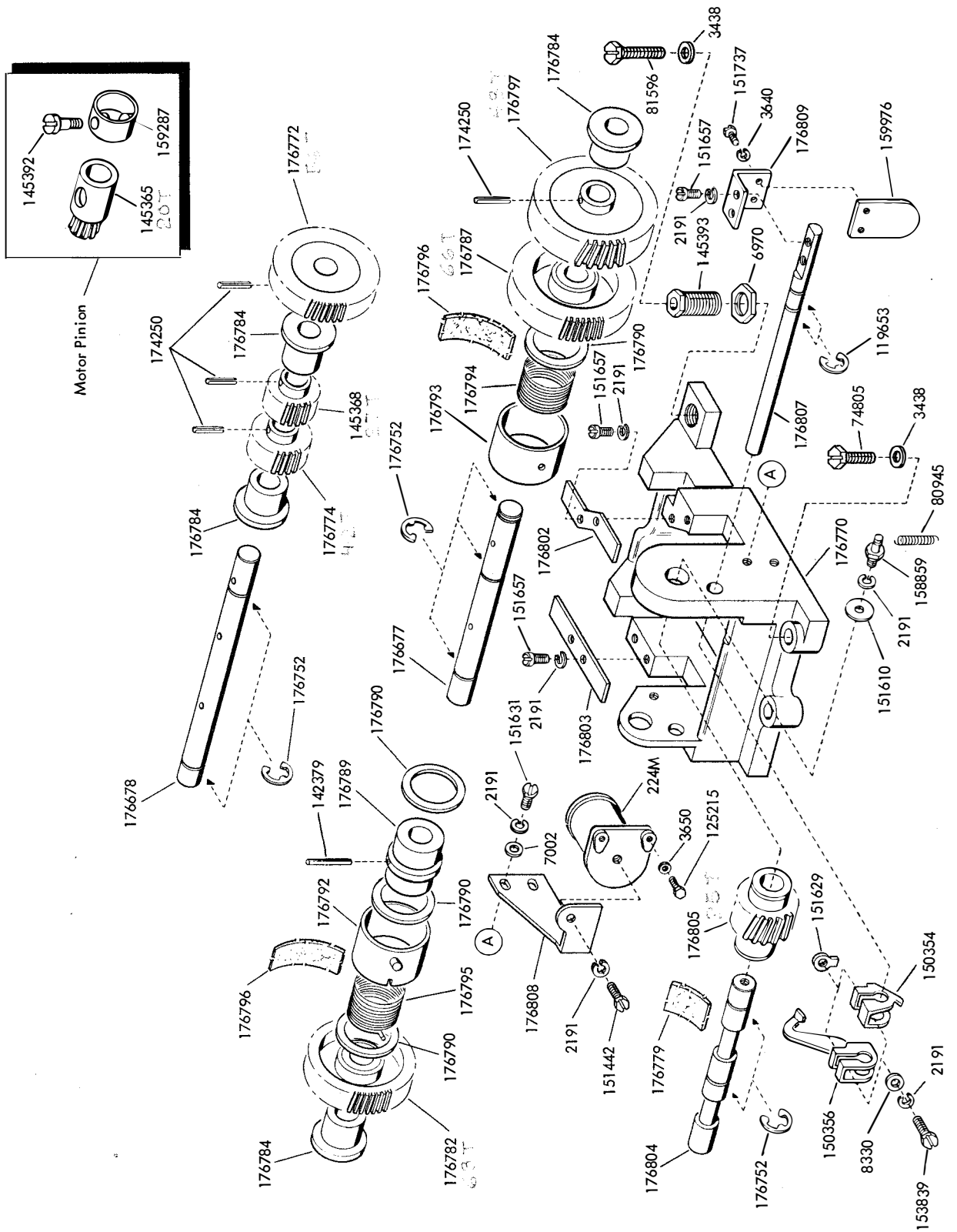


FIGURE 64. REMOTE CONTROLLED SHIFT GEAR MECHANISM
(60 AND 100 WPM, 7.42 UNIT CODE)

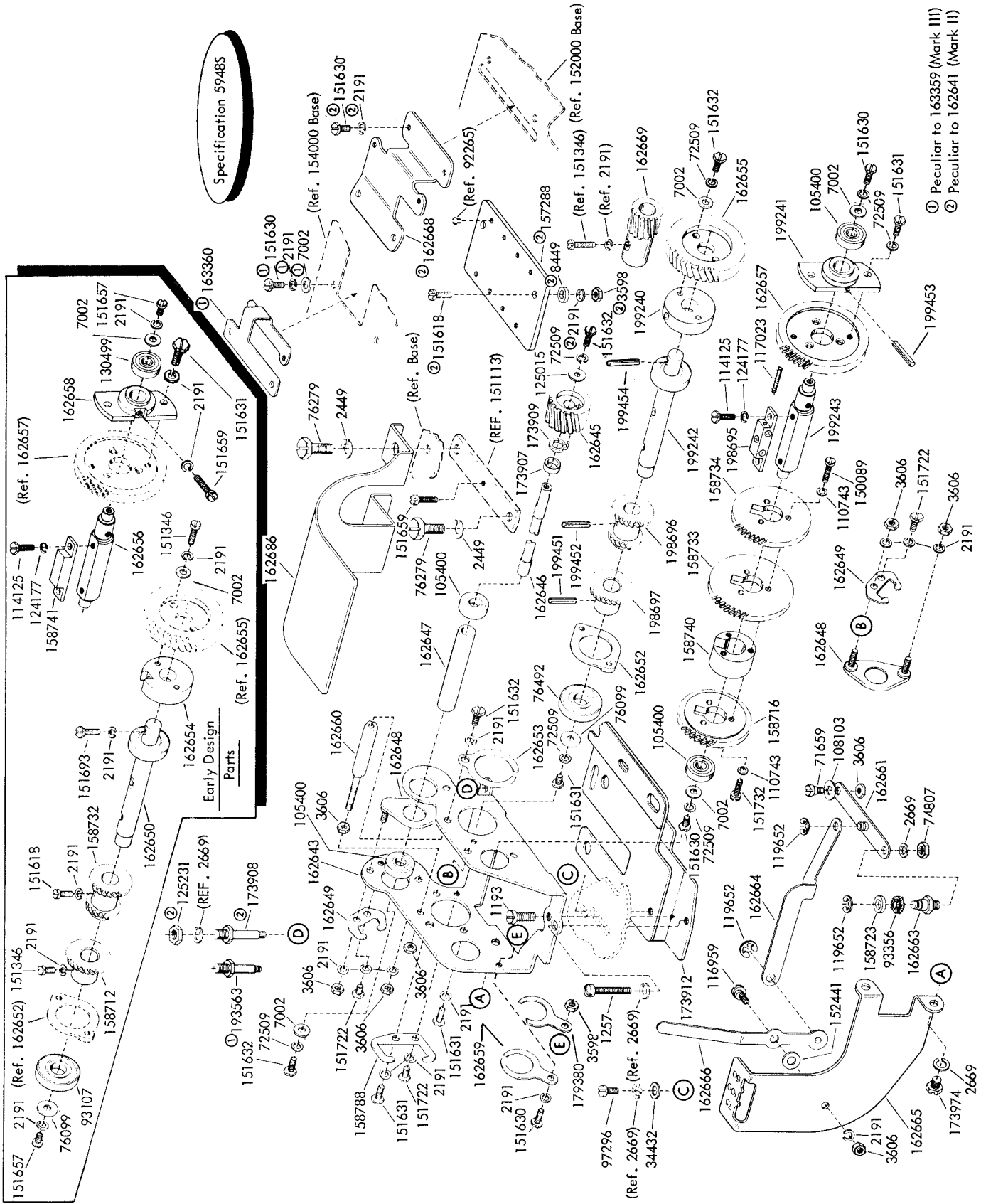


FIGURE 65. 162641 (MARK II) AND 163359 (MARK III) MODIFICATION KITS TO PROVIDE VARIABLE SPEED GEAR SHIFT MECHANISM (60, 75 AND 100 WPM, 7.42 UNIT CODE)

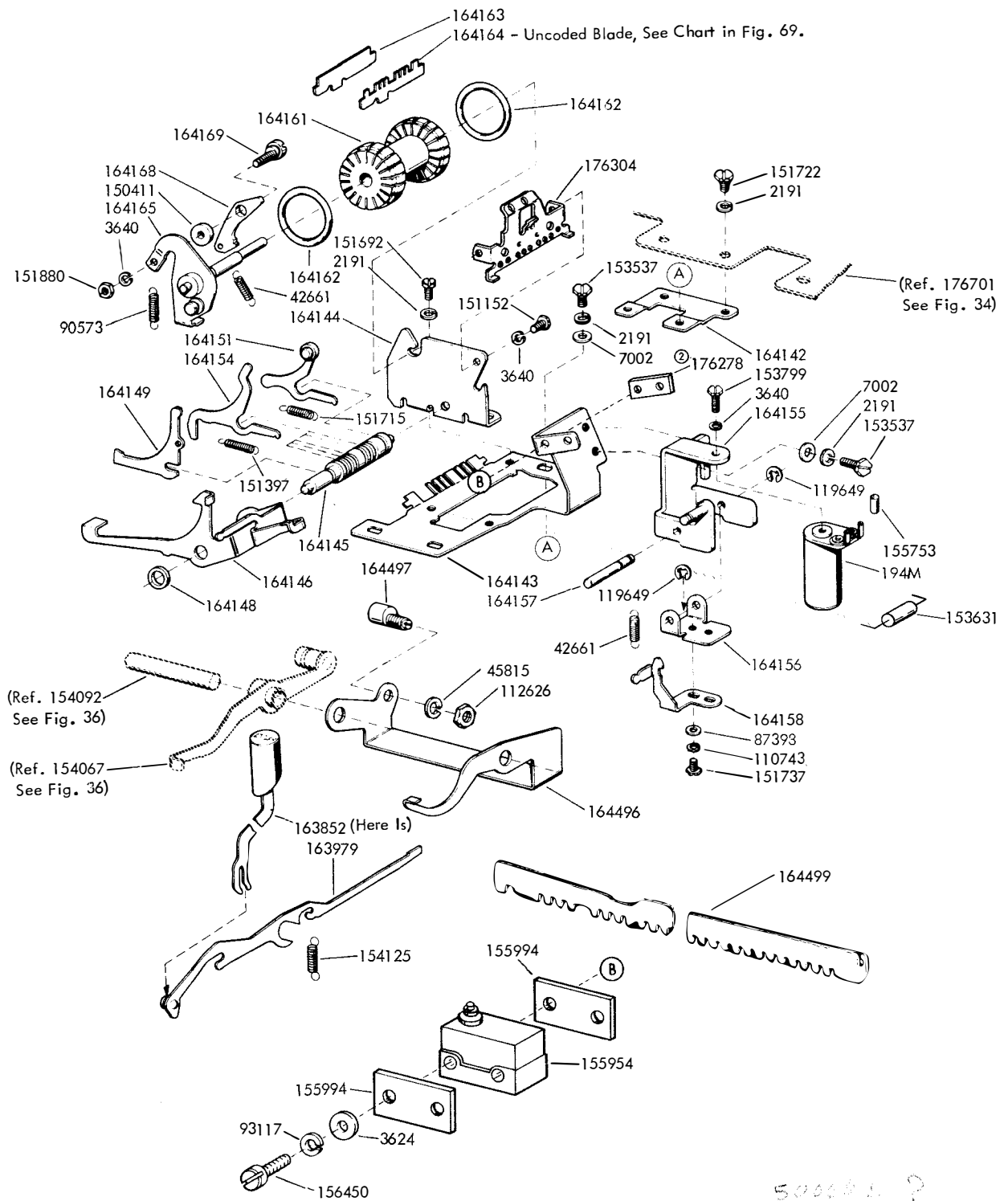
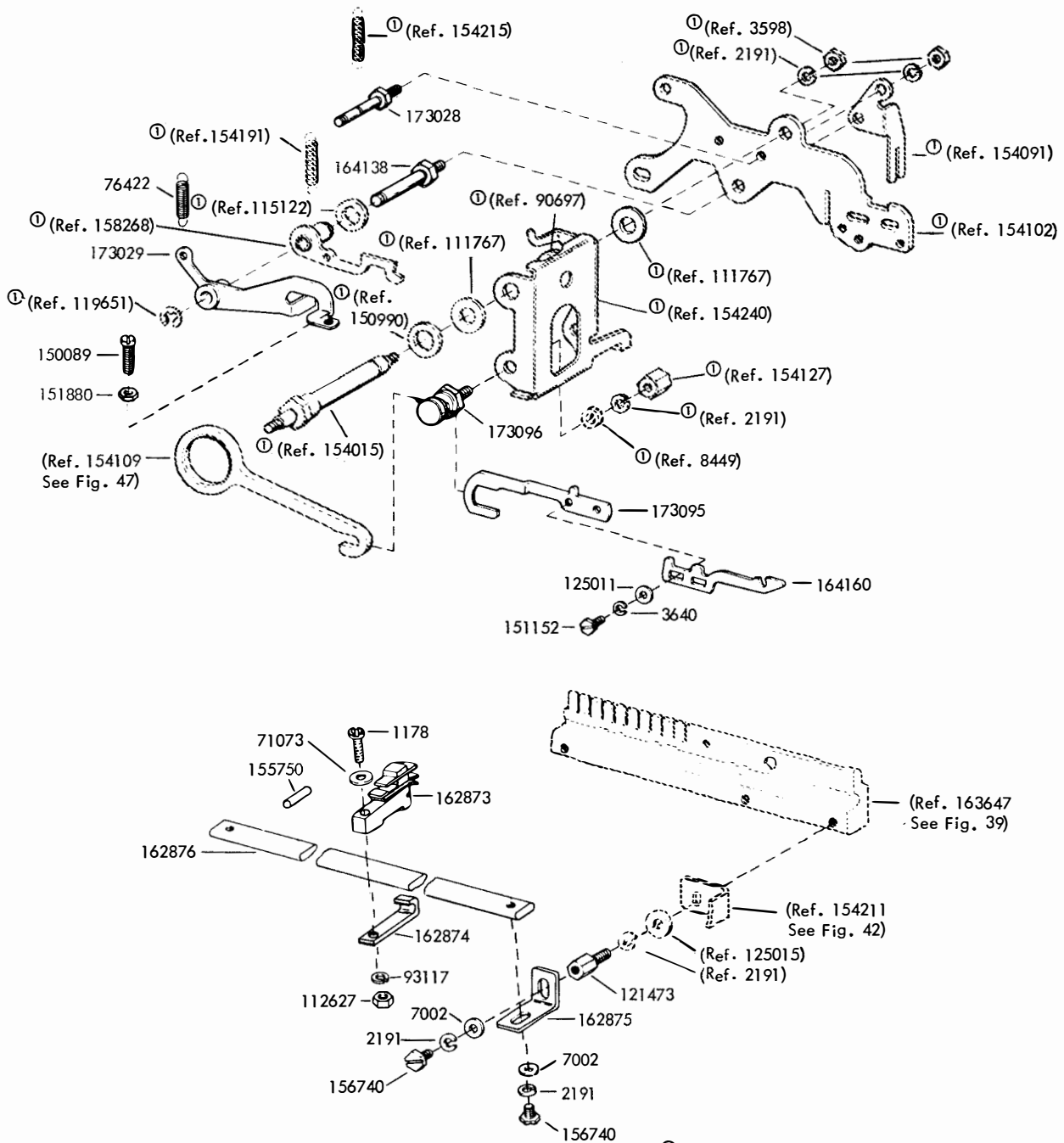


FIGURE 65. ANSWER-BACK MECHANISM



① These reference parts are shown on figure 49

FIGURE 67. ANSWER-BACK MECHANISM (CONTINUED)

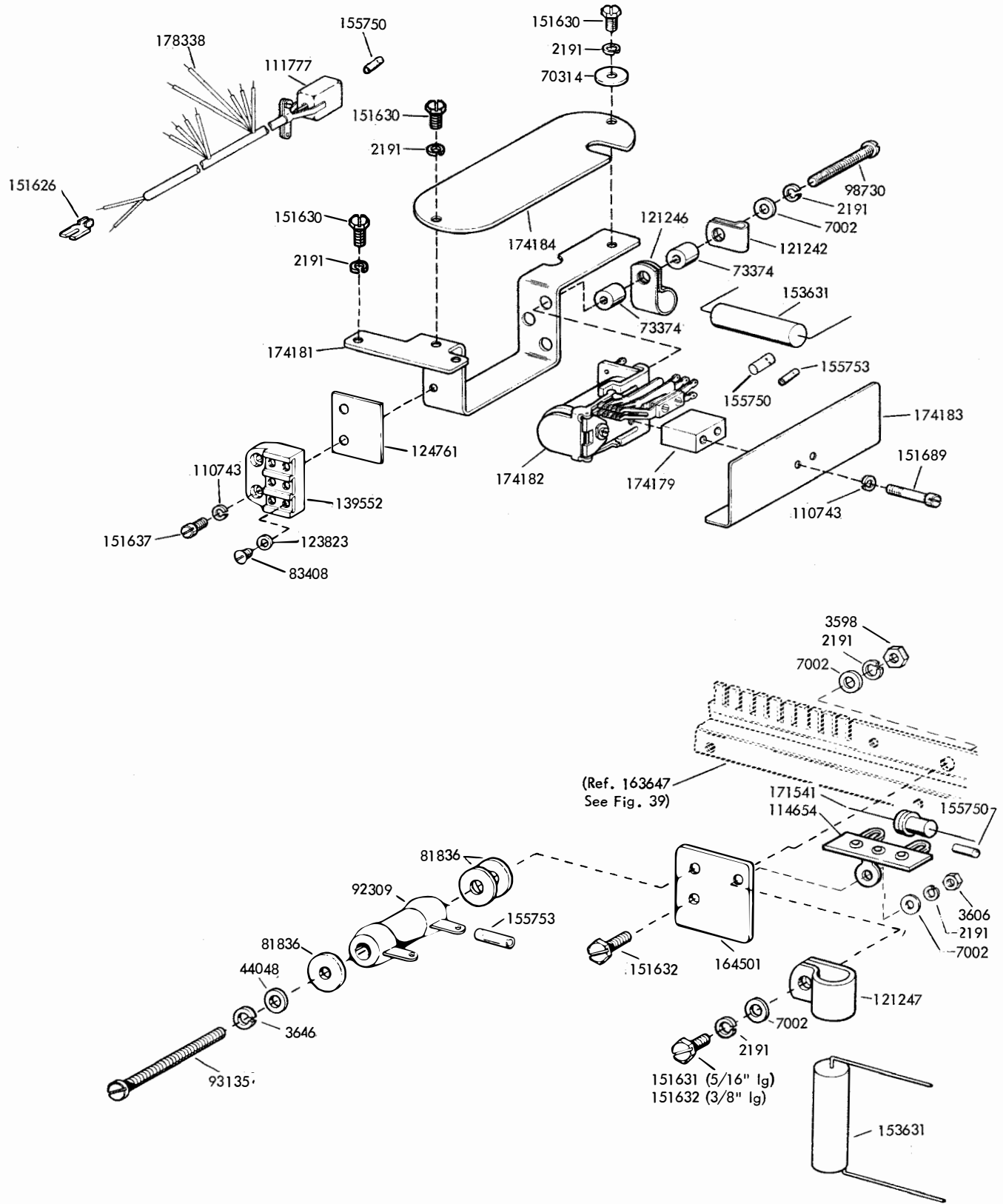
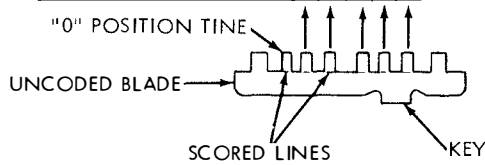


FIGURE 68. ANSWER-BACK MECHANISM (CONTINUED)

Character	Code				
	1	2	3	4	5
A	X	X			
B	X			X	X
C		X	X	X	
D	X			X	
E	X				
F	X		X	X	
G		X		X	X
H			X		X
I		X	X		
J	X	X		X	
K	X	X	X	X	
L		X			X
M			X	X	X
N			X	X	
O				X	X
P		X	X		X
Q	X	X	X	X	X
R		X		X	
S	X		X		
T					X
U	X	X	X		
V		X	X	X	X
W	X	X			X
X	X		X	X	X
Y	X		X		X
Z	X				X
CARRIAGE RETURN				X	
LINE FEED		X			
LETTERS SHIFT	X	X	X	X	X
FIGURES SHIFT	X	X		X	X
SPACE			X		
BLANK					

— LEAVE TINE
 — REMOVE TINE



Coding Instructions for the Code Blades used in the Answer Back Feature on an LK Keyboard Base.

FIGURE 69. CODING KEYBOARD ANSWER-BACK DRUM BLADE

NUMERICAL INDEX

Part Number	Description and Page Number	Part Number	Description and Page Number	Part Number	Description and Page Number
194M	Coil, Magnet 57	8330	Washer, Flat 5, 8, 34, 38, 39, 54, 55	81596	Screw (10-32 x 1-3/8 Hex) 55
224M	Coil, Magnet 55	8449	Spacer (.094") 44, 56	81726	Terminal 52
247M	Coil, Magnet 33	27263	Screw (5-40 x 7/16 Hex) 27	81731	Spring 25, 50
252M	Coil, Magnet 52	31636	Spring 15, 23, 27, 51	81774	Washer, Flat 37
263M	Coil, Magnet 52	33038	Spring 54	81836	Washer, Insulating 59
1020	Screw (6-40 x 1/4 Hex) 43	34432	Washer, Flat 5, 53, 56	82463	Spring 19
1028	Screw (4-4 x 1/4 Fil) 33	41325	Nut (5-40 Hex) 27	82474	Terminal 11, 47
1047	Screw, Shoulder (6-40) 11, 21	41663	Washer, Flat 5	82547	Insulator (.094") 43, 52
1164	Screw (2-56 x 3/16 Fil) 18, 30	41720	Spring, Contact 52	82548	Insulator (.062") 43, 52
1178	Screw (2-56 x 7/16 Fil) 23, 49, 51, 58	41732	Plate, Clamp 28, 52	82860	Spring 24, 50
1193	Screw (10-32 x 7/8 Fil) 56	41733	Insulator (.062") 28	83408	Screw (6-40 x 3/16 Rd) 59
1196	Screw, Shoulder (6-40) 54	42661	Spring 6, 28, 57	83913	Spring, Contact 52
1210	Screw (2-56 x 5/8 Fil) 31	42823	Washer, Flat 6, 16, 42	85957	Washer, Flat 9
1257	Screw (10-32 x 1-1/8 Fil) 56	43954	Bell 33	85976	Washer, Flat 49
1293	Screw (4-40 x 1/8 Fil) 45, 46	44035	Screw (10-32 x 9/16 Hex) 53	86079	Washer, Felt 18
2034	Washer, Flat 15, 17, 18, 30	44048	Washer, Flat 59	86304	Spring 45, 46
2191	Washer, Lock 4 to 11, 15, 16, 19, 21, 23, 24, 25, 27, 28, 30 to 34, 36 to 41, 43 to 59	45104	Spring 23, 51	86720	Post, Spring 15
2247	Washer, Flat 18	45815	Washer, Lock 54, 57	86742	Nut (4-40 Hex) 17, 21, 44
2382	Washer, Lock 54	49420	Spring 15, 34, 40, 48, 52	86835	Spring 4, 31, 33
2415	Spring 40	49653	Screw (10-32 x 3/16 Fil) 34	86959	Bushing, Insulating 52
2449	Washer, Lock 4, 33, 56	55090	Spring 54	87398	Washer, Flat 57
2481	Washer, Flat 52	55219	Screw (8-32 x 3/8 Fil) 33	87401	Spring 28
2597	Washer, Flat 18	55669	Spring 4, 20, 31	88891	Spring 52
2669	Washer, Lock 5, 8, 15, 16, 31, 32, 33, 34, 41, 53, 56	70071	Washer, Lock 27	89897	Nut (10-32 Hex) 27
3339	Nut (9/16-32 Hex) 54	70314	Washer, Flat 59	90260	Spring 15
3340	Washer, Lock 54	70388	Spring 6, 43	90573	Spring 18, 57
3438	Washer, Flat 8, 9, 31, 32, 33, 34, 55	71073	Washer, Flat 15, 23, 49, 51, 58	90599	Shim (.008") 28
3595	Nut (1/4-32 Hex) 15, 33	71659	Screw, Shoulder (6-40) 56	90679	Washer, Felt 15, 44
3598	Nut (6-40 Hex) 4, 6, 10, 11, 15, 21, 23, 25, 27, 30, 31, 33, 35, 36, 37, 39, 41, 43, 44, 49, 50, 52, 53, 54, 56, 59	72509	Washer, Lock 56	90714	Washer, Flat 5
3599	Nut (4-40 Hex) 4, 6, 9, 10, 15, 17, 18, 20, 23, 31, 45, 46, 47, 48, 51	72563	Washer, Felt 16	90790	Washer, Flat 53
3606	Nut (6-40 Hex) 10, 28, 44, 47, 56, 59	73008	Washer, Flat 15	90791	Washer, Lock 5, 15, 18, 30, 45, 46
3624	Washer, Flat 57	73035	Spring 24, 50	90951	Washer, Lock 23, 51
3640	Washer, Lock 10, 12, 28, 31, 33, 35, 36, 43, 45, 46, 47, 52, 55, 57, 58	73180	Switch, Toggle 12	91228	Strap (2-1/2" Braided) 33
3646	Washer, Lock 18, 33, 59	73374	Spacer (.250") 59	91229	Strap (2" Braided) 33
3650	Washer, Flat 55	73497	Plug, Red Shell 5	91683	Nut (15/32-32 Hex) 12, 22, 29, 38
3870	Spring 31, 40, 41	73844	Washer, Flat 17	91684	Nut (15/32-32 Ring) 12, 22, 29, 38
3949	Spacer 5	73894	Screw, Set (6-40) 5	91765	Spacer 15
4702	Spring 41	74291	Bracket, Spring 28	91904	Washer, Flat 10
4703	Spring 9, 33	74554	Post, Spring 54	92309	Resistor (400 Ohm) 59
4707	Washer, Flat 27	74694	Arm 54	92626	Stud 25, 50
4809	Wick, Felt 6	74695	Sleeve, Clutch 54	92668	Post, Spring 15
5475	Nut (3/16-40 Hex) 15	74722	Washer, Flat 19	93075	Nut (15/32-32 Ring) 12
5599	Nut (8-32 Hex) 5	74727	Terminal, Contact 43	93082	Extension 21
6342	Wire (1" Lg) 26	74728	Terminal, Contact 28	93107	Bearing, Ball 56
6807	Screw, Set (6-40) 54	74755	Washer, Felt 41	93117	Washer, Lock 27, 28, 49, 57, 58
6970	Nut (3/8-32 Hex) 53, 55	74805	Screw (10-32 x 3/4 Hex) 5, 34, 41, 55	93118	Washer, Lock 18, 30, 31
7002	Washer, Flat 5, 6, 7, 10, 11, 21, 23, 24, 25, 27, 30, 31, 32, 33, 36 to 40, 41, 43 to 46, 49, 50 to 59	74962	Spring 48	93135	Screw (8-32 x 1-3/4 Fil) 59
7602	Spring 6	74965	Bushing, Insulating 28	93356	Washer, Felt 55
7603	Spring 6, 7, 24, 25, 44, 49	76081	Washer, Flat 40	93507	Screw (4-40 x 3/4 Hex) 43
7655	Spring 6	76084	Washer, Felt 54	93634	Wick, Felt 54
7965	Spring 6	76085	Disk, Friction 54	93638	Bracket, Bearing 54
8262	Knob 5	76086	Washer, Spring 54	93639	Latch W/Post 54
		76087	Nut, Friction (9/16-32) 54	93644	Shaft 54
		76099	Washer, Flat 41, 53, 56	93645	Spindle, Left Paper 54
		76279	Screw (1/4-32 x 5/8 Hex) 56	93647	Hub, Right Paper Spindle 54
		76299	Spring 9	93648	Spindle, Right Paper 54
		76379	Spring 32	93649	Knob 54
		76422	Spring 47, 58	93705	Cylinder 54
		76492	Bearing, Ball 56	93758	Washer, Felt 17, 24, 25, 50
		77051	Post, Spring 28	94072	Bushing 34
		77063	Screw, Stop (4-40) 19	94665	Screw, Shoulder (6-40) 28
		78533	Spring 44	95499	Screw, Pilot (6-40) 23
		80581	Spring 19, 43	96646	Screw (6-40 x 1-3/64 Fil) 21, 48
		80945	Spring 55		

NUMERICAL INDEX (Continued)

Part Number	Description and Page Number	Part Number	Description and Page Number	Part Number	Description and Page Number
97143	Jack 5	119535	Bushing 54	145313	Washer, Felt 53
97296	Screw (10-32 x 5/16 Fil) 56	119647	Ring, Retaining 15	145318	Screw (6-40 Spl) 36
97393	Screw, Shoulder (6-40) 53	119648	Ring, Retaining 6, 15, 17, 18, 32, 43, 47, 49	145365	Pinion (20 T) 53, 55
98502	Washer, Flat 53	119649	Ring, Retaining 15, 17, 18, 21, 32, 48, 57	145366	Gear (56 T) 53
98712	Screw (4-40 x 1/4 Flat) 54	119650	Ring, Retaining 40	145367	Shaft, Drive 53
98730	Screw (6-32 x 1-1/4 Rd) 59	119651	Ring, Retaining 5, 8, 9, 15, 19, 23, 24, 25, 27, 31, 37, 43, 44, 50, 51	145368	Gear (27 T) 53, 55
99220	Spring, Compression 5, 30	119652	Ring, Retaining 5, 9, 15, 18, 24, 25, 41, 53, 54, 56	145370	Gear (42 T) 53
100149	Stud 11, 21	119653	Ring, Retaining 34, 36, 50, 54, 55	145373	Gear (66 T) 53
101386	Spring 17, 51	119654	Ring, Retaining 40	145375	Gear (63 T) 53
101714	Spring 28	119655	Ring, Retaining 33, 53	145381	Washer, Thrust 53
101796	Washer, Felt 7, 15	120175	Plate (ON-OFF) 12, 38	145383	Key 53
102057	Screw, Shoulder (4-40) 4, 20, 31	120824	Washer, Felt 16, 42	145384	Pin, Guide 53
102329	Spring, Contact 28	120870	Wick, Felt 43	145385	Spring, Compression 53
102330	Spring, Contact 28	121018	Nut (4-40 Hex) 5	145386	Sleeve 53
104710	Ball, Bearing 10, 35, 36	121125	Washer, Spring 52	145389	Shaft, Idler 53
104751	Spring 5	121242	Clamp, Cable (1/8" ID) 5, 31, 52, 59	145390	Pinion (25 T) 53
104807	Washer, Flat 6, 28	121243	Clamp, Cable (3/16" ID) 4, 21, 30, 52	145393	Bushing 53, 55
104827	Bearing, Ball 8, 33, 34	121244	Clamp, Cable (1/4" ID) 11, 49	146313	Wheel, Driven 54
105400	Bearing, Ball 56	121245	Clamp, Cable (5/16" ID) 31, 51	146314	Belt, "O" Ring 54
105551	Shell, Red 5	121246	Clamp, Cable (3/8" ID) 59	146320	Modification Kit 54
106047	Screw (1/4-32 x 1/2 Hex) 4	121247	Clamp, Cable (7/16" ID) 4, 59	149881	Cover, Gear 53
107364	Screw (6-32 x 3/8 Fil) 39	121473	Post 49, 58	150013	Disk, Adjusting 16, 42
107398	Terminal 33	121539	Terminal 33	150026	Lever, Shoe Release 16, 42
108007	Spacer 28	122057	Switch, Sensitive 19, 28	150028	Disk, Clutch 16
108102	Screw (4-40 x 1/4 Flat) 12, 38	123823	Washer, Flat 59	150029	Wick, Felt 16, 42
108103	Washer, Flat 56	124177	Washer, Lock 56	150043	Shoe, Secondary Clutch 16, 42
108370	Washer, Felt 43	124244	Washer, Felt 32	150044	Shoe, Primary Clutch 16, 42
108891	Screw (6-40 x 3/16 Hex) 24	124610	Plug 5	150089	Screw (4-40 x 1/2 Fil) 5, 6, 56, 58
108949	Stiffener 28	124761	Plate, Insulating 59	150241	Spring 16, 42
110191	Washer, Lock 5	124999	Switch, Sensitive 27	150354	Arm, Trip 55
110434	Screw (4-40 x 3/16 Fil) 4, 6, 20, 33	125011	Washer, Flat 5, 6, 18, 35, 41, 46, 58	150356	Lever, Trip 55
110435	Nut (4-40 Hex) 6, 18, 30, 33	125015	Washer, Flat 27, 28, 33, 37, 39, 44, 56	150923	Washer, Felt 32, 43, 44
110436	Spring 23	125112	Screw (2-56 x 1/8 Fil) 43	150932	Bushing, Shoulder 25, 50
110437	Spring 40, 47	125122	Screw (2-56 x 3/4 Fil) 27	150966	Insulator (1-4) 4, 31, 33
110475	Screw (2-64 x 5/64 Rd) 5	125126	Screw (2-56 x 9/32 Fil) 18, 30, 45, 46	150990	Washer, Felt 44
110476	Screw (4-48 x 5/64 Fil) 5	125181	Screw (2-56 x 3/8 Fil) 4, 19, 20, 21, 48	150991	Washer, Felt 40, 41
110743	Washer, Lock 4, 5, 6, 7, 9, 10, 15, 16, 17, 18, 20, 28, 30, 35, 41, 42, 45, 46, 47, 56, 57, 59	125215	Screw (4-40 x 3/16 Hex) 55	150999	Lever, Latch 6
111017	Screw (6-40 x 5/16 Fil) 4, 5, 32, 33	125231	Nut (10-32 Hex) 33, 54, 56	151008	Lever, Latch 6
111342	Spring 15	125241	Spring 21	151013	Bail 10
111343	Clamp, Retaining 10, 35	125268	Spring 17	151014	Link 10
111409	Screw (4-40 x 7/32 Fil) 28	128002	Screw (2-56 x 3/16 Fil) 15	151016	Bearing, Roller 15
111516	Washer, Flat 54	128357	Ring, Retaining 30	151018	Stud 15
111767	Washer, Flat 15, 33, 44	130499	Bearing, Ball 56	151023	Guide 6
111777	Connector, Receptacle (4 Pt) 59	131099	Terminal 33, 47	151025	Lever, Detent 17
112127	Hinge 43	139012	Solenoid (85 Ohm) 27	151026	Arm, Toggle Detent 17
112128	Retainer 43	139552	Block, Terminal 59	151030	Shaft, Code Lever 6
112626	Nut (10-32 Hex) 8, 15, 16, 34, 41, 53, 57	139555	Spring 11, 21	151032	Bellcrank 6
112627	Nut (2-56 Hex) 21, 49, 58	139564	Nut (3/8-32 Hex) 12	151036	Screw, Shoulder (4-40) 6, 10, 44
112630	Spring 9, 31	139565	Washer, Flat 12	151037	Lever 17
112695	Connector, Plug (3 Pt) 26	139754	Screw, Shoulder (6-40) 47	151038	Plate, Guide 15
113980	Washer, Flat 27, 28	142379	Pin, Roll 53, 55	151039	Stud 15
114125	Screw (6-40 x 3/8 Hex) 56	144871	Shaft, Solenoid Plunger 32	151041	Screw, Pilot (4-40) 15
114478	Nut (15/32-32 Hex) 12, 38	145190	Connector, Plug (2 Pt) 52	151043	Plate, Nut 6
114654	Strip, Terminal 59	145191	Connector, Receptacle (2 Pt) 52	151045	Bar, Spacing 10, 38, 39
115122	Washer, Felt 41, 44	145307	Plate, Nut 32	151051	Lever, Intermediate 17
116959	Screw, Eccentric Shoulder (6-40) 56			151052	Lever, Selector 18
117023	Wick, Felt 56			151053	Lever, Transfer 18
117416	Post 41			151054	Stud 15
117535	Washer, Flat 54			151055	Post 18
117608	Nut, Speed 10, 11, 13, 27, 38			151056	Stud 17
119467	Insulator (.032") 27, 28			151057	Screw, Pilot (1/4-32) 15
				151059	Stud 17, 21, 48
				151060	Gear Set (60 WPM) 20
				151062	Stud 18
				151063	Spacer 16
				151064	Plate, Rear 16

NUMERICAL INDEX (Continued)

Part Number	Description and Page Number	Part Number	Description and Page Number	Part Number	Description and Page Number
151065	Bail, Locking 18	151189	Bail, Clutch Trip 15	151376	Label, Instruction 38
151066	Bail, Rocker 15	151190	Lever, Oscillating 17	151389	Paper, Carbon 38
151067	Bail, Code Bar 15	151191	Bracket 6	151390	Label 38
151068	Lever, Reset 16	151193	Bumper 6	151391	Label Set 10, 38
151073	Screw (4-40 x 5/32 Fil) 5, 52	151201	Wick, Felt 16	151395	Spring 17
151075	Gear Set (75 WPM) 20	151205	Plate 17	151397	Spring 18, 57
151076	Wedge, Locking 10	151207	Stud 15	151398	Spring 18
151080	Washer, Flat 10, 35, 36	151211	Lever, Stop 15	151399	Bracket 4
151082	Screw, Pilot (4-40) 7	151213	Stud, Eccentric 15	151411	Block, Terminal 32
151084	Bar, Clutch Trip 6	151215	Shaft 15	151412	Insulator (1-9) 32
151085	Bar, Code (#5) 6	151216	Detent 15	151415	Block, Terminal 4, 31, 33
151086	Bar, Code #4 6	151217	Roller 15	151416	Nut (6-40 Hex) 4, 31, 32, 33
151087	Bar Code (#3) 6	151218	Rod, Break 19	151442	Screw (6-40 x 1/2 Hex) 37, 41, 52, 54, 55
151088	Bar, Code (#2) 6	151219	Plate 8	151444	Bracket, Guard 28
151089	Bar, Code (#1) 6	151222	Washer, Felt 17	151540	Lampholder 33, 47
151090	Screw, Pilot (6-40) 6	151223	Screw, Shoulder (4-40) 10, 38, 39	151564	Bracket 33
151091	Plate, Nut 6	151224	Screw, Pilot (6-40) 10, 37, 42	151565	Bushing, Shoulder 33
151092	Frame, Code Bar 6	151225	Washer, Felt 15	151567	Armature W/Clapper 33
151096	Frame, Signal Generator 15	151226	Strip 10, 11	151574	Grommet, Rubber 22, 33
151097	Shaft 18	151227	Bracket, Space Bar 10	151577	Screw, Shoulder (6-40) 33
151098	Stud 17	151228	Bracket W/Bearing 8, 34	151579	Plate, Retaining 33
151099	Extension, Rocker 15	151234	Ratchet (27 T) 23, 51	151610	Washer, Flat 53, 55
151100	Gear Set (100 MPM) 20	151235	Ratchet (28 T) 23, 51	151618	Screw (6-40 x 7/16 Fil) 4, 8, 27, 56
151101	Guide 6	151236	Hub 23, 51	151626	Terminal 21, 22, 26, 31, 32, 38, 47, 48, 52, 59
151102	Pawl 7	151237	Spring, Flat 23, 51	151629	Nut (6-40 Lug) 55
151104	Clip 6	151239	Pawl 23	151630	Screw (6-40 x 1/4 Hex) 10, 27, 31, 32, 33, 36, 37, 39, 40, 49, 50, 52, 53, 56, 59
151105	Extension 10	151240	Pawl 23, 51	151631	Screw (6-40 x 5/16 Hex) 8, 25, 31, 32, 33, 34, 37, 38, 39, 41, 43, 49, 50, 52, 53, 54, 55, 56, 59
151106	Plate 15	151241	Lever, Latching 23, 51	151632	Screw (6-40 x 3/8 Hex) 8, 31, 32, 33, 34, 37, 39, 40, 45, 46, 48, 49, 51, 52, 53, 54, 56, 59
151112	Shaft 9	151243	Pawl 23	151637	Screw (4-40 x 1/4 Fil) 5, 6, 10, 11, 12, 59
151113	Strip, Mounting 4, 31	151244	Bushing, Eccentric 23, 51	151642	Screw (6-40 x 3/4 Fil) 5, 15
151115	Plunger 9	151245	Washer, Felt 8, 23, 51, 53	151657	Screw (6-40 x 1/4 Fil) 4, 5, 6, 7, 21, 23, 52, 54, 55, 56
151118	Plate, Spacing 4, 31	151246	Washer, Flat 8, 23, 51	151658	Screw (6-40 x 5/16 Fil) 4, 6, 9, 10, 11, 16, 25, 27, 30, 31, 33, 53
151126	Spacer (25/64" ID) 8, 34	151286	To	151659	Screw (6-40 x 1/2 Fil) 10, 11, 37, 38, 39, 56
151127	Shaft 8	151289	Keylever Assembly 13	151660	Screw (6-40 x 7/8 Fil) 54
151130	Pinion (14 T) 20	151290	Keylever Assembly 13, 19, 48	151678	Screw, Pilot (1/4-20) 4, 31
151131	Gear (96 T) 20	151291	To	151685	Screw (4-40 x 5/16 Fil) 18, 30
151132	Pinion (17 T) 20	151300	Keylever Assembly 13	151686	Screw (4-40 x 3/8 Fil) 30, 47
151133	Gear (93 T) 20	151301	Keylever Assembly 14	151688	Screw (4-40 x 5/8 Fil) 6, 28
151134	Pinion (20 T) 20	151302	To	151689	Screw (4-40 x 3/4 Fil) 59
151135	Gear (84 T) 20	151306	Keylever Assembly 13	151692	Screw (6-40 x 3/16 Fil) 4, 9, 10, 11, 15, 24, 25, 27, 47, 50, 57
151140	Plate 17	151307	Keylever Assembly 14	151693	Screw (6-40 x 9/16 Fil) 4, 56
151145	Screw, Shoulder (2-56) 17	151308	To	151712	Button, Pivot 8, 34
151146	Strap, Mounting 4, 31	151322	Keylever Assembly 13	151715	Spring 57
151151	Camsleeve 16	151325	Cover 10	151722	Screw (6-40 x 3/16 Hex) 31, 37, 40, 43, 50, 51, 56, 57
151152	Screw (4-40 x 3/16 Hex) 5, 6, 15, 17, 18, 35, 41, 45, 46, 47, 57, 58	151326	Plate, Seal 10, 11	151723	Screw (10-32 x 3/8 Hex) 8, 31, 32, 54
151154	Sleeve, Gear 16	151329	Switch, Sensitive 4, 20, 21, 23, 33, 48, 51	151724	Screw (10-32 x 5/8 Hex) 8, 34, 54
151157	Shaft 16	151333	Wick, Felt 16	151725	Screw (10-32 x 3/4 Fil) 8, 34
151158	Guide, Selector Lever 18	151335	Stud 4, 31, 32, 33		
151159	Bracket 9	151338	Spacer 10, 11		
151161	Shaft 18	151341	Lever, Contact 4, 20		
151167	Bracket 6	151342	Bracket 4, 20		
151169	Screw, Adjusting (4-40) 18	151346	Screw (6-40 x 3/8 Fil) 4, 5, 6, 8, 10, 11, 28, 30, 33, 56		
151170	Box Assembly, Contact 18	151350	Screw, Shoulder 4-40 6		
151171	Toggle 18, 30, 45, 46	151352	Spring, Flat 9, 31		
151173	Screw, Contact 4-40 18, 30	151353	Window, Plastic 10		
151176	Base 18, 30	151354	Screw (2-56 x 15/32 Fil) 10, 28		
151177	Terminal 18, 30	151355	Bar, Lock 6		
151179	Terminal 18, 30	151358	Box, Contact 18		
151180	Link, Toggle 18, 30, 45, 46	151359	Cover 18, 30		
151182	Washer, Insulating 18, 30, 45, 46	151365	Terminal 4		
151183	Insulator 18, 30	151367	Plate 6		
151184	Extension, Toggle 18, 30	151369	Suppressor, Electrical Noise 4		
151185	Guide 18, 30				
151188	Guide, Transfer Lever 18				

NUMERICAL INDEX (Continued)

Part Number	Description and Page Number	Part Number	Description and Page Number	Part Number	Description and Page Number
151728	Spring 16, 42	152007	Keylever Assembly 14	153118	Cover, Lable 11, 12
151731	Screw (4-40 x 7/8 Fil) 18, 30, 47	152008	To	153119	Label Set 11, 12
151732	Screw (4-40 x 11/32 Fil) 56	152016	Keylever Assembly 13	153120	Label, Instruction (Left) 12
151733	Screw (4-40 x 9/16 Fil) 52	152017	To	153122	Label, Blank 12
151737	Screw (4-40 x 11/64 Hex) 16, 42, 55, 57	152020	Keylever Assembly 14	153123	Paper, Carbon 12
151739*	Screw, Identification (6-40) 13	152045	Guard, Gear 4, 31	153124	Tissue 12
151820	Spring 18, 30, 45, 46	152051	Tissue 38	153243	Bail 25
151827	Strap 32	152122	Screw, Shoulder (4-40) 9	153244	Shaft 9
151830	Bar, Upstop 6	152130	To	153245	Bracket 25
151832	Screw, Shoulder (6-40) 18	152139	Keylever Assembly 14	153246	Bracket 25
151833	Frame, Front 10	152250	Stud, Eccentric 6	153247	Lever, Trip 25, 50
151834	Plate, Keytop Guide 10	152296	Bracket, Spring 6	153248	Bushing, Shoulder 24, 25, 50
151835	Lever, Latch 15	152318	Switch, Magnetic 21, 48	153249	Bail, Transfer 25, 50
151837	Stud 15	152333	Modification Kit 19	153250	Link 25, 50
151840	Bail 6	152334	Modification Kit 21	153252	Link 25, 31
151841	Channel 10	152338	Modification Kit 8, 23	153264	Shaft 9
151842	Retainer, Ball 10	152342	Modification Kit 22	153265	Bracket 24
151843	Screw, Adjusting (6-40) 10, 35, 36	152343	Modification Kit 20	153266	Lever, Trip 24, 50
151844	Screw, Stop (4-40) 10	152441	Washer, Flat 53, 56	153267	Washer, Felt 5
151845	Lever 6	152460	Bracket 4	153271	Bail 24
151846	Post, Spring 19	152461	Bracket 33	153273	Link 24, 50
151848	Lock 10	152462	Latch, Right 4, 31, 33	153274	Lever, Adjusting 24
151849	Guide, Code Lever 7	152463	Latch, Left 4, 31, 33	153276	Bracket, Adjusting 24
151851	Lever, Code Bar 7	152464	Insulator (.062") 31, 33	153277	Bail 24
151852	Lever, Space 7	152465	Connector, Receptacle (20 Pt) 26	153283	Keylever Assembly 14, 25, 50
151853	Lever, Keyboard Lock & Break 7, 24, 25	152467	Connector, Plug (20 Pt) 31, 33, 47	153284	Keylever Assembly 14, 24, 50
151854	Lever, Local LF and Local CR 7	152493	Lever, Latch 15	153441	Screw (10-32 x 7/16 Hex) 33
151855	Lever, Keyboard Unlock & Repeat 7	152754	Jumper (4-1/2" Red) 32	153442	Screw (10-32 x 1/2 Hex) 54
151856	Bracket 9	152764	Gear (81 T) 20	153444	Keylever Assembly 11
151857	Bail 9	152765	Pinion (13 T) 20	153445	Keylever Assembly 11
151858	Bail 9	152766	Gear Set (67 WPM) 20	153537	Screw (6-40 x 9/32 Hex) 54, 57
151859	Link 9	152814	Stud 17	153538	Screw (6-40 x 7/16 Hex) 54
151861	Bail 9	152815	Lever, Break 19	153572	Cable Assembly 22, 38
151862	Bracket 9	152839	Spring 6	153589	Switch, Toggle (DP-DT) 22, 38
151863	Shaft 9	152873	Latch 6	153590	Spacer 22, 29
151867	Bracket 11	125874	Shaft, Latch 6	153591	Cable 22
151879	Stud 23, 51	152875	Spacer (.050") 6	153595	Block, Switch Mounting 22
151880	Nut (4-40 Hex) 45, 46, 57, 58	152876	Bracket 6	153619	Board, Terminal 4, 30
151884	Bracket 23	152877	Bail 6	153620	Insulator 4
151885	Plate, Nut 23, 51	152878	Bracket, Stop 6	153622	Jumper (5" Purple) 26
151886	Stud 23, 51	152890	Washer, Flat 36	153623	Box, Contact 18
151887	Modification Kit 15, 19	152893	Screw (4-40 x 1/4 Hex) 10, 28, 35, 36	153624	Box Assembly, Contact 18
151889	Extension 6	152894	Bracket 17	153626	Insulator (.031") 19
151890	Gear Assembly, Intermediate 8	152904	Modification Kit to Convert Keytop Arrangement "ARC" to "ARD" 13	153627	Screw (6-40 Spl) 19
151893	Plate 8	152905	Modification Kit to Convert Keytop Arrangement "ARC" to "ARB" 13	153629	Lever, Break 19
151894	Gear (48 T) 8	152906	Modification Kit to Convert Keytop Arrangement "ARC" to "ARA" 13	153630	Bracket 19
151895	Bushing, Eccentric 8	152911	Modification Kit 21	153631	Network, Spark Suppression 4, 28, 30, 57, 59
151896	Shaft 8	152916	Modification Kit 25	153632	Cable Assembly 19
151897	Lever 8	152918	Modification Kit 24	153633	Suppressor Assembly 4
151898	Spring 8	153109	Lever, Function 11, 21	153635	Cable W/Terminals 21
151899	Nut, Shoulder (2-56) 17	153110	Cable W/Terminals 11	153636	Lever, Switch 21
151901	To	153112	Bracket 11	153637	Spring, Torsion 21
151910	Keylever Assembly 13	153115	Keylever Assembly 21	153638	Bracket, Switch 21
151934	Modification Kit to Convert "ARA" Keytop Arrangement to "ARC" 13	153116	Plug, Button 10, 11, 13, 27	153639	Cable Assembly 23
151939	Grommet, Rubber 33	153117	Cover 11, 12	153671	Cable Assembly 20
151982	Lamp, Incandescent (6V) 33			153672	Cable Assembly 21
152000	Base 4			153796	Cable 5
152001	To			153799	Screw (4-40 x 21/64 Hex) 57
152006	Keylever Assembly 13			153803	Jumper (5" Slate) 26
				153817	Screw (4-40 x 3/8 Hex) 18, 31, 45, 46
				153839	Screw (6-40 x 5/8 Hex) 5, 55
				153841	Screw (6-40 x 9/16 Hex) 39, 41
				153843	Lever, Space Repeat 19
				153845	Bushing 19

*See page 13 for explanation

NUMERICAL INDEX (Continued)

Part Number	Description and Page Number	Part Number	Description and Page Number	Part Number	Description and Page Number
153846	Plate, Nut 5	154066	Lever, LOC-LF 34	154151	Bail Assembly, Universal 35
153847	Generator, Tachometer 5	154067	Lever, KYBD Lock 34	154152	Bar Assembly, Ball Lock 35
153848	Bracket, Generator 5	154068	Bracket, Right 40	154153	Cable Assembly 48
153876	Clamp, Cable (1-21/32" ID) 5	154069	Bracket, Left 40	154154	Cam 42
153877	Bracket 5	154070	Guide, Lever 40	154156	Grommet, Rubber 33, 47
153878	Link 5	154071	Screw, Pilot (1/4-32) 40	154165	Box Assembly, Contact 45
153887	Detent 15	154072	Bracket 40	154166	Suppressor, ARC 45
153892	Meter, Tachometer 5	154076	Plate, Nut 31	154173	Plate 33, 47
153902	Modification Kit 19	154079	Stud 44	154176	Bracket 31
153952	Cover, Motor 30	154080	Lock, Wedge 40	154178	Spring 43
153955	Lever 5	154081	Plate, Retaining 10, 35	154179	Blade, Universal 35
153956	Cover 5	154083	Spacer 42	154183	Blade, Front 35
153958	Plate, Guide 5	154084	Bearing 44	154184	Blade, Rear 35
153959	Plate, Cover 5	154085	Plate 8, 31	154189	Insulator 45
153969	Slide 5	154086	Retainer, Wedge 10, 35	154190	Filter, R.F. 45
153970	Plate, Bearing 5	154087	Plate, Nut 31	154191	Spring 44
153971	Plunger 5	154088	Plate, Nut 31	154193	Plate 48
153984	Bail 5	154089	Post, Spring 44	154194	Base 45, 46
153985	Shim (.020") 5	154091	Guide 44	154197	Plug, Button 38
153986	Plate, Identification 5	154092	Shaft 34	154198	Window, Plastic 38
153987	Brake, Slide 5	154095	Eccentric 45, 46	154199	Shim (.005") 31
153992	Meter Assembly 5	154096	Bushing, Eccentric 41	154201	Shim (.014") 31
153993	Pinion (20 T) 5, 20	154097	Bail 50	154202	Screw (#4 Spl) 38
154000	Base 31	154098	Bail 50	154203	Bracket 37
154001	Bar, Code (#1) 40	154099	Bail 34	154204	Grommet, Plastic 38
154002	Bar, Code (#2) 40	154101	Plate, Rear 41	154208	Bracket 31
154003	Bar, Code (#3) 40	154102	Plate, Rear 44	154210	Bracket, Left 37
154004	Bar, Code (#4) 40	154105	Post 43	154211	Bracket, Right 37
154005	Bar, Code (#5) 40	154106	Bracket 31	154212	Frame, Front 37
154008	Guide, Code Bar 20	154107	Bracket 50	154215	Spring 44
154009	Plate, Front 43	154109	Plunger 31	154217	Wick, Leather 43
154010	Bail, Transfer 43	154110	Hood, Keyboard 37	154224	Gear Assembly, Intermediate 34
154013	Bracket, Spring 40	154111	Plate, Guide 38	154225	Box Assembly, Contact 45
154014	Post, Guide 43	154112	Lever 47	154226	Box W/Strap 45
154015	Post 44	154114	Post 47	154227	Bracket, Support 50
154016	Shaft 40	154115	Plate, Guide 31	154236	Lever, Latch 41
154018	Post 43	154116	Bail 50	154237	Lever, Non-Repeat 44
154019	Follower, Eccentric 42	154117	Bail, Space Bar 37	154238	Extension 35
154020	Seal, Front 37	154118	Lever W/Hub 48	154239	Extension W/Post 35
154021	Link 37	154119	Bracket, Space Bar 37	154240	Bail, Code Bar 44
154023	Latch 40	154120	Lever 40	154241	Stud 44
154025	Plate, Adjusting 44	154121	Lever (Space) 40	154350	Modification Kit 44
154027	Bellcrank 44	154122	Lever (Keyboard Lock) 40	154386	Plate, Adjusting 44
154029	Wick, Felt 42	154123	Lever (Function) 40	154457	Keylever Assembly 14
154030	Shaft 42	154124	Lever (Repeat and Keyboard Unlock) 40	154520	To
154032	Sleeve, Gear 42	154125	Spring 40, 49, 57	154535	Keylever Assembly 14
154033	Lever, Latch 41	154126	Bracket 48	154662	Spacer 8, 34
154034	Lever, Stop 41	154127	Nut (6-40 Hex) 44	154663	Shaft 8, 34
154036	Plate 43	154129	Bar, Clutch Trip 40	154681	Modification Kit 22
154037	Lever 48	154130	Box, Contact 45	154682	Block, Switch Mounting 22
154039	Bracket 48	154131	Cover 45	154694	Disk, Clutch 16, 42
154040	Lever, Transfer 43	154132	Bracket 50	154783	Modification Kit 27, 28
154041	Post 43	154133	Bracket 50	155023	Switch, Toggle (DP-DT) 12, 38
154042	Terminal 45, 46	154134	Bracket 51	155025	To
154043	Terminal 45, 46	154135	Pawl 23, 51	155040	Keylever Assembly 14
154045	Screw, Contact 45, 46	154136	Pawl 23, 51	155052	Cable Assembly 26
154046	Stud 41	154137	Lever, Adjustment 51	155615	Base 4
154047	Post, Spring 43	154138	Washer, Felt 42	155616	Plate, Seal 10
154051	Screw, Shoulder (6-40) 44	154140	Bail, Locking 43	155727	Bar, Code 28
154052	Bar, Locking 40	154141	Modification Kit 48	155728	Bar, Code 28
154053	Bail 41	154142	Modification Kit 51	155729	Bar, Code 28
154056	Bracket 45, 46	154144	Cable Assembly 51	155731	Bracket, Contact 28
154057	Plate 37	154145	Modification Kit 50	155732	Bracket, Contact 28
154058	Plate 37	154146	Modification Kit 50	155733	Lever 28
154059	Bracket 34	154147	Modification Kit 48	155739	Bracket 27
154064	Bracket, Adjusting 50	154149	Cable Assembly 48		
154065	Lever W/Hub 50				

NUMERICAL INDEX (Continued)

Part Number	Description and Page Number	Part Number	Description and Page Number	Part Number	Description and Page Number
155741	Block W/Pin 27	158361	Cable Assembly 29	162485	Plate 15
155743	Stud 27	158362	Cable 29	162641	Modification Kit 56
155744	Bail 27	158406	To	162643	Bracket 56
155745	Contact Assembly, Left 28	158445	Keylever Assembly 14	162645	Gear (21 T) 56
155746	Contact Assembly 28	158447	To	162646	Shaft 56
155747	Cable 28	158455	Keylever Assembly 14	162647	Sleeve 56
155750	Sleeve, Insulating (3/32 ID x 1/2" Lg) 12, 47, 51, 52, 58, 59	158501	Plate, Switch 27	162648	Plate W/Stud 56
155751	Sleeve, Insulating (1/8 ID x 1" Lg) 30, 47, 48, 51	158712	Gear (26 T) 56	162649	Retainer 56
155752	Sleeve, Insulating (5/64 ID x 1/2" Lg) 26, 47	158716	Gear (39 T) 56	162650	Shaft 56
155753	Sleeve, Insulating (1/8 ID x 1/2" Lg) 12, 32, 43, 47, 49, 52, 57	158723	Roller 56	162652	Plate 56
155754	Sleeve, Insulating (1/16 ID x 1/2" Lg) 47, 48	158732	Gear (24 & 18 T) 56	162653	Retainer 56
155755	Sleeve, Insulating (11/64 ID x 5/8" Lg) 31, 33, 47	158733	Gear (44 T) 56	162654	Hub 56
155848	Bracket, Left 28	158734	Gear (47 T) 56	162655	Gear (56 T) 56
155849	Bracket, Right 28	158740	Block 56	162656	Shaft 56
155850	Contact Assembly, Right 28	158741	Bar 56	162657	Gear (48 T) 56
155851	Bracket, Switch 28	158745	Clamp, Bearing 33, 53	162658	Hub 56
155859	Screw (4-40 Spl) 26	158753	Armature 52	162659	Retainer 53, 56
155860	Screw (4-40 x 3/8 Rd) 26	158754	Core, Magnet 52	162660	Post 56
155861	Washer, Lock 26	158788	Clamp, Bearing 56	162661	Link W/Stud 56
155954	Switch, Micro 57	158859	Post, Spring 52, 55	162663	Stud 56
155994	Insulator (.015") 57	159278	Pinion (14 T) 20	162664	Link 56
156450	Screw (2-56 x 1/2 Fil) 57	159279	Gear (96 T) 20	162665	Bracket 56
156503	Wick, Felt 42	159281	Pinion (17 T) 20	162666	Lever W/Stud 56
156509	Washer, Flat 43	159282	Gear (93 T) 20	162668	Bracket 56
156516	Latch 43	159284	Pinion (20 T) 20	162669	Gear (15 T) 56
156574	Post, Spring 35	159285	Gear (84 T) 20	162686	Guard 56
156591	Washer, Felt 54	159287	Retainer, Pinion 20, 53, 55	162873	Contact Assembly, Universal 49, 58
156630	Washer, Felt 43	159327	Washer, Flat 44	162874	Clamp 49, 58
156632	Screw (6-40 x 13/32 Hex) 37, 39	159334	Washer, Insulating 44	162875	Bracket 49, 58
156644	Link 45, 46	159341	Bearing, Ball 53	126876	Bar, Retaining 49, 58
156663	Insulator 45, 46	159660	Gear Set (60 WPM) 20	162878	Contact Assembly 43
156740	Screw (6-40 x 7/32 Hex) 32, 49, 58	159661	Pinion (10 T) 20	162879	Spring, Contact 43
157288	Plate, Adapter 56	159662	Gear (57 T) 20	162880	Bracket 43
157320	To	159663	Pinion (15 T) 20	162881	Plate 43
157323	Keylever Assembly 14	159664	Gear (78 T) 20	162882	Bushing, Insulating 43
157325	To	159665	Pinion (14 T) 20	162883	Cover, Insulating 43
157367	Keylever Assembly 14	159666	Gear (64 T) 20	162884	Arm 43
157940	To	159667	Gear Set (67 WPM) 20	162885	Segment, Cam 42
157971	Keylever Assembly 14	159668	Pinion (20 T) 20	162886	Screw (4-40 x 7/32 Hex) 42
157989	Hub 5	159669	Gear (70 T) 20	162891	Cover, Contact Box 45
158010	Bar, Locking 49	159675	Gear Set (75 WPM) 20	162892	Box Assembly, Contact 45
158163	Switch, Sensitive 31, 47	159700	Gear Set (100 WPM) 20	163359	Modification Kit 56
158164	Lever W/Hub 31	159976	Armature 55	163360	Bracket 56
158215	Plate, Nut 32	160369	Switch (NO) 12	163368	Camsleeve 42
158226	Bracket 49	161100	Spring, Contact 43	163440	Gear (48 T) 8, 34
158228	Lever W/Stud 49	161106	Pinion (14 T) 20	163445	Insulator, Strip 45, 46
158230	Bracket, Contact 49	161111	Gear Set (60 WPM) 20	163460	Gear (55 T) 8, 34
158231	Contact, Lock Bar 49	161293	Gear Set (60 WPM) 20	163461	Pinion (18 T) 20
158268	Latch W/Hub 44	161294	Gear Set (75 WPM) 20	163462	Gear (117 T) 20
158275	Plate, Clamp 49	161295	Gear Set (100 WPM) 20	163463	Pinion (24 T) 20
158277	Screw (3-48 x 1 Rd) 49	161301	Post 20, 53	163464	Gear (104 T) 20
158299	Cover, Contact 49	161346	Washer, Felt 18, 43	163504	Gear Set (71 WPM) 20
158358	Switch, Toggle (SP-ST) 29	161347	Washer, Felt 23, 47, 51	163505	Gear Set (107 WPM) 20
158359	Modification Kit 29	161348	Spring 16	163519	Sleeve, Gear 42
158360	Block, Switch Mounting 29	161426	Cable 30	163536	Spacer 45
		161427	Plate, Nut 30	163647	Channel, Ball 10, 35
		161435	Modification Kit 30	163775	Modification Kit 47
		161437	Box, Contact 30	163813	Plate 47
		161438	Sleeve 30	163814	Lever W/Hub 47
		161525	Connector, Plug (14 Pt) 26, 38	163852	Keylever Assembly 14, 57
		162224	Modification Kit 49	163962	Plate 11
		162333	Stud, Locating 4, 34	163963	Plate 38
		162335	Cable Assembly 49	163964	Plate 38
		162464	Insulator (.062") 4	163979	Lever, Code Bar 49, 57
				164005	Modification Kit 49
				164077	Modification Kit 49

NUMERICAL INDEX (Continued)

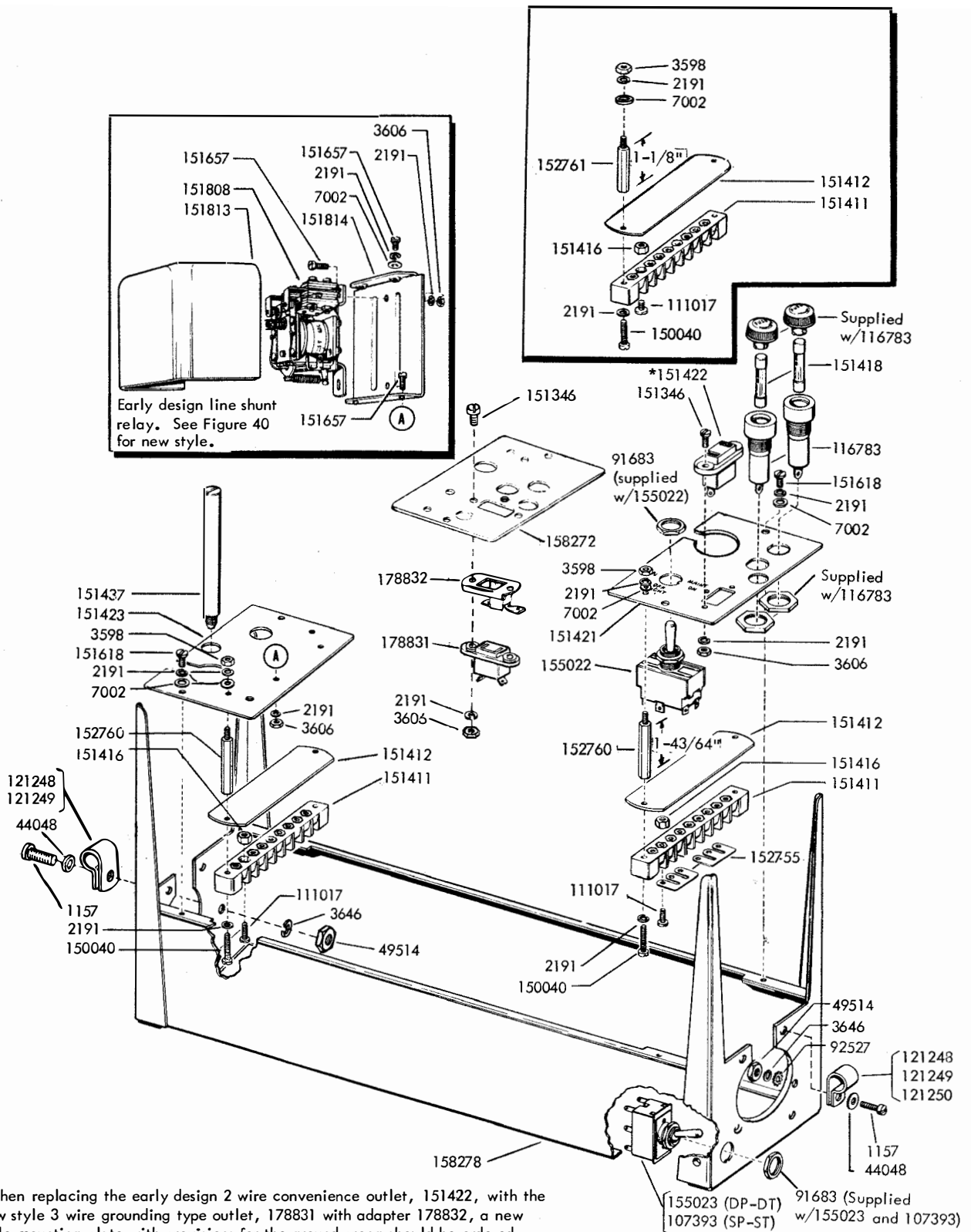
Part Number	Description and Page Number	Part Number	Description and Page Number	Part Number	Description and Page Number
164127	Nut (6-40 Hex) 38	164730	Bracket 54	176772	Gear (56 T) 55
164131	Cable Assembly 38	164731	Shaft 54	176774	Gear (42 T) 55
164132	Cover 11, 12	164732	Extension, Shaft 54	176779	Wick, Felt 55
164133	Cable Assembly 26	164734	Belt, "O" Ring 54	176782	Gear (63 T) 55
164138	Stud 58	164735	Coupling, Flexible 54	176784	Bearing 55
164142	Bracket 57	164926	Modification Kit 54	176787	Gear (66 T) 55
164143	Plate, Mounting 57	164998	Modification Kit to Provide Pulsing Contacts 42, 43	176789	Hub 55
164144	Plate, Side 57	165027	Network, Spark Suppression 32, 54	176790	Washer, Bearing 55
164145	Pivot, Lever 57	170324	Bracket 40	176792	Sleeve 55
164146	Lever, Stop 57	170379	Retainer, Ball 36	176793	Sleeve 55
164148	Spacer, Stop Arm 57	170380	Retainer, Wedge 36	176794	Spring, Right Clutch 55
164149	Lever, Blocking 57	170385	Frame 41	176795	Spring, Left Clutch 55
164151	Lever, Detent 57	170386	Guide 43	176796	Wick, Felt 55
164154	Lever, Sensing 57	170391	Guide 43	176797	Gear (48 T) 55
164155	Yoke, Magnet 57	171541	Diode 59	176802	Plate, Right Bearing 55
164156	Armature 57	171953	Connector, Shielding 47	176803	Plate, Left Bearing 55
164157	Shaft 57	171973	Connector, Shielding 47	176804	Shaft, Idler 55
164158	Latch 57	172635	Plate, Adapter 54	176805	Gear (25 T) 55
164160	Link 58	172636	Bracket 54	176807	Shaft, Trip 55
164161	Drum, Message 57	172962	Cable 43	176808	Bracket 55
164162	Ring, "O" 57	172976	Filter, R.F. 45	176809	Bracket 55
164163	Blade, Stop 57	173028	Post, Spring 58	176900	Base 33
164164	Blade, Code 57	173029	Lever, Latch 58	176906	Plate, Keytop Guide 39
164165	Plate, Drive 57	173095	Link 58	176907	Switch, Rocker 39
164168	Pawl, Stepping 57	173096	Stud, Eccentric 44, 58	176908	Shaft 33
164169	Stud, Eccentric 57	173712	Cable Assembly 31	176923	Plate, Vibration 33
164234	Gear Assembly, Intermediate 34	173907	Spacer 56	176924	Plate, Nut 33
164327	Cable 26, 38	173908	Post 56	176929	Retainer, Belt 33
164328	Plate, Switch 12	173909	Washer, Locking 56	176932	Plate, Upper Bearing 33
164329	Cover 12	173912	Plate 56	176933	Stud 33
164375	Plate, Keytop Guide 38	173974	Screw (10-32 x 5/16 Hex) 56	176936	Bracket, Left 33
164376	Guard 12, 38	174179	Spacer 59	176937	Bracket, Right 33
164379	Cable 52	174181	Bracket, Relay Mounting 59	176940	Plate, Nut 33
164434	Keylever Assembly 13	174182	Relay 59	176941	Plate, Nut 33
164435	Keylever Assembly 13	174183	Guard 59	176944	Plate, Nut 33
164485	Bail 41, 52	174184	Plate, Cover 59	176945	Bracket, Connector 33
164494	Modification Kit 48	174246	Lever, Code Bar 49	177070	Plate, Identification 12
164495	Cable Assembly 48	174250	Pin, Roll 53, 55	178338	Cable Assembly 59
164496	Bail 57	174410	Box Assembly, Contact 46	178525	Cable Assembly, Signal Generator 33
164497	Eccentric 57	174411	Insulator 46	178526	Cable Assembly, Line Break 33
164499	Bar, Locking 57	174412	Spacer 46	178547	Plate, Nut 33
164501	Plate, Mounting 59	174413	Terminal 46	178549	Bumper, Rubber 33
164617	Base, Paper Winder 54	174414	Bushing 46	178586	Bracket 36
164629	Bracket 38	174415	Cover, Contact Box 46	178587	Bracket, Switch 36
164644	Post 52	174416	Box, Contact 46	178588	Shaft 36
164645	Post 52	174421	Filter, R.F. 46	178589	Lever 36
164646	Plate, Nut 52	174422	Filter, R.F. 46	178592	Bracket, Connector 33
164647	Bracket 52	174491	Modification Kit to Provide RF Filter 45	178714	Switch, Rocker Type 36
164649	Plate, Mounting 52	176278	Plate, Nut 57	178787	Sleeve, Gear 42
164650	Contact Assembly 52	176304	Bracket 57	178795	Camsleeve 42
164651	Bail, Armature 52	176659	Lever, Trip 32	179183	Switch, Button (DP-SP) 12
164652	Bar, Universal 40, 52	176661	Bracket 32	179362	Cable Assembly 52
164653	Bracket 52	176663	Link 32	179363	Cable Assembly 52
164656	Bar, Clutch Trip 40, 52	176672	Solenoid 32	179372	Shield, Light 33
164660	Modification Kit 52	176673	Suppressor, Spark 32	179380	Retainer 56
164718	Plate, Adapter 54	176675	Solenoid Assembly 32	179383	Bracket 9
164719	Bracket, Mounting 54	176677	Shaft, Clutch 55	179626	Plate, Switch 38
164720	Bracket 54	176678	Shaft, Driver 55	179630	Modification Kit to Provide Print Suppression Switch On Keyboard 38
164721	Shaft 54	176691	Resistor (500 Ohm) W/Terminals 32	179800	Screw, Contact 45
164722	Hub, Wheel 54	176701	Base 32	192025	Washer, Flat 53
164723	Wheel, Driven 54	176703	Plate, Mounting 32	192550	Bar Assembly, Ball Lock 36
164724	Pulley 54	176752	Ring, Retaining 55	192552	Channel, Ball 36
164725	Pulley, Idler 54	176770	Bracket 55	192553	Bracket, Left Mounting 39
164726	Post, Idler 54			192554	Bracket, Right Mounting 39
164727	Lever, Idler 54				
164728	Post, Idler Lever 54				
164729	Bracket W/Bearing 54				

NUMERICAL INDEX (Continued)

Part Number	Description and Page Number	Part Number	Description and Page Number	Part Number	Description and Page Number
192556	Frame 39	195168	Bracket 53	195994	Pulley, Toothed (34 T) 33
192557	Grommet, Rubber 39	195169	Bracket 53	195997	Gear (34 T) 33
192681	Screw (4-40 Spl) 35	195186	Screw (4-40 x 7/8 Hex) 18, 45	195999	Gear (21 T) 33
193563	Post 56	195187	Screw (4-40 x 1-1/2" Hex) 45, 46	197928	Switch, Push Button (Red) 11, 38
193654	Clamp, Armature 52	195241	Screw, Contact 45	197929	Switch, Push Button (Black) 11, 38
193723	Clip, Spring 33	195263	Pinion (22 T) 53	197930	Switch, Pushbutton (Gray) 38
194424	Modification Kit 52	195264	Gear (49 T) 53	198679	Bracket 53
194436	Plate, Identification 12	195268	Modification Kit to Replace Old Style Shaft 8	198680	Screw, Clamping (10-32) 53
194443	Plate, Jack 38	195415	Modification Kit 53	198695	Bar 56
194444	Hood, Keyboard 37	195417	Shaft, Driven 53	198696	Gear (24 & 18 T) 56
194445	Plate, Keytop Guide 38	195418	Gear (48 T) 53	198697	Gear (27 T) 56
194446	Frame, Front 37	195420	Pawl 53	199240	Hub 56
194447	Bracket, Right 37	195427	Washer, Flat 53	199241	Hub 56
194448	Base 31	195431	Washer, Spring 54	199242	Shaft 56
194449	Plate 37	195438	Sleeve 54	199243	Shaft 56
194450	Seal, Front 37	195439	Shaft 54	199451	Pin, Roll (9/16" Lg) 56
195156	Pinion (28 T) 53	195992	Belt, Toothed (83 T) 33	199452	Pin, Roll (5/8" Lg) 56
195158	Bracket 53	195993	Gear (26 T) 33	199453	Pin, Roll (3/4" Lg) 56
195163	Bracket 53			199454	Pin, Roll (1" Lg) 56
195167	Lever 53			304375	Modification Kit 54

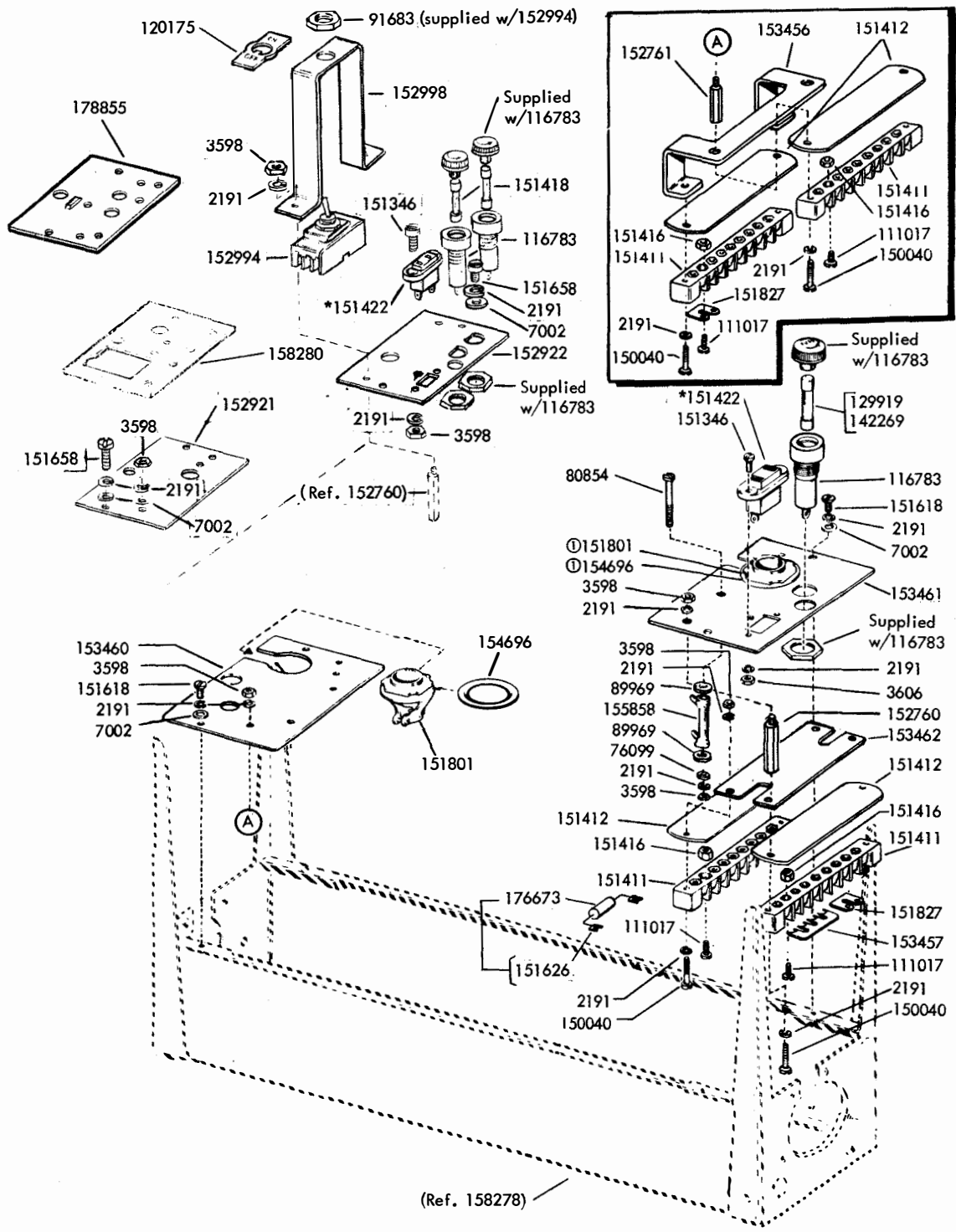
28 ELECTRICAL SERVICE UNIT (LESU)
for KEYBOARD SEND-RECEIVE and RECEIVE-ONLY SETS
PARTS

FIGURE	CONTENTS	PAGE
1	Electrical Service Unit	3
2	Electrical Service Unit	4
3	Electrical Service Unit	5
4	Electrical Service Unit	6
5	Electrical Service Unit	7
6	177076 Relay Assembly	8
7	192674 Relay Assembly	9
8	192669 and 194369 Selector Magnet Driver Assemblies	10
9	Early Design Rectifier and Cable Assembly (120 MA)	11
10	151999 and 152950 Rectifier and Cable Assemblies (150 MA)	12
11	Variable Features for the Electrical Service Unit	13
12	162361 Rectifier and Cable Assembly (500 MA)	13
13	164503 Rectifier Assembly	14
14	151822 Line Relay Mounting Assembly	15
15	152623 and 160226 Line Relay Mounting Assemblies	16
16	157216 Line Relay Mounting Assembly	17
17	152744 Line Test Key Assembly	18
18	152625 Line Test Key Assembly	19
19	Filter and Bell Assembly	20
20	163696 and 163697 Relay Panel Assemblies	21
21	152021 and 152624 Capacitor-Resistor Assemblies	22
22	151400, 153040 and 153251 Motor Control Assemblies	23
23	165687 Motor Control Relay Assembly	24
24	152332 Motor Control Relay Assembly	25
25	165673 and 178307 Motor Control Relay Assemblies	26
26	165650 Motor Control and Answer-Back Control Relay Assembly	27
27	176810 Answer-Back Control Relay Assembly	28
28	176694 (Motor Control) and 176698 (Slow Release) Relay Assemblies	28
29	154732, 154779 and 172667 Modification Kits to Add a Relay Shift to an Electrical Service Unit	29
30	164271 Electrical Service Assembly	30
31	173363 Modification Kit to Adapt a 164271 Electrical Service Assembly for Use in a Cabinet	30
32	160223 and 179434 Auxiliary Cable Assemblies	31
33	155558 DC Control Relay Assembly	31
34	155785 Cable Extension	32
35	159397 Modification Kit to Convert the 152623 Line Relay Mounting Assembly to the 160226 Assembly	32
36	Variables for the Electrical Service Unit	33
37	151995 and 152330 Modification Kits to Add Line Pad Resistor to LESU	33
38	93073 1500 Ohm Resistor Modification Kit	34
39	152331 Rectifier Assembly	34
40	Line Shunt Relay (New Style)	35
41	154747 Modification Kit to Equip an LESU for Continuous Spacing	35
42	Cable Components	36
43	179472 Modification Kit to Provide Transmitter and Reperator Control	37
	Numerical Index	38



*When replacing the early design 2 wire convenience outlet, 151422, with the new style 3 wire grounding type outlet, 178831 with adapter 178832, a new style mounting plate with provisions for the ground prong should be ordered, A 178833 adapter plug (not illustrated) may be ordered to convert an existing 2 wire outlet to a grounded type, 3 wire outlet.

FIGURE 1. ELECTRICAL SERVICE UNIT



*When replacing the early design 2 wire convenience outlet, 151422, with the new style 3 wire grounding type outlet, 178831 with adapter 178832, a new style mounting plate with provisions for the ground prong should be ordered (See Figure 1 for new style outlet, 178831 and adapter, 178832). A 178833 adapter plug (not illustrated) may be ordered to convert an existing 2 wire outlet to a grounded, 3 wire outlet.

FIGURE 2. ELECTRICAL SERVICE UNIT

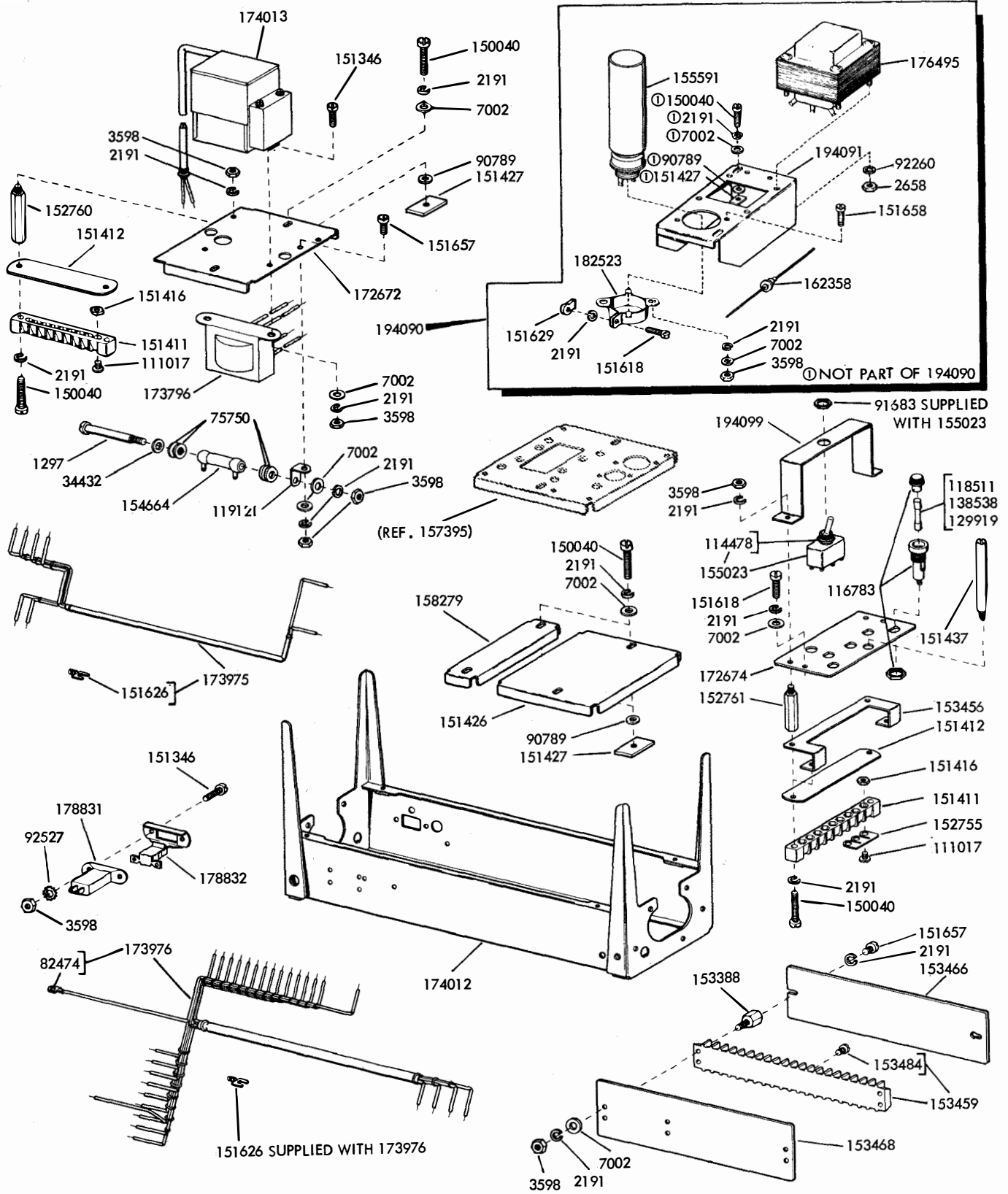


FIGURE 3. ELECTRICAL SERVICE UNIT

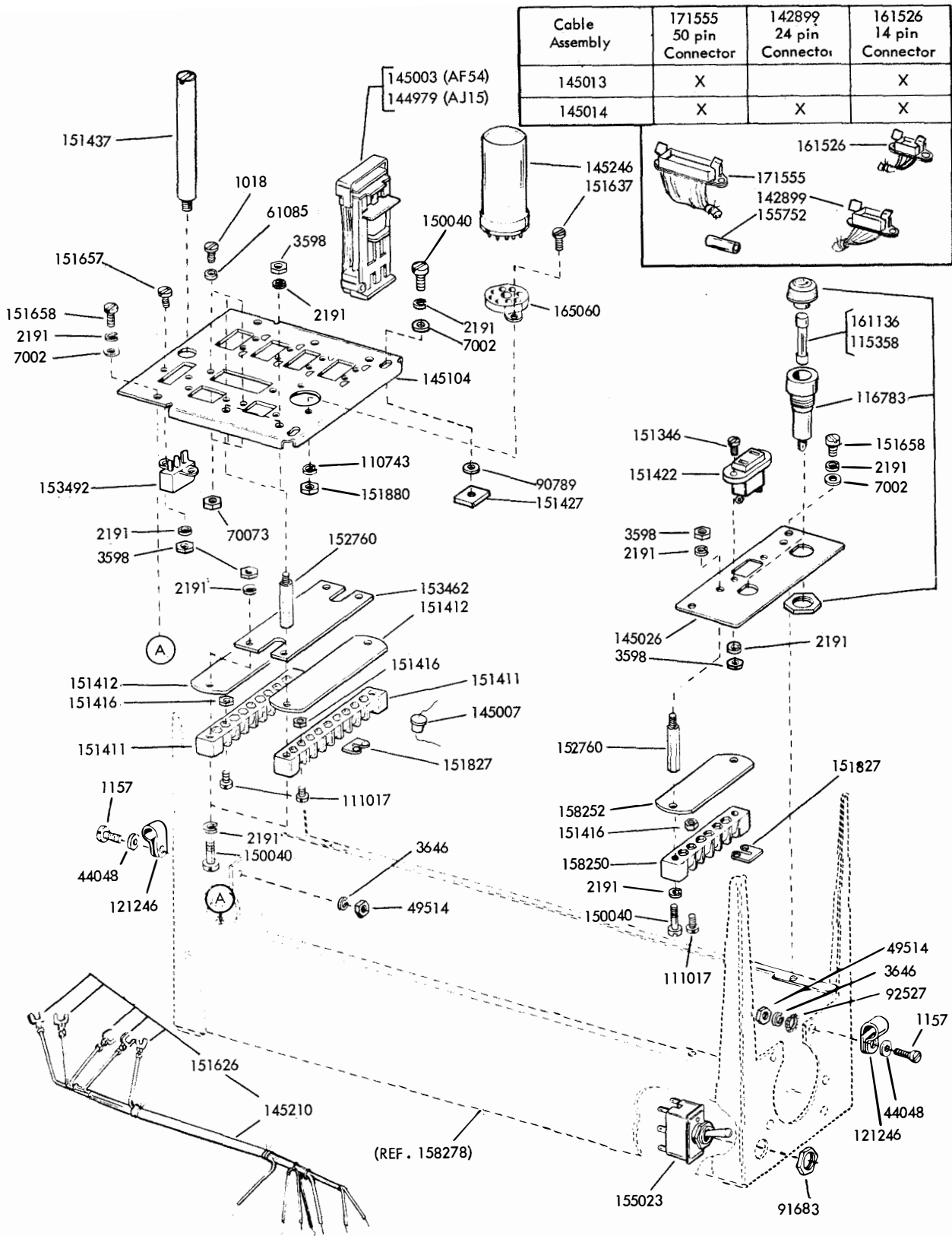


FIGURE 4. ELECTRICAL SERVICE UNIT

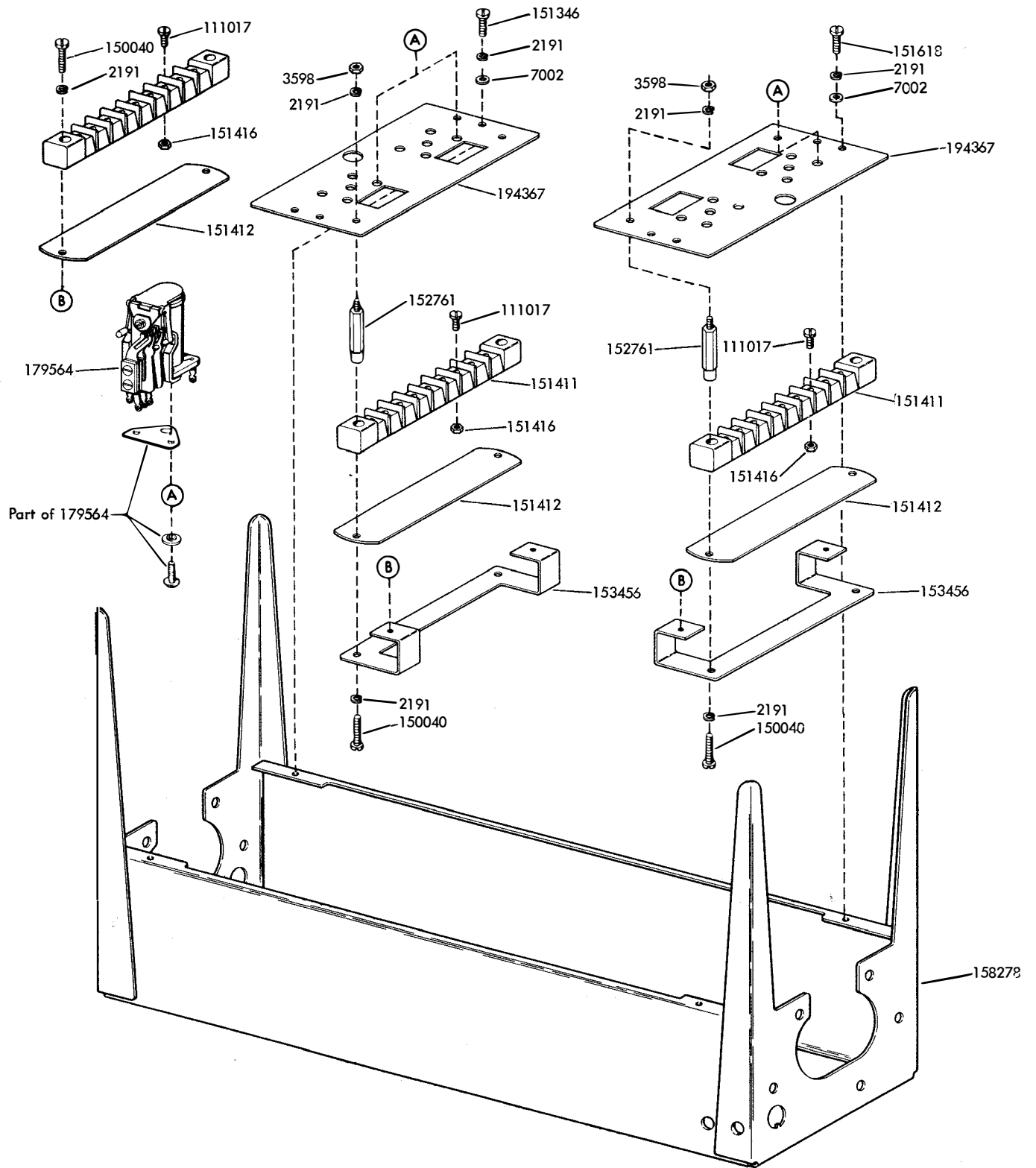


FIGURE 5. ELECTRICAL SERVICE UNIT

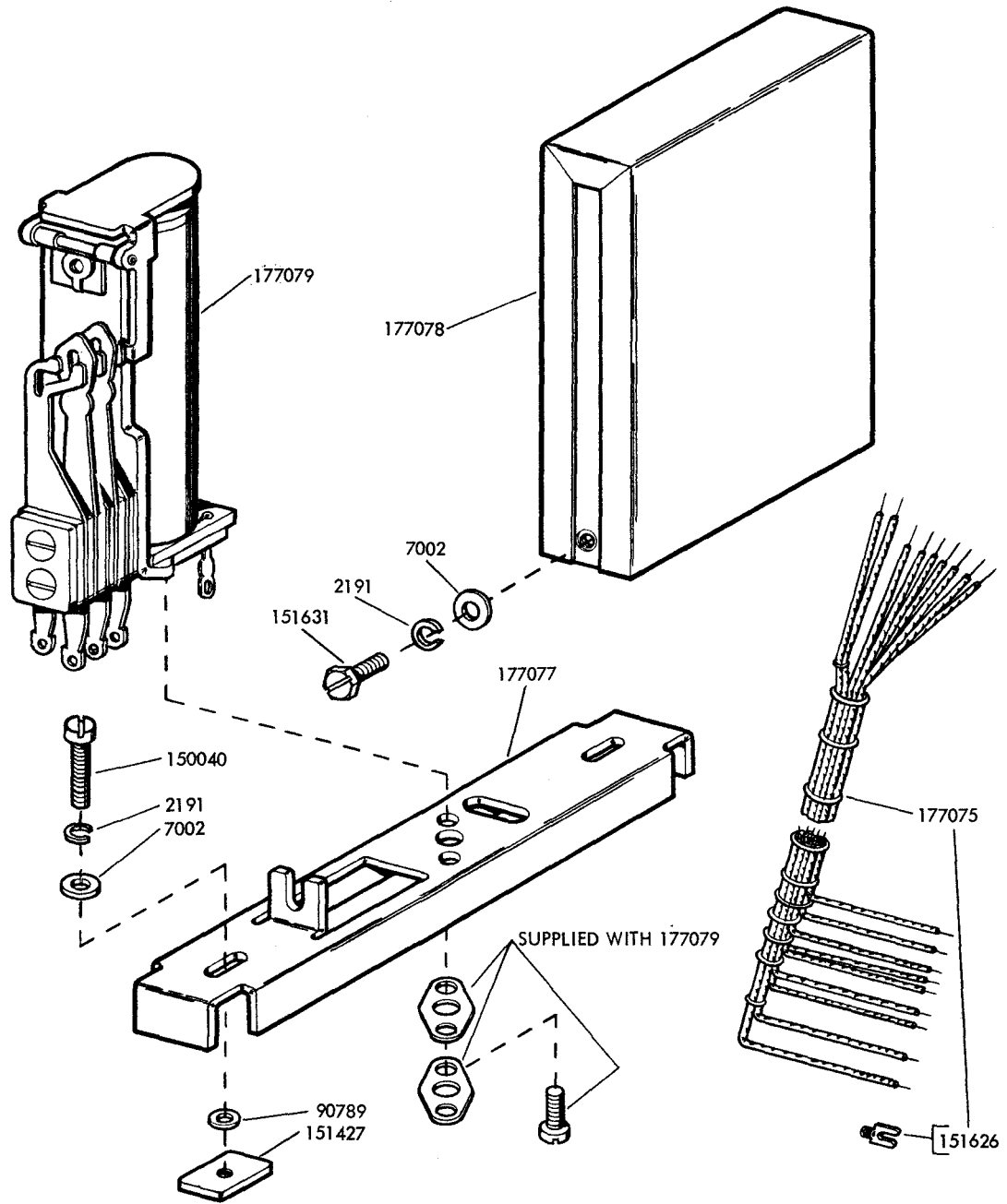


FIGURE 6. 177076 RELAY ASSEMBLY

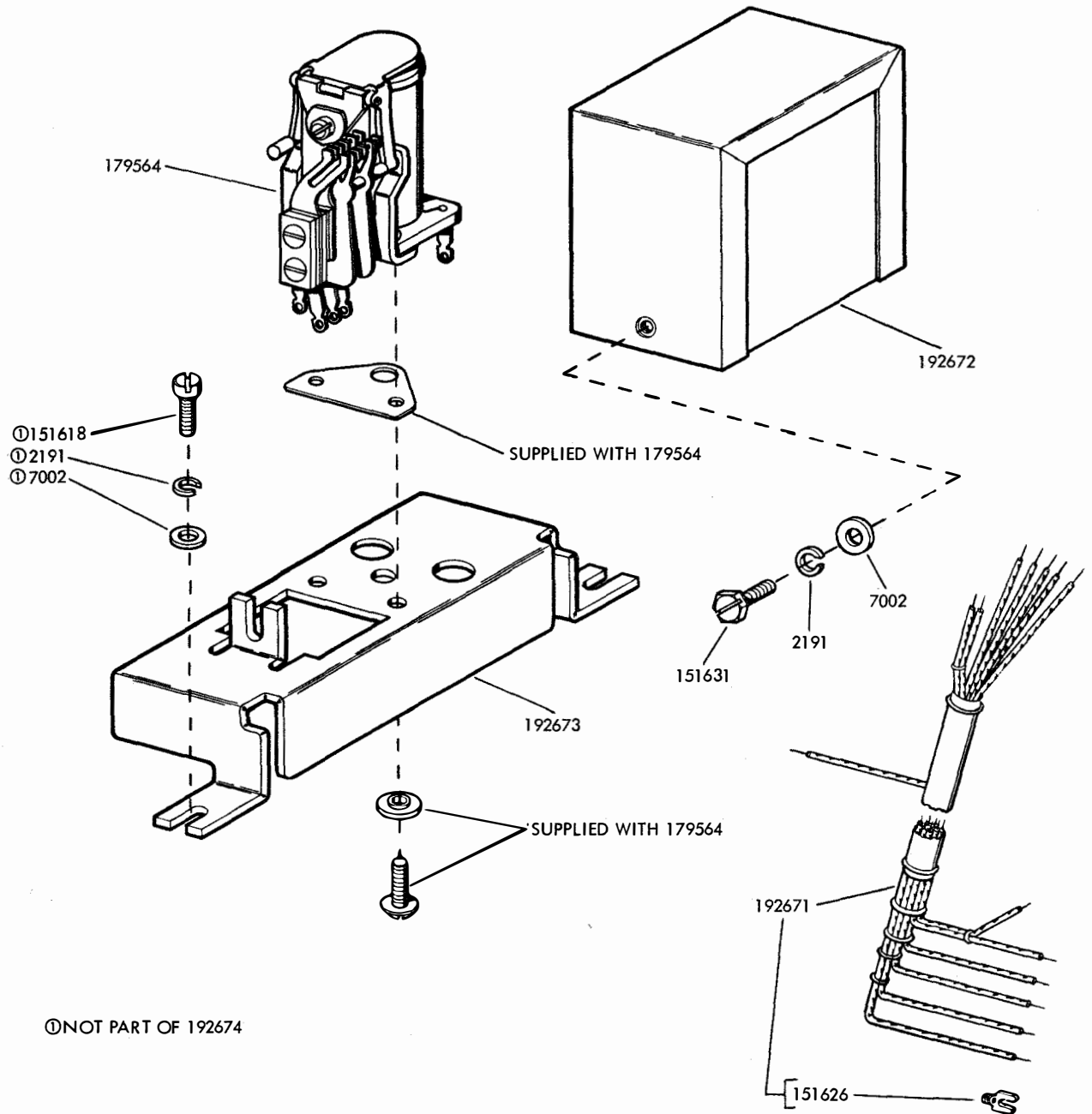
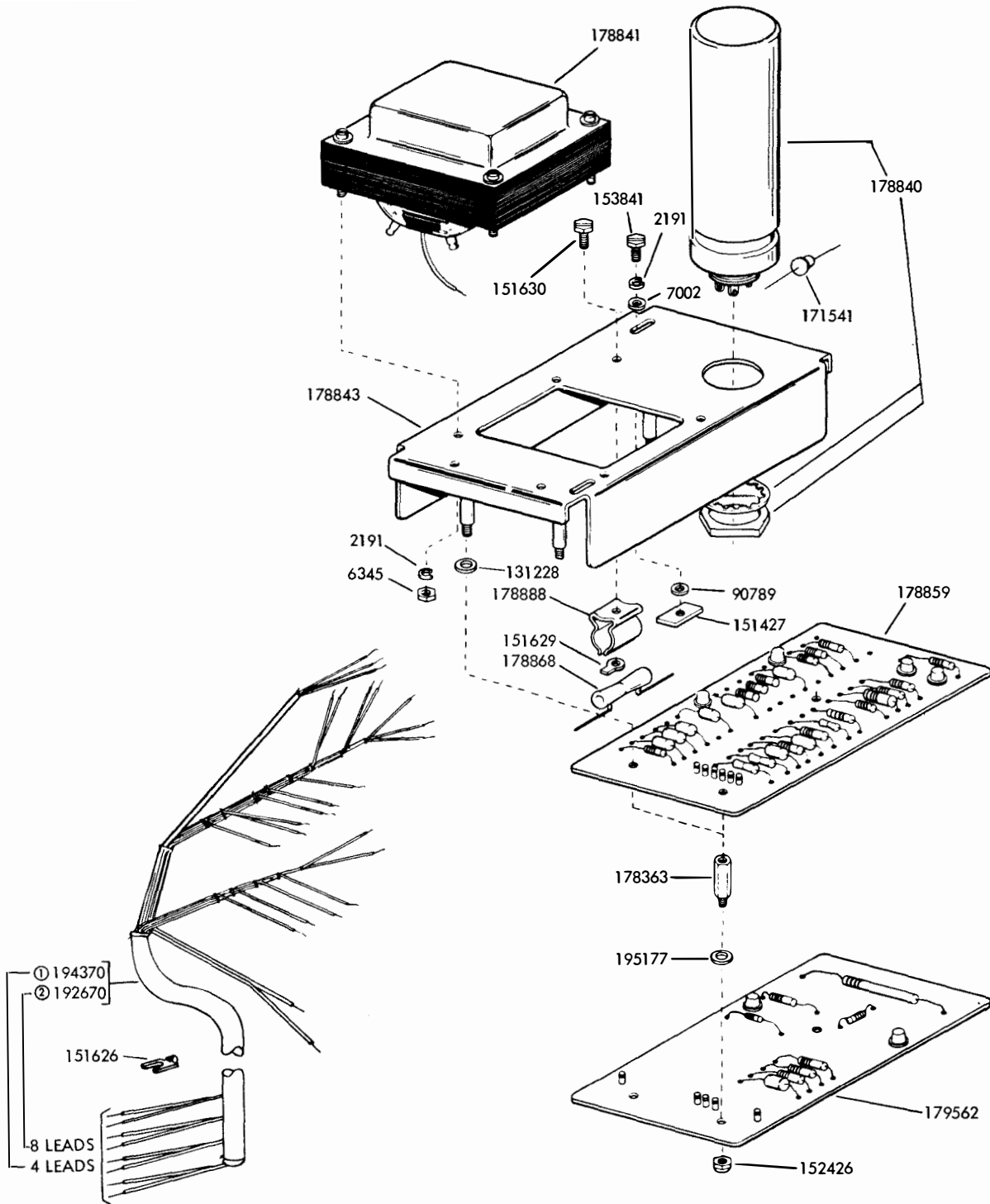


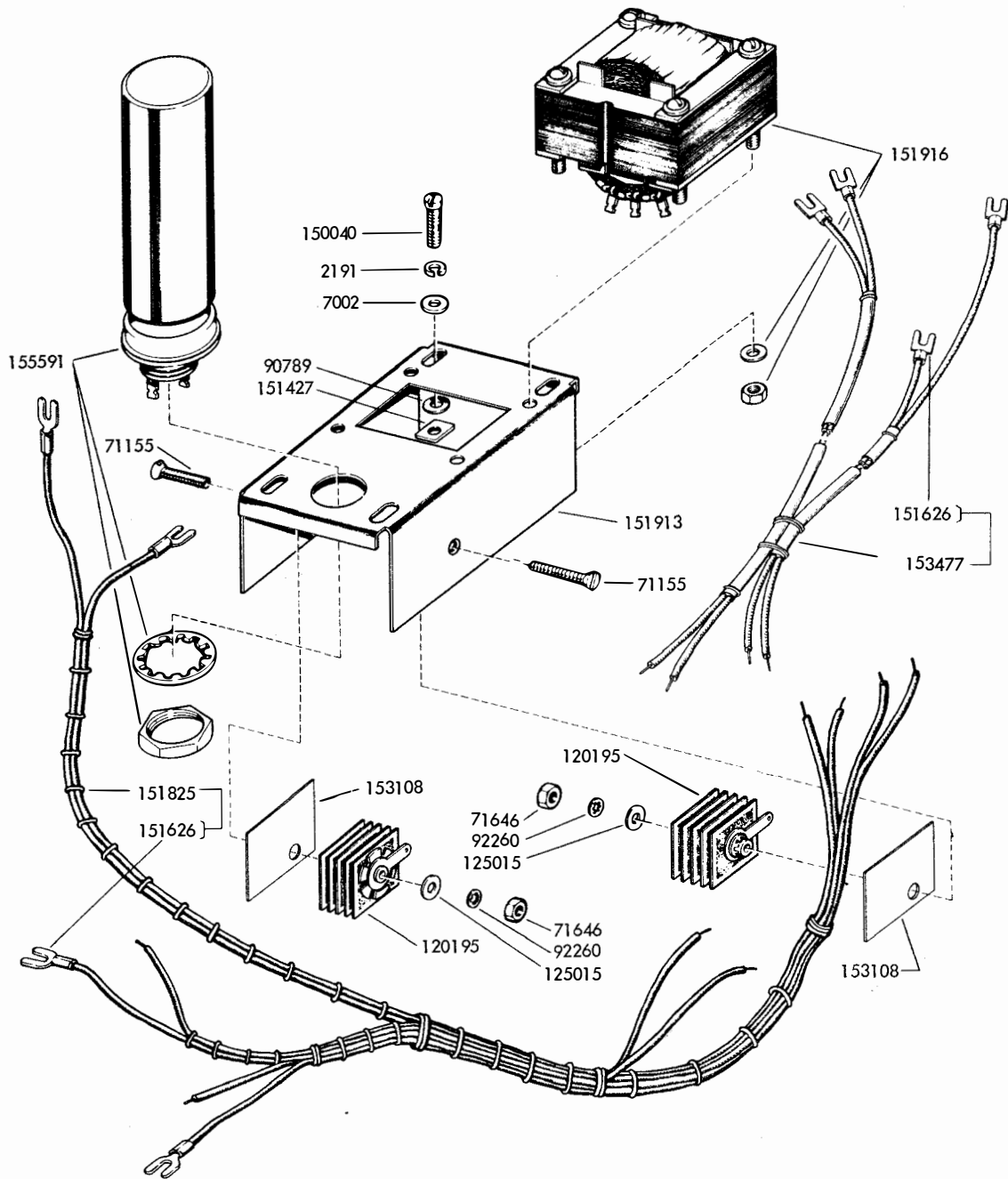
FIGURE 7. 192674 RELAY ASSEMBLY



① PECULIAR TO 194369

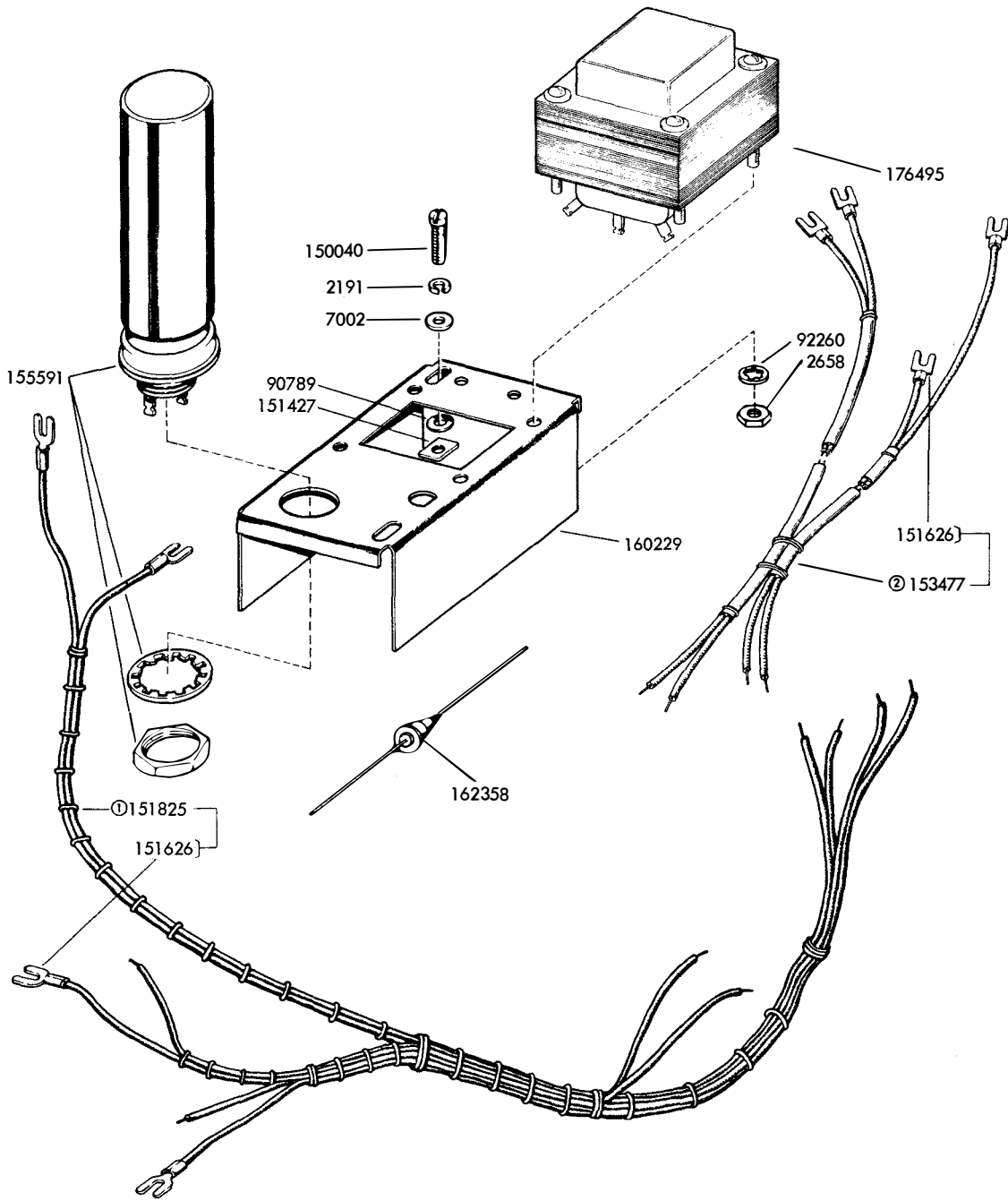
② PECULIAR TO 192669

FIGURE 8. 192669 AND 194369 SELECTOR MAGNET DRIVER ASSEMBLIES
(WITH OPEN LINE DETECTOR)



See Figure 10 for new style

FIGURE 9. EARLY DESIGN RECTIFIER AND CABLE ASSEMBLY (120 MA)



① PECULIAR TO 151999

② PECULIAR TO 152950

SPECIFICATION 57075

See Figure 9 for Early Design

FIGURE 10. 151999 AND 152950 RECTIFIER AND CABLE ASSEMBLIES (150 MA)

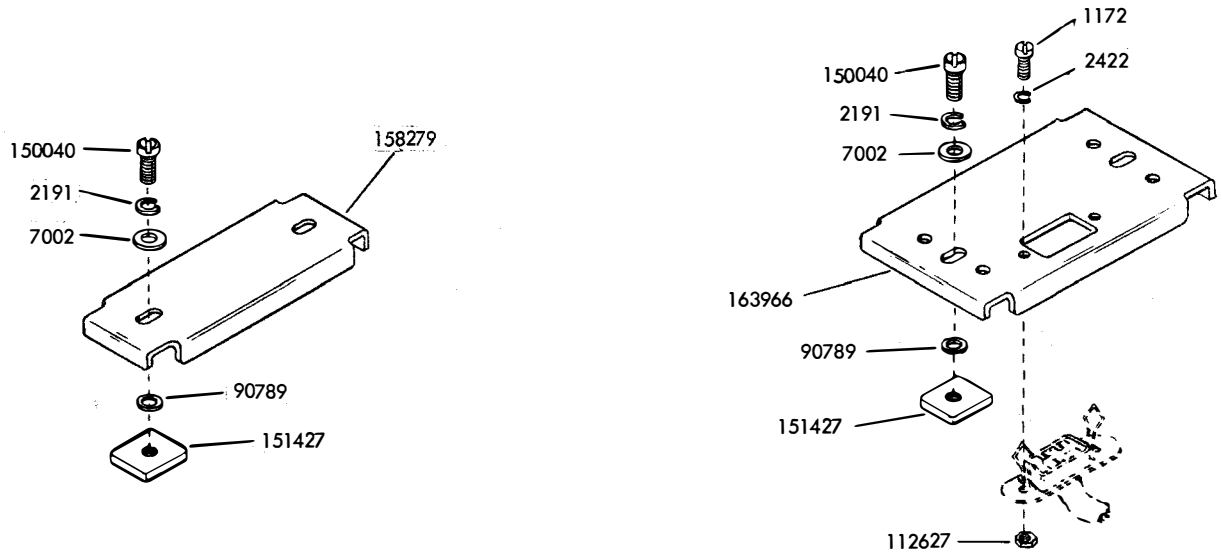


FIGURE 11. VARIABLE FEATURES FOR THE ELECTRICAL SERVICE UNIT

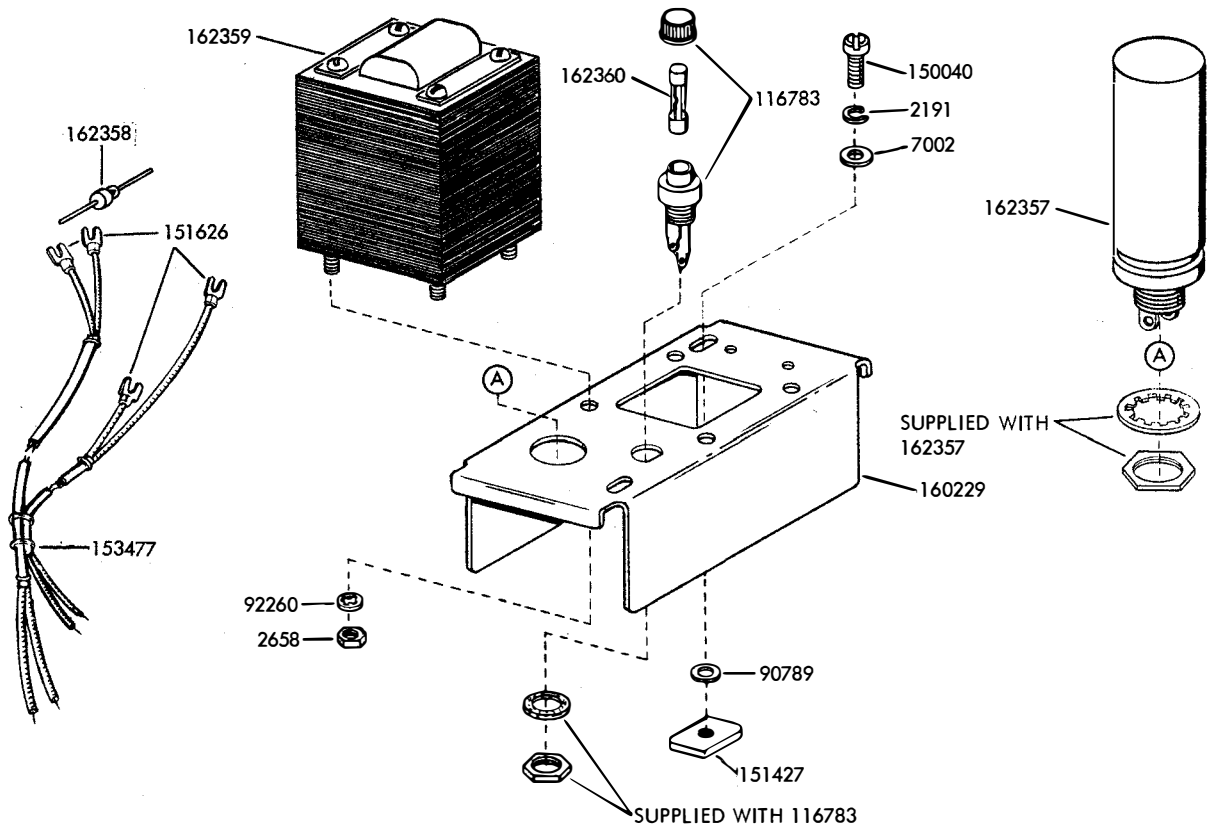


FIGURE 12. 162361 RECTIFIER AND CABLE ASSEMBLY (500MA)

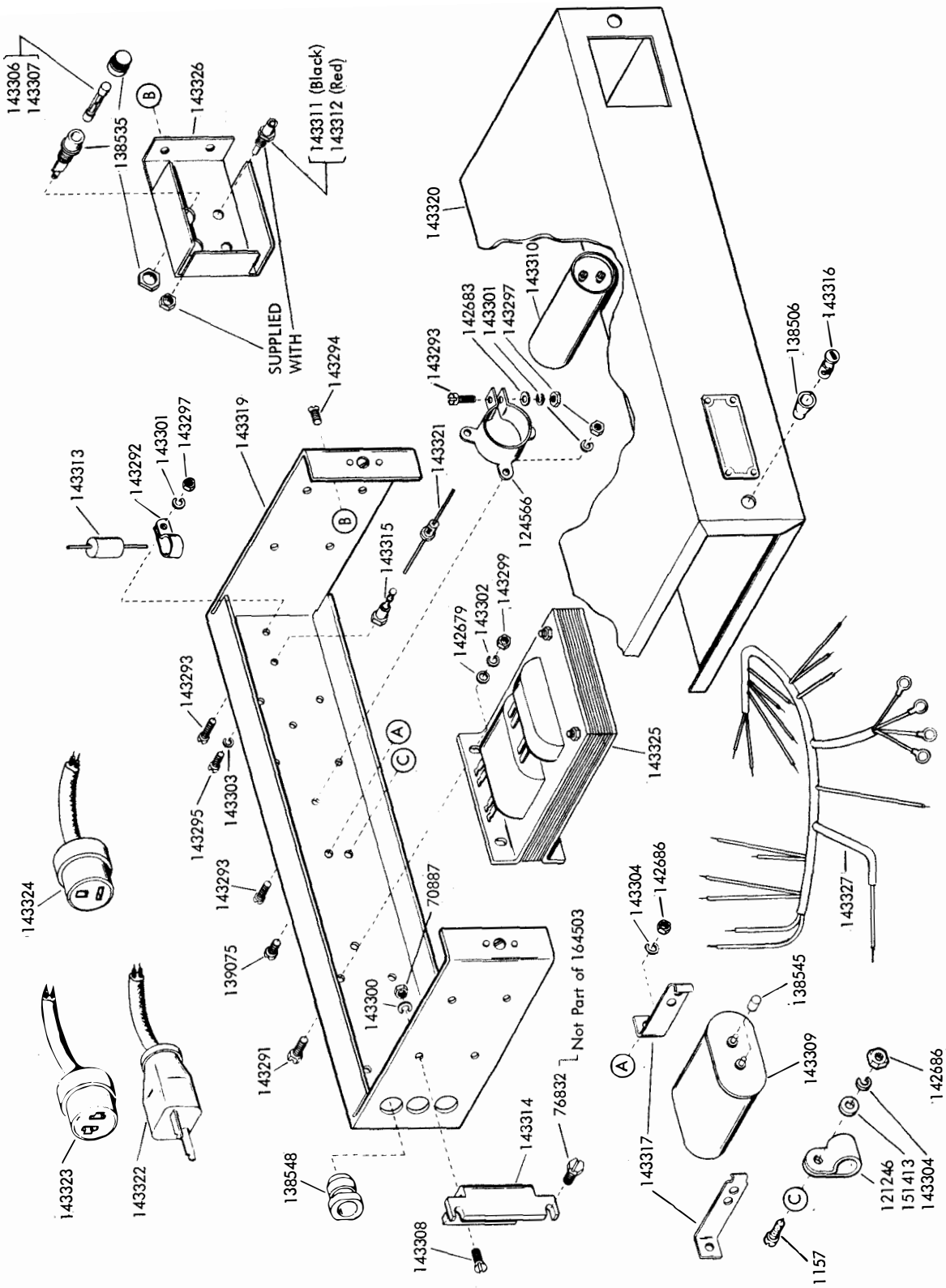


FIGURE 13. 164503 RECTIFIER ASSEMBLY

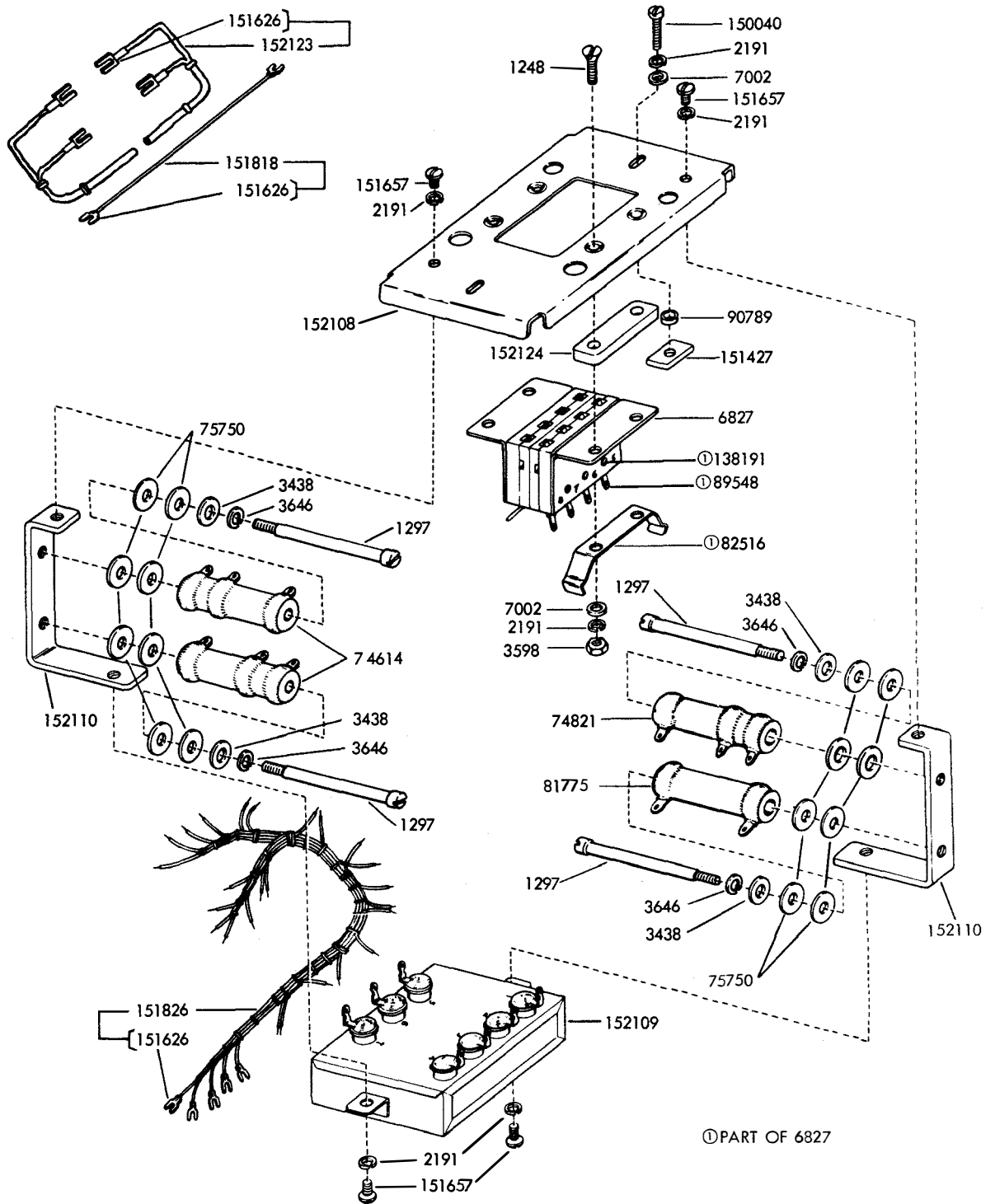


FIGURE 14. 151822 LINE RELAY MOUNTING ASSEMBLY

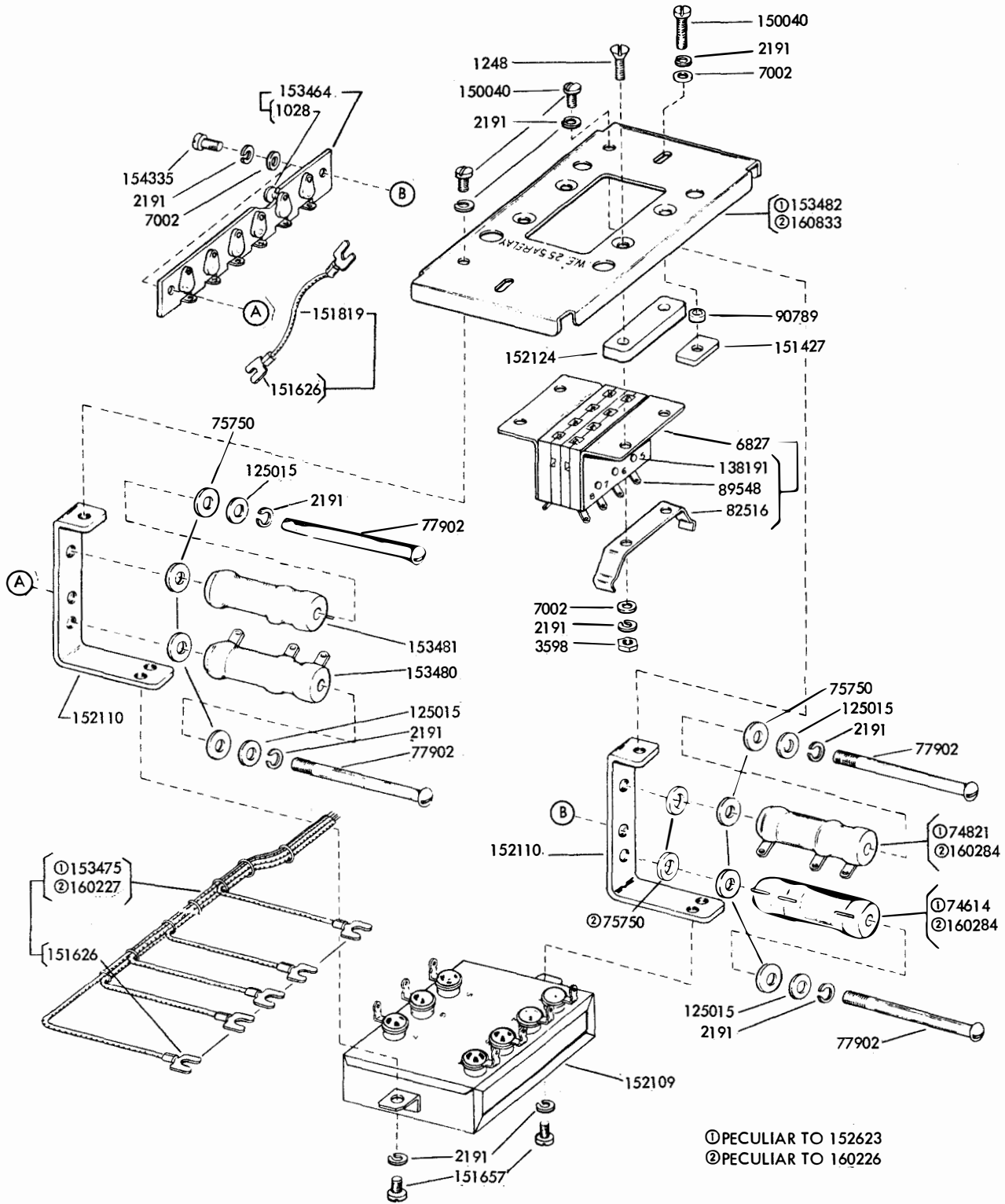


FIGURE 15. 152623 AND 160226 LINE RELAY MOUNTING ASSEMBLIES

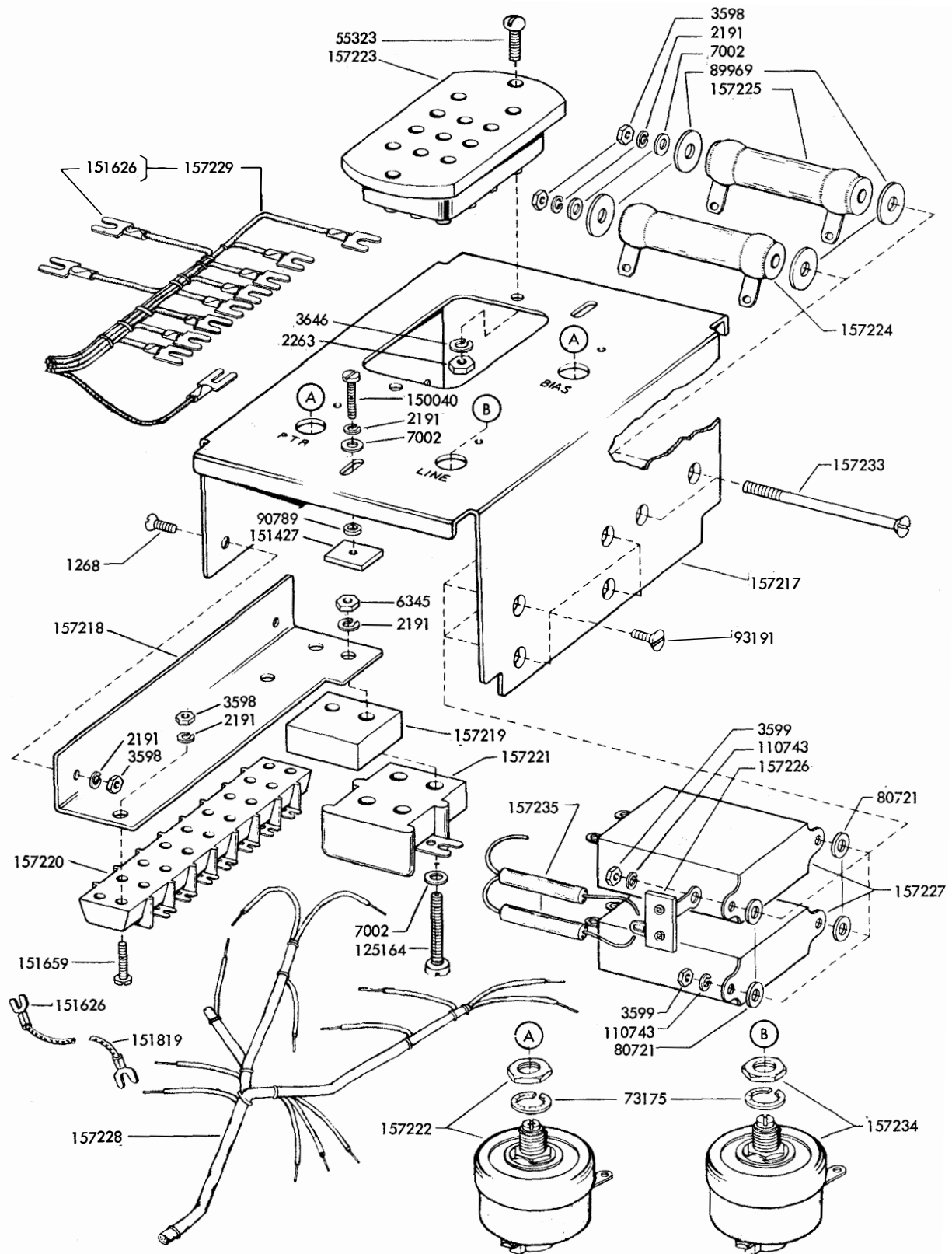


FIGURE 16. 157216 LINE RELAY MOUNTING ASSEMBLY

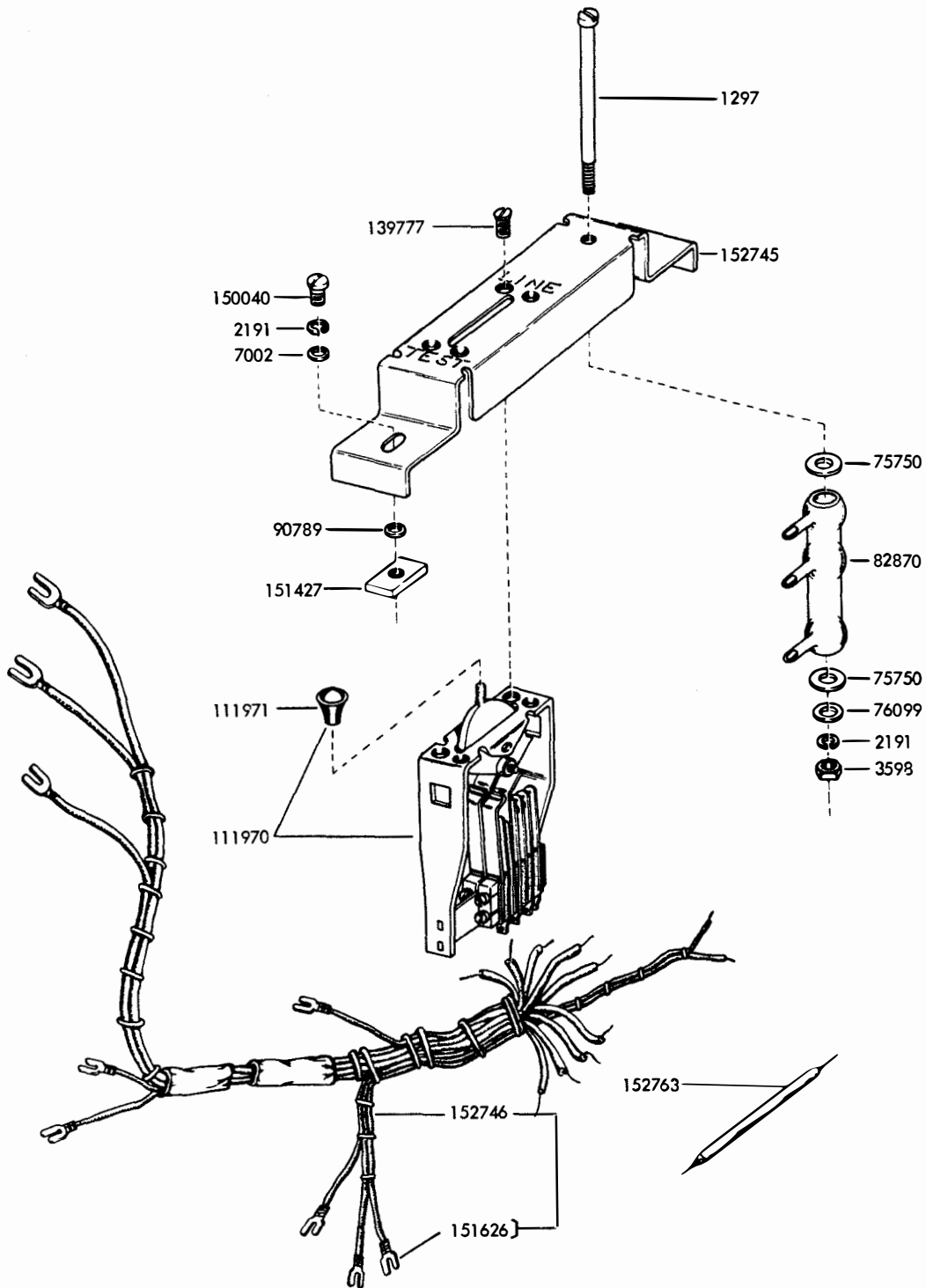


FIGURE 17. 152744 LINE TEST KEY ASSEMBLY

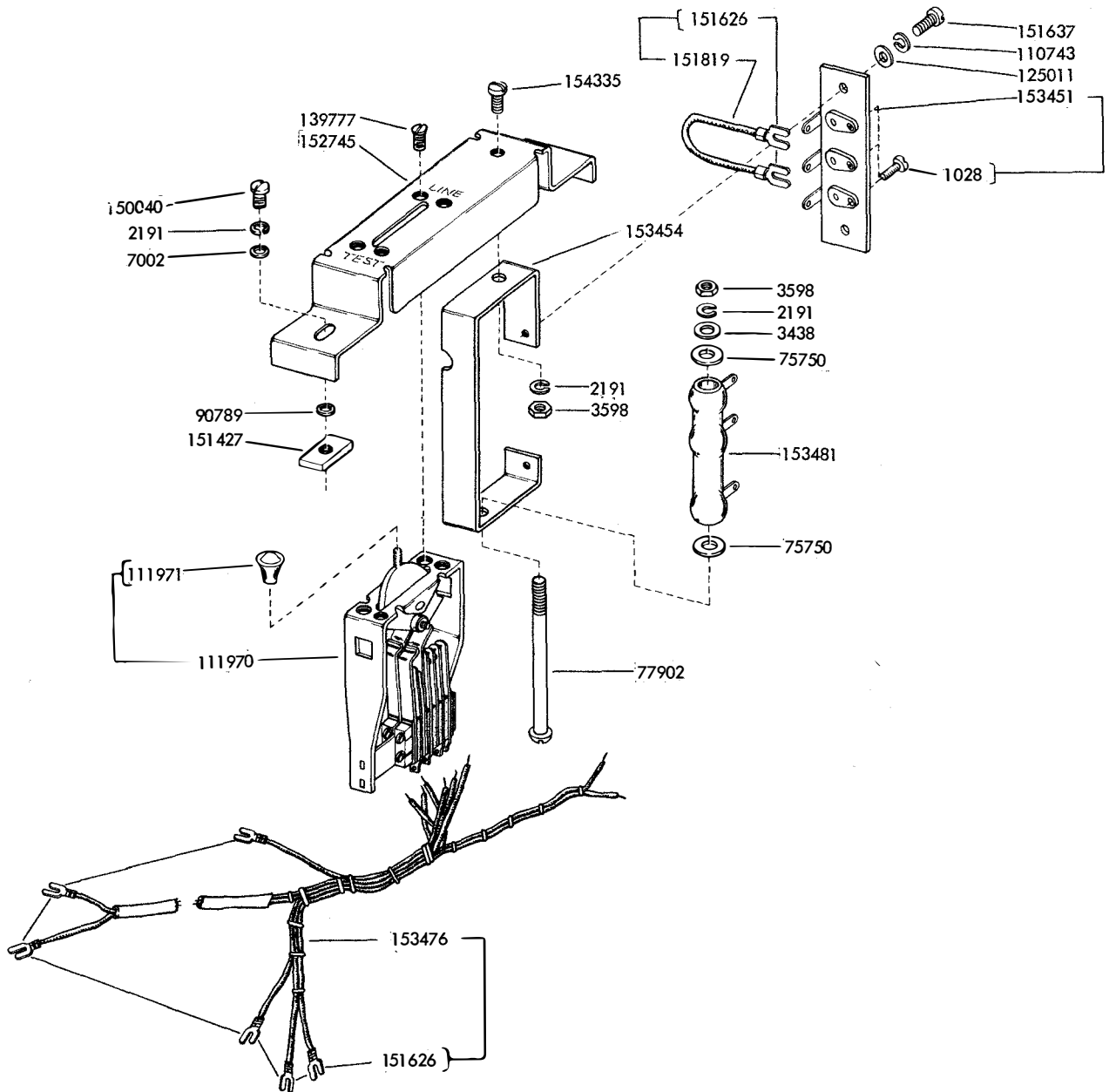


FIGURE 18. 152625 LINE TEST KEY ASSEMBLY

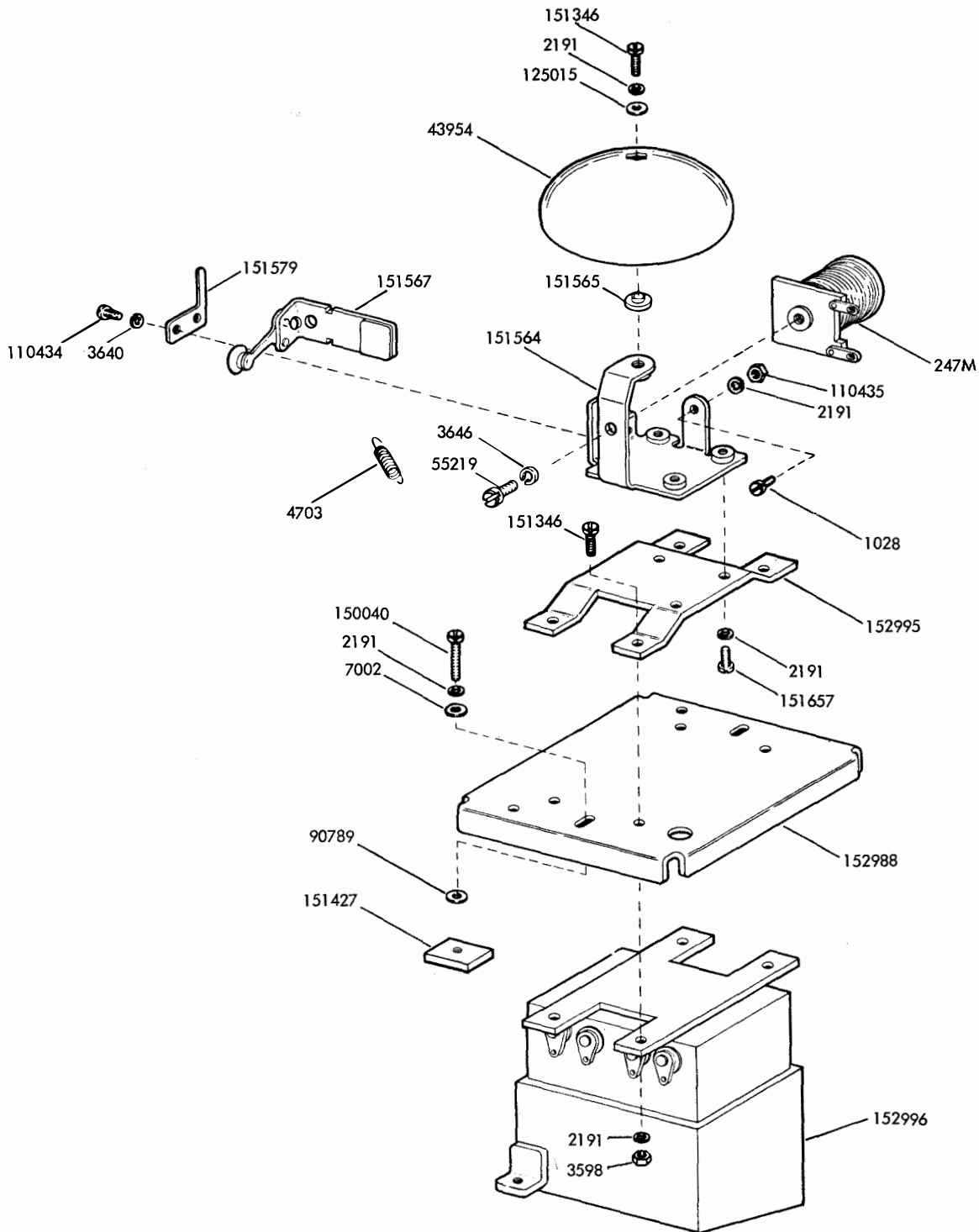
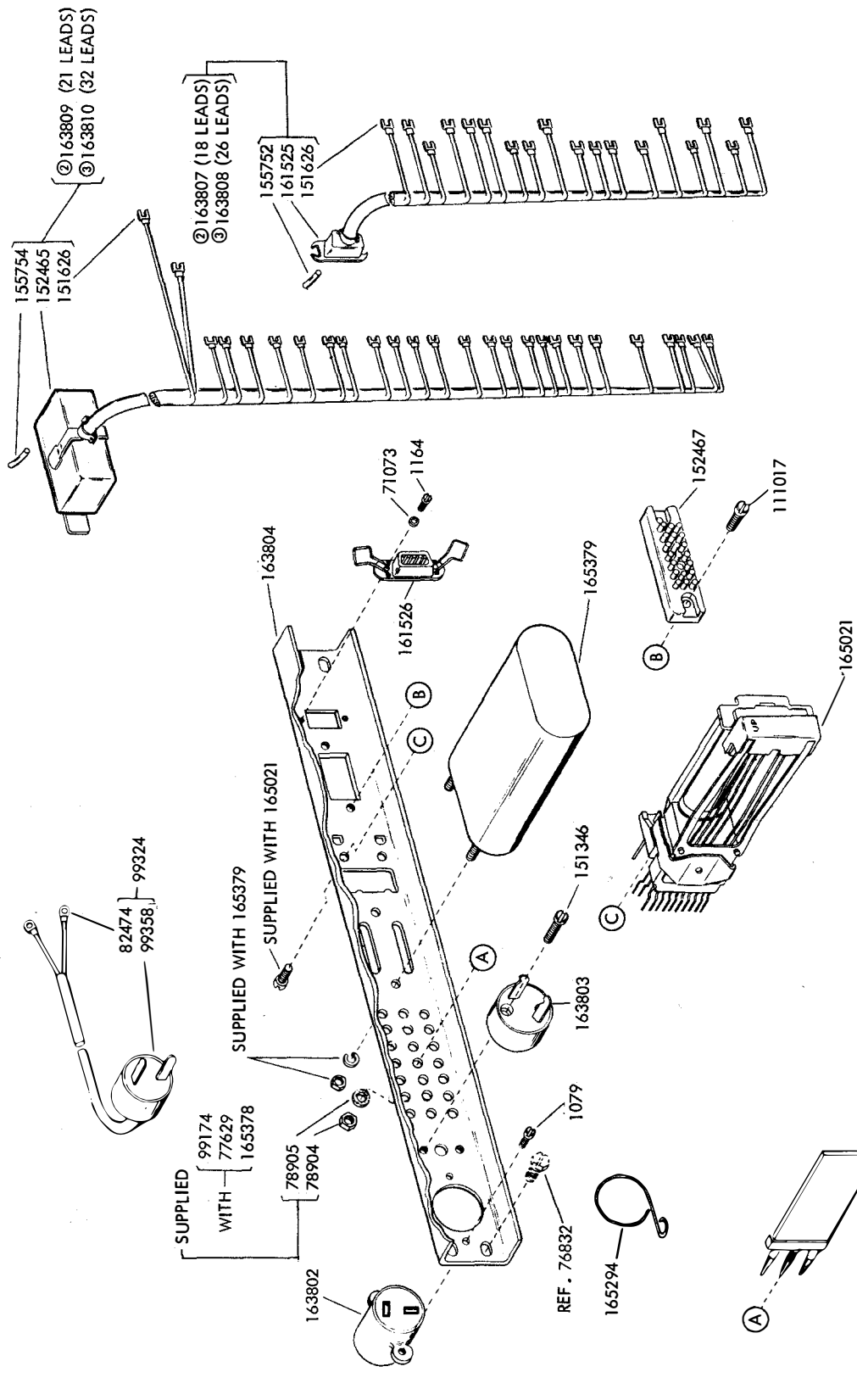


FIGURE 19. FILTER AND BELL ASSEMBLY



Ⓞ PECULIAR TO 163696
 Ⓜ USED WITH 163696 (RECEIVING-ONLY SET)
 Ⓥ USED WITH 163697 (SEND-RECEIVE SET)

99174 - 1800 OHMS
 77629 - 3000 OHMS
 Ⓥ 165378 - 102 AND 3509 OHMS

FIGURE 20. 163696 AND 163697 RELAY PANEL ASSEMBLIES

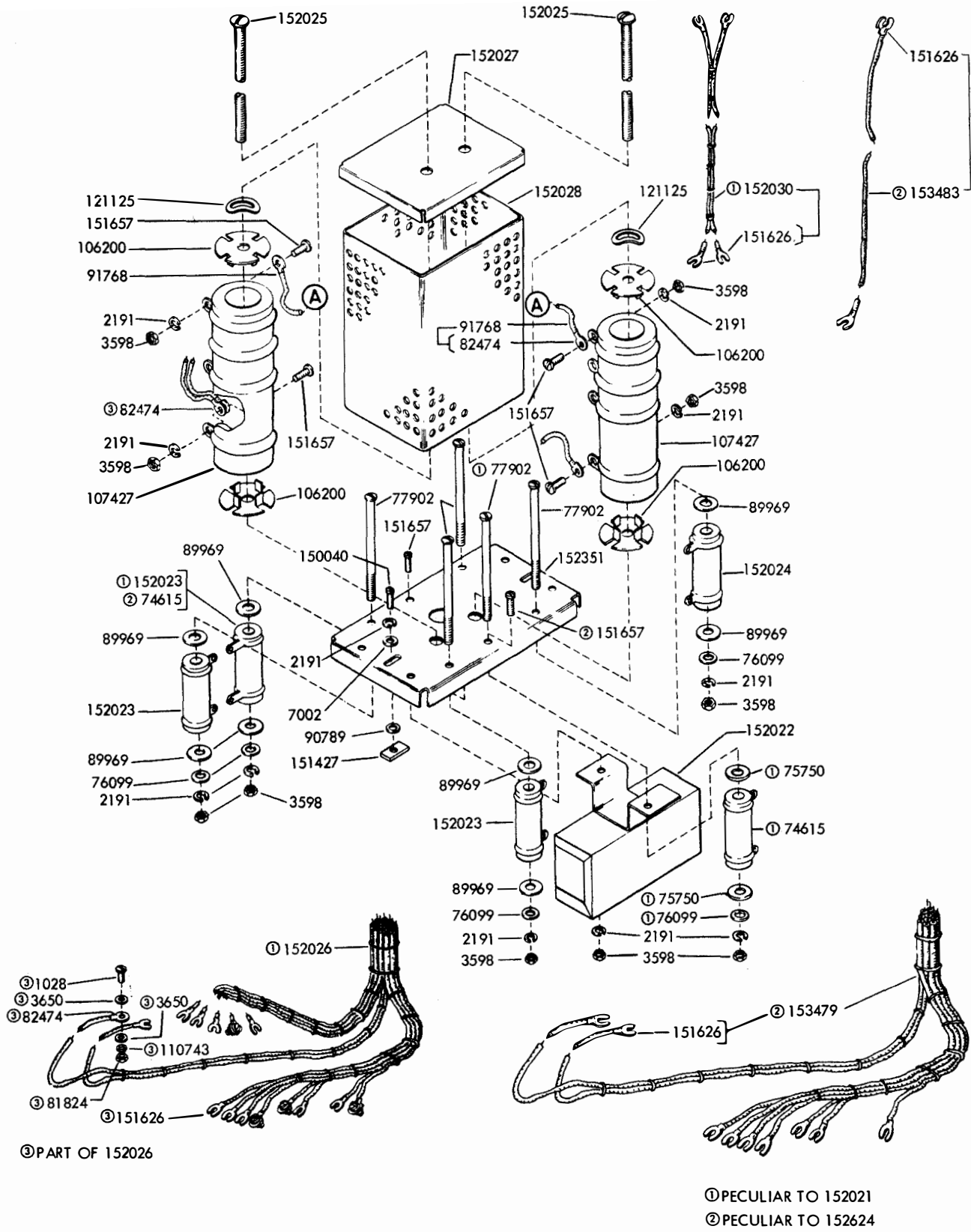


FIGURE 21. 152021 AND 152624 CAPACITOR-RESISTOR ASSEMBLIES

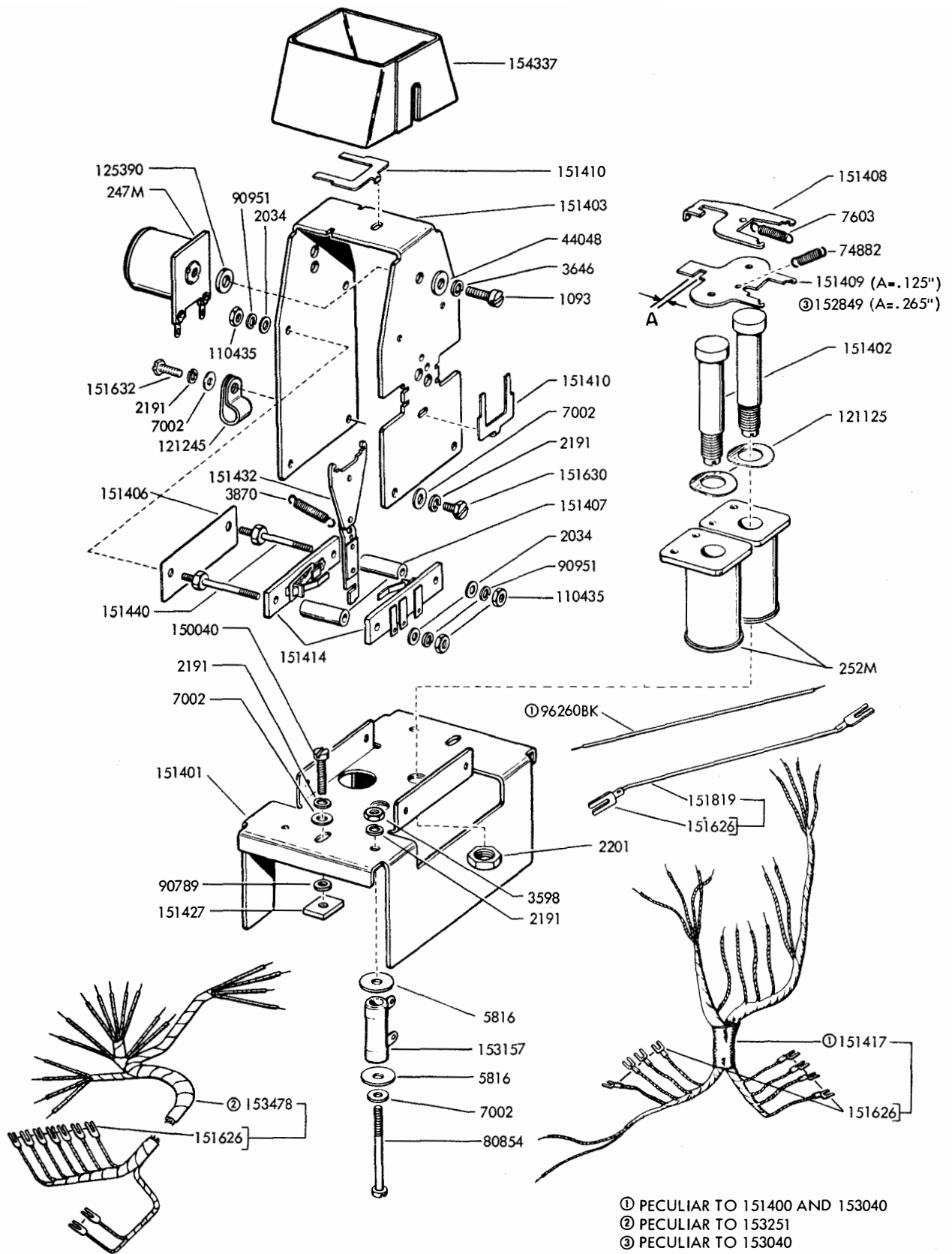


FIGURE 22. 151400, 153040 AND 153251 MOTOR CONTROL ASSEMBLIES

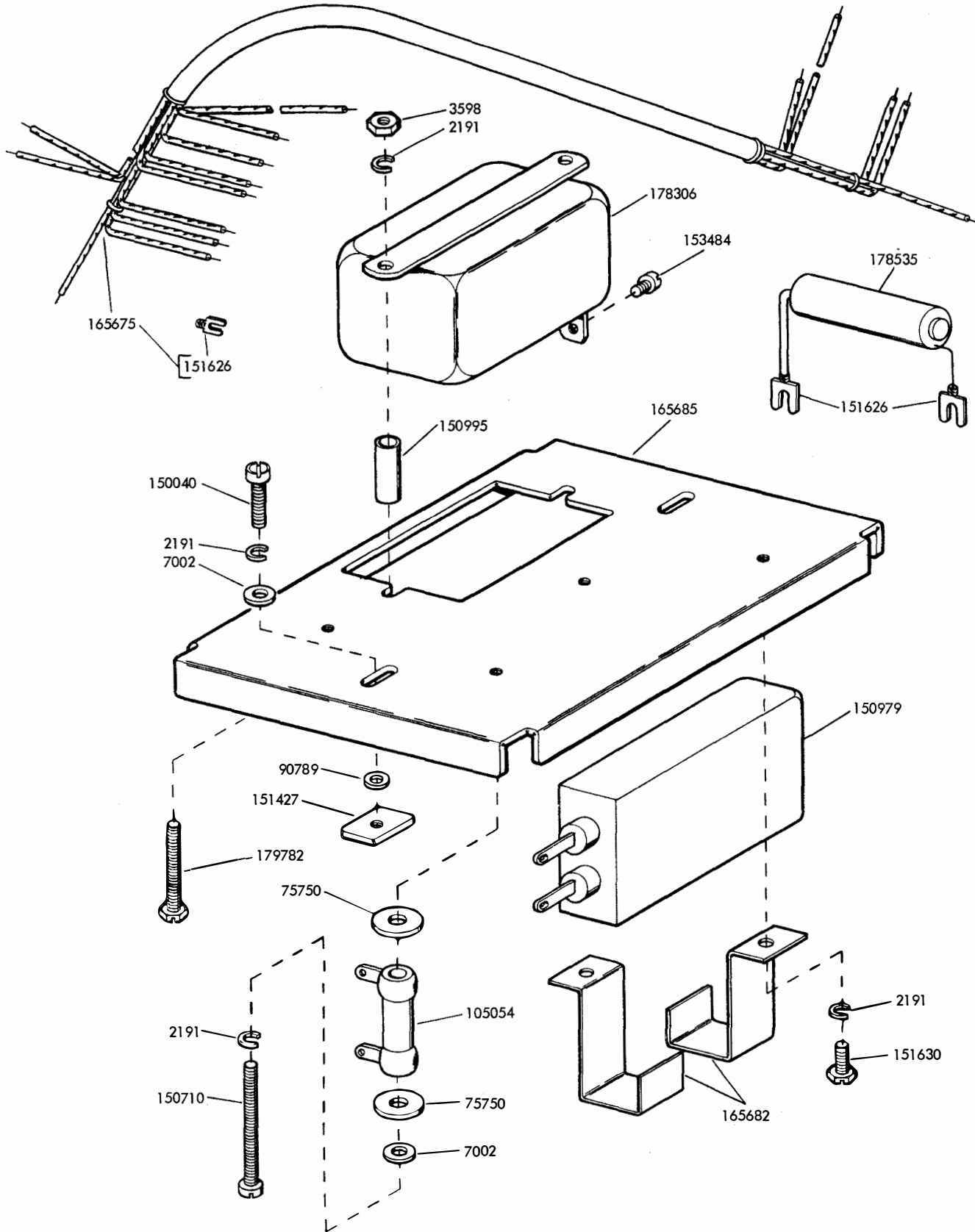
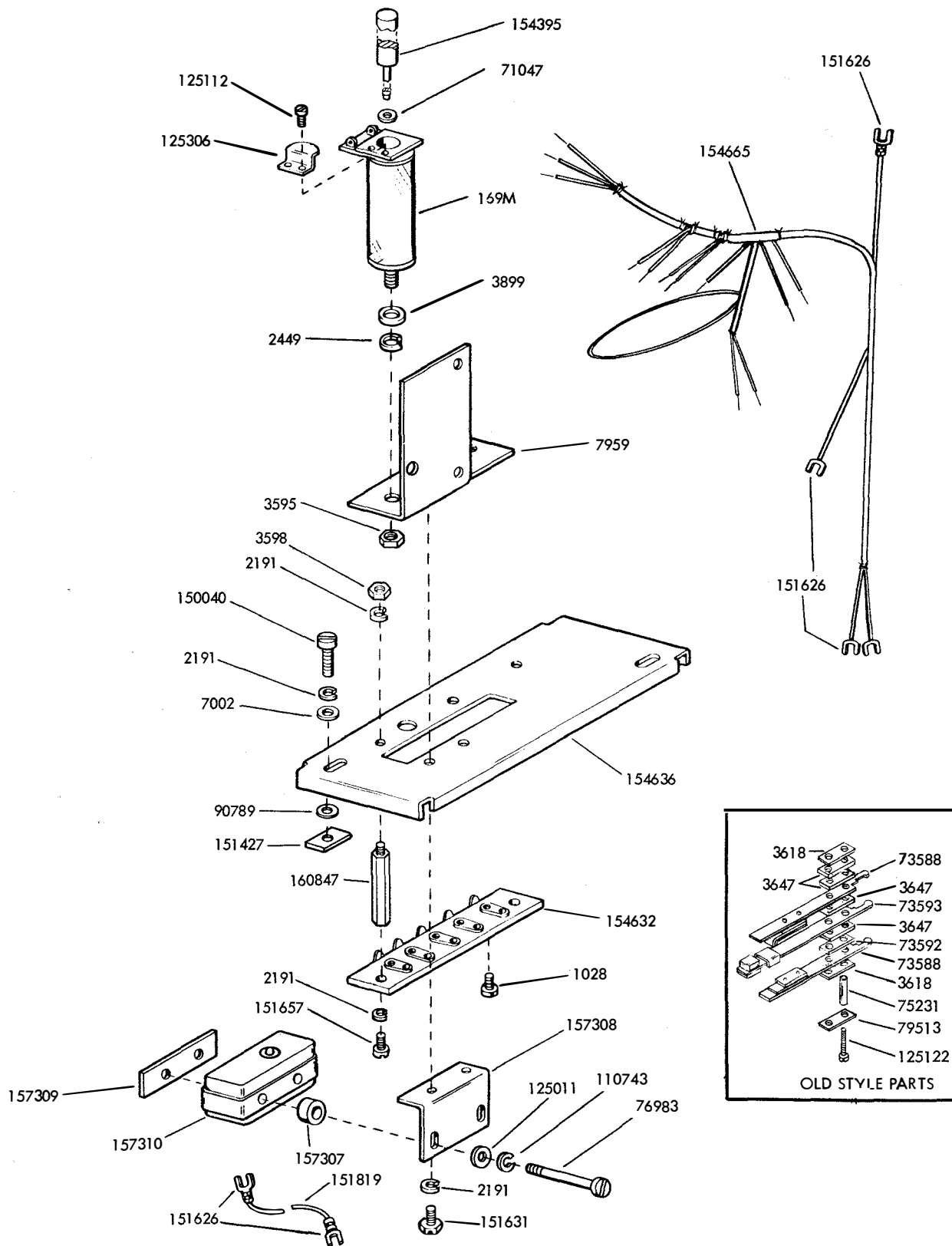


FIGURE 23. 165687 MOTOR CONTROL RELAY ASSEMBLY



Specification 57795

FIGURE 24. 152332 MOTOR CONTROL RELAY ASSEMBLY

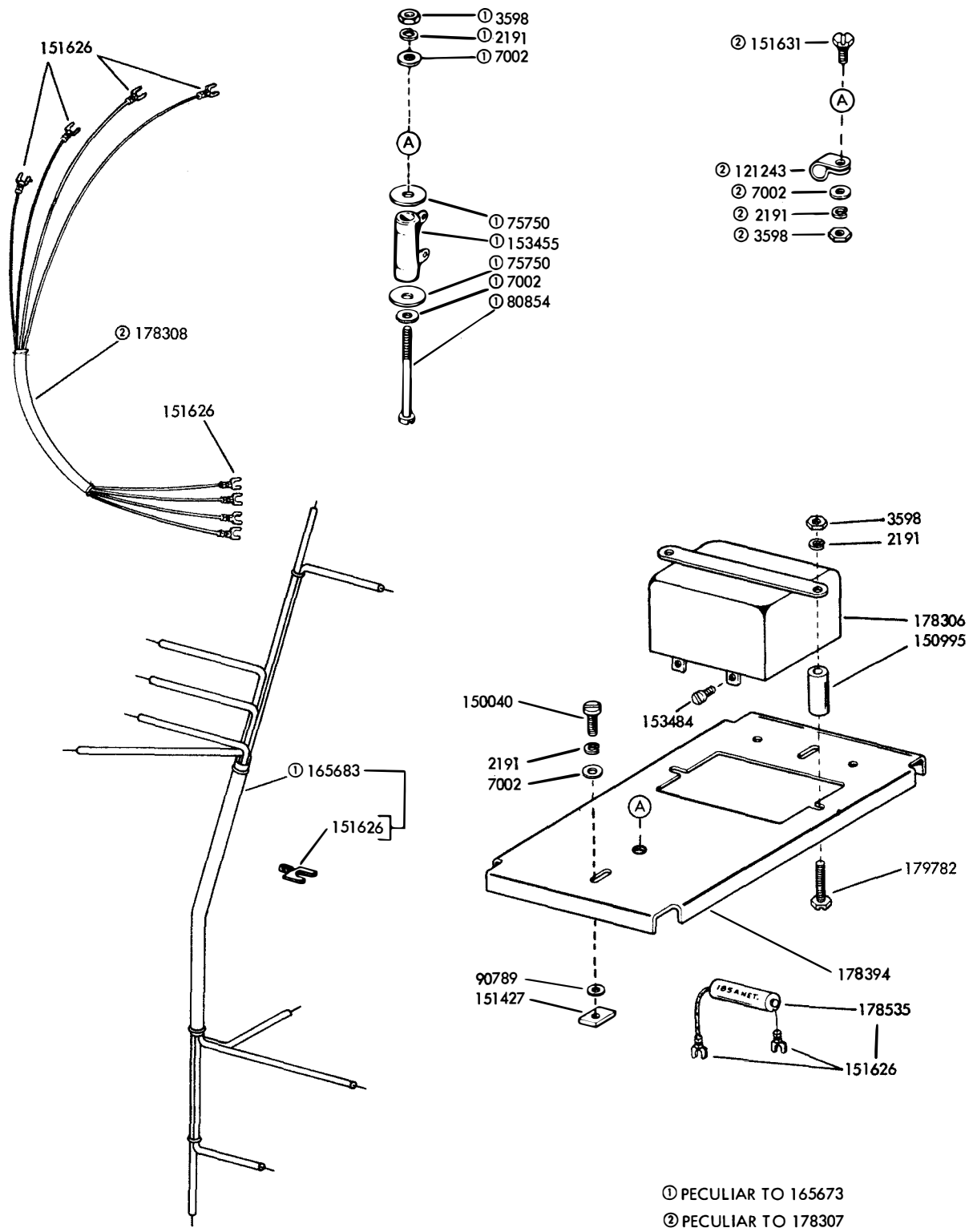


FIGURE 25. 165673 AND 178307 MOTOR CONTROL RELAY ASSEMBLIES

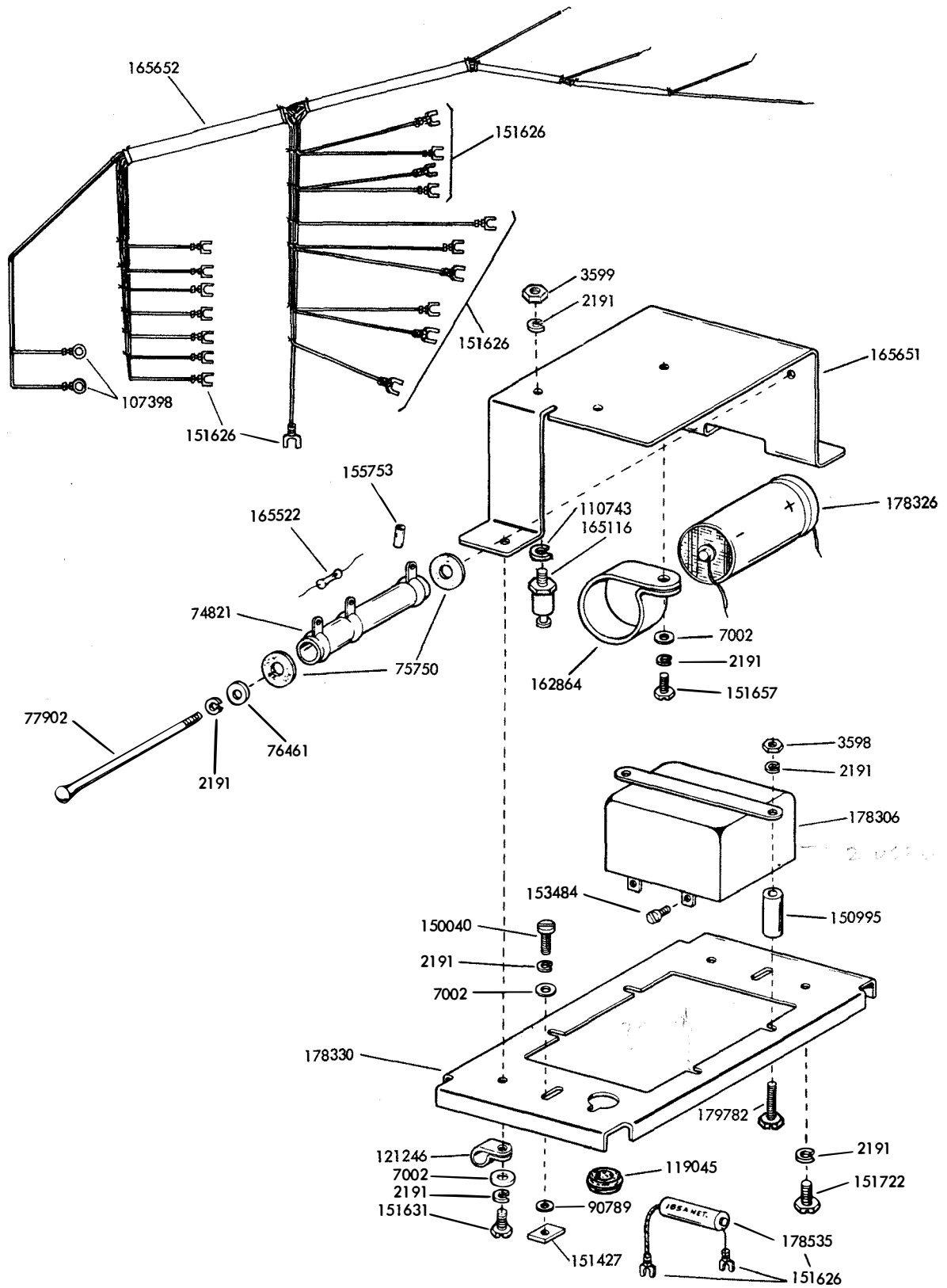


FIGURE 26. 165650 MOTOR CONTROL AND ANSWER-BACK CONTROL RELAY ASSEMBLY

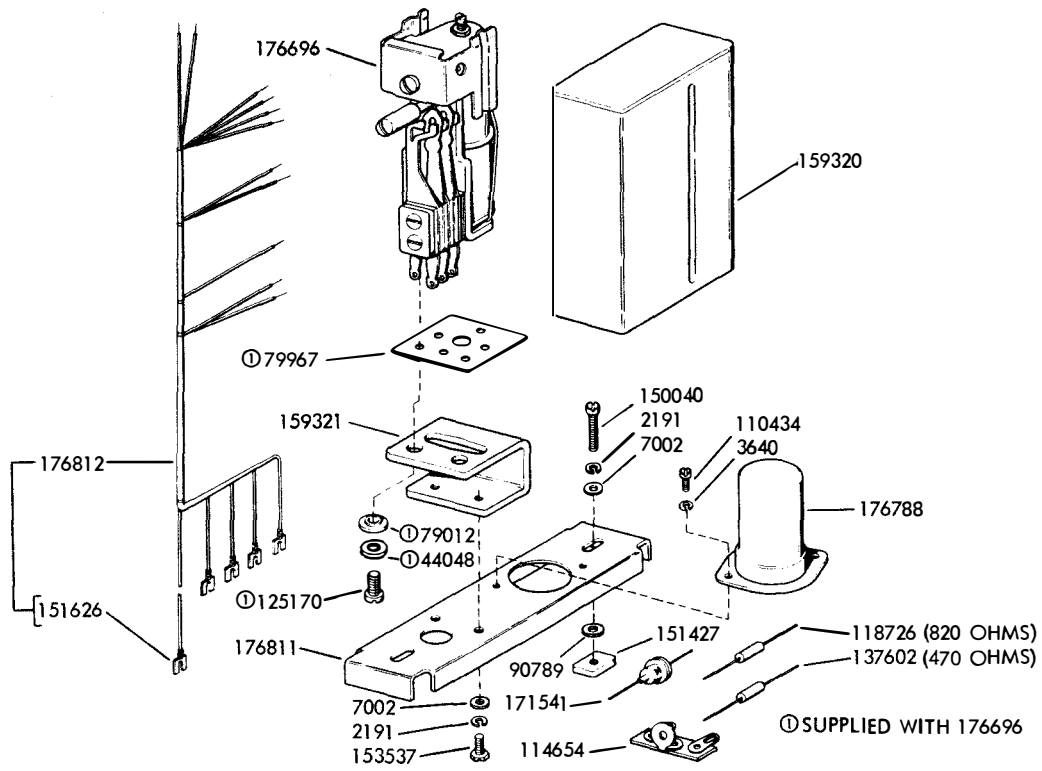


FIGURE 27. 176810 ANSWER-BACK CONTROL RELAY ASSEMBLY

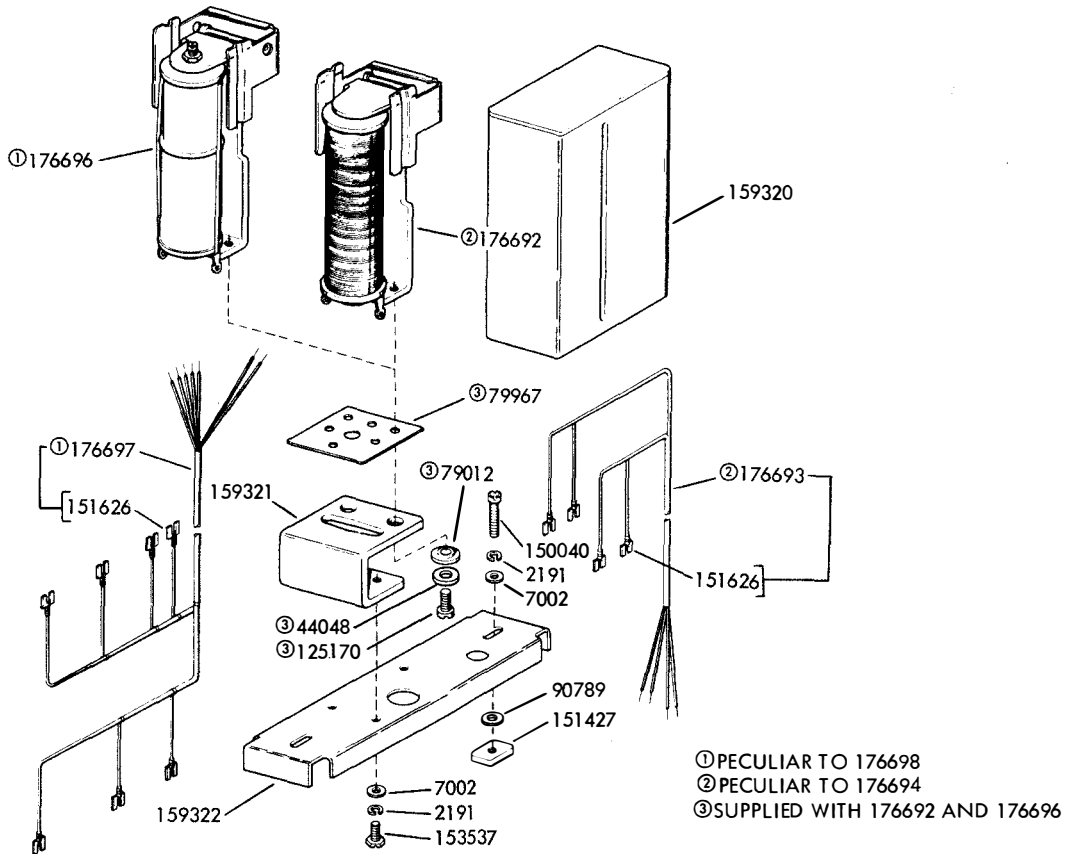
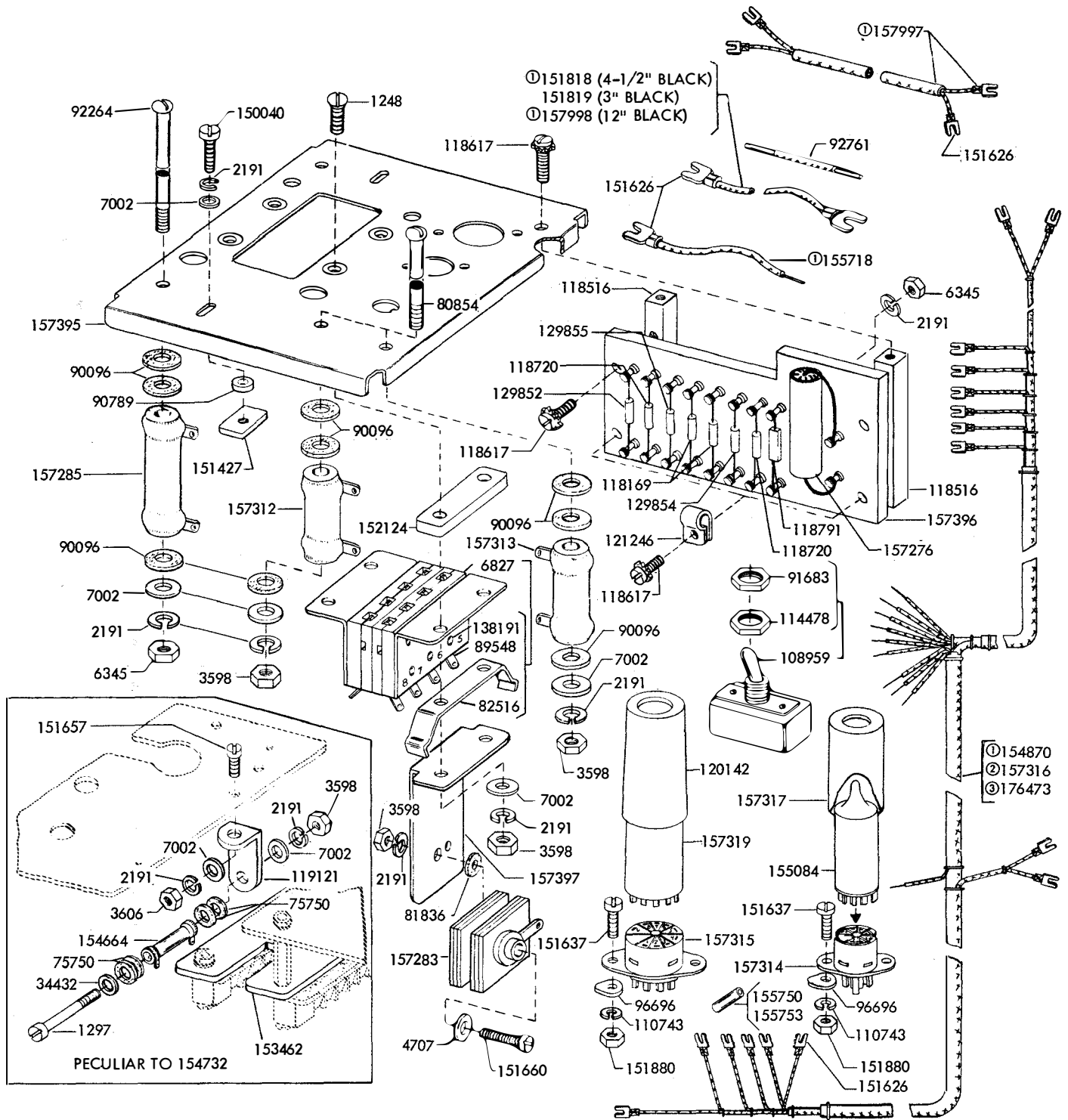


FIGURE 28. 176694 (MOTOR CONTROL) AND 176698 (SLOW RELEASE) RELAY ASSEMBLIES



SPECIFICATION 5871S

SPECIFICATION 50288S

FIGURE 29. 154732, 154779 AND 172667 MODIFICATION KITS TO ADD A RELAY SHIFT TO AN ELECTRICAL SERVICE UNIT

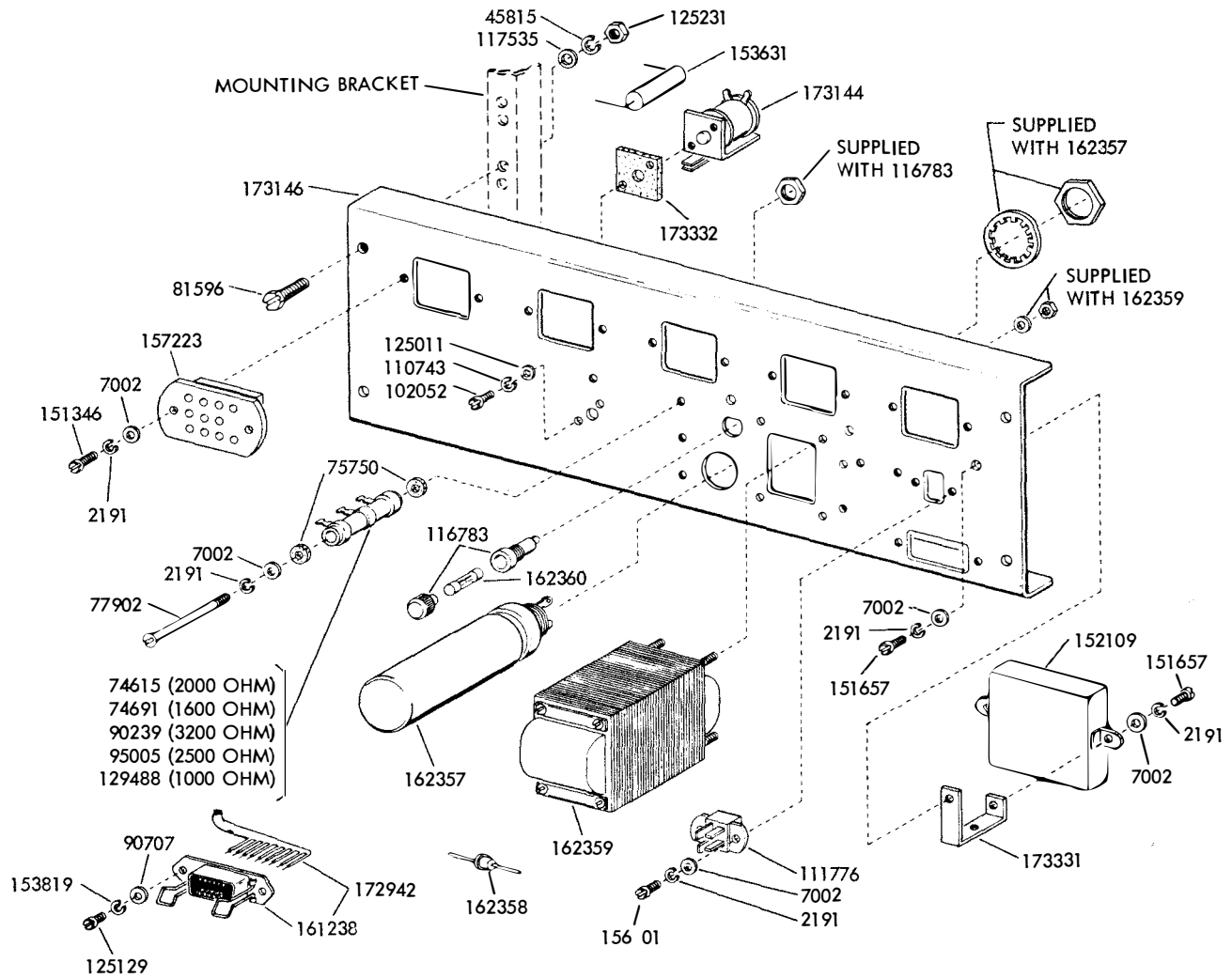


FIGURE 30. 164271 ELECTRICAL SERVICE ASSEMBLY

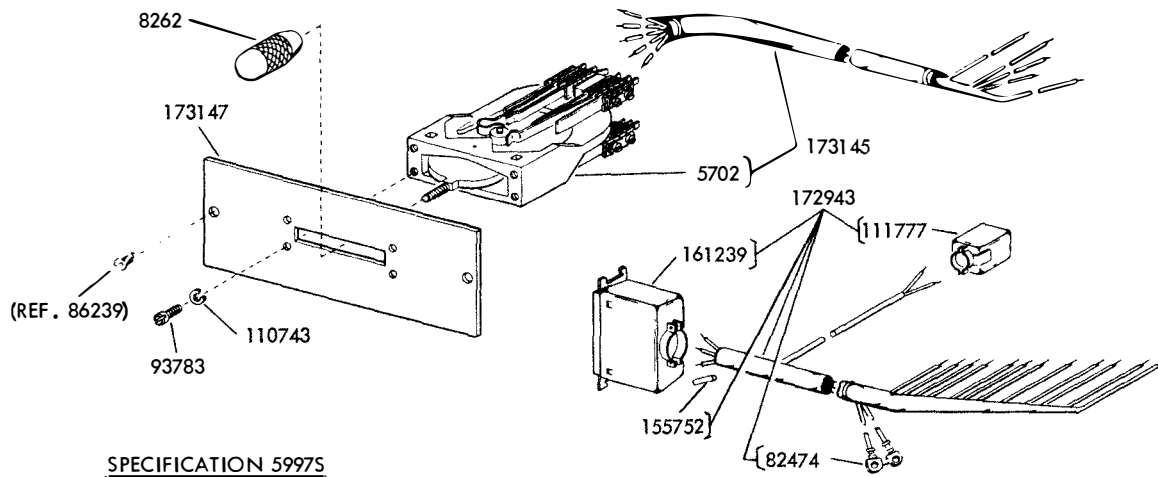
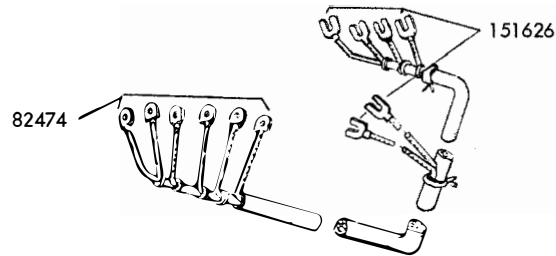
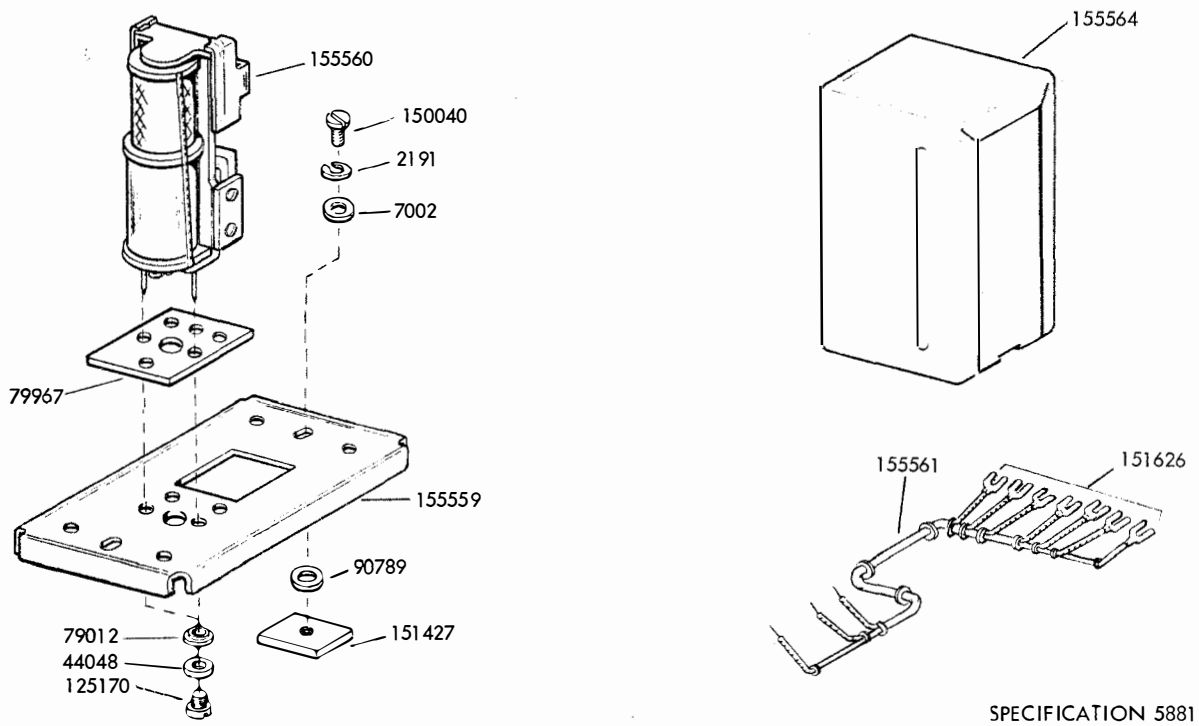


FIGURE 31. 173363 MODIFICATION KIT TO ADAPT A 164271 ELECTRICAL SERVICE ASSEMBLY FOR USE IN A CABINET



160223 (APPROXIMATELY 35" LONG)
179434 (APPROXIMATELY 92" LONG)

FIGURE 32. 160223 AND 179434 AUXILIARY CABLE ASSEMBLIES



SPECIFICATION 5881S

FIGURE 33. 15558 DC CONTROL RELAY ASSEMBLY

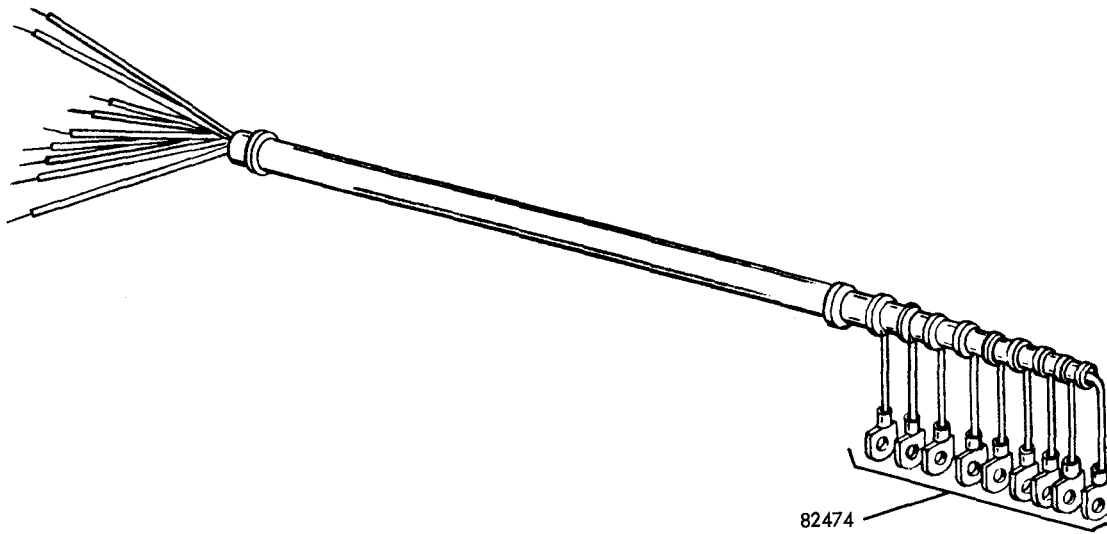
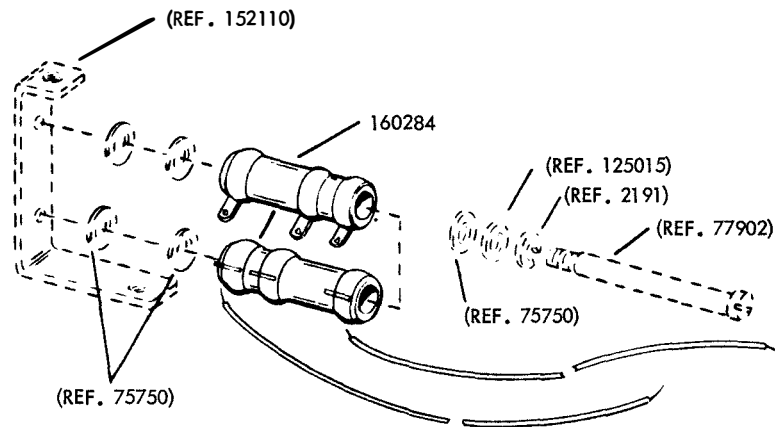


FIGURE 34. 155785 CABLE EXTENSION



SPECIFICATION 5664S

FIGURE 35. 159397 MODIFICATION KIT TO CONVERT THE 152623 LINE RELAY MOUNTING ASSEMBLY TO THE 160226 ASSEMBLY

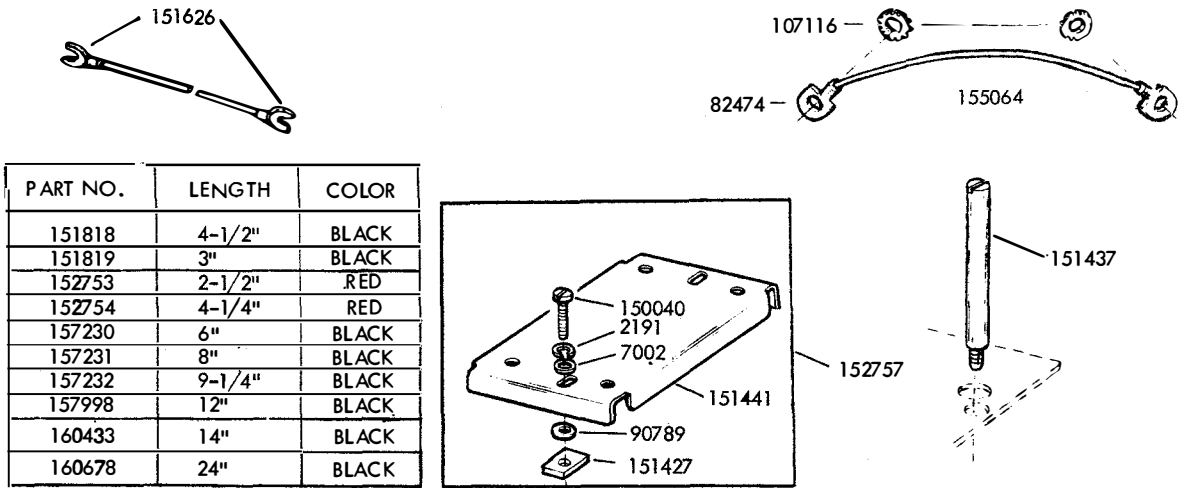
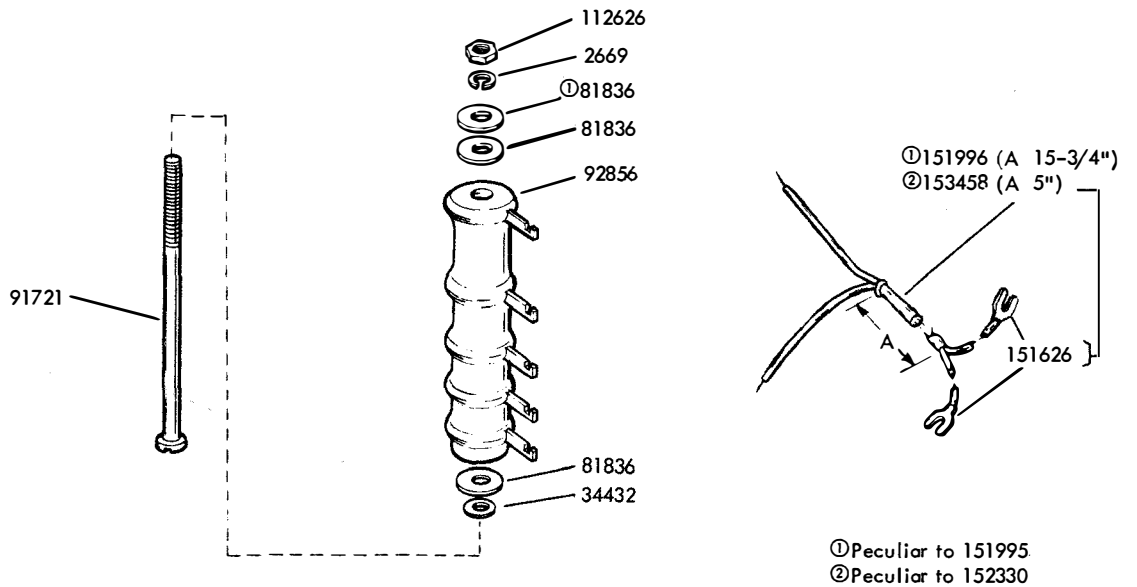
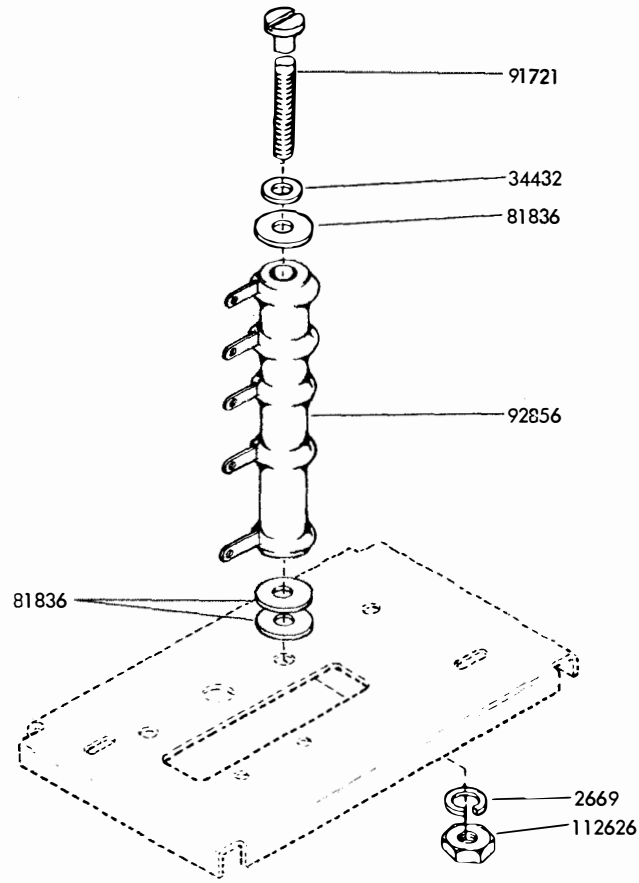


FIGURE 36. VARIABLES FOR THE ELECTRICAL SERVICE UNIT



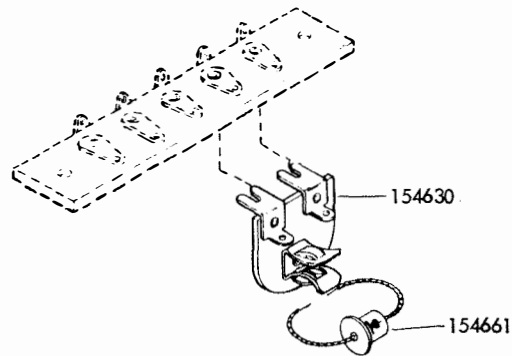
SPECIFICATION 57745

FIGURE 37. 151995 AND 152330 MODIFICATION KITS TO ADD LINE PAD RESISTOR TO LESU



USED WITH 152332
SEE FIGURE 24

FIGURE 38. 93073 1500 OHM RESISTOR MODIFICATION KIT



Specification 5779S
USED WITH 152332
SEE FIGURE 24

FIGURE 39. 152331 RECTIFIER ASSEMBLY

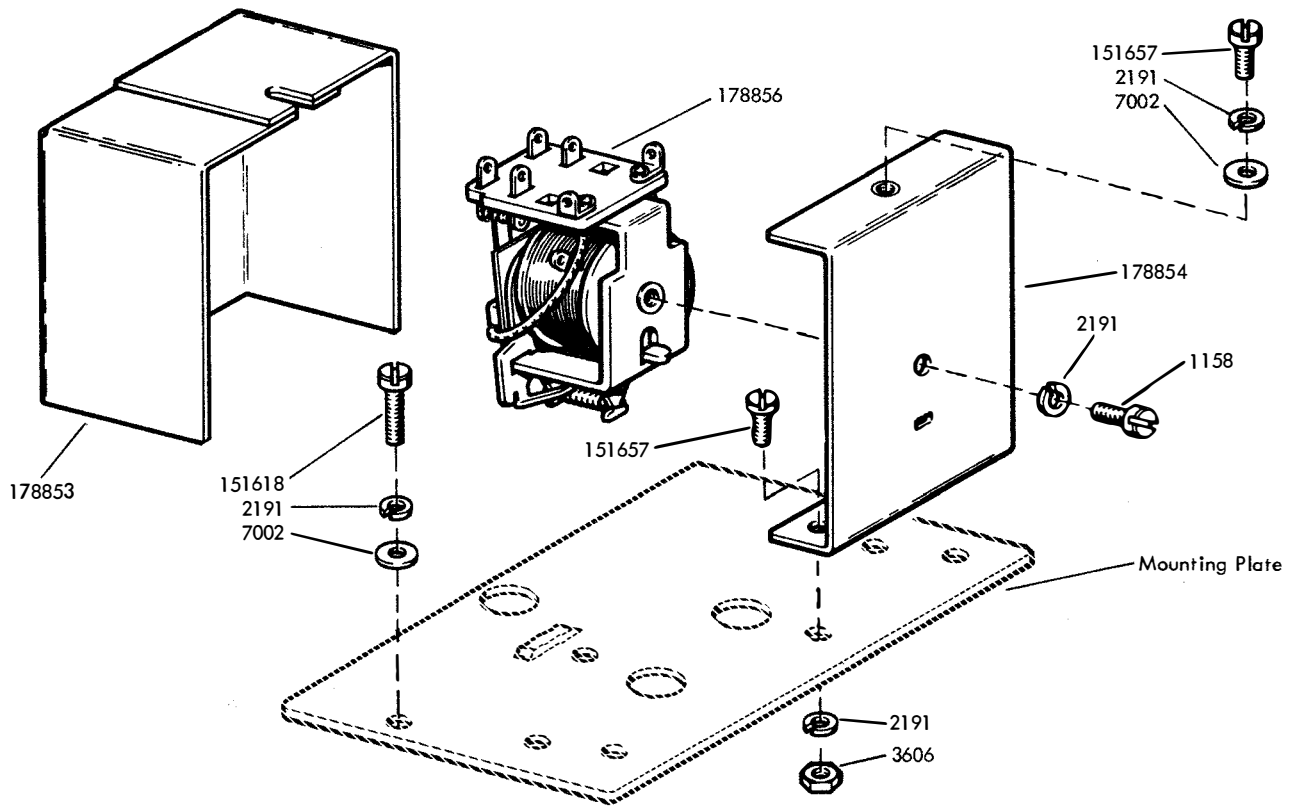
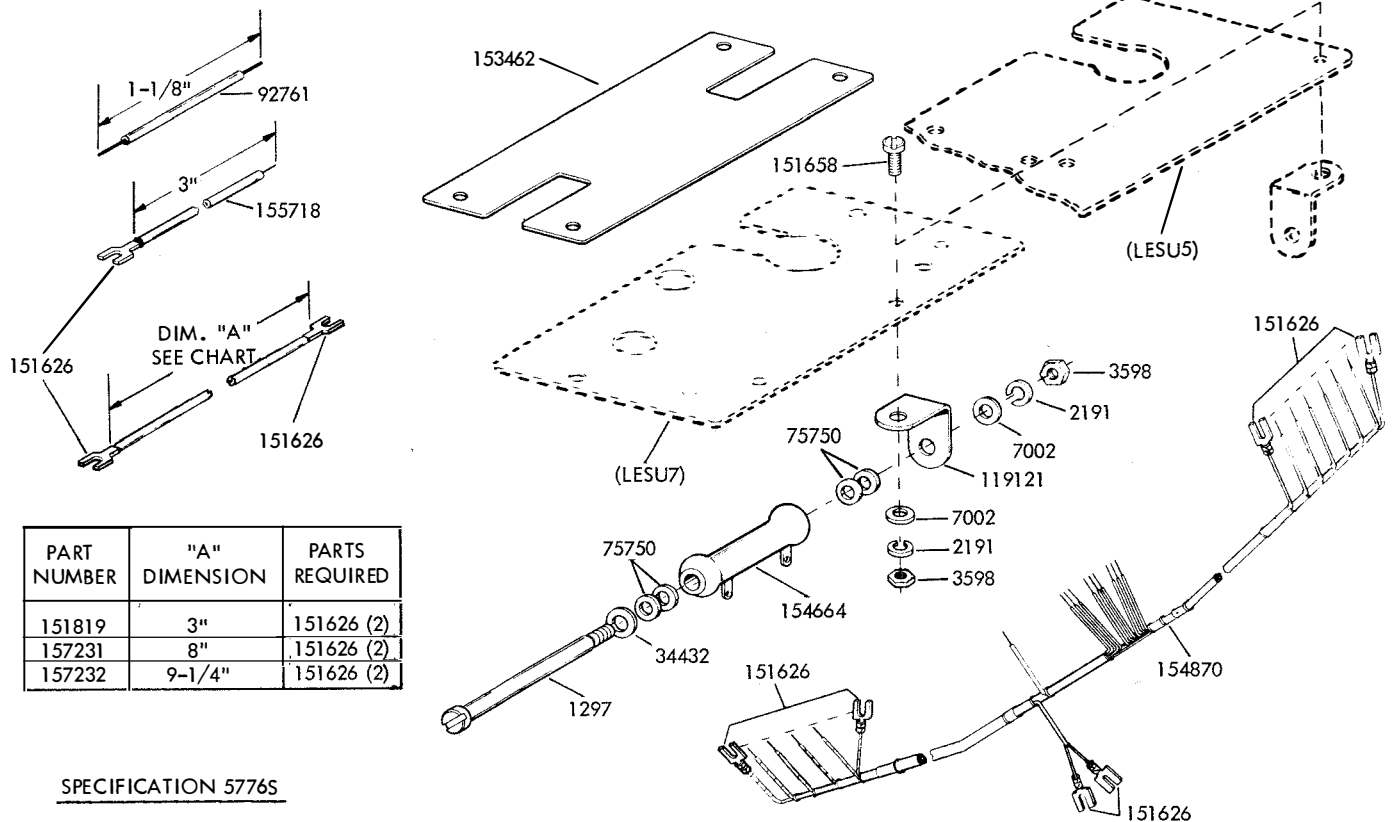



FIGURE 40. LINE SHUNT RELAY (NEW STYLE)




SPECIFICATION 5776S

FIGURE 41. 154747 MODIFICATION KIT TO EQUIP AN LESU FOR CONTINUOUS SPACING

CABLE CLAMPS	
	
Part No.	I.D.
121242	1/8
121243	3/16
121244	1/4
121245	5/16
121246	3/8
121247	7/16
121248	1/2
121249	5/8
121250	3/4
121251	1



INSULATING SLEEVES		
		
Part No.	I.D.	Length
155750	3/32	1/2"
155751	1/8	1"
155752	5/64	1/2"
155753	1/8	1/2"
155754	1/16	1/2"
155755	11/64	5/8"

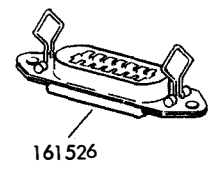
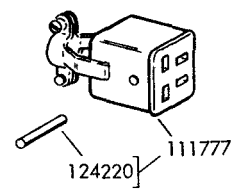
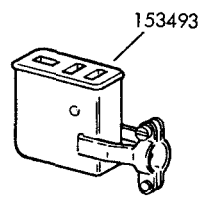
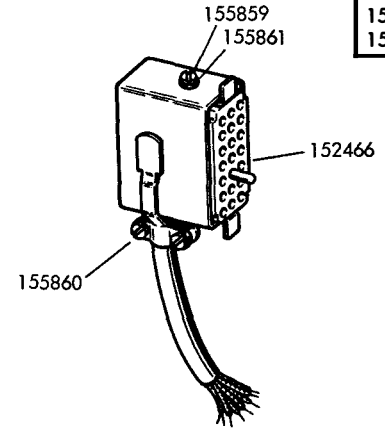
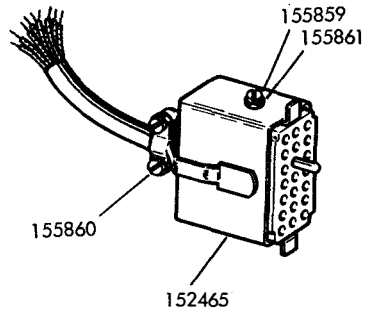
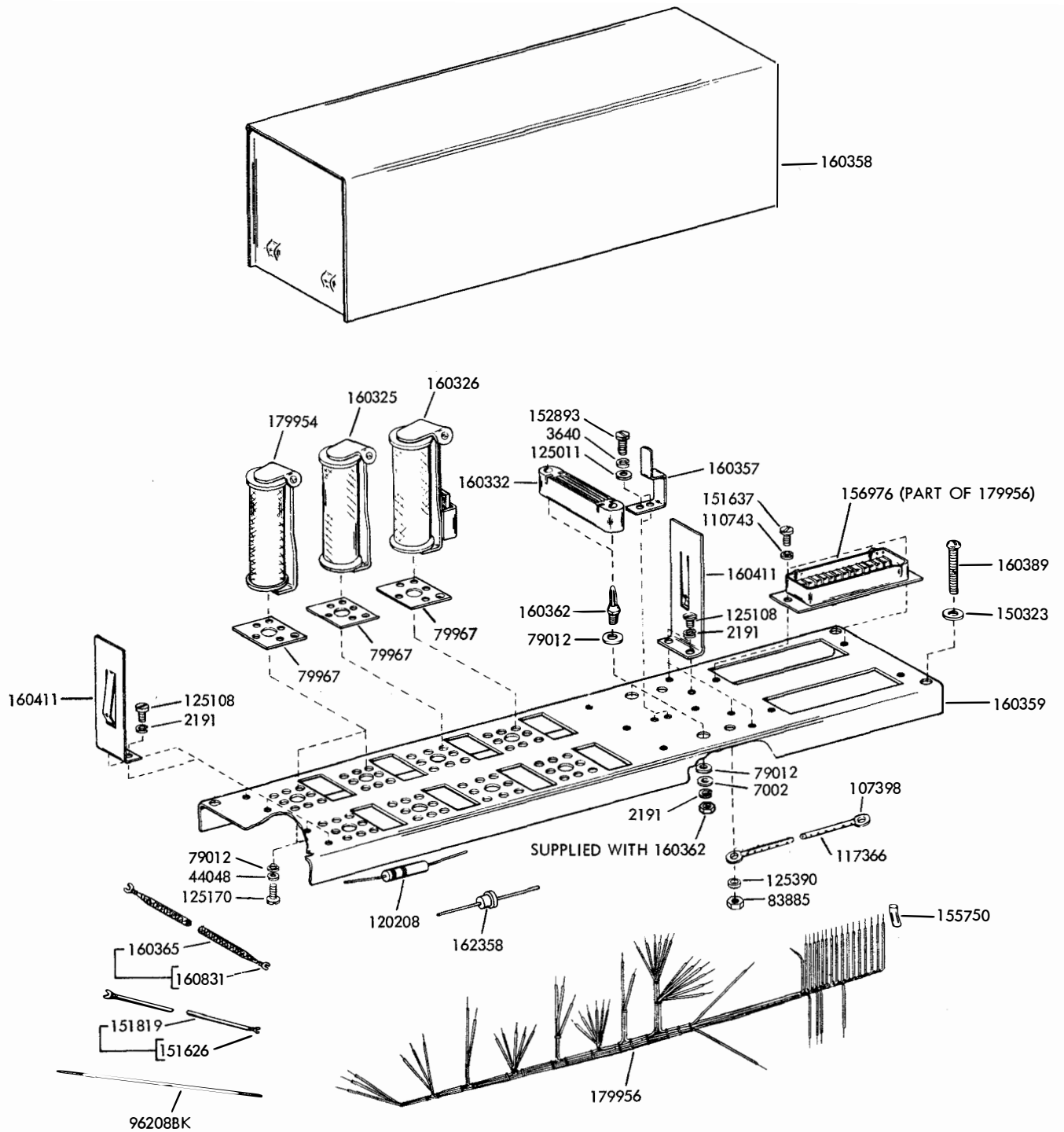


FIGURE 42. CABLE COMPONENTS



SPECIFICATION 58875

FIGURE 43. 179472 MODIFICATION KIT TO PROVIDE TRANSMITTER AND REPERFORATOR CONTROL

NUMERICAL INDEX

Part Number	Description and Page Number	Part Number	Description and Page Number	Part Number	Description and Page Number
169M	Coil, Magnet 25	73588	Spring, Contact 25	107427	Resistor (25 Ohm) 22
247M	Coil, Magnet 20, 23	73592	Plate 25	108959	Switch, Toggle (DP-ST) 29
252M	Coil, Magnet 23	73593	Spring, Contact 25	110434	Screw (4-40 x 3/16 Fil) 20, 28
1018	Screw (3-48 x 5/16 Fil) 6	74614	Resistor (2,600 Ohm) 15, 16	110435	Nut (4-40 Hex) 20, 23
1028	Screw (4-40 x 1/4 Fil) 16, 19, 20, 22, 25	74615	Resistor (2,000 Ohm) 22, 30	110743	Washer, Lock 6, 17, 19, 22, 25, 27, 29, 30, 37
1079	Screw (6-32 x 5/16 Rd) 21	74691	Resistor (1,600 Ohm) 30	111017	Screw (6-40 x 5/16 Fil) 3 To 7, 21
1093	Screw (8-32 x 7/16 Fil) 23	74821	Resistor (2,810 Ohm) 15, 16, 27	111776	Connector, Plug (4 Pt) 30
1157	Screw (8-32 x 1/2 Fil) 3, 6, 14	74882	Spring 23	111777	Connector, Receptacle (4 Pt) 30, 36
1158	Screw (6-32 x 5/16 Fil) 35	75231	Bushing, Insulating 25	111970	Key, Line Test 18, 19
1164	Screw (2-56 x 3/16 Fil) 21	75750	Washer, Insulating 5, 15, 16, 18, 19, 22, 24, 26, 27, 29, 30, 35	111971	Knob 18, 19
1172	Screw (2-56 x 5/16 Fil) 13	76099	Washer, Flat 4, 18, 22	112626	Nut (10-32 Hex) 33, 34
1248	Screw (6-40 x 1/2 Flat) 15, 16, 29	76461	Washer, Flat 27	112627	Nut (2-56 Hex) 13
1268	Screw (6-40 x 5/16 Flat) 17	76832	Screw (12-24 x 5/8 Hex) 14	114478	Nut (15/32-32 Hex) 5, 29
1297	Screw (6-40 x 2-7/16 Fil) 5, 15, 18, 29, 35	76983	Screw (4-40 x 1-1/4 Fil) 25	114654	Strip, Terminal 28
2034	Washer, Flat 23	77629	Resistor (3,000 Ohm) 21	115358	Fuse (1 Amp) 6
2191	Washer, Lock 3 To 13, 15 To 20, 22 To 31, 33, 35, 37	77902	Screw (6-40 x 2-3/8 Rd) 16, 19, 22, 27, 30	116783	Holder, Fuse 3 To 6, 13, 30
2201	Nut (5/16-32 Hex) 23	78904	Nut (8-32 Hex) 21	117366	Jumper (8-1/2" Green) 37
2263	Nut (8-32 Hex) 17	78905	Washer, Insulating 21	117535	Washer, Flat 30
2422	Washer, Lock 13	79012	Insulator 27, 28, 31, 37	118169	Resistor (1.0 Meg Ohm) 29
2449	Washer, Lock 25	79513	Plate, Contact Top 25	118511	Fuse (.125 Amp) 5
2658	Nut (6-32 Hex) 5, 12, 13	79967	Insulator 27, 31, 37	118516	Post 29
2669	Washer, Lock 33, 34	80721	Washer, Flat 17	118617	Screw, Self-Tapping (6-32) 29
3438	Washer, Flat 15, 19	80854	Screw (6-40 x 1-7/16 Fil) 4, 23, 26, 29	118720	Resistor (100,000 Ohm) 29
3595	Nut (1/4-32 Hex) 25	81596	Screw (10-32 x 1-3/8 Hex) 30	118726	Resistor (820 Ohm) 28
3598	Nut (6-40 Hex) 3 To 7, 15 To 21, 23 To 27, 29, 35	81775	Resistor (8,000 Ohm) 15	118791	Capacitor (1,000 MFD) 29
3599	Nut (4-40 Hex) 17, 27	81824	Nut (4-40 Hex) 22	119045	Grommet, Rubber 27
3606	Nut (6-40 Hex) 3, 4, 29, 35	81836	Washer, Insulating 29, 33, 34	119121	Bracket 5, 29, 35
3618	Insulator (.062") 25	82474	Terminal 5, 21, 22, 30 To 33, 36	120142	Shield, Tube 29
3640	Washer, Lock 20, 27, 37	82516	Spring, Retaining 15, 16, 29	120175	Plate (ON-OFF) 4
3646	Washer, Lock 3, 6, 15, 17, 20, 23	82870	Resistor (6,300 Ohm) 18	120195	Rectifier 11
3647	Insulator (.094") 25	83885	Nut (6-32 Hex) 37	120208	Resistor (22 Ohm) 37
3650	Washer, Flat 22	89548	Spring, Contact 15, 16, 29	121125	Washer, Spring 22, 23
3870	Spring 23	89969	Washer, Insulating 4, 17, 22	121242	Clamp, Cable (1/8" ID) 36
3899	Spacer (.188") 25	90096	Washer, Insulating 29	121243	Clamp, Cable (3/16" ID) 26, 36
4703	Spring 20	90239	Resistor (3,200 Ohm) 30	121244	Clamp, Cable (1/4" ID) 36
4707	Washer, Flat 29	90707	Washer, Flat 30	121245	Clamp, Cable (5/16" ID) 23, 36
5702	Key 30	90789	Washer, Flat 5, 6, 8, 10 To 13, 15 To 20, 22 To 29, 31, 33	121246	Clamp, Cable (3/8" ID) 6, 14, 27, 29, 36
5816	Washer, Insulating 23	90951	Washer, Lock 23	121247	Clamp, Cable (7/16" ID) 36
6345	Nut (6-32 Hex) 10, 17, 29	91683	Nut (15/32-32 Hex) 3 To 6, 29	121248	Clamp, Cable (1/2" ID) 3, 36
6827	Block 15, 16, 29	91721	Screw (10-32 x 2-3/4 Fil) 33, 34	121249	Clamp, Cable (5/8" ID) 3, 36
7002	Washer, Flat 3 To 13, 15 To 20, 22 To 31, 33, 35, 37	91768	Jumper (3-1/2" Black) 22	121250	Clamp, Cable (3/4" ID) 3, 36
7603	Spring 23	92260	Washer, Lock 5, 11, 12, 13	121251	Clamp, Cable (1" ID) 36
7959	Bracket, Magnet 25	92264	Screw (6-32 x 2-1/4 Rd) 29	124220	Pin, Drive 36
8262	Knob 30	92527	Washer, Lock 3, 5, 6	124566	Clamp, Condenser 14
34432	Washer, Flat 5, 29, 33, 34, 35	92761	Jumper (1-1/2" Black) 29, 35	125011	Washer, Flat 19, 25, 30, 37
43954	Bell 20	92856	Resistor (1,500 Ohm) 33, 34	125015	Washer, Flat 11, 16, 20
44048	Washer, Flat 3, 6, 23, 27, 28, 31, 37	93073	Modification Kit 34	125108	Screw (6-32 x 3/8 Fil) 37
45815	Washer, Lock 30	93191	Screw (4-40 x 5/16 Flat) 17	125112	Screw (2-56 x 1/8 Fil) 25
49514	Nut (8-32 Hex) 3, 6	93783	Screw (4-36 x 1/4 Fil) 30	125122	Screw (2-56 x 3/4 Fil) 25
55219	Screw (8-32 x 3/8 Fil) 20	95005	Resistor (2,500 Ohm) 30	125129	Screw (3-48 x 3/8 Fil) 30
55323	Screw (8-32 x 1/2 Rd) 17	96208BK	Jumper (3" Black) 37	125164	Screw (6-32 x 1 Fil) 17
61085	Washer, Lock 6	96260BK	Jumper (3-1/2" Black) 23	125170	Screw (8-32 x 5/16 Fil) 28, 31, 37
70073	Nut (3-48 Hex) 6	96696	Terminal 29	125231	Nut (10-32 Hex) 30
70887	Nut (10-24 Hex) 14	99174	Resistor (1,800 Ohm) 21	125306	Stop, Magnet Plunger 25
71047	Washer, Flat 25	99324	Cord Assembly 21	125390	Washer, Flat 23, 37
71073	Washer, Flat 21	99358	Connector, Plug (2 Pt) 21	129488	Resistor (1,000 Ohm) 30
71155	Screw (6-32 x 1-1/4 Flat) 11	105054	Resistor (5 Ohm) 24	129852	Resistor (2,200 Ohm) 29
71646	Nut (6-32 Hex) 11	106200	Washer, Centering 22	129854	Resistor (10,000 Ohm) 29
73175	Washer, Lock 17	107116	Washer, Lock 33	129855	Resistor (51,000 Ohm) 29
		107393	Switch, Toggle (SP-ST) 3	129919	Fuse (4 Amp) 4, 5
		107398	Terminal 27, 36, 37	131228	Washer, Insulating 10
				137602	Resistor (470 Ohm) 28

NUMERICAL INDEX (Continued)

Part Number	Description and Page Number	Part Number	Description and Page Number	Part Number	Description and Page Number
138191	Screw (3-48 x 1 Rd) 15, 16, 29	151403	Frame 23	152022	Suppressor, Electrical Noise 22
138506	Grommet, Fastener 14	151406	Plate, Insulating 23	152023	Resistor (400 Ohm) 22
138535	Holder, Fuse 14	151407	Collar, Spacing 23	152024	Resistor (1 Ohm) 22
138538	Fuse (2 Amp SL-BL) 5	151408	Lever 23	152025	Bolt (1/4-20 x 5 Rd) 22
138545	Cap, Insulator 14	151409	Armature 23	152026	Cable W/Terminals 22
138548	Connector, Cord 14	151410	Clip, Retaining 23	152027	Plate 22
139075	Screw (8-32 x 1/4 Fil) 14	151411	Block, Terminal 3 To 7	152028	Guard 22
139777	Screw (3-56 x 1/4 Flat) 18, 19	151412	Insulator (1-9) 3 To 7	152030	Cable W/Terminals 22
142269	Fuse (3 Amp SL-BL) 4	151413	Washer, Flat 14	152108	Plate, Relay 15
142679	Washer, Flat 14	151414	Switch, Sensitive 23	152109	Filter 15, 16, 30
142683	Washer, Flat 14	151416	Nut (6-40 Hex) 3 To 7	152110	Bracket, Resistor Mounting 15, 16
142686	Nut (8-32 Hex) 14	151417	Cable W/Terminals 23	152123	Cable W/Terminals 15
142899	Connector, Receptacle (24 Pt) 6	151418	Fuse (10 Amp) 3, 4, 7	152124	Spacer 15, 16, 29
143291	Screw (1/4-20 x 5/8 Hex) 14	151421	Plate 3	152330	Modification Kit 33
143292	Clamp, Tube 14	151422	Connector, Receptacle (2 Pt) 3, 4, 6	152331	Rectifier Assembly 34
143293	Screw (6-32 Spl) 14	151423	Plate 3	152332	Control Assembly, Motor 25, 34
143294	Screw (8-32 x 3/8 Flat) 14	151426	Plate, Blank (3-3/4" Wide) 5	152351	Plate 22
143295	Screw (4-40 x 1/4 Rd) 14	151427	Plate, Clamp 5, 6, 8, 10 To 13, 15 To 20, 22 To 29, 31, 33	152426	Nut, Self-Locking (6-40) 10
143297	Nut (6-32 Hex) 14	151432	Armature 23	152465	Connector, Receptacle (20 Pt) 21, 36
143299	Nut (1/4-20 Hex) 14	151437	Stud 3, 5, 6, 33	152466	Connector, Receptacle (20 Pt) 36
143300	Washer, Lock 14	151440	Stud 23	152467	Connector, Plug (20 Pt) 21
143301	Washer, Lock 14	151441	Plate, Blank (2-3/4" Wide) 33	152623	Mounting Assembly, Line Relay 16, 32
143302	Washer, Lock 14	151564	Bracket 20	152624	Capacitor Assembly 22
143303	Washer, Lock 14	151565	Bushing, Shoulder 20	152625	Key Assembly, Line-Test 19
143304	Washer, Lock 14	151567	Armature W/Clapper 20	152744	Key Assembly, Line-Test 18
143306	Fuse (1 Amp. SL-BL) 14	151579	Plate, Retaining 20	152745	Bracket, Test Key 18, 19
143307	Fuse (.6 Amp) 14	151618	Screw (6-40 x 7/16 Fil) 3, 4, 5, 9, 35	152746	Cable W/Terminals 18
143308	Screw (10-24 x 5/8 Flat) 14	151626	Terminal 4, 5, 6, 8 To 13, 15 To 19, 21 To 29, 31, 33, 35, 36, 37	152753	Jumper (2-1/2" Red) 33
143309	Capacitor (2.75 MFD) 14	151629	Nut (6-40 Lug) 5, 10	152754	Jumper (4-1/2" Red) 33
143310	Capacitor (1250 MFD) 14	151630	Screw (6-40 x 1/4 Hex) 10, 23, 24	152755	Strap, Terminal 3, 5
143311	Jack, Black 14	151631	Screw (6-40 x 5/16 Hex) 8, 9, 25, 26, 27	152757	Plate Assembly, Blank 33
143312	Jack, Red 14	151632	Screw (6-40 x 3/8 Hex) 23	152760	Stud 3 To 6
143313	Resistor (6,000 Ohm) 14	151637	Screw (4-40 x 1/4 Fil) 6, 19, 29, 37	152761	Stud 3, 4, 5, 7
143314	Bracket, Mounting 14	151657	Screw (6-40 x 1/4 Fil) 3, 5, 6, 15, 16, 20, 22, 25, 27, 29, 30, 35	152763	Jumper (2" Yellow) 18
143315	Terminal, Insulating 14	151658	Screw (6-40 x 5/16 Fil) 4, 5, 6, 35	152849	Armature 23
143316	Stud, Fastener 14	151659	Screw (6-40 x 1/2 Fil) 17	152893	Screw (4-40 x 1/4 Hex) 37
143317	Bracket 14	151660	Screw (6-40 x 7/8 Fil) 29	152921	Plate 4
143319	Chassis 14	151722	Screw (6-40 x 3/16 Hex) 27	152922	Plate 4
143320	Cover 14	151801	Bushing, Clamp 4	152950	Rectifier Assembly 12
143321	Diode 14	151808	Relay 3	152988	Plate, Cover 20
143322	Cord Assembly 14	151813	Cover 3	152994	Switch, Toggle (TP-DT) 4
143323	Cord Assembly 14	151814	Bracket, Relay Mounting 3	152995	Bracket, Bell 20
143324	Cord Assembly 14	151818	Jumper (4-1/4" Black) 15, 29, 33	152996	Suppressor, Electrical Noise 20
143325	Regulator 14	151819	Jumper (3" Black) 16, 17, 19, 23, 25, 29, 33, 35, 37	152998	Bracket, Switch 4
143326	Bracket, Fuse and Jack 14	151822	Mounting Assembly, Line Relay 15	153040	Control Assembly, Motor 23
143327	Cable W/Terminals 14	151825	Cable W/Terminals 11, 12	153108	Insulator (.031") 11
144979	Relay (700 Ohm) 6	151826	Cable W/Terminals 15	153157	Resistor (400 Ohm) 23
145003	Relay (700 Ohm) 6	151827	Strap, Terminal 4, 6	153251	Control Assembly, Motor 23
145007	Diode 6	151880	Nut (4-40 Hex) 6, 29	153388	Stud 5
145013	Cable Assembly 6	151913	Plate, Mounting 11	153451	Block, Terminal 19
145014	Cable Assembly 6	151916	Transformer 11	153454	Bracket 19
145026	Plate, Right Mounting 6	151995	Modification Kit 33	153455	Resistor (600 Ohm) 26
145104	Plate, Mounting 6	151996	Cable W/Terminals 33	153456	Bracket 4, 5, 7
145210	Cable 6	151999	Rectifier Assembly 12	153457	Strap, Terminal 4
145246	Relay (4,000 Ohm) 6	152021	Capacitor Assembly 22	153458	Cable W/Terminals 33
150040	Screw (6-40 x 5/8 Fil) 3 To 8, 11, 12, 13, 15 To 20, 22 To 29, 31, 33			153459	Block, Terminal 5
150323	Washer, Flat 37			153460	Plate, Left Mounting 4
150710	Screw (6-40 x 1-1/4 Fil) 24			153461	Plate, Right Mounting 4
150979	Capacitor (1/2 MFD) 24			153462	Plate 4, 6, 29, 35
150995	Bushing 24, 26, 27			153464	Block, Terminal 16
151346	Screw (6-40 x 3/8 Fil) 3 To 7, 20, 21, 30			153466	Cover 5
151400	Control Assembly, Motor 23			153468	Insulator, Left (1-20) 5
151401	Base 23			153475	Cable W/Terminals 16
151402	Core 23			153476	Cable W/Terminals 19

NUMERICAL INDEX (Continued)

Part Number	Description and Page Number	Part Number	Description and Page Number	Part Number	Description and Page Number
153477	Cable W/Terminals 11, 12, 13	157224	Resistor (250 Ohm) 17	161525	Connector, Plug (14 Pt) 21
153478	Cable W/Terminals 23	157225	Resistor (2,000 Ohm) 17	161526	Connector, Receptacle (14 Pt) 6, 21, 36
153479	Cable W/Terminals 22	157226	Block, Terminal 17	162357	Capacitor (500 MFD) 13, 30
153480	Resistor (6750 Ohm) 16	157227	Capacitor (.5 MFD) 17	162358	Diode 5, 12, 13, 30, 37
153481	Resistor (5800 Ohm) 16, 19	157228	Cable 17	162359	Transformer, Power 13, 30
153482	Plate, Relay 16	157229	Cable W/Terminals 17	162360	Fuse (.8 Amp) 13, 30
153483	Jumper (9" Black) 22	157230	Jumper (6" Black) 33	162361	Rectifier Assembly 13
153484	Screw (6-32 Spl) 5, 24, 26, 27	157231	Jumper (8" Black) 33, 35	162864	Clamp, Cable (7/8" ID) 27
153492	Connector, Plug (3 Pt) 6	157232	Jumper (9-1/4" Black) 33, 35	163696	Panel Assembly 21
153493	Connector, Receptacle (3 Pt) 36	157233	Screw (6-40 x 2-3/8 Flat) 17	163697	Panel Assembly 21
153537	Screw (6-40 x 9/32 Hex) 28	157234	Potentiometer (1500 Ohm) 17	163802	Connector, Receptacle (2 Pt) 21
153631	Network, Spark Suppression 30	157235	Resistor (390 Ohm) 17	163803	Connector, Plug (2 Pt) 21
153819	Washer, Lock 30	157276	Capacitor (.47 MFD) 29	163804	Plate, Relay Mounting 21
153841	Screw (6-40 x 9/16 Hex) 10	157283	Rectifier 29	163807	Cable Assembly 21
154335	Screw (6-40 x 9/32 Fil) 16, 19	157285	Resistor (5,000 Ohm) 29	163808	Cable Assembly 21
154337	Cover 23	157307	Spacer 25	163809	Cable Assembly 21
154395	Plunger, Solenoid 25	157308	Bracket 25	163810	Cable Assembly 21
154630	Plate 34	157309	Plate, Nut 25	163966	Plate 13
154632	Block, Terminal 25	157310	Switch, Sensitive 25	164271	Service Assembly 30
154636	Plate 25	157312	Resistor (6,000 Ohm) 29	164503	Rectifier Assembly 14
154661	Diode 34	157313	Resistor (1,800 Ohm) 29	165021	Relay 21
154664	Resistor (2000 Ohm) 5, 29, 35	157314	Socket, Tube 29	165060	Socket, Tube 6
154665	Cable W/Terminals 25	157315	Socket, Tube 29	165116	Terminal 27
154696	Washer, Reducing (3/4-1/2) 4	157317	Shield, Tube 29	165294	Guide, Wire 21
154732	Modification Kit 29	157316	Cable 29	165378	Resistor (3,611 Ohm) 21
154747	Modification Kit 35	157319	Tube, Electron 29	165379	Coil, Repeating 21
154779	Modification Kit 29	157395	Plate, Base 29	165522	Diode 27
154870	Cable W/Terminals 29, 35	157396	Board W/Terminals 29	165650	Relay Assembly 27
155022	Switch, Toggle (DP-DT) 3	157397	Bracket 29	165651	Bracket, Mounting 27
155023	Switch, Toggle (DP-DT) 3, 5, 6	157997	Cable W/Terminals 29	165652	Cable W/Terminals 27
155064	Jumper (6" Black) 33	157998	Jumper (12" Black) 29, 33	165673	Relay Assembly, Motor Control 26
155084	Tube, Electron 29	158250	Block, Terminal 6	165675	Cable W/Terminals 24
155558	Relay Assembly 31	158252	Insulator (1-6) 6	165682	Bracket 24
155559	Plate 31	158272	Plate, Right Mounting 3	165683	Cable W/Terminals 26
155560	Relay 31	158278	Container, Electrical 3, 7	165685	Plate, Mounting 24
155561	Cable W/Terminals 31	158279	Plate, Blank (1-5/16" Wide) 5, 13	165687	Relay Assembly, Motor Control 24
155564	Cover, Relay 31	158280	Plate, Left Mounting 4	171541	Diode 10, 28
155591	Capacitor (220 MFD) 5, 11, 12	159320	Cover, Relay 28	171555	Connector, Receptacle (50 Pt) 6
155718	Jumper (3" Black) 29, 35	159321	Bracket, Relay 28	172667	Modification Kit 29
155750	Sleeve, Insulating (3/32 ID x 1/2" Lg) 29, 36, 37	159322	Plate, Relay 28	172672	Plate, Left Mounting 5
155751	Sleeve, Insulating (1/8 ID x 1" Lg) 36	159397	Modification Kit 32	172674	Plate, Right Mounting 5
155752	Sleeve, Insulating (5/64 ID x 1/2" Lg) 6, 21, 30, 36	160223	Cable W/Terminals 31	172942	Cable Assembly 30
155753	Sleeve, Insulating (1/8 ID x 1/2" Lg) 27, 29, 36	160226	Mounting Assembly, Line Relay 16, 32	172943	Cable Assembly 30
155754	Sleeve, Insulating (1/16 ID x 1/2" Lg) 21, 36	160227	Cable W/Terminals 16	173144	Relay 30
155755	Sleeve, Insulating (11/64 ID x 5/8" Lg) 36	160229	Plate, Mounting 12, 13	173145	Cable Assembly 30
155785	Cable W/Terminals 32	160284	Resistor (5,500 Ohm) 16, 32	173146	Plate, Relay 30
155858	Resistor (700 Ohm) 4	160325	Relay, Quick Acting 37	173147	Plate, Switch Mounting 30
155859	Screw (4-40 Spl) 36	160326	Relay, Quick Acting 37	173331	Bracket 30
155860	Screw (4-40 x 3/8 Rd) 36	160332	Flasher, Thermal 37	173332	Insulator, Pad 30
155861	Washer, Lock 36	160357	Clip, Spring 37	173363	Modification Kit 30
156501	Screw (6-40 x 7/32 Fil) 30	160358	Cover 37	173724	Modification Kit To Install Cable Assembly in Container 4
156976	Connector, Plug (32 Pt) 37	160359	Plate, Relay Mounting 37	173796	Transformer 5
157216	Mounting Assembly, Line Relay 17	160362	Plug, Banana 37	173975	Cable W/Terminals 5
157217	Plate, Mounting 17	160365	Jumper (28" Braided) 37	173976	Cable W/Terminals 5
157218	Bracket 17	160389	Screw (12-24 x 1-1/4 Rd) 37	174012	Container, Electrical 5
157219	Spacer 17	160411	Bracket, Cover Guide 37	174013	Suppressor, Electrical Noise 5
157220	Block, Terminal 17	160433	Jumper (14" Black) 33	176473	Cable W/Terminals 29
157221	Block, Terminal 17	160678	Jumper (24" Black) 33	176695	Transformer, Power 5, 12
157222	Potentiometer (2000 Ohm) 17	160831	Terminal 37	176697	Suppressor, Spark 4
157223	Jack, Line Relay 17, 30	160833	Plate, Identification 16	176692	Relay 28
		160847	Stud 25	176693	Cable W/Terminals 28
		161136	Fuse (6-1/4 Amp SL-BL) 6	176694	Relay Assembly, Motor Control 28
		161238	Connector, Receptacle (36 Pt) 30		
		161239	Connector, Plug (36 Pt) 30		

NUMERICAL INDEX (Continued)

Part Number	Description and Page Number	Part Number	Description and Page Number	Part Number	Description and Page Number
176696	Relay 28	178535	Suppressor, Spark 24, 26, 27	179782	Screw (6-40 x 7/8 Hex) 24, 26, 27
176697	Cable W/Terminals 28	178831	Connector, Receptacle (2 Pt) 3, 5	179954	Relay 37
176698	Relay Assembly 28	178832	Plate, Adapter 3, 5	179956	Cable Assembly 37
176788	Capacitor (60 MFD) 28	178833	Connector, Adapter Plug (3 Pt) 3, 4	182523	Clamp, Mounting (1-3/8" ID) 5
176810	Relay Assembly 28	178840	Capacitor (400 MFD) 10	192669	Driver Assembly, Selector Magnet 10
176811	Plate, Mounting 28	178841	Transformer 10	192670	Cable W/Terminals 10
176812	Cable W/Terminals 28	178843	Plate, Mounting 10	192671	Cable Assembly 9
177075	Cable W/Terminals 8	178853	Cover, Relay 35	192672	Cover 9
177076	Relay Assembly 8	178854	Bracket, Relay 35	192673	Bracket 9
177077	Plate, Relay 8	178855	Plate, Left 4	192674	Relay Assembly 9
177078	Cover 8	178856	Relay 35	194090	Rectifier 5
177079	Relay 8	178859	Card, Circuit 10	194091	Plate, Mounting 5
178306	Relay, Power 24, 26, 27	178868	Resistor (700 Ohm) 10	194099	Bracket, Switch 5
178307	Relay Assembly 26	178888	Clip 10	194367	Plate, Relay Mounting 7
178308	Cable W/Terminals 26	179434	Cable W/Terminals 31	194369	Driver Assembly, Selector Magnet 10
178326	Capacitor (20 MFD) 27	179472	Modification Kit 37	194370	Cable W/Terminals 10
178330	Plate 27	179562	Card, Circuit 10	195177	Washer, Insulating 10
178363	Post 10	179564	Relay (350 Ohm) 7, 9		
178394	Plate 26				



28 ELECTRICAL SERVICE UNIT (LESU)
FOR WALL MOUNTED KSR/RO
PARTS

FIGURE	CONTENTS	PAGE
1	Electrical Service Unit	2
2	176921 Transformer and Relay Assembly	3
3	194086 Modification Kit to Adapt Wall Mounted Printer for Selective Calling	4
4	178518 Motor Control Assembly	5
5	176985 Rectifier and Cable Assembly (500MA)	6
6	178507 Selector Magnet Driver Assembly	7
	Numerical Index	8

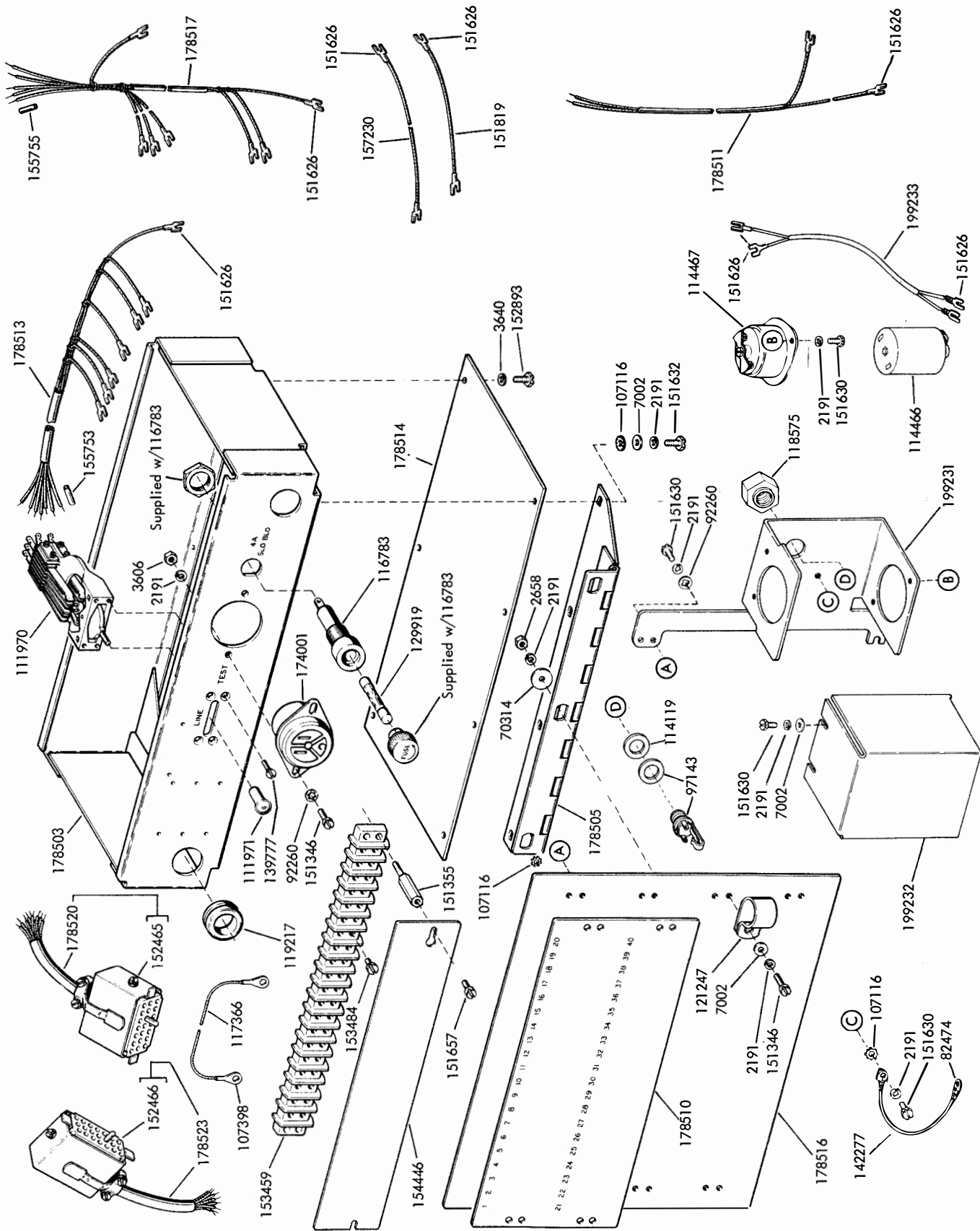


FIGURE 1. ELECTRICAL SERVICE UNIT.

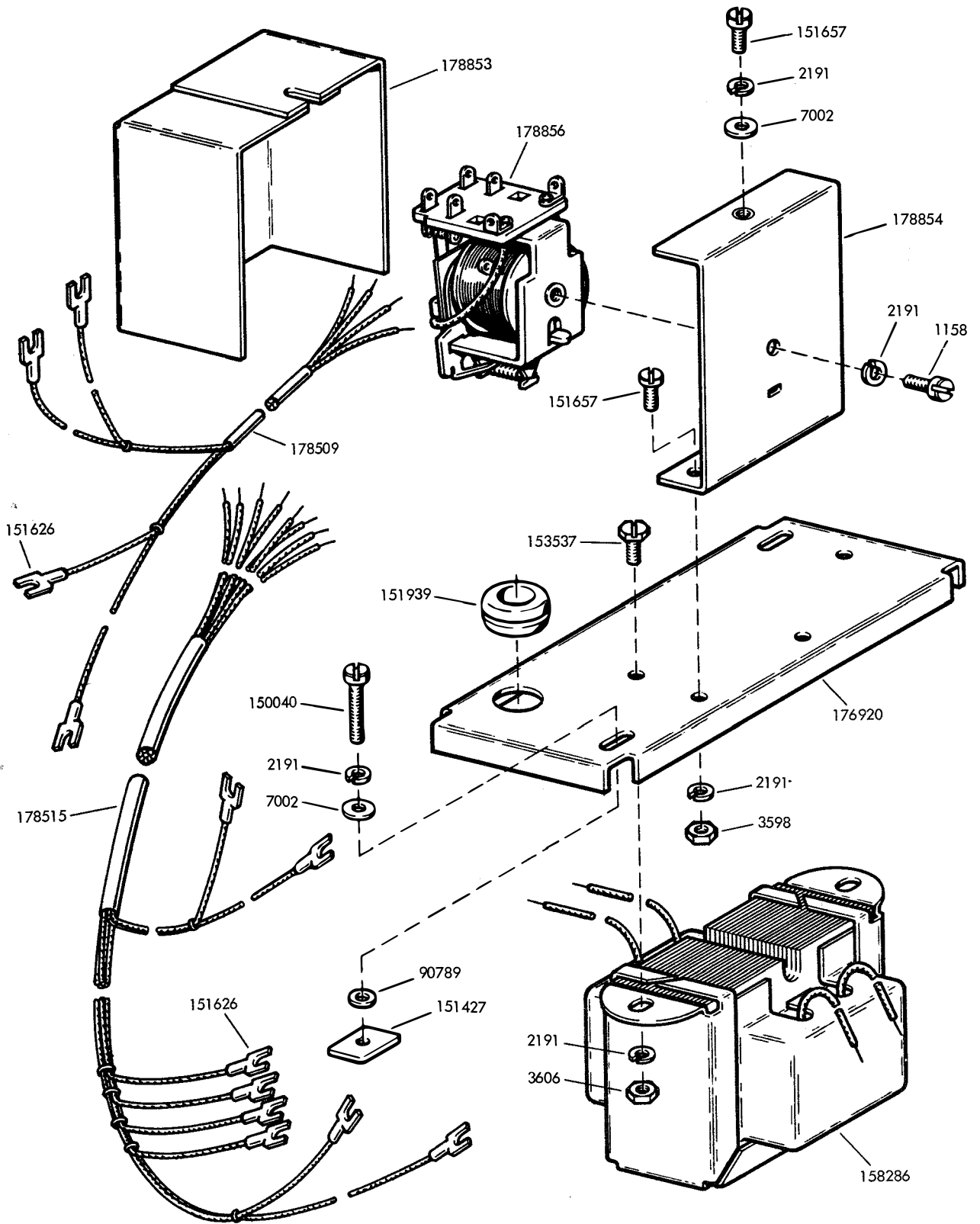


FIGURE 2. 176921 TRANSFORMER AND RELAY ASSEMBLY

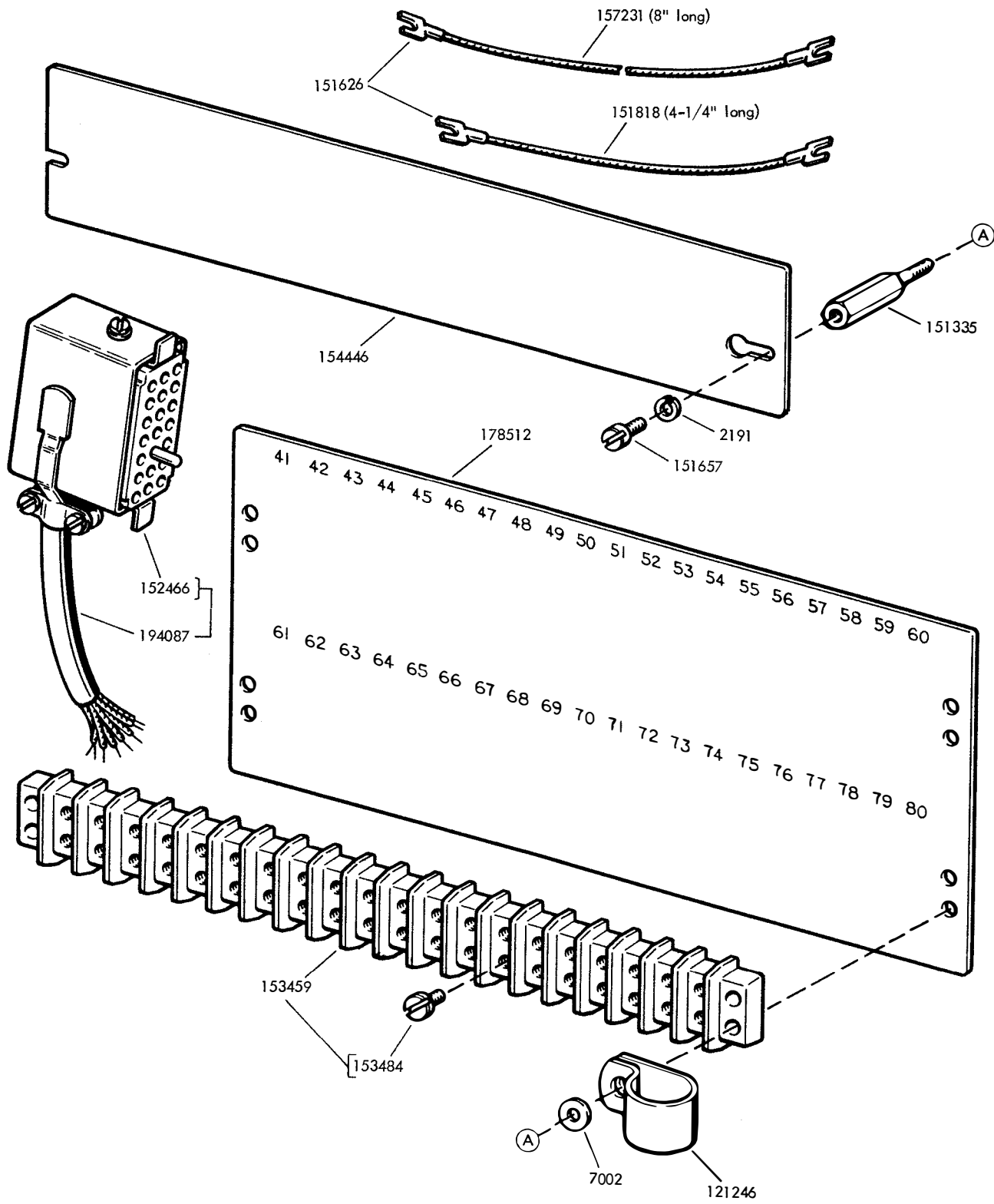


FIGURE 3. 194086 MODIFICATION KIT TO ADAPT WALL MOUNTED PRINTER FOR SELECTIVE CALLING

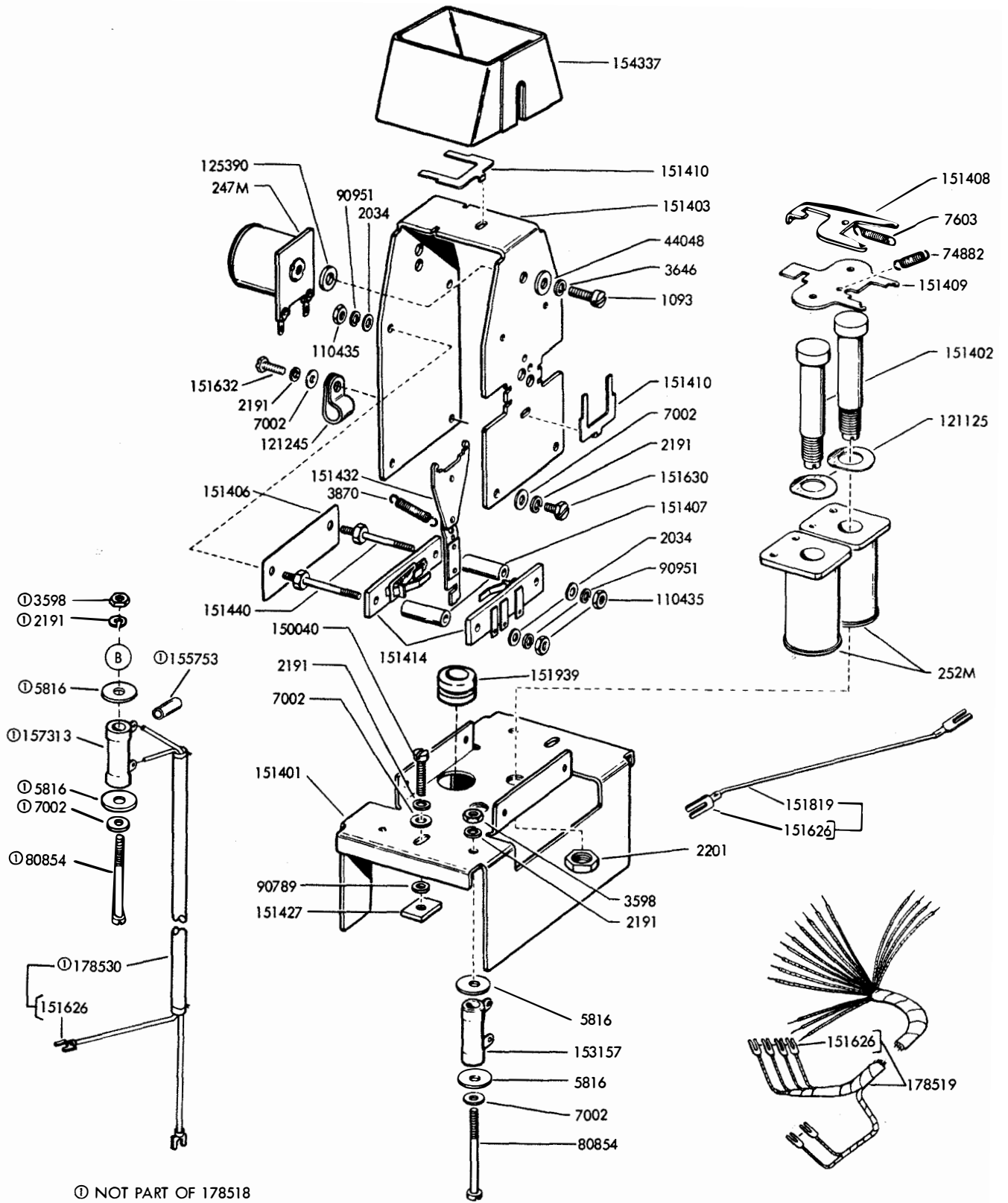


FIGURE 4. 178518 MOTOR CONTROL ASSEMBLY

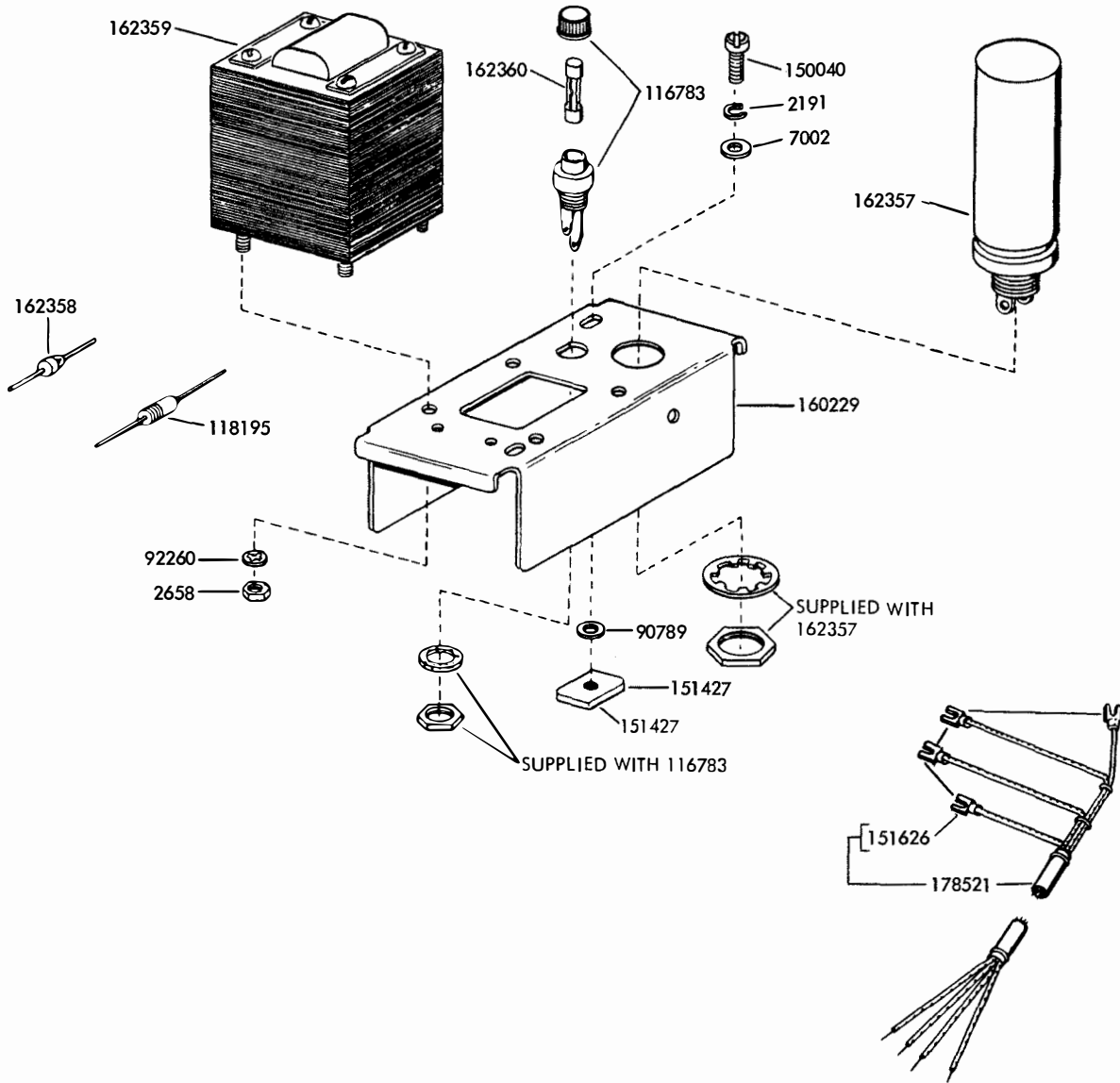


FIGURE 5. 176985 RECTIFIER AND CABLE ASSEMBLY (500MA)

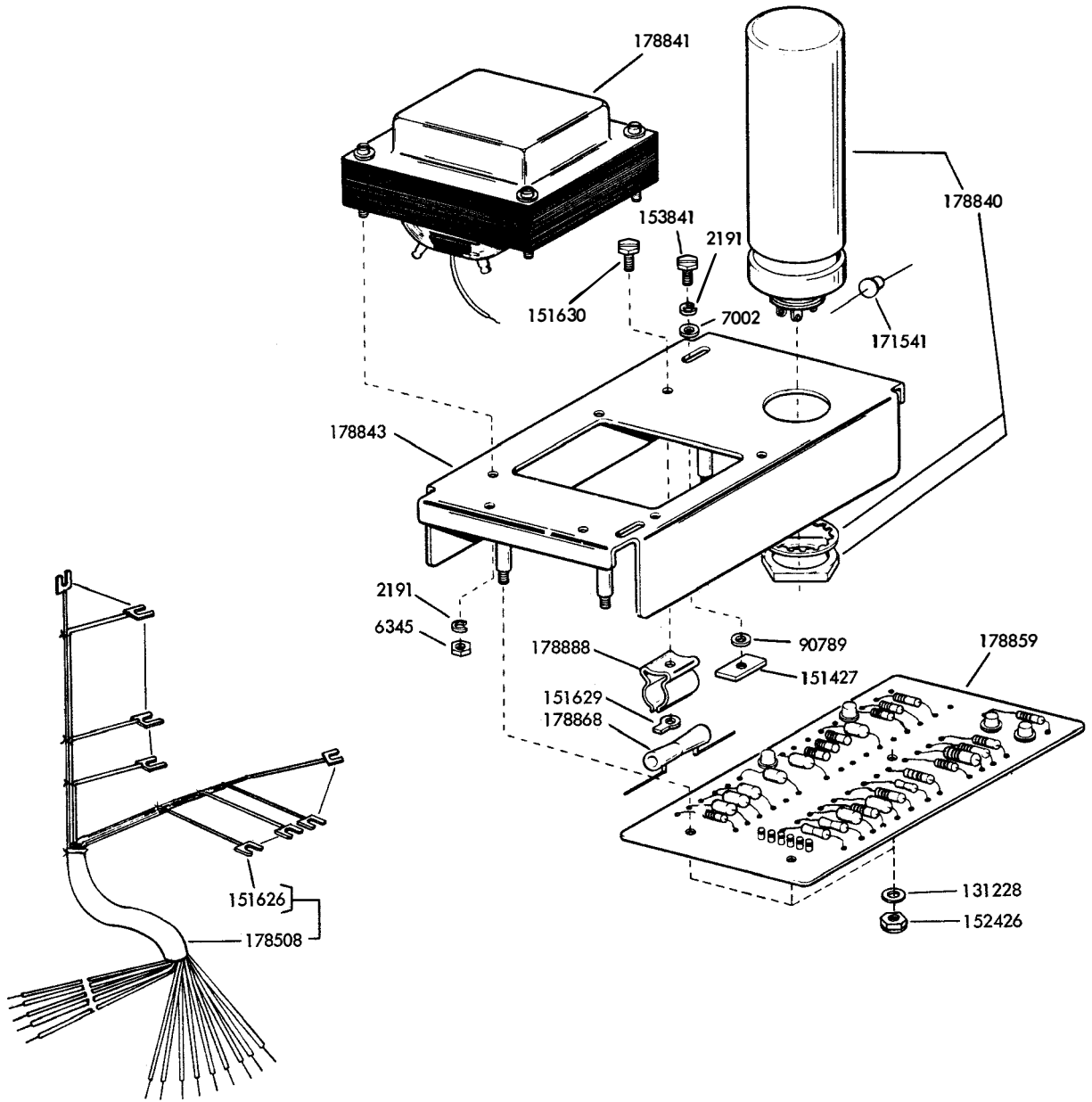


FIGURE 6. 178507 SELECTOR MAGNET DRIVER ASSEMBLY

NUMERICAL INDEX

Part Number	Description and Page Number	Part Number	Description and Page Number	Part Number	Description and Page Number
247M	Coil, Magnet 5	139777	Screw (3-56 x 1/4 Flat) 2	157230	Jumper (6" Lg Black) 2
252M	Coil, Magnet 5	142277	Cable W/Terminal 2	157231	Jumper (8" Lg Black) 4
1093	Screw (8-32 x 7/16 Fil) 5	150040	Screw (6-40 x 5/8 Fil) 3, 5, 6	157313	Resistor (1800 Ohm) 5
1158	Screw (6-32 x 5/16 Fil) 3			158286	Transformer 3
2034	Washer, Flat 5	151335	Stud 2, 4	160229	Plate, Mounting 6
2191	Washer, Lock 2 to 7	151346	Screw (6-40 x 3/8 Fil) 2	162357	Capacitor (500 MFD) 6
2201	Nut (5/16-32 Hex) 5	151401	Base 5	162358	Diode 6
2658	Nut (6-32 Hex) 2, 6	151402	Core 5	162359	Transformer, Power 6
3598	Nut (6-40 Hex) 3, 5	151403	Frame 5	162360	Fuse (.8 Amp) 6
3606	Nut (6-40 Hex) 2, 3	151406	Plate, Insulating 5	171541	Diode 7
3640	Washer, Lock 2	151407	Collar, Spacing 5	174001	Connector, Receptacle (3 Pt) 2
3646	Washer, Lock 5	151408	Lever 5		
3870	Spring 5	151409	Armature 5	176920	Plate, Mounting 3
5816	Washer, Flat 5	151410	Clip, Retaining 5	176921	Relay Assembly 3
6345	Nut (6-32 Hex) 7	151414	Switch, Sensitive 5	176985	Rectifier Assembly 6
7002	Washer, Flat 2 to 7	151427	Plate, Clamp 3, 5 to 7	178503	Base 2
7603	Spring 5	151432	Armature 5	178505	Hinge 2
44048	Washer, Flat 5	151440	Stud (4-40) 5	178507	Driver Assembly, Selector Magnet 7
70314	Washer, Flat 2	151626	Terminal 2 to 7		
74882	Spring 5	151629	Nut (6-40 Lug) 7	178508	Cable W/Terminals 7
80854	Screw (6-40 x 1-7/16 Fil) 5	151630	Screw (6-40 x 1/4 Hex) 2, 5, 7	178509	Cable W/Terminals 3
		151632	Screw (6-40 x 3/8 Hex) 2, 5	178510	Insulator (1-40) 2
82474	Terminal 2			178511	Cable W/Terminals 2
90789	Washer, Flat 3, 5 to 7	151657	Screw (6-40 x 1/4 Fil) 2 to 4	178512	Insulator (41-80) 4
90951	Washer, Lock 5			178513	Cable W/Terminals 2
92260	Washer, Lock 2, 6	151818	Jumper (4-1/4" Lg Black) 4	178514	Plate, Bottom 2
97143	Jack 2			178515	Cable W/Terminals 3
107116	Washer, Lock 2	151819	Jumper (3" Lg Black) 2, 5	178516	Plate 2
107398	Terminal 2	151939	Grommet, Rubber 3, 5	178517	Cable W/Terminals 2
110435	Nut (4-40 Hex) 5	152426	Nut, Self-Locking (6-40) 7	178518	Control Assembly, Motor 5
111970	Key, Line Test 2			178519	Cable W/Terminals 5
111971	Knob 2	152465	Connector, Receptacle (20 Pt) 2	178520	Cable Assembly 2
114119	Washer, Insulating 2			178521	Cable W/Terminals 6
114466	Connector, Receptacle (2 Pt) 2	152466	Connector, Receptacle (20 Pt) 2, 4	178523	Cable Assembly 2
114467	Connector, Plug (2 Pt) 2			178530	Cable W/Terminals 5
116783	Holder, Fuse 2, 6	152893	Screw (4-40 x 1/4 Hex) 2	178840	Capacitor (400 MFD) 7
117366	Jumper (8-1/2" Lg Green) 2	153157	Resistor (400 Ohm) 5	178841	Transformer 7
118195	Resistor (27,000 Ohm) 6	153459	Block, Terminal 2, 4	178843	Plate, Mounting 7
118575	Nut, Insulating (3/8-32) 2	153484	Screw, Terminal (6-32) 2, 4	178853	Cover, Relay 3
119217	Grommet, Rubber 2	153537	Screw (6-40 x 9/32 Hex) 3	178854	Bracket, Relay 3
121125	Washer, Spring 5			178856	Relay 3
121245	Clamp, Cable (5/16" ID) 5	153841	Screw (6-40 x 9/16 Hex) 7	178859	Card, Circuit 7
121246	Clamp, Cable (3/8" ID) 4	154337	Cover 5	178868	Resistor (700 Ohm) 7
121247	Clamp, Cable (7/16" ID) 2	154446	Cover 2, 4	178888	Clip 7
		155753	Sleeve, Insulating (1/8 ID x 1/2" Lg) 2, 5	194086	Modification Kit 4
125390	Washer, Flat 5			194087	Cable Assembly 4
129919	Fuse (4 Amp) 2	155755	Sleeve, Insulating (11/64 ID x 5/8" Lg) 2	199231	Bracket, Connector Mounting 2
131228	Washer, Insulating 7			199232	Cover 2
				199233	Cable W/Terminals 2

28 CONSOLE and TABLE MODEL CABINETS (LAC) and 28 TABLE (LT)

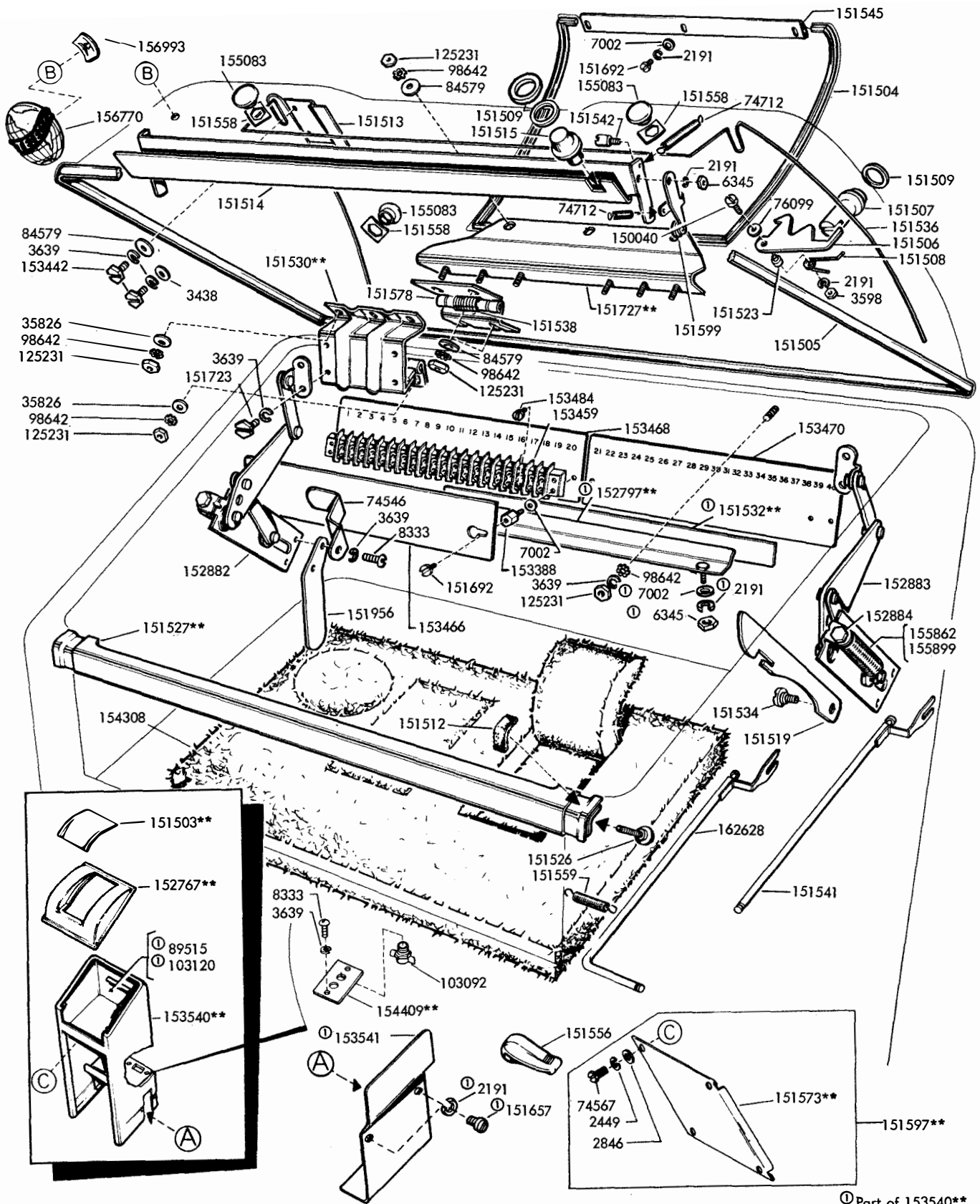
PARTS

PAINT FINISH COLOR CODE CHART (for parts and assemblies requiring a paint finish)									
Color	Finish Suffixes				Color	Finish Suffixes			
	Wrinkle Finish	Smooth Finish	Textured Vinyl	Smooth Vinyl		Wrinkle Finish	Smooth Finish	Textured Vinyl	Smooth Vinyl
Black	AA (37)	BB			Brussels Light Blue		EC		
Dark Brown	AD (38)				Medium Blue		ES		
Gray Green	AB (40)	BK	GA (45)		Cherry Red		EF		
Charcoal Gray	AL	BZ		HA	Pastel Yellow		EG		
Dark Gray			GB		White		EH		
Light Gray		EJ		HB (68)	Ivory		EM		
Beige Gray			GC		Beige		ET		
Light Beige		EL		HC	Rose Beige		ER		
Moss Green		EN		HD	Rose Pink		EU		
Eye Rest Green		EA			Dark Covert Gray				HE
Turquoise		EV			Light Olive Gray		EW	GE	HF (46)
Aqua Blue		EK			Fawn				HG

The double asterisk (**) denotes a painted part. Suffix to be applied following the part number. Number in parenthesis indicate Bell System code.

FIGURE	CONTENTS	PAGE
1	Cabinet Components	3
2	Cabinet Components	4
3	Cabinet Variable Features	5
4	Cabinet Variable Features	6
5	173400** Modification Kit to Provide Offset Copyholder (Table Model)	7
6	153920 and 154741 Modification Kits to Adapt Cabinet for Selective Calling	8
7	Cable Components	9
8	164024** Modification Kit to Provide Offset Copyholder	9
9	178897** Modification Kit to Provide Offset Copyholder	10
10	159357 (5.5 Volt, AC) and 165668 (48 Volt, DC) Modification Kits to Provide a Copylight System	11
11	Incandescent Copylight System (6 Volt, AC)	12
12	154777 Modification Kit to Provide 60 Volt, DC Incandescent Copylight System	13
13	159375 Modification Kit to Convert an AC Copylight System to a 60 Volt, DC Copylight System	14
14	152902 Modification Kit to Equip Cabinet with Busy Line Light	15
15	160224 Modification Kit to Add Open and Busy Line Indicator Lights	16
16	152319 Modification Kit to Provide Terminal Connections on Cabinet	16
17	144600 Key and Lamp Assembly (W/Typing Unit Interchange)	17
18	145220 Key and Lamp Assembly (W/O Typing Unit Interchange)	17
19	173238 Modification Kit to Add Reader Light to Cabinet	18
20	174458 Modification Kit to Provide Cabinet with a Paper Tearing Plate	18
21	145278 and 154756 Modification Kits to Add Form-Out Alarm Mechanism	19
22	176714 Modification Kit to Provide Low-Paper and Paper-Out Alarm	20
23	154793 Modification Kit to Add Shock Mounts to Console Cabinet	21
24	154754** Modification Kit to Provide Sub-Base for Console Cabinet for Stand-Up Operation	21
25	159373 Modification Kit to Provide an Apparatus Mounting Rack	22
26	159390 Modification Kit to Provide an Apparatus Mounting Rack	22
27	152349** Modification Kit to Provide Paper Supply and Accumulating Shelf	23
28	153901** Modification Kit to Provide Paper Winder Mounting Bracket	24
29	163796** Modification Kit to Provide Telephone Shelf for Console Cabinet	24
30	173097** Modification Kit to Provide Shelf for Console Cabinet	25
31	152300** Modification Kit to Provide Directory Holder for Table Model Cabinet	26
32	152910** Modification Kit to Provide Directory Holder for Console Model Cabinet	26
33	153926 Modification Kit to Provide Sprocket Feed Rear Paper Guide	26
34	154651 Modification Kit to Add Signal Line Electrical Noise Suppressor (DC)	27
35	151988 Modification Kit to Add Power Line Electrical Noise Suppressor	27
36	178387 Modification Kit to Provide High Voltage Static Eliminator to Neutralize Electrostatic Charge on Page Copy	28
37	Printer Table	29
38	Printer Table with Sliding Shelf	30
	Numerical Index	31

**Refer to Page 1 for Finish Suffix



ⓐ Part of 153540**
 **Refer to Page 1 for Finish Suffix

FIGURE 2. CABINET COMPONENTS

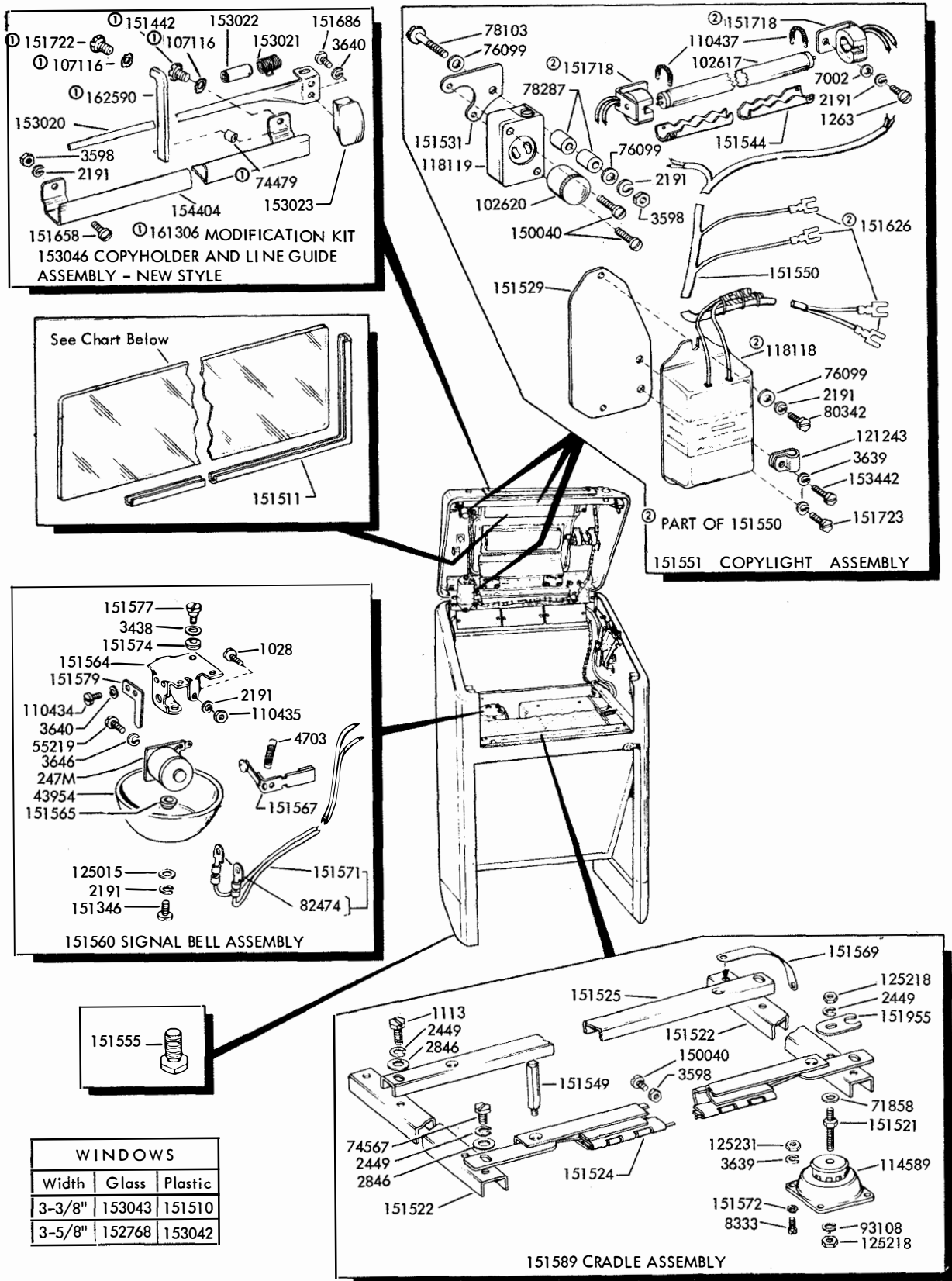


FIGURE 3. CABINET VARIABLE FEATURES

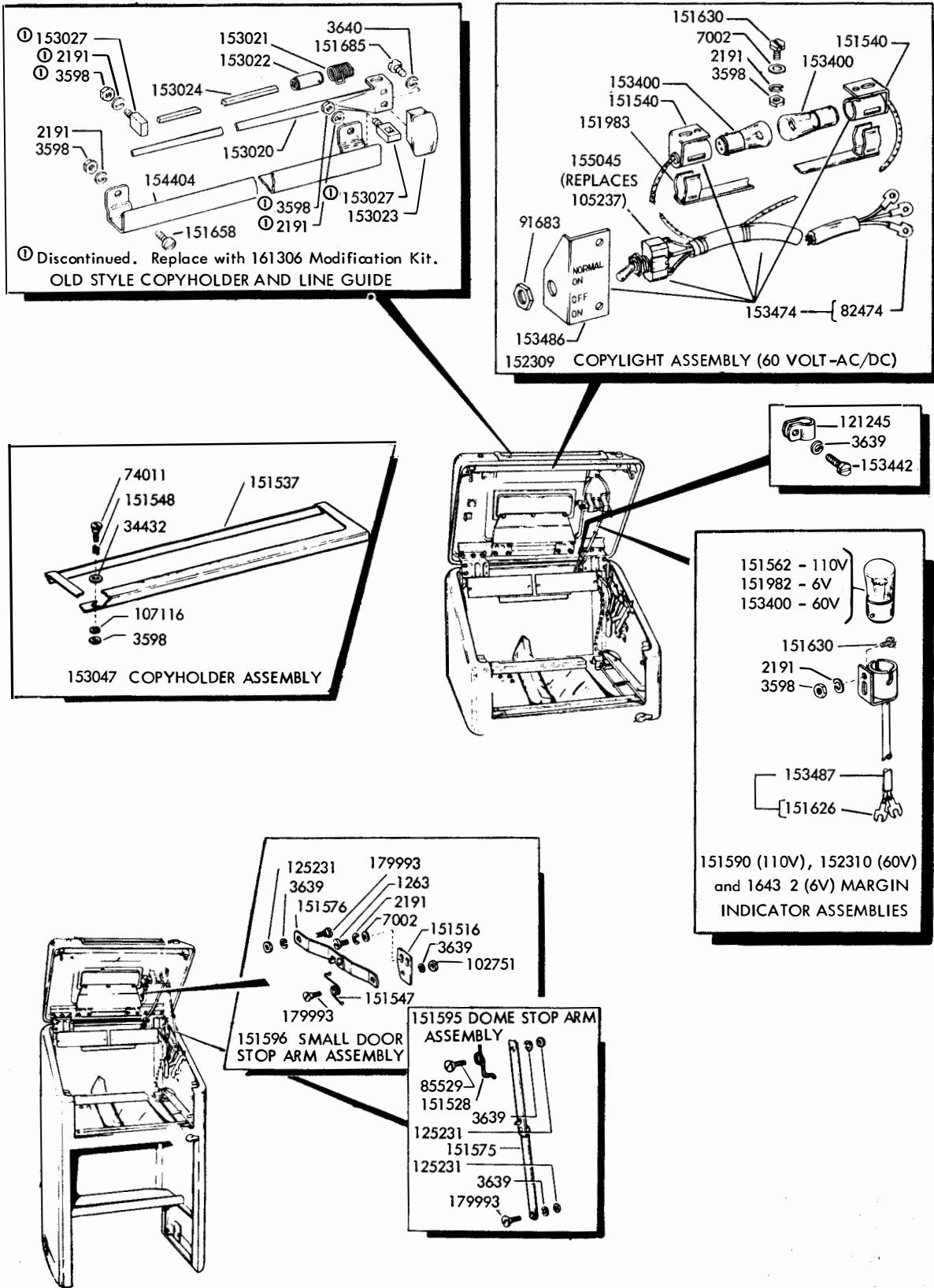
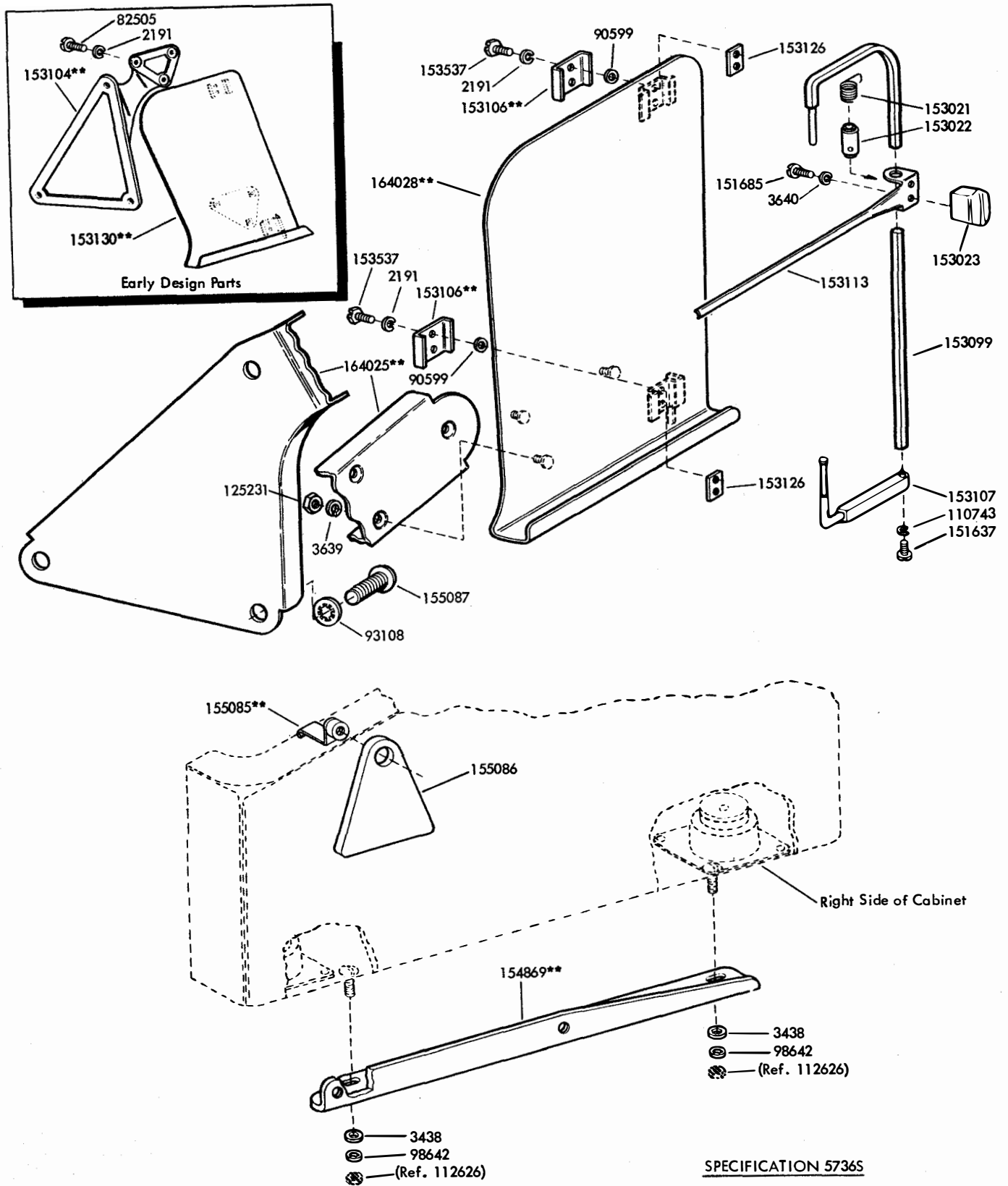


FIGURE 4. CABINET VARIABLE FEATURES



**Refer to Page 1 for Finish Suffix

FIGURE 5. 173400** MODIFICATION KIT TO PROVIDE OFFSET COPYHOLDER (TABLE MODEL)

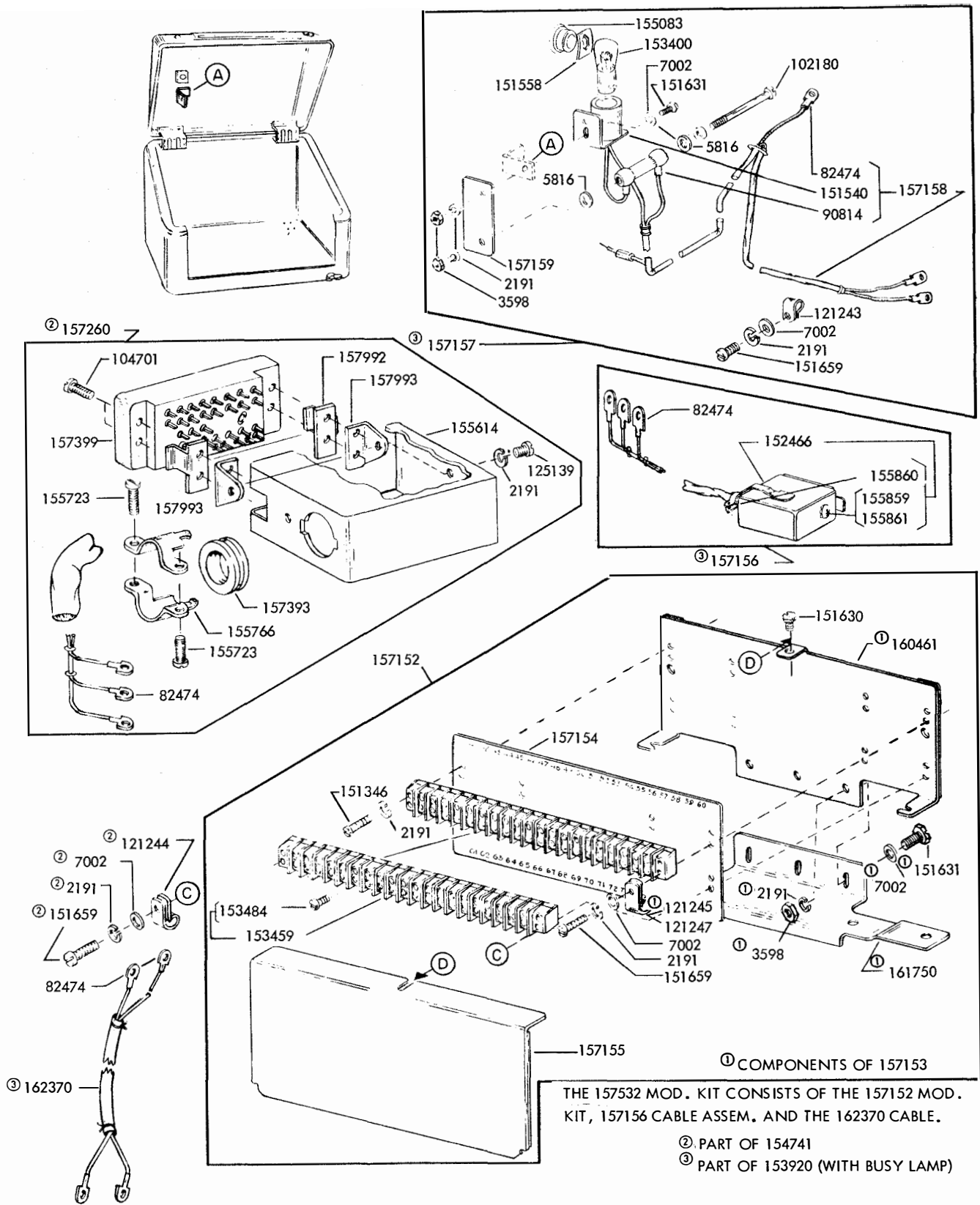


FIGURE 6. 153920 and 154741 MODIFICATION KITS TO ADAPT CABINET FOR SELECTIVE CALLING

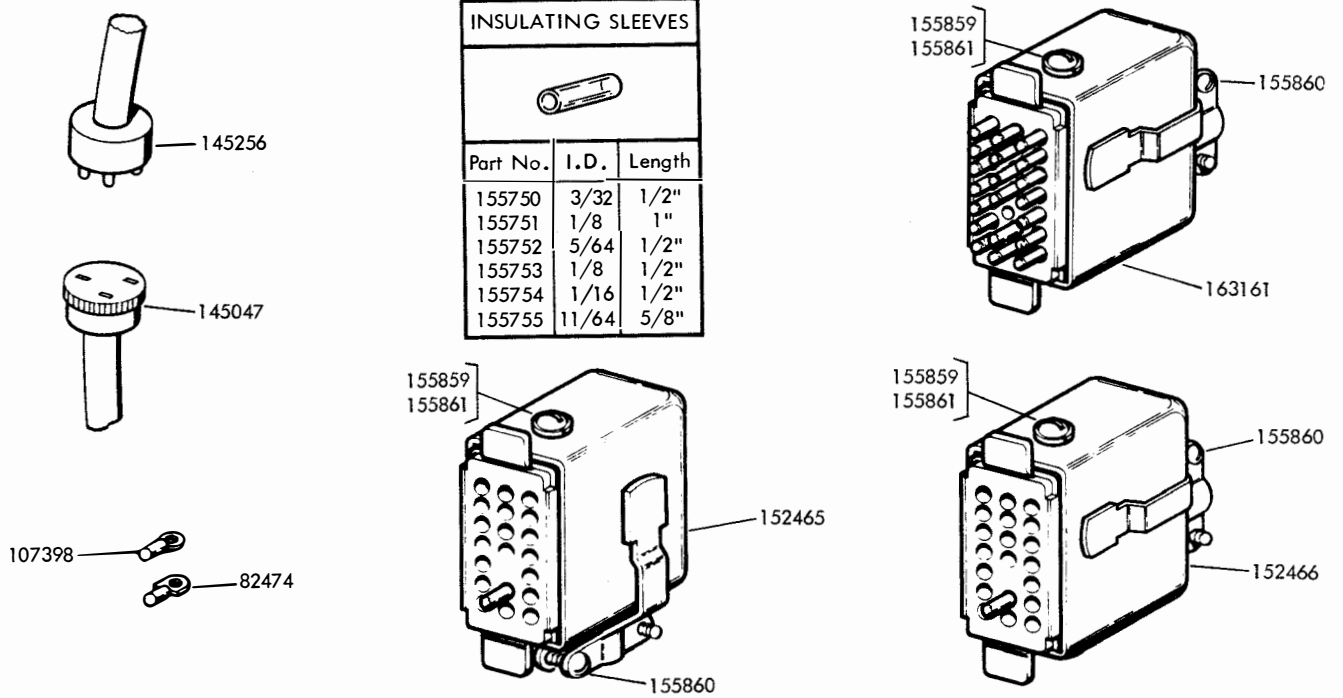


FIGURE 7. CABLE COMPONENTS

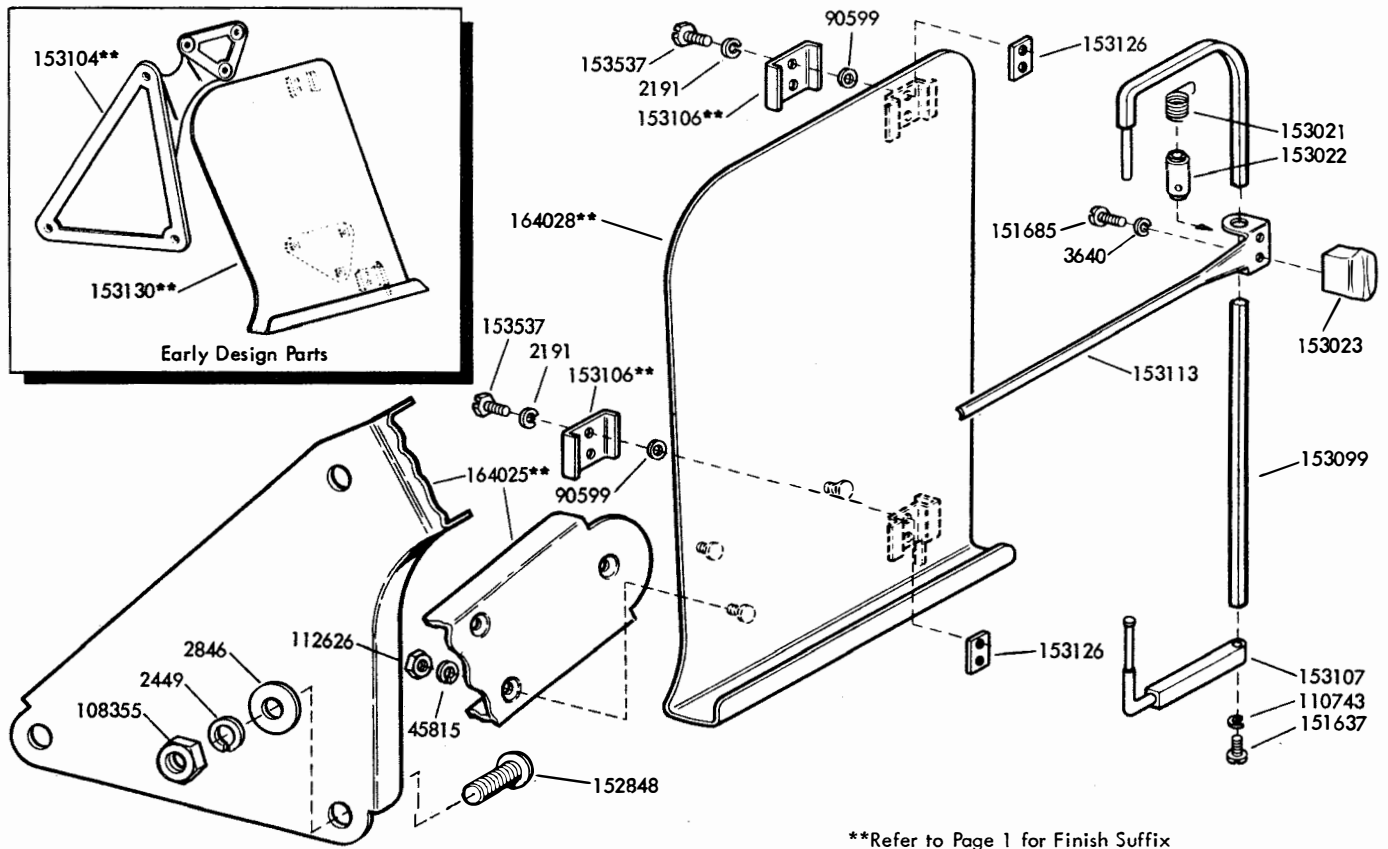
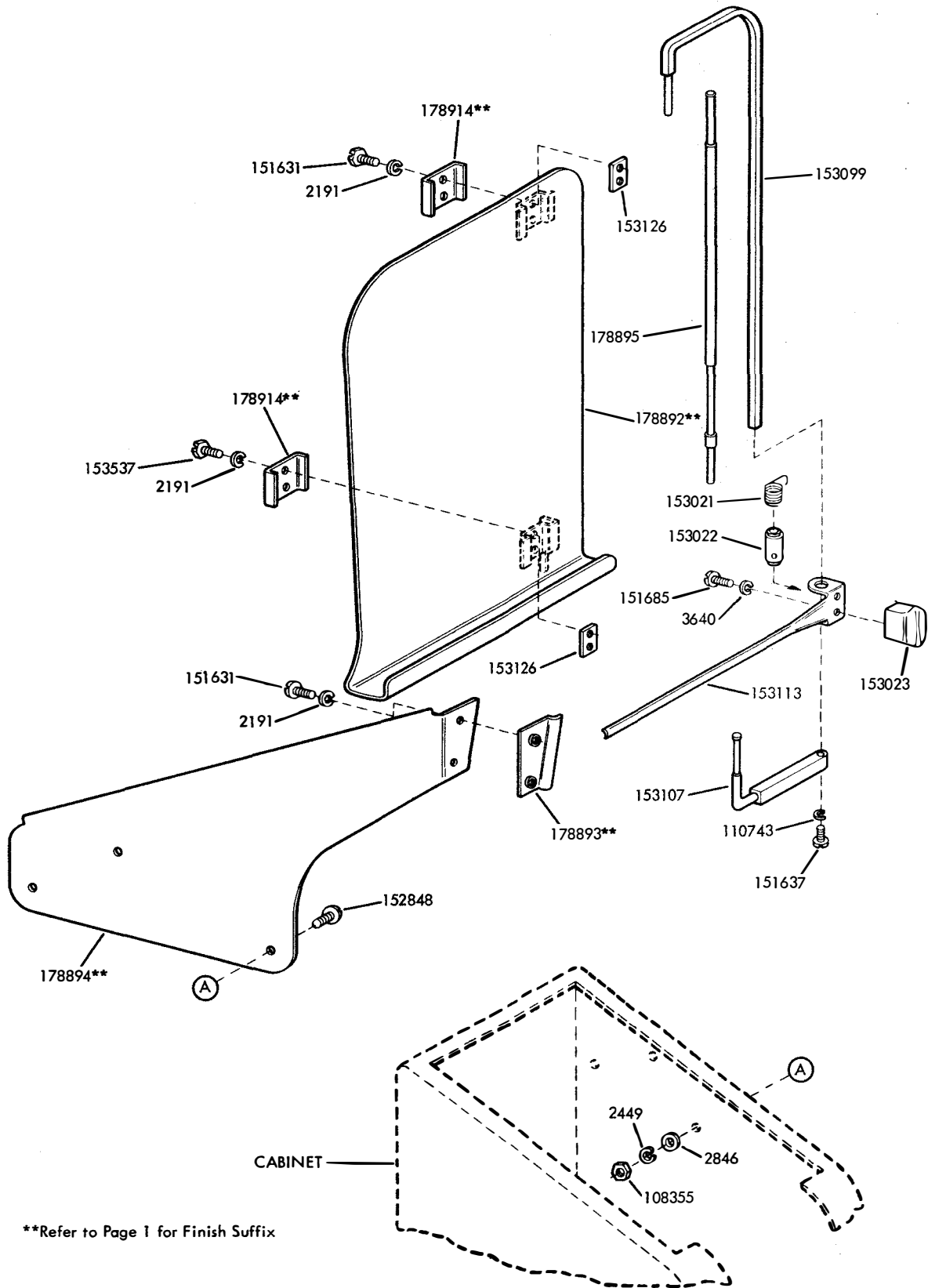


FIGURE 8. 164024** MODIFICATION KIT TO PROVIDE OFFSET COPYHOLDER



**Refer to Page 1 for Finish Suffix

FIGURE 9. 178897** MODIFICATION KIT TO PROVIDE OFFSET COPYHOLDER

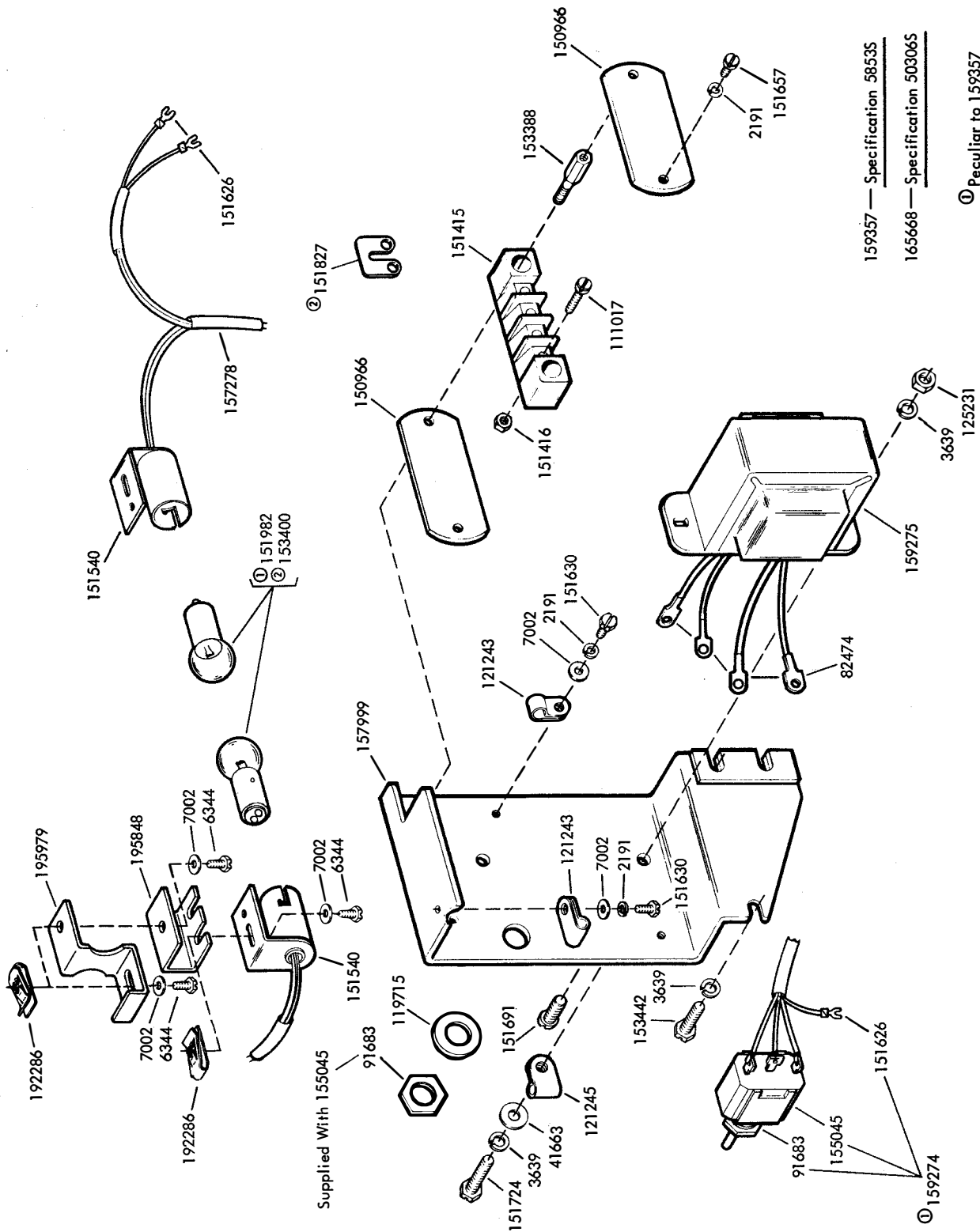


FIGURE 10. 159357 (5.5 VOLT, AC) and 165668 (48 VOLT, DC) MODIFICATION KITS TO PROVIDE A COPYRIGHT SYSTEM

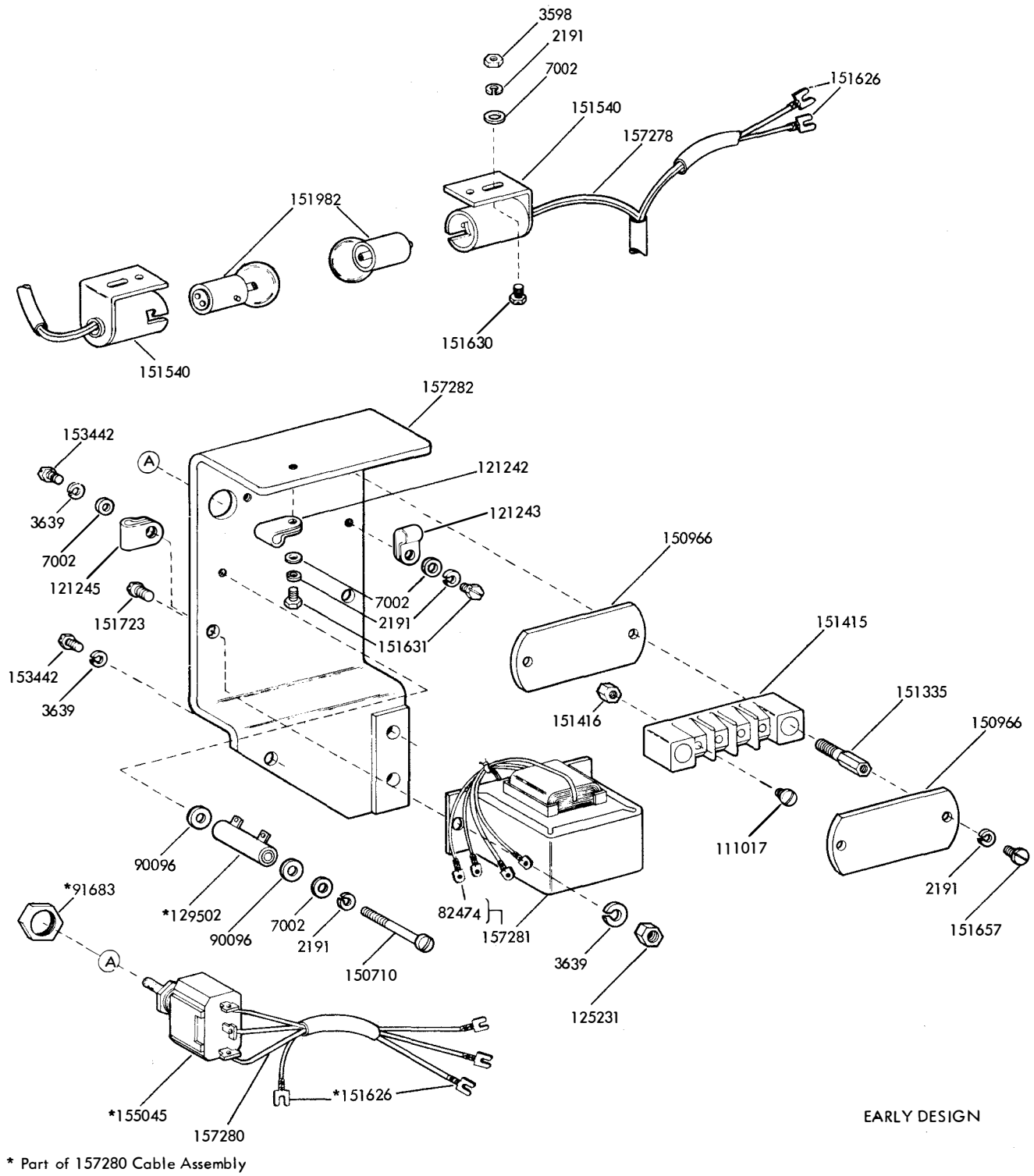


FIGURE 11. INCANDESCENT COPYLIGHT SYSTEM (6 VOLT, AC)

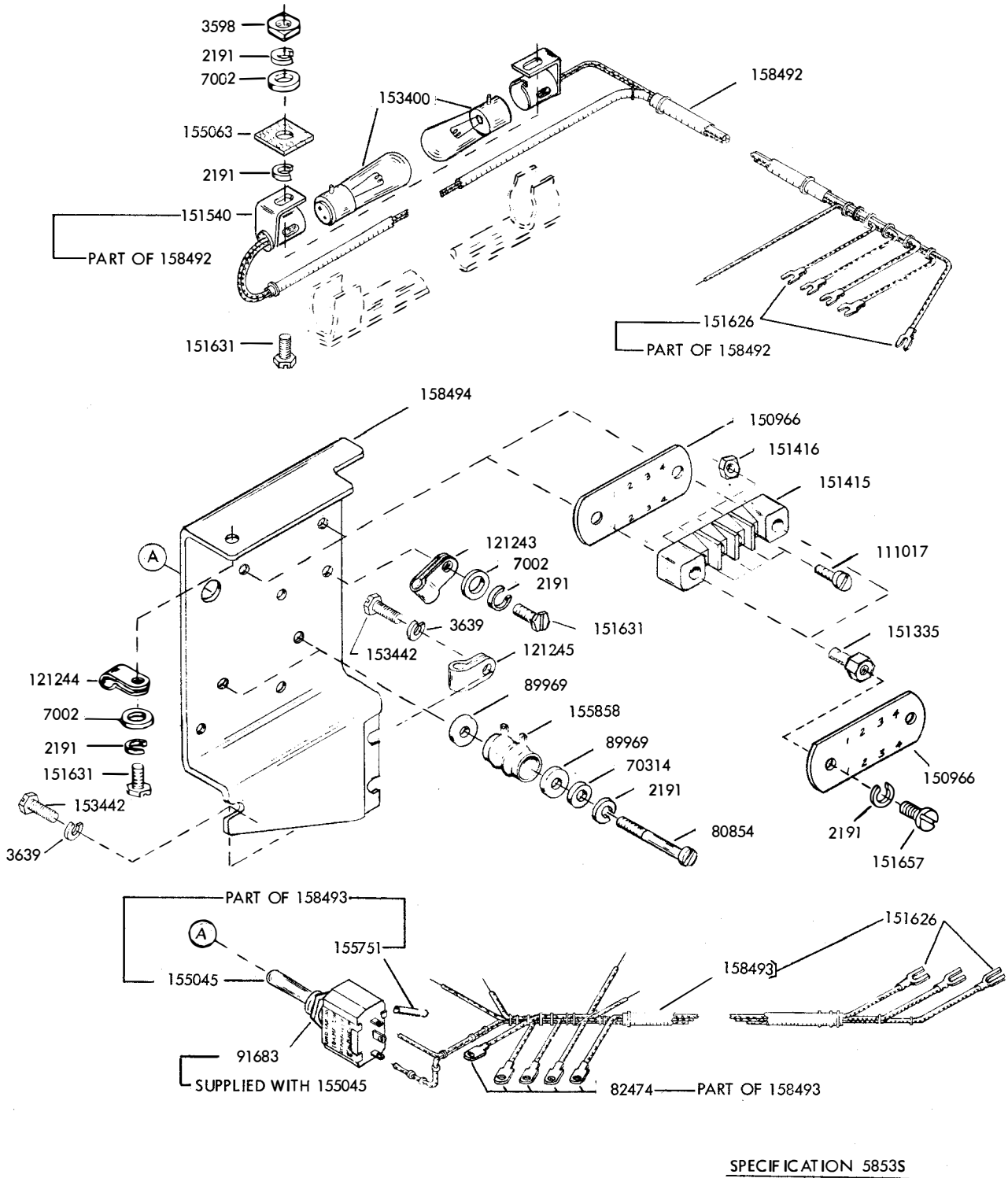
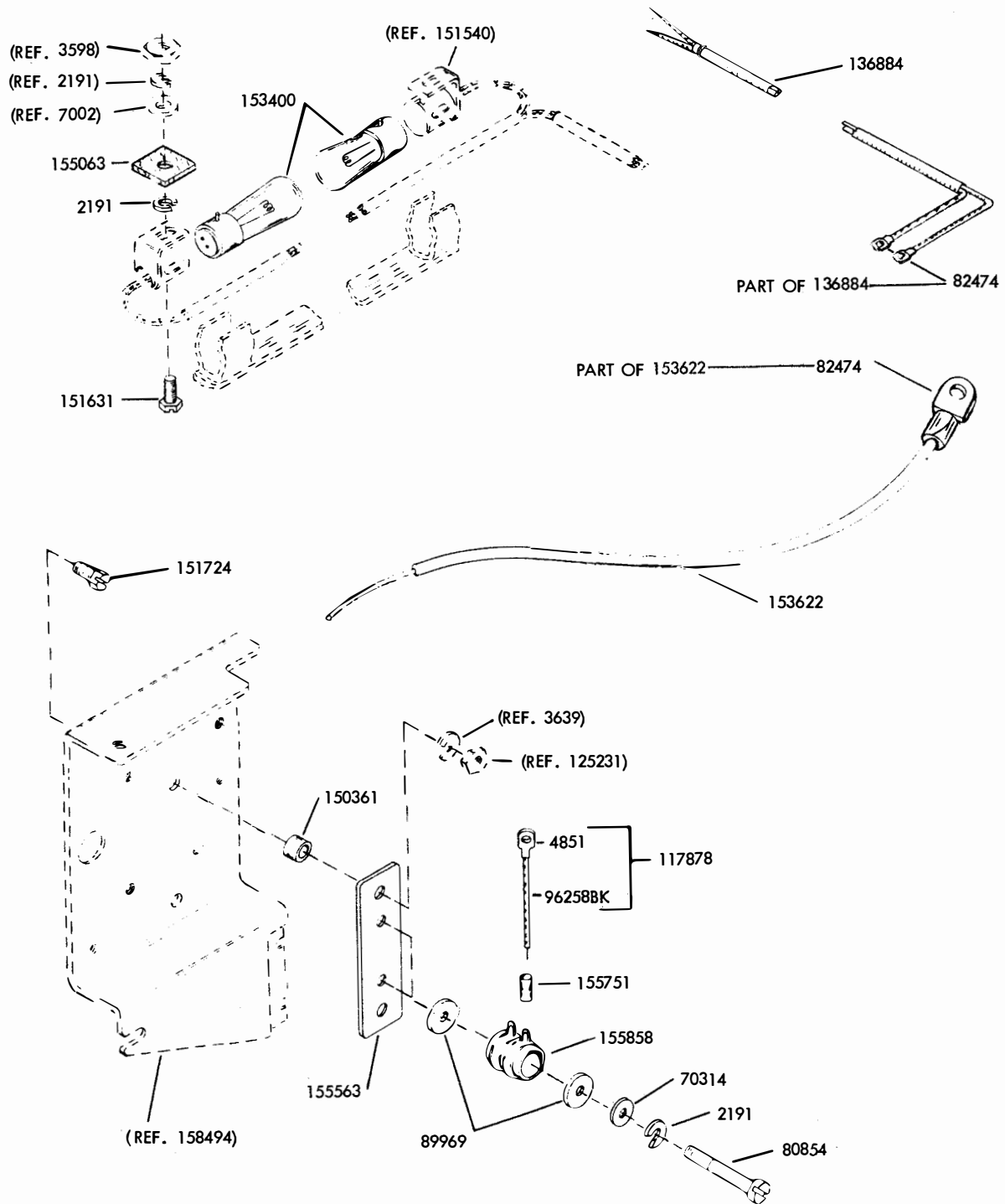


FIGURE 12. 154777 MODIFICATION KIT TO PROVIDE 60 VOLT DC INCANDESCENT COPYLIGHT SYSTEM



SPECIFICATION 58535

FIGURE 13. 159375 MODIFICATION KIT TO CONVERT AN AC COPYLIGHT SYSTEM TO A 60 VOLT, DC COPYLIGHT SYSTEM

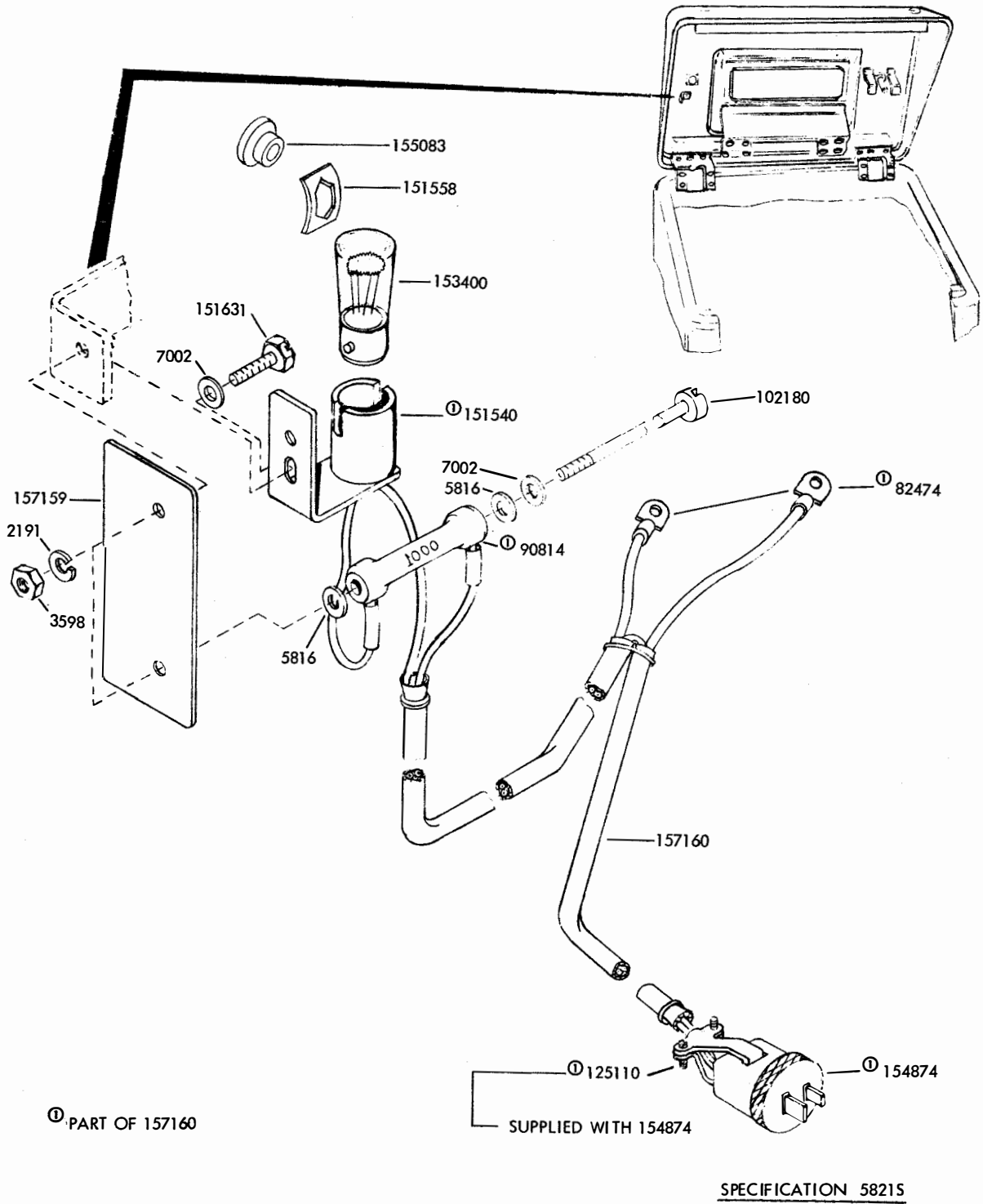
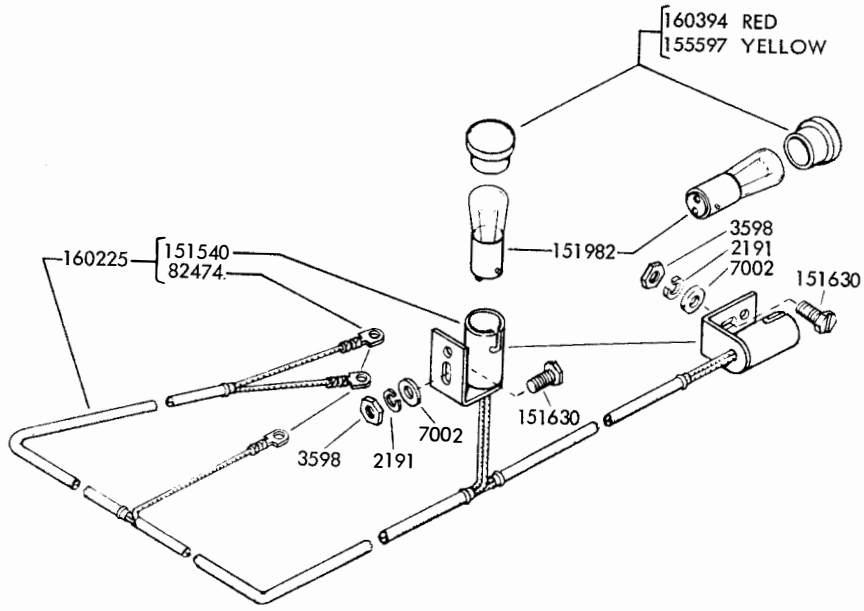
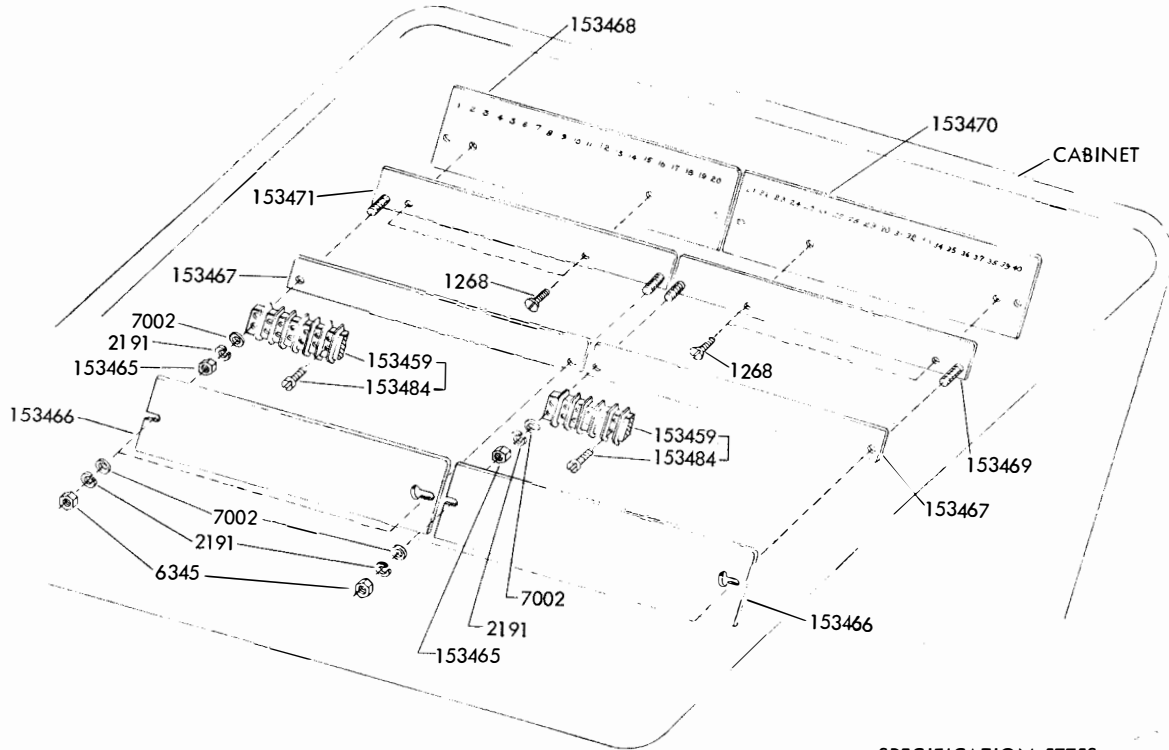


FIGURE 14. 152902 MODIFICATION KIT TO EQUIP CABINET WITH BUSY LINE LIGHT



SPECIFICATION 58795

FIGURE 15. 160224 MODIFICATION KIT TO ADD OPEN AND BUSY LINE INDICATOR LIGHTS



SPECIFICATION 57755

FIGURE 16. 152319 MODIFICATION KIT TO PROVIDE TERMINAL CONNECTIONS ON CABINET

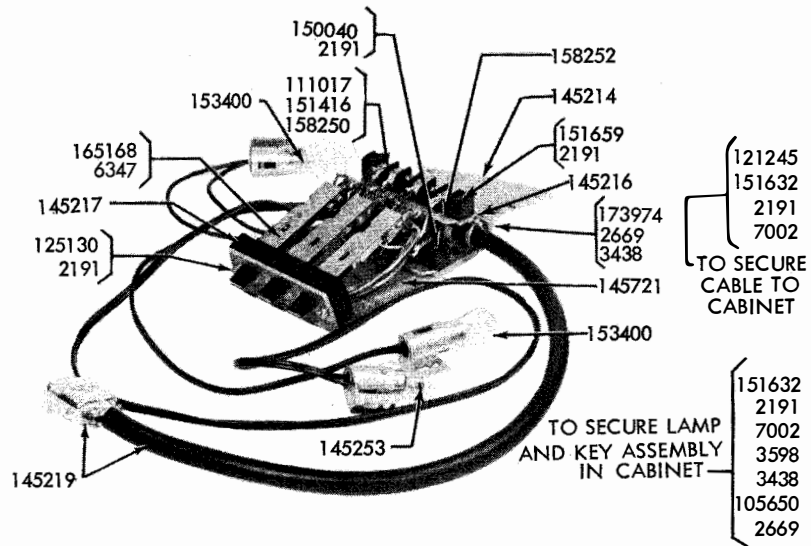
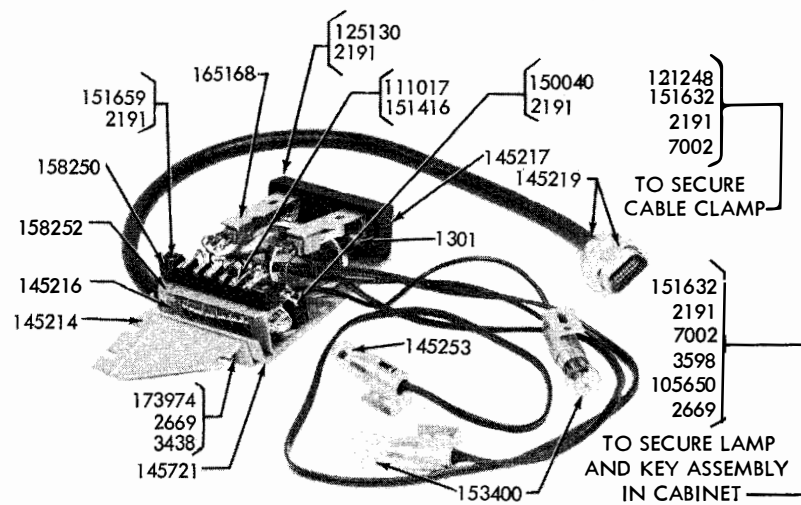


FIGURE 17. 144600 KEY AND LAMP ASSEMBLY (W/TYPING UNIT INTERCHANGE)



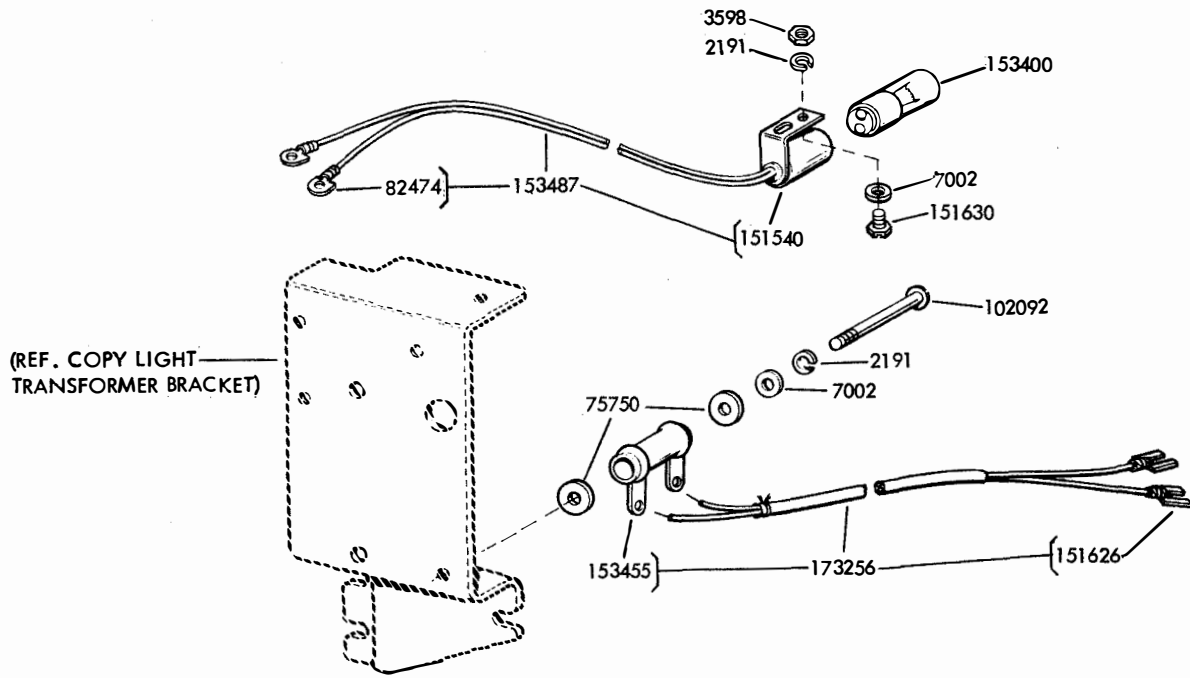


FIGURE 19. 173238 MODIFICATION KIT TO ADD READER LIGHT TO CABINET

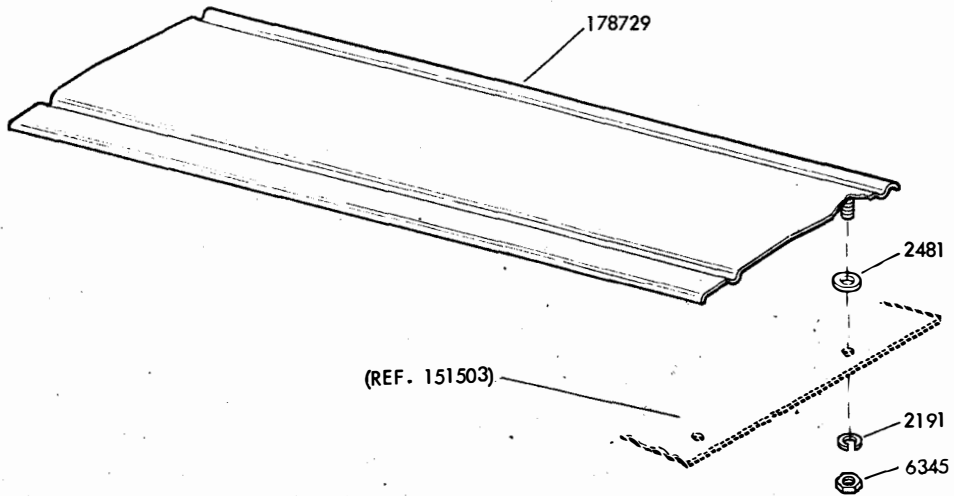
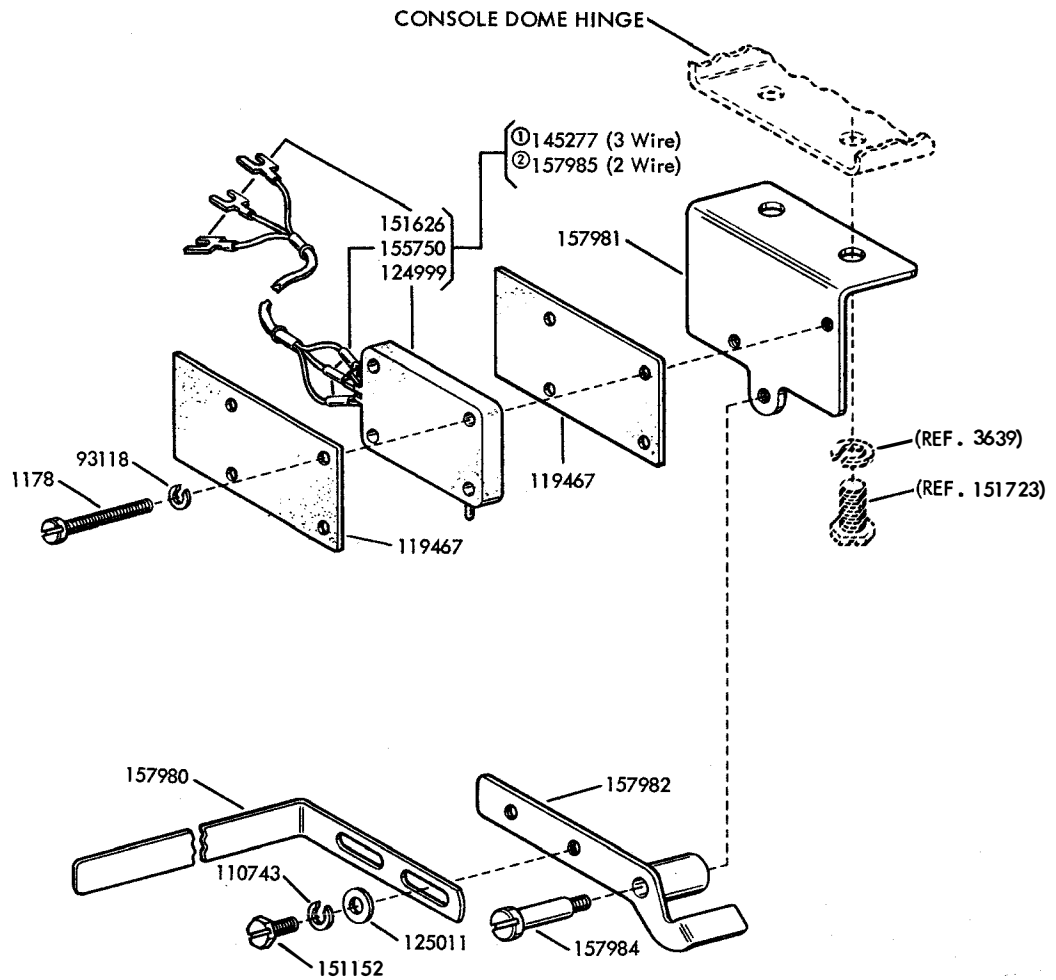


FIGURE 20. 174458 MODIFICATION KIT TO PROVIDE CABINET WITH A PAPER TEARING PLATE



- ① PECULIAR TO 145278 MODIFICATION KIT
- ② PECULIAR TO 154756 MODIFICATION KIT

FIGURE 21. 145278 and 154756 MODIFICATION KITS TO ADD FORM-OUT ALARM MECHANISM

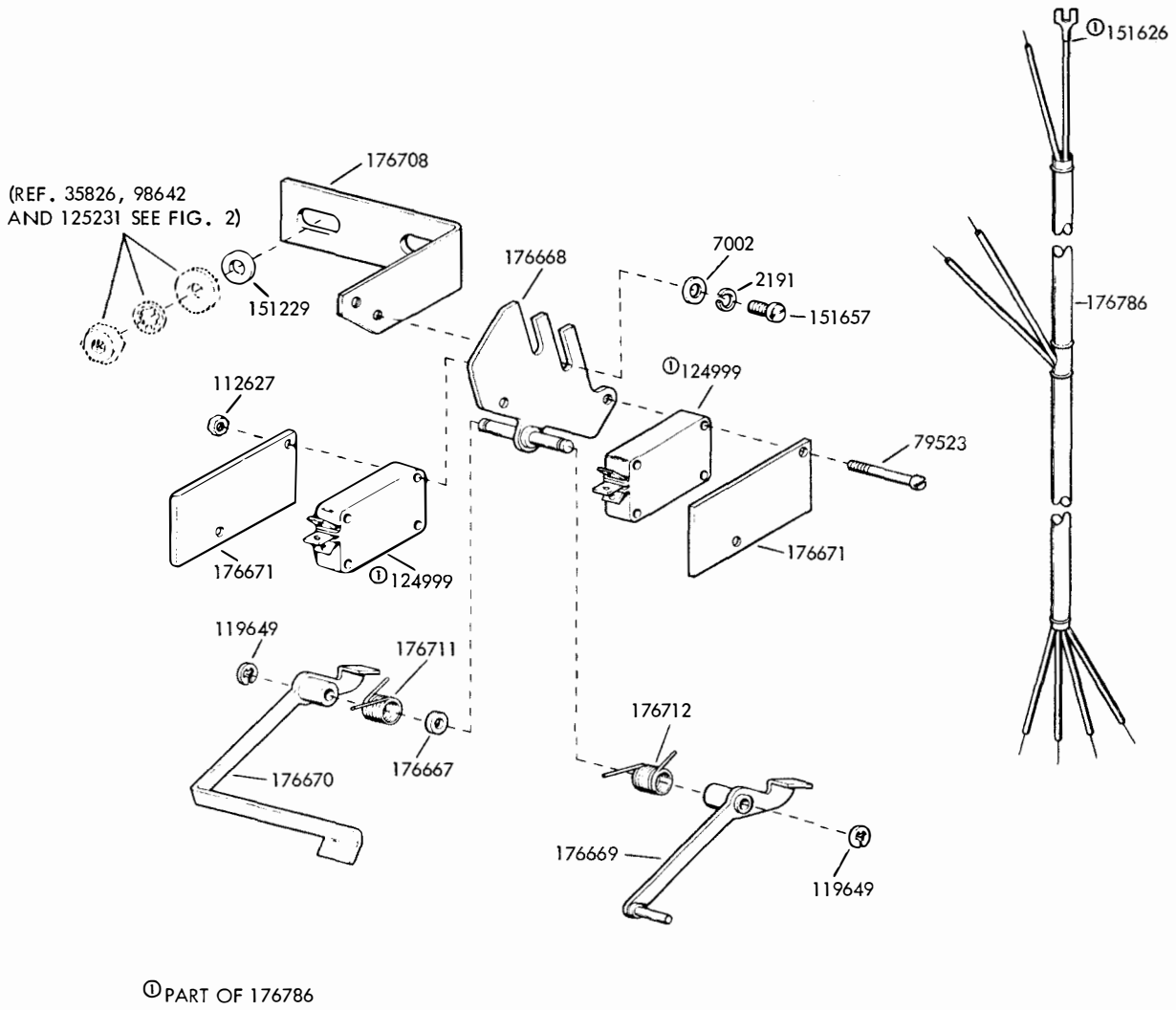


FIGURE 22. 176714 MODIFICATION KIT TO PROVIDE LOW-PAPER and PAPER-OUT ALARM

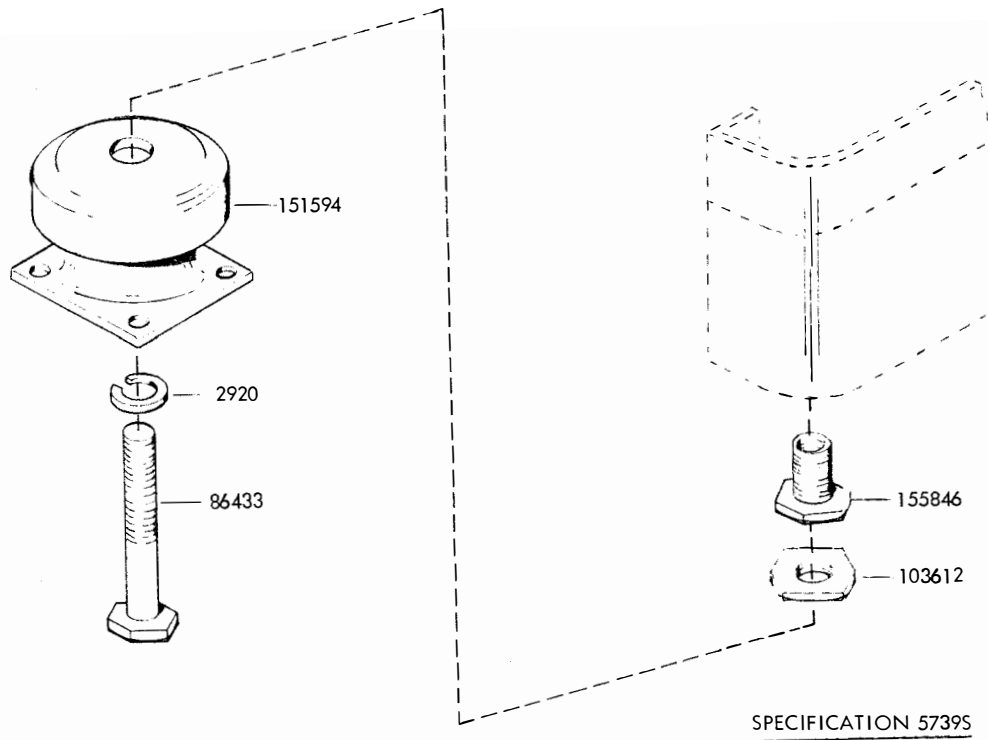
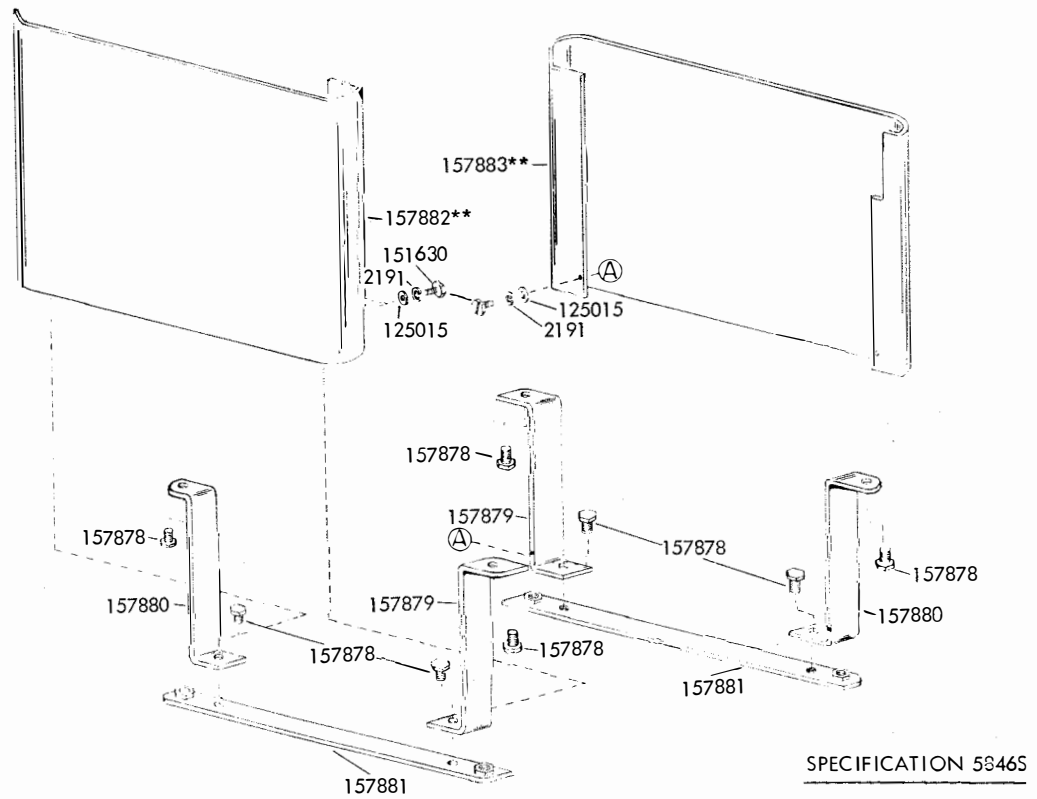
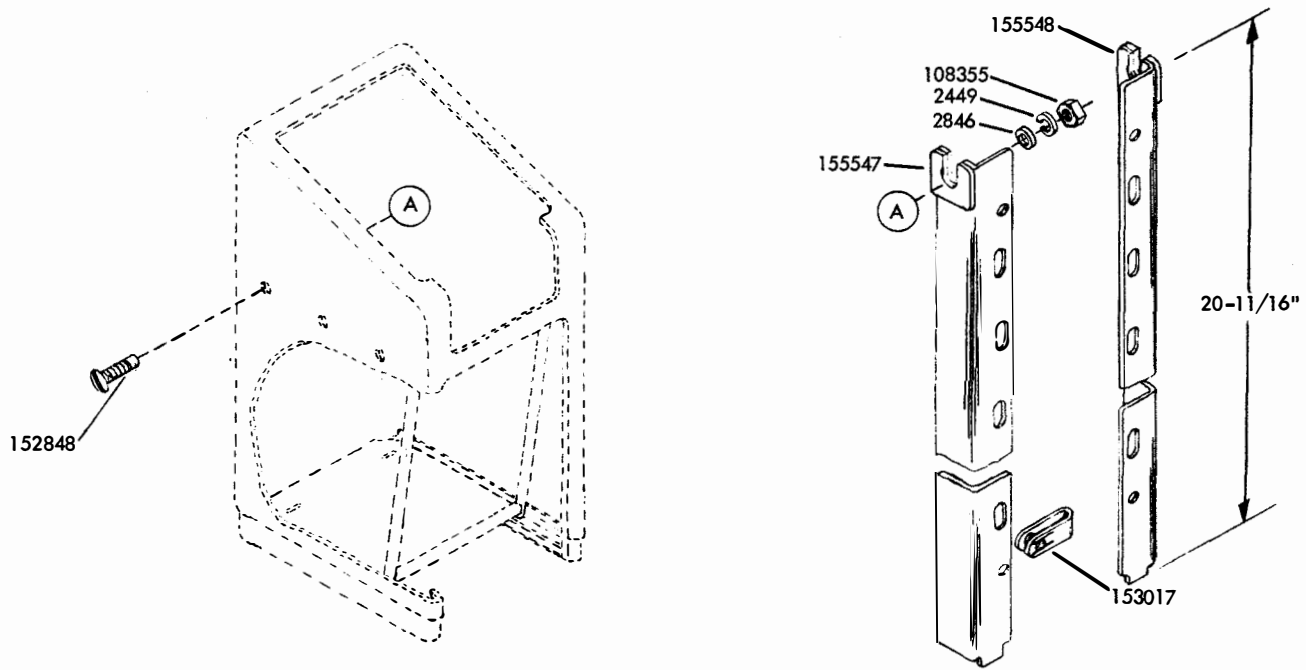


FIGURE 23. 154793 MODIFICATION KIT TO ADD SHOCK MOUNTS TO CONSOLE CABINET



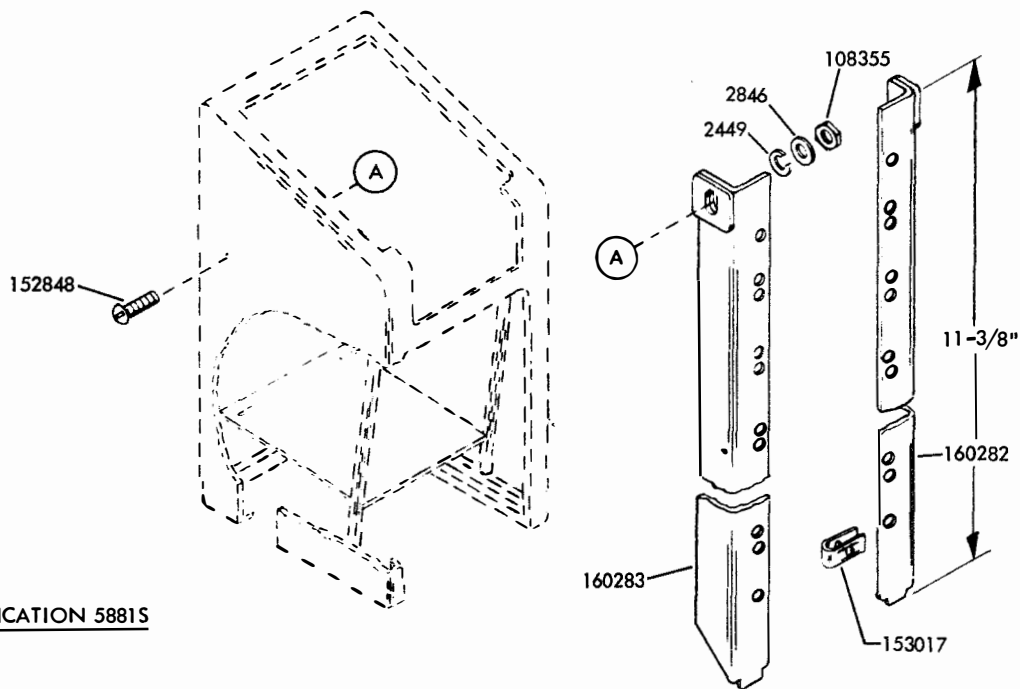
**Refer to Page 1 for Finish Suffix

FIGURE 24. 154754** MODIFICATION KIT TO PROVIDE SUB-BASE FOR CONSOLE CABINET FOR STAND-UP OPERATION



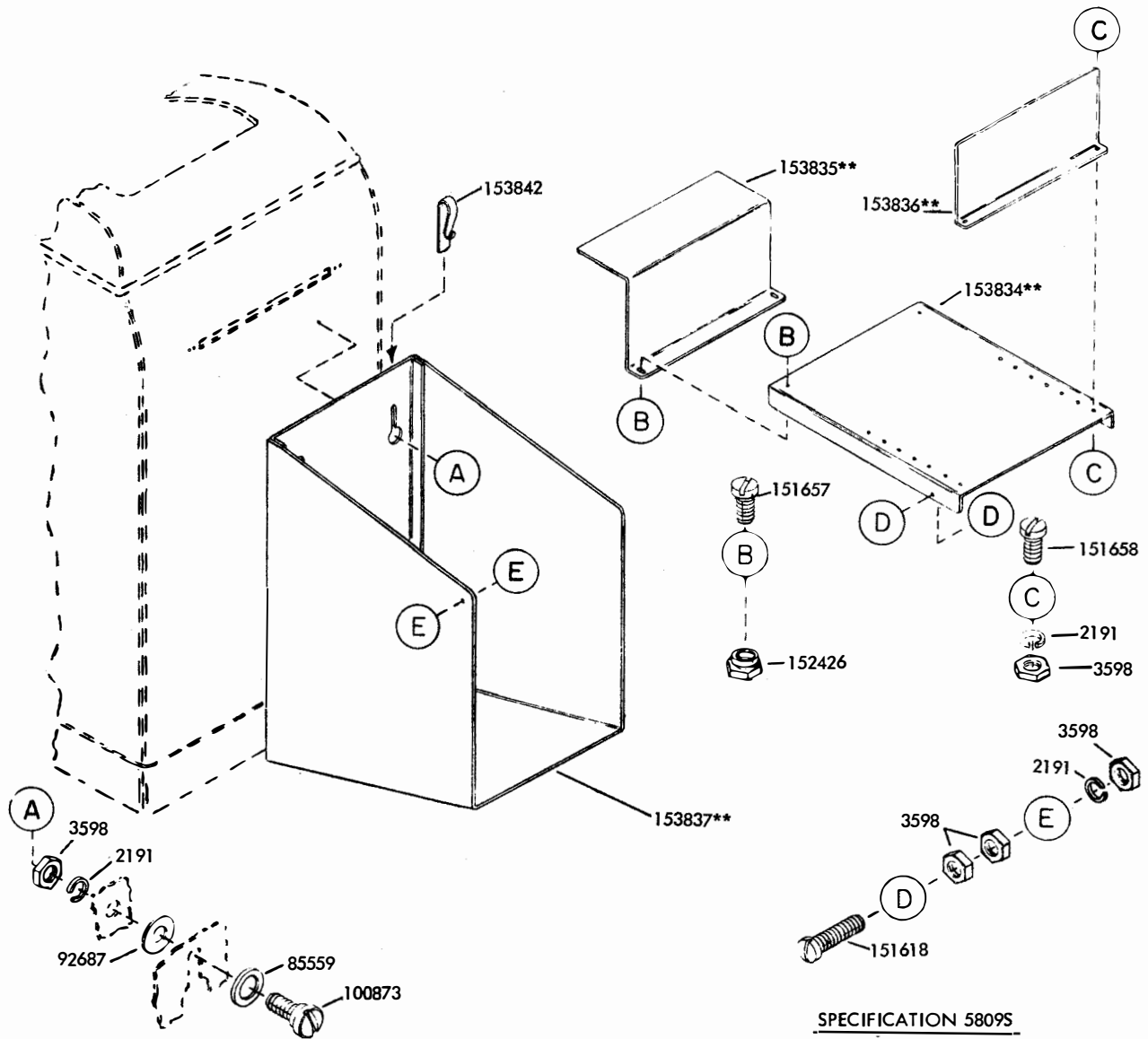
SPECIFICATION 5730S

FIGURE 25. 159373 MODIFICATION KIT TO PROVIDE AN APPARATUS MOUNTING RACK



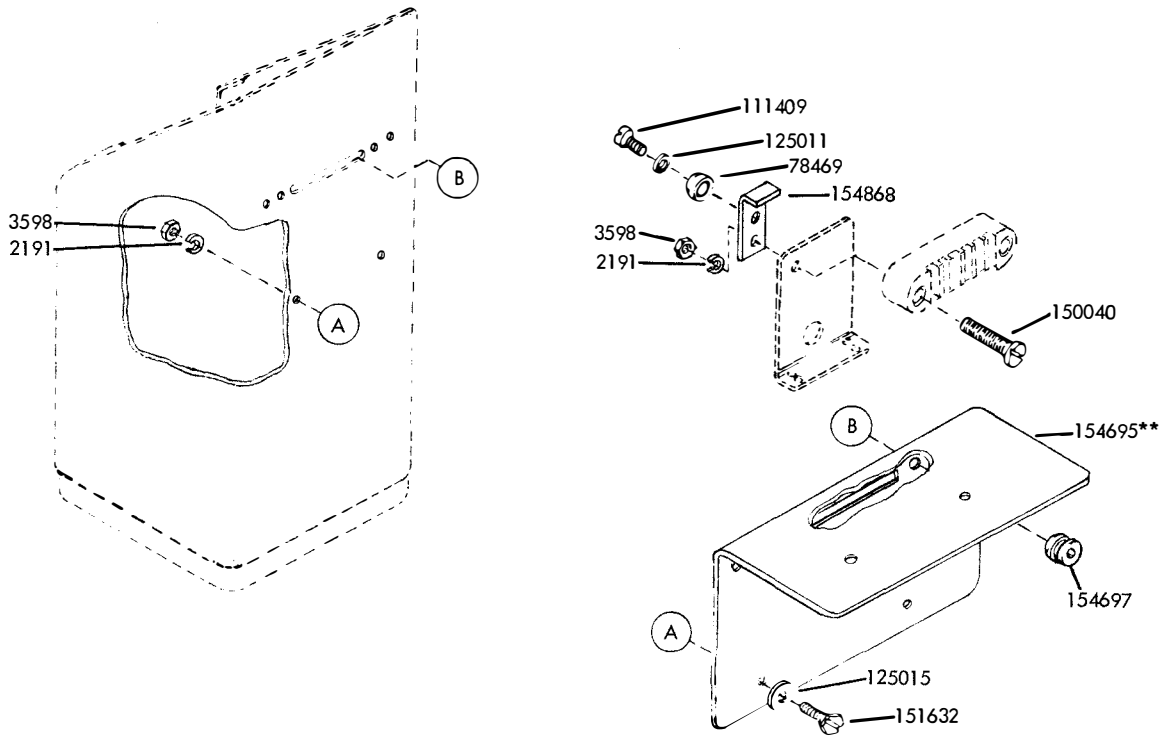
SPECIFICATION 5881S

FIGURE 26. 159390 MODIFICATION KIT TO PROVIDE AN APPARATUS MOUNTING RACK



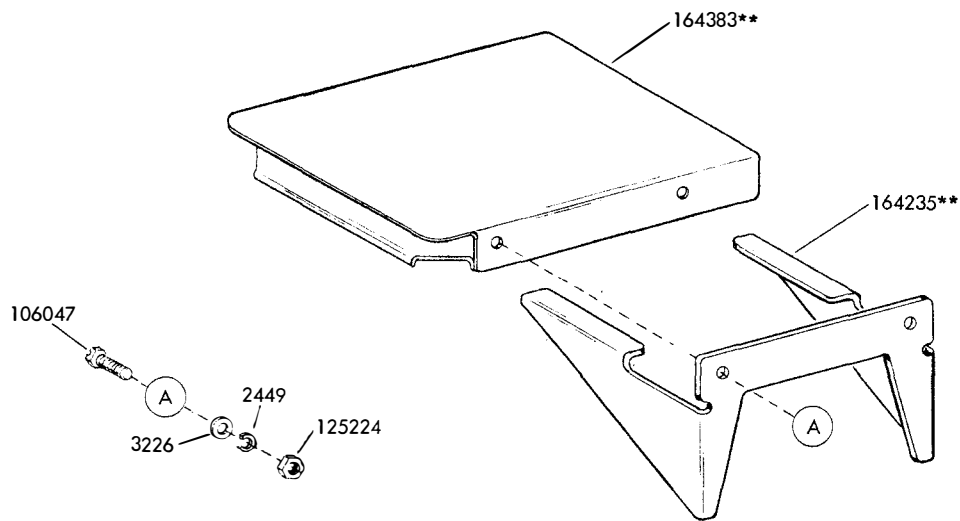
**Refer to Page 1 for Finish Suffix

FIGURE 27. 152349** MODIFICATION KIT TO PROVIDE PAPER SUPPLY AND ACCUMULATING SHELF



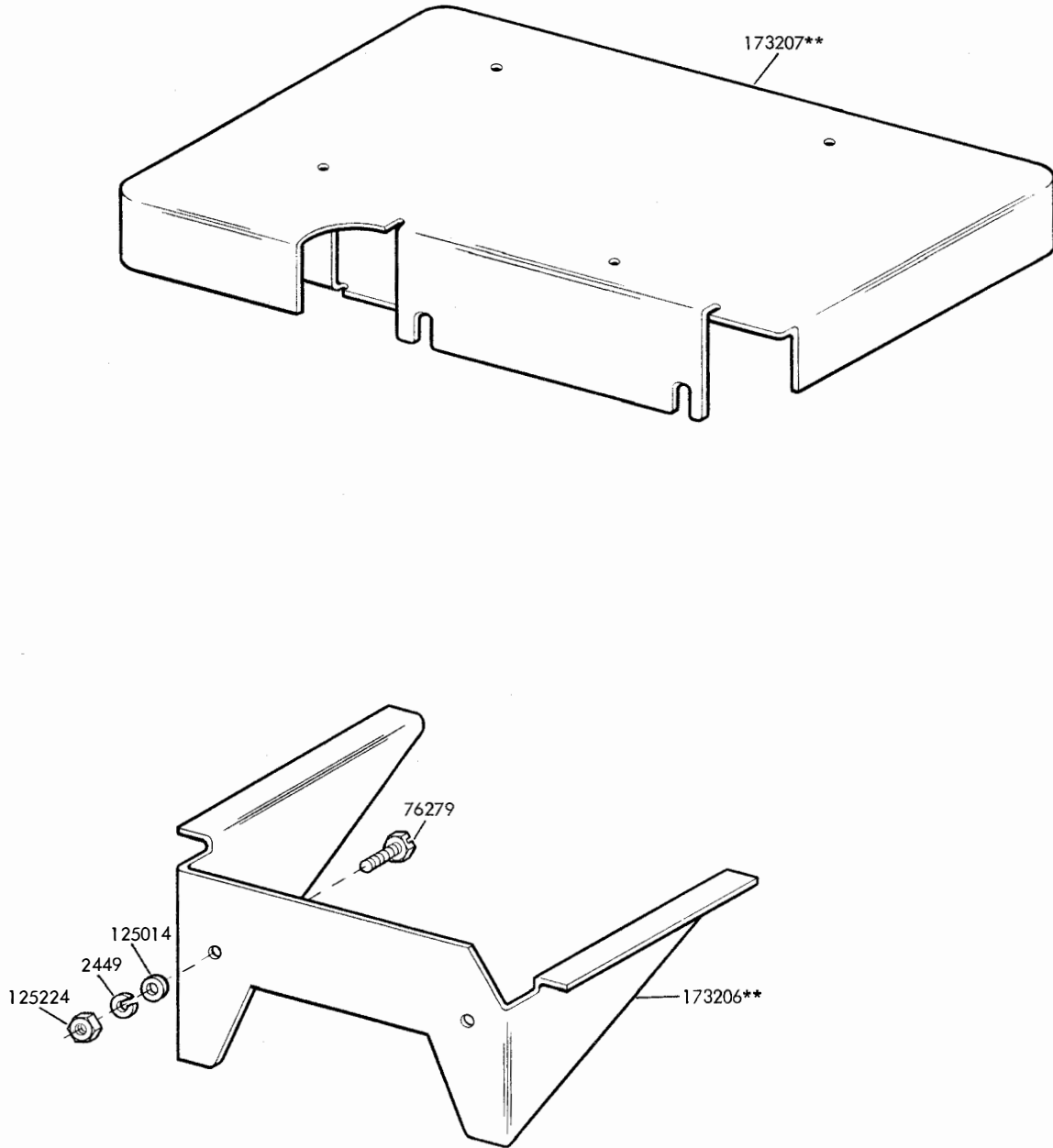
SPECIFICATION 58055

FIGURE 28. 153901** MODIFICATION KIT TO PROVIDE PAPER WINDER MOUNTING BRACKET



**Refer to Page 1 for Finish Suffix

FIGURE 29. 163796** MODIFICATION KIT TO PROVIDE TELEPHONE SHELF FOR CONSOLE CABINET



**Refer to Page 1 for Finish Suffix

FIGURE 30. 173097** MODIFICATION KIT TO PROVIDE SHELF FOR CONSOLE CABINET

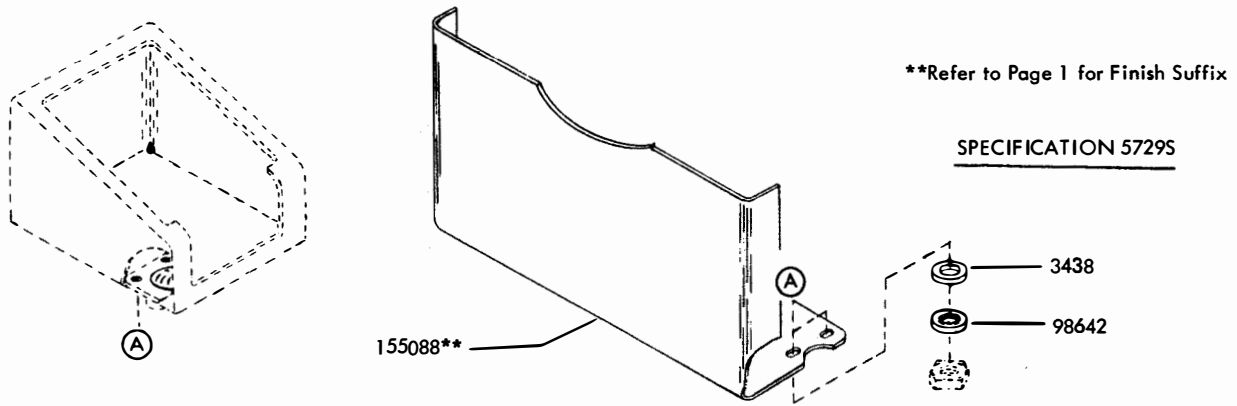


FIGURE 31. 152300** MODIFICATION KIT TO PROVIDE DIRECTORY HOLDER FOR TABLE MODEL CABINET

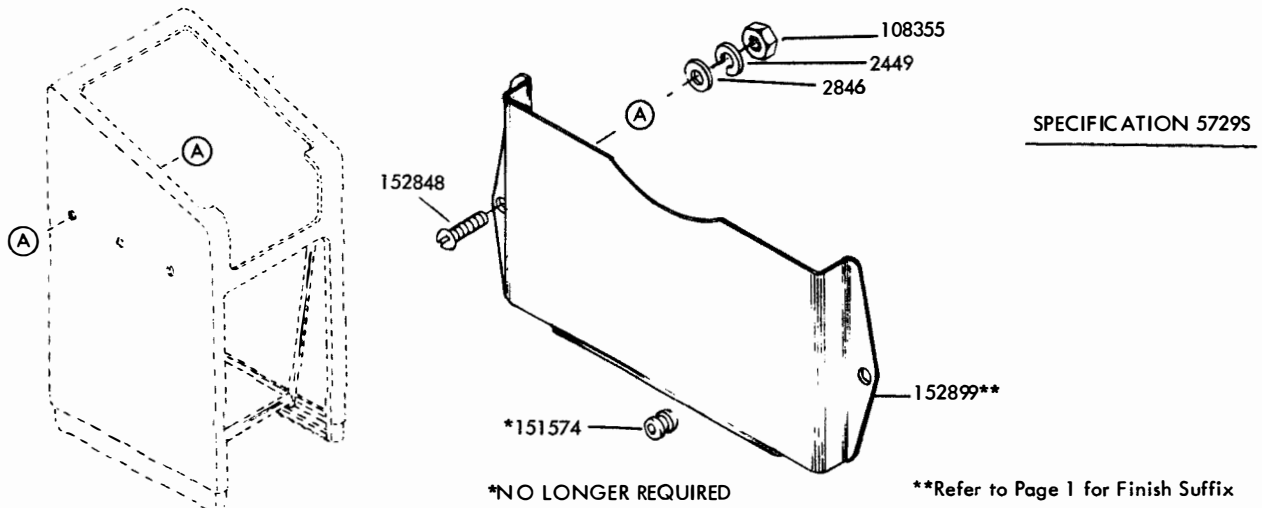


FIGURE 32. 152910** MODIFICATION KIT TO PROVIDE DIRECTORY HOLDER FOR CONSOLE MODEL CABINET

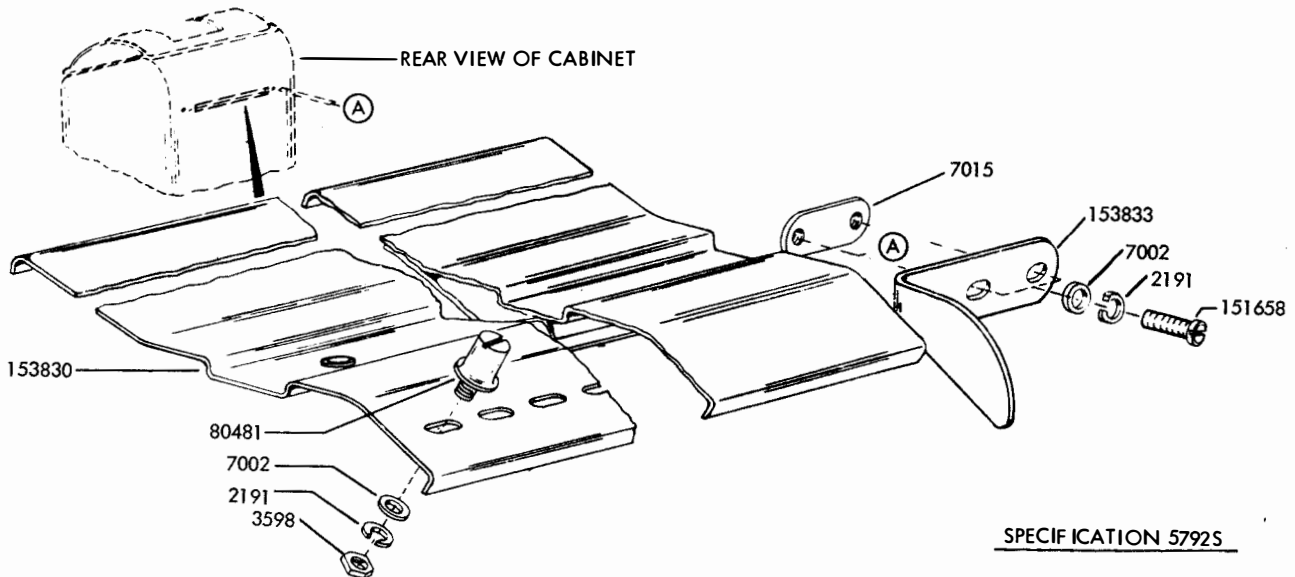


FIGURE 33. 153926 MODIFICATION KIT TO PROVIDE SPROCKET FEED REAR PAPER GUIDE

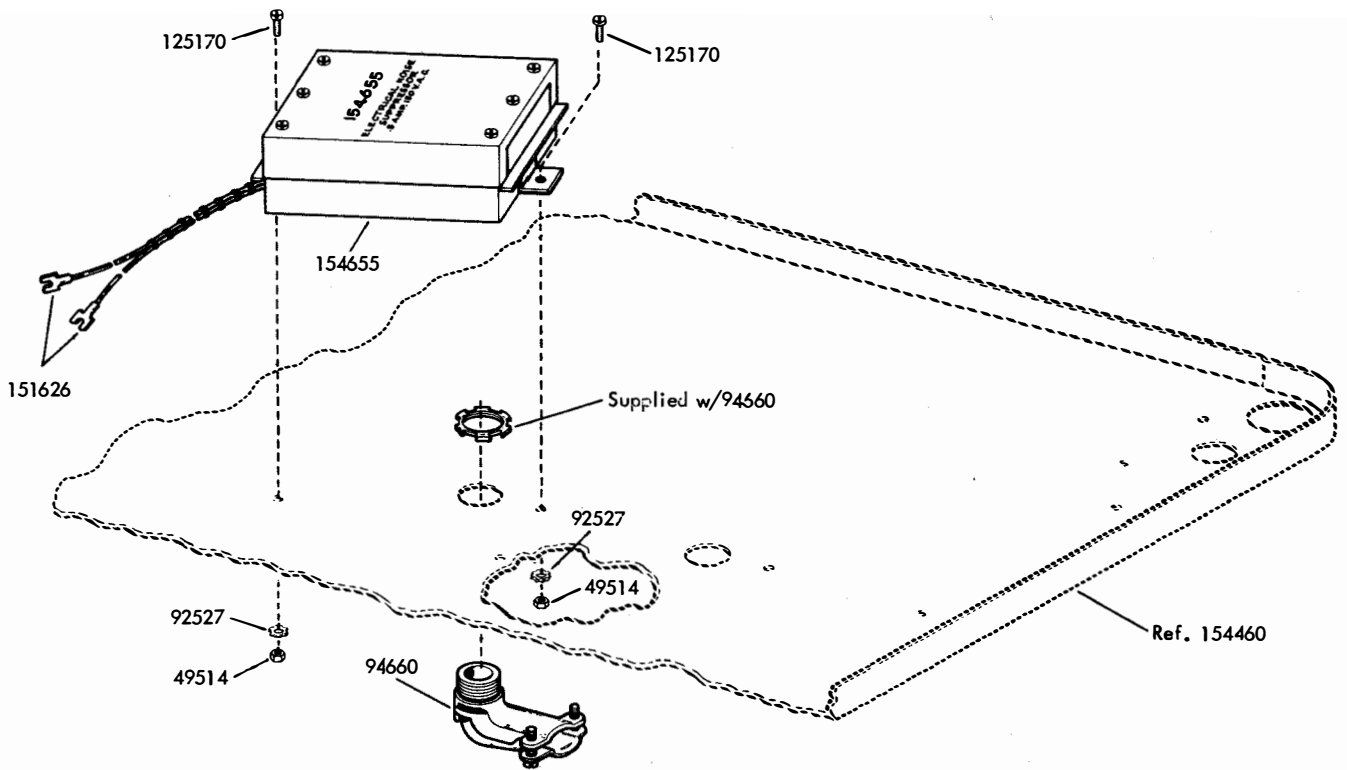


FIGURE 34. 154651 MODIFICATION KIT TO ADD SIGNAL LINE ELECTRICAL NOISE SUPPRESSOR (DC)

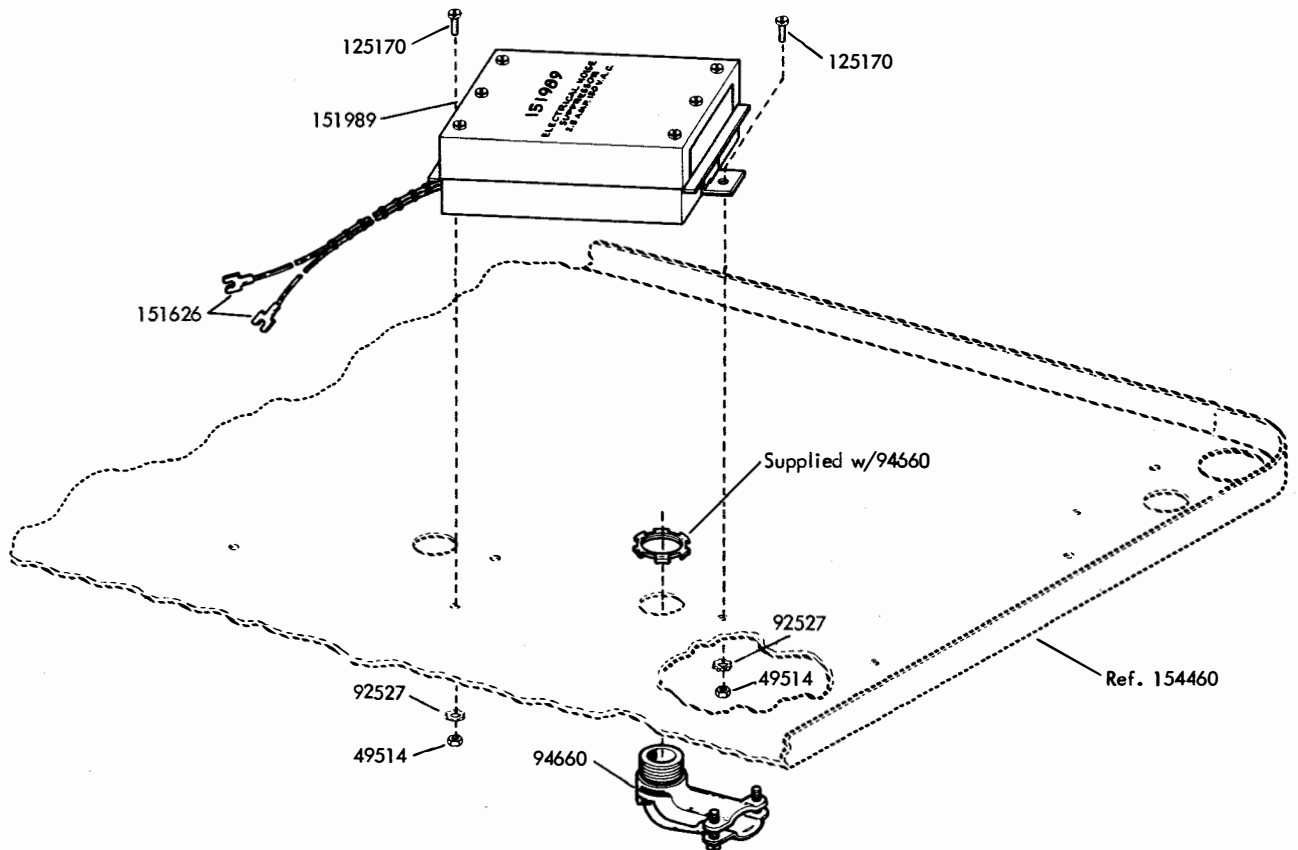


FIGURE 35. 151988 MODIFICATION KIT TO ADD POWER LINE ELECTRICAL NOISE SUPPRESSOR

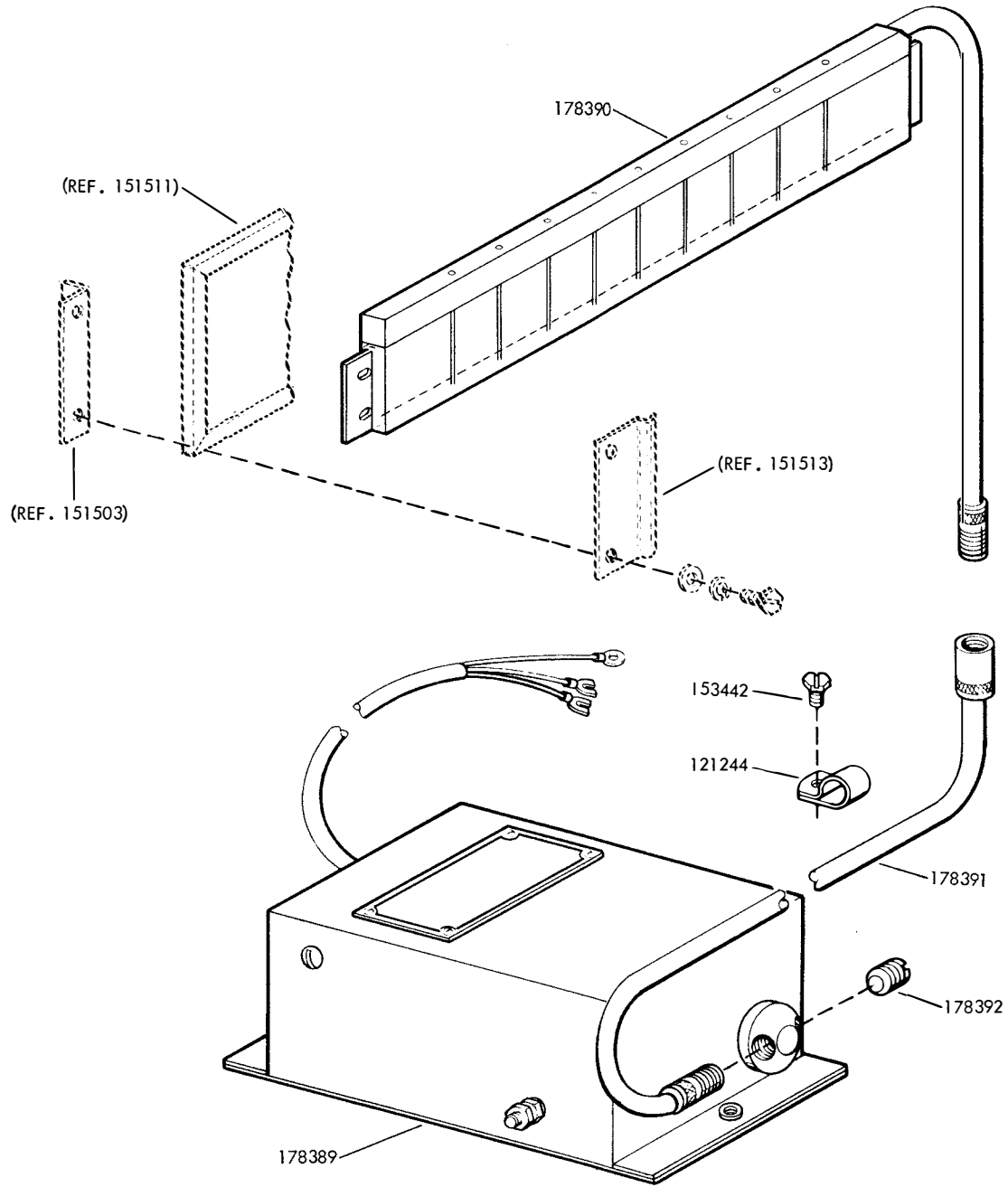
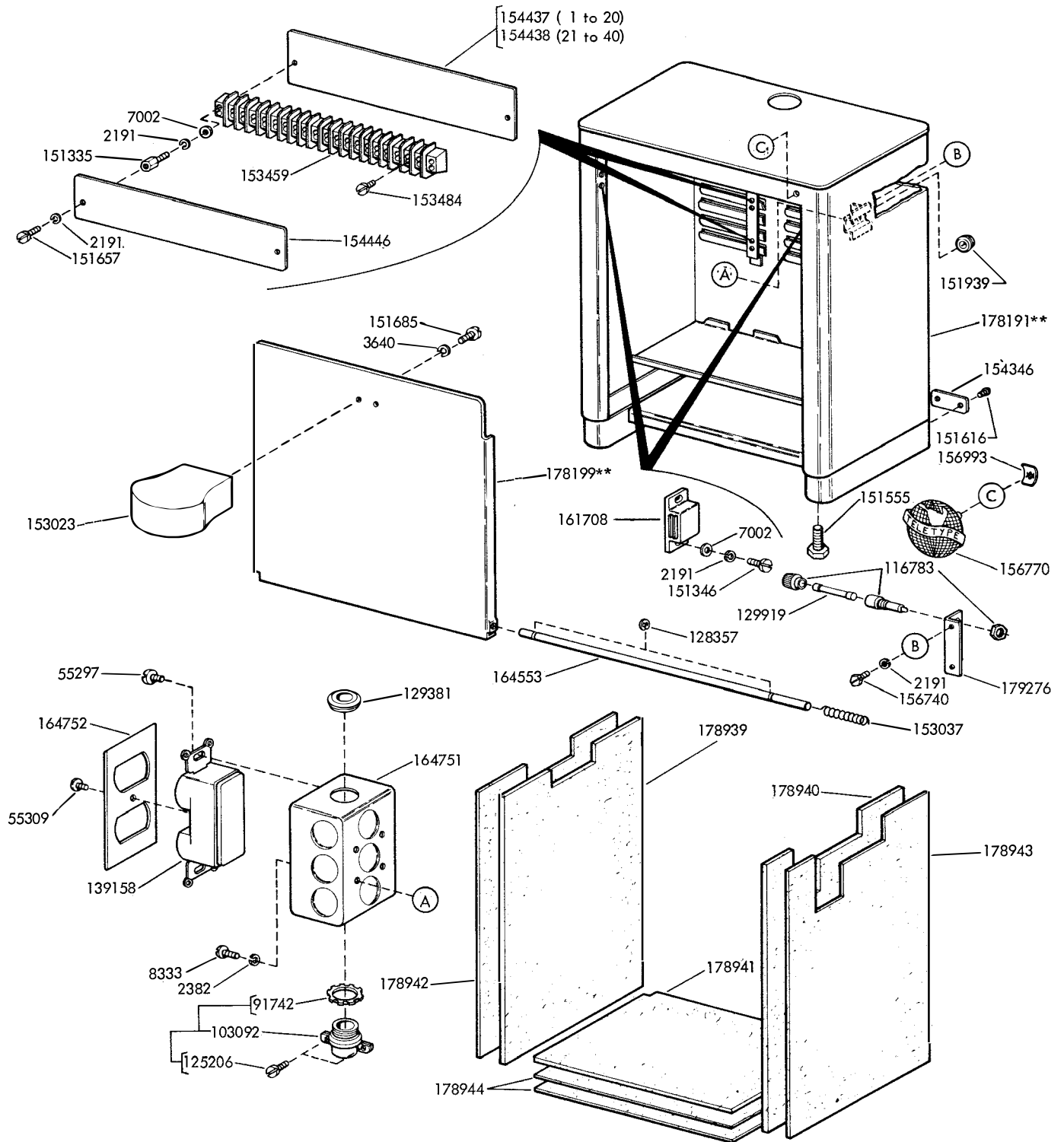


FIGURE 36. 178387 MODIFICATION KIT TO PROVIDE HIGH VOLTAGE STATIC ELIMINATOR TO NEUTRALIZE ELECTROSTATIC CHARGE ON PAGE COPY



**Refer to Page 1 for Finish Suffix

FIGURE 37. PRINTER TABLE

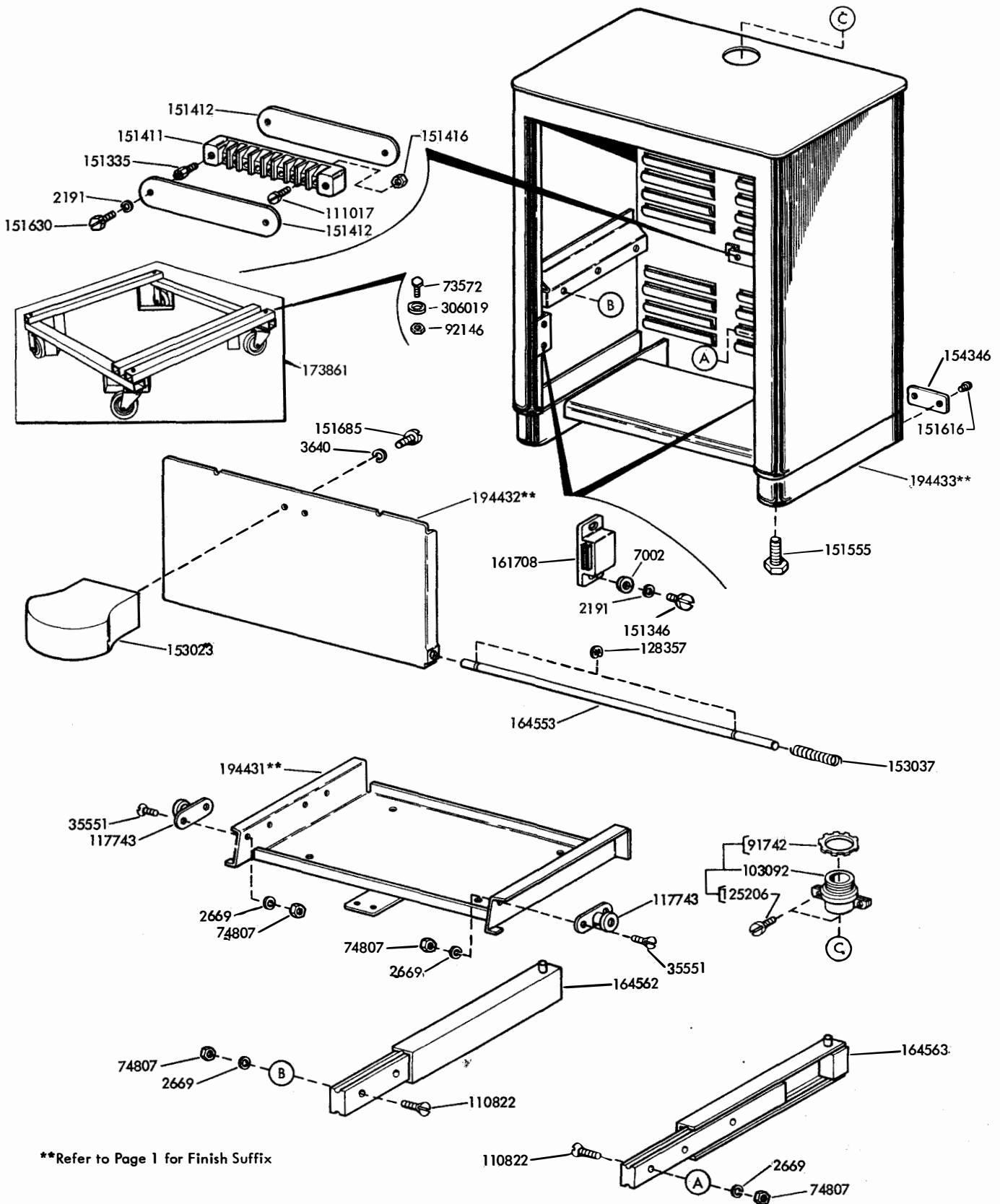


FIGURE 38. PRINTER TABLE WITH SLIDING SHELF

NUMERICAL INDEX

Part Number	Description and Page Number	Part Number	Description and Page Number	Part Number	Description and Page Number
247M	Coil, Magnet 5	55309	Screw (6-32 x 1/2 Oval) 29	102751	Nut (10-32 Hex) 6
1028	Screw (4-40 x 1/4 Fil) 5	70314	Washer, Flat 13, 14	103092	Connector, Cord 3, 4, 29, 30
1113	Screw (1/4-20 x 7/8 Hex) 5	71858	Washer, Flat 5	103120	Nut, Speed 4
1178	Screw (2-56 x 7/16 Fil) 19	73572	Screw (1/4-20 x 1 Hex) 30	103612	Nut (3/8-16 Hex) 21
1263	Screw (6-32 x 1/4 Fil) 5, 6	74011	Screw, Shoulder (6-40) 6	104701	Screw (4-40 x 9/32 Fil) 8
1268	Screw (6-40 x 5/16 Flat) 16	74479	Bushing 5	105237	Switch, Toggle 6
2191	Washer, Lock 3 to 18, 20, 21, 23, 24, 26, 29, 30	74546	Clamp, Cable 3, 4	105650	Screw (10-32 x 9/16 Hex) 17
2382	Washer, Lock 29	74567	Screw (1/4-20 x 33/64 Hex) 4, 5,	106047	Screw (1/4-32 x 1/2 Hex) 24
2449	Washer, Lock 4, 5, 9, 10, 22, 24, 25, 26	74594	Ring, Retaining 3	107116	Washer, Lock 5, 6
2481	Washer, Flat 18	74712	Spring 3, 4	107398	Terminal 9
2539	Nut (3/8-32 Hex) 3	74807	Nut (10-32 Hex) 30	108355	Nut (1/4-20 Hex) 9, 10, 22, 26
2669	Washer, Lock 17, 30	75750	Washer, Insulating 18	110434	Screw (4-40 x 3/16 Fil) 5
2846	Washer, Flat 4, 5, 9, 10, 22, 26	76099	Washer, Flat 3, 4, 5	110435	Nut (4-40 Hex) 5
2920	Washer, Lock 21	76279	Screw (1/4-32 x 5/8 Hex) 25	110437	Spring 5
3226	Washer, Flat 24	78103	Screw (6-40 x 1-3/16 Hex) 5	110743	Washer, Lock 7, 9, 10, 19
3438	Washer, Flat 3, 4, 5, 7, 17, 26	78287	Collar 5	110822	Screw (10-32 x 13/16 Flat) 3, 30
3598	Nut (6-40 Hex) 3, 4, 5, 6, 8, 12, 13, 15 to 18, 23, 24, 26	78469	Foot, Rubber 24	111017	Screw (6-40 x 5/16 Fil) 11, 12, 13, 17, 30
3639	Washer, Lock 3 to 7, 11, 12, 13	79523	Screw (2-56 x 25/32 Fil) 20	111409	Screw (4-40 x 7/32 Fil) 24
3640	Washer, Lock 5, 6, 7, 9, 10, 29, 30	80342	Screw (6-40 x 23/64 Hex) 5	112626	Nut (10-32 Hex) 9
3646	Washer, Lock 5	80481	Screw (6-40 Spl) 26	112627	Nut (2-56 Hex) 20
4703	Spring 5, 6, 7	80854	Screw (6-40 x 1-7/16 Fil) 13, 14	114589	Mount, Vibration 5
4851	Terminal 14	82474	Terminal 5, 8, 9, 11 to 16, 18	114766	Stud 3
5816	Washer, Insulating 8, 15	82505	Screw (6-32 x 11/32 Fil) 7	116783	Holder, Fuse 29
6344	Screw (6-32 x 11/32 Hex) 11	84579	Washer, Flat 3, 4	117743	Roller 30
6345	Nut (6-32 Hex) 3, 4, 16, 18	85529	Screw, Shoulder (10-32) 6	117878	Jumper (3" Black) 14
6347	Screw (6-32 x 3/8 Rd) 17	85559	Washer, Flat 23	118118	Ballast 5
7002	Washer, Flat 3, 4, 5, 6, 8, 11, 12, 13, 15 to 18, 20, 26, 29, 30	86433	Screw (3/8-16 x 2 Hex) 21	118119	Socket, Starter 5
7015	Strip 26	89515	Screw (6-32 Spl) 4	118759	Block, Terminal 3
8333	Screw (10-32 x 3/8 Rd) 3, 4, 5, 29	89969	Washer, Insulating 13, 14	119467	Insulator (.032") 19
34432	Washer, Flat 6	90096	Washer, Insulating 12	119638**	Button, Plug 3
35551	Screw (10-32 x 3/8 Flat) 30	90599	Shim (.008") 7, 9	119641**	Button, Plug 3
35826	Washer, Flat 3, 4	90814	Resistor (1000 Ohm) 8, 15	119649	Ring, Retaining 20
41663	Washer, Flat 11	91683	Nut (15/32-32 Hex) 6, 11, 12, 13	119715	Spacer 11
43954	Bell 5	91742	Nut, Lock 29, 30	121242	Clamp, Cable (1/8" ID) 12
45815	Washer, Lock 9	92146	Nut (1/4-20 Hex) 30	121243	Clamp, Cable (3/16" ID) 5, 8, 11, 12, 13
49514	Nut (8-32 Hex) 27	92527	Washer, Lock 27	121244	Clamp, Cable (1/4" ID) 8, 13, 28
55219	Screw (8-32 x 3/8 Fil) 5	92687	Washer, Flat 23	121245	Clamp, Cable (5/16" ID) 6, 8, 11, 12, 13, 17
55297	Screw (6-32 x 5/16 Flat) 29	93108	Washer, Lock 5, 7	121247	Clamp, Cable (7/16" ID) 8
		93118	Washer, Lock 19	121248	Clamp, Cable (1/2" ID) 17
		94660	Connector (90°) 27	124999	Switch, Sensitive 19, 20
		96258BK	Jumper (3" Black) 14	125011	Washer, Flat 19, 24
		98642	Washer, Lock 3, 4, 7, 26	125014	Washer, Flat 25
		100873	Screw, Shoulder (6-40) 23	125015	Washer, Flat 5, 21, 24
		102092	Screw (6-40 x 1-17/32 Rd) 18	125110	Screw (4-36 x 3/16 Fil) 15
		102180	Screw (6-40 x 1-15/16 Fil) 8, 15		
		102617	Lamp 5		
		102620	Starter 5		

**Refer to Page 1 for Finish Suffix

NUMERICAL INDEX (Continued)

Part Number	Description and Page Number	Part Number	Description and Page Number	Part Number	Description and Page Number
125130	Screw (6-32 x 1/2 Fil) 17	151507	Button 3, 4	151574	Grommet, Rubber 5 26
125139	Screw (4-40 x 1/8 Fil) 8	151508	Spring, Torsion 3, 4	151575	Arm, Stop 6
125170	Screw (8-32 x 5/16 Fil) 27	151509	Washer, Rubber 3, 4	151576	Arm, Stop 7
125206	Screw (6-32 x 5/8 Fil) 29, 30	151510	Window, Plastic 5	151577	Screw, Shoulder (6-40) 5
125218	Nut (1/4-32 Hex) 5	151511	Gasket 5	151578	Hinge 3, 4
125224	Nut (1/4-32 Hex) 24, 25	151512	Seal, Noise 3, 4	151579	Plate, Retaining 5
125231	Nut (10-32 Hex) 3 to 7, 11, 12	151513	Retainer, Window 3, 4	151589	Cradle Assembly 5
128357	Ring, Retaining 3, 29, 30	151514	Bar, Dome Latch 3, 4	151590	Indicator Assembly, Margin 6
129381	Grommet, Rubber 29	151515	Button, Push 3, 4	151594	Mount, Vibration 21
129502	Resistor (100 Ohm) 12	151516	Bracket 6	151595	Arm Assembly, Stop 6
129919	Fuse (4 Amp) 29	151519	Arm, Latch 3, 4	151596	Arm Assembly, Stop 7
136884	Cable W/Terminal 14	151521	Stud 5	151597**	Panel Assembly 4
139158	Connector, Receptacle (Duplex) 29	151522	Rail, Side Cradle 5	151598	Bushing 3
144600	Modification Kit 17	151523	Hub 3, 4	151599	Lever 3, 4
145047	Connector, Receptacle (3 Pt) 9	151524	Hinge, Cradle 5	151616	Screw, Self-Tapping (#2) 3, 29, 30
145077**	Cabinet 3	151525	Rail, Rear Cradle 5	151618	Screw (6-40 x 7/16 Fil) 23
145214	Bracket, Mounting 17	151526	Screw, Thumb (10-32) 3, 4	151626	Terminal 3, 5, 6, 11, 12, 13, 18, 19, 20, 27
145216	Bracket, Terminal 17	151527**	Bar, Cross 3, 4	151630	Screw (6-40 x 1/4 Hex) 3, 6 to 8, 11, 12, 16, 18, 21, 30
145217	Block, Mounting 17	151528	Spring, Torsion 6	151631	Screw (6-40 x 5/16 Hex) 8, 10, 12 to 15
145219	Cable Assembly 17	151529	Plate 5	151632	Screw (6-40 x 3/8 Hex) 17, 24
145220	Modification Kit 17	151530**	Hinge, Dome 3, 4	151637	Screw (4-40 x 1/4 Fil) 7, 9, 10
145253	Lamp, Neon 17	151531	Plate, Starter 5	151657	Screw (6-40 x 1/4 Fil) 3, 4, 11, 12, 13, 20, 23, 29
145254	Lens, Clear Indicator Light 3	151532**	Cover, Form Slot 4	151658	Screw (6-40 x 5/16 Fil) 5, 6, 23, 26
145256	Connector, Plug (3 Pt) 9	151534	Screw, Shoulder (10-32) 3, 4	151659	Screw (6-40 x 1/2 Fil) 8, 17
145277	Cable Assembly 19	151536	Guide 3, 4	151685	Screw (4-40 x 5/16 Fil) 2, 3, 6, 7, 9, 10, 29, 30
145278	Modification Kit 19	151537	Copyholder 6	151686	Screw (4-40 x 3/8 Fil) 5
145721	Bracket, Mounting 17	151538	Spring, Torsion 3, 4	151691	Screw (10-32 x 3/8 Fil) 11
150040	Screw (6-40 x 5/8 Fil) 3, 4, 5, 17, 24	151540	Lampholder 5, 6, 8, 11, 12, 13, 15, 16, 18	151692	Screw (6-40 x 3/16 Fil) 3, 4
150361	Spacer 14	151541	Shaft W/Fork 3, 4	151718	Socket, Lamp 5
150710	Screw (6-40 x 1-1/4 Fil) 12	151542	Stud 3, 4	151722	Screw (6-40 x 3/16 Hex) 5
150966	Insulator (1-4) 11, 12, 13	151544	Shield 5	151723	Screw (10-32 x 3/8 Hex) 3, 4, 5, 12
151152	Screw (4-40 x 3/16 Hex) 19	151545	Guide, Paper 3, 4	151724	Screw (10-32 x 5/8 Hex) 11, 14
151229	Washer, Flat 20	151547	Spring, Torsion 6	151726	Bumper, Rubber 3
151335	Stud 3, 12, 13, 29, 30	151548	Spring 6	151727**	Extension, Hinge 3, 4
151346	Screw (6-40 x 3/8 Fil) 5, 8, 29, 30	151549	Post 5	151819	Jumper (3" Black) 3
151411	Block, Terminal 30	151550	Cable Assembly 5	151827	Strap, Terminal 11
151415	Block, Terminal 11, 12, 13	151551	Copyright Assembly 5	151939	Grommet, Rubber 29
151412	Insulator (1-9) 30	151553	Foot 3	151955	Guide, Cable 5
151416	Nut (6-40 Hex) 11, 12, 13, 17, 30	151555	Foot, Mounting 5, 6, 29, 30	151956	Guide, Cable 3, 4
151435	Insulator (1-30) 3	151556	Knob 3, 4	151982	Lamp, Incandescent (6V) 6, 11, 12, 16
151436	Cover 3	151558	Nut, Speed 3, 4, 8, 15		
151442	Screw (6-40 x 1/2 Hex) 5	151559	Spring 3, 4		
151500**	Cabinet 3	151560	Bell Assembly, Remote 5		
151503**	Door 3, 4	151562	Lamp, 115V Incandescent 6		
151504	Gasket 3, 4	151564	Bracket 5		
151505	Gasket 3, 4	151565	Bushing, Shoulder 5		
151506	Latch 3, 4	151567	Armature W/Clapper 5		
		151569	Strap 5		
		151571	Cable W/Terminals 5		
		151572	Washer, Lock 5		
		151573**	Panel 4		

**Refer to Page 1 for Finish Suffix

NUMERICAL INDEX (Continued)

Part Number	Description and Page Number	Part Number	Description and Page Number	Part Number	Description and Page Number
151983	Shield 6	153130**	Copyholder 7,9	154756	Modification Kit 19
151988	Modification Kit 27	153388	Stud 3, 4, 11	154777	Modification Kit 13
151989	Suppressor, Electrical Noise 27	153400	Lamp, 60V Incandescent 6, 8, 11, 13, 14, 15, 17, 18	154793	Modification Kit 21
152056	Guide, Cable 3	153442	Screw (10-32 x 1/2 Hex) 3 to 6, 11, 12, 13, 28	154868	Plate 24
152300**	Modification Kit 26	153455	Resistor (600 Ohm) 18	154869**	Bracket 7
152309	Copyright Assembly 6	153459	Block, Terminal 3, 4, 8, 16, 29	154874	Connector, Plug (2 Pt) 15
152310	Modification Kit 6	153465	Nut (6-32 Hex) 16	155045	Switch, Toggle (SP-DT) 6, 11, 12, 13
152319	Modification Kit 16	153466	Cover 3, 4, 16	155063	Pad 13, 14
152349**	Modification Kit 23	153467	Insulator 16	155083	Lens, Red Indicator Light 3, 4, 8, 15
152426	Nut, Self-Locking (6-40 Hex) 23	153468	Insulator, Left (1-20) 3, 4, 16	155085**	Bracket 7
152465	Connector, Receptacle (20 Pt) 9	153469	Strip, Right 16	155086	Pad, Rubber 7
152466	Connector, Receptacle (20 Pt) 8, 9	153470	Insulator, Right (21-40) 3, 4, 16	155087	Screw (1/4-20 x 7/16 Rd) 7
152767**	Dome 3, 4	153471	Strip, Left 16	155088**	Holder 26
152768	Window, Glass 5	153474	Cable Assembly 6	155547	Bracket, Left 22
152797**	Plate 4	153484	Screw (6-32 Spl) 3, 4, 8, 16, 29	155548	Bracket, Right 22
152848	Screw (1/4-20 x 3/4 Rd) 9, 10, 22, 26	153486	Bracket 6	155563	Plate, Mounting 14
152882	Arm, Left Counterbalance 3, 4	153487	Cable Assembly 6, 18	155597	Lens, Yellow Indicator Light 3, 16
152883	Arm, Right Counterbalance 3, 4	153488**	Cabinet 3	155614	Cover 8
152884	Screw (12-24 x 1 Hex) 3, 4	153537	Screw (6-40 x 9/32 Hex) 7, 9, 10	155723	Screw (4-48 x 1/2 Fil) 8
152899**	Holder 26	153540**	Cabinet 4	155750	Sleeve, Insulating (3/32 ID x 1/2" Lg) 9, 19
152902	Modification Kit 15	153541	Cover 4	155751	Sleeve, Insulating (1/8 ID x 1" Lg) 9, 13, 14
152910**	Modification Kit 26	153622	Jumper (5" Purple) 14	155752	Sleeve, Insulating (5/64 ID x 1/2" Lg) 9
153017	Nut, Speed 22	153830	Guide, Rear 26	155753	Sleeve, Insulating (1/8 ID x 1/2" Lg) 9
153020	Guide, Line 5, 6	153833	Bracket, Guide 26	155754	Sleeve, Insulating (1/16 ID x 1/2" Lg) 9
153021	Spring, Torsion 5, 6, 7, 9, 10	153834**	Shelf, Paper 23	155755	Sleeve, Insulating (11/64 ID x 5/8" Lg) 9
153022	Bushing 5, 6, 7, 9, 10	153835**	Plate, Deflector 23	155766	Clamp, Cable 8
153023	Handle 5, 6, 7, 9, 10, 29, 30	153836**	Bracket, Backstop 23	155846	Bushing, Adapter 21
153024	Shaft 6	153837**	Shelf, Paper Box 23	155858	Resistor (700 Ohm) 13, 14
153027	Post 6	153842	Clip, Paper Holder 23	155859	Screw (4-40 x 1/8 Pan Hd) 8, 9
153032	Bracket, Detent 3	153901**	Modification Kit 24	155860	Screw (4-40 x 3/8 Rd) 8, 9
153033	Arm, Detent 3	153920	Modification Kit 8	155861	Washer, Lock 8, 9
153034	Shaft Assembly 3	153926	Modification Kit 26	155862	Spring 3, 4
153035**	Panel 3	154308	Pad 3, 4	155899	Nut (12-24 Spl) 3, 4
153036	Shaft 3	154346	Plate, Instruction 29, 30	156740	Screw (6-40 x 7/32 Hex) 29
153037	Spring, Compression 3, 29, 30	154348	Plate, Instruction (ON- OFF) 3	156770	Plate, Identification (Bell) 3
153039	Handle 3	154399	Plate, Identification (Bell) 3	156993	Nut, Speed 3, 4, 29
153042	Window, Plastic 5	154404	Tray, Copyholder 5, 6	157152	Modification Kit To Add Terminal Block Assembly 8
153043	Window, Glass 5	154409**	Plate 3, 4	157153	Bracket Assembly 8
153046	Copyholder Assembly 5	154437	Insulator (1-20) 29	157154	Insulator (41-80) 8
153047	Copyholder Assembly 7	154438	Insulator (21-40) 29	157155	Cover 8
153048	Stud, Wing Head 3	154446	Cover 29	157156	Cable Assembly 8
153099	Arm, Pivot 7, 9, 10	154651	Modification Kit 27	157157	Modification Kit To Adc Busy Lamp 8
153100**	Cabinet 3	154655	Suppressor, Electrical Noise 27	157158	Cable Assembly 8
153104**	Bracket 7, 9	154695**	Bracket 24	157159	Plate 8, 15
153106**	Plate, Bearing 7, 9	154697	Grommet, Rubber 24		
153107	Arm 7, 9, 10	154741	Modification Kit 8		
153113	Guide, Line 7, 9, 10	154754**	Modification Kit 21		
153126	Plate, Nut 7, 9, 10				

**Refer to Page 1 for Finish Suffix

NUMERICAL INDEX (Continued)

Part Number	Description and Page Number	Part Number	Description and Page Number	Part Number	Description and Page Number
157160	Cable Assembly 15	160283	Bracket 22	176669	Lever 20
157260	Cable Assembly 8	160394	Lens, Indicator Light 16	176670	Lever 20
157278	Cable Assembly 11, 12	160461	Bracket 8	176671	Insulator 20
157280	Cable Assembly 12	161306	Modification Kit To Provide Copyholder with a Formed Line Guide Shaft 5, 6	176708	Bracket 20
157281	Transformer Assembly 12			176711	Spring, Torsion 20
157282	Bracket 12			176712	Spring, Torsion 20
157393	Grommet, Rubber 8			176714	Modification Kit 20
157399	Connector, Receptacle (35 Pt) 8	161708	Latch, Magnetic 29,30	176786	Cable Assembly 20
		161750	Bracket 8	178191**	Table W/Pads 29
157532	Modification Kit To Add Terminal Board and Cable Assembly 8	162370	Cable 8	178199**	Panel 29
		162590	Shaft 5	178387	Modification Kit 28
		162628	Shaft W/Fork 3, 4	178389	Power Unit 28
157878	Screw (1/2-13 x 5/8 Hex) 21	163161	Connector, Plug (20 Pt) 9	178390	Bar 28
		163796**	Modification Kit 24	178391	Cable 28
157879	Bracket 21	164024**	Modification Kit 9	178392	Plug, Outlet 28
157880	Bracket 21	164025**	Bracket 7, 9	178729	Plate, Tear 18
157881	Plate 21	164028**	Copyholder 7, 9	178892**	Copyholder 10
157882**	Cover 21	164235**	Bracket 24	178893**	Plate 10
157883**	Cover 21	164362	Modification Kit 6	178894**	Bracket 10
157980	Extension 19	164383**	Shelf 24	178895	Shaft 10
157981	Bracket 19	164553	Shaft 29, 30	178897**	Modification Kit 10
157982	Lever 19	164562	Slide, Left 30	178900**	Cabinet 3
157984	Screw, Shoulder (4-40) 19	164563	Slide, Right 30	178914**	Plate, Bearing 10
		164751	Box, Junction 29	178939	Pad, Left Side 29
157985	Cable Assembly 19	164752	Plate, Cover 29	178940	Pad, Right Side 29
157992	Bracket 8	165168	Key 17	178941	Pad, Shelf 29
157993	Bracket 8	165668	Modification Kit 11	178942	Pad, Left Side 29
157999	Bracket 11	173097**	Modification Kit 25	178943	Pad, Right Side 29
158250	Block, Terminal 17	173206**	Bracket, Left Shelf 25	178944	Panel, Shelf 29
158252	Insulator (1-6) 17	173207**	Shelf, Left 25	179276	Bracket, Fuse 29
158492	Cable Assembly 13	173238	Modification Kit 18	179993	Screw, Shoulder (10-32) 6
158493	Cable Assembly 13	173256	Cable Assembly 18	192286	Nut, Speed 11
158494	Bracket 13	173400**	Modification Kit 7	194431**	Tray 30
159274	Cable Assembly 11	173861	Cart 30	194432**	Panel 30
159275	Transformer Assembly 11	173974	Screw (10-32 x 5/16 Hex) 17	194433**	Table 30
159357	Modification Kit 11			195848	Bracket, Nylon 11
159373	Modification Kit 22	174458	Modification Kit 18	195979	Bracket, Copy Lamp 11
159375	Modification Kit 14	176667	Spacer 20	306019	Bumper, Rubber 30
159390	Modification Kit 22	176668	Bracket 20		
160224	Modification Kit 16				
160225	Cable Assembly 16				
160282	Bracket 22				

**Refer to Page 1 for Finish Suffix

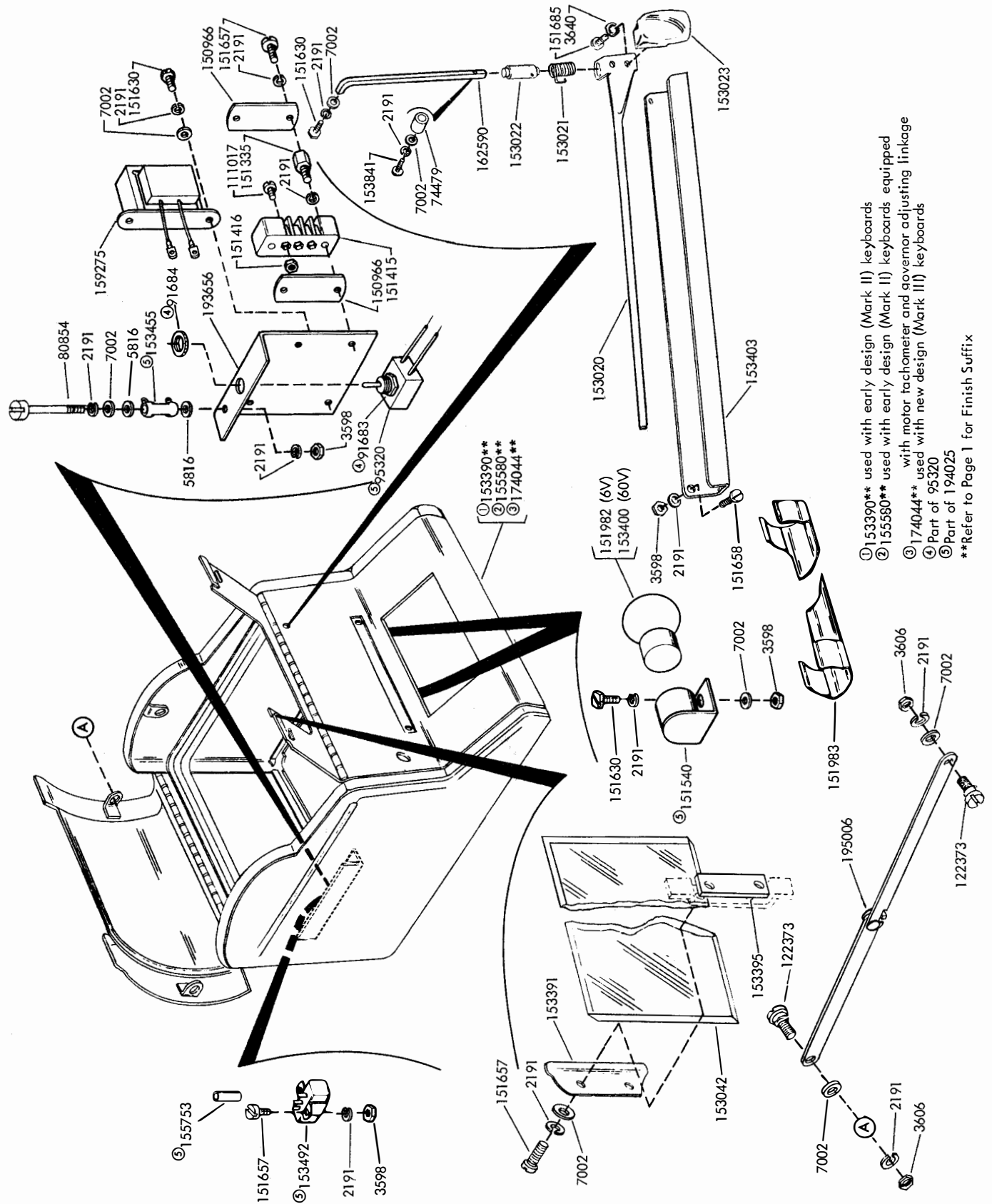
28 SKINTIGHT COVER (LPC)
 KSR/RO
 PARTS

PAINT FINISH COLOR CODE CHART									
(for parts and assemblies requiring a paint finish)									
Color	Finish Suffixes				Color	Finish Suffixes			
	Wrinkle Finish	Smooth Finish	Textured Vinyl	Smooth Vinyl		Wrinkle Finish	Smooth Finish	Textured Vinyl	Smooth Vinyl
Black	AA (37)	BB			Brussels Light Blue		EC		
Dark Brown	AD (38)				Medium Blue		ES		
Gray Green	AB (40)	BK	GA (45)		Cherry Red		EF		
Charcoal Gray	AL	BZ		HA	Pastel Yellow		EG		
Dark Gray			GB		White		EH		
Light Gray		EJ		HB (68)	Ivory		EM		
Beige Gray			GC		Beige		ET		
Light Beige		EL		HC	Rose Beige		ER		
Moss Green		EN		HD	Rose Pink		EU		
Eye Rest Green		EA			Dark Covert Gray				HE
Turquoise		EV			Light Olive Gray		EW	GE	HF (46)
Aqua Blue		EK			Fawn				HG

The double asterisk (**) denotes a painted part. Suffix to be applied following the part number. Number in parenthesis indicate Bell System code.

FIGURE	CONTENTS	Page
1	Send-Receive Skintight Cover (Rack Mounted)	3
2	Send-Receive Skintight Cover (Rack Mounted)	4
3	Send-Receive or Receive-Only Skintight Cover	5
4	Send-Receive or Receive Only Skintight Cover (Continued)	6
5	Cable Components	7
6	Base Plate and Electrical Service Unit Cover	8
7	Variable Features for Send-Receive Skintight Cover	9
8	164345** Modification Kit to Provide Auxiliary Terminal Blocks	10
9	195598 (3-1/4" to 5-1/2") and 195599 (5-1/4" to 8-1/2") Modification Kits to Provide Adjustable Stripper Form Guide	11
10	194321 Modification Kit to Provide a Rear Paper Guide on Units Equipped with an Electrical Service Unit Cover	12
	Numerical Index	13

**See chart on page 1 for color suffix



- ① 153390** used with early design (Mark II) keyboards
 - ② 155580** used with early design (Mark II) keyboards equipped with motor tachometer and governor adjusting linkage
 - ③ 174044** used with new design (Mark III) keyboards
 - ④ Part of 95320
 - ⑤ Part of 194025
- **Refer to Page 1 for Finish Suffix

FIGURE 1. SEND-RECEIVE SKINTIGHT COVER (RACK MOUNTED)

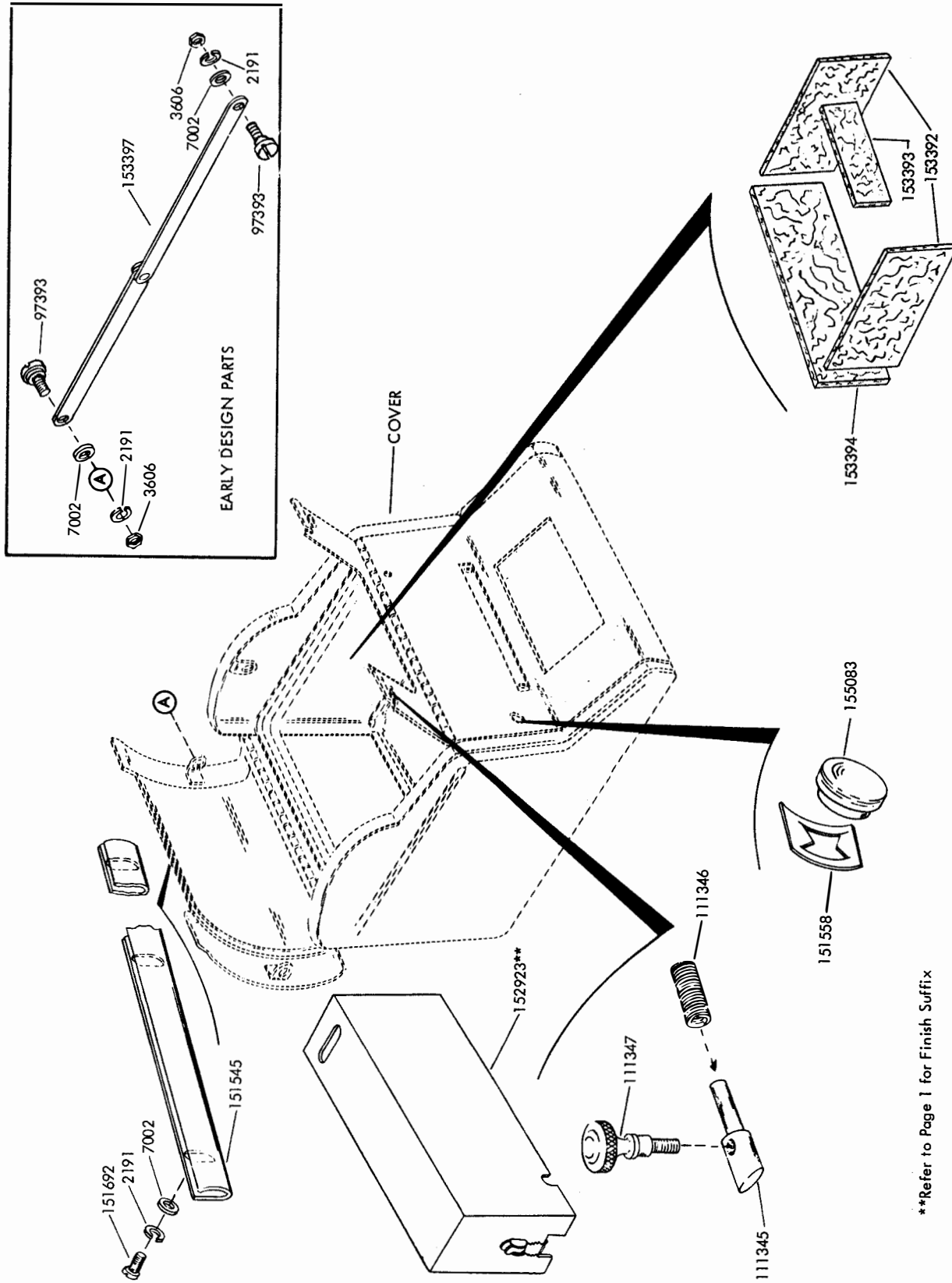


FIGURE 2. SEND-RECEIVE SKINTIGHT COVER (RACK MOUNTED)

**Refer to Page 1 for Finish Suffix

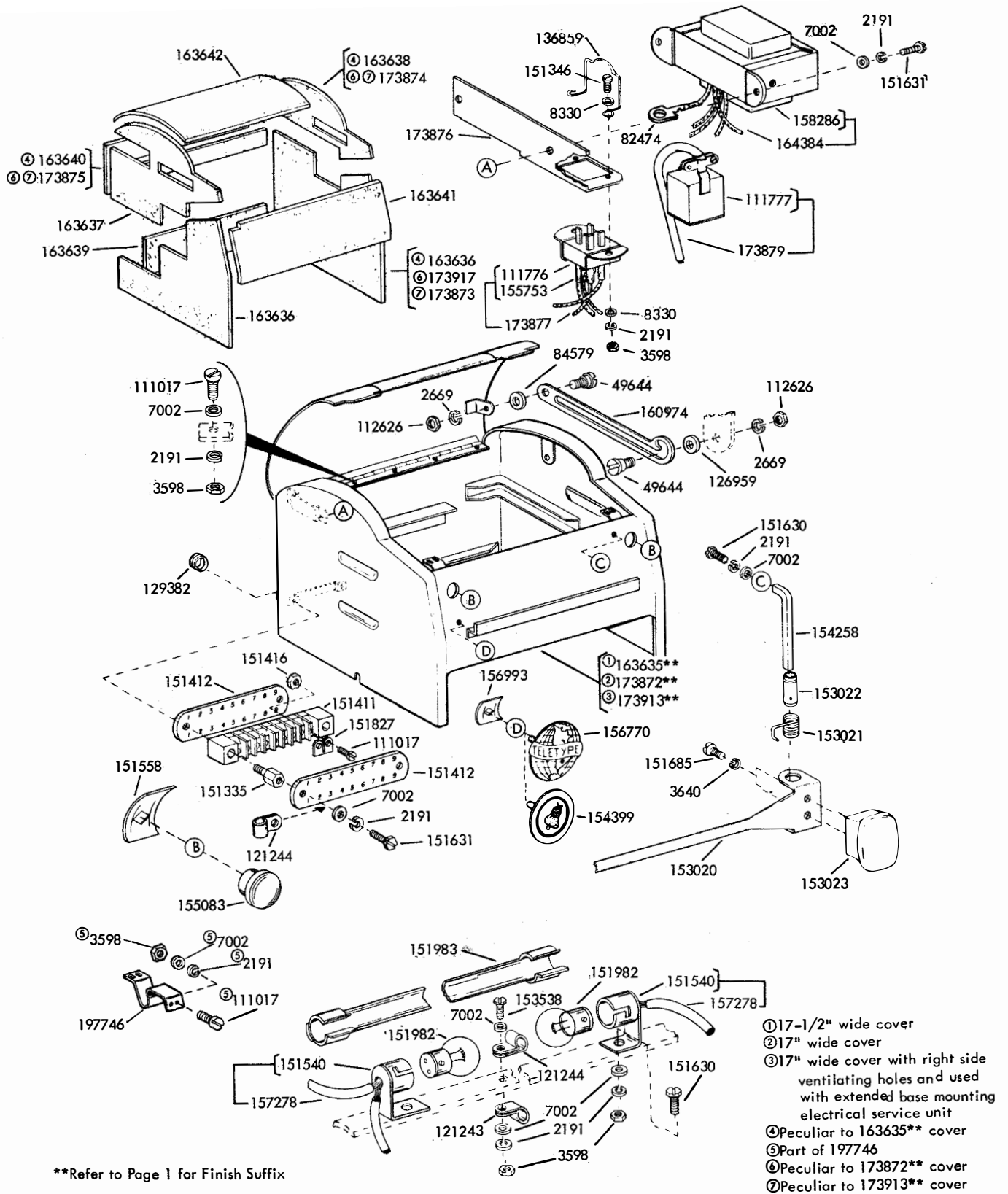


FIGURE 3. SEND-RECEIVE OR RECEIVE-ONLY SKINTIGHT COVER

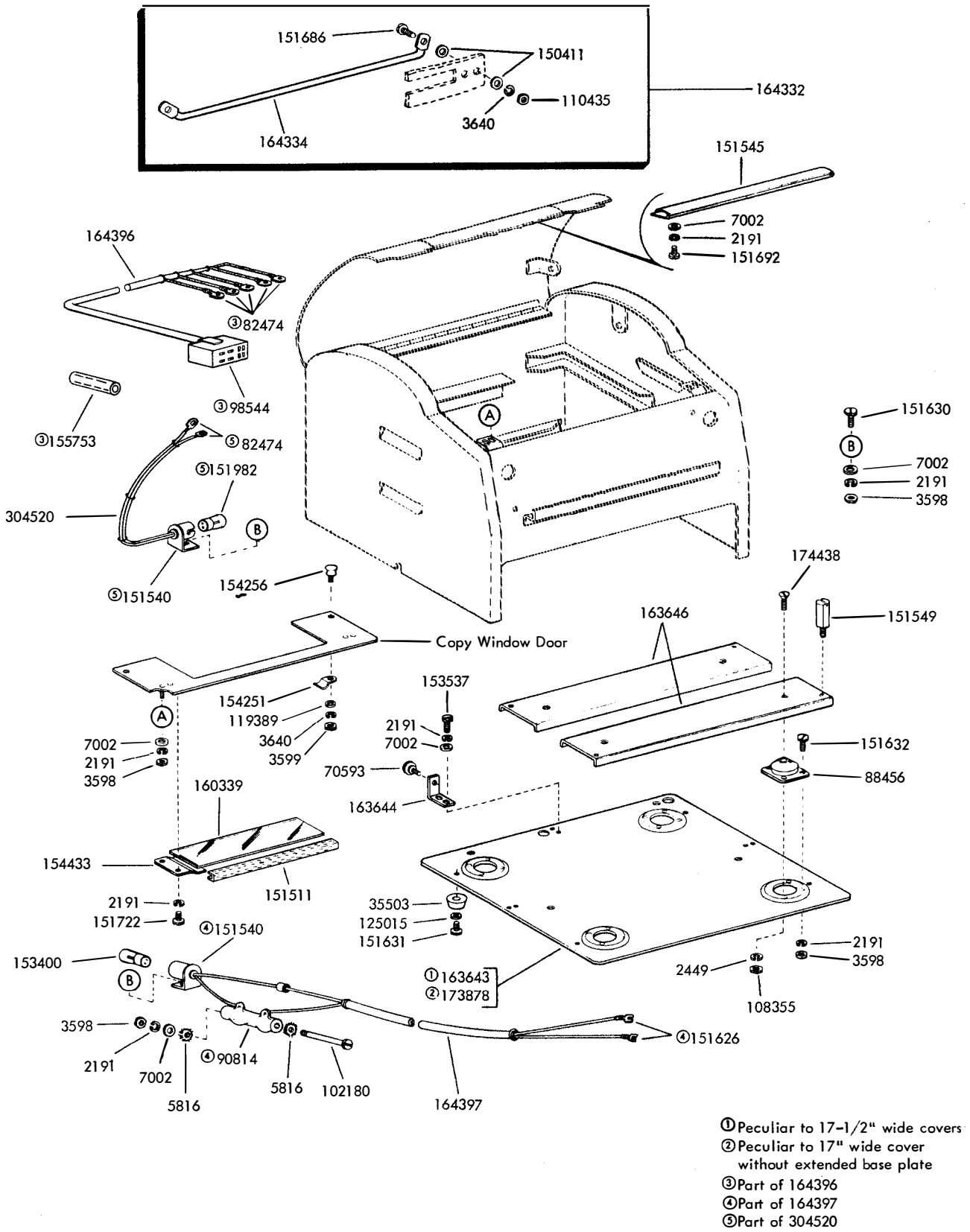


FIGURE 4. SEND-RECEIVE OR RECEIVE-ONLY SKINTIGHT COVER (Continued)

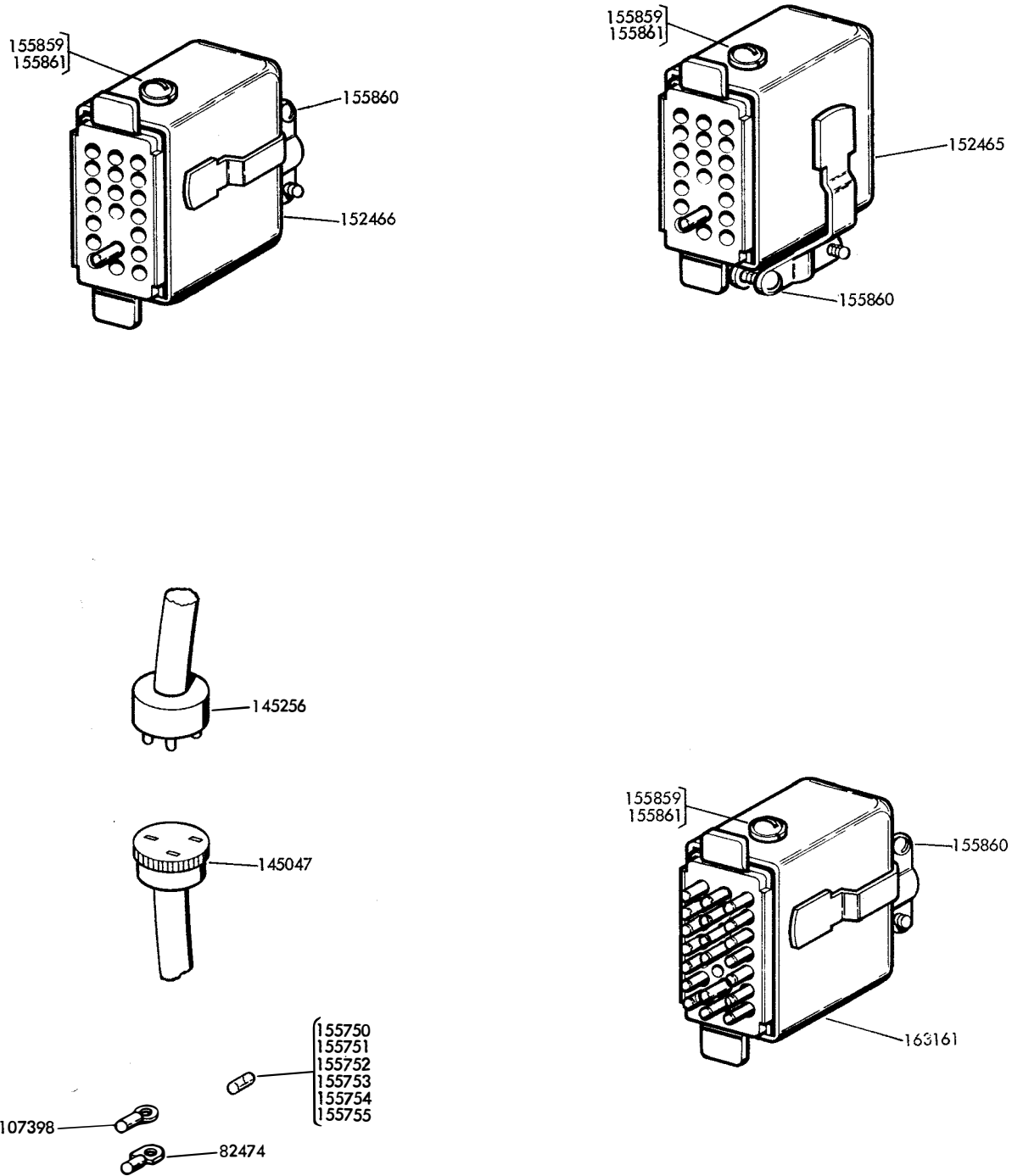
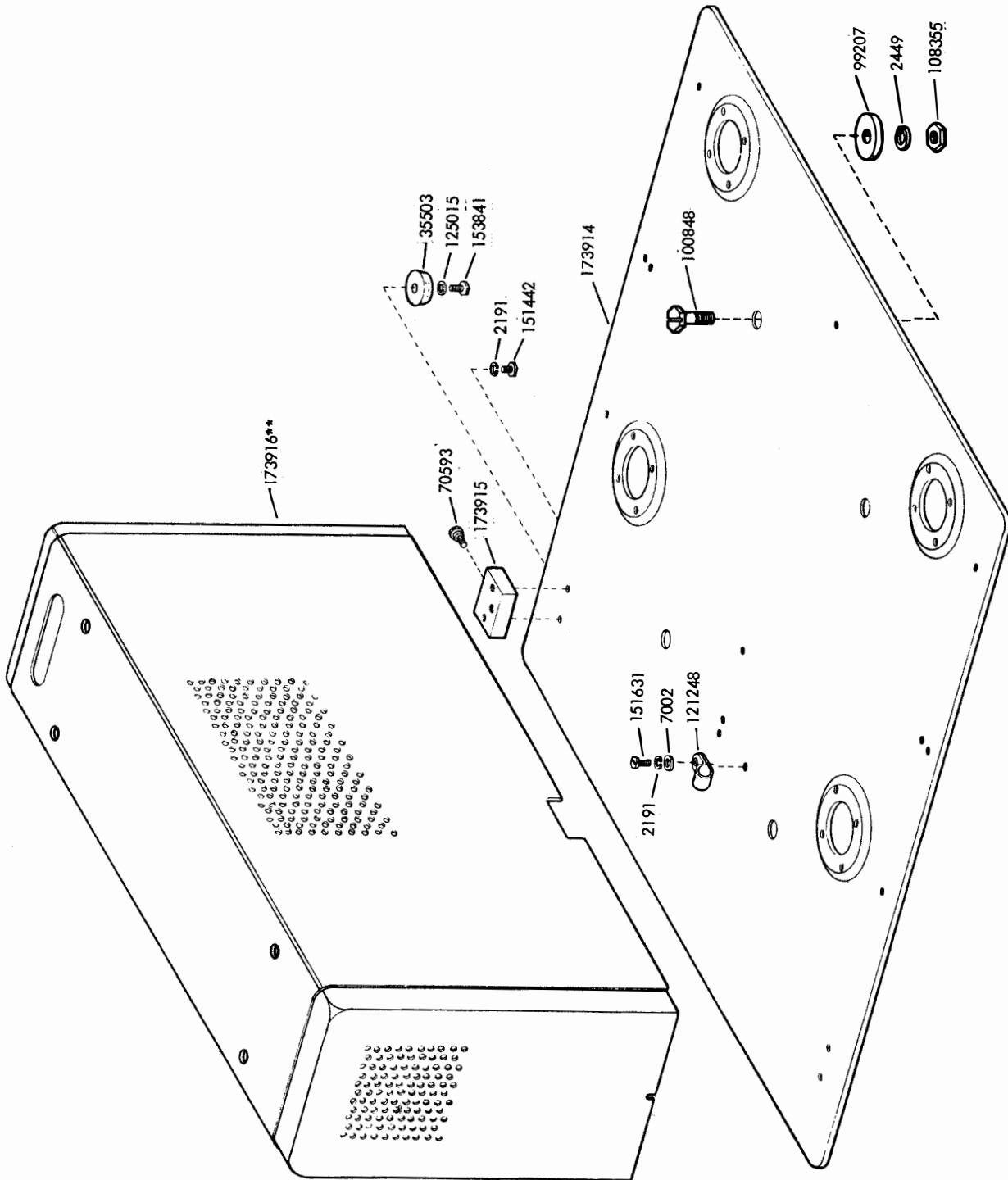
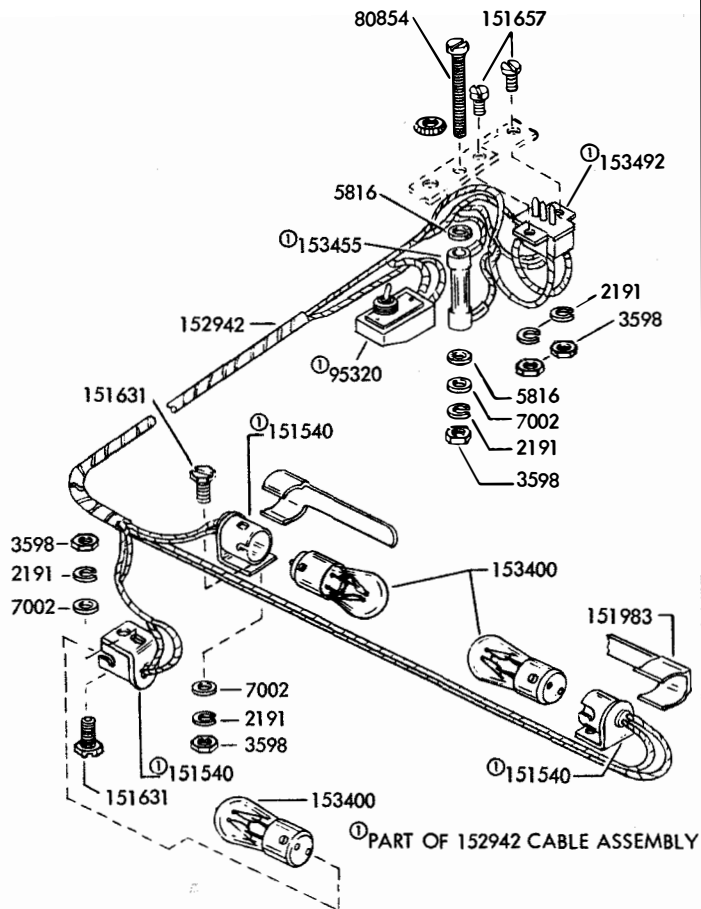


FIGURE 5. CABLE COMPONENTS

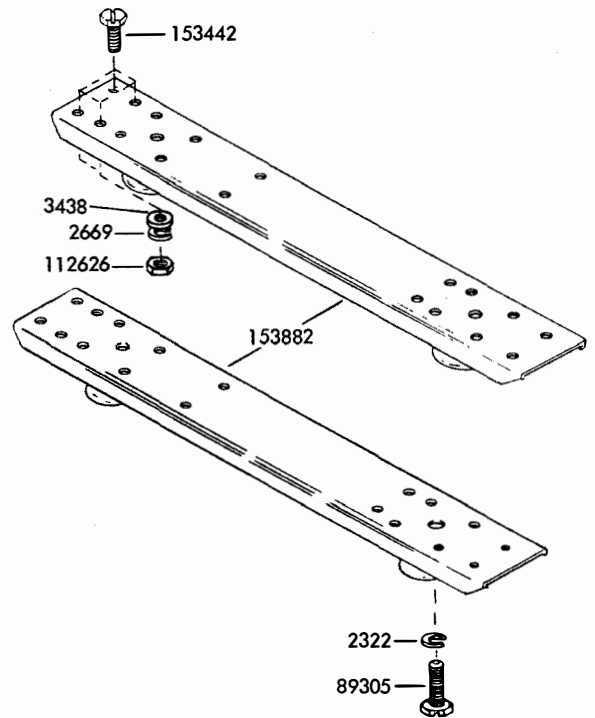


**Refer to Page] for Finish Suffix

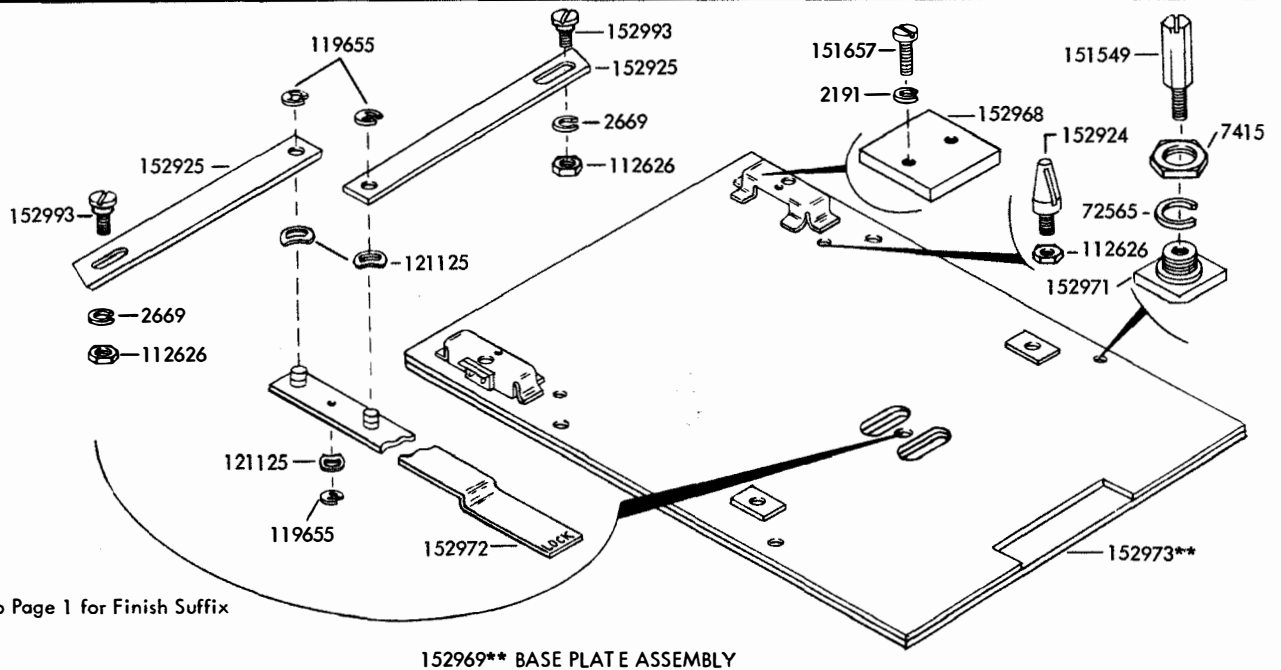
FIGURE 6. BASE PLATE AND ELECTRICAL SERVICE UNIT COVER



152314 MODIFICATION KIT TO PROVIDE COPY AND MARGIN LAMPS



152313 MODIFICATION KIT TO PROVIDE SHOCK MOUNTS



**Refer to Page 1 for Finish Suffix

152969** BASE PLATE ASSEMBLY

FIGURE 7. VARIABLE FEATURES FOR SEND-RECEIVE SKINTIGHT COVER

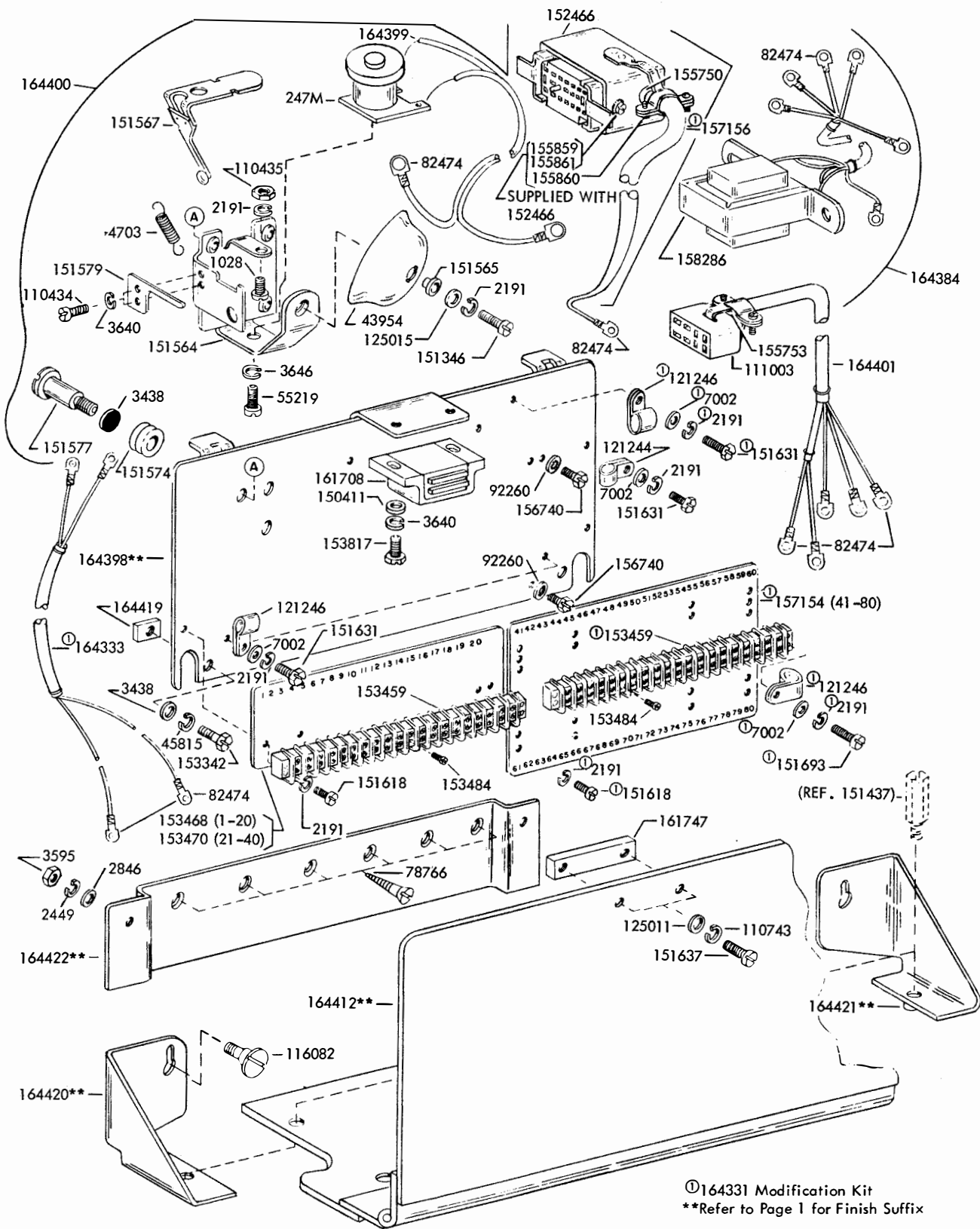
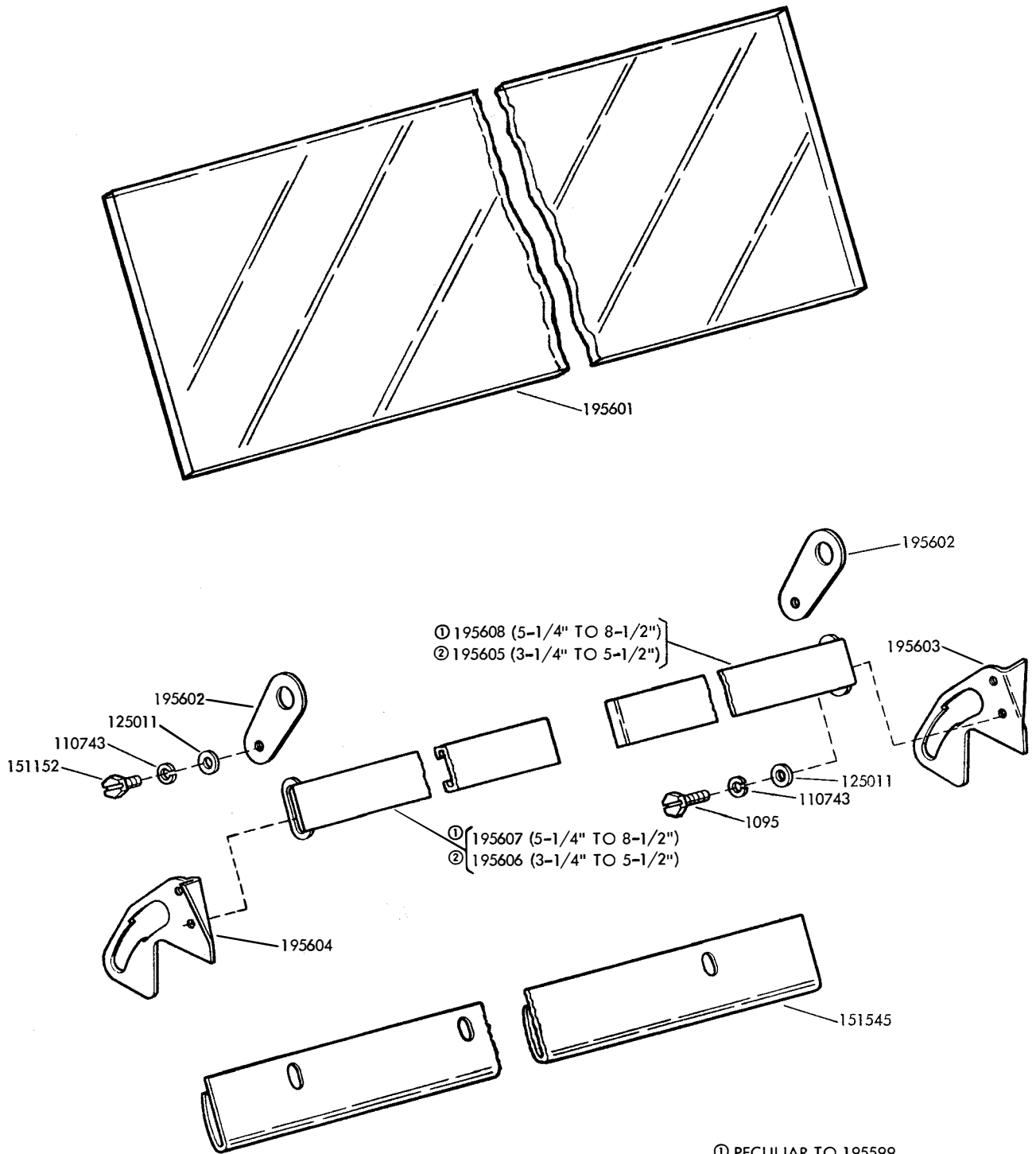


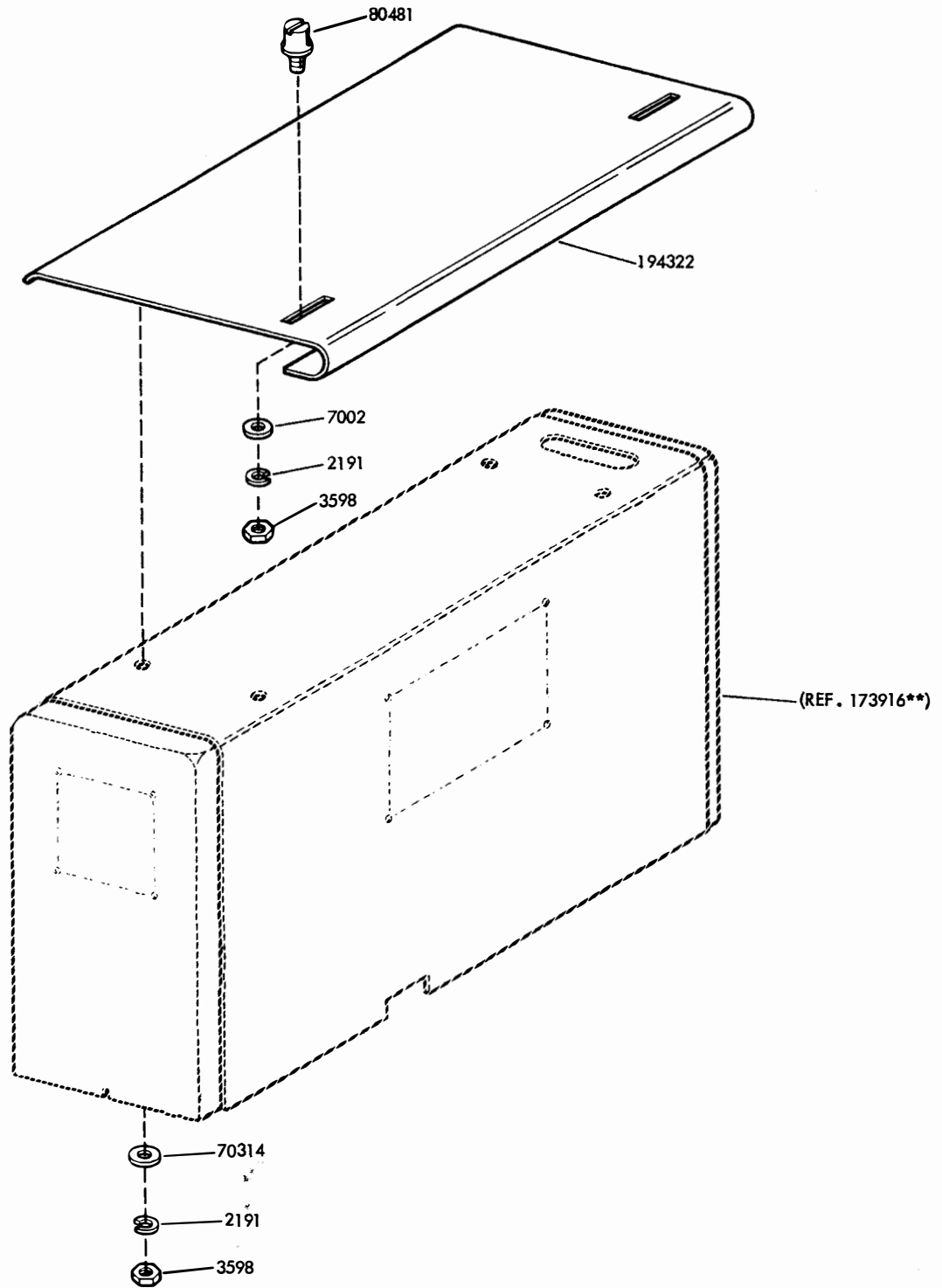
FIGURE 8. 164345** MODIFICATION KIT TO PROVIDE AUXILIARY TERMINAL BLOCKS



① PECULIAR TO 195599
 ② PECULIAR TO 195598

SPECIFICATION 501955

FIGURE 9. 195598 (3-1/4" to 5-1/2") and 195599 (5-1/4" to 8-1/2") MODIFICATION KITS TO PROVIDE ADJUSTABLE STRIPPER FORM GUIDE



Specification 50149S

FIGURE 10. 194321 MODIFICATION KIT TO PROVIDE A REAR PAPER GUIDE ON UNITS EQUIPPED WITH AN ELECTRICAL SERVICE UNIT COVER

NUMERICAL INDEX

Part Number	Description and Page Number	Part Number	Description and Page Number	Part Number	Description and Page Number
247M	Coil, Magnet 10	125011	Washer, Flat 10, 11	153391	Plate, Clamp 3
1028	Screw (4-40 x 1/4 Fil) 10	125015	Washer, Flat 6, 8, 10	153392	Pad, Side 4
1095	Screw (4-40 x 5/32 Hex) 11	126959	Washer, Flat 5	153393	Pad, Front 4
2191	Washer, Lock 3 to 6, 8 to 10, 12	129382	Grommet, Rubber 5	153394	Pad, Rear 4
2322	Washer, Lock 9	136859	Holder 5	153395	Plate, Nut 3
2449	Washer, Lock 6, 8, 9, 10	145047	Connector, Receptacle (3 Pt) 7	153397	Arm, Cover 4
2669	Washer, Lock 5, 9	145256	Connector, Plug (3 Pt) 7	153400	Lamp, Incandescent (60 V) 3, 6, 9
2846	Washer, Flat 10	150411	Washer, Flat 6, 10	153403	Tray 3
3438	Washer, Flat 9, 10	150966	Insulator (1-4) 3	153442	Screw (10-32 x 1/2 Hex) 9
3595	Nut (1/4-32 Hex) 10	151152	Screw (4-40 x 3/16 Hex) 11	153455	Resistor (600 Ohm) 3, 9
3598	Nut (6-40 Hex) 3, 5, 6, 9, 12	151335	Stud 3, 5	153459	Block, Terminal 10
3599	Nut (4-40 Hex) 6	151346	Screw (6-40 x 3/8 Fil) 5, 10	153468	Insulator (1-20) 10
3606	Nut (6-40 Hex) 3, 4	151411	Block, Terminal 5	153470	Insulator (21-40) 10
3640	Washer, Lock 3, 5, 6, 10	151412	Insulator (1-9) 5	153484	Screw (6-32 Spl) 10
3646	Washer, Lock 10	151415	Block, Terminal 3	153492	Connector, Plug (3 Pt) 3, 9
4703	Spring 10	151416	Nut (6-40 Hex) 3, 5	153537	Screw (6-40 x 9/32 Hex) 6
5816	Washer, Insulating 3, 6, 9	151442	Screw (6-40 x 1/2 Hex) 8	153538	Screw (6-40 x 7/16 Hex) 5
7002	Washer, Flat 3 to 6, 8, 9, 10, 12	151511	Gasket 6	153817	Screw (4-40 x 3/8 Hex) 10
7415	Nut (1/2-32 Hex) 9	151540	Lampholder 3, 5, 6, 9	153841	Screw (6-40 x 9/16 Hex) 3, 8
8330	Washer, Flat 5	151545	Guide, Paper 4, 6, 11	153882	Mount, Vibration 9
35503	Foot, Rubber 6, 8	151549	Post 6, 9	154251	Latch 6
43954	Bell 10	151558	Nut, Speed 4, 5	154256	Screw, Thumb (4-40) 6
45815	Washer, Lock 10	151564	Bracket 10	154258	Shaft 5
49644	Screw, Shoulder (10-32) 5	151565	Bushing, Shoulder 10	154399	Plate, Identification (Bell) 5
55219	Screw (8-32 x 3/8 Fil) 10	151567	Armature W/Clapper 10	154433	Clamp 6
70314	Washer, Flat 12	151574	Grommet, Rubber 10	155083	Lens, Red Indicator Light 4, 5
70593	Screw, Thumb (6-40) 6, 8	151577	Screw, Shoulder (6-40) 10	155580**	Cover 3
72565	Washer, Lock 9	151579	Plate, Retaining 10	155750	Sleeve, Insulating (3/32 ID x 1/2" Lg) 7, 10
74479	Bushing 3	151618	Screw (6-40 x 7/16 Fil) 10	155751	Sleeve, Insulating (1/8 ID x 1" Lg) 7
78766	Screw, Wood (#7 x 5/8) 10	151626	Terminal 6	155752	Sleeve, Insulating (5/64 ID x 1/2" Lg) 7
80481	Screw (6-40 Spl) 12	151630	Screw (6-40 x 1/4 Hex) 3, 5, 6	155753	Sleeve, Insulating (1/8 ID x 1/2" Lg) 3, 5, 6, 7, 10
80854	Screw (6-40 x 1-7/8 Fil) 3, 9	151631	Screw (6-40 x 5/16 Hex) 5, 6, 8, 9, 10	155754	Sleeve, Insulating (1/16 ID x 1/2" Lg) 7
82474	Terminal 5, 6, 7, 10	151632	Screw (6-40 x 3/8 Hex) 6	155755	Sleeve, Insulating (11/64 ID x 5/8" Lg) 6, 7
84579	Washer, Flat 5	151637	Screw (4-40 x 1/4 Fil) 10	155859	Screw (4-40 Spl) 7, 10
88456	Mount, Vibration 6	151657	Screw (6-40 x 1/4 Fil) 3, 9	155860	Screw (4-40 x 3/8 Rd) 7, 10
89305	Screw (1/4-20 x 3/4 Hex) 9	151658	Screw (6-40 x 5/16 Fil) 3	155861	Washer, Lock 7, 10
90814	Resistor (1000 Ohm) 6	151685	Screw (4-40 x 5/16 Fil) 3, 5	156740	Screw (6-40 x 7/32 Hex) 10
91683	Nut (15/32-32 Hex) 3	151686	Screw (4-40 x 3/8 Fil) 6	156770	Plate, Identification (Teletype) 5
91684	Nut (15/32-32 Hex) 3	151692	Screw (6-40 x 3/16 Fil) 4, 6	156993	Nut, Speed 5
92260	Washer, Lock 10	151693	Screw (6-40 x 9/16 Fil) 10	157154	Insulator (41-80) 10
95320	Switch, Toggle (SP-ST) 3, 9	151722	Screw (6-40 x 3/16 Hex) 6	157156	Cable Assembly 10
97393	Screw, Shoulder (6-40) 4	151827	Strap, Terminal 5	157278	Cable Assembly 5
98544	Connector, Plug (8 Pt) 6	151982	Lamp, Incandescent (6V) 3, 5, 6	158286	Transformer 5, 10
99207	Spacer 8	151983	Shield 3, 5, 9	159275	Transformer Assembly 3
100848	Screw (1/4-20 x 1 Hex) 8	152313	Modification Kit 9	160339	Window, Glass 6
102180	Screw (6-40 x 1-15/16 Fil) 6	152314	Modification Kit 9	160974	Arm, Stop 5
107398	Terminal 7	152465	Connector, Receptacle (20 Pt) 7	161708	Latch, Magnetic 10
108355	Nut (1/4-20 Hex) 6, 8	152466	Connector, Receptacle (20 Pt) 7, 10	161747	Plate, Nut 10
110435	Nut (4-40 Hex) 6, 10	152923**	Cover 4	162590	Shaft 3
110743	Washer, Lock 10, 11	152924	Stud 9	163161	Connector, Plug (20 Pt) 7
111003	Connector, Receptacle (8 Pt) 10	152925	Latch 9	163635**	Cover 5
111017	Screw (6-40 x 5/16 Fil) 3, 5	152942	Cable Assembly 9	163636	Pad, Lower Side 5
111345	Bolt 4	152968	Plate 9	163637	Pad, Upper Left Side 5
111346	Spring 4	152969**	Plate Assembly, Base 9	163638	Pad, Upper Right Side 5
111347	Screw, Thumb (6-40) 4	152971	Bushing 9	163639	Pad, Rear Bottom 5
111776	Connector, Plug (4 Pt) 5	152972	Handle W/Studs 9	163640	Pad, Rear Upper 5
111777	Connector, Receptacle (4 Pt) 5	152973**	Plate 9	163641	Pad, Front 5
112626	Nut (10-32 Hex) 5, 9	152993	Screw, Shoulder (10-32) 9	163642	Pad, Lid 5
116082	Screw, Shoulder (1/4-32) 10	153020	Guide, Line 3, 5	163643	Plate, Base 6
119389	Washer, Flat 6	153021	Spring, Torsion 3, 5	163644	Bracket 6
119655	Ring, Retaining 9	153022	Bushing 3, 5		
121125	Washer, Spring 9	153023	Handle 3, 5		
121243	Clamp, Cable (3/16" ID) 5	153042	Window, Plastic 3		
121244	Clamp, Cable (1/4" ID) 5, 10	153342	Screw (6-40 x 15/16 Hex) 10		
121246	Clamp, Cable (3/8" ID) 10	153390**	Cover 3		
121248	Clamp, Cable (1/2" ID) 8				
122373	Screw, Shoulder (6-40) 3				

**Refer to Page 1 for Finish Suffix

NUMERICAL INDEX (Continued)

Part Number	Description and Page Number	Part Number	Description and Page Number	Part Number	Description and Page Number
163646	Rail, Base 6	164419	Plate, Nut 10	174438	Screw (1/4-20 Spl) 6
164331	Modification Kit to Provide Terminal Blocks and Cables for Selective Calling 10	164420**	Bracket, Left Mounting 10	193656	Bracket, Mounting 3
164332	Modification Kit to Adapt a Cover to Accommodate Superfold Form Stationery 6	164421**	Bracket, Right Mounting 10	194025	Cable Assembly 3
164333	Cable 10	164422**	Bracket, Mounting 10	194321	Modification Kit 12
164334	Bar, Paper Guide 6	173872**	Cover 5	194322	Guide, Paper 12
164345**	Modification Kit 10	173873	Pad, Lower Right Side 5	195006	Arm, Stop 3
164384	Cable Assembly 5, 10	173874	Pad, Upper Right Side 5	195598	Modification Kit 11
164396	Cable Assembly 6	173875	Pad, Upper Rear 5	195599	Modification Kit 11
164397	Cable Assembly 6	173876	Bracket, Connector 5	195601	Window 11
164398**	Plate 10	173877	Cable Assembly 5	195602	Plate, Bearing 11
164399	Cable 10	173878	Plate, Base 6	195603	Arm, Right Stripper 11
164400	Bell Assembly, Signal 10	173879	Cable Assembly 5	195604	Arm, Left Stripper 11
164401	Cable Assembly 10	173913**	Cover 5	195605	Guide, Right Form 11
164412**	Cover 10	173914	Plate, Base 8	195606	Guide, Left Form 11
		173915	Block, Mounting 8	195607	Guide, Left Form 11
		173916**	Cover 8	195608	Guide, Right Form 11
		173917	Pad, Lower Right Side 5	197746	Hinge Assembly 5
		174044**	Cover 3	304520	Cable Assembly 6

**Refer to Page 1 for Finish Suffix

28 WALL MOUNTED CABINET (LPC)

PARTS

FIGURE	CONTENTS	PAGE
1	Back Plate Assembly	2
2	Wall Mounted Cabinet	3
3	Copyholder Tray, Hood and Front Plate	4
	Numerical Index	5

PAINT FINISH COLOR CODE CHART (for parts and assemblies requiring a paint finish)									
Color	Finish Suffixes				Color	Finish Suffixes			
	Wrinkle Finish	Smooth Finish	Textured Vinyl	Smooth Vinyl		Wrinkle Finish	Smooth Finish	Textured Vinyl	Smooth Vinyl
Black	AA (37)	BB			Brussels Light Blue		EC		
Dark Brown	AD (38)				Medium Blue		ES		
Gray Green	AB (40)	BK	GA (45)		Cherry Red		EF		
Charcoal Gray	AL	BZ		HA	Pastel Yellow		EG		
Dark Gray			GB		White		EH		
Light Gray		EJ		HB (68)	Ivory		EM		
Beige Gray			GC		Beige		ET		
Light Beige		EL		HC	Rose Beige		ER		
Moss Green		EN		HD	Rose Pink		EU		
Eye Rest Green		EA			Dark Covert Gray				HE
Turquoise		EV			Light Olive Gray		EW	GE	HF (46)
Aqua Blue		EK			Fawn				HG

The double asterisk (**) denotes a painted part. Suffix to be applied following the part number. Number in parenthesis indicate Bell System code.

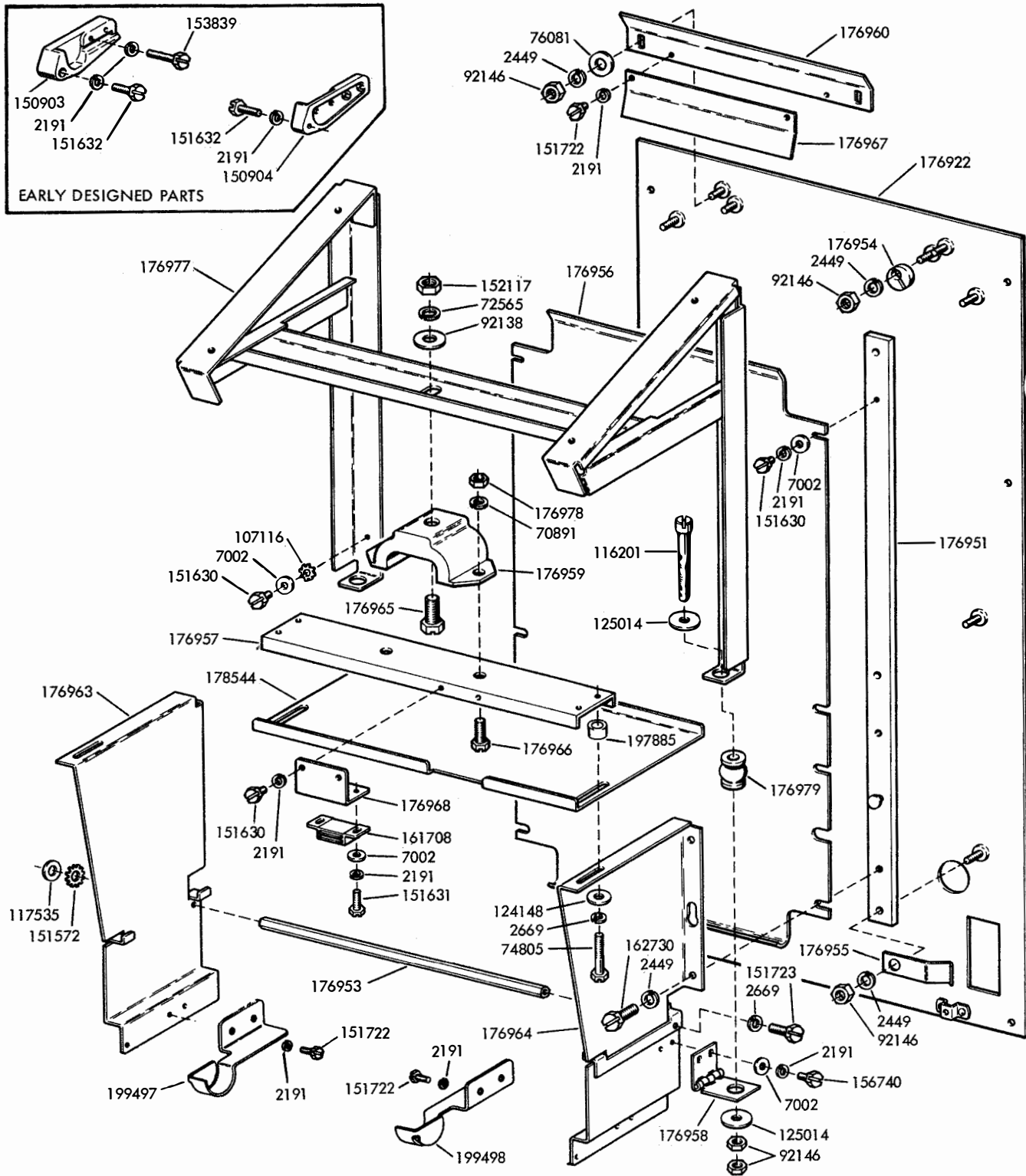
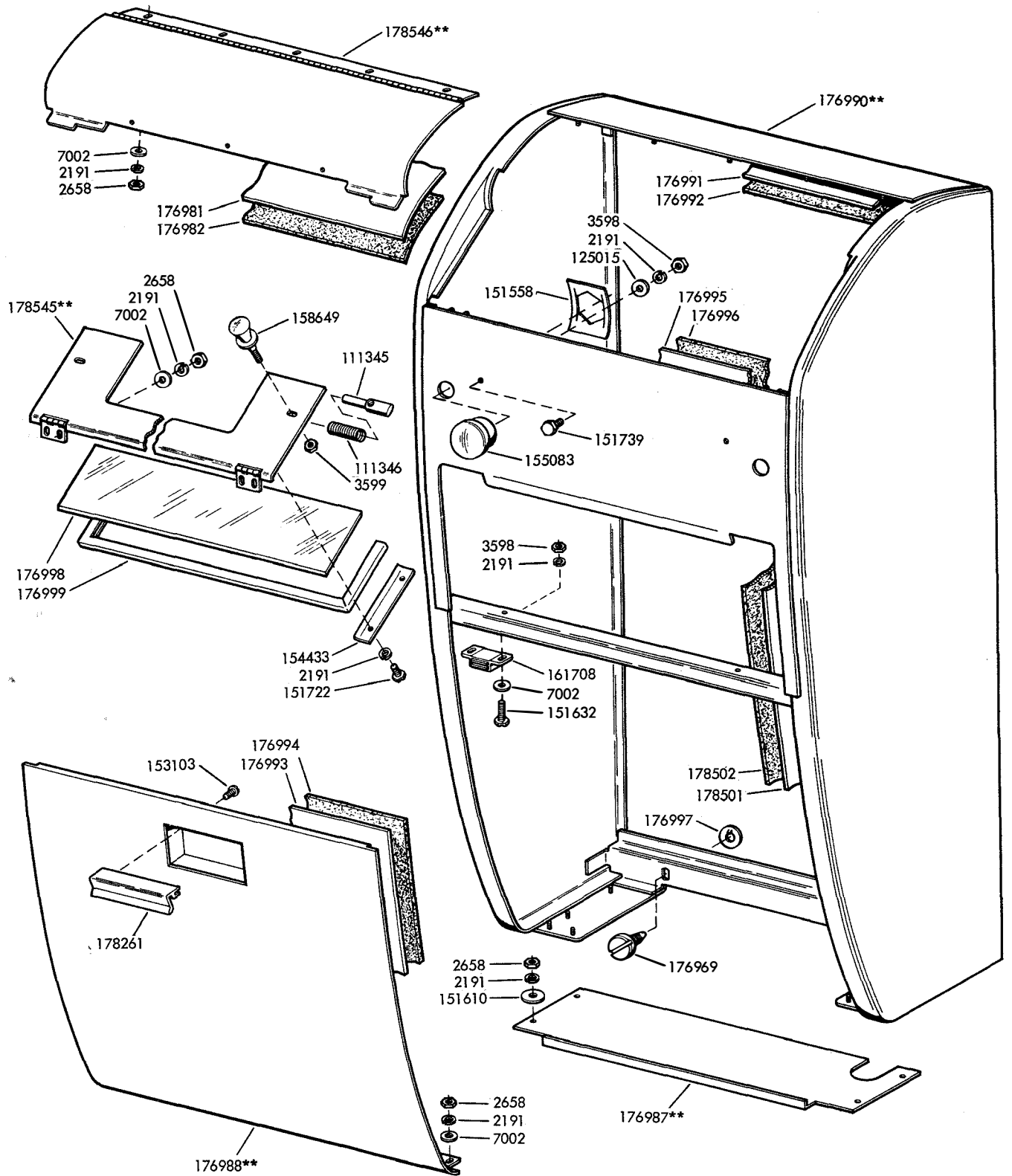
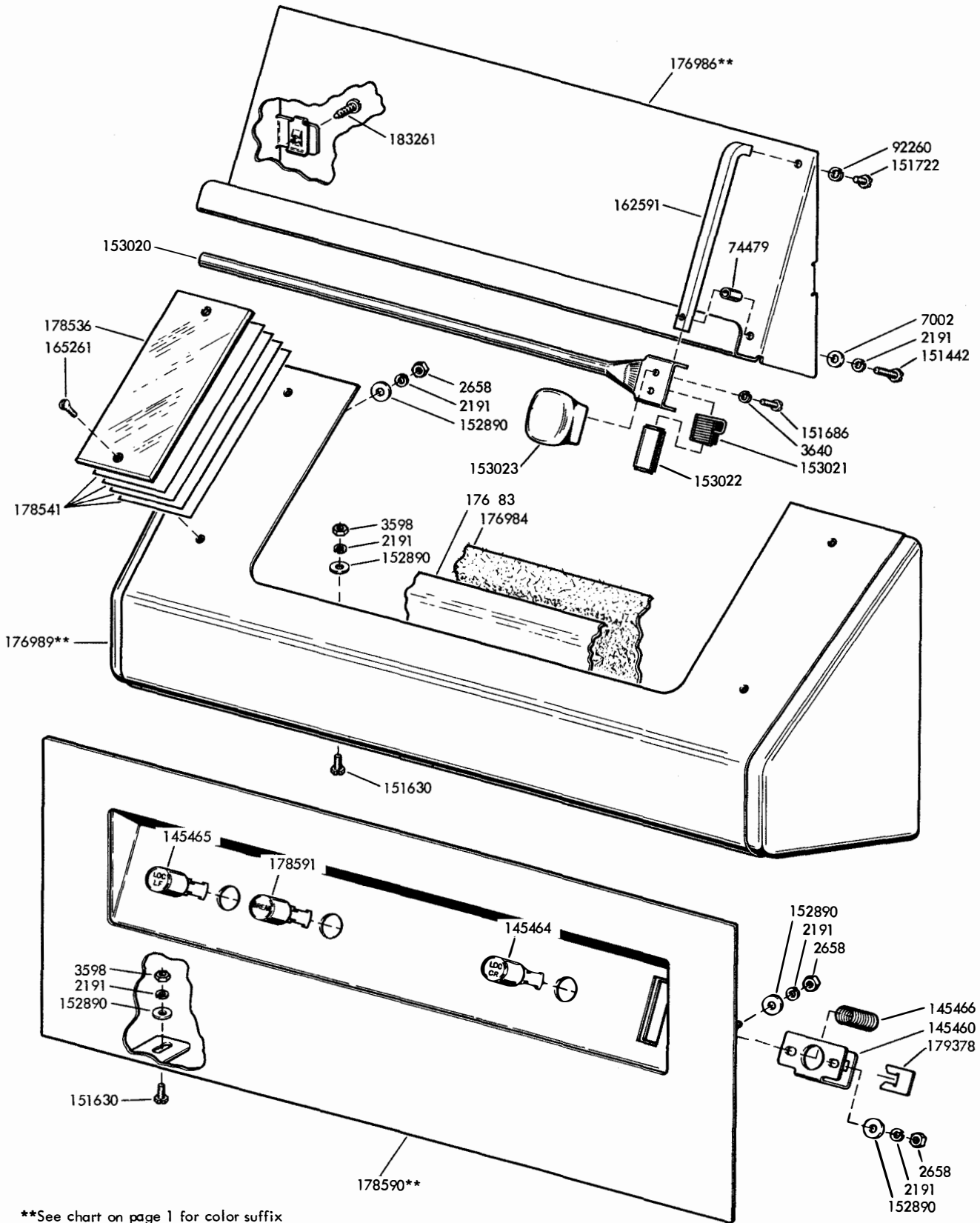


FIGURE 1. BACK PLATE ASSEMBLY



**See chart on page 1 for color suffix

FIGURE 2. WALL MOUNTED CABINET



**See chart on page 1 for color suffix

FIGURE 3. COPYHOLDER TRAY, HOOD AND FRONT PLATE

NUMERICAL INDEX

Part Number	Description and Page Number	Part Number	Description and Page Number	Part Number	Description and Page Number
2191	Washer, Lock 2, 3, 4	151632	Screw (6-40 x 3/8 Hex) 2, 3	176966	Screw (3/8-24 x 3/4 Hex) 2
2449	Washer, Lock 2	151686	Screw (4-40 x 3/8 Fil) 4	176967	Deflector, Paper 2
2658	Nut (6-32 Hex) 3, 4	151722	Screw (6-40 x 3/16 Hex) 2, 3, 4	176968	Bracket 2
2669	Washer, Lock 2	151723	Screw (10-32 x 3/8 Hex) 2	176969	Screw, Fastener 3
3598	Nut (6-40 Hex) 3, 4	151739	Screw (6-40 x 3/16 Hex) 3	176977	Frame 2
3599	Nut (4-40 Hex) 3	152117	Nut (1/2-13 Hex) 2	176978	Nut (3/8-24 Hex) 2
3640	Washer, Lock 4	152890	Washer, Flat 4	176979	Mount, Vibration 2
7002	Washer, Flat 2, 3, 4	153020	Guide, Line 4	176981	Pad, Dome 3
70891	Washer, Lock 2	153103	Screw, Self-Tapping (4-40) 3	176982	Pad, Dome 3
72565	Washer, Lock 2	153839	Screw (6-40 x 5/8 Hex) 2	176983	Pad, Hood 4
74479	Bushing 4	154433	Clamp 3	176984	Pad, Hood 4
74805	Screw (10-32 x 3/4 Hex) 2	155083	Lens, Indicator Light 3	176986**	Tray, Copyholder 4
76081	Washer, Flat 2	156740	Screw (6-40 x 7/32 Hex) 2	176987**	Plate, Bottom 3
92138	Washer, Flat 2	158649	Screw, Thumb (4-40) 3	176988**	Door 3
92146	Nut (1/4-20 Hex) 2	161708	Latch, Magnetic 2, 3	176989**	Hood 4
92260	Washer, Lock 4	162591	Shaft 4	176990**	Cover, Wall Mount 3
107116	Washer, Lock 2	162730	Screw (1/4-20 x 7/16 Hex) 2	176991	Pad, Dome 3
111345	Bolt 3	165261	Screw (4-40 x 3/8 Oval) 4	176992	Pad, Dome 3
111346	Spring 3	176922	Plate, Back 2	176993	Pad, Door 3
116201	Screw (1/4-20 x 1-1/2 Fil) 2	176951	Bar, Vertical Mounting 2	176994	Pad, Door 3
117535	Washer, Flat 2	176953	Bar 2	176995	Pad, Front 3
124148	Washer, Flat 2	176954	Eccentric 2	176996	Pad, Front 3
125014	Washer, Flat 2	176955	Clip, Spring 2	176997	Retainer 3
125015	Washer, Flat 3	176956	Chute, Paper 2	176998	Window, Glass 3
145460	Bracket 4	176957	Bar, Lower Support 2	176999	Gasket, Window 3
145464	Keylever Assembly (C.R.) 4	176958	Hinge 2	178261	Handle, Door 3
145465	Keylever Assembly (L.F.) 4	176959	Isolator 2	178501	Pad, Side 3
145466	Spring, Compression 4	176960	Bar, Cover Mounting 2	178502	Pad, Side 3
150903	Block, Left 2	176963	Plate, Left Side 2	178536	Window, Plastic 4
150904	Block, Right 2	176964	Plate, Right Side 2	178541	Label Set 4
151442	Screw (6-40 x 1/2 Hex) 4	176965	Screw (1/2-13 x 1" Hex) 2	178544	Tray, Oil 2
151558	Nut, Speed 3			178545**	Door, Window 3
151572	Washer, Lock 2			178546**	Dome, Front 3
151610	Washer, Flat 3			178590**	Plate, Front 4
151630	Screw (6-40 x 1/4 Hex) 2, 4			178591	Keylever Assembly 4
151631	Screw (6-40 x 5/16 Hex) 2			179378	Retainer, Keylever 4
				183261	Screw, Self-Tapping (#8) 4
				197885	Bushing 2
				199497	Block, Left 2
				199498	Block, Right 2

**See chart on page 1 for color suffix



28 APPARATUS CABINET (LBAC) FOR PAGE PRINTERS

PARTS

PAINT FINISH COLOR CODE CHART									
(for parts and assemblies requiring a paint finish)									
Color	Finish Suffixes				Color	Finish Suffixes			
	Wrinkle Finish	Smooth Finish	Textured Vinyl	Smooth Vinyl		Wrinkle Finish	Smooth Finish	Textured Vinyl	Smooth Vinyl
Black	AA (37)	BB			Brussels Light Blue		EC		
Dark Brown	AD (38)				Medium Blue		ES		
Gray Green	AB (40)	BK	GA (45)		Cherry Red		EF		
Charcoal Gray	AL	BZ		HA	Pastel Yellow		EG		
Dark Gray			GB		White		EH		
Light Gray		EJ		HB (68)	Ivory		EM		
Beige Gray			GC		Beige		ET		
Light Beige		EL		HC	Rose Beige		ER		
Moss Green		EN		HD	Rose Pink		EU		
Eye Rest Green		EA			Dark Covert Gray				HE
Turquoise		EV			Light Olive Gray		EW	GE	HF (46)
Aqua Blue		EK			Fawn				HG

The double asterisk (**) denotes a painted part. Suffix to be applied following the part number. Number in parenthesis indicates Bell System code.

FIGURE	CONTENTS	PAGE
1	Cabinet Body	3
2	Cabinet Body	4
3	Channel Duct and Top Cover	5
4	Rear Doors	6
5	Channels	7
6	164088 Pan Assembly	8
7	Door Arm Mechanism	9
8	172700** Door Assembly	9
9	Slide Mechanism	10
10	Send-Receive Keyboard Cover	10
11	Covers	11
12	Slide Mechanisms	11
13	Top and Middle Covers	12
14	Bottom Cover	12
15	Control Panel	13
16	Keyboard Panel	13
17	Control Panel	14
18	Control Panel	15
19	Control Panel	16
20	Control Panel	17
21	Receive-Only Base Plate	18
22	Base Plate	19
23	Base Plate	20
24	Paper Winder Shelf for Send-Receive Base	21
25	Relay Rack Frame	22
26	Terminal Blocks and Cable Connectors	22
27	Mounting Rack	23
28	193535 Connector Panel Assembly	24
29	195394 Mounting Plate Assembly-Right	25
30	195395 Mounting Plate Assembly-Left	26
31	Electrical Service Panel	27
32	Electrical Service Panel	28
33	170573 Rectifier Assembly	29
34	193941** Modification Kit to Provide Ventilation for Universal Cabinets	30
35	195540 Modification Kit to Provide Static Eliminator to Neutralize Electrostatic Charge on Page Copy	31
36	145450 Modification Kit to Provide Key and Lamp Assembly	32
37	145010 Modification Kit to Provide Key and Lamp Assembly	32
38	145075 Modification Kit to Provide Key and Lamp Assembly	33
39	145017 Rectifier - 48 Volts D.C.	33
	Numerical Index	34

**Refer to page 1 for Finish Suffix

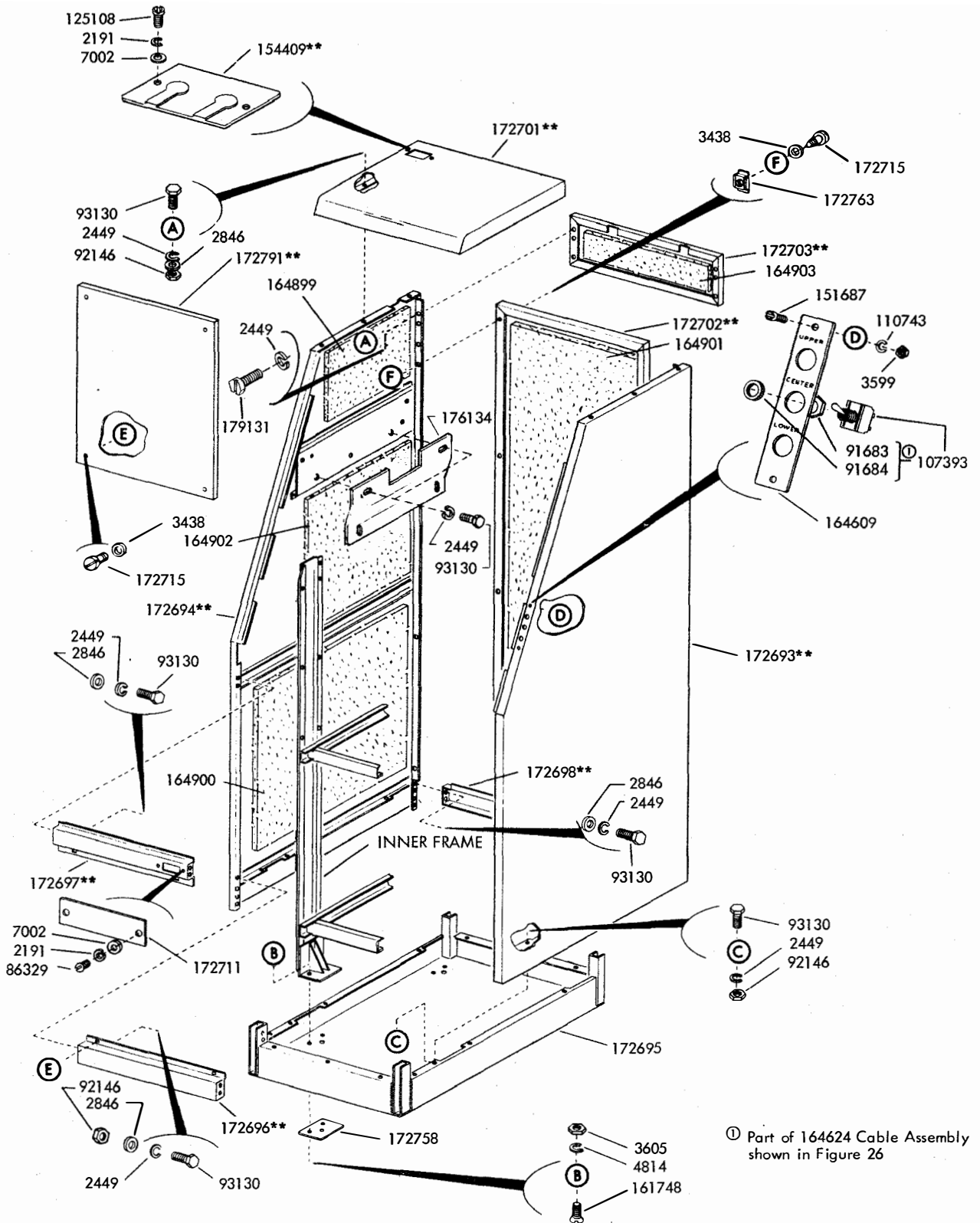


FIGURE 1. CABINET BODY

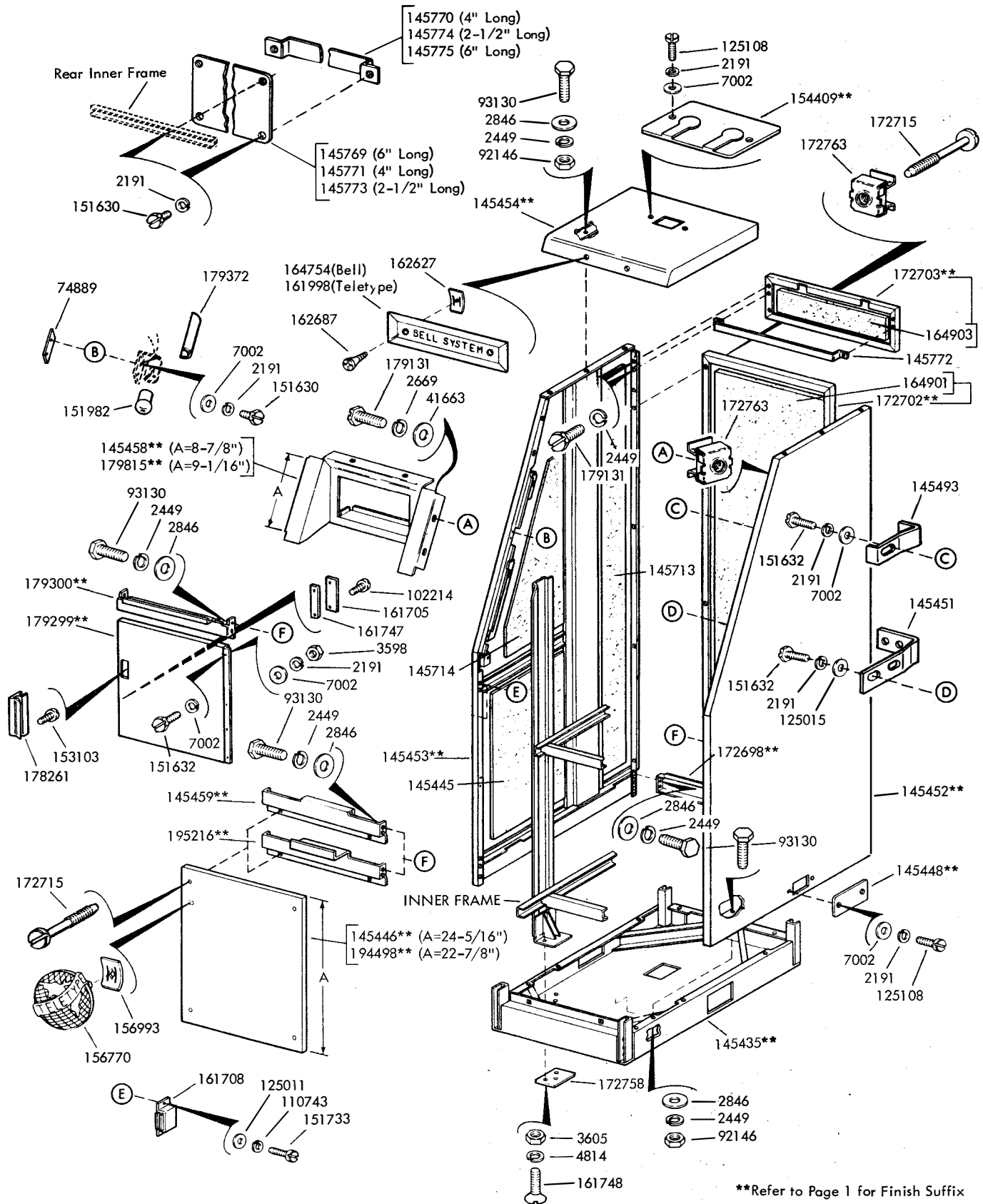
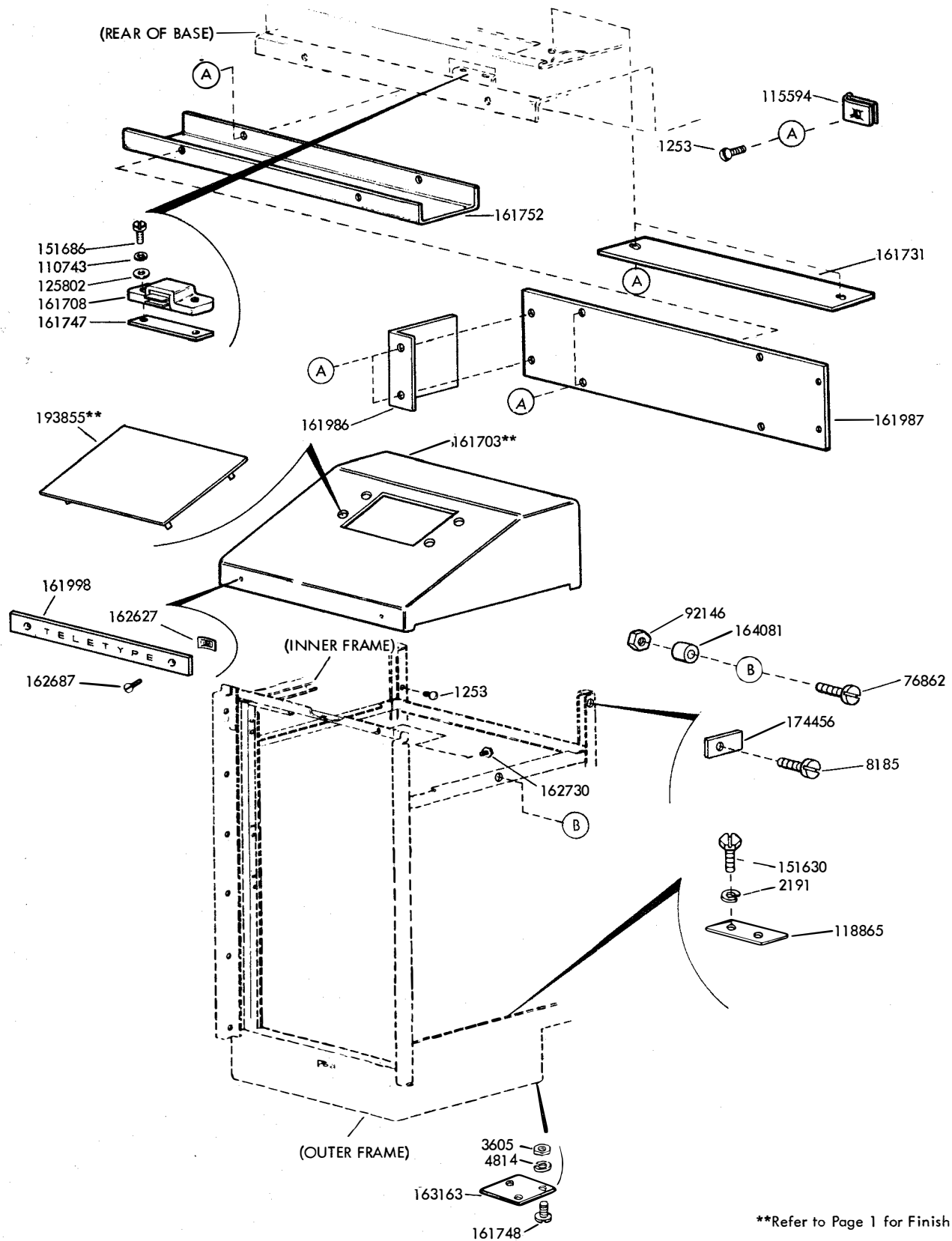
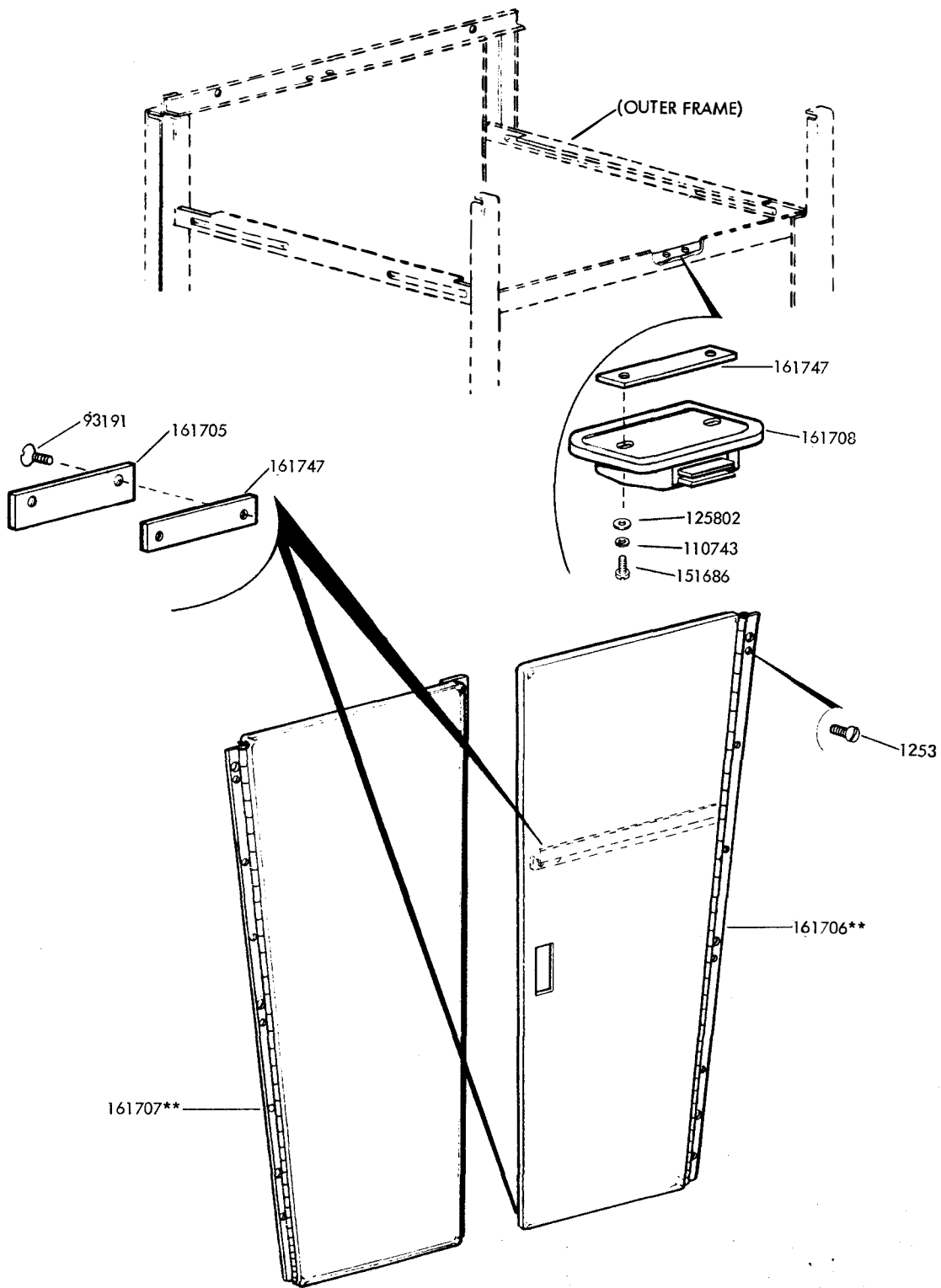


FIGURE 2. CABINET BODY



**Refer to Page 1 for Finish Suffix

FIGURE 3. CHANNEL DUCT AND TOP COVER



**Refer to Page 1 for Finish Suffix

FIGURE 4. REAR DOORS

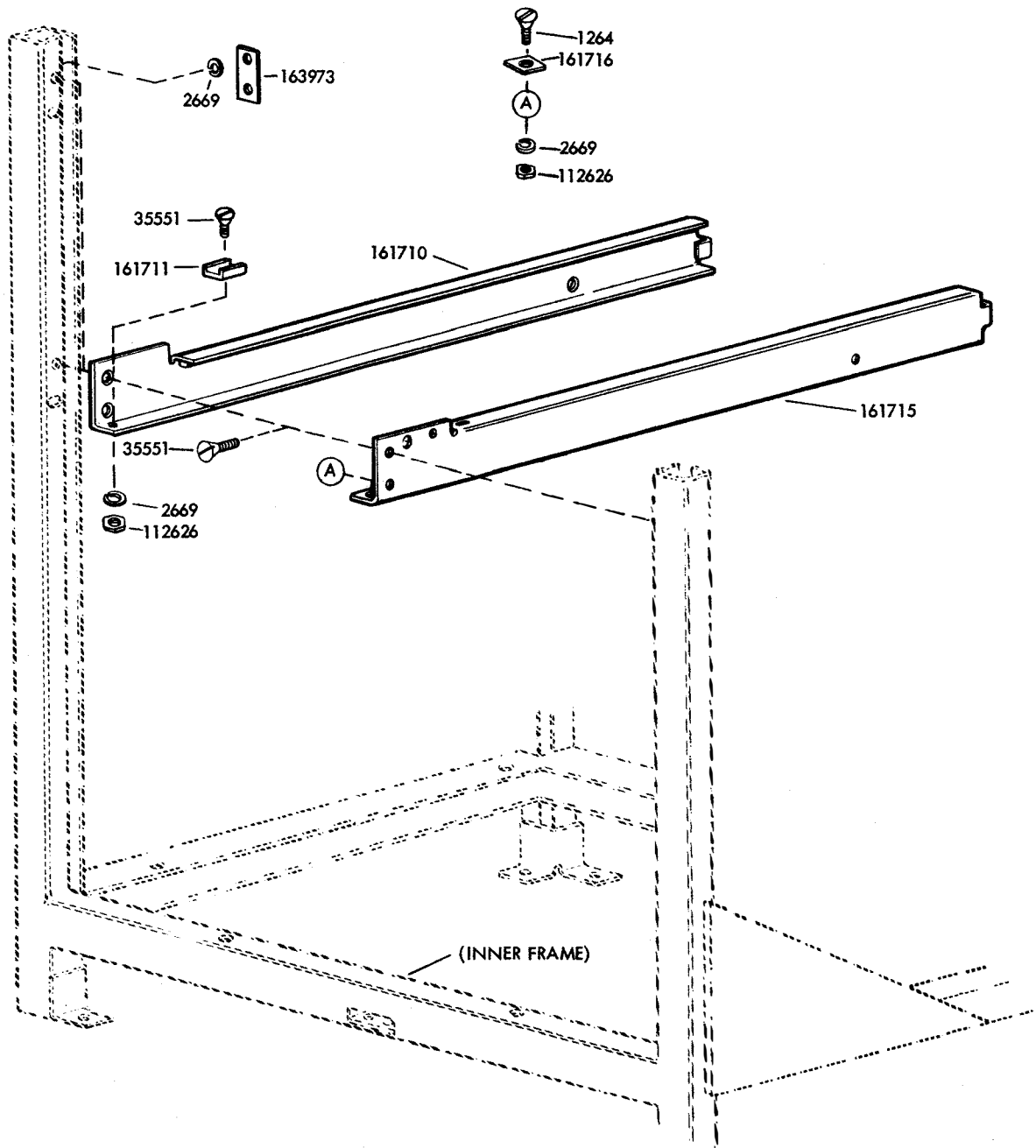


FIGURE 5. CHANNELS

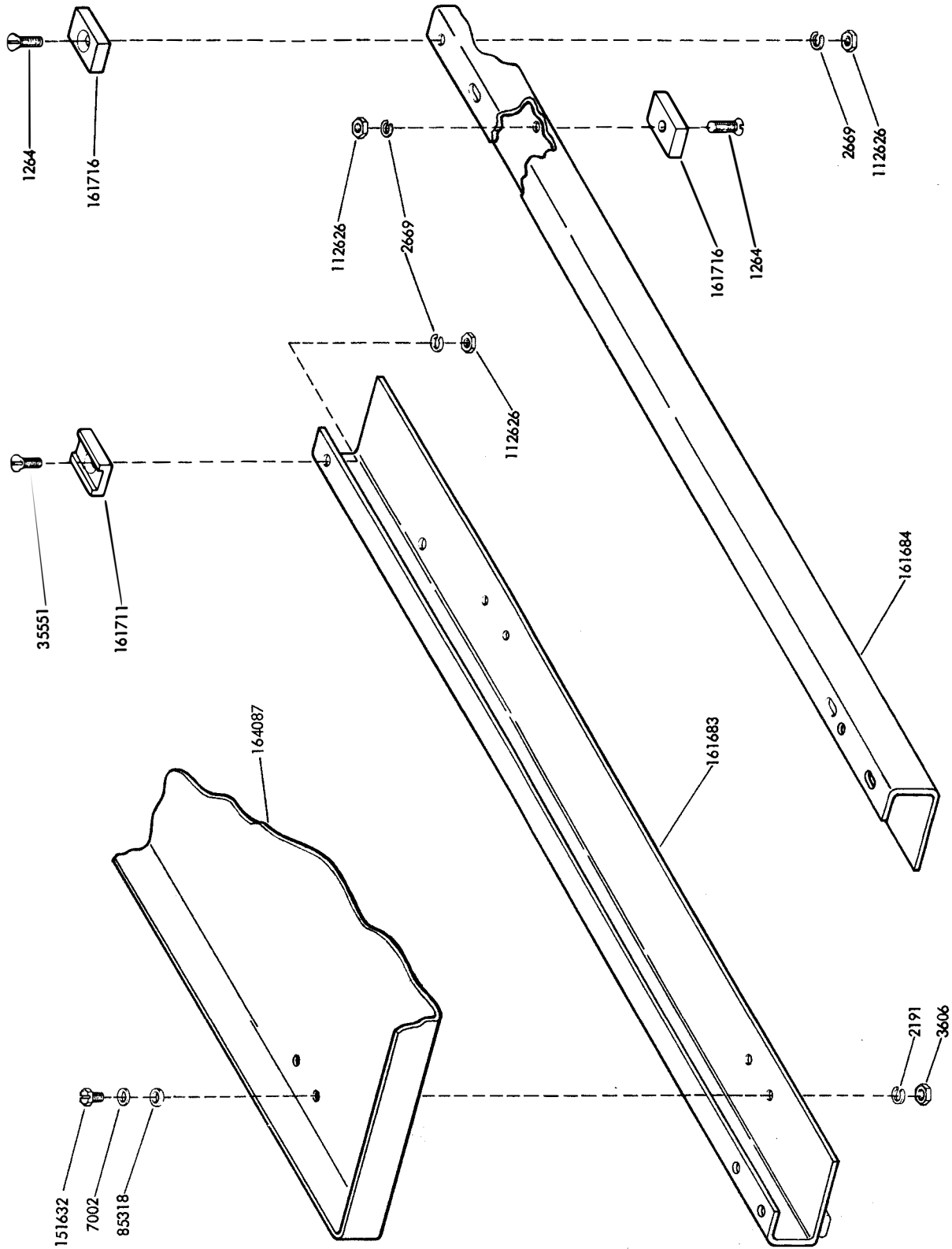


FIGURE 6. 164088 PAN ASSEMBLY

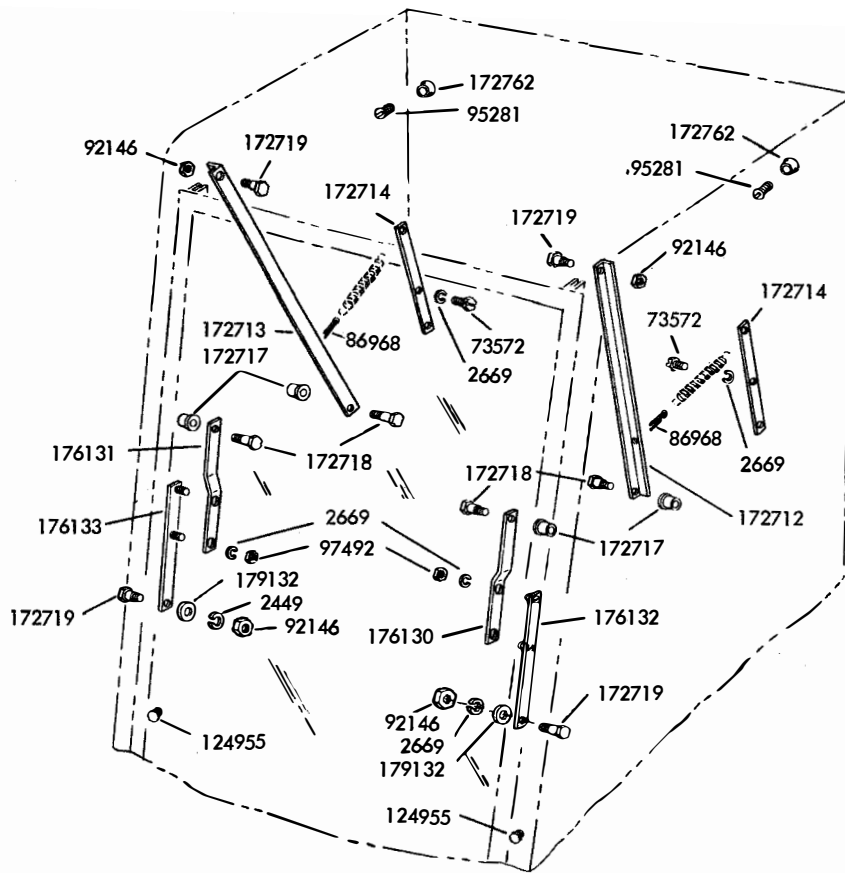
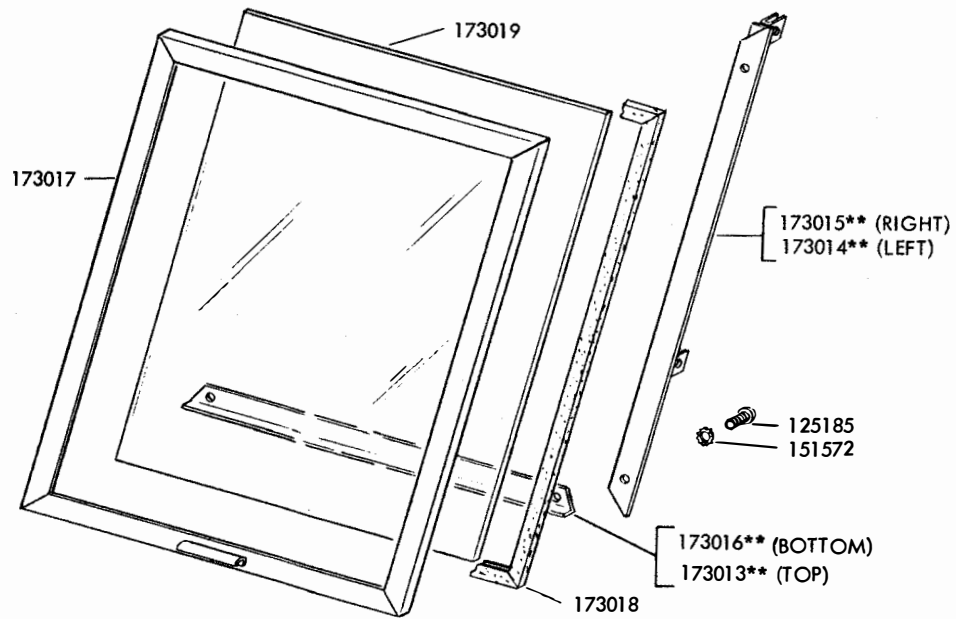
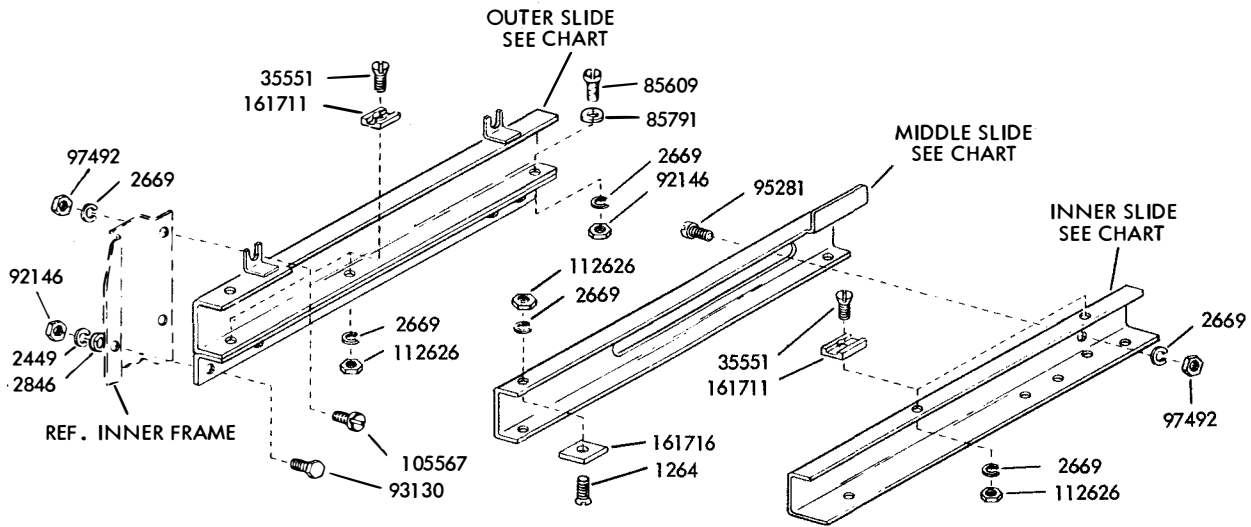


FIGURE 7. DOOR ARM MECHANISM



**Refer to Page 1 for Finish Suffix

FIGURE 8. 172700** DOOR ASSEMBLY

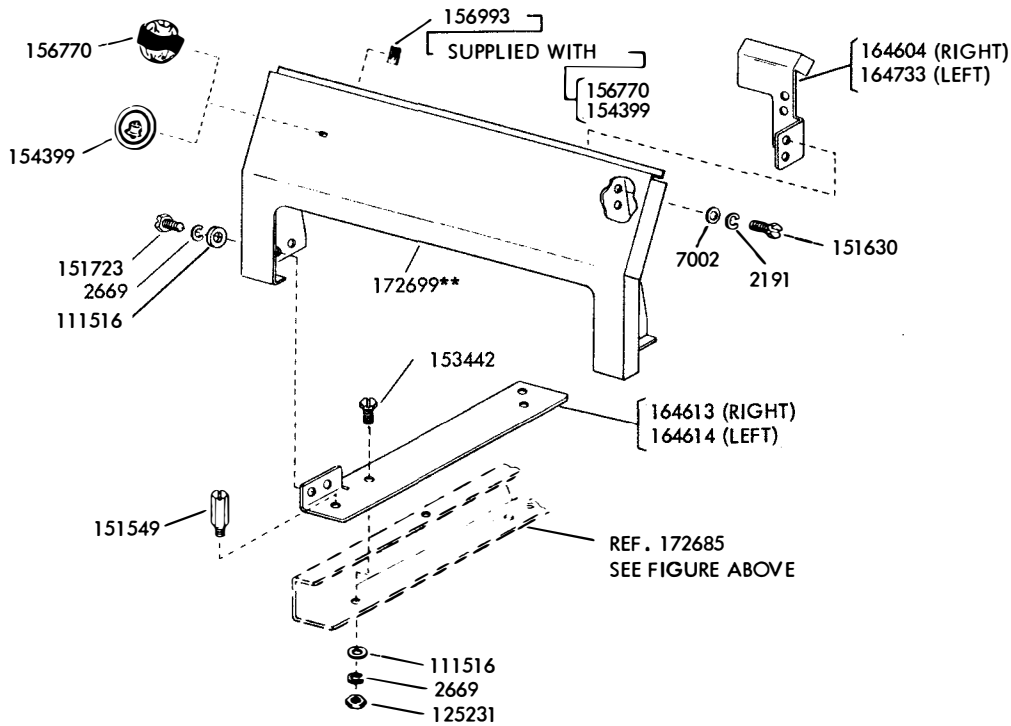


OUTER SLIDE		
SLIDE LOCATION	SIDE	PART NUMBER
TOP	LEFT	172650
	RIGHT	172651
CENTER	LEFT	172654
	RIGHT	172655
BOTTOM	LEFT	172659
	RIGHT	172658

MIDDLE SLIDE		
SLIDE LOCATION	SIDE	PART NUMBER
TOP	LEFT	172683
CENTER	RIGHT	172682
BOTTOM		

INNER SLIDE		
SLIDE LOCATION	SIDE	PART NUMBER
TOP	LEFT	172685
CENTER	RIGHT	172684
BOTTOM		

FIGURE 9. SLIDE MECHANISM



**Refer to Page 1 for Finish Suffix

FIGURE 10. SEND-RECEIVE KEYBOARD COVER

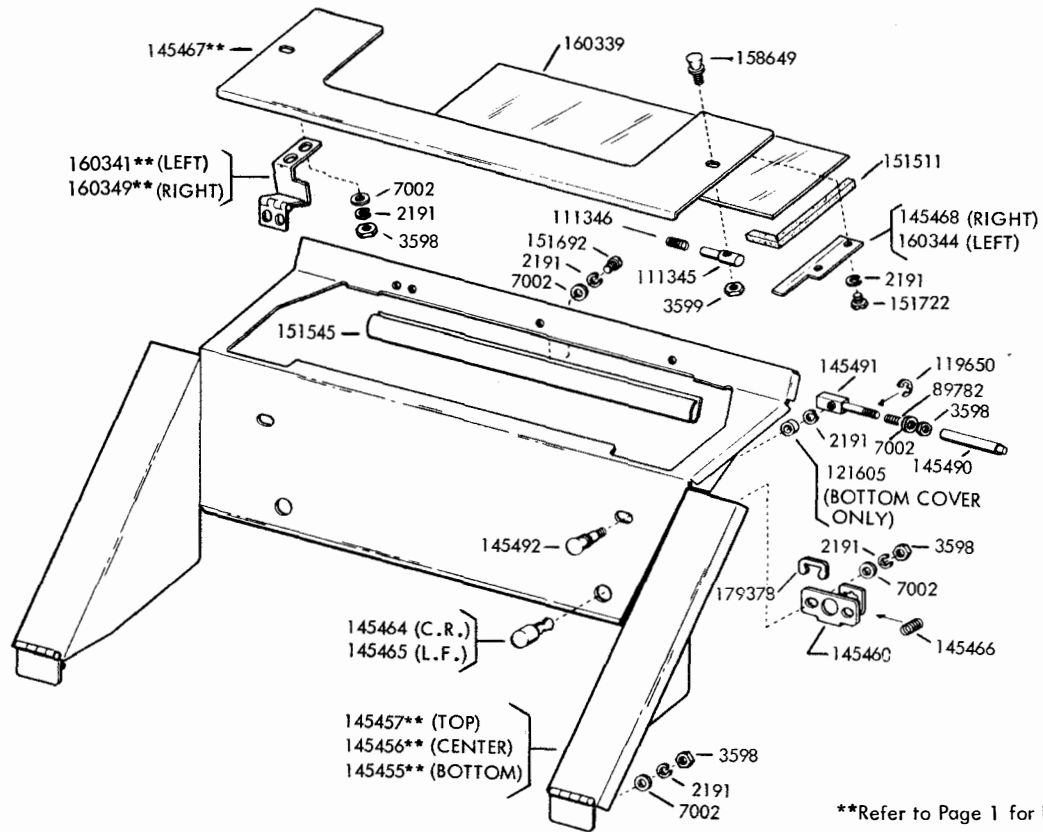


FIGURE 11. COVERS

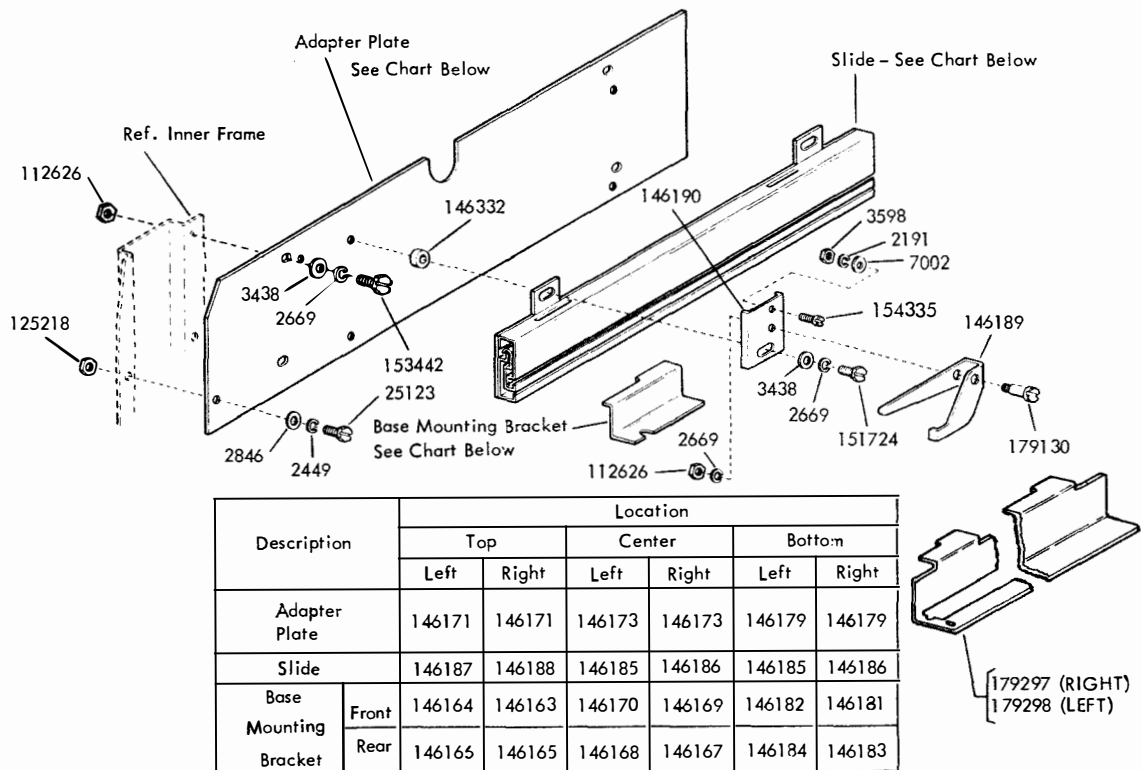
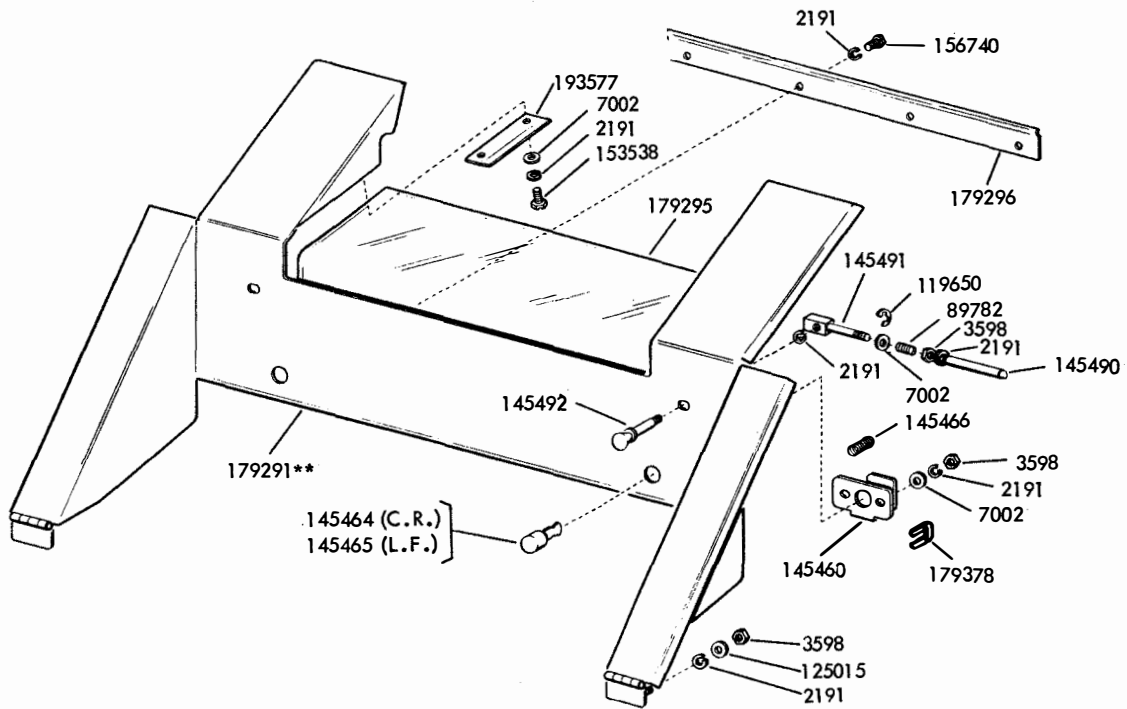
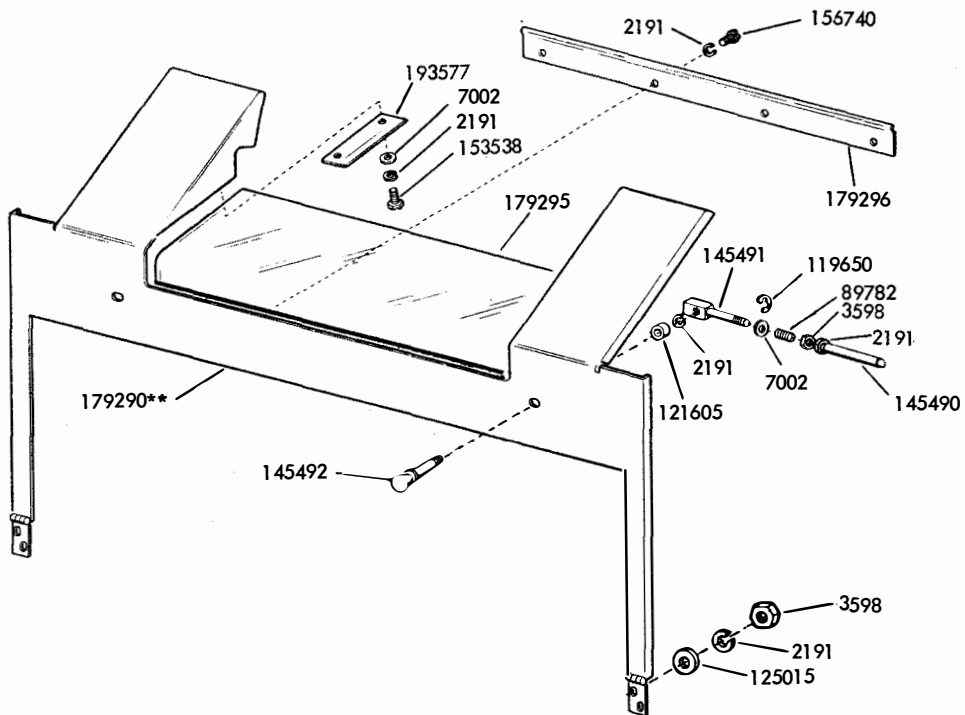


FIGURE 12. SLIDE MECHANISMS



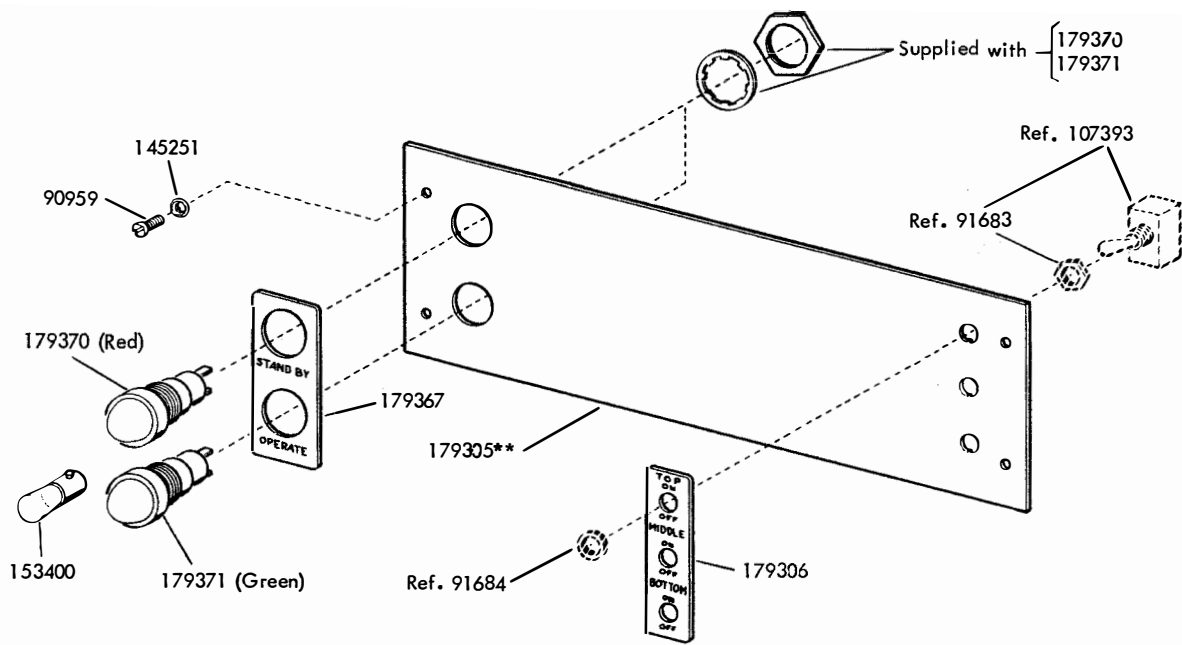
**Refer to Page 1 for Finish Suffix

FIGURE 13. TOP AND MIDDLE COVERS



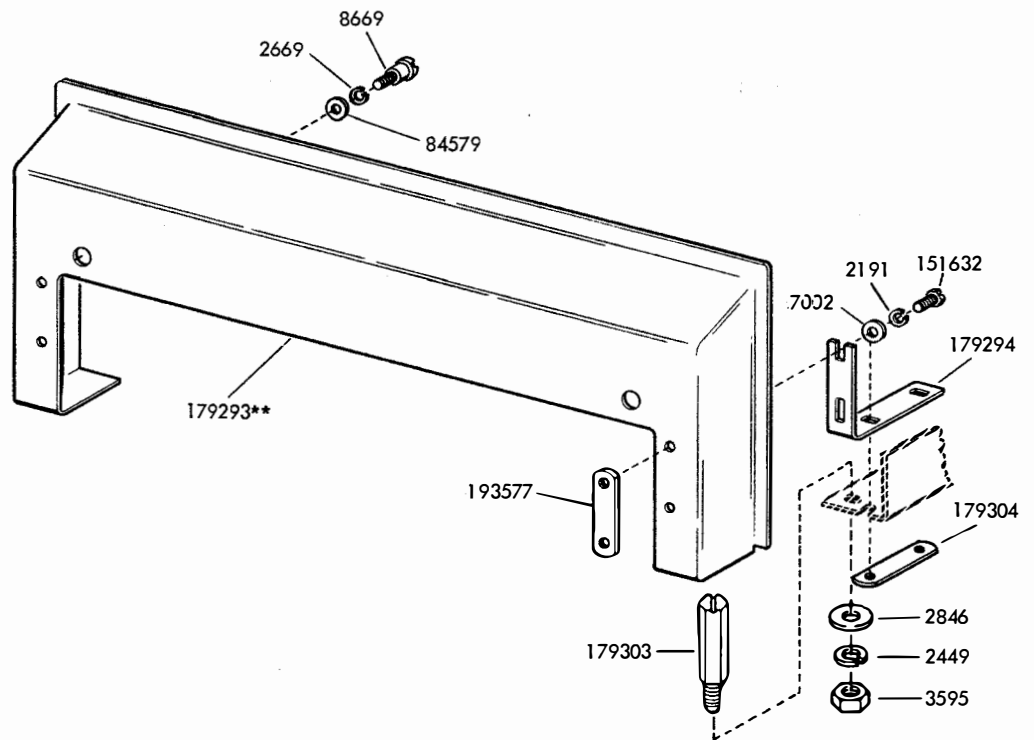
**Refer to Page 1 for Finish Suffix

FIGURE 14. BOTTOM COVER



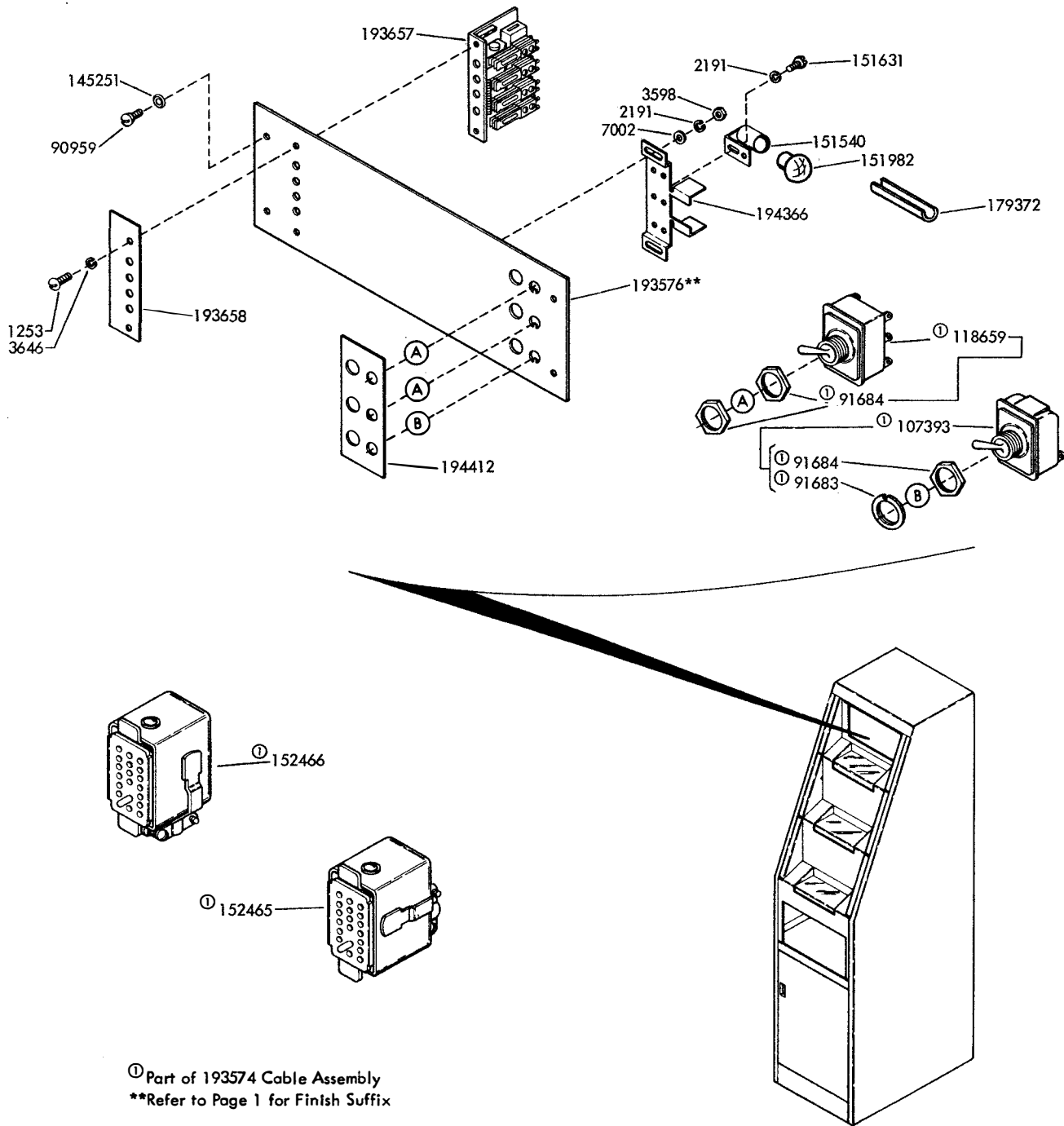
**Refer to Page 1 for Finish Suffix

FIGURE 15. CONTROL PANEL



**Refer to Page 1 for Finish Suffix

FIGURE 16. KEYBOARD PANEL



① Part of 193574 Cable Assembly
 **Refer to Page 1 for Finish Suffix

FIGURE 17. CONTROL PANEL

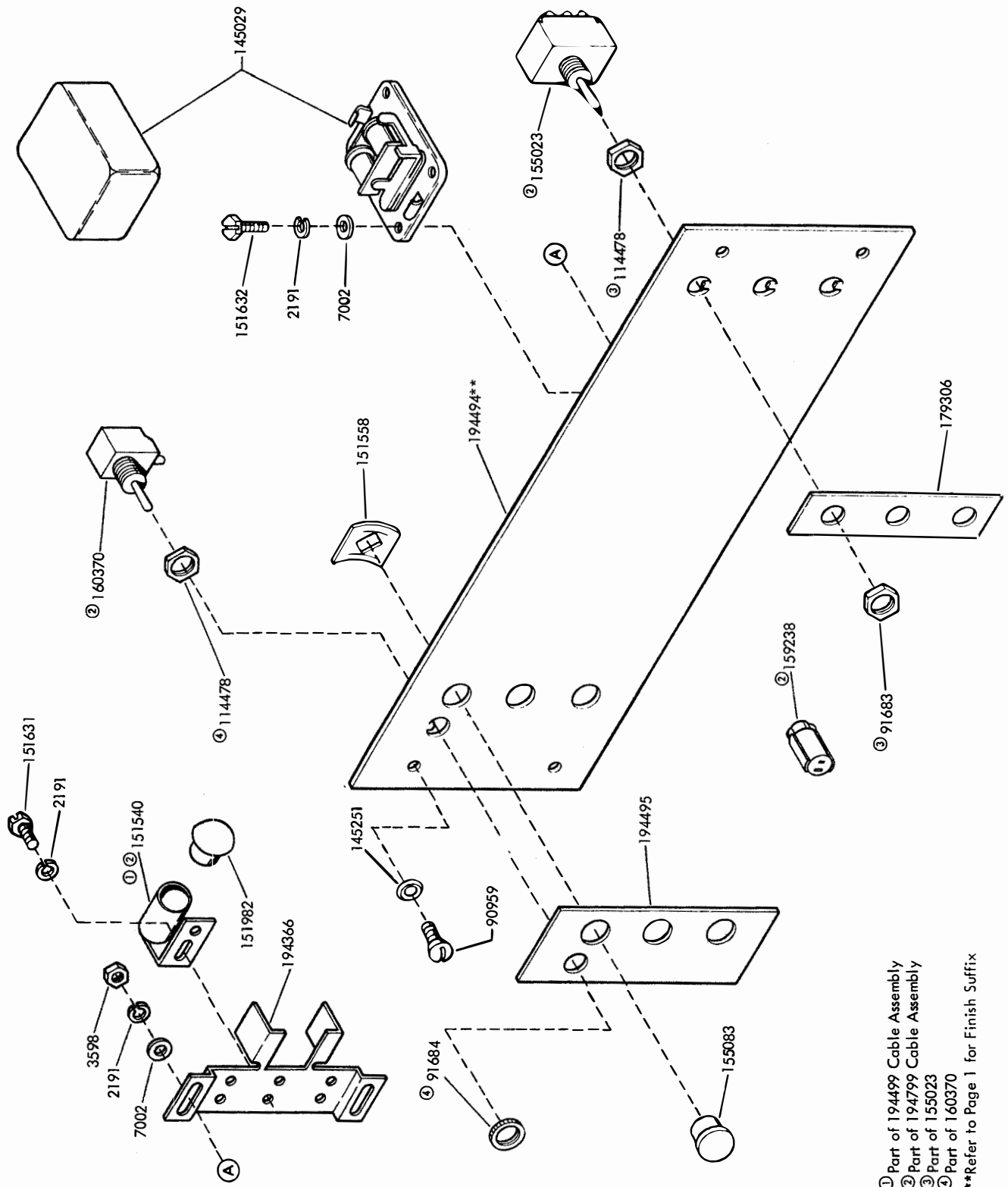
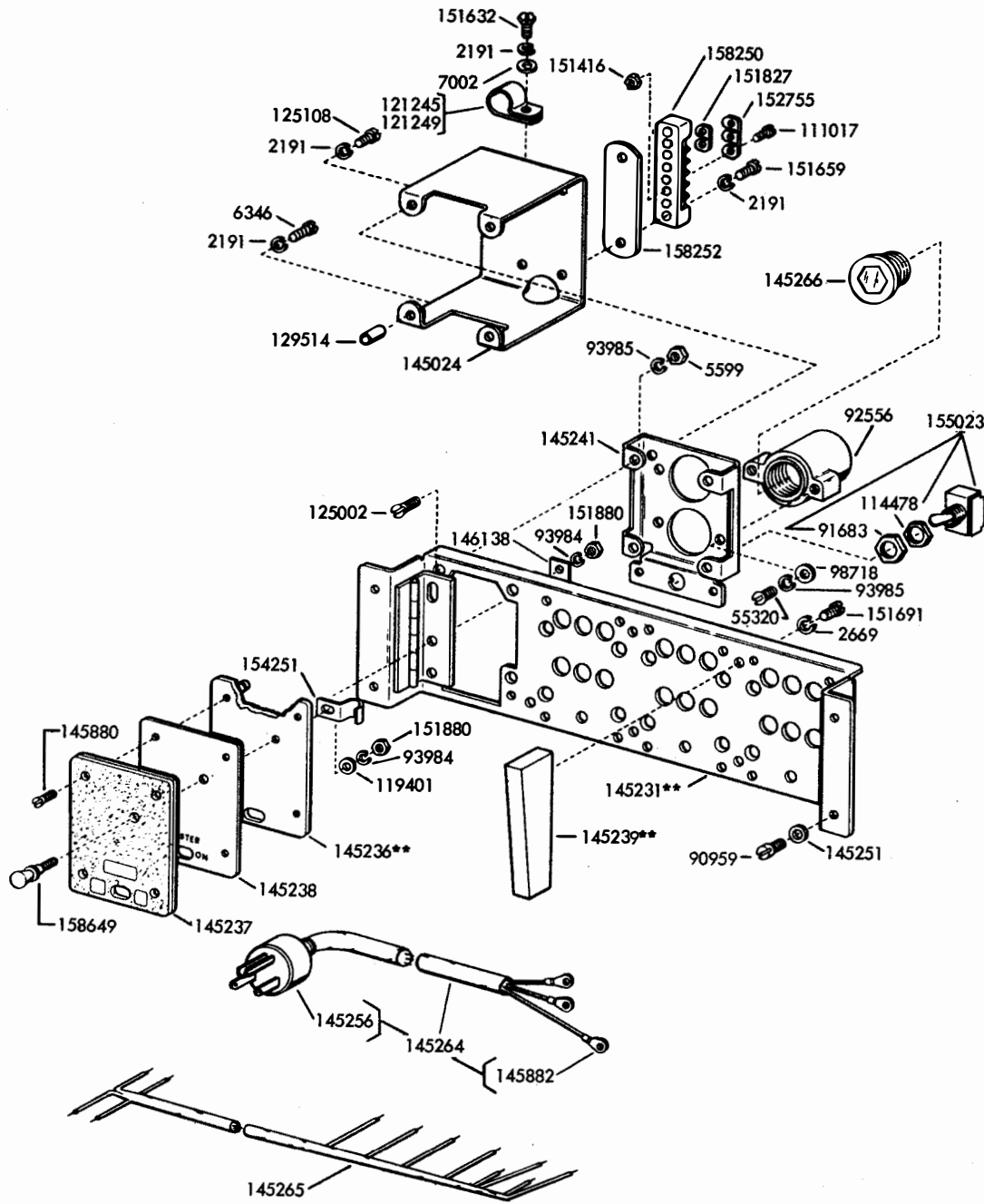


FIGURE 18. CONTROL PANEL



**Refer to Page 1 for Finish Suffix

FIGURE 19. CONTROL PANEL

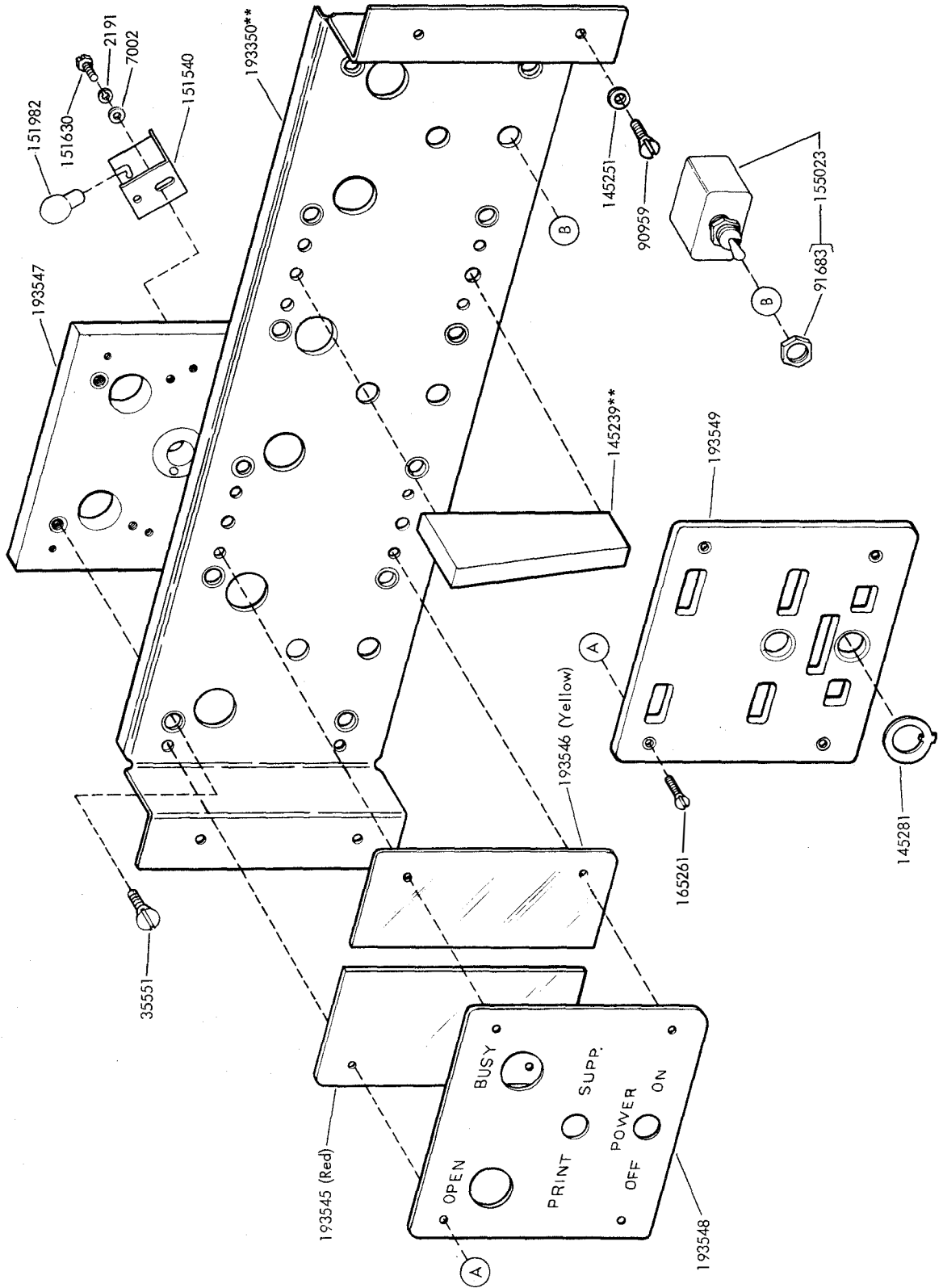


FIGURE 20. CONTROL PANEL

**Refer to Page 1 for Finish Suffix

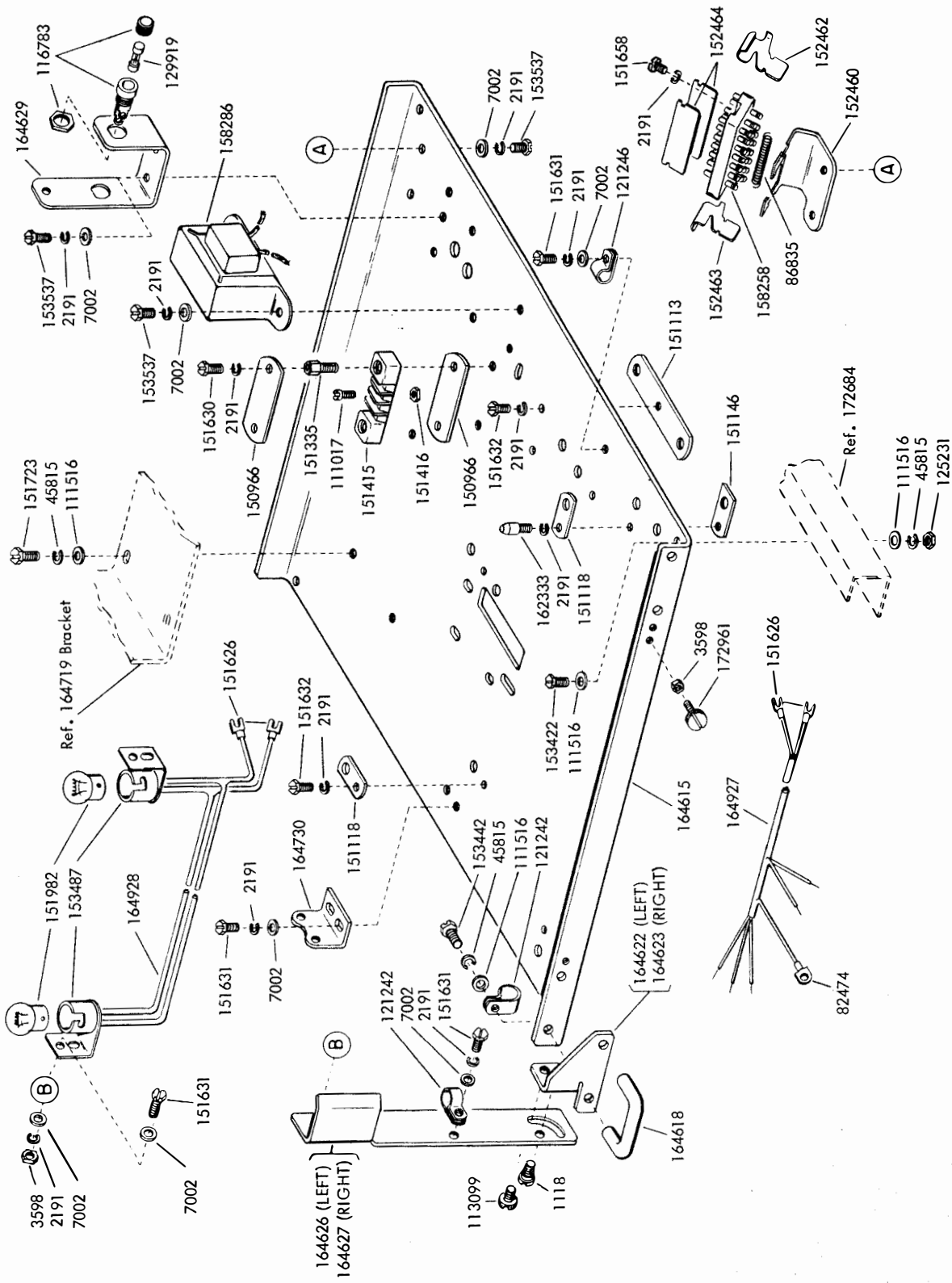
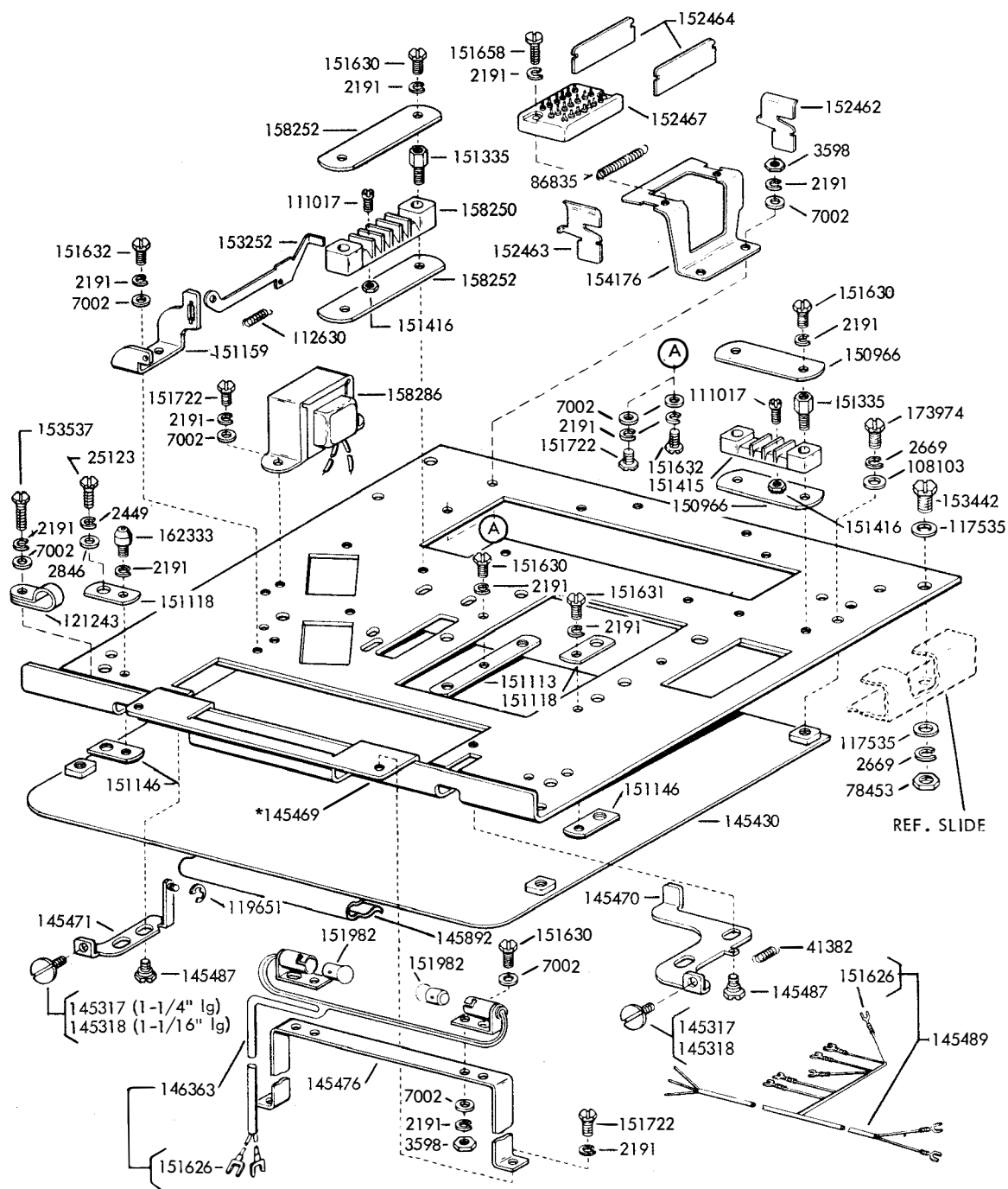


FIGURE 21. RECEIVE-ONLY BASE PLATE



*The 145469 base is of early design and no longer available. When it is necessary to replace this base, a new style 146149 base should be ordered instead (see figure 23).

FIGURE 22. BASE PLATE

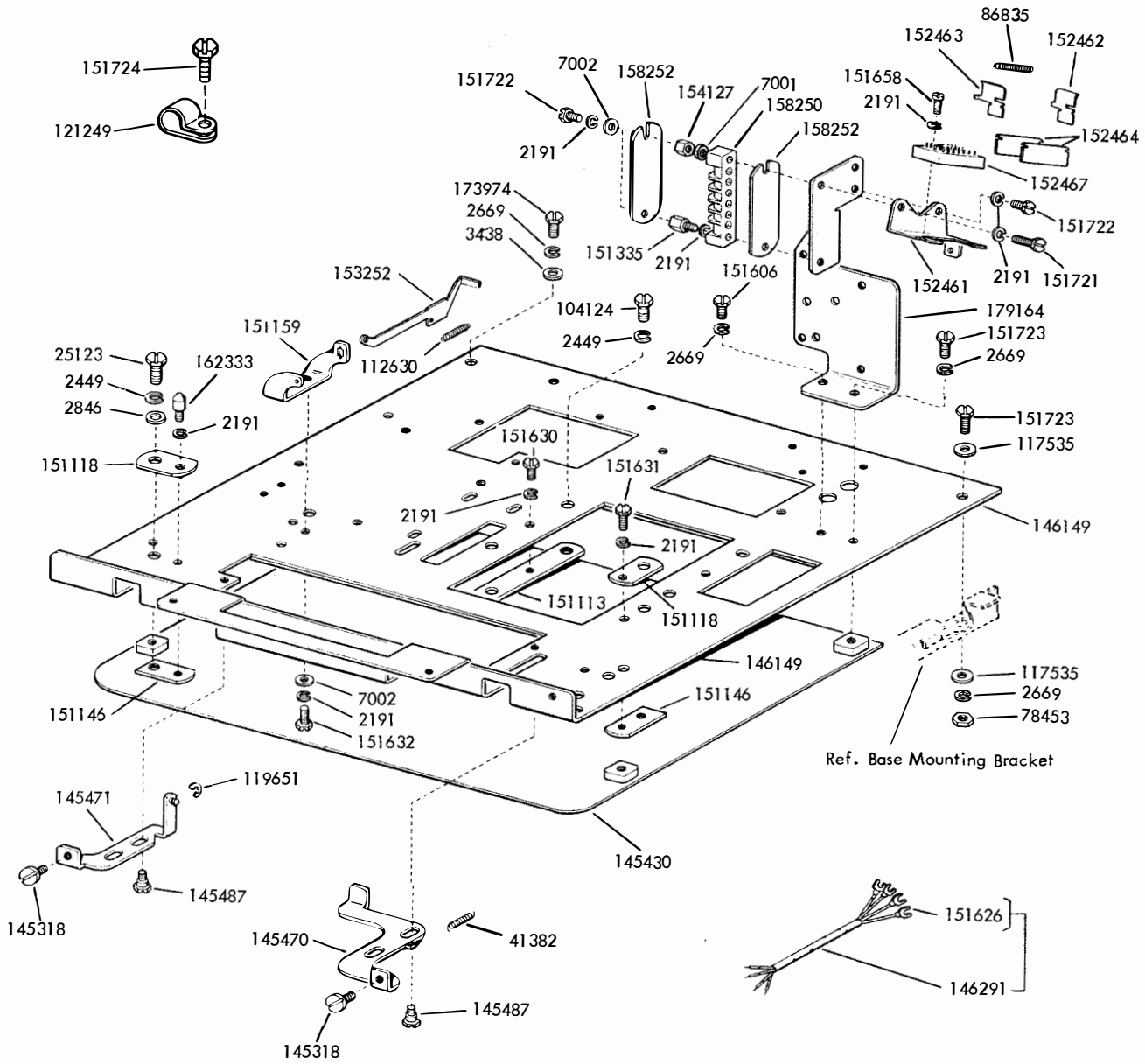


FIGURE 23. BASE PLATE

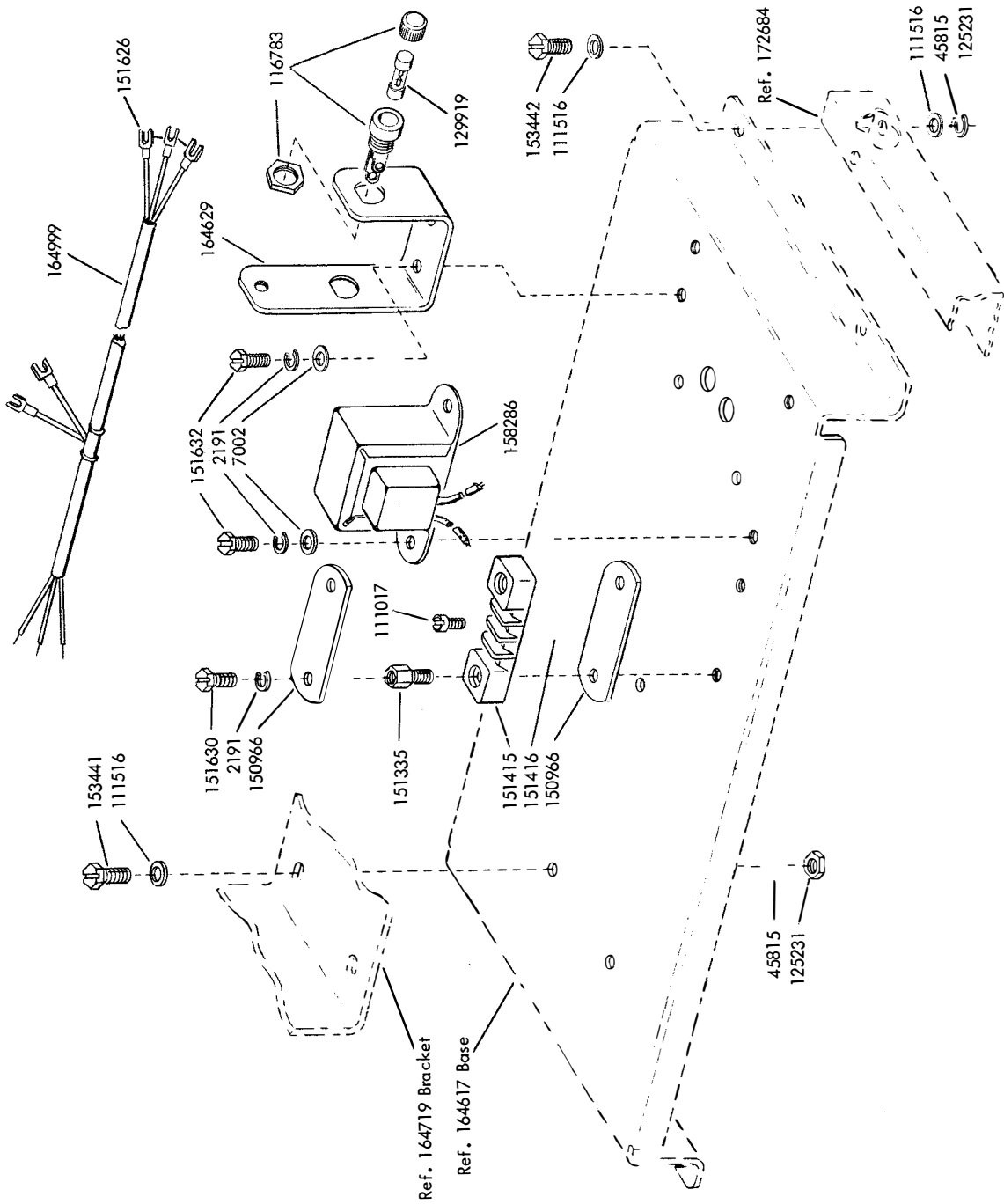


FIGURE 24. PAPER WINDER SHELF FOR SEND-RECEIVE BASE

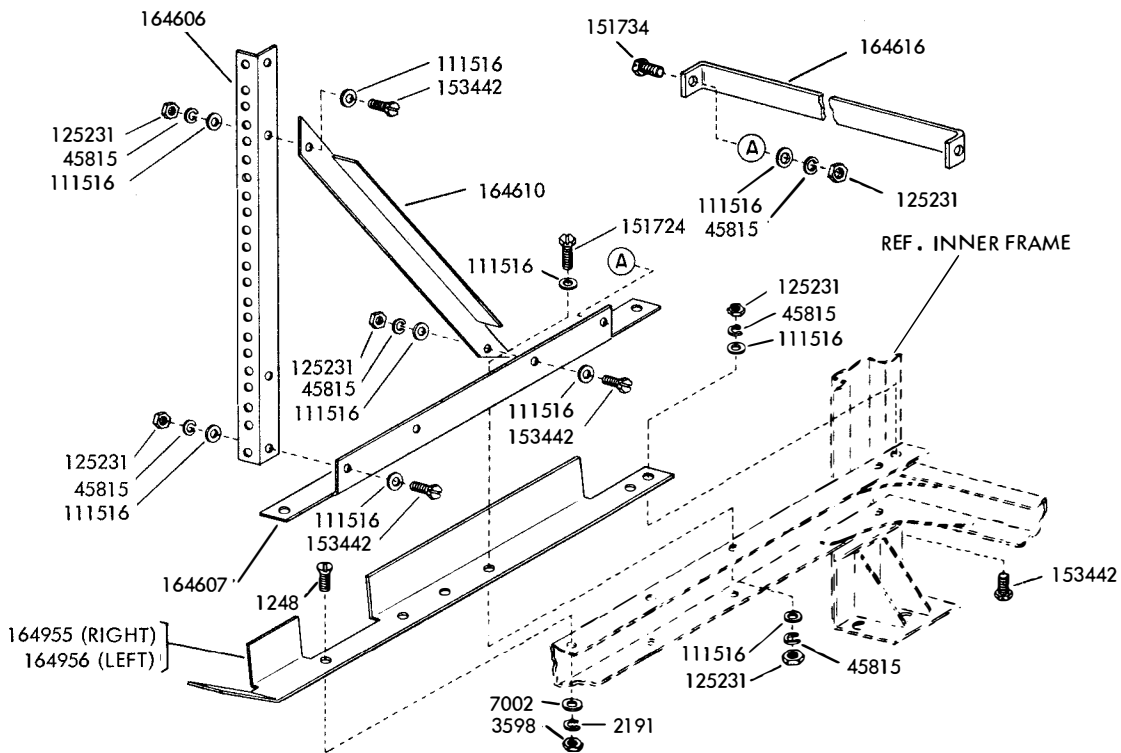
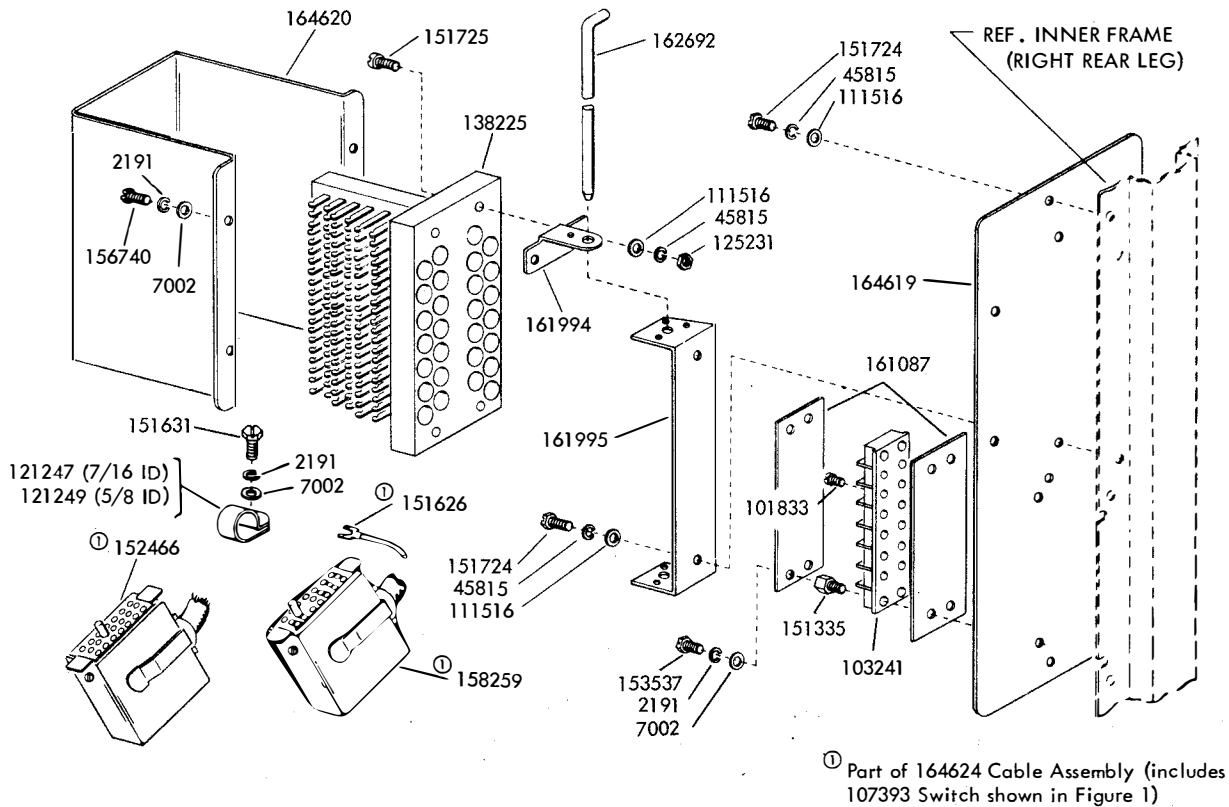
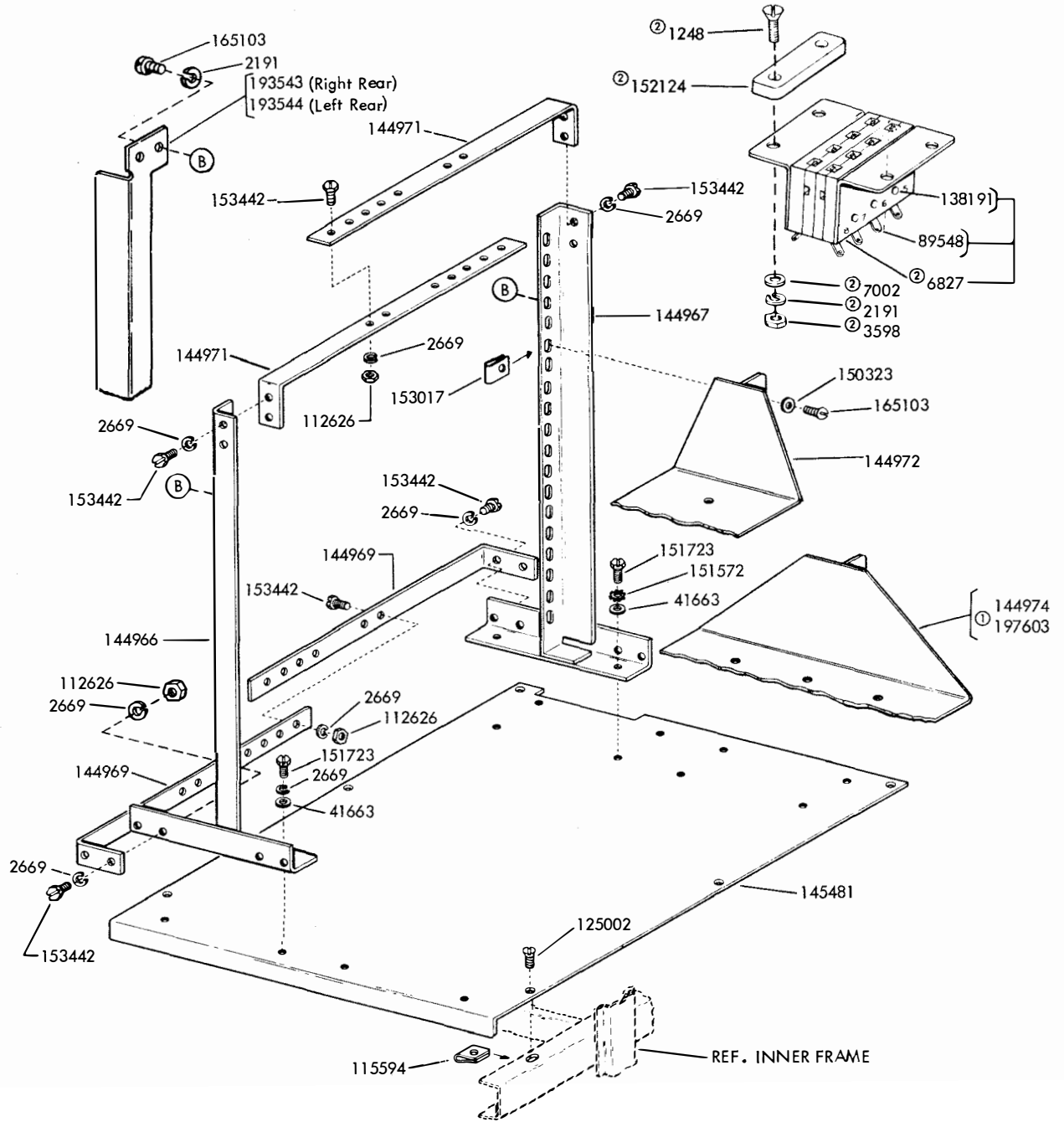


FIGURE 25. RELAY RACK FRAME



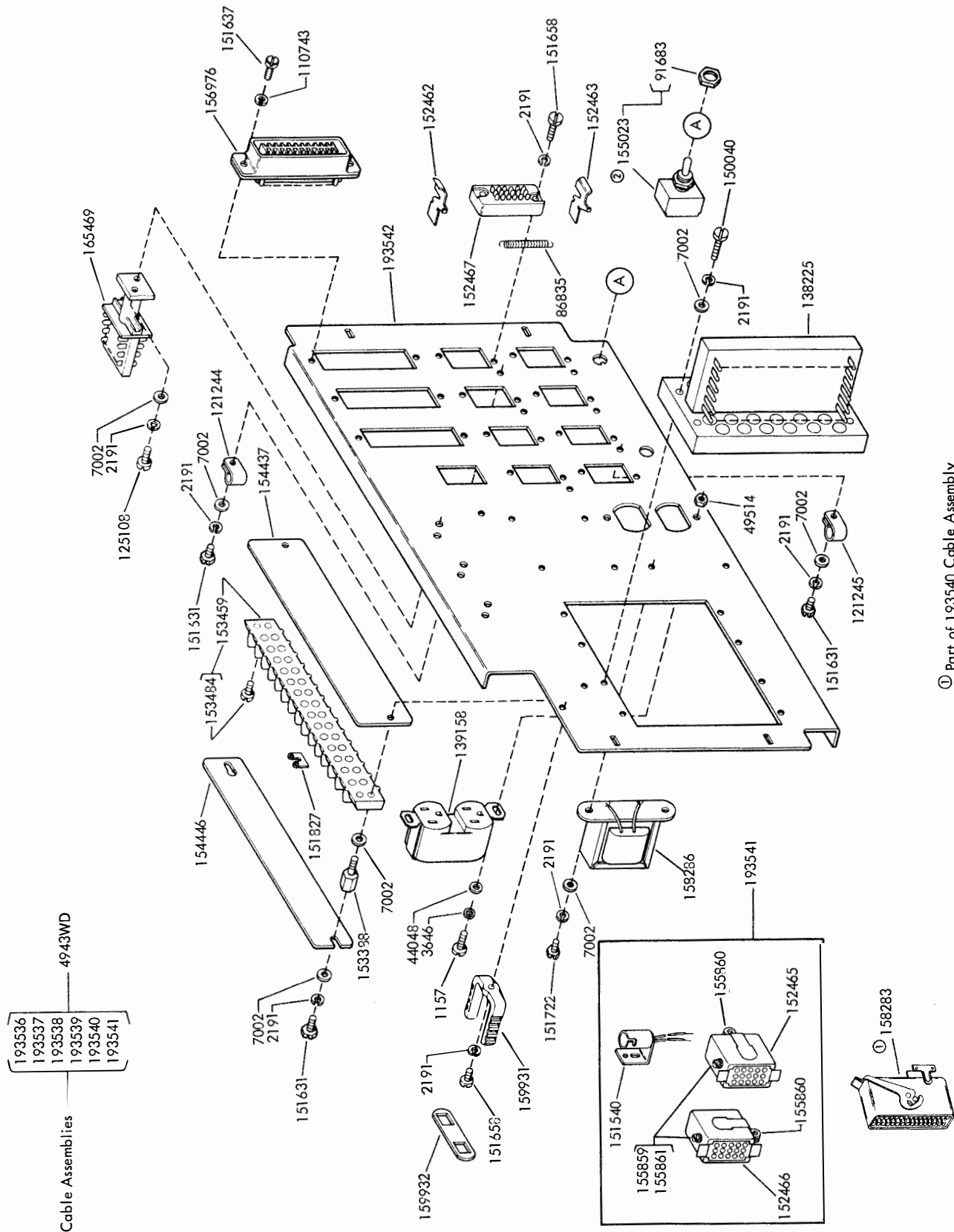
① Part of 164624 Cable Assembly (includes 107393 Switch shown in Figure 1)

FIGURE 26. TERMINAL BLOCKS AND CABLE CONNECTORS



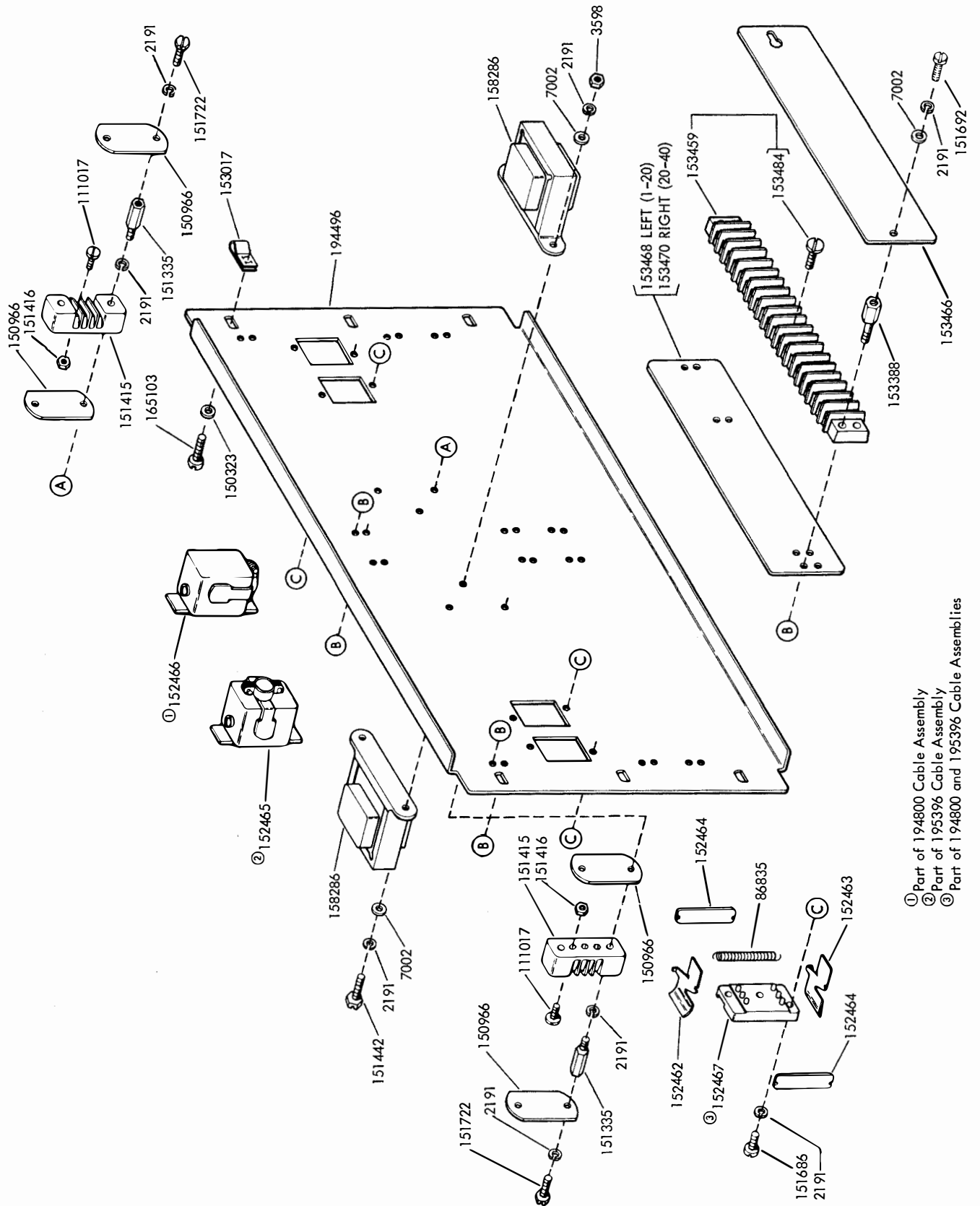
- ① Has cut-out to mount 6827 block
- ② Part of 197846 Cable Assembly

FIGURE 27. MOUNTING RACK



- ① Part of 193540 Cable Assembly
- ② Part of 193541 Cable Assembly

FIGURE 28. 193535 CONNECTOR PANEL ASSEMBLY



- ① Part of 194800 Cable Assembly
- ② Part of 195396 Cable Assembly
- ③ Part of 194800 and 195396 Cable Assemblies

FIGURE 29. 195394 MOUNTING PLATE ASSEMBLY-RIGHT

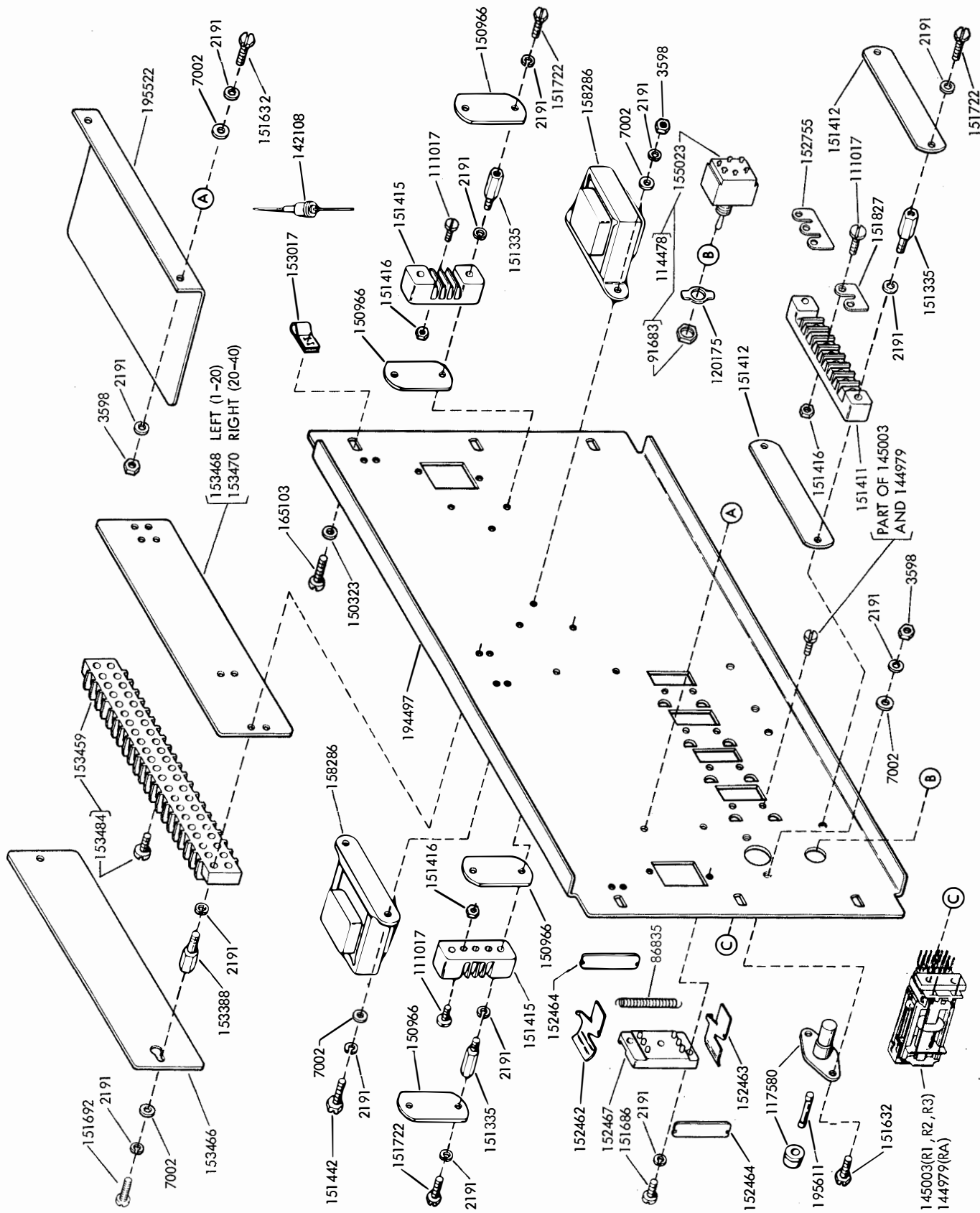


FIGURE 30. 195395 MOUNTING PLATE ASSEMBLY-LEFT

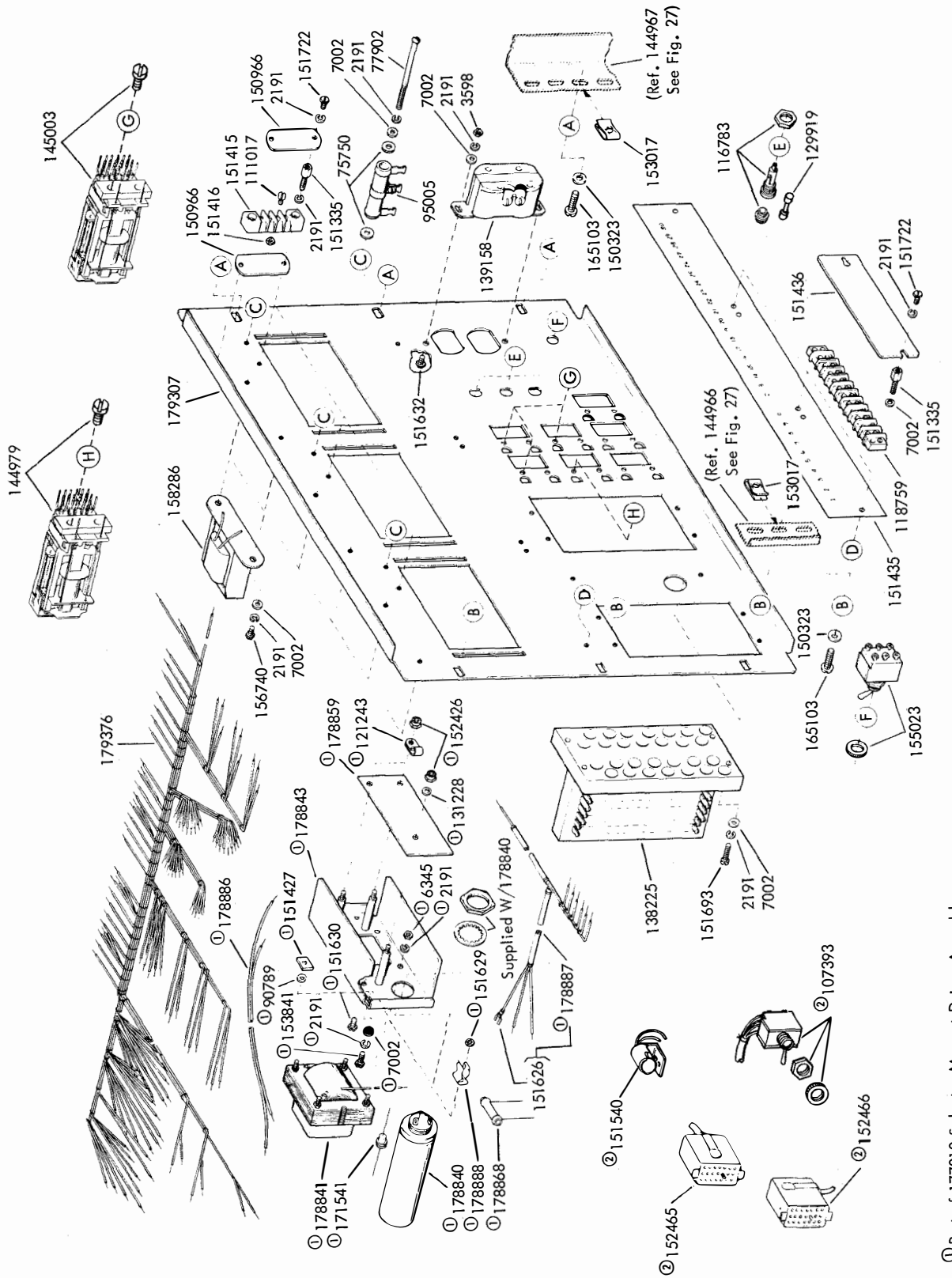


FIGURE 31. ELECTRICAL SERVICE PANEL

① Part of 177010 Selector Magnet Driver Assembly
 ② 179375 Cable Assembly

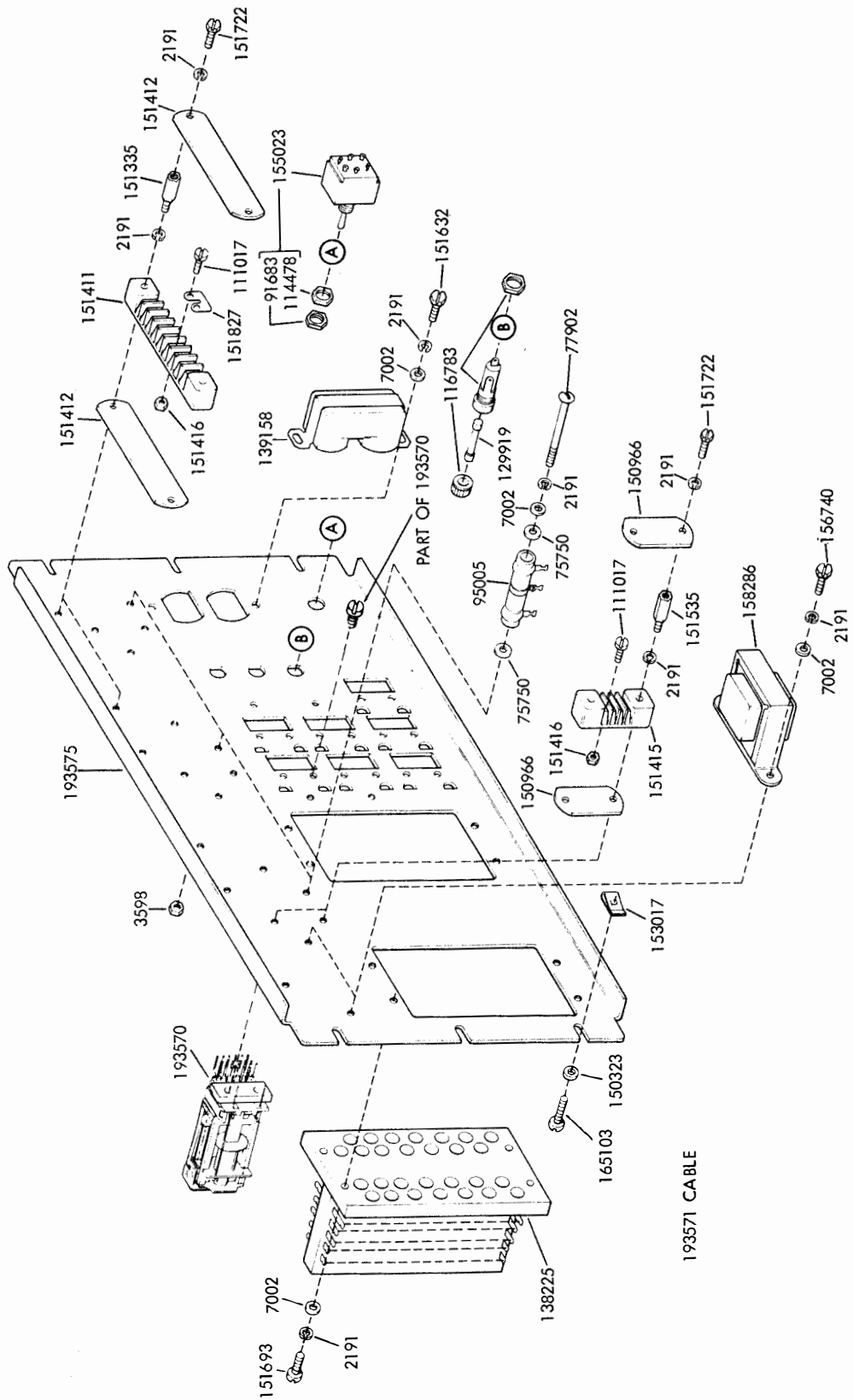
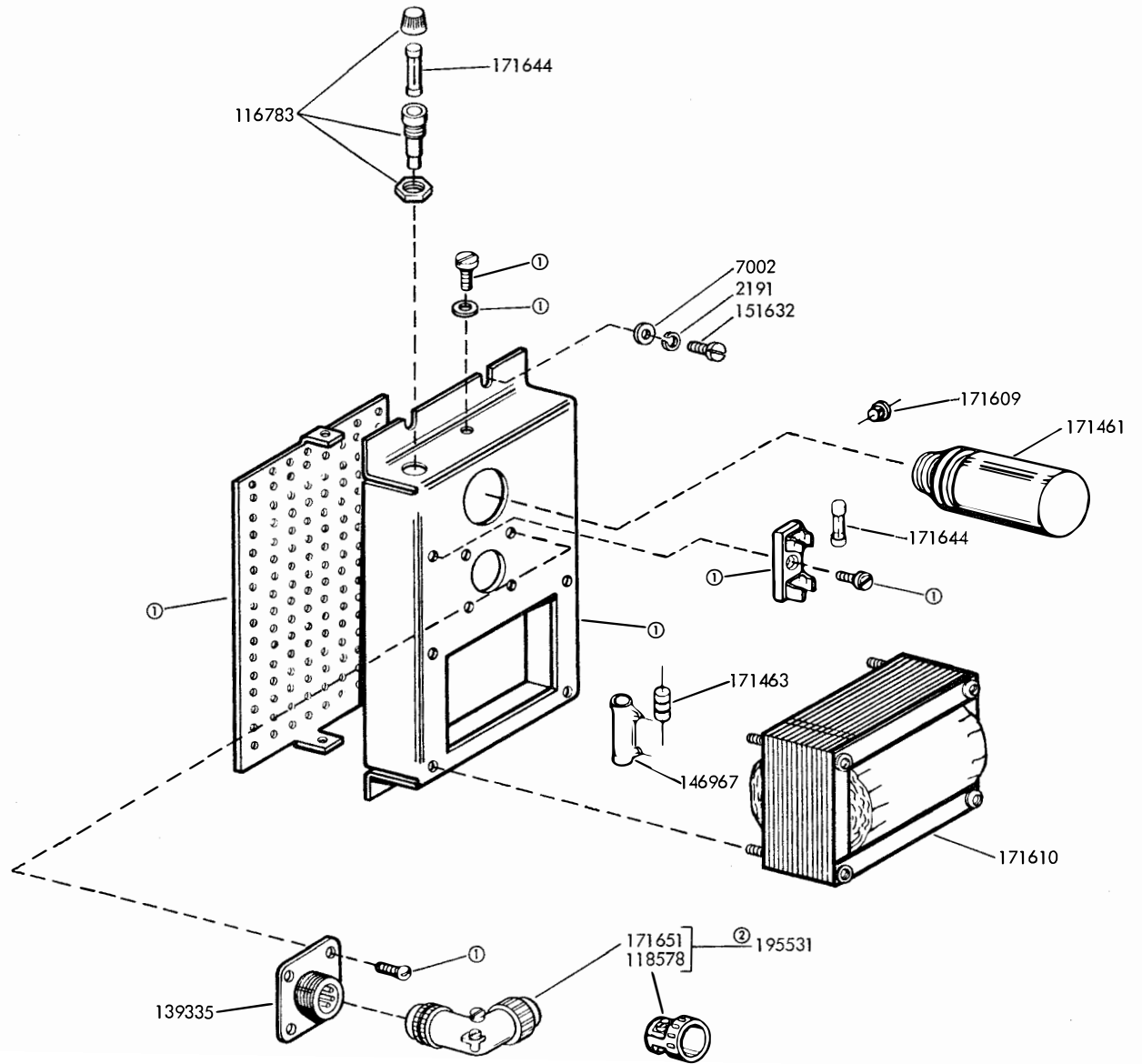
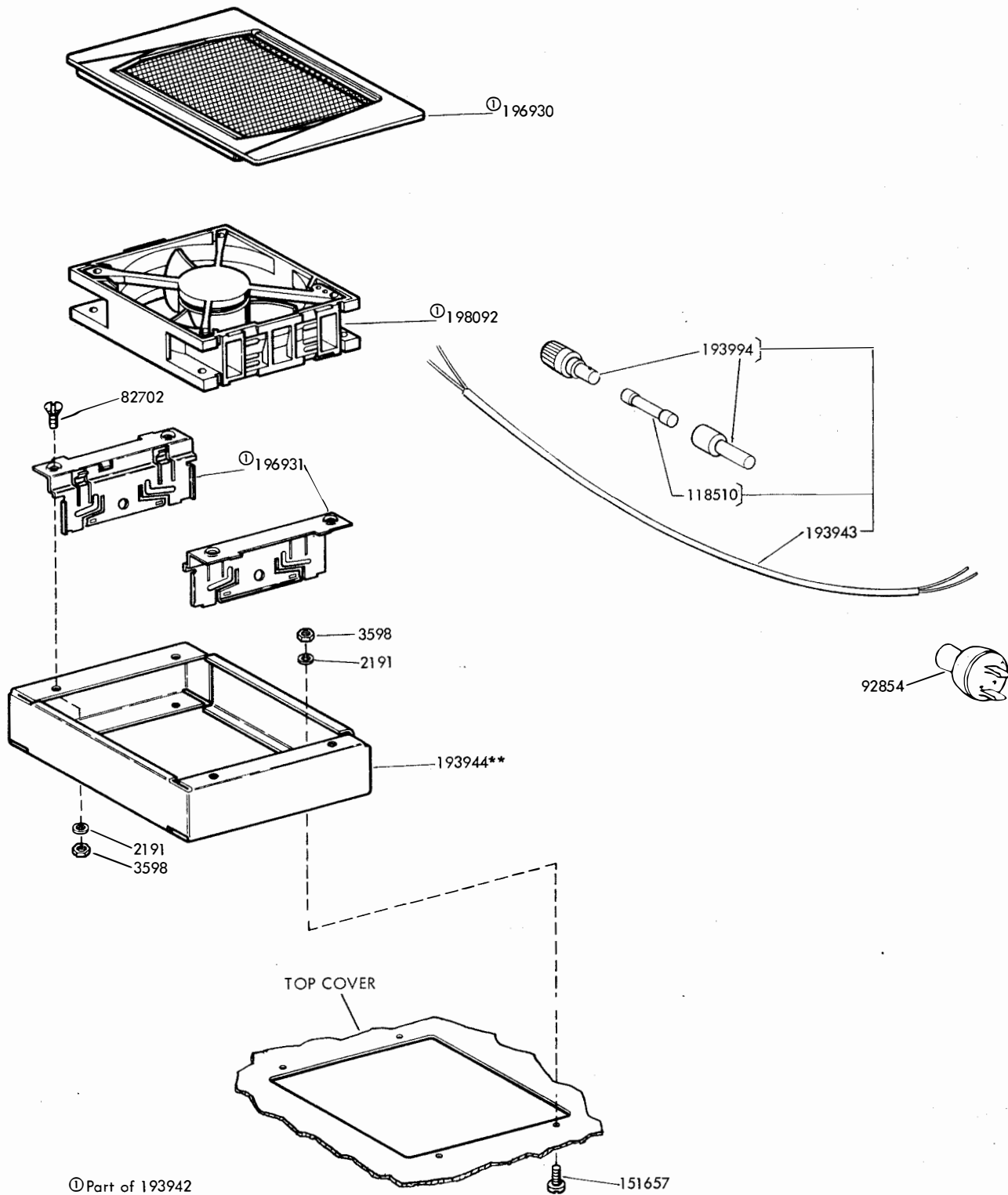


FIGURE 32. ELECTRICAL SERVICE PANEL



① Replacement part numbers not assigned.
 ② Not Part of 170573 Rectifier Assembly

FIGURE 33. 170573 RECTIFIER ASSEMBLY

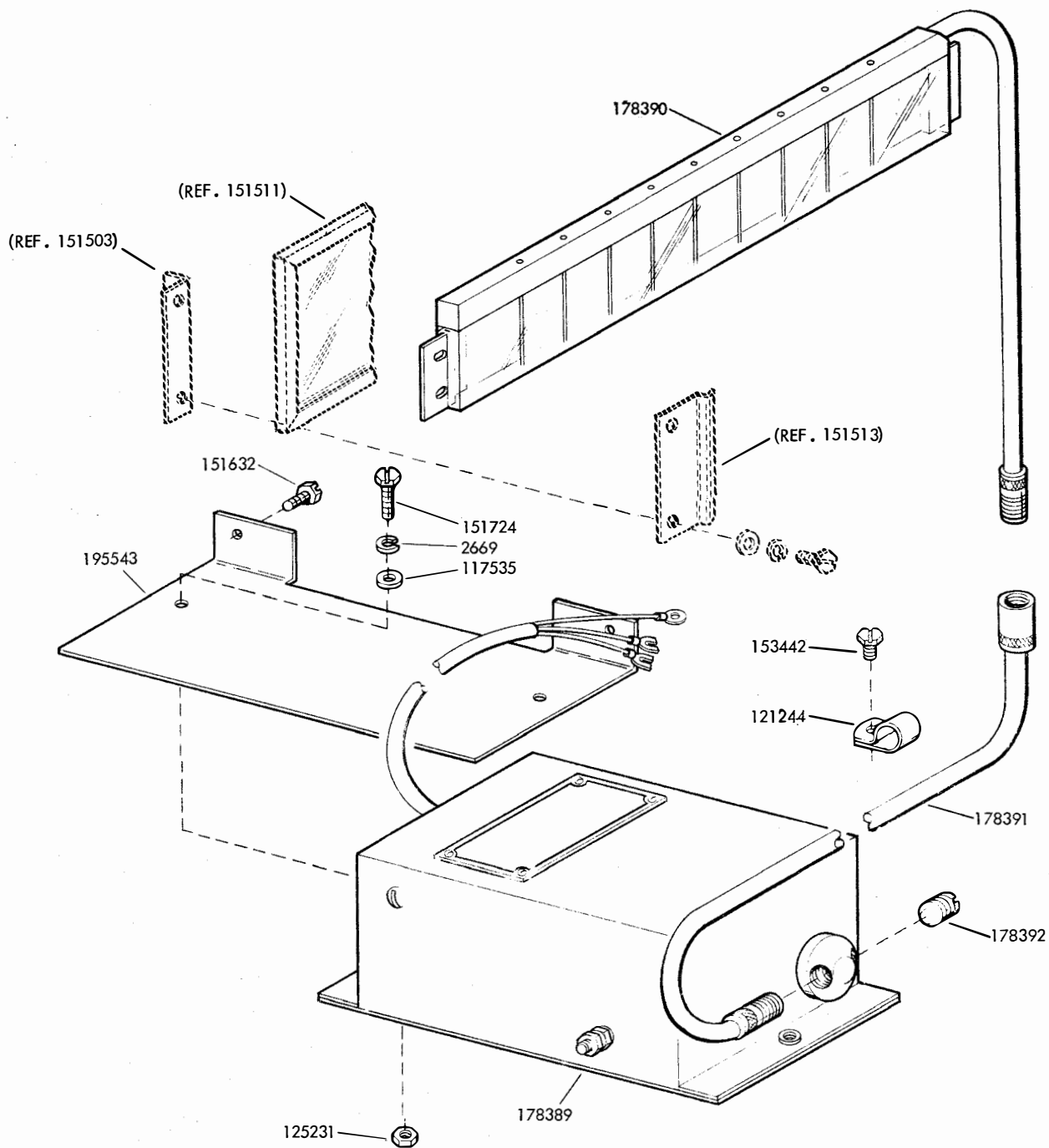


① Part of 193942

**Refer to Page 1 for Finish Suffix

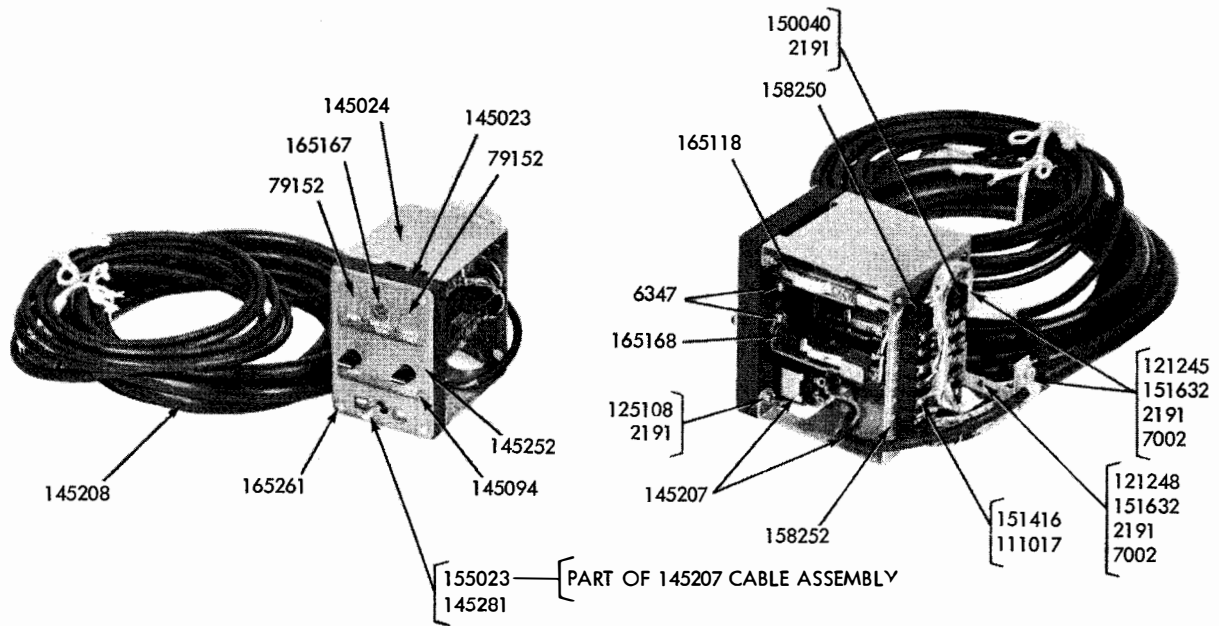
SPECIFICATION 501015

FIGURE 34. 193941** MODIFICATION KIT TO PROVIDE VENTILATION FOR UNIVERSAL CABINETS



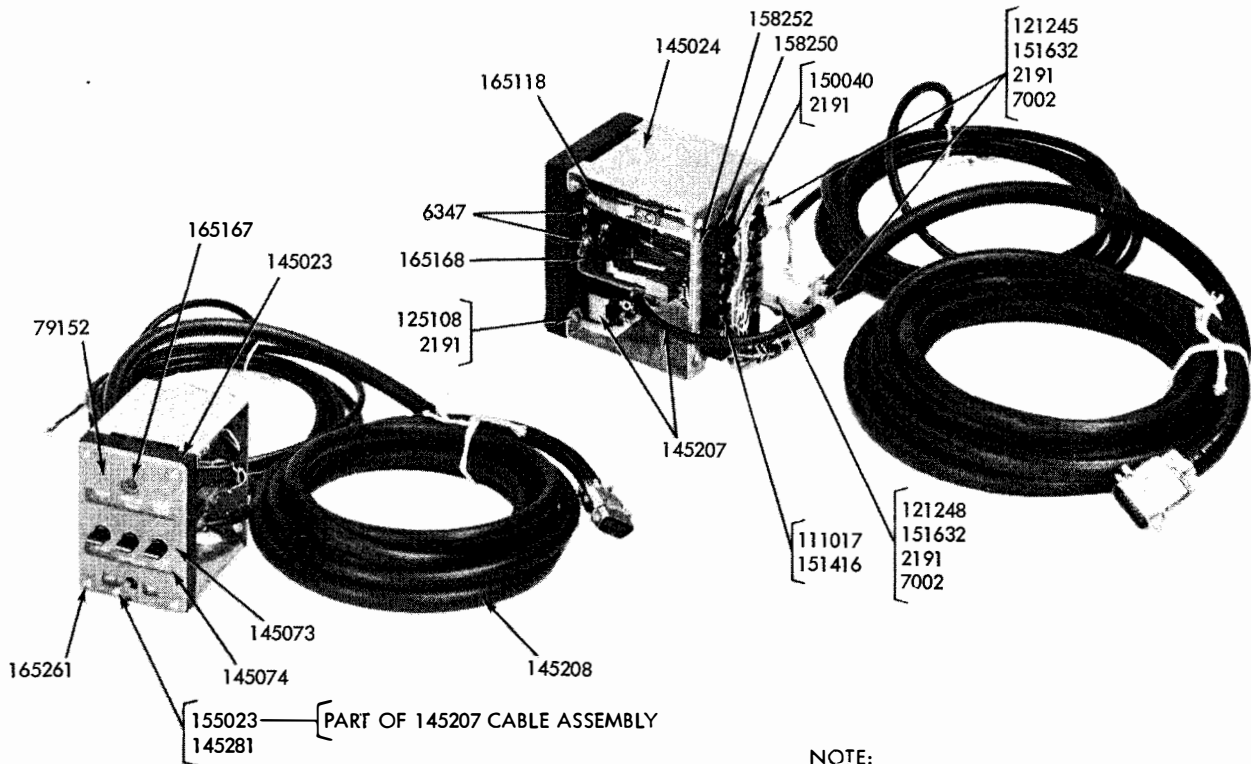
Specification 502075

FIGURE 35. 195540 MODIFICATION KIT TO PROVIDE STATIC ELIMINATOR TO NEUTRALIZE ELECTROSTATIC CHARGE ON PAGE COPY



NOTE:
MOUNT TO CABINET WITH 35551 SCREW

FIGURE 36. 145450 MODIFICATION KIT TO PROVIDE KEY AND LAMP ASSEMBLY



NOTE:
MOUNT TO CABINET WITH 35551 SCREW

FIGURE 37. 145010 MODIFICATION KIT TO PROVIDE KEY AND LAMP ASSEMBLY

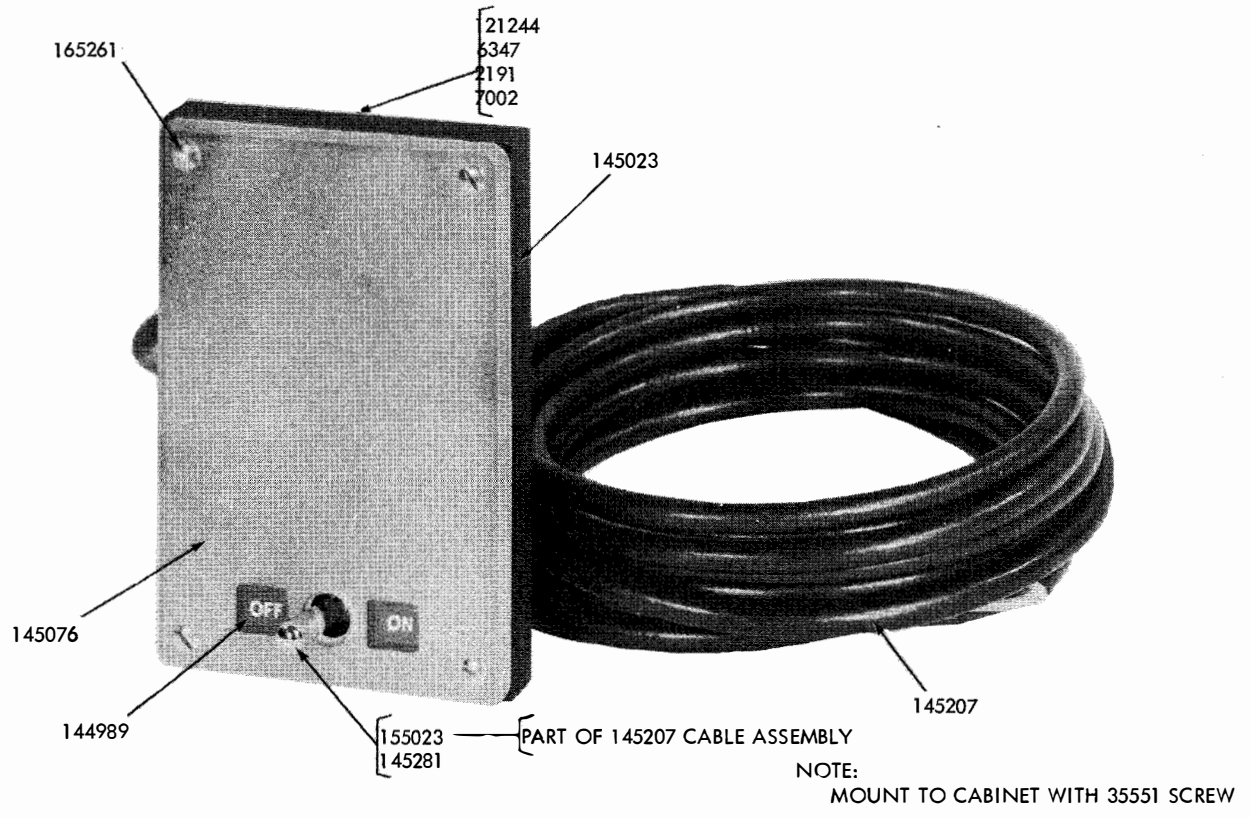


FIGURE 38. 145075 MODIFICATION KIT TO PROVIDE KEY AND LAMP ASSEMBLY

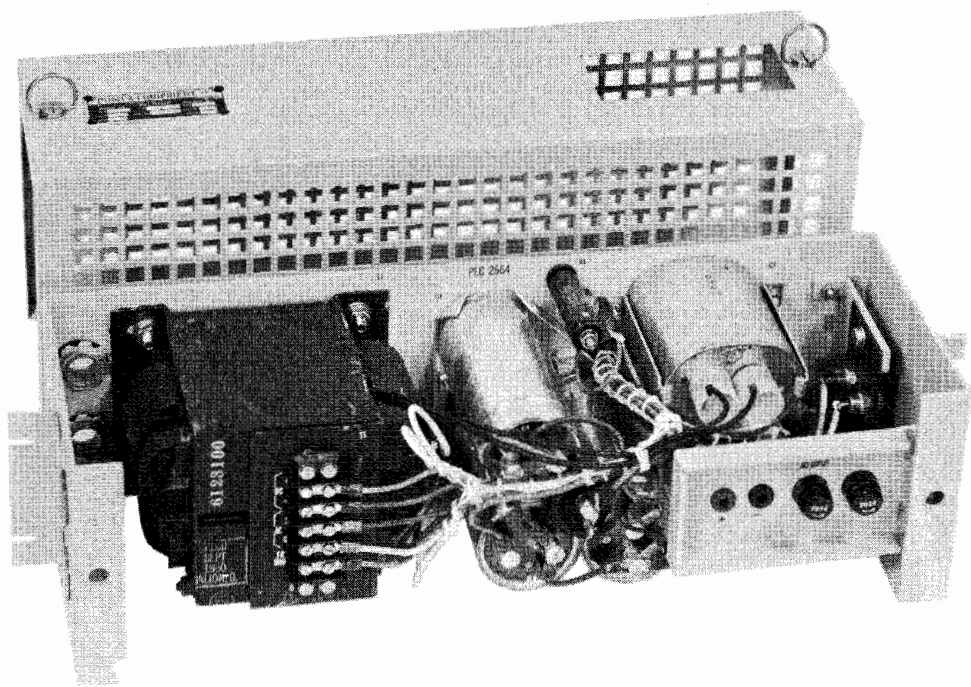


FIGURE 39. 145017 RECTIFIER-48 VOLTS D.C.

NUMERICAL INDEX

Part Number	Description and Page Number	Part Number	Description and Page Number	Part Number	Description and Page Number
1118	Screw, Shoulder (6-40) 18	92146	Nut (1/4-20 Hex) 3 to 5, 9, 10	125802	Washer, Flat 5, 6
1157	Screw (8-32 x 1/2 Fil) 24	92556	Holder, Fuse 16	129514	Spacer 16
1248	Screw (6-40 x 1/2 Flat) 22, 23	92854	Connector, Plug (2 Pt) 30	129919	Fuse (4 Amp) 18, 21, 27, 28
1253	Screw (8-32 x 3/8 Rd) 5, 6, 14	93130	Screw (1/4-20 x 1/2 Hex) 3, 4, 10	131228	Washer, Insulating 27
1264	Screw (10-32 x 1/2 Flat) 7, 8, 10	93191	Screw (4-40 x 5/16 Flat) 6	138191	Screw (3-48 x 1 Rd) 23
2191	Washer, Lock 3 to 5, 8, 10 to 30, 32, 33	93984	Washer, Lock 16	138225	Block, Terminal 22, 24, 27, 28
2449	Washer, Lock 3, 4, 9 to 11, 13, 19, 20	93985	Washer, Lock 16	139158	Connector, Receptacle (Duplex) 24, 27, 28
2669	Washer, Lock 4, 7 to 11, 13, 16, 19, 20, 23, 31	95005	Resistor (2500 Ohm) 27, 28	139335	Connector, Plug (6 Pt) 29
2846	Washer, Flat 3, 4, 10, 11, 13, 19, 20	95281	Screw (10-24 x 3/8 Fil) 9, 10	142108	Diode 26
3438	Washer, Flat 3, 11, 20	97492	Nut (10-24 Hex) 9, 10	144966	Bracket, Left 23
3595	Nut (1/4-32 Hex) 13	98718	Washer, Flat 16	144967	Bracket, Right 23
3598	Nut (6-40 Hex) 4, 11, 12, 14, 15, 18, 19, 22, 23, 25 to 28, 30	101833	Screw (8-32 x 5/16 Fil) 22	144969	Brace, Lower 23
3599	Nut (4-40 Hex) 3, 11	102214	Screw (6-40 x 13/64 Flat) 4	144971	Brace, Upper 23
3605	Nut (5/16-18 Hex) 3 to 5	103241	Block, Terminal 22	144972	Bracket 23
3606	Nut (6-40 Hex) 8	104124	Screw (1/4-32 x 11/32 Hex) 20	144974	Bracket 23
3646	Washer, Lock 14, 24	105567	Screw (10-24 x 1/2 Fil) 10	144979	Relay (700 Ohm) 26, 27
4814	Washer, Lock 3 to 5	107393	Switch, Toggle (SP-ST) 3, 14, 22, 27	144989	Plate, Designation 33
5599	Nut (8-32 Hex) 16	108103	Washer, Flat 19	145003	Relay (700 Ohm) 26, 27
6345	Nut (6-32 Hex) 27	110743	Washer, Lock 3 to 6, 24	145010	Modification Kit 32
6346	Screw (6-32 x 23/32 Fil) 16	111017	Screw (6-40 x 5/16 Fil) 16, 18, 19, 21, 25 to 28, 32	145017	Rectifier (48 V DC) 33
6347	Screw (6-32 x 3/8 Rd) 32, 33	111345	Bolt 11	145023	Panel, Rubber 32, 33
6827	Block 23	111346	Spring, Compression 11	145024	Shield Assembly 16, 32
7001	Washer, Flat 20	111516	Washer, Flat 10, 18, 21, 22	145029	Buzzer 15
7002	Washer, Flat 3, 4, 8, 10 to 29, 32, 33	112626	Nut (10-32 Hex) 7, 8, 10, 11, 23	145073	Panel, Plastic 32
8185	Screw (1/4-20 x 3/4 Fil) 5	112630	Spring 19, 20	145074	Plate, Designation 32
8669	Screw, Shoulder (6-40) 13	113099	Screw, Thumb (6-40) 18	145075	Modification Kit 33
25123	Screw (1/4-32 x 7/16 Hex) 11, 19, 20	114478	Nut (15/32-32 Hex) 15 to 16, 26, 28	145076	Panel, Plastic 33
35551	Screw (10-32 x 3/8 Flat) 7, 8, 10, 17, 32, 33	115594	Nut, Speed (8-32) 5, 23	145094	Plate, Designation 32
41382	Spring 19, 20	116783	Holder, Fuse 18, 21, 27 to 29	145207	Cable Assembly 32, 33
41663	Washer, Flat 4, 23	117535	Washer, Flat 19, 20, 31	145208	Cable Assembly 32
44048	Washer, Flat 24	117580	Holder, Fuse 26	145231**	Panel 16
45815	Washer, Lock 18, 21, 22	118510	Fuse (1/4 Amp) 30	145236**	Door 16
49514	Nut (8-32 Hex) 24	118578	Clamp, Cable (3/4" ID) 29	145237	Panel, Plastic 16
55320	Screw (8-32 x 7/16 Rd) 16	118659	Switch, Toggle 14	145238	Plate, Designation 16
73572	Screw (1/4-20 x 1 Hex) 9	118759	Block, Terminal 27	145239**	Bar, Guide 16, 17
74889	Block, Backstop Mounting 4	118865	Cover 5	145241	Panel, Fuse 16
75750	Washer, Insulating 27, 28	119401	Washer, Flat 16	145251	Washer, Cup 13 to 17
76862	Screw (1/4-20 x 1" Rd) 5	119650	Ring, Retaining 11, 12	145252	Panel, Plastic 32
77902	Screw (6-40 x 2-3/8 Rd) 27, 28	119651	Ring, Retaining 19, 20	145256	Connector, Plug (3 Pt) 16
78453	Nut (10-32 Hex) 19, 20	120175	Plate, Instruction (ON-OFF) 26	145264	Cable Assembly 16
79152	Lamp (48 V) 32	121242	Clamp, Cable (1/8" ID) 18	145265	Cable 16
82474	Terminal 18	121243	Clamp, Cable (3/16" ID) 19, 27	145266	Fuse (15 Amp SL-BL) 16
82702	Screw (6-40 x 9/32 Flat) 30	121244	Clamp, Cable (1/4" ID) 24, 31, 33	145281	Ring, Locking 17, 32, 33
84579	Washer, Flat 13	121245	Clamp, Cable (5/16" ID) 16, 24, 32	145317	Screw (6-40 Spl) 19
85318	Washer, Leather 8	121246	Clamp, Cable (3/8" ID) 18	145318	Screw (6-40 Spl) 19, 20
85609	Screw (1/4-20 x 5/8 Fil) 10	121247	Clamp, Cable (7/16" ID) 22	145430	Plate 19, 20
85791	Washer, Flat 10	121248	Clamp, Cable (1/2" ID) 32	145435**	Base 4
86329	Screw (6-40 x 7/16 Rd) 3	121249	Clamp, Cable (5/8" ID) 16, 20, 22	145445	Pad 4
86835	Spring 18, 19, 20, 24, 25, 26	121605	Bushing 11, 12	145446**	Panel, Front 4
86968	Pin, Cotter 9	124955	Bumper, Rubber 9	145448**	Plate, Duct 4
89548	Spring, Contact 23	125002	Screw (8-32 x 3/8 Flat) 16, 23	145450	Modification Kit 32
89782	Spring, Compression 11, 12	125011	Washer, Flat 4	145451	Bracket 4
90789	Washer, Flat 27	125015	Washer, Flat 4, 12	145452**	Panel, Right Side 4
90959	Screw (6-32 x 3/8 Oval) 13 to 17	125108	Screw (6-32 x 3/8 Fil) 3, 4, 16, 24, 32	145453**	Panel, Left Side 4
91683	Nut (15/32-32 Hex) 3, 14 to 17, 24, 26, 28	125185	Screw (10-32 x 1/4 Rd) 9	145454**	Cover, Top 4
91684	Nut (15/32-32 Ring) 3, 14, 15	125218	Nut (1/4-32 Hex) 11	145455**	Cover, Bottom 11
		125231	Nut (10-32 Hex) 10, 18, 21, 22, 31	145456**	Cover, Center 11
				145457**	Cover, Top 11
				145458**	Cover 4
				145459**	Frame, Outer 4
				145460	Bracket 11, 12
				145464	Keylever Assembly (C.R.) 11, 12
				145465	Keylever Assembly (L.F.) 11, 12
				145466	Spring, Compression 11, 12
				145467**	Door 11
				145468	Clamp, Right 11

**Refer to Page 1 for Finish Suffix

NUMERICAL INDEX (Continued)

Part Number	Description and Page Number	Part Number	Description and Page Number	Part Number	Description and Page Number
145469	Plate, Base 19	151436	Cover 27	153442	Screw (10-32 x 1/2 Hex) 10, 11, 18, 19, 21 to 23, 31
145470	Link W/Nut 19, 20	151442	Screw (6-40 x 1/2 Hex) 25, 26	153459	Block, Terminal 24 to 26
145471	Link W/Post 19, 20	151511	Gasket 11	153466	Cover 25, 26
145476	Bracket, Copyright 19	151540	Lampholder 14, 15, 17, 24, 27	153468	Insulator, Left (1-20) 25, 26
145481	Plate 23	151545	Guide, Paper 11	153470	Insulator, Right (20-40) 25, 26
145487	Screw, Shoulder (6-40) 19, 20	151549	Post 10	153484	Screw (6-32 x 1/4 Spl) 24 to 26
145489	Cable W/Terminals 19	151558	Nut, Speed 15	153537	Screw (6-40 x 9/32 Hex) 18, 19, 22
145490	Bolt, Latch 11, 12	151572	Washer, Lock 9, 23	153538	Screw (6-40 x 7/16 Hex) 12
145491	Extension 11, 12	151606	Screw (10-32 x 1/4 Hex) 20	153841	Screw (6-40 x 9/16 Hex) 27
145492	Screw, Thumb (6-40) 11, 12	151626	Terminal 18 to 22, 27	154127	Nut (6-40 Hex) 20
145493	Plate, Striker 4	151629	Nut (6-40 Lug) 27	154176	Bracket 19
145713	Pad 4	151630	Screw (6-40 x 1/4 Hex) 4, 5, 10, 17 to 21, 27	154251	Latch 16
145714	Pad 4	151631	Screw (6-40 x 5/16 Hex) 14, 15, 18 to 20, 22, 24	154335	Screw (6-40 x 9/32 Fil) 11
145769	Plate 4	151632	Screw (6-40 x 3/8 Hex) 4, 8, 13, 15, 16, 18 to 21, 26 to 29, 31, 32	154399	Plate, Identification (Bell) 10
145770	Bracket 4	151637	Screw (4-40 x 1/4 Fil) 24	154409**	Plate 3, 4
145771	Plate 4	151657	Screw (6-40 x 1/4 Fil) 30	154437	Insulator (1-20) 24
145772	Bracket 4	151658	Screw (6-40 x 5/16 Fil) 18 to 20, 24	154446	Cover 24
145773	Plate 4	151659	Screw (6-40 x 1/2 Fil) 16	155023	Switch, Toggle (DP-DT) 15 to 17, 24, 26 to 28, 32, 33
145774	Bracket 4	151686	Screw (4-40 x 3/8 Fil) 5, 6, 25, 26	155083	Lens, Indicator Light 15
145775	Bracket 4	151687	Screw (4-40 x 7/16 Fil) 3	155859	Screw (4-40 x 1/8 Spl) 24
145880	Screw (4-40 x 1/4 Oval) 16	151691	Screw (10-32 x 3/8 Fil) 16	155860	Screw (4-40 x 3/8 Rd) 24
145882	Terminal 16	151692	Screw (6-40 x 3/16 Fil) 11, 25, 26	155861	Washer, Lock 24
145892	Shield, Light 19	151693	Screw (6-40 x 9/16 Fil) 27, 28	156740	Screw (6-40 x 7/32 Hex) 12, 22, 27, 28
146138	Plate 16	151721	Screw (6-40 x 3/4 Hex) 20	156770	Plate, Identification (Teletype) 4, 10
146149	Plate, Base 19, 20	151722	Screw (6-40 x 3/16 Hex) 11, 19, 20, 24 to 28	156976	Connector, Plug (32 Pt) 24
146163	Bracket, Right Top 11	151723	Screw (10-32 x 3/8 Hex) 10, 18, 20, 23	156993	Nut, Speed 4, 10
146164	Bracket, Left Top 11	151724	Screw (10-32 x 5/8 Hex) 11, 20, 22, 31	158250	Block, Terminal 16, 19, 20, 32
146165	Bracket, Right Top 11	151725	Screw (10-32 x 3/4 Fil) 22	158252	Insulator (1-6) 16, 19, 20, 32
146166	Bracket, Left Top 11	151733	Screw (4-40 x 9/16 Fil) 4	158258	Connector, Plug (20 Pt) 18
146167	Bracket, Right Center 11	151734	Screw (4-40 x 3/8 Hex) 22	158259	Connector, Receptacle (20 Pt) 22
146168	Bracket, Left Center 11	151827	Strap, Terminal 16, 24, 26, 28	158283	Connector, Receptacle (32 Pt) 24
146169	Bracket, Right Center 11	151880	Nut (4-40 Hex) 16	158286	Transformer 18, 19, 21, 24 to 28
146170	Bracket, Left Center 11	151982	Lamp, Incandescent (6 V) 4, 14, 15, 17 to 19	158649	Screw, Thumb (4-40) 11, 16
146171	Plate, Top 11	152124	Spacer 23	159238	Connector, Receptacle (2 Pt) 15
146173	Plate, Center 11	152246	Nut, Self-Locking (6-40 Hex) 27	159931	Clamp 24
146179	Plate, Bottom 11	152460	Bracket 18	159932	Keeper 24
146181	Bracket, Right Bottom 11	152461	Bracket 20	160339	Window, Glass 11
146182	Bracket, Left Bottom 11	152462	Latch, Right 18 to 20, 24 to 26	160341**	Hinge, Left 11
146183	Bracket, Right Bottom 11	152463	Latch, Left 18 to 20, 24 to 26	160344	Clamp, Left 11
146184	Bracket, Left Bottom 11	152464	Insulator (.062") 18 to 20, 25, 26	160349**	Hinge, Right 11
146185	Slide, Left Center 11	152465	Connector, Receptacle (20 Pt) 14, 24, 25, 27	160370	Switch, Push (NC) 15
146186	Slide, Right Center 11	152466	Connector, Receptacle (20 Pt) 14, 22, 24, 25, 27	161087	Insulator (1-6) 22
146187	Slide, Left Top 11	152467	Connector, Plug (20 Pt) 19, 20, 24 to 26	161683	Channel W/Rail 8
146188	Slide, Right Top 11	152755	Strap, Terminal 16, 26	161684	Channel, Right 8
146189	Latch 11	153017	Nut, Speed 23, 25 to 28	161703**	Cover, Top 5
146190	Bracket, Channel 11	153103	Screw, Self-Tapping (4-40) 4	161705	Strike, Fastener 4, 6
146291	Cable W/Terminals 20	153252	Link 19, 20	161706**	Door, Right Rear 6
146332	Bushing 11	153388	Stud 24 to 26	161707**	Door, Left Rear 6
146363	Cable Assembly 19	153400	Lamp, Incandescent (60 V) 13	161708	Latch, Magnetic 4 to 6
146967	Resistor (750 Ohm) 29	153441	Screw (10-32 x 7/16 Hex) 21	161710	Channel, Left 7
150040	Screw (6-40 x 5/8 Fil) 24, 32			161711	Block, Guide 7, 8, 10
150323	Washer, Flat 23, 25 to 28			161715	Channel, Right 7
150966	Insulator (1-4) 18, 19, 21, 25 to 28			161716	Block, Support 7, 8, 10
151113	Strip, Mounting 18 to 20			161731	Plate, Cover 5
151118	Plate, Spacing 18 to 20			161747	Plate, Nut 4 to 6
151146	Strap, Mounting 18 to 20			161748	Screw (5/16 - 18 x 5/8 Flat) 3 to 5
151159	Bracket 19, 20			161752	Channel, Duct 5
151335	Stud 18 to 22, 25 to 28			161986	Cover, Duct 5
151411	Block, Terminal 26, 28			161987	Plate, Duct 5
151412	Insulator (1-9) 26, 28			161994	Bracket, Terminal Block 22
151415	Block, Terminal 18, 19, 21, 25 to 28			161995	Bracket, Terminal Block 22
151416	Nut (6-40 Hex) 16, 18, 19, 21, 25 to 28, 32				
151427	Plate, Clamp 27				
151435	Insulator (1-30) 27				

**Refer to Page 1 for Finish Suffix

NUMERICAL INDEX (Continued)

Part Number	Description and Page Number	Part Number	Description and Page Number	Part Number	Description and Page Number
161998	Plate, Name (Teletype) 4, 5	172685	Slide, Left Inner 10	179299**	Door 4
162333	Stud, Locating 18 to 20	172693**	Panel, Right Side 3	179300**	Frame, Outer 4
162627	Nut, Speed (#6) 4, 5	172694**	Panel, Left Side 3	179303	Post 13
162687	Screw (6 x 1/2 Spl) 4, 5	172695	Base 3	179304	Plate, Nut 13
162692	Pin, Hinge 22	172696**	Brace, Front Bottom 3	179305**	Panel, Cover 13
162730	Screw (1/4-20 x 7/16 Hex) 5	172697**	Brace, Front Top 3	179306	Plate, Identification (ON-OFF) 13, 15
163163	Pad 5	172698**	Brace, Rear Bottom 3, 4	179307	Panel, Mounting 27
163973	Plate, Nut 7	172699**	Cover, Keyboard 10	179367	Plate, Identification 13
164081	Spacer 5	172700**	Door Assembly 9	179370	Lamp, Indicating (Red) 13
164087	Pan 8	172701**	Tap 3	179371	Lamp, Indicating (Green) 13
164088	Pan Assembly 8	172702**	Panel, Rear 3, 4	179372	Shield, Light 4, 14
164604	Shield, Right Lamp 10	172703**	Panel, Top Rear 3, 4	179375	Cable Assembly 27
164606	Bracket, Mounting 22	172711	Plate, Cover 3	179376	Cable 27
164607	Bracket, Mounting 22	172712	Arm, Right Pivot 9	179378	Retainer, Keylever 11, 12
164609	Plate, Identification 3	172713	Arm, Left Pivot 9	179815**	Cover 4
164610	Brace 22	172714	Bracket, Spring 9	193350**	Cabinet 17
164613	Bracket, Right Mounting 10	172715	Screw, Captive (10-24) 3, 4	193535	Panel Assembly 24
164614	Bracket, Left Mounting 10	172717	Bushing 9	193536	thru
164615	Plate, Base 18	172718	Screw, Shoulder (1/4-20) 9	193541	Cable 24
164616	Brace 22	172719	Screw, Shoulder (1/4-20) 9	193542	Panel, Connector 24
164618	Handle 18	172758	Pad 3, 4	193543	Bracket, Left Front 23
164619	Plate, Mounting 22	172762	Bumper, Rubber 9	193544	Bracket, Left Rear 23
164620	Guard, Terminal Block 22	172763	Nut, Grip 3, 4	193545	Panel, Red Plastic 17
164622	Bracket, Left Mounting 18	172791**	Panel, Front 3	193546	Panel, Yellow Plastic 17
164623	Bracket, Right Mounting 18	172961	Screw, Stop (6-40) 18	193547	Plate, Mounting 17
164624	Cable Assembly 3, 22	173013**	Frame, Top 9	193548	Plate, Designation 17
164626	Holder, Left Lamp 18	173014**	Frame, Left 9	193549	Panel, Plastic 17
164627	Holder, Right Lamp 18	173015**	Frame, Right 9	193570	Relay 28
164629	Bracket 18, 21	173016**	Frame, Bottom 9	193571	Cable 28
164730	Bracket 18	173017	Frame, Door 9	193574	Cable Assembly 14
164733	Shield, Left Lamp 10	173018	Gasket 9	193575	Plate, Mounting 28
164754	Plate, Name 4	173019	Panel, Glass 9	193576**	Panel, Fixed Cover 14
164899	Pad, Side Top 3	173974	Screw (10-32 x 5/16 Hex) 19, 20	193577	Clamp 12, 13
164900	Pad, Side Bottom 3	174456	Plate, Nut 5	193657	Switch, Push Button 14
164901	Pad, Rear Panel 3, 4	176130	Arm, Right Pivot 9	193658	Plate, Identification 14
164902	Pad, Side Center 3	176131	Arm, Left Pivot 9	193855**	Cover W/Clips 5
164903	Pad, Rear Top 3, 4	176132	Arm, Right Pivot 9	193941**	Modification Kit 30
164927	Cable 18	176133	Arm, Left Pivot 9	193942	Fan Assembly 30
164928	Cable Assembly 18	176134	Bracket, Mounting 3	193943	Cable Assembly 30
164955	Guide, Right 22	177010	Driver Assembly, Selector Magnet 27	193944**	Extension, Fan Mounting 30
164956	Guide, Left 22	178261	Handle, Door 4	193994	Holder Assembly, Fuse 30
164999	Cable W/Terminals 21	178389	Power Unit 31	194366	Plate, Lamp Holder 14, 15
165103	Screw (12-24 x 5/8 Rd) 23, 25 to 28	178390	Bar, Static Eliminator 31	194412	Plate, Identification 14
165118	Socket, Lamp 32	178391	Cable, Inductor 31	194494**	Panel, Control 15
165167	Lamp, Neon 32	178392	Plug, Outlet 31	194495	Plate, Identification 15
165168	Key 32	178840	Capacitor (400 MFD) 27	194496	Plate, Mounting 25
165261	Screw (4-40 x 3/8 Oval) 17, 32, 33	178841	Transformer 27	194497	Plate, Mounting 26
165469	Strip, Terminal 24	178843	Plate, Mounting 27	194498**	Panel, Front 4
170573	Rectifier Assembly 29	178859	Card, Circuit 27	194499	Cable Assembly 15
171461	Capacitor (900 MFD) 29	178868	Resistor (700 Ohm) 27	194799	Cable Assembly 15
171463	Resistor (1 Ohm) 29	178886	Cable W/Terminals 27	194800	Cable Assembly 25
171541	Diode 27	178887	Cable W/Terminals 27	195216**	Brace, Top Front 4
171609	Diode 29	178888	Clip 27	195394	Plate Assembly, Right Mounting 25
171610	Transformer 29	179130	Screw, Shoulder (10-32) 11	195395	Plate Assembly, Left Mounting 26
171644	Fuse (1.5 Amp) 29	179131	Screw (10-24 x 5/8 Hex) 3, 4	195396	Cable Assembly 25
171651	Connector, Receptacle (6 Pt) 29	179132	Collar, Spacing 9	195522	Guard, Relay 26
172650	Slide, Left Top Outer 10	179164	Bracket 20	195531	Cable Assembly 29
172651	Slide, Right Top Outer 10	179290**	Cover, Bottom	195540	Modification Kit 31
172654	Slide, Left Center Outer 10	179291**	Cover, Middle & Top 12	195543	Bracket, Mounting 31
172655	Slide, Right Center Outer 10	179293**	Panel, Keyboard 13	195611	Fuse (15 Amp SL-BL) 26
172658	Slide, Right Bottom Outer 10	179294	Bracket 13	196930	Grill 30
172659	Slide, Left Bottom Outer 10	179295	Window, Plastic 12	196931	Clip 30
172682	Slide, Right Middle 10	179296	Clamp, Window 12	197603	Bracket 23
172683	Slide, Left Middle 10	179297	Bracket, Right 11	197846	Cable Assembly 23
172684	Slide, Right Inner 10	179298	Bracket, Left 11	198092	Fan 30

**Refer to Page 1 for Finish Suffix