

OCT 22 1965
CABELL



BULLETIN 1160B

PARTS

MODEL 28
SEQUENCE SELECTOR
(LS)

TELETYPE[®]
CORPORATION
SUBSIDIARY OF *Western Electric Company* INC.
SKOKIE, ILLINOIS, U. S. A.

© 1956 by Teletype Corporation in the United States.
Copyright in all countries participating in International
Convention and Pan American Conventions. All rights re-
served including rights of translations into all languages.

Printed in U. S. A.



LIST OF EFFECTIVE PAGES

MAY, 1961

(Supersedes August, 1956 Issue)

Page Number	Change In Effect
A to D	Change 1
1-1 to 1-4	Change 1
2-1 to 2-22	Change 1
3-1 to 3-7	Change 1
4-1 to 4-4	Change 1

The above list indicates the effective pages as of the date of issue. Upon receipt of changes pages, insert them numerically and discard any superseded pages.

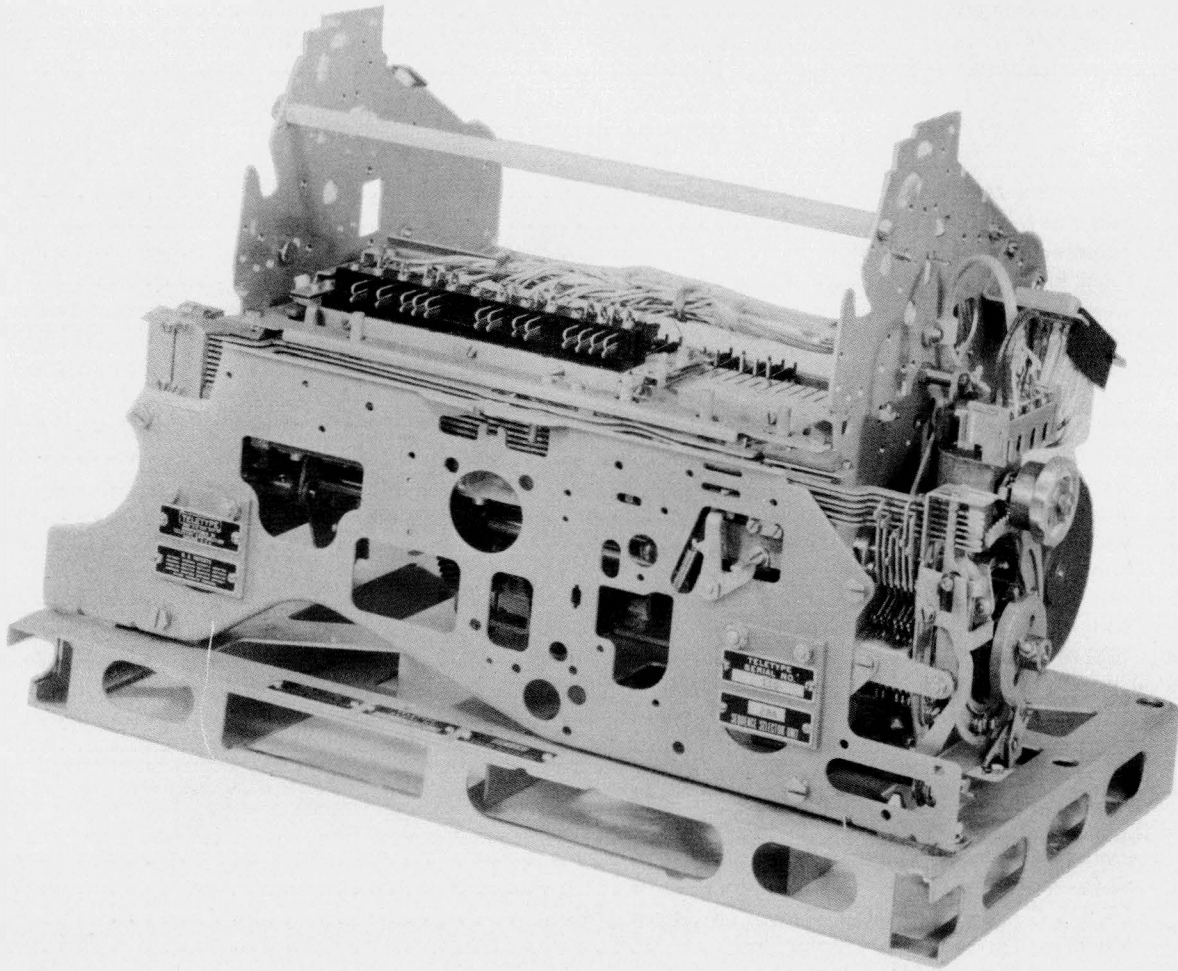
TELETYPE AND BELL SYSTEM CODE REFERENCE CHART		
UNIT	TELETYPE CODE (UNITS COVERED)	BELL SYSTEM CODE
SEQUENCE SELECTOR	LS1ADA201	28A
	LS1ADB201	28A-1
	LS1ADC201	28A-2
	LS1ADD201	28B
	LS1ADG201	28D
	LS1ADH201	28E
	LS2	
BASE	LSB1/000	28A
MOTOR UNIT	LMU3 (SYN.)	28A
	LMU4 (GOV. R.F.)	
	LMU6 (GOV.)	28B
GEAR SETS	151060 (60 WPM)	28A
	152766 (67 WPM)	
	151075 (75 WPM)	28B
	151100 (100 WPM)	28C
NYLON GEAR SETS	161293 (60 WPM)	28A-1
	161294 (75 WPM)	28B-1
	161295 (100 WPM)	28C-1

Bell System Only

When ordering parts from this bulletin,
prefix each number with the Letters TP.

TABLE OF CONTENTS

Figure Number		Page Number
SECTION 1 - BASE UNIT		
1-1	Base Mechanism	1-2
1-2	Gear Sets	1-3
	Numerical Index - Section 1	1-4
SECTION 2 - SELECTOR UNIT		
2-1	Side Frame Mechanism	2-2
2-2	Selector Mechanism	2-3
2-3	Selector Magnet Mechanism	2-4
2-4	Front Plate Mechanism	2-5
2-5	Clutch Trip Mechanism	2-5
2-6	Main Shaft Mechanism	2-6
2-7	Code Bar Positioning Mechanism	2-7
2-8	Code Bar Mechanism	2-8
2-9	Reset Bail Mechanism	2-9
2-10	Stunt Box Mechanism	2-10
2-11	Stunt Box Shift Slide Mechanism	2-11
2-12	Stunt Box Arrangements (Chart 1)	2-12
2-13	Stunt Box Arrangements (Chart 2)	2-13
2-14	New Style Stunt Box Switch Assemblies	2-14
2-15	Replacement Parts for Old Style Switch Assemblies	2-15
2-16	Early Style Stunt Box Switch Assemblies	2-16
2-17	163146 Modification Kit: to Provide Universal Contact	2-17
2-18	Coded and Uncoded Function Bars	2-18
	Modification Kits for Stunt Box Conversion	2-19
	Numerical Index - Section 2	2-20
SECTION 3 - MOTOR UNIT		
3-1	LMU3 Synchronous Motor Unit	3-2
3-2	Series Motor for LMU4 and LMU6 Motor Units	3-3
3-3	150845 Governor Assembly (Part of LMU4 and LMU6)	3-4
3-4	Mounting Parts for LMU4 Motor Unit	3-5
3-5	Mounting Parts for LMU6 Motor Unit	3-6
	Numerical Index - Section 3	3-7
SECTION 4 - NUMERICAL INDEX		



THE MODEL 28 SEQUENCE SELECTOR, SHOWN ABOVE, CONSISTS OF A SEQUENCE SELECTOR UNIT (LS), A BASE (LSB), AND A MOTOR UNIT (LMU).

1160B

SECTION 1

BASE UNIT

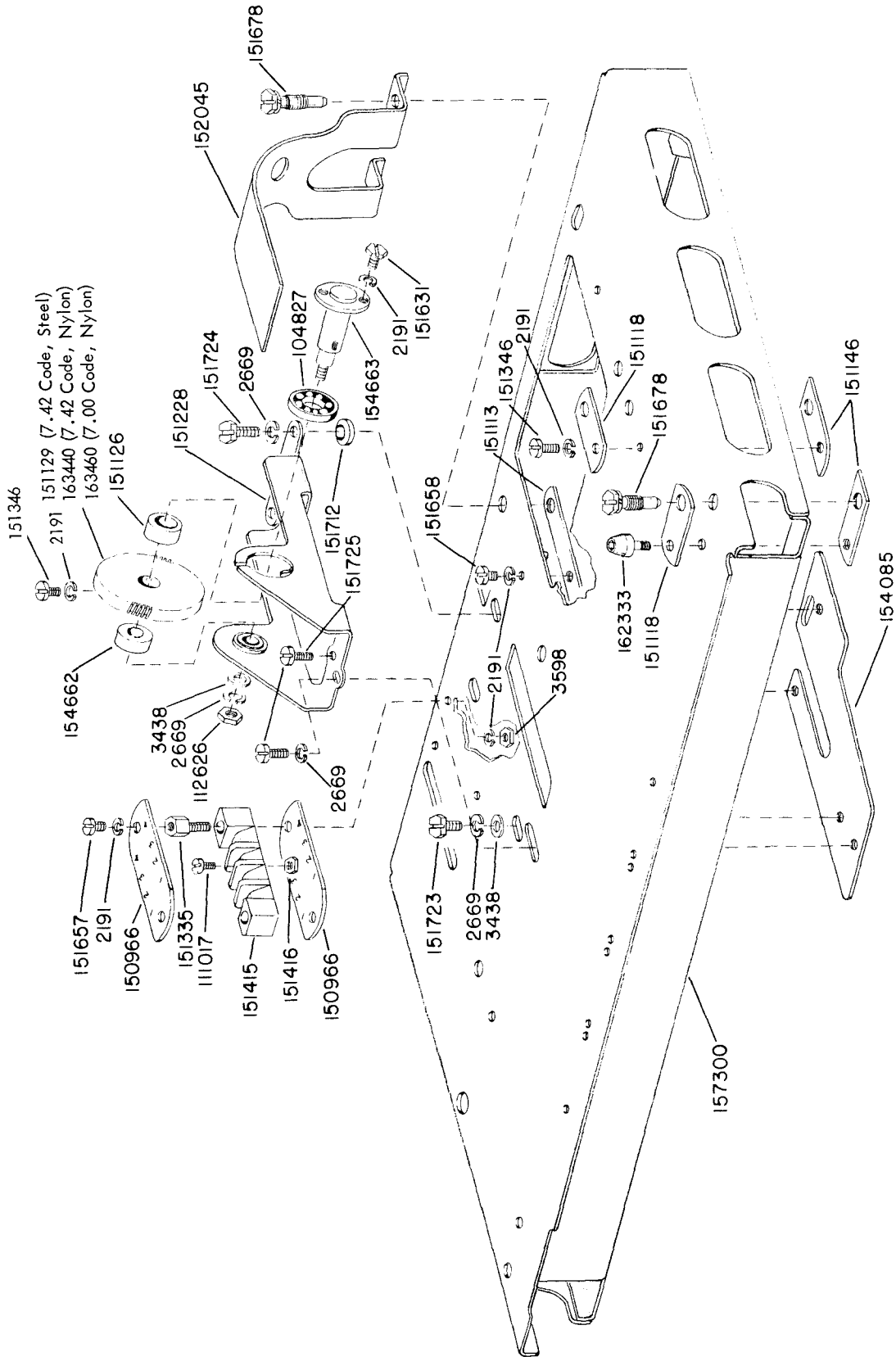
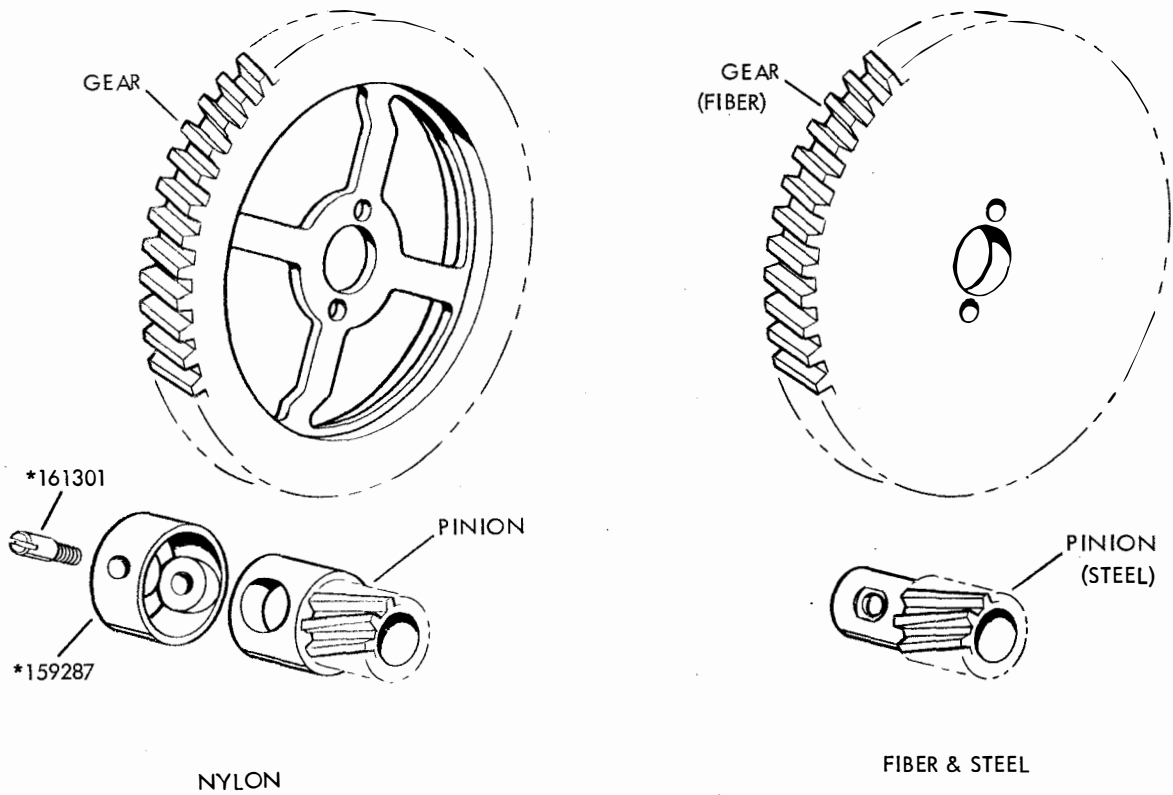


FIGURE 1-1. BASE MECHANISM



GEAR CHART - FIBER & STEEL SETS				
SPEED	UNIT CODE	GEAR SET	PINION	GEAR
368 OPM - 60 WPM (45.45 BAUD)	7.42	151060	151130 (14T)	151131 (96T)
404 OPM - 67 WPM (50 BAUD)	7.42	152766	152765 (13T)	152764 (81T)
460 OPM - 75 WPM (56.88 BAUD)	7.42	151075	151132 (17T)	151133 (93T)
600 OPM - 100 WPM (74.2 BAUD)	7.42	151100	151134 (20T)	151135 (84T)

GEAR CHART - NYLON SETS				
SPEED	UNIT CODE	GEAR SET	PINION	GEAR
368 OPM - 60 WPM	7.42	161293	159278 (14T)	159279 (96T)
460 OPM - 75 WPM	7.42	161294	159281 (17T)	159282 (93T)
600 OPM - 100 WPM	7.42	161295	159284 (20T)	159285 (84T)

*SUPPLIED WITH NYLON GEAR SET

FIGURE 1-2. GEAR SETS

NUMERICAL INDEX - SECTION I

Part Number	Description and Page Number	Part Number	Description and Page Number	Part Number	Description and Page Number
2191	Washer, Lock 1-2	151146	Strap, Mounting 1-2	152045	Guard 1-2
2669	Washer, Lock 1-2	151219	Plate 1-2	152764	Gear (81T) 1-3
3438	Washer, Flat 1-2	151228	Bracket w/Bearing 1-2	152765	Pinion (13T) 1-3
3598	Nut (6-40 Hex) 1-2	151335	Stud 1-2	152766	Gear Set (67WPM) 1-3
104527	Bearing, Ball 1-2	151346	Screw(6-40 x 3/8 Fil)1-2	154085	Plate, Nut 1-2
111017	Screw (6-40 x 5/16 Fil) 1-2	151415	Block, Terminal 1-2	154662	Spacer 1-2
112626	Nut (10-32 Hex) 1-2	151416	Nut (6-40 Hex) 1-2	154663	Shaft 1-2
150966	Insulator 1-2	151631	Screw (6-40 x 5/16 Hex) 1-2	157300	Base 1-2
151060	Gear Set (60 WPM) 1-3	151657	Screw (6-40 x 1/4 Fil) 1-2	159278	Pinion, Nylon (14T) 1-3
151075	Gear Set (75 WPM) 1-3	151658	Screw (6-40 x 5/16 Fil) 1-2	159279	Gear, Nylon (96T) 1-3
151100	Gear Set (100 WPM) 1-3	151678	Screw, Pilot (1/4-32) 1-2	159281	Pinion, Nylon (17T) 1-3
151113	Strip 1-2	151712	Button, Pivot 1-2	159282	Gear, Nylon (93T) 1-3
151118	Plate, Spacing 1-2	151723	Screw (10-32 x 3/8 Hex) 1-2	159284	Pinion, Nylon (20T) 1-3
151126	Spacer 1-2	151724	Screw (10-32 x 5/8 Hex) 1-2	159285	Gear, Nylon (84T) 1-3
151129	Gear (48T) 1-2	151725	Screw (10-32 x 3/4 Fil) 1-2	159287	Collar 1-3
151130	Pinion (14T) 1-3			161293	Gear Set (Nylon) 1-3
151131	Gear (96T) 1-3			161294	Gear Set (Nylon) 1-3
151132	Pinion (17T) 1-3			161295	Gear Set (Nylon) 1-3
151133	Gear (93T) 1-3			161301	Post (6-40) 1-3
151134	Pinion (20T) 1-3			162333	Stud, Locating 1-2
151135	Gear (84T) 1-3			163440	Gear (48T) 1-2
				163460	Gear (55T) 1-2

1160B

SECTION 2

SELECTOR UNIT

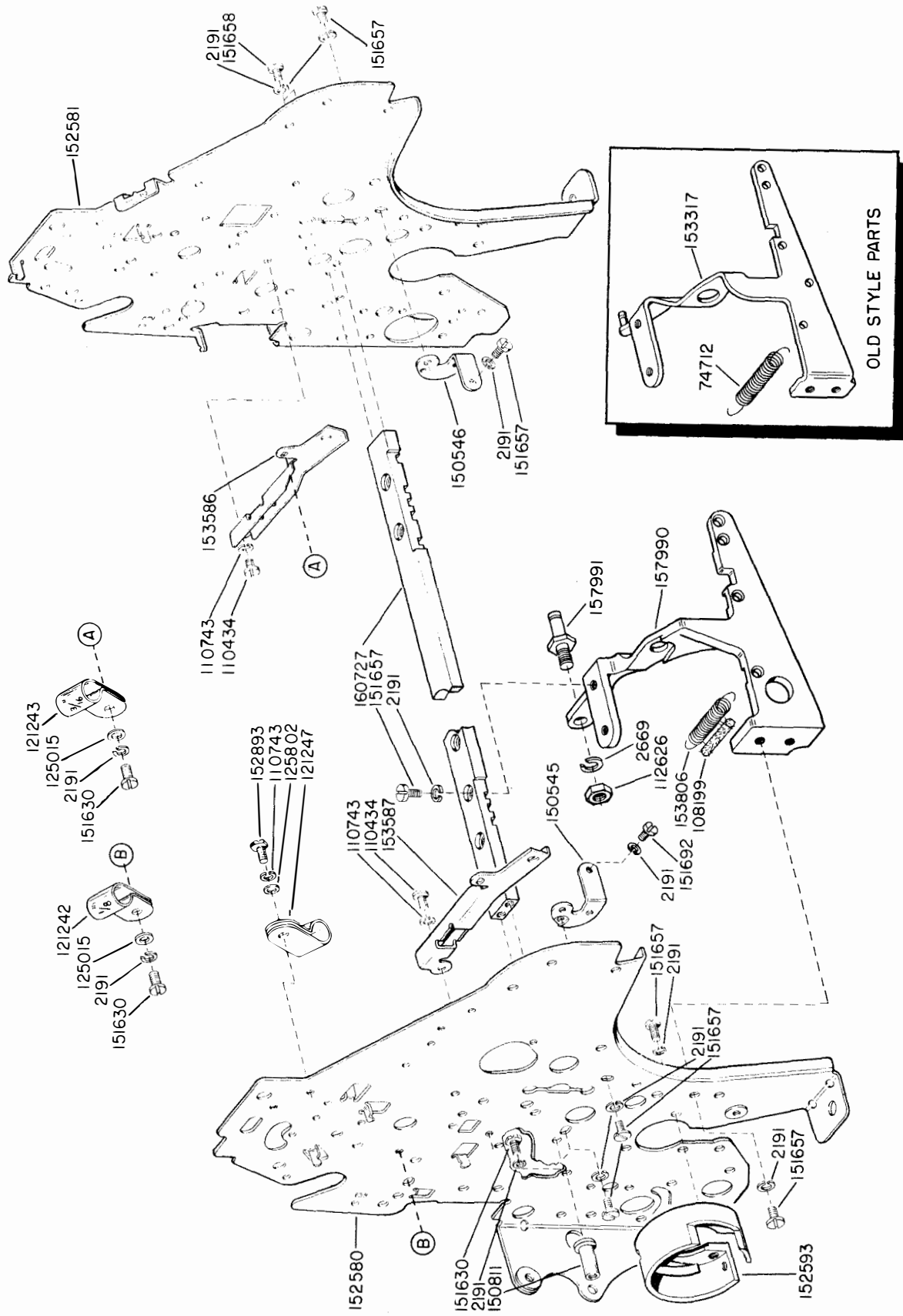
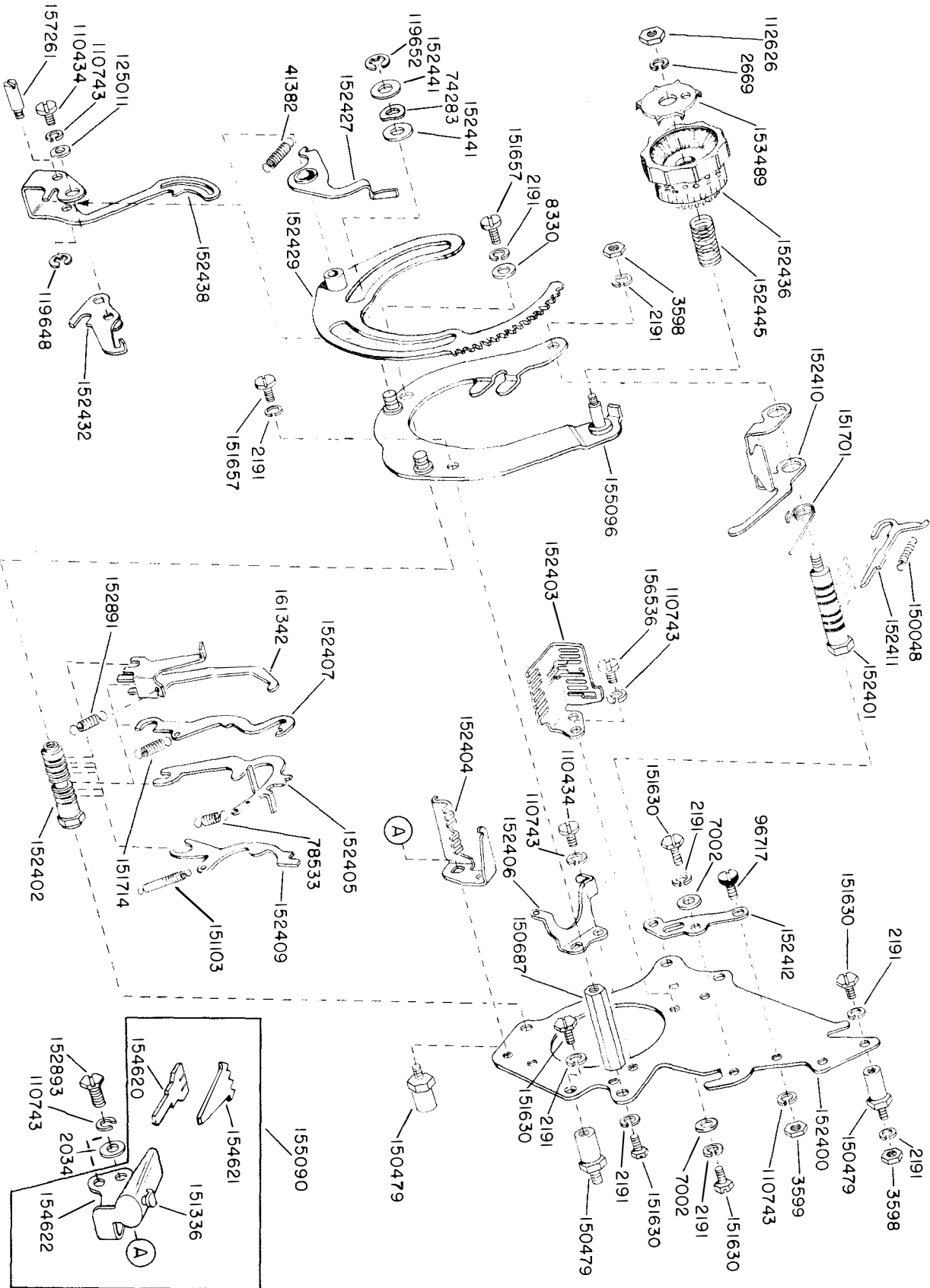


FIGURE 2-1. SIDE FRAMES MECHANISM

FIGURE 2-2. SELECTOR MECHANISM



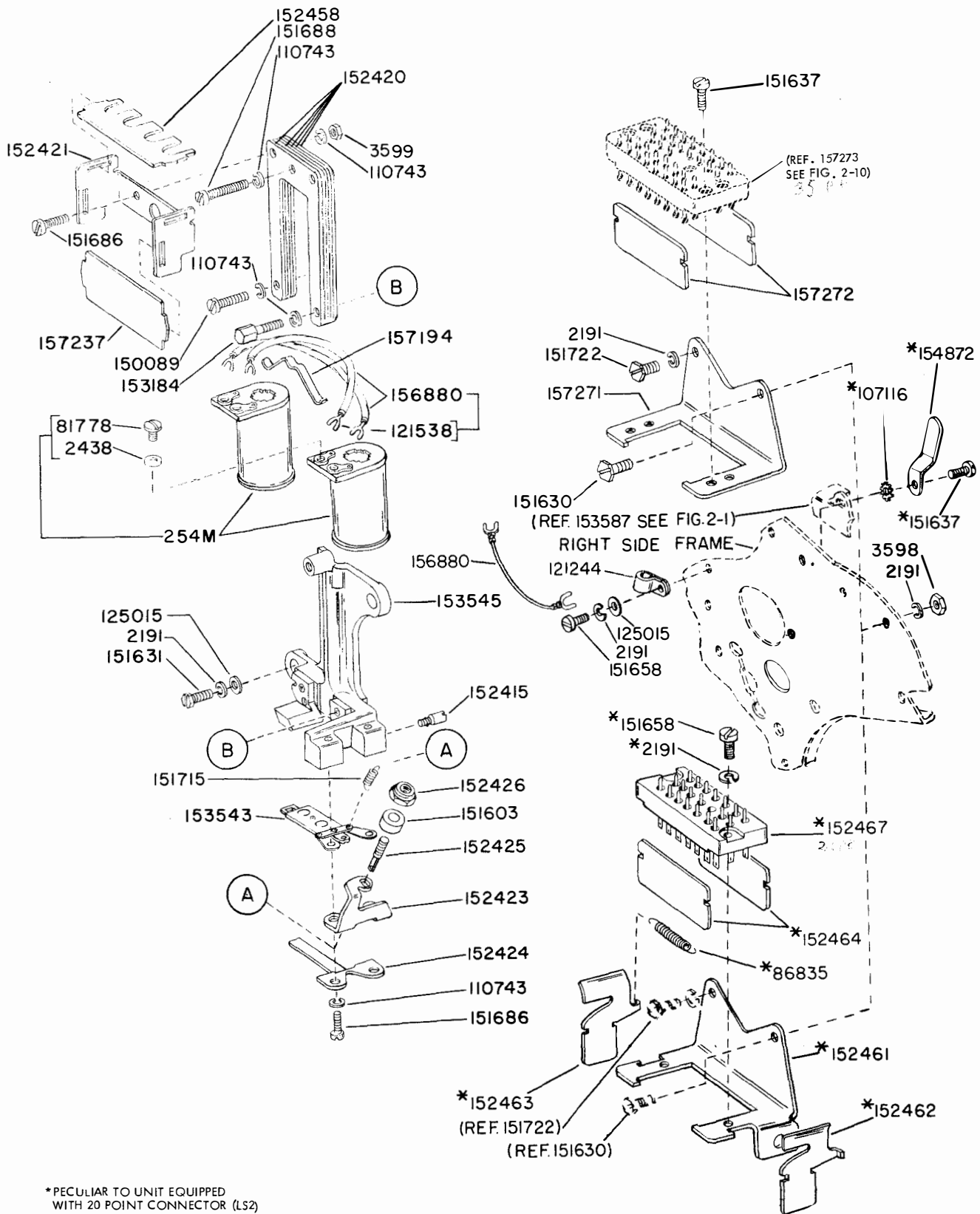


FIGURE 2-3. SELECTOR MAGNET MECHANISM

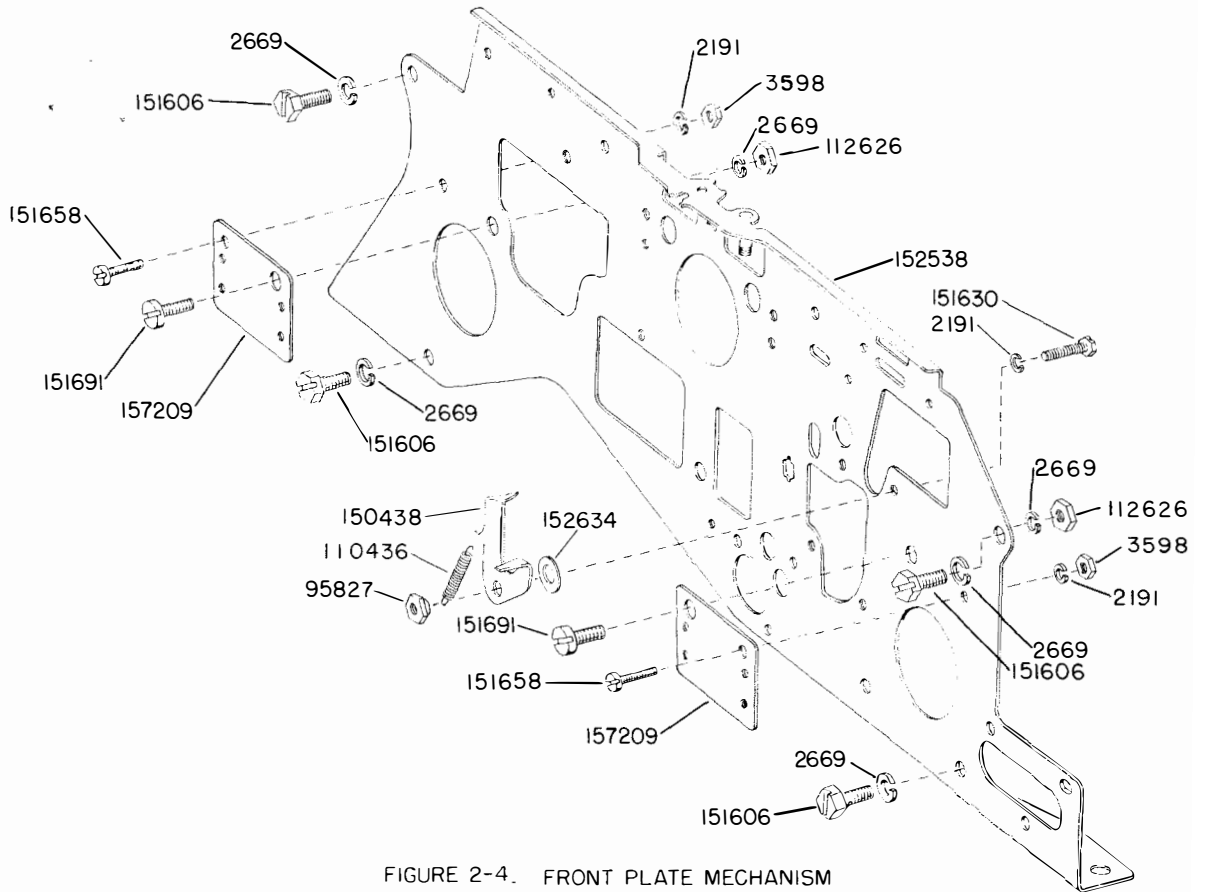


FIGURE 2-4. FRONT PLATE MECHANISM

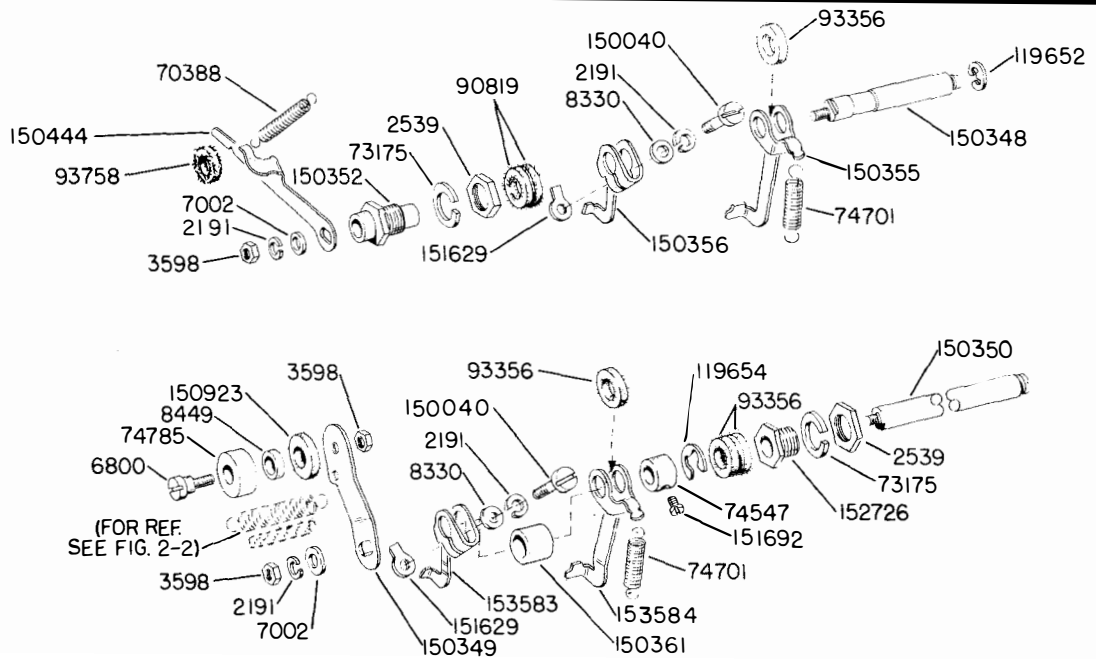
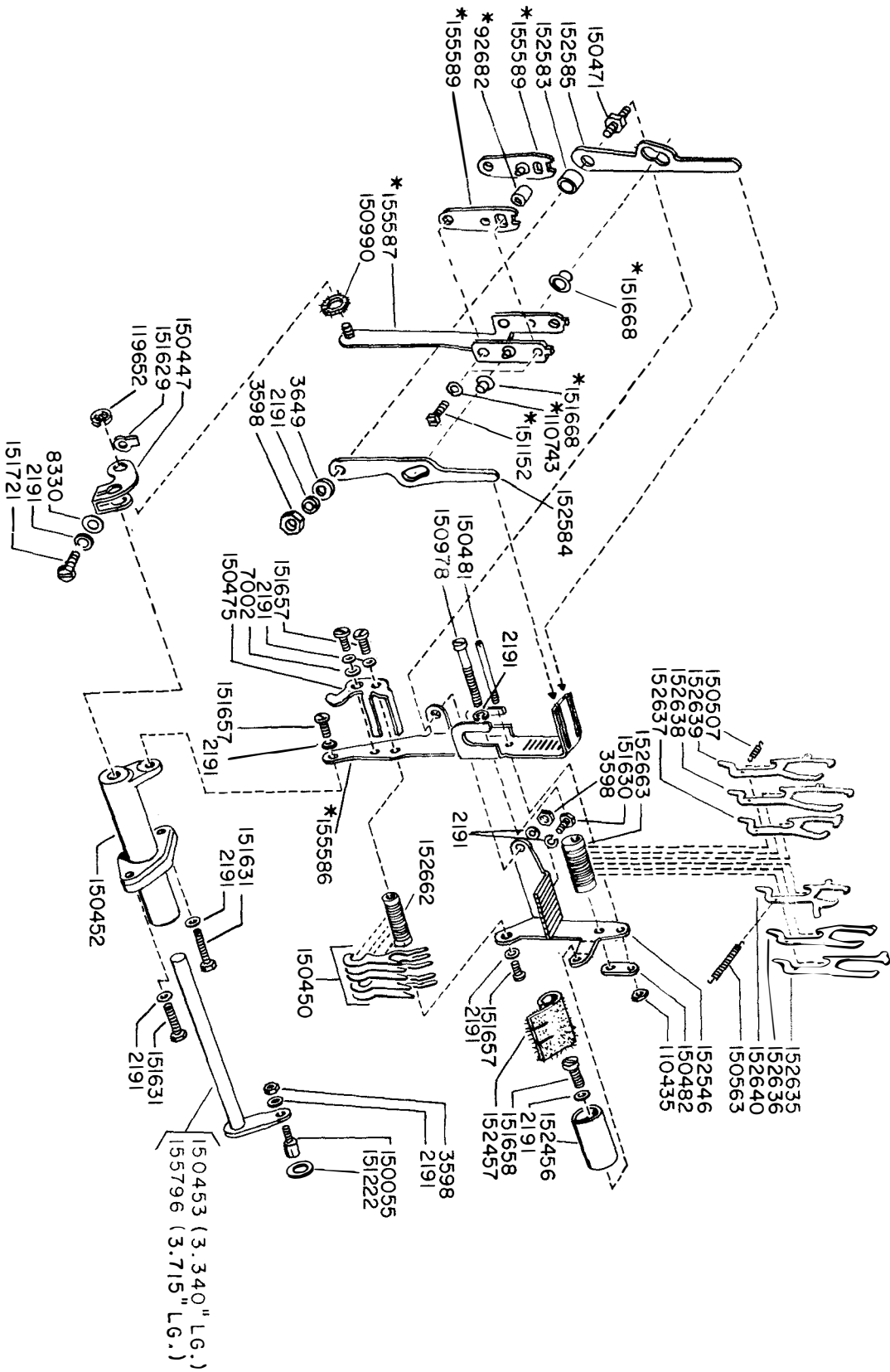


FIGURE 2-5. CLUTCH TRIP MECHANISM

FIGURE 2-7. CODE BAR POSITIONING MECHANISM



* PART OF 162488
 SPECIFICATION 5922 S

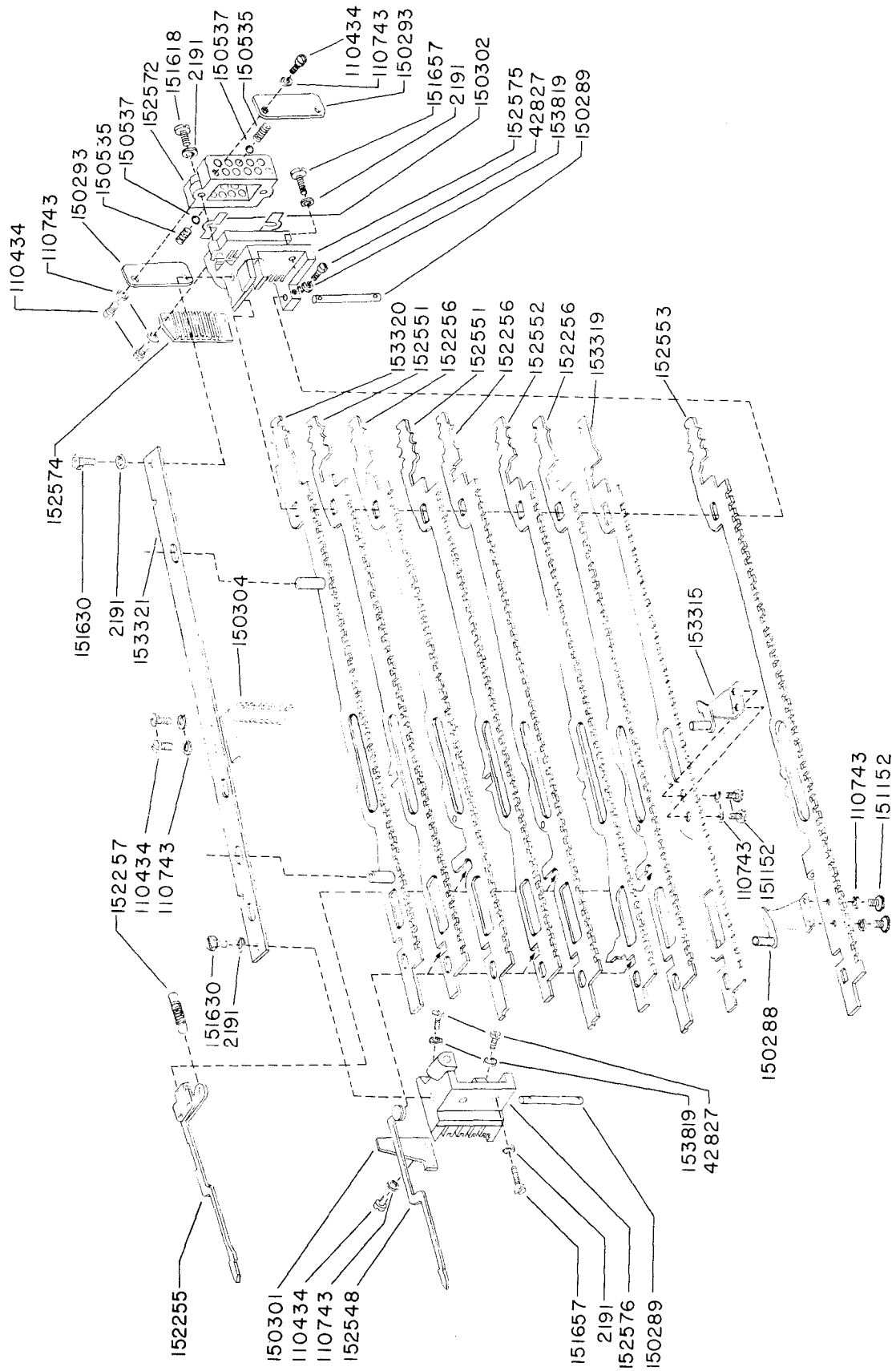
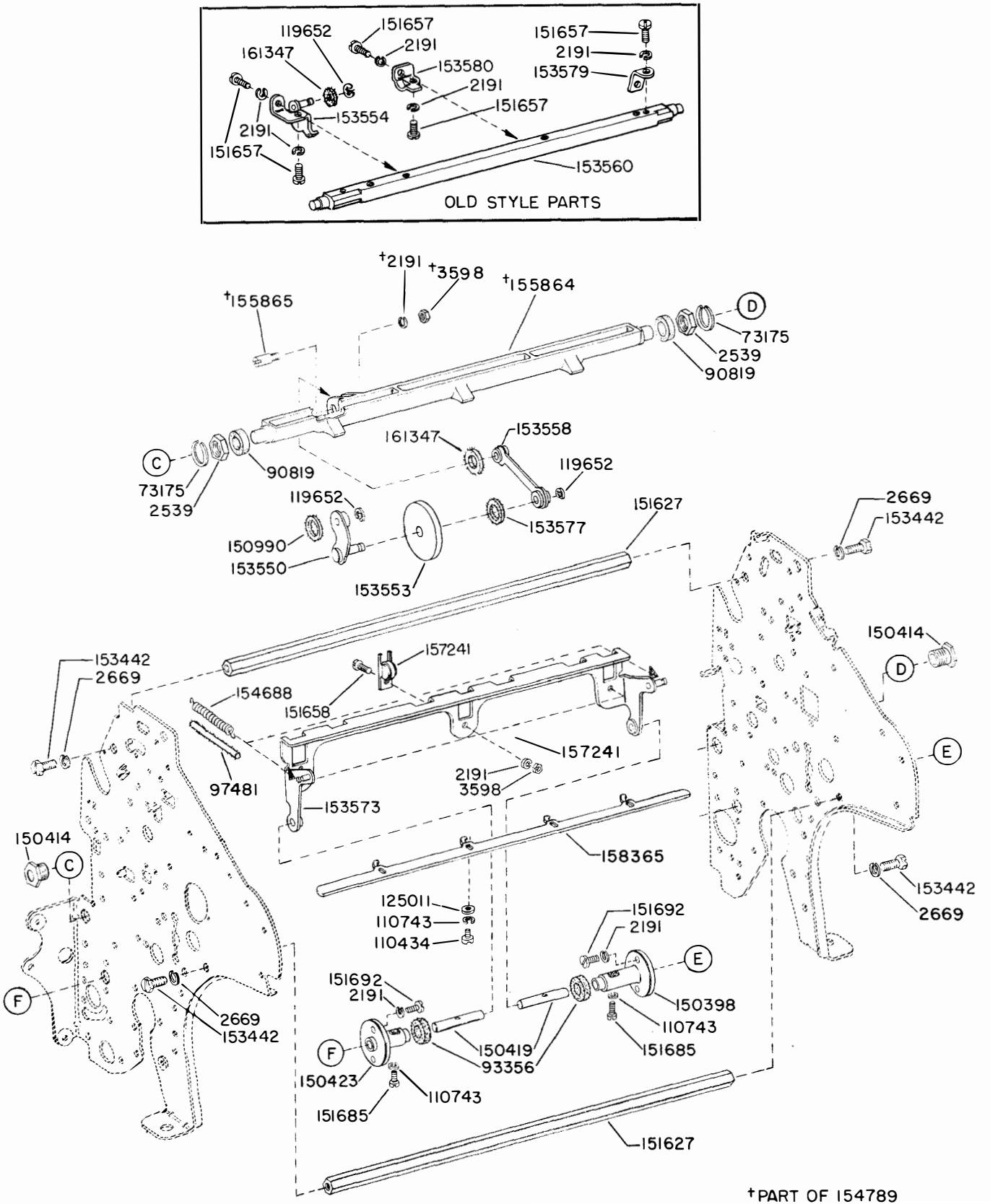
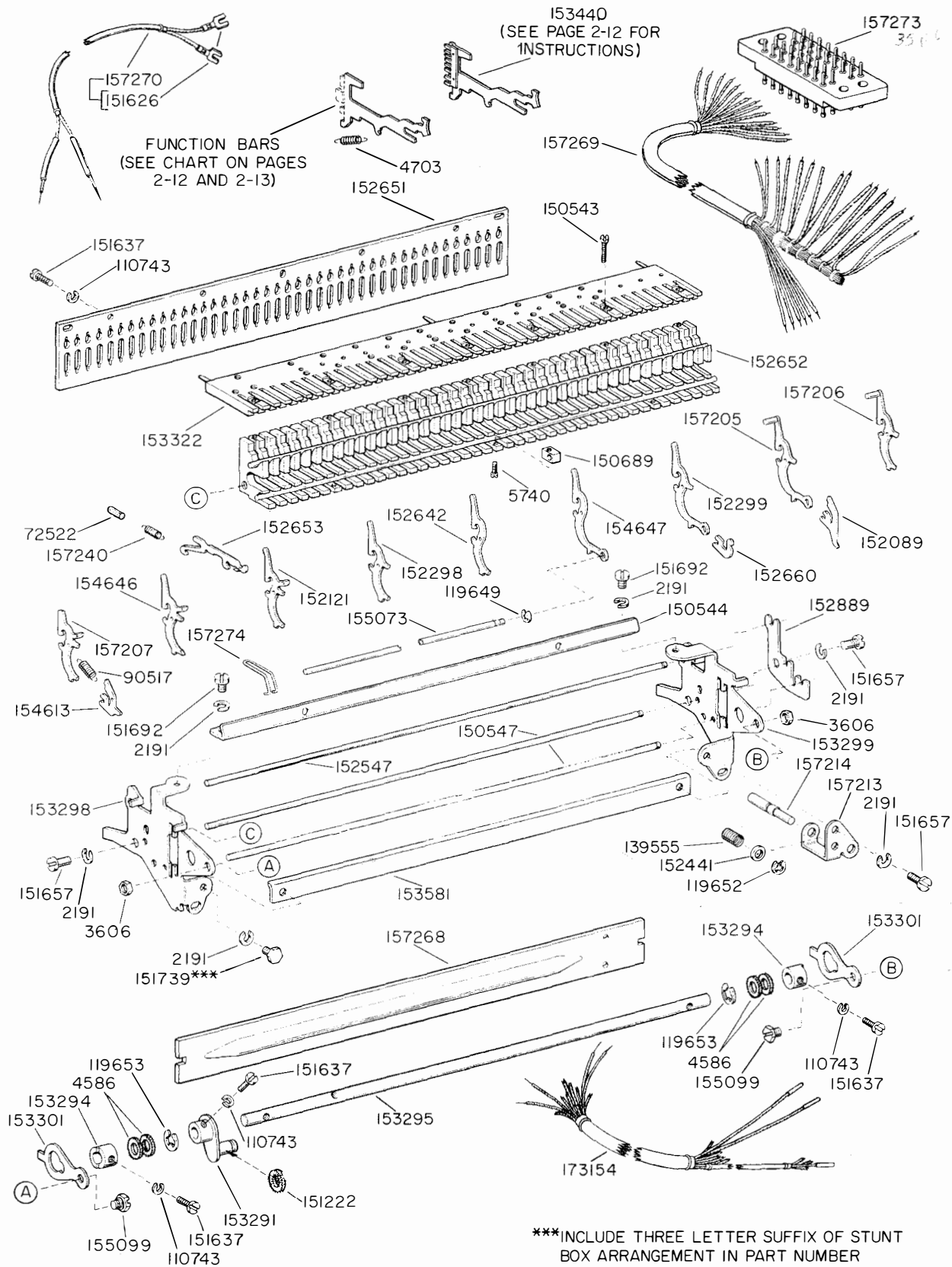


FIGURE 2-8. CODE BAR MECHANISM



*PART OF 154789

FIGURE 2-9. RESET BAIL MECHANISM



***INCLUDE THREE LETTER SUFFIX OF STUNT BOX ARRANGEMENT IN PART NUMBER

FIGURE 2-10. STUNT BOX MECHANISM

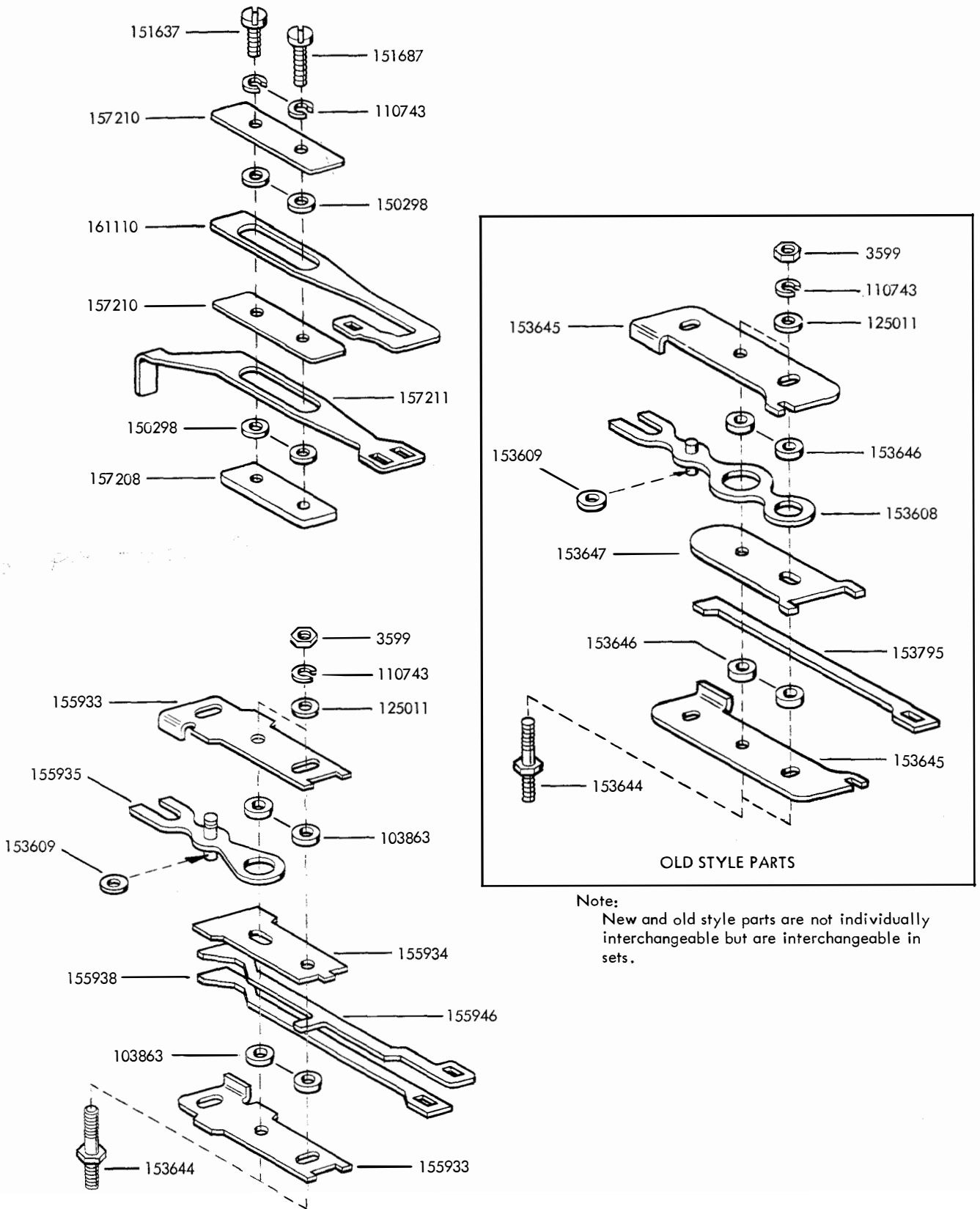


FIGURE 2-11. STUNT BOX SHIFT SLIDE MECHANISMS

STUNT BOX ARRANGEMENTS

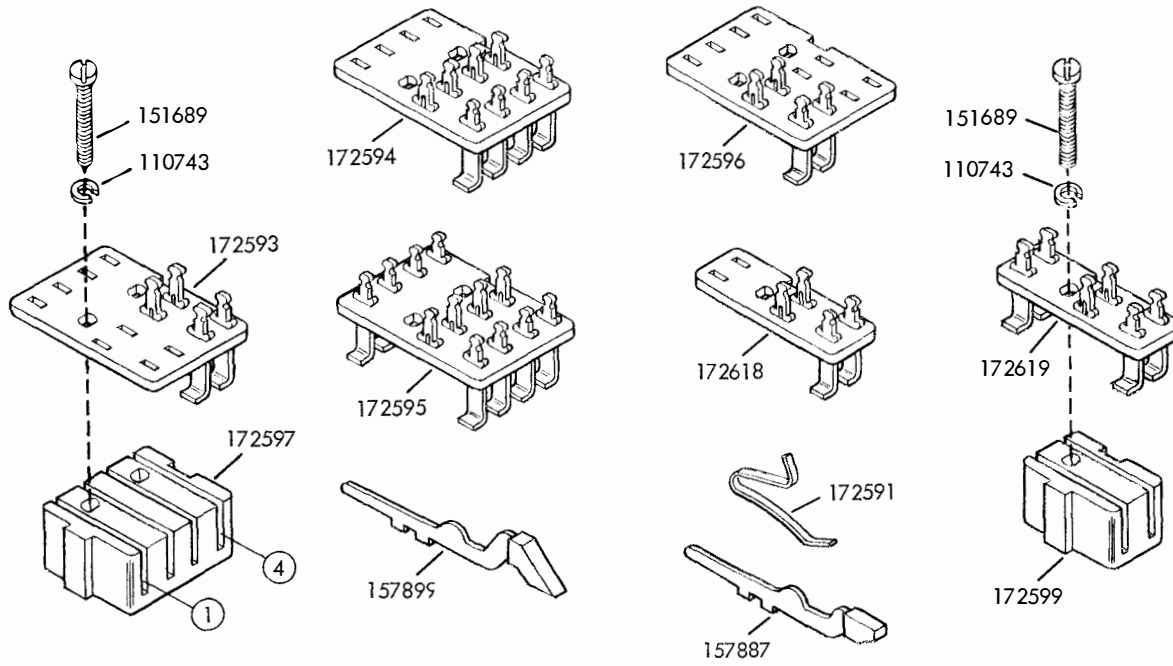
Slot Number	154990 Arrangement "ADA"			154991 Arrangement "ADB"			154992 Arrangement "ADC"			154993 Arrangement "ADD"			173151 Arrangement "ADG"			154994 Arrangement "ADH"		
	Function Bar	Function Lever	Plate or Latch	Function Bar	Function Lever	Plate or Latch	Function Bar	Function Lever	Plate or Latch	Function Bar	Function Lever	Plate or Latch	Function Bar	Function Lever	Plate or Latch	Function Bar	Function Lever	Plate or Latch
1																		
2																		
3																		
4									152666	152121	154613				152666		152121	154613
5									152683	152121	154613				152683		152121	154613
6									152665	154647	152660				152665		154647	152660
7									155124	152121	152089				155124		152121	152089
8									152218	152298	152089				152218		152298	152089
9	152666	152121	154613	152666	152121	154613	152666	152121	154613				152666	152121	154613			
10	152683	152121	154613	152683	152121	154613	152683	152121	154613				152683	152121	154613			
11	152665	152299	152660	152665	152299	152660	152665	152299	152660	152666	152121	154613	152665	152299	152660	152666	152121	154613
12	155121	152121	154613							152683	152121	154613			152683		152121	154613
13	152667	152121	154613	152667	152121	154613	152667	152121	154613	152665	154647	152660	152667	152121	154613	152665	154647	152660
14	152668	152298	152089	152668	152298	152089	152668	152298	152089	152667	152121	154613	152668	152298	152089	152667	152121	154613
15										152668	152298	152089			152668		152298	152089
16											152121	154613					152121	154613
17											152298	154613					152298	154613
18	153440	157207	154613	152667	157207	154613	152667	157207	154613								152121	154613
19	153440	157206	154613	152668	157206	152660	152668	157206	152660								152298	154613
20	153440	157207	154613				153440	157207	154613									

The 153440 uncoded function bar must be ordered separately.

FIGURE 2-12. STUNT BOX ARRANGEMENTS (CHART 1)

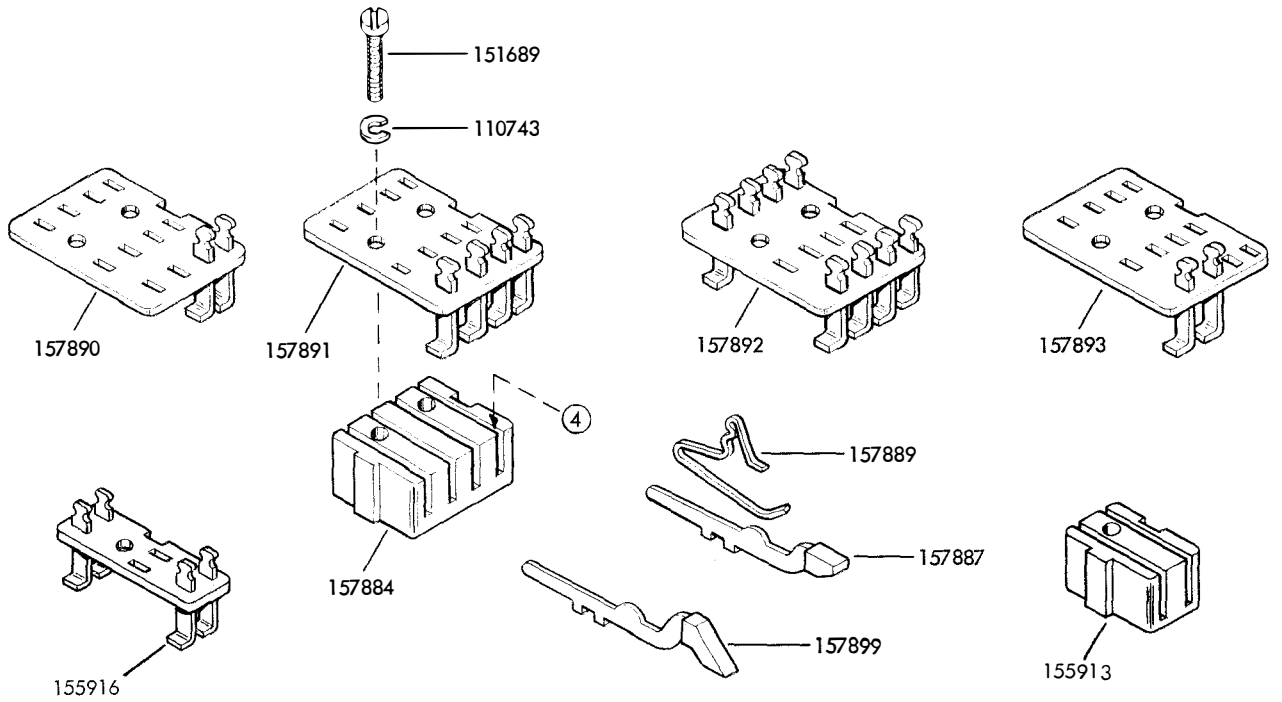
FIGURE 2-13. STUNT BOX ARRANGEMENTS (CHART 2)

21	153440	157206	154613				153440	157206	152089										
22							153440	157207	154613										
23					152666	152642	152666	152660	153440	157206	152089								
24	153440	157207	154613	152665	152642	152660													
25	153440	157206	154613	153440	152642	152660	155311	152642	152660										
26	152666	152121	154613	152666	152121	154613	152666	152121	154613										
27	152683	157207	154613	152683	157207	154613	152683	157207	154613										
28	152665	157205	152660	152665	157205	152660	152665	157205	152660										
29																			
30																			
31																			
32	153440	152298	152089																
33	155121	152299	152660	153440	152642	152660	155114	152642	152660										
34	153440	152298	152089																
35	152669	152121	154613				152669	152121	154613										
36	152669	152642	152660	155129	152642	152660	152669	152642	152660										
37																			
38	155311	152642	152660	155110	152642	152660	155121	152642	152660										
39																			
40	155311	152298	152089	155311	152298	152089	155311	152298	152089										
41	155124	152298	154613	155124	152298	154613	155124	152298	154613										
42	155117	152298	154613	155117	152298	154613	155117	152298	154613										



SWITCH ASSEMBLY PART NO.	CONTACT PLATE ASSEMBLY NO.	CONTACT ARM POSITION			
		1	2	3	4
172510	172594	157899		157899	157887
172518	172594		157887	157899	157887
172520	172594	157899		157887	157899
172521	172593				157899
172522	172594	157887	157899		157887
172524	172594	157887			157887
172526	172596		157887		
172527	172595			157887	
172529	172595			157887	157887
172534	172594		157899	157887	
172535	172594			157899	157887
172536	172594	157899	157887	157899	
172544	172595		157899		157887
172545	172595	157899		157899	
172549	172595				157887
172553	172595		157887	157899	
172603	172619	157887			

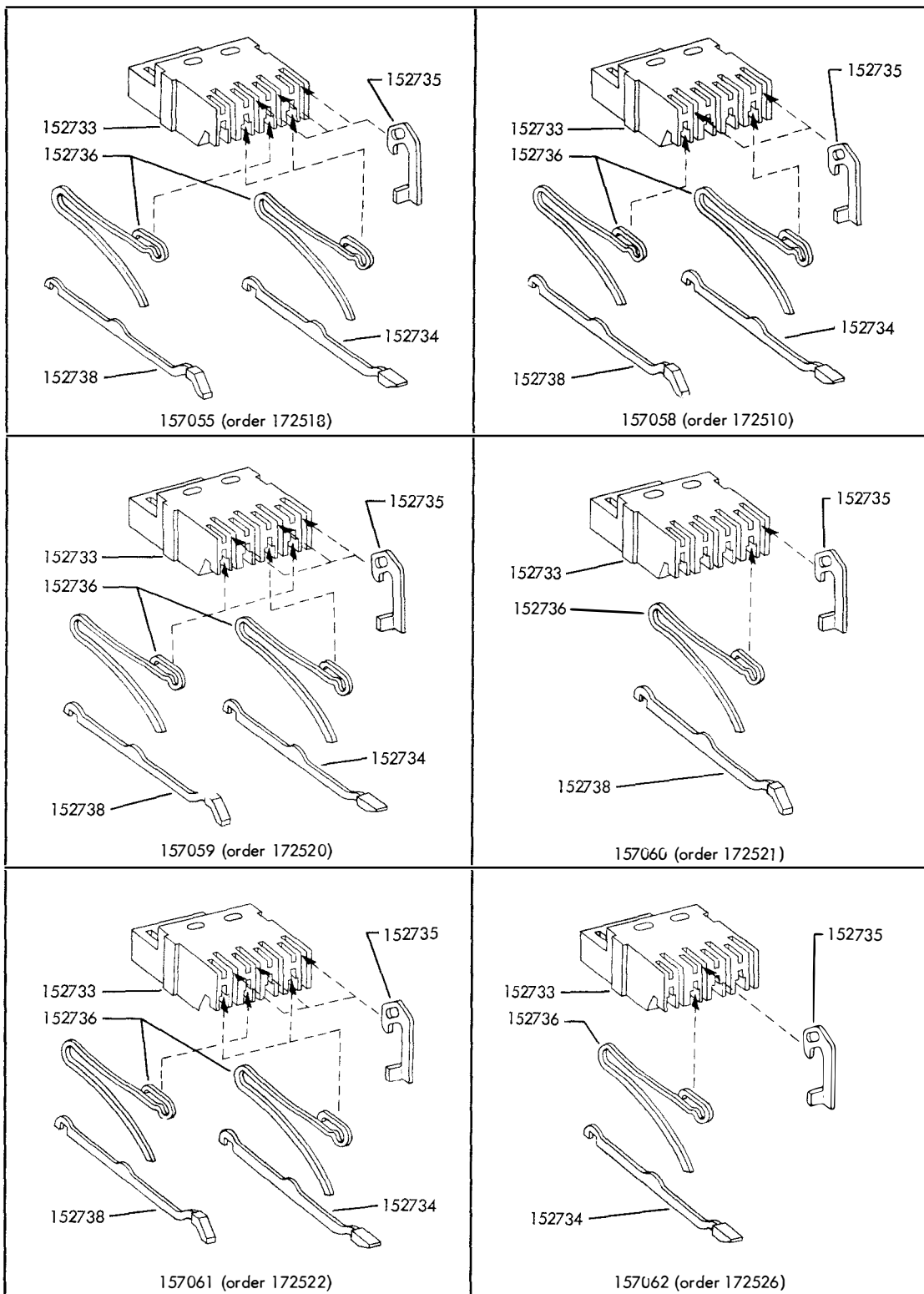
FIGURE 2-14. NEW STYLE STUNT BOX SWITCH ASSEMBLIES



SWITCH ASSEMBLY PART NO.	CONTACT PLATE ASSEMBLY NO.	CONTACT ARM POSITION			
		1	2	3	4
157080	157891	157899		157899	157887
157088	157891		157887	157899	157887
157090	157891	157899		157887	157899
157091	157890				157899
157092	157891	157887	157899		157887
157094	157891	157887			157887
157096	157893		157887		
160195	157891		157899	157887	
160196	157891			157899	157887
160197	157891	157899	157887	157899	
160205	157892	157887			157899
160206	157892		157899		157899
160207	157892		157887		157899
160208	157892		157887	157899	157887
160209	157893			157899	

Note:
 Old style switch assemblies are no longer available. However, individual parts are available for replacement. Orders received for old style switch assemblies will be filled with corresponding new style switch assemblies shown in Fig. 2-14.

FIGURE 2-15. REPLACEMENT PARTS FOR OLD STYLE SWITCH ASSEMBLIES



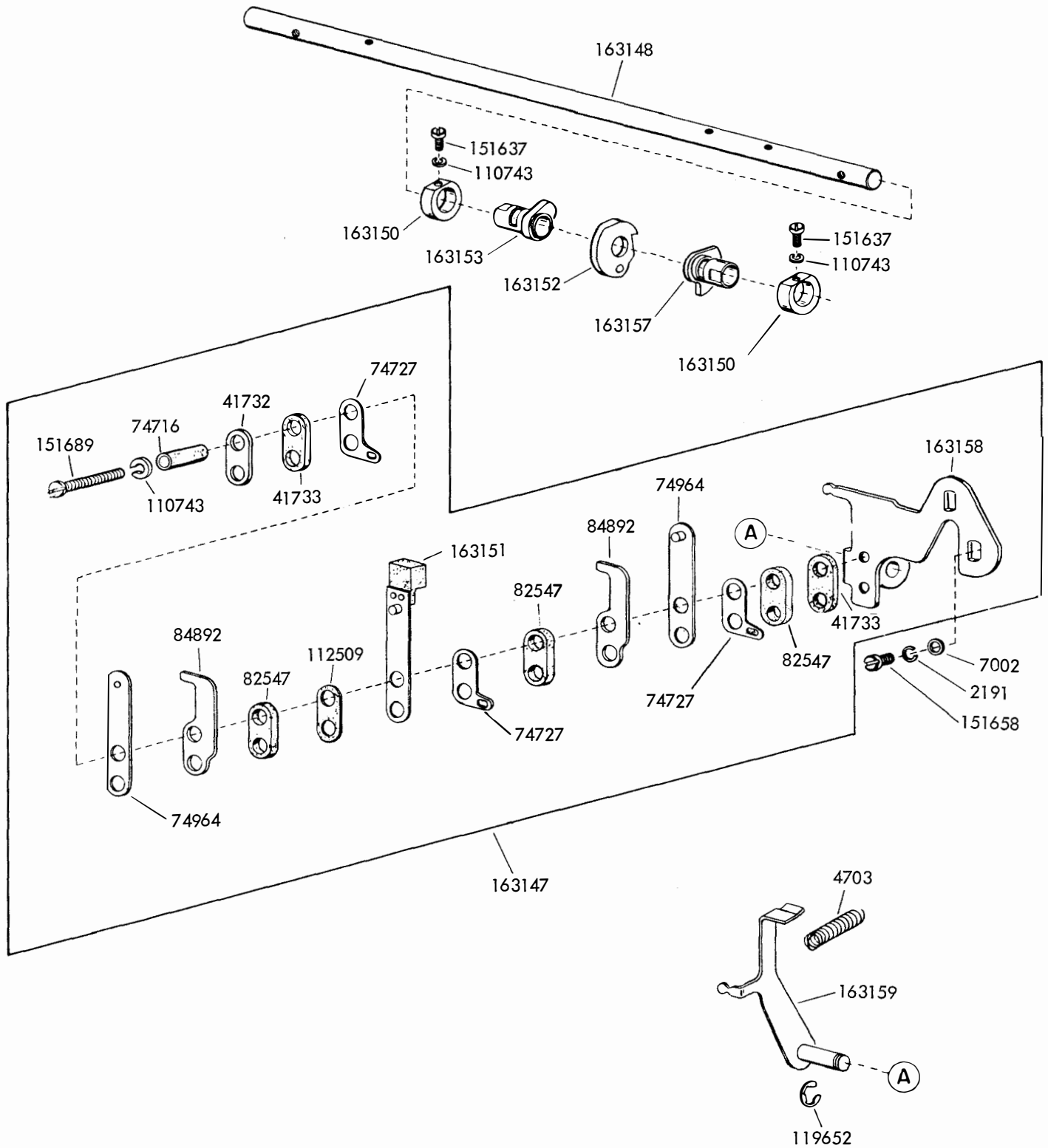
NOTE:

THESE ASSEMBLIES ARE NO LONGER AVAILABLE.

NEW AND OLD STYLE PARTS ARE NOT INDIVIDUALLY INTERCHANGEABLE BUT THE SWITCH ASSEMBLIES ARE INTERCHANGEABLE.

FIGURE 2-16. EARLY STYLE STUNT BOX SWITCH ASSEMBLIES

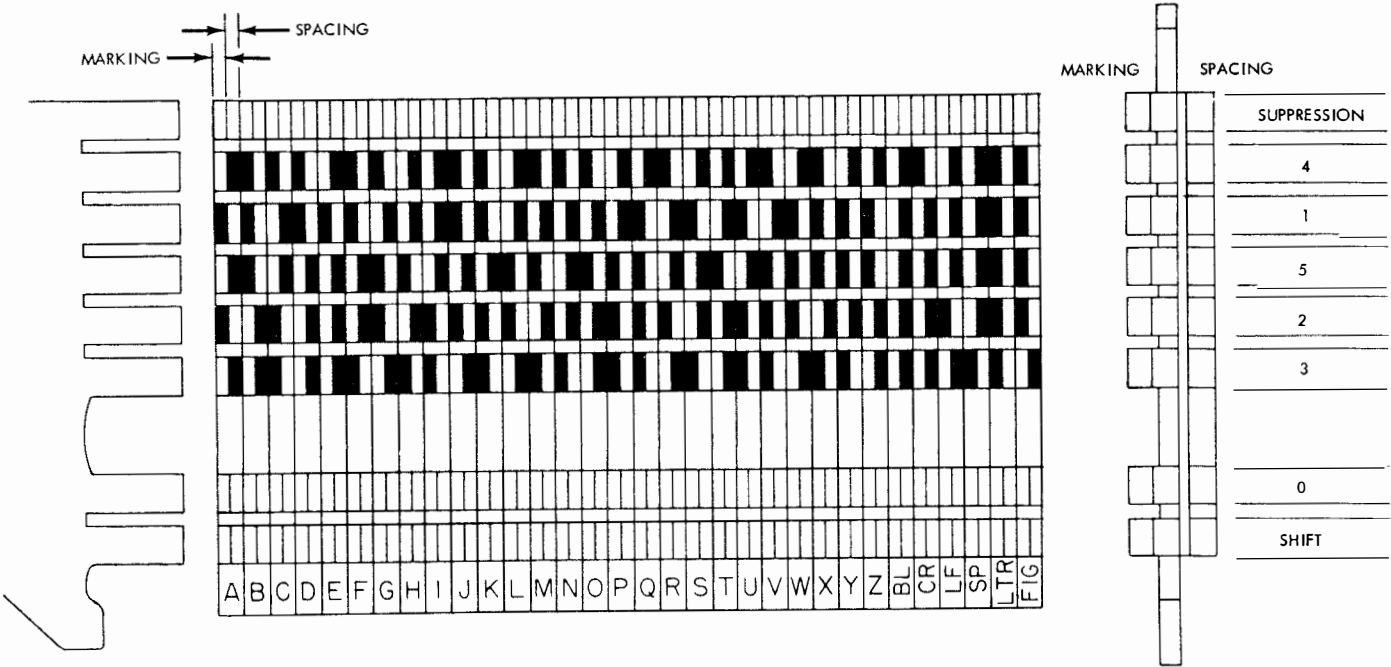
1160B



SPECIFICATION 58045

FIGURE 2-17. 163146 MODIFICATION KIT TO PROVIDE UNIVERSAL CONTACT

CHANGE 1



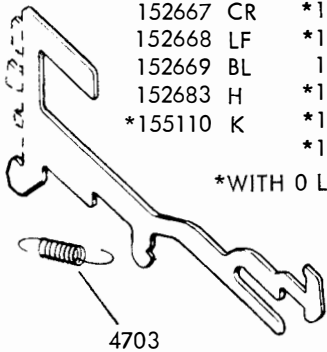
BLANK SQUARES INDICATE TINES THAT SHOULD BE REMOVED.

ADDITIONAL CODE BAR LEVELS AT WHICH THE FUNCTION BAR CAN BE CONTROLLED:

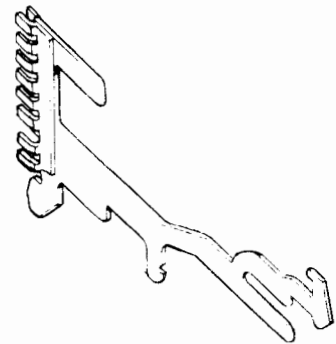
SUPPRESSION TINES	MARKING SPACING	NON-PRINT PRINT	} THESE TERMS APPLY ONLY TO SELECTIVE CALLING
0 TINES	MARKING SPACING	SELECT NON-SELECT	
SHIFT TINES	MARKING SPACING	UPPER CASE LOWER CASE	

- 152665 LTR *155114 O
- 152666 FIG *155117 R
- 152667 CR *155121 V
- 152668 LF *155124 Y
- 152669 BL 155129 SP
- 152683 H *155218 M & V
- *155110 K *155311 UNIVERSAL
- *155313 LTR

*WITH 0 LEVEL CONTROL.



CODED FUNCTION BAR



153440 UNCODED FUNCTION BAR

FIGURE 2-18. CODED AND UNCODED FUNCTION BARS

MODIFICATION KITS FOR STUNT BOX CONVERSION

Kit Number	Part Number		Quantity	Figure Number
159387		Modification Kit to Convert "ADA" Stunt Box To "ADB"		
	151739	Screw 6-40 x 3/16 Hex.	1	2-10
	152642	Lever	4	2-10
	152660	Plate, Spring	4	2-10
	152665	Bar, Function Ltrs.	1	2-12, 2-13
	152666	Bar, Function Figs.	1	2-12, 2-13
	153440	Bar, Function Univ.	4	2-10
	155110	Bar, Function K	1	2-13
	155129	Bar, Function SP	1	2-13
159388		Modification Kit: To Convert "ADA" Stunt Box to "ADC"		
	151739	Screw 6-40 x 3/16 Hex.	1	2-10
	152642	Lever	2	2-10
	152660	Plate, Spring	2	2-10
	153440	Bar, Function Univ.	7	2-10
	155114	Bar, Function O	1	2-13

NUMERICAL INDEX - SECTION 2

Part Number	Description and Page Number	Part Number	Description and Page Number	Part Number	Description and Page Number
254M	Coil, Magnet 2-4	125015	Washer, Flat 2-2,2-4	151603	Spacer 2-4
2034	Washer, Flat 2-4	125802	Washer, Flat 2-2	151606	Screw (10-32 x 1/4 Hex) 2-5
2191	Washer, Lock 2-2,2-3,2-4,2-5,2-6,2-7,2-8,2-9,2-10,2-17	139555	Sorina 2-10	151618	Screw (6-40 x 7/16 Fil) 2-8
2438	Washer, Flat 2-4	150000	Drum, Clutch 2-6	151626	Terminal 2-10
2539	Nut (3/8-32 Hex) 2-9	150001	Drum, Clutch 2-6	151627	Rod 2-9
2669	Washer, Lock 2-2,2-3,2-5,2-9	150004	Cam 2-6	151629	Nut (6-40 Lug) 2-5,2-7
3598	Nut (6-40 Hex) 2-3,2-4,2-5,2-6,2-7,2-9	150013	Disk 2-6	151630	Screw (6-40 x 1/4 Hex) 2-2,2-3,2-4,2-5,2-6,2-7,2-8
3599	Nut (4-40 Hex) 2-3,2-4,2-11	150016	Spacer 2-6	151631	Screw(6-40 x 5/16 Hex) 2-4,2-7
3606	Nut (6-40 Hex) 2-10	150026	Lever W/Button 2-6	151633	Bearing, Ball 2-6
3649	Washer, Flat 2-7	150029	Wick, Felt 2-6	151637	Screw (4-40 x 1/4 Fil) 2-4,2-10,2-11,2-17
4586	Washer, Felt 2-10	150040	Screw (6-40 x 5/8 Fil) 2-5,2-6	151640	Lever W/Button 2-6
4703	Sorina 2-10,2-17,2-18	150043	Shoe (Secondary) 2-6	151642	Screw (6-40 x 3/4 Fil) 7-6
5740	Screw (2-56 x 1/4 Fil) 2-10	150044	Shoe (Primary) 2-6	151657	Screw (6-40 x 1/4 Fil) 2-2,2-3,2-7,2-8,2-9,2-10
6800	Screw, Shoulder (6-40) 2-5	150047	Bearina 2-6	151658	Screw (6-40 x 5/16 Fil) 2-2,2-4,2-5,2-7,2-9,2-17
7002	Washer, Flat 2-3,2-5,2-6,2-7,2-17	150048	Sorina 2-3	151660	Screw (6-40 x 7/8 Fil) 2-6
8330	Washer, Flat 2-3,2-5,2-7	150050	Spacer 2-6	151668	Roller 2-7
8449	Collar 2-5	150051	Cam 2-6	151685	Screw (4-40 x 5/16 Fil) 2-9
41382	Sorina 2-3	150055	Stud 2-7	151686	Screw (4-40 x 3/8 Fil) 2-4
41732	Plate, Clamo 2-17	150056	Arm 2-6	151688	Screw (4-40 x 5/8 Fil) 2-4,2-6
41733	Insulator 2-17	150089	Screw (4-40 x 1/2 Fil) 2-4	151689	Screw (4-40 x 3/4 Fil) 2-6,2-15,2-17
42823	Washer, Flat 2-6	150241	Sorina 2-6	151690	Screw (10-32 x 5/16 Fil) 2-6
42827	Screw (3-48 x 1/4 Fil) 2-8	150288	Bracket 2-8	151691	Screw (10-32 x 3/8 Fil) 2-5
70388	Sorina 2-5	150289	Stud 2-8	151692	Screw (6-40 x 9/16 Fil) 2-2,2-5,2-9,2-10
72522	Wick, Felt 2-11	150293	Plate 2-8	151693	Screw (6-40 x 9/16 Fil) 2-6
73175	Washer, Lock 2-5,2-10	150298	Bushina 2-11	151701	Sorina 2-3
74283	Washer, Sorina 2-3	150301	Plate 2-8	151714	Sorina 2-3
74547	Collar 2-5	150302	Shim 2-8	151715	Sorina 2-4
74701	Sorina 2-5	150304	Bracket 2-8	151721	Screw (6-40 x 3/4 Hex) 2-7
74712	Sorina 2-2	150348	Shaft 2-5	151722	Screw (6-40 x 3/16 Hex) 2-4
74716	Bushina 2-17	150349	Arm, Follower 2-5	151728	Sorina 2-6
74727	Terminal, Contact 2-17	150350	Shaft 2-5	151737	Screw (4-40 x 11/64 Hex) 2-6
74785	Roller 2-5	150352	Bushina 2-5	151739**	Screw, Identification 2-10,2-19
74964	Spring, Contact 2-17	150355	Lever, Latch 2-5	152089	Latch 2-10,2-12,2-13
78533	Sorina 2-3	150356	Lever, Trip 2-5	152121	Lever, Function 2-10,2-12,2-13
81778	Screw (4-40 x 3/16 Fil) 2-4	150361	Spacer 2-5	152218	Bar, Function 2-12,2-13
82547	Insulator 2-17	150398	Stud, Pivot 2-9	152255	Bar w/Retainer 2-8
84892	Stiffener 2-17	150414	Bushing 2-9	152256	Bar, Code (1,2 & Common) 2-8
86835	Sorina 2-4	150419	Shaft 2-9	152257	Sorina 2-8
89096	Washer, Felt 2-6	150423	Stud, Pivot 2-9	152298	Lever, Function 2-10,2-12,2-13
90517	Sorina 2-11	150438	Bellcrank 2-5	152299	Lever, Function 2-10
90819	Washer, Felt 2-5,2-10	150439	Gear, Driven 2-6	152400	Plate 2-3
92682	Nut (6-40 Spl) 2-7	150440	Hub 2-6	152401	Guide 2-3
93356	Washer, Felt 2-5	150444	Lever, Trip 2-5	152402	Guide 2-3
93758	Washer, Felt 2-5	150450	Arm 2-7	152403	Bracket 2-3
95827	Bushina 2-5	150452	Bearing 2-7	152404	Bracket 2-3
96717	Screw, Shoulder (4-40) 2-3	150453	Shaft 2-7	152405	Lever 2-3
97481	Wick, Felt 2-10	150471	Stud 2-7	152406	Bracket 2-3
103863	Spacer 2-11	150477	Screw, Thumb 2-7	152407	Lever, Lock 2-3
107116	Washer, Lock 2-4	150479	Stud 2-3	152409	Lever, Selectina 2-3
108199	Wick, Felt 2-2	150481	Shaft 2-7	152410	Bail, Reset 2-3
110434	Screw (4-40 x 1/4 Fil) 2-2,2-3,2-8,2-9	150507	Spring 2-7	152411	Lever, Push 2-3
110435	Nut (4-40 Hex) 2-7	150535	Spring 2-7,2-8	152412	Link 2-3
110436	Sorina 2-5	150537	Detent 2-8	152415	Stud 2-4
110743	Washer, Lock 2-2,2-3,2-4,2-6,2-7,2-8,2-9,2-10,2-11,2-14,2-15,2-17	150543	Screw 2-10	152420	Lamination 2-4
112626	Nut (10-32 Hex) 2-2,2-3,2-5	150544	Handle 2-10	152421	Bracket 2-4
119648	Rina, Retainina 2-3	150546	Bracket, Left 2-2	152423	Bracket 2-4
119649	Rina, Retainina 2-10	150547	Bracket, Right 2-2	152424	Plate, Stop 2-4
119652	Rina, Retainina 2-5,2-7,2-9,2-10,2-17	150563	Spring 2-7	152425	Post 2-4
119653	Rina, Retainina 2-3,2-10	150687	Stud 2-3	152426	Nut (6-40) 2-4
119654	Rina, Retainina 2-5	150689	Block 2-10	152427	Lever W/Hub 2-3
121242	Clamo, Cable 2-2	150811	Stud 2-2	152429	Rack W/Hub 2-3
121243	Clamo, Cable 2-2	150970	Bearing 2-6	152432	Arm W/Hub 2-3
121244	Clamo, Cable 2-4	150978	Screw (6-40 x 1-1/8 Fil) 2-7	152436	Knob 2-3
121538	Terminal 2-4	150990	Washer, Felt 2-7,2-9	152438	Bail 2-3
125011	Washer, Flat 2-3,2-9,2-11	151103	Spring 2-3	152441	Washer, Flat 2-3,2-10
		151152	Screw (4-40 x 3/16 Hex) 2-7,2-8,2-10		
		151222	Washer, Felt 2-7		
		151335	Stud 2-3		

NUMERICAL INDEX - SECTION 2 (Continued)

Part Number	Description and Page Number	Part Number	Description and Page Number	Part Number	Description and Page Number
152445	Spring 2-3	153317	Bracket 2-2	155935	Fork 2-11
152447	Shaft, Main 2-6	153319	Bar, Code (Auto CR & LF) 2-8	155938	Slide 2-11
152450	Cam 2-6	153320	Bar, Code 2-8	155946	Slide 2-11
152456	Holder, Wick 2-7	153321	Bracket 2-8	156536	Screw (4-40 x 1/8 Fil) 2-3
152457	Wick, Felt 2-7	153323	Ring 2-6	156880	Strap 2-4
152458	Shield 2-4	153440	Bar, Function 2-10, 2-12, 2-13, 2-18, 2-19	157055	Switch Assembly 2-16
152461	Bracket 2-4	153442	Screw (10-32 x 1/2 Hex) 2-9	157058	Switch Assembly 2-16
152462	Latch, Right 2-4	153489	Detent 2-3	157059	Switch Assembly 2-16
152463	Latch, Right 2-4	153543	Armature 2-4	157060	Switch Assembly 2-16
152464	Insulator 2-4	153545	Bracket 2-4	157061	Switch Assembly 2-16
152467	Connector, Plug (20 Pt) 2-4	153553	Roller 2-9	157062	Switch Assembly 2-16
152537	Clamp 2-6	153554	Bracket W/Stud 2-9	157080	Switch Assembly 2-15
152538	Plate, Front 2-5	153558	Link W/Bushing 2-9	157088	Switch Assembly 2-15
152546	Bracket 2-7	153560	Shaft 2-9	157090	Switch Assembly 2-15
152548	Bar, Shift 2-8	153573	Bail 2-9	157091	Switch Assembly 2-15
152551	Bar, Code (4 & 5) 2-8	153576	Cam 2-6	157092	Switch Assembly 2-15
152552	Bar, Code (3) 2-8	153577	Washer, Felt 2-9	157093	Switch Assembly 2-15
152553	Bar, Code (Shift & Unshift) 2-8	153579	Bracket 2-9	157094	Switch Assembly 2-15
152572	Bracket 2-8	153581	Handle 2-10	157096	Switch Assembly 2-15
152573	Retainer 2-6	153583	Lever, Trip 2-5	157194	Retainer, Spring 2-4
152574	Plate 2-8	153584	Lever, Latch 2-5	157205	Lever, Function 2-10, 2-13
152575	Bracket 2-8	153586	Guide, Left 2-2	157206	Lever, Function 2-10, 2-12, 2-13
152576	Bracket 2-8	153587	Guide, Right 2-2	157207	Lever, Function 2-10, 2-12, 2-13
152580	Frame, Right 2-2	153608	Fork 2-11	157208	Plate 2-11
152581	Frame, Left 2-2	153609	Roller 2-11	157209	Plate 2-5
152584	Lever, Shift 2-7	153644	Stud 2-11	157210	Plate 2-11
152585	Lever, Shift 2-7	153645	Plate, Guide 2-11	157211	Slide 2-11
152593	Housing, Bearing 2-2	153646	Bushing 2-11	157214	Pin, Plunger 2-10
152613	Latch 2-12, 2-13	153647	Plate 2-11	157237	Shield 2-4
152634	Washer, Flat 2-5	153795	Slide 2-11	157240	Spring 2-10
152635	Lever, Transfer (1) 2-7	153806	Spring 2-2	157241	Clamp 2-9
152636	Lever, Transfer (2) 2-7	153819	Washer, Lock 2-8	157261	Shaft 2-3
152638	Lever, Transfer (4) 2-7	153823	Collar 2-6	157267	Collar 2-6
152637	Lever, Transfer (3) 2-7	153824	Clamp 2-6	157268	Blade 2-10
152639	Lever, Transfer (5) 2-7	153839	Screw (6-40 x 5/8 Hex) 2-4	157269	Cable Assembly 2-10
152640	Lever, Transfer (C) 2-7	154613	Latch 2-10	157270	Cable Assembly 2-10
152642	Lever, Function 2-10, 2-13, 2-19	154620	Wick, Felt 2-3	157271	Bracket 2-4
152651	Plate, Guide 2-11	154621	Retainer, Wick 2-3	157272	Insulator 2-4
152653	Bar, Guide 2-10	154622	Lubricator 2-3	157273	Connector, Plug (35 Pt) 2-10
152656	Stud 2-10	154646	Lever, Function 2-10	157274	Clip 2-10
152660	Plate, Spring 2-10, 2-12, 2-13, 2-19	154647	Lever, Function 2-10, 2-12, 2-13	157884	Block, Contact 2-15
152662	Shaft 2-7	154688	Spring 2-9	157887	Spring 2-14, 2-15
152663	Guide 2-7	154694	Disk 2-6	157889	Spring 2-15
152665	Bar, Function 2-12, 2-13, 2-18, 2-19	154789	Modification Kit to provide a new style function rocker shaft 2-9	157890	Plate, Contact 2-15
152666	Bar, Function 2-12, 2-13, 2-18, 2-19	154872	Bracket 2-4	157891	Plate, Contact 2-15
152667	Bar, Function 2-12, 2-18	155044	Spacer 2-6	157892	Plate, Contact 2-15
152668	Bar, Function 2-12, 2-18	155046	Screw (4-40 x 5/32 Hex) 2-6	157893	Plate, Contact 2-15
152669	Bar, Function 2-13, 2-18	155047	Disk W/Bushings 2-6	157899	Arm, Contact 2-14, 2-15
152683	Bar, Function 2-12, 2-13, 2-18	155073	Shaft 2-10	157990	Bracket 2-2
152683	Bar, Function 2-12, 2-13, 2-18	155090	Lubricator Assembly 2-3	157991	Stud 2-2
152726	Bushing 2-5	155096	Plate 2-3	158365	Cable Assembly 2-9
152733	Block, Contact 2-16	155099	Screw, Shoulder (6-40) 2-10	160195	Switch Assembly 2-15
152735	Terminal, Contact 2-16	155110	Bar, Function 2-13, 2-18, 2-19	160195	Switch Assembly 2-15
152736	Spring 2-16	155114	Bar, Function 2-13, 2-18, 2-19	160197	Switch Assembly 2-15
152738	Arm, Contact 2-16	155117	Bar, Function 2-13, 2-18	160205	Switch Assembly 2-15
152887	Screw (4-40 x 1/2 Hex) 2-6	155121	Bar, Function 2-12, 2-13, 2-18	160206	Switch Assembly 2-15
152889	Plate, Retainer 2-10	155124	Bar, Function 2-12, 2-13, 2-18	160207	Switch Assembly 2-15
152891	Spring 2-3	155129	Bar, Function 2-13, 2-18, 2-19	160208	Switch Assembly 2-15
152893	Screw (4-40 x 1/4 Hex) 2-2, 2-3	155218	Bar, Function 2-13, 2-18	160209	Switch Assembly 2-15
152999	Lever, Function 2-12, 2-13	155311	Bar, Function 2-13, 2-18	160729	Bar, Suppression 2-2
153184	Post 2-4	155313	Bar, Function 2-13, 2-18	161110	Slide, Indicator 2-11
153292	Plate 2-6	155586	Bracket 2-7	161342	Lever, Start 2-3
153293	Spacer 2-6	155587	Link 2-7	161347	Washer, Felt 2-9
153294	Cam 2-10	155589	Plate 2-7	162488	Modification Kit to provide a one piece code bar shift lever guide bracket 2-7
153295	Shaft 2-10	155796	Shaft 2-7	163146	Modification Kit to Provide Universal Contact 2-17
153296	Eccentric 2-6	155864	Shaft 2-9	163147	Contact Assembly 2-17
153298	Bracket 2-10	155865	Stud 2-9	163148	Shaft 2-17
153299	Bracket 2-10	155913	Block, Contact 2-15	163150	Collar 2-17
153300	Arm 2-6	155916	Plate Assembly 2-15		
153301	Arm 2-10	155933	Plate 2-11		
153315	Bracket 2-8				

NUMERICAL INDEX - SECTION 2 (Continued)

Part Number	Description and Page Number	Part Number	Description and Page Number	Part Number	Description and Page Number
163151	Spring, Contact 2-17	172524	Switch Assembly 2-14	172591	Spring 2-14
163152	Cam w/Stud 2-17	172526	Switch Assembly 2-14	172593	Plate, Contact 2-14
163153	Cam, Trip 2-17	172527	Switch Assembly 2-14	172594	Plate, Contact 2-14
163157	Cam, Drive 2-17	172529	Switch Assembly 2-14	172595	Plate, Contact 2-14
163158	Bracket w/Hub 2-17	172534	Switch Assembly 2-14	172596	Plate, Contact 2-14
163159	Bracket w/Hub 2-17	172535	Switch Assembly 2-14	172597	Block 2-14
172510	Switch Assembly 2-14	172536	Switch Assembly 2-14	172599	Block 2-14
172518	Switch Assembly 2-14	172544	Switch Assembly 2-14	172603	Switch Assembly 2-14
172520	Switch Assembly 2-14	172545	Switch Assembly 2-14	172618	Plate, Contact 2-14
172521	Switch Assembly 2-14	172549	Switch Assembly 2-14	172619	Plate, Contact 2-14
172522	Switch Assembly 2-14	172553	Switch Assembly 2-14	173154	Cable Assembly 2-10

SECTION 3

MOTOR UNIT

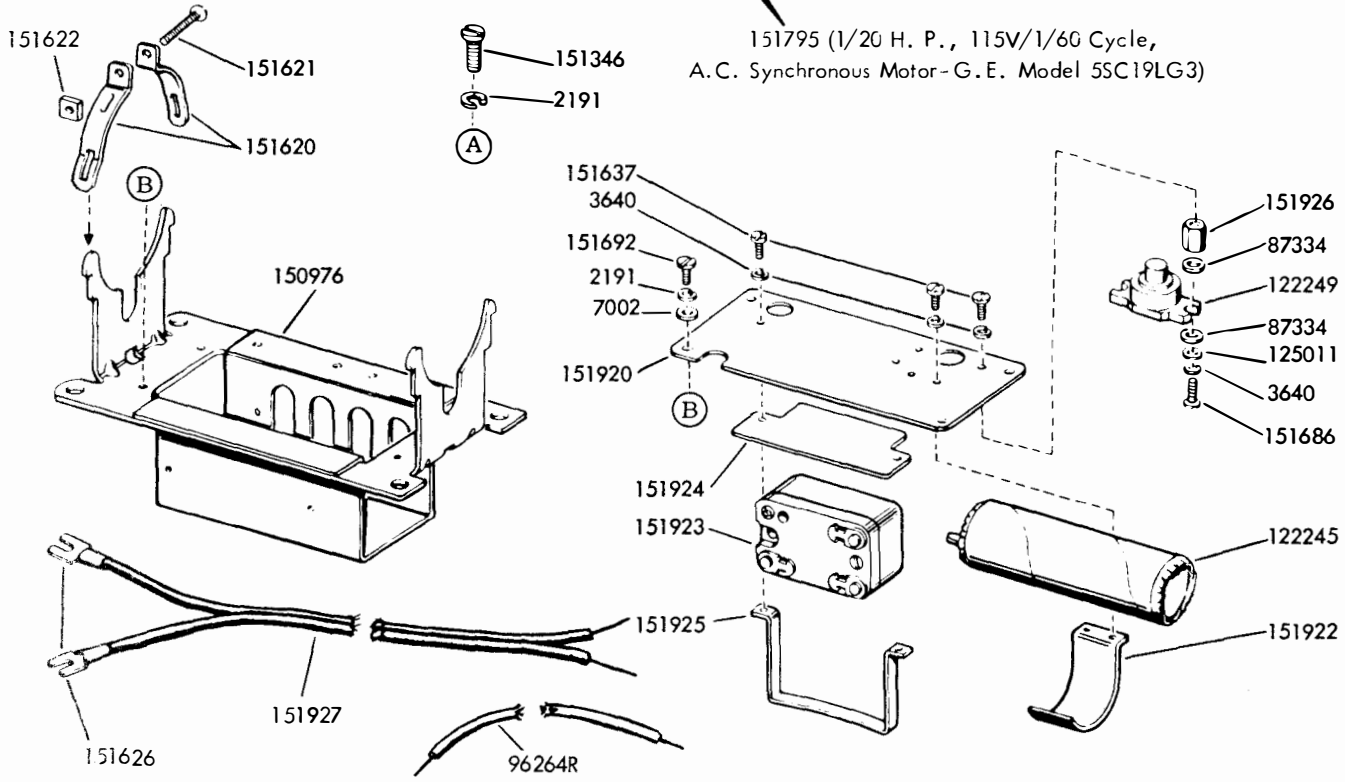
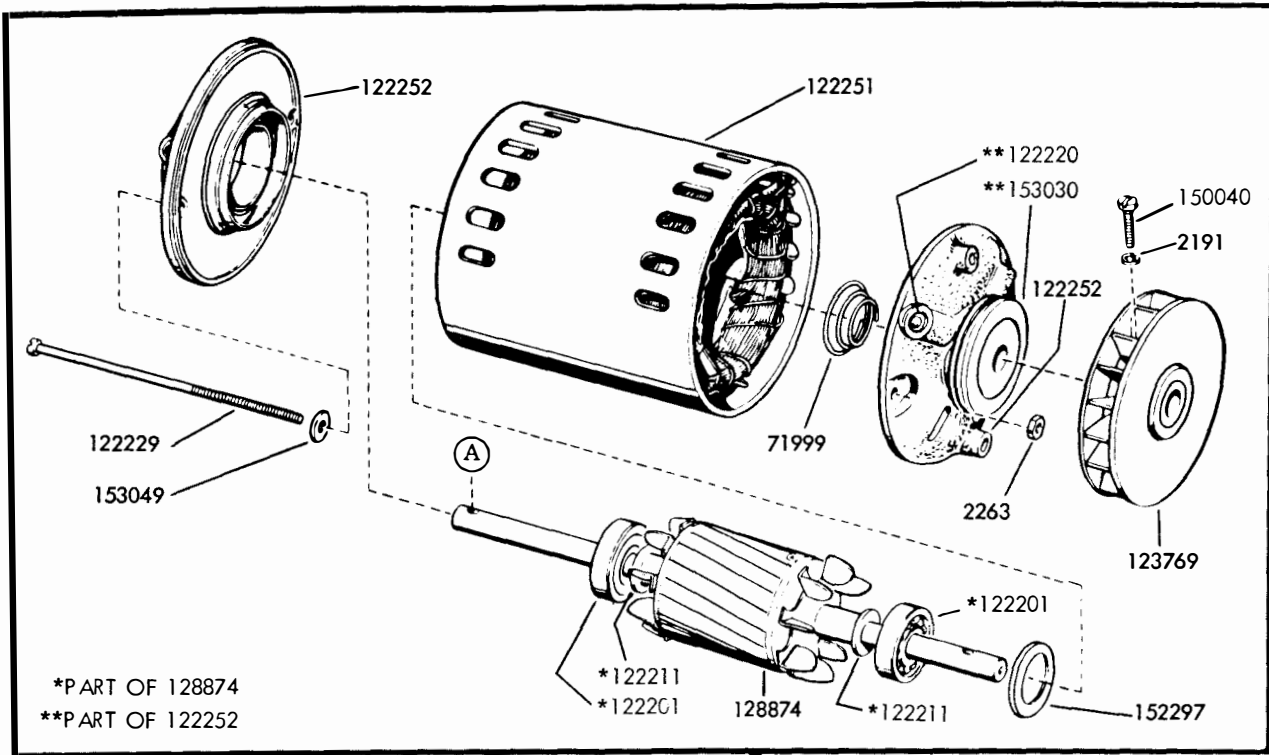


FIGURE 3-1. LMU3 SYNCHRONOUS MOTOR UNIT

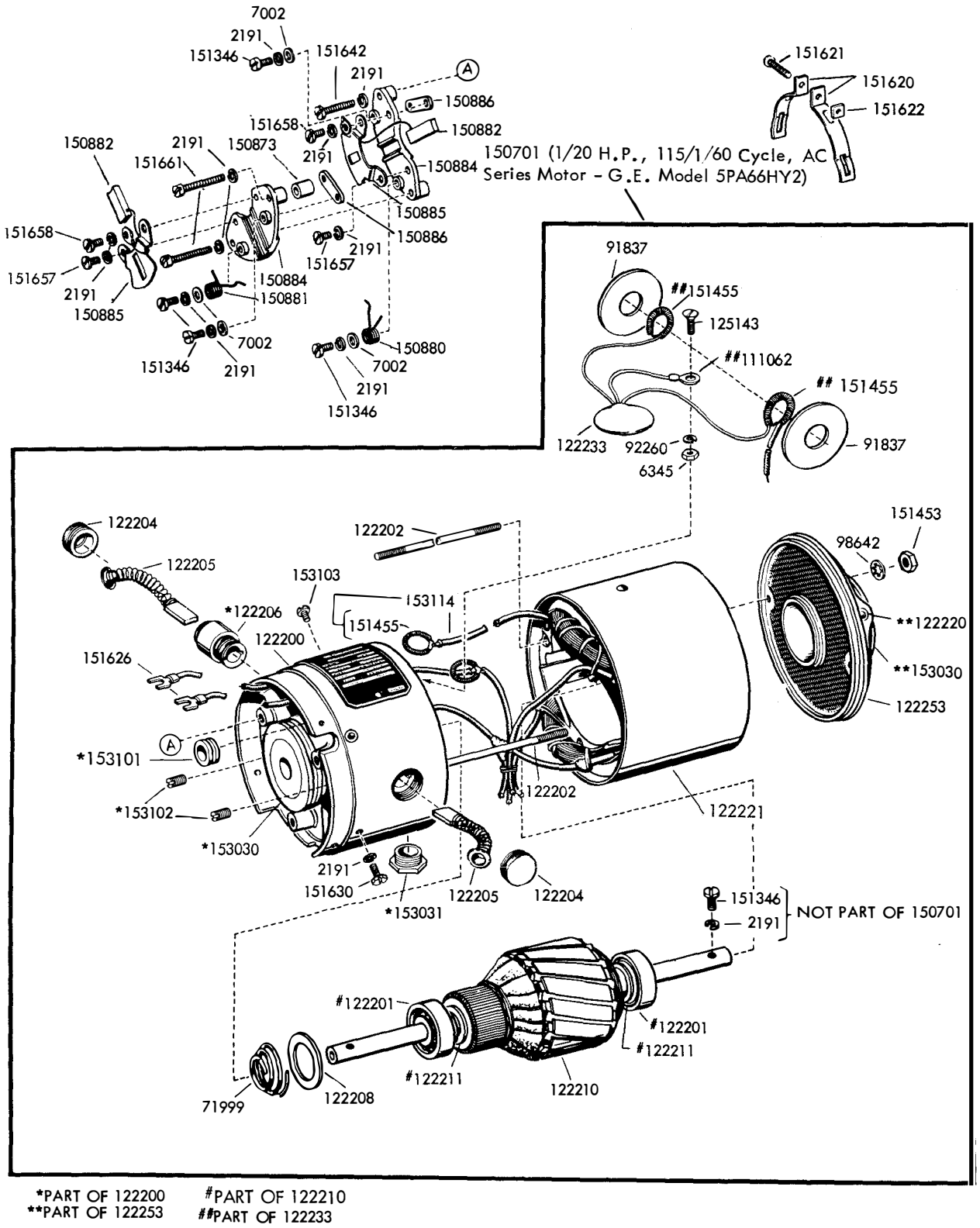


FIGURE 3-2. SERIES MOTOR FOR LMU4 AND LMU6 MOTOR UNITS

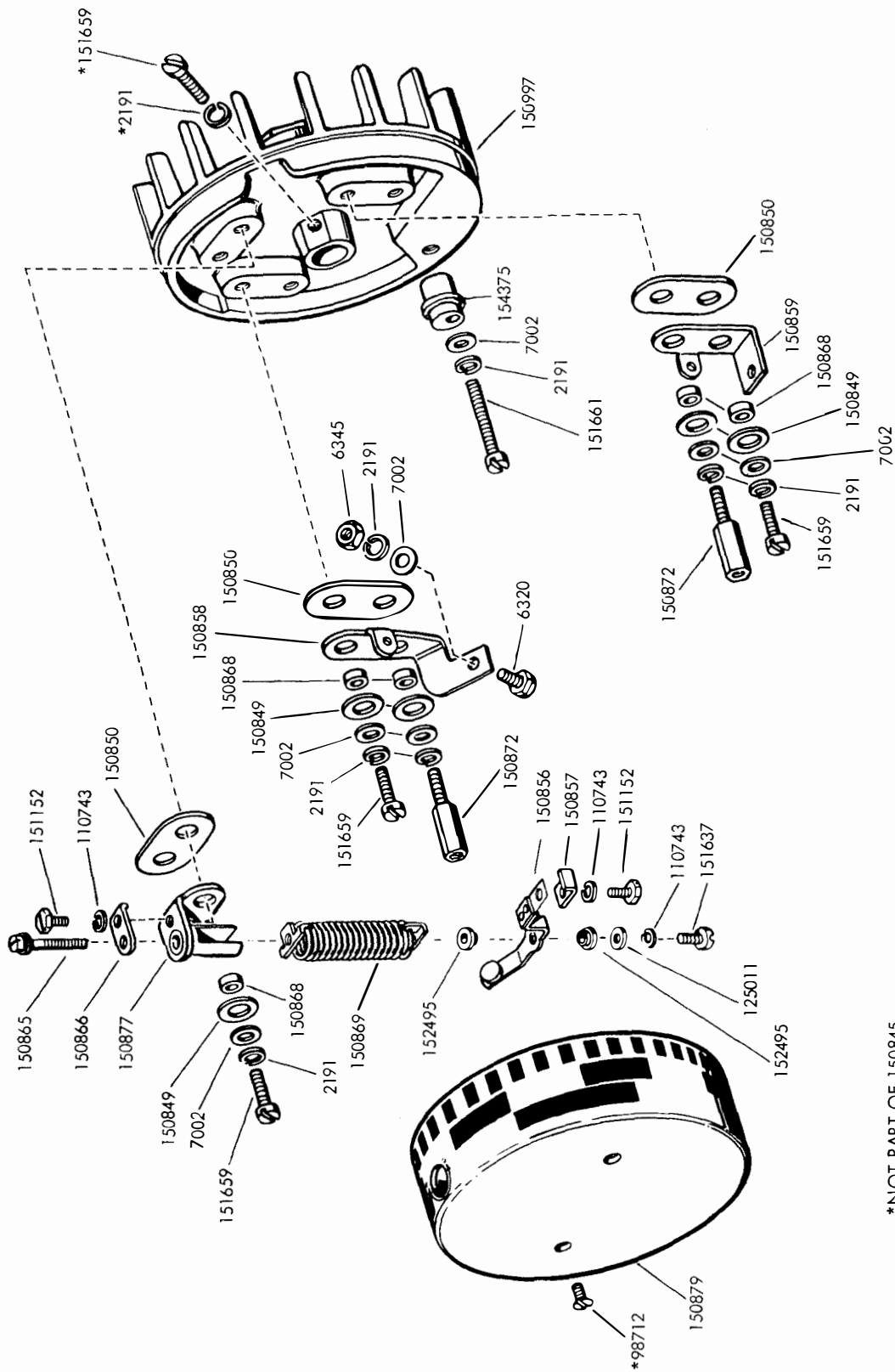
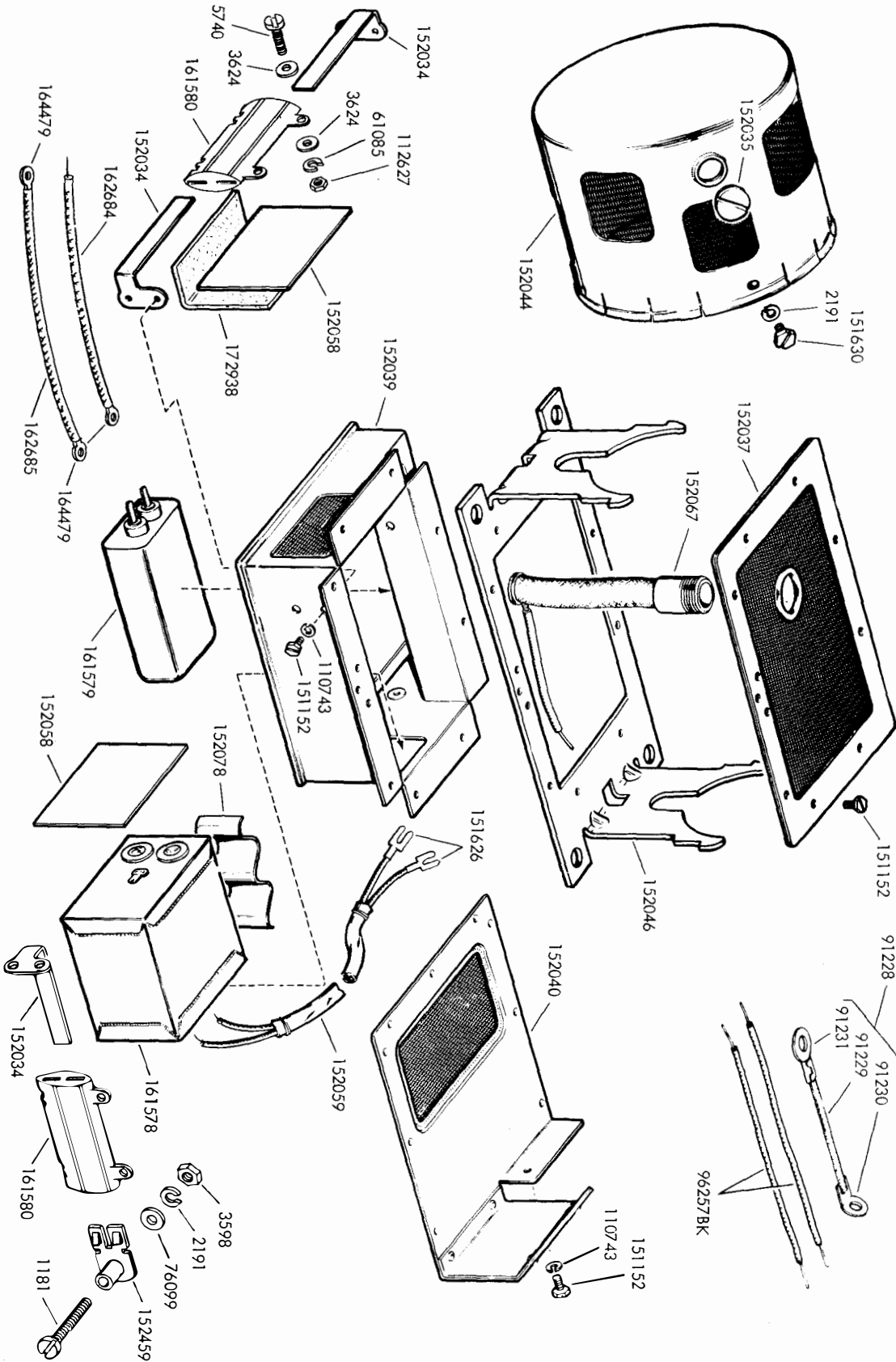


FIGURE 3-3. 150845 GOVERNOR ASSEMBLY (PART OF LMU4 AND LMU6)

*NOT PART OF 150845

FIGURE 3-4. MOUNTING PARTS FOR LMU4 MOTOR UNIT



1160B

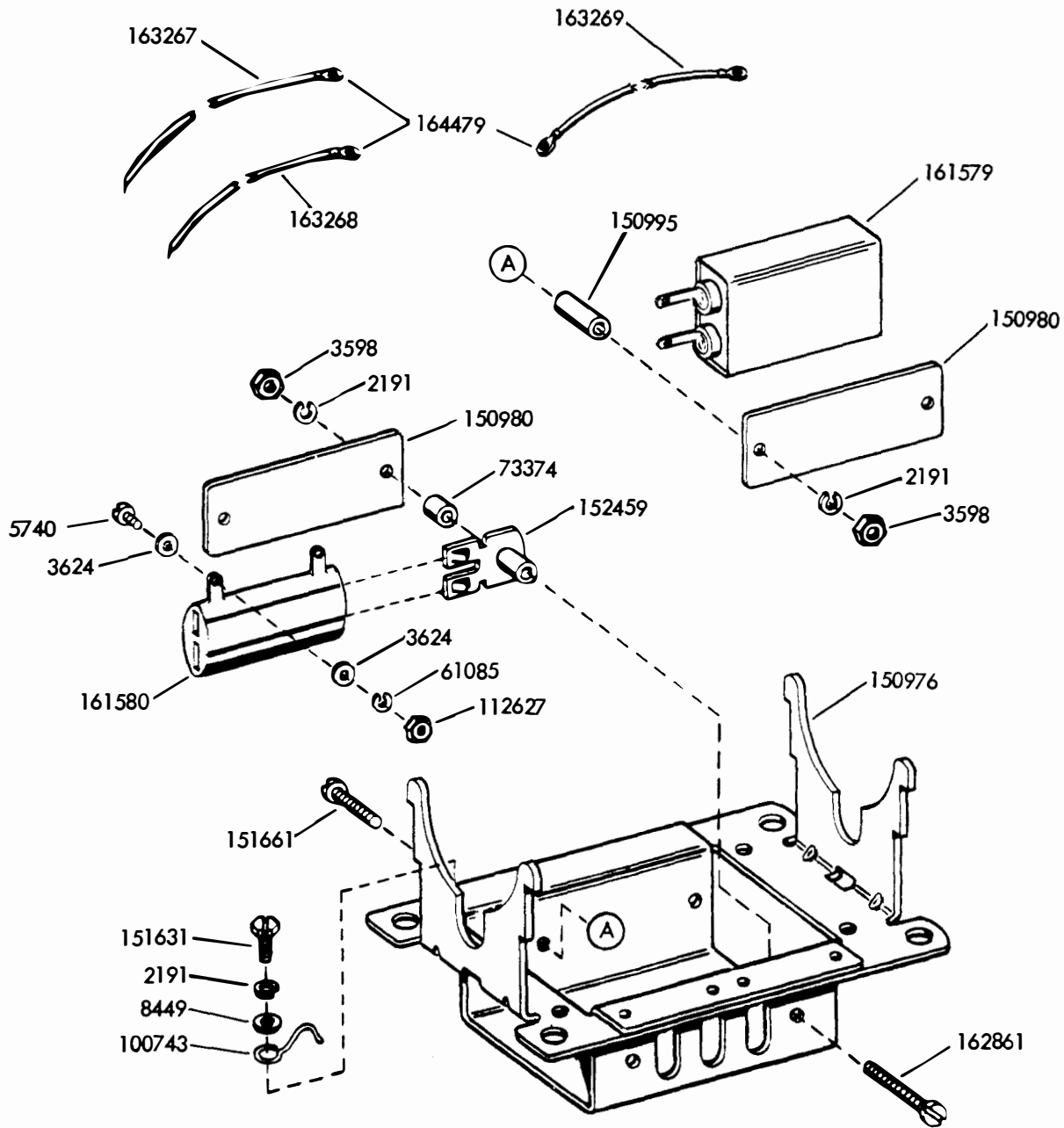


FIGURE 3-5. MOUNTING PARTS FOR LMU6 MOTOR UNIT

NUMERICAL INDEX - SECTION 3

Part Number	Description and Page Number	Part Number	Description and Page Number	Part Number	Description and Page Number
1181	Screw (6-40 x 11/16 Fil) 3-5	122251	Stator 3-2	151659	Screw (6-40 x 1/2 Fil) 3-4
2191	Washer, Lock 3-2, 3-3, 3-4, 3-5, 3-6	122252	Shield Assembly 3-2	151661	Screw (6-40 x 1 Fil) 3-3, 3-4, 3-6
2263	Nut (8-32 Hex) 3-2	122253	Shield Assembly 3-3	151686	Screw (6-40 x 3/8 Fil) 3-2
3598	Nut (6-40 Hex) 3-5, 3-6	125011	Washer, Flat 3-2, 3-4	151692	Screw (6-40 x 3/16 Fil) 3-2
3524	Washer, Flat 3-5, 3-6	125143	Screw (6-32 x 5/16 Flat) 3-3	151795	Motor, A.C. Synchronous 3-2
3640	Washer, Lock 3-2	128874	Rotor 3-2	151920	Plate, Mounting 3-2
5740	Screw (2-56 x 1/4 Fil) 3-5, 3-6	150040	Screw (6-40 x 5/8 Fil) 3-2	151922	Clamp 3-2
6320	Screw, Contact 3-4	150701	Motor, Series 3-3	151923	Relay 3-2
6345	Nut (6-32 Hex) 3-3, 3-4	150845	Governor Assembly 3-4	151924	Insulator 3-2
7002	Washer, Flat 3-2, 3-3, 3-4	150849	Washer, Insulating 3-3, 3-4	151925	Clamp 3-2
8449	Collar 3-6	150850	Plate, Insulating 3-3, 3-4	151926	Nut (4-40 Spl) 3-2
61085	Washer, Flat 3-5, 3-6	150857	Clamp, Arm 3-4	151927	Cable W/Terminal 3-2
71999	Spring, Thrust 3-2, 3-3	150858	Bracket, Contact 3-4	152034	Bracket 3-5
73374	Spacer 3-6	150859	Bracket, Mounting 3-4	152035	Plug 3-5
76099	Washer, Flat 3-5	150865	Screw, Clamping (4-40) 3-4	152037	Cover Assembly 3-5
87334	Washer, Insulating 3-2	150866	Clamp, Screw 3-3	152039	Container Assembly 3-5
91228	Strap Assembly 3-5	150868	Bushing 3-4	152040	Lid Assembly 3-5
91229	Wire, Braided 3-5	150869	Spring 3-4	152044	Cover Assembly 3-5
91230	Terminal 3-5	150872	Stud 3-4	152046	Bracket, Motor 3-5
91231	Terminal 3-5	150873	Collar 3-3	152058	Separator 3-5
91837	Washer, Fiber 3-3	150877	Bracket 3-3	152059	Cable Assembly 3-5
92260	Washer, Lock 3-3	150880	Spring 3-3	152067	Nipple Assembly 3-4
96257BK	Wire (2-3/4" Black) 3-2	150881	Spring 3-3	152078	Spring 3-5
96264R	Wire (5" Red) 3-2	150882	Brush, Contact 3-3	152297	Washer, Flat 3-2
98642	Washer, Lock 3-3	150884	Mounting, Brush 3-3	152459	Bracket, Mounting 3-5, 3-6
98712	Screw (4-40 x 7/32 Flat) 3-4	150885	Plate, Brush 3-3	152495	Bushing 3-4
100743	Clamp, Cable 3-6	150886	Plate, Clamp 3-3	153030	Mount, Vibration 3-2, 3-3
110743	Washer, Lock 3-3, 3-5	150976	Bracket, Motor 3-2, 3-6	153031	Bushing 3-3
112627	Nut (2-56 Hex) 3-5, 3-6	150980	Plate, Clamping 3-6	153049	Washer, Fiber 3-2
122200	Shield Assembly 3-3	150995	Bushing 3-6	153101	Grommet 3-3
122201	Bearing, Ball 3-2, 3-3	150997	Fan, Governor 3-4	153102	Screw, Set (8-32) 3-3
122202	Bolt, Clamping 3-3	151152	Screw (4-40 x 3/16 Hex) 3-4, 3-5	153103	Screw, Self Tapping 3-3
122204	Cap, Brush 3-3	151346	Screw (6-40 x 3/8 Fil) 3-2, 3-3	153114	Wire Assembly 3-3
122205	Brush W/Spring 3-3	151453	Nut (10-32 Hex) 3-3	154375	Backstop 3-4
122206	Holder, Brush 3-3	151455	Spring, Clip 3-3	161578	Suppressor, Noise 3-5
122208	Washer, Flat 3-3	151620	Strap, Mounting 3-2, 3-3	161579	Capacitor (.5 mf) 3-5, 3-6
122210	Armature Assembly 3-3	151621	Screw (6-32 x 3/4 Rd) 3-2, 3-3	161580	Resistor (500 Ohms) 3-5, 3-6
122211	Washer, Pull 3-2, 3-3	151622	Nut (6-32 Sq) 3-2, 3-3	162684	Jumper (2-3/4" White) 3-5
122220	Oiler, Ball 3-2, 3-3	151626	Terminal 3-2, 3-3, 3-5	162685	Jumper (4" White) 3-5
122221	Stator 3-3	151630	Screw (6-40 x 1/4 Hex) 3-3, 3-5	162861	Screw (6-40 x 1-5/16 Fil) 3-6
122229	Bolt (8-32 x 4-11/16 Fil) 3-2	151631	Screw (6-40 x 5/16 Hex) 3-6	163267	Jumper (2-3/4" White) 3-6
122233	Capacitor Assembly 3-3	151637	Screw (4-40 x 1/4 Fil) 3-2, 3-4	163268	Jumper (6-1/2" White) 3-6
122245	Capacitor (45 mf) 3-2	151642	Screw (6-40 x 3/4 Fil) 3-3	163269	Jumper (2" White) 3-6
122249	Switch, Thermostatic 3-2	151657	Screw (6-40 x 1/4 Fil) 3-3	164479	Terminal 3-5, 3-6
		151658	Screw (6-40 x 5/16 Fil) 3-3	172938	Insulator 3-5



SECTION 4
NUMERICAL INDEX

1160B
NUMERICAL INDEX

Part Number	Page	Part Number	Page	Part Number	Page	Part Number	Page
254M	2-4	86835	2-4	122211	3-1, 3-3	150452	2-7
1181	3-5	87334	3-2	122220	3-1, 3-3	150453	2-7
2034	2-4	89096	2-6	122221	3-3	150471	2-7
2191	1-2, 2-2, 2-3, 2-4, 2-5, 2-6, 2-7, 2-8, 2-9, 2-10, 2-17, 3-2, 3-3, 3-4, 3-5, 3-6	90517	2-11	122229	3-1	150475	2-7
		90819	2-5, 2-10	122233	3-3	150477	2-7
		91228	3-5	122245	3-2	150479	2-3
		91229	3-5	122249	3-2	150481	2-7
		91230	3-5	122251	3-1	150507	2-7
		91231	3-5	122252	3-1	150535	2-7, 2-8
2263	3-2	91837	3-3	122253	3-3	150537	2-8
2438	2-4	92260	3-3	125011	2-3, 2-9, 2-11, 3-2, 3-4	150543	2-10
2539	2-9	92682	2-7			150544	2-10
2669	1-2, 2-2, 2-3, 2-5, 2-9	93356	2-5	125015	2-2, 2-4	150546	2-2
		93758	2-5	125143	3-3	150547	2-2
3438	1-2	95827	2-5	125802	2-2	150563	2-7
3598	1-2, 2-3, 2-4, 2-5, 2-6, 2-7, 2-9, 3-5, 3-6	96257BK	3-2	128874	3-1	150687	2-2
		96264R	3-2	139555	2-10	150689	2-10
		96717	2-3	150000	2-6	150701	3-3
3599	2-3, 2-4, 2-11	97481	2-10	150001	2-6	150811	2-2
3606	2-10			150004	2-6	150845	3-4
3624	3-5, 3-6	98642	3-3	150013	2-6	150849	3-3, 3-4
3640	3-2	98712	3-4	150016	2-6	150850	3-3, 3-4
3649	2-7	100743	3-6	150026	2-6	150857	3-4
4586	2-10	103463	2-11	150029	2-6	150858	3-4
4703	2-10, 2-17, 2-18	104827	1-2	150040	2-5, 2-6, 3-1	150859	3-4
5740	2-10, 3-5, 3-6	107116	2-4	150043	2-6	150865	3-4
6320	3-4	108199	2-2	150044	2-6	150866	3-3
6345	3-3, 3-4	110434	2-2, 2-3, 2-8, 2-9	150047	2-6	150868	3-4
6800	2-5			150048	2-3	150869	3-4
7002	2-3, 2-5, 2-6, 2-7, 2-17, 3-2, 3-3, 3-4	110435	2-7	150050	2-6	150872	3-4
		110436	2-5	150051	2-6	150873	3-3
		110743	2-2, 2-3, 2-4, 2-6, 2-7, 2-8, 2-9, 2-10, 2-11, 2-14, 2-15, 2-17, 3-3, 3-5	150055	2-7	150877	3-3
8330	2-3, 2-5, 2-7			150056	2-6	150880	3-3
8449	2-5, 3-6			150089	2-4	150881	3-3
41382	2-3			150241	2-6	150882	3-3
41732	2-17			150288	2-8	150884	3-3
41733	2-17	111017	1-2	150289	2-8	150885	3-3
42823	2-6	112626	1-2, 2-2, 2-3, 2-5	150293	2-8	150886	3-3
42827	2-8			150298	2-11	150966	1-2
61085	3-5, 3-6	112627	3-5, 3-6	150301	2-8	150970	2-6
70388	2-5	119648	2-3	150302	2-8	150976	3-2, 3-6
71999	3-1, 3-3	119649	2-10	150304	2-8	150978	2-7
72522	2-11	119652	2-5, 2-7, 2-9, 2-10, 2-17	150348	2-5	150980	3-6
73175	2-5, 2-10			150349	2-5	150990	2-7, 2-9
73374	3-6	119653	2-3, 2-10	150350	2-5	150995	3-6
74283	2-3	119654	2-5	150352	2-5	150997	3-4
74547	2-5	121242	2-2	150355	2-5	151060	1-3
74701	2-5	121243	2-2	150356	2-5	151075	1-3
74712	2-2	121244	2-4	150361	2-5	151100	1-3
74716	2-17	121538	2-4	150398	2-9	151103	2-3
74727	2-17	122200	3-3	150414	2-9	151113	1-2
74785	2-5	122201	3-1, 3-3	150419	2-9	151118	1-2
74964	2-17	122202	3-3	150423	2-9	151126	1-2
76099	3-5	122204	3-3	150438	2-5	151129	1-2
78533	2-3	122205	3-3	150439	2-6	151130	1-3
81778	2-4	122206	3-3	150440	2-6	151131	1-3
82547	2-17	122208	3-3	150444	2-5	151132	1-3
84892	2-17	122210	3-3	150450	2-7	151133	1-3

1160B
NUMERICAL INDEX (Continued)

Part Number	Page	Part Number	Page	Part Number	Page	Part Number	Page
151134	1-3	151721	2-7	152432	2-3	152733	2-16
151135	1-3	151722	2-4	152436	2-3	152735	2-16
151146	1-2	151723	1-2	152438	2-3	152736	2-16
151152	2-7, 2-8, 2-10, 3-4, 3-5	151724	1-2	152441	2-3, 2-10	152738	2-16
151219	1-2	151725	1-2	152445	2-3	152764	1-3
151222	2-7	151728	2-6	152447	2-6	152765	1-3
151228	1-2	151737	2-6	152450	2-6	152766	1-3
151335	1-2, 2-3	151739	2-10, 2-19	152456	2-7	152887	2-6
151346	1-2, 3-2, 3-3	151795	3-2	152457	2-7	152889	2-10
151415	1-2	151920	3-2	152458	2-4	152891	2-3
151416	1-2	151922	3-2	152459	3-5, 3-6	152893	2-2, 2-3
151453	3-3	151923	3-2	152461	2-4	152999	2-12, 2-13
151455	3-3	151924	3-2	152462	2-4	153030	3-1, 3-3
151603	2-4	151925	3-2	152463	2-4	153031	3-3
151606	2-5	151926	3-2	152464	2-4	153049	3-1
151618	2-8	151927	3-2	152467	2-4	153101	3-3
151620	3-2, 3-3	152034	3-5	152495	3-4	153102	3-3
151621	3-2, 3-3	152035	3-5	152537	2-6	153103	3-3
151622	3-2, 3-3	152037	3-5	152538	2-5	153114	3-3
151626	2-10, 3-2, 3-3, 3-5	152039	3-5	152546	2-7	153184	2-4
151627	2-9	152040	3-5	152548	2-8	153292	2-6
151629	2-5, 2-7	152044	3-5	152551	2-8	153293	2-6
151630	2-2, 2-3, 2-4, 2-5, 2-6, 2-7, 2-8, 3-3, 3-5	152045	1-2	152552	2-8	153294	2-10
151631	1-2, 2-4, 2-7, 3-6	152046	3-5	152553	2-8	153295	2-10
151633	2-6	152058	3-5	152572	2-8	153296	2-6
151637	2-4, 2-10, 2-11, 2-17, 3-2, 3-4	152059	3-5	152573	2-6	153298	2-10
151640	2-6	152067	3-4	152574	2-8	153299	2-10
151642	2-6, 3-3	152078	3-5	152575	2-8	153300	2-6
151657	1-2, 2-2, 2-3, 2-7, 2-8, 2-9, 2-10, 3-3	152089	2-10, 2-12, 2-13	152576	2-8	153301	2-10
151658	1-2, 2-2, 2-4, 2-5, 2-7, 2-8, 2-9, 2-17, 3-3	152121	2-10, 2-12, 2-13	152580	2-2	153315	2-8
151659	3-4	152218	2-12, 2-13	152581	2-2	153319	2-8
151660	2-6	152255	2-8	152584	2-7	153320	2-8
151661	3-3, 3-4, 3-6	152256	2-8	152585	2-7	153321	2-8
151668	2-7	152257	2-8	152593	2-2	153323	2-6
151678	1-2	152297	3-1	152613	2-12, 2-13	153440	2-10, 2-12, 2-13, 2-18, 2-19
151685	2-9	152298	2-10, 2-12, 2-13	152634	2-5	153442	2-9
151686	2-4, 3-2	152299	2-10	152635	2-7	153489	2-3
151688	2-4, 2-6	152400	2-3	152636	2-7	153543	2-4
151689	2-6, 2-15, 2-17	152401	2-3	152638	2-7	153545	2-4
151690	2-6	152402	2-3	152639	2-7	153553	2-9
151691	2-5	152403	2-3	152640	2-7	153554	2-9
151692	2-2, 2-5, 2-9, 2-10, 3-2	152404	2-3	152642	2-10, 2-13, 2-19	153558	2-9
151693	2-6	152405	2-3	152651	2-11	153560	2-9
151701	2-3	152406	2-3	152653	2-10	153573	2-9
151712	1-2	152407	2-3	152656	2-10	153576	2-6
151714	2-3	152409	2-3	152660	2-10, 2-12, 2-13, 2-19	153577	2-9
151715	2-4	152410	2-3	152662	2-7	153579	2-9
		152411	2-3	152663	2-7	153581	2-10
		152412	2-3	152665	2-12, 2-13, 2-18, 2-19	153583	2-5
		152415	2-4	152666	2-12, 2-13, 2-18, 2-19	153584	2-5
		152420	2-4	152667	2-12, 2-18	153586	2-2
		152421	2-4	152668	2-12, 2-18	153587	2-2
		152422	2-4	152669	2-13, 2-18	153608	2-11
		152424	2-4	152683	2-12, 2-13, 2-18	153609	2-11
		152425	2-4	152726	2-5	153644	2-11
		152426	2-4			153645	2-11
		152427	2-3			153646	2-11
		152429	2-3				

NUMERICAL INDEX (Continued)

Part Number	Page	Part Number	Page	Part Number	Page	Part Number	Page
153547	2-11	155915	2-15	157300	1-2	163146	2-17
153795	2-11	155916	2-15	157884	2-15	163147	2-17
153806	2-2	155933	2-11	157887	2-14,2-15	163148	2-17
153819	2-8	155935	2-11	157889	2-15	163150	2-17
153823	2-6	155938	2-11	157890	2-15	163151	2-17
153824	2-6	155946	2-11	157891	2-15	163152	2-17
153839	2-4	156536	2-3	157892	2-15	163153	2-17
154085	1-2	156880	2-4	157893	2-15	163157	2-17
154375	3-4	157055	2-16	157899	2-14,2-15	163158	2-17
154613	2-10	157058	2-16	157990	2-2	163159	2-17
154620	2-3	157059	2-16	157991	2-2	163267	3-6
154521	2-3	157060	2-16	158365	2-9	163268	3-6
154622	2-3	157061	2-16	159278	1-3	163269	3-6
154646	2-10	157062	2-16	159279	1-3	163440	1-3
154647	2-10,2-12,2-13	157080	2-15	159281	1-3	163460	1-3
154662	1-2	157088	2-15	159282	1-3	164479	3-5,3-6
154663	1-2	157090	2-15	159284	1-3	172510	2-14
154688	2-9	157091	2-15	159285	1-3	172518	2-14
154694	2-6	157092	2-15	159287	1-3	172520	2-14
154789	2-9	157093	2-15	160195	2-15	172521	2-14
154872	2-4	157094	2-15	160196	2-15	172522	2-14
155044	2-6	157096	2-15	160197	2-15	172524	2-14
155046	2-6	157194	2-4	160205	2-15	172526	2-14
155047	2-6	157205	2-10,2-13	160206	2-15	172527	2-14
155073	2-10	157206	2-10,2-12,2-13	160207	2-15	172529	2-14
155090	2-3	157207	2-10,2-12,2-13	160208	2-15	172534	2-14
155096	2-3	157208	2-11	160209	2-15	172535	2-14
155099	2-10	157209	2-5	160729	2-2	172536	2-14
155110	2-13,2-18,2-19	157210	2-11	161110	2-11	172544	2-14
155114	2-13,2-18,2-19	157211	2-11	161293	1-3	172545	2-14
155117	2-13,2-18	157214	2-10	161294	1-3	172549	2-14
155121	2-12,2-13,2-18	157237	2-4	161295	1-3	172553	2-14
155124	2-12,2-13,2-18	157240	2-10	161301	1-3	172591	2-14
155129	2-13,2-18,2-19	157241	2-9	161342	2-3	172593	2-14
155218	2-13,2-18	157261	2-3	161347	2-9	172594	2-14
155311	2-13,2-18	157267	2-6	161578	3-5	172595	2-14
155313	2-13,2-18	157268	2-10	161579	3-5,3-6	172596	2-14
155586	2-7	157269	2-10	161580	3-5,3-6	172597	2-14
155587	2-7	157270	2-10	162333	1-2	172599	2-14
155589	2-7	157271	2-4	162488	2-7	172603	2-14
155596	2-7	157272	2-4	162684	3-5	172618	2-14
155865	2-9	157273	2-10	162685	3-5	172619	2-14
155913	2-15	157274	2-10	162861	3-6	172938	3-5
						173154	2-10