

TELETYPE

PRINTING TELEGRAPH SYSTEMS

BULLETIN 1162B

PARTS
MODEL 28 PRINTER SET
(RACK MOUNTED)



LIST OF EFFECTIVE PAGES
MAY 1956

Page Numbers	Change In Effect	Page Numbers	Change In Effect
A TO C	ORIGINAL		
1-1 to 1-26	ORIGINAL		
2-1 to 2-57	ORIGINAL		
3-1 to 3-3	ORIGINAL		
4-1 to 4-5	ORIGINAL		
5-1 to 5-7	ORIGINAL		
6-1 to 6-12	ORIGINAL		

The above list indicates the effective pages as of the date of issue. Upon receipt of change pages, insert them numerically and discard any superseded pages.

TABLE OF CONTENTS

TITLE

Figure	TITLE	Page
SECTION 1 - KEYBOARD AND VARIABLE FEATURES		
1-1	Keyboard Mechanism	1-2
1-2	Code Bar Mechanism	1-4
1-3	Function Levers and Code Levers	1-6
1-4	Intermediate Gear Mechanism	1-8
1-5	Carriage Return Mechanism	1-8
1-6	Keyboard Lock and Local Line Feed Mechanism	1-8
1-7	Keyboard Mechanism	1-9
1-8	Signal Generator Mechanism	1-11
1-9	Signal Generator Mechanism	1-13
1-10	Signal Generator Mechanism	1-15
1-11	Signal Generator Mechanism	1-17
1-12	RN Keylever Arrangement	1-19
1-13	153902 Mechanical Signal Line Break Feature Set of Parts	1-19
1-14	151060 Gear Set	1-19
1-15	152338 Time Delay Set of Parts	1-21
1-16	152918 Local Back Space Set of Parts	1-23
1-17	152916 Local Reverse Line Feed Set of Parts	1-25
SECTION 2 - TYPING UNIT AND VARIABLE FEATURES		
2-1	Printing Carriage Mechanism	2-2
2-2	Code Bar Mechanism	2-4
2-3	Left Ribbon Feed Mechanism	2-6
2-4	Right Ribbon Feed Mechanism	2-8
2-5	Selector Magnet Mechanism	2-10
2-6	Selector Mechanism	2-12
2-7	Code Bar Positioning Mechanism	2-14
2-8	Front Plate Mechanism	2-16
2-9	Front Plate Mechanism	2-18
2-10	Front Plate Mechanism	2-20
2-11	Spring Drum and Spacing Drum Mechanism	2-22
2-12	Trip Shaft Mechanism	2-24
2-13	Main Shaft Mechanism	2-26
2-14	Main Shaft Mechanism	2-28
2-15	Right Side Linkage and Type Box Carriage Mechanism	2-30
2-16	Left Side Linkage and Stripper Blade Mechanism	2-32
2-17	Line Feed and Platen Mechanism	2-34
2-18	Paper Spindle and Reset Bail Mechanism	2-36
2-19	Space Suppression Mechanism	2-38
2-20	Pressure Roller Mechanism	2-40
2-21	Right Side Frame Mechanism	2-42
2-22	Left Side Frame Mechanism	2-44
2-23	151938 AN Type Box Arrangement	2-46
2-24	151799 Paper Spindle Latches Set of Parts	2-46
2-25	154971 AY Stunt Box Arrangement	2-48
2-26	152915 Local Reverse Line Feed Set of Parts	2-50
2-27	152917 Local Back Space Set of Parts	2-52
2-28	152348 Automatic Carriage Return and Line Feed Set of Parts	2-54
2-29	152350 Typing Unit Keyboard Lock Set of Parts	2-54
2-30	152312 Lightweight Conversion Set of Parts	2-56
2-31	Clip to Hold Suppression Code Bar	2-56
SECTION 3 - MOTOR UNIT		
3-1	Synchronous Motor Unit	3-2

1162B
TABLE OF CONTENTS

TITLE

Figure

Page

SECTION 4 - COVER AND VARIABLE FEATURES

4-1	Cover Assembly	4-2
4-2	152313 Shock Mounts Set of Parts	4-4
4-3	152314 Copy and Margin Lamp Set of Parts	4-4
4-4	152969BU Base Plate Set of Parts	4-4

SECTION 5 - ELECTRICAL SERVICE UNIT AND VARIABLE FEATURES

5-1	Electrical Service Unit	5-2
5-2	153040 Electrical Motor Control Set of Parts	5-4
5-3	152999 Filter and Bell Assembly	5-6
5-4	152757 Blank Plate Assembly	5-6

SECTION 6 - NUMERICAL INDEX

6-2
through
6-13

* * *

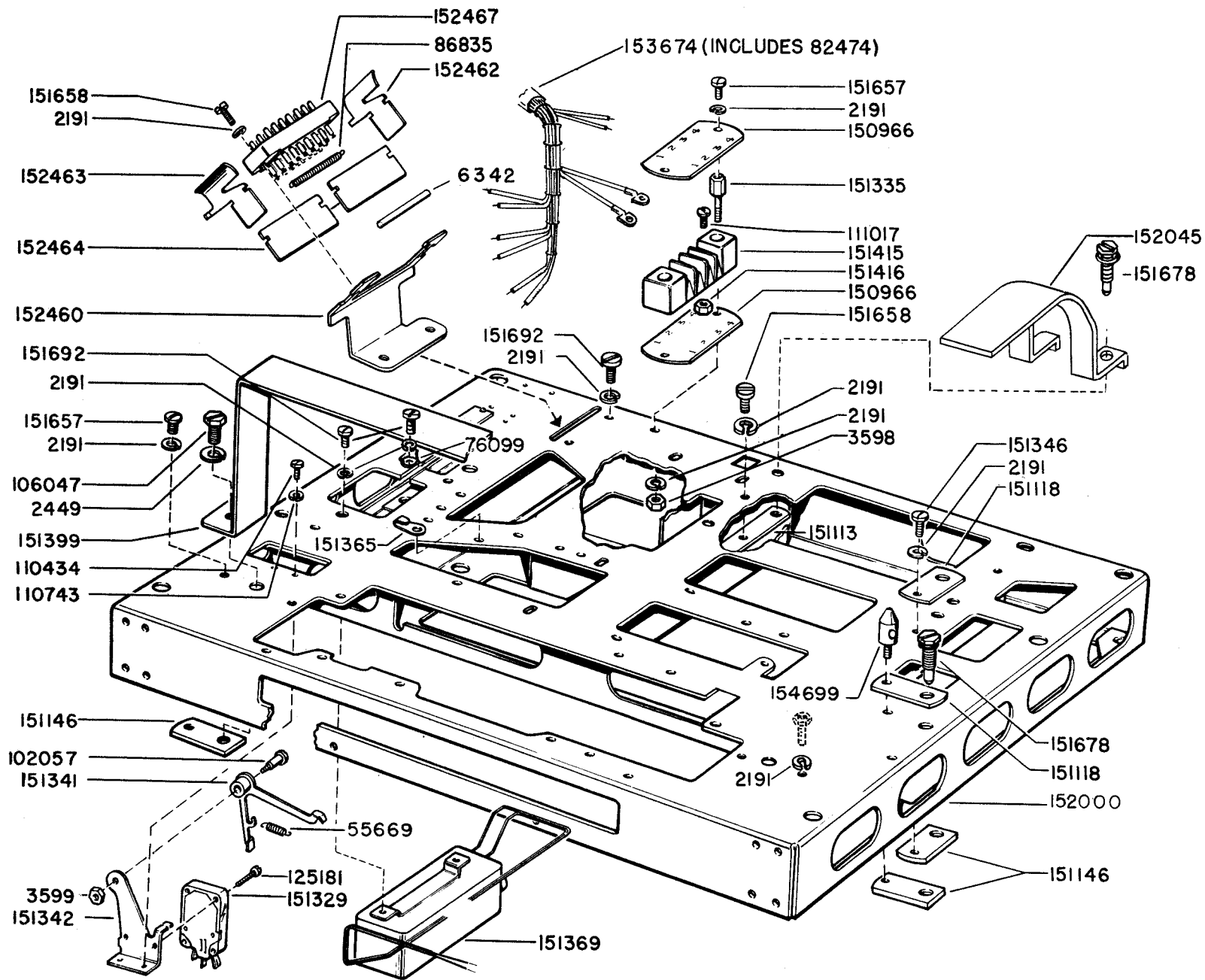
THE MODEL 28 PRINTER SET (RACK MOUNTED) CONSISTS OF THE FOLLOWING:

- | | |
|-------------|-------------------------------|
| LP6RN/AY213 | Typing Unit |
| LK4RN118 | Keyboard Unit |
| LMU3 | Motor Unit, with 151060 Gears |
| LESU6/119 | Electrical Service Unit |
| LPC202BU120 | Printer Cover |

SECTION 1

KEYBOARD AND VARIABLE FEATURES

FIGURE 1-1. KEYBOARD MECHANISM



NUMERICAL INDEX - FIGURE 1-1

Part Number	Description	Part Number	Description
2191	Lock Washer	151341	Contact Lever
2449	Lock Washer	151342	Bracket
3598	Nut (6-40)	151346	Screw (6-40 x 3/8 Fil.)
3599	Nut (4-40)	151365	Terminal
6342	Terminal Wire (1" Tinned)	151369	Electrical Noise Suppressor
55669	Spring	151399	Guard Bracket
76099	Flat Washer	151415	Insulating Block
82474	Terminal Lug	151416	Nut (6-40)
86835	Spring	151657	Screw (6-40 x 1/4 Fil.)
102057	Shoulder Screw (4-40)	151658	Screw (6-40 x 5/16 Fil.)
106047	Screw (1/4-32 x 1/2 Hex.)	151678	Pilot Screw (1/4 - 32)
110434	Screw (4-40 x 1/4 Fil.)	151692	Screw (6-40 x 3/16 Fil.)
110743	Lock Washer	152000	Base
111017	Screw (6-40 x 5/16 Fil.)	152045	Guard
125181	Screw (2-56 x 3/8 Fil.)	152460	Bracket
150966	Insulator	152462	Right Latch
151113	Strip	152463	Left Latch
151118	Spacing Plate	152464	Insulator
151146	Mounting Strap	152467	Connector
151329	Sensitive Switch	153674	Cable Assembly
151335	Stud	154699	Locating Stud

1162B

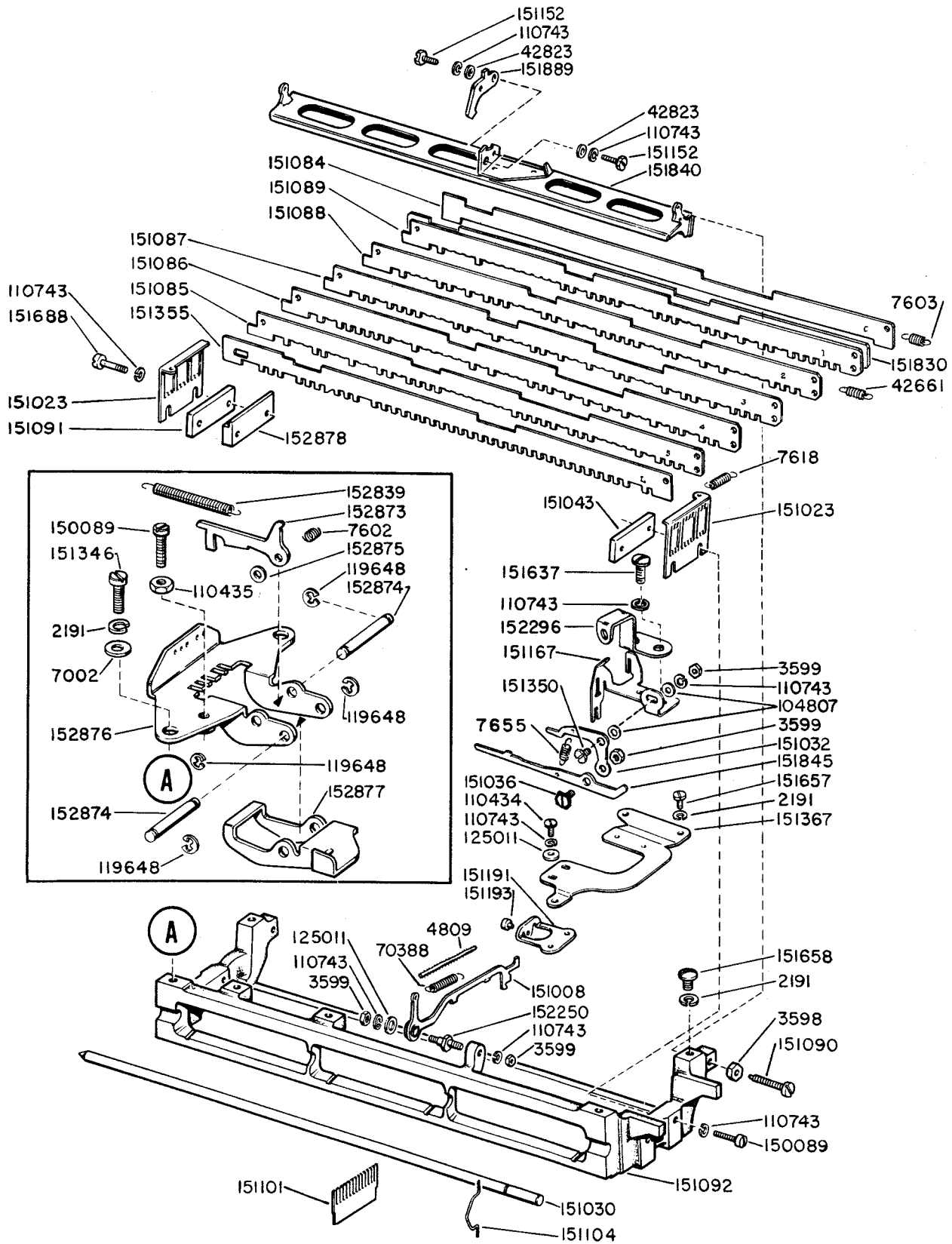
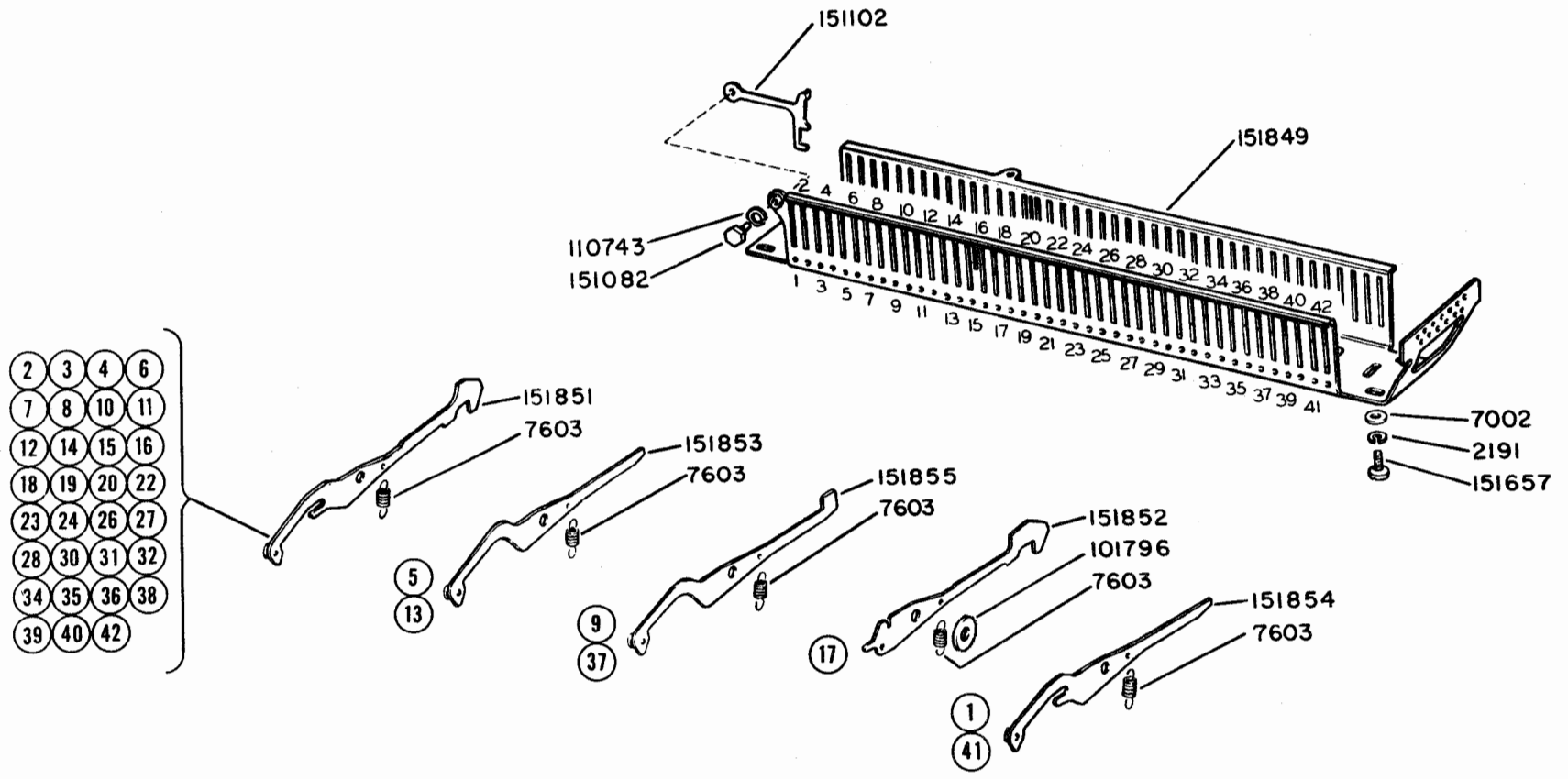


FIGURE 1-2. CODE BAR MECHANISM

NUMERICAL INDEX - FIGURE 1-2

Part Number	Description	Part Number	Description
2191	Lock Washer	151090	Pilot Screw (6-40)
3598	Nut (6-40)	151091	Plate
3599	Nut (4-40)	151092	Code Bar Frame
4809	Felt Wick	151101	Code Bar Guide
7002	Flat Washer	151104	Clip
7602	Spring	151152	Screw (4-40 x 3/16 Hex.)
7603	Spring	151167	Non-Repeat Bracket
7618	Spring	151191	Bracket
7655	Spring	151193	Bumper
42661	Spring	151346	Screw (6-40 x 3/8 Fil.)
42823	Flat Washer	151350	Shoulder Screw (4-40)
70388	Spring	151355	Lock Bar
104807	Flat Washer	151367	Plate
110434	Screw (4-40 x 1/4 Fil.)	151637	Screw (4-40 x 1/4 Fil.)
110435	Nut (4-40)	151657	Screw (6-40 x 1/4 Fil.)
110743	Lock Washer	151658	Screw (6-40 x 5/16 Fil.)
119648	Retaining Ring	151688	Screw (4-40 x 5/8 Fil.)
125011	Flat Washer	151830	Upstop Bar
150089	Screw (4-40 x 1/2 Fil.)	151840	Bail
151008	Latch Lever	151845	Lever
151023	Code Bar Guide	151889	Extension
151030	Code Lever Shaft	152250	Eccentric Stud
151032	Bell Crank	152296	Spring Bracket
151036	Shoulder Screw (4-40)	152839	Spring
151043	Plate	152873	Latch
151084	Clutch Trip Bar	152874	Latch Shaft
151085	Code Bar (#5)	152875	Spacer
151086	Code Bar (#4)	152876	Bracket
151087	Code Bar (#3)	152877	Bail
151088	Code Bar (#2)	152878	Code Bar Stop Bracket
151089	Code Bar (#1)		

FIGURE 1-3 FUNCTION LEVERS AND CODE LEVERS



1162B

NUMERICAL INDEX - FIGURE 1-3

Part Number	Description	Part Number	Description
2191	Lock Washer	151657	Screw (6-40 x 1/4 Fil.)
7002	Flat Washer	151849	Code Lever Guide
7603	Spring	151851	Code Bar Lever
101796	Felt Washer	151852	Space Code Lever
110743	Lock Washer	151853	Function Lever
151082	Pilot Screw (4-40)	151854	Function Lever
151102	Pawl	151855	Function Lever

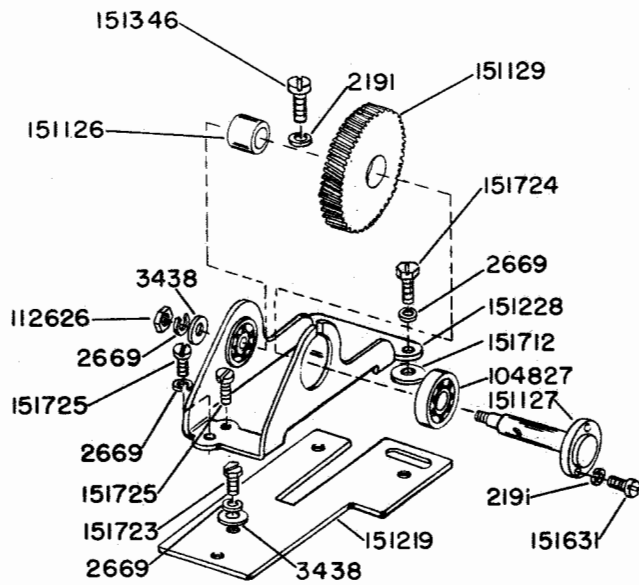


FIGURE I-4. INTERMEDIATE GEAR MECHANISM

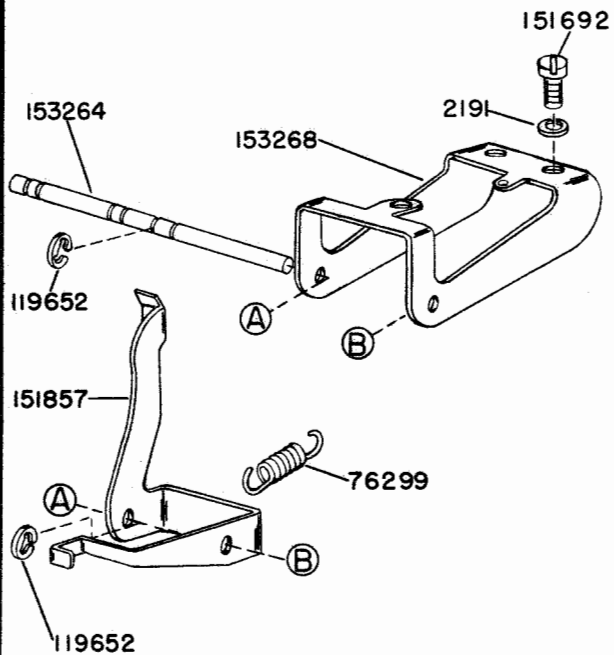


FIGURE I-5. CARRIAGE RETURN MECHANISM

DOTTED PARTS APPEAR
FIGURE I-17

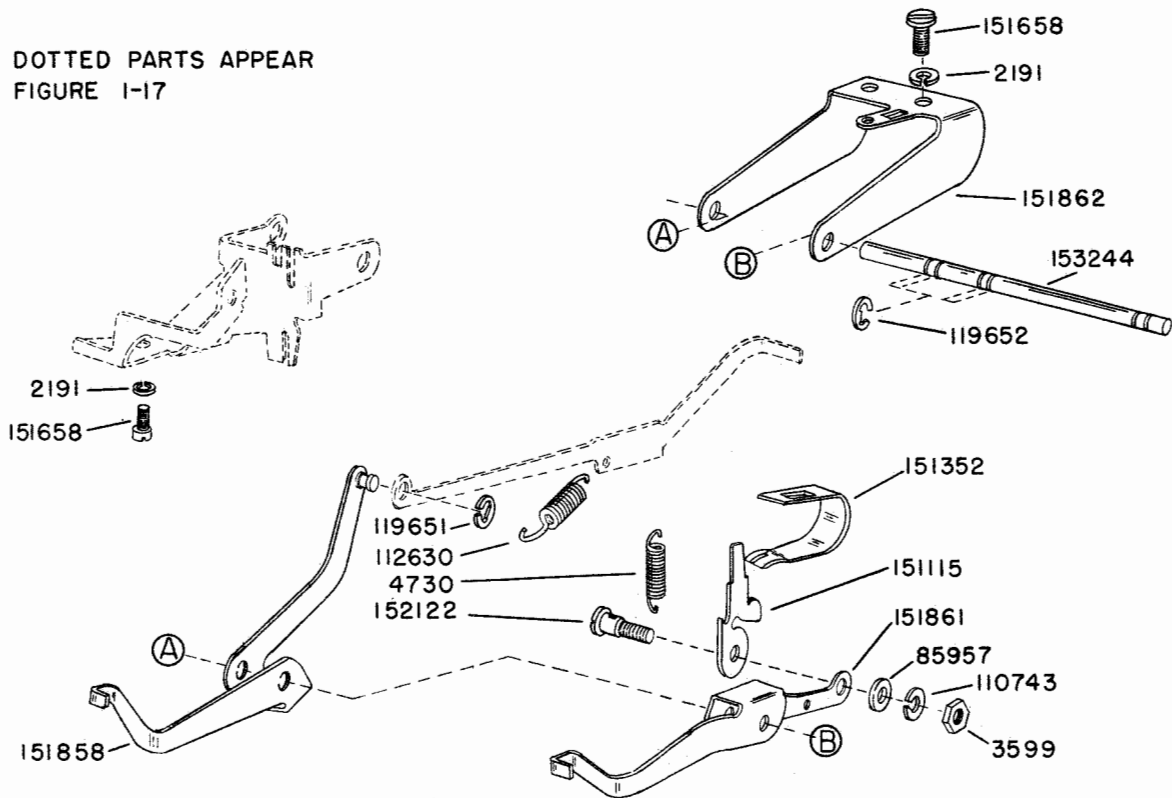
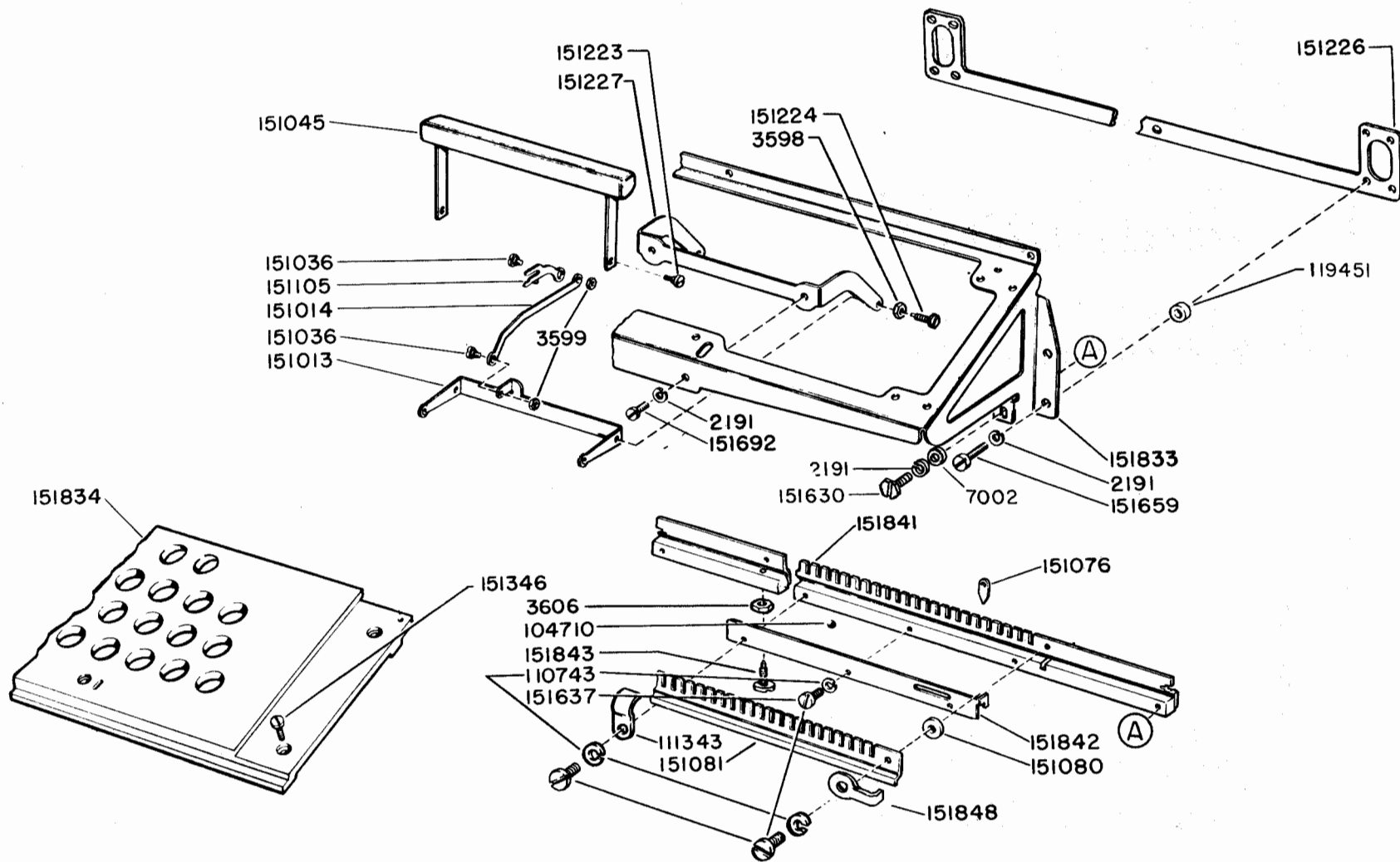


FIGURE I-6. KEYBOARD LOCK AND LOCAL LINE FEED MECHANISM

NUMERICAL INDEX - FIGURES 1-4, 1-5, 1-6

Part Number	Description	Part Number	Description
2191	Lock Washer	151346	Screw (6-40 x 3/8 Fil.)
2669	Lock Washer	151352	Spring
3438	Flat Washer	151631	Screw (6-40 x 5/16 Hex.)
3599	Nut (4-40)	151658	Screw (6-40 x 5/16 Fil.)
4703	Spring	151692	Screw (6-40 x 3/16 Fil.)
76299	Spring	151712	Pivot Button
85957	Flat Washer	151723	Screw (10-32 x 3/8 Hex.)
104827	Ball Bearing	151724	Screw (10-32 x 5/8 Hex.)
110743	Lock Washer	151725	Screw (10-32 x 3/4 Fil.)
112626	Nut (10-32)	151857	Bail
112630	Spring	151858	Bail
119651	Retaining Ring	151861	Bail
119652	Retaining Ring	151862	Bracket
151115	Plunger Lever	152122	Shoulder Screw (4-40)
151126	Spacer	153244	Shaft
151127	Shaft	153264	Shaft
151129	Helical Driving Gear	153268	Bracket
151219	Plate		
151228	Bracket with Bearing		

FIGURE 1-7 KEYBOARD MECHANISM



NUMERICAL INDEX - FIGURE 1-7

Part Number	Description	Part Number	Description
2191	Lock Washer	151105	Space Code Lever Extension
3598	Nut (6-40)	151223	Shoulder Screw (4-40)
3599	Nut (4-40)	151224	Pilot Screw (6-40)
3606	Nut (6-40)	151226	Strip
7002	Flat Washer	151227	Space Bar Bracket
104710	Bearing Ball	151346	Screw (6-40 x 3/8 Fil.)
110743	Lock Washer	151630	Screw (6-40 x 1/4 Hex.)
111343	Cable Clamp	151637	Screw (4-40 x 1/4 Fil.)
119451	Spacer	151659	Screw (6-40 x 1/2 Fil.)
151013	Space Bar Bail	151692	Screw (6-40 x 3/16 Fil.)
151014	Space Code Link	151833	Front Frame
151036	Shoulder Screw (4-40)	151834	Keypad Guide Plate
151045	Spacing Bar	151841	Ball Channel
151076	Wedglock	151842	Ball Retainer
151080	Spacing Washer	151843	Adjusting Screw (6-40)
151081	Wedge Retainer	151848	Lock

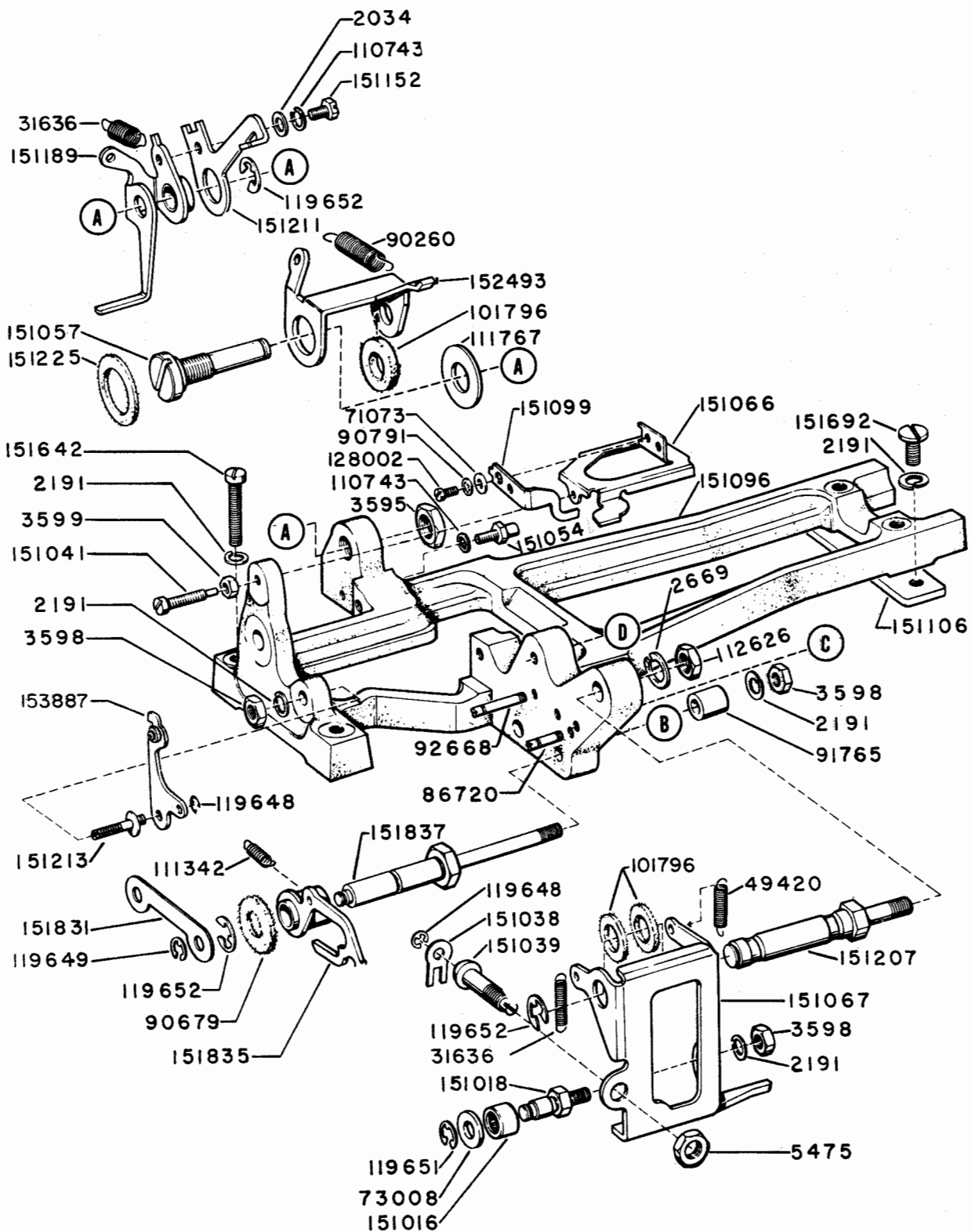
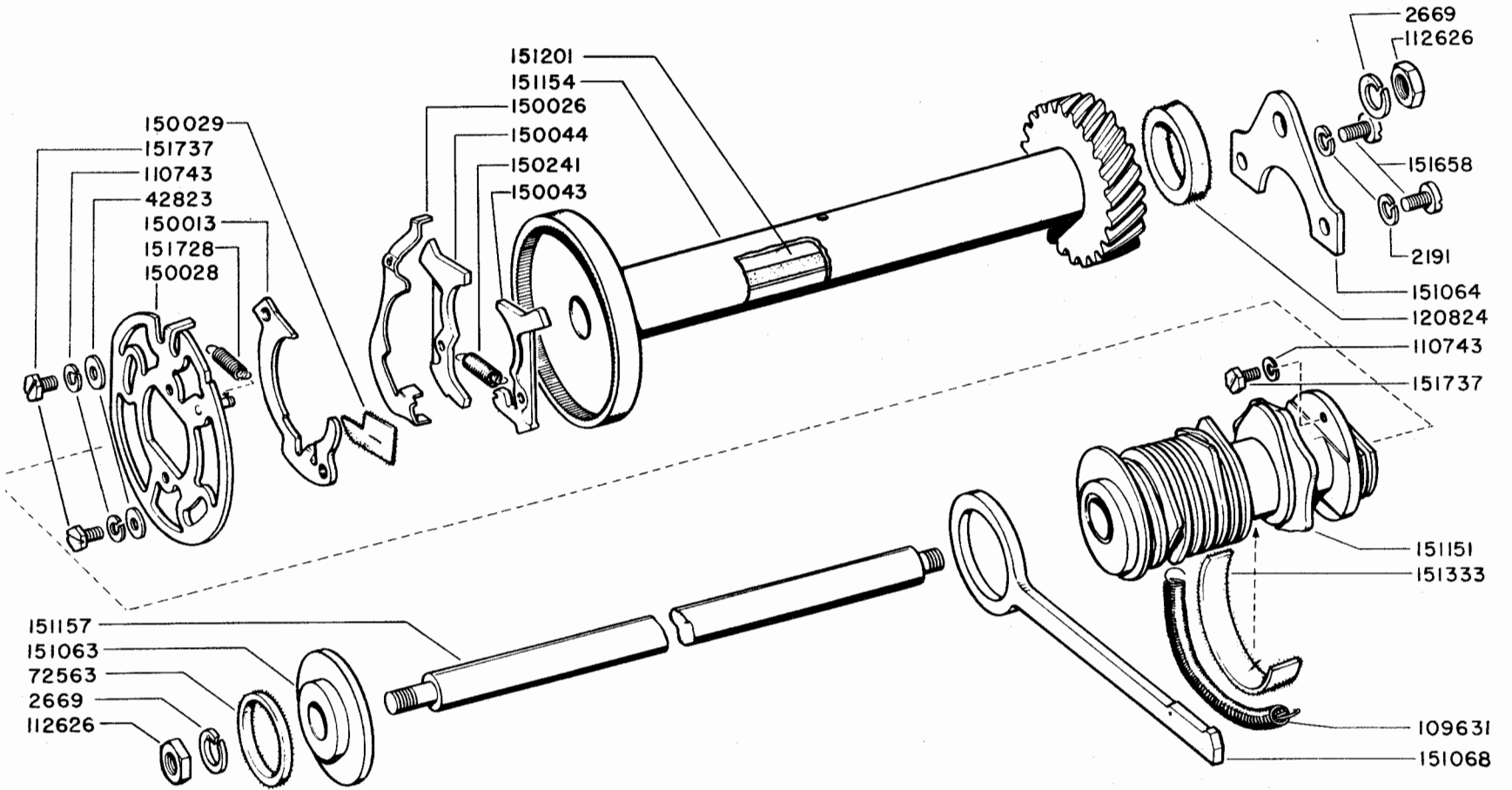


FIGURE I-8. SIGNAL GENERATOR MECHANISM

NUMERICAL INDEX - FIGURE 1-8

Part Number	Description	Part Number	Description
2034	Flat Washer	128002	Screw (2-56 x 3/16 Fil.)
2191	Lock Washer	151016	Roller Bearing
2669	Lock Washer	151018	Stud
3595	Nut (1/4 - 32)	151038	Guide Plate
3598	Nut (6-40)	151039	Stud
3599	Nut (4-40)	151041	Pilot Screw (4-40)
5475	Nut (3/16 - 40)	151054	Stud
31636	Spring	151057	Pilot Screw (1/4 - 32)
49420	Spring	151066	Rocker Bail
71073	Flat Washer	151067	Code Bar Bail
73008	Flat Washer	151096	Signal Generator Frame
86720	Spring Post	151099	Rocker Extension
90260	Spring	151106	Plate
90679	Felt Washer	151152	Screw (4-40 x 3/16 Hex.)
90791	Lock Washer	151189	Clutch Trip Bail
91765	Spacer	151207	Stud
92668	Spring Post	151211	Stop Lever
101796	Felt Washer	151213	Eccentric Stud
110743	Lock Washer	151225	Felt Washer
111342	Spring	151642	Screw (6-40 x 3/4 Fil.)
111767	Flat Washer	151692	Screw (6-40 x 3/16 Fil.)
112626	Nut (10-32)	151831	Link
119648	Retaining Ring	151835	Latch Lever
119649	Retaining Ring	151837	Stud
119651	Retaining Ring	152493	Latch Lever
119652	Retaining Ring	153887	Detent

FIGURE 1-9. SIGNAL GENERATOR MECHANISM



11628

NUMERICAL INDEX - FIGURE 1-9

Part Number	Description	Part Number	Description
2191	Lock Washer	150043	Shoe (Secondary)
2669	Lock Washer	150044	Shoe (Primary)
42823	Flat Washer	150241	Spring
72563	Felt Washer	151063	Spacer
109631	Spring	151064	Rear Plate
110743	Lock Washer	151068	Reset Lever
112626	Nut (10-32)	151151	Cam
120824	Felt Washer	151154	Gear Sleeve
150013	Adjusting Disk	151157	Shaft
150026	Shoe Release Lever	151201	Felt Oiler
150028	Disk	151333	Felt Oiler
150029	Felt Wick	151658	Screw (6-40 x 5/16 Fil.)
		151728	Spring
		151737	Screw (4-40 x 11/64 Hex.)

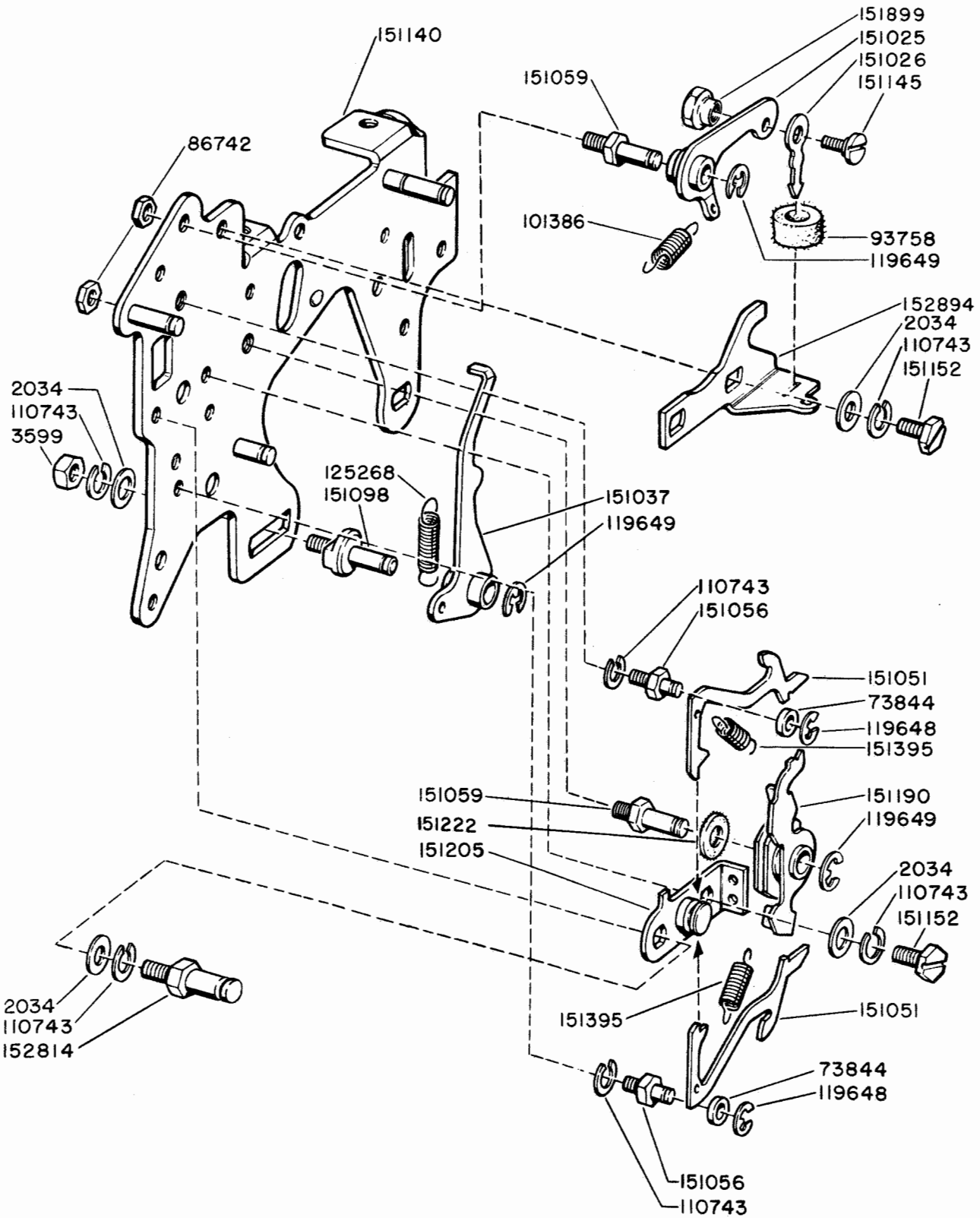


FIGURE I-10. SIGNAL GENERATOR MECHANISM

NUMERICAL INDEX - FIGURE 1-10

Part Number	Description	Part Number	Description
2034	Flat Washer	151056	Stud
3599	Nut (4-40)	151059	Stud
73844	Flat Washer	151098	Stud
86742	Nut (4-40)	151140	Plate
93758	Felt Washer	151145	Shoulder Screw (2-56)
101386	Spring	151152	Screw (4-40 x 3/16 Hex.)
110743	Lock Washer	151190	Oscillating Lever
119648	Retaining Ring	151205	Plate
119649	Retaining Ring	151222	Felt Washer
125268	Spring	151395	Spring
151025	Detent Lever	151899	Shoulder Nut (2-56)
151026	Arm	152814	Stud
151037	Flutter Lever	152894	Stop Bracket
151051	Intermediate Lever		

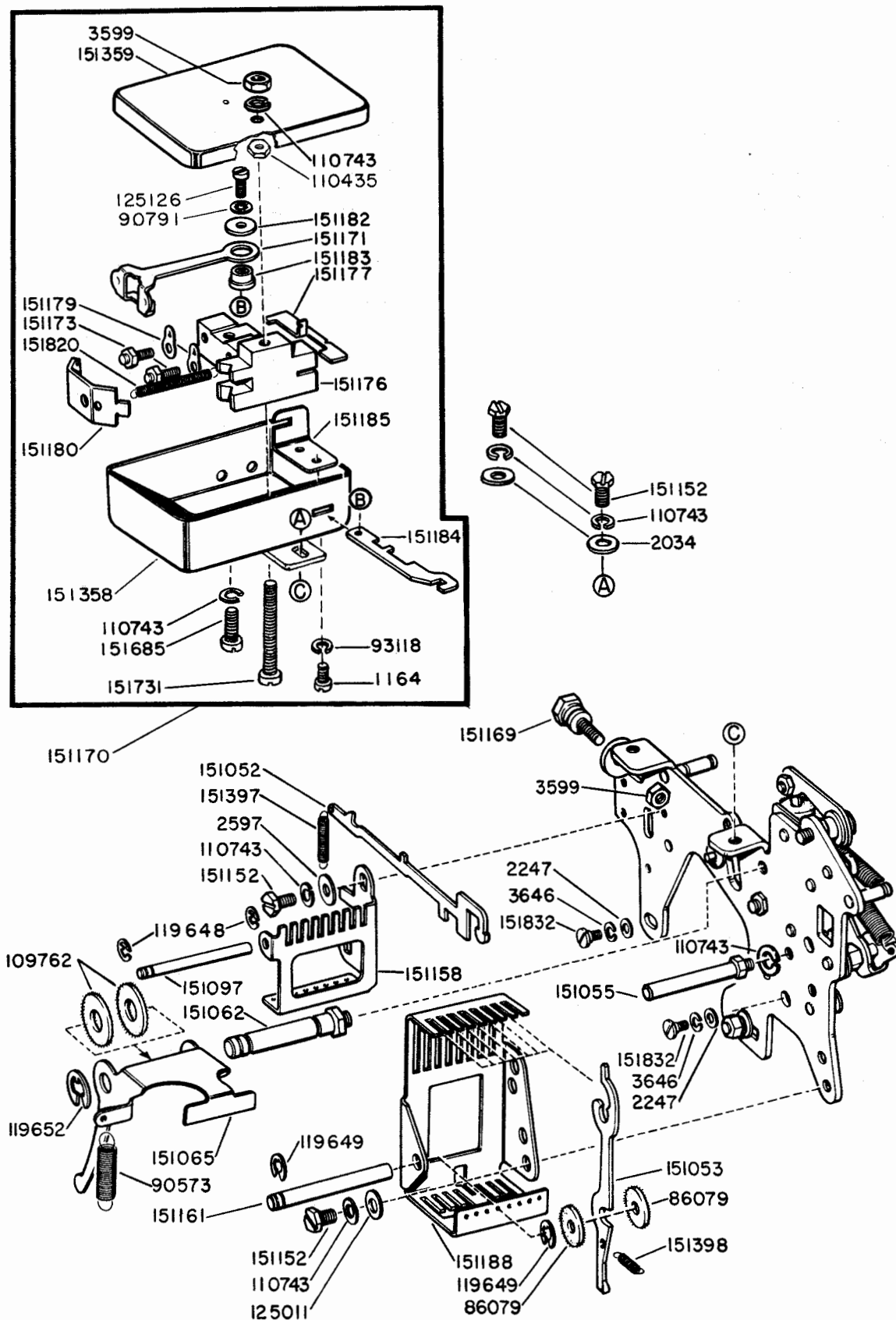


FIGURE I-11. SIGNAL GENERATOR MECHANISM

NUMERICAL INDEX - FIGURE 1-11

Page Number	Description	Page Number	Description
1164	Screw (2-56 x 3/16 Fil.)	151158	Selector Finger Guide
2034	Flat Washer	151161	Shaft
2247	Flat Washer	151169	Adjusting Screw (4-40)
2597	Flat Washer	151170	Contact Assembly
3599	Nut (4-40)	151171	Toggle
3646	Lock Washer	151173	Electrical Contact Screw (4-40)
86079	Felt Washer	151176	Base
90573	Spring	151177	Terminal
90791	Lock Washer	151179	Terminal
93118	Lock Washer	151180	Toggle Link
109762	Felt Washer	151182	Insulating Washer
110435	Nut (4-40)	151183	Insulator
110743	Lock Washer	151184	Toggle Extension
119648	Retaining Ring	151185	Guide
119649	Retaining Ring	151188	Transfer Lever Guide
119652	Retaining Ring	151358	Contact Box with Bracket
125011	Flat Washer	151359	Cover with Spring
125126	Screw (2-56 x 9/32 Fil.)	151397	Spring
151052	Selector Lever	151398	Spring
151053	Transfer Lever	151685	Screw (4-40 x 5/16 Fil.)
151055	Post	151731	Screw (4-40 x 7/8 Fil.)
151062	Stud	151820	Spring
151065	Locking Bail	151832	Shoulder Screw (6-40)
151097	Shaft		
151152	Screw (4-40 x 3/16 Hex.)		

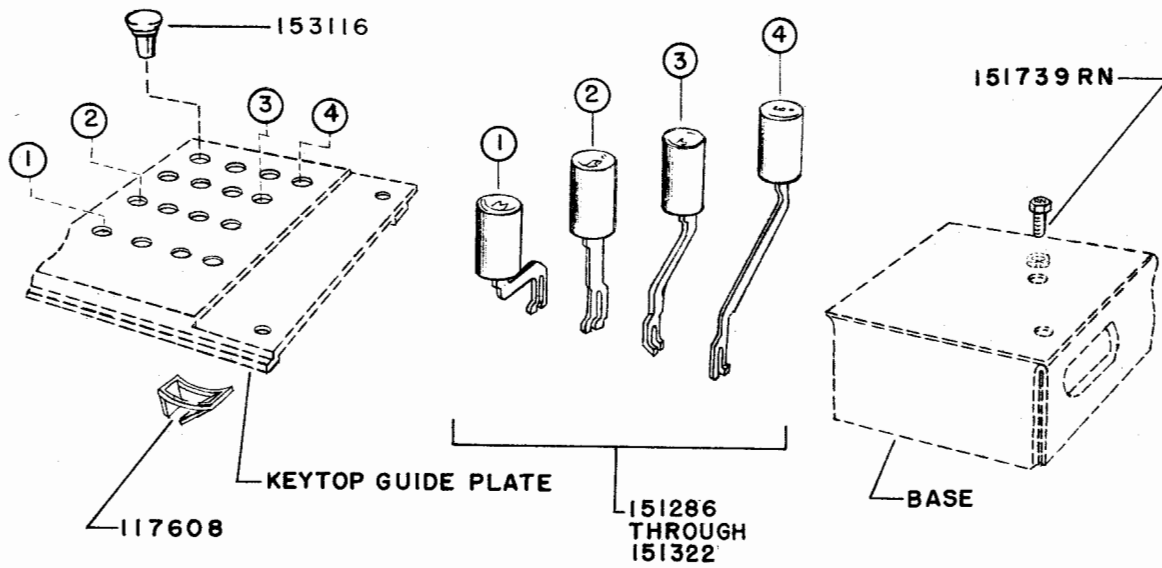


FIGURE 1-12.RN KEYLEVER ARRANGEMENT

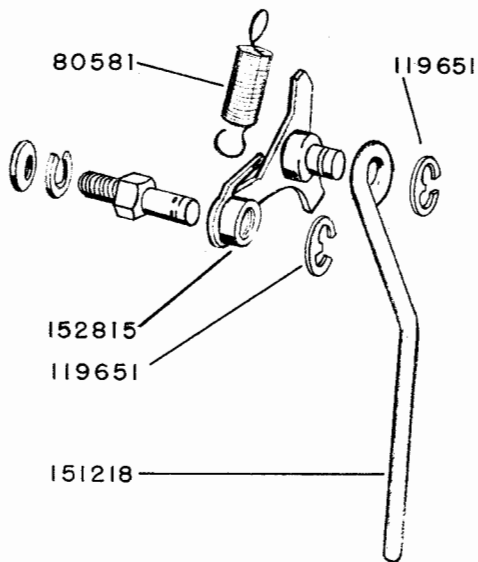


FIGURE 1-13. 153902 MECHANICAL SIGNAL LINE BREAK FEATURE SET OF PARTS

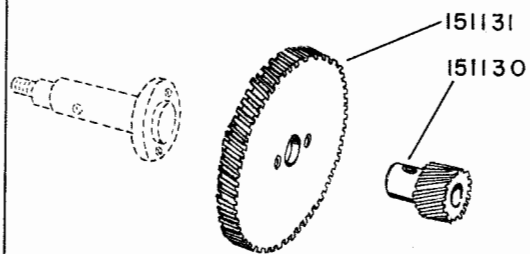
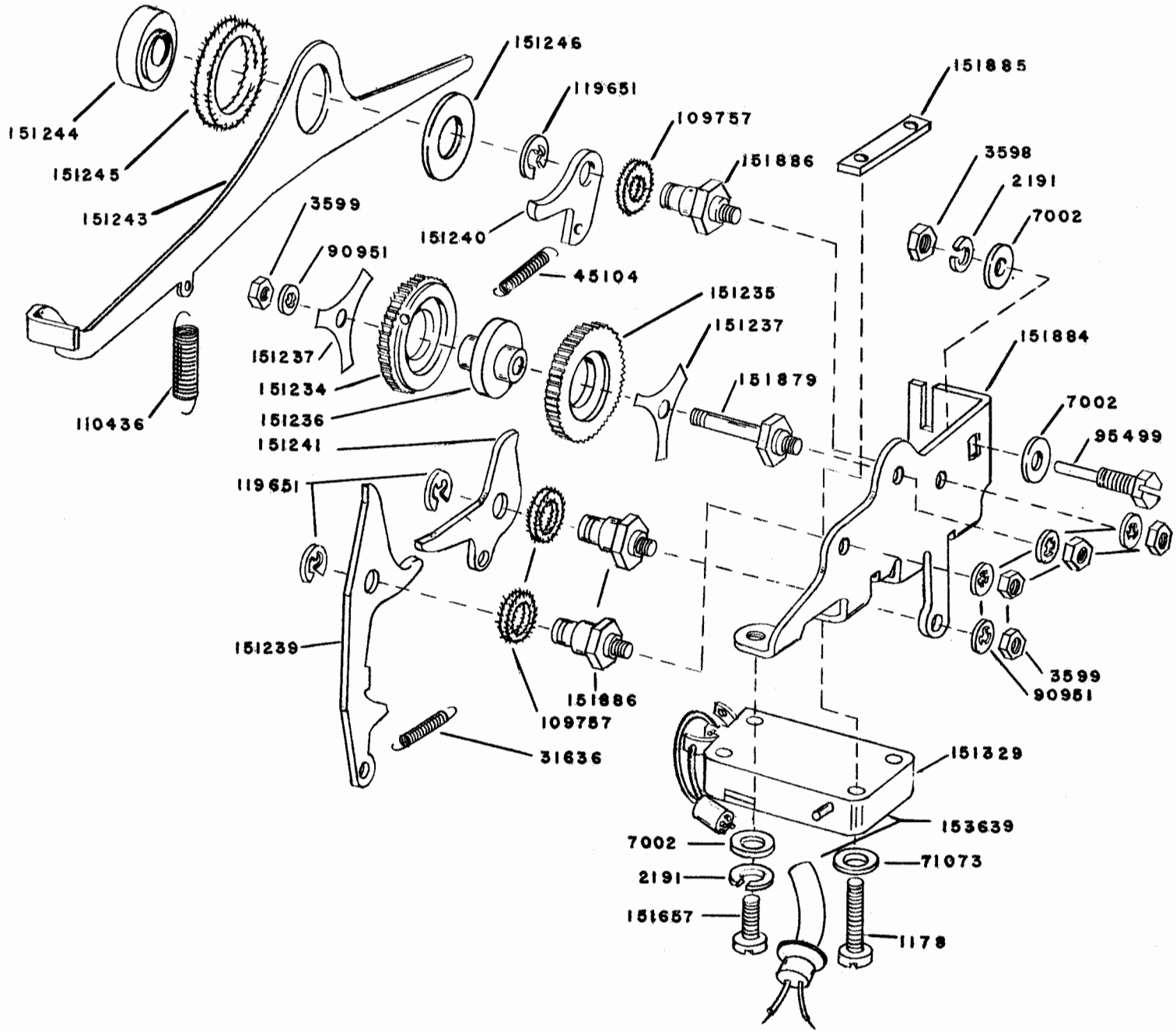


FIGURE 1-14. 151060 GEAR SET.

NUMERICAL INDEX - FIGURE 1-12, 1-13, 1-14

Part Number	Description	Part Number	Description
80581	Spring	151302	(A -)
117608	Speed Nut	151303	(S BELL)
119651	Retaining Ring	151304	(D \$)
151060	Gear Set (60 WPM)	151305	(F †)
151130	Helical Driving Gear	151306	(G &)
151131	Helical Driven Gear	151307	(H)
151218	Break Rod	151308	(J ')
		151309	(K (
		151310	(L))
	<u>Keylevers</u>	151311	(CAR RET)
151286	(LOC LF)	151312	(FIGS)
151287	(LOC CR)	151313	(Z ")
151288	(KBD UNLK)	151314	(X /)
151289	(KBD LOCK)	151315	(C :)
151290	(BREAK)	151316	(V ;)
151291	(REPT)	151317	(B ?)
151292	(Q 1)	151318	(N ,)
151293	(W 2)	151319	(M .)
151294	(E 3)	151320	(LTRS)
151295	(R 4)	151321	(LINE FEED)
151296	(T 5)	151322	(NO SYMBOL)
151297	(Y 6)		
151298	(U 7)	151739RN	Identification Screw (6-40)
151299	(I 8)	152815	Break Lever
151300	(O 9)	153116	Button Plug
151301	(P 0)	153902	Mechanical Signal Line Break Set of Parts

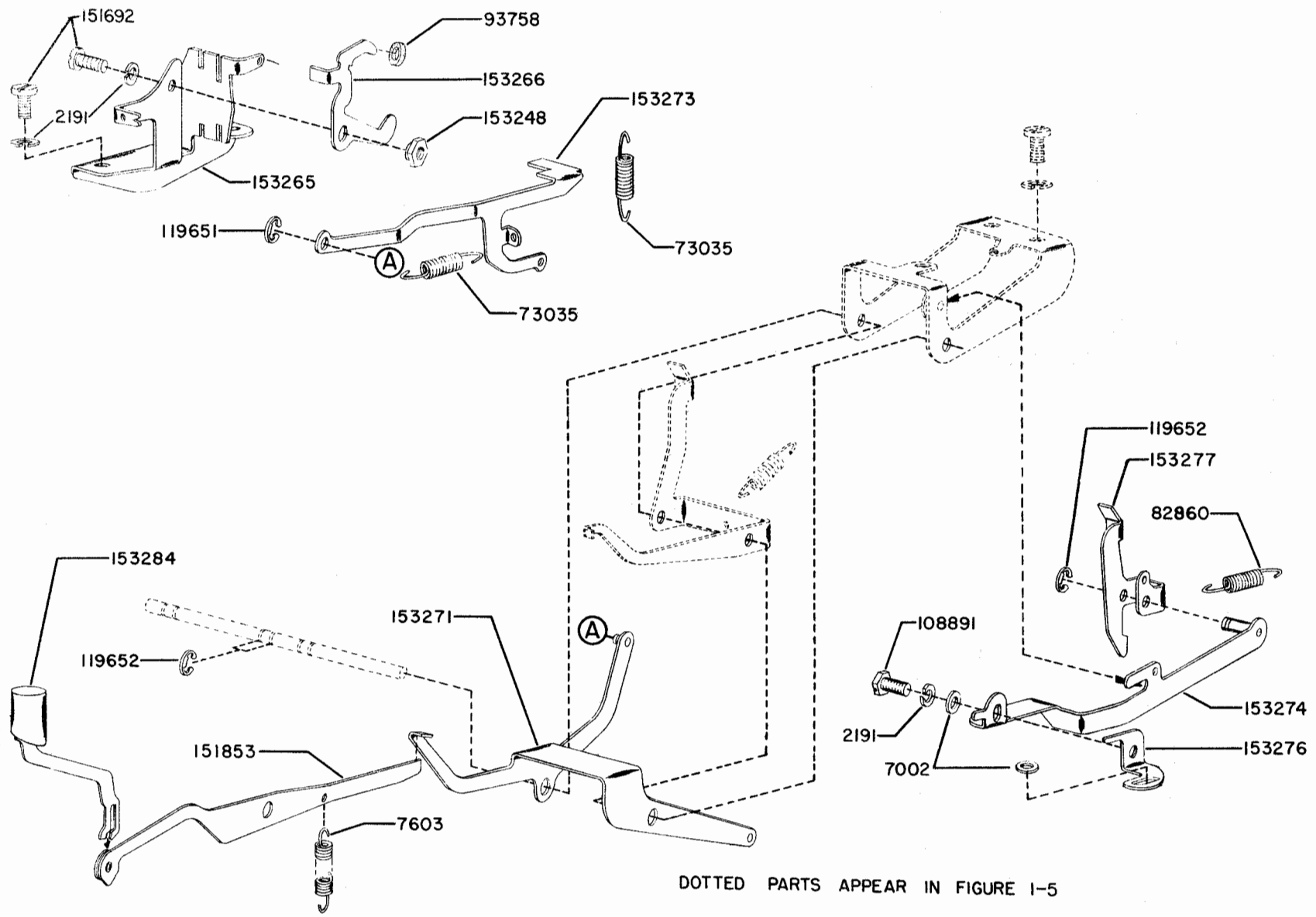
FIGURE 1-15. 152338 TIME DELAY SET OF PARTS



NUMERICAL INDEX - FIGURE 1-15

Part Number	Description	Part Number	Description
1178	Screw (2-56 x 7/16 Fil.)	151237	Spring
2191	Lock Washer	151239	Contact Pawl
3598	Nut (6-40)	151240	Latch Pawl
3599	Nut (4-40)	151241	Latching Lever
7002	Flat Washer	151243	Pawl
31636	Spring	151244	Eccentric Bushing
45104	Spring	151245	Felt Washer
71073	Flat Washer	151246	Shim
90951	Lock Washer	151329	Sensitive Switch
95499	Pilot Screw (6-40)	151657	Screw (6-40 x 1/4 Fil.)
109757	Felt Washer	151879	Stud
110436	Spring	151884	Bracket
119651	Retaining Ring	151885	Nut Plate
151234	Ratchet	151886	Stud
151235	Ratchet	152338	Time Delay Set of Parts
151236	Hub	153639	Cable Assembly

FIGURE I-16. 152918 LOCAL BACK SPACE SET OF PARTS



DOTTED PARTS APPEAR IN FIGURE I-5

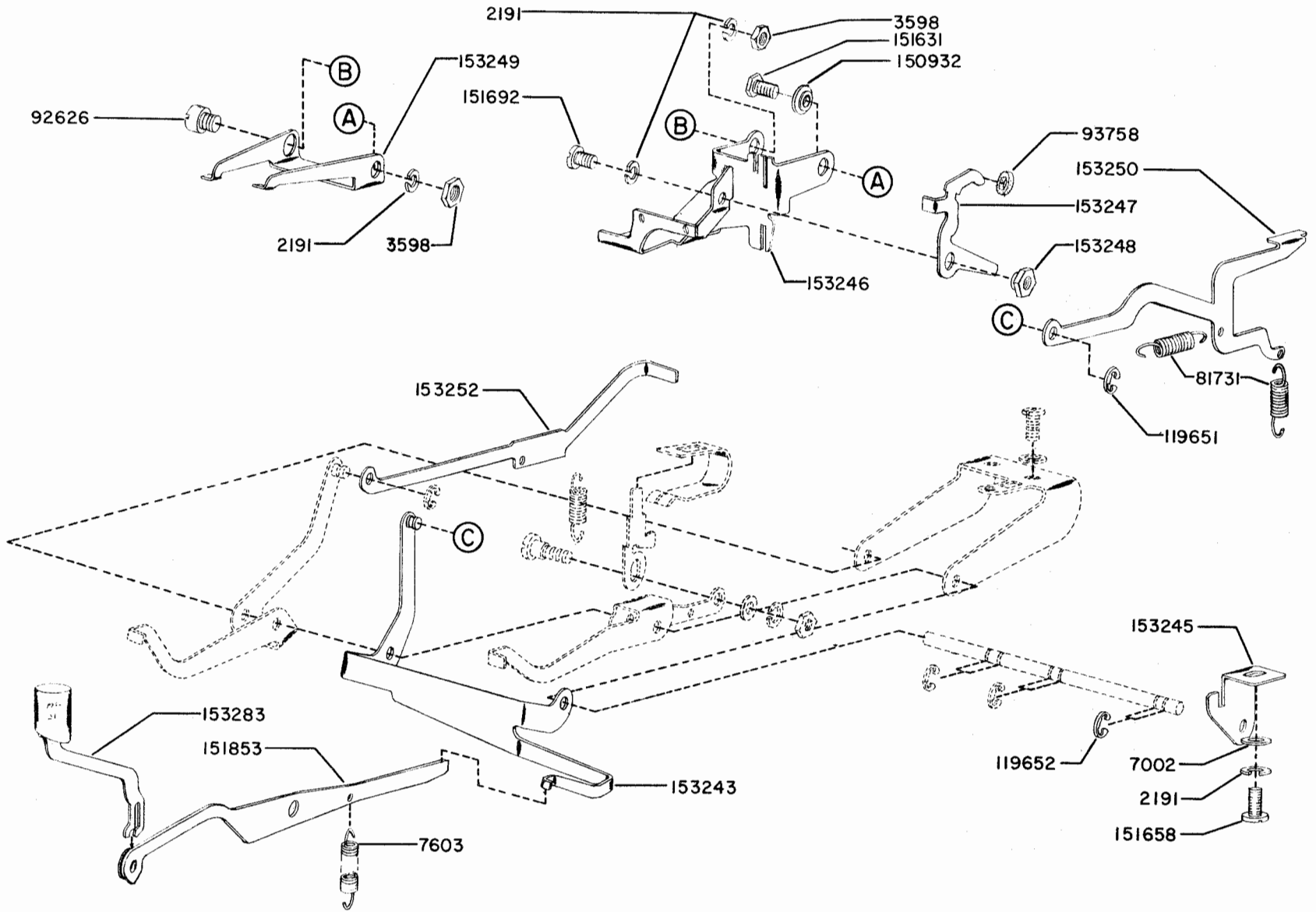
ORIGINAL

1162B

NUMERICAL INDEX - FIGURE 1-16

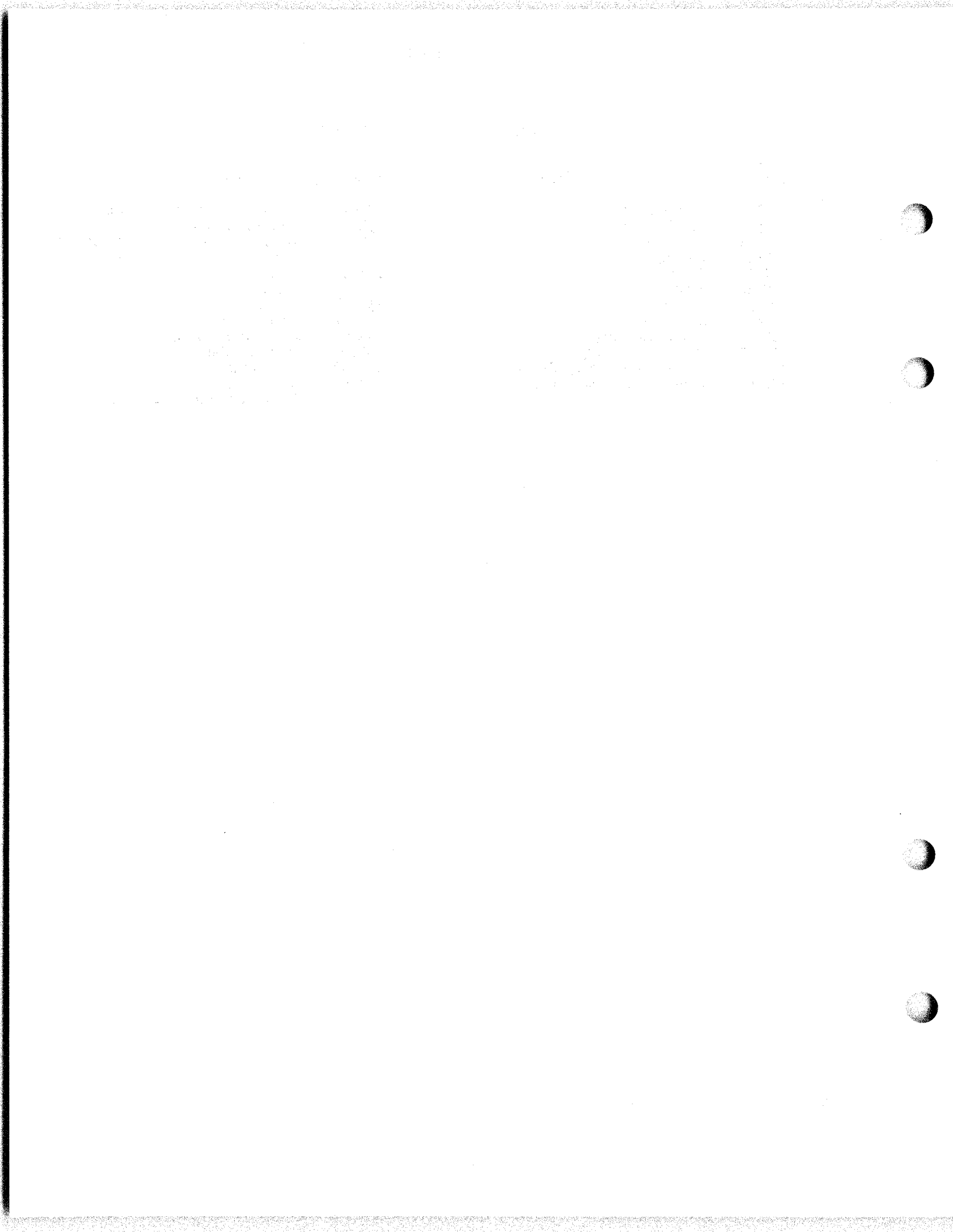
Part Number	Description	Part Number	Description
2191	Lock Washer	152918	Local Back Space Set of Parts
7002	Flat Washer	153248	Shoulder Bushing
7603	Spring	153265	Bracket
73035	Spring	153266	Trip Lever
82860	Spring	153271	Bail
93758	Felt Washer	153273	Trip Link
108891	Screw (6-40 x 3/16 Hex.)	153274	Adjusting Lever
119651	Retaining Ring	153276	Adjusting Bracket
119652	Retaining Ring	153277	Transfer Bail
151692	Screw (6-40 x 3/16 Hex.)	153284	Key Lever (LOC B SP)
151853	Function Lever		

FIGURE 1-17. 152916 LOCAL REVERSE LINE FEED SET OF PARTS



NUMERICAL INDEX - FIGURE 1-17

Part Number	Description	Part Number	Description
2191	Lock Washer	151692	Screw (6-40 x 3/16 Fil.)
3598	Nut (6-40 Hex.)	151853	Function Lever
7002	Flat Washer	152916	Local Reverse Line Feed Set of Parts
7603	Spring	153243	Bail
81731	Spring	153245	Bracket
92626	Stud	153246	Bracket
93758	Felt Washer	153247	Trip Lever
119651	Retaining Ring	153248	Shoulder Bushing
119652	Retaining Ring	153249	Transfer Bail
150932	Shoulder Bushing	153250	Trip Link
151631	Screw (6-40 x 5/16 Hex.)	153252	Trip Link
151658	Screw (6-40 x 5/16 Fil.)	153283	Key Lever (LOC R LF)



SECTION 2

TYPING UNIT AND VARIABLE FEATURES

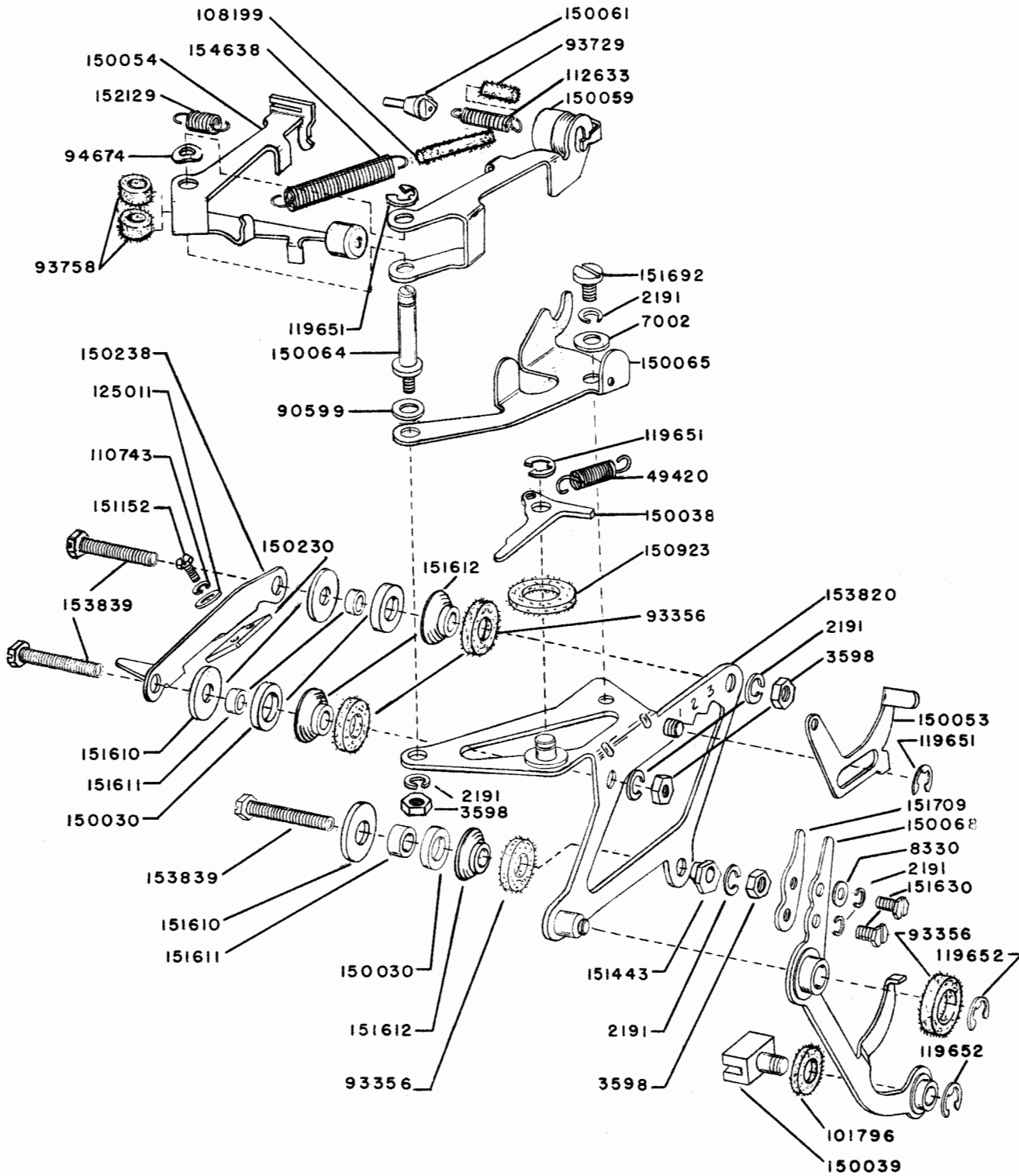
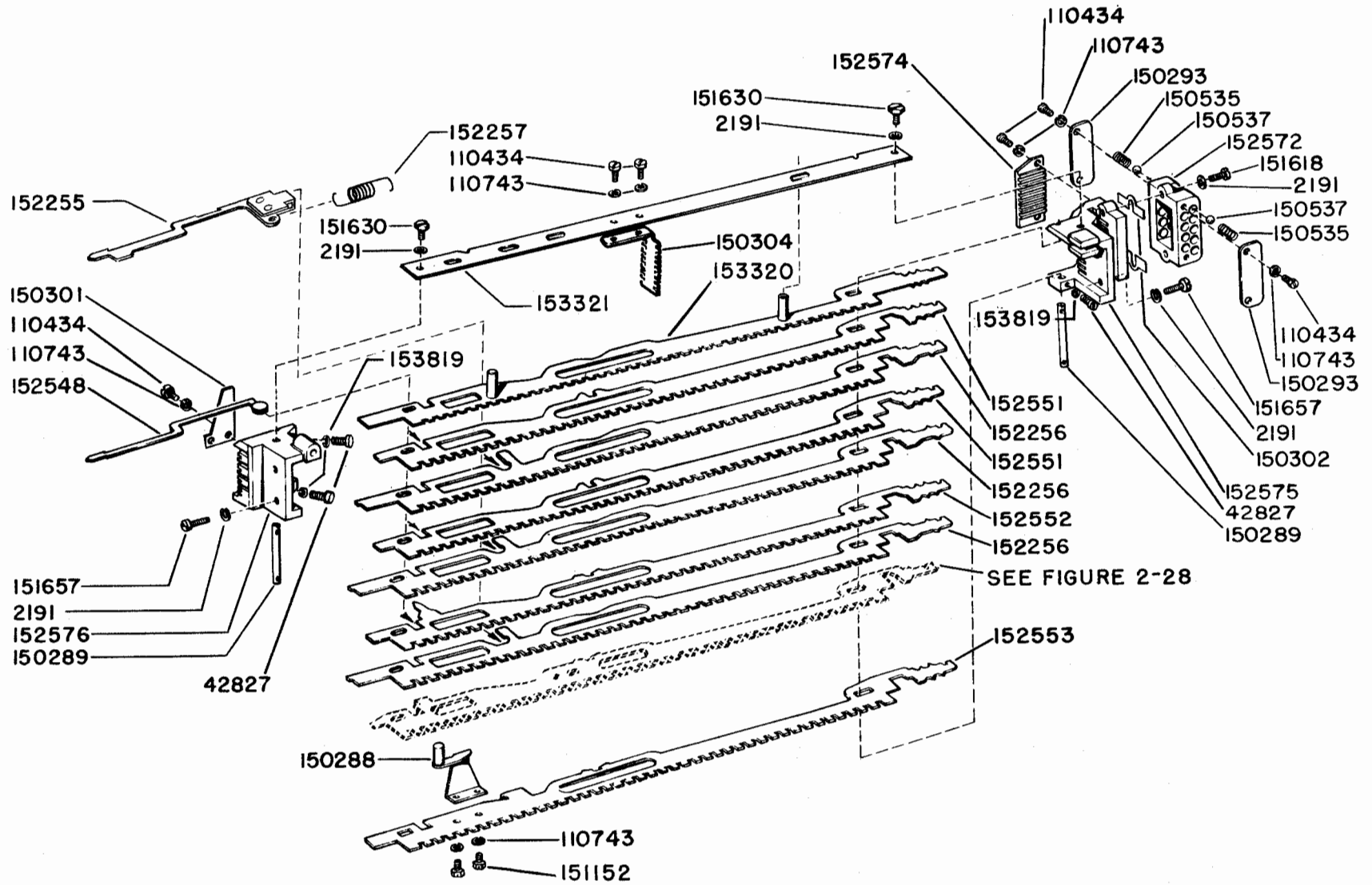


FIGURE 2-1. PRINTING CARRIAGE MECHANISM

NUMERICAL INDEX - FIGURE 2-1

Part Number	Description	Part Number	Description
2191	Lock Washer	150054	Bail with Roller
3598	Nut (6-40)	150059	Bail
7002	Flat Washer	150061	Print Hammer Head
8330	Flat Washer	150064	Stud
49420	Spring	150065	Stop Bracket
90599	Shim	150068	Arm
93356	Felt Washer	150230	Plate
93729	Felt Wick	150238	Bracket
93758	Felt Washer	150923	Felt Washer
94674	Cup Washer	151152	Screw (4-40 x 3/16 Hex.)
101796	Felt Washer	151443	Eccentric
108199	Felt Wick	151610	Flat Washer
110743	Lock Washer	151611	Bushing
112633	Spring	151612	Spacer
119651	Retaining Ring	151630	Screw (6-40 x 1/4 Hex.)
119652	Retaining Ring	151692	Screw (6-40 x 3/16 Fil.)
125011	Flat Washer	151709	Arm
150030	Bearing Roller	152129	Spring
150038	Latch	153820	Frame
150039	Bearing Stud	153839	Screw (6-40 x 5/8 Hex.)
150053	Bracket	154638	Spring

FIGURE 2-2 CODE BAR MECHANISM

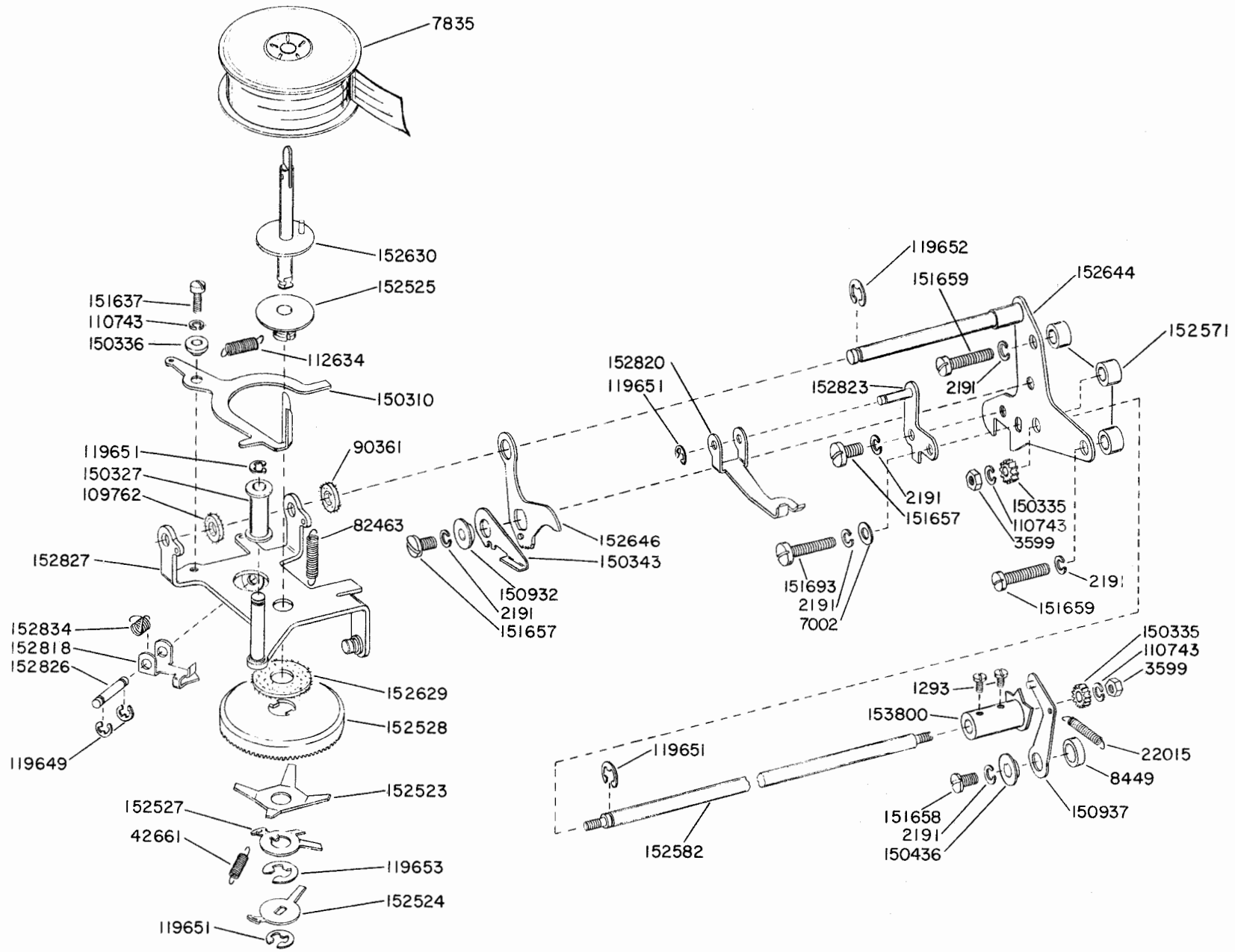


11628

NUMERICAL INDEX - FIGURE 2-2

Part Number	Description	Part Number	Description
2191	Lock Washer	151657	Screw (6-40 x 1/4 Fil.)
42827	Screw (3-48 x 1/4 Fil.)	152255	Bar with Retainer
110434	Screw (4-40 x 1/4 Fil.)	152256	Code Bar (1, 2 & Common)
110743	Lock Washer	152257	Spring
150288	Bracket	152548	Bar
150289	Post	152551	Code Bar (4 & 5)
150293	Retainer Plate	152552	Code Bar (3)
150301	Retainer Plate	152553	Code Bar (Shift & Unshift)
150302	Shim	152572	Bracket
150304	Guide Bracket	152574	Plate
150535	Spring	152575	Bracket
150537	Bearing Ball	152576	Bracket
151152	Screw (4-40 x 3/16 Hex.)	153320	Code Bar (Suppression)
151618	Screw (6-40 x 7/16 Fil.)	153321	Tie Bracket
151630	Screw (6-40 x 1/4 Hex.)	153819	Lock Washer

FIGURE 2-3. LEFT RIBBON FEED MECHANISM



1162B

NUMERICAL INDEX - FIGURE 2-3

Part Number	Description	Part Number	Description
1293	Screw (6-40 x 1/8 Fil.)	150937	Lever
2191	Lock Washer	151637	Screw (4-40 x 1/4 Fil.)
3599	Nut (4-40)	151657	Screw (6-40 x 1/4 Fil.)
7002	Flat Washer	151658	Screw (6-40 x 5/16 Fil.)
7835	Black Record Ribbon - Underwood Spool	151659	Screw (6-40 x 1/2 Fil.)
8449	Collar	151693	Screw (6-40 x 9/16 Fil.)
22015	Spring	152523	Spring
42661	Spring	152524	Bracket
82463	Spring	152525	Hub
90361	Felt Washer	152527	Plate (Left)
109762	Felt Washer	152528	Ribbon Ratchet (Left)
110743	Lock Washer	152571	Spacer
112634	Spring	152582	Shaft
119649	Retaining Ring	152629	Friction Washer
119651	Retaining Ring	152630	Shaft
119652	Retaining Ring	152644	Bracket
119653	Retaining Ring	152646	Reversing Lever (Left)
150310	Ribbon Lever (Left)	152818	Detent Lever (Left)
150327	Roller	152820	Feed Lever (Left)
150335	Spur Gear	152823	Bracket (Left)
150336	Bushing	152826	Detent Pin
150343	Lever (Left)	152827	Spool Bracket (Left)
150436	Bushing	152834	Torsion Spring
150932	Shoulder Bushing	153800	Cam with Hub

1162B

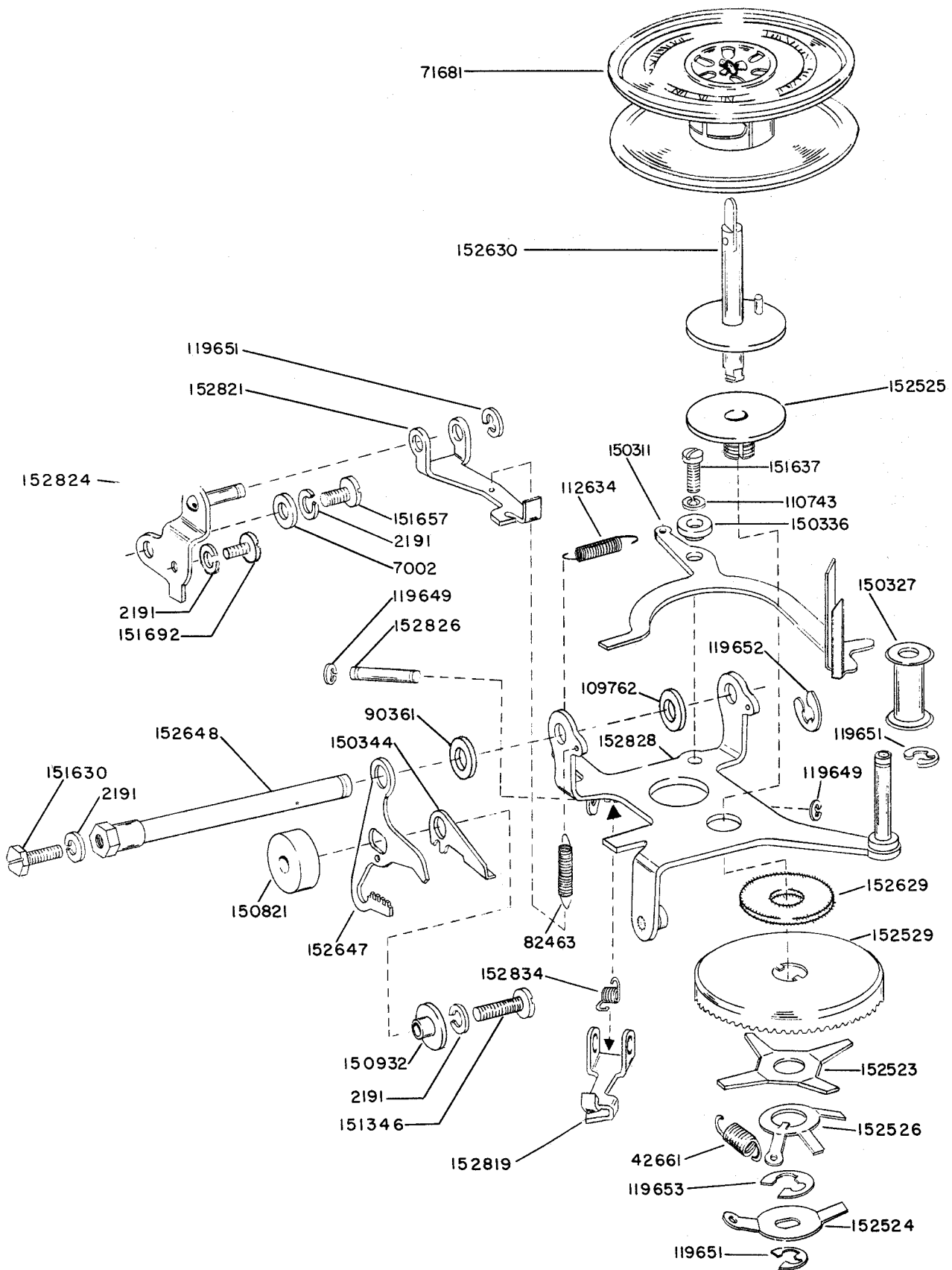
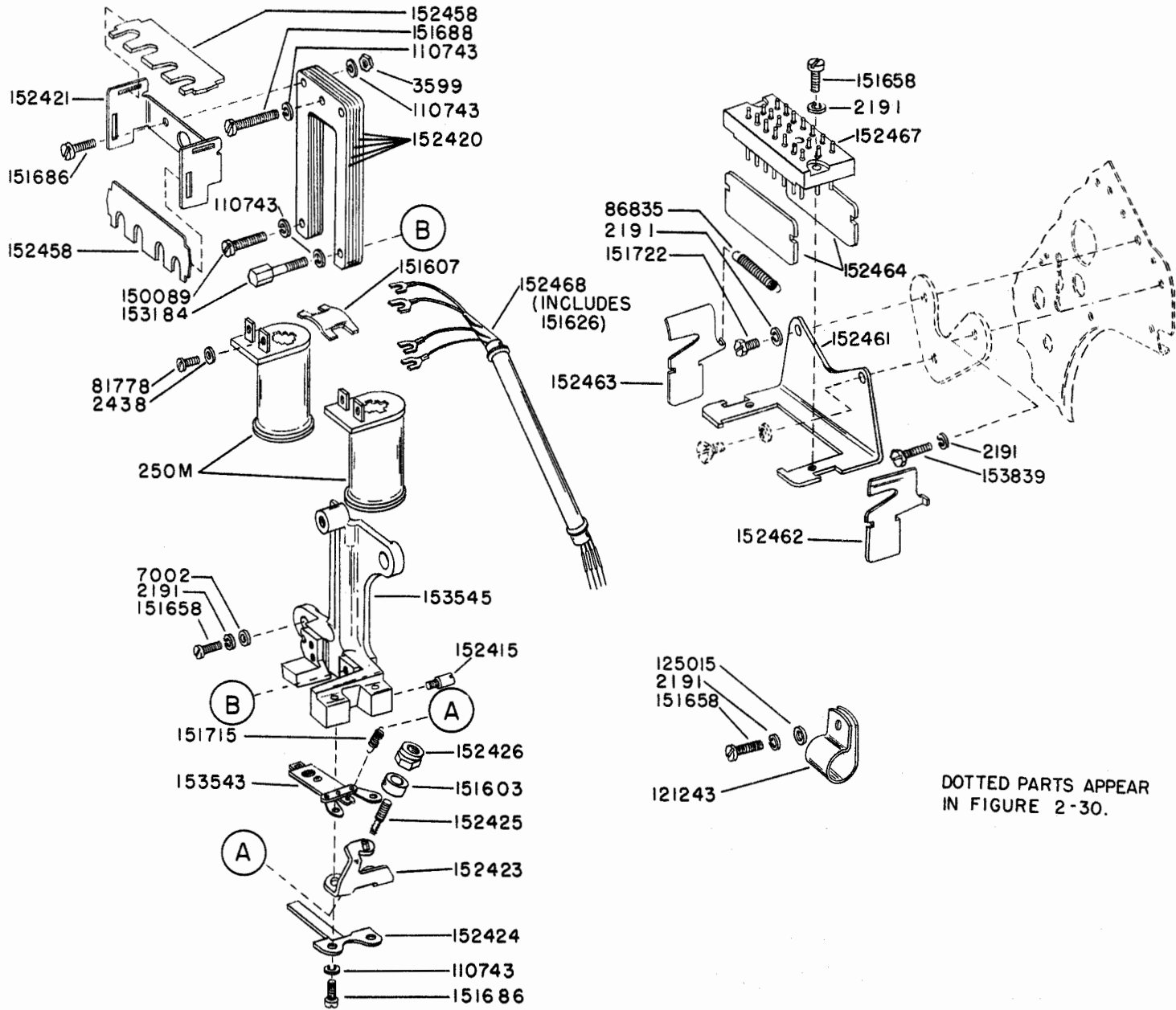


FIGURE 2-4. RIGHT RIBBON FEED MECHANISM

NUMERICAL INDEX - FIGURE 2-4

Part Number	Description	Part Number	Description
2191	Lock Washer	151630	Screw (6-40 x 4/4 Hex.)
7002	Flat Washer	151637	Screw (4-40 x 1/4 Fil.)
42661	Spring	151657	Screw (6-40 x 1/4 Fil.)
71681	Ribbon Spool - Without Ribbon	151692	Screw (6-40 x 3/16 Fil.)
82463	Spring	152523	Spring
90361	Felt Washer	152524	Bracket
109762	Felt Washer	152525	Hub
110743	Lock Washer	152526	Plate (Right)
112634	Spring	152529	Ribbon Ratchet (Right)
119649	Retaining Ring	152629	Friction Washer
119651	Retaining Ring	152630	Shaft
119652	Retaining Ring	152647	Reversing Lever (Right)
119653	Retaining Ring	152648	Stud
150311	Ribbon Lever (Right)	152819	Detent Lever (Right)
150327	Roller	152821	Feed Lever (Right)
150336	Bushing	152824	Bracket (Right)
150344	Lever (Right)	152826	Detent Pin
150821	Spacer	152828	Spool Bracket (Right)
150932	Shoulder Bushing	152834	Torsion Spring
151346	Screw (6-40 x 3/8 Fil.)		

FIGURE 2-5. SELECTOR MAGNET MECHANISM

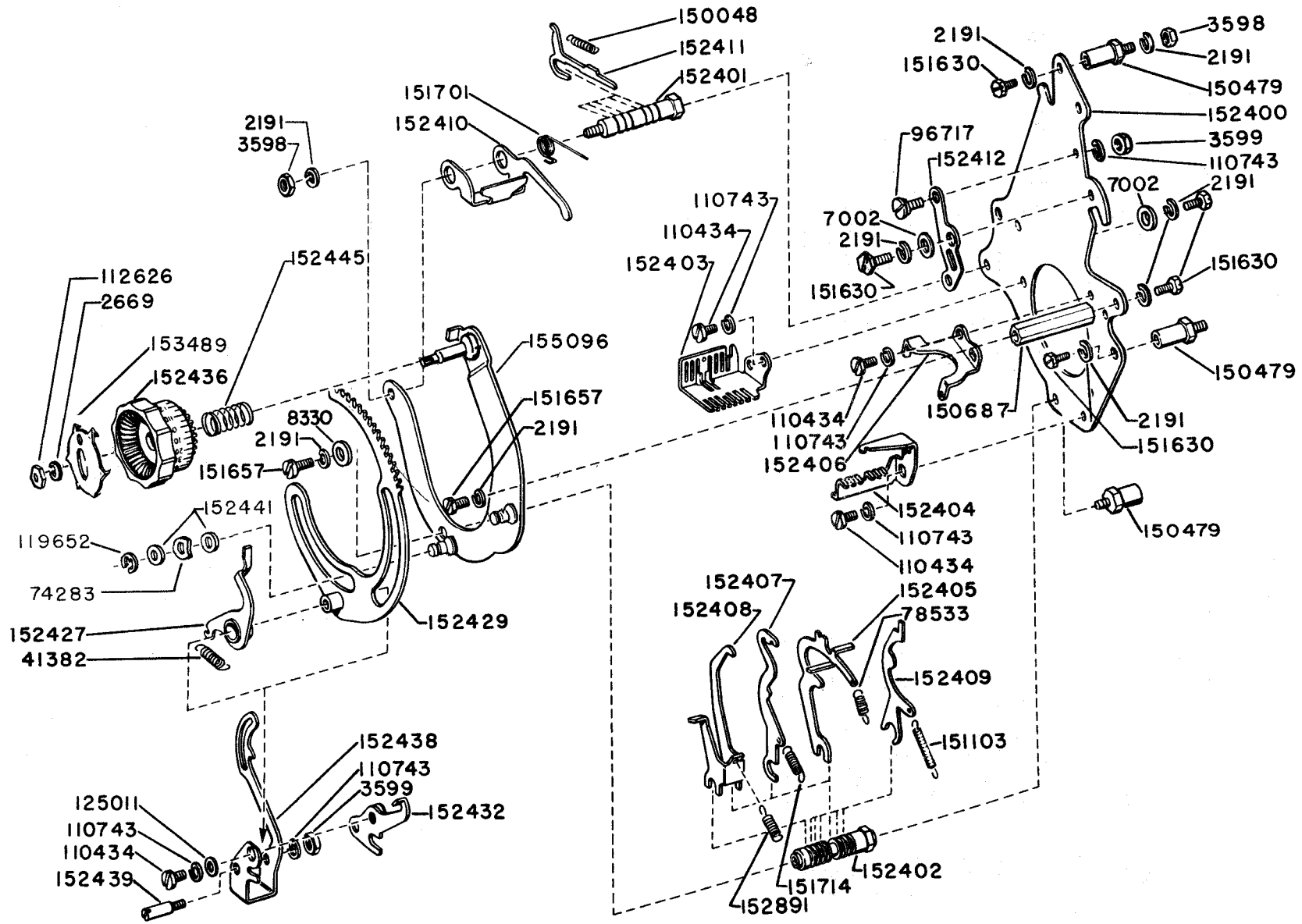


DOTTED PARTS APPEAR IN FIGURE 2-30.

NUMERICAL INDEX - FIGURE 2-5

Part Number	Description	Part Number	Description
250M	Magnet Coil	152415	Stud
2191	Lock Washer	152420	Lamination
2438	Flat Washer	152421	Bracket
3599	Nut (4-40)	152423	Bracket
7002	Flat Washer	152424	Stop Plate
81778	Screw (4-40 x 3/16 Fil.)	152425	Spring Post
86835	Spring	152426	Self Locking Nut (6-40)
110743	Lock Washer	152458	Shield
121243	Cable Clamp	152461	Bracket
125015	Flat Washer	152462	Right Latch
150089	Screw (4-40 x 1/2 Fil.)	152463	Left Latch
151603	Spacer	152464	Insulator
151607	Spring Retainer	152467	Connector
151626	Terminal Lug	152468	Cable Assembly
151658	Screw (6-40 x 5/16 Fil.)	153184	Post
151686	Screw (4-40 x 3/8 Fil.)	153543	Armature
151688	Screw (4-40 x 5/8 Fil.)	153545	Bracket
151715	Spring	153839	Screw (6-40 x 5/8 Hex.)
151722	Screw (6-40 x 3/16 Hex.)		

FIGURE 2-6 SELECTOR MECHANISM



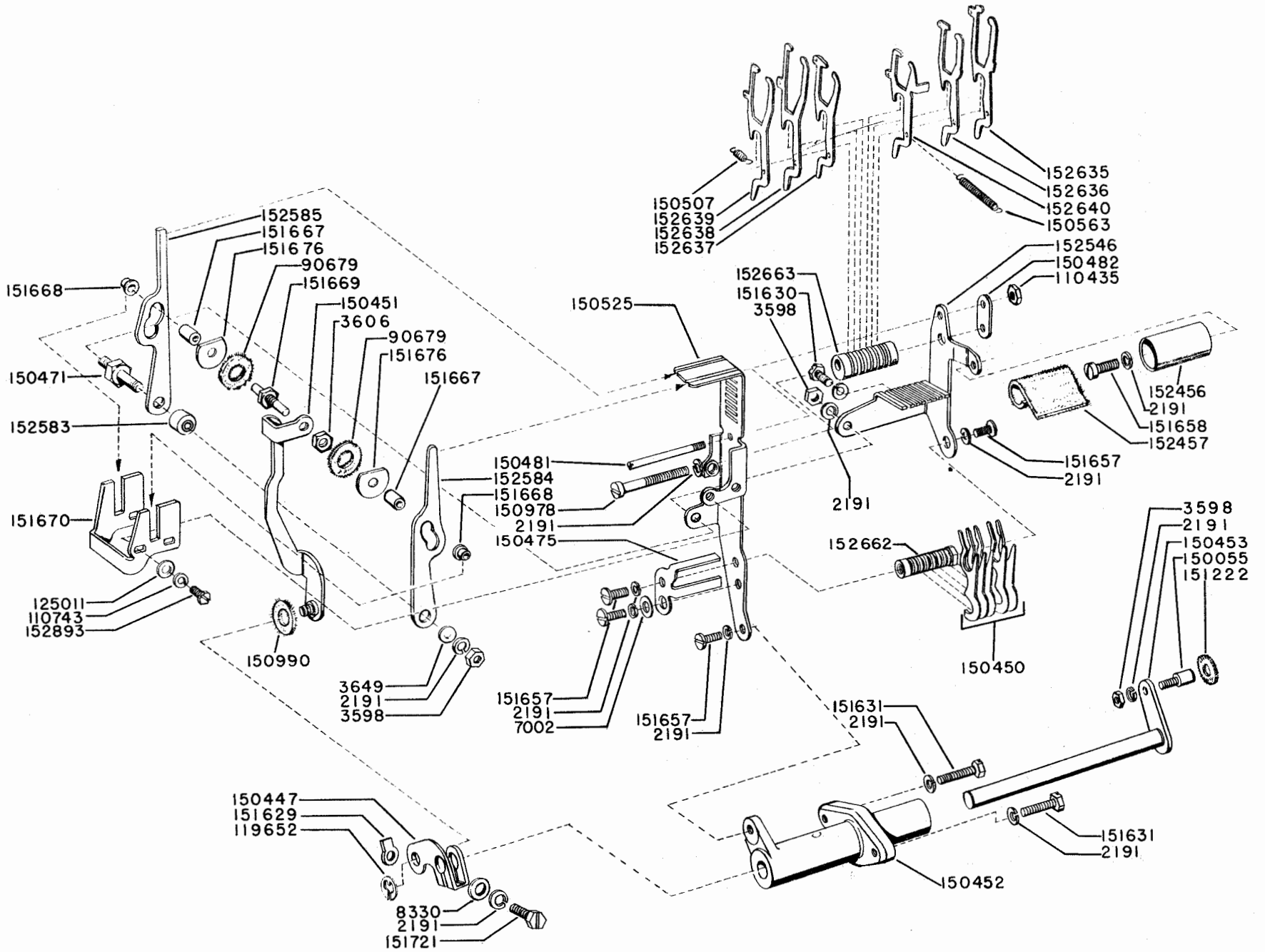
1162B

ORIGINAL

NUMERICAL INDEX - FIGURE 2-6

Part Number	Description	Part Number	Description
2191	Lock Washer	152401	Guide
2669	Lock Washer	152402	Guide
3598	Nut (6-40)	152403	Bracket
3599	Nut (4-40)	152404	Bracket
7002	Flat Washer	152405	Lever
8330	Flat Washer	152406	Bracket
41382	Spring	152407	Lock Lever
74283	Spring Washer	152408	Start Lever
78533	Spring	152409	Selecting Lever
96717	Shoulder Screw (4-40)	152410	Reset Bail
110434	Screw (4-40 x 1/4 Fil.)	152411	Push Lever
110743	Lock Washer	152412	Link
112626	Nut (10-32)	152427	Latch with Hub
119652	Retaining Ring	152429	Sector Rack with Hub
125011	Flat Washer	152432	Stop Arm with Hub
150048	Spring	152436	Knob
150479	Stud	152438	Bail
150687	Stud	152439	Shaft
151103	Spring	152441	Flat Washer
151630	Screw (6-40 x 1/4 Hex.)	152445	Spring
151657	Screw (6-40 x 1/4 Fil.)	152891	Spring
151701	Torsion Spring	153489	Detent
151714	Spring	155096	Plate with Studs
152400	Plate		

FIGURE 2-7. CODE BAR POSITIONING MECHANISM.

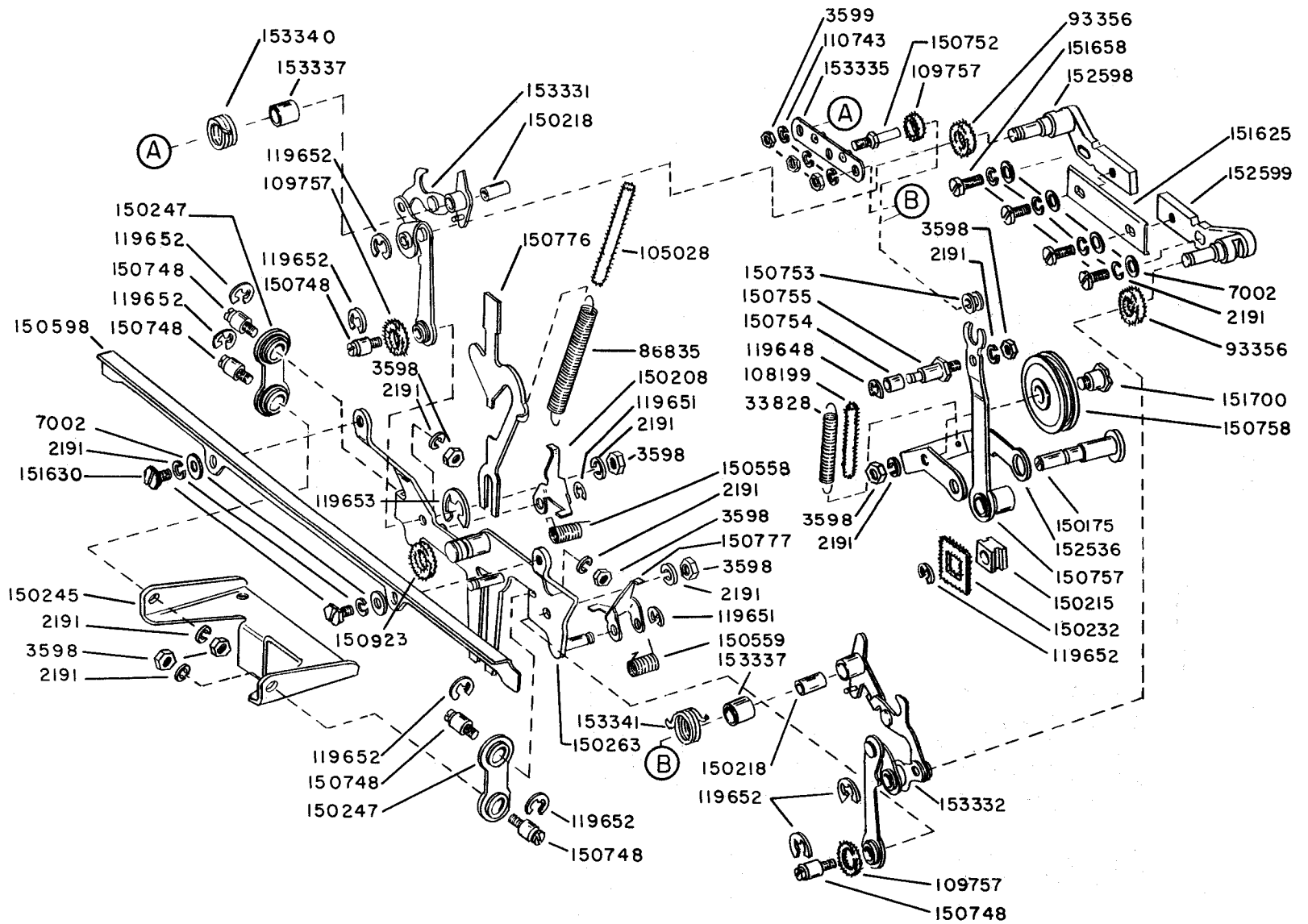


1162B

NUMERICAL INDEX - FIGURE 2-7

Part Number	Description	Part Number	Description
2191	Lock Washer	151629	Nut (6-40)
3598	Nut (6-40)	151630	Screw (6-40 x 1/4 Hex.)
3606	Nut (6-40)	151631	Screw (6-40 x 5/16 Hex.)
3649	Flat Washer	151657	Screw (6-40 x 1/4 Fil.)
7002	Flat Washer	151658	Screw (6-40 x 5/16 Fil.)
8330	Flat Washer	151667	Roller
90679	Felt Washer	151668	Roller
110435	Nut (4-40)	151669	Stud
110743	Lock Washer	151670	Bracket
119652	Retaining Ring	151676	Shim
125011	Flat Washer	151721	Screw (6-40 x 3/4 Hex.)
150055	Stud	152456	Wick Holder
150447	Arm	152457	Felt Wick
150450	Arm	152546	Bracket
150451	Link	152583	Sleeve Bearing
150452	Bearing	152584	Lever
150453	Shaft	152585	Lever
150471	Stud	152635	Transfer Lever (1)
150475	Retainer Bracket	152636	Transfer Lever (2)
150481	Shaft	152637	Transfer Lever (3)
150482	Plate	152638	Transfer Lever (4)
150507	Spring	152639	Transfer Lever (5)
150525	Bracket	152640	Transfer Lever (C)
150563	Spring	152662	Shaft
150978	Screw (6-40 x 1-1/8 Fil.)	152663	Guide
150990	Felt Washer	152893	Screw (4-40 x 1/4 Hex.)
151222	Felt Washer		

FIGURE 2-8. FRONT PLATE MECHANISM

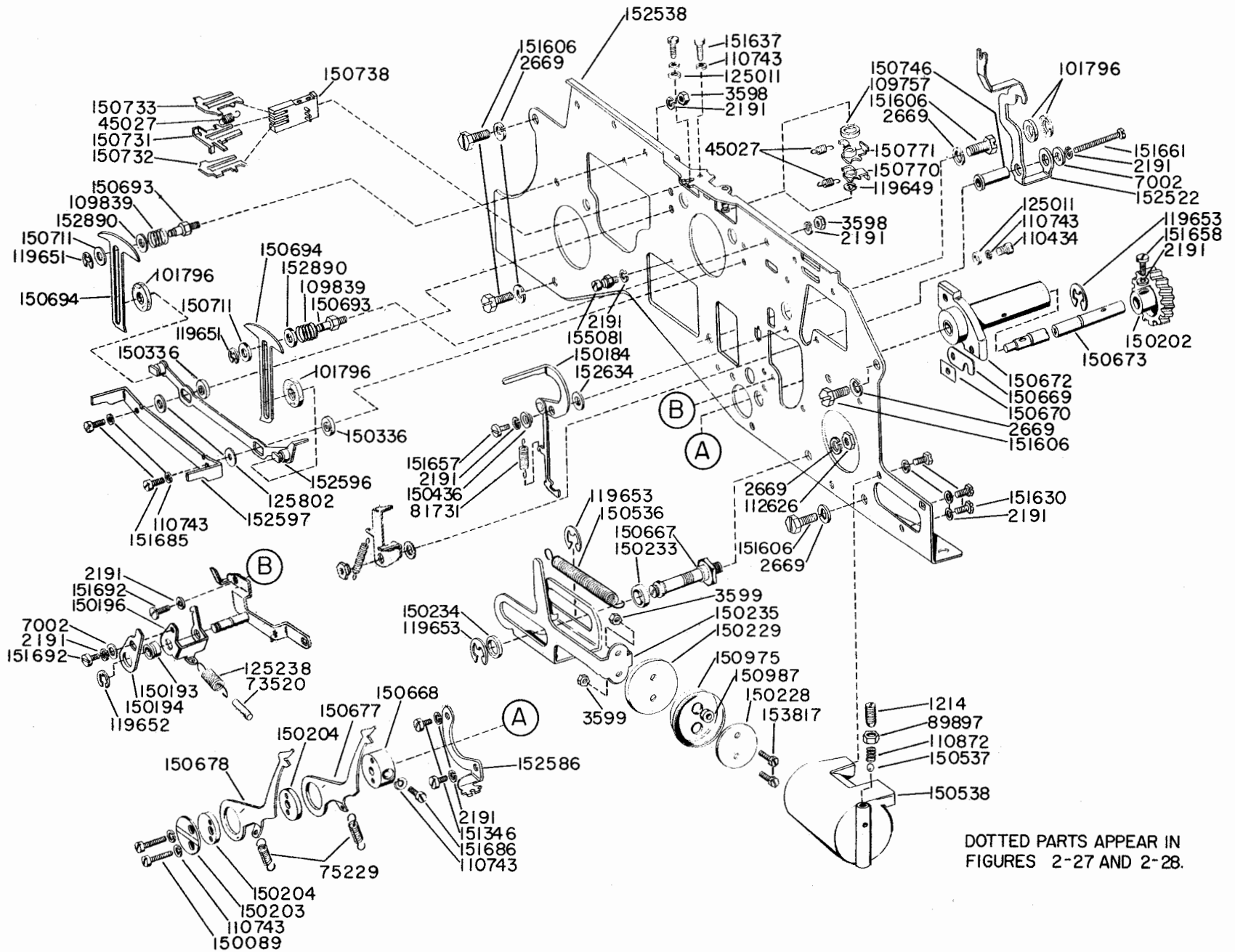


1162B

NUMERICAL INDEX - FIGURE 2-8

Part Number	Description	Part Number	Description
2191	Lock Washer	150598	Printing Track
3598	Nut (6-40)	150748	Stud
3599	Nut (4-40)	150752	Stud
7002	Flat Washer	150753	Roller
33828	Spring	150754	Roller
86835	Spring	150755	Stud
93356	Felt Washer	150757	Arm
105028	Felt Wick	150758	Pulley
108199	Felt Wick	150776	Lock Lever
109757	Felt Washer	150777	Bail (Right)
110743	Lock Washer	150923	Felt Washer
119648	Retaining Ring	151625	Strip
119651	Retaining Ring	151630	Screw (6-40 x 1/4 Hex.)
119652	Retaining Ring	151658	Screw (6-40 x 5/16 Fil.)
119653	Retaining Ring	151700	Shoulder Screw (6-40)
150175	Stud	152536	Bail
150208	Bail (Left)	152598	Plate with Stud (Left)
150215	Guide Block	152599	Plate with Stud (Right)
150218	Bushing	153331	Drive Link (Left)
150232	Oil Retainer	153332	Drive Link (Right)
150245	Bracket	153335	Plate
150247	Link	153337	Bushing
150263	Bail	153340	Torsion Spring (Left)
150558	Torsion Spring (Right)	153341	Torsion Spring (Right)
150559	Torsion Spring (Left)		

FIGURE 2-9 FRONT PLATE MECHANISM.

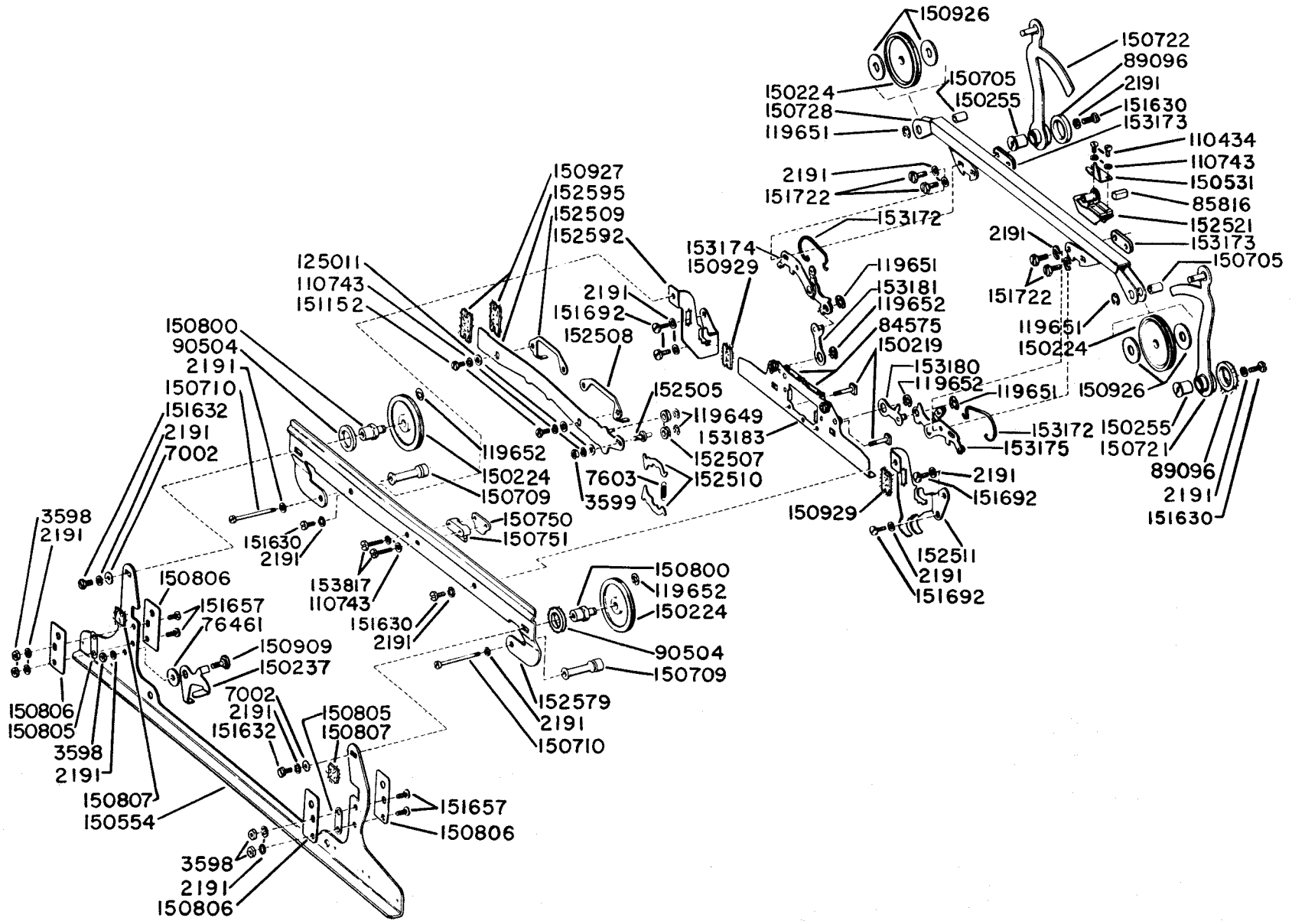


DOTTED PARTS APPEAR IN FIGURES 2-27 AND 2-28.

NUMERICAL INDEX - FIGURE 2-9

Part Number	Description	Part Number	Description
1214	Set Screw (10-32)	150537	Bearing Ball
2191	Lock Washer	150538	Dashpot Cylinder
2669	Lock Washer	150667	Stud
3598	Nut (6-40)	150668	Spacing Collar
3599	Nut (4-40)	150669	Shim
7002	Flat Washer	150670	Shim
45027	Spring	150672	Bearing
73520	Felt Wick	150673	Shaft
75229	Spring	150677	Feed Pawl
81731	Spring	150678	Feed Pawl
89897	Nut (10-32)	150693	Stud
101796	Felt Washer	150694	Slide
109757	Felt Washer	150711	Flat Washer
109839	Spring	150731	Slide (Middle)
110434	Screw (4-40 x 1/4 Fil.)	150732	Slide (Bottom)
110743	Lock Washer	150733	Slide (Top)
110872	Spring	150738	Guide
112626	Nut (10-32)	150746	Bushing
119649	Retaining Ring	150770	Bell Crank with Hub
119651	Retaining Ring	150771	Bell Crank with Hub
119652	Retaining Ring	150975	Dashpot Cup
119653	Retaining Ring	150987	Spacer
125011	Flat Washer	151346	Screw (6-40 x 3/8 Fil.)
125238	Spring	151606	Screw (10-32 x 1/4 Hex.)
125802	Flat Washer	151630	Screw (6-40 x 1/4 Hex.)
150089	Screw (4-40 x 1/2 Fil.)	151637	Screw (4-40 x 1/4 Fil.)
150184	Link	151657	Screw (6-40 x 1/4 Fil.)
150193	Hub	151658	Screw (6-40 x 5/16 Fil.)
150194	Plate	151661	Screw (6-40 x 1 Fil.)
150196	Bail	151685	Screw (4-40 x 5/16 Fil.)
150202	Helical Driven Gear	151686	Screw (4-40 x 3/8 Fil.)
150203	Retainer	151692	Screw (6-40 x 3/16 Fil.)
150204	Eccentric Cam	152522	Lever
150228	Spacer	152538	Front Plate
150229	Retainer	152586	Bracket
150233	Roller	152596	Shift Slide
150234	Roller	152597	Bail
150235	Transfer Slide	152634	Flat Washer
150336	Bushing	152890	Flat Washer
150436	Bushing	153817	Screw (4-40 x 3/8 Hex.)
150536	Spring	155081	Spring Post

FIGURE 2-10. FRONT PLATE MECHANISM

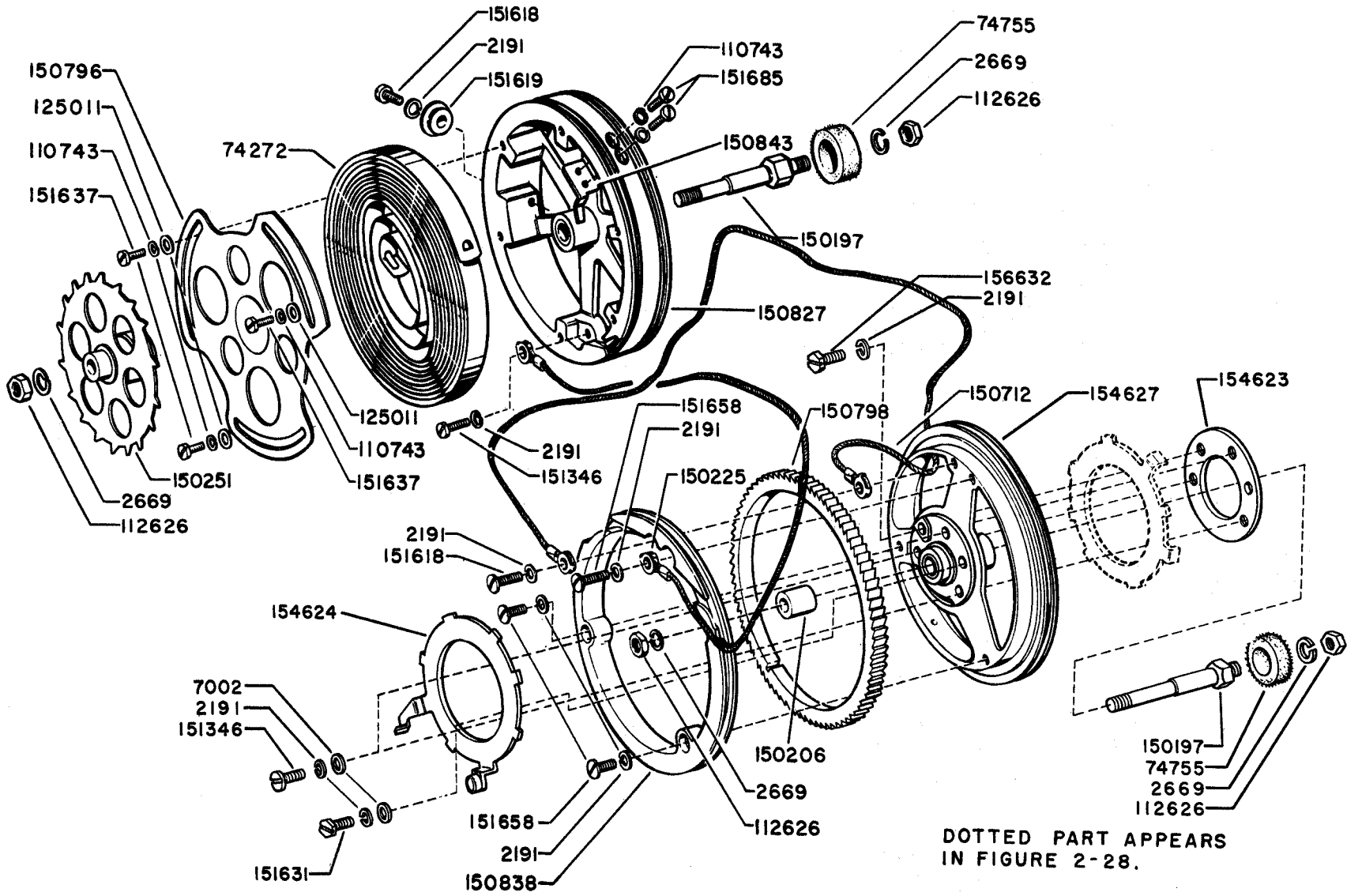


1162B

NUMERICAL INDEX - FIGURE 2-10

Part Number	Description	Part Number	Description
2191	Lock Washer	150805	Shim
3598	Nut (6-40)	150806	Plate
3599	Nut (4-40)	150807	Felt Oiler
7002	Flat Washer	150909	Shoulder Screw (6-40)
7603	Spring	150926	Felt Washer
76461	Flat Washer	150927	Felt Oiler
84575	Spring	150929	Felt Oiler
85816	Felt Wick	151152	Screw (4-40 x 3/16 Hex.)
89096	Felt Washer	151630	Screw (6-40 x 1/4 Hex.)
90504	Felt Washer	151632	Screw (6-40 x 3/8 Hex.)
110434	Screw (4-40 x 1/4 Fil.)	151657	Screw (6-40 x 1/4 Fil.)
110743	Lock Washer	151692	Screw (6-40 x 3/16 Fil.)
119649	Retaining Ring	151722	Screw (6-40 x 3/16 Hex.)
119651	Retaining Ring	152505	Stud
119652	Retaining Ring	152507	Detent Roller
125011	Flat Washer	152508	Bracket (Right)
150219	Screw (4-40 x 1/2 Sq.)	152509	Bracket (Left)
150224	Pulley	152510	Detent Lever
150237	Escapement Lever	152511	Guide (Right)
150255	Bushing	152521	Slide
150531	Clamp Plate	152579	Track
150554	Plate	152592	Guide (Left)
150705	Bushing	152595	Slide
150709	Spacer	153172	Knee Link Spring
150710	Screw (6-40 x 1-1/4 Fil.)	153173	Clamp Plate
150721	Arm (Right)	153174	Link (Left)
150722	Arm (Left)	153175	Link (Right)
150728	Rail	153180	Link (Right)
150750	Plate	153181	Link (Left)
150751	Guide Block	153183	Slide
150800	Stud	153817	Screw (4-40 x 3/8 Hex.)

FIGURE 2-11. SPRING DRUM AND SPACING DRUM MECHANISM



1162B

NUMERICAL INDEX - FIGURE 2-11

Part Number	Description	Part Number	Description
2191	Lock Washer	150827	Spring Drum
2669	Lock Washer	150838	Retaining Ring
7002	Flat Washer	150843	Hook Plate
74272	Carriage Return Spring	151346	Screw (6-40 x 3/8 Fil.)
74755	Felt Washer	151618	Screw (6-40 x 7/16 Fil.)
110743	Lock Washer	151619	Bushing
112626	Nut (10-32)	151631	Screw (6-40 x 5/16 Hex.)
125011	Flat Washer	151637	Screw (4-40 x 1/4 Fil.)
150197	Stud	151658	Screw (6-40 x 5/16 Fil.)
150206	Spacer	151685	Screw (4-40 x 5/16 Fil.)
150225	Draw Wire Rope	154623	Retaining Ring
150251	Ratchet	154624	Carriage Return Ring
150712	Draw Wire Rope	154627	Spacing Drum
150796	Disk	156632	Screw (6-40 x 13/32 Hex.)
150798	Ratchet		

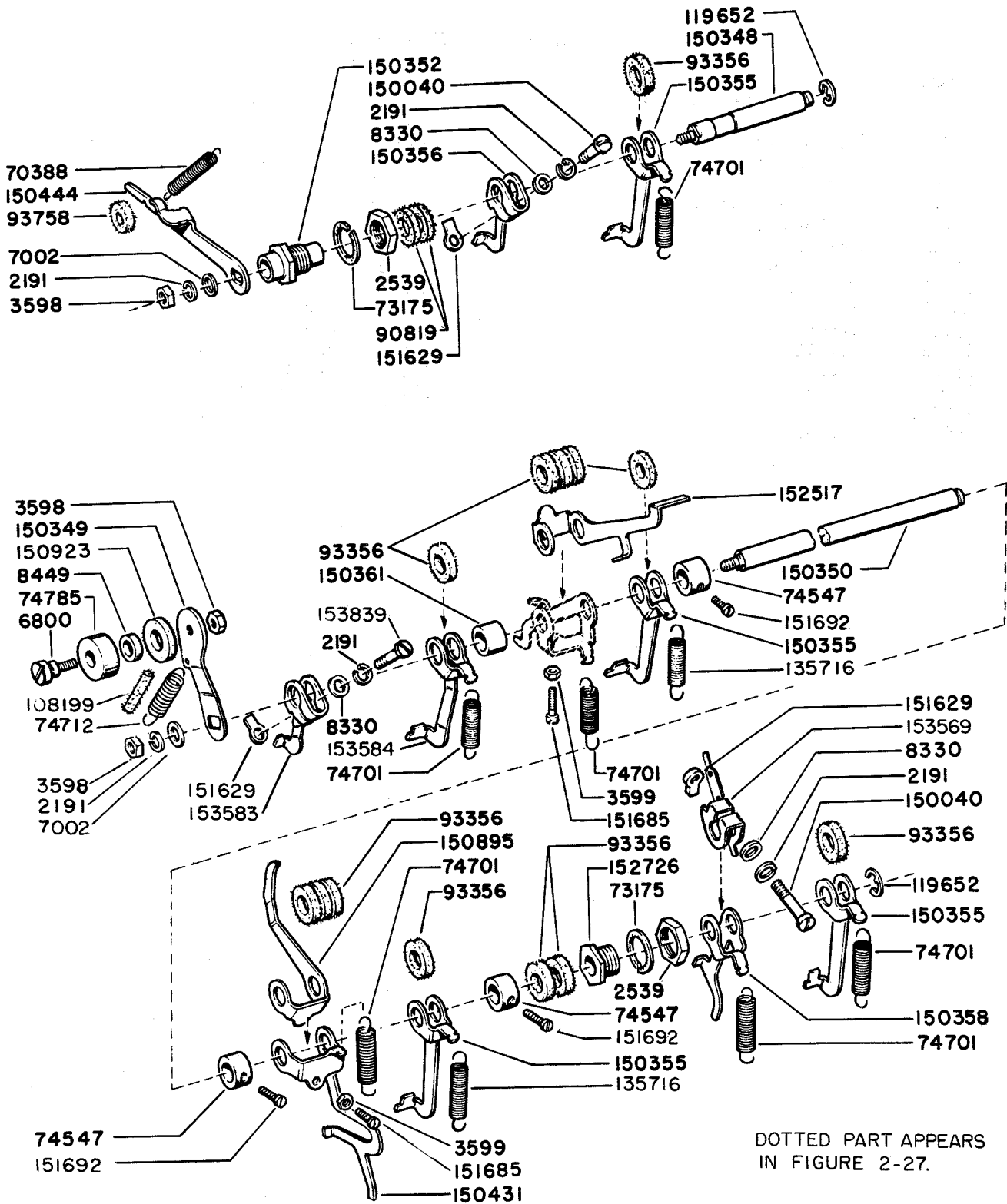
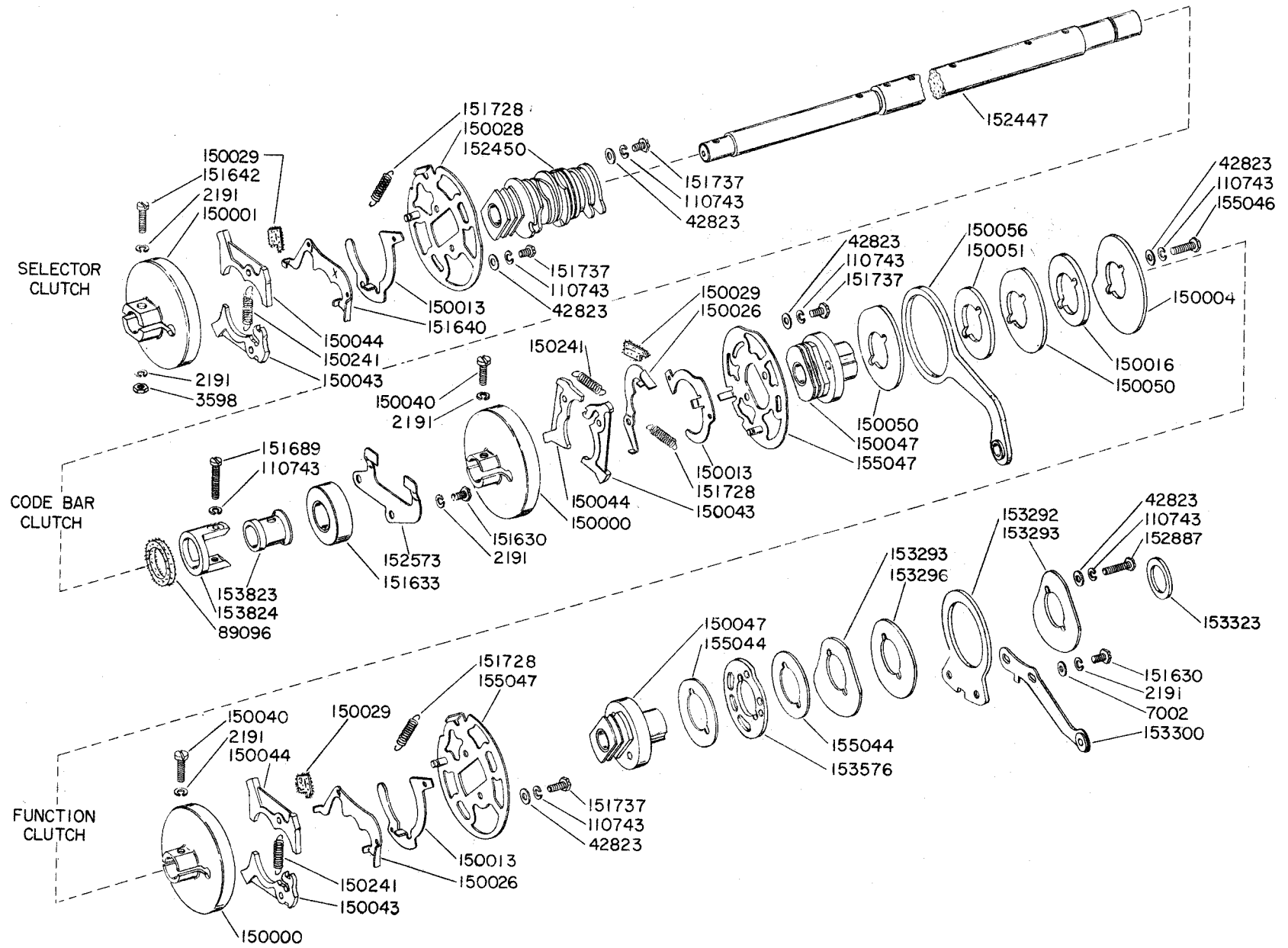


FIGURE 2-12. TRIP SHAFT MECHANISM

NUMERICAL INDEX - FIGURE 2-12

Part Number	Description	Part Number	Description
2191	Lock Washer	150348	Shaft
2539	Nut (3/8 - 32)	150349	Follower Arm
3598	Nut (6-40)	150350	Shaft
3599	Nut (4-40)	150352	Bushing
6800	Shoulder Screw (6-40)	150355	Latch Lever
7002	Flat Washer	150356	Trip Lever
8330	Flat Washer	150358	Trip Lever
8449	Collar	150361	Spacer
70388	Spring	150431	Trip Lever
73175	Lock Washer	150444	Lever
74547	Collar	150895	Trip Arm
74701	Spring	150823	Felt Washer
74712	Spring	151629	Nut (6-40)
74785	Detent Cam Roller	151685	Screw (4-40 x 5/16 Fil.)
90819	Felt Washer	151692	Screw (6-40 x 3/16 Fil.)
93356	Felt Washer	152517	Trip Lever Arm
93758	Felt Washer	152726	Bushing
108199	Felt Wick	153569	Trip Arm
119652	Retaining Ring	153583	Trip Lever
135716	Spring	153584	Latch Lever
150040	Screw (6-40 x 5/8 Fil.)	153839	Screw (6-40 x 5/8 Hex.)

FIGURE 2-13 MAIN SHAFT MECHANISM



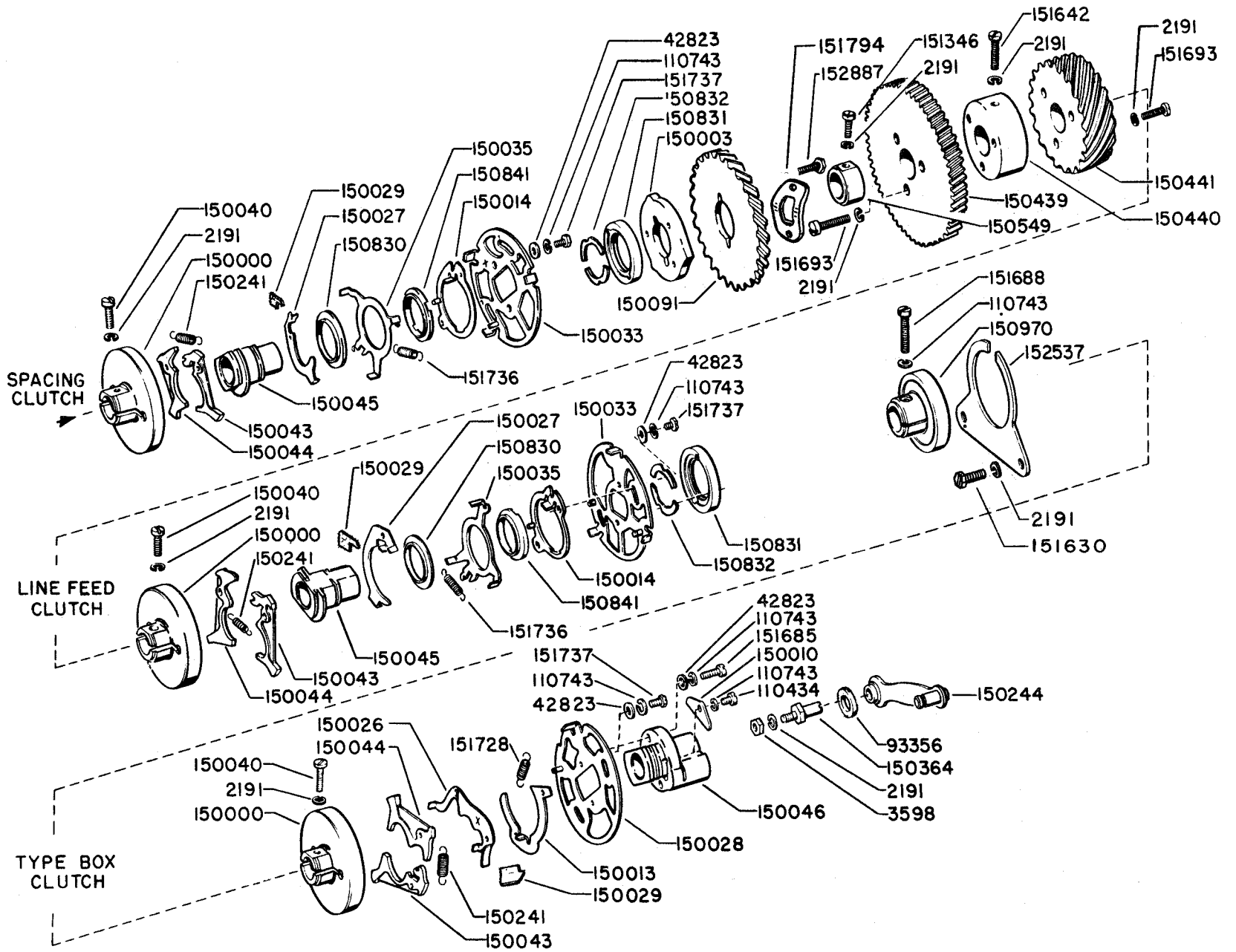
1162B

ORIGINAL

NUMERICAL INDEX - FIGURE 2-13

Part Number	Description	Part Number	Description
2191	Lock Washer	151630	Screw (6-40 x 1/4 Hex.)
3598	Nut (6-40)	151633	Ball Bearing
7002	Flat Washer	151640	Shoe Release Lever
42823	Flat Washer	151642	Screw (6-40 x 3/4 Fil.)
89096	Felt Washer	151689	Screw (4-40 x 3/4 Fil.)
110743	Lock Washer	151728	Spring
150000	Clutch Drum	151737	Screw (4-40 x 11/64 Hex.)
150001	Clutch Drum	152447	Shaft
150004	Cam	152450	Selector Cam
150013	Adjusting Disk	152573	Retainer
150016	Clutch Spacer	152887	Screw (4-40 x 1/2 Hex.)
150026	Shoe Release Lever	153292	Plate
150028	Disk	153293	Clutch Spacer
150029	Felt Wick	153296	Eccentric
150040	Screw (6-40 x 5/8 Fil.)	153300	Arm
150043	Shoe (Secondary)	153323	Ring
150044	Shoe (Primary)	153576	Function Cam
150047	Bearing	153823	Collar
150050	Clutch Spacer	153824	Clamp
150051	Eccentric Cam	155044	Spacer
150056	Arm	155046	Screw (4-40 x 15/32 Hex.)
150241	Spring	155047	Disk with Bushings

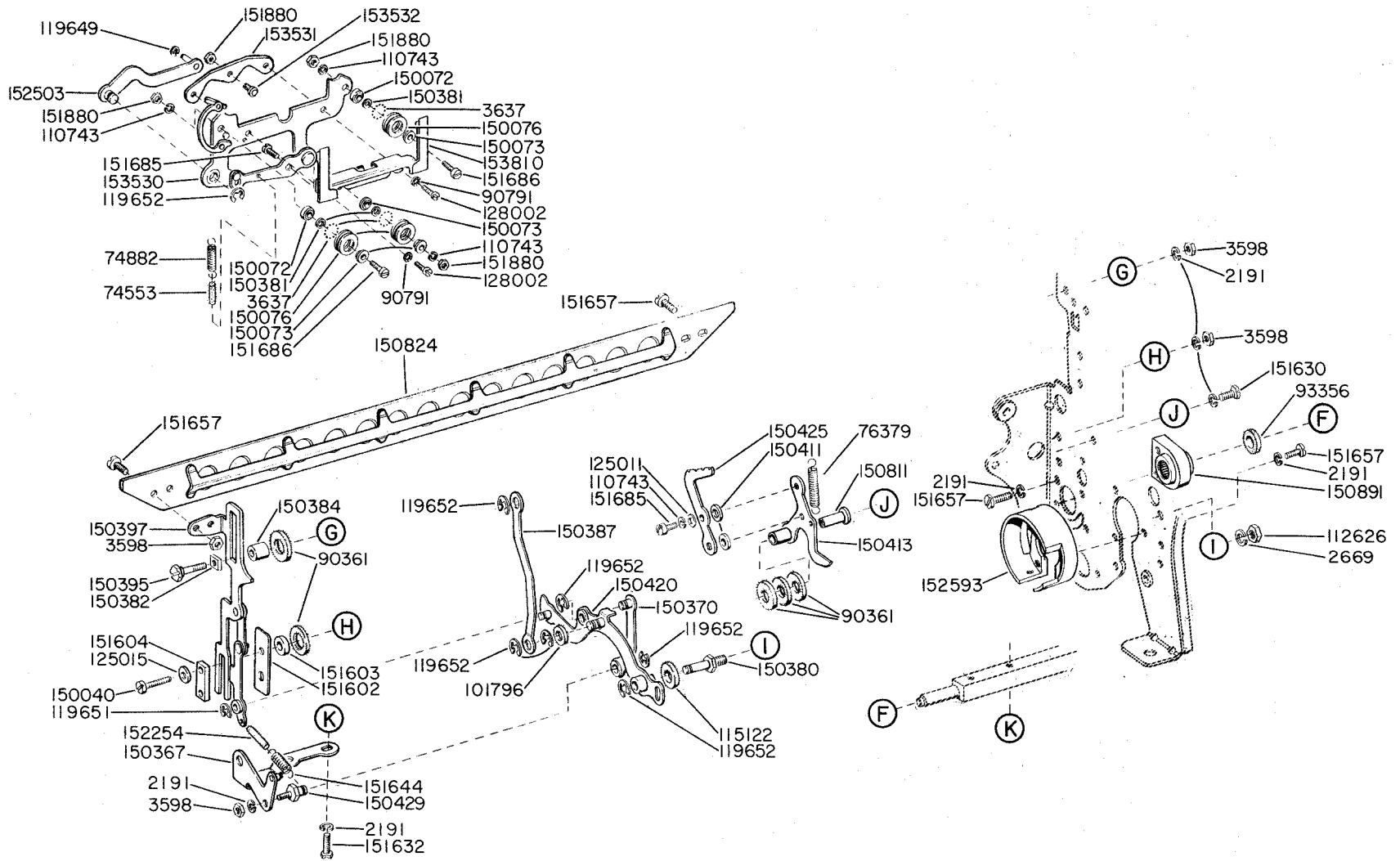
FIGURE 2-14. MAIN SHAFT MECHANISM



NUMERICAL INDEX - FIGURE 2-14

Part Number	Description	Part Number	Description
2191	Lock Washer	150244	Link
3598	Nut (6-40)	150364	Eccentric Stud
42823	Flat Washer	150439	Helical Driven Gear
93356	Felt Washer	150440	Hub
110434	Screw (4-40 x 1/4 Fil.)	150441	Helical Driving Gear
110743	Lock Washer	150549	Collar
150000	Clutch Drum	150830	Shoulder Bushing
150003	Cam	150831	Retaining Ring
150010	Retainer Plate	150832	Key
150013	Adjusting Disk	150841	Bearing
150014	Adjusting Disk	150970	Bearing
150026	Shoe Release Lever	151346	Screw (6-40 x 3/8 Fil.)
150027	Shoe Release Lever (Multiple Stop)	151630	Screw (6-40 x 1/4 Hex.)
150028	Disk	151642	Screw (6-40 x 3/4 Fil.)
150029	Felt Wick	151685	Screw (4-40 x 5/16 Fil.)
150033	Disk (3 Stop)	151688	Screw (4-40 x 5/8 Fil.)
150035	Disk (3 Stop)	151693	Screw (6-40 x 9/16 Fil.)
150040	Screw (6-40 x 5/8 Fil.)	151728	Spring
150043	Shoe (Secondary)	151736	Spring
150044	Shoe (Primary)	151737	Screw (4-40 x 11/64 Hex.)
150045	Sleeve Bearing	151794	Special Washer
150046	Bearing	152537	Clamp
150091	Helical Driving Gear	152887	Screw (4-40 x 1/2 Hex.)
150241	Spring		

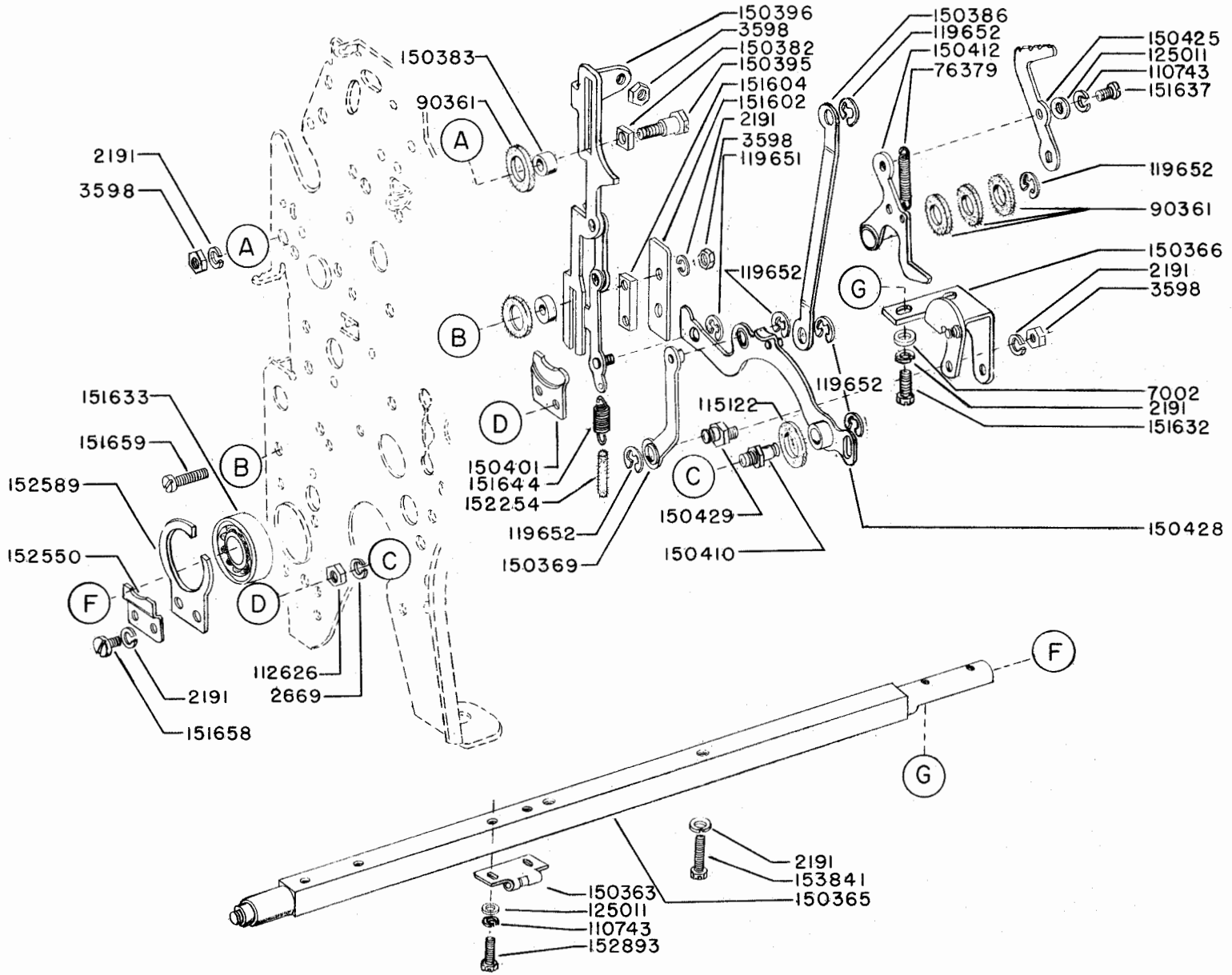
FIGURE 2-15 RIGHT SIDE LINKAGE AND TYPE BOX CARRIAGE MECHANISM



NUMERICAL INDEX - FIGURE 2-15

Part Number	Description	Part Number	Description
2191	Lock Washer	150384	Spacer
2669	Lock Washer	150387	Ribbon Drive Link
3598	Nut (6-40)	150395	Shoulder Screw (6-40)
3637	Bearing Ball	150397	Lever (Right)
74553	Felt Wick	150411	Flat Washer
74882	Spring	150413	Follower Arm
76379	Spring	150420	Lever (Right)
90361	Felt Washer	150425	Lock Lever
90791	Lock Washer	150429	Eccentric Stud
93356	Felt Washer	150811	Stud
101796	Felt Washer	150824	Track
110743	Lock Washer	150891	Block
112626	Nut (10-32)	151602	Plate
115122	Felt Washer	151603	Spacer
119649	Retaining Ring	151604	Guide Block
119651	Retaining Ring	151630	Screw (6-40 x 1/4 Hex.)
119652	Retaining Ring	151632	Screw (6-40 x 3/8 Hex.)
125011	Flat Washer	151644	Spring
125015	Flat Washer	151657	Screw (6-40 x 1/4 Fil.)
128002	Screw (2-56 x 3/16 Fil.)	151685	Screw (4-40 x 5/16 Fil.)
150040	Screw (6-40 x 5/8 Fil.)	151686	Screw (4-40 x 3/8 Fil.)
150072	Inner Race (Long)	151880	Nut (4-40)
150073	Inner Race (Short)	152254	Felt Wick
150076	Roller	152503	Link
150367	Bracket	152593	Bearing Housing
150370	Link (Right)	153530	Plate
150380	Stud	153531	Adjusting Plate
150381	Shim	153532	Adjusting Screw (4-40)
150382	Guide Block	153810	Ribbon Guide

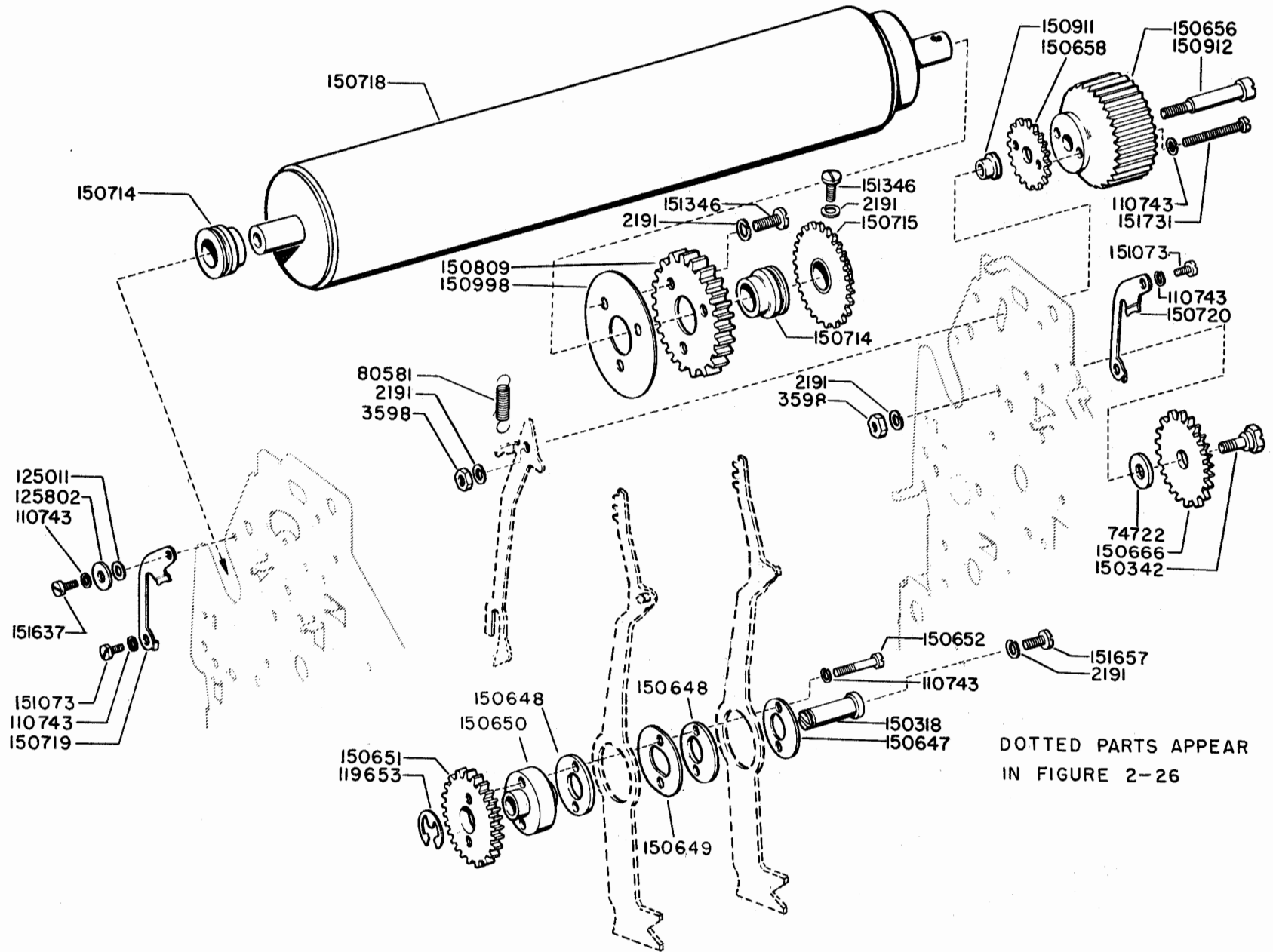
FIGURE 2-16. LEFT SIDE LINKAGE AND STRIPPER BLADE MECHANISM



NUMERICAL INDEX - FIGURE 2-16

Part Number	Description	Part Number	Description
2191	Lock Washer	150396	Lever (Left)
2669	Lock Washer	150401	Clamp
3598	Nut (6-40)	150410	Stud
7002	Flat Washer	150412	Follower Arm
76379	Spring	150425	Lock Lever
90361	Felt Washer	150428	Lever (Left)
110743	Lock Washer	150429	Eccentric Stud
112626	Nut (10-32)	151602	Plate
115122	Felt Washer	151604	Guide Block
119651	Retaining Ring	151632	Screw (6-40 x 3/8 Hex.)
119652	Retaining Ring	151633	Ball Bearing
125011	Flat Washer	151637	Screw (4-40 x 1/4 Fil.)
150363	Plate with Roller and Shaft	151644	Spring
150365	Rocker Shaft	151658	Screw (6-40 x 5/16 Fil.)
150366	Bracket	151659	Screw (6-40 x 1/2 Fil.)
150369	Link (Left)	152254	Felt Wick
150382	Guide Block	152550	Clamp
150383	Spacer	152589	Clamp
150386	Ribbon Drive Link	152893	Screw (4-40 x 1/4 Hex.)
150395	Shoulder Screw (6-40)	153841	Screw (6-40 x 9/16 Hex.)

FIGURE 2-17. LINE FEED AND PLATEN MECHANISM



1162B

NUMERICAL INDEX - FIGURE 2-17

Part Number	Description	Part Number	Description
2191	Lock Washer	150658	Spur Gear
3598	Nut (6-40)	150666	Spur Gear
74722	Flat Washer	150714	Sleeve Bearing
80581	Spring	150715	Spur Gear
110743	Lock Washer	150718	Platen
119653	Retaining Ring	150719	Retainer (Left)
125011	Flat Washer	150720	Retainer (Right)
125802	Flat Washer	150809	Spur Gear (Line Feed)
150318	Stud	150911	Shoulder Bushing
150342	Shoulder Screw (6-40)	150912	Shoulder Screw (6-40)
150647	Eccentric	150998	Spacer
150648	Eccentric	151073	Screw (4-40 x 5/32 Fil.)
150649	Spacing Washer	151346	Screw (6-40 x 3/8 Fil.)
150650	Bushing	151637	Screw (4-40 x 1/4 Fil.)
150651	Spur Gear	151657	Screw (6-40 x 1/4 Fil.)
150652	Screw (6-40 x 37/64 Fil.)	151731	Screw (4-40 x 7/8 Fil.)
150656	Handwheel		

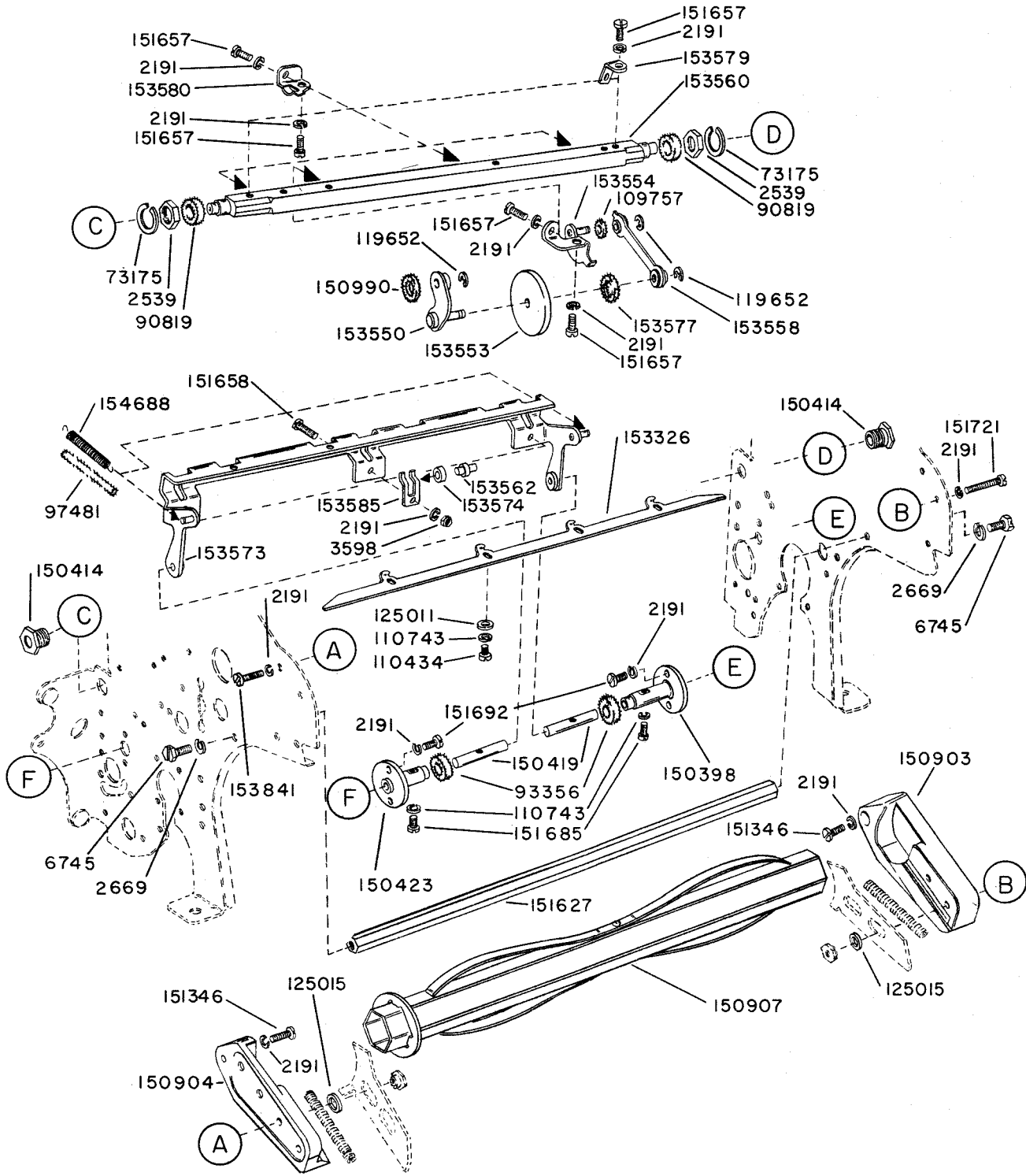
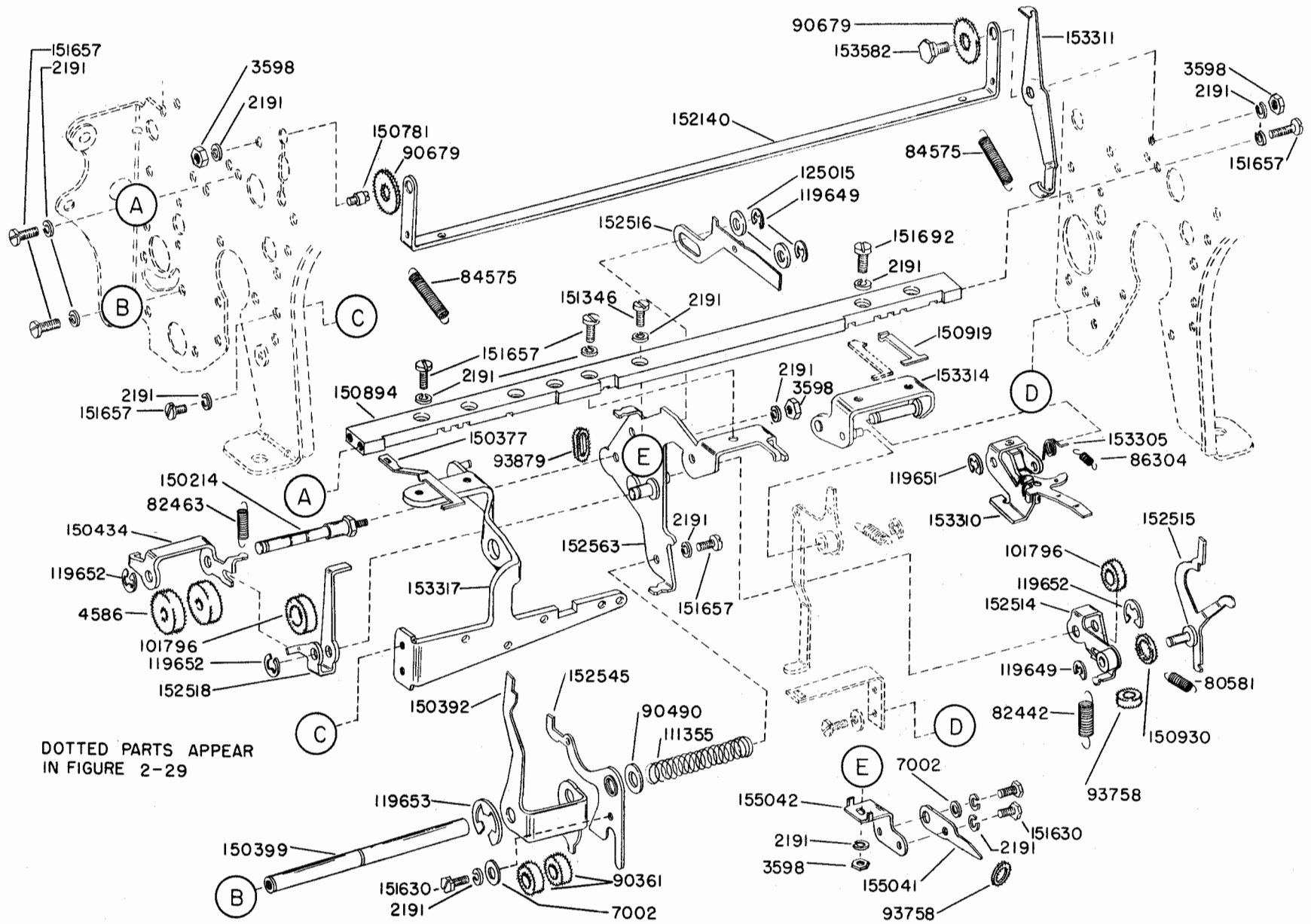


FIGURE 2-18 PAPER SPINDLE AND RESET BAIL MECHANISM

NUMERICAL INDEX - FIGURE 2-18

Part Number	Description	Part Number	Description
2191	Lock Washer	151346	Screw (6-40 x 3/8 Fil.)
2539	Nut (3/8 - 32)	151627	Rod
2669	Lock Washer	151657	Screw (6-40 x 1/4 Fil.)
3598	Nut (6-40)	151658	Screw (6-40 x 5/16 Fil.)
6745	Screw (10-32 x 1/2 Hex.)	151685	Screw (4-40 x 5/16 Fil.)
73175	Lock Washer	151692	Screw (6-40 x 3/16 Fil.)
90819	Felt Washer	151721	Screw (6-40 x 3/4 Hex.)
93356	Felt Washer	153326	Blade
97481	Felt Wick	153550	Link
109757	Felt Washer	153553	Roller
110434	Screw (4-40 x 1/4 Fil.)	153554	Bracket with Stud
110743	Lock Washer	153558	Link with Bushings
119652	Retaining Ring	153560	Shaft with Bushings
125011	Flat Washer	153562	Shaft
125015	Flat Washer	153573	Bail
150398	Pivot Stud (Left)	153574	Roller
150414	Bushing	153577	Felt Washer
150419	Shaft	153579	Spring Bracket
150423	Pivot Stud (Right)	153580	Cam Bracket
150903	Block (Left)	153585	Clamp
150904	Block (Right)	153841	Screw (6-40 x 9/16 Hex.)
150907	Paper Spindle	154688	Spring
150990	Felt Washer		

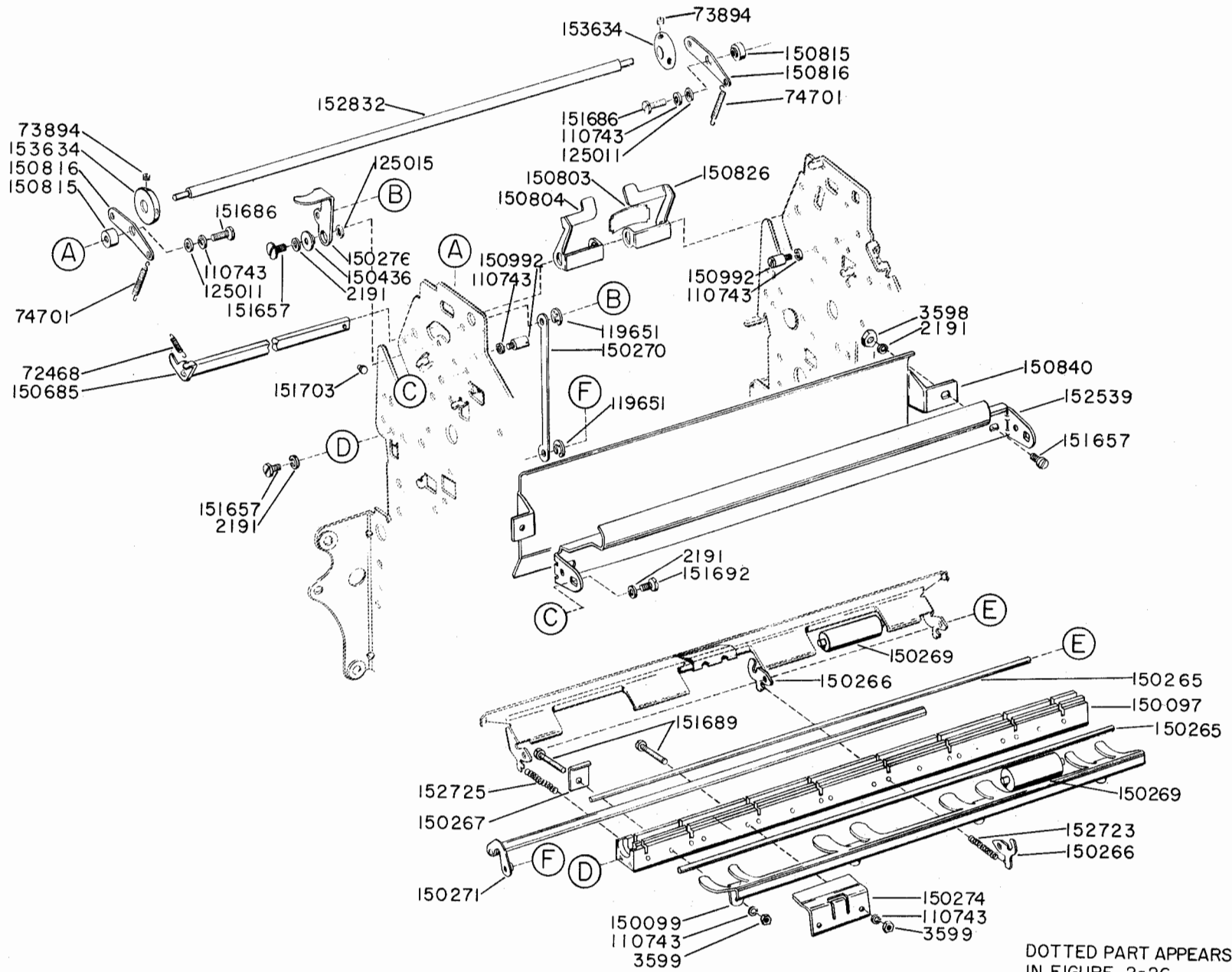
FIGURE 2-19. SPACE SUPPRESSION MECHANISM



NUMERICAL INDEX - FIGURE 2-19

Part Number	Description	Part Number	Description
2191	Lock Washer	150434	Transfer Bail
3598	Nut (6-40)	150781	Stud
4586	Felt Washer	150894	Bar
7002	Flat Washer	150919	Arm
80581	Spring	150930	Felt Washer
82442	Spring	151346	Screw (6-40 x 3/8 Fil.)
82463	Spring	151630	Screw (6-40 x 1/4 Hex.)
84575	Spring	151657	Screw (6-40 x 1/4 Fil.)
86304	Spring	151692	Screw (6-40 x 3/16 Fil.)
90361	Felt Washer	152140	Bail
90490	Shim	152514	Bail
90679	Felt Washer	152515	Space Trip Lever
93758	Felt Washer	152516	Slide
93879	Felt Oiler	152518	Bail
101796	Felt Washer	152545	Lever
111355	Spring	152563	Bracket
119649	Retaining Ring	153305	Torsion Spring
119651	Retaining Ring	153310	Bail
119652	Retaining Ring	153311	Arm
119653	Retaining Ring	153314	Bracket
125015	Flat Washer	153317	Bearing Bracket
150214	Bearing Stud	153582	Shoulder Screw (6-40)
150377	Arm	155041	Plate
150392	Bail	155042	Bracket
150399	Shaft		

FIGURE 2-20. PRESSURE ROLLER MECHANISM.



DOTTED PART APPEARS IN FIGURE 2-26.

NUMERICAL INDEX - FIGURE 2-20

Part Number	Description	Part Number	Description
2191	Lock Washer	150436	Bushing
3598	Nut (6-40)	150685	Plate
3599	Nut (4-40)	150803	Spring
72468	Spring	150804	Paper Finger (Right)
73894	Set Screw (6-40)	150815	Bushing
74701	Spring	150816	Lever
110743	Lock Washer	150826	Paper Finger (Left)
119651	Retaining Ring	150840	Guide Bracket
125011	Flat Washer	150992	Stud
125015	Flat Washer	151657	Screw (6-40 x 1/4 Fil.)
150097	Cross Bar	151686	Screw (4-40 x 3/8 Fil.)
150099	Paper Guide (Rear)	151689	Screw (4-40 x 3/4 Fil.)
150265	Shaft	151692	Screw (6-40 x 3/16 Fil.)
150266	Guide Lever	151703	Pin
150267	Clamp	152539	Guide
150269	Pressure Roller	152723	Spring
150270	Link	152725	Spring
150271	Arm	152832	Shaft
150274	Clamp Bracket	153634	Collar
150276	Lever		

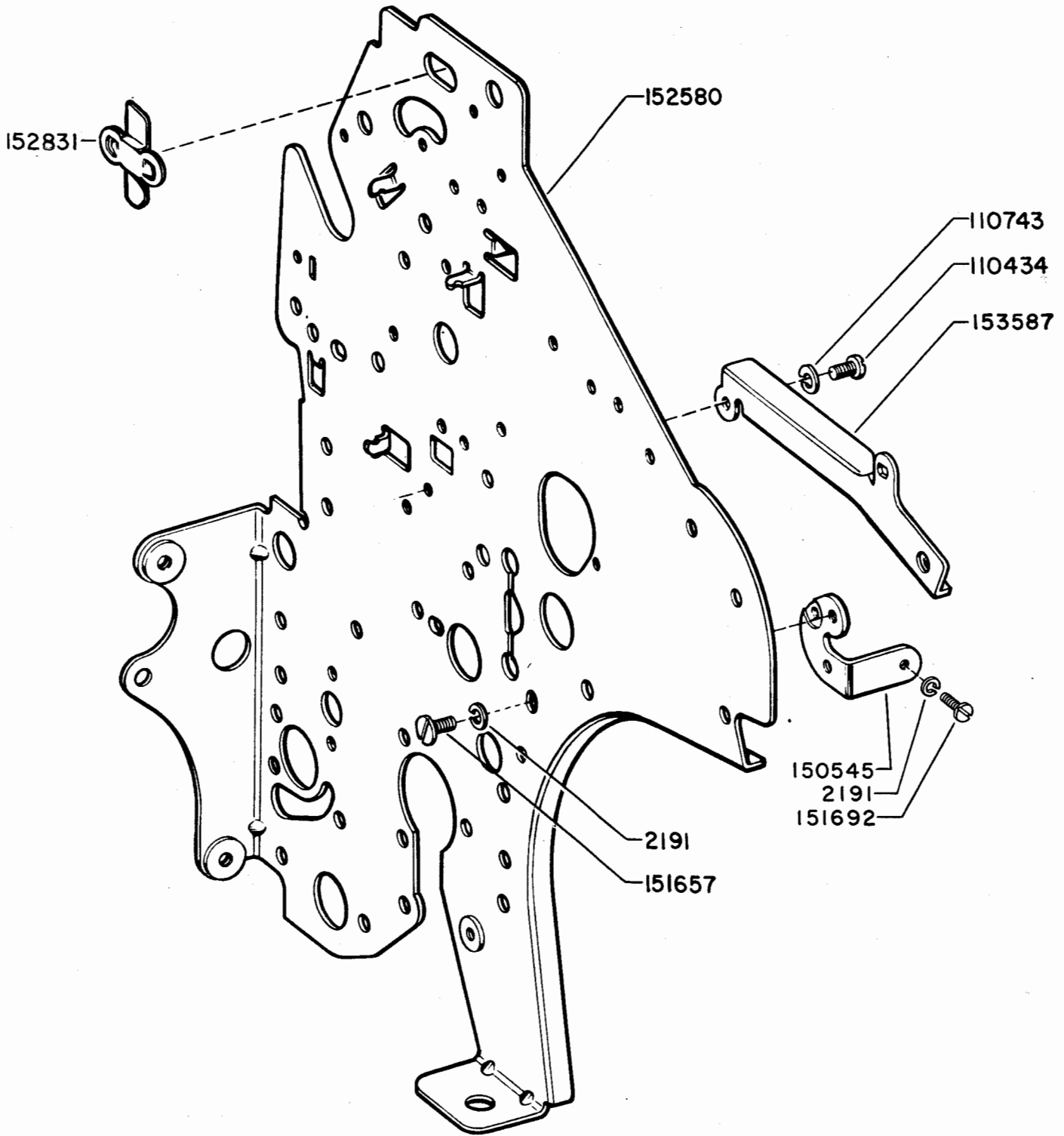
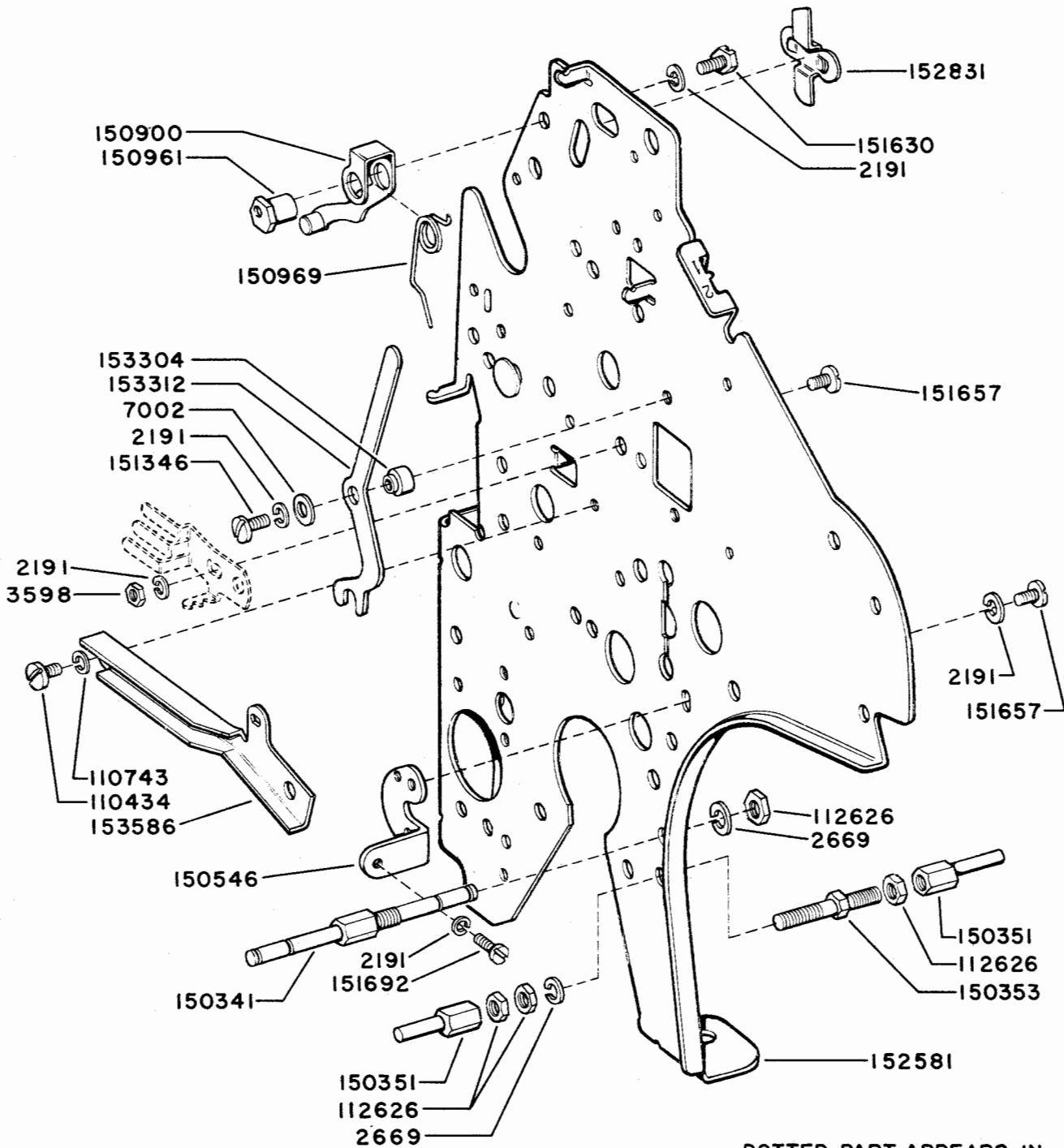


FIGURE 2-21. RIGHT SIDE FRAME MECHANISM

NUMERICAL INDEX - FIGURE 2-21

Part Number	Description	Part Number	Description
2191	Lock Washer	151692	Screw (6-40 x 3/16 Fil.)
110434	Screw (4-40 x 1/4 Fil.)	152580	Right Side Frame
110743	Lock Washer	152831	Clip
150545	Bracket (Right)	153587	Right Guide
151657	Screw (6-40 x 1/4 Fil.)		



DOTTED PART APPEARS IN
FIGURE 2-26

FIGURE 2-22. LEFT SIDE FRAME MECHANISM

NUMERICAL INDEX - FIGURE 2-22

Part Number	Description	Part Number	Description
2191	Lock Washer	150961	Eccentric Bushing
2669	Lock Washer	150969	Torsion Spring
3598	Nut (6-40)	151346	Screw (6-40 x 3/8 Fil.)
7002	Flat Washer	151630	Screw (6-40 x 1/4 Hex.)
110434	Screw (4-40 x 1/4 Fil.)	151657	Screw (6-40 x 1/4 Fil.)
110743	Lock Washer	151692	Screw (6-40 x 3/16 Fil.)
112626	Nut (10-32)	152581	Left Side Frame
150341	Spring Post	152831	Clip
150351	Eccentric Stud	153304	Shoulder Bushing
150353	Stud	153312	Lever
150546	Bracket (Left)	153586	Left Guide
150900	Detent Bail		

1162B

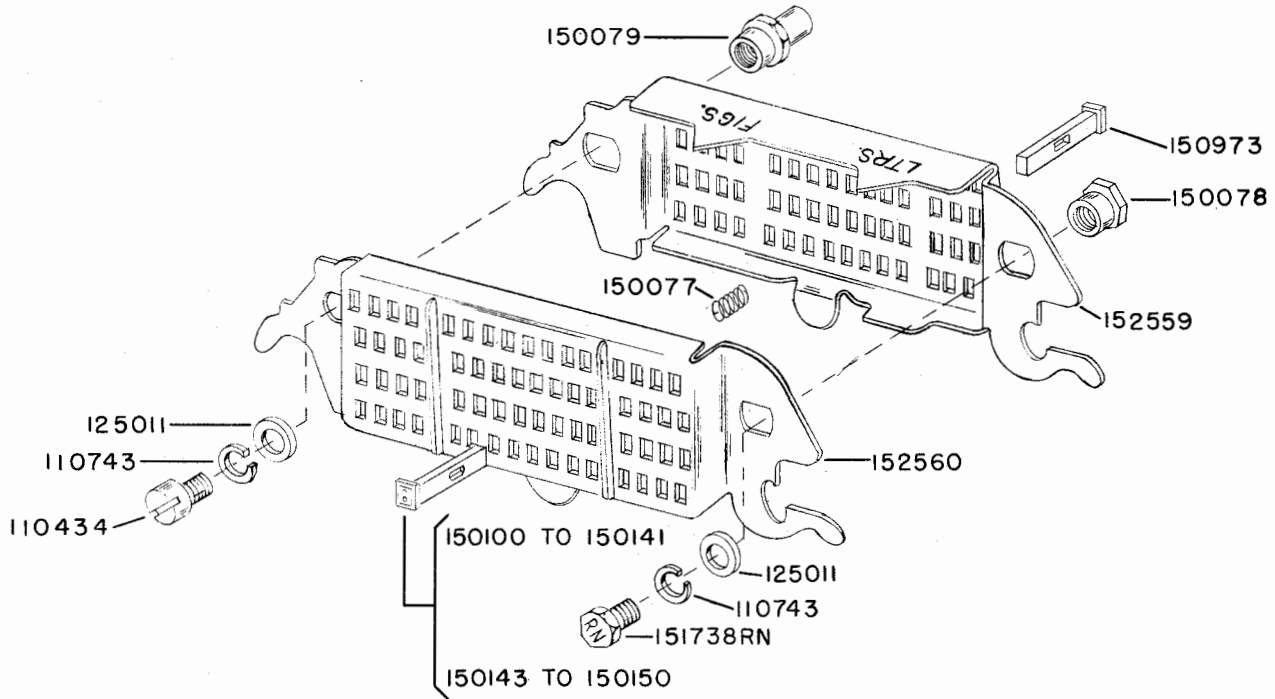
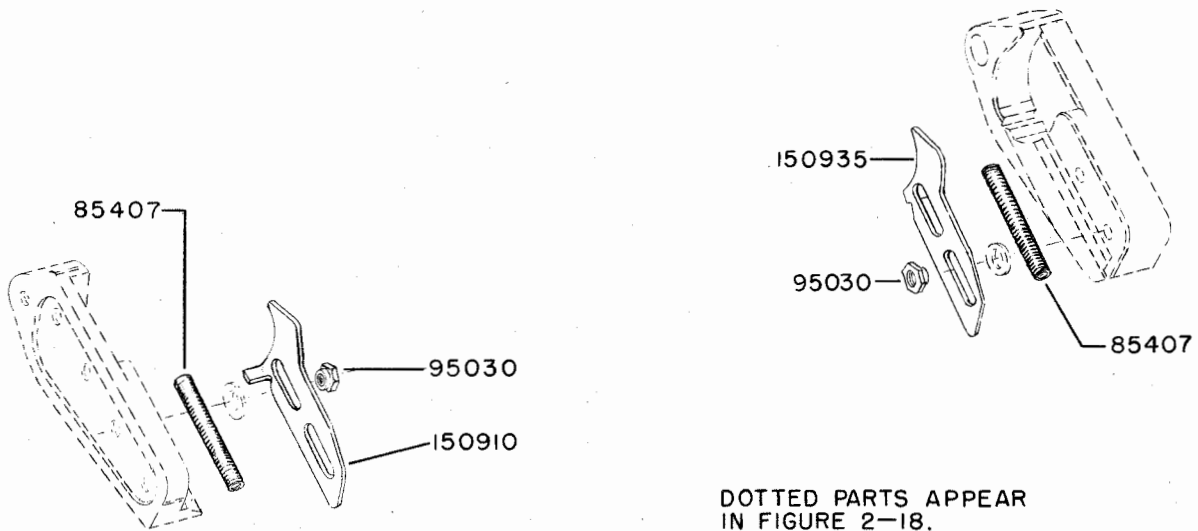


FIGURE 2-23. 151938 AN TYPE BOX ARRANGEMENT



DOTTED PARTS APPEAR
IN FIGURE 2-18.

FIGURE 2-24. 151799 PAPER SPINDLE LATCHES SET OF PARTS

NUMERICAL INDEX - FIGURE 2-23, 2-24

Part Number	Description	Part Number	Description
85407	Spring	150124	(Y)
95030	Shoulder Nut (6-40)	150125	(Z)
110434	Screw (4-40 x 1/4 Fil.)	150126	(1)
110743	Lock Washer	150127	(2)
125011	Flat Washer	150128	(3)
150077	Spring	150129	(4)
150078	Shoulder Nut (4-40)	150130	(5)
150079	Stud	150131	(6)
		150132	(7)
	Type Pallets	150133	(8)
150100	(A)	150134	(9)
150101	(B)	150135	(.)
150102	(C)	150136	(,)
150103	(D)	150137	(")
150104	(E)	150138	((
150105	(F)	150139	(?)
150106	(G)	150140	(Ø)
150107	(H)	150141	()
150108	(I)	150143	(-)
150109	(J)	150144	(\$)
150110	(K)	150145	(:)
150111	(L)	150146	(!)
150112	(M)	150147	(&)
150113	(N)	150148	(;)
150114	(O)	150149	(/)
150115	(P)	150150	(')
150116	(Q)	150910	Latch Plate (Right)
150117	(R)	150935	Latch Plate (Left)
150118	(S)	150973	Dummy Pallet
150119	(T)	151738RN	Identification Screw (4-40)
150120	(U)	151799	Paper Spindle Latches Set of Parts
150121	(V)	151938	RN Type Pallet Arrangement
150122	(W)	152559	Pallet Box Plate (Front)
150123	(X)	152560	Pallet Box Plate (Rear)

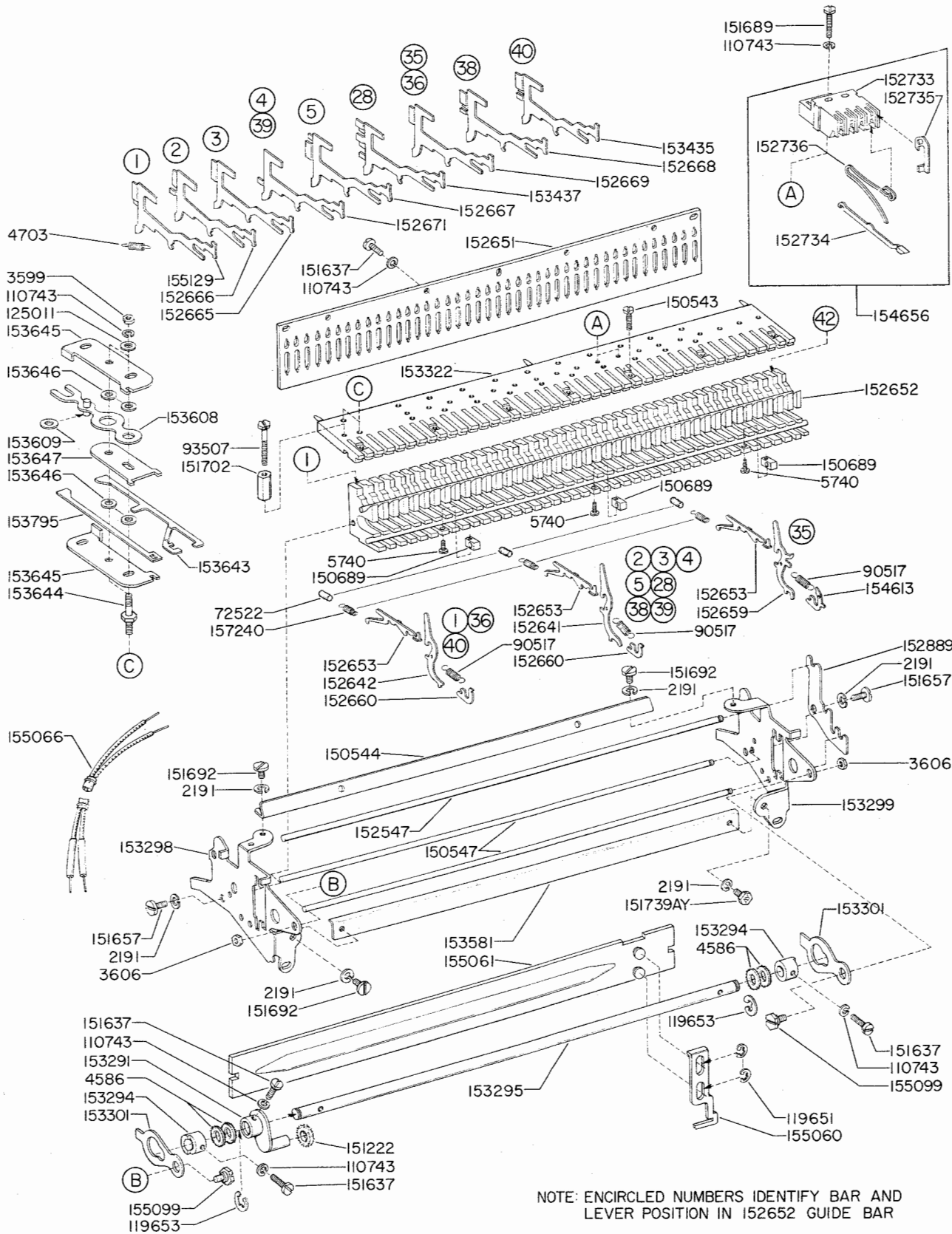


FIGURE 2-25. 154971 AY STUNT BOX ARRANGEMENT

NUMERICAL INDEX - FIGURE 2-25

Part Number	Description	Part Number	Description
2191	Lock Washer	152668	Function Bar (LF)
3599	Nut (4-40)	152669	Function Bar (BL)
3606	Nut (6-40)	152671	Function Bar (CR LF)
4586	Felt Washer	152733	Contact Block
4703	Spring	152734	Contact Arm
5740	Screw (2-56 x 1/4 Fil.)	152735	Contact Terminal
72522	Felt Wick	152736	Spring
90517	Spring	152889	Retainer Plate
93507	Screw (4-40 x 3/4 Hex.)	153291	Arm
110743	Lock Washer	153294	Cam
119651	Retaining Ring	153295	Shaft
119653	Retaining Ring	153298	Bracket (Right)
125011	Flat Washer	153299	Bracket (Left)
150543	Screw (3-48 x 9/32 Fil.)	153301	Arm
150544	Handle	153322	Guide
150547	Shaft	153435	Function Bar (SC LF)
150689	Guide Block	153437	Function Bar (SC UC S)
151222	Felt Washer	153581	Handle
151637	Screw (4-40 x 1/4 Fil.)	153608	Fork
151657	Screw (6-40 x 1/4 Fil.)	153609	Roller
151689	Screw (4-40 x 3/4 Fil.)	153643	Slide
151692	Screw (6-40 x 3/16 Fil.)	153644	Stud
151702	Nut (4-40)	153645	Guide Plate
151739AY	Identification Screw (6-40)	153646	Bushing
152547	Shaft	153647	Plate
152641	Lever	153795	Slide
152642	Lever	154613	Latch
152651	Guide Plate	154656	Switch Assembly
152652	Guide Bar	154971	AY Stunt Box Arrangement
152653	Pawl	155060	Stripper Slide
152659	Lever	155061	Blade w/Studs
152660	Spring Plate	155066	Cable
152665	Function Bar (LTR)	155099	Shoulder Screw (6-40)
152666	Function Bar (FIG)	155129	Function Bar (Space)
152667	Function Bar (CR)	157240	Spring

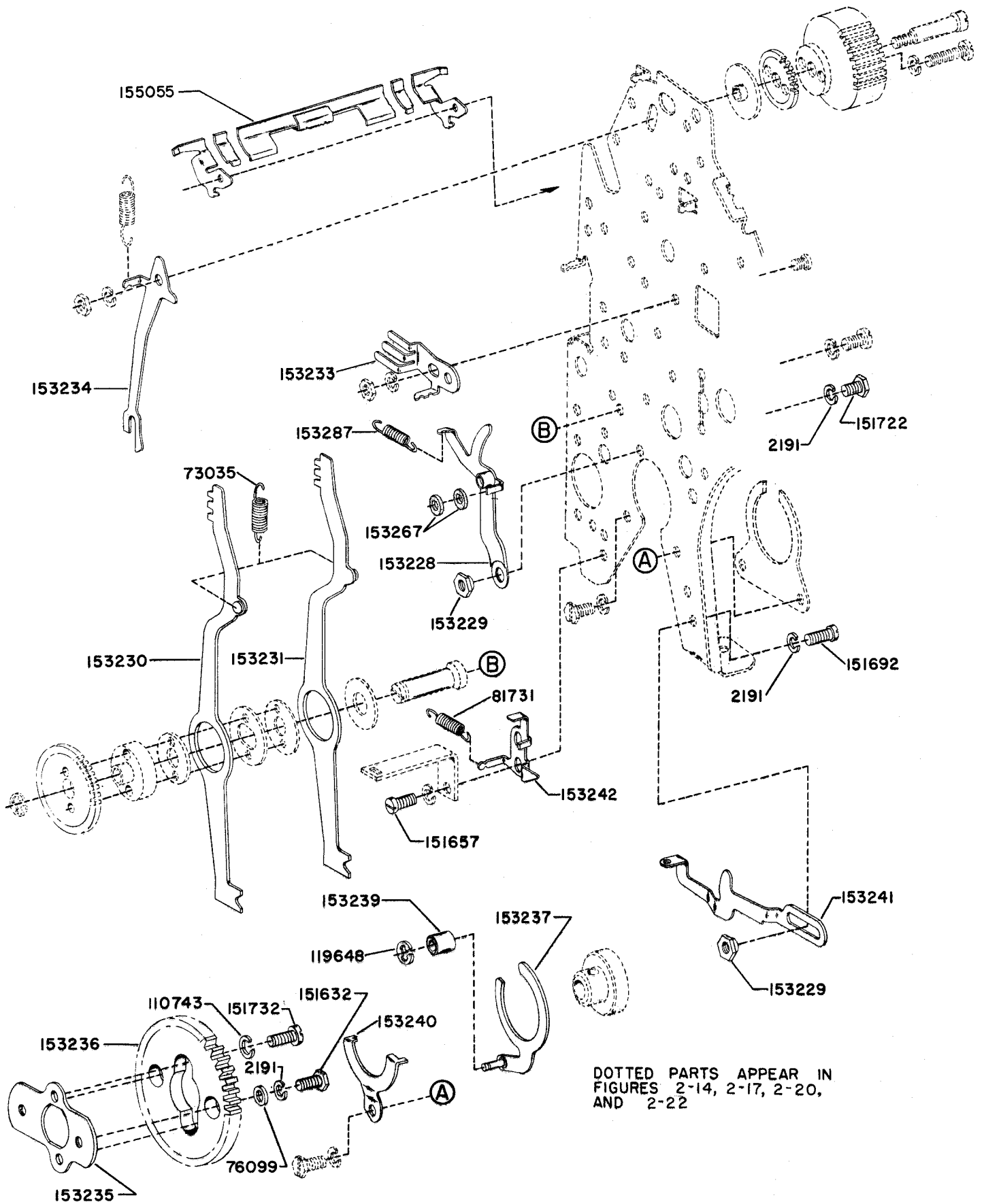


FIGURE 2-26. 152915 LOCAL REVERSE LINE FEED SET OF PARTS

NUMERICAL INDEX - FIGURE 2-26

Part Number	Description	Part Number	Description
2191	Lock Washer	153230	Line Feed Bar
73035	Spring	153231	Line Feed Bar
76099	Flat Washer	153233	Guide
81731	Spring	153234	Lever
110743	Lock Washer	153235	Plate
119648	Retaining Ring	153236	Spur Gear
151632	Screw (6-40 x 3/8 Hex.)	153237	Arm
151657	Screw (6-40 x 1/4 Fil.)	153239	Roller
151692	Screw (6-40 x 3/16 Fil.)	153240	Retainer Bracket
151722	Screw (6-40 x 3/16 Hex.)	153241	Link
151732	Screw (4-40 x 11/32 Fil.)	153242	Bracket
152915	Local Reverse Line Feed Set of Parts	153267	Felt Washer
153228	Bell Crank	153287	Spring
153229	Shoulder Bushing	155055	Bail

1162B

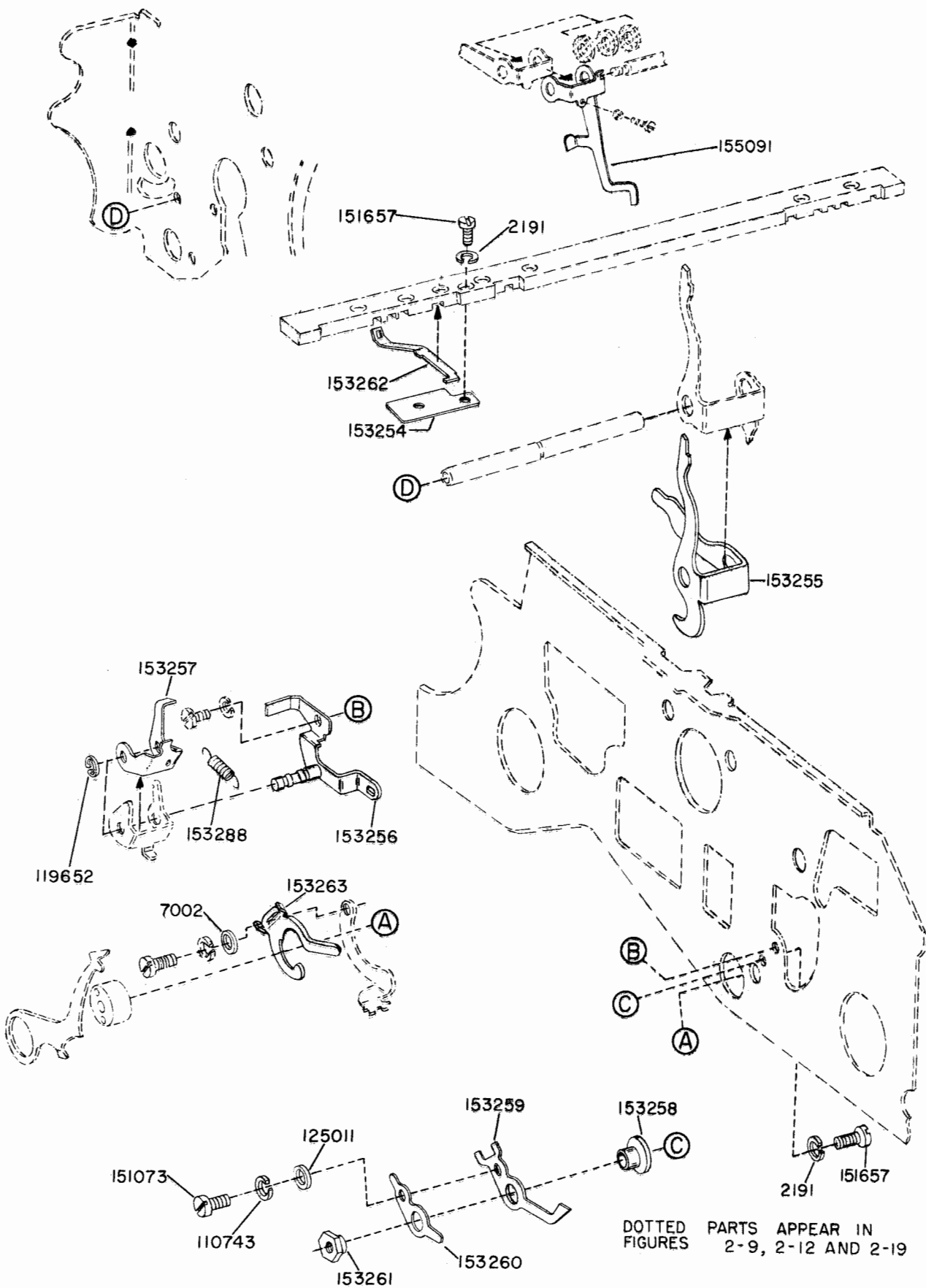


FIGURE 2-27 152917 LOCAL BACK SPACE SET OF PARTS

NUMERICAL INDEX - FIGURE 2-27

Part Number	Description	Part Number	Description
2191	Lock Washer	153256	Bracket
7002	Flat Washer	153257	Bail
110743	Lock Washer	153258	Bushing
119652	Retaining Ring	153259	Arm
125011	Flat Washer	153260	Flate
151073	Screw (4-40 x 5/32 Fil.)	153261	Threaded Bushing
151657	Screw (6-40 x 1/4 Fil.)	153262	Arm
152917	Local Back Space Set of Parts	153263	Stop Arm
153254	Bracket	153288	Spring
153255	Bail	155091	Trip Lever

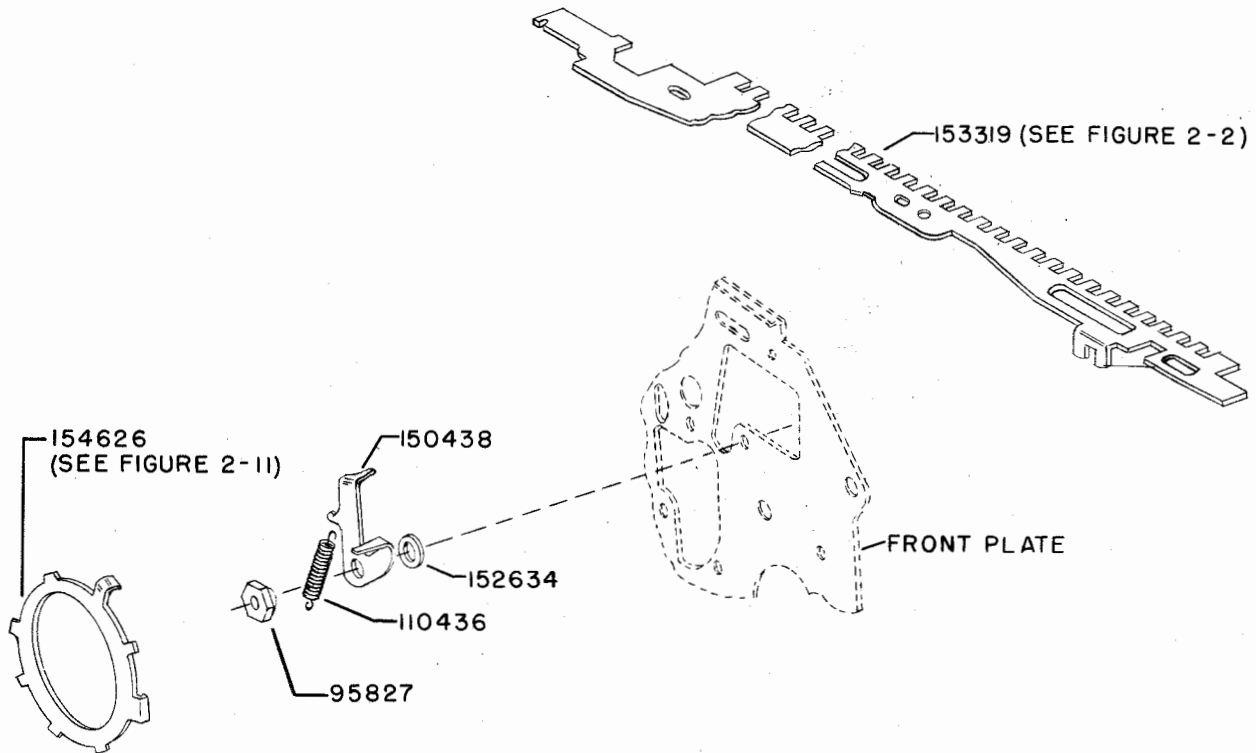


FIGURE 2-28. 152348 AUTOMATIC CARRIAGE RETURN AND LINE FEED SET OF PARTS

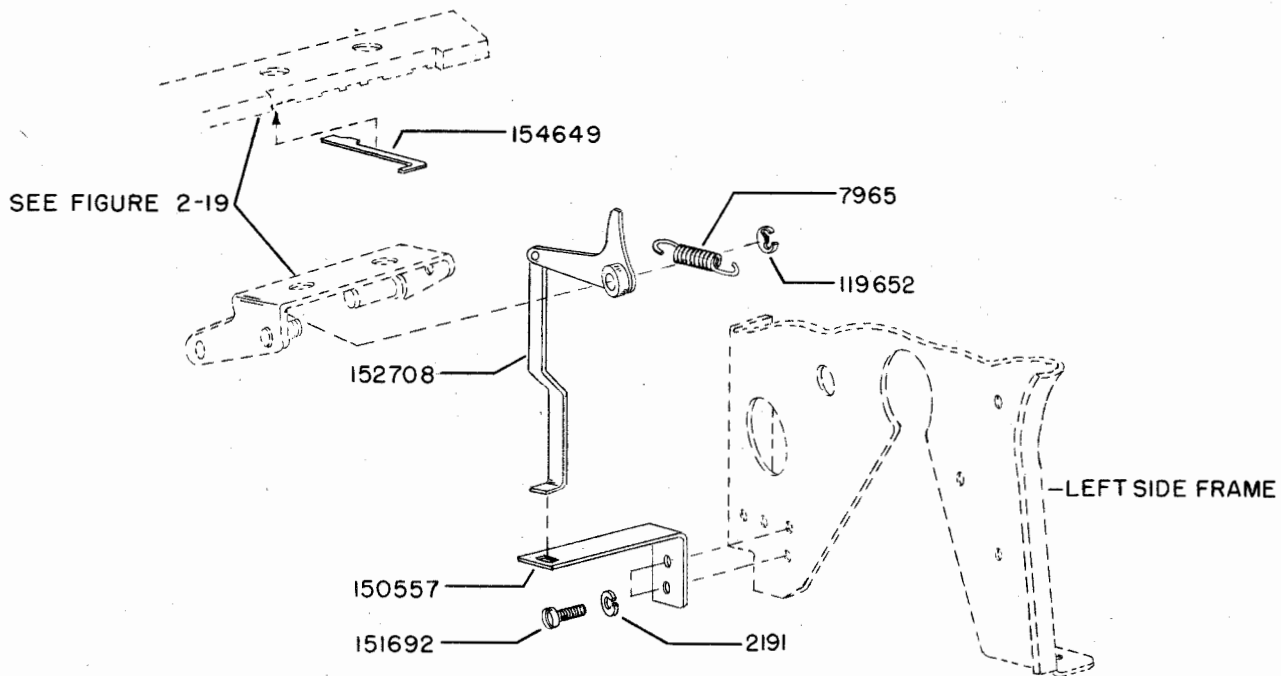
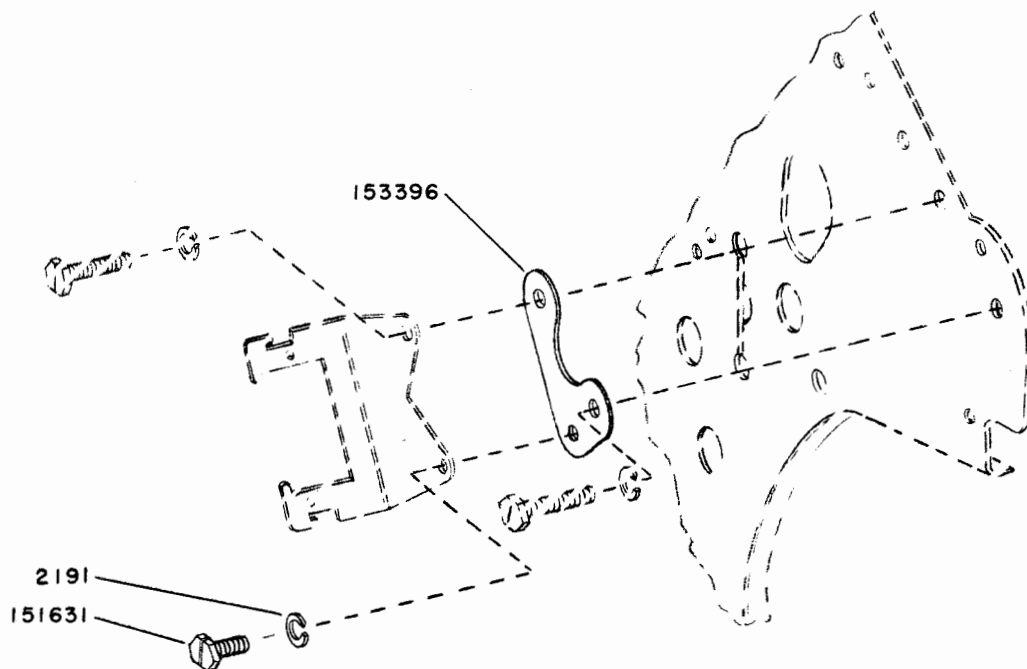


FIGURE 2-29. 152350 TYPING UNIT KEYBOARD LOCK SET OF PARTS

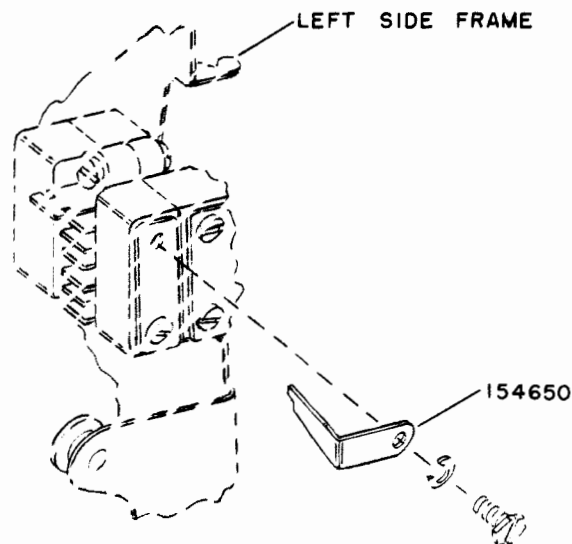
NUMERICAL INDEX - FIGURE 2-28, 2-29

Part Number	Description	Part Number	Description
2191	Lock Washer	152348	Automatic CR & LF Set of Parts
7965	Spring	152350	Typing Unit Keyboard Lock Set of Parts
95827	Bushing	152634	Flat Washer
110436	Spring	152708	Lever
119652	Retaining Ring	153319	Code Bar (Auto CR & LF)
150438	Bell Crank	154626	Automatic CR & LF Ring
150557	Bracket	154649	Arm
151692	Screw (6-40 x 3/16 Fil.)		



DOTTED PARTS APPEAR
IN FIGURE 2-5.

FIGURE 2-30 152312 LIGHTWEIGHT CONVERSION SET OF PARTS



DOTTED PARTS APPEAR
IN FIGURE 2-2.

FIGURE 2-31. CLIP TO HOLD SUPPRESSION CODE BAR

NUMERICAL INDEX - FIGURES 2-30, 2-31

Part Number	Description	Part Number	Description
2191	Lock Washer	153396	Plate
151631	Screw (6-40 x 5/16 Hex.)	154650	Clip
152312	Lightweight Conversion Set of Parts		



1162B

SECTION 3

MOTOR UNIT

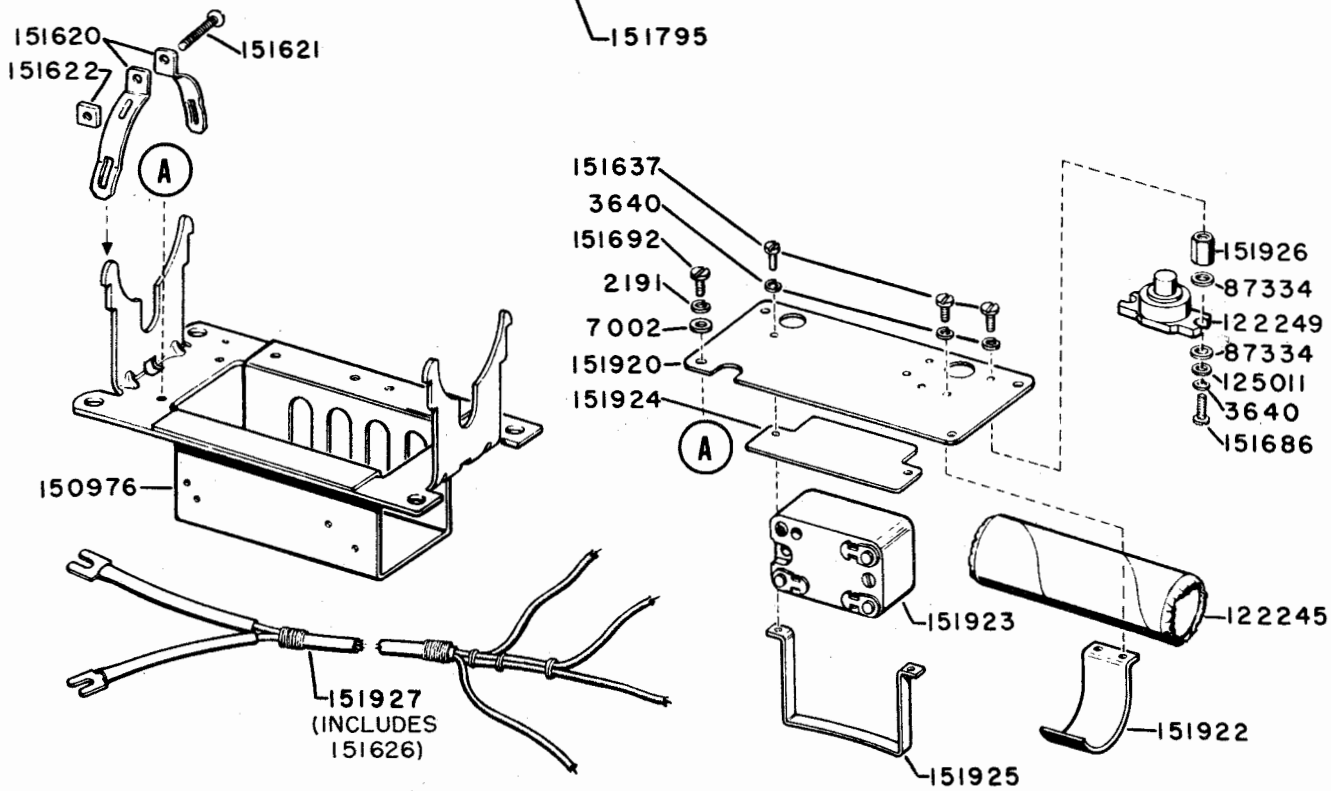
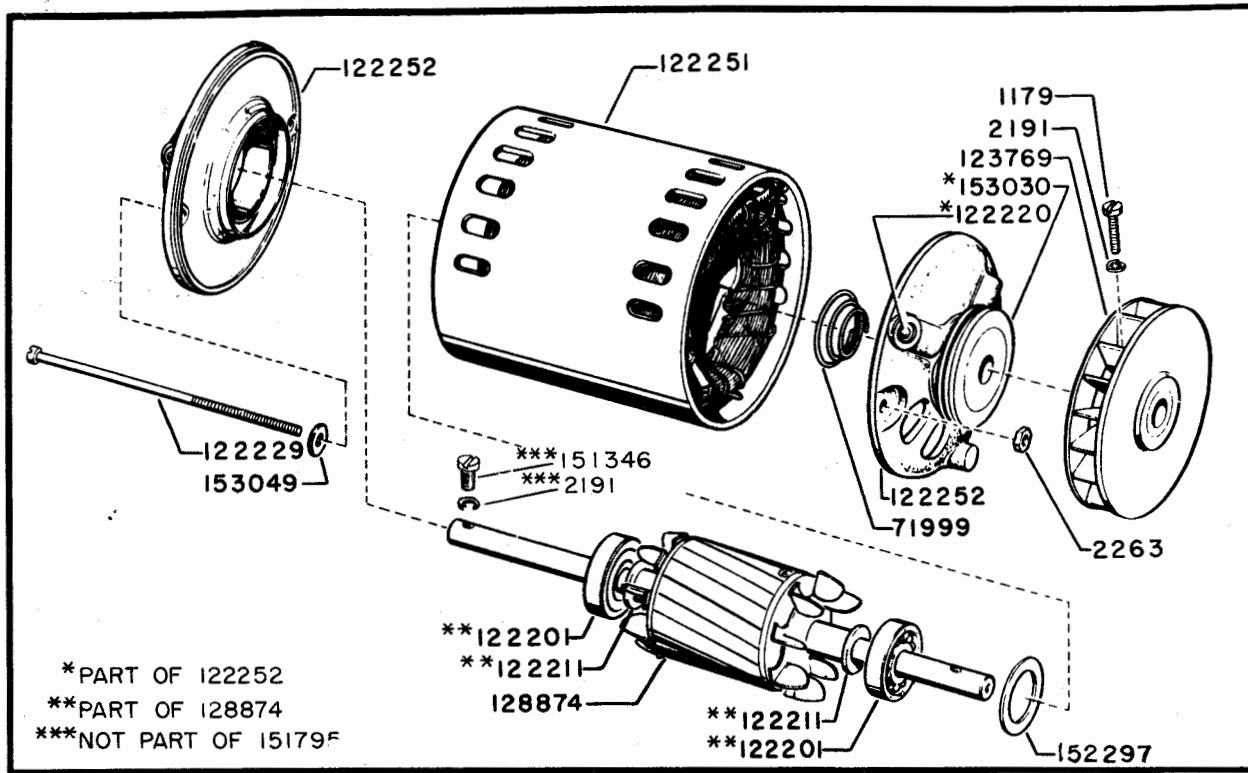


FIGURE 3-I SYNCHRONOUS MOTOR UNIT

NUMERICAL INDEX - FIGURE 3-1

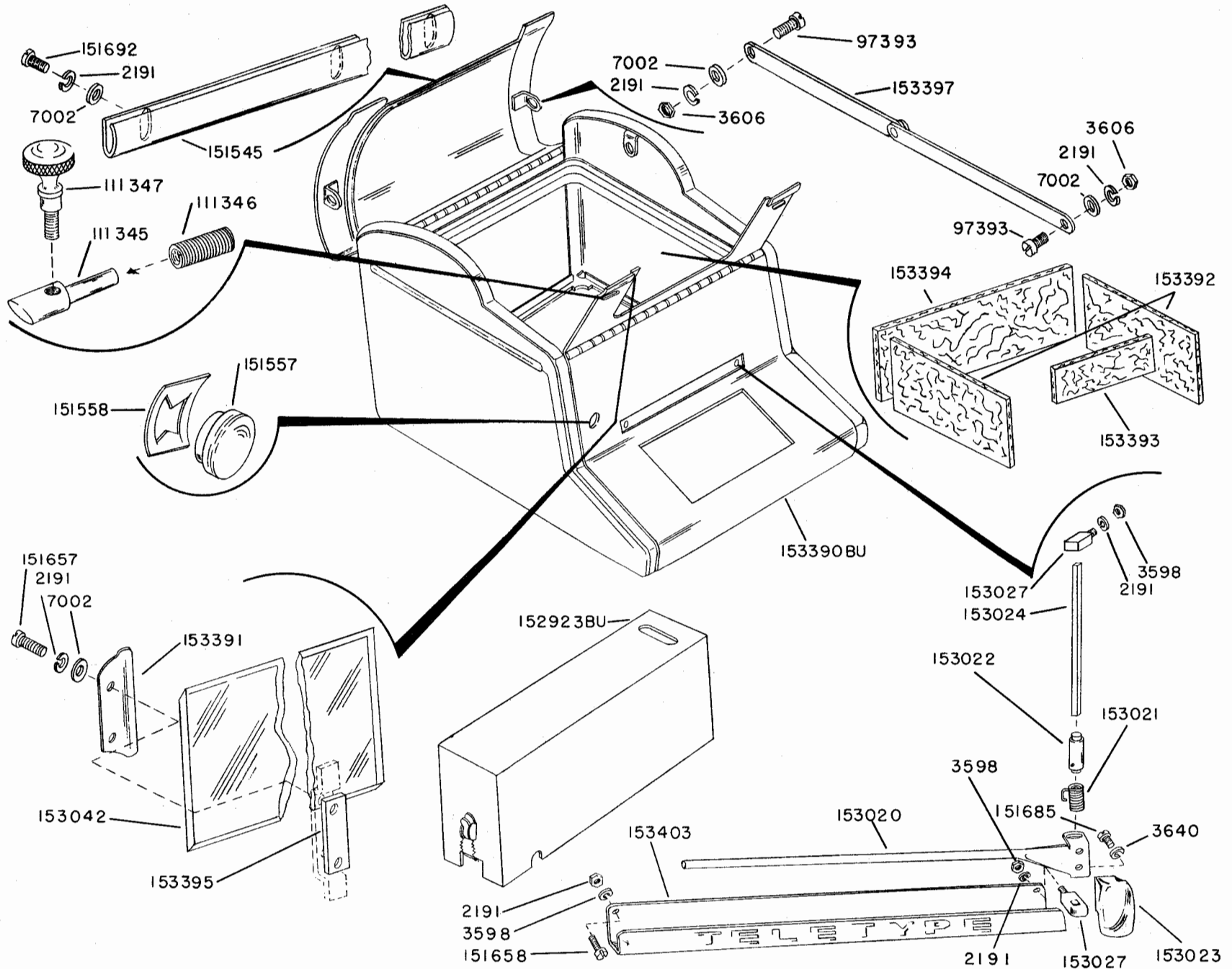
Part Number	Description	Part Number	Description
1179	Screw (6-40 x 5/8 Fil.)	151346	Screw (6-40 x 3/8 Fil.)
2191	Lock Washer	151620	Mounting Strap
2263	Nut (8-32)	151621	Screw (6-32 x 3/4 Rd.)
3640	Lock Washer	151622	Nut (6-32)
7002	Flat Washer	151626	Terminal Lug
71999	Preloading Spring	151637	Screw (4-40 x 1/4 Fil.)
87334	Insulating Washer	151686	Screw (4-40 x 3/8 Fil.)
122201	Ball Bearing	151692	Screw (6-40 x 3/16 Fil.)
122211	Pull Washer	151795	A.C. Synchronous Motor
122220	Oil Cup	151920	Mounting Plate
122229	Clamp Bolt (8-32)	151922	Clamp
122245	Fixed Capacitor	151923	Relay
122249	Thermostatic Switch	151924	Insulator
122251	Motor Stator	151925	Clamp
122252	End Shield Assembly	151926	Nut (4-40)
123769	Fan	151927	Cable Assembly
125011	Flat Washer	152297	Flat Washer
128874	Motor Rotor	153030	Cushion Ring
150976	Motor Bracket	153049	Fiber Washer



SECTION 4

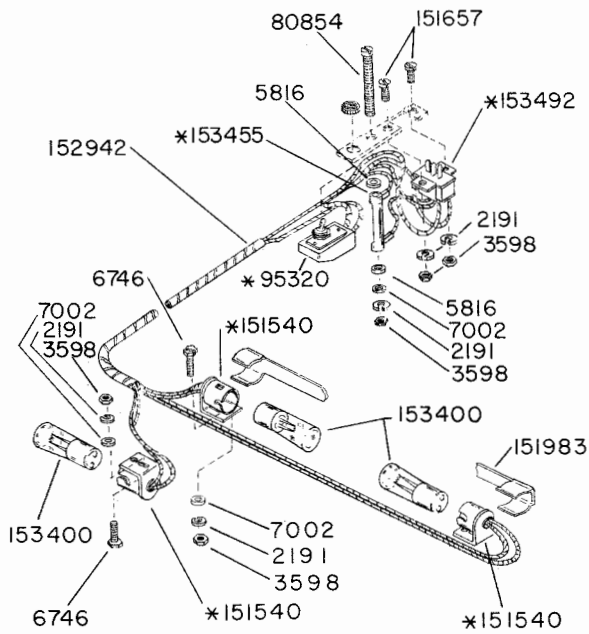
COVER AND VARIABLE FEATURES

FIGURE 4-1. COVER ASSEMBLY



NUMERICAL INDEX - FIGURE 4-1

Part Number	Description	Part Number	Description
2191	Lock Washer	152923BU	Cover with Catch
3598	Nut (6-40)	153020	Line Guide
3606	Nut (6-40)	153021	Spring
3640	Lock Washer	153022	Bushing
7002	Flat Washer	153023	Handle
97393	Shoulder Screw (6-40)	153024	Shaft
111345	Bolt	153027	Post
111346	Spring	153042	Window
111347	Thumb Screw (4-40)	153390BU	Cover
151545	Paper Guide	153391	Clamp Plate
151557	Indicator Light Lens	153392	Side Pad with Lining
151558	Speed Nut	153393	Front Pad with Lining
151657	Screw (6-40 x 1/4 Fil.)	153394	Back Pad with Lining
151658	Screw (6-40 x 5/16 Fil.)	153395	Nut Plate
151685	Screw (4-40 x 5/16 Fil.)	153397	Cover Arm
151692	Screw (6-40 x 3/16 Fil.)	153403	Copy Tray



*PART OF 152942 CABLE ASSEMBLY.

FIGURE 4-3 152314
COPY AND MARGIN
LAMP SET OF PARTS

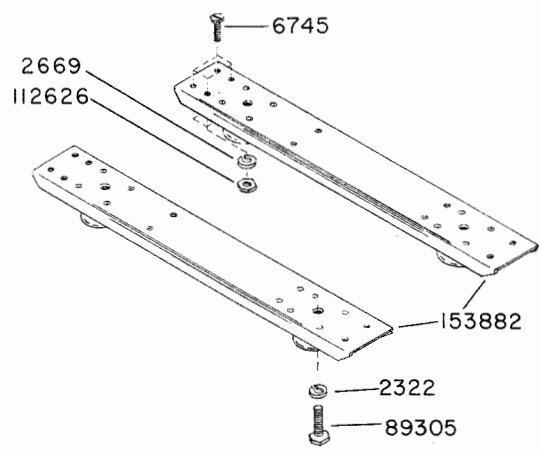


FIGURE 4-2. 152313
SHOCK MOUNTS SET OF PARTS

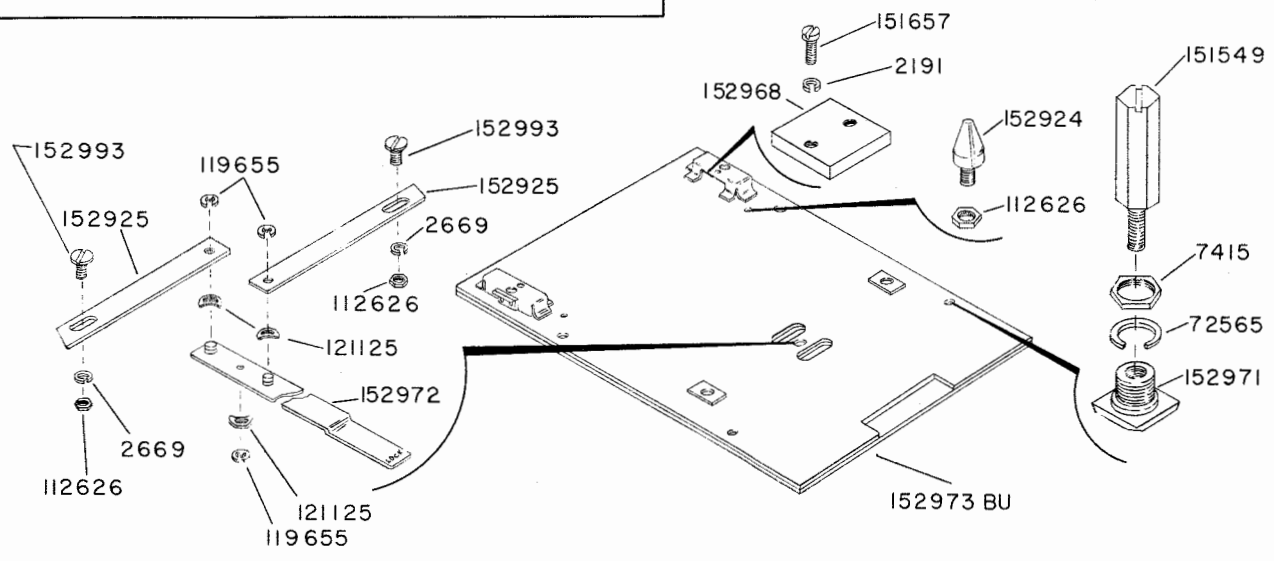


FIGURE 4-4. 152969BU BASE PLATE SET OF PARTS

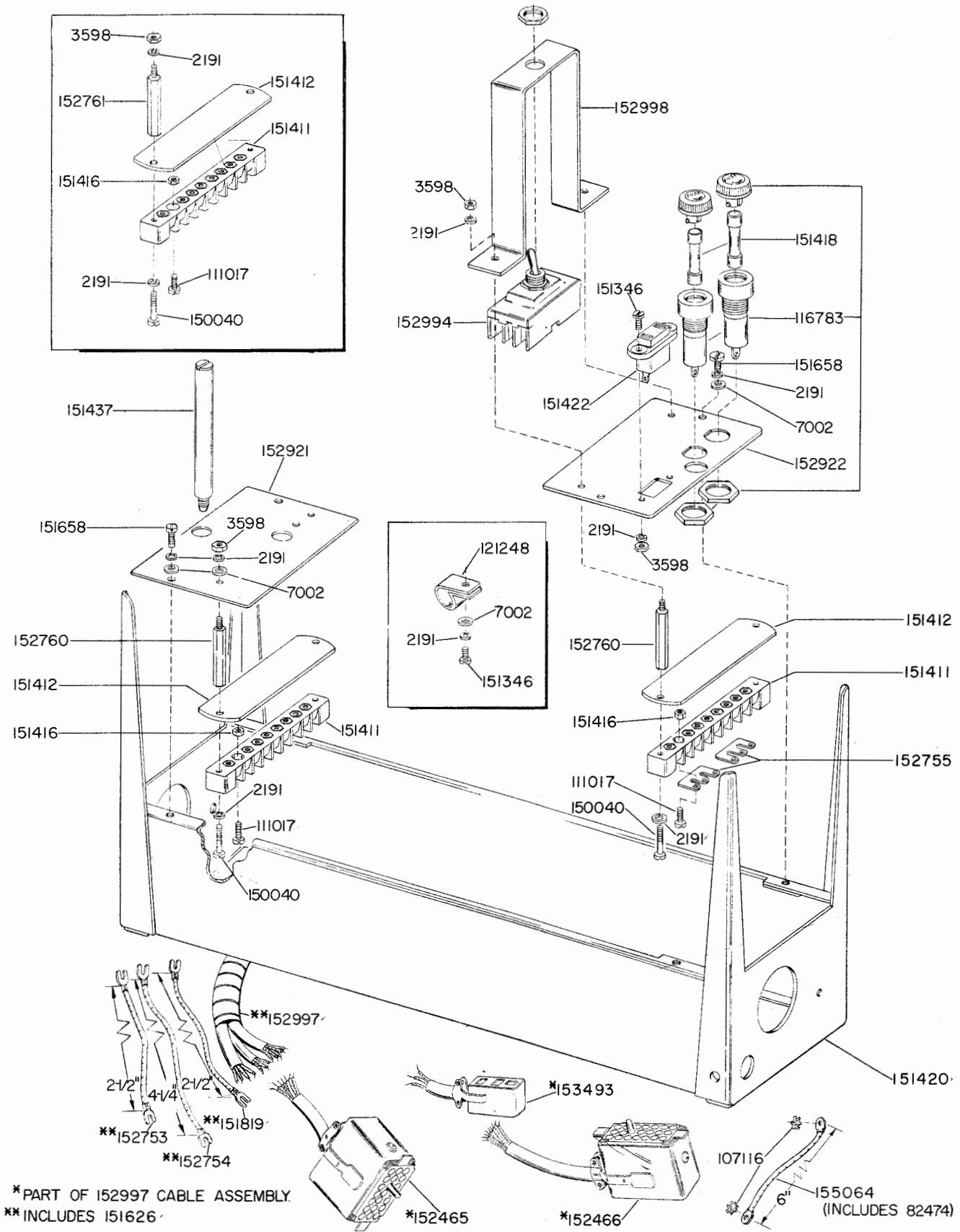
NUMERICAL INDEX - FIGURES 4-2, 4-3, 4-4

Part Number	Description	Part Number	Description
2191	Lock Washer	151983	Light Shield
2322	Lock Washer	152313	Shock Mount Set of Parts
2669	Lock Washer	152314	Copy and Margin Lamp Set of Parts
3598	Nut (6-40)	152924	Stud
5816	Fiber Washer	152925	Latch
6745	Screw (10-32 x 1/2 Hex.)	152942	Cable Assembly
6746	Screw (6-40 x 5/16 Hex.)	152968	Nut Plate
7002	Flat Washer	152969BU	Base Plate Set of Parts
7415	Nut (1/2 - 32)	152971	Bushing
72565	Lock Washer	152972	Handle with Studs
80854	Screw (6-40 x 1-7/16 Fil.)	152973BU	Plate with Strikes
89305	Screw (1/4-20 x 3/4 Hex.)	152993	Shoulder Screw (10-32)
95320	Toggle Switch	153400	Incandescent Lamp (6 Watt)
112626	Nut (10-32)	153455	Resistor (600 ohms)
119655	Retaining Ring	153492	Receptacle Connector
121125	Spring Washer	153882	Shock Mount
151540	Lampholder		
151549	Special Screw (1/4-32)		
151657	Screw (6-40 x 1/4 Fil.)		



SECTION 5

ELECTRICAL SERVICE UNIT AND VARIABLE FEATURES



*PART OF 152997 CABLE ASSEMBLY.
**INCLUDES 151626

FIGURE 5-1. ELECTRICAL SERVICE UNIT

NUMERICAL INDEX - FIGURE 5-1

Part Number	Description	Part Number	Description
2191	Lock Washer	151626	Terminal Lug
3598	Nut (6-40)	151658	Screw (6-40 x 5/16 Fil.)
7002	Flat Washer	151819	Jumper Assembly
82474	Terminal Lug (See 155064)	152465	Plug Connector
107116	Lock Washer	152466	Plug Connector
111017	Screw (6-40 x 5/16 Fil.)	152753	Jumper Assembly
116783	Fuse Holder	152754	Jumper Assembly
121248	Cable Clamp	152755	Terminal Strap
150040	Screw (6-40 x 5/8 Fil.)	152760	Stud
151346	Screw (6-40 x 3/8 Fil.)	152761	Stud
151411	Insulating Block	152921	Plate
151412	Insulator	152922	Plate
151416	Nut (6-40)	152994	Toggle Switch
151418	Fuse (10 amp)	152997	Cable Assembly
151420	Electrical Service Assembly Container	152998	Switch Bracket
151422	Receptacle Connector	153493	Receptacle Connector
151437	Stud	155064	Wire Assembly

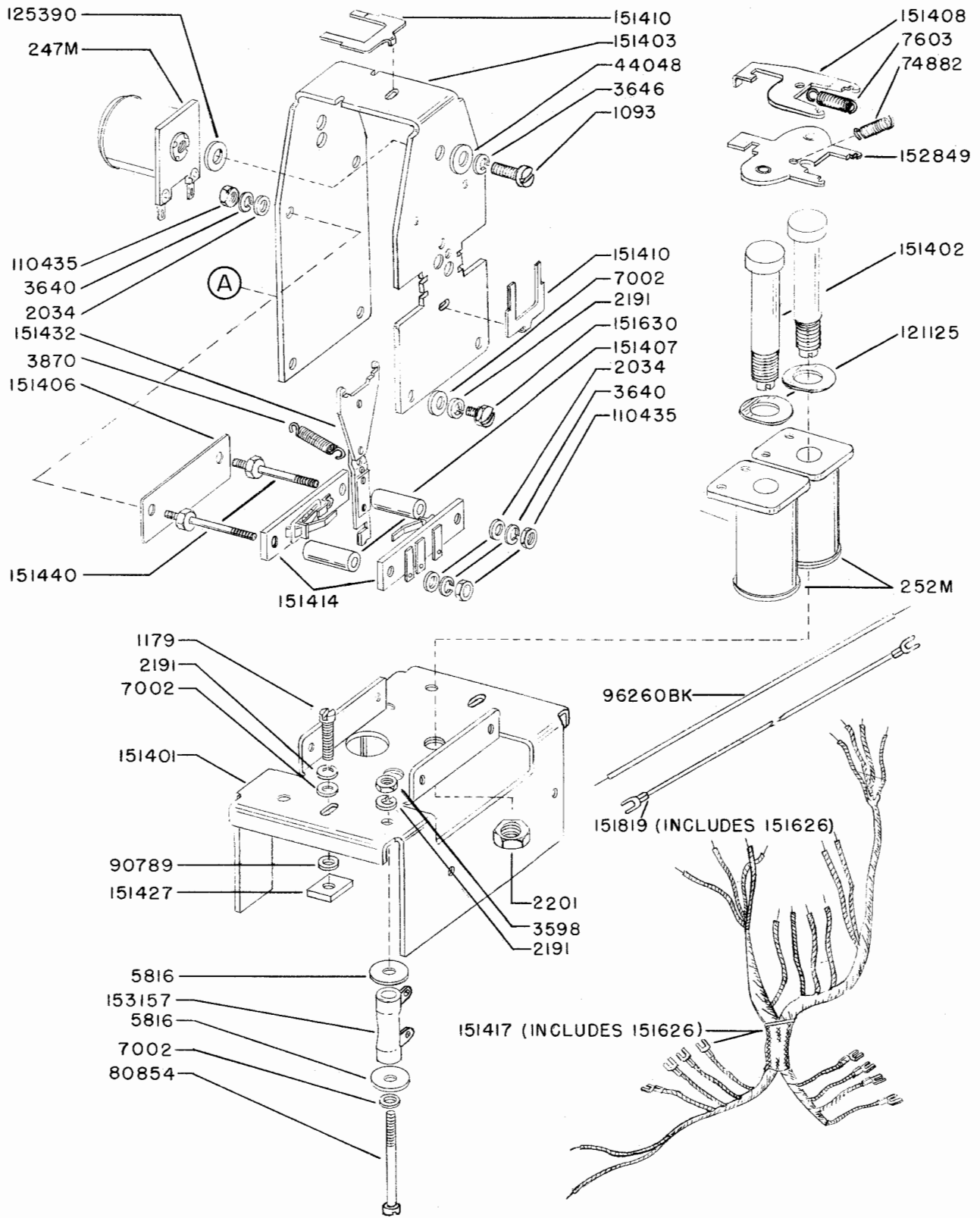


FIGURE 5-2. 153040 ELECTRICAL MOTOR CONTROL SET OF PARTS

NUMERICAL INDEX - FIGURE 5-2

Part Number	Description	Part Number	Description
247M	Magnet Coil	121125	Spring Washer
252M	Magnet Coil	125390	Flat Washer
1093	Screw (8-32 x 7/16 Fil.)	151401	Base
1179	Screw (6-40 x 5/8 Fil.)	151402	Core
2034	Flat Washer	151403	Frame
2191	Lock Washer	151406	Insulator Plate
2201	Nut (5/16 - 32)	151407	Spacing Collar
3598	Nut (6-40)	151408	Lever
3640	Lock Washer	151410	Retaining Clip
3646	Lock Washer	151414	Sensitive Switch
3870	Spring	151417	Cable Assembly
5816	Fiber Washer	151427	Clamp Plate
7002	Flat Washer	151432	Armature
7603	Spring	151440	Stud
44048	Flat Washer	151626	Terminal Lug
74882	Spring	151630	Screw (6-40 x 1/4 Hex.)
80854	Screw (6-40 x 1-7/16 Fil.)	151819	Jumper Assembly
90789	Flat Washer	152849	Armature
96260BK	Connector Wire	153040	Electrical Motor Control Set of Parts
110435	Nut (4-40)	153157	Resistor (400 Ohms)

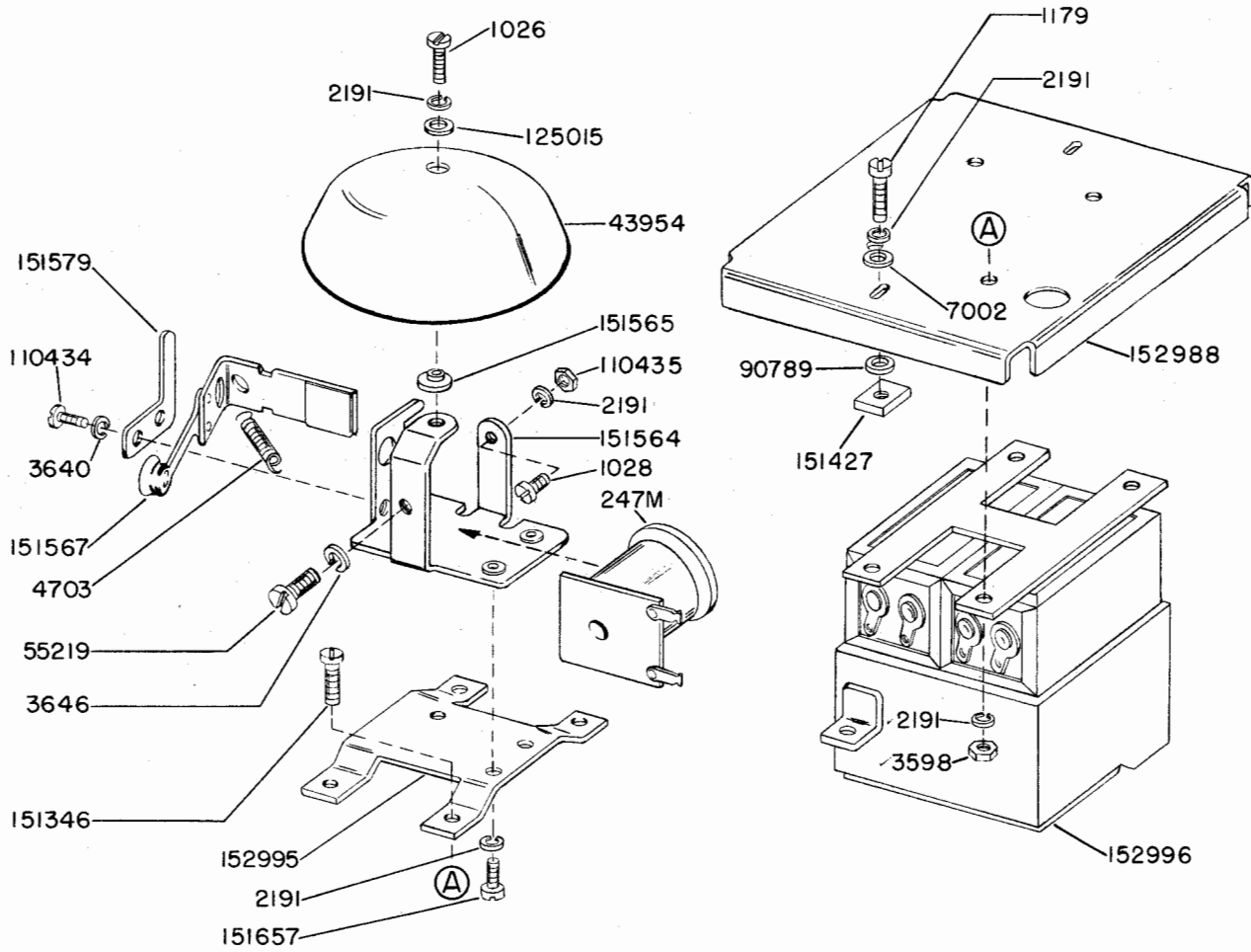


FIGURE 5-3 152999 FILTER AND BELL ASSEMBLY

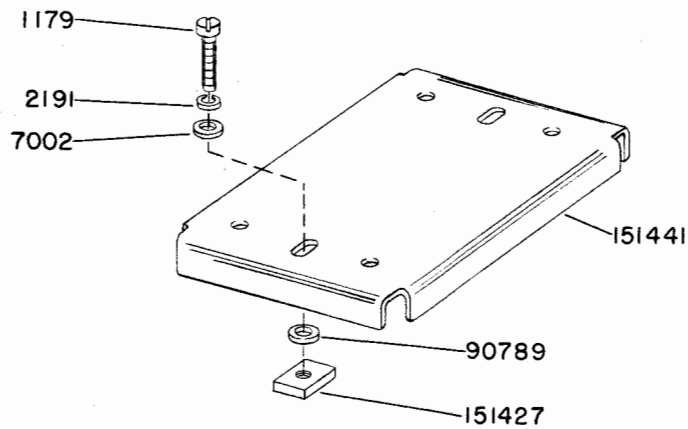


FIGURE 5-4. 152757 BLANK PLATE ASSEMBLY

NUMERICAL INDEX - FIGURES 5-3, 5-4

Part Number	Description	Part Number	Description
247M	Magnet Coil	125015	Flat Washer
1026	Screw (6-40 x 3/8 Fil.)	151346	Screw (6-40 x 3/8 Fil.)
1028	Screw (4-40 x 7/32 Fil.)	151427	Clamp Plate
1179	Screw (6-40 x 5/8 Fil.)	151441	Blank Plate
2191	Lock Washer	151564	Bracket
3598	Nut (6-40)	151565	Shoulder Bushing
3640	Lock Washer	151567	Armature
3646	Lock Washer	151579	Retaining Plate
4703	Spring	151657	Screw (6-40 x 1/4 Fil.)
7002	Flat Washer	152757	Blank Plate Set of Parts
43954	Bell	152988	Cover Plate
55219	Screw (8-32 x 3/8 Fil.)	152995	Bell Bracket
90789	Flat Washer	152996	Electrical Noise Suppressor
110434	Screw (4-40 x 1/4 Fil.)	152999	Filter and Bell Assembly
110435	Nut (4-40)		



SECTION 6

NUMERICAL INDEX

NUMERICAL INDEX

Numbers following the description indicate the page.

247M	Coil, Magnet, 5-4, 5-6	7002	Flat Washer, 1-4, 1-6, 1-10, 1-22, 1-24, 1-26, 2-2, 2-6, 2-8, 2-10, 2-12, 2-14, 2-16, 2-18, 2-20, 2-22, 2-24, 2-26, 2-32, 2-38, 2-44, 2-52, 3-2, 4-2, 4-4, 5-2, 5-4, 5-6
250M	Coil, Magnet, 2-10	7415	Nut (1/2 x 32), 4-4
252M	Coil, Magnet, 5-4	7602	Spring, 1-4
1026	Screw (6-40 x 3/8 Fil), 5-6	7603	Spring, 1-4, 1-6, 1-24, 1-26, 2-20, 5-4
1028	Screw (4-40 x 7/32 Fil), 5-6	7618	Spring, 1-4
1093	Screw (8-32 x 7/16 Fil), 5-4	7655	Spring, 1-4
1164	Screw (2-56 x 3/16 Fil), 1-18	7835	Black Record Ribbon-Underwood Spool, 2-6
1178	Screw (2-56 x 7/16 Fil), 1-22	7965	Spring, 2-54
1179	Screw (6-40 x 5/8 Fil), 3-2, 5-4, 5-6	8330	Flat Washer, 2-2, 2-12, 2-14, 2-24
1214	Set Screw (10-32), 2-18	8449	Collar, 2-6, 2-24
1293	Screw (6-40 x 1/8 Fil), 2-6	22015	Spring, 2-6
2034	Flat Washer, 1-12, 1-16, 1-18, 5-4	31636	Spring, 1-12, 1-22
2191	Lock Washer, 1-2, 1-4, 1-6, 1-8, 1-10, 1-12, 1-14, 1-22, 1-24, 1-26, 2-2, 2-4, 2-6, 2-8, 2-10, 2-12, 2-14, 2-16, 2-18, 2-20, 2-22, 2-24, 2-26, 2-28, 2-30, 2-32, 2-34, 2-36, 2-38, 2-40, 2-42, 2-44, 2-48, 2-50, 2-52, 2-54, 2-56, 3-2, 4-2, 4-4, 5-2, 5-4, 5-6	33828	Spring, 2-16
2201	Nut (5/16-32), 5-4	41382	Spring, 2-12
2247	Flat Washer, 1-18	42661	Spring, 1-4, 2-6, 2-8
2263	Nut (8-32), 3-2	42823	Flat Washer, 1-4, 1-14, 2-26, 2-28
2322	Lock Washer, 4-4	42827	Screw (3-48 x 1/4 Fil), 2-4
2438	Flat Washer, 2-10	43954	Bell, 5-6
2449	Lock Washer, 1-2	44048	Flat Washer, 5-4
2539	Nut (3/8-32), 2-24, 2-36	45027	Spring, 2-18
2597	Flat Washer, 1-18	45104	Spring, 1-22
2669	Lock Washer, 1-8, 1-12, 1-14, 2-12, 2-18, 2-22, 2-30, 2-32, 2-36, 2-44, 4-4	49420	Spring, 1-12, 2-2
3438	Flat Washer, 1-8	55219	Screw (8-32 x 3/8 Fil), 5-6
3595	Nut (1/4-32), 1-12	55669	Spring, 1-2
3598	Nut (6-40), 1-2, 1-4, 1-10, 1-12, 1-22, 1-26, 2-2, 2-12, 2-14, 2-16, 2-18, 2-20, 2-24, 2-26, 2-28, 2-30, 2-32, 2-34, 2-36, 2-38, 2-40, 2-44, 4-2, 4-4, 5-2, 5-4, 5-6	70388	Spring, 1-4, 2-24
3599	Nut (4-40), 1-2, 1-4, 1-8, 1-10, 1-12, 1-16, 1-18, 1-22, 2-6, 2-10, 2-12, 2-16, 2-18, 2-20, 2-24, 2-40, 2-48	71073	Flat Washer, 1-12, 1-22
3606	Nut (6-40), 1-10, 2-14, 2-48, 4-2	71681	Ribbon Spool-without Ribbon, 2-8
3637	Bearing Ball, 2-30	71999	Preloading Spring, 3-2
3640	Lock Washer, 3-2, 4-2, 5-4, 5-6	72468	Spring, 2-40
3646	Lock Washer, 1-18, 5-4, 5-6	72522	Felt Wick, 2-48
3649	Flat Washer, 2-14	72563	Felt Washer, 1-14
3870	Spring, 5-4	72565	Lock Washer, 4-4
4586	Felt Washer, 2-38, 2-48	73008	Flat Washer, 1-12
4703	Spring, 1-8, 2-48, 5-6	73035	Spring, 1-24, 2-50
4809	Felt Wick, 1-4	73175	Lock Washer, 2-24, 2-36
5475	Nut (3/16-40), 1-12	73520	Felt Wick, 2-18
5740	Screw (2-56 x 1/4 Fil), 2-48	73844	Flat Washer, 1-16
5816	Fiber Washer, 4-4, 5-4	73894	Set Screw (6-40), 2-40
6342	Terminal Wire (1" tinned), 1-2	74272	Carriage Return Spring, 2-22
6745	Screw (10-32 x 1/2 Hex), 2-36, 4-4	74283	Spring Washer, 2-12
6746	Screw (6-40 x 5/16 Hex), 4-4	74547	Collar, 2-24
6800	Shoulder Screw (6-40), 2-24	74553	Felt Wick, 2-30
		74701	Spring, 2-24, 2-40
		74712	Spring, 2-24
		74722	Flat Washer, 2-34
		74755	Felt Washer, 2-20
		74785	Detent Cam Roller, 2-24
		74882	Spring, 2-30, 5-4
		75229	Spring, 2-18
		76099	Flat Washer, 1-2, 2-50
		76299	Spring, 1-8

NUMERICAL INDEX

76379 Spring, 2-30, 2-32
 76461 Flat Washer, 2-20
 78533 Spring, 2-12
 80581 Spring, 1-20, 2-34, 2-38
 80854 Screw (6-40 x 1-7/16 Fil), 4-4, 5-4
 81731 Spring, 1-26, 2-18, 2-50
 81778 Screw (4-40 x 3/16 Fil), 2-10
 82442 Spring, 2-38
 82463 Spring, 2-6, 2-8, 2-38
 82474 Terminal Lug, 1-2, 5-2
 82860 Spring, 1-24
 84575 Spring, 2-20, 2-38
 85407 Spring, 2-46
 85816 Felt Wick, 2-20
 85957 Flat Washer, 1-8
 86079 Felt Washer, 1-18
 86304 Spring, 2-38
 86720 Spring Post, 1-12
 86742 Nut (4-40), 1-16
 86835 Spring, 1-2, 2-10, 2-16
 87334 Insulating Washer, 3-2
 89096 Felt Washer, 2-20, 2-26
 89305 Screw (1/4-20 x 3/4 Hex), 4-4
 89897 Nut (10-32), 2-18
 90260 Spring, 1-12
 90361 Felt Washer, 2-6, 2-8, 2-30, 2-32, 2-38
 90490 Shim, 2-38
 90504 Felt Washer, 2-20
 90517 Spring, 2-48
 90573 Spring, 1-18
 90599 Shim, 2-2
 90679 Felt Washer, 1-12, 2-14, 2-38
 90789 Flat Washer, 5-4, 5-6
 90791 Lock Washer, 1-12, 1-18, 2-30
 90819 Felt Washer, 2-24, 2-36
 90951 Lock Washer, 1-22
 91765 Spacer, 1-12
 92626 Stud, 1-26
 92668 Spring Post, 1-12
 93118 Lock Washer, 1-18
 93356 Felt Washer, 2-2, 2-16, 2-24, 2-28, 2-30, 2-36
 93507 Screw (4-40 x 3/4 Hex), 2-48
 93729 Felt Wick, 2-2
 93758 Felt Washer, 1-16, 1-24, 2-2, 2-24, 2-38
 93879 Felt Oiler, 2-38
 94674 Cup Washer, 2-2
 95030 Shoulder Nut (6-40), 2-46
 95320 Toggle Switch, 4-4
 95499 Pilot Screw (6-40), 1-22
 95827 Bushing, 2-54
 96260BK Connector Wire, 5-4
 96717 Shoulder Screw (4-40), 2-12
 97393 Shoulder Screw (6-40), 4-2
 97481 Felt Wick, 2-36
 101386 Spring, 1-16
 101796 Felt Washer, 1-6, 1-12, 2-2, 2-18, 2-30, 2-38
 102057 Shoulder Screw (4-40), 1-2
 104710 Bearing Ball, 1-10
 104807 Flat Washer, 1-4
 104827 Ball Bearing, 1-8
 105028 Felt Wick, 2-16
 106047 Screw (1/4-32 x 1/2 Hex), 1-2
 107116 Lock Washer, 5-2
 108199 Felt Wick, 2-2, 2-16, 2-24
 108891 Screw (6-40 x 3/16 Hex), 1-24
 109631 Spring, 1-14
 109757 Felt Washer, 1-22, 2-16, 2-18, 2-36
 109762 Felt Washer, 1-18, 2-6, 2-8
 109839 Spring, 2-18
 110434 Screw (4-40 x 1/4 Fil), 1-2, 1-4, 2-4, 2-12, 2-18, 2-20, 2-26, 2-36, 2-42, 2-44, 2-46, 5-6
 110435 Nut (4-40), 1-4, 1-18, 2-14, 5-4, 5-6
 110436 Spring, 1-22, 2-54
 110743 Lock Washer, 1-2, 1-4, 1-6, 1-8, 1-10, 1-12, 1-14, 1-16, 1-18, 2-2, 2-4, 2-6, 2-8, 2-10, 2-12, 2-14, 2-16, 2-18, 2-20, 2-22, 2-26, 2-28, 2-30, 2-32, 2-34, 2-36, 2-40, 2-42, 2-44, 2-46, 2-48, 2-50, 2-52
 110872 Spring, 2-18
 111017 Screw (6-40 x 5/16 Fil), 1-2, 5-2
 111342 Spring, 1-12
 111343 Cable Clamp, 1-10
 111345 Bolt, 4-2
 111346 Spring, 4-2
 111347 Thumb Screw (4-40), 4-2
 111355 Spring, 2-38
 111767 Flat Washer, 1-12
 112626 Nut (10-32), 1-8, 1-12, 1-14, 2-12, 2-18, 2-22, 2-30, 2-32, 2-44, 4-4
 112630 Spring, 1-8
 112633 Spring, 2-2
 112634 Spring, 2-6, 2-8
 115122 Felt Washer, 2-30, 2-32
 116783 Fuse Holder, 5-2
 117608 Speed Nut, 1-20
 119451 Spacer, 1-10
 119648 Retaining Ring, 1-4, 1-12, 1-16, 1-18, 2-16, 2-50
 119649 Retaining Ring, 1-12, 1-16, 1-18, 2-6, 2-8, 2-18, 2-20, 2-30, 2-38
 119651 Retaining Ring, 1-8, 1-12, 1-20, 1-22, 1-24, 1-26, 2-2, 2-6, 2-8, 2-16, 2-18, 2-20, 2-30, 2-32, 2-38, 2-40, 2-48
 119652 Retaining Ring, 1-8, 1-12, 1-18, 1-24, 1-26, 2-2, 2-6, 2-8, 2-12, 2-14, 2-16, 2-18, 2-20, 2-24, 2-30, 2-32, 2-36, 2-38, 2-52, 2-54
 119653 Retaining Ring, 2-6, 2-8, 2-16, 2-18, 2-34, 2-38, 2-48
 119655 Retaining Ring, 4-4
 120824 Felt Washer, 1-14

NUMERICAL INDEX

121125	Spring Washer, 4-4, 5-4	150056	Arm, 2-26
121243	Cable Clamp, 2-10	150059	Bail, 2-2
121248	Cable Clamp, 5-2	150061	Print Hammer Head, 2-2
122201	Ball Bearing, 3-2	150064	Stud, 2-2
122211	Pull Washer, 3-2	150065	Stop Bracket, 2-2
122220	Oil Cup, 3-2	150068	Arm, 2-2
122229	Clamp Bolt (8-32), 3-2	150072	Inner Race (Long), 2-30
122245	Fixed Capacitor, 3-2	150073	Inner Race (Short), 2-30
122249	Thermostatic Switch, 3-2	150076	Roller, 2-30
122251	Motor Stator, 3-2	150077	Spring, 2-46
122252	End Shield Assembly, 3-2	150078	Shoulder Nut (4-40), 2-46
123769	Fan, 3-2	150079	Stud, 2-46
125011	Flat Washer, 1-4, 1-18, 2-2, 2-12, 2-14, 2-18, 2-20, 2-22, 2-30, 2-32, 2-34, 2-36, 2-40, 2-46, 2-48, 2-52, 3-2	150089	Screw (4-40 x 1/2 Fil), 1-4, 2-10, 2-18
125015	Flat Washer, 2-10, 2-30, 2-36, 2-38, 2-40, 5-6	150091	Helical Driving Gear, 2-28
125126	Screw (2-56 x 9/32 Fil), 1-18	150097	Cross Bar, 2-40
125181	Screw (2-56 x 3/8 Fil), 1-2	150099	Paper Guide (Rear), 2-40
125238	Spring, 2-18		
125268	Spring, 1-16		
125390	Flat Washer, 5-4		
125802	Flat Washer, 2-18, 2-34		
128002	Screw (2-56 x 3/16 Fil), 1-12, 2-30		
128874	Motor Rotor, 3-2		
135716	Spring, 2-24		
150000	Clutch Drum, 2-26, 2-28		
150001	Clutch Drum, 2-26		
150003	Cam, 2-28		
150004	Cam, 2-26		
150010	Retainer Plate, 2-26		
150013	Adjusting Disk, 1-14, 2-26, 2-28		
150014	Adjusting Disk, 2-28		
150016	Clutch Spacer, 2-26		
150026	Shoe Release Lever, 1-14, 2-26, 2-28		
150027	Shoe Release Lever, (Multiple Stop), 2-28		
150028	Disk, 1-14, 2-26, 2-28		
150029	Felt Wick, 1-14, 2-26, 2-28		
150030	Bearing Roller, 2-2		
150033	Disk (3 stop), 2-28		
150035	Disk (3 Stop), 2-28		
150038	Latch, 2-2		
150039	Bearing Stud, 2-2		
150040	Screw (6-40 x 5/8 Fil), 2-24, 2-26 2-28, 2-30, 502		
150043	Shoe (Secondary), 1-14, 2-26, 2-28		
150044	Shoe (Primary), 1-14, 2-26, 2-28		
150045	Sleeve Bearing, 2-28		
150046	Bearing, 2-28		
150047	Bearing, 2-26		
150048	Spring, 2-12		
150050	Clutch Spacer, 2-26		
150051	Eccentric Cam, 2-26		
150053	Bracket, 2-2		
150054	Bail W/Roller, 2-2		
150055	Stud, 2-14		
		150100	<u>Type Pallets</u>
		150101	(A),
		150102	(B)
		150103	(C)
		150104	(D)
		150105	(E)
		150106	(F)
		150107	(G)
		150108	(H)
		150109	(I)
		150110	(J)
		150111	(K)
		150112	(L)
		150113	(M)
		150114	(N)
		150115	(O)
		150116	(P)
		150117	(Q)
		150118	(R)
		150119	(S)
		150120	(T)
		150121	(U) 2-46
		150122	(V)
		150123	(W)
		150124	(X)
		150125	(Y)
		150126	(Z)
		150127	(1)
		150128	(2)
		150129	(3)
		150130	(4)
		150131	(5)
		150132	(6)
		150133	(7)
		150134	(8)
		150135	(9)
		150136	(.)
		150137	(,)
		150138	(")
		150139	((
			(?)

NUMERICAL INDEX

	<u>Type Pallets</u>		
150140	(Ø)	150310	Ribbon Lever (Left), 2-6
150141	()	150311	Ribbon Lever (Right), 2-8
150143	(-)	150318	Stud, 2-34
150144	(\$)	150327	Roller, 2-6, 2-8
150145	(:)	150335	Spur Gear, 2-6
150146	(!), 2-46	150336	Bushing, 2-6, 2-8, 2-18
150147	(&)	150341	Spring Post, 2-44
150148	(;)	150342	Shoulder Screw (6-40), 2-34
150149	(/)	150343	Lever (Left), 2-6
150150	(')	150344	Lever (Right), 2-8
		150348	Shaft, 2-24
		150349	Follower Arm, 2-24
150175	Stud, 2-16	150350	Shaft, 2-24
150184	Link, 2-18	150351	Eccentric Stud, 2-44
150193	Hub, 2-18	150352	Bushing, 2-24
150194	Plate, 2-18	150353	Stud, 2-44
150196	Bail, 2-18	150355	Latch Lever, 2-24
150197	Stud, 2-22	150356	Trip Lever, 2-24
150202	Helical Driven Gear, 2-18	150358	Trip Lever, 2-24
150203	Retainer, 2-18	150361	Spacer, 2-24
150204	Eccentric Cam, 2-18	150363	Plate W/Roller & Shaft, 2-32
150206	Spacer, 2-22	150364	Eccentric Stud, 2-28
150208	Bail (Left), 2-16	150365	Rocker Shaft, 2-32
150214	Bearing Stud, 2-38	150366	Bracket, 2-32
150215	Guide Block, 2-16	150367	Bracket, 2-30
150218	Bushing, 2-16	150369	Link (Left), 2-32
150219	Screw (4-40 x 1/2 Sq), 2-20	150370	Link (Right), 2-30
150224	Pulley, 2-20	150377	Arm, 2-38
150225	Draw Wire Rope, 2-22	150380	Stud, 2-30
150228	Spacer, 2-18	150381	Shim, 2-30
150229	Retainer, 2-18	150382	Guide Block, 2-30, 2-32
150230	Plate, 2-2	150383	Spacer, 2-32
150232	Oil Retainer, 2-16	150384	Spacer, 2-30
150233	Roller, 2-18	150386	Ribbon Drive Link, 2-32
150234	Roller, 2-18	150387	Ribbon Drive Link, 2-30
150235	Transfer slide, 2-18	150392	Bail, 2-38
150237	Escapement Lever, 2-20	150395	Shoulder Screw (6-40), 2-30, 2-32
150238	Bracket, 2-2	150396	Lever (Left), 2-32
150241	Spring, 1-14, 2-26, 2-28	150397	Lever (Right), 2-30
150244	Link, 2-28	150398	Pivot Stud (Left), 2-36
150245	Bracket, 2-16	150399	Shaft, 2-38
150247	Link, 2-16	150401	Clamp, 2-32
150251	Ratchet, 2-22	150410	Stud, 2-32
150255	Bushing, 2-20	150411	Flat Washer, 2-30
150263	Bail, 2-16	150412	Follower Arm, 2-32
150265	Shaft, 2-40	150413	Follower Arm, 2-30
150266	Guide Lever, 2-40	150414	Bushing, 2-36
150267	Clamp, 2-40	150419	Shaft, 2-36
150269	Pressure Roller, 2-40	150420	Lever, (Right), 2-30
150270	Link, 2-40	150423	Pivot Stud (Right), 2-36
150271	Arm, 2-40	150425	Lock Lever, 2-30, 2-32
150274	Clamp Bracket, 2-40	150428	Lever (Left), 2-32
150276	Lever, 2-40	150429	Eccentric Stud, 2-30, 2-32
150288	Bracket, 2-4	150431	Trip Lever, 2-24
150289	, 2-4	150434	Transfer Bail, 2-38
150293	Retainer Plate, 2-4	150436	Bushing, 2-6, 2-18, 2-40
150301	Retainer Plate, 2-4	150438	Bell Crank, 2-54
150302	Shim, 2-4	150439	Helical Driven Gear, 2-28
150304	Guide Bracket, 2-4	150440	Hub, 2-28
		150441	Helical Driving Gear, 2-28

NUMERICAL INDEX

150444	Lever, 2-24	150718	Platen, 2-34
150447	Arm, 2-14	150719	Retainer (Left), 2-34
150450	Arm, 2-14	150720	Retainer (Right), 2-34
150451	Link, 2-14	150721	Arm (Right), 2-20
150452	Bearing, 2-14	150722	Arm (Left), 2-20
150453	Shaft, 2-14	150728	Rail, 2-20
150471	Stud, 2-14	150731	Slide (Middle), 2-18
150475	Retainer Bracket, 2-14	150732	Slide (Bottom), 2-18
150479	Stud, 2-12	150733	Slide (Top), 2-18
150481	Shaft, 2-14	150738	Guide, 2-18
150482	Plate, 2-14	150746	Bushing, 2-18
150507	Spring, 2-14	150748	Stud, 2-16
150525	Bracket, 2-14	150750	Plate, 2-20
150531	Clamp Plate, 2-20	150751	Guide Block, 2-20
150535	Spring, 2-4	150752	Stud, 2-16
150536	Spring, 2-18	150753	Roller, 2-16
150537	Bearing Ball, 2-4, 2-18	150754	Roller, 2-16
150538	Dashpot Cylinder, 2-18	150755	Stud, 2-16
150543	Screw (3-48 x 9/32 Fil), 2-48	150757	Arm, 2-16
150544	Handle, 2-48	150758	Pulley, 2-16
150545	Bracket (Right), 2-40	150770	Bell Crank W/Hub, 2-18
150546	Bracket (Left), 2-44	150771	Bell Crank W/Hub, 2-18
150547	Shaft, 2-48	150776	Lock Lever, 2-16
150549	Collar, 2-28	150777	Bail (Right), 2-16
150554	Plate, 2-20	150781	Stud, 2-38
150557	Bracket, 2-54	150796	Disk, 2-22
150558	Torsion Spring (Right), 2-16	150798	Ratchet, 2-22
150559	Torsion Spring (Left), 2-16	150800	Stud, 2-20
150563	Spring, 2-14	150803	Spring, 2-40
150598	Printing Track, 2-16	150804	Paper Finger (Right), 2-40
150647	Eccentric, 2-34	150805	Shim, 2-20
150648	Eccentric, 2-34	150806	Plate, 2-20
150649	Spacing Washer, 2-34	150807	Felt Oiler, 2-20
150650	Bushing, 2-34	150809	Spur Gear (Line Feed), 2-34
150651	Spur Gear, 2-34	150811	Stud, 2-30
150652	Screw (6-40 x 37/64 Fil), 2-34	150815	Bushing, 2-40
150656	Handwheel, 2-34	150816	Lever, 2-40
150658	Spur Gear, 2-34	150821	Spacer, 2-8
150666	Spur Gear, 2-34	150824	Track, 2-30
150667	Stud, 2-18	150826	Paper Finger (Left), 2-40
150668	Spacing Collar, 2-18	150827	Spring Drum, 2-22
150669	Shim, 2-18	150830	Shoulder Bushing, 2-28
150670	Shim, 2-18	150831	Retaining Ring, 2-28
150672	Bearing, 2-18	150832	Key, 2-28
150673	Shaft, 2-18	150838	Retaining Ring, 2-22
150677	Feed Pawl, 2-18	150840	Guide Bracket, 2-40
150678	Feed Pawl, 2-18	150841	Bearing, 2-28
150685	Plate, 2-40	150843	Hook Plate, 2-22
150687	Stud, 2-12	150891	Block, 2-30
150689	Guide Block, 2-48	150894	Bar, 2-38
150693	Stud, 2-18	150895	Trip Arm, 2-24
150694	Slide, 2-18	150900	Detent Bail, 2-44
150705	Bushing, 2-20	150903	Block (Left), 2-36
150709	Spacer, 2-20	150904	Block (Right), 2-36
150710	Screw (6-40 x 1-1/4 Fil), 2-20	150907	Paper Spindle, 2-36
150711	Flat Washer, 2-18	150909	Shoulder Screw (6-40), 2-20
150712	Draw Wire Rope, 2-22	150910	Latch Plate (Right), 2-46
150714	Sleeve Bearing, 2-34	150911	Shoulder Bushing, 2-34
150715	Spur Gear, 2-34	150912	Shoulder Screw (6-40), 2-34

NUMERICAL INDEX

150919	Arm, 2-38	151084	Clutch Trip Bar, 1-4
150923	Felt Washer, 2-2, 2-16, 2-24		
150926	Felt Washer, 2-20		<u>Code Bars</u>
150927	Felt Oiler, 2-20	151085	(#5)
150929	Felt Oiler, 2-20	151086	(#4)
150930	Felt Washer, 2-38	151087	(#3) 1-4
150932	Shoulder Bushing, 1-26, 2-6, 2-8	151088	(#2)
150935	Latch Plate (Left), 2-46	151089	(#1)
150937	Lever, 2-6		
150961	Eccentric Bushing, 2-44	151090	Pilot Screw (6-40), 1-4
150966	Insulator, 1-2	151091	Plate, 1-4
150969	Torsion Spring, 2-44	151092	Code Bar Frame, 1-4
150970	Bearing, 2-28	151096	Signal Generator Frame, 1-12
150973	Dummy Pallet, 2-46	151097	Shaft, 1-18
150975	Dashpot Cup, 2-18	151098	Stud, 1-16
150976	Motor Bracket, 3-2	151099	Rocker Extension, 1-12
150978	Screw (6-40 x 1-1/8 Fil), 2-14	151101	Code Bar Guide, 1-4
150987	Spacer, 2-18	151102	Pawl, 1-6
150990	Felt Washer, 2-14, 2-36	151103	Spring, 2-12
150992	Stud, 2-40	151104	Clip, 1-4
150998	Spacer, 2-34	151105	Space Code Lever Extension, 1-10
151008	Latch Lever, 1-4	151106	Plate, 1-12
151013	Space Bar Bail, 1-10	151113	Strip, 1-2
151014	Space Code Link, 1-10	151115	Plunger Lever, 1-8
151016	Roller Bearing, 1-12	151118	Spacing Plate, 1-2
151018	Stud, 1-12	151126	Spacer, 1-8
151023	Code Bar Guide, 1-4	151127	Shaft, 1-8
151025	Detent Lever, 1-16	151129	Helical Driving Gear, 1-8
151026	Arm, 1-16	151130	Helical Driving Gear, 1-20
151030	Code Lever Shaft, 1-4	151131	Helical Driving Gear, 1-20
151032	Bell Crank, 1-4	151140	Plate, 1-16
151036	Shoulder Screw (4-40), 1-4, 1-10	151145	Shoulder Screw (2-56), 1-16
151037	Flutter Lever, 1-16	151146	Mounting Strap, 1-2
151038	Guide Plate, 1-12	151151	Cam, 1-14
151039	Stud, 1-12	151152	Screw (4-40 x 3/16 Hex), 1-4, 1-12, 1-16, 1-18, 2-2, 2-4, 2-20
151041	Pilot Screw (4-40), 1-12	151154	Gear Sleeve, 1-14
151043	Plate, 1-4	151157	Shaft, 1-14
151045	Spacing Bar, 1-10	151158	Selector Finger Guide, 1-18
151051	Intermediate Lever, 1-16	151161	Shaft, 1-18
151052	Selector Lever, 1-18	151167	Non-Repeat Bracket 1-4
151053	Transfer Lever, 1-18	151169	Adjusting Screw (4-40), 1-18
151054	Stud, 1-12	151170	Contact Assembly, 1-18
151055	Post, 1-18	151171	Toggle, 1-18
151056	Stud, 1-16	151173	Electrical Contact Screw (4-40), 1-18
151057	Pilot Screw (4-32), 1-12	151176	Base, 1-18
151059	Stud, 1-16	151177	Terminal, 1-18
151060	Gear Set (60 WPM), 1-20	151179	Terminal, 1-18
151062	Stud, 1-18	151180	Toggle Link, 1-18
151063	Spacer, 1-14	151182	Insulating Washer, 1-18
151064	Rear Plate, 1-14	151183	Insulator, 1-18
151065	Locking Bail, 1-18	151184	Toggle Extension, 1-18
151066	Rocker Bail, 1-12	151185	Guide, 1-18
151067	Code Bar Bail, 1-12	151188	Transfer Lever Guide, 1-18
151068	Reset Lever, 1-14	151189	Clutch Trip Bail, 1-12
151073	Screw (4-40 x 5/32 Fil), 2-34, 2-52	151190	Oscillating Lever, 1-16
151076	Wedge Lock, 1-10	151191	Bracket, 1-4
151080	Spacing Washer, 1-10	151193	Bumper, 1-4
151081	Wedge Retainer, 1-10	151201	Felt Oiler, 1-14
151082	Pilot Screw (4-40), 1-6		

NUMERICAL INDEX

151205 Plate, 1-16
 151207 Stud, 1-12
 151211 Stop Lever, 1-12
 151213 Eccentric Stud, 1-12
 151218 Break Rod, 1-20
 151219 Plate, 1-8
 151222 Felt Washer, 1-16, 2-14, 2-48
 151223 Shoulder Screw (4-40), 1-10
 151224 Pilot Screw (6-40), 1-10
 151225 Felt Washer, 1-12
 151226 Strip, 1-10
 151227 Space Bar Bracket, 1-10
 151228 Bracket W/Bearing, 1-8
 151234 Ratchet, 1-22
 151235 Ratchet, 1-22
 151236 Hub, 1-22
 151237 Spring, 1-22
 151239 Contact Pawl, 1-22
 151240 Latch Pawl, 1-22
 151241 Latching Lever, 1-22
 151243 Pawl, 1-22
 151244 Eccentric Bushing, 1-22
 151245 Felt Washer, 1-22
 151246 Shim, 1-22

Keylevers

151286 (LOC LF)
 151287 (LOC CR)
 151288 (KBD UNLK)
 151289 (KBD LOCK)
 151290 (BREAK)
 151291 (REPT)
 151292 (Q 1)
 151293 (W 2)
 151294 (E 3)
 151295 (R 4)
 151296 (T 5)
 151297 (Y 6)
 151298 (U 7)
 151299 (I 8)
 151300 (O 9) 1-20
 151301 (P 0)
 151302 (A -)
 151303 (S BELL)
 151304 (D \$)
 151305 (F !)
 151306 (G &)
 151307 (H #)
 151308 (J %)
 151309 (K ^)
 151310 (L &)
 151311 (CAR RET)
 151312 (FIGS)
 151313 (Z ")
 151314 (X /)
 151315 (C :)
 151316 (V ;)
 151317 (B ?)
 151318 (N ,)

Key Levers

151319 (M.)
 151320 (LTRS) 1-20
 151321 (LINE FEED)
 151322 (No Symbol)
 151329 Sensitive Switch, 1-2, 1-22
 151333 Felt Oiler, 1-14
 151335 Stud, 1-2
 151341 Contact Lever, 1-2
 151342 Bracket, 1-2
 151346 Screw (6-40 x 3/8 Fil), 1-2, 1-4, 1-8, 1-10, 2-8, 2-18, 2-22, 2-28, 2-34, 2-36, 2-38, 2-44, 3-2, 5-2, 5-6
 151350 Shoulder Screw (4-40), 1-4
 151352 Spring, 1-8
 151355 Lock Bar, 1-4
 151358 Contact Box W/Bracket, 1-18
 151359 Cover W/Spring, 1-18
 151365 Terminal, 1-2
 151367 Plate, 1-4
 151369 Electrical Noise Suppressor, 1-2
 151395 Spring, 1-16
 151397 Spring, 1-18
 151398 Spring, 1-18
 151399 Guard Bracket, 1-2
 151401 Base, 5-4
 151402 Core, 5-4
 151403 Frame, 5-4
 151406 Insulator Plate, 5-4
 151407 Spacing Collar, 5-4
 151408 Lever, 5-4
 151410 Retaining Clip, 5-4
 151411 Insulating Block, 5-2
 151412 Insulator, 5-2
 151414 Sensitive Switch, 5-4
 151415 Insulating Block, 1-2
 151416 Nut (6-40), 1-2, 5-2
 151417 Cable Assembly, 5-4
 151418 Fuse (10 Amp), 5-2
 151420 Electrical Service Assembly Container, 5-2
 151422 Receptacle Connector, 5-2
 151427 Clamp Plate, 5-4, 5-6
 151432 Armature, 5-4
 151437 Stud, 5-2
 151440 Stud, 5-4
 151441 Blank Plate, 5-6
 151443 Eccentric, 2-2
 151540 Lampholder, 4-4
 151545 Paper Guide, 4-2
 151549 Special Screw (1/4- 32), 4-4
 151557 Indicator Light Lens, 4-2
 151558 Speed Nut, 4-2
 151564 Bracket, 5-6
 151565 Shoulder Bushing, 5-6
 151567 Armature, 5-6
 151579 Retaining Plate, 5-6
 151602 Plate, 2-30, 2-32

NUMERICAL INDEX

- 151603 Spacer, 2-10, 2-30
 151604 Guide Block, 2-30, 2-32
 151606 Screw (10-32 x 1/4 Hex), 2-18
 151607 Spring Retainer, 2-10
 151610 Flat Washer, 2-2
 151611 Bushing, 2-2
 151612 Spacer, 2-2
 151618 Screw (6-40 x 7/16 Fil), 2-4, 2-22
 151619 Bushing, 2-22
 151620 Mounting Strap, 3-2
 151621 Screw (6-32 x 3/4 Rd), 3-2
 151622 Nut (6-32), 3-2
 151625 Strip, 2-16
 151626 Terminal Lug, 2-10, 3-2, 5-2, 5-4
 151627 Rod, 2-36
 151629 Nut (6-40), 2-14, 2-24
 151630 Screw (6-40 x 1/4 Hex), 1-10, 2-2, 2-4, 2-8, 2-12, 2-14, 2-16, 2-18, 2-20, 2-26, 2-28, 2-30, 2-38, 2-44, 5-4
 151631 Screw (6-40 x 5/16 Hex), 1-8, 2-14, 2-22, 2-56
 151632 Screw (6-40 x 3/8 Hex), 2-20, 2-30, 2-32, 2-50
 151633 Ball Bearing, 2-26, 2-32
 151637 Screw (4-40 x 1/4 Fil), 1-4, 1-10, 2-6, 2-8, 2-18, 2-22, 2-32, 2-34, 2-48, 3-2
 151640 Shoe Release Lever, 2-26
 151642 Screw (6-40 x 3/4 Fil), 1-12, 2-26, 2-28
 151644 Spring, 2-30, 2-32
 151657 Screw (6-40 x 1/4 Fil), 1-2, 1-4, 1-6, 1-22, 2-4, 2-6, 2-8, 2-12, 2-14, 2-18, 2-20, 2-30, 2-34, 2-36, 2-38, 2-40, 2-42, 2-44, 2-48, 2-50, 2-52, 4-2, 4-4, 5-6
 151658 Screw (6-40 x 5/16 Fil), 1-2, 1-4, 1-8, 1-14, 2-6, 2-10, 2-14, 2-16, 2-18, 2-22, 2-32, 2-36, 4-2, 5-2,
 151659 Screw (6-40 x 1/2 Fil), 1-10, 2-6, 2-32
 151661 Screw (6-40 x 1 Fil), 2-18
 151667 Roller, 2-14
 151668 Roller, 2-14
 151669 Stud, 2-14
 151670 Bracket, 2-14
 151676 Shim, 2-14
 151678 Pilot Screw (1/4-32), 1-2
 151685 Screw (4-40 x 5/16 Fil), 1-18, 2-18, 2-22, 2-24, 2-28, 2-30, 2-36, 4-2
 151686 Screw (4-40 x 3/8 Fil), 2-10, 2-18, 2-30, 2-40, 3-2
 151688 Screw (4-40 x 5/8 Fil), 1-4, 2-10, 2-28
 151689 Screw (4-40 x 3/4 Fil), 2-26, 2-40, 2-48
 151692 Screw (6-40 x 3/16 Fil), 1-2, 1-8, 1-10, 1-12, 1-24, 1-26, 2-2, 2-8, 2-18, 2-20, 2-24, 2-36, 2-38, 2-40, 2-42, 2-44, 2-48, 2-50, 2-54, 3-2, 4-2
 151693 Screw (6-40 x 9/16 Fil), 2-6, 2-28
 151700 Shoulder Screw (6-40), 2-16
 151701 Torsion Spring, 2-12
 151702 Nut (4-40), 2-48
 151703 Pin, 2-40
 151709 Arm, 2-2
 151712 Pivot Button, 1-8
 151714 Spring, 2-12
 151715 Spring, 2-10
 151721 Screw (6-40 x 3/4 Hex), 2-14, 2-36
 151722 Screw (6-40 x 3/16 Hex), 2-10, 2-20, 2-50
 151723 Screw (10-32 x 3/8 Hex), 1-8
 151724 Screw (10-32 x 5/8 Hex), 1-8
 151725 Screw (10-32 x 3/4 Fil), 1-8
 151728 Spring, 1-14, 2-26, 2-28
 151731 Screw (4-40 x 7/8 Fil), 1-18, 2-34
 151732 Screw (4-40 x 11/32 Fil), 2-50
 151736 Spring, 2-28
 151737 Screw (4-40 x 11/64 Hex), 1-14, 2-26, 2-28
 151738RN Identification Screw (4-40), 2-46
 151739AY Identification Screw (6-40), 2-48
 151739RN Identification Screw (6-40), 1-20
 151794 Special Washer, 2-28
 151795 AC Synchronous Motor, 3-2
 151799 Paper Spindle Latches SOP, 2-46
 151819 Jumper Assembly, 5-2, 5-4
 151820 Spring, 1-18
 151830 Upstop Bar, 1-4
 151831 Link, 1-12
 151832 Shoulder Screw (6-40), 1-18
 151833 Front Frame, 1-10
 151834 Keytop Guide Plate, 1-10
 151835 Latch Lever, 1-12
 151837 Stud, 1-12
 151840 Bail, 1-4
 151841 Ball Channel, 1-10
 151842 Ball Retainer, 1-10
 151843 Adjusting Screw (6-40), 1-10
 151845 Lever, 1-4
 151848 Lock, 1-10
 151849 Code Lever Guide, 1-6
 151851 Code Bar Lever, 1-6
 151852 Space Code Lever, 1-6
 151853 Function Lever, 1-6, 1-24, 1-26
 151854 Function Lever, 1-6
 151855 Function Lever, 1-6
 151857 Bail, 1-8
 151858 Bail, 1-8
 151861 Bail, 1-8
 151862 Bracket, 1-8
 151879 Stud, 1-22
 151880 Nut (4-40), 2-30
 151884 Bracket, 1-22
 151885 Nut Plate, 1-22

NUMERICAL INDEX

151886 Stud, 1-22
 151889 Extension, 1-4
 151899 Shoulder Nut (2-56), 1-16
 151920 Mounting Plate, 3-2
 151922 Clamp, 3-2
 151923 Relay, 3-2
 151924 Insulator, 3-2
 151925 Clamp, 3-2
 151926 Nut (4-40), 3-2
 151927 Cable Assembly, 3-2
 151938 RN Type Pallet Arrangement, 2-46
 151983 Light Shield, 4-4

 152000 Base, 1-2
 152045 Guard, 1-2
 152122 Shoulder Screw (4-40), 1-8
 152129 Spring, 2-2
 152140 Bail, 2-38
 152250 Eccentric Stud, 1-4
 152254 Felt Wick, 2-30, 2-32
 152255 Bar W/Retainer, 2-4
 152256 Code Bar (1,2 & Common), 2-4
 152257 Spring, 2-4
 152296 Spring Bracket, 1-4
 152297 Flat Washer, 3-2
 152312 Lightweight Conversion SOP, 2-56
 152313 Shock Mount SOP, 4-4
 152314 Copy & Margin Lamp SOP, 4-4
 152338 Time Delay SOP, 1-22
 152348 Automatic CR & LF SOP, 2-56
 152350 Typing Unit Keyboard Lock SOP, 2-54
 152400 Plate, 2-12
 152401 Guide, 2-12
 152402 Guide, 2-12
 152403 Bracket, 2-12
 152404 Bracket, 2-12
 152405 Lever, 2-12
 152406 Bracket, 2-12
 152407 Lock Lever, 2-12
 152408 Start Lever, 2-12
 152409 Selecting Lever, 2-12
 152410 Reset Bail, 2-12
 152411 Push Lever, 2-12
 152412 Link, 2-12
 152415 Stud, 2-10
 152420 Lamination, 2-10
 152421 Bracket, 2-10
 152423 Bracket, 2-10
 152424 Stop Plate, 2-10
 152425 Spring Post, 2-10
 152426 Self Locking Nut (6-40), 2-10
 152427 Latch W/Hub, 2-12
 152429 Sector Rack W/Hub, 2-12
 152432 Stop Arm W/Hub, 2-12
 152436 Knob, 2-12
 152438 Bail, 2-12
 152439 Shaft, 2-12
 152441 Flat Washer, 2-12
 152445 Spring, 2-12

 152447 Shaft, 2-26
 152450 Selector Cam, 2-26
 152456 Wick Holder, 2-14
 152457 Felt Wick, 2-14
 152458 Shield, 2-10
 152460 Bracket, 1-2
 152461 Bracket, 2-10
 152462 Right Latch, 1-2, 2-10
 152463 Left Latch, 1-2, 2-10
 152464 Insulator, 1-2, 2-10
 152465 Plug Connector, 5-2
 152466 Plug Connector, 5-2
 152467 Connector, 1-2, 2-10
 152468 Cable Assembly, 2-10
 152493 Latch Lever, 1-12
 152503 Link, 2-30
 152505 Stud, 2-20
 152507 Detent Roller, 2-20
 152508 Bracket (Right), 2-20
 152509 Bracket (Left), 2-20
 152510 Detent Lever, 2-20
 152511 Guide (Right), 2-20
 152514 Bail, 2-38
 152515 Space Trip Lever, 2-38
 152516 Slide, 2-38
 152517 Trip Lever Arm, 2-24
 152518 Bail, 2-38
 152521 Slide, 2-20
 152522 Lever, 2-18
 152523 Spring, 2-6, 2-8
 152524 Bracket, 2-6, 2-8
 152525 Hub, 2-6, 2-8
 152526 Plate (Right), 2-8
 152527 Plate (Left), 2-6
 152528 Ribbon Ratchet (Left), 2-6
 152529 Ribbon Ratchet (Right), 2-8
 152536 Bail, 2-16
 152537 Clamp, 2-28
 152538 Front Plate, 2-18
 152539 Guide, 2-40
 152545 Lever, 2-38
 152546 Bracket, 2-14
 152547 Shaft, 2-48
 152548 Bar, 2-4
 152550 Clamp, 2-32
 152551 Code Bar (4 & 5), 2-4
 152552 Code Bar (3), 2-4
 152553 Code Bar (Shift & Unshift), 2-4
 152559 Pallet Box Plate (Front), 2-46
 152560 Pallet Box Plate (Rear), 2-46
 152563 Bracket, 2-38
 152571 Spacer, 2-6
 152572 Bracket, 2-4
 152573 Retainer, 2-26
 152574 Plate, 2-4
 152575 Bracket, 2-4
 152576 Bracket, 2-4
 152579 Track, 2-20

NUMERICAL INDEX

- 152580 Right Side Frame, 2-42
 152581 Left Side Frame, 2-44
 152582 Shaft, 2-6
 152583 Sleeve Bearing, 2-14
 152584 Lever, 2-14
 152585 Lever, 2-14
 152586 Bracket, 2-18
 152589 Clamp, 2-32
 152592 Guide (Left), 2-20
 152593 Bearing Housing, 2-30
 152595 Slide, 2-20
 152596 Shift Slide, 2-18
 152597 Bail, 2-18
 152598 Plate W/Stud (Left), 2-16
 152599 Plate W/Stud (Right), 2-16
 152629 Friction Washer, 2-6, 2-8
 152630 Shaft, 2-6, 2-8
 152634 Flat Washer, 2-18, 2-54
- Transfer Levers
 152635 (1)
 152636 (2)
 152637 (3)
 152638 (4) 2-14
 152639 (5)
 152640 (C)
- 152641 Lever, 2-48
 152642 Lever, 2-48
 152644 Bracket, 2-6
 152646 Reversing Lever (Left), 2-6
 152647 Reversing Lever (Right), 2-8
 152648 Stud, 2-8
 152651 Guide Plate, 2-48
 152652 Guide Bar, 2-48
 152653 Pawl, 2-48
 152659 Lever, 2-48
 152660 Spring Plate, 2-48
 152662 Shaft, 2-14
 152663 Guide, 2-14
- Function Bars
 152665 (LTR)
 152666 (FIG)
 152667 (CR) 2-48
 152668 (LF)
 152669 (BL)
 152671 (CR LF)
- 152708 Lever, 2-54
 152723 Spring, 2-40
 152725 Spring, 2-40
 152726 Bushing, 2-24
 152733 Contact Block, 2-48
 152734 Contact Arm, 2-48
 152735 Contact Terminal, 2-48
 152736 Spring, 2-48
 152753 Jumper Assembly, 5-2
 152754 Jumper Assembly, 5-2
 152755 Terminal Strap, 5-2
- 152757 Blank Plate SOP, 5-6
 152760 Stud, 5-2
 152761 Stud, 5-2
 152814 Stud, 1-16
 152815 Break Lever, 1-20
 152818 Detent Lever (Left), 2-6
 152819 Detent Lever (Right)
 152820 Feed Lever (Left), 2-6
 152821 Feed Lever (Right), 2-8
 152823 Bracket (Left), 2-6
 152824 Bracket (Right), 2-8
 152826 Detent Pin, 2-6, 2-8
 152827 Spool Bracket (Left), 2-6
 152828 Spool Bracket (Right), 2-8
 152831 Clip, 2-42, 2-44
 152832 Shaft, 2-40
 152834 Torsion Spring, 2-6, 2-8
 152839 Spring, 1-4
 152849 Armature, 5-4
 152873 Latch, 1-4
 152874 Latch Shaft, 1-4
 152875 Spacer, 1-4
 152876 Bracket, 1-4
 152877 Bail, 1-4
 152878 Code Bar Stop Bracket, 1-4
 152887 Screw (4-40 x 1/2 Hex. 2-26, 2-28
 152889 Retainer Plate, 2-48
 152890 Flat Washer, 2-18
 152891 Spring, 2-12
 152893 Screw (4-40 x 1/4 Hex.), 2-14, 2-32
 152894 Stop Bracket, 1-16
 152915 Local Reverse Line Feed SOP, 2-50
 152916 Local Reverse Line Feed SOP, 1-26
 152917 Local Back Space SOP, 2-52
 152918 Local Back Space SOP, 1-24
 152921 Plate, 5-2
 152922 Plate, 5-2
 152923BU Cover W/Catch, 4-2
 152924 Stud, 4-4
 152925 Latch, 4-4
 152942 Cable Assembly, 4-4
 152968 Nut Plate, 4-4
 152969BU Base Plate SOP, 4-4
 152971 Bushing, 4-4
 152972 Handle W/Studs, 4-4
 152973BU Plate W/Strikes, 4-4
 152988 Cover Plate, 5-6
 152993 Shoulder Screw (10-32), 4-4
 152994 Toggle Switch, 5-2
 152995 Bell Bracket, 5-6
 152996 Electrical Noise Suppressor, 5-6
 152997 Cable Assembly, 5-2
 152998 Switch Bracket, 5-2
 152999 Filter & Bell Assembly, 5-6
 153020 Line Guide, 4-2
 153021 Spring, 4-2
 153022 Bushing, 4-2
 153023 Handle, 4-2
 153024 Shaft, 4-2
 153027 Post, 4-2

NUMERICAL INDEX

153030	Cushion Ring, 3-2	153293	Clutch Spacer, 2-26
153040	Electrical Motor Control SOP, 5-4	153294	Cam, 2-48
153042	Window, 4-2	153295	Shaft, 2-48
153049	Fiber Washer, 3-2	153296	Eccentric, 2-26
153116	Button Plug, 1-20	153298	Bracket (Right), 2-48
153157	Resistor (400 Ohms), 5-4	153299	Bracket (Left), 2-48
153172	Knee Link Spring, 2-20	153300	Arm, 2-26
153173	Clamp Plate, 2-20	153301	Arm, 2-48
153174	Link (Left), 2-20	153304	Shoulder Bushing, 2-44
153175	Link (Right), 2-20	153305	Torsion Spring, 2-38
153180	Link (Right), 2-20	153310	Bail, 2-38
153181	Link (Left), 2-20	153311	Arm, 2-38
153183	Slide, 2-20	153312	Lever, 2-44
153184	Post, 2-10	153314	Bracket, 2-38
153228	Bell Crank, 2-50	153317	Bearing Bracket, 2-38
153229	Shoulder Bushing, 2-50	153319	Code Bar (Auto CR & LF), 2-54
153230	Line Feed Bar, 2-50	153320	Code Bar (Suppression), 2-4
153231	Line Feed Bar, 2-50	153321	Tie Bracket, 2-4
153233	Guide, 2-50	153322	Guide, 2-48
153234	Lever, 2-50	153323	Ring, 2-26
153235	Plate, 2-50	153326	Blade, 2-36
153236	Spur Gear, 2-50	153331	Drive Link (Left), 2-16
153237	Arm, 2-50	153332	Drive Link (Right), 2-16
153239	Roller, 2-50	153335	Plate, 2-16
153240	Retainer Bracket, 2-50	153337	Bushing, 2-16
153241	Link, 2-50	153340	Torsion Spring (Left), 2-16
153242	Bracket, 2-50	153341	Torsion Spring (Right), 2-16
153243	Bail, 1-26	153390BU	Cover, 4-2
153244	Shaft, 1-8	153391	Clamp Plate, 4-2
153245	Bracket, 1-26	153392	Side Pad W/Lining, 4-2
153246	Bracket, 1-26	153393	Front Pad W/Lining, 4-2
153247	Trip Lever, 1-26	153394	Back Pad W/Lining, 4-2
153248	Shoulder Bushing, 1-24, 1-26	153395	Nut Plate, 4-2
153249	Transfer Bail, 1-26	153396	Plate, 2-56
153250	Trip Link, 1-26	153397	Cover Arm, 4-2
153252	Trip Link, 1-26	153400	Incandescent Lamp (6 Watt), 4-4
153254	Bracket, 2-52	153403	Copy Tray, 4-2
153255	Bail, 2-52	153435	Function Bar (SC LF), 2-48
153256	Bracket, 2-52	153437	Function Bar (SC UC S), 2-48
153257	Bail, 2-52	153455	Resistor (600 Ohms), 4-4
153258	Bushing, 2-52	153489	Detent, 2-12
153259	Arm, 2-52	153492	Receptacle Connector, 4-4
153260	Plate, 2-52	153493	Receptacle Connector, 5-2
153261	Threaded Bushing, 2-52	153530	Plate, 2-30
153262	Arm, 2-52	153531	Adjusting Plate, 2-30
153263	Stop Arm, 2-52	153532	Adjusting Screw (4-40), 2-30
153264	Shaft, 1-8	153543	Armature, 2-10
153265	Bracket, 1-24	153545	Bracket, 2-10
153266	Trip Lever, 1-24	153550	Link, 2-36
153267	Felt Washer, 2-50	153553	Roller, 2-36
153268	Bracket, 1-8	153554	Bracket W/Stud, 2-36
153271	Bail, 1-24	153558	Link W/Bushings, 2-36
153273	Link, 1-24	153560	Shaft W/Bushing, 2-36
153274	Adjusting Lever, 1-24	153562	Shaft, 2-36
153276	Adjusting Bracket, 1-24	153569	Trip Arm, 2-24
153277	Bail, 1-24	153573	Bail, 2-36
153283	Keylever (LOC R LF), 1-26	153574	Roller, 2-36
153284	Keylever (LOC B SP), 1-24	153576	Function Cam, 2-26
153287	Spring, 2-50	153577	Felt Washer, 2-36
153288	Spring, 2-52		
153291	Arm, 2-48		
153292	Plate, 2-26		

NUMERICAL INDEX

153579 Spring Bracket, 2-36
 153580 Cam Bracket, 2-36
 153581 Handle, 2-48
 153582 Shoulder Screw (6-40), 2-38
 153583 Trip Lever, 2-24
 153584 Latch Lever, 2-24
 153585 Clamp, 2-36
 153586 Left Guide, 2-44
 153587 Right Guide, 2-42
 153608 Fork, 2-48
 153609 Roller, 2-48
 153634 Collar, 2-40
 153639 Cable Assembly, 1-22
 153643 Slide, 2-48
 153644 Stud, 2-48
 153645 Guide Plate, 2-48
 153646 Bushing, 2-48
 153647 Plate, 2-48
 153674 Cable Assembly, 1-2
 153795 Slide, 2-48
 153800 Cam W/Hub, 2-6
 153810 Ribbon Guide, 2-30
 153817 Screw (4-40 x 3/8 Hex), 2-18, 2-20
 153819 Lock Washer, 2-4
 153820 Frame, 2-2
 153823 Collar, 2-26
 153824 Clamp, 2-26
 153839 Screw (6-40 x 5/8 Hex), 2-2, 2-10, 2-24
 153841 Screw (6-40 x 9/16 Hex), 2-32, 2-36
 153882 Shock Mount, 4-4
 153887 Detent, 1-12
 153902 Mechanical Signal Line Break SOP, 1-20
 154613 Latch, 2-48
 154623 Retaining Ring, 2-22
 154624 Carriage Return Ring, 2-22
 154626 Automatic C R & L F Ring, 2-54
 154627 Spacing Drum, 2-22
 154638 Spring, 2-2
 154649 Arm, 2-54
 154650 Clip, 2-56
 154656 Switch Assembly, 2-48
 154688 Spring, 2-36
 154699 Locating Stud, 1-2
 154971 AY Stunt Box Arrangement, 2-48
 155041 Plate, 2-38
 155042 Bracket, 2-38
 155044 Spacer, 2-26
 155046 Screw (4-40 x 15/32 Hex), 2-26
 155047 Disk W/Bushings, 2-26
 155055 Bail, 2-50
 155060 Stripper Slide, 2-48
 155061 Blade W/Studs, 2-48
 155064 Wire Assembly, 5-2
 155066 Cable, 2-48
 155081 Spring Post, 2-18
 155091 Trip Lever, 2-52
 155096 Plate W/Studs, 2-12
 155099 Shoulder Screw (6-40), 2-48
 155129 Function Bar (Space), 2-48
 156632 Screw (6-40 x 13/32 Hex), 2-22
 157240 Spring, 2-48

