

BULLETIN 1167B

28 TYPING REPERFORATOR
and
28 TAPE PRINTER SETS
(LPR and LTP)

PARTS



TELETYPE[®]
CORPORATION

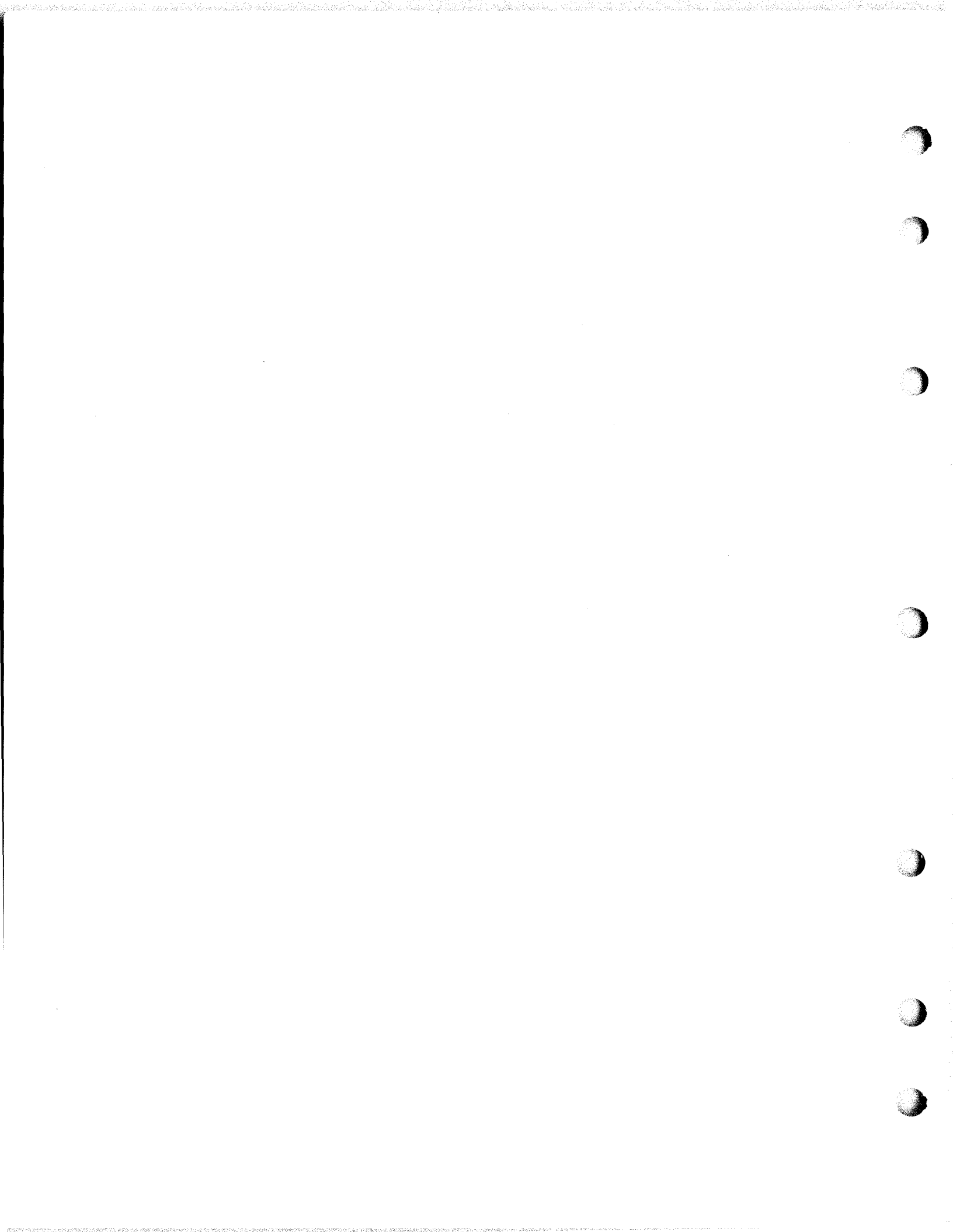
5555 TOUHY AVENUE, SKOKIE, ILLINOIS



TABLE OF CONTENTS

SECTION	TITLE	ISSUE
573-118-800TC	28 Typing Reperator (LPR) and 28 Tape Printer (LTP)	1
573-121-800TC	28 Receiving-only Reperator or Tape Printer Base (LRB) and 28 Receiving-only Multiple Reperator Base (LRMB)	1
573-123-800TC	28 Send-Receive Reperator Keyboard Base (LTRK) and 28 Send-Receive Tape Printer Keyboard Base (LTPK)	1
573-133-801TC	28 Electrical Service Unit (LESU) - Reperators	1
573-135-800TC	28 Receiving-only Reperator or Tape Printer Cover (LRC) , 28 Send-Receive Reperator or Tape Printer Cover (LSRC) and 28 Reperator or Tape Printer Table (LT)	1
573-136-800TC	28 Apparatus Cabinet (LBAC) - Receiving, Monitoring and Transmitting Monitoring	1

For Motors Refer To Bulletin 295B



28 TYPING REPERFORATOR (LPR)
and
28 TAPE PRINTER (LTP)
PARTS

FIGURE	CONTENTS	PAGE
1	Frame Mechanism	3
2	Frame Mechanism	4
3	Main Shaft Mechanism	5
4	Punch Rear Plate Mechanism	6
5	Punch Front Plate Mechanism	7
6	Punch Bail Mechanism	8
7	Rotary Positioning Mechanism	9
8	Rotary Positioning Mechanism	10
9	Axial Positioning Mechanism	11
10	Axial Positioning Mechanism	12
11	Function Box Mechanism	13
12	Range Finder Mechanism	14
13	Selecting Mechanism	15
14	Selecting Magnet Mechanism	16
15	Transfer Mechanism	17
16	Early Design Ribbon Feed Mechanism	18
17	Typing Mechanism	19

(CONTENTS continued on Page 2)

FIGURE	CONTENTS (continued)	PAGE
18	159351 and 162434 Modification Kits to Add Non-Interfering Blank Tape Feed-Out	20
19	159351 and 162434 Modification Kits to Add Non-Interfering Blank Tape Feed-Out	21
20	159351 and 162434 Modification Kits to Add Non-Interfering Blank Tape Feed-Out	22
21	Modification Kits to add Timing Contacts	23
22	Modification Kits to Add Code Reading Contacts	23
23	Cables	24
24	159360 and 162242 Modification Kits to Add Signal Bell Contact	25
25	160881 Modification Kit to Add Guard for Backspace Mechanism (Printing on Edge of Tape)	25
26	161340 Modification Kit to Add Manual Interfering Letters Tape Feed-Out	26
27	161341 and 162432 Modification Kits to Add Solenoid Operations to Letters Feed-Out	26
28	Two-Shaft Mechanism	27
29	159363 and 172640 Modification Kits to Add Manual Backspace (Printing on Edge of Tape)	28
30	161304 and 162245 Modification Kits to Add Power Drive to Backspace Mechanism	29
31	Cables	30
32	161321 and 162247 Letters - Figures Contact Assembly	31
33	162379 and 163347 Modification Kits to Add Automatic Non-Interfering Letters Tape Feed-Out	32
34	162379 (Automatic Letters), 162380 (Remote Control Blank), 163347 (Automatic Letters), 173443 (Remote Control Letters) and 176628 (Remote Control Letters) Modification Kits to Add Non-Interfering Tape Feed-Out	33
35	162379 (Automatic Letters), 162380 (Remote Control Blank), 163347 (Automatic Letters), 173443 (Remote Control Letters) and 176628 (Remote Control Letters) Modification Kits to Add Non-Interfering Tape Feed-Out	34
36	162380 (Blank), 173443 (Letters) and 176628 (Letters) Modification Kits to Add Remote Control Non- Non-Interfering Tape Feed-Out	35
37	162380 (Blank), 173443 (Letters) and 176628 (Letters) Modification Kits to Add Remote Control Non-Interfering Tape Feed-Out	36
38	Modification Kits to Provide Unshift Function	37
39	161828 Modification Kit to Make Tape Backspace and Blank Feed-Out Compatible	37
40	176621 Modification Kit to Provide End of Feed-Out Timing Contact for 176628 Letters Tape Feed-Out	38
41	176420 and 176421 Modification Kits to Add Timing Contacts to Selector	39
42	Early Design Main Shaft Mechanisms	40
43	Punch Box Assemblies	41
44	Ribbon Feed Mechanism	42
45	Uncoded Function Blades	43
46	173961 and 179133 Modification Kits to Provide Blank Delete for Typing Reperforator	44
47	173961 and 179133 Modification Kits to Provide Blank Delete for Typing Reperforator	45
48	173135 Tape Absent Contact Bracket Assembly	46
49	164948 Modification Kit to Equip Reperforator with Combination Tape Chute and Knife Tearing Edge When Mounted in an Universal Cabinet	46
50	164506 Modification Kit to Add Multiple Mounted Function Blade Operated Contacts	47
51	Modification Kits to Equip a Reperforator with an Auxiliary Contact Assembly and Function Blades	47
52	178917 Modification Kit to Provide Backspace Mechanism for Fully Perforator Tape and Printing Between Feed Holes	48
53	178918 Modification Kit to Provide Guard for Backspace Mechanism (Fully Perforated Tape, Printing Between Feed Holes)	48
54	179275 Modification Kit to Provide Positive Engagement of Punch Slides with the Latch Levers	49
55	174475 Modification Kit to Provide Print Suppression on Functions	49
56	Motor Control Mechanism	50
57	Code Reading Contact Cables	51
58	Typewheel Chart	52
	Numerical Index	53

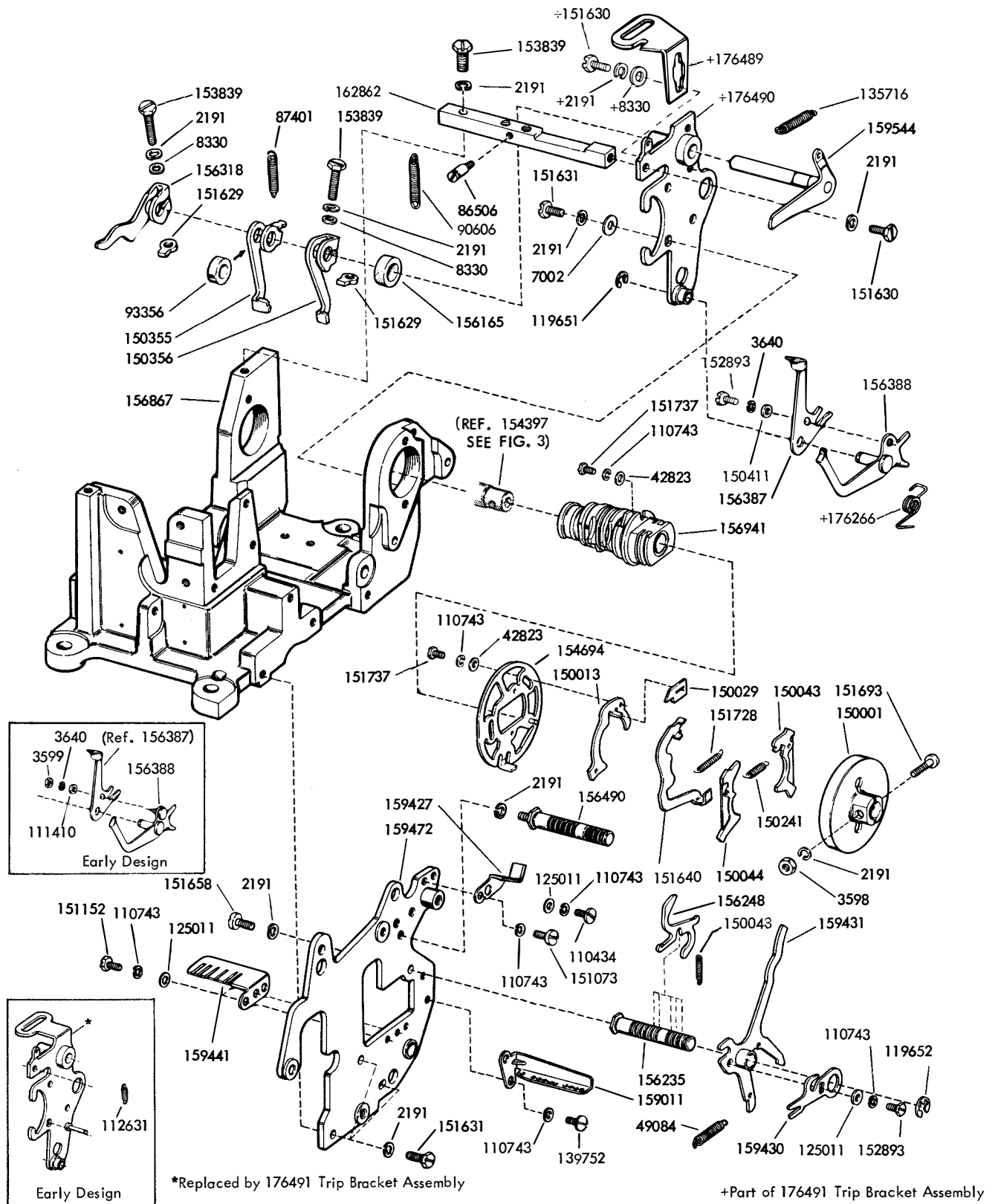


FIGURE 1. FRAME MECHANISM

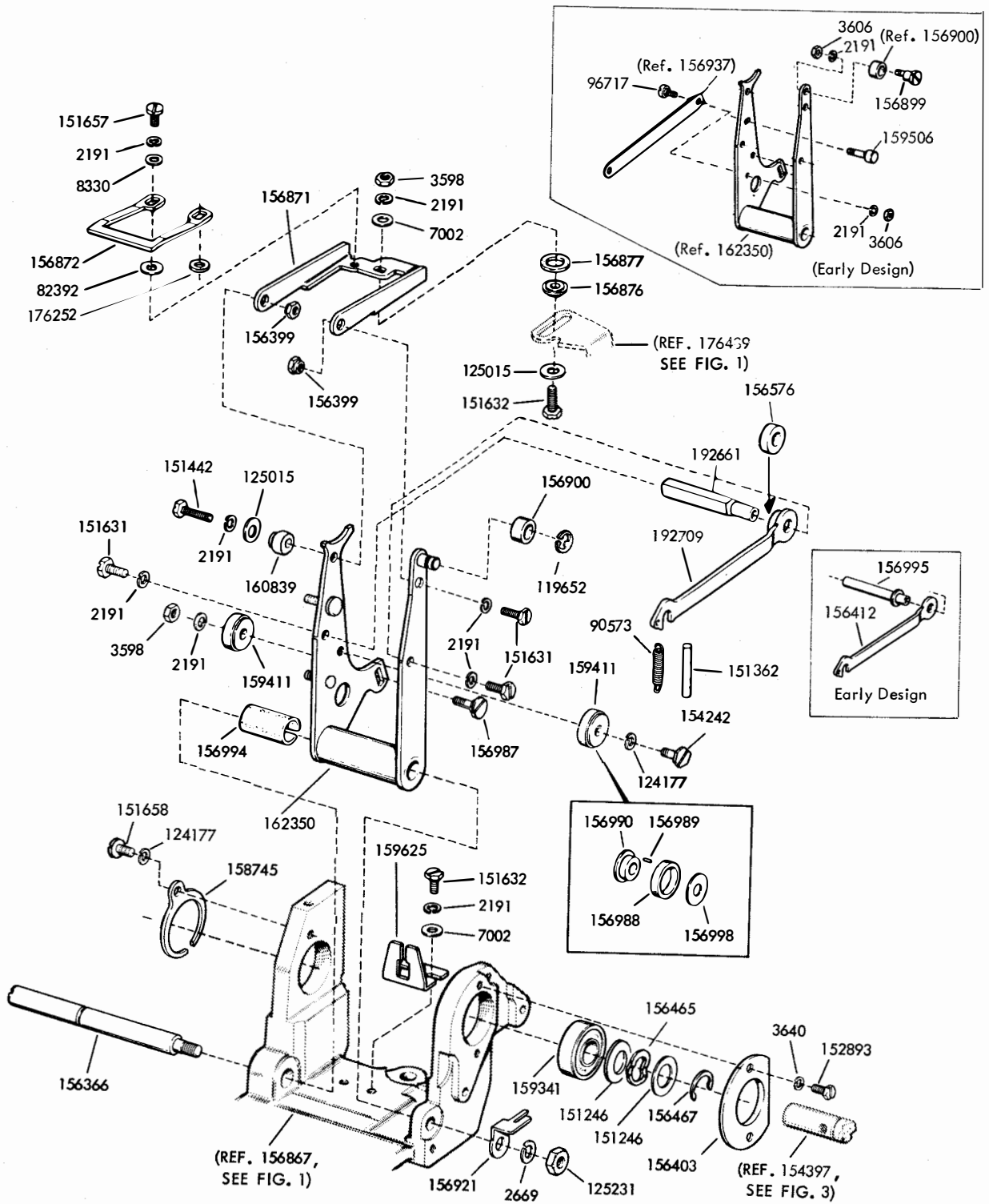
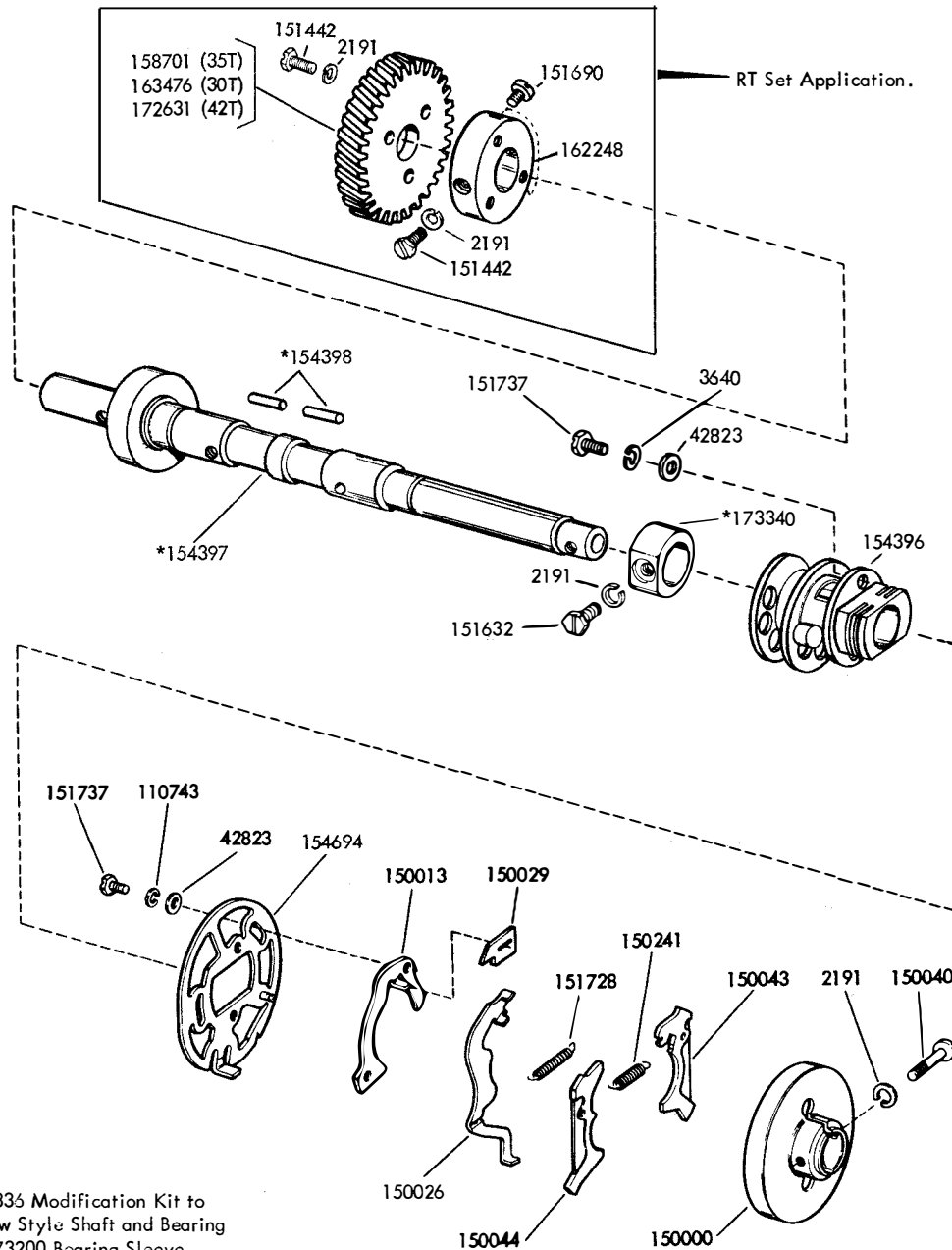


FIGURE 2. FRAME MECHANISM



RT Set Application.

*Part of 173336 Modification Kit to Provide New Style Shaft and Bearing (Includes 173200 Bearing Sleeve Shown on Figure 42).

173336 - Specification 59795

FIGURE 3. MAIN SHAFT MECHANISM

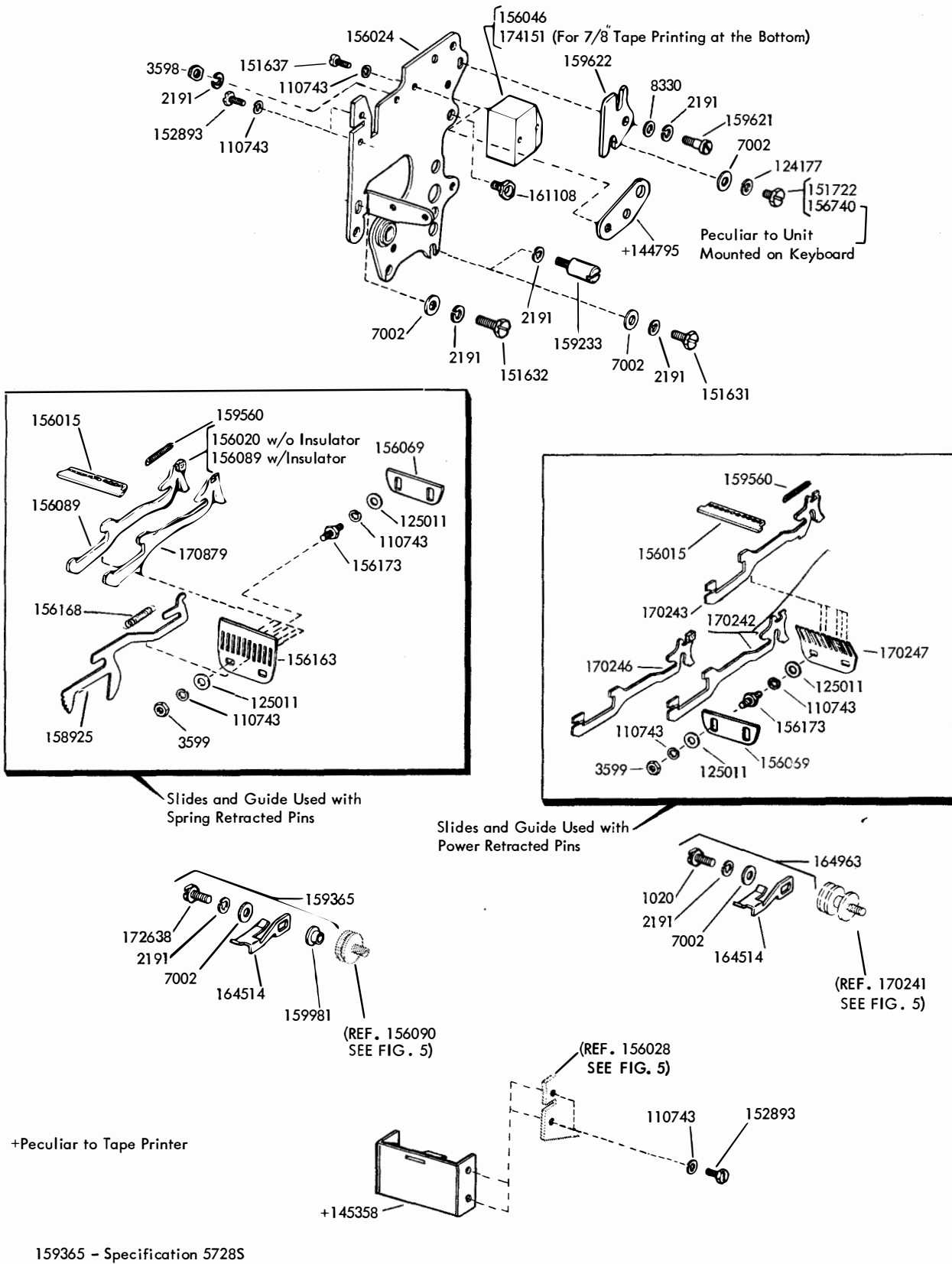
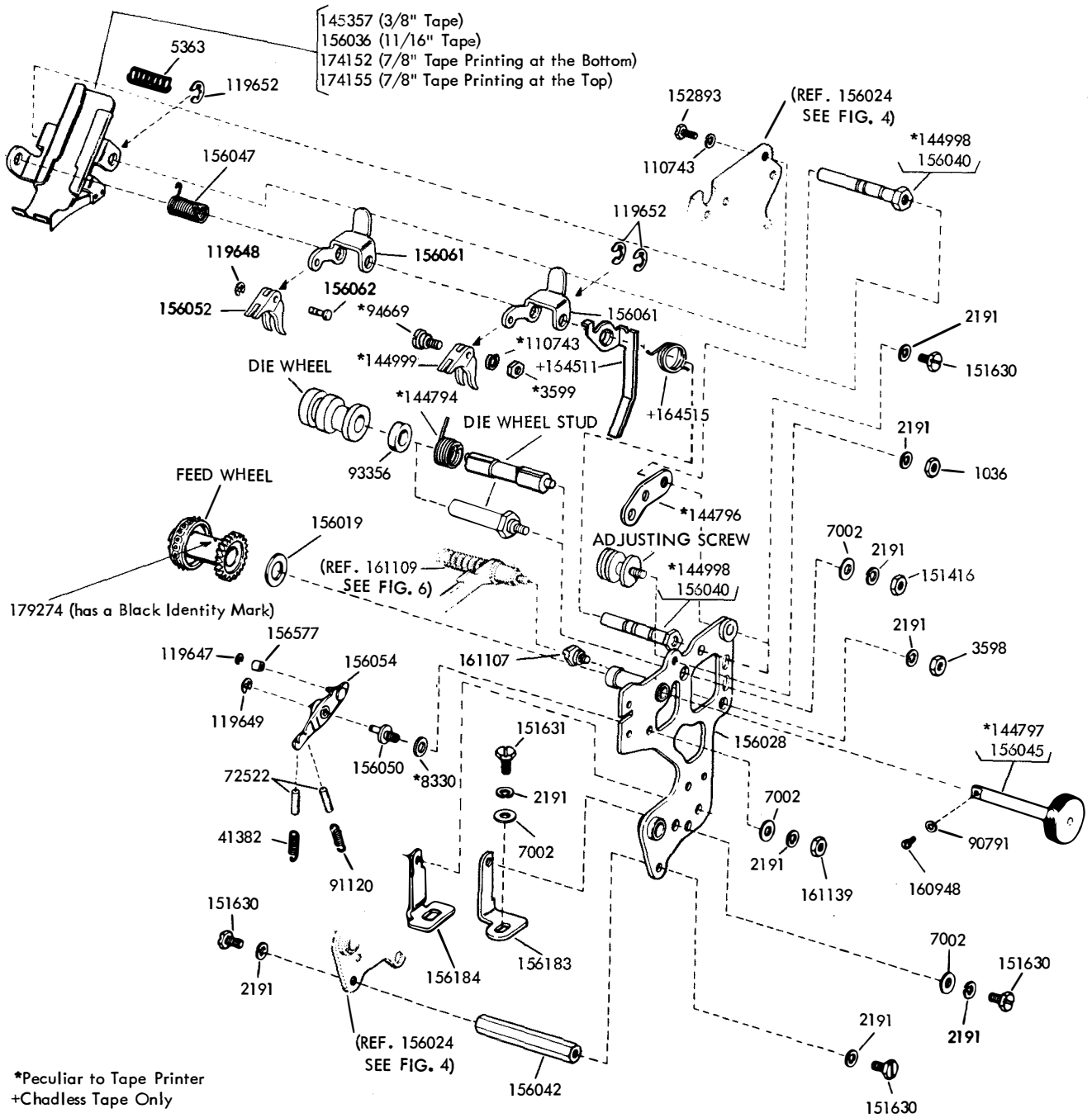
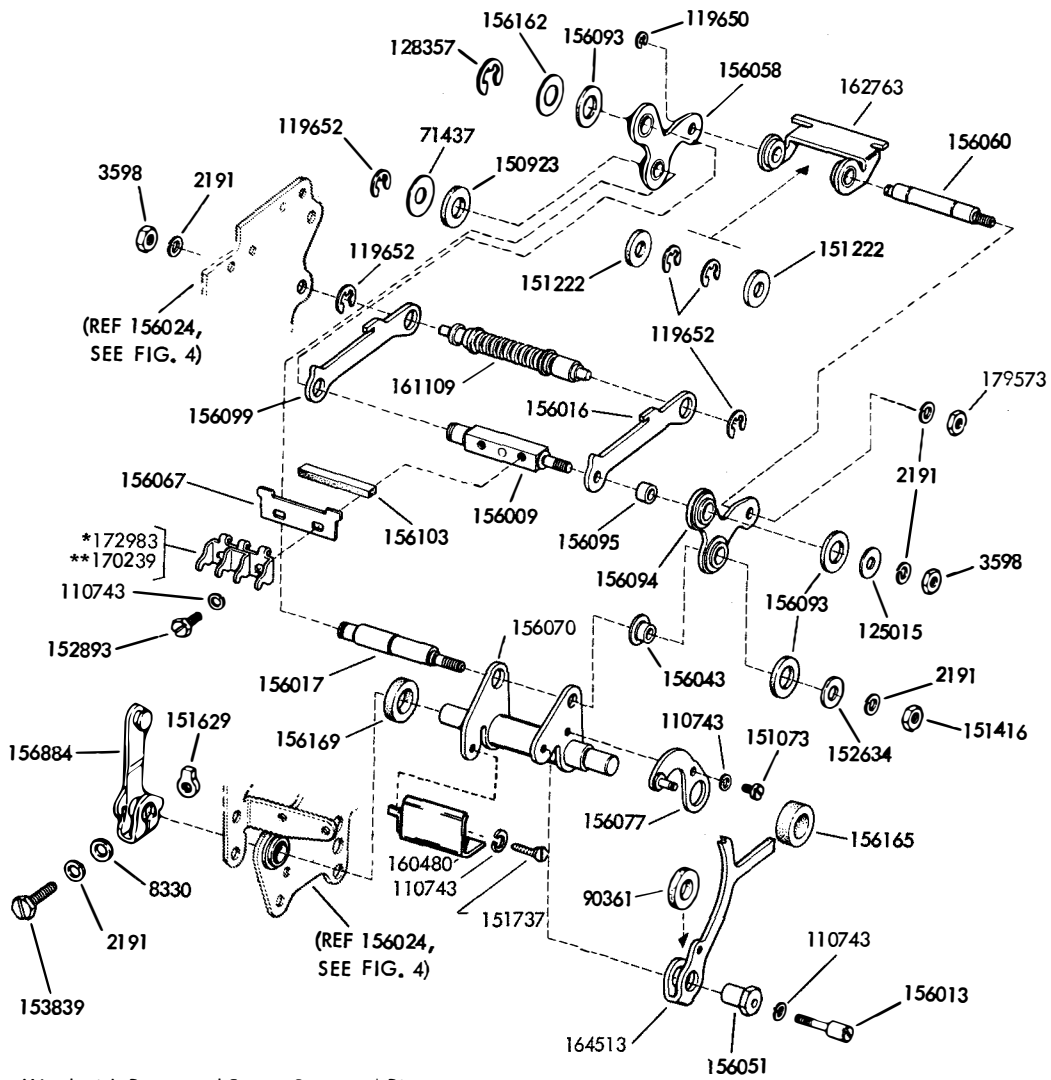


FIGURE 4. PUNCH REAR PLATE MECHANISM



Typing Reperforators - 5 Level				
Type of Punch	Chadless w/Spring Ret. Pins	Fully Perforated w/Spring Ret. Pins	Fully Perforated w/Power Ret. Pins	Tape Printer
Die Wheel	156055	170788	170788	145353
Feed Wheel	See Fig. 2-43 for Punch Block and Feed Wheel Combinations			145356
Die Wheel Stud	156044	170219	170219	144793
Adjusting Screw	156090	170241	170241	170241

FIGURE 5. PUNCH FRONT PLATE MECHANISM



*Used with Power and Spring Retracted Pins.
 **Used with the Tape Printer

FIGURE 6. PUNCH BAIL MECHANISM

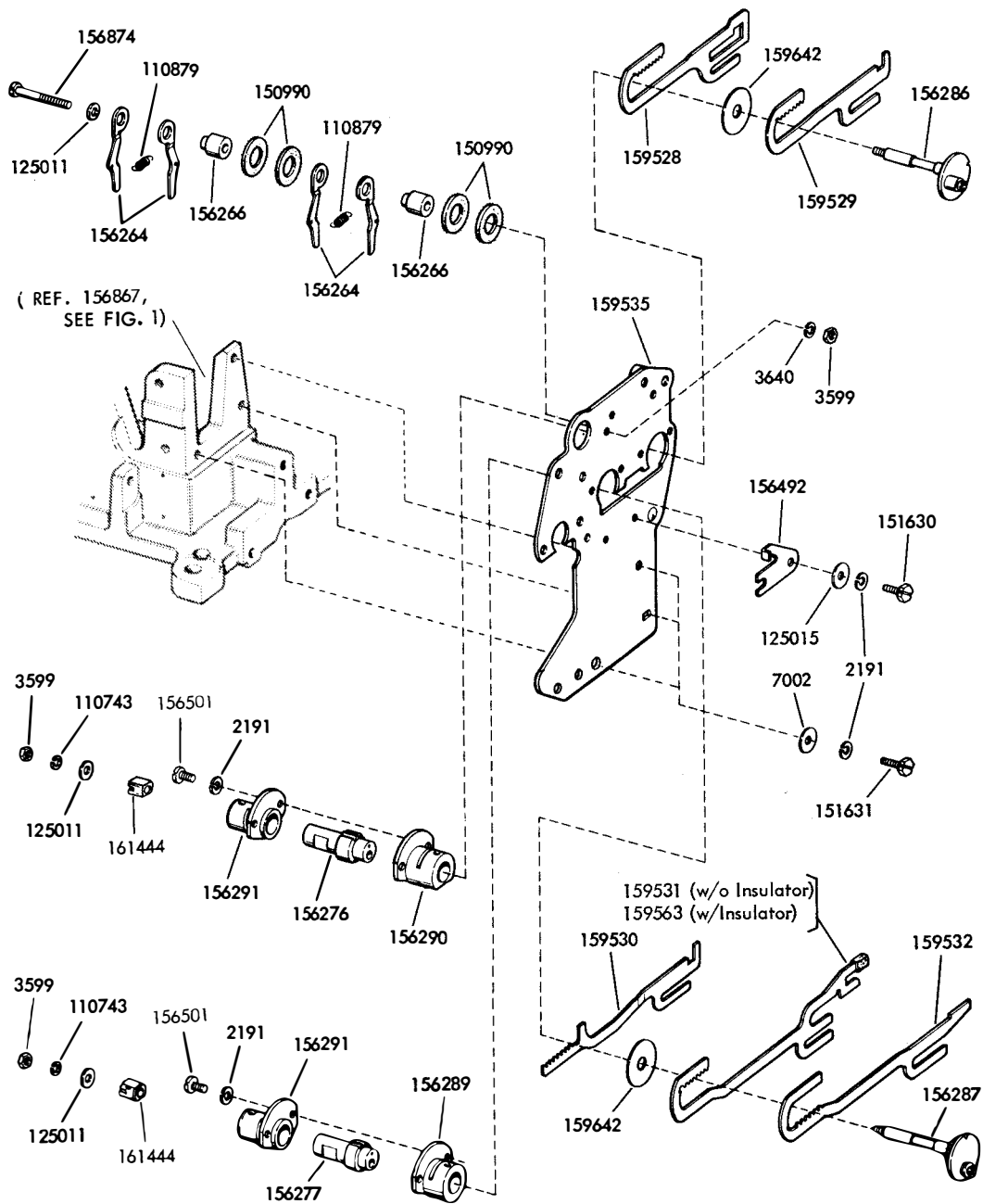
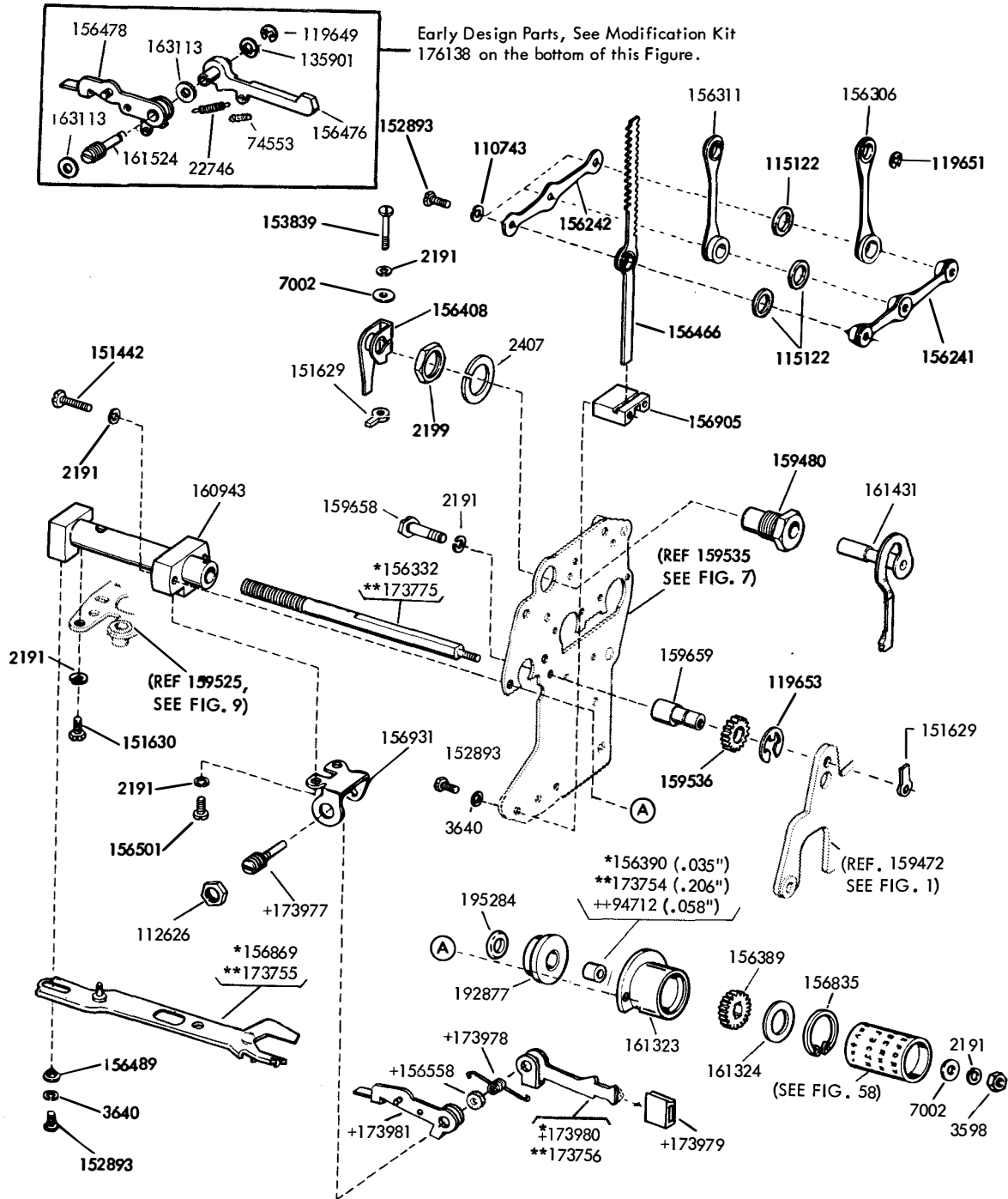


FIGURE 7. ROTARY POSITIONING MECHANISM

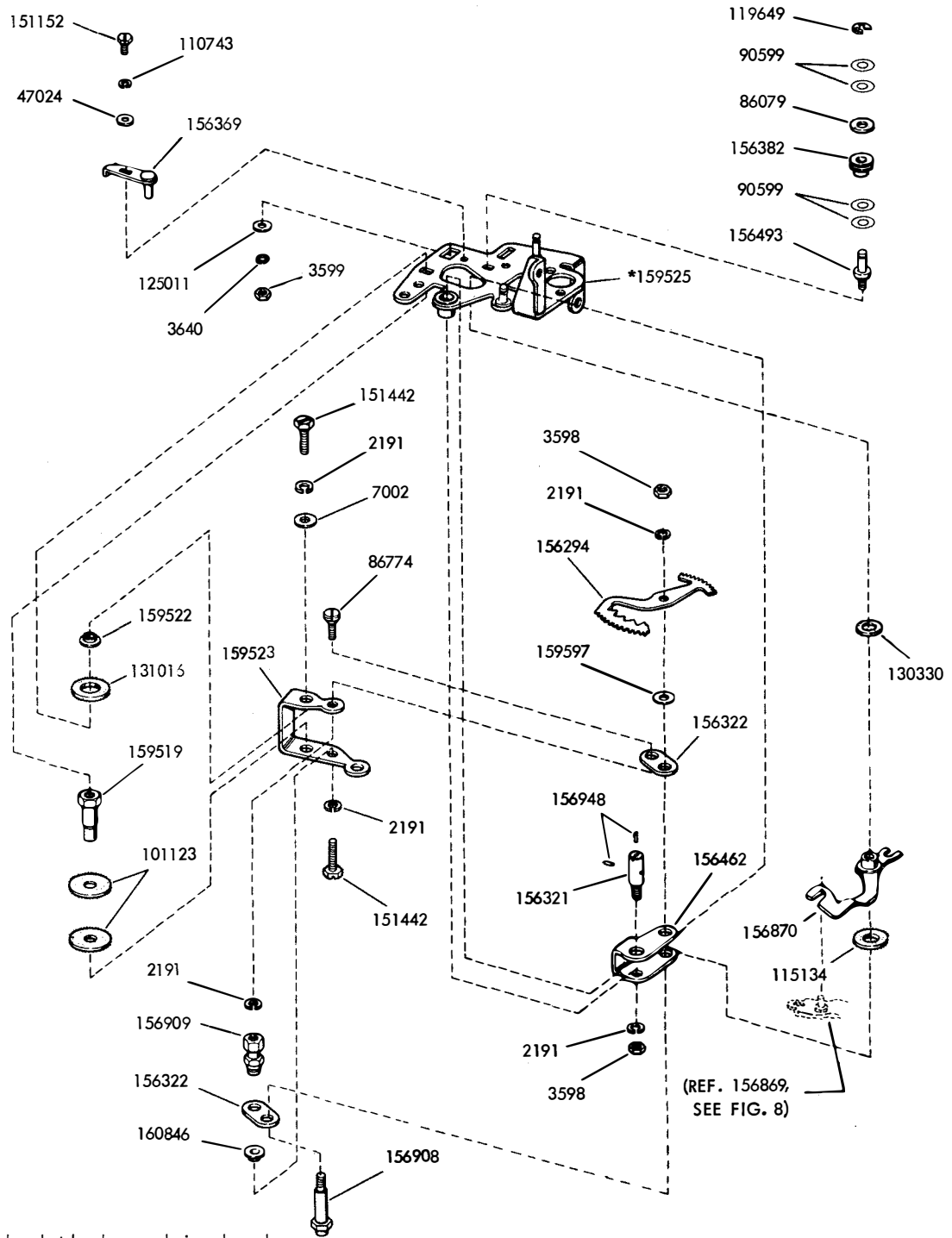


*Used for printing on the edge of the tape
 **Used for printing between the feed holes

+Part of 176138 Modification Kit
 ++Peculiar to the Tape Printer

176138 - Specification 500295

FIGURE 8. ROTARY POSITIONING MECHANISM



*The 159525 bracket has been redesigned, and now includes the axial correction plate mounting post. The 156397 post, 2191 lock washer and 154244 shoulder nut will be supplied for maintenance.

FIGURE 9. AXIAL POSITIONING MECHANISM

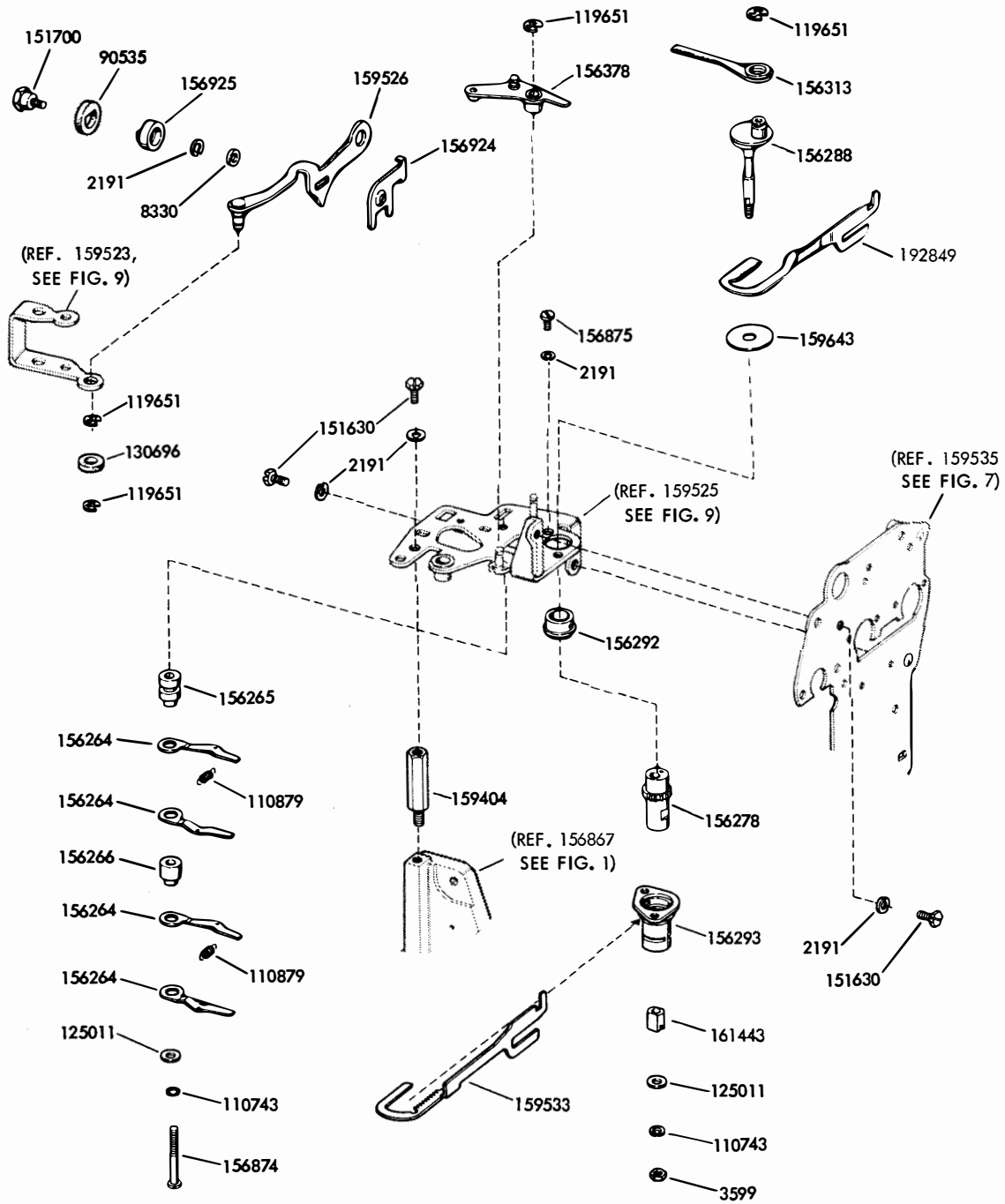


FIGURE 10. AXIAL POSITIONING MECHANISM

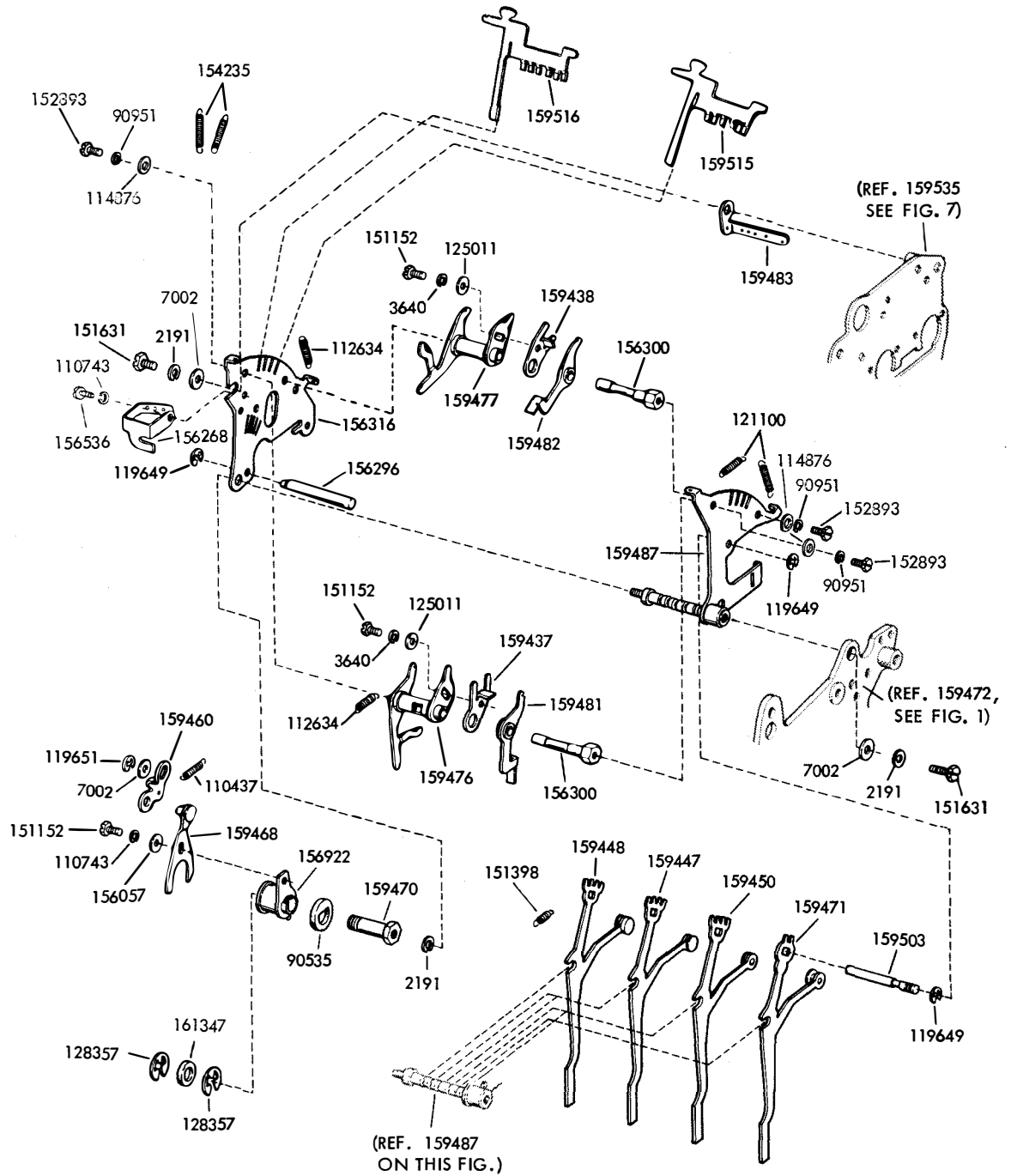


FIGURE 11. FUNCTION BOX MECHANISM

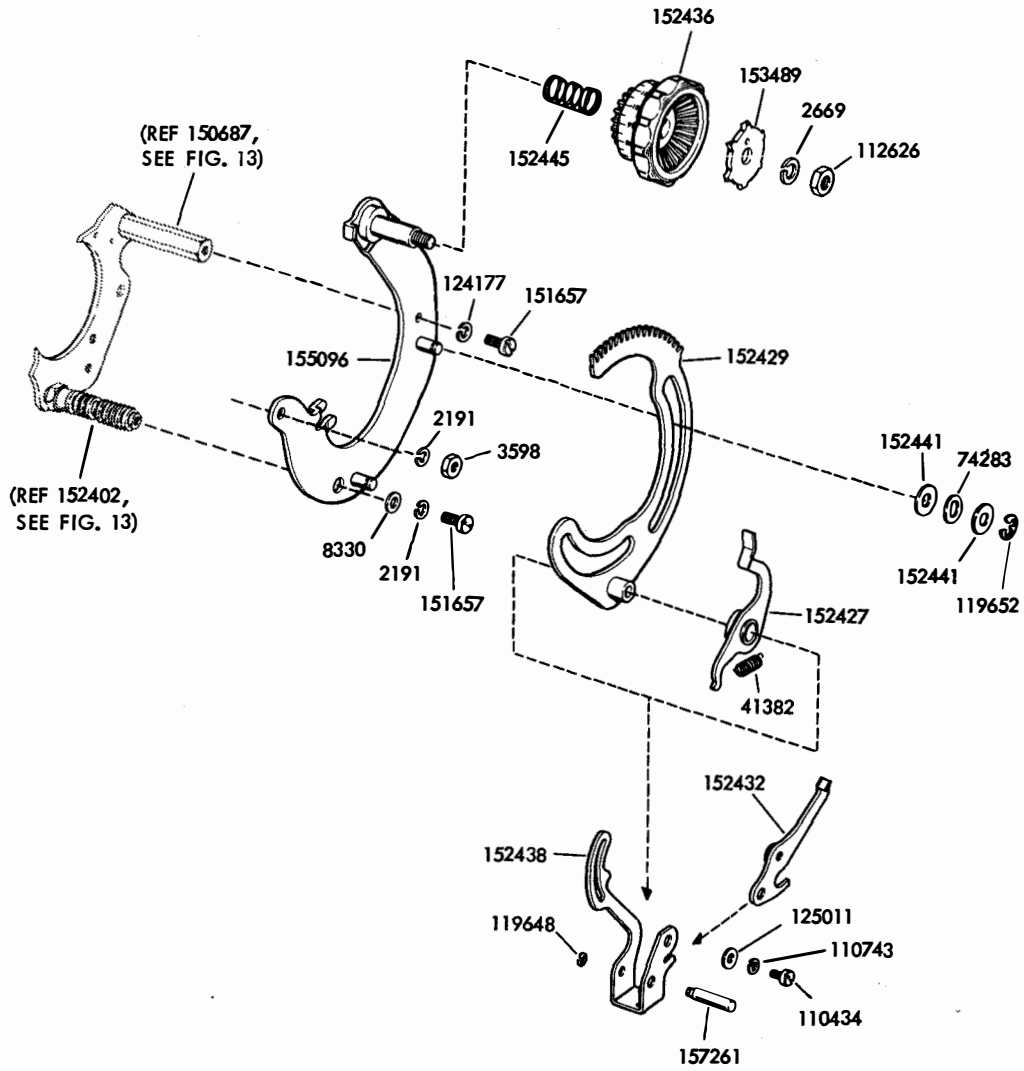


FIGURE 12. RANGE FINDER MECHANISM

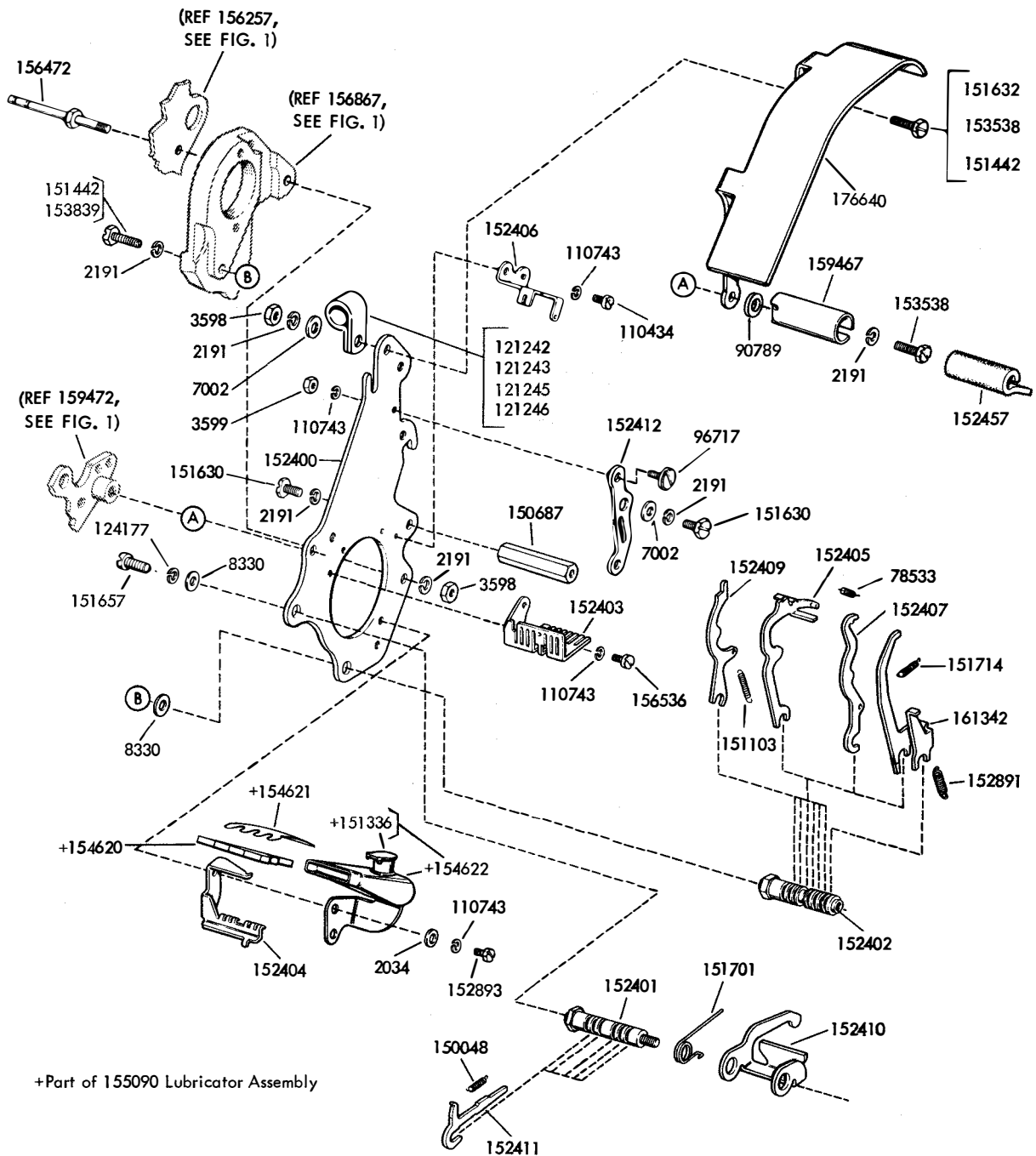
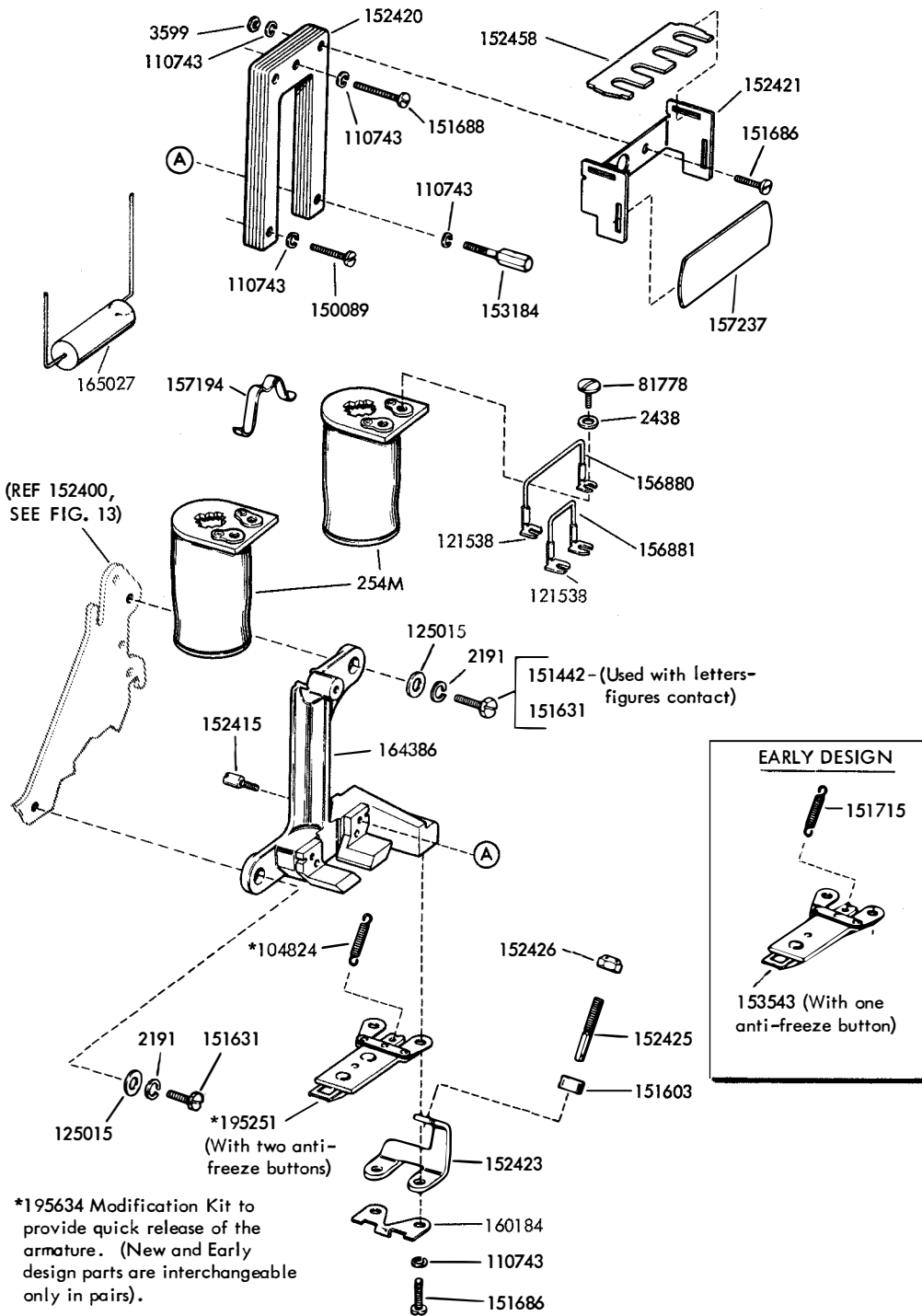


FIGURE 13. SELECTING MECHANISM



195634 - Specification 501655

FIGURE 14. SELECTING MAGNET MECHANISM

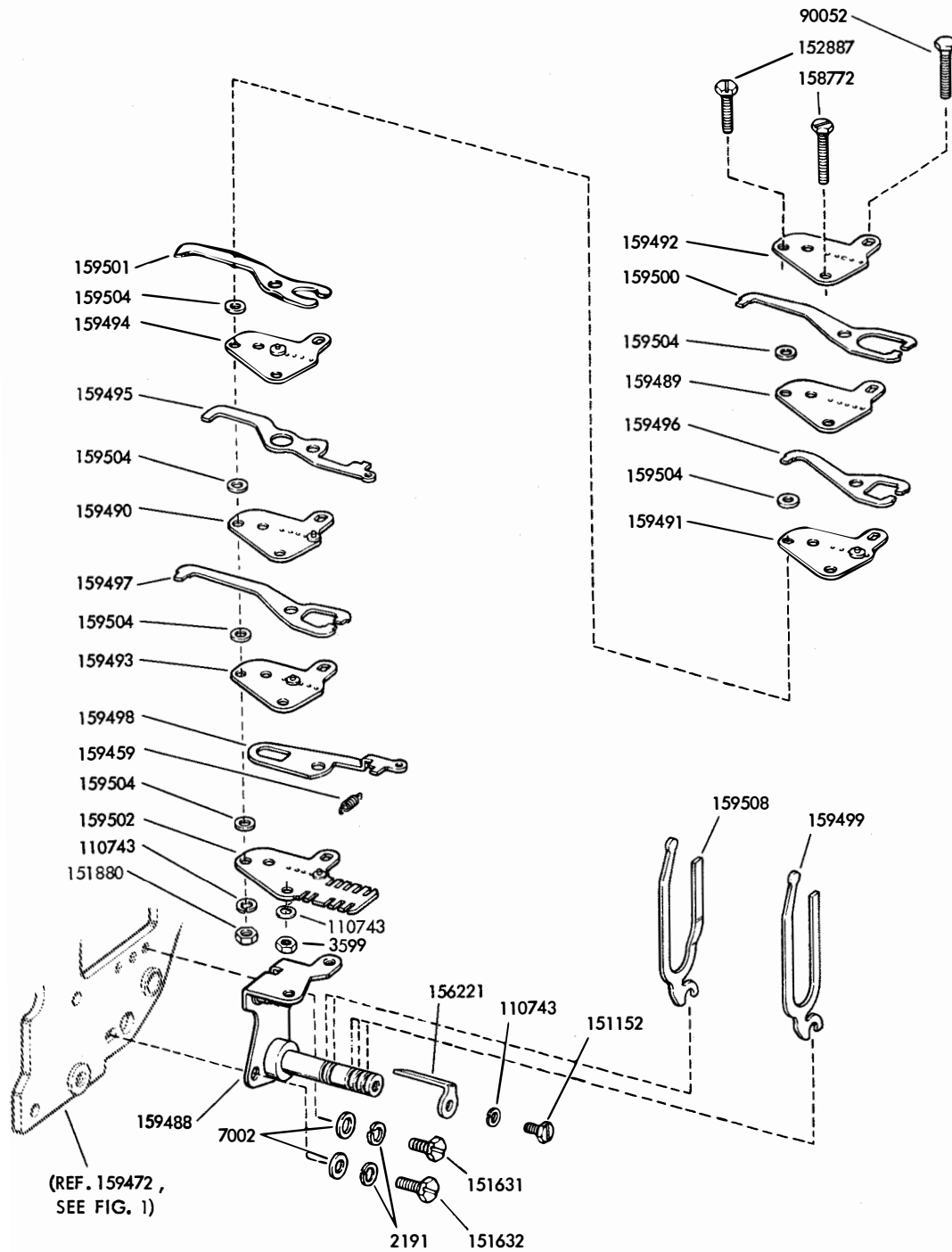
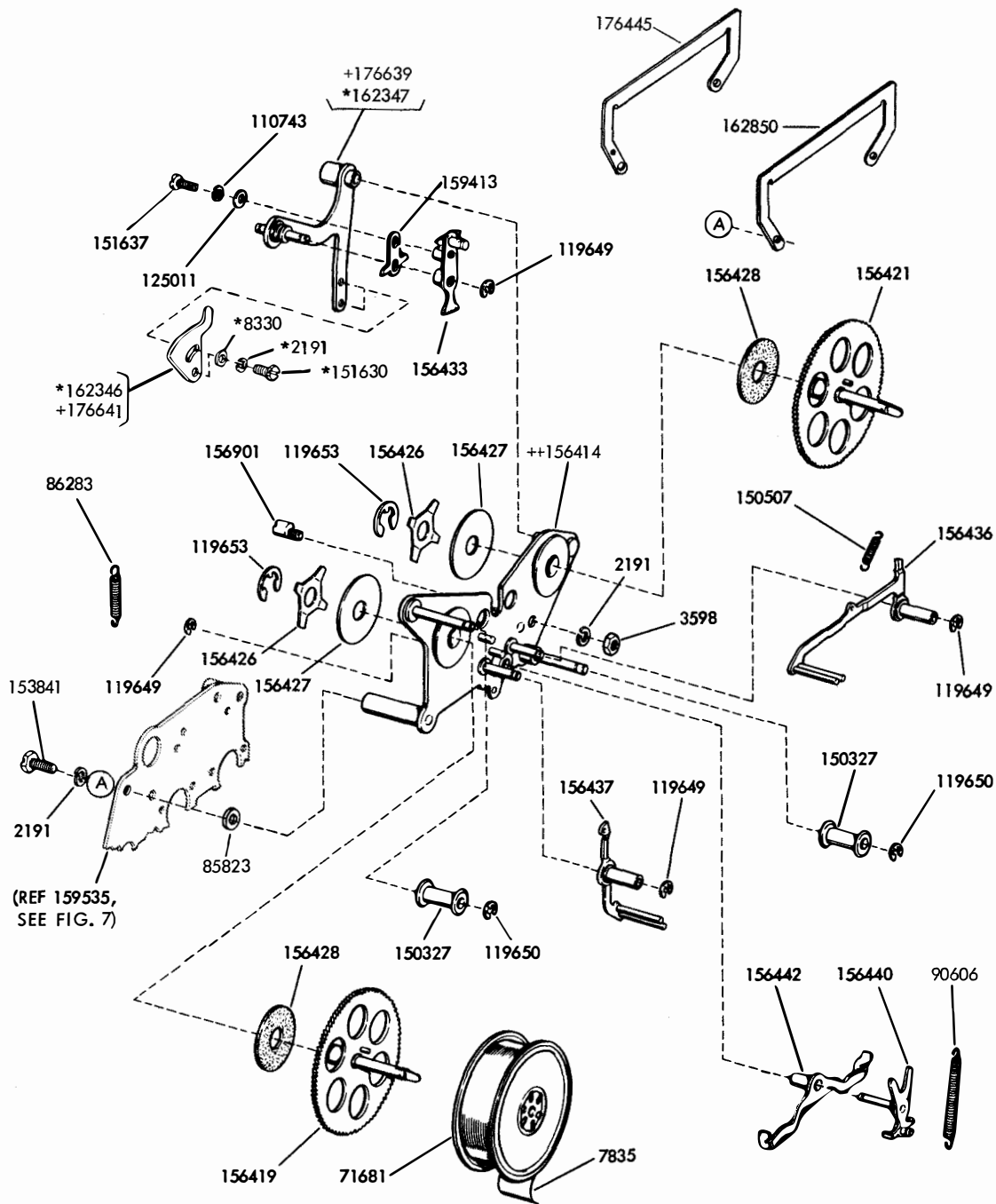


FIGURE 15. TRANSFER MECHANISM



For Latest Design Ribbon Feed Mechanism See Figure 44)

*The ribbon drive arm (formerly 156431) has been redesigned and assigned part number 162347. When it is necessary to replace an old style ribbon drive arm, a 154325 modification kit to provide an adjustable drive arm (includes all parts marked with an asterisk) should be ordered.

+Peculiar to units printing between feed holes

++The 156414 mounting plate has been redesigned and now includes the drive arm spring mounting post. The post replaced the 159993 spring bracket which is still available for maintenance.

154325 - Specification 59615

FIGURE 16. EARLY DESIGN RIBBON FEED MECHANISM

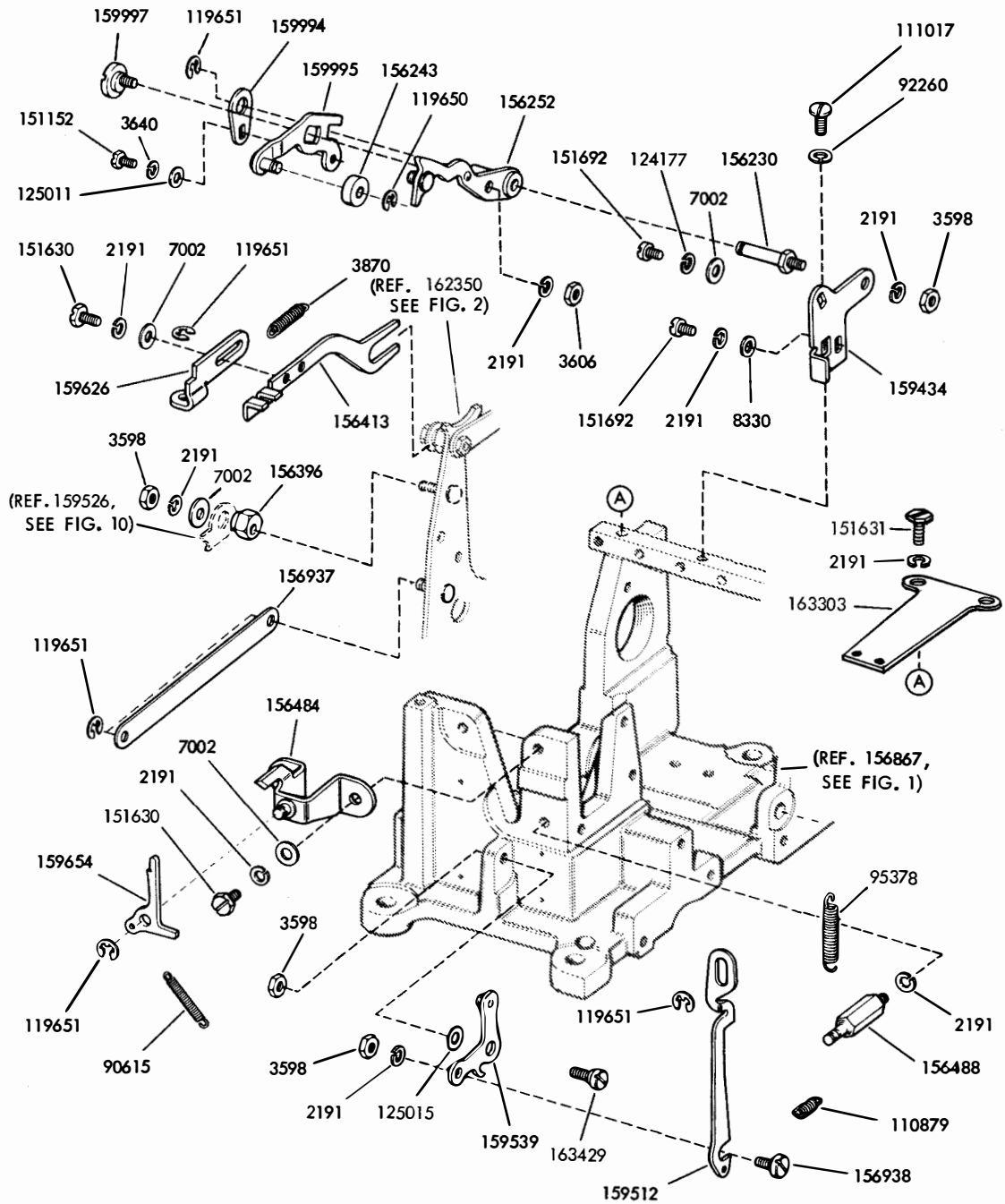


FIGURE 17. TYPING MECHANISM

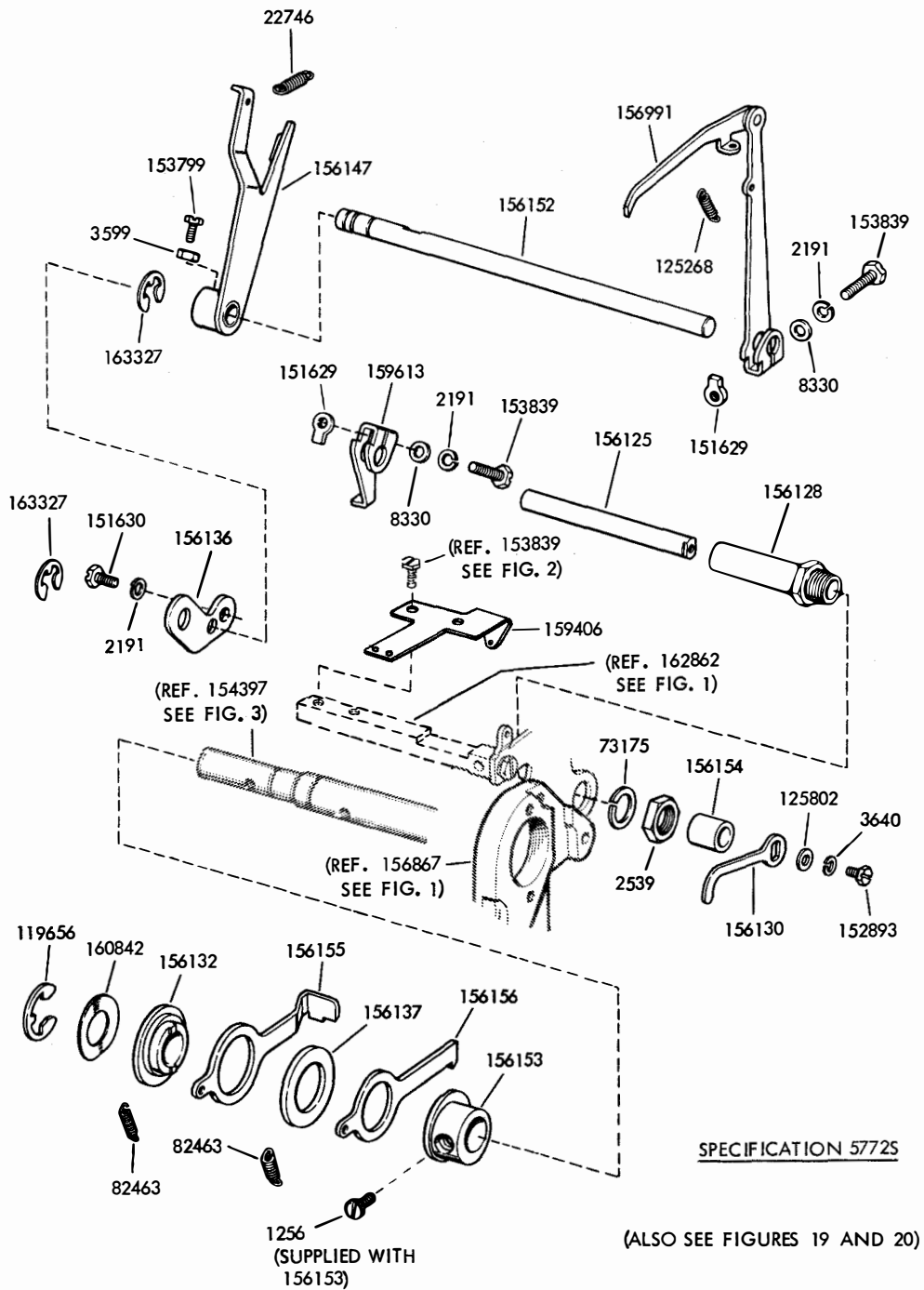
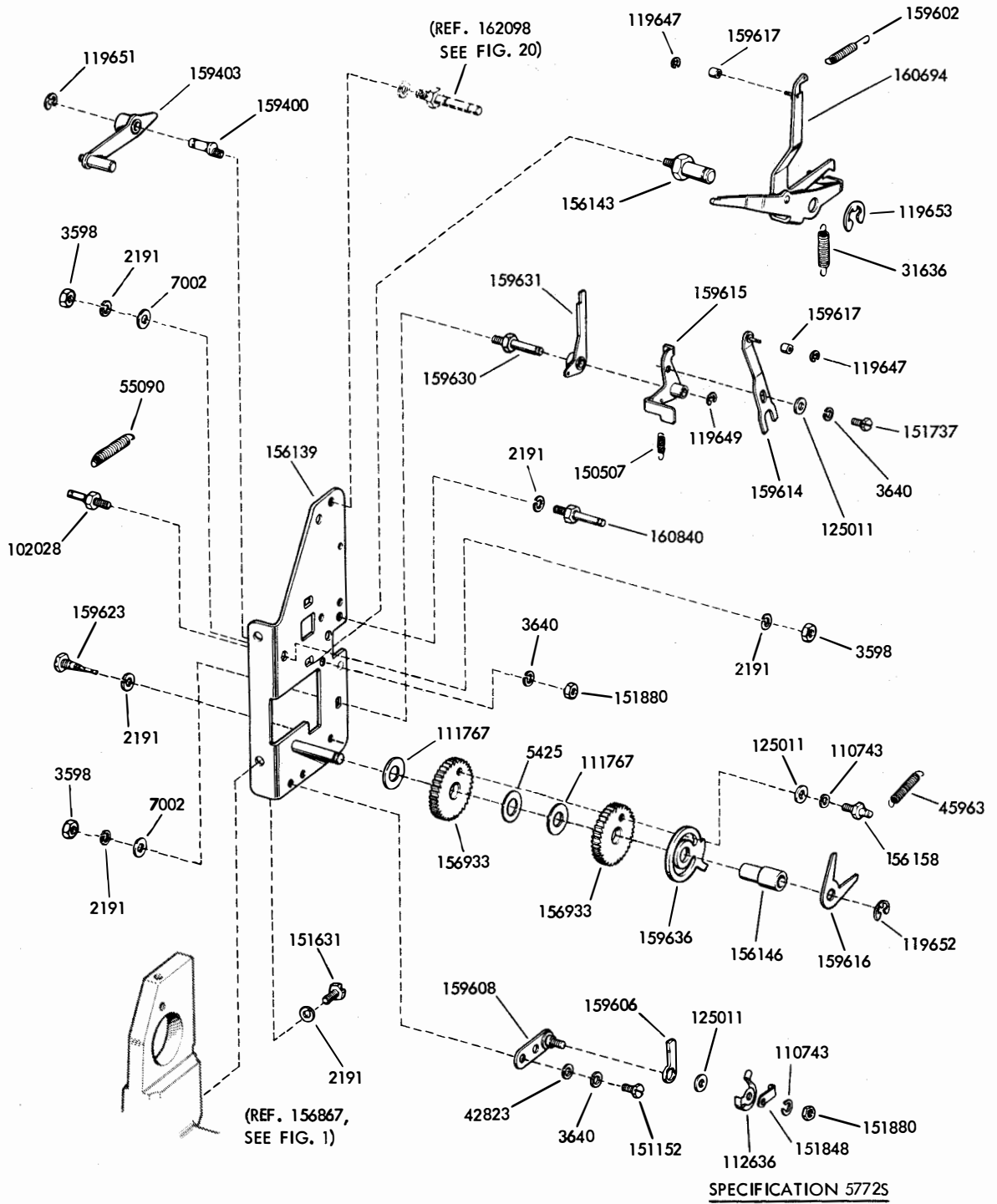
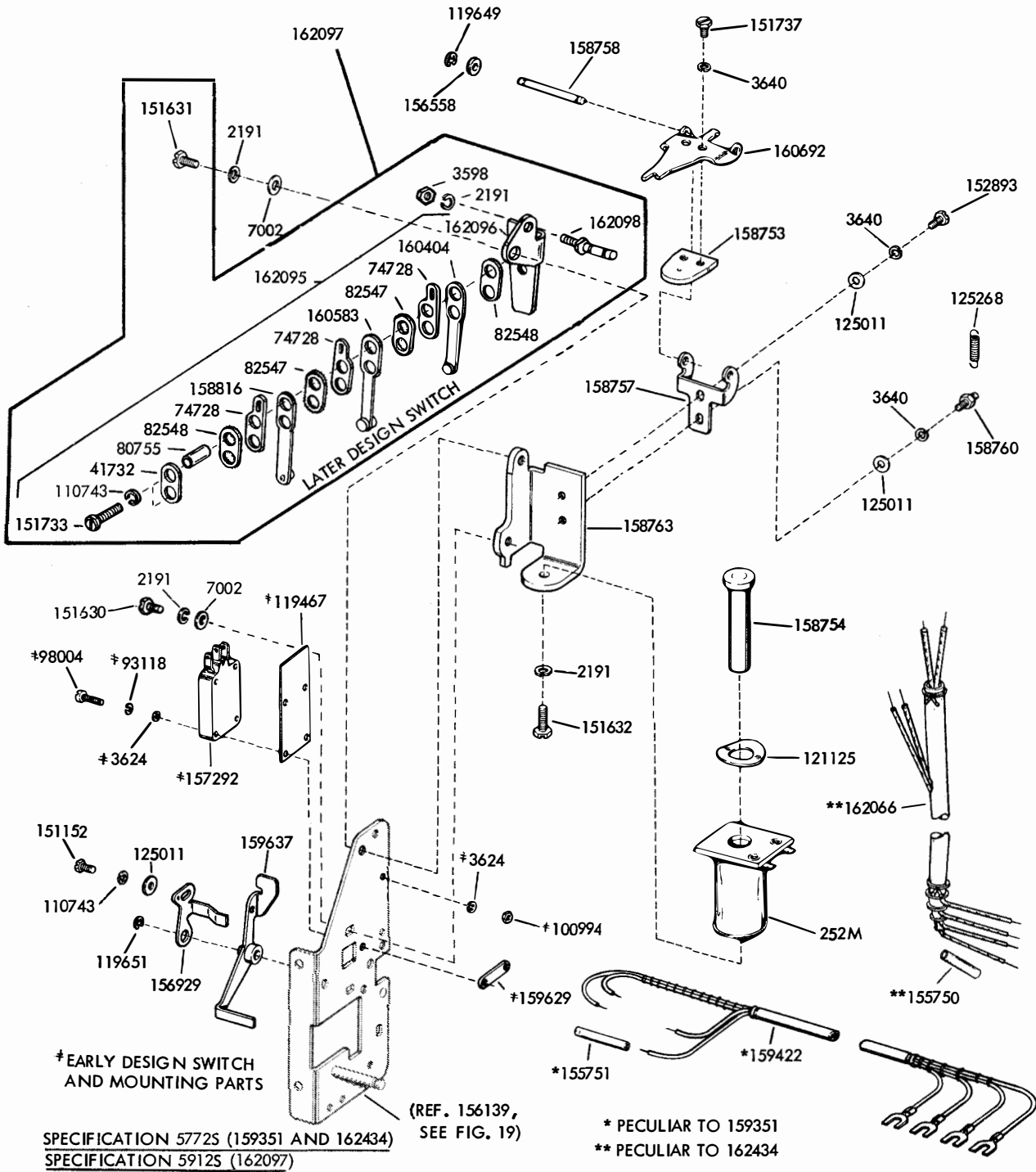


FIGURE 18. 159351 AND 162434 MODIFICATION KITS TO ADD NON-INTERFERING BLANK TAPE FEED-OUT



(ALSO SEE FIGURES 18 AND 20)

FIGURE 19. 159351 AND 162434 MODIFICATION KITS TO ADD NON-INTERFERING BLANK TAPE FEED-OUT



(ALSO SEE FIGURES 18 AND 19)

FIGURE 20. 159351 AND 162434 MODIFICATION KITS TO ADD NON-INTERFERING BLANK TAPE FEED-OUT

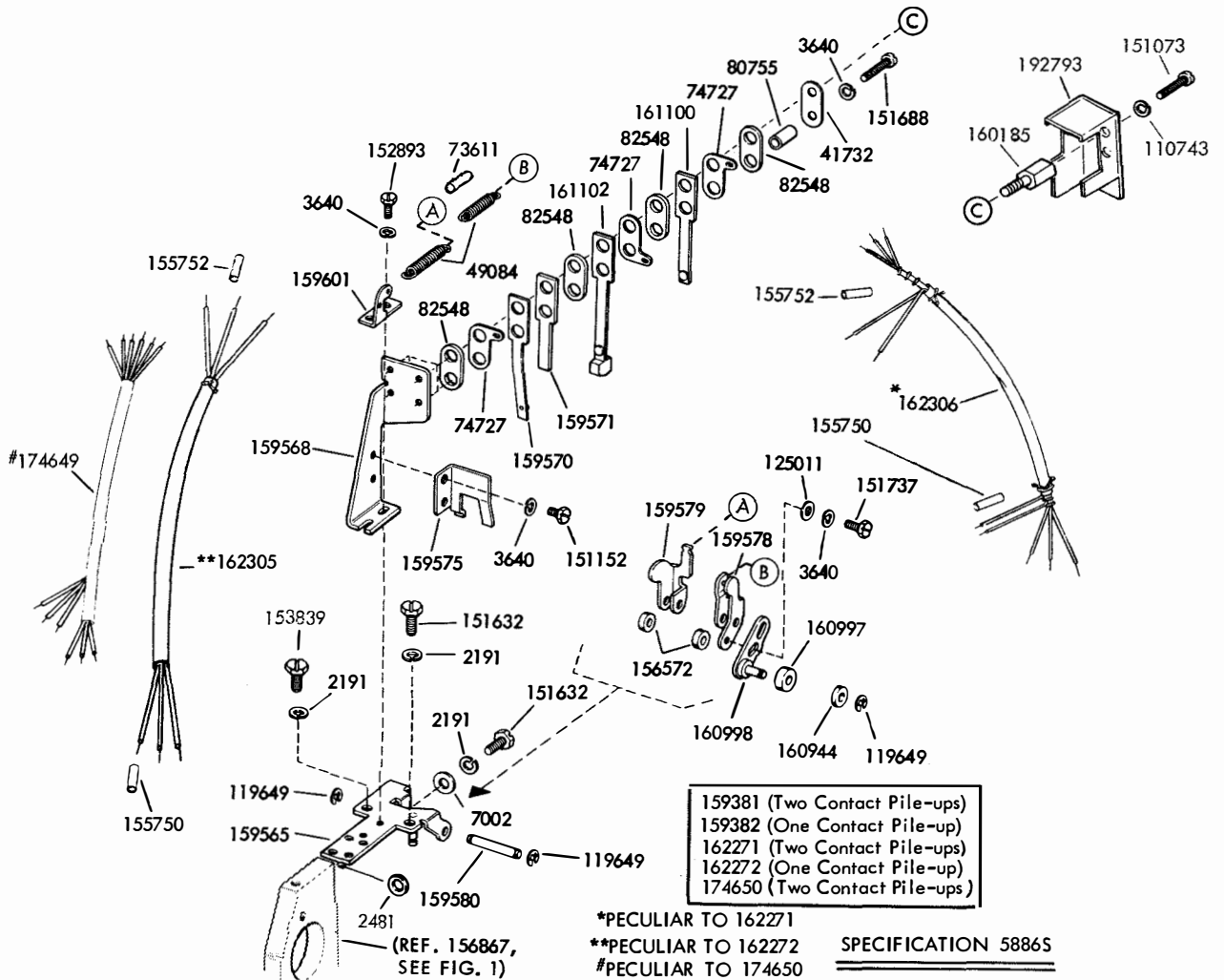


FIGURE 21. MODIFICATION KITS TO ADD TIMING CONTACTS

MODIFICATION KIT	Variable Features of the Modification Kits		CABLE*
	CONTACT ASSEMBLY TRANSFER	MAKE-ONLY	
159379		158950	
159380	156078		
162273	156078		162304
162274		158950	162303
163945	156078		163946

*CABLES ILLUSTRATED ON FIGURE 57.

SPECIFICATION 58865

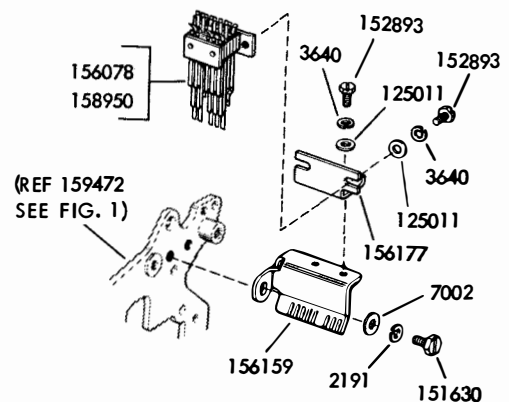
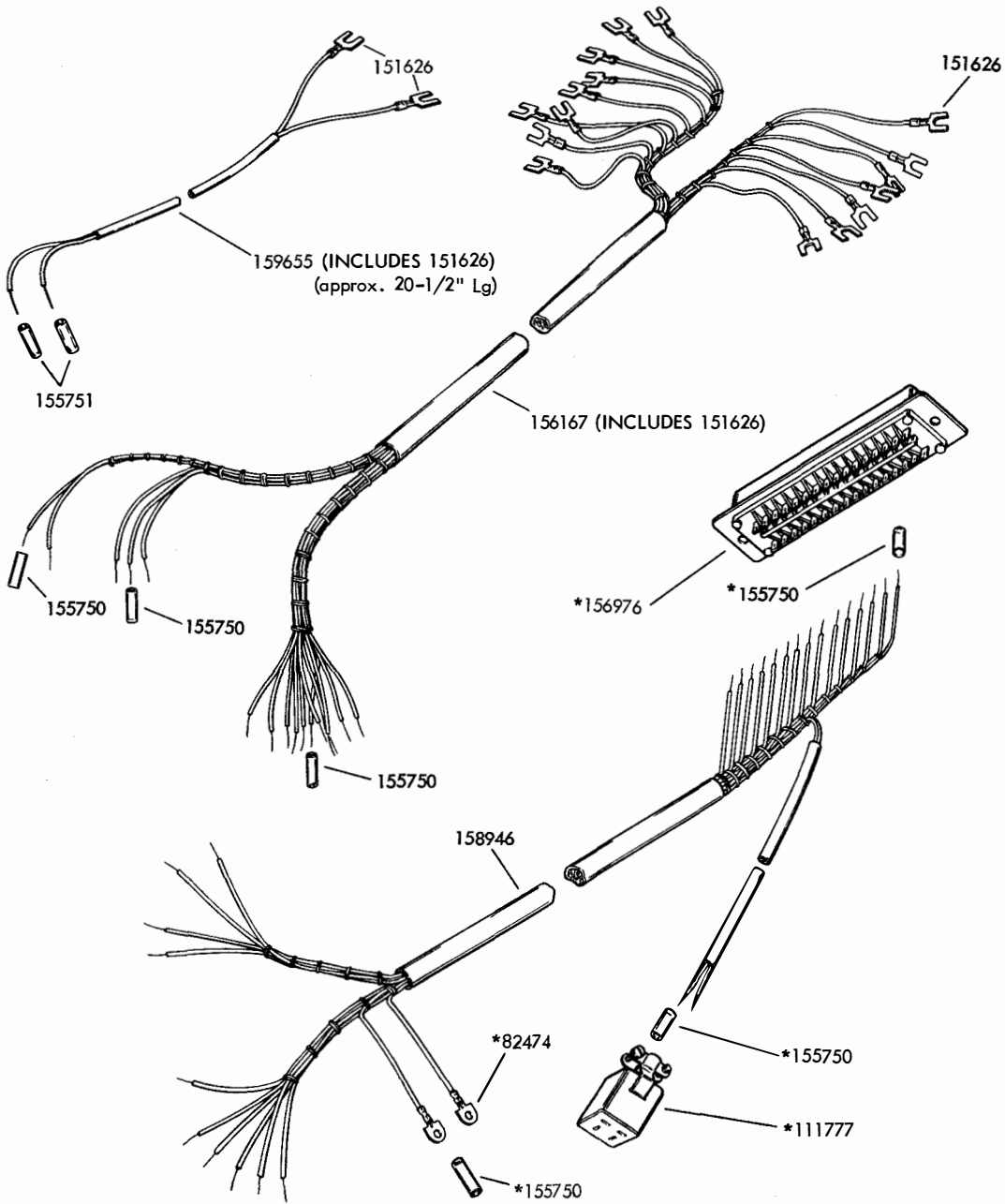


FIGURE 22. MODIFICATION KITS TO ADD CODE READING CONTACTS



*Peculiar to 158946

FIGURE 23. CABLES

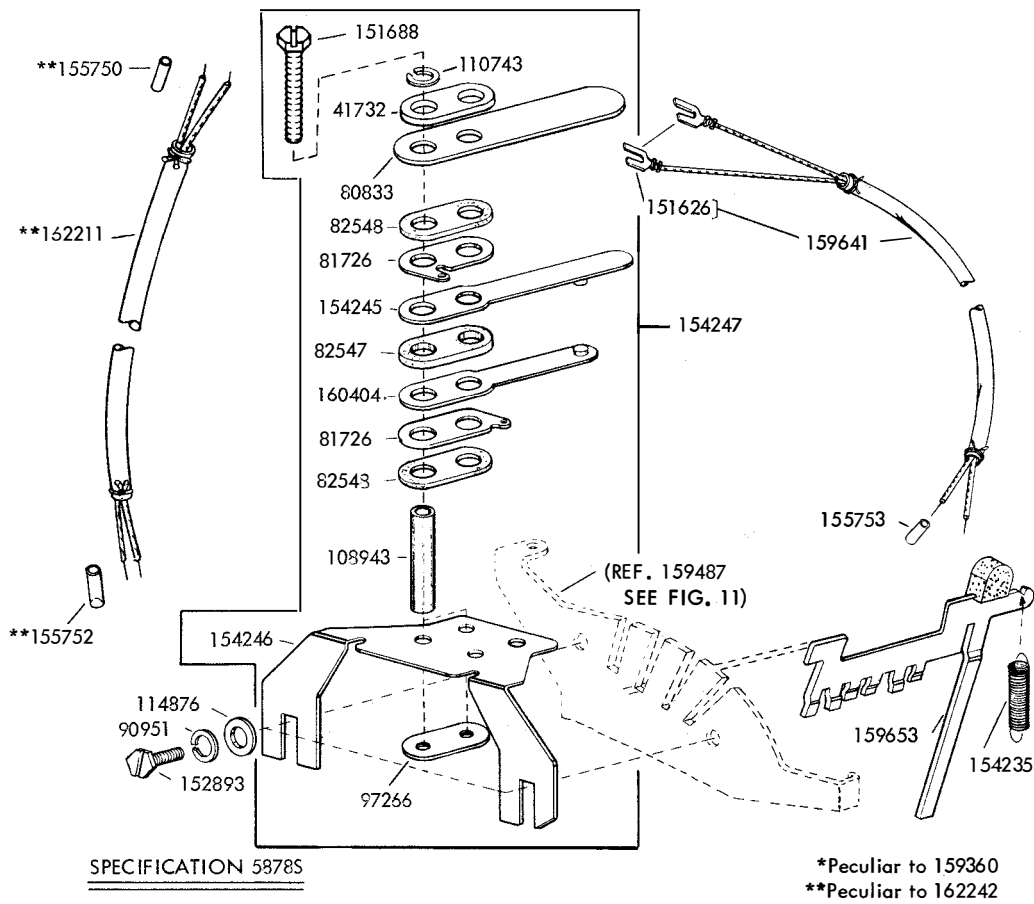


FIGURE 24. 159360 AND 162242 MODIFICATION KITS TO ADD SIGNAL BELL CONTACT

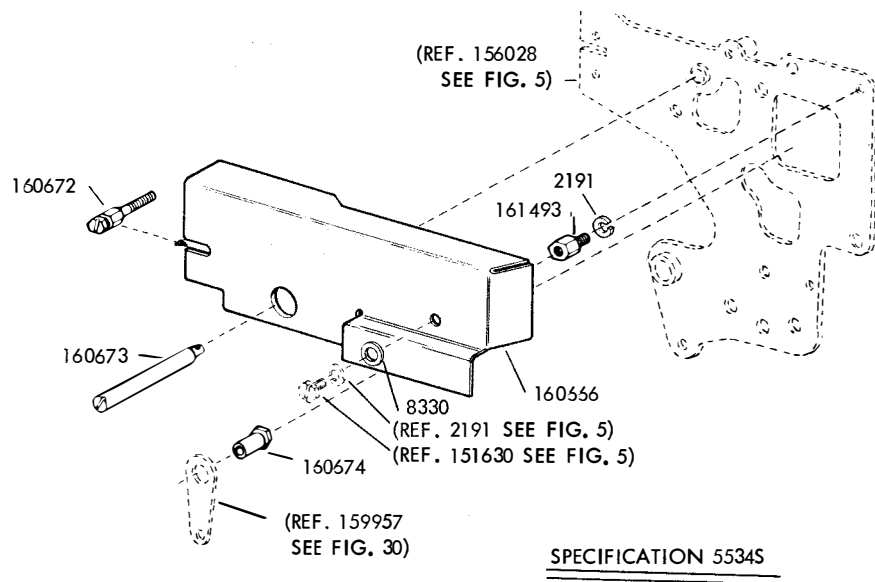


FIGURE 25. 160881 MODIFICATION KIT TO ADD GUARD FOR BACKSPACE MECHANISM (PRINTING ON EDGE OF TAPE)

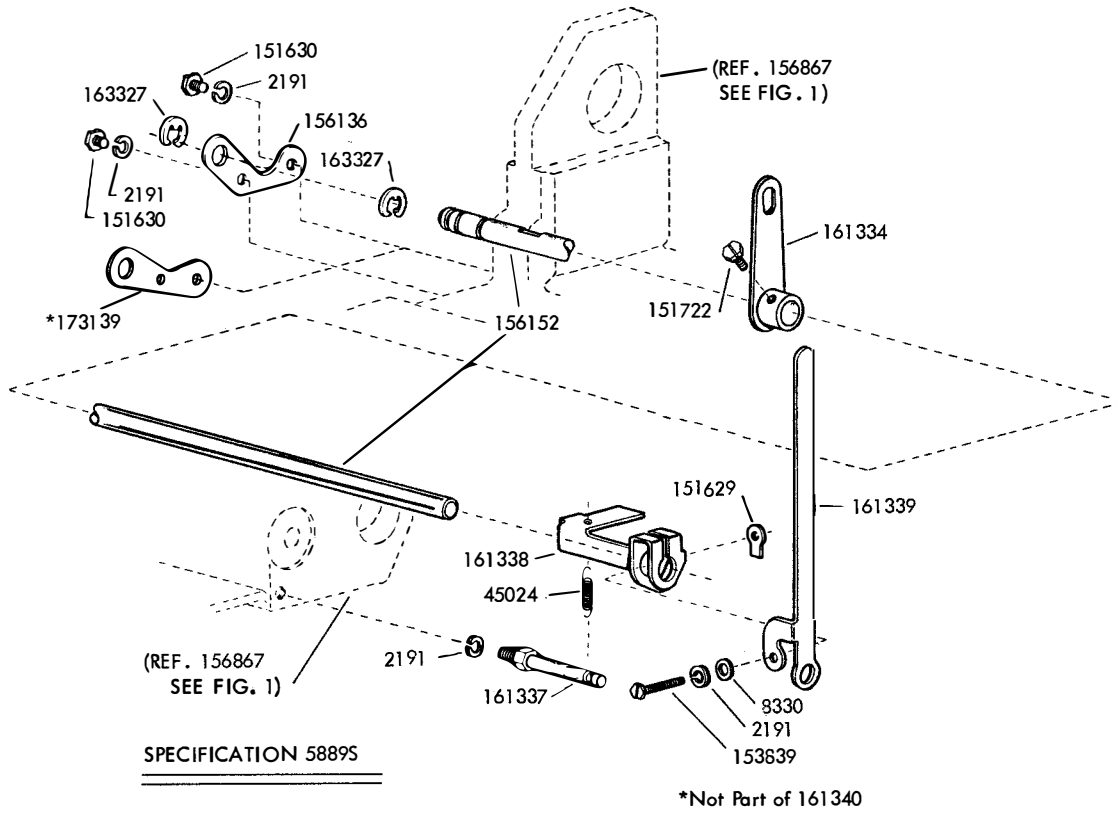


FIGURE 26. 161340 MODIFICATION KIT TO ADD MANUAL INTERFERING LETTERS TAPE FEED-OUT

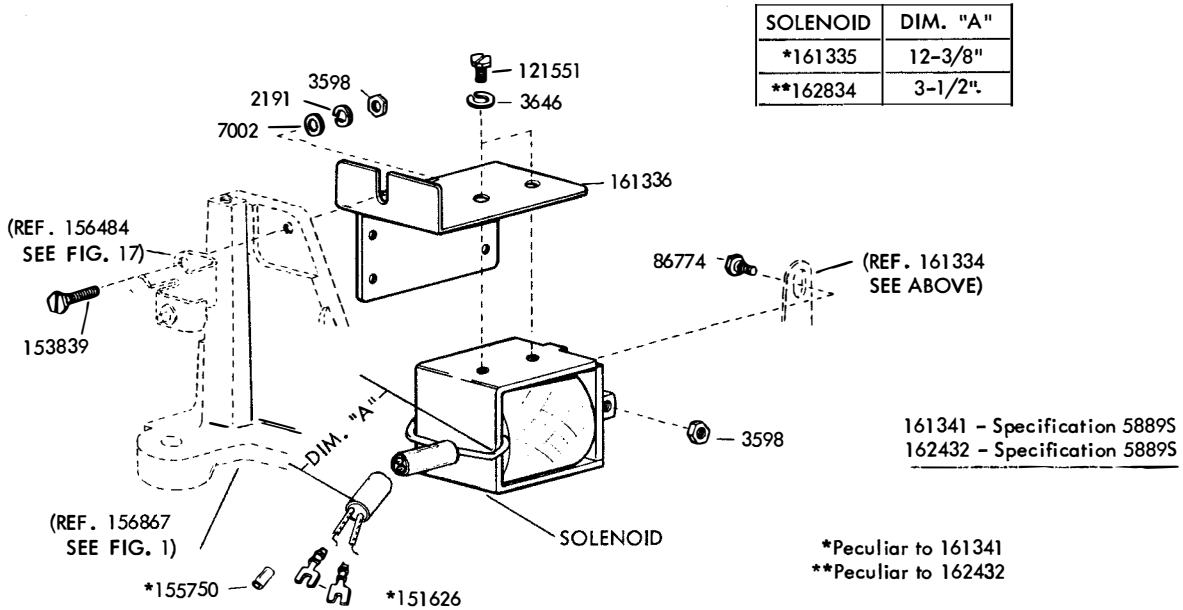


FIGURE 27. 161341 AND 162432 MODIFICATION KITS TO ADD SOLENOID OPERATIONS TO LETTERS FEED-OUT

ASR GEAR SETS - 5 LEVEL CODE								
Set Number	Pinion	Teeth	Driven Gear	Teeth	Speed			
					7.00 Unit Code		7.42 Unit Code	
					WPM	Baud	WPM	Baud
163023	159894 (S)	28	159895 (F)	80	—	—	60	45.45
163024	159891 (S)	21	159892 (F)	48	—	—	75	56.88
	163019 (N)		163020 (N)					
163025	159888 (S)	28	159889 (F)	49	—	—	100	74.2
	163015 (N)		163018 (N)					
163457	163455 (S)	20	163456 (F)	52	71	50	—	—
163502	163501 (S)	30	163500 (F)	52	107	75	—	—
173992	173993 (S)	14	173994 (F)	40	65	45.45	—	—
195184	195182 (N)	20	195183 (N)	52	—	—	67	50

(S) = Steel
(F) = Fiber
(N) = Nylon

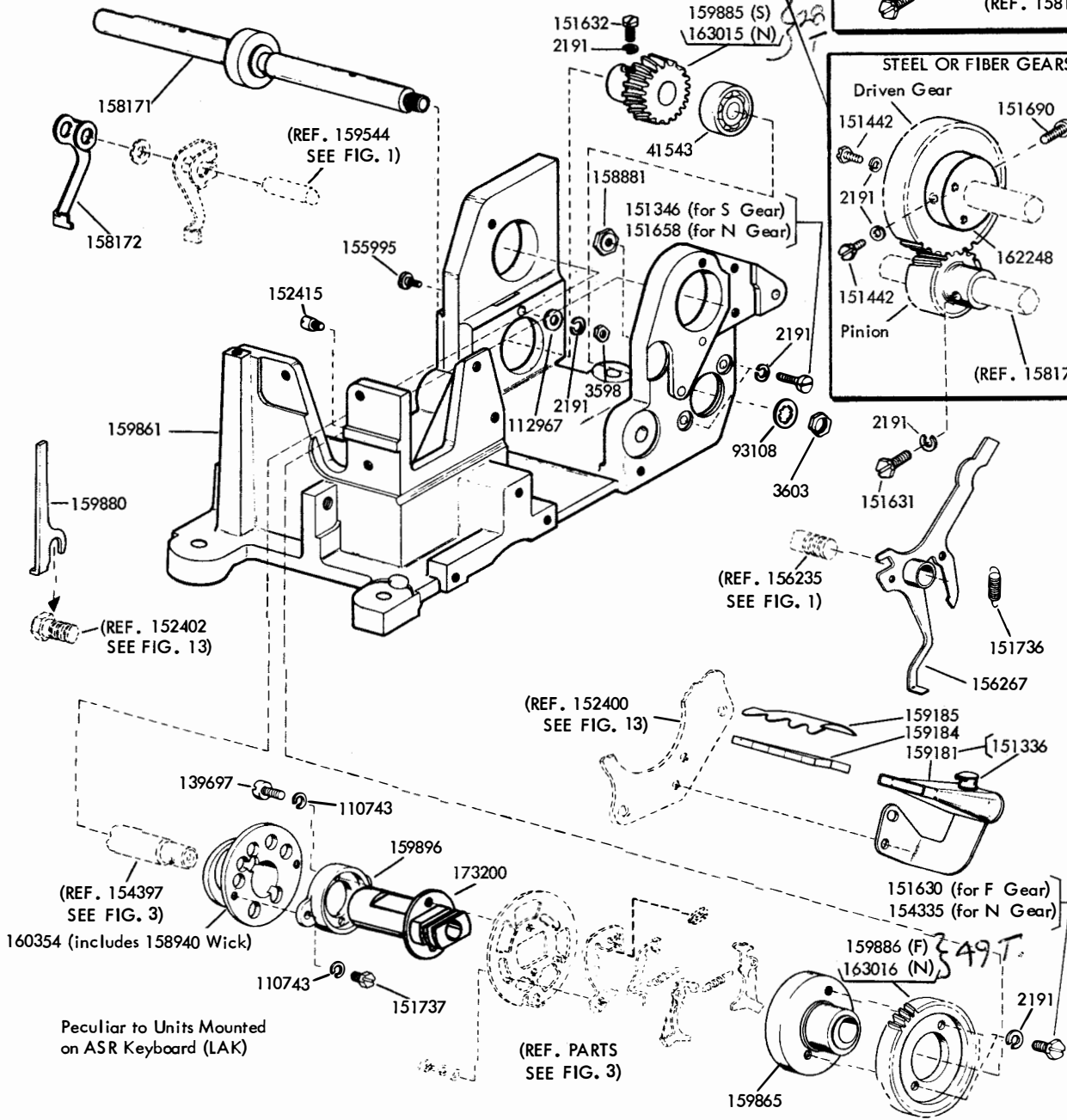
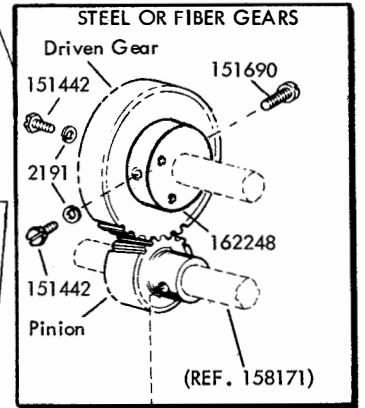
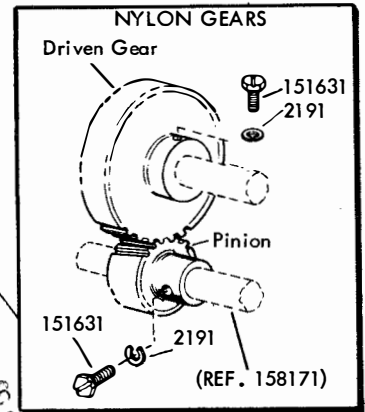
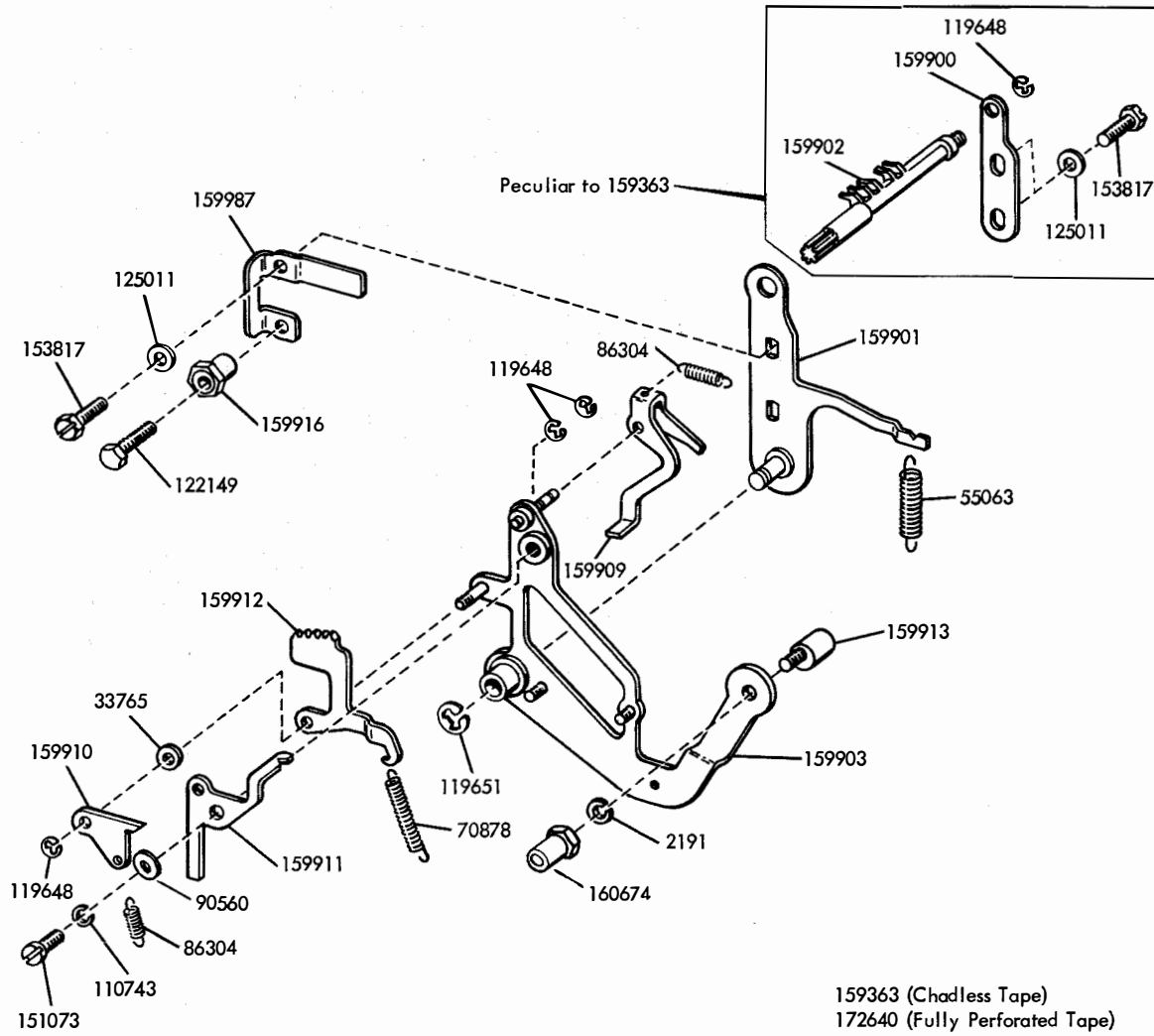
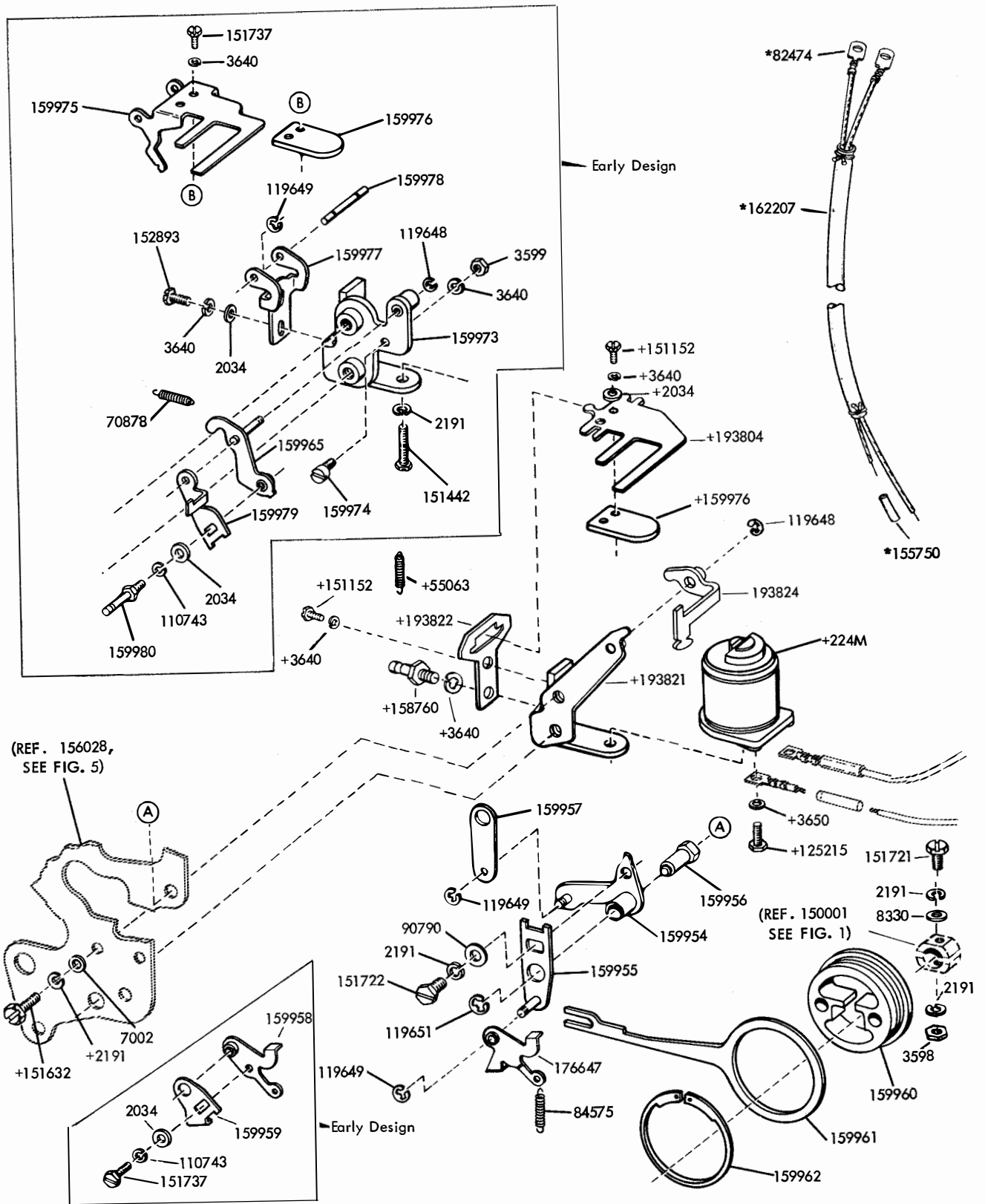


FIGURE 28. TWO-SHAFT MECHANISM



159363 - Specification 5534S
172640 - Specification 5534S

FIGURE 29. 159363 AND 172640 MODIFICATION KITS TO ADD MANUAL BACKSPACE (PRINTING ON EDGE OF TAPE)



* Peculiar to 162245
 +Part of 193825 Backspace Magnet Assembly

SPECIFICATION 5534S

FIGURE 30. 161304 AND 162245 MODIFICATION KITS TO ADD POWER DRIVE TO BACKSPACE MECHANISMS

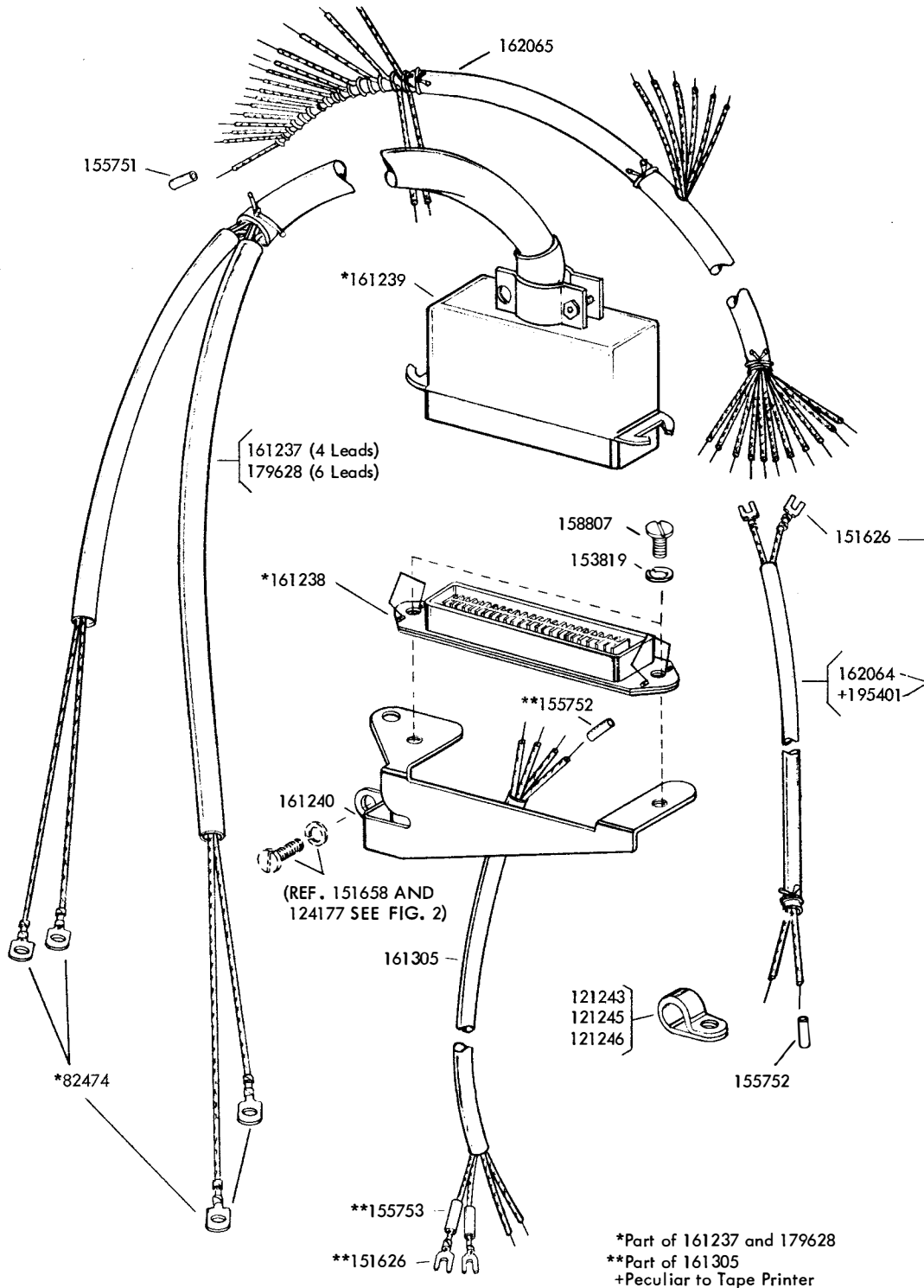
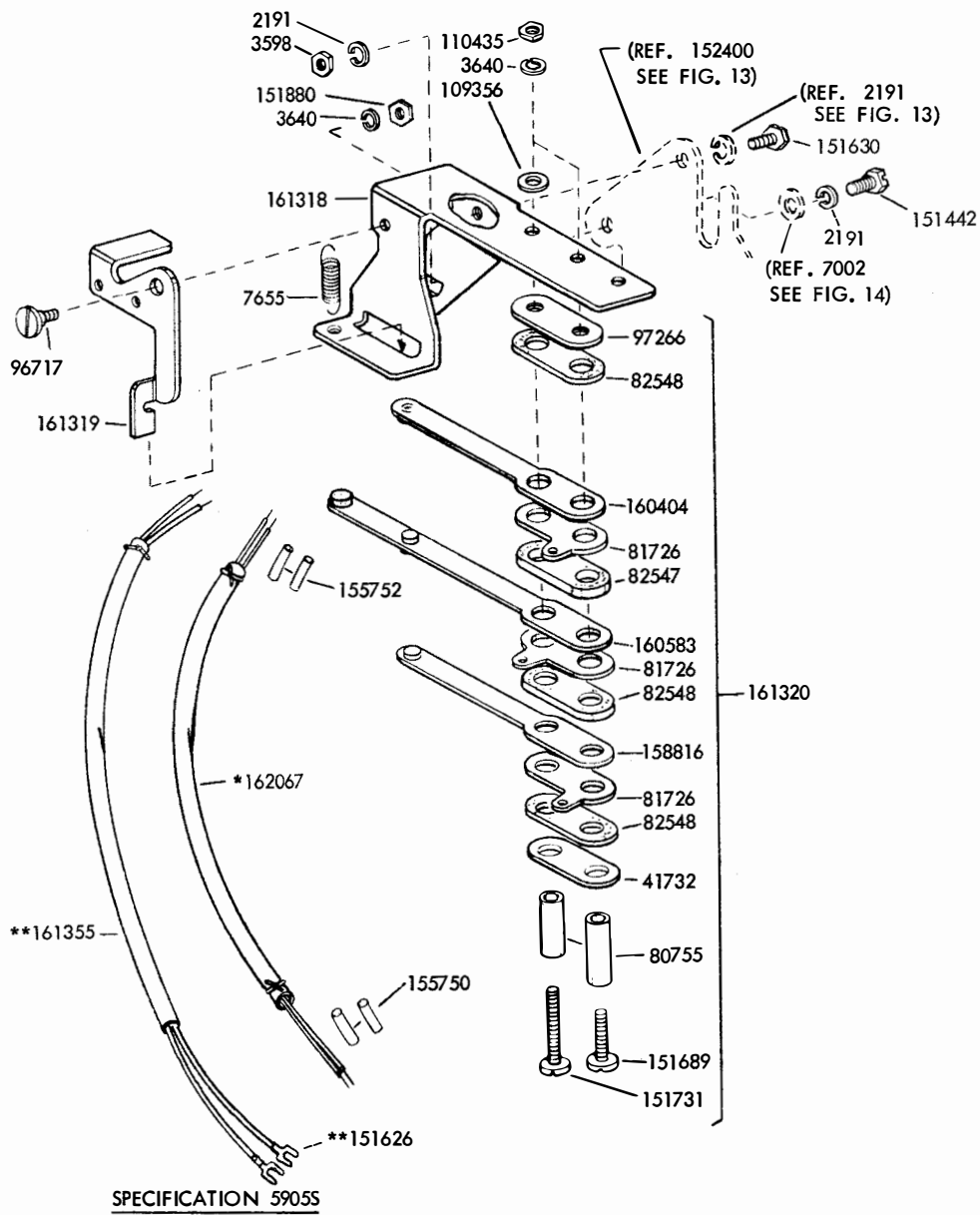
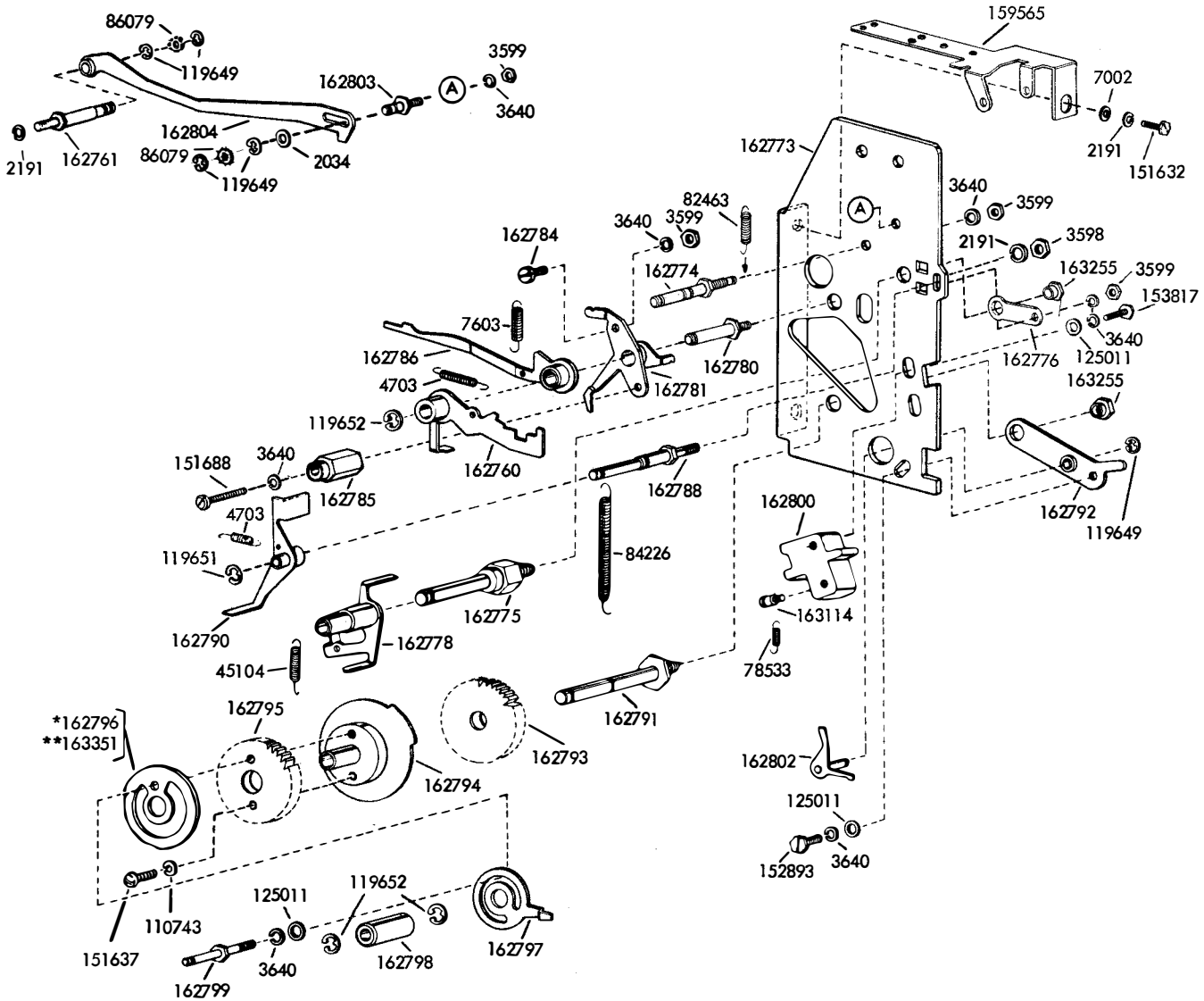


FIGURE 31. CABLES



*Peculiar to 162247 - for Units Equipped with Connector .
 **Peculiar to 161321 - for Units not Equipped with Connector .

FIGURE 32. 161321 AND 162247 LETTERS - FIGURES CONTACT ASSEMBLY

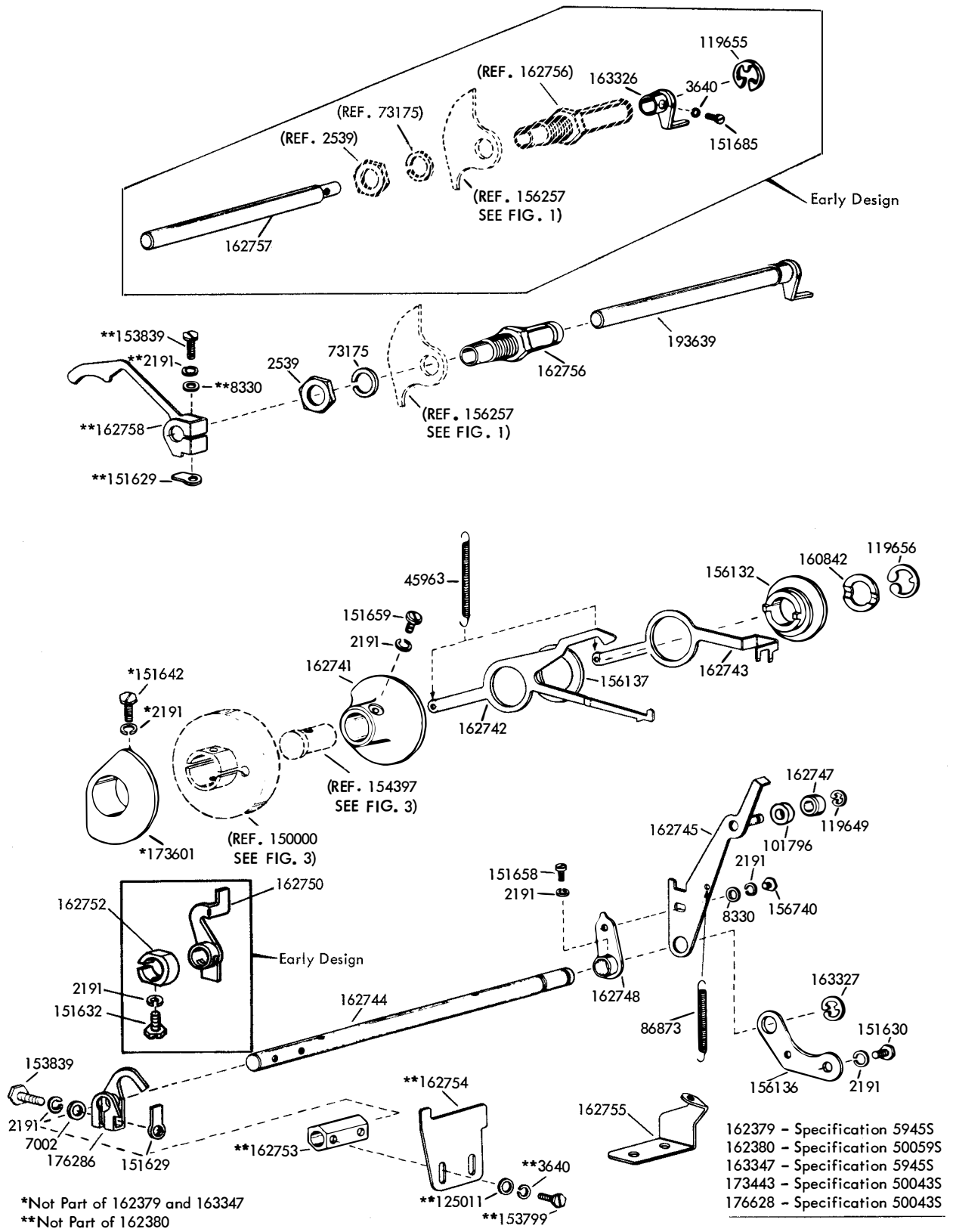


*Peculiar to 162379 (4 Second Time Delay at 100 WPM)
 **Peculiar to 163347 (16 Second Time Delay at 100 WPM)

(ALSO SEE FIGURES 34 AND 35)

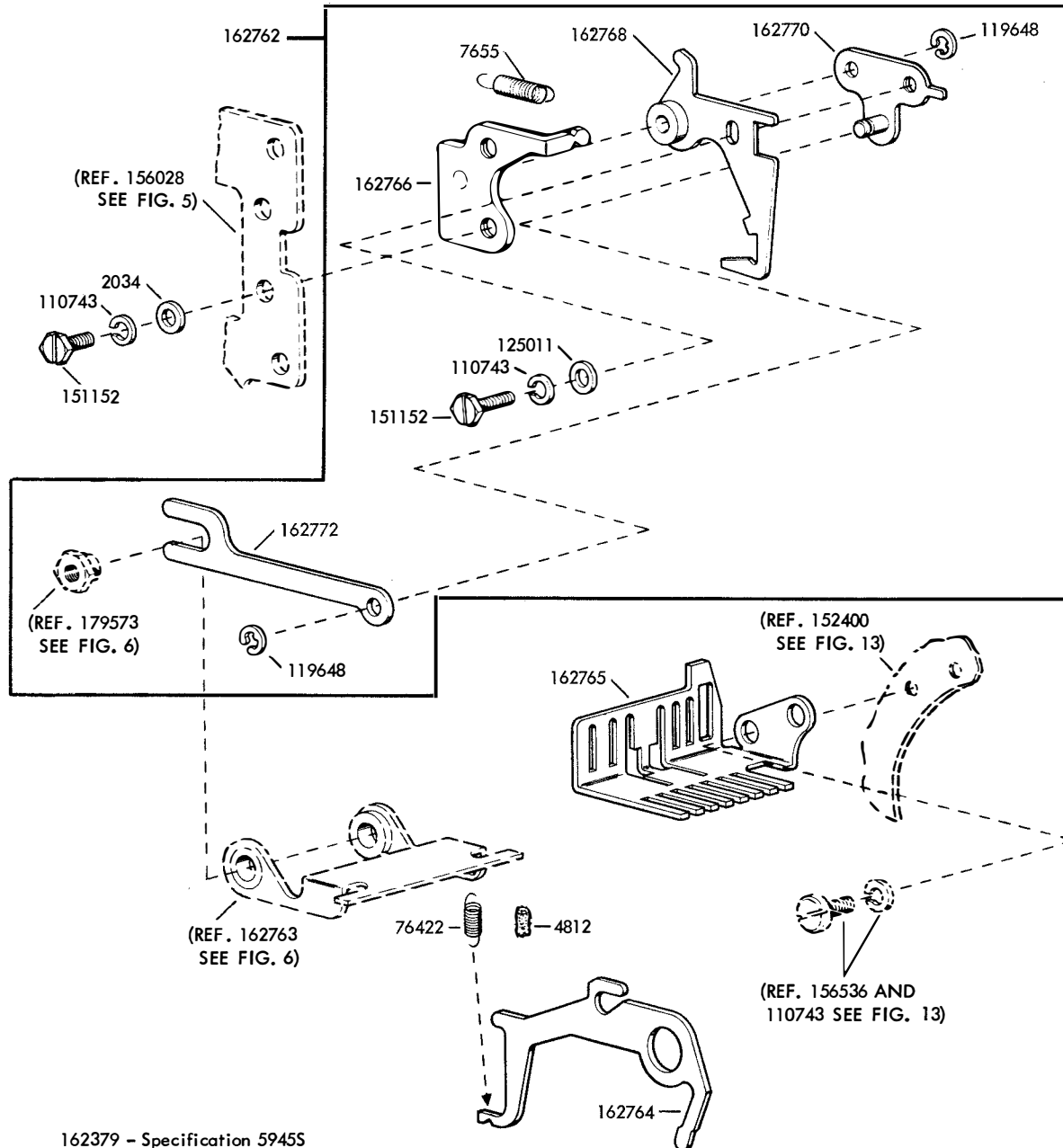
162379 - Specification 59455
 163347 - Specification 59455

FIGURE 33. 162379 AND 163347 MODIFICATION KITS TO ADD AUTOMATIC NON-INTERFERING LETTERS TAPE FEED-OUT



(ALSO SEE FIGURES 33, 35, 36, 37)

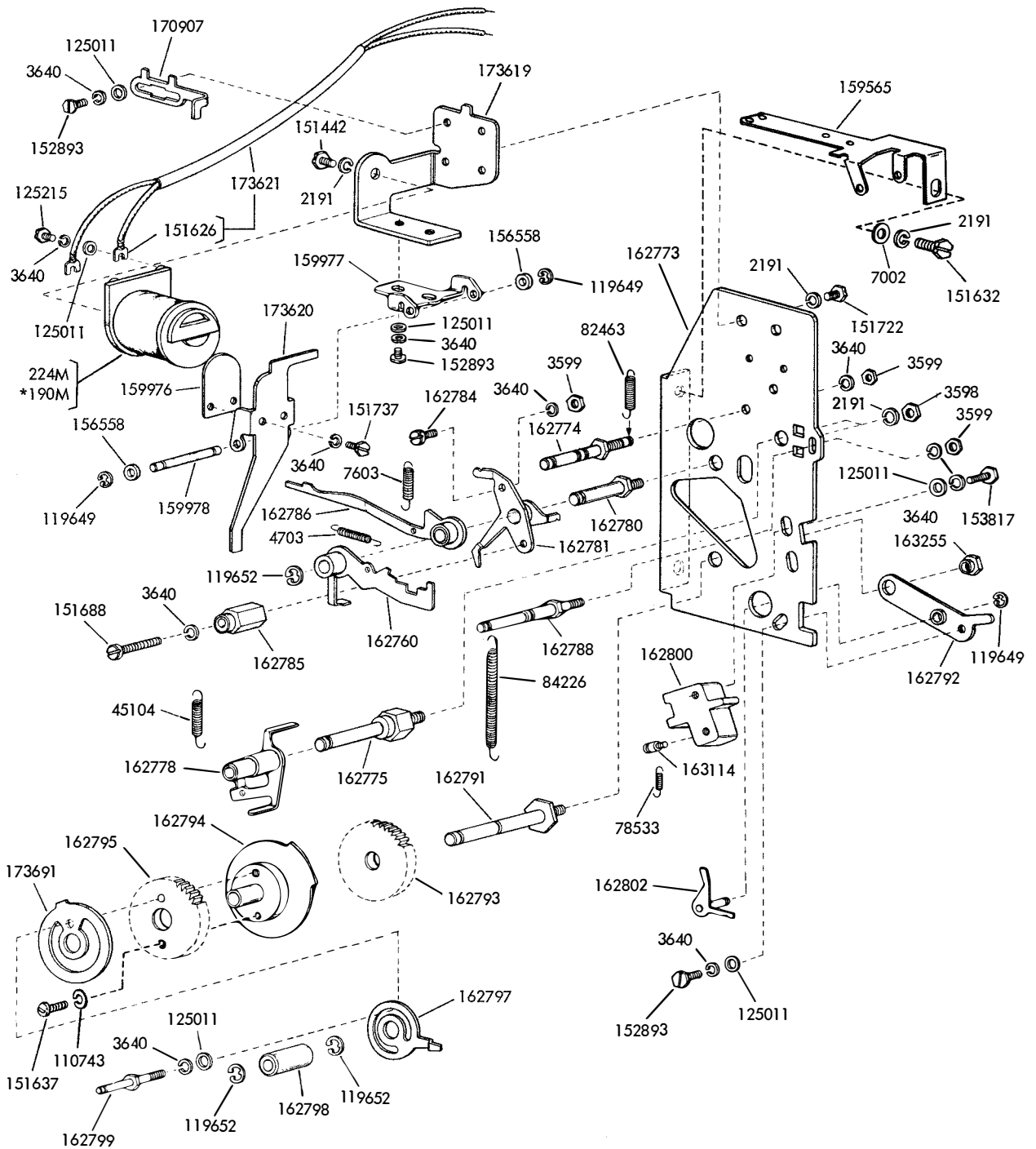
FIGURE 34. 162379 (AUTOMATIC LETTERS), 162380 (REMOTE CONTROL BLANK), 163347 (AUTOMATIC LETTERS), 173443 (REMOTE CONTROL LETTERS) AND 176628 (REMOTE CONTROL LETTERS) MODIFICATION KITS TO ADD NON-INTERFERING TAPE FEED-OUT



- 162379 - Specification 5945S
- 162380 - Specification 50059S
- 163347 - Specification 5945S
- 173443 - Specification 50043S
- 176628 - Specification 50043S

(ALSO SEE FIGURES 33, 34, 36, 37)

FIGURE 35. 162379 (AUTOMATIC LETTERS), 162380 (REMOTE CONTROL BLANK), 163347 (AUTOMATIC LETTERS), 173443 (REMOTE CONTROL LETTERS) AND 176628 (REMOTE CONTROL LETTERS) MODIFICATION KITS TO ADD NON-INTERFERING TAPE FEED-OUT

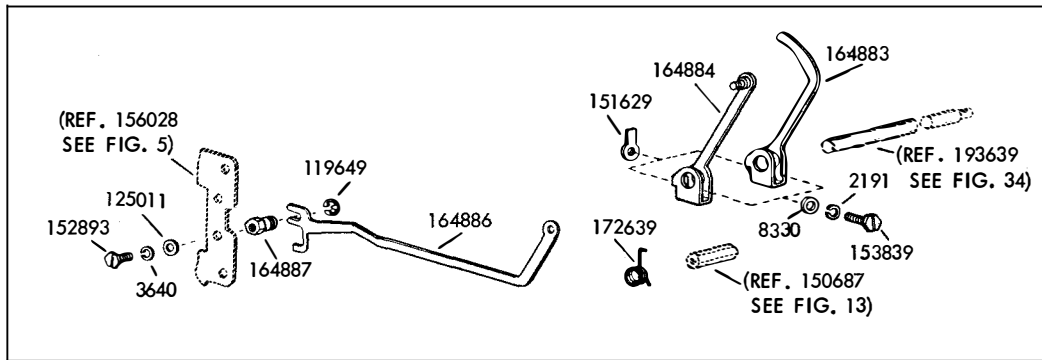


162380 - Specification 500595
 173443 - Specification 500435
 176628 - Specification 500435

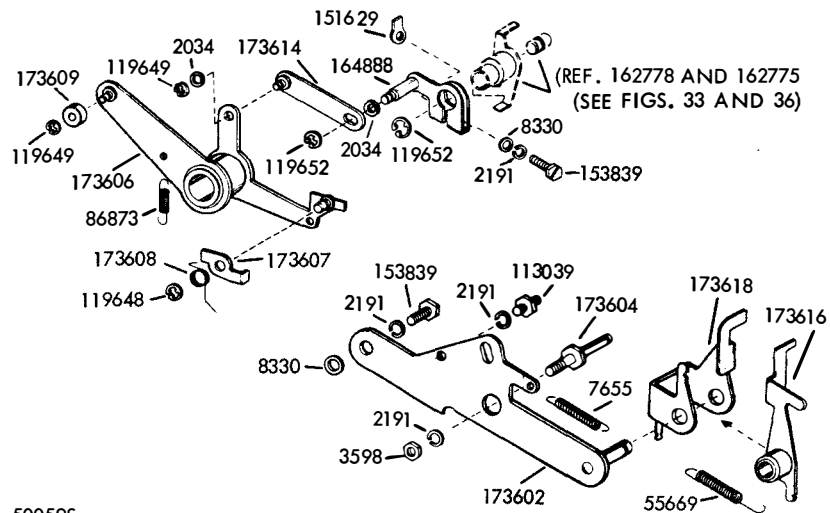
*Peculiar to 176628

(ALSO SEE FIGURES 34, 35, 37)

FIGURE 36. 162380 (BLANK), 173443 (LETTERS) AND 176628 (LETTERS) MODIFICATION KITS TO ADD REMOTE CONTROL NON-INTERFERING TAPE FEED-OUT



PECULIAR TO 162380 MODIFICATION KIT



- 162380 - Specification 50059S
- 173443 - Specification 50043S
- 176628 - Specification 50043S

(ALSO SEE FIGURES 34, 35, 36)

FIGURE 37. 162380 (BLANK), 173443 (LETTERS) AND 176628 (LETTERS) MODIFICATION KITS TO ADD REMOTE CONTROL NON-INTERFERING TAPE FEED-OUT

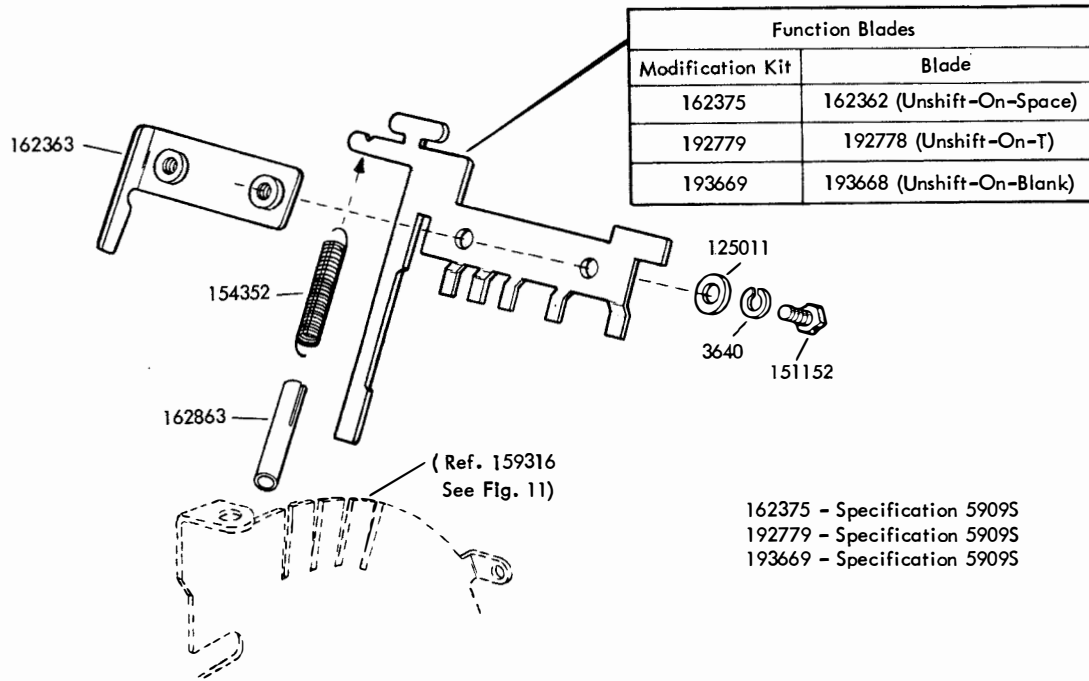
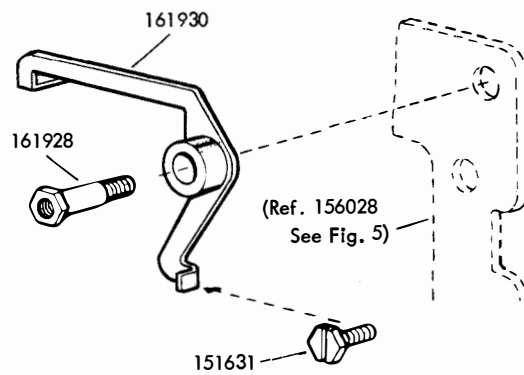


FIGURE 38. MODIFICATION KITS TO PROVIDE UNSHIFT FUNCTION



161828 - Specification 5534S

FIGURE 39. 161828 MODIFICATION KIT TO MAKE TAPE BACKSPACE AND BLANK FEED-OUT COMPATIBLE

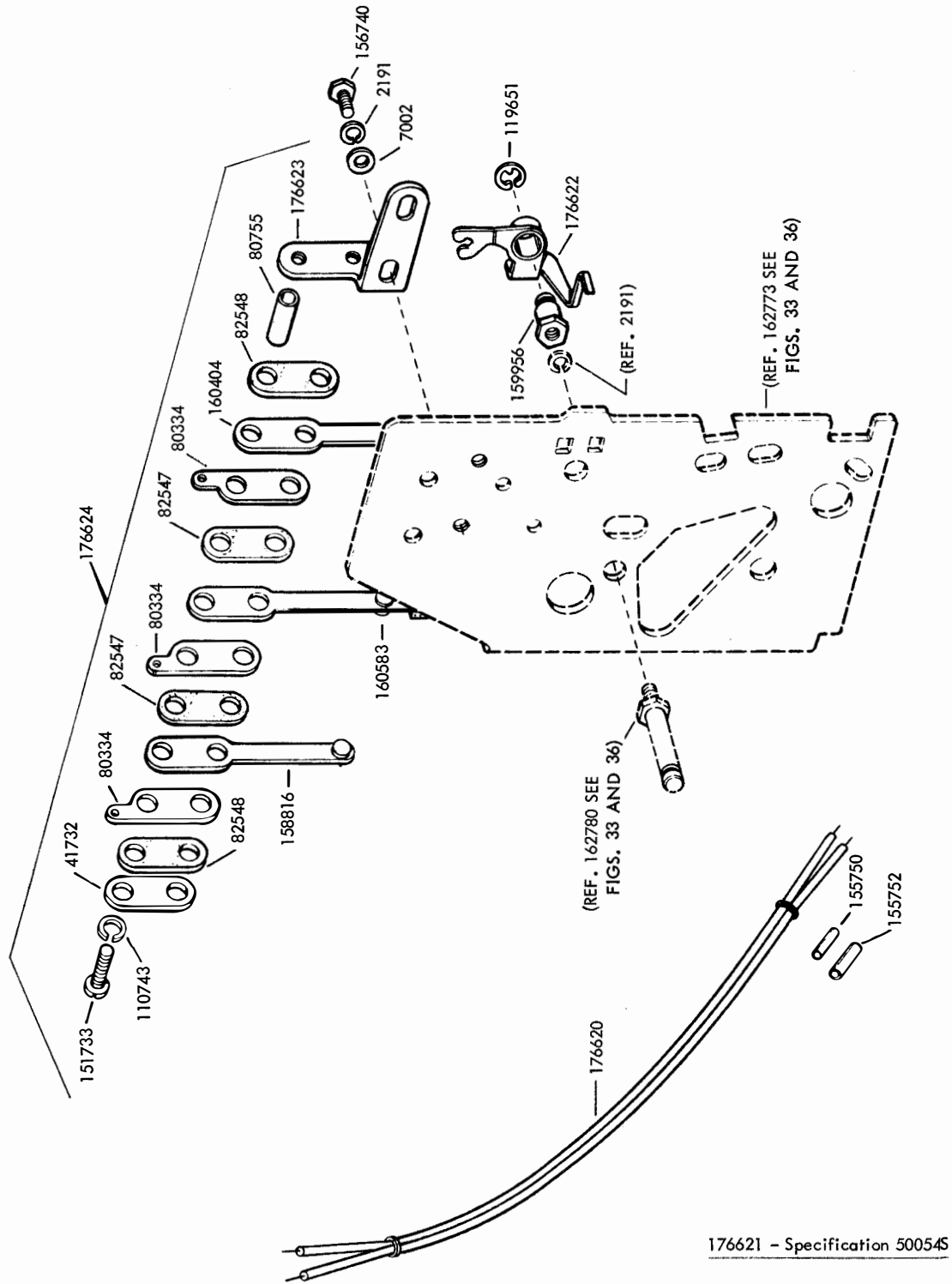
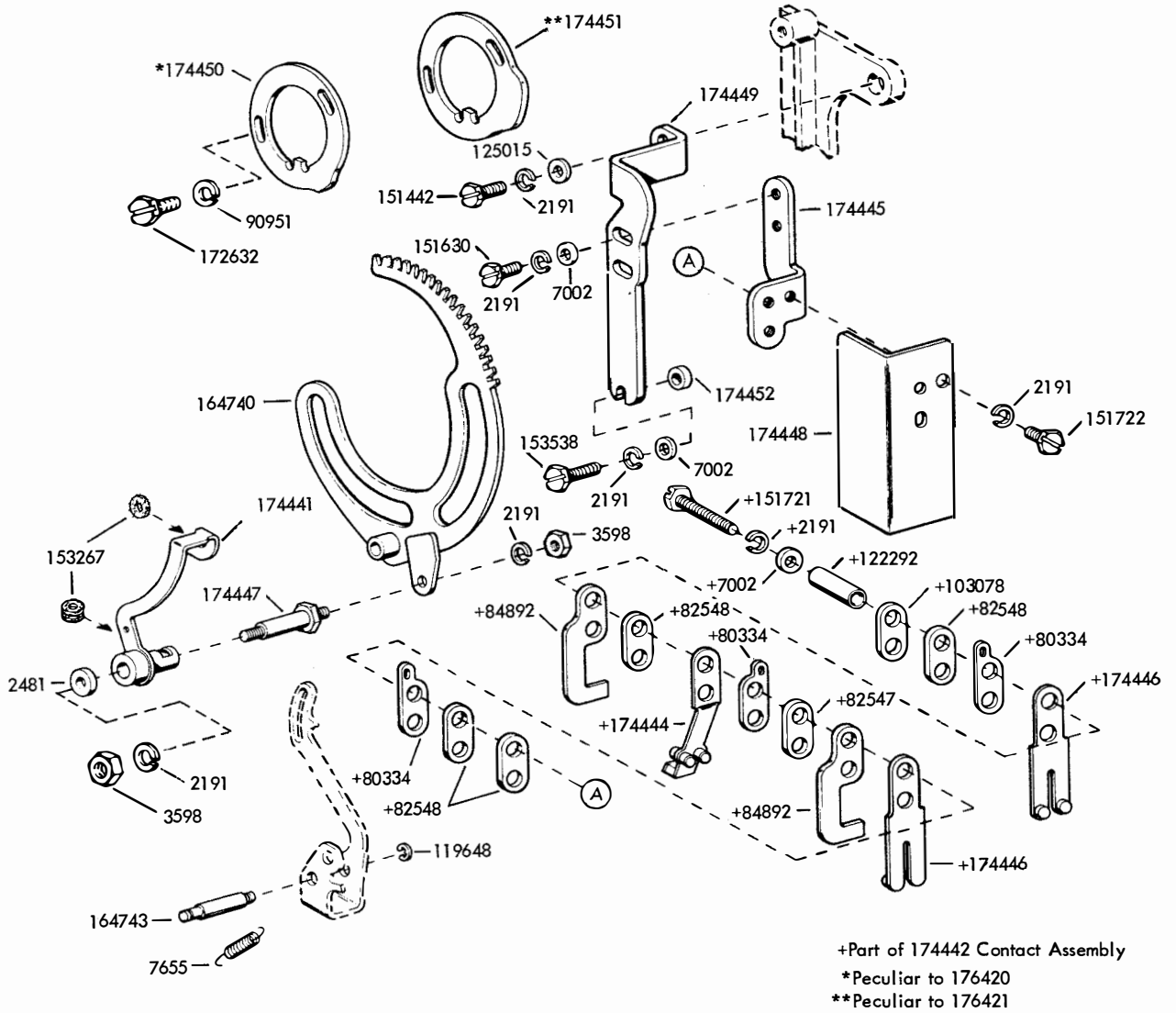


FIGURE 40. 176621 MODIFICATION KIT TO PROVIDE END OF FEED-OUT TIMING CONTACT FOR 176628 LETTERS TAPE FEED-OUT



176420 - Specification 50041S
 176421 - Specification 50041S

FIGURE 41. 176420 AND 176421 MODIFICATION KITS TO ADD TIMING CONTACTS TO SELECTOR

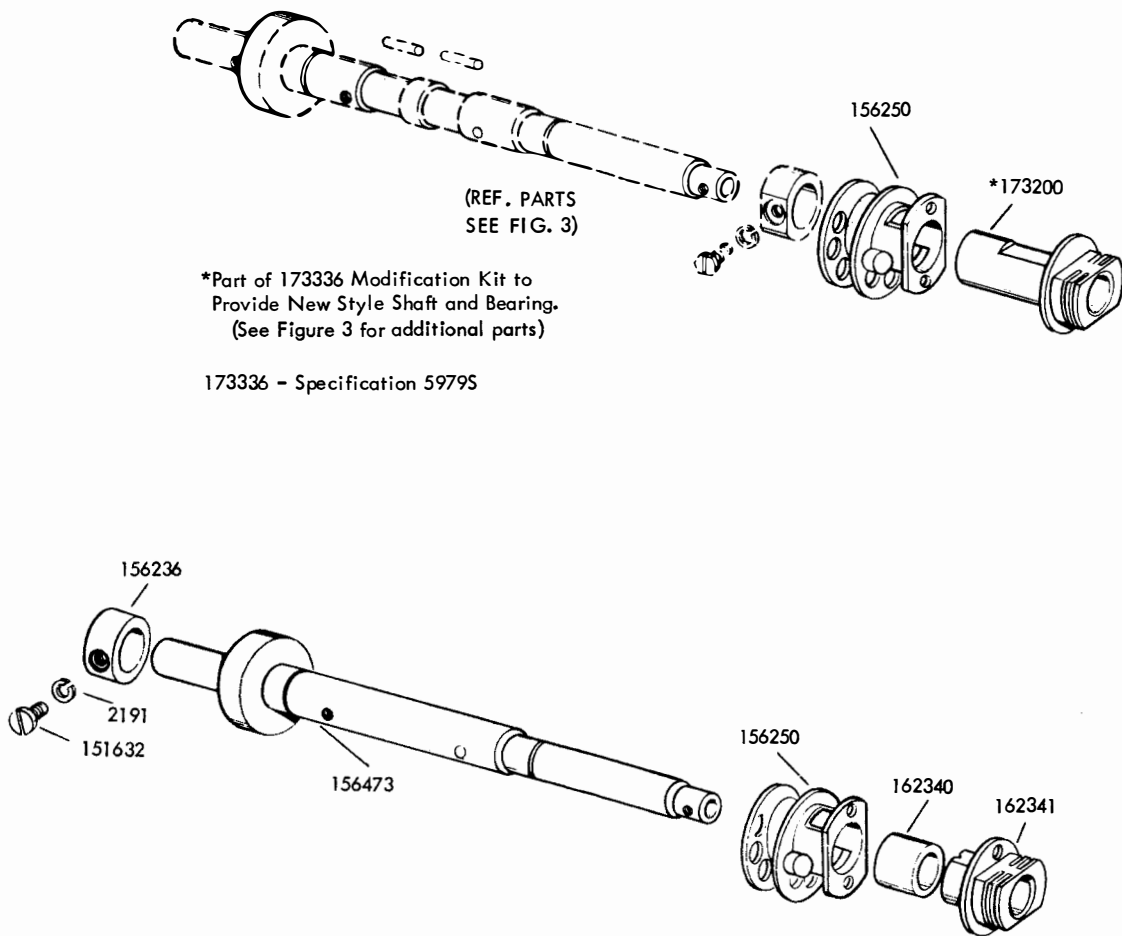


FIGURE 42. EARLY DESIGN MAIN SHAFT MECHANISMS

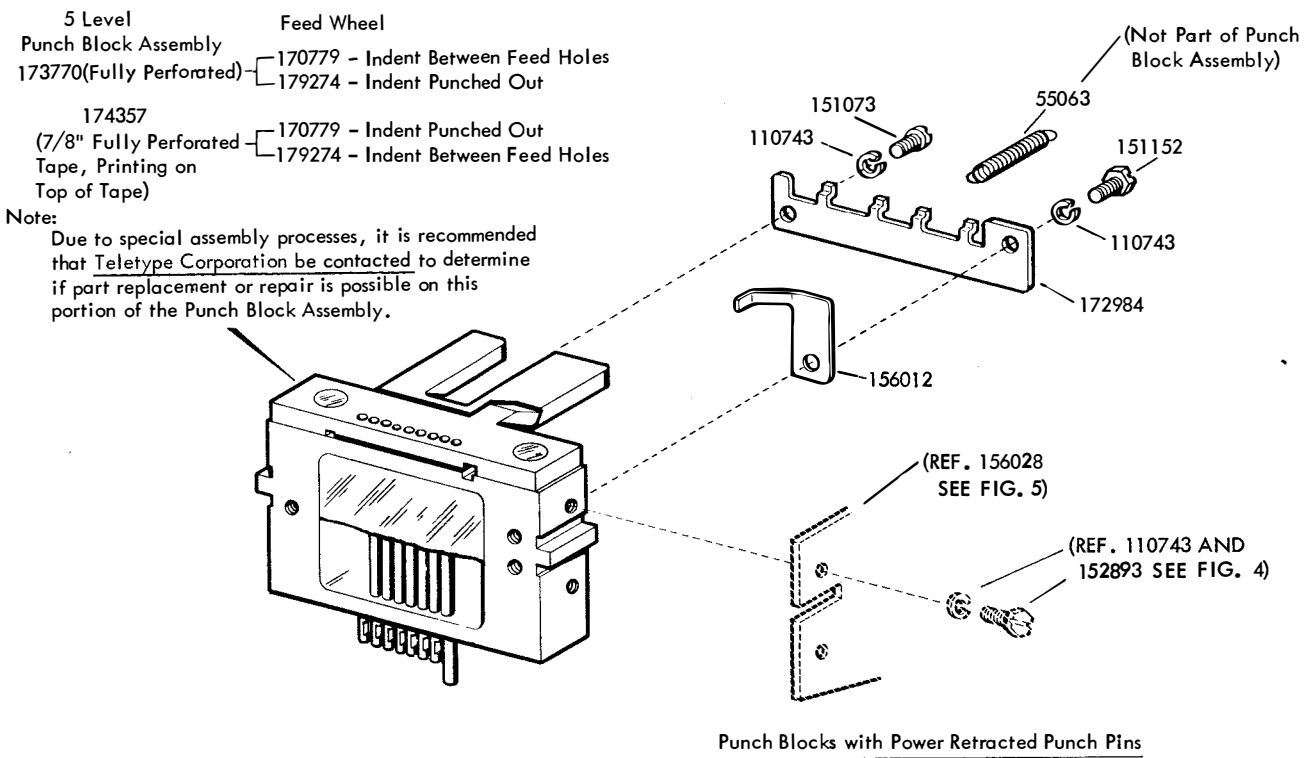
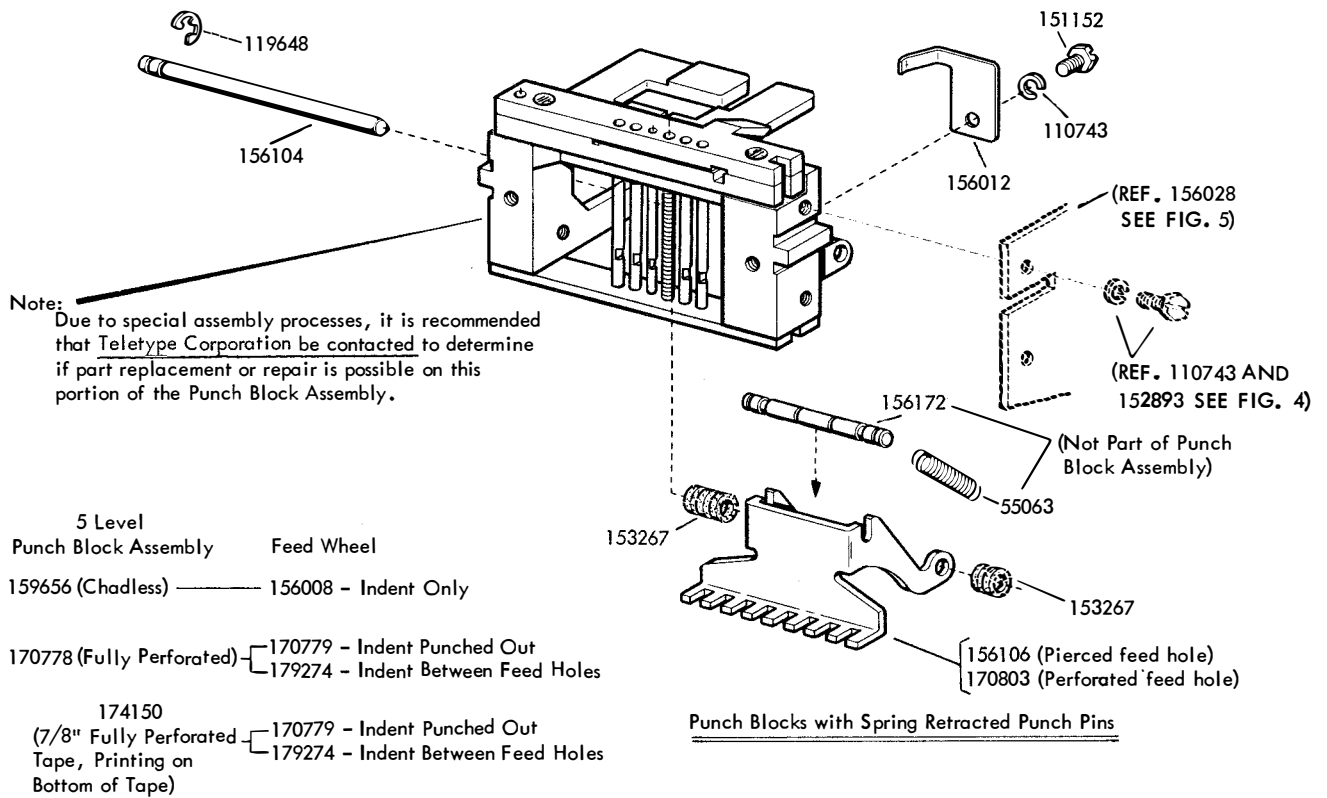
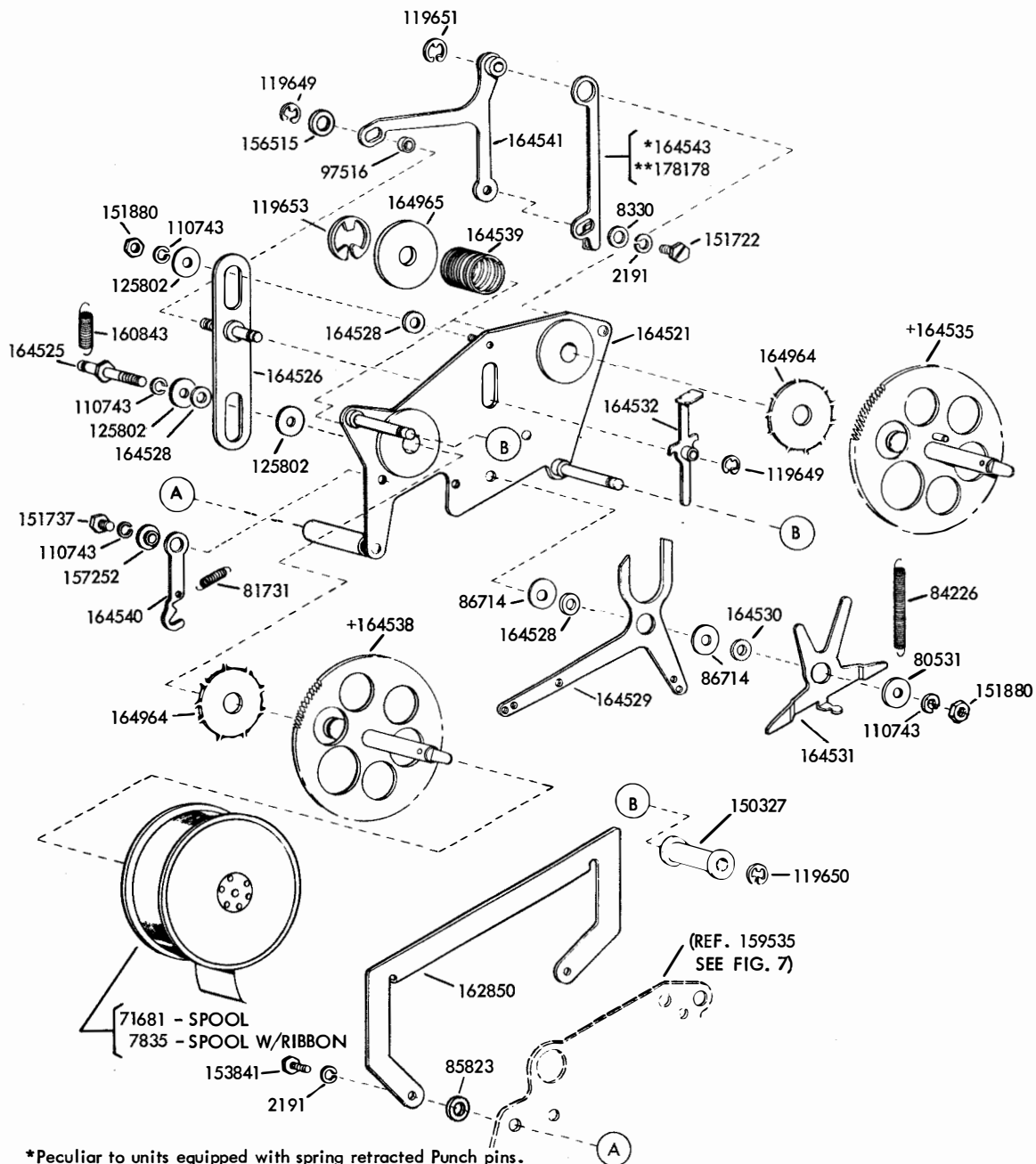


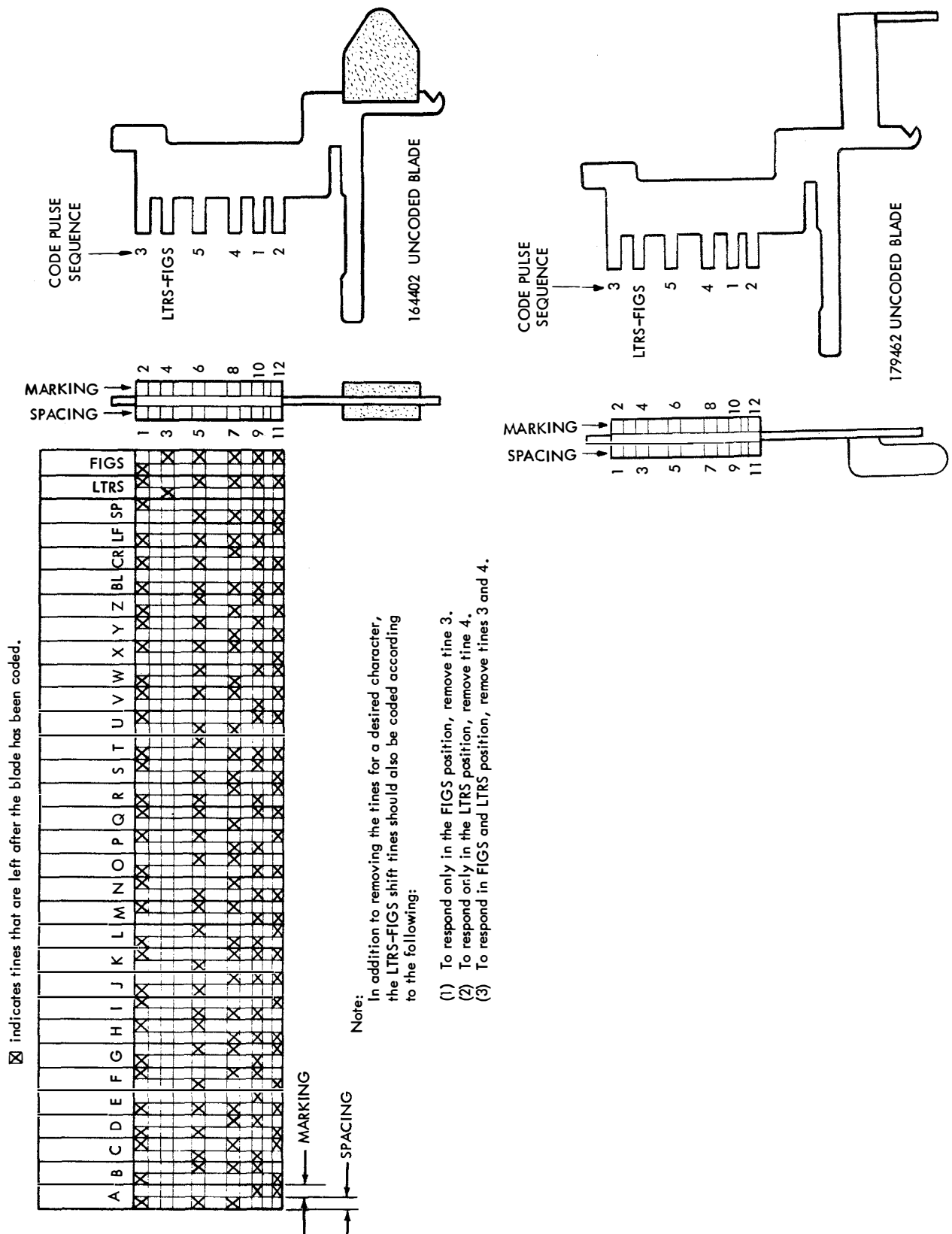
FIGURE 43. PUNCH BLOCK ASSEMBLIES



- *Peculiar to units equipped with spring retracted Punch pins.
- **Peculiar to units equipped with power retracted Punch pins.
- +A 179579 Decalcomania which shows direction of "Ribbon to Roller" is available.

For Early Design Ribbon Feed Mechanism See Figure 16)

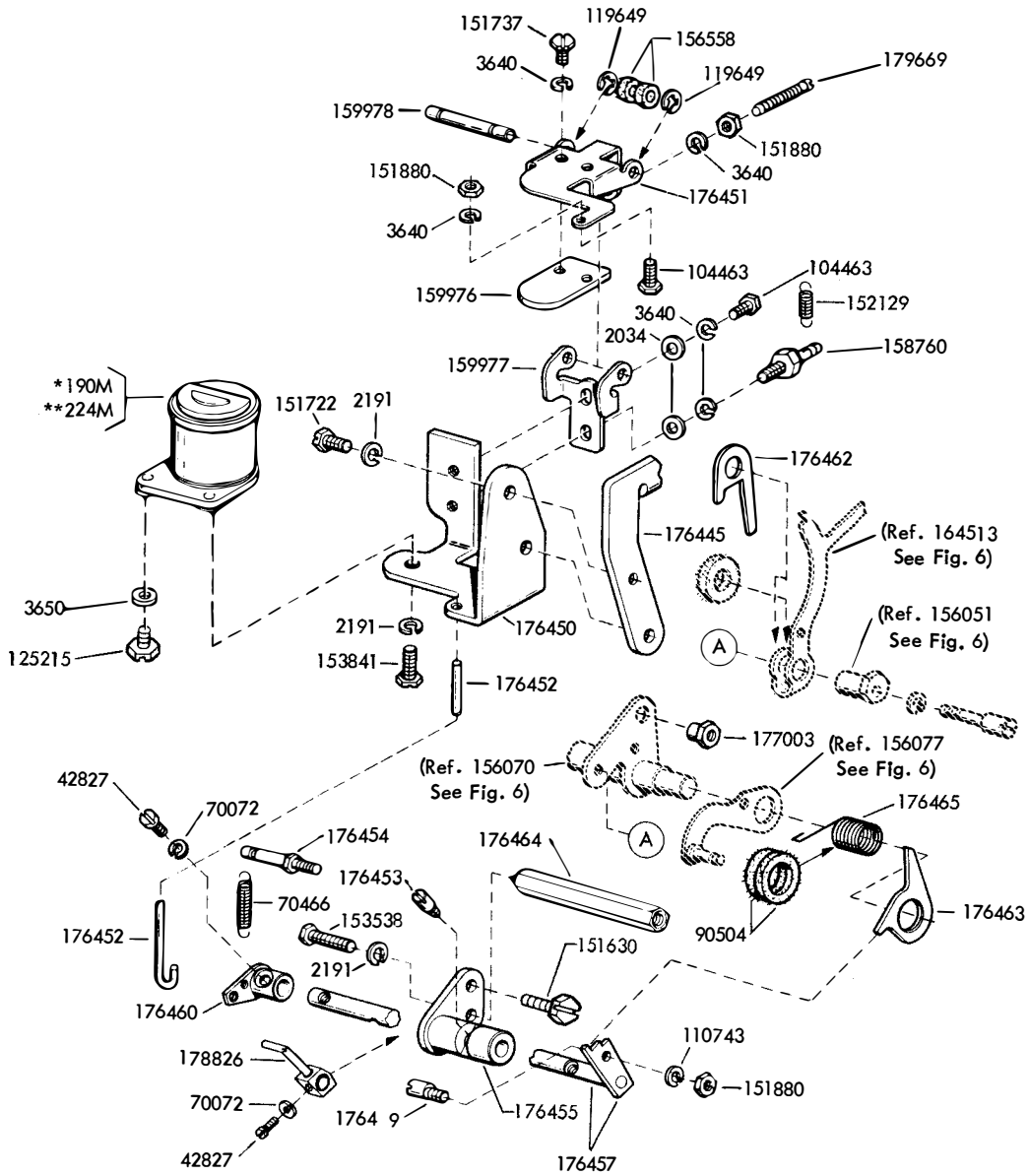
FIGURE 44. RIBBON FEED MECHANISM



Note: In addition to removing the tines for a desired character, the LTRS-FIGS shift tines should also be coded according to the following:

- (1) To respond only in the FIGS position, remove tine 3.
- (2) To respond only in the LTRS position, remove tine 4.
- (3) To respond in FIGS and LTRS position, remove tines 3 and 4.

FIGURE 45. UNCODED FUNCTION BLADES



*Peculiar to 173961
 **Peculiar to 179133

173961 - Specification 500585
 179133 - Specification 500585

(Also includes parts on Figure 47)

FIGURE 46. 173961 AND 179133 MODIFICATION KITS TO PROVIDE BLANK DELETE FOR TYPING REPERFORATOR

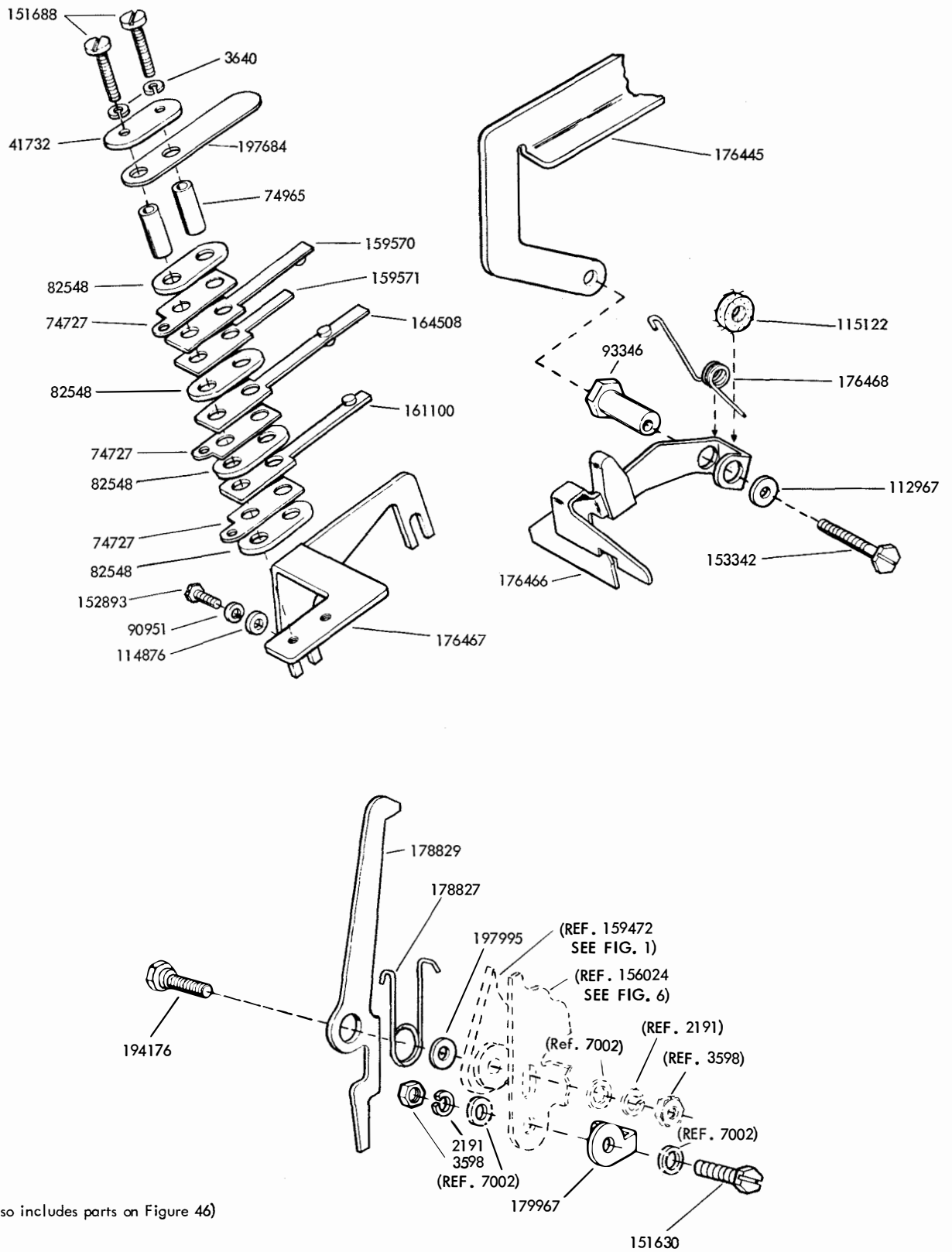


FIGURE 47. 173961 AND 179133 MODIFICATION KITS TO PROVIDE BLANK DELETE FOR TYPING REPERFORATOR

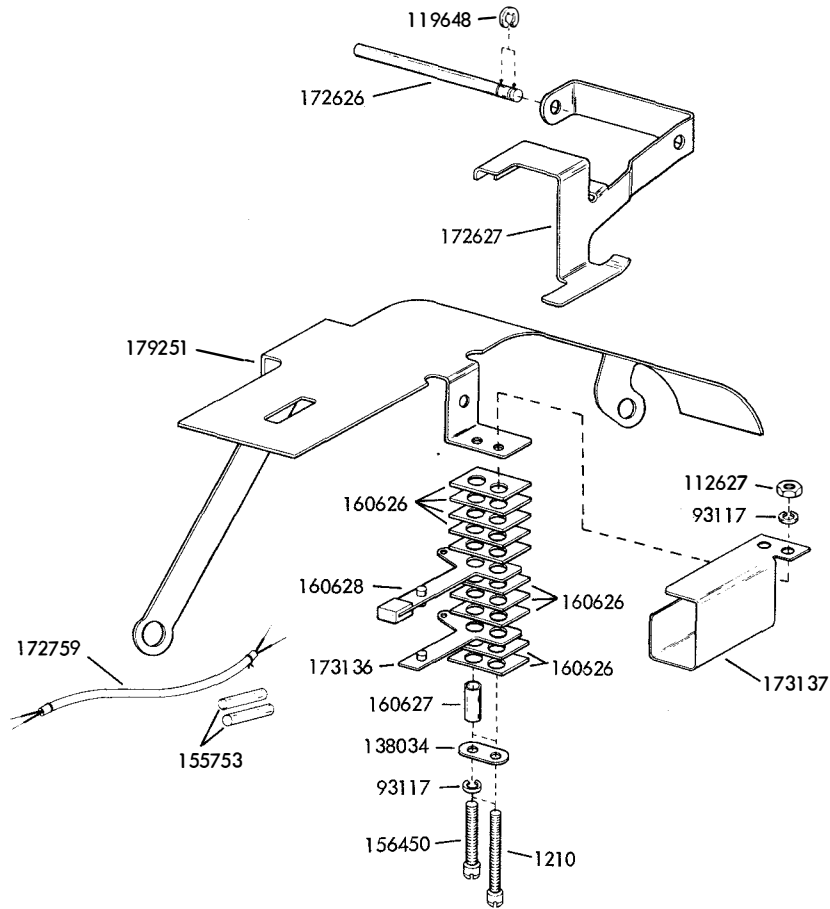


FIGURE 48. 173135 TAPE ABSENT CONTACT BRACKET ASSEMBLY

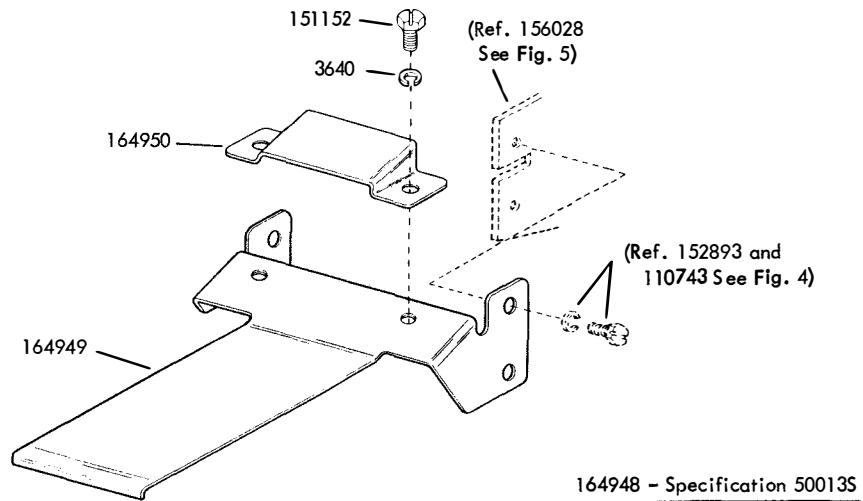


FIGURE 49. 164948 MODIFICATION KIT TO EQUIP REPERFORATOR WITH COMBINATION TAPE CHUTE AND KNIFE TEARING EDGE WHEN MOUNTED IN A UNIVERSAL CABINET

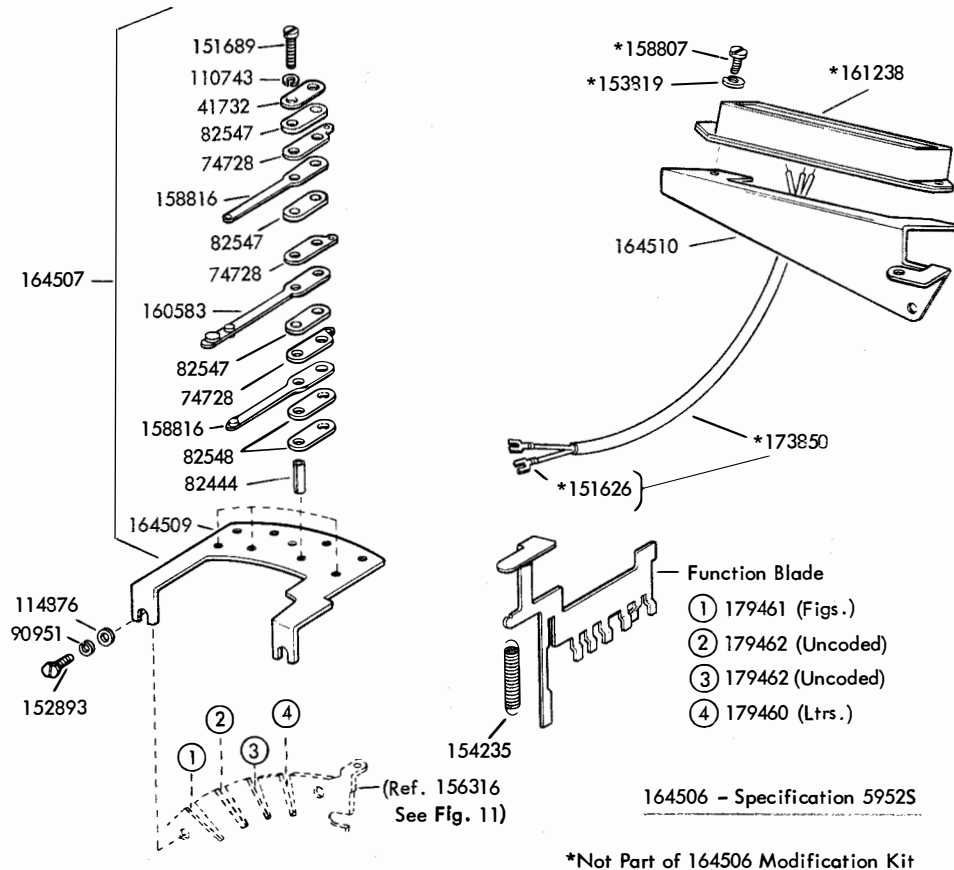


FIGURE 50. 164506 MODIFICATION KIT TO ADD MULTIPLE MOUNTED FUNCTION BLADE OPERATED CONTACTS

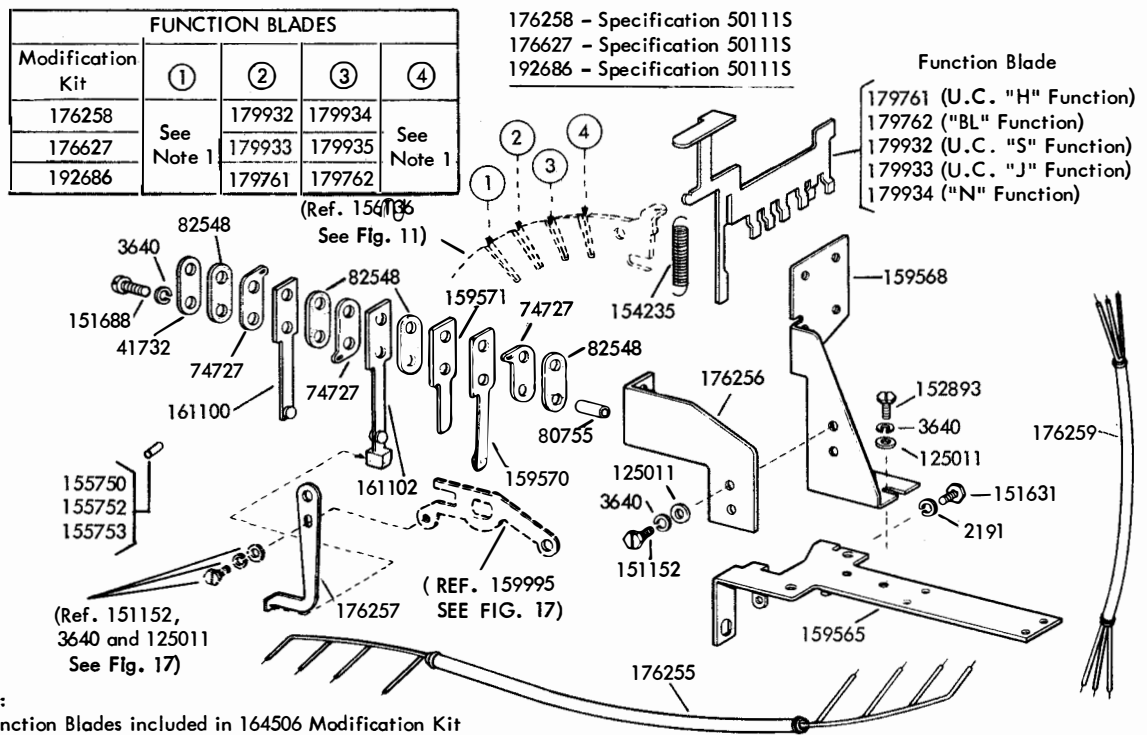


FIGURE 51. MODIFICATION KITS TO EQUIP A REPERFORATOR WITH AN AUXILIARY CONTACT ASSEMBLY AND FUNCTION BLADES

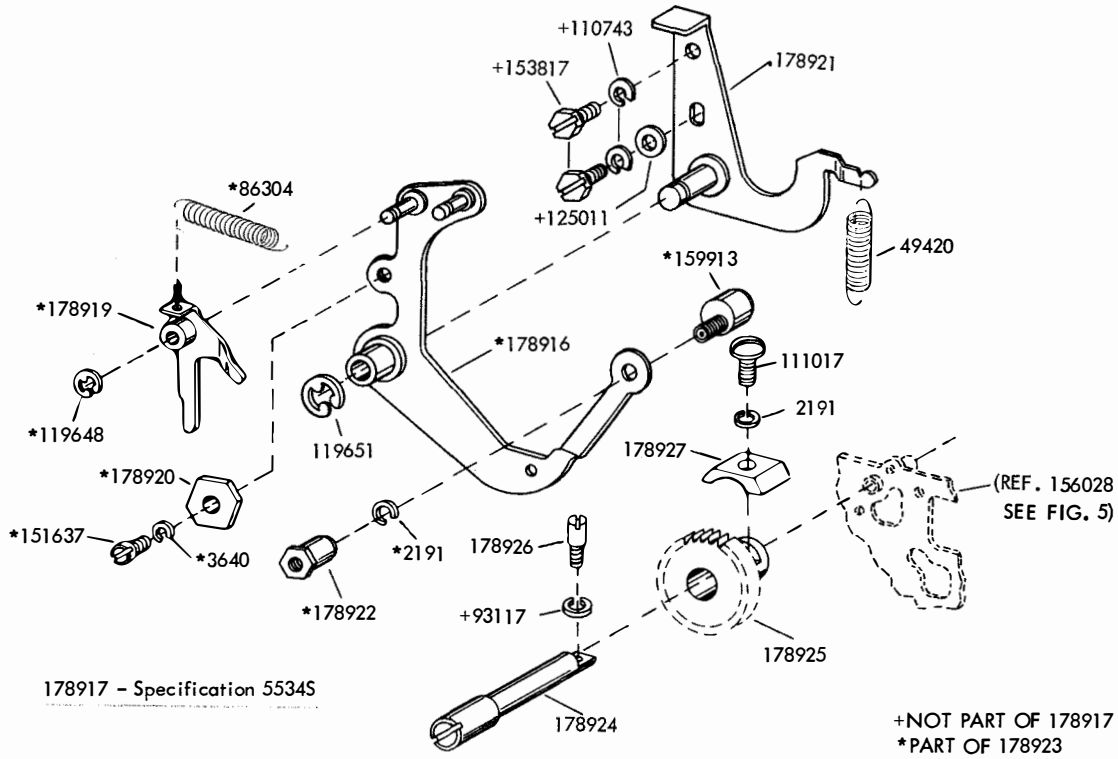


FIGURE 52. 178917 MODIFICATION KIT TO PROVIDE BACKSPACE MECHANISM FOR FULLY PERFORATED TAPE AND PRINTING BETWEEN FEED HOLES

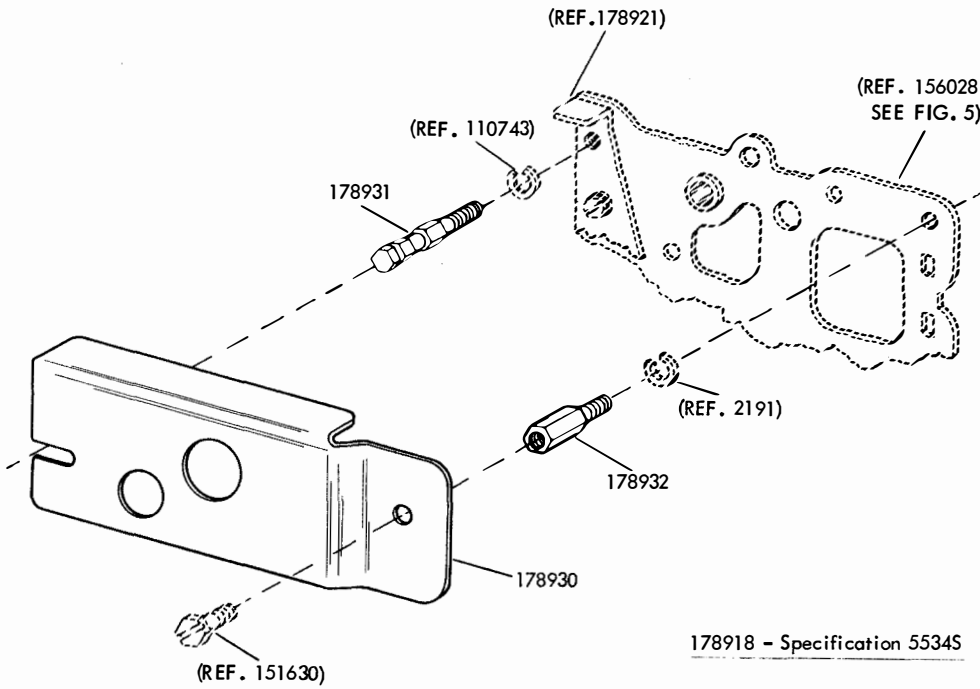


FIGURE 53. 178918 MODIFICATION KIT TO PROVIDE GUARD FOR BACKSPACE MECHANISM (FULLY PERFORATED TAPE, PRINTING BETWEEN FEED HOLES)

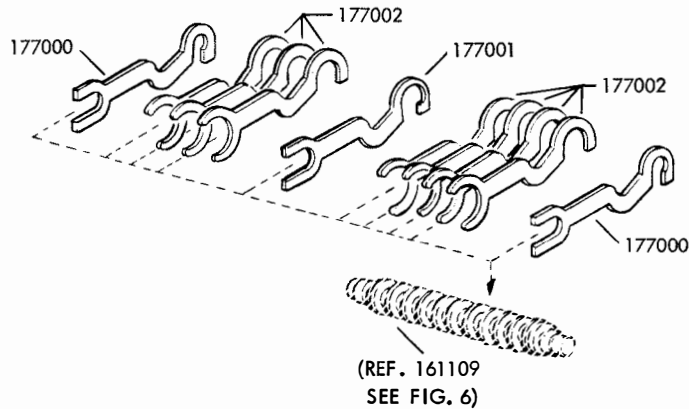
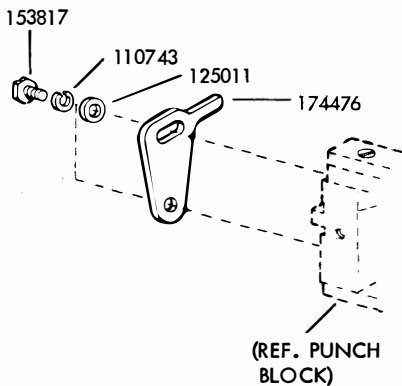


FIGURE 54. 179275 MODIFICATION KIT TO PROVIDE POSITIVE ENGAGEMENT OF PUNCH SLIDES WITH THE LATCH LEVERS



174475 - Specification 500345

FIGURE 55. 174475 MODIFICATION KIT TO PROVIDE PRINT SUPPRESSION ON FUNCTIONS

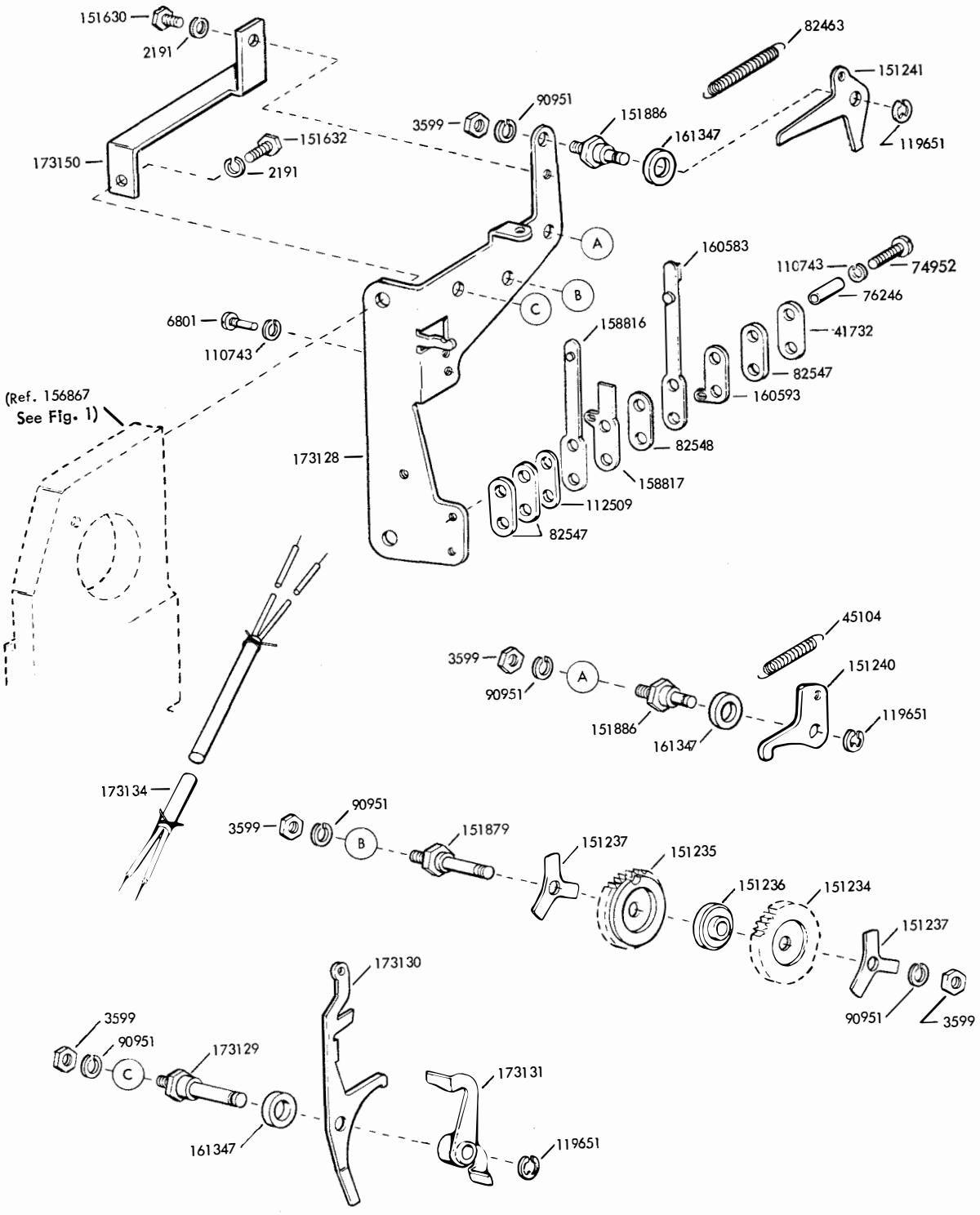


FIGURE 56. MOTOR CONTROL MECHANISM

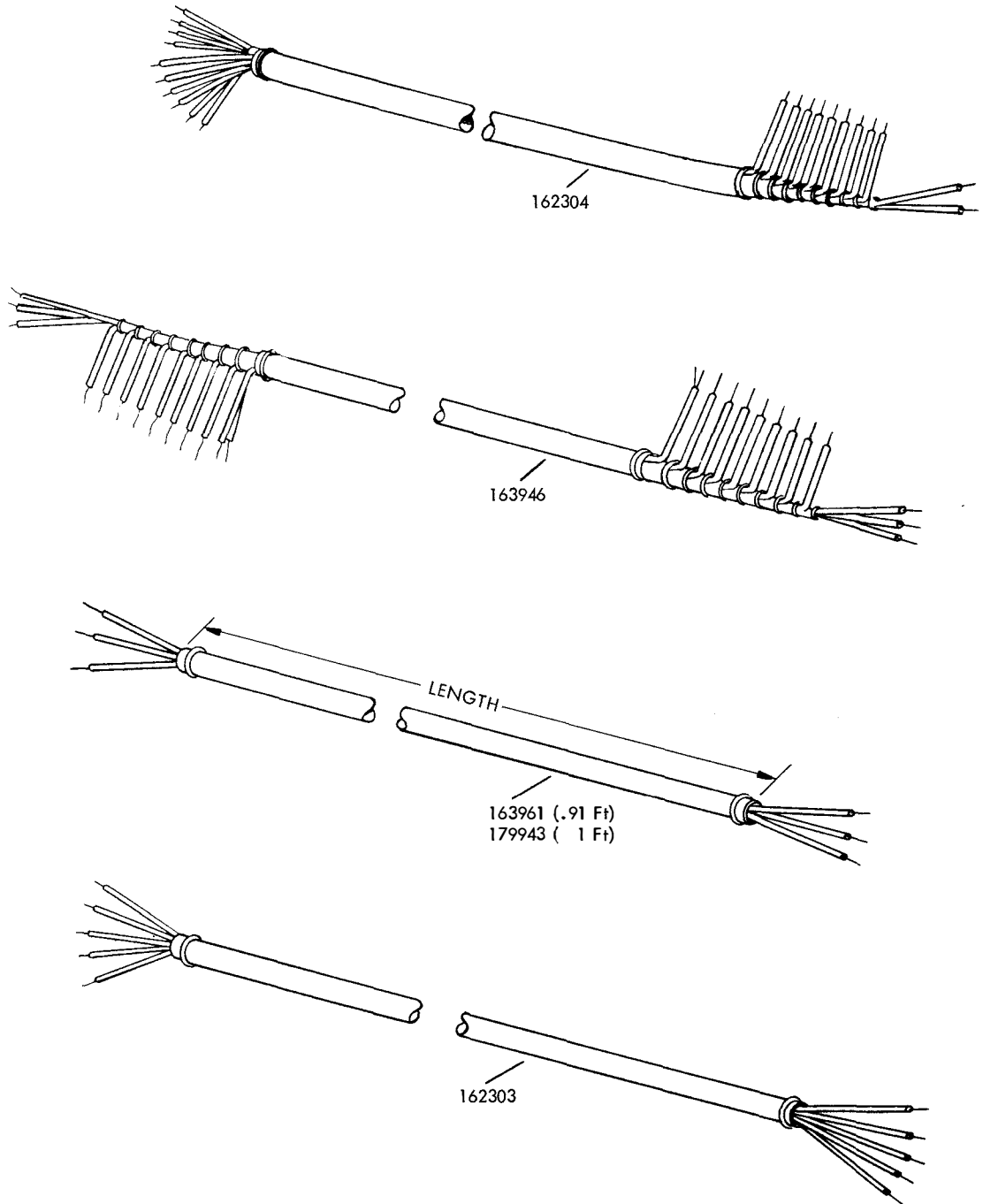
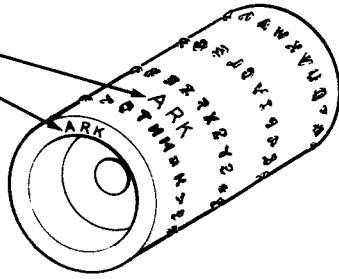


FIGURE 57. CODE READING CONTACT CABLES

Typewheel Code may be found in either of two locations.



- ① Bell System Arrangement A
- ② Bell System Arrangement B
- ③ Bell System Arrangement C
- ④ Bell System Arrangement D

TYPEWHEEL CODE CHART							
Code	Part Number	Matching Arrangements		Code	Part Number	Matching Arrangements	
		Typebox	Keytop			Typebox	Keytop
Printing on Edge of Tape				Printing Between Feed-Holes			
ABW	175604			BRH	175707		
ACA	175608			BRL	175710		
ACF	175612			BRM ③	175711		
ADC	175632			BRP	175713		
ARA ①	173965	RA	ARK	BWA ①	173757	WY	BRJ
ARC ②	173971	RC	ARL	BWB	173769		
ARE ④	173970	RE	ARE	BRB ②	175701		
ARG	173966	RG	ARG				
ARJ	173968	RJ	ARW				
ARL	163676						
ARK	163675						
ARM	163677			BRT			
ARS	173969	RS	ARM				
ARW	163683	YM	BRU				
ARX	163682						
ARY	163681	YE	BRQ				
ARZ	153679	RZ	ARU				
AWA	173967	WY	BRJ				
AWB	163685						
AWD	163687						
AWE	163688						
AWF	163690						
AWS	175580						
AWU	175582						
AWX	175583						
AWY	175584						
AXW	175519						
AXZ	175521						
AYB	175523						
AYX	175546						
AYZ	175547						
AZG	175554						
AZJ	175556						
AZM	175559						
AZT	175565						
AZW	175568						

Note:
Typewheels not appearing on this page may be ordered by Code letters.

FIGURE 58. TYPEWHEEL CHART

NUMERICAL INDEX

Part Number	Description and Page Number	Part Number	Description and Page Number	Part Number	Description and Page Number
190M	Coil, Magnet 35, 44	70072	Washer, Lock 44	94712	Spacer 10
224M	Coil, Magnet 29, 35, 44	70466	Spring 44	95378	Spring 19
252M	Coil, Magnet 22	70878	Spring 28, 29	96717	Screw, Shoulder (4-40) 4, 15, 31
254M	Coil, Magnet 16	71437	Washer, Flat 8	97266	Plate, Contact 10
1020	Screw (6-40 x 1/4 Hex) 6	71681	Spool, Ribbon 18, 42	97516	Bushing 42
1036	Nut (6-40 Hex) 7	72522	Wick, Felt 7	98004	Screw (2-56 x 11/16 Hex) 22
1210	Screw (2-56 x 5/8 Fil) 46	73175	Washer, Lock 20, 33	100994	Nut (2-56 Hex) 22
1256	Screw, Set (6-40) 20	73611	Wick, Felt 23	101123	Washer, Felt 11
2034	Washer, Flat 15, 29, 32, 34, 36, 44	74283	Washer, Spring 14	101796	Washer, Felt 33
2191	Washer, Lock 3 To 23, 25, 26, 27, 28, 29, 31, 32, 33, 35, 36, 38, 39, 40, 42, 44, 45, 47, 48, 50	74553	Wick, Felt 10	102028	Post, Spring 21
2199	Nut (7/16-32 Hex) 10	74727	Terminal, Contact 23, 45, 47	103078	Plate 39
2407	Washer, Lock 10	74728	Terminal, Contact 22, 47	104463	Screw (4-40 x 1/4 Hex) 44
2438	Washer, Flat 16	74952	Screw (4-40 x 5/8 Fil) 50	104824	Spring 16
2481	Washer, Flat 23, 39	74965	Bushing, Insulating 45	108943	Bushing 25
2539	Nut (3/8-32 Hex) 20, 33	76246	Bushing, Insulating 50	109356	Washer, Flat 31
2669	Washer, Lock 4, 14	76422	Spring 34	110434	Screw (4-40 x 3/16 Fil) 3, 14, 15
3598	Nut (6-40 Hex) 3, 4, 6, 7, 8, 10, 11, 14, 15, 18, 19, 21, 22, 26, 27, 29, 31, 32, 35, 36, 39, 45	78533	Spring 15, 32, 35	110435	Nut (4-40 Hex) 31
3599	Nut (4-40 Hex) 6, 7, 9, 11, 12, 15, 16, 17, 20, 29, 32, 35, 50	80334	Terminal, Contact 38, 39	110437	Spring 13
3606	Nut (6-40 Hex) 4, 19, 27	80531	Washer, Flat 42	110743	Washer, Lock 3, 5, 6, 7, 8, 9, 10, 11, 12, 13, 14, 15, 16, 17, 18, 21, 22, 23, 25, 27, 28, 29, 32, 34, 35, 38, 41, 42, 44, 47, 48, 49, 50
3624	Washer, Flat 22	80755	Bushing, Insulating 22, 23, 31, 38, 47	110879	Spring 9, 12, 19
3640	Washer, Lock 3, 4, 5, 9, 10, 11, 13, 19, 20, 21, 22, 23, 29, 31, 32, 33, 35, 36, 37, 44, 45, 46, 47, 48	80833	Guard, Contact Spring 25	111017	Screw (6-40 x 5/16 Fil) 19, 48
3646	Washer, Lock 26	81726	Terminal 25, 31	111767	Washer, Flat 21
3650	Washer, Flat 29, 44	81731	Spring 42	111777	Connector, Receptacle (4 Pt) 24
3870	Spring 19	81778	Screw (4-40 x 3/16 Fil) 16	112509	Insulator (.031") 50
4703	Spring 32, 35	82392	Shim (.004") 4	112626	Nut (10-32 Hex) 10, 14
4812	Wick, Felt 34	82444	Bushing, Insulating 47	112627	Nut (2-56 Hex) 46
5363	Spring 7	82463	Spring 20, 32, 35, 50	112634	Spring 13
5425	Shim (.010") 21	82474	Terminal 29	112636	Spring, Feed Pawl 21
6801	Screw, Pilot (4-40) 50	82547	Insulator (.094") 22, 24, 25, 30, 31, 38, 39, 47, 50	112967	Washer, Flat 27, 45
7002	Washer, Flat 3, 4, 6, 7, 9, 10, 11, 13, 15, 17, 19, 21, 22, 23, 26, 29, 32, 33, 35, 38, 39	82548	Insulator (.062") 22, 23, 25, 31, 38, 39, 45, 47, 50	113039	Post, Spring 36
7603	Spring 32, 35	84226	Spring 32, 35, 42	114876	Washer, Flat 13, 25, 45, 47
7655	Spring 31, 34, 36, 39	84575	Spring 29	115122	Washer, Felt 10, 45
7835	Ribbon W/Spool (Black) 18, 42	84892	Stiffener 39	115134	Washer, Felt 11
8330	Washer, Flat 3, 4, 6, 7, 8, 12, 14, 15, 18, 19, 20, 25, 26, 29, 33, 36, 42	85823	Spacer 18, 42	119467	Insulator (.032") 22
22746	Spring 10, 20	86079	Washer, Felt 11, 32	119647	Ring, Retaining 7, 21
31636	Spring 21	86283	Spring 18	119648	Ring, Retaining 7, 14, 28, 29, 34, 36, 39, 41, 46, 48
33765	Washer, Flat 28	86304	Spring 27, 28, 48	119649	Ring, Retaining 7, 10, 11, 13, 18, 21, 22, 23, 29, 32, 33, 35, 36, 42, 44
41382	Spring 7, 14	86506	Post, Spring 3	119650	Ring, Retaining 8, 18, 19, 42
41543	Bearing, Ball 27	86714	Washer, Flat 42	119651	Ring, Retaining 3, 10, 12, 13, 19, 21, 22, 28, 29, 32, 36, 38, 42, 48, 50
41732	Plate, Clamp 22, 23, 25, 31, 38, 45, 47, 50	86774	Screw, Shoulder (6-40) 11, 26	119652	Ring, Retaining 3, 4, 7, 8, 14, 18, 21, 32, 35, 36
42823	Washer, Flat 3, 5, 21	86873	Spring 33, 36	119653	Ring, Retaining 10, 18, 21, 42
42827	Screw (3-48 x 1/4 Fil) 44	87401	Spring 3	119655	Ring, Retaining 33
45024	Spring 26	90052	Screw (4-40 x 5/8 Hex) 17	119656	Ring, Retaining 20, 33
45104	Spring 32, 35, 50	90361	Washer, Felt 8	121100	Spring 13
45963	Spring 21, 33	90504	Washer, Felt 44	121125	Washer, Spring 22
47024	Washer, Flat 11	90535	Washer, Felt 12, 13	121242	Clamp, Cable (1/8" ID) 15
49084	Spring 3, 23	90560	Washer, Flat 28	121243	Clamp, Cable (3/16" ID) 15, 30
49420	Spring 48	90573	Spring 4	121245	Clamp, Cable (5/16" ID) 15, 30
55063	Spring 28, 29, 41	90599	Shim (.008") 11	121246	Clamp, Cable (3/8" ID) 15, 30
55090	Spring 21	90606	Spring 3, 18	121538	Terminal 16
55669	Spring 36	90615	Spring 19	121551	Screw (8-32 x 1/4 Hex) 26
		90789	Washer, Flat 15	122149	Screw (4-40 Spl) 28
		90790	Washer, Flat 29	122292	Bushing 39
		90791	Washer, Lock 7	124177	Washer, Lock 4, 6, 14, 15, 19
		90951	Washer, Lock 13, 25, 39, 45, 47, 50	125011	Washer, Flat 3, 6, 9, 11, 12, 13, 14, 18, 19, 21, 22, 23, 28, 32, 33, 34, 35, 36, 37, 47, 48, 49
		91120	Spring 7		
		92260	Washer, Lock 19		
		93108	Washer, Lock 27		
		93117	Washer, Lock 46, 48		
		93118	Washer, Lock 22		
		93346	Bushing, Eccentric 45		
		93356	Washer, Felt 3, 7		
		94669	Screw, Shoulder (4-40) 7		

NUMERICAL INDEX (Continued)

Part Number	Description and Page Number	Part Number	Description and Page Number	Part Number	Description and Page Number
125015	Washer, Flat 4, 8, 9, 16, 19, 39	151629	Nut (6-40 Spl) 3, 8, 10, 20, 26, 33, 36	152429	Rack, Sector 14
125215	Screw (4-40 x 3/16 Hex) 29, 35, 44	151630	Screw (6-40 x 1/4 Hex) 3, 7, 9, 10, 12, 15, 18, 19, 20, 22, 23, 26, 27, 31, 33, 37, 39, 44, 45, 50	152432	Arm, Stop 14
125231	Nut (10-32 Hex) 4	151631	Screw (6-40 x 5/16 Hex) 3, 4, 6, 7, 9, 13, 16, 17, 19, 21, 22, 27, 47	152436	Knob, Range Scale 14
125268	Spring 20, 22	151632	Screw (6-40 x 3/8 Hex) 4, 5, 6, 15, 17, 22, 23, 27, 29, 32, 33, 35, 40, 50	152438	Bail, Stop Arm 14
125802	Washer, Flat 20, 42	151637	Screw (4-40 x 1/4 Fil) 6, 18, 32, 35, 48	152441	Washer, Flat 14
128357	Ring, Retaining 8, 13	151640	Lever, Clutch Shoe 3	152445	Spring 14
130330	Washer, Felt 11	151642	Screw (6-40 x 3/4 Fil) 33	152457	Wick, Felt 15
130696	Washer, Felt 12	151657	Screw (6-40 x 1/4 Fil) 4, 14, 15	152458	Shield, Terminal 16
131016	Washer, Felt 11	151658	Screw (6-40 x 5/16 Fil) 3, 4, 27, 33	152634	Washer, Flat 8
135716	Spring 3	151659	Screw (6-40 x 1/2 Fil) 33	152887	Screw (4-40 x 1/2 Hex) 17
135901	Washer, Cup 10	151685	Screw (4-40 x 5/16 Fil) 33	152891	Spring 15
138034	Plate, Clamp 46	151686	Screw (4-40 x 3/8 Fil) 16	152893	Screw (4-40 x 1/4 Hex) 3, 4, 6, 7, 8, 10, 13, 15, 20, 22, 23, 25, 29, 32, 35, 36, 45, 47
139697	Screw (4-40 x 9/32 Fil) 27	151688	Screw (4-40 x 5/8 Fil) 16, 23, 25, 32, 35, 45, 47	153184	Post 16
139752	Screw (4-40 x 11/64 Fil) 3	151689	Screw (4-40 x 3/4 Fil) 31, 47	153267	Washer, Felt 39, 41
144793	Spacer 7	151690	Screw (10-32 x 5/16 Fil) 5, 27	153342	Screw (6-40 x 15/16 Hex) 45
144794	Spring, Torsion 7	151692	Screw (6-40 x 3/16 Fil) 19	153489	Detent 14
144795	Plate, Rear 6	151693	Screw (6-40 x 9/16 Fil) 3	153538	Screw (6-40 x 7/16 Hex) 15, 39, 44
144796	Plate, Front 7	151700	Screw, Shoulder (6-40) 12	153543	Armature, Selector 16
144797	Shaft, Feed Wheel 7	151701	Spring, Torsion 15	153799	Screw (4-40 x 21/64 Hex) 20, 33
144998	Post 7	151714	Spring 15	153817	Screw (4-40 x 3/8 Hex) 28, 32, 35, 48, 49
144999	Shoe, Tape 7	151715	Spring 16	153819	Washer, Lock 47
145353	Wheel, Pressure 7	151721	Screw (6-40 x 3/4 Hex) 29, 39	153839	Screw (6-40 x 5/8 Hex) 3, 8, 10, 15, 20, 23, 26, 30, 33, 36
145356	Wheel, Feed 7	151722	Screw (6-40 x 3/16 Hex) 6, 26, 29, 35, 39, 42, 44	153841	Screw (6-40 x 9/16 Hex) 18, 42, 44
145357	Guide, Tape 7	151728	Spring 3, 5	154235	Spring 13, 25, 47
145358	Bracket, Tape Guide 6	151731	Screw (4-40 x 7/8 Fil) 31	154242	Screw (6-40 x 5/16 Hex) 4
150000	Drum, Clutch 5	151733	Screw (4-40 x 9/16 Fil) 22, 38	154244	Nut, Shoulder (6-40) 11
150001	Drum, Clutch 3	151736	Spring 27	154245	Spring, Contact 25
150013	Disk, Adjusting 3, 5	151737	Screw (4-40 x 11/64 Hex) 3, 5, 8, 21, 22, 23, 27, 29, 35, 42, 44	154246	Bracket, Contact 25
150026	Lever, Shoe Release 5	151848	Lock 21	154247	Contact Assembly 25
150029	Wick, Felt 3, 5	151879	Stud 50	154325	Modification Kit 18
150040	Screw (6-40 x 5/8 Fil) 5	151880	Nut (4-40 Hex) 17, 21, 31, 42, 44	154335	Screw (6-40 x 9/32 Fil) 27
150043	Shoe, Secondary Clutch 3, 5	151886	Stud 50	154352	Spring 37
150044	Shoe, Primary Clutch 3, 5	152129	Spring 44	154396	Cam W/Pin 5
150048	Spring 3, 15	152400	Plate, Selector Mounting 15	154397	Shaft W/Bearing 5
150089	Screw (4-40 x 1/2 Fil) 16	152401	Guide 15	154398	Bearing, Needle 5
150241	Spring 3, 5	152402	Guide, Selector Lever 15	154620	Wick, Leather 15
150327	Roller, Ribbon 18, 42	152403	Bracket, Guide 15	154621	Retainer, Wick 15
150355	Lever, Latch 3	152404	Bracket, Spring 15	154622	Lubricator 15
150356	Lever, Trip 3	152405	Lever, Marking Lock 15	154694	Disk, Clutch Cam 3, 5
150411	Washer, Flat 3	152406	Bracket, Spring 15	155096	Plate, Range Finder Mounting 14
150507	Spring 18, 21	152407	Lever, Spacing Lock 15	155750	Sleeve, Insulating (3/32 ID x 1/2" Lg) 22, 23, 24, 25, 26, 29, 31, 38, 47
150687	Stud 15	152409	Lever, Selecting 15	155751	Sleeve, Insulating (1/8 ID x 1" Lg) 22, 24, 30
150923	Washer, Felt 8	152410	Bail, Reset 15	155752	Sleeve, Insulating (5/64 ID x 1/2" Lg) 23, 25, 30, 31, 38, 47
150990	Washer, Felt 9	152411	Lever, Push 15	155753	Sleeve, Insulating (1/8 ID x 1/2" Lg) 25, 30, 46, 47
151073	Screw (4-40 x 5/32 Fil) 3, 8, 23, 28, 41	152412	Link 15	155995	Screw, Shoulder (6-40) 27
151103	Spring 15	152415	Stud, Adjusting 16, 27	156008	Wheel, Feed 41
151152	Screw (4-40 x 3/16 Hex) 3, 11, 13, 17, 19, 21, 22, 23, 29, 34, 37, 41, 46, 47	152416	Lamination, Magnet 16	156009	Post, Slide 8
151222	Washer, Felt 8	152421	Bracket, Shield Mounting 16	156012	Spring, Punch Block 41
151234	Ratchet (27 T) 50	152423	Bracket, Armature Stop Mounting 16	156013	Screw (4-40 Spl) 8
151235	Ratchet (28 T) 50	152425	Post, Spring 16	156015	Plate, Spring 6
151236	Hub 50	152426	Nut, Self-Locking (6-40) 16	156016	Link, Front Drag 8
151237	Spring, Flat 50	152427	Latch W/Hub 14	156017	Shaft, Eccentric 8
151240	Pawl 50			156019	Washer, Felt 7
151241	Lever, Latching 50			156020	Slide 6
151246	Washer, Flat 4			156024	Plate, Rear 6
151336	Oiler 15, 27				
151346	Screw (6-40 x 3/8 Fil) 27				
151416	Nut (6-40 Hex) 7, 8				
151442	Screw (6-40 x 1/2 Hex) 4, 5, 10, 11, 15, 16, 27, 29, 31, 35, 39				
151603	Spacer 16				
151626	Terminal 24, 25, 26, 30, 31, 35, 47				

NUMERICAL INDEX (Continued)

Part Number	Description and Page Number	Part Number	Description and Page Number	Part Number	Description and Page Number
156028	Plate, Front 7	156243	Roller, Lifter Arm 19	156488	Post, Spring 19
156036	Guide, Tape 7	156248	Latch 3	156489	Bushing 10
156040	Post 7	156250	Cam 40	156490	Post, Guide 3
156042	Post 7	156252	Lifter, Function Blade 19	156492	Bracket, Guide 9
156043	Bushing 8	156264	Lever, Detent 9, 12	156493	Stud 11
156044	Stud, Die Wheel 7	156265	Bushing, Shoulder 12	156501	Screw (6-40 x 7/32 Fil) 9, 10
156045	Shaft, Feed Wheel 7	156266	Bushing, Shoulder 9, 12	156515	Washer, Felt 42
156046	Block, Tape Guide 6	156267	Lever, Trip 27	156536	Screw (4-40 x 1/8 Fil) 13, 15
156047	Spring, Torsion 7	156268	Bracket, Spring 13	156558	Washer, Felt 10, 22, 35, 44
156050	Stud, Eccentric 7	156276	Eccentric, Right Rotary 9	156572	Washer, Felt 23
156051	Bushing, Eccentric 8	156277	Eccentric, Left Rotary 9	156576	Washer, Felt 4
156052	Shoe, Tape 7	156278	Eccentric 12	156577	Roller, Detent Lever 7
156054	Lever, Detent 7	156286	Shaft, Right Eccentric 9	156740	Screw (6-40 x 7/32 Hex) 6, 33, 38
156055	Wheel, Die 7	156287	Shaft, Left Eccentric 9	156835	Ring, Retaining 10
156057	Washer, Flat 13	156288	Shaft, Axial Eccentric 12	156867	Frame, Main 3
156058	Link, Rear 8	156289	Bearing, Left Front 9	156869	Guide, Ribbon 10
156060	Shaft, Eccentric 8	156290	Bearing, Right Front 9	156870	Lever, Ribbon Oscillating 11
156061	Arm, Tape Shoe 7	156291	Bearing, Rear 9	156871	Bail, Operating Blade 4
156062	Post, Pivot 7	156292	Housing, Upper Axial 12	156872	Blade, Operating 4
156067	Guide, Slide Post 8	156293	Housing, Lower Axial 12	156874	Screw (4-40 x 15/16 Fil) 9, 12
156069	Plate 6	156294	Sector, Axial 11	156875	Screw (6-40 x 5/32 Fil) 12
156070	Bail, Toggle 8	156296	Post, Retainer 13	156876	Bushing 4
156077	Plate W/Post 8	156300	Shaft 13	156877	Washer, Felt 4
156078	Contact Assembly 23	156306	Rod, Right Connecting 10	156880	Jumper (2-3/8" Black) 16
156089	Slide W/Insulator 6	156311	Rod, Left Connecting 10	156881	Jumper (1-1/2" Black) 16
156090	Screw, Adjusting (6-40) 7	156313	Rack, Axial Output 12	156884	Arm, Rocker 8
156093	Washer, Felt 8	156316	Plate, Rear 13	156899	Stud, Eccentric 4
156094	Link, Front 8	156318	Lever, Reset 3	156900	Roller 4
156095	Bushing 8	156321	Shaft, Oscillating 11	156901	Post, Eccentric 18
156099	Link, Rear Drag 8	156322	Link, Axial Toggle 11	156905	Block, Guide 10
156103	Strip, Felt 8	156332	Shaft, Typewheel 10	156908	Post, Sector Pivot 11
156104	Shaft 41	156333	Shaft, Rocker Bail 4	156909	Post, Toggle Link 11
156106	Bail 41	156366	Lever W/Post 11	156921	Guide, Adjusting Lever 4
156125	Shaft 20	156369	Plate, Axial Positioning 12	156922	Arm, Lock Release 13
156128	Bushing 20	156378	Roller, Guide 11	156924	Plate, Drive Link 12
156130	Lever 20	156382	Lever, Trip 3	156925	Roller 12
156132	Bearing, Eccentric 20, 33	156388	Lever, Adjusting 3	156929	Bracket 22
156136	Bracket, Shaft Mounting 20, 26, 33	156389	Gear (16 T) 10	156931	Bracket 10
156137	Washer, Flat 20, 33	156390	Washer, Flat 10	156933	Ratchet (36 T) 21
156139	Frame 21	156396	Eccentric 19	156937	Link, Printing Drive 19
156143	Shaft 21	156397	Post 11	156938	Screw, Eccentric Shoulder (6-40) 19
156146	Spacer 21	156399	Nut, Shoulder (6-40 Hex) 4	156941	Cam, Selector 3
156147	Arm, Drive 20	156403	Disk, Bearing 4	156948	Wick, Felt 11
156152	Shaft 20, 26	156408	Arm 10	156976	Connector, Plug (32 Pt) 24
156153	Collar, Eccentric 20	156412	Link, Drive 4	156987	Screw (6-40 Spl) 4
156154	Collar 20	156413	Link, Drive 19	156988	Race, Outer 4
156155	Pawl, Feed 20	156414	Plate, Ribbon Feed Mounting 18	156989	Roller, Bearing 4
156156	Pawl, Check 20	156419	Shaft, Left Ribbon Ratchet 18	156991	Pawl, Feed 20
156158	Post, Spring 21	156421	Shaft, Right Ribbon Ratchet 18	156994	Strip, Felt 4
156159	Bracket 23	156426	Washer, Spring 18	156995	Post 4
156162	Washer, Flat 8	156427	Disk, Friction 18	156998	Retainer 4
156165	Washer, Felt 3, 8	156428	Washer, Felt 18	157194	Retainer, Spring 16
156167	Cable 24	156433	Pawl, Ribbon Feed 18	157237	Shield, Terminal 16
156168	Spring 6	156436	Arm, Front Reversing 18	157252	Bushing 42
156169	Washer, Felt 8	156437	Arm, Rear Reversing 18	157261	Shaft, Stop Arm 14
156172	Rod 41	156440	Lever, Reversing 18	157292	Switch, Tape Out Sensitive 22
156173	Stud 6	156442	Pawl, Retaining 18	158171	Shaft W/Bearing 27
156177	Bracket, Contact 23	156450	Screw (2-56 x 1/2 Fil) 46	158172	Lever, Latch 27
156183	Bracket, Anchor 7	156462	Bail, Oscillating 11	158701	Gear (35 T) 5
156184	Bracket, Anchor 7	156465	Washer, Spring 4	158745	Clamp, Bearing 4
156221	Lock 17	156466	Rack, Typewheel 10	158753	Armature 22
156230	Stud, Lifter Pivot 19	156467	Ring, Retaining 4	158754	Core, Magnet 22
156235	Post, Guide 3	156472	Post, Spring 15	158757	Hinge, Mounting 22
156236	Collar 40	156473	Shaft 40	158758	Shaft 22
156241	Link, Front 10	156476	Hammer, Print 10	158760	Post, Spring 22, 29, 44
156242	Link, Rear 10	156478	Accelerator, Hammer 10		
		156484	Bracket 19		

NUMERICAL INDEX (Continued)

Part Number	Description and Page Number	Part Number	Description and Page Number	Part Number	Description and Page Number
158763	Bracket 22	159498	Lever, Pulse (#5) 17	159885	Gear (28 T) 27
158772	Screw (4-40 x 5/8 Hex) 17	159499	Lever, Transfer (#3, 4 & 5) 17	159886	Gear (49 T) 27
158807	Screw (3-48 x 11/64 Fil) 30, 47	159500	Beam, Pulse (#4) 17	159888	Pinion (28 T) 27
158816	Spring, Contact 22, 31, 38, 47, 50	159501	Beam, Pulse (#1) 17	159889	Gear (49 T) 27
158817	Stiffener 50	159502	Guide 17	159891	Pinion (21 T) 27
158881	Nut, Shoulder (6-40 Hex) 27	159503	Shaft 13	159892	Gear (48 T) 27
158925	Slide, Tape Depressor 6	159504	Spacer 17	159894	Pinion (14 T) 27
158940	Wick, Felt 27	159506	Post 4	159895	Gear (40 T) 27
158946	Cable Assembly 24	159508	Lever, Transfer (#1 & 2) 17	159896	Collar 27
158950	Contact Assembly, Code Reading 23	159512	Link, Printing Trip 19	159900	Plate 28
159011	Bracket, Spring 3	159515	Blade, Function (FIGS) 13	159901	Plate 28
159181	Lubricator 27	159516	Blade, Function (LTRS) 13	159902	Shaft, Rake 28
159184	Wick, Lubricator 27	159519	Bushing 11	159903	Bellcrank 28
159185	Retainer, Wick 27	159522	Bushing, Shoulder 11	159909	Pawl, Feed 28
159233	Stud 6	159523	Bail, Oscillating Drive 11	159910	Latch, Return 28
159341	Bearing, Ball 4	159525	Bracket, Axial 11	159911	Plate 28
159351	Modification Kit 20, 21, 22	159526	Link, Oscillating 12	159912	Gear, Segment 28
159360	Modification Kit 25	159528	Bar, Push (#5) 9	159913	Screw, Eccentric (6-40) 28, 48
159363	Modification Kit 28	159529	Bar, Push (#3) 9	159916	Eccentric 28
159365	Modification Kit 6	159530	Bar, Push (#4) 9	159916	Link W/Stud 29
159379	Modification Kit 23	159531	Bar, Push (LTRS) 9	159955	Link, Drive 29
159380	Modification Kit 23	159532	Bar, Push (FIGS) 9	159956	Post 29, 38
159381	Modification Kit 23	159533	Bar, Push (#1) 12	159957	Link 29
159382	Modification Kit 23	159535	Plate, Front 9	159958	Latch 29
159400	Shaft, Eccentric 21	159536	Gear (15 T) 10	159959	Extension, Latch 29
159403	Lever 21	159539	Arm, Printing Pivot 19	159960	Eccentric 29
159404	Post 12	159544	Release, Clutch 3	159961	Arm, Eccentric 29
159406	Bracket, Spring 20	159560	Spring 6	159962	Ring, Retaining 29
159411	Bearing Assembly 4	159563	Bar, Push (LTRS) 9	159965	Arm 29
159413	Plate, Reversing 18	159565	Bracket 23, 41, 47	159973	Bracket 29
159422	Cable Assembly 22	159568	Bracket, Contact 23, 32, 47	159974	Eccentric 29
159427	Bracket, Stop 3	159570	Spring, Contact 23, 45, 47	159975	Bail 29
159430	Lever, Slide Trip 3	159571	Stiffener 23, 45, 47	159976	Armature 29, 35, 44
159431	Lever, Main Trip 3	159575	Bracket, Stop 23	159977	Hinge 29, 35, 44
159434	Plate, Lifter Mounting 19	159578	Bail, Contact 23	159978	Shaft 29, 35, 44
159437	Arm, Left Yield (FIGS) 13	159579	Bail 23	159979	Arm 29
159438	Arm, Right Yield (LTRS) 13	159580	Shaft 23	159980	Post, Spring 29
159441	Guide, Bellcrank 3	159597	Washer, Flat 11	159981	Spacer 6
159447	Bellcrank (#1 & 4) 13	159601	Bracket, Spring 23	159987	Bracket, Guide 28
159448	Bellcrank (#2) 13	159602	Spring 21	159994	Plate, Lifter Arm 19
159450	Bellcrank (#3 & 5) 13	159606	Pawl 11	159995	Arm, Lifter 19
159459	Spring 17	159608	Plate 21	159997	Screw, Eccentric (6-40) 19
159460	Link, Toggle 13	159613	Arm, Clamp 20	160184	Plate, Armature Stop 16
159467	Holder, Wick 15	159614	Arm, Kick-Out 21	160185	Post 23
159468	Arm, Lock 13	159615	Arm, Release 21	160354	Cam 27
159470	Shaft, Lock Arm 13	159616	Lever, Intermediate 21	160404	Spring, Contact 22, 25, 31, 38
159471	Bellcrank (LTRS-FIGS) 13	159617	Roller 21	160480	Pusher, Tape 8
159472	Plate 3	159622	Clamp, Adjusting 6	160583	Spring, Contact 21, 31, 38, 47, 50
159476	Arm (Figures) 13	159623	Post, Spring 21	160593	Terminal 50
159477	Arm (Letters) 13	159625	Bracket, Guide 4	160626	Insulator (.031") 46
159480	Bushing, Eccentric 10	159626	Extension, Drive Link 19	160627	Bushing, Insulating 46
159481	Arm, Extension (FIGS) 13	159629	Plate, Nut 22	160628	Spring, Contact 46
159482	Arm, Extension (LTRS) 12	159630	Shaft 21	160666	Guard 25
159483	Bracket, Spring 13	159631	Latch 21	160672	Stud 25
159487	Plate, Front 13	159636	Plate, Adjusting 21	160673	Shaft 25
159488	Bracket, Transfer Mounting 17	159637	Lever, Switch 22	160674	Nut, Shoulder (6-40) 25, 28
159489	Plate (#1) 17	159641	Cable W/Terminals 25	160692	Bail, Armature 22
159490	Plate (#4) 17	159642	Shim (.008") 9	160694	Latch 21
159491	Plate (#2) 17	159643	Shim (.008") 12	160839	Spacer, Shoulder 4
159492	Plate (#3) 17	159653	Blade, Function 25	160840	Post, Anchor 21
159493	Plate (#5) 17	159654	Latch, Printing 19	160842	Washer, Spring 20, 33
159495	Beam, Pulse (#5) 17	159656	Block Assembly, Punch 41	160843	Spring 42
159496	Beam, Pulse (#3) 17	159655	Cable 24	160846	Bushing, Shoulder 11
159497	Beam, Pulse (#2) 17	159658	Screw (6-40 x 1-3/32 Hex) 10	160881	Modification Kit 25
		159659	Shaft, Eccentric 10	160943	Housing, Typewheel Shaft 10
		159861	Frame, Main 27	160944	Washer, Felt 23
		159865	Drum, Clutch 27		
		159880	Slide 27		

NUMERICAL INDEX (Continued)

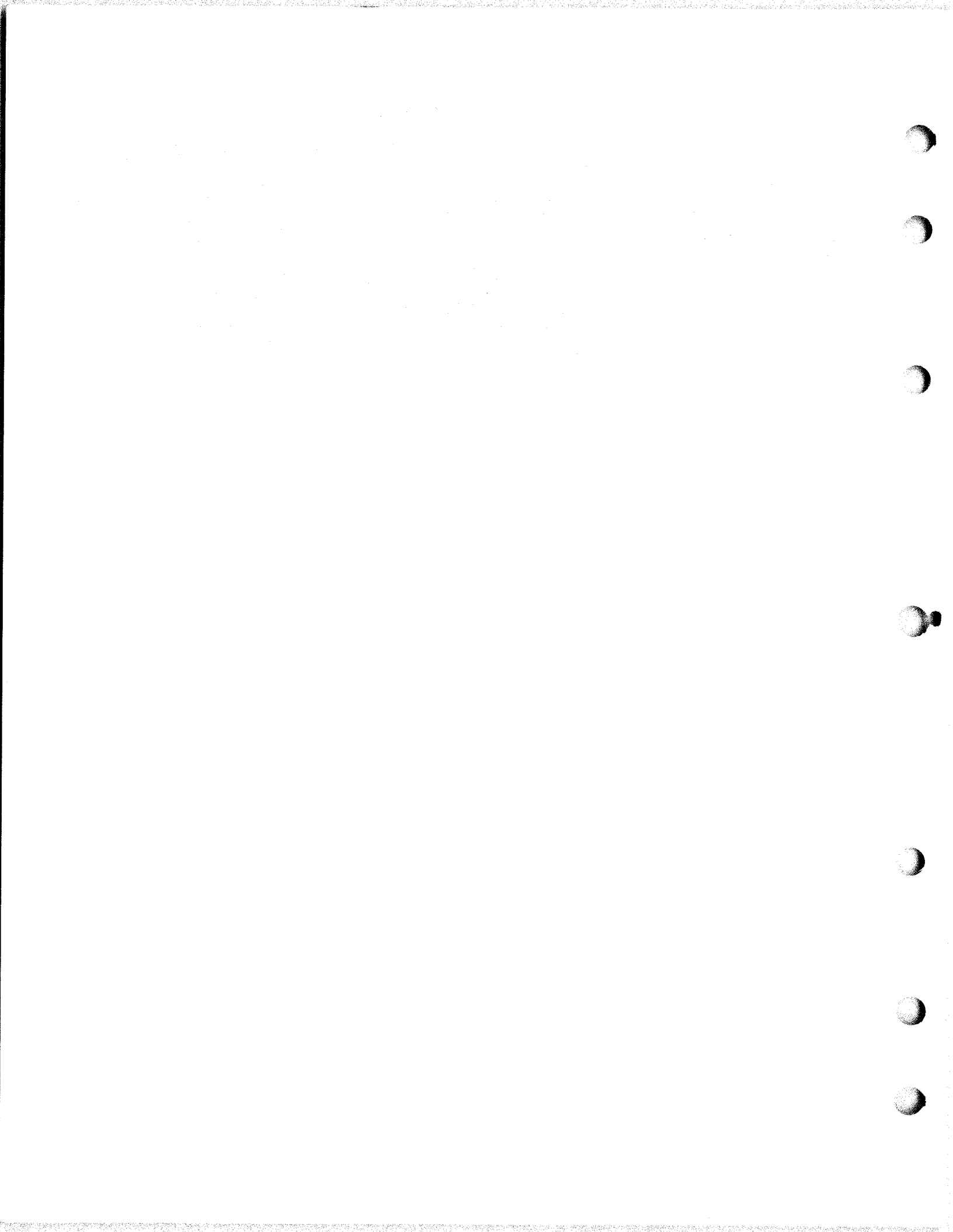
Part Number	Description and Page Number	Part Number	Description and Page Number	Part Number	Description and Page Number
160948	Screw (2-56 Spl) 7	162341	Bearing 40	163020	Gear (48 T) 27
160997	Roller 23	162346	Extension, Adjustable 18	163021	Pinion (28 T) 27
160998	Arm 23	162347	Arm, Ribbon Drive 18	163022	Gear (80 T) 27
161100	Spring, Contact 23, 45, 47	162363	Stripper 37	163023	Gear Set (60 WPM) 27
161102	Spring, Contact 23, 47	162375	Modification Kit 37	163024	Gear Set (75 WPM) 27
161107	Stud 7	162379	Modification Kit 32, 33, 34	163025	Gear Set (100 WPM) 27
161108	Stud 6	162380	Modification Kit 33, 34, 35, 36	163113	Washer, Flat 10
161109	Post, Guide 8	162432	Modification Kit 26	163114	Post, Spring 32, 35
161139	Nut (6-40 Hex) 7	162434	Modification Kit 20, 21, 22	163255	Nut, Shoulder (6-40) 32, 35
161237	Cable Assembly 30	162741	Cam 33	163303	Bracket, Spring 19
161238	Connector, Receptacle (36 Pt) 30, 47	162742	Pawl, Detent 33	163326	Lever W/Hub 33
161239	Connector, Plug (36 Pt) 30	162743	Pawl, Feed 33	163327	Ring, Retaining 20, 26, 33
161240	Bracket, Connector 30	162744	Shaft 33	163347	Modification Kit 32, 33, 34
161304	Modification Kit 29	162745	Lever, Cam Follower 33	163351	Cam 32
161305	Cable Assembly 30	162747	Roller 33	163429	Screw, Shoulder (6-40) 19
161318	Bracket 31	162748	Lever 33	163455	Pinion (20 T) 27
161319	Lever 31	162750	Lever 33	163456	Gear (52 T) 27
161320	Contact Assembly 31	162752	Collar 33	163457	Gear Set (71 WPM) 27
161321	Contact Assembly (LTRS-FIGS) 31	162753	Spacer 33	163476	Gear (42 T) 5
161323	Housing, Gear 10	162754	Plate 33	163500	Gear (52 T) 27
161324	Washer, Flat 10	162755	Bracket, Spring 33	163501	Pinion (30 T) 27
161334	Lever, Stop 26	162756	Bushing 33	163502	Gear Set (107 WPM) 27
161335	Solenoid Assembly, Feed-Out 26	162757	Shaft 33	163675	Typewheel 52
161336	Bracket 26	162758	Lever, Cam Follower 33	163676	Typewheel 52
161337	Post, Stop 26	162760	Latch 32, 35	163677	Typewheel 52
161338	Lever, Trip 26	162761	Post 32	163679	Typewheel 52
161339	Lever, Hand 26	162762	Storage Assembly, Slide 34	163681	Typewheel 52
161340	Modification Kit 26	162763	Bail, Reset 8	163682	Typewheel 52
161341	Modification Kit 26	162764	Lever, Slide Trip 34	163683	Typewheel 52
161342	Lever, Start 15	162765	Bracket 34	163685	Typewheel 52
161347	Washer, Felt 13, 50	162766	Plate W/Post 34	163687	Typewheel 52
161355	Cable 31	162768	Latch 34	163688	Typewheel 52
161431	Lever, Rotary Correcting 10	162770	Plate W/Stud 34	163690	Typewheel 52
161443	Detent, Axial Shaft 12	162772	Link 34	163945	Modification Kit 23
161444	Detent, Rotary Shaft 9	162773	Plate, Main 32, 35	163946	Cable 23, 51
161493	Post, Supporting 25	162774	Post, Spring 32, 35	163961	Cable 51
161524	Shaft, Hammer 10	162775	Shaft 32, 35	164386	Bracket, Magnet Mounting 16
161828	Modification Kit 37	162776	Plate 32	164402	Blade, Function (Uncoded) 43
161928	Post, Supporting 37	162778	Lever 32, 35	164506	Modification Kit 47
161930	Lever 37	162780	Shaft 32, 35	164507	Contact Assembly 47
162064	Cable W/Terminal 30	162781	Lever 32, 35	164508	Spring, Contact 45
162065	Cable 30	162784	Screw, Eccentric (4-40) 32, 35	164509	Bracket, Contact 47
162066	Cable 22	162785	Bushing, Eccentric 32, 35	164510	Bracket, Connector 47
162067	Cable 31	162786	Arm, Blocking 32, 35	164511	Lever 7
162095	Contact Assembly 22	162788	Post 32, 35	164513	Pawl, Feed 8
162096	Bracket, Switch Mounting 22	162790	Lever W/Hub 32	164514	Guide, Tape 6
162097	Modification Kit 22	162791	Shaft 32, 35	164515	Spring, Torsion 7
162098	Post, Spring 22	162792	Arm, Detent 32, 35	164521	Plate 42
162207	Cable W/Terminals 29	162793	Ratchet (42 T) 32, 35	164525	Post, Spring 42
162211	Cable, Bell Contact 25	162794	Hub, Back Stop 32, 35	164526	Slide W/Post 42
162242	Modification Kit 25	162795	Ratchet (42 T) 32, 35	164528	Bushing 42
162245	Modification Kit 29	162796	Cam 32	164529	Lever, Ribbon Reverse 42
162247	Contact Assembly (LTRS-FIGS) 31	162797	Plate, Adjusting 32, 35	164530	Bushing 42
162248	Hub 5, 27	162798	Roller 32, 35	164531	Pawl, Check 42
162271	Modification Kit 23	162799	Post, Spring 32, 35	164532	Pawl, Feed 42
162272	Modification Kit 23	162800	Block, Stop 32, 35	164535	Shaft, Right Ribbon Ratchet 42
162273	Modification Kit 23	162802	Pawl, Detent 32, 35	164538	Shaft, Left Ribbon Ratchet 42
162274	Modification Kit 23	162803	Post, Drive Link 32	164539	Spring, Ratchet 42
162303	Cable 23, 51	162804	Link, Drive 32	164540	Detent 42
162304	Cable 23, 51	162834	Solenoid, Feed-Out 26	164541	Arm, Ribbon Drive 42
162305	Cable 23	162850	Handle 18, 42	164543	Lever, Adjusting Extension 42
162306	Cable 23	162862	Bar, Mounting 3	164740	Rack, Range Finder 39
162340	Sleeve 40	162863	Sleeve, Blocking 37	164743	Shaft 39
		163015	Gear (28 T) 27	164883	Lever, Cam Follower 36
		163016	Gear (49 T) 27	164884	Lever W/Stud 36
		163018	Gear (49 T) 27	164886	Link 36
		163019	Pinion (21 T) 27	164887	Post 36

NUMERICAL INDEX (Continued)

Part Number	Description and Page Number	Part Number	Description and Page Number	Part Number	Description and Page Number
164888	Lever W/Post 36	173965	Typewheel 52	176420	Modification Kit 39
164948	Modification Kit 46	173966	Typewheel 52	176421	Modification Kit 39
164949	Bracket, Tape Guide 46	173967	Typewheel 52	176445	Handle 18, 44, 45
164950	Knife, Tape 46	173968	Typewheel 52	176450	Bracket 44
164963	Modification Kit 6	173969	Typewheel 52	176451	Bail 44
164964	Washer, Felt 42	173970	Typewheel 52	176452	Rod 44
164965	Washer, Flat 42	173971	Typewheel 52	176453	Screw, Shoulder (3-48) 44
165027	Network, Spark Suppression 16	173977	Shaft, Hammer 10	176454	Post, Spring 44
170219	Stud, Die Wheel 7	173978	Spring, Torsion 10	176455	Plate 44
170239	Bracket, Spring 8	173979	Head, Hammer 10	176457	Lever, Blocking 44
170241	Screw, Adjusting (6-40) 7	173980	Lever, Print Hammer 10	176459	Stud, Eccentric 44
170242	Slide, Feed Hole Punch 6	173981	Accelerator, Hammer 10	176460	Arm 44
170243	Slide, Code Hole Punch 6	173992	Gear Set 27	176462	Extension, Feed Pawl 44
170246	Slide W/Insulator 6	173993	Pinion (14 T) 27	176463	Latch 44
170247	Guide 6	173994	Gear (40 T) 27	176464	Post 44
170778	Block Assembly, Punch 41	174150	Block Assembly, Punch 41	176465	Spring, Torsion 44
170779	Wheel, Feed 41	174151	Guide, Tape (7/8" Tape) 6	176466	Blade W/Insulator, Function (Blank) 45
170788	Wheel, Die 7	174152	Guide, Tape 7	176467	Bracket 45
170803	Bail, Retractor 41	174155	Guide, Tape 7	176468	Spring, Torsion 45
170879	Slide, Feed Hole Punch 6	174357	Block Assembly, Punch 41	176489	Guide 3
170907	Plate, Adjusting 35	174441	Lever 39	176490	Bracket 3
172626	Shaft 46	174442	Contact Assembly 39	176620	Cable 38
172627	Bail, Sensing 46	174444	Spring, Contact 39	176621	Modification Kit 38
172631	Gear (42 T) 5	174445	Bracket, Contact Mounting 39	176622	Bail 38
172632	Screw (4-40 x 3/16 Hex) 39	174446	Spring Contact 39	176623	Bracket, Mounting 38
172638	Screw (6-40 x 9/32 Hex) 6	174447	Post 39	176624	Contact Assembly 38
172639	Spring, Torsion 36	174448	Guard 39	176627	Modification Kit 47
172640	Modification Kit 28	174449	Bracket 39	176628	Modification Kit 33, 34, 35, 36
172759	Cable 46	174450	Cam 39	176639	Arm, Ribbon Drive 18
172983	Bracket, Spring 8	174451	Cam 39	176640	Guard, Tape 15
172984	Bracket, Spring 41	174452	Spacer 39	176641	Arm, Adjustable 18
173128	Bracket, Mounting 50	174475	Modification Kit 49	176647	Latch 29
173129	Stud 50	174476	Stop, Print Hammer 49	177000	Retainer 49
173130	Pawl, Contact 50	174649	Cable 23	177001	Spacer 49
173131	Bellcrank 50	174650	Modification Kit 23	177002	Plate 49
173134	Cable Assembly 50	175519	Typewheel 52	177003	Nut, Shoulder (6-40) 44
173135	Bracket Assembly 46	175521	Typewheel 52	178826	Arm 44
173136	Spring, Contact 46	175523	Typewheel 52	178827	Spring, Torsion 45
173137	Guard, Contact 46	175546	Typewheel 52	178829	Arm, Blocking 45
173139	Bracket 26	175547	Typewheel 52	178916	Bellcrank 48
173150	Bracket, Support 50	175554	Typewheel 52	178917	Modification Kit 48
173200	Sleeve, Bearing 5, 27, 40	175556	Typewheel 52	178918	Modification Kit to Equip Backspace Mechanism with Guard 48
173336	Modification Kit 5, 40	175559	Typewheel 52	178919	Pawl, Backspace 48
173340	Collar 5	175565	Typewheel 52	178920	Post, Eccentric 48
173443	Modification Kit 33, 34, 35, 36	175568	Typewheel 52	178921	Plate 48
173601	Cam 33	175582	Typewheel 52	178922	Nut, Shoulder (6-40) 48
173602	Plate 36	175583	Typewheel 52	178923	Bellcrank Assembly 48
173604	Post, Spring 36	175584	Typewheel 52	178924	Shaft 48
173606	Bail 36	175604	Typewheel 52	178925	Ratchet (24 T) 48
173607	Lever 36	175608	Typewheel 52	178926	Screw (2-56 Spl) 48
173608	Spring, Torsion 36	175612	Typewheel 52	178927	Clamp, Adjusting 48
173609	Roller 36	175632	Typewheel 52	178930	Guard 48
173616	Lever 36	175701	Typewheel 52	178931	Post 48
173618	Bail 36	175707	Typewheel 52	178932	Post, Supporting 48
173619	Bracket, Magnet 35	175710	Typewheel 52	179133	Modification Kit 44, 45
173620	Bail, Armature 35	175711	Typewheel 52	179251	Guard, Tape 46
173621	Cable W/Terminals 35	175713	Typewheel 52	179274	Wheel, Feed 7, 41
173691	Cam 35	175713	Typewheel 52	179275	Modification Kit 49
173754	Spacer, Typewheel 10	176138	Modification Kit 10	179460	Blade, Function (LTRS) 47
173755	Guide, Ribbon 10	176252	Washer, Flat 4	179461	Blade, Function (FIGS) 47
173756	Lever, Print Hammer 10	176255	Cable 47	179462	Blade, Function (Uncoded) 43,47
173757	Typewheel 52	176256	Bracket, Mounting 47	179573	Nut (6-40 Hex) 8
173769	Typewheel 52	176257	Lever 47	179579	Decalcomania 42
173770	Block Assembly, Punch 41	176258	Modification Kit 47	179628	Cable Assembly 30
173775	Shaft, Typewheel 10	176259	Cable 47	179669	Screw (4-40 Spl) 44
173850	Cable W/Terminals 47	176266	Spring, Torsion 3		
173961	Modification Kit 44, 45	176286	Lever, Adjusting 33		

NUMERICAL INDEX (Continued)

Part Number	Description and Page Number	Part Number	Description and Page Number	Part Number	Description and Page Number
179761	Blade, Function (UC H) 47	192709	Link 4	193824	Latch 29
179762	Blade, Function (Blank) 47	192778	Blade, Function (T) 37	193825	Magnet Assembly, Back Space 29
179932	Blade, Function (UC S) 47	192779	Modification Kit 37	194176	Screw, Eccentric Shoulder (6-40) 45
179933	Blade, Function (UC J) 47	192793	Guard 23	195182	Gear (20 T) 27
179934	Blade, Function (N) 47	192849	Bar, Push (#2) 12	195183	Gear (52 T) 27
179935	Blade, Function (CR) 47	192877	Bushing, Guide 10	195184	Gear Set 27
179943	Cable 51	193639	Lever W/Shaft 33	195251	Armature, Selector 16
179967	Stop 45	193668	Blade, Function (Unshift-on-Blank) 37	195284	Ring, "O" 10
192661	Post 4	193669	Modification Kit 37	195401	Cable W/Terminals 30
192686	Modification Kit: (UC "H" & "BL") 47	193804	Armature 29	195634	Modification Kit 16
		193821	Bracket 29	197684	Guard 45
		193822	Clamp 29	197995	Washer, Flat 45



28 RECEIVING-ONLY REPERFORATOR OR TAPE PRINTER BASE (LRB)

and

28 RECEIVING-ONLY MULTIPLE REPERFORATOR BASE (LMRB)

PAINT FINISH COLOR CODE CHART (For parts and assemblies requiring a paint finish)									
Color	Finish Suffixes				Color	Finish Suffixes			
	Wrinkle Finish	Smooth Finish	Textured Vinyl	Smooth Vinyl		Wrinkle Finish	Smooth Finish	Textured Vinyl	Smooth Vinyl
Black	AA (37)	BB			Brussels Light Blue		EC		
Dark Brown	AD (38)				Medium Blue		ES		
Gray Green	AB (40)	BK	GA (45)		Cherry Red		EF		
Charcoal Gray	AL	BZ		HA	Pastel Yellow		EG		
Dark Gray			GB		White		EH		
Light Gray		EJ		HB (68)	Ivory		EM		
Beige Gray			GC		Beige		ET		
Light Beige		EL		HC	Rose Beige		ER		
Moss Green		EN		HD	Rose Pink		EU		
Eye Rest Green		EA			Dark Covert Gray				HE
Turquoise		EV			Light Olive Gray	EW		GE	HF (46)
Aqua Blue		EK			Fawn				HG

The double asterisk (**) denotes a painted part. Suffix to be applied following the part number.
 Number in parenthesis indicates Bell System code.

FIGURE	CONTENTS	PAGE
1	Reperforator Base (Single Plate)	3
2	Reperforator Base (Single Plate)	4
3	159377 Modification Kit to Provide Single Speed Drive	5
4	Reperforator Base (Double Plate)	6
5	Reperforator Base (Double Plate)	7
6	Tape Container Assemblies	8
7	Modification Kits to Provide Variable Speed Drive	9
8	Modification Kits to Provide Variable Speed Drive	10
9	Multiple Reperforator Base (With Cross-Shaft)	11
10	Cross-Shaft Mechanism for Multiple Reperforator Base	12
11	Multiple Reperforator Base (With Cross-Shaft and Intermediate-Shaft)	13
12	Cross-Shaft and Intermediate Shaft Mechanism for Multiple Reperforator Base	14
13	161527 Tape Container Assembly	15
14	161678 Modification Kit to Install a Multiple Reperforator Base (LMRB) in a Model 28 Cabinet (LBAC)	16
15	Auxiliary Reperforator Base	17
16	Gear Bracket Assembly	18
17	Auxiliary Reperforator Base Gearing Mechanism	19
18	161815 and 176287 Modification Kits to Mount an Auxiliary Typing Reperforator Base	20
19	Miniaturized Receiving Only Reperforator Base	21
20	174492 Tape Container Assembly	22
21	174459 Modification Kit to Provide a Sliding Base	23
22	176100 Variable Speed Mechanism Assembly	24
23	176100 Variable Speed Mechanism Assembly	25
24	Miniaturized Base	26
25	Miniaturized Base	27
26	164873** (7/8") and 193794** (1") Tape Container Assemblies with Tape-Out Switch	28
27	162957** Tape Winder Assembly	29
28	Typing Reperforator Base with Extension	30
29	Electrical Components	31
30	195388 Modification Kit to Relocate Power Switch from the Rear to the Front	32
31	173484 Modification Kit to Provide Power Factor Correction for Multiple Base	32
32	164341 and 176542 Modification Kits to Provide Chad Disposal on Multiple Reperforator Bases	33
33	Modification Kits to Provide Chad Disposal	34
34	193667** Modification Kit to Provide a Sprocket Guard for Multiple Reperforator Bases	35
35	Gear Chart for Self-Contained Non-typing Reperforator	35
36	Tape Printer Base (Miniaturized)	36
37	Tape Printer Base - continued (Miniaturized)	37
38	Cable Chart	38
39	Cable Chart	39
	Numerical Index	40

**Refer to page 1 for finish suffix.

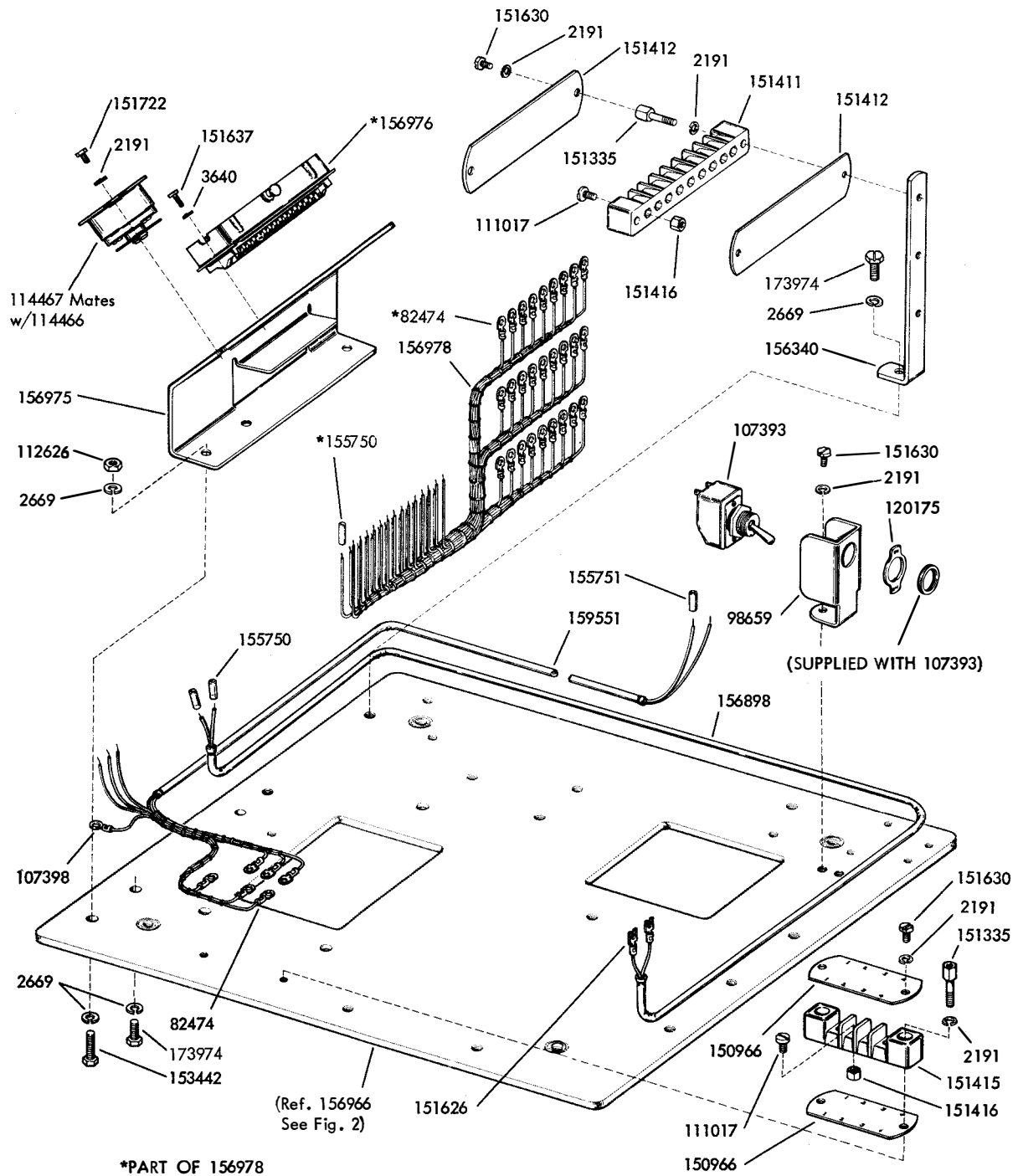


FIGURE 1. REPERFORATOR BASE (SINGLE PLATE)

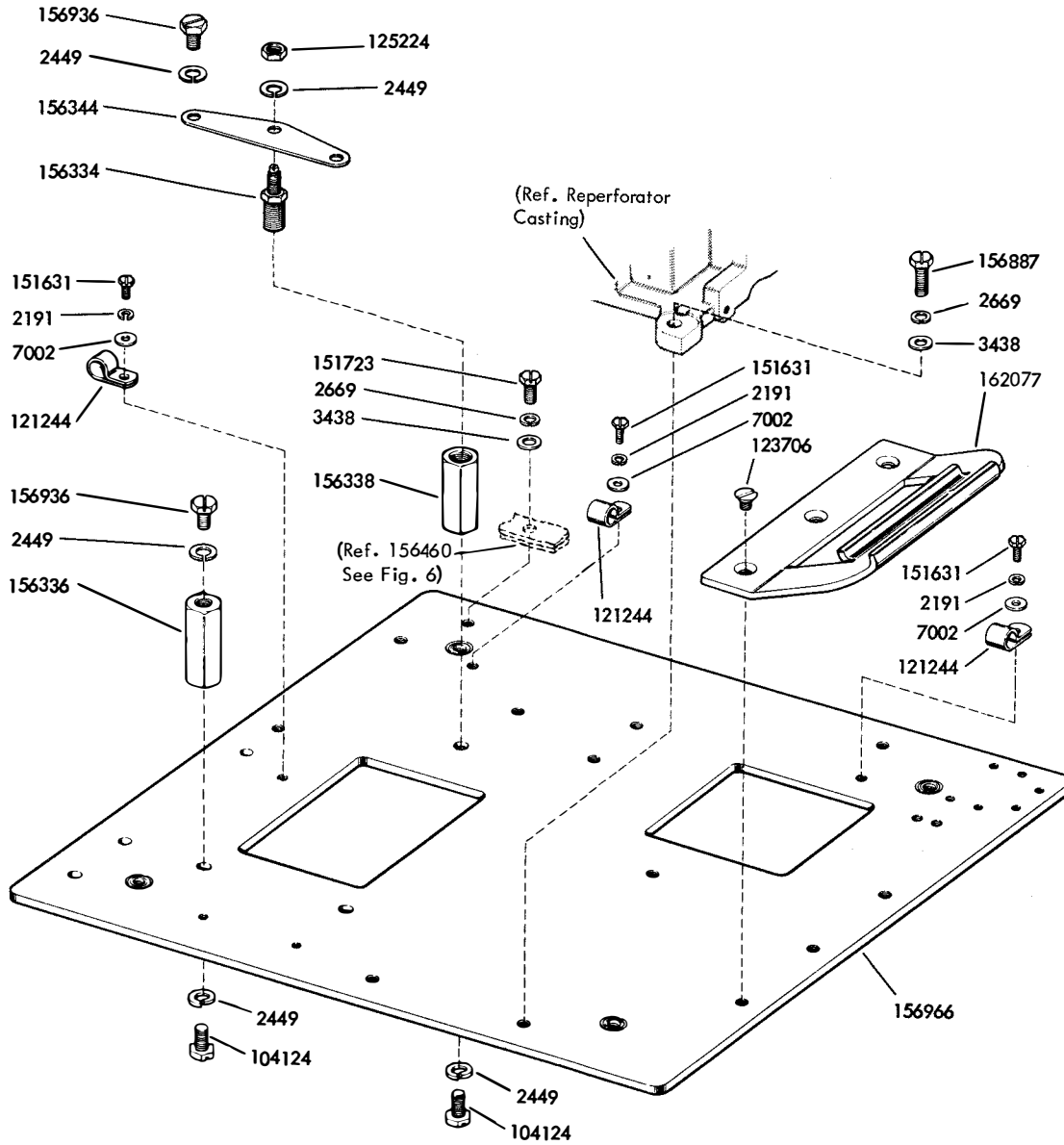


FIGURE 2. REPERFORATOR BASE (SINGLE PLATE)

Speed Change Gears for Self-Contained Units (LRB & LPR) (Order Separately)						
Set Number	Pinion	Driven Gear	Approx. O.P.M. (Receiving)	Approx. W.P.M.	Unit Code	Baud
161519	161104 (11T)	161103 (49T)	461.7	67	7.42	50.00
161654	156982 (9T)	156981 (44T)	420	60	7.42	45.45
161655	156984(12T)	156983(47T)	525.7	75	7.42	56.88
161656	156986(14T)	156985(42T)	685	100	7.42	74.2
*176295	176296(15T)	176297(43T)	692	107	7.00	75

*Must use 162218 (29T) Sprocket. The 162218 Sprocket is not part of the 159377 Modification Kit

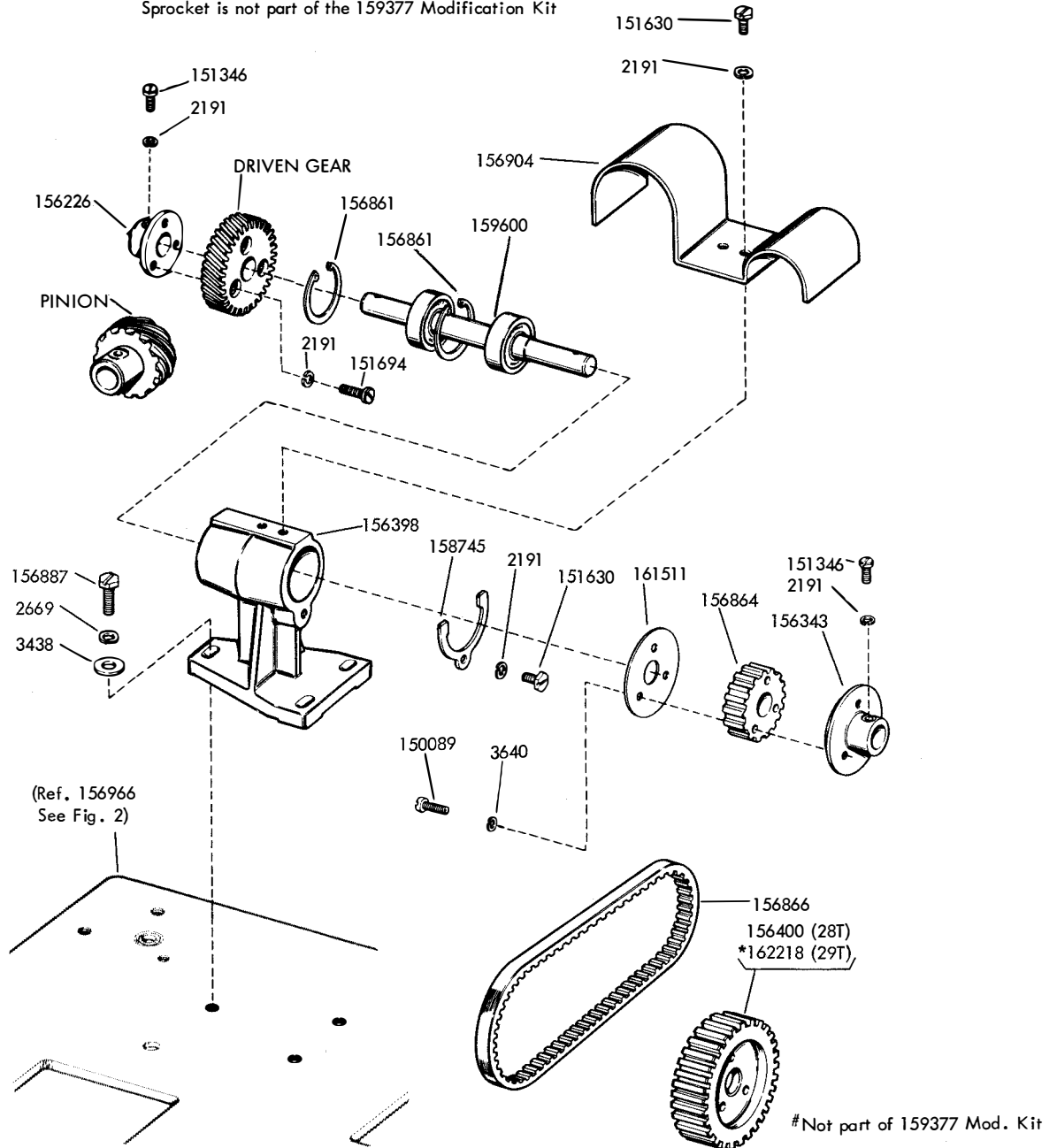
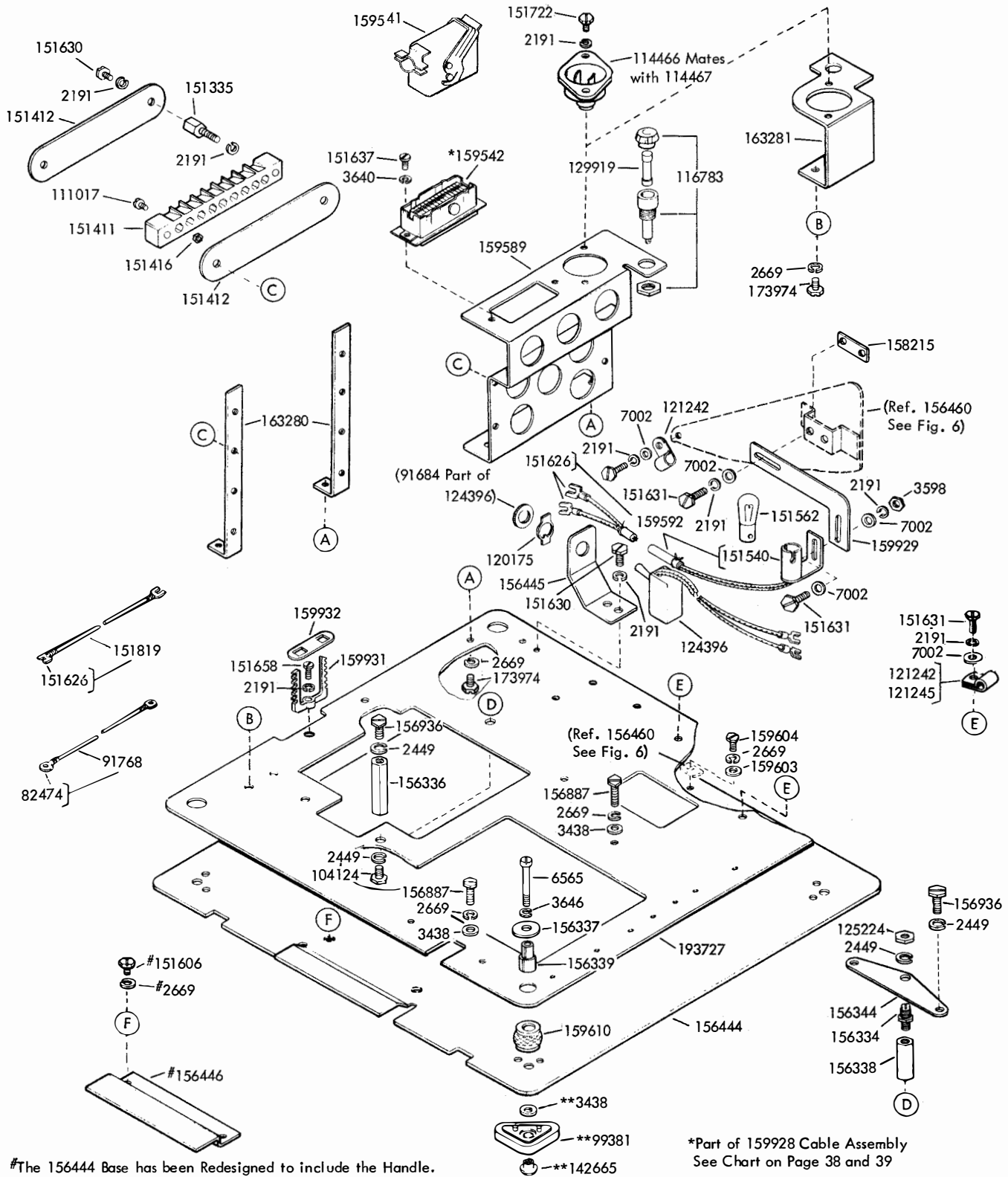


FIGURE 3. 159377 MODIFICATION KIT TO PROVIDE SINGLE SPEED DRIVE



#The 156444 Base has been Redesigned to include the Handle. Handle & Mounting Hardware is available for Maintenance.

*Part of 159928 Cable Assembly See Chart on Page 38 and 39
 **Part of 136148 Modification Kit

FIGURE 4. REPERATOR BASE (DOUBLE PLATE)

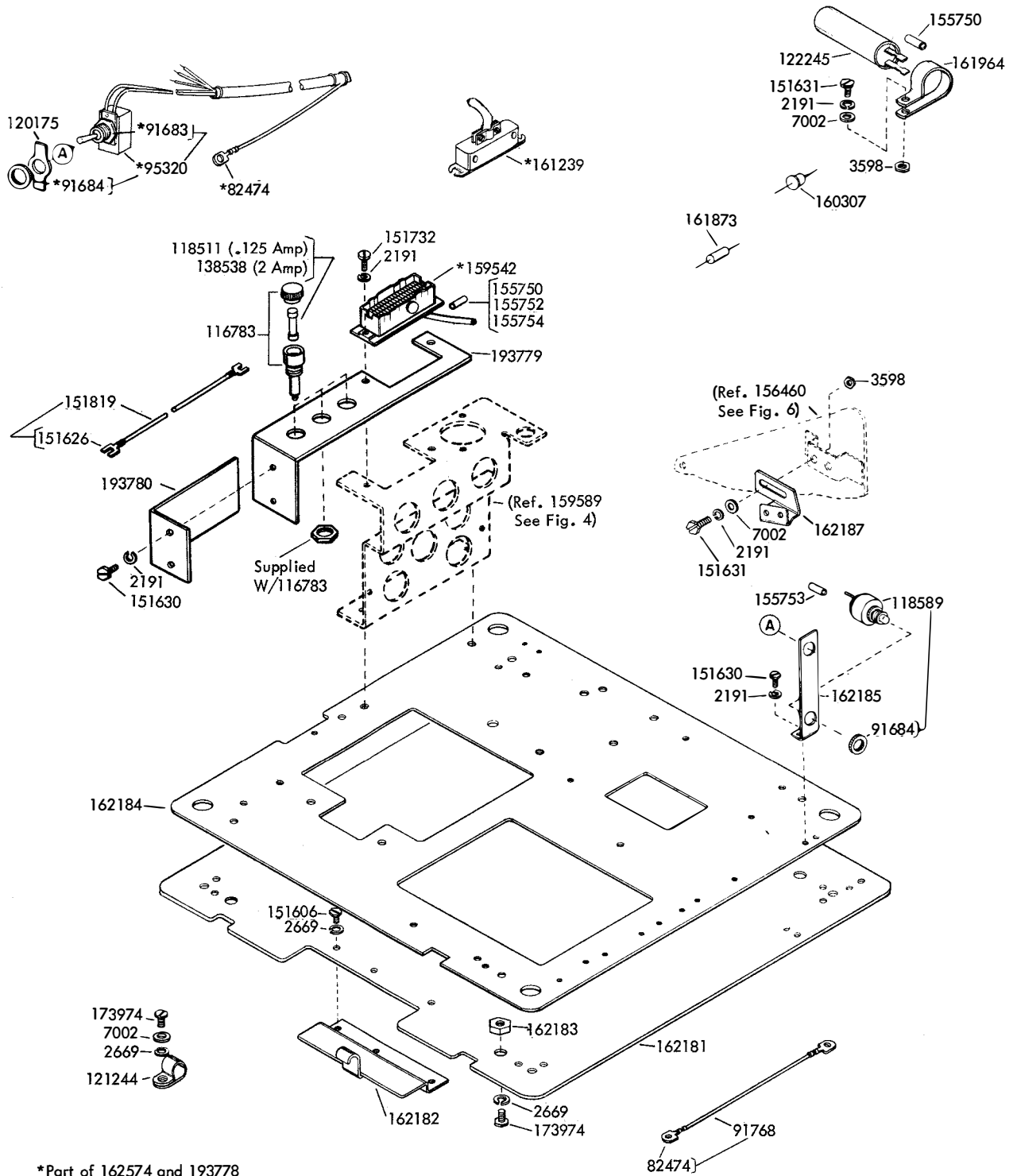
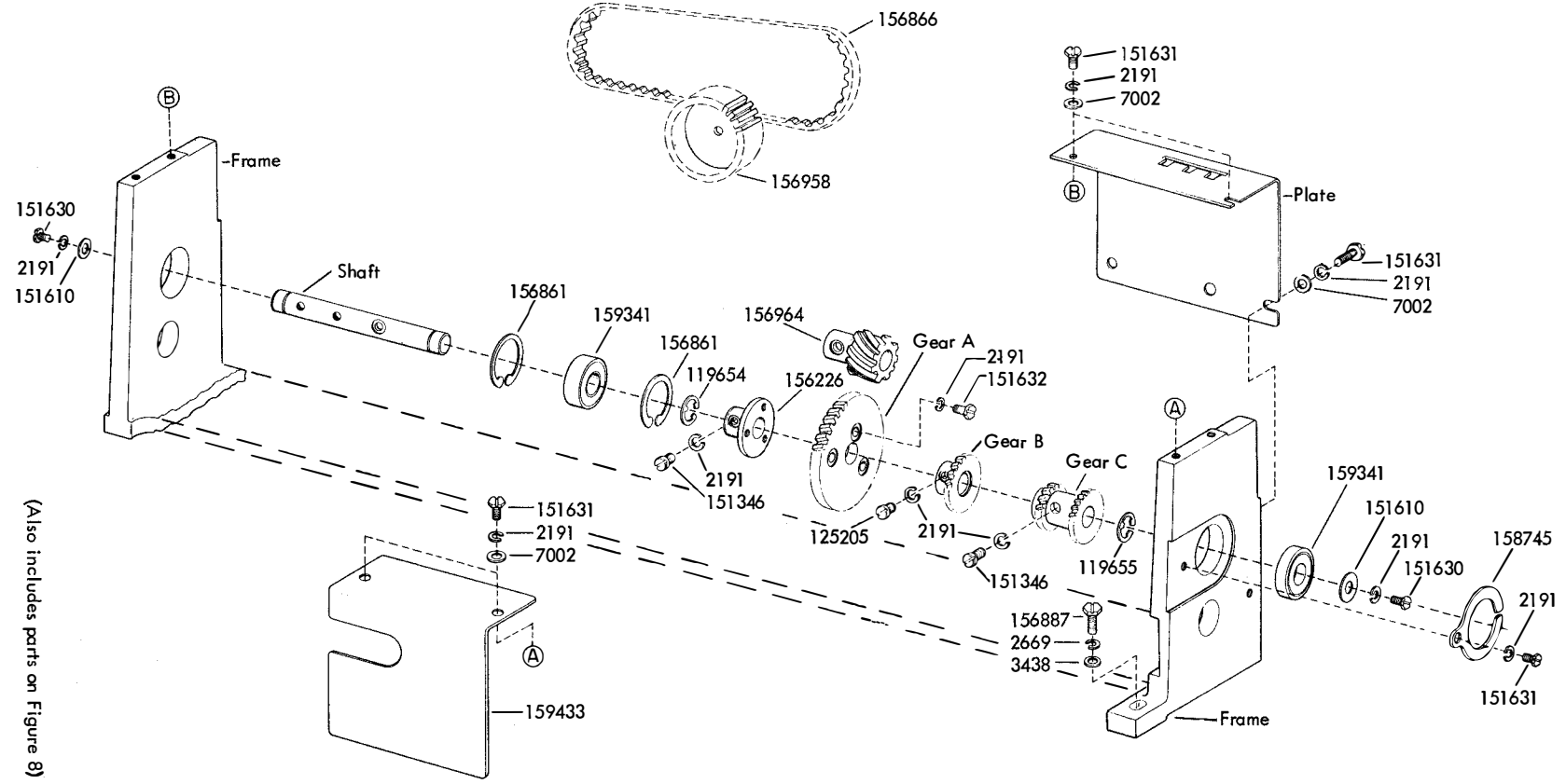


FIGURE 5. REPERFORATOR BASE (DOUBLE PLATE)

Modification Kit	Frame	Shaft	Gear A	Gear B	Gear C	Plate
159417 (60,75,100 WPM)	156965	156967	156949	158712	158732	156968
163256 (60,67,75 WPM)	156965	163264	163260	163261	158732	163328
179965 (45.5,50,75 Baud)	192685	156967	163260	179963	178870	179969

Note:
Parts are common to all three
Modification Kits unless otherwise
indicated.



(Also includes parts on Figure 8)

FIGURE 7. MODIFICATION KITS TO PROVIDE VARIABLE SPEED DRIVE

Modification Kit	Gear A	Gear B	Block
159417 (60,75,100 WPM)	158716	158734	158740
163256 (60,67,75 WPM)	163262	158734	163265
179965 (45.5,50,75 Baud)	179962	163262	158740

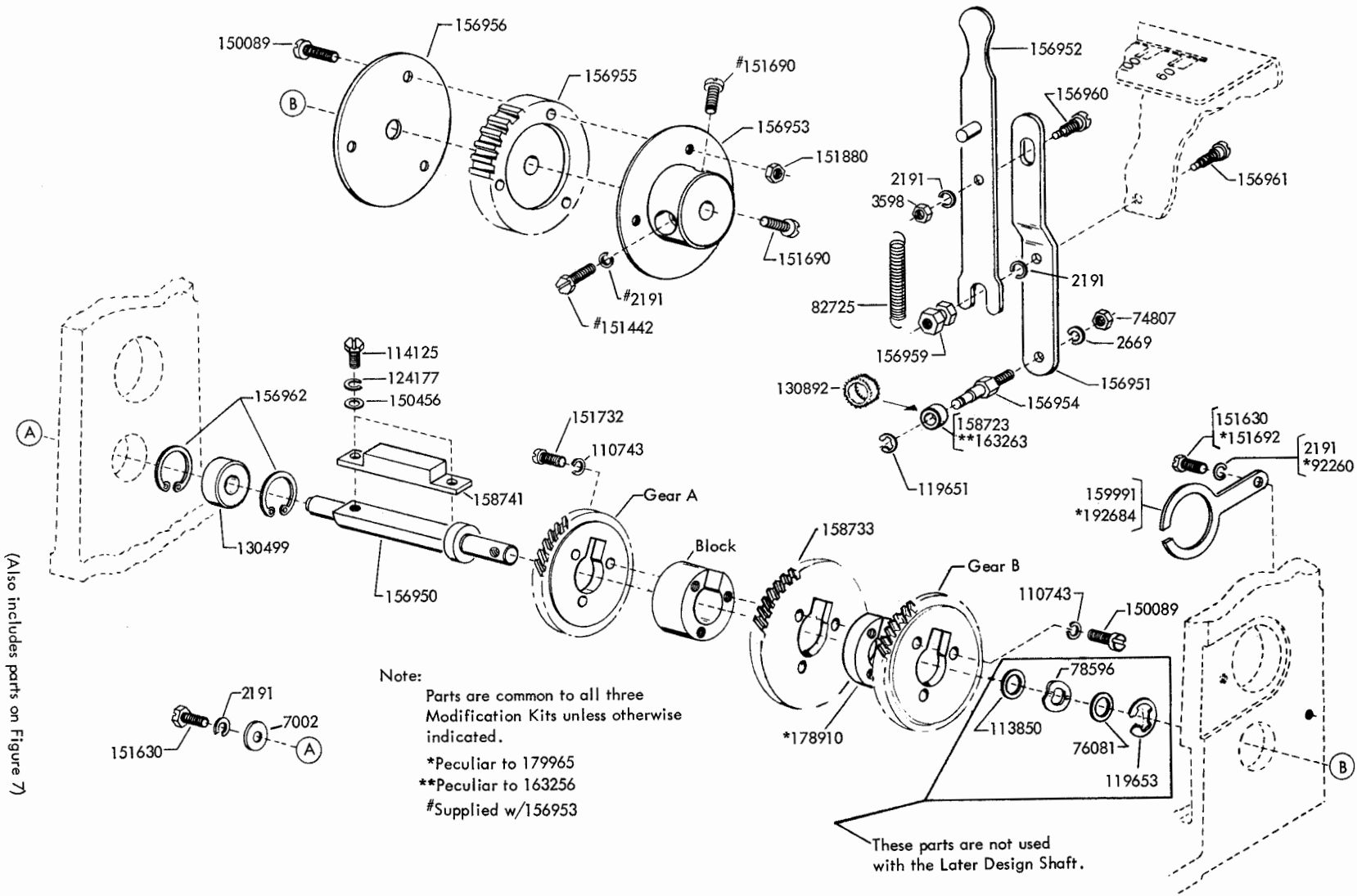


FIGURE 8. MODIFICATION KITS TO PROVIDE VARIABLE SPEED DRIVE

(Also includes parts on Figure 7)

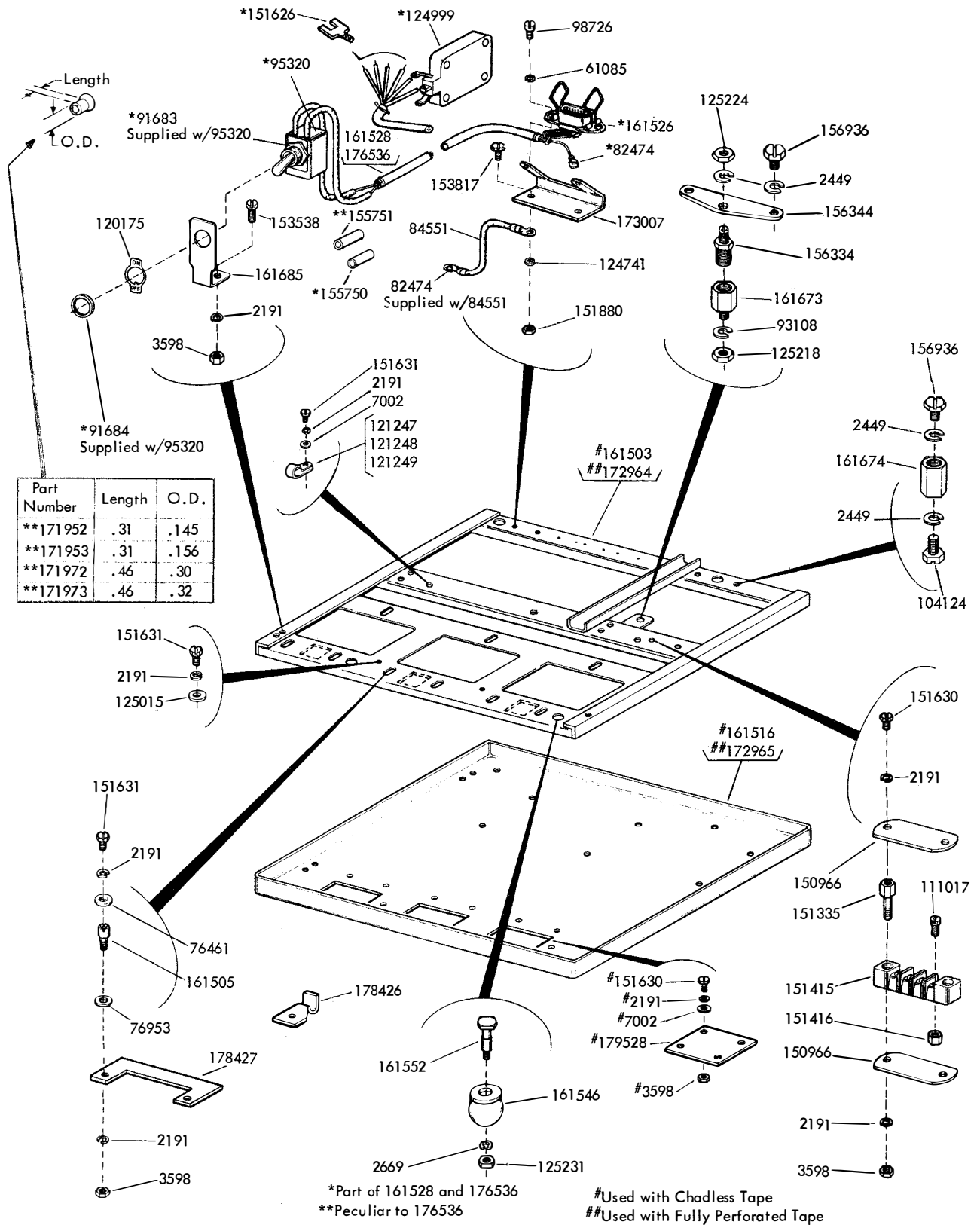


FIGURE 9. MULTIPLE REPERFORATOR BASE (WITH CROSS-SHAFT)

Gear Arrangements for Multiple Mounted Reperforators Driven at Common Speed						
Unit Code	7.42			7.00		
WPM (Nominal)	60	75	100	65	71	107
Baud	45.45	56.88	74.2	45.45	50	75
Motor Gear Set	161530	161533	161536			
Pinion	161532 - 9T	161535 - 12T	161538 - 14T	*164339 - 10T	*164337 - 9T	*164339 - 10T
Gear	161531 - 44T	161534 - 47T	161537 - 42T	*164340 - 37T	*164338 - 40T	*164340 - 37T
Mod Kit at Each Reperforator	161680 16T/28T			#173584	161680	162213

Gear Arrangements for Multiple Mounted Reperforators Driven at Independent Speeds							
Unit Code	7.42			7.00			
WPM (Nominal)	60	75	100	65	71	107	121
Baud	45.45	56.88	74.2	45.45	50	75	84.7
Mod Kit at Each Reperforator	161680:	162213:	162217:	#173584:	161680:	162213:	**173023:
Hub	161509	162215	162220	161509	161509	162215	162220
Cross-Shaft Sprocket	161510 - 16T	162214 - 20T	162219 - 27T	161510 - 16T	161510 - 16T	162214 - 20T	162219 - 27T
Retainer	161511	162216	162221	161511	161511	162216	162221
Belt	161520	161520	162222	162222	161520	161520	162222
Reperforator Sprocket	156400 - 28T	156400 - 28T	162218 - 29T	173583 - 33T	156400 - 28T	156400 - 28T	#156400 - 28T
Motor Gear Sets	161530 161532-9T 161531-44T			*164339-10T *164340-37T	*164337-9T *164338-40T	*164339-10T *164340-37T	*164337-9T *164338-40T

*Motor Gear Set Numbers not Assigned.
 **Non-Typing Reperforators Only.
 #Modification Kit Contains Sprocket and Belt Drive Parts for 3 Reperforators.
 ##Order Separately

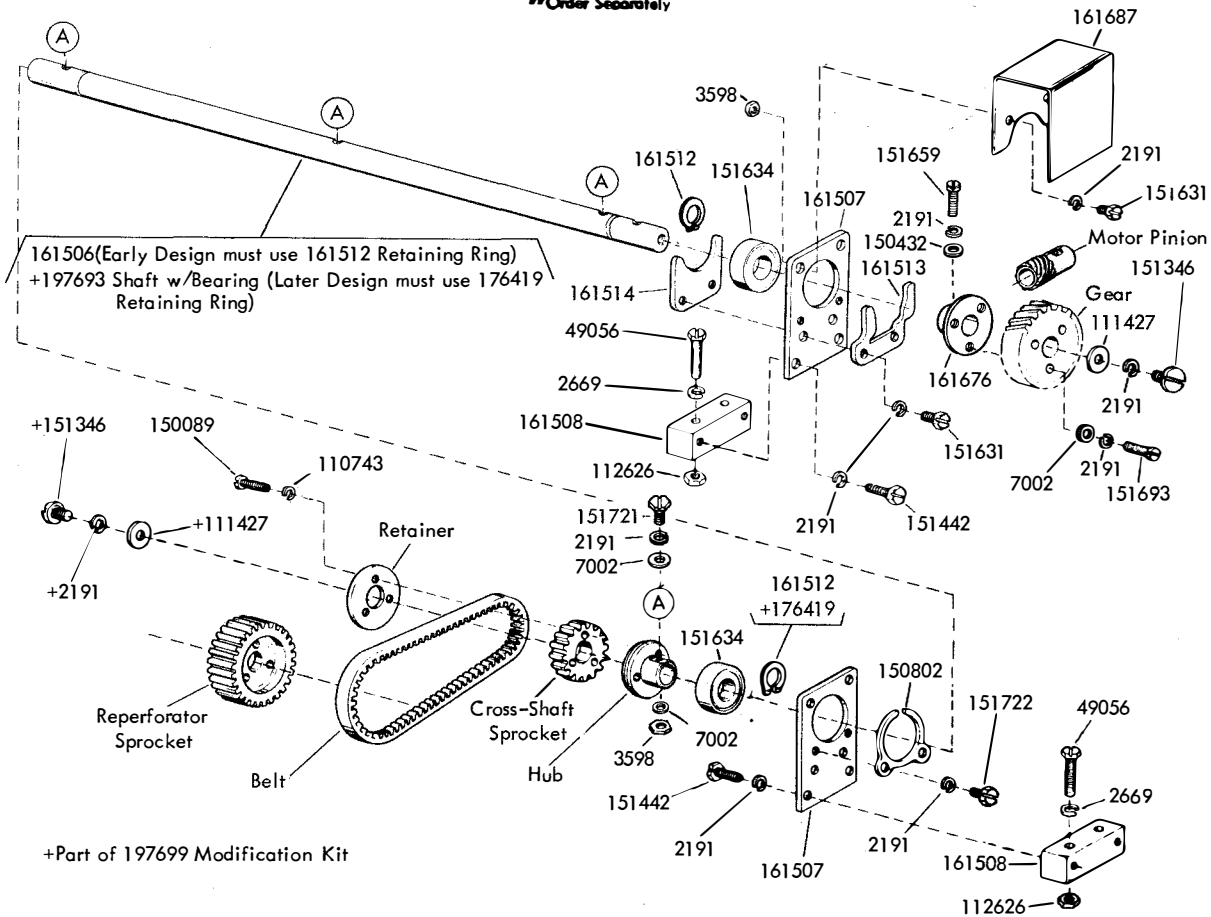


FIGURE 10. CROSS-SHAFT MECHANISM FOR MULTIPLE REPERFORATOR BASE

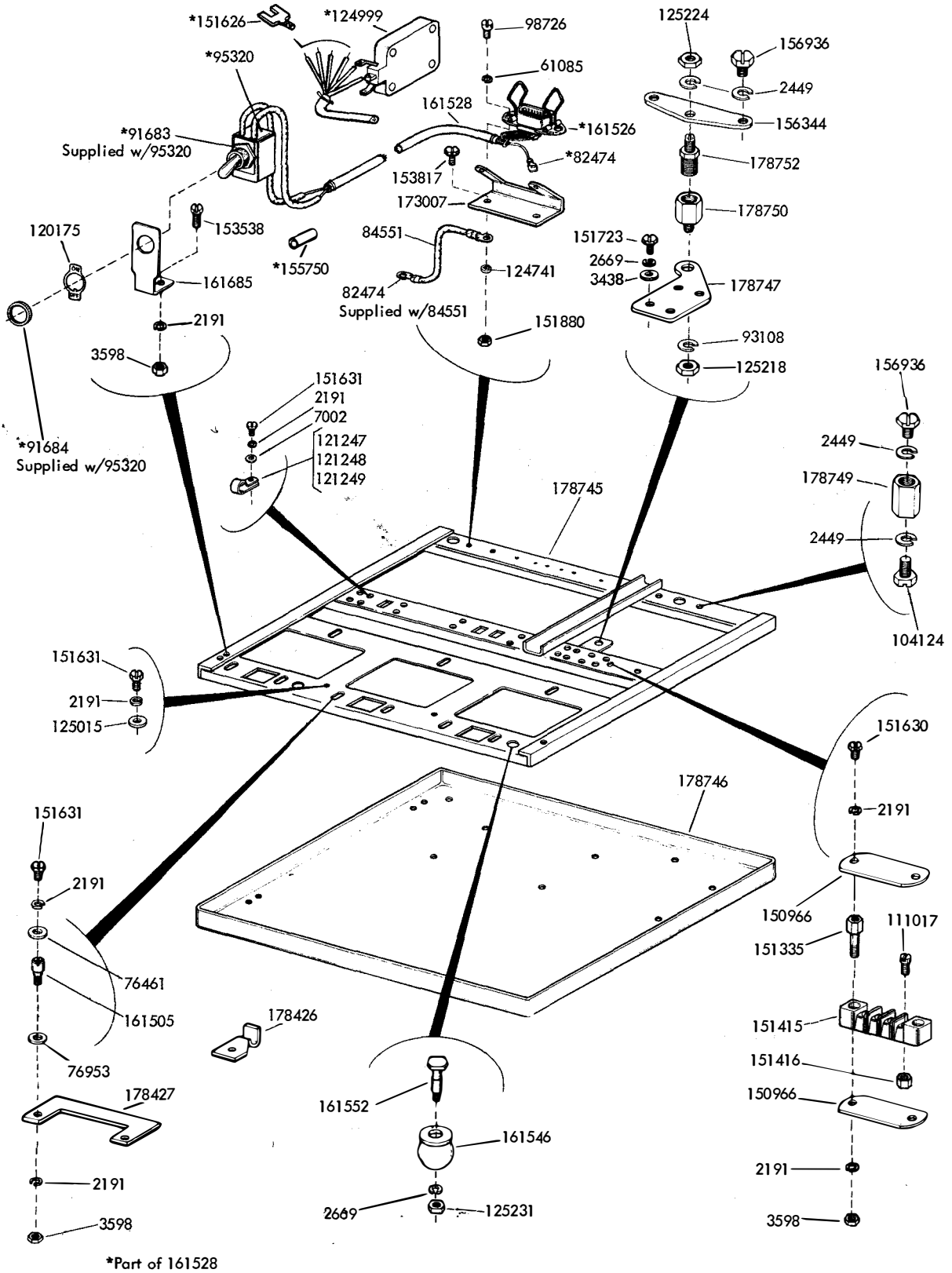


FIGURE 11. MULTIPLE REPERFORATOR BASE (WITH CROSS-SHAFT AND INTERMEDIATE-SHAFT)

Gear Chart					
Gear Set No.	Cross Shaft Pinion	Gear	Unit Code	WPM (Nominal)	Baud
178798	178799 - 54T	178800 - 53T	7.00	107	75
178801	178802 - 33T	178803 - 49T	7.00	71	50
			7.50	66	50
178804	178810 - 30T	178811 - 49T	7.00	65	45.45
178813	178814 - 37T	178815 - 37T	7.00	106	74.2

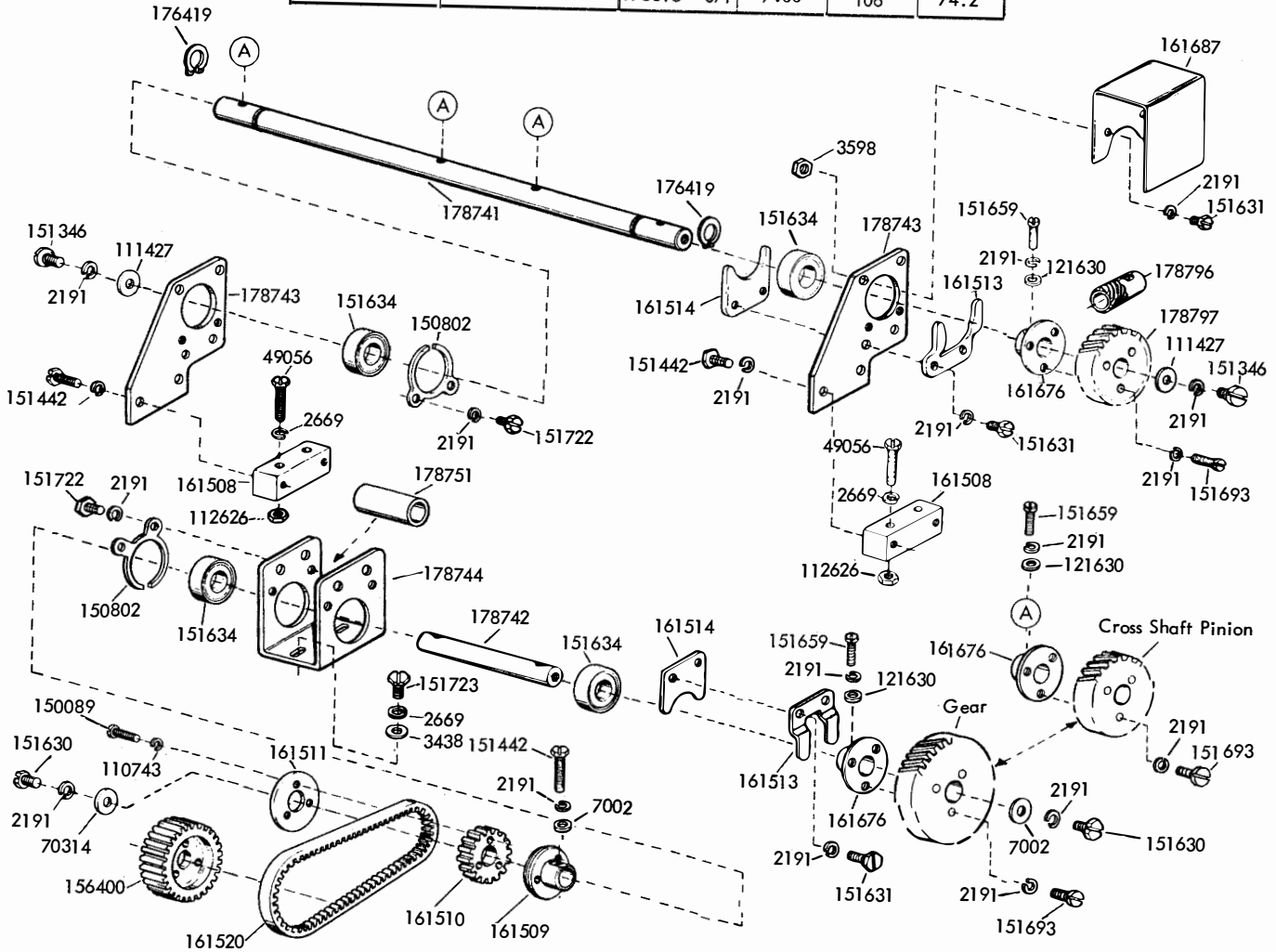
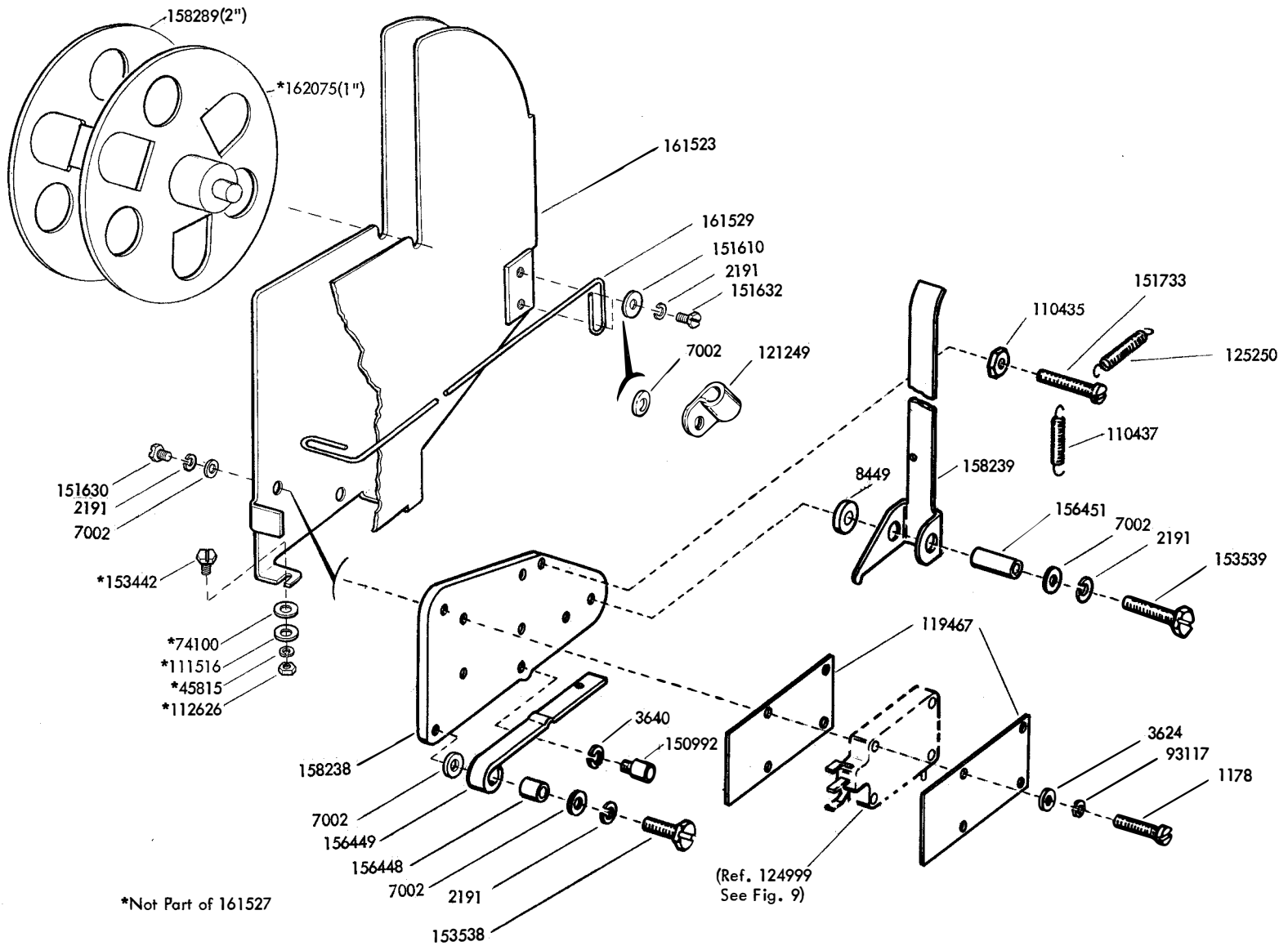


FIGURE 12. CROSS-SHAFT AND INTERMEDIATE SHAFT MECHANISM FOR MULTIPLE REPERFORATOR BASE

FIGURE 13. 161527 TAPE CONTAINER ASSEMBLY



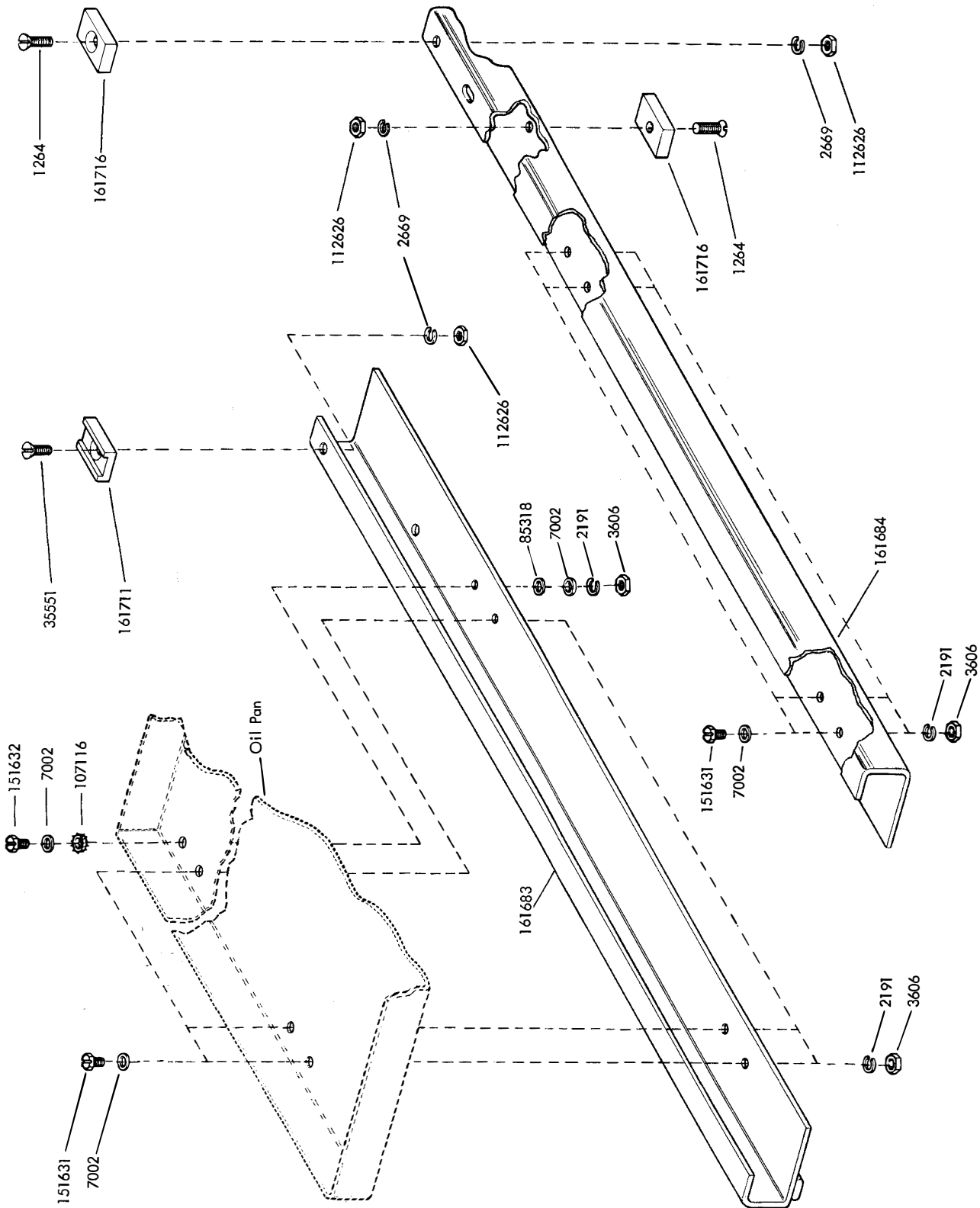
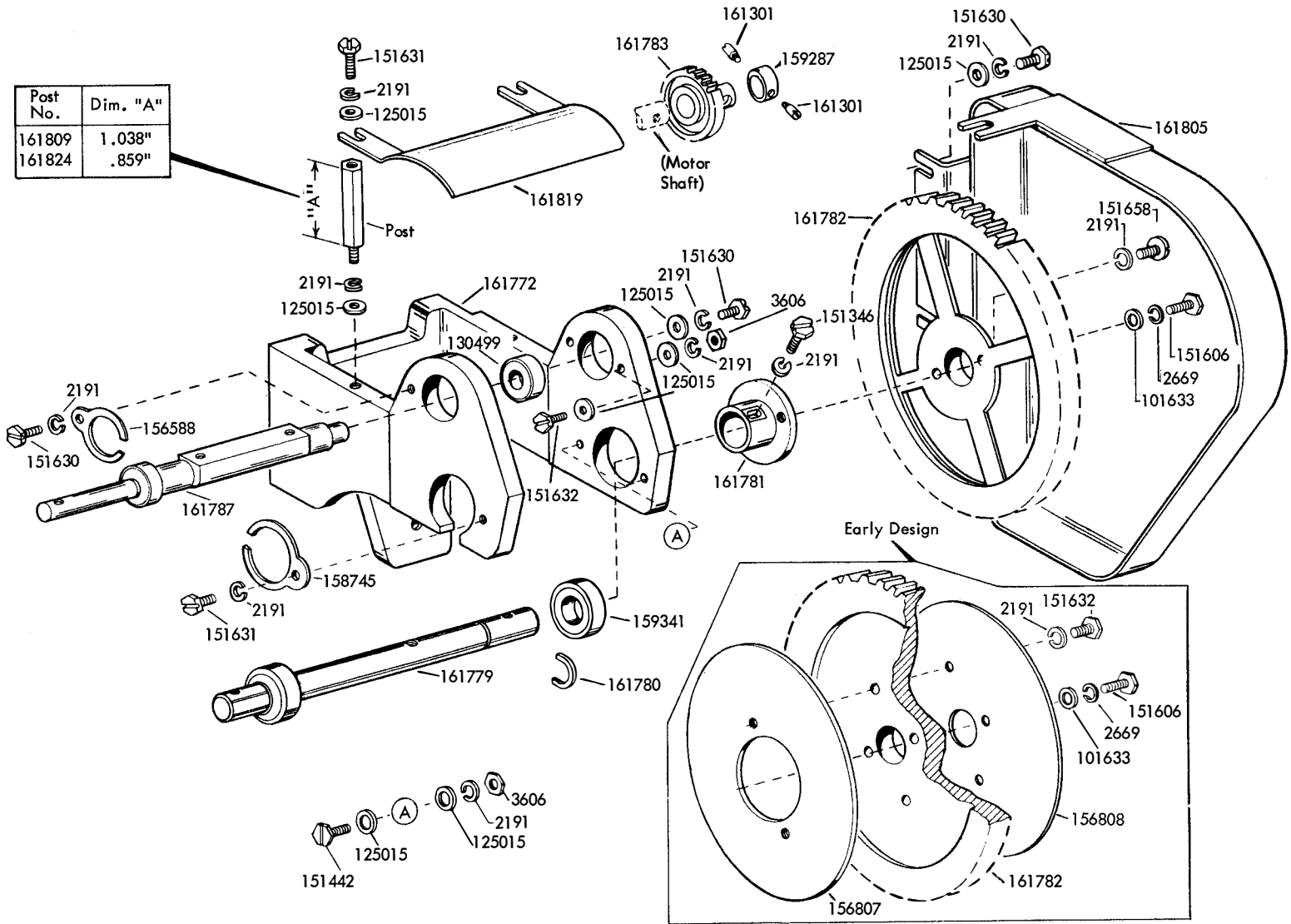


FIGURE 14. 161678 MODIFICATION KIT TO INSTALL A MULTIPLE REPERFORATOR BASE (LMRB) IN A MODEL 28 CABINET (LBAC)

FIGURE 16. GEAR BRACKET ASSEMBLY

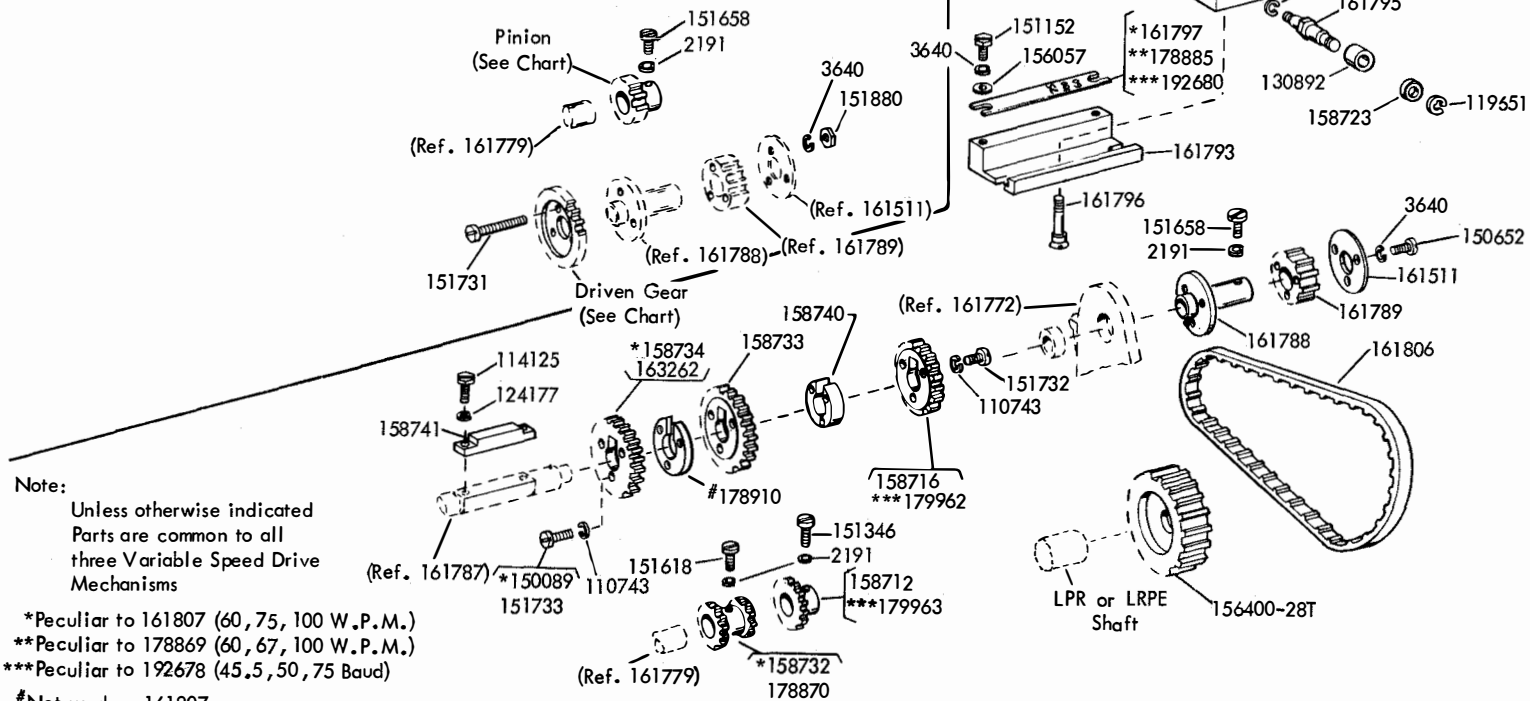


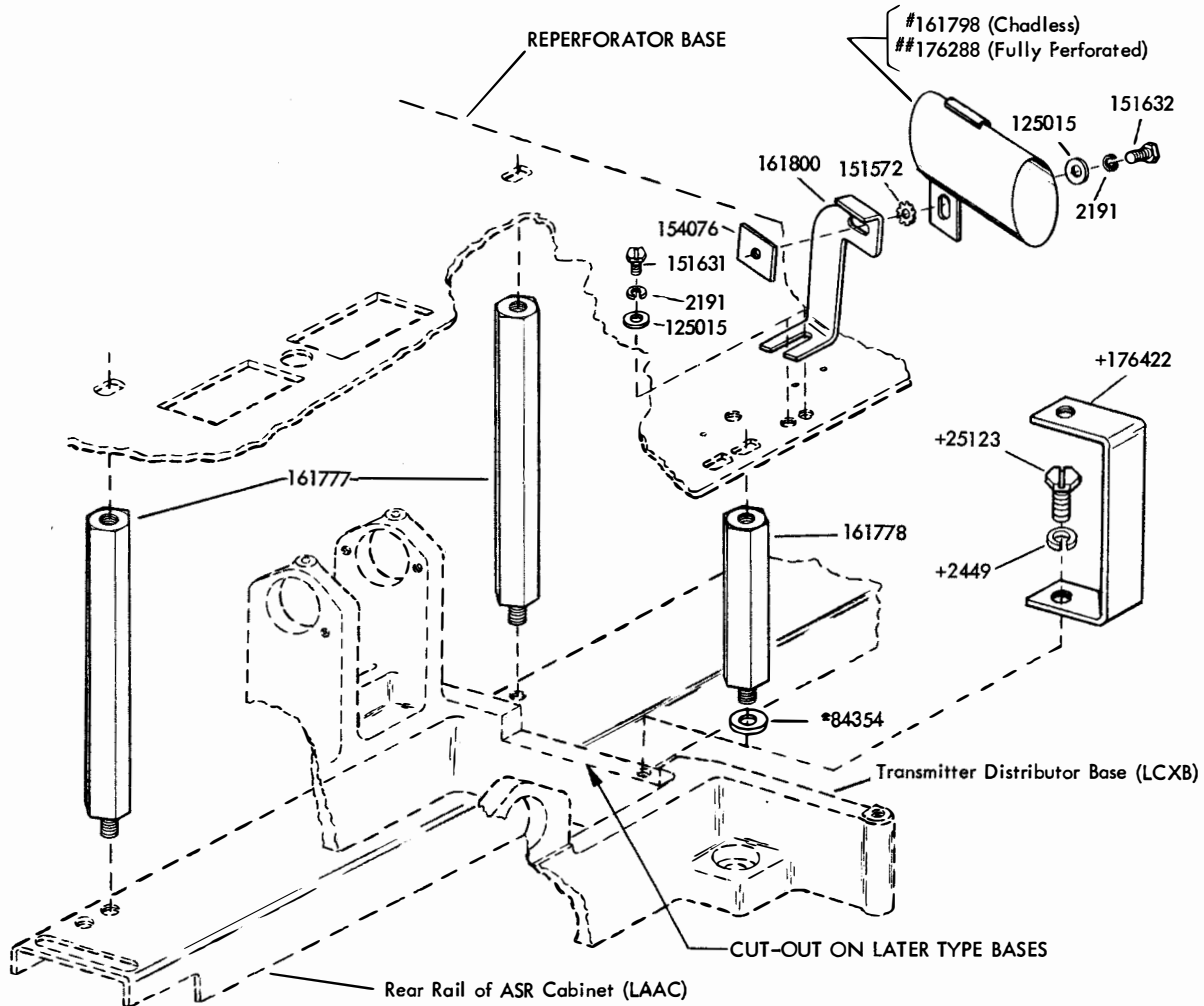
SINGLE SPEED DRIVE

GEAR SETS FOR AUXILIARY MOUNTED LPR SETS					
Gear Set No.	Driven Gear	Pinion	Unit Code	W. P. M. (Nominal)	Baud
161811	161790-44T	161784-18T	7.42	60	45.45
161812	161791-47T	161785-24T	7.42	75	56.88
161813	161792-39T	161786-26T	7.42	100	74.2
173820	173822-49T	173821-20T	7.00	65	45.45
163448	163447-49T	163446-22T	7.00	71	50
163451	163450-40T	163449-27T	7.00	107	75

VARIABLE SPEED DRIVE

FIGURE 17. AUXILIARY REPERFORATOR BASE GEARING MECHANISM





SPECIFICATION 5929S

*NOT REQUIRED WHEN UNIT IS
EQUIPPED WITH BASE ISOLATION
PARTS.

+PARTS USED ON BASES
HAVING CUT-OUT

#Peculiar to 161815

##Peculiar to 176287

FIGURE 18. 161815 AND 176287 MODIFICATION KITS TO MOUNT AN
AUXILIARY TYPING REPERFORATOR BASE

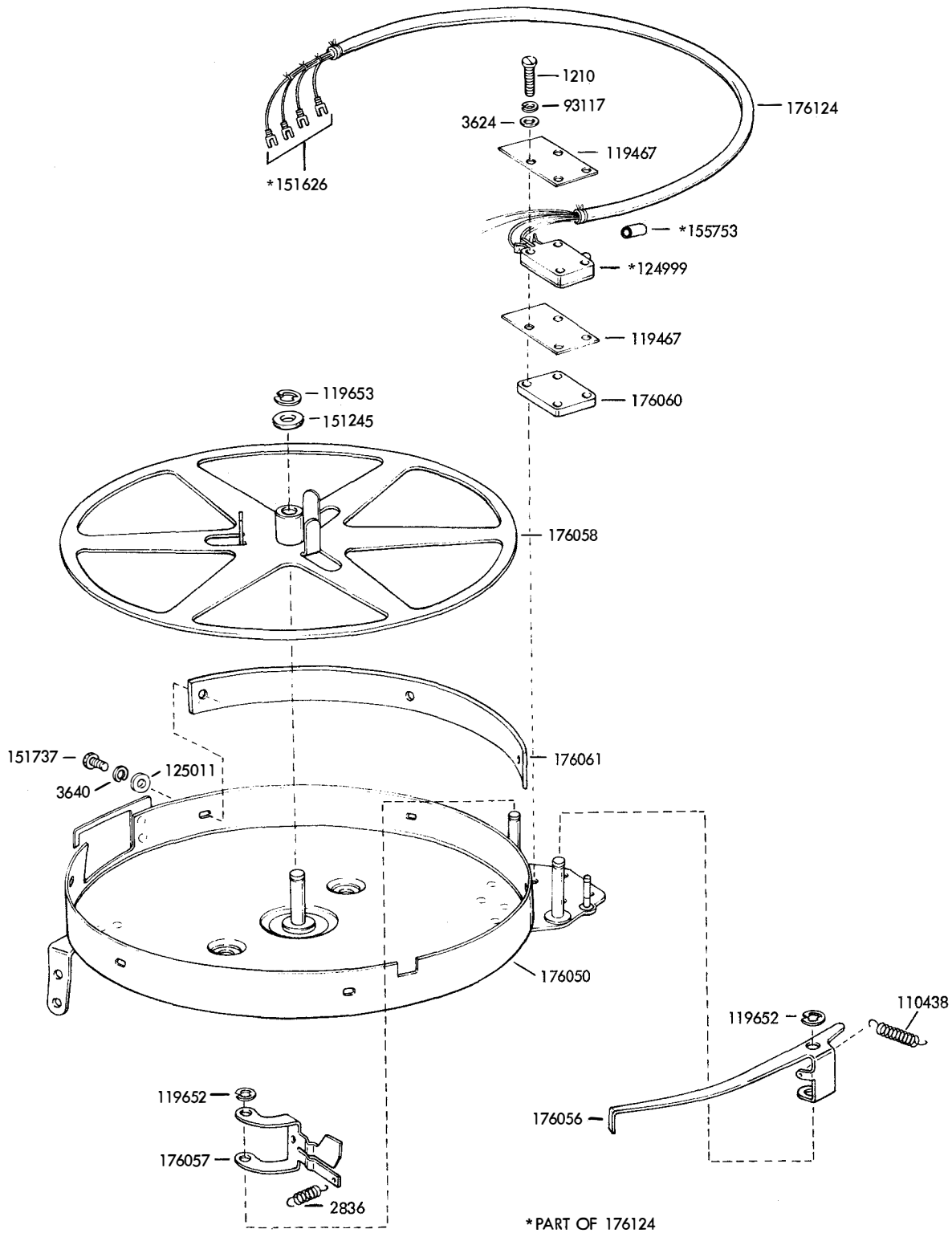


FIGURE 20. 174492 TAPE CONTAINER ASSEMBLY

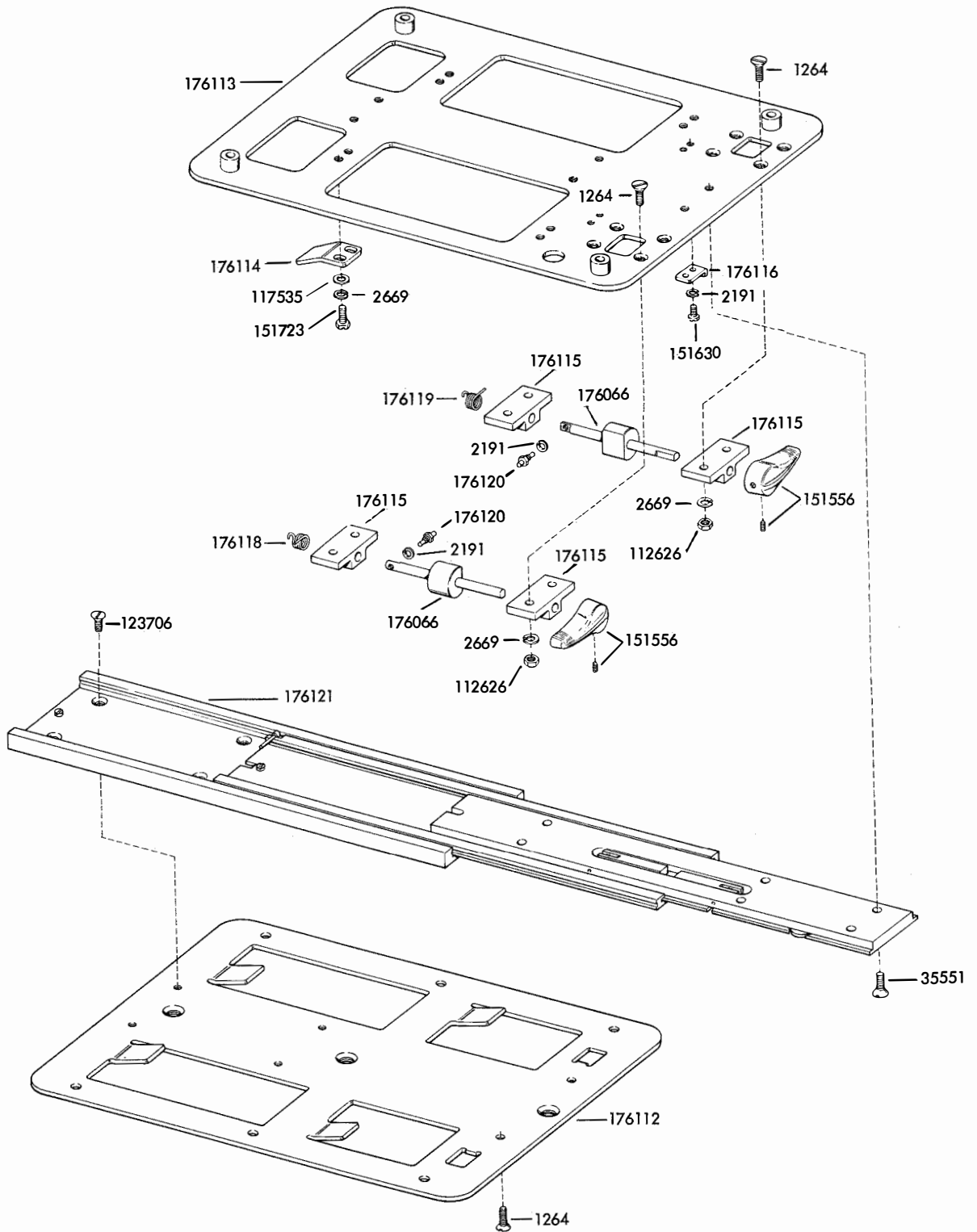


FIGURE 21. 174459 MODIFICATION KIT TO PROVIDE A SLIDING BASE

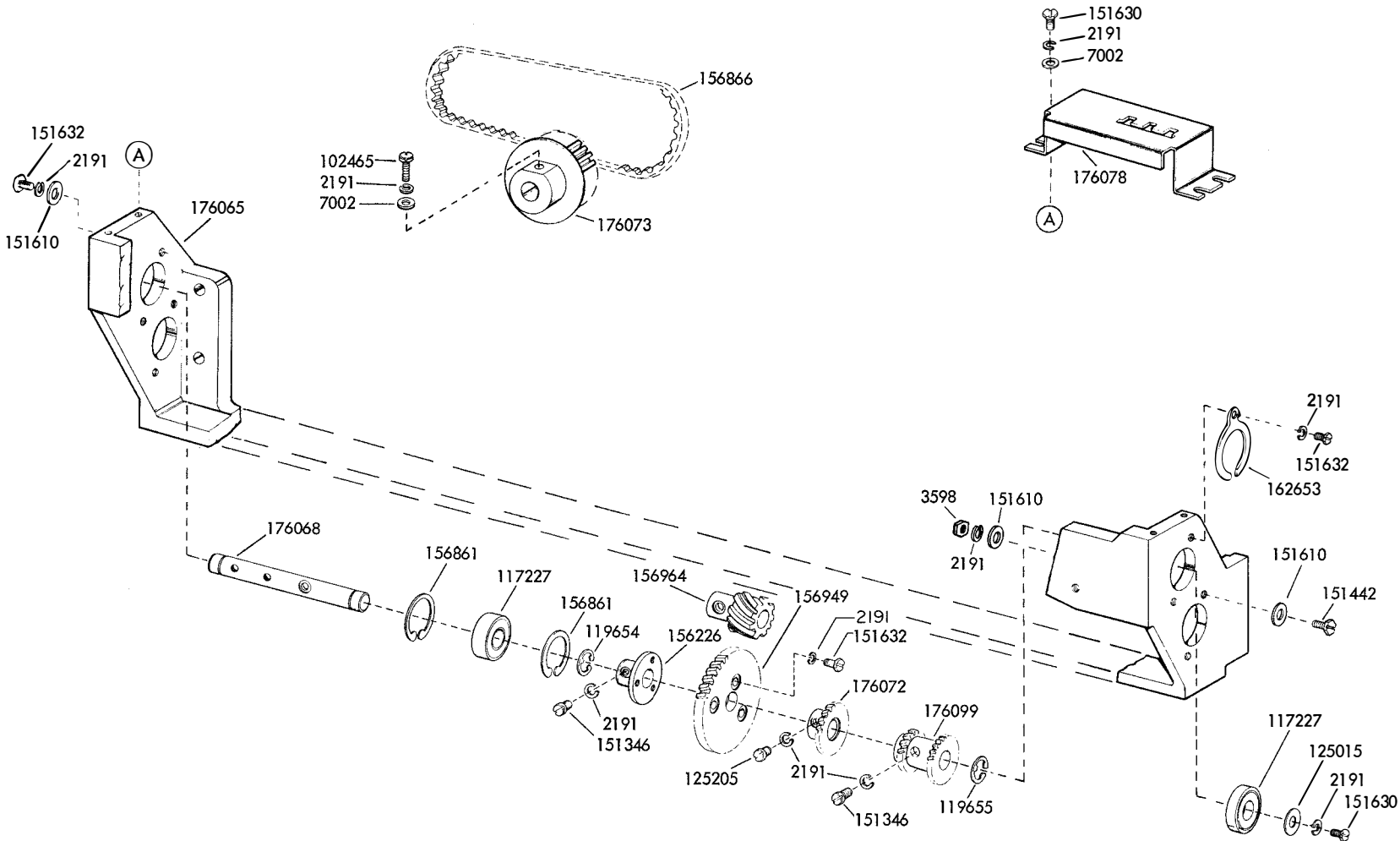
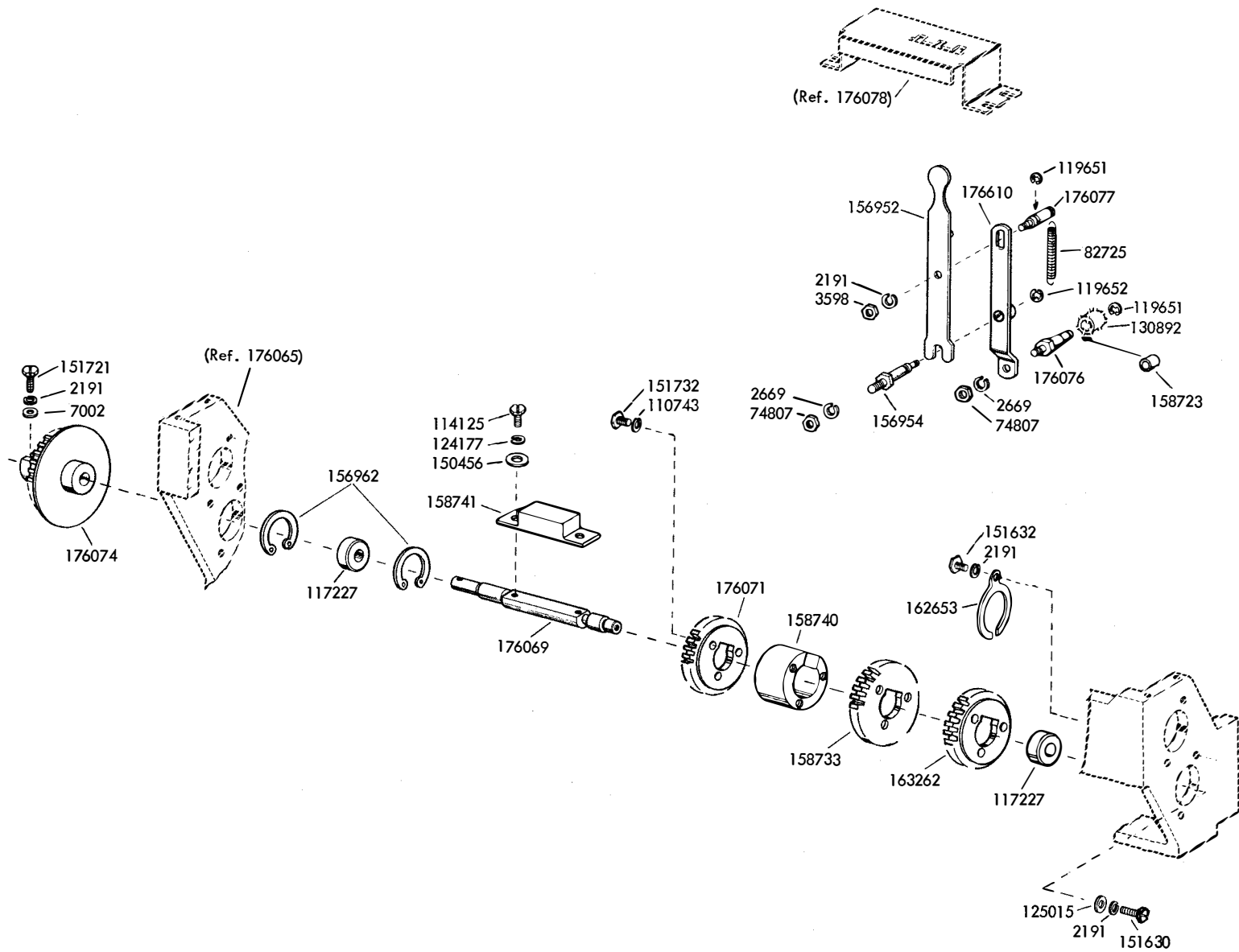


FIGURE 22. 176100 VARIABLE SPEED MECHANISM ASSEMBLY

FIGURE 23. 176100 VARIABLE SPEED MECHANISM ASSEMBLY



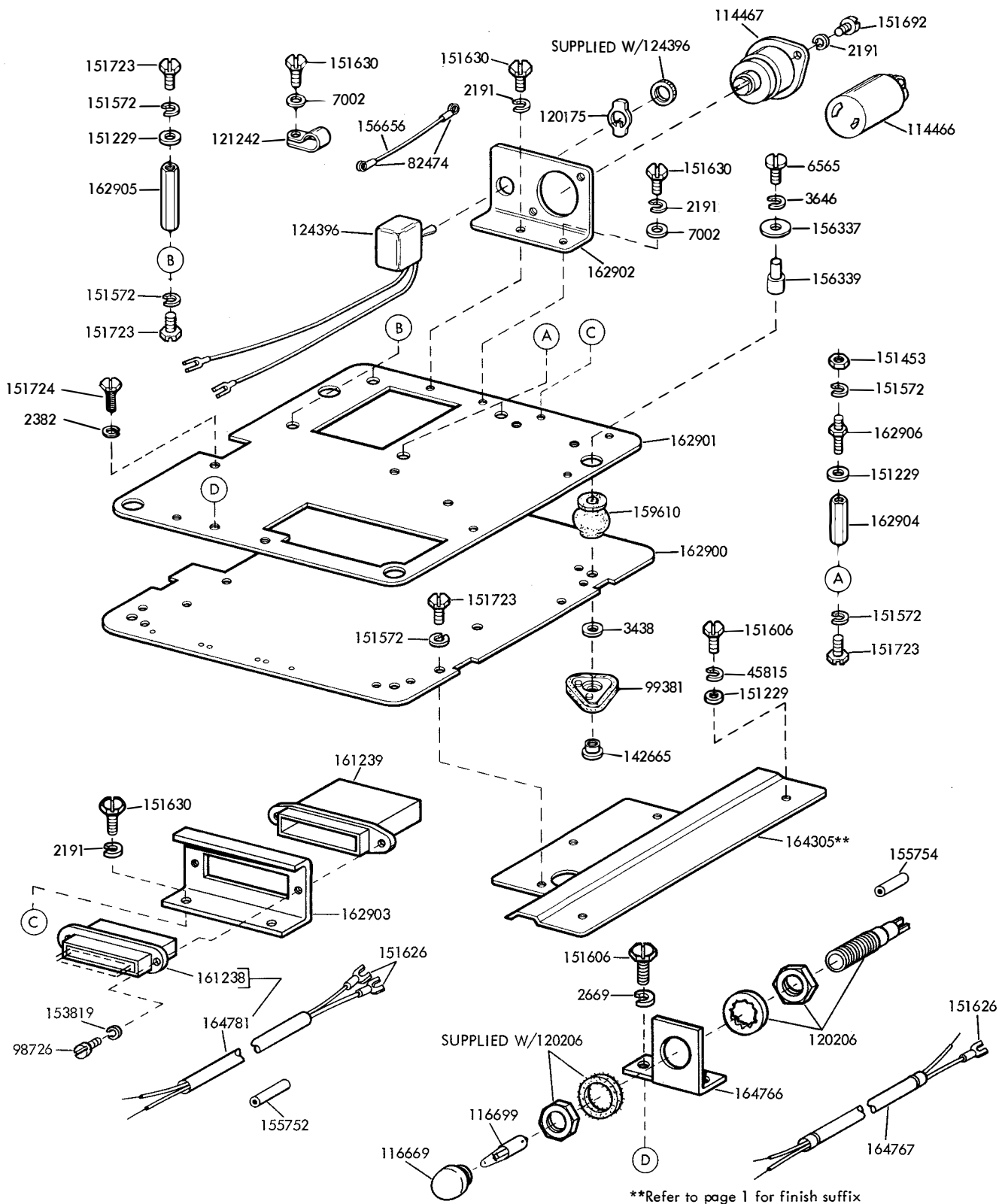
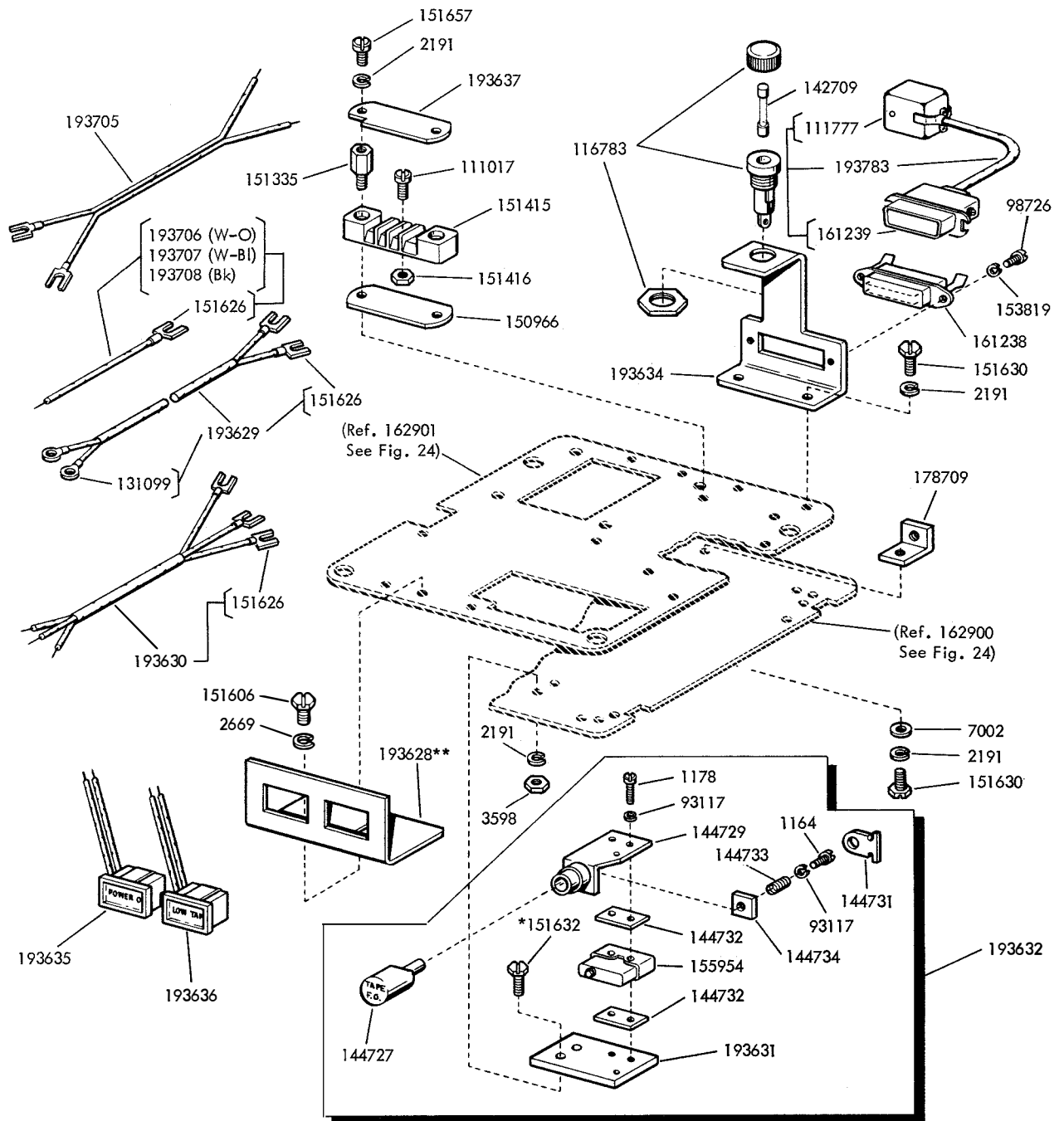


FIGURE 24. MINIATURIZED BASE

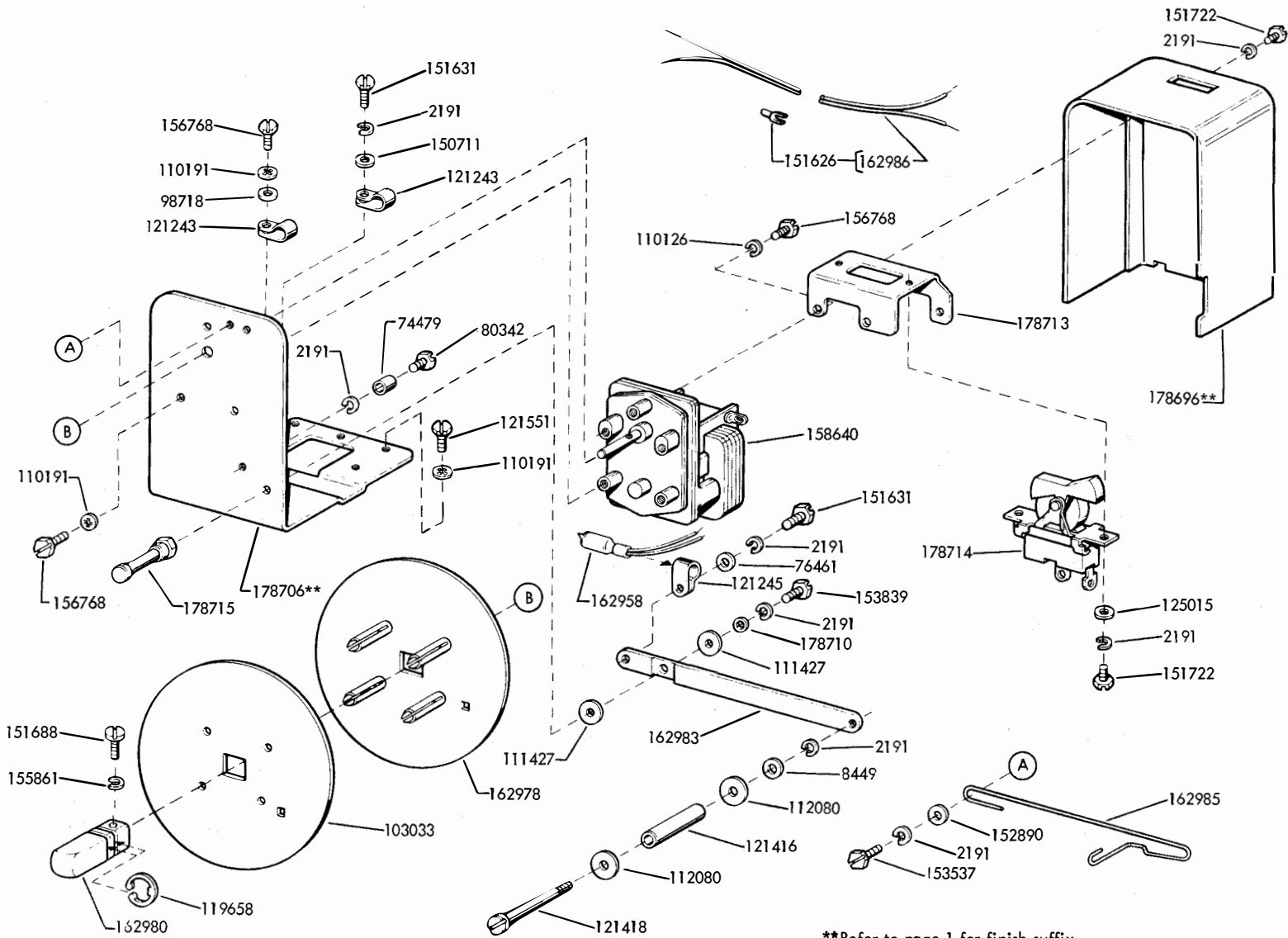


*Not Part of 193632

**Refer to page 1 for finish suffix

FIGURE 25. MINIATURIZED BASE

FIGURE 27. 162957** TAPE WINDER ASSEMBLY



**Refer to page 1 for finish suffix

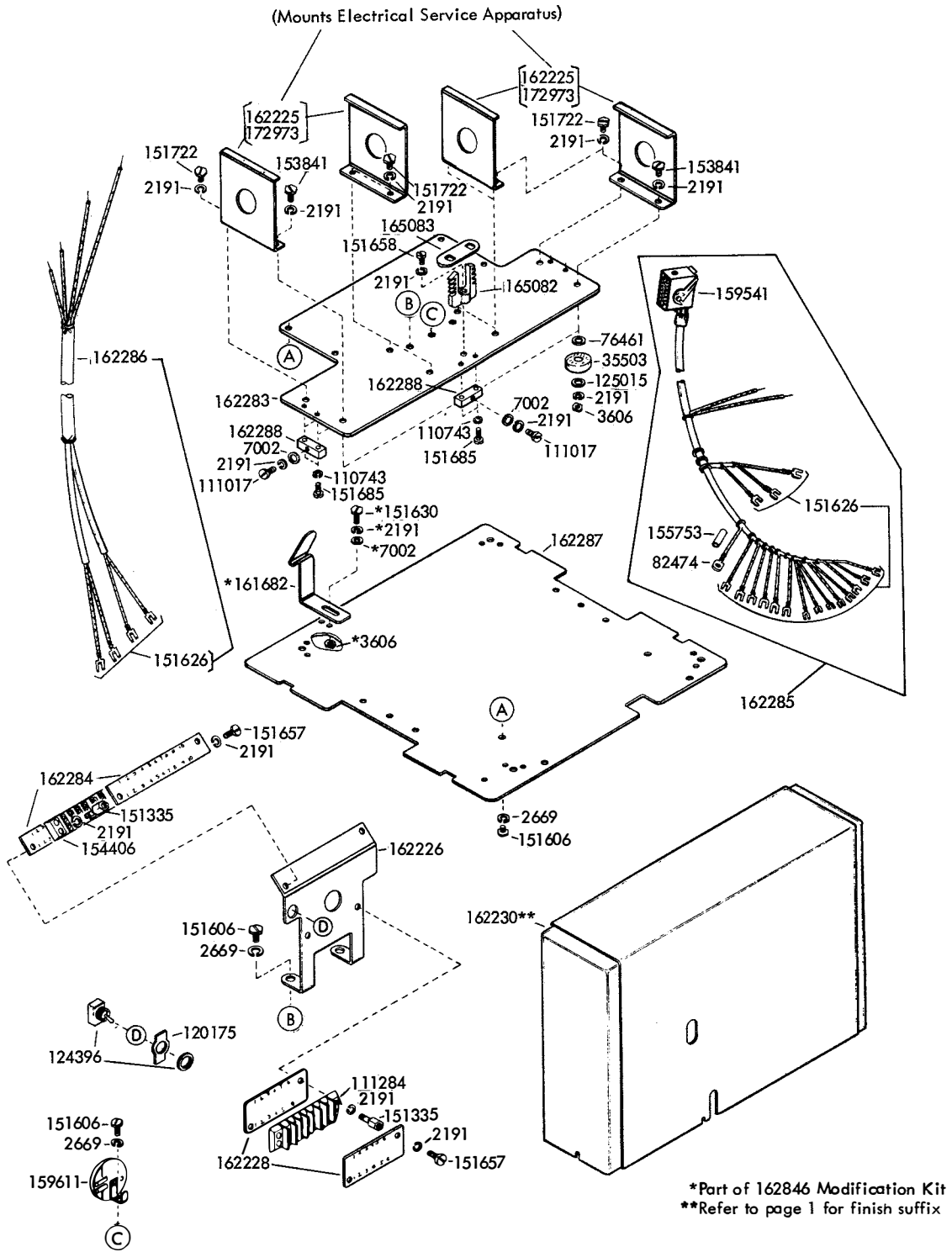
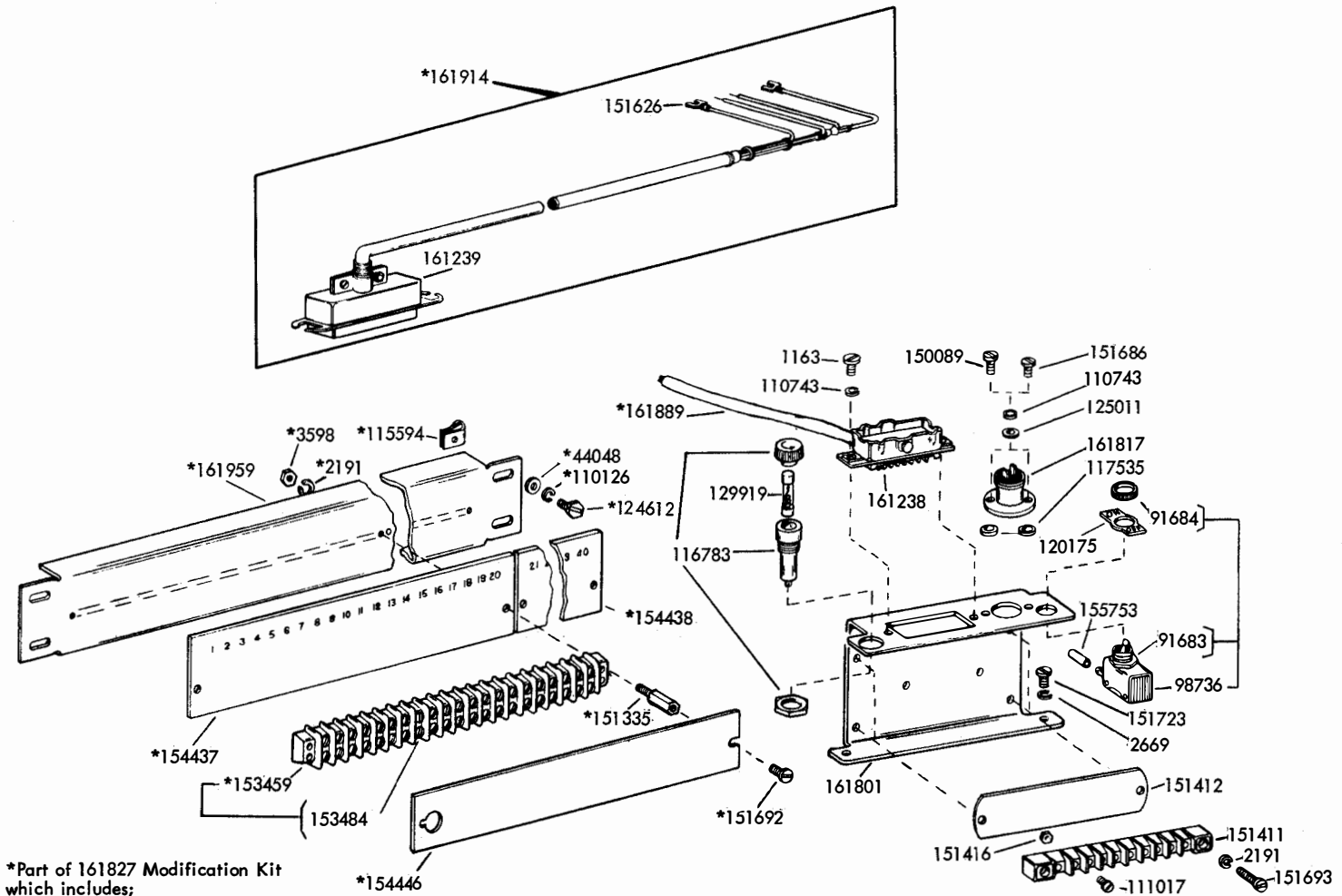


FIGURE 28. TYPING REPERFORATOR BASE WITH EXTENSION

FIGURE 29. ELECTRICAL COMPONENTS



*Part of 161827 Modification Kit
 which includes;
 163587 Bracket
 151632 Screws
 2191 Lockwashers
 158807 Screws
 153819 Lockwashers, these parts are shown on Figure 15

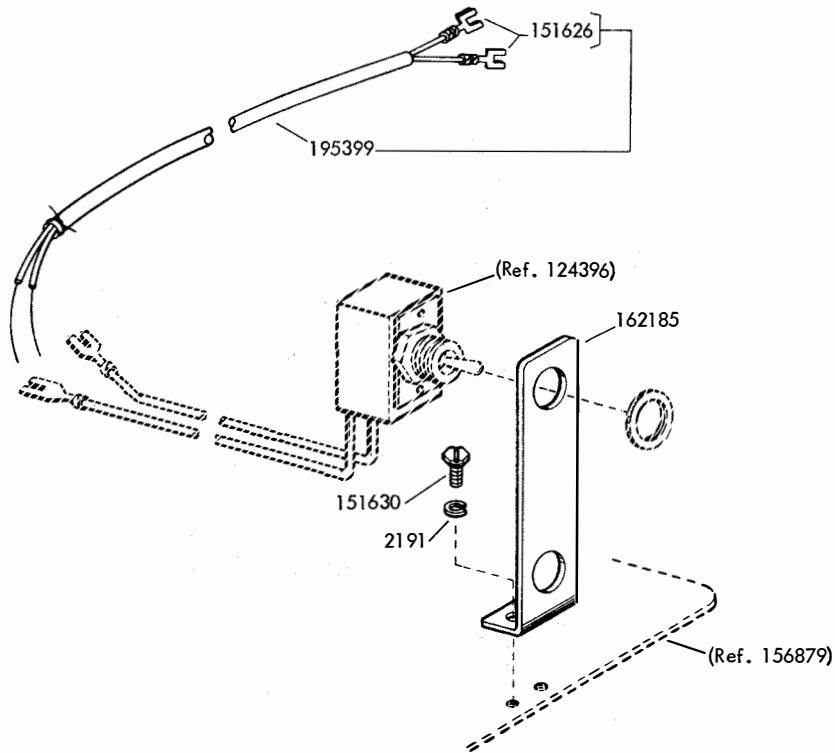


FIGURE 30. 195388 MODIFICATION KIT TO RELOCATE POWER SWITCH FROM THE REAR TO THE FRONT

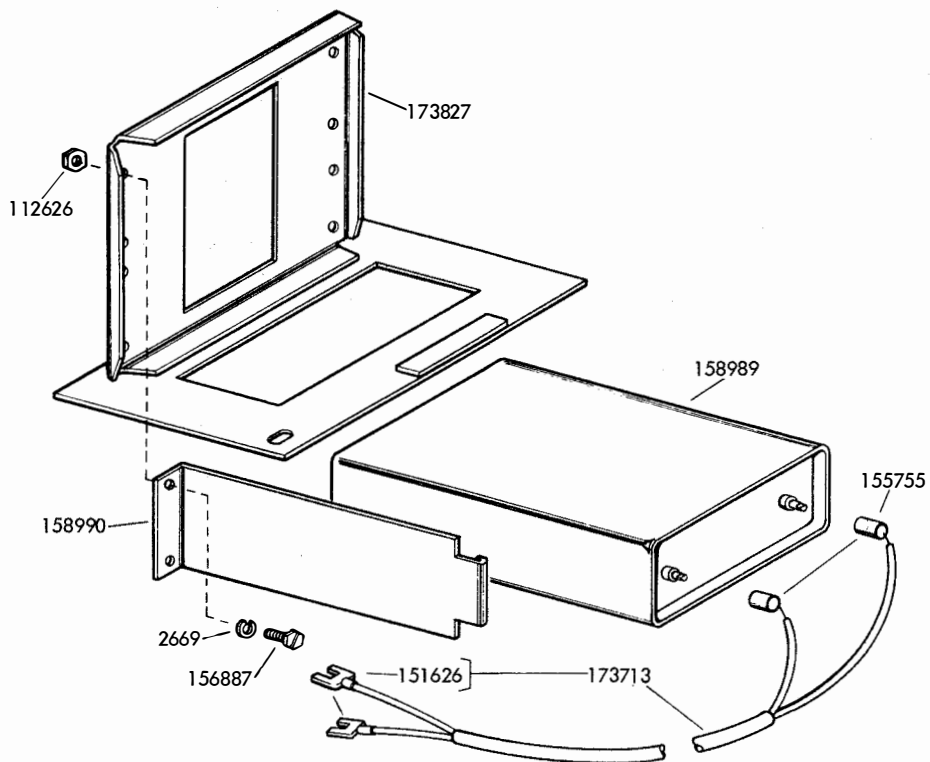
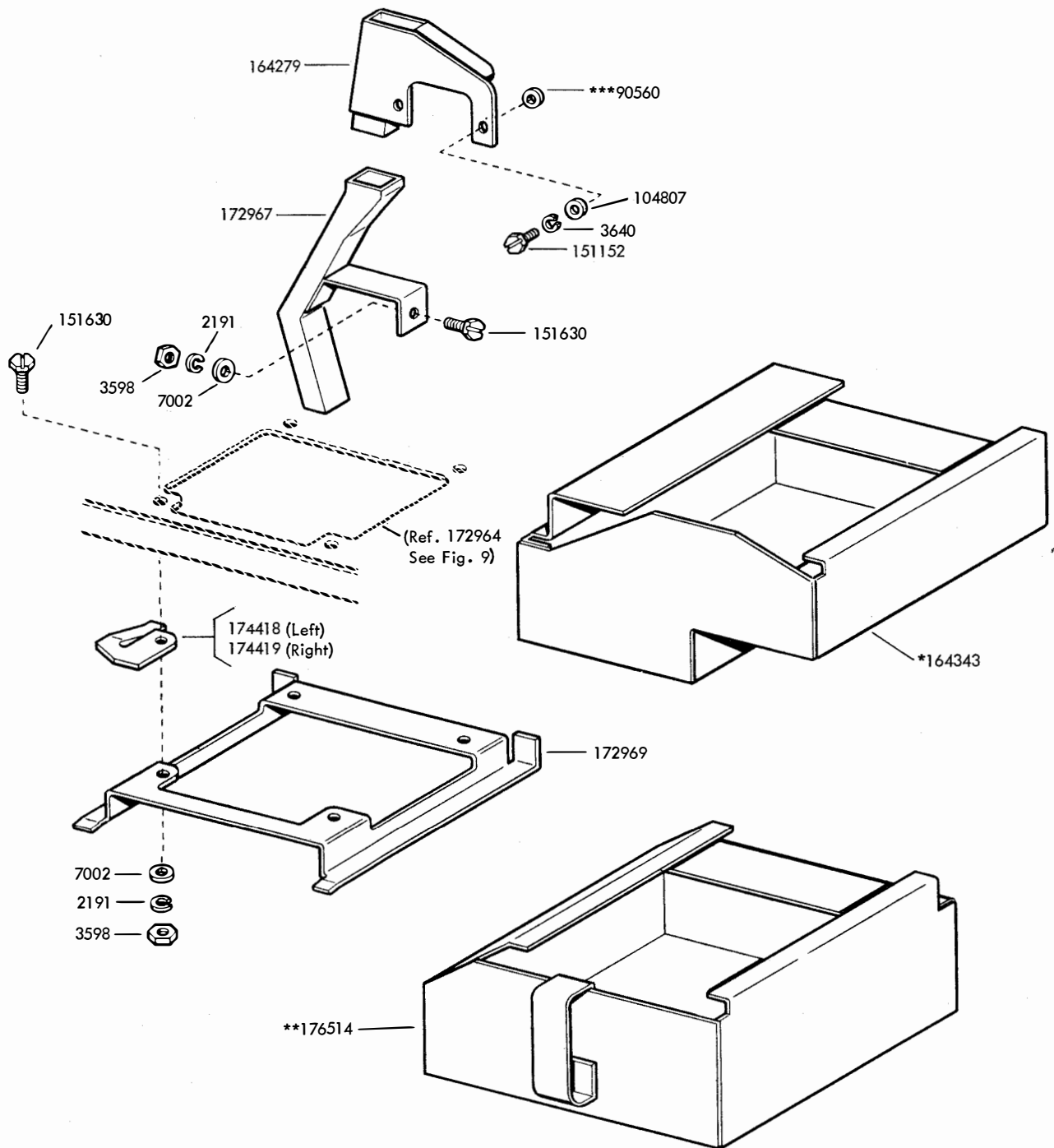


FIGURE 31. 173484 MODIFICATION KIT TO PROVIDE POWER FACTOR CORRECTION FOR (LMRB) BASE



*Peculiar to 164341
 **Peculiar to 176542
 ***Discard if Punch Block face is flat.

FIGURE 32. 164341 AND 176542 MODIFICATION KITS TO PROVIDE CHAD DISPOSAL ON MULTIPLE REPERFORATOR BASES

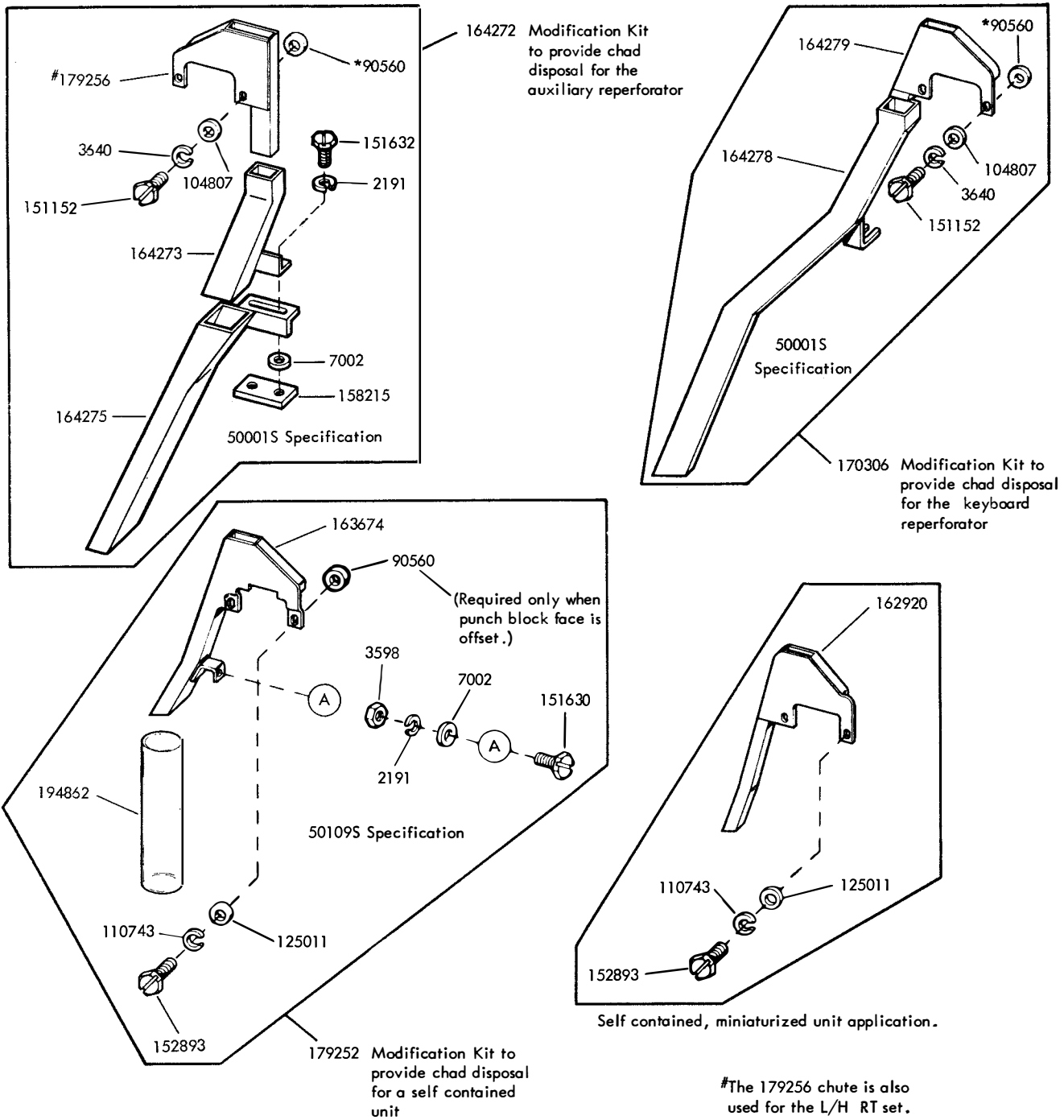
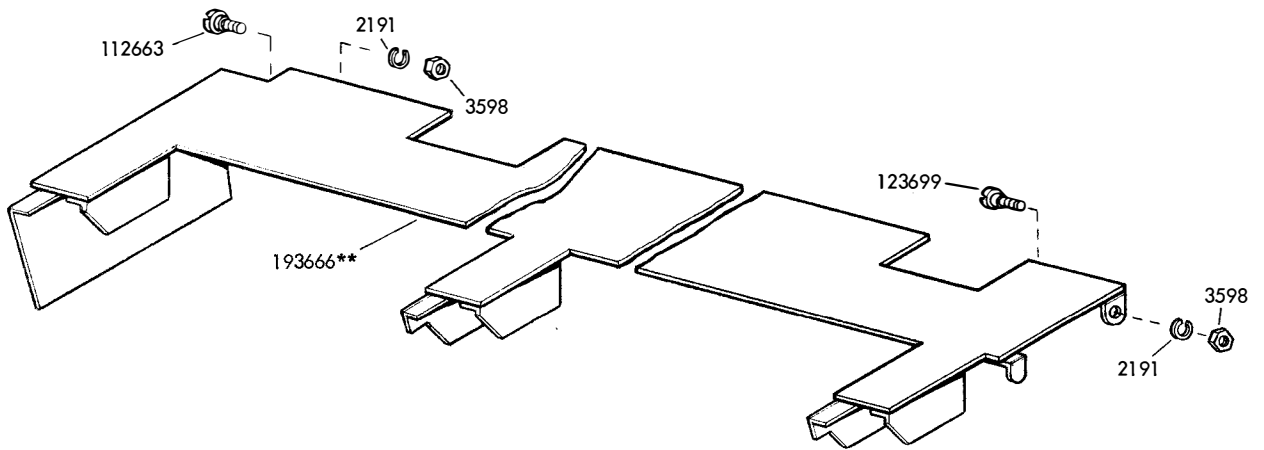
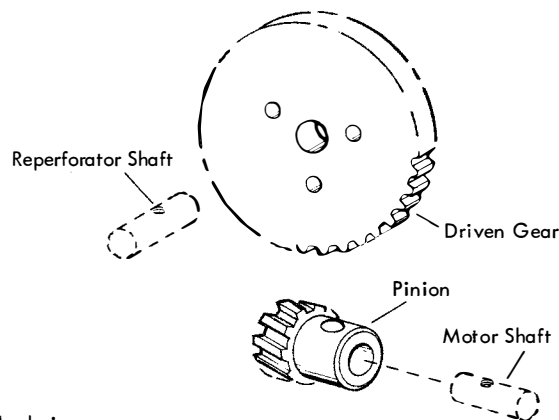


FIGURE 33. MODIFICATION KITS TO PROVIDE CHAD DISPOSAL



**Refer to page 1 for finish suffix

FIGURE 34. 193666** MODIFICATION KIT TO PROVIDE A SPROCKET GUARD FOR MULTIPLE REPERFORATOR BASES



*Reperforator clutch must be 2 cycle design.
 #Reperforator clutch must be 1 cycle design.

Speed Change Gear Sets for Non-typing Reperforator					
Set Number	Pinion	Driven Gear	(Nominal) WPM	Unit Code	Baud
*164784	164782 (6T)	164783 (52T)	120	8.5	102.9
#193620	192791 (5T)	192790 (49T)	53	8.61	46.15
#193621	192789 (6T)	192788 (47T)	66	8.61	57.69
#193643	193641 (6T)	193642 (40T)	78.7	8.00	67.8
#193678	193677 (8T)	193676 (42T)	100	11.0	110
#193681	193680 (5T)	193679 (39T)	67	11.0	73.7

FIGURE 35. GEAR CHART FOR SELF-CONTAINED NON-TYPING REPERFORATOR

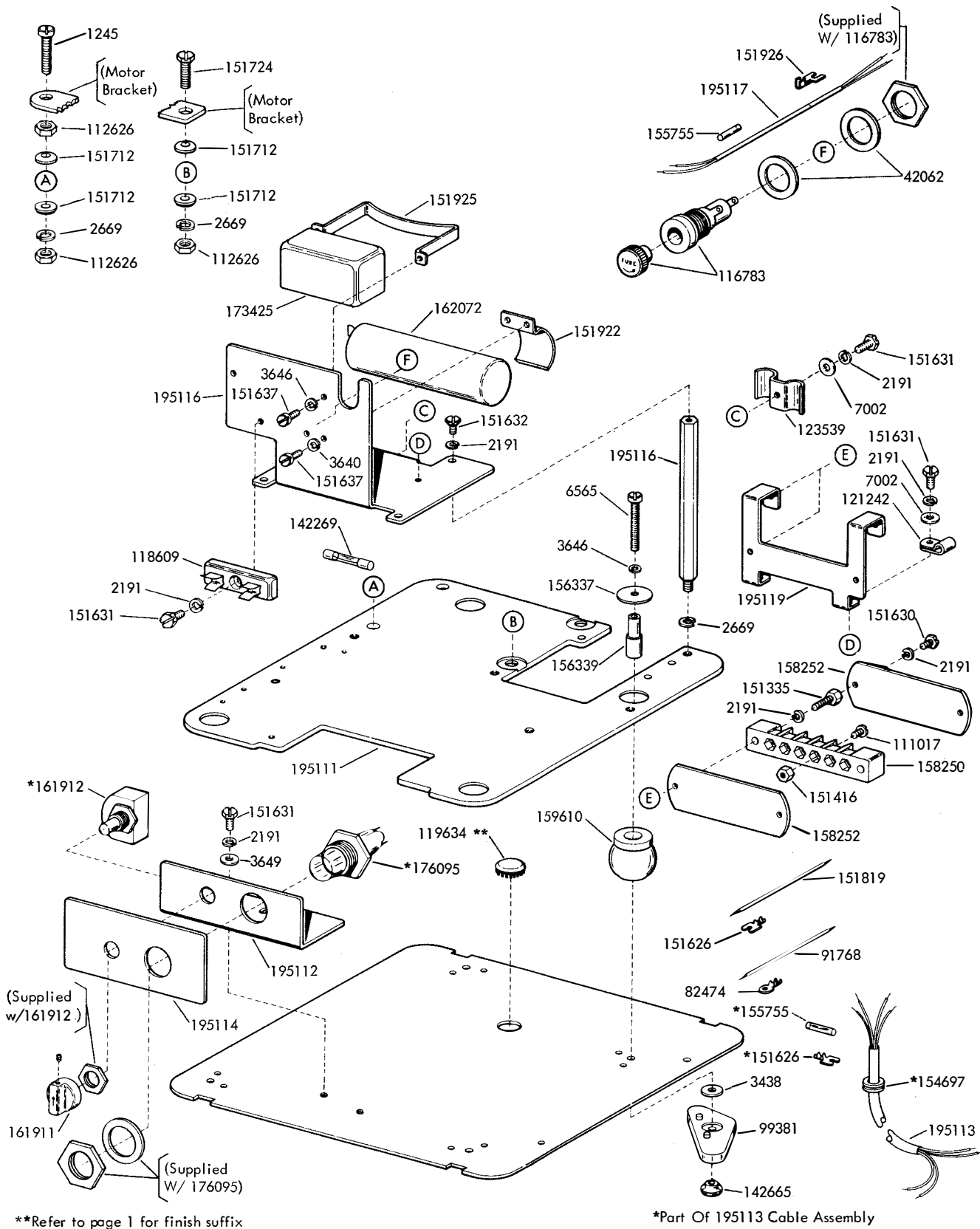


FIGURE 36. TAPE PRINTER BASE (MINIATURIZED)

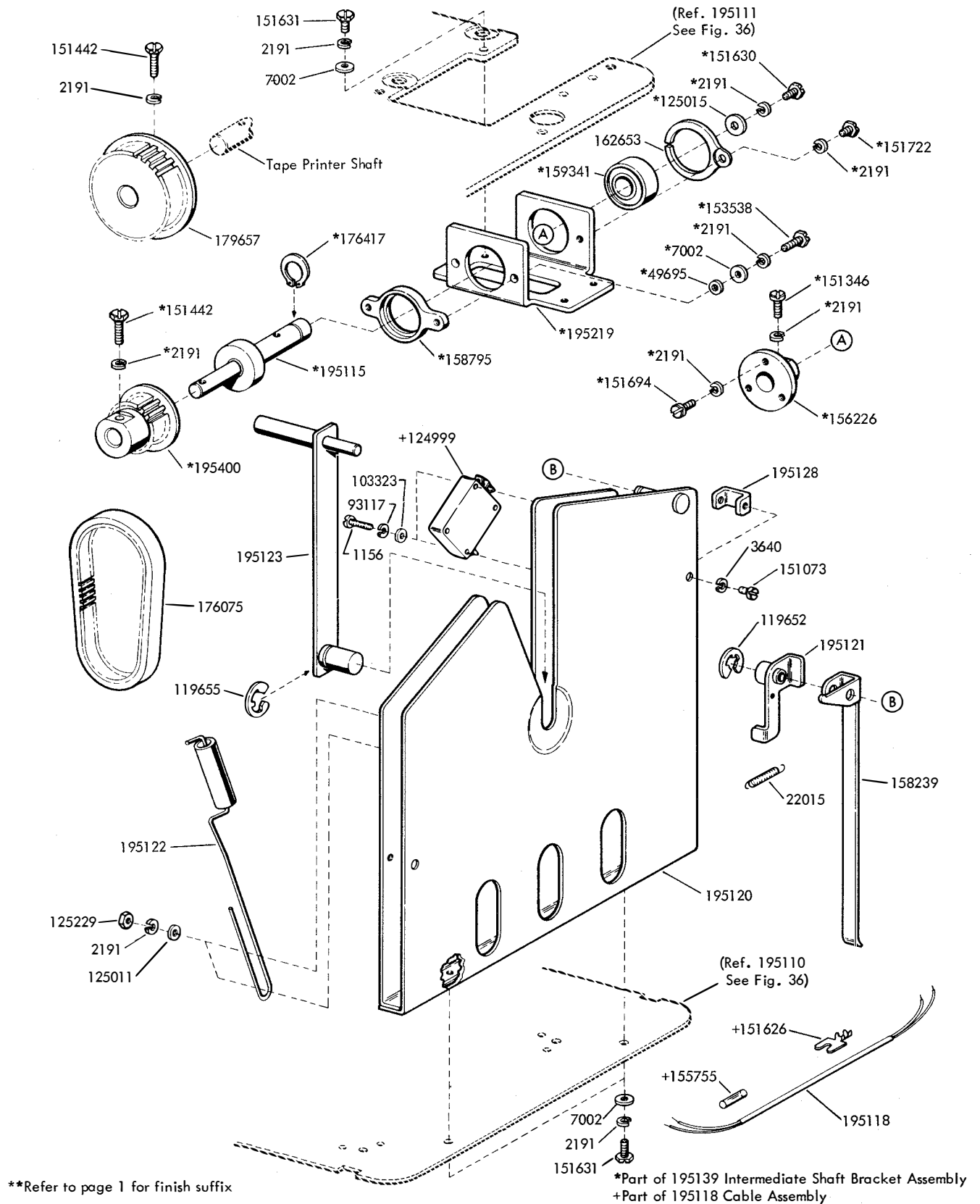
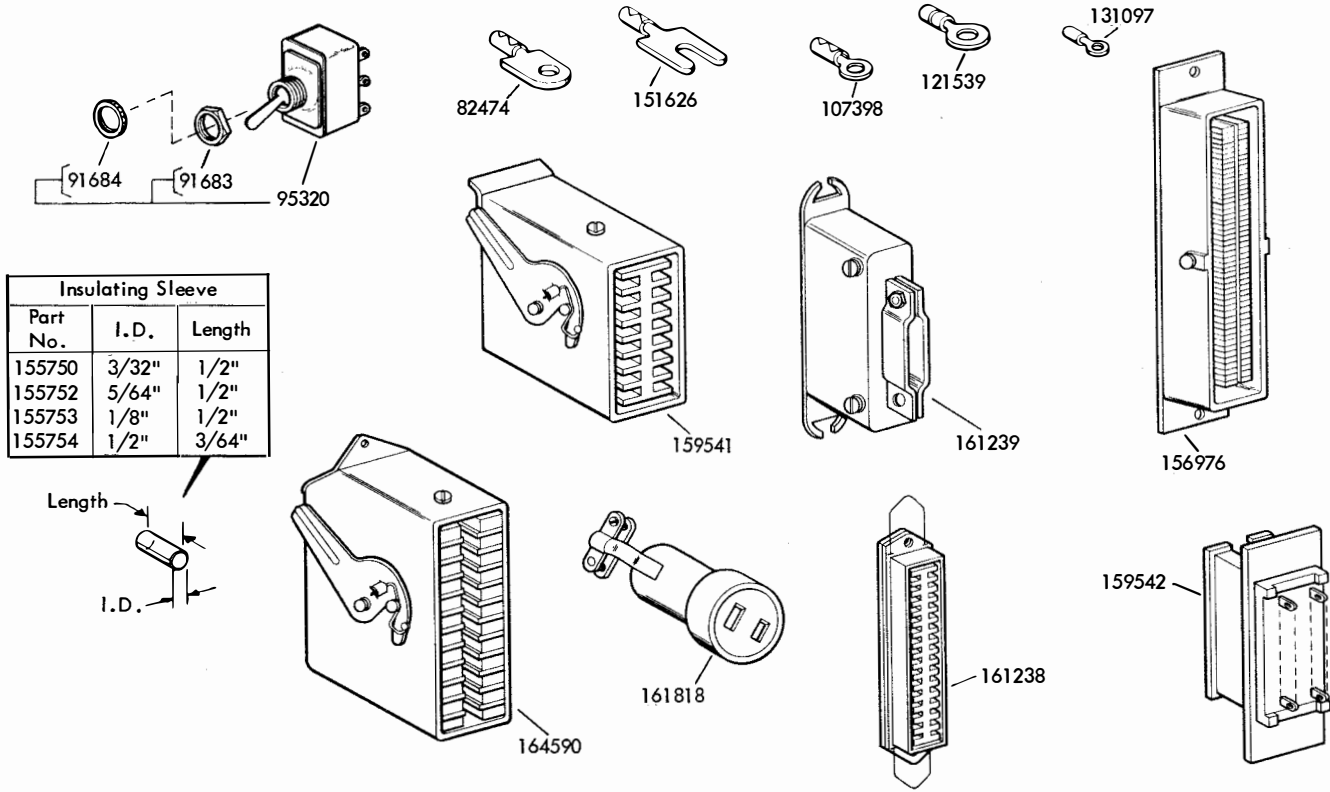


FIGURE 37. TAPE PRINTER BASE - CONTINUED (MINIATURIZED)



Unit No.	Cable Assembly	Component No.																			
		95320	82474	151626	107398	121539	131097	155750	155752	155753	155754	159541	161239	156976	164590	161818	161238	159542			
LRB2	156898																			X	
	156978		X											X							
	159551		X		X																
LRB3, 11	159928		X	X						X										X	
LRB5, 6, 36, 42	161886			X				X	X												
	161887			X																	
	161888			X																	
LRB7	162061		X																	X	
LRB8, 41	162574	X	X						X	X			X							X	
LRB9	161886			X				X	X									X			
	161887			X		X														X	
	161889			X					X				X							X	
	161914			SEE FIGURE 29																	
LRB10	159928		X	X						X											X
	162285		X	X								X	X								
	162286		X	X																	
LRB18	162285		X	X								X	X								X
	172975		X	X						X	X			X							
LRB19, 26	163282		X																		
	163283			X						X											
LRB20	161821		SEE FIGURE 15																		
	161886			X				X	X										X		
	161887			X		X															X
	161888			X						X				X							

(Continued on Figure 39)

FIGURE 38. CABLE CHART

Unit No.	Cable Assembly	Component No.																
		95320	8274	15169	107998	121539	131097	155150	155152	155153	155154	159541	161239	156476	164590	161818	161238	159542
LRB21, 30, 46	163333		X					X	X				X					X
LRB22	163296			X									X					X
LRB23	162574	X	X					X	X				X					X
	164589							X							X			
	164588																	
LRB24, 33	162061		X															X
LRB27	164099		X			X		X										X
LRB28	161886			X		X	X										X	
	161887			X		X												X
	161889			X				X				X					X	
LRB31	176123 177006	SEE FIGURE 19																
LRB32	161886			X		X	X										X	
	173441			X		X												
	173442			X		X		X										X
	173849			X				X					X					
LRB34	161886			X		X	X										X	
	178791			X		X						X						
	179344			X				X					X					X
	179345			X					X			X	X					
LRB43	193778	X	X								X	X					X	
LRB200**	164767 164781	SEE FIGURE 24																
LRB201**	193629 193630 193633 193783	SEE FIGURE 25																

FIGURE 39. CABLE CHART

NUMERICAL INDEX

Part Number	Description and Page Number	Part Number	Description and Page Number	Part Number	Description and Page Number
1156	Screw (2-56 x 9/16 Fil) 37	85318	Washer, Leather 16	118589	Switch, Push (Black) 7
1163	Screw (4-40 x 3/16 Fil) 31	90560	Washer, Flat 33, 34	118609	Holder, Fuse 36
1164	Screw (2-56 x 3/16 Fil) 27	90606	Spring 8, 17, 28	119467	Insulator (.032") 8, 15, 22, 28
1178	Screw (2-56 x 7/16 Fil) 15, 27	91683	Nut (15/32-32 Hex) 7, 11, 13, 31, 38	119634**	Button, Plug 36
1210	Screw (2-56 x 5/8 Fil) 17, 22			119649	Ring, Retaining 28
1245	Screw (10-32 x 1" Fil) 36	91684	Nut (15/32-32 Ring) 6, 7, 11, 13, 31, 38	119651	Ring, Retaining 10, 19, 25
1264	Screw (10-32 x 1/2 Fil) 16, 23	91768	Jumper (3-1/2" Black) 6, 7, 21, 36	119652	Ring, Retaining 19, 22, 25, 37
2191	Washer, Lock 3 to 21, 23 to 37			119653	Ring, Retaining 10, 22
2263	Nut (8-32 Hex) 21	92146	Nut (1/4-20 Hex) 17	119654	Ring, Retaining 9, 24
2382	Washer, Lock 26	92260	Washer, Lock 10, 21	119655	Ring, Retaining 3, 9, 24, 37
2449	Washer, Lock 4, 6, 11, 13, 17, 20	92265	Screw (2-56 x 1/8 Rd) 17	119658	Ring, Retaining 29
2669	Washer, Lock 3, 4, 5, 6, 7, 9, 10, 11, 12, 13, 14, 16, 17, 18, 21, 23, 25, 26, 27, 30, 31, 32, 36	93108	Washer, Lock 11, 13	120175	Plate (ON-OFF) 3, 6, 7, 11, 13, 26, 30, 31
2836	Spring 22	93117	Washer, Lock 8, 15, 17, 22, 27, 28, 37	120206	Socket, Lamp 26
3438	Washer, Flat 4, 5, 6, 9, 13, 14, 17, 21, 26, 36	95320	Switch, Toggle (SP-ST) 7, 11, 13, 38, 39	121242	Clamp, Cable (1/8" ID) 6, 26, 36
3598	Nut (6-40 Hex) 6, 7, 10, 11, 12, 13, 14, 17, 21, 24, 25, 27, 31, 33, 34, 35	97981	Spacer 28	121243	Clamp, Cable (3/16" ID) 8, 29
3606	Nut (6-40 Hex) 16, 17, 18, 28, 30	98659	Bracket, Switch 3	121244	Clamp, Cable (1/4" ID) 4, 7, 21
3624	Washer, Flat 8, 15, 22, 28	98718	Washer, Flat 29	121245	Clamp, Cable (5/16" ID) 6, 29
3640	Washer, Lock 3, 5, 6, 8, 15, 17, 19, 22, 28, 33, 34, 36, 37	98726	Screw (3-48 x 1/4 Fil) 11, 13, 26, 27	121246	Clamp, Cable (3/8" ID) 21
3646	Washer, Lock 6, 21, 26, 36	98736	Switch, Toggle (SP-ST) 31	121247	Clamp, Cable (7/16" ID) 11, 13, 21
3649	Washer, Flat 36	99381	Foot, Rubber 6, 21, 26, 36	121248	Clamp, Cable (1/2" ID) 11, 13
3870	Spring 17	101633	Washer, Flat 18	121249	Clamp, Cable (5/8" ID) 11, 13, 15
3899	Spacer (.188") 28	102465	Screw (6-40 x 37/64 Fil) 24	121416	Roller 29
6565	Screw (8-32 x 1-1/4 Fil) 6, 21, 26, 36	103033	Lid, Tape Reel 29	121418	Screw, Shoulder (6-40) 29
7002	Washer, Flat 4, 6, 7, 8, 9, 10, 11, 12, 13, 14, 15, 16, 17, 21, 24, 25, 26, 27, 28, 30, 33, 34, 36, 37	103323	Washer, Flat 37	121539	Terminal 38, 39
7599	Spring 19	104124	Screw (1/4-32 x 11/32 Hex) 4, 6, 11, 13	121551	Screw (8-32 x 1/4 Hex) 29
8449	Spacer (.094") 8, 15, 17, 28, 29	104807	Washer, Flat 33, 34	121630	Washer, Flat 14
22015	Spring 37	107116	Washer, Lock 16	122245	Capacitor (43-48 MFD) 7
25123	Screw (1/4-32 x 7/16 Hex) 20	107393	Switch, Toggle (SP-ST) 3	123539	Clamp, Cable 36
35503	Foot, Rubber 30	107398	Terminal 3, 38, 39	123699	Screw, Shoulder (6-40) 35
35551	Screw (10-32 x 3/4 Flat) 16, 23	110126	Washer, Lock 29, 31	123706	Screw (10-32 x 1/4 Flat) 4, 23
42062	Washer, Flat 36	110191	Washer, Lock 29	124177	Washer, Lock 10, 19, 25
44048	Washer, Flat 21, 31	110435	Nut (4-40 Hex) 15, 17	124396	Switch Assembly 6, 26, 30, 32
45815	Washer, Lock 15, 21, 26	110437	Spring 15	124611	Screw (8-32 x 3/8 Hex) 21
49056	Screw (10-32 x 7/8 Hex) 12, 14	110438	Spring 22	124612	Screw (8-32 x 1/2 Hex) 31
49695	Washer, Flat 37	110664	Switch, Toggle (SP-ST) 21	124741	Washer, Lock 11, 13
61085	Washer, Lock 11, 13	110743	Washer, Lock 10, 12, 14, 19, 25, 30, 31, 34	124999	Switch, Sensitive 8, 11, 13, 15, 22, 28, 37
70314	Washer, Flat 14	111017	Screw (6-40 x 5/16 Fil) 3, 6, 11, 13, 21, 27, 30, 31, 36	125011	Washer, Flat 22, 28, 31, 37
71073	Washer, Flat 17	111284	Block, Terminal 30	125015	Washer, Flat 8, 11, 13, 17, 18, 20, 21, 24, 25, 28, 29, 30, 37
71858	Washer, Flat 17	111427	Washer, Flat 12, 14, 29	125175	Screw (10-32 x 5/16 Hex) 7
74100	Washer, Leather 15	111516	Washer, Flat 15	125205	Screw (6-40 x 7/16 Fil) 9, 24
74479	Bushing 29	111776	Connector, Plug (4 Pt) 28	125218	Nut (1/4-32 Hex) 11, 13
74807	Nut (10-32 Hex) 10, 25	111777	Connector, Receptacle (4 Pt) 27, 28	125224	Nut (1/4-32 Hex) 4, 6, 11, 13
76081	Washer, Flat 10	112080	Washer, Flat 29	125229	Nut (6-32 Hex) 37
76461	Washer, Flat 11, 13, 17, 29, 30	112626	Nut (10-32 Hex) 3, 12, 14, 15, 16, 23, 32, 36	125231	Nut (10-32 Hex) 11, 13
76953	Washer, Flat 11, 13	112663	Screw, Shoulder (6-40) 35	125250	Spring 15
78596	Washer, Friction 10	113850	Washer, Flat 10	129919	Fuse (4 Amp) 6, 31
80342	Screw (6-40 x 23/64 Hex) 29	114125	Screw (6-40 x 3/8 Hex) 10, 19, 25	130499	Bearing, Ball 10, 18
82474	Terminal 3, 6, 7, 11, 13, 26, 30, 36, 38, 39	114466	Connector, Receptacle (2 Pt) 3, 6, 26	130892	Washer, Felt 10, 19, 25
82725	Spring 10, 25	114467	Connector, Plug (2 Pt) 3, 6, 26	131097	Terminal 38, 39
82832	Washer, Lock 17	115594	Nut, Speed 31	131099	Terminal 27
83877	Spring 8, 28	116669	Lens (Red) 26	136148	Modification Kit to Add Rubber Foot 6
84354	Washer, Flat 20	116699	Lamp, Neon (1/25 Watt) 26	138538	Fuse (2 Amp SL-BL) 7
84551	Jumper (5-1/4" Black) 11, 13	116783	Holder, Fuse 6, 7, 21, 27, 31, 36	142269	Fuse (3 Amp SL-BL) 21, 36
		117227	Bearing, Ball 24, 25	142612**	Guide 28
		117535	Washer, Flat 17, 21, 23, 31	142615	Guide W/Roller 28
		118511	Fuse (1/8 Amp) 7	142622	Reel, Tape 28
				142623	Reel, Tape 28
				142624	Roller 28
				142625	Shaft 28
				142626	Bracket 28

**Refer to page 1 for finish suffix.

NUMERICAL INDEX (Continued)

Part Number	Description and Page Number	Part Number	Description and Page Number	Part Number	Description and Page Number
142636	Spacer 28	151659	Screw (6-40 x 1/2 Fil) 12, 14	155861	Washer, Lock 29
142637	Spacer 28	151660	Screw (6-40 x 7/8 Fil) 21	155954	Switch 27
142648**	Retainer 28	151685	Screw (4-40 x 5/16 Fil) 28, 30	156057	Washer, Flat 19
142665	Nut (8-32 Spl) 6, 21, 26, 36	151686	Screw (4-40 x 3/8 Fil) 31	156226	Hub 5, 9, 24, 37
142709	Fuse (2 Amp) 27	151688	Screw (4-40 x 5/8 Fil) 29	156334	Stud 4, 6, 11
144727	Keytop W/Shaft 27	151690	Screw (10-32 x 5/16 Fil) 10	156336	Post 4, 6
144729	Bracket 27	151691	Screw (10-32 x 3/8 Fil) 21	156337	Washer, Flat 6, 21, 26, 36
144731	Plate, Switch Actuator 27	151692	Screw (6-40 x 3/16 Fil) 10, 26, 31	156338	Post 4, 6
144732	Insulator 27	151693	Screw (6-40 x 9/16 Fil) 12, 14, 31	156339	Bushing 21, 26, 36
144733	Spring, Compression 27	151694	Screw (6-40 x 11/32 Fil) 5, 37	156340	Bracket 3
144734	Plate, Retaining 27	151712	Button, Pivot 36	156342	Plate 8
150089	Screw (4-40 x 1/2 Fil) 5, 10, 12, 14, 19, 31	151721	Screw (6-40 x 3/4 Hex) 8, 12, 25, 28	156343	Hub 5
150336	Bushing 28	151722	Screw (6-40 x 3/16 Hex) 3, 6, 12, 14, 29, 30, 37	156344	Bracket, Adjusting 4, 6, 11, 13
150432	Washer, Flat 12	151723	Screw (10-32 x 3/8 Hex) 4, 13, 14, 17, 21, 23, 26, 31	156398	Holder, Bearing 5
150456	Spacer 10, 25	151724	Screw (10-32 x 5/8 Hex) 21, 26, 36	156400	Pulley, Toothed (28 T) 5, 12, 14, 19
150652	Screw (4-40 x 37/64 Fil) 19	151731	Screw (4-40 x 7/8 Fil) 19	156444	Plate, Lower Base 6
150711	Washer, Flat 29	151732	Screw (6-40 x 11/32 Fil) 7, 10, 19, 25	156445	Bracket, Switch 6
150802	Clamp 12, 14	151733	Screw (4-40 x 9/16 Fil) 15, 17, 19	156446	Handle 6
150949	Plate, Serial 17	151737	Screw (4-40 x 11/64 Hex) 22	156448	Bushing 8, 15, 17, 28
150950	Plate, Code 17	151819	Jumper (3" Black) 6, 7, 21, 36	156449	Lever, Switch 8, 15, 17, 28
150966	Insulator (1-9) 3, 11, 13, 27	151827	Strap, Terminal 21	156451	Bushing 8, 15, 17, 28
150992	Stud 15, 17	151880	Nut (4-40 Hex) 10, 11, 13, 19, 28	156452	Lever, Tape 8, 28
151073	Screw (4-40 x 5/32 Fil) 37	151922	Clamp 36	156460	Panel 4, 6, 7, 8
151152	Screw (4-40 x 3/16 Hex) 19, 33, 34	151925	Clamp 36	156470	Guide, Tape 8
151229	Washer, Flat 17, 26	151926	Nut (4-40 Spl) 36	156501	Screw (6-40 x 7/32 Fil) 28
151245	Washer, Felt 22	152400	Plate, Selector Mounting 17	156588	Ring, Retaining 18
151335	Stud 3, 6, 11, 13, 21, 27, 30, 31, 36	152890	Washer, Flat 29	156656	Jumper (2-3/4" Black) 26
151346	Screw (6-40 x 3/8 Fil) 5, 9, 12, 14, 18, 19, 24, 37	152893	Screw (4-40 x 1/4 Hex) 34	156758	Bracket 29
151411	Block, Terminal 3, 6, 21, 31	153442	Screw (10-32 x 1/2 Hex) 3, 15, 17	156768	Screw (8-32 x 9/32 Hex) 21, 29
151412	Insulator (1-9) 3, 6, 21, 31	153459	Block, Terminal 31	156769	Plate, Identification (Teletype) 17
151415	Block, Terminal 3, 11, 13, 27	153484	Screw (6-32 Spl) 31	156807	Disk 18
151416	Nut (6-40 Hex) 3, 6, 11, 13, 21, 27, 31, 36	153537	Screw (6-40 x 9/32 Hex) 29	156808	Disk 18
151442	Screw (6-40 x 1/2 Hex) 10, 12, 14, 17, 18, 21, 24, 37	153538	Screw (6-40 x 7/16 Hex) 11, 13, 15, 17, 37	156861	Ring, Retaining 5, 9, 24
151453	Nut (10-32 Hex) 26	153539	Screw (6-40 x 11/16 Hex) 8, 15, 17, 28	156864	Pulley, Toothed (16 T) 5
151540	Lampholder 6	153817	Screw (4-40 x 3/8 Hex) 11, 13	156866	Belt, Toothed (55 T) 5, 9, 24
151556	Knob W/Set Screw 23	153819	Washer, Lock 17, 26, 27, 31	156867	Frame, Main 4
151562	Lamp, Incandescent (115 V) 6	153839	Screw (6-40 x 5/8 Hex) 29	156879	Plate, Upper Base 32
151572	Washer, Star 20, 26	153841	Screw (6-40 x 9/16 Hex) 30	156887	Screw (10-32 x 9/16 Hex) 4, 5, 6, 9, 21, 32
151606	Screw (10-32 x 1/4 Hex) 6, 7, 18, 26, 27, 30	154076	Plate, Nut 20	156898	Cable W/Terminals 3, 38
151610	Washer, Flat 8, 9, 15, 21, 24	154406	Block, Terminal 30	156904	Guard 5
151618	Screw (6-40 x 7/16 Fil) 19	154437	Insulator (1-20) 31	156936	Screw (1/4-32 x 5/16 Hex) 4, 6, 11, 13
151626	Terminal 3, 6, 7, 8, 11, 13, 21, 22, 26, 27, 29, 30, 31, 32, 36, 37, 38, 39	154438	Insulator (21-40) 31	156949	Gear (36 T) 9, 24
151630	Screw (6-40 x 1/4 Hex) 3, 5, 6, 7, 8, 9, 10, 11, 13, 14, 15, 17, 18, 21, 23, 24, 25, 26, 27, 28, 30, 32, 33, 34, 36, 37	154446	Cover 31	156950	Shaft W/Bearing 10
151631	Screw (6-40 x 5/16 Hex) 4, 6, 7, 8, 9, 11, 12, 13, 14, 16, 17, 18, 20, 21, 29, 36, 37	154697	Grommet, Rubber 36	156951	Link 10
151632	Screw (6-40 x 3/8 Hex) 9, 15, 16, 17, 18, 20, 21, 24, 25, 27, 31, 34, 36	155750	Sleeve, Insulating (3/32 ID x 1/2" LG) 3, 7, 11, 13, 38, 39	156952	Lever, Guide 10, 25
151634	Bearing, Ball 12, 14	155751	Sleeve, Insulating (1/8 ID x 1" LG) 3, 11, 28	156953	Hub, Sprocket 10
151637	Screw (4-40 x 1/4 Fil) 3, 6, 36	155752	Sleeve, Insulating (5/64 ID x 1/2" LG) 7, 26, 38, 39	156954	Stud 10, 25
151657	Screw (6-40 x 1/4 Fil) 27, 28, 30	155753	Sleeve, Insulating (1/8 ID x 1/2" LG) 7, 22, 30, 31, 38, 39	156955	Pulley, Toothed (24 T) 10
151658	Screw (6-40 x 5/16 Fil) 6, 18, 19, 30	155754	Sleeve, Insulating (1/16 ID x 1/2" LG) 7, 21, 26, 38, 39	156956	Retainer, Belt 10
		155755	Sleeve, Insulating (11/64 ID x 5/8" LG) 32, 36, 37	156958	Pulley, Toothed (21 T) 9
				156959	Bushing 10
				156960	Screw, Shoulder (6-40) 10
				156961	Screw, Shoulder (6-40) 10
				156962	Ring, Retaining 10, 25
				156964	Gear (9 T) 9, 24
				156965	Frame, Gear Shift 9
				156966	Plate, Base 4, 5
				156967	Shaft, Drive 9
				156968	Plate, Guide 9
				156971	Screw (2-56 x 3/4 Fil) 8, 28
				156972	Cable Assembly 8
				156974	Container Assembly, Tape 8
				156975	Bracket, Connector Mounting 3

**Refer to page 1 for finish suffix.

NUMERICAL INDEX (Continued)

Part Number	Description and Page Number	Part Number	Description and Page Number	Part Number	Description and Page Number
156976	Connector, Plug (32 Pt) 3, 38, 39	161507	Plate, Bearing Mounting 12	161798	Guide W/Bracket 20
156978	Cable Assembly 3, 38	161508	Bar, Mounting Plate 12, 14	161800	Bracket 20
156981	Gear (44 T) 5	161509	Hub, Sprocket 12, 14	161801	Bracket, Mounting 31
156982	Pinion (9 T) 5	161510	Pulley, Toothed (16 T) 12, 14	161803	Guide, Tape 17
156983	Gear (47 T) 5	161511	Retainer, Belt 5, 12, 14, 19	161804	Guide, Tape 17
156984	Pinion (12 T) 5	161512	Retainer 12	161805	Guard, Gear 18
156985	Gear (42 T) 5	161513	Clamp 12, 14	161806	Belt, Timing 19
156986	Pinion (14 T) 5	161514	Plate 12, 14	161807	Shift Assembly, Gear 19
158163	Switch, Sensitive 17	161516	Pan, Oil 11	161809	Stud 18
158215	Plate, Nut 6, 34	161519	Gear Set 5	161811	Gear Set 19
158238	Plate 15	161520	Belt, Toothed (64 T) 12, 14	161812	Gear Set 19
158239	Lever, Tape 15, 17, 37	161523	Panel 15	161813	Gear Set 19
158250	Block, Terminal 36	161526	Connector, Receptacle (14 Pt) 11, 13	161815	Modification Kit 20
158252	Insulator (1-6) 36	161527	Container Assembly, Tape 15	161817	Connector, Plug (2 Pt) 31
158289	Reel, Tape 8, 15, 17	161528	Cable Assembly 11, 13	161818	Connector, Receptacle (2 Pt) 38, 39
158640	Motor (115 V AC) 29	161529	Guide, Tape 15	161819	Guard, Gear 18
158712	Gear (26 T) 9, 19	161530	Gear Set 12	161821	Cable Assembly 17, 38
158716	Gear (39 T) 10, 19	161531	Gear (44 T) 12	161824	Stud 18
158723	Roller 10, 19, 25	161532	Pinion (9 T) 12	161826	Plate 17
158732	Gear (24 T & 18 T) 9, 19	161533	Gear Set 12	161827	Modification Kit to Provide Code Reading Contact Cabling 31
158733	Gear (44 T) 10, 19, 25	161534	Gear (47 T) 12	161873	Resistor (5000 Ohm) 7
158734	Gear (47 T) 10, 19	161535	Pinion (12 T) 12	161886	Cable Assembly 38, 39
158736	Nut, Cap (6-40) 19	161536	Gear Set 12	161887	Cable Assembly 38, 39
158740	Block 10, 19, 25	161537	Gear (42 T) 12	161888	Cable Assembly 38
158741	Bar 10, 19, 25	161538	Pinion (14 T) 12	161889	Cable Assembly 31, 38, 39
158745	Clamp, Bearing 5, 9, 18	161546	Mount, Vibration 11, 13	161911	Knob (Black) 36
158795	Plate 37	161552	Screw (10-32 Spl) 11, 13	161912	Switch (SP-ST) 36
158807	Screw (3-48 x 11/64 Fil) 17, 31	161654	Gear Set 5	161914	Cable Assembly 31, 38
158989	Capacitor (20 MFD) 32	161655	Gear Set 5	161959	Plate, Mounting 31
158990	Bracket, Mounting 32	161656	Gear Set 5	161964	Clamp, Tube 7
159287	Retainer, Pinion 18	161673	Post 11	162061	Cable Control 38, 39
159341	Bearing, Ball 9, 18, 37	161674	Post 11	162072	Capacitor (88 to 108 MFD) 36
159377	Modification Kit 5	161676	Hub, Gear 12, 14	162075	Reel, Tape (11/16" Tape, 1" Core) 8, 15, 17
159417	Modification Kit 9, 10	161678	Modification Kit 16	162077	Handle, Base 4
159433	Plate, Grease Retainer 9	161680	Modification Kit 12	162079	Container Assembly, Tape 8
159540	Post, Spring 8, 28	161682	Clip, Cover 30	162181	Plate, Lower Base 7
159541	Connector, Plug (16 Pt) 6, 30, 38, 39	161683	Channel W/Rail 16	162182	Handle W/Strike 7
159542	Connector, Receptacle (16 Pt) 6, 7, 38, 39	161684	Channel, Right 16	162183	Bushing 7
159543	Washer, Flat 8, 28	161685	Bracket, Switch 11, 13	162184	Plate, Upper Base 7
159551	Cable Assembly 3, 38	161687	Guard, Gear 12, 14	162185	Bracket, Switch 7, 32
159589	Bracket, Mounting 6, 7	161711	Block, Guide 16	162187	Bracket, Lamp Holder 7
159592	Cable Assembly 6	161716	Block, Support 16	162213	Modification Kit 12
159600	Shaft W/Bearings 5	161770	Bracket, Mounting 17	162214	Pulley, Toothed (20 T) 12
159603	Washer, Captive 6	161772	Bracket 18, 19	162215	Hub 12
159604	Screw (10-32 x 1/2 Hex) 6	161773	Container, Tape 17	162216	Retainer, Belt 12
159610	Mount, Vibration 6, 21, 26, 36	161777	Stud, Mounting 20	162217	Modification Kit 12
159611	Bell 30	161778	Stud, Mounting 20	162218	Pulley, Toothed (29 T) 5, 12
159928	Cable Assembly 6, 38	161779	Shaft W/Bearing 18, 19	162219	Pulley, Toothed (27 T) 12
159929	Bracket, Light Mounting 6	161780	Retainer 18	162220	Hub 12
159931	Clamp, Cable 6	161781	Hub 18	162221	Retainer, Belt 12
159932	Keeper 6	161782	Gear (90 T) 18	162222	Belt, Timing 12
159991	Plate, Clamp 10	161783	Gear (45 T) 18	162225	Bracket, Mounting 30
160307	Diode 7	161784	Gear (18 T) 19	162226	Bracket, Terminal Strip 30
161103	Gear (49 T) 5	161785	Gear (24 T) 19	162228	Insulator (1-6) 30
161104	Pinion (11 T) 5	161786	Gear (26 T) 19	162230	Cover, Service Assembly 30
161238	Connector, Receptacle (36 T) 17, 26, 27, 31, 38, 39	161787	Shaft W/Bearing 18, 19	162283	Plate, Lower Base 30
161239	Connector, Plug (36 T) 7, 21, 26, 27, 31, 38, 39	161788	Hub 19	162284	Insulator (1-10) 30
161301	Post 18	161789	Pulley, Toothed (16 T) 19	162285	Cable Assembly 30, 38
161503	Base 11	161790	Gear (44 T) 19	162286	Cable, Rectifier 30, 38
161505	Stud 11, 13, 17	161791	Gear (47 T) 19	162287	Plate, Lower Base 30
161506	Shaft 12	161792	Gear (39 T) 19	162288	Bar, Cover 30
		161793	Block 19	162373	Cable Assembly 8
		161794	Block, Slide 19	162374	Switch Assembly, Tape Out 8
		161795	Stud 19	162574	Cable Assembly, Control 7, 38, 39
		161796	Stud 19		
		161797	Plate, Index 19		

NUMERICAL INDEX (Continued)

Part Number	Description and Page Number	Part Number	Description and Page Number	Part Number	Description and Page Number
162653	Retainer 24, 25, 37	164781	Cable Assembly 26, 39	176091	Bracket 21
162730	Screw (1/4-20 x 7/16 Hex) 17	164782	Pinion (6 T) 35	176092	Bracket 21
162846	Modification Kit to Provide a Cover Clip for Base 30	164783	Gear (52 T) 35	176093	Plate 21
162900	Plate, Lower Base 26, 27	164784	Gear Set 35	176094	Guide W/Roller, Tape 21
162901	Plate, Upper Base 26, 27	164873**	Modification Kit 28	176095	Lamp, Tape Out (Red) 21, 36
162902	Bracket, Switch 26	165082	Clamp, Cable 30	176099	Gear (22 T & 18 T) 24
162903	Bracket, Connector 26	165083	Keeper, Clamp 30	176100	Modification Kit 24, 25
162904	Post 26	170306	Modification Kit 34	176112	Plate, Bottom 23
162905	Post 26	171952	Connector, Shielding 11	176113	Plate, Top 23
162906	Stud 26	171953	Connector, Shielding 11	176114	Plate, Stop 23
162920	Chute, Chad 34	171972	Connector, Shielding 11	176115	Block 23
162957**	Winder Assembly, Tape 29	171973	Connector, Shielding 11	176116	Bracket, Stop 23
162958	Switch, Mercury 29	172964	Base 11	176117	Bracket 21
162978	Disk, Tape Reel 29	172965	Pan, Oil 11	176118	Spring (Left) 23
162980	Hub 29	172967	Chute, Chad 33	176119	Spring (Right) 23
162983	Arm, Tape Tension 29	172969	Bracket, Rail 33	176120	Post 23
162985	Arm, Tape Guide 29	172973	Bracket, Mounting 30	176121	Slide 23
162986	Cable 29	172975	Cable Assembly, Control 38	176123	Cable Assembly 21, 39
163256	Modification Kit 9, 10	173007	Bracket, Connector Mounting 11, 13	176124	Cable Assembly 22
163260	Gear (36 T) 9	173023	Modification Kit 12	176287	Modification Kit 20
163261	Gear (22 T) 9	173425	Relay, Motor Starting 36	176288	Guide, Tape 20
163262	Gear (49 T) 10, 19, 25	173441	Cable W/Terminals 39	176295	Gear Set 5
163263	Roller 10	173442	Cable Assembly 39	176296	Gear (15 T) 5
163264	Shaft, Gear Shift 9	173484	Modification Kit 32	176297	Gear (43 T) 5
163265	Block 10	173583	Pulley, Toothed (37 T) 12	176417	Ring, Retaining 37
163280	Bracket, Mounting 6	173584	Modification Kit 12	176419	Ring, Retaining 12, 14
163281	Bracket 6	173713	Cable W/Terminals 32	176422	Bracket, Mounting 20
163282	Cable, Control 38	173820	Gear Set 19	176514	Container, Chad 33
163283	Cable Assembly 38	173821	Pinion (20 T) 19	176536	Cable Assembly 11
163296	Cable Assembly, Control 39	173822	Gear (49 T) 19	176542	Modification Kit to Provide Chad Disposal for Reperforator Base 33
163328	Plate, Guide 9	173827	Plate, Mounting 32	176610	Lever 25
163333	Cable Assembly, Control 39	173849	Cable Assembly 39	176612	Washer, Flat 21
163446	Pinion (22 T) 19	173974	Screw (10-32 x 5/16 Hex) 3, 6, 7	176613	Grommet, Rubber 21
163447	Gear (49 T) 19	174418	Detent, Left 33	177006	Cable Assembly 21, 39
163448	Gear Set 19	174419	Detent, Right 33	178426	Plate, Nut 11, 13, 17
163449	Pinion (27 T) 19	174459	Modification Kit 23	178427	Plate, Nut 11, 13, 17
163450	Gear (40 T) 19	174492	Container Assembly, Tape 22	178696	Cover, Tape Winder 29
163451	Gear Set 19	176050	Container, Tape 22	178706**	Bracket, Mounting 29
163587	Bracket, Mounting 17, 31	176056	Bail, Tape Sensing 22	178709	Bracket, Locking Cover 27
163674	Chute, Chad 34	176057	Bail, Switch Actuating 22	178710	Spacer, Tape Arm 29
163868	Guide, Tape 8	176058	Reel, Tape (11/16" Tape, 2" Core) 22	178713	Bracket, Switch 29
164099	Cable Assembly 39	176060	Spacer 22	178714	Switch, Rocker Type 29
164272	Modification Kit 34	176061	Retainer 22	178715	Stud, Tape 29
164273	Chute, Chad 34	176062	Bracket, Front 21	178741	Shaft 14
164275	Chute, Chad 34	176063	Bracket, Rear 21	178742	Shaft 14
164278	Chute, Chad 34	176065	Bracket 24, 25	178743	Plate, Bearing Mounting 14
164279	Chute, Chad 33, 34	176066	Cylinder, Locking 23	178744	Bracket 14
164305**	Plate 26	176066	Shaft 24	178745	Base 13
164337	Pinion (9 T) 12	176068	Shaft 25	178746	Pan, Oil 13
164338	Gear (40 T) 12	176069	Shaft 25	178747	Plate, Front 13
164339	Pinion (10 T) 12	176071	Gear (52 T) 25	178749	Post 13
164340	Gear (37 T) 12	176072	Gear (35 T) 24	178750	Post 13
164341	Modification Kit 33	176073	Sprocket (21 T) 24	178751	Bushing 14
164343	Container, Chad 33	176074	Sprocket (24 T) 25	178752	Stud 13
164423	Container Assembly, Tape 8	176075	Belt, Toothed (40 T) 37	178791	Cable Assembly 39
164588	Cable Assembly, Control 39	176076	Stud 25	178796	Gear (14 T) 14
164589	Cable Assembly 39	176077	Stud 25	178797	Gear (42 T) 14
164590	Connector, Plug (24 Pt) 38, 39	176078	Bracket, Guide 24, 25	178798	Gear Set 14
164766	Bracket, Lamp Socket 26	176079	Isolator, Vibration 21	178799	Gear (45 T) 14
164767	Cable W/Terminal 26, 39	176082	Plate, Lower Base 21	178800	Gear (53 T) 14
164768**	Panel, Left 28	176085	Nut, Self-Locking (10-32 Hex) 21	178801	Gear Set 14
164769**	Panel, Right 28	176086	Bracket W/Pin 21	178802	Gear (33 T) 14
164770**	Plate, Left 28	176088	Plate, Upper Base 21	178803	Gear (49 T) 14
164771**	Plate, Right 28	176090	Bracket 21	178804	Gear Set 14
164772	Cable Assembly 28			178810	Gear (30 T) 14
164773**	Plate, Mounting 28			178811	Gear (49 T) 14

**Refer to page 1 for finish suffix

NUMERICAL INDEX (Continued)

Part Number	Description and Page Number	Part Number	Description and Page Number	Part Number	Description and Page Number
178813	Gear Set 14	193621	Gear Set 35	193779	Bracket, Fuse Mounting 7
178814	Gear (37 T) 14	193628	Bracket, Lamp Holder 27	193780	Bracket 7
178815	Gear (37 T) 14	193629	Cable Assembly, Selector	193783	Cable Assembly 27, 39
178869	Shift Assembly, Gear 19		Magnet 27, 39	193794**	Modification Kit 28
178870	Gear (22 T & 18 T) 9, 19	193630	Cable Assembly, Indicator Lamp 27, 39	193837	Guide, Tape 8
178885	Plate, Index 19	193631	Bracket 27	194221	Cable Assembly, Tape Out Switch 8
178910	Spacer 10, 19	193632	Switch Assembly 27	194862	Extension 34
179134	Bushing 21	193633	Cable Assembly, Tape FO 39	195110	Plate, Lower Base 37
179252	Modification Kit 34	193634	Bracket, Connector Fuse 27	195111	Plate, Upper Base 36
179256	Chute, Chad 34	193635	Indicator, Neon 27	195112	Bracket 36
179344	Cable Assembly 39	193636	Indicator, Neon 27	195113	Cable Assembly 36
179345	Cable Assembly 39	193637	Insulator 27	195114	Plate Identification 36
179528**	Plate, Oil Pan 11	193641	Gear (6 T) 35	195115	Shaft W/Bearing 37
179657	Pulley, Toothed (28 T) 37	193642	Gear (40 T) 35	195116	Bracket 36
179962	Gear (40 T) 10, 19	193643	Gear Set 35	195117	Cable Assembly 36
179963	Gear (27 T) 9, 19	193666**	Guard, Sprocket 35	195118	Cable Assembly 37
179965	Modification Kit 9, 10	193667	Modification Kit 35	195119	Bracket 36
179969	Plate, Guide 9	193676	Gear (42 T) 35	195120	Container, Tape 37
192678	Shift Assembly, Gear 19	193677	Gear (8 T) 35	195121	Lever W/Hub 37
192680	Plate, Index 19	193678	Gear Set 35	195122	Guide, Tape 37
192684	Plate, Clamp 10	193679	Gear (39 T) 35	195123	Handle W/Post 37
192685	Frame, Gear Shift 9	193680	Gear (5 T) 35	195128	Brace 37
192788	Gear (47 T) 35	193681	Gear Set 35	195139	Bracket Assembly 37
192789	Gear (6 T) 35	193705	Cord Assembly, Fuse 27	195219	Bracket 37
192790	Gear (49 T) 35	193706	Wire Assembly (3" White-Orange) 27	195388	Modification Kit 32
192791	Gear (5 T) 35	193707	Wire Assembly (3" White-Blue) 27	195399	Cable W/Terminals 32
192864	Disk, Tape Reel 8		Wire Assembly (3" Black) 27	195400	Pulley, Toothed (16 T) 37
192865	Container, Tape Reel 8	193708	Wire Assembly (3" Black) 27	197693	Shaft W/Bearing 12
192867	Container Assembly, Tape 8	193727	Plate 6	197699	Modification Kit to Provide a New Style Shaft W/Bearing 12
192868	Spacer, Tape Container 8	193778	Cable Assembly 39	207223WU	Spacer 8
193620	Gear Set 35				

28 SEND-RECEIVE REPERFORATOR KEYBOARD BASE (LTRK)

and

28 SEND-RECEIVE TAPE PRINTER KEYBOARD BASE (LTPK)

FIGURE	CONTENTS	PAGE	FIGURE	CONTENTS	PAGE
1	Keyboard Base	2		Backspace Mechanism	16
2	Electrical Components	3	18	163775 Modification Kit to provide Repeat on Space Mechanism	16
3	Casting	4	19	Gear Sets	17
4	Tape Container	5	20	Gear Shift Mechanism for Tape Printer Keyboard Base	18
5	Function Bail Mechanism	6	21	Gear Shift Mechanism for Tape Printer Keyboard Base	19
6	Intermediate Gear Mechanism	6	22	Connectors and Cable	20
7	Keyboard	7	23	Electrical Components for Tape Printer Keyboard Base	21
8	Code Bar Mechanism	8	24	193800 Modification Kit to provide Synchronous Pulsed Transmission	22
9	Universal Bail Mechanism	9	25	192999 Modification Kit to provide Vacuum Chad Removal for Send-Receive Typing Reperforator Set	23
10	Bail Lock Mechanism	9	26	Cables	24
11	Signal Generator Frame Mechanism	10		Numerical Index	25
12	Signal Generator Shaft Mechanism	11			
13	Signal Generator Front Plate Mechanism	12			
14	Signal Generator Rear Plate Mechanism	13			
15	154165 and 154225 Signal Generator Contact Box Assemblies	14			
16	155990 Character Counter Mechanism	15			
17	176405 Modification Kit to add Tape				

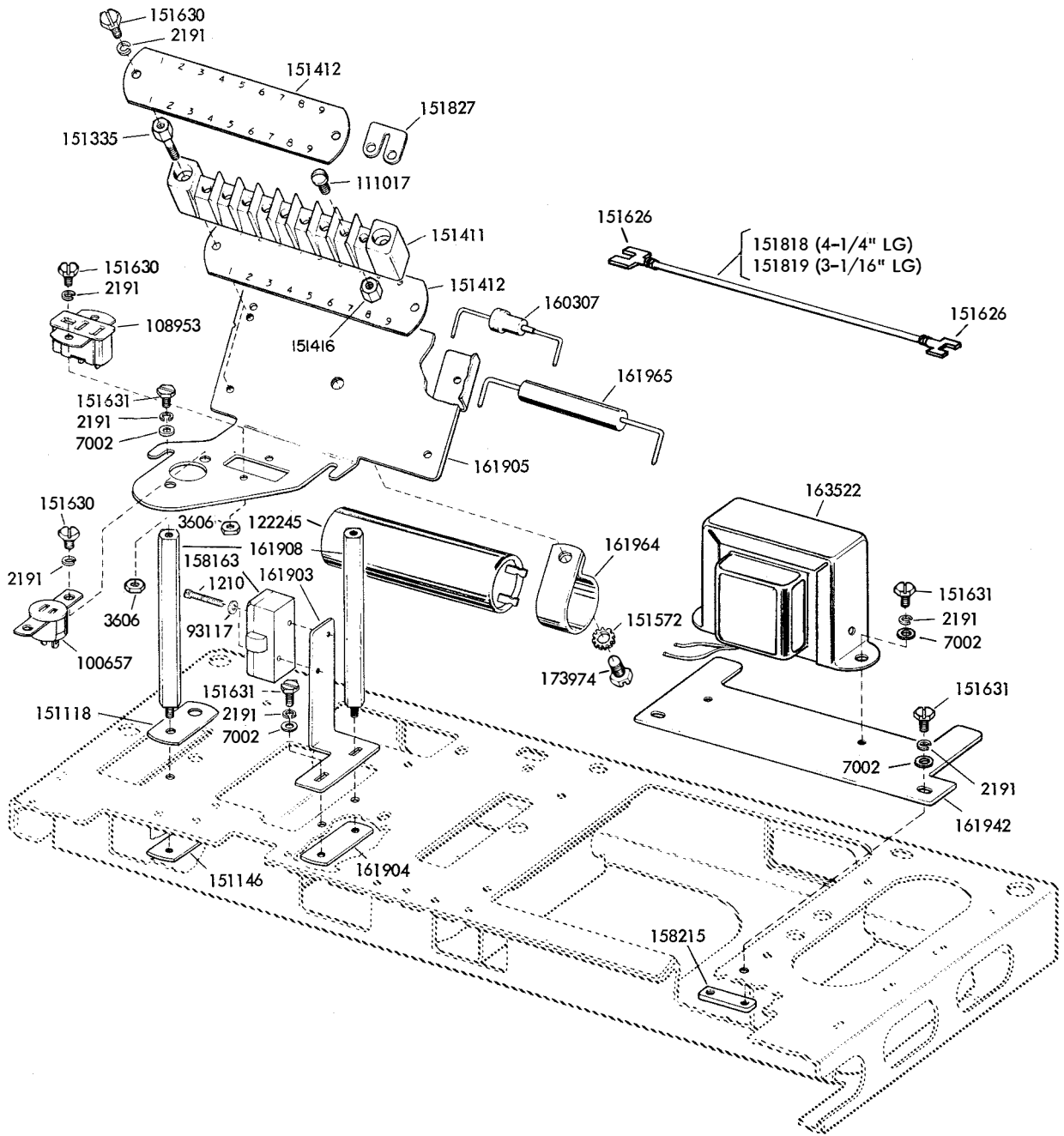


FIGURE 2. ELECTRICAL COMPONENTS

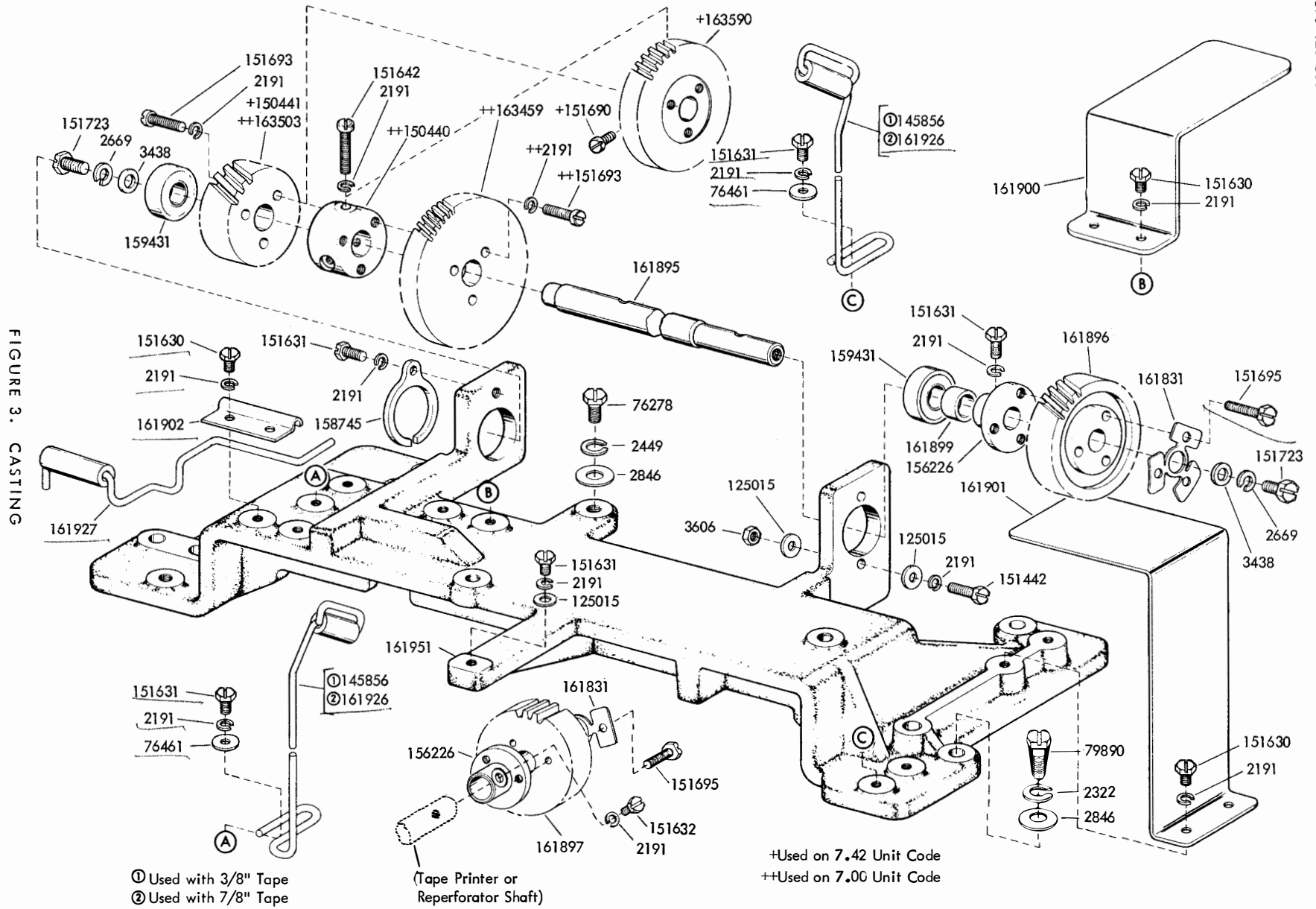
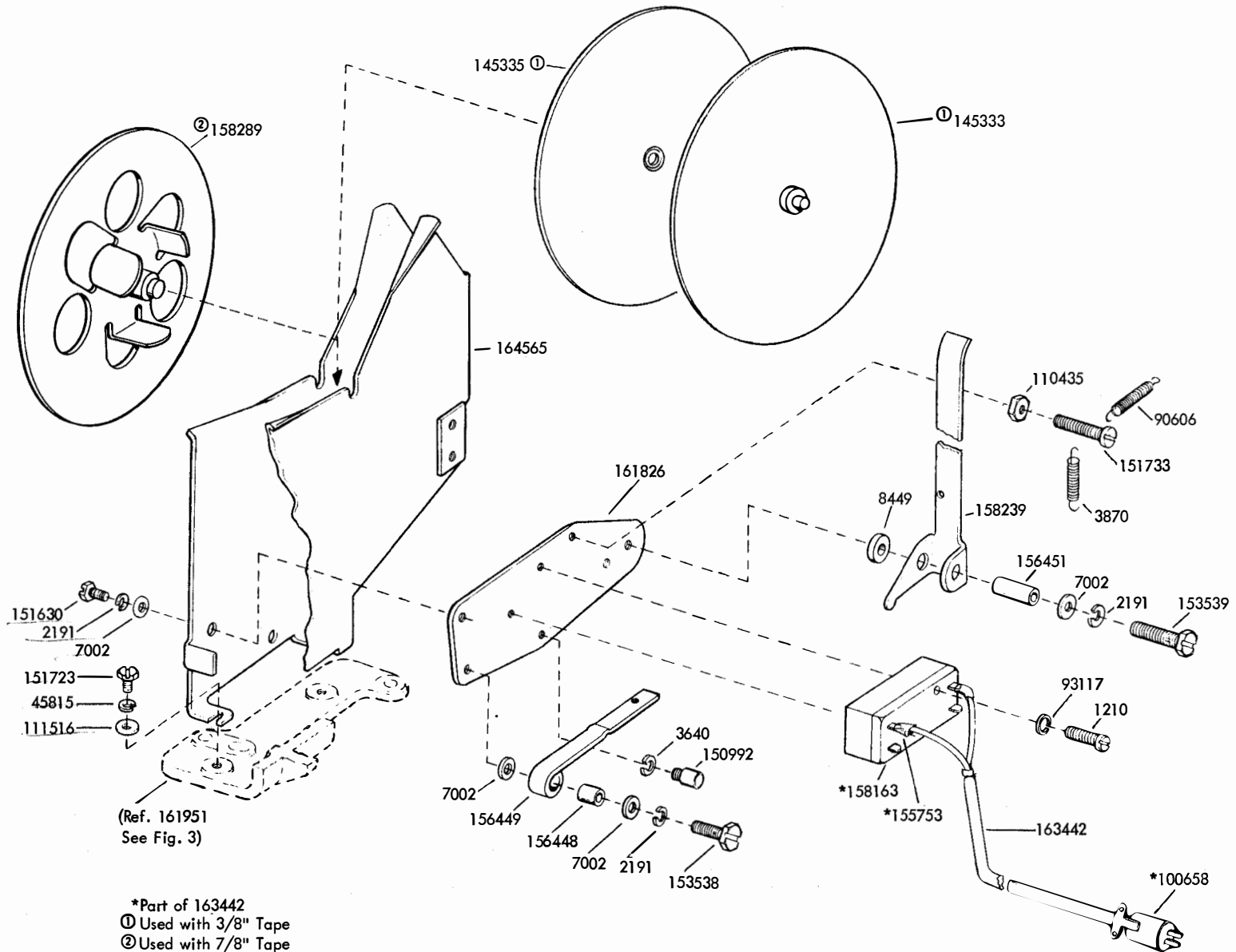


FIGURE 3. CASTING

FIGURE 4. TAPE CONTAINER



*Part of 163442
 ① Used with 3/8" Tape
 ② Used with 7/8" Tape

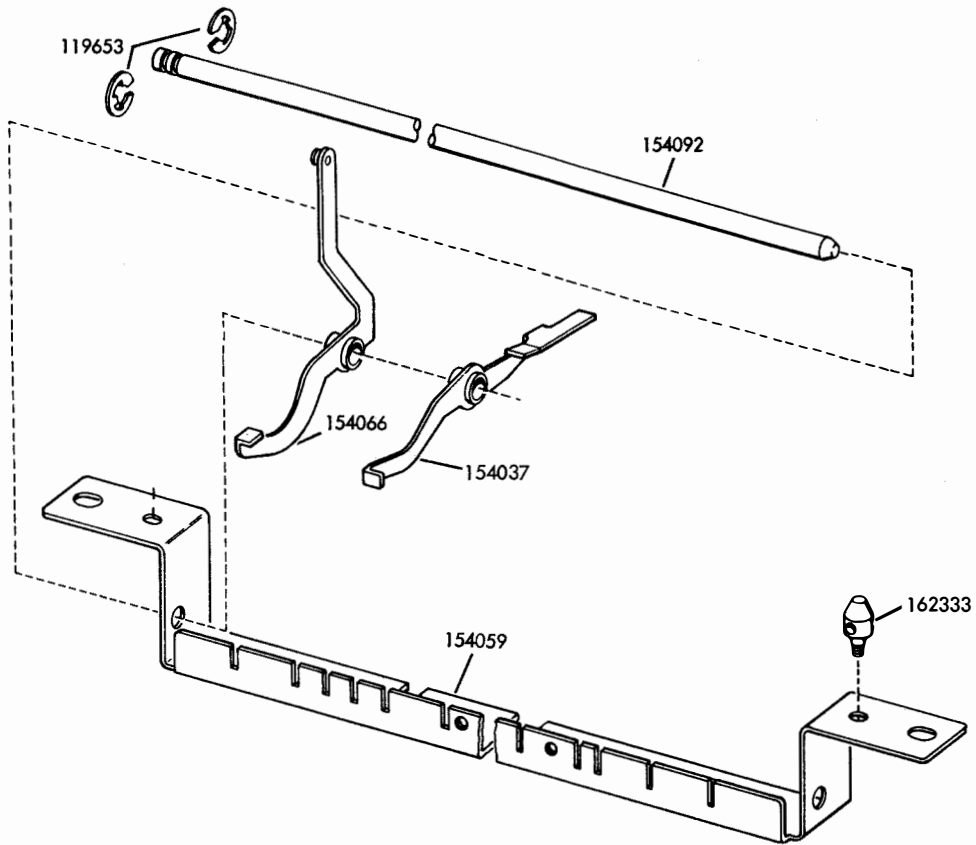


FIGURE 5. FUNCTION BAIL MECHANISM

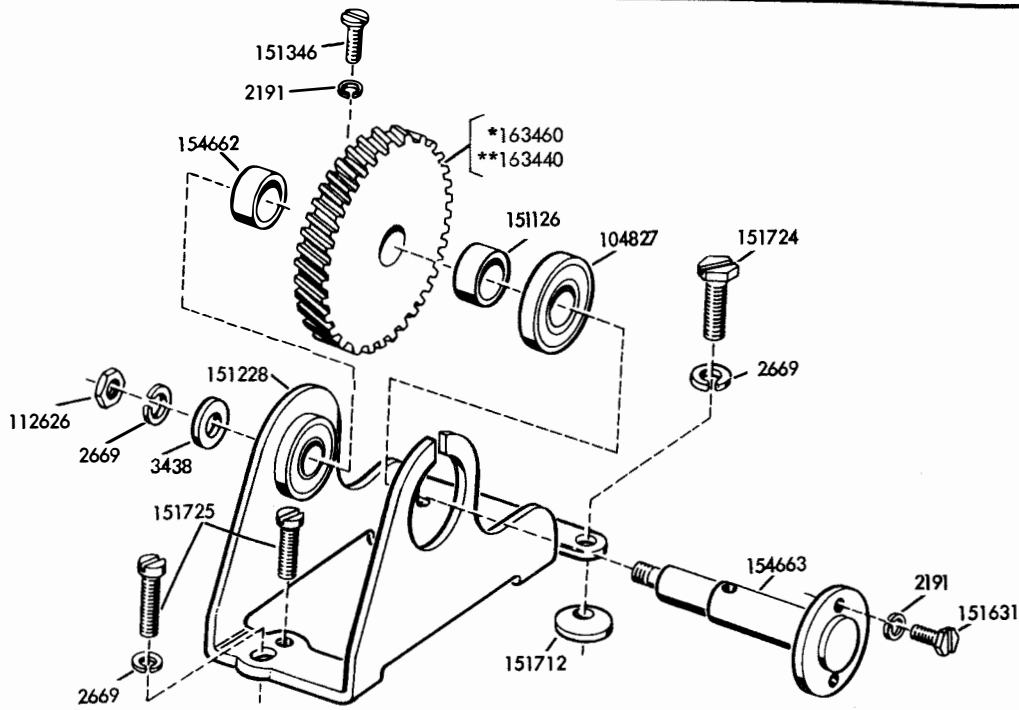
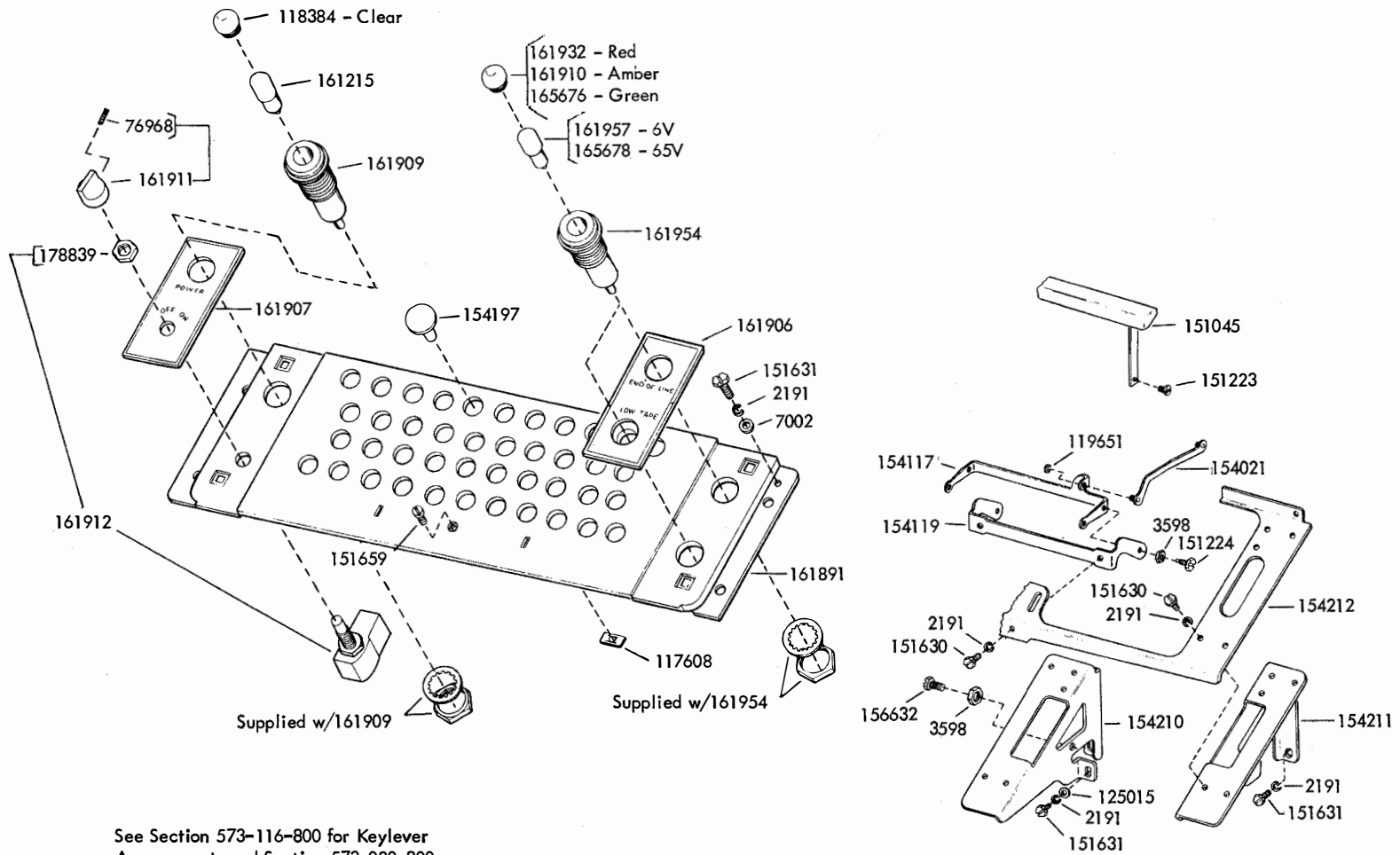


FIGURE 6. INTERMEDIATE GEAR MECHANISM

FIGURE 7. KEYBOARD



See Section 573-116-800 for Keylever Arrangements and Section 573-020-800 for Keylever Assemblies

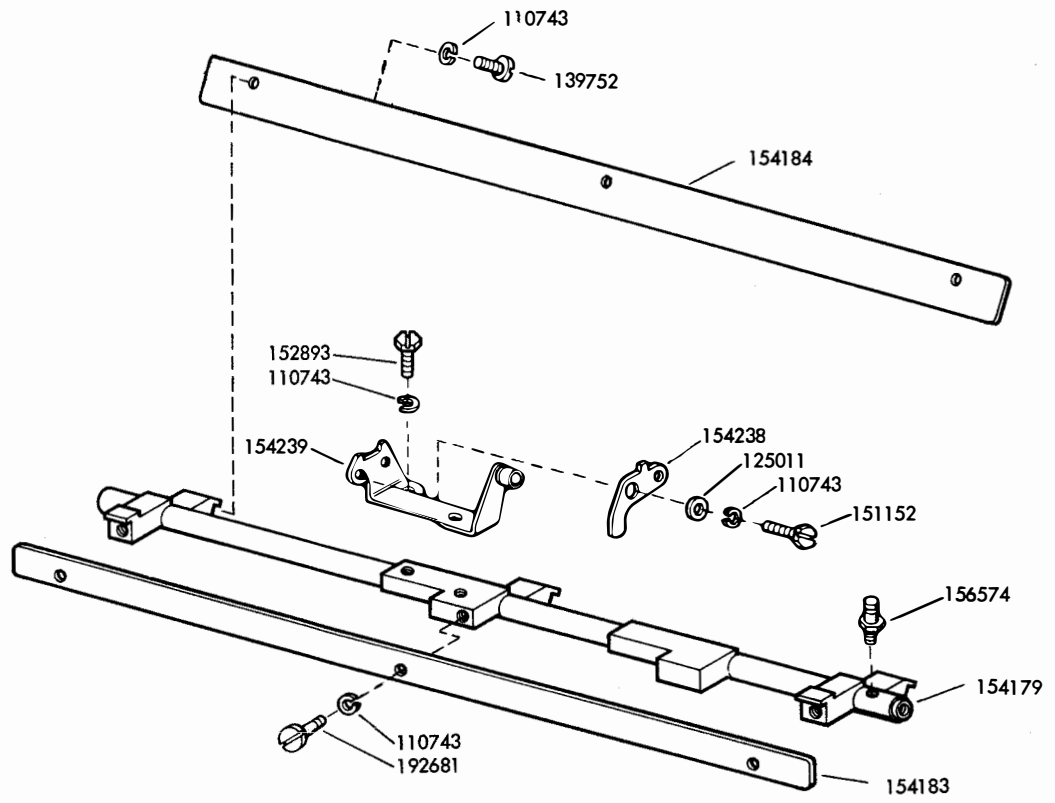


FIGURE 9. UNIVERSAL BAIL MECHANISM

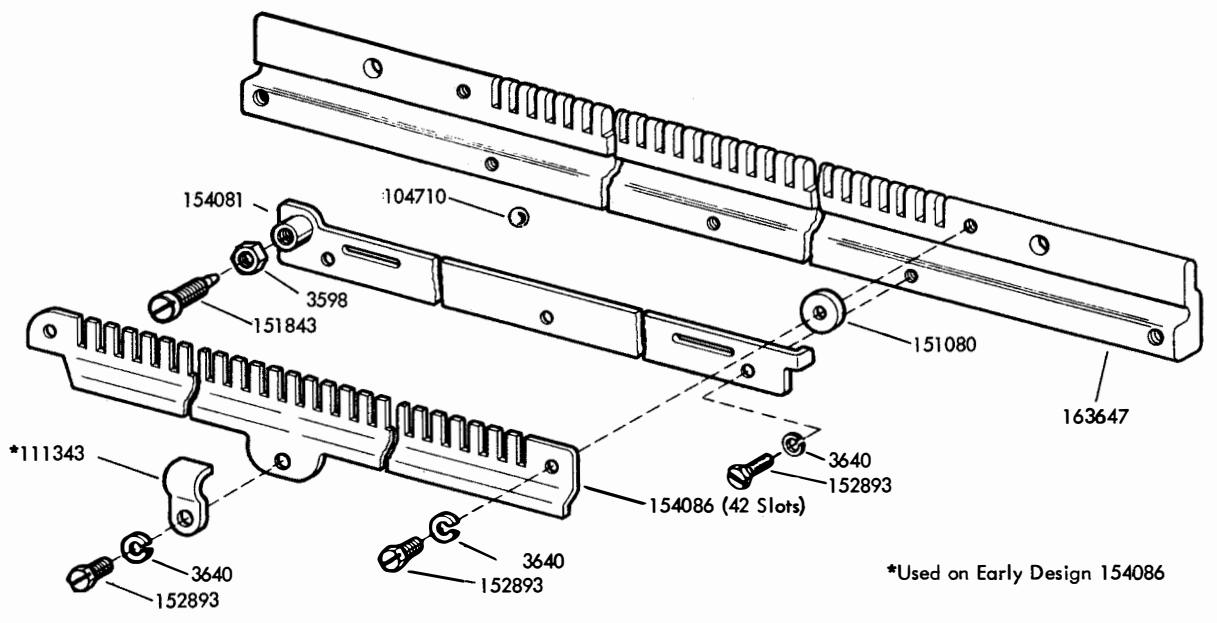
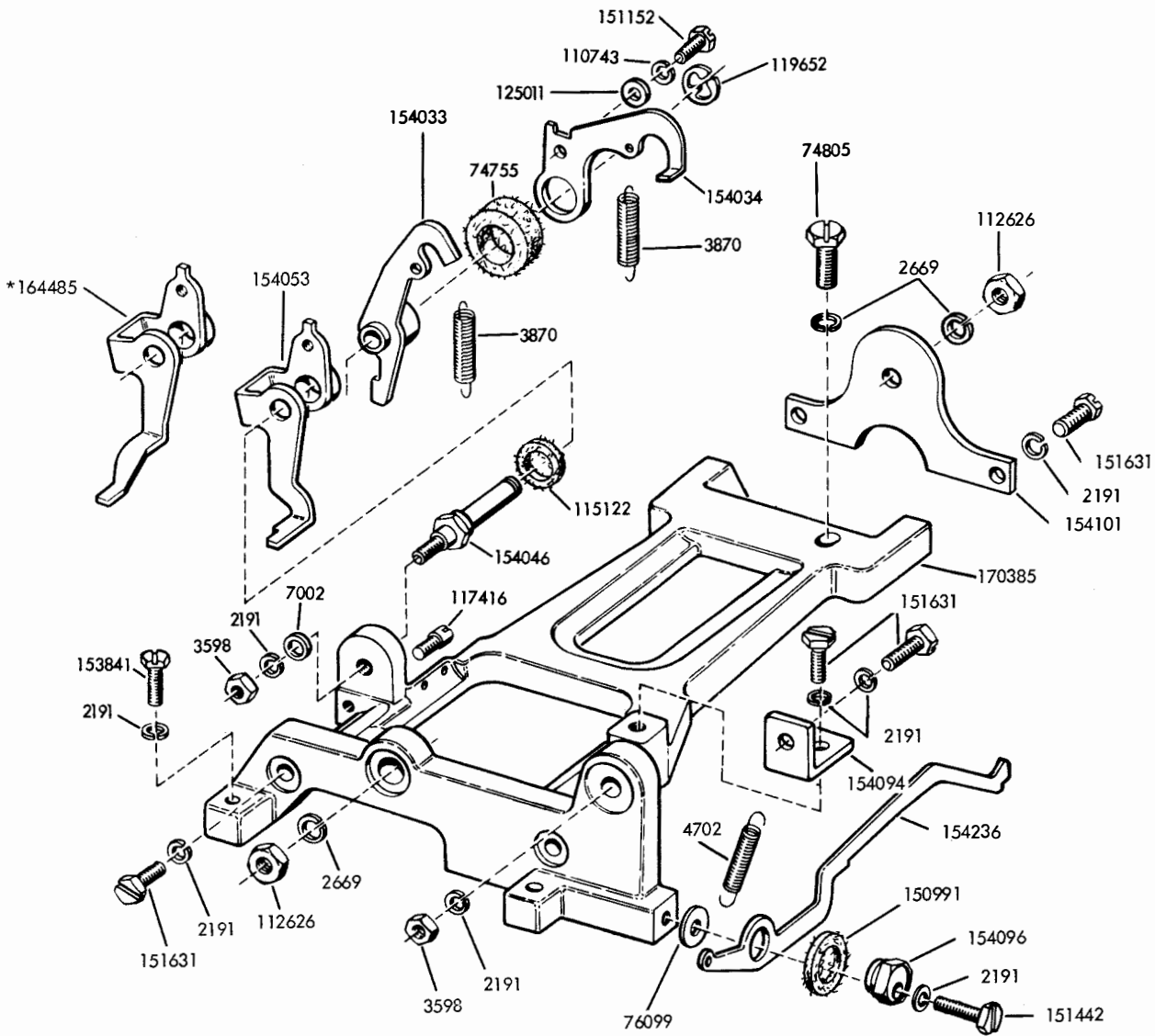


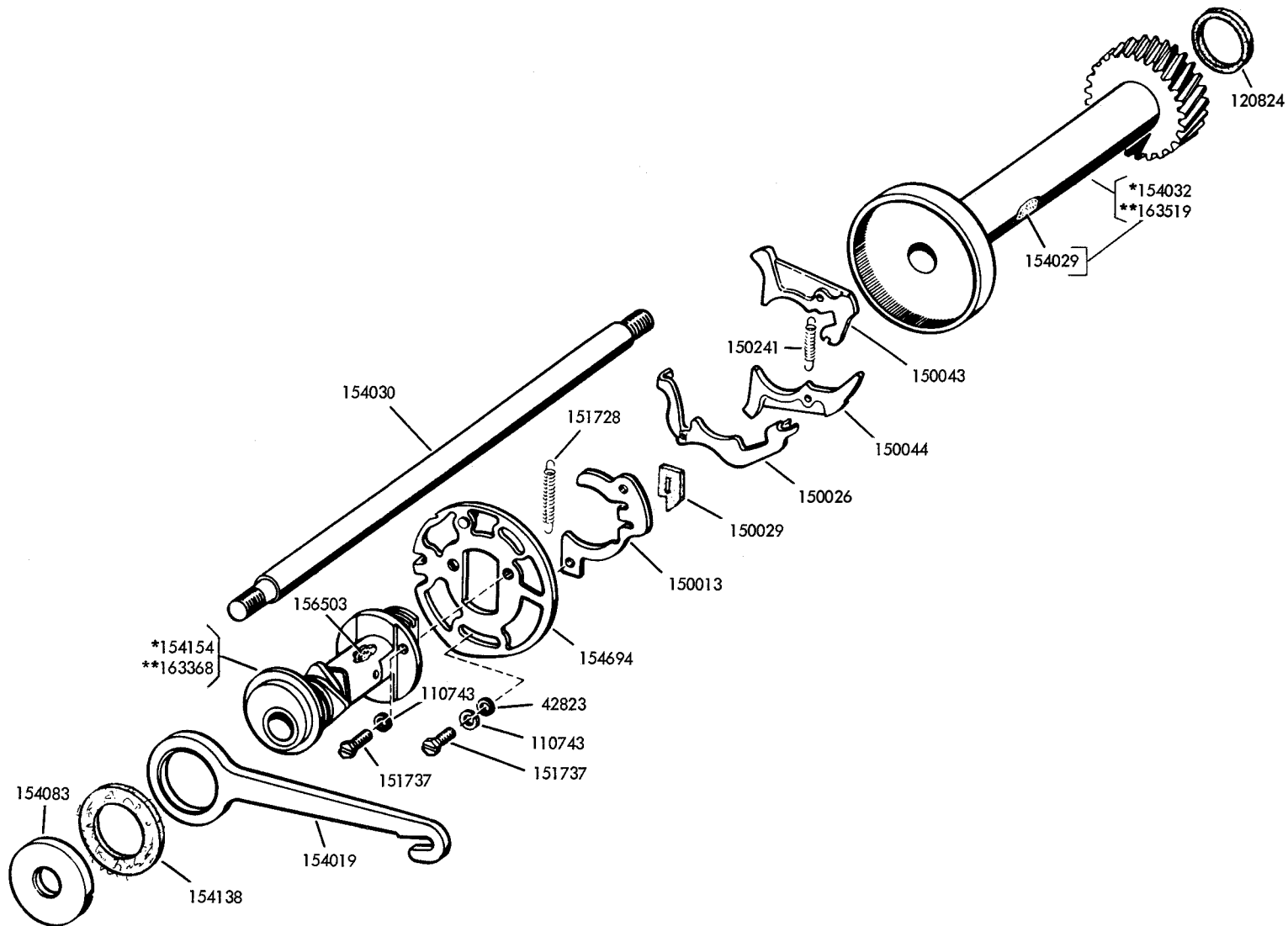
FIGURE 10. BAIL LOCK MECHANISM



*Peculiar to Units Equipped with Synchronous Pulsed Transmission

FIGURE 11. SIGNAL GENERATOR FRAME MECHANISM

FIGURE 12. SIGNAL GENERATOR SHAFT MECHANISM



*Peculiar to 7.42 Unit Code
**Peculiar to 7.00 Unit Code

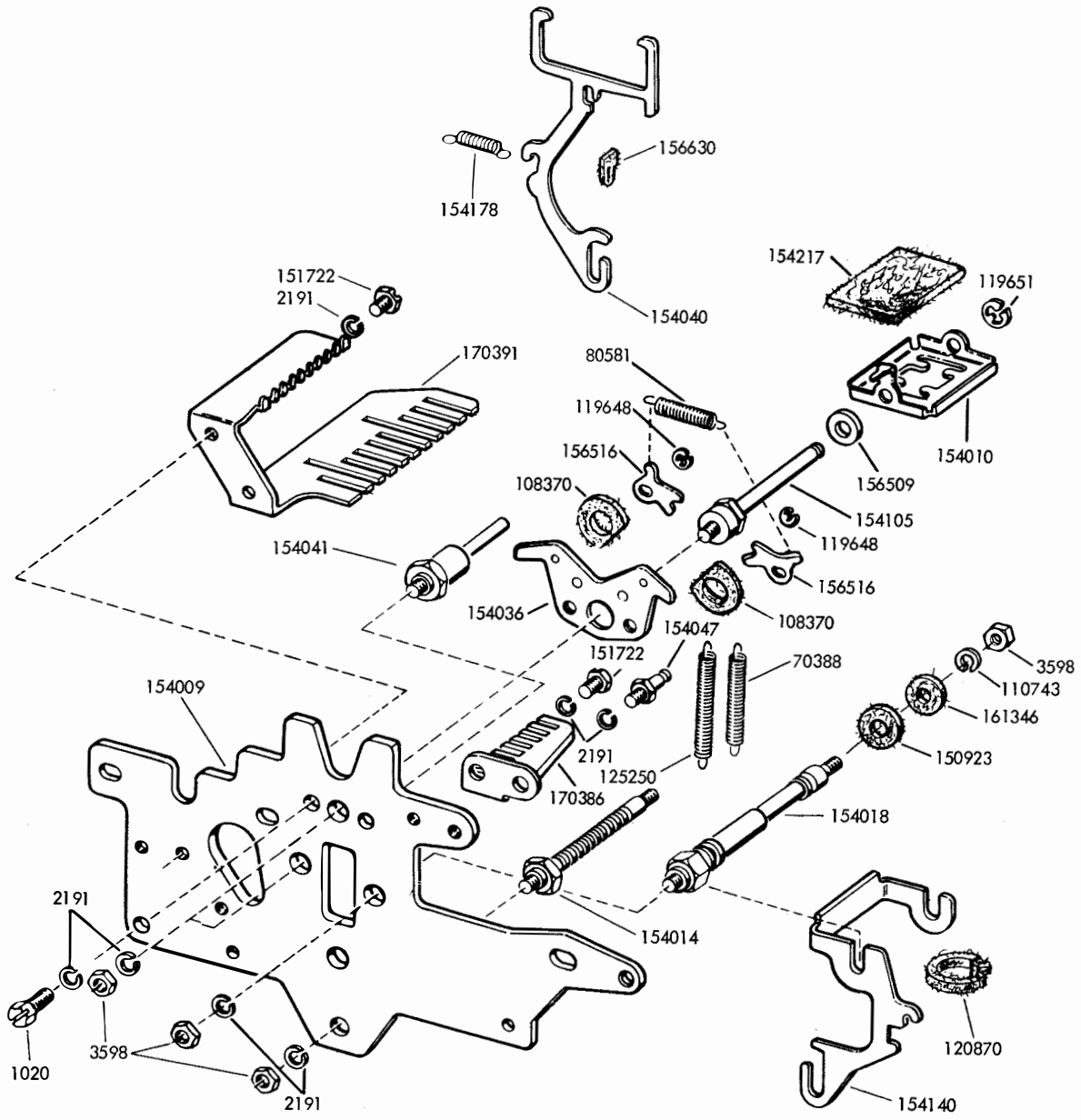
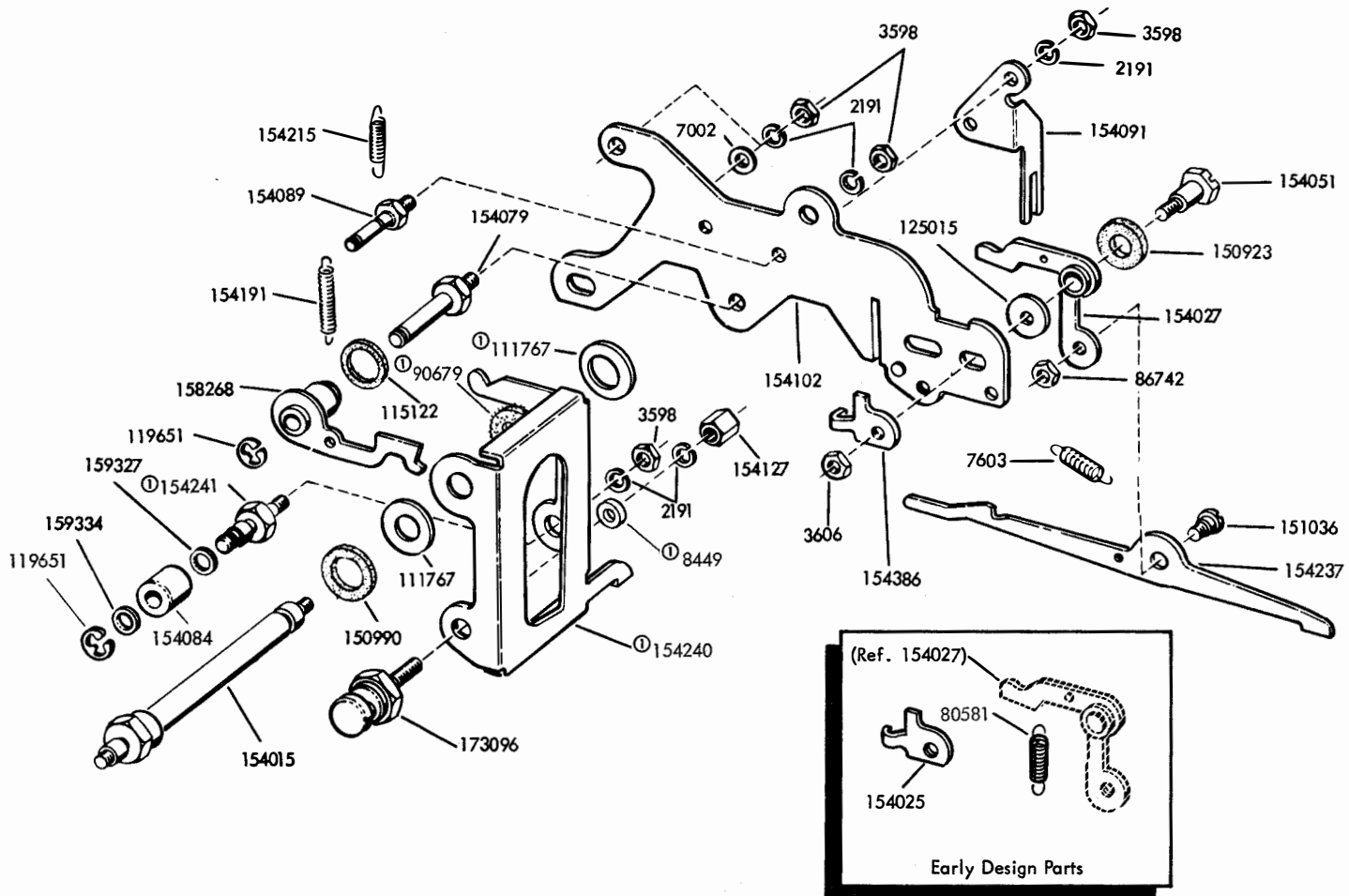


FIGURE 13. SIGNAL GENERATOR FRONT PLATE MECHANISM

FIGURE 14. SIGNAL GENERATOR REAR PLATE MECHANISM



① 154350 Modification Kit

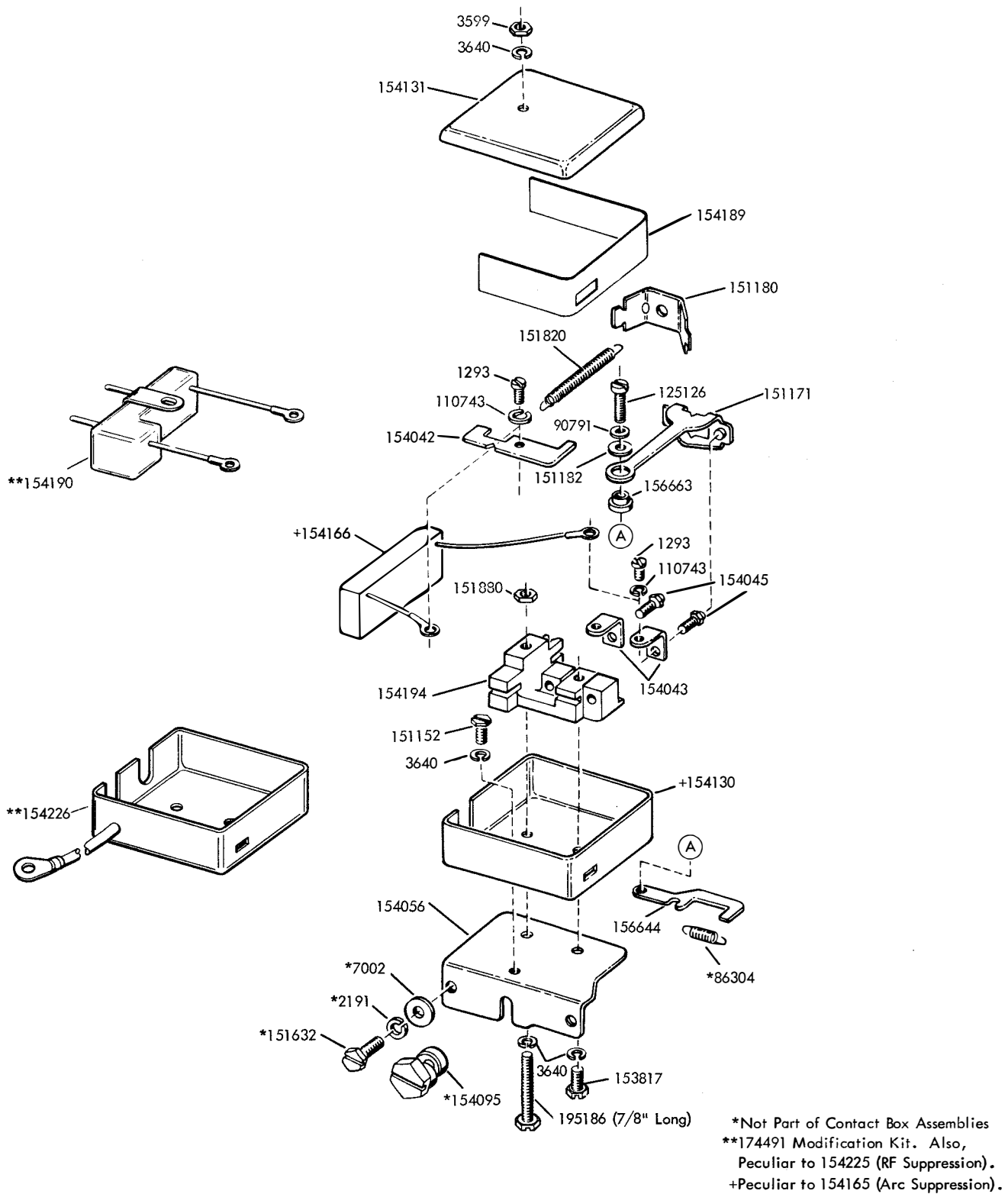


FIGURE 15. 154165 AND 154225 SIGNAL GENERATOR CONTACT BOX ASSEMBLIES

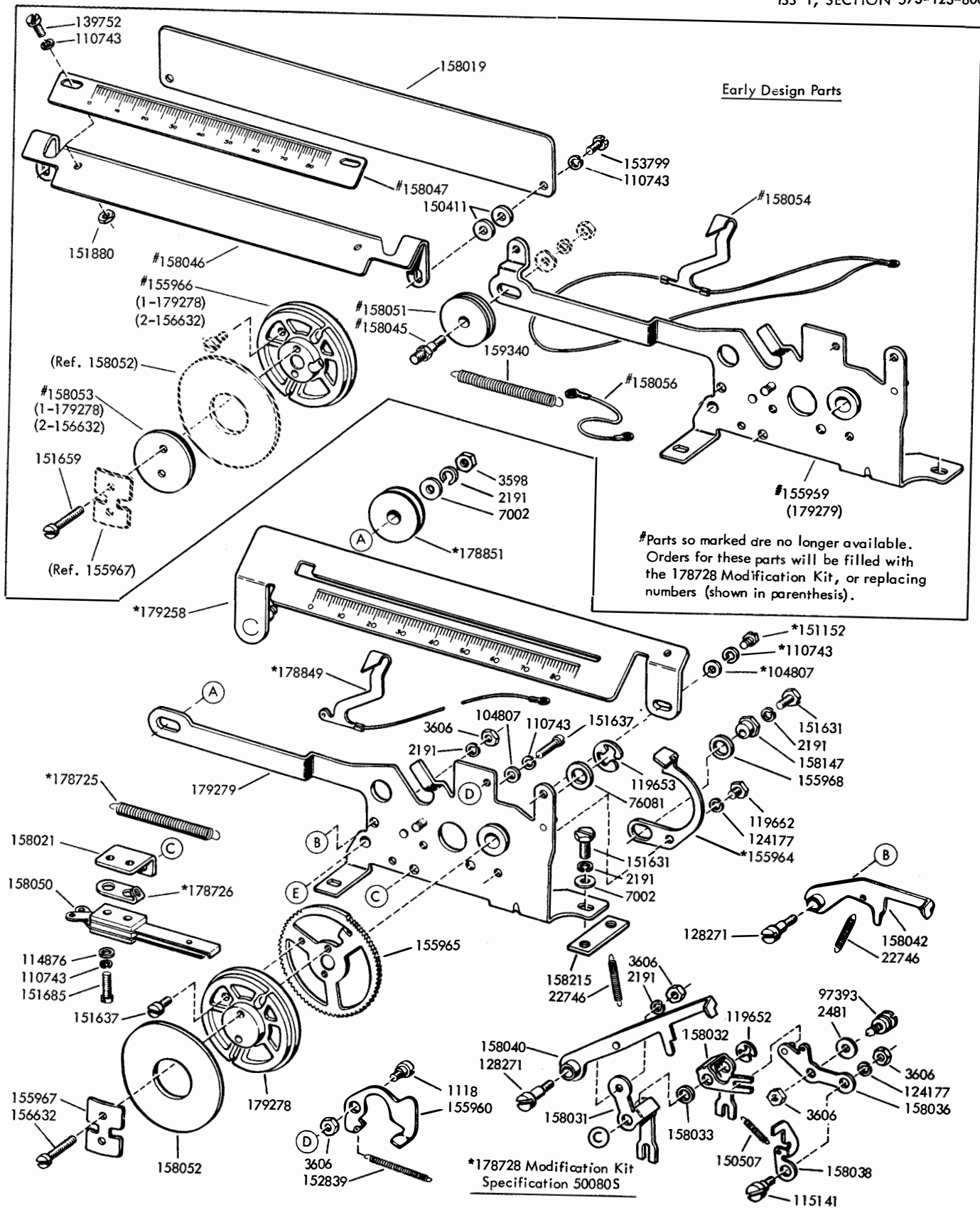
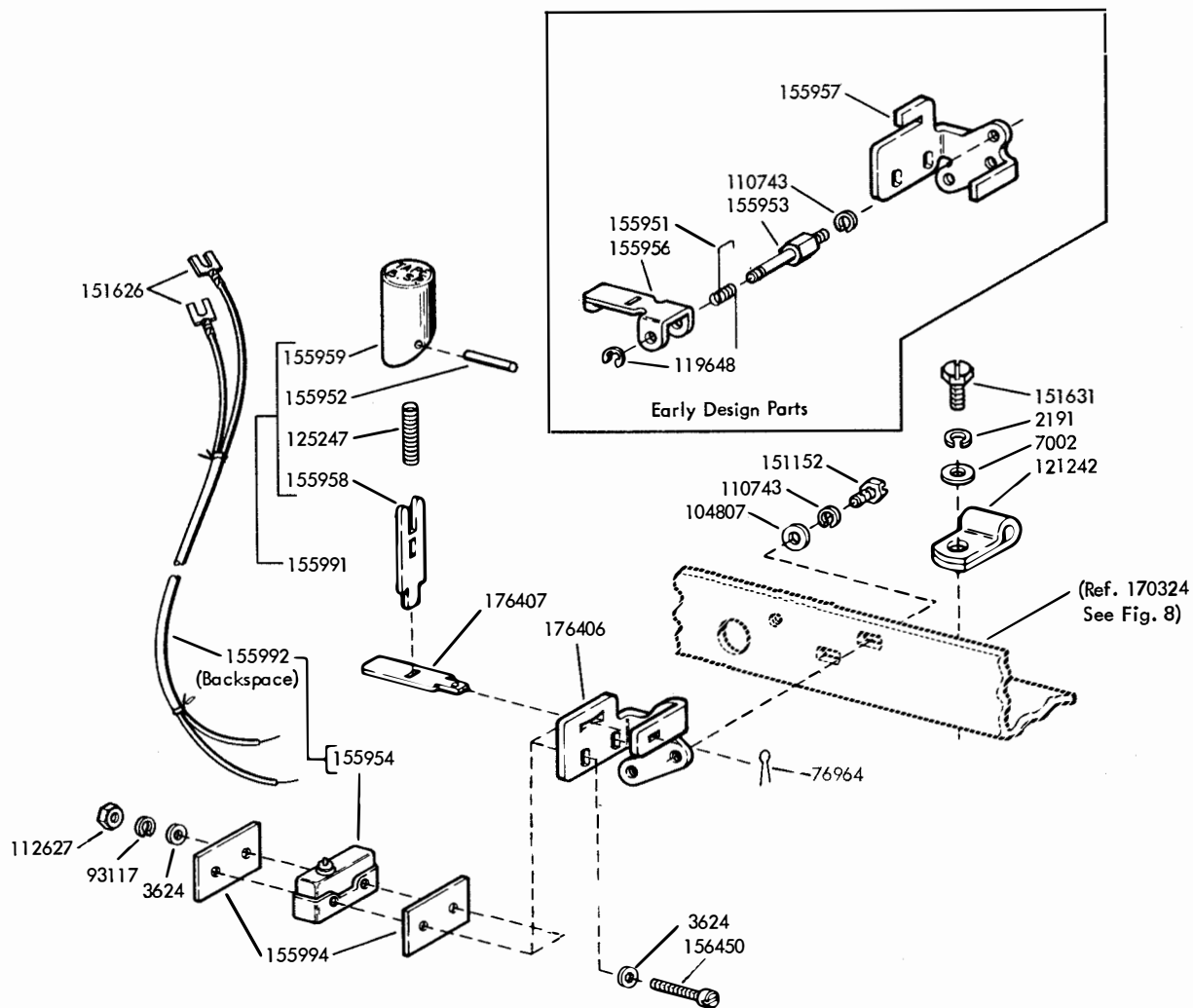
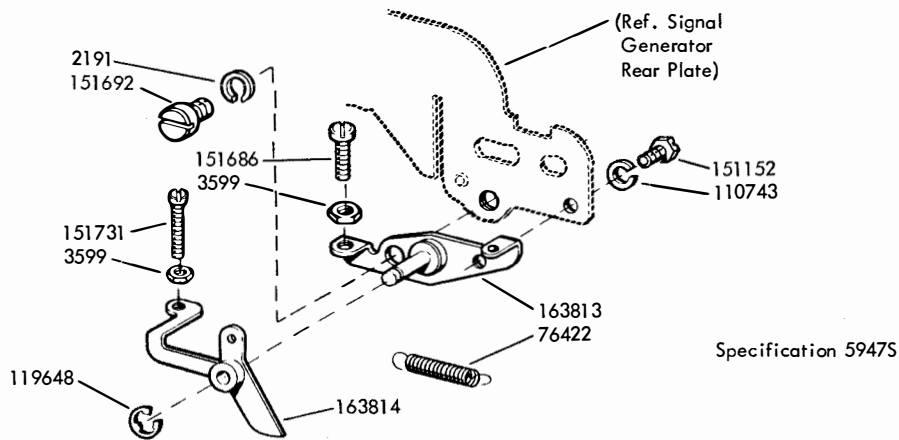


FIGURE 16. 155990 CHARACTER COUNTER MECHANISM



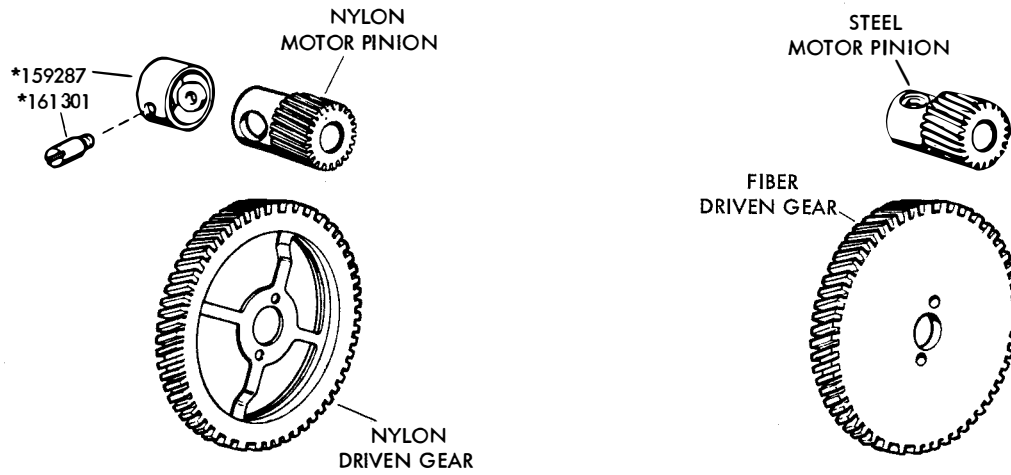
Specification 500885

FIGURE 17. 176405 MODIFICATION KIT TO ADD TAPE BACKSPACE BUTTON



Specification 59475

FIGURE 18. 163775 MODIFICATION KIT TO PROVIDE REPEAT ON SPACE MECHANISM



*Supplied with nylon gear sets (Except 173795)

GEAR SETS FOR SEND-RECEIVE KEYBOARD BASE								
Set Number	Pinion	Teeth	Driven Gear	Teeth	SPEED			
					7.00 Unit Code		7.42 Unit Code	
					WPM	Baud	WPM	Baud
151060 161293	151130 (S) 159278 (N)	14	151131 (F) 159279 (N)	96	—	—	60	45.5
152766	152765 (S)	13	152764 (F)	81	—	—	67	50
151075 161294	151132 (S) 159281 (N)	17	151133 (F) 159282 (N)	93	—	—	75	50
151100 161295	151134 (S) 159284 (N)	20	151135 (F) 159285 (N)	84	—	—	100	74.2
163504	163461 (N)	18	163462 (N)	117	71	50	—	—
163505	163463 (N)	24	163464 (N)	104	107	75	—	—
173795	173794 (N)	14	173793 (N)	100	65	45.5	—	—

FIGURE 19. GEAR SETS

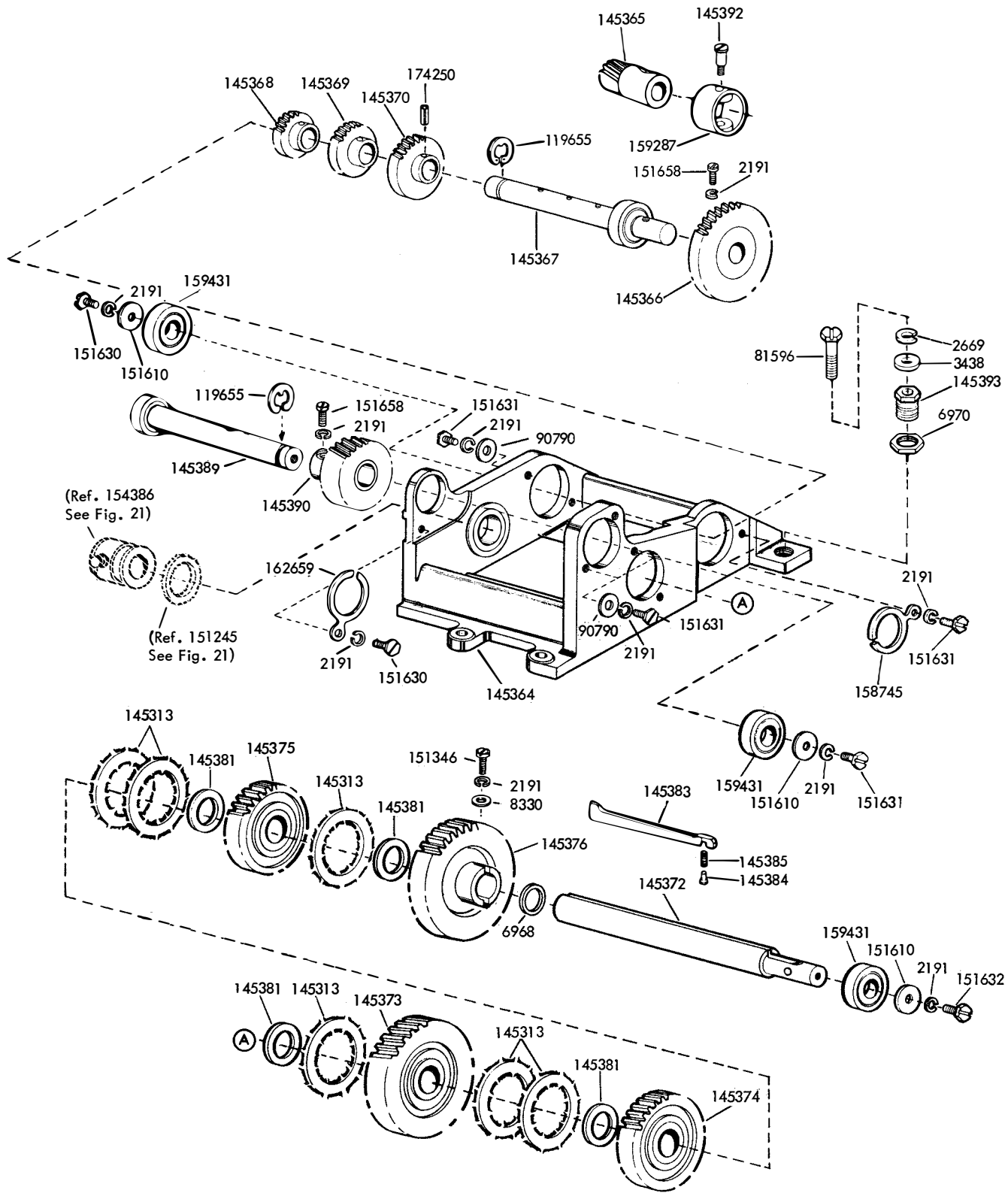


FIGURE 20. GEAR SHIFT MECHANISM FOR TAPE PRINTER KEYBOARD BASE

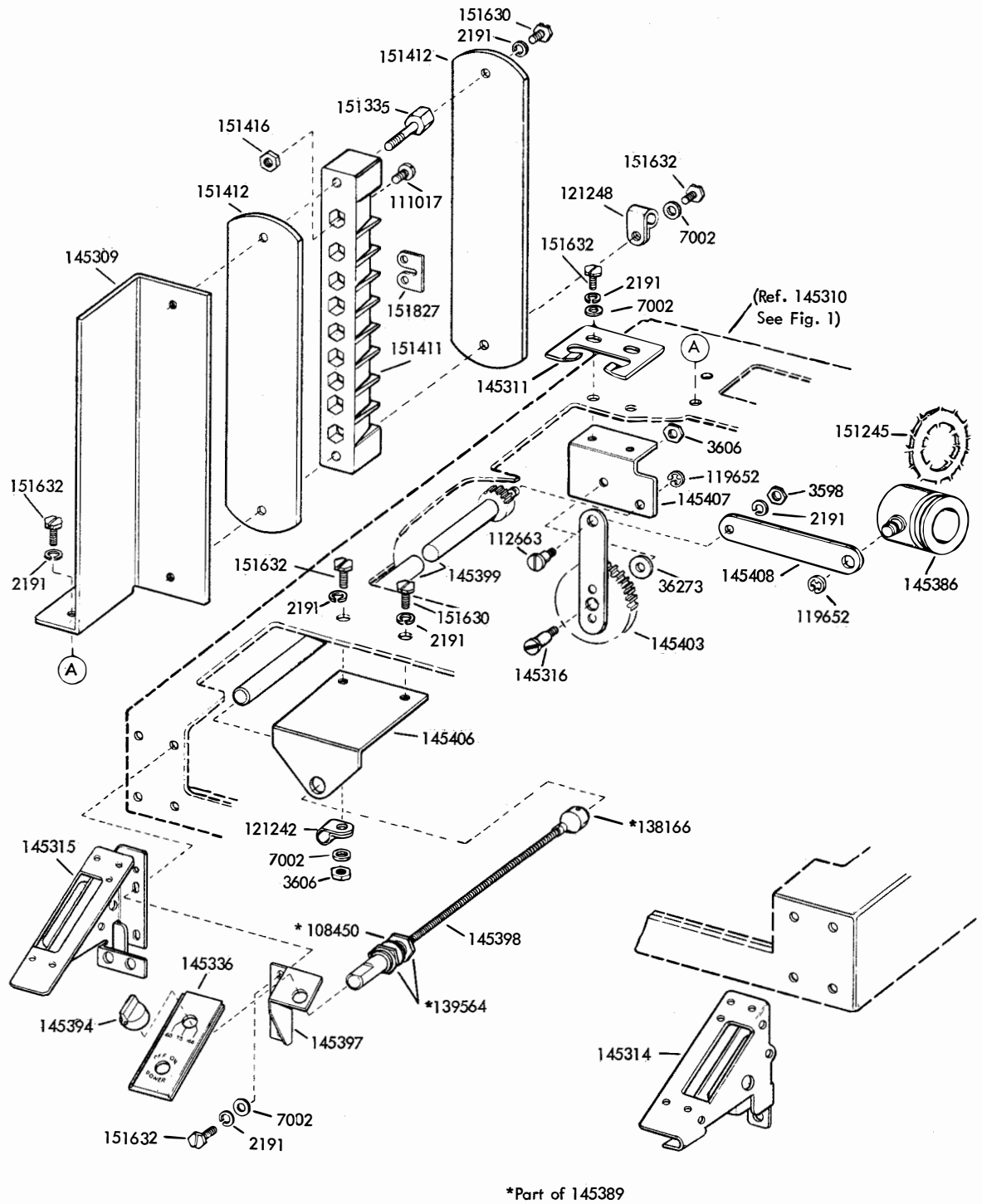


FIGURE 21. GEAR SHIFT MECHANISM FOR TAPE PRINTER KEYBOARD BASE

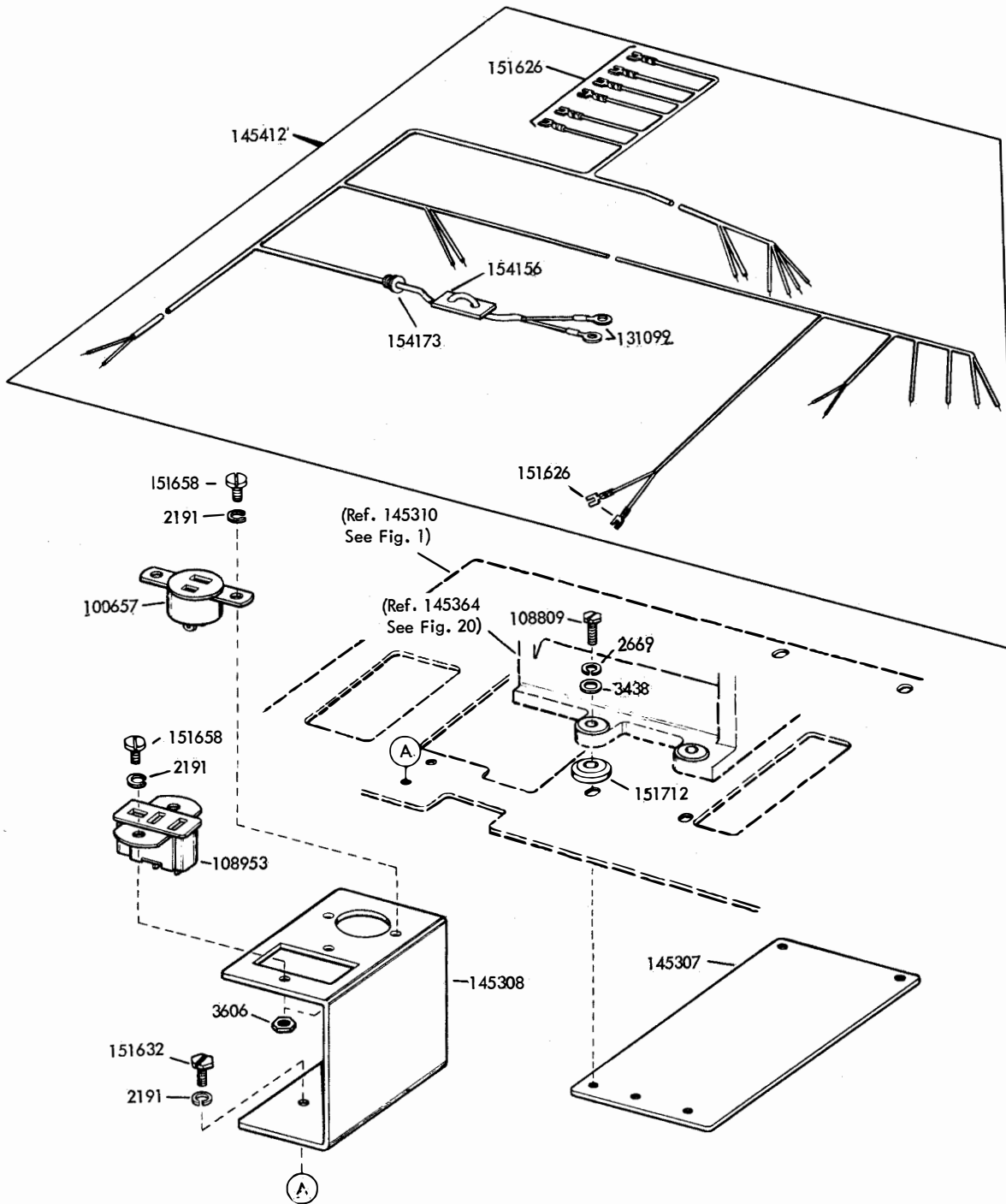


FIGURE 22. CONNECTORS AND CABLE

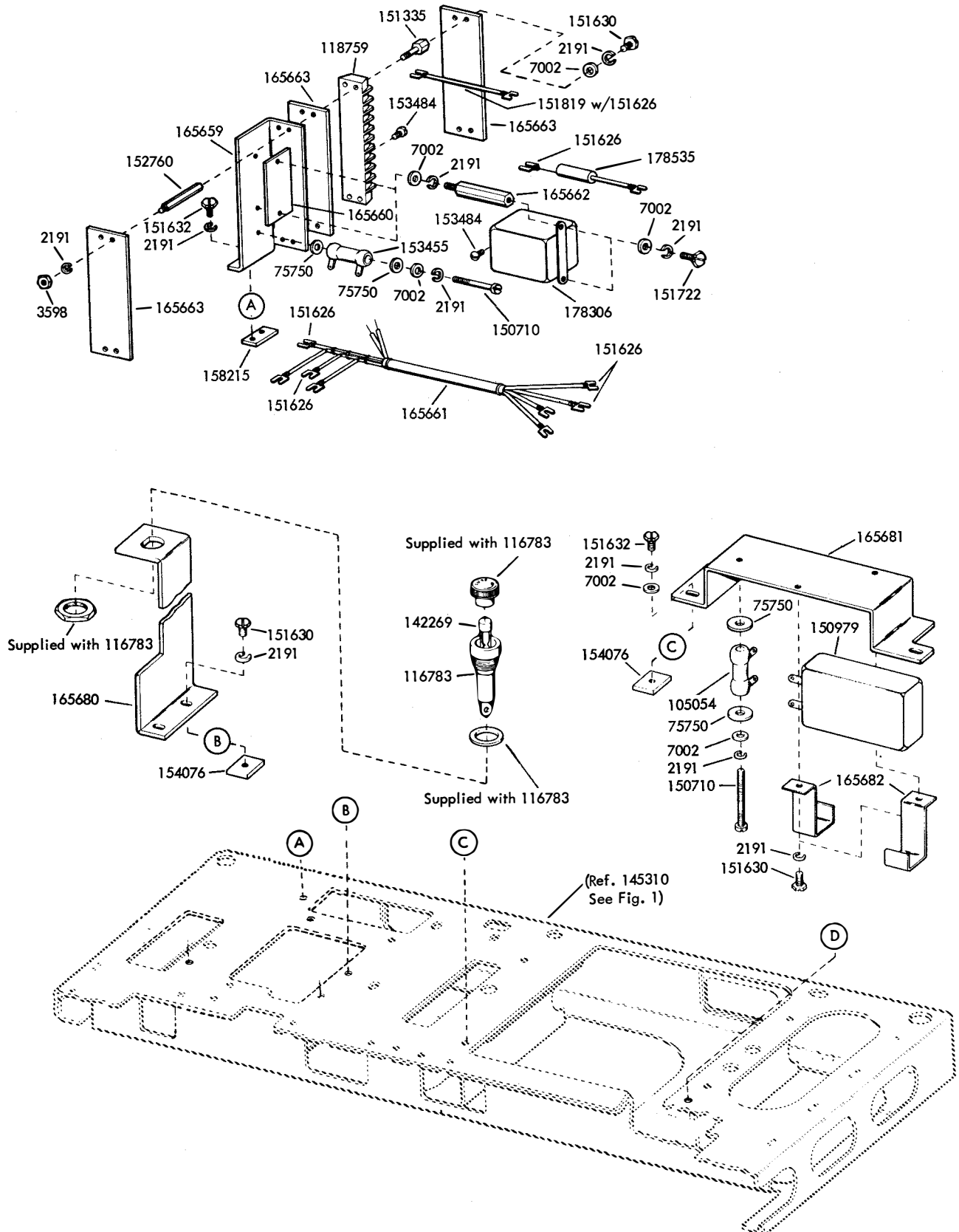


FIGURE 23. ELECTRICAL COMPONENTS FOR THE TAPE PRINTER KEYBOARD BASE

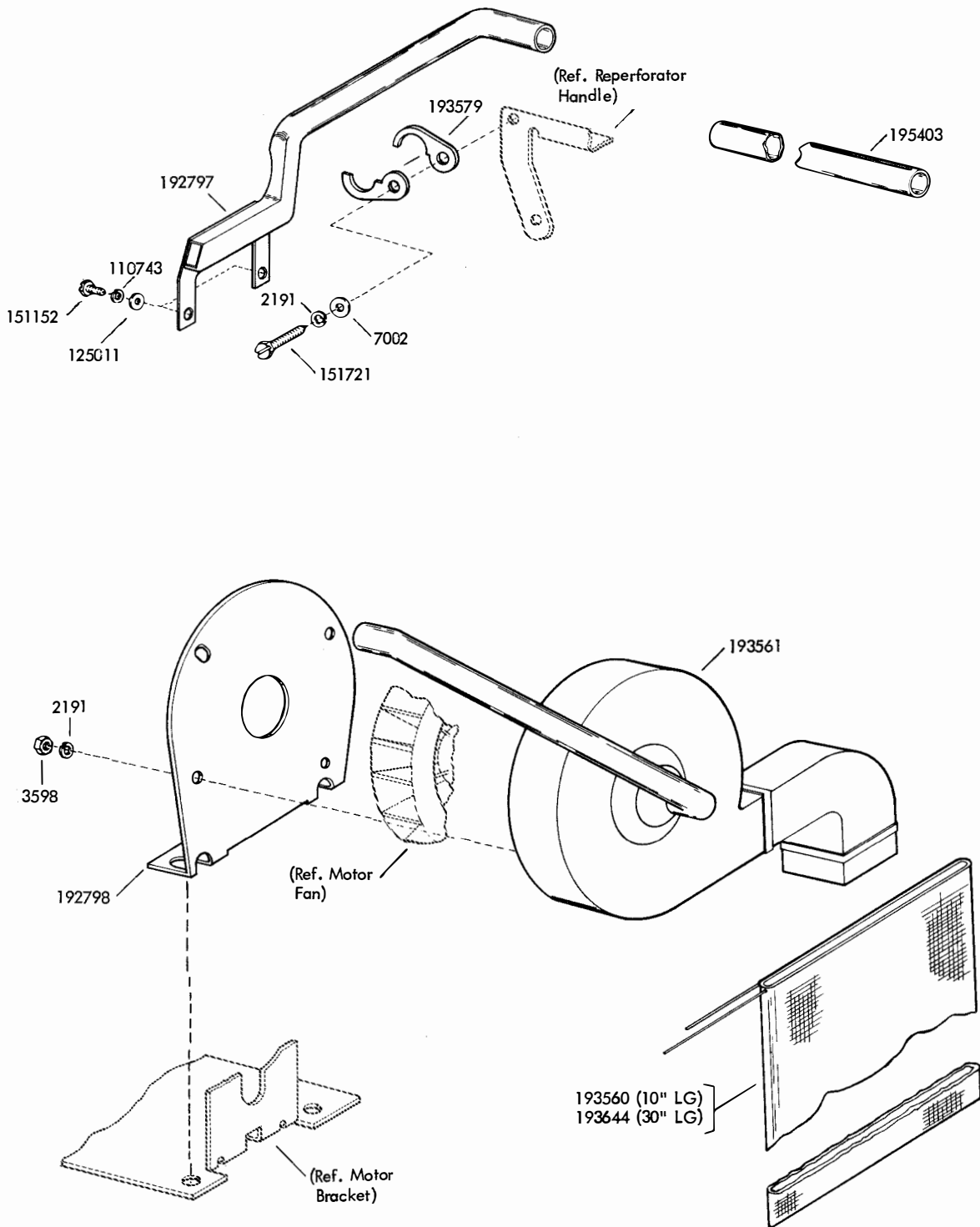
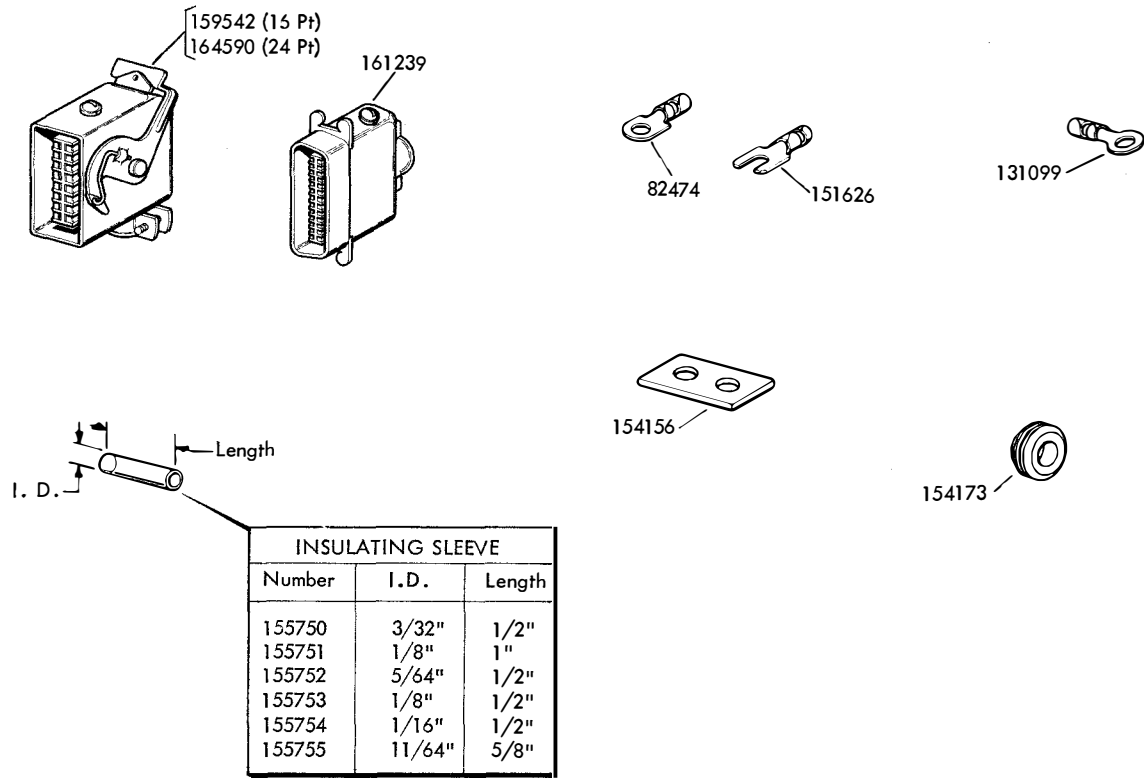


FIGURE 25. 192999 MODIFICATION KIT TO PROVIDE VACUUM CHAD REMOVAL FOR SEND-RECEIVE TYPING REPERFORATOR SET



Unit	Cable Assembly
LTPK1	- 145412, 165656
LTPK2	- 145412, 165679
LTPK3	- 165656
LTRK1	
LTRK5	- 161878, 161892
LTRK2	- 161892, 173396
LTRK3	- 172721, 173922

FIGURE 26. CABLES

NUMERICAL INDEX

Part Number	Description and Page Number	Part Number	Description and Page Number	Part Number	Description and Page Number
263M	Coil, Magnet 22	100658	Connector, Plug (2 Pt) 5	145313	Washer, Felt 18
1020	Screw (6-40 x 1/4 Hex) 12	104710	Ball, Bearing 9	145314	Bracket, Right 19
1118	Screw, Shoulder (6-40) 15	104807	Washer, Flat 15, 16	145315	Bracket, Left 19
1210	Screw (2-56 x 5/8 Fil) 3, 5	104827	Bearing, Ball 6	145316	Screw, Shoulder (6-40) 19
1293	Screw (4-40 x 1/8 Fil) 14	104991	Screw (2-56 x 1/2 Fil) 16	145333	Disk W/Hub 5
2191	Washer, Lock 2, 3, 4, 5, 6, 7, 8, 10, 12, 13, 14, 15, 16, 18, 19, 20, 21, 22, 23	105054	Resistor (5 Ohm) 21	145335	Disk W/Knob 5
2322	Washer, Lock 4	108370	Washer, Felt 12	145336	Plate 19
2415	Spring 8	108450	Washer, Lock 19	145364	Bracket W/Bearing 18
2449	Washer, Lock 4	108809	Screw (10-32 x 27/32 Hex) 20	145365	Pinion (20 T) 18
2481	Washer, Flat 15, 22	108953	Connector, Receptacle (3 Pt) 3, 20	145366	Gear (56 T) 18
2669	Washer, Lock 2, 4, 6, 10, 18, 20	110435	Nut (4-40 Hex) 5	145367	Shaft, Drive 18
2846	Washer, Flat 4	110437	Spring 8	145368	Gear (27 T) 18
3438	Washer, Flat 2, 4, 6, 18, 20	110743	Washer, Lock 9, 10, 11, 12, 14, 15, 16, 23	145369	Gear (24 T) 18
3598	Nut (6-40 Hex) 2, 7, 9, 10, 12, 13, 15, 19, 21, 23	111017	Screw (6-40 x 5/16 Fil) 2, 3, 19	145370	Gear (24 T) 18
3599	Nut (4-40 Hex) 2, 14, 16	111343	Clamp 9	145372	Shaft 18
3606	Nut (6-40 Hex) 3, 4, 13, 15, 19, 20	111516	Washer, Flat 5	145373	Gear (66 T) 18
3624	Washer, Flat 16	111767	Washer, Flat 13	145374	Gear (47 T) 18
3640	Washer, Lock 2, 5, 9, 14, 22	112626	Nut (10-32 Hex) 6, 10	145375	Gear (63 T) 18
3870	Spring 5, 8, 10	112627	Nut (2-56 Hex) 16	145376	Gear (48 T) 18
4702	Spring 10	112630	Spring 2	145381	Washer, Thrust 18
6968	Washer, Flat 18	112663	Screw, Shoulder (6-40) 19	145383	Key 18
6970	Nut (3/8-32 Hex) 18	114876	Washer, Flat 15	145384	Pin, Guide 18
7002	Washer, Flat 2, 3, 5, 7, 8, 10, 13, 14, 15, 16, 19, 21, 22, 23	115122	Washer, Felt 10, 13	145385	Spring, Compression 18
7603	Spring 13	115141	Screw, Shoulder (6-40) 15	145386	Sleeve 19
8330	Washer, Flat 18	115141	Screw, Shoulder (6-40) 15	145389	Shaft, Idler 18, 19
8449	Spacer (.094") 5, 13	116783	Holder, Fuse 21	145390	Pinion (25 T) 18
22746	Spring 15	117416	Post 10	145392	Post 18
36273	Washer, Flat 19	117608	Nut, Speed 7	145393	Bushing 18
41720	Spring, Contact 22	118384	Lens, Clear Indicator Light 7	145394	Knob 19
41732	Plate, Clamp 22	118759	Block, Terminal 21	145397	Bracket 19
42823	Washer, Flat 11	119648	Ring, Retaining 12, 16	145398	Shaft, Flexible 19
45815	Washer, Lock 5	119650	Ring, Retaining 8	145399	Shaft W/Gear 19
49420	Spring 8, 22	119651	Ring, Retaining 2, 7, 12, 13	145403	Gear W/Link (36 T) 19
70388	Spring 12	119652	Ring, Retaining 10, 15, 19	145406	Bracket, Front 19
74755	Washer, Felt 10	119653	Ring, Retaining 6, 15	145407	Bracket, Rear 19
74805	Screw (10-32 x 3/4 Hex) 10	119654	Ring, Retaining 8	145408	Link 19
75750	Washer, Insulating 21	119655	Ring, Retaining 18	145412	Cable Assembly 20, 24
76081	Washer, Flat 8, 15	119662	Screw (6-40 Spl) 15	145855	Guide, Tape 4
76099	Washer, Flat 10	120824	Washer, Felt 11	145856	Guide, Tape 4
76278	Bushing 4	120870	Wick, Felt 12	150013	Disk, Adjusting 11
76422	Spring 16	121125	Washer, Spring 22	150026	Lever, Shoe Release 11
76461	Washer, Flat 4	121242	Clamp, Cable (1/8" ID) 2, 8, 16, 19	150029	Wick, Felt 11
76964	Pin, Cotter 16	121243	Clamp, Cable (3/16" ID) 22	150043	Shoe, Secondary Clutch 11
76968	Screw, Set (6-32) 7	121244	Clamp, Cable (1/4" ID) 2	150044	Shoe, Primary Clutch 11
79890	Screw (1/4-32 x 7/8 Hex) 4	121248	Clamp, Cable (1/2" ID) 19	150241	Spring 11
80581	Spring 12, 13	121575	Screw (10-32 x 5/16 Hex) 3	150411	Washer, Flat 15
81596	Screw (10-32 x 1-3/8 Hex) 18	122245	Capacitor (43-48 MFD) 3	150440	Hub 4
81726	Terminal 22	124177	Washer, Lock 15	150441	Gear (21 T) 4
82474	Terminal 24	125011	Washer, Flat 9, 10, 23	150507	Spring 15
82547	Insulator (.094") 22	125015	Washer, Flat 4, 7, 13	150710	Screw (6-40 x 1-1/4 Fil) 21
82548	Insulator (.062") 22	125126	Screw (2-56 x 9/32 Fil) 14	150923	Washer, Felt 12, 13
86304	Spring 14	125181	Screw (2-56 x 3/8 Fil) 2	150966	Insulator (1-4) 2
86742	Nut (4-40 Hex) 13	125247	Spring, Compression 16	150979	Capacitor (1/2 MFD) 21
86959	Bushing, Insulating 22	125250	Spring 12	150990	Washer, Felt 13
88891	Spring 22	128271	Screw, Shoulder (6-40) 15	150991	Washer, Felt 8, 10
90606	Spring 5	131099	Terminal 20, 24	150992	Stud 5
90679	Washer, Felt 13	138166	Screw, Set (8-32) 19	151036	Screw, Shoulder (4-40) 13
90790	Washer, Flat 18	139564	Nut (3/8-32 Hex) 19	151045	Bar, Space 7
90791	Washer, Lock 14	139752	Screw (4-40 x 11/64 Hex) 9, 15	151060	Gear Set (60 WPM) 17
93117	Washer, Lock 3, 5, 16	142269	Fuse (3 Amp SL-BL) 21	151073	Screw (4-40 x 5/32 Fil) 22
97393	Screw, Shoulder (6-40) 15	145307	Plate, Nut 20	151075	Gear Set (75 WPM) 17
100657	Connector, Receptacle (2 Pt) 3, 20	145308	Bracket 20	151080	Washer, Flat 9
		145309	Bracket 19	151100	Gear Set (100 WPM) 17
		145310	Base 2	151113	Strip, Mounting 2
		145311	Plate, Stop 19	151118	Plate, Spacing 2, 3
				151126	Spacer (25/64" ID) 6
				151130	Pinion (14 T) 17

NUMERICAL INDEX (Continued)

Part Number	Description and Page Number	Part Number	Description and Page Number	Part Number	Description and Page Number
151131	Gear (96 T) 17	152766	Gear Set (67 WPM) 17	154092	Shaft 6
151132	Pinion (17 T) 17	152839	Spring, Latch 15	154094	Clamp 10
151133	Gear (93 T) 17	152893	Screw (4-40 x 1/4 Hex) 9	154095	Eccentric, Contact Box 14
151134	Pinion (20 T) 17	153252	Link 2	154096	Bushing, Eccentric 10
151135	Gear (84 T) 17	153455	Resistor (600 Ohm) 21	154101	Plate, Rear 10
151146	Strap, Mounting 2, 3	153484	Screw (6-32 Spl) 21	154102	Plate, Rear 13
151152	Screw (4-40 x 3/16 Hex) 9, 10, 14, 15, 16, 23	153538	Screw (6-40 x 7/16 Hex) 5	154105	Post, Transfer Bail 12
151171	Toggle, Contact 14	153539	Screw (6-40 x 11/16 Hex) 5	154106	Bracket 2
151180	Link, Toggle 14	153799	Screw (4-40 x 21/64 Hex) 15	154117	Bail, Space Bar 7
151182	Washer, Insulating 14	153817	Screw (4-40 x 3/8 Hex) 2, 14	154119	Bracket Space Bar 7
151223	Screw, Shoulder (4-40) 7	153841	Screw (6-40 x 9/16 Hex) 2, 10	154120	Lever, Code Bar 8
151224	Screw, Pilot (6-40) 7	154000	Base 2	154121	Lever, Space 8
151228	Bracket W/Bearing 6	154001	Bar, Code (#1) 8	154122	Lever, Keyboard Lock 8
151245	Washer, Felt 19	154002	Bar, Code (#2) 8	154123	Lever, Function 8
151329	Switch, Sensitive 2	154003	Bar, Code (#3) 8	154124	Lever, Repeat and Keyboard Unlock 8
151335	Stud 2, 3, 19, 21	154004	Bar, Code (#4) 8	154125	Spring 8
151346	Screw (6-40 x 3/8 Fil) 6, 18	154005	Bar, Code (#5) 8	154127	Nut (6-40 Hex) 13
151411	Block, Terminal 3, 19	154008	Guide, Code Bar 8	154129	Bar, Clutch Trip 8
151412	Insulator (1-9) 3, 19	154009	Plate, Front 12	154130	Box, Contact 14
151415	Block, Terminal 2	154010	Bail, Transfer 12	154131	Cover, Contact Box 14
151416	Nut (6-40 Hex) 2, 3, 19	154013	Bracket, Spring 8	154138	Washer, Felt 11
151442	Screw (6-40 x 1/2 Hex) 4, 10, 22	154014	Post, Guide 12	154140	Bail, Locking 12
151572	Washer, Lock 3	154015	Post 13	154154	Cam, Signal Generator 11
151610	Washer, Flat 18	154016	Shaft 8	154156	Grommet, Rubber 20, 24
151626	Terminal 3, 16, 20, 21, 24	154018	Post, Locking Bail 12	154165	Box Assembly, Contact 14
151630	Screw (6-40 x 1/4 Hex) 2, 3, 4, 5, 7, 8, 18, 19, 21, 22	154019	Follower, Eccentric 11	154166	Suppressor, Arc 14
151631	Screw (6-40 x 5/16 Hex) 2, 3, 4, 6, 7, 8, 10, 15, 16, 18, 22	154021	Link 7	154173	Plate 20, 24
151632	Screw (6-40 x 3/8 Hex) 2, 4, 14, 18, 19, 20, 21, 22	154023	Latch, Lock Bar 8	154178	Spring 12
151637	Screw (4-40 x 1/4 Fil) 2, 15	154025	Plate, Adjusting 13	154179	Bail, Universal 9
151642	Screw (6-40 x 3/4 Fil) 4	154027	Bellcrank 13	154183	Blade, Front 9
151657	Screw (6-40 x 1/4 Fil) 22	154029	Wick, Felt 11	154184	Blade, Rear 9
151658	Screw (6-40 x 5/16 Fil) 18, 20	154030	Shaft 11	154189	Insulator 14
151659	Screw (6-40 x 1/2 Fil) 7, 15	154032	Sleeve, Gear 11	154190	Filter, R.F. 14
151678	Screw, Pilot (1/4-32) 2	154033	Lever, Clutch Latch 10	154191	Spring 13
151685	Screw (4-40 x 5/16 Fil) 15	154034	Lever, Clutch Stop 10	154194	Base 14
151686	Screw (4-40 x 3/8 Fil) 16	154036	Plate, Detent 12	154197	Plug, Button 7
151690	Screw (10-32 x 5/16 Fil) 4	154037	Lever 6	154199	Shim (.005") 2
151692	Screw (6-40 x 3/16 Fil) 16	154039	Bracket 2	154201	Shim (.014") 2
151693	Screw (6-40 x 9/16 Fil) 4	154040	Lever, Transfer 12	154210	Bracket, Left 7
151695	Screw (6-40 x 5/8 Hex) 4	154041	Post, Stop 12	154211	Bracket, Right 7
151712	Button, Pivot 6, 20	154042	Terminal 14	154212	Frame, Front 7
151721	Screw (6-40 x 3/4 Hex) 23	154043	Terminal 14	154215	Spring 13
151722	Screw (6-40 x 3/16 Hex) 8, 12, 21	154045	Screw (6-40 Spl) 14	154217	Wick, Leather 12
151723	Screw (10-32 x 3/8 Hex) 2, 4, 5	154046	Stud 10	154225	Box Assembly, Contact 14
151724	Screw (10-32 x 5/8 Hex) 6	154047	Post, Spring 12	154226	Box W/Strap 14
151725	Screw (10-32 x 3/4 Fil) 6	154051	Screw, Shoulder (6-40) 13	154236	Lever, Latch 10
151728	Spring 11	154052	Bar, Locking 8	154237	Lever, Non-Repeat 13
151731	Screw (4-40 x 7/8 Fil) 16	154053	Bail, Clutch Trip 10	154238	Extension 9
151733	Screw (4-40 x 9/16 Fil) 5, 22	154056	Bracket, Contact Box 14	154239	Extension W/Post 9
151737	Screw (4-40 x 11/16 Hex) 11	154059	Bracket, Function Bail 6	154240	Bail, Code Bar 13
151818	Jumper (4-1/4" Black) 3	154066	Lever 6	154241	Stud 13
151819	Jumper (3" Black) 3, 21	154068	Bracket, Right Guide 8	154350	Modification Kit 13
151820	Spring, Contact 14	154069	Bracket, Left Guide 8	154386	Plate, Adjusting 13
151827	Strap, Terminal 3, 19	154070	Guide, Code Lever 8	154662	Spacer 6
151843	Screw, Adjusting (6-40) 9	154071	Screw, Pilot (1/4-32) 8	154663	Shaft 6
151880	Nut (4-40 Hex) 14, 15	154076	Plate, Nut 2, 21	154694	Disk, Clutch Cam 11
152045	Guard, Gear 2	154079	Stud 13	155750	Sleeve, Insulating (3/32 ID x 1/2" Lg) 24
152760	Stud 21	154080	Lock, Wedge 8	155751	Sleeve, Insulating (1/8 ID x 1" Lg) 24
152764	Gear (81 T) 17	154081	Plate, Retainer 9	155752	Sleeve, Insulating (5/64 ID x 1/2" Lg) 24
152765	Pinion (13 T) 17	154083	Spacer, Cam 11	155753	Sleeve, Insulating (1/8 ID x 1/2" Lg) 5, 24
		154084	Bearing 13	155754	Sleeve, Insulating (1/16 ID x 1/2" Lg) 24
		154085	Plate 2		
		154086	Retainer, Wedge 9		
		154087	Plate, Nut 2		
		154088	Plate, Nut 2		
		154089	Post, Spring 13		
		154091	Guide 13		

NUMERICAL INDEX (Continued)

Part Number	Description and Page Number	Part Number	Description and Page Number	Part Number	Description and Page Number
155755	Sleeve, Insulating (11/64 ID x 5/8" Lg) 24	159285	Gear (84 T) 17	164379	Cable 22
155951	Spring, Torsion 16	159287	Retainer, Pinion 17, 18	164485	Bail 10, 22
155952	Pin 16	159327	Washer, Flat 13	164565	Container, Tape 5
155953	Stud 16	159334	Washer, Insulating 13	164590	Connector, Plug (24 Pt) 24
155954	Switch, Micro 16	159340	Spring, Return 15	164644	Post 22
155956	Bail W/Bar 16	159431	Lever, Main Trip 4, 18	164645	Post 22
155957	Bracket 16	159542	Connector, Receptacle (16 Pt) 2, 24	164646	Plate, Nut 22
155958	Keylever 16	160307	Diode 3	164647	Bracket 22
155959	Keytop 16	161215	Lamp, Neon (110 V) 7	164649	Plate, Mounting 22
155960	Latch 15	161239	Connector, Plug (36 Pt) 24	164651	Bail, Armature 22
155964	Lever, Stop 15	161293	Gear Set (60 WPM) 17	164652	Bar, Universal 22
155965	Ratchet (88 T) 15	161294	Gear Set (75 WPM) 17	164656	Bar, Clutch Trip 22
155966	Drum, Ratchet 15	161295	Gear Set (100 WPM) 17	165656	Cable Assembly 24
155967	Washer, Spring 15	161301	Post 17	165659	Bracket 21
155968	Washer, Flat 15	161346	Washer, Felt 12	165660	Insulator (.062") 21
155969	Bracket 15	161826	Plate 5	165661	Cable W/Terminals 21
155991	Keytop Assembly 16	161831	Washer, Spring 4	165662	Stud 21
155992	Cable Assembly 16	161878	Cable Assembly 24	165663	Insulator (1-10) 21
155994	Insulator (.015") 16	161891	Plate, Keytop Guide 7	165676	Cap (Green) 7
156226	Hub 4	161892	Cable Assembly 24	165678	Lamp (55 V) 7
156448	Bushing 5	161895	Shaft 4	165679	Cable Assembly 24
156449	Lever, Switch 5	161896	Gear (33 T) 4	165680	Bracket, Fuse Holder 21
156450	Screw (2-56 x 1/2 Fil) 16	161897	Gear (33 T) 4	165681	Bracket, Mounting 21
156451	Bushing 5	161899	Spacer 4	165682	Bracket 21
156503	Wick, Felt 11	161900	Bracket, Gear Guard 4	170324	Bracket 8
156509	Washer, Flat 12	161901	Bracket, Gear Guard 4	170385	Frame 10
156156	Latch 12	161902	Plate 4	170386	Guide 12
156574	Post, Spring 9	161903	Bracket 3	170391	Guide 12
156630	Washer, Felt 12	161904	Plate, Nut 3	172721	Cable Assembly 24
156632	Screw (6-40 x 13/32 Hex) 7, 15	161905	Bracket 3	173096	Stud, Eccentric 13
156644	Link, Drive 14	161906	Plate 7	173396	Cable Assembly 24
156663	Insulator 14	161907	Plate 7	173793	Gear (100 T) 17
158019	Baffle, Character Counter 15	161908	Post, Supporting 3	173794	Pinion (14 T) 17
158021	Bracket, Switch 15	161909	Socket, Lamp 7	173795	Gear Set (65 WPM) 17
158031	Bail, Feed 15	161910	Cap (Amber) 7	173922	Cable Assembly 24
158032	Bail, Reset 15	161911	Knob (Black) 7	173974	Screw (10-32 s 5/16 Hex) 3
158033	Spacer 15	161912	Switch (SP-ST) 7	174250	Pin, Roll 18
158036	Lever, Reset 15	161925	Guide, Tape 4	174491	Modification Kit: To Provide R.F. Suppression Filter 14
158038	Lever 15	161926	Guide, Tape 4	176406	Bracket 16
158040	Lever, Ratchet Drive 15	161927	Guide, Tape 4	176407	Lever 16
158042	Lever, Latch 15	161932	Cap (Red) 7	178306	Relay, Power 21
158045	Stud 15	161942	Plate 3	178535	Suppressor, Spark 21
158046	Bracket, Counter Scale 15	161950	Bracket 2	178725	Spring 15
158047	Scale, Counter 15	161951	Bracket 4	178726	Bracket, Spring 15
158050	Switch, Contact 15	161954	Socket, Lamp 7	178728	Modification Kit: To Improve Character Counter Mechanism 15
158051	Pulley, Indicator Cord 15	161957	Lamp (6 V) 7	178839	Nut (11/32-32 Hex) 7
158052	Cam, Switch 15	161964	Clamp, Tube 3	178849	Cord Assembly 15
158053	Clamp, Ratchet Drum 15	161965	Resistor (1000 Ohm) 3	178851	Pulley 15
158054	Cord Assembly 15	162333	Stud, Locating 6	179258	Bracket, Scale 15
158056	Cord, Reset 15	162659	Retainer 18	179278	Drum, Ratchet 15
158063	Bracket, Stop 8	163368	Camsleeve 11	179279	Bracket 15
158105	Bar, Carriage Return Code 8	163440	Gear (48 T) 6	192681	Screw (4-40 Spl) 9
158107	Bar, Character Counter Code 8	163442	Cable Assembly 5	192797	Chute, Chad 23
158147	Bushing, Eccentric 15	163459	Gear (66 T) 4	192798	Plate, Mounting 23
158163	Switch, Sensitive 3, 5	163460	Gear (55 T) 6	192999	Modification Kit 23
158215	Plate, Nut 2, 3, 15, 21	163461	Pinion (18 T) 17	193560	Bag, Chad (10" Lg) 23
158239	Lever, Tape 5	163462	Gear (117 T) 17	193561	Casing, Fan Wheel 23
158268	Latch W/Hub 13	163463	Pinion (24 T) 17	193579	Clamp, Tube 23
158289	Reel, Tape 5	163464	Gear (104 T) 17	193644	Bag, Chad (30" Lg) 23
158745	Clamp, Bearing 4, 18	163503	Gear (26 T) 4	193654	Clamp, Armature 22
158753	Armature 22	163504	Gear Set (71 WPM) 17	193715	Spring, Contact 22
158754	Core, Magnet 22	163505	Gear Set (107 WPM) 17	193718	Bracket, Contact 22
158859	Post, Spring 22	163519	Sleeve, Gear 11	193719	Contact Assembly 22
159278	Pinion (14 T) 17	163522	Transformer 3	193800	Modification Kit 22
159279	Gear (96 T) 17	163590	Gear (60 T) 4	195186	Screw (4-40 x 7/8 Hex) 14
159281	Pinion (17 T) 17	163647	Channel, Ball 9	195403	Tubing (7-1/2" Lg) 23
159282	Gear (93 T) 17	163813	Plate 16		
159284	Pinion (20 T) 17	163814	Lever W/Hub 16		



28 ELECTRICAL SERVICE UNIT (LESU)
(REPERFORATORS)
PARTS

FIGURE	CONTENTS	PAGE
1	Electrical Service Unit (LESU)	2
2	152623 Line Relay Mounting Assembly	3
3	152950 and 162361 Rectifier Assemblies	4
4	153251 Electrical Motor Control Assembly	5
5	176448 Relay Motor Control Assembly	6
6	177010 Selector Magnet Driver Assembly	7
7	Early Design LESU Parts	8
8	179426 Plate Assembly	8
9	176694 Motor Control Assembly	9
10	Cables	9
	Numerical Index	10

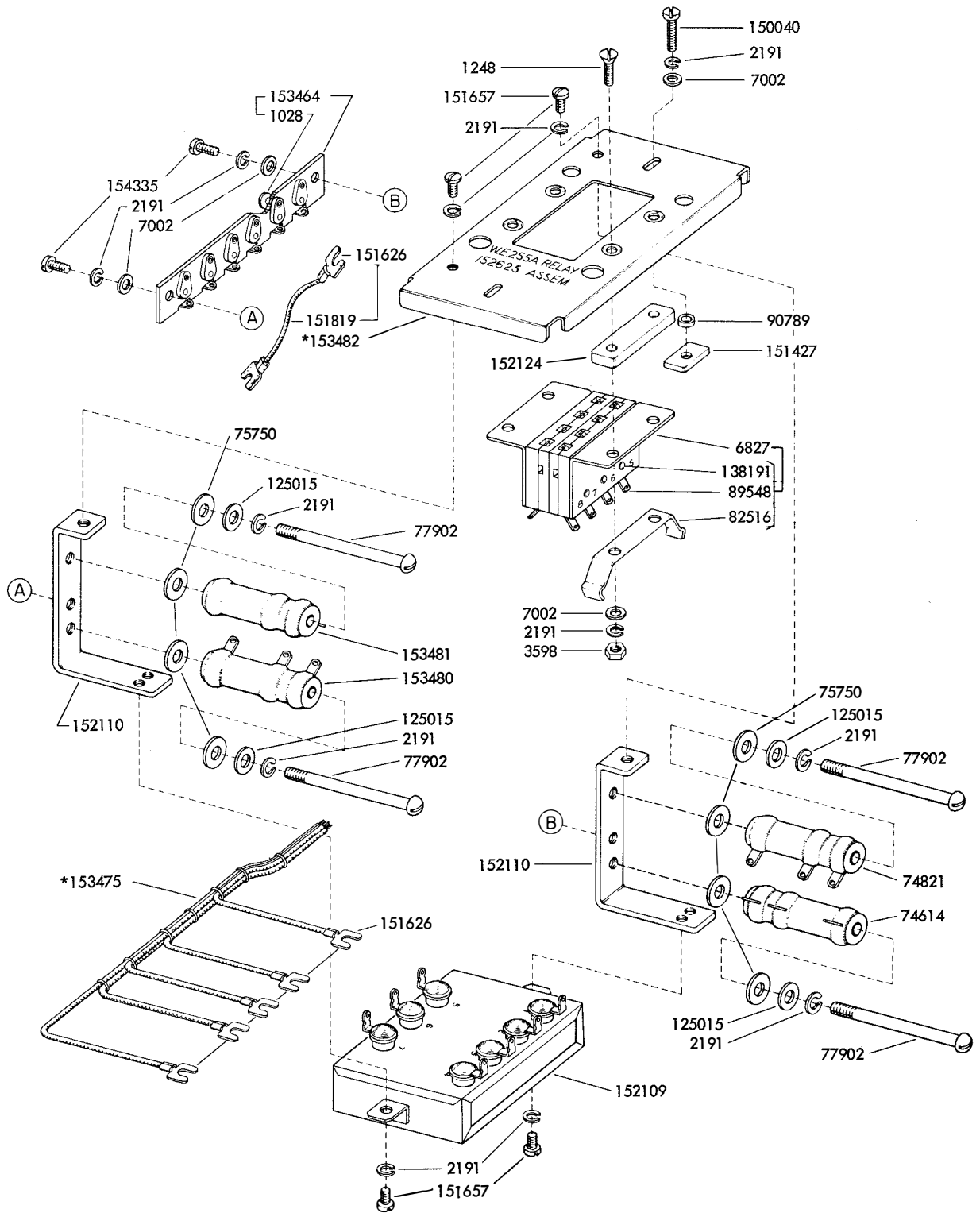


FIGURE 2. 152623 LINE RELAY MOUNTING ASSEMBLY

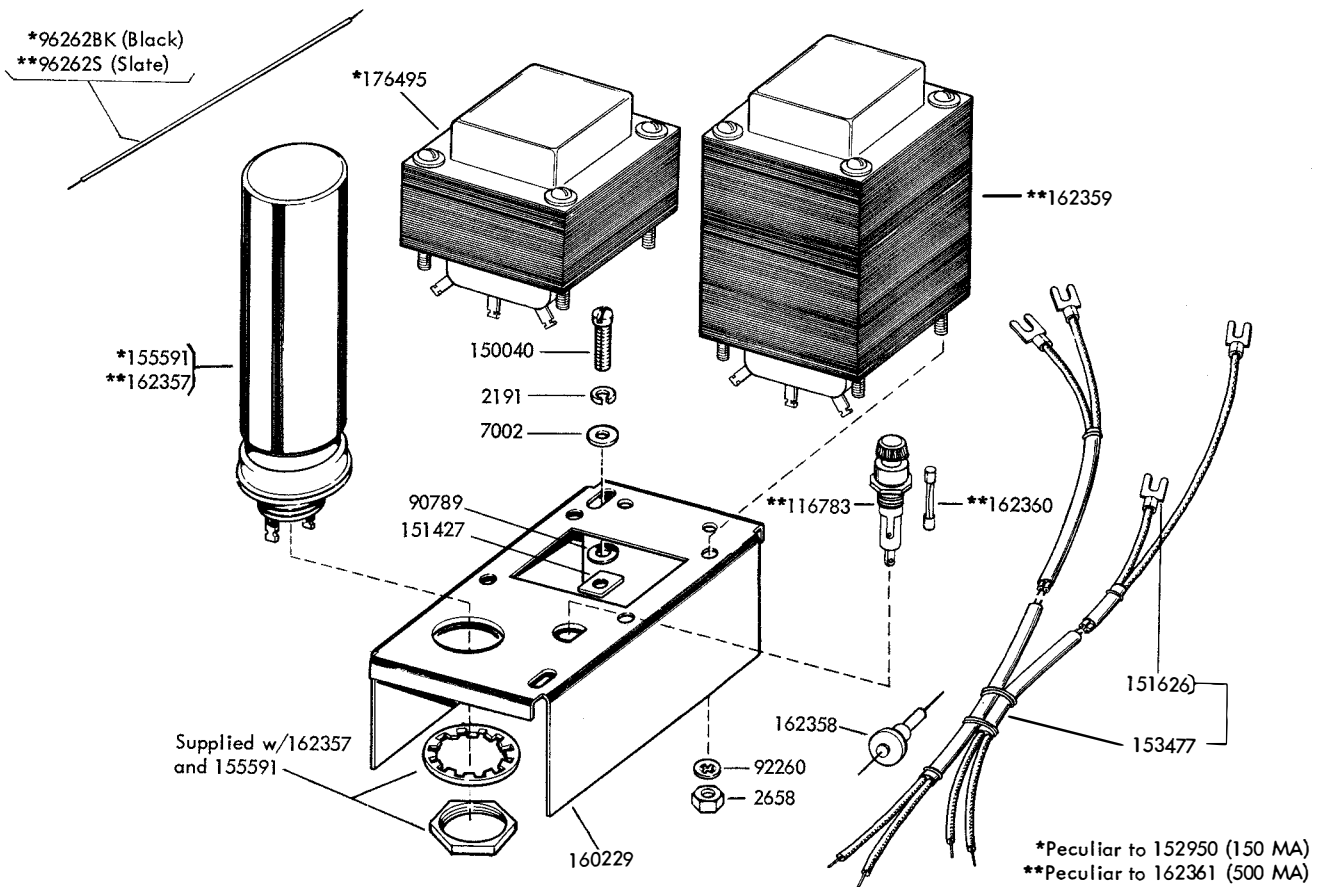
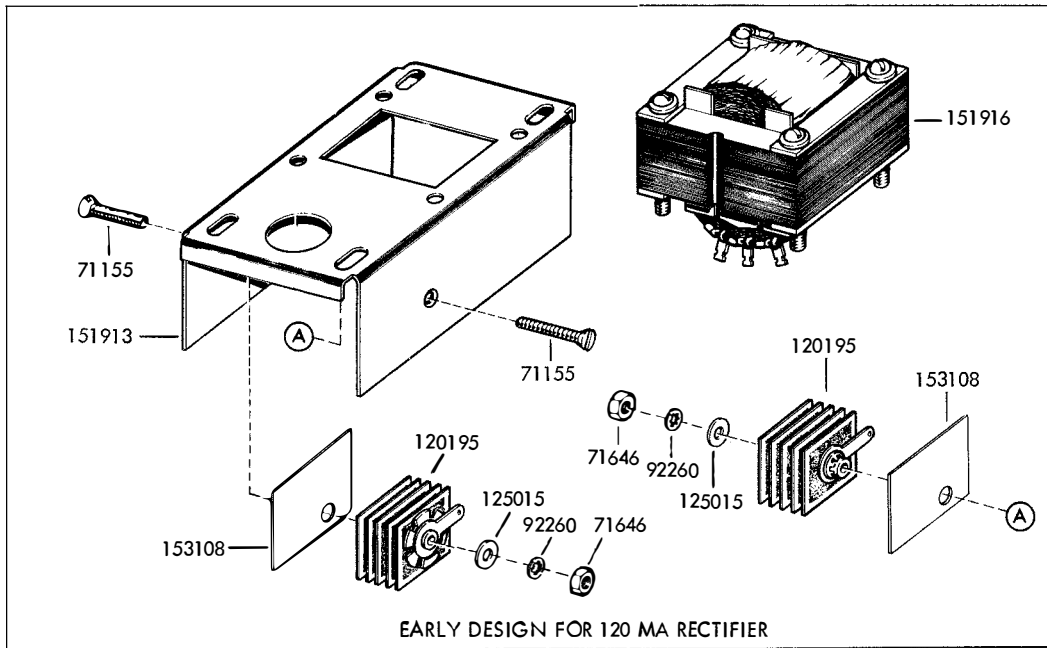


FIGURE 3. 152950 AND 162361 RECTIFIER ASSEMBLIES

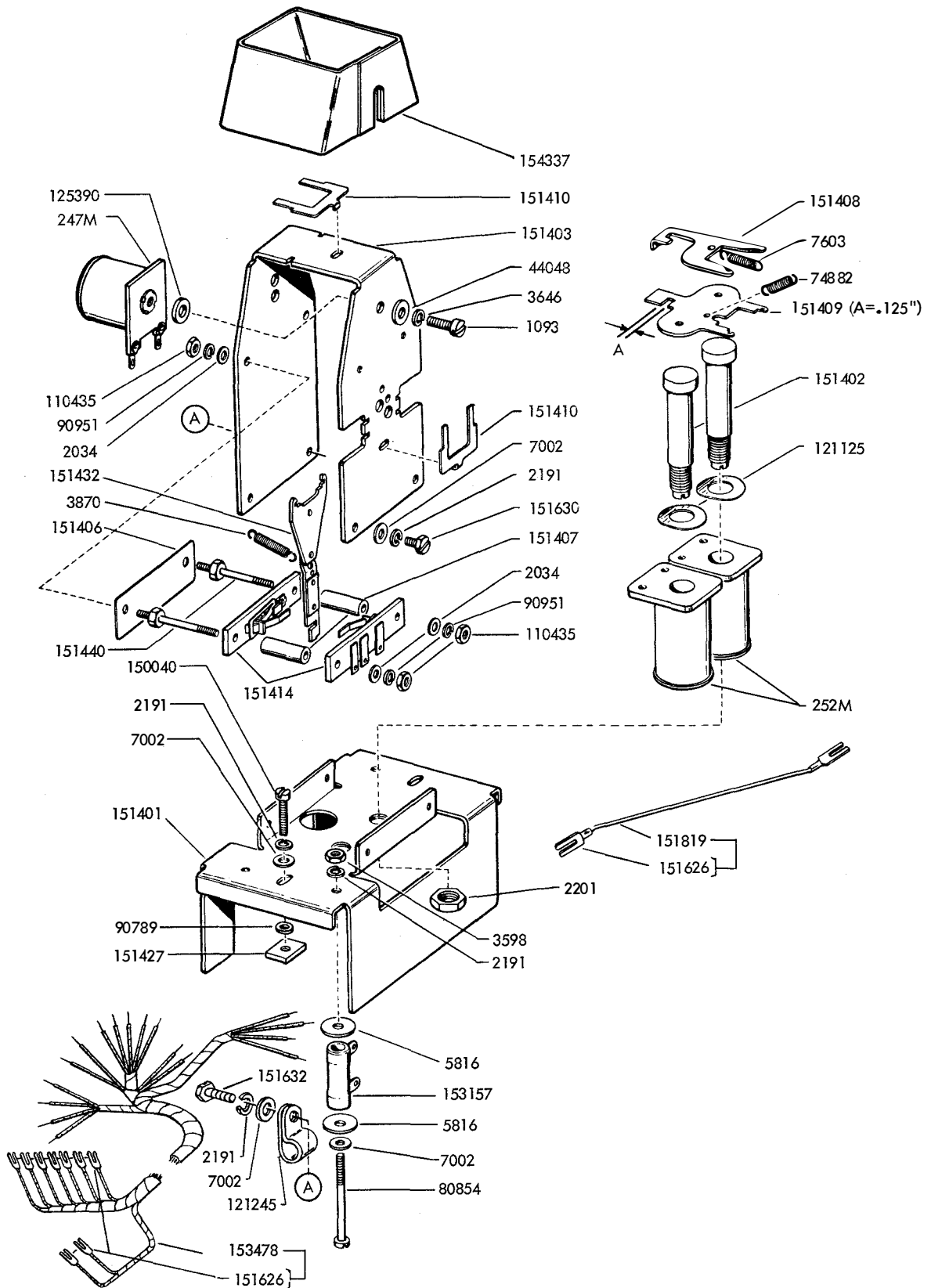


FIGURE 4. 153251 ELECTRICAL MOTOR CONTROL ASSEMBLY

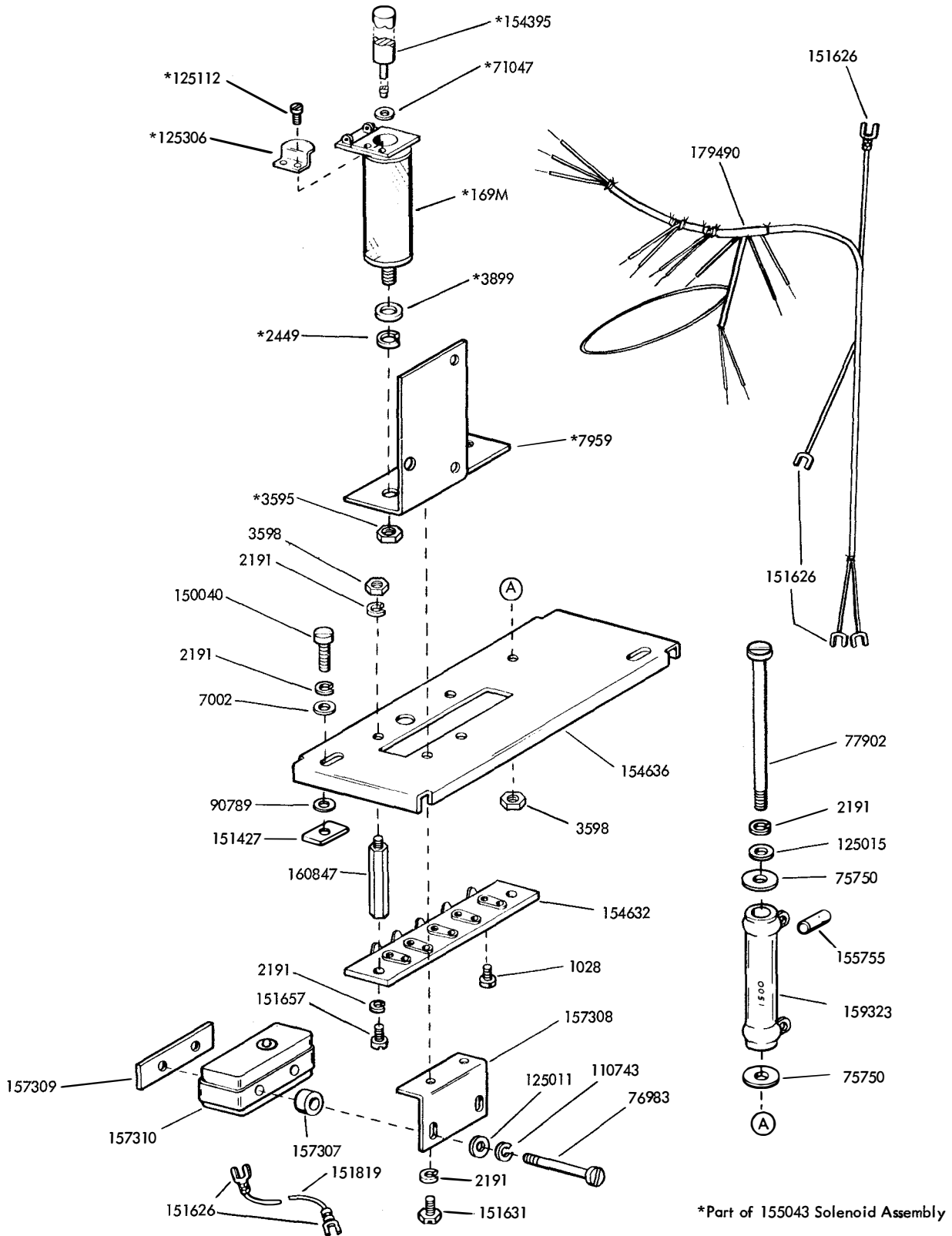


FIGURE 5. 176448 RELAY MOTOR CONTROL ASSEMBLY

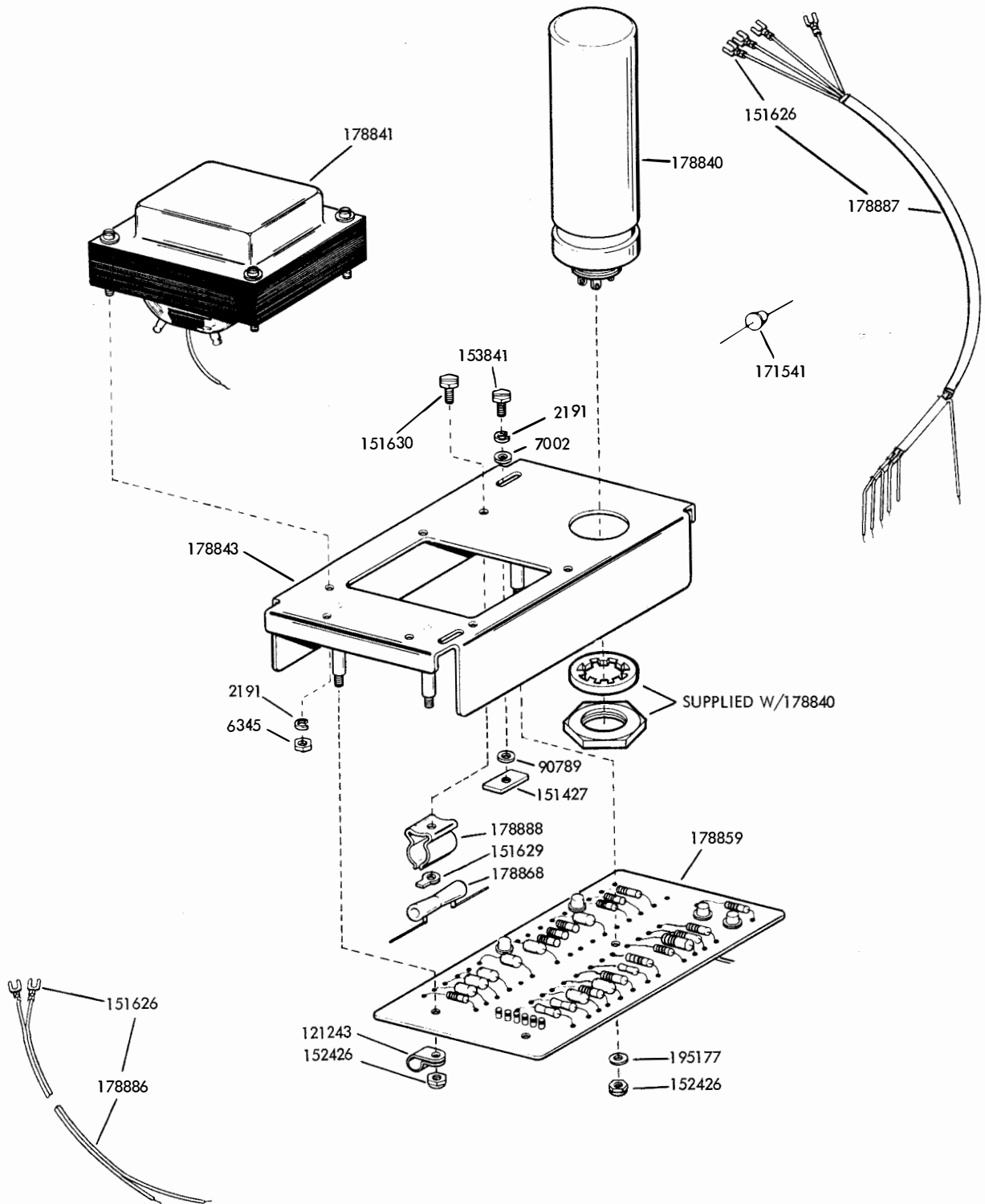
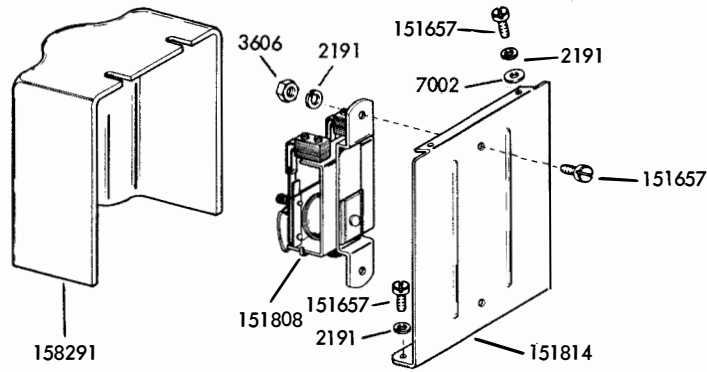


FIGURE 6. 177010 SELECTOR MAGNET DRIVER ASSEMBLY



Early design signal bell parts

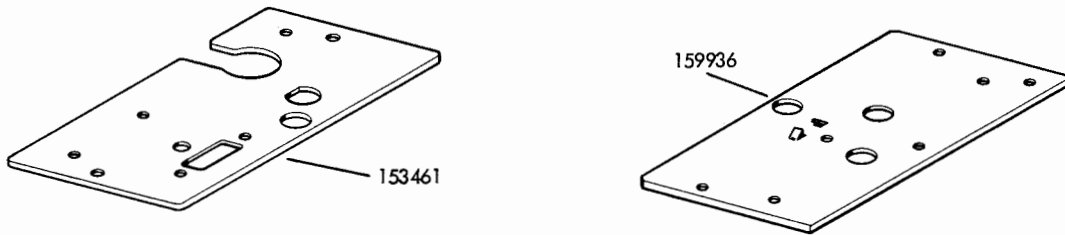


FIGURE 7. EARLY DESIGN LESU PARTS

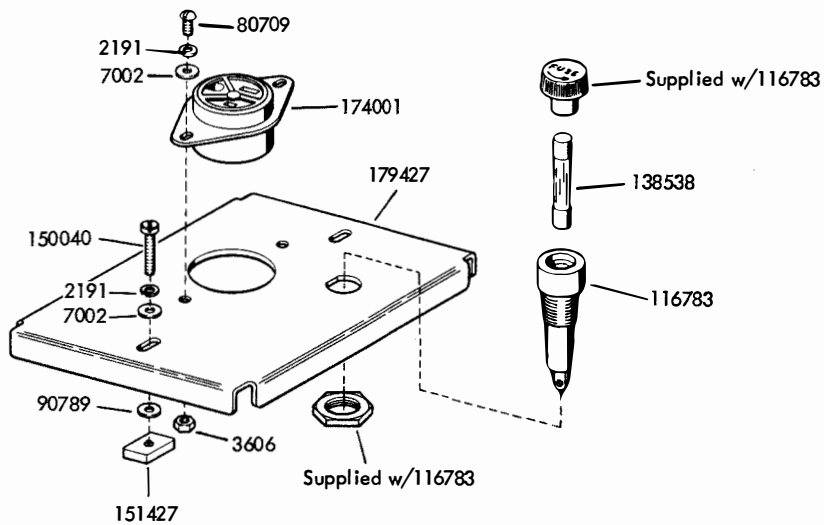


FIGURE 8. 179426 PLATE ASSEMBLY

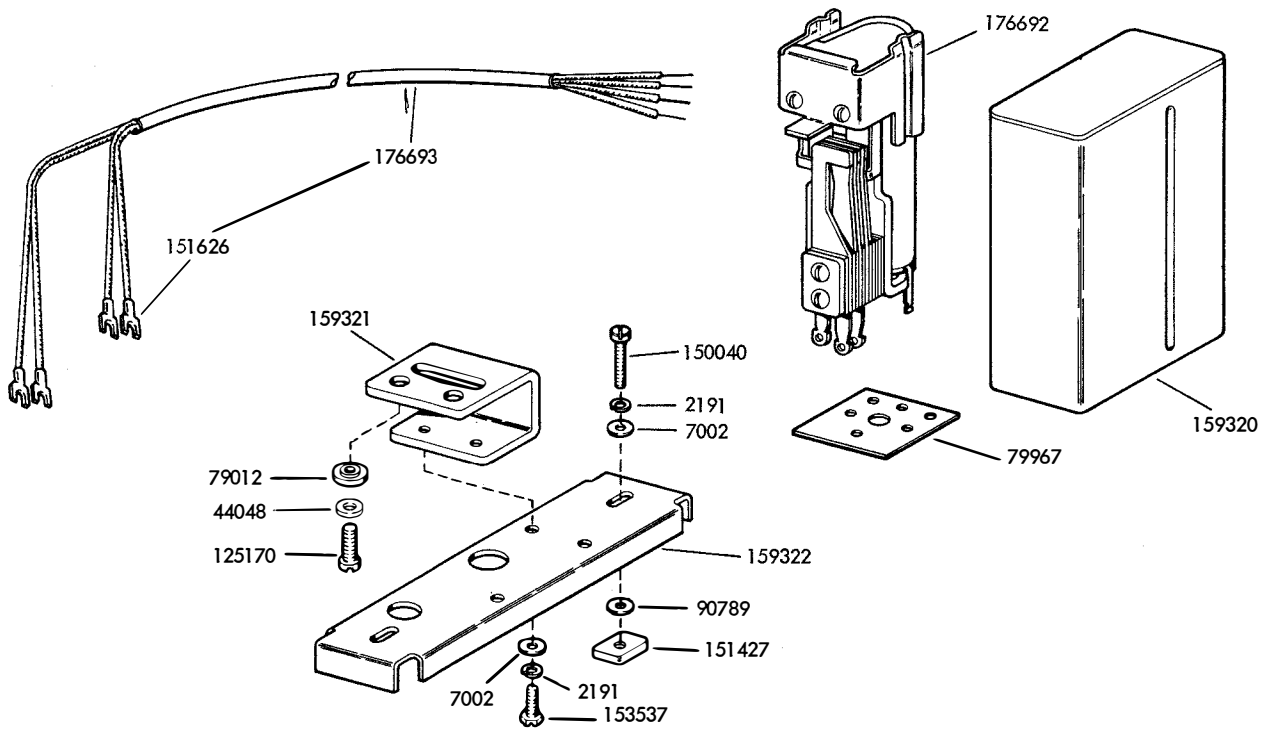


FIGURE 9. 176694 MOTOR CONTROL ASSEMBLY

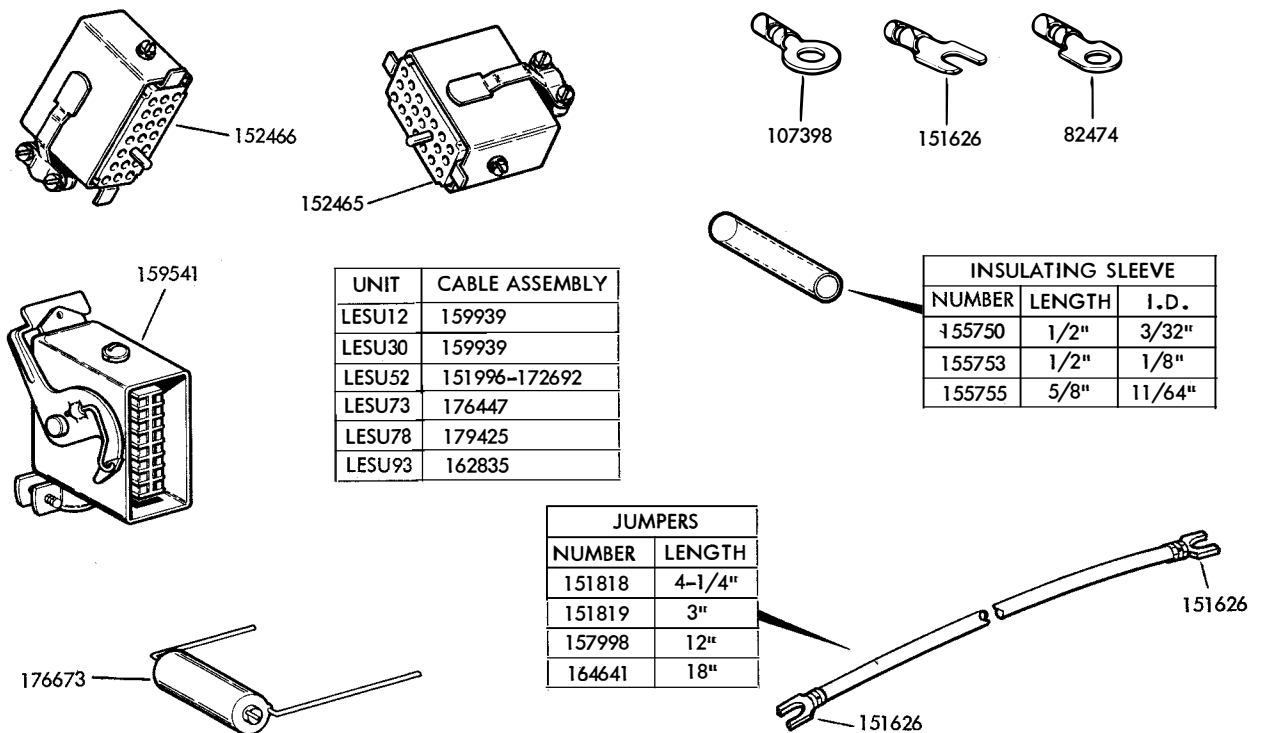


FIGURE 10. CABLES

NUMERICAL INDEX

Part Number	Description and Page Number	Part Number	Description and Page Number	Part Number	Description and Page Number
169M	Coil, Magnet 6	125170	Screw (8-32 x 5/16 Fil) 9	154337	Cover 5
247M	Coil, Magnet 5	125306	Stop, Magnet Plunger 6	154395	Plunger, Solenoid 6
252M	Coil, Magnet 5	125390	Washer, Flat 5	154632	Block, Terminal 6
1028	Screw (4-40 x 1/4 Fil) 3, 6	129919	Fuse (4 Amp) 2	154636	Plate 6
1093	Screw (8-32 x 7/16 Fil) 5	138191	Screw (3-48 x 1 Rd) 3	155023	Switch, Toggle (DP-DT) 2
1157	Screw (8-32 x 1/2 Fil) 2	138538	Fuse, SL-BL (2 Amp) 8	155043	Solenoid Assembly 6
1158	Screw (6-32 x 5/16 Fil) 2	150040	Screw (6-40 x 5/8 Fil) 2, 3, 4, 5, 6, 8, 9	155591	Capacitor (220 MFD) 4
1248	Screw (6-40 x 1/2 Flat) 3	151346	Screw (6-40 x 3/8 Fil) 2	155750	Sleeve, Insulating (3/32 ID x 1/2" Lg) 9
2034	Washer, Flat 5	151401	Base 5	155753	Sleeve, Insulating (1/8 ID x 1/2" Lg) 9
2191	Washer, Lock 2, 3, 4, 5, 6, 7, 8, 9	151402	Core 5	155755	Sleeve, Insulating (11/64 ID x 5/8" Lg) 6, 9
2201	Nut (5/16-32 Hex) 5	151403	Frame 5	157307	Spacer 6
2449	Washer, Lock 6	151406	Plate, Insulating 5	157308	Bracket 6
2658	Nut (6-32 Hex) 4	151407	Collar, Spacing 5	157309	Plate, Nut 6
3595	Nut (1/4-32 Hex) 6	151408	Lever 5	157310	Switch, Sensitive 6
3598	Nut (6-40 Hex) 2, 3, 5, 6	151409	Armature 5	157998	Jumper (12" Black) 9
3606	Nut (6-40 Hex) 2, 8	151410	Clip, Retaining 5	158272	Plate, Right Mounting 2
3646	Washer, Lock 2, 5	151411	Block, Terminal 2	158278	Container, Electrical 2
3870	Spring 5	151412	Insulator (1-9) 2	158279	Plate, Blank (1-5/16" Wide) 2
3899	Spacer (.188") 6	151414	Switch, Sensitive 5	158291	Cover, Relay 8
5816	Washer, Insulating 5	151416	Nut (6-40 Hex) 2	159320	Cover, Relay 9
6345	Nut (6-32 Hex) 7	151426	Plate, Blank (3-3/4" Wide) 2	159321	Bracket, Relay 9
6827	Block 3	151427	Plate, Clamp 2, 3, 4, 5, 6, 7, 8, 9	159322	Plate, Relay 9
7002	Washer, Flat 2, 3, 4, 5, 6, 7, 8, 9	151432	Armature 5	159323	Resistor (1500 Ohm) 6
7603	Spring 5	151437	Stud 2	159541	Connector, Plug (16 Pt) 9
7959	Bracket, Magnet 6	151440	Stud 5	159611	Bell 2
44048	Washer, Flat 2, 5, 9	151441	Plate, Blank (2-3/4" Wide) 2	159936	Plate, Left Mounting 8
49514	Nut (8-32 Hex) 2	151618	Screw (6-40 x 7/16 Fil) 2	159939	Cable Assembly 9
71047	Washer, Flat 6	151626	Terminal 3, 4, 5, 6, 7, 9	160229	Plate, Mounting 4
71155	Screw (6-32 x 1-1/4 Flat) 4	151629	Nut (6-40 Lug) 7	160847	Stud 6
71646	Nut (6-32 Hex) 4	151630	Screw (6-40 x 1/4 Hex) 5, 7	162357	Capacitor (500 MFD) 4
74614	Resistor (2600 Ohm) 3	151631	Screw (6-40 x 5/16 Hex) 2, 6	162358	Diode 4
74821	Resistor (2810 Ohm) 3	151632	Screw (6-40 x 3/8 Hex) 5	162359	Transformer, Power 4
74882	Spring 5	151657	Screw (6-40 x 1/4 Fil) 2, 3, 6, 8	162360	Fuse (.8 Amp) 4
74979	Screw (6-32 x 3-3/4 Rd) 2	151808	Relay 8	162361	Rectifier Assembly (500 MA) 4
75750	Washer, Insulating 3, 6	151814	Bracket, Relay Mounting 8	162835	Cable Assembly 9
76983	Screw (4-40 x 1-1/4 Fil) 6	151818	Jumper (4-1/4" Black) 9	164641	Jumper (18" Black) 9
77902	Screw (6-40 x 2-3/8 Rd) 3, 6	151819	Jumper (3" Black) 3, 5, 6, 9	171541	Diode 7
79012	Insulator 9	151827	Strap, Terminal 2	172692	Cable Assembly 9
79967	Insulator 9	151913	Plate, Mounting 4	174001	Connector, Receptacle (3 Pt) 8
80709	Screw (6-40 x 1/4 Rd) 8	151916	Transformer 4	176447	Cable 9
80854	Screw (6-40 x 1-7/16 Fil) 5	151996	Cable W/Terminals 9	176448	Control Assembly, Motor 6
81836	Washer, Insulating 2	152109	Filter 3	176495	Transformer, Power 4
82474	Terminal 9	152110	Bracket, Resistor Mounting 3	176673	Suppressor, Spark 9
82516	Spring, Retaining 3	152124	Spacer 3	176692	Relay 9
89548	Spring, Contact 3	152426	Nut, Self-Locking (6-40 Hex) 7	176693	Cable W/Terminal 9
90789	Washer, Flat 2, 3, 4, 5, 6, 7, 8, 9	152465	Connector, Receptacle (20 Pt) 9	176694	Control Assembly, Motor 9
90951	Washer, Lock 5	152466	Connector, Receptacle (20 Pt) 9	177010	Driver Assembly, Selector Magnet 7
91683	Nut (15/32-32 Hex) 2	152623	Mounting Assembly, Line Relay 3	178831	Connector, Receptacle (2 Pt) 2
92260	Washer, Lock 4	152760	Stud 2	178832	Plate, Adapter 2
92527	Washer, Lock 2	152761	Stud 2	178840	Capacitor (400 MFD) 7
92856	Resistor (1500 Ohm) 2	152950	Rectifier Assembly (150 MA) 4	178841	Transformer 7
96262BK	Jumper (4" Lg Black) 4	153108	Insulator (.031") 4	178843	Plate, Mounting 7
96262S	Jumper (4" Lg Slate) 4	153157	Resistor (400 Ohm) 5	178853	Cover, Relay 2
107398	Terminal 9	153251	Control Assembly, Motor 5	178854	Bracket, Relay 2
110435	Nut (4-40 Hex) 5	153456	Bracket 2	178855	Plate, Left 2
110743	Washer, Lock 6	153457	Strap, Terminal 2	178856	Relay 2
111017	Screw (6-40 x 5/16 Fil) 2	153461	Plate, Right Mounting 8	178859	Card, Circuit 7
114478	Nut (15/32-32 Hex) 2	153462	Plate 2	178868	Resistor (700 Ohm) 7
116783	Holder, Fuse 2, 4, 8	153464	Block, Terminal 3	178886	Cable W/Terminals 7
120195	Rectifier 4	153475	Cable W/Terminals 3	178887	Cable 7
121125	Washer, Spring 5	153477	Cable W/Terminals 4	178888	Clip 7
121243	Clamp, Cable (3/16" ID) 7	153478	Cable W/Terminals 5	179425	Cable Assembly 9
121245	Clamp, Cable (5/16" ID) 5	153480	Resistor (6750 Ohm) 3	179426	Plate 8
121246	Clamp, Cable (3/8" ID) 2	153481	Resistor (5800 Ohm) 3	179427	Plate, Cover 8
121249	Clamp, Cable (5/8" ID) 2	153482	Plate, Relay 3	179490	Cable W/Terminals 6
125011	Washer, Flat 6	153537	Screw (6-40 x 9/32 Hex) 9	195177	Washer, Insulating 7
125015	Washer, Flat 3, 4, 6	153841	Screw (6-40 x 9/16 Hex) 7		
125112	Screw (2-56 x 1/8 Fil) 6	154335	Screw (6-40 x 9/32 Fil) 3		

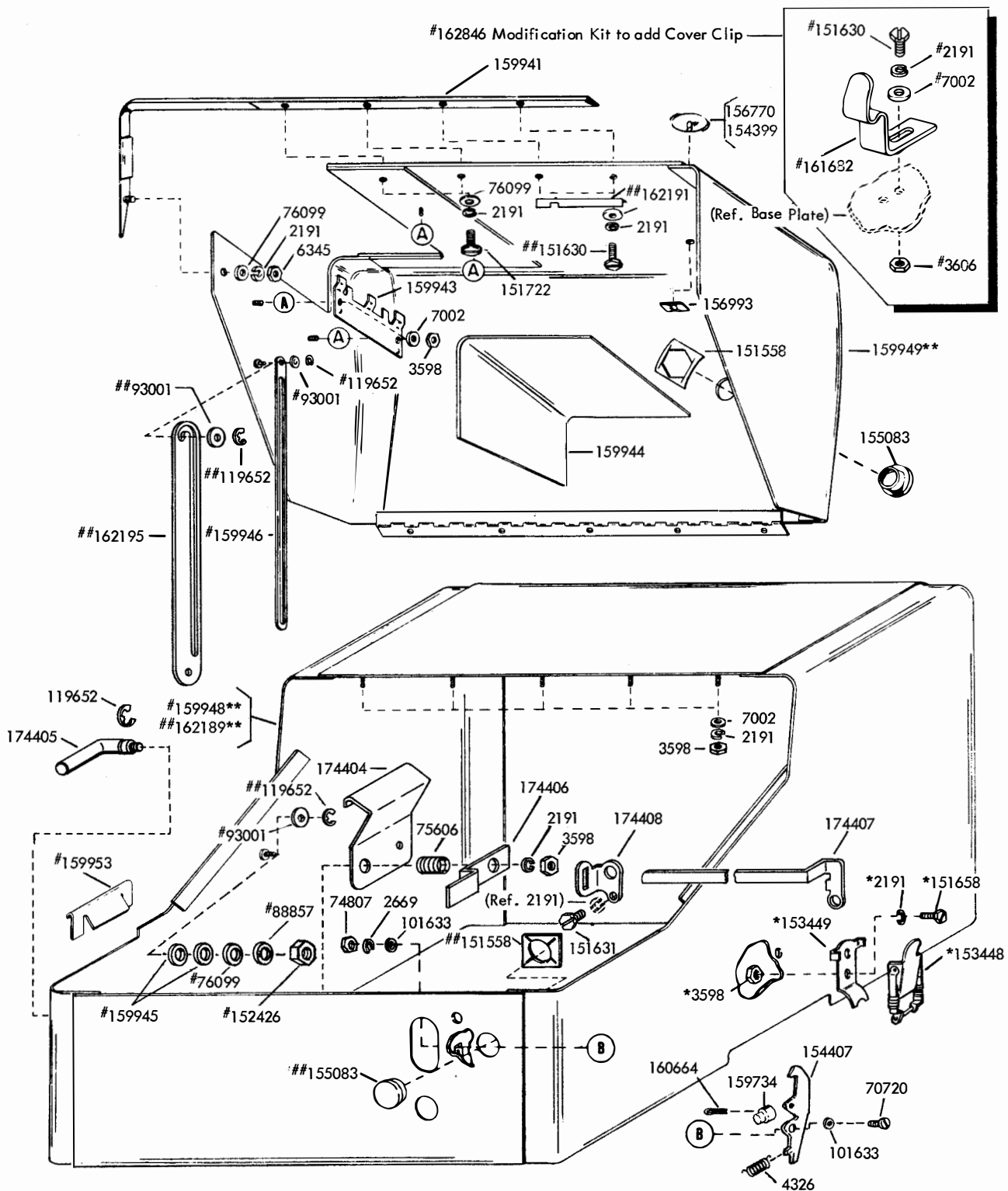
28 RECEIVING-ONLY REPERFORATOR OR TAPE PRINTER COVER (LRC),
28 SEND-RECEIVE REPERFORATOR OR TAPE PRINTER COVER (LSRC) and
28 REPERFORATOR OR TAPE PRINTER TABLE (LT)

PARTS

FIGURE	CONTENTS	PAGE
1	Receiving-Only Typing Reperforator Cover	2
2	Receiving-Only Non-Typing Reperforator Cover (Miniaturized)	3
3	Receiving-Only Typing Reperforator Cover (Miniaturized)	4
4	Send-Receive Cover	5
5	Tape Printer Sub-Base	6
6	Tape Printer Sub-Base	7
7	Tape Printer Cover	8
8	Table	9
9	Table with Fixed Lower Shelf	10
10	Table with Sliding Lower Shelf	11
11	Table with Facilities for Tape Winder	12
12	176615** Modification Kit to Adapt Base and Table for Use with Fully Perforated Punches	13
	Numerical Index	14

PAINT FINISH COLOR CODE CHART									
(For parts and assemblies requiring a paint finish)									
Color	Finish Suffixes				Color	Finish Suffixes			
	Wrinkle Finish	Smooth Finish	Textured Vinyl	Smooth Vinyl		Wrinkle Finish	Smooth Finish	Textured Vinyl	Smooth Vinyl
Black	AA (37)	BB			Brussels Light Blue		EC		
Dark Brown	AD (38)				Medium Blue		ES		
Gray Green	AB (40)	BK	GA (45)		Cherry Red		EF		
Charcoal Gray	AL	BZ		HA	Pastel Yellow		EG		
Dark Gray			GB		White		EH		
Light Gray		EJ		HB (68)	Ivory		EM		
Beige Gray			GC		Beige		ET		
Light Beige		EL		HC	Rose Beige		ER		
Moss Green		EN		HD	Rose Pink		EU		
Eye Rest Green		EA			Dark Covert Gray				HE
Turquoise		EV			Light Olive Gray		EW	GE	HF (46)
Aqua Blue		EK			Fawn				HG

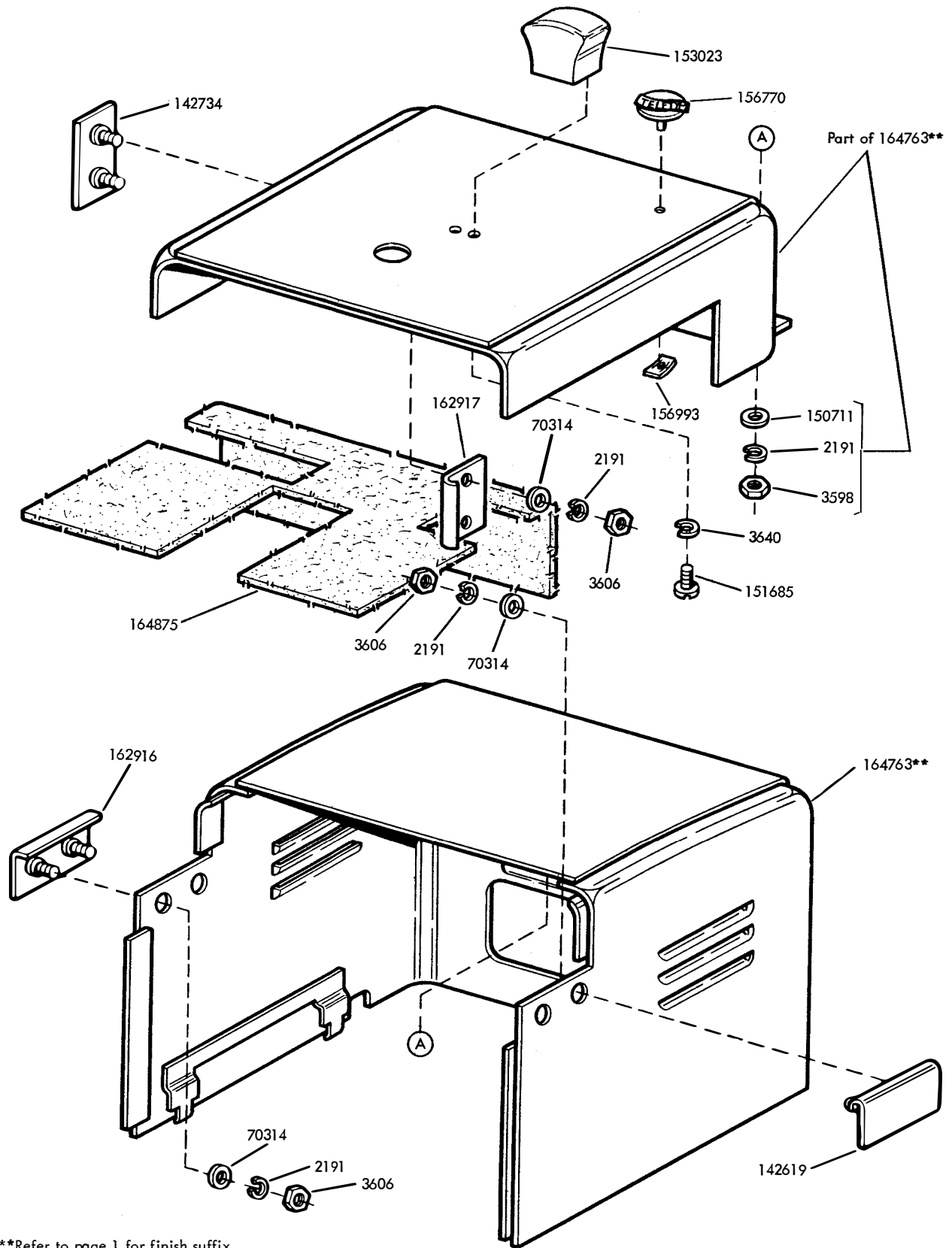
The double asterisk (**) denotes a painted part. Suffix to be applied following the part number. Number in parenthesis indicates Bell System code.



*Supplied with ##162189**
 **Refer to page 1 for finish suffix

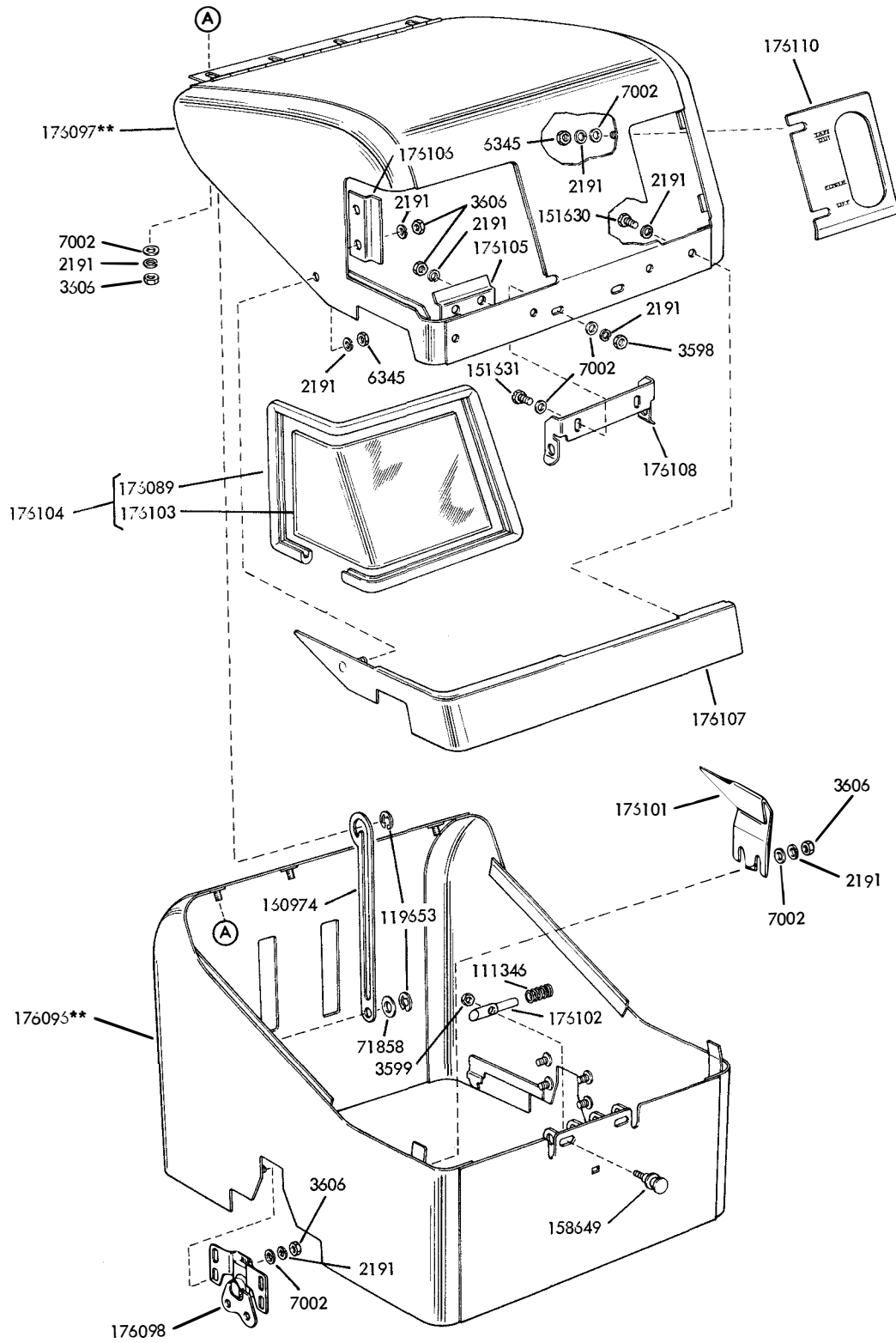
#Peculiar to cover without provision for motor power and tape feed-out switches.
 ##Peculiar to cover with provision for motor power and tape feed-out switches.

FIGURE 1. RECEIVING-ONLY TYPING REPERFORATOR COVER



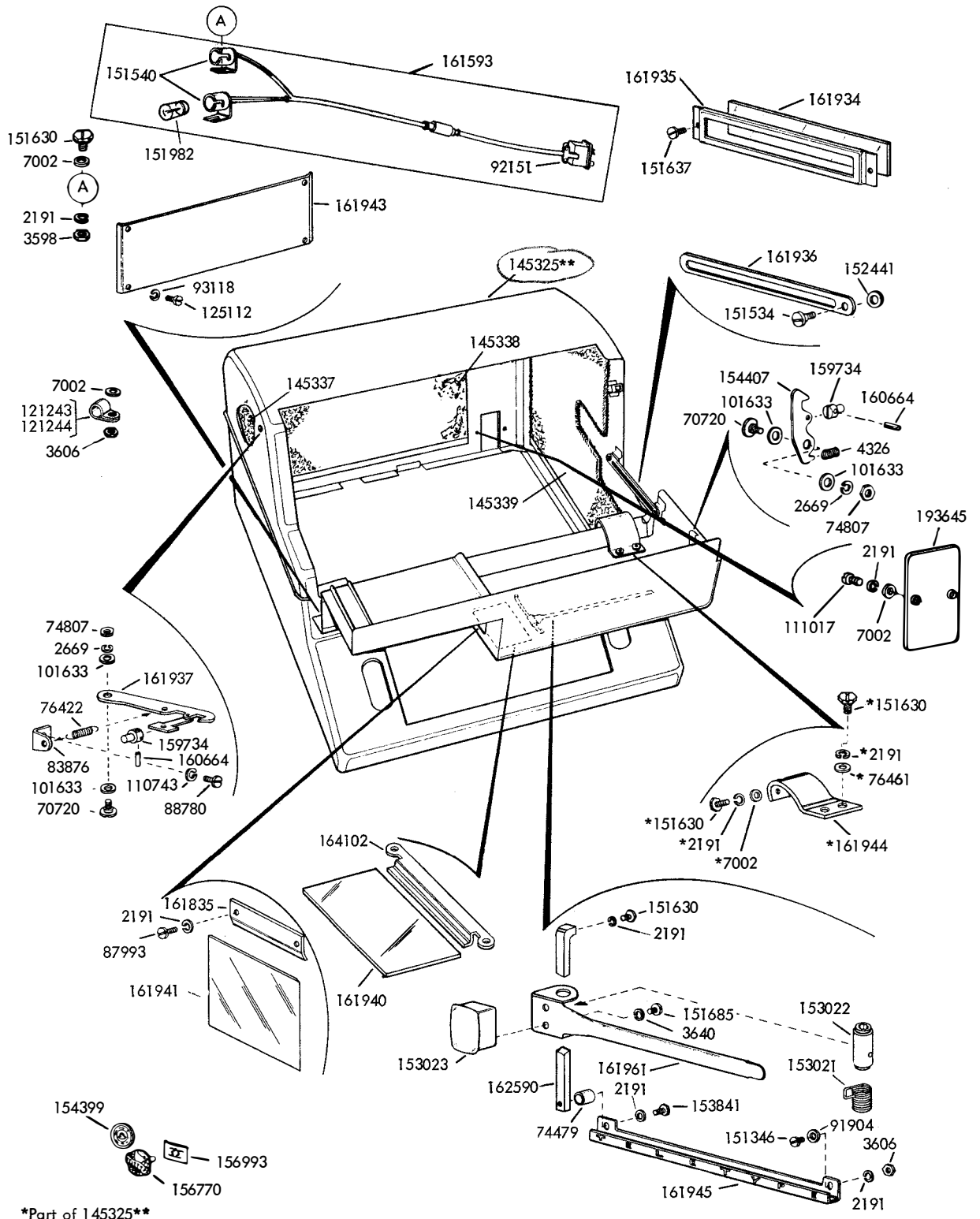
**Refer to page 1 for finish suffix

FIGURE 2. RECEIVING-ONLY NON-TYPING REPERFORATOR COVER
(MINIATURIZED)



**Refer to page 1 for finish suffix

FIGURE 3. RECEIVING-ONLY TYPING REPERFORATOR COVER (MINIATURIZED)

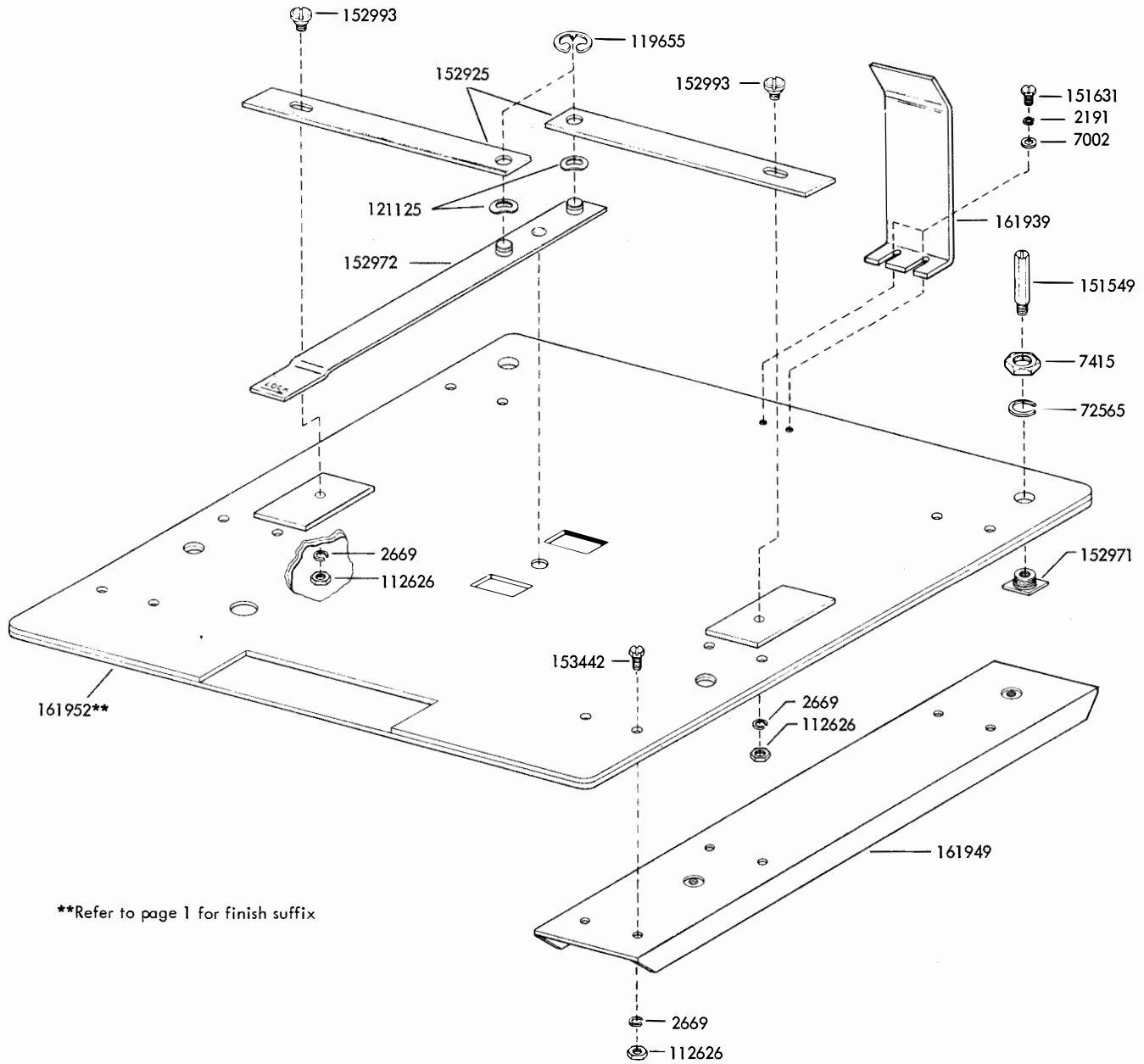


*Part of 145325**

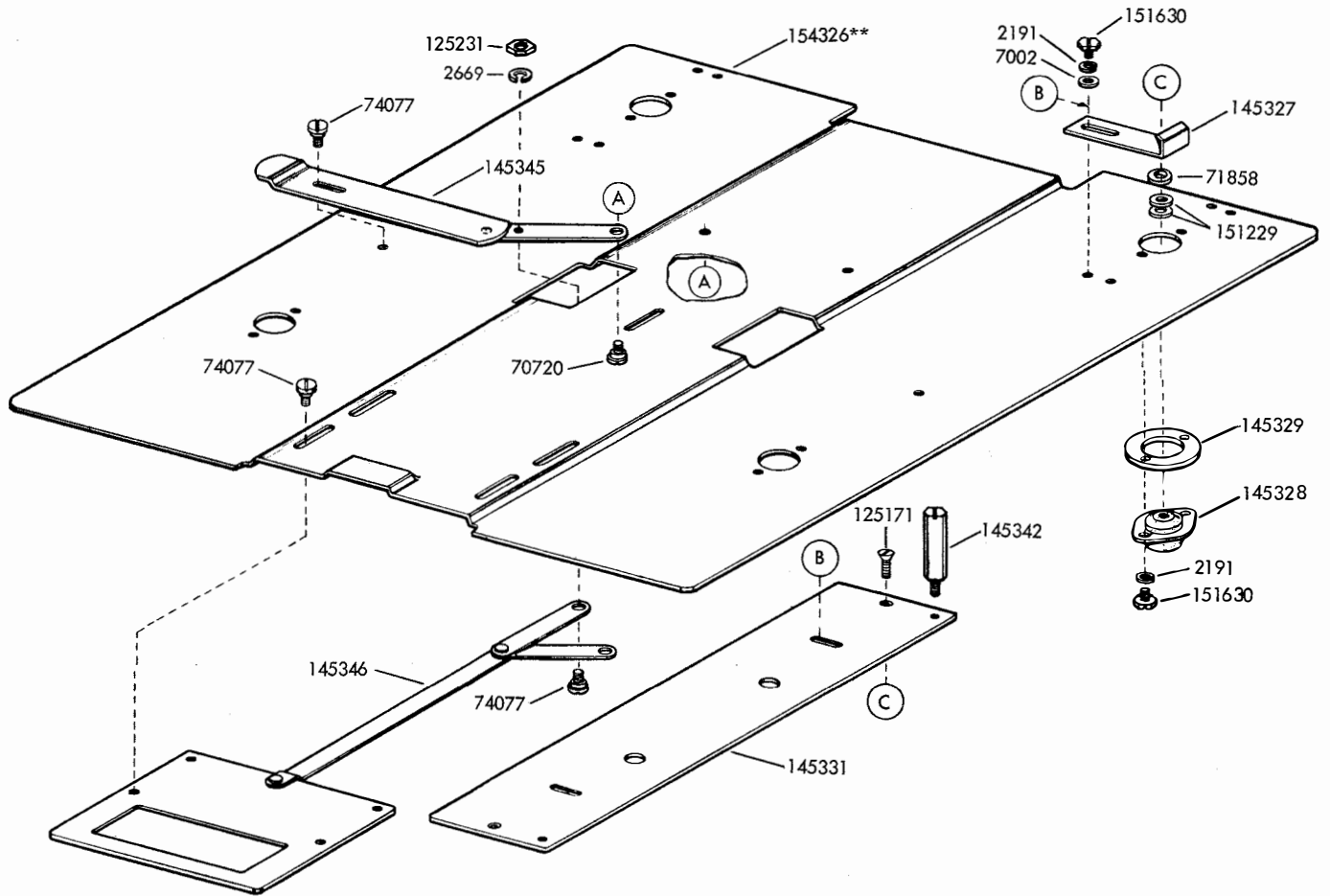
**Refer to page 1 for finish suffix

FIGURE 4. SEND-RECEIVE COVER

FIGURE 5. TAPE PRINTER SUB-BASE

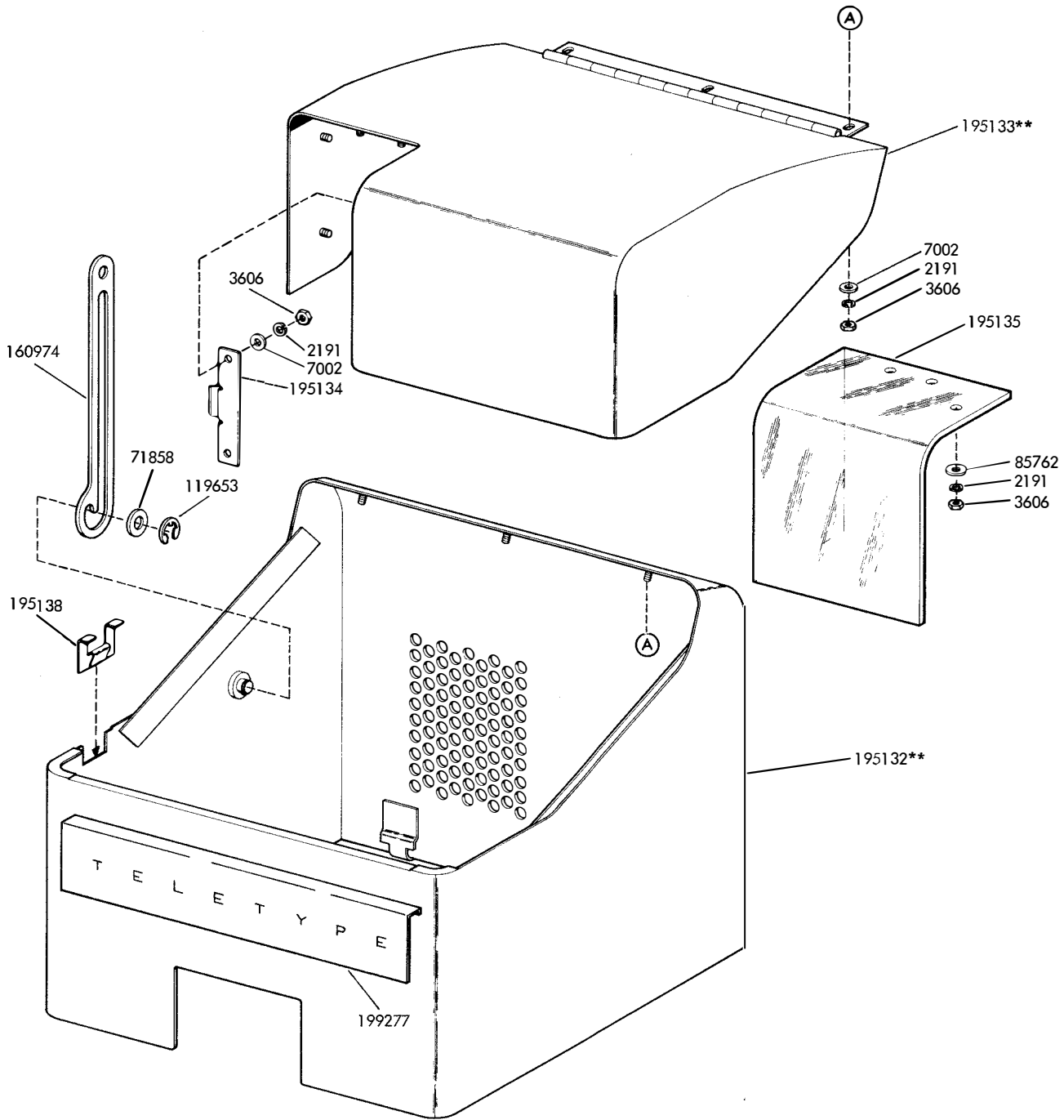


**Refer to page 1 for finish suffix



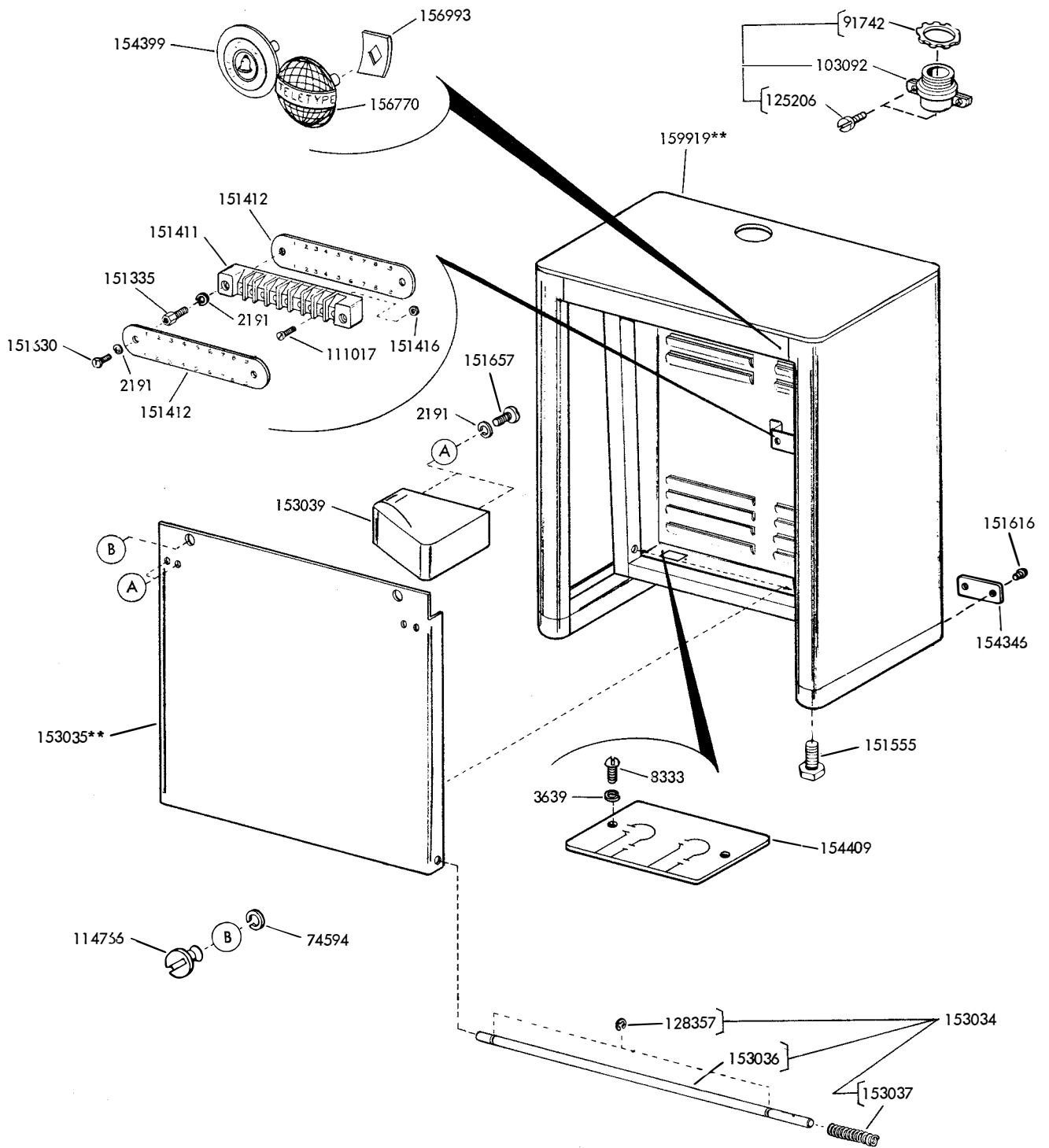
**Refer to page 1 for finish suffix

FIGURE 6. TAPE PRINTER SUB-BASE



**Refer to page 1 for finish suffix

FIGURE 7. TAPE PRINTER COVER



**Refer to page 1 for finish suffix

FIGURE 8. TABLE

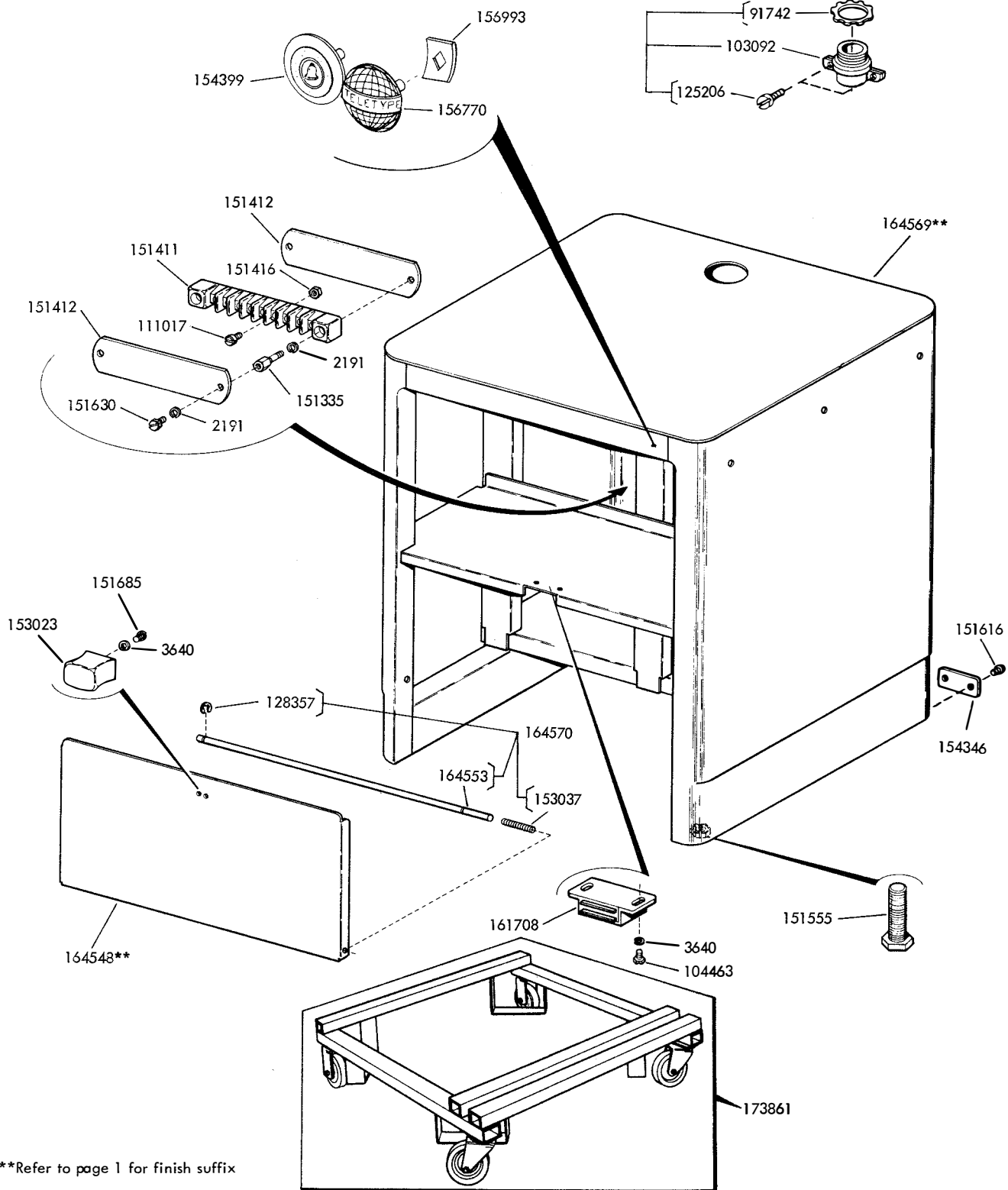
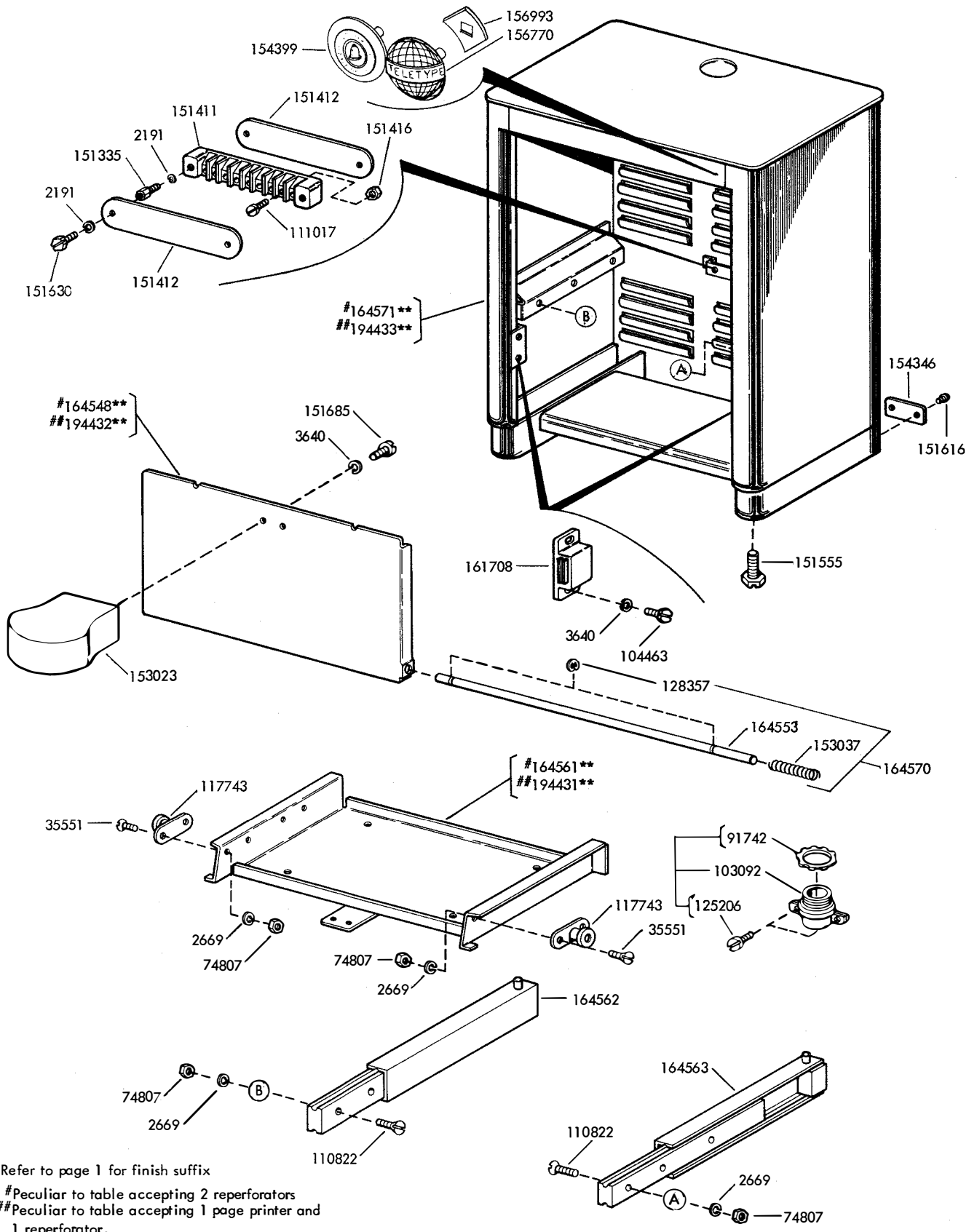
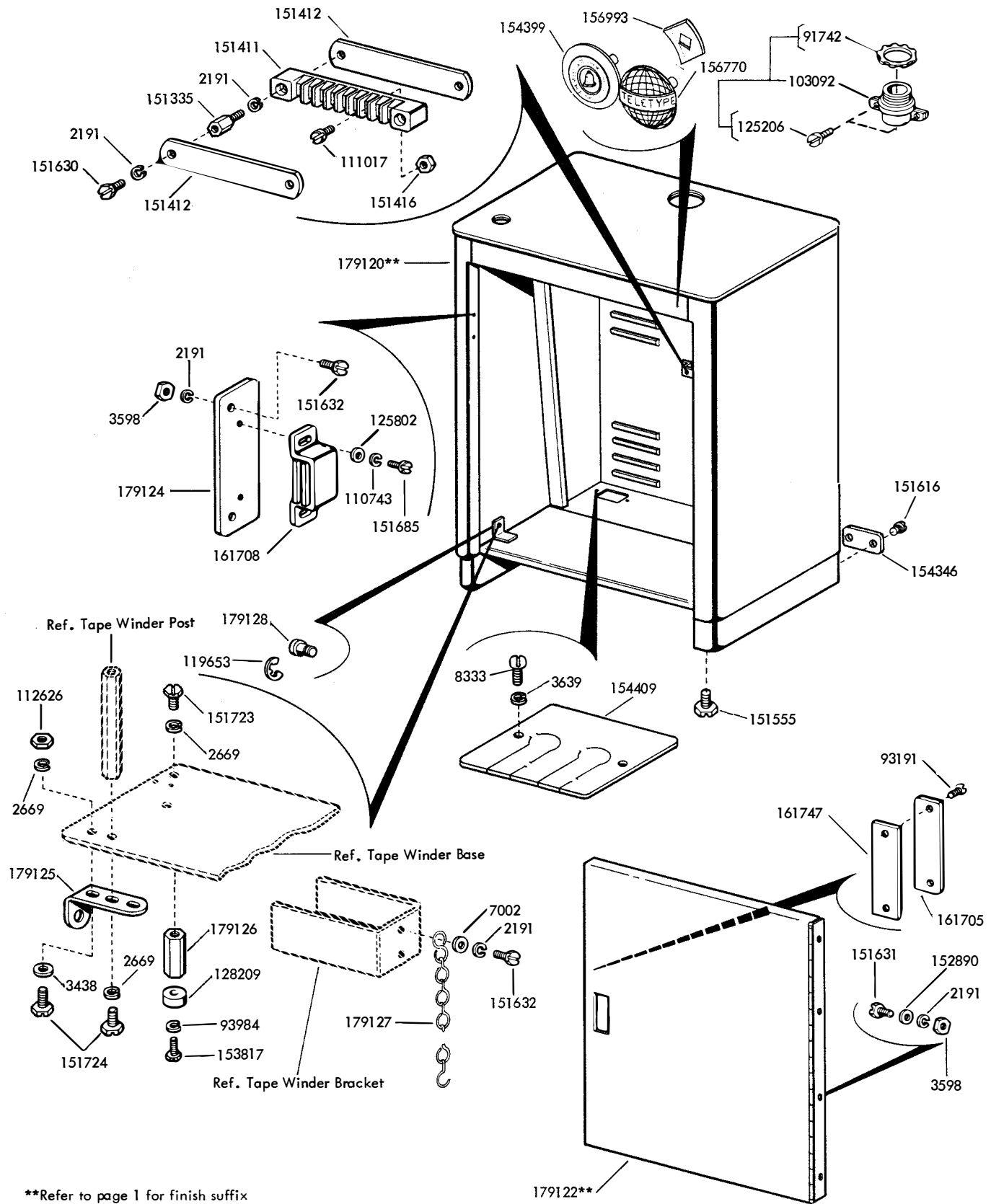


FIGURE 9. TABLE WITH FIXED LOWER SHELF



**Refer to page 1 for finish suffix
 #Peculiar to table accepting 2 reperforators
 ##Peculiar to table accepting 1 page printer and 1 reperforator.

FIGURE 10. TABLE WITH SLIDING LOWER SHELF



**Refer to page 1 for finish suffix

FIGURE 11. TABLE WITH FACILITIES FOR TAPE WINDER

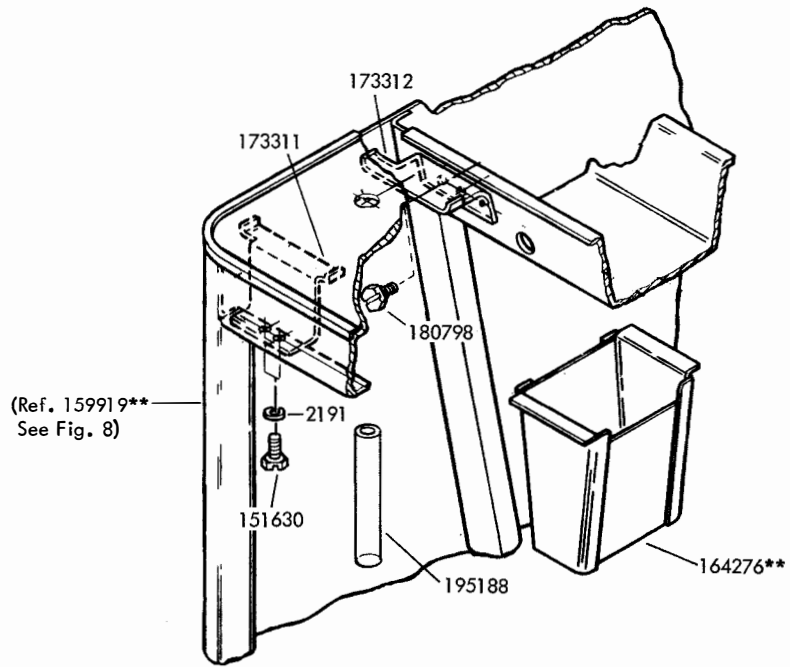


FIGURE 12. 176615** MODIFICATION KIT TO ADAPT BASE AND TABLE FOR USE WITH FULLY PERFORATED PUNCHES

NUMERICAL INDEX

Part Number	Description and Page Number	Part Number	Description and Page Number	Part Number	Description and Page Number
2191	Washer, Lock 2, 3, 4, 5, 6, 7, 8, 9, 10, 11, 12, 13	145327	Guide 7	158649	Screw, Thumb (4-40) 4
2669	Washer, Lock 2, 5, 6, 7, 11, 12	145328	Mount, Vibration 7	159734	Button 2, 5
3438	Washer, Flat 12	145329	Spacer (.065") 7	159919**	Table Assembly 9, 13
3598	Nut (6-40 Hex) 2, 3, 4, 5, 12	145331	Strap 7	159941	Handle 2
3599	Nut (4-40 Hex) 4	145337	Pad, Left Side 5	159943	Bracket, Window 2
3606	Nut (6-40 Hex) 2, 3, 4, 5, 8	145338	Pad, Rear 5	159944	Window, Plastic 2
3639	Washer, Lock 9, 12	145339	Pad, Right Side 5	159945	Washer, Friction 2
3640	Washer, Lock 3, 5, 10, 11	145342	Screw (1/4-32 Spl) 7	159946	Arm 2
4326	Spring 2, 5	145345	Bolt, Latch W/Lever 7	159948**	Cover W/Bracket 2
6345	Nut (6-32 Hex) 2, 4	145346	Lever, Reset 7	159949**	Lid W/Hinge 2
7002	Washer, Flat 2, 4, 5, 6, 7, 8, 12	150711	Washer, Flat 3	159953	Plate, Tape Guide 2
7415	Nut (1/2-32 Hex) 6	151229	Washer, Flat 7	160664	Pin, Roll 2, 5
8333	Screw (10-32 x 3/8 Rd) 12	151335	Stud 9, 10, 11, 12	160974	Arm, Stop 4, 8
35551	Screw (10-32 x 3/8 Flat) 11	151346	Screw (6-40 x 3/8 Fil) 5	161593	Cable Assembly 5
70314	Washer, Flat 3	151411	Block, Terminal 9, 10, 11, 12	161682	Clip, Cover 2
70720	Screw, Shoulder (10-32) 2, 5, 7	151412	Insulator (1-9) 9, 10, 11, 12	161705	Strike, Fastener 12
71858	Washer, Flat 4, 7, 8	151416	Nut (6-40 Hex) 9, 10, 11, 12	161708	Latch, Magnetic 10, 11, 12
72565	Washer, Lock 6	151534	Screw, Shoulder (10-32) 5	161747	Plate, Nut 12
74077	Screw, Shoulder (10-32) 7	151540	Lampholder 5	161835	Plate, Clamp 5
74479	Bushing 5	151549	Post 6	161934	Window, Plastic 5
74594	Ring, Retaining 9	151555	Foot, Mounting 9, 10, 11, 12	161935	Frame, Window 5
74807	Nut (10-32 Hex) 2, 5, 11	151558	Nut, Speed 2	161936	Latch W/Link 5
75606	Spring 2	151616	Screw, Self-Tapping (#2) 9, 10, 11, 12	161937	Latch W/Link 5
76099	Washer, Flat 2	151630	Screw (6-40 x 1/4 Hex) 2, 4, 5, 7, 9, 10, 11, 12, 13	161939	Bracket, Guide 6
76422	Spring 5	151631	Screw (6-40 x 5/16 Hex) 2, 4, 6, 12	161940	Window, Front 5
76461	Washer, Flat 5	151632	Screw (6-40 x 3/8 Hex) 12	161941	Window, Side 5
83876	Bracket, Spring 5	151637	Screw (4-40 x 1/4 Fil) 5	161943	Plate 5
85762	Washer, Flat 8	151657	Screw (6-40 x 1/4 Fil) 9	161944	Bracket, Hinge 5
87993	Screw (6-40 x 5/32 Fil) 5	151658	Screw (6-40 x 5/16 Fil) 2	161945	Copyholder 5
88780	Screw (4-40 x 3/16 Hex) 5	151685	Screw (4-40 x 5/16 Fil) 3, 5, 10, 11, 12	161949	Mount Assembly, Vibration 6
88857	Washer, Spring 2	151722	Screw (6-40 x 3/16 Hex) 2	161952**	Plate 6
91742	Nut, Lock 9, 10, 11, 12	151723	Screw (10-32 x 3/8 Hex) 12	161961	Guide, Line 5
91904	Washer, Flat 5	151724	Screw (10-32 x 5/8 Hex) 12	162189**	Cover W/Latch 2
92151	Connector, Plug (3 Pt) 5	151982	Lamp, Incandescent (6 Volt) 5	162191	Bracket, Guide 2
93001	Washer, Flat 2	152426	Nut, Self-Locking (6-40) 2	162195	Arm, Slide 2
93118	Washer, Lock 5	152441	Washer, Flat 5	162590	Shaft 5
93191	Screw (4-40 x 5/16 Flat) 12	152890	Washer, Flat 12	162846	Modification Kit to Provide Cover Clip 2
93984	Washer, Lock 12	152925	Latch 6	162916	Guide, Lower 3
101633	Washer, Flat 2, 5	152971	Bushing 6	162917	Guide, Upper 3
103092	Connector, Cord 9, 10, 11, 12	152972	Handle W/Studs 6	164102	Bracket, Window 5
104463	Screw (4-40 x 1/4 Hex) 10, 11	152993	Screw, Shoulder (10-32) 6	164276**	Container, Chad 13
110743	Washer, Lock 5, 12	153021	Spring, Torsion 5	164548**	Panel 10, 11
110822	Screw (10-32 x 13/16 Flat) 11	153022	Bushing 5	164553	Shaft 10, 11
111017	Screw (6-40 x 5/16 Fil) 5, 9, 10, 11, 12	153023	Handle 3, 5, 10, 11	164561**	Tray 11
111346	Spring, Compression 4	153034	Shaft Assembly 9	164562	Slide, Left 11
112626	Nut (10-32 Hex) 6, 12	153035**	Panel 9	164563	Slide, Right 11
114766	Stud 9	153036	Shaft 9	164569**	Table 10
117743	Roller 11	153037	Spring, Compression 9, 10, 11	164570	Shaft Assembly 10, 11
119652	Ring, Retaining 2	153039	Handle 9	164571**	Table Assembly 11
119653	Ring, Retaining 4, 8, 12	153442	Screw (10-32 x 1/2 Hex) 6	164763**	Cover W/Hinge 3
119655	Ring, Retaining 6	153448	Catch 2	164875	Pad, Felt 3
121125	Washer, Spring 6	153449	Spring, Compression 2	173311	Bracket, Front Guide 13
121243	Clamp, Cable (3/16" ID) 5	153817	Screw (4-40 x 3/8 Hex) 12	173312	Bracket, Rear Guide 13
121244	Clamp, Cable (1/4" ID) 5	153841	Screw (6-40 x 9/16 Hex) 5	173861	Cart 10
125112	Screw (2-56 x 1/8 Fil) 5	154326	Cover, Insulating 7	174404	Guide, Tape 2
125171	Screw (10-32 x 1/2 Flat) 7	154346	Plate, Instruction 9, 10, 11, 12	174405	Handle 2
125206	Screw (6-32 x 5/8 Fil) 9, 10, 11, 12	154399	Plate, Identification (Bell) 2, 5, 9, 10, 11, 12	174406	Arm 2
125231	Nut (10-32 Hex) 7	154407	Latch 2, 5	174407	Lever 2
125802	Washer, Flat 12	154409**	Plate 9, 12	174408	Guide 2
128209	Bumper, Rubber 12	155083	Lens, Indicator Light 2	176089	Gasket, Window 4
128357	Ring, Retaining 9, 10, 11	156770	Plate, Identification (Teletype) 2, 3, 5, 9, 10, 11, 12	176096**	Cover W/Studs 4
142619	Guide, Tape 3	156993	Nut, Speed 2, 3, 5, 9, 10, 11, 12	176097**	Lid 4
142734	Knife, Tape 3			176098	Fastener 4
145325**	Cover 5			176101	Guide, Tape 4
				176102	Bolt 4
				176103	Window, Plastic 4

NUMERICAL INDEX (Continued)

Part Number	Description and Page Number	Part Number	Description and Page Number	Part Number	Description and Page Number
176104	Window Assembly 4	179122**	Door W/Hinge 12	194432**	Panel 11
176105	Bracket 4	179124	Plate, Latch Mounting 12	194433**	Table Assembly 11
176106	Bracket 4	179125	Bracket, Mounting 12	195132**	Cover 8
176107	Handle 4	179126	Post 12	195133**	Lid, Cover 8
176108	Bracket 4	179127	Chain (Approx. 15" Lg) 12	195134	Clamp 8
176110	Plate, Identification 4	179128	Stud 12	195135	Window, Plastic 8
176615	Modification Kit 13	180798	Screw, Self-Tapping (8-32) 13	195138	Guide, Tape 8
179120**	Table 12	193645**	Plate, Cover 5	195188	Chute, Chad 13
		194431**	Tray 11	199277	Plate, Name (Teletype) 8



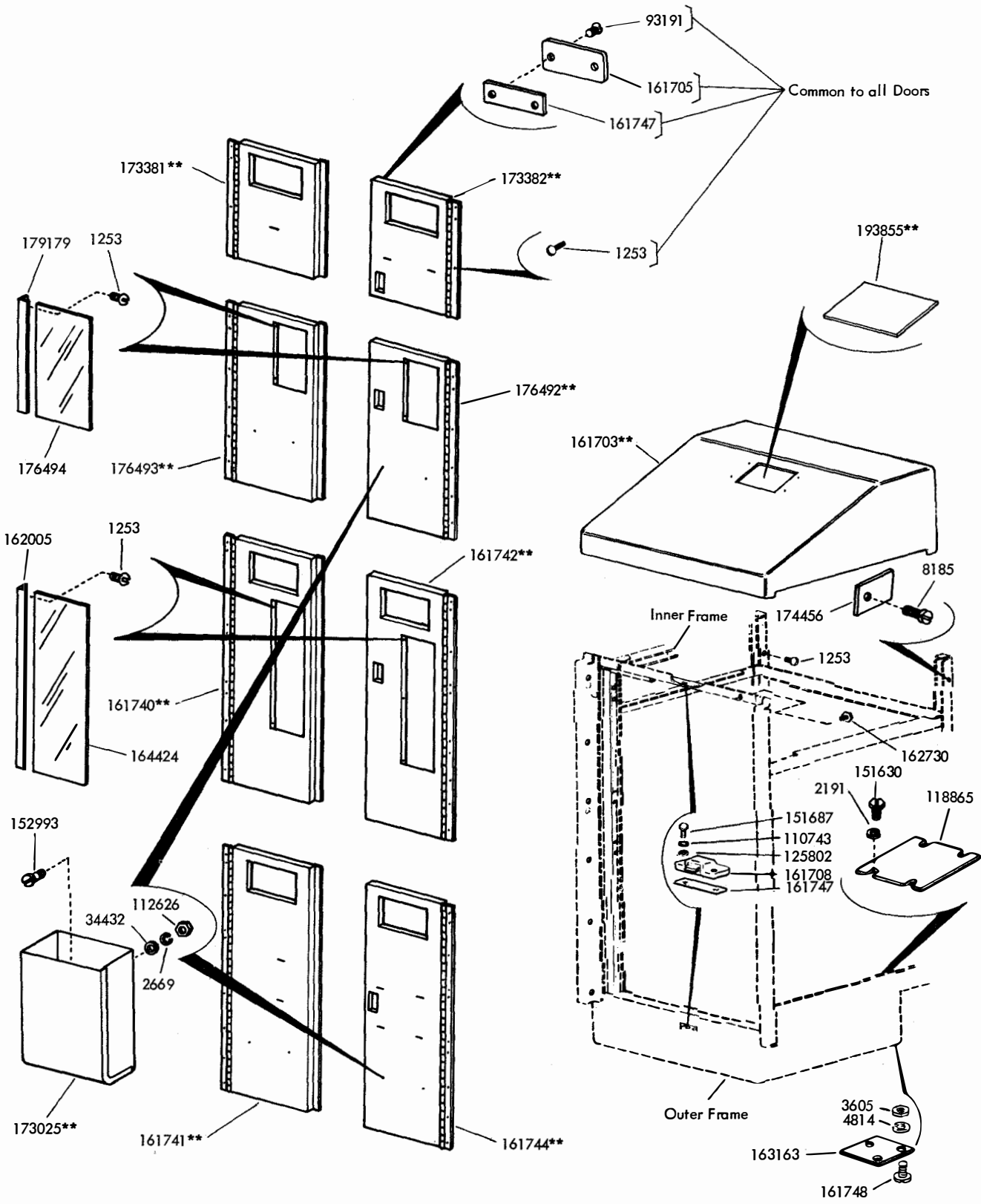
28 APPARATUS CABINET (LBAC)
(RECEIVING, MONITORING & TRANSMITTING-MONITORING)

PARTS

FIGURE	CONTENTS	PAGE
1	Front Doors and Dome	2
2	Control Panels	3
3	Control Panels	4
4	Control Panels	5
5	Control Plates	6
6	Control Plate	7
7	Control Plate Mounting Parts	8
8	Tape Winder Mounting Racks	9
9	Channel Assemblies	10
10	Channel Assemblies with Shelf	11
11	Terminal Blocks and Cable Assembly	12
12	161999** Modification Kit to Provide End Enclosures	13
13	Rear Doors and Latch Mechanism	14
	Numerical Index	15

PAINT FINISH COLOR CODE CHART (For parts and assemblies requiring a paint finish)									
Color	Finish Suffixes				Color	Finish Suffixes			
	Wrinkle Finish	Smooth Finish	Textured Vinyl	Smooth Vinyl		Wrinkle Finish	Smooth Finish	Textured Vinyl	Smooth Vinyl
Black	AA (37)	BB			Brussels Light Blue		EC		
Dark Brown	AD (38)				Medium Blue		ES		
Gray Green	AB (40)	BK	GA (45)		Cherry Red		EF		
Charcoal Gray	AL	BZ		HA	Pastel Yellow		EG		
Dark Gray			GB		White		EH		
Light Gray		EJ		HB (68)	Ivory		EM		
Beige Gray			GC		Beige		ET		
Light Beige		EL		HC	Rose Beige		ER		
Moss Green		EN		HD	Rose Pink		EU		
Eye Rest Green		EA			Dark Covert Gray				HE
Turquoise		EV			Light Olive Gray		EW	GE	HF (46)
Aqua Blue		EK			Fawn				HG

The double asterisk (**) denotes a painted part. Suffix to be applied following the part number.
Number in parenthesis indicates Bell System code



**Refer to page 1 for finish suffix

FIGURE 1. FRONT DOORS AND DOME

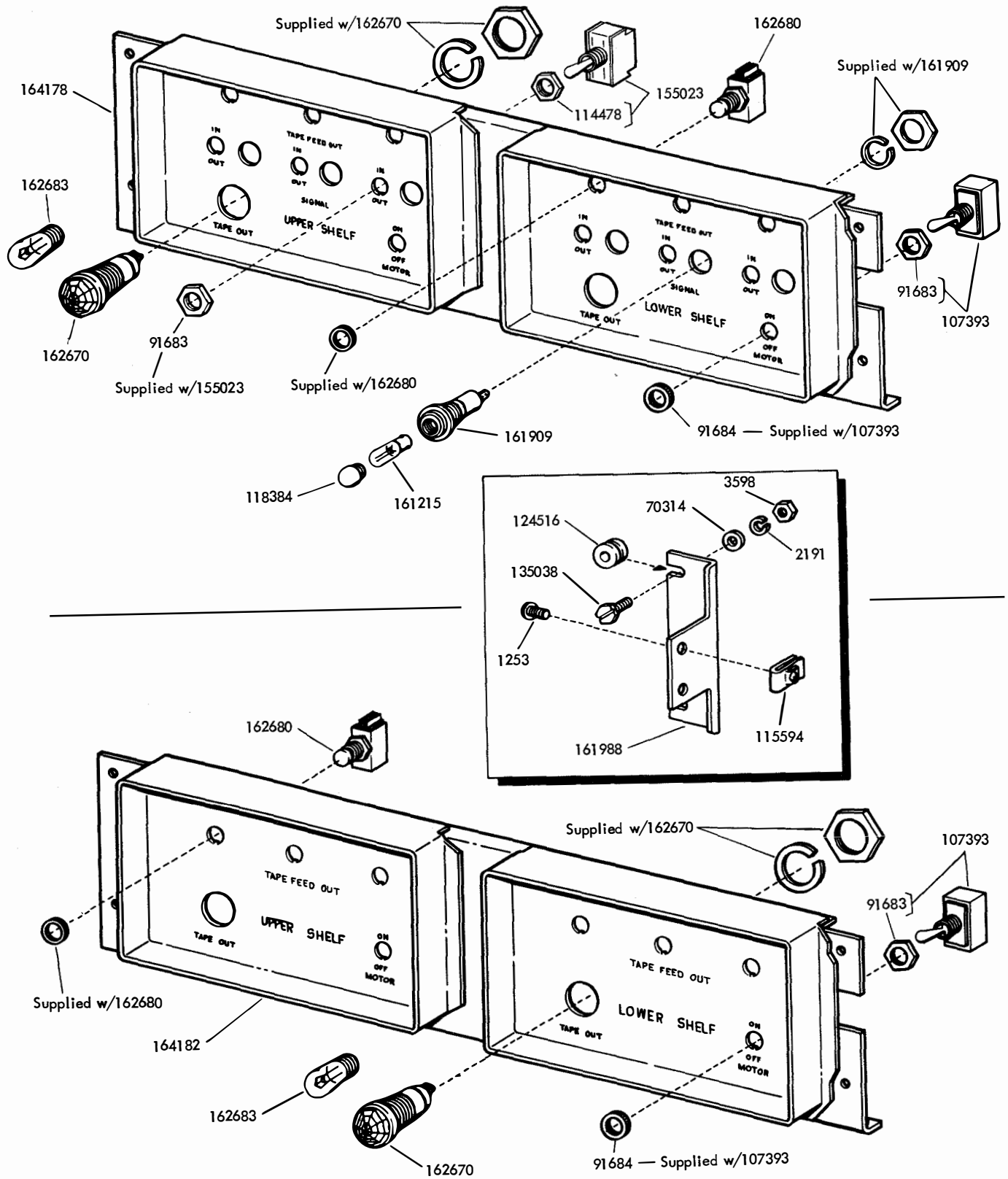


FIGURE 2. CONTROL PANELS

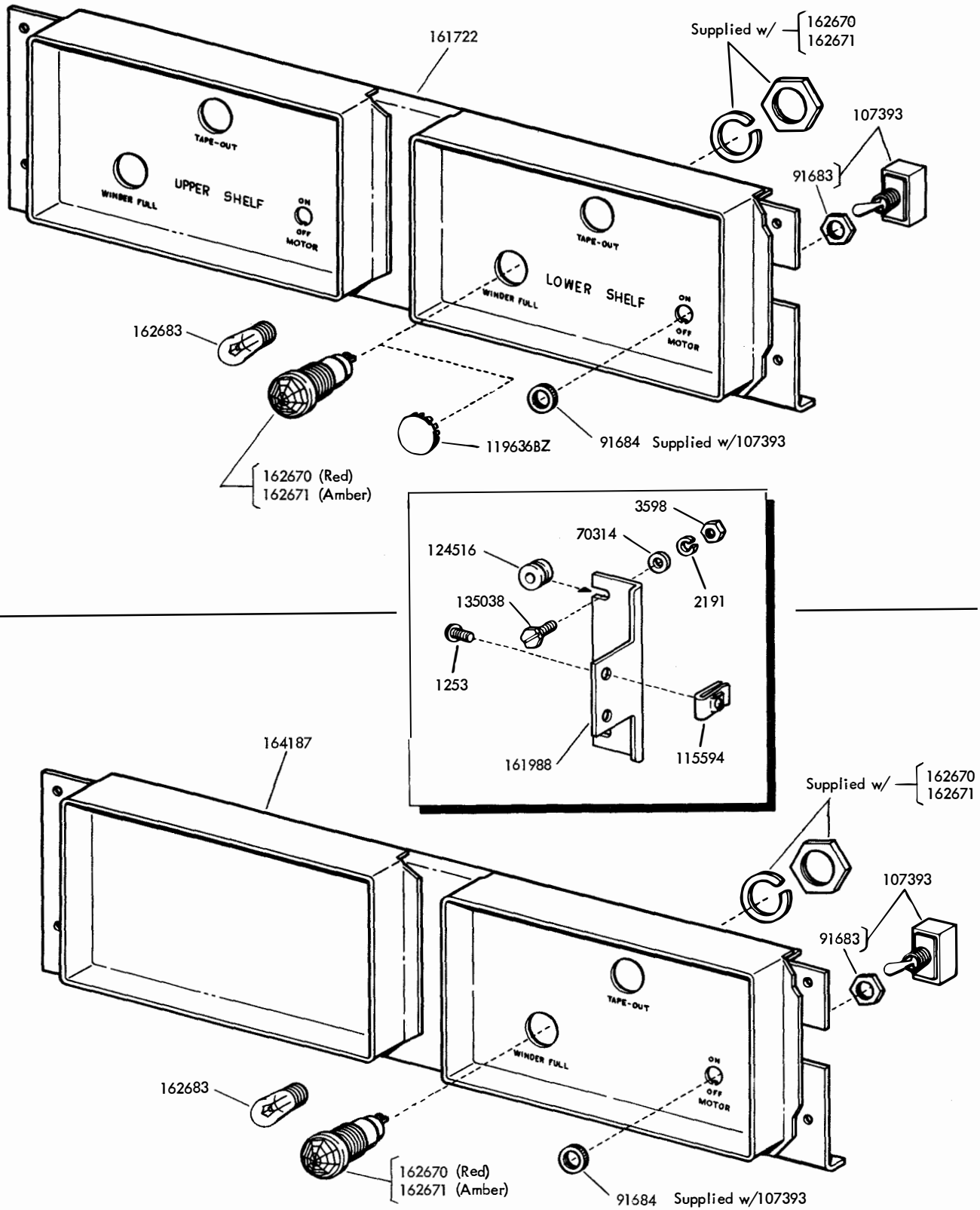


FIGURE 3. CONTROL PANELS

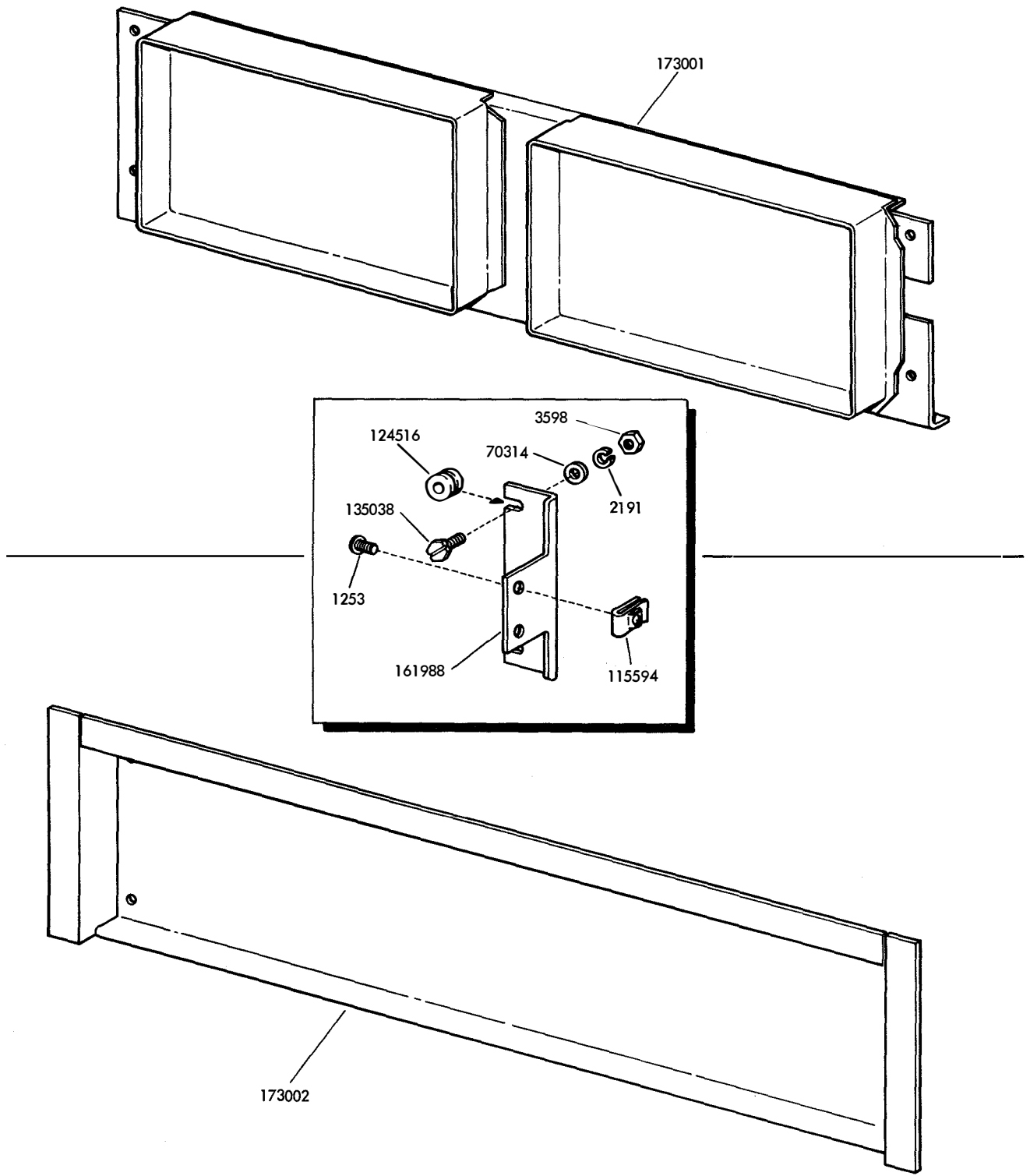


FIGURE 4. CONTROL PANELS

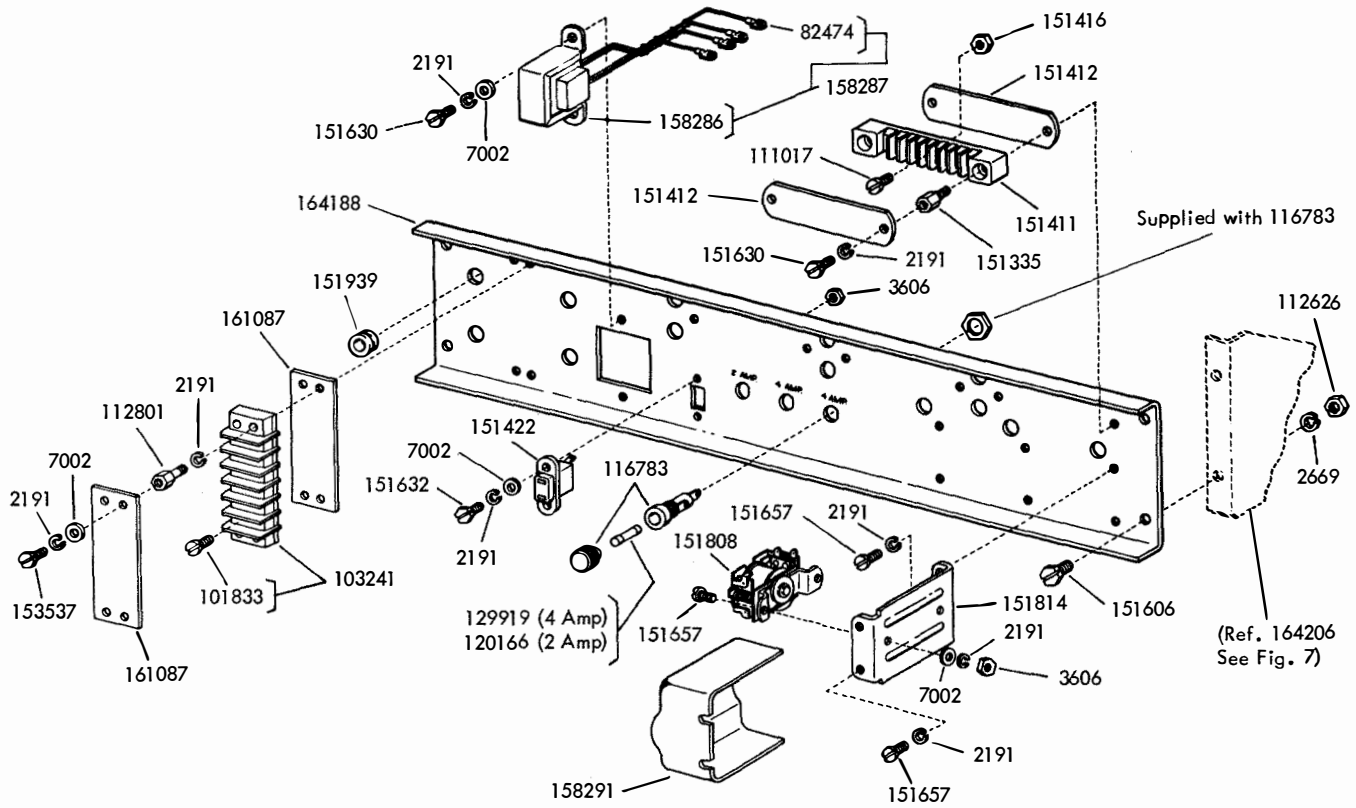
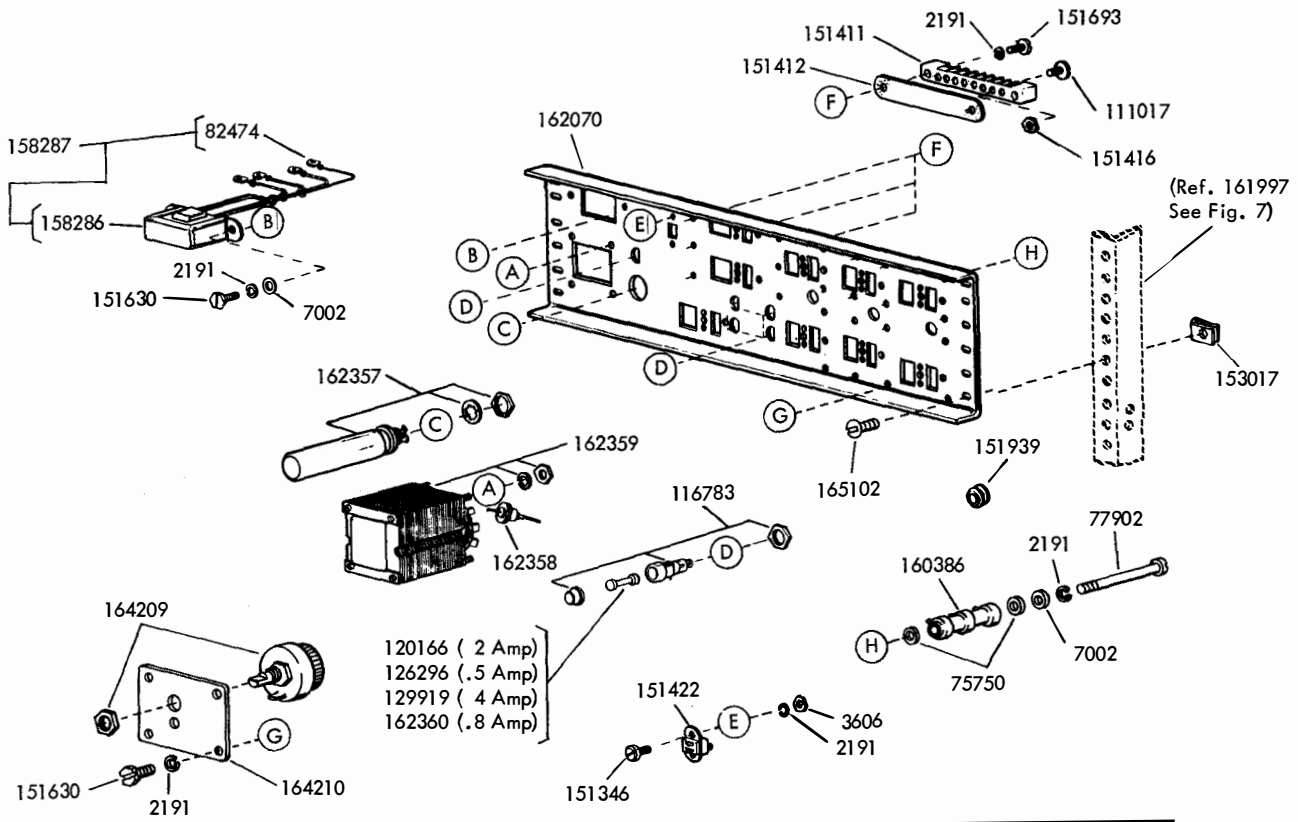
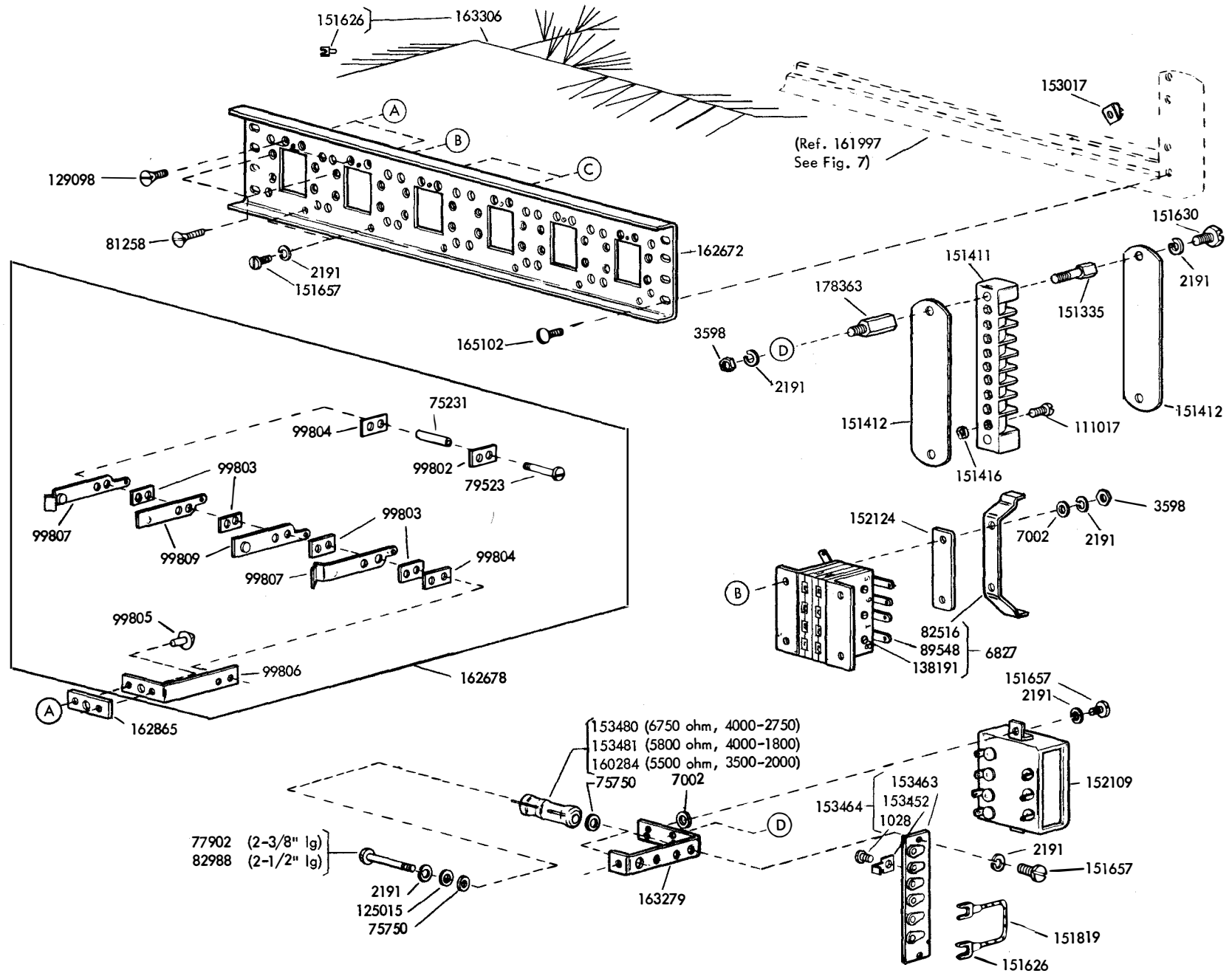


FIGURE 5. CONTROL PLATES

FIGURE 6. CONTROL PLATE



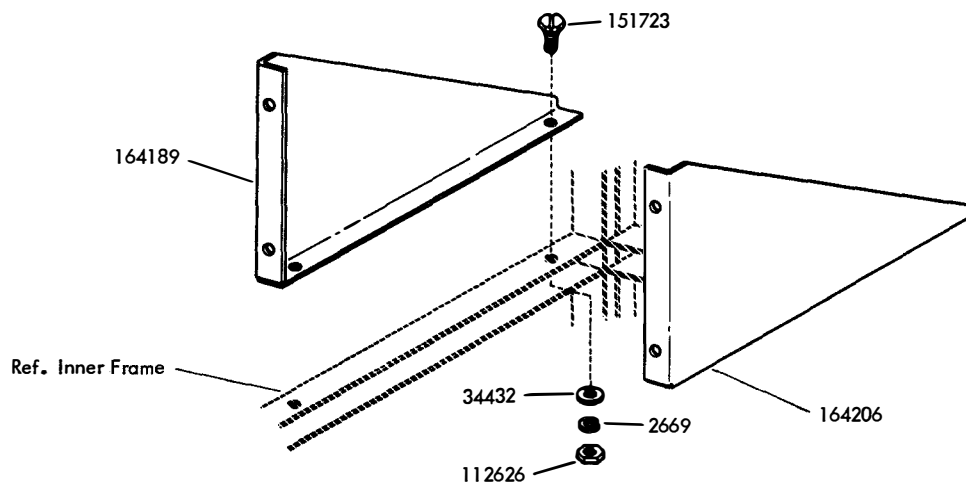
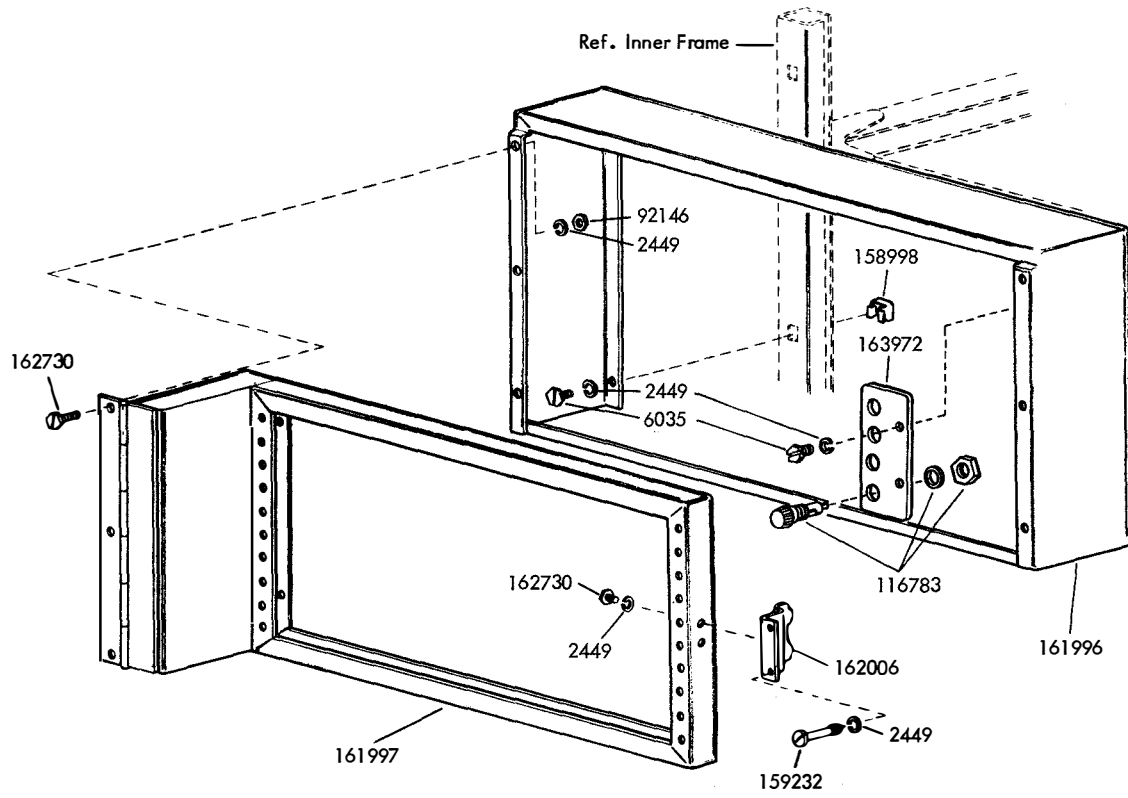


FIGURE 7. CONTROL PLATE MOUNTING PARTS

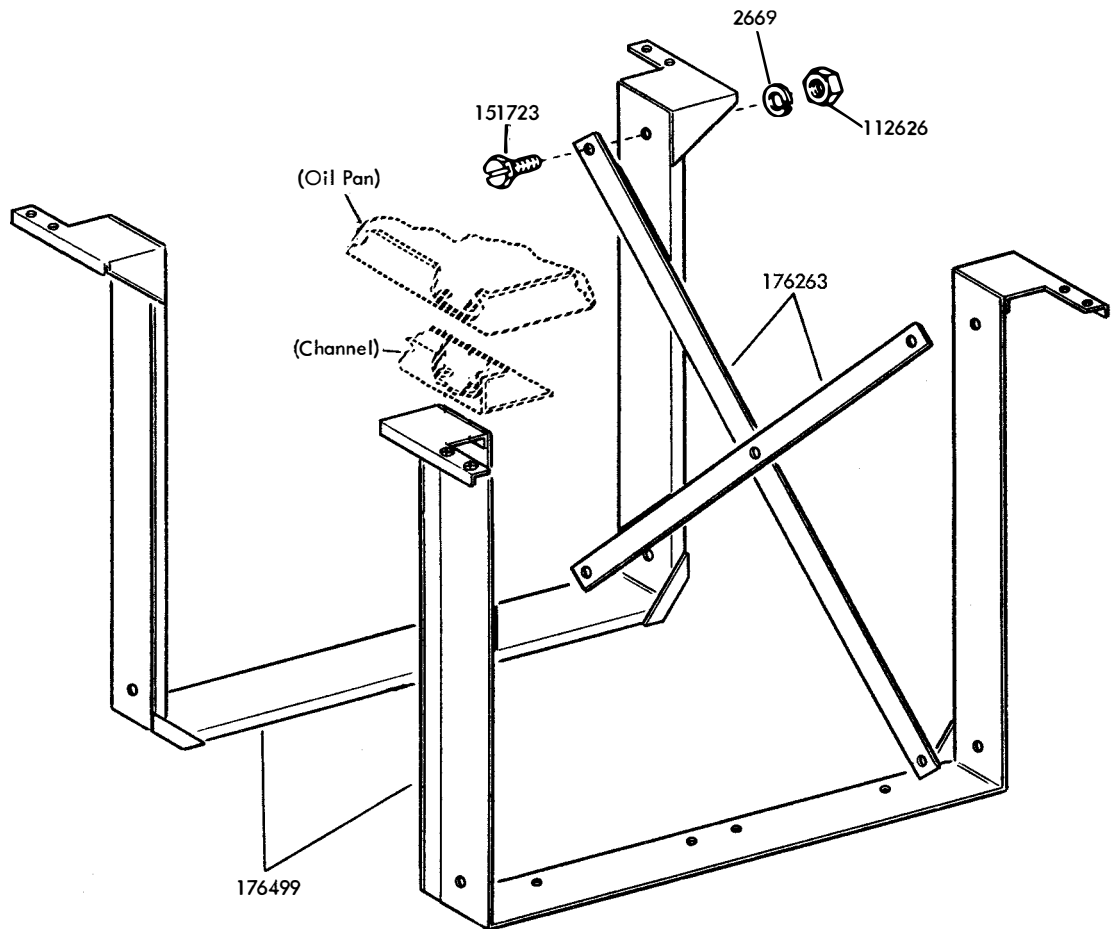


FIGURE 8. TAPE WINDER MOUNTING RACKS

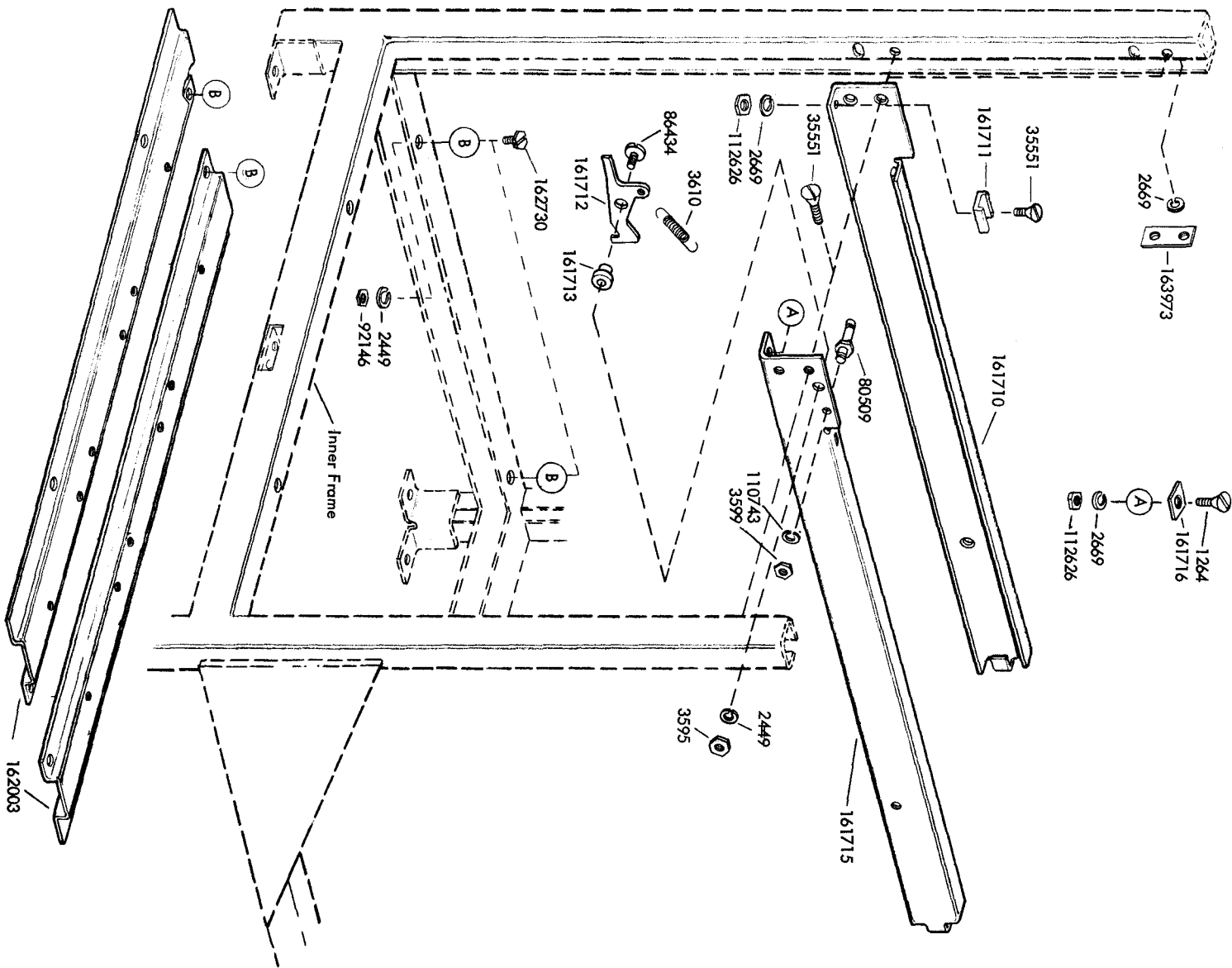
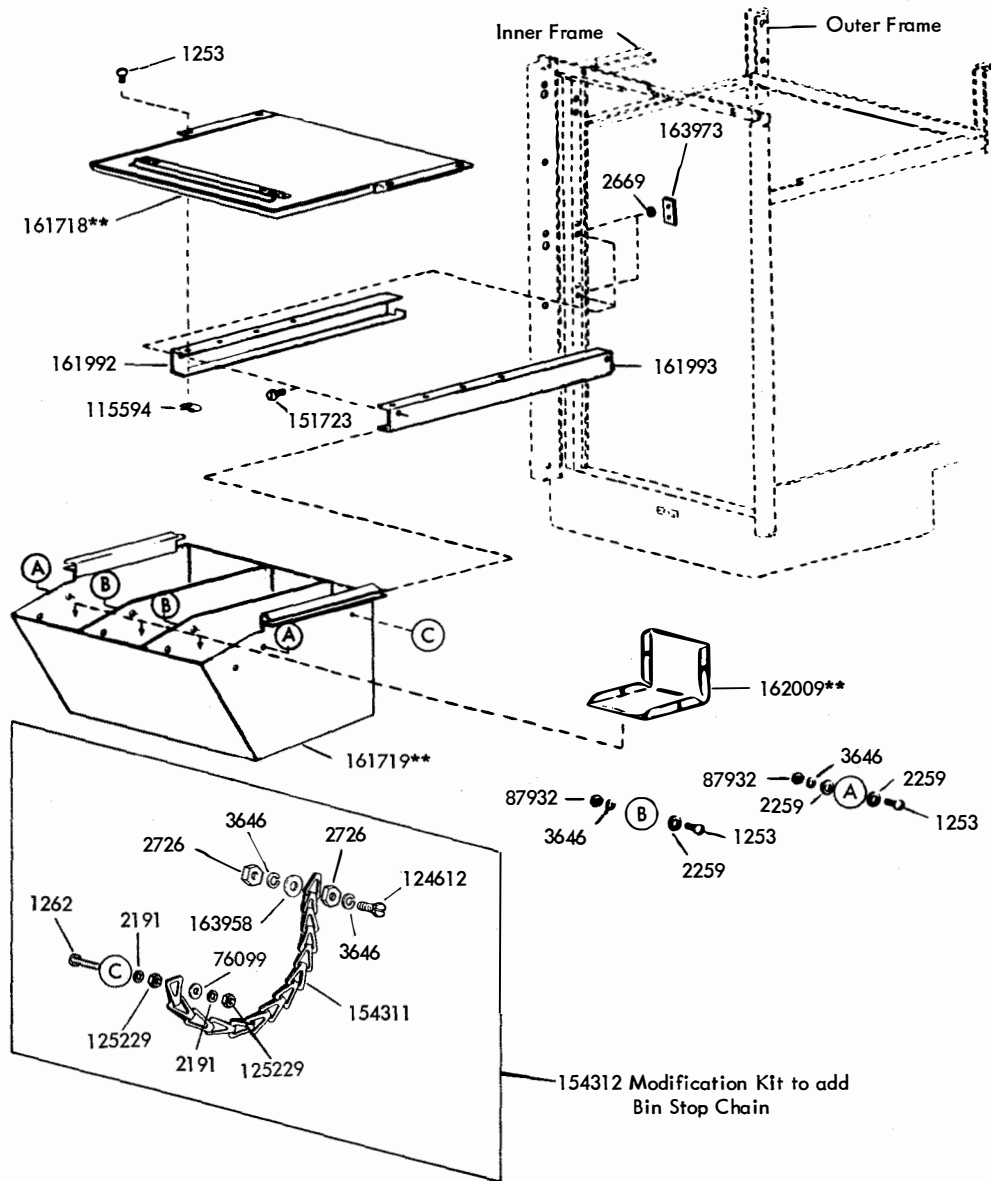
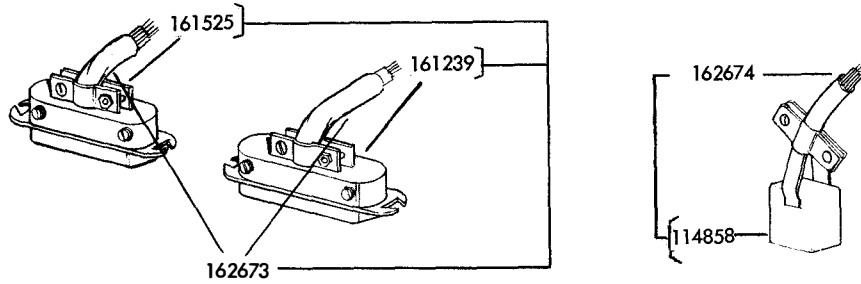


FIGURE 9. CHANNEL ASSEMBLIES



**Refer to page 1 for finish suffix

FIGURE 10. CHANNEL ASSEMBLIES WITH SHELF



Note: 161525 (14 point connector) mates with 161526
 161239 (36 point connector) mates with 161238

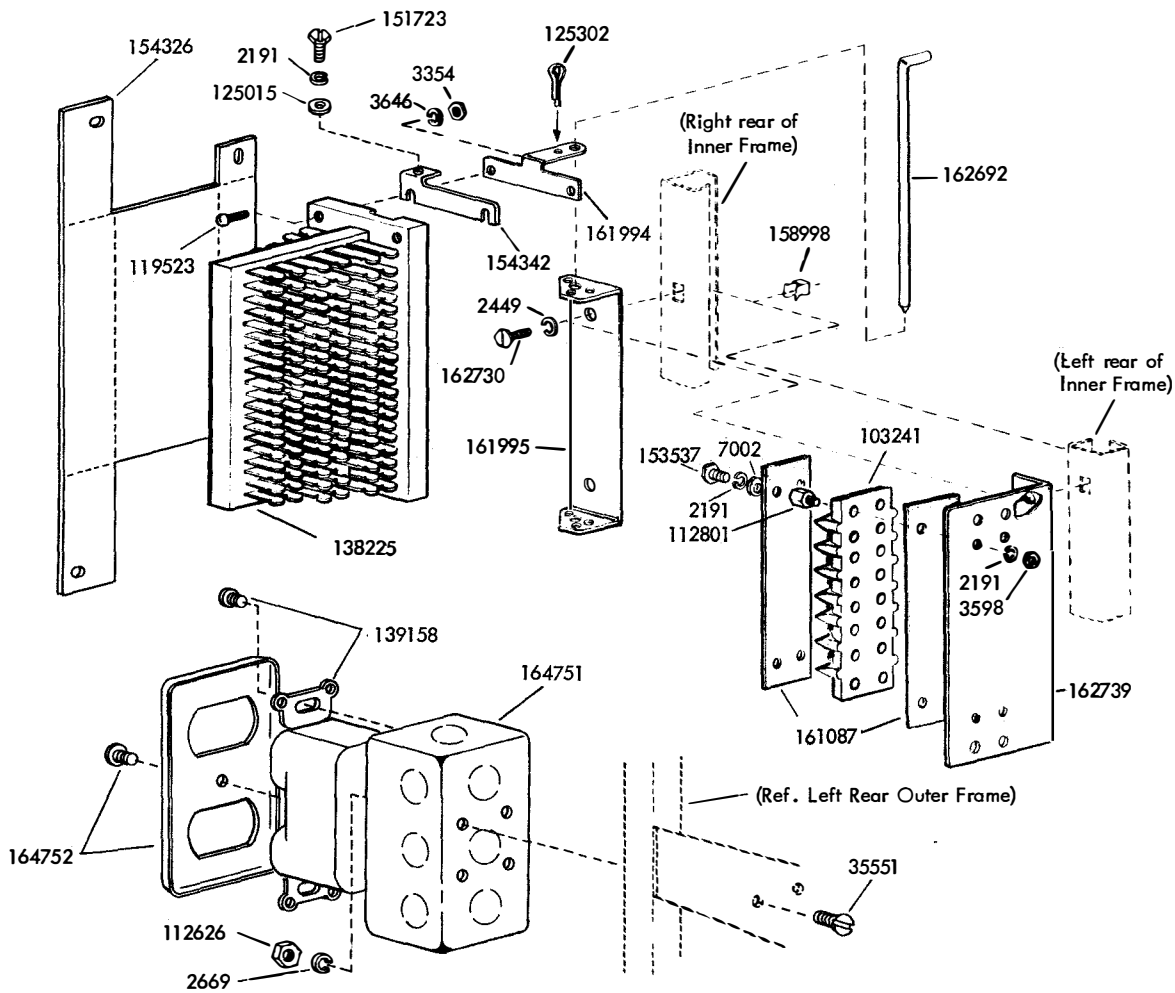
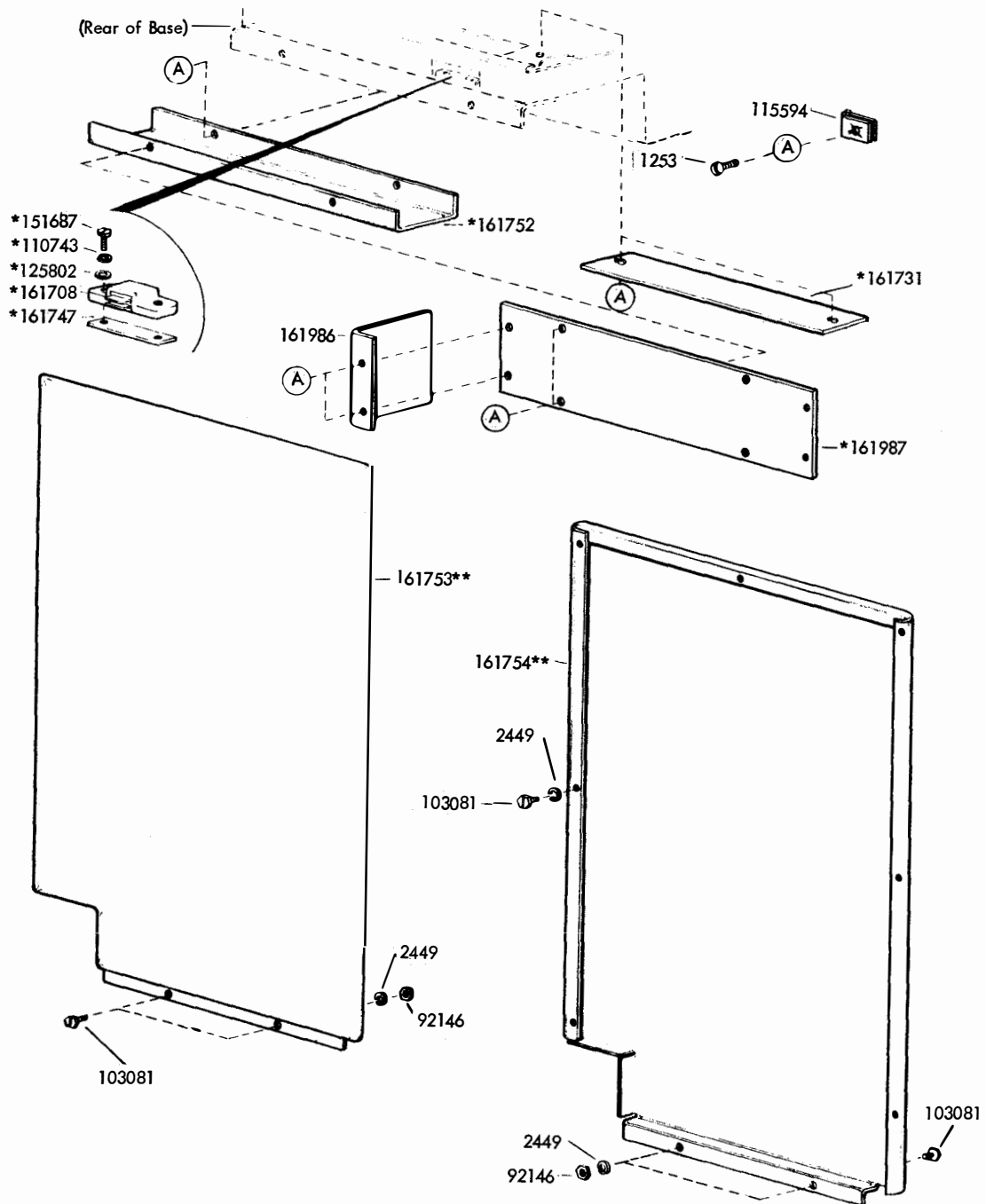
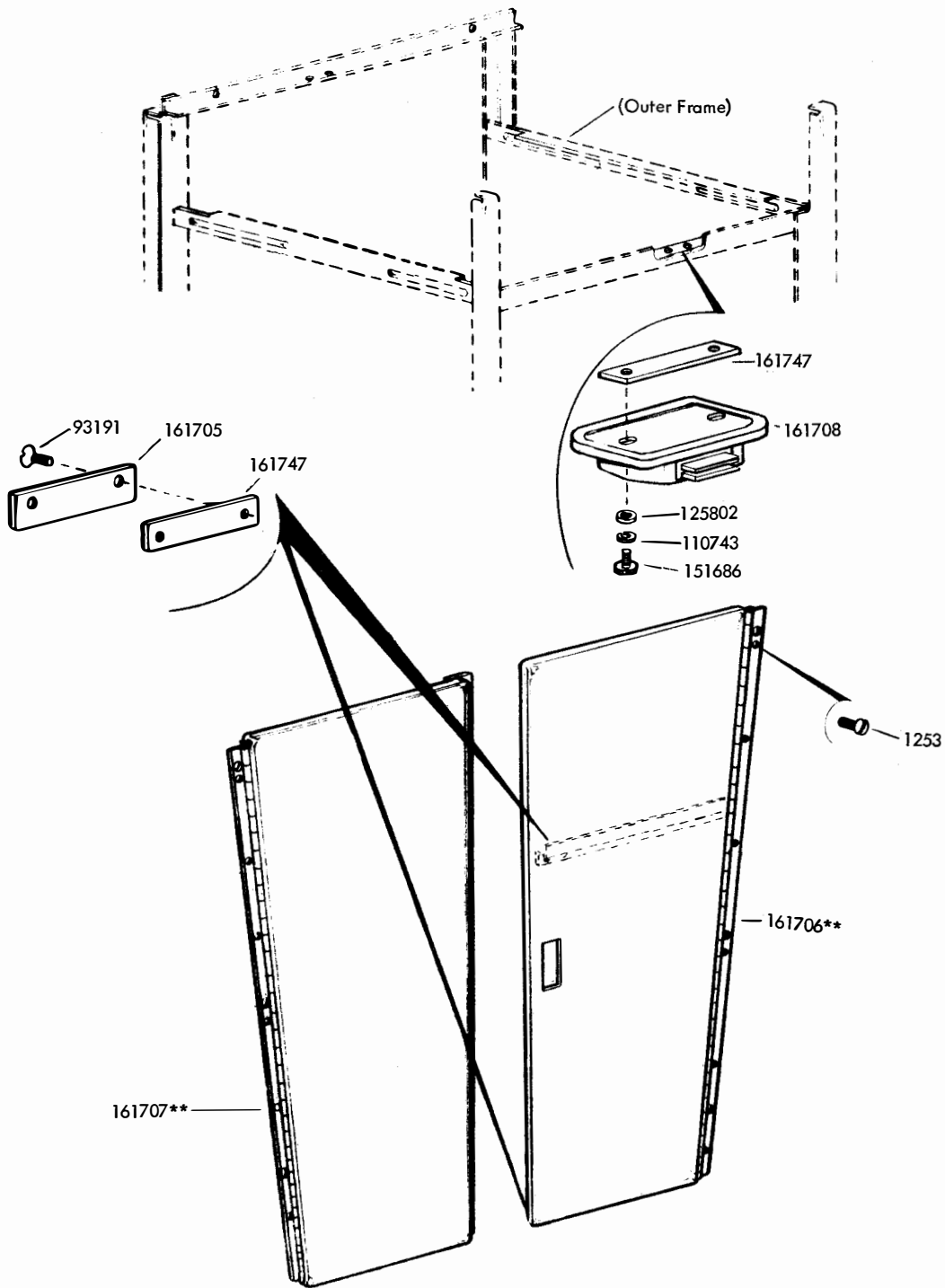


FIGURE 11. TERMINAL BLOCKS AND CABLE ASSEMBLY



*Not part of 161999** Modification Kit
 **Refer to page 1 for finish suffix

FIGURE 12. 161999** MODIFICATION KIT TO PROVIDE END ENCLOSURES



**Refer to page 1 for finish suffix

FIGURE 13. REAR DOORS AND LATCH MECHANISM

NUMERICAL INDEX

Part Number	Description and Page Number	Part Number	Description and Page Number	Part Number	Description and Page Number
1028	Screw (4-40 x 1/4 Fil) 7	118865	Cover 2	161703**	Cover, Top 2
1253	Screw (8-32 x 3/8 Rd) 2, 3, 4, 5, 11, 13, 14	119523	Screw (8-32 x 3/4 Rd) 12	161705	Strike, Fastener 2, 14
1262	Screw (6-32 x 5/16 Rd) 11	119636**	Plug, Button 4	161706**	Door, Right Rear 14
1264	Screw (10-32 x 1/2 Flat) 10	120166	Fuse (2 Amp) 6	161707**	Door, Left Rear 14
2191	Washer, Lock 2, 3, 4, 5, 6, 7, 11, 12	121021	Screw (8-32 x 1/2 Hex) 11	161708	Latch, Magnetic 2, 13, 14
2259	Washer, Flat 11	124516	Grommet, Rubber 3, 4, 5	161710	Channel, Left 10
2449	Washer, Lock 8, 10, 11, 12, 13	124612	Screw (8-32 x 1/2 Hex) 11	161711	Block, Guide 10
2669	Washer, Lock 2, 6, 8, 9, 10, 11, 12	125015	Washer, Flat 7, 12	161712	Latch, Lever 10
2726	Nut (8-32 Hex) 11	125229	Nut (6-32 Hex) 11	161713	Bushing, Shoulder 10
3354	Nut (8-32 Hex) 12	125302	Pin, Cotter 12	161715	Channel, Right 10
3595	Nut (1/4-32 Hex) 10	125802	Washer, Flat 2, 13, 14	161716	Block, Support 10
3598	Nut (6-40 Hex) 3, 4, 5, 7, 12	126296	Fuse (.5 Amp) 6	161718**	Shelf 11
3599	Nut (4-40 Hex) 10	129098	Screw (6-40 x 11/32 Flat) 7	161719**	Bin, Tape 11
3605	Nut (5/16-18 Hex) 2	129919	Fuse (4 Amp) 6	161722	Panel, Control 4
3606	Nut (6-40 Hex) 6	135038	Screw (6-40 x 9/16 Hex) 3, 4, 5	161731	Plate, Cover 13
3610	Spring 10	138191	Screw (3-48 x 1" Rd) 7	161740**	Door, Left 2
3646	Washer, Lock 11, 12	138225	Block, Terminal 12	161741**	Door, Left 2
4814	Washer, Lock 2	139158	Connector, Receptacle (Duplex) 12	161742**	Door, Right 2
6035	Screw (1/4-20 x 5/8 Hex) 8	151335	Stud 6, 7	161744**	Door, Right 2
6827	Block 7	151346	Screw (6-40 x 3/8 Fil) 6	161747	Plate, Nut 2, 13, 14
7002	Washer, Flat 6, 7, 12	151411	Block, Terminal 6, 7	161748	Screw (5/16-18 x 5/8 Flat) 2
8185	Screw (1/4-20 x 3/4 Fil) 2	151412	Insulator (1-9) 6, 7	161752	Channel, Duct 13
34432	Washer, Flat 2, 8	151416	Nut (6-40 Hex) 6, 7	161753**	Panel, Left Side 13
35551	Screw (10-32 x 3/8 Flat) 10, 12	151422	Connector, Receptacle (2 Pt) 6	161754**	Panel, Right Side 13
70314	Washer, Flat 3, 4, 5	151606	Screw (10-32 x 1/4 Hex) 6	161909	Socket, Lamp 3
75231	Bushing, Insulating 7	151626	Terminal 7	161986	Cover, Duct 13
75750	Washer, Insulating 6, 7	151630	Screw (6-40 x 1/4 Hex) 2, 6, 7	161987	Plate, Duct 13
76099	Washer, Flat 11	151632	Screw (6-40 x 3/8 Hex) 6	161988	Bracket, Mounting 3, 4, 5
77902	Screw (6-40 x 2-3/8 Rd) 6, 7	151657	Screw (6-40 x 1/4 Fil) 6, 7	161992	Channel, Left Mounting 11
79523	Screw (2-56 x 25/32 Fil) 7	151686	Screw (4-40 x 3/8 Fil) 14	161993	Channel, Right Mounting 11
80509	Post, Spring 10	151687	Screw (4-40 x 7/16 Fil) 2, 13	161994	Bracket, Terminal Block 12
81258	Screw (6-40 x 5/8 Flat) 7	151693	Screw (6-40 x 9/16 Fil) 6	161995	Bracket, Terminal Block 12
82474	Terminal 6	151723	Screw (10-32 x 3/8 Hex) 8, 9, 11, 12	161996	Frame, Mounting 8
82516	Spring, Retaining 7	151808	Relay 6	161997	Frame, Mounting Rack 7, 8
82988	Screw (6-40 x 2-1/2 Rd) 7	151814	Bracket, Relay Mounting 6	161999**	Modification Kit 13
86434	Screw (1/4-32 x 3/4 Fil) 10	151819	Jumper (3" Black) 7	162003	Channel, Front 10
87932	Nut (8-32 Hex) 11	151939	Grommet, Rubber 6	162005	Bracket, Clip 2
89548	Spring, Contact 7	152109	Filter 7	162006	Bracket 8
91683	Nut (15/32-32 Hex) 3, 4	152124	Spacer 7	162009**	Divider, Tape Bin 11
91684	Nut (15/32-32 Ring) 3, 4	152993	Screw, Shoulder (10-32) 2	162070	Plate, Mounting 6
92146	Nut (1/4-20 Hex) 8, 10, 13	153017	Nut, Speed 6, 7	162357	Capacitor (500 MFD) 6
93191	Screw (4-40 x 5/16 Flat) 2, 14	153452	Terminal 7	162358	Diode 6
99802	Plate 7	153463	Block, Terminal 7	162359	Transformer, Power 6
99803	Insulator (.094") 7	153464	Block Assembly, Terminal 7	162360	Fuse (.8 Amp) 6
99804	Insulator (.062") 7	153480	Resistor (6750 Ohm) 7	162670	Light, Red Pilot 3, 4
99805	Plunger 7	153481	Resistor (5800 Ohm) 7	162671	Light, Amber Pilot 4
99806	Bracket 7	153537	Screw (6-40 x 9/32 Hex) 6, 12	162672	Plate, Relay 7
99807	Spring, Contact 7	154311	Chain, Bin Stop (40 Links) 11	162673	Cable Assembly 12
99809	Spring, Contact 7	154312	Modification Kit 11	162674	Cable Assembly 12
101833	Screw (8-32 x 5/16 Fil) 6	154326	Cover, Insulating 12	162678	Contact Assembly, Line Shunt 7
103081	Screw (1/4-20 x 1/2 Fil) 13	154342	Bracket, Insulating Cover 12	162680	Switch, Push 3
103241	Block, Terminal 6, 12	154344	Switch, Toggle (DP-DT) 3	162683	Lamp, Clean Incandescent 3, 4
107393	Switch, Toggle (SP-ST) 3, 4	155023	Transformer 6	162692	Pin, Hinge 12
110743	Washer, Lock 2, 10, 13, 14	158286	Transformer Assembly 6	162730	Screw (1/4-20 x 7/16 Hex) 2, 8, 10, 12
111017	Screw (6-40 x 5/16 Fil) 6, 7	158287	Cover, Relay 6	162739	Bracket, Terminal Block 12
112626	Nut (10-32 Hex) 2, 6, 8, 9, 10, 12	158291	Retainer, Speed Nut 8, 12	162865	Spacer 7
112801	Stud 6, 12	158998	Screw, Captive (1/4-20) 8	163163	Pad 2
114478	Nut (15/32-32 Hex) 3	159232	Resistor (5,500 Ohm) 7	163279	Bracket, Mounting 7
114858	Connector, Receptacle (6 Pt) 12	160284	Resistor (1,000 Ohm) 6	163306	Cable 7
115594	Nut, Speed 3, 4, 5, 11, 13	160386	Resistor (1-6) 6, 12	163958	Washer, Flat 11
116783	Holder, Fuse 6, 8	161087	Insulator (1-6) 6, 12	163972	Strip, Fuse Mounting 8
118384	Lens, Clear Indicator Light 3	161215	Lamp, Glow 3	163973	Plate, Nut 10, 11
		161238	Connector, Receptacle (36 Pt) 12	164178	Panel, Control 3
		161239	Connector, Plug (36 Pt) 12	164182	Panel, Control 3
		161525	Connector, Plug (14 Pt) 12	164187	Panel, Control 4
		161526	Connector, Receptacle (14 Pt) 12	164188	Plate, Control 6

NUMERICAL INDEX (Continued)

Part Number	Description and Page Number	Part Number	Description and Page Number	Part Number	Description and Page Number
164189	Bracket, Left 8	165102	Screw (12-24 x 3/8 Rd) 6, 7	176492**	Door, Right 2
164206	Bracket, Right 6, 8	173001	Panel, Blank Control 5	176493**	Door, Left 2
164209	Rheostat (350 Ohm) 6	173002	Panel 5	176494	Window 2
164210	Plate, Mounting 6	173025**	Bin, Tape 2	176499	Bracket, Mounting 9
164424	Window 2	173381**	Door, Left 2	178363	Post 7
164751	Box, Junction 12	173382**	Door, Right 2	179179	Bracket 2
164752	Plate, Cover 12	174456	Plate, Nut 2	193855**	Cover W/Clips 2
		176263	Strip 9		