

10-16-68

BULLETIN 1167B

28 TYPING REPERFORATOR
and
28 TAPE PRINTER SETS
(LPR and LTP)

PARTS



TELETYPE[®]
CORPORATION

5555 TOUHY AVENUE, SKOKIE, ILLINOIS



The following information was obtained from the records of the
 Department of the Interior, Bureau of Land Management, on
 the date indicated below:

TABLE OF CONTENTS

SECTION	TITLE	ISSUE	DATE
573-118-800TC	28 Typing Reperforator (LPR) and 28 Tape Printer (LTP)	1	March, 1965
573-121-800TC	28 Receiving-only Reperforator or Tape Printer Base (LRB) and 28 Receiving-only Multiple Reperforator Base (LRMB)	*2	July, 1967
573-123-800TC	28 Send-Receive Reperforator Keyboard Base (LTRK) and 28 Send-Receive Tape Printer Keyboard Base (LTPK)	1	March, 1965
573-133-801TC	28 Electrical Service Unit (LESU) - Reperforators	1	March, 1965
573-135-800TC	28 Receiving-only Reperforator or Tape Printer Cover (LRC), 28 Send-Receive Reperforator or Tape Printer Cover (LSRC) and 28 Reperforator or Tape Printer Table (LT)	1	March, 1965
573-136-800TC	28 Apparatus Cabinet (LBAC) - Receiving, Monitoring and Transmitting Monitoring	1	March, 1965

NOTE:
For Motors Refer To Bulletin 295B

* Indicates Revised Section



28 TYPING REPERFORATOR (LPR)
and
28 TAPE PRINTER (LTP)
PARTS

FIGURE	CONTENTS	PAGE
1	Frame Mechanism	3
2	Frame Mechanism	4
3	Main Shaft Mechanism	5
4	Punch Rear Plate Mechanism	6
5	Punch Front Plate Mechanism	7
6	Punch Bail Mechanism	8
7	Rotary Positioning Mechanism	9
8	Rotary Positioning Mechanism	10
9	Axial Positioning Mechanism	11
10	Axial Positioning Mechanism	12
11	Function Box Mechanism	13
12	Range Finder Mechanism	14
13	Selecting Mechanism	15
14	Selecting Magnet Mechanism	16
15	Transfer Mechanism	17
16	Early Design Ribbon Feed Mechanism	18
17	Typing Mechanism	19

(CONTENTS continued on Page 2)

FIGURE	CONTENTS (continued)	PAGE
18	159351 and 162434 Modification Kits to Add Non-Interfering Blank Tape Feed-Out	20
19	159351 and 162434 Modification Kits to Add Non-Interfering Blank Tape Feed-Out	21
20	159351 and 162434 Modification Kits to Add Non-Interfering Blank Tape Feed-Out	22
21	Modification Kits to add Timing Contacts	23
22	Modification Kits to Add Code Reading Contacts	23
23	Cables	24
24	159360 and 162242 Modification Kits to Add Signal Bell Contact	25
25	160881 Modification Kit to Add Guard for Backspace Mechanism (Printing on Edge of Tape)	25
26	161340 Modification Kit to Add Manual Interfering Letters Tape Feed-Out	26
27	161341 and 162432 Modification Kits to Add Solenoid Operations to Letters Feed-Out	26
28	Two-Shaft Mechanism	27
29	159363 and 172640 Modification Kits to Add Manual Backspace (Printing on Edge of Tape)	28
30	161304 and 162245 Modification Kits to Add Power Drive to Backspace Mechanism	29
31	Cables	30
32	161321 and 162247 Letters - Figures Contact Assembly	31
33	162379 and 163347 Modification Kits to Add Automatic Non-Interfering Letters Tape Feed-Out	32
34	162379 (Automatic Letters), 162380 (Remote Control Blank), 163347 (Automatic Letters), 173443 (Remote Control Letters) and 176628 (Remote Control Letters) Modification Kits to Add Non-Interfering Tape Feed-Out	33
35	162379 (Automatic Letters), 162380 (Remote Control Blank), 163347 (Automatic Letters), 173443 (Remote Control Letters) and 176628 (Remote Control Letters) Modification Kits to Add Non-Interfering Tape Feed-Out	34
36	162380 (Blank), 173443 (Letters) and 176628 (Letters) Modification Kits to Add Remote Control Non- Non-Interfering Tape Feed-Out	35
37	162380 (Blank), 173443 (Letters) and 176628 (Letters) Modification Kits to Add Remote Control Non-Interfering Tape Feed-Out	36
38	Modification Kits to Provide Unshift Function	37
39	161828 Modification Kit to Make Tape Backspace and Blank Feed-Out Compatible	37
40	176621 Modification Kit to Provide End of Feed-Out Timing Contact for 176628 Letters Tape Feed-Out	38
41	176420 and 176421 Modification Kits to Add Timing Contacts to Selector	39
42	Early Design Main Shaft Mechanisms	40
43	Punch Box Assemblies	41
44	Ribbon Feed Mechanism	42
45	Uncoded Function Blades	43
46	173961 and 179133 Modification Kits to Provide Blank Delete for Typing Reperforator	44
47	173961 and 179133 Modification Kits to Provide Blank Delete for Typing Reperforator	45
48	173135 Tape Absent Contact Bracket Assembly	46
49	164948 Modification Kit to Equip Reperforator with Combination Tape Chute and Knife Tearing Edge When Mounted in an Universal Cabinet	46
50	164506 Modification Kit to Add Multiple Mounted Function Blade Operated Contacts	47
51	Modification Kits to Equip a Reperforator with an Auxiliary Contact Assembly and Function Blades	47
52	178917 Modification Kit to Provide Backspace Mechanism for Fully Perforator Tape and Printing Between Feed Holes	48
53	178918 Modification Kit to Provide Guard for Backspace Mechanism (Fully Perforated Tape, Printing Between Feed Holes)	48
54	179275 Modification Kit to Provide Positive Engagement of Punch Slides with the Latch Levers	49
55	174475 Modification Kit to Provide Print Suppression on Functions	49
56	Motor Control Mechanism	50
57	Code Reading Contact Cables	51
58	Typewheel Chart	52
	Numerical Index	53

Set Specific Base

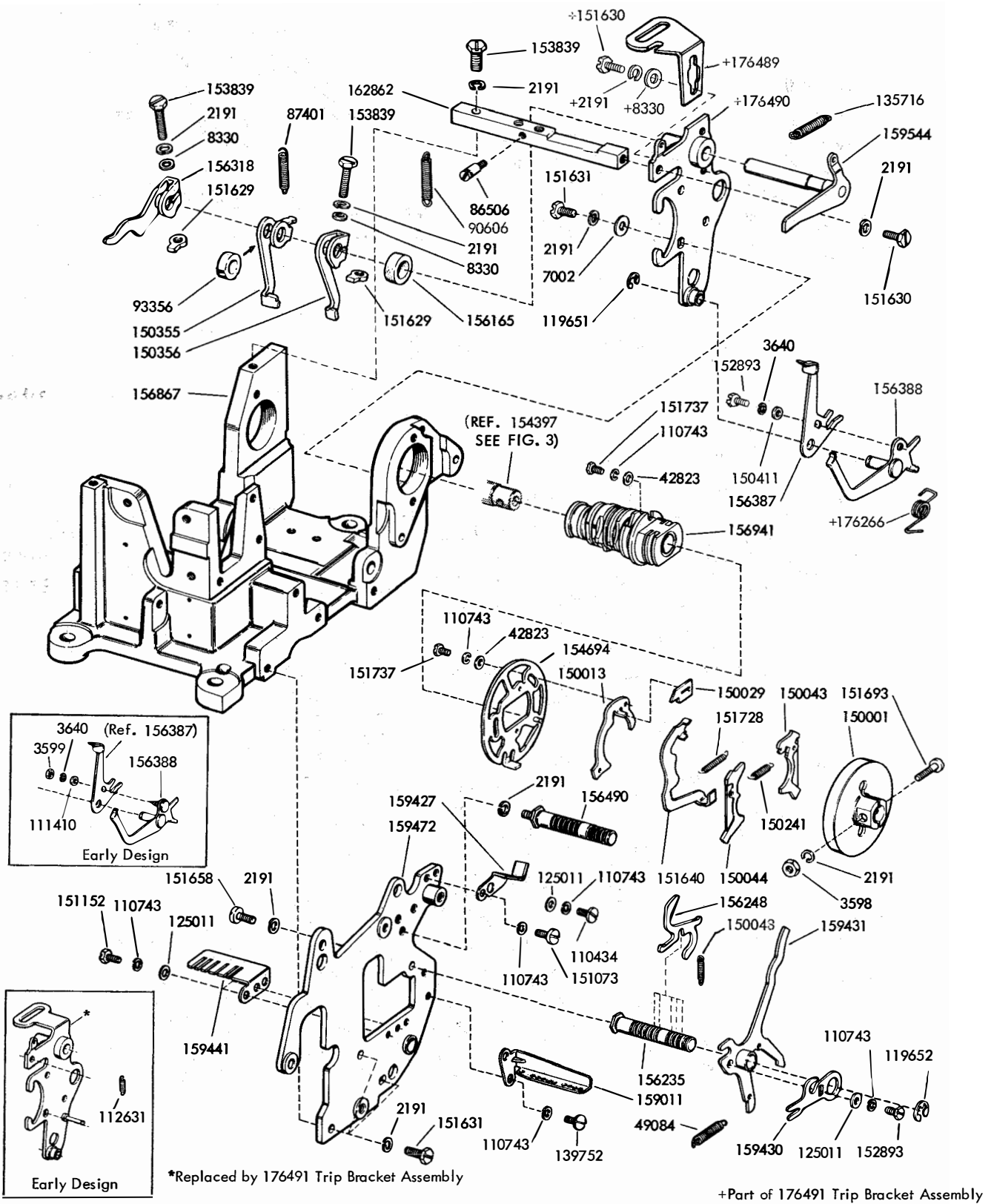


FIGURE 1. FRAME MECHANISM

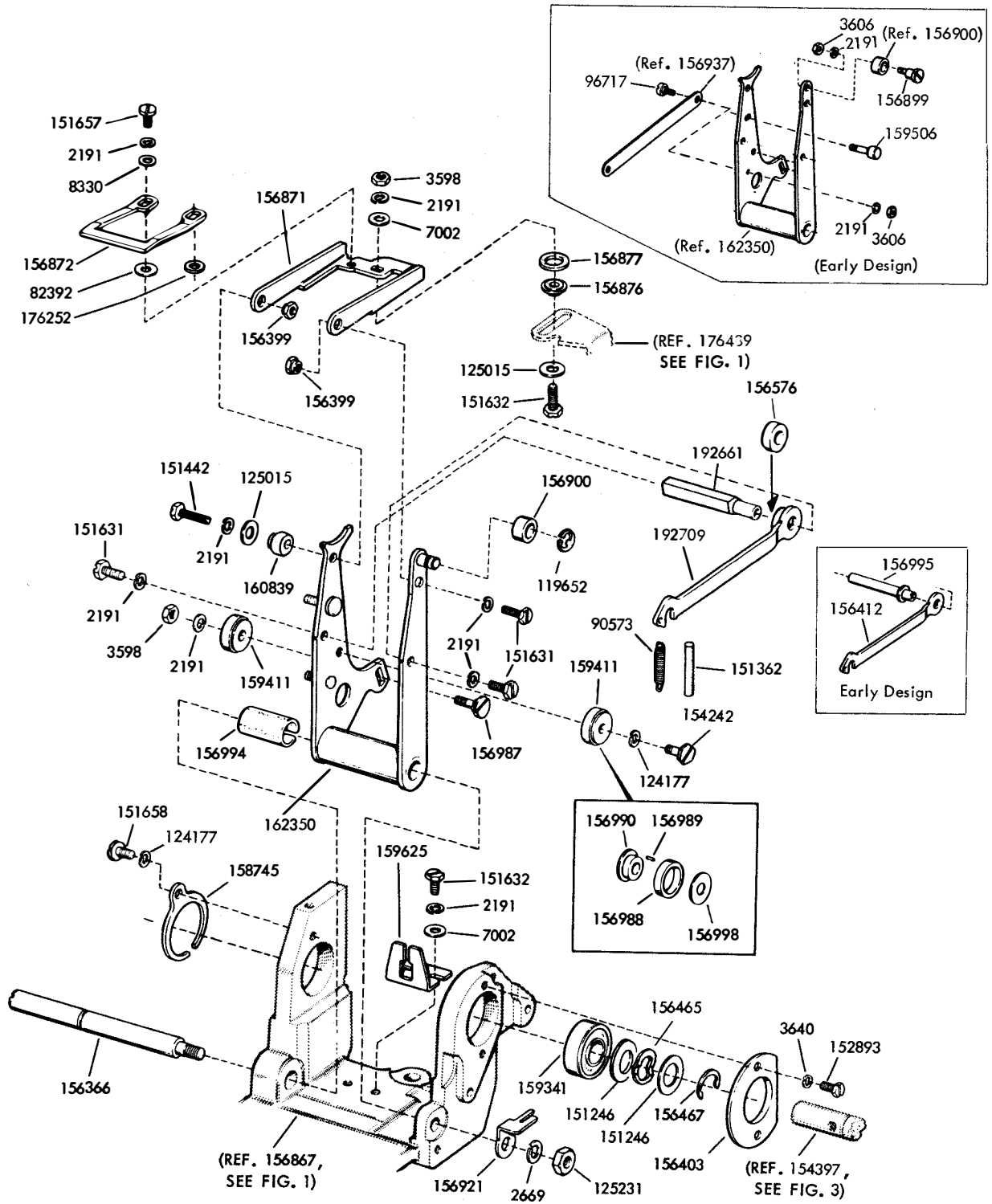
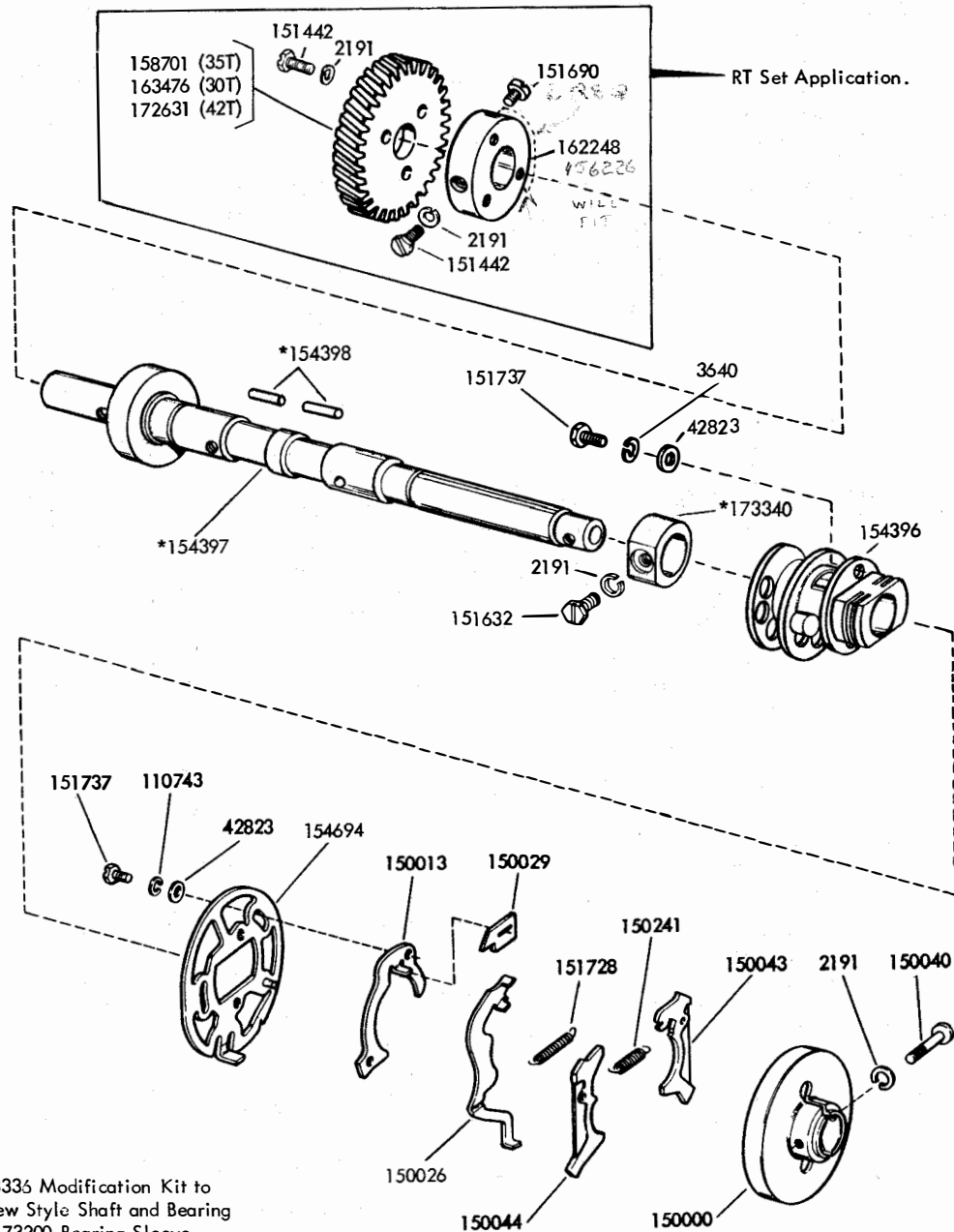


FIGURE 2. FRAME MECHANISM



*Part of 173336 Modification Kit to Provide New Style Shaft and Bearing (Includes 173200 Bearing Sleeve Shown on Figure 42).

173336 - Specification 59795

FIGURE 3. MAIN SHAFT MECHANISM

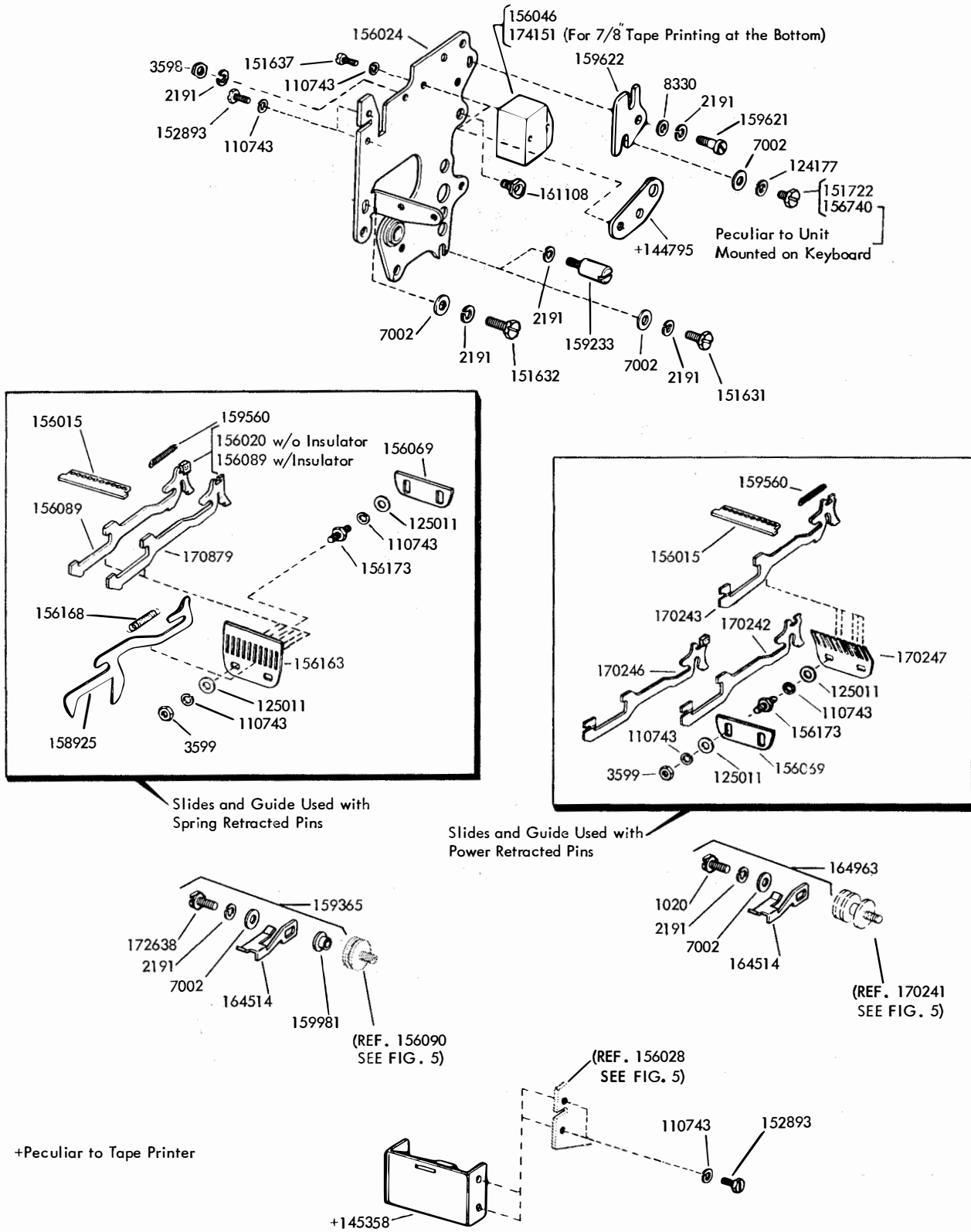


FIGURE 4. PUNCH REAR PLATE MECHANISM

159365 - Specification 57285

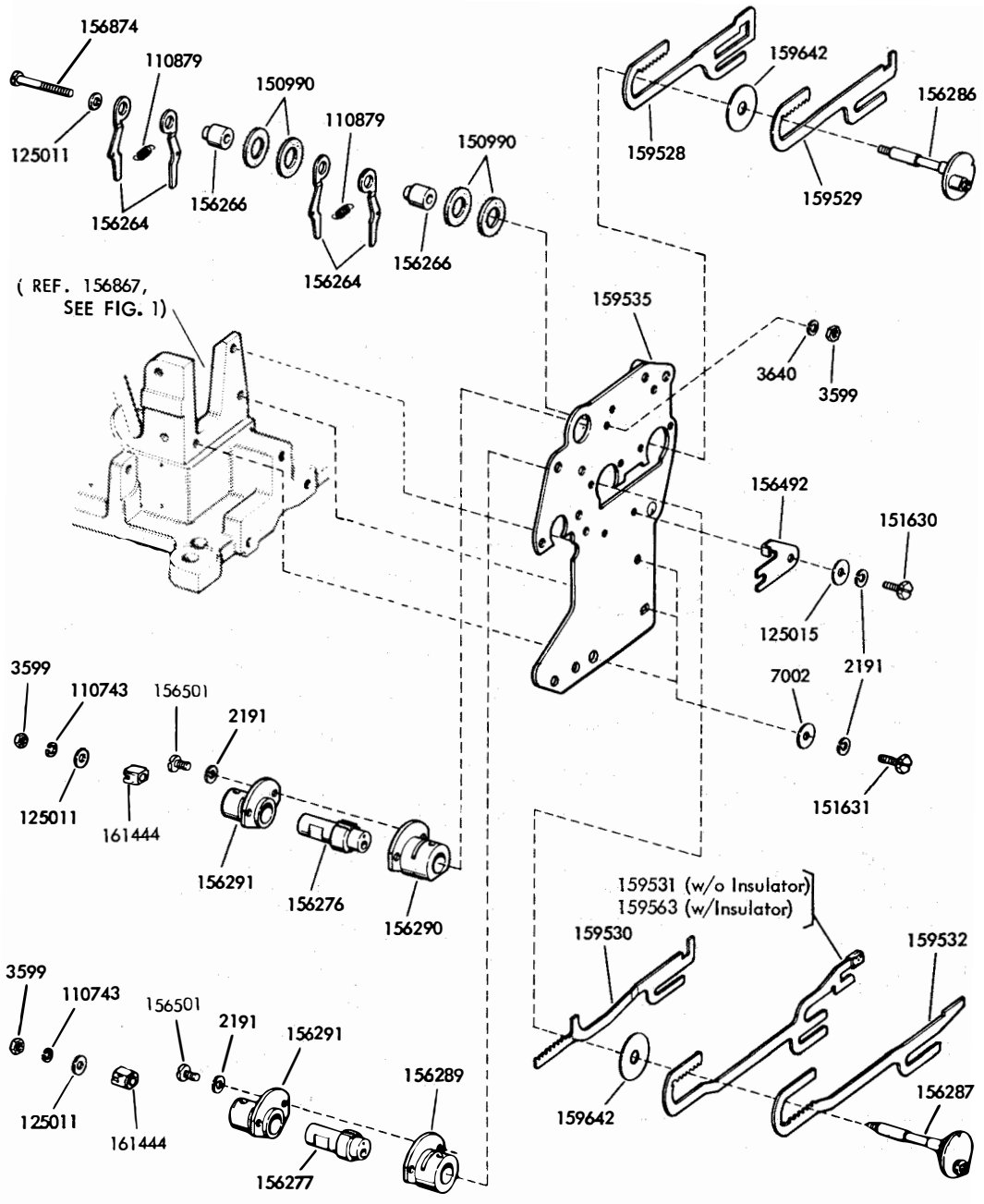
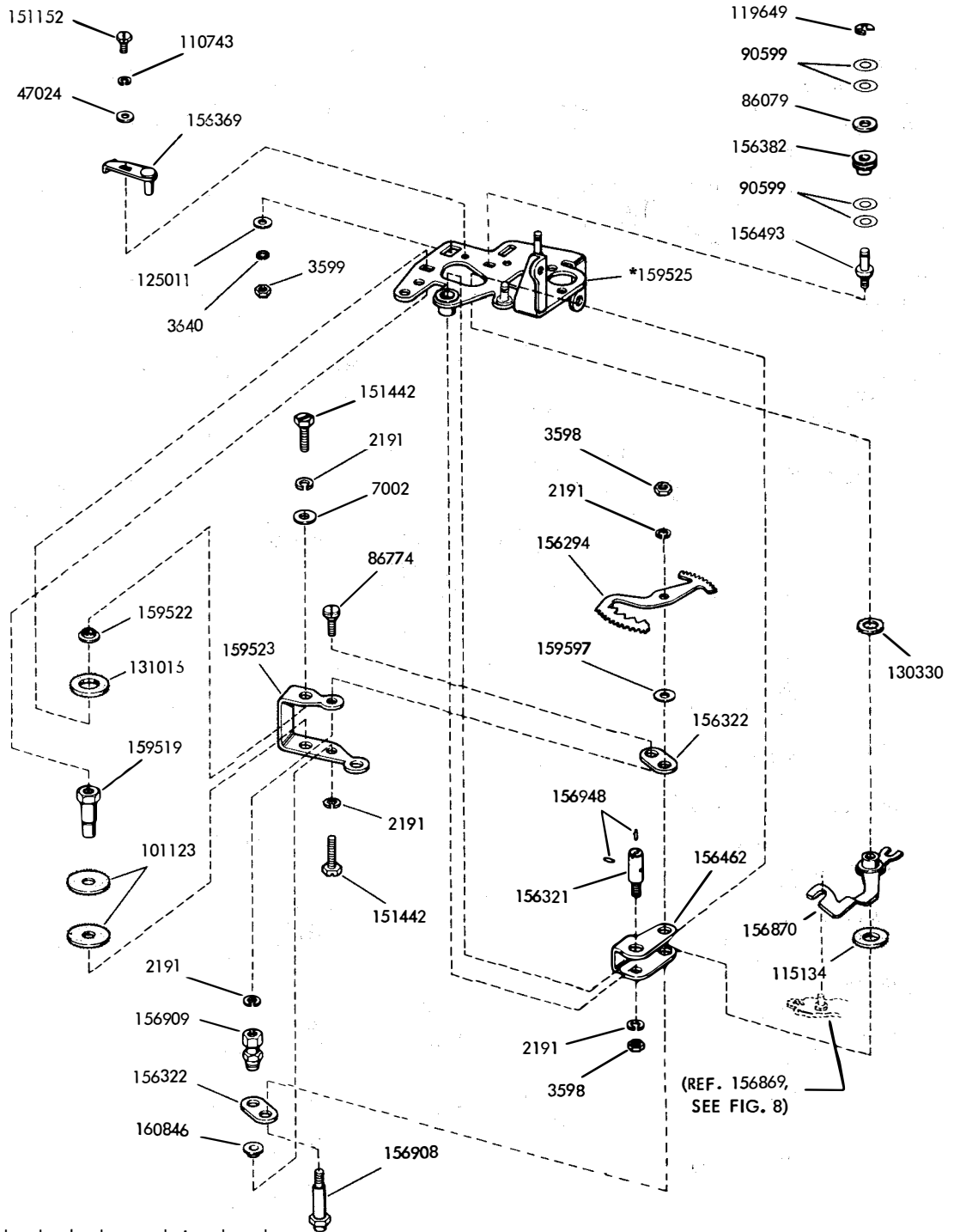


FIGURE 7. ROTARY POSITIONING MECHANISM



*The 159525 bracket has been redesigned, and now includes the axial correction plate mounting post. The 156397 post, 2191 lock washer and 154244 shoulder nut will be supplied for maintenance.

FIGURE 9. AXIAL POSITIONING MECHANISM

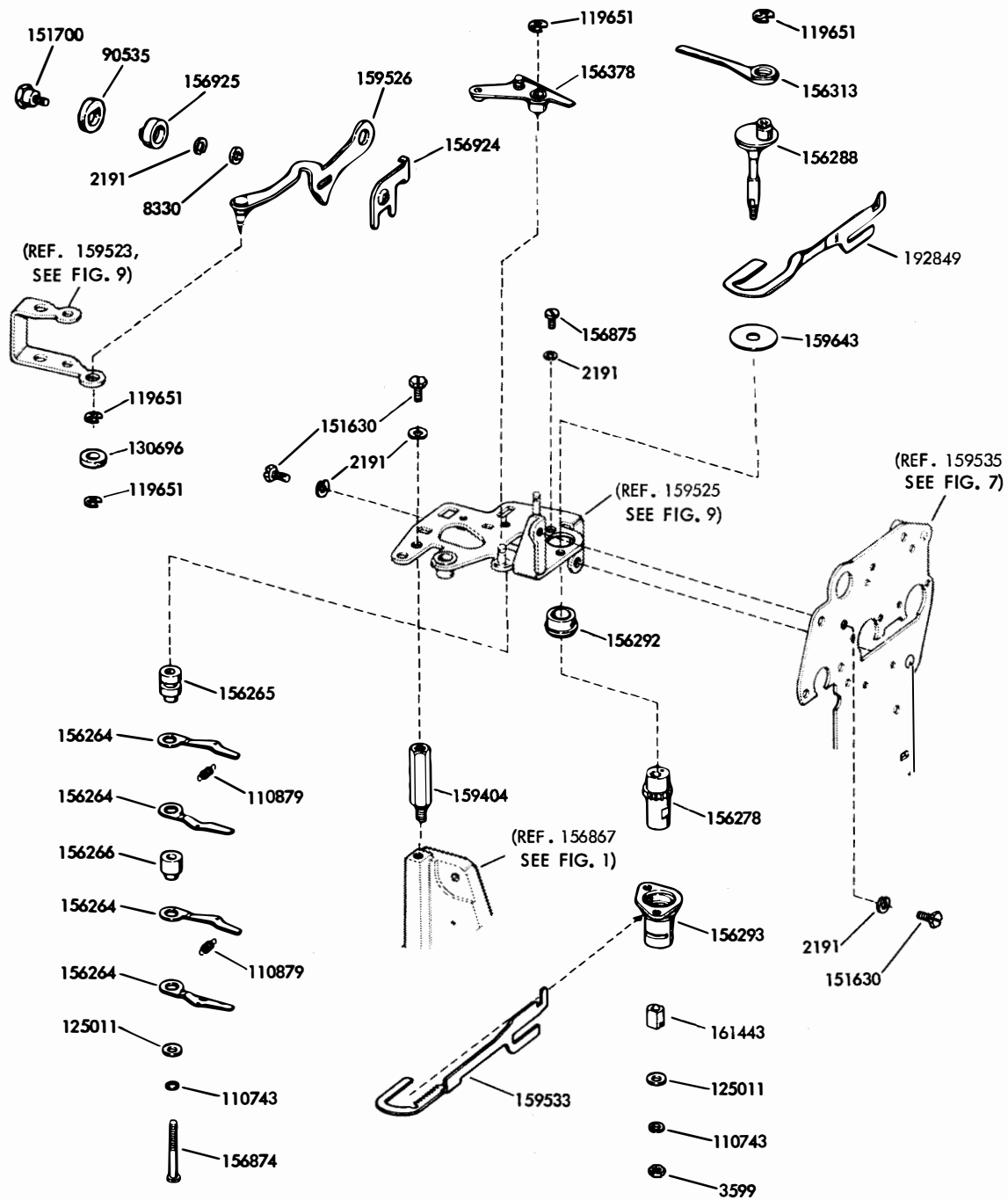


FIGURE 10. AXIAL POSITIONING MECHANISM

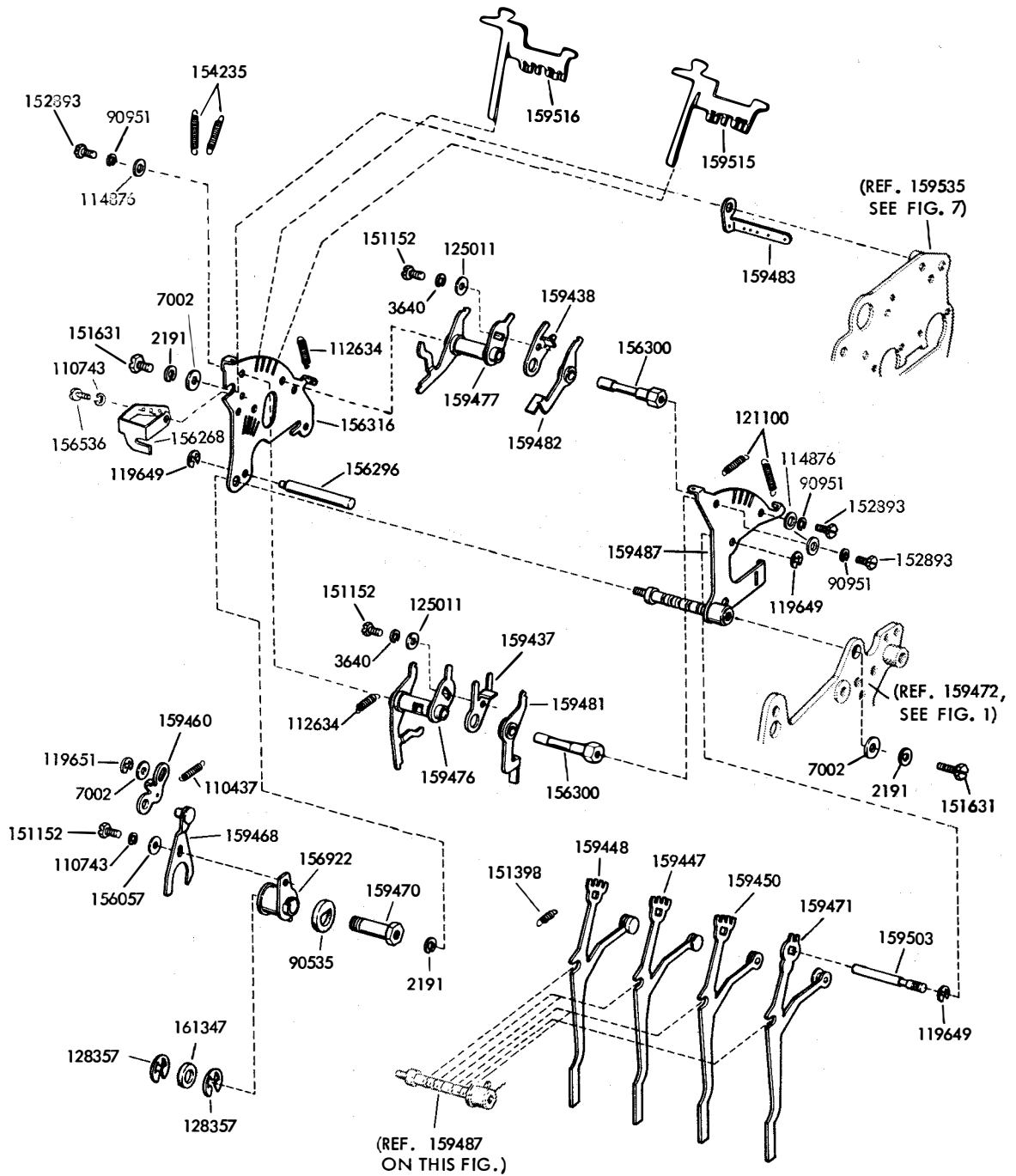


FIGURE 11. FUNCTION BOX MECHANISM

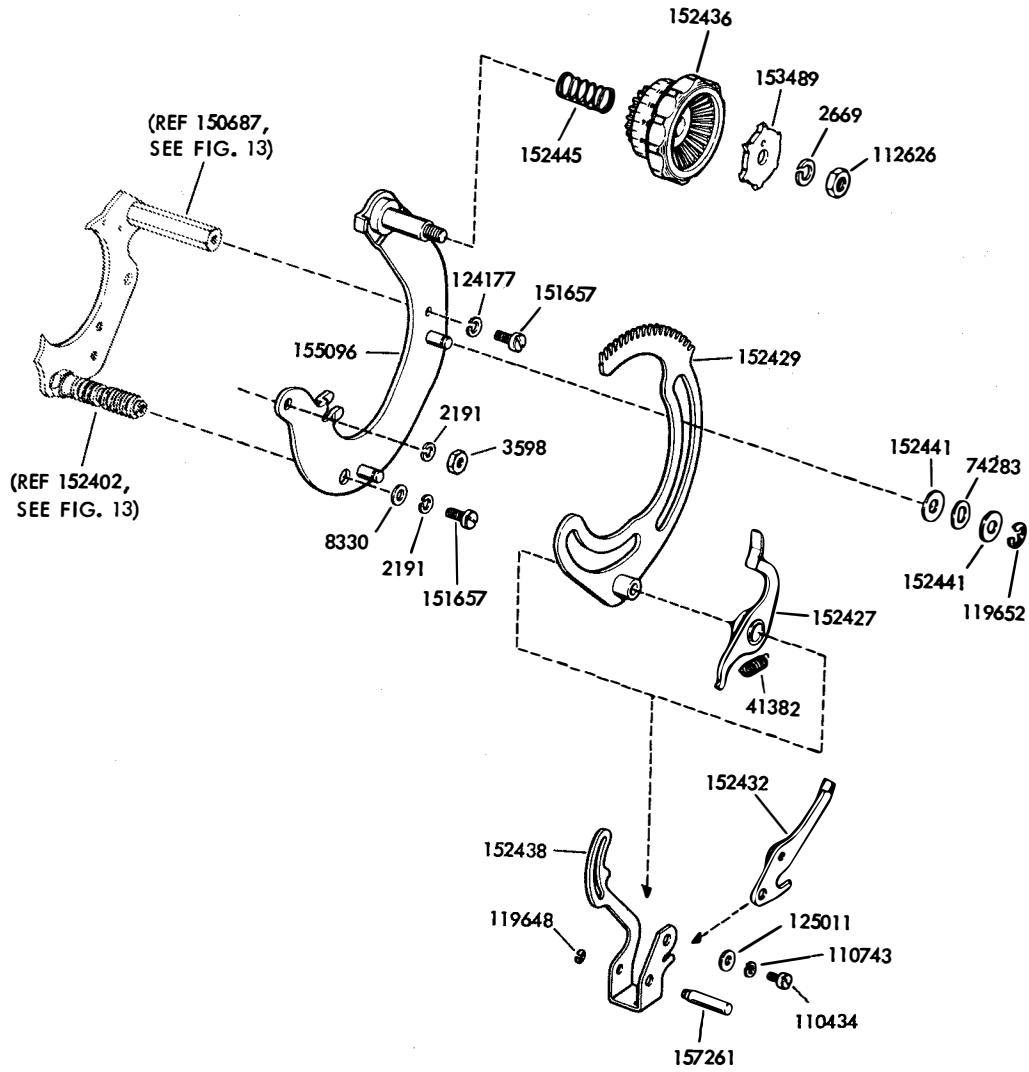


FIGURE 12. RANGE FINDER MECHANISM

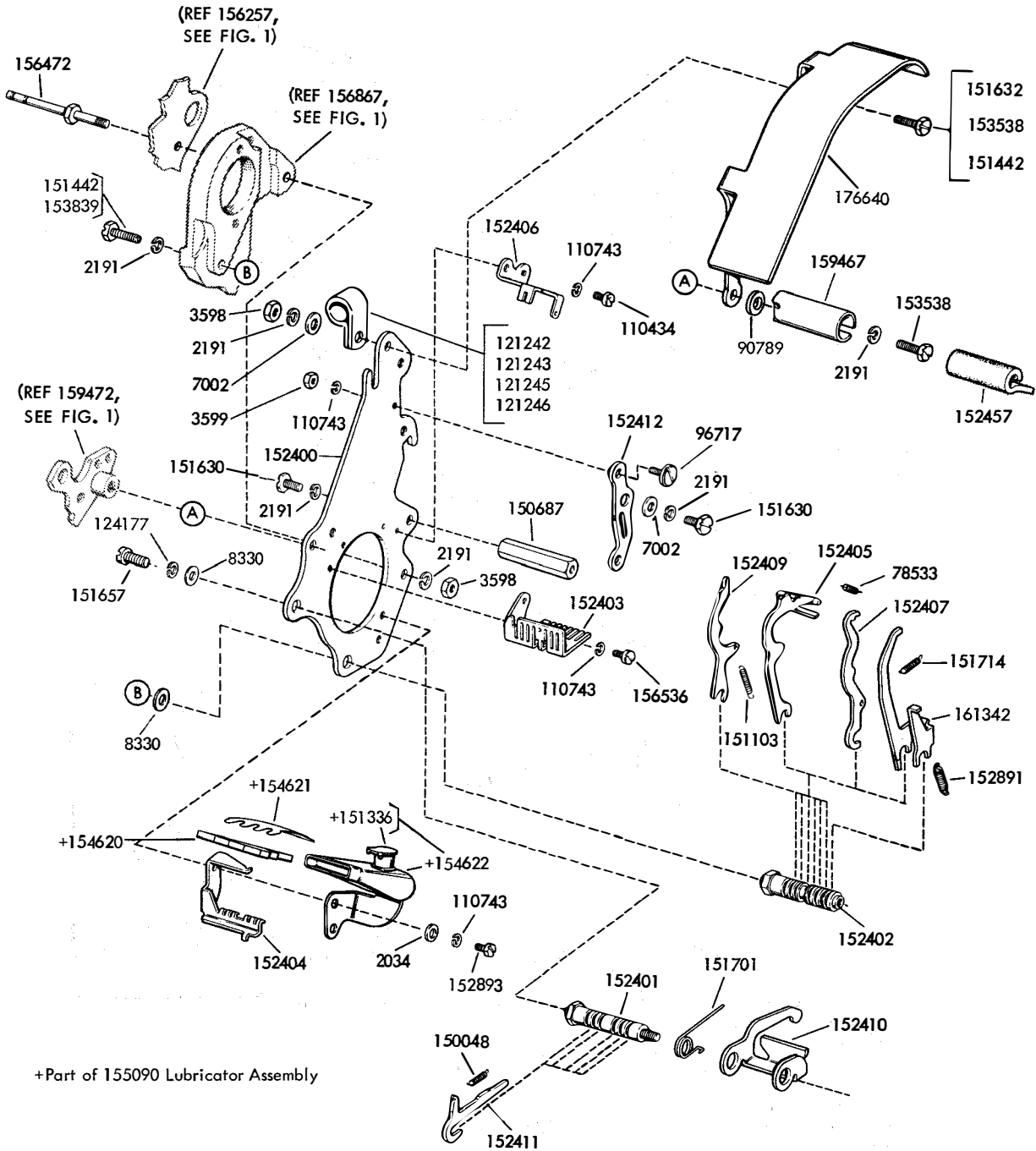
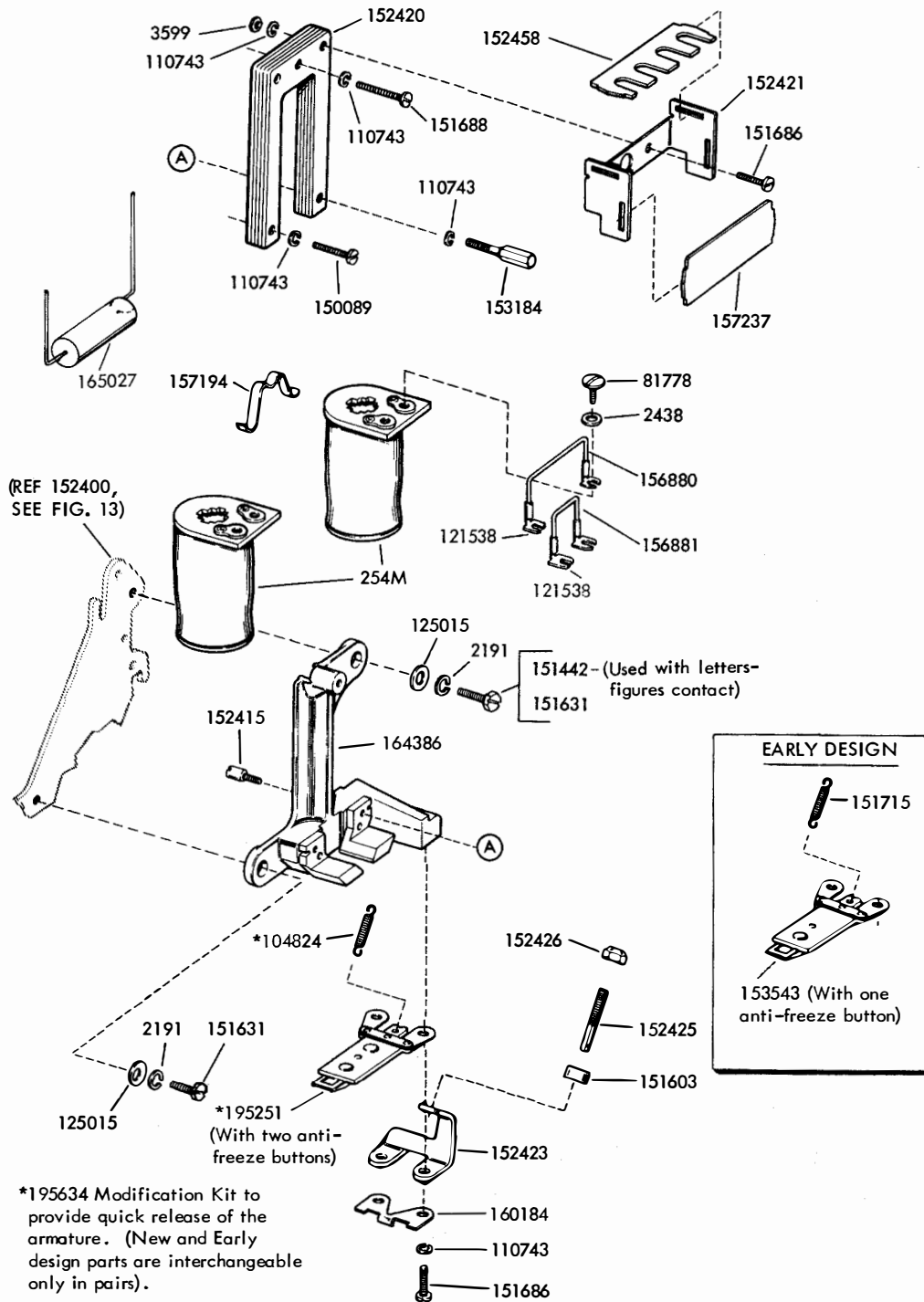


FIGURE 13. SELECTING MECHANISM



195634 - Specification 501655

FIGURE 14. SELECTING MAGNET MECHANISM

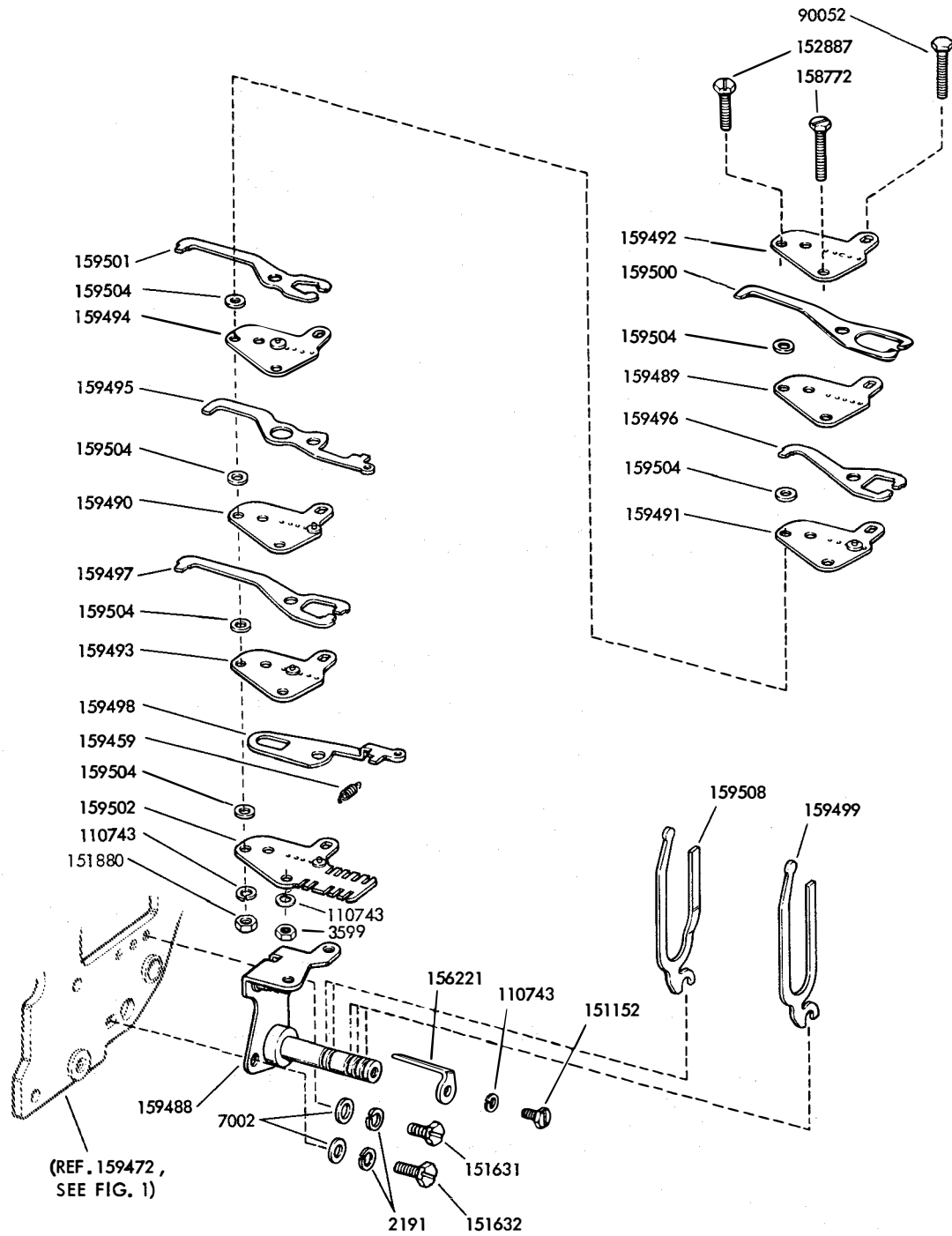
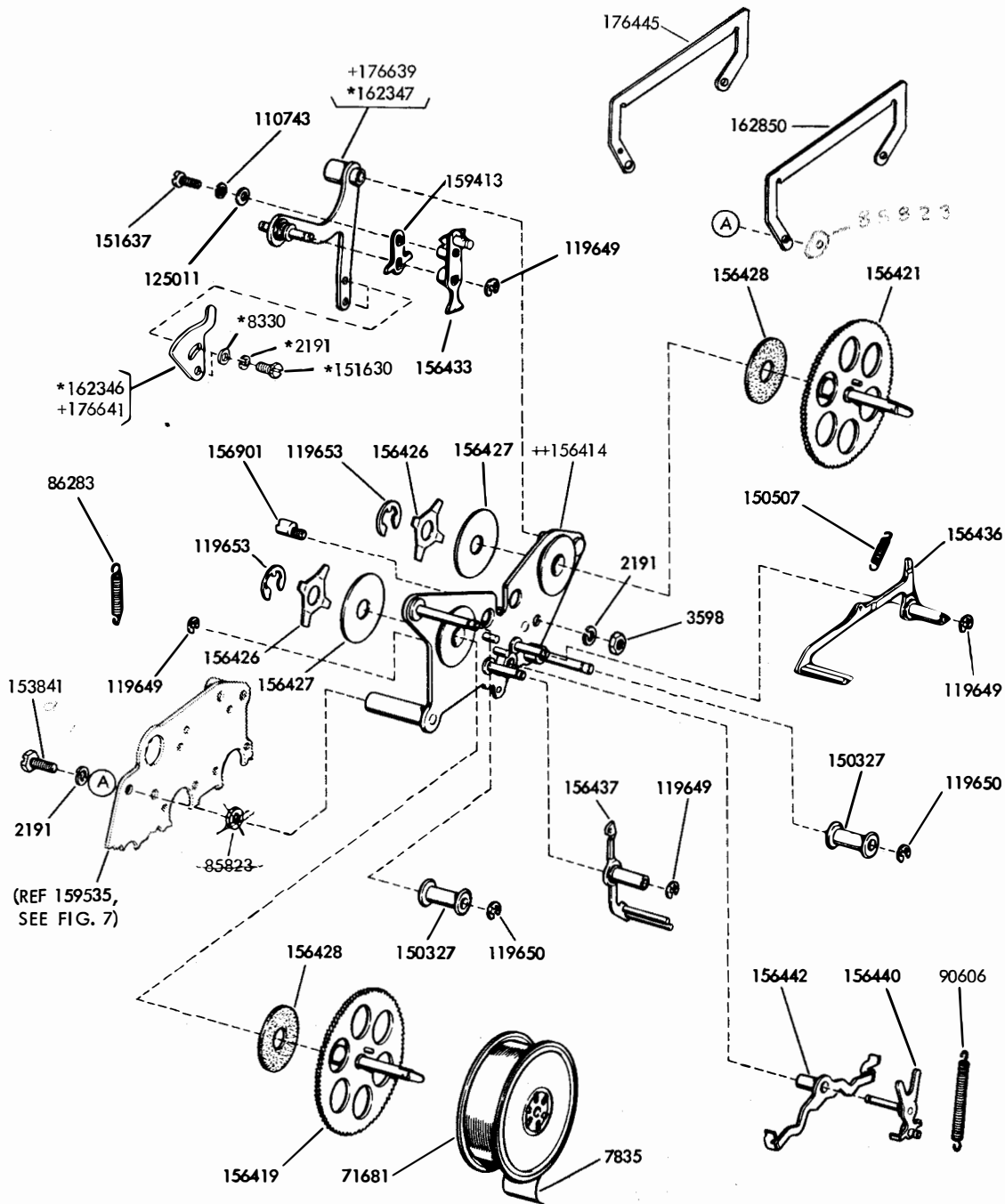


FIGURE 15. TRANSFER MECHANISM



For Latest Design Ribbon Feed Mechanism See Figure 44)

*The ribbon drive arm (formerly 156431) has been redesigned and assigned part number 162347. When it is necessary to replace an old style ribbon drive arm, a 154325 modification kit to provide an adjustable drive arm (includes all parts marked with an asterisk) should be ordered.

+Peculiar to units printing between feed holes

++The 156414 mounting plate has been redesigned and now includes the drive arm spring mounting post. The post replaced the 159993 spring bracket which is still available for maintenance.

154325 - Specification 5951S

FIGURE 16. EARLY DESIGN RIBBON FEED MECHANISM

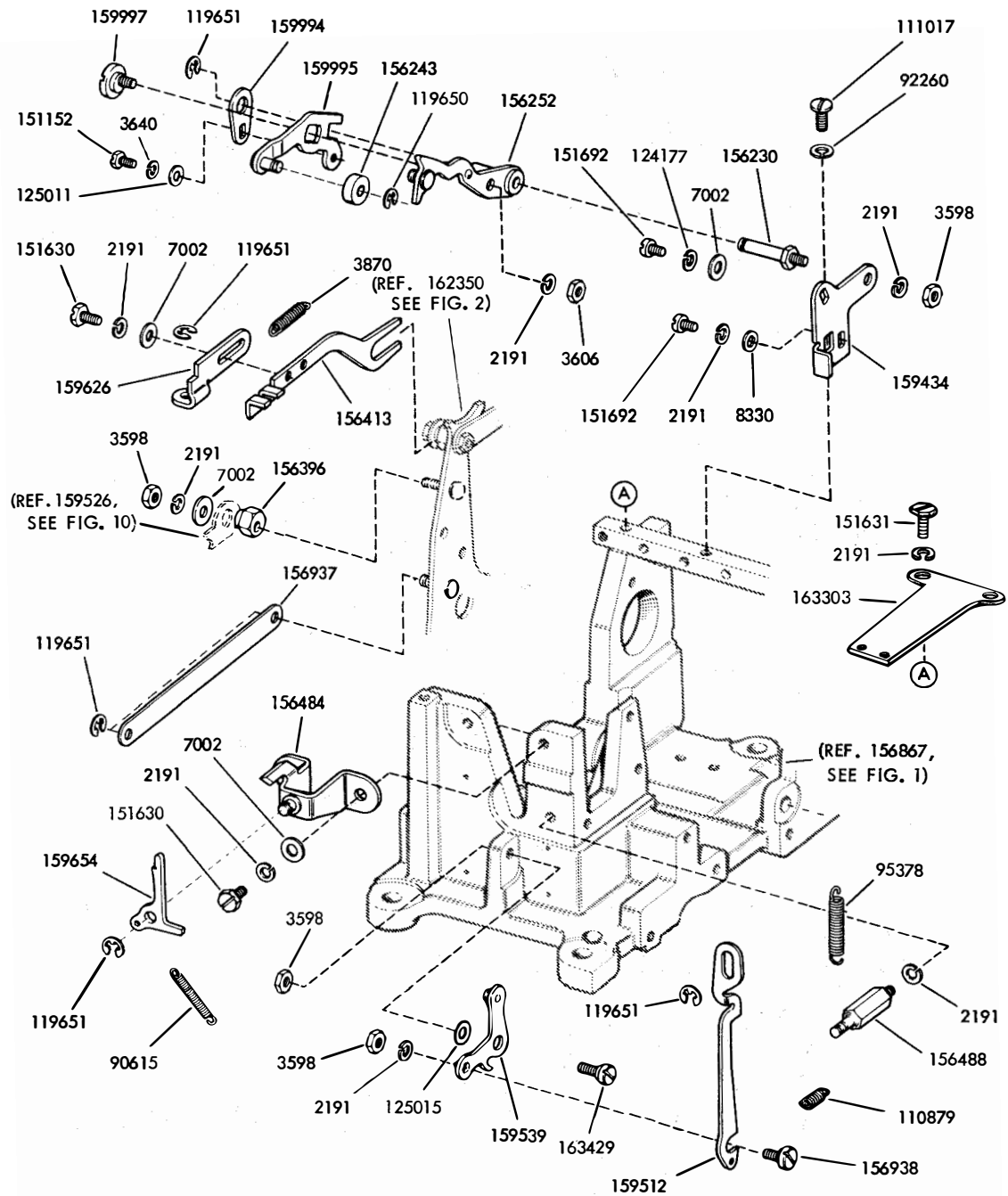


FIGURE 17. TYPING MECHANISM

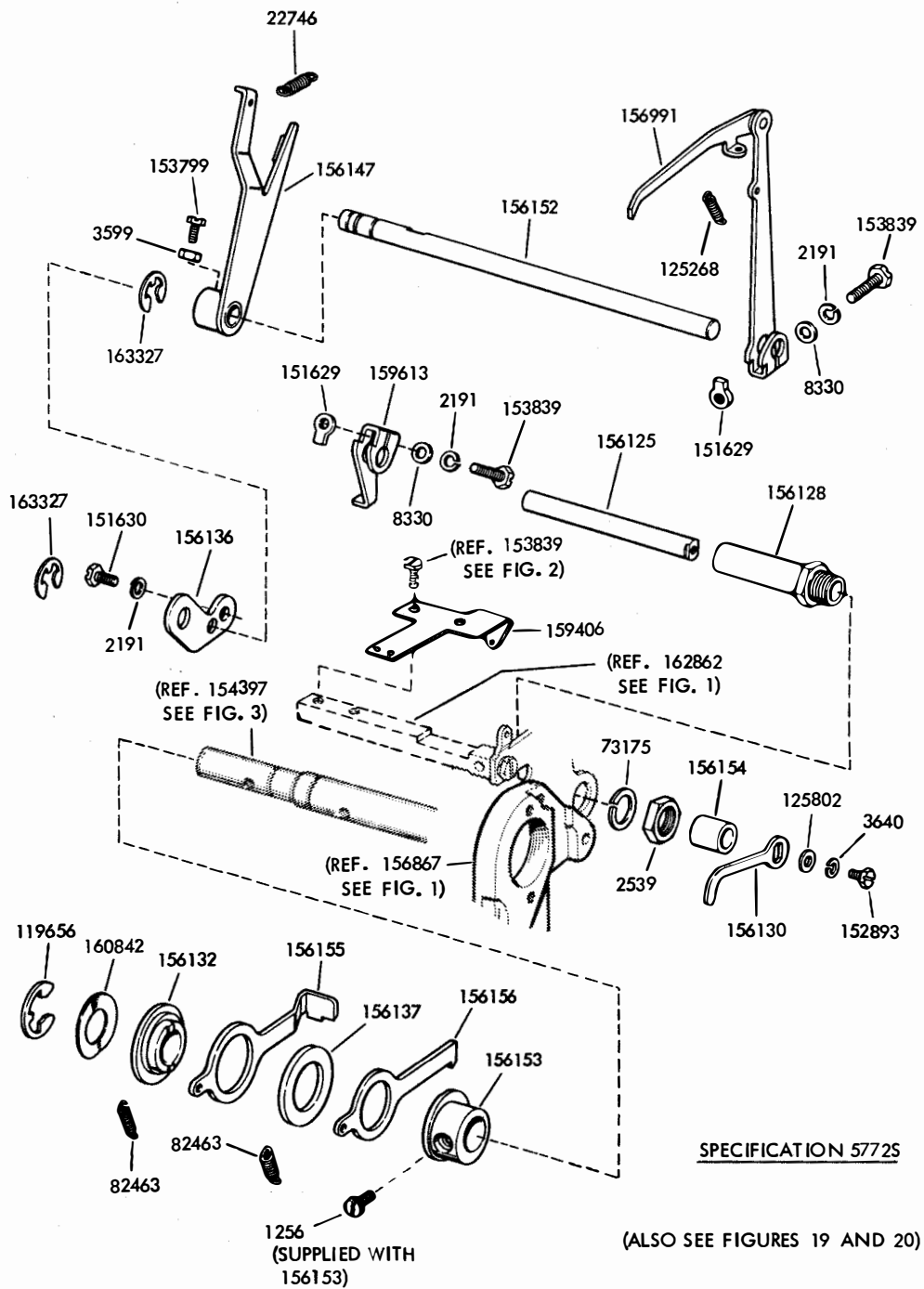
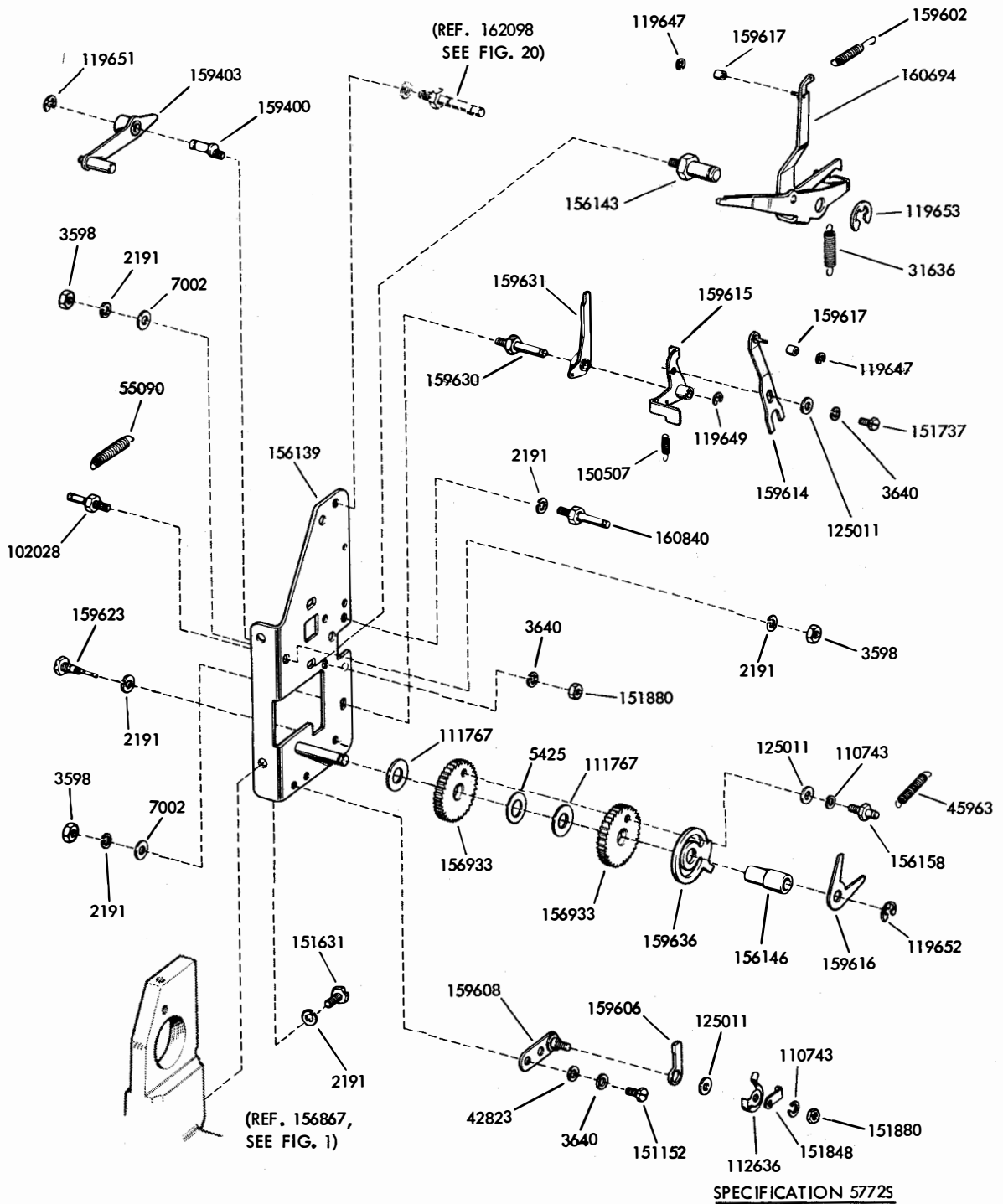
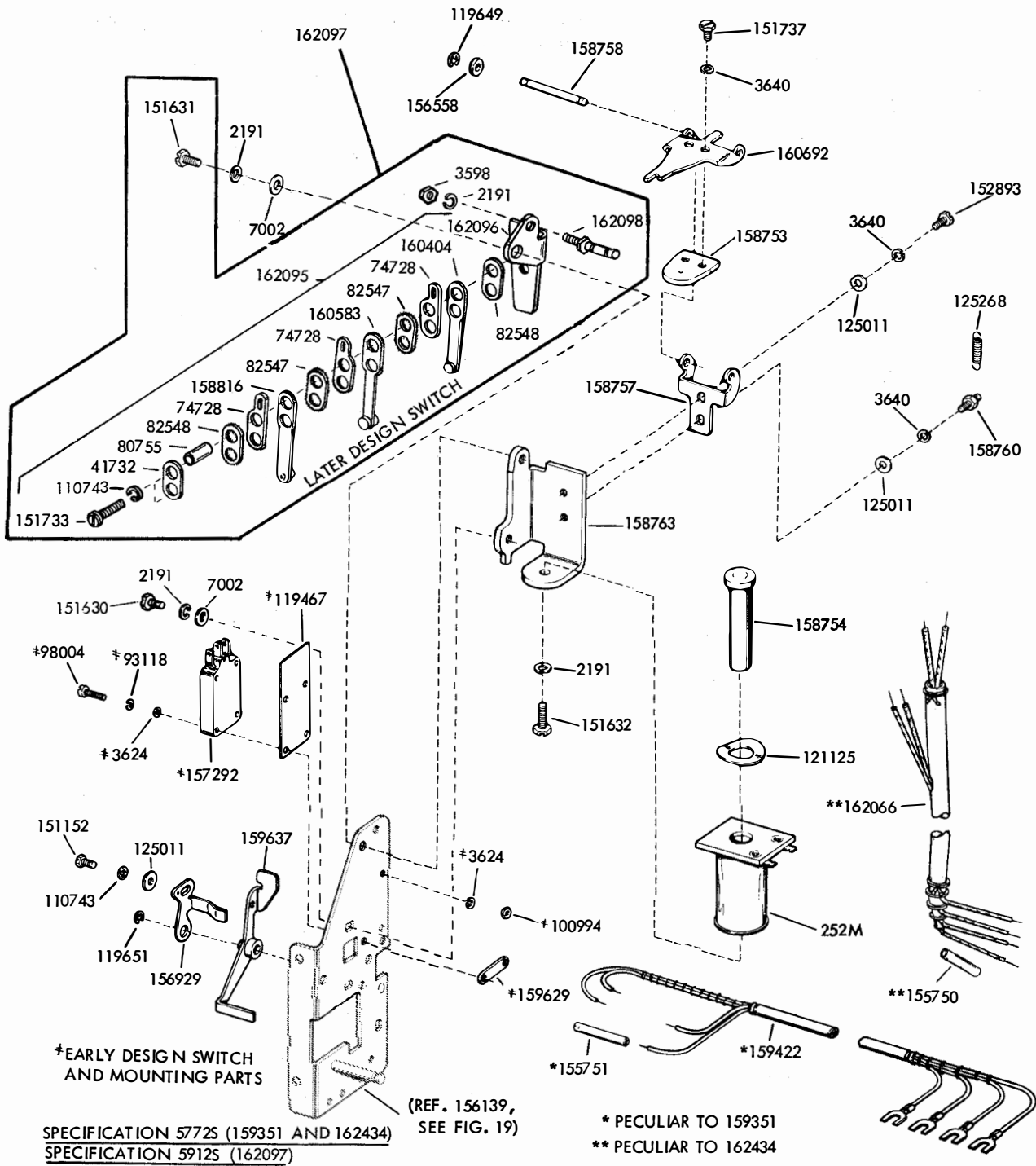


FIGURE 18. 159351 AND 162434 MODIFICATION KITS TO ADD NON-INTERFERING BLANK TAPE FEED-OUT



(ALSO SEE FIGURES 18 AND 20)

FIGURE 19. 159351 AND 162434 MODIFICATION KITS TO ADD NON-INTERFERING BLANK TAPE FEED-OUT



(ALSO SEE FIGURES 18 AND 19)

FIGURE 20. 159351 AND 162434 MODIFICATION KITS TO ADD NON-INTERFERING BLANK TAPE FEED-OUT

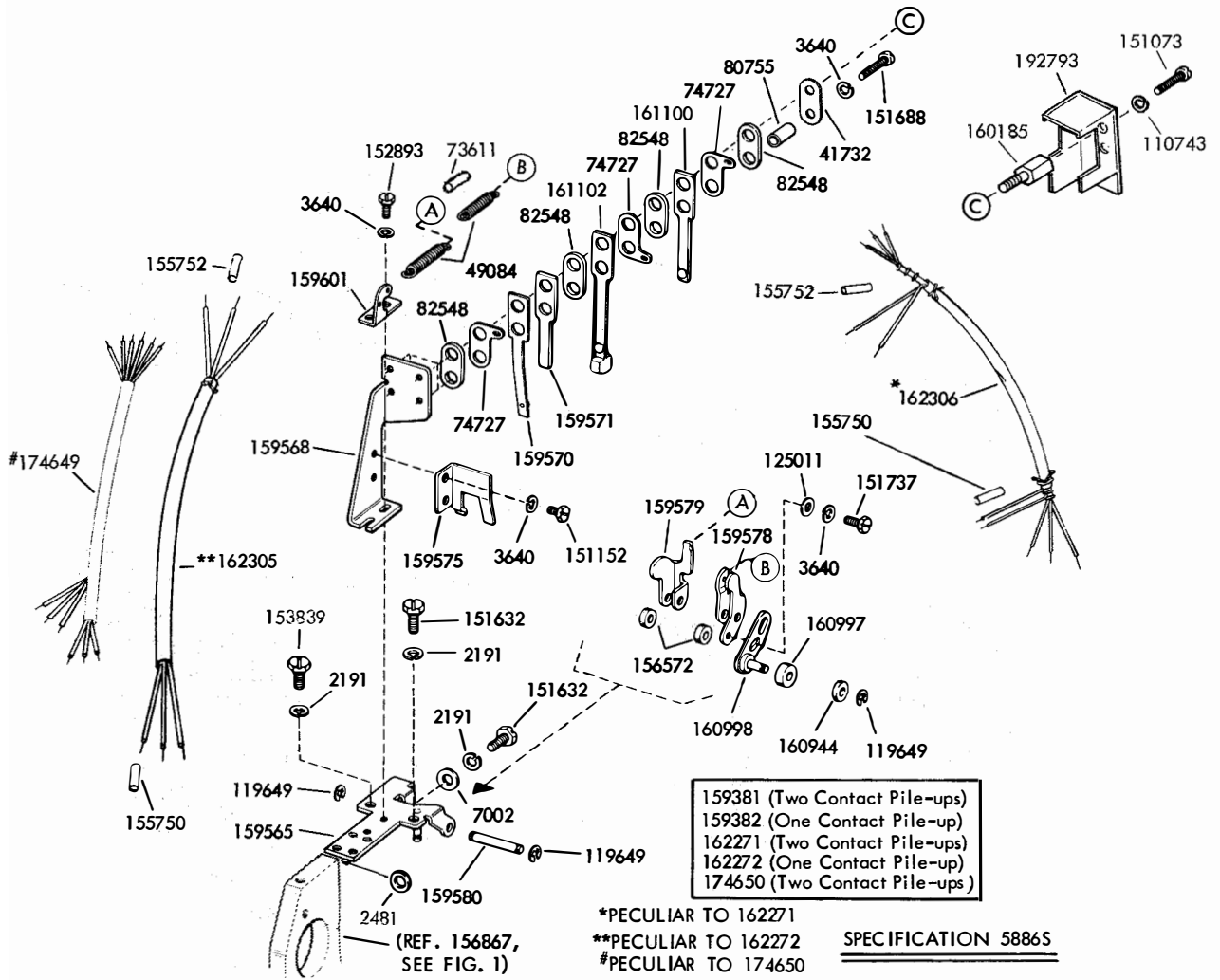


FIGURE 21. MODIFICATION KITS TO ADD TIMING CONTACTS

MODIFICATION KIT	Variable Features of the Modification Kits		CABLE*
	CONTACT ASSEMBLY TRANSFER	MAKE-ONLY	
159379		158950	
159380	156078		
162273	156078		162304
162274		158950	162303
163945	156078		163946

*CABLES ILLUSTRATED ON FIGURE 57.

SPECIFICATION 5886S

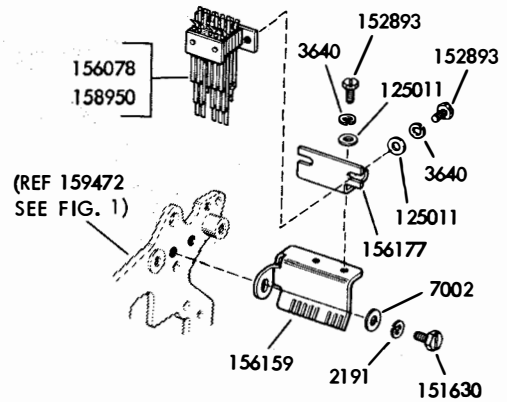
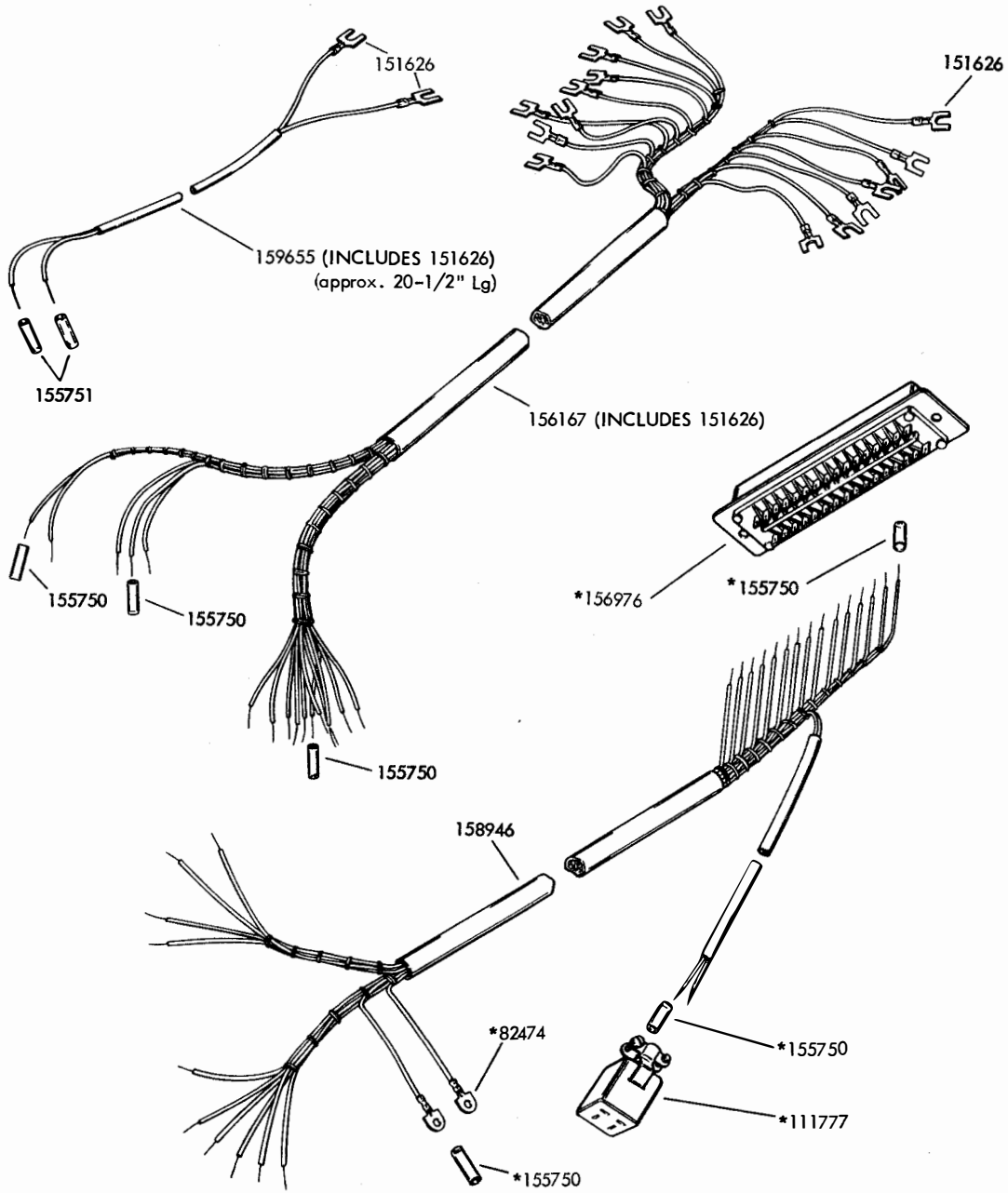


FIGURE 22. MODIFICATION KITS TO ADD CODE READING CONTACTS



*Peculiar to 158946

FIGURE 23. CABLES

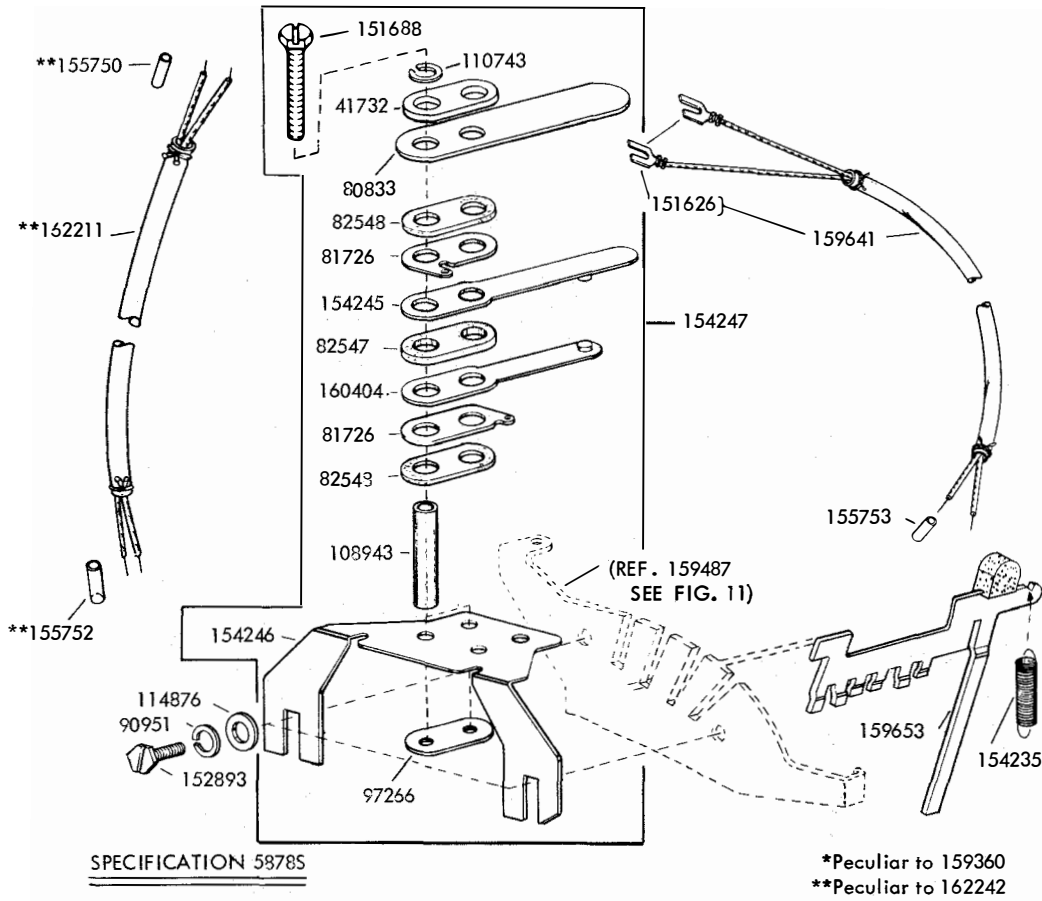


FIGURE 24. 159360 AND 162242 MODIFICATION KITS TO ADD SIGNAL BELL CONTACT

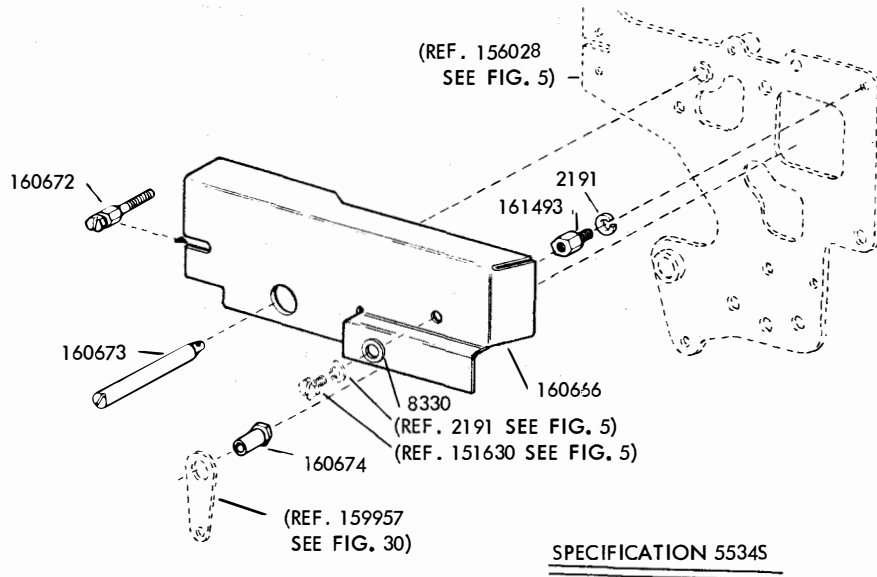


FIGURE 25. 160881 MODIFICATION KIT TO ADD GUARD FOR BACKSPACE MECHANISM (PRINTING ON EDGE OF TAPE)

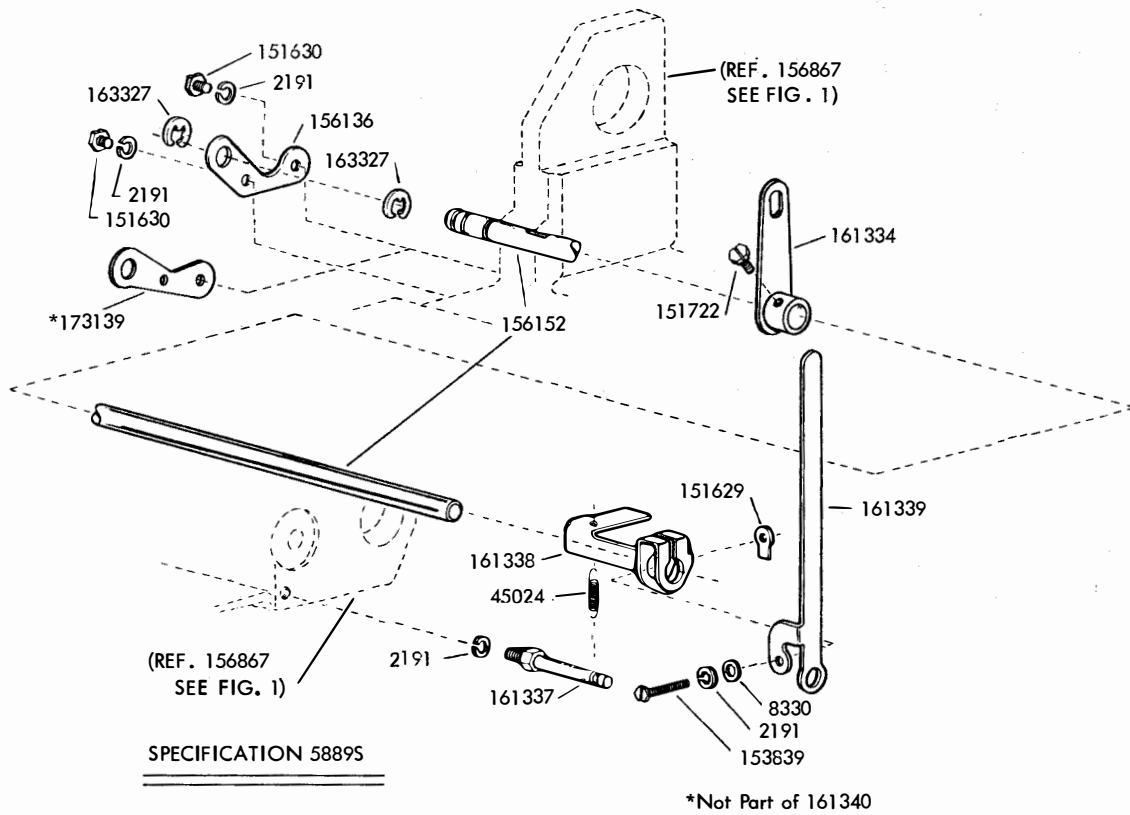


FIGURE 26. 161340 MODIFICATION KIT TO ADD MANUAL INTERFERING LETTERS TAPE FEED-OUT

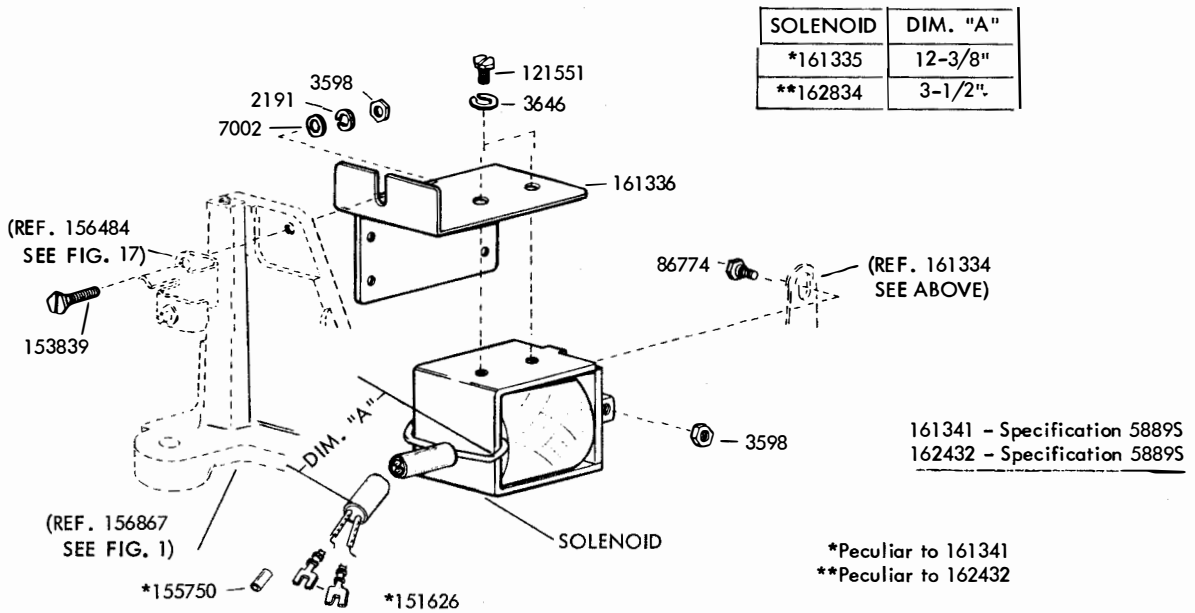


FIGURE 27. 161341 AND 162432 MODIFICATION KITS TO ADD SOLENOID OPERATIONS TO LETTERS FEED-OUT

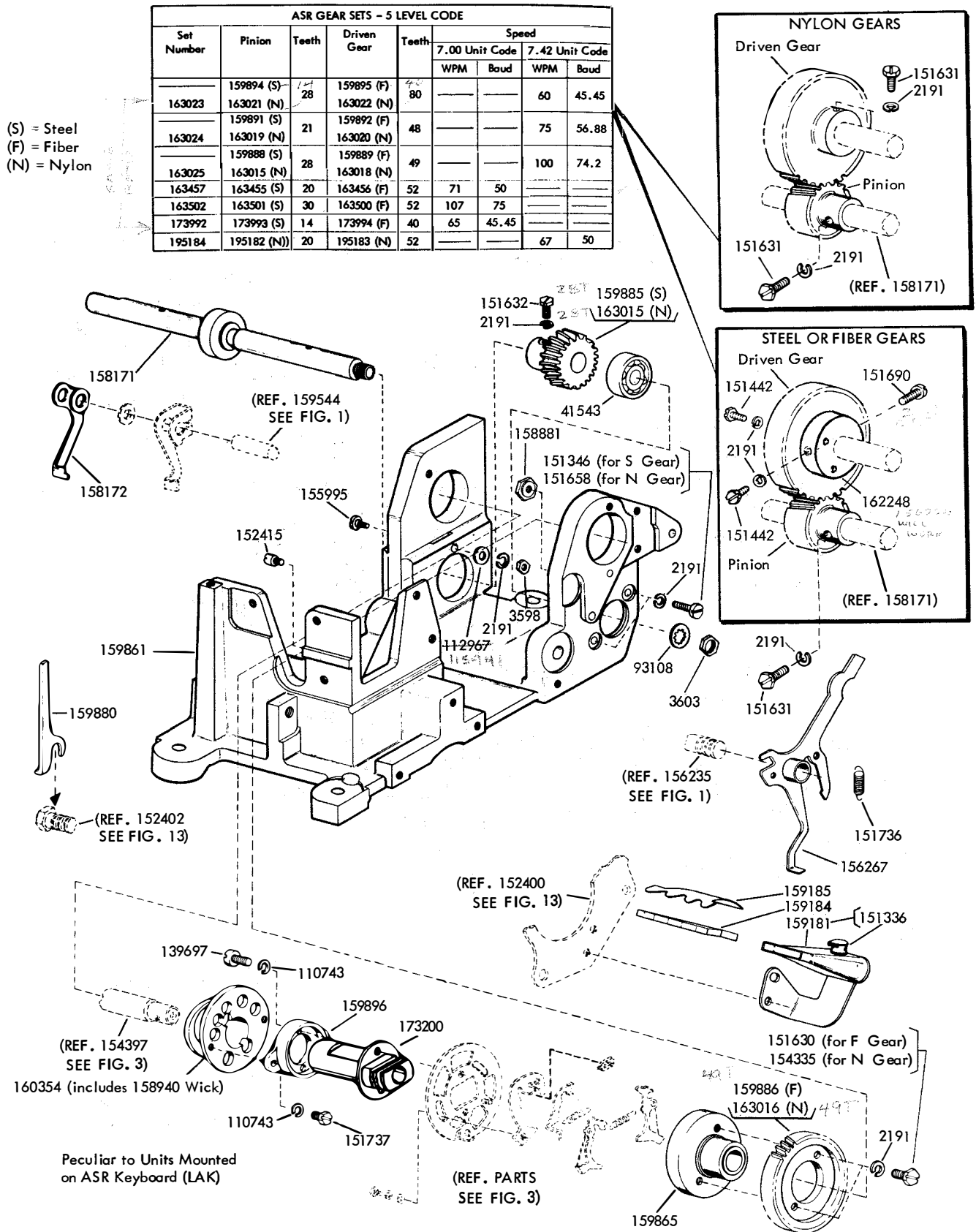
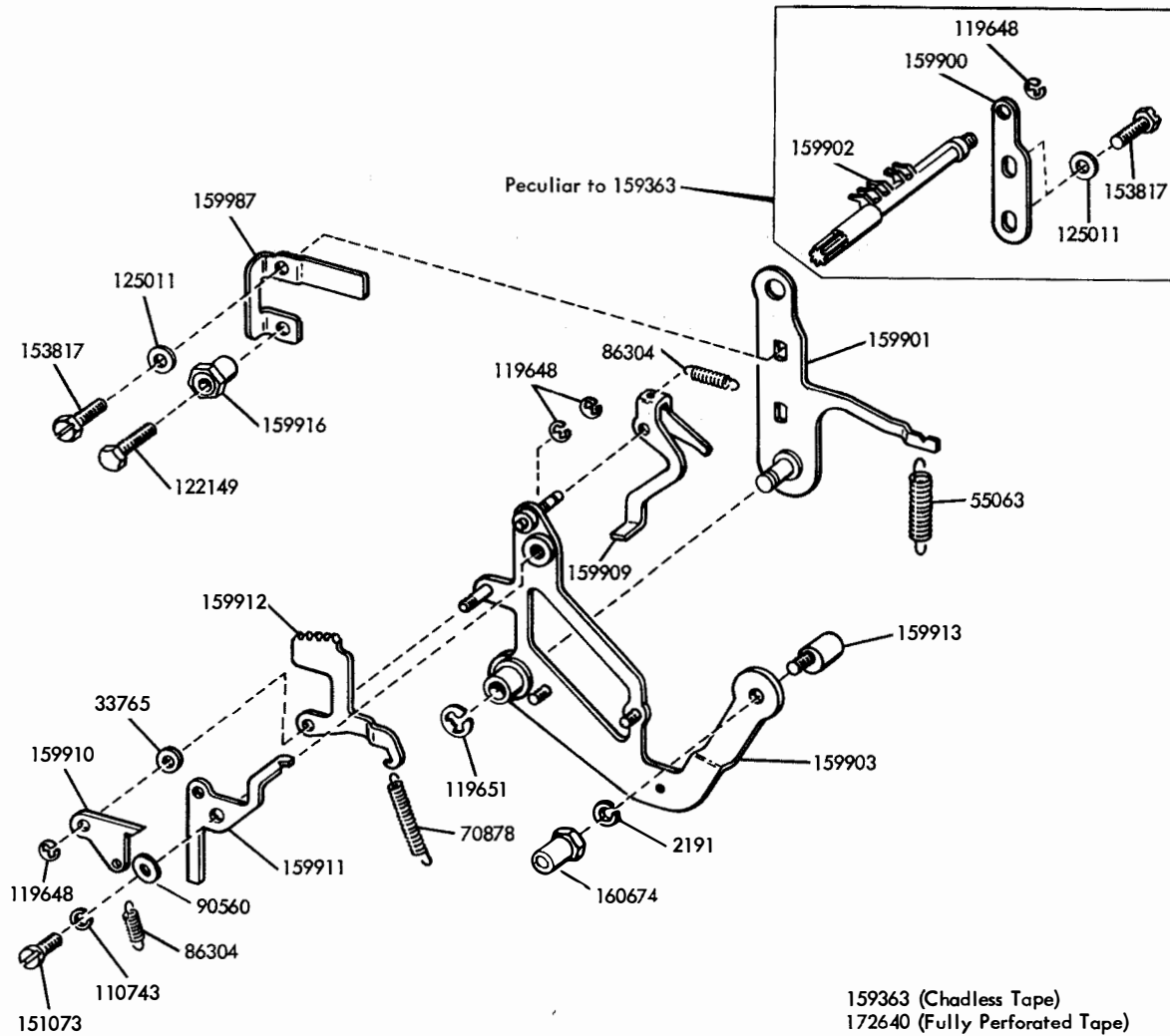
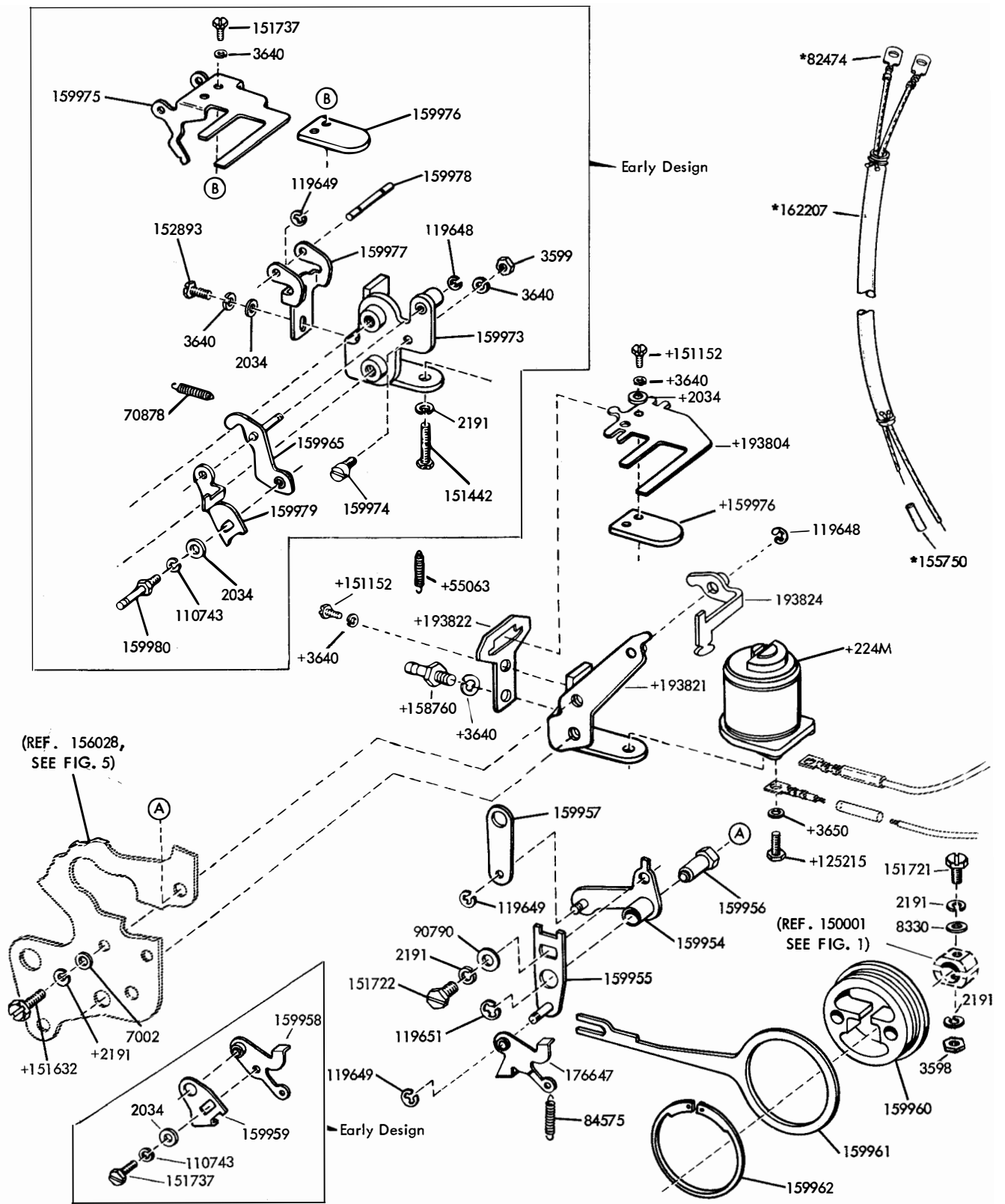


FIGURE 28. TWO-SHAFT MECHANISM



159363 - Specification 5534S
172640 - Specification 5534S

FIGURE 29. 159363 AND 172640 MODIFICATION KITS TO ADD MANUAL BACKSPACE (PRINTING ON EDGE OF TAPE)



* Peculiar to 162245
 +Part of 193825 Backspace Magnet Assembly

SPECIFICATION 5534S

FIGURE 30. 161304 AND 162245 MODIFICATION KITS TO ADD POWER DRIVE TO BACKSPACE MECHANISMS

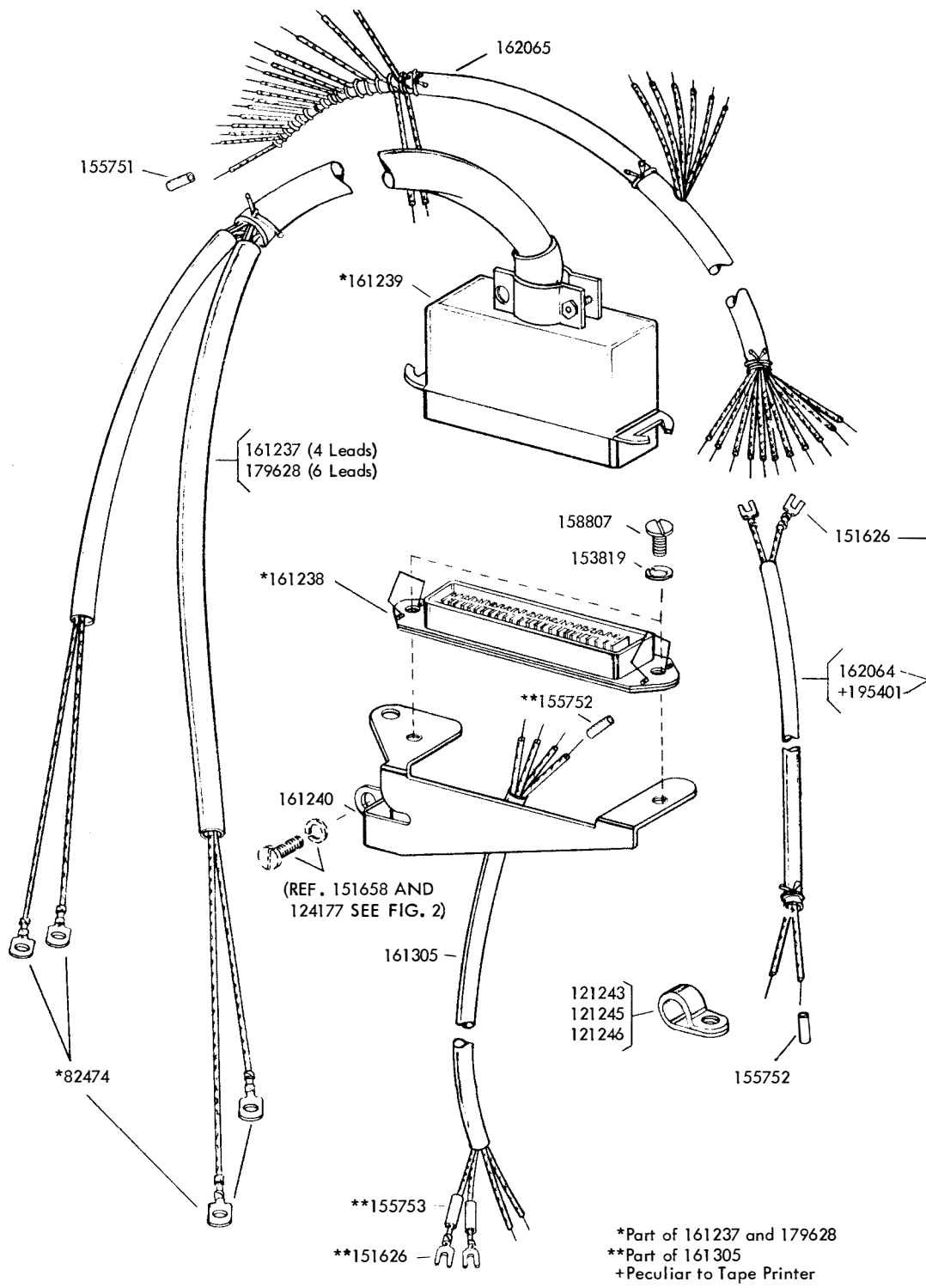
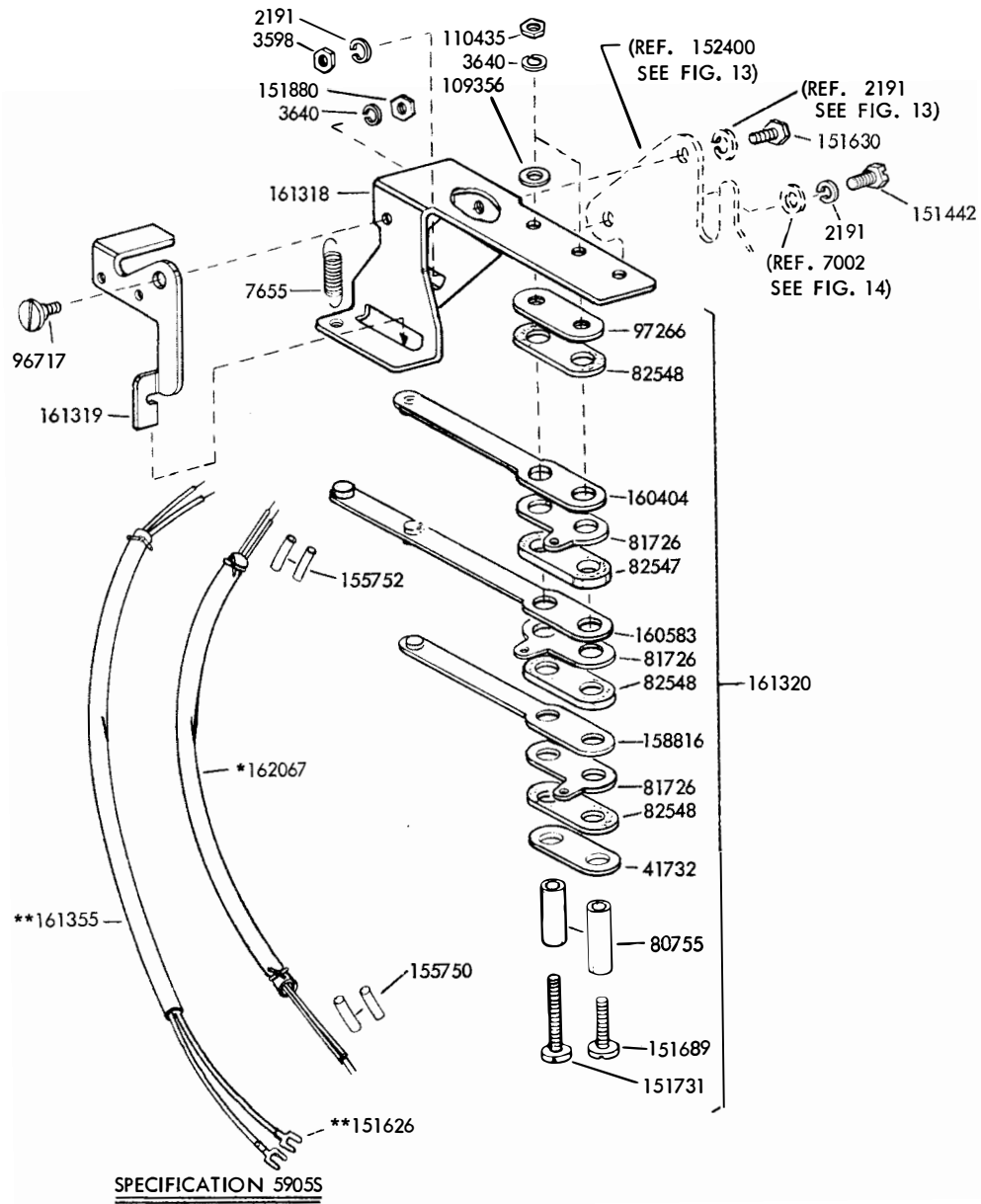
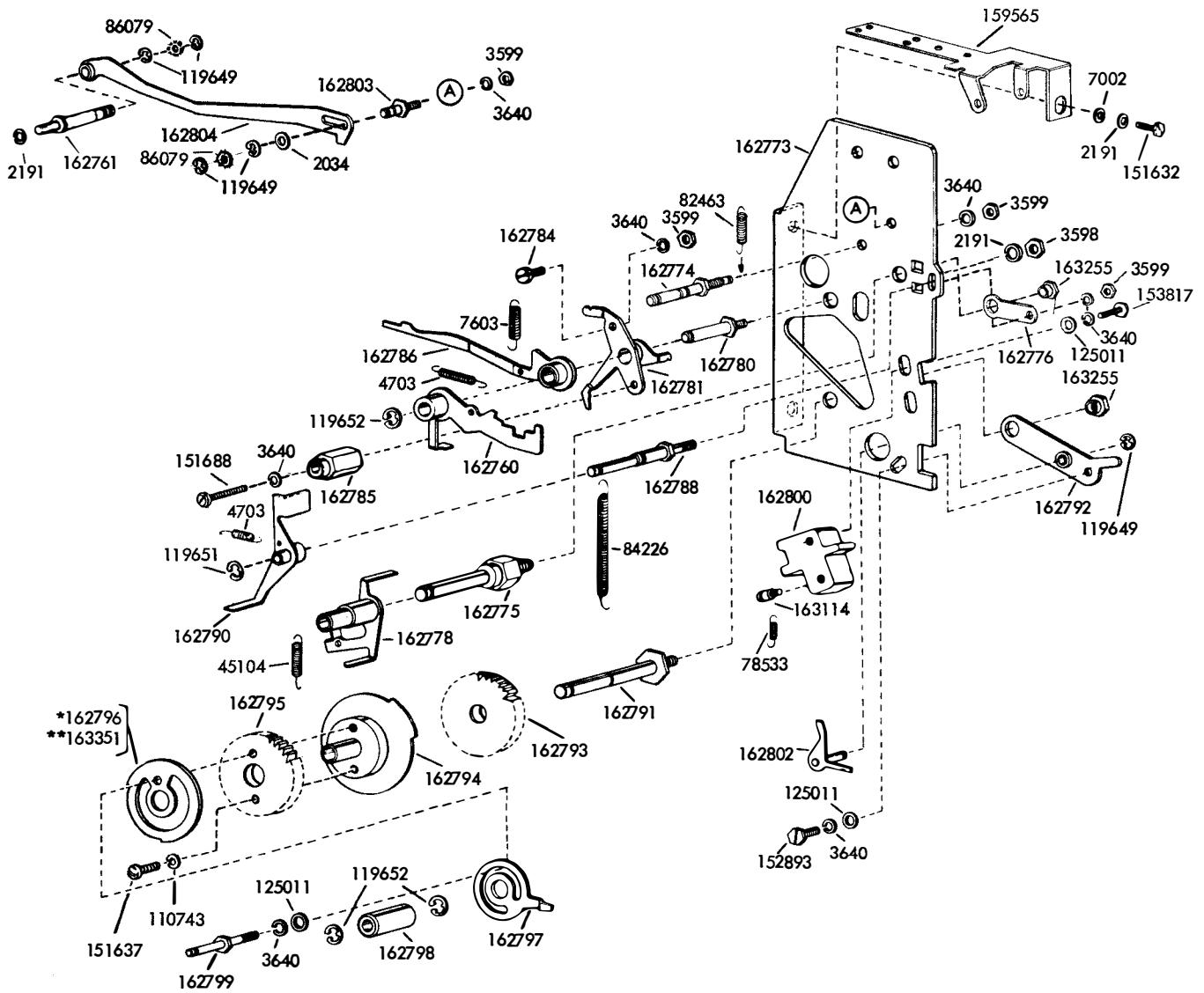


FIGURE 31. CABLES



*Peculiar to 162247 - for Units Equipped with Connector .
 **Peculiar to 161321 - for Units not Equipped with Connector .

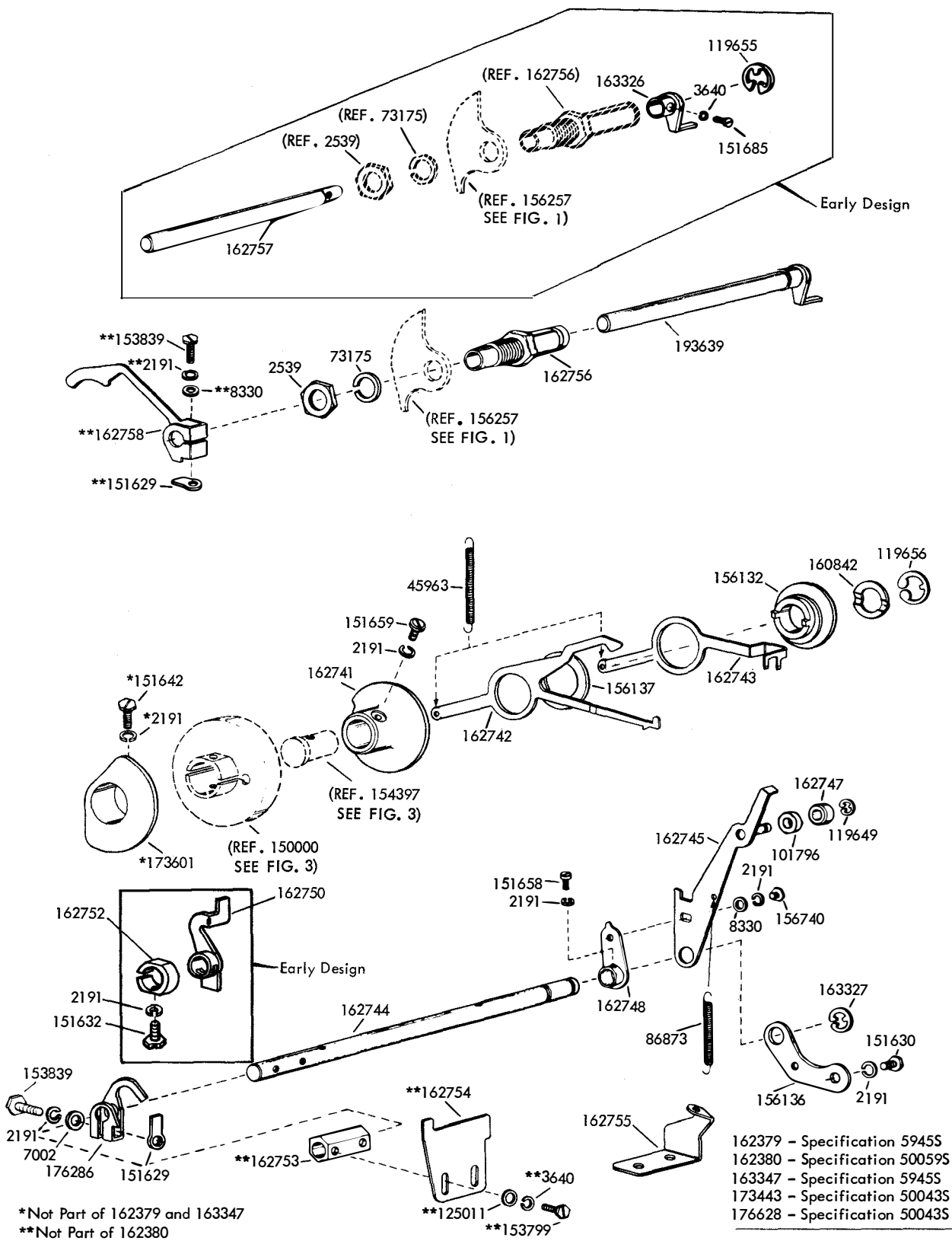
FIGURE 32. 161321 AND 162247 LETTERS - FIGURES CONTACT ASSEMBLY



*Peculiar to 162379 (4 Second Time Delay at 100 WPM)
 **Peculiar to 163347 (16 Second Time Delay at 100 WPM)

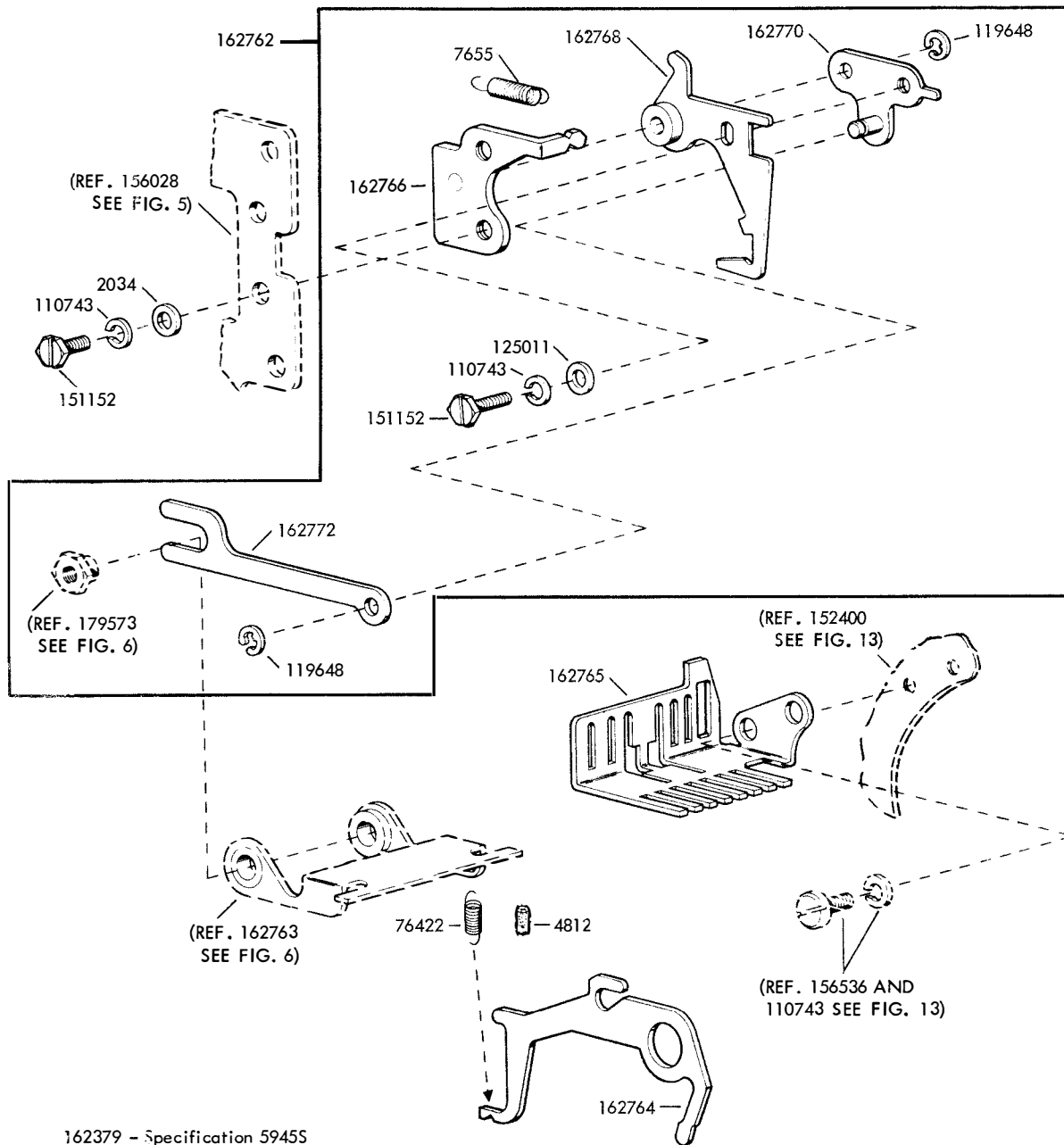
(ALSO SEE FIGURES 34 AND 35)
 162379 - Specification 59455
 163347 - Specification 59455

FIGURE 33. 162379 AND 163347 MODIFICATION KITS TO ADD AUTOMATIC NON-INTERFERING LETTERS TAPE FEED-OUT



(ALSO SEE FIGURES 33, 35, 36, 37)

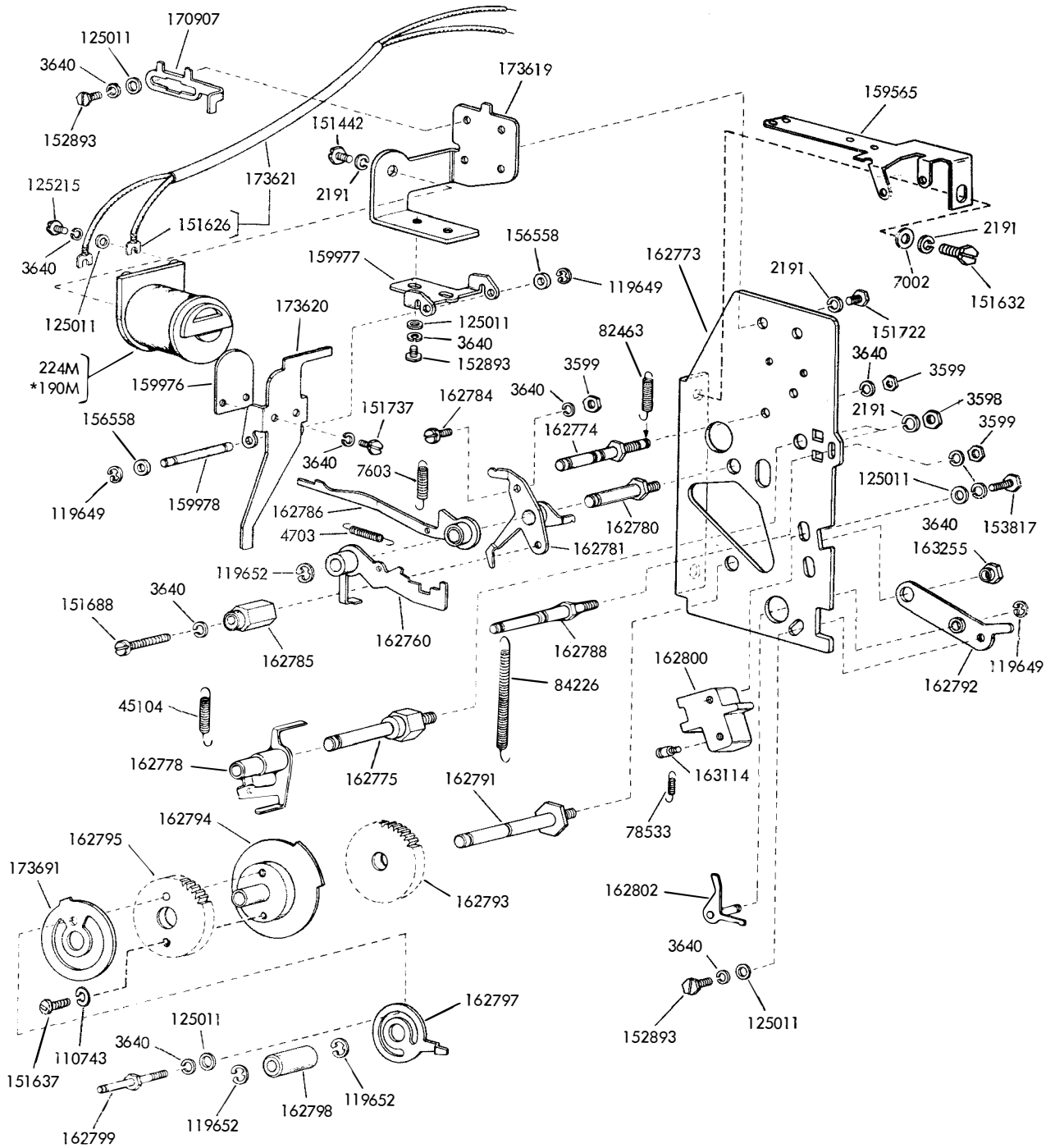
FIGURE 34. 162379 (AUTOMATIC LETTERS), 162380 (REMOTE CONTROL BLANK), 163347 (AUTOMATIC LETTERS), 173443 (REMOTE CONTROL LETTERS) AND 176628 (REMOTE CONTROL LETTERS) MODIFICATION KITS TO ADD NON-INTERFERING TAPE FEED-OUT



- 162379 - Specification 59455
- 162380 - Specification 500595
- 163347 - Specification 59455
- 173443 - Specification 500435
- 176628 - Specification 500435

(ALSO SEE FIGURES 33, 34, 36, 37)

FIGURE 35. 162379 (AUTOMATIC LETTERS), 162380 (REMOTE CONTROL BLANK), 163347 (AUTOMATIC LETTERS), 173443 (REMOTE CONTROL LETTERS) AND 176628 (REMOTE CONTROL LETTERS) MODIFICATION KITS TO ADD NON-INTERFERING TAPE FEED-OUT

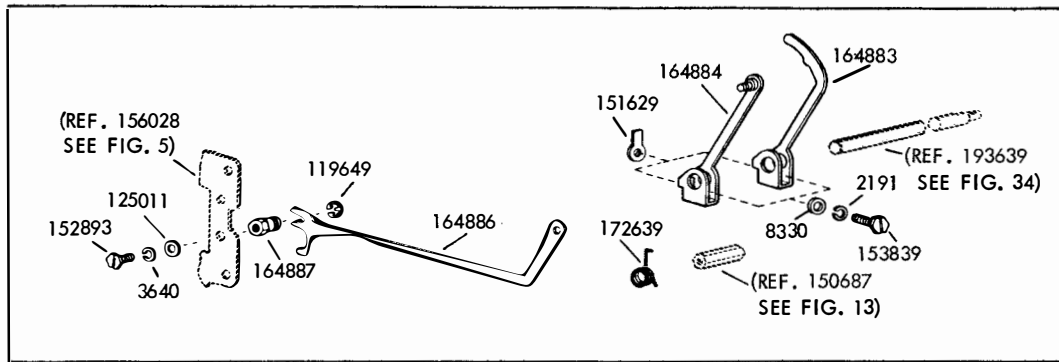


162380 - Specification 500595
 173443 - Specification 500435
 176628 - Specification 500435

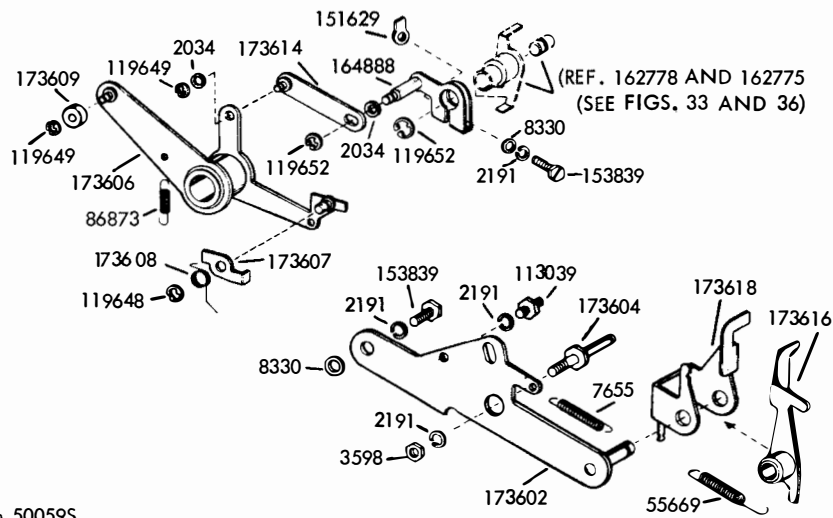
*Peculiar to 176628

(ALSO SEE FIGURES 34, 35, 37)

FIGURE 36. 162380 (BLANK), 173443 (LETTERS) AND 176628 (LETTERS) MODIFICATION KITS TO ADD REMOTE CONTROL NON-INTERFERING TAPE FEED-OUT



PECULIAR TO 162380 MODIFICATION KIT



- 162380 - Specification 50059S
- 173443 - Specification 50043S
- 176628 - Specification 50043S

(ALSO SEE FIGURES 34, 35, 36)

FIGURE 37. 162380 (BLANK), 173443 (LETTERS) AND 176628 (LETTERS) MODIFICATION KITS TO ADD REMOTE CONTROL NON-INTERFERING TAPE FEED-OUT

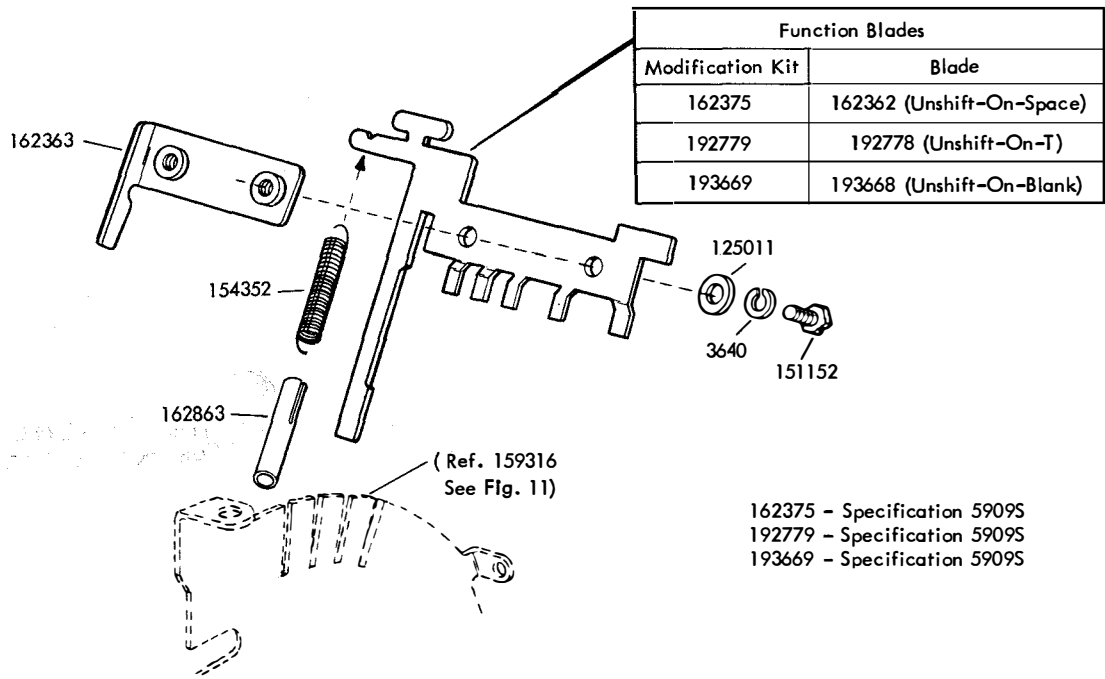
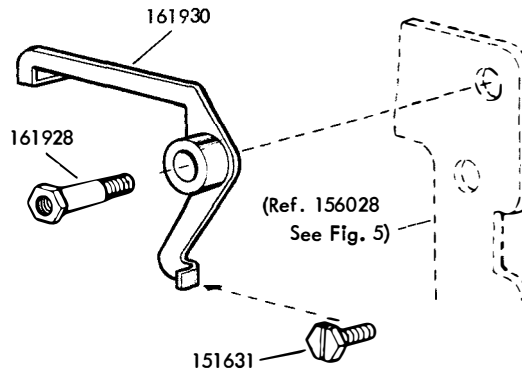


FIGURE 38. MODIFICATION KITS TO PROVIDE UNSHIFT FUNCTION



161828 - Specification 5534S

FIGURE 39. 161828 MODIFICATION KIT TO MAKE TAPE BACKSPACE AND BLANK FEED-OUT COMPATIBLE

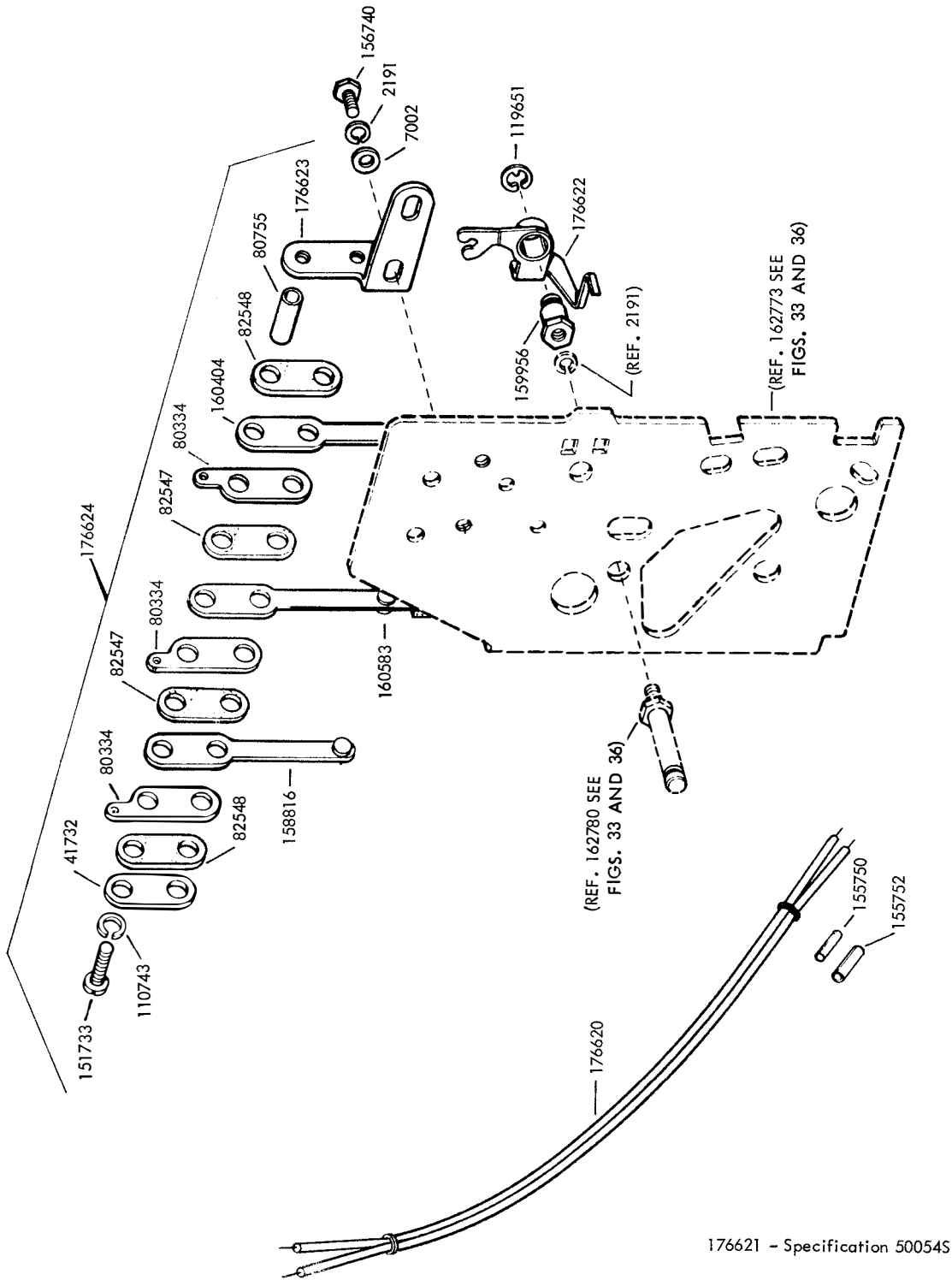
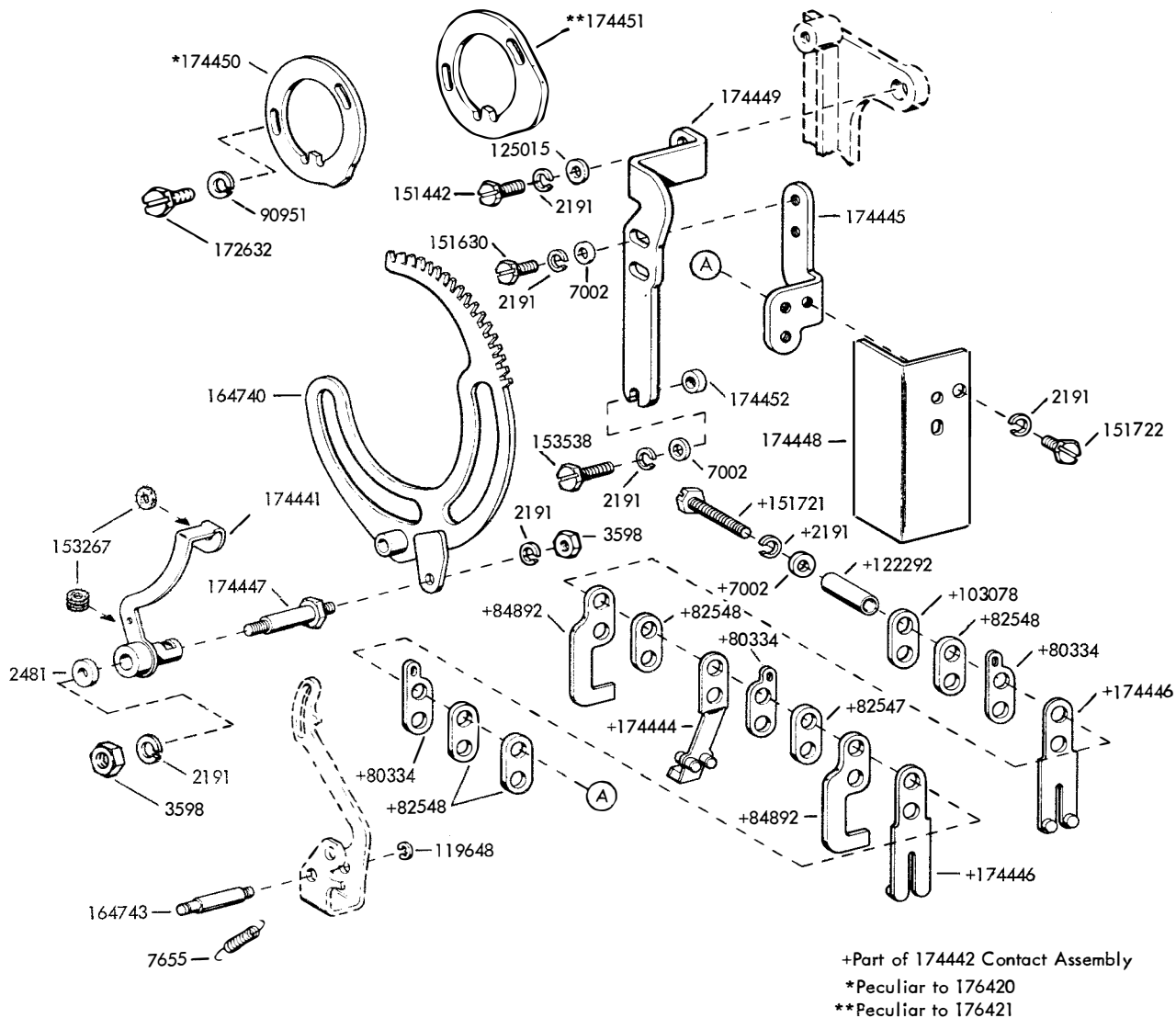


FIGURE 40. 176621 MODIFICATION KIT TO PROVIDE END OF FEED-OUT TIMING CONTACT FOR 176628 LETTERS TAPE FEED-OUT



176420 - Specification 50041S
 176421 - Specification 50041S

FIGURE 41. 176420 AND 176421 MODIFICATION KITS TO ADD TIMING CONTACTS TO SELECTOR

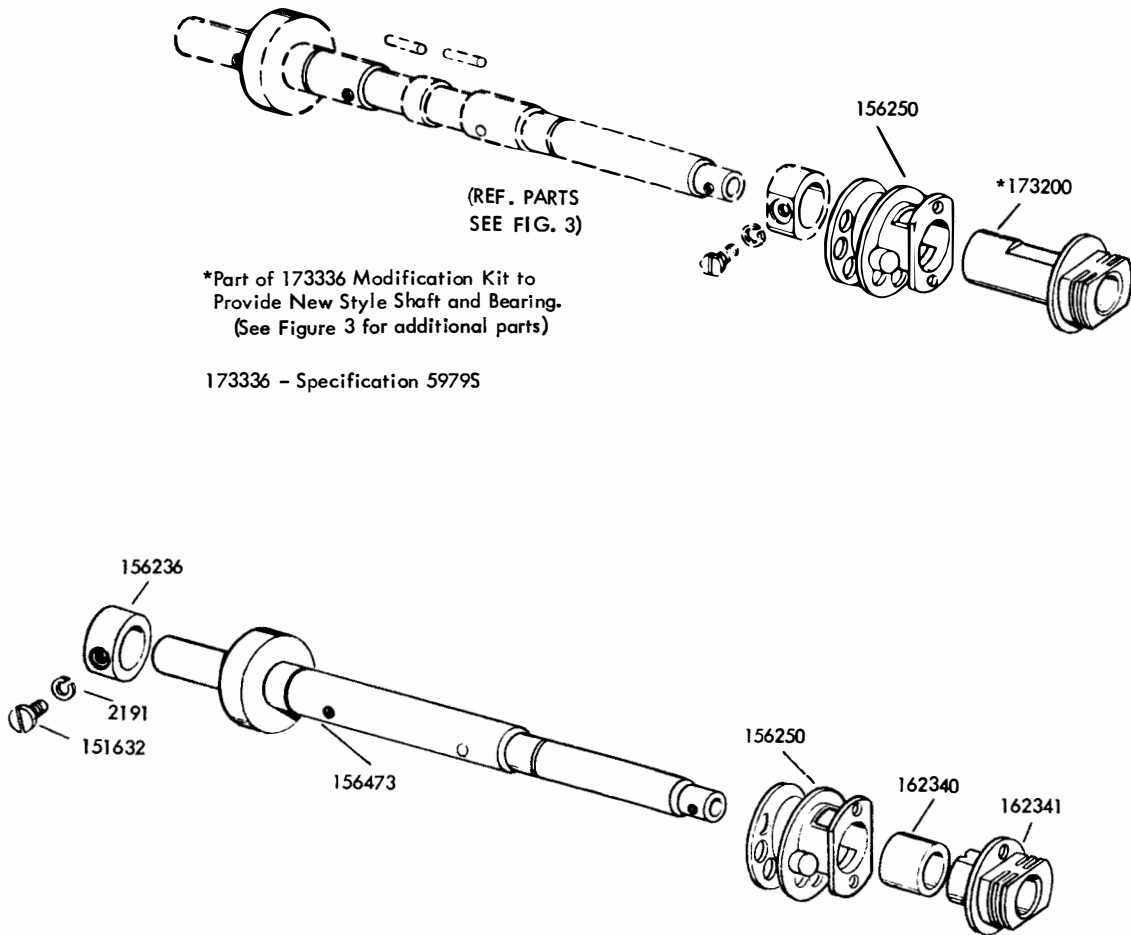


FIGURE 42. EARLY DESIGN MAIN SHAFT MECHANISMS

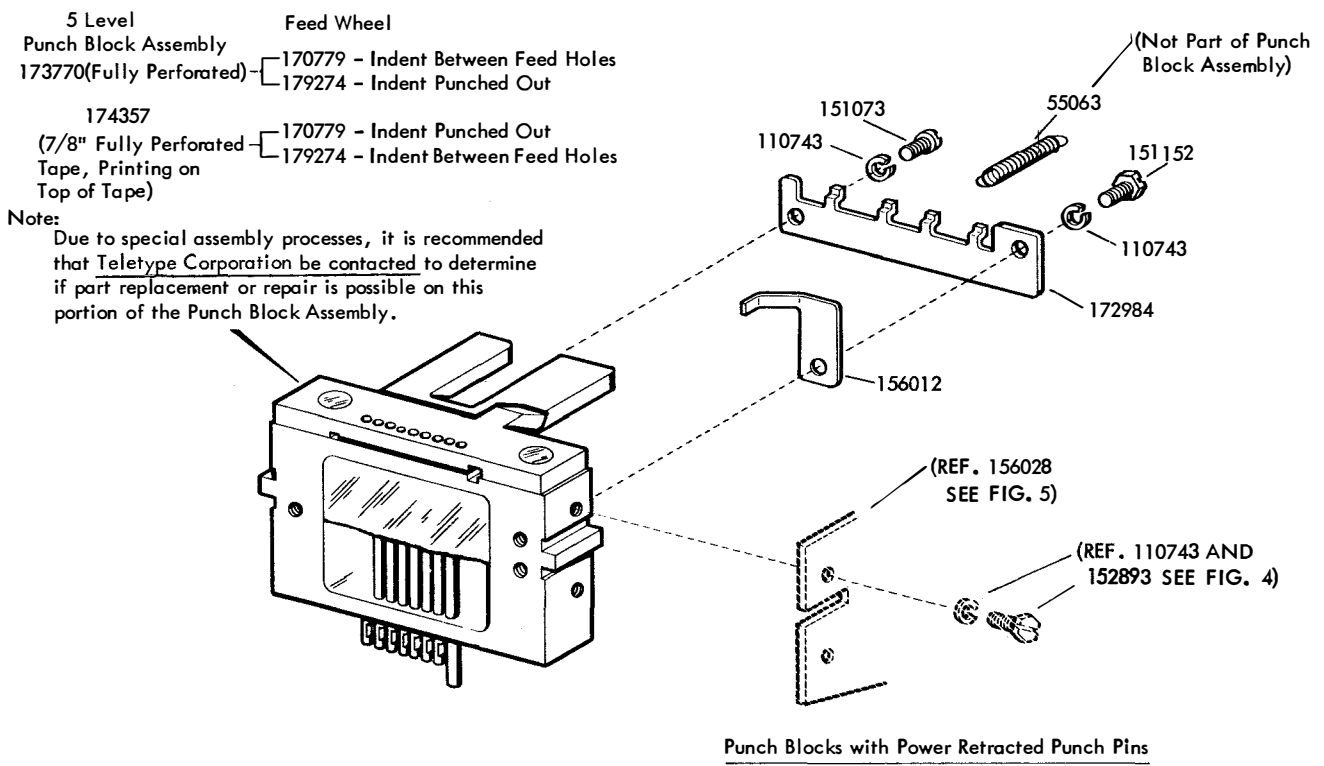
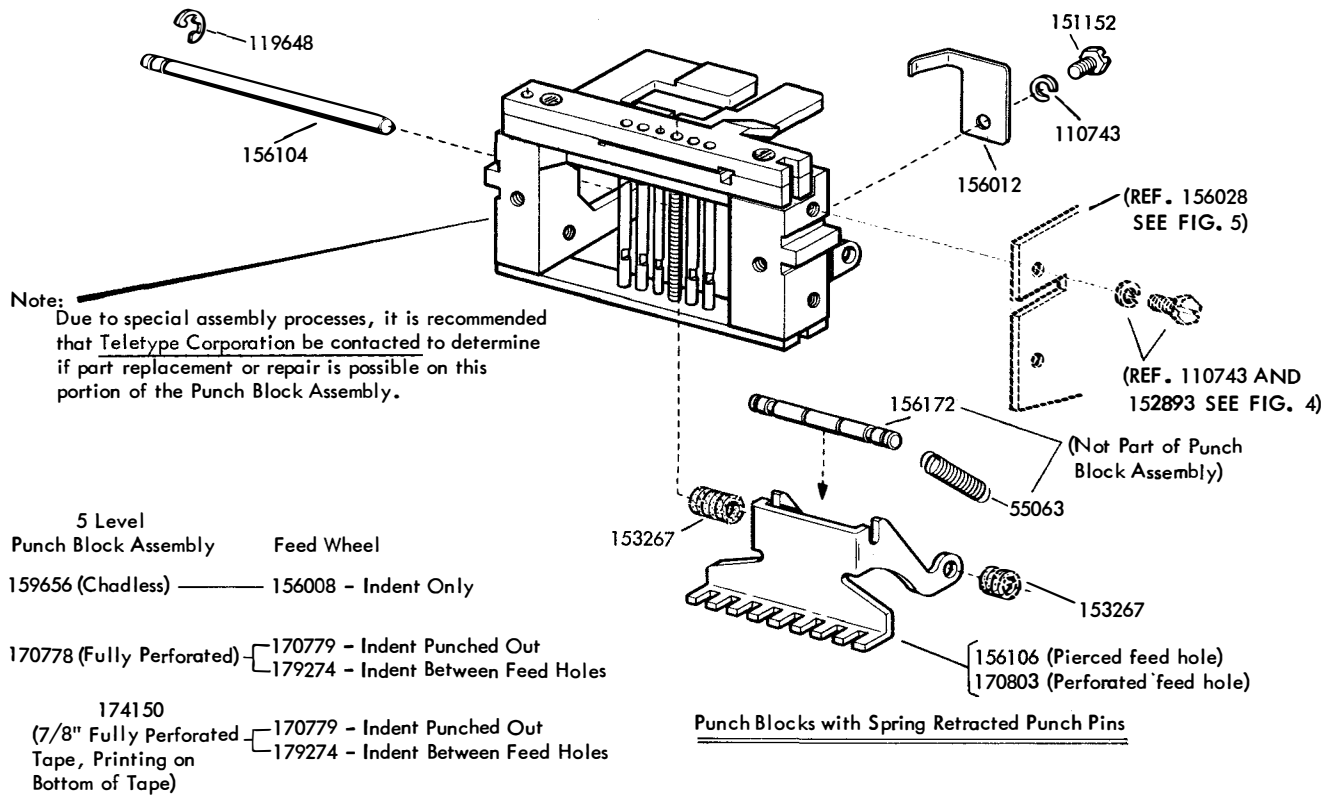
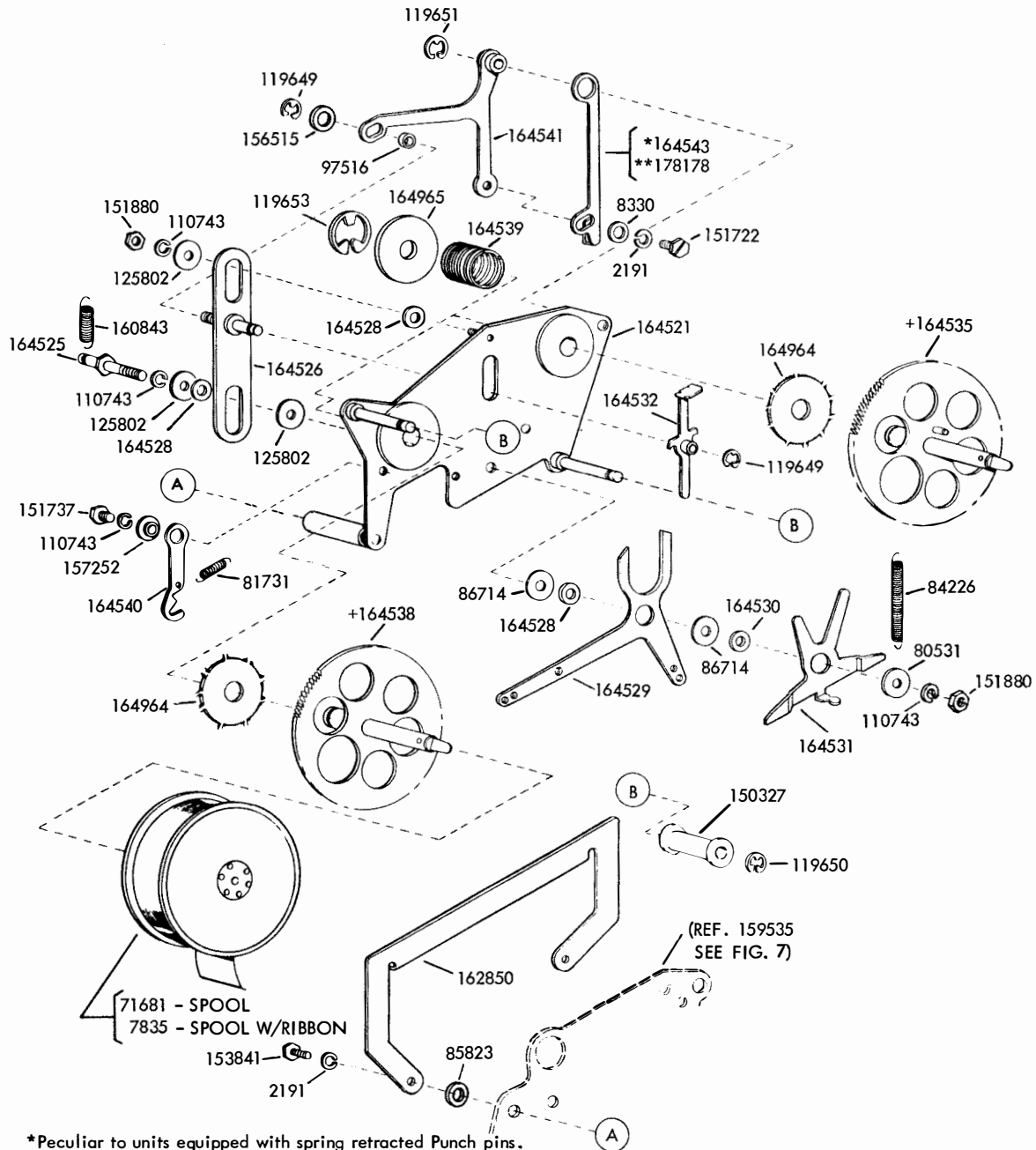


FIGURE 43. PUNCH BLOCK ASSEMBLIES



*Peculiar to units equipped with spring retracted Punch pins.

**Peculiar to units equipped with power retracted Punch pins.

+A 179579 Decalcomania which shows direction of "Ribbon to Roller" is available.

For Early Design Ribbon Feed Mechanism See Figure 16)

FIGURE 44. RIBBON FEED MECHANISM

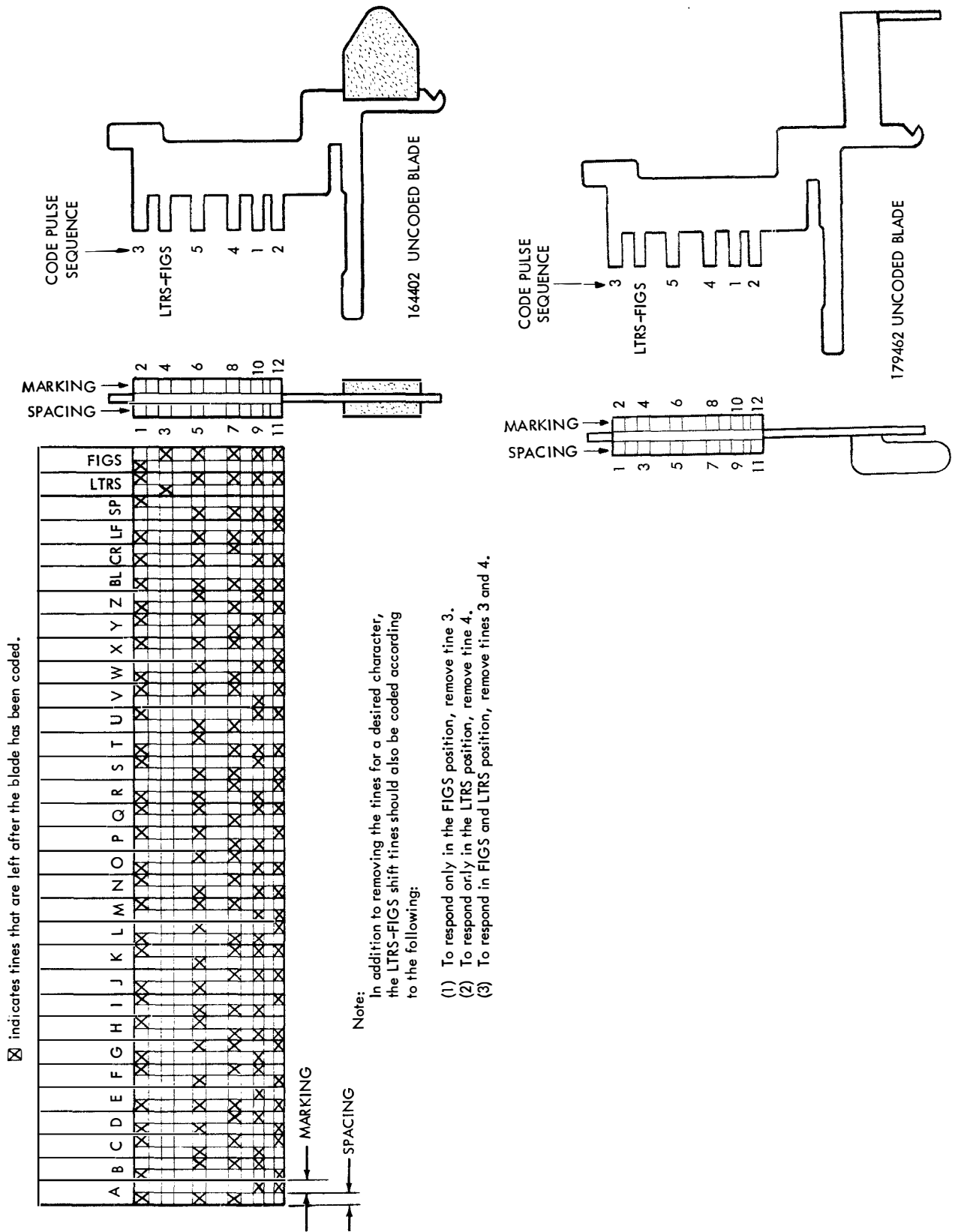
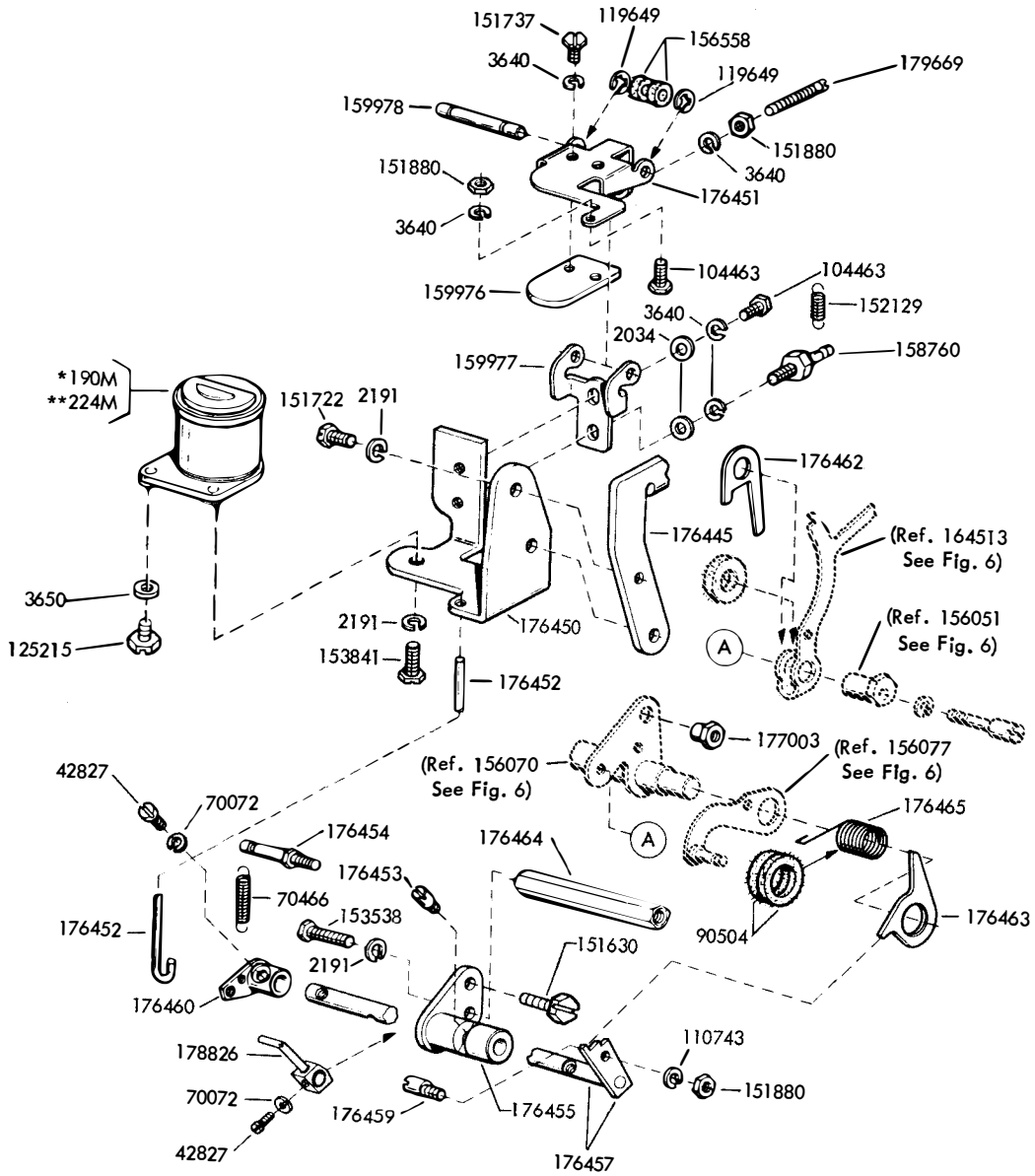


FIGURE 45. UNCODED FUNCTION BLADES



*Peculiar to 173961
 **Peculiar to 179133

173961 - Specification 500585
 179133 - Specification 500585

(Also includes parts on Figure 47)

FIGURE 46. 173961 AND 179133 MODIFICATION KITS TO PROVIDE BLANK DELETE FOR TYPING REPERFORATOR

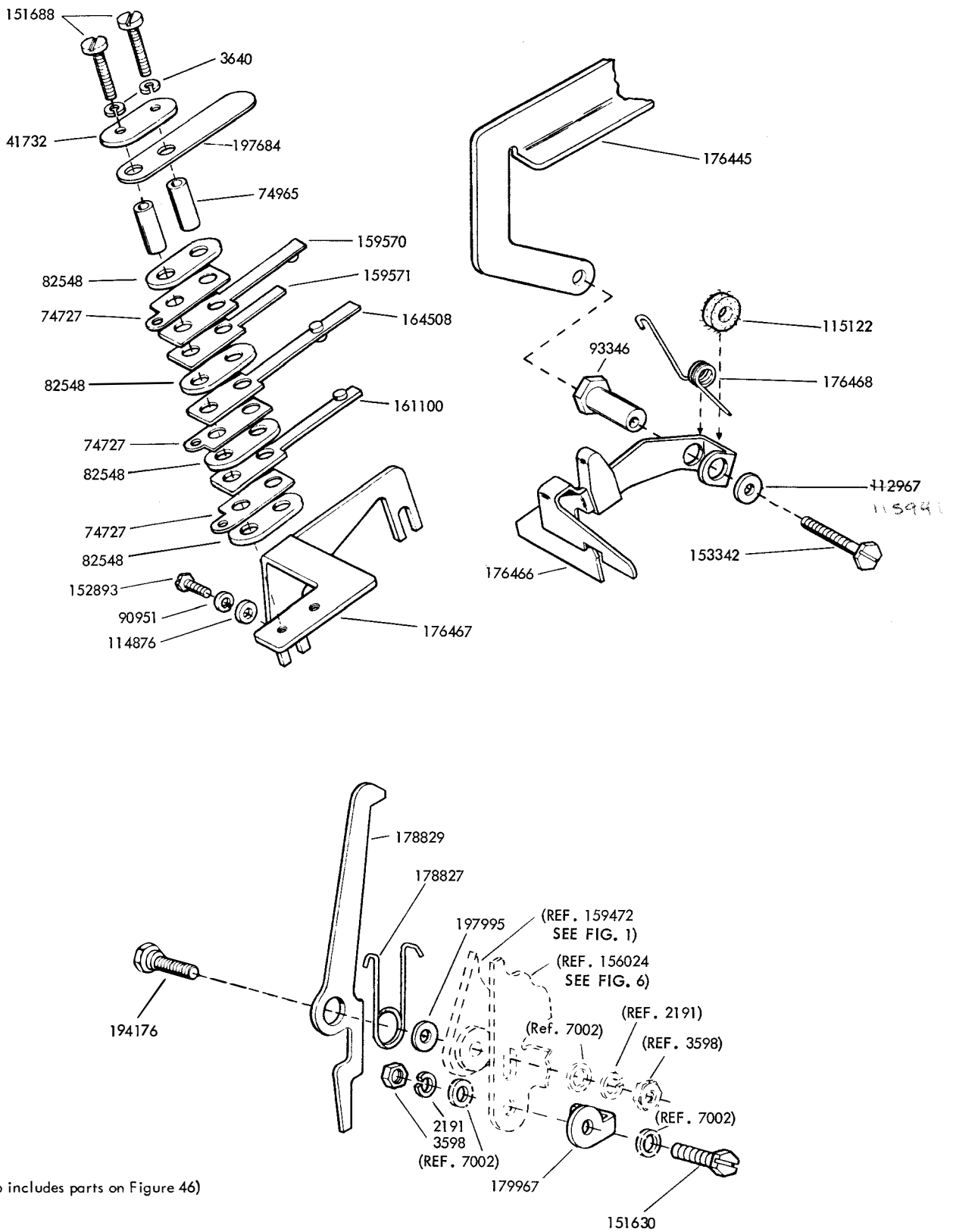


FIGURE 47. 173961 AND 179133 MODIFICATION KITS TO PROVIDE BLANK DELETE FOR TYPING REPERFORATOR

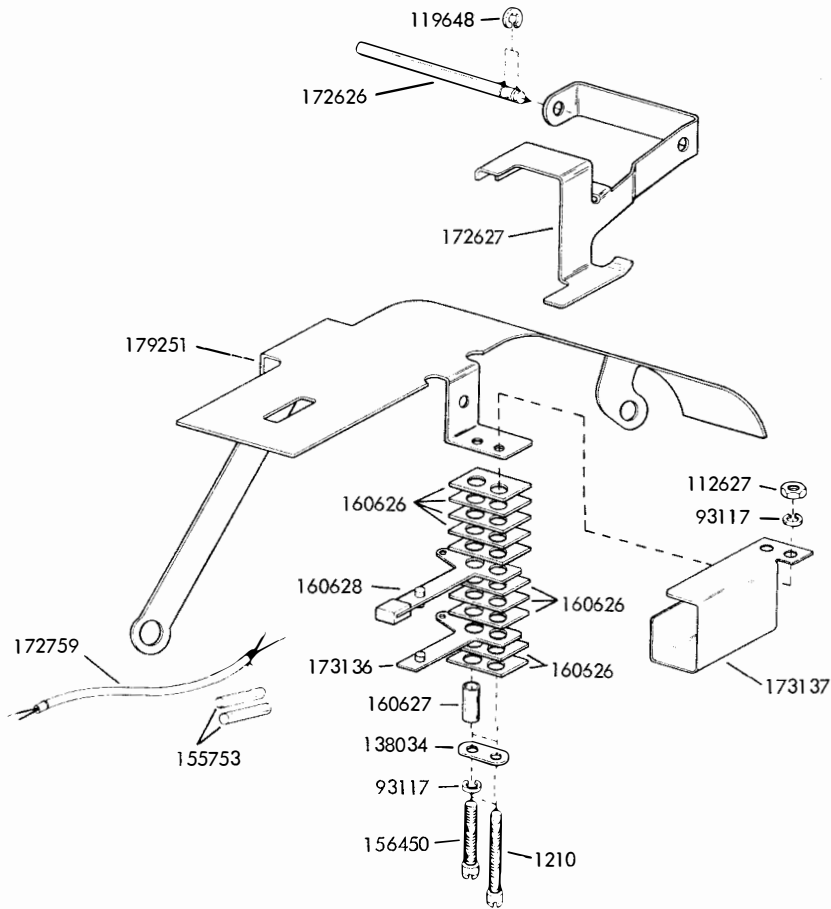
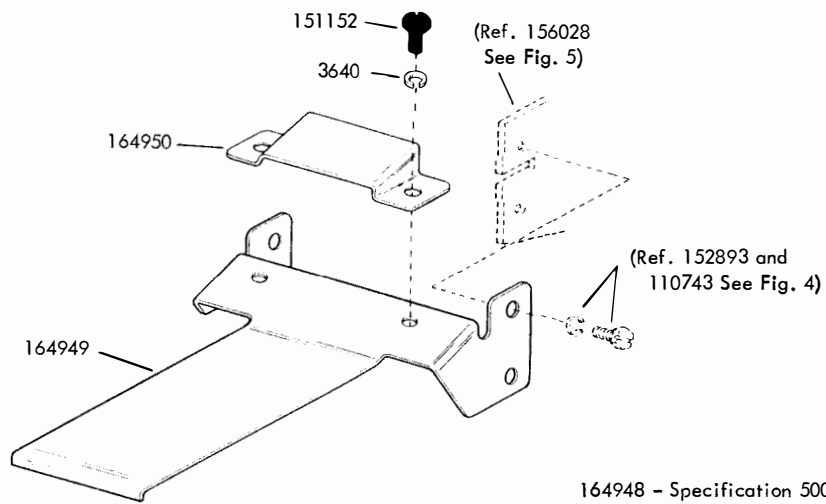
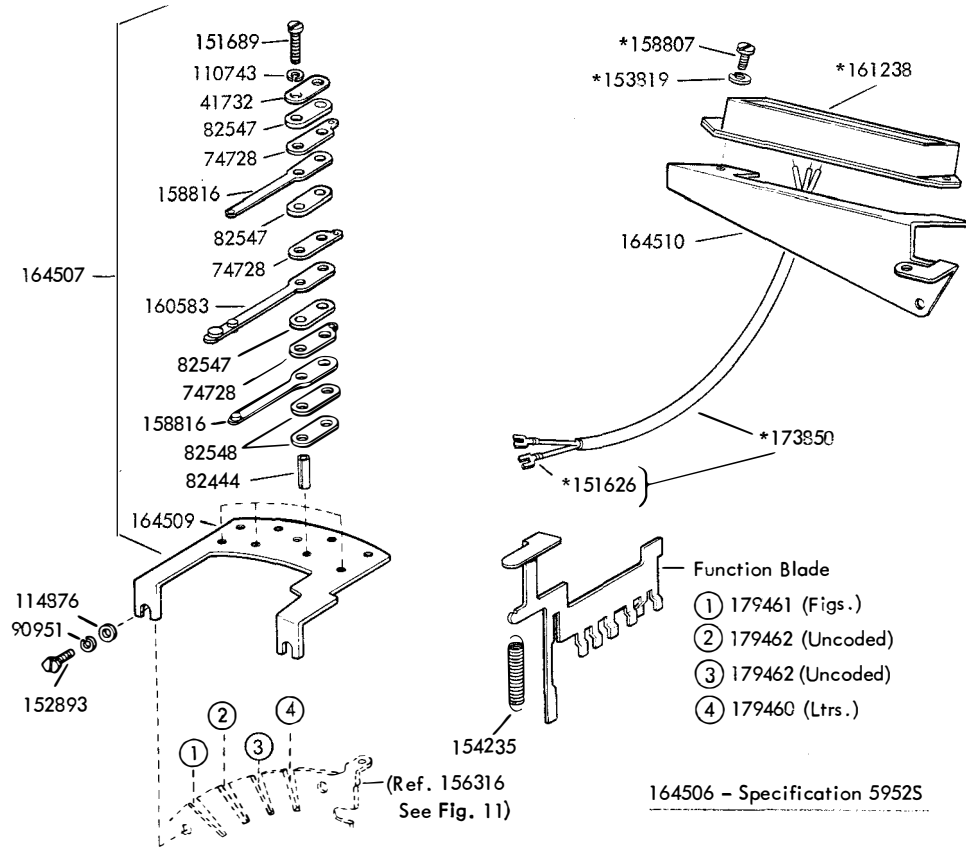


FIGURE 48. 173135 TAPE ABSENT CONTACT BRACKET ASSEMBLY



164948 - Specification 500135

FIGURE 49. 164948 MODIFICATION KIT TO EQUIP REPERFORATOR WITH COMBINATION TAPE CHUTE AND KNIFE TEARING EDGE WHEN MOUNTED IN A UNIVERSAL CABINET



*Not Part of 164506 Modification Kit

FIGURE 50. 164506 MODIFICATION KIT TO ADD MULTIPLE MOUNTED FUNCTION BLADE OPERATED CONTACTS

FUNCTION BLADES				
Modification Kit	①	②	③	④
176258	See Note 1	179932	179934	See Note 1
176627	See Note 1	179933	179935	See Note 1
192686		179761	179762	

176258 - Specification 50111S
 176627 - Specification 50111S
 192686 - Specification 50111S

Function Blade

- 179761 (U.C. "H" Function)
- 179762 ("BL" Function)
- 179932 (U.C. "S" Function)
- 179933 (U.C. "J" Function)
- 179934 ("N" Function)

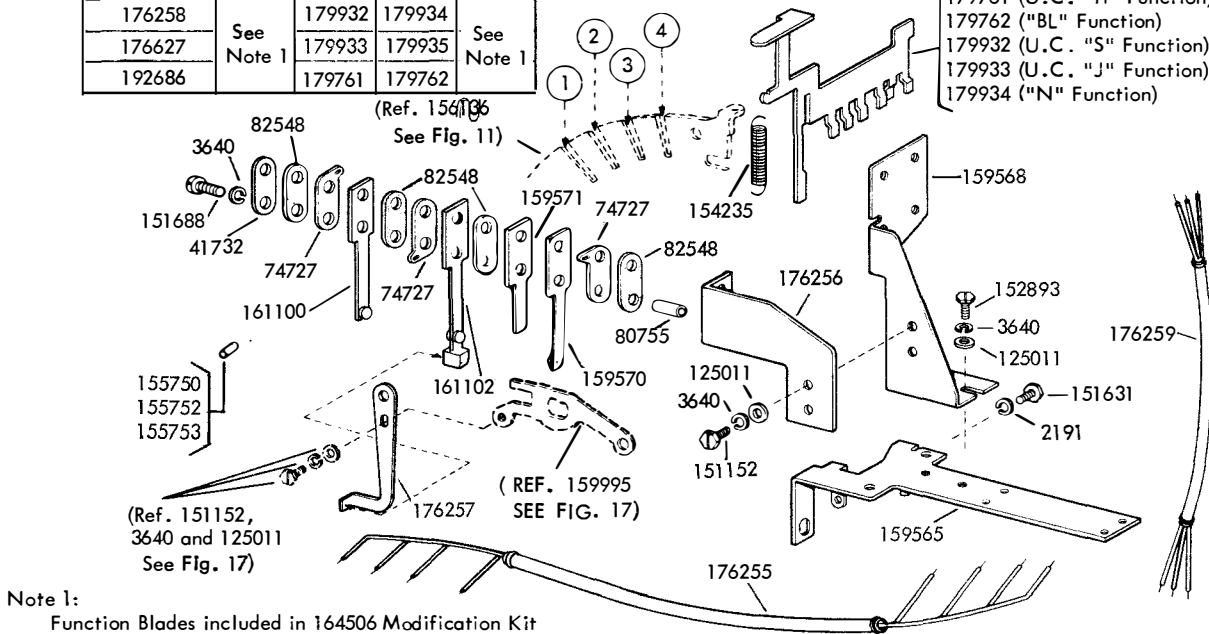


FIGURE 51. MODIFICATION KITS TO EQUIP A REPERFORATOR WITH AN AUXILIARY CONTACT ASSEMBLY AND FUNCTION BLADES

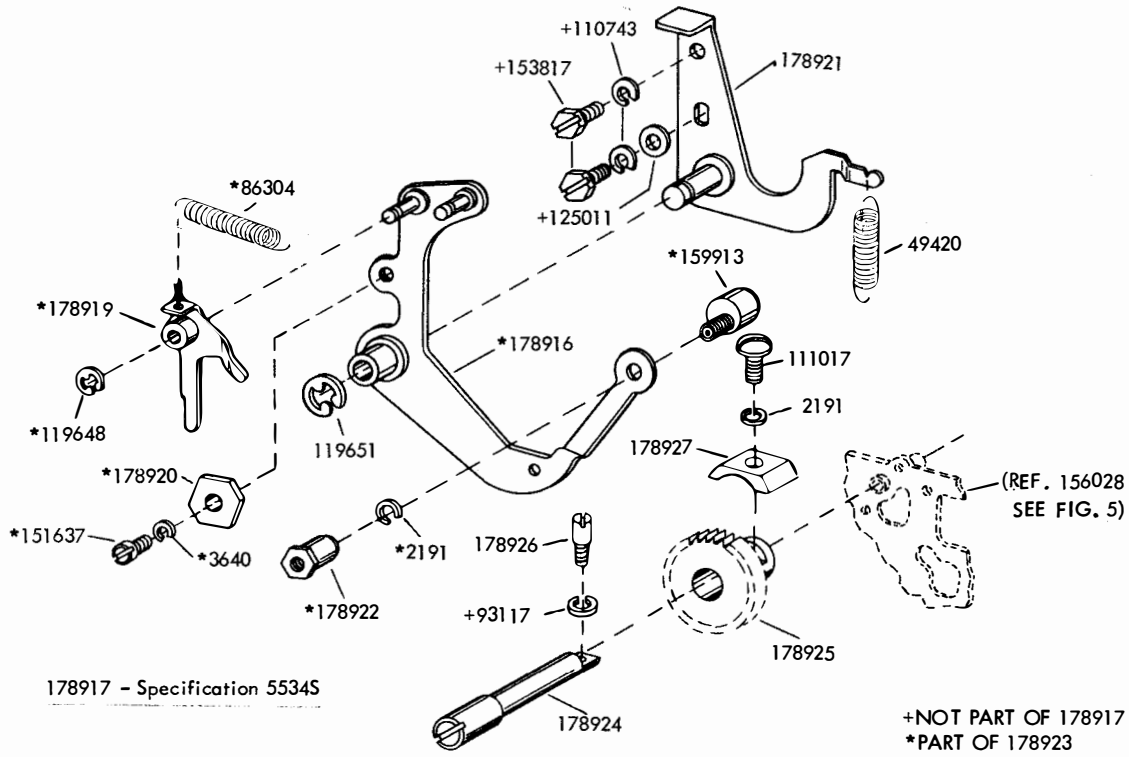


FIGURE 52. 178917 MODIFICATION KIT TO PROVIDE BACKSPACE MECHANISM FOR FULLY PERFORATED TAPE AND PRINTING BETWEEN FEED HOLES

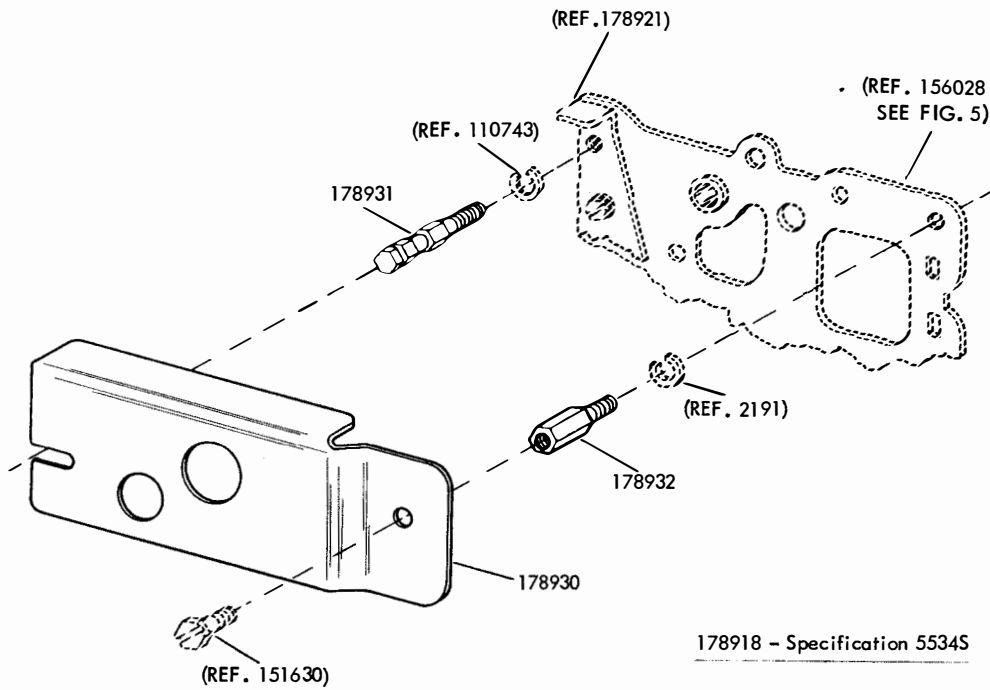


FIGURE 53. 178918 MODIFICATION KIT TO PROVIDE GUARD FOR BACKSPACE MECHANISM (FULLY PERFORATED TAPE, PRINTING BETWEEN FEED HOLES)

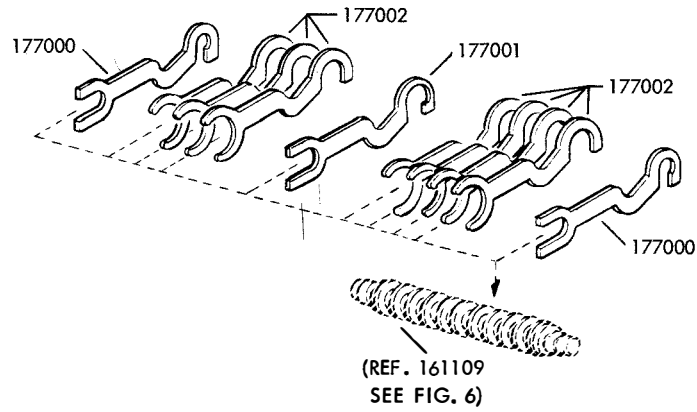
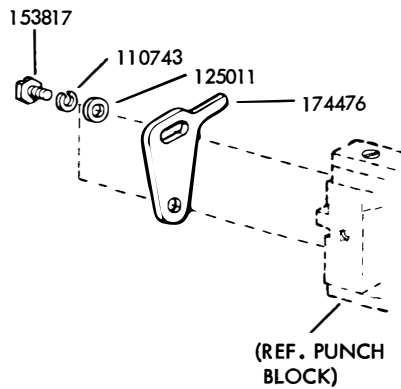


FIGURE 54. 179275 MODIFICATION KIT TO PROVIDE POSITIVE ENGAGEMENT OF PUNCH SLIDES WITH THE LATCH LEVERS



174475 - Specification 500345

FIGURE 55. 174475 MODIFICATION KIT TO PROVIDE PRINT SUPPRESSION ON FUNCTIONS

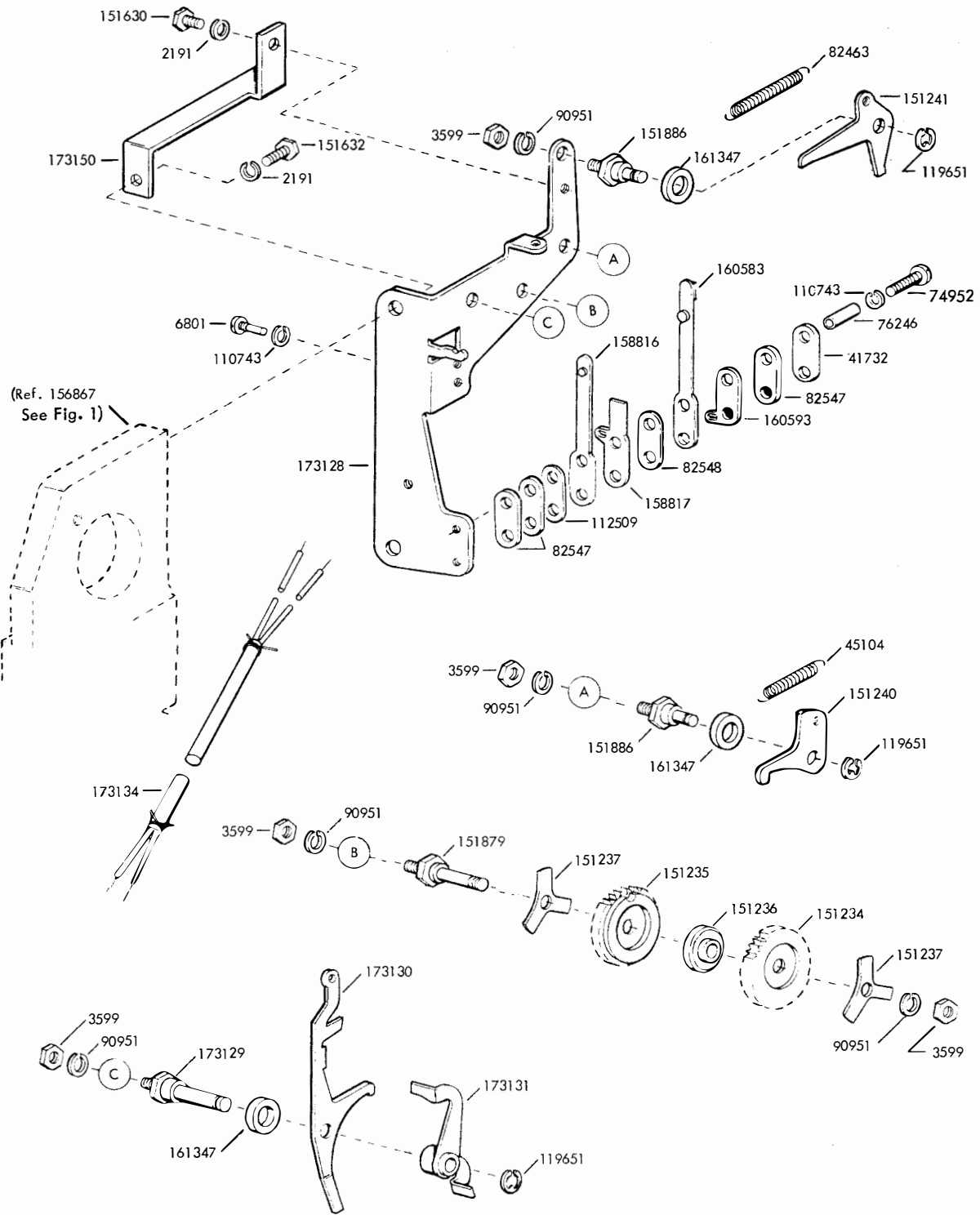


FIGURE 56. MOTOR CONTROL MECHANISM

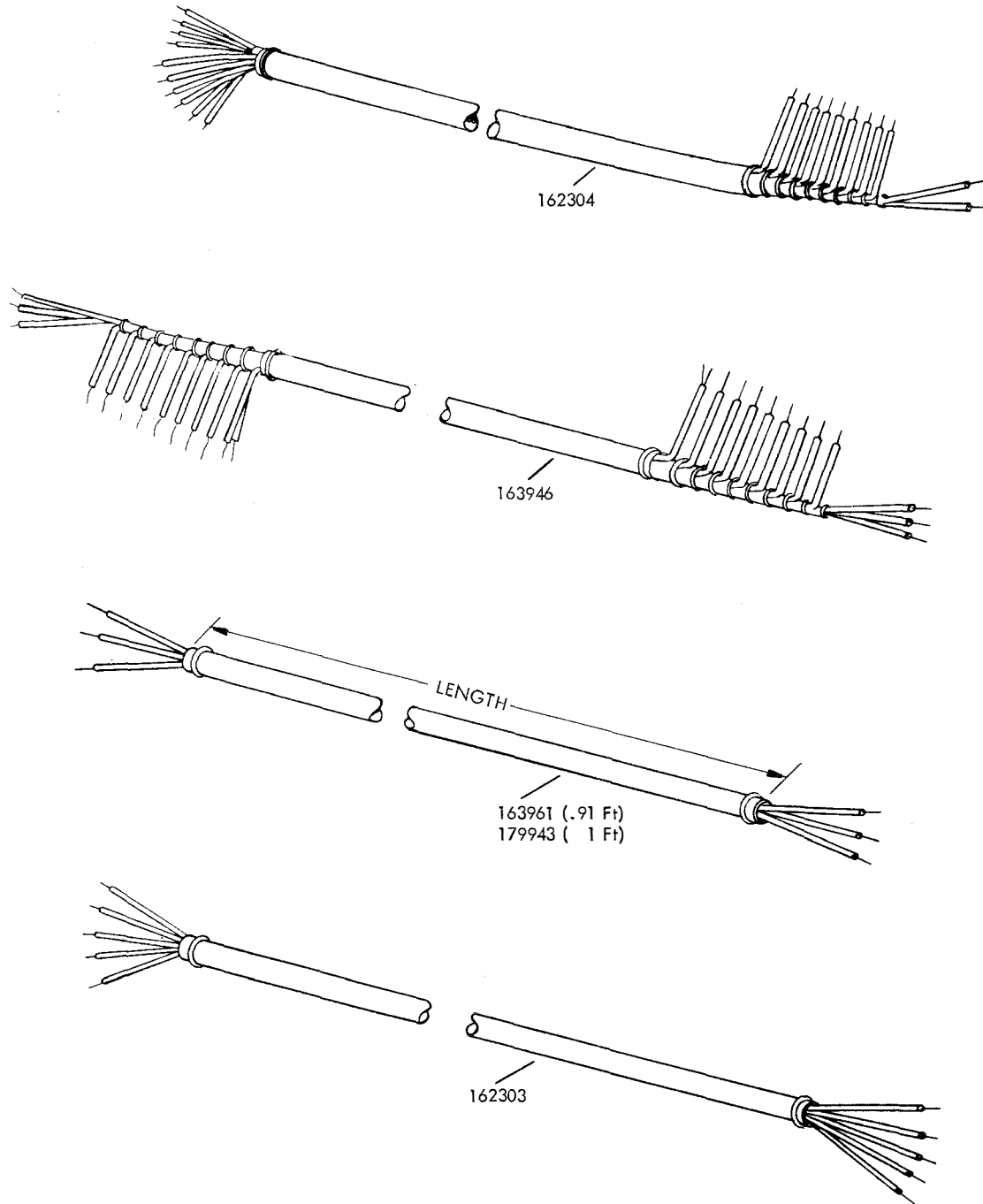
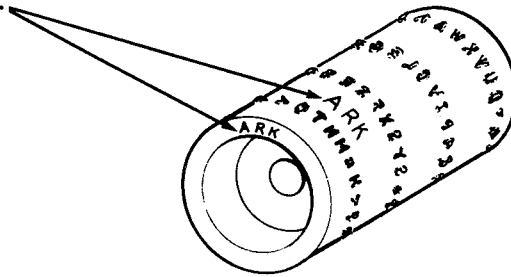


FIGURE 57. CODE READING CONTACT CABLES

Typewheel Code may be found in either of two locations.



- ① Bell System Arrangement A
- ② Bell System Arrangement B
- ③ Bell System Arrangement C
- ④ Bell System Arrangement D

TYPEWHEEL CODE CHART							
Code	Part Number	Matching Arrangements		Code	Part Number	Matching Arrangements	
		Typebox	Keytop			Typebox	Keytop
Printing on Edge of Tape				Printing Between Feed-Holes			
ABW	175604			BRH	175707		
ACA	175608			BRL	175710		
ACF	175612			BRM ③	175711		
ADC	175632			BRP	175713		
ARA ①	173965	RA	ARK	BWA ①	173757	WY	BRJ
ARC ②	173971	RC	ARL	BWB	173769		
ARE ④	173970	RE	ARE	BRB ②	175701		
ARG	173966	RG	ARG				
ARJ	173968	RJ	ARW				
ARL	163676						
ARK	163675						
ARM	163677		BRT				
ARS	173969	RS	ARM				
ARW	163683	YM	BRU				
ARX	163682						
ARY	163681	YE	BRQ				
ARZ	153679	RZ	ARU				
AWA	173967	WY	BRJ				
AWB	163685						
AWD	163687						
AWE	163688						
AWF	163690						
AWS	175580						
AWU	175582						
AWX	175583						
AWY	175584						
AXW	175519						
AXZ	175521						
AYB	175523						
AYX	175546						
AYZ	175547						
AZG	175554						
AZJ	175556						
AZM	175559						
AZT	175565						
AZW	175568						

Note:
Typewheels not appearing on this page may be ordered by Code letters.

FIGURE 58. TYPEWHEEL CHART

NUMERICAL INDEX

Part Number	Description and Page Number	Part Number	Description and Page Number	Part Number	Description and Page Number
190M	Coil, Magnet 35, 44	70072	Washer, Lock 44	94712	Spacer 10
224M	Coil, Magnet 29, 35, 44	70466	Spring 44	95378	Spring 19
252M	Coil, Magnet 22	70878	Spring 28, 29	96717	Screw, Shoulder (4-40) 4, 15, 31
254M	Coil, Magnet 16	71437	Washer, Flat 8	97266	Plate, Contact 10
1020	Screw (6-40 x 1/4 Hex) 6	71681	Spool, Ribbon 18, 42	97516	Bushing 42
1036	Nut (6-40 Hex) 7	72522	Wick, Felt 7	98004	Screw (2-56 x 11/16 Hex) 22
1210	Screw (2-56 x 5/8 Fil) 46	73175	Washer, Lock 20, 33	100994	Nut (2-56 Hex) 22
1256	Screw, Set (6-40) 20	73611	Wick, Felt 23	101123	Washer, Felt 11
2034	Washer, Flat 15, 29, 32, 34, 36, 44	74283	Washer, Spring 14	101796	Washer, Felt 33
2191	Washer, Lock 3 To 23, 25, 26, 27, 28, 29, 31, 32, 33, 35, 36, 38, 39, 40, 42, 44, 45, 47, 48, 50	74553	Wick, Felt 10	102028	Post, Spring 21
2199	Nut (7/16-32 Hex) 10	74727	Terminal, Contact 23, 45, 47	103078	Plate 39
2407	Washer, Lock 10	74728	Terminal, Contact 22, 47	104463	Screw (4-40 x 1/4 Hex) 44
2438	Washer, Flat 16	74952	Screw (4-40 x 5/8 Fil) 50	104824	Spring 16
2481	Washer, Flat 23, 39	74965	Bushing, Insulating 45	108943	Bushing 25
2539	Nut (3/8-32 Hex) 20, 33	76246	Bushing, Insulating 50	109356	Washer, Flat 31
2669	Washer, Lock 4, 14	76422	Spring 34	110434	Screw (4-40 x 3/16 Fil) 3, 14, 15
3598	Nut (6-40 Hex) 3, 4, 6, 7, 8, 10, 11, 14, 15, 18, 19, 21, 22, 26, 27, 29, 31, 32, 35, 36, 39, 45	78533	Spring 15, 32, 35	110435	Nut (4-40 Hex) 31
3599	Nut (4-40 Hex) 6, 7, 9, 11, 12, 15, 16, 17, 20, 29, 32, 35, 50	80334	Terminal, Contact 38, 39	110437	Spring 13
3606	Nut (6-40 Hex) 4, 19, 27	80531	Washer, Flat 42	110743	Washer, Lock 3, 5, 6, 7, 8, 9, 10, 11, 12, 13, 14, 15, 16, 17, 18, 21, 22, 23, 25, 27, 28, 29, 32, 34, 35, 38, 41, 42, 44, 47, 48, 49, 50
3624	Washer, Flat 22	80755	Bushing, Insulating 22, 23, 31, 38, 47	110879	Spring 9, 12, 19
3640	Washer, Lock 3, 4, 5, 9, 10, 11, 13, 19, 20, 21, 22, 23, 29, 31, 32, 33, 35, 36, 37, 44, 45, 46, 47, 48	80833	Guard, Contact Spring 25	111017	Screw (6-40 x 5/16 Fil) 19, 48
3646	Washer, Lock 26	81726	Terminal 25, 31	111767	Washer, Flat 21
3650	Washer, Flat 29, 44	81731	Spring 42	111777	Connector, Receptacle (4 Pt) 24
3870	Spring 19	81778	Screw (4-40 x 3/16 Fil) 16	112509	Insulator (.031") 50
4703	Spring 32, 35	82392	Shim (.004") 4	112626	Nut (10-32 Hex) 10, 14
4812	Wick, Felt 34	82444	Bushing, Insulating 47	112627	Nut (2-56 Hex) 46
5363	Spring 7	82463	Spring 20, 32, 35, 50	112634	Spring 13
5425	Shim (.010") 21	82474	Terminal 29	112636	Spring, Feed Pawl 21
6801	Screw, Pilot (4-40) 50	82547	Insulator (.094") 22, 24, 25, 30, 31, 38, 39, 47, 50	112967	Washer, Flat 27, 45
7002	Washer, Flat 3, 4, 6, 7, 9, 10, 11, 13, 15, 17, 19, 21, 22, 23, 26, 29, 32, 33, 35, 38, 39	82548	Insulator (.062") 22, 23, 25, 31, 38, 39, 45, 47, 50	113039	Post, Spring 36
7603	Spring 32, 35	84226	Spring 32, 35, 42	114876	Washer, Flat 13, 25, 45, 47
7655	Spring 31, 34, 36, 39	84575	Spring 29	115122	Washer, Felt 10, 45
7835	Ribbon W/Spool (Black) 18, 42	84892	Stiffener 39	115134	Washer, Felt 11
8330	Washer, Flat 3, 4, 6, 7, 8, 12, 14, 15, 18, 19, 20, 25, 26, 29, 33, 36, 42	85823	Spacer 18, 42	119467	Insulator (.032") 22
22746	Spring 10, 20	86079	Washer, Felt 11, 32	119647	Ring, Retaining 7, 21
31636	Spring 21	86283	Spring 18	119648	Ring, Retaining 7, 14, 28, 29, 34, 36, 39, 41, 46, 48
33765	Washer, Flat 28	86304	Spring 27, 28, 48	119649	Ring, Retaining 7, 10, 11, 13, 18, 21, 22, 23, 29, 32, 33, 35, 36, 42, 44
41382	Spring 7, 14	86506	Post, Spring 3	119650	Ring, Retaining 8, 18, 19, 42
41543	Bearing, Ball 27	86714	Washer, Flat 42	119651	Ring, Retaining 3, 10, 12, 13, 19, 21, 22, 28, 29, 32, 36, 38, 42, 48, 50
41732	Plate, Clamp 22, 23, 25, 31, 38, 45, 47, 50	86774	Screw, Shoulder (6-40) 11, 26	119652	Ring, Retaining 3, 4, 7, 8, 14, 18, 21, 32, 35, 36
42823	Washer, Flat 3, 5, 21	86873	Spring 33, 36	119653	Ring, Retaining 10, 18, 21, 42
42827	Screw (3-48 x 1/4 Fil) 44	87401	Spring 3	119655	Ring, Retaining 33
45024	Spring 26	90052	Screw (4-40 x 5/8 Hex) 17	119656	Ring, Retaining 20, 33
45104	Spring 32, 35, 50	90361	Washer, Felt 8	121100	Spring 13
45963	Spring 21, 33	90504	Washer, Felt 44	121125	Washer, Spring 22
47024	Washer, Flat 11	90535	Washer, Felt 12, 13	121242	Clamp, Cable (1/8" ID) 15
49084	Spring 3, 23	90560	Washer, Flat 28	121243	Clamp, Cable (3/16" ID) 15, 30
49420	Spring 48	90573	Spring 4	121245	Clamp, Cable (5/16" ID) 15, 30
55063	Spring 28, 29, 41	90599	Shim (.008") 11	121246	Clamp, Cable (3/8" ID) 15, 30
55090	Spring 21	90606	Spring 3, 18	121538	Terminal 16
55669	Spring 36	90615	Spring 19	121551	Screw (8-32 x 1/4 Hex) 26
		90789	Washer, Flat 15	122149	Screw (4-40 Spl) 28
		90790	Washer, Flat 29	122292	Bushing 39
		90791	Washer, Lock 7	124177	Washer, Lock 4, 6, 14, 15, 19
		90951	Washer, Lock 13, 25, 39, 45, 47, 50	125011	Washer, Flat 3, 6, 9, 11, 12, 13, 14, 18, 19, 21, 22, 23, 28, 32, 33, 34, 35, 36, 37, 47, 48, 49
		91120	Spring 7		
		92260	Washer, Lock 19		
		93108	Washer, Lock 27		
		93117	Washer, Lock 46, 48		
		93118	Washer, Lock 22		
		93346	Bushing, Eccentric 45		
		93356	Washer, Felt 3, 7		
		94669	Screw, Shoulder (4-40) 7		

NUMERICAL INDEX (Continued)

Part Number	Description and Page Number	Part Number	Description and Page Number	Part Number	Description and Page Number
125015	Washer, Flat 4, 8, 9, 16, 19, 39	151629	Nut (6-40 Spl) 3, 8, 10, 20, 26, 33, 36	152429	Rack, Sector 14
125215	Screw (4-40 x 3/16 Hex) 29, 35, 44	151630	Screw (6-40 x 1/4 Hex) 3, 7, 9, 10, 12, 15, 18, 19, 20, 22, 23, 26, 27, 31, 33, 37, 39, 44, 45, 50	152432	Arm, Stop 14
125231	Nut (10-32 Hex) 4	151631	Screw (6-40 x 5/16 Hex) 3, 4, 6, 7, 9, 13, 16, 17, 19, 21, 22, 27, 47	152436	Knob, Range Scale 14
125268	Spring 20, 22	151632	Screw (6-40 x 3/8 Hex) 4, 5, 6, 15, 17, 22, 23, 27, 29, 32, 33, 35, 40, 50	152438	Bail, Stop Arm 14
125802	Washer, Flat 20, 42	151637	Screw (4-40 x 1/4 Fil) 6, 18, 32, 35, 48	152441	Washer, Flat 14
128357	Ring, Retaining 8, 13	151640	Lever, Clutch Shoe 3	152445	Spring 14
130330	Washer, Felt 11	151642	Screw (6-40 x 3/4 Fil) 33	152457	Wick, Felt 15
130696	Washer, Felt 12	151657	Screw (6-40 x 1/4 Fil) 4, 14, 15	152458	Shield, Terminal 16
131016	Washer, Felt 11	151658	Screw (6-40 x 5/16 Fil) 3, 4, 27, 33	152634	Washer, Flat 8
135716	Spring 3	151659	Screw (6-40 x 1/2 Fil) 33	152887	Screw (4-40 x 1/2 Hex) 17
135901	Washer, Cup 10	151685	Screw (4-40 x 5/16 Fil) 33	152891	Spring 15
138034	Plate, Clamp 46	151686	Screw (4-40 x 3/8 Fil) 16	152893	Screw (4-40 x 1/4 Hex) 3, 4, 6, 7, 8, 10, 13, 15, 20, 22, 23, 25, 29, 32, 35, 36, 45, 47
139697	Screw (4-40 x 9/32 Fil) 27	151688	Screw (4-40 x 5/8 Fil) 16, 23, 25, 32, 35, 45, 47	153184	Post 16
139752	Screw (4-40 x 11/64 Fil) 3	151689	Screw (4-40 x 3/4 Fil) 31, 47	153267	Washer, Felt 39, 41
144793	Spacer 7	151690	Screw (10-32 x 5/16 Fil) 5, 27	153342	Screw (6-40 x 15/16 Hex) 45
144794	Spring, Torsion 7	151692	Screw (6-40 x 3/16 Fil) 19	153489	Detent 14
144795	Plate, Rear 6	151693	Screw (6-40 x 9/16 Fil) 3	153538	Screw (6-40 x 7/16 Hex) 15, 39, 44
144796	Plate, Front 7	151700	Screw, Shoulder (6-40) 12	153543	Armature, Selector 16
144797	Shaft, Feed Wheel 7	151701	Spring, Torsion 15	153799	Screw (4-40 x 21/64 Hex) 20, 33
144998	Post 7	151714	Spring 15	153817	Screw (4-40 x 3/8 Hex) 28, 32, 35, 48, 49
144999	Shoe, Tape 7	151715	Spring 16	153819	Washer, Lock 47
145353	Wheel, Pressure 7	151721	Screw (6-40 x 3/4 Hex) 29, 39	153839	Screw (6-40 x 5/8 Hex) 3, 8, 10, 15, 20, 23, 26, 30, 33, 36
145356	Wheel, Feed 7	151722	Screw (6-40 x 3/16 Hex) 6, 26, 29, 35, 39, 42, 44	153841	Screw (6-40 x 9/16 Hex) 18, 42, 44
145357	Guide, Tape 7	151728	Spring 3, 5	154235	Spring 13, 25, 47
145358	Bracket, Tape Guide 6	151731	Screw (4-40 x 7/8 Fil) 31	154242	Screw (6-40 x 5/16 Hex) 4
150000	Drum, Clutch 5	151733	Screw (4-40 x 9/16 Fil) 22, 38	154244	Nut, Shoulder (6-40) 11
150001	Drum, Clutch 3	151736	Spring 27	154245	Spring, Contact 25
150013	Disk, Adjusting 3, 5	151737	Screw (4-40 x 11/64 Hex) 3, 5, 8, 21, 22, 23, 27, 29, 35, 42, 44	154246	Bracket, Contact 25
150026	Lever, Shoe Release 5	151848	Lock 21	154247	Contact Assembly 25
150029	Wick, Felt 3, 5	151879	Stud 50	154325	Modification Kit 18
150040	Screw (6-40 x 5/8 Fil) 5	151880	Nut (4-40 Hex) 17, 21, 31, 42, 44	154335	Screw (6-40 x 9/32 Fil) 27
150043	Shoe, Secondary Clutch 3, 5	151886	Stud 50	154352	Spring 37
150044	Shoe, Primary Clutch 3, 5	152129	Spring 44	154396	Cam W/Pin 5
150048	Spring 3, 15	152400	Plate, Selector Mounting 15	154397	Shaft W/Bearing 5
150089	Screw (4-40 x 1/2 Fil) 16	152401	Guide 15	154398	Bearing, Needle 5
150241	Spring 3, 5	152402	Guide, Selector Lever 15	154620	Wick, Leather 15
150327	Roller, Ribbon 18, 42	152403	Bracket, Guide 15	154621	Retainer, Wick 15
150355	Lever, Latch 3	152404	Bracket, Spring 15	154622	Lubricator 15
150356	Lever, Trip 3	152405	Lever, Marking Lock 15	154694	Disk, Clutch Cam 3, 5
150411	Washer, Flat 3	152406	Bracket, Spring 15	155096	Plate, Range Finder Mounting 14
150507	Spring 18, 21	152407	Lever, Spacing Lock 15	155750	Sleeve, Insulating (3/32 ID x 1/2" Lg) 22, 23, 24, 25, 26, 29, 31, 38, 47
150687	Stud 15	152409	Lever, Selecting 15	155751	Sleeve, Insulating (1/8 ID x 1" Lg) 22, 24, 30
150923	Washer, Felt 8	152410	Bail, Reset 15	155752	Sleeve, Insulating (5/64 ID x 1/2" Lg) 23, 25, 30, 31, 38, 47
150990	Washer, Felt 9	152411	Lever, Push 15	155753	Sleeve, Insulating (1/8 ID x 1/2" Lg) 25, 30, 46, 47
151073	Screw (4-40 x 5/32 Fil) 3, 8, 23, 28, 41	152412	Link 15	155995	Screw, Shoulder (6-40) 27
151103	Spring 15	152415	Stud, Adjusting 16, 27	156008	Wheel, Feed 41
151152	Screw (4-40 x 3/16 Hex) 3, 11, 13, 17, 19, 21, 22, 23, 29, 34, 37, 41, 46, 47	152420	Lamination, Magnet 16	156009	Post, Slide 8
151222	Washer, Felt 8	152421	Bracket, Shield Mounting 16	156012	Spring, Punch Block 41
151234	Ratchet (27 T) 50	152423	Bracket, Armature Stop Mounting 16	156013	Screw (4-40 Spl) 8
151235	Ratchet (28 T) 50	152425	Post, Spring 16	156015	Plate, Spring 6
151236	Hub 50	152426	Nut, Self-Locking (6-40) 16	156016	Link, Front Drag 8
151237	Spring, Flat 50	152427	Latch W/Hub 14	156017	Shaft, Eccentric 8
151240	Pawl 50			156019	Washer, Felt 7
151241	Lever, Latching 50			156020	Slide 6
151246	Washer, Flat 4			156024	Plate, Rear 6
151336	Oiler 15, 27				
151346	Screw (6-40 x 3/8 Fil) 27				
151416	Nut (6-40 Hex) 7, 8				
151442	Screw (6-40 x 1/2 Hex) 4, 5, 10, 11, 15, 16, 27, 29, 31, 35, 39				
151603	Spacer 16				
151626	Terminal 24, 25, 26, 30, 31, 35, 47				

NUMERICAL INDEX (Continued)

Part Number	Description and Page Number	Part Number	Description and Page Number	Part Number	Description and Page Number
156028	Plate, Front 7	156243	Roller, Lifter Arm 19	156488	Post, Spring 19
156036	Guide, Tape 7	156248	Latch 3	156489	Bushing 10
156040	Post 7	156250	Cam 40	156490	Post, Guide 3
156042	Post 7	156252	Lifter, Function Blade 19	156492	Bracket, Guide 9
156043	Bushing 8	156264	Lever, Detent 9, 12	156493	Stud 11
156044	Stud, Die Wheel 7	156265	Bushing, Shoulder 12	156501	Screw (6-40 x 7/32 Fil) 9, 10
156045	Shaft, Feed Wheel 7	156266	Bushing, Shoulder 9, 12	156515	Washer, Felt 42
156046	Block, Tape Guide 6	156267	Lever, Trip 27	156536	Screw (4-40 x 1/8 Fil) 13, 15
156047	Spring, Torsion 7	156268	Bracket, Spring 13	156558	Washer, Felt 10, 22, 35, 44
156050	Stud, Eccentric 7	156276	Eccentric, Right Rotary 9	156572	Washer, Felt 23
156051	Bushing, Eccentric 8	156277	Eccentric, Left Rotary 9	156576	Washer, Felt 4
156052	Shoe, Tape 7	156278	Eccentric 12	156577	Roller, Detent Lever 7
156054	Lever, Detent 7	156286	Shaft, Right Eccentric 9	156740	Screw (6-40 x 7/32 Hex) 6, 33, 38
156055	Wheel, Die 7	156287	Shaft, Left Eccentric 9		
156057	Washer, Flat 13	156288	Shaft, Axial Eccentric 12	156835	Ring, Retaining 10
156058	Link, Rear 8	156289	Bearing, Left Front 9	156867	Frame, Main 3
156060	Shaft, Eccentric 8	156290	Bearing, Right Front 9	156869	Guide, Ribbon 10
156061	Arm, Tape Shoe 7	156291	Bearing, Rear 9	156870	Lever, Ribbon Oscillating 11
156062	Post, Pivot 7	156292	Housing, Upper Axial 12	156871	Bail, Operating Blade 4
156067	Guide, Slide Post 8	156293	Housing, Lower Axial 12	156872	Blade, Operating 4
156069	Plate 6	156294	Sector, Axial 11	156874	Screw (4-40 x 15/16 Fil) 9, 12
156070	Bail, Toggle 8	156296	Post, Retainer 13	156875	Screw (6-40 x 5/32 Fil) 12
156077	Plate W/Post 8	156300	Shaft 13	156876	Bushing 4
156078	Contact Assembly 23	156306	Rod, Right Connecting 10	156877	Washer, Felt 4
156089	Slide W/Insulator 6	156311	Rod, Left Connecting 10	156880	Jumper (2-3/8" Black) 16
156090	Screw, Adjusting (6-40) 7	156313	Rack, Axial Output 12	156881	Jumper (1-1/2" Black) 16
156093	Washer, Felt 8	156316	Plate, Rear 13	156884	Arm, Rocker 8
156094	Link, Front 8	156318	Lever, Reset 3	156899	Stud, Eccentric 4
156095	Bushing 8	156321	Shaft, Oscillating 11	156900	Roller 4
156099	Link, Rear Drag 8	156322	Link, Axial Toggle 11	156901	Post, Eccentric 18
156103	Strip, Felt 8	156332	Shaft, Typewheel 10	156905	Block, Guide 10
156104	Shaft 41	156366	Shaft, Rocker Bail 4	156908	Post, Sector Pivot 11
156106	Bail 41	156369	Lever W/Post 11	156909	Post, Toggle Link 11
156125	Shaft 20	156378	Plate, Axial Positioning 12	156921	Guide, Adjusting Lever 4
156128	Bushing 20	156382	Roller, Guide 11	156922	Arm, Lock Release 13
156130	Lever 20	156387	Lever, Trip 3	156924	Plate, Drive Link 12
156132	Bearing, Eccentric 20, 33	156388	Lever, Adjusting 3	156925	Roller 12
156136	Bracket, Shaft Mounting 20, 26, 33	156389	Gear (16 T) 10	156929	Bracket 22
156137	Washer, Flat 20, 33	156390	Washer, Flat 10	156931	Bracket 10
156139	Frame 21	156396	Eccentric 19	156933	Ratchet (36 T) 21
156143	Shaft 21	156397	Post 11	156937	Link, Printing Drive 19
156146	Spacer 21	156399	Nut, Shoulder (6-40 Hex) 4	156938	Screw, Eccentric Shoulder (6-40) 19
156147	Arm, Drive 20	156403	Disk, Bearing 4		
156152	Shaft 20, 26	156408	Arm 10	156941	Cam, Selector 3
156153	Collar, Eccentric 20	156412	Link, Drive 4	156948	Wick, Felt 11
156154	Collar 20	156413	Link, Drive 19	156976	Connector, Plug (32 Pt) 24
156155	Pawl, Feed 20	156414	Plate, Ribbon Feed Mounting 18	156987	Screw (6-40 Spl) 4
156156	Pawl, Check 20	156419	Shaft, Left Ribbon Ratchet 18	156988	Race, Outer 4
156158	Post, Spring 21	156421	Shaft, Right Ribbon Ratchet 18	156989	Roller, Bearing 4
156159	Bracket 23	156426	Washer, Spring 18	156991	Pawl, Feed 20
156162	Washer, Flat 8	156427	Disk, Friction 18	156994	Strip, Felt 4
156165	Washer, Felt 3, 8	156428	Washer, Felt 18	156995	Post 4
156167	Cable 24	156433	Pawl, Ribbon Feed 18	156998	Retainer 4
156168	Spring 6	156436	Arm, Front Reversing 18	157194	Retainer, Spring 16
156169	Washer, Felt 8	156437	Arm, Rear Reversing 18	157237	Shield, Terminal 16
156172	Rod 41	156440	Lever, Reversing 18	157252	Bushing 42
156173	Stud 6	156442	Pawl, Retaining 18	157261	Shaft, Stop Arm 14
156177	Bracket, Contact 23	156450	Screw (2-56 x 1/2 Fil) 46	157292	Switch, Tape Out Sensitive 22
156183	Bracket, Anchor 7	156462	Bail, Oscillating 11	158171	Shaft W/Bearing 27
156184	Bracket, Anchor 7	156465	Washer, Spring 4	158172	Lever, Latch 27
156221	Lock 17	156466	Rack, Typewheel 10	158701	Gear (35 T) 5
156230	Stud, Lifter Pivot 19	156467	Ring, Retaining 4	158745	Clamp, Bearing 4
156235	Post, Guide 3	156472	Post, Spring 15	158753	Armature 22
156236	Collar 40	156473	Shaft 40	158754	Core, Magnet 22
156241	Link, Front 10	156476	Hammer, Print 10	158757	Hinge, Mounting 22
156242	Link, Rear 10	156478	Accelerator, Hammer 10	158758	Shaft 22
		156484	Bracket 19	158760	Post, Spring 22, 29, 44

NUMERICAL INDEX (Continued)

Part Number	Description and Page Number	Part Number	Description and Page Number	Part Number	Description and Page Number
158763	Bracket 22	159498	Lever, Pulse (#5) 17	159885	Gear (28 T) 27
158772	Screw (4-40 x 5/8 Hex) 17	159499	Lever, Transfer (#3, 4 & 5) 17	159886	Gear (49 T) 27
158807	Screw (3-48 x 11/64 Fil) 30, 47	159500	Beam, Pulse (#4) 17	159888	Pinion (28 T) 27
158816	Spring, Contact 22, 31, 38, 47, 50	159501	Beam, Pulse (#1) 17	159889	Gear (49 T) 27
158817	Stiffener 50	159502	Guide 17	159891	Pinion (21 T) 27
158881	Nut, Shoulder (6-40 Hex) 27	159503	Shaft 13	159892	Gear (48 T) 27
158925	Slide, Tape Depressor 6	159504	Spacer 17	159894	Pinion (14 T) 27
158940	Wick, Felt 27	159506	Post 4	159895	Gear (40 T) 27
158946	Cable Assembly 24	159508	Lever, Transfer (#1 & 2) 17	159896	Collar 27
158950	Contact Assembly, Code Reading 23	159512	Link, Printing Trip 19	159900	Plate 28
159011	Bracket, Spring 3	159515	Blade, Function (FIGS) 13	159901	Plate 28
159181	Lubricator 27	159516	Blade, Function (LTRS) 13	159902	Shaft, Rake 28
159184	Wick, Lubricator 27	159519	Bushing 11	159903	Bellcrank 28
159185	Retainer, Wick 27	159522	Bushing, Shoulder 11	159909	Pawl, Feed 28
159233	Stud 6	159523	Bail, Oscillating Drive 11	159910	Latch, Return 28
159341	Bearing, Ball 4	159525	Bracket, Axial 11	159911	Plate 28
159351	Modification Kit 20, 21, 22	159526	Link, Oscillating 12	159912	Gear, Segment 28
159360	Modification Kit 25	159528	Bar, Push (#5) 9	159913	Screw, Eccentric (6-40) 28, 48
159363	Modification Kit 28	159529	Bar, Push (#3) 9	159916	Eccentric 28
159365	Modification Kit 6	159530	Bar, Push (#4) 9	159954	Link W/Stud 29
159379	Modification Kit 23	159531	Bar, Push (LTRS) 9	159955	Link, Drive 29
159380	Modification Kit 23	159532	Bar, Push (FIGS) 9	159956	Post 29, 38
159381	Modification Kit 23	159533	Bar, Push (#1) 12	159957	Link 29
159382	Modification Kit 23	159535	Plate, Front 9	159958	Latch 29
159400	Shaft, Eccentric 21	159536	Gear (15 T) 10	159959	Extension, Latch 29
159403	Lever 21	159539	Arm, Printing Pivot 19	159960	Eccentric 29
159404	Post 12	159544	Release, Clutch 3	159961	Arm, Eccentric 29
159406	Bracket, Spring 20	159560	Spring 6	159962	Ring, Retaining 29
159411	Bearing Assembly 4	159563	Bar, Push (LTRS) 9	159965	Arm 29
159413	Plate, Reversing 18	159565	Bracket 23, 41, 47	159973	Bracket 29
159422	Cable Assembly 22	159568	Bracket, Contact 23, 32, 47	159974	Eccentric 29
159427	Bracket, Stop 3	159570	Spring, Contact 23, 45, 47	159975	Bail 29
159430	Lever, Slide Trip 3	159571	Stiffener 23, 45, 47	159976	Armature 29, 35, 44
159431	Lever, Main Trip 3	159575	Bracket, Stap 23	159977	Hinge 29, 35, 44
159434	Plate, Lifter Mounting 19	159578	Bail, Contact 23	159978	Shaft 29, 35, 44
159437	Arm, Left Yield (FIGS) 13	159579	Bail 23	159979	Arm 29
159438	Arm, Right Yield (LTRS) 13	159580	Shaft 23	159980	Post, Spring 29
159441	Guide, Bellcrank 3	159597	Washer, Flat 11	159981	Spacer 6
159447	Bellcrank (#1 & 4) 13	159601	Bracket, Spring 23	159987	Bracket, Guide 28
159448	Bellcrank (#2) 13	159602	Spring 21	159994	Plate, Lifter Arm 19
159450	Bellcrank (#3 & 5) 13	159606	Pawl 21	159995	Arm, Lifter 19
159459	Spring 17	159608	Plate 21	159997	Screw, Eccentric (6-40) 19
159460	Link, Toggle 13	159613	Arm, Clamp 20	160184	Plate, Armature Stop 16
159467	Holder, Wick 15	159614	Arm, Kick-Out 21	160185	Post 23
159468	Arm, Lock 13	159615	Arm, Release 21	160354	Cam 27
159470	Shaft, Lock Arm 13	159616	Lever, Intermediate 21	160404	Spring, Contact 22, 25, 31, 38
159471	Bellcrank (LTRS-FIGS) 13	159617	Roller 21	160480	Pusher, Tape 8
159472	Plate 3	159622	Clamp, Adjusting 6	160583	Spring, Contact 21, 31, 38, 47, 50
159476	Arm (Figures) 13	159623	Post, Spring 21	160593	Terminal 50
159477	Arm (Letters) 13	159625	Bracket, Guide 4	160626	Insulator (.031") 46
159480	Bushing, Eccentric 10	159626	Extension, Drive Link 19	160627	Bushing, Insulating 46
159481	Arm, Extension (FIGS) 13	159629	Plate, Nut 22	160628	Spring, Contact 46
159482	Arm, Extension (LTRS) 12	159630	Shaft 21	160666	Guard 25
159483	Bracket, Spring 13	159631	Latch 21	160672	Stud 25
159487	Plate, Front 13	159636	Plate, Adjusting 21	160673	Shaft 25
159488	Bracket, Transfer Mounting 17	159637	Lever, Switch 22	160674	Nut, Shoulder (6-40) 25, 28
159489	Plate (#1) 17	159641	Cable W/Terminals 25	160692	Bail, Armature 22
159490	Plate (#4) 17	159642	Shim (.008") 9	160694	Latch 21
159491	Plate (#2) 17	159643	Shim (.008") 12	160839	Spacer, Shoulder 4
159492	Plate (#3) 17	159653	Blade, Function 25	160840	Post, Anchor 21
159493	Plate (#5) 17	159654	Latch, Printing 19	160842	Washer, Spring 20, 33
159495	Beam, Pulse (#5) 17	159656	Block Assembly, Punch 41	160843	Spring 42
159496	Beam, Pulse (#3) 17	159655	Cable 24	160846	Bushing, Shoulder 11
159497	Beam, Pulse (#2) 17	159658	Screw (6-40 x 1-3/32 Hex) 10	160881	Modification Kit 25
		159659	Shaft, Eccentric 10	160943	Housing, Typewheel Shaft 10
		159861	Frame, Main 27	160944	Washer, Felt 23
		159865	Drum, Clutch 27		
		159880	Slide 27		

NUMERICAL INDEX (Continued)

Part Number	Description and Page Number	Part Number	Description and Page Number	Part Number	Description and Page Number
160948	Screw (2-56 Spl) 7	162341	Bearing 40	163020	Gear (48 T) 27
160997	Roller 23	162346	Extension, Adjustable 18	163021	Pinion (28 T) 27
160998	Arm 23	162347	Arm, Ribbon Drive 18	163022	Gear (80 T) 27
161100	Spring, Contact 23, 45, 47	162363	Stripper 37	163023	Gear Set (60 WPM) 27
161102	Spring, Contact 23, 47	162375	Modification Kit 37	163024	Gear Set (75 WPM) 27
161107	Stud 7	162379	Modification Kit 32, 33, 34	163025	Gear Set (100 WPM) 27
161108	Stud 6	162380	Modification Kit 33, 34, 35, 36	163113	Washer, Flat 10
161109	Post, Guide 8	162432	Modification Kit 26	163114	Post, Spring 32, 35
161139	Nut (6-40 Hex) 7	162434	Modification Kit 20, 21, 22	163255	Nut, Shoulder (6-40) 32, 35
161237	Cable Assembly 30	162741	Cam 33	163303	Bracket, Spring 19
161238	Connector, Receptacle (36 Pt) 30, 47	162742	Pawl, Detent 33	163326	Lever W/Hub 33
161239	Connector, Plug (36 Pt) 30	162743	Pawl, Feed 33	163327	Ring, Retaining 20, 26, 33
161240	Bracket, Connector 30	162744	Shaft 33	163347	Modification Kit 32, 33, 34
161304	Modification Kit 29	162745	Lever, Cam Follower 33	163351	Cam 32
161305	Cable Assembly 30	162747	Roller 33	163429	Screw, Shoulder (6-40) 19
161318	Bracket 31	162748	Lever 33	163455	Pinion (20 T) 27
161319	Lever 31	162750	Lever 33	163456	Gear (52 T) 27
161320	Contact Assembly 31	162752	Collar 33	163457	Gear Set (71 WPM) 27
161321	Contact Assembly (LTRS-FIGS) 31	162753	Spacer 33	163476	Gear (42 T) 5
161323	Housing, Gear 10	162754	Plate 33	163500	Gear (52 T) 27
161324	Washer, Flat 10	162755	Bracket, Spring 33	163501	Pinion (30 T) 27
161334	Lever, Stop 26	162756	Bushing 33	163502	Gear Set (107 WPM) 27
161335	Solenoid Assembly, Feed-Out 26	162757	Shaft 33	163675	Typewheel 52
161336	Bracket 26	162758	Lever, Cam Follower 33	163676	Typewheel 52
161337	Post, Stop 26	162760	Latch 32, 35	163677	Typewheel 52
161338	Lever, Trip 26	162761	Post 32	163679	Typewheel 52
161339	Lever, Hand 26	162762	Storage Assembly, Slide 34	163681	Typewheel 52
161340	Modification Kit 26	162763	Bail, Reset 8	163682	Typewheel 52
161341	Modification Kit 26	162764	Lever, Slide Trip 34	163683	Typewheel 52
161342	Lever, Start 15	162765	Bracket 34	163685	Typewheel 52
161347	Washer, Felt 13, 50	162766	Plate W/Post 34	163687	Typewheel 52
161355	Cable 31	162768	Latch 34	163688	Typewheel 52
161431	Lever, Rotary Correcting 10	162770	Plate W/Stud 34	163690	Typewheel 52
161443	Detent, Axial Shaft 12	162772	Link 34	163945	Modification Kit 23
161444	Detent, Rotary Shaft 9	162773	Plate, Main 32, 35	163946	Cable 23, 51
161493	Post, Supporting 25	162774	Post, Spring 32, 35	163961	Cable 51
161524	Shaft, Hammer 10	162775	Shaft 32, 35	164386	Bracket, Magnet Mounting 16
161828	Modification Kit 37	162776	Plate 32	164402	Blade, Function (Uncoded) 43
161928	Post, Supporting 37	162778	Lever 32, 35	164506	Modification Kit 47
161930	Lever 37	162780	Shaft 32, 35	164507	Contact Assembly 47
162064	Cable W/Terminal 30	162781	Lever 32, 35	164508	Spring, Contact 45
162065	Cable 30	162784	Screw, Eccentric (4-40) 32, 35	164509	Bracket, Contact 47
162066	Cable 22	162785	Bushing, Eccentric 32, 35	164510	Bracket, Connector 47
162067	Cable 31	162786	Arm, Blocking 32, 35	164511	Lever 7
162095	Contact Assembly 22	162788	Post 32, 35	164513	Pawl, Feed 8
162096	Bracket, Switch Mounting 22	162790	Lever W/Hub 32	164514	Guide, Tape 6
162097	Modification Kit 22	162791	Shaft 32, 35	164515	Spring, Torsion 7
162098	Post, Spring 22	162792	Arm, Detent 32, 35	164521	Plate 42
162207	Cable W/Terminals 29	162793	Ratchet (42 T) 32, 35	164525	Post, Spring 42
162211	Cable, Bell Contact 25	162794	Hub, Back Stop 32, 35	164526	Slide W/Post 42
162242	Modification Kit 25	162795	Ratchet (42 T) 32, 35	164528	Bushing 42
162245	Modification Kit 29	162796	Cam 32	164529	Lever, Ribbon Reverse 42
162247	Contact Assembly (LTRS-FIGS) 31	162797	Plate, Adjusting 32, 35	164530	Bushing 42
162248	Hub 5, 27	162798	Roller 32, 35	164531	Pawl, Check 42
162271	Modification Kit 23	162799	Post, Spring 32, 35	164532	Pawl, Feed 42
162272	Modification Kit 23	162800	Block, Stop 32, 35	164535	Shaft, Right Ribbon Ratchet 42
162273	Modification Kit 23	162802	Pawl, Detent 32, 35	164538	Shaft, Left Ribbon Ratchet 42
162274	Modification Kit 23	162803	Post, Drive Link 32	164539	Spring, Ratchet 42
162303	Cable 23, 51	162804	Link, Drive 32	164540	Detent 42
162304	Cable 23, 51	162834	Solenoid, Feed-Out 26	164541	Arm, Ribbon Drive 42
162305	Cable 23	162850	Handle 18, 42	164543	Lever, Adjusting Extension 42
162306	Cable 23	162862	Bar, Mounting 3	164740	Rack, Range Finder 39
162340	Sleeve 40	162863	Sleeve, Blocking 37	164743	Shaft 39
		163015	Gear (28 T) 27	164883	Lever, Cam Follower 36
		163016	Gear (49 T) 27	164884	Lever W/Stud 36
		163018	Gear (49 T) 27	164886	Link 36
		163019	Pinion (21 T) 27	164887	Post 36

NUMERICAL INDEX (Continued)

Part Number	Description and Page Number	Part Number	Description and Page Number	Part Number	Description and Page Number
164888	Lever W/Post 36	173965	Typewheel 52	176420	Modification Kit 39
164948	Modification Kit 46	173966	Typewheel 52	176421	Modification Kit 39
164949	Bracket, Tape Guide 46	173967	Typewheel 52	176445	Handle 18, 44, 45
164950	Knife, Tape 46	173968	Typewheel 52	176450	Bracket 44
164963	Modification Kit 6	173969	Typewheel 52	176451	Bail 44
164964	Washer, Felt 42	173970	Typewheel 52	176452	Rod 44
164965	Washer, Flat 42	173971	Typewheel 52	176453	Screw, Shoulder (3-48) 44
165027	Network, Spark Suppression 16	173977	Shaft, Hammer 10	176454	Post, Spring 44
170219	Stud, Die Wheel 7	173978	Spring, Torsion 10	176455	Plate 44
170239	Bracket, Spring 8	173979	Head, Hammer 10	176457	Lever, Blocking 44
170241	Screw, Adjusting (6-40) 7	173980	Lever, Print Hammer 10	176459	Stud, Eccentric 44
170242	Slide, Feed Hole Punch 6	173981	Accelerator, Hammer 10	176460	Arm 44
170243	Slide, Code Hole Punch 6	173992	Gear Set 27	176462	Extension, Feed Pawl 44
170246	Slide W/Insulator 6	173993	Pinion (14 T) 27	176463	Latch 44
170247	Guide 6	173994	Gear (40 T) 27	176464	Post 44
170778	Block Assembly, Punch 41	174150	Block Assembly, Punch 41	176465	Spring, Torsion 44
170779	Wheel, Feed 41	174151	Guide, Tape (7/8" Tape) 6	176466	Blade W/Insulator, Function (Blank) 45
170788	Wheel, Die 7	174152	Guide, Tape 7	176467	Bracket 45
170803	Bail, Retractor 41	174155	Guide, Tape 7	176468	Spring, Torsion 45
170879	Slide, Feed Hole Punch 6	174357	Block Assembly, Punch 41	176489	Guide 3
170907	Plate, Adjusting 35	174441	Lever 39	176490	Bracket 3
172626	Shaft 46	174442	Contact Assembly 39	176620	Cable 38
172627	Bail, Sensing 46	174444	Spring, Contact 39	176621	Modification Kit 38
172631	Gear (42 T) 5	174445	Bracket, Contact Mounting 39	176622	Bail 38
172632	Screw (4-40 x 3/16 Hex) 39	174446	Spring Contact 39	176623	Bracket, Mounting 38
172638	Screw (6-40 x 9/32 Hex) 6	174447	Post 39	176624	Contact Assembly 38
172639	Spring, Torsion 36	174448	Guard 39	176627	Modification Kit 47
172640	Modification Kit 28	174449	Bracket 39	176628	Modification Kit 33, 34, 35, 36
172759	Cable 46	174450	Cam 39	176639	Arm, Ribbon Drive 18
172983	Bracket, Spring 8	174451	Cam 39	176640	Guard, Tape 15
172984	Bracket, Spring 41	174452	Spacer 39	176641	Arm, Adjustable 18
173128	Bracket, Mounting 50	174475	Modification Kit 49	176647	Latch 29
173129	Stud 50	174476	Stop, Print Hammer 49	177000	Retainer 49
173130	Pawl, Contact 50	174649	Cable 23	177001	Spacer 49
173131	Bellcrank 50	174650	Modification Kit 23	177002	Plate 49
173134	Cable Assembly 50	175519	Typewheel 52	177003	Nut, Shoulder (6-40) 44
173135	Bracket Assembly 46	175521	Typewheel 52	178826	Arm 44
173136	Spring, Contact 46	175523	Typewheel 52	178827	Spring, Torsion 45
173137	Guard, Contact 46	175546	Typewheel 52	178829	Arm, Blocking 45
173139	Bracket 26	175547	Typewheel 52	178916	Bellcrank 48
173150	Bracket, Support 50	175554	Typewheel 52	178917	Modification Kit 48
173200	Sleeve, Bearing 5, 27, 40	175556	Typewheel 52	178918	Modification Kit to Equip Backspace Mechanism with Guard 48
173336	Modification Kit 5, 40	175558	Typewheel 52	178919	Pawl, Backspace 48
173340	Collar 5	175559	Typewheel 52	178920	Post, Eccentric 48
173443	Modification Kit 33, 34, 35, 36	175565	Typewheel 52	178921	Plate 48
173601	Cam 33	175568	Typewheel 52	178922	Nut, Shoulder (6-40) 48
173602	Plate 36	175580	Typewheel 52	178923	Bellcrank Assembly 48
173604	Post, Spring 36	175582	Typewheel 52	178924	Shaft 48
173606	Bail 36	175583	Typewheel 52	178925	Ratchet (24 T) 48
173607	Lever 36	175584	Typewheel 52	178926	Screw (2-56 Spl) 48
173608	Spring, Torsion 36	175604	Typewheel 52	178927	Clamp, Adjusting 48
173609	Roller 36	175608	Typewheel 52	178930	Guard 48
173616	Lever 36	175612	Typewheel 52	178931	Post 48
173618	Bail 36	175632	Typewheel 52	178932	Post, Supporting 48
173619	Bracket, Magnet 35	175701	Typewheel 52	179133	Modification Kit 44, 45
173620	Bail, Armature 35	175707	Typewheel 52	179251	Guard, Tape 46
173621	Cable W/Terminals 35	175710	Typewheel 52	179274	Wheel, Feed 7, 41
173691	Cam 35	175711	Typewheel 52	179275	Modification Kit 49
173754	Spacer, Typewheel 10	175713	Typewheel 52	179460	Blade, Function (LTRS) 47
173755	Guide, Ribbon 10	176138	Modification Kit 10	179461	Blade, Function (FIGS) 47
173756	Lever, Print Hammer 10	176252	Washer, Flat 4	179462	Blade, Function (Uncoded) 43,47
173757	Typewheel 52	176255	Cable 47	179573	Nut (6-40 Hex) 8
173769	Typewheel 52	176256	Bracket, Mounting 47	179579	Decalomania 42
173770	Block Assembly, Punch 41	176257	Lever 47	179628	Cable Assembly 30
173775	Shaft, Typewheel 10	176258	Modification Kit 47	179669	Screw (4-40 Spl) 44
173850	Cable W/Terminals 47	176259	Cable 47		
173961	Modification Kit 44, 45	176266	Spring, Torsion 3		
		176286	Lever, Adjusting 33		

NUMERICAL INDEX (Continued)

Part Number	Description and Page Number	Part Number	Description and Page Number	Part Number	Description and Page Number
179761	Blade, Function (UC H) 47	192709	Link 4	193824	Latch 29
179762	Blade, Function (Blank) 47	192778	Blade, Function (T) 37	193825	Magnet Assembly, Back Space 29
179932	Blade, Function (UC S) 47	192779	Modification Kit 37	194176	Screw, Eccentric Shoulder (6-40) 45
179933	Blade, Function (UC J) 47	192793	Guard 23	195182	Gear (20 T) 27
179934	Blade, Function (N) 47	192849	Bar, Push (#2) 12	195183	Gear (52 T) 27
179935	Blade, Function (CR) 47	192877	Bushing, Guide 10	195184	Gear Set 27
179943	Cable 51	193639	Lever W/Shaft 33	195251	Armature, Selector 16
179967	Stop 45	193668	Blade, Function (Unshift-on-Blank) 37	195284	Ring, "O" 10
192661	Post 4	193669	Modification Kit 37	195401	Cable W/Terminals 30
192686	Modification Kit: (UC "H" & "BL") 47	193804	Armature 29	195634	Modification Kit 16
		193821	Bracket 29	197684	Guard 45
		193822	Clamp 29	197995	Washer, Flat 45



28 RECEIVING-ONLY REPERFORATOR OR TAPE PRINTER BASE (LRB)

and

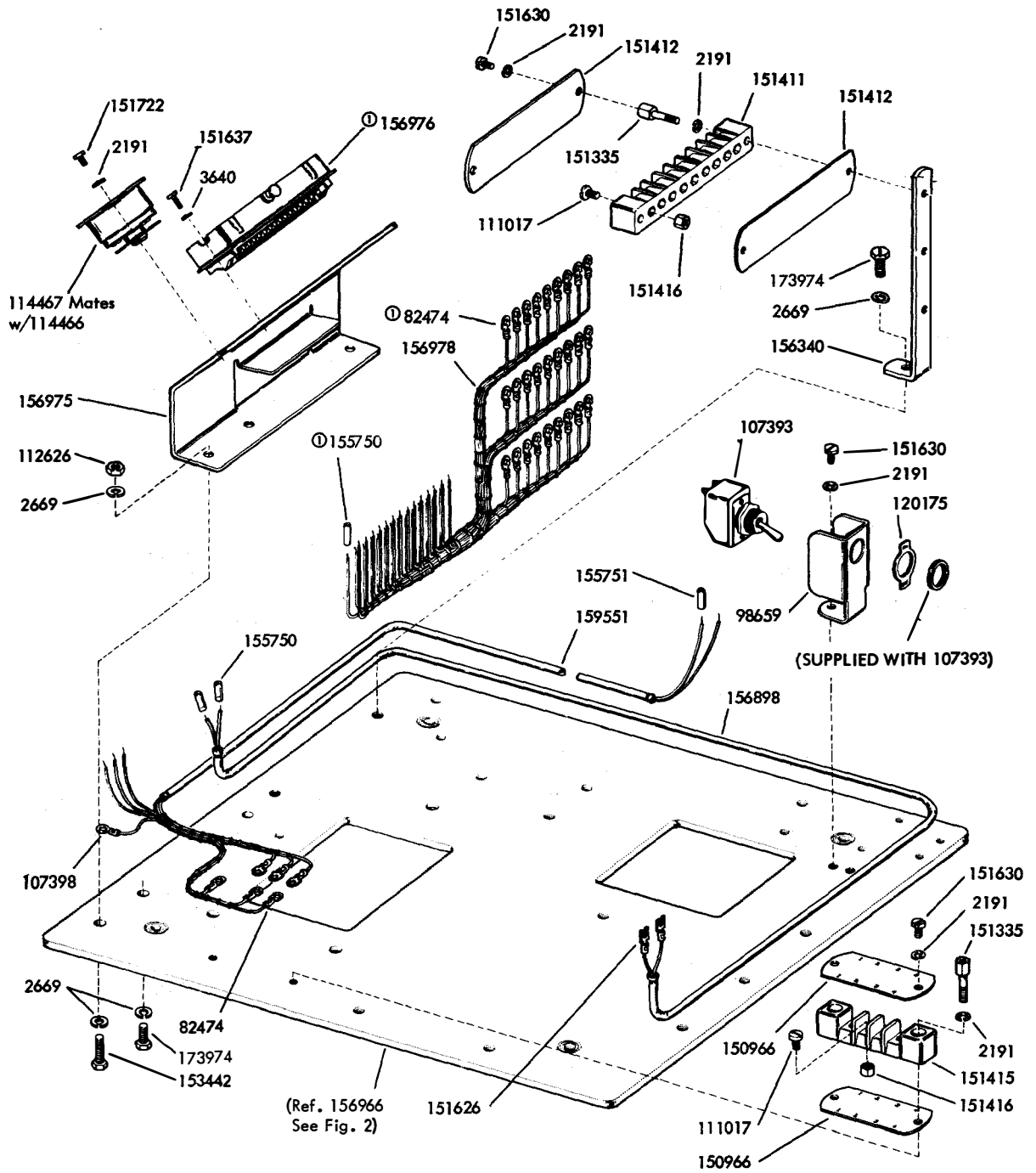
28 RECEIVING-ONLY MULTIPLE REPERFORATOR BASE (LMRB)

PAINT FINISH COLOR CODE CHART											
(for parts and assemblies requiring a paint finish)											
Color	Finish Suffixes				Color	Finish Suffixes					
	Wrinkle Finish	Smooth Finish	Textured Vinyl	Smooth Vinyl		Wrinkle Finish	Smooth Finish	Textured Vinyl	Smooth Vinyl		
Beige	AA (37)	ET		HC	Gray, Federal	AB (40)	BV	GG	HB (68) HE HF (46)		
Beige, Light		EL			Gray, Green		BK	GA (45)			
Beige, Rose		ER			Gray, Light		EJ				
Black		BA (34)			Gray, Covert		EW	GE			
Black, High Gloss					BB			Gray, Olive			
Black, Semi Gloss		EK			Gray, Maritime Deck		AJ	BJ			
Blue, Aqua		EC			Gray, Oxford		AB (40)	EP		GA (45)	HD
Blue, Brussels Light		ES			Green, Gray			BK			
Blue, Medium		BL			Green, Moss		EN	EM			
Brown, Dark		AD (38)			GC		HG	Ivory		EU	
Brown, Light	AC (39)	GF	HA	Pink, Rose		EV					
Fawn	AL			GB		Turquoise		EH			
Gray, Beige						BZ		White	EG		
Gray, Charcoal						BR		Yellow, Pastel			
Gray, Dark											
Gray, Navy Light											

The double asterisk (**) denotes a painted part. Suffix to be applied following the part number.
Number in parentheses indicates Bell System code.

FIGURE	CONTENTS	PAGE
1	Reperforator Base (Single Plate)	3
2	Reperforator Base (Single Plate)	4
3	159377 Modification Kit to Provide Single Speed Drive	5
4	Reperforator Base (Double Plate)	6
5	Reperforator Base (Double Plate)	7
6	Tape Container	8
7	Modification Kits to Provide Variable Speed Drive	9
8	Modification Kits to Provide Variable Speed Drive	10
9	Multiple Reperforator Base (With Cross-Shaft)	11
10	Cross-Shaft Mechanism for Multiple Reperforator Base	12
11	Multiple Reperforator Base (With Cross-Shaft and Intermediate-Shaft)	13
12	Cross-Shaft and Intermediate Shaft Mechanism for Multiple Reperforator Base	14
13	161527 Tape Container Assembly	15
14	161678 Modification Kit to Install a Multiple Reperforator Base (LMRB) in a Model 28 Cabinet (LBAC)	16
15	Auxiliary Reperforator Base	17
16	Gear Bracket Mechanism	18
17	Auxiliary Reperforator Base Gearing Mechanism	19
18	161815, 176287 and 179492 Modification Kits to Mount an Auxiliary Typing Reperforator Base	20
19	Miniaturized Receiving Only Reperforator Base	21
20	174492 Tape Container Assembly	22
21	174459 Modification Kit to Provide a Sliding Base	23
22	176100 Variable Speed Mechanism Assembly	24
23	176100 Variable Speed Mechanism Assembly	25
24	Miniaturized Base	26
25	Miniaturized Base	27
26	164873** (7/8") and 193794** (1") Tape Container Assemblies with Tape-Out Switch	28
27	162957** Tape Winder Assembly	29
28	Typing Reperforator Base with Extension	30
29	Electrical Components	31
30	195388 Modification Kit to Relocate Power Switch from the Rear to the Front	32
31	173484 Modification Kit to Provide Power Factor Correction for (LMRB) Base	32
32	164341 and 176542 Modification Kits to Provide Chad Disposal on Multiple Reperforator Bases	33
33	Modification Kits to Provide Chad Disposal	34
34	193667 Modification Kit to Provide a Sprocket Guard for Multiple Reperforator Bases	35
35	Gear Chart for Self-Contained Non-typing Reperforator	35
36	Tape Printer Base (Miniaturized)	36
37	Tape Printer Base - continued (Miniaturized)	37
38	Cable Components	38
39	178838 Modification Kit to Relocate Power Switch from Auxiliary Base to Outside of Cabinet	39
	Numerical Index	40

**Refer to page 1 for finish suffix.



Ⓞ156978 Cable Assembly

FIGURE 1. REPERFORATOR BASE (Single Plate)

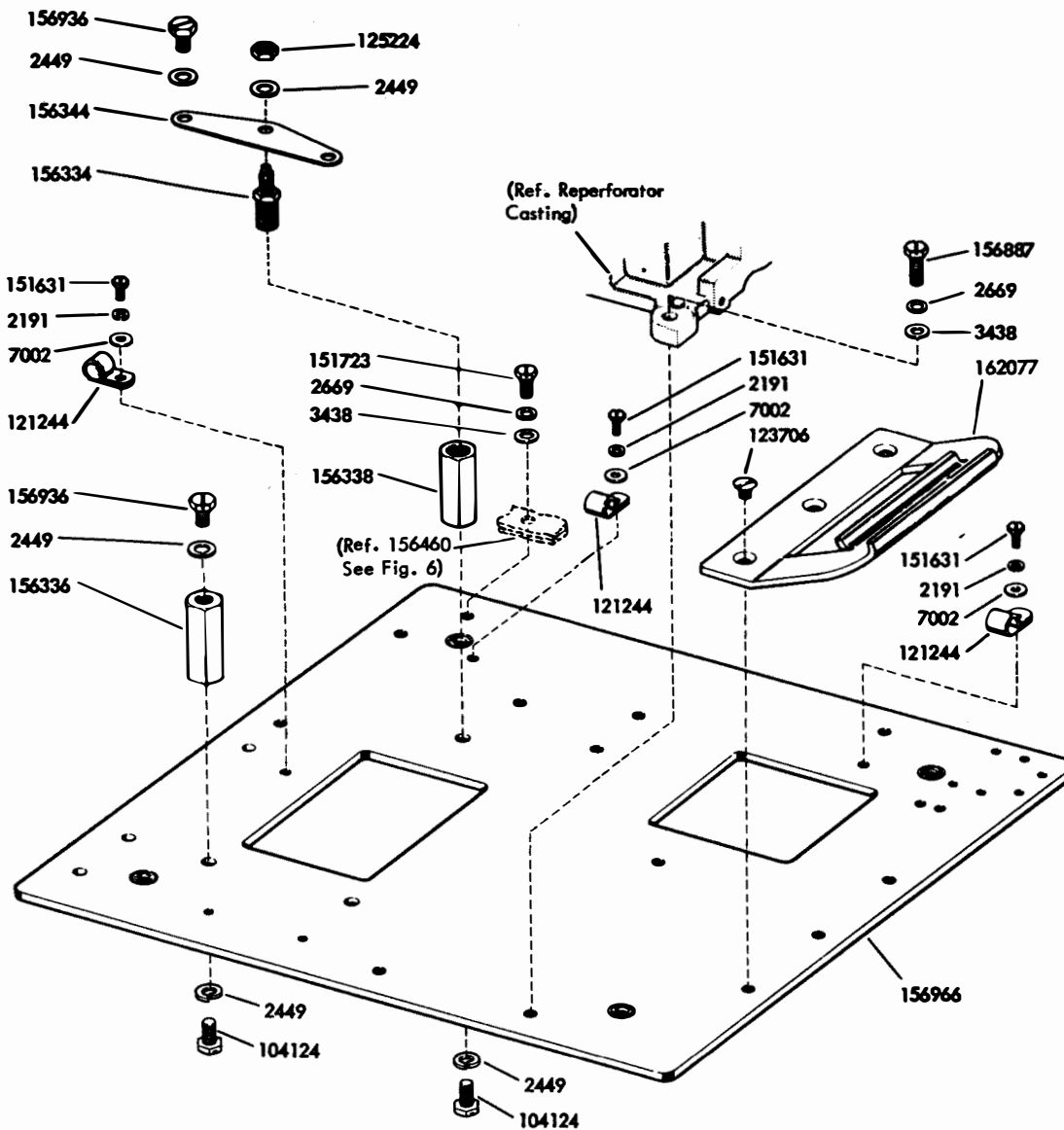


FIGURE 2. REPERFORATOR BASE (Single Plate)

Speed Change Gears for Self-Contained Sprocket Driven Units (Order Separately)						
Set Number	Pinion	Driven Gear	Approx. O.P.M. (Receiving)	Approx. W.P.M.	Unit Code	Baud
161519	161104 (11T)	161103 (49T)	461.7	67	7.42	50
161654	156982 (9T)	156981(44T)	420	60	7.42	45.45
161655	156984(12T)	156983(47T)	525.7	75	7.42	56.88
161656	156986(14T)	156985(42T)	685	100	7.42	74.2
①176295	176296(15T)	176297(43T)	692	107	7.00	75
②311283	311272 (14T)	311273 (52T)	461.7	67	7.42	50

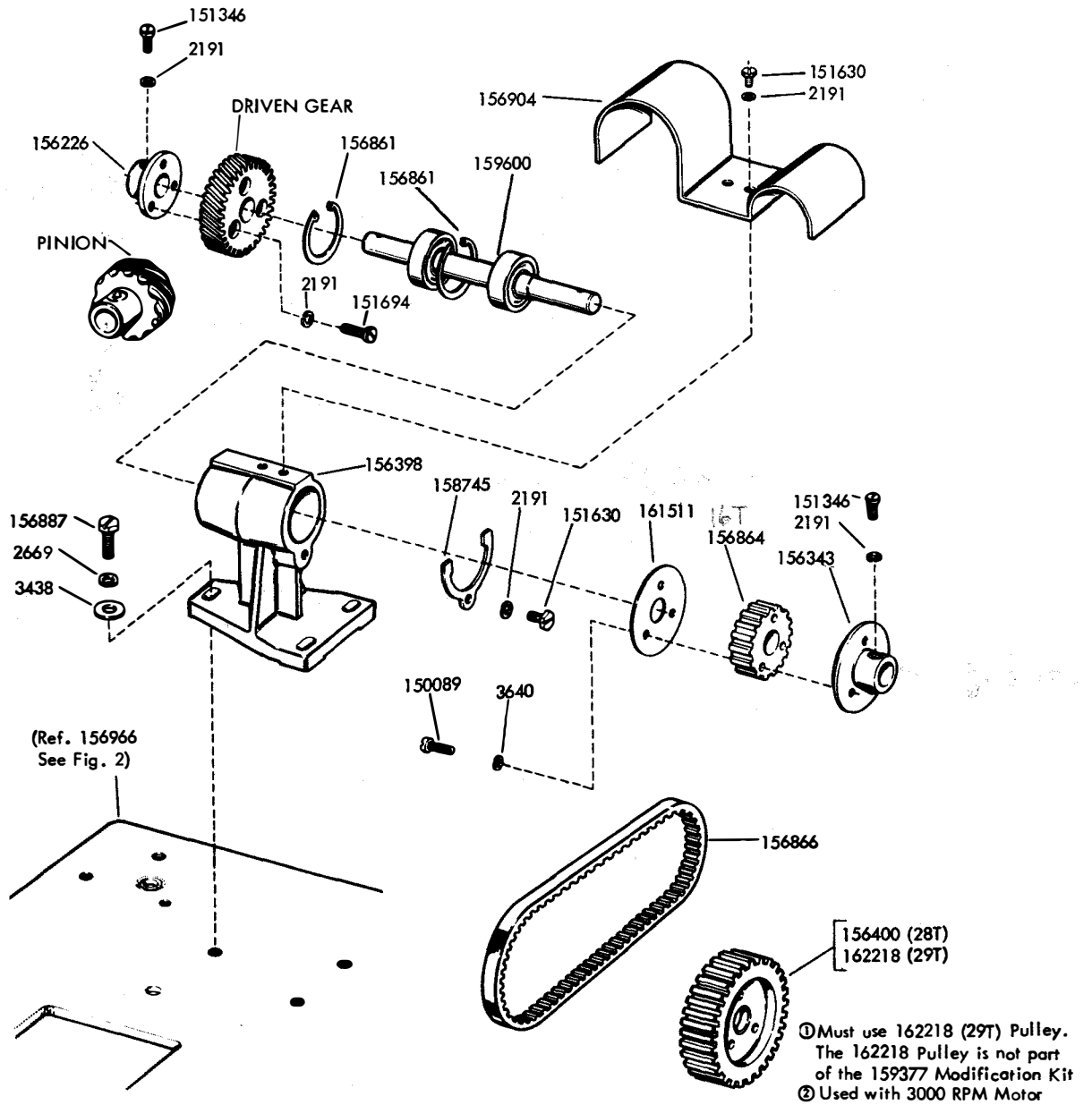


FIGURE 3. 159377 MODIFICATION KIT TO PROVIDE SINGLE SPEED DRIVE

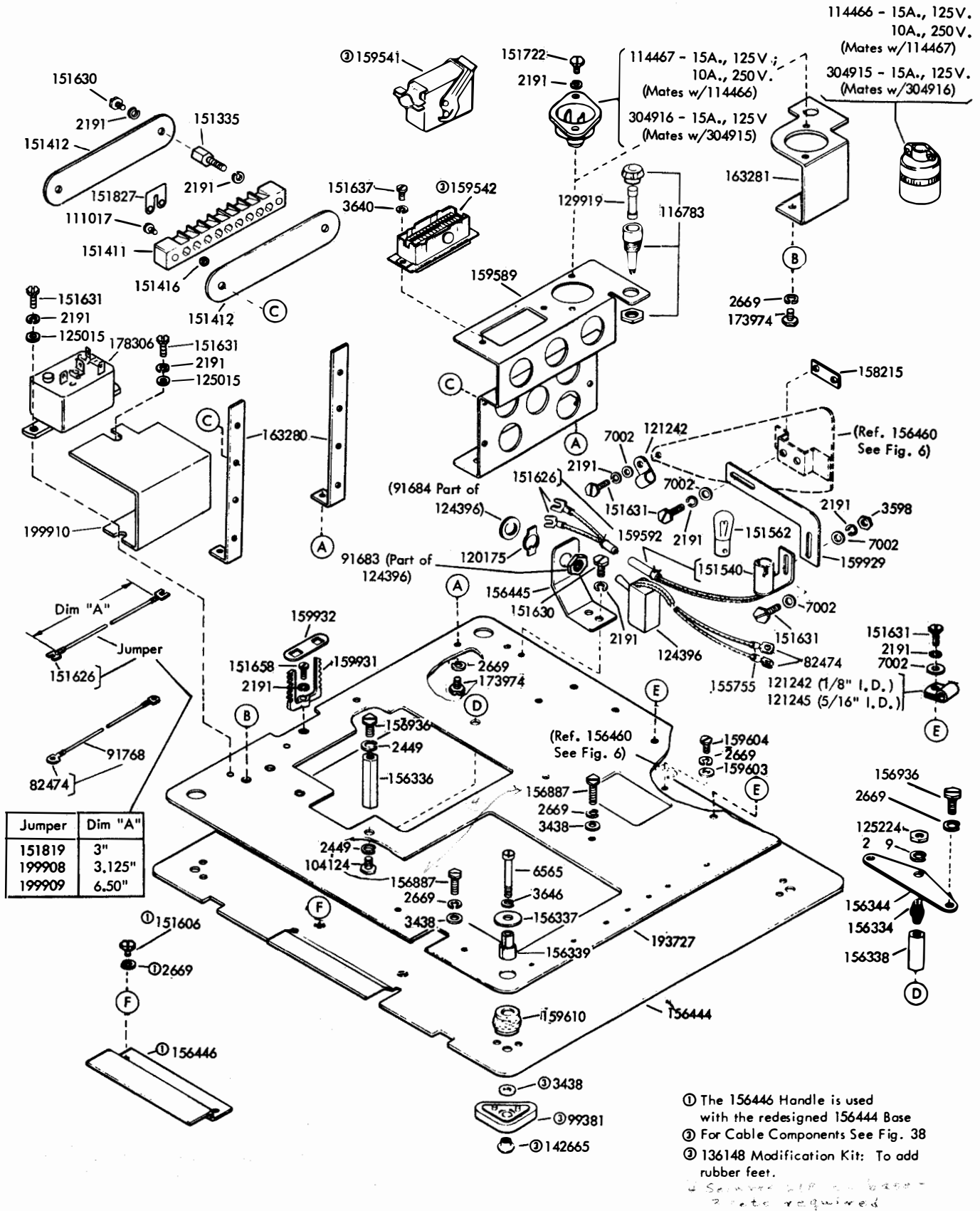
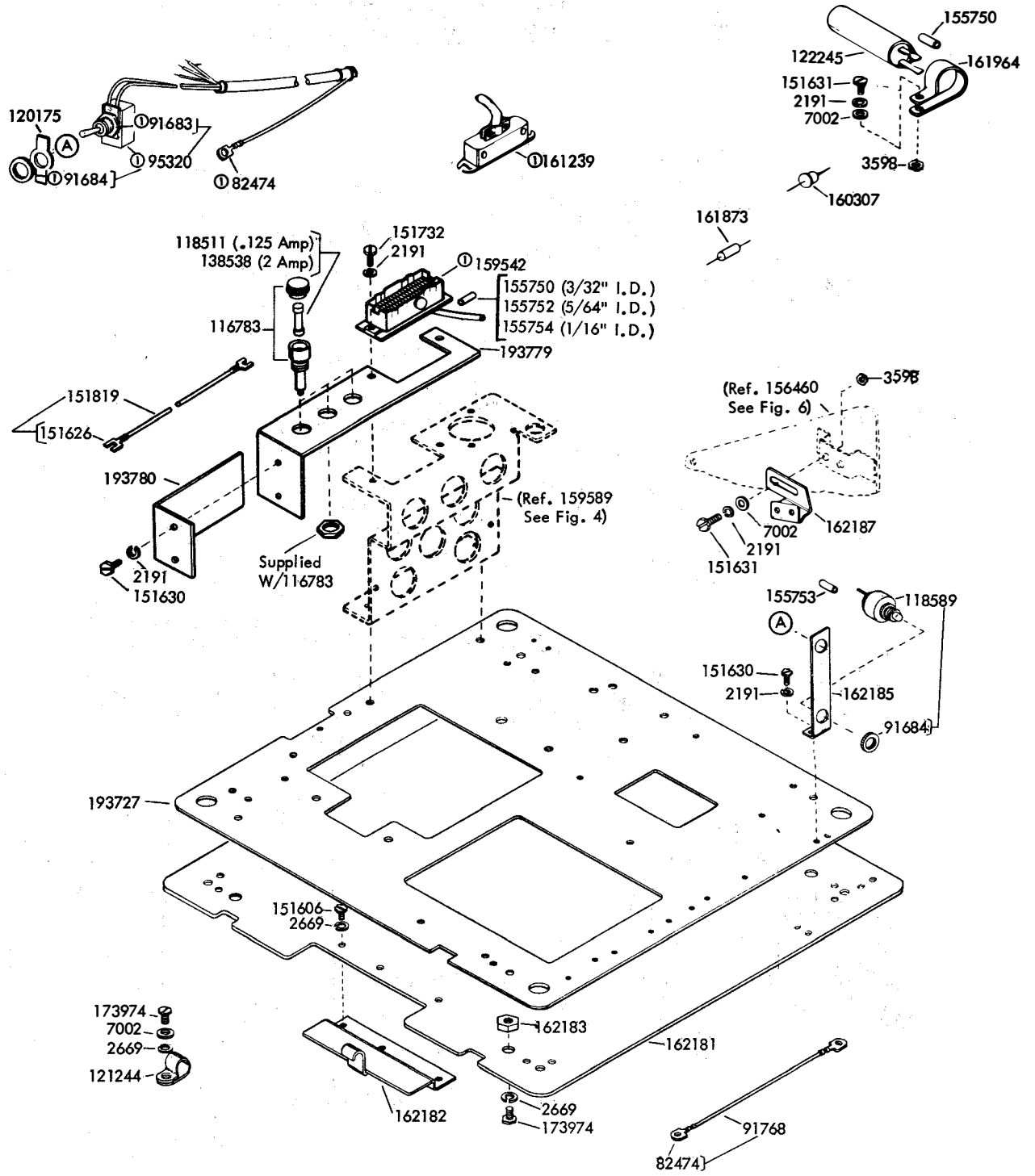


FIGURE 4. REPERFORATOR BASE (Double Plate)



ⓐ Part of 162574 and 193778 Cable Assemblies

FIGURE 5. REPERFORATOR BASE (Double Plate)

Modification Kit	Frame	Shaft	Gear A	Gear B	Gear C	Pinion D	Guide Plate	Unit Code
159417 (60, 75, 100 WPM)	156965	156967	156949	158712	158732	156964	156968	7.42
163256 (60, 67, 75 WPM)	156965	163264	163260	163261	158732	156964	163328	7.42
179965 (45.5, 50, 75 Baud)	192685	156967	163260	179963	178870	156964	179969	7.00
319262 (60, 67, 100 WPM) (50 Hz, 3000 WPM)	156965	156967	319260	158712	178870	319259	199814	7.42
199812 (60, 67, 100 WPM) (60 Hz, 3600 WPM)	156965	156967	156949	158712	178870	156964	199814	7.42

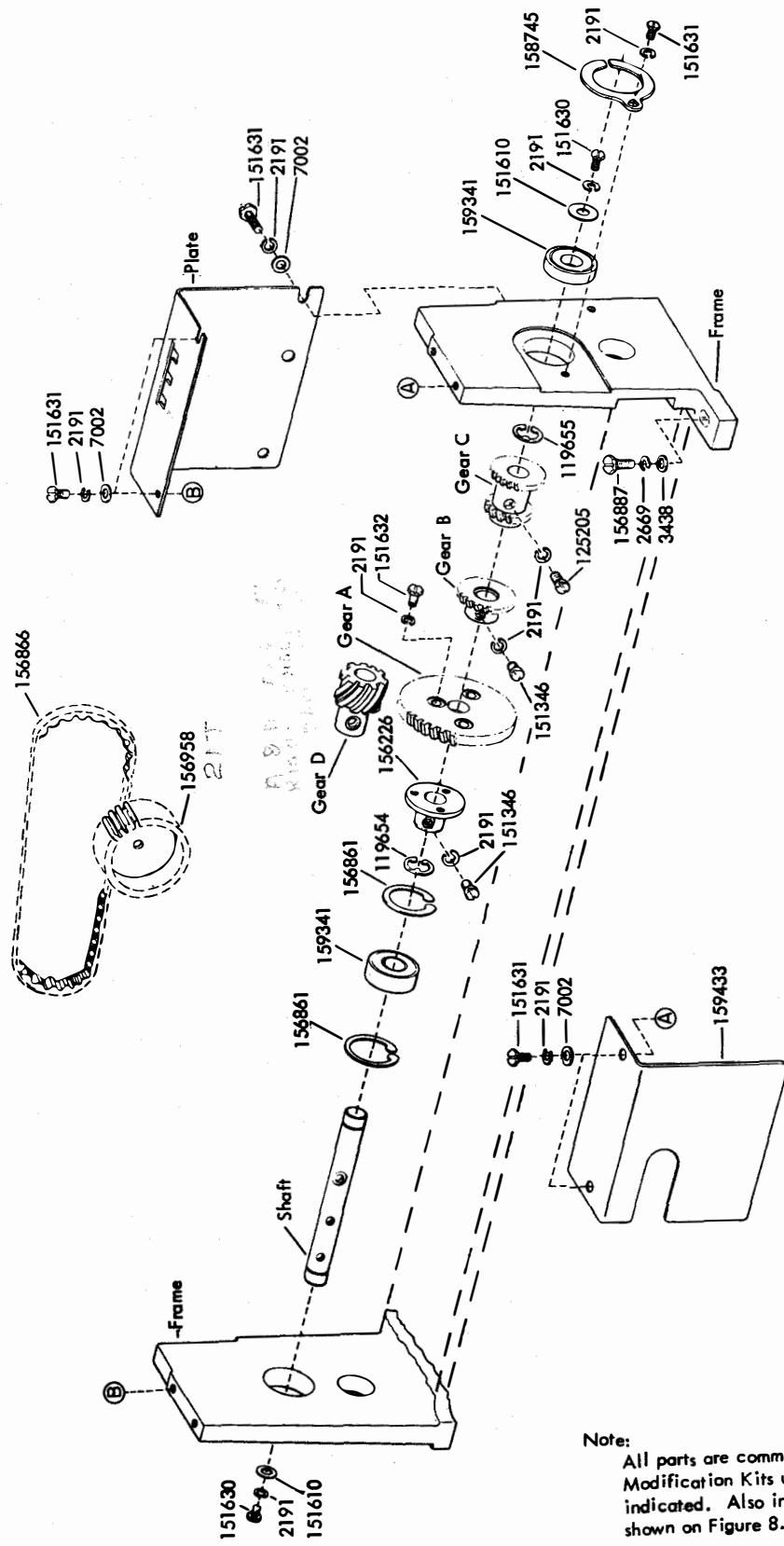


FIGURE 7. MODIFICATION KITS TO PROVIDE VARIABLE SPEED DRIVE

Modification Kit	Gear A	Gear B	Block
159417 (60, 75, 100 WPM)	158716	158734	158740
163256 (60, 67, 75 WPM)	163262	158734	163265
179965 (45.5, 50, 75 Baud)	179962	163262	158740
199812 (60, 67, 100 WPM)	158716	163262	158740
319262 (60, 67, 100 WPM) (50 Cycle, 3000 RPM)	158716	163262	158740

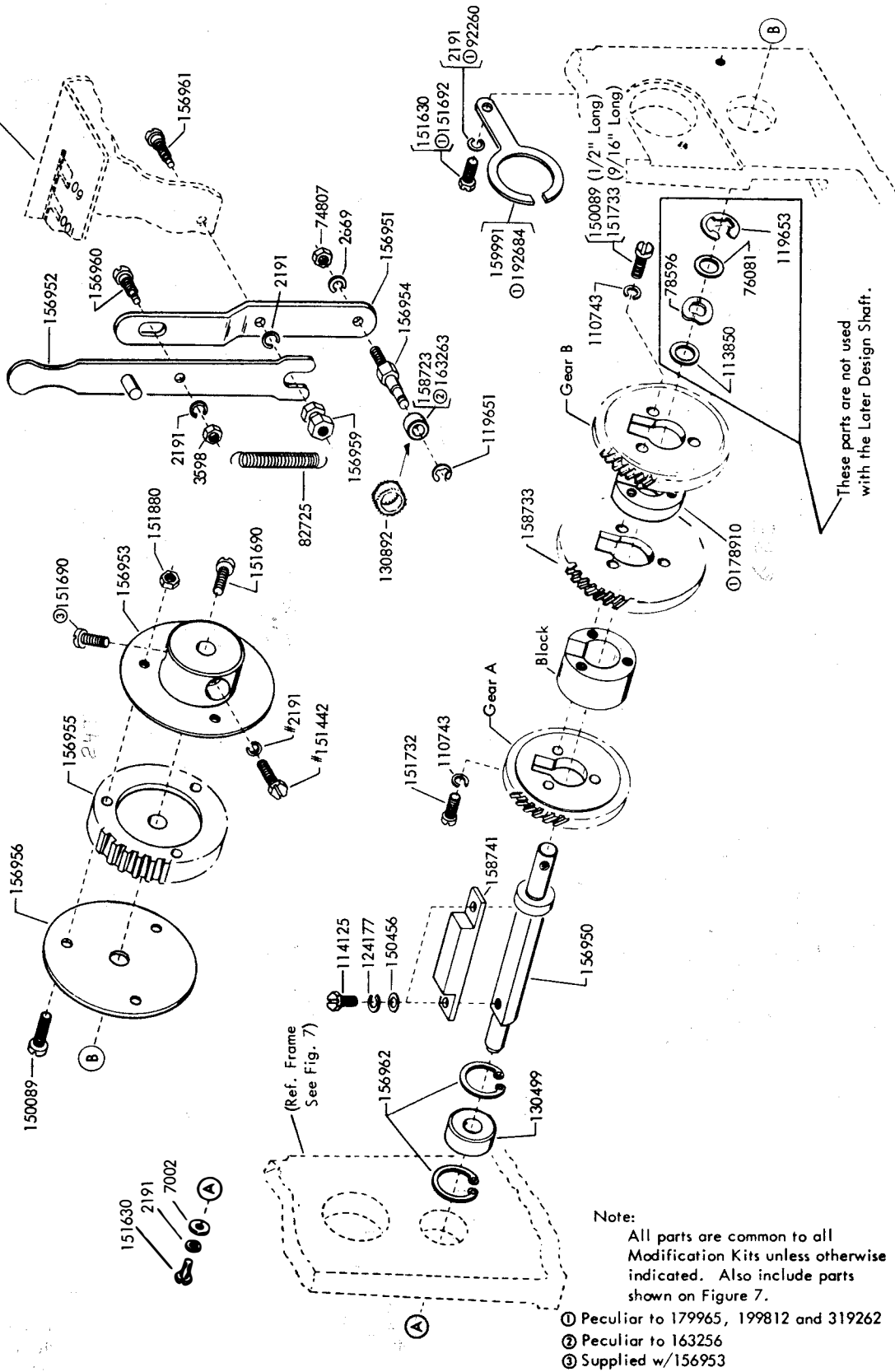


FIGURE 8. MODIFICATION KITS TO PROVIDE VARIABLE SPEED DRIVE

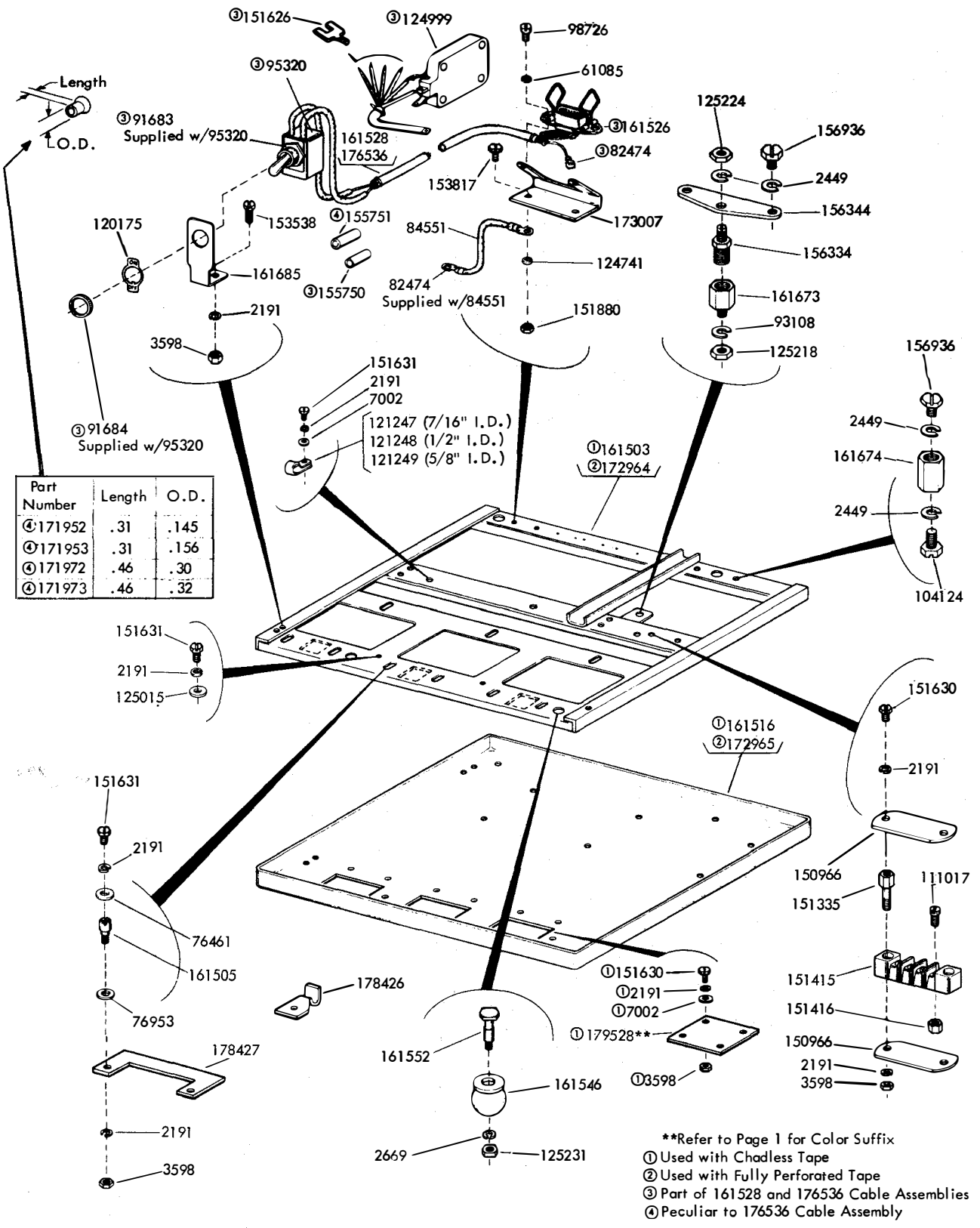


FIGURE 9. MULTIPLE REPERFORATOR BASE (With Cross-Shaft)

Gear Arrangements for Multiple Mounted Reperforators Driven at Common Speed						
Unit Code	7.42			7.00		
WPM (Nominal)	60	75	100	65	71	107
Baud	45.45	56.88	74.2	45.45	50	75
Motor Gear Set	161530	161533	161536			
Pinion	161532 - 9T	161535 - 12T	161538 - 14T	②164339 - 10T	②164337 - 9T	②164339 - 10T
Gear	161531 - 44T	161534 - 47T	161537 - 42T	②164340 - 37T	②164338 - 40T	②164340 - 37T
Mod.Kit at Each Reperforator	161680			#173984	161680	162213

Gear Arrangements for Multiple Mounted Reperforators Driven at Independent Speeds							
Unit Code	7.42			7.00			
WPM (Nominal)	60	75	100	65	71	107	121
Baud	45.45	56.88	74.2	45.45	50	75	84.7
Mod Kit at Each Reperforator	161680:	162213:	162217:	④173984:	161680:	162213:	③173023:
Hub	161509	162215	162220	161509	161509	162215	162220
Cross-Shaft Sprocket	161510 - 16T	162214 - 20T	162219 - 27T	161510 - 16T	161510 - 16T	162214 - 20T	162219 - 27T
Retainer	161511	162216	162221	161511	161511	162216	162221
Belt	161520	161520	162222	162222	161520	161520	162222
Reperforator Sprocket	156400 - 28T	156400 - 28T	162218 - 29T	173583 - 37T	156400 - 28T	156400 - 28T	⑤156400 - 28T
Motor Gear Sets	161530			②164337 - 9T	②164338 - 40T	②164339 - 10T	②164337 - 9T
				②164339 - 10T		②164340 - 37T	②164338 - 40T
				②164340 - 37T		②164339 - 10T	②164340 - 37T

- ③ Motor gear set numbers not assigned
- ④ Non-Typing reperforators only
- ⑤ Modification Kit contains sprocket and belt drive part for 3 reperforators
- ⑥ Order separately

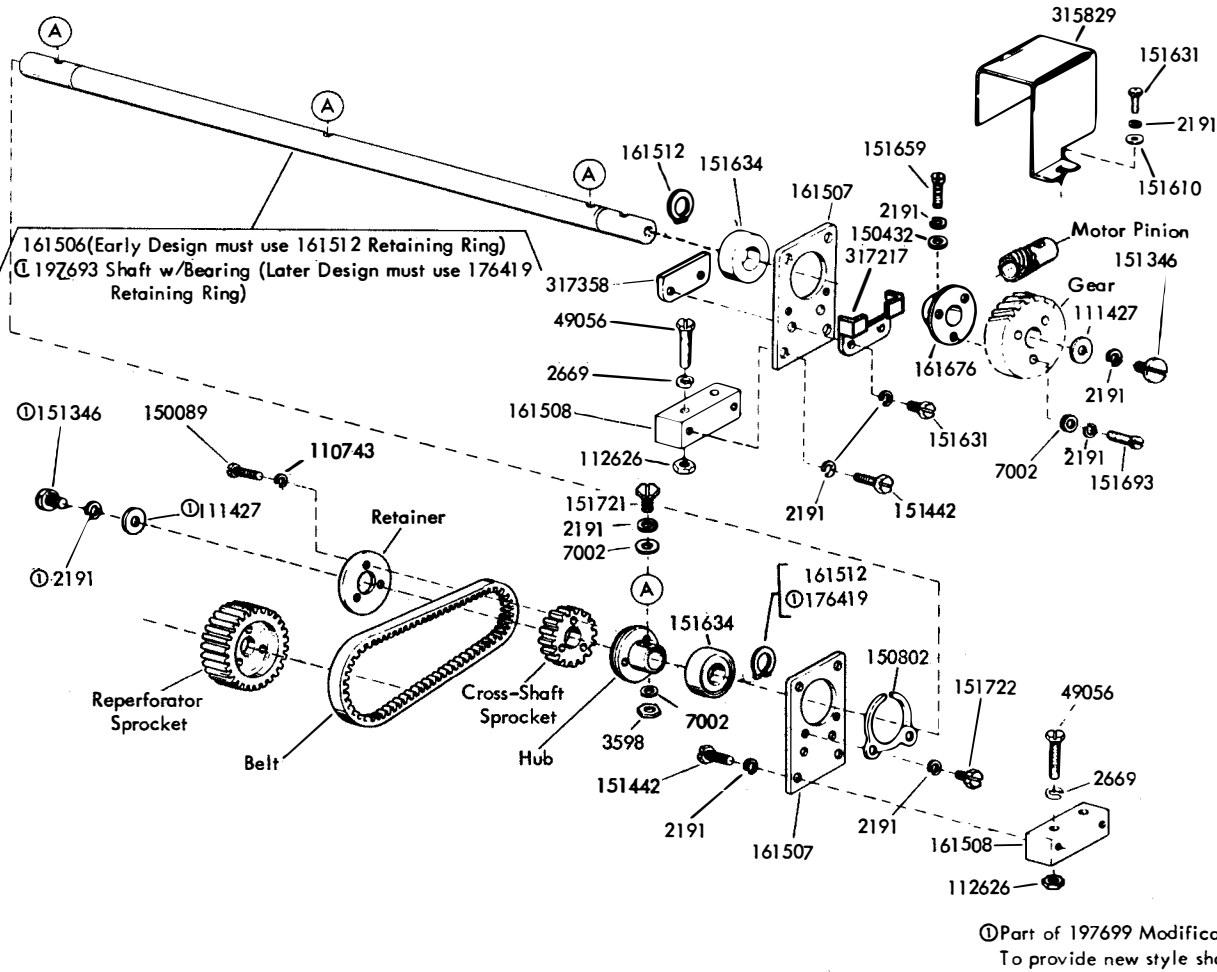
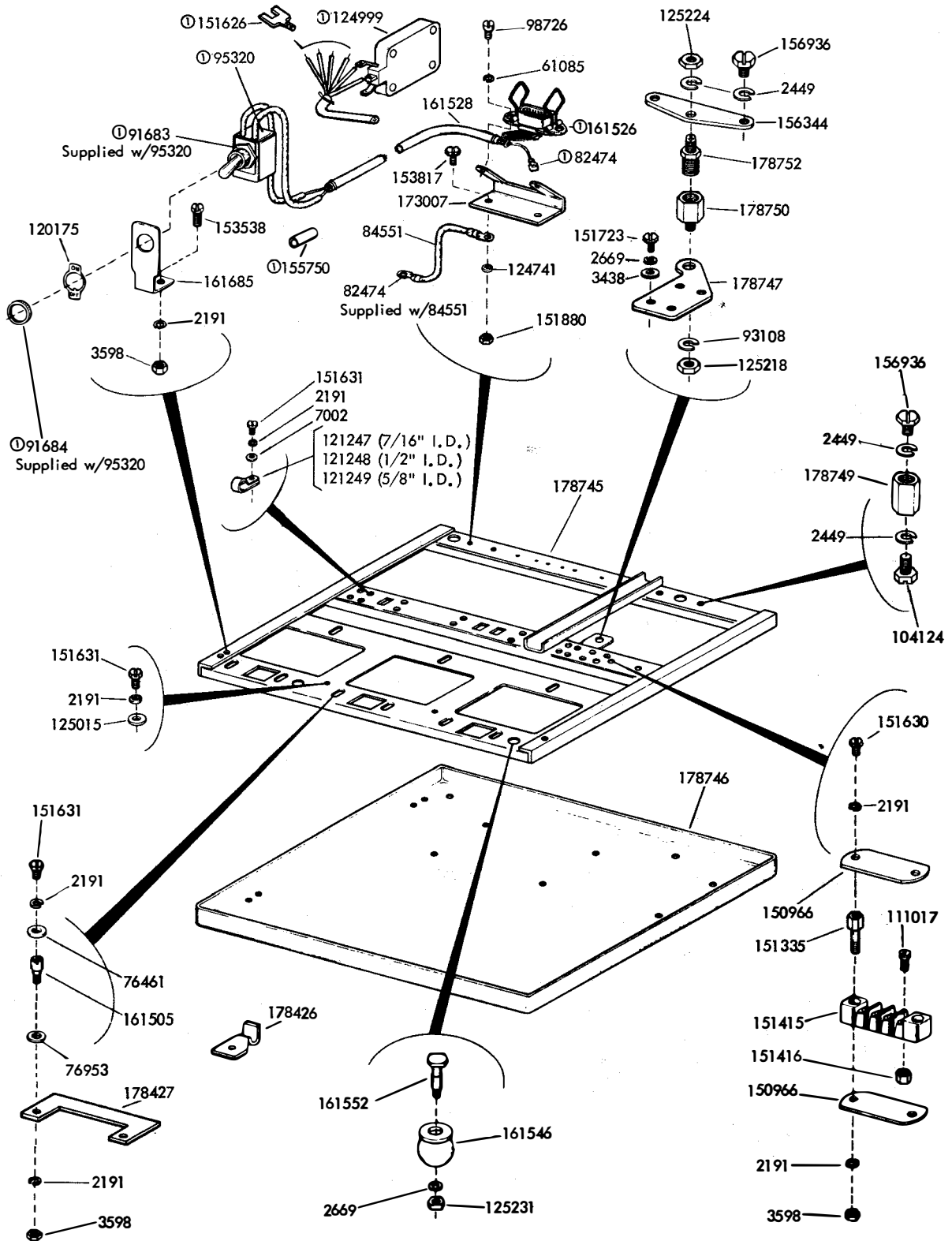
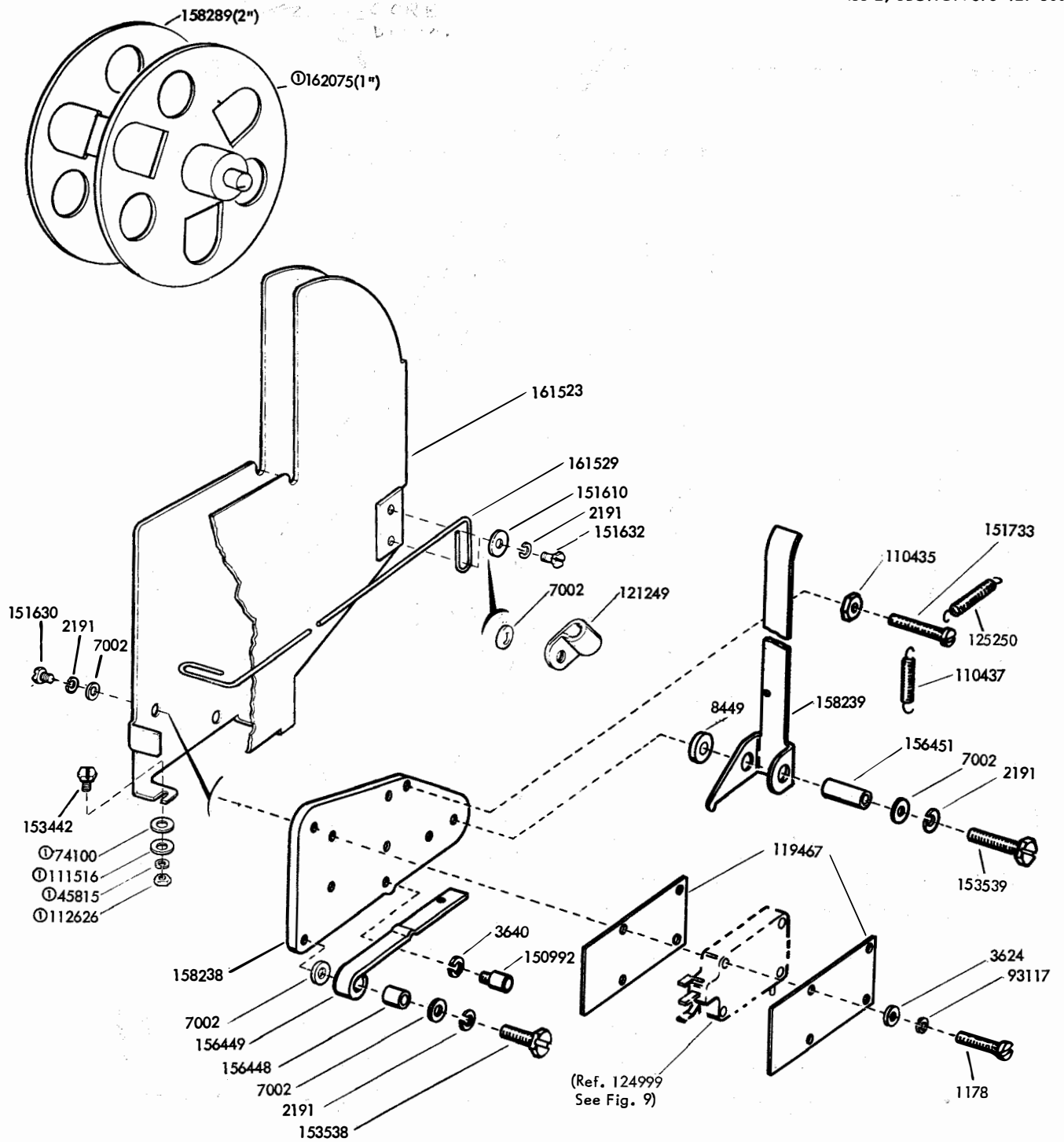


FIGURE 10. CROSS-SHAFT MECHANISM FOR MULTIPLE REPERFORATOR BASE



⓪ Part of 161528 Cable Assembly

FIGURE 11. MULTIPLE REPERFORATOR BASE (With Cross-Shaft and Intermediate-Shaft)



Ⓢ Not part of the 161527

FIGURE 13. 161527 TAPE CONTAINER ASSEMBLY

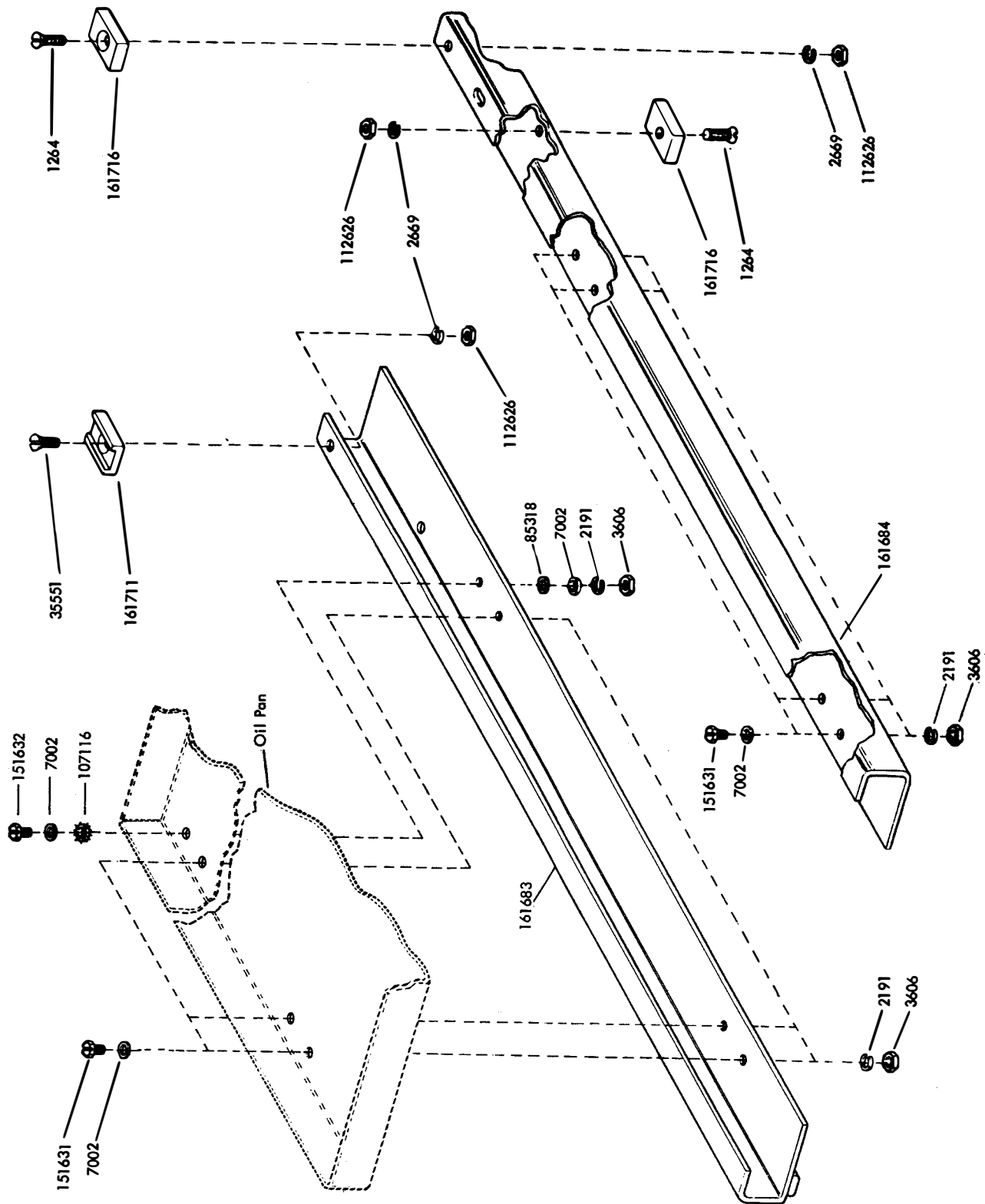


FIGURE 14. 161678 MODIFICATION KIT TO INSTALL A MULTIPLE REPERFORATOR BASE (LMRB) IN A MODEL 28 CABINET (LBAC)

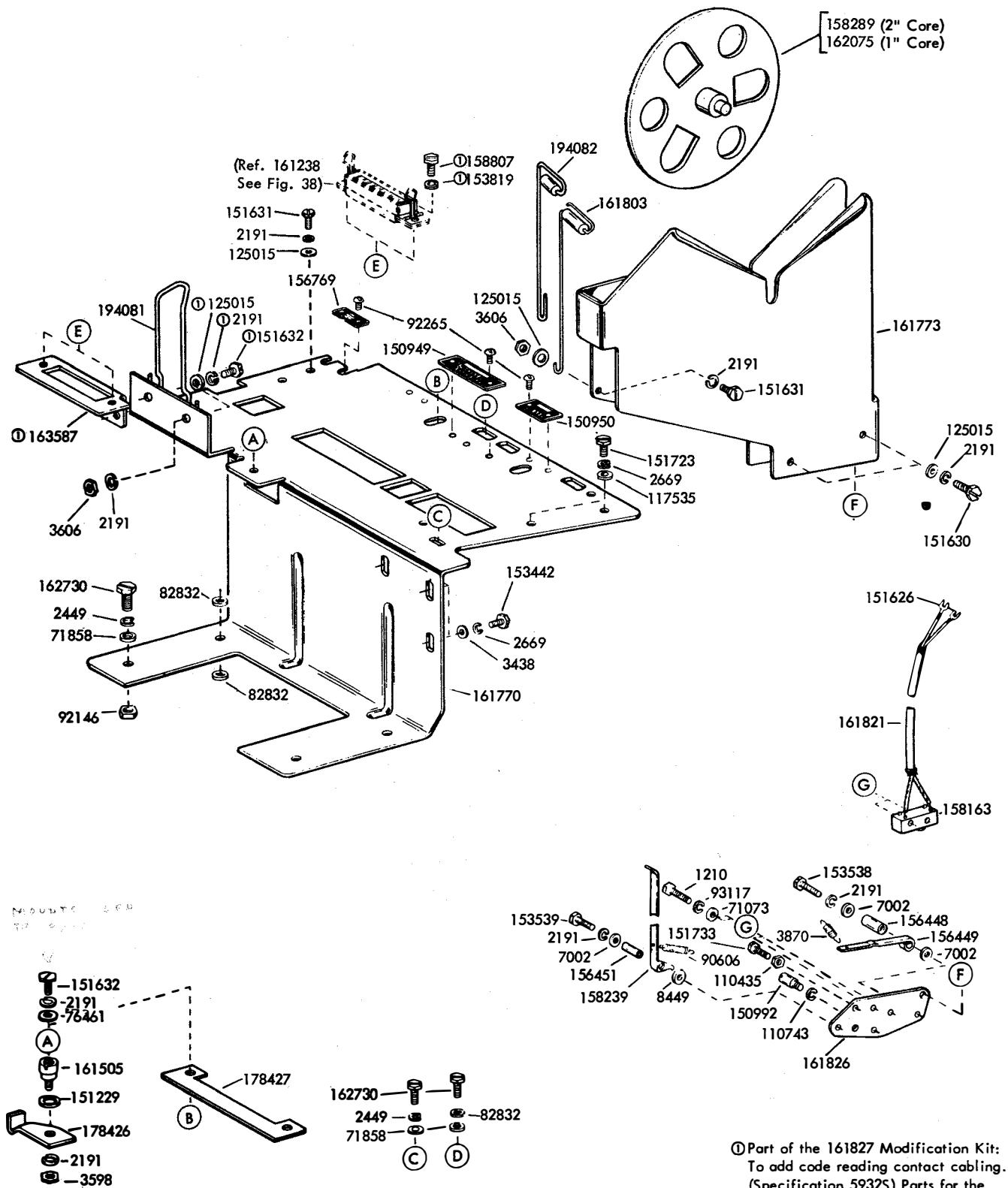


FIGURE 15. AUXILIARY REPERFORATOR BASE

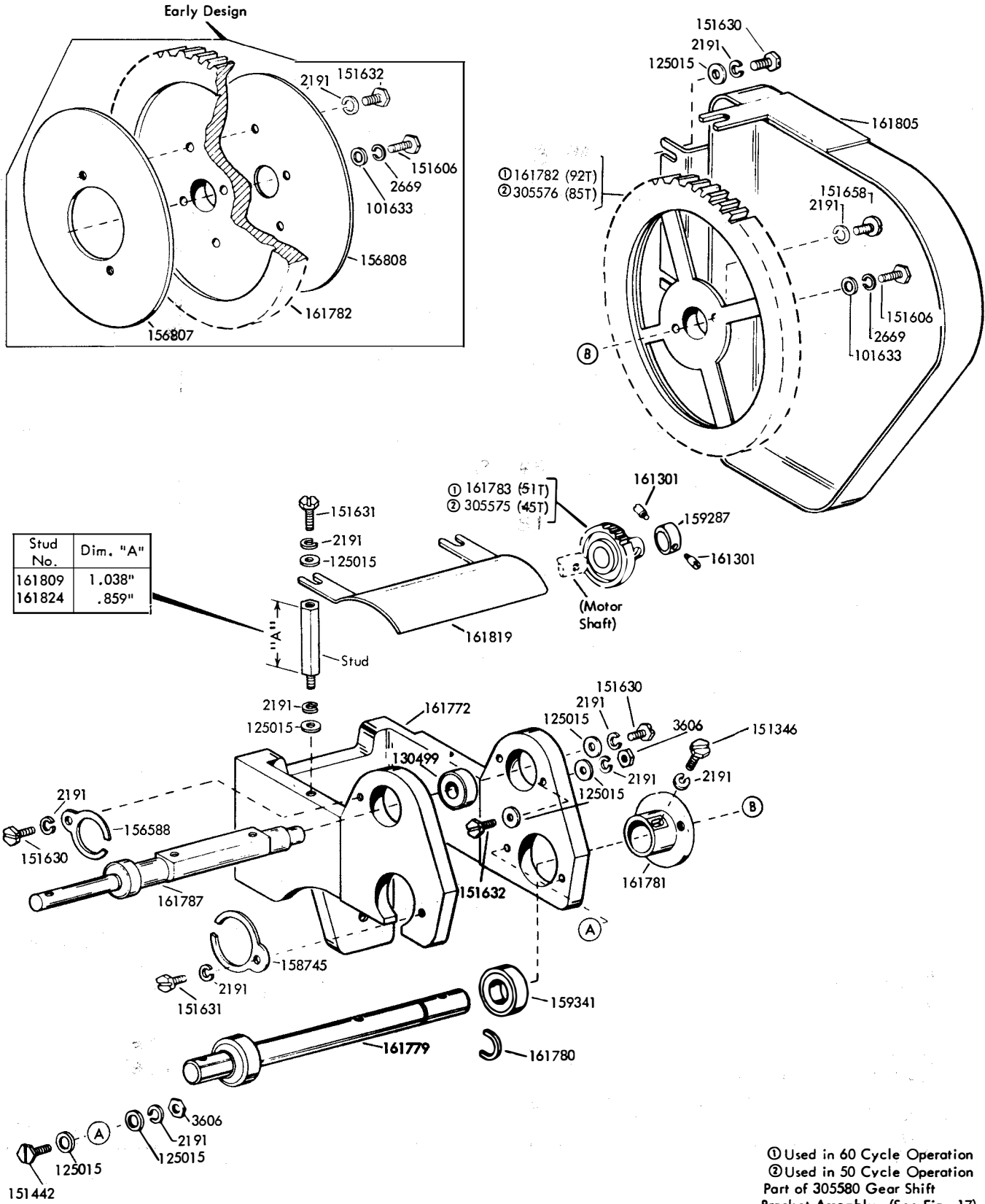
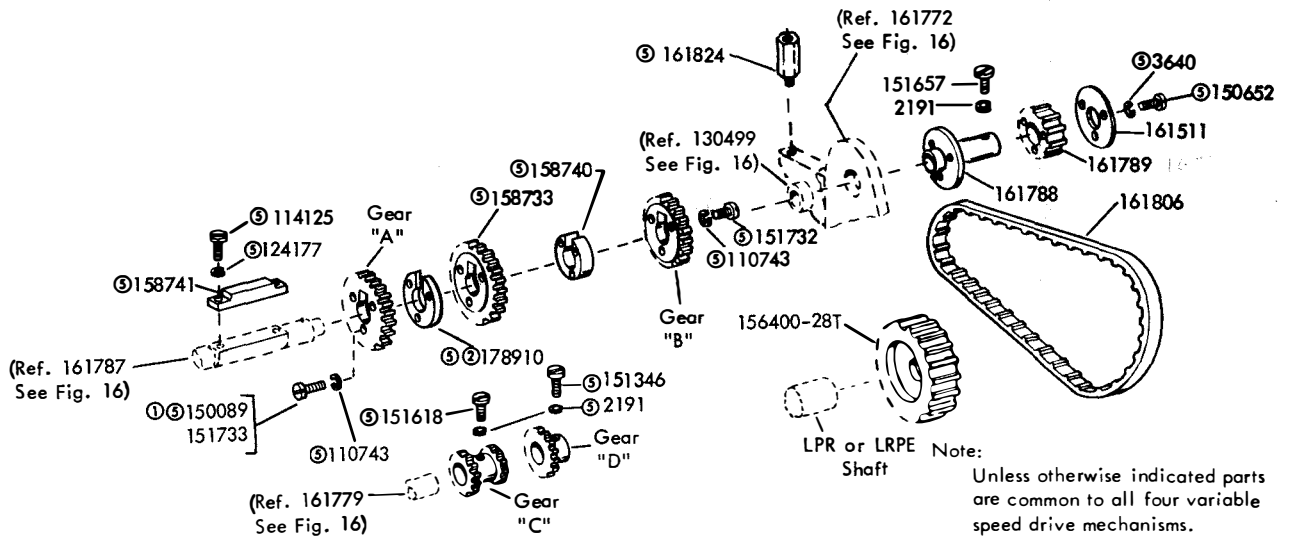
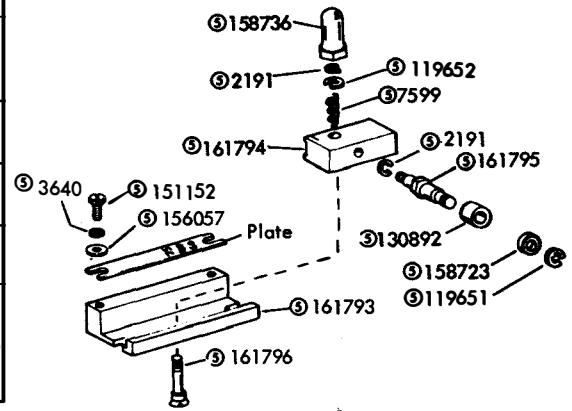
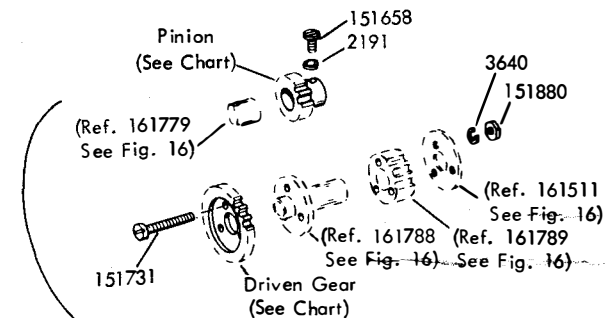


FIGURE 16. GEAR BRACKET MECHANISM

VARIABLE SPEED DRIVE ASSEMBLIES							
Assembly No.	W.P.M. or Baud	Motor Operation	Gear "A"	Gear "B"	Gear "C"	Gear "D"	Plate
161807	(WPM) 60-75-100	60 Cycle	158734	158716	158732	158712	161797
178869	(WPM) 60-67-100	60 Cycle	163262	158716	178870	158712	178885
192678	(BAUD) 45.5-50-75	60 Cycle	163262	179962	178870	179963	192680
③ 305580	(BAUD) 45.5-50-74.2	50 Cycle	163262	158716	178870	158712	178885
315536	(BAUD) 45.5-50-75	50 Cycle	⑤ 163262	⑤ 176071	⑤ 178870	⑤ 176072	⑤ 192680

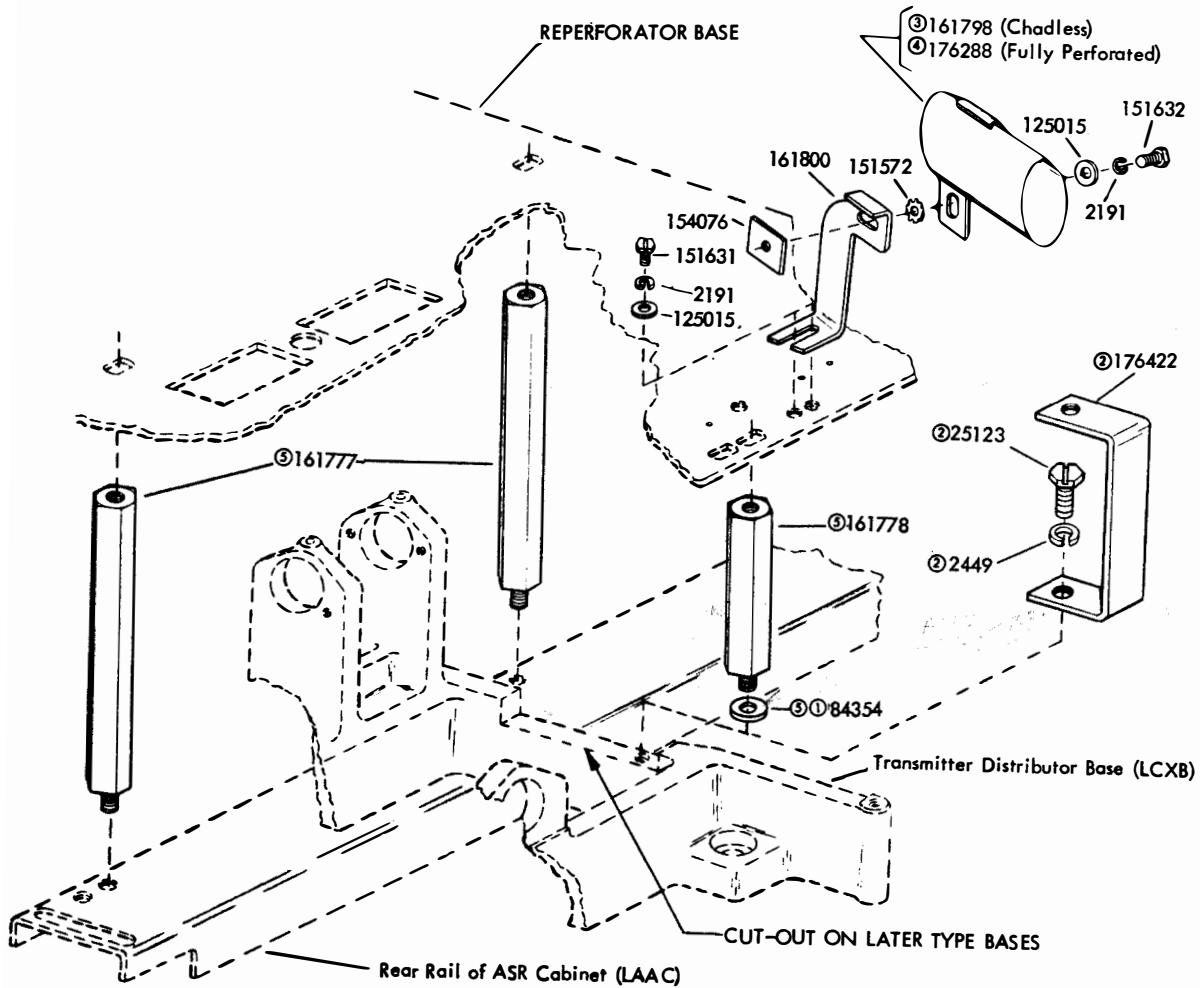


Single Speed Drive Gear Sets for Auxiliary Mounted LPR Sets					
Gear Set No.	Driven Gear	Pinion	Unit Code	W. P. M. (Nominal)	Baud
161811	161790-44T	161784-18T	7.42	60	45.45
161812	161791-47T	161785-24T	7.42	75	56.88
161813	161792-39T	161786-26T	7.42	100	74.2
173820	173822-49T	173821-20T	7.00	65	45.45
163448	163447-49T	163446-22T	7.00	71	50
163451	163450-40T	163449-27T	7.00	107	75
④ 319920	319919-51T	319918-25T	7.00	65	45.5
④ 319923	319922-52T	319921-28T	7.00	71	50
④ 319926	319925-26T	319924-21T	7.00	107	75



- ① Peculiar to the 161807
- ② Not used on the 161807
- ③ The 305580 is shown in part on Fig. 16
- ④ Used with 3600 RPM Motor
- ⑤ 315536 Modification Kit to provide Three speed gear shift

FIGURE 17. AUXILIARY REPERFORATOR BASE GEARING MECHANISM



- ① Not required when unit is equipped with base isolation parts.
- ② Used on bases with cut-out
- ③ Peculiar to 161815
- ④ Peculiar to 176287
- ⑤ Part of the 179492 Specification 59295

FIGURE 18. 161815, 176287 AND 179492 MODIFICATION KITS TO MOUNT AN AUXILIARY TYPING REPERFORATOR BASE

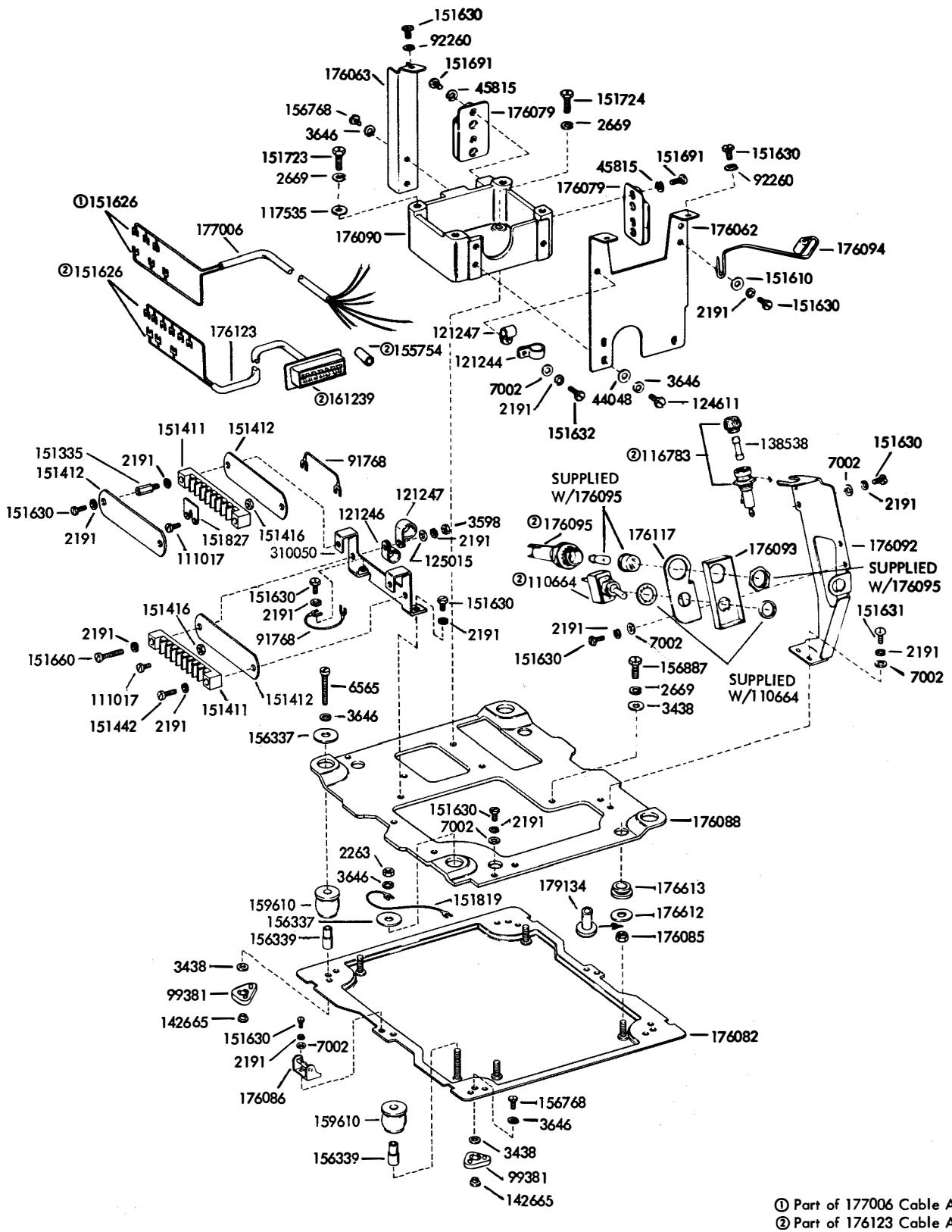


FIGURE 19. MINIATURIZED RECEIVING ONLY REPERFORATOR BASE

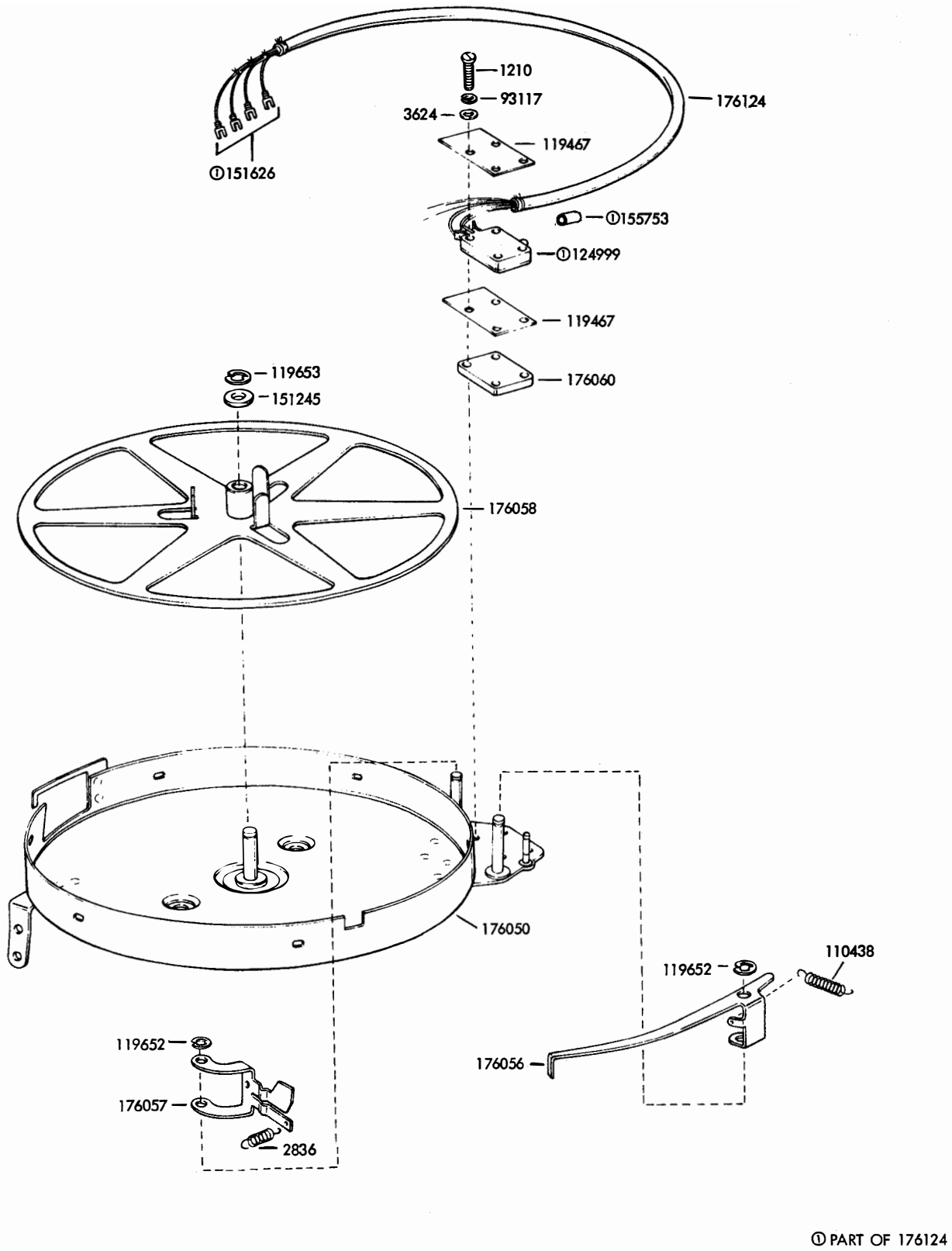


FIGURE 20. 174492 TAPE CONTAINER ASSEMBLY

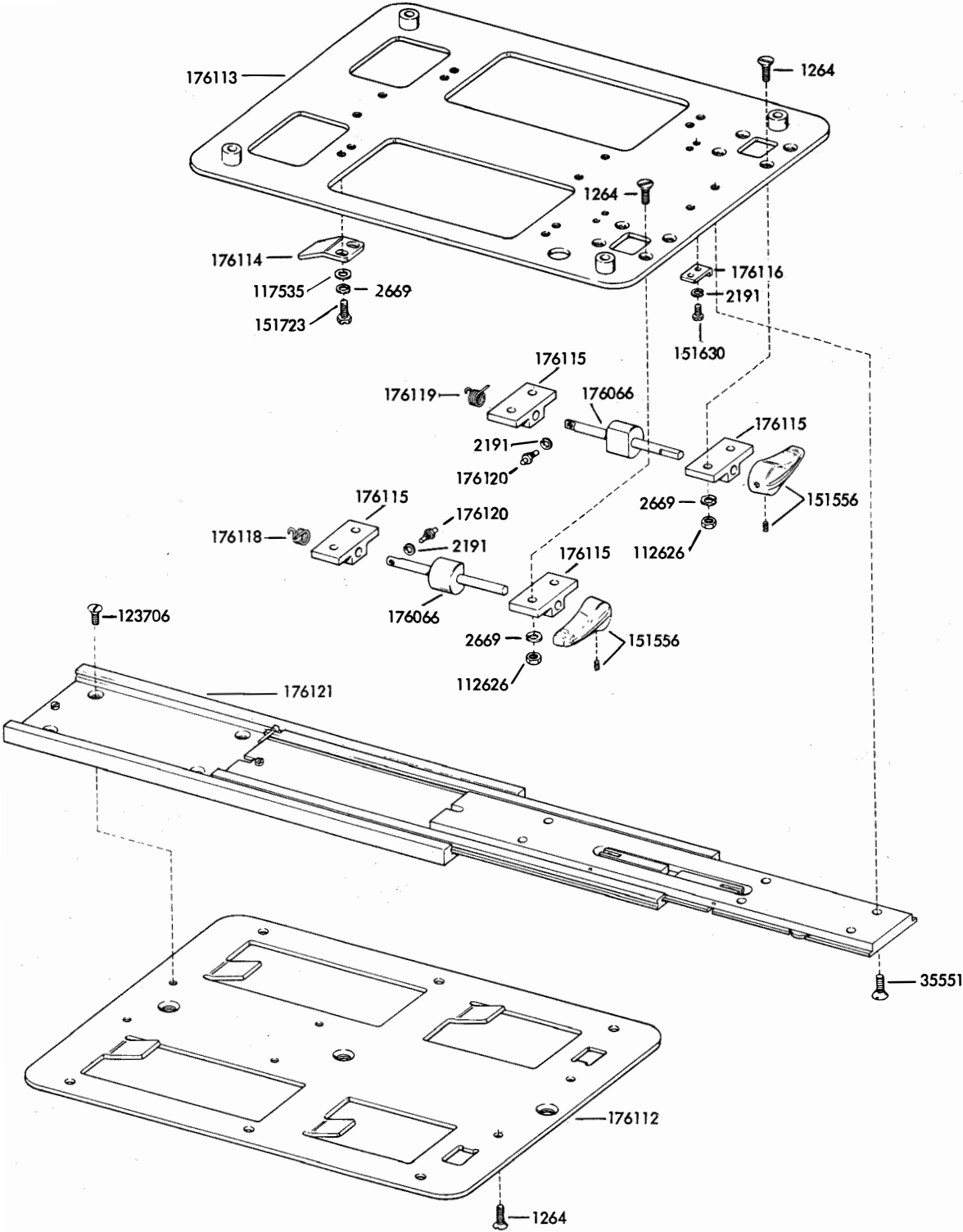


FIGURE 21. 174459 MODIFICATION KIT TO PROVIDE A SLIDING BASE

1/8" PITCH 40 TECT
 PITCH LENGTH 8.00 1.375 WIDE
 UNIDIRECTIONAL FORCE 80 X 1 0.37

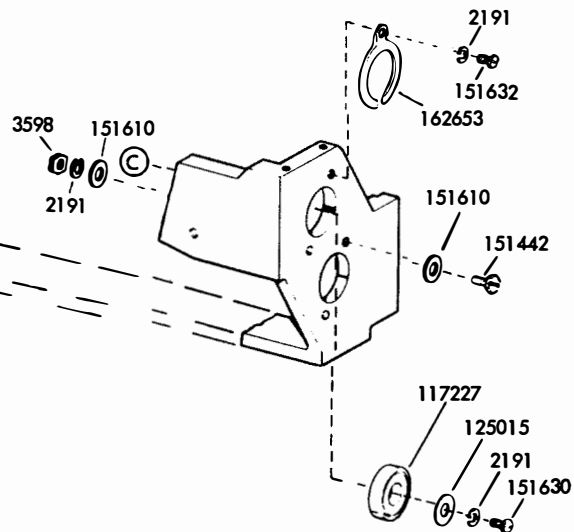
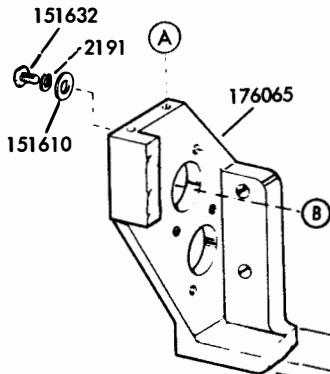
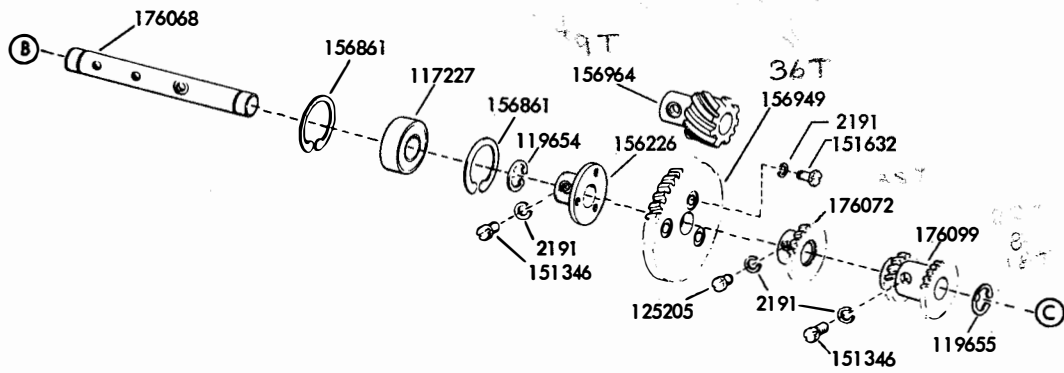
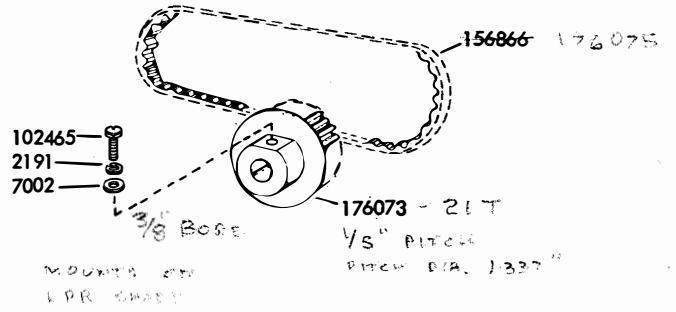
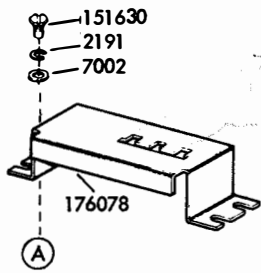


FIGURE 22. 176100 VARIABLE SPEED MECHANISM ASSEMBLY
 65-71-107 WPM 7.00 U.C.
 (45.5 - 15.75 3.000)

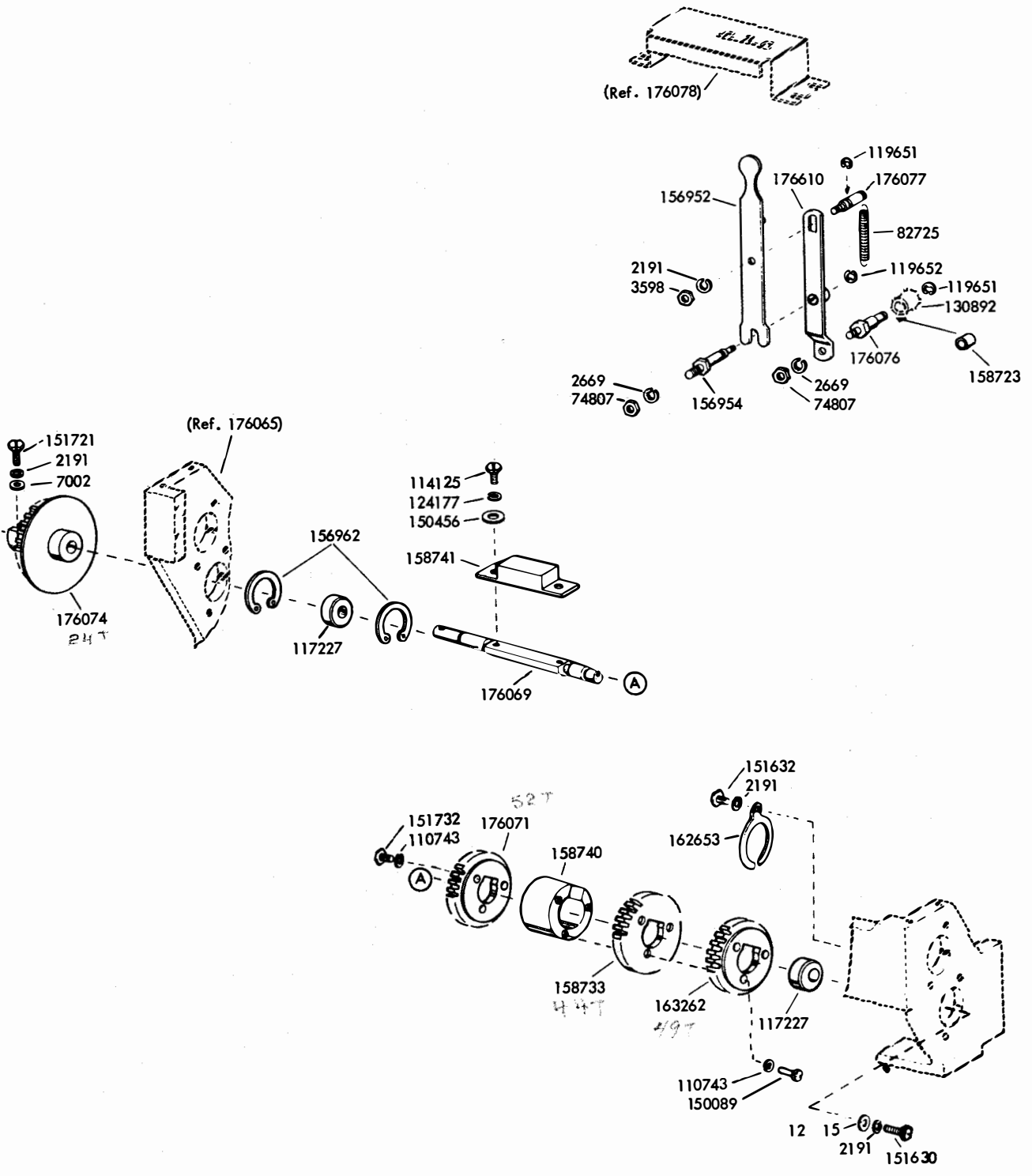


FIGURE 23. 176100 VARIABLE SPEED MECHANISM ASSEMBLY

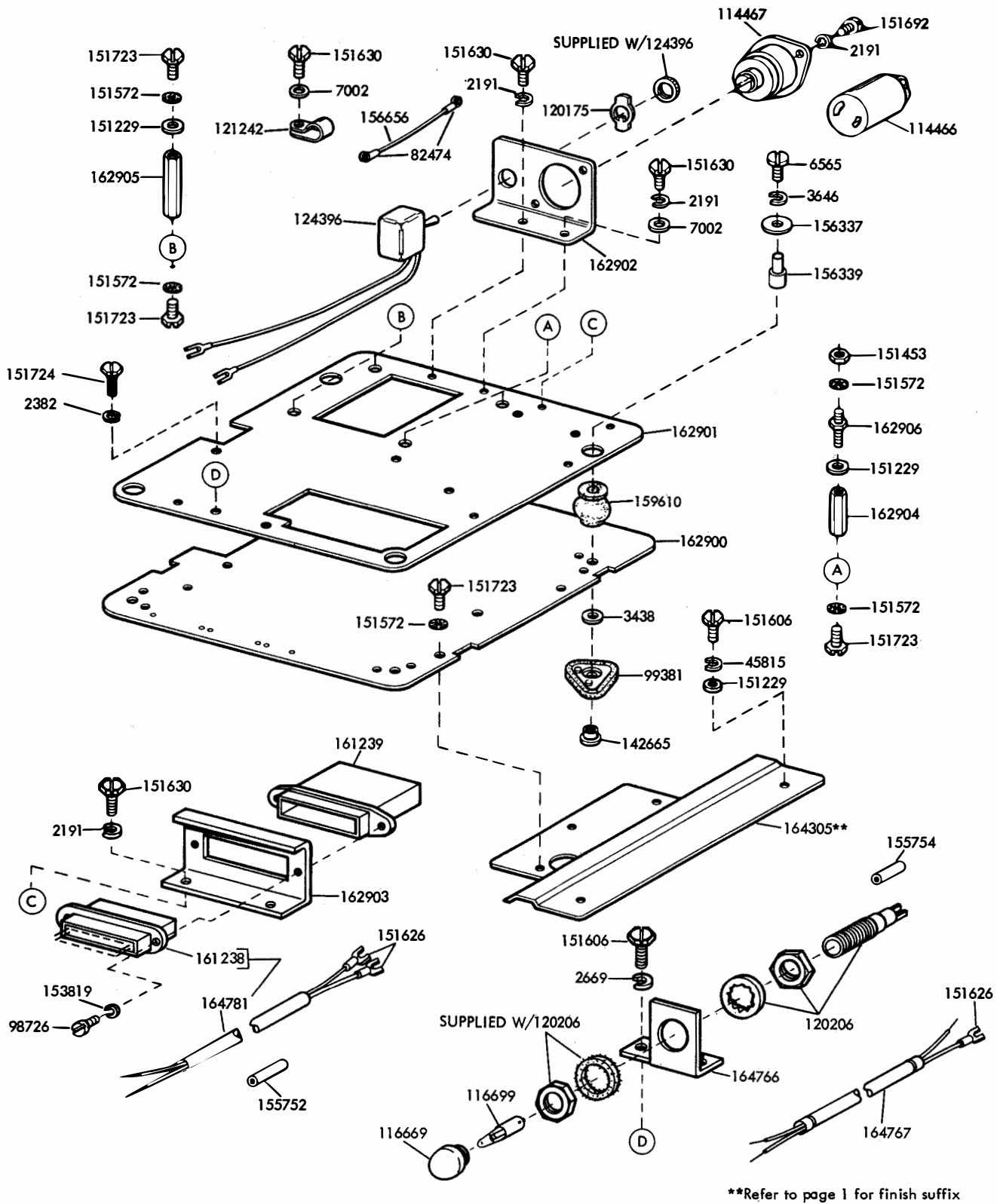
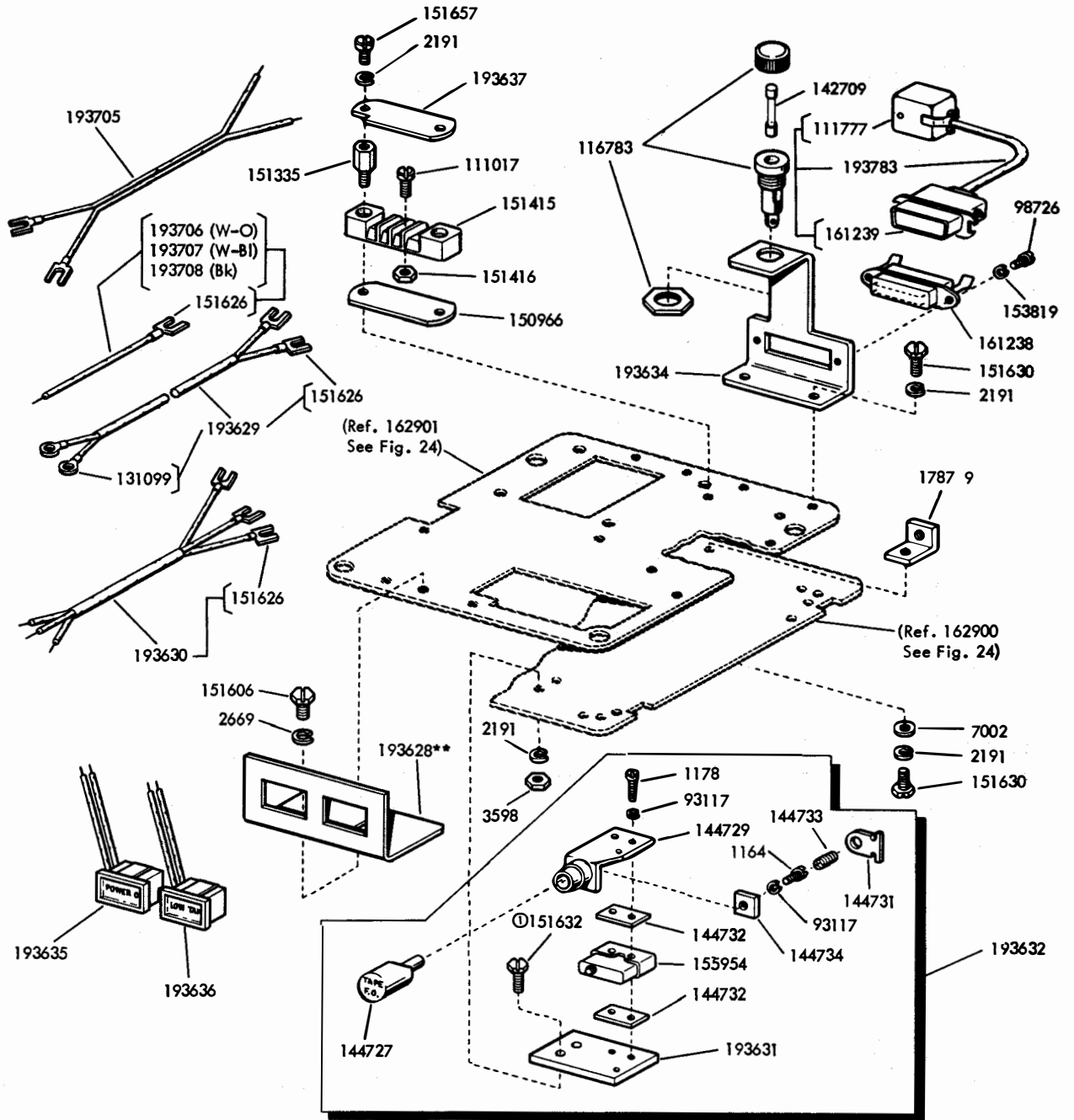


FIGURE 24. MINIATURIZED BASE



⊙Not Part of 193632

**Refer to page 1 for finish suffix

FIGURE 25. MINIATURIZED BASE

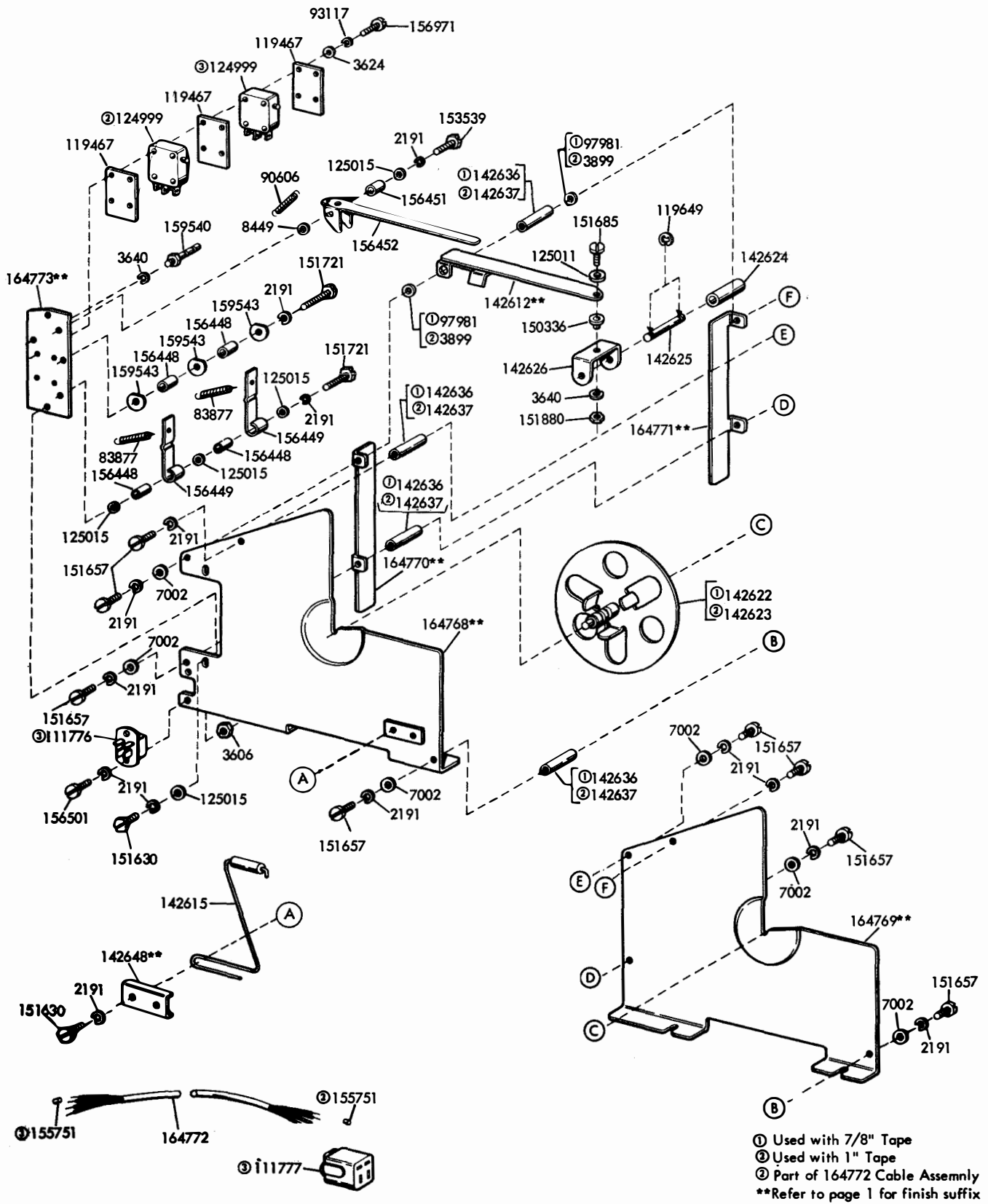
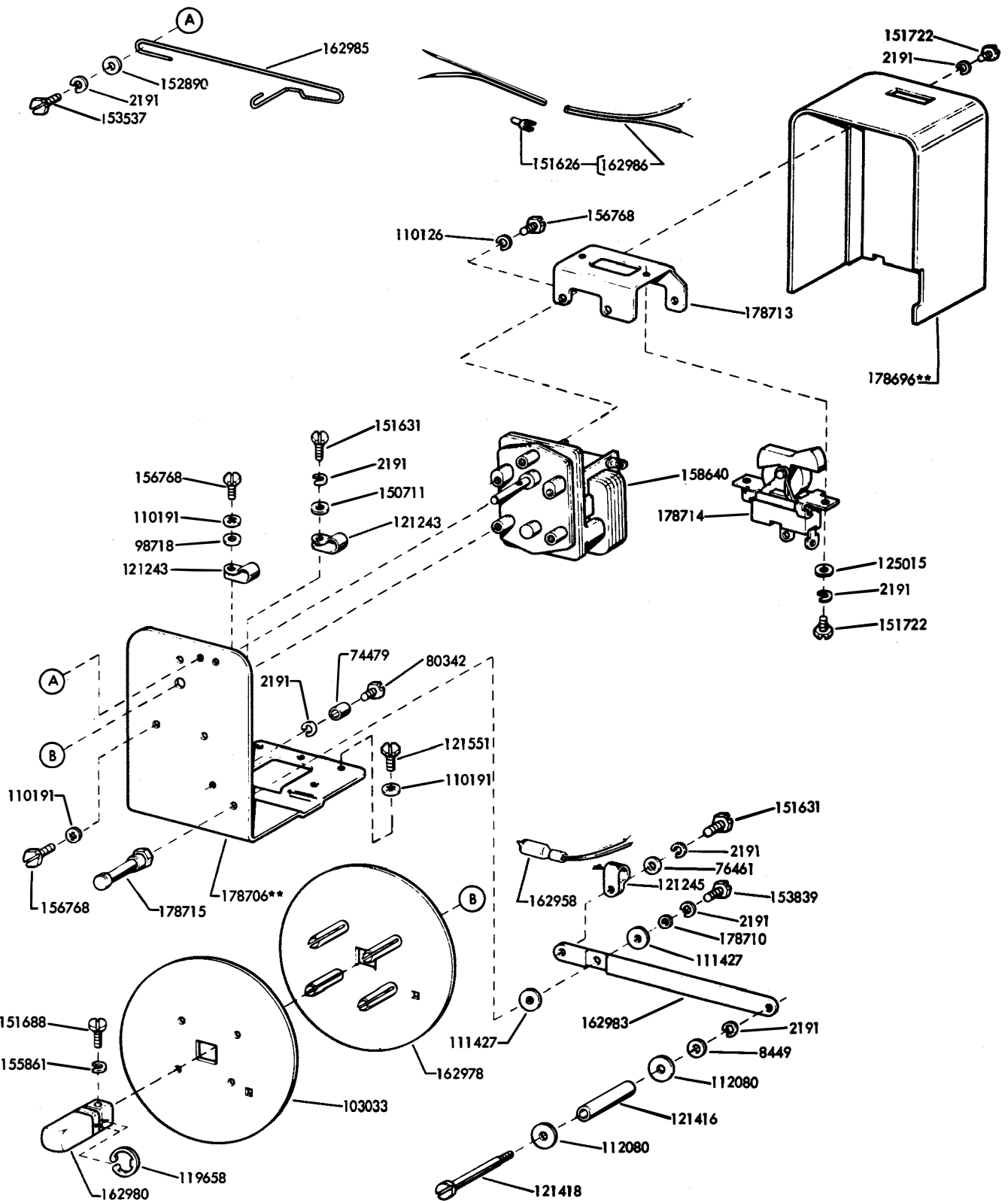


FIGURE 26. 164873** (7/8") AND 193794** (1") TAPE CONTAINER ASSEMBLIES WITH TAPE-OUT SWITCH



**Refer to page 1 for finish suffix

FIGURE 27. 162957** TAPE WINDER ASSEMBLY

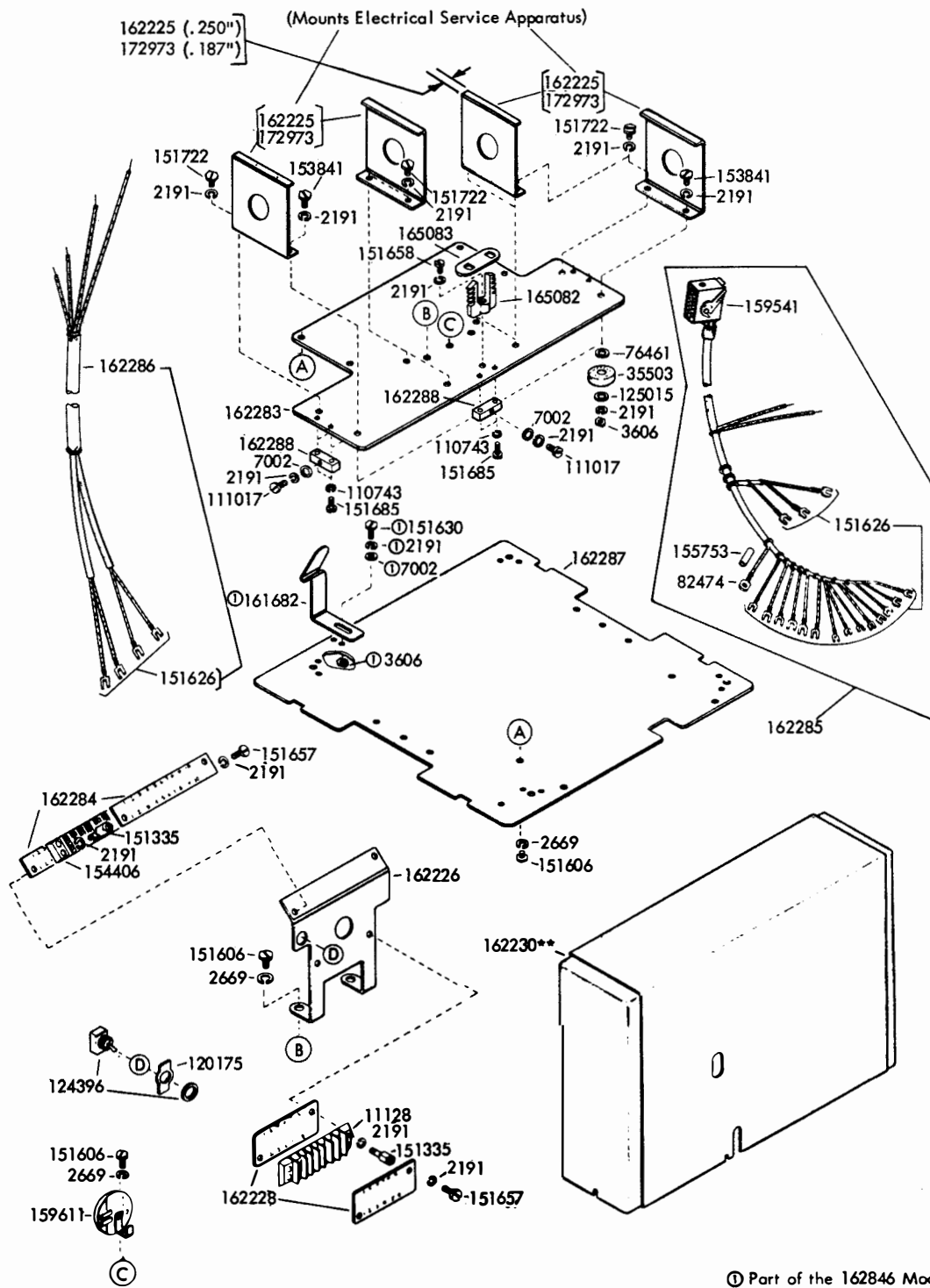
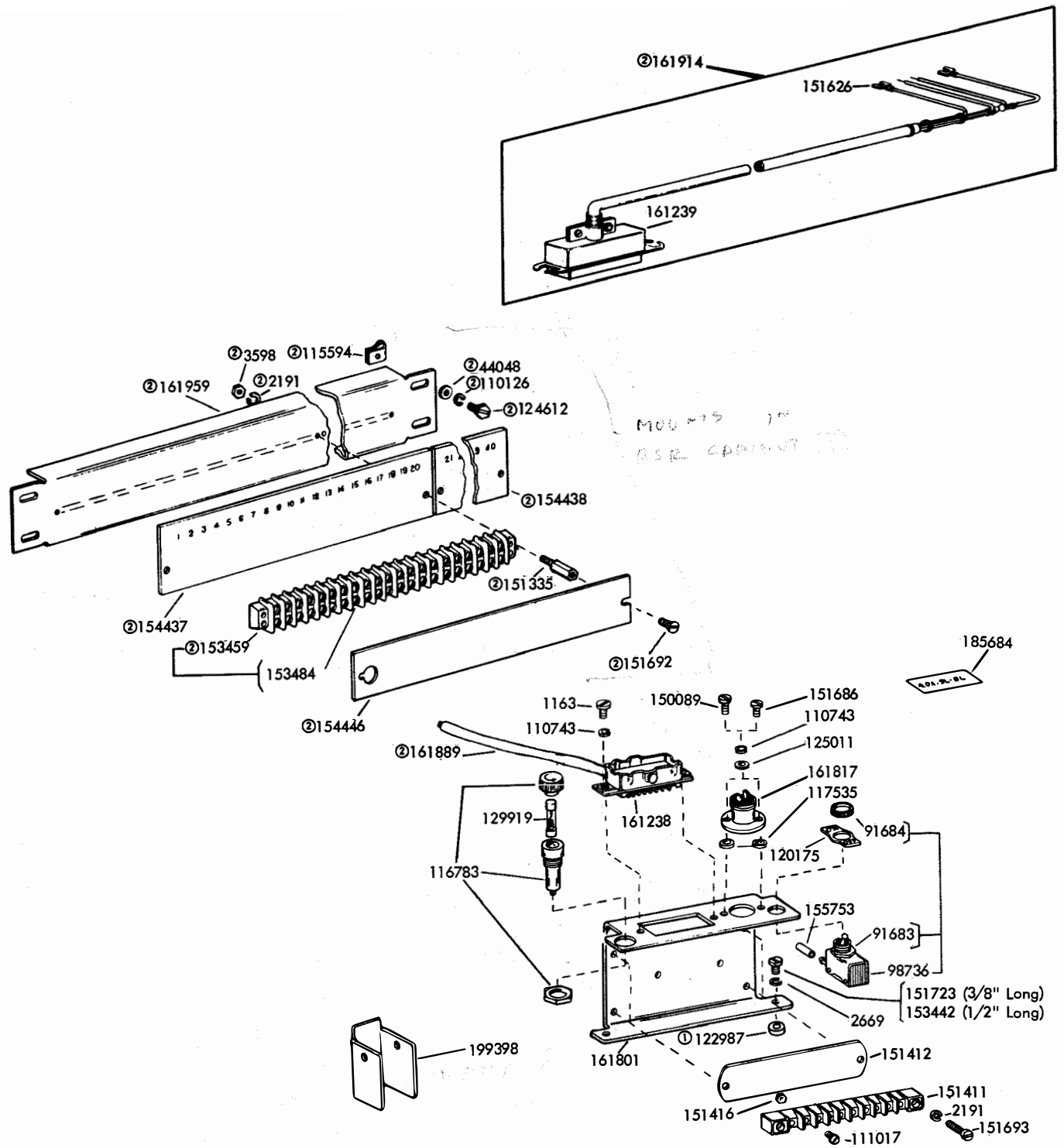


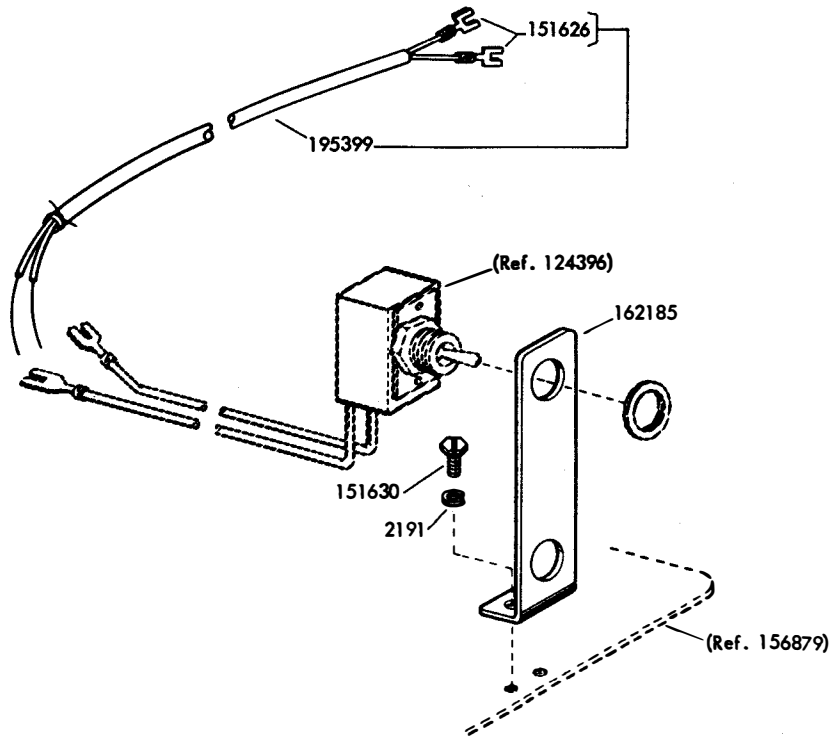
FIGURE 28. TYPING REPERFORATOR BASE WITH EXTENSION



MOD 175 17
 ASR CAPACIT

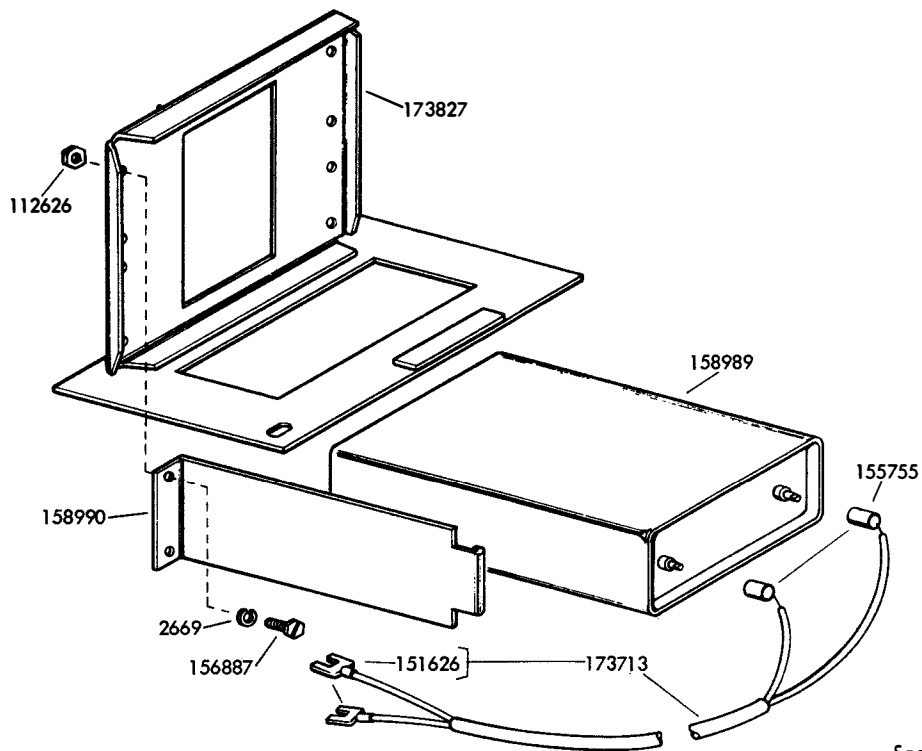
① Used with the 153442 Screw
 ② Part of the 161827 Modification Kit:
 To add code reading contact cabling.
 (Specification 59325) Parts for the
 161827 are also shown on Fig. 15.

FIGURE 29. ELECTRICAL COMPONENTS



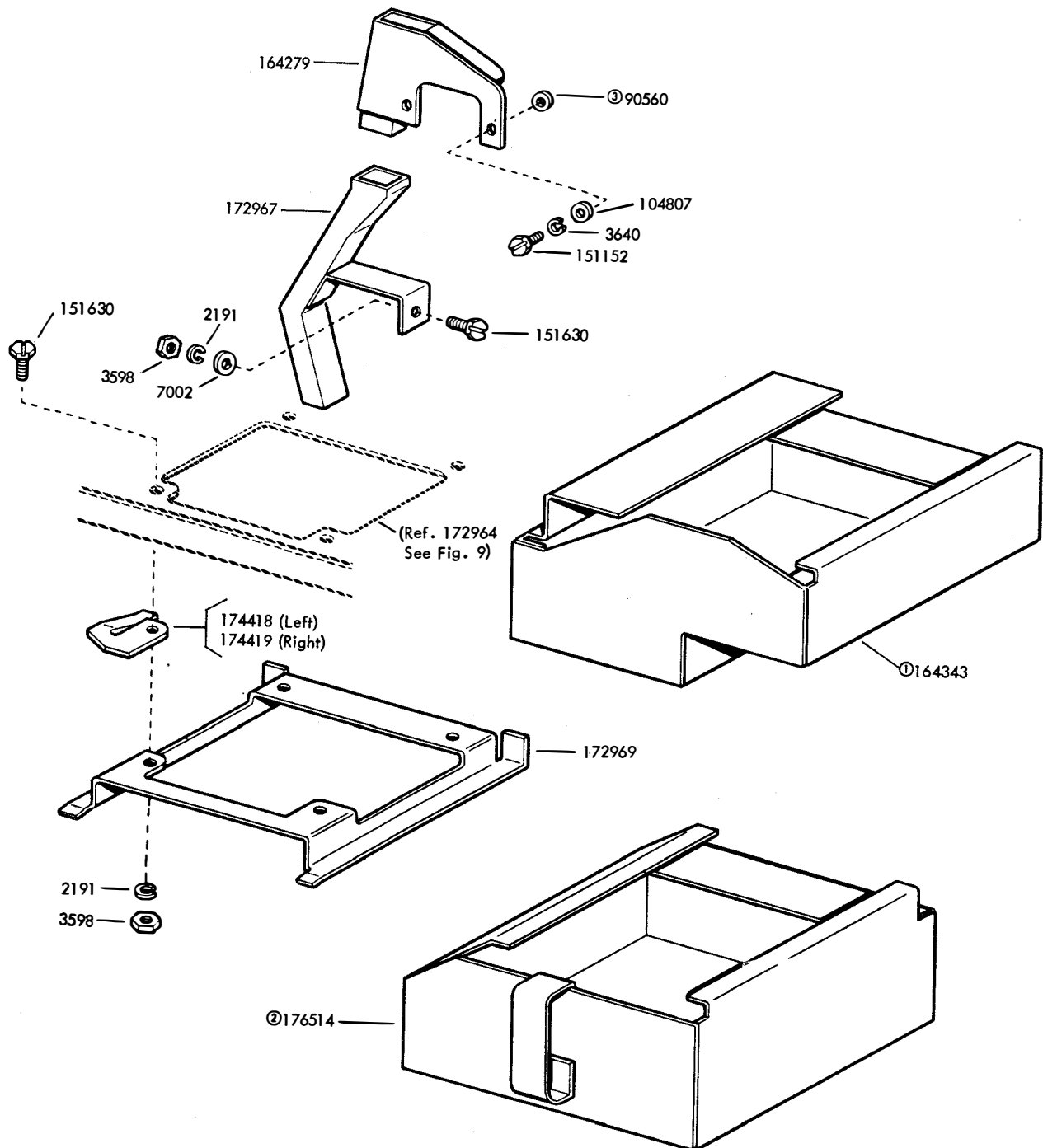
Specification 501555

FIGURE 30. 195388 MODIFICATION KIT TO RELOCATE POWER SWITCH FROM THE REAR TO THE FRONT



Specification 50,0575

FIGURE 31. 173484 MODIFICATION KIT TO PROVIDE POWER FACTOR CORRECTION FOR (LMRB) BASE



- ① Peculiar to 164341
- ② Peculiar to 176542
- ③ Discard if Punch Block face is flat.

Specification 50, 0865

FIGURE 32. 164341 AND 176542 MODIFICATION KITS TO PROVIDE CHAD DISPOSAL ON MULTIPLE REPERFORATOR BASES

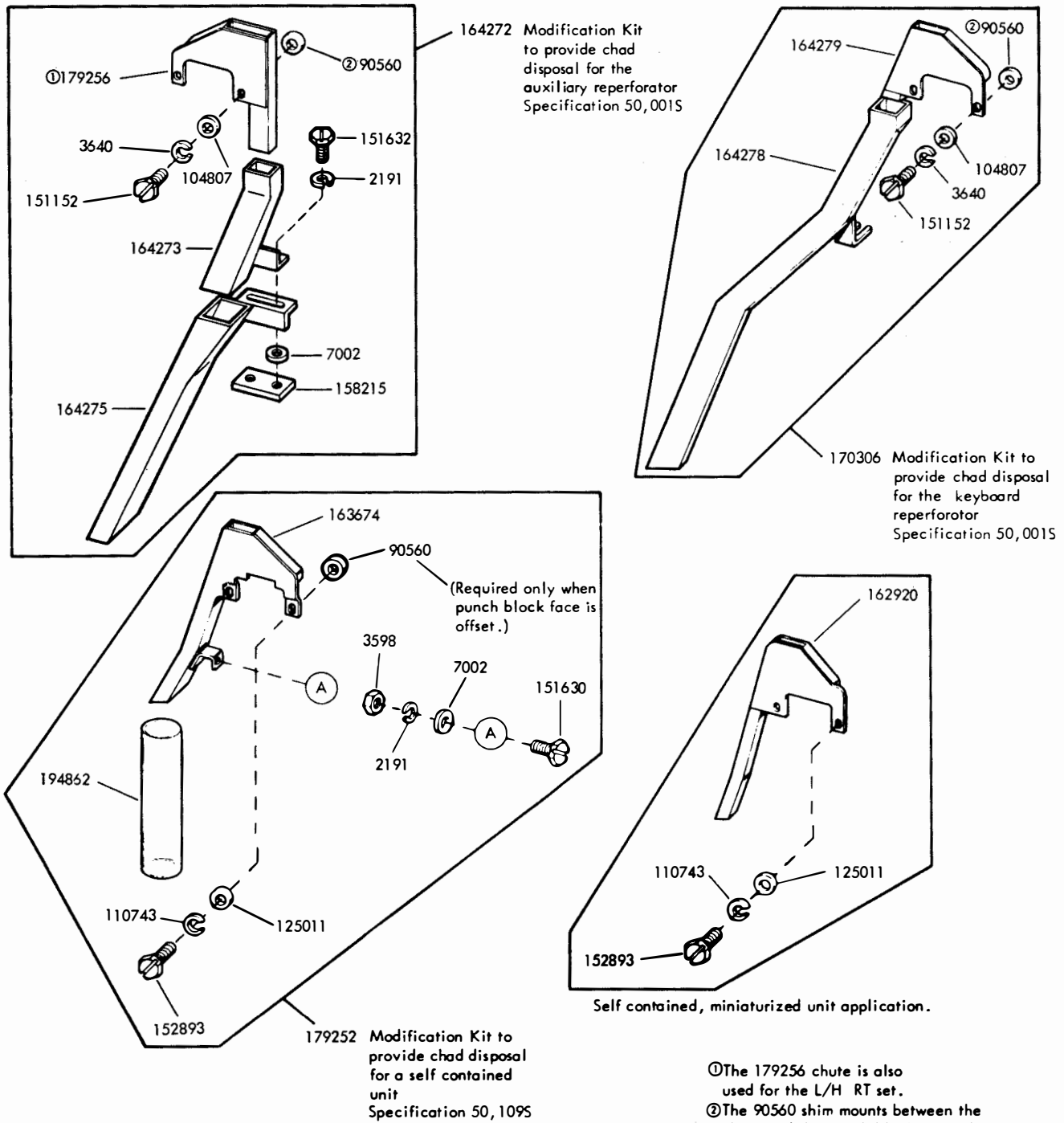
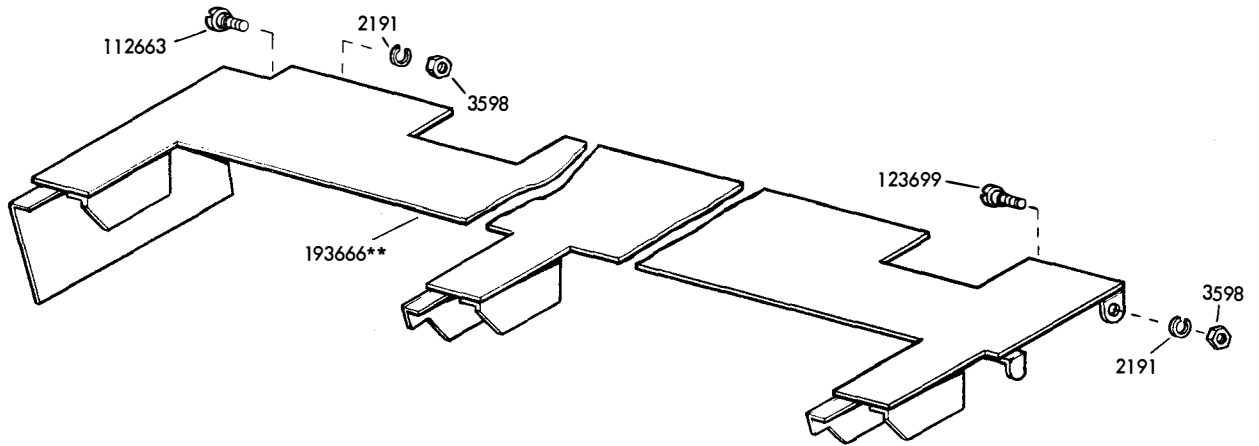
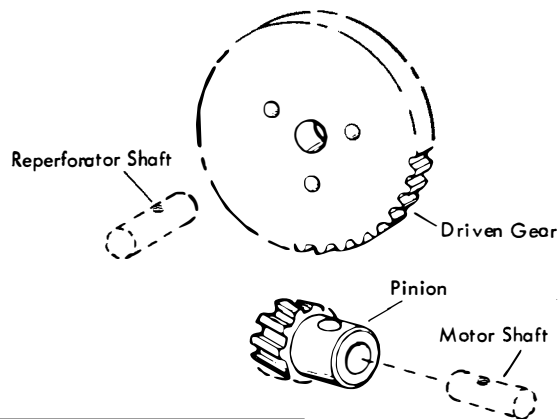


FIGURE 33. MODIFICATION KITS TO PROVIDE CHAD DISPOSAL



Specification 50,1915

FIGURE 34. 193667 MODIFICATION KIT TO PROVIDE A SPROCKET GUARD FOR MULTIPLE REPERFORATOR BASES

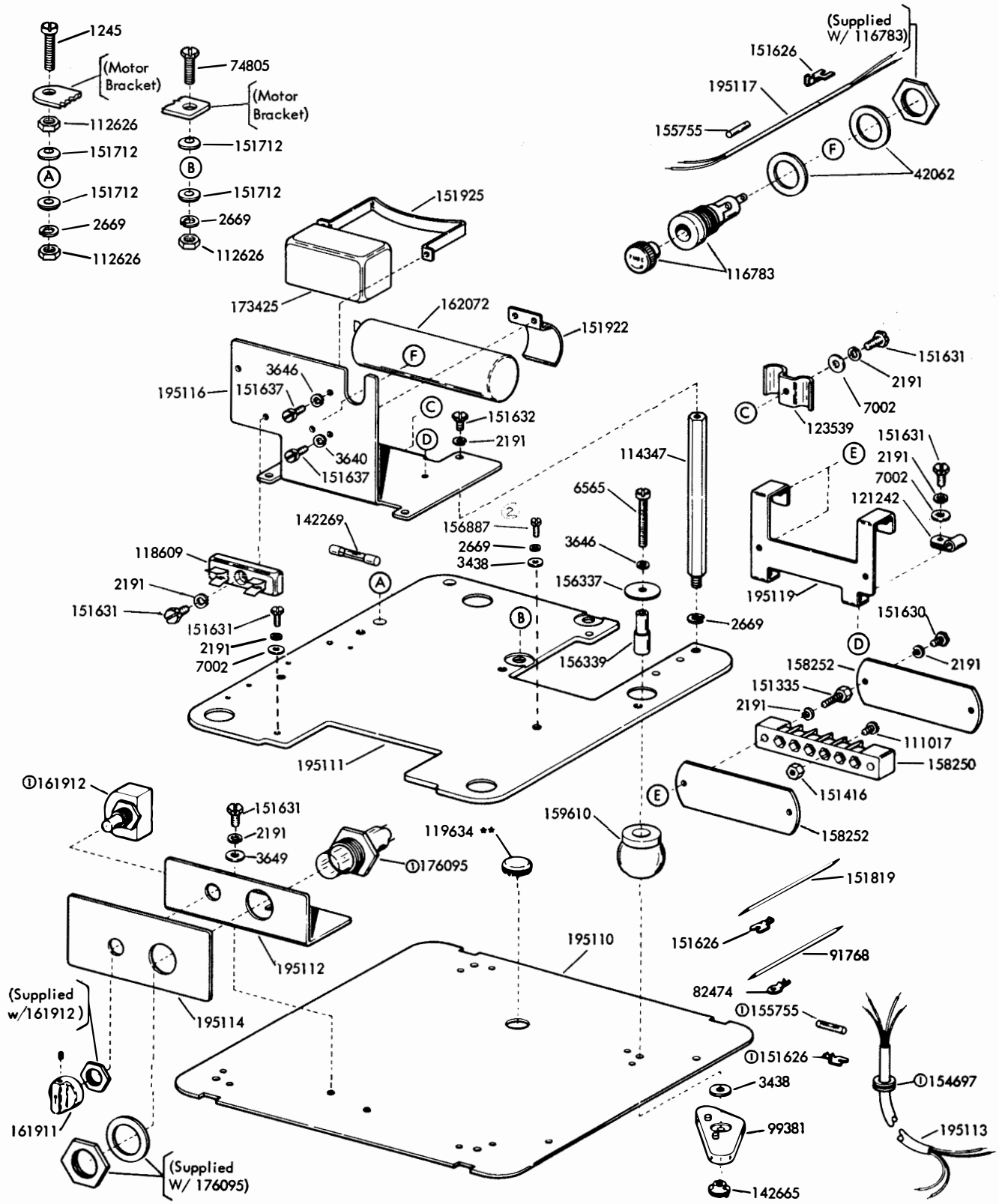


Speed Change Gear Sets for Non-typing Reperforator					
Set Number	Pinion	Driven Gear	(Nominal) WPM	Unit Code	Baud
①164784	164782-6T	164783-52T	120	8.5	102.9
②193620	192791-5T	192790-49T	53	8.61	46.15
②193621	192789-6T	192788-47T	66	8.61	57.69
②193643	193641-6T	193642-40T	78.7	8.00	67.8
②193678	193677-8T	193676-42T	100	11.0	110
②193681	193680-5T	193679-39T	67	11.0	73.7
Ⓒ199896	199894-13T	199895-68T	100	8.5	85
②③308197	308195-10T	308196-41T	60	8.5	50
②③308206	308204-15T	308205-67T	67	8.5	56.86

41.5, 38.1, 20
367.35
448.87
540.40
685.71
461.54
685.74
121.77
471.64

- ① Reperforator clutch must be 2 cycle design
- ② Reperforator clutch must be 1 cycle design
- ③ Used with 50 cycle-3000 RPM Motor

FIGURE 35. GEAR CHART FOR SELF-CONTAINED NON-TYPING REPERFORATOR



⊙ Part of 195113 Cable Assembly
 **Refer to page 1 for finish suffix
 2. 195113 Cable Assembly
 3. 195113 Cable Assembly

FIGURE 36. TAPE PRINTER BASE (Miniaturized)

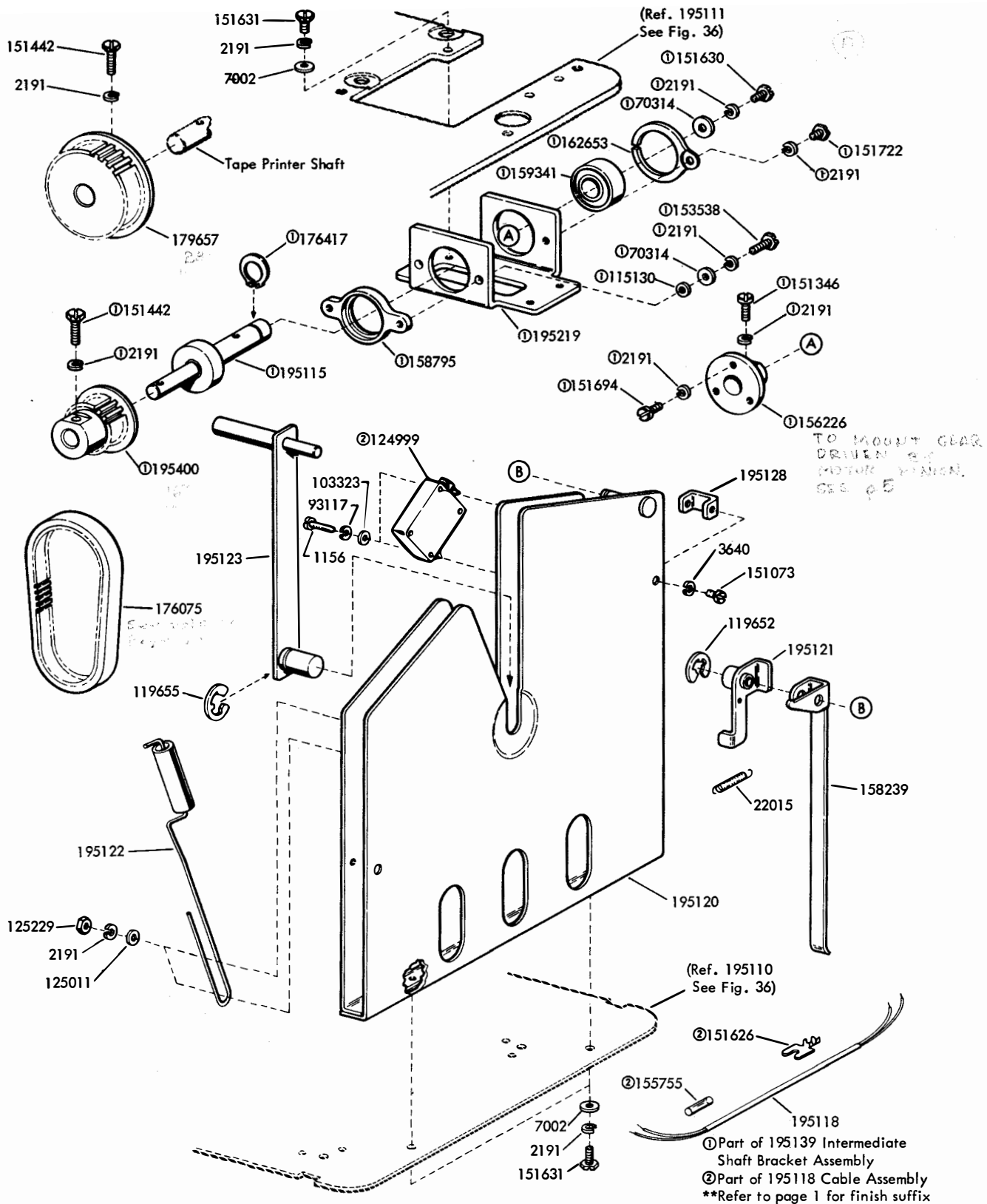


FIGURE 37. TAPE PRINTER BASE-CONTINUED (Miniaturized)

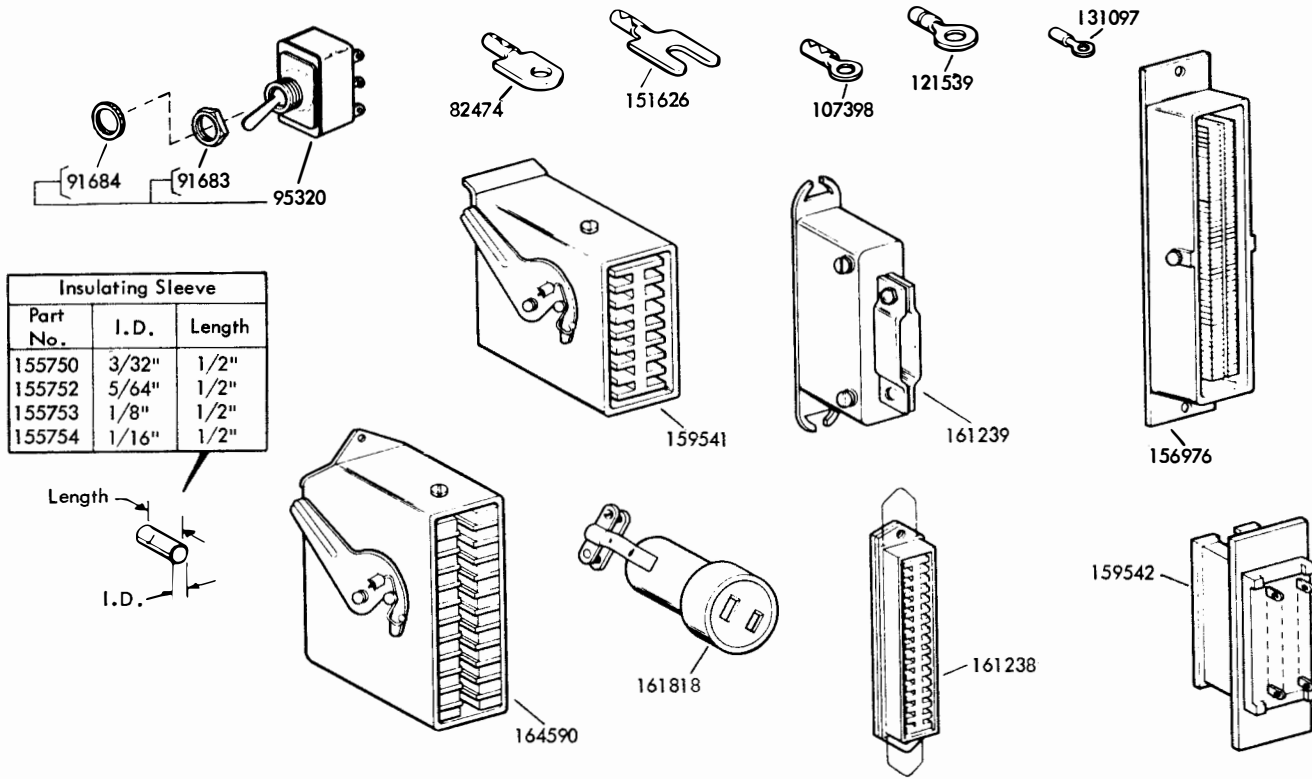


FIGURE 38. CABLE COMPONENTS

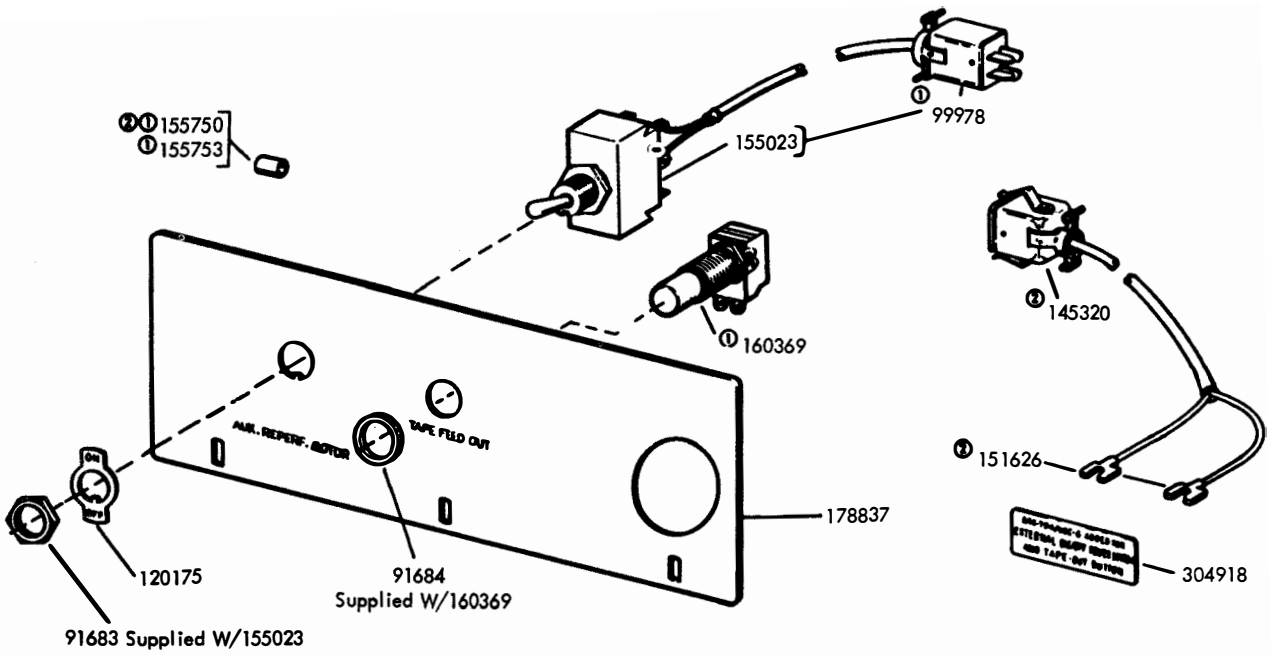


FIGURE 39. 178838 MODIFICATION KIT TO RELOCATE POWER SWITCH FROM AUXILIARY BASE TO OUTSIDE OF CABINET

ASR

NUMERICAL INDEX

Part Number	Description and Page Number	Part Number	Description and Page Number	Part Number	Description and Page Number
1156	Screw, 2-56 x 9/16 Fil 37	84354	Washer, Flat 20	116699	Lamp, 1/25 Watt Neon 26
1163	Screw, 4-40 x 3/16 Fil 31	84551	Jumper, 5-1/4" Black 11, 13	116783	Holder, Fuse 6, 7, 21, 27, 31, 36
1164	Screw, 2-56 x 3/16 Fil 27	85318	Washer, Leather 16	117227	Bearing, Ball 24, 25
1178	Screw, 2-56 x 7/16 Fil 15, 27	90560	Washer, Flat 33, 34	117535	Washer, Flat 17, 21, 23, 31
1210	Screw, 2-56 x 5/8 Fil 17, 22	90606	Spring 17, 28	118511	Fuse, 1/8 Amp 7
1245	Screw, 10-32 x 1" Fil 36	90790	Washer, Flat 8	118589	Switch, Black Pushbutton 7
1264	Screw, 10-32 x 1/2 Flat 16, 23	91683	Nut, 15/32-32 Hex 6, 7, 11, 13, 31, 38, 39	118609	Holder, Fuse 36
2191	Washer, Lock 3 to 21, 23 to 37	91684	Nut, 15/32-32 Ring 6, 7, 11, 13, 31, 38, 39	119467	Insulator .032" Thk 8, 15, 22, 28
2263	Nut, 8-32 Hex 21	91768	Jumper, 3-1/2" Black 6, 7, 21, 36	119634**	Button, Plug 36
2382	Washer, Lock 26	92146	Nut, 1/4-20 Hex 17	119649	Ring, Retaining 28
2449	Washer, Lock 4, 6, 11, 13, 17, 20	92260	Washer, Lock 10, 21	119651	Ring, Retaining 10, 19, 25
2669	Washer, Lock 3 to 7, 9 to 14, 16, 17, 18, 21, 23, 25 to 27, 30, 31, 32, 36	92265	Screw, 2-56 x 1/8 Rd 17	119652	Ring, Retaining 19, 22, 25, 37
2836	Spring 22	93108	Washer, Lock 11, 13	119653	Ring, Retaining 10, 22
3438	Washer, Flat 4, 5, 6, 9, 13, 14, 17, 21, 26, 36	93117	Washer, Lock 8, 15, 17, 22, 27, 28, 37	119654	Ring, Retaining 9, 24
3598	Nut, 6-40 Hex 6, 7, 10 to 13, 17, 21, 24, 25, 27, 31, 33 to 35	95320	Switch, SP-ST Toggle 7, 11, 13, 38	119655	Ring, Retaining 9, 24, 37
3606	Nut, 6-40 Hex 16, 17, 18, 28, 30	97981	Spacer 28	119658	Ring, Retaining 29
3624	Washer, Flat 8, 15, 22, 28	98659	Bracket, Switch 3	120175	Plate, ON-OFF 3, 6, 7, 11, 13, 26, 30, 31, 39
3640	Washer, Lock 3, 5, 6, 8, 15, 19, 28, 33, 34, 36, 37	98718	Washer, Flat 29	120206	Socket, Lamp 26
3646	Washer, Lock 6, 21, 26, 36	98726	Screw, 3-48 x 1/4 Fil 11, 13, 26, 27	121242	Clamp, 1/8 ID Cable 6, 26, 36
3649	Washer, Flat 36	98736	Switch, SP-ST Toggle 31	121243	Clamp, 3/16 ID Cable 8, 29
3870	Spring 17	99381	Foot, Rubber 6, 21, 26, 36	121244	Clamp, 1/4 ID Cable 4, 7, 21
3899	Spacer, .188" Thk 28	99978	Connector, 4 Pt Plug 39	121245	Clamp, 5/16 ID Cable 6, 29
6565	Screw, 8-32 x 1-1/4 Fil 6, 21, 26, 36	101633	Washer, Flat 18	121246	Clamp, 3/8 ID Cable 21
7002	Washer, Flat 4, 6 to 17, 21, 24 to 28, 30, 33, 34, 36, 37	102465	Screw, 6-40 x 37/64 Fil 24	121247	Clamp, 7/16 ID Cable 11, 13, 21
7599	Spring, Compression 19	103033	Lid, Tape Reel 29	121248	Clamp, 1/2 ID Cable 11, 13
8449	Spacer, .094" Thk 8, 15, 17, 28, 29	103323	Washer, Flat 37	121249	Clamp, 5/8 ID Cable 11, 13, 15
22015	Spring 37	104124	Screw, 1/4-32 x 11/32 Hex 4, 6, 11, 13	121416	Roller 29
25123	Screw, 1/4-32 x 7/16 Hex 20	104807	Washer, Flat 33, 34	121418	Screw, 6-40 Shoulder 29
35503	Foot, Rubber 30	107116	Washer, Lock 16	121539	Terminal 38
35551	Screw, 10-32 x 3/8 Flat 16, 23	107393	Switch, SP-ST Toggle 3	121551	Screw, 8-32 x 1/4 Hex 29
42062	Washer, Flat 36	107398	Terminal 3, 38	121630	Washer, Flat 14
44048	Washer, Flat 21, 31	110126	Washer, Lock 29, 31	122245	Capacitor, 43 to 48 MFD 7
45815	Washer, Lock 15, 21, 26	110191	Washer, Lock 29	122987	Spacer 31
49056	Screw, 10-32 x 7/8 Hex 12, 14	110435	Nut, 4-40 Hex 15, 17	123539	Clamp, Cable 36
61085	Washer, Lock 11, 13	110437	Spring 15	123699	Screw, 6-40 Shoulder 35
70314	Washer, Flat 14, 37	110438	Spring 22	123706	Screw, 10-32 x 1/4 Flat 4, 23
71073	Washer, Flat 17	110664	Switch, SP-ST Toggle 21	124177	Washer, Lock 10, 19, 25
71858	Washer, Flat 17	110743	Washer, Lock 10, 12, 14, 17, 19, 25, 30, 31, 34	124396	Switch Assembly 6, 26, 30, 32
74100	Washer, Leather 15	111017	Screw, 6-40 x 5/16 Fil 3, 6, 11, 13, 21, 27, 30, 31, 36	124611	Screw, 8-32 x 3/8 Hex 21
74479	Bushing 29	111284	Block, Terminal 30	124612	Screw, 8-32 x 1/2 Hex 31
74805	Screw, 10-32 x 3/4 Hex 36	111427	Washer, Flat 12, 14, 29	124741	Washer, Lock 11, 13
74807	Nut, 10-32 Shoulder Hex 10, 25	111516	Washer, Flat 15	124999	Switch, Sensitive 8, 11, 13, 15, 22, 28, 37
76081	Washer, Flat 10	111776	Connector, 4 Pt Plug 28	125011	Washer, Flat 28, 31, 34, 37
76379	Spring 8	111777	Connector, 4 Pt Receptacle 27, 28	125015	Washer, Flat 6, 8, 11, 13, 17, 18, 20, 21, 24, 25, 28, 29, 30, 31,
76461	Washer, Flat 11, 13, 17, 29, 30	112080	Washer, Flat 29	125205	Screw, 6-40 x 7/16 Fil 9, 24
76953	Washer, Flat 11, 13	112626	Nut, 10-32 Hex 3, 12, 14, 15, 16, 23, 32, 36	125218	Nut, 1/4-32 Hex 11, 13
78596	Washer, Friction 10	112663	Screw, 6-40 Shoulder 35	125224	Nut, 1/4-32 Hex 4, 6, 11, 13
80342	Screw, 6-40 x 23/64 Hex 29	113850	Washer, Flat 10	125229	Nut, 6-32 Hex 37
82474	Terminal 3, 6, 7, 11, 13, 26, 30, 36, 38	114125	Screw, 6-40 x 3/8 Hex 10, 19, 25	125231	Nut, 10-32 Hex 11, 13
82725	Spring 10, 25	114347	Post 36	125250	Spring 15
82832	Washer, Lock 17	114466	Connector, 3 Pt Receptacle 3, 6, 26	129919	Fuse, 4 Amp SL-BL 6, 31
83877	Spring 8, 28	114467	Connector, 3 Pt Plug 3, 6, 26	130499	Bearing, Ball 10, 18, 19
		115130	Spacer, .062" Thk 37	130892	Washer, Felt 10, 19, 25
		115594	Nut, Speed 31	131097	Terminal, 21/32" Lg 38
		116669	Lens, Red 26	131099	Terminal, 5/8" Lg 27
				136148	Modification Kit 6
				138538	Fuse, 2 Amp SL-BL 7, 21
				142269	Fuse, 3 Amp SL-BL 36
				142612**	Guide 28
				142615	Guide, Tape 28

**Refer to page 1 for finish suffix

NUMERICAL INDEX (Continued)

Part Number	Description and Page Number	Part Number	Description and Page Number	Part Number	Description and Page Number
142622	Reel, Tape 28	151632	Screw, 6-40 x 3/8 Hex 9, 15 to 18, 20, 21, 24, 25, 27, 34, 36	155753	Sleeve, 1/8 ID x 1/2" Lg Insulating 7, 8, 22, 30, 31, 38, 39
142623	Reel, Tape 28	151634	Bearing, Ball 12, 14	155754	Sleeve, 1/16 ID x 1/2" Lg Insulating 7, 21, 26, 38
142624	Roller 28	151637	Screw, 4-40 x 1/4 Fil 3, 6, 36	155755	Sleeve, 11/64 ID x 5/8" Lg Insulating 6, 32, 36, 37
142625	Shaft 28	151657	Screw, 6-40 x 1/4 Fil 19, 27, 28, 30	155861	Washer, Lock 29
142626	Bracket 28	151658	Screw, 6-40 x 5/16 Fil 6, 18, 19, 30	155954	Switch, Sensitive 27
142636	Spacer, 1.078" Thk 28	151659	Screw, 6-40 x 1/2 Fil 12, 14	156057	Washer, Flat 19
142637	Spacer, 1.203" Thk 28	151660	Screw, 6-40 x 7/8 Fil 21	156226	Hub 5, 9, 24, 37
142648**	Retainer 28	151685	Screw, 4-40 x 5/16 Fil 28, 30	156334	Stud 4, 6, 11
142665	Nut, 8-32 Spl 6, 21, 26, 36	151686	Screw, 4-40 x 3/8 Fil 31	156336	Post 4, 6
142709	Fuse, 2 Amp 27	151688	Screw, 4-40 x 5/8 Fil 29	156337	Washer, Flat 6, 21, 26, 36
144727	Keytop w/Shaft 27	151690	Screw, 10-32 x 5/16 Fil 10	156338	Post 4, 6
144729	Bracket 27	151691	Screw, 10-32 x 3/8 Fil 21	156339	Bushing 6, 21, 26, 36
144731	Plate, Switch Actuator 27	151692	Screw, 6-40 x 3/16 Fil 10, 26, 31	156340	Bracket 3
144732	Insulator 27	151693	Screw, 6-40 x 9/16 Fil 12, 14, 31	156342	Plate 8
144733	Spring, Compression 27	151694	Screw, 6-40 x 11/32 Fil 5, 37	156343	Hub 5
144734	Plate, Retaining 27	151712	Button, Pivot 36	156344	Bracket, Adjusting 4, 6, 11, 13
145320	Connector, 4 Pt Receptacle 39	151721	Screw, 6-40 x 3/4 Hex 8, 12, 25, 28	156398	Holder, Bearing 5
150089	Screw, 4-40 x 1/2 Fil 5, 10, 12, 14, 19, 25, 31	151722	Screw, 6-40 x 3/16 Hex 3, 6, 12, 14, 29, 30, 37	156400	Pulley, 28T 5, 12, 14, 19
150336	Bushing 28	151723	Screw, 10-32 x 3/8 Hex 4, 13, 14, 17, 21, 23, 26, 31	156444	Plate, Lower Base 6
150432	Washer, Flat 12	151724	Screw, 10-32 x 5/8 Hex 21, 26	156445	Bracket, Switch 6
150456	Spacer, .050" Thk 10, 25	151731	Screw, 4-40 x 7/8 Fil 19	156446	Handle 6
150652	Screw, 4-40 x 37/64 Fil 19	151732	Screw, 4-40 x 11/32 Fil 7, 10, 19, 25	156448	Bushing 8, 15, 17, 28
150711	Washer, Flat 29	151733	Screw, 4-40 x 9/16 Fil 10, 15, 17, 19	156449	Lever, Switch 8, 15, 17, 28
150802	Clamp 12, 14	151819	Jumper, 3" Black 6, 7, 21, 36	156451	Bushing 8, 15, 17, 28
150949	Plate, Serial 17	151827	Strap, Terminal 6, 21	156452	Lever, Tape 8, 28
150950	Plate, Code 17	151880	Nut, 4-40 Hex 10, 11, 13, 19, 28	156460	Container, Tape 4, 6 to 8
150966	Insulator, Terminal 3, 11, 13, 27	151922	Clamp 36	156470	Guide, Tape 8
150992	Stud 15, 17	151925	Clamp 36	156501	Screw, 6-40 x 7/32 Fil 28
151073	Screw, 4-40 x 5/32 Fil 37	152890	Washer, Flat 29	156588	Ring, Retaining 18
151152	Screw, 4-40 x 3/16 Hex 19, 33, 34	152893	Screw, 4-40 x 1/4 Hex 34	156656	Jumper, 2-3/4" Black 26
151229	Washer, Flat 17, 26	153442	Screw, 10-32 x 1/4 Hex 3, 15, 17, 31	156768	Screw, 8-32 x 9/32 Hex 21, 29
151245	Washer, Felt 22	153459	Block, Terminal 31	156769	Plate, Teletype Identification 17
151335	Stud 3, 6, 11, 13, 21, 27, 30, 31, 36	153484	Screw, 6-32 Spl 31	156807	Disk 18
151346	Screw, 6-40 x 3/8 Fil 5, 9, 12, 14, 18, 19, 24, 37	153537	Screw, 6-40 x 9/32 Hex 29	156808	Disk 18
151411	Block, Terminal 3, 6, 21, 31	153538	Screw, 6-40 x 7/16 Hex 11, 13, 15, 17, 37	156861	Ring, Retaining 5, 9, 24
151412	Insulator 3, 6, 21, 31	153539	Screw, 6-40 x 11/16 Hex 8, 15, 17, 28	156864	Pulley, 16T 5
151415	Block, Terminal 3, 11, 13, 27	153817	Screw, 4-40 x 3/8 Hex 11, 13	156866	Belt, 55T 5, 9, 24
151416	Nut, 6-40 Hex 3, 6, 11, 13, 21, 27, 31, 36	153819	Washer, Lock 17, 26, 27	156879	Plate, Upper Base 32
151442	Screw, 6-40 x 1/2 Hex 6, 10, 12, 14, 18, 21, 24, 37	153839	Screw, 6-40 x 5/8 Hex 29	156887	Screw, 10-32 x 9/16 Hex 4, 5, 6, 9, 21, 32, 36
151453	Nut, 10-32 Hex 26	153841	Screw, 6-40 x 9/16 Hex 30	156898	Cable w/Terminals 3
151540	Lampholder 6	154076	Plate, Nut 20	156904	Guard 5
151556	Knob w/Set Screw 23	154406	Block, Terminal 30	156936	Screw, 1/4-32 x 5/16 Hex 4, 6, 11, 13
151562	Lamp, 115 V Incandescent 6	154437	Insulator, Terminal 31	156949	Gear, 36T 9, 24
151572	Washer, Lock 20, 26	154438	Insulator, Terminal 31	156950	Shaft w/Bearing 10
151606	Screw, 10-32 x 1/4 Hex 6, 7, 18, 26, 27, 30	154446	Cover 31	156951	Link 10
151610	Washer, Flat 8, 9, 12, 14, 15, 21, 24	154697	Grommet, Rubber 36	156952	Lever, Guide 10, 25
151618	Screw, 6-40 x 7/16 Fil 19	155023	Switch, DP-DT Toggle 39	156953	Hub, Sprocket 10
151626	Terminal 3, 6, 7, 8, 11, 13, 17, 21, 22, 26, 27, 29 to 32, 36 to 39	155750	Sleeve, 3/32 ID x 1/2" Lg Insulating 3, 7, 11, 13, 38, 39	156954	Stud 10, 25
151630	Screw, 6-40 x 1/4 Hex 3, 5, 6 to 11, 13, 14, 15, 17, 18, 21, 23 to 28, 30, 32, 33, 34, 36, 37	155751	Sleeve, 1/8 ID x 1" Lg Insulating 3, 8, 11, 28	156955	Pulley, 24T 10
151631	Screw, 6-40 x 5/16 Hex 4, 6, 7 to 9, 11 to 14, 16, 17, 18, 20, 21, 29, 36, 37	155752	Sleeve, 5/64 ID x 1/2" Lg Insulating 7, 26, 38	156956	Retainer, Belt 10
				156958	Pulley, 21T 9
				156959	Bushing 10
				156960	Screw, 6-40 Shoulder 10
				156961	Screw, 6-40 Shoulder 10
				156962	Ring, Retaining 10, 25
				156964	Gear, 9T 9, 24
				156965	Frame, Gear Shift 9
				156966	Plate, Base 3 to 5
				156967	Shaft, Drive 9

**Refer to page 1 for finish suffix

NUMERICAL INDEX (Continued)

Part Number	Description and Page Number	Part Number	Description and Page Number	Part Number	Description and Page Number
156968	Plate, Guide 9	161505	Stud 11, 13, 17	161801	Bracket, Mounting 31
156971	Screw, 2-56 x 3/4 Fil 8, 28	161506	Shaft 12	161803	Guide, Tape 17
156972	Cable Assembly 8	161507	Plate, Bearing Mounting 12	161805	Guard, Gear 18
156974	Container Assembly, Tape 8	161508	Bar, Mounting Plate 12, 14	161806	Belt, 48T 19
156975	Bracket, Connector Mounting 3	161509	Hub, Sprocket 12, 14	161807	Shift Assembly, Gear 19
156976	Connector, 32 Pt Plug 3, 38	161510	Pulley, 16T 12, 14	161809	Stud 18
156978	Cable Assembly 3	161511	Retainer, Belt 5, 12, 14, 19	161811	Gear Set, 60 WPM 19
156981	Gear, 44T 5	161512	Retainer 12	161812	Gear Set, 75 WPM 19
156982	Pinion, 9T 5	161516	Pan, Oil 11	161813	Gear Set, 100 WPM 19
156983	Gear, 47T 5	161519	Gear Set, 67 WPM 5	161815	Modification Kit 2, 20
156984	Pinion, 12T 5	161520	Belt, 64T 12, 14	161817	Connector, 2 Pt Plug 31
156985	Gear, 42T 5	161523	Panel 15	161818	Connector, 2 Pt Receptacle 38
156986	Pinion, 14T 5	161526	Connector, 14 Pt Receptacle 11, 13	161819	Guard, Gear 18
158163	Switch, Sensitive 17	161527	Container Assembly, Tape 2, 15	161821	Cable Assembly 17
158215	Plate, Nut 6, 34	161528	Cable Assembly 11, 13	161824	Stud 18, 19
158238	Plate 15	161529	Guide, Tape 15	161826	Plate 17
158239	Lever, Tape 15, 17, 37	161530	Gear Set, 60 WPM 12	161827	Modification Kit 17, 31
158250	Block, Terminal 36	161531	Gear, 44T 12	161873	Resistor, 5,000 Ohm 7
158252	Insulator, Terminal 36	161532	Pinion, 9T 12	161889	Cable Assembly 31
158289	Reel, Tape 8, 15, 17	161533	Gear Set, 75 WPM 12	161911	Knob, Black 36
158640	Motor, 115 V AC Shaded Pole 29	161534	Gear, 47T 12	161912	Switch, SP-ST 36
158712	Gear, 26T 9, 19	161535	Pinion, 12T 12	161914	Cable Assembly 31
158716	Gear, 39T 10, 19	161536	Gear Set, 100 WPM 12	161959	Plate, Mounting 31
158723	Roller 10, 19, 25	161537	Gear, 42T 12	161964	Clamp, Tube 7
158732	Gear, 24T & 18T 9, 19	161538	Pinion, 14T 12	162072	Capacitor 88 to 108 MFD 36
158733	Gear, 44T 10, 19, 25	161546	Mount, Vibration 11, 13	162075	Reel, Tape 8, 15, 17
158734	Gear, 47T 10, 19	161552	Screw, 10-32 Spl 11, 13	162077	Handle, Base 4
158736	Nut, 6-40 Cap 19	161654	Gear Set, 60 WPM 5	162079	Container Assembly, Tape 8
158740	Block 10, 19, 25	161655	Gear Set, 75 WPM 5	162181	Plate, Lower Base 7
158741	Bar 10, 19, 25	161656	Gear Set, 100 WPM 5	162182	Handle w/Strike 7
158745	Clamp, Bearing 5, 9, 18	161673	Post 11	162183	Bushing 7
158795	Plate 37	161674	Post 11	162185	Bracket, Switch 7, 32
158807	Screw, 3-48 x 11/64 Fil 17	161676	Hub, Gear 12, 14	162187	Bracket, Lamp Holder 7
158989	Capacitor, 20 MFD 32	161678	Modification Kit 2, 16	162213	Modification Kit 12
158990	Bracket, Mounting 32	161680	Modification Kit 12	162214	Pulley, 20T 12
159287	Retainer, Pinion 18	161682	Clip, Cover 30	162215	Hub 12
159341	Bearing, Ball 9, 18, 37	161683	Channel w/Rail 16	162216	Retainer, Belt 12
159377	Modification Kit 2, 5	161684	Channel, Right 16	162217	Modification Kit 12
159417	Modification Kit 9, 10	161685	Bracket, Switch 11, 13	162218	Pulley, 29T 5, 12
159433	Plate, Grease Retainer 9	161711	Block, Guide 16	162219	Pulley, 27T 12
159540	Post, Spring 8, 28	161716	Block, Support 16	162220	Hub 12
159541	Connector, 16 Pt Plug 6, 30, 38	161770	Bracket, Mounting 17	162221	Retainer, Belt 12
159542	Connector, 16 Pt Receptacle 6, 7, 38	161772	Bracket 18, 19	162222	Belt, 69T 12
159543	Washer, Flat 8, 28	161773	Container, Tape 17	162225	Bracket, Mounting 30
159551	Cable w/Terminals 3	161777	Stud, Mounting 20	162226	Bracket, Terminal Strip 30
159589	Bracket, Mounting 6, 7	161778	Stud, Mounting 20	162228	Insulator, Terminal 30
159592	Cable Assembly 6	161779	Shaft w/Bearing 18, 19	162230**	Cover, Service Assembly 30
159600	Shaft w/Bearing 5	161780	Retainer 18	162283	Plate, Lower Base 30
159603	Washer, Captive 6	161781	Hub 18	162284	Insulator, Terminal 30
159604	Screw, 10-32 x 1/2 Hex 6	161782	Gear, 90T 18	162285	Cable Assembly 30
159610	Mount, Vibration 6, 21, 26, 36	161783	Gear, 45T 18	162286	Cable, Rectifier 30
159611	Bell 30	161784	Gear, 18T 19	162287	Plate, Lower Base 30
159929	Bracket, Light Mounting 6	161785	Gear, 24T 19	162288	Bar, Cover 30
159931	Clamp 6	161786	Gear, 26T 19	162373	Cable Assembly 8
159932	Keeper 6	161787	Shaft w/Bearing 18, 19	162574	Cable Assembly, Control 7
159991	Plate, Clamp 10	161788	Hub 19	162653	Retainer 24, 25, 37
160307	Diode 7	161789	Pulley, 16T 19	162730	Screw, 1/4-20 x 7/16 Hex 17
160369	Switch, NO Pushbutton 39	161790	Gear, 44T 19	162846	Modification Kit 30
161103	Gear, 49T 5	161791	Gear, 47T 19	162900	Plate, Lower Base 26, 27
161104	Pinion, 11T 5	161792	Gear, 39T 19	162901	Plate, Upper Base 26, 27
161238	Connector, 36T Receptacle 17, 26, 27, 31, 38	161793	Block 19	162902	Bracket, Switch 26
161239	Connector, 36T Plug 7, 21, 26, 27, 31, 38	161794	Block, Slide 19	162903	Bracket, Connector 26
161301	Post 18	161795	Stud 19	162904	Post 26
161503	Base 11	161796	Stud 19	162905	Post 26
		161797	Plate, Index 19	162906	Stud 26
		161798	Guide w/Bracket 20	162920	Chute, Chad 34
		161800	Bracket 20	162957**	Winder Assembly, Tape 2, 29

**Refer to page 1 for finish suffix

NUMERICAL INDEX (Continued)

Part Number	Description and Page Number	Part Number	Description and Page Number	Part Number	Description and Page Number
162958	Switch, Mercury 29	173584	Modification Kit 12	176613	Grommet, Rubber 21
162978	Disk, Tape Reel 29	173713	Cable w/Terminals 32	177006	Cable Assembly 21
162980	Hub w/Balls 29	173820	Gear Set, 65 WPM 19	178306	Relay, Power 6
162983	Arm, Tape Tension 29	173821	Pinion, 20T 19	178426	Plate, Nut 11, 13, 17
162985	Arm, Tape Guide 29	173822	Gear, 49T 19 *	178427	Plate, Nut 11, 13, 17
162986	Cable 29	173827	Plate, Mounting 32	178696**	Cover, Tape Winder 9
163256	Modification Kit 9, 10	173974	Screw, 10-32 x 5/16 Hex 3, 6, 7	178706**	Bracket, Mounting 29
163260	Gear, 36T 9	174418	Detent, Left 33	178709	Bracket, Locking Cover 27
163261	Gear, 22T 9	174419	Detent, Right 33	178710	Spacer, Tape Arm 29
163262	Gear, 49T 10, 19, 25	174459	Modification Kit 2, 23	178713	Bracket, Switch 29
163263	Roller 10	174492	Container Assembly, Tape 2, 22	178714	Switch, Rocker Type 29
163264	Shaft, Gear Shift 9	176050	Container, Tape 22	178715	Stud, Tape 29
163265	Block 10	176056	Bail, Tape Sensing 22	178741	Shaft, Cross 14
163280	Bracket, Mounting 6	176057	Bail, Switch Actuating 22	178742	Shaft, Intermediate 14
163281	Bracket 6	176058	Reel, Tape 22	178743	Plate, Bearing Mounting 14
163328	Plate, Guide 9	176060	Spacer 22	178744	Bracket, Bearing Mounting 14
163446	Pinion, 22T 19	176062	Bracket, Front 21	178745	Base w/Fasteners 13
163447	Gear, 49T 19	176063	Bracket, Rear 21	178746	Pan, Oil 13
163448	Gear Set 19	176065	Bracket 24, 25	178747	Plate, Front 13
163449	Pinion, 27T 19	176066	Cylinder, Locking 23	178749	Post 13
163450	Gear, 40T 19	176068	Shaft 24	178750	Post 13
163451	Gear Set, 71 WPM 19	176069	Shaft 25	178751	Bushing 14
163587	Bracket, Mounting 17	176071	Gear, 52T 19, 25	178752	Stud, Motor Mounting 13
163674	Chute, Chad 34	176072	Gear, 35T 19, 24	178796	Gear, 14T 14
164272	Modification Kit 34	176073	Pulley, 21T 24	178797	Gear, 42T 14
164273	Chute, Chad 34	176074	Pulley, 24T 25	178798	Gear Set, 107 WPM 14
164275	Chute, Chad 34	176075	Belt, 40T 37	178799	Gear, 54T 14
164278	Chute, Chad 34	176076	Stud 25	178800	Gear, 53T 14
164279	Chute, Chad 33, 34	176077	Stud 25	178801	Gear Set 14
164305**	Plate 26	176078	Bracket, Guide 24, 25	178802	Gear, 33T 14
164337	Pinion, 9T 12	176079	Isolator, Vibration 21	178803	Gear, 49T 14
164338	Gear, 40T 12	176082	Plate, Lower Base 21	178804	Gear Set, 65 WPM 14
164339	Pinion, 10T 12	176085	Nut, 10-32 Self-Locking 21	178810	Gear, 30T 14
164340	Gear, 37T 12	176086	Bracket 21	178811	Gear, 49T 14
164341	Modification Kit 2, 33	176088	Plate, Upper Base 21	178813	Gear Set, 100 WPM 14
164343	Container, Chad 33	176090	Bracket 21	178814	Gear, 37T 14
164590	Connector, 24 Pt Plug 38	176092	Bracket 21	178815	Gear, 37T 14
164766	Bracket, Lamp Socket 26	176093	Plate 21	178837	Plate, Control 39
164767	Cable w/Terminal 26	176094	Guide, Tape 21	178838	Modification Kit 2, 39
164768**	Panel, Left 28	176095	Lamp, Red Tape Out 21, 36	178869	Shift Assembly, Gear 19
164769**	Panel, Right 28	176099	Gear, 22T & 18T 24	178870	Gear, 22T & 18T 9, 19
164770**	Plate, Left 28	176100	Modification Kit 2, 24, 25	178885	Plate, Index 19
164771**	Plate, Right 28	176112	Plate w/Spacer 23	178910	Spacer 10, 19
164772	Cable Assembly 28	176113	Plate, Top 23	179134	Bushing 21
164773**	Plate, Mounting 28	176114	Plate, Stop 23	179252	Modification Kit 34
164782	Pinion, 6T 35	176115	Block 23	179256	Chute, Chad 34
164781	Cable Assembly 26	176116	Bracket, Stop 23	179492	Modification Kit 2, 20
164783	Gear, 52T 35	176117	Bracket 21	179528**	Plate, Oil Pan 11
164784	Gear Set, 120 WPM 35	176118	Spring, Left Torsion 23	179657	Pulley, 28T 37
164873**	Container Assembly, Tape 2, 28	176119	Spring, Right Torsion 23	179962	Gear, 40T 10, 19
165082	Clamp, Cable 30	176120	Post 23	179963	Gear, 27T 9, 19
165083	Keeper, Clamp 30	176121	Slide 23	179965	Modification Kit 9, 10
170306	Modification Kit 34	176123	Cable Assembly 21	179969	Plate, Gear Shift Guide 9
171952	Connector, Green Shielding 11	176124	Cable Assembly 22	185684	Plate, Identification 31
171953	Connector, Orange Shielding 11	176287	Modification Kit 2, 20	192678	Shift Assembly, Gear 19
171972	Connector, Green Insulated 11	176288	Guide, Tape 20	192680	Plate, Index 19
171973	Connector, Black Insulated 11	176295	Gear Set, 107WPM 5	192684	Plate, Clamp 10
172964	Base 11, 33	176296	Pinion, 15T 5	192685	Frame, Gear Shift 9
172965	Pan, Oil 11	176297	Gear, 43T 5	192788	Gear, 47T 35
172967	Chute, Chad 33	176417	Ring, Retaining 37	192789	Pinion, 6T 35
172969	Bracket, Container 33	176419	Ring, Retaining 12, 14	192790	Gear, 49T 35
172973	Bracket, Mounting 30	176422	Bracket, Mounting 20	192791	Pinion, 5T 35
173007	Bracket, Connector Mounting 11, 13	176514	Container, Chad 33	192864	Reel, Tape 8
173023	Modification Kit 12	176536	Cable Assembly 11	192865	Container, Tape 8
173425	Relay, Motor Starting 36	176542	Modification Kit 2, 33	192867	Container Assembly, Tape 8
173484	Modification Kit 2, 32	176610	Lever 25	192868	Spacer 1.197" Lg 8
173583	Pulley, 37T Toothed 12	176612	Washer, Flat 21	193620	Gear Set, 53 WPM 35

NUMERICAL INDEX (Continued)

Part Number	Description and Page Number	Part Number	Description and Page Number	Part Number	Description and Page Number
193621	Gear Set, 66 WPM 35	195110	Plate, Lower Base 36, 37	304915	Connector, 2 Pt Receptacle 6
193628**	Bracket, Lamp Holder 27	195111	Plate, Upper Base 36, 37	304916	Connector, 2 Pt Plug 6
193629	Cable w/Terminals 27	195112	Bracket 36	304918	Plate, Identification 39
193630	Cable w/Terminals 27	195113	Cable Assembly 36	305575	Pinion, 51T 18
193631	Bracket 27	195114	Plate, Identification 36	305576	Gear, 85T 18
193632	Switch Assembly 27	195115	Shaft w/Bearing 37	305580	Bracket Assembly, Gear Shift 18, 19
193634	Bracket, Fuse 27	195116	Bracket 36	308195	Pinion, 10T 35
193635	Indicator, Neon 27	195117	Cable Assembly 36	308196	Gear, 41T 35
193636	Indicator, Neon 27	195118	Cable Assembly 37	308197	Gear Set, 60 WPM 35
193637	Insulator, Terminal 27	195119	Bracket 36	308204	Pinion, 15T 35
193641	Pinion, 6T 35	195120	Container, Tape 37	308205	Gear, 67T 35
193642	Gear, 40T 35	195121	Lever w/Hub 37	308206	Gear Set, 67 WPM 35
193643	Gear Set, 77.7 WPM 35	195122	Guide, Tape 37	310050	Bracket 21
193666**	Guard, Sprocket 35	195123	Handle w/Post 37	311272	Pinion, 14T 5
193667	Modification Kit 2, 35	195128	Brace 37	311273	Gear, 52T 5
193676	Gear, 42T 35	195139	Bracket Assembly, Intermediate Shaft 37	311283	Gear Set, 67 WPM 5
193677	Pinion, 8T 35	195219	Bracket 37	312475	Cable Assembly 39
193678	Gear Set, 100 WPM 35	195388	Modification Kit 2, 32	312476	Cable Assembly 39
193679	Gear, 39T 35	195399	Cable w/Terminals 32	315536	Modification Kit 19
193680	Pinion, 5T 35	195400	Pulley, 16T 37	315829	Guard, Gear 12, 14
193681	Gear Set, 67 WPM 35	195658	Guide, Assembly, Tape 8	317217	Clamp 12, 14
193705	Cable w/Terminals 27	197693	Shaft w/Bearing 12	317358	Plate 12, 14
193706	Jumper, 3" White-Orange 27	197699	Modification Kit 12	319259	Pinion, 12T 9
193707	Jumper, 3" White-Blue 27	197879	Guide, Tape 8	319260	Gear, 40T 9
193708	Jumper, 3" Black 27	197880	Bracket, Tape Guide 8	319262	Modification Kit 9, 10
193727	Plate, Upper Base 6, 7	199398	Insulator 31	319918	Pinion, 25T 19
193778	Cable Assembly 7	199812	Modification Kit 9, 10	319919	Gear, 51T 19
193779	Bracket, Fuse Mounting 7	199814	Plate, Guide 9	319920	Gear Set, 65 WPM 19
193780	Shield, Fuse 7	199894	Pinion, 13T 35	319921	Pinion, 28T 19
193783	Cable Assembly 27	199895	Gear, 68T 35	319922	Gear, 52T 19
193794**	Container Assembly, Tape 2, 28	199896	Gear Set, 100 WPM 35	319923	Gear Set, 71 WPM 19
193837	Guide, Tape 8	199908	Jumper, 3-1/2" White 6	319924	Pinion, 21T 19
194081	Guide, Tape 17	199909	Jumper, 6-7/8" Black 6	319925	Gear, 26T 19
194082	Guide w/Roller, Tape 17	199910	Insulator 6	319926	Gear Set, 107 WPM 19
194221	Cable Assembly 8	207223WU	Spacer, .937" Lg 8		
194862	Extension 34				

**Refer to page 1 for finish suffix

28 SEND-RECEIVE REPERFORATOR KEYBOARD BASE (LTRK)

and

28 SEND-RECEIVE TAPE PRINTER KEYBOARD BASE (LTPK)

FIGURE	CONTENTS	PAGE	FIGURE	CONTENTS	PAGE
1	Keyboard Base	2		Backspace Mechanism	16
2	Electrical Components	3	18	163775 Modification Kit to provide Repeat on Space Mechanism	16
3	Casting	4	19	Gear Sets	17
4	Tape Container	5	20	Gear Shift Mechanism for Tape Printer Keyboard Base	18
5	Function Bail Mechanism	6	21	Gear Shift Mechanism for Tape Printer Keyboard Base	19
6	Intermediate Gear Mechanism	6	22	Connectors and Cable	20
7	Keyboard	7	23	Electrical Components for Tape Printer Keyboard Base	21
8	Code Bar Mechanism	8	24	193800 Modification Kit to provide Synchronous Pulsed Transmission	22
9	Universal Bail Mechanism	9	25	192999 Modification Kit to provide Vacuum Chad Removal for Send-Receive Typing Reperforator Set	23
10	Bail Lock Mechanism	9	26	Cables	24
11	Signal Generator Frame Mechanism	10		Numerical Index	25
12	Signal Generator Shaft Mechanism	11			
13	Signal Generator Front Plate Mechanism	12			
14	Signal Generator Rear Plate Mechanism	13			
15	154165 and 154225 Signal Generator Contact Box Assemblies	14			
16	155990 Character Counter Mechanism	15			
17	176405 Modification Kit to add Tape				

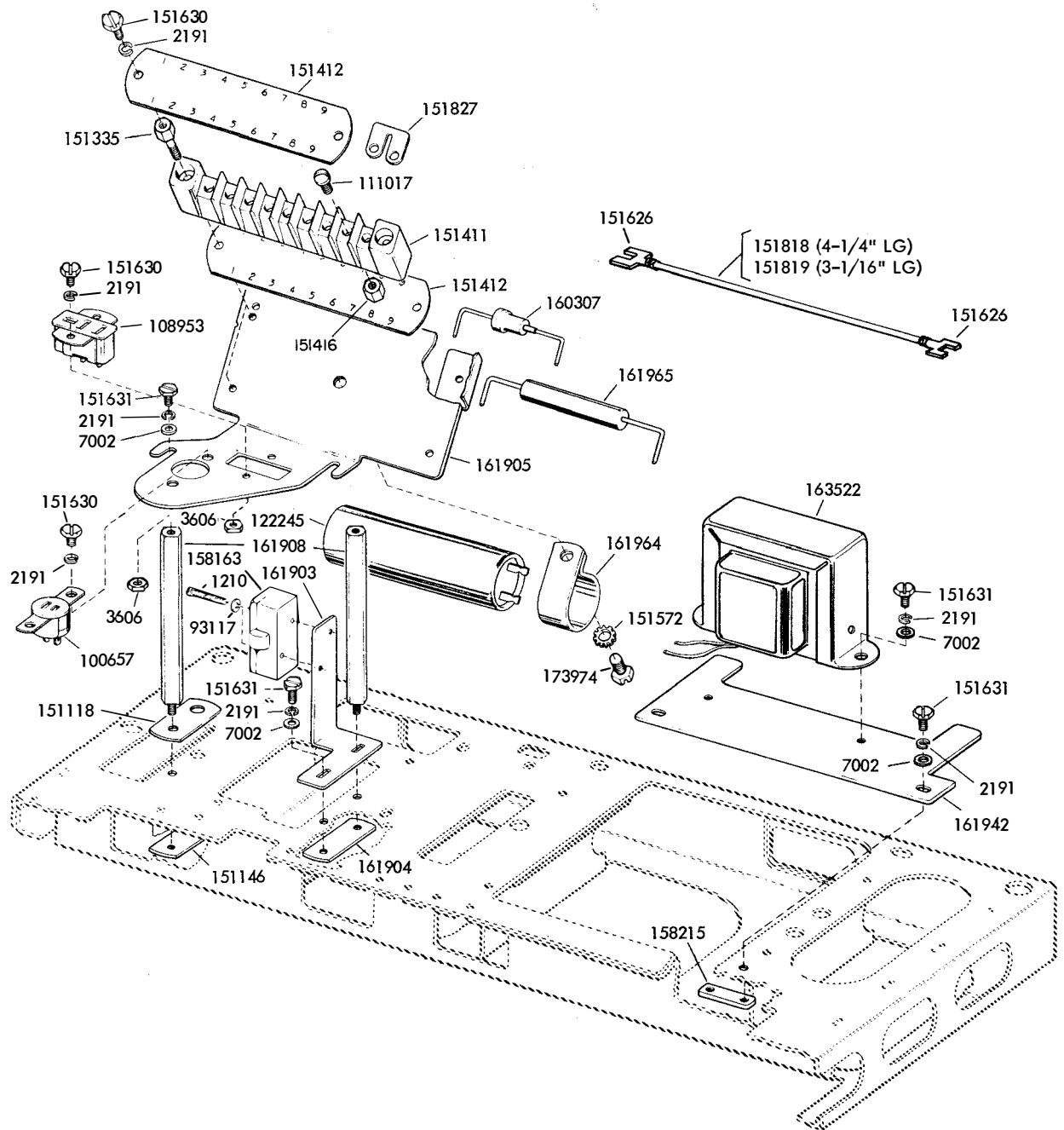


FIGURE 2. ELECTRICAL COMPONENTS

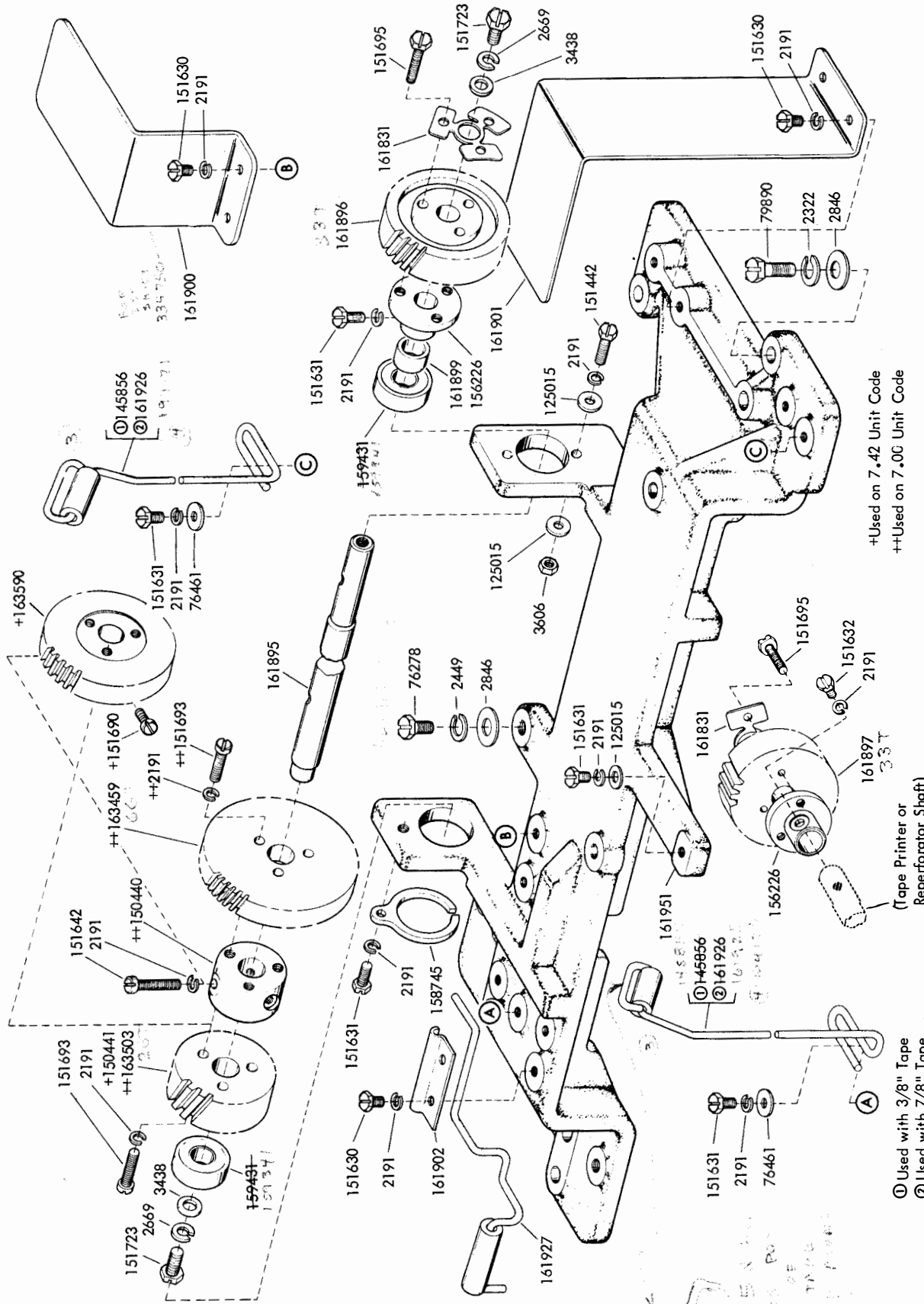


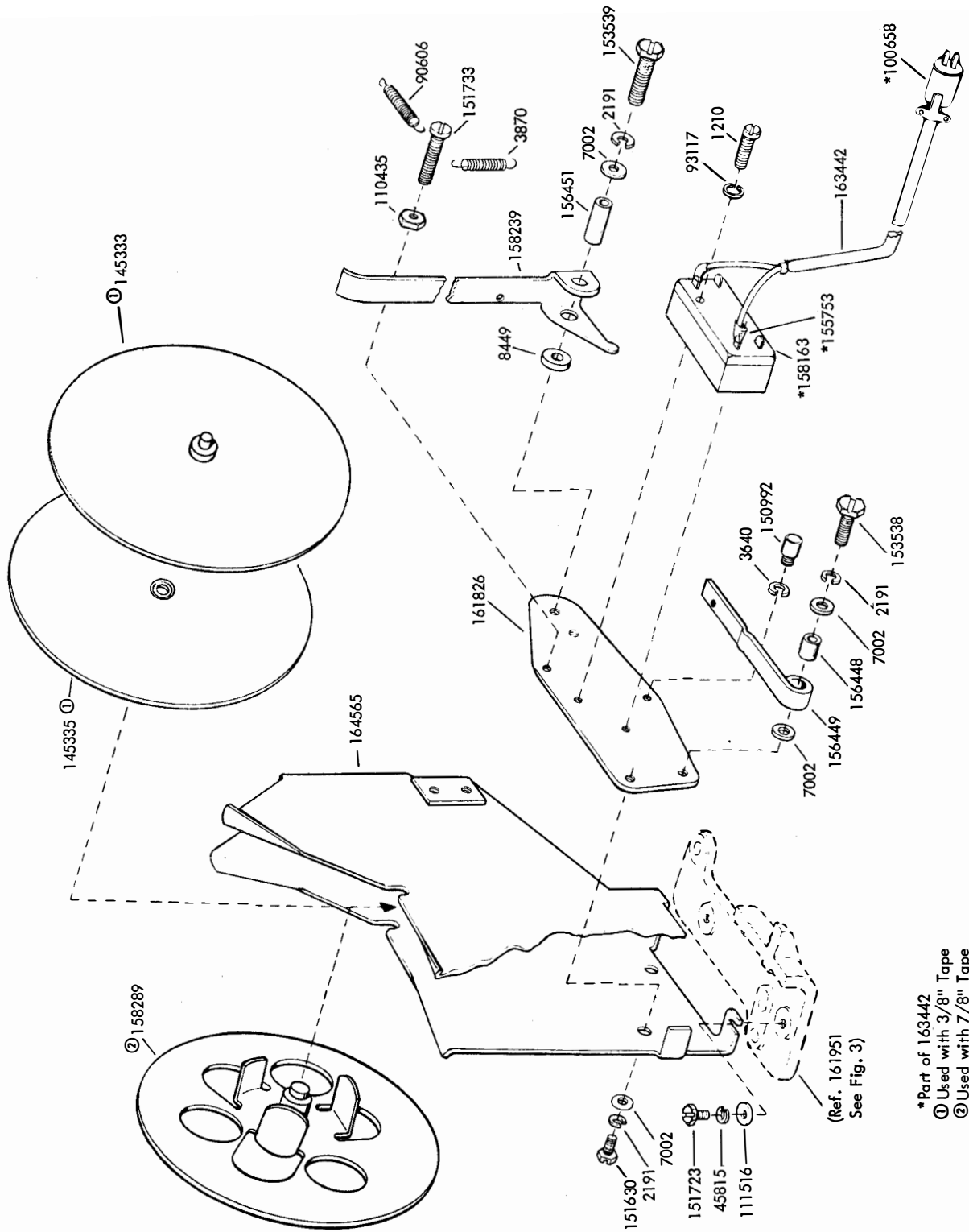
FIGURE 3. CASTING

+Used on 7.42 Unit Code
 ++Used on 7.00 Unit Code

ⓐ Used with 3/8" Tape
 ⓑ Used with 7/8" Tape

ⓐ DRAWINGS ARE TO BE USED FOR 161925 & 2191. (A RING NOT SHOWN IN DRAWING IS PART OF THE SHAFT) 161925 & 2191

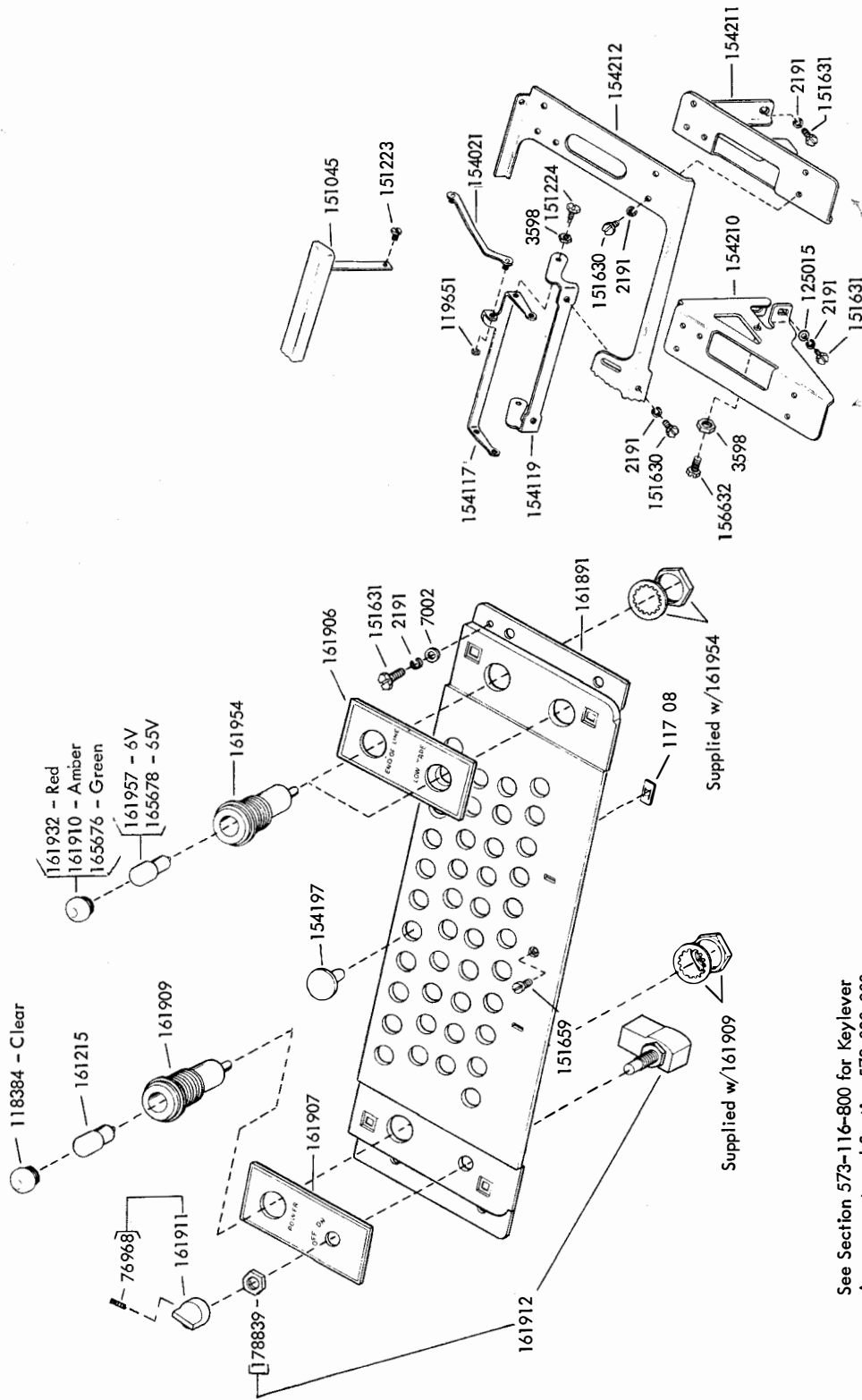
161927 ROLLER IS POSITIONED TO SIDE OF ROLLER SO THAT THE ROLLER IS KEPT CENTRAL POSITION OF SHAFT



*Part of 163442
 ① Used with 3/8" Tape
 ② Used with 7/8" Tape

(Ref. 161951
 See Fig. 3)

FIGURE 4. TAPE CONTAINER



See p. 10

FIGURE 7. KEYBOARD

See Section 573-116-800 for Keylever Arrangements and Section 573-020-800 for Keylever Assemblies

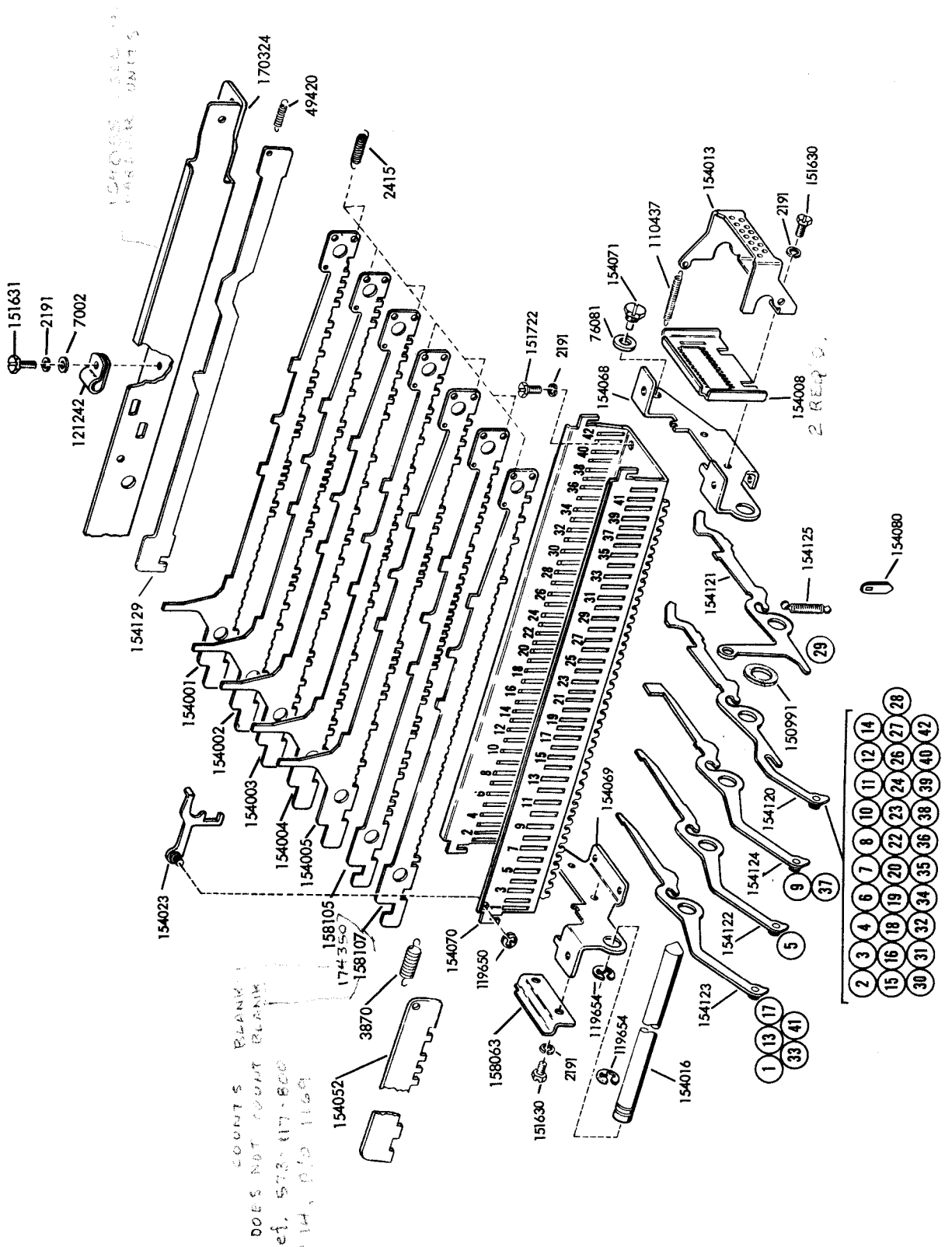


FIGURE 8. CODE BAR MECHANISM

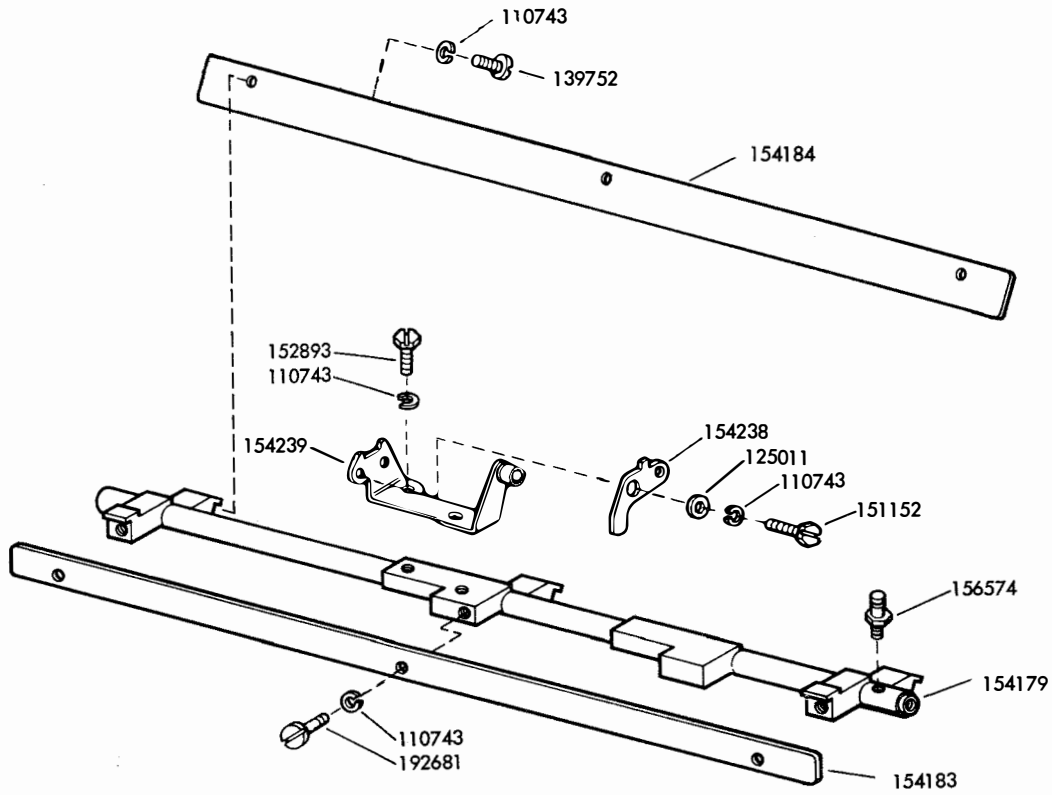


FIGURE 9. UNIVERSAL BAIL MECHANISM

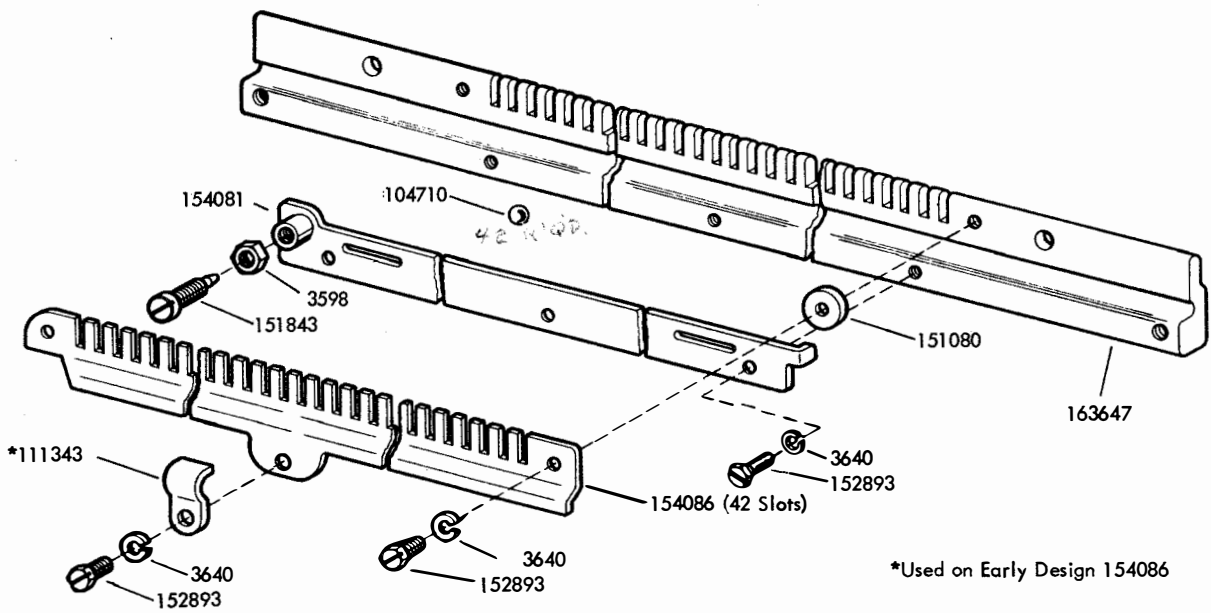
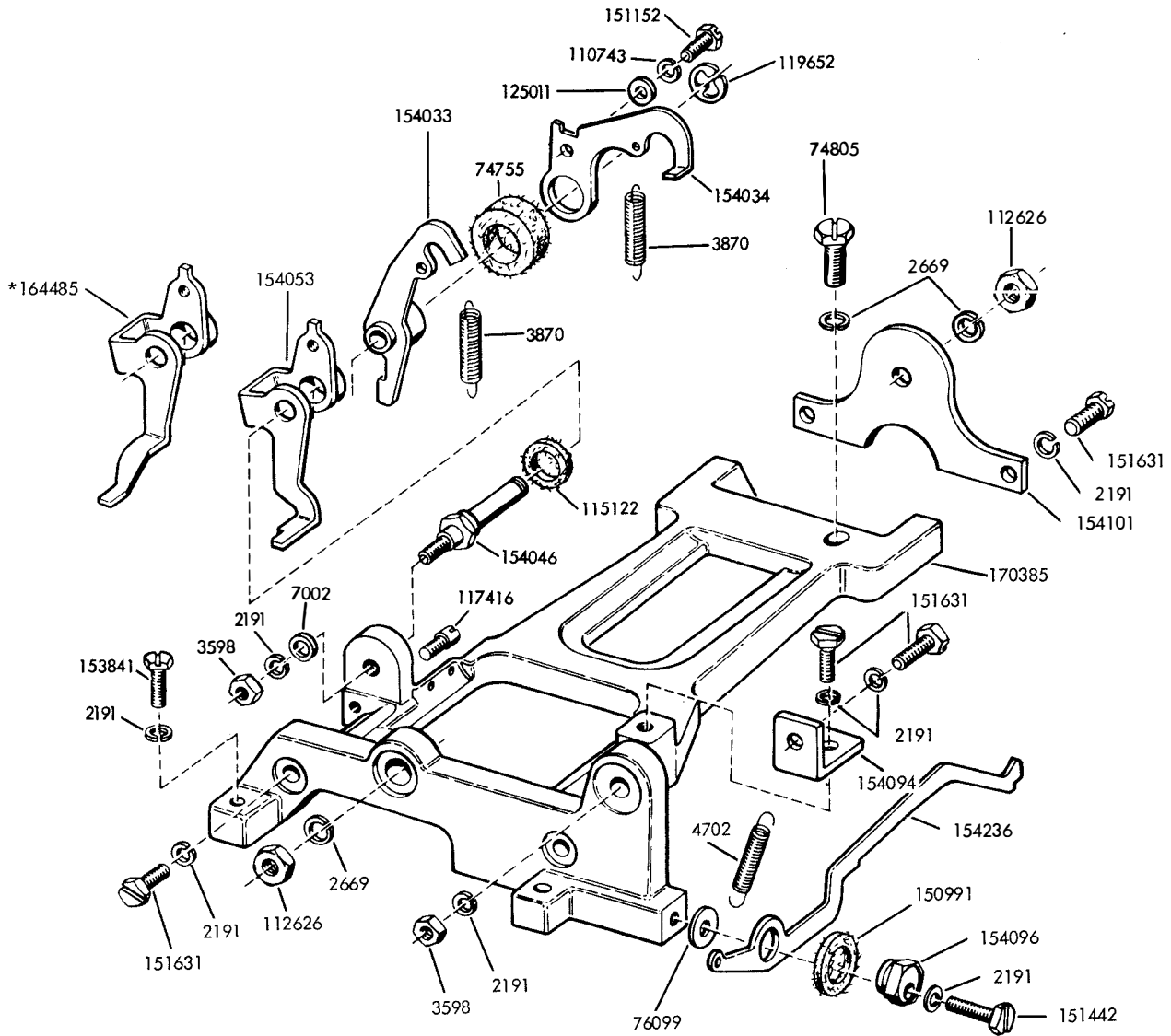
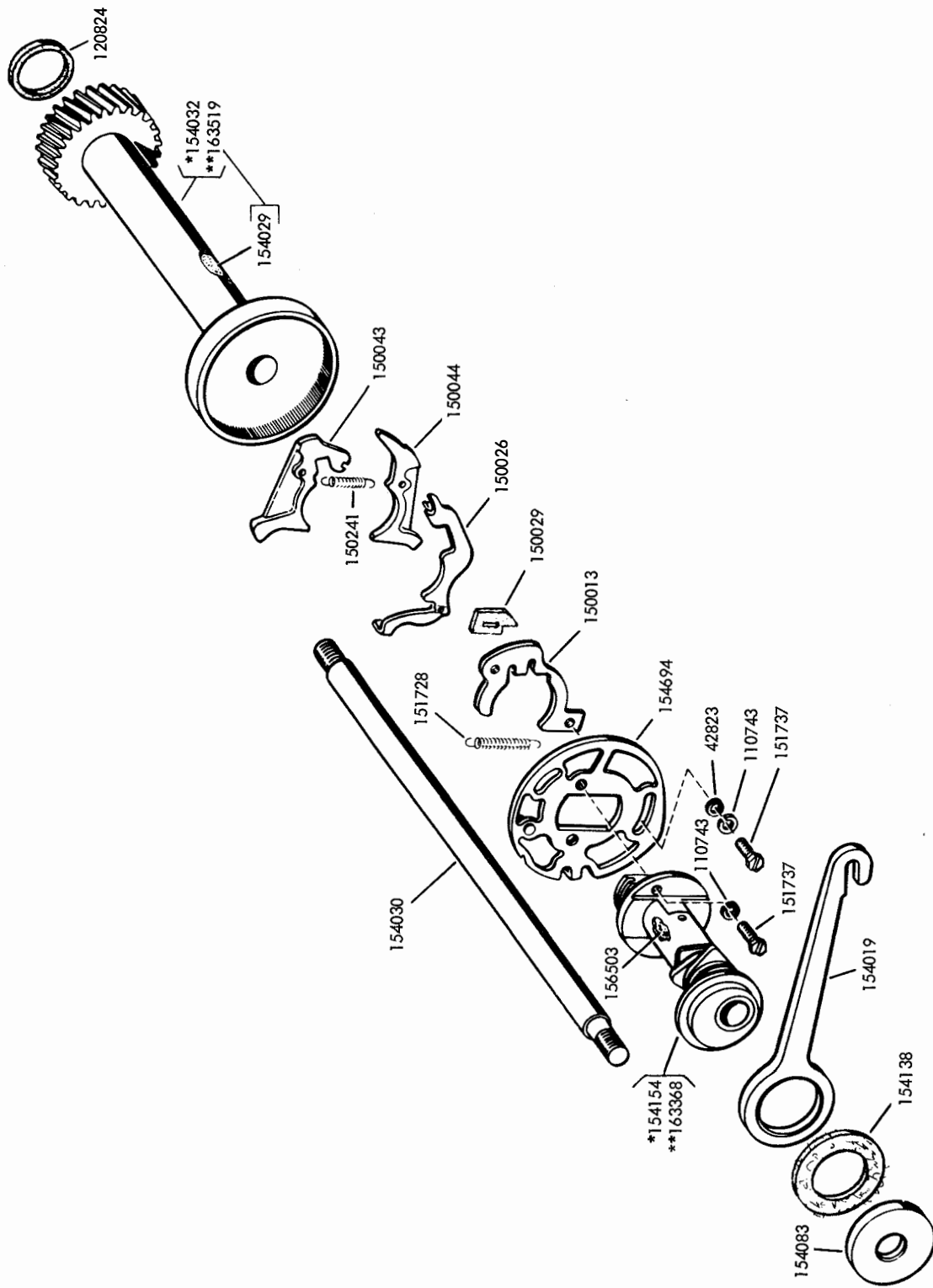


FIGURE 10. BAIL LOCK MECHANISM



*Peculiar to Units Equipped with Synchronous Pulsed Transmission

FIGURE 11. SIGNAL GENERATOR FRAME MECHANISM



*Peculiar to 7.42 Unit Code
**Peculiar to 7.00 Unit Code

FIGURE 12. SIGNAL GENERATOR SHAFT MECHANISM

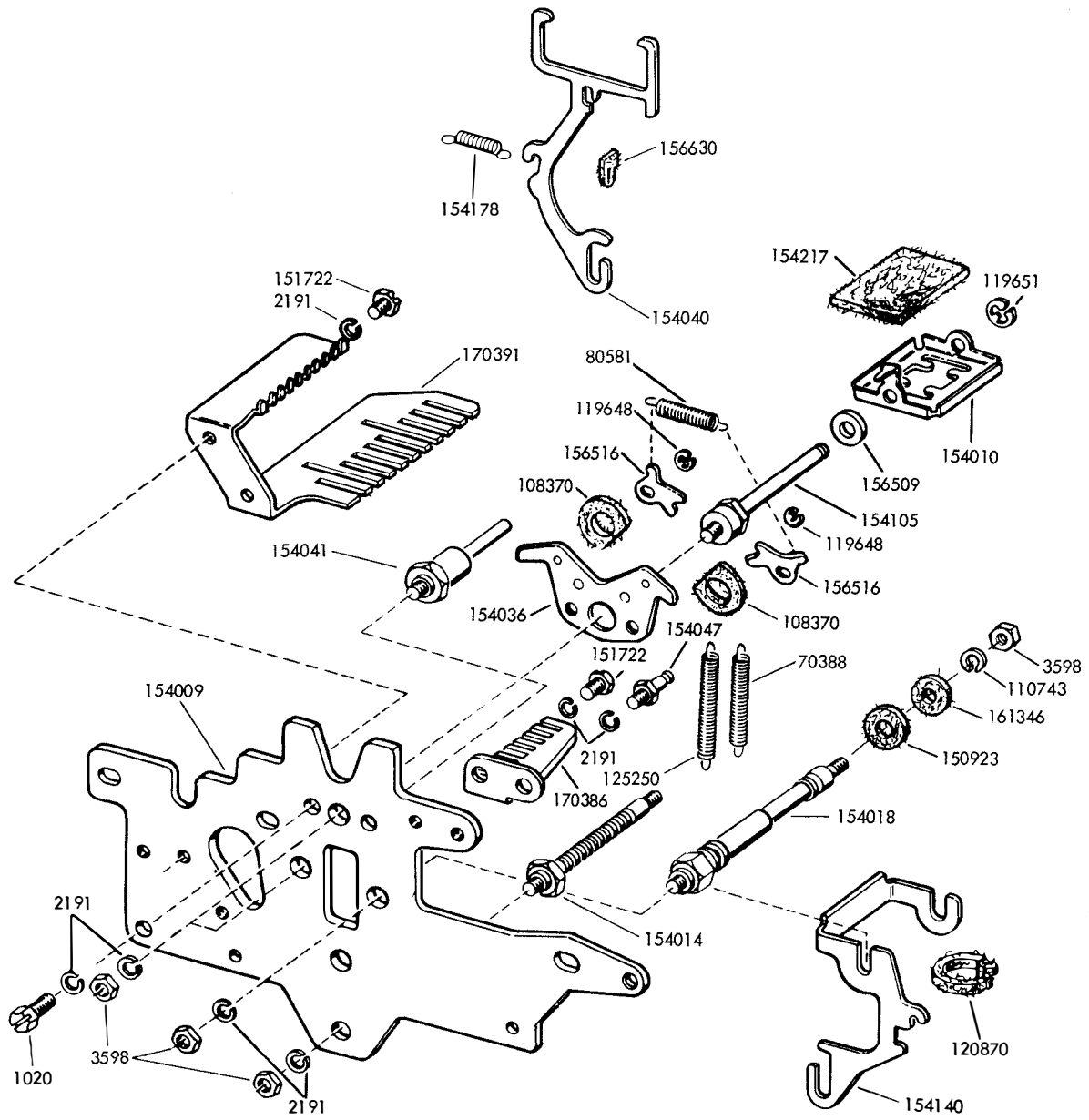
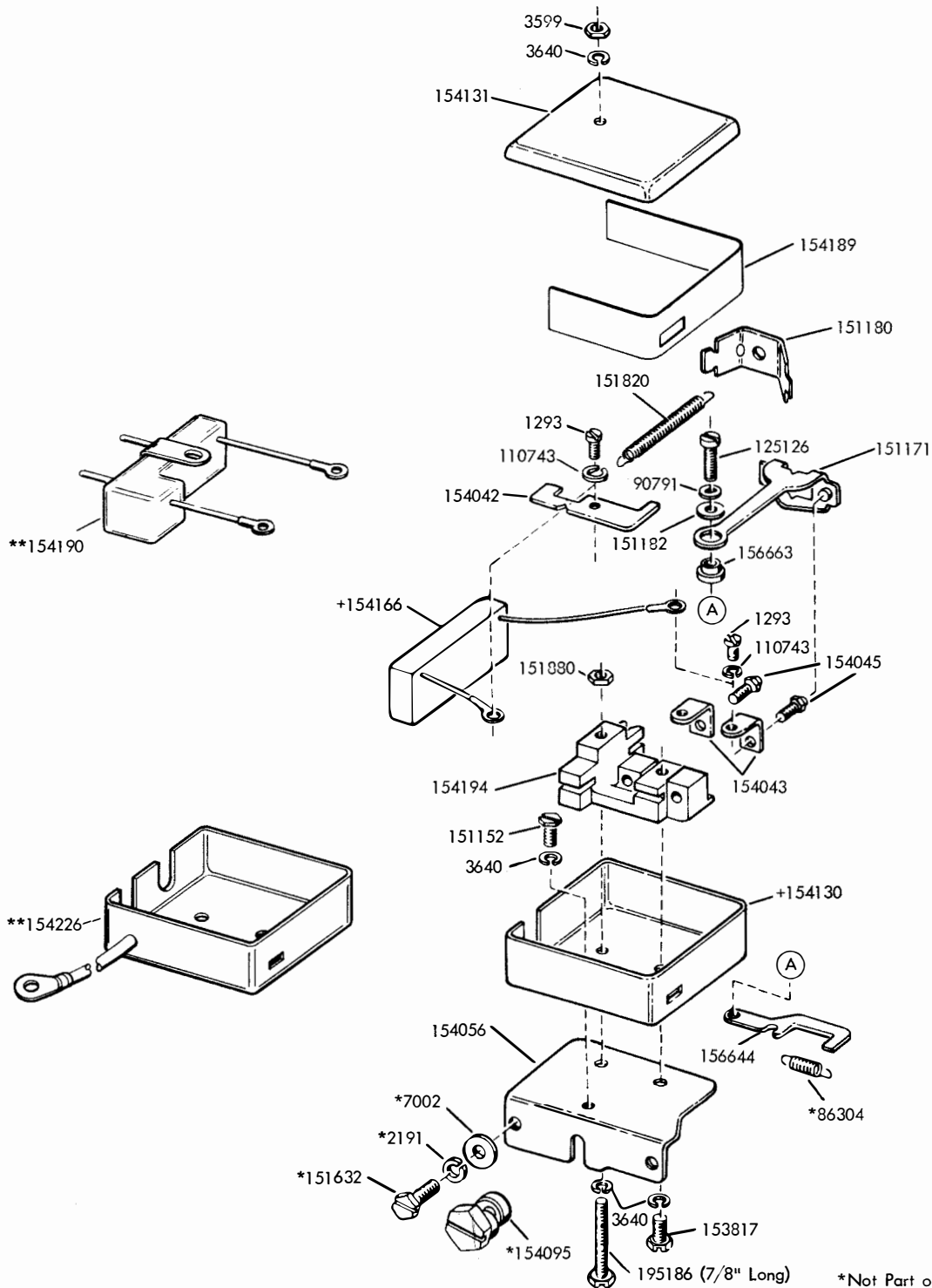


FIGURE 13. SIGNAL GENERATOR FRONT PLATE MECHANISM



*Not Part of Contact Box Assemblies
 **174491 Modification Kit. Also,
 Peculiar to 154225 (RF Suppression).
 +Peculiar to 154165 (Arc Suppression).

FIGURE 15. 154165 AND 154225 SIGNAL GENERATOR CONTACT BOX ASSEMBLIES

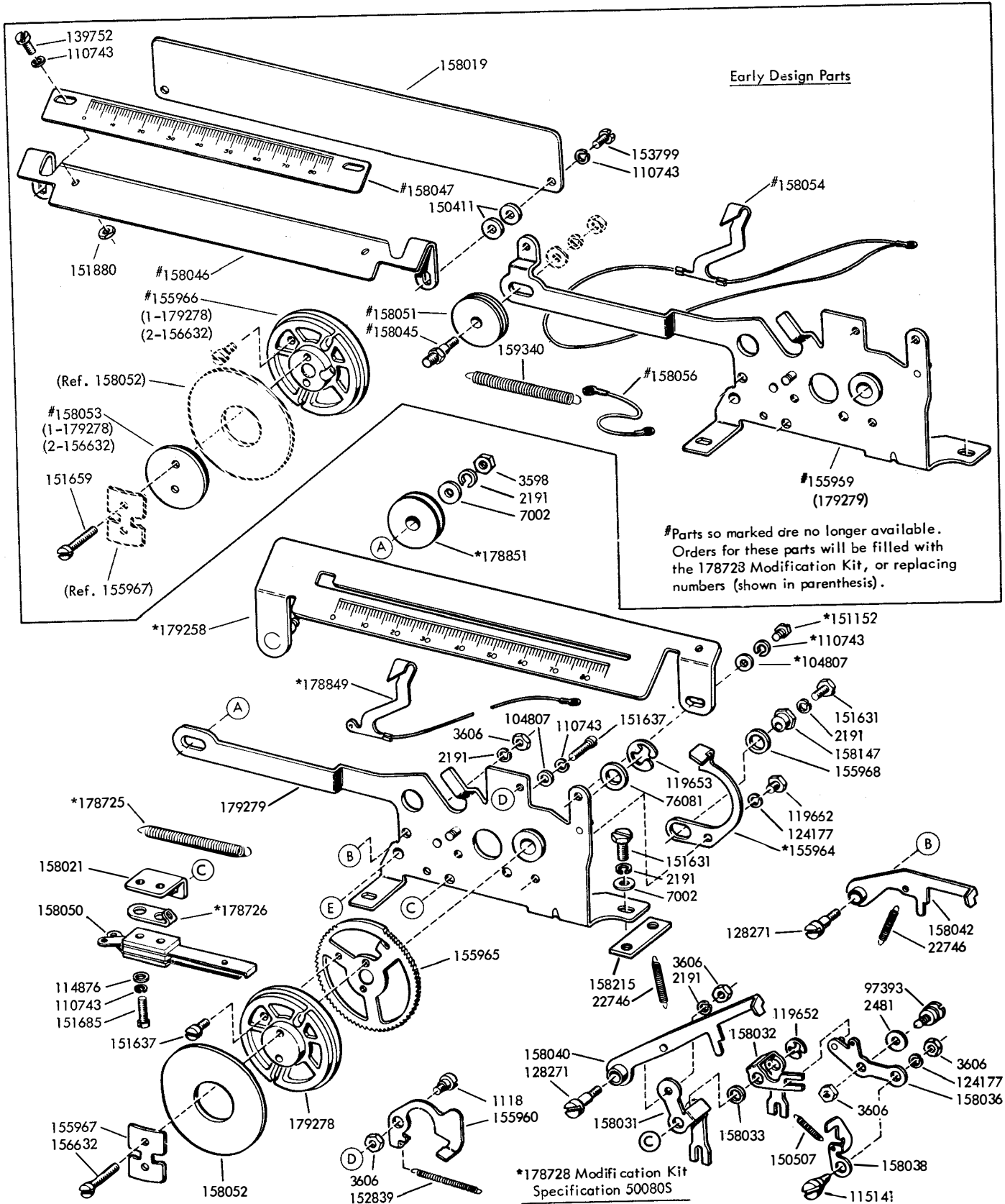
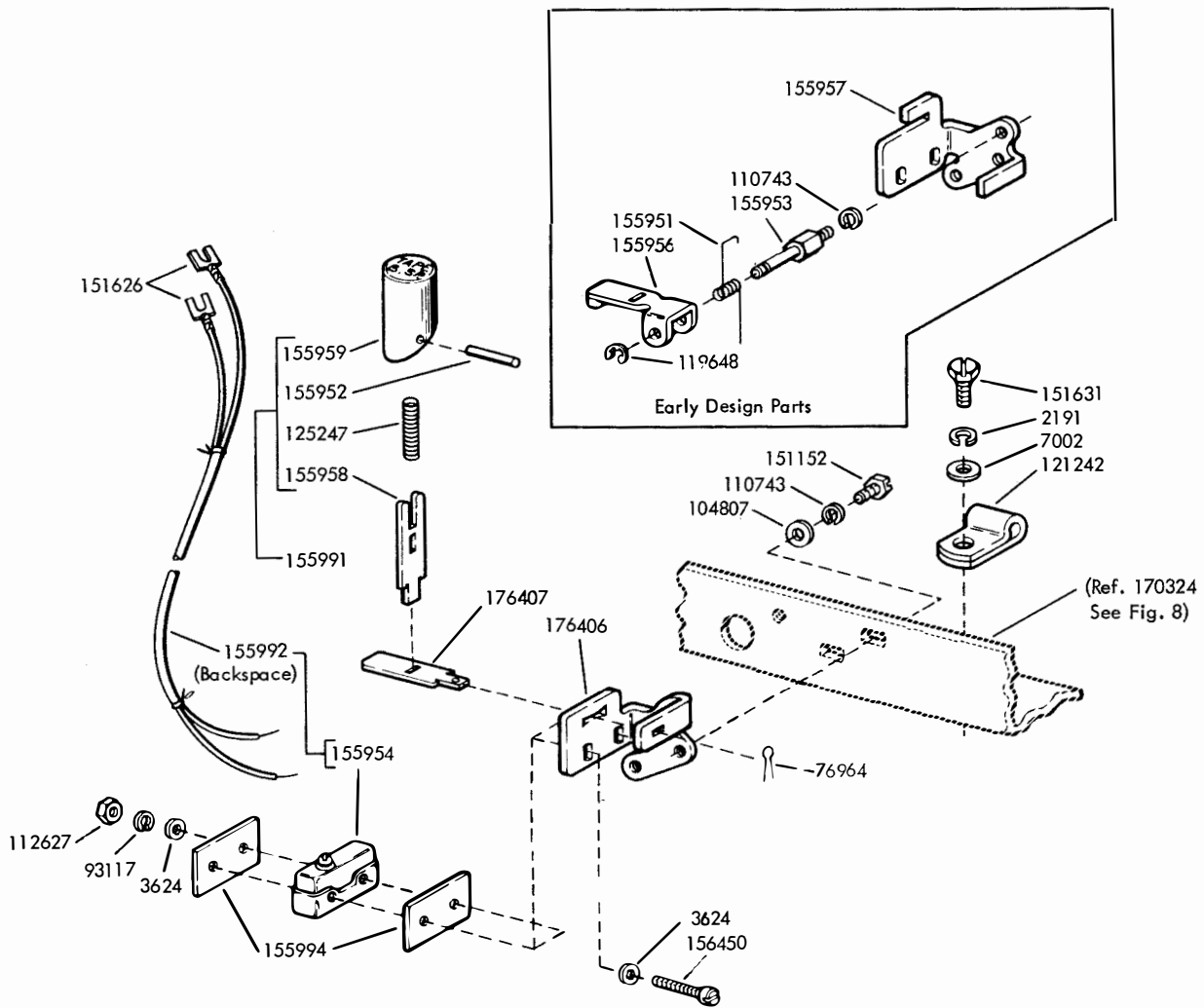
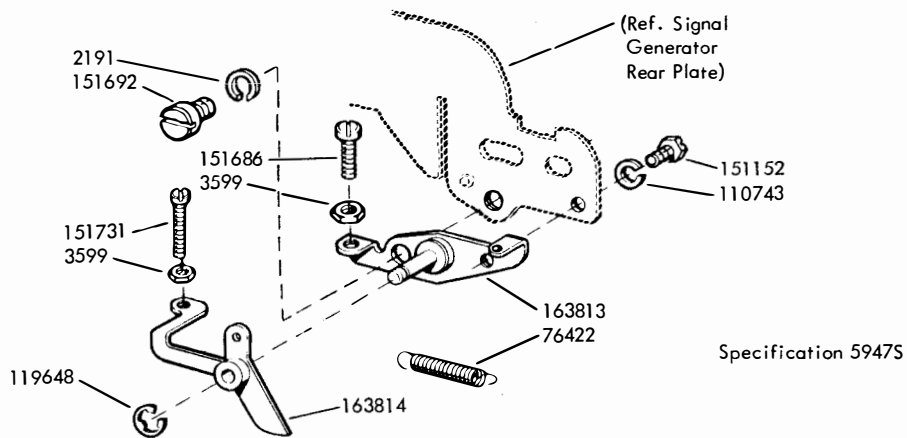


FIGURE 16. 155990 CHARACTER COUNTER MECHANISM



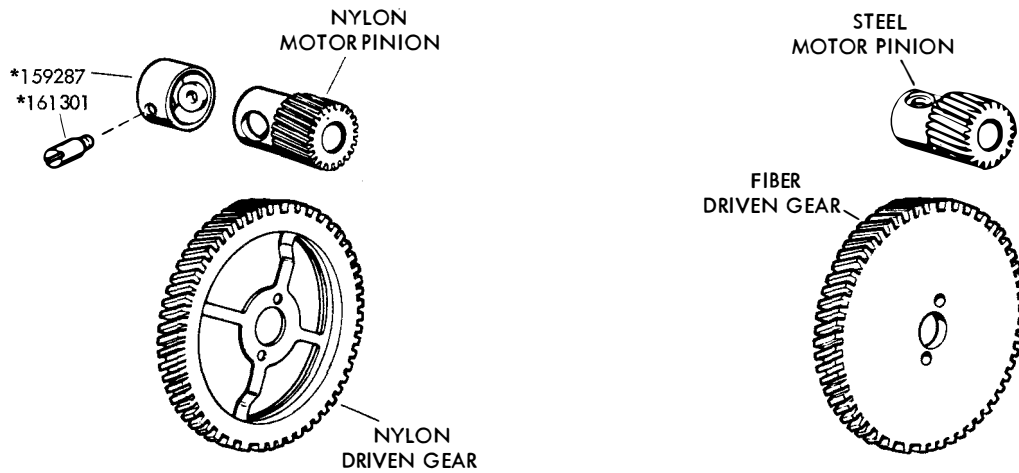
Specification 500885

FIGURE 17. 176405 MODIFICATION KIT TO ADD TAPE BACKSPACE BUTTON



Specification 59475

FIGURE 18. 163775 MODIFICATION KIT TO PROVIDE REPEAT ON SPACE MECHANISM



*Supplied with nylon gear sets (Except 173795)

GEAR SETS FOR SEND-RECEIVE KEYBOARD BASE								
Set Number	Pinion	Teeth	Driven Gear	Teeth	SPEED			
					7.00 Unit Code		7.42 Unit Code	
					WPM	Baud	WPM	Baud
151060 161293	151130 (S) 159278 (N)	14	151131 (F) 159279 (N)	96	—	—	60	45.5
152766	152765 (S)	13	152764 (F)	81	—	—	67	50
151075 161294	151132 (S) 159281 (N)	17	151133 (F) 159282 (N)	93	—	—	75	50 56.25
151100 161295	151134 (S) 159284 (N)	20	151135 (F) 159285 (N)	84	—	—	100	74.2
163504	163461 (N)	18	163462 (N)	117	71	50	—	—
163505	163463 (N)	24	163464 (N)	104	107	75	—	—
173795	173794 (N)	14	173793 (N)	100	65	45.5	—	—

0 RPM
368
404
461
600
428
643
390
404

* 159287 159281(N) 159282(N)

FIGURE 19. GEAR SETS

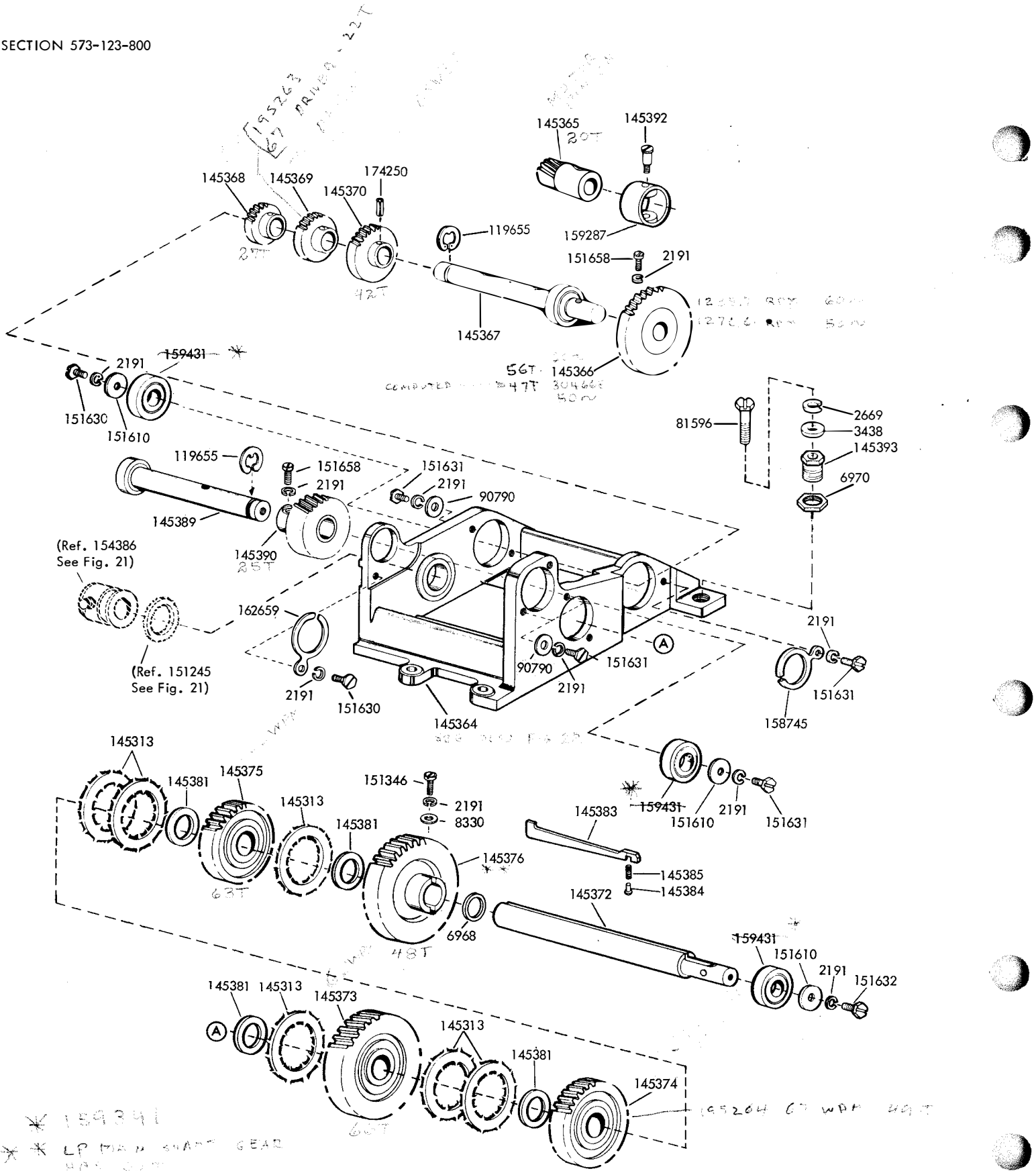


FIGURE 20. GEAR SHIFT MECHANISM FOR TAPE PRINTER KEYBOARD BASE

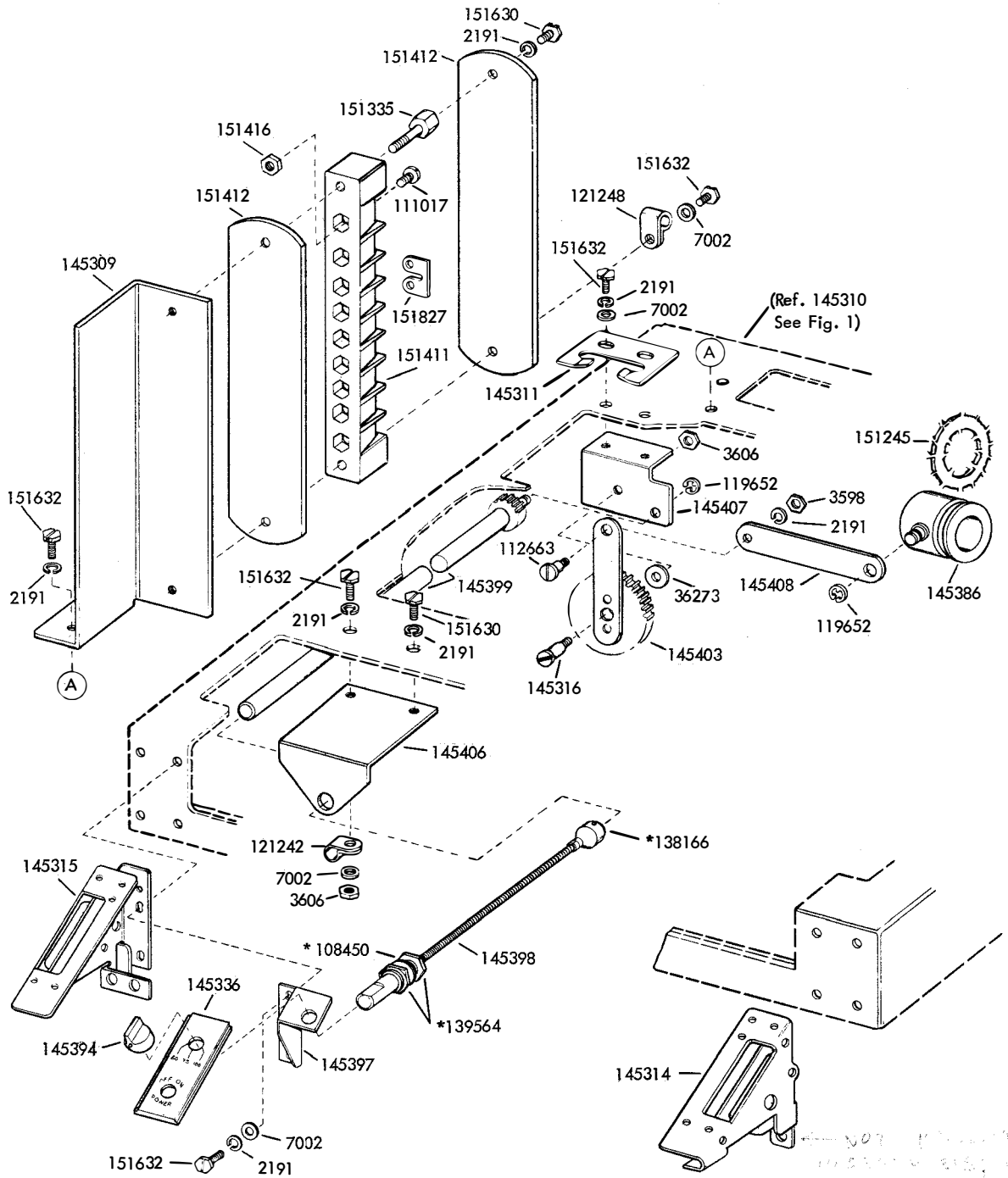


FIGURE 21. GEAR SHIFT MECHANISM FOR TAPE PRINTER KEYBOARD BASE

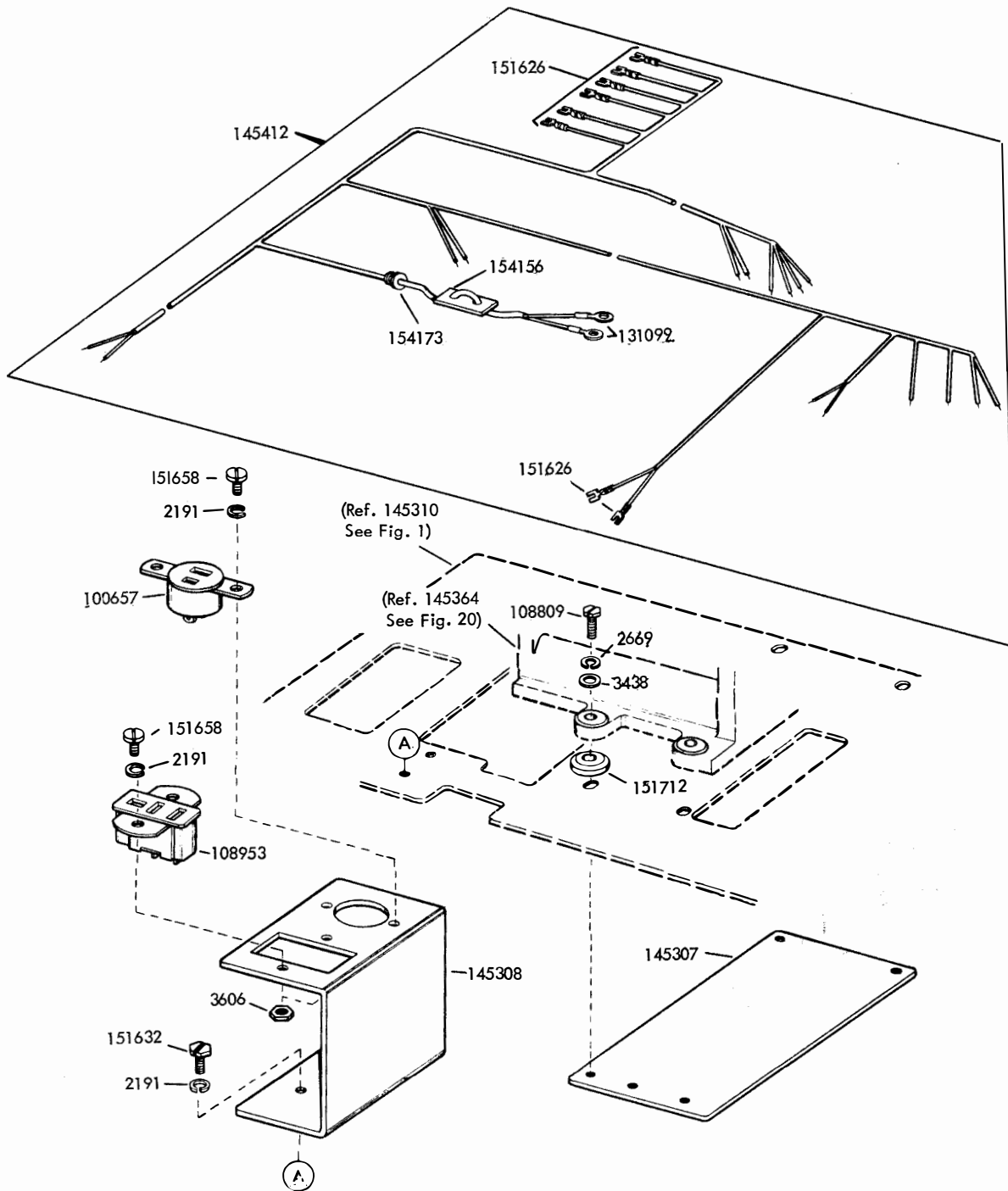
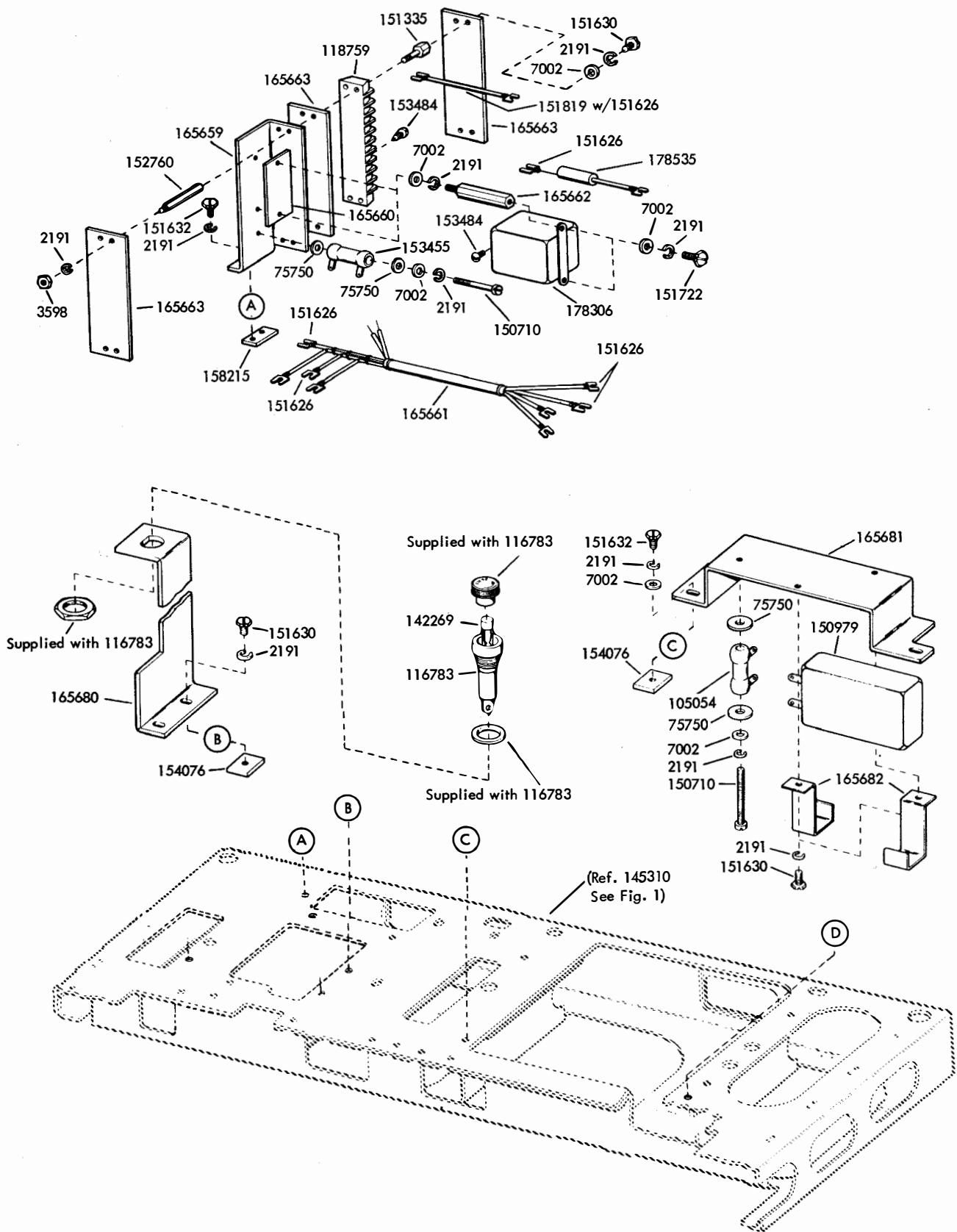


FIGURE 22. CONNECTORS AND CABLE



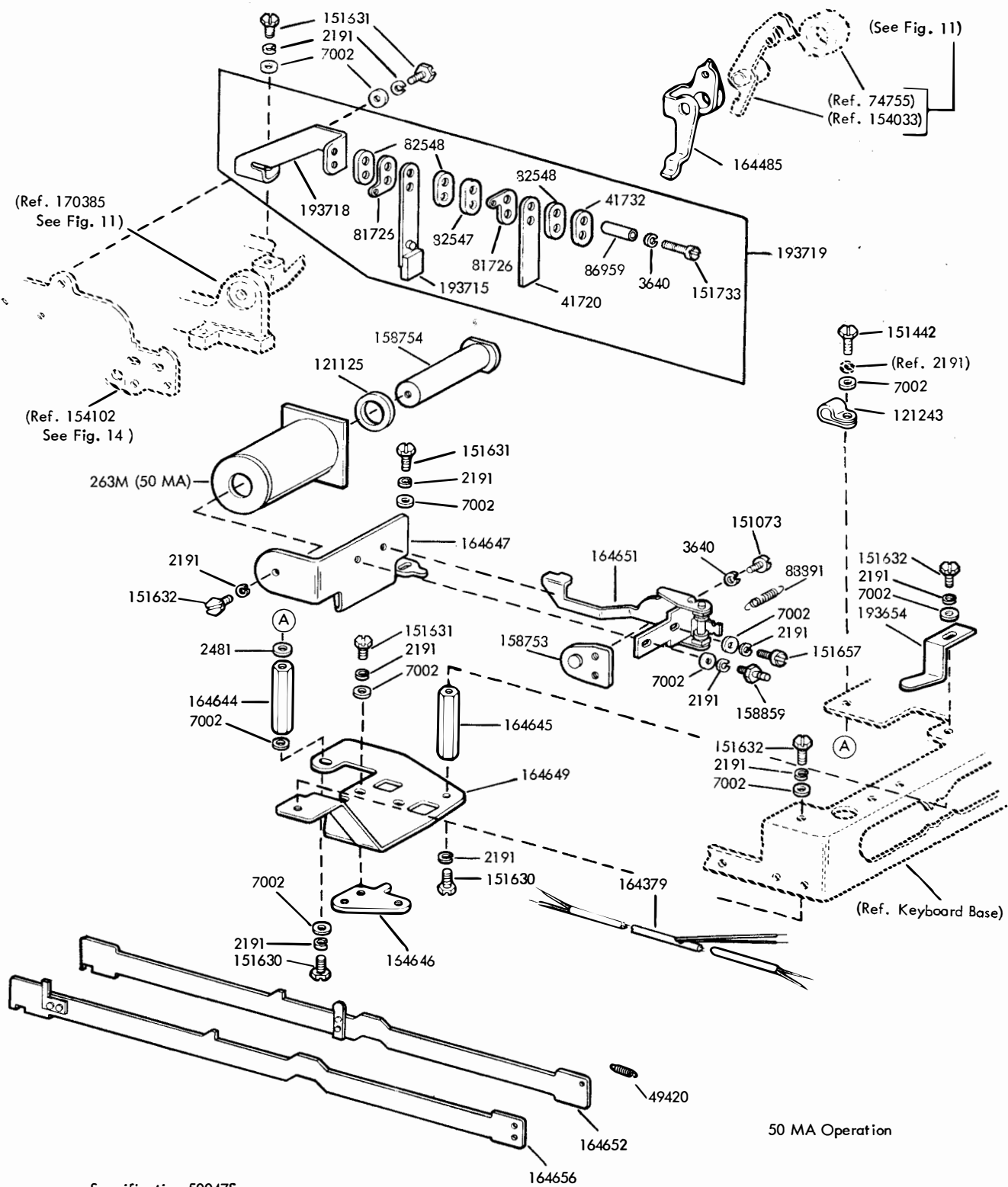


FIGURE 24. 193800 MODIFICATION KIT TO PROVIDE SYNCHRONOUS PULSED TRANSMISSION

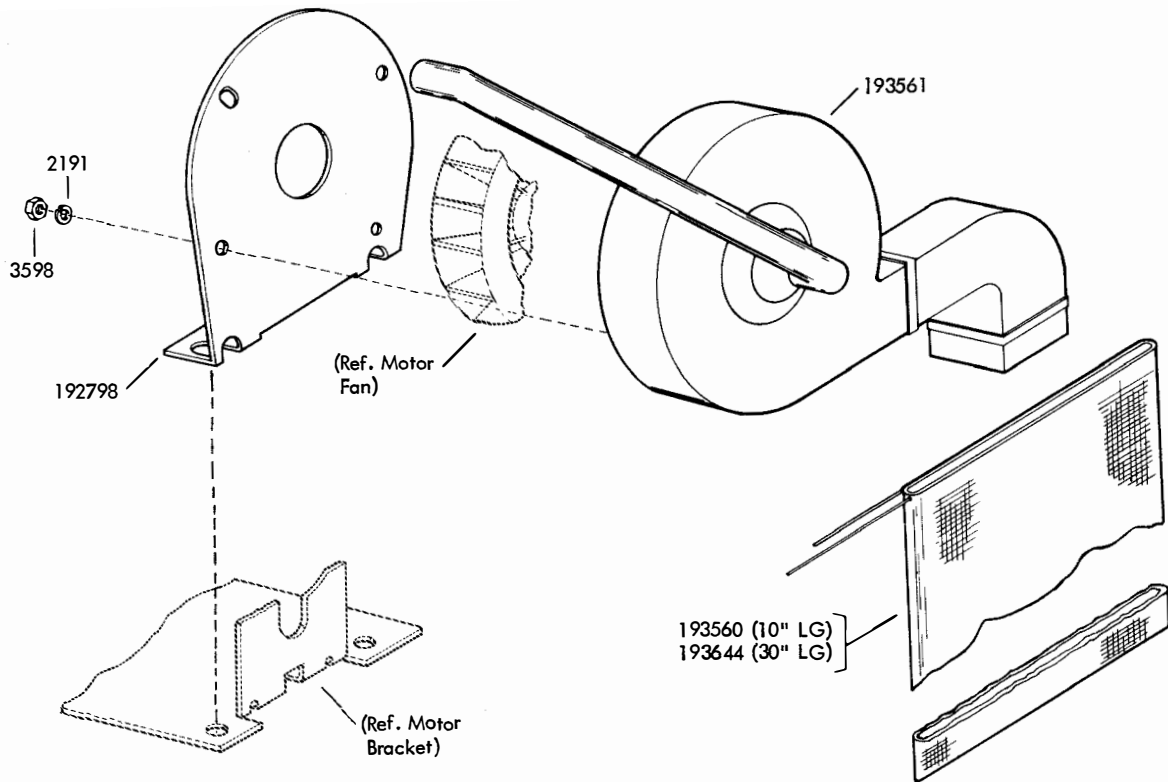
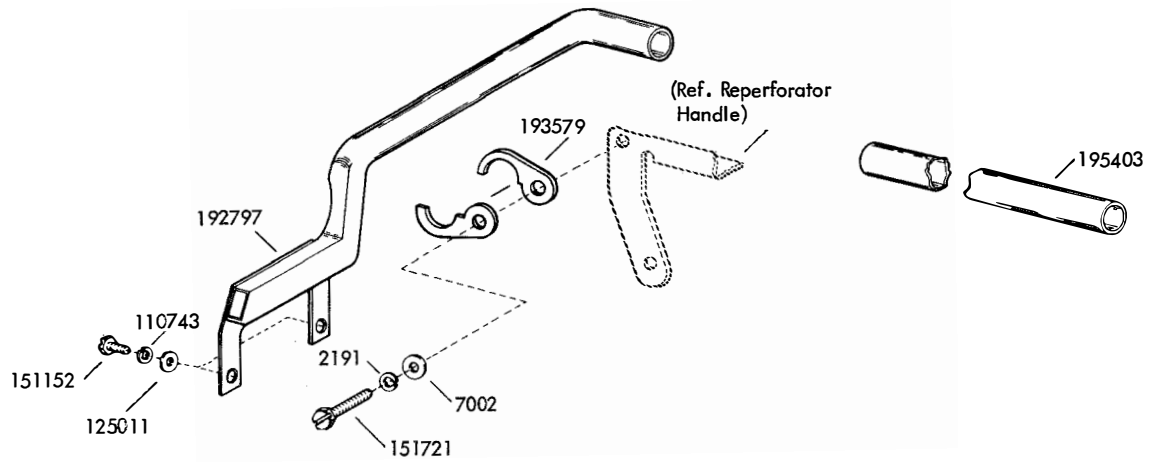
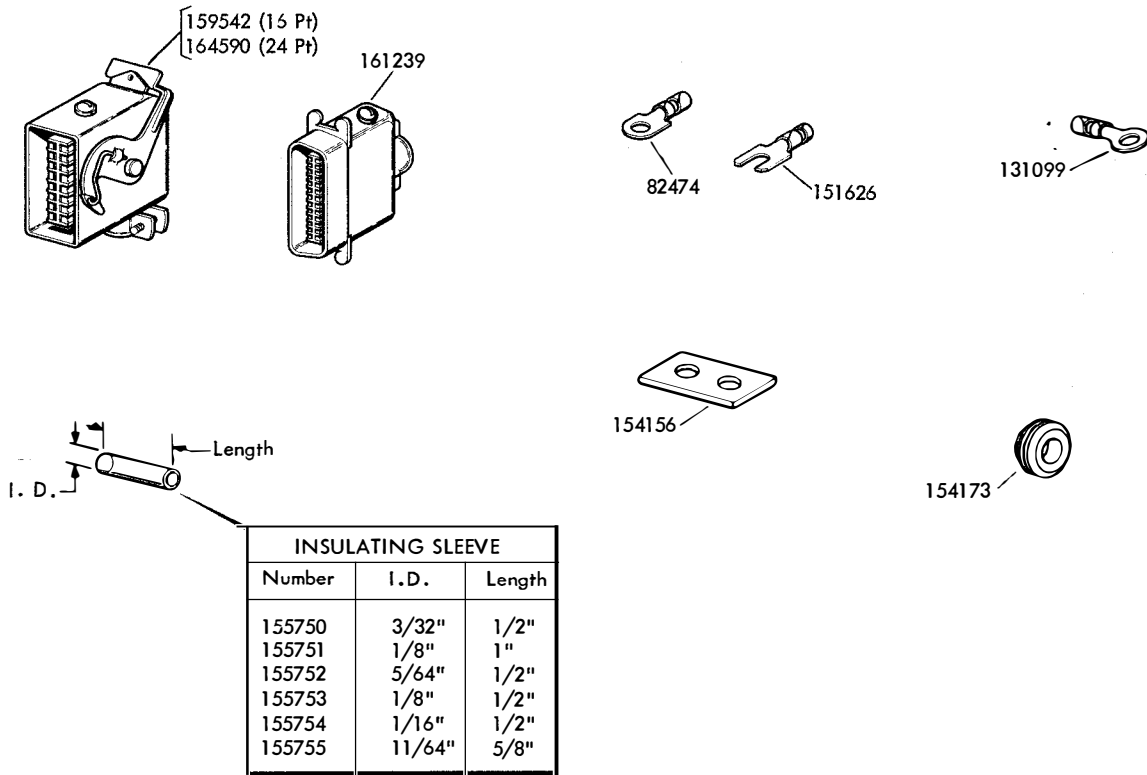


FIGURE 25. 192999 MODIFICATION KIT TO PROVIDE VACUUM CHAD REMOVAL FOR SEND-RECEIVE TYPING REPERFORATOR SET



Unit	Cable Assembly
LTPK1	- 145412, 165656
LTPK2	- 145412, 165679
LTPK3	- 165656
LTRK1	
LTRK5	- 161878, 161892
LTRK2	- 161892, 173396
LTRK3	- 172721, 173922

FIGURE 26. CABLES

NUMERICAL INDEX

Part Number	Description and Page Number	Part Number	Description and Page Number	Part Number	Description and Page Number
263M	Coil, Magnet 22	100658	Connector, Plug (2 Pt) 5	145313	Washer, Felt 18
1020	Screw (6-40 x 1/4 Hex) 12	104710	Ball, Bearing 9	145314	Bracket, Right 19
1118	Screw, Shoulder (6-40) 15	104807	Washer, Flat 15, 16	145315	Bracket, Left 19
1210	Screw (2-56 x 5/8 Fil) 3, 5	104827	Bearing, Ball 6	145316	Screw, Shoulder (6-40) 19
1293	Screw (4-40 x 1/8 Fil) 14	104991	Screw (2-56 x 1/2 Fil) 16	145333	Disk W/Hub 5
2191	Washer, Lock 2, 3, 4, 5, 6, 7, 8, 10, 12, 13, 14, 15, 16, 18, 19, 20, 21, 22, 23	105054	Resistor (5 Ohm) 21	145335	Disk W/Knob 5
2322	Washer, Lock 4	108370	Washer, Felt 12	145336	Plate 19
2415	Spring 8	108450	Washer, Lock 19	145364	Bracket W/Bearing 18
2449	Washer, Lock 4	108809	Screw (10-32 x 27/32 Hex) 20	145365	Pinion (20 T) 18
2481	Washer, Flat 15, 22	108953	Connector, Receptacle (3 Pt) 3, 20	145366	Gear (56 T) 18
2669	Washer, Lock 2, 4, 6, 10, 18, 20	110435	Nut (4-40 Hex) 5	145367	Shaft, Drive 18
2846	Washer, Flat 4	110437	Spring 8	145368	Gear (27 T) 18
3438	Washer, Flat 2, 4, 6, 18, 20	110743	Washer, Lock 9, 10, 11, 12, 14, 15, 16, 23	145369	Gear (24 T) 18
3598	Nut (6-40 Hex) 2, 7, 9, 10, 12, 13, 15, 19, 21, 23	111017	Screw (6-40 x 5/16 Fil) 2, 3, 19	145372	Shaft 18
3599	Nut (4-40 Hex) 2, 14, 16	111343	Clamp 9	145373	Gear (66 T) 18
3606	Nut (6-40 Hex) 3, 4, 13, 15, 19, 20	111516	Washer, Flat 5	145374	Gear (47 T) 18
3624	Washer, Flat 16	111767	Washer, Flat 13	145375	Gear (63 T) 18
3640	Washer, Lock 2, 5, 9, 14, 22	112626	Nut (10-32 Hex) 6, 10	145376	Gear (48 T) 18
3870	Spring 5, 8, 10	112627	Nut (2-56 Hex) 16	145381	Washer, Thrust 18
4702	Spring 10	112630	Spring 2	145383	Key 18
6968	Washer, Flat 18	112663	Screw, Shoulder (6-40) 19	145384	Pin, Guide 18
6970	Nut (3/8-32 Hex) 18	114876	Washer, Flat 15	145385	Spring, Compression 18
7002	Washer, Flat 2, 3, 5, 7, 8, 10, 13, 14, 15, 16, 19, 21, 22, 23	115122	Washer, Felt 10, 13	145386	Sleeve 19
7603	Spring 13	115141	Screw, Shoulder (6-40) 15	145389	Shaft, Idler 18, 19
8330	Washer, Flat 18	116783	Holder, Fuse 21	145390	Pinion (25 T) 18
8449	Spacer (.094") 5, 13	117416	Post 10	145392	Post 18
22746	Spring 15	117608	Nut, Speed 7	145393	Bushing 18
36273	Washer, Flat 19	118384	Lens, Clear Indicator Light 7	145394	Knob 19
41720	Spring, Contact 22	118759	Block, Terminal 21	145397	Bracket 19
41732	Plate, Clamp 22	119648	Ring, Retaining 12, 16	145398	Shaft, Flexible 19
42823	Washer, Flat 11	119650	Ring, Retaining 8	145399	Shaft W/Gear 19
45815	Washer, Lock 5	119651	Ring, Retaining 2, 7, 12, 13	145403	Gear W/Link (36 T) 19
49420	Spring 8, 22	119652	Ring, Retaining 10, 15, 19	145406	Bracket, Front 19
70388	Spring 12	119653	Ring, Retaining 6, 15	145407	Bracket, Rear 19
74755	Washer, Felt 10	119654	Ring, Retaining 8	145408	Link 19
74805	Screw (10-32 x 3/4 Hex) 10	119655	Ring, Retaining 18	145412	Cable Assembly 20, 24
75750	Washer, Insulating 21	119662	Screw (6-40 Spl) 15	145855	Guide, Tape 4
76081	Washer, Flat 8, 15	120824	Washer, Felt 11	145856	Guide, Tape 4
76099	Washer, Flat 10	120870	Wick, Felt 12	150013	Disk, Adjusting 11
76278	Bushing 4	121125	Washer, Spring 22	150026	Lever, Shoe Release 11
76422	Spring 16	121242	Clamp, Cable (1/8" ID) 2, 8, 16, 19	150029	Wick, Felt 11
76461	Washer, Flat 4	121243	Clamp, Cable (3/16" ID) 22	150043	Shoe, Secondary Clutch 11
76964	Pin, Cotter 16	121244	Clamp, Cable (1/4" ID) 2	150044	Shoe, Primary Clutch 11
76968	Screw, Set (6-32) 7	121248	Clamp, Cable (1/2" ID) 19	150241	Spring 11
79890	Screw (1/4-32 x 7/8 Hex) 4	121575	Screw (10-32 x 5/16 Hex) 3	150411	Washer, Flat 15
80581	Spring 12, 13	122245	Capacitor (43-48 MFD) 3	150440	Hub 4
81596	Screw (10-32 x 1-3/8 Hex) 18	124177	Washer, Lock 15	150441	Gear (21 T) 4
81726	Terminal 22	125011	Washer, Flat 9, 10, 23	150507	Spring 15
82474	Terminal 24	125015	Washer, Flat 4, 7, 13	150710	Screw (6-40 x 1-1/4 Fil) 21
82547	Insulator (.094") 22	125126	Screw (2-56 x 9/32 Fil) 14	150923	Washer, Felt 12, 13
82548	Insulator (.062") 22	125181	Screw (2-56 x 3/8 Fil) 2	150966	Insulator (1-4) 2
86304	Spring 14	125247	Spring, Compression 16	150979	Capacitor (1/2 MFD) 21
86742	Nut (4-40 Hex) 13	125250	Spring 12	150990	Washer, Felt 13
86959	Bushing, Insulating 22	128271	Screw, Shoulder (6-40) 15	150991	Washer, Felt 8, 10
88891	Spring 22	131099	Terminal 20, 24	150992	Stud 5
90606	Spring 5	138166	Screw, Set (8-32) 19	151036	Screw, Shoulder (4-40) 13
90679	Washer, Felt 13	139564	Nut (3/8-32 Hex) 19	151045	Bar, Space 7
90790	Washer, Flat 18	139752	Screw (4-40 x 11/64 Hex) 9, 15	151060	Gear Set (60 WPM) 17
90791	Washer, Lock 14	142269	Fuse (3 Amp SL-BL) 21	151073	Screw (4-40 x 5/32 Fil) 22
93117	Washer, Lock 3, 5, 16	145307	Plate, Nut 20	151075	Gear Set (75 WPM) 17
97393	Screw, Shoulder (6-40) 15	145308	Bracket 20	151080	Washer, Flat 9
100657	Connector, Receptacle (2 Pt) 3, 20	145309	Bracket 19	151100	Gear Set (100 WPM) 17
		145310	Base 2	151113	Strip, Mounting 2
		145311	Plate, Stop 19	151118	Plate, Spacing 2, 3
				151126	Spacer (25/64" ID) 6
				151130	Pinion (14 T) 17

NUMERICAL INDEX (Continued)

Part Number	Description and Page Number	Part Number	Description and Page Number	Part Number	Description and Page Number
151131	Gear (96 T) 17	152766	Gear Set (67 WPM) 17	154092	Shaft 6
151132	Pinion (17 T) 17	152839	Spring, Latch 15	154094	Clamp 10
151133	Gear (93 T) 17	152893	Screw (4-40 x 1/4 Hex) 9	154095	Eccentric, Contact Box 14
151134	Pinion (20 T) 17	153252	Link 2	154096	Bushing, Eccentric 10
151135	Gear (84 T) 17	153455	Resistor (600 Ohm) 21	154101	Plate, Rear 10
151146	Strap, Mounting 2, 3	153484	Screw (6-32 Spl) 21	154102	Plate, Rear 13
151152	Screw (4-40 x 3/16 Hex) 9, 10, 14, 15, 16, 23	153538	Screw (6-40 x 7/16 Hex) 5	154105	Post, Transfer Bail 12
151171	Toggle, Contact 14	153539	Screw (6-40 x 11/16 Hex) 5	154106	Bracket 2
151180	Link, Toggle 14	153799	Screw (4-40 x 21/64 Hex) 15	154117	Bail, Space Bar 7
151182	Washer, Insulating 14	153817	Screw (4-40 x 3/8 Hex) 2, 14	154119	Bracket Space Bar 7
151223	Screw, Shoulder (4-40) 7	153841	Screw (6-40 x 9/16 Hex) 2, 10	154120	Lever, Code Bar 8
151224	Screw, Pilot (6-40) 7	154000	Base 2	154121	Lever, Space 8
151228	Bracket W/Bearing 6	154001	Bar, Code (#1) 8	154122	Lever, Keyboard Lock 8
151245	Washer, Felt 19	154002	Bar, Code (#2) 8	154123	Lever, Function 8
151329	Switch, Sensitive 2	154003	Bar, Code (#3) 8	154124	Lever, Repeat and Keyboard Unlock 8
151335	Stud 2, 3, 19, 21	154004	Bar, Code (#4) 8	154125	Spring 8
151346	Screw (6-40 x 3/8 Fil) 6, 18	154005	Bar, Code (#5) 8	154127	Nut (6-40 Hex) 13
151411	Block, Terminal 3, 19	154008	Guide, Code Bar 8	154129	Bar, Clutch Trip 8
151412	Insulator (1-9) 3, 19	154009	Plate, Front 12	154130	Box, Contact 14
151415	Block, Terminal 2	154010	Bail, Transfer 12	154131	Cover, Contact Box 14
151416	Nut (6-40 Hex) 2, 3, 19	154013	Bracket, Spring 8	154138	Washer, Felt 11
151442	Screw (6-40 x 1/2 Hex) 4, 10, 22	154014	Post, Guide 12	154140	Bail, Locking 12
151572	Washer, Lock 3	154015	Post 13	154154	Cam, Signal Generator 11
151610	Washer, Flat 18	154016	Shaft 8	154156	Grommet, Rubber 20, 24
151626	Terminal 3, 16, 20, 21, 24	154018	Post, Locking Bail 12	154165	Box Assembly, Contact 14
151630	Screw (6-40 x 1/4 Hex) 2, 3, 4, 5, 7, 8, 18, 19, 21, 22	154019	Follower, Eccentric 11	154166	Suppressor, Arc 14
151631	Screw (6-40 x 5/16 Hex) 2, 3, 4, 6, 7, 8, 10, 15, 16, 18, 22	154021	Link 7	154173	Plate 20, 24
151632	Screw (6-40 x 3/8 Hex) 2, 4, 14, 18, 19, 20, 21, 22	154023	Latch, Lock Bar 8	154178	Spring 12
151637	Screw (4-40 x 1/4 Fil) 2, 15	154025	Plate, Adjusting 13	154179	Bail, Universal 9
151642	Screw (6-40 x 3/4 Fil) 4	154027	Bellcrank 13	154183	Blade, Front 9
151657	Screw (6-40 x 1/4 Fil) 22	154029	Wick, Felt 11	154184	Blade, Rear 9
151658	Screw (6-40 x 5/16 Fil) 18, 20	154030	Shaft 11	154189	Insulator 14
151659	Screw (6-40 x 1/2 Fil) 7, 15	154032	Sleeve, Gear 11	154190	Filter, R.F. 14
151678	Screw, Pilot (1/4-32) 2	154033	Lever, Clutch Latch 10	154191	Spring 13
151685	Screw (4-40 x 5/16 Fil) 15	154034	Lever, Clutch Stop 10	154194	Base 14
151686	Screw (4-40 x 3/8 Fil) 16	154036	Plate, Detent 12	154197	Plug, Button 7
151690	Screw (10-32 x 5/16 Fil) 4	154037	Lever 6	154199	Shim (.005") 2
151692	Screw (6-40 x 3/16 Fil) 16	154039	Bracket 2	154201	Shim (.014") 2
151693	Screw (6-40 x 9/16 Fil) 4	154040	Lever, Transfer 12	154210	Bracket, Left 7
151695	Screw (6-40 x 5/8 Hex) 4	154041	Post, Stop 12	154211	Bracket, Right 7
151712	Button, Pivot 6, 20	154042	Terminal 14	154212	Frame, Front 7
151721	Screw (6-40 x 3/4 Hex) 23	154043	Terminal 14	154215	Spring 13
151722	Screw (6-40 x 3/16 Hex) 8, 12, 21	154045	Screw (6-40 Spl) 14	154217	Wick, Leather 12
151723	Screw (10-32 x 3/8 Hex) 2, 4, 5	154046	Stud 10	154225	Box Assembly, Contact 14
151724	Screw (10-32 x 5/8 Hex) 6	154047	Post, Spring 12	154226	Box W/Strap 14
151725	Screw (10-32 x 3/4 Fil) 6	154051	Screw, Shoulder (6-40) 13	154236	Lever, Latch 10
151728	Spring 11	154052	Bar, Locking 8	154237	Lever, Non-Repeat 13
151731	Screw (4-40 x 7/8 Fil) 16	154053	Bail, Clutch Trip 10	154238	Extension 9
151733	Screw (4-40 x 9/16 Fil) 5, 22	154056	Bracket, Contact Box 14	154239	Extension W/Post 9
151737	Screw (4-40 x 11/16 Hex) 11	154059	Bracket, Function Bail 6	154240	Bail, Code Bar 13
151818	Jumper (4-1/4" Black) 3	154066	Lever 6	154241	Stud 13
151819	Jumper (3" Black) 3, 21	154068	Bracket, Right Guide 8	154350	Modification Kit 13
151820	Spring, Contact 14	154069	Bracket, Left Guide 8	154386	Plate, Adjusting 13
151827	Strap, Terminal 3, 19	154070	Guide, Code Lever 8	154662	Spacer 6
151843	Screw, Adjusting (6-40) 9	154071	Screw, Pilot (1/4-32) 8	154663	Shaft 6
151880	Nut (4-40 Hex) 14, 15	154076	Plate, Nut 2, 21	154694	Disk, Clutch Cam 11
152045	Guard, Gear 2	154079	Stud 13	155750	Sleeve, Insulating (3/32 ID x 1/2" Lg) 24
152760	Stud 21	154080	Lock, Wedge 8	155751	Sleeve, Insulating (1/8 ID x 1" Lg) 24
152764	Gear (81 T) 17	154081	Plate, Retainer 9	155752	Sleeve, Insulating (5/64 ID x 1/2" Lg) 24
152765	Pinion (13 T) 17	154083	Spacer, Cam 11	155753	Sleeve, Insulating (1/8 ID x 1/2" Lg) 5, 24
		154084	Bearing 13	155754	Sleeve, Insulating (1/16 ID x 1/2" Lg) 24
		154085	Plate 2		
		154086	Retainer, Wedge 9		
		154087	Plate, Nut 2		
		154088	Plate, Nut 2		
		154089	Post, Spring 13		
		154091	Guide 13		

NUMERICAL INDEX (Continued)

Part Number	Description and Page Number	Part Number	Description and Page Number	Part Number	Description and Page Number
155755	Sleeve, Insulating (11/64 ID x 5/8" Lg) 24	159285	Gear (84 T) 17	164379	Cable 22
155951	Spring, Torsion 16	159287	Retainer, Pinion 17, 18	164485	Bail 10, 22
155952	Pin 16	159327	Washer, Flat 13	164565	Container, Tape 5
155953	Stud 16	159334	Washer, Insulating 13	164590	Connector, Plug (24 Pt) 24
155954	Switch, Micro 16	159340	Spring, Return 15	164644	Post 22
155956	Bail W/Bar 16	159431	Lever, Main Trip 4, 18	164645	Post 22
155957	Bracket 16	159542	Connector, Receptacle (16 Pt) 2, 24	164646	Plate, Nut 22
155958	Keylever 16	160307	Diode 3	164647	Bracket 22
155959	Keytop 16	161215	Lamp, Neon (110 V) 7	164649	Plate, Mounting 22
155960	Latch 15	161239	Connector, Plug (36 Pt) 24	164651	Bail, Armature 22
155964	Lever, Stop 15	161293	Gear Set (60 WPM) 17	164652	Bar, Universal 22
155965	Ratchet (88 T) 15	161294	Gear Set (75 WPM) 17	164656	Bar, Clutch Trip 22
155966	Drum, Ratchet 15	161295	Gear Set (100 WPM) 17	165656	Cable Assembly 24
155967	Washer, Spring 15	161301	Post 17	165659	Bracket 21
155968	Washer, Flat 15	161346	Washer, Felt 12	165660	Insulator (.062") 21
155969	Bracket 15	161826	Plate 5	165661	Cable W/Terminals 21
155991	Keytop Assembly 16	161831	Washer, Spring 4	165662	Stud 21
155992	Cable Assembly 16	161878	Cable Assembly 24	165663	Insulator (1-10) 21
155994	Insulator (.015") 16	161891	Plate, Keytop Guide 7	165676	Cap (Green) 7
156226	Hub 4	161892	Cable Assembly 24	165678	Lamp (55 V) 7
156448	Bushing 5	161895	Shaft 4	165679	Cable Assembly 24
156449	Lever, Switch 5	161896	Gear (33 T) 4	165680	Bracket, Fuse Holder 21
156450	Screw (2-56 x 1/2 Fil) 16	161897	Gear (33 T) 4	165681	Bracket, Mounting 21
156451	Bushing 5	161899	Spacer 4	165682	Bracket 21
156503	Wick, Felt 11	161900	Bracket, Gear Guard 4	170324	Bracket 8
156509	Washer, Flat 12	161901	Bracket, Gear Guard 4	170385	Frame 10
156156	Latch 12	161902	Plate 4	170386	Guide 12
156574	Post, Spring 9	161903	Bracket 3	170391	Guide 12
156630	Washer, Felt 12	161904	Plate, Nut 3	172721	Cable Assembly 24
156632	Screw (6-40 x 13/32 Hex) 7, 15	161905	Bracket 3	173096	Stud, Eccentric 13
156644	Link, Drive 14	161906	Plate 7	173396	Cable Assembly 24
156663	Insulator 14	161907	Plate 7	173793	Gear (100 T) 17
158019	Baffle, Character Counter 15	161908	Post, Supporting 3	173794	Pinion (14 T) 17
158021	Bracket, Switch 15	161909	Socket, Lamp 7	173795	Gear Set (65 WPM) 17
158031	Bail, Feed 15	161910	Cap (Amber) 7	173922	Cable Assembly 24
158032	Bail, Reset 15	161911	Knob (Black) 7	173974	Screw (10-32 s 5/16 Hex) 3
158033	Spacer 15	161912	Switch (SP-ST) 7	174250	Pin, Roll 18
158036	Lever, Reset 15	161925	Guide, Tape 4	174491	Modification Kit: To Provide R.F. Suppression Filter 14
158038	Lever 15	161926	Guide, Tape 4	176406	Bracket 16
158040	Lever, Ratchet Drive 15	161927	Guide, Tape 4	176407	Lever 16
158042	Lever, Latch 15	161932	Cap (Red) 7	178306	Relay, Power 21
158045	Stud 15	161942	Plate 3	178535	Suppressor, Spark 21
158046	Bracket, Counter Scale 15	161950	Bracket 2	178725	Spring 15
158047	Scale, Counter 15	161951	Bracket 4	178726	Bracket, Spring 15
158050	Switch, Contact 15	161954	Socket, Lamp 7	178728	Modification Kit: To Improve Character Counter Mechanism 15
158051	Pulley, Indicator Cord 15	161957	Lamp (6 V) 7	178839	Nut (11/32-32 Hex) 7
158052	Cam, Switch 15	161964	Clamp, Tube 3	178849	Cord Assembly 15
158053	Clamp, Ratchet Drum 15	161965	Resistor (1000 Ohm) 3	178851	Pulley 15
158054	Cord Assembly 15	162333	Stud, Locating 6	179258	Bracket, Scale 15
158056	Cord, Reset 15	162659	Retainer 18	179278	Drum, Ratchet 15
158063	Bracket, Stop 8	163368	Camsleeve 11	179279	Bracket 15
158105	Bar, Carriage Return Code 8	163440	Gear (48 T) 6	192681	Screw (4-40 Spl) 9
158107	Bar, Character Counter Code 8	163442	Cable Assembly 5	192797	Chute, Chad 23
158147	Bushing, Eccentric 15	163459	Gear (66 T) 4	192798	Plate, Mounting 23
158163	Switch, Sensitive 3, 5	163460	Gear (55 T) 6	192999	Modification Kit 23
158215	Plate, Nut 2, 3, 15, 21	163461	Pinion (18 T) 17	193560	Bag, Chad (10" Lg) 23
158239	Lever, Tape 5	163462	Gear (117 T) 17	193561	Casing, Fan Wheel 23
158268	Latch W/Hub 13	163463	Pinion (24 T) 17	193579	Clamp, Tube 23
158289	Reel, Tape 5	163464	Gear (104 T) 17	193644	Bag, Chad (30" Lg) 23
158745	Clamp, Bearing 4, 18	163503	Gear (26 T) 4	193654	Clamp, Armature 22
158753	Armature 22	163504	Gear Set (71 WPM) 17	193715	Spring, Contact 22
158754	Core, Magnet 22	163505	Gear Set (107 WPM) 17	193718	Bracket, Contact 22
158859	Post, Spring 22	163519	Sleeve, Gear 11	193719	Contact Assembly 22
159278	Pinion (14 T) 17	163522	Transformer 3	193800	Modification Kit 22
159279	Gear (96 T) 17	163590	Gear (60 T) 4	195186	Screw (4-40 x 7/8 Hex) 14
159281	Pinion (17 T) 17	163647	Channel, Ball 9	195403	Tubing (7-1/2" Lg) 23
159282	Gear (93 T) 17	163813	Plate 16		
159284	Pinion (20 T) 17	163814	Lever W/Hub 16		



28 ELECTRICAL SERVICE UNIT (LESU)
(REPERFORATORS)
PARTS

FIGURE	CONTENTS	PAGE
1	Electrical Service Unit (LESU)	2
2	152623 Line Relay Mounting Assembly	3
3	152950 and 162361 Rectifier Assemblies	4
4	153251 Electrical Motor Control Assembly	5
5	176448 Relay Motor Control Assembly	6
6	177010 Selector Magnet Driver Assembly	7
7	Early Design LESU Parts	8
8	179426 Plate Assembly	8
9	176694 Motor Control Assembly	9
10	Cables	9
	Numerical Index	10

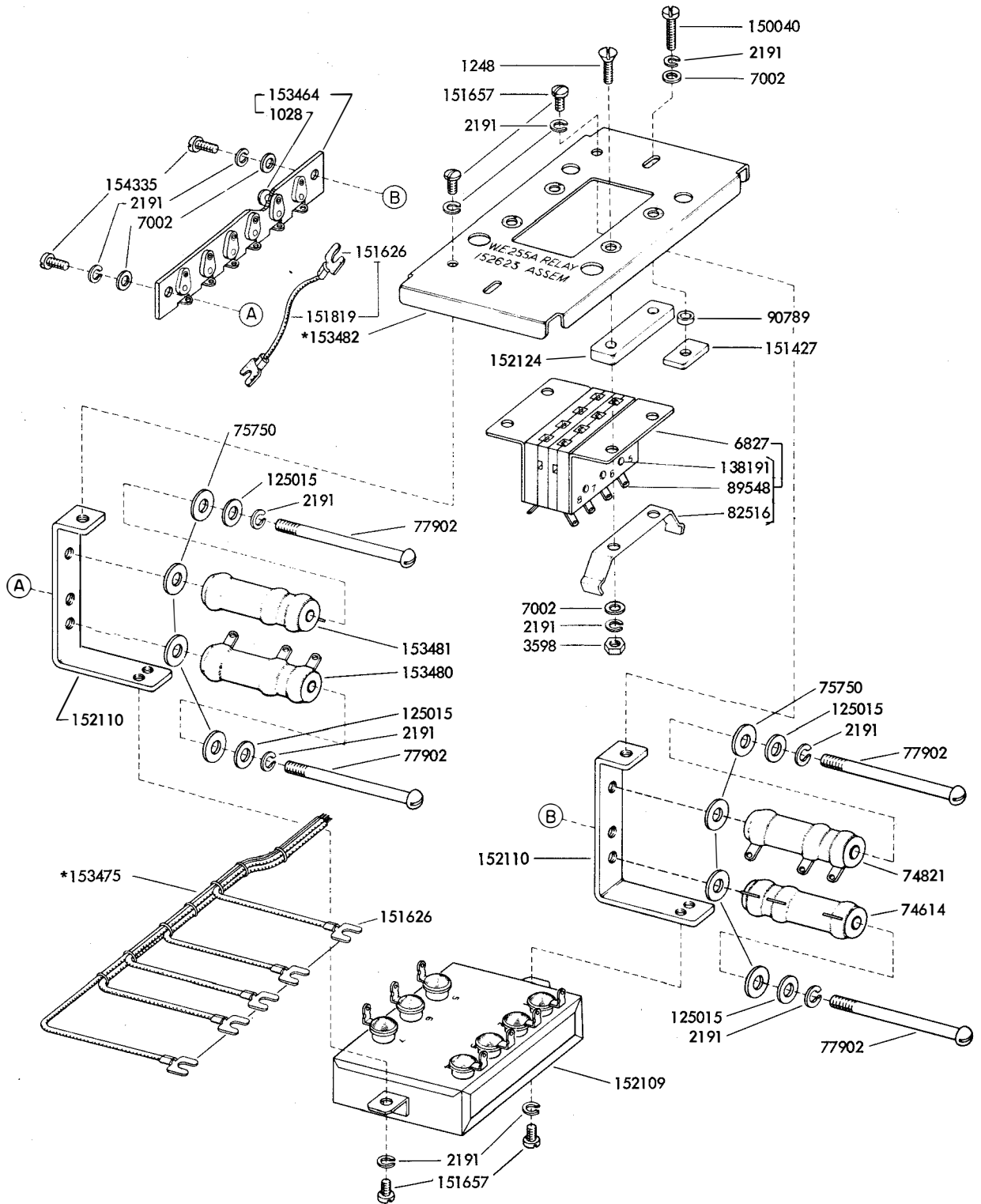


FIGURE 2. 152623 LINE RELAY MOUNTING ASSEMBLY

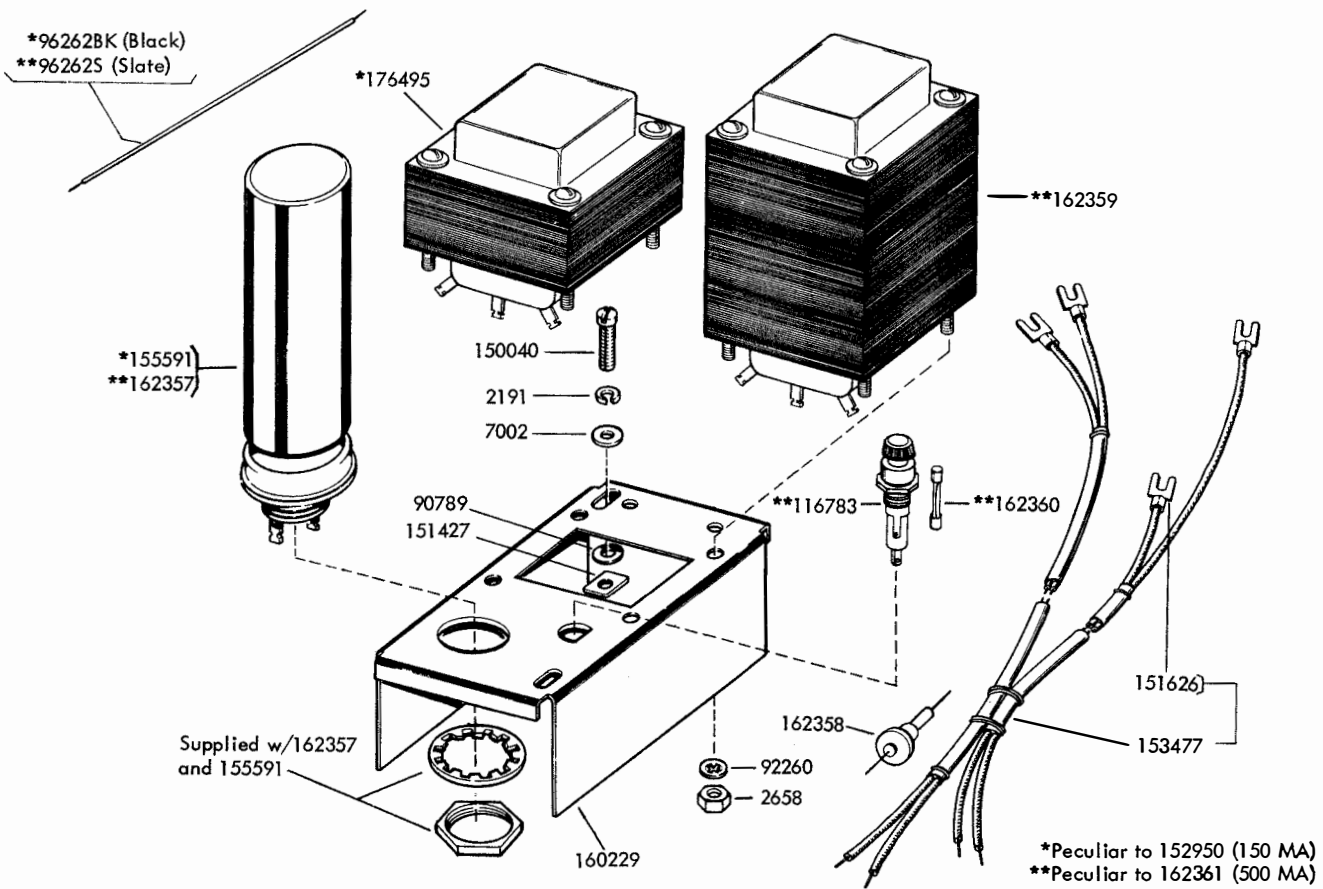
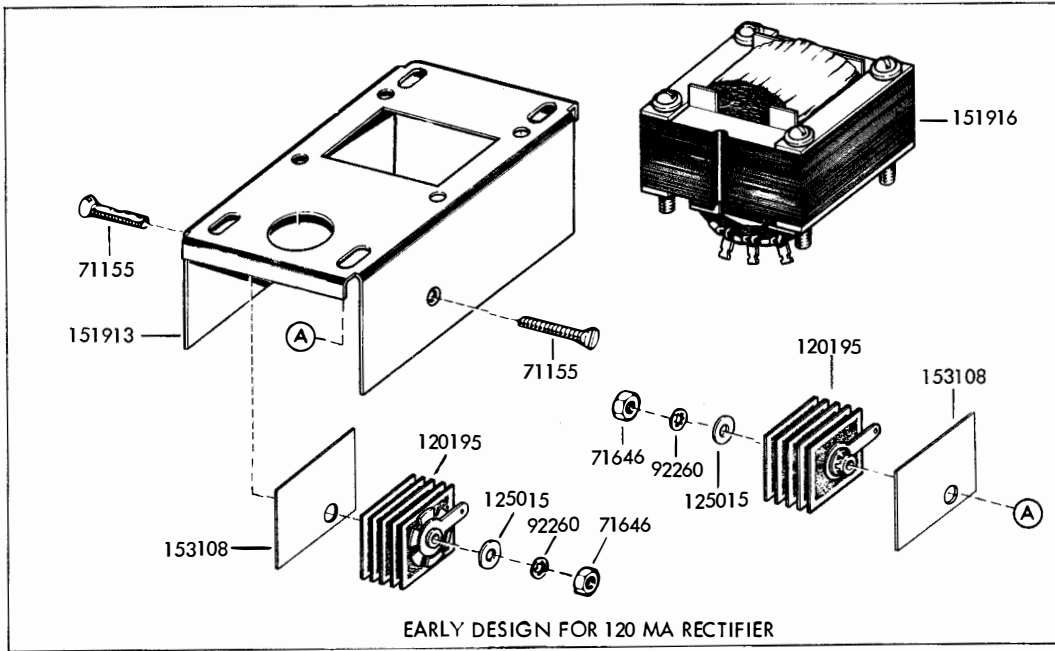


FIGURE 3. 152950 AND 162361 RECTIFIER ASSEMBLIES

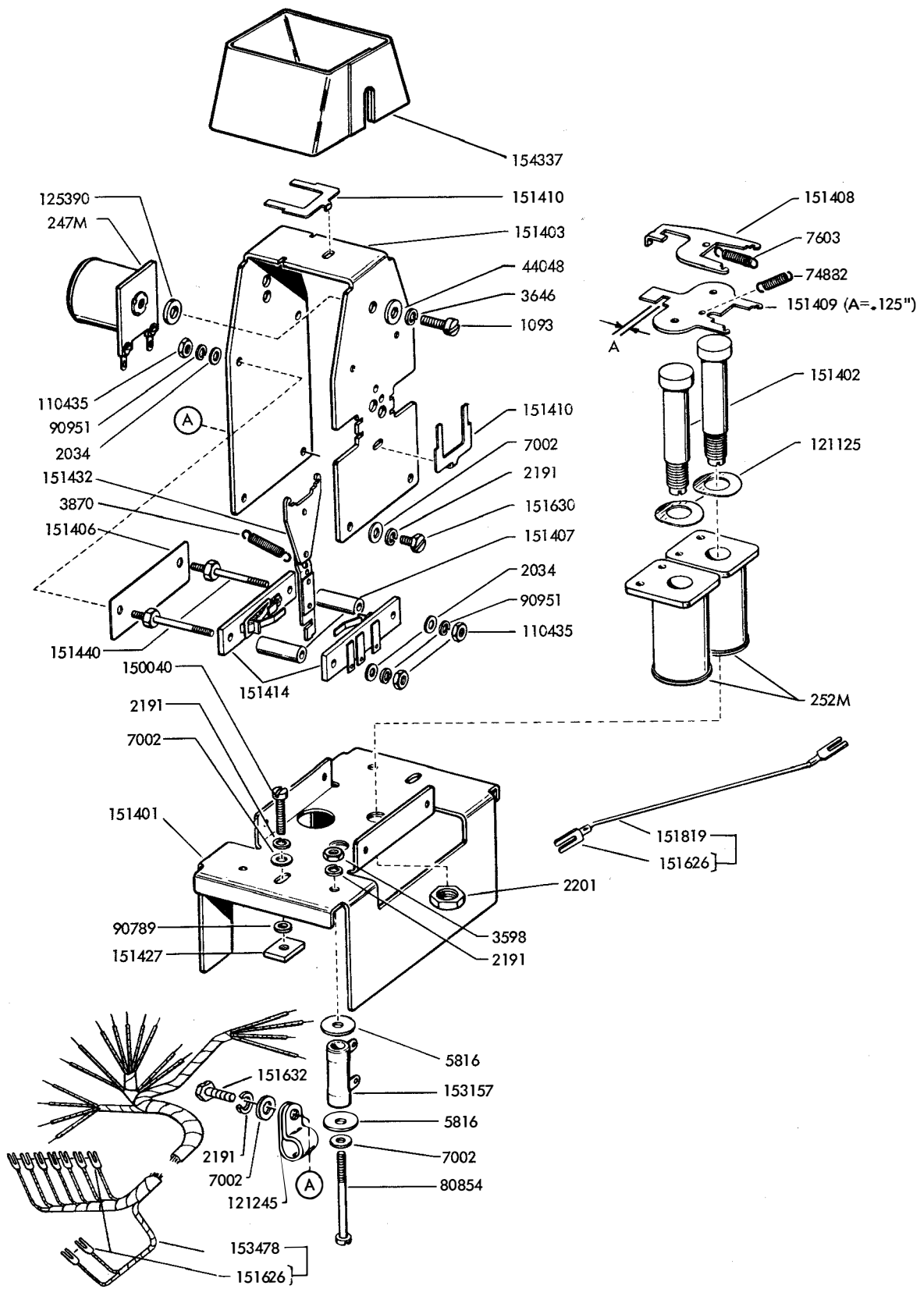


FIGURE 4. 153251 ELECTRICAL MOTOR CONTROL ASSEMBLY

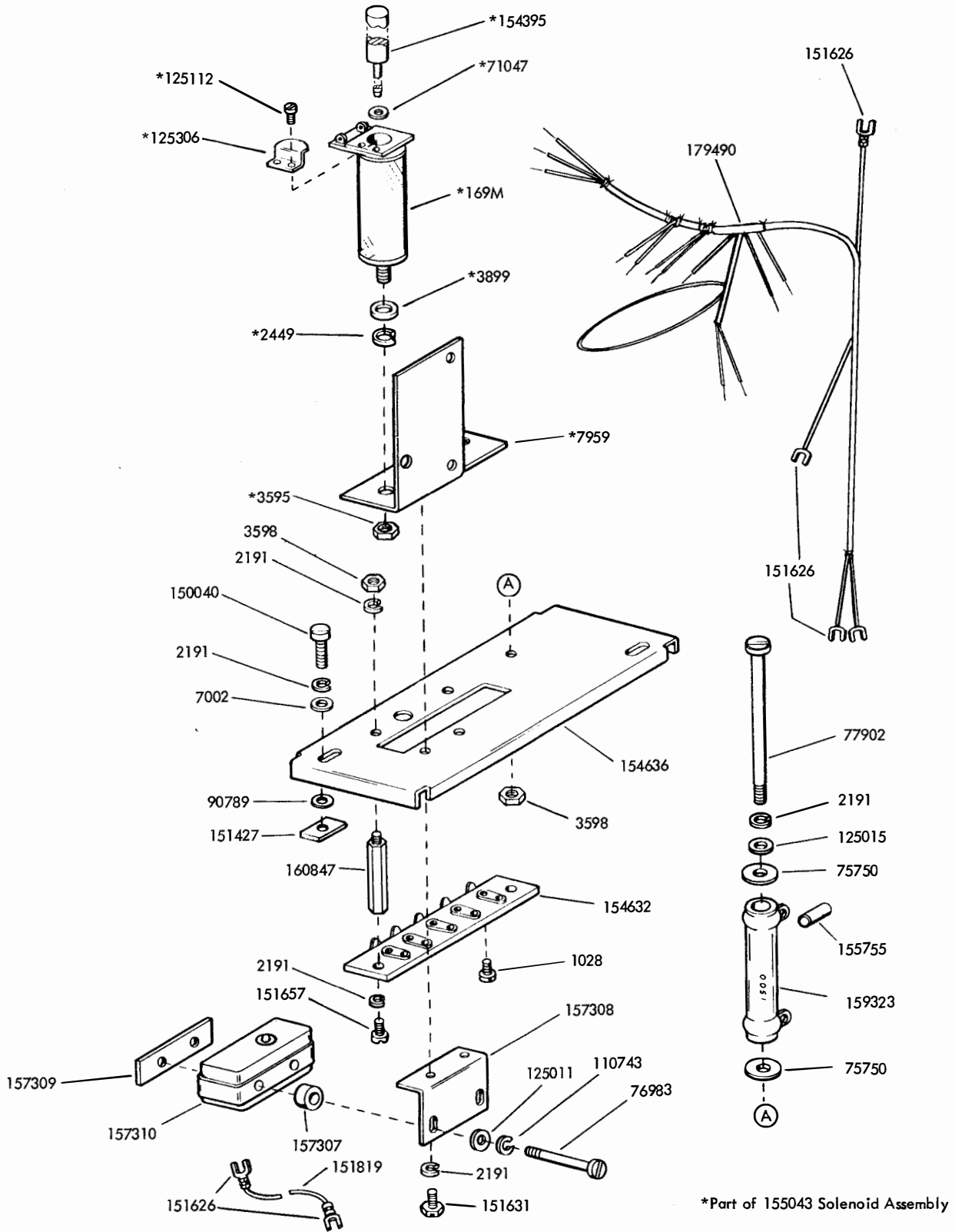


FIGURE 5. 176448 RELAY MOTOR CONTROL ASSEMBLY

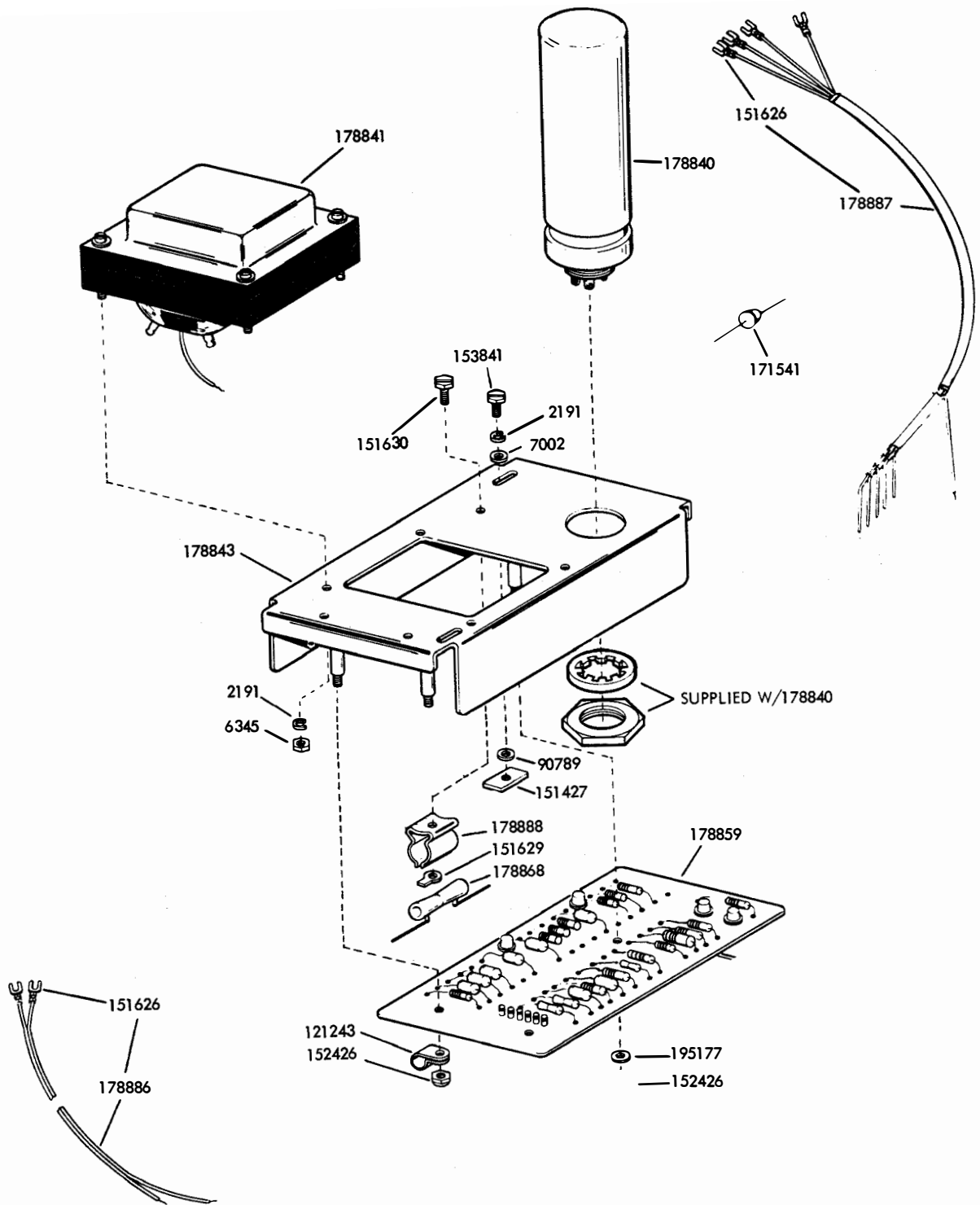
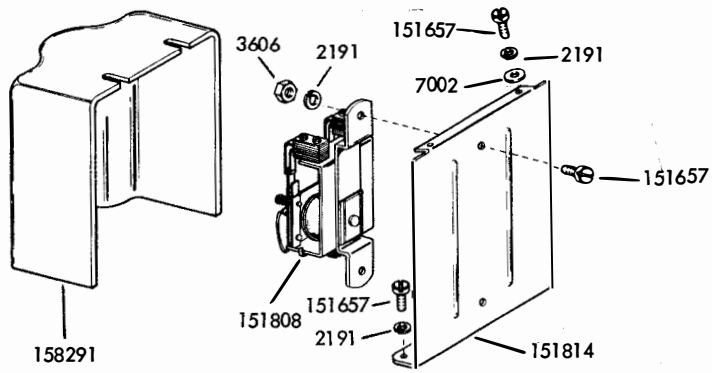


FIGURE 6. 177010 SELECTOR MAGNET DRIVER ASSEMBLY



Early design signal bell parts

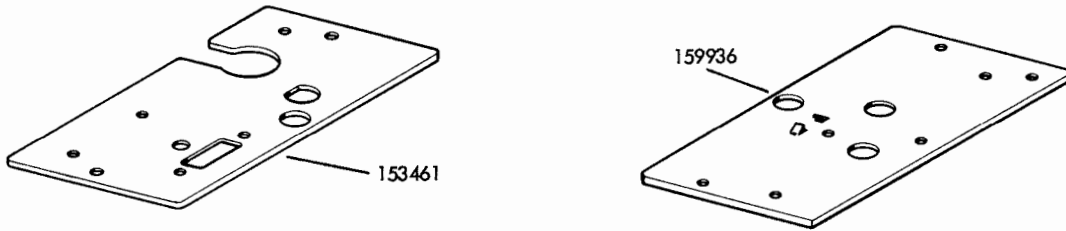


FIGURE 7. EARLY DESIGN LESU PARTS

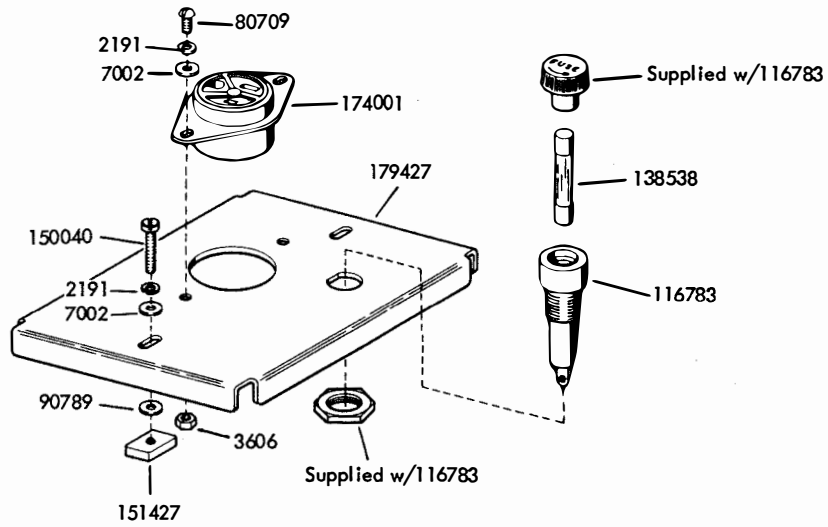


FIGURE 8. 179426 PLATE ASSEMBLY

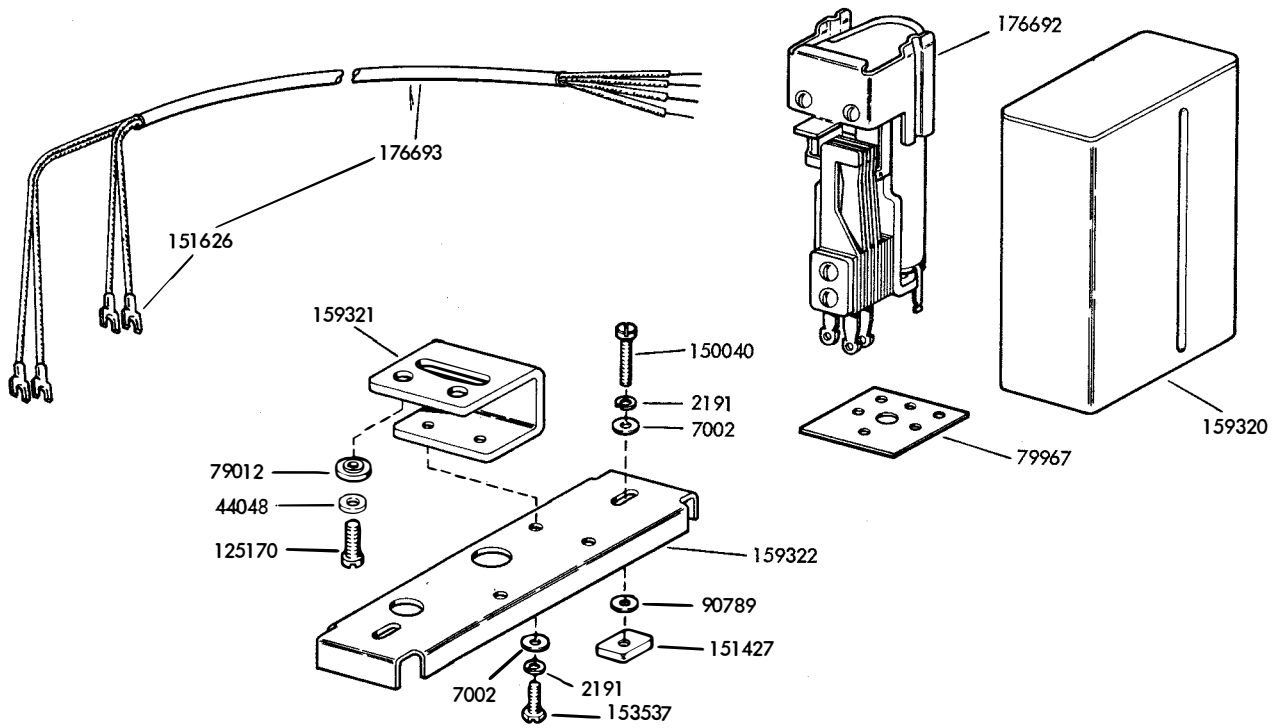


FIGURE 9. 176694 MOTOR CONTROL ASSEMBLY

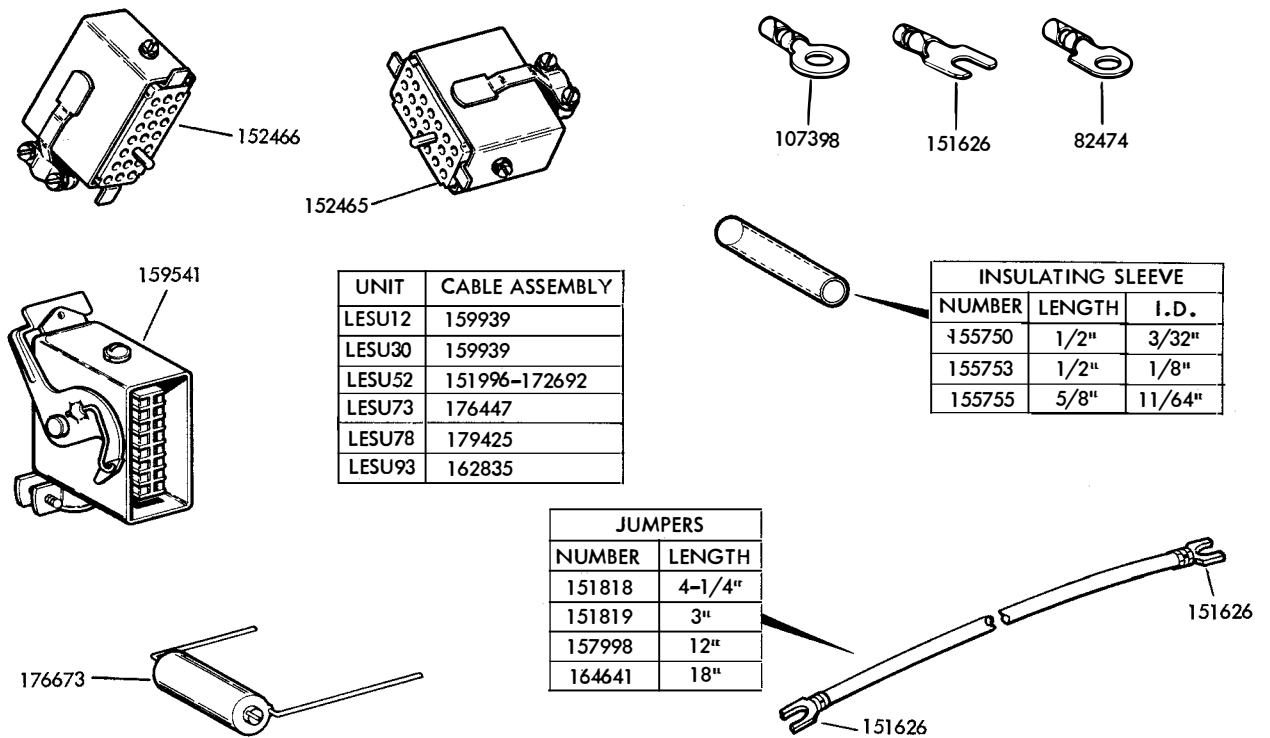


FIGURE 10. CABLES

NUMERICAL INDEX

Part Number	Description and Page Number	Part Number	Description and Page Number	Part Number	Description and Page Number
169M	Coil, Magnet 6	125170	Screw (8-32 x 5/16 Fil) 9	154337	Cover 5
247M	Coil, Magnet 5	125306	Stop, Magnet Plunger 6	154395	Plunger, Solenoid 6
252M	Coil, Magnet 5	125390	Washer, Flat 5	154632	Block, Terminal 6
1028	Screw (4-40 x 1/4 Fil) 3, 6	129919	Fuse (4 Amp) 2	154636	Plate 6
1093	Screw (8-32 x 7/16 Fil) 5	138191	Screw (3-48 x 1 Rd) 3	155023	Switch, Toggle (DP-DT) 2
1157	Screw (8-32 x 1/2 Fil) 2	138538	Fuse, SL-BL (2 Amp) 8	155043	Solenoid Assembly 6
1158	Screw (6-32 x 5/16 Fil) 2	150040	Screw (6-40 x 5/8 Fil) 2, 3, 4, 5, 6, 8, 9	155591	Capacitor (220 MFD) 4
1248	Screw (6-40 x 1/2 Flat) 3			155750	Sleeve, Insulating (3/32 ID x 1/2" Lg) 9
2034	Washer, Flat 5	151346	Screw (6-40 x 3/8 Fil) 2	155753	Sleeve, Insulating (1/8 ID x 1/2" Lg) 9
2191	Washer, Lock 2, 3, 4, 5, 6, 7, 8, 9	151401	Base 5	155755	Sleeve, Insulating (11/64 ID x 5/8" Lg) 6, 9
2201	Nut (5/16-32 Hex) 5	151402	Core 5	157307	Spacer 6
2449	Washer, Lock 6	151403	Frame 5	157308	Bracket 6
2658	Nut (6-32 Hex) 4	151406	Plate, Insulating 5	157309	Plate, Nut 6
3595	Nut (1/4-32 Hex) 6	151407	Collar, Spacing 5	157310	Switch, Sensitive 6
3598	Nut (6-40 Hex) 2, 3, 5, 6	151408	Lever 5	157998	Jumper (12" Black) 9
3606	Nut (6-40 Hex) 2, 8	151409	Armature 5	158272	Plate, Right Mounting 2
3646	Washer, Lock 2, 5	151410	Clip, Retaining 5	158278	Container, Electrical 2
3870	Spring 5	151411	Block, Terminal 2	158279	Plate, Blank (1-5/16" Wide) 2
3899	Spacer (.188") 6	151412	Insulator (1-9) 2	158291	Cover, Relay 8
5816	Washer, Insulating 5	151414	Switch, Sensitive 5	159320	Cover, Relay 9
6345	Nut (6-32 Hex) 7	151416	Nut (6-40 Hex) 2	159321	Bracket, Relay 9
6827	Block 3	151426	Plate, Blank (3-3/4" Wide) 2	159322	Plate, Relay 9
7002	Washer, Flat 2, 3, 4, 5, 6, 7, 8, 9	151427	Plate, Clamp 2, 3, 4, 5, 6, 7, 8, 9	159323	Resistor (1500 Ohm) 6
7603	Spring 5	151432	Armature 5	159541	Connector, Plug (16 Pt) 9
7959	Bracket, Magnet 6	151437	Stud 2	159611	Bell 2
44048	Washer, Flat 2, 5, 9	151440	Stud 5	159936	Plate, Left Mounting 8
49514	Nut (8-32 Hex) 2	151441	Plate, Blank (2-3/4" Wide) 2	159939	Cable Assembly 9
71047	Washer, Flat 6	151618	Screw (6-40 x 7/16 Fil) 2	160229	Plate, Mounting 4
71155	Screw (6-32 x 1-1/4 Flat) 4	151626	Terminal 3, 4, 5, 6, 7, 9	160847	Stud 6
71646	Nut (6-32 Hex) 4	151629	Nut (6-40 Lug) 7	162357	Capacitor (500 MFD) 4
74614	Resistor (2600 Ohm) 3	151630	Screw (6-40 x 1/4 Hex) 5, 7	162358	Diode 4
74821	Resistor (2810 Ohm) 3	151631	Screw (6-40 x 5/16 Hex) 2, 6	162359	Transformer, Power 4
74882	Spring 5	151632	Screw (6-40 x 3/8 Hex) 5	162360	Fuse (.8 Amp) 4
74979	Screw (6-32 x 3-3/4 Rd) 2	151657	Screw (6-40 x 1/4 Fil) 2, 3, 6, 8	162361	Rectifier Assembly (500 MA) 4
75750	Washer, Insulating 3, 6	151808	Relay 8	162835	Cable Assembly 9
76983	Screw (4-40 x 1-1/4 Fil) 6	151814	Bracket, Relay Mounting 8	164641	Jumper (18" Black) 9
77902	Screw (6-40 x 2-3/8 Rd) 3, 6	151818	Jumper (4-1/4" Black) 9	171541	Diode 7
79012	Insulator 9	151819	Jumper (3" Black) 3, 5, 6, 9	172692	Cable Assembly 9
79967	Insulator 9	151827	Strap, Terminal 2	174001	Connector, Receptacle (3 Pt) 8
80709	Screw (6-40 x 1/4 Rd) 8	151913	Plate, Mounting 4	176447	Cable 9
80854	Screw (6-40 x 1-7/16 Fil) 5	151916	Transformer 4	176448	Control Assembly, Motor 6
81836	Washer, Insulating 2	151996	Cable W/Terminals 9	176495	Transformer, Power 4
82474	Terminal 9	152109	Filter 3	176673	Suppressor, Spark 9
82516	Spring, Retaining 3	152110	Bracket, Resistor Mounting 3	176692	Relay 9
89548	Spring, Contact 3	152124	Spacer 3	176693	Cable W/Terminal 9
90789	Washer, Flat 2, 3, 4, 5, 6, 7, 8, 9	152426	Nut, Self-Locking (6-40 Hex) 7	176694	Control Assembly, Motor 9
90951	Washer, Lock 5	152465	Connector, Receptacle (20 Pt) 9	177010	Driver Assembly, Selector Magnet 7
91683	Nut (15/32-32 Hex) 2	152466	Connector, Receptacle (20 Pt) 9	178831	Connector, Receptacle (2 Pt) 2
92260	Washer, Lock 4	152623	Mounting Assembly, Line Relay 3	178832	Plate, Adapter 2
92527	Washer, Lock 2	152760	Stud 2	178840	Capacitor (400 MFD) 7
92856	Resistor (1500 Ohm) 2	152761	Stud 2	178841	Transformer 7
96262BK	Jumper (4" Lg Black) 4	152950	Rectifier Assembly (150 MA) 4	178843	Plate, Mounting 7
96262S	Jumper (4" Lg Slate) 4	153108	Insulator (.031") 4	178853	Cover, Relay 2
107398	Terminal 9	153157	Resistor (400 Ohm) 5	178854	Bracket, Relay 2
110435	Nut (4-40 Hex) 5	153251	Control Assembly, Motor 5	178855	Plate, Left 2
110743	Washer, Lock 6	153456	Bracket 2	178856	Relay 2
111017	Screw (6-40 x 5/16 Fil) 2	153457	Strap, Terminal 2	178859	Card, Circuit 7
114478	Nut (15/32-32 Hex) 2	153461	Plate, Right Mounting 8	178868	Resistor (700 Ohm) 7
116783	Holder, Fuse 2, 4, 8	153462	Plate 2	178886	Cable W/Terminals 7
120195	Rectifier 4	153464	Block, Terminal 3	178887	Cable 7
121125	Washer, Spring 5	153475	Cable W/Terminals 3	178888	Clip 7
121243	Clamp, Cable (3/16" ID) 7	153477	Cable W/Terminals 4	179425	Cable Assembly 9
121245	Clamp, Cable (5/16" ID) 5	153478	Cable W/Terminals 5	179426	Plate 8
121246	Clamp, Cable (3/8" ID) 2	153480	Resistor (6750 Ohm) 3	179427	Plate, Cover 8
121249	Clamp, Cable (5/8" ID) 2	153481	Resistor (5800 Ohm) 3	179490	Cable W/Terminals 6
125011	Washer, Flat 6	153482	Plate, Relay 3	195177	Washer, Insulating 7
125015	Washer, Flat 3, 4, 6	153537	Screw (6-40 x 9/32 Hex) 9		
125112	Screw (2-56 x 1/8 Fil) 6	153841	Screw (6-40 x 9/16 Hex) 7		
		154335	Screw (6-40 x 9/32 Fil) 3		

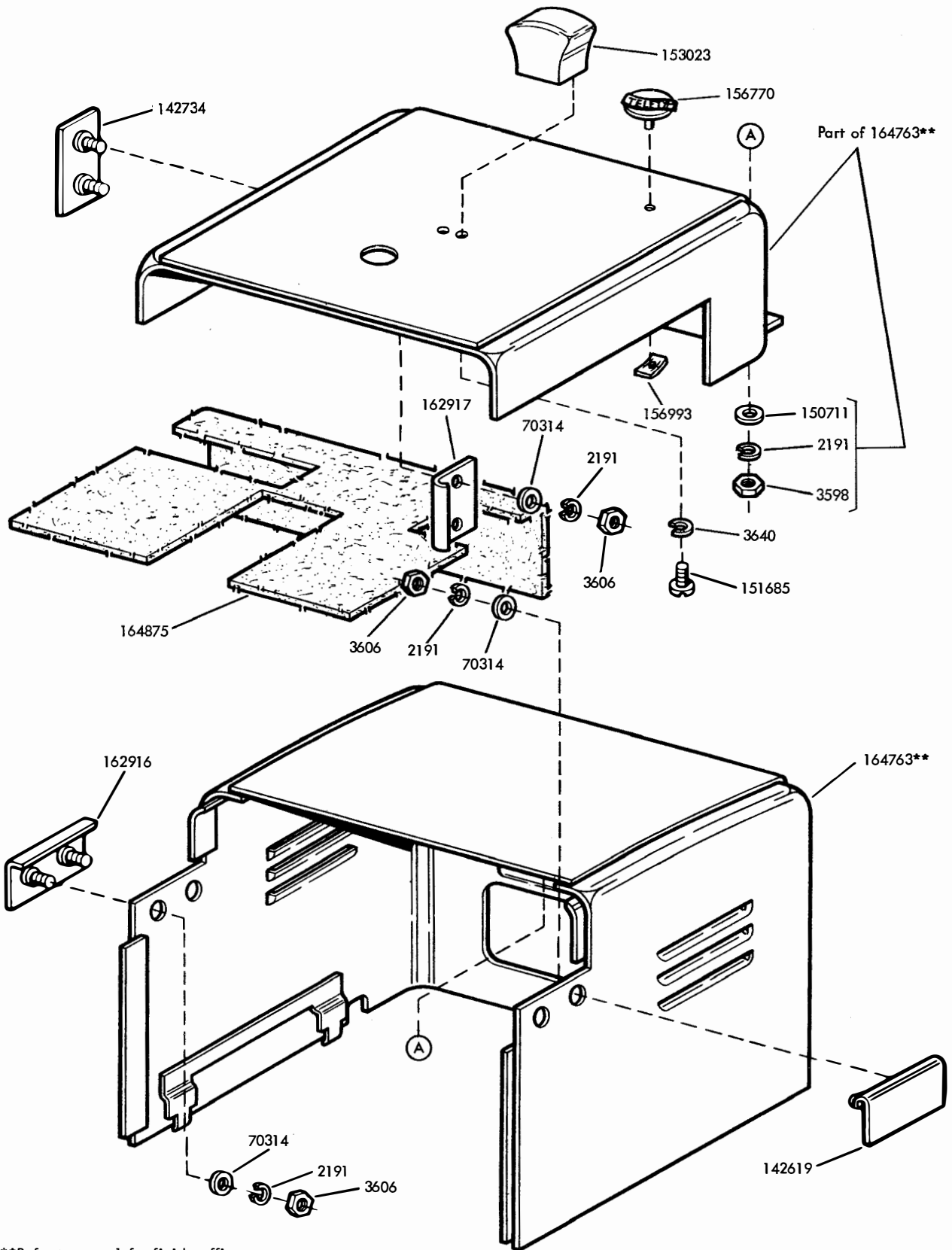
28 RECEIVING-ONLY REPERFORATOR OR TAPE PRINTER COVER (LRC),
28 SEND-RECEIVE REPERFORATOR OR TAPE PRINTER COVER (LSRC) and
28 REPERFORATOR OR TAPE PRINTER TABLE (LT)

PARTS

FIGURE	CONTENTS	PAGE
1	Receiving-Only Typing Reperforator Cover	2
2	Receiving-Only Non-Typing Reperforator Cover (Miniaturized)	3
3	Receiving-Only Typing Reperforator Cover (Miniaturized)	4
4	Send-Receive Cover	5
5	Tape Printer Sub-Base	6
6	Tape Printer Sub-Base	7
7	Tape Printer Cover	8
8	Table	9
9	Table with Fixed Lower Shelf	10
10	Table with Sliding Lower Shelf	11
11	Table with Facilities for Tape Winder	12
12	176615** Modification Kit to Adapt Base and Table for Use with Fully Perforated Punches	13
	Numerical Index	14

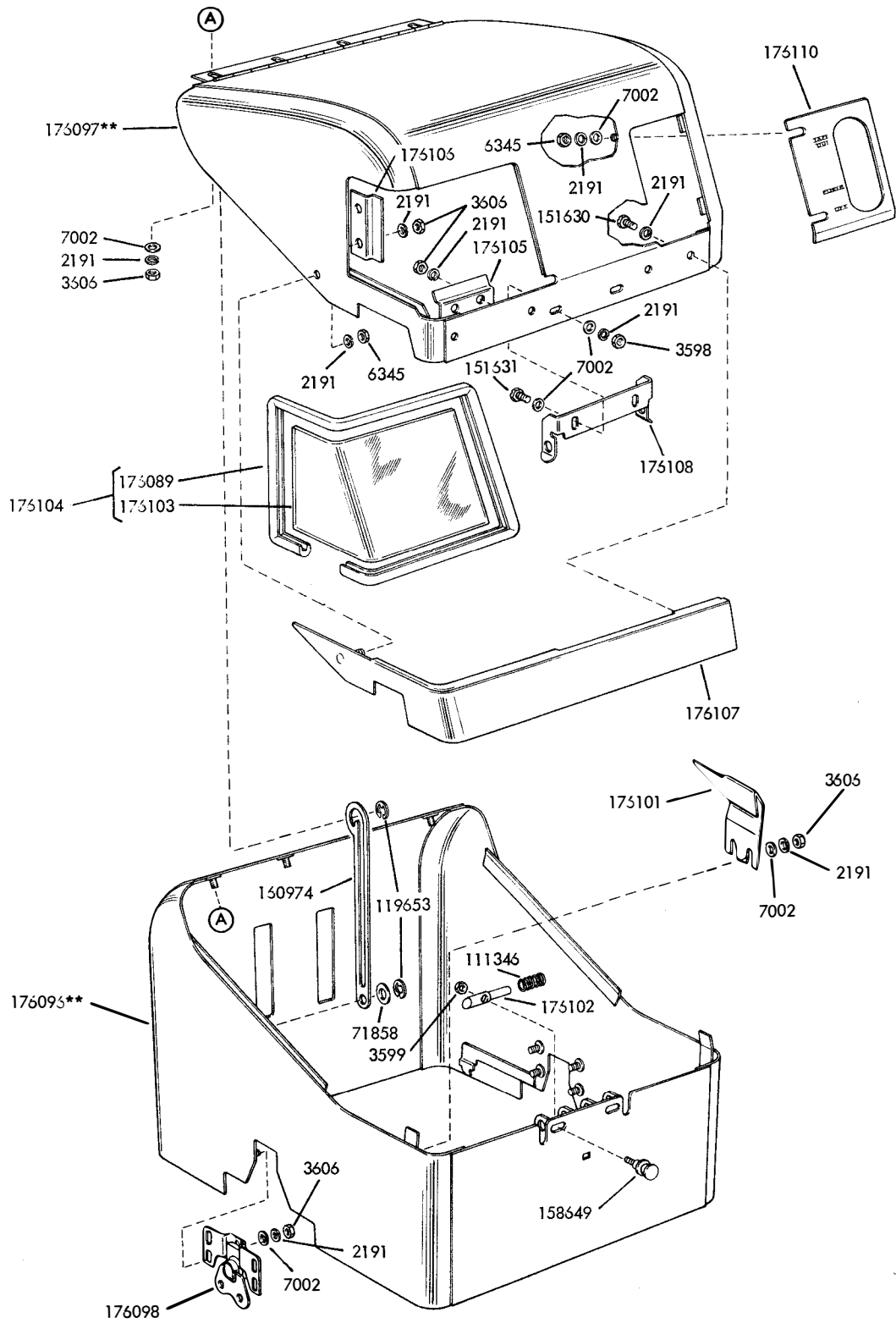
PAINT FINISH COLOR CODE CHART (For parts and assemblies requiring a paint finish)									
Color	Finish Suffixes				Color	Finish Suffixes			
	Wrinkle Finish	Smooth Finish	Textured Vinyl	Smooth Vinyl		Wrinkle Finish	Smooth Finish	Textured Vinyl	Smooth Vinyl
Black	AA (37)	BB			Brussels Light Blue		EC		
Dark Brown	AD (38)				Medium Blue		ES		
Gray Green	AB (40)	BK	GA (45)		Cherry Red		EF		
Charcoal Gray	AL	BZ		HA	Pastel Yellow		EG		
Dark Gray			GB		White		EH		
Light Gray		EJ		HB (68)	Ivory		EM		
Beige Gray			GC		Beige		ET		
Light Beige		EL		HC	Rose Beige		ER		
Moss Green		EN		HD	Rose Pink		EU		
Eye Rest Green		EA			Dark Covert Gray				HE
Turquoise		EV			Light Olive Gray		EW	GE	HF (46)
Aqua Blue		EK			Fawn				HG

The double asterisk (**) denotes a painted part. Suffix to be applied following the part number. Number in parenthesis indicates Bell System code.



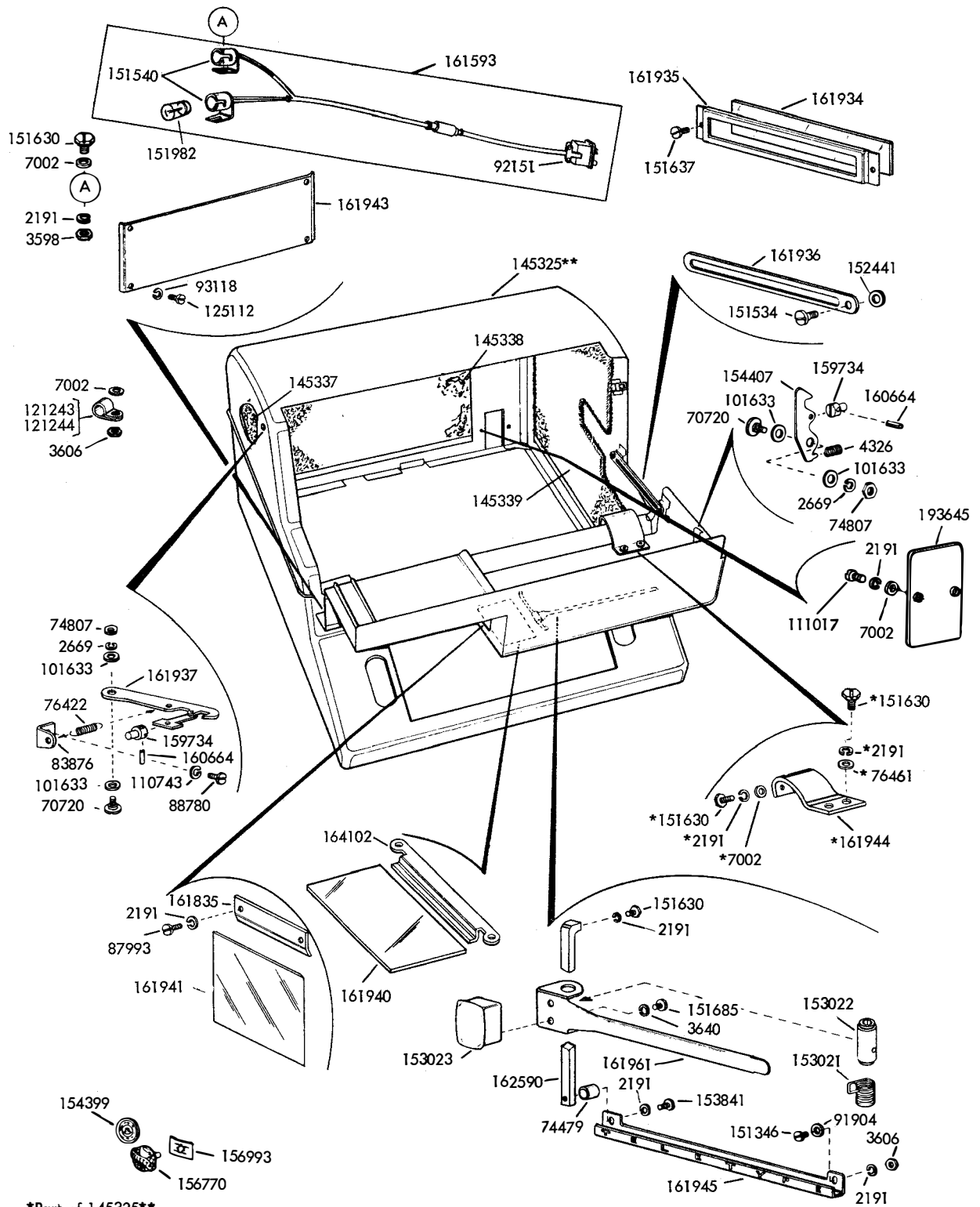
**Refer to page 1 for finish suffix

FIGURE 2. RECEIVING-ONLY NON-TYPING REPERFORATOR COVER
(MINIATURIZED)



**Refer to page 1 for finish suffix

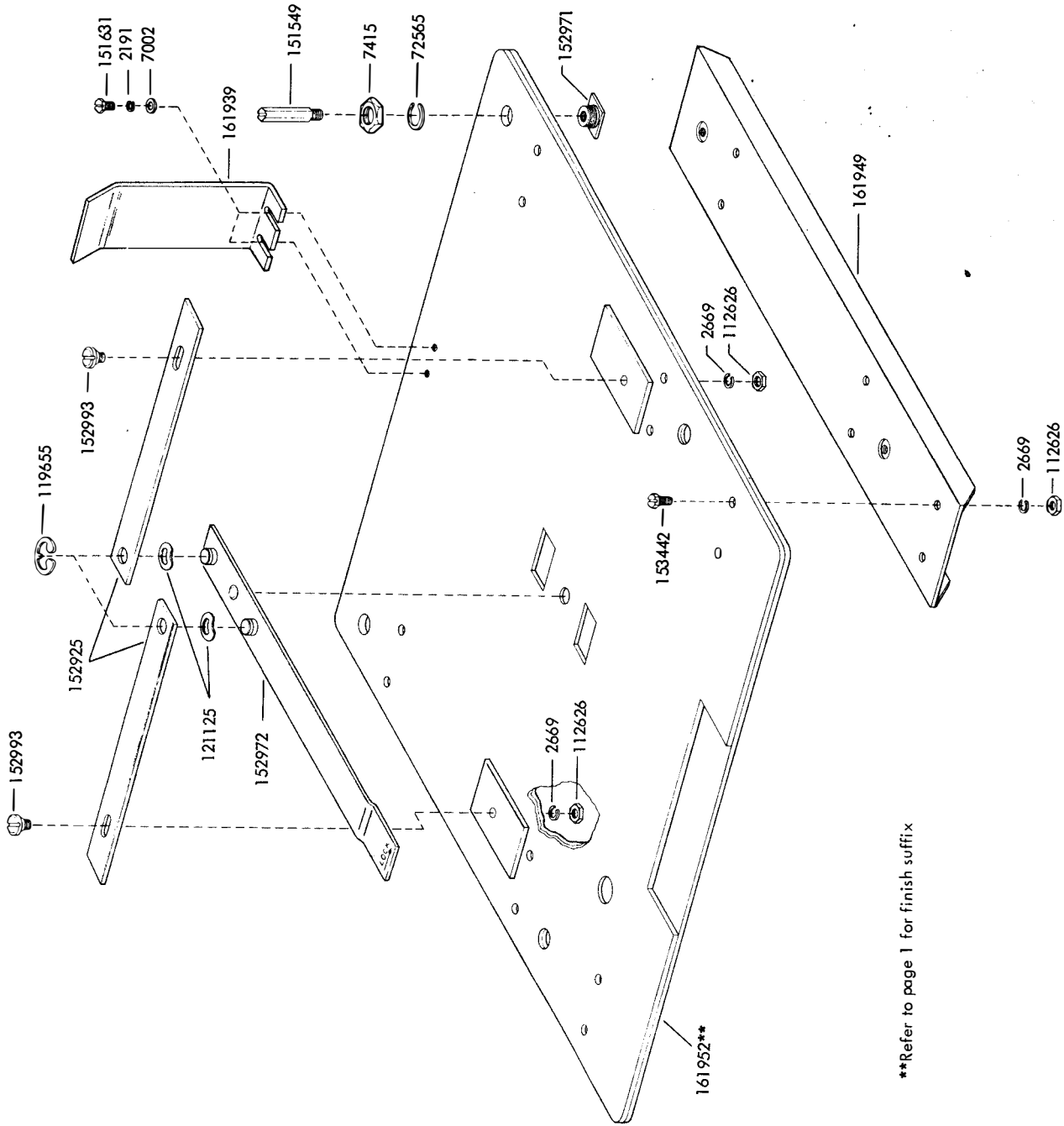
FIGURE 3. RECEIVING-ONLY TYPING REPERFORATOR COVER (MINIATURIZED)



*Part of 145325**

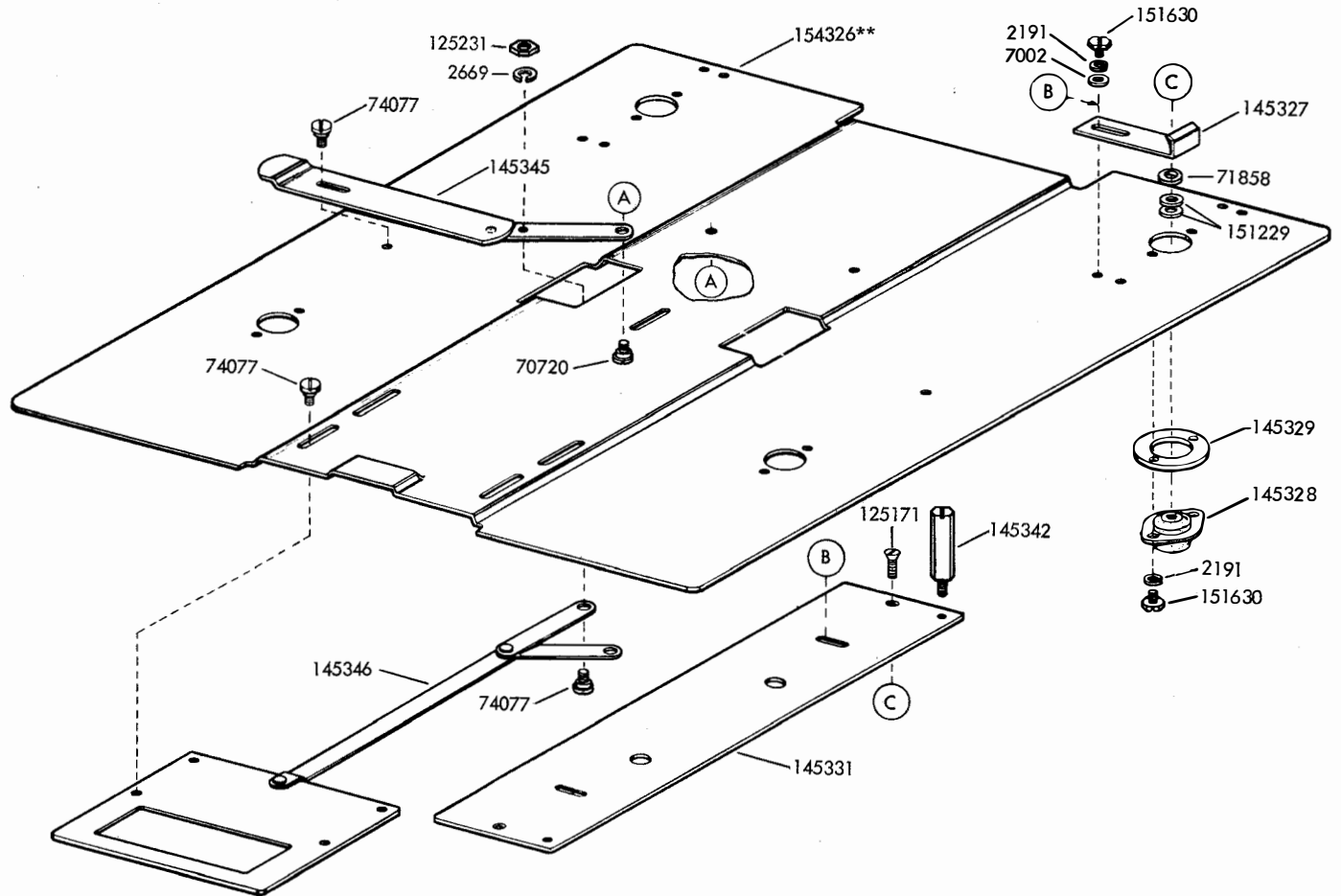
**Refer to page 1 for finish suffix

FIGURE 4. SEND-RECEIVE COVER



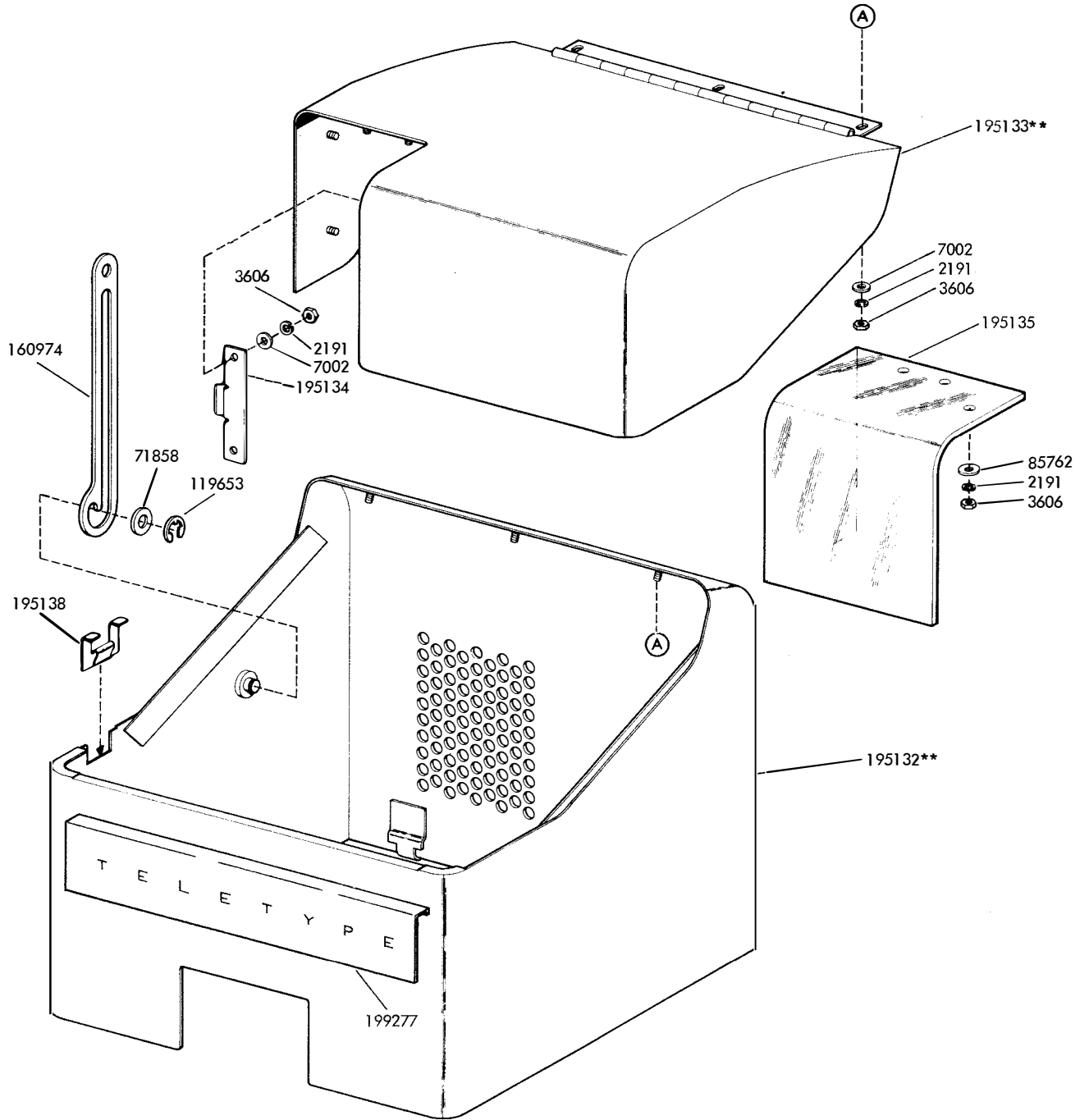
**Refer to page 1 for finish suffix

FIGURE 5. TAPE PRINTER SUB-BASE



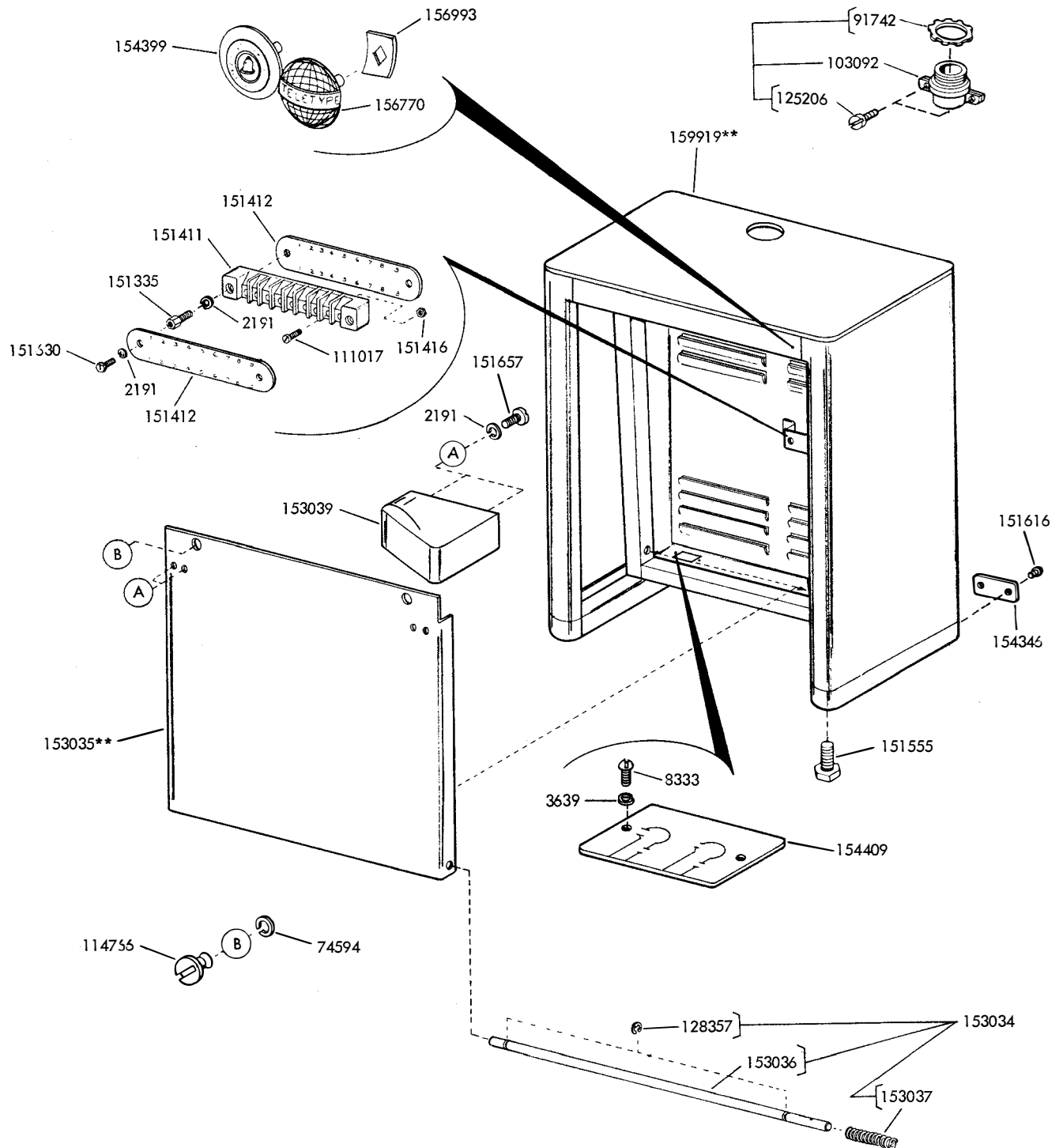
**Refer to page 1 for finish suffix

FIGURE 6. TAPE PRINTER SUB-BASE



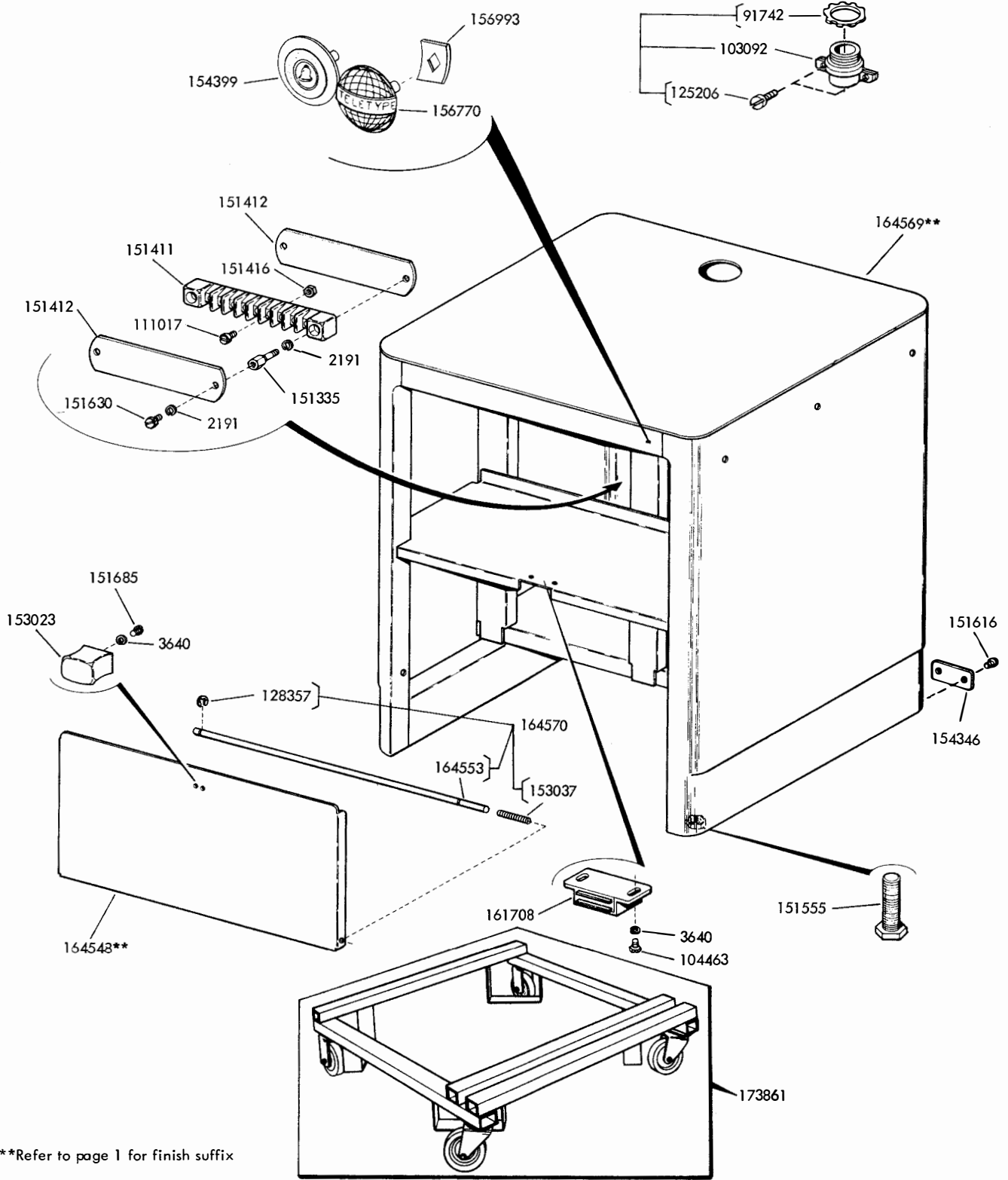
**Refer to page 1 for finish suffix

FIGURE 7. TAPE PRINTER COVER
REPLACES PARTS (NOMINATION)



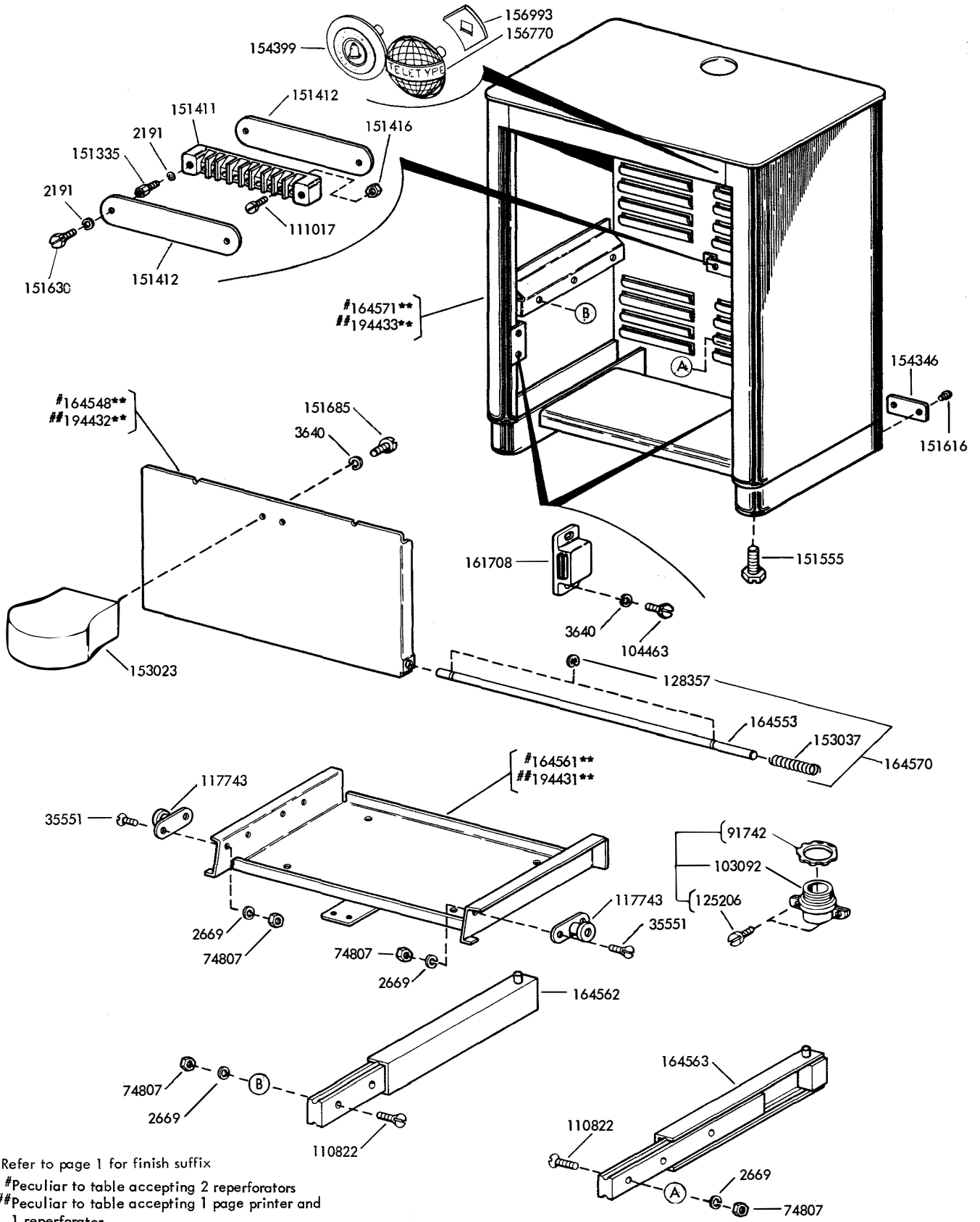
**Refer to page 1 for finish suffix

FIGURE 8. TABLE



**Refer to page 1 for finish suffix

FIGURE 9. TABLE WITH FIXED LOWER SHELF

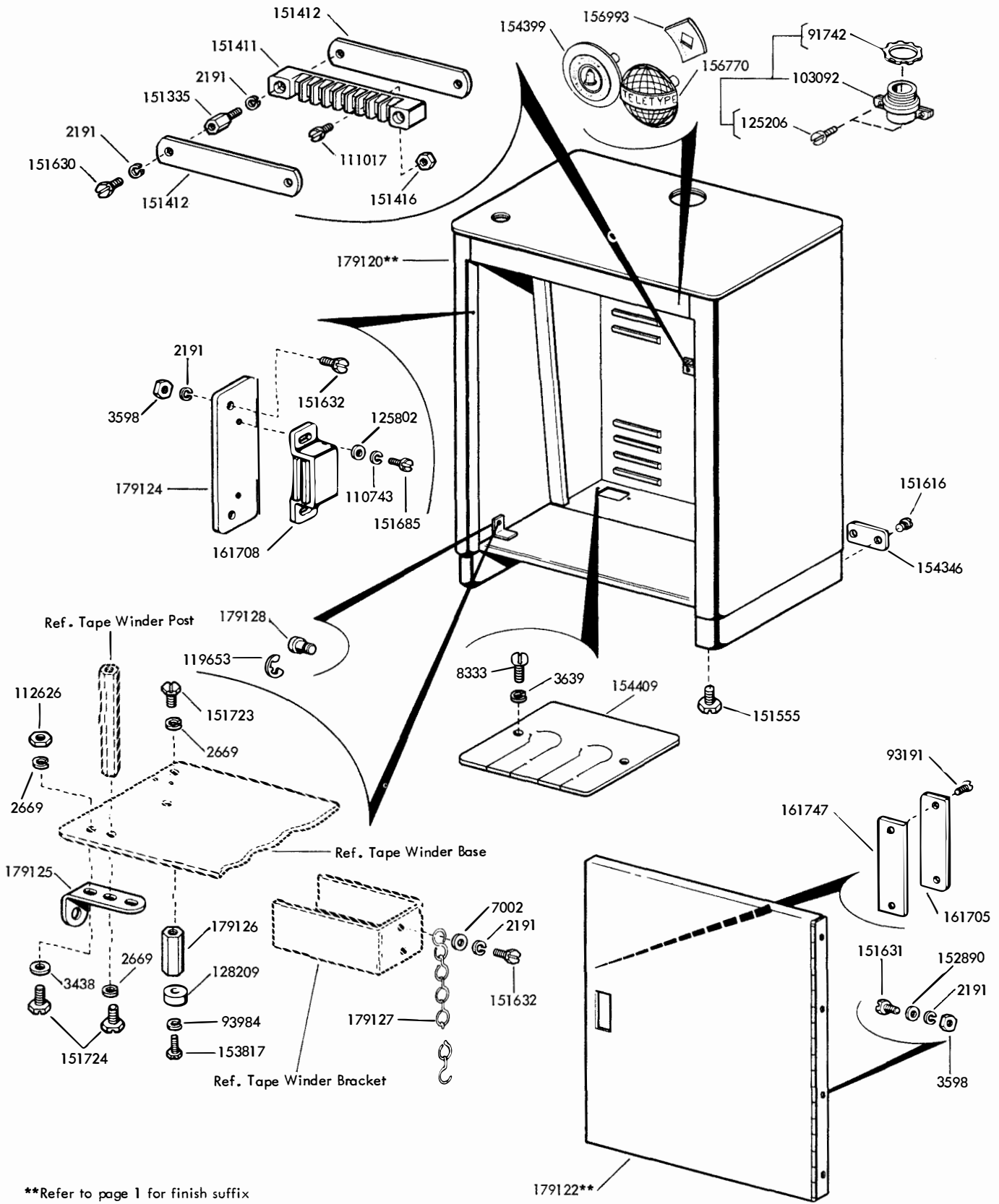


**Refer to page 1 for finish suffix

#Peculiar to table accepting 2 reperforators

##Peculiar to table accepting 1 page printer and 1 reperforator.

FIGURE 10. TABLE WITH SLIDING LOWER SHELF



**Refer to page 1 for finish suffix

FIGURE 11. TABLE WITH FACILITIES FOR TAPE WINDER

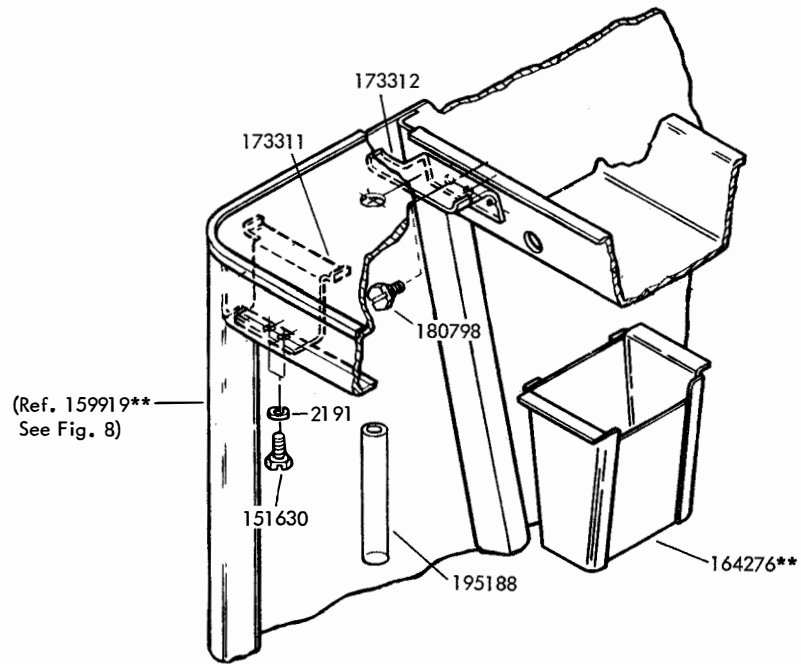


FIGURE 12. 176615** MODIFICATION KIT TO ADAPT BASE AND TABLE FOR USE WITH FULLY PERFORATED PUNCHES

NUMERICAL INDEX

Part Number	Description and Page Number	Part Number	Description and Page Number	Part Number	Description and Page Number
2191	Washer, Lock 2, 3, 4, 5, 6, 7, 8, 9, 10, 11, 12, 13	145327	Guide 7	158649	Screw, Thumb (4-40) 4
2669	Washer, Lock 2, 5, 6, 7, 11, 12	145328	Mount, Vibration 7	159734	Button 2, 5
3438	Washer, Flat 12	145329	Spacer (.065") 7	159919**	Table Assembly 9, 13
3598	Nut (6-40 Hex) 2, 3, 4, 5, 12	145331	Strap 7	159941	Handle 2
3599	Nut (4-40 Hex) 4	145337	Pad, Left Side 5	159943	Bracket, Window 2
3606	Nut (6-40 Hex) 2, 3, 4, 5, 8	145338	Pad, Rear 5	159944	Window, Plastic 2
3639	Washer, Lock 9, 12	145339	Pad, Right Side 5	159945	Washer, Friction 2
3640	Washer, Lock 3, 5, 10, 11	145342	Screw (1/4-32 Spl) 7	159946	Arm 2
4326	Spring 2, 5	145345	Bolt, Latch W/Lever 7	159948**	Cover W/Bracket 2
6345	Nut (6-32 Hex) 2, 4	145346	Lever, Reset 7	159949**	Lid W/Hinge 2
7002	Washer, Flat 2, 4, 5, 6, 7, 8, 12	150711	Washer, Flat 3	159953	Plate, Tape Guide 2
7415	Nut (1/2-32 Hex) 6	151229	Washer, Flat 7	160664	Pin, Roll 2, 5
8333	Screw (10-32 x 3/8 Rd) 12	151335	Stud 9, 10, 11, 12	160974	Arm, Stop 4, 8
35551	Screw (10-32 x 3/8 Flat) 11	151346	Screw (6-40 x 3/8 Fil) 5	161593	Cable Assembly 5
70314	Washer, Flat 3	151411	Block, Terminal 9, 10, 11, 12	161682	Clip, Cover 2
70720	Screw, Shoulder (10-32) 2, 5, 7	151412	Insulator (1-9) 9, 10, 11, 12	161705	Strike, Fastener 12
71858	Washer, Flat 4, 7, 8	151416	Nut (6-40 Hex) 9, 10, 11, 12	161708	Latch, Magnetic 10, 11, 12
72565	Washer, Lock 6	151534	Screw, Shoulder (10-32) 5	161747	Plate, Nut 12
74077	Screw, Shoulder (10-32) 7	151540	Lampholder 5	161835	Plate, Clamp 5
74479	Bushing 5	151549	Post 6	161934	Window, Plastic 5
74594	Ring, Retaining 9	151555	Foot, Mounting 9, 10, 11, 12	161935	Frame, Window 5
74807	Nut (10-32 Hex) 2, 5, 11	151558	Nut, Speed 2	161936	Latch W/Link 5
75606	Spring 2	151616	Screw, Self-Tapping (#2) 9, 10, 11, 12	161937	Latch W/Link 5
76099	Washer, Flat 2	151630	Screw (6-40 x 1/4 Hex) 2, 4, 5, 7, 9, 10, 11, 12, 13	161939	Bracket, Guide 6
76422	Spring 5	151631	Screw (6-40 x 5/16 Hex) 2, 4, 6, 12	161940	Window, Front 5
76461	Washer, Flat 5	151632	Screw (6-40 x 3/8 Hex) 12	161941	Window, Side 5
83876	Bracket, Spring 5	151637	Screw (4-40 x 1/4 Fil) 5	161943	Plate 5
85762	Washer, Flat 8	151657	Screw (6-40 x 1/4 Fil) 9	161944	Bracket, Hinge 5
87993	Screw (6-40 x 5/32 Fil) 5	151658	Screw (6-40 x 5/16 Fil) 2	161945	Copyholder 5
88780	Screw (4-40 x 3/16 Hex) 5	151685	Screw (4-40 x 5/16 Fil) 3, 5, 10, 11, 12	161949	Mount Assembly, Vibration 6
88857	Washer, Spring 2	151722	Screw (6-40 x 3/16 Hex) 2	161952**	Plate 6
91742	Nut, Lock 9, 10, 11, 12	151723	Screw (10-32 x 3/8 Hex) 12	161961	Guide, Line 5
91904	Washer, Flat 5	151724	Screw (10-32 x 5/8 Hex) 12	162189**	Cover W/Latch 2
92151	Connector, Plug (3 Pt) 5	151982	Lamp, Incandescent (6 Volt) 5	162191	Bracket, Guide 2
93001	Washer, Flat 2	152426	Nut, Self-Locking (6-40) 2	162195	Arm, Slide 2
93118	Washer, Lock 5	152441	Washer, Flat 5	162590	Shaft 5
93191	Screw (4-40 x 5/16 Flat) 12	152890	Washer, Flat 12	162846	Modification Kit to Provide Cover Clip 2
93984	Washer, Lock 12	152925	Latch 6	162916	Guide, Lower 3
101633	Washer, Flat 2, 5	152971	Bushing 6	162917	Guide, Upper 3
103092	Connector, Cord 9, 10, 11, 12	152972	Handle W/Studs 6	164102	Bracket, Window 5
104463	Screw (4-40 x 1/4 Hex) 10, 11	152993	Screw, Shoulder (10-32) 6	164276**	Container, Chad 13
110743	Washer, Lock 5, 12	153021	Spring, Torsion 5	164548**	Panel 10, 11
110822	Screw (10-32 x 13/16 Flat) 11	153022	Bushing 5	164553	Shaft 10, 11
111017	Screw (6-40 x 5/16 Fil) 5, 9, 10, 11, 12	153023	Handle 3, 5, 10, 11	164561**	Tray 11
111346	Spring, Compression 4	153034	Shaft Assembly 9	164562	Slide, Left 11
112626	Nut (10-32 Hex) 6, 12	153035**	Panel 9	164563	Slide, Right 11
114766	Stud 9	153036	Shaft 9	164569**	Table 10
117743	Roller 11	153037	Spring, Compression 9, 10, 11	164570	Shaft Assembly 10, 11
119652	Ring, Retaining 2	153039	Handle 9	164571**	Table Assembly 11
119653	Ring, Retaining 4, 8, 12	153442	Screw (10-32 x 1/2 Hex) 6	164763**	Cover W/Hinge 3
119655	Ring, Retaining 6	153448	Catch 2	164875	Pad, Felt 3
121125	Washer, Spring 6	153449	Spring, Compression 2	173311	Bracket, Front Guide 13
121243	Clamp, Cable (3/16" ID) 5	153817	Screw (4-40 x 3/8 Hex) 12	173312	Bracket, Rear Guide 13
121244	Clamp, Cable (1/4" ID) 5	153841	Screw (6-40 x 9/16 Hex) 5	173861	Cart 10
125112	Screw (2-56 x 1/8 Fil) 5	154326	Cover, Insulating 7	174404	Guide, Tape 2
125171	Screw (10-32 x 1/2 Flat) 7	154346	Plate, Instruction 9, 10, 11, 12	174405	Handle 2
125206	Screw (6-32 x 5/8 Fil) 9, 10, 11, 12	154399	Plate, Identification (Bell) 2, 5, 9, 10, 11, 12	174406	Arm 2
125231	Nut (10-32 Hex) 7	154407	Latch 2, 5	174407	Lever 2
125802	Washer, Flat 12	154409**	Plate 9, 12	174408	Guide 2
128209	Bumper, Rubber 12	155083	Lens, Indicator Light 2	176089	Gasket, Window 4
128357	Ring, Retaining 9, 10, 11	156770	Plate, Identification (Teletype) 2, 3, 5, 9, 10, 11, 12	176096**	Cover W/Studs 4
142619	Guide, Tape 3	156993	Nut, Speed 2, 3, 5, 9, 10, 11, 12	176097**	Lid 4
142734	Knife, Tape 3			176098	Fastener 4
145325**	Cover 5			176101	Guide, Tape 4
				176102	Bolt 4
				176103	Window, Plastic 4

NUMERICAL INDEX (Continued)

Part Number	Description and Page Number	Part Number	Description and Page Number	Part Number	Description and Page Number
176104	Window Assembly 4	179122**	Door W/Hinge 12	194432**	Panel 11
176105	Bracket 4	179124	Plate, Latch Mounting 12	194433**	Table Assembly 11
176106	Bracket 4	179125	Bracket, Mounting 12	195132**	Cover 8
176107	Handle 4	179126	Post 12	195133**	Lid, Cover 8
176108	Bracket 4	179127	Chain (Approx. 15" Lg) 12	195134	Clamp 8
176110	Plate, Identification 4	179128	Stud 12	195135	Window, Plastic 8
176615	Modification Kit 13	180798	Screw, Self-Tapping (8-32) 13	195138	Guide, Tape 8
179120**	Table 12	193645**	Plate, Cover 5	195188	Chute, Chad 13
		194431**	Tray 11	199277	Plate, Name (Teletype) 8

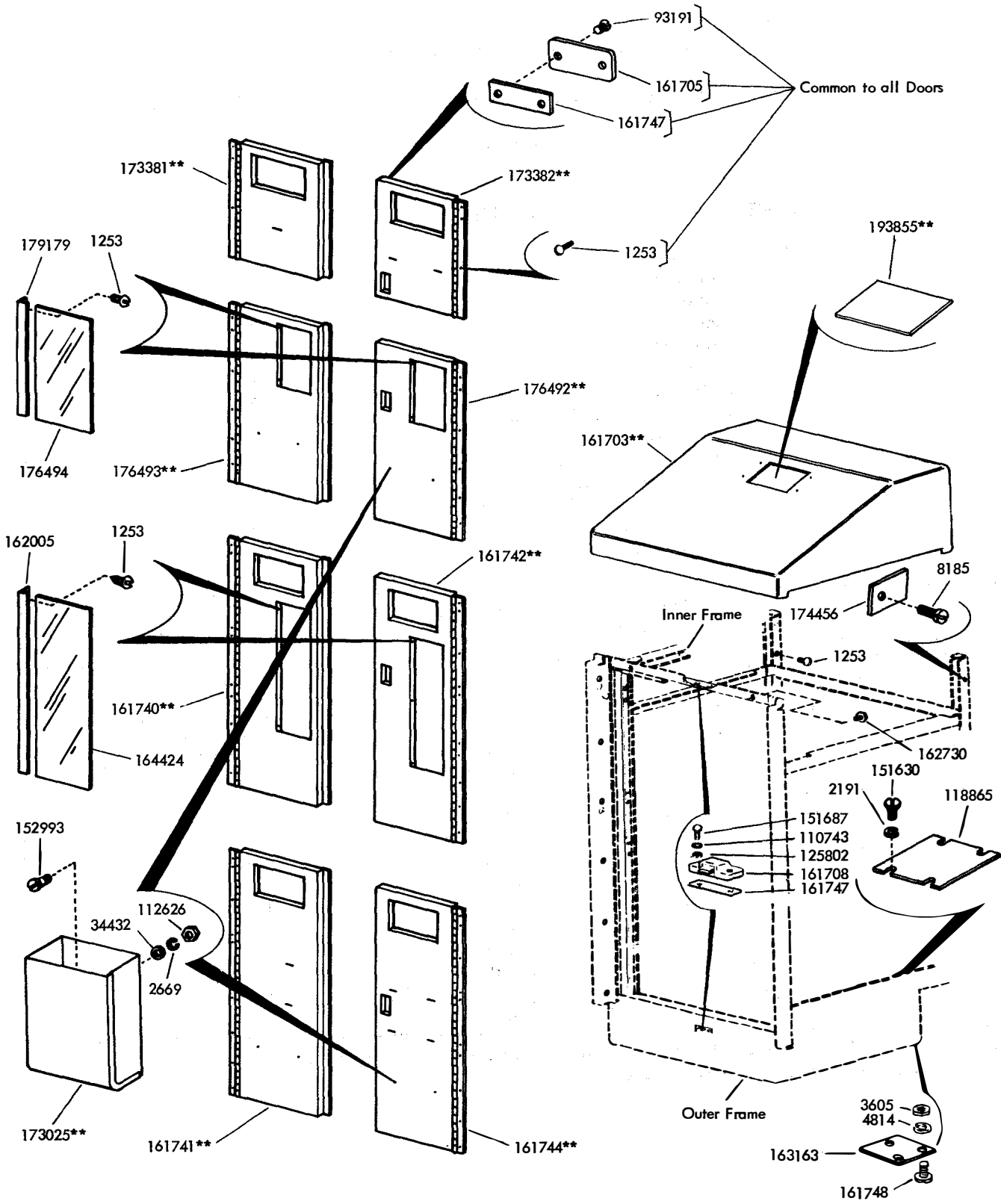


28 APPARATUS CABINET (LBAC)
 (RECEIVING, MONITORING & TRANSMITTING-MONITORING)
 PARTS

FIGURE	CONTENTS	PAGE
1	Front Doors and Dome	2
2	Control Panels	3
3	Control Panels	4
4	Control Panels	5
5	Control Plates	6
6	Control Plate	7
7	Control Plate Mounting Parts	8
8	Tape Winder Mounting Racks	9
9	Channel Assemblies	10
10	Channel Assemblies with Shelf	11
11	Terminal Blocks and Cable Assembly	12
12	161999** Modification Kit to Provide End Enclosures	13
13	Rear Doors and Latch Mechanism	14
	Numerical Index	15

PAINT FINISH COLOR CODE CHART (For parts and assemblies requiring a paint finish)									
Color	Finish Suffixes				Color	Finish Suffixes			
	Wrinkle Finish	Smooth Finish	Textured Vinyl	Smooth Vinyl		Wrinkle Finish	Smooth Finish	Textured Vinyl	Smooth Vinyl
Black	AA (37)	BB			Brussels Light Blue		EC		
Dark Brown	AD (38)				Medium Blue		ES		
Gray Green	AB (40)	BK	GA (45)		Cherry Red		EF		
Charcoal Gray	AL	BZ		HA	Pastel Yellow		EG		
Dark Gray			GB		White		EH		
Light Gray		EJ		HB (68)	Ivory		EM		
Beige Gray			GC		Beige		ET		
Light Beige		EL		HC	Rose Beige		ER		
Moss Green		EN		HD	Rose Pink		EU		
Eye Rest Green		EA			Dark Covert Gray				HE
Turquoise		EV			Light Olive Gray		EW	GE	HF (46)
Aqua Blue		EK			Fawn				HG

The double asterisk (**) denotes a painted part. Suffix to be applied following the part number.
 Number in parenthesis indicates Bell System code



**Refer to page 1 for finish suffix

FIGURE 1. FRONT DOORS AND DOME

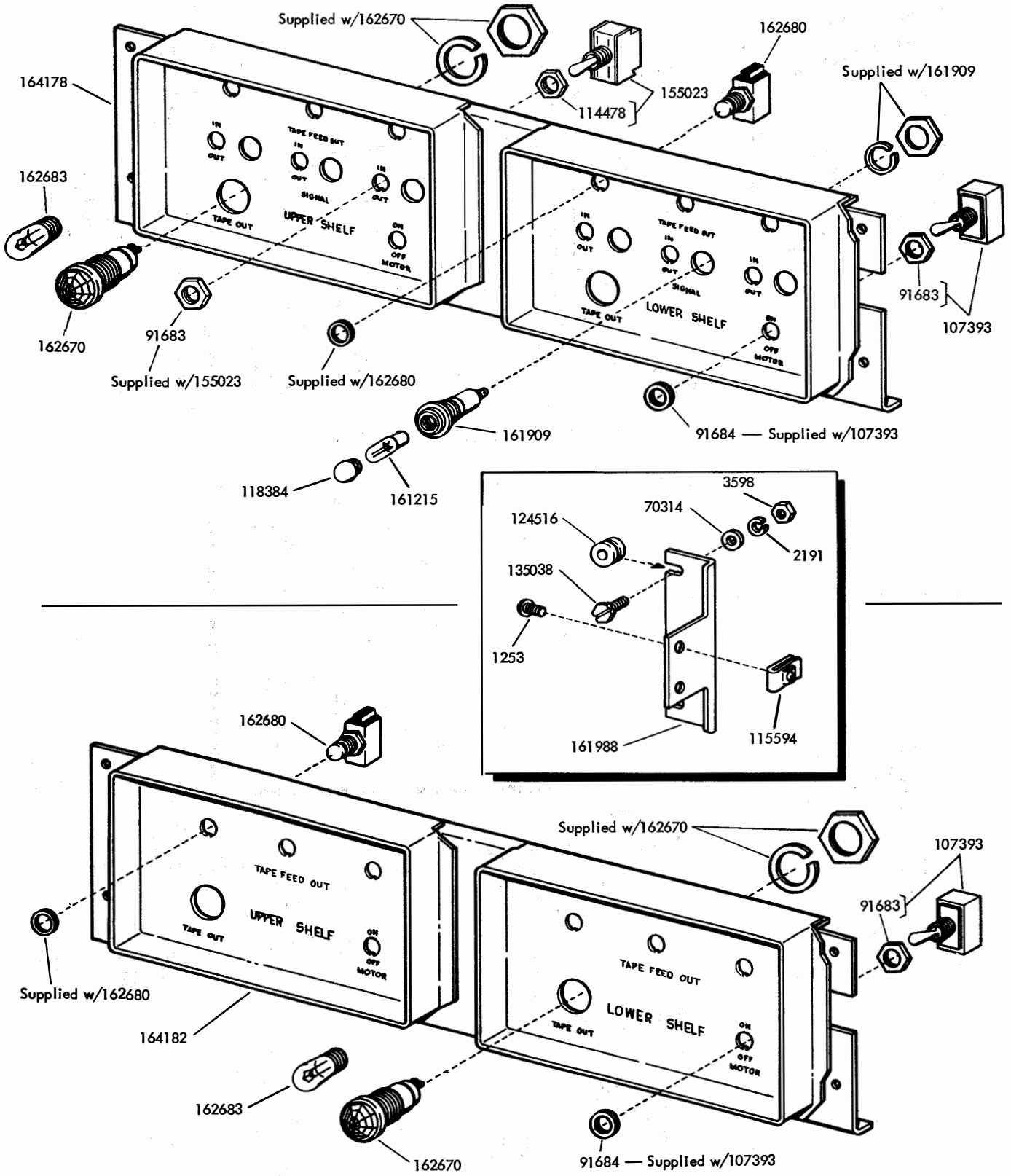


FIGURE 2. CONTROL PANELS

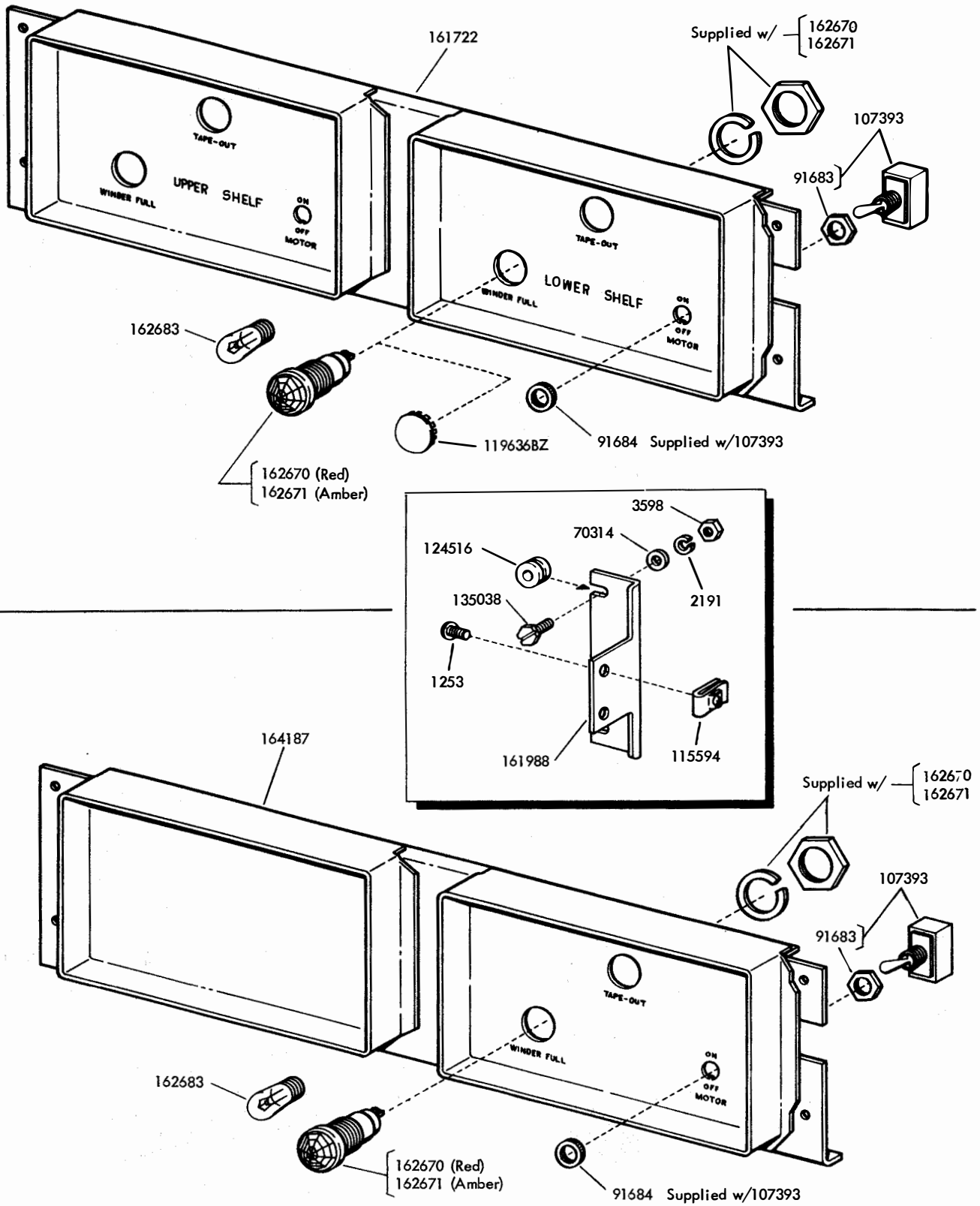


FIGURE 3. CONTROL PANELS

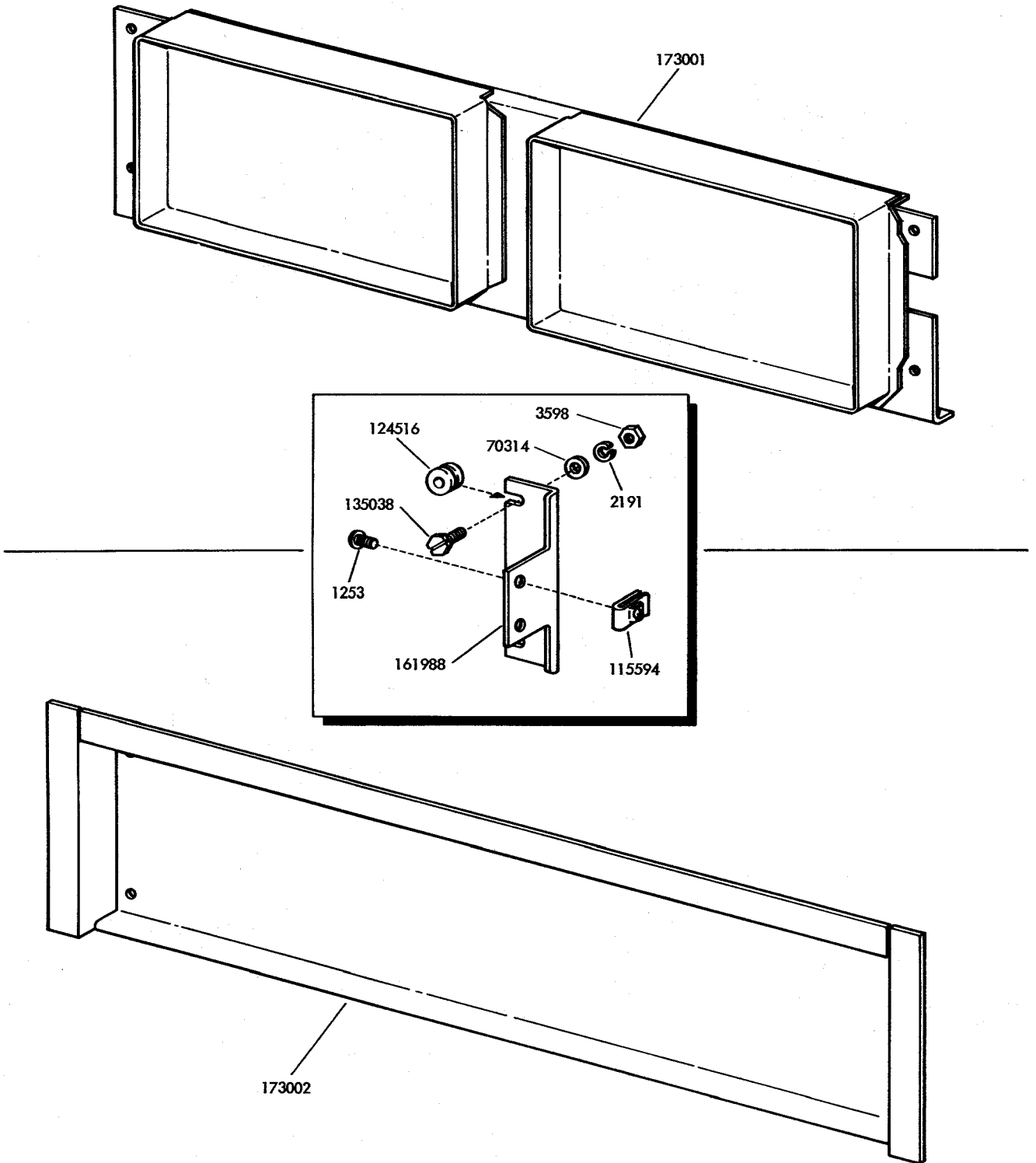


FIGURE 4. CONTROL PANELS

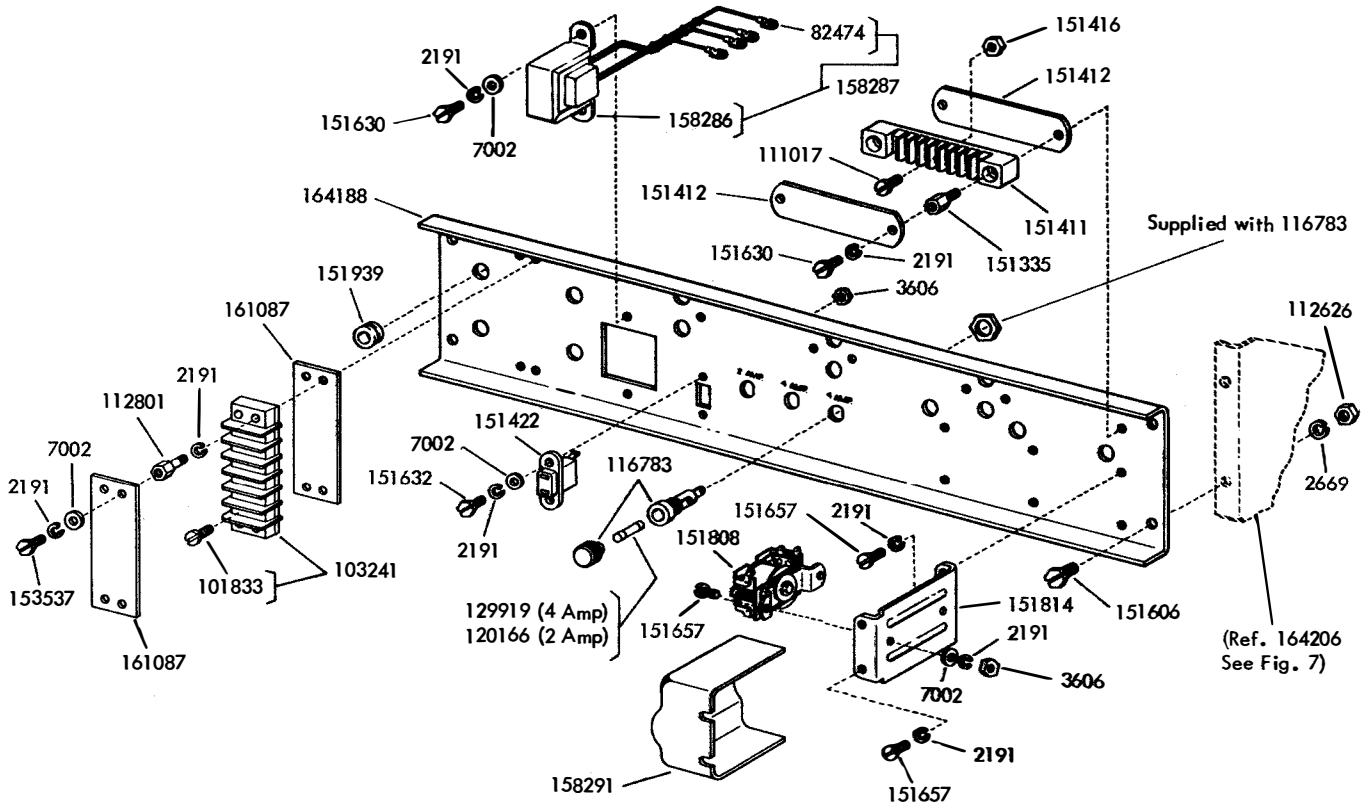
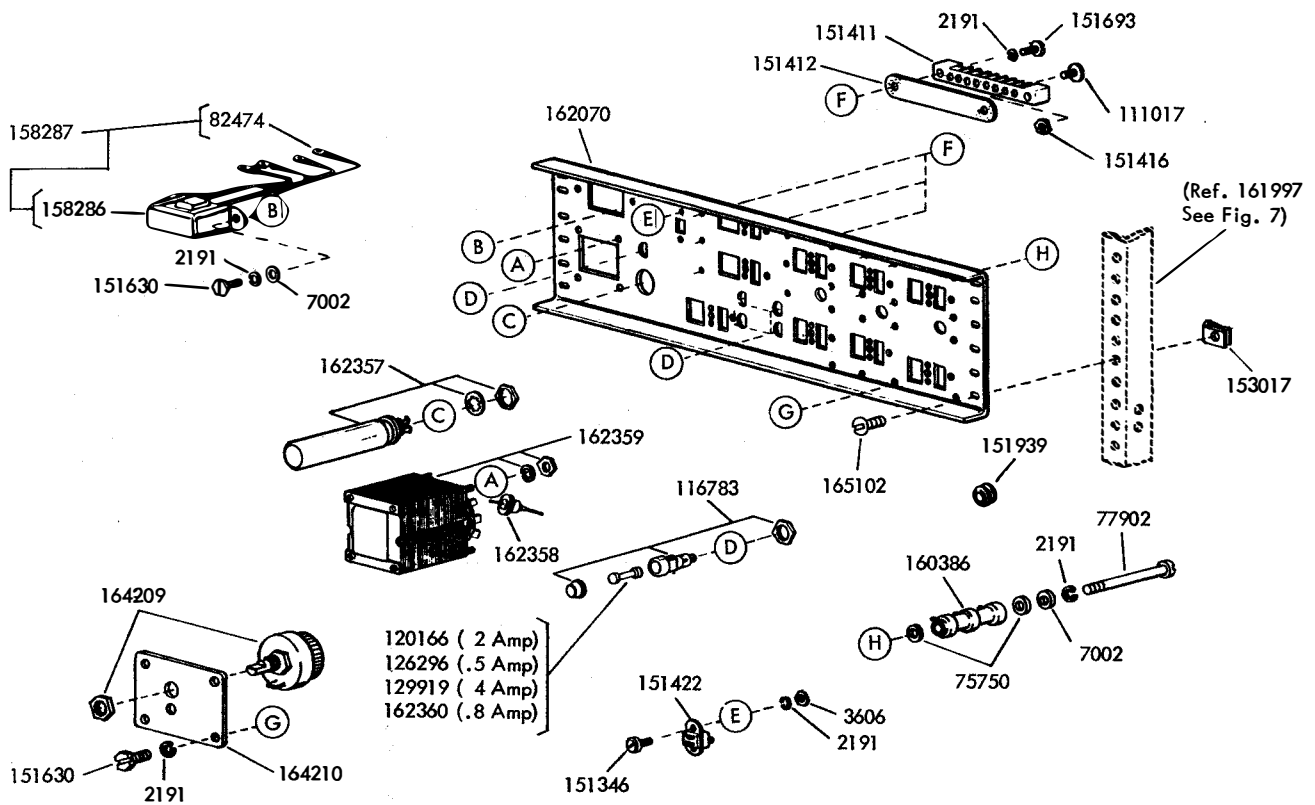


FIGURE 5. CONTROL PLATES

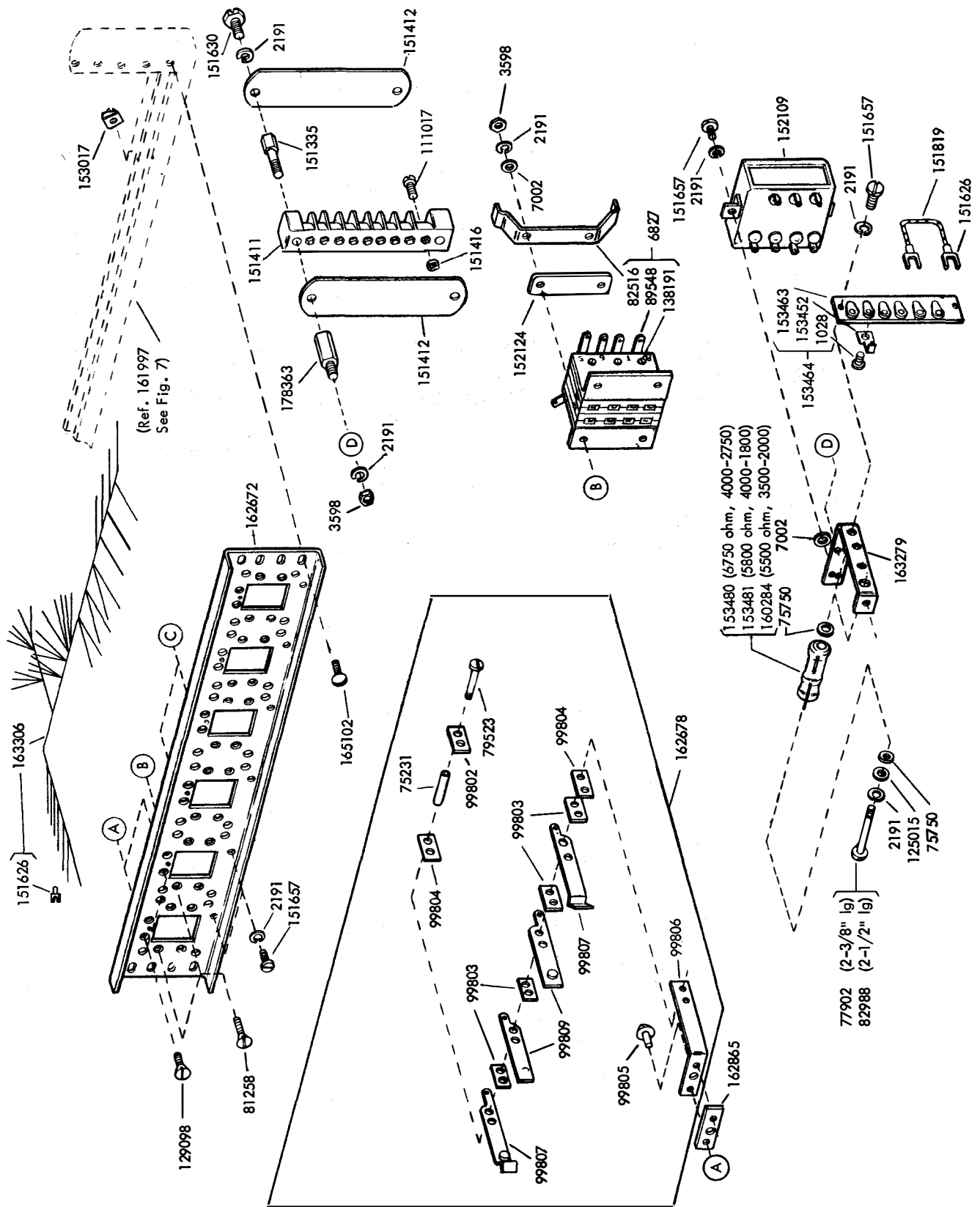


FIGURE 6. CONTROL PLATE

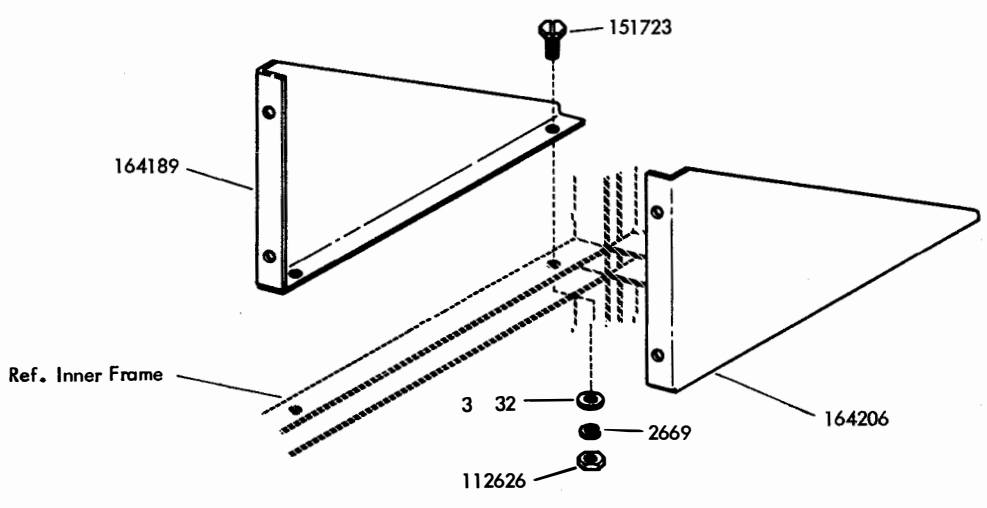
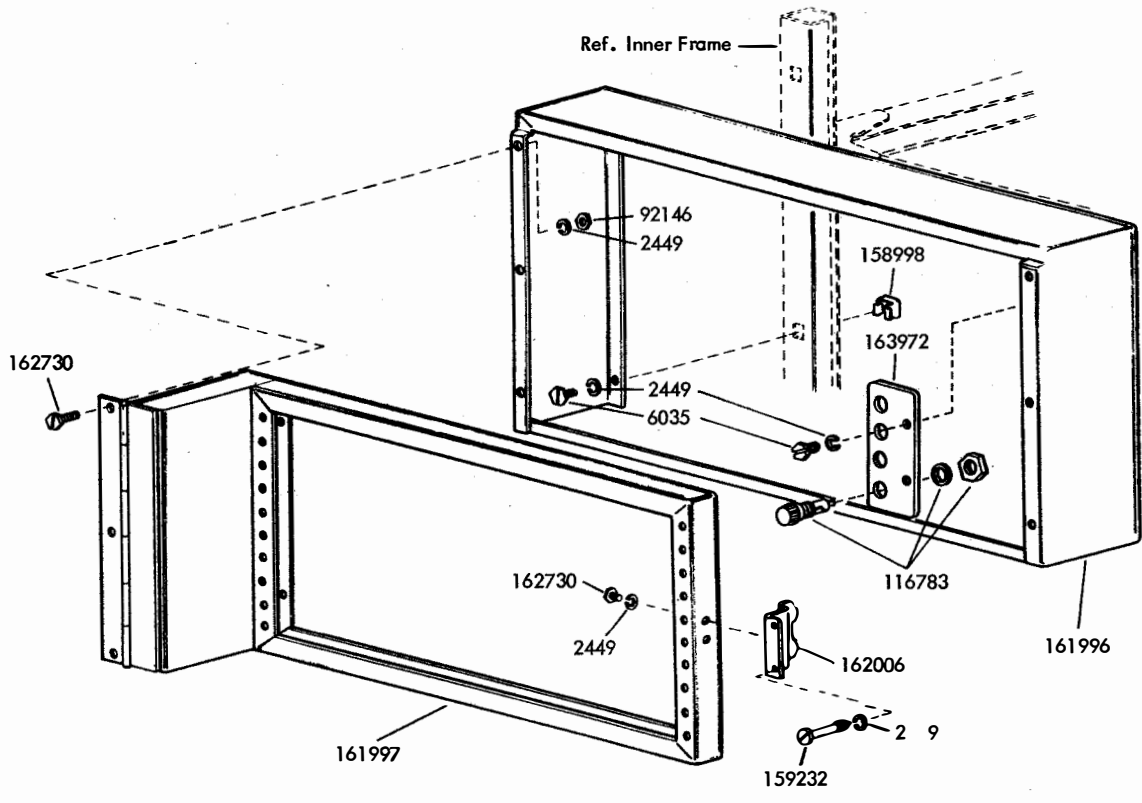


FIGURE 7. CONTROL PLATE MOUNTING PARTS

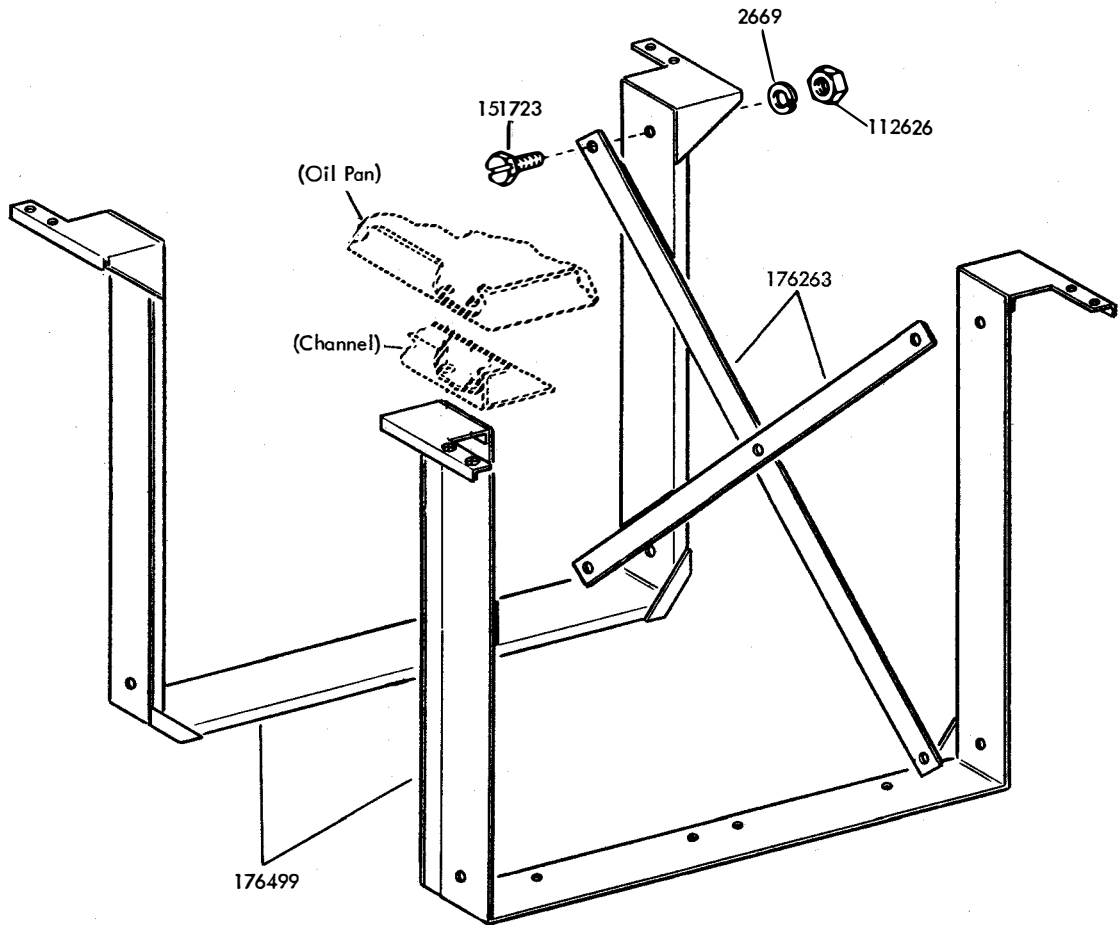


FIGURE 8. TAPE WINDER MOUNTING RACKS

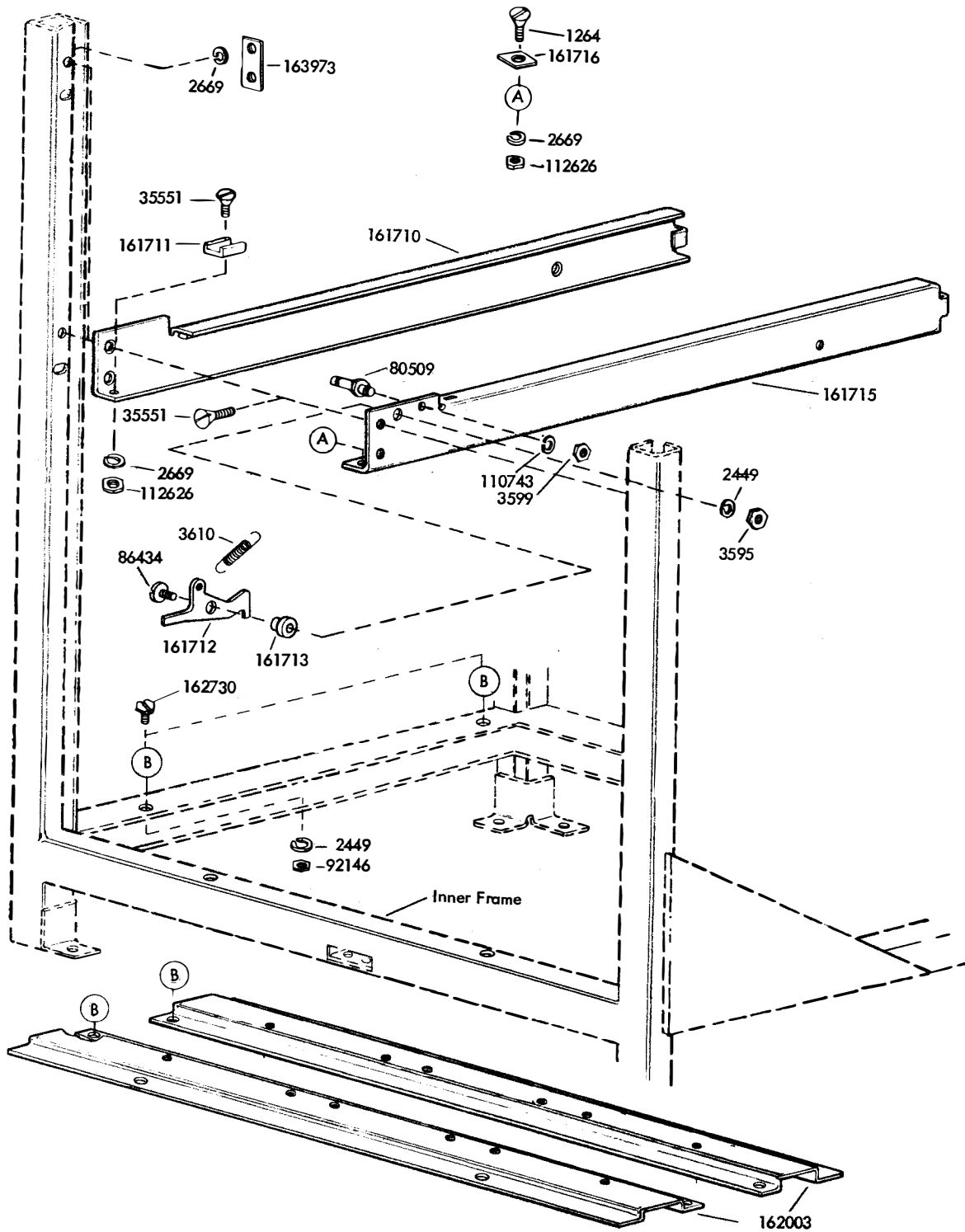
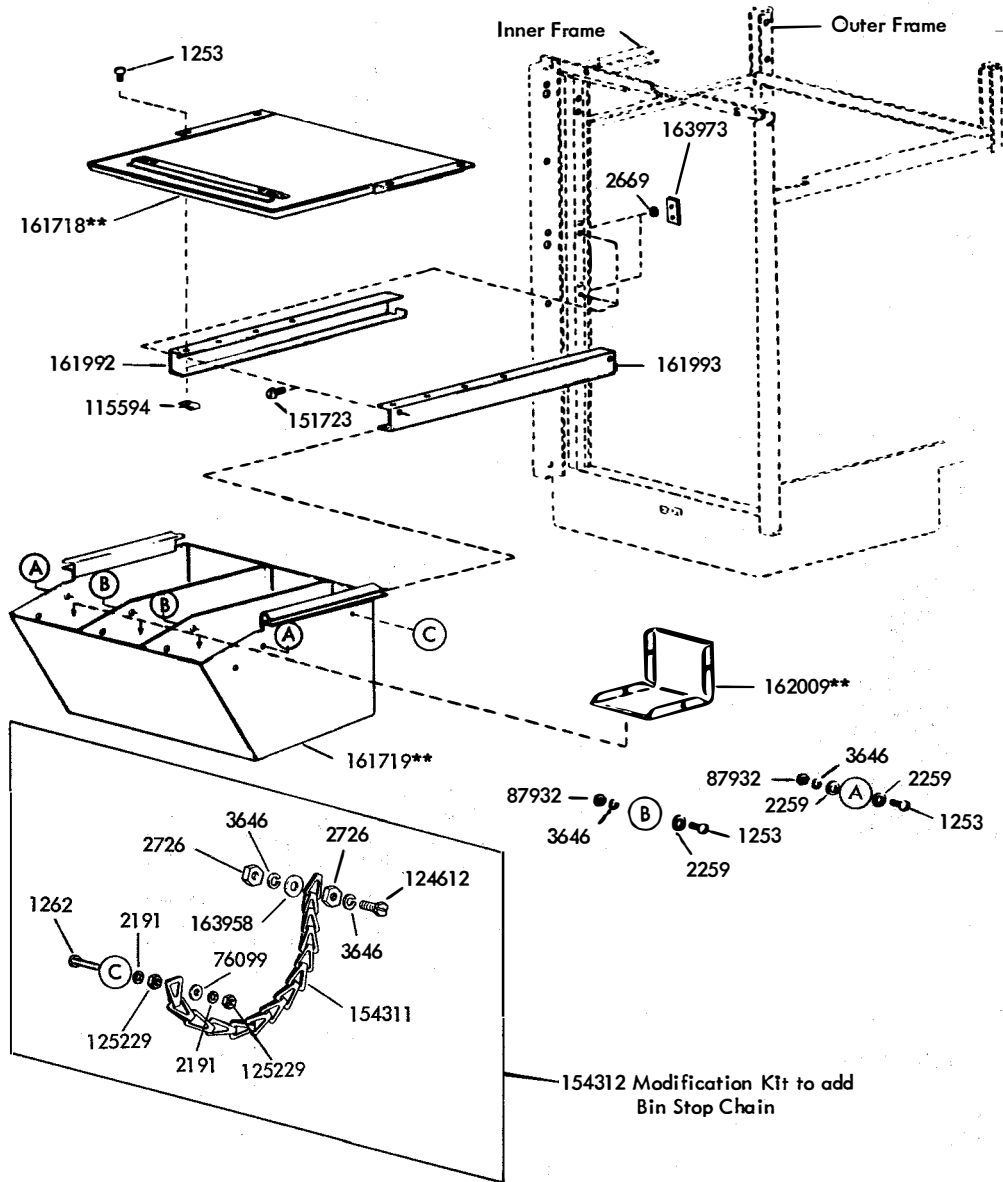
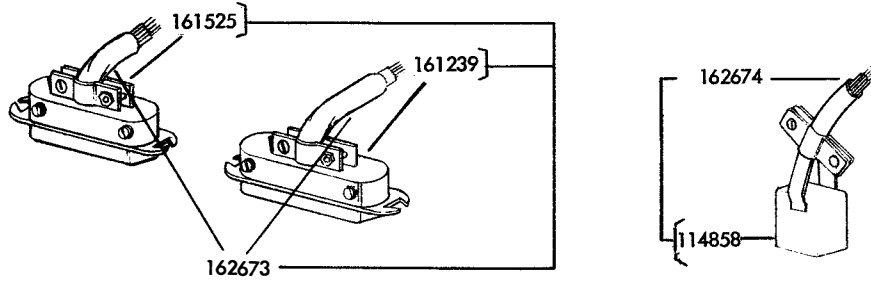


FIGURE 9. CHANNEL ASSEMBLIES



**Refer to page 1 for finish suffix

FIGURE 10. CHANNEL ASSEMBLIES WITH SHELF



Note: 161525 (14 point connector) mates with 161526
 161239 (36 point connector) mates with 161238

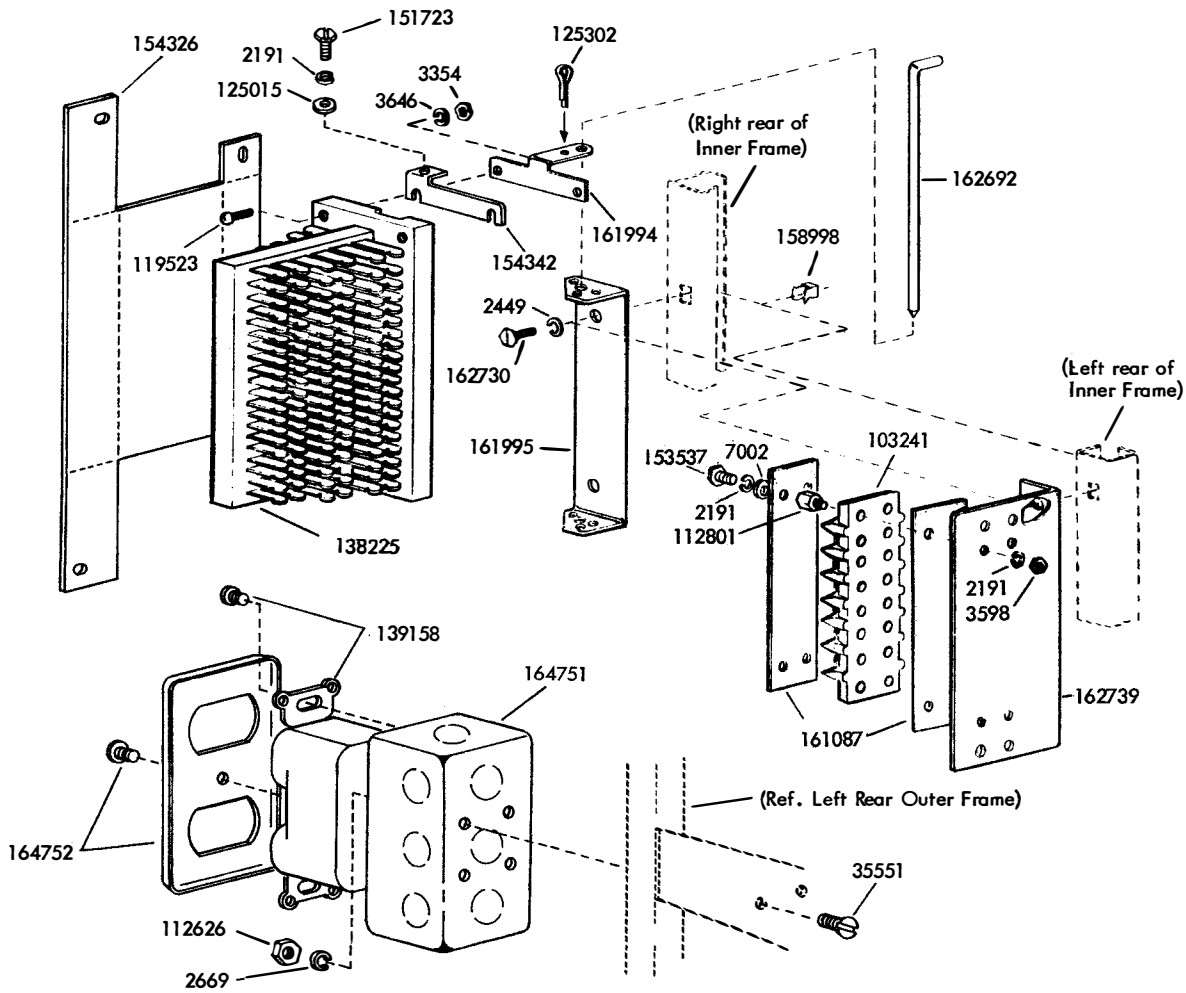
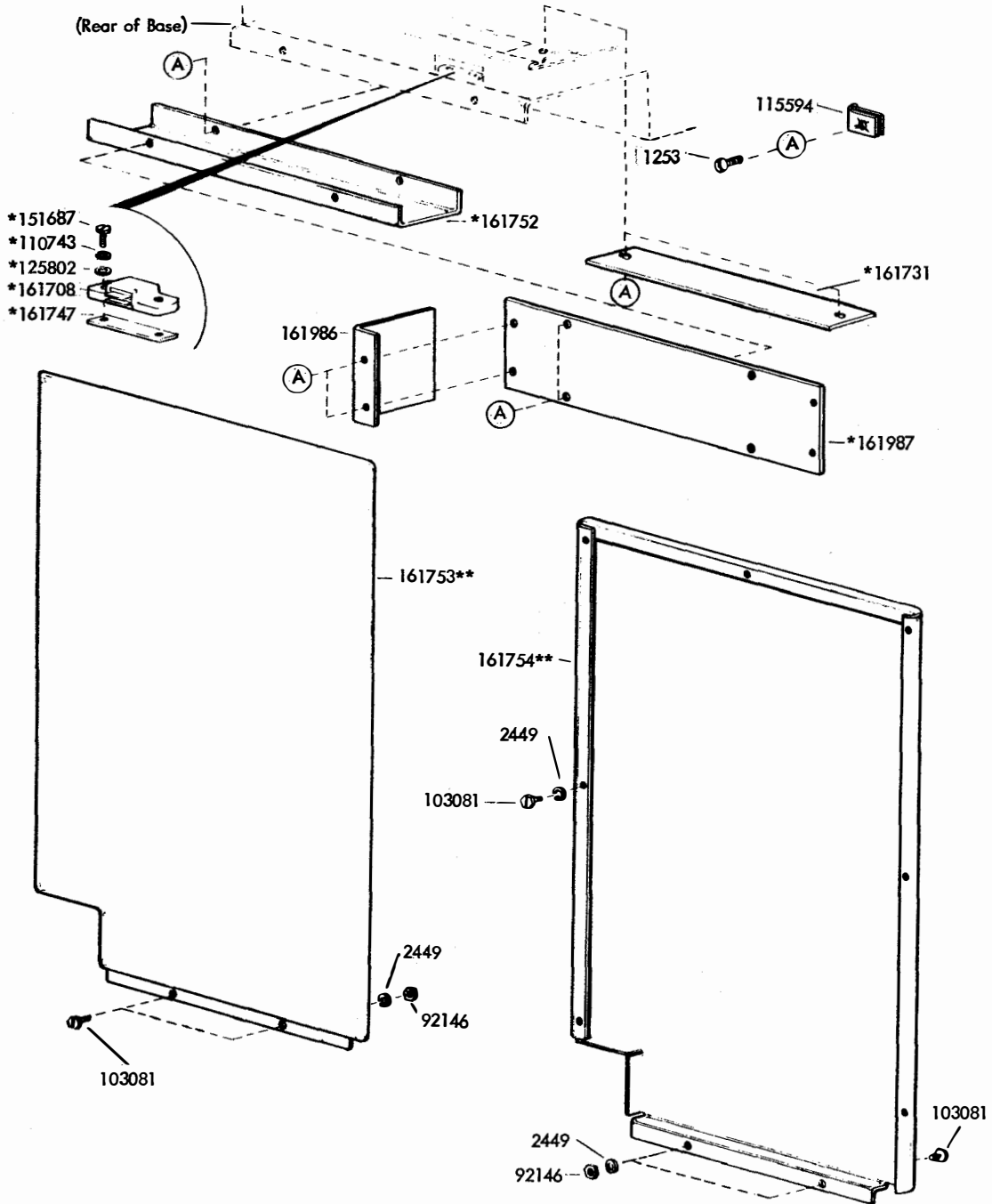
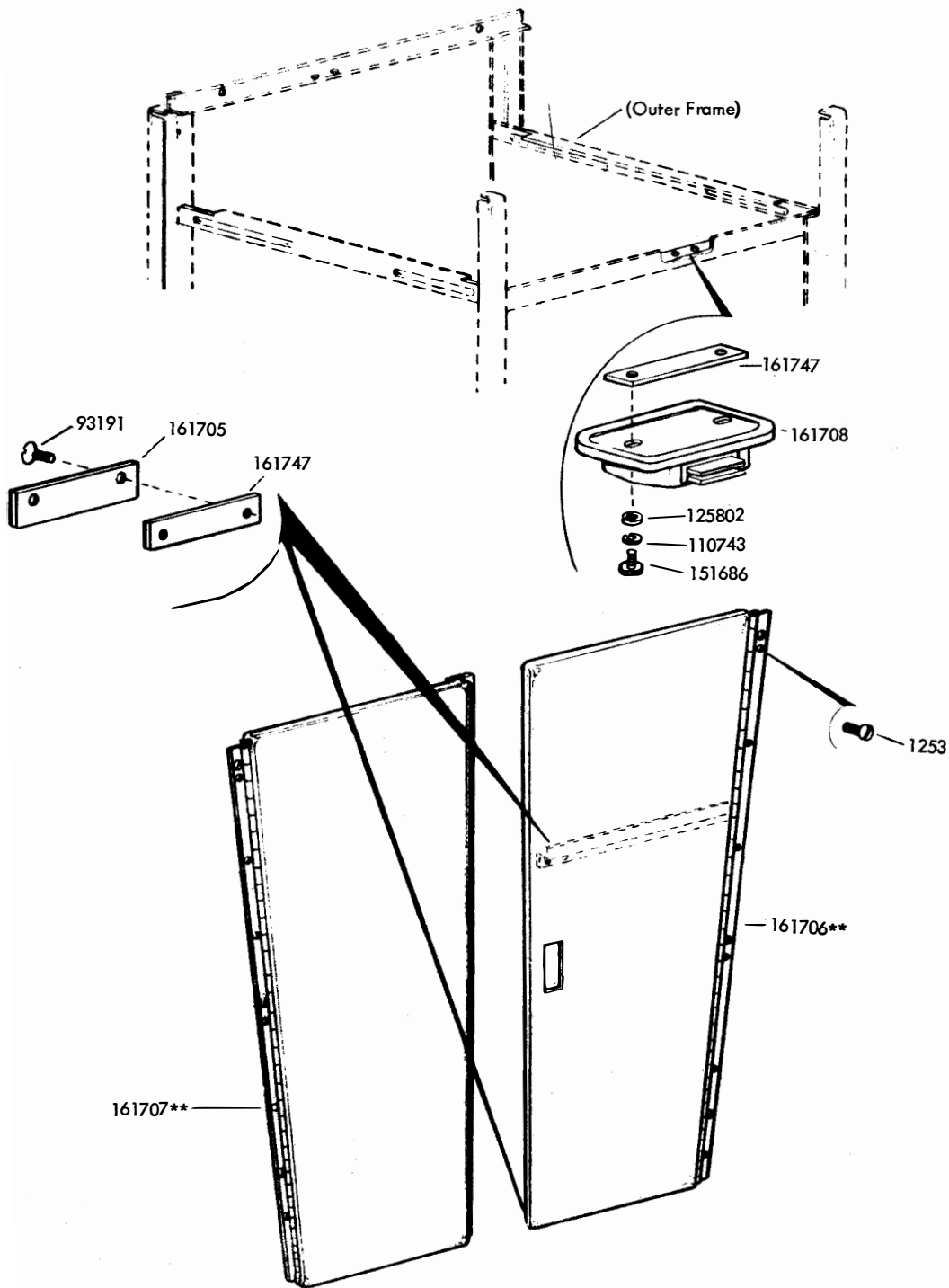


FIGURE 11. TERMINAL BLOCKS AND CABLE ASSEMBLY



*Not part of 161999** Modification Kit
 **Refer to page 1 for finish suffix

FIGURE 12. 161999** MODIFICATION KIT TO PROVIDE END ENCLOSURES



**Refer to page 1 for finish suffix

FIGURE 13. REAR DOORS AND LATCH MECHANISM

NUMERICAL INDEX

Part Number	Description and Page Number	Part Number	Description and Page Number	Part Number	Description and Page Number
1028	Screw (4-40 x 1/4 Fil) 7	118865	Cover 2	161703**	Cover, Top 2
1253	Screw (8-32 x 3/8 Rd) 2, 3, 4, 5, 11, 13, 14	119523	Screw (8-32 x 3/4 Rd) 12	161705	Strike, Fastener 2, 14
1262	Screw (6-32 x 5/16 Rd) 11	119636**	Plug, Button 4	161706**	Door, Right Rear 14
1264	Screw (10-32 x 1/2 Flat) 10	120166	Fuse (2 Amp) 6	161707**	Door, Left Rear 14
2191	Washer, Lock 2, 3, 4, 5, 6, 7, 11, 12	121021	Screw (8-32 x 1/2 Hex) 11	161708	Latch, Magnetic 2, 13, 14
2259	Washer, Flat 11	124516	Grommet, Rubber 3, 4, 5	161710	Channel, Left 10
2449	Washer, Lock 8, 10, 11, 12, 13	124612	Screw (8-32 x 1/2 Hex) 11	161711	Block, Guide 10
2669	Washer, Lock 2, 6, 8, 9, 10, 11, 12	125015	Washer, Flat 7, 12	161712	Latch, Lever 10
2726	Nut (8-32 Hex) 11	125229	Nut (6-32 Hex) 11	161713	Bushing, Shoulder 10
3354	Nut (8-32 Hex) 12	125302	Pin, Cotter 12	161715	Channel, Right 10
3595	Nut (1/4-32 Hex) 10	125802	Washer, Flat 2, 13, 14	161716	Block, Support 10
3598	Nut (6-40 Hex) 3, 4, 5, 7, 12	126296	Fuse (.5 Amp) 6	161718**	Shelf 11
3599	Nut (4-40 Hex) 10	129098	Screw (6-40 x 11/32 Flat) 7	161719**	Bin, Tape 11
3605	Nut (5/16-18 Hex) 2	129919	Fuse (4 Amp) 6	161722	Panel, Control 4
3606	Nut (6-40 Hex) 6	135038	Screw (6-40 x 9/16 Hex) 3, 4, 5	161731	Plate, Cover 13
3610	Spring 10	138191	Screw (3-48 x 1" Rd) 7	161740**	Door, Left 2
3646	Washer, Lock 11, 12	138225	Block, Terminal 12	161741**	Door, Left 2
4814	Washer, Lock 2	139158	Connector, Receptacle (Duplex) 12	161742**	Door, Right 2
6035	Screw (1/4-20 x 5/8 Hex) 8	151335	Stud 6, 7	161744**	Door, Right 2
6827	Block 7	151346	Screw (6-40 x 3/8 Fil) 6	161747	Plate, Nut 2, 13, 14
7002	Washer, Flat 6, 7, 12	151411	Block, Terminal 6, 7	161748	Screw (5/16-18 x 5/8 Flat) 2
8185	Screw (1/4-20 x 3/4 Fil) 2	151412	Insulator (1-9) 6, 7	161752	Channel, Duct 13
34432	Washer, Flat 2, 8	151416	Nut (6-40 Hex) 6, 7	161753**	Panel, Left Side 13
35551	Screw (10-32 x 3/8 Flat) 10, 12	151422	Connector, Receptacle (2 Pt) 6	161754**	Panel, Right Side 13
70314	Washer, Flat 3, 4, 5	151606	Screw (10-32 x 1/4 Hex) 6	161909	Socket, Lamp 3
75231	Bushing, Insulating 7	151626	Terminal 7	161986	Cover, Duct 13
75750	Washer, Insulating 6, 7	151630	Screw (6-40 x 1/4 Hex) 2, 6, 7	161987	Plate, Duct 13
76099	Washer, Flat 11	151632	Screw (6-40 x 3/8 Hex) 6	161988	Bracket, Mounting 3, 4, 5
77902	Screw (6-40 x 2-3/8 Rd) 6, 7	151657	Screw (6-40 x 1/4 Fil) 6, 7	161992	Channel, Left Mounting 11
79523	Screw (2-56 x 25/32 Fil) 7	151686	Screw (4-40 x 3/8 Fil) 14	161993	Channel, Right Mounting 11
80509	Post, Spring 10	151687	Screw (4-40 x 7/16 Fil) 2, 13	161994	Bracket, Terminal Block 12
81258	Screw (6-40 x 5/8 Flat) 7	151693	Screw (6-40 x 9/16 Fil) 6	161995	Bracket, Terminal Block 12
82474	Terminal 6	151723	Screw (10-32 x 3/8 Hex) 8, 9, 11, 12	161996	Frame, Mounting 8
82516	Spring, Retaining 7	151808	Relay 6	161997	Frame, Mounting Rack 7, 8
82988	Screw (6-40 x 2-1/2 Rd) 7	151814	Bracket, Relay Mounting 6	161999**	Modification Kit 13
86434	Screw (1/4-32 x 3/4 Fil) 10	151819	Jumper (3" Black) 7	162003	Channel, Front 10
87932	Nut (8-32 Hex) 11	151939	Grommet, Rubber 6	162005	Bracket, Clip 2
89548	Spring, Contact 7	152109	Filter 7	162006	Bracket 8
91683	Nut (15/32-32 Hex) 3, 4	152124	Spacer 7	162009**	Divider, Tape Bin 11
91684	Nut (15/32-32 Ring) 3, 4	152993	Screw, Shoulder (10-32) 2	162070	Plate, Mounting 6
92146	Nut (1/4-20 Hex) 8, 10, 13	153017	Nut, Speed 6, 7	162357	Capacitor (500 MFD) 6
93191	Screw (4-40 x 5/16 Flat) 2, 14	153452	Terminal 7	162358	Diode 6
99802	Plate 7	153463	Block, Terminal 7	162359	Transformer, Power 6
99803	Insulator (.094") 7	153464	Block Assembly, Terminal 7	162360	Fuse (.8 Amp) 6
99804	Insulator (.062") 7	153480	Resistor (6750 Ohm) 7	162670	Light, Red Pilot 3, 4
99805	Plunger 7	153481	Resistor (5800 Ohm) 7	162671	Light, Amber Pilot 4
99806	Bracket 7	153537	Screw (6-40 x 9/32 Hex) 6, 12	162672	Plate, Relay 7
99807	Spring, Contact 7	154311	Chain, Bin Stop (40 Links) 11	162673	Cable Assembly 12
99809	Spring, Contact 7	154312	Modification Kit 11	162674	Cable Assembly 12
101833	Screw (8-32 x 5/16 Fil) 6	154326	Cover, Insulating 12	162678	Contact Assembly, Line Shunt 7
103081	Screw (1/4-20 x 1/2 Fil) 13	154342	Bracket, Insulating Cover 12	162680	Switch, Push 3
103241	Block, Terminal 6, 12	155023	Switch, Toggle (DP-DT) 3	162683	Lamp, Clean Incandescent 3, 4
107393	Switch, Toggle (SP-ST) 3, 4	158286	Transformer 6	162692	Pin, Hinge 12
110743	Washer, Lock 2, 10, 13, 14	158287	Transformer Assembly 6	162730	Screw (1/4-20 x 7/16 Hex) 2, 8, 10, 12
111017	Screw (6-40 x 5/16 Fil) 6, 7	158291	Cover, Relay 6	162739	Bracket, Terminal Block 12
112626	Nut (10-32 Hex) 2, 6, 8, 9, 10, 12	158998	Retainer, Speed Nut 8, 12	162865	Spacer 7
112801	Stud 6, 12	159232	Screw, Captive (1/4-20) 8	163163	Pad 2
114478	Nut (15/32-32 Hex) 3	160284	Resistor (5,500 Ohm) 7	163279	Bracket, Mounting 7
114858	Connector, Receptacle (6 Pt) 12	160386	Resistor (1,000 Ohm) 6	163306	Cable 7
115594	Nut, Speed 3, 4, 5, 11, 13	161087	Insulator (1-6) 6, 12	163958	Washer, Flat 11
116783	Holder, Fuse 6, 8	161215	Lamp, Glow 3	163972	Strip, Fuse Mounting 8
118384	Lens, Clear Indicator Light 3	161238	Connector, Receptacle (36 Pt) 12	163973	Plate, Nut 10, 11
		161239	Connector, Plug (36 Pt) 12	164178	Panel, Control 3
		161525	Connector, Plug (14 Pt) 12	164182	Panel, Control 3
		161526	Connector, Receptacle (14 Pt) 12	164187	Panel, Control 4
				164188	Plate, Control 6

NUMERICAL INDEX (Continued)

Part Number	Description and Page Number	Part Number	Description and Page Number	Part Number	Description and Page Number
164189	Bracket, Left 8	165102	Screw (12-24 x 3/8 Rd) 6, 7	176492**	Door, Right 2
164206	Bracket, Right 6, 8	173001	Panel, Blank Control 5	176493**	Door, Left 2
164209	Rheostat (350 Ohm) 6	173002	Panel 5	176494	Window 2
164210	Plate, Mounting 6	173025**	Bin, Tape 2	176499	Bracket, Mounting 9
164424	Window 2	173381**	Door, Left 2	178363	Post 7
164751	Box, Junction 12	173382**	Door, Right 2	179179	Bracket 2
164752	Plate, Cover 12	174456	Plate, Nut 2	193855**	Cover W/Clips 2
		176263	Strip 9		