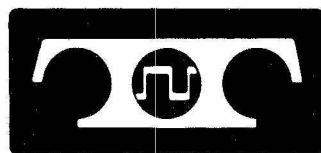




BULLETIN 1167B

PARTS

MODEL 28
TYPING REPERFORATOR
AND
TAPE PRINTER SETS
(LPR & LTP)



TELETYPE[®]
CORPORATION

5555 TOUHY AVENUE, SKOKIE, ILLINOIS

LIST OF EFFECTIVE PAGES

JANUARY, 1964

(Supersedes November, 1961 Issue)

Page Number	Change In Effect
A to G	Change 7
H to M	Change 5
1-1 to 1-40	Change 7
2-1 to 2-57	Change 7
3-1 to 3-11	Change 7
4-1 to 4-24	Change 7
5-1 to 5-10	Change 7
6-1 to 6-29	Change 7
7-1 to 7-5	Change 7
8-1 to 8-12	Change 7

The above list indicates the effective pages as of issue date. Upon receipt of Change Pages, insert them numerically and discard any superseded pages.

TABLE OF CONTENTS

Figure Number		Page Number	Figure Number		Page Number
SECTION 1 - RECEIVING ONLY BASE (LRB) AND VARIABLE FEATURES					
1-1	Reperforator Base (Single Plate)	1-2	1-19	Miniaturized Receiving Only Reperforator Base	1-20
1-2	Reperforator Base (Single Plate)	1-3	1-20	174492 Tape Container Assembly	1-21
1-3	159377 Modification Kit to Provide Single Speed Drive	1-4	1-21	174459 Modification Kit to Provide a Sliding Base	1-22
1-4	Reperforator Base (Double Plate)	1-5	1-22	176100 Variable Speed Mechanism Assembly	1-23
1-5	Reperforator Base (Double Plate)	1-6	1-23	176100 Variable Speed Mechanism Assembly	1-24
1-6	Tape Container Assemblies	1-7	1-24	LRB200** Miniaturized Base	1-25
1-7	Modification Kits to Provide Variable Speed Drive	1-8	1-25	LRB201** Miniaturized Base	1-26
1-8	Modification Kits to Provide Variable Speed Drive	1-9	1-26	164873** (7/8") and 193794** (1") Tape Container Assemblies with Tape-Out Switch	1-27
1-9	Multiple Reperforator Base (With Cross-Shaft)	1-10	1-27	162957** Tape Winder Assembly	1-28
1-10	Cross-Shaft Mechanism for Multiple Reperforator Base	1-11	1-28	Typing Reperforator Base with Extension	1-29
1-11	Multiple Reperforator Base (With Cross-Shaft and Intermediate-Shaft)	1-12	1-29	Electrical Components	1-30
1-12	Cross-Shaft and Intermediate Shaft Mechanism for Multiple Reperforator Base	1-13	1-30	195388 Modification Kit to Relocate Power Switch from the Rear to the Front	1-31
1-13	161527 Tape Container Assembly	1-14	1-31	173484 Modification Kit to Provide Power Factor Correction for (LMRB) Base	1-31
1-14	161678 Modification Kit to Install a Multiple Reperforator Base (LMRB) in a Model 28 Cabinet (LBAC)	1-15	1-32	164341 and 176542 Modification Kits to Provide Chad Disposal on Multiple Reperforator Bases	1-32
1-15	Auxiliary Reperforator Base	1-16	1-33	Modification Kits to Provide Chad Disposal	1-33
1-16	Gear Bracket Assembly	1-17	1-34	193667** Modification Kit to Provide a Sprocket Guard for Multiple Reperforator Bases	1-34
1-17	Auxiliary Reperforator Base Gearing Mechanism	1-18	1-35	Gear Chart for Self-Contained (LRPE)	1-34
1-18	161815 and 176287 Modification Kits to Mount an Auxiliary Typing Reperforator Base	1-19	1-36	Cable Chart	1-35
			1-37	Cable Chart	1-36
				Numerical Index - Section 1	1-37

SECTION 2 - TYPING REPERFORATOR UNIT (LPR), TAPE PRINTER (LTP) AND VARIABLE FEATURES

2-1	Frame Mechanism	2-2	2-26	161340 Modification Kit to Add Manual Interfering Letters Tape Feed-Out	2-25
2-2	Frame Mechanism	2-3	2-27	161341 and 162432 Modification Kits to Add Solenoid Operations to Letters Feed-Out	2-25
2-3	Main Shaft Mechanism	2-4	2-28	Two-Shaft Mechanism	2-26
2-4	Punch Rear Plate Mechanism	2-5	2-29	159363 and 172640 Modification Kits to Add Manual Backspace (Printing on Edge of Tape)	2-27
2-5	Punch Front Plate Mechanism	2-6	2-30	161304 and 162245 Modification Kits to Add Power Drive to Backspace Mechanism	2-28
2-6	Punch Bail Mechanism	2-7	2-31	Cables	2-29
2-7	Rotary Positioning Mechanism	2-8	2-32	161321 and 162247 Letters-Figures Contact Assembly	2-30
2-8	Rotary Positioning Mechanism	2-9	2-33	162379 and 163347 Modification Kits to Add Automatic Non-Interfering Letters Tape Feed-Out	2-31
2-9	Axial Positioning Mechanism	2-10	2-34	162379 (Automatic Letter), 162380 (Remote Control Blank), 163347 (Automatic Letters), 173443 (Remote Control Letters) and 176628 (Remote Control Letters) Modification Kits to Add Non-Interfering Tape Feed-Out	2-32
2-10	Axial Positioning Mechanism	2-11	2-35	162379 (Automatic Letters), 162380 (Remote Control Blank), 163347 (Automatic Letters), 173443 (Remote Control Letters) and 176628 (Remote Control Letters) Modification Kits to Add Non-Interfering Tape Feed-Out	2-33
2-11	Function Box Mechanism	2-12	2-36	162380 (Blank), 173443 (Letters) and 176628 (Letters) Modification Kits to Add Remote Control Non-Interfering Tape Feed-Out	2-34
2-12	Range Finder Mechanism	2-13	2-37	162380 (Blank), 173443 (Letters) and 176628 (Letters) Modification Kits to Add Remote Control Non-Interfering Tape Feed-Out	2-35
2-13	Selecting Mechanism	2-14			
2-14	Selecting Magnet Mechanism	2-15			
2-15	Transfer Mechanism	2-16			
2-16	Early Design Ribbon Feed Mechanism	2-17			
2-17	Typing Mechanism	2-18			
2-18	159351 and 162434 Modification Kits to Add Non-Interfering Blank Tape Feed-Out	2-19			
2-19	159351 and 162434 Modification Kits to Add Non-Interfering Blank Tape Feed-Out	2-20			
2-20	159351 and 162434 Modification Kits to Add Non-Interfering Blank Tape Feed-Out	2-21			
2-21	Modification Kits to Add Timing Contacts	2-22			
2-22	Modification Kits to Add Code Reading Contacts	2-22			
2-23	Cables	2-23			
2-24	159360 and 162242 Modification Kits to Add Signal Bell Contact	2-24			
2-25	160881 Modification Kit to Add Guard for Backspace Mechanism (Printing on Edge of Tape)	2-24			

TABLE OF CONTENTS (Continued)

Figure Number		Page Number	Figure Number		Page Number
2-38	Modification Kits to Provide Unshift Function	2-36	2-50	164506 Modification Kit to Add Multiple Mounted Function Blade Operated Contacts	2-46
2-39	161828 Modification Kit to Make Tape Backspace and Blank Feed-Out Compatible	2-36	2-51	Modification Kits to Equip a Reperforator with an Auxiliary Contact Assembly and Function Blades	2-46
2-40	176621 Modification Kit to Provide End of Feed-Out Timing Contact for 176628 Letters Tape Feed-Out	2-37	2-52	178917 Modification Kit to Provide Backspace Mechanism for Fully Perforated Tape and Printing Between Feed Holes	2-47
2-41	176420 and 176421 Modification Kits to Add Timing Contacts to Selector	2-38	2-53	178918 Modification Kit to Provide Guard for Backspace Mechanism (Fully Perforated Tape, Printing Between Feed Holes)	2-47
2-42	Early Design Main Shaft Mechanisms	2-39	2-54	179275 Modification Kit to Provide Positive Engagement of Punch Slides with the Latch Levers	2-48
2-43	Punch Block Assemblies	2-40	2-55	174475 Modification Kit to Provide Print Suppression on Functions	2-48
2-44	Ribbon Feed Mechanism	2-41	2-56	Motor Control Mechanism	2-49
2-45	Uncoded Function Blades	2-42	2-57	Code Reading Contact Cables	2-50
2-46	173961 and 179133 Modification Kits to Provide Blank Delete for Typing Reperforator	2-43	2-58	Typewheel Chart	2-51
2-47	173961 and 179133 Modification Kits to Provide Blank Delete for Typing Reperforator	2-44		Numerical Index - Section 2	2-52
2-48	173135 Tape Absent Contact Bracket Assembly	2-45			
2-49	164948 Modification Kit to Equip Reperforator with Combination Tape Chute and Knife Tearing Edge when Mounted in an Universal Cabinet	2-45			

SECTION 3 - MOTOR UNIT (LMU)

3-1	Synchronous Motor Unit (LMU3, 38)	3-2	3-7	Series Motor Mounting Parts (LMU6)	3-8
3-2	Heavy Duty Synchronous Motor Unit (LMU12)	3-3	3-8	Series Motor Mounting Parts with RF Suppression (LMU4, 14)	3-9
3-3	Miniature Synchronous Motor Unit (LMU20)	3-4	3-9	Series Motor Mounting Parts with RF Suppression (LMU29, 39, 41)	3-10
3-4	Miniature Synchronous Motor Unit (LMU24)	3-5		Numerical Index - Section 3	3-11
3-5	Series Motor (LMU4, 6, 14, 29, 39, 41)	3-6			
3-6	150845 Governor Assembly (LMU4, 6, 14, 29, 39, 41)	3-7			

SECTION 4 - COVER (LRC AND LSRC), TABLE (LT) AND APPARATUS CABINET (LBAC)

4-1	Front Doors and Dome	4-2	4-13	Rear Doors and Latch Mechanism	4-14
4-2	Control Panels	4-3	4-14	Table	4-15
4-3	Control Panels	4-4	4-15	Table with Fixed Lower Shelf	4-16
4-4	Control Panels	4-5	4-16	Table with Sliding Lower Shelf	4-17
4-5	Control Plates	4-6	4-17	Table Assembly	4-18
4-6	Control Plate	4-7	4-18	Receiving-Only Typing Reperforator Cover	4-19
4-7	Control Plate Mounting Parts	4-8	4-19	Receiving-Only Non-Typing Reperforator Cover	4-20
4-8	Tape Winder Mounting Racks	4-9	4-20	Receiving-Only Typing Reperforator Cover	4-21
4-9	Channel Assemblies	4-10	4-21	Send-Receive Cover	4-22
4-10	Channel Assemblies with Shelf	4-11		Numerical Index - Section 4	4-23
4-11	Terminal Blocks and Cable Assembly	4-12			
4-12	161999** Modification Kit to Provide End Enclosures	4-13			

SECTION 5 - ELECTRICAL SERVICE UNIT (LESU)

5-1	Electrical Service Unit (LESU)	5-2	5-6	177010 Selector Magnet Driver Assembly	5-7
5-2	152623 Line Relay Mounting Assembly	5-3	5-7	Early Design LESU Parts	5-8
5-3	152950 and 162361 Rectifier Assemblies	5-4	5-8	174426 Plate Assembly	5-8
5-4	153251 Electrical Motor Control Assembly	5-5	5-9	176694 Motor Control Assembly	5-9
5-5	176448 Relay Motor Control Assembly	5-6	5-10	Cables	5-9
				Numerical Index - Section 5	5-10

TABLE OF CONTENTS (Continued)

Figure Number		Page Number	Figure Number		Page Number
SECTION 6 - SEND-RECEIVE KEYBOARD BASE (LTPK AND LTRK) AND VARIABLE FEATURES					
6-1	Sub-Base	6-2	6-18	176405 Modification Kit to Add Tape Backspace Button	6-17
6-2	Base	6-3	6-19	163775 Modification Kit to Provide Repeat on Space Mechanism	6-17
6-3	Bracket Assembly	6-4	6-20	Gear Sets	6-18
6-4	Casting Assembly	6-5	6-21	Tape Printer Sub-Base	6-19
6-5	Tape Container Assembly	6-6	6-22	Gear Shift Mechanism for Tape Printer Keyboard	6-20
6-6	Function Bail Mechanism	6-7	6-23	Gear Shift Mechanism for Tape Printer Keyboard	6-21
6-7	Intermediate Gear Mechanism	6-8	6-24	Connectors and Cable	6-22
6-8	Keyboard Assembly	6-9	6-25	Electrical Components for the Tape Printer Keyboard	6-23
6-9	Code Bar Mechanism	6-10	6-26	193800 Modification Kit to Provide Synchronous Pulsed Transmission	6-24
6-10	Universal Bail Mechanism	6-11	6-27	192999 Modification Kit to Provide Vacuum Chad Removal for Send-Receive Typing Reperforator Set	6-25
6-11	Bail Lock Mechanism	6-12	6-28	Cables	6-26
6-12	Signal Generator Frame Mechanism	6-13		Numerical Index - Section 6	6-27
6-13	Signal Generator Shaft Mechanism	6-14			
6-14	Signal Generator Front Plate Mechanism	6-15			
6-15	Signal Generator Rear Plate Mechanism	6-16			
6-16	154165 and 154225 Signal Generator Contact Box Assemblies	6-17			
6-17	155990 Character Counter Mechanism	6-16			

SECTION 7 - NOTES AND MODIFICATION KITS

SECTION 8 - MASTER NUMERICAL INDEX

TELETYPE AND BELL SYSTEM CODE REFERENCE CHART

Unit	Teletype Code	Bell System Code			
		Self-Contained Set Components	Multiple Mtg. Set Components	ASR Set Components	RT Set Components
Typing Reperforator	LPR3				28A
	LPR4	28A			
	LPR7	28B			
	LPR10			28D	
	LPR22	28C, 28E			
	LPR23	28D, 28F			
	LPR25				28D, 28F
	LPR32	28G			
	LPR33			28D	
	LPR42	28J, 28K			
	LPR46	28L			
	LPR47	28M			
	LPR54	28K			
LPR56			28K		
Reperforator Base	LRB3	28A			
	LRB5			28C	
	LRB21	28D			
Multiple Reperforator Base	LMRB201**		28B		
Motor Unit	LMU3	28A			
	LMU6	28B			
	LMU12		28C		
	LMU14		28D		
	LMU29	28E			
Electrical Service Unit	LESU12	28D			
	LESU30	28D-1			
	LESU75	28D-2			
	LESU96	28U			
Sprocket & Belt Sets	161680 (60 WPM)		28K		
	162213 (75 WPM)		28L		
	162217 (100 WPM)		28M		
Gear Sets Typing Reperforator (LPR)	159893 (60 WPM)			28N	
	159890 (75 WPM)			28P	
	159887 (100 WPM)			28R	
	163023 (60 WPM)			28N-1	
	163024 (75 WPM)			28P-1	
	163025 (100 WPM)			28R-1	
Gear Sets Auxiliary Base (LRB)	161811 (60 WPM)			28S	
	161812 (75 WPM)			28T	
	161813 (100 WPM)			28U	
Tape Printer	LTP1	28LA			
	LTP2	28LA-1			
Keyboard Base	LTPK1	28LA			
	LTPK2	28LB			
	LTPK3	28LC			
	LTRK3	28E			
Cover	LRC200**	28A**			
	LSRC200**	28B**			
	LSRC201**	28LA**			
	LSRC202**	28LB**			
Table	LT200**	28A**			
Cabinets	LBAC215**		28A-1		
	LBAC216**		28A-2		
	LBAC217**		28A-3		
	LBAC218**		28A-4		

components of the Model 28 Typing Reperforator and Tape Printer Sets covered in this bulletin.		
Typing Reperforator	Single Shaft	LPR1, 3, 4, 5, 7, 9, 11, 12, 13, 14, 15, 16, 17, 18, 19, 21, 22, 23, 24, 25, 27, 29, 32, 34, 35, 37, 38, 39, 40, 41, 42, 45, 46, 47, 48, 49, 52, 53, 54, 55
	Two Shaft	LPR6, 10, 26, 33, 36, 50, 51, 56
Tape Printer		LTP1, 2, 3
Send-Receive Keyboard	Typing Reperforator	LTRK1, 2, 3, 5
	Tape Printer	LTPK1, 2, 3
Receiving-Only Base	Self-Contained	LRB2, 3, 7, 8, 10, 11, 18, 19, 21, 22, 23, 24, 26, 30, 31, 33, 34, 41, 43, 46, 200**, 201**
	Auxiliary (ASR)	LRB5, 6, 9, 20, 27, 28, 32, 36, 42
Multiple Reperforator Base		LMRB200**, 201**, 202**, 203**, 204**, 205**
Motor Unit		LMU3, 4, 6, 12, 14, 20, 24, 29, 38, 39, 41
Electrical Service Unit		LESU12, 27, 30, 52, 73, 75, 78, 93, 96
Cover	Receiving-Only	LRC200**, 202**, 204**
	Send-Receive	LSRC200**, 201**, 202**
Table		LT200**, 202**, 203**, 204**, 208**
Cabinet	Receiving	LBAC202**, 205**, 206**, 213**, 216**, 217**
	Monitoring	LBAC203**, 207**, 214**, 215**, 218**

Notes:

Installation instructions covering a typical reperforator set may be found in specification 5919S. Adjustments and lubrication information is contained in bulletin 247B.

For tape winder information, see bulletin 1075B for parts ordering information and specification 5884S (single reel) and 5976S (3 reel) for adjustments and lubrication.

Installation instructions for Multiple Mounted units are contained in specification 50010S.

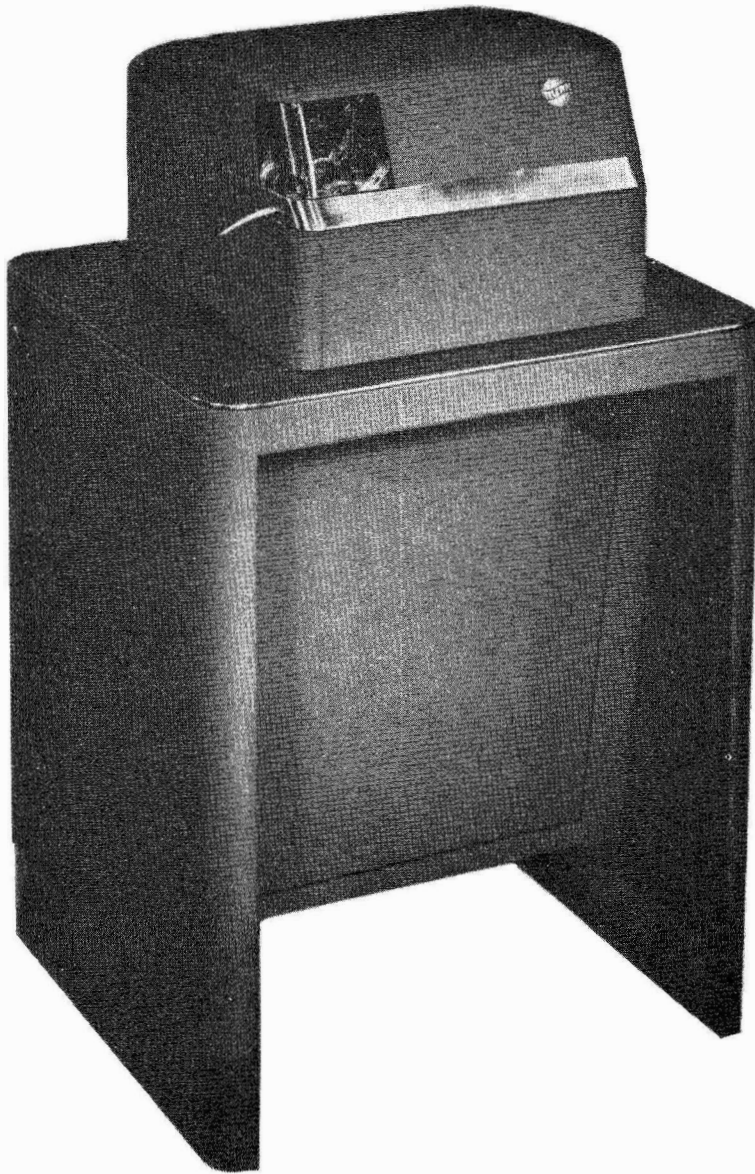
Maintenance tools are contained in bulletin 1124B.

BELL SYSTEM ONLY

When ordering parts from this bulletin, prefix each number with the letters TP.

PAINT FINISH COLOR CODE CHART				
(For Parts and Assemblies Requiring a Paint Finish)				
Color	Finish Suffixes			
	Wrinkle Finish	Smooth Finish	Textured Vinyl	Smooth Vinyl
Black	AA (37)	BB		
Dark Brown	AD (38)			
Gray Green	AB (40)	BK	GA (45)	
Charcoal Gray	AL	BZ		HA
Dark Gray			GB	
Light Gray		EJ		HB
Beige Gray			GC	
Light Beige		EL		HC
Moss Green		EN		HD
Eye Rest Green		EA		
Turquoise		EV		
Aqua Blue		EK		
Brussels Light Blue		EC		
Medium Blue		ES		
Cherry Red		EF		
Pastel Yellow		EG		
White		EH		
Ivory		EM		
Beige		ET		
Rose Beige		ER		
Rose Pink		EU		
Dark Covert Gray				HE
Light Olive Gray		EW		HF (46)
Fawn				HG

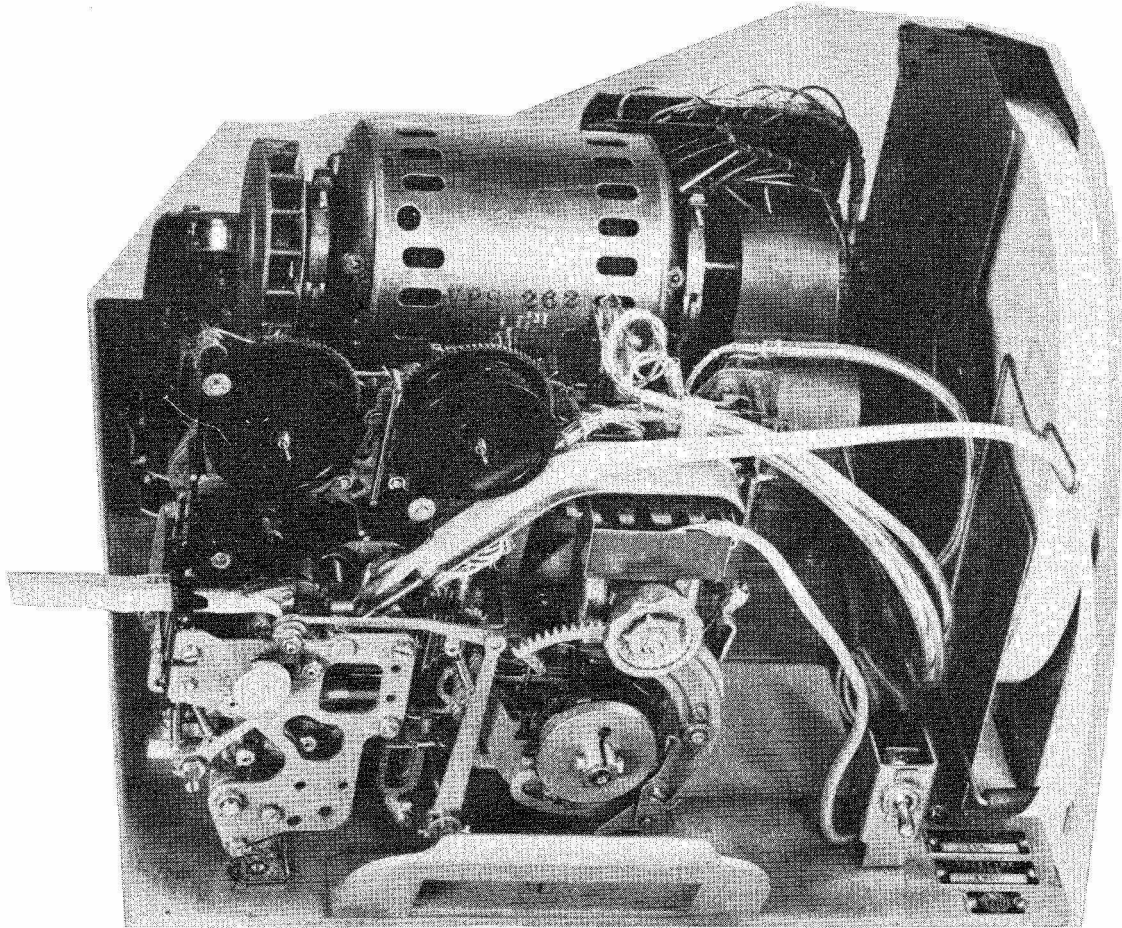
Numbers in Parenthesis () indicate Bell System Code.
Suffix to be applied following the part number.
Other colors available on request.



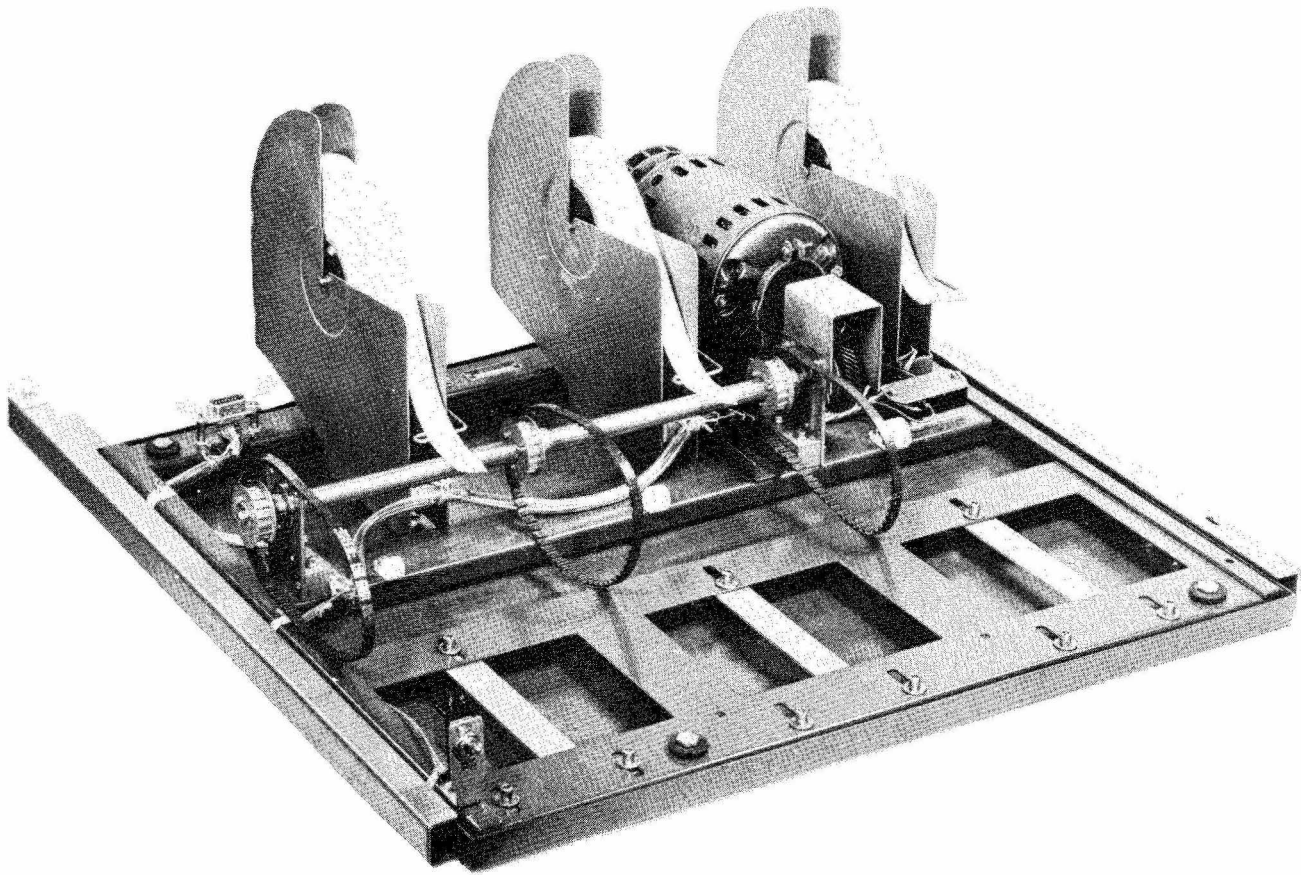
MODEL 28 TYPING REPERFORATOR SET (REC. ONLY)

consists of

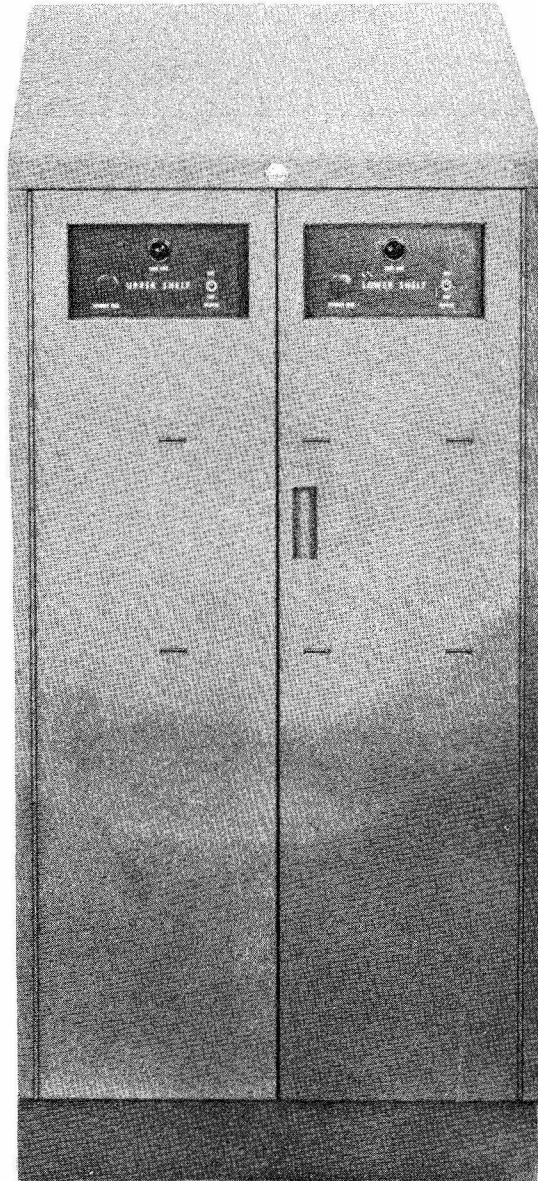
TYPING REPERFORATOR UNIT (LPR), REPERFORATOR BASE (LRB), MOTOR UNIT (LMU),
ELECTRICAL SERVICE UNIT (LESU), REPERFORATOR COVER (LRC) AND REPERFORATOR TABLE (LT)



MODEL 23 TYPING REPERFORATOR UNIT (LPR), REPERFORATOR BASE (LRB) AND MOTOR UNIT (LMU)

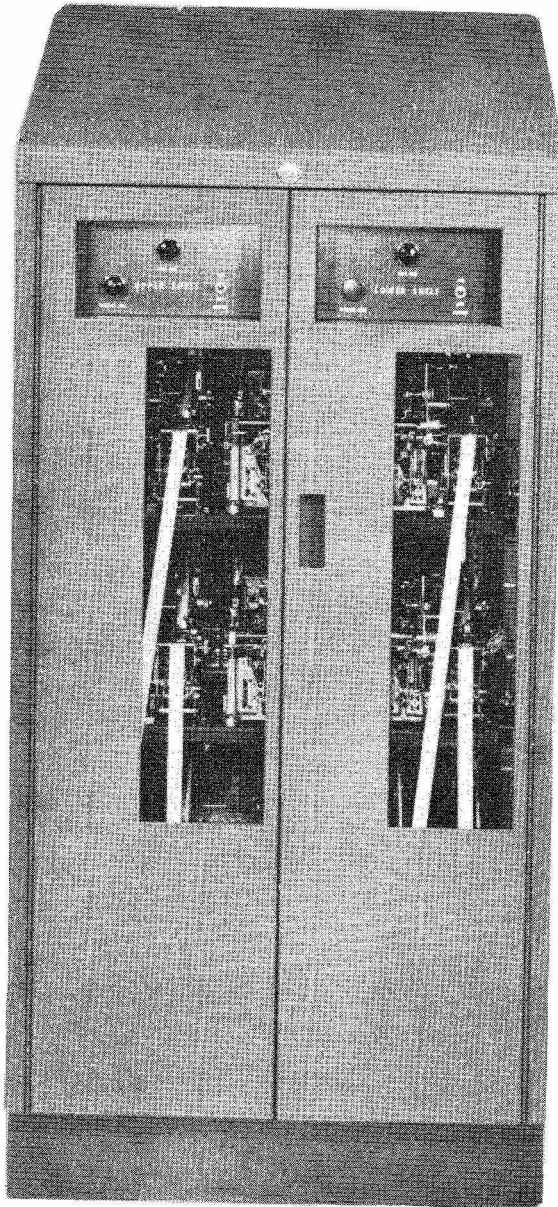


MODEL 28 MULTIPLE REPERFORATOR BASE (LMRB)
AND MOTOR UNIT (LMU)



MODEL 28 APPARATUS CABINET (LBAC) - RECEIVING ONLY

housing 6 typing reperforator units - multiple mounted



MODEL 28 APPARATUS CABINET (LBAC) - MONITORING

housing 6 typing reperforator units and tape winders - multiple mounted



MODEL 28 SEND-RECEIVE TYPING REPERFORATOR SET

Consists of

SEND-RECEIVE KEYBOARD BASE (LTRK), TYPING REPERFORATOR UNIT (LPR), COVER (LSRC) AND MOTOR UNIT (LMU)

)
)
)
)
)
)
)
)
)
)
)

SECTION 1

RECEIVING ONLY BASE AND VARIABLE FEATURES

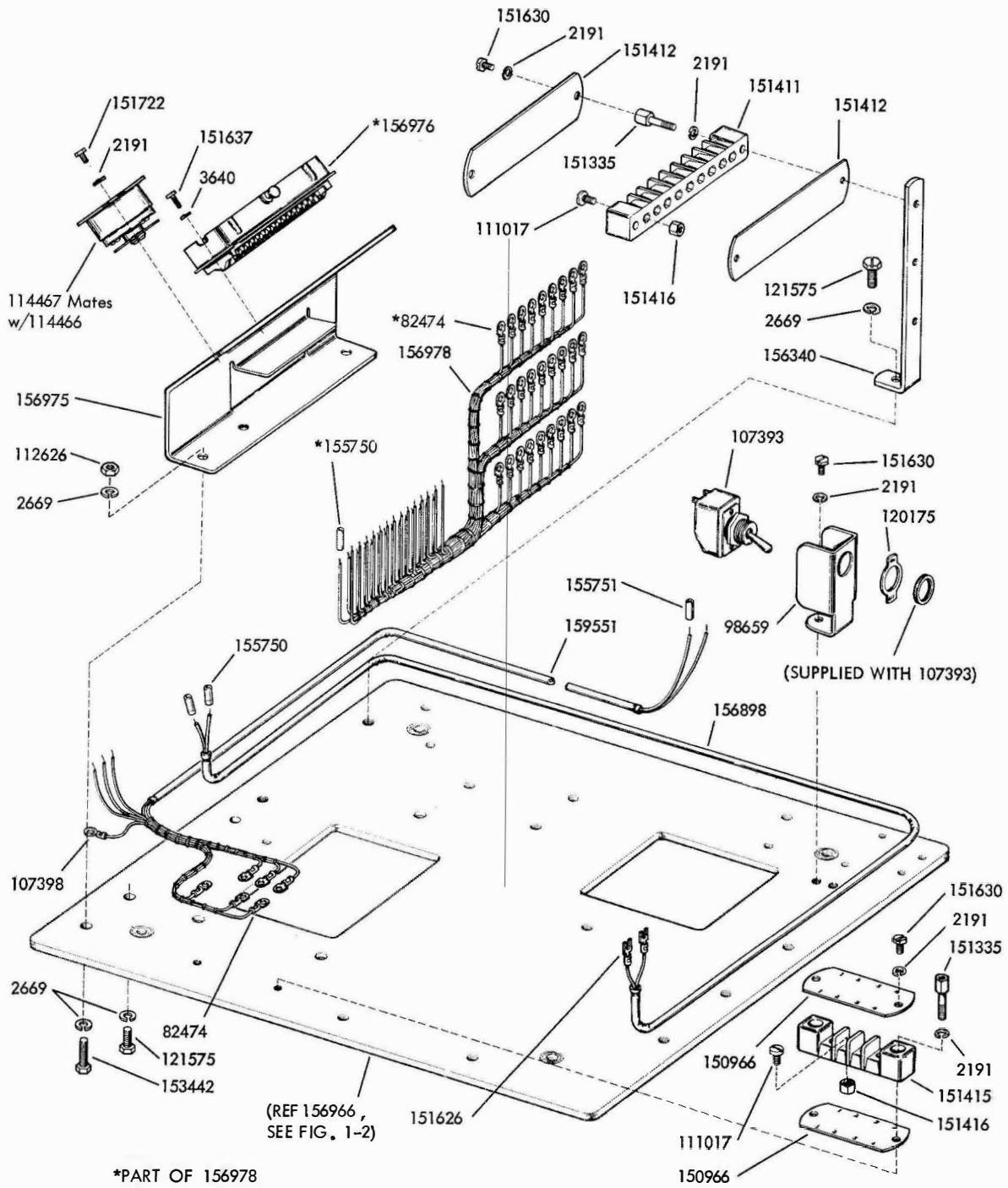


FIGURE 1-1. REPERFORATOR BASE (SINGLE PLATE)

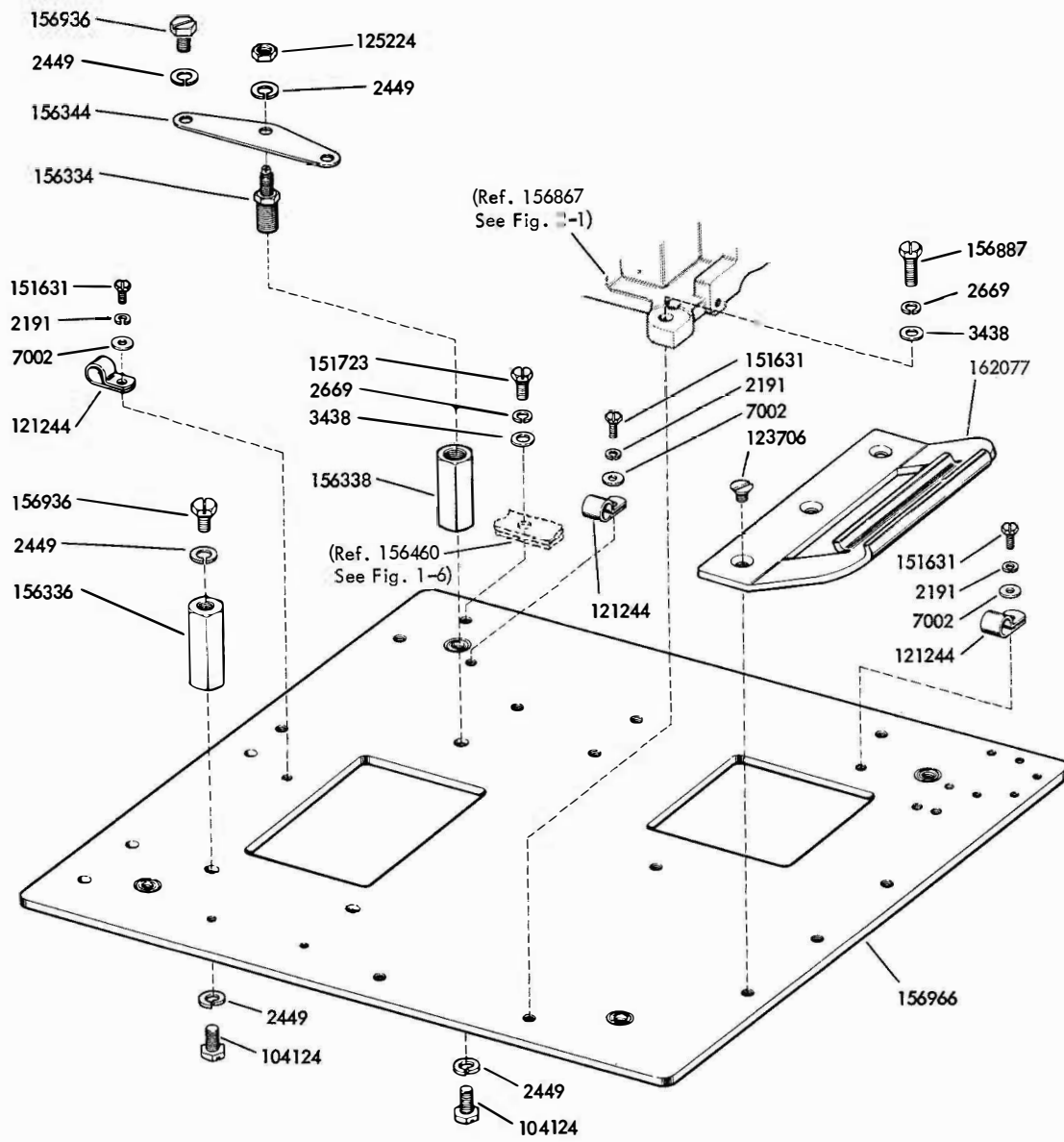


FIGURE 1-2. REPERFORATOR BASE (SINGLE PLATE)

Speed Change Gears for Self-Contained Units (LRB & LPR) (Order Separately)						
Set Number	Pinion	Driven Gear	Approx. O.P.M. (Receiving)	Approx. W.P.M.	Unit Code	Baud
161519	161104 (11T)	161103 (49T)	461.7	67	7.42	50.00
161654	156982 (9T)	156981(44T)	420	60	7.42	45.45
161655	156984(12T)	156983(47T)	525.7	75	7.42	56.88
161656	156986(14T)	156985(42T)	685	100	7.42	74.2
*176295	176296(15T)	176297(43T)	692	107	7.00	75

*Must use 162218 (29T) Sprocket. The 162218 Sprocket is not part of the 159377 Modification Kit

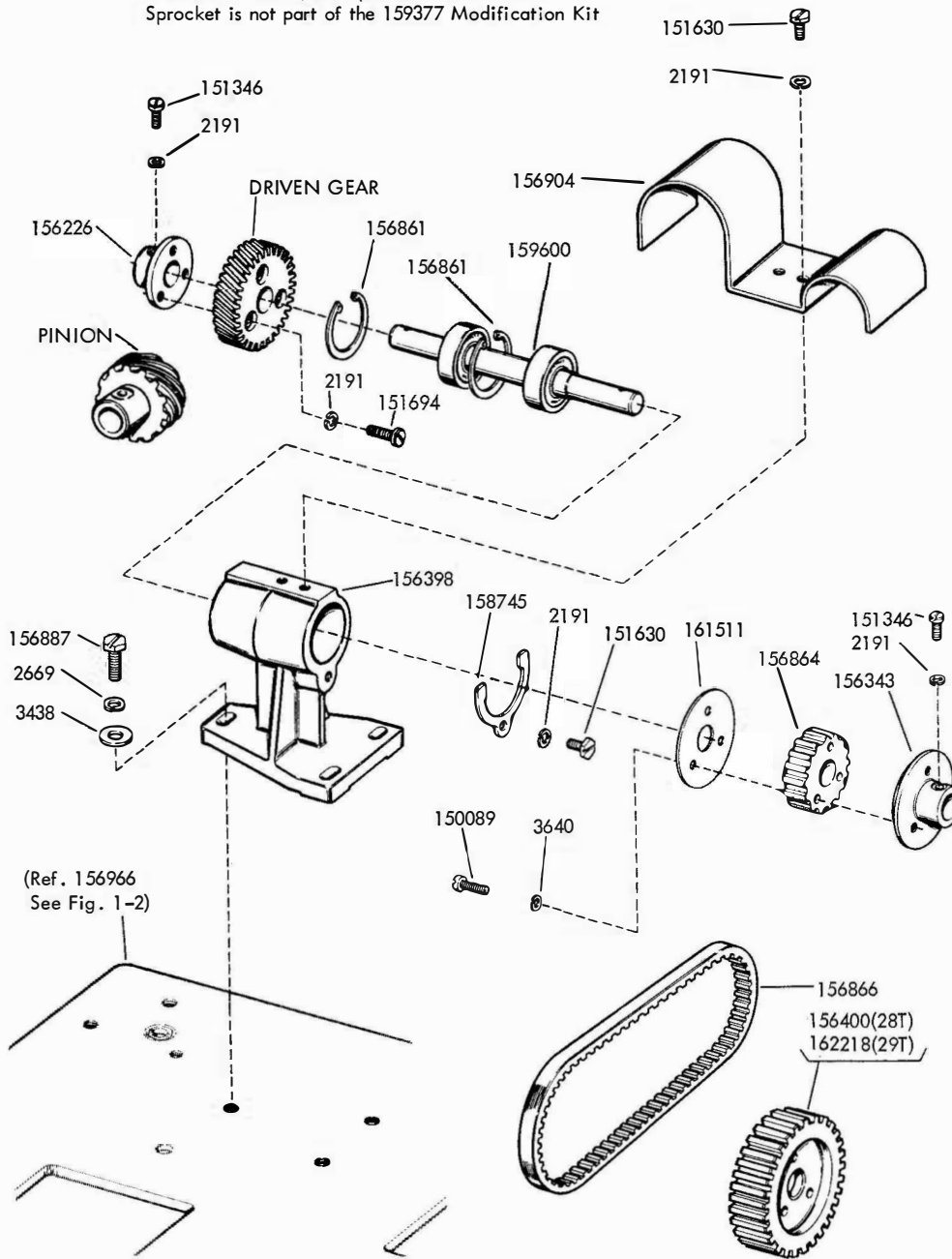
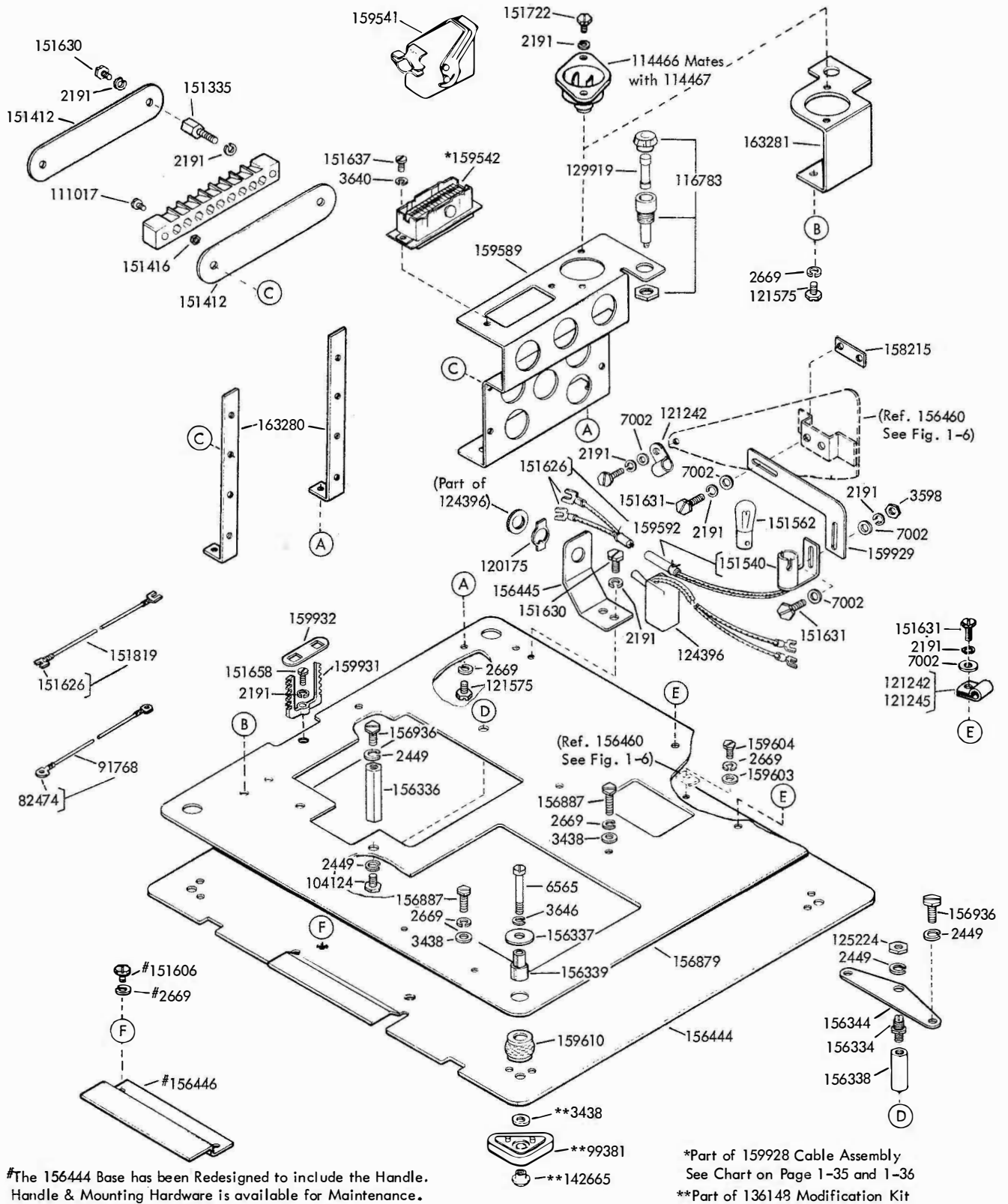


FIGURE 1-3. 159377 MODIFICATION KIT TO PROVIDE SINGLE SPEED DRIVE



#The 156444 Base has been Redesigned to include the Handle. Handle & Mounting Hardware is available for Maintenance.

*Part of 159928 Cable Assembly
See Chart on Page 1-35 and 1-36
**Part of 136148 Modification Kit

FIGURE 1-4. REPERFORATOR BASE (DOUBLE PLATE)

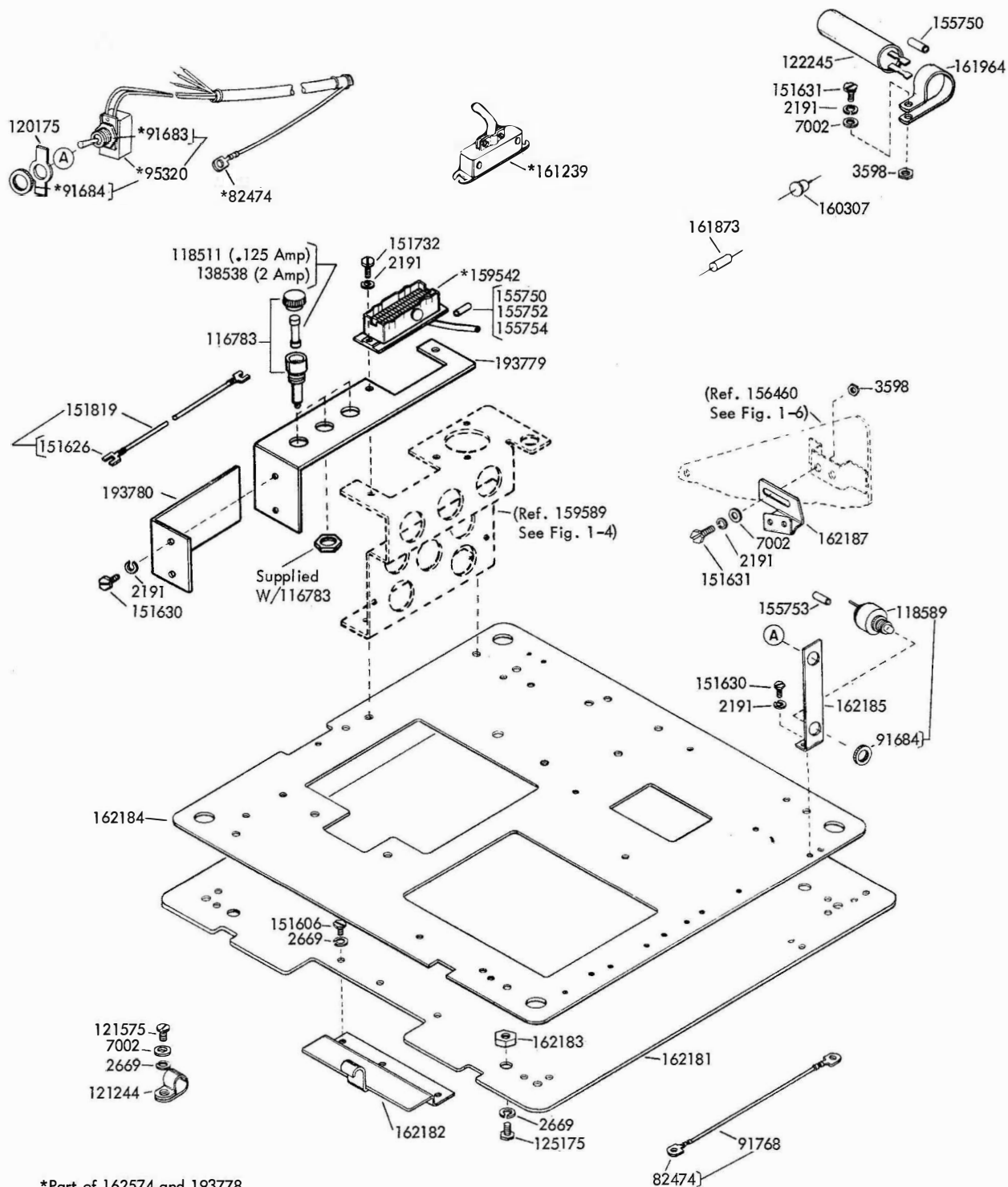


FIGURE 1-5. REPERFORATOR BASE (DOUBLE PLATE)

Tape Container Assembly	Panel	Guide w/ Roller	Post	Tape Reel Disk	Cable Assembly
156974	156460	156470	207223WU	158289 (2")	156972
160279	156460	156470	207223WU	162075 (1")	162374
164423	156460	163868	207223WU	158289 (2")	156972
192867	192865	193837	192868	192864 (2")	194221

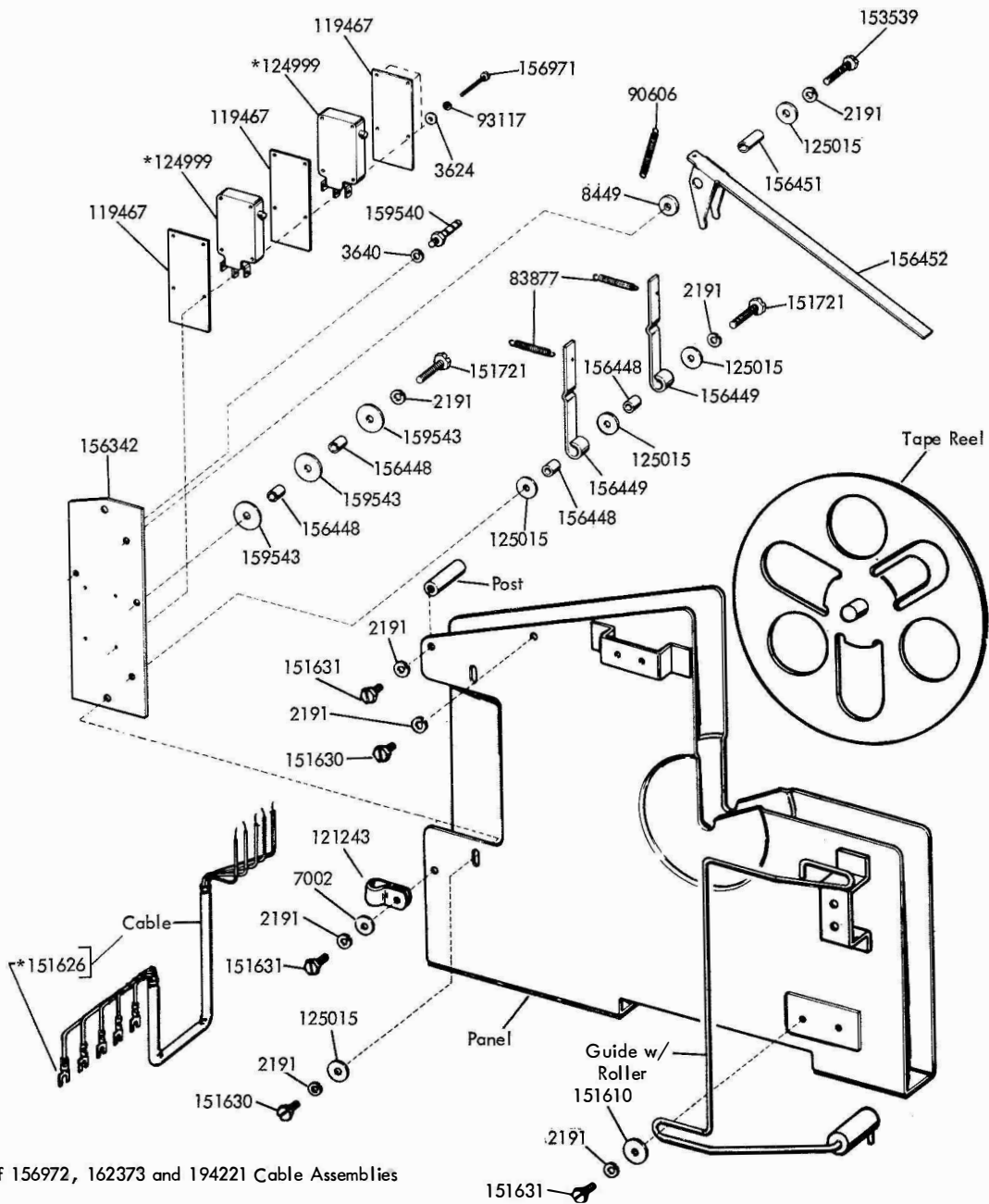
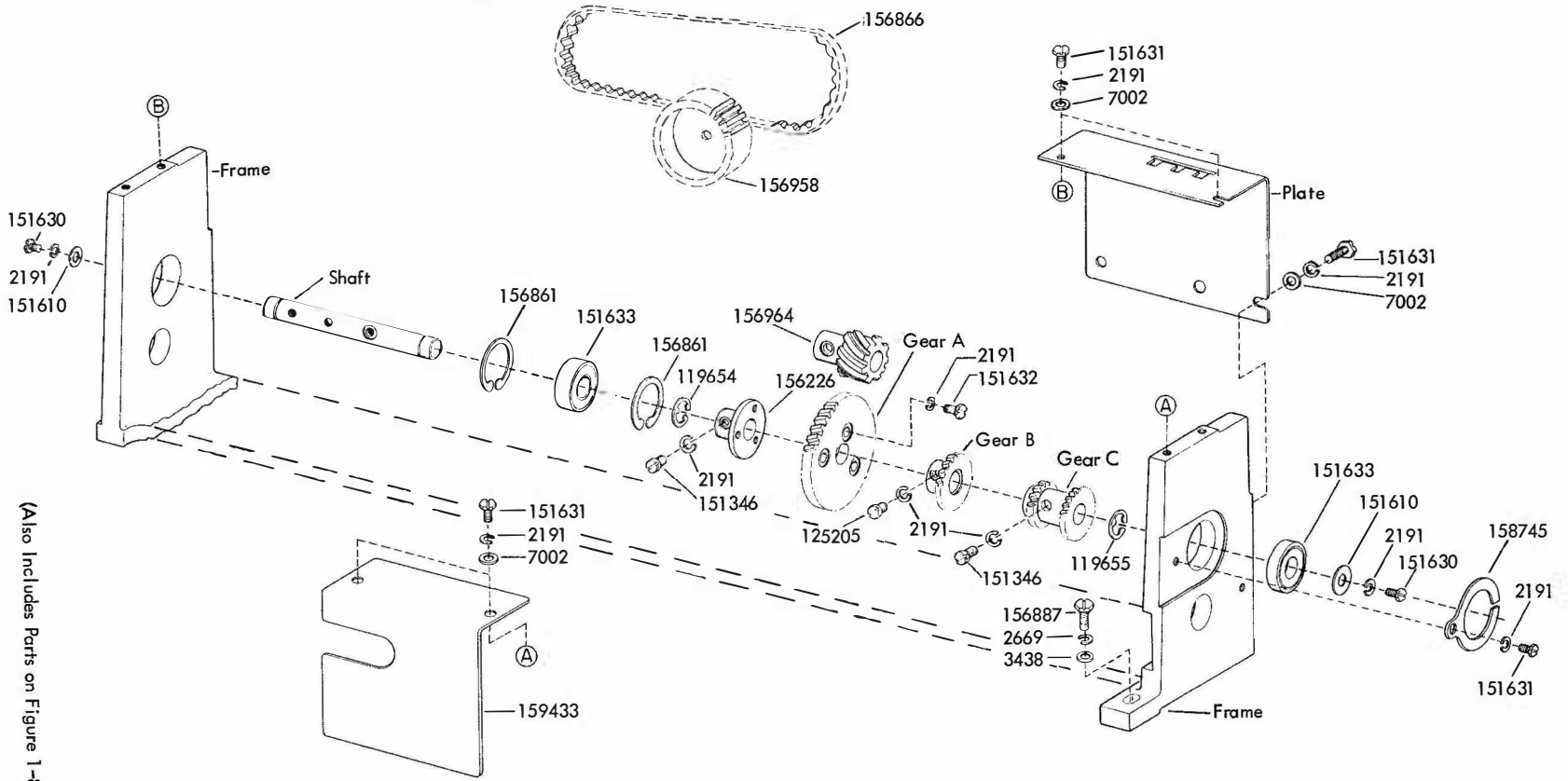


FIGURE 1-6. TAPE CONTAINER ASSEMBLIES

FIGURE 1-7. MODIFICATION KITS TO PROVIDE VARIABLE SPEED DRIVE

Modification Kit	Frame	Shaft	Gear A	Gear B	Gear C	Plate
159417 (60,75,100 WPM)	156965	156967	156449	158712	158732	156968
163256 (60,67,75 WPM)	156965	163264	163260	163261	158732	163328
179965 (45.5,50,75 Baud)	192685	156967	163260	179963	178870	179969

Note:
Parts are common to all three Modification Kits unless otherwise indicated.



(Also Includes Parts on Figure 1-8)

Modification Kit	Gear A	Gear B	Block
159417 (60,75,100 WPM)	158716	158734	158740
163256 (60,67,75 WPM)	163262	158734	163265
179965 (45.5,50,75 Baud)	179962	163262	158740

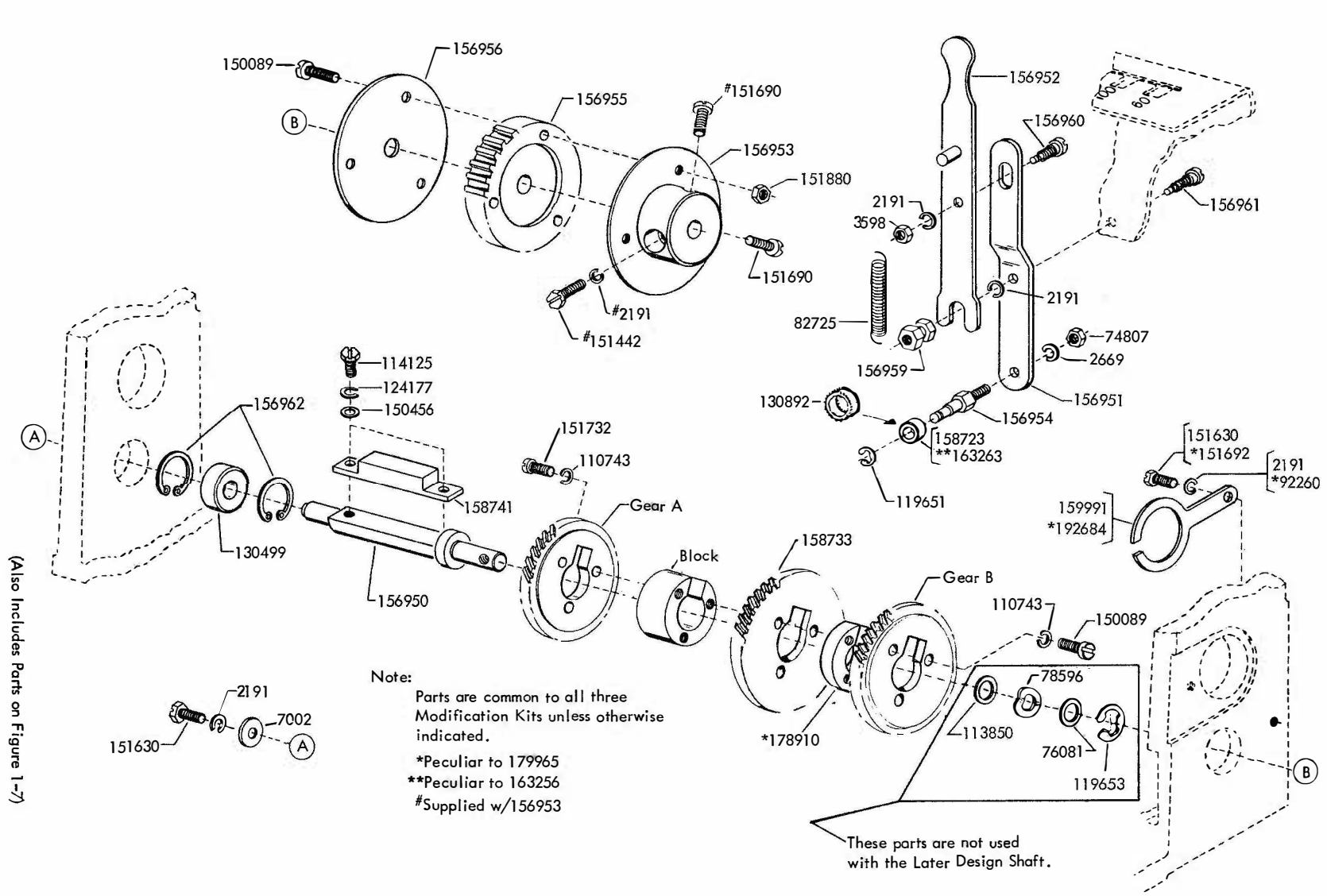


FIGURE 1-8. MODIFICATION KITS TO PROVIDE VARIABLE SPEED DRIVE

(Also Includes Parts on Figure 1-7)

11678

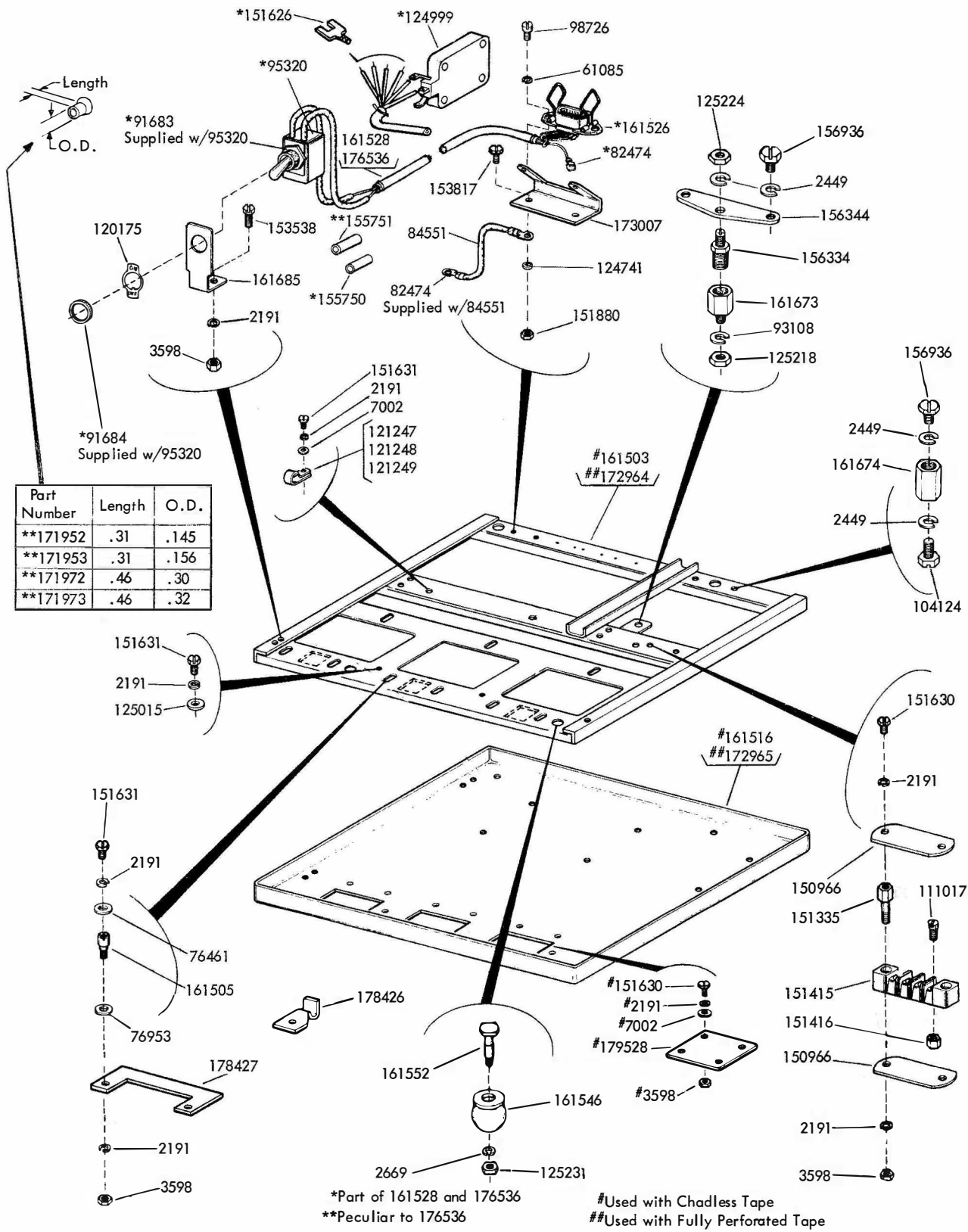


FIGURE 1-9. MULTIPLE REPERFORATOR BASE (WITH CROSS-SHAFT)

Gear Arrangements for Multiple Mounted Reperforators Driven at Common Speed						
Unit Code	7.42			7.00		
WPM (Nominal)	60	75	100	65	71	107
Baud	45.45	56.88	74.2	45.45	50	75
Motor Gear Set	161530	161533	161536			
Pinion	161532 - 9T	161535 - 12T	161538 - 14T	*164339 - 10T	*164337 - 9T	*164339 - 10T
Gear	161531 - 44T	161534 - 47T	161537 - 42T	*164340 - 37T	*164338 - 40T	*164340 - 37T
Mod Kit at Each Reperforator	161680			#173584	161680	162213

Gear Arrangements for Multiple Mounted Reperforators Driven at Independent Speeds							
Unit Code	7.42			7.00			
WPM (Nominal)	60	75	100	65	71	107	121
Baud	45.45	56.88	74.2	45.45	50	75	84.7
Mod Kit at Each Reperforator	161680:	162213:	162217:	#173584:	161680:	162213:	**173023:
Hub	161509	162215	162220	161509	161509	162215	162220
Cross-Shaft Sprocket	161510 - 16T	162214 - 20T	162219 - 27T	161510 - 16T	161510 - 16T	162214 - 20T	162219 - 27T
Retainer	161511	162216	162221	161511	161511	162216	162221
Belt	161520	161520	162222	162222	161520	161520	162222
Reperforator Sprocket	156400 - 28T	156400 - 28T	162218 - 29T	173583 - 33T	156400 - 28T	156400 - 28T	**156400 - 28T
Motor Gear Sets	161530				*164337 - 9T *164338 - 40T *164339 - 10T *164340 - 37T	*164337 - 9T *164338 - 40T	*164337 - 9T *164338 - 40T

*Motor Gear Set Numbers not Assigned.
**Non-Typing Reperforators Only.

#Modification Kit Contains Sprocket and Belt Drive Parts for 3 Reperforators.
##Order Separately

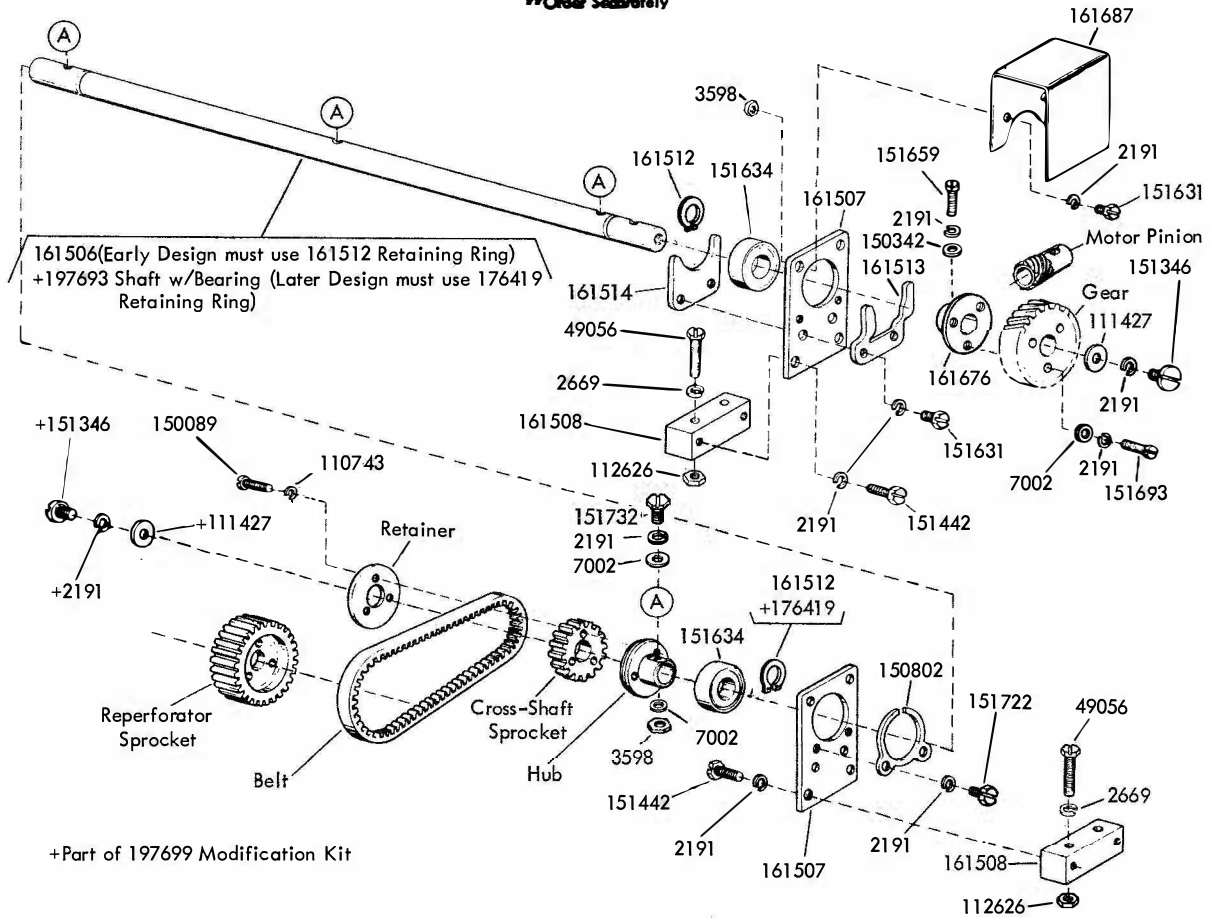


FIGURE 1-10. CROSS-SHAFT MECHANISM FOR MULTIPLE REPERFORATOR BASE

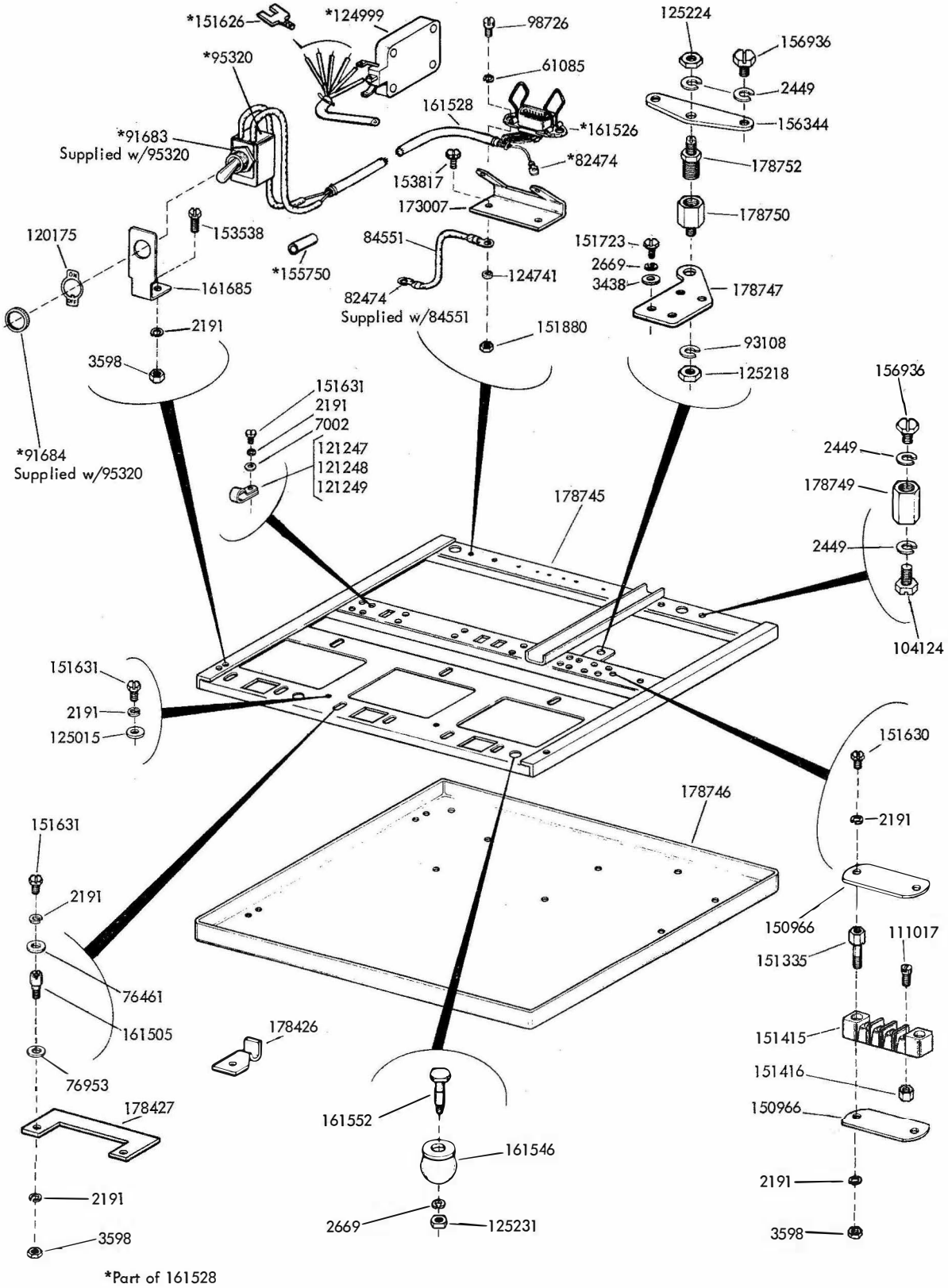


FIGURE 1-11. MULTIPLE REPERFORATOR BASE (WITH CROSS-SHAFT AND INTERMEDIATE-SHAFT)

Gear Chart					
Gear Set No.	Cross Shaft Pinion	Gear	Unit Code	WPM (Nominal)	Baud
178798	178799 - 54T	178800 - 53T	7.00	107	75
178801	178802 - 33T	178803 - 49T	7.00	71	50
			7.50	66	50
178804	178810 - 30T	178811 - 49T	7.00	65	45.45
178813	178814 - 37T	178815 - 37T	7.00	106	74.2

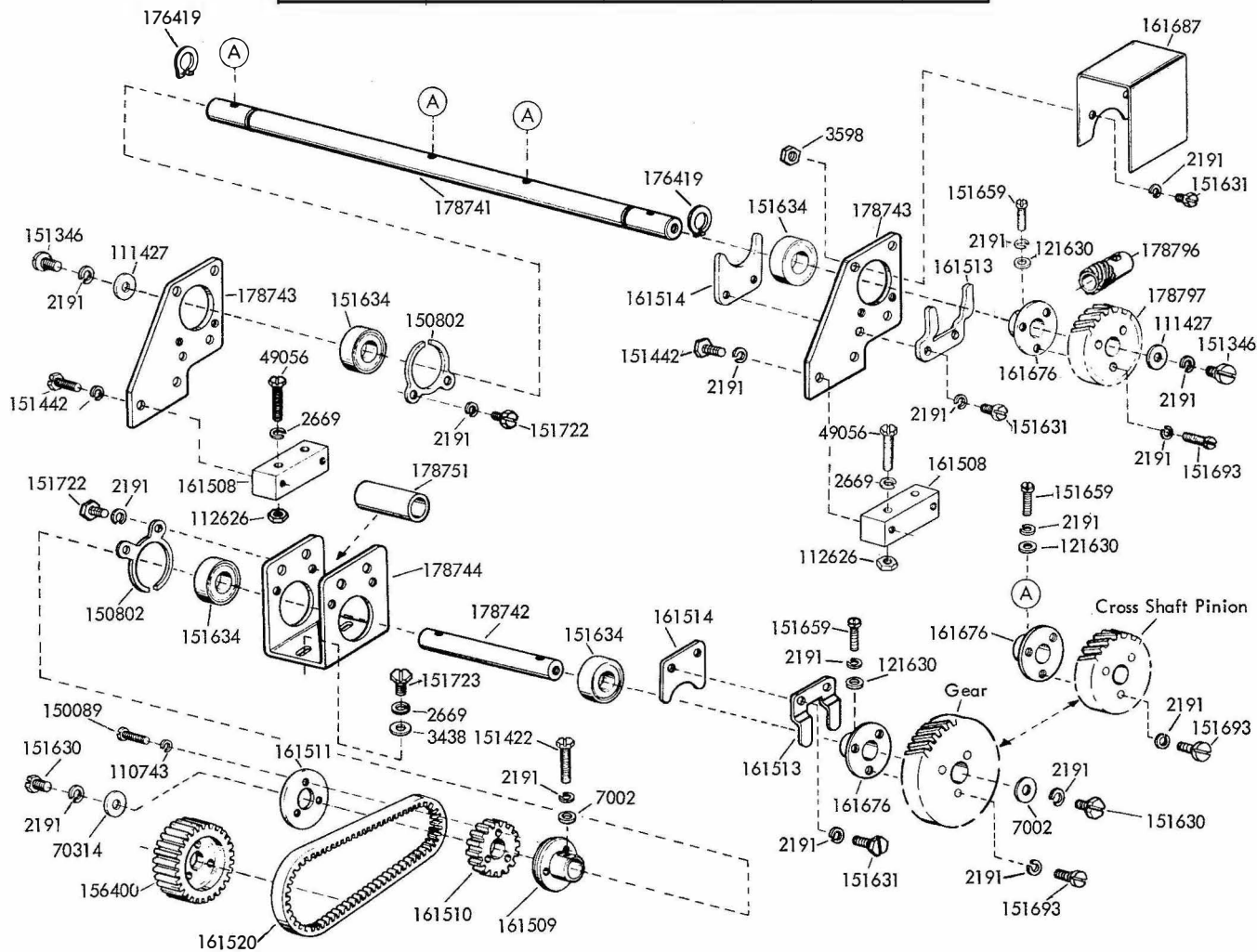
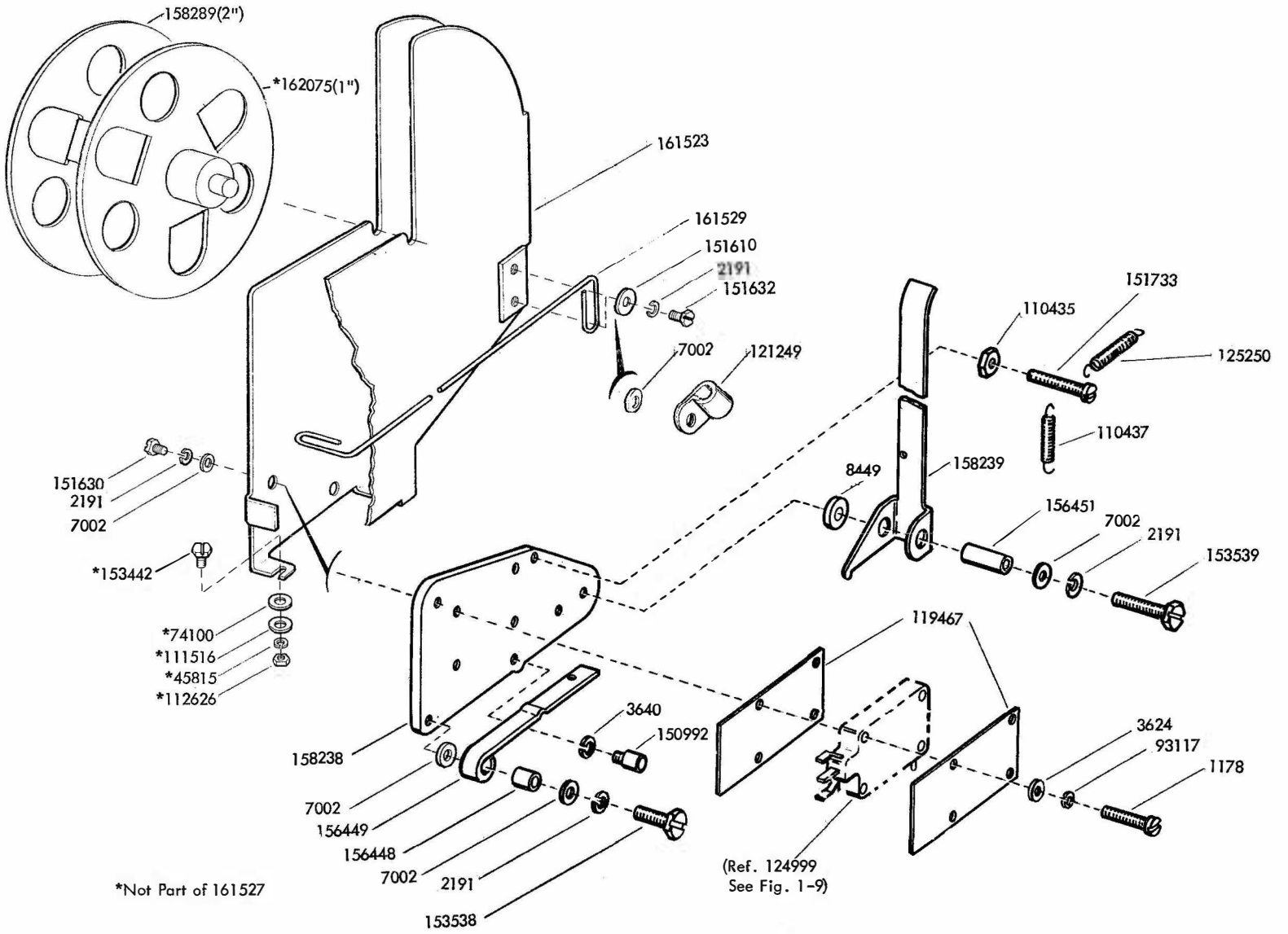


FIGURE 1-12. CROSS-SHAFT AND INTERMEDIATE SHAFT MECHANISM FOR MULTIPLE REPERFORATOR BASE

FIGURE 1-13. 161527 TAPE CONTAINER ASSEMBLY



11678

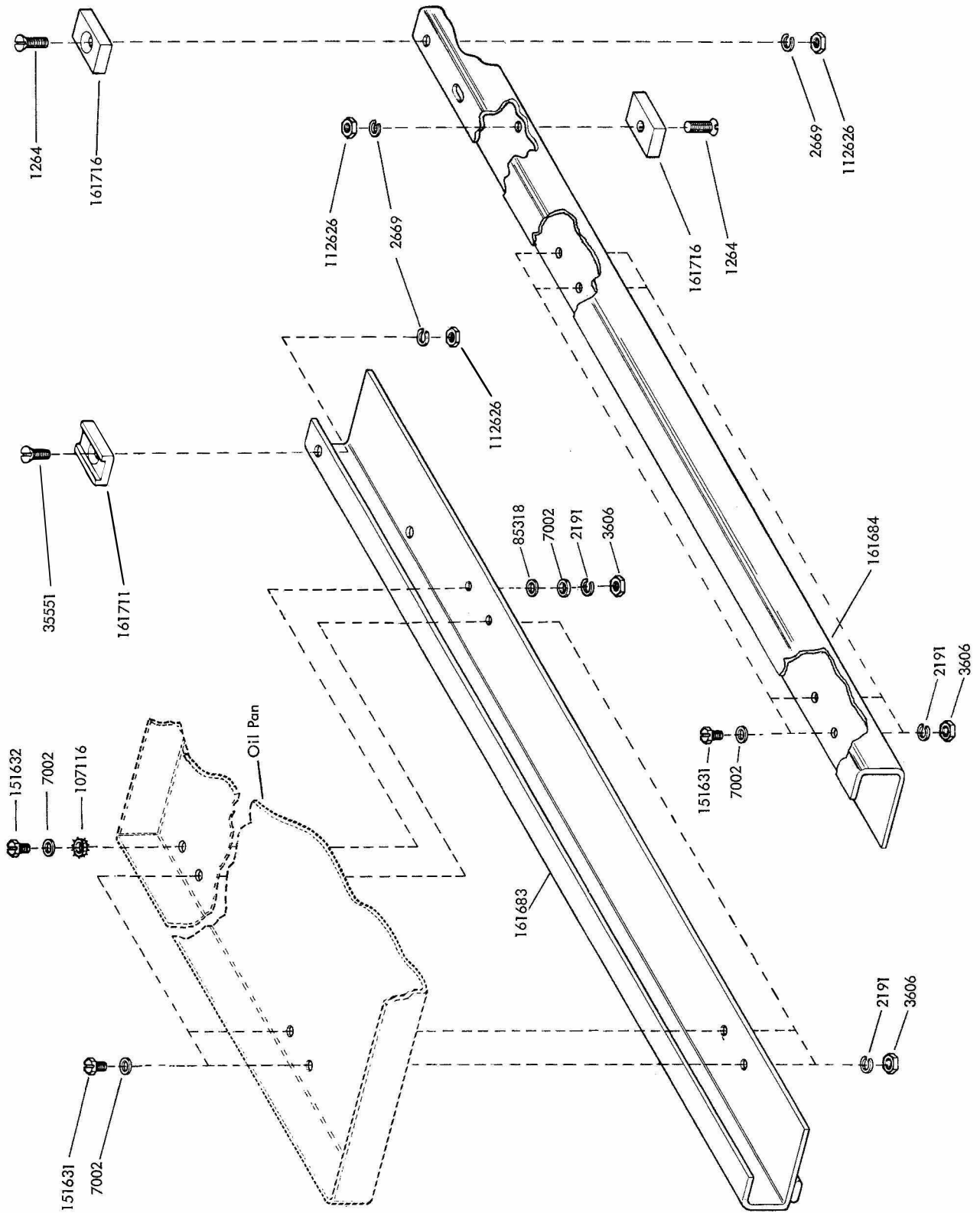


FIGURE 1-14. 161678 MODIFICATION KIT TO INSTALL A MULTIPLE REPERFORATOR BASE (LMRB) IN A MODEL 28 CABINET (LBAC)

FIGURE 1-15. AUXILIARY REPERFORATOR BASE

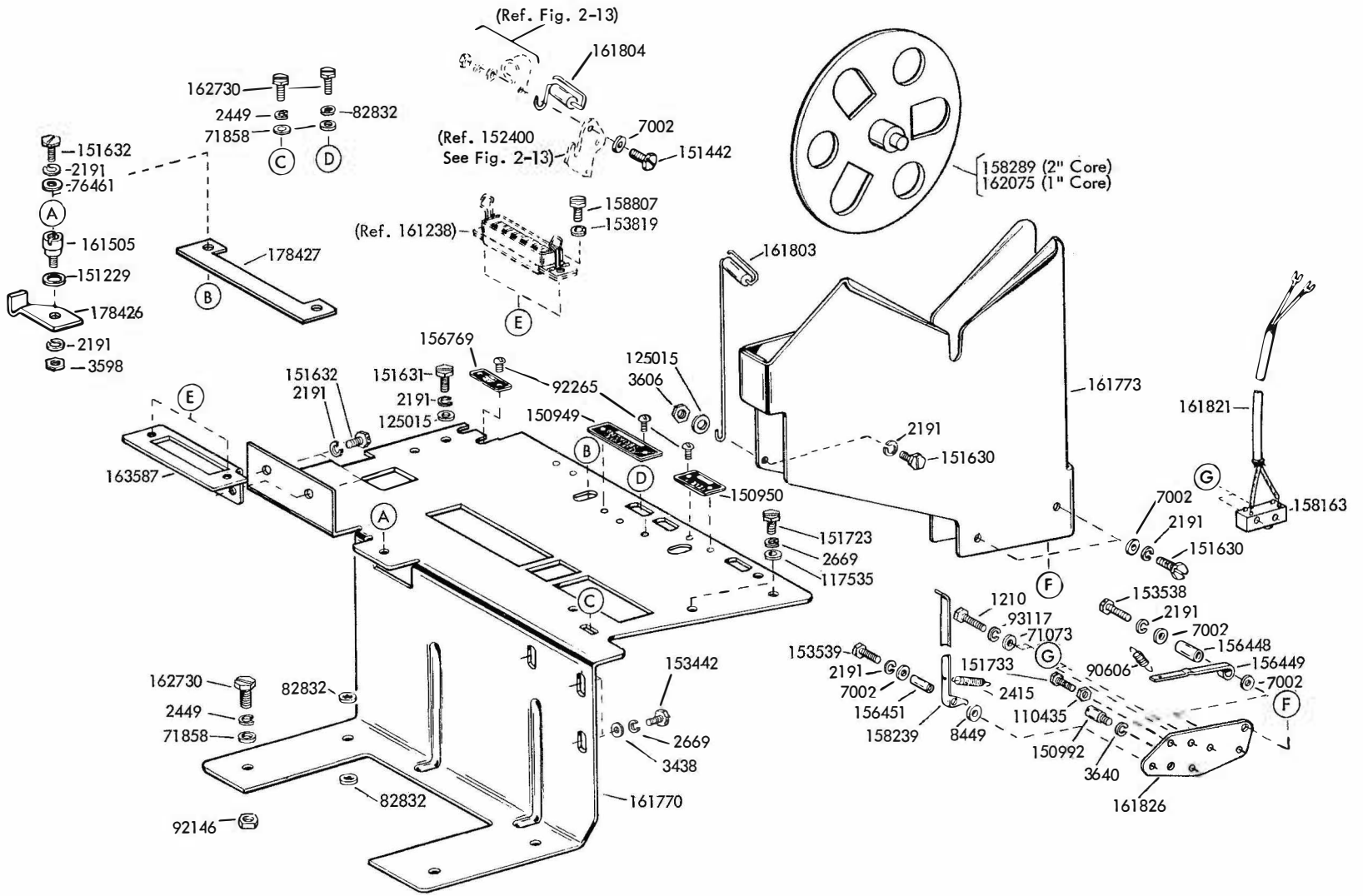
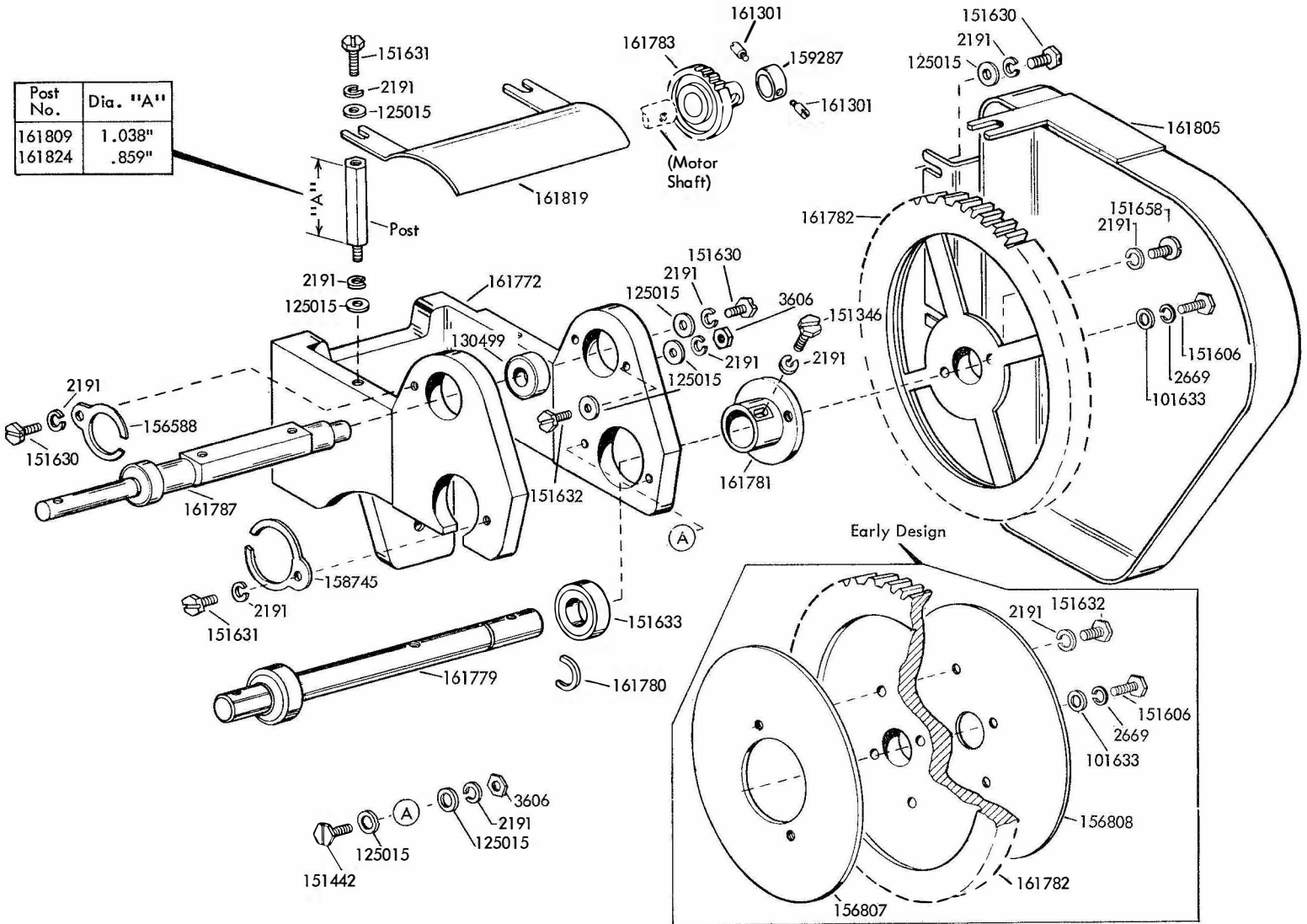


FIGURE 1-16. GEAR BRACKET ASSEMBLY

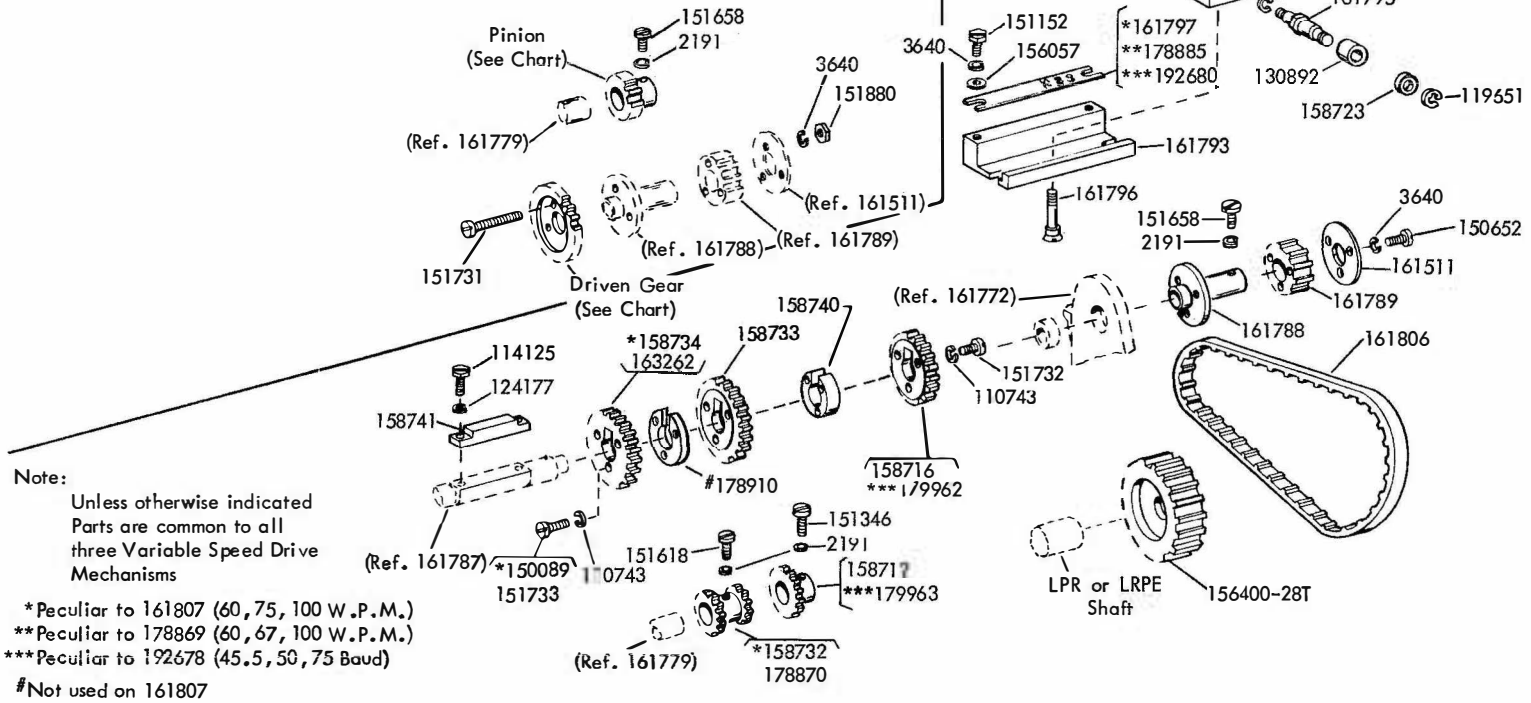


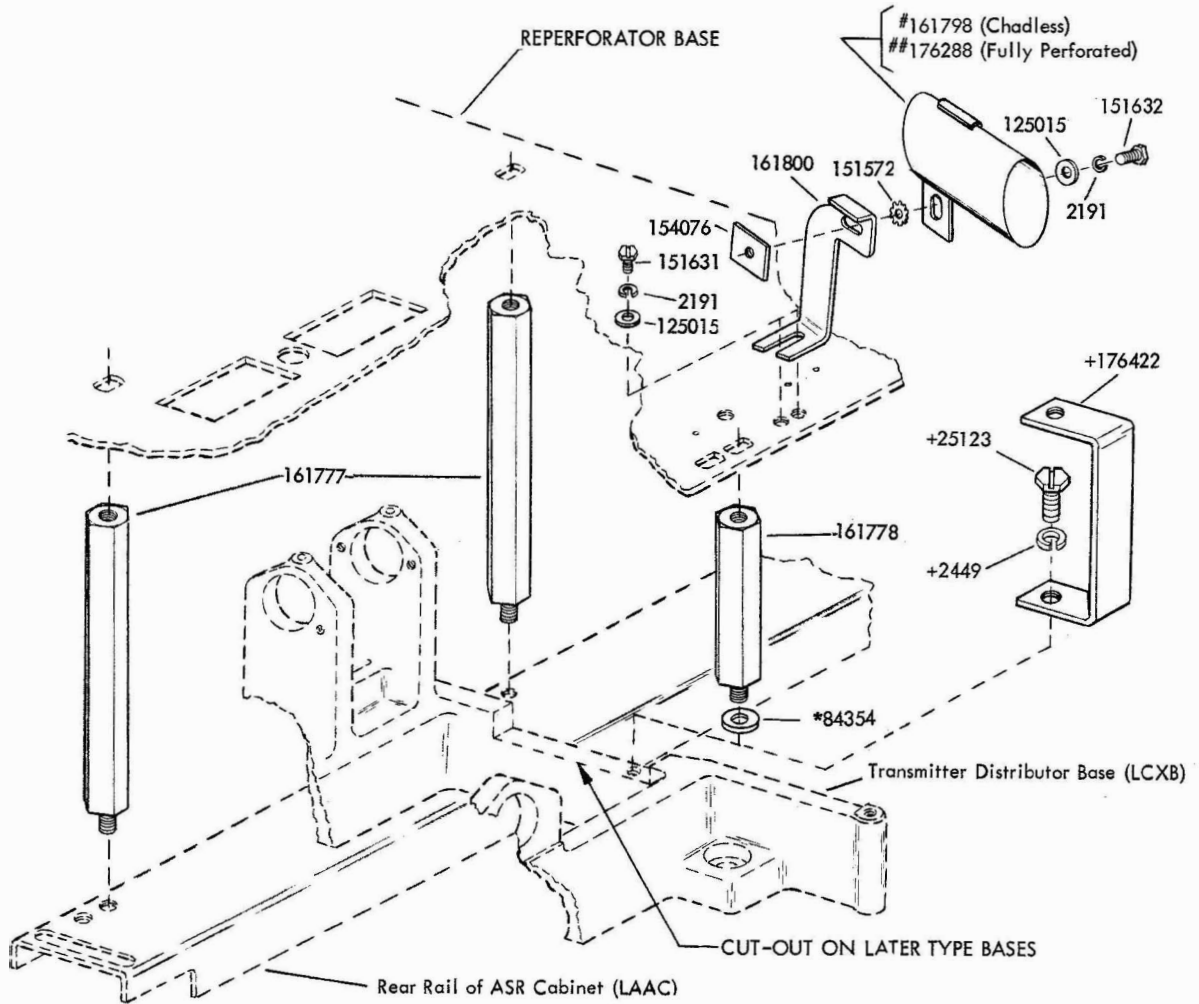
SINGLE SPEED DRIVE

GEAR SETS FOR AUXILIARY MOUNTED LPR SETS					
Gear Set No.	Driven Gear	Pinion	Unit Code	W.P.M. (Nominal)	Baud
161811	161790-44T	161784-18T	7.42	60	45.45
161812	161791-47T	161785-24T	7.42	75	56.88
161813	161792-39T	161786-26T	7.42	100	74.2
173820	173822-49T	173821-20T	7.00	65	45.45
163448	163447-49T	163446-22T	7.00	71	50
163451	163450-40T	163449-27T	7.00	107	75

VARIABLE SPEED DRIVE

FIGURE 1-17. AUXILIARY REPERFORATOR BASE GEARING MECHANISM





SPECIFICATION 5929S

*NOT REQUIRED WHEN UNIT IS
EQUIPPED WITH BASE ISOLATION
PARTS.

+PARTS USED ON BASES
HAVING CUT-OUT

#Peculiar to 161815

##Peculiar to 176287

FIGURE 1-18. 161815 AND 176287 MODIFICATION KITS TO MOUNT AN AUXILIARY
TYPING REPERFORATOR BASE

1167B

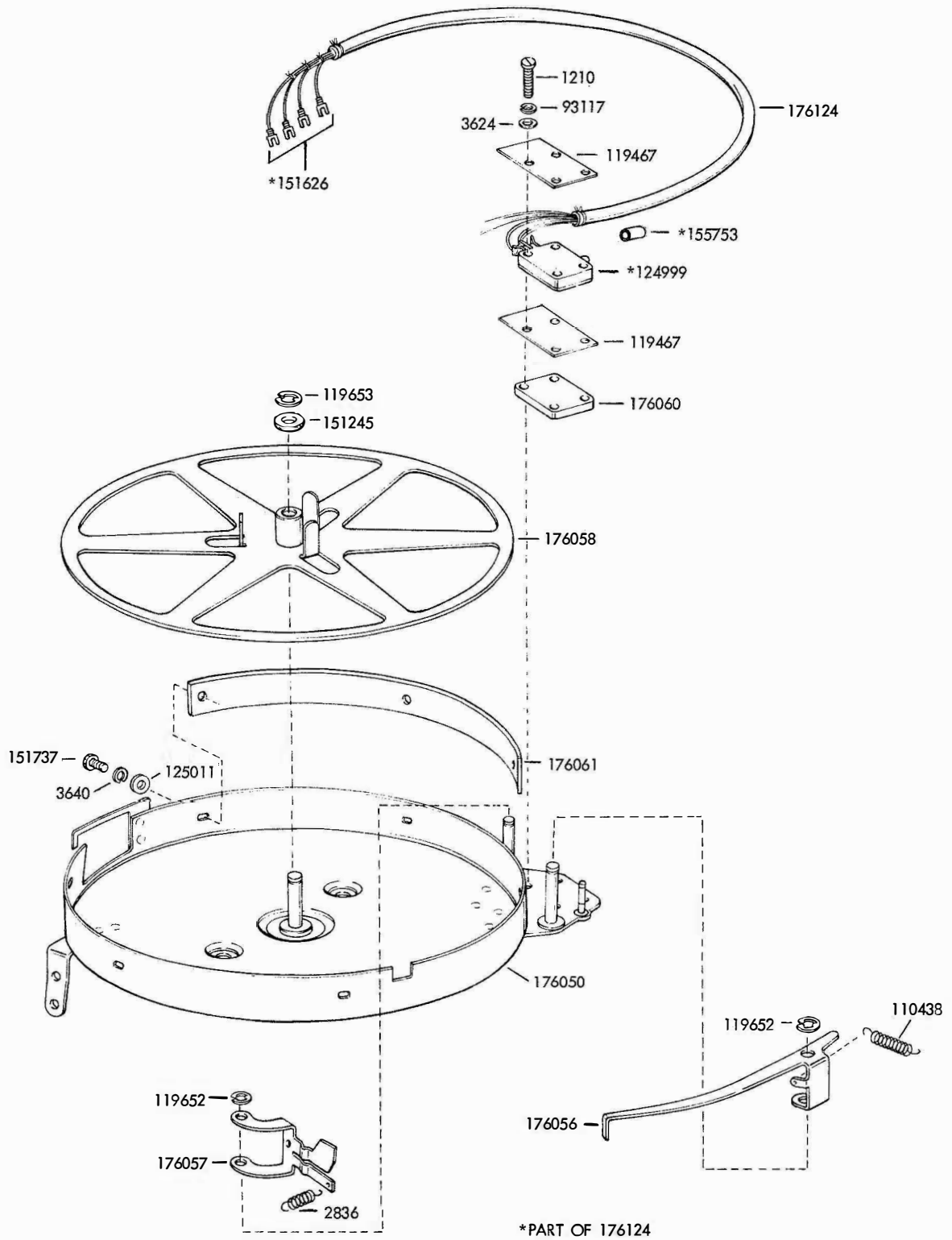


FIGURE 1-20. 174492 TAPE CONTAINER ASSEMBLY

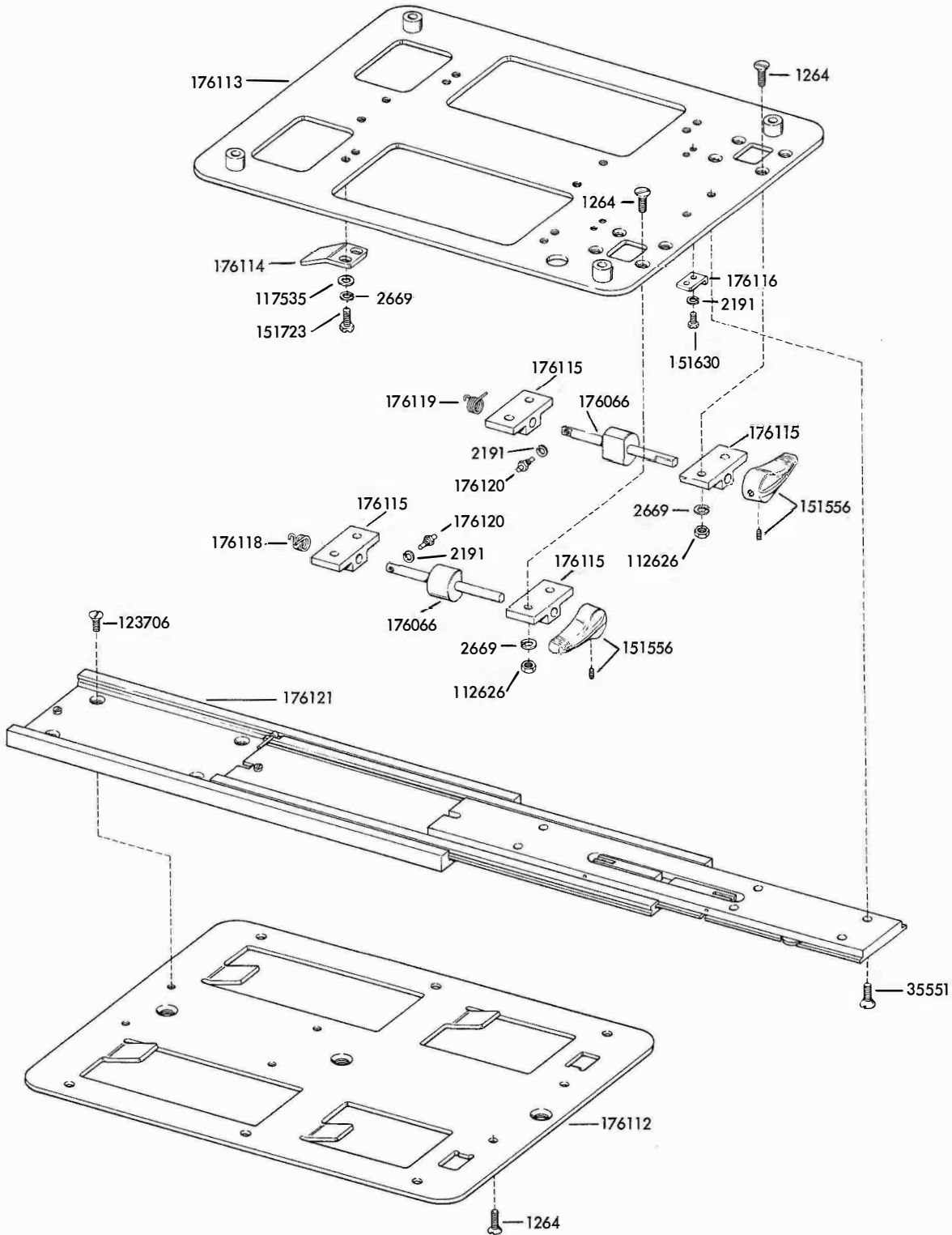


FIGURE 1-21. 174459 MODIFICATION KIT TO PROVIDE A SLIDING BASE

FIGURE 1-22. 176100 VARIABLE SPEED MECHANISM ASSEMBLY

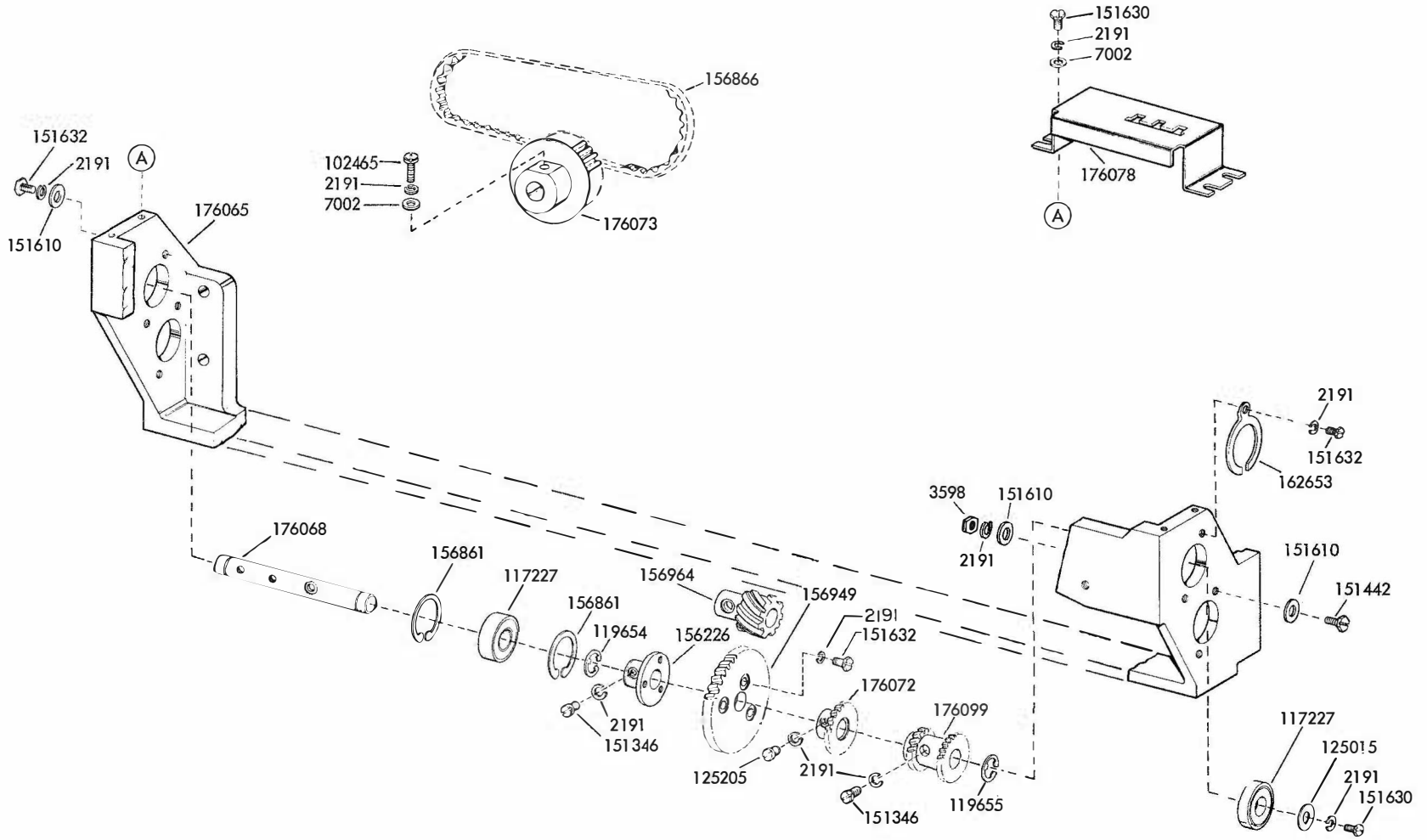
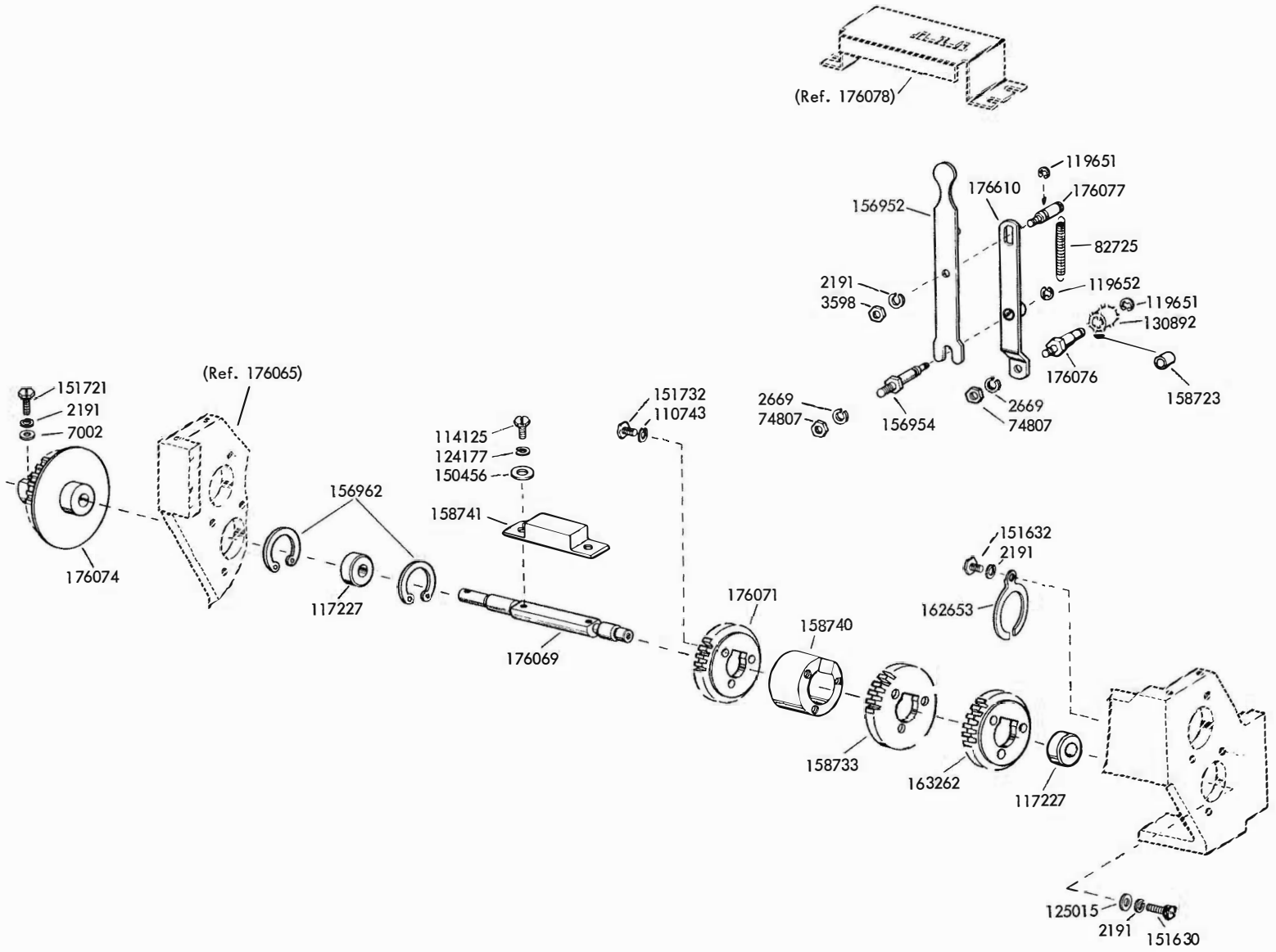


FIGURE 1-23. 176100 VARIABLE SPEED MECHANISM ASSEMBLY



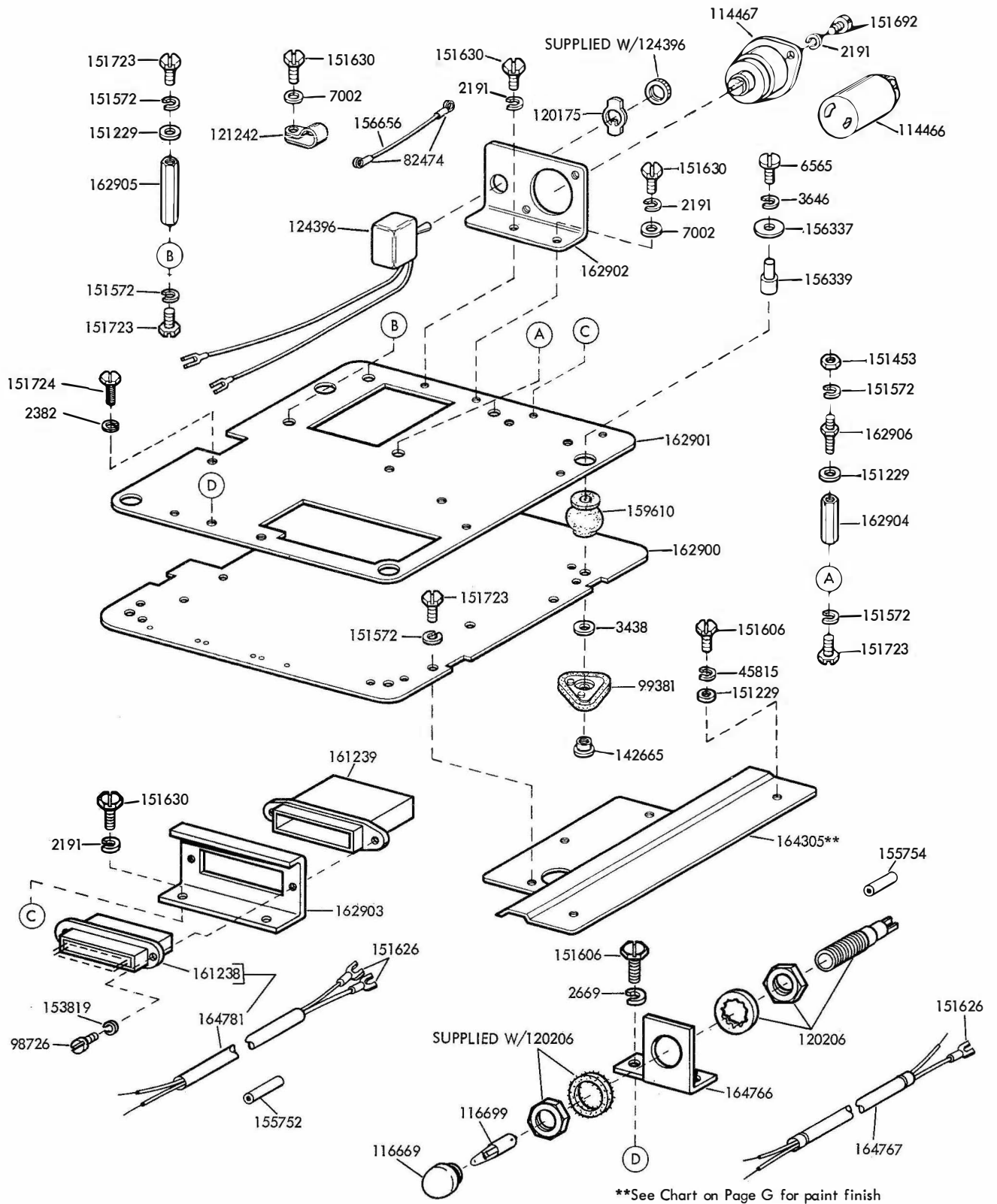
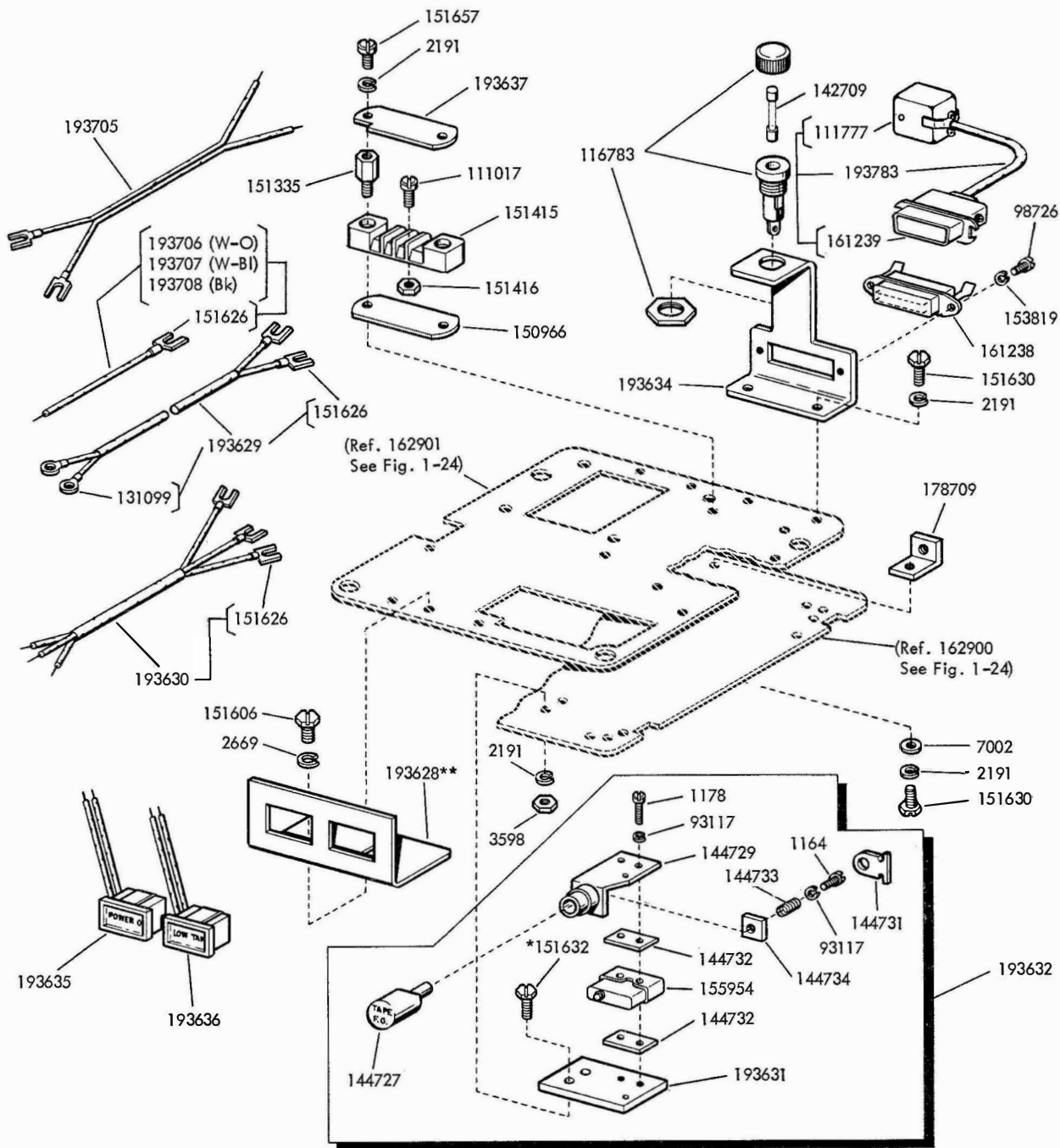


FIGURE 1-24. LRB200** MINIATURIZED BASE

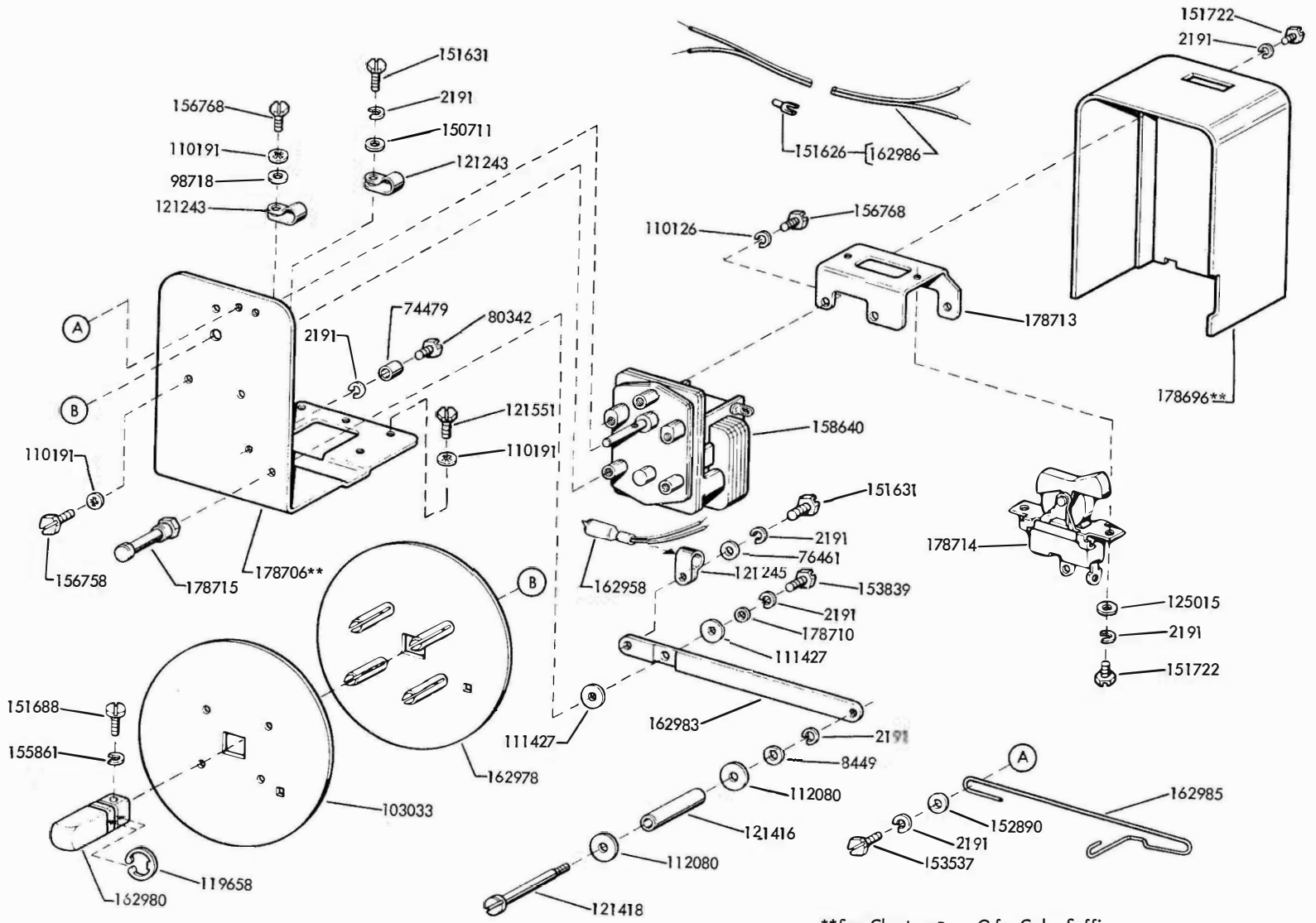


*Not Part of 193632

**See Chart on Page G for paint finish

FIGURE 1-25. LRB201** MINIATURIZED BASE

FIGURE 1-27. 162957** TAPE WINDER ASSEMBLY



** See Chart on Page G for Color Suffix

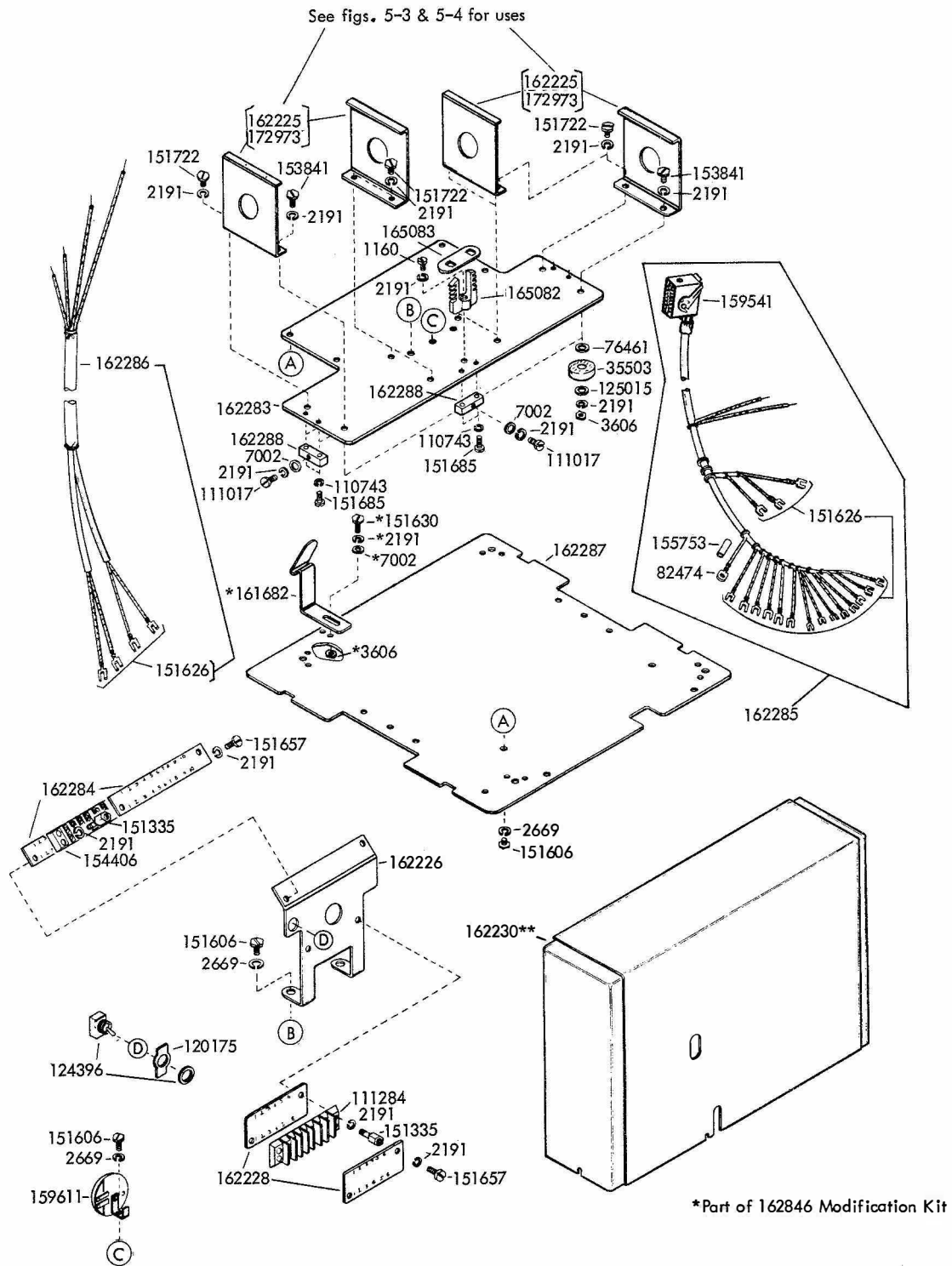
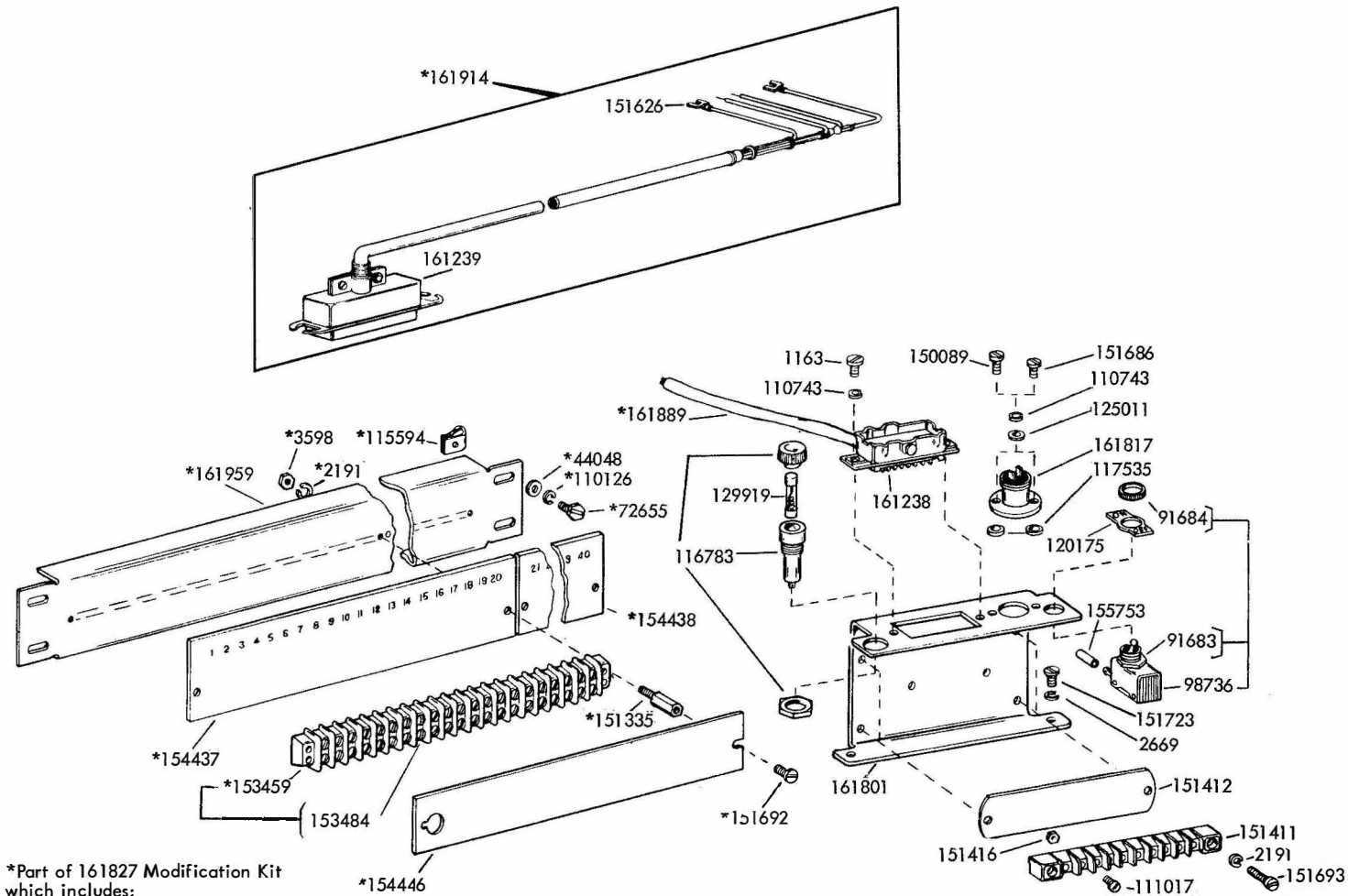


FIGURE 1-28. TYPING REPERFORATOR BASE WITH EXTENSION

FIGURE 1-29. ELECTRICAL COMPONENTS



*Part of 161827 Modification Kit which includes;
 163587 Bracket
 151632 Screws
 2191 Lockwashers
 158807 Screws
 153819 Lockwashers, these parts are shown on Figure 1-15

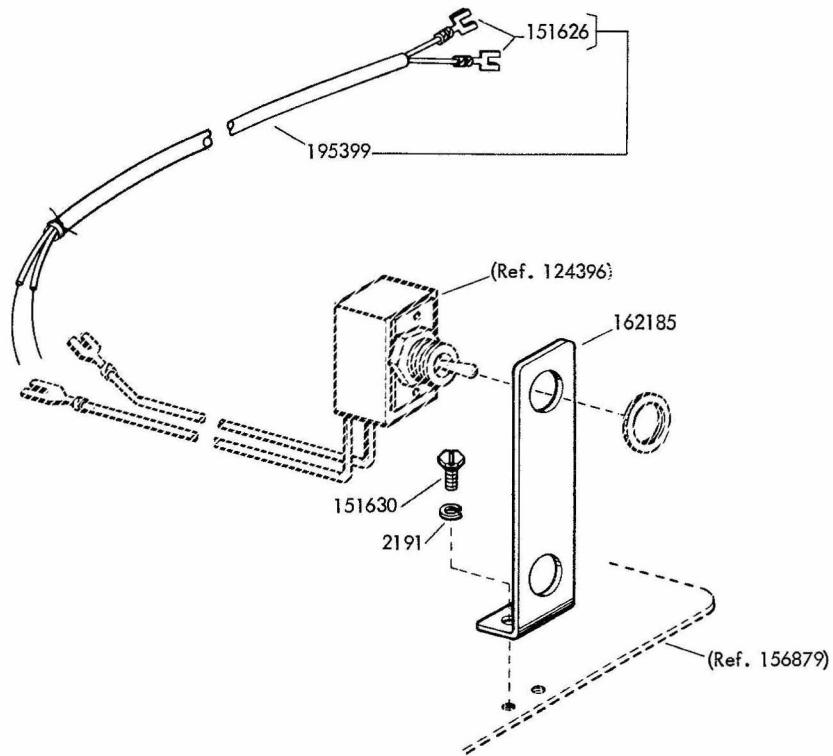


FIGURE 1-30. 195388 MODIFICATION KIT TO RELOCATE POWER SWITCH FROM THE REAR TO THE FRONT

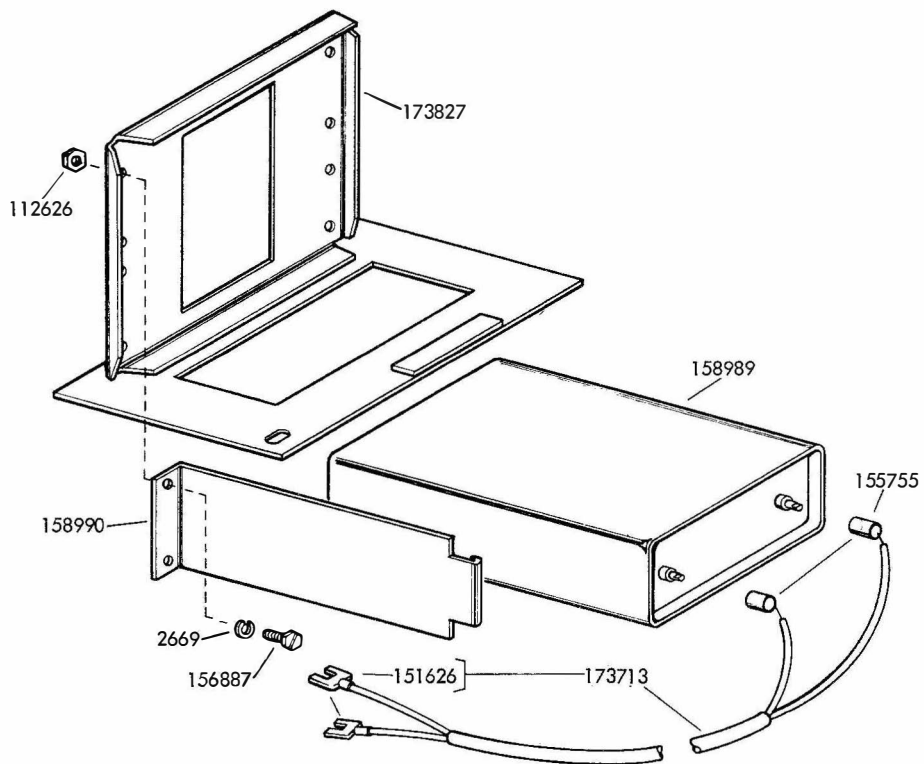
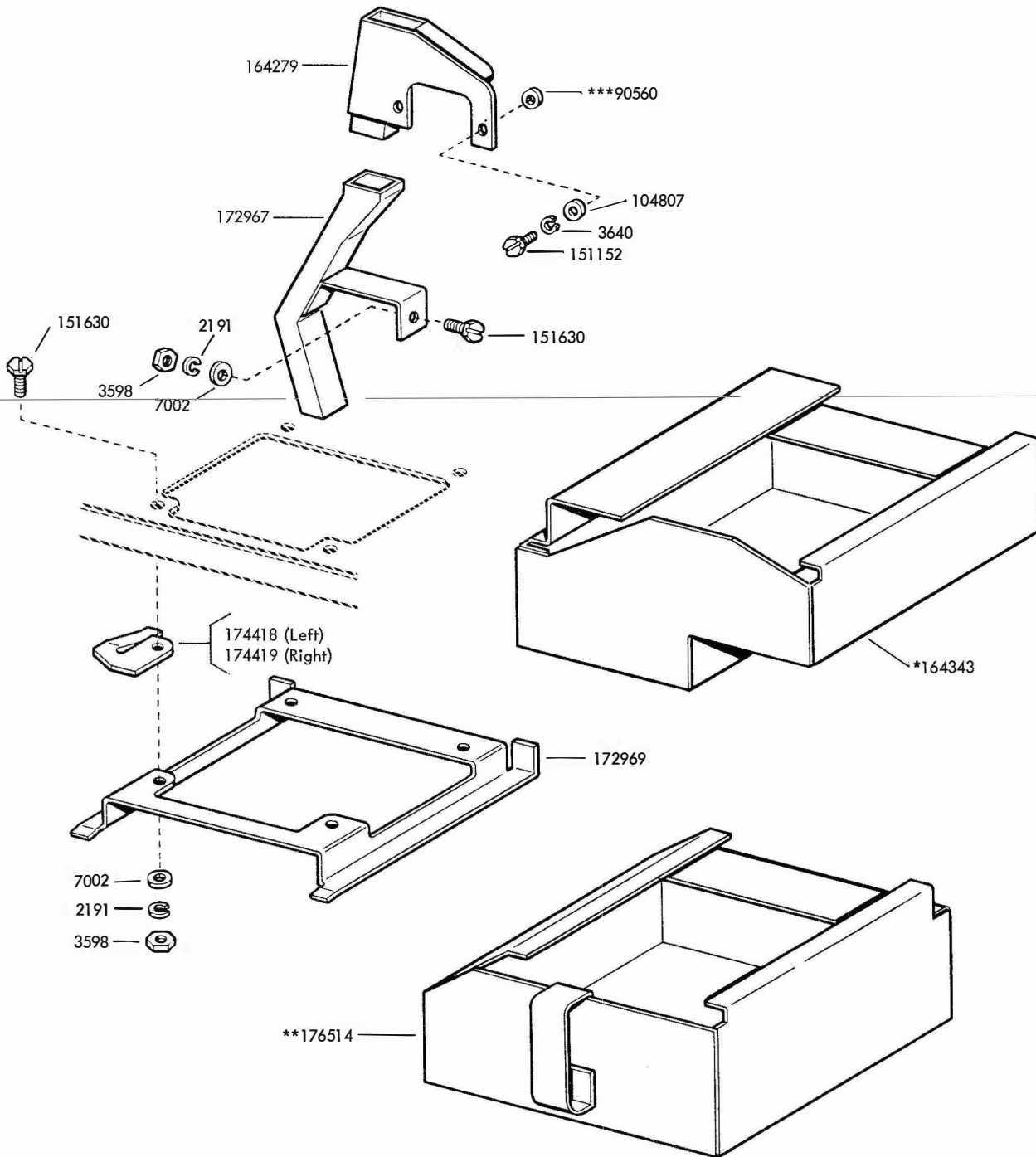


FIGURE 1-31. 173484 MODIFICATION KIT TO PROVIDE POWER FACTOR CORRECTION FOR (LMRB) BASE



*Peculiar to 164341
 **Peculiar to 176542
 ***Discard if Punch Block face is flat.

FIGURE 1-32. 164341 AND 176542 MODIFICATION KITS TO PROVIDE CHAD DISPOSAL ON MULTIPLE REPERFORATOR BASES

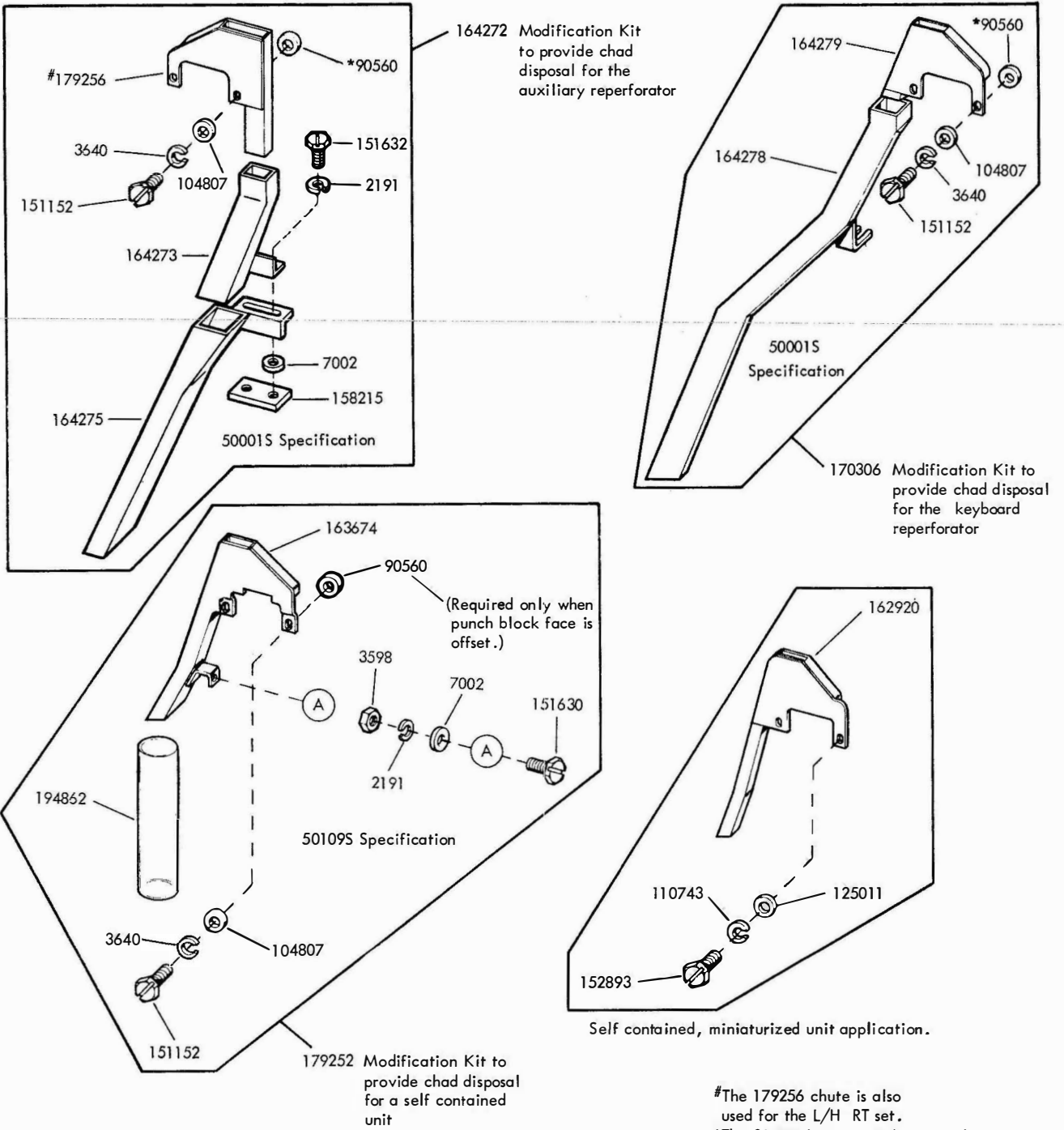
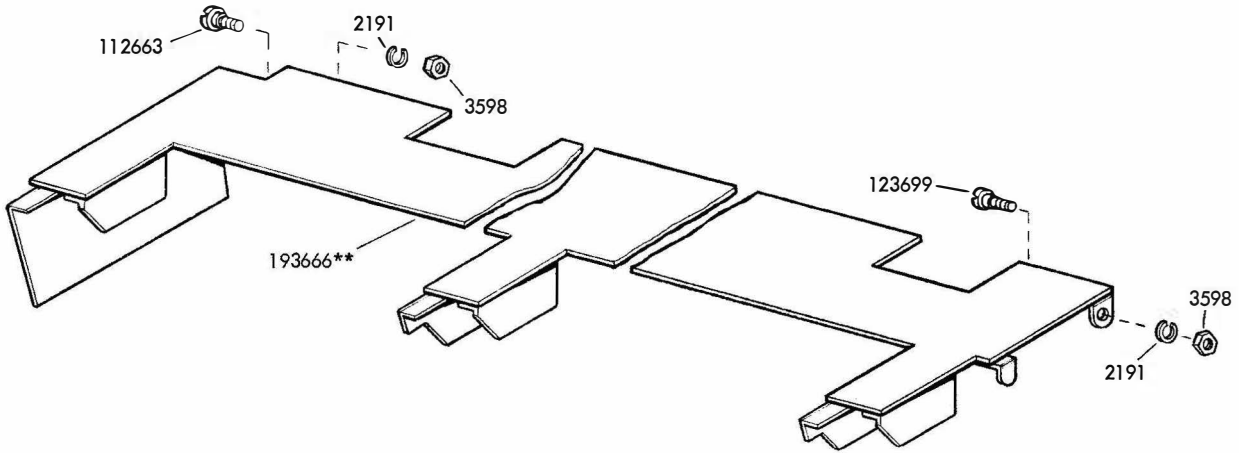
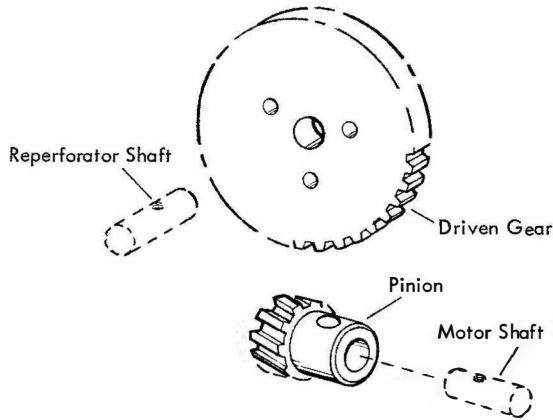


FIGURE 1-33. MODIFICATION KITS TO PROVIDE CHAD DISPOSAL



**Refer to Page G for Color Suffix

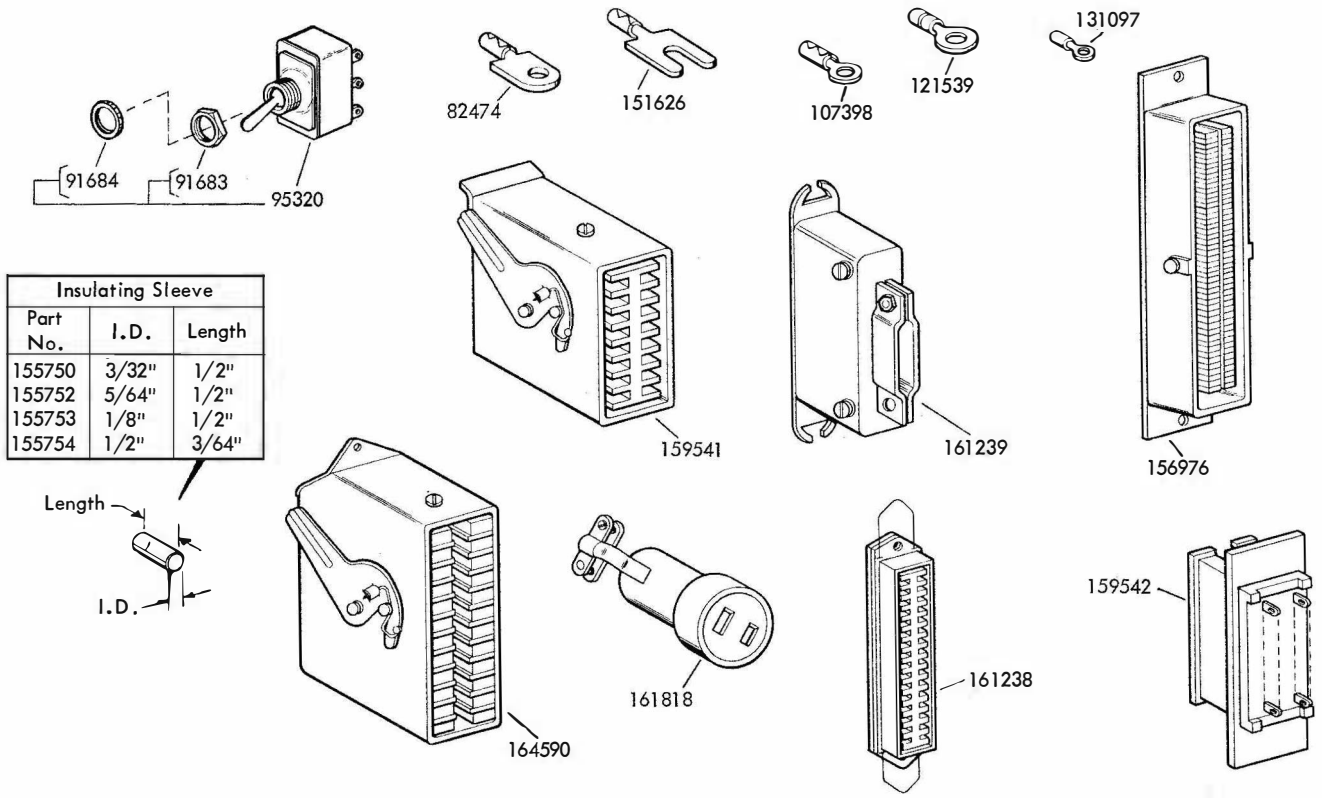
FIGURE 1-34. 193666** MODIFICATION KIT TO PROVIDE A SPROCKET GUARD FOR MULTIPLE REPERFORATOR BASES



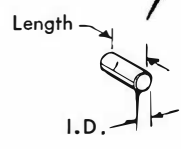
*LRPE Operation 2 Cycle Clutch.
 #LRPE Operation 1 Cycle Clutch

Speed Change Gear Sets For Units (Self-Contained) LRPE					
Set Number	Pinion	Driven Gear	(Nominal) WPM	Unit Code	Baud
*164784	164782 (6T)	164783 (52T)	120	8.5	102.9
#193620	192791 (5T)	192790 (49T)	53	8.61	46.15
#193621	192789 (6T)	192788 (47T)	66	8.61	57.69
#193643	193641 (6T)	193642 (40T)	78.7	8.00	67.8
#193678	193677 (8T)	193676 (42T)	100	11.0	110
#193681	193680 (5T)	193679 (39T)	67	11.0	73.7

FIGURE 1-35. GEAR CHART FOR SELF-CONTAINED (LRPE)



Insulating Sleeve		
Part No.	I.D.	Length
155750	3/32"	1/2"
155752	5/64"	1/2"
155753	1/8"	1/2"
155754	1/2"	3/64"



Unit No.	Cable Assembly	Component No.												
		95396	82474	151626	107398	121539	131097	155750	155752	155753	155754	156976	161238	159542
LRB2	156898			X				X						
	156978		X									X		
	159551		X	X										
LRB3,11	159928		X	X				X					X	
LRB5,6,36,42	161886			X			X	X					X	
	161887			X										
	161888			X										
LRB7	162061		X										X	
LRB8,41	162574	X	X				X	X			X		X	
LRB9	161886			X		X	X						X	
	161887			X		X							X	
	161889			X		X				X			X	
	161914	See Figure 1-29												
LRB10	159928		X	X				X						X
	162285		X	X					X	X				
	162286			X										
LRB18	162285		X	X					X	X	X			
	172975		X					X	X		X		X	
LRB19,26	163282		X											
	163283			X				X						
LRB20	161821	See Figure 1-15												
	161886		X			X	X						X	
	161887		X			X							X	
	161888		X					X			X		X	

FIGURE 1-36. CABLE CHART

Unit No.	Cable Assembly	Component No.																
		95390	8247A	151636	107398	121539	131097	151550	151552	151553	151554	1595A	161239	156976	164590	161818	161238	1595A2
LRB21, 30, 46	163333		X					X	X				X					X
LRB22	163296			X									X					X
LRB23	162574	X	X					X	X				X					X
	164589							X							X			
	164588																	
LRB24, 33	162061		X															X
LRB27	164099		X			X		X										X
LRB28	161886			X		X	X									X		
	161887			X		X												X
	161889			X				X				X				X		X
LRB31	176123 177006	See Figure 1-19																
LRB32	161886			X		X	X									X		
	173441			X		X												
	173442			X		X		X					X					X
	173849			X				X					X					
LRB34	161886			X		X	X									X		
	178791			X		X						X						
	179344			X				X					X					X
	179345			X						X		X						
LRB43	193778	X	X								X	X					X	
LRB200**	164767 164781	See Figure 1-24																
LRB201**	193629 193630 193633 193783	See Figure 1-25																

FIGURE 1-37. CABLE CHART

NUMERICAL INDEX - SECTION 1

Part Number	Description and Page Number	Part Number	Description and Page Number	Part Number	Description and Page Number
1160	Screw (6-40 x 5/16 Fil) 1-29	91768	Strap, Terminal (3-1/2" Black) 1-5, 1-6, 1-20	120206	Socket, Lamp 1-25
1163	Screw (4-40 x 3/16 Fil) 1-30	92146	Nut (1/4-20 Hex) 1-16	121242	Clamp, Cable (1/8" ID) 1-5, 1-25
1164	Screw (2-56 x 3/16 Fil) 1-26	92260	Washer, Lock 1-9, 1-20	121243	Clamp, Cable (3/16" ID) 1-7, 1-28
1178	Screw (2-56 x 7/16 Fil) 1-14, 1-26	92265	Screw (2-56 x 1/8 Rd) 1-16	121244	Clamp, Cable (1/4" ID) 1-3, 1-6, 1-20
1210	Screw (2-56 x 5/8 Fil) 1-16, 1-21	93108	Washer, Lock 1-10, 1-12	121245	Clamp, Cable (5/16" ID) 1-5, 1-28
1264	Screw (10-32 x 1/2 Fil) 1-15, 1-22	93117	Washer, Lock 1-7, 1-14, 1-16, 1-21, 1-26, 1-27	121246	Clamp, Cable (3/8" ID) 1-20
2191	Washer, Lock 1-2 to 1-20, 1-22 to 1-34	95320	Switch 1-6, 1-10, 1-12	121247	Clamp, Cable (7/16" ID) 1-10, 1-12, 1-20
2263	Nut (8-32 Hex) 1-20	97981	Collar 1-27	121248	Clamp, Cable (1/2" ID) 1-10, 1-12
2382	Washer, Lock 1-25	98659	Bracket 1-2	121249	Clamp, Cable (5/8" ID) 1-10, 1-12, 1-14
2415	Spring 1-16	98718	Washer, Flat 1-28	121416	Roller 1-28
2449	Washer, Lock 1-3, 1-5, 1-10, 1-12, 1-16, 1-19	98726	Screw (3-48 x 1/4 Fil) 1-10, 1-12, 1-25, 1-26	121418	Screw, Shoulder (6-40) 1-28
2669	Washer, Lock 1-2 to 1-6, 1-8 to 1-13, 1-15 to 1-17, 1-20 to 1-22, 1-24 to 1-26, 1-29 to 1-31	98736	Switch, Toggle (SP-ST) 1-30	121539	Terminal 1-35, 1-36
2836	Spring 1-21	99381	Foot, Rubber 1-5, 1-20, 1-25	121551	Screw (8-32 x 1/4 Hex) 1-28
3438	Washer, Flat 1-3, 1-4, 1-5, 1-8, 1-12, 1-13, 1-16, 1-20, 1-25	101633	Washer, Flat 1-17	121575	Screw (10-32 x 5/16 Hex) 1-2, 1-5, 1-6
3598	Nut (6-40 Hex) 1-5, 1-6, 1-9 to 1-13, 1-16, 1-20, 1-23, 1-24, 1-26, 1-30, 1-32, 1-33, 1-34	102465	Screw (6-40 x 37/64 Fil) 1-23	121630	Washer, Flat 1-13
3606	Nut (6-40 Hex) 1-15, 1-16, 1-17, 1-27, 1-29	103033	Lid, Tape Reel 1-28	122245	Capacitor (43-48 mfd) 1-6
3624	Washer, Flat 1-7, 1-14, 1-21, 1-27	104124	Screw (1/4-32 x 11/32 Hex) 1-3, 1-5, 1-10, 1-12	123699	Screw, Shoulder (6-40) 1-34
3640	Washer, Lock 1-2, 1-4, 1-5, 1-7, 1-14, 1-16, 1-18, 1-21, 1-27, 1-32, 1-33	104807	Washer, Flat 1-32, 1-33	123706	Screw (10-32 x 1/4 Flat) 1-3, 1-22
3646	Washer, Lock 1-5, 1-20, 1-25	107116	Washer, Lock 1-15	124177	Washer, Lock 1-9, 1-18, 1-24
3899	Spacer 1-27	107393	Switch 1-2	124396	Switch Assembly 1-5, 1-25, 1-29, 1-31
6565	Screw (8-32 x 1-1/4 Fil) 1-5, 1-20, 1-25	107398	Terminal 1-2, 1-35, 1-36	124611	Screw (8-32 x 3/8 Hex) 1-20
7002	Washer, Flat 1-3, 1-5 to 1-16, 1-20, 1-23 to 1-27, 1-29, 1-32, 1-33	110126	Washer, Lock 1-28, 1-30	124741	Washer, Lock 1-10, 1-12
7599	Spring 1-18	110191	Washer, Lock 1-28	124999	Switch 1-7, 1-10, 1-12, 1-14, 1-21, 1-27
8449	Washer, Flat 1-7, 1-14, 1-16, 1-27, 1-28	110435	Nut (4-40 Hex) 1-14, 1-16	125011	Washer, Flat 1-21, 1-27, 1-30, 1-33
25123	Screw (1/4-32 x 7/16 Hex) 1-19	110437	Spring 1-14	125015	Washer, Flat 1-7, 1-10, 1-12, 1-16, 1-17, 1-19, 1-20, 1-23, 1-24, 1-27, 1-28, 1-29
35503	Foot, Rubber 1-29	110438	Spring 1-21	125175	Screw (10-32 x 5/16 Hex) 1-6
35551	Screw (10-32 x 3/4 Fil) 1-15, 1-22	110644	Switch 1-20	125205	Screw (6-40 x 7/16 Fil) 1-8, -23
44048	Washer, Flat 1-20, 1-30	110743	Washer, Lock 1-9, 1-18, 1-24, 1-29, 1-30, 1-33	125218	Nut (1/4-32 Hex) 1-10, 1-12
45815	Washer, Lock 1-14, 1-20, 1-25	111017	Screw (6-40 x 5/16 Fil) 1-2, 1-5, 1-10, 1-12, 1-20, 1-26, 1-29, 1-30	125224	Nut (1/4-32 Hex) 1-3, 1-5, 1-10, 1-12
49056	Screw (10-32 x 7/8 Hex) 1-11, 1-13	111284	Block, Terminal 1-29	125231	Nut (10-32 Hex) 1-10, 1-12
61085	Washer, Lock 1-10, 1-12	111427	Washer, Flat 1-11, 1-13, 1-28	125250	Spring 1-14
70314	Washer, Flat 1-13	111516	Washer, Flat 1-14	129919	Fuse (4 Amps) 1-5, 1-30
71073	Washer, Flat 1-16	111776	Connector, Plug (4 Pt) 1-27	130499	Bearing 1-9, 1-17
71858	Washer, Flat 1-16	111777	Connector, Receptacle (4 Pt) 1-26, 1-27	130683	Washer, Lock 1-11, 1-13
72655	Screw (8-32 x 1/2 Hex) 1-30	112080	Washer, Flat 1-28	130892	Washer, Felt 1-9, 1-18, 1-24
74100	Washer, Leather 1-14	112626	Nut (10-32 Hex) 1-2, 1-11, 1-13, 1-14, 1-15, 1-22, 1-31	131097	Terminal 1-35, 1-36
74479	Bushing 1-28	112663	Screw, Shoulder (6-40) 1-34	131099	Terminal 1-26
74807	Nut (10-32 Hex) 1-9, 1-24	113850	Washer, Flat 1-9	136148	Modification Kit to Add Rubber Foot 1-5
76081	Washer, Flat 1-9	114125	Screw (6-40 x 3/8 Hex) 1-9, 1-18, 1-24	138538	Fuse (2 Amp) 1-6
76461	Washer, Flat 1-10, 1-12, 1-16, 1-28, 1-29	114466	Connector, Receptacle (2 Pt) 1-2, 1-5, 1-25	142269	Fuse (3 Amp) 1-20
76953	Washer, Flat 1-10, 1-12	114467	Connector, Plug (2 Pt) 1-2, 1-5, 1-25	142612**	Guide 1-27
78596	Washer, Friction 1-9	115594	Nut, Speed (8-32) 1-30	142622	Disk (7/8" Tape, 2" Core) 1-27
80342	Screw (6-40 x 23/64 Hex) 1-28	116669	Lens (Red) 1-25	142623	Disk (1" Tape, 2" Core) 1-27
82474	Terminal 1-2, 1-5, 1-6, 1-10, 1-12, 1-25, 1-29, 1-35, 1-36	116699	Lamp, Neon (1/25 Watt) 1-25	142624	Roller 1-27
82725	Spring 1-9, 1-24	116783	Holder, Fuse 1-5, 1-6, 1-20, 1-26, 1-30	142625	Shaft 1-27
82832	Washer, Star 1-16	117227	Bearing, Ball 1-23, 1-24	142626	Bracket 1-27
83877	Spring 1-7, 1-27	117535	Washer, Flat 1-16, 1-20, 1-22, 1-30	142636	Spacer 1-27
84354	Washer, Flat 1-19	118511	Fuse (1/8 Amp) 1-6	142637	Spacer 1-27
84551	Strap (5-1/4" Black) 1-10, 1-12	118589	Switch, Push (Black) 1-6	142648**	Retainer 1-27
85318	Washer, Leather 1-15	119467	Insulator 1-7, 1-14, 1-21, 1-27	142665	Nut (8-32 Spl) 1-5, 1-20, 1-25
90560	Washer, Flat 1-32, 1-33	119649	Ring, Retaining 1-27	142709	Fuse (2 Amp) 1-26
90606	Spring 1-7, 1-16, 1-27	119651	Ring, Retaining 1-9, 1-18, 1-24	144727	Keypad w/Shaft (Tape FO) 1-26
91683	Nut (15/32-32 Hex) 1-10, 1-12, 1-30, 1-35	119652	Ring, Retaining 1-18, 1-21, 1-24	144729	Bracket 1-26
91684	Nut (15/32-32 Ring) 1-6, 1-10, 1-12, 1-30, 1-35	119653	Ring, Retaining 1-9, 1-21	144731	Plate, Switch Actuator 1-26
		119654	Ring, Retaining 1-8, 1-23	144732	Insulator 1-26
		119655	Ring, Retaining 1-8, 1-23	144733	Spring 1-26
		119658	Ring, Retaining 1-28	144734	Plate, Retaining 1-26
		120175	Plate, Instruction 1-2, 1-5, 1-6, 1-10, 1-12, 1-25, 1-29, 1-30	150089	Screw (4-40 x 1/2 Fil) 1-4, 1-9, 1-11, 1-13, 1-18, 1-30
				150336	Bushing 1-27
				150342	Screw, Shoulder (6-40) 1-11

NUMERICAL INDEX - SECTION 1 (Continued)

Part Number	Description and Page Number	Part Number	Description and Page Number	Part Number	Description and Page Number
150456	Washer, Spacing 1-9,1-24	151724	Screw (10-32 x 5/8 Hex) 1-20,1-25	156768	Screw (8-32 x 9/32 Hex) 1-20,1-28
150652	Screw (4-40 x 37/64 Fil) 1-18	151731	Screw (4-40 x 7/8 Fil) 1-18	156769	Plate, Name 1-16
150711	Washer, Flat 1-28	151732	Screw (6-40 x 11/32 Fil) 1-6,1-9,1-11,1-18,1-24	156807	Disk 1-17
150802	Clamp 1-11,1-13	151733	Screw (4-40 x 9/16 Fil) 1-14,1-16,1-18	156808	Disk 1-17
150949	Plate, Name 1-16	151737	Screw (4-40 x 11/64 Hex) 1-21	156861	Ring, Retaining 1-4,1-8,1-23
150950	Plate, Name 1-16	151819	Jumper (3" Black) 1-5,1-6,1-20	156864	Sprocket (16T) 1-4
150966	Insulator 1-2,1-10,1-12,1-26	151827	Strap 1-20	156866	Belt 1-4,1-8,1-23
150992	Stud 1-14,1-16	151880	Nut (4-40 Hex) 1-9,1-10,1-12,1-18,1-27	156867	Frame - Machined 1-3
151152	Screw (4-40 x 1/4 Hex) 1-18,1-32,1-33	152890	Washer, Flat 1-28	156879	Plate 1-5,1-31
151229	Washer, Flat 1-16,1-25	152893	Screw (4-40 x 1/4 Hex) 1-33	156887	Screw (10-32 x 9/16 Hex) 1-3,1-4,1-5,1-8,1-20,1-31
151245	Washer, Felt 1-21	153442	Screw (10-32 x 1/2 Hex) 1-2,1-14,1-16	156898	Cable Assembly 1-2,1-35
151335	Stud 1-2,1-5,1-10,1-12,1-20,1-26,1-29,1-30	153459	Block, Terminal 1-30	156904	Guard 1-4
158346	Screw (6-40 x 3/8 Fil) 1-4,1-8,1-11,1-13,1-17,1-18,1-23	153484	Screw, Terminal (6-32) 1-30	156936	Screw (1/4-32 x 5/16 Hex) 1-3,1-5,1-10,1-12
151411	Block, Terminal 1-2,1-20,1-30	153537	Screw (6-40 x 9/32 Hex) 1-28	156949	Gear (36T) 1-23
151412	Insulator 1-2,1-5,1-20,1-30	153538	Screw (6-40 x 7/16 Hex) 1-10,1-12,1-14,1-16	156950	Shaft w/Bearing 1-9
151415	Block, Terminal 1-2,1-10,1-12,1-26	153539	Screw (6-40 x 11/16 Hex) 1-7,1-14,1-16,1-27	156951	Link 1-9
151416	Nut (6-40 Hex) 1-2,1-5,1-10,1-12,1-20,1-26,1-30	153817	Screw (4-40 x 3/8 Hex) 1-10,1-12	156952	Lever, Guide 1-9,1-24
151422	Connector, Receptacle (2 Pt) 1-13	153819	Washer, Lock 1-16,1-25,1-26,1-30	156953	Hub 1-9
151442	Screw (6-40 x 1/2 Hex) 1-9,1-11,1-13,1-16,1-17,1-20,1-23	153839	Screw (6-40 x 5/8 Hex) 1-28	156954	Stud 1-9,1-24
151453	Nut (10-32 Hex) 1-25	153841	Screw (6-40 x 9/16 Hex) 1-29	156955	Sprocket (24T) 1-9
151540	Lampholder 1-5	154076	Plate 1-19	156956	Retainer 1-9
151556	Knob w/Set Screw 1-22	154406	Block, Terminal 1-29	156958	Sprocket (21T) 1-8
151562	Lamp 1-5	154437	Insulator 1-30	156959	Bushing 1-9
151572	Washer, Star 1-19,1-25	154446	Cover 1-30	156960	Screw, Shoulder (6-40) 1-9
151606	Screw (10-32 x 1/4 Hex) 1-5,1-6,1-17,1-25,1-26,1-29	155750	Sleeve, Insulating (3/32 ID x 1/2 LG) 1-2,1-6,1-10,1-12,1-35,1-36	156961	Screw, Shoulder (6-40) 1-9
151610	Washer, Flat 1-7,1-8,1-14,1-20,1-23	155751	Sleeve, Insulating (1/8 ID x 1 LG) 1-2,1-10,1-27	156962	Ring, Retaining 1-9,1-24
151618	Screw (6-40 x 7/16 Fil) 1-18	155752	Sleeve, Insulating (5/64 ID x 1/2 LG) 1-6,1-25,1-35,1-36	156964	Gear (9T) 1-8,1-23
151610	Terminal 1-2,1-5,1-6,1-7,1-10,1-12,1-20,1-21,1-25,1-26,1-28 to 1-31,1-35,1-36	155753	Sleeve, Insulating (1/8 ID x 1/2 LG) 1-6,1-21,1-29,1-30,1-35,1-36	156965	Frame 1-8
151630	Screw (6-40 x 1/4 Hex) 1-2,1-4 to 1-10,1-12 to 1-14,1-16,1-17,1-20,1-22 to 1-27,1-29,1-31 to 1-33	155754	Sleeve, Insulating (1/16 ID x 1/2 LG) 1-6,1-20,1-25,1-35,1-36	156966	Base 1-2,1-3,1-4
151631	Screw (6-40 x 5/16 Hex) 1-3,1-5 to 1-8,1-10 to 1-13,1-16,1-17,1-19,1-20,1-28	155755	Sleeve, Insulating (11/64 ID x 5/8 LG) 1-31	156967	Shaft 1-8
151632	Screw (6-40 x 3/8 Hex) 1-8,1-15,1-16,1-17,1-19,1-20,1-23,1-24,1-26,1-30,1-33	155861	Washer, Lock 1-28	156968	Plate 1-8
151633	Bearing, Ball 1-8,1-17	155954	Switch 1-26	156971	Screw (2-56 x 3/4 Fil) 1-7,1-27
151634	Bearing, Ball 1-11,1-13	156057	Washer, Flat 1-18	156972	Cable Assembly 1-7
151637	Screw (4-40 x 1/4 Fil) 1-2,1-5	156226	Hub 1-4,1-8,1-23	156974	Container Assembly, Tape 1-7
151657	Screw (6-40 x 1/4 Fil) 1-26,1-27,1-29	156334	Stud 1-3,1-5,1-10	156975	Bracket 1-2
151658	Screw (6-40 x 5/16 Fil) 1-5,1-17,1-18	156336	Post 1-3,1-5	156976	Connector, Plug (32 Pt) 1-2,1-35,1-36
151659	Screw (6-40 x 1/2 Fil) 1-11,1-13	156337	Washer, Flat 1-5,1-20,1-25	156978	Cable Assembly 1-2,1-35
151660	Screw (6-40 x 7/8 Fil) 1-20	156338	Post 1-3,1-5	156981	Gear (44T) 1-4
151685	Screw (4-40 x 5/16 Fil) 1-27,1-29	156339	Bushing 1-5,1-20,1-25	156982	Gear (9T) 1-4
151686	Screw (4-40 x 3/8 Fil) 1-30	156340	Bracket 1-2	156983	Gear (47T) 1-4
151688	Screw (4-40 x 5/8 Fil) 1-28	156342	Plate 1-7	156984	Gear (12T) 1-4
151690	Screw (10-32 x 29/64 Fil) 1-9	156343	Hub 1-4	156985	Gear (42T) 1-4
151691	Screw (10-32 x 3/8 Fil) 1-20	156344	Bracket 1-3,1-5,1-10,1-12	156986	Gear (14T) 1-4
151692	Screw (6-40 x 3/16 Fil) 1-9,1-25,1-30	156398	Holder, Bearing 1-4	158163	Switch 1-16
151693	Screw (6-40 x 9/16 Fil) 1-11,1-13,1-30	156400	Sprocket (28T) 1-4,1-11,1-13,1-18	158215	Plate 1-5,1-33
151694	Screw (6-40 x 11/32 Fil) 1-4	156444	Base, Lower 1-5	158238	Plate 1-14
151721	Screw (6-40 x 3/4 Hex) 1-7,1-24,1-27	156445	Bracket, Switch 1-5	158239	Lever 1-14,1-16
151722	Screw (6-40 x 3/16 Hex) 1-2,1-5,1-11,1-13,1-28,1-29	156446	Handle 1-5	158289	Disk (11/16" Tape, 2" Care) 1-7,1-14,1-16
151723	Screw (10-32 x 3/8 Hex) 1-3,1-12,1-13,1-16,1-20,1-22,1-25,1-30	156448	Bushing 1-7,1-14,1-16,1-27	158640	Motor (115V AC) 1-28
		156449	Lever 1-7,1-8,1-14,1-16,1-27	158712	Gear (26T) 1-8,1-18
		156451	Bushing 1-7,1-14,1-16,1-27	158716	Gear (39T) 1-9,1-18
		156452	Bushing 1-7,1-27	158723	Roller 1-9,1-18,1-24
		156460	Panel 1-3,1-5,1-6,1-7	158732	Gear (24T & 18T) 1-8,1-18
		156470	Guide w/Roller, Tape 1-7	158733	Gear (44T) 1-9,1-18,1-24
		156501	Screw (6-40 x 7/32 Fil) 1-27	158734	Gear (47T) 1-9,1-18
		156588	Ring, Retaining 1-17	158736	Nut, Cap (6-40) 1-18
		156656	Strap (2-3/4" Black) 1-25	158740	Block 1-9,1-18,1-24
		156758	Bracket 1-28	158741	Bar 1-9,1-18,1-24
				158745	Clamp, Bearing 1-4,1-8,1-17
				158807	Screw (3-48 x 3/16 Hex) 1-16,1-30
				158989	Capacitor (20 mfd) 1-31
				158990	Bracket 1-31
				159287	Isolator 1-17
				159377	Modification Kit 1-4
				159417	Modification Kit 1-8,1-9
				159433	Plate 1-8
				159540	Post 1-7,1-27

NUMERICAL INDEX - SECTION 1 (Continued)

Part Number	Description and Page Number	Part Number	Description and Page Number	Part Number	Description and Page Number
159541	Connector, Plug (16 Pt) 1-5,1-29,1-35,1-36	161770	Bracket 1-16	162221	Retainer 1-11
159542	Connector, Receptacle (16 Pt) 1-5,1-6,1-35,1-36	161772	Bracket 1-17,1-18	162222	Belt 1-11
159543	Washer, Flat 1-7,1-27	161773	Container, Tape 1-16	162225	Bracket, Mounting 1-29
159551	Cable Assembly 1-2,1-35	161777	Stud 1-19	162226	Bracket, Terminal Strip 1-29
159589	Bracket 1-5,1-6	161778	Stud 1-19	162228	Insulator 1-29
159592	Cable Assembly 1-5	161779	Shaft w/Bearing 1-17,1-18	162230	Cover, Service Assembly 1-29
159600	Shaft w/Bearings 1-4	161780	Retainer 1-17	162283	Plate, Extension 1-29
159603	Washer, Capacitor 1-5	161781	Hub 1-17	162284	Insulator 1-29
159604	Screw (10-32 x 1/2 Hex) 1-5	161782	Gear (90T) 1-17	162285	Cable Assembly 1-29,1-35
159610	Mount, Vibration 1-5,1-20,1-25	161783	Gear (45T) 1-17	162286	Cable Assembly, Rectifier 1-29,1-35
159611	Bell Assembly 1-29	161784	Gear (18T) 1-18	162287	Plate, Cover Base 1-29
159928	Cable Assembly 1-5,1-35	161785	Gear (24T) 1-18	162288	Bar, Cover 1-29
159929	Bracket 1-5	161786	Gear (26T) 1-18	162373	Cable Assembly 1-7
159931	Clamp, Cable 1-5	161787	Shaft w/Bearing 1-17,1-18	162374	Cable Assembly 1-7
159991	Plate 1-9	161788	Hub 1-18	162574	Cable Assembly, Control 1-6,1-35,1-36
160279	Strip 1-7	161789	Sprocket (16T) 1-18	162653	Retainer 1-23,1-24
160307	Diode 1-6	161790	Gear (44T) 1-18	162730	Screw (1/4-20 x 5/8 Hex) 1-16
161103	Gear (49T) 1-4	161791	Gear (47T) 1-18	162846	Modification Kit to Provide a Cover Clip for Base 1-29
161104	Gear (11T) 1-4	161792	Gear (39T) 1-18	162900	Plate, Base (Lower) 1-25,1-26
161238	Connector, Receptacle (36T) 1-16,1-25,1-26,1-30,1-35,1-36	161793	Block 1-18	162901	Plate, Base (Upper) 1-25,1-26
161239	Connector, Plug (36T) 1-6,1-20,1-25,1-26,1-30,1-35,1-36	161794	Block, Slide 1-18	162902	Bracket, Switch 1-25
161301	Post 1-17	161795	Stud 1-18	162903	Bracket, Connector 1-25
161503	Base 1-10	161796	Stud 1-18	162904	Post (10-32) 1-25
161505	Stud 1-10,1-12,1-16	161797	Plate 1-18	162905	Post (10-32) 1-25
161506	Shaft 1-11	161798	Guide w/Bracket 1-19	162906	Stud (10-32) 1-25
161507	Plate 1-11	161800	Bracket 1-19	162920	Chute, Chad 1-33
161508	Bar 1-11,1-13	161801	Bracket 1-30	162978	Disk, Tape Reel 1-28
161509	Hub 1-11,1-13	161803	Guide w/Roller 1-16	162980	Hub 1-28
161510	Sprocket (16T) 1-11,1-13	161804	Guide w/Roller 1-16	162958	Switch, Mercury 1-28
161511	Retainer 1-4,1-11,1-13,1-18	161805	Guard 1-17	162983	Arm, Tape Tension 1-28
161512	Retainer 1-11	161806	Belt 1-18	162985	Arm, Tape Guide 1-28
161513	Clamp 1-11,1-13	161807	Shift Assembly, Gear 1-18	162986	Cord Assembly 1-28
161514	Plate 1-11,1-13	161809	Stud 1-17	163256	Modification Kit 1-8,1-9
161516	Pan, Oil 1-10,1-15	161811	Gear Set 1-18	163260	Gear (36T) 1-8
161519	Gear Set 1-4	161812	Gear Set 1-18	163261	Gear (22T) 1-8
161520	Belt 1-11,1-13	161813	Gear Set 1-18	163262	Gear (49T) 1-9,1-18,1-24
161523	Panel Assembly 1-14	161815	Modification Kit 1-19	163263	Roller 1-9
161526	Connector, Receptacle (14 Pt) 1-10,1-12	161817	Connector, Plug (2 Pt) 1-30	163264	Shaft, Gear Shift 1-8
161527	Container Assembly, Tape 1-14	161818	Connector, Receptacle (2 Pt) 1-35,1-36	163265	Block 1-9
161528	Cable Assembly 1-10,1-12	161819	Guard 1-17	163280	Bracket, Mounting 1-5
161529	Guide 1-14	161821	Cable Assembly 1-16,1-35	163281	Bracket 1-5
161530	Gear Set 1-11	161824	Stud 1-17	163282	Cable Assembly, Control 1-35
161531	Gear (44T) 1-11	161826	Plate 1-16	163283	Cable Assembly 1-35
161532	Gear (9T) 1-11	161827	Modification Kit to Provide Code Reading Contact Cabling 1-30	163296	Cable Assembly, Control 1-36
161533	Gear Set 1-11	161873	Resistor (5000 Ohm) 1-6	163328	Plate, Gear Shift Guide 1-8
161534	Gear (47T) 1-11	161886	Cable Assembly 1-35,1-36	163333	Cable Assembly, Control 1-36
161535	Gear (12T) 1-11	161887	Cable Assembly 1-35,1-36	163446	Gear (22T) 1-18
161536	Gear Set 1-11	161888	Cable Assembly 1-35	163447	Gear (49T) 1-18
161537	Gear (42T) 1-11	161889	Cable Assembly 1-30,1-36	163448	Gear Set 1-18
161538	Gear (14T) 1-11	161914	Cable Assembly 1-30,1-35	163449	Gear (27T) 1-18
161546	Mount, Vibration 1-10,1-12	161959	Plate 1-30	163450	Gear (40T) 1-18
161552	Screw, Spl. (10-32) 1-10,1-12	161964	Clamp, Tube 1-6	163451	Gear Set 1-18
161654	Gear Set 1-4	162061	Cable Assembly, Control 1-35,1-36	163587	Bracket, Mounting 1-16,1-30
161655	Gear Set 1-4	162075	Reel, Tape (11/16" Tape, 1" Core) 1-7,1-14,1-16	163674	Chute, Chad 1-33
161656	Gear Set 1-4	162077	Handle 1-3	163868	Guide, Tape 1-7
161673	Post 1-10	162181	Plate, Lower Base 1-6	164099	Cable Assembly 1-36
161674	Post 1-10	162182	Handle w/Strike 1-6	164272	Modification Kit 1-33
161676	Hub 1-11,1-13	162183	Bushing 1-6	164273	Chute, Chad 1-33
161680	Modification Kit 1-11	162184	Plate, Upper Base 1-6	164275	Chute, Chad 1-33
161682	Clip, Cover 1-29	162185	Bracket, Switch 1-6,1-31	164278	Chute, Chad 1-33
161683	Channel 1-15	162187	Bracket, Mounting 1-6	164279	Chute, Chad 1-32,1-33
161684	Channel 1-15	162213	Modification Kit 1-11	164305	Plate 1-25
161685	Bracket 1-10,1-12	162214	Sprocket (20T) 1-11	164337	Gear (9T) 1-11
161687	Guard 1-11,1-13	162215	Hub 1-11	164338	Gear (40T) 1-11
161711	Block, Guide 1-15	162216	Retainer 1-11	164339	Gear (10T) 1-11
161716	Block, Support 1-15	162217	Modification Kit 1-11	164340	Gear (37T) 1-11
		162218	Sprocket (29T) 1-4,1-11	164341	Modification Kit 1-32
		162219	Sprocket (27T) 1-11	164343	Container, Chad 1-32

NUMERICAL INDEX - SECTION 1 (Continued)

Part Number	Description and Page Number	Part Number	Description and Page Number	Part Number	Description and Page Number
164423	Container Assembly, Tape 1-7	176085	Nut, Self Locking (10-32 Hex) 1-20	178814	Gear (37T) 1-13
164588	Cable Assembly, Control 1-36	176086	Bracket w/Pin 1-20	178815	Gear (37T) 1-13
164589	Cable Assembly 1-36	176088	Plate, Upper Base 1-20	178869	Shift Assembly, Gear 1-18
164590	Connector, Plug (24 Pt) 1-35,1-36	176090	Bracket 1-20	178870	Gear (22T & 18T) 1-8,1-18
164766	Bracket, Lamp Socket 1-25	176091	Bracket 1-20	178885	Plate, Index 1-18
194767	Cable Assembly, Lamp Socket 1-25, 1-36	176092	Bracket 1-20	178910	Spacer 1-9,1-18
164768**	Panel, Left 1-27	176093	Plate 1-20	179252	Modification Kit 1-33
164769**	Panel, Right 1-27	176094	Guide w/Roller, Tape 1-20	179256	Chute, Chad 1-33
164770**	Plate, Left 1-27	176095	Lamp, Tape Out (Red) 1-20	179344	Cable Assembly 1-36
164771**	Plate, Right 1-27	176099	Gear (22T & 18T) 1-23	179345	Cable Assembly 1-36
164772	Cable Assembly 1-27	176100	Modification Kit 1-23,1-24	179962	Gear (40T) 1-9,1-18
164773**	Plate, Mounting 1-27	176112	Plate, Bottom 1-22	179963	Gear (27T) 1-8,1-18
164781	Cable Assembly, Selector Magnet 1-25,1-36	176113	Plate, Top 1-22	179965	Modification Kit 1-8,1-9
164782	Gear (6T) 1-34	176114	Plate, Stop 1-22	179969	Plate, Guide 1-8
164783	Gear (52T) 1-34	176115	Block 1-22	192678	Shift Assembly, Gear 1-18
164784	Gear Set 1-34	176116	Bracket, Stop 1-22	192680	Plate, Index 1-18
165082	Clamp, Cable 1-29	176117	Bracket 1-20	192684	Plate, Clamp 1-9
165083	Keeper 1-29	176118	Spring (Left) 1-22	192685	Frame, Gear Shift 1-8
170306	Modification Kit 1-33	176119	Spring (Right) 1-22	192788	Gear (47T) 1-34
171952	Connector, Braided (.124" ID x .31 LG) 1-10	176120	Post (6-40) 1-22	192789	Gear (6T) 1-34
171953	Connector, Braided (.134" ID x .31 LG) 1-10	176121	Slide 1-22	192790	Gear (49T) 1-34
171972	Connector, Braided (.187" ID x .46" LG) 1-10	176123	Cable Assembly 1-20,1-36	192791	Gear (5T) 1-34
171973	Connector, Braided (.207" ID x .46" LG) 1-10	176124	Cable Assembly 1-21	192864	Disk, Reel (7/8" Tape, 2" Core) 1-7
172964	Base 1-10	178134	Bushing 1-20	192865	Panel 1-7
172965	Pan, Oil 1-10	176287	Modification Kit 1-19	192857	Container Assembly, Tape 1-7
172967	Chute, Chad 1-32	176288	Guide w/Bracket 1-19	192868	Spacer 1-7
172969	Bracket 1-32	176295	Gear Set 1-4	193620	Gear Set 1-34
172973	Bracket, Mounting 1-29	176296	Gear (15T) 1-4	193621	Gear Set 1-34
172975	Cable Assembly, Control 1-35	176297	Gear (43T) 1-4	193628	Bracket, Lamp Holder 1-26
173007	Bracket 1-10,1-12	176419	Ring, Retaining 1-11,1-13	193629	Cable Assembly, Selector Magnet 1-26,1-36
173023	Modification Kit 1-11	176422	Bracket, Mounting 1-19	193630	Cable Assembly, Indicator Lamp 1-26,1-36
173441	Cable Assembly 1-36	176514	Container, Chad 1-32	193631	Bracket 1-26
173442	Cable Assembly 1-36	176536	Cable Assembly 1-10	193632	Switch Assembly 1-26
173484	Modification Kit 1-31	176542	Modification Kit to Provide Chad Disposal for Reperforator Base 1-32	193633	Cable Assembly, Tape FO 1-36
173583	Sprocket (33T) 1-11	176610	Lever 1-24	193634	Bracket, Connector Fuse 1-26
173584	Modification Kit 1-11	176612	Washer, Flat 1-20	193635	Indicator, Neon 1-26
173713	Cable Assembly 1-31	176613	Grommet, Rubber 1-20	193636	Indicator, Neon 1-26
173820	Gear Set 1-18	177006	Cable Assembly 1-20,1-36	193637	Insulator 1-26
173821	Gear (20T) 1-18	178426	Plate 1-10,1-12,1-16	193641	Gear (6T) 1-34
173822	Gear (49T) 1-18	178427	Plate 1-10,1-12,1-16	193642	Gear (40T) 1-34
173827	Plate, Mounting 1-31	178696	Cover, Tape Winder 1-28	193642	Gear (40T) 1-34
173849	Cable Assembly 1-36	178706**	Bracket, Mounting 1-28	193643	Gear Set 1-34
174418	Detent (L) 1-32	178709	Bracket, Cover Locking 1-26	193666**	Guard, Sprocket 1-34
174419	Detent (R) 1-32	178710	Spacer, Tape Arm 1-28	193667	Modification Kit 1-34
174459	Modification Kit 1-22	178713	Bracket, Switch 1-28	193676	Gear (42T) 1-34
174492	Modification Kit 1-21	178714	Switch 1-28	193677	Gear (8T) 1-34
176050	Container, Tape 1-21	178715	Stud, Tape 1-28	193678	Gear Set 1-34
176057	Bail, Switch Actuating 1-21	178741	Shaft 1-13	193679	Gear (39T) 1-34
176058	Reel, Tape (11/16" Tape, 2" Core) 1-21	178742	Shaft 1-13	193680	Gear (5T) 1-34
176061	Retainer 1-21	178743	Plate, Bearing Mounting 1-13	193681	Gear Set 1-34
176062	Bracket, Front 1-20	178744	Bracket 1-13	193705	Cord Assembly, Fuse 1-26
176063	Bracket, Rear 1-20	178745	Base 1-12	193706	Wire Assembly (3" White-Orange) 1-26
176065	Bracket 1-23,1-24	178746	Pan, Oil 1-12	193707	Wire Assembly (3" White-Blue) 1-26
176066	Cylinder, Locking 1-22	178747	Plate, Front 1-12	193708	Wire Assembly (3" Black) 1-26
176068	Shaft 1-23	178749	Post (1/4-32) 1-12	193778	Cable Assembly 1-6,1-36
176069	Shaft 1-24	178750	Post (3/8-32) 1-12	193779	Bracket, Fuse Mounting 1-6
176071	Gear (52T) 1-24	178751	Post (1/4-32) 1-12	193780	Bracket 1-6
176072	Gear (35T) 1-23	178752	Stud (1/4-32) 1-12	193783	Cable Assembly 1-26,1-36
176073	Sprocket (21T) 1-23	178791	Cable Assembly 1-36	193837	Guide w/Roller, Tape 1-7
176074	Sprocket (24T) 1-24	178796	Gear (14T) 1-13	194221	Cable Assembly, Tape Out Switch 1-7
176076	Stud (10-32) 1-24	178797	Gear (42T) 1-13	194862	Extension 1-33
176077	Stud (6-40) 1-24	178798	Gear Set 1-13	195388	Modification Kit 1-31
176078	Bracket, Guide 1-23,1-24	178799	Gear (45T) 1-13	195399	Cable Assembly 1-31
176079	Isolator Assembly, Vibration 1-20	178800	Gear (53T) 1-13	197693	Shaft w/Bearing 1-11
176082	Plate, Lower Base 1-20	178801	Gear Set 1-13	197699	Modification Kit to Provide a New Style Shaft w/Bearing 1-11
		178802	Gear (33T) 1-13	207223WU	Spacer 1-7
		178803	Gear (49T) 1-13		
		178804	Gear Set 1-13		
		178810	Gear (30T) 1-13		
		178811	Gear (49T) 1-13		
		178813	Gear Set 1-13		

SECTION 2

TYPING REPERFORATOR UNIT (LPR), TAPE PRINTER (LTP) AND VARIABLE FEATURES

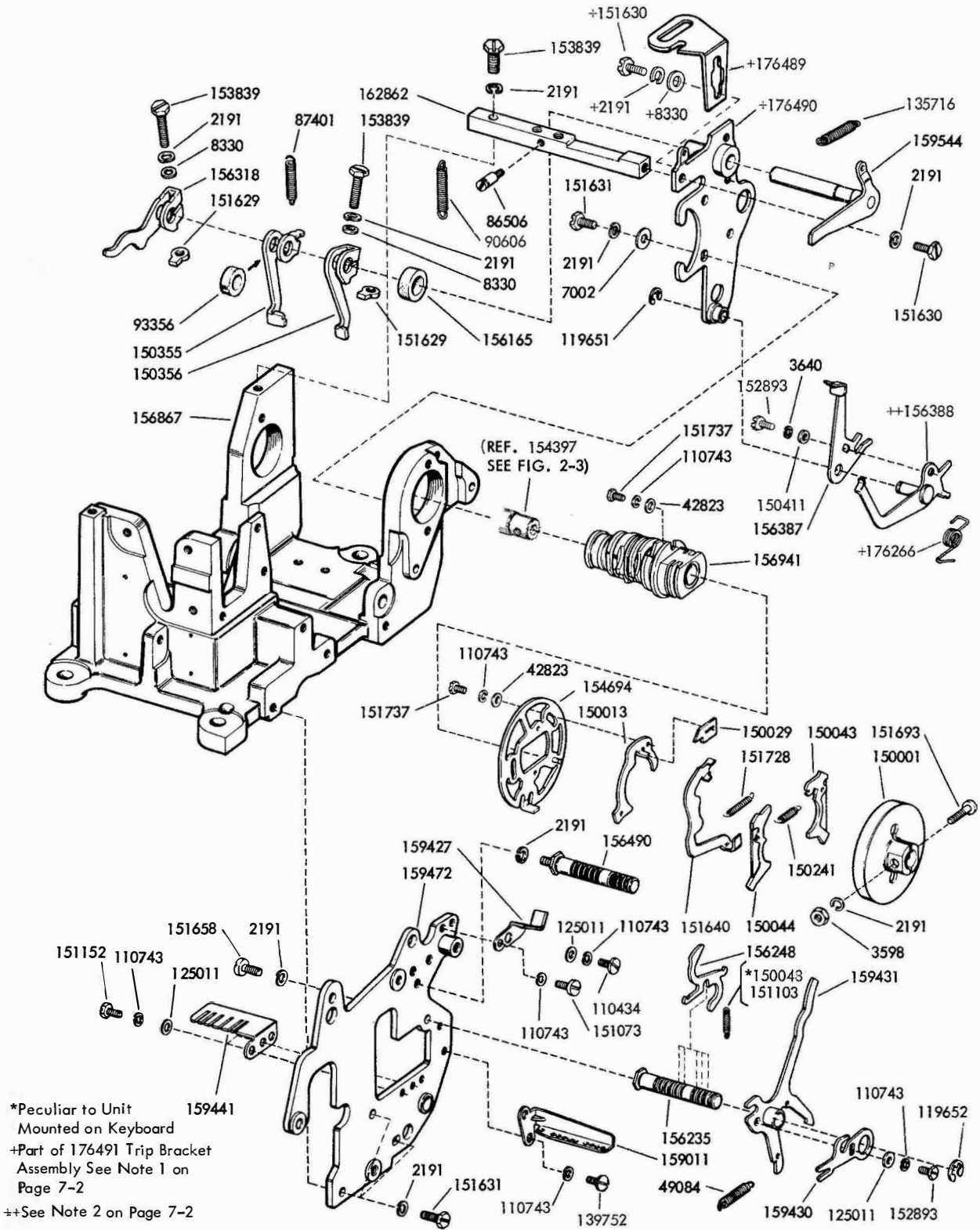
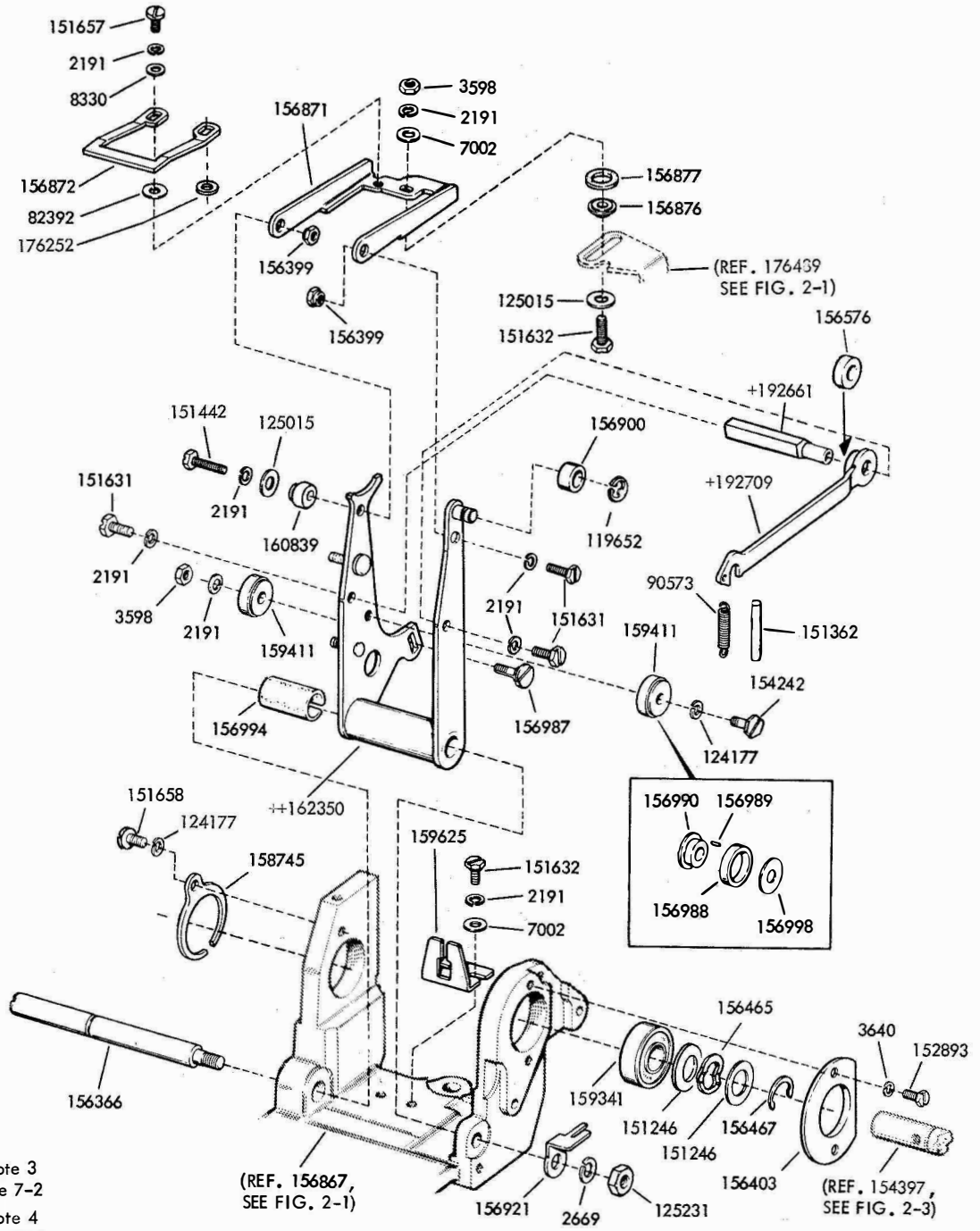


FIGURE 2-1. FRAME MECHANISM

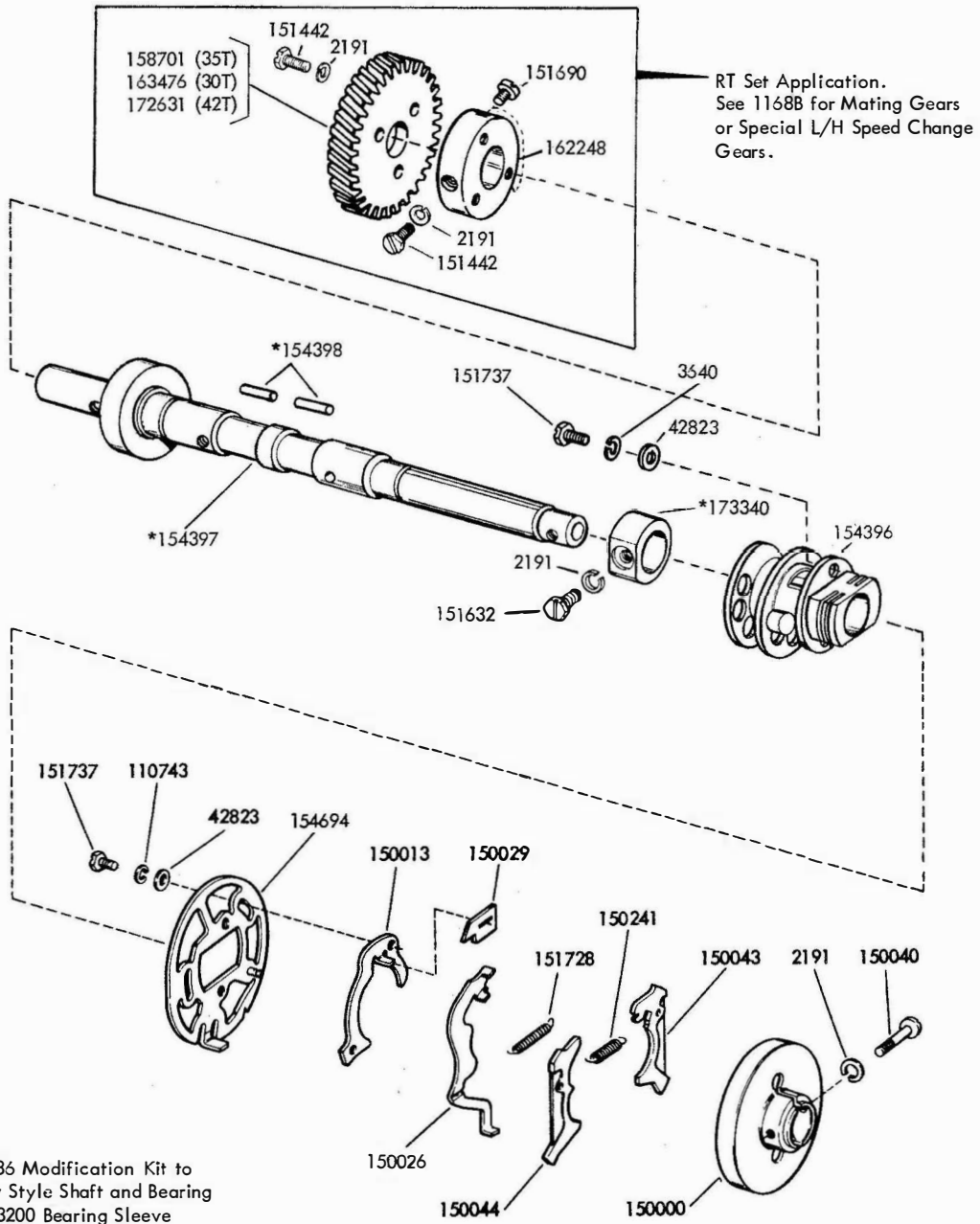


+See Note 3
on Page 7-2
++See Note 4
on Page 7-2

(REF. 156867,
SEE FIG. 2-1)

(REF. 154397,
SEE FIG. 2-3)

FIGURE 2-2. FRAME MECHANISM

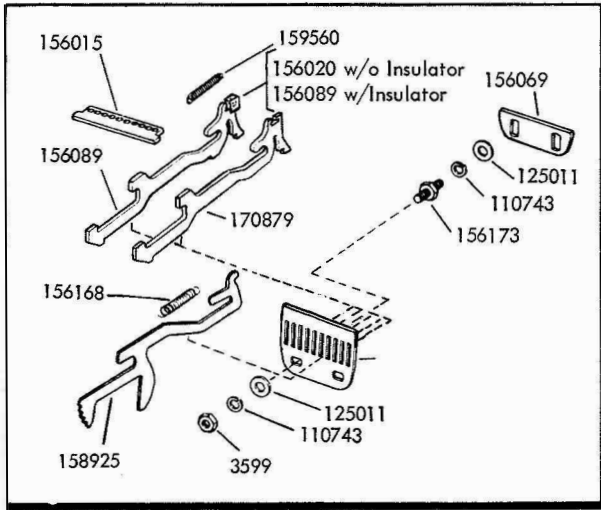
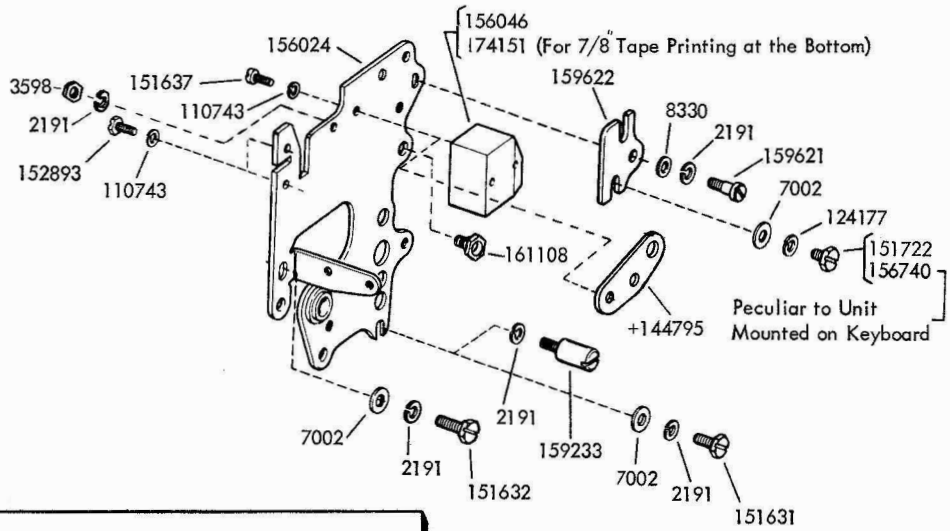


*Part of 173336 Modification Kit to
Provide New Style Shaft and Bearing
(Includes 173200 Bearing Sleeve
Shown on Figure 2-42).

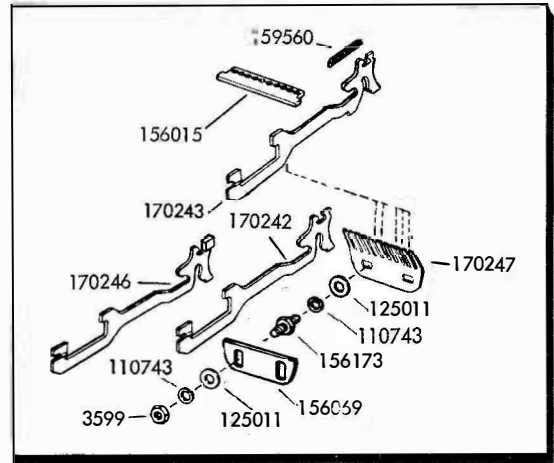
173336 - specification 59795

FIGURE 2-3. MAIN SHAFT MECHANISM

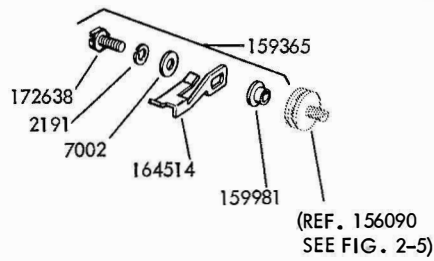
1167B



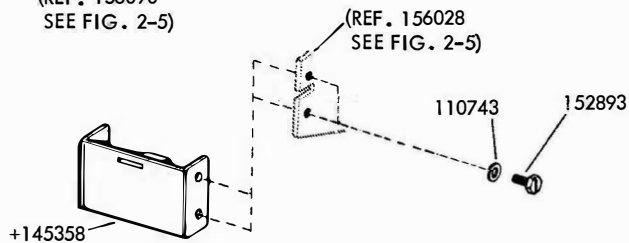
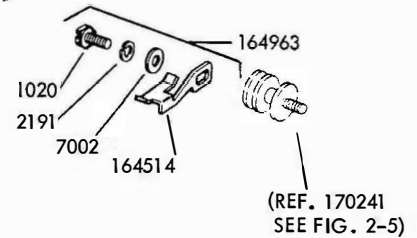
Slides and Guide Used with Spring Retracted Pins



Slides and Guide Used with Power Retracted Pins

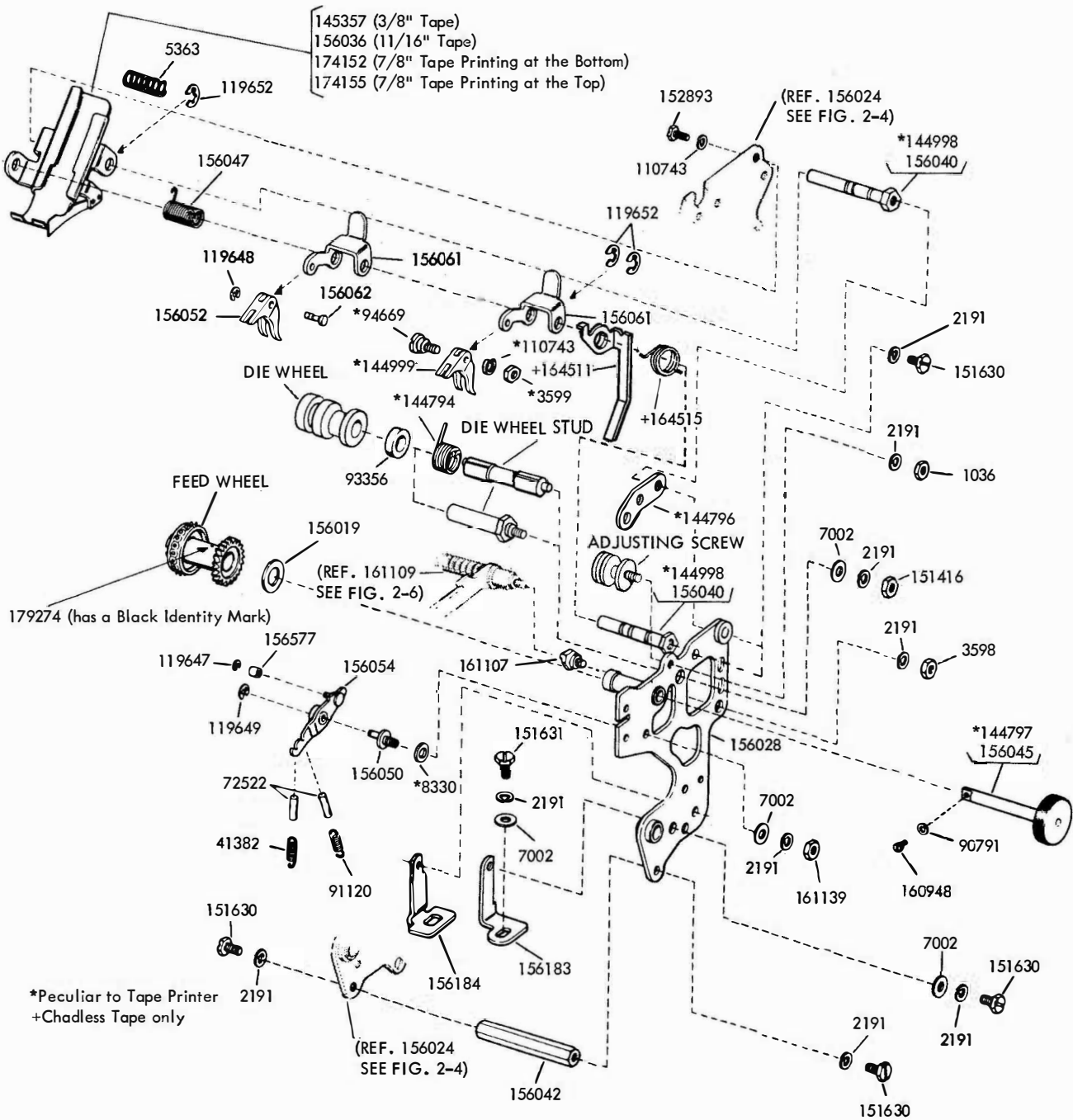


+Peculiar to Tape Printer



159365 - Specification 5728S

FIGURE 2-4. PUNCH REAR PLATE MECHANISM



Type of Punch	Typing Reperforators - 5 Level			Tape Printer
	Chadless w/Spring Ret. Pins	Fully Perforated w/Spring Ret. Pins	Fully Perforated w/Power Ret. Pins	
Die Wheel	156055	170788	170788	145353
Feed Wheel	See Fig. 2-43 for Punch Blocks and Feed Wheel Combinations			145356
Die Wheel Stud	156044	170219	170219	144793
Adjusting Screw	156090	170241	170241	170241

FIGURE 2-5. PUNCH FRONT PLATE MECHANISM

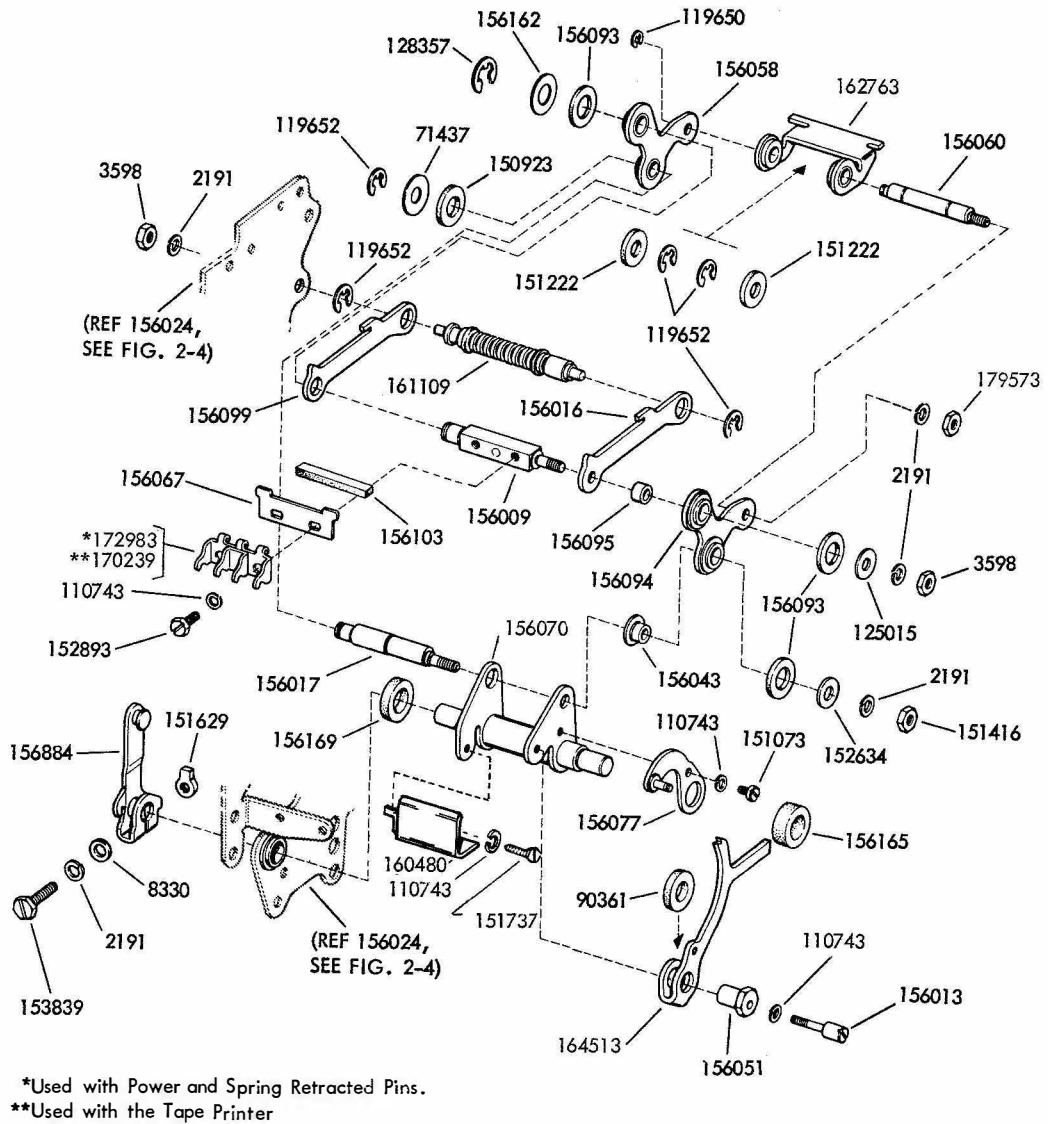


FIGURE 2-6. PUNCH BAIL MECHANISM

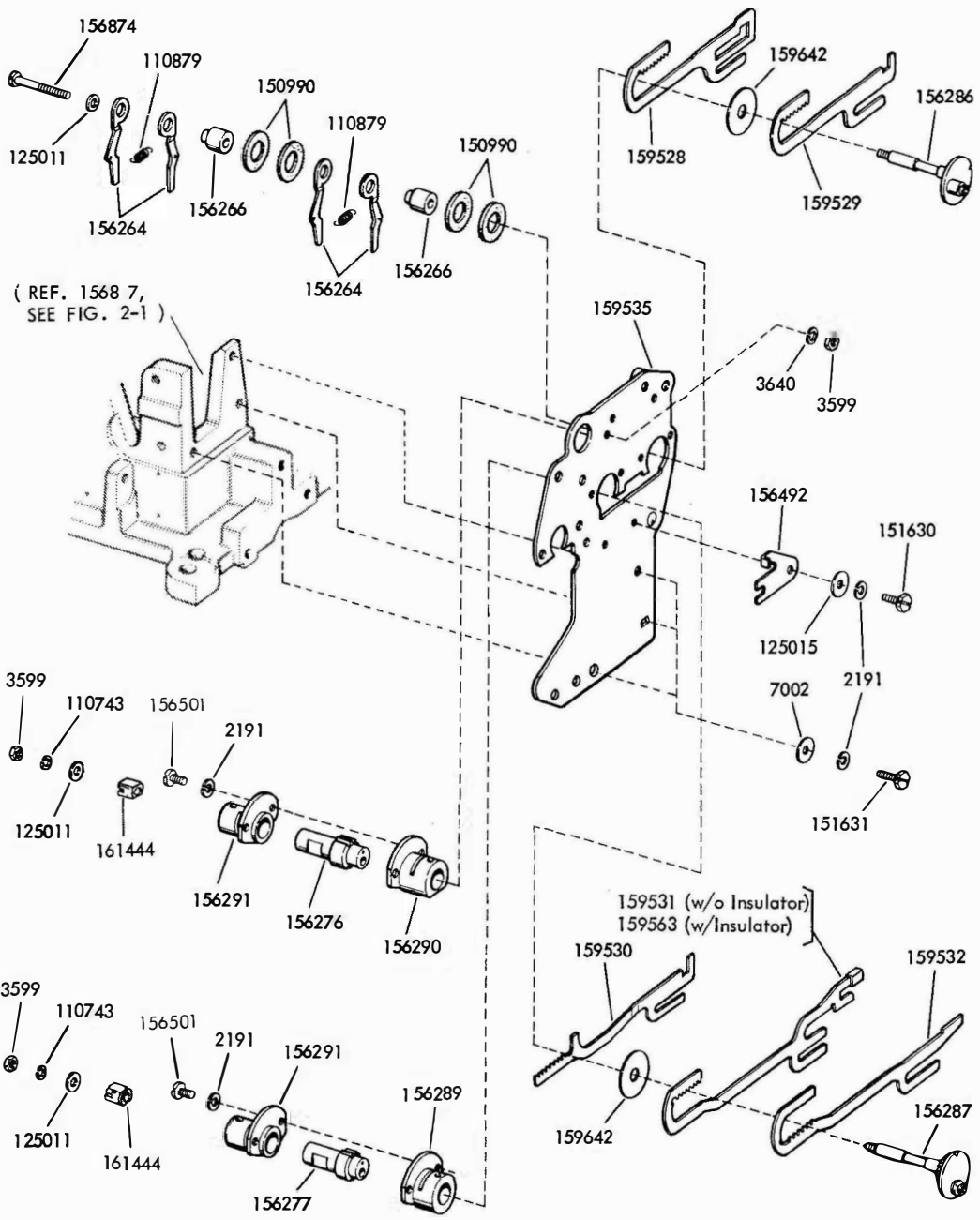
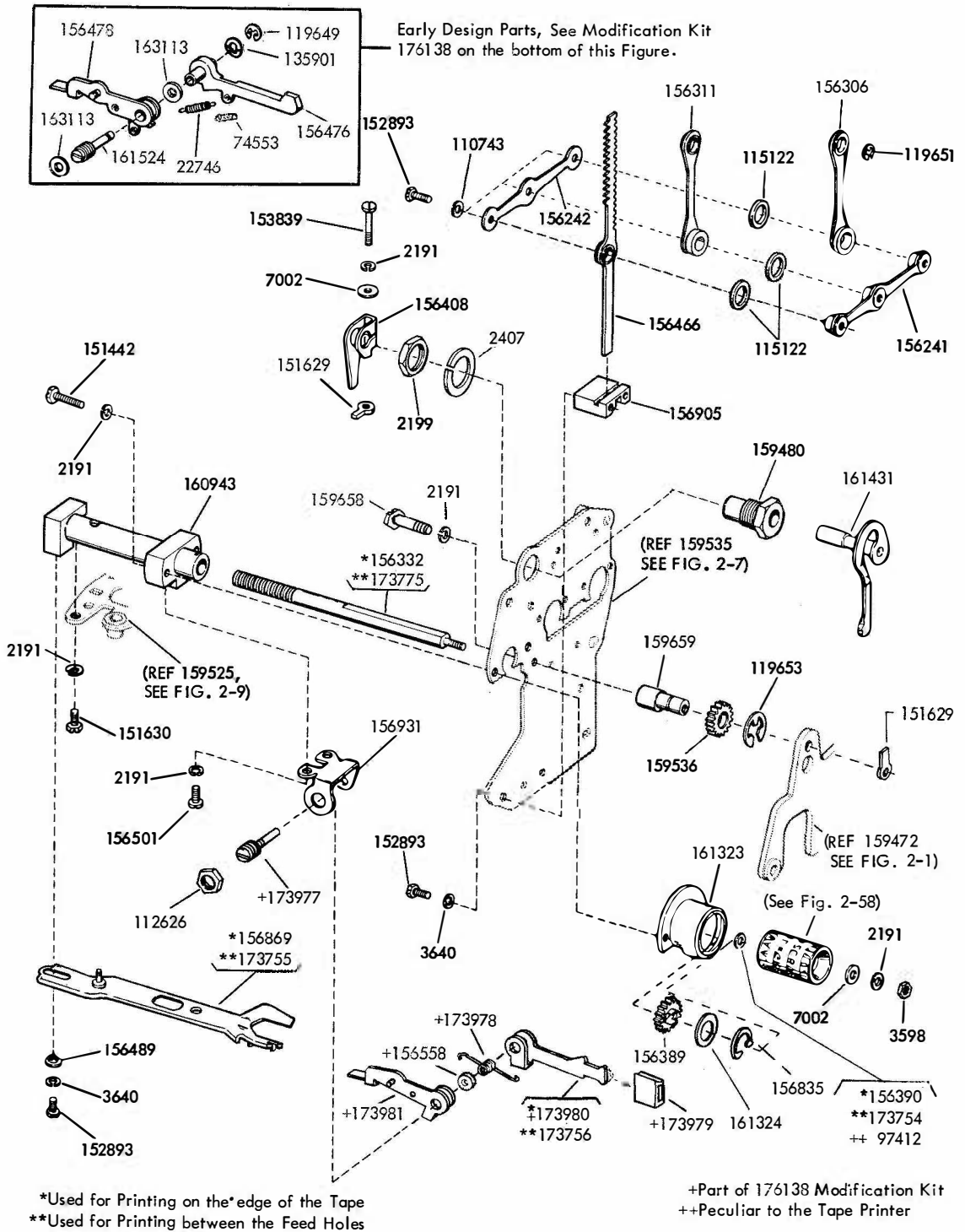


FIGURE 2-7. ROTARY POSITIONING MECHANISM



176138 - Specification 500295

FIGURE 2-8. ROTARY POSITIONING MECHANISM

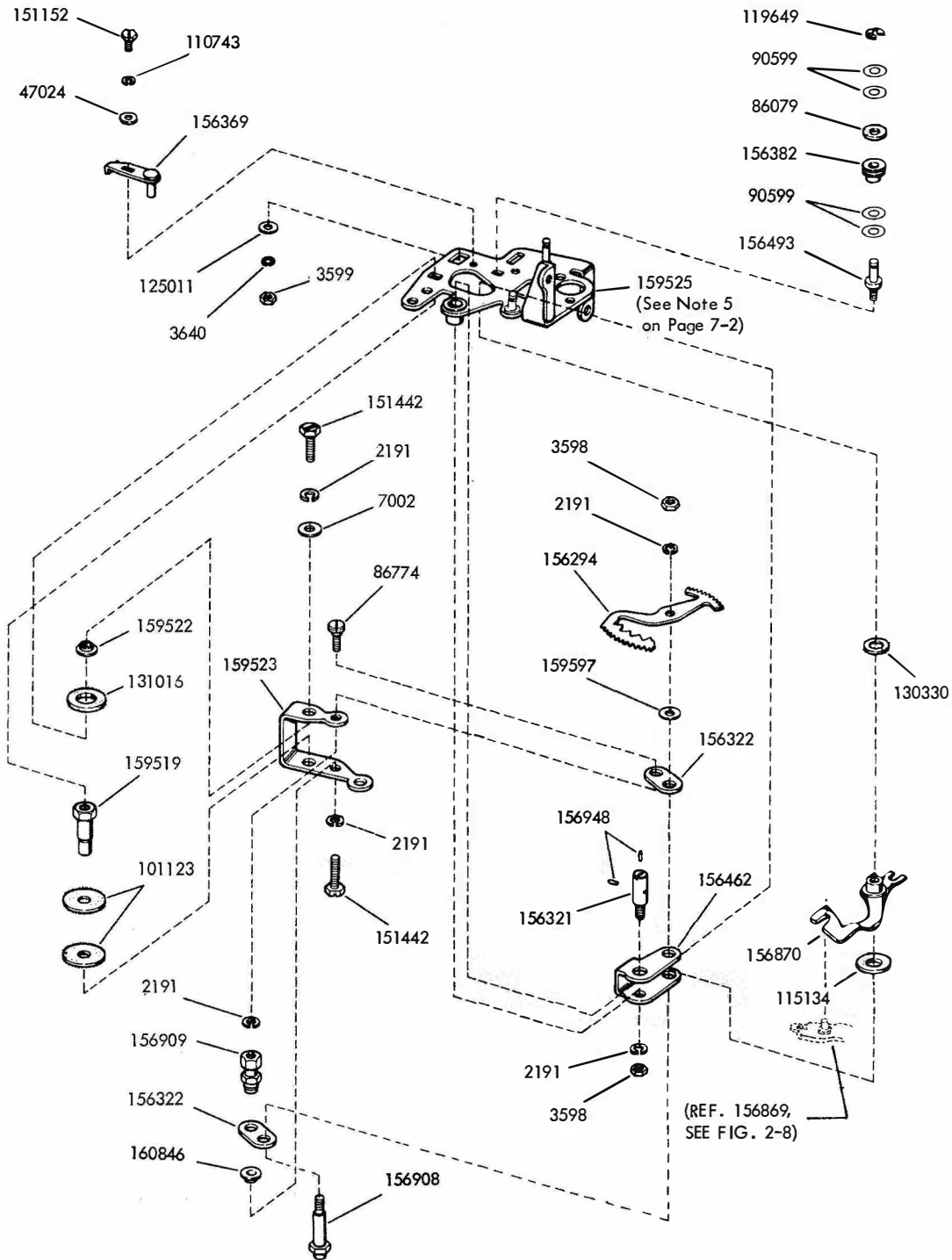


FIGURE 2-9. AXIAL POSITIONING MECHANISM

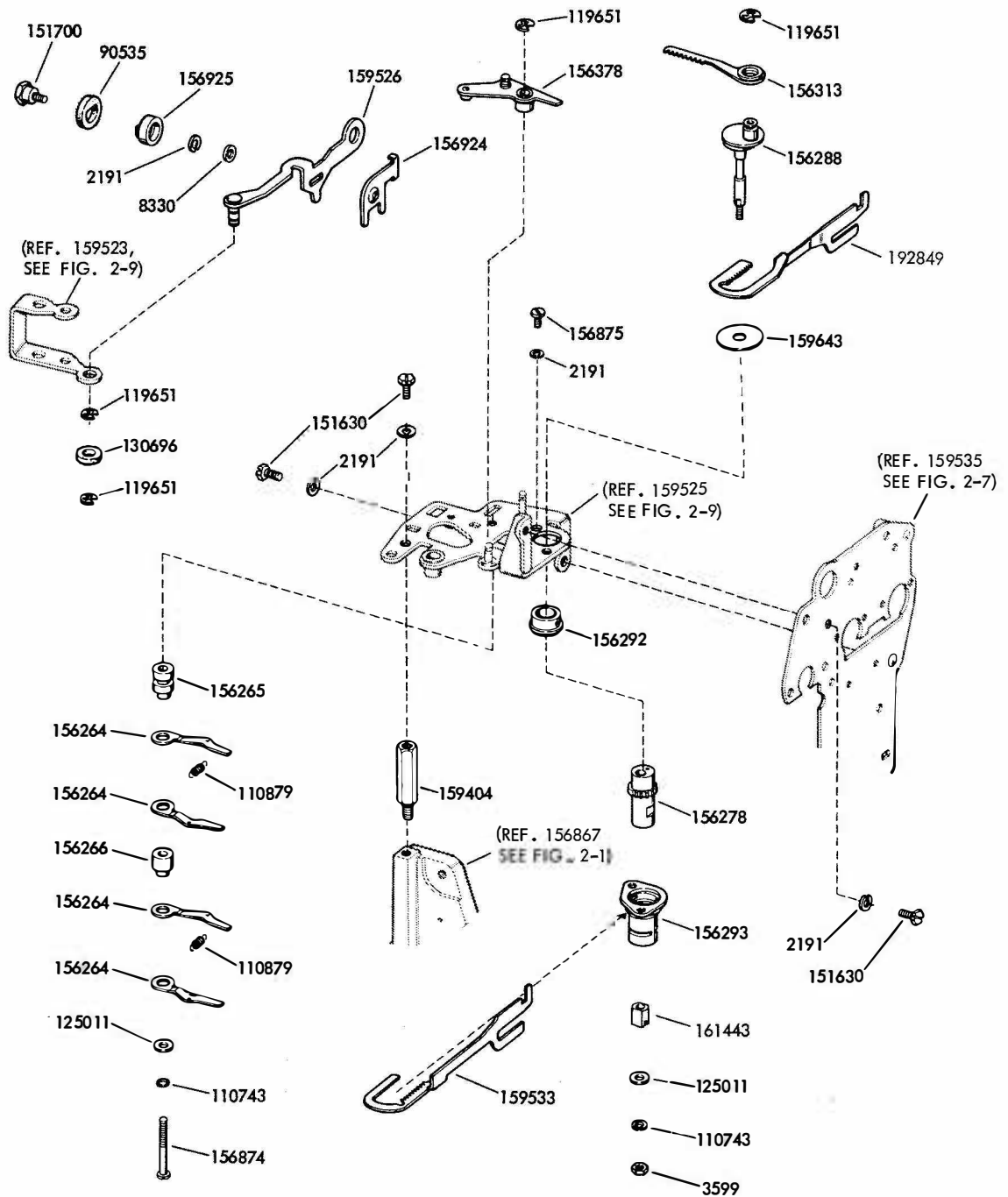


FIGURE 2-10. AXIAL POSITIONING MECHANISM

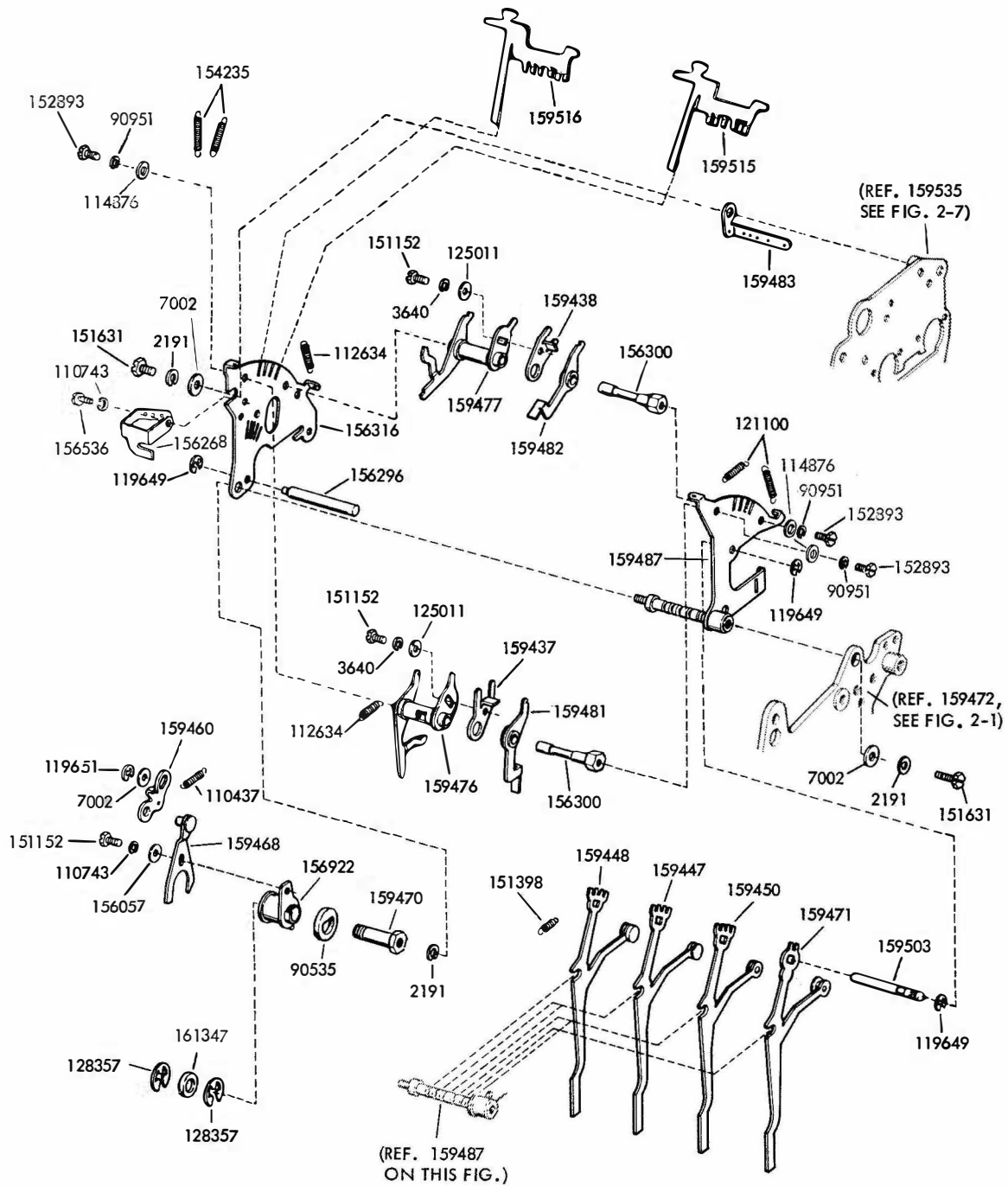


FIGURE 2-11. FUNCTION BOX MECHANISM

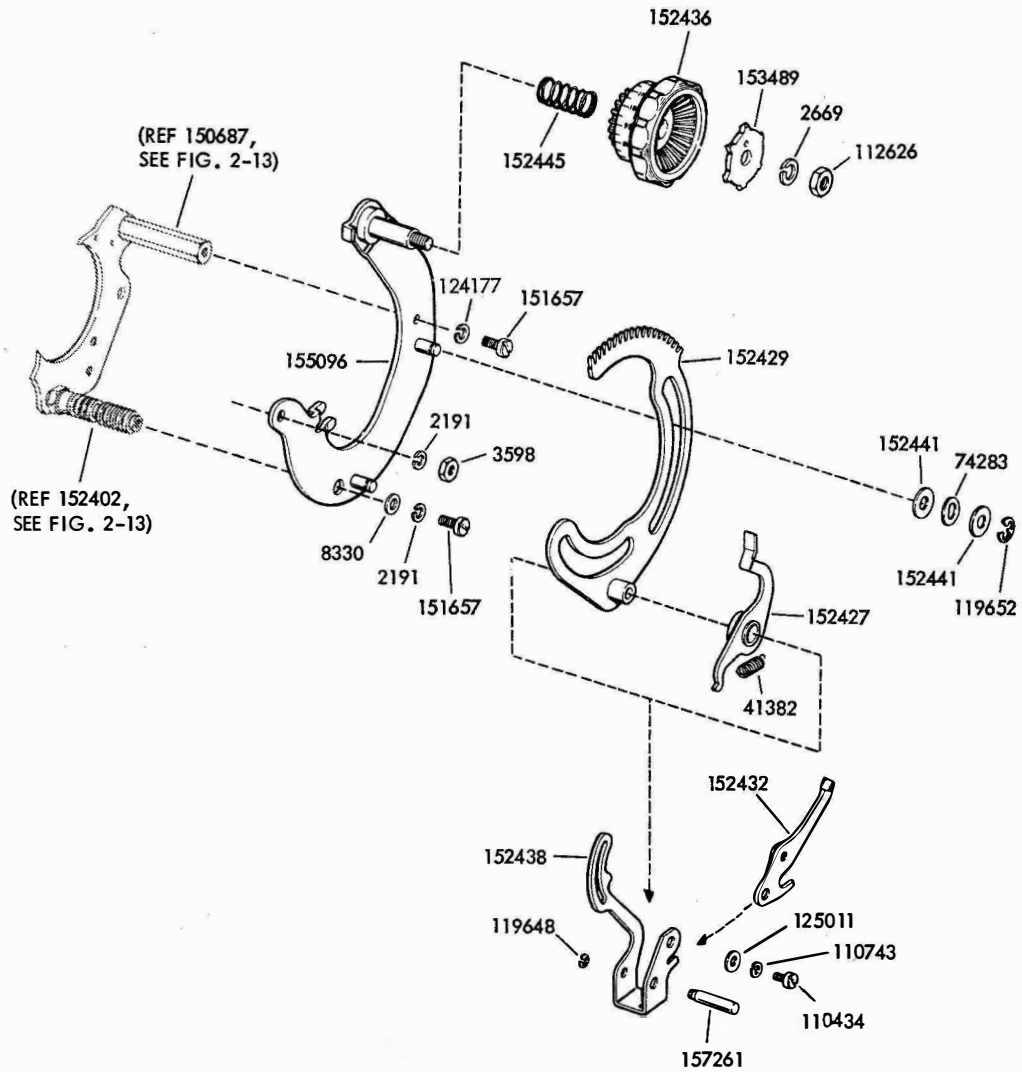
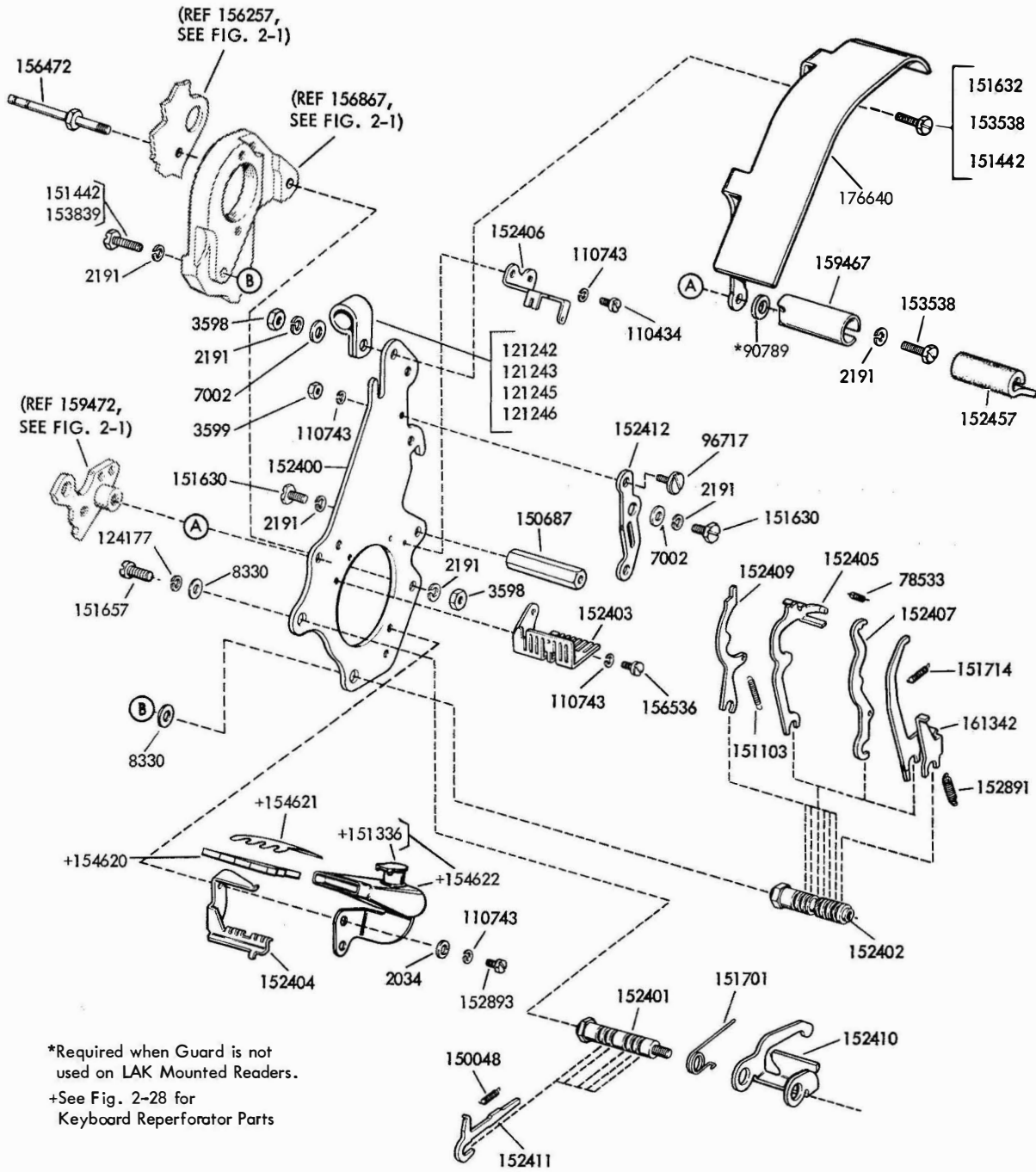
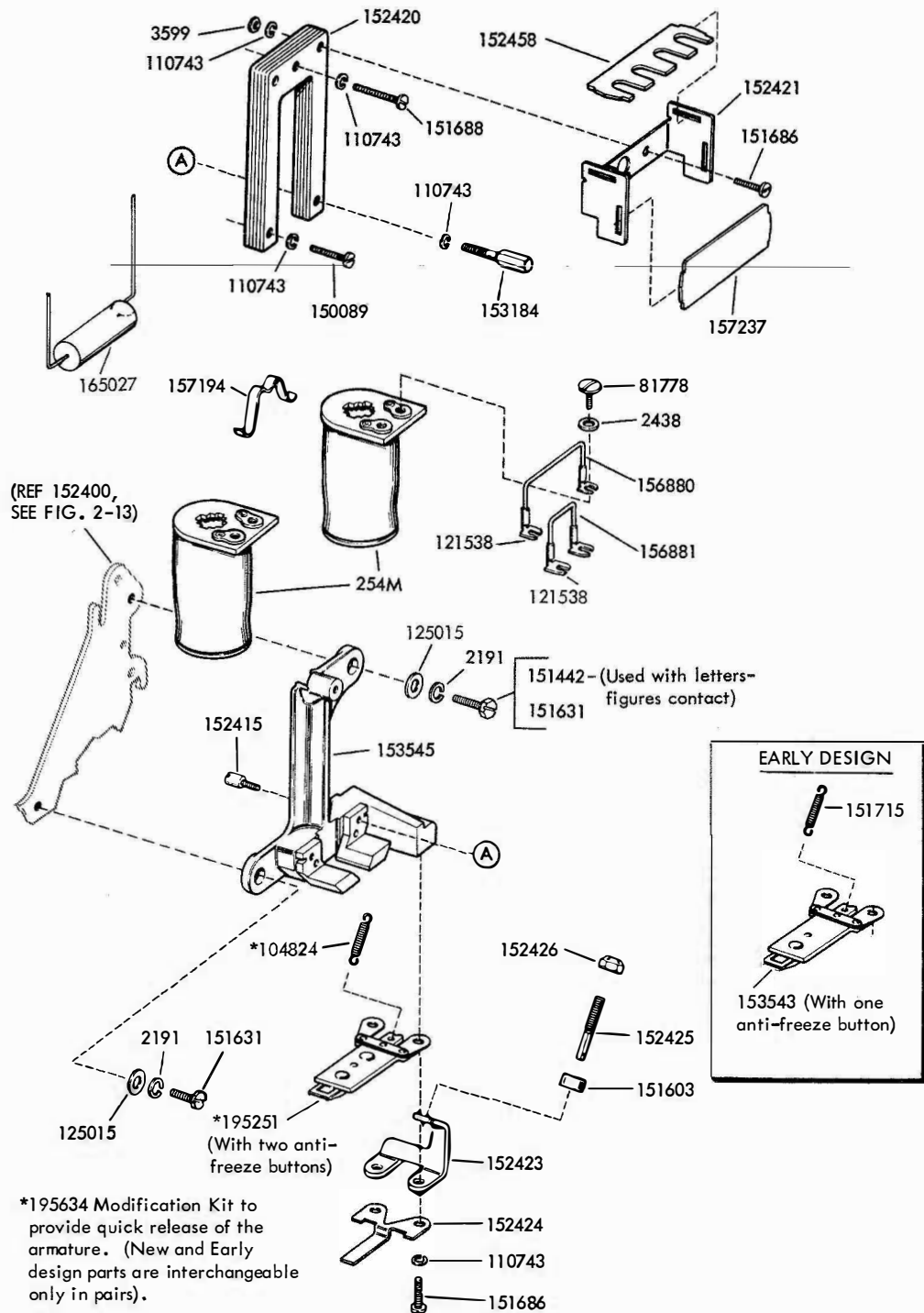


FIGURE 2-12. RANGE FINDER MECHANISM



*Required when Guard is not used on LAK Mounted Readers.
 +See Fig. 2-28 for Keyboard Reperforator Parts

FIGURE 2-13. SELECTING MECHANISM



195634 - Specification 501655

FIGURE 2-14. SELECTING MAGNET MECHANISM

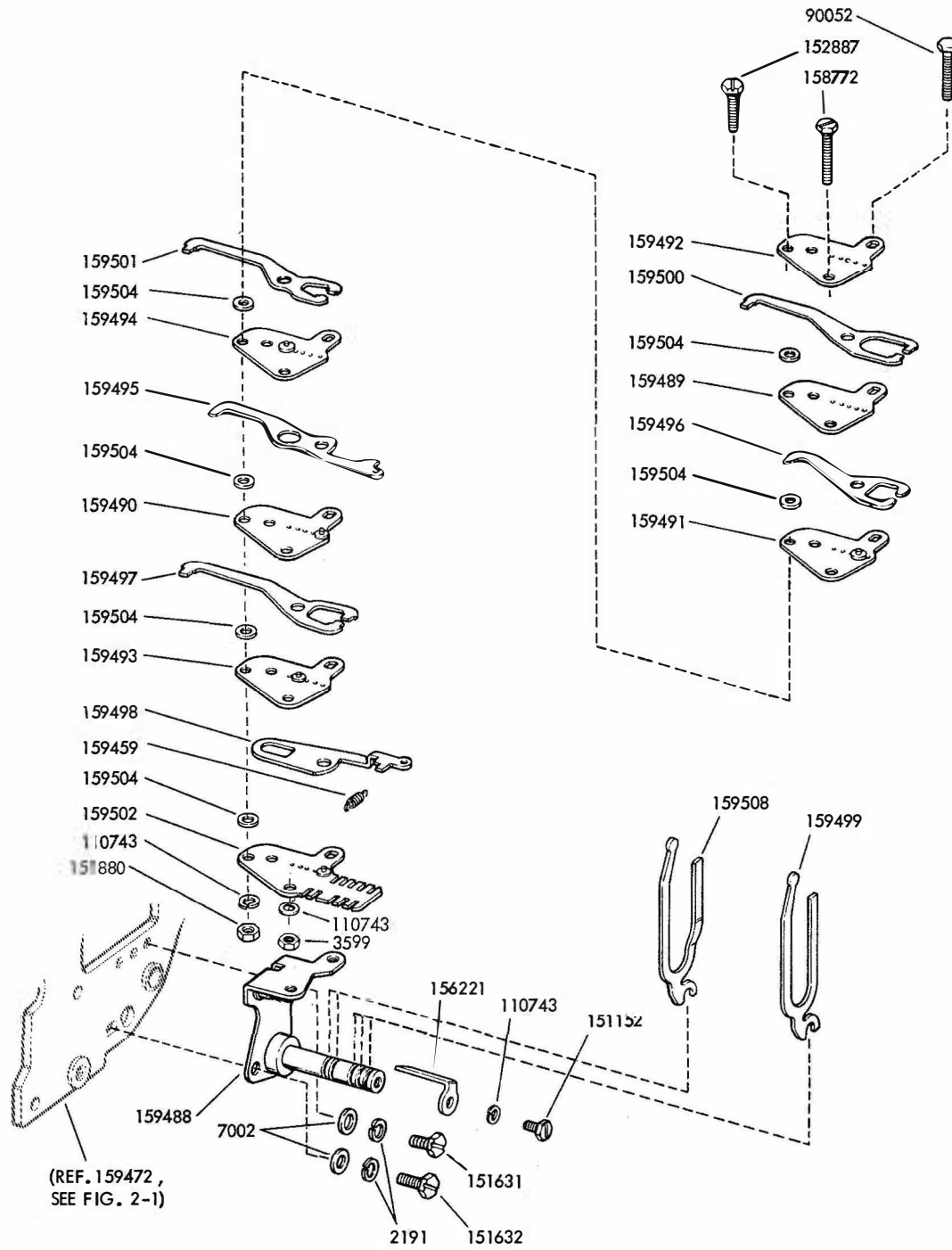


FIGURE 2-15. TRANSFER MECHANISM

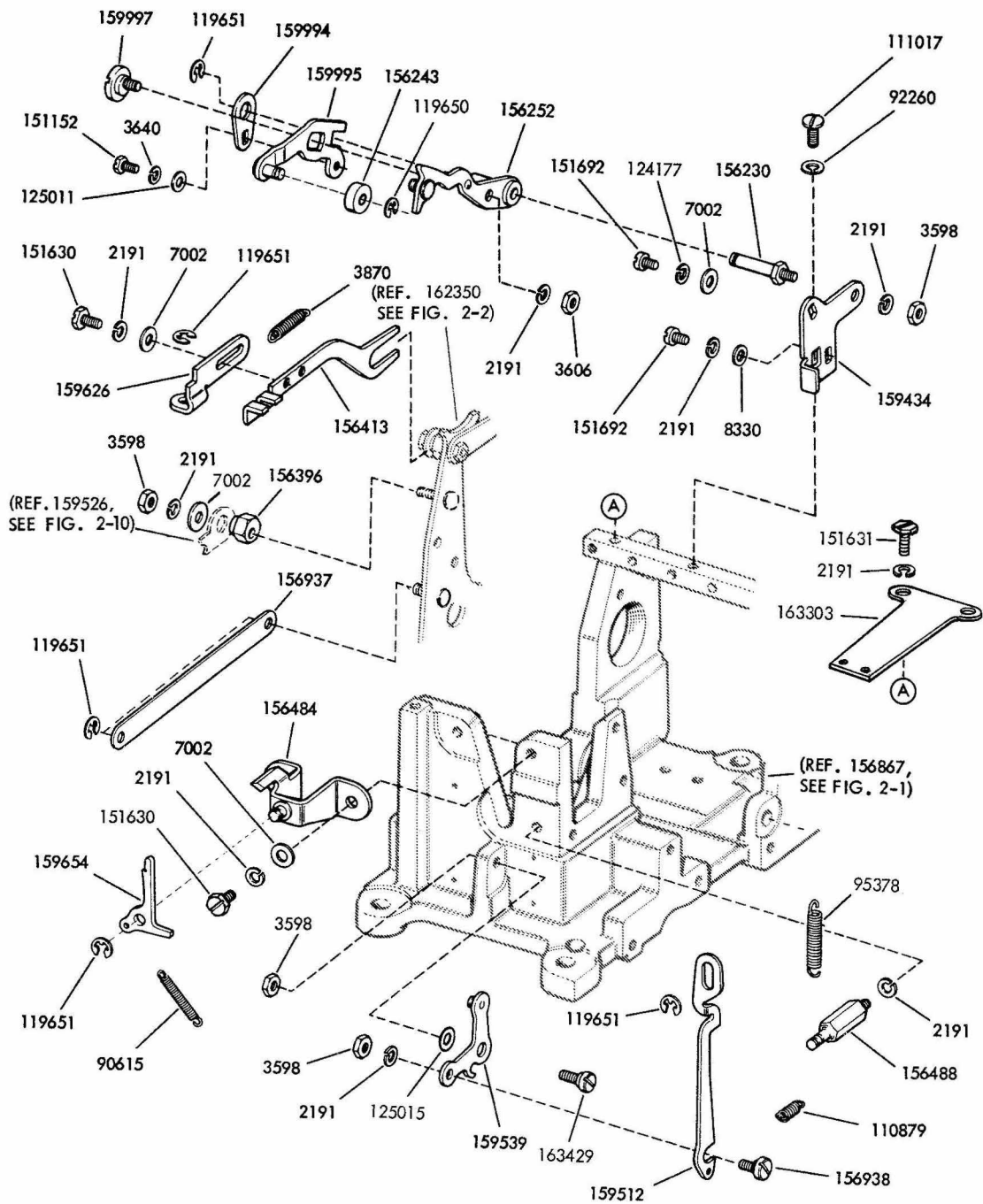


FIGURE 2-17. TYPING MECHANISM

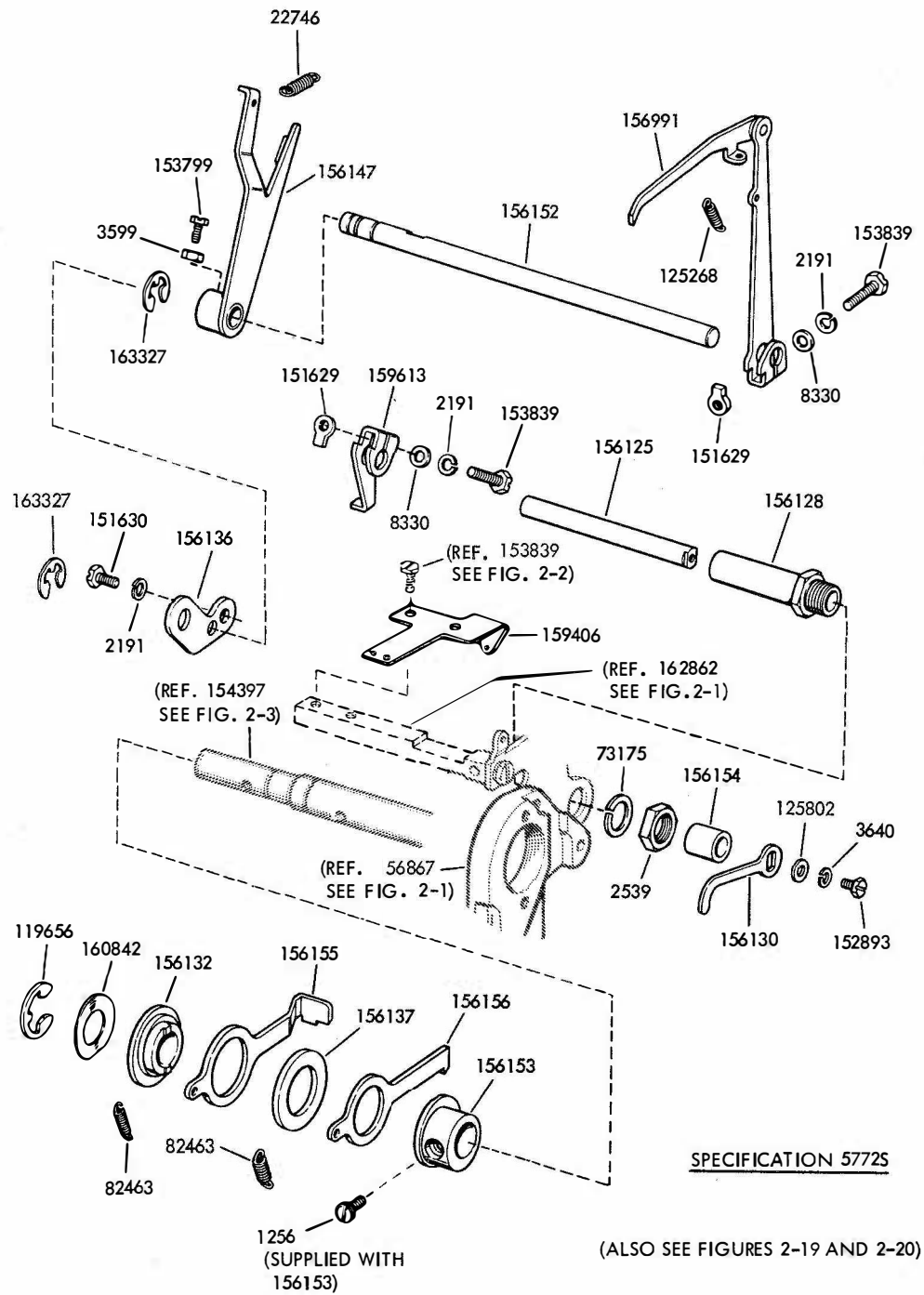
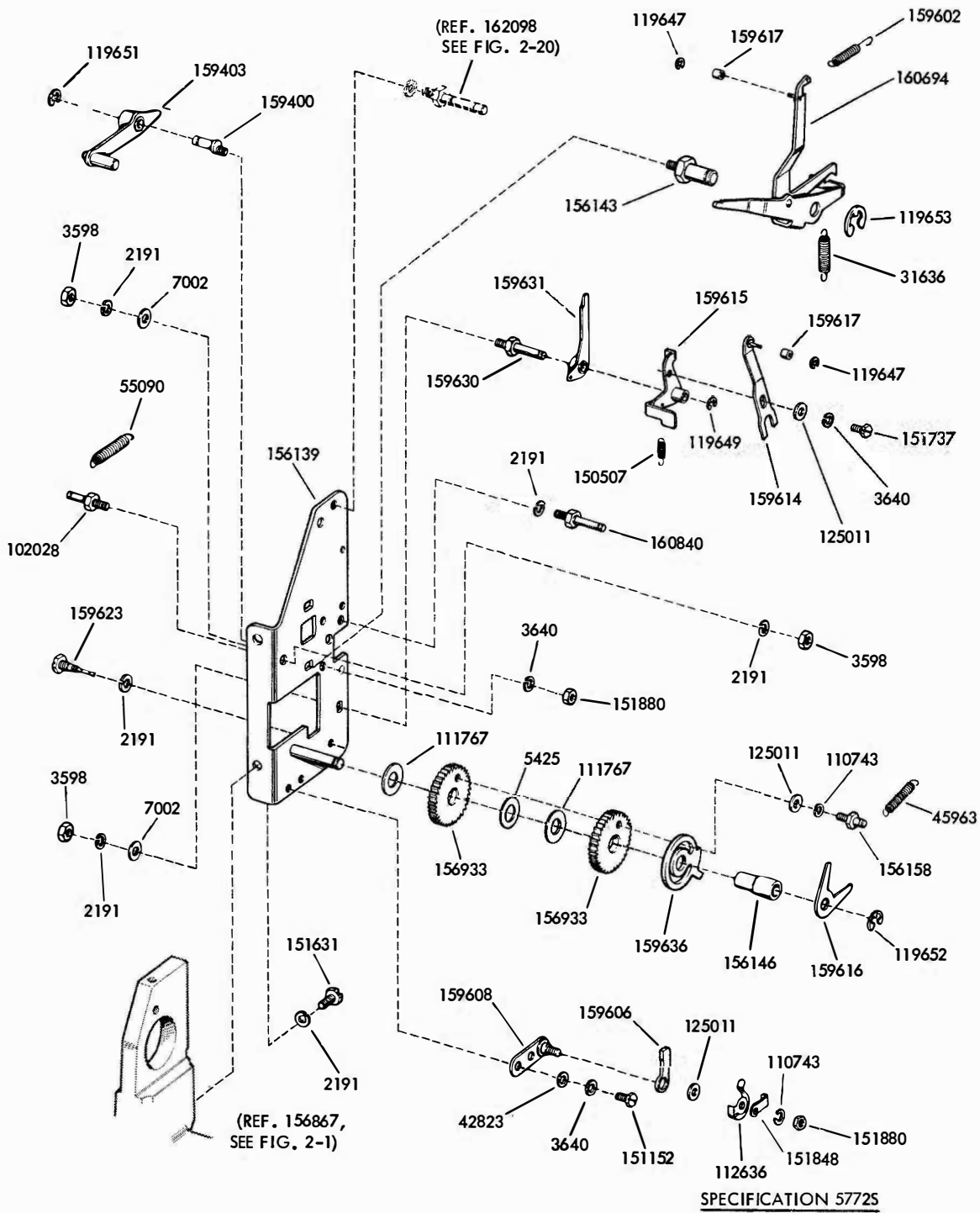
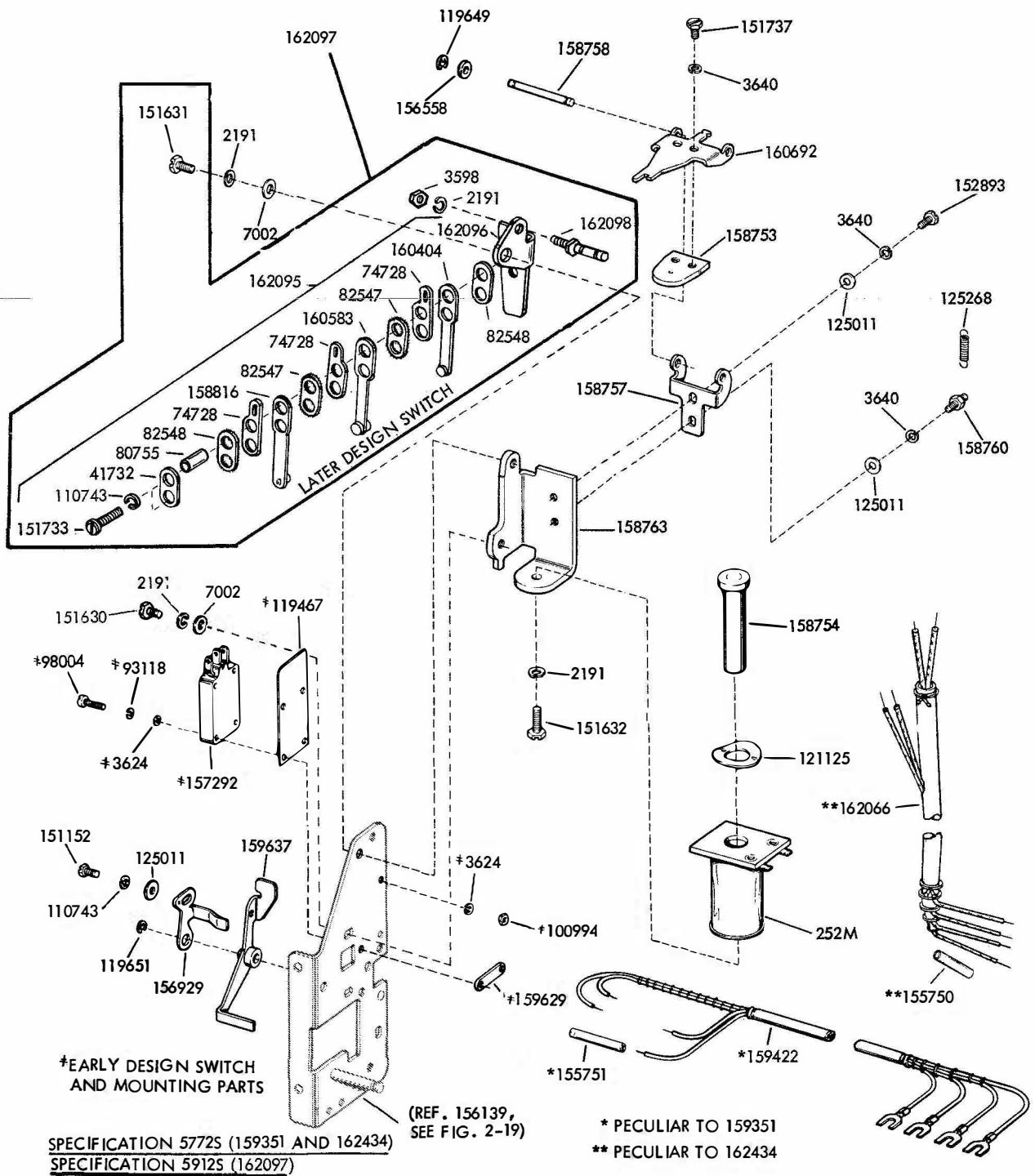


FIGURE 2-18. 159351 AND 162434 MODIFICATION KITS TO ADD NON-INTERFERING BLANK TAPE FEED-OUT



(ALSO SEE FIGURES 2-18 AND 2-20)

FIGURE 2-19. 159351 AND 162434 MODIFICATION KITS TO ADD NON-INTERFERING BLANK TAPE FEED-OUT



(ALSO SEE FIGURES 2-18 AND 2-19)

FIGURE 2-20. 159351 AND 162434 MODIFICATION KITS TO ADD NON-INTERFERING BLANK TAPE FEED-OUT

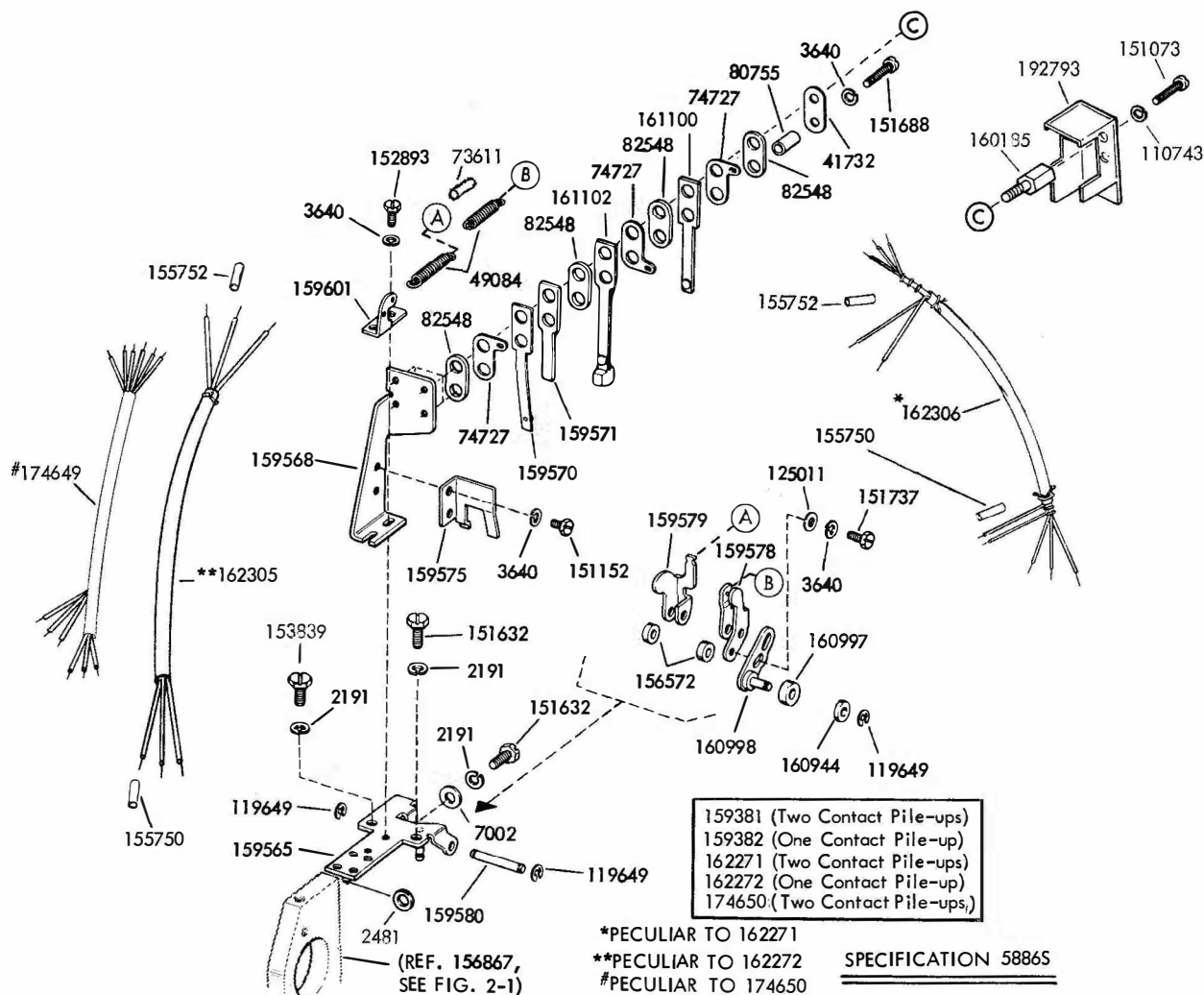


FIGURE 2-21. MODIFICATION KITS TO ADD TIMING CONTACTS

MODIFICATION KIT	CONTACT ASSEMBLY		CABLE*
	TRANSFER	MAKE-ONLY	
159379		158950	
159380	156078		
162273	156078		162304
162274		158950	162303
163945	156078		163946

*CABLES ILLUSTRATED ON PAGE 2-34

SPECIFICATION 5886S

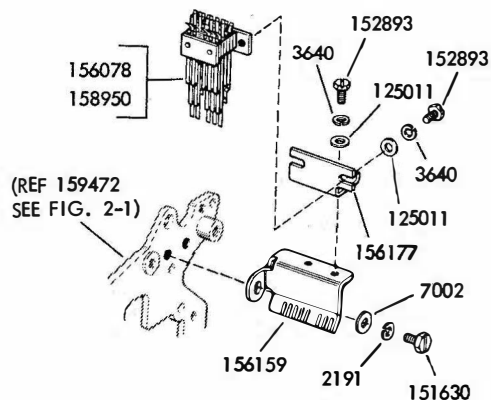
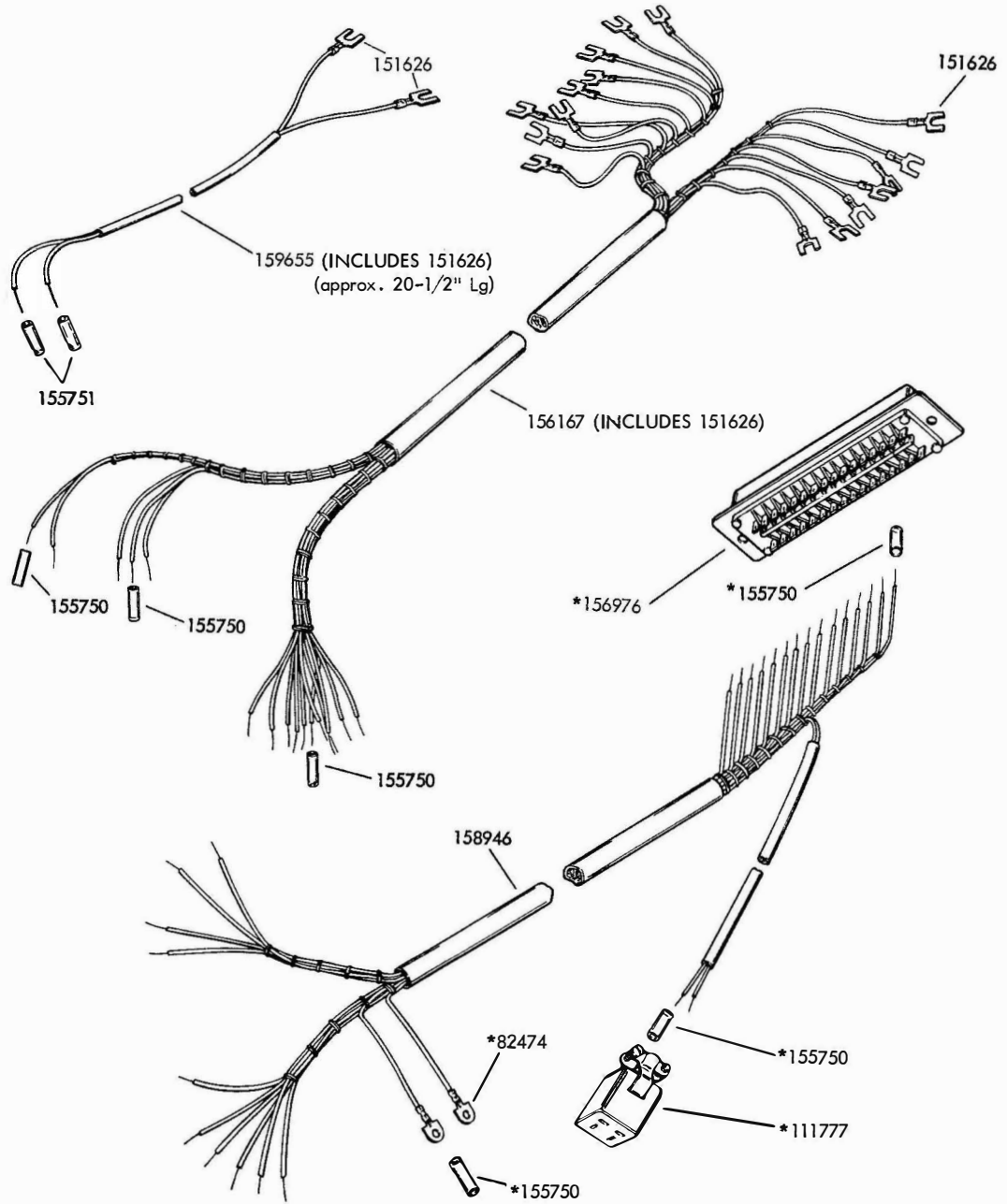


FIGURE 2-22. MODIFICATION KITS TO ADD CODE READING CONTACTS



*Peculiar to 158946

FIGURE 2-23. CABLES

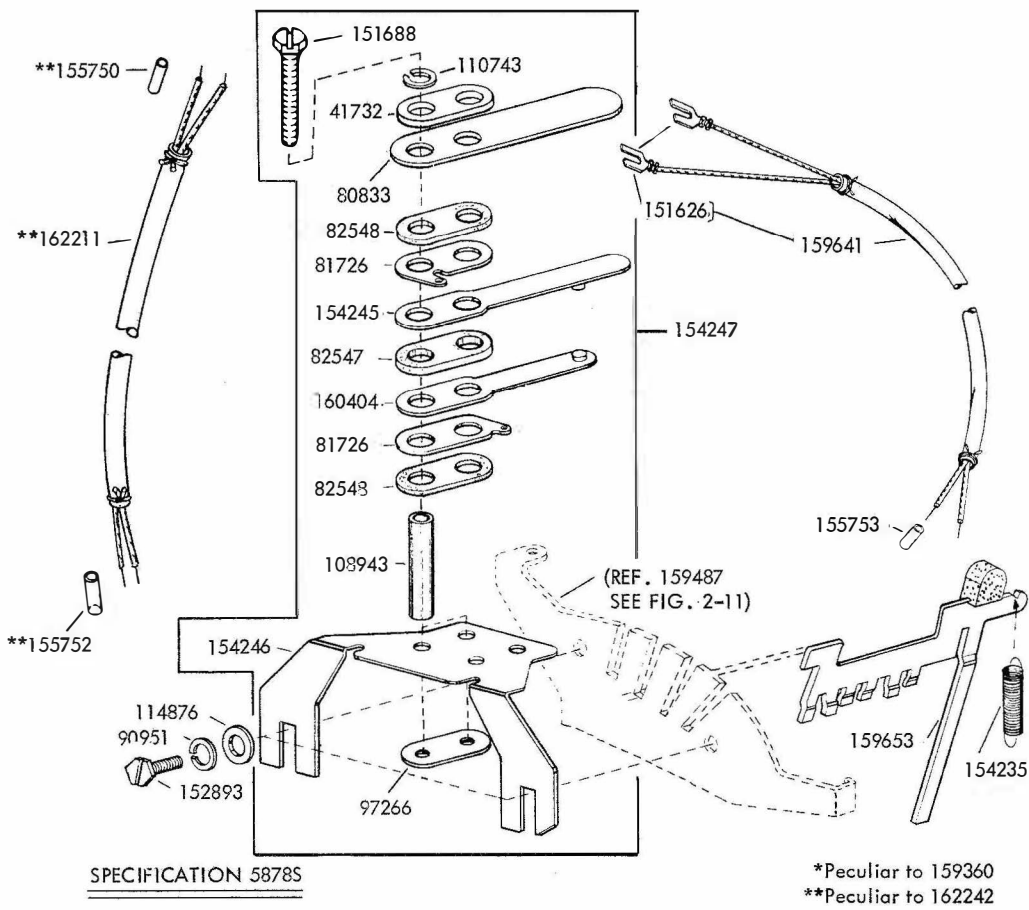


FIGURE 2-24. 159360 AND 162242 MODIFICATION KITS TO ADD SIGNAL BELL CONTACT

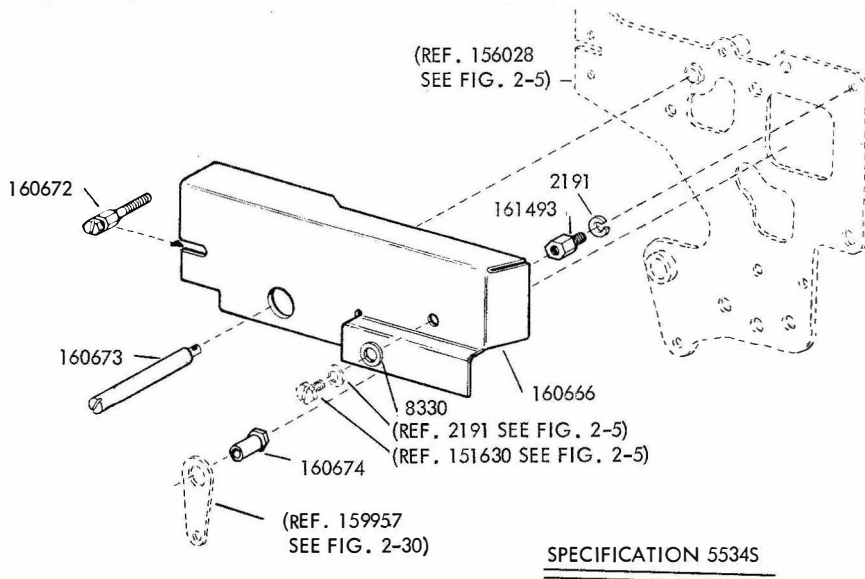
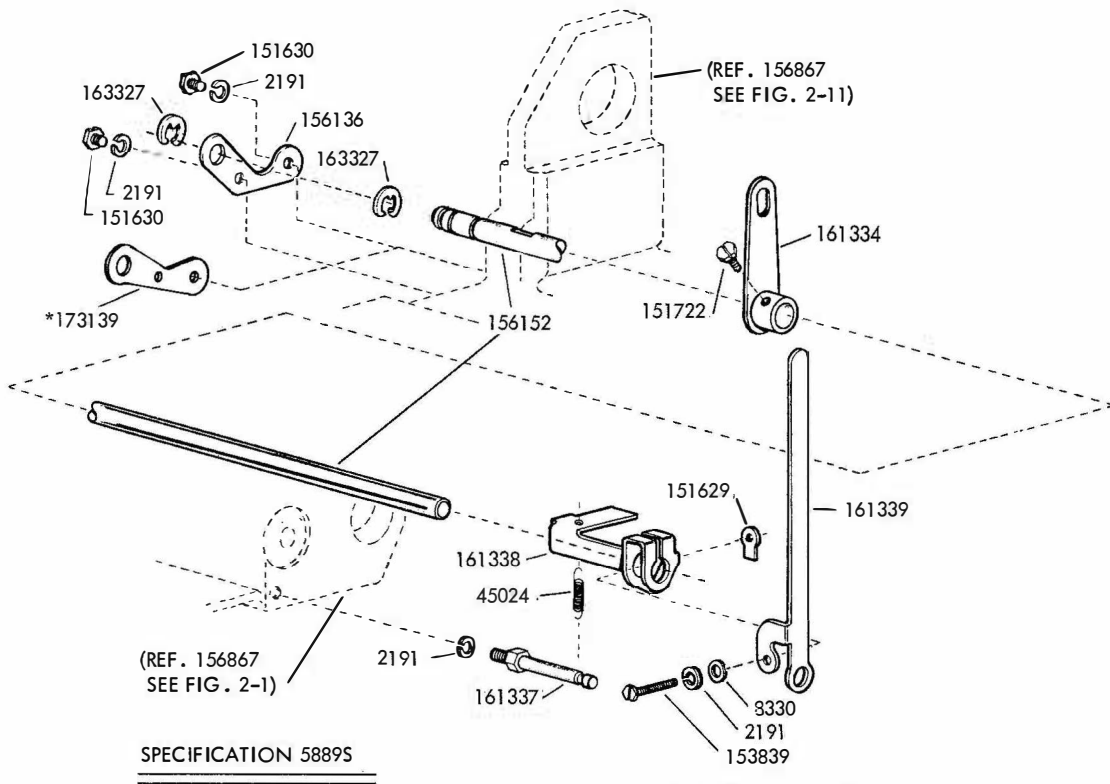


FIGURE 2-25. 160881 MODIFICATION KIT TO ADD GUARD FOR BACKSPACE MECHANISM
(PRINTING ON EDGE OF TAPE)



*Not Part of 161340

FIGURE 2-26. 161340 MODIFICATION KIT TO ADD MANUAL INTERFERING LETTERS TAPE FEED-OUT

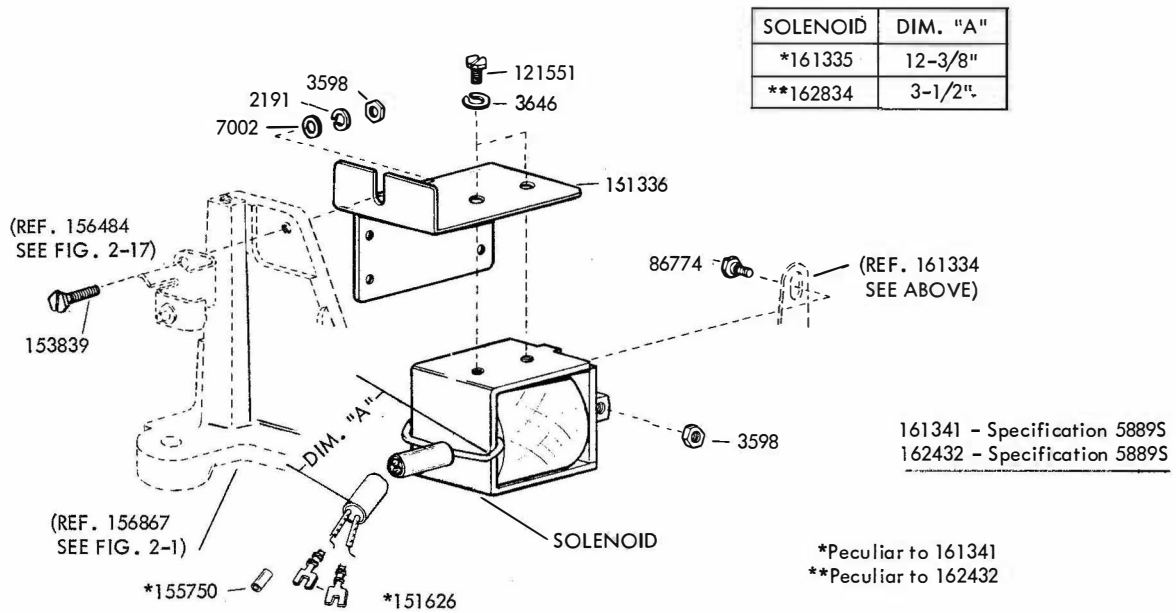


FIGURE 2-27. 161341 AND 162432 MODIFICATION KITS TO ADD SOLENOID OPERATIONS TO LETTERS FEED-OUT

ASR GEAR SETS - 5 LEVEL CODE								
Set Number	Pinion	Teeth	Driven Gear	Teeth	Speed			
					7.00 Unit Code		7.42 Unit Code	
					WPM	Baud	WPM	Baud
163023	159894 (S)	28	159895 (F)	80			60	45.45
	163021 (N)		163022 (N)					
163024	159891 (S)	21	159892 (F)	48			75	56.88
	163019 (N)		163020 (N)					
163025	159888 (S)	28	159889 (F)	49			100	74.2
	163015 (N)		163018 (N)					
163457	163455 (S)	20	163456 (F)	52	71	50		
163502	163501 (S)	30	163500 (F)	52	107	75		
173992	173993 (S)	14	173994 (F)	40	65	45.45		
195184	195182 (N)	20	195183 (N)	52			67	50

(S) = Steel
(F) = Fiber
(N) = Nylon

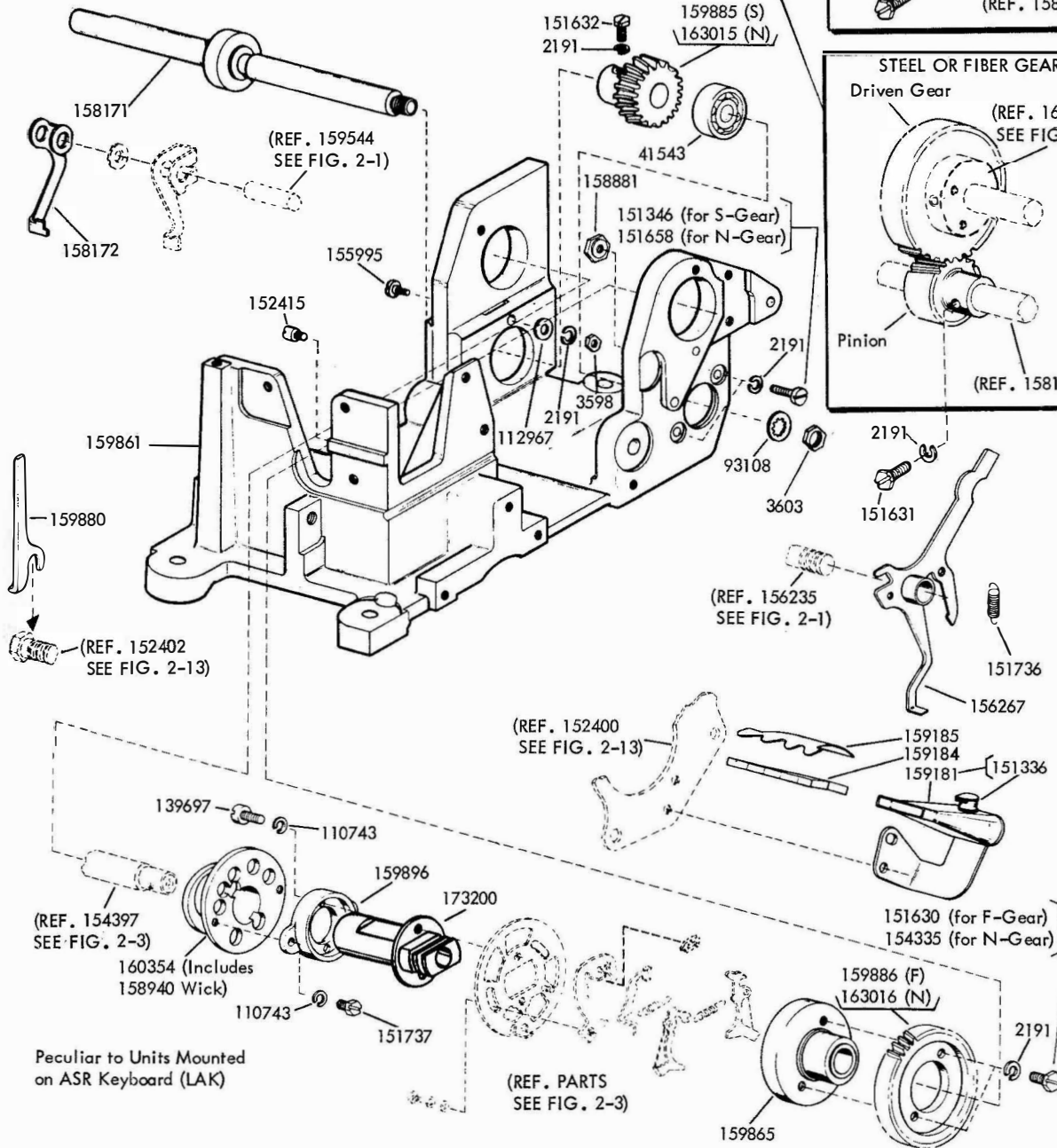
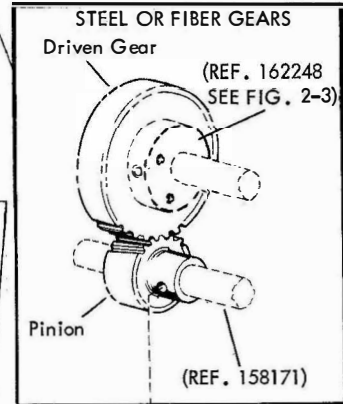
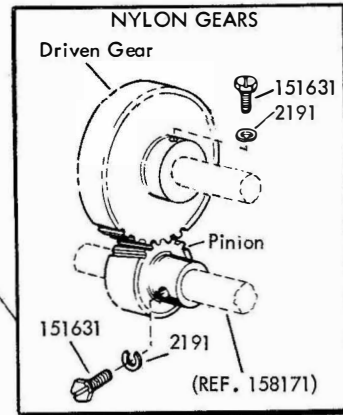


FIGURE 2-28. TWO-SHAFT MECHANISM

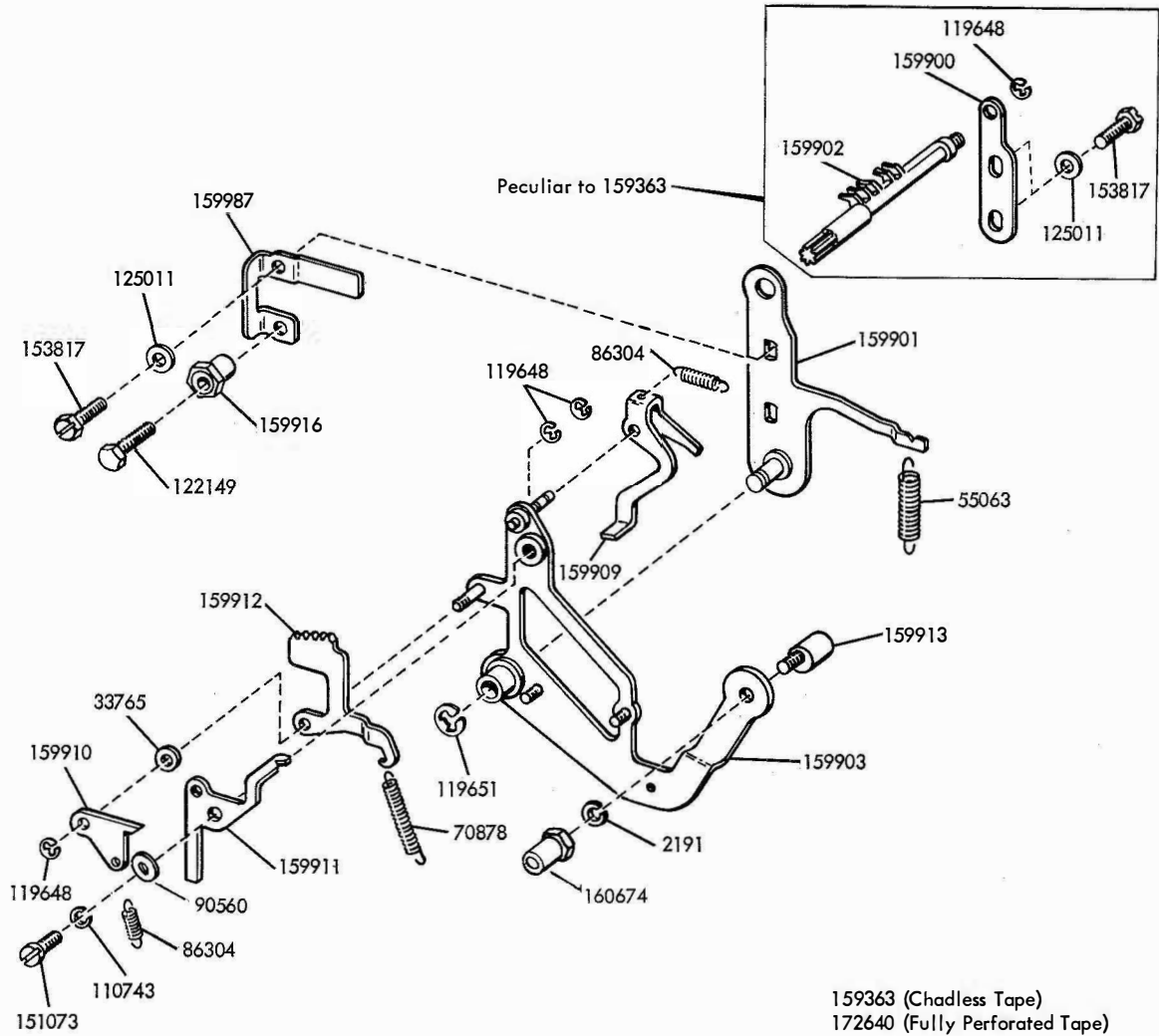


FIGURE 2-29. 159363 AND 172640 MODIFICATION KITS TO ADD MANUAL BACKSPACE
(PRINTING ON EDGE OF TAPE)

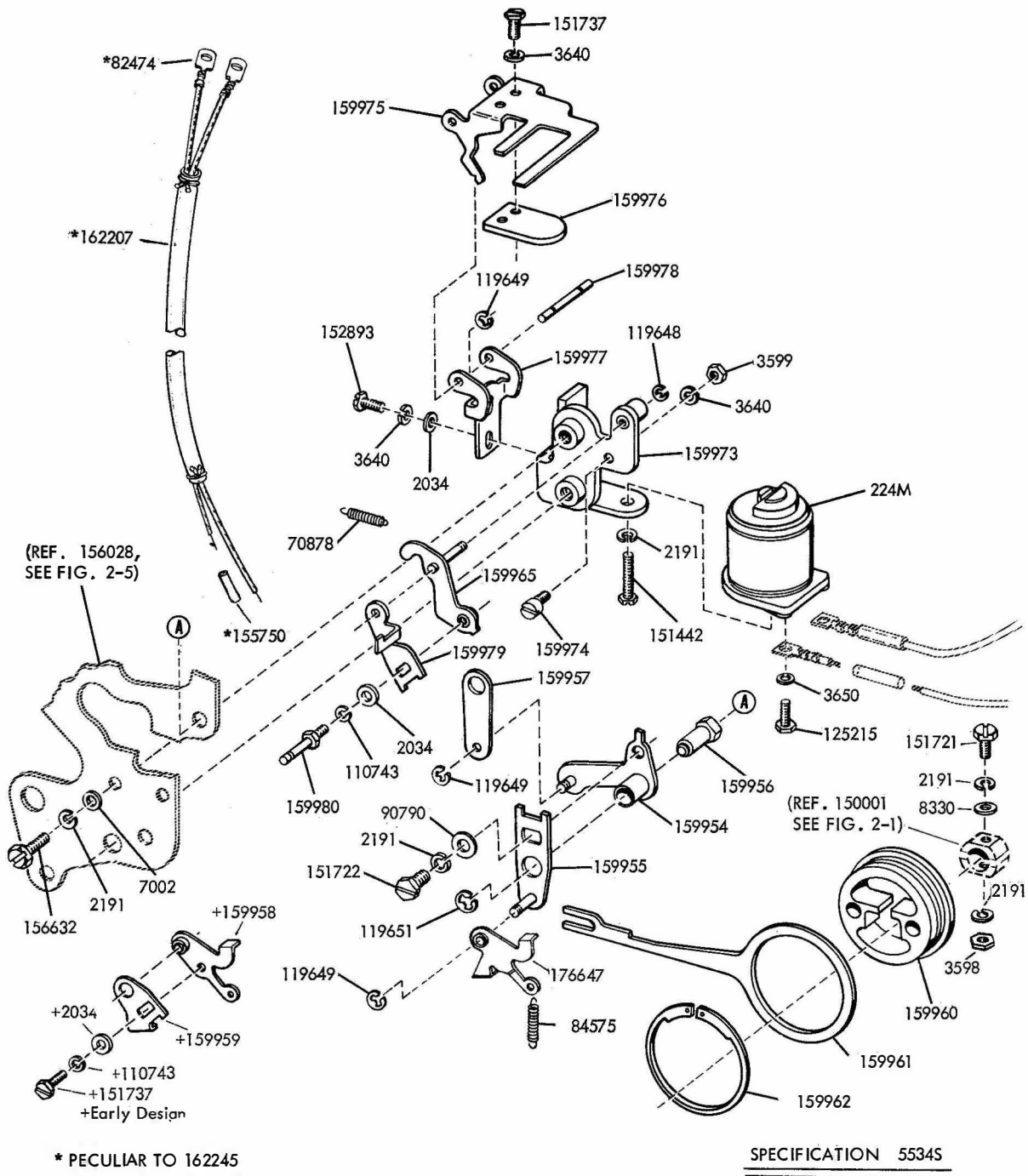


FIGURE 2-30. 161304 AND 162245 MODIFICATION KITS TO ADD POWER DRIVE TO BACKSPACE MECHANISMS

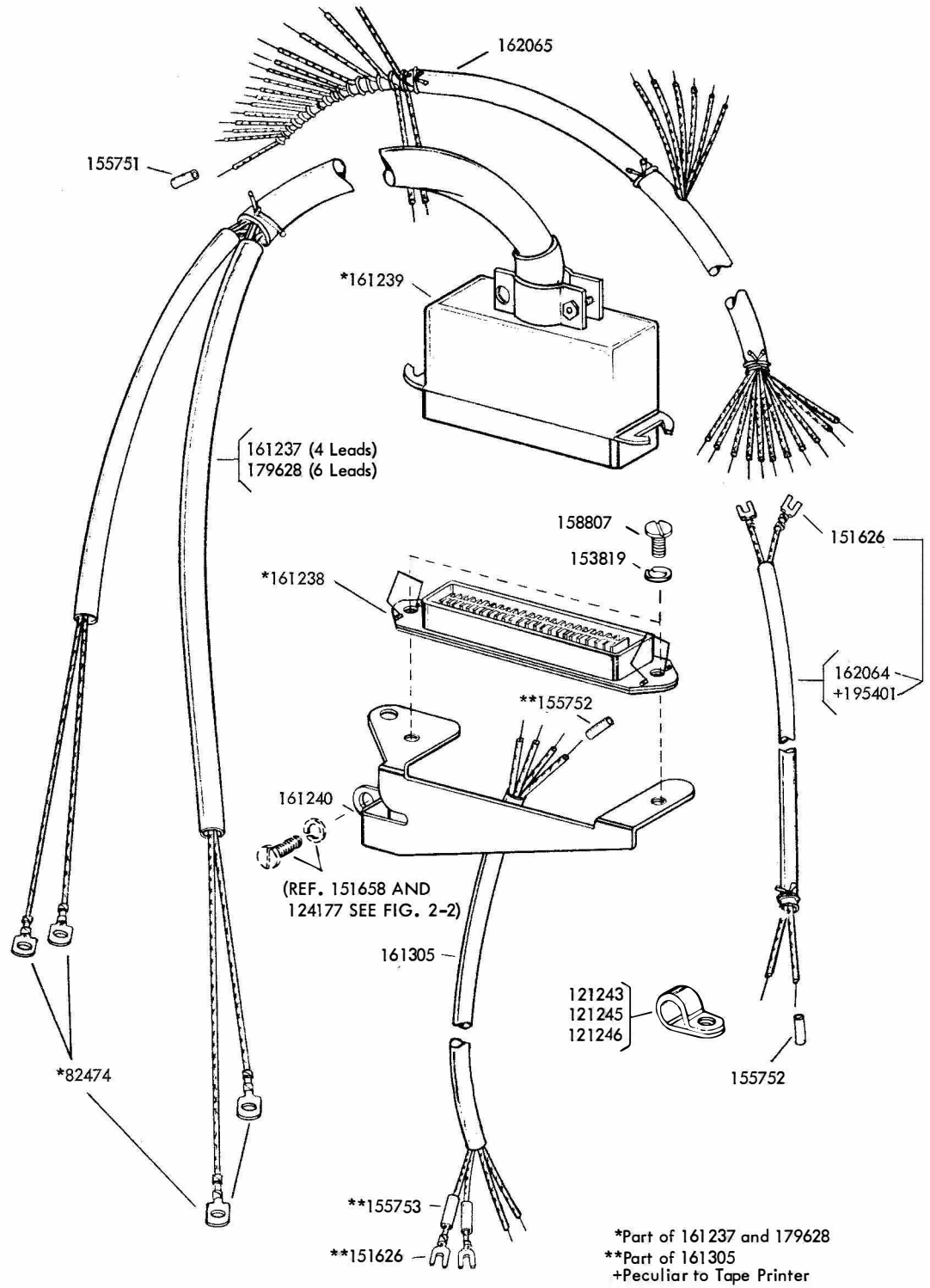
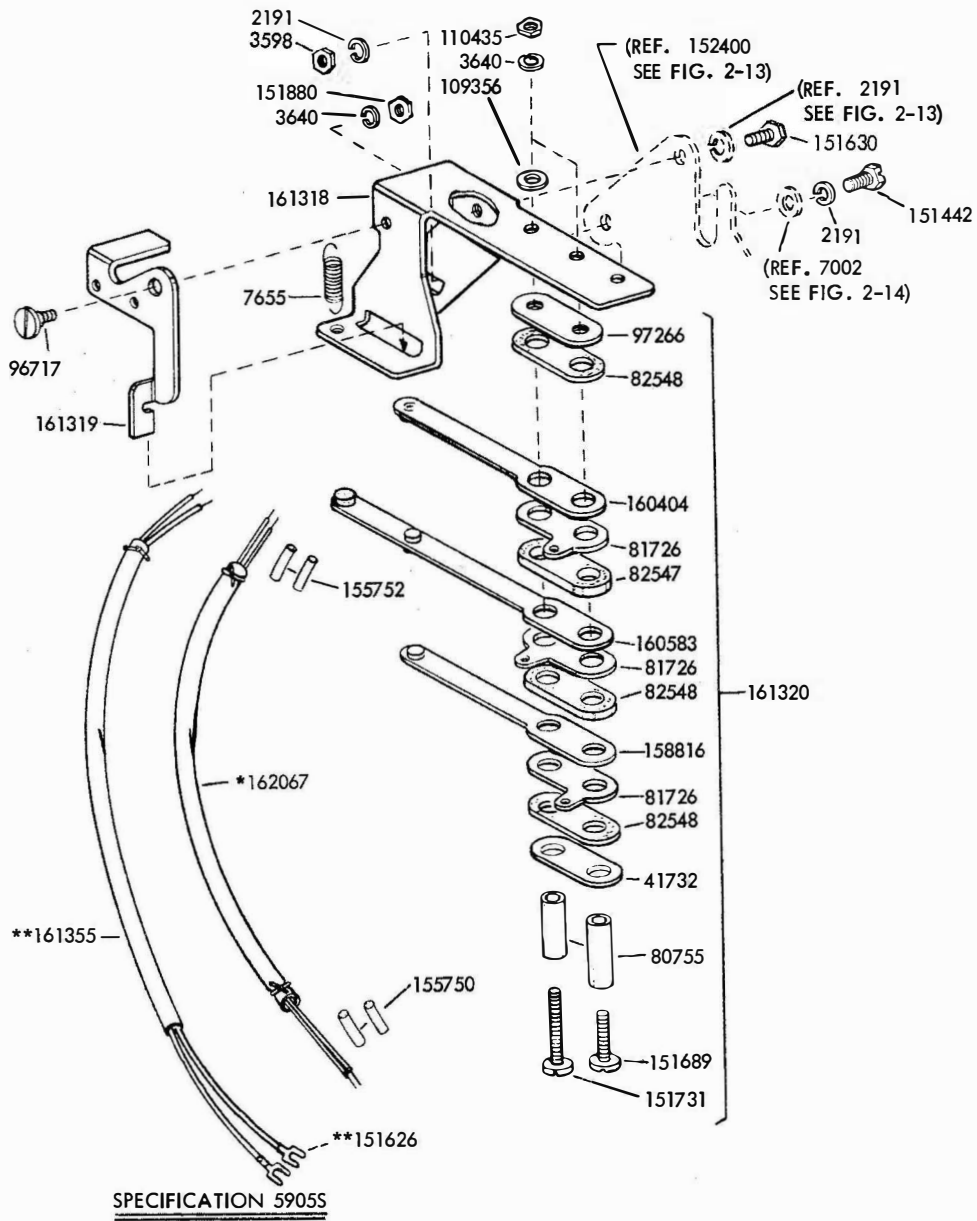
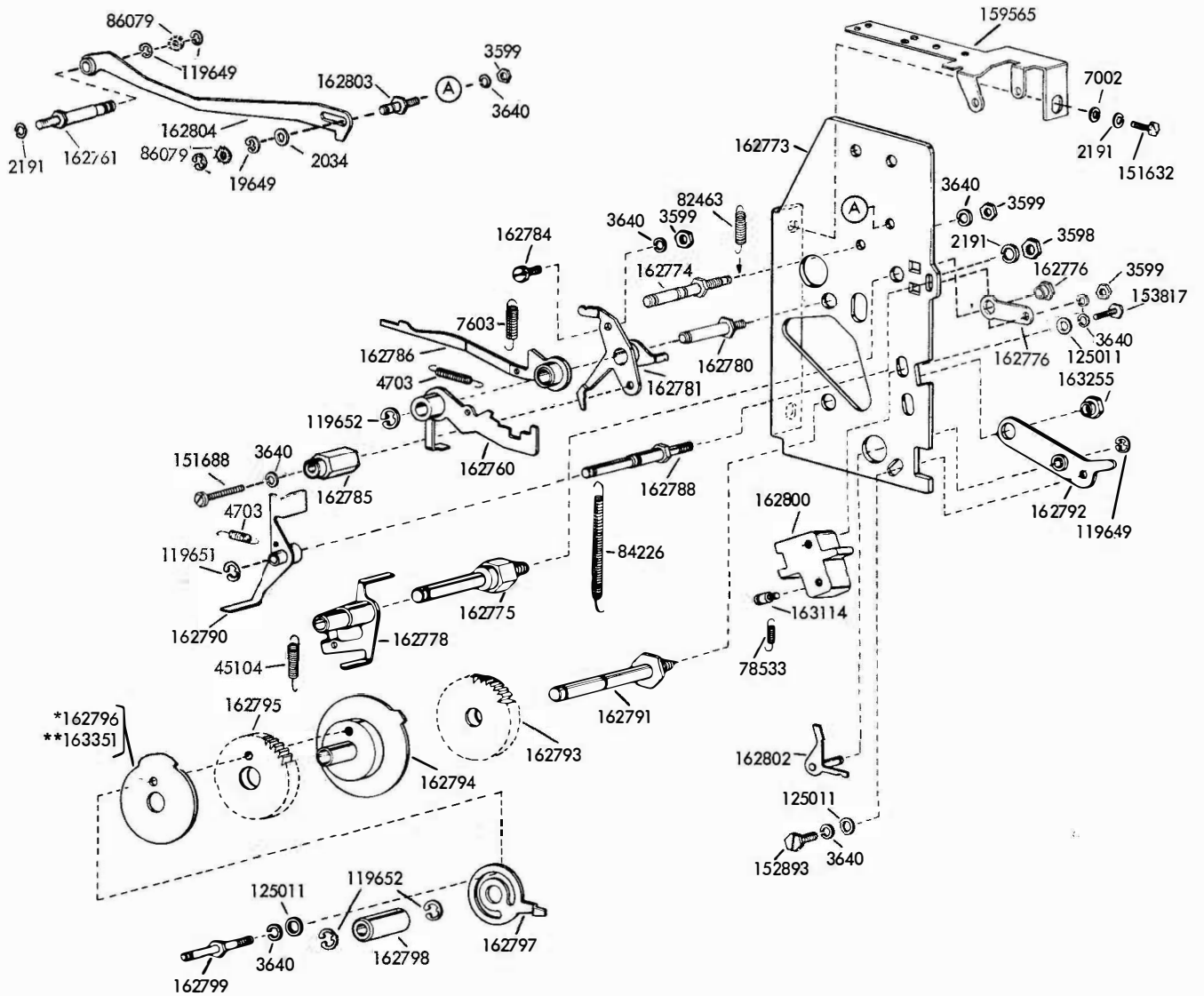


FIGURE 2-31. CABLES



*Peculiar to 162247 - for Units Equipped with Connector .
 **Peculiar to 161321 - for Units not Equipped with Connector .

FIGURE 2-32. 161321 AND 162247 LETTERS - FIGURES CONTACT ASSEMBLY

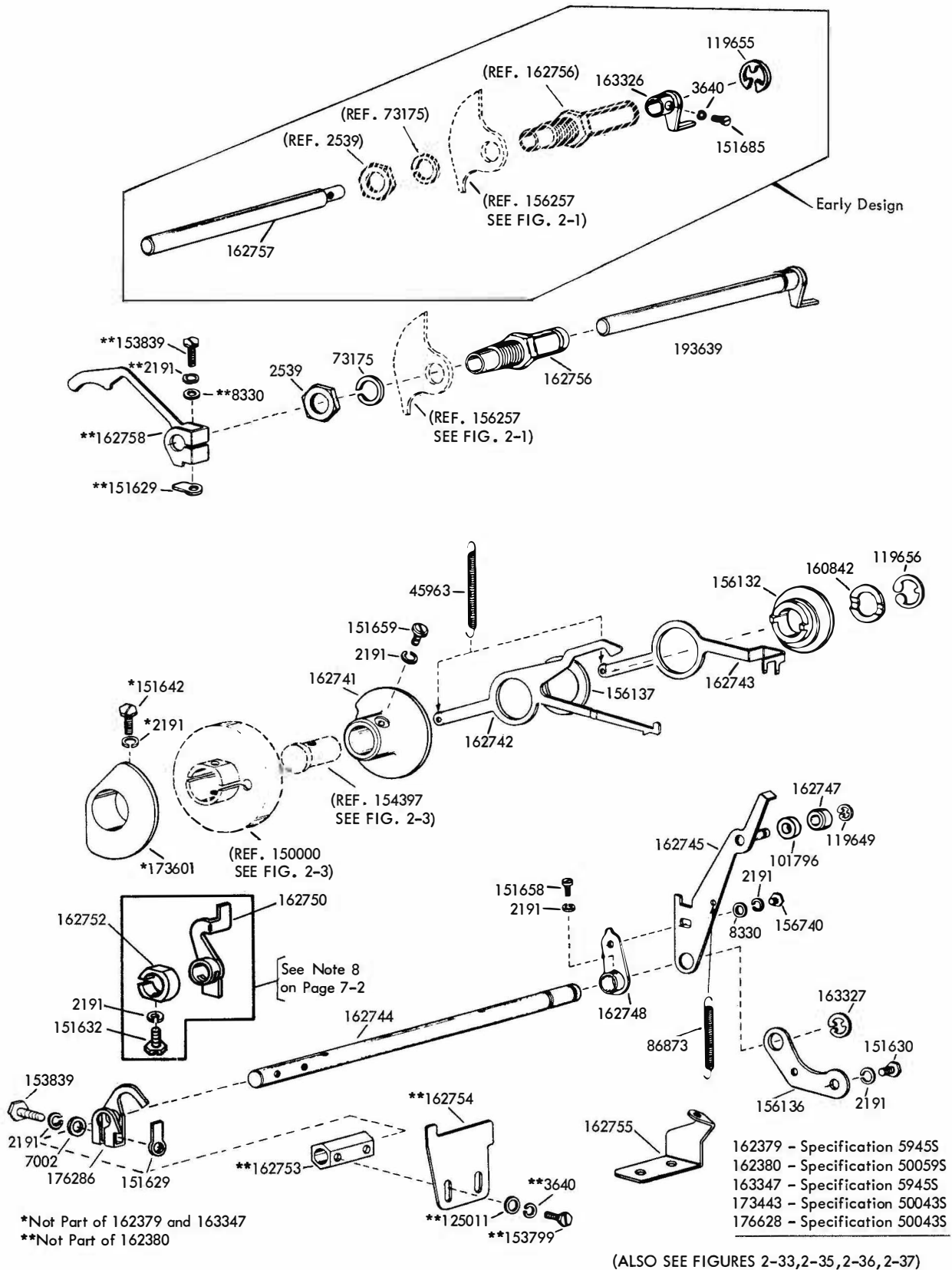


*Peculiar to 162379 (4 Second Time Delay at 100 WPM)
 **Peculiar to 163347 (16 Second Time Delay at 100 WPM)

(ALSO SEE FIGURE 2-34 AND 2-35)

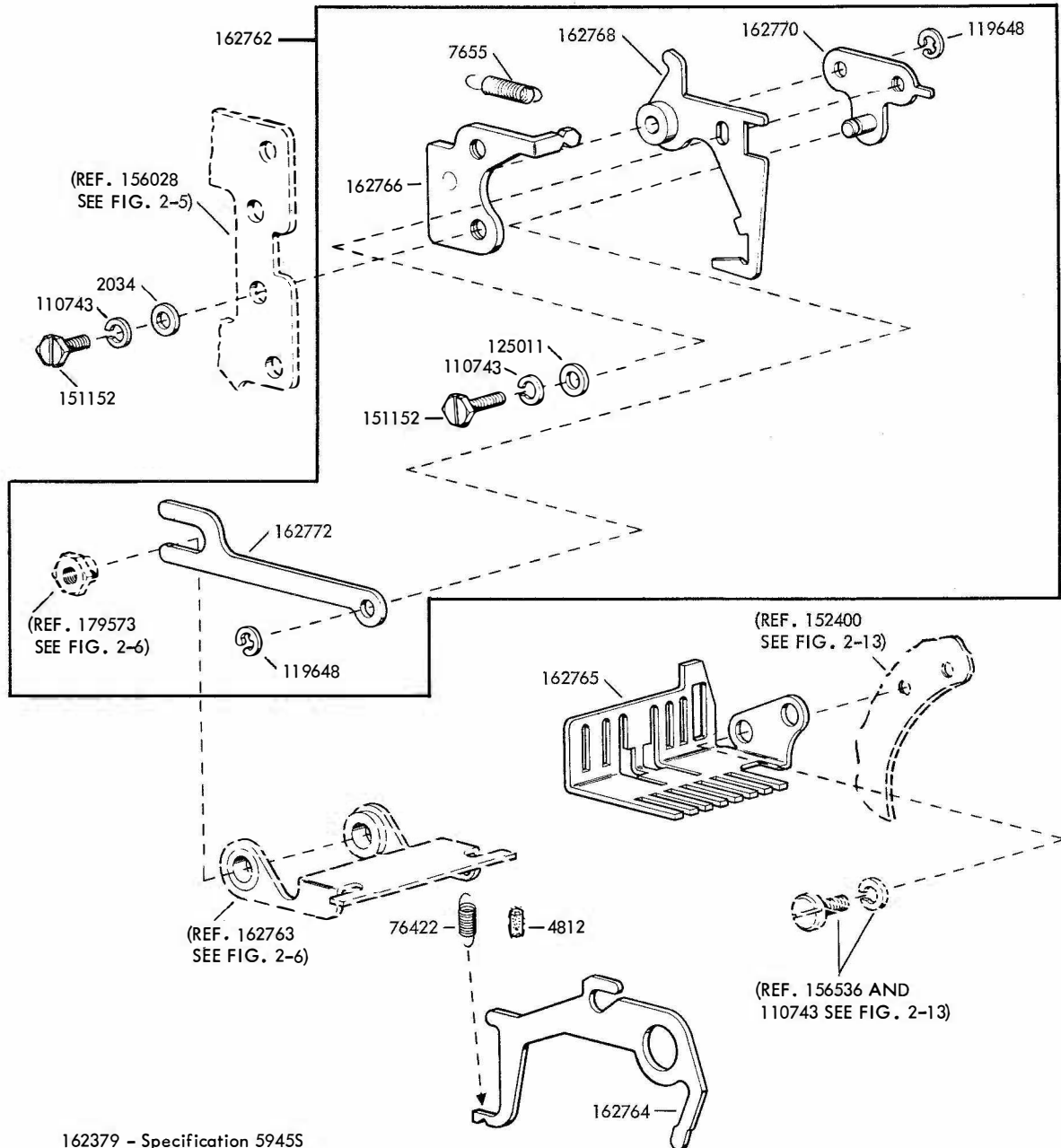
162379 - Specification 5945S
 163347 - Specification 5945S

FIGURE 2-33. 162379 AND 163347 MODIFICATION KITS TO ADD AUTOMATIC NON-INTERFERING LETTERS TAPE FEED-OUT



(ALSO SEE FIGURES 2-33,2-35,2-36,2-37)

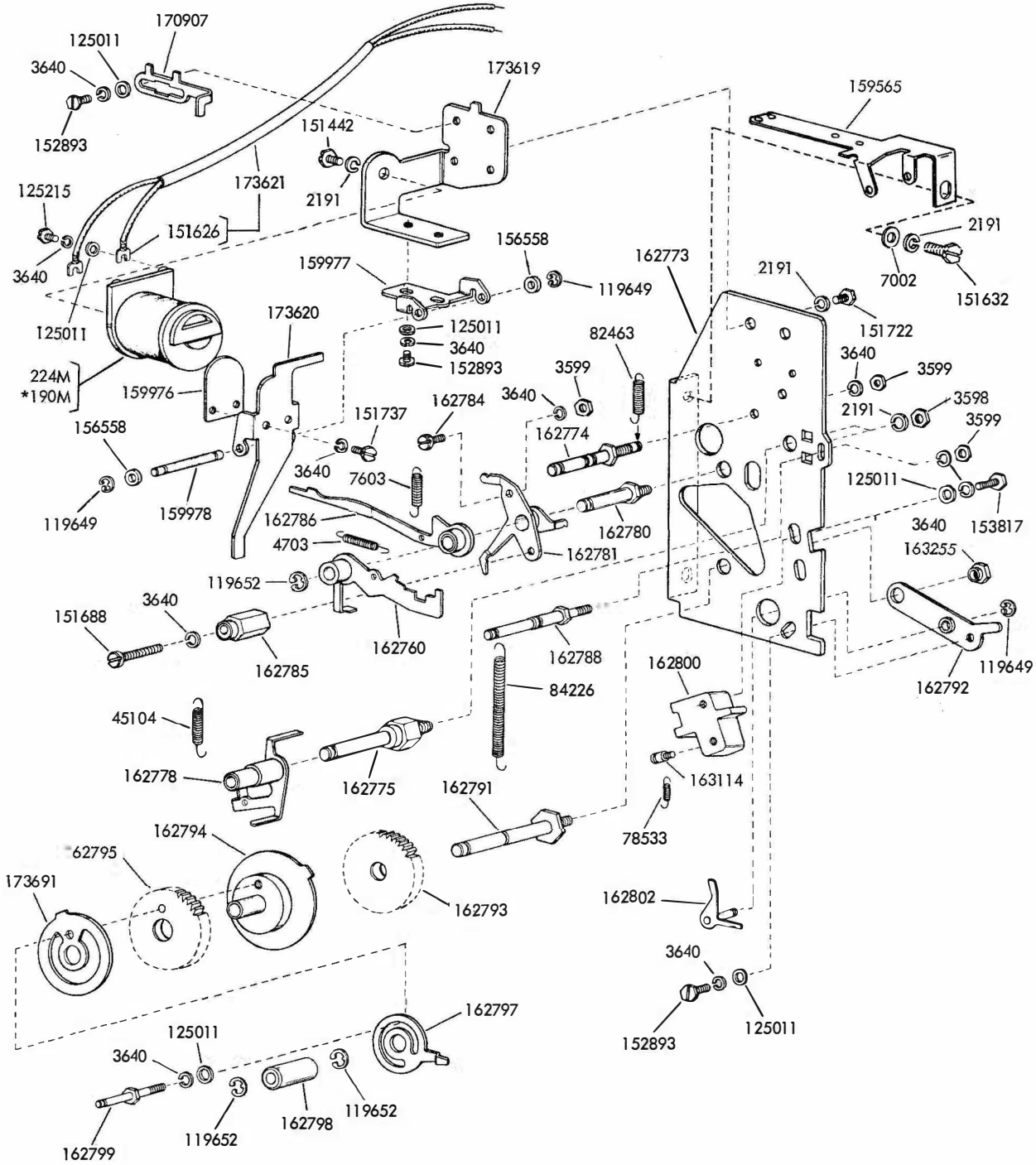
FIGURE 2-34. 162379 (AUTOMATIC LETTERS), 162380 (REMOTE CONTROL BLANK), 163347 (AUTOMATIC LETTERS), 173443 (REMOTE CONTROL LETTERS) AND 176628 (REMOTE CONTROL LETTERS) MODIFICATION KITS TO ADD NON-INTERFERING TAPE FEED-OUT



- 162379 - Specification 5945S
- 162380 - Specification 50059S
- 163347 - Specification 5945S
- 173443 - Specification 50043S
- 176628 - Specification 50043S

(ALSO SEE FIGURES 2-33, 2-34, 2-36, 2-37)

FIGURE 2-35. 162379 (AUTOMATIC LETTERS), 162380 (REMOTE CONTROL BLANK), 163347 (AUTOMATIC LETTERS), 173443 (REMOTE CONTROL LETTERS) AND 176628 (REMOTE CONTROL LETTERS) MODIFICATION KITS TO ADD NON-INTERFERING TAPE FEED-OUT

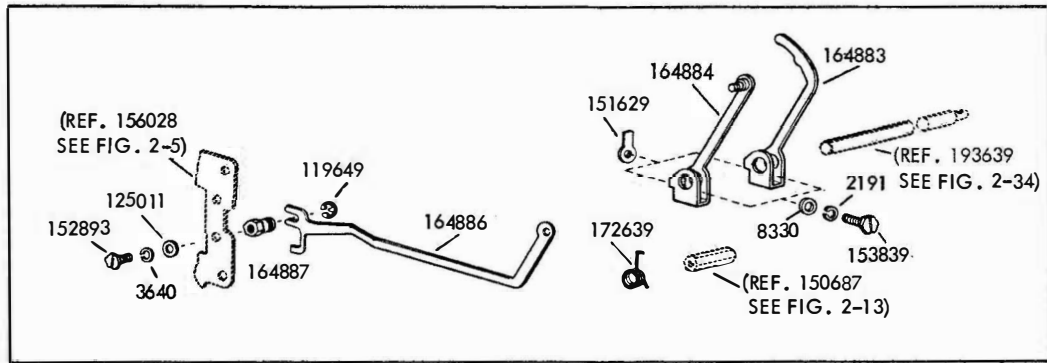


- 162380 - Specification 50059S
- 173443 - Specification 50043S
- 176628 - Specification 50043S

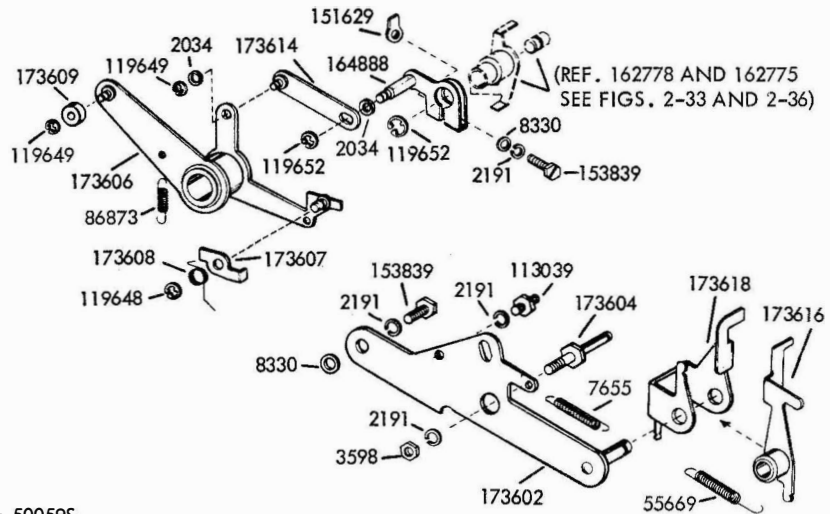
*Peculiar to 176628

(ALSO SEE FIGURES 2-34, 2-35, 2-37)

FIGURE 2-36. 162380 (BLANK), 173443 (LETTERS) AND 176628 (LETTERS) MODIFICATION KITS TO ADD REMOTE CONTROL NON-INTERFERING TAPE FEED-OUT



PECULIAR TO 162380 MODIFICATION KIT



162380 - Specification 50059S
 173443 - Specification 50043S
 176628 - Specification 50043S

(ALSO SEE FIGURES 2-34, 2-35, 2-36)

FIGURE 2-37. 162380 (BLANK), 173443 (LETTERS) AND 176628 (LETTERS) MODIFICATION KITS TO ADD REMOTE CONTROL NON-INTERFERING TAPE FEED-OUT

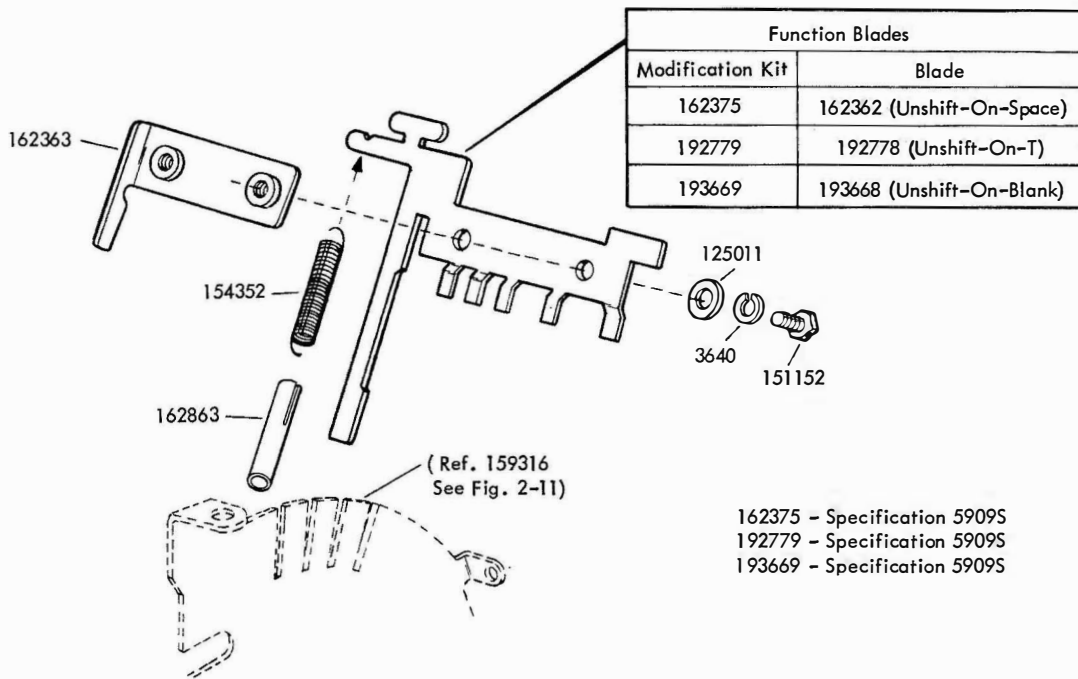
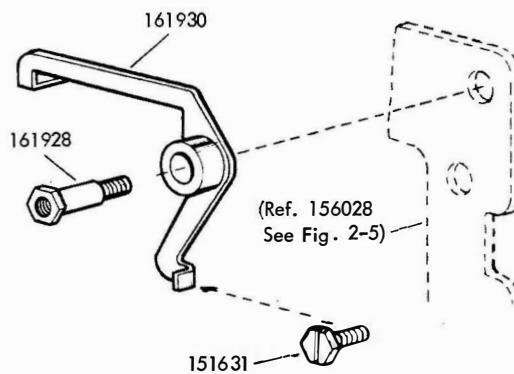


FIGURE 2-38. MODIFICATION KITS TO PROVIDE UNSHIFT FUNCTION



161828 - Specification 5534S

FIGURE 2-39. 161828 MODIFICATION KIT TO MAKE TAPE BACKSPACE AND BLANK FEED-OUT COMPATIBLE

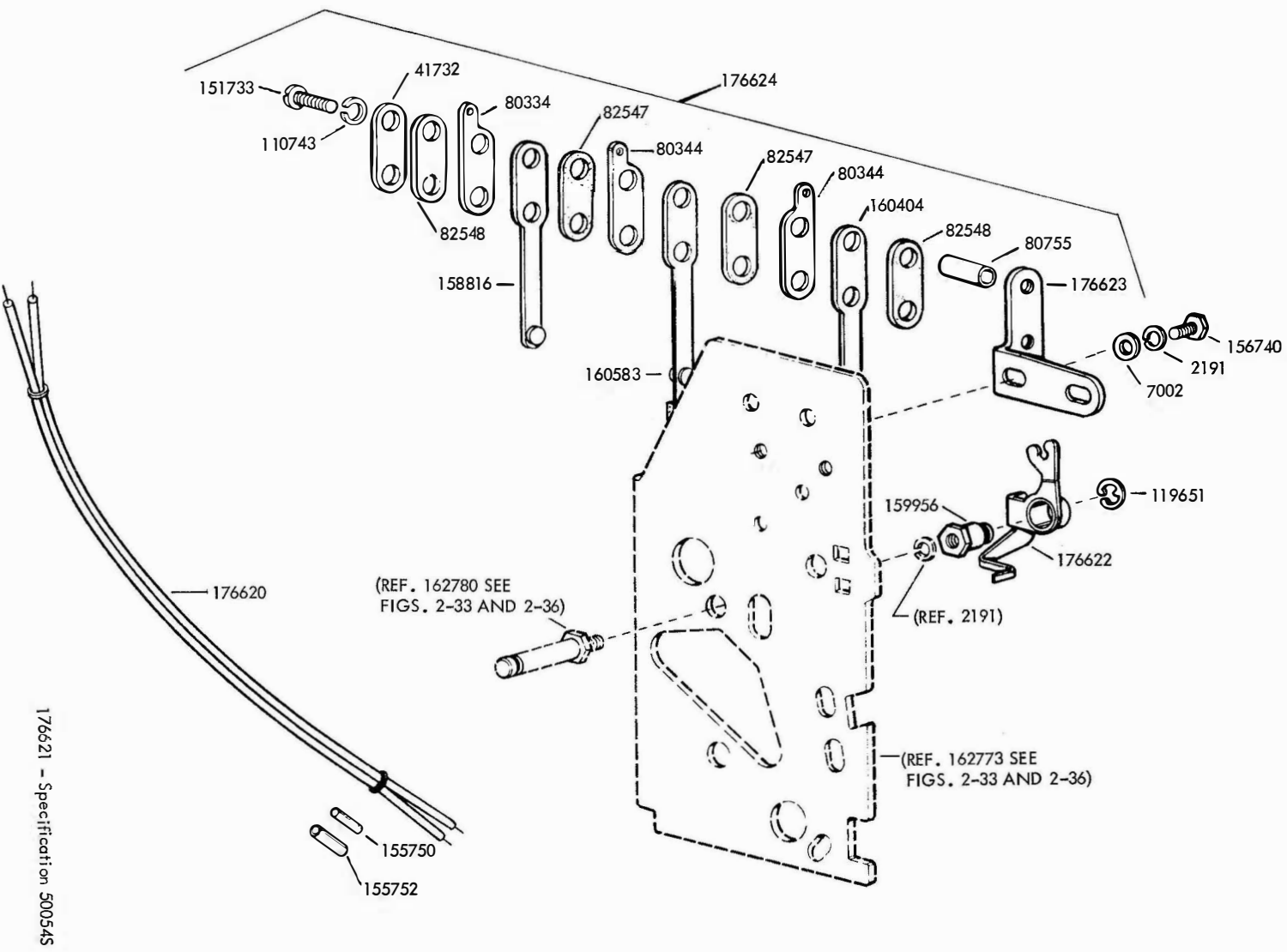
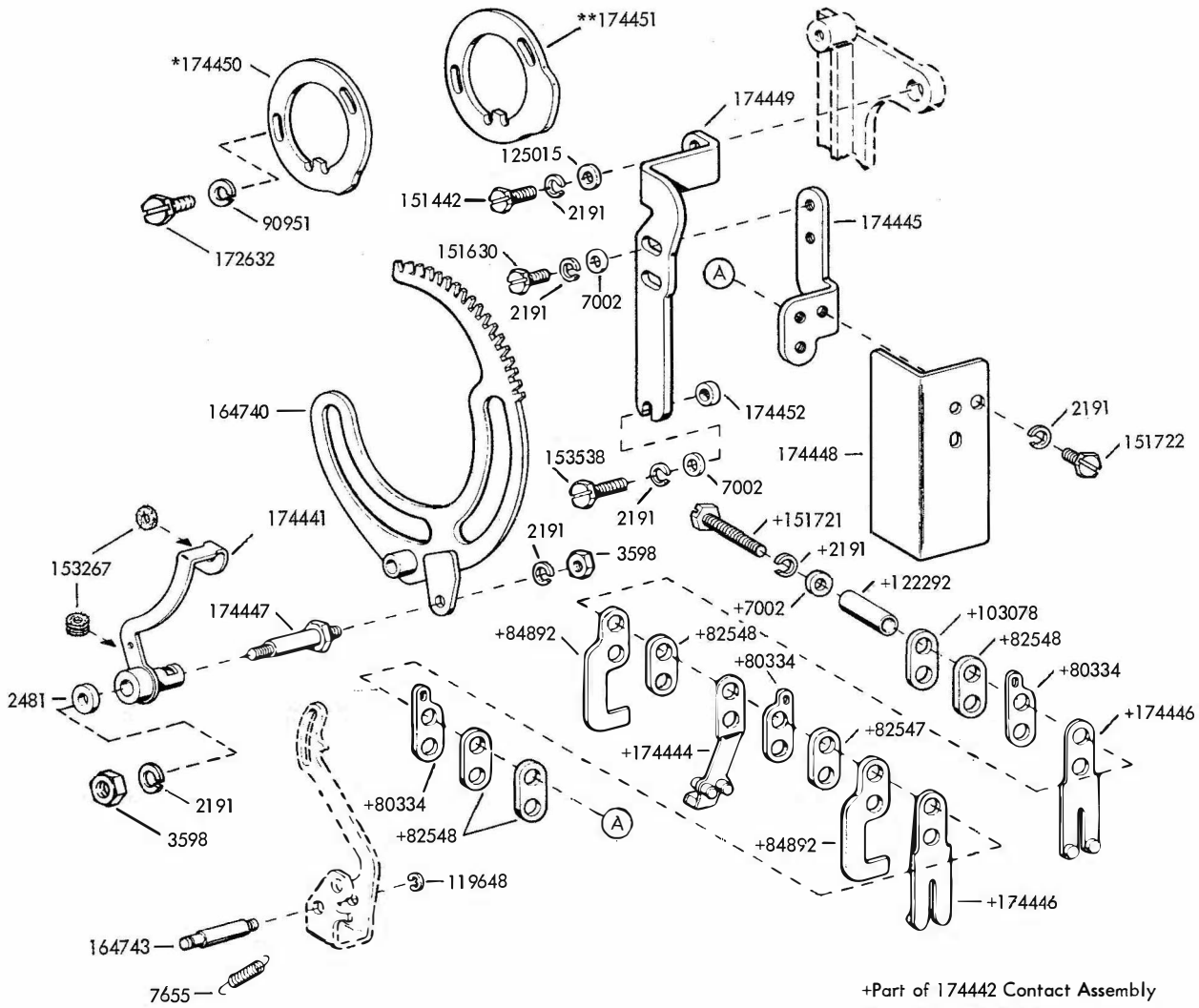


FIGURE 2-40. 176621 MODIFICATION KIT TO PROVIDE END OF FEED-OUT TIMING CONTACT FOR 176628 LETTERS TAPE FEED-OUT

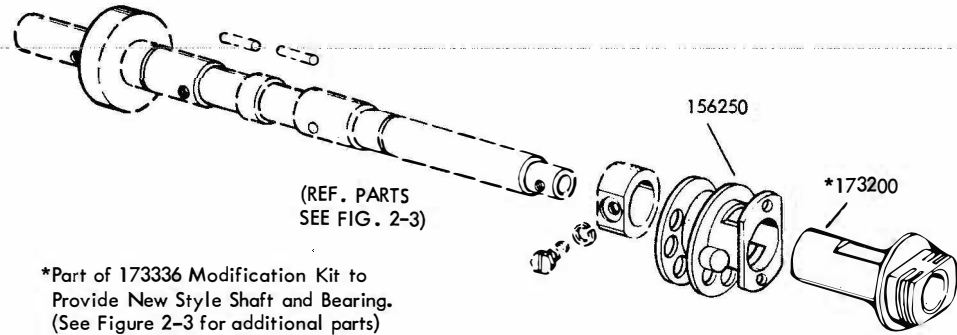
176621 - Specification 500545



+Part of 174442 Contact Assembly
 *Peculiar to 176420
 **Peculiar to 176421

176420 - Specification 500415
 176421 - Specification 500415

FIGURE 2-41. 176420 AND 176421 MODIFICATION KITS TO ADD TIMING CONTACTS TO SELECTOR



173336 - Specification 5979S

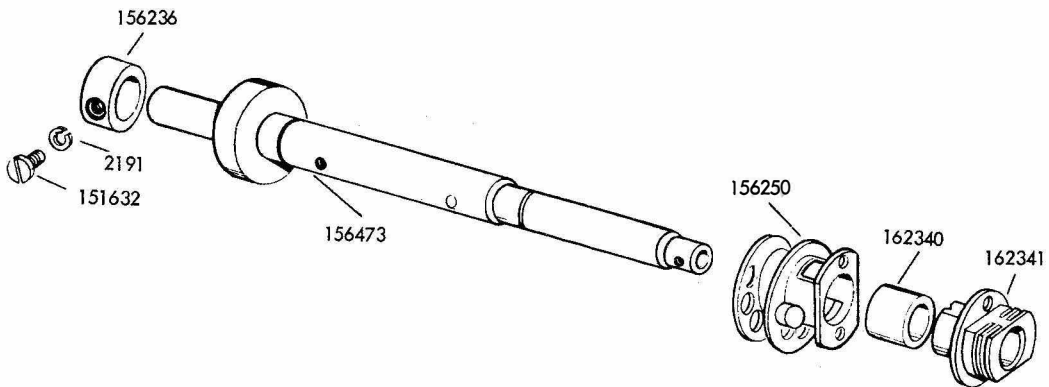


FIGURE 2-42. EARLY DESIGN MAIN SHAFT MECHANISMS

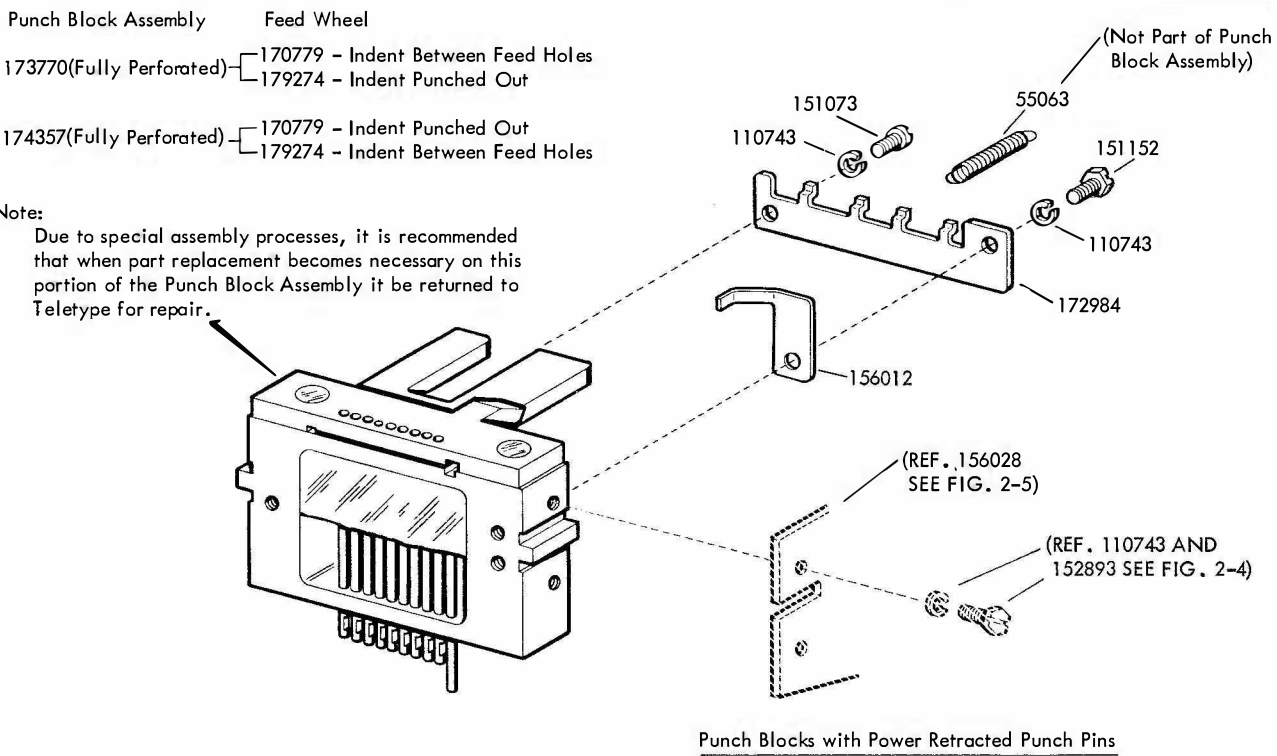
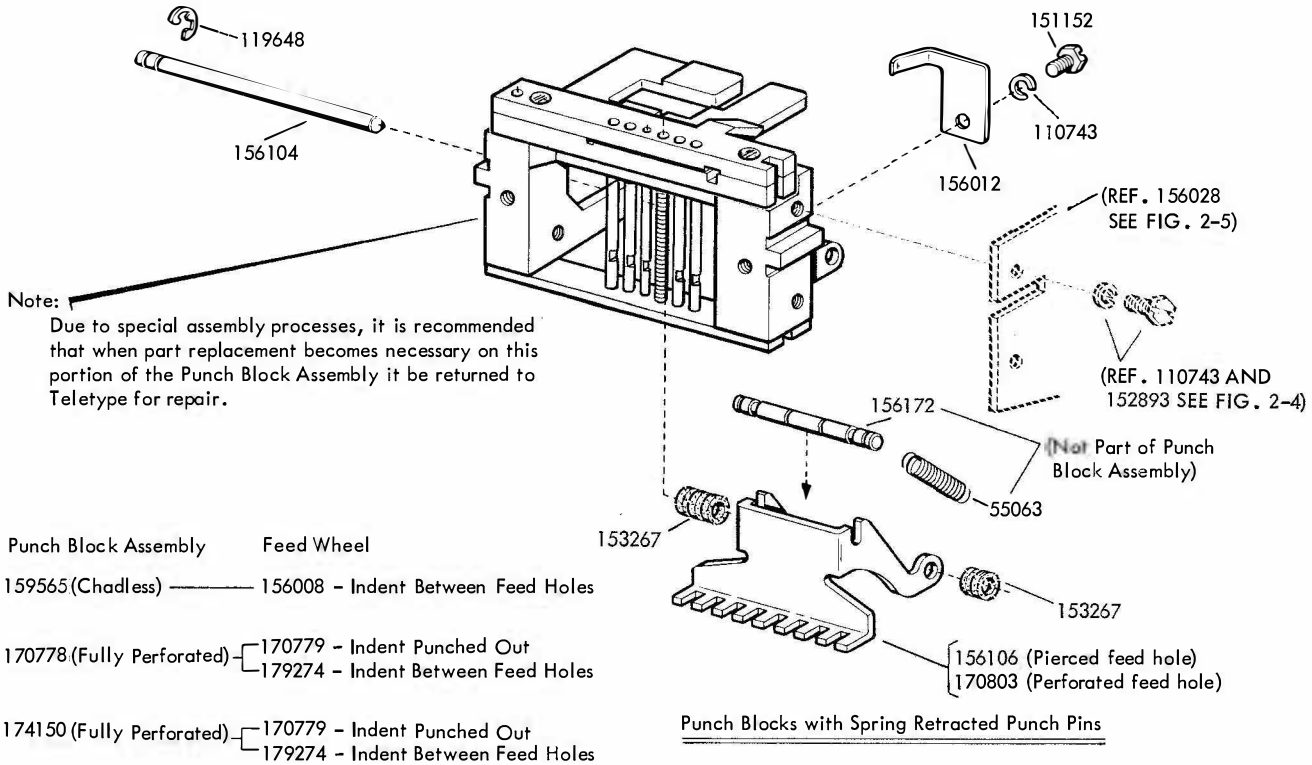
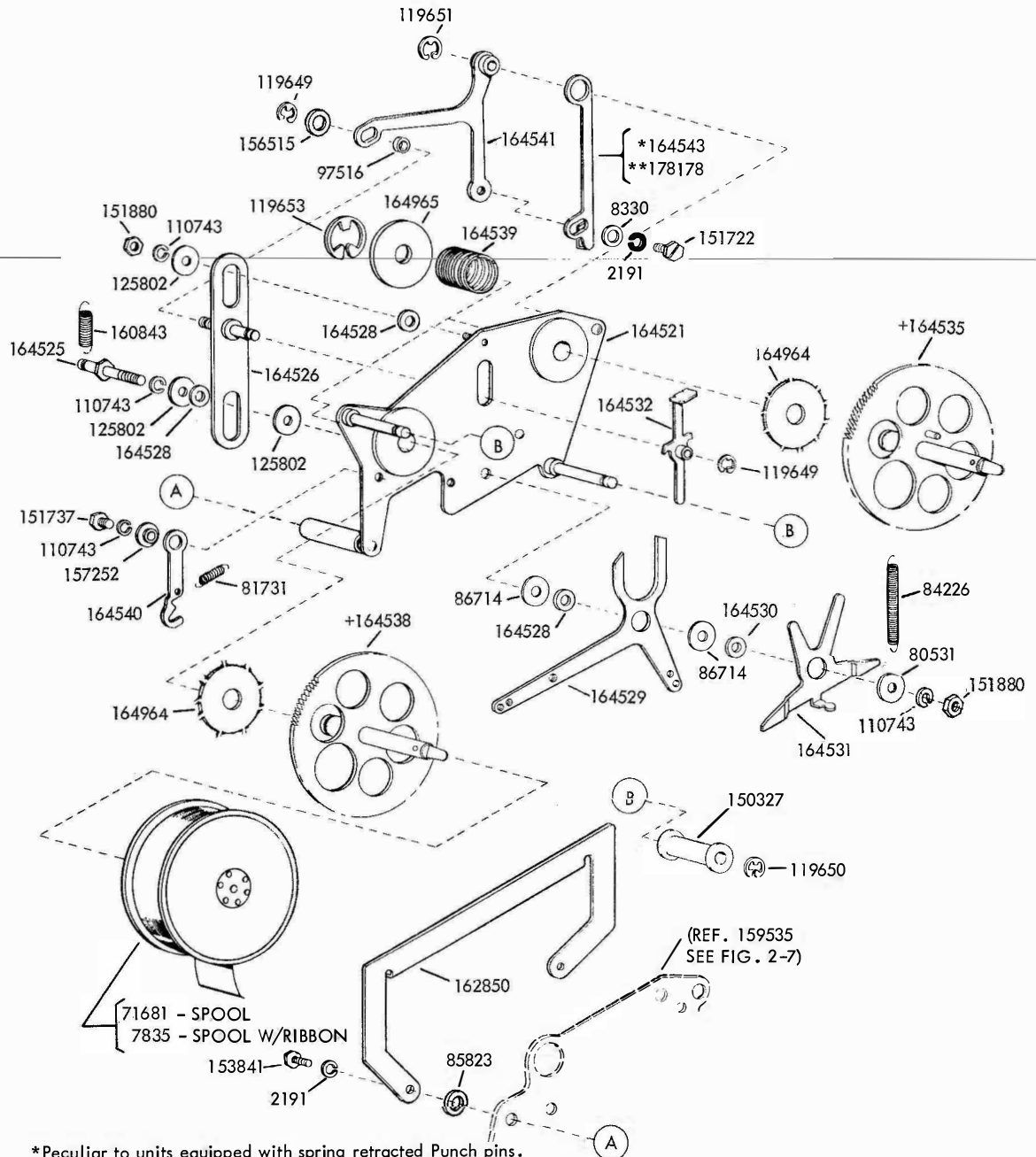


FIGURE 2-43. PUNCH BLOCK ASSEMBLIES



*Peculiar to units equipped with spring retracted Punch pins.
 **Peculiar to units equipped with power retracted Punch pins.
 +A 179579 Decalcomania which shows direction of "Ribbon to Roller" is available.

For Early Design Ribbon Feed Mechanism See Page 2-17

FIGURE 2-44. RIBBON FEED MECHANISM

☒ indicates tines that are left after the blade has been coded.

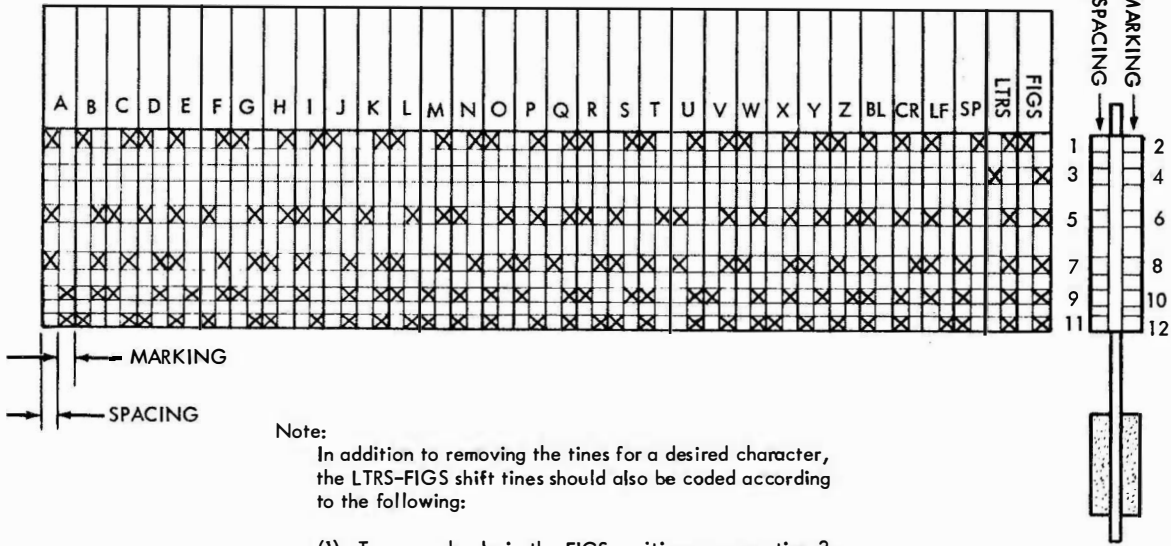
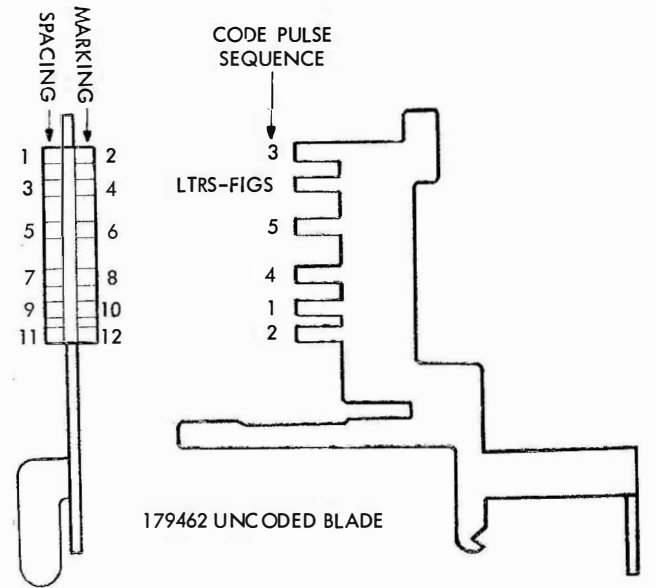


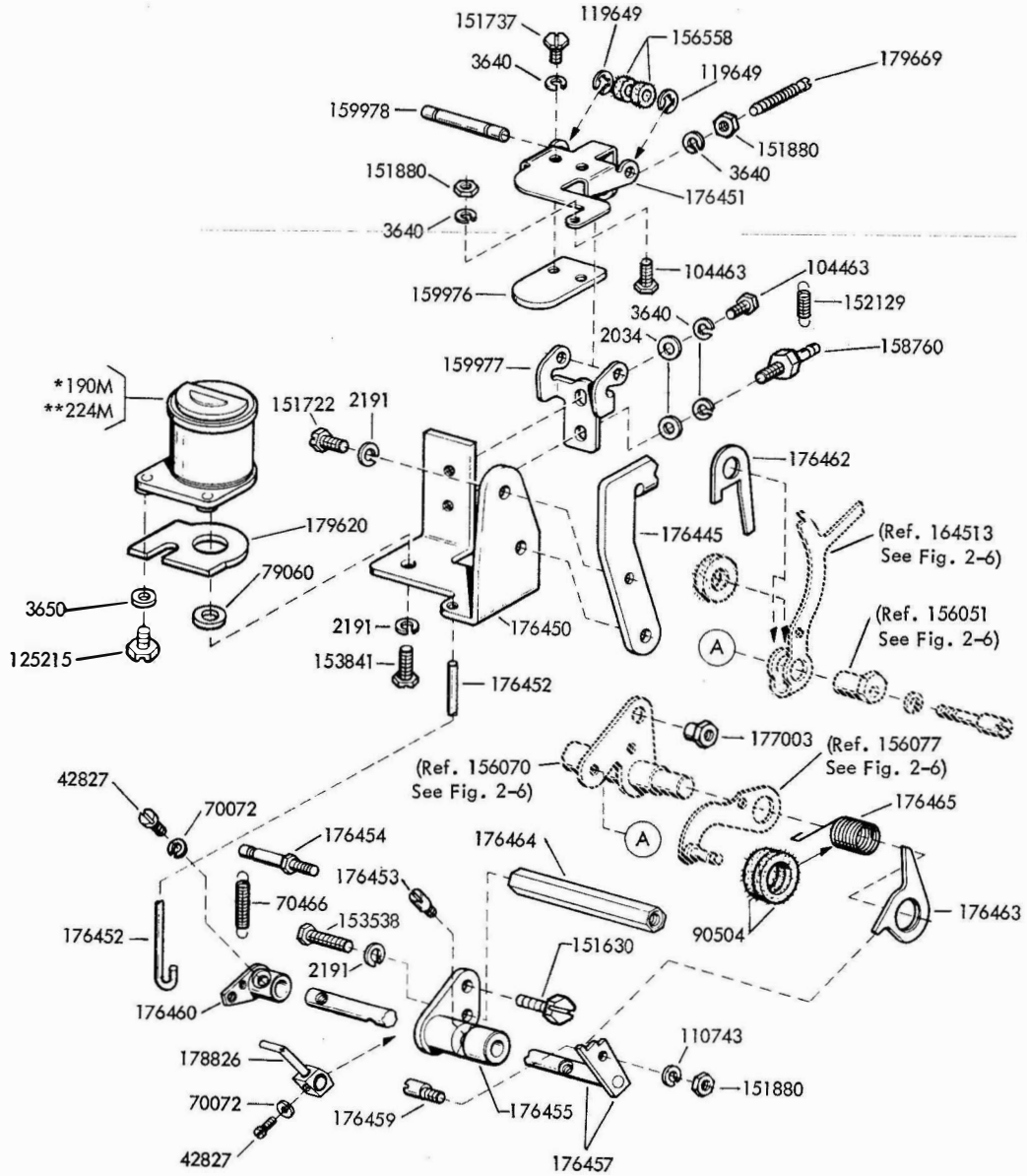
FIGURE 2-45. UNCODED FUNCTION BLADES

Note:

In addition to removing the tines for a desired character, the LTRS-FIGS shift tines should also be coded according to the following:

- (1) To respond only in the FIGS position, remove tine 3.
- (2) To respond only in the LTRS position, remove tine 4.
- (3) To respond in FIGS and LTRS position, remove tines 3 and 4.





*Peculiar to 173961
**Peculiar to 179133

173961 - Specification 500585
179133 - Specification 500585

FIGURE 2-46. 173961 AND 179133 MODIFICATION KITS TO PROVIDE BLANK DELETE FOR TYPING REPERFORATOR

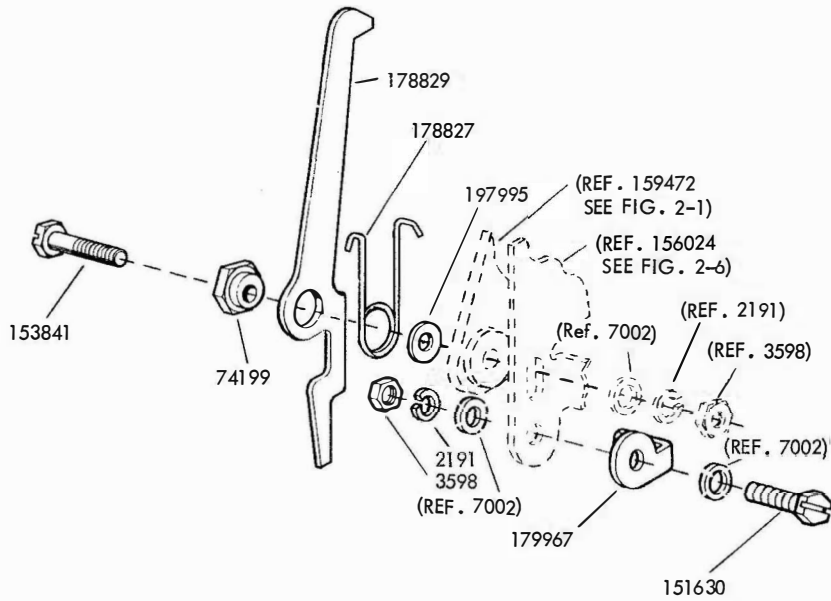
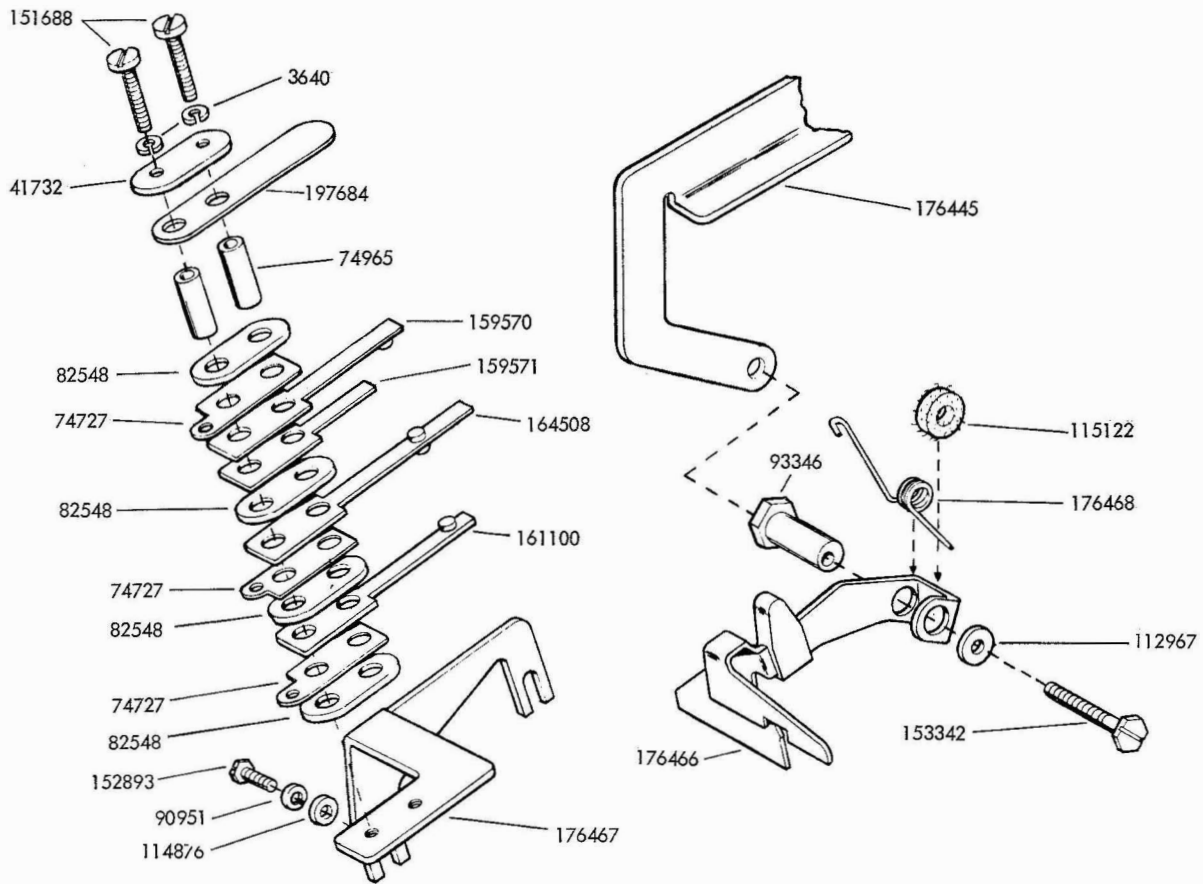


FIGURE 2-47. 173961 AND 179133 MODIFICATION KITS TO PROVIDE BLANK DELETE FOR TYPING REPERFORATOR

1167B

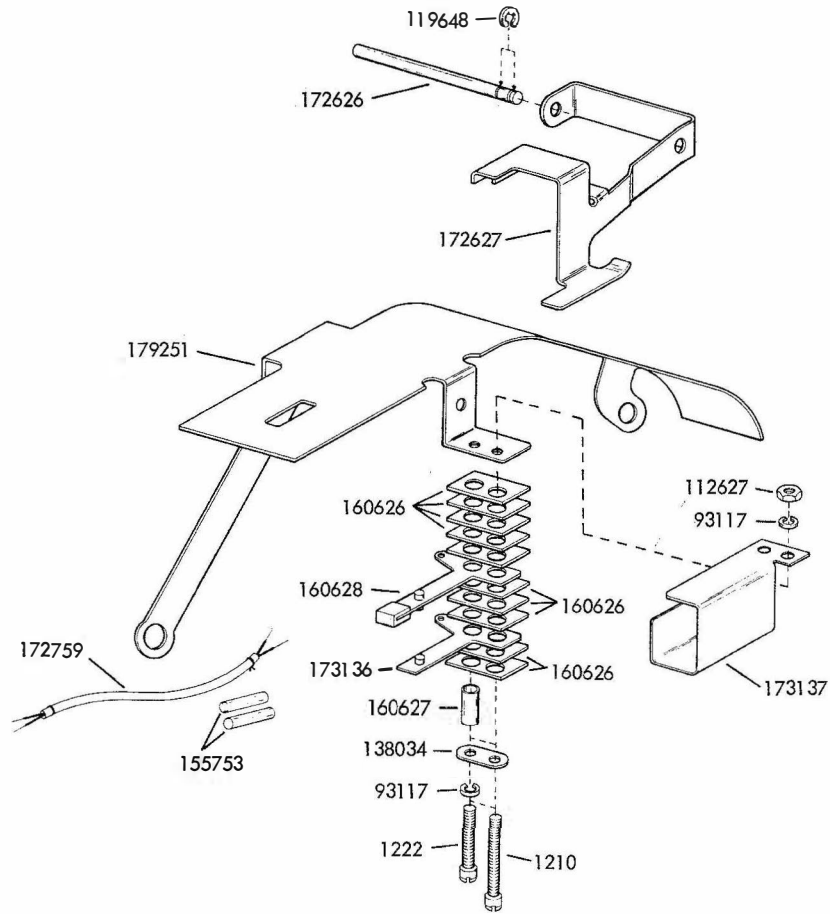


FIGURE 2-48. 173135 TAPE ABSENT CONTACT BRACKET ASSEMBLY

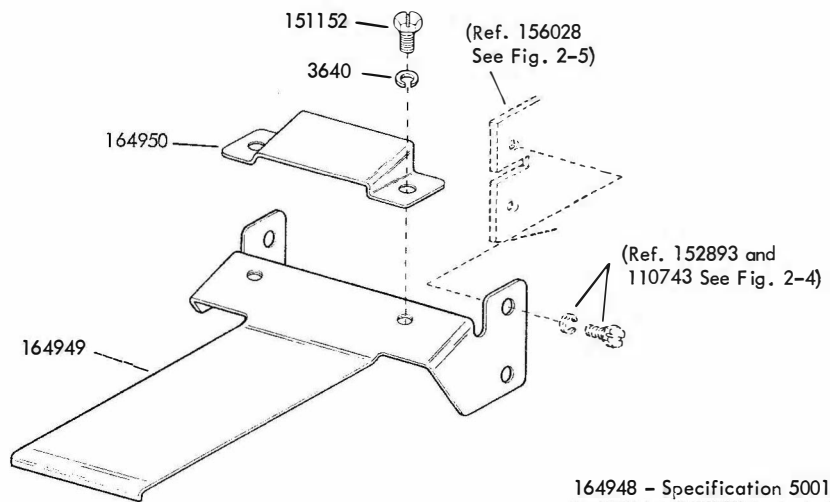
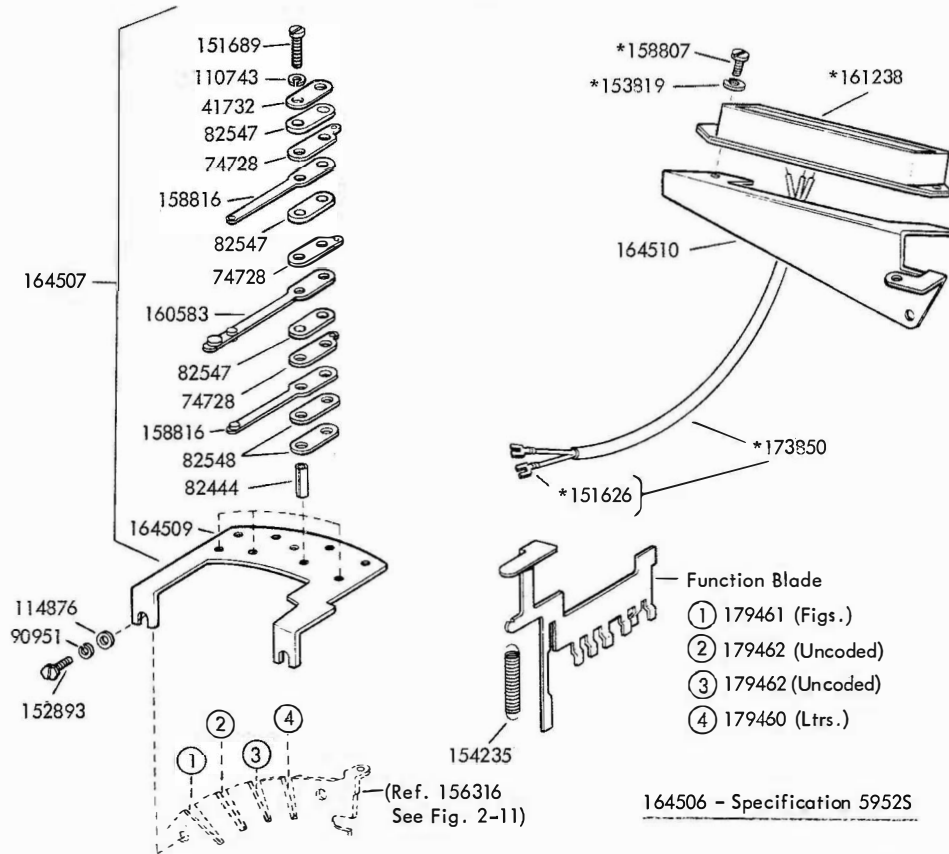


FIGURE 2-49. 164948 MODIFICATION KIT TO EQUIP REPERFORATOR WITH COMBINATION TAPE CHUTE AND KNIFE TEARING EDGE WHEN MOUNTED IN AN UNIVERSAL CABINET



*Not Part of 164506 Modification Kit

FIGURE 2-50. 164506 MODIFICATION KIT TO ADD MULTIPLE MOUNTED FUNCTION BLADE OPERATED CONTACTS

FUNCTION BLADES				
Modification Kit	①	②	③	④
176258	See Note 1	179932	179934	See Note 1
176627	See Note 1	179933	179935	See Note 1
192686		179761	179762	

176258 - Specification 501115
 176627 - Specification 501115
 192686 - Specification 501115

Function Blade

179761 (U.C. "H" Function)
 179762 ("BL" Function)
 179932 (U.C. "S" Function)
 179933 (U.C. "J" Function)
 179934 ("N" Function)

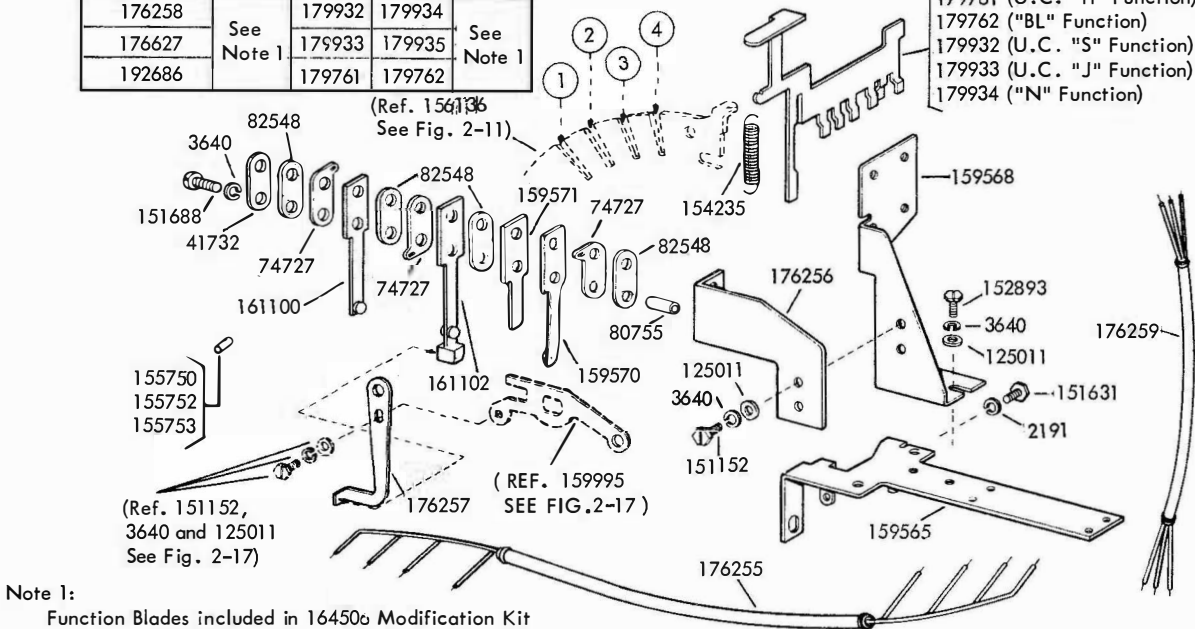


FIGURE 2-51. MODIFICATION KITS TO EQUIP A REPERFORATOR WITH AN AUXILIARY CONTACT ASSEMBLY AND FUNCTION BLADES

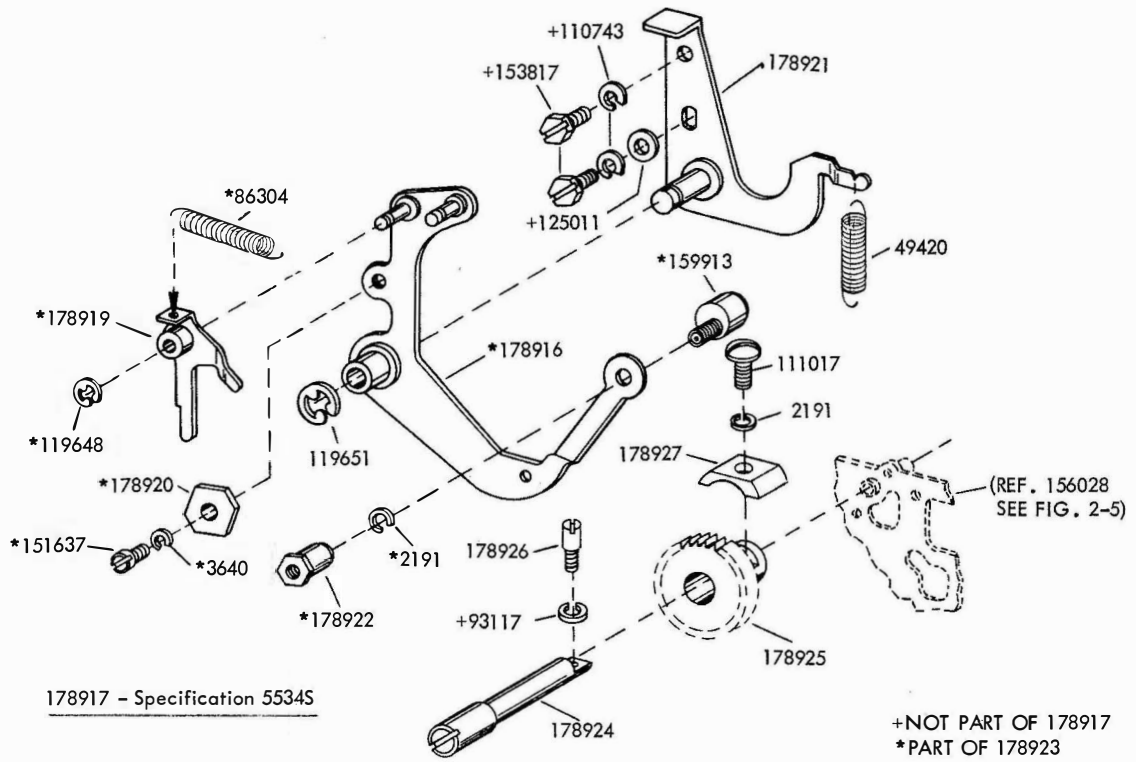


FIGURE 2-52. 178917 MODIFICATION KIT TO PROVIDE BACKSPACE MECHANISM FOR FULLY PERFORATED TAPE AND PRINTING BETWEEN FEED HOLES

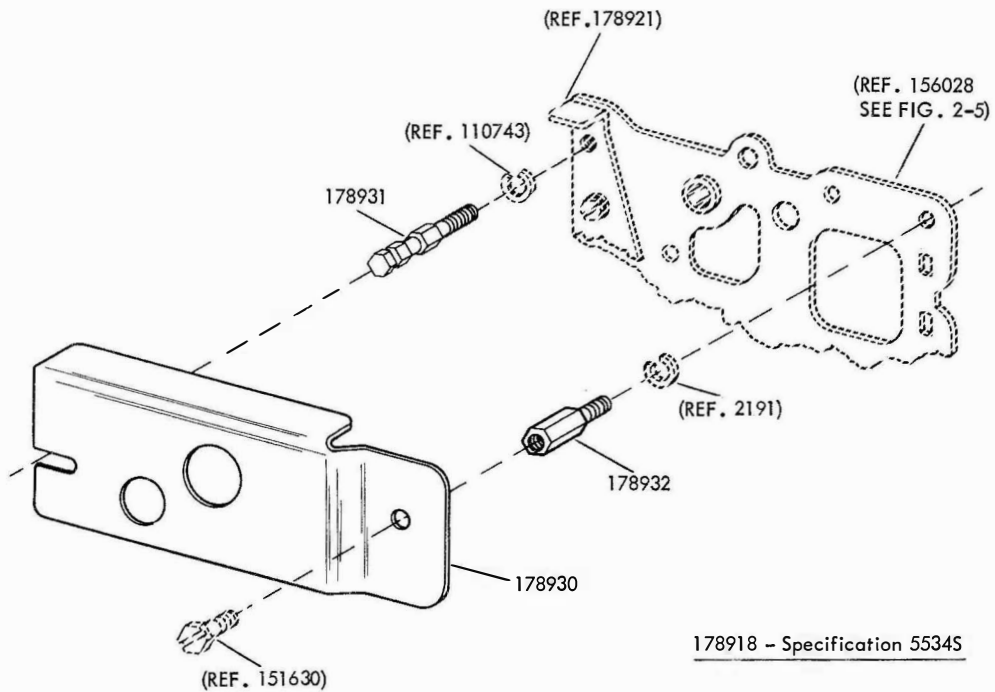


FIGURE 2-53. 178918 MODIFICATION KIT TO PROVIDE GUARD FOR BACKSPACE MECHANISM (FULLY PERFORATED TAPE, PRINTING BETWEEN FEED HOLES)

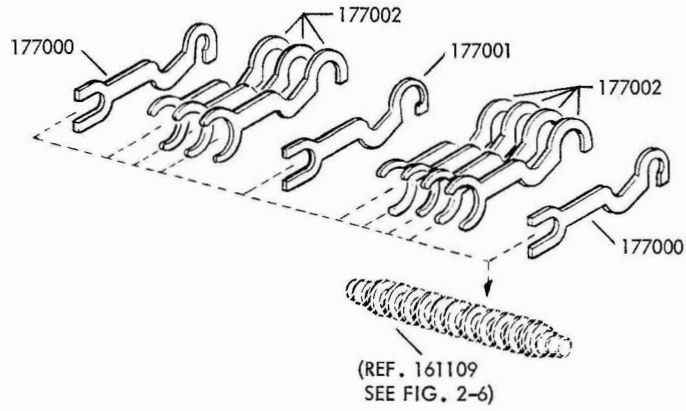
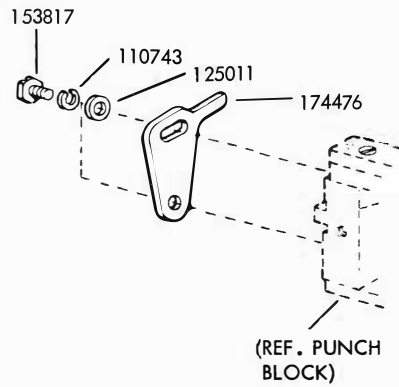


FIGURE 2-54. 179275 MODIFICATION KIT TO PROVIDE POSITIVE ENGAGEMENT OF PUNCH SLIDES WITH THE LATCH LEVERS



174475 - Specification 500345

FIGURE 2-55. 174475 MODIFICATION KIT TO PROVIDE PRINT SUPPRESSION ON FUNCTIONS

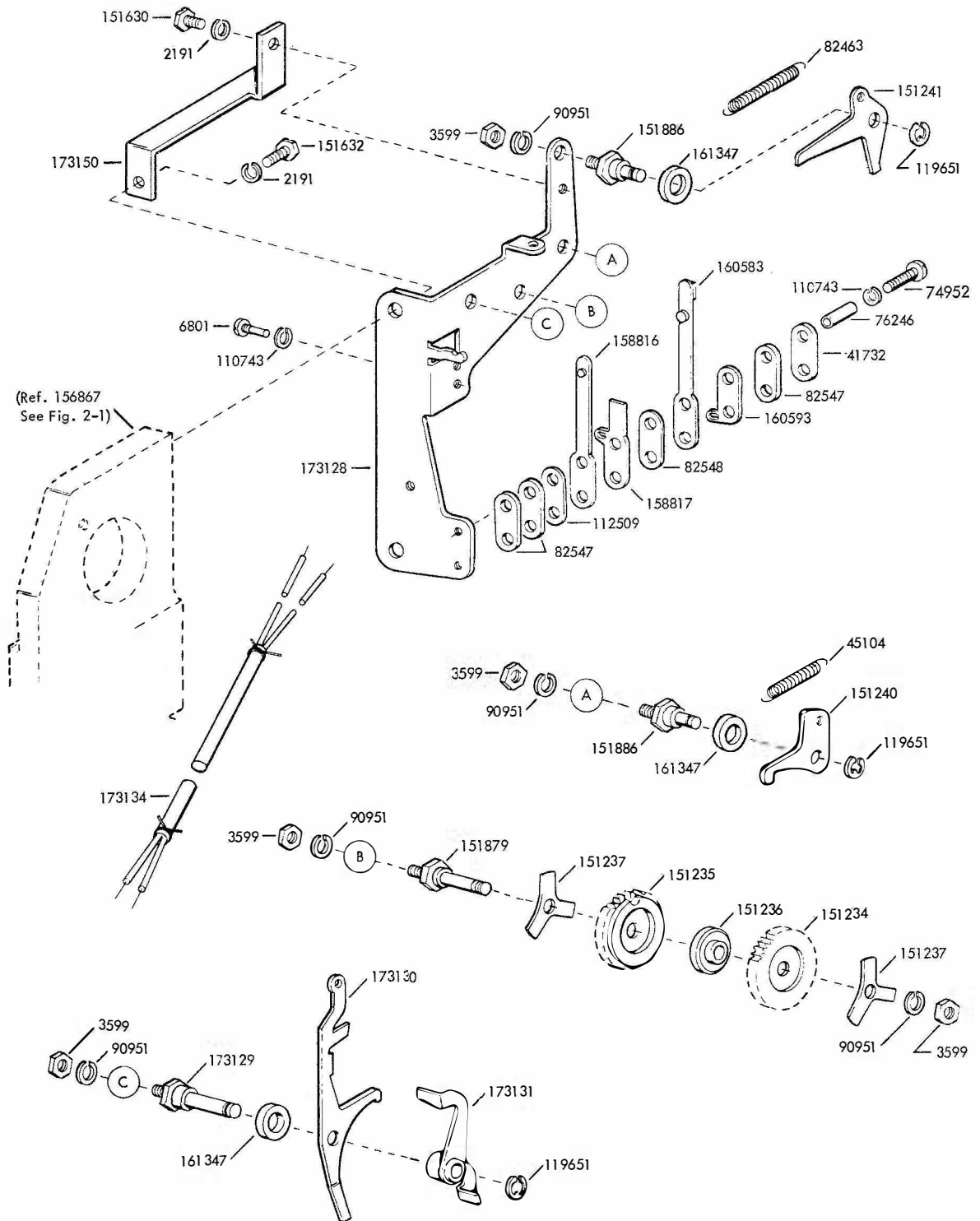


FIGURE 2-56. MOTOR CONTROL MECHANISM

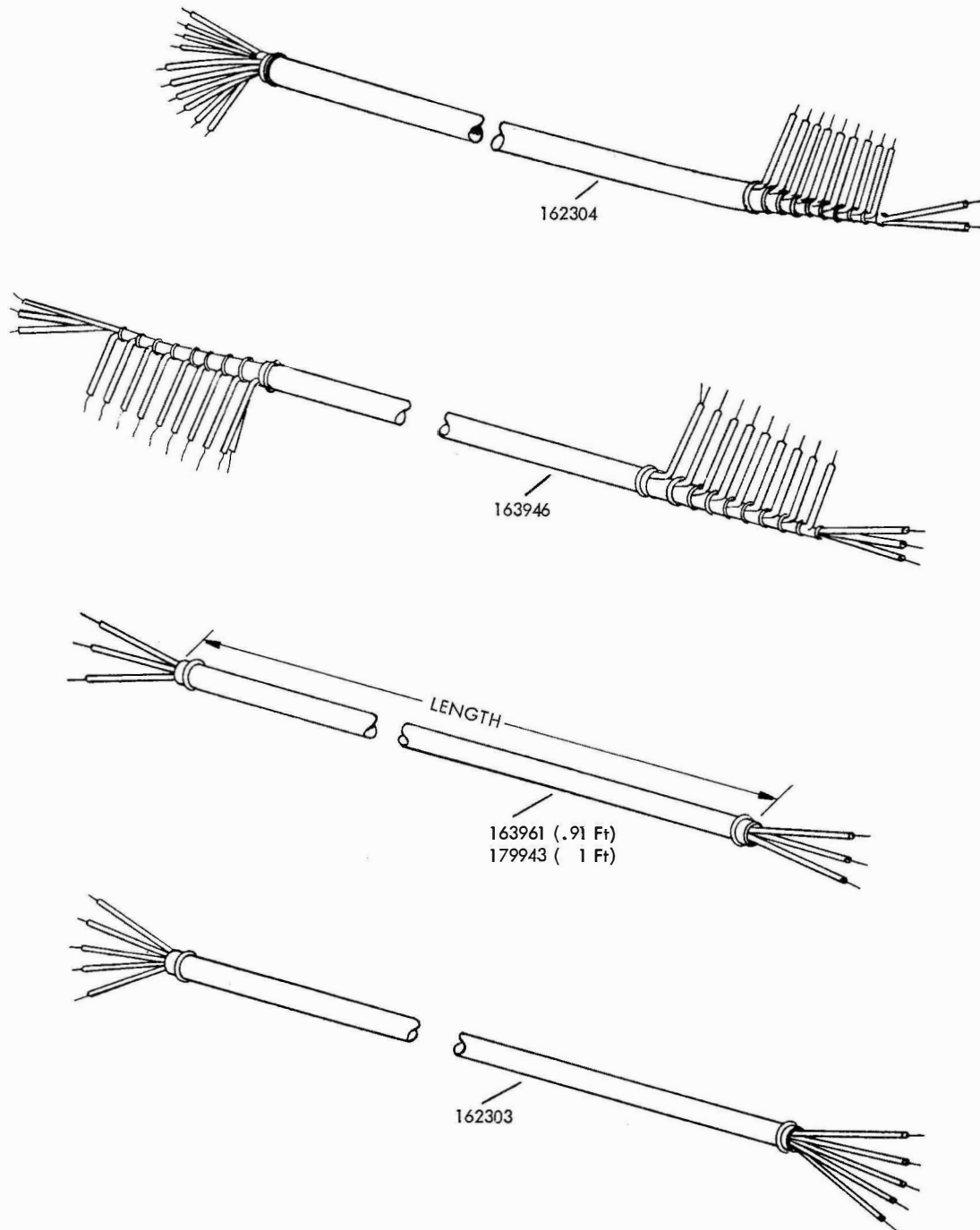
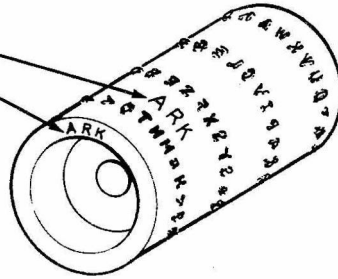


FIGURE 2-57. CODE READING CONTACT CABLES

Typewheel Code may be found in either of two locations.



- ① Bell System Arrangement A
- ② Bell System Arrangement B
- ③ Bell System Arrangement C
- ④ Bell System Arrangement D

TYPEWHEEL CODE CHART							
Code	Part Number	Matching Arrangements		Code	Part Number	Matching Arrangements	
		Typebox	Keypop			Typebox	Keypop
Printing on Edge of Tape				Printing Between Feed-Holes			
ABW	175604			BRH	175707		
ACA	175608			BRL	175710		
ACF	175612			BRM ^③	175711		
ADC	175632			BRP	175713		
ARA ^①	173965	RA	ARK	BWA ^①	173759	WY	BRJ
ARC ^②	173971	RC	ARL	BWB	173769		
ARE ^④	173970	RE	ARE	BRB ^②	175701		
ARG	173966	RG	ARG				
ARJ	173968	RJ	ARW				
ARL	163676						
ARK	163675						
ARM	163677		BRT				
ARS	173969	RS	ARM				
ARW	163683	YM	BRU				
ARX	163682						
ARY	163681	YE	BRQ				
ARZ	153679	RZ	ARU				
AWA	173967	WY	BRJ				
AWB	163685						
AWD	163687						
AWE	163688						
AWF	163690						
AWS	175580						
AWU	175582						
AWX	175583						
AWY	175584						
AXW	175519						
AXZ	175521						
AYB	175523						
AYX	175546						
AYZ	175547						
AZG	175554						
AZJ	175556						
AZM	175559						
AZT	175565						
AZW	175568						

Note:
Typewheels not appearing on this page may be ordered by Code letters.

FIGURE 2-58. TYPEWHEEL CHART

NUMERICAL INDEX - SECTION 2

Part Number	Description and Page Number	Part Number	Description and Page Number	Part Number	Description and Page Number
190M	Coil, Magnet 2-34,2-43	70072	Washer, Lock 2-43	96717	Screw, Shoulder (4-40) 2-14,2-30
224M	Coil, Magnet 2-28,2-34,2-43	70466	Spring 2-43	97266	Plate, Clamp 2-24,2-30
252M	Coil, Magnet 2-21	70878	Spring 2-27,2-28	97412	Bracket, Contact 2-9
254M	Coil, Magnet 2-15	71437	Washer, Flat 2-7	97516	Bushing 2-41
1020	Screw (6-40 x 1/4 Hex) 2-5	71681	Spool, Ribbon 2-17,2-41	98004	Screw (2-56 x 11/16 Fil) 2-21
1036	Nut (6-40 Hex) 2-6	72522	Wick, Felt 2-6	100994	Nut (2-56 Hex) 2-21
1210	Screw (2-56 x 5/8 Fil) 2-45	73175	Washer, Lock 2-19,2-32	101123	Washer, Felt 2-10
1222	Screw (2-56 x 1/2 Fil) 2-45	73611	Wick, Felt 2-22	101796	Washer, Felt 2-32
1256	Screw, Set (6-40) 2-19	74199	Bushing, Eccentric 2-44	101892	Dowel, Upper 2-40
2034	Washer, Flat 2-14,2-28,2-31,2-33,2-35,2-43	74283	Washer, Spring 2-13	102028	Post, Spring 2-20
2191	Washer, Lock 2-2 to 2-22,2-24 to 2-32,2-34,2-35,2-37,2-38,2-39,2-41,2-43,2-44,2-46,2-47,2-49	74553	Wick, Oil 2-9	103078	Plate 2-38
2199	Nut (7/16-32 Hex) 2-9	74727	Terminal 2-22,2-44,2-46	104463	Screw (4-40 x 1/4 Hex) 2-43
2407	Washer, Lock 2-9	74728	Terminal 2-21,2-46	104824	Spring 2-15
2438	Washer, Flat 2-15	74952	Screw (4-40 x 5/8 Fil) 2-49	108943	Bushing 2-24
2481	Washer, Flat 2-22,2-38	74965	Bushing, Insulating 2-44	109356	Washer, Flat 2-30
2539	Nut (3/8-32 Hex) 2-19,2-32	76246	Bushing, Insulating 2-49	110434	Screw (4-40 x 3/16 Fil) 2-2,2-13,2-14
2669	Washer, Lock 2-3,2-13	76422	Spring 2-33	110435	Nut (4-40 Hex) 2-30
3598	Nut (6-40 Hex) 2-2,2-3,2-5 to 2-7,2-9,2-10,2-13,2-14,2-17,2-18,2-20,2-21,2-25,2-26,2-28,2-30,2-31,2-34,2-35,2-38,2-44	78533	Spring 2-14,2-31,2-34	110437	Spring, Toggle Link 2-12
3599	Nut (4-40 Hex) 2-5,2-6,2-8,2-10,2-11,2-14,2-15,2-16,2-19,2-28,2-31,2-34,2-49	79060	Spacer 2-43	110743	Washer, Lock 2-2,2-4 to 2-17,2-20,2-21,2-22,2-24,2-26,2-27,2-28,2-33,2-37,2-40,2-41,2-43,2-46 to 2-49
3603	Nut (1/4-32 Hex) 2-26	80334	Terminal 2-37	110879	Spring 2-8,2-11,2-18
3606	Nut (6-40 Hex) 2-18	80531	Washer, Flat 2-41	111017	Screw (6-40 x 5/16 Fil) 2-18,2-47
3624	Washer, Flat 2-21	80755	Bushing 2-21,2-22,2-30,2-37,2-46	111767	Washer, Flat 2-20
3640	Washer, Lock 2-2,2-3,2-4,2-8,2-9,2-10,2-12,2-18,2-19,2-20,2-21,2-22,2-28,2-30,2-31,2-32,2-34,2-35,2-36,2-41,2-43 to 2-47	80833	Guard 2-24	111777	Connector, Receptacle (4 Pt) 2-23
3646	Washer, Lock 2-25	81726	Terminal 2-24,2-30	112509	Insulator 2-49
3650	Washer, Flat 2-28,2-43	81731	Spring 2-41	112626	Nut (10-32 Hex) 2-9,2-13
3870	Spring, Correcting Drive Link 2-18	81778	Screw (4-40 x 3/16 Fil) 2-15	112627	Nut (2-56 Hex) 2-45
4703	Spring 2-31,2-34	82392	Shim (.004") 2-3	112634	Spring, Arm Assembly 2-12
4812	Wick, Felt 2-33	82444	Bushing 2-46	112636	Spring, Check Pawl Clock 2-20
5363	Spring 2-6	82463	Spring 2-19,2-31,2-34,2-49	112967	Washer, Spacing 2-26,2-44
5425	Shim (.010) 2-20	82474	Terminal 2-23,2-28,2-29	113039	Post, Spring 2-35
6801	Screw, Pilot (4-40) 2-49	82547	Insulator (.094") 2-21,2-24,2-30,2-37,2-38,2-46,2-49	114876	Washer, Flat 2-12,2-24,2-44,2-46
7002	Washer, Flat 2-2,2-3,2-5,2-6,2-8,2-9,2-10,2-12,2-14,2-15,2-16,2-18,2-20,2-21,2-22,2-25,2-28,2-31,2-32,2-34,2-37,2-38	82548	Insulator (.062") 2-21,2-22,2-24,2-30,2-37,2-38,2-44,2-46,2-49	115122	Washer, Felt 2-9,2-44
7603	Spring 2-31,2-34	84226	Spring 2-31,2-34,2-41	115134	Washer, Felt 2-10
7655	Spring 2-30,2-33,2-35,2-38	84575	Spring, Adjusting Arm 2-28	119467	Insulator 2-21
7835	Ribbon, Black 2-17,2-41	84892	Stiffener 2-38	119647	Ring, Retaining 2-6,2-20
8330	Washer, Flat 2-2,2-3,2-5,2-6,2-7,2-11,2-13,2-14,2-17,2-18,2-19,2-24,2-25,2-28,2-32,2-35,2-41	85823	Spacer 2-17,2-41	119648	Ring, Retaining 2-6,2-13,2-27,2-28,2-33,2-35,2-38,2-40,2-45,2-47
22746	Spring 2-9,2-19	86079	Washer, Felt 2-10,2-31	119649	Ring, Retaining 2-6,2-9,2-10,2-12,2-17,2-20,2-21,2-22,2-28,2-31,2-32,2-34,2-35,2-41,2-43
31636	Spring, Release Arm 2-20	86283	Spring, Drive Arm 2-17	119650	Ring, Retaining 2-7,2-17,2-18,2-41
33765	Washer, Flat 2-27	86304	Spring 2-27,2-47	119651	Ring, Retaining 2-2,2-9,2-11,2-12,2-18,2-20,2-21,2-27,2-28,2-31,2-37,2-41,2-47,2-49
41382	Spring 2-6,2-13	86506	Post, Spring 2-2	119652	Ring, Retaining 2-2,2-3,2-6,2-7,2-13,2-20,2-31,2-34,2-35
41543	Bearing 2-26	86714	Screw, Shoulder (6-40 Hex) 2-10,2-25	119653	Ring, Retaining 2-9,2-17,2-20,2-41
41732	Plate, Clamp 2-21,2-22,2-24,2-30,2-37,2-44,2-46,2-49	86873	Spring 2-32,2-35	119655	Ring, Retaining 2-32
42823	Washer, Flat 2-2,2-4,2-20	87401	Spring 2-2	119656	Ring, Retaining 2-19,2-32
42827	Screw (3-48 x 1/4 Fil) 2-43	90052	Screw (4-40 x 5/8 Hex) 2-16	121100	Spring 2-12
45024	Spring, Trip Lever 2-25	90361	Washer, Felt 2-7	121125	Washer, Spring 2-21
45104	Spring 2-31,2-34,2-49	90504	Washer, Felt 2-43	121242	Clamp, Cable (1/8" ID) 2-14
45963	Spring 2-20,2-32	90535	Washer, Felt 2-11,2-12	121243	Clamp, Cable (3/16" ID) 2-14,2-29
47024	Washer, Flat 2-10	90560	Washer, Flat 2-27	121245	Clamp, Cable (5/16" ID) 2-14,2-29
49084	Spring 2-2,2-22	90573	Spring, Rocker Arm 2-3	121246	Clamp, Cable (3/8" ID) 2-14,2-29
49420	Spring 2-47	90599	Shim (.008") 2-10	121538	Terminal 2-15
55063	Spring 2-27,2-40	90606	Spring, Lifter 2-2,2-17	121551	Screw (8-32 x 1/4 Hex) 2-25
55669	Spring 2-35	90615	Spring, Printing Latch 2-18	122149	Screw (4-40 x 5/8 Hex) 2-27
		90789	Washer, Flat 2-14	122292	Bushing 2-38
		90790	Washer, Flat 2-28	124177	Washer, Lock 2-3,2-5,2-13,2-14,2-18
		90791	Washer, Lock 2-6		
		90951	Washer, Lock 2-12,2-24,2-38,2-44,2-46,2-49		
		91120	Spring, Feed Pawl 2-6		
		92260	Washer, Lock 2-18		
		93108	Washer, Lock 2-26		
		93117	Washer, Lock 2-45,2-47		
		93118	Washer, Lock 2-21		
		93346	Bushing, Eccentric 2-44		
		93356	Washer, Felt 2-2,2-6		
		94669	Screw, Shoulder (4-40) 2-6		
		95378	Spring 2-18		

NUMERICAL INDEX - SECTION 2 (Continued)

Part Number	Description and Page Number	Part Number	Description and Page Number	Part Number	Description and Page Number
125011	Washer, Flat 2-2,2-5,2-8,2-10,2-11,2-12,2-13,2-17,2-18,2-20,2-21,2-22,2-27,2-31 to 2-36,2-46,2-47,2-48	151442	Screw (6-40 x 1/2 Hex) 2-3,2-4,2-9,2-10,2-14,2-15,2-28,2-30,2-34,2-38	152423	Bracket, Armature Mounting 2-15
125015	Washer, Flat 2-3,2-7,2-8,2-15,2-18,2-38	151603	Spacer, Armature Spring 2-15	152424	Plate, Armature Stop 2-15
125215	Screw (4-40 x 3/16 Hex) 2-28,2-34,2-43	151626	Terminal 2-23,2-24,2-25,2-29,2-30,2-34,2-46	152425	Post, Spring 2-15
125231	Nut (10-32 Hex) 2-3	151629	Nut (6-40 Spl) 2-2,2-7,2-9,2-19,2-25,2-32,2-35	152426	Nut, Self-Locking (6-40) 2-15
125268	Spring 2-19,2-21	151630	Screw (6-40 x 1/4 Hex) 2-2,2-6,2-8,2-9,2-11,2-14,2-17,2-18,2-19,2-21,2-22,2-25,2-26,2-30,2-32,2-38,2-43,2-44,2-49	152427	Lever, Latch 2-13
125802	Washer, Flat 2-19	151631	Screw (6-40 x 5/16 Hex) 2-2,2-3,2-5,2-6,2-8,2-12,2-15,2-16,2-18,2-20,2-21,2-26,2-36,2-46	152429	Rack, Range Finder 2-13
128357	Ring, Retaining 2-7,2-12	151632	Screw (6-40 x 3/8 Hex) 2-3,2-4,2-5,2-14,2-16,2-21,2-22,2-26,2-31,2-32,2-34,2-49	152432	Arm, Stop 2-13
130330	Washer, Felt 2-10	151637	Screw (4-40 x 1/4 Fil) 2-5,2-17,2-32,2-47	152436	Knob, Range Finder 2-13
130696	Washer, Felt 2-11	151640	Lever, Clutch Shoe 2-2	152438	Bail, Stop Arm 2-13
131016	Washer, Felt 2-10	151642	Screw (6-40 x 3/4 Fil) 2-32	152441	Washer, Flat 2-13
135716	Spring 2-2	151657	Screw (6-40 x 1/4 Fil) 2-3,2-13,2-14	152445	Spring, Knob 2-13
135901	Washer, Cup 2-9	151658	Screw (6-40 x 5/16 Fil) 2-2,2-3,2-26,2-32	152457	Wick, Felt 2-14
138034	Plate 2-45	151659	Screw (6-40 x 1/2 Fil) 2-32	152458	Shield, Terminal (Top) 2-15
139697	Screw (4-40 x 9/32 Fil) 2-26	151685	Screw (4-40 x 5/16 Fil) 2-32	152634	Washer, Flat 2-7
139752	Screw (4-40 x 11/64 Fil) 2-2	151686	Screw (4-40 x 3/8 Fil) 2-15	152887	Screw (4-40 x 1/2 Hex) 2-16
144793	Spacer 2-6	151688	Screw (4-40 x 5/8 Fil) 2-15,2-22,2-24,2-31,2-34,2-44,2-46	152891	Spring, Start Lever 2-14
144794	Spring, Torsion 2-6	151689	Screw (4-40 x 3/4 Fil) 2-30,2-46	152893	Screw (4-40 x 1/4 Hex) 2-2,2-3,2-5,2-6,2-7,2-9,2-12,2-14,2-19,2-21,2-22,2-24,2-28,2-31,2-34,2-35,2-44,2-46
144795	Plate, Rear 2-5	151690	Screw (10-32 x 5/16 Fil) 2-4	153184	Post 2-15
144796	Plate, Front 2-6	151692	Screw (6-40 x 3/16 Fil) 2-2	153267	Washer, Felt 2-38,2-40
144797	Shaft, Feed Wheel 2-6	151700	Screw, Shoulder (6-40) 2-11	153342	Bushing, Eccentric 2-44
144998	Post (4-40) 2-6	151701	Spring, Reset Bail 2-14	153489	Detent, Range Finder 2-13
144999	Shoe, Tape 2-6	151714	Spring, Spacking Lock Lever 2-14	153538	Screw (6-40 x 7/16 Hex) 2-14,2-38,2-43
145353	Wheel, Pressure 2-6	151715	Spring, Armature 2-15	153543	Armature, Selector 2-15
145356	Wheel, Feed 2-6	151721	Screw (6-40 x 3/4 Hex) 2-28,2-38	153545	Bracket, Magnet Mounting 2-15
145357	Guide, Tape 2-6	151722	Screw (6-40 x 3/16 Hex) 2-5,2-25,2-28,2-34,2-38,2-41,2-43	153799	Screw (4-40 x 21/64 Hex) 2-19,2-32
145358	Bracket, Tape Guide 2-5	151728	Spring, Shoe Lever 2-2,2-4	153817	Screw (4-40 x 3/8 Hex) 2-27,2-31,2-34,2-47,2-48
150000	Drum, Clutch 2-4	151731	Screw (4-40 x 7/8 Fil) 2-30	153819	Washer, Lock 2-29,2-46
150001	Drum, Clutch 2-2	151733	Screw (4-40 x 9/16 Fil) 2-21,2-37	153839	Screw (6-40 x 5/8 Hex) 2-2,2-7,2-9,2-14,2-19,2-22,2-25,2-32,2-35
150013	Disk, Clutch Adjusting 2-2,2-4	151736	Spring, Main Trip Lever 2-26	153841	Screw (6-40 x 9/16 Hex) 2-17,2-41,2-43,2-44
150026	Lever, Shoe 2-4	151737	Screw (4-40 x 11/64 Hex) 2-2,2-4,2-7,2-20,2-21,2-22,2-26,2-28,2-34,2-41,2-43	154235	Spring 2-12,2-24,2-46
150029	Wick, Felt 2-2,2-4	151848	Lock, Spring 2-20	154242	Screw (6-40 x 5/16 Hex) 2-3
150040	Screw (6-40 x 5/8 Fil) 2-4	151879	Stud 2-49	154245	Spring, Contact 2-24
150043	Shoe, Secondary 2-2,2-4	151880	Nut (4-40 Hex) 2-16,2-20,2-30,2-41,2-43	154246	Bracket, Contact Mounting 2-24
150044	Shoe, Primary 2-2,2-4	151886	Stud 2-49	154247	Contact Assembly 2-24
150048	Spring 2-2,2-14	152129	Spring 2-43	154325	Modification Kit 2-17
150089	Screw (4-40 x 1/2 Fil) 2-15	152400	Plate, Selector Mounting 2-14	154335	Screw (6-40 x 9/32 Fil) 2-26
150241	Spring, Shoe 2-2,2-4	152401	Guide, Push Lever 2-14	154352	Spring 2-36
150327	Roller, Ribbon 2-17,2-41	152402	Guide, Selector Lever 2-14	154396	Cam, Function 2-4
150355	Lever, Clutch Latch 2-2	152403	Bracket, Selector Lever Guide 2-14	154397	Shaft, Main 2-4
150356	Lever, Clutch Trip 2-2	152404	Bracket, Selector Lever Spring 2-14	154398	Bearing, Needle 2-4
150411	Washer, Flat 2-2	152405	Lever, Marking Lock 2-14	154620	Wick, Lubricator 2-14
150507	Spring 2-17,2-20	152406	Bracket, Spring 2-14	154621	Retainer, Wick 2-14
150687	Post, Mounting 2-14	152407	Lever, Spacing Lock 2-14	154622	Lubricator Assembly, Selector 2-14
150923	Washer, Felt 2-7	152409	Lever, Selecting 2-14	154694	Disk, Clutch Cam 2-2,2-4
150990	Washer, Felt 2-8	152410	Bail, Reset 2-14	155096	Plate, Range Finder Mounting 2-13
151073	Screw (4-40 x 5/32 Fil) 2-2,2-7,2-22,2-27,2-40	152411	Lever, Push 2-14	155750	Sleeve, Insulating (3/32 ID x 1/2 LG) 2-21,2-22 to 2-25,2-28,2-30,2-37,2-46
151103	Spring, Latch 2-2,2-14	152412	Link, Magnet Adjusting 2-14	155751	Sleeve, Insulating (1/8 ID x 1 LG) 2-21,2-23,2-29
151152	Screw (4-40 x 3/16 Hex) 2-2,2-10,2-12,2-16,2-18,2-20,2-21,2-22,2-33,2-36,2-40,2-45,2-46	152420	Lamination, Magnet 2-15	155752	Sleeve, Insulating (5/64 ID x 1/2 LG) 2-22,2-24,2-29,2-30,2-37,2-46
151222	Washer, Felt 2-7	152421	Bracket, Shield Mounting 2-15	155753	Sleeve, Insulating (1/8 ID x 1/2 LG) 2-24,2-29,2-45,2-46
151234	Ratchet (27T) 2-49			155995	Screw, Shoulder (6-40) 2-26
151235	Ratchet (28T) 2-49			156008	Wheel, Feed 2-40
151236	Hub 2-49			156009	Post, Slide 2-7
151237	Spring 2-49			156012	Spring, Tape Biasing 2-40
151240	Pawl, Latch 2-49				
151241	Lever, Latching 2-49				
151246	Washer, Flat 2-3				
151336	Oiler 2-14,2-26				
151346	Screw (6-40 x 3/8 Fil) 2-4,2-26				
151362	Wick, Felt 2-3				
151398	Spring, Bellcrank 2-12				
151416	Nut (6-40 Hex) 2-6,2-7				

NUMERICAL INDEX - SECTION 2 (Continued)

Part Number	Description and Page Number	Part Number	Description and Page Number	Part Number	Description and Page Number
156013	Screw, Lock (6-40) 2-7	156236	Collar 2-39	156493	Stud, Axial Guide Roller 2-10
156015	Plate, Spring 2-5	156241	Link, Front Cross 2-9	156501	Screw (6-40 x 7/32 Fil) 2-8,2-9
156016	Link, Front Drag 2-7	156242	Link, Rear Cross 2-9	156515	Washer, Felt 2-41
156017	Shaft, Toggle Bail Eccentric 2-7	156243	Roller, Lifter Arm 2-18	156536	Screw (4-40 x 1/8 Fil) 2-12,2-14
156019	Washer, Felt 2-6	156248	Latch, Punch Slide 2-2	156558	Washer, Felt 2-9,2-21,2-34,2-43
156020	Slide 2-5	156250	Cam, Function 2-39	156572	Washer, Felt 2-22
156024	Plate, Rear 2-5	156252	Lifter, Function Blade 2-18	156576	Washer, Felt 2-3
156028	Plate, Front 2-6	156264	Lever, Detent 2-8,2-11	156577	Roller, Detent Lever 2-6
156036	Guide, Tape 2-6	156265	Bushing, Shoulder 2-11	156632	Screw (6-40 x 13/32 Hex) 2-28
156040	Post 2-6	156266	Bushing, Shoulder 2-8,2-11	156740	Screw (6-40 x 7/32 Hex) 2-5,2-32,2-37
156042	Post, Spacing 2-6	156267	Lever, Main Trip 2-26	156835	Ring, Retaining 2-9
156043	Bushing 2-7	156268	Bracket, Spring 2-12	156867	Frame, Main 2-2
156044	Stud, Die Wheel Eccentric 2-6	156276	Eccentric (R) 2-8	156869	Guide, Ribbon 2-9
156045	Shaft, Feed Wheel 2-6	156277	Eccentric (L) 2-8	156870	Lever, Ribbon Oscillating 2-10
156046	Block, Tape Guide 2-5	156278	Eccentric 2-11	156871	Bail, Operating Blade Mounting 2-3
156047	Spring, Tape Shoe 2-6	156286	Shaft, Eccentric (R) 2-8	156872	Blade, Operating 2-3
156050	Stud, Detent Lever Eccentric 2-6	156287	Shaft, Eccentric (L) 2-8	156874	Screw (4-40 x 15/16 Fil) 2-8,2-11
156051	Bushing, Feed Pawl Eccentric 2-7	156288	Shaft, Eccentric 2-11	156875	Screw (6-40 x 5/32 Fil) 2-11
156052	Shoe, Tape 2-6	156289	Bearing (Left Front) 2-8	156876	Bushing, Pilot Stud 2-3
156054	Lever, Detent 2-6	156291	Bearing (Rear) 2-8	156877	Washer, Felt 2-3
156055	Wheel, Die 2-6	156292	Housing, Upper Axial 2-11	156880	Jumper (2-3/8" Black) 2-15
156057	Washer, Flat 2-12	156293	Housing, Lower Axial 2-11	156881	Jumper (1-1/2" Black) 2-15
156058	Link, Rear Toggle 2-7	156294	Sector, Axial 2-10	156884	Arm, Rocker 2-7
156060	Shaft, Reset Bail Eccentric 2-7	156296	Post 2-12	156900	Roller, Ribbon Feed Drive 2-3
156061	Arm, Tape Shoe 2-6	156300	Shaft, Arm Assembly 2-12	156901	Post, Eccentric 2-17
156062	Pivot, Shoe 2-6	156306	Rod, Connecting (R) 2-9	156905	Block, Rack Guide 2-9
156067	Guide, Slide Post 2-7	156311	Rod, Connecting (L) 2-9	156908	Post, Sector Pivot 2-10
156069	Plate, Punch Slide Downstop 2-5	156313	Rack, Axial Output 2-11	156909	Post, Toggle Link 2-10
156070	Bail, Toggle 2-7	156316	Plate, Function Box Rear 2-12	156921	Guide, Adjusting Lever 2-3
156077	Plate 2-7	156318	Lever, Reset 2-2	156922	Arm, Lock Release 2-12
156078	Contact Assembly 2-22	156321	Shaft, Oscillating Adjusting 2-10	156924	Plate, Drive Link 2-11
156089	Slide w/Insulator, Punch 2-5	156322	Link, Axial Toggle 2-10	156925	Roller, Drive Link 2-11
156090	Screw, Adjusting 2-6	156332	Shaft, Typewheel 2-9	156929	Bracket, Switch Lever 2-21
156093	Washer, Felt 2-7	156366	Shaft, Rocker Bail 2-3	156931	Bracket, Hammer Mounting 2-9
156094	Link, Front Toggle 2-7	156369	Lever, Adjusting 2-10	156933	Ratchet, Metering 2-20
156095	Bushing 2-7	156378	Plate, Axial Correcting 2-11	156937	Link, Printing Drive 2-18
156099	Link, Rear Drag 2-7	156382	Roller, Axial Rack Guide 2-10	156938	Screw, Eccentric (6-40) 2-18
156103	Strip, Felt 2-7	156387	Lever, Trip 2-2	156941	Cam, Selector 2-2
156104	Shaft, Retractor Bail 2-40	156388	Lever, Adjusting 2-2	156948	Wick, Felt 2-10
156106	Bail, Retractor 2-40	156389	Gear, Typewheel Shaft (16T) 2-9	156976	Connector, Plug (32 Pt) 2-23
156125	Shaft 2-19	156390	Washer, Flat 2-9	156987	Screw (6-40 Spl) 2-3
156128	Bushing, Clamp Arm 2-19	156396	Eccentric 2-18	156988	Race, Outer 2-3
156130	Lever 2-19	156399	Nut, Shoulder (6-40 Hex) 2-3	156989	Roller, Bearing 2-3
156132	Bearing, Eccentric 2-19,2-32	156403	Disk, Bearing 2-3	156990	Race, Inner 2-3
156136	Bracket, Shaft Mounting 2-19,2-25,2-32	156408	Arm, Correcting Clamp 2-9	156991	Pawl, Feed-Out 2-19
156137	Washer, Flat 2-19,2-32	156413	Link, Correcting Drive 2-18	156994	Strip, Felt 2-3
156139	Frame, Feed-Out Mounting 2-20	156414	Plate, Ribbon Feed Mounting 2-17	156998	Retainer, Roller 2-3
156143	Shaft 2-20	156419	Shaft, Ribbon Ratchet (L) 2-17	157194	Retainer, Spring 2-15
156146	Spacer 2-20	156421	Shaft, Ribbon Ratchet (R) 2-17	157237	Shield, Magnet Terminal 2-15
156147	Arm, Feed-Out Drive 2-19	156425	Washer, Ribbon Spring 2-17	157252	Bushing 2-41
156152	Shaft, Feed-Out Drive 2-19,2-25	156427	Disk, Ribbon Friction 2-17	157261	Shaft, Stop Arm 2-13
156153	Collar, Eccentric 2-19	156428	Washer, Felt 2-17	157292	Switch, Tape Out Sensitive 2-21
156154	Collar 2-19	156433	Pawl, Ribbon Feed 2-17	158171	Shaft w/Bearing, Jack 2-26
156155	Pawl, Metering Feed 2-19	156436	Arm, Ribbon Reversing-Front 2-17	158172	Lever, Latch 2-26
156156	Pawl, Metering Check 2-19	156437	Arm, Ribbon Reversing-Rear 2-17	158701	Gear (35T) 2-4
156158	Post, Spring 2-20	156440	Lever, Ribbon Reversing 2-17	158745	Clamp, Bearing 2-3
156159	Bracket, Contact Mounting 2-22	156442	Pawl, Ribbon Retaining 2-17	158753	Armature 2-21
156162	Washer, Flat 2-7	156462	Bail, Oscillating 2-10	158754	Core, Magnet 2-21
156165	Washer, Felt 2-2,2-7	156465	Washer, Spring 2-3	158757	Hinge, Armature Mounting 2-21
156167	Cable Assembly 2-23	156466	Rack, Typewheel 2-9	158758	Shaft, Armature Bail 2-21
156168	Spring, Depressor Slide 2-5	156467	Ring, Retaining 2-3	158760	Post Spring 2-21,2-43
156169	Washer, Felt 2-7	156472	Post, Spring 2-14	158763	Bracket, Feed-Out Magnet Mounting 2-21
156172	Rod, Retractor Bail 2-40	156473	Shaft, Main 2-39	158772	Screw (4-40 x 5/8 Hex) 2-16
156173	Stud, Guide Mounting 2-5	156476	Hammer, Print 2-9	158807	Screw (3-48 x 11/64 Fil) 2-29,2-46
156177	Bracket, Code Reading Contact 2-22	156478	Accelerator, Hammer 2-9	158816	Spring, Contact 2-21,2-30,2-37,2-46,2-49
156183	Bracket, Perforator Mounting 2-6	156484	Bracket, Printing Latch Mounting 2-18	158817	Stiffener 2-49
156184	Bracket, Perforator Mounting 2-6	156488	Post, Spring 2-18	158881	Nut (6-40 Hex) 2-26
156221	Lock, Transfer Retainer 2-16	156489	Bushing, Ribbon Guide 2-9	158925	Slide, Tape Depressor 2-5
156230	Stud, Lifter Pivot 2-18	156490	Post, Guide 2-2		
156235	Post, Latch Guide 2-2	156492	Bracket, Guide 2-8		

NUMERICAL INDEX - SECTION 2 (Continued)

Part Number	Description and Page Number	Part Number	Description and Page Number	Part Number	Description and Page Number
158940	Wick Assembly 2-26	159529	Bar, No. 3 Push 2-8	159916	Eccentric 2-27
158946	Cable Assembly 2-22	159530	Bar, No. 4 Push 2-8	159954	Link, Adjusting 2-28
159011	Bracket, Spring 2-2	159531	Bar, Letter Push 2-8	159955	Link, Drive 2-28
159181	Lubricator 2-26	159532	Bar, Figures Push 2-8	159956	Post 2-28,2-37
159184	Wick, Oil 2-26	159533	Bar, No. 1 Push 2-11	159957	Link 2-28
159185	Retainer, Wick 2-26	159535	Plate, Front 2-8	159958	Latch 2-28
159233	Stud 2-5	159536	Gear, Idler (15T) 2-9	159959	Extension, Latch 2-28
159341	Bearing, Ball 2-3	159539	Arm, Printing Pivot 2-18	159960	Eccentric 2-28
159351	Modification Kit 2-19,2-20,2-21	159544	Release, Clutch 2-2	159961	Arm, Eccentric 2-28
159360	Modification Kit 2-24	159560	Spring, Punch Slide 2-5	159962	Ring, Retaining 2-28
159363	Modification Kit 2-27	159563	Bar, Letters Push 2-8	159965	Arm, Adjusting 2-28
159365	Modification Kit 2-5	159565	Bracket 2-22,2-31,2-34,2-46	159973	Bracket 2-28
159379	Modification Kit 2-22	159568	Bracket, Timing Contact 2-22,2-46	159974	Eccentric 2-28
159381	Modification Kit 2-22	159570	Spring, Contact 2-22,2-44,2-46	159975	Bail, Armature 2-28
159382	Modification Kit 2-22	159571	Stiffener, Contact Spring 2-22,2-44,	159976	Armature 2-28,2-34,2-43
159400	Shaft, Eccentric 2-20	159575	Bracket, Stop 2-22	159977	Hinge 2-28,2-34,2-43
159403	Lever 2-20		2-46	159978	Shaft 2-28,2-34,2-43
159404	Post, Mounting 2-11	159578	Bail, Contact Actuating (Front)	159979	Arm, Non-Repeat 2-28
159406	Bracket, Spring 2-19	159579	Bail, Contact Actuating (Rear) 2-22	159980	Post, Spring 2-28
159411	Bearing Assembly 2-3	159580	Shaft, Actuating Bail 2-22	159981	Spacer, Tape Guide 2-5
159413	Plate, Ribbon Reversing 2-17	159597	Washer, Flat 2-10	159987	Bracket, Guide 2-27
159422	Cable Assembly, Feed-Out 2-21	159601	Bracket, Spring 2-22	159994	Plate, Lifter Arm Lock 2-18
159427	Bracket, Stop 2-2	159602	Spring 2-20	159995	Arm, Lifter 2-18
159430	Lever, Slide Trip 2-2	159606	Pawl, Metering Check (Inner Ratchet) 2-20	159997	Screw, Eccentric (6-40) 2-18
159431	Lever, Main Trip 2-2			160185	Post (4-40) 2-22
159434	Plate, Lifter Mounting 2-18	159608	Plate, Check Pawl Mounting 2-20	160354	Cam w/Pin, Function 2-26
159437	Arm, Yield (Figures) 2-12	159613	Arm, Clamp 2-19	160404	Spring, Contact 2-21,2-24,2-30,2-37
159438	Arm, Yield (Letters) 2-12	159614	Arm, Kick-Out 2-20		
159441	Guide, Bellcrank 2-2	159615	Arm 2-20	160480	Pusher, Tape 2-7
159447	Bellcrank (No. 1 & 4) 2-12	159616	Lever, Intermediate 2-20	160583	Spring, Contact 2-21,2-30,2-37,2-46,2-49
159448	Bellcrank (No. 2) 2-12	159617	Roller 2-20		
159450	Bellcrank (No. 3 & 5) 2-12	159621	Screw, Shoulder (6-40) 2-5	160593	Terminal 2-49
159459	Spring, No. 5 Pulse Beam 2-16	159622	Clamp, Adjusting 2-5	160626	Insulator 2-45
159460	Link, Toggle 2-12	159623	Post, Spring 2-20	160627	Bushing, Insulating 2-45
159467	Holder, Wick 2-14	159625	Bracket, Bail Guide 2-3	160628	Spring, Contact 2-45
159468	Arm, Lock 2-12	159626	Extension, Correcting Drive Link 2-18	160666	Guard, Backspace 2-24
159470	Shaft, Lock Arm 2-12			160672	Stud, Mounting 2-24
159471	Bellcrank (Letters-Figures) 2-12	159629	Plate, Nut 2-21	160673	Shaft, Feed Wheel 2-24
159472	Plate, Main 2-2	159630	Shaft, Latch 2-20	160674	Nut, Shoulder (6-40) 2-24,2-27
159476	Arm Assembly (Figures) 2-12	159631	Latch, Release Arm 2-20	160692	Bail 2-21
159477	Arm Assembly (Letters) 2-12	159636	Plate, Adjusting 2-20	160694	Latch Assembly, Feed Out 2-20
159480	Bushing 2-9	159637	Lever, Switch 2-21	160839	Bushing, Shoulder 2-3
159481	Arm, Extension (Figures) 2-12	159641	Cable Assembly, Bell Contact 2-24	160840	Post, Spring 2-20
159482	Arm, Extension (Letters) 2-12	159642	Shim (.008") 2-8	160842	Washer, Spring 2-19,2-32
159483	Bracket, Spring 2-12	159643	Shim (.008") 2-11	160843	Spring 2-41
159487	Plate, Function Box Front 2-12	159653	Blade, Function (Signal Bell) 2-24	160846	Bushing 2-10
159488	Bracket, Transfer Mounting 2-16	159654	Latch, Printing 2-18	160881	Modification Kit 2-24
159489	Plate 2-16	159655	Cable Assembly 2-23	160943	Housing, Typewheel Shaft 2-9
159490	Plate 2-16	159656	Block Assembly, Punch 2-40	160944	Washer, Felt 2-22
159491	Plate 2-16	159658	Screw (6-40 x 1-3/32 Hex) 2-9	160948	Screw (2-56 Spl) 2-6
159492	Plate 2-16	159659	Shaft, Idler Gear Eccentric 2-9	160997	Roller, Cam Follower 2-22
159494	Plate 2-16	159861	Frame, Main 2-26	160998	Arm, Com Follower 2-22
159495	Beam, No. 5 Pulse 2-16	159865	Drum w/Bearing, Clutch 2-26	161100	Spring, Contact 2-22,2-44,2-46
159496	Beam, No. 3 Pulse 2-16	159880	Slide, Keyboard Selector 2-26	161102	Spring, Contact 2-22,2-46
159497	Beam, No. 2 Pulse 2-16	159885	Gear (28T) 2-26	161107	Stud 2-6
159498	Lever, No. 5 Pulse Beam 2-16	159886	Gear (49T) 2-26	161108	Stud 2-5
159499	Lever, Transfer (No. 3, 4 & 5) 2-16	159888	Pinion (28T) 2-26	161109	Post 2-7
159500	Beam, No. 4 Pulse 2-16	159889	Gear (49T) 2-26	161139	Nut (6-40 Hex) 2-6
159501	Beam, No. 1 Pulse 2-16	159891	Pinion (21T) 2-26	161237	Cable Assembly 2-29
159502	Guide, Transfer Lever 2-16	159892	Gear (48T) 2-26	161238	Connector, Receptacle (36 Pt) 2-29,2-46
159503	Shaft 2-12	159894	Pinion (14T) 2-26		
159504	Spacer 2-16	159895	Gear (40T) 2-26	161239	Connector, Plug (36 Pt) 2-29
159508	Lever, Transfer (No. 1 & 2) 2-16	159896	Collar, Cam 2-26	161240	Bracket, Connector 2-29
159512	Link, Printing Trip 2-18	159900	Plate 2-27	161304	Modification Kit 2-28
159515	Blade, Function (Figures) 2-12	159901	Plate 2-27	161305	Cable Assembly 2-29
159516	Blade, Function (Letters) 2-12	159902	Shaft, Rake 2-27	161318	Bracket, Mounting 2-30
159519	Bushing, Drive Bail 2-10	159903	Bellcrank 2-27	161319	Lever 2-30
159522	Bushing, Drive Bail 2-10	159909	Pawl, Feed 2-27	161320	Contact Assembly 2-30
159523	Bail, Oscillating Drive 2-10	159910	Latch, Return 2-27	161321	Contact Assembly, Letters-Figures 2-30
159525	Bracket, Axial Mounting 2-10	159911	Plate 2-27		
159526	Link, Drive 2-11	159912	Gear, Segment 2-27	161323	Housing, Gear 2-9
159528	Bar, No. 5 Push 2-8	159913	Screw, Eccentric (6-40) 2-27,2-47	161324	Washer, Flat 2-9

NUMERICAL INDEX - SECTION 2 (Continued)

Part Number	Description and Page Number	Part Number	Description and Page Number	Part Number	Description and Page Number
161334	Lever, Stop 2-25	162760	Latch 2-31,2-34	163682	Typewheel 2-51
161335	Solenoid 2-25	162761	Post 2-31	163683	Typewheel 2-51
161336	Bracket, Solenoid Mounting 2-25	162762	Storage Assembly, Slide 2-33	163685	Typewheel 2-51
161337	Post, Spring 2-25	162763	Bail, Reset 2-7	163687	Typewheel 2-51
161338	Lever, Trip 2-25	162764	Lever, Slide Trip 2-33	163688	Typewheel 2-51
161339	Lever, Hand 2-25	162765	Bracket 2-33	163690	Typewheel 2-51
161340	Modification Kit 2-25	162766	Plate 2-33	163945	Modification Kit 2-22
161341	Modification Kit 2-25	162768	Latch 2-33	163946	Cable Assembly 2-22,2-50
161342	Lever, Start 2-14	162770	Plate 2-33	163961	Cable Assembly 2-50
161347	Washer, Felt 2-12,2-49	162772	Link 2-33	164402	Blade, Function (Uncoded) 2-42
161355	Cable Assembly 2-30	162773	Plate, Main 2-31,2-34	164506	Modification Kit 2-46
161431	Lever, Rotary Correcting 2-9	162774	Post, Spring 2-31,2-34	164507	Contact Assembly 2-46
161443	Detent, Axial Shaft 2-11	162775	Shaft 2-31,2-34	164508	Spring, Contact 2-44
161444	Detent, Rotary Shaft 2-8	162776	Plate 2-31	164509	Bracket, Contact 2-46
161493	Post, Supporting 2-24	162778	Lever 2-31,2-34	164510	Bracket, Connector 2-46
161524	Shaft, Hammer 2-9	162780	Shaft 2-31,2-34	164511	Lever 2-6
161828	Modification Kit 2-36	162781	Lever 2-31,2-34	164513	Pawl, Feed 2-7
161928	Post, Supporting 2-36	162784	Screw, Eccentric (4-40) 2-31,2-34	164514	Guide, Tape 2-5
161930	Lever 2-36	162785	Bushing, Eccentric 2-31,2-34	164515	Spring 2-6
162064	Cable Assembly, Selector 2-29	162786	Arm, Blocking 2-31,2-34	164521	Plate 2-41
162065	Cable Assembly 2-29	162788	Post 2-31,2-34	164525	Post, Spring 2-41
162066	Cable Assembly, Feed-Out 2-21	162790	Lever 2-31	164526	Slide 2-41
162067	Cable Assembly 2-30	162791	Shaft 2-31,2-34	164529	Lever 2-41
162095	Contact Assembly 2-21	162792	Arm, Detent 2-31,2-34	164530	Bushing 2-41
162096	Bracket 2-21	162793	Ratchet 2-31,2-34	164531	Pawl, Check 2-41
162097	Modification Kit 2-21	162794	Hub, Back Stop 2-31,2-34	164532	Pawl, Feed 2-41
162098	Post, Spring 2-21	162795	Ratchet 2-31,2-34	164535	Shaft, Ribbon Ratchet (R) 2-41
162207	Cable Assembly 2-28	162796	Cam 2-31	164538	Shaft, Ribbon Ratchet (L) 2-41
162211	Cable Assembly, Bell Contact 2-24	162797	Plate, Adjusting 2-31,2-34	164539	Spring, Ratchet 2-41
162242	Modification Kit 2-24	162798	Roller 2-31,2-34	164540	Detent 2-41
162245	Modification Kit 2-28	162799	Post, Spring 2-31,2-34	164541	Arm 2-41
162247	Contact Assembly, Letters-Figures 2-30	162800	Block, Stop 2-31,2-34	164543	Lever, Adjusting 2-41
162248	Hub 2-4	162802	Pawl, Detent 2-31,2-34	164740	Rack, Range Finder 2-38
162271	Modification Kit 2-22	162803	Post, Drive Link 2-31	164743	Shaft 2-38
162272	Modification Kit 2-22	162804	Link, Drive 2-31	164828	Bushing 2-41
162273	Modification Kit 2-22	162834	Solenoid 2-25	164883	Lever, Cam Follower 2-35
162274	Modification Kit 2-22	162850	Handle 2-17,2-41	164884	Lever 2-35
162303	Cable Assembly 2-22,2-50	162862	Bar, Mounting 2-2	164886	Link 2-35
162304	Cable Assembly 2-22,2-50	162863	Sleeve, Blocking 2-36	164887	Post (4-40) 2-35
162305	Cable Assembly 2-22	163015	Pinion (28T) 2-26	164888	Lever 2-35
162306	Cable Assembly 2-22	163016	Gear (49T) 2-26	164948	Modification Kit 2-45
162340	Sleeve 2-39	163018	Gear (49T) 2-26	164949	Bracket, Tape Guide 2-45
162341	Bearing 2-39	163019	Pinion (21T) 2-26	164950	Knife, Tape 2-45
162346	Extension, Adjustable 2-17	163020	Gear (48T) 2-26	164963	Modification Kit 2-5
162347	Arm, Ribbon Drive 2-17	163021	Pinion (28T) 2-26	164964	Washer, Felt 2-41
162350	Bail, Rocker 2-3	163022	Gear (80T) 2-26	164965	Washer, Flat 2-41
162362	Blade, Function (Unshift-On Space) 2-36	163023	Gear Set 2-26	165027	Network, Spark Suppression 2-15
162363	Stripper 2-36	163024	Gear Set 2-26	170219	Stud, Die Wheel 2-6
162375	Modification Kit 2-36	163025	Gear Set 2-26	170239	Bracket, Spring 2-7
162379	Modification Kit 2-31,2-32,2-33	163113	Spacer 2-9	170241	Screw, Adjusting 2-6
162380	Modification Kit 2-32 to 2-35	163114	Post, Spring 2-31,2-34	170242	Slide, Feed Pin 2-5
162432	Modification Kit 2-25	163255	Nut, Shoulder (6-40) 2-31,2-34	170243	Slide, Code Pin 2-5
162434	Modification Kit 2-19,2-20,2-21	163303	Bracket, Spring 2-18	170246	Slide, Code Pin 2-5
162741	Cam 2-32	163326	Lever 2-32	170247	Guide 2-5
162742	Pawl, Detent 2-32	163327	Ring, Retaining 2-19,2-25,2-32	170778	Punch Assembly 2-40
162743	Pawl, Feed 2-32	163347	Modification Kit 2-31,2-32,2-33	170779	Wheel, Feed 2-40
162744	Shaft 2-32	163351	Cam 2-31	170788	Wheel, Die 2-6
162745	Lever, Cam Follower 2-32	163429	Screw, Shoulder (6-40) 2-18	170803	Bail, Retractor 2-40
162747	Roller 2-32	163455	Pinion (20T) 2-26	170879	Slide, Feed Pin 2-5
162748	Lever 2-32	163456	Gear (52T) 2-26	170907	Plate, Adjusting 2-34
162750	Lever 2-32	163457	Gear Set 2-26	172626	Shaft 2-45
162752	Collar 2-32	163476	Gear (42T) 2-4	172627	Bail, Sensing 2-45
162753	Spacer 2-32	163500	Gear (52T) 2-26	172631	Gear (42T) 2-4
162754	Plate 2-32	163501	Pinion (30T) 2-26	172632	Screw (4-40 x 3/16 Hex) 2-38
162755	Bracket, Spring 2-32	163502	Gear Set 2-26	172638	Screw (6-40 x 9/32 Hex) 2-5
162756	Bushing 2-32	163675	Typewheel 2-51	172639	Spring, Torsion 2-35
162757	Shaft 2-32	163676	Typewheel 2-51	172640	Modification Kit 2-27
162758	Lever, Cam Follower 2-32	163677	Typewheel 2-51	172759	Cable Assembly (Tape Absence) 2-45
		163679	Typewheel 2-51		
		163681	Typewheel 2-51	172983	Bracket, Spring 2-7

NUMERICAL INDEX - SECTION 2 (Continued)

Part Number	Description and Page Number	Part Number	Description and Page Number	Part Number	Description and Page Number
172984	Bracket, Spring 2-40	174475	Modification Kit 2-48	176640	Guard, Tape 2-14
173128	Bracket, Mounting 2-49	174476	Stop, Print Hammer 2-48	176641	Arm, Adjustable 2-17
173129	Stud (4-40) 2-49	174649	Cable Assembly 2-22	176647	Latch 2-28
173130	Pawl, Contact 2-49	174650	Modification Kit 2-22	177000	Retainer 2-48
173131	Bellcrank 2-49	176138	Modification Kit 2-9	177001	Spacer 2-48
173134	Cable Assembly 2-49	176252	Washer, Flat 2-3	177002	Plate 2-48
173135	Bracket Assembly 2-45	176286	Lever, Adjusting 2-32	177003	Nut, Shoulder (6-40) 2-43
173136	Spring, Contact 2-45	175521	Typewheel 2-51	178178	Lever, Adjusting 2-41
173137	Guard, Contact 2-45	175519	Typewheel 2-51	178826	Arm 2-43
173139	Bracket 2-25	175523	Typewheel 2-51	178827	Spring, Torsion 2-44
173150	Bracket, Support 2-49	175546	Typewheel 2-51	178829	Arm, Blocking 2-44
173200	Sleeve, Bearing 2-26,2-39	175547	Typewheel 2-51	178916	Bellcrank 2-47
173336	Modification Kit 2-4,2-39	175554	Typewheel 2-51	178917	Modification Kit 2-47
173340	Collar 2-4	175556	Typewheel 2-51	178918	Modification Kit to Equip Backspace Mechanism with Guard 2-47
173443	Modification Kit 2-32 to 2-35	175559	Typewheel 2-51	178919	Pawl, Backspace 2-47
173601	Cam 2-32	175565	Typewheel 2-51	178920	Post, Eccentric 2-47
173602	Plate 2-35	175568	Typewheel 2-51	178921	Plate 2-47
173604	Post, Spring 2-35	175580	Typewheel 2-51	178922	Nut, Shoulder (6-40) 2-47
173606	Bail 2-35	175582	Typewheel 2-51	178923	Bellcrank Assembly 2-47
173607	Lever 2-35	175583	Typewheel 2-51	178924	Shaft 2-47
173608	Spring, Torsion 2-35	175584	Typewheel 2-51	178925	Ratchet 2-47
173609	Roller 2-35	175604	Typewheel 2-51	178926	Screw, Special (2-56) 2-47
173614	Link 2-35	175608	Typewheel 2-51	178927	Clamp, Adjusting 2-47
173616	Lever 2-35	175612	Typewheel 2-51	178930	Guard 2-47
173618	Bail 2-35	175632	Typewheel 2-51	178931	Post (4-40) 2-47
173619	Bracket, Magnet 2-34	175701	Typewheel 2-51	178932	Post, Supporting 2-47
173620	Bail, Armature 2-34	175707	Typewheel 2-51	179133	Modification Kit 2-43,2-44
173621	Cable Assembly 2-34	175710	Typewheel 2-51	179251	Guard, Tape 2-45
173691	Cam 2-34	175711	Typewheel 2-51	179274	Wheel, Feed 2-6,2-40
173754	Spacer 2-9	175713	Typewheel 2-51	179275	Modification Kit 2-48
173755	Guide, Ribbon 2-9	176255	Cable Assembly 2-46	179460	Blade, Function (Ltrs) 2-46
173756	Lever, Print Hammer 2-9	176256	Bracket, Mounting 2-46	179461	Blade, Function (Figs) 2-46
173759	Typewheel 2-51	176257	Lever 2-46	179462	Blade, Function (Uncoded) 2-42, 2-46
173769	Typewheel 2-51	176258	Modification Kit: UC "S" & "N") 2-46	179573	Nut (6-40 Hex) 2-7
173770	Punch Assembly 2-40	176259	Cable Assembly 2-46	179620	Plate, Stop 2-43
173775	Shaft, Typewheel 2-9	176266	Spring, Torsion 2-2	179628	Cable Assembly 2-29
173850	Cable Assembly, Selector 2-46	176420	Modification Kit 2-38	179669	Screw, Stop (4-40) 2-43
173961	Modification Kit 2-43	176421	Modification Kit 2-38	179761	Blade, Function (UC H) 2-46
173965	Typewheel 2-51	176445	Handle 2-17,2-43,2-44	179762	Blade, Function (Blank) 2-46
173966	Typewheel 2-51	176450	Bracket 2-43	179932	Blade, Function (UC S) 2-46
173967	Typewheel 2-51	176451	Bail 2-43	179933	Blade, Function (UC J) 2-46
173968	Typewheel 2-51	176452	Rod 2-43	179934	Blade, Function (N) 2-46
173969	Typewheel 2-51	176453	Screw, Shoulder (3-48) 2-43	179935	Blade, Function (CR) 2-46
173970	Typewheel 2-51	176454	Post, Spring 2-43	179943	Cable Assembly 2-50
173971	Typewheel 2-51	176455	Plate 2-43	179967	Stop 2-44
173977	Shaft, Hammer 2-9	176457	Lever, Blocking 2-43	192661	Post (6-40) 2-3
173978	Spring 2-9	176459	Stud, Eccentric (4-40) 2-43	192686	Modification Kit: (UC "H" & "BL") 2-46
173979	Head, Hammer 2-9	176460	Arm 2-43	192709	Link 2-3
173980	Lever, Print Hammer 2-9	176462	Extension, Feed Pawl 2-43	192778	Blade, Function (T) 2-36
173981	Accelerator, Hammer 2-9	176463	Latch 2-43	192779	Modification Kit: (Unshift-on-T) 2-36
173992	Gear Set 2-26	176464	Post (6-40) 2-43	192793	Guard 2-22
173993	Pinion (14T) 2-26	176465	Spring, Torsion 2-43	192849	Bar, No. 2 Push 2-11
173994	Gear (40T) 2-26	176466	Blade w/Insulator, Function (Blank) 2-44	193639	Lever w/Shaft 2-32
174150	Block Assembly, Punch 2-40	176467	Bracket 2-44	193668	Blade, Function (Unshift-on-Blank) 2-36
174151	Guide, Tape (7/8" Tape) 2-5	176468	Spring, Torsion 2-44	193669	Modification Kit (Unshift-on-Blank) 2-36
174152	Guide, Tape 2-6	176489	Guide 2-2	195182	Gear (20T) 2-26
174155	Guide, Tape 2-6	176490	Bracket 2-2	195183	Gear (52T) 2-26
174357	Block Assembly, Punch 2-40	176491	Bracket Assembly, Trip 2-2	195184	Gear Set 2-26
174441	Lever 2-38	176620	Cable Assembly 2-37	195251	Armature, Selector 2-15
174442	Contact Assembly 2-38	176621	Modification Kit 2-37	195401	Cable Assembly 2-29
174444	Spring, Contact 2-38	176622	Bail 2-37	195634	Modification Kit 2-15
174445	Bracket, Contact Mounting 2-38	176623	Bracket, Mounting 2-37	197684	Guard 2-44
174446	Spring, Contact 2-38	176624	Contact Assembly 2-37	197995	Washer, Flat 2-44
174447	Post (6-40) 2-38	176627	Modification Kit: (UC "J" & "CR") 2-46		
174448	Guard 2-38	176628	Modification Kit 2-32 to 2-35,2-37		
174449	Bracket 2-38	176639	Arm, Ribbon Drive 2-17		
174450	Cam 2-38				
174451	Cam 2-38				
174452	Spacer 2-38				

)

)

)

)

)

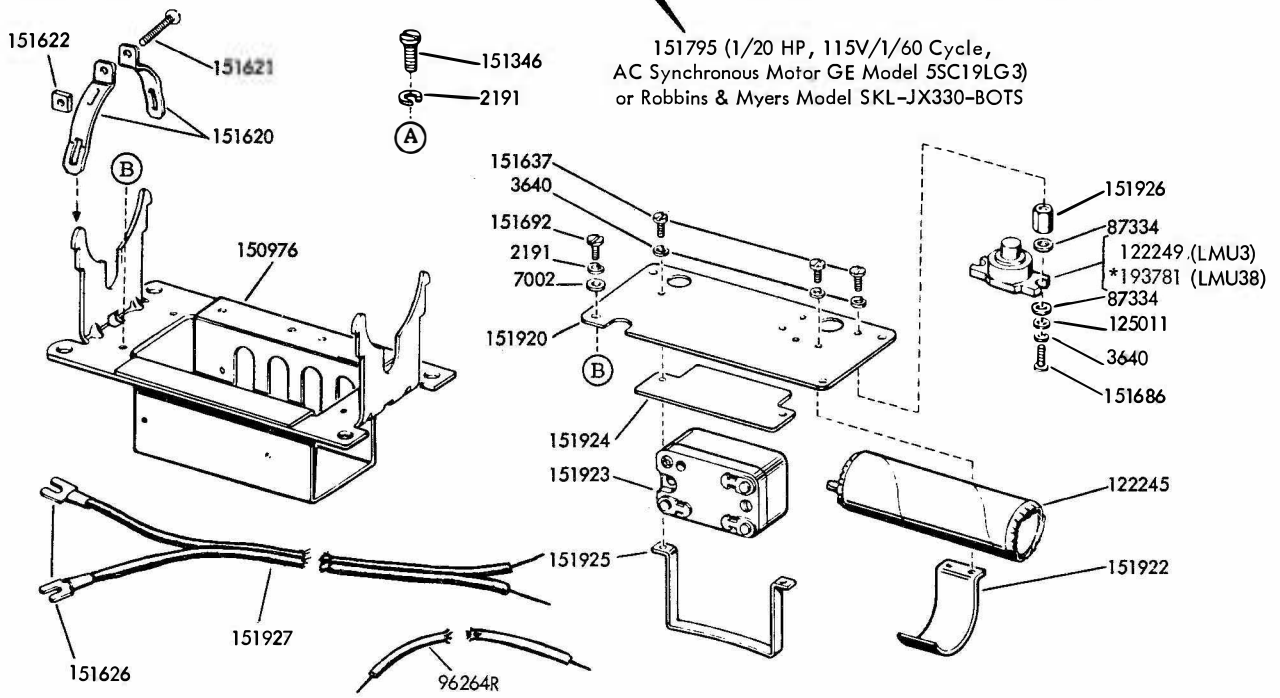
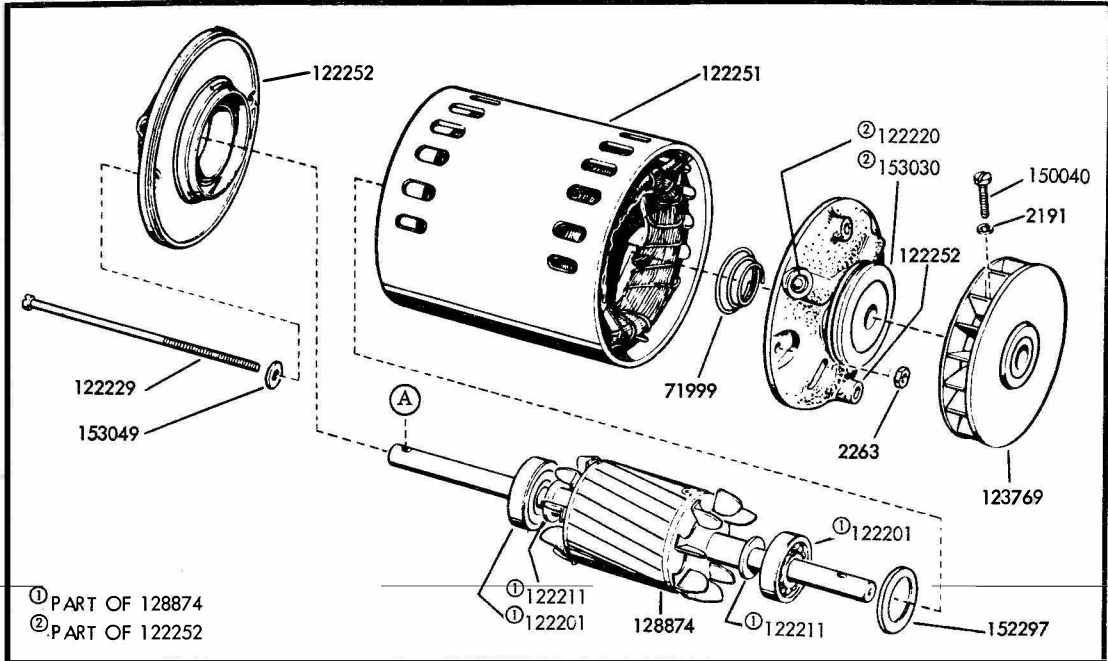
)

)

)

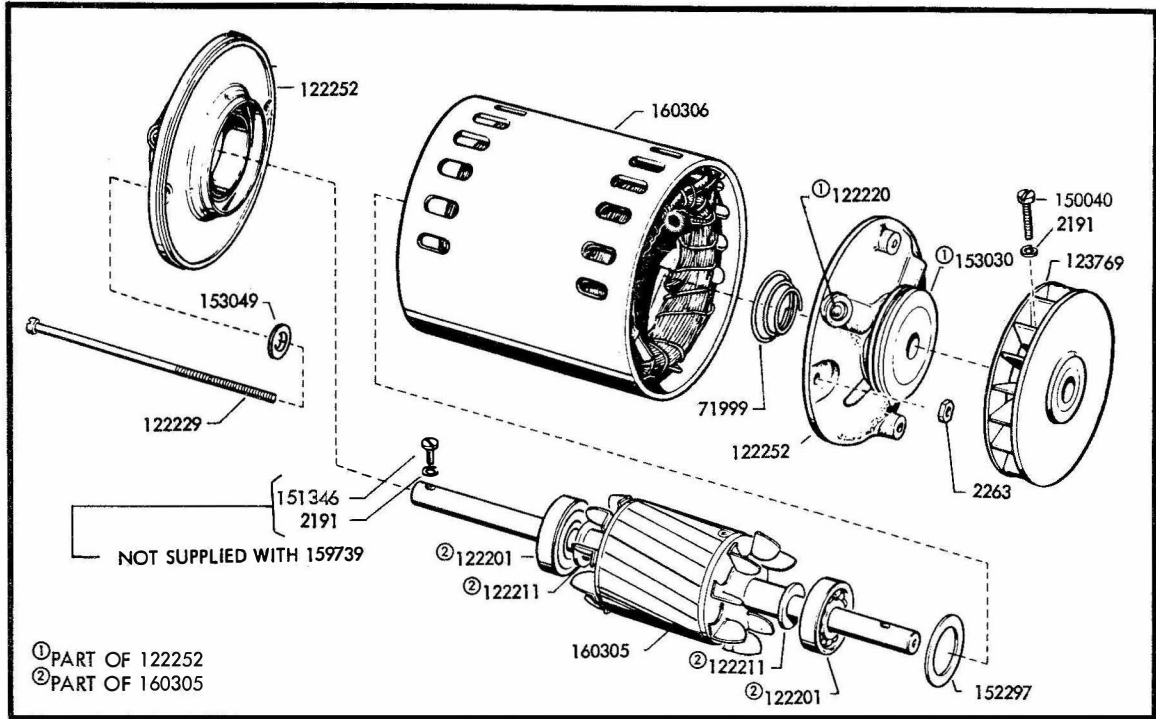
SECTION 3

MOTOR UNIT (LMU)



*50 Cycle

FIGURE 3-1. SYNCHRONOUS MOTOR UNITS (LMU3, 38)



159739 (1/12 HP, 115V/1/60 Cycle, AC Synchronous Motor GE Model 55C19LG10)

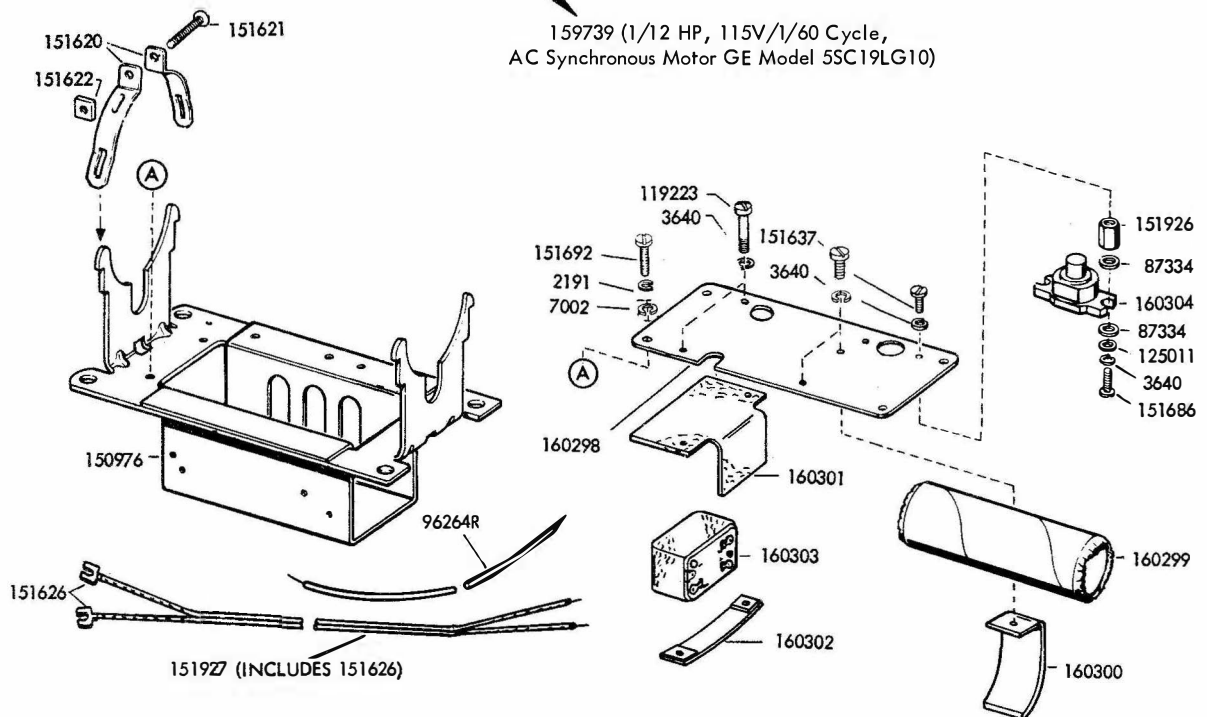


FIGURE 3-2. HEAVY DUTY SYNCHRONOUS MOTOR UNIT (LMU12)

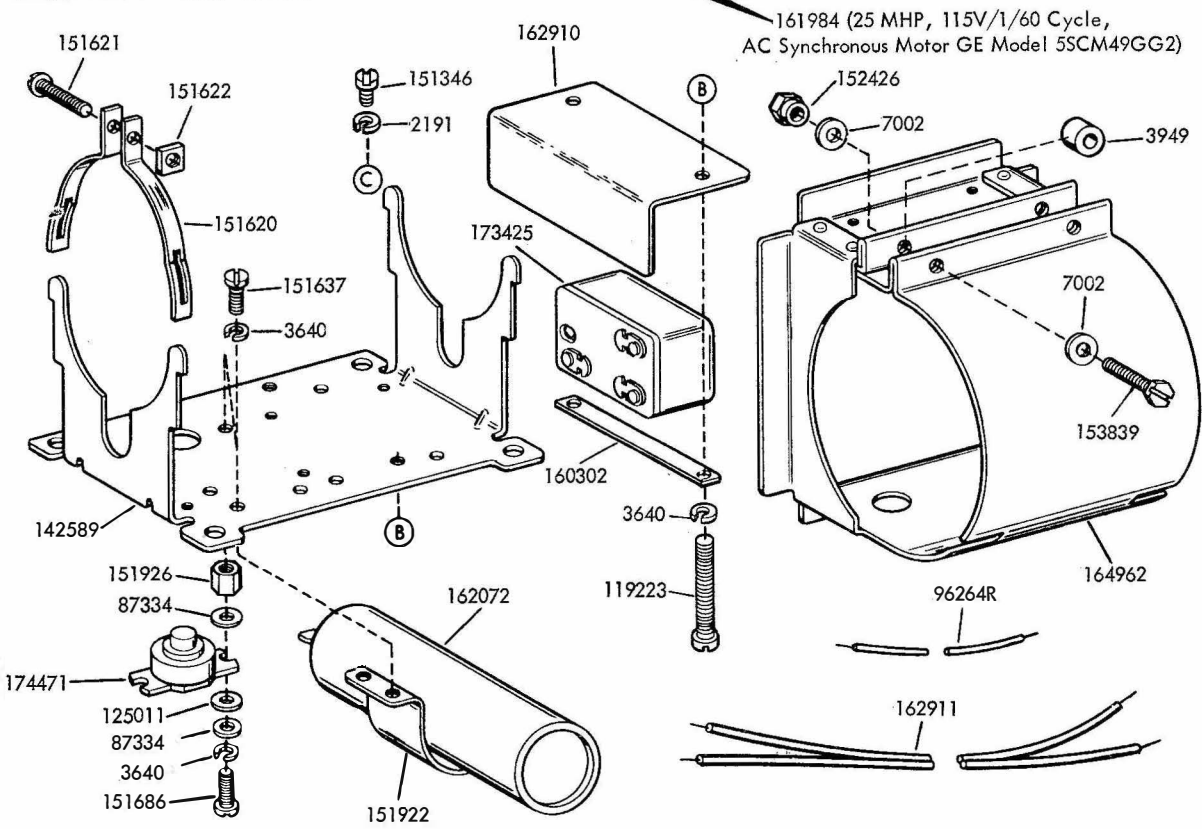
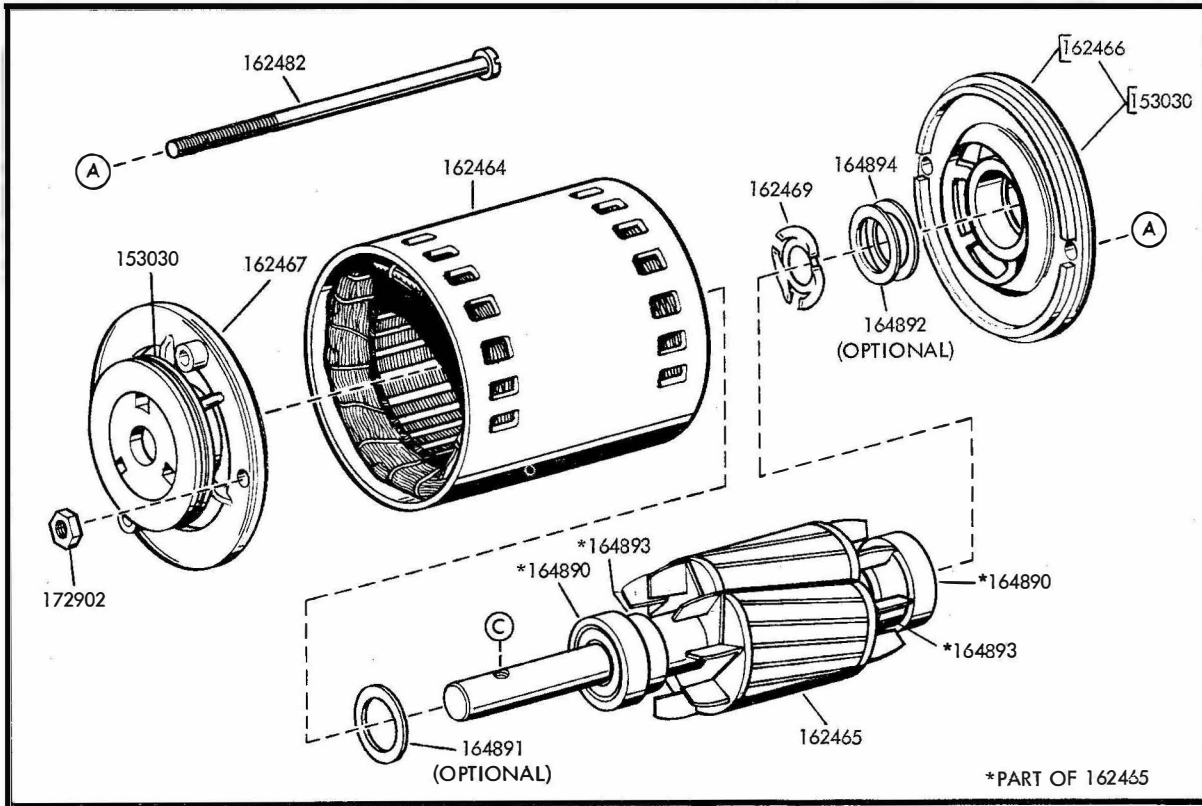


FIGURE 3-3. MINIATURE SYNCHRONOUS MOTOR UNIT (LMU20)

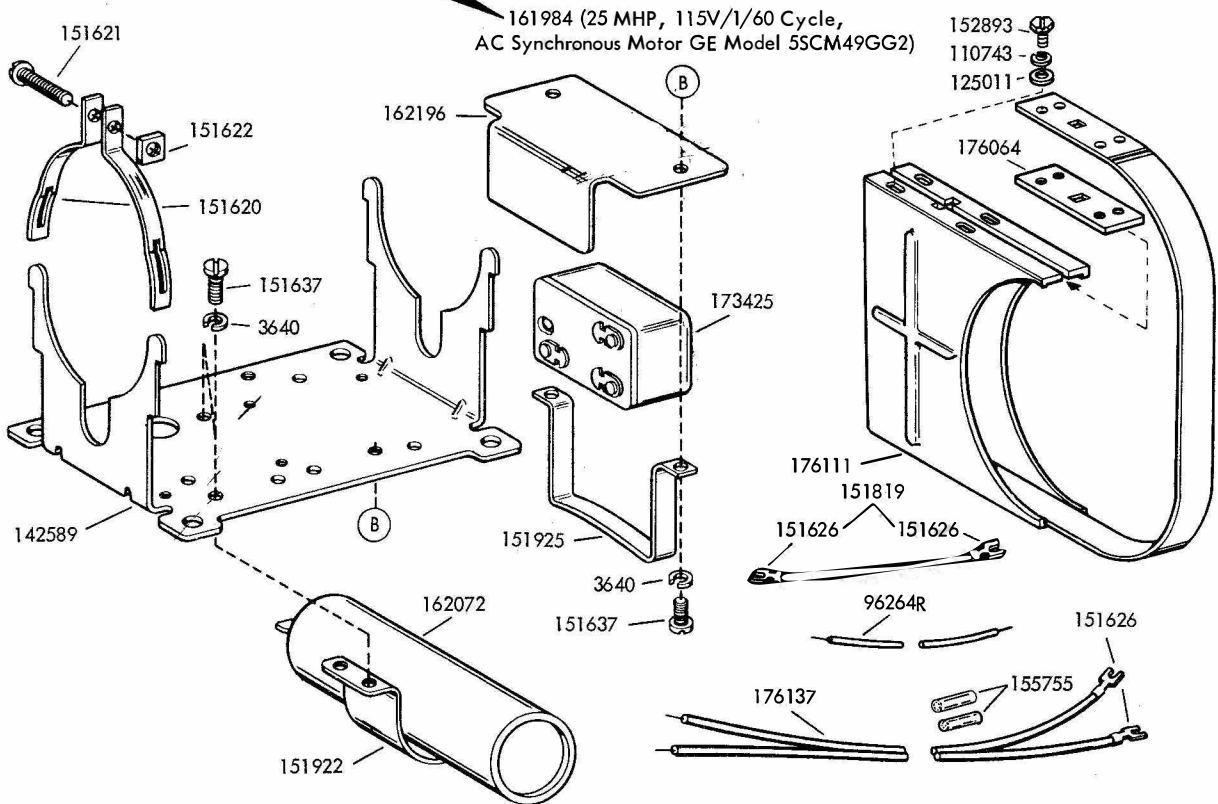
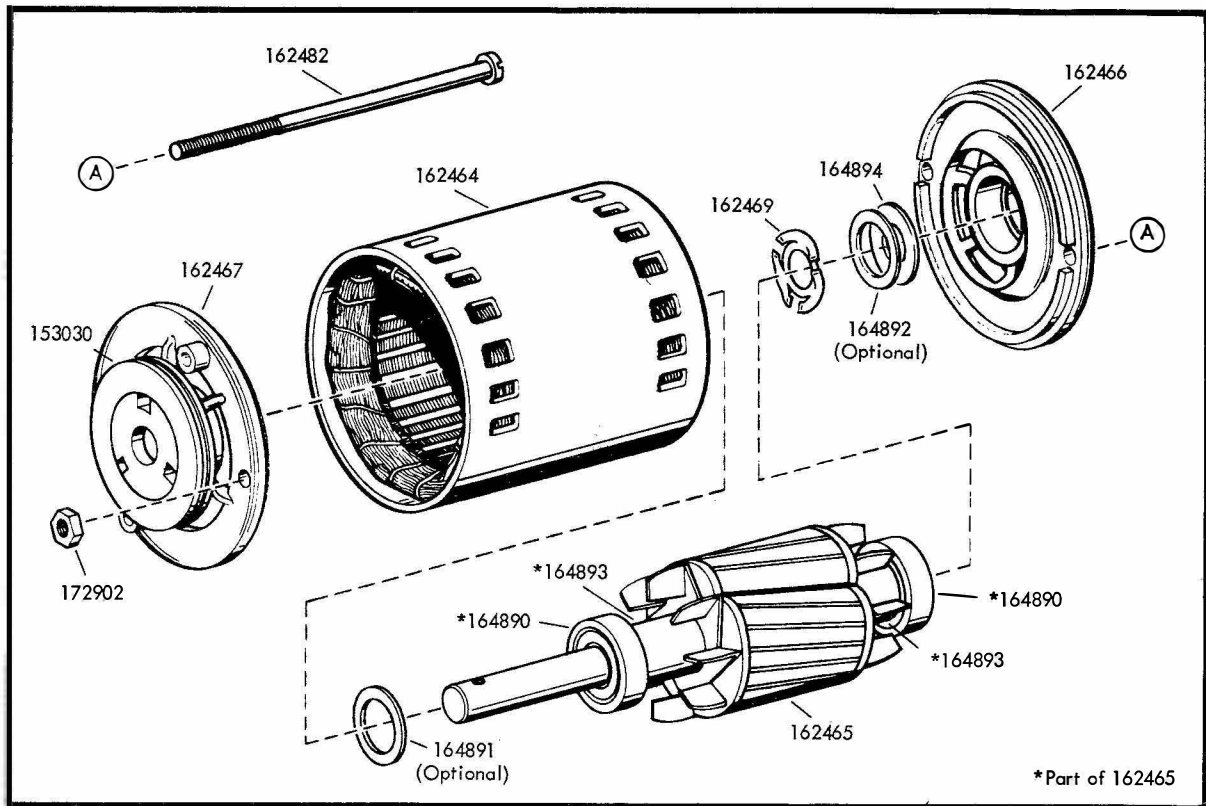
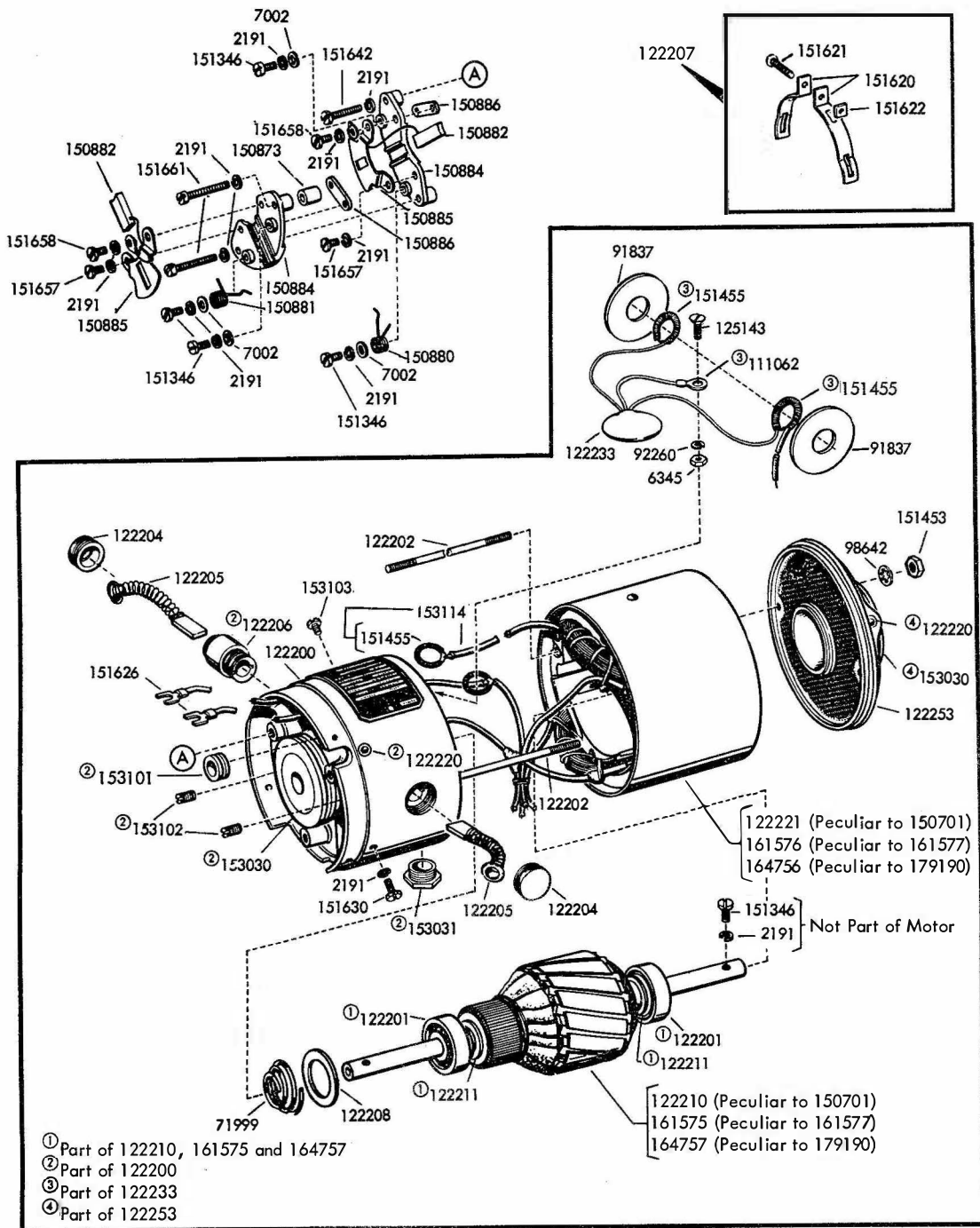


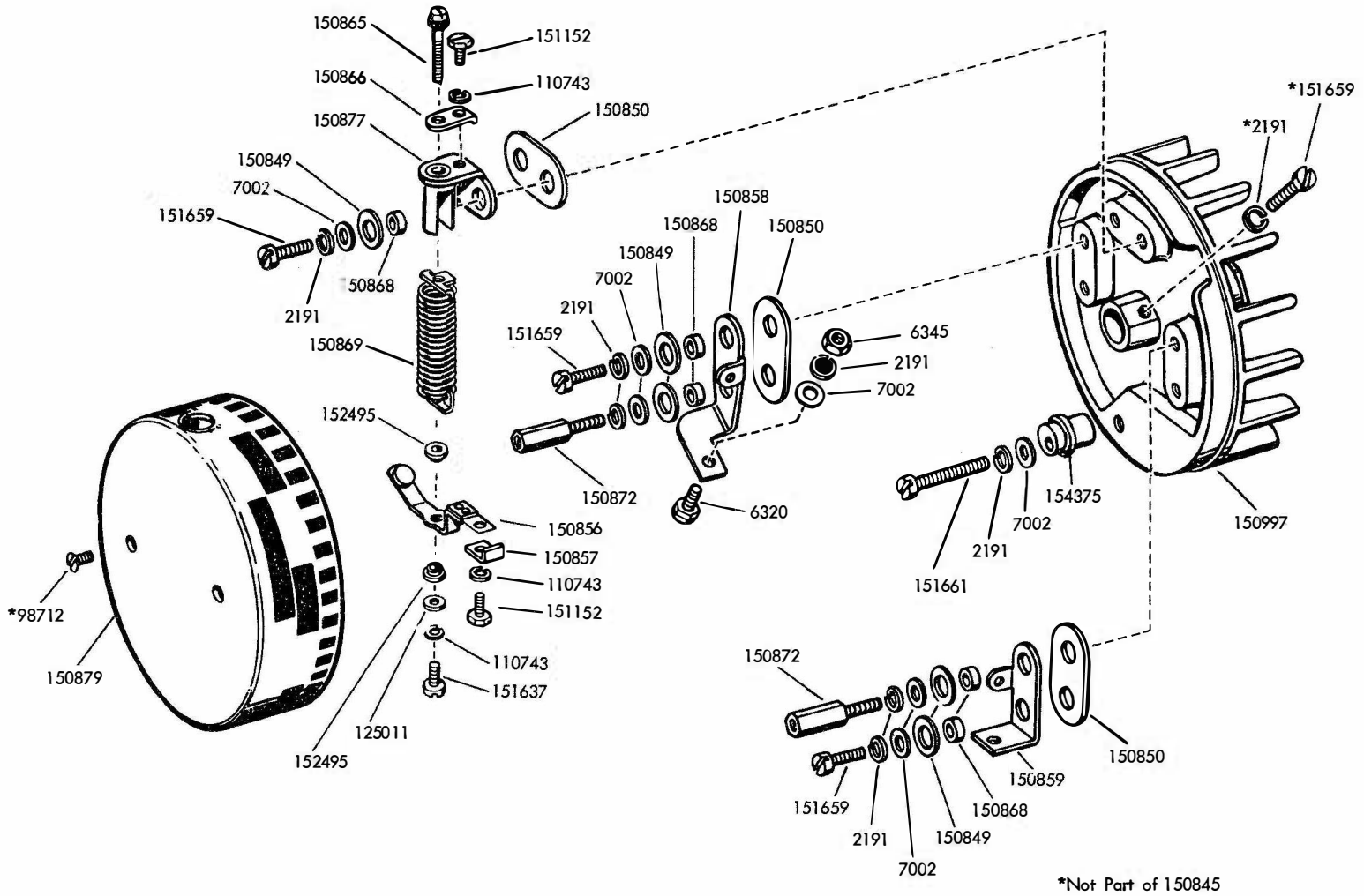
FIGURE 3-4. MINIATURE SYNCHRONOUS MOTOR UNIT (LMU24)



150701 Motor, Series [1/20 HP, 115V/1/60 Cycle AC General Electric Model 5PA664Y2 (LMU4,6,4)]
 161577 Motor, Series [1/15 HP, 115V/1/60 Cycle AC General Electric Model 5PA664Y3 (LMU14,39)]
 179190 Motor, Series [1/15 HP, 48V, DC General Electric Model 5PD66HY3 (LMU29)]

FIGURE 3-5. SERIES MOTOR (LMU4, 6, 14, 29, 39, 41)

FIGURE 3-6. 150845 GOVERNOR ASSEMBLY (LMU4, 6, 14, 29, 39, 41)



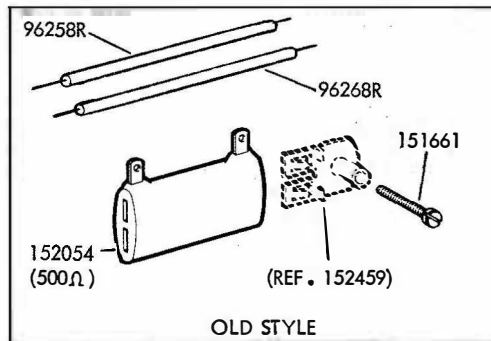
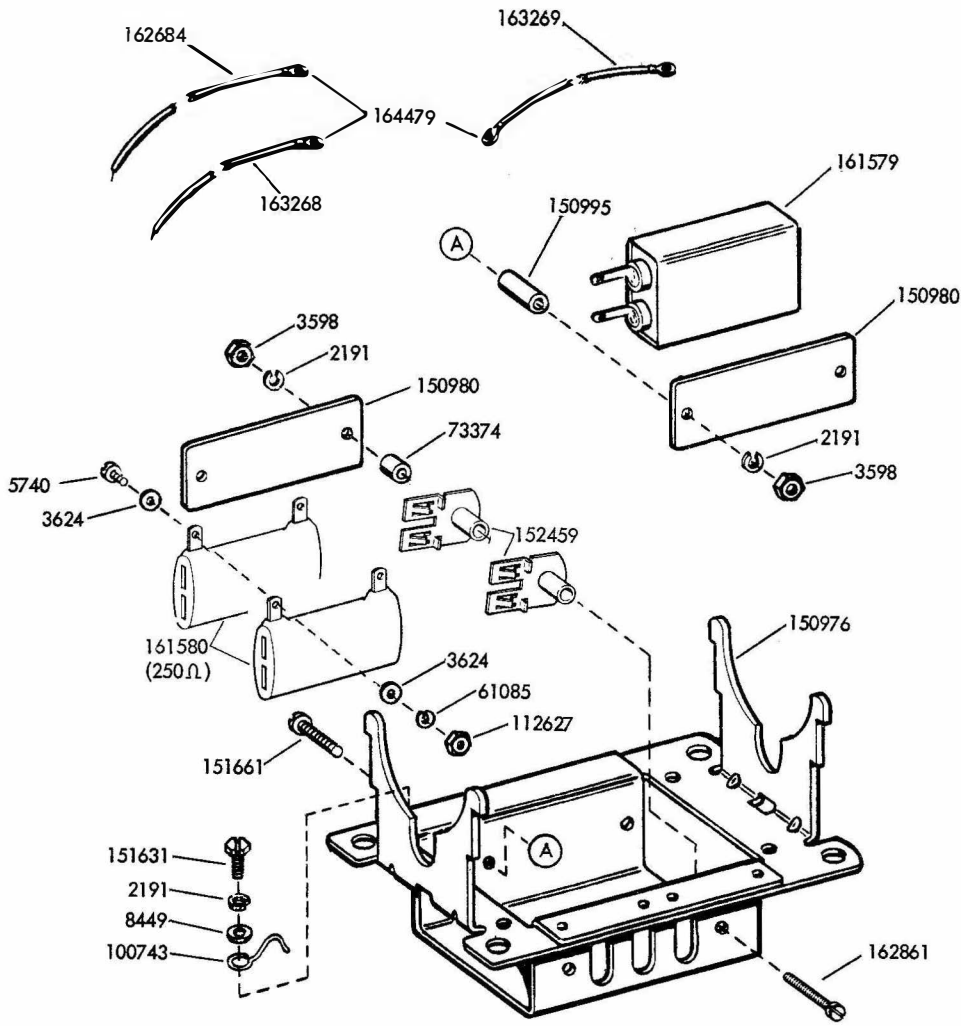
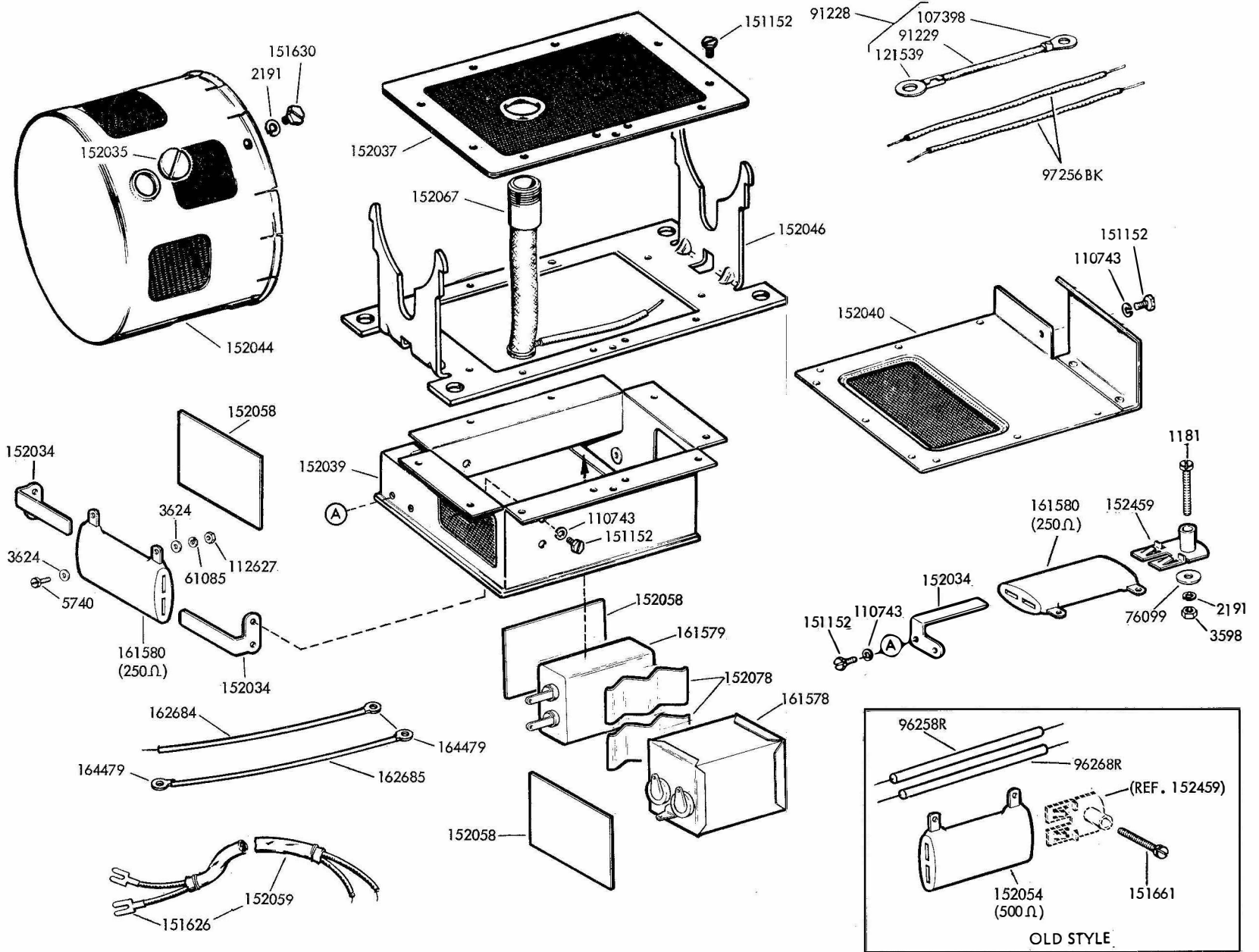


FIGURE 3-7. SERIES MOTOR MOUNTING PARTS (LMU6)

FIGURE 3-8. SERIES MOTOR MOUNTING PARTS WITH RF SUPPRESSION (LMU4, 14)



11678

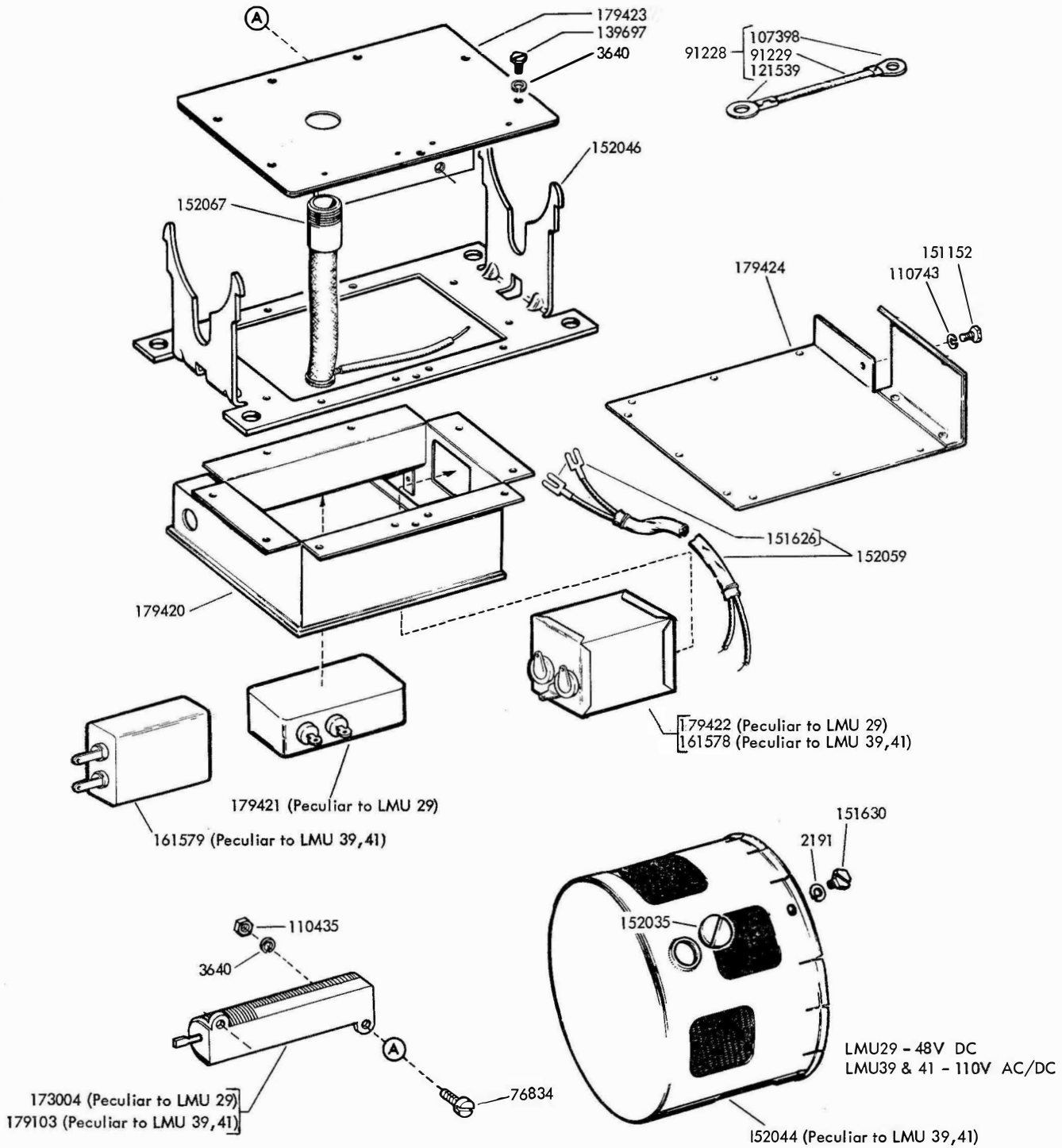


FIGURE 3-9. SERIES MOTOR MOUNTING PARTS WITH RF SUPPRESSION (LMU29, 39, 41)

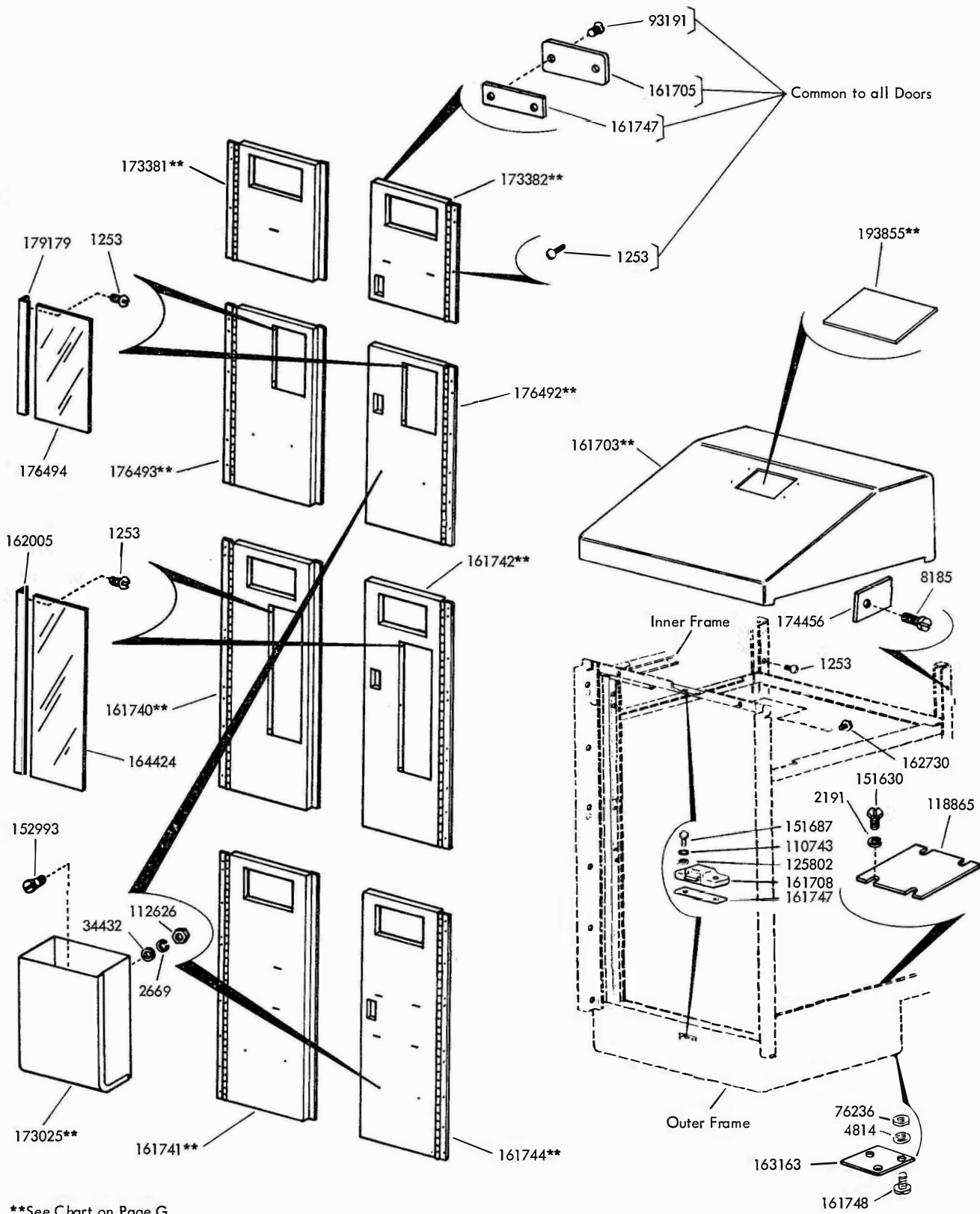
NUMERICAL INDEX - SECTION 3

Part Number	Description and Page Number	Part Number	Description and Page Number	Part Number	Description and Page Number
1181	Screw (6-40 x 11/16 Fil) 3-9	150859	Bracket, Contact Arm Mounting 3-7	153031	Bushing 3-6
2191	Washer, Lock 3-2,3-3,3-4, 3-6 to 3-10	150865	Screw, Clamping (4-40) 3-7	153049	Washer, Fiber 3-2,3-3
2263	Nut (8-32 Hex) 3-2,3-3	150866	Clamp 3-7	153101	Grommet 3-6
3598	Nut (6-40 Hex) 3-8,3-9	150868	Bushing, Insulating 3-7	153102	Screw, Set (8-32) 3-6
3624	Washer, Flat 3-8,3-9	150869	Spring, Governor 3-7	153103	Screw, Self-Tapping (4-40) 3-6
3640	Washer, Lock 3-2 to 3-5,3-10	150872	Stud, Cover Mounting 3-7	153114	Wire Assembly 3-6
3949	Collar 3-4	150873	Collar, Spacing 3-6	153839	Screw (6-40 x 5/8 Hex) 3-4
5740	Screw (2-56 x 1/4 Fil) 3-8,3-9	150877	Bracket, Governor Spring Guide 3-7	154375	Backstop 3-7
6320	Screw, Contact 3-7	150879	Cover, Governor 3-7	155755	Sleeve, Insulating (3/32 ID x 1/2 LG) 3-5
6345	Nut (6-32 Hex) 3-6,3-7	150880	Spring, Governor Brush 3-6	159739	Motor, Synchronous 3-3
7002	Washer, Flat 3-2,3-3,3-4,3-6,3-7	150881	Spring, Governor Brush 3-6	160298	Plate, Mounting 3-3
8449	Spacer 3-8	150882	Brush 3-6	150299	Capacitor (170-226 mfd) 3-3
61085	Washer, Lock 3-8,3-9	150882	Brush 3-6	160300	Clamp 3-3
71999	Spring, Motor Thrust 3-2,3-3,3-6	150884	Mounting, Brush 3-6	160301	Plate, Insulating 3-3
73374	Spacer 3-8	150885	Plate, Brush 3-6	160302	Plate, Nut 3-3,3-4
76099	Washer, Flat 3-9	150886	Plate, Clamp 3-6	160303	Relay 3-3
76834	Screw (4-40 x 3/8 Flat) 3-10	150976	Bracket, Motor 3-2,3-3,3-8	160304	Switch, Thermostatic 3-3
87334	Washer, Insulating 3-2,3-3,3-4	150980	Plate, Clamping 3-8	160305	Rotor 3-3
91228	Strap, Ground 3-9,3-10	150995	Bushing, Insulating 3-8	160306	Stator 3-3
91229	Connector (2" Copper Braid) 3-9, 3-10	150997	Fan, Governor 3-7	161575	Armature 3-6
91837	Washer, Fiber 3-6	151152	Screw (4-40 x 3/16 Hex) 3-7,3-9, 3-10	161576	Stator 3-6
92260	Washer, Lock 3-6	151346	Screw (6-40 x 3/8 Fil) 3-2,3-3, 3-4,3-6	161577	Motor, Series 3-6
96257BK	Strap (2-3/4" Black) 3-9	151453	Nut (10-32 Hex) 3-6	161578	Suppressor, Electrical Noise 3-9, 3-10
96258R	Strap (3" Red) 3-8,3-9	151455	Spring, Helical Clip 3-6	161579	Capacitor (1/2 mfd) 3-8,3-9,3-10
96264R	Strap (5" Red) 3-2 to 3-5	151620	Strap, Motor Mounting 3-2 to 3-6	161580	Resistor (500 Ohm) 3-8,3-9
96268R	Strap (7" Red) 3-8,3-9	151621	Screw (6-32 x 3/4 Rd) 3-2 to 3-6	161984	Motor, AC Synchronous, 115V 3-4, 3-5
98642	Washer, Lock 3-6	151622	Nut (6-32) 3-2 to 3-6	162072	Capacitor, Motor Start (88 to 108 mfd) 3-4,3-5
98712	Screw (4-40 x 7/32 Flat) 3-7	151626	Terminal 3-2,3-3,3-5,3-6,3-9, 3-10	162196	Insulator 3-5
100743	Clamp, Cable 3-8,3-9	151630	Screw (6-40 x 1/4 Hex) 3-6,3-9, 3-10	162464	Stator 3-4,3-5
107398	Terminal 3-9,3-10	151631	Screw (4-40 x 5/16 Hex) 3-8	162465	Rotor 3-4,3-5
110435	Nut (4-40 Hex) 3-10	151637	Screw (4-40 x 1/4 Fil) 3-2 to 3-5, 3-7	162466	Shield, End (Rear) 3-4,3-5
110743	Washer, Lock 3-5,3-7,3-10	151642	Screw (6-40 x 3/4 Fil) 3-6	162467	Shield, End (Front) 3-4,3-5
111062	Terminal 3-6	151657	Screw (6-40 x 1/4 Fil) 3-6	162469	Washer, Spring 3-4,3-5
112627	Nut (2-56 Hex) 3-8,3-9	151658	Screw (6-40 x 5/16 Fil) 3-6	162482	Bolt (6-32) 3-4,3-5
119223	Screw (4-40 x 1-15/32 Fil) 3-3,3-4	151659	Screw (6-40 x 1/2 Fil) 3-7	162684	Jumper (2-3/4" White) 3-8,3-9
121539	Terminal 3-9,3-10	151661	Screw (6-40 x 1 Fil) 3-7,3-8,3-9	162685	Jumper (4" White) 3-9
122200	Shield Assembly, End 3-6	151666	Screw (4-40 x 3/8 Fil) 3-2,3-3,3-4	162861	Screw (6-40 x 1-5/16 Fil) 3-8
122201	Bearing, Ball 3-2,3-3,3-6	151692	Screw (6-40 x 3/16 Fil) 3-2,3-3	162910	Insulator 3-4
122202	Stud (10-32) 3-6	151795	Motor, Synchronous 3-2	162911	Cable 3-4
122204	Cap, Brush 3-6	151819	Jumper (3" Black) 3-5	163268	Jumper w/Terminal (6-1/2" White) 3-8
122205	Brush w/Spring 3-6	151920	Plate, Mounting 3-2	163269	Jumper w/Terminals (2" White) 3-8
122206	Holder, Brush 3-6	151922	Clamp, Capacitor 3-2,3-4,3-5	164479	Terminal 3-8,3-9
122207	Strap Assembly, Mounting 3-6	151923	Relay 3-2	164756	Stator 3-6
122208	Washer, Flat 3-6	151924	Insulator, Relay 3-2	164757	Armature Assembly 3-6
122210	Armature 3-6	151925	Clamp, Relay 3-2,3-5	164890	Bearing, Ball 3-4,3-5
122211	Washer, Pull 3-2,3-3,3-6	151926	Nut (4-40 Spl) 3-2,3-3,3-4	164891	Washer, Shim (.032") 3-4,3-5
122220	Oiler, Ball 3-2,3-3,3-6	151927	Cable 3-2,3-3	164892	Washer, Shim (.018") 3-4,3-5
122221	Stator 3-6	152034	Bracket, Resistor Mounting 3-9	164893	Collar 3-4,3-5
122229	Bolt (8-32) 3-2,3-3	152035	Plug 3-9,3-10	164894	Washer, Shim (.018") 3-4,3-5
122233	Capacitor Assembly 3-6	152037	Cover, Container 3-9	164962	Bracket 3-4
122245	Capacitor (43 to 48 mfd) 3-2	152039	Container 3-9	172902	Nut (6-32 Hex) 3-4,3-5
122249	Switch, Thermostatic 3-2	152040	Lid, Container 3-9	173004	Resistor (100 Ohm) 3-10
122251	Stator 3-2	152044	Cover, Governor 3-9,3-10	173425	Relay, Motor Start 3-4,3-5
122252	Shield Assembly, End 3-2,3-3	152046	Bracket, Motor Mounting 3-9,3-10	174471	Switch, Thermostatic 3-4
122253	Shield Assembly, End 3-6	152054	Resistor (250 Ohm) 3-8,3-9	176064	Plate, Nut (4-40) 3-5
123769	Fan, Motor 3-2,3-3	152058	Separator 3-9	176111	Duct, Air 3-5
125011	Washer, Flat 3-2 to 3-5,3-7	152059	Cable 3-9,3-10	176137	Wire (9-1/4" Black) 3-5
125143	Screw (6-32 x 5/16 Flat) 3-6	152067	Nipple 3-9,3-10	179103	Resistor (250 Ohm) 3-10
128874	Rotor 3-2	152078	Spring, Separator 3-9	179190	Motor, DC Series, 48V 3-6
139697	Screw (4-40 x 9/32 Fil) 3-10	152297	Washer, Flat 3-2,3-3	179420	Container 3-10
142589	Bracket, Motor 3-4,3-5	152426	Nut, Self Locking (6-40) 3-4	179421	Capacitor (1 mfd) 3-10
150040	Screw (6-40 x 5/8 Fil) 3-2,3-3	152459	Bracket, Resistor Mounting 3-8,3-9	179422	Suppressor, Electrical Noise 3-10
150701	Motor, Series 3-6	152495	Bushing 3-7	179423	Plate w/Bracket 3-10
150845	Governor Assembly 3-7	152893	Screw (4-40 x 1/4 Hex) 3-5	179424	Lid w/Insulator 3-10
150849	Washer, Insulating 3-7	153030	Mount, Vibration 3-2 to 3-6	193781	Switch, Thermostatic 3-2
150850	Plate, Insulating 3-7				
150856	Arm, Movable Contact 3-7				
150857	Clamp, Contact Arm 3-7				
150858	Bracket, Contact 3-7				

)
)
)
)
)
)
)
)
)
)

SECTION 4

COVER (LRC AND LSRC), TABLE (LT) AND APPARATUS CABINET (LBAC)



**See Chart on Page G for Color Finish Suffix

FIGURE 4-1. FRONT DOORS AND DOME

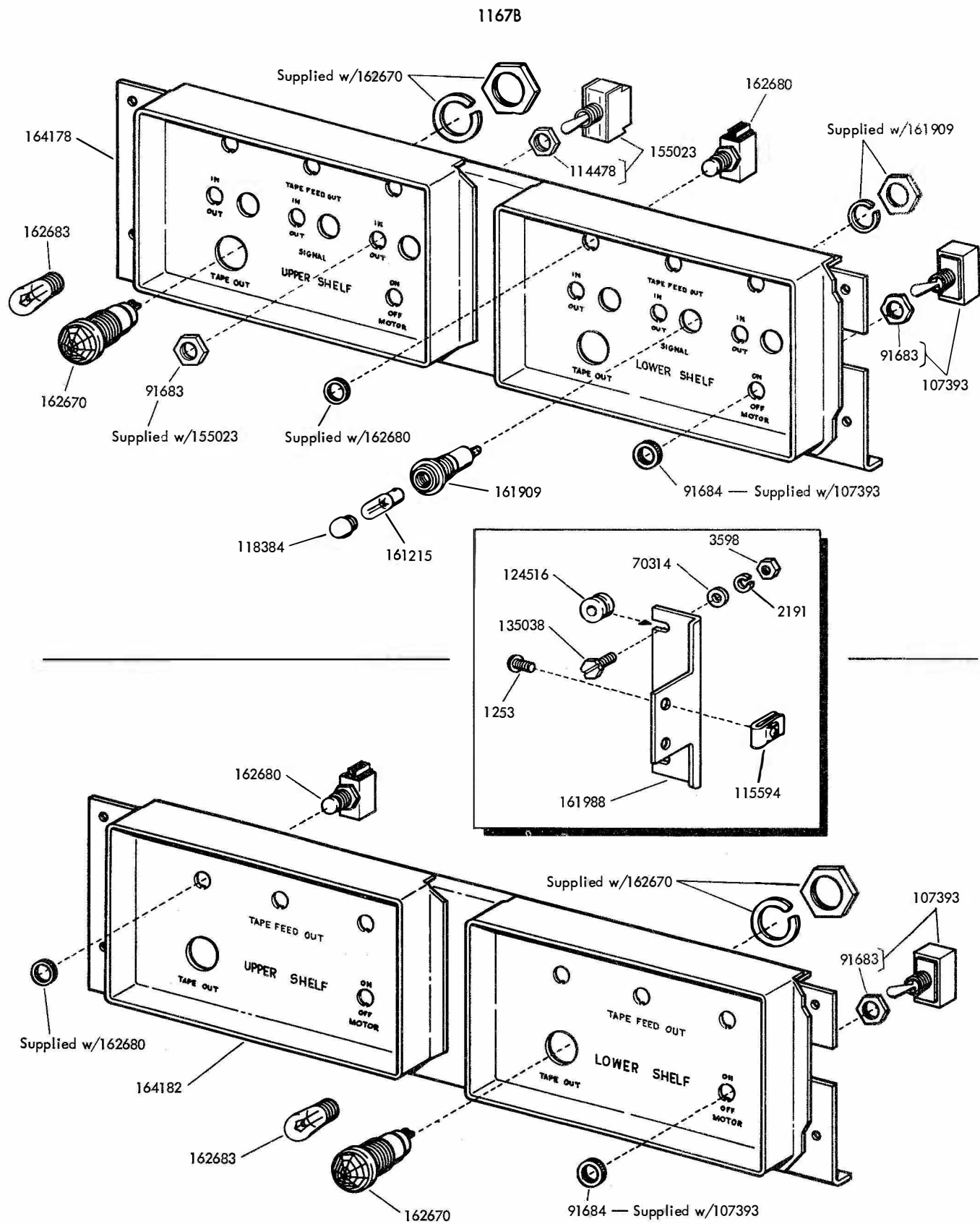


FIGURE 4-2. CONTROL PANELS

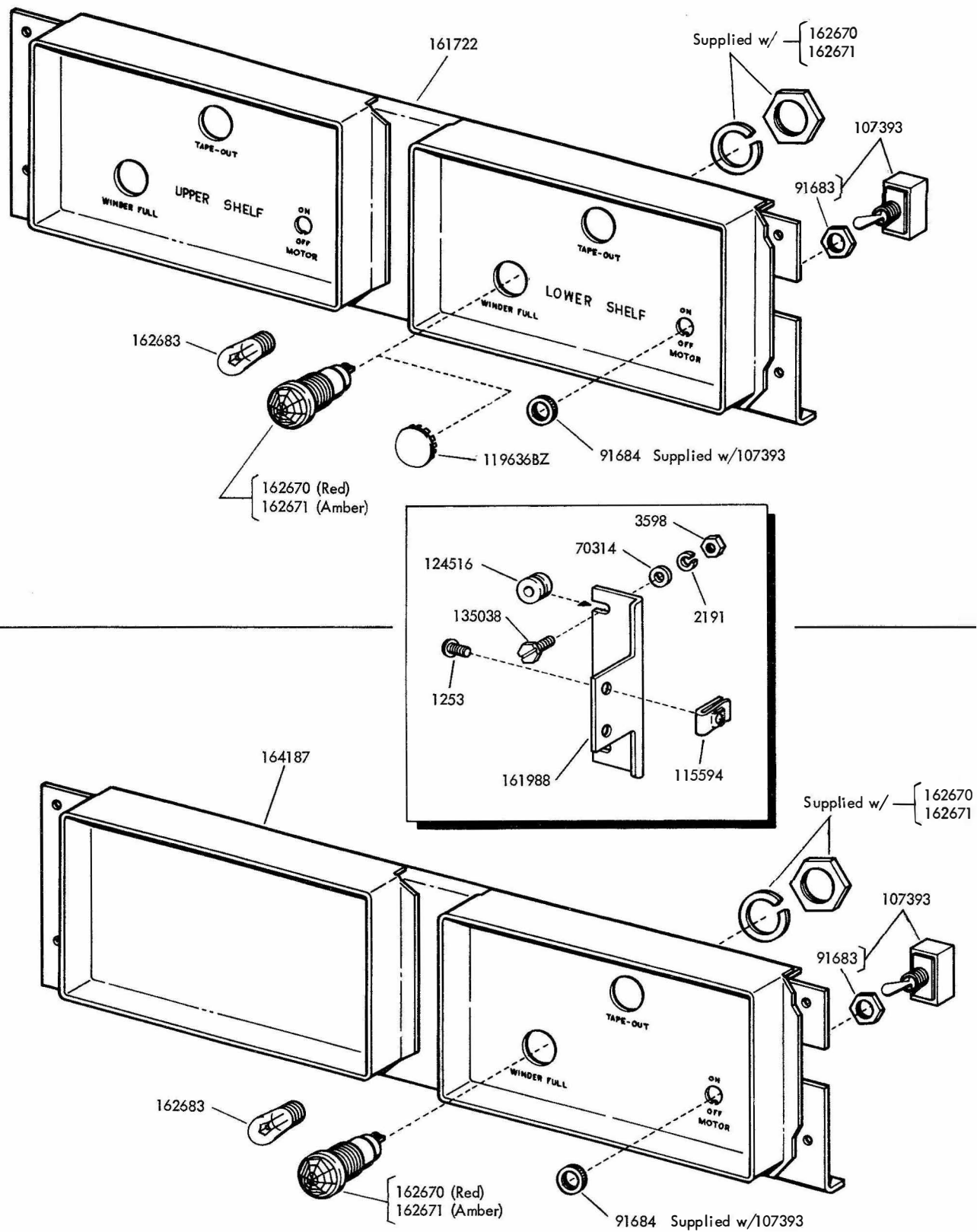


FIGURE 4-3. CONTROL PANELS

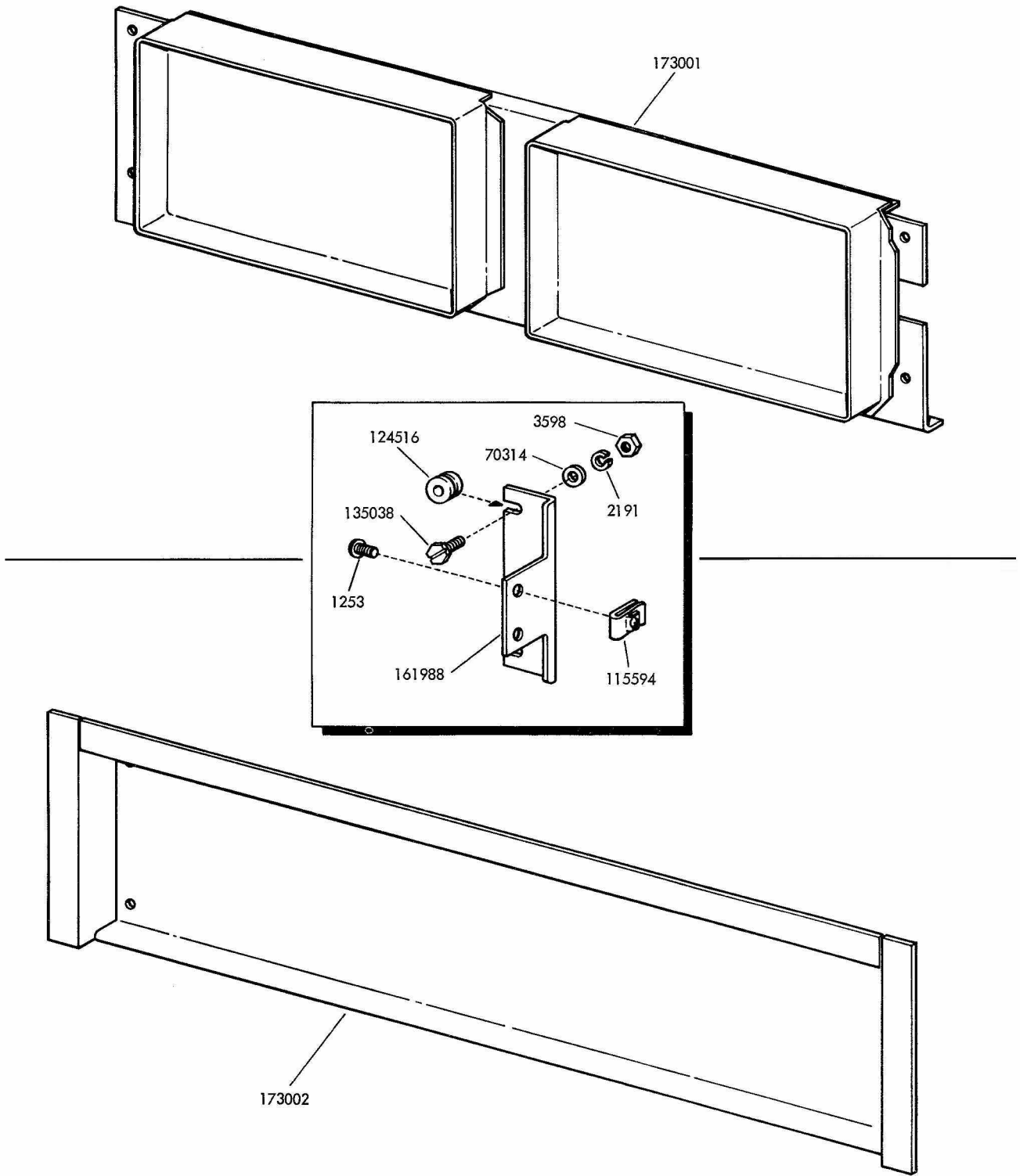


FIGURE 4-4. CONTROL PANELS

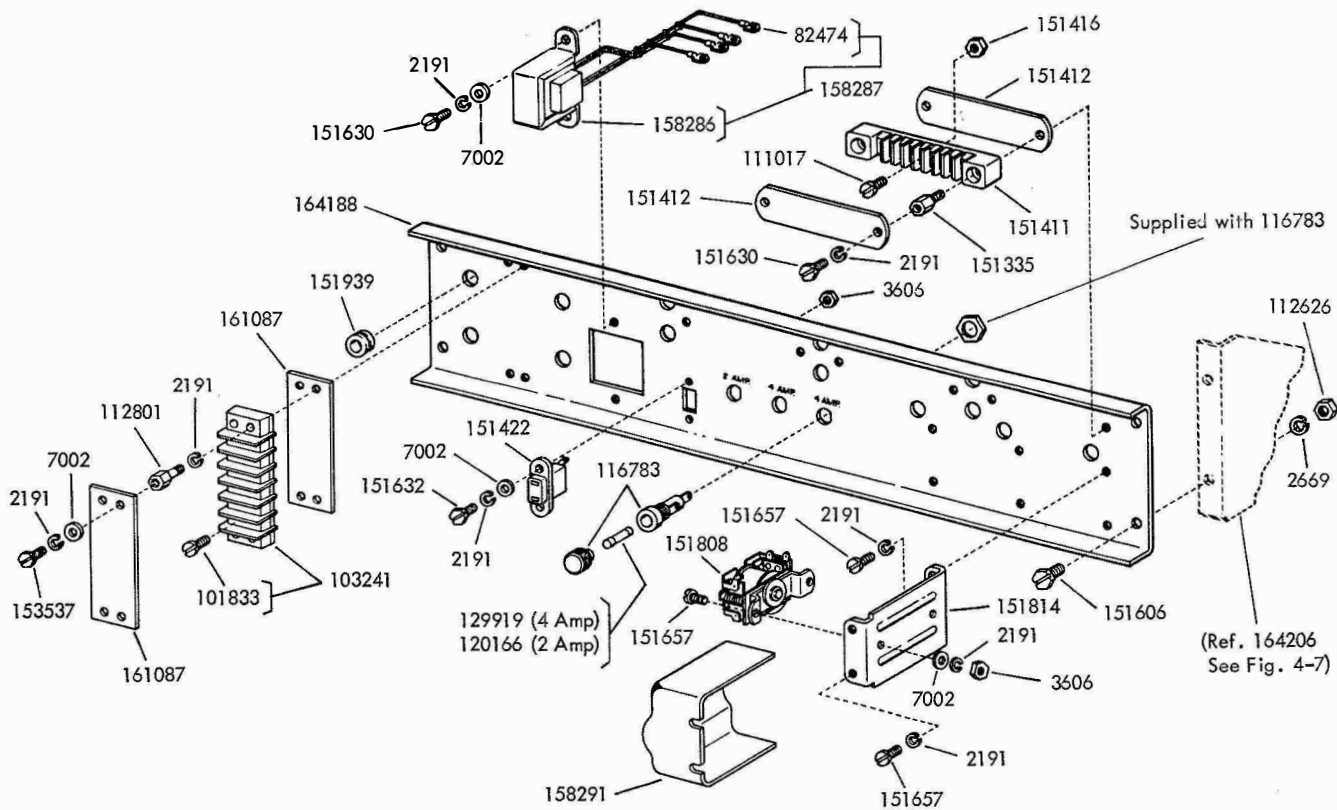
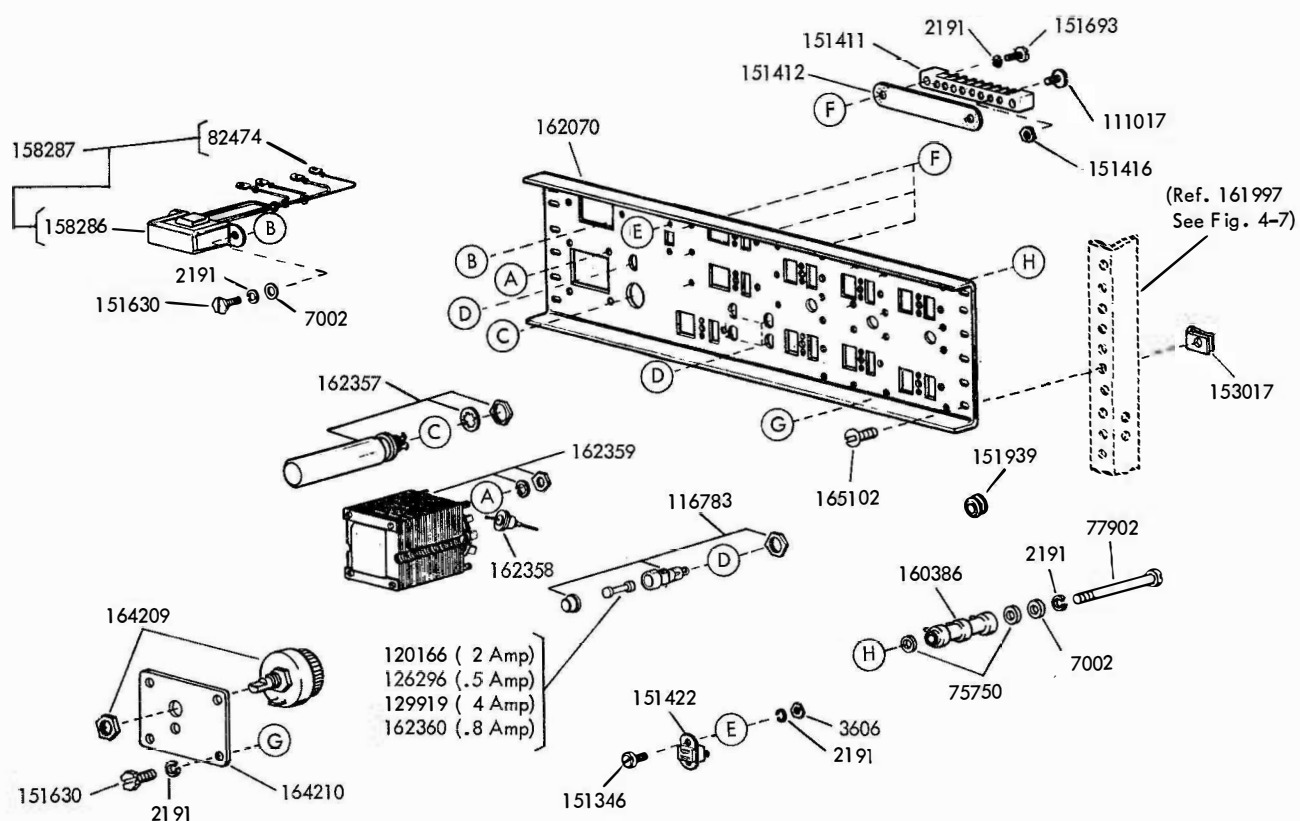
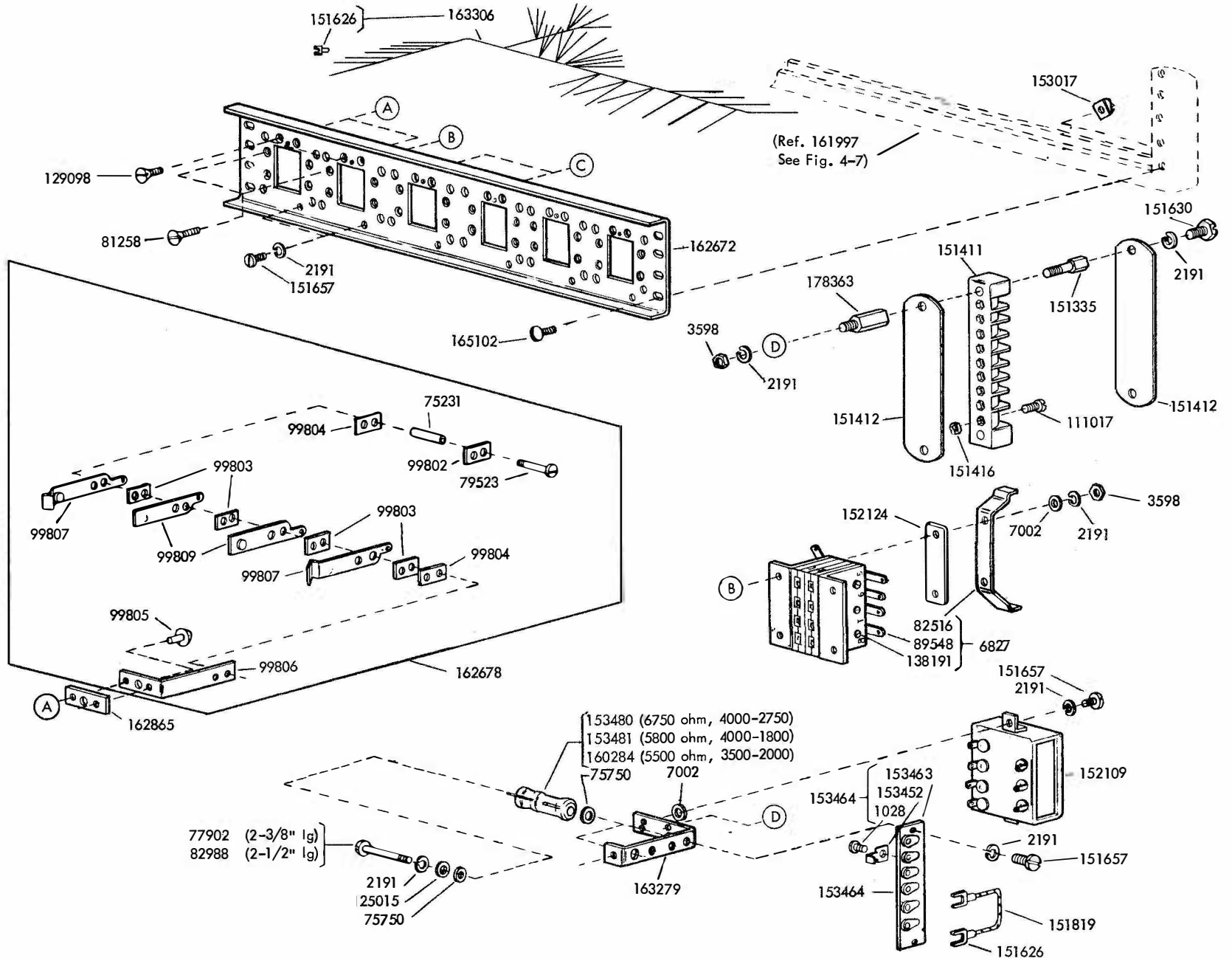


FIGURE 4-5. CONTROL PLATES

FIGURE 4-6. CONTROL PLATE



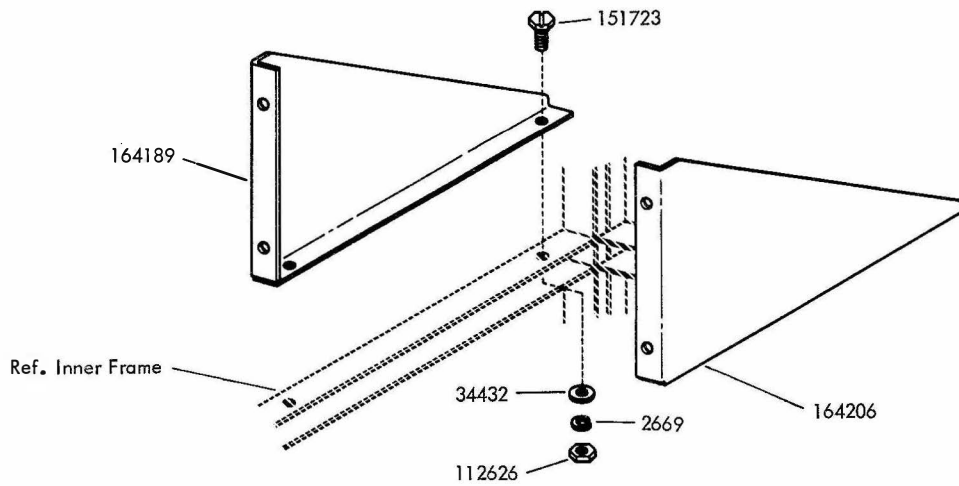
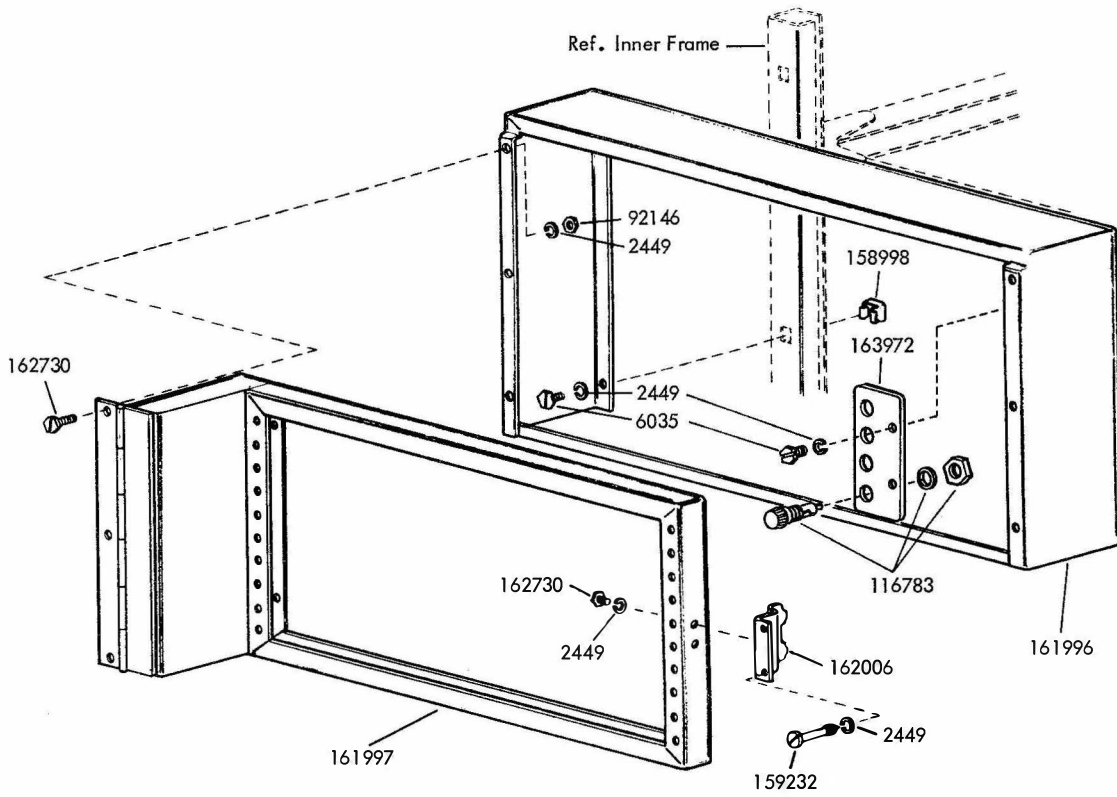


FIGURE 4-7. CONTROL PLATE MOUNTING PARTS

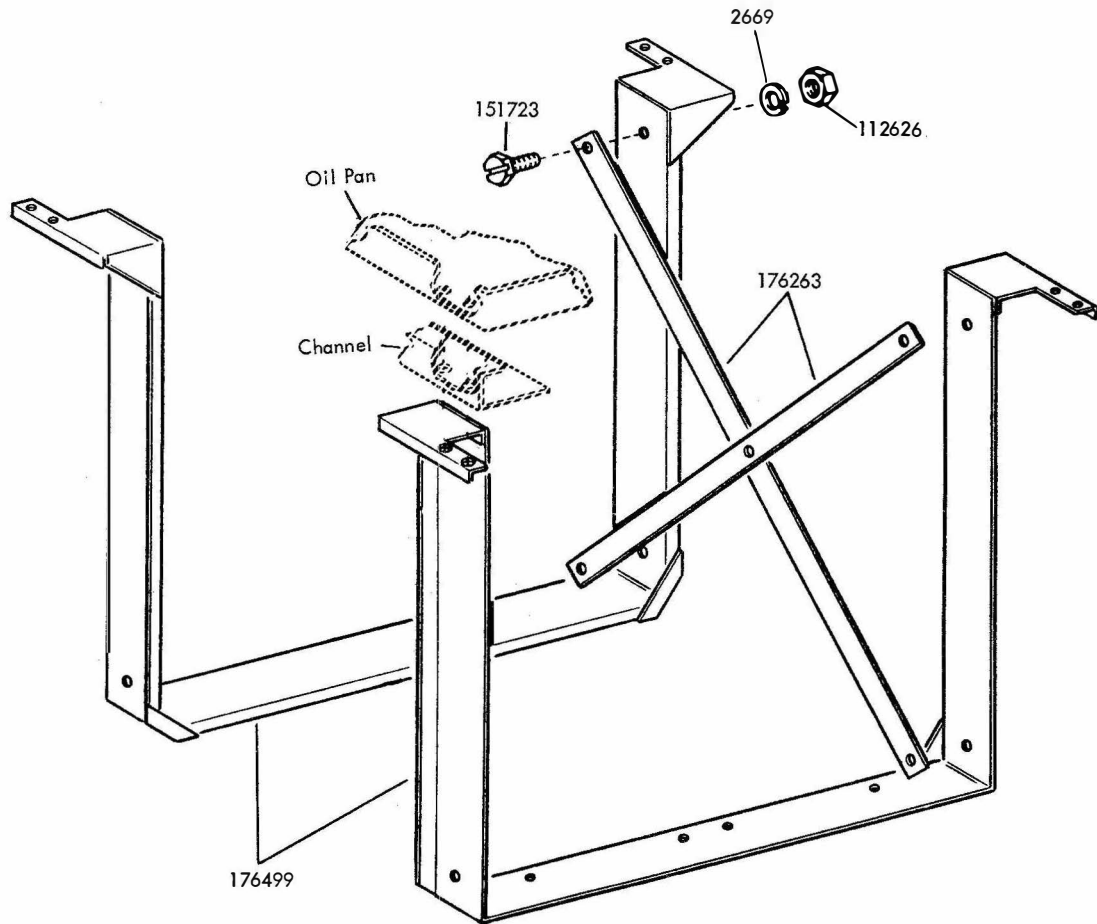


FIGURE 4-8. TAPE WINDER MOUNTING RACKS

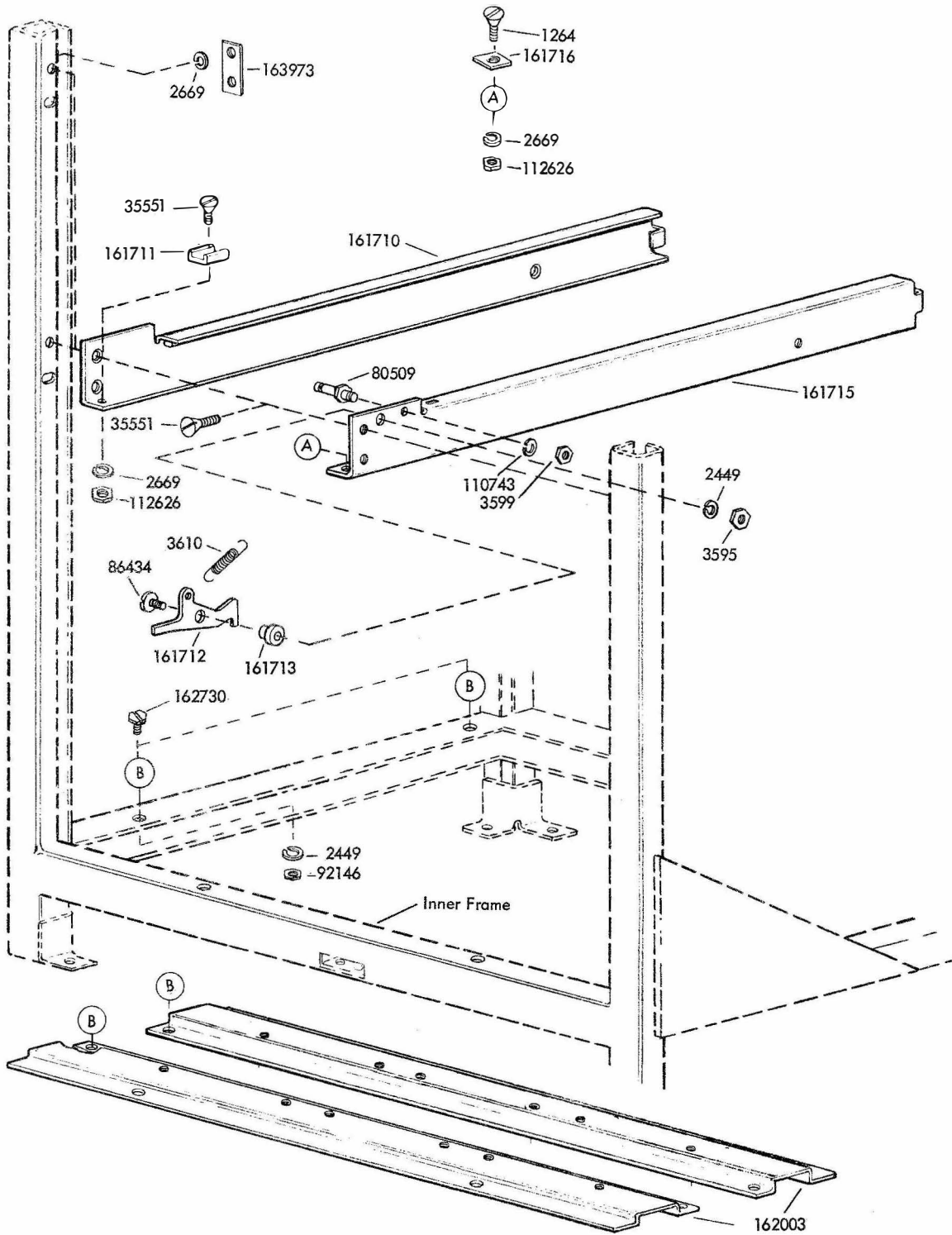
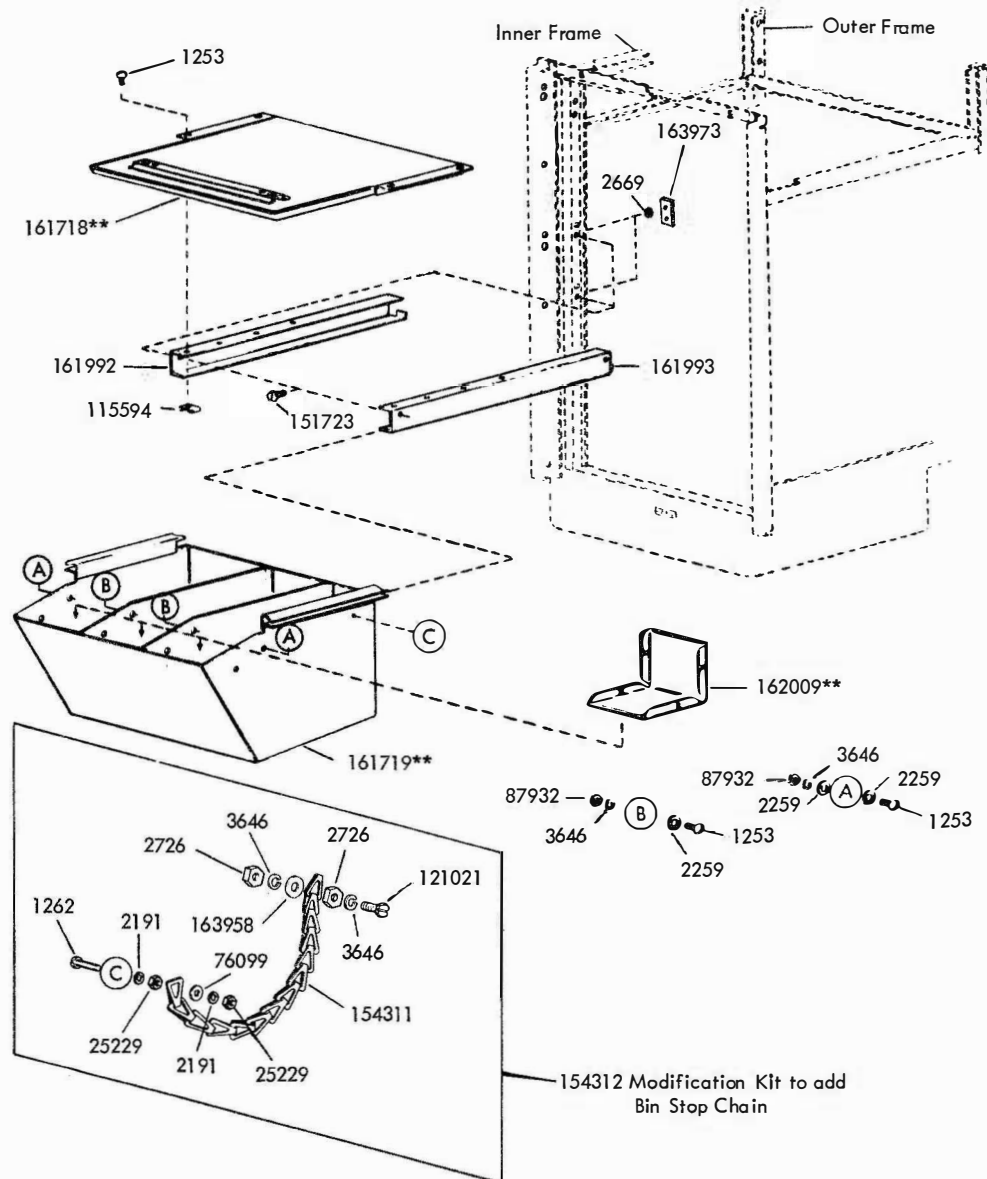
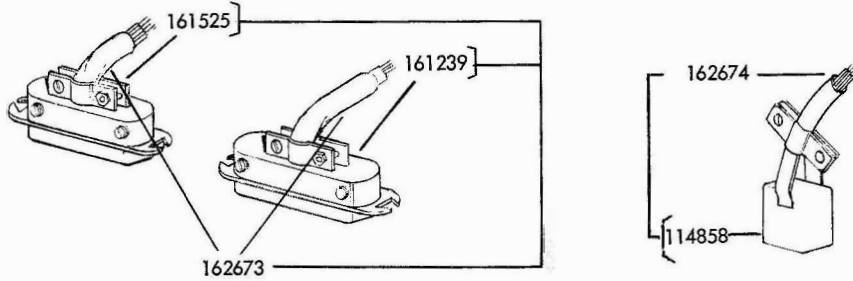


FIGURE 4-9. CHANNEL ASSEMBLIES



**See Chart on Page G
for Color Finish Suffix

FIGURE 4-10. CHANNEL ASSEMBLIES WITH SHELF



Note: 161525 (14 point connector) mates with 161526
 161239 (36 point connector) mates with 161238

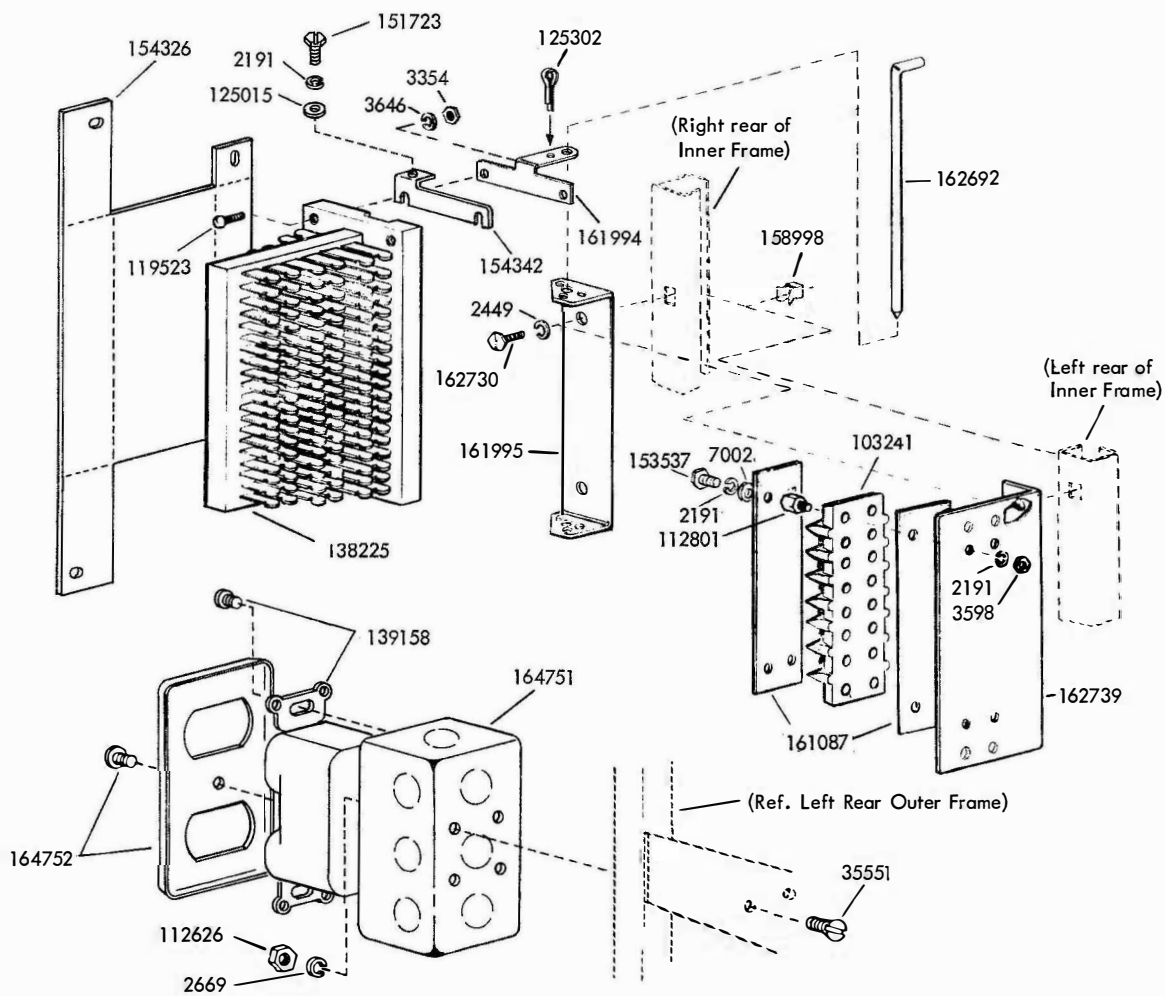
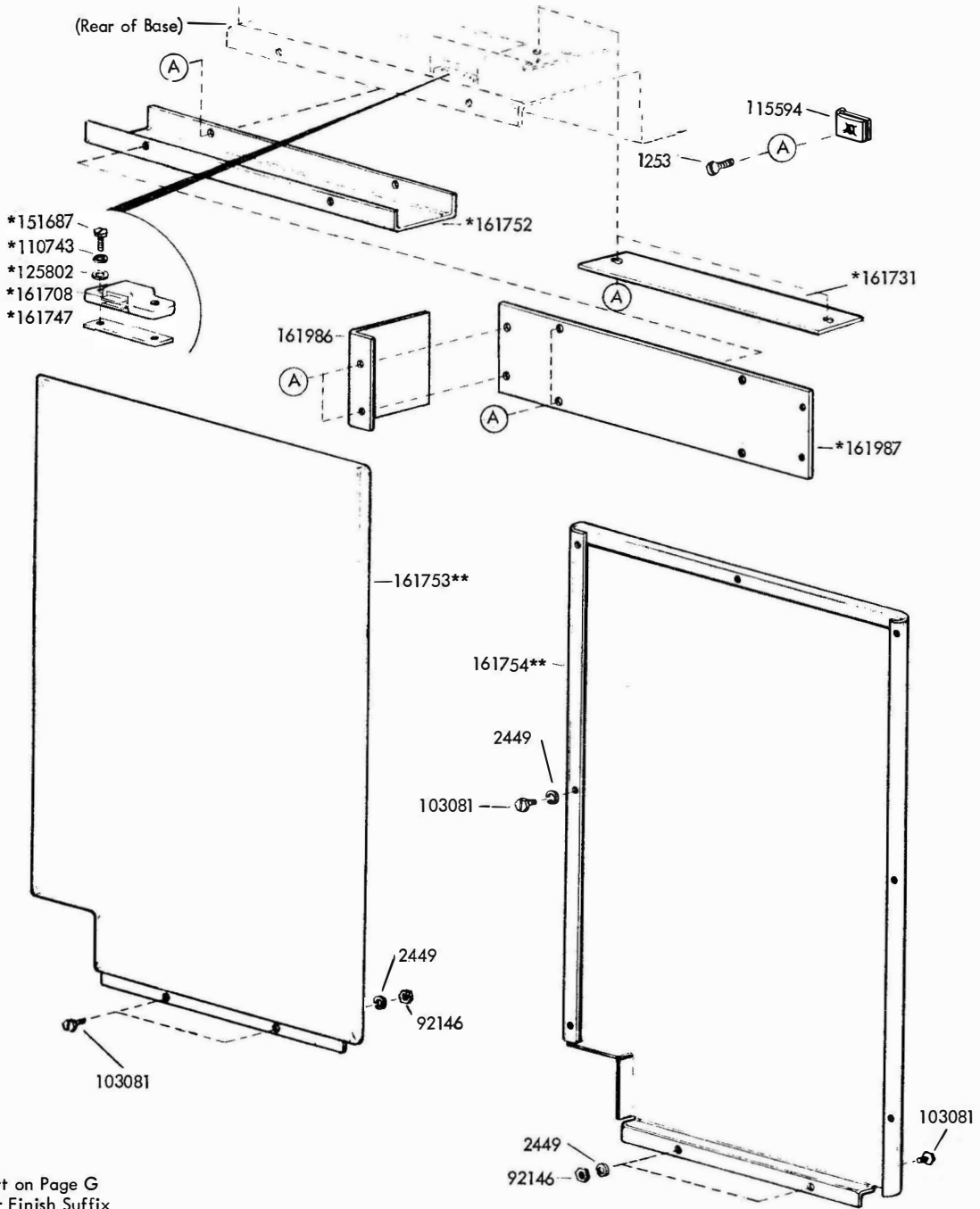
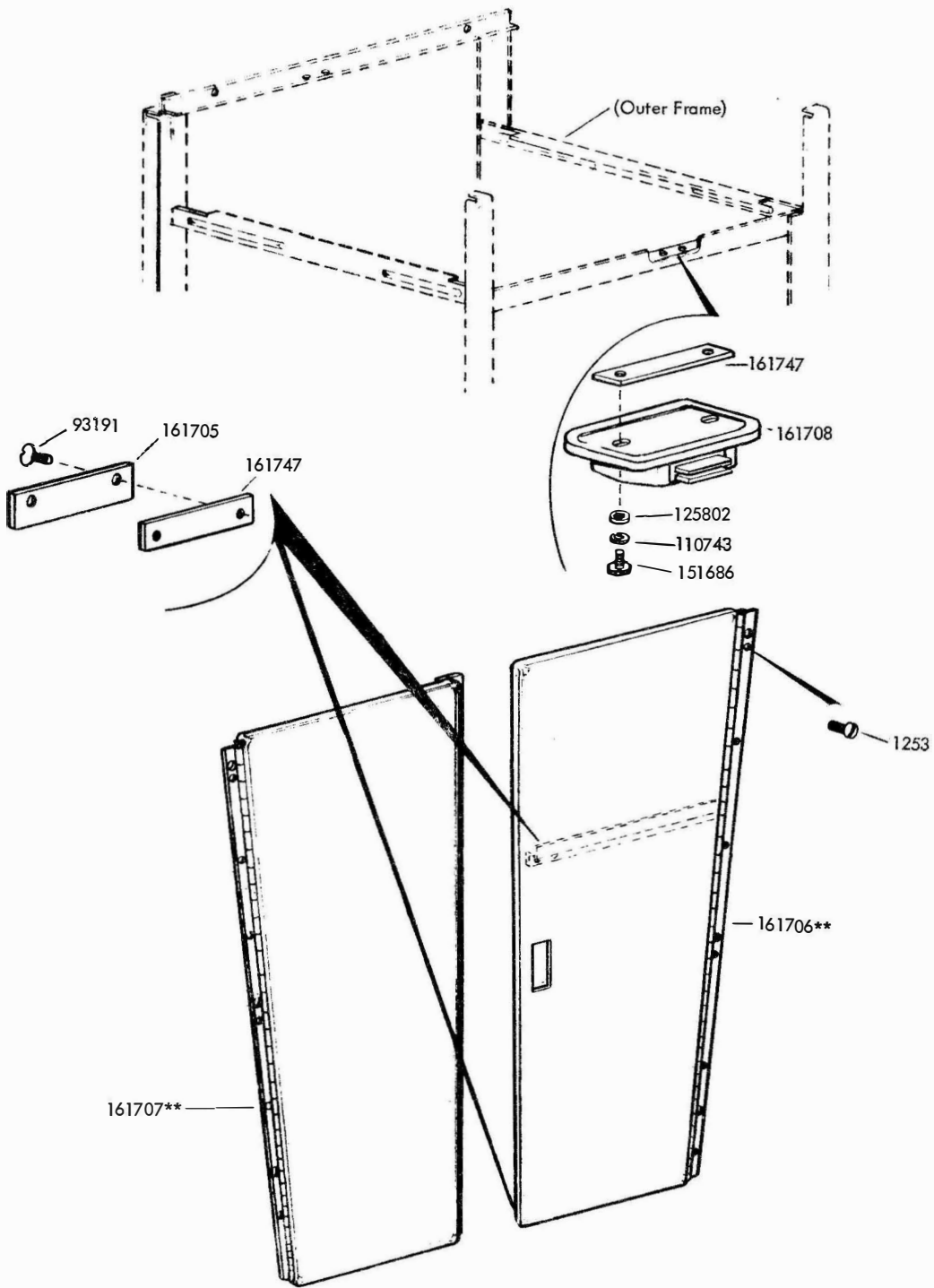


FIGURE 4-11. TERMINAL BLOCKS AND CABLE ASSEMBLY



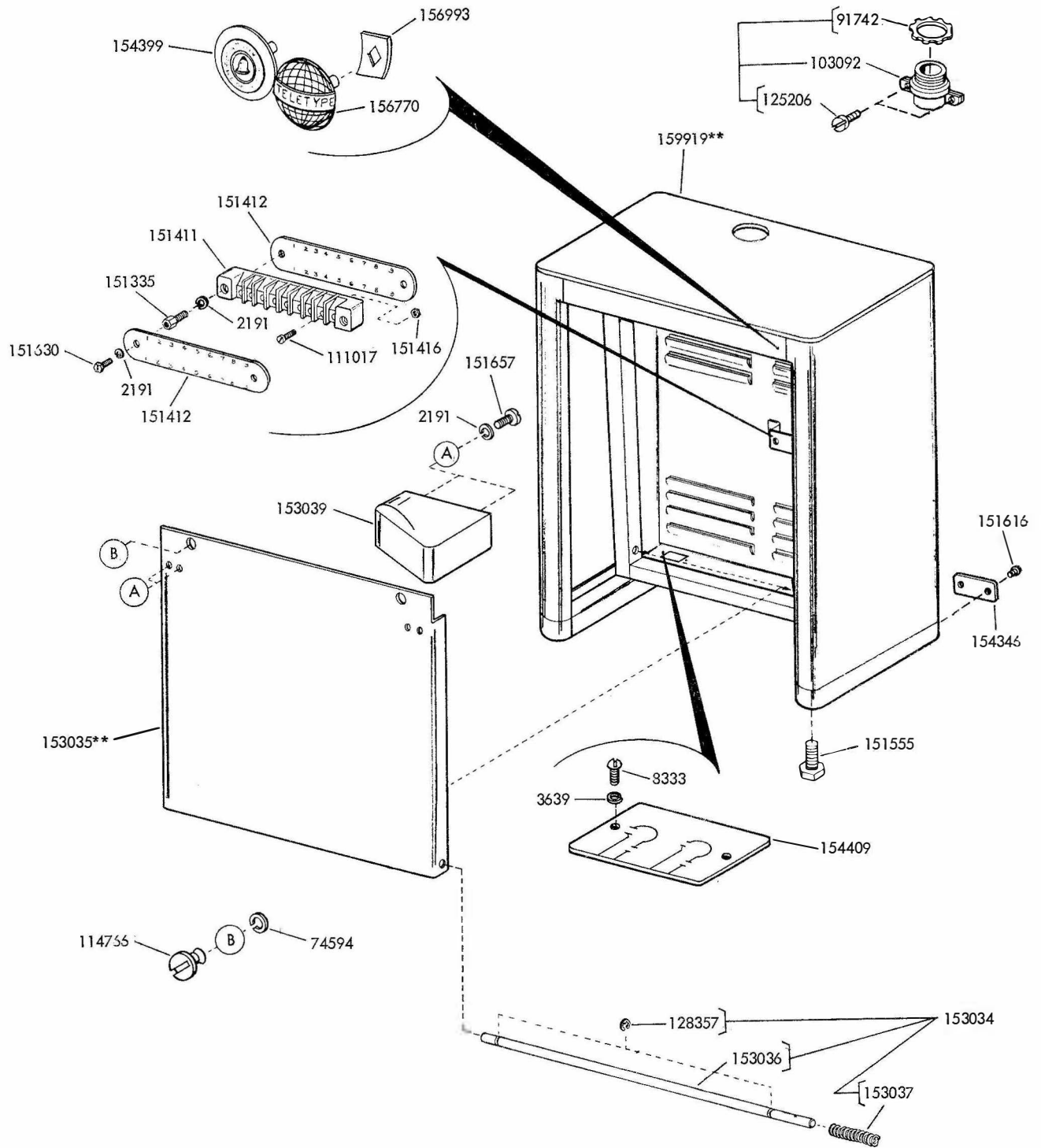
**See Chart on Page G
for Color Finish Suffix
*Not part of 161999** Modification Kit

FIGURE 4-12. 161999** MODIFICATION KIT TO PROVIDE END ENCLOSURES



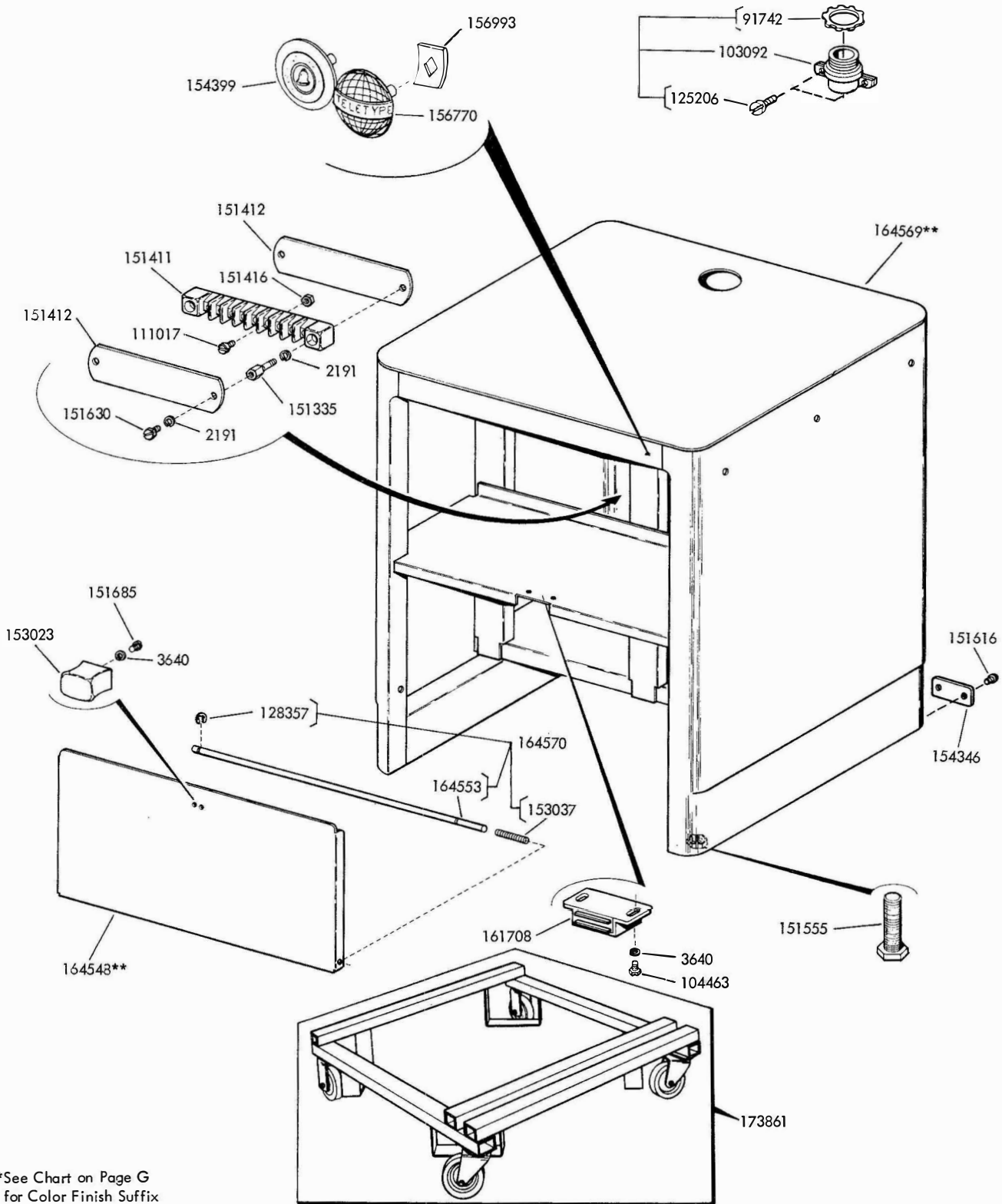
**See Chart on Page G
for Color Finish Suffix

FIGURE 4-13. REAR DOORS AND LATCH MECHANISM



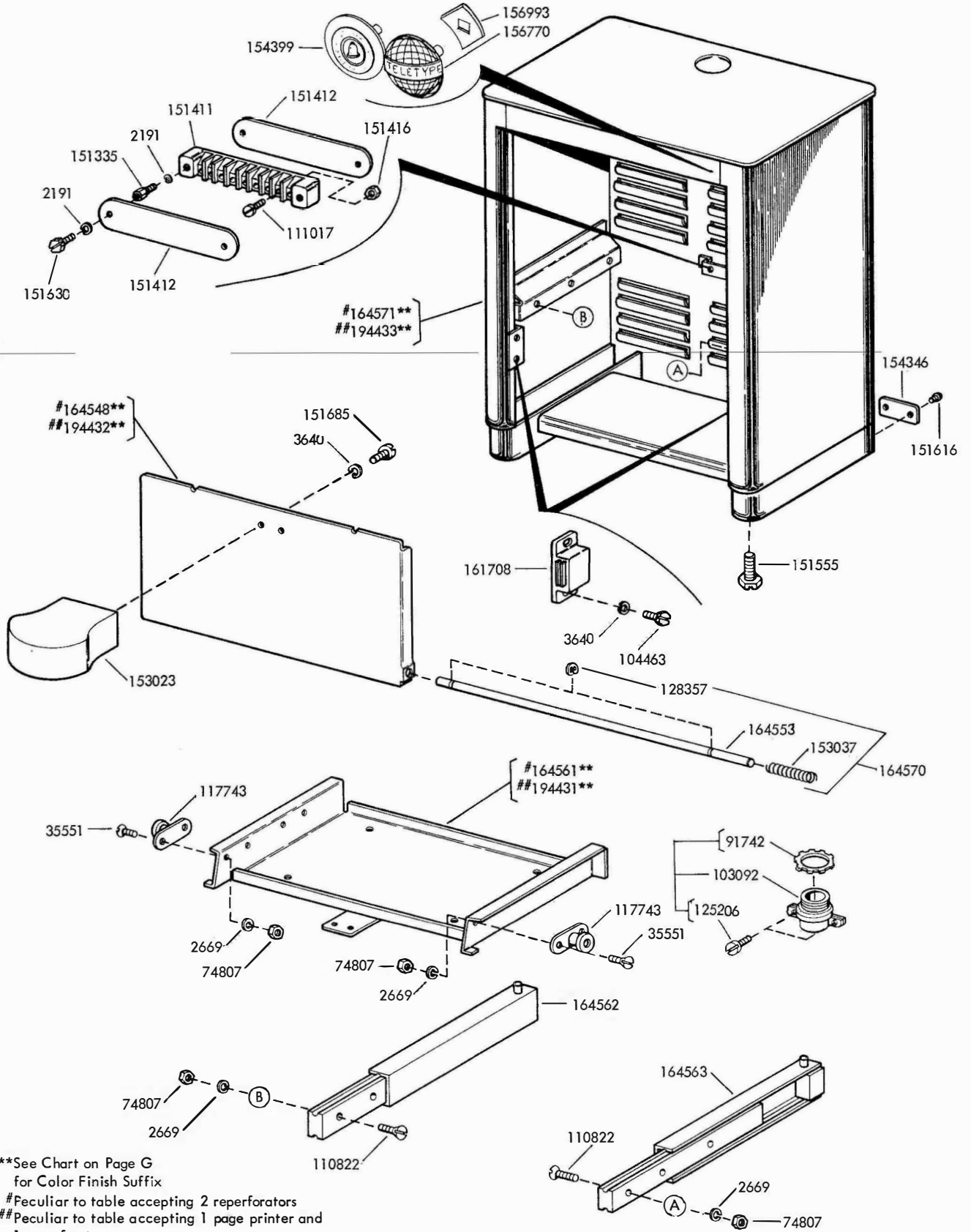
**See Chart on Page G
for Color Finish Suffix

FIGURE 4-14. TABLE



**See Chart on Page G
for Color Finish Suffix

FIGURE 4-15. TABLE WITH FIXED LOWER SHELF



**See Chart on Page G
for Color Finish Suffix
Peculiar to table accepting 2 reperforators
Peculiar to table accepting 1 page printer and
1 reperforator.

FIGURE 4-16. TABLE WITH SLIDING LOWER SHELF

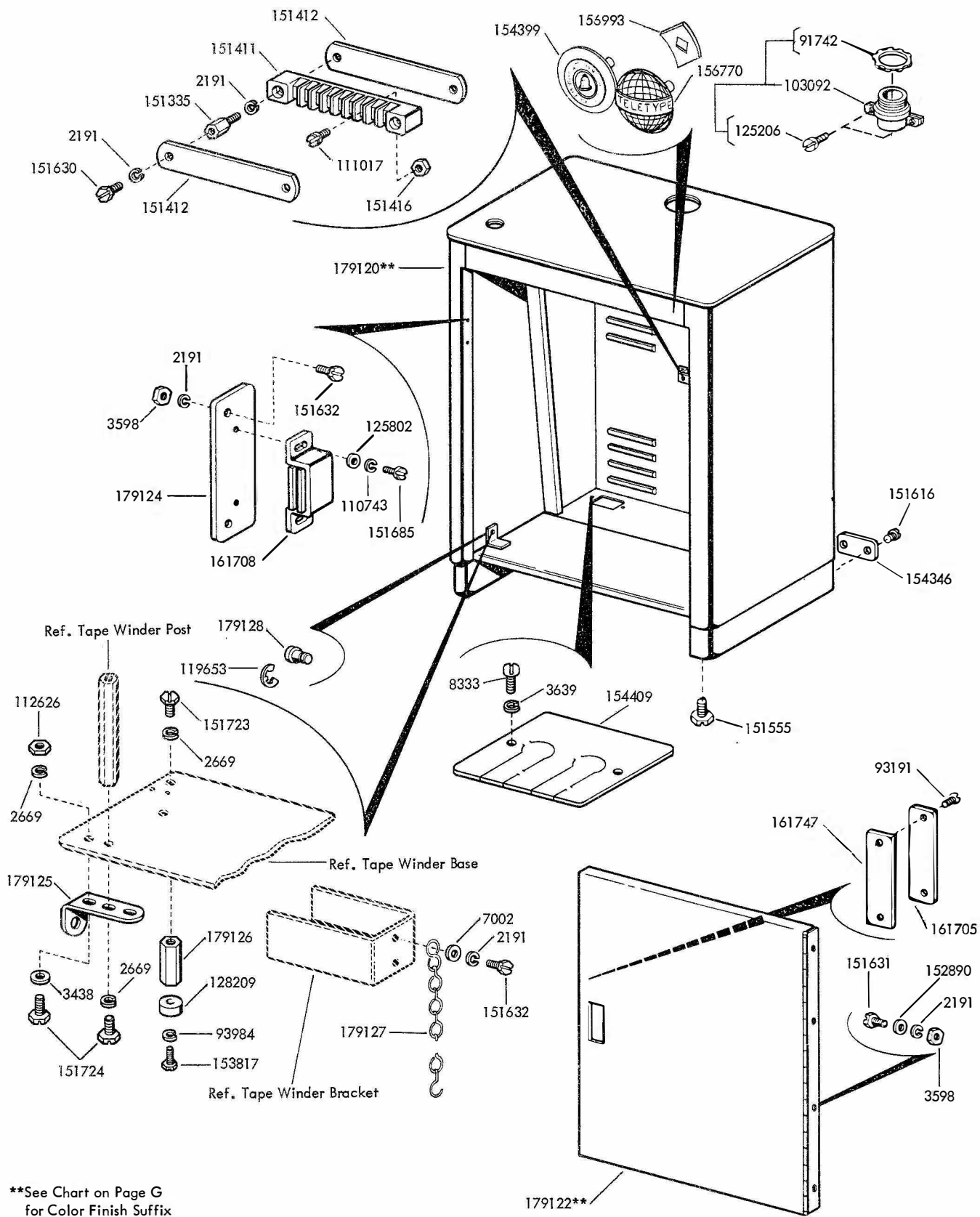


FIGURE 4-17. TABLE ASSEMBLY

**See Chart on Page G for Color Finish Suffix

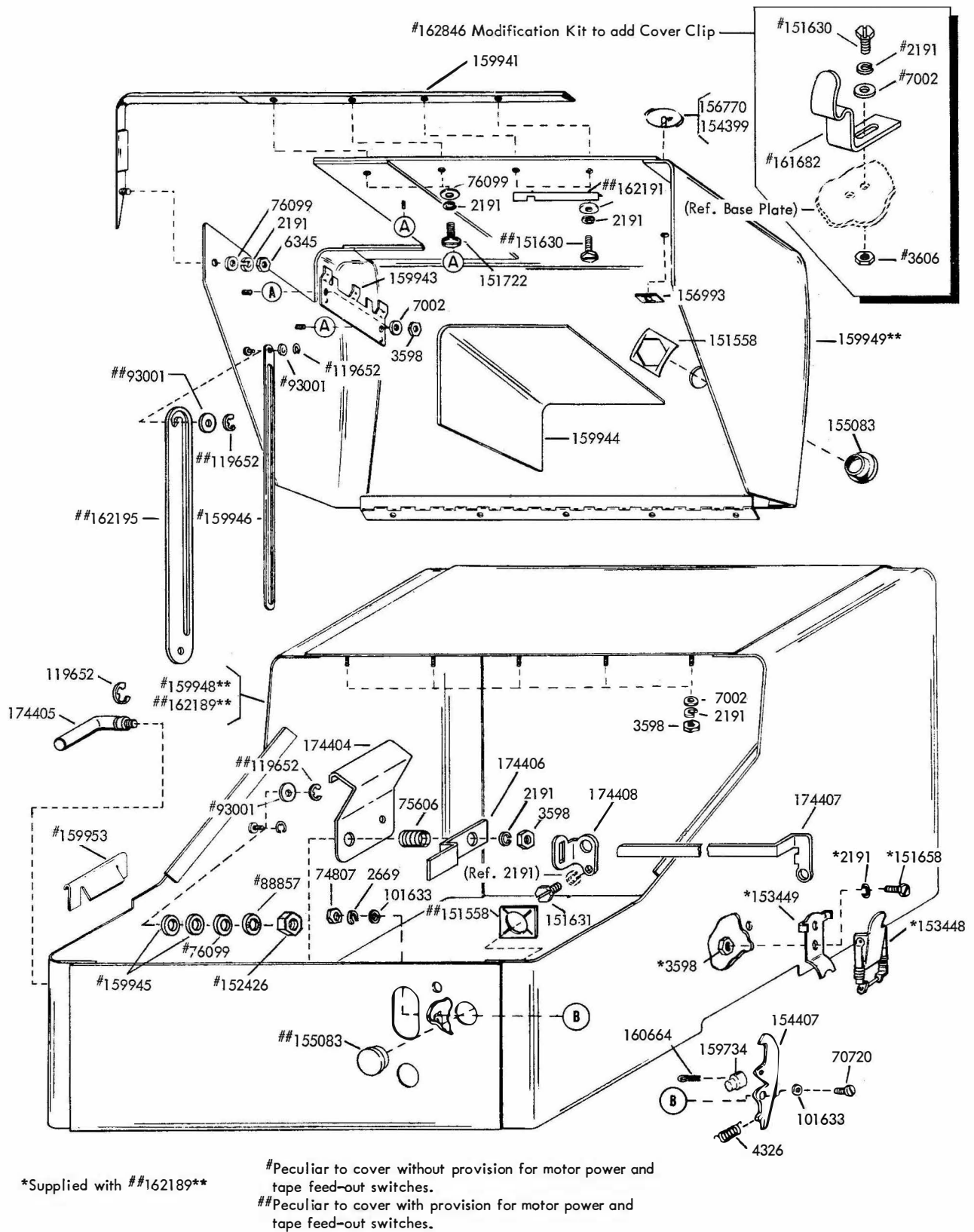
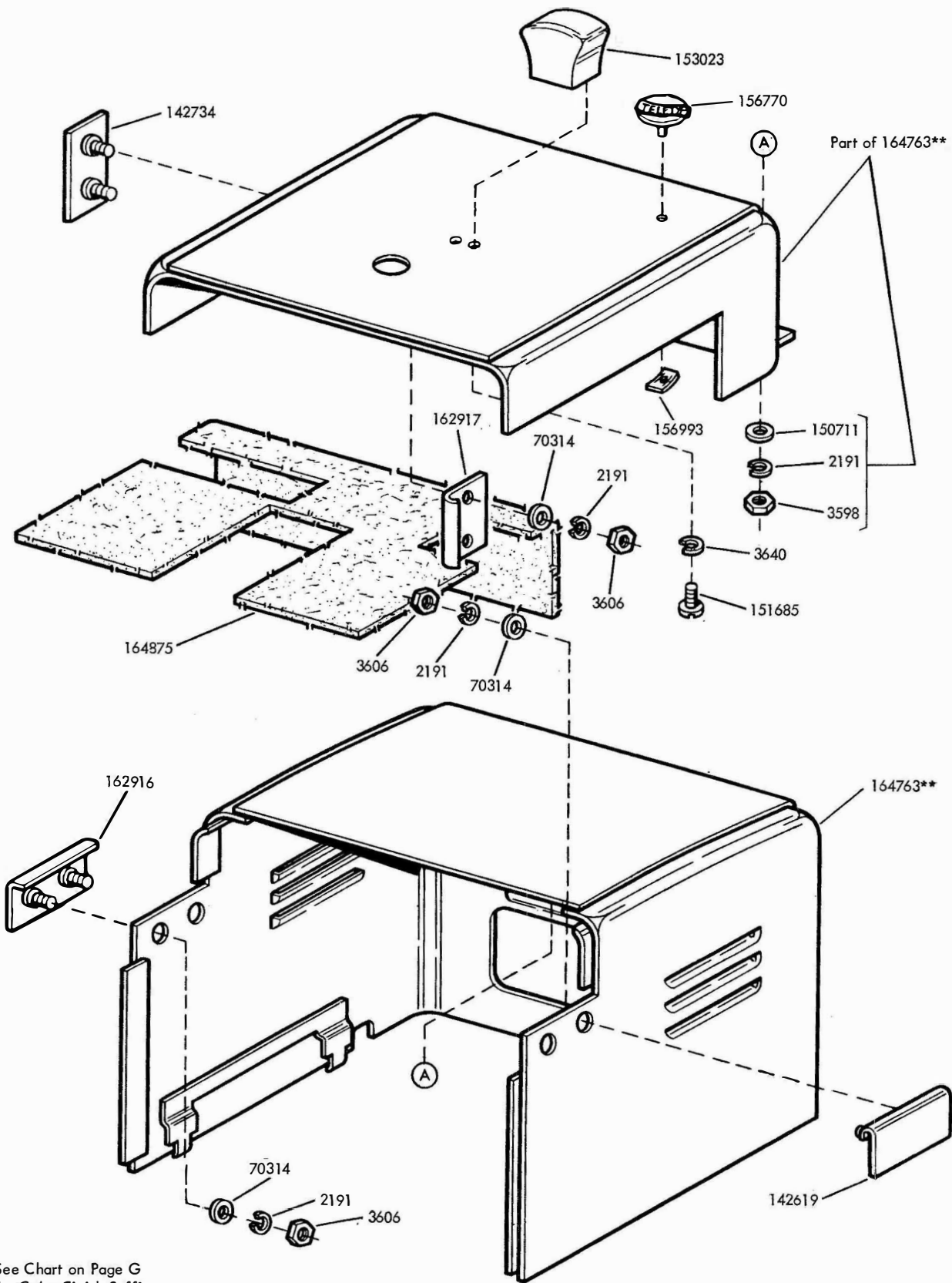


FIGURE 4-18. RECEIVING-ONLY TYPING REPERFORATOR COVER



**See Chart on Page G
for Color Finish Suffix

**FIGURE 4-19. RECEIVING-ONLY NON-TYPING REPERFORATOR COVER
(MINIATURIZED)**

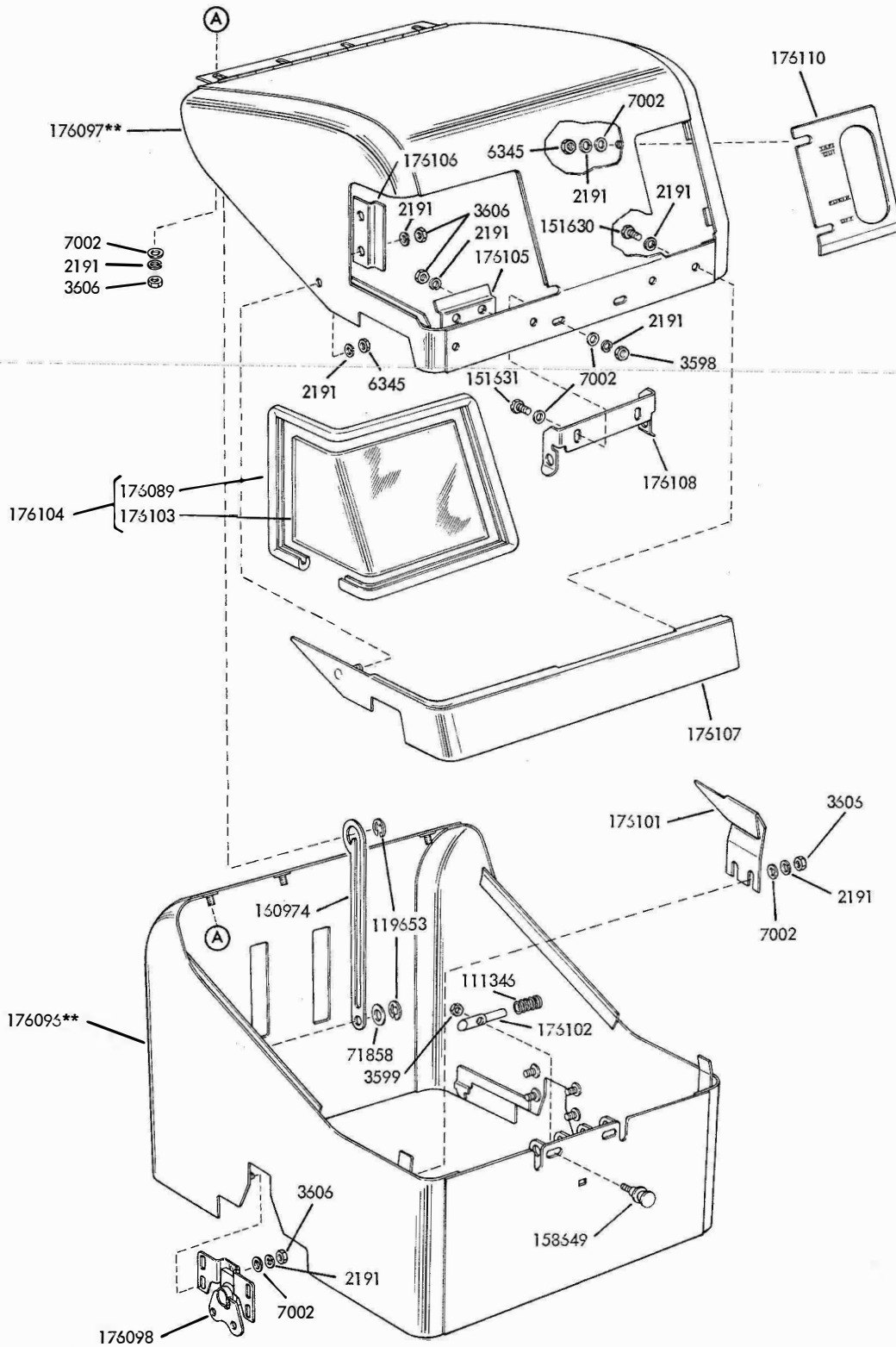


FIGURE 4-20. RECEIVING-ONLY TYPING REPERFORATOR COVER (MINIATURIZED)

**See Chart on Page G for Color Finish Suffix

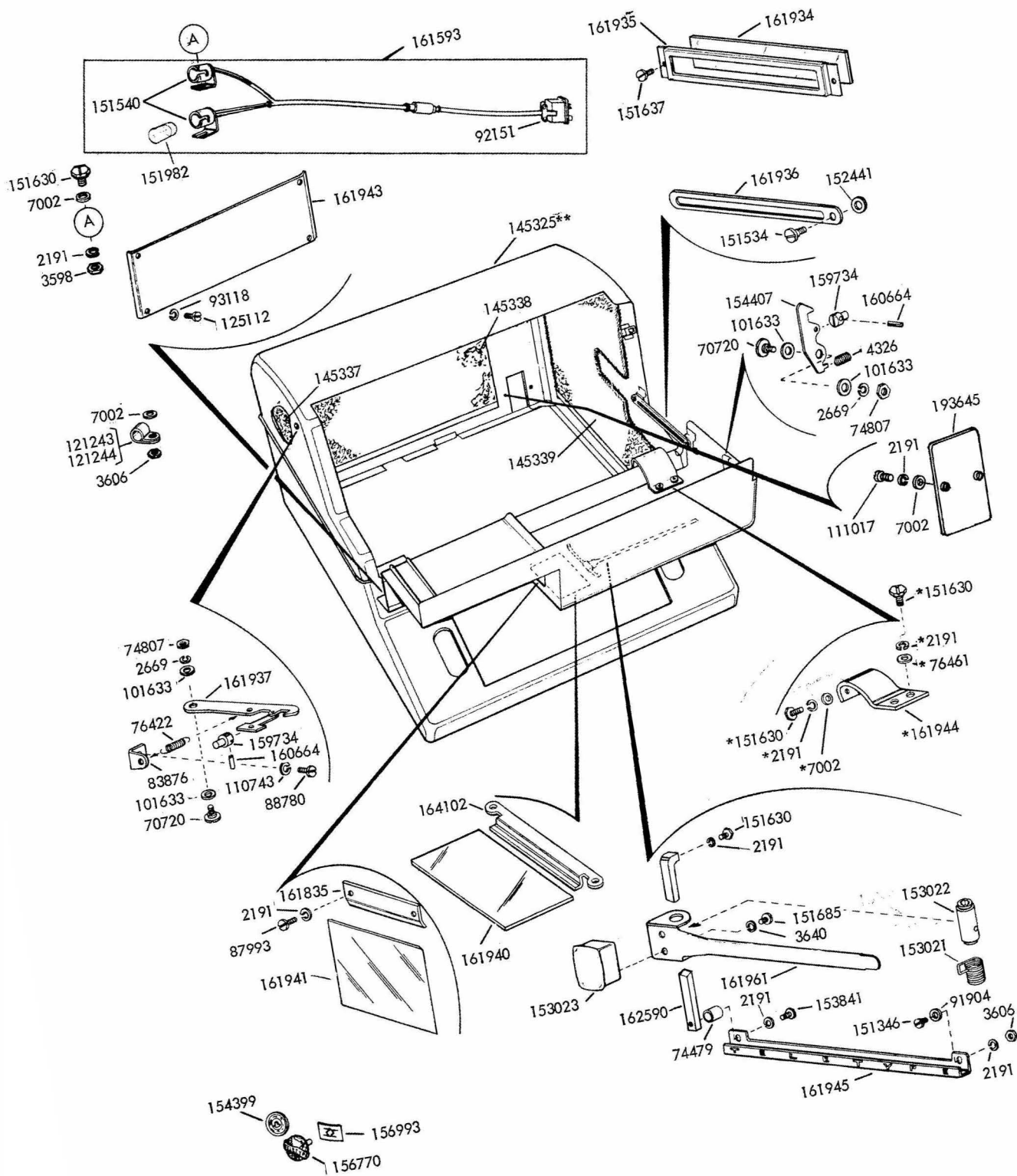


FIGURE 4-21. SEND-RECEIVE COVER

CHANGE 7

NUMERICAL INDEX - SECTION 4

Part Number	Description and Page Number	Part Number	Description and Page Number	Part Number	Description and Page Number
1028	Screw (4-40 x 1/4 Fil) 4-7	93191	Screw (4-40 x 5/16 Flat) 4-2, 4-14, 4-18	150711	Washer, Flat 4-20
1262	Screw (6-32 x 5/16 Rd) 4-11	93984	Washer, Lock 4-18	151335	Stud (6-40) 4-6, 4-7, 4-15 to 4-18
1264	Screw (10-32 x 1/2 Flat) 4-10	99802	Plate 4-7	151346	Screw (6-40 x 3/8 Fil) 4-6, 4-22
2191	Washer, Lock 4-2 to 4-7, 4-11, 4-12, 4-15 to 4-22	99803	Insulator (.094") 4-7	151411	Block, Terminal 4-6, 4-7, 4-15 to 4-18
2259	Washer, Flat 4-11	99804	Insulator (.062") 4-7	151412	Insulator 4-6, 4-7, 4-15 to 4-18
2449	Washer, Lock 4-8, 4-10, 4-12, 4-13	99805	Plunger 4-7	151416	Nut (6-40 Hex) 4-6, 4-7, 4-15 to 4-18
2669	Washer, Lock 4-2, 4-6, 4-8 to 4-12, 4-17 to 4-19, 4-22	99806	Bracket 4-7	151422	Connector, Receptacle (2 Pt) 4-6
2726	Nut (8-32 Hex) 4-11	99807	Spring, Contact 4-7	151534	Cable Assembly 4-22
3354	Nut (8-32 Hex) 4-12	99809	Spring, Contact 4-7	151540	Lampholder 4-22
3438	Washer, Flat 4-18	101633	Washer, Flat 4-19, 4-22	151555	Foot, Mounting 4-15 to 4-18
3595	Nut (1/4-32 Hex) 4-10	101833	Screw (8-32 x 5/16 Fil) 4-6	151558	Nut, Speed 4-19
3598	Nut (6-40 Hex) 4-3 to 4-5, 4-7, 4-12, 4-18 to 4-22	103081	Screw (1/4-20 x 1/2 Fil) 4-13	151606	Screw (10-32 x 1/4 Hex) 4-6
3599	Nut (4-40 Hex) 4-10, 4-21	103092	Connector, Cord 4-15 to 4-18	151616	Screw, Self-Tapping 4-15 to 4-18
3606	Nut (6-40 Hex) 4-6, 4-19 to 4-22	103241	Block, Terminal 4-6, 4-12	151626	Terminal 4-7
3610	Spring 4-10	104463	Screw (4-40 x 1/4 Hex) 4-16, 4-17	151630	Screw (6-40 x 1/4 Hex) 4-2, 4-6, 4-7, 4-15 to 4-19, 4-21, 4-22
3639	Washer, Lock 4-15, 4-18	107393	Switch, Toggle 4-3, 4-4	151631	Screw (6-40 x 5/16 Hex) 4-18 to 4-21
3640	Washer, Lock 4-16, 4-17, 4-20, 4-22	110743	Washer, Lock 4-2, 4-10, 4-13, 4-14, 4-18, 4-22	151632	Screw (6-40 x 3/8 Hex) 4-6, 4-18
3646	Washer, Lock 4-11, 4-12	110822	Screw (10-32 x 13/16 Flat) 4-17	151637	Screw (4-40 x 1/4 Fil) 4-22
4326	Spring 4-19, 4-22	111017	Screw (6-40 x 5/16 Fil) 4-6, 4-7, 4-15 to 4-18, 4-22	151657	Screw (6-40 x 1/4 Fil) 4-6, 4-7, 4-15
4814	Washer, Lock 4-2	111346	Spring 4-21	151685	Screw (4-40 x 5/16 Fil) 4-16 to 4-18, 4-20, 4-22
6035	Screw (1/4-20 x 5/8 Hex) 4-8	112626	Nut (10-32 Hex) 4-2, 4-6, 4-8 to 4-10, 4-12, 4-18	151686	Screw (4-40 x 3/8 Fil) 4-14
6345	Nut (6-32 Hex) 4-19, 4-21	112801	Stud (6-40 Hex) 4-6, 4-12	151687	Screw (4-40 x 7/16 Fil) 4-2, 4-13
6827	Block 4-7	114478	Stud (15/32-32 Hex) 4-3	151693	Screw (6-40 x 9/16 Fil) 4-6
7002	Washer, Flat 4-6, 4-7, 4-12, 4-18, 4-19, 4-21, 4-22	114766	Stud, Oval Head 4-15	151722	Screw (6-40 x 3/16 Hex) 4-19
8185	Screw (1/4-20 x 3/4 Fil) 4-2	114858	Connector, Receptacle (6 Pt) 4-12	151723	Screw (10-32 x 3/8 Hex) 4-8, 4-9, 4-11, 4-12, 4-18
8333	Screw (10-32 x 3/8 Rd) 4-15, 4-18	115594	Nut, Speed (8-32) 4-3 to 4-5, 4-11, 4-13	151724	Screw (10-32 x 5/8 Hex) 4-18
34432	Washer, Flat 4-2, 4-8	116783	Holder, Fuse 4-6, 4-8	151808	Relay 4-6
35551	Screw (10-32 x 3/8 Flat) 4-10, 4-12, 4-17	117743	Roller 4-17	151814	Bracket 4-6
70314	Washer, Flat 4-3 to 4-5, 4-20	118384	Lens, Indicator Light (Clear) 4-3	151819	Jumper (3" Black) 4-7
70720	Screw, Shoulder (10-32) 4-19, 4-22	118865	Cover 4-2	151939	Grommet, Rubber 4-6
71858	Washer, Flat 4-21	119523	Screw (8-32 x 3/4 Rd) 4-12	151982	Lamp, Incandescent (6 Volt) 4-22
74479	Bushing 4-22	119636**	Plug (1" ID) 4-4	152109	Filter Unit 4-7
74594	Ring, Retaining 4-15	119652	Ring, Retaining 4-19	152124	Spacer 4-7
74807	Nut (10-32 Hex) 4-17, 4-19, 4-22	119653	Ring, Retaining 4-18, 4-21	152426	Nut, Self-Locking (6-40) 4-19
75231	Bushing, Insulating 4-7	120166	Fuse (2 Amp) 4-6	152441	Washer, Flat 4-22
75606	Spring 4-19	121021	Screw (8-32 x 1/2 Hex) 4-11	152890	Washer, Flat 4-18
75750	Washer, Insulating 4-6, 4-7	121243	Clamp, Cable (3/16" ID) 4-22	152993	Screw, Shoulder (10-32) 4-2
76099	Washer, Flat 4-11, 4-19	121244	Clamp, Cable (1/4" ID) 4-22	153017	Nut, Lock 4-6, 4-7
76236	Nut (5/16-18 Hex) 4-2	124516	Grommet, Rubber 4-3 to 4-5	153021	Spring 4-22
76422	Spring 4-22	125015	Washer, Flat 4-7, 4-12	153022	Bushing 4-22
76461	Washer, Flat 4-22	125112	Screw (2-56 x 1/8 Fil) 4-22	153023	Handle 4-16, 4-17, 4-20, 4-22
77902	Screw (6-40 x 2-3/8 Rd) 4-6, 4-7	125206	Screw (6-32 x 5/8 Fil) 4-15 to 4-18	153034	Shaft Assembly 4-15
79523	Screw (2-56 x 25/32 Fil) 4-7	125229	Nut (6-32 Hex) 4-11	153035**	Panel 4-15
80509	Post (4-40) 4-10	125302	Pin, Cotter 4-12	153036	Shaft 4-15
81258	Screw (6-40 x 5/8 Flat) 4-7	125802	Washer, Flat 4-2, 4-13, 4-14, 4-18	153037	Spring 4-15 to 4-17
82474	Terminal 4-6	126296	Fuse (.5 Amp) 4-6	153039	Handle 4-15
82516	Spring 4-7	128209	Bumper, Rubber 4-18	153452	Terminal 4-7
82988	Screw (6-40 x 2-1/2 Rd) 4-7	128357	Ring, Retaining 4-15 to 4-17	153463	Block, Terminal 4-7
83876	Bracket, Spring 4-22	129098	Screw (6-40 x 11/32 Flat) 4-6	153464	Block Assembly, Terminal 4-7
86434	Screw (1/4-32 x 3/4 Fil) 4-10	129919	Fuse (4 Amp) 4-6	153480	Resistor (6.750 Ohm) 4-7
87932	Nut (8-32 Hex) 4-11	135038	Screw (6-40 x 9/16 Hex) 4-3 to 4-5	153481	Resistor (5.800 Ohm) 4-7
87993	Screw (6-40 x 5/32 Fil) 4-22	138191	Screw (3-48 x 1" Rd) 4-7	153537	Screw (6-40 x 9/32 Hex) 4-6, 4-12
88780	Screw (4-40 x 3/16 Hex) 4-22	138225	Board, Terminal 4-12	153817	Screw (4-40 x 3/8 Hex) 4-18
88857	Washer, Spring 4-19	139158	Connector, Receptacle (Duplex - 3 Pt) 4-12	153841	Screw (6-40 x 9/16 Hex) 4-22
89548	Spring, Contact 4-7	142619	Guide, Tape 4-20	154311	Chain, Bin Stop (Approx. 40 Links) 4-11
91683	Nut (15/32-32 Hex) 4-3, 4-4	142734	Knife, Tape 4-20	154326	Cover, Insulating 4-12
91684	Nut (15/32-32 Ring) 4-3, 4-4	145325**	Cover 4-22	154342	Bracket, Insulating Cover 4-12
91742	Nut, Lock 4-15 to 4-18	145337	Pad, Left Side 4-22	154346	Plate, Instruction 4-15 to 4-18
91904	Washer, Flat 4-22	145338	Pad, Rear 4-22	154399	Plate, Identification 4-15 to 4-19, 4-22
92146	Nut (1/4-20 Hex) 4-8, 4-10, 4-13	145339	Pad, Right Side 4-22		
92151	Connector, Plug (3 Pt) 4-22				
93001	Washer, Flat 4-19				
93118	Washer, Lock 4-22				

NUMERICAL INDEX - SECTION 4 (Continued)

Part Number	Description and Page Number	Part Number	Description and Page Number	Part Number	Description and Page Number
154407	Latch 4-19, 4-22	161936	Link 4-22	164206	Bracket, Right 4-6, 4-8
154409**	Plate 4-15, 4-18	161937	Latch w/Link 4-22	164209	Rheostat (350 Ohm) 4-6
155023	Switch 4-3	161940	Window, Front 4-22	164210	Plate, Mounting 4-6
155083	Lens, Indicator Light 4-19	161941	Window, Side 4-22	164424	Window 4-2
156770	Plate, Identification 4-15 to 4-20, 4-22	161943	Plate 4-22	164548**	Panel 4-16, 4-17
156993	Nut, Speed 4-15 to 4-20, 4-22	161944	Bracket, Hinge 4-22	164553	Shaft 4-16, 4-17
158286	Transformer 4-6	161945	Copyholder 4-22	164561**	Tray 4-17
158287	Transformer Assembly 4-6	161961	Guide, Line 4-22	164562	Slide, Left (17" Long) 4-17
158291	Cover, Line Shunt Relay 4-6	161986	Cover, Duct 4-13	164563	Slide, Right (17" Long) 4-17
158649	Screw, Thumb (4-40) 4-21	161987	Plate, Duct 4-13	164569**	Table Assembly 4-16
158998	Retainer 4-8, 4-12	161988	Bracket, Mounting 4-3 to 4-5	164570	Shaft Assembly 4-16, 4-17
159232	Screw, Captive (1/4-20) 4-8	161992	Channel, Mounting (L) 4-11	164571**	Table Assembly 4-17
159734	Button 4-19, 4-22	161993	Channel, Mounting (R) 4-11	164751	Box, Junction 4-12
159919**	Table Assembly 4-15	161994	Bracket, Terminal Block 4-12	164752	Plate, Cover 4-12
159941	Handle Assembly 4-19	161995	Bracket, Terminal Block 4-12	164763**	Cover w/Hinge 4-20
159943	Bracket, Window 4-19	161996	Frame, Mounting 4-8	164875	Pad, Felt (9") 4-20
159944	Window 4-19	161997	Frame, Mounting Rack 4-8	165102	Screw (12-24 x 3/8 Rd) 4-6, 4-7
159945	Washer, Friction 4-19	161999**	Modification Kit 4-13	173001	Panel, Blank Control 4-5
159946	Arm 4-19	162003	Channel, Front 4-10	173002	Panel 4-5
159948**	Cover w/Bracket 4-19	162005	Bracket 4-2	173025**	Bin, Tape 4-2
159949**	Lid w/Hinge 4-19	162006	Bracket 4-8	173381**	Door, Left 4-2
159953	Plate, Tape Guide 4-19	162009**	Divider, Tape Bin 4-11	173382**	Door, Right 4-2
160284	Resistor (5,500 Ohm) 4-7	162070	Plate, Mounting 4-6	173861	Dolly 4-16
160386	Resistor (1,000 Ohm) 4-6	162189**	Cover w/Latch 4-19	174404	Guide, Tape 4-19
160664	Pin, Roll 4-19, 4-22	162191	Bracket, Guide 4-19	174405	Handle 4-19
160974	Arm, Stop 4-21	162195	Arm 4-19	174406	Arm 4-19
161087	Insulator 4-6, 4-12	162357	Capacitor (500 mfd) 4-6	174407	Lever 4-19
161215	Lamp (1/4W - 110V) 4-3	162358	Diode (1N1489) 4-6	174408	Guide 4-19
161239	Connector, Plug (36 Pt) 4-12	162359	Transformer, Power 4-6	174456	Plate, Nut 4-2
161525	Connector, Plug (14 Pt) 4-12	162360	Fusetron (.8 Amp) 4-6	174457	Modification Kit to Provide External Manual Tape Feed-Out 4-19
161593	Cable Assembly 4-22	162590	Shaft 4-22	176089	Gasket 4-21
161682	Clip, Cover 4-19	162670	Light, Pilot (Red) 4-3, 4-4	176096**	Cover w/Studs 4-21
161703**	Cover, Top 4-2	162671	Light, Pilot (Amber) 4-4	176097**	Lid 4-21
161705	Strike, Fastener 4-2, 4-14, 4-18	162672	Plate, Relay 4-7	176098	Fastener 4-21
161706**	Door, Rear (R) 4-14	162673	Cable Assembly 4-12	176101	Guide, Tape 4-21
161707**	Door, Rear (L) 4-14	162674	Cable Assembly 4-12	176102	Bolt 4-21
161708	Latch, Magnetic 4-2, 4-13, 4-14, 4-16 to 4-18	162678	Contact Assembly, Line Shunt 4-7	176103	Window 4-21
161710	Channel, Left 4-10	162680	Switch, Push 4-3	176104	Window Assembly 4-21
161711	Block, Guide 4-10	162683	Lamp, Incandescent (6W - 6V Clear) 4-3, 4-4	176105	Bracket 4-21
161712	Latch, Lever 4-10	162692	Pin 4-12	176106	Bracket 4-21
161713	Bushing, Shoulder 4-10	162730	Screw (1/4-20 x 7/16 Hex) 4-2, 4-8, 4-10, 4-12	176107	Handle 4-21
161715	Channel, Right 4-10	162739	Bracket, Terminal Block 4-12	176108	Bracket 4-21
161716	Block, Support 4-10	162846	Modification Kit to Provide Cover Clip 4-19	176110	Plate, Identification 4-21
161718**	Shelf 4-11	162865	Spacer 4-7	176263	Strip 4-9
161719**	Bin, Tape 4-11	162916	Guide, Lower 4-20	176492**	Door, Right 4-2
161722	Panel, Control 4-4	162917	Guide, Upper 4-20	176493**	Door, Left 4-2
161731	Plate, Cover 4-13	163163	Pad 4-2	176494	Window 4-2
161740**	Door, Left 4-2	163279	Bracket, Mounting 4-7	176499	Bracket, Mounting 4-9
161741**	Door, Left 4-2	163306	Cable Assembly 4-6	178363	Post (6-40) 4-7
161742**	Door, Right 4-2	163442	Cable Assembly 6-6	179120**	Table Assembly 4-18
161744**	Door, Right 4-2	163958	Washer, Flat 4-11	179122**	Door w/Hinge 4-18
161747	Plate, Nut 4-2, 4-13, 4-14, 4-18	163972	Strip, Fuse Mounting 4-8	179124	Plate, Latch Mounting 4-18
161748	Screw (5/16-18 x 5/8 Flat) 4-2	163973	Plate, Nut 4-10, 4-11	179125	Bracket, Mounting 4-18
161752	Channel, Duct 4-13	164102	Bracket, Window 4-22	179126	Post 4-18
161753**	Panel, Side (L) 4-13	164178	Panel, Control 4-3	179127	Chain (Approx. 15" lg) 4-18
161754**	Panel, Side (R) 4-13	164182	Panel, Control 4-3	179128	Stud 4-18
161835	Plate, Clamp 4-22	164187	Panel, Control 4-4	179179	Bracket 4-2
161909	Socket, Lamp 4-3	164188	Plate, Control 4-6	193645	Plate, Cover 4-22
161934	Window 4-22	164189	Bracket, Left 4-8	193855**	Cover w/Clips 4-2
161935	Frame, Window 4-22			194431**	Tray 4-17
				194432**	Panel 4-17
				194433**	Table Assembly 4-17

SECTION 5

ELECTRICAL SERVICE UNIT (LESU)

See Figure 5-7 for early design signal bell parts

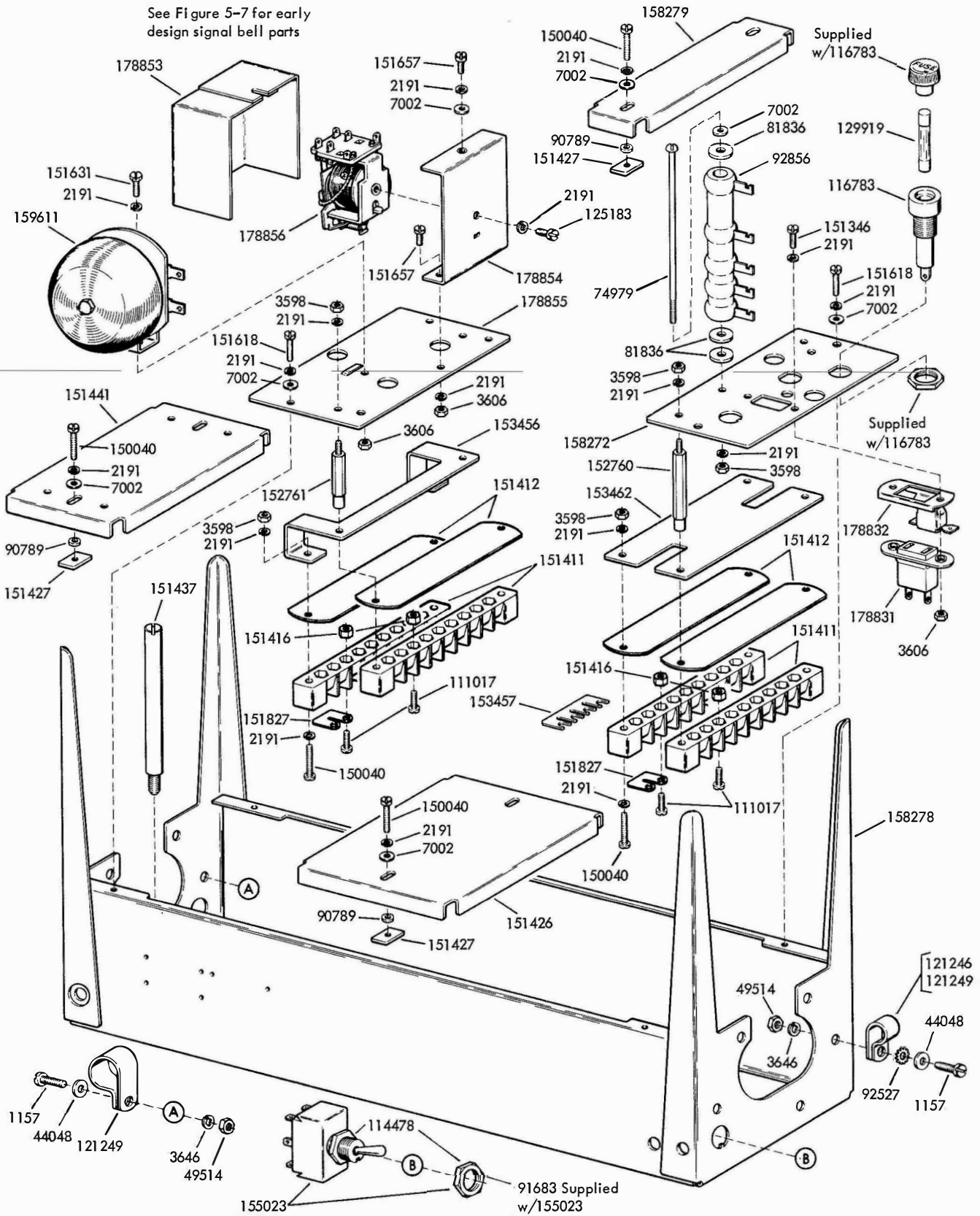


FIGURE 5-1. ELECTRICAL SERVICE UNIT (LESU)

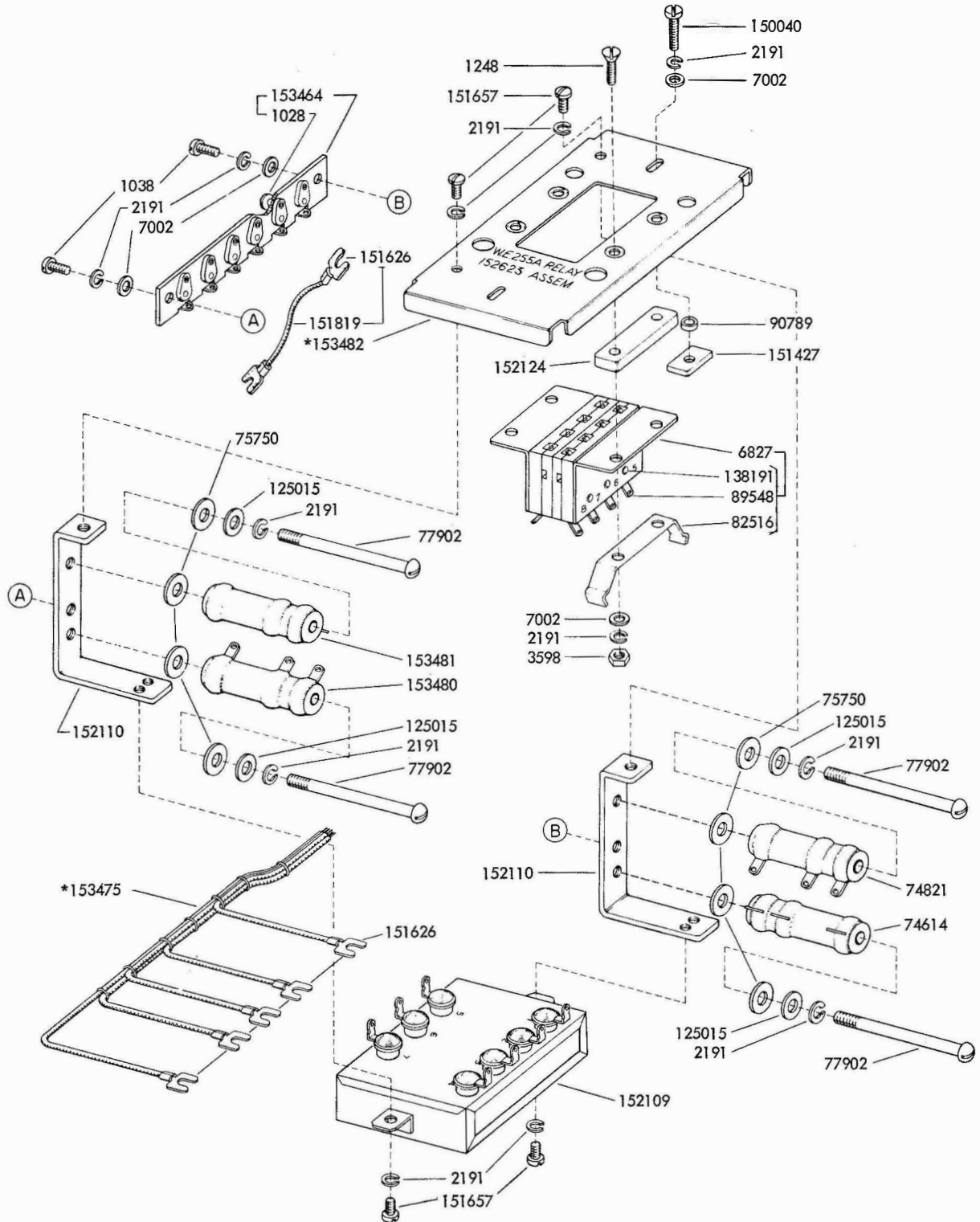


FIGURE 5-2. 152623 LINE RELAY MOUNTING ASSEMBLY

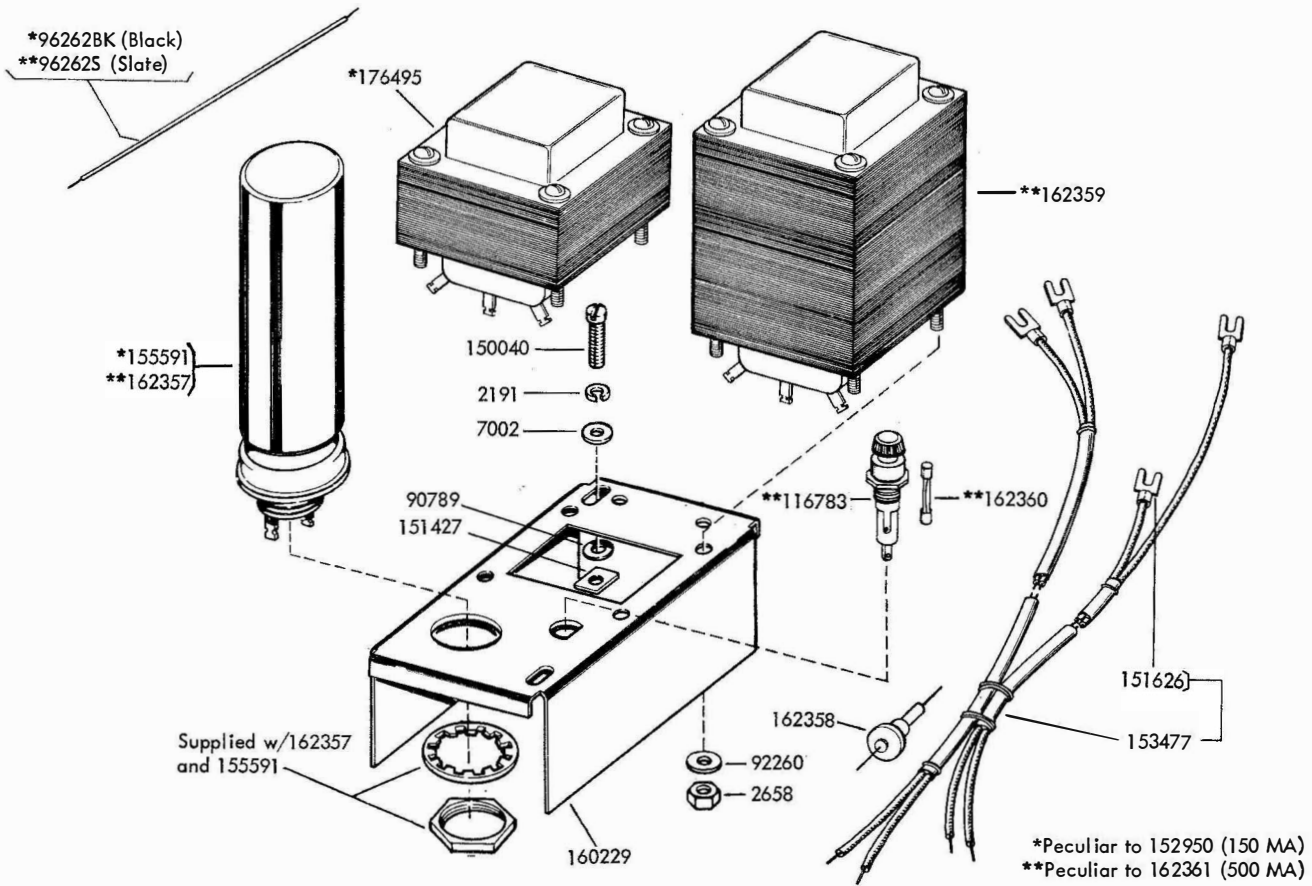
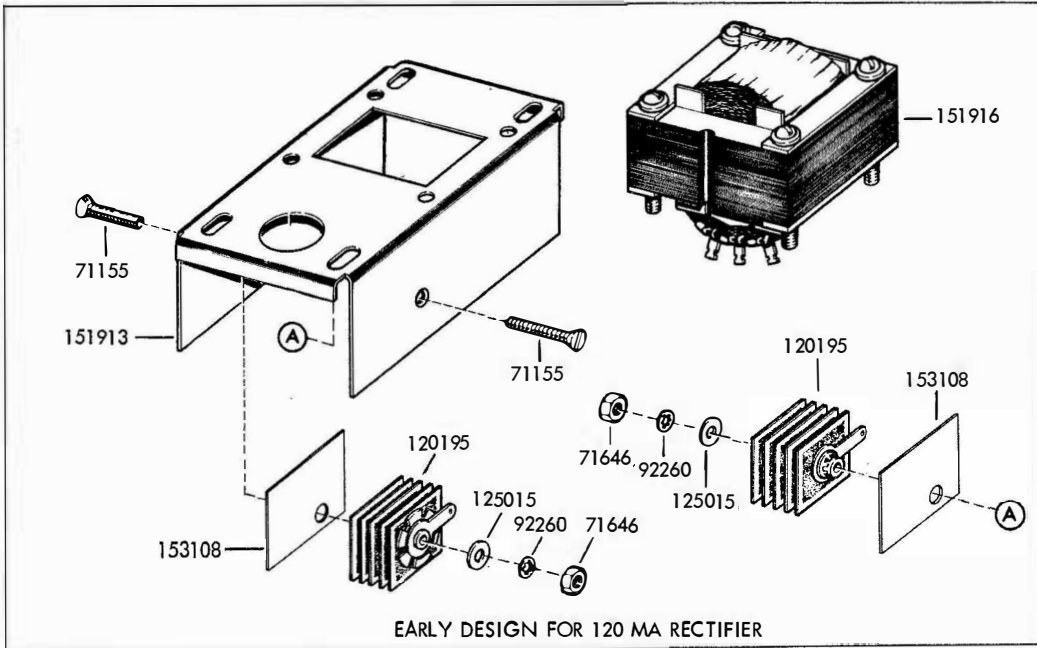


FIGURE 5-3. 152950 AND 162361 RECTIFIER ASSEMBLIES

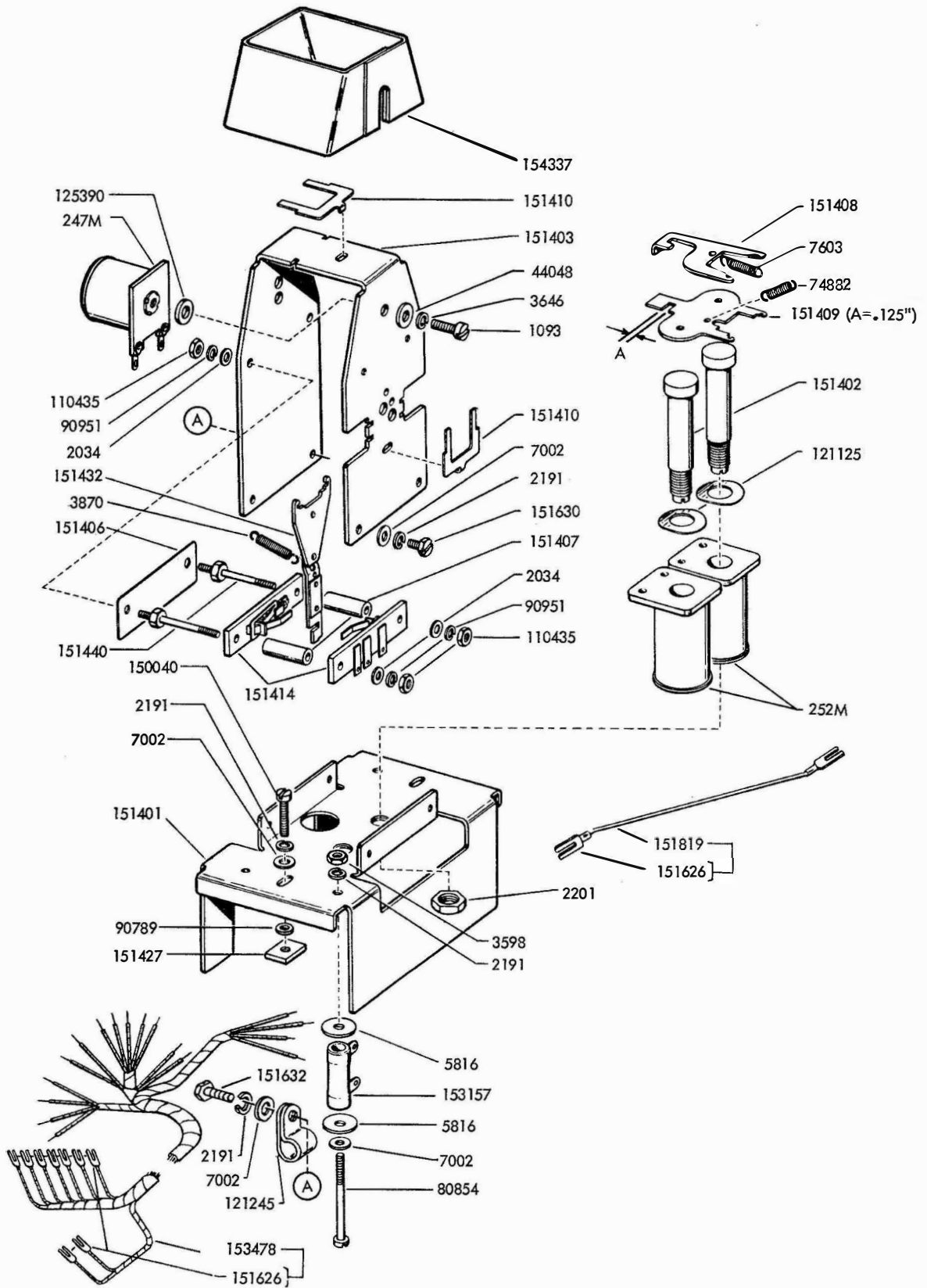


FIGURE 5-4. 153251 ELECTRICAL MOTOR CONTROL ASSEMBLY

1167B

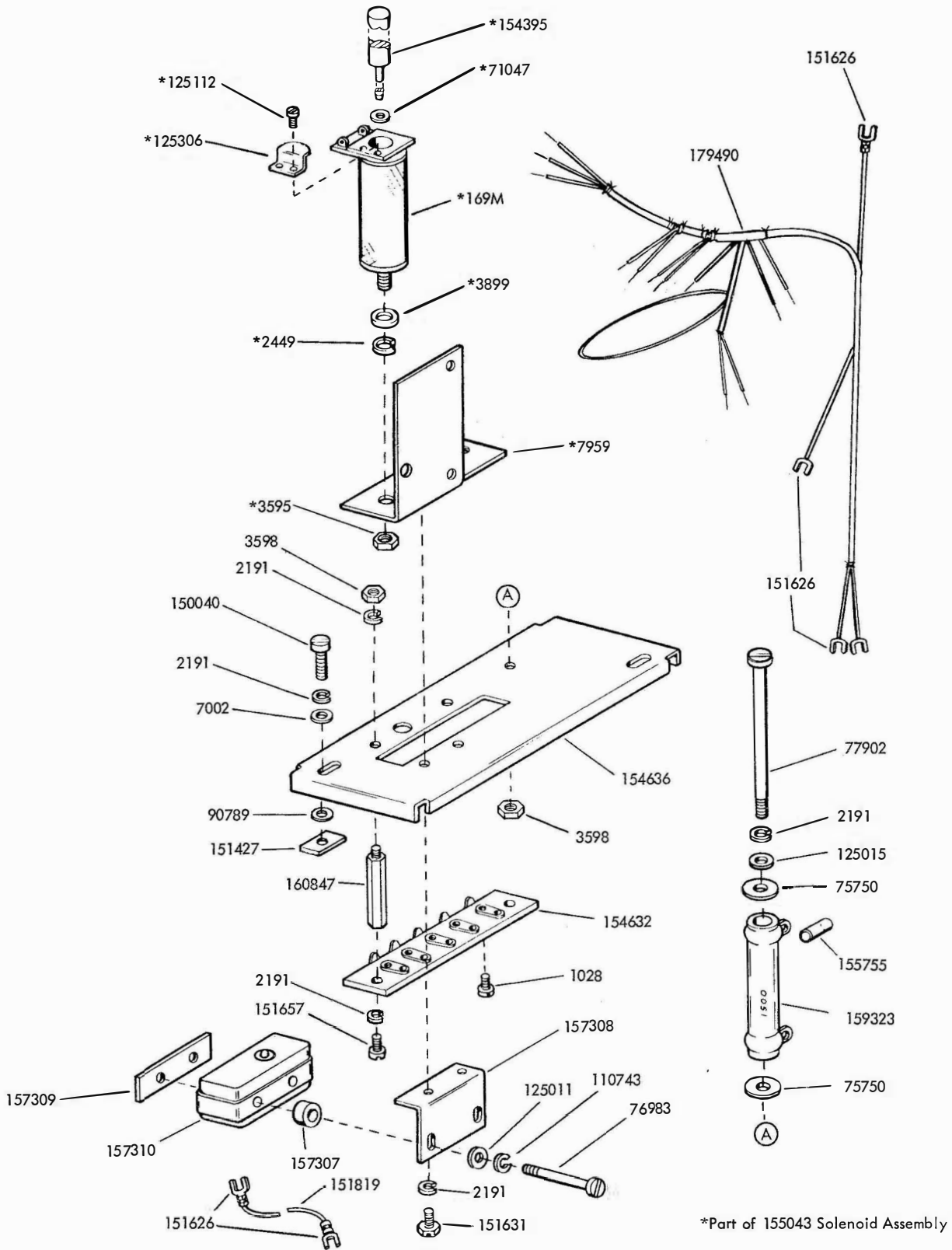


FIGURE 5-5. 176448 RELAY MOTOR CONTROL ASSEMBLY

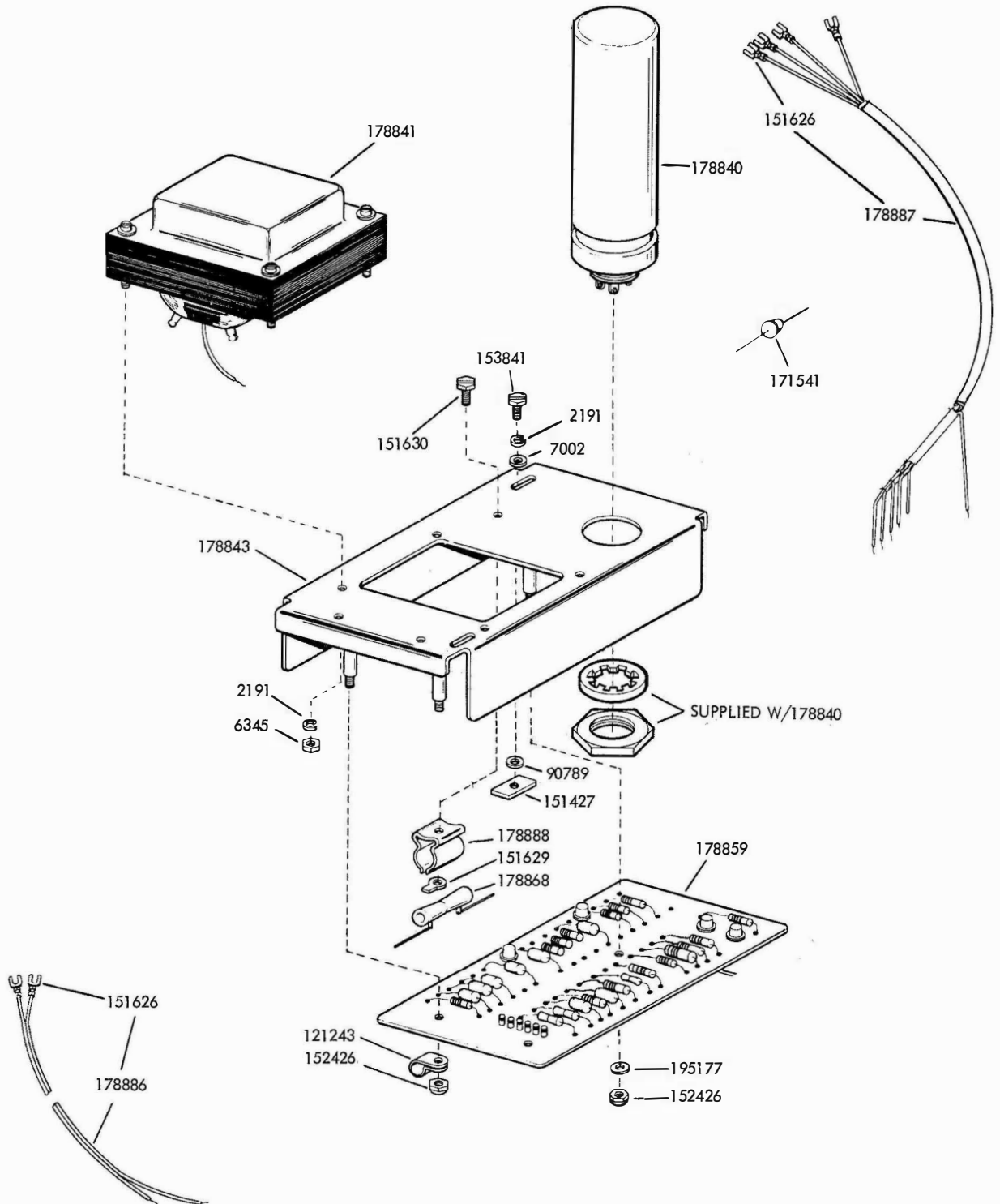
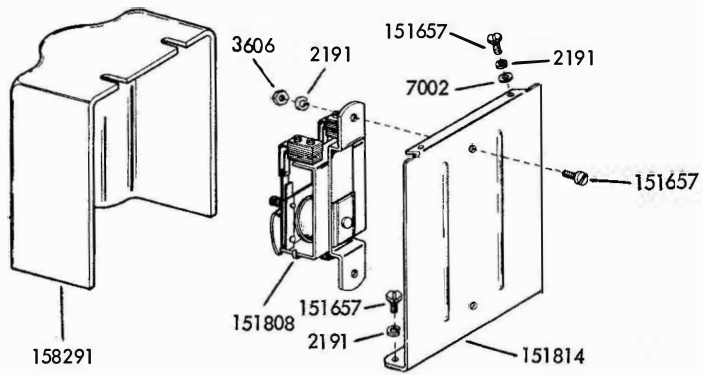


FIGURE 5-6. 177010 SELECTOR MAGNET DRIVER ASSEMBLY



Early design signal bell parts

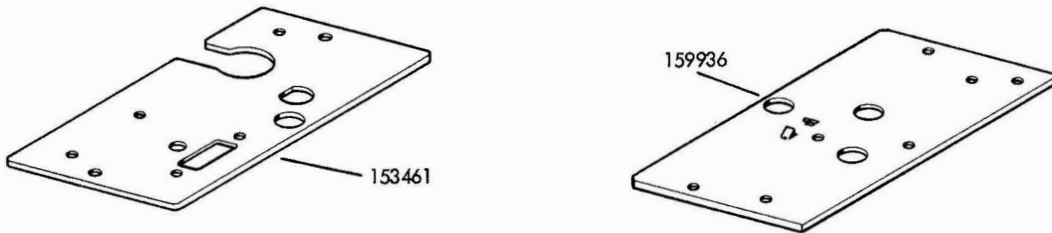


FIGURE 5-7. EARLY DESIGN LESU PARTS

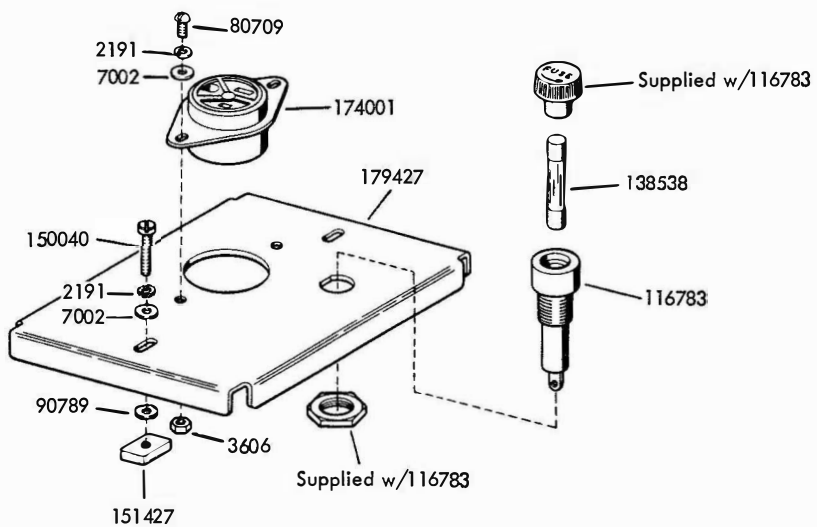


FIGURE 5-8. 179426 PLATE ASSEMBLY

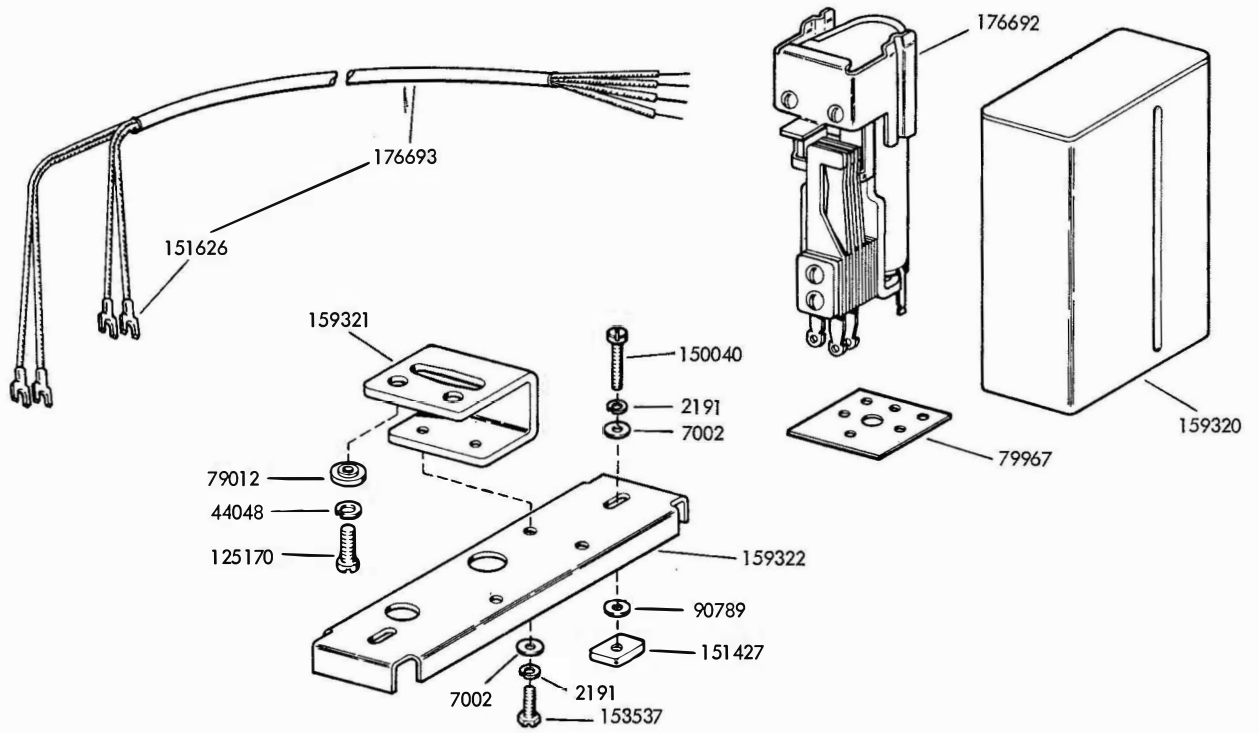


FIGURE 5-9. 176694 MOTOR CONTROL ASSEMBLY

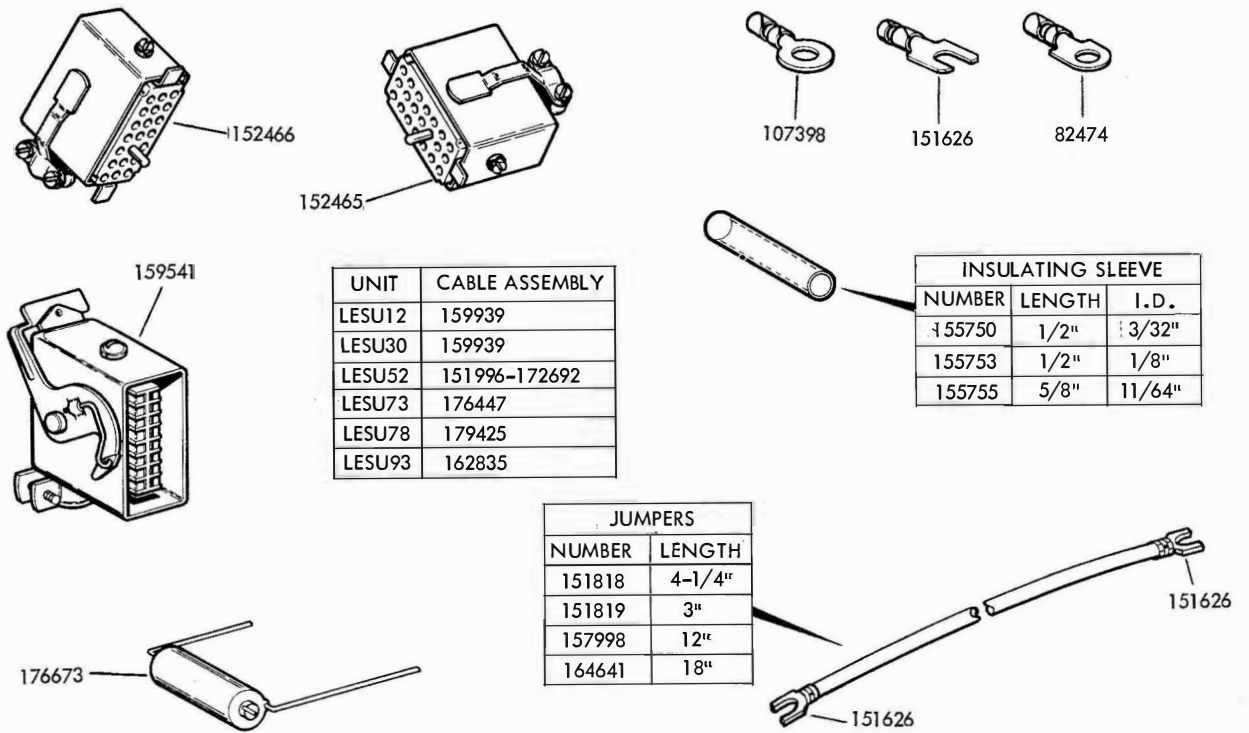


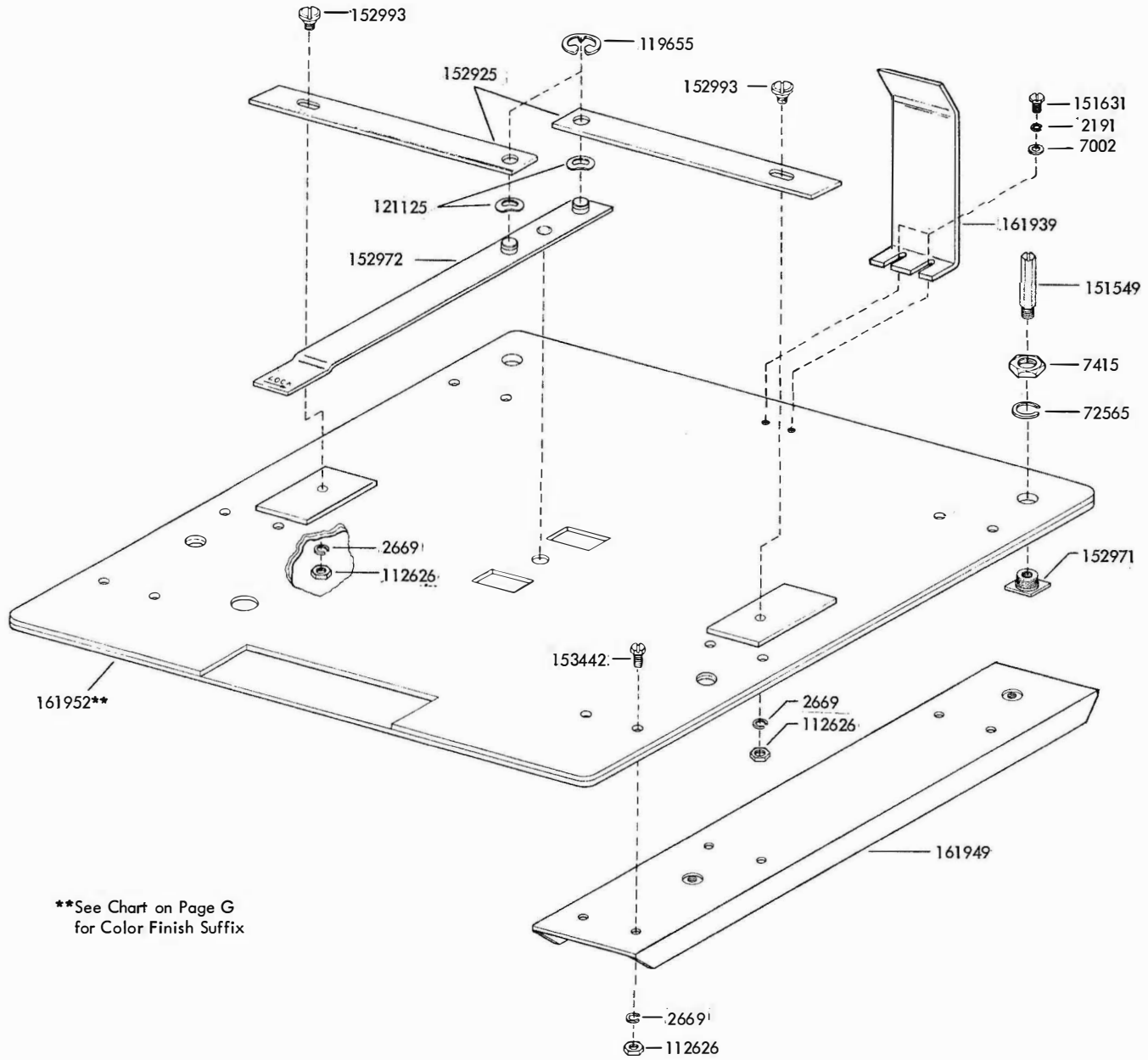
FIGURE 5-10. CABLES

Part Number	Description and Page Number	Part Number	Description and Page Number	Part Number	Description and Page Number
169M	Coil, Magnet 5-6	125306	Stop, Magnet Plunger 5-6	154395	Plunger, Solenoid 5-6
247M	Coil, Magnet 5-5	125390	Washer, Flat 5-5	154632	Block, Terminal 5-6
252M	Coil, Magnet 5-5	129919	Fuse (4 Amp) 5-2	154636	Plate 5-6
1028	Screw (4-40 x 1/4 Fil) 5-3,5-6	138191	Screw (3-48 x 1 Rd) 5-3	155023	Switch, Toggle 5-2
1038	Screw (6-40 x 9/32 Fil) 5-3	138538	Fuse, Slow Blow (2 Amp) 5-8	155043	Solenoid Assembly
1093	Screw (8-32 x 7/16 Fil) 5-5	150040	Screw (6-40 x 5/8 Fil) 5-2 to 5-6, 5-8,5-9	155591	Capacitor (220 mfd) 5-4,5-6
1157	Screw (8-32 x 1/2 Fil) 5-2			155750	Sleeve, Insulating (3/32 ID x 1/2 Lg) 5-9
1248	Screw (6-40 x 1/2 Flat) 5-3	151346	Screw (6-40 x 3/8 Fil) 5-2	155753	Sleeve, Insulating (1/8 ID x 1/2 Lg) 5-9
2034	Washer, Flat 5-5	151401	Base 5-5		
2191	Washer, Lock 5-2 to 5-9	151402	Core 5-5	155755	Sleeve, Insulating (11/64 ID x 5/8 Lg) 5-6,5-9
2201	Nut (5/16-32 Hex) 5-5	151403	Frame 5-5	157307	Spacer 5-6
2449	Washer, Lock 5-6	151406	Plate, Insulating 5-5	157308	Bracket 5-6
2658	Nut (6-32 Hex) 5-4	151407	Collar, Spacing 5-5	157309	Plate, Nut 5-6
3595	Nut (1/4-32 Hex) 5-6	151408	Lever 5-5	157310	Switch, Sensitive 5-6
3598	Nut (6-40 Hex) 5-2,5-3,5-5,5-6	151409	Armature 5-5	157998	Jumper (12" Black) 5-9
3606	Nut (6-40 Hex) 5-2,5-8	151410	Clip, Retaining 5-5	158272	Plate, Mounting (Right) 5-2
3646	Washer, Lock 5-2,5-5	151411	Block, Terminal 5-2	158278	Container 5-2
3870	Spring 5-5	151412	Insulator 5-2	158279	Plate, Blank (1-5/16" Wide) 5-2
3899	Spacer 5-6	151414	Switch, Sensitive 5-5	158291	Cover, Relay 5-8
5816	Washer, Flat 5-5	151416	Nut (6-40 Hex) 5-2	159320	Cover, Relay 5-9
6345	Nut (6-32 Hex) 5-7	151426	Plate, Blank (3-3/4" Wide) 5-2	159321	Bracket, Relay 5-9
6827	Block, Connecting 5-3	151427	Plate, Clamp 5-2 to 5-9	159322	Plate, Relay 5-9
7002	Washer, Flat 5-2 to 5-9	151432	Armature Assembly 5-5	159323	Resistor (1500 Ohm) 5-6
7603	Spring 5-5	151437	Stud (1/4-20) 5-2	159541	Connector, Plug (16 Pt) 5-9
7959	Bracket, Magnet 5-6	151440	Stud (4-40) 5-5	159611	Bell Assembly 5-2
44048	Washer, Flat 5-2,5-5,5-9	151441	Plate, Blank (2-3/4" Wide) 5-2	159936	Plate, Mounting (Left) 5-8
49514	Nut (8-32 Hex) 5-2	151618	Screw (6-40 x 7/16 Fil) 5-2	159939	Cable Assembly 5-9
71047	Washer, Flat 5-6	151626	Terminal 5-3 to 5-7,5-9	160229	Plate, Mounting 5-4
71155	Screw (6-32 x 1/4 Flat) 5-4	151629	Nut (6-40 Spl) 5-7	160847	Stud (6-40) 5-6
71646	Nut (6-32 Hex) 5-4	151630	Screw (6-40 x 1/4 Hex) 5-5,5-7	162357	Capacitor (500 mfd) 5-4
74614	Resistor (2600 Ohm) 5-3	151631	Screw (6-40 x 5/16 Hex) 5-2,5-6	162358	Diode (1N1489) 5-4
74821	Resistor (2810 Ohm) 5-3	151632	Screw (6-40 x 3/8 Hex) 5-5	162359	Transformer 5-4
74882	Spring 5-5	151657	Screw (6-40 x 1/4 Fil) 5-2,5-3, 5-6,5-8	162360	Fuse (8/10 Amp) 5-4
74979	Screw (6-32 x 3-3/4 Rd) 5-2			162361	Rectifier Assembly (500 MA) 5-4
75750	Washer, Insulating 5-3,5-6	151808	Relay 5-8	162835	Cable Assembly 5-9
76983	Screw (4-40 x 1-1/4 Fil) 5-6	151814	Bracket, Relay Mounting 5-8	164641	Jumper (18" Black) 5-9
77902	Screw (6-40 x 2-3/8 Rd) 5-3,5-6	151818	Jumper (4-1/4" Black) 5-9	171541	Diode (1N1693) 5-7
79012	Bushing, Insulating 5-9	151819	Jumper (3" Black) 5-3,5-5,5-6,5-9	172692	Cable Assembly 5-9
79967	Insulator 5-9	151827	Strap, Terminal 5-2	174001	Connector, Receptacle (3 Pt) 5-8
80709	Screw (6-40 x 1/4 Rd) 5-8	151913	Plate, Mounting 5-4	176447	Cable Assembly 5-9
80854	Screw (6-40 x 1-7/16 Fil) 5-5	151916	Transformer 5-4	176448	Control Assembly, Motor 5-6
81836	Washer, Insulating 5-2	151996	Cable Assembly 5-9	176495	Transformer 5-4
82474	Terminal 5-9	152109	Filter 5-3	176673	Suppressor, Spark 5-9
82516	Spring, Retaining 5-3	152110	Bracket, Resistor Mounting 5-3	176692	Relay 5-9
89548	Spring, Contact 5-3	152124	Spacer, Connecting Block 5-3	176693	Cable 5-9
90789	Washer, Flat 5-2 to 5-9	152426	Nut, Self-Locking (6-40) 5-7	176694	Control Assembly, Motor 5-9
90951	Washer, Lock 5-5	152465	Connector, Receptacle (21 Pt) 5-9	177010	Driver Assembly 5-7
92260	Washer, Lock 5-4	152466	Connector, Receptacle (21 Pt) 5-9	178831	Connector, Receptacle (2 Pt) 5-2
92626BK	Strap (4" Black) 5-4	152623	Mounting Assembly 5-3	178832	Plate, Adapter 5-2
92626S	Strap (4" Slate) 5-4	152760	Stud (1-15/16" Lg) 5-2	178840	Capacitor (400 mfd) 5-7
92527	Washer, Lock 5-2	152761	Stud (1-3/8" Lg) 5-2	178841	Transformer 5-7
92856	Resistor (1500 Ohm) 5-2	152950	Rectifier Assembly (150 MA) 5-4	178843	Plate, Mounting 5-7
107398	Terminal 5-9	153108	Insulator 5-4	178853	Cover, Relay 5-2
110435	Nut (4-40 Hex) 5-5	153157	Resistor (400 Ohm) 5-5	178854	Bracket, Relay 5-2
110743	Washer, Lock 5-6	153251	Control Assembly, Motor 5-5	178855	Plate, Left 5-2
111017	Screw (6-40 x 5/16 Fil) 5-2	153456	Bracket 5-2	178856	Relay 5-2
116783	Holder, Fuse 5-2,5-4,5-8	153457	Strap, Terminal 5-2	178859	Card, Circuit 5-7
120195	Rectifier 5-4	153461	Plate, Mounting (Right) 5-8	178868	Resistor (700 Ohm) 5-7
121125	Washer, Spring 5-5	153462	Plate 5-2	178886	Cable Assembly 5-7
121243	Clamp, Cable (3/16" ID) 5-6	153464	Block, Terminal 5-3	178887	Cable Assembly 5-7
121245	Clamp, Cable (5/16" ID) 5-5	153475	Cable Assembly 5-3	178988	Clip 5-7
121246	Clamp, Cable (3/8" ID) 5-2	153477	Cable Assembly 5-4	179425	Cable Assembly 5-9
121249	Clamp, Cable (5/8" ID) 5-2	153478	Cable Assembly, Motor Control 5-5	179426	Plate 5-8
125011	Washer, Flat 5-6	153481	Resistor (5800 Ohm) 5-3	179427	Plate, Cover
125015	Washer, Flat 5-3,5-4,5-6	153482	Plate, Relay 5-3	179490	Cable Assembly
125112	Screw (2-56 x 1/8 Fil) 5-6	153537	Screw (6-40 x 9/32 Hex) 5-9	195177	Washer, Insulating 5-7
125170	Screw (8-32 x 5/16 Fil) 5-9	153841	Screw (6-40 x 9/16 Hex) 5-7		
125183	Screw (6-32 x 5/16 Fil) 5-2	154337	Cover 5-5		

SECTION 6

SEND-RECEIVE KEYBOARD BASE (LTPK AND LTRK) AND VARIABLE FEATURES

FIGURE 6-1. SUB-BASE



**See Chart on Page G for Color Finish Suffix

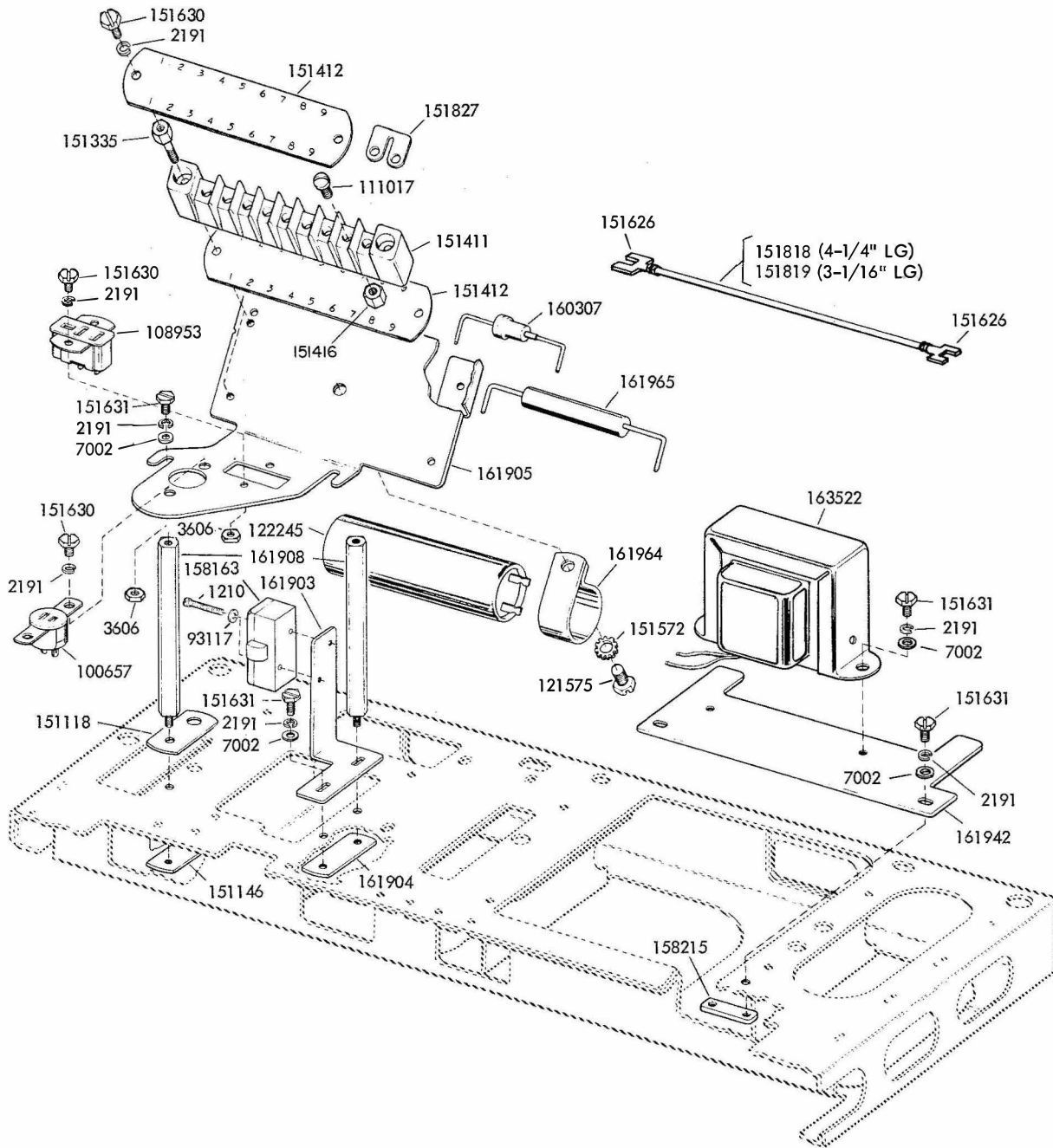
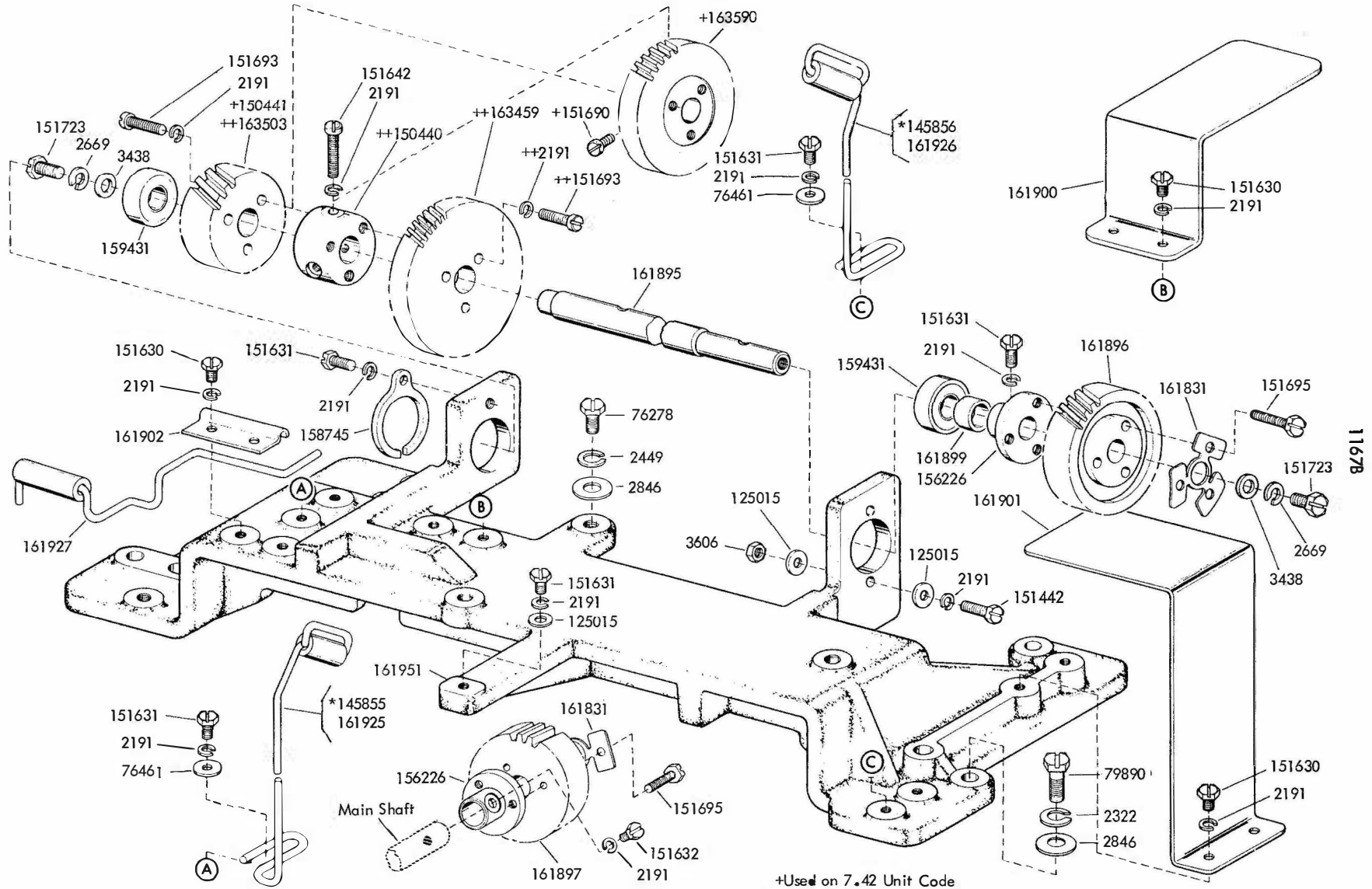


FIGURE 6-3. BRACKET ASSEMBLY

FIGURE 6-4. CASTING ASSEMBLY

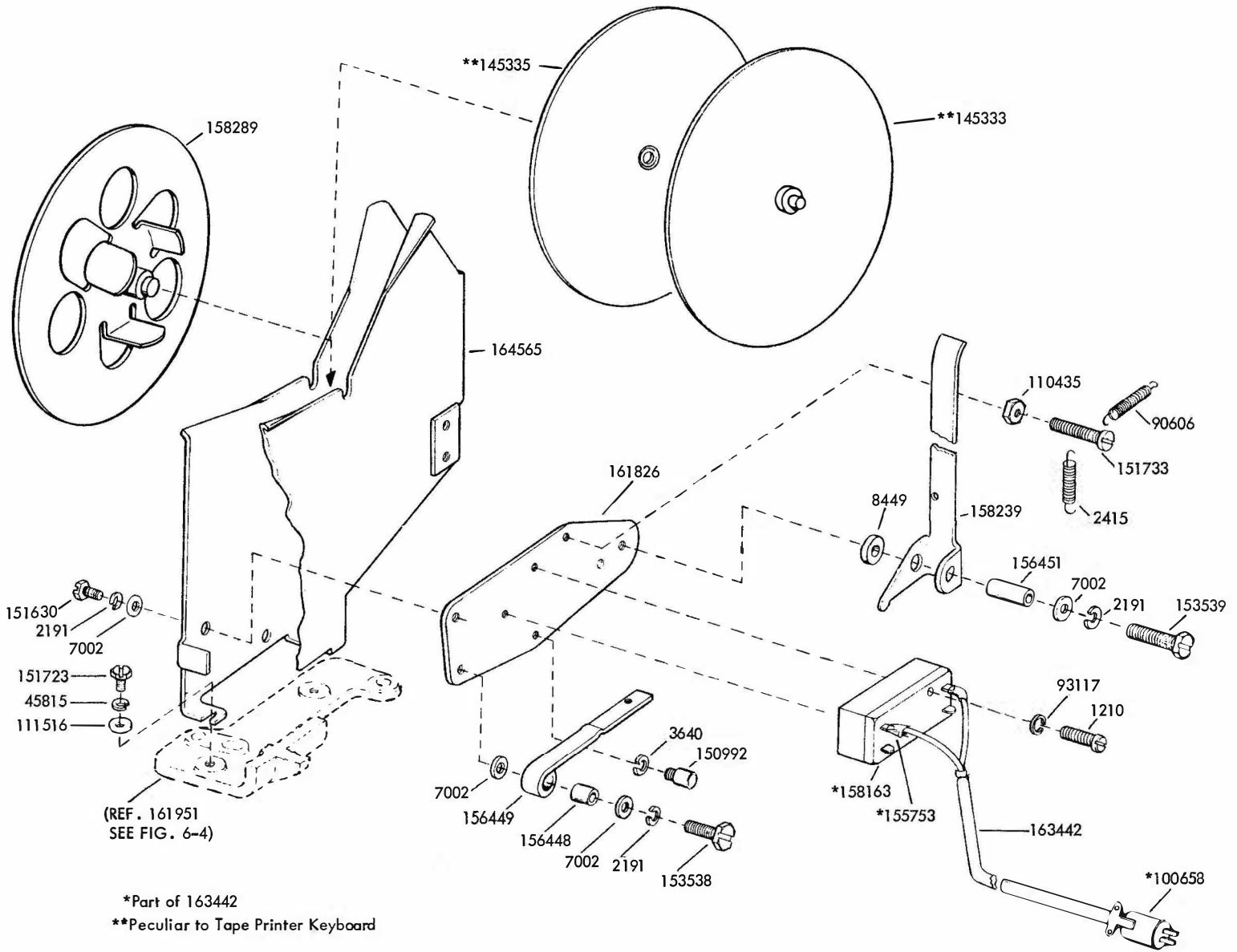


11678

+Used on 7.42 Unit Code
++Used on 7.00 Unit Code

*Peculiar to Tape Printer Keyboard

FIGURE 6-5. TAPE CONTAINER ASSEMBLY



1167B

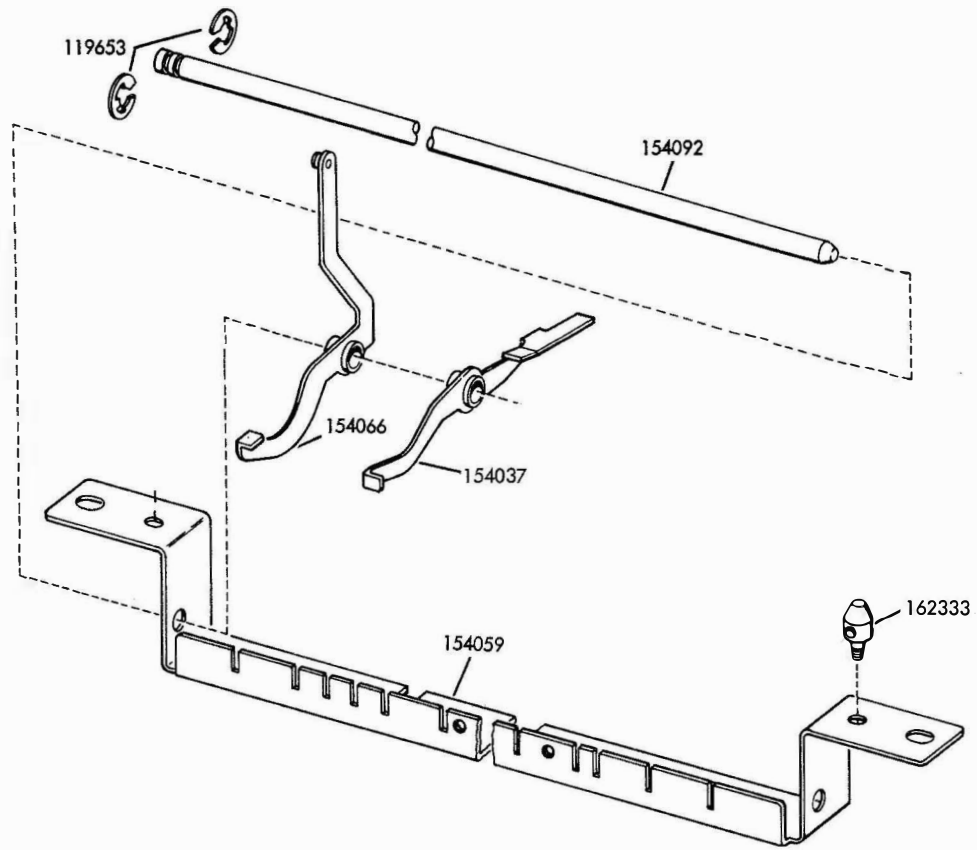
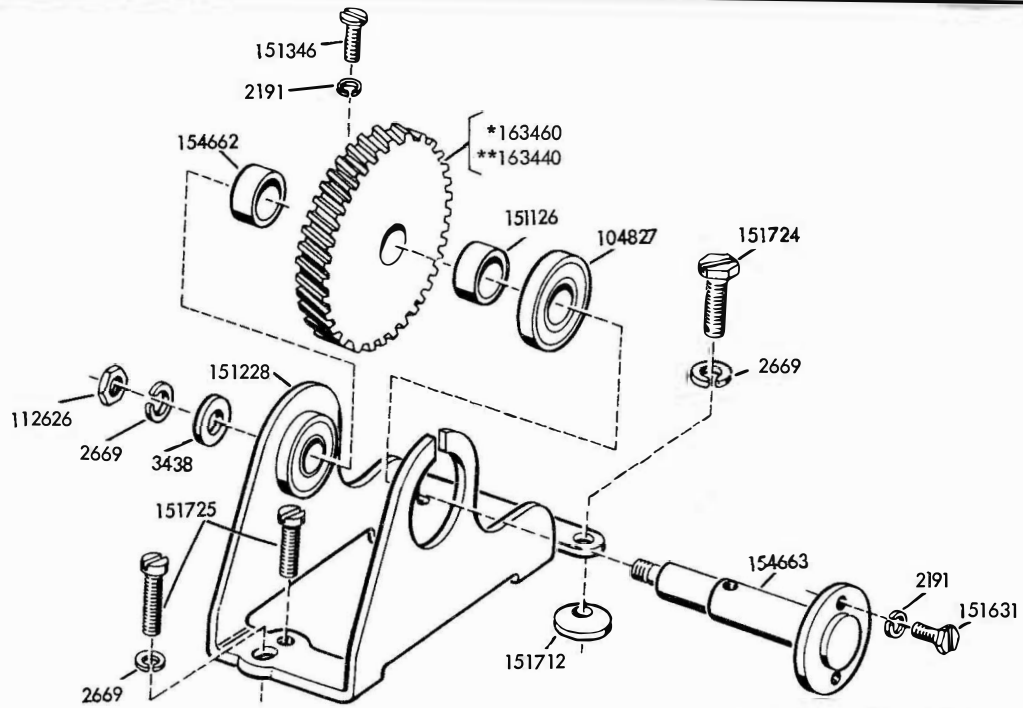


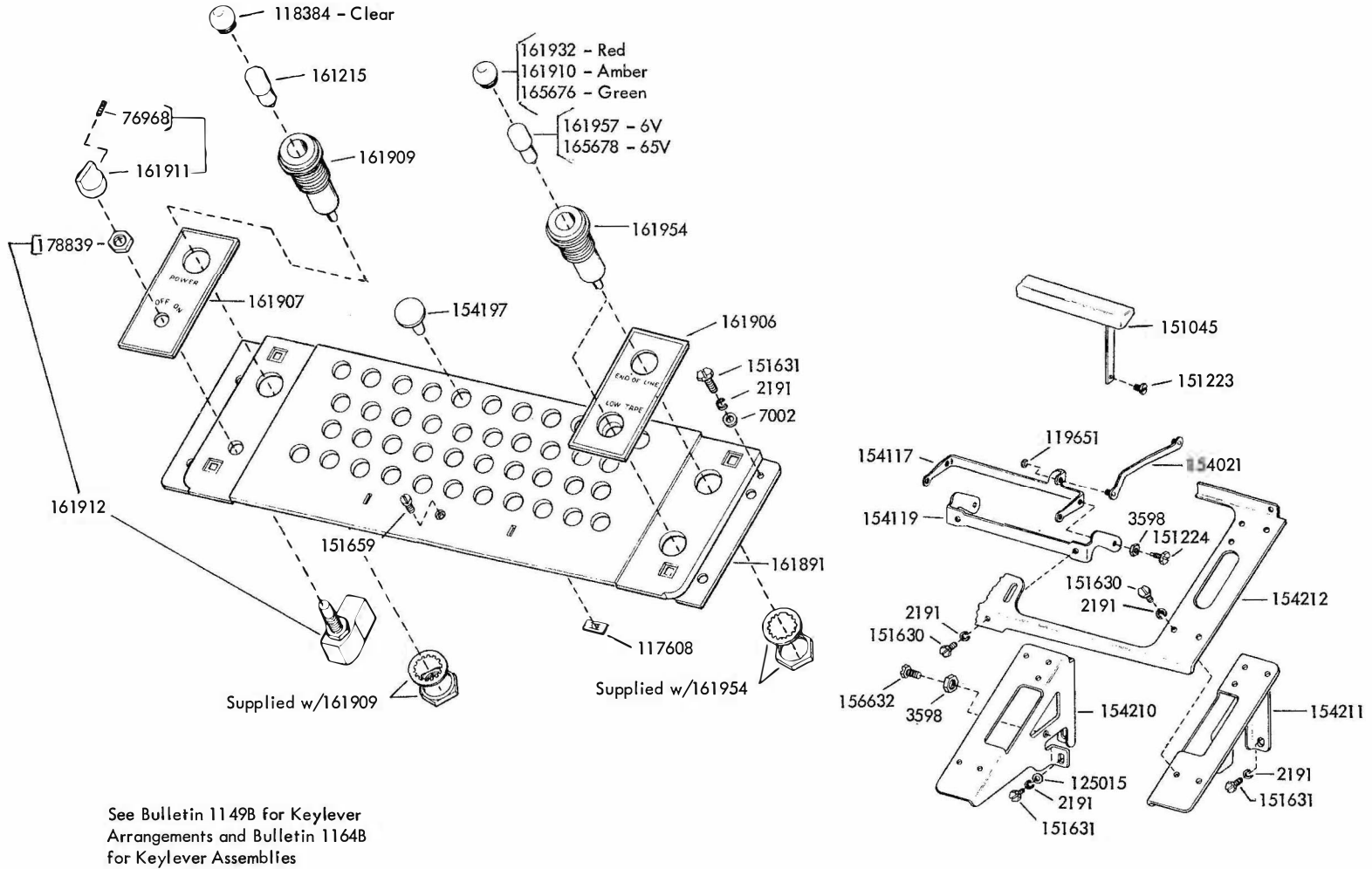
FIGURE 6-6. FUNCTION BAIL MECHANISM



*Peculiar to 7.00 Unit Code
 **Peculiar to 7.42 Unit Code

FIGURE 6-7. INTERMEDIATE GEAR MECHANISM

FIGURE 6-8. KEYBOARD ASSEMBLY



11678

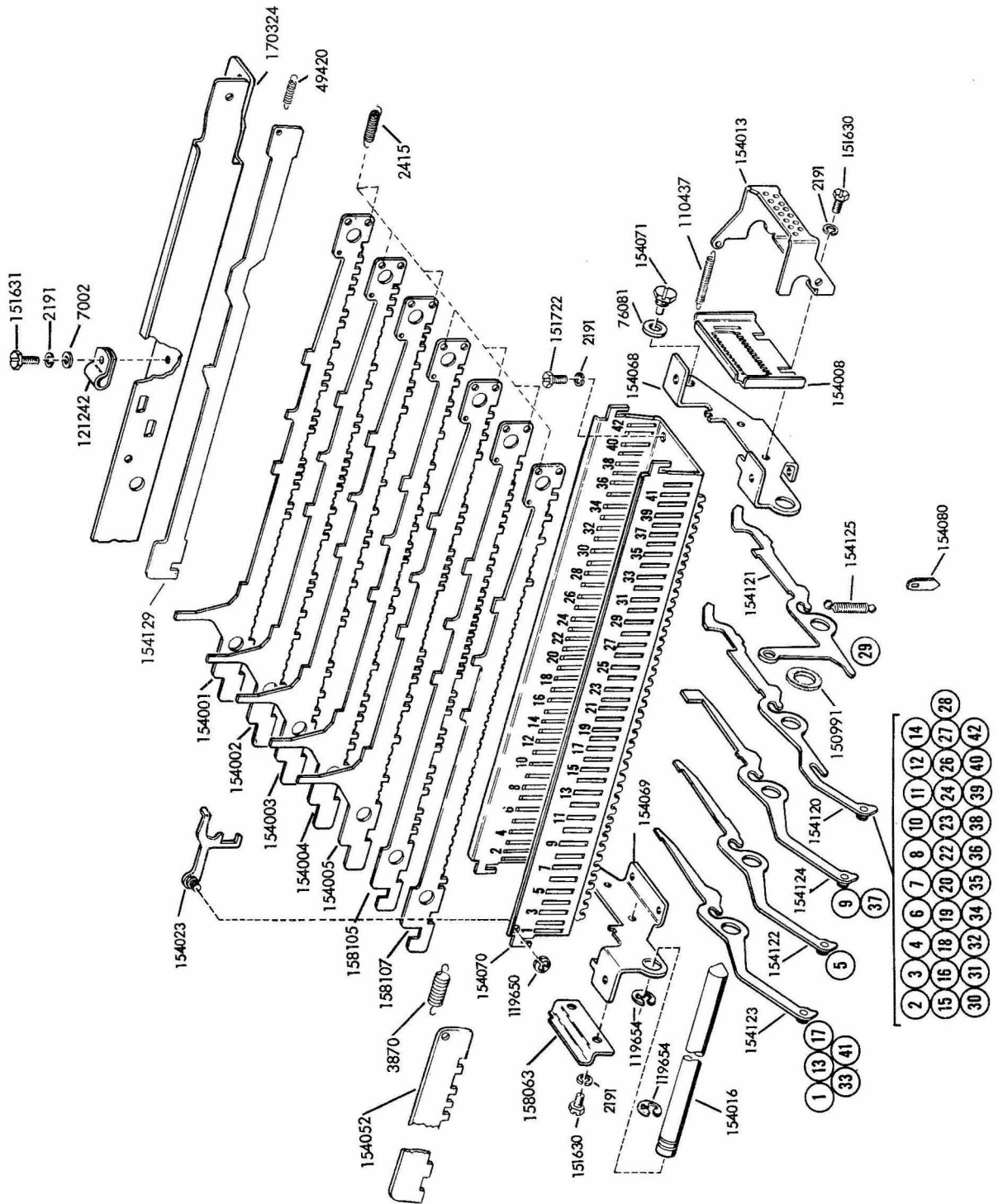


FIGURE 6-9. CODE BAR MECHANISM

1167B

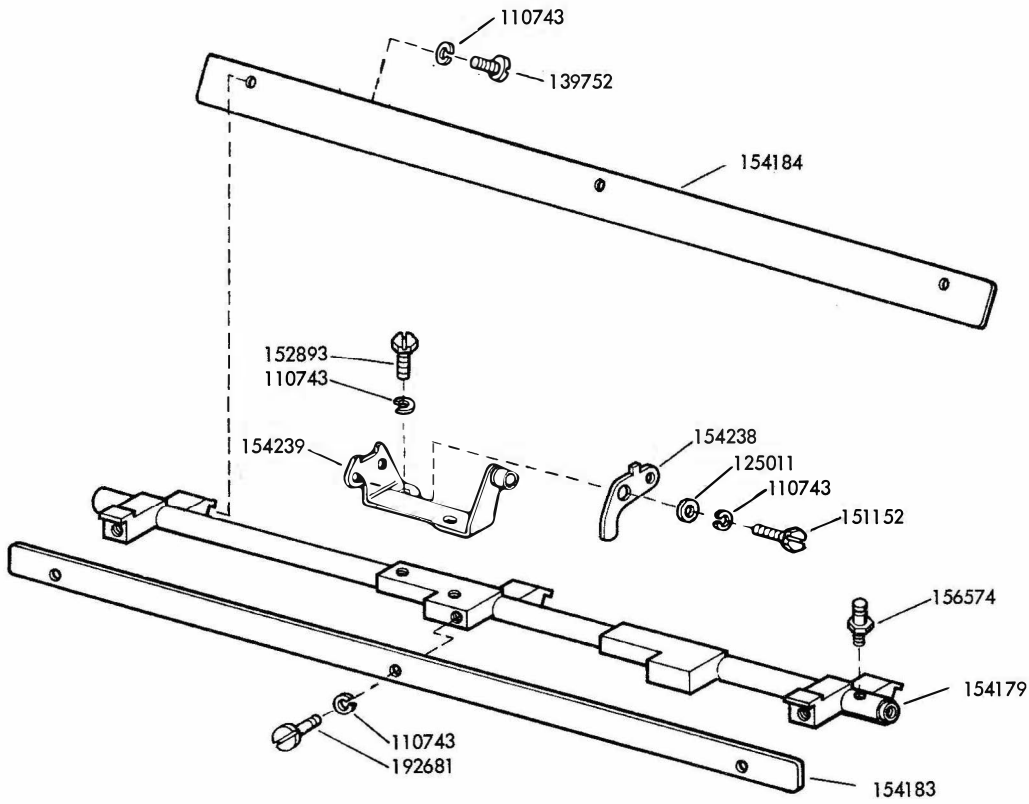
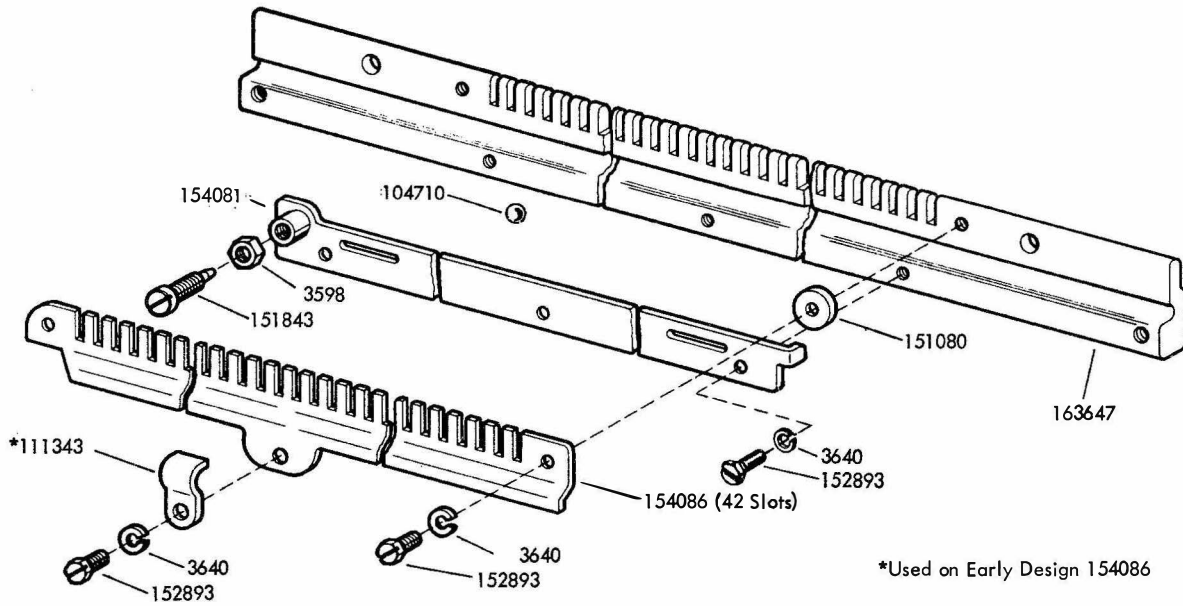
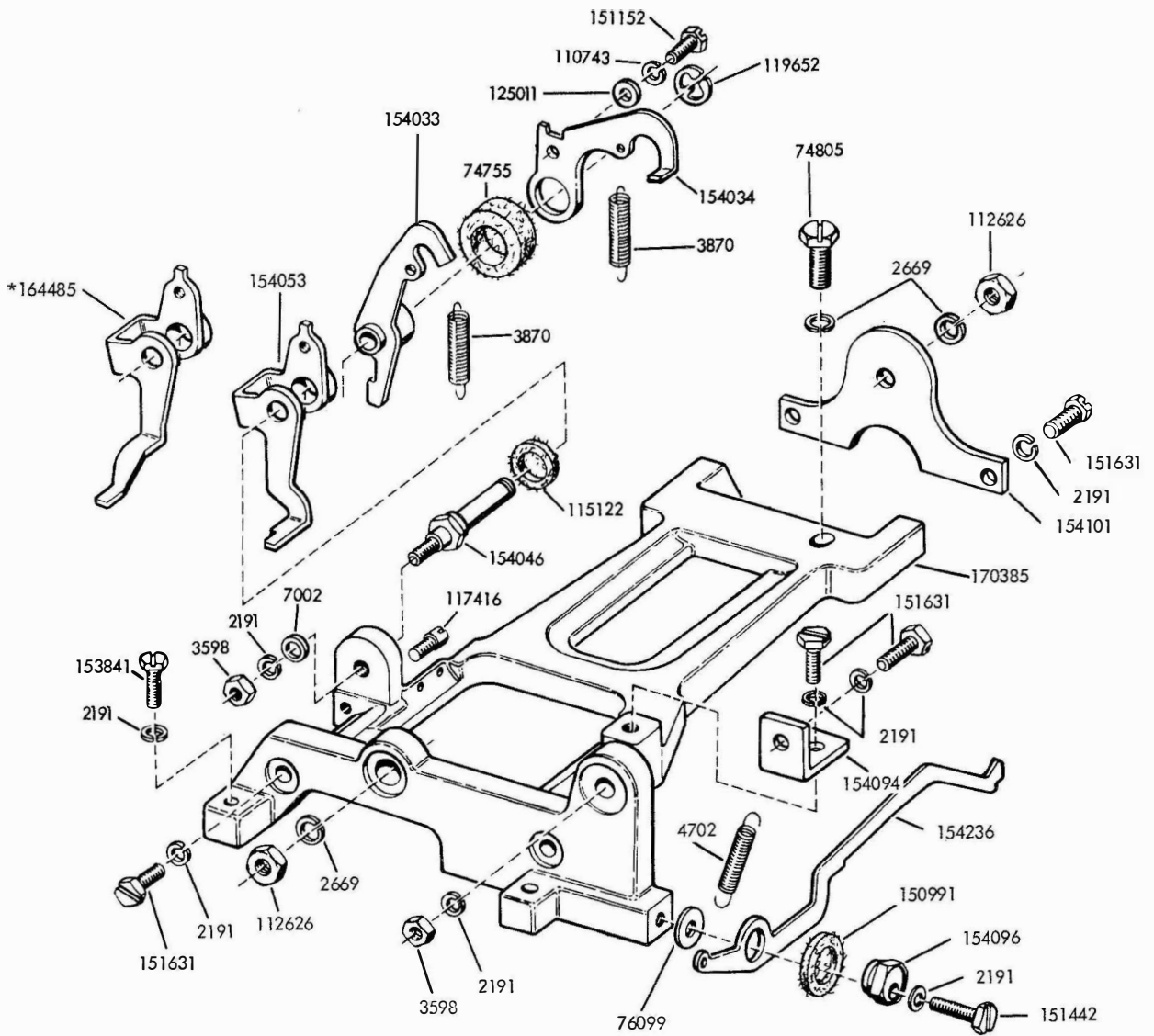


FIGURE 6-10. UNIVERSAL BAIL MECHANISM



*Used on Early Design 154086

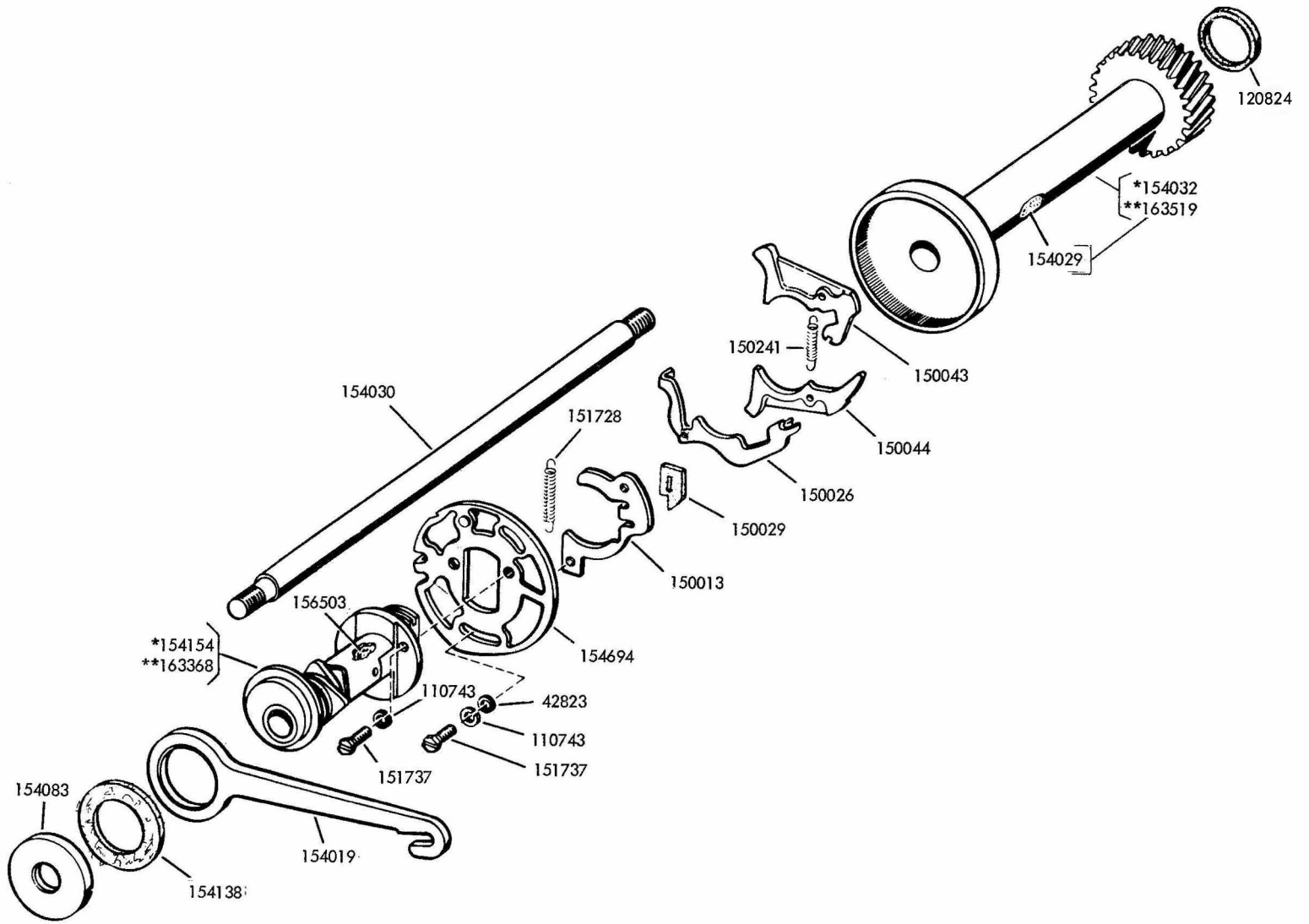
FIGURE 6-11. BAIL LOCK MECHANISM



*Peculiar to Units Equipped with Synchronous Pulsed Transmission

FIGURE 6-12. SIGNAL GENERATOR FRAME MECHANISM

FIGURE 6-13. SIGNAL GENERATOR SHAFT MECHANISM



*Peculiar to 7.42 Unit Code
 **Peculiar to 7.00 Unit Code

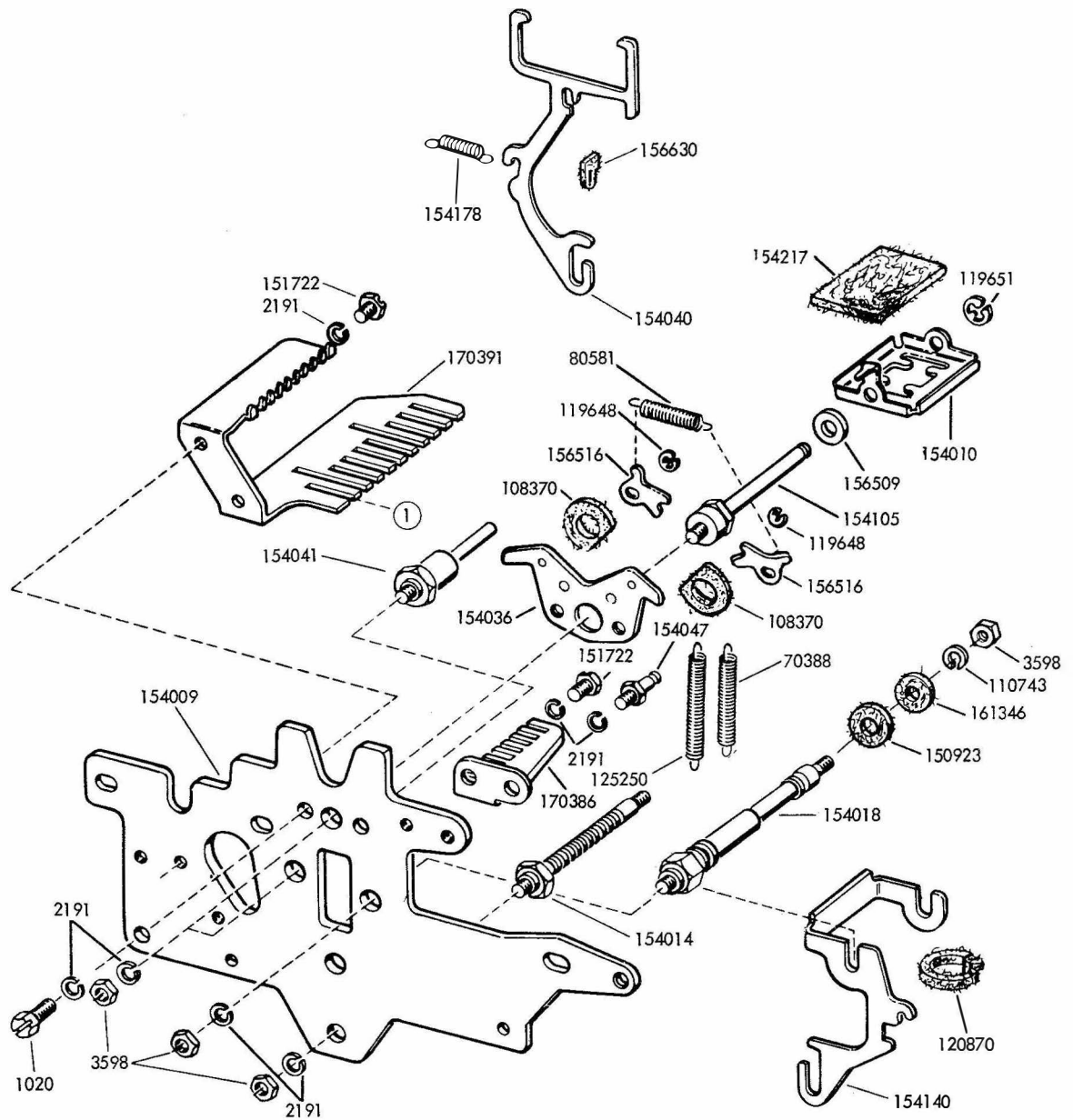
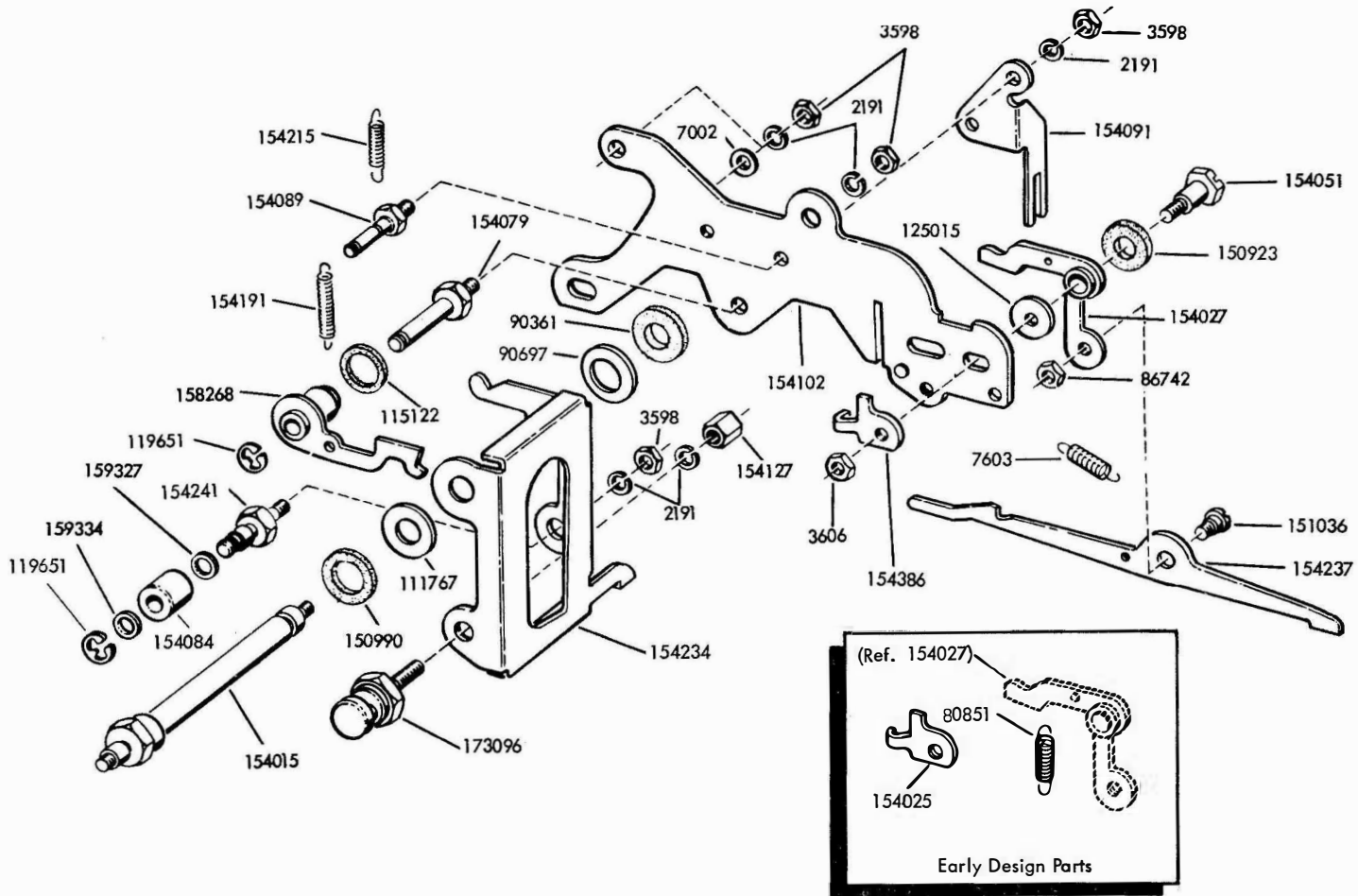


FIGURE 6-14. SIGNAL GENERATOR FRONT PLATE MECHANISM

FIGURE 6-15. SIGNAL GENERATOR REAR PLATE MECHANISM



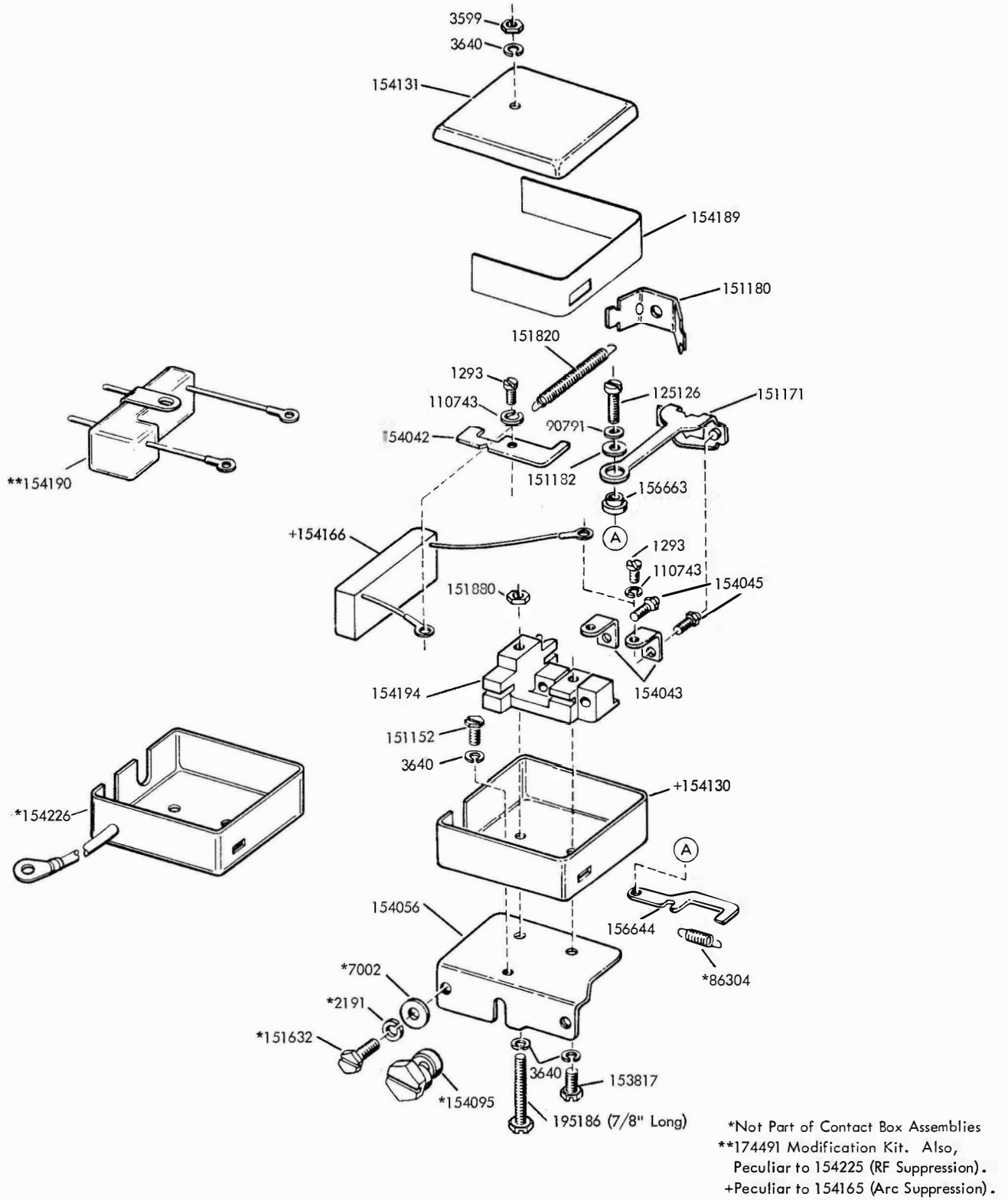


FIGURE 6-16. 154165 AND 154225 SIGNAL GENERATOR CONTACT BOX ASSEMBLIES

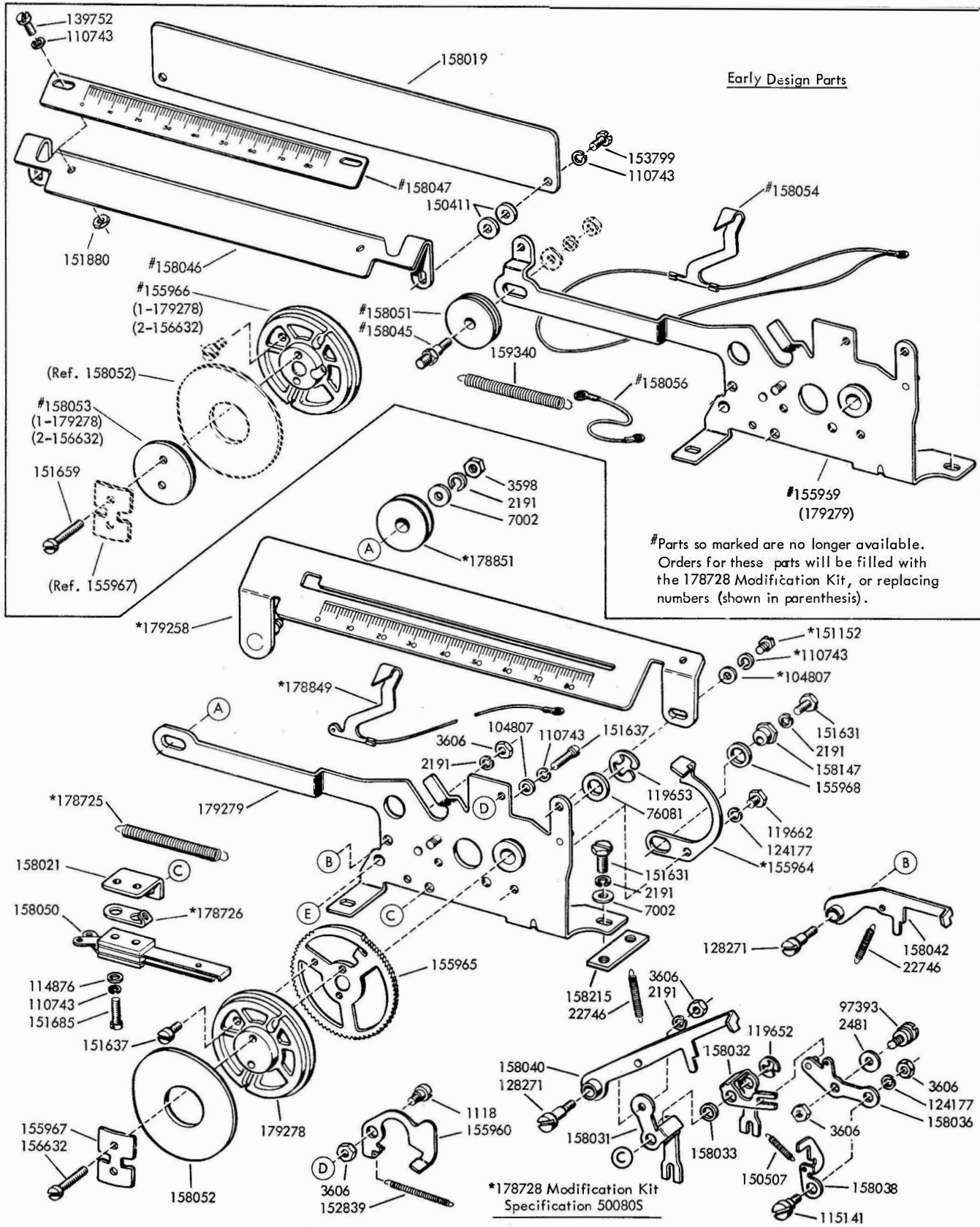
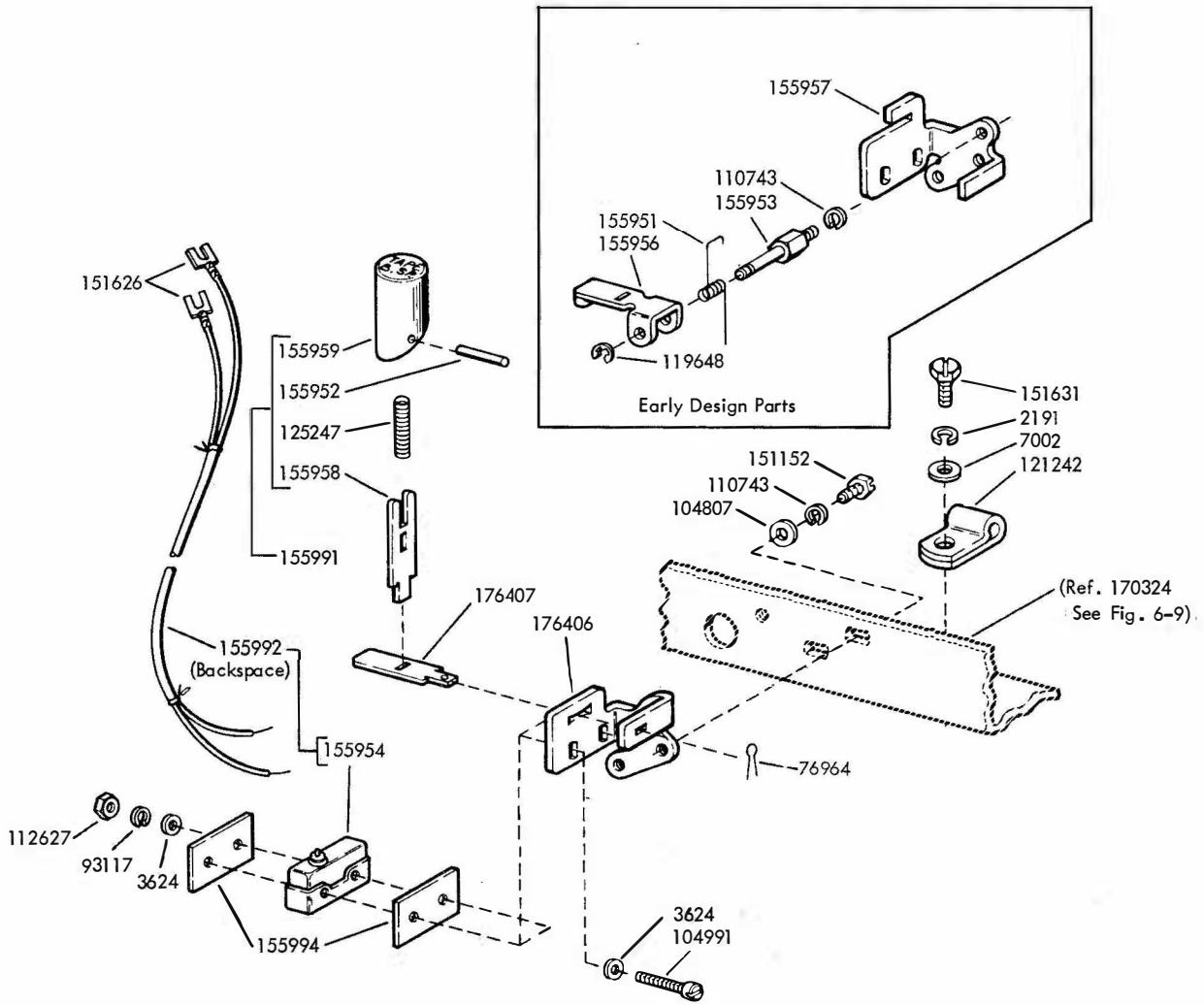
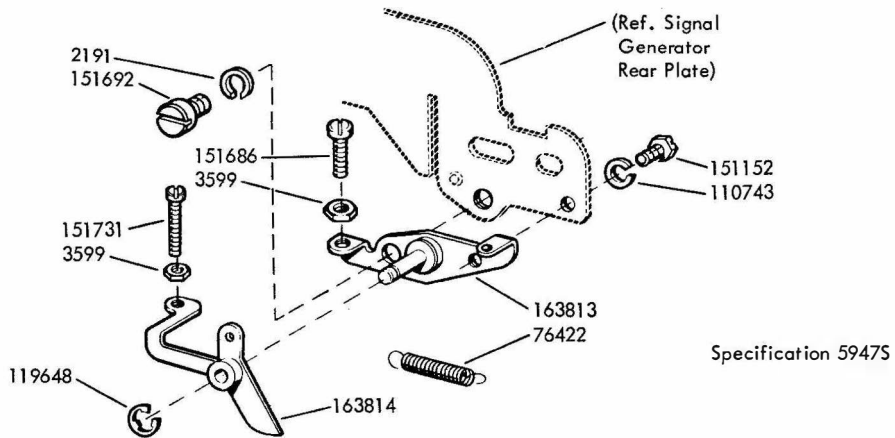


FIGURE 6-17. 15590 CHARACTER COUNTER MECHANISM



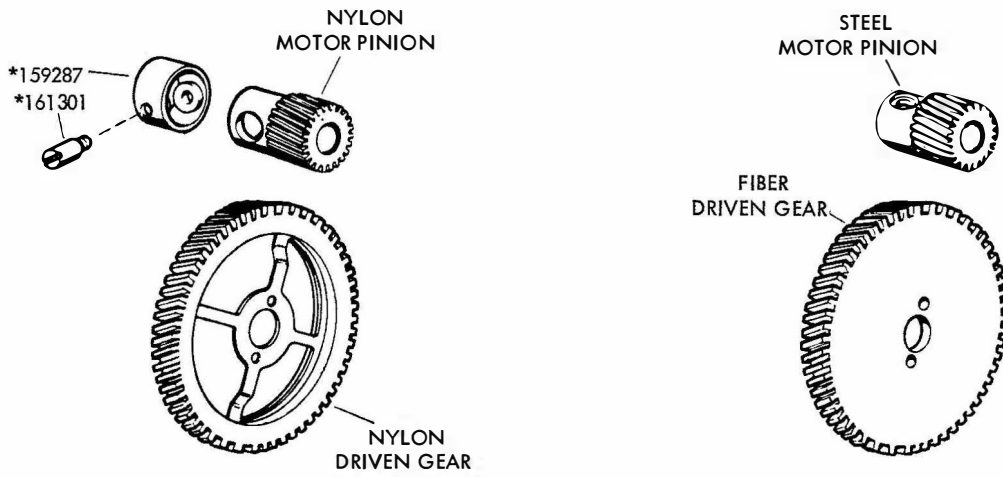
Specification 500885

FIGURE 6-18. 176405 MODIFICATION KIT TO ADD TAPE BACKSPACE BUTTON



Specification 59475

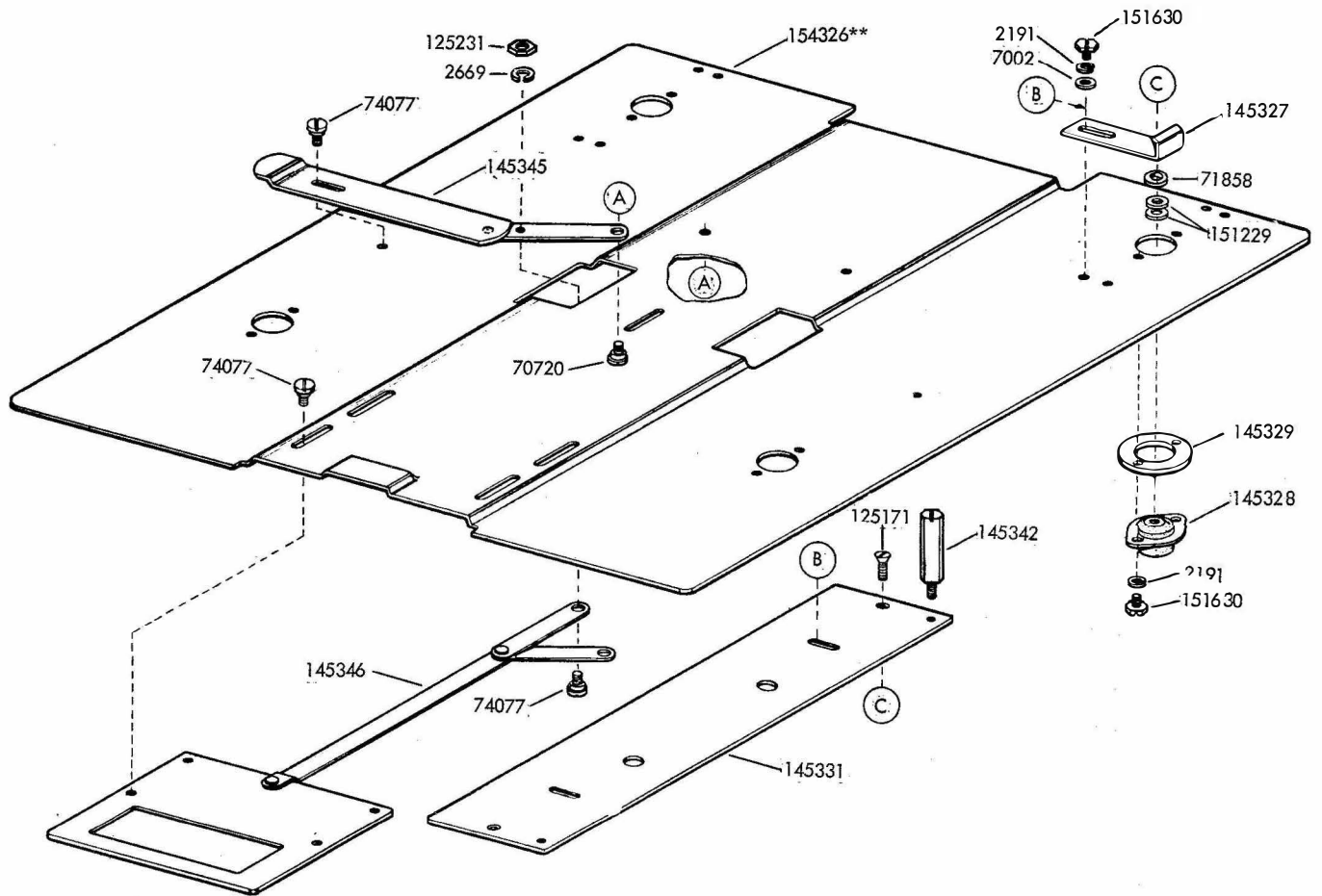
FIGURE 6-19. 163775 MODIFICATION KIT TO PROVIDE REPEAT ON SPACE MECHANISM



*Supplied with nylon gear sets (Except 173795)

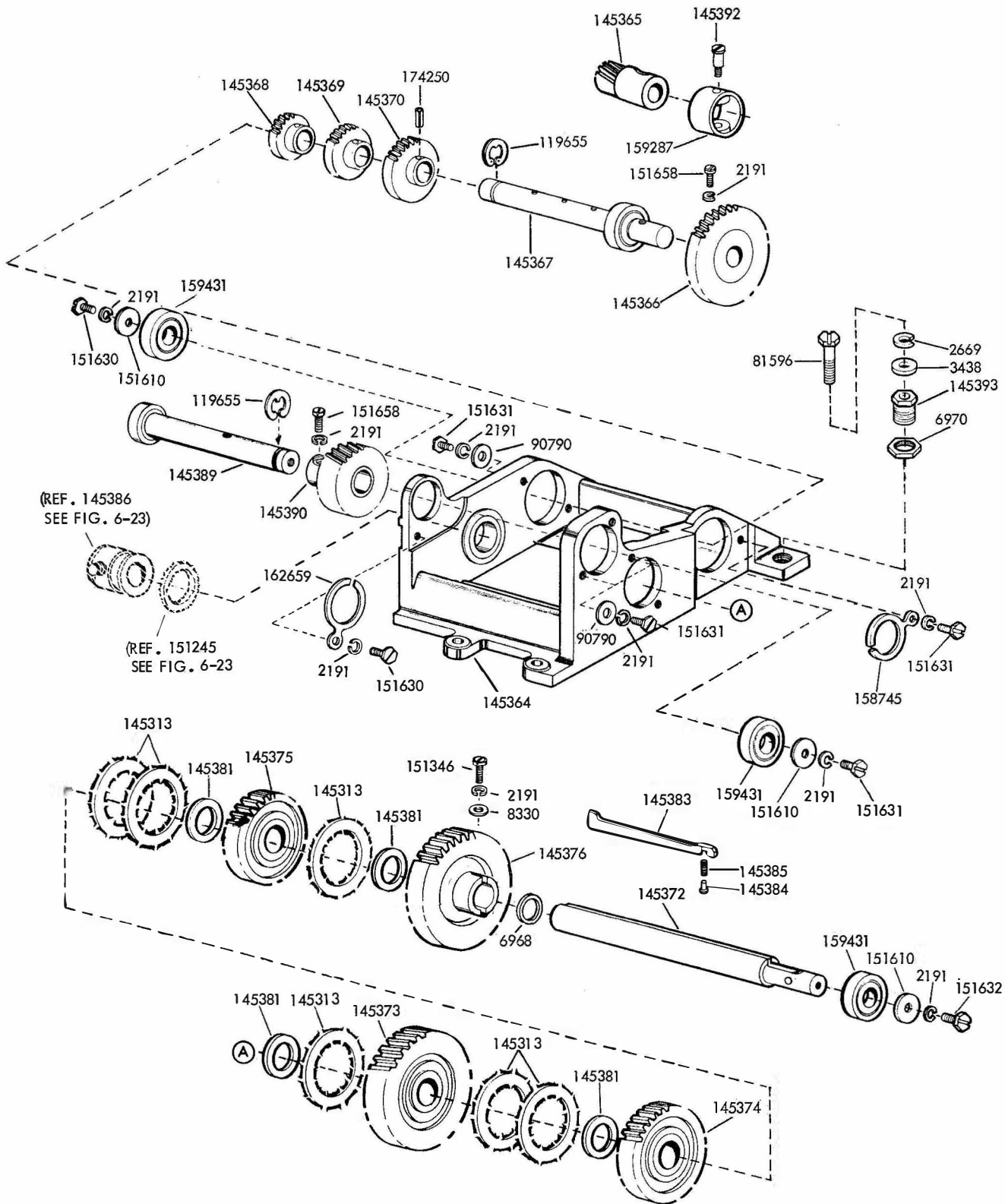
GEAR SETS FOR SEND-RECEIVE KEYBOARD BASE								
Set Number	Pinion	Teeth	Driven Gear	Teeth	SPEED			
					7.00 Unit Code		7.42 Unit Code	
					WPM	Baud	WPM	Baud
151060 161293	151130 (S) 159278 (N)	14	151131 (F) 159279 (N)	96	—	—	60	45.5
152766	152765 (S)	13	152764 (F)	81	—	—	67	50
151075 161294	151132 (S) 159281 (N)	17	151133 (F) 159282 (N)	93	—	—	75	50
151100 161295	151134 (S) 159284 (N)	20	151135 (F) 159285 (N)	84	—	—	100	74.2
163504	163461 (N)	18	163462 (N)	117	71	50	—	—
163505	163463 (N)	24	163464 (N)	104	107	75	—	—
173795	173794 (N)	14	173793 (N)	100	65	45.5	—	—

FIGURE 6-20. GEAR SETS



**See Chart on Page G for
Color Finish Suffixes

FIGURE 6-21. TAPE PRINTER SUB-BASE



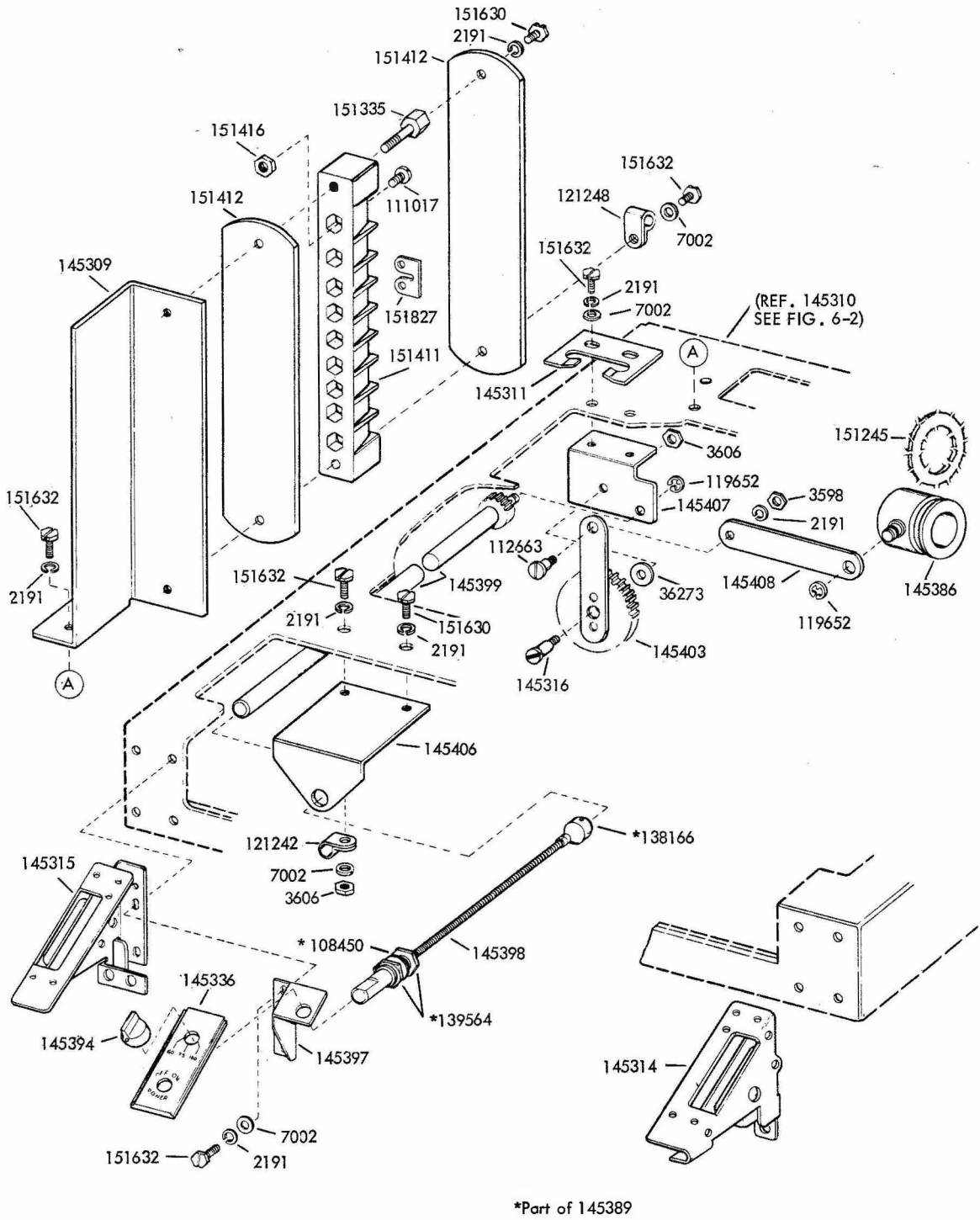


FIGURE 6-23. GEAR SHIFT MECHANISM FOR TAPE PRINTER KEYBOARD

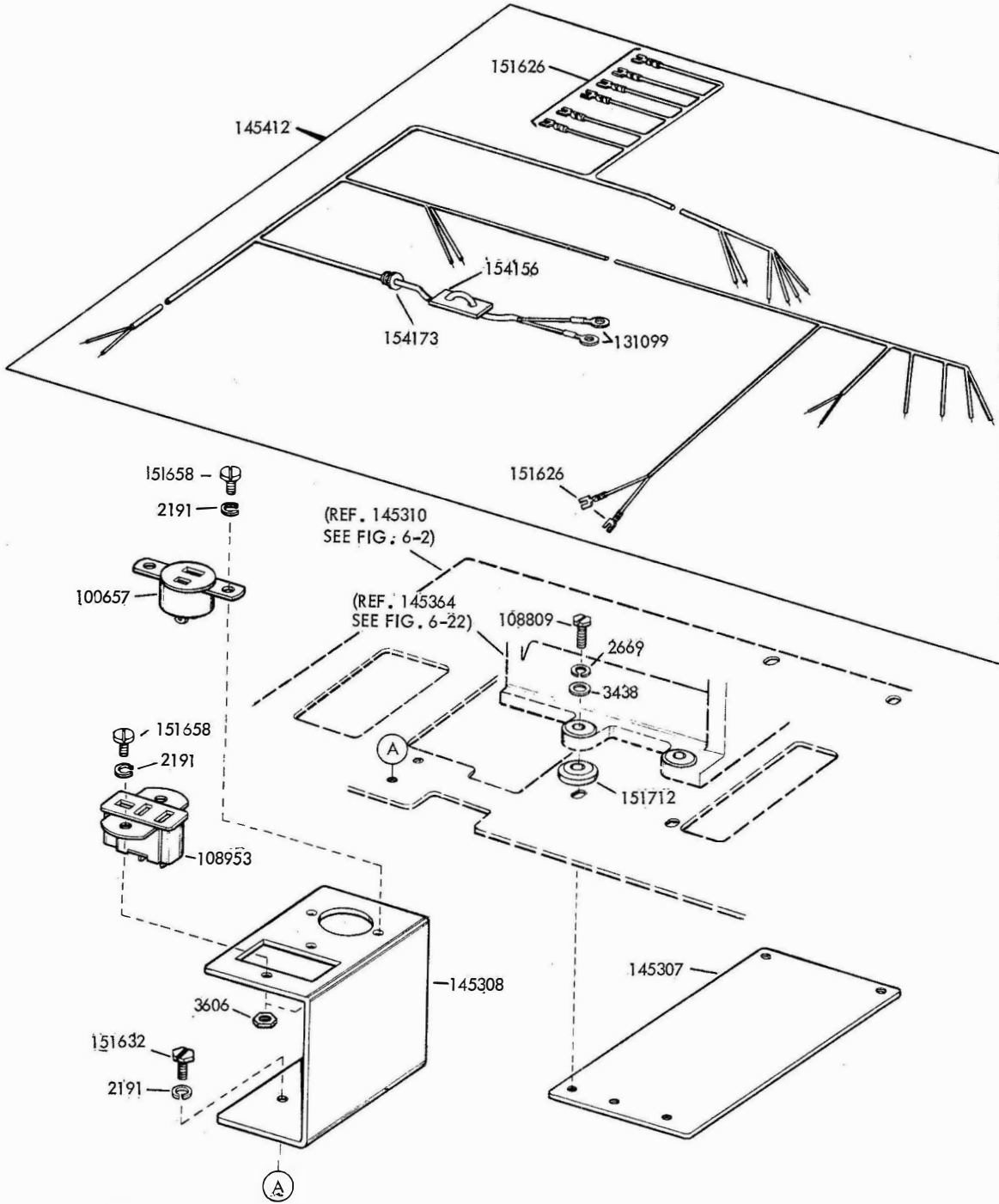


FIGURE 6-24. CONNECTORS AND CABLE

1167B

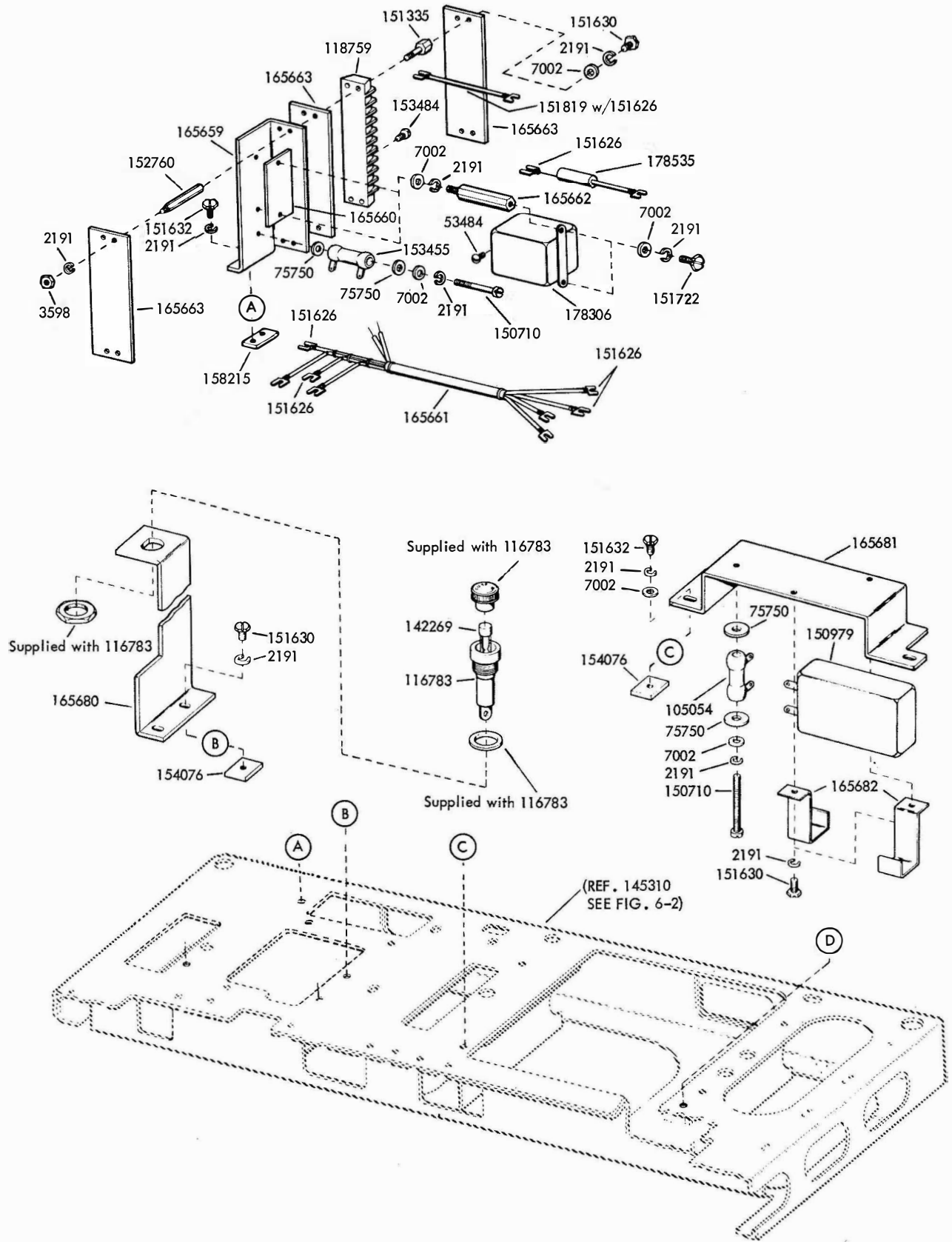


FIGURE 6-25. ELECTRICAL COMPONENTS FOR THE TAPE PRINTER KEYBOARD

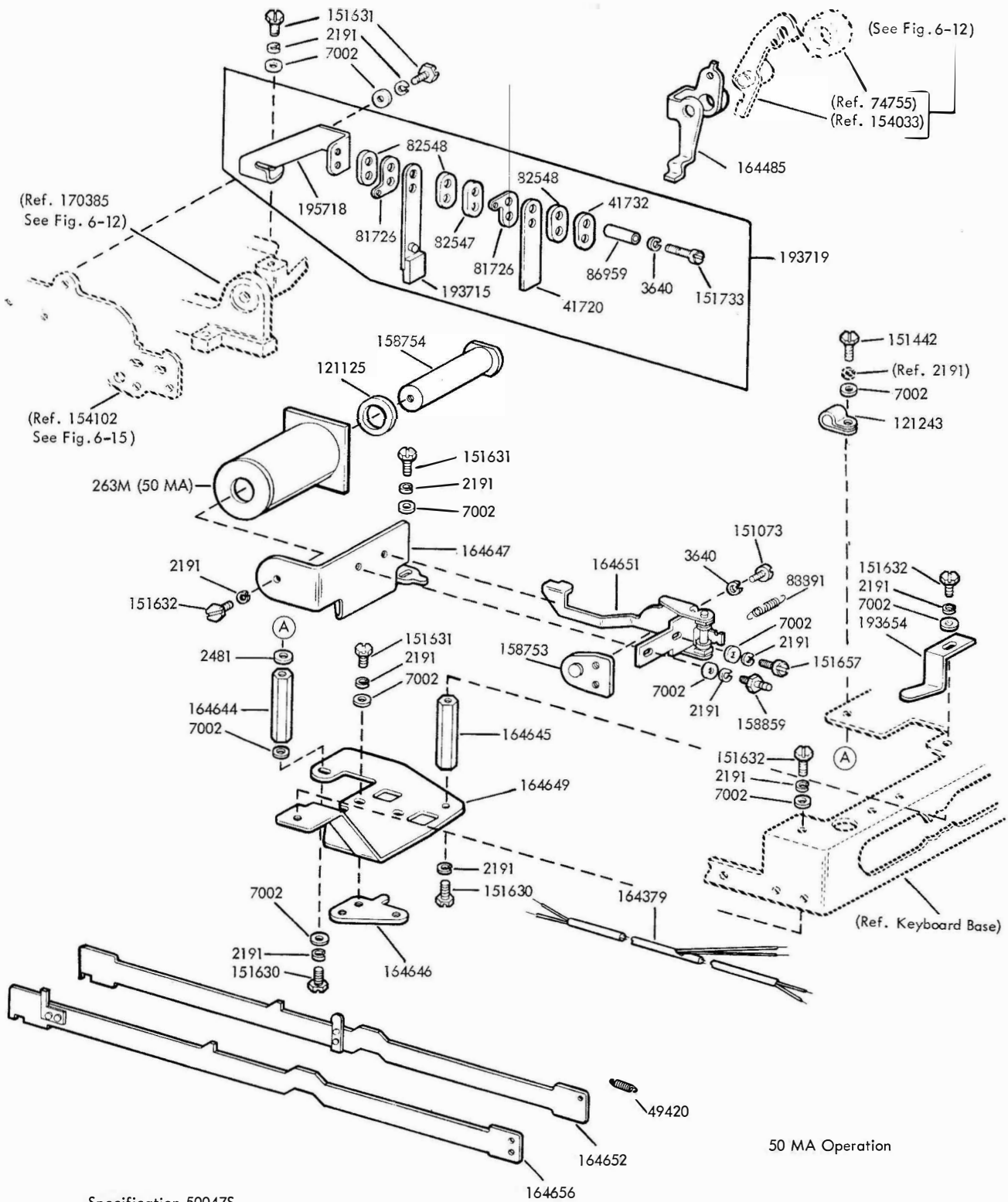


FIGURE 6-26. 193800 MODIFICATION KIT TO PROVIDE SYNCHRONOUS PULSED TRANSMISSION

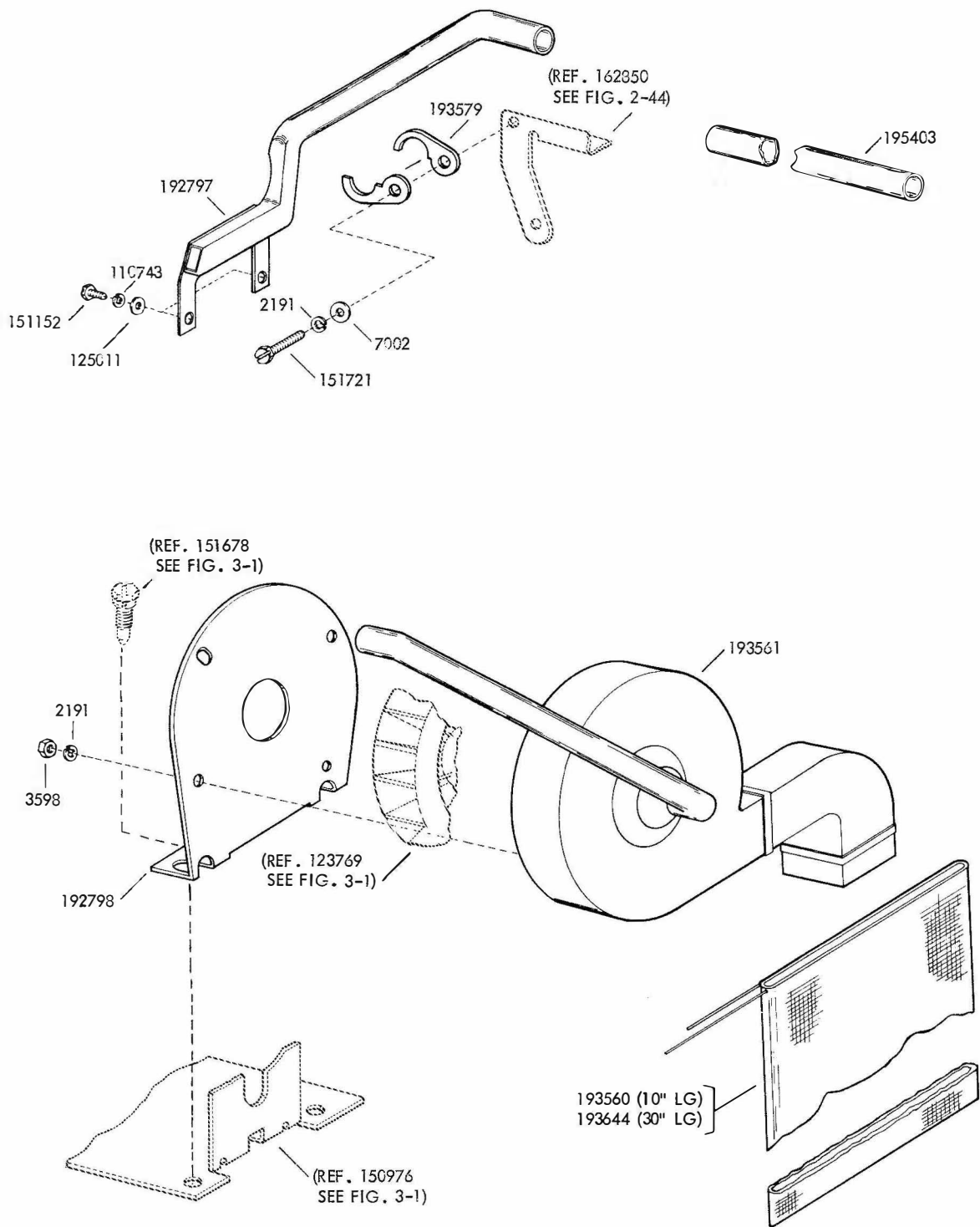
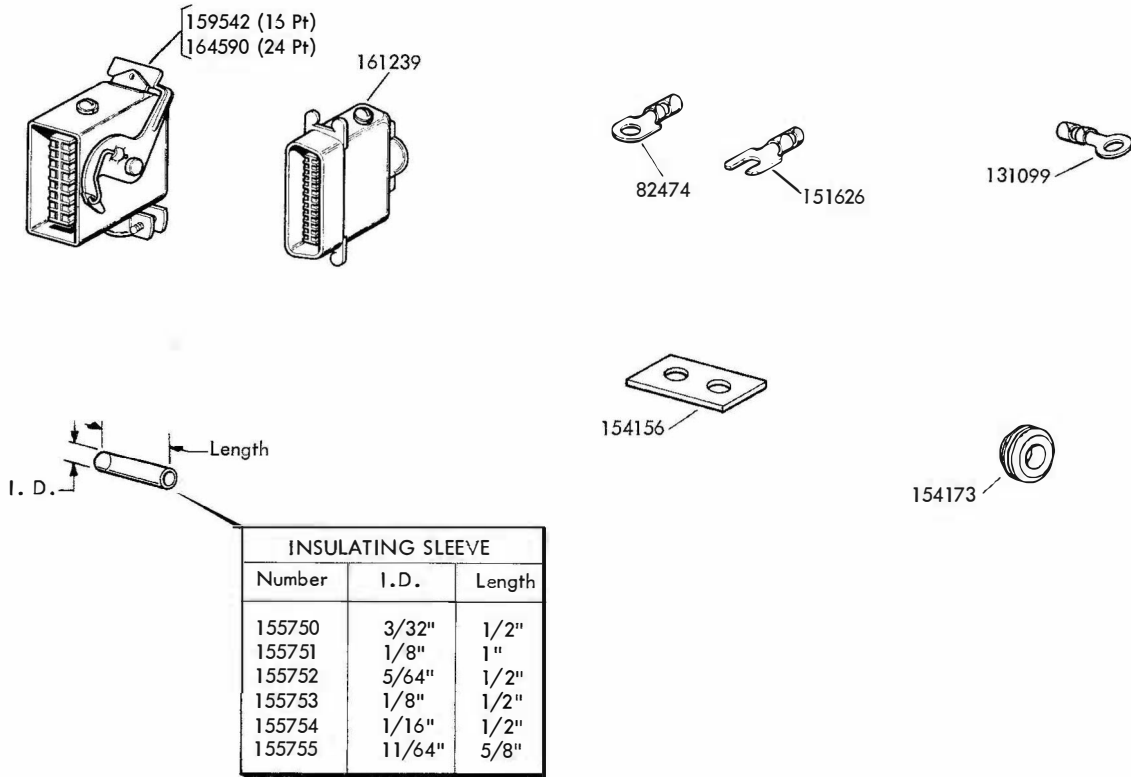


FIGURE 6-27. 192999 MODIFICATION KIT TO PROVIDE VACUUM CHAD REMOVAL FOR SEND-RECEIVE TYPING REPERFORATOR SET



Unit	Cable Assembly
LTPK1	- 145412, 165656
LTPK2	- 145412, 165679
LTPK3	- 165656
LTRK1	
LTRK5	- 161878, 161892
LTRK2	- 161892, 173396
LTRK3	- 172721, 173922

FIGURE 6-28. CABLES

NUMERICAL INDEX - SECTION 6

Part Number	Description and Page Number	Part Number	Description and Page Number	Part Number	Description and Page Number
263M	Coil, Magnet 6-24	90361	Washer, Felt 6-14	131099	Terminal 6-22,6-26
1020	Screw (6-40 x 1/4 Hex) 6-13	90606	Spring 6-6	138166	Screw, Set (8-32) 6-21
1118	Screw, Shoulder (6-40) 6-16	90679	Screw, Pivot (10-32) 6-14	139564	Nut (3/8-32 Hex) 6-21
1210	Screw (2-56 x 5/8 Fil) 6-4,6-6	90790	Washer, Flat 6-20	139752	Screw (4-40 x 11/64 Hex) 6-10, 6-16
1293	Screw (4-40 x 1/8 Fil) 6-15	90791	Washer, Lock 6-15	142269	Fuse, Slo-Blo (3 Amp) 6-23
2191	Washer, Lock 6-2 to 6-9,6-11, 6-13 to 6-17,6-19 to 6-25	93117	Washer, Lock 6-4,6-6,6-17	145307	Plate, Nut 6-22
2322	Washer, Lock 6-5	97393	Screw, Shoulder (6-40) 6-16	145308	Bracket 6-22
2415	Spring 6-6,6-9	100657	Connector, Receptacle (2 Pt) 6-4, 6-22	145309	Bracket 6-21
2449	Washer, Lock 6-5	100658	Connector, Plug (2 Pt) 6-6	145310	Base 6-3,6-21,6-22,6-23
2481	Washer, Flat 6-16,6-24	104710	Ball, Bearing 6-10	145311	Plate, Stop 6-21
2669	Washer, Lock 6-2,6-3,6-5,6-7, 6-11,6-19,6-20,6-22	104807	Washer, Flat 6-16,6-17	145313	Washer, Felt 6-20
2846	Washer, Flat 6-5	104827	Bearing, Ball 6-7	145314	Bracket (Right) 6-21
3438	Washer, Flat 6-3,6-7,6-20,6-22	104991	Screw (2-56 x 1/2 Fil) 6-17	145315	Bracket (Left) 6-21
3448	Washer, Flat 6-3	105054	Resistor (5 Ohm) 6-23	145316	Screw, Shoulder (6-40) 6-21
3598	Nut (6-40 Hex) 6-3,6-8,6-10, 6-11,6-13,6-14,6-16,6-23,6-25	108370	Washer, Felt 6-13	145326**	Screw, Base 6-19
3599	Nut (4-40 Hex) 6-3,6-15,6-17	108450	Washer, Lock 6-21	145327	Guide 6-19
3606	Nut (6-40 Hex) 6-4,6-5,6-14, 6-16,6-21,6-22	108809	Screw (10-32 x 27/32 Hex) 6-22	145328	Mount, Vibration 6-19
3624	Washer, Flat 6-17	108953	Connector, Receptacle (3 Pt) 6-4, 6-22	145329	Spacer 6-19
3640	Washer, Lock 6-3,6-6,6-10,6-15, 6-24	110435	Nut (4-40 Hex) 6-6	145331	Strap 6-19
3870	Spring 6-9,6-11	110437	Spring, Universal Bail 6-9	145333	Disk w/Hub 6-6
4702	Spring, Universal Bail Latch Lever 6-11	110743	Washer, Lock 6-10 to 6-13,6-15, 6-16,6-17,6-25	145335	Disk w/Knob 6-6
6968	Washer, Cam Spacer 6-20	111017	Screw (6-40 x 5/16 Fil) 6-3,6-4, 6-21	145342	Screw, Mounting (1/4-32) 6-19
6970	Nut (3/8-32 Hex) 6-20	111343	Clamp, Lock Ball Retaining 6-10	145345	Bolt, Latch 6-19
7002	Washer, Flat 6-2,6-3,6-4,6-6, 6-8,6-9,6-11,6-14,6-15,6-16, 6-17,6-19,6-21,6-23,6-24,6-25	111516	Washer, Flat 6-6	145364	Bracket w/Bearing 6-20,6-22
7415	Nut (1/2-32 Hex) 6-2	111517	Washer, Flat 6-14	145365	Gear (20T) 6-20
8330	Washer, Flat 6-20	112626	Nut (10-32 Hex) 6-2,6-7,6-11	145366	Gear (56T) 6-20
8449	Washer, Flat 6-6	112627	Nut (2-56 Hex) 6-17	145367	Shaft w/Bearing, Drive 6-20
22746	Spring 6-16	112630	Spring 6-3	145368	Gear (27T) 6-20
36273	Washer, Flat 6-21	112663	Screw, Shoulder (6-40) 6-21	145369	Gear (24T) 6-20
41720	Spring, Contact 6-24	114876	Washer, Flat 6-16	145370	Gear (24T) 6-20
41732	Plate, Clamp 6-24	115122	Washer, Felt 6-11,6-14	145372	Shaft, Driven 6-20
42823	Washer, Flat 6-12	115141	Screw, Shoulder (6-40) 6-16	145373	Gear (66T) 6-20
45815	Washer, Lock 6-6	116783	Holder, Fuse 6-23	145374	Gear (47T) 6-20
49420	Spring, Clutch Trip Bar 6-7,6-24	117416	Post (4-40) 6-11	145375	Gear (63T) 6-20
70388	Spring, Transfer Lever Locking Bail 6-13	117608	Nut, Speed (3/16) 6-8	145376	Gear (48T) 6-20
70720	Screw, Shoulder (10-32) 6-19	118384	Cap, Clear (Power) 6-8	145381	Washer, Thrust 6-20
71858	Washer, Flat 6-19	118759	Block 6-23	145383	Key 6-20
72565	Washer, Lock 6-2	119648	Ring, Retaining 6-13,6-17	145384	Pin, Guide 6-20
74077	Screw, Shoulder (10-32) 6-19	119650	Ring, Retaining 6-9	145385	Spring 6-20
74755	Washer, Felt 6-11,6-24	119651	Ring, Retaining 6-3,6-8,6-13,6-14	145386	Sleeve 6-20,6-21
74805	Screw (10-32 x 3/4 Hex) 6-11	119652	Ring, Retaining 6-11,6-16,6-21	145389	Shaft w/Bearing, Idler 6-20,6-21
75750	Washer, Insulating 6-23	119653	Ring, Retaining 6-7,6-16	145390	Gear (25T) 6-20
76081	Washer, Flat 6-9,6-16	119654	Ring, Retaining 6-9	145392	Post 6-20
76099	Washer, Flat 6-11	119655	Ring, Retaining 6-2,6-20	145393	Bushing 6-20
76278	Bushing 6-5	119662	Screw (6-40 x 5/32 Hex) 6-16	145394	Knob 6-21
76422	Spring 6-17	120824	Washer, Felt 6-12	145397	Bracket 6-21
76461	Washer, Flat 6-5	120870	Wick, Felt 6-12	145398	Shaft, Flexible 6-21
76964	Pin, Cotter 6-17	121125	Washer, Spring 6-2,6-24	145399	Shaft w/Gear 6-21
76968	Screw, Set (6-32) 6-8	121242	Clamp, Cable (1/8" ID) 6-3,6-9, 6-17,6-21	145403	Gear w/Link (36T) 6-21
79890	Screw (1/4-32 x 7/8 Hex) 6-5	121243	Clamp, Cable (1/8" ID) 6-24	145406	Bracket, Front 6-21
80581	Spring, Detent Latch 6-13	121244	Clamp, Cable (1/4" ID) 6-3	145407	Bracket, Rear 6-21
81596	Screw (10-32 x 1-3/8 Hex) 6-20	121248	Clamp, Cable (1/2" ID) 6-21	145408	Link 6-21
81726	Terminal 6-24	121575	Screw (10-32 x 5/16 Hex) 6-4	145412	Cable Assembly 6-22,6-26
81731	Spring 6-14	122245	Capacitor (43-48 mfd) 6-4	145855	Guide w/Roller, Tape 6-5
82474	Terminal 6-26	124177	Washer, Lock 6-16	145856	Guide w/Roller, Tape 6-5
82547	Insulator (.094") 6-24	125011	Washer, Flat 6-10,6-11,6-25	150013	Disk, Adjusting 6-12
82548	Insulator (.062") 6-24	125015	Washer, Flat 6-5,6-8,6-14	150026	Lever, Shoe 6-12
86304	Spring, Toggle Drive Link 6-15	125126	Screw (2-56 x 1/2 Fil) 6-15	150029	Wick, Felt 6-12
86742	Nut (4-40 Hex) 6-14	125171	Screw (10-32 x 5/16 Hex) 6-19	150043	Shoe, Secondary 6-12
86959	Bushing 6-24	125181	Screw (2-56 x 3/8 Fil) 6-3	150044	Shoe, Primary 6-12
88891	Spring 6-24	125231	Nut (10-32 Hex) 6-19	150241	Spring, Shoe 6-12
		125247	Spring 6-17	150411	Washer, Flat 6-16
		125250	Spring 6-13	150440	Hub 6-5
		128271	Screw, Shoulder (6-40) 6-16	150441	Gear (21T) 6-5
				150507	Spring 6-16
				150710	Screw (6-40 x 1-1/4 Fil) 6-23
				150923	Washer, Felt 6-13,6-14
				150966	Insulator 6-3

NUMERICAL INDEX - SECTION 6 - Continued

Part Number	Description and Page Number	Part Number	Description and Page Number	Part Number	Description and Page Number
150979	Capacitor (1/2 mfd) 6-23	151725	Screw (10-32 x 3/4 Fil) 6-7	154059	Bracket, Function Bail 6-7
150990	Washer, Felt 6-14	151728	Spring, Clutch Lever 6-12	154066	Lever 6-7
150991	Washer, Felt 6-9,6-11	151731	Screw (4-40 x 7/8 Fil) 6-17	154068	Bracket, Guide (R) 6-9
150992	Stud 6-6	151733	Screw (4-40 x 9/16 Fil) 6-6,6-24	154069	Bracket, Guide (L) 6-9
151036	Screw, Shoulder (4-40) 6-14	151737	Screw (4-40 x 11/16 Hex) 6-12	154070	Guide, Code Lever 6-9
151045	Bar, Space 6-8	151818	Jumper (4-1/4" Black) 6-4	154071	Screw, Pilot (1/4-32) 6-9
151060	Gear Set (60 WPM) 6-18	151819	Jumper (3" Black) 6-4,6-23	154076	Plate, Nut (6-40) 6-3,6-23
151073	Screw (4-40 x 5/32 Fil) 6-24	151820	Spring, Contact 6-15	154079	Stud (6-40) 6-14
151075	Gear Set (75 WPM) 6-18	151827	Strap, Terminal 6-4,6-21	154080	Lock, Wedge 6-9
151076	Wedge, Locking 6-25	151843	Screw, Adjusting (6-40) 6-10	154081	Retainer, Ball 6-10
151080	Washer, Spacing 6-10	151880	Nut (4-40 Hex) 6-15,6-16	154083	Spacer, Cam 6-12
151100	Gear Set (100 WPM) 6-18	152045	Guard 6-3	154084	Bearing 6-14
151113	Plate, Mounting 6-3	152760	Stud, Mounting Plate 6-23	154085	Plate 6-3
151118	Plate, Spacing 6-3,6-4	152764	Gear (81T) 6-18	154086	Retainer, Wedge 6-10
151126	Spacer 6-7	152765	Pinion (13T) 6-18	154087	Plate, Nut 6-3
151130	Pinion (14T) 6-18	152766	Gear Set (67 WPM) 6-18	154088	Plate, Nut 6-3
151131	Gear (96T) 6-18	152839	Spring, Latch 6-16	154089	Post, Spring 6-14
151132	Pinion (17T) 6-18	152893	Screw (4-40 x 1/4 Hex) 6-10	154091	Guide, Non-Repeat Lever 6-14
151133	Gear (93T) 6-18	152925	Latch 6-2	154092	Shaft 6-7
151134	Pinion (20T) 6-18	152971	Bushing 6-2	154094	Clamp 6-11
151135	Gear (84T) 6-18	152972	Handle, Locking 6-2	154095	Eccentric, Contact Box 6-15
151146	Plate, Mounting 6-3,6-4	152993	Screw, Shoulder (10-32) 6-2	154096	Bushing, Eccentric 6-11
151152	Screw (4-40 x 3/16 Hex) 6-10, 6-11, 6-15, 6-16, 6-17, 6-25	153252	Link 6-3	154101	Plate, Mounting 6-11
151171	Toggle, Contact 6-15	153442	Screw (10-32 x 1/2 Hex) 6-2	154102	Plate, Rear 6-14,6-24
151180	Link, Toggle 6-15	153455	Resistor (600 Ohm) 6-23	154105	Post, Transfer Bail 6-13
151182	Washer, Insulating 6-15	153484	Screw, Terminal (6-32) 6-23	154106	Bracket 6-3
151223	Screw, Shoulder (4-40) 6-8	153538	Screw (6-40 x 7/16 Hex) 6-6	154117	Bail, Space Bar 6-8
151224	Screw, Pilot (6-40) 6-8	153539	Screw (6-40 x 11/16 Hex) 6-6	154119	Bracket 6-8
151228	Bracket w/Bearing 6-7	153799	Screw (4-40 x 21/64 Hex) 6-16	154120	Lever, Code Bar 6-9
151229	Washer, Flat 6-19	153817	Screw (4-40 x 3/8 Hex) 6-3,6-15	154121	Lever, Code Bar 6-9
151245	Washer, Felt 6-20,6-21	153841	Screw (6-40 x 9/16 Hex) 6-3,6-11	154122	Lever, Function 6-9
151329	Switch, Sensitive 6-3	154000	Base 6-3	154123	Lever, Function 6-9
151335	Stud (6-40) 6-3,6-4,6-21,6-23	154001	Bar, Code (#1) 6-9	154124	Lever, Function 6-9
151346	Screw (6-40 x 3/8 Fil) 6-7,6-20	154002	Bar, Code (#2) 6-9	154125	Spring 6-9
151411	Block, Terminal 6-4,6-21	154003	Bar, Code (#3) 6-9	154127	Nut (6-40 Hex) 6-14
151412	Insulator 6-4,6-21	154004	Bar, Code (#4) 6-9	154129	Bar, Clutch Trip 6-9
151415	Block, Terminal 6-3	154005	Bar, Code (#5) 6-9	154130	Box, Contact 6-15
151416	Nut (6-40 Hex) 6-3,6-4,6-21	154008	Guide, Code Bar 6-9	154131	Cover, Contact Box 6-15
151442	Screw (6-40 x 1/2 Hex) 6-5,6-11, 6-24	154009	Plate, Front 6-13	154138	Washer, Felt 6-12
151549	Screw, Special (1/4-32) 6-2	154010	Bail, Transfer 6-13	154140	Bail, Locking 6-13
151572	Washer, Lock 6-4	154013	Bracket, Code Bar Spring 6-9	154154	Cam, Signal Generator 6-12
151610	Washer, Flat 6-20	154014	Post, Guide 6-13	154156	Grommet, Rubber 6-22,6-26
151626	Terminal 6-4,6-5,6-22,6-23,6-26	154015	Post 6-14	154165	Box Assembly, Contact 6-15
151630	Screw (6-40 x 1/4 Hex) 6-3 to 6-9, 6-19 to 6-24	154016	Shaft, Code Bar Lever 6-9	154166	Suppressor w/Terminals, Arc 6-15
151631	Screw (6-40 x 5/16 Hex) 6-2 to 6-9; 6-11, 6-16, 6-17, 6-20, 6-24	154018	Post, Locking Bail 6-13	154173	Plate 6-22,6-26
151632	Screw (6-40 x 3/8 Hex) 6-3,6-15, 6-20, 6-21 to 6-24	154019	Follower, Code Bar Bail Eccentric 6-12	154178	Spring, Transfer Lever 6-13
151637	Screw (4-40 x 1/4 Fil) 6-3,6-16	154021	Link 6-8	154179	Bail, Universal 6-10
151642	Screw (6-40 x 3/4 Fil) 6-5	154022	Latch, Lock Bar 6-9	154183	Blade, Front 6-10
151657	Screw (6-40 x 1/4 Fil) 6-24	154023	Plate, Adjusting 6-14	154184	Blade, Rear 6-10
151658	Screw (6-40 x 5/16 Fil) 6-20,6-22	154025	Bellcrank, Non-Repeat Lever 6-14	154189	Insulator 6-15
151659	Screw (6-40 x 1/2 Fil) 6-8,6-16	154027	Wick, Felt 6-12	154190	Filter, R. F. 6-15
151678	Screw, Pilot (1/4-32) 6-3	154029	Shaft 6-12	154191	Spring 6-14
151685	Screw (4-40 x 5/16 Fil) 6-16	154030	Sleeve, Gear 6-12	159194	Base 6-15
151686	Screw (4-40 x 3/8 Fil) 6-17	154032	Lever, Clutch Latch 6-11,6-24	154197	Plug, Plastic 6-8
151690	Screw (10-32 x 5/16 Fil) 6-5	154033	Lever, Clutch Stop 6-11	154199	Shim (.005") 6-3
151692	Screw (6-40 x 3/16 Fil) 6-17	154036	Plate, Detent 6-13	154201	Shim (.014") 6-3
151693	Screw (6-40 x 9/16 Fil) 6-5	154037	Lever 6-7	154210	Bracket, Left 6-8
151695	Screw (6-40 x 5/8 Hex) 6-5	154039	Bracket 6-3	154211	Bracket, Right 6-8
151712	Button, Pivot 6-7,6-22	154040	Lever, Transfer 6-13	154212	Frame, Front 6-8
151721	Screw (6-40 x 3/4 Hex) 6-25	154041	Post, Stop 6-13	154215	Spring 6-14
151722	Screw (6-40 x 3/16 Hex) 6-9,6-13, 6-23	154042	Terminal 6-15	154217	Wick, Leather 6-13
151723	Screw (10-32 x 3/4 Hex) 6-3,6-5, 6-6	154043	Terminal 6-15	154225	Box Assembly, Contact 6-15
151724	Screw (10-32 x 5/8 Hex) 6-7	154045	Screw, Contact (4-40) 6-15	154226	Box w/Strap 6-15
		154046	Stud 6-11	154234	Bail, Code Bar 6-14
		154047	Post, Spring 6-13	154236	Lever, Universal 6-11
		154051	Screw, Shoulder (6-40) 6-14	154237	Lever, Non-Repeat 6-14
		154052	Bar, Locking 6-9	154238	Extension 6-10
		154053	Bail, Clutch Trip 6-11	154239	Extension, Universal Bail 6-10
		154056	Bracket, Contact Box 6-15	154241	Stud (6-40) 6-14
				154662	Spacer 6-7

NUMERICAL INDEX - SECTION 6 - Continued

Part Number	Description and Page Number	Part Number	Description and Page Number	Part Number	Description and Page Number
154663	Shaft 6-7	159278	Pinion (14T) 6-18	163647	Channel, Lock Ball 6-10
154694	Disk, Clutch Cam 6-12	159279	Gear (96T) 6-18	163775	Modification Kit 6-17
155750	Sleeve, Insulating (3/32 ID x 1/2 Lg) 6-26	159281	Pinion, Motor (17T) 6-18	163813	Plate 6-17
155751	Sleeve, Insulating (1/8 ID x 1 Lg) 6-26	159284	Pinion, Motor (20T) 6-18	163814	Lever 6-17
155752	Sleeve, Insulating (5/64 ID x 1/2 Lg) 6-26	159282	Gear (93T) 6-18	164379	Cable Assembly, Clutch Magnet 6-24
155753	Sleeve, Insulating (1/8 ID x 1/2 Lg) 6-6,6-26	159285	Gear (84T) 6-18	164485	Bail 6-11,6-24
155754	Sleeve, Insulating (1/16 ID x 1/2 6-26	159287	Retainer, Pinion 6-18,6-20	164565	Container, Tape 6-6
155755	Sleeve, Insulating (11/64 ID x 5/8 Lg) 6-26	159327	Washer, Flat 6-14	164590	Connector, Plug (24 Pt) 6-26
155951	Spring, Torsion 6-17	159334	Washer, Flat 6-14	164644	Post (6-40) 6-24
155952	Pin 6-17	159340	Spring, Return 6-16	164645	Post (6-40) 6-24
155953	Stud 6-17	159341	Bearing, Ball 6-5,6-20	164646	Plate, Nut (6-40) 6-24
155956	Bail w/Bar 6-17	159542	Connector, Receptacle (16 Pt) 6-3, 6-26	164647	Bracket 6-24
155957	Bracket 6-17	160307	Diode (1N539) 6-4	164649	Plate, Mounting 6-24
155958	Keylever 6-17	161215	Lamp, Neon (110V) 6-8	164651	Bail, Armature 6-24
155959	Keypop 6-17	161239	Connector, Plug (36 Pt) 6-26	164652	Bar, Universal 6-24
155960	Latch 6-16	161293	Gear Set (60 WPM) 6-18	164656	Bar, Clutch 6-24
155964	Lever 6-16	161294	Gear Set (75 WPM) 6-18	165656	Cable Assembly 6-26
155965	Ratchet, Character Counter 6-16	161295	Gear Set (100 WPM) 6-18	165659	Bracket 6-23
155966	Drum, Ratchet 6-16	161301	Post (6-40) 6-18	165660	Insulator 6-23
155967	Washer, Spring 6-16	161346	Washer, Felt 6-13	165661	Cable Assembly 6-23
155968	Washer, Flat 6-16	161826	Plate 6-6	165662	Stud (6-40) 6-23
155969	Bracket, Character Counter 6-16	161831	Washer, Spring 6-5	165663	Insulator 6-23
155990	Counter Assembly 6-16	161878	Cable Assembly 6-26	165576	Cap, Green 6-8
155991	Keypop Assembly 6-17	161891	Plate, Keypop Guide 6-8	165678	Lamp (65V) 6-8
155992	Cable w/Terminals 6-17	161892	Cable Assembly 6-26	165679	Cable Assembly 6-26
155994	Insulator 6-17	161895	Shaft 6-5	165680	Bracket, Fuse Holder 6-23
156226	Hub 6-5	161896	Gear (33T) 6-5	165681	Bracket, Mounting 6-23
156448	Bushing 6-6	161897	Gear (33T) 6-5	165682	Bracket 6-23
156449	Lever, Switch 6-6	161899	Spacer 6-5	170324	Bracket 6-9,6-17
156451	Bushing 6-6	161900	Bracket, Gear Guard 6-5	170385	Frame 6-11,6-24
156503	Wick, Felt 6-12	161901	Bracket, Gear Guard 6-5	170386	Guide 6-13
156509	Washer, Flat 6-13	161902	Plate 6-5	170391	Guide 6-13
156516	Latch 6-13	161903	Bracket 6-4	172721	Cable Assembly 6-26
156574	Post, Spring 6-10	161904	Plate, Nut 6-4	173096	Stud, Follower Eccentric 6-14
156630	Washer, Felt 6-13	161905	Bracket 6-4	173396	Cable Assembly 6-26
156632	Screw (6-40 x 13/32 Hex) 6-8,6-16	161906	Plate 6-8	173793	Gear (100T) 6-18
156644	Link, Drive 6-15	161907	Plate 6-8	173794	Pinion (14T) 6-18
156663	Insulator 6-15	161908	Post, Supporting 6-4	173795	Gear Set (65 WPM) 6-18
158019	Baffle, Counter Indicator 6-16	161909	Socket w/Resistor 6-8	173922	Cable Assembly 6-26
158031	Bail, Drive Lever Feed 6-16	161910	Cap, Amber (Low Tape) 6-8	174250	Pin, Roll 6-20
158032	Bail, Reset 6-16	161911	Knob 6-8	174491	Modification Kit: To provide R. F. Suppression Filter 6-15
158033	Spacer 6-16	161912	Switch w/Nuts 6-8	176405	Modification Kit 6-17
158036	Lever, Reset 6-16	161925	Guide w/Roller, Tape 6-5	176406	Bracket 6-17
158038	Lever 6-16	161926	Guide w/Roller, Tape 6-5	176407	Lever 6-17
158040	Lever, Ratchet Drive 6-16	161927	Guide w/Roller, Tape 6-5	178306	Relay, Power 6-23
158042	Lever, Ratchet Latch 6-16	161932	Cap, Red (End of Line) 6-8	178535	Suppressor w/Terminals 6-23
158045	Stud (6-40) 6-16	161939	Bracket, Guide 6-2	178725	Spring 6-16
158046	Bracket, Counter Scale 6-16	161942	Plate 6-4	178726	Bracket, Spring 6-16
158047	Scale, Counter 6-16	161949	Mount, Shock 6-2	178728	Modification Kit: To improve Character Counter Mechanism 6-16
158050	Switch, Contact 6-16	161950	Bracket 6-3	178839	Bearing 6-8
158051	Pulley, Indicator Cord 6-16	161951	Bracket 6-5,6-6	178849	Post (1/4-32) 6-16
158052	Cam, Switch 6-16	161952**	Plate 6-2	178851	Pulley 6-16
158053	Clamp, Ratchet Drum 6-16	161954	Socket 6-8	179258	Bracket, Scale 6-16
158054	Cord w/Terminal, Indicator 6-16	161957	Lamp (6V) 6-8	179278	Drum, Ratchet 6-16
158056	Cord w/Terminals, Reset 6-16	161964	Clamp, Tube 6-4	179279	Bracket 6-16
158063	Bracket, Stop 6-9	161965	Resistor (1000 Ohm) 6-4	192581	Screw, Special (4-40) 6-10
158105	Bar, Carriage Return Code 6-9	162333	Stud 6-7	192797	Chute, Chad 6-25
158107	Bar, Character Counter Code 6-9	162659	Retainer 6-20	192798	Plate, Mounting 6-25
158147	Bushing, Eccentric 6-16	163368	Sleeve, Cam 6-12	192999	Modification Kit 6-25
158125	Plate, Nut 6-3,6-4,6-16,6-23	163440	Gear (48T) 6-7	193560	Bag, Chad (10" Lg) 6-25
158163	Switch 6-4,6-6	163442	Cable w/Switch & Connector 6-6	193561	Casing, Fan Wheel 6-25
158239	Lever, Tape 6-6	163552	Transformer w/Terminals 6-4	193579	Clamp, Tube 6-25
158268	Latch 6-14	163459	Gear (66T) 6-5	193644	Bag, Chad (30" Lg) 6-25
158289	Reel, Tape 6-6	163460	Gear (55T) 6-7	193654	Clamp, Armature 6-24
158745	Clamp, Bearing 6-5,6-20	163461	Gear (18T) 6-18	193715	Spring, Contact 6-24
158753	Armature 6-24	163462	Gear (117T) 6-18	193719	Contact Assembly 6-24
158754	Core, Magnet 6-24	163463	Gear (24T) 6-18	193800	Modification Kit 6-24
158859	Post (6-40) 6-24	163464	Gear (104T) 6-18	195186	Screw (4-40 x 7/8 Hex) 6-15
		163503	Gear (26T) 6-5	195403	Tubing (7-1/2" Lg) 6-25
		163504	Gear Set (71 WPM) 6-18	195718	Bracket, Contact 6-24
		163505	Gear Set (107 WPM) 6-18		
		163519	Sleeve, Gear 6-12		
		163590	Gear (90T) 6-5		

SECTION 7

NOTES AND MODIFICATION KITS

NOTES OF EXPLANATION

- NOTE 1: (Page 2-2) The 156257 one-piece trip bracket (no longer available) has been replaced by the 176491 trip bracket assembly which includes a 176266 adjusting lever torsion spring to replace the 112634 tension spring formerly used. The new style torsion spring may be used with old or new style brackets but must be used with the new style two-piece bracket.
- NOTE 2: (Page 2-2) The 156388 adjusting lever has been redesigned. The early design lever required a 111410 flat washer and 3599 nut as mounting hardware; the new design lever is secured by a 152893 screw and 150411 flat washer.
- NOTE 3: (Page 2-3) The 156995 post and the 156412 link have been replaced by a 192661 post and a 192709 link to prevent wear and wobble of the drive link. Parts are not individually interchangeable and should be replaced in pairs.
- NOTE 4: (Page 2-3) The new style 162350 rocker bail now includes the ribbon feed drive roller mounting post, the oscillating drive link mounting post and the printer drive link mounting post. The 156899 eccentric screw, 2191 lock washer and 3606 nut for mounting the ribbon feed drive roller, the 159506 post for mounting the oscillating drive link and the 96717 shoulder screw, 3540 lock washer and 3599 nut for mounting the printer drive link (Page 2-18) to the early design rocker bails are still available for maintenance.
- NOTE 5: (Page 2-10) The 159525 bracket has been redesigned but retains its original number. The new style bracket includes the axial correcting plate mounting post. However, in order to maintain units equipped with the old style bracket, the 156397 post, 2191 lock washer and 154244 shoulder nut will be supplied for maintenance.
- NOTE 6: (Page 2-17) The ribbon drive arm (formerly 156431) has been redesigned and assigned part number 162347. When it's necessary to replace an old style drive arm a 154325 modification kit to provide an adjustable ribbon drive arm should be ordered instead.
- NOTE 7: (Page 2-17) The 156414 mounting plate has been redesigned but retains its original part number. The new style plate includes the drive arm spring mounting post. The post replaces the 159993 spring bracket which is no longer used but will be supplied for maintenance.
- NOTE 8: (Page 2-32) The 162750 lever, 162752 collar and mounting hardware have been replaced by a 176286 lever and mounting hardware. The 2191 lock washer is retained when replacing the old style parts with the new style. Old style parts are not available. Due to this change, the 162744 shaft has been redesigned but retains its original part number. The 6-40 tapped hole required to mount the old style lever has been eliminated making the new style shaft (old style not available) compatible only with the new style lever.

MODIFICATION KITS

Kit Number	Part Number	Description	Quantity	Page	Specification Number
163415	Modification Kit to convert an LPR22ARC (28C) to LPR22ARD (28E) or an LPR23ARC (28D) to LPR23ARD (28F)				
	153008	Plate, Identification (Stamped 28E)	1		
	153008	Plate, Identification (Stamped 28F)	1		
	156357	Typewheel (Arrangement ARD)	1		
163416	Modification Kit to convert an LPR22ARD (28E) to LPR22ARC (28C) or an LPR23ARD (28F) to LPR23ARC (28D)				
	153008	Plate, Identification (Stamped 28C)	1		
	153008	Plate, Identification (Stamped 28D)	1		
	156361	Typewheel (Arrangement ARC)	1		
163417	Modification Kit to convert LPR22ARC (28C) to LPR4AWA (28A) or an LPR23ARC (28D) to LPR7AWA (28B)				
	153008	Plate, Identification (Stamped 28A)	1		
	153008	Plate, Identification (Stamped 28B)	1		
	156356	Typewheel (Arrangement AWA)	1		
174149	Modification Kit to convert Self-Contained, 5 Level Typing Reperforator and Base to produce fully perforated 7/8" wide tape. (Includes Flexowriter)				5971S
	1020	Screw (6-40 x 1/4 Hex)	1		
	2191	Washer, Lock	1		
	3598	Nut (6-40 Hex)	1		
	3606	Nut (6-40 Hex)	2		
	7002	Washer, Flat	2		
	110743	Washer, Lock	2		
	142622	Disk, Tape Reel	1	1-27	
	151152	Screw (4-40 x 3/16 Hex)	2		
	151630	Screw (6-40 x 1/4 Hex)	1		
	152893	Screw (6-40 x 1/4 Hex)	2		
	159560	Spring	1	2-5	
	170219	Stud, Die Wheel	1	2-6	
	170241	Screw, Adjusting	1	2-6	
	170788	Wheel, Die	1	2-6	
	170879	Slide, Punch	1	2-5	
	174150	Block Assembly, Punch	1	2-40	
	174151	Block, Tape Guide	1	2-5	
	174152	Guide, Tape	1	2-6	
	174153	Container Assembly, Tape	3		
	174154	Post			
	174354	Chute, Chad	1		
	179274	Wheel, Feed	1	2-6	

MODIFICATION KITS (Continued)

Kit Number	Part Number	Description	Quantity	Page	Specification Number
174235	Modification Kit to convert a Typing Reperforator to fully perforated tape, power retract punch pins and printing between the feed holes. (Used with Early Design Ribbon Feed)				500385
	2191	Washer, Lock	1		
	3606	Nut (6-40 Hex)	1		
	7002	Washer, Flat	1		
	85823	Spacer	2	2-17	
	110743	Washer, Lock	2		
	151073	Screw (4-40 x 5/32 Fil)	2		
	151630	Screw (6-40 x 1/4 Hex)	1		
	153841	Screw (6-40 x 9/16 Hex)	2	2-17	
	156558	Washer, Felt	1	2-9	
	159560	Spring	1	2-5	
	163674	Chute, Chad	1	1-33	
	170219	Stud, Die Wheel	1	2-6	
	170241	Screw, Adjusting	1	2-6	
	170242	Slide, Feed Pin	1	2-5	
	170243	Slide, Code Pin	5	2-5	
	170247	Guide, Slide	1	2-5	
	170779	Wheel, Feed	1	2-6	
	170788	Wheel, Die	1	2-6	
	173754	Spacer, Type Wheel	1	2-9	
	173755	Guide, Ribbon	1	2-9	
	173756	Lever, Print Hammer	1	2-9	
	173770	Block Assembly, Punch	1	2-40	
	173775	Shaft, Typewheel	1	2-9	
	173977	Shaft, Print Hammer	1	2-9	
	173978	Spring	1	2-9	
	173979	Head, Hammer	1	2-9	
	173981	Accelerator	1	2-9	
	176441	Arm, Adjustable	1	2-17	
	176639	Arm, Ribbon Drive	1	2-17	
	176640	Guard	1	2-14	
174285	Modification Kit to convert a Typing Reperforator to a Tape Printer.				502195
	3599	Nut (4-40 Hex)	1	2-6	
	8330	Washer, Flat	1	2-6	
	94669	Screw, Shoulder (4-40)	1	2-6	
	94712	Spacer, Typewheel	1	2-9	
	110743	Washer, Lock	1	2-6	
	119652	Ring, Retaining	1		
	144793	Stud, Die Wheel	1	2-6	
	144794	Spring, Torsion	1	2-6	
	144795	Plate, Rear	1	2-5	
	144796	Plate, Front	1	2-6	
	144797	Shaft, Feed Wheel	1	2-6	
	144998	Post	2	2-6	
	144999	Shoe, Tape	1	2-6	
	145333	Disk	1	6-6	
	145335	Disk	1	6-6	
	145353	Wheel, Pressure	1	2-6	
	145356	Wheel, Feed	1	2-6	
	145357	Guide, Tape	1	2-6	
	145358	Bracket, Tape Guide	1	2-5	
	170241	Screw, Adjusting	1	2-6	

MODIFICATION KITS (Continued)

Kit Number	Part Number	Description	Quantity	Page	Specification Number
174353	Modification Kit to convert Self-Contained, 5 Level Typing Reperforator and Base to produce fully perforated 7/8" wide tape. (Includes Kleinschmidt)				5971S
	2191	Washer, Lock	2		
	3598	Nut (6-40 Hex)	1		
	3606	Nut (6-40 Hex)	1		
	7002	Washer, Flat	3		
	110743	Washer, Lock	3		
	111410	Washer, Flat	1		
	142622	Disk, Tape Reel	1		
	151152	Screw (4-40 x 3/16 Hex)	2		
	151630	Screw (6-40 x 1/4 Hex)	1		
	151632	Screw (6-40 x 3/8 Hex)	1		
	151880	Nut (4-40 Hex)	1		
	152893	Screw (6-40 x 1/4 Hex)	2		
	159560	Spring	1	2-5	
	170219	Stud, Die Wheel	1	2-6	
	170242	Slide, Feed Pin	1	2-5	
	170243	Slide, Code Pin	5	2-5	
	174153	Container Assembly, Tape	1		
	174154	Post	3		
	174155	Guide Assembly, Tape	1	2-6	
	174354	Chute, Chad	1		
	174355	Screw, Adjusting	1		
	174356	Wheel, Die	1		
	174357	Block Assembly, Punch	1	2-40	
	174360	Guide	1		
	179274	Wheel, Feed	1	2-6	
178834	Modification Kit to convert a Typing Reperforator to fully perforated tape, power retract punch pins and printing between feed holes. (Used with Late Design Ribbon Feed)				50038S
	2191	Washer, Lock	1		
	3606	Nut (6-40 Hex)	1		
	7002	Washer, Flat	1		
	85823	Spacer	2	2-41	
	110743	Washer, Lock	2		
	151073	Screw (4-40 x 5/32 Fil)	2	1-33	
	151630	Screw (6-40 x 1/4 Hex)	1		
	153841	Screw (6-40 x 9/16 Hex)	2	2-41	
	156558	Washer, Felt	1	2-9	
	159560	Spring	1	2-5	
	163674	Chute, Chad	1	1-33	
	170219	Stud, Die Wheel	1	2-6	
	170241	Screw, Adjusting	1	2-6	
	170242	Slide, Feed Pin	1	2-5	
	170243	Slide, Code Pin	5	2-5	
	170247	Guide, Slide	1	2-5	
	170779	Wheel, Feed	1	2-6	
	170788	Wheel, Die	1	2-6	
	173754	Spacer, Typewheel	1	2-9	
	173755	Guide, Ribbon	1	2-9	
	173756	Lever, Print Hammer	1	2-9	
	173770	Block Assembly, Punch	1	2-40	
	173977	Shaft, Print Hammer	1	2-9	
	173978	Spring	1	2-9	
	173979	Head, Hammer	1	2-9	
	173981	Accelerator	1	2-9	
	176640	Guard	1	2-14	
	178178	Lever, Adjusting	1	2-41	

SECTION 8

MASTER INDEX

NUMERICAL INDEX

Part Number	Page	Part Number	Page	Part Number	Page	Part Number	Page
169M	5-6	3949	3-4	70720	4-22, 6-19	81836	5-2
190M	2-34, 2-43	4326	4-19, 4-22	70878	2-27, 2-28	82392	2-3
224M	2-28, 2-34, 2-48	4702	6-11	71047	5-6	82444	2-46
247M	5-5	4703	2-31, 2-34	71073	1-16	82463	2-19, 2-31, 2-34, 2-49
252M	2-21, 5-5	4812	4-33	71437	2-7		
254M	2-15	4814	4-2	71681	2-17, 2-41	82474	See Section Index
263M	6-24	5363	2-6	71858	1-16, 4-21, 6-19	82516	4-7
1020	2-5, 6-13	5425	2-20	71999	3-2, 3-3, 3-6	82547	2-21, 2-24, 2-30, 2-37, 2-38, 2-46, 2-49, 6-24
1028	4-7	5740	3-8, 3-9	72522	2-6		
1036	2-6	5816	5-5	72565	6-2		
1093	5-5	6035	4-8	72655	1-30	82548	2-21, 2-22, 2-24, 2-30, 2-37, 2-38, 2-44, 2-46, 2-49, 6-24
1118	6-16	6320	3-7	73175	2-19, 2-32		
1160	1-29	6345	3-6, 3-7, 4-19, 4-21, 5-7	73374	3-8		
1163	1-30			73611	2-22	82725	1-9, 1-24
1164	1-26	6565	1-5, 1-20, 1-25	74077	6-19	82832	1-16
1178	1-14, 1-26	6801	2-49	74100	1-14	82988	4-7
1181	3-9	6827	4-7	74199	2-44	83876	4-22
1210	1-16, 1-21, 2-45, 6-4, 6-6	6968	6-20	74283	2-13	83877	1-7, 1-27
		6970	6-20	74479	1-28, 4-22	84226	2-31, 2-34, 2-41
1222	2-45	7002	See Section Index	74553	2-9	84354	1-19
1253	4-2, 4-3, 4-4, 4-5, 4-11, 4-13, 4-14	7415	6-2	74594	4-15	84551	1-10, 1-12
		7599	1-18	74727	2-22, 2-44, 2-46	84575	2-28
1256	2-19	7603	2-31, 2-34, 5-5	74728	2-21, 2-46	84892	2-38
1262	4-11	7655	2-30, 2-33, 2-35, 2-38	74755	6-11, 6-24	85318	1-15
1264	1-15, 1-22, 4-10	7835	2-17, 2-41	74805	6-11	85823	2-17, 2-41
1293	6-15	7959	5-6	74807	1-9, 1-24, 4-17, 4-19, 4-22	86079	2-10, 2-31
2034	2-31, 2-33, 2-35, 2-43, 5-5	8185	4-2	74882	5-5	86283	2-17
		8330	See Section Index	74952	2-49	86304	2-27, 2-47, 6-15
2191	See Section Index	8333	4-15, 4-18	74965	2-44	86434	4-10
2199	2-9	8449	1-7, 1-14, 1-16, 1-27, 1-28, 3-8, 6-6	74979	5-2	86506	2-2
2201	5-5			75231	4-7	86714	2-41
2259	4-11	22746	2-9, 2-19, 6-16	75231	4-7	86742	6-14
2263	1-20, 3-2, 3-3	25123	1-19	75606	4-19	86774	2-10, 2-25
2322	6-5	25229	4-11	75750	4-6, 4-7, 6-23	86873	2-32, 2-35
2382	1-25	31636	2-20	76081	1-9, 6-9, 6-16	86959	6-24
2407	2-9	33765	2-27	76099	3-9, 4-11, 4-19, 6-11	87334	3-2, 3-3, 3-4
2415	1-16, 6-6, 6-9	34432	4-2, 4-8	76236	4-2	87401	2-2
2438	2-15	35503	1-29	76246	2-49	87932	4-11
2449	1-3, 1-5, 1-10, 1-12, 1-16, 1-19, 4-8, 4-10, 4-12, 4-13, 5-6, 6-5	35551	1-15, 1-22, 4-10, 4-12, 4-17	76278	6-5	87993	4-22
		36273	6-21	76422	2-33, 4-22, 6-17	88780	4-22
2481	2-22, 2-38, 6-16, 6-24	41382	2-6, 2-13	76461	1-10, 1-12, 1-16, 1-28, 1-29, 4-22, 6-5	88857	4-19
2539	2-19, 2-32	41543	2-26	76834	3-10	88891	6-24
2669	See Section Index	41720	6-24	76953	1-10, 1-12	89548	4-7
2726	4-11	41732	2-21, 2-22, 2-24, 2-30, 2-37, 2-44, 2-46, 2-49, 6-24	76964	6-17	90052	2-16
2836	1-21			76968	6-8	90361	2-7, 6-14
2846	6-5			76983	5-6	90504	2-43
3354	4-12	42823	2-2, 2-4, 2-20, 6-12	77902	4-6, 4-7	90535	2-11, 2-12
3438	1-3, 1-4, 1-5, 1-8, 1-12, 1-13, 1-16, 1-20, 1-25, 4-18, 6-3, 6-7, 6-20, 6-22	42827	2-43	78533	2-14, 2-31, 2-34	90560	1-32, 1-33, 2-27
		44048	1-20, 1-30	78596	1-9	90573	2-3
		45024	2-25	79060	2-43	90599	2-10
		45104	2-31, 2-34, 2-49	79523	4-7	90606	1-7, 1-16, 1-27, 2-2, 2-17, 6-6
3448	6-3	45815	1-14, 1-20, 1-25, 6-6	79890	6-5	90615	2-18
3595	4-10, 5-6	45963	2-20, 2-32	80334	2-37	90697	6-14
3598	See Section Index	47024	2-10	80342	1-28	90789	2-14
3599	See Section Index	49056	1-11, 1-13	80509	4-10	90790	2-28, 6-20
3603	2-26	49084	2-2, 2-22	80531	2-41	90791	2-6, 6-15
3606	See Section Index	49420	2-47, 6-7, 6-9, 6-24	80581	6-13	90951	2-12, 2-24, 2-38, 2-44, 2-46, 2-49, 5-5
3610	4-10	55063	2-27, 2-40	80709	5-8		
3624	1-7, 1-14, 1-21, 1-27, 2-21, 3-8, 3-9, 6-17	55090	2-20	80755	2-21, 2-22, 2-30, 2-37, 2-46	91120	2-6
		55669	2-35			91228	3-9, 3-10
3639	4-15, 4-18	61085	1-10, 1-12, 3-8, 3-9	80833	2-24	91229	3-9, 3-10
3640	See Section Index	70072	2-43	80854	5-5	91683	1-10, 1-12, 1-30, 1-35, 4-3, 4-4
3646	1-5, 1-20, 1-25, 2-25, 4-11, 4-12	70314	1-13, 4-3, 4-4, 4-5, 4-20	81258	4-7		
				81596	6-20	91684	1-6, 1-10, 1-12, 1-30, 1-35, 4-3, 4-4
3650	2-28, 2-43	70388	6-13	81726	2-24, 2-30, 6-24		
3870	2-18, 5-5, 6-9, 6-11	70466	2-43	81731	2-41, 6-14	91742	4-15 to 4-18
3899	1-27, 5-6	70702	4-19	81778	2-15		

NUMERICAL INDEX (Continued)

Part Number	Page	Part Number	Page	Part Number	Page	Part Number	Page
91768	1-5, 1-6, 1-20	107116	1-15	119223	3-3, 3-4	122292	2-38
91837	3-6	107393	1-2, 4-3, 4-4	119467	1-7, 1-14, 1-21, 1-27,	123699	1-34
91904	4-22	107398	1-2, 1-35, 1-36, 3-9,		2-21	123706	1-3, 1-22
92146	1-16, 4-8, 4-10, 4-13		3-10, 5-9	119523	4-12	123769	3-2, 3-3
92151	4-22	108370	6-13	119636BZ	4-4	124177	1-9, 1-18, 1-24, 2-3,
92260	1-9, 1-20, 2-18, 3-6	108450	6-21	119647	2-6, 2-20		2-5, 2-13, 2-14, 2-18,
92265	1-16	108809	6-22	119648	See Section Index		6-16
92856	5-2	108943	2-24	119649	See Section Index	124396	1-5, 1-25, 1-29, 1-31
93001	4-19	108953	6-4, 6-22	119650	2-7, 2-17, 2-18, 2-41,	124516	4-3, 4-4, 4-5
93108	1-10, 1-12, 2-26	109356	2-30		6-9	124611	1-20
93117	See Section Index	110126	1-28, 1-30	119651	See Section Index	124741	1-10, 1-12
93118	2-21, 4-22	110191	1-28	119652	See Section Index	124999	1-7, 1-10, 1-12, 1-14,
93191	4-2, 4-14, 4-18	110434	2-2, 2-13, 2-14	119653	1-9, 1-21, 2-9, 2-17,		1-21, 1-27
93346	2-44	110435	1-14, 1-16, 2-30,		4-18, 4-21, 6-7, 6-16	125011	See Section Index
93356	2-2, 2-6		3-10, 5-5, 6-6	119654	1-8, 1-23, 6-9	125015	See Section Index
93984	4-18	110437	1-14, 2-12, 6-9	119655	1-8, 1-23, 2-32, 6-2,	125112	4-22, 5-6
94669	2-6	110438	1-21		6-20	125126	6-15
95320	1-6, 1-10, 1-12	110644	1-20	119656	2-19, 2-32	125143	3-6
95378	2-18	110743	See Section Index	119658	1-28	125171	6-19
96257BK	3-9	110822	4-17	119662	6-16	125175	1-6
96258R	3-8, 3-9	110879	2-8, 2-11, 2-18	120166	4-6	125181	6-3
962625	5-4	111017	See Section Index	120175	1-2, 1-5, 1-6, 1-10,	125183	5-2
96268R	3-8, 3-9	111062	3-6		1-12, 1-25, 1-29, 1-30	125205	1-8, 1-23
96717	2-14, 2-30	111284	1-29	120206	1-25	125206	4-15 to 4-18
97266	2-24, 2-30	111343	6-10	120824	6-12	125215	2-28, 2-34, 2-43
97393	6-16	111346	4-21	120870	6-13	125218	1-10, 1-12
97412	2-9	111427	1-11, 1-13, 1-28	121021	4-11	125224	1-3, 1-5, 1-10, 1-12
97516	2-41	111516	1-14, 6-6	121100	2-12	125231	1-10, 1-12, 2-3, 6-19
97981	1-27	111767	2-20, 6-14	121125	2-21, 5-5, 6-2, 6-24	125247	6-17
98004	2-21	111777	1-26, 1-27, 2-23	121242	1-5, 1-25, 2-14, 6-3,	125250	1-14, 6-13
98642	3-6	112080	1-28		6-9, 6-17, 6-21	125269	2-19, 2-21
98659	1-2	112509	2-49	121243	1-7, 1-28, 2-14, 2-29,	125302	4-12
98712	3-7	112626	See Section Index		4-22, 5-6, 6-24	125306	5-6
98718	1-28	112627	2-45, 3-8, 3-9, 6-17	121244	1-3, 1-6, 1-20, 4-22,	125390	5-5
98726	1-10, 1-12, 1-25, 1-26	112634	2-12		6-3	125802	2-19, 4-2, 4-13, 4-14,
98736	1-30	112636	2-20	121245	1-5, 1-28, 2-14, 2-29,		4-18
99381	1-5, 1-20, 1-25	112663	1-34, 6-21		5-5	126296	4-6
99802	4-7	112801	4-6, 4-12	121246	1-20, 2-14, 2-29	128209	4-18
99803	4-7	112967	2-26, 2-44	121247	1-10, 1-12, 1-20	128271	6-16
99804	4-7	113039	2-35	121248	1-10, 1-12, 6-21	128357	2-7, 2-12, 4-15 to
99805	4-7	113850	1-9	121249	1-10, 1-12, 1-14, 5-2		4-17
99806	4-7	114125	1-9, 1-18, 1-24	121416	1-28	128874	3-2
99807	4-7	114466	1-2, 1-5, 1-25	121418	1-28	129098	4-6
99809	4-7	114467	1-2, 1-5, 1-25	121538	2-15	129919	1-5, 1-30, 4-6, 5-2
100657	6-4, 6-22	114478	4-3	121539	1-35, 1-36, 3-9, 3-10	130330	2-10
100658	6-6	114766	4-15	121551	1-28, 2-25	130499	1-9, 1-17
100743	3-8, 3-9	114858	4-12	121575	1-2, 1-5, 1-6, 6-4	130683	1-11, 1-13
100994	2-21	114876	2-12, 2-24, 2-44,	121630	1-13	130696	2-11
101123	2-10		2-46, 6-16	122149	2-27	130892	1-9, 1-18, 1-24
101633	1-17, 4-19, 4-22	115122	2-9, 2-44, 6-11, 6-14	122200	3-6	131016	2-10
101796	2-32	115134	2-10	122201	3-2, 3-3, 3-6	131097	1-35, 1-36
101833	4-6	115141	6-16	122202	3-6	131099	1-26, 6-22, 6-26
101892	2-40	115538	4-11	122204	3-6	135038	4-3 to 4-5
102028	2-20	115594	1-30, 4-3 to 4-5,	122205	3-6	135716	2-2
102465	1-23		4-11, 4-13	122206	3-6	135901	2-9
103033	1-28	116669	1-25	122207	3-6	136148	1-5
103078	2-38	116699	1-25	122208	3-6	138034	2-45
103081	4-13	116783	See Section Index	122210	3-6	138166	6-21
103092	4-15 to 4-18	117227	1-23, 1-24	122211	3-2, 3-3, 3-6	138191	4-7
103241	4-6, 4-12	117416	6-11	122220	3-6	138225	4-12
104124	1-3, 1-5, 1-10, 1-12	117535	1-16, 1-20, 1-22, 1-30	122221	3-6	138538	1-6, 5-8
104463	2-43, 4-16, 4-17	117608	6-8	122229	3-2, 3-3	139158	4-12
104710	6-10	117743	4-17	122233	3-6	139564	6-21
104807	1-32, 1-33, 6-16, 6-17	118384	4-3, 6-8	122245	1-6, 3-2, 6-4	139697	2-26, 3-10
104824	2-15	118511	1-6	122249	3-2	139752	2-2, 6-10, 6-16
104827	6-7	118589	1-6	122251	3-2	142269	1-20, 6-23
104991	6-17	118759	6-23	122252	3-2, 3-3	142589	3-4, 3-5
105054	6-23	118865	4-2	122253	3-6	142612**	1-27

NUMERICAL INDEX (Continued)

Part Number	Page	Part Number	Page	Part Number	Page	Part Number	Page
142615	1-27	145385	6-20	150949	1-16	151415	1-2, 1-10, 1-12, 1-26, 6-3
142619	4-20	145386	6-20, 6-21	150950	1-16	151416	See Section Index
142622	1-27	145389	6-20, 6-21	150966	1-2, 1-10, 1-12, 1-26, 6-3	151422	1-13, 4-6
142623	1-27	145390	6-20	150976	3-2, 3-3, 3-8	151432	5-5
142624	1-27	145392	6-20	150979	6-23	151437	5-2
142625	1-27	145393	6-20	150980	3-8	151440	5-5
142626	1-27	145394	6-21	150990	2-8, 6-14	151442	See Section Index
142636	1-27	145397	6-21	150991	6-9, 6-11	151453	1-25, 3-6
142637	1-27	145398	6-21	150992	1-14, 1-16, 6-6	151455	3-6
142648**	1-27	145399	6-21	150995	3-8	151534	4-22
142665	1-5, 1-20, 1-25	145403	6-21	150997	3-7	151540	1-5, 4-22
142709	1-26	145406	6-21	151036	6-14	151549	6-2
142734	4-20	145407	6-21	151045	6-8	151555	4-15 to 4-18
144727	1-26	145408	6-21	151060	6-18	151556	1-22
144729	1-26	145412	6-22, 6-26	151073	2-2, 2-7, 2-22, 2-27, 2-40, 6-24	151558	4-19
144731	1-26	145656	2-6	151075	6-18	151562	1-5
144732	1-26	145855	6-5	151076	6-25	151572	1-19, 1-25, 6-4
144733	1-26	145856	6-5	151080	6-10	151603	3-15
144734	1-26	150000	2-4	151100	6-18	151606	1-5, 1-6, 1-17, 1-25, 1-26, 1-29, 4-6
144793	2-6	150001	2-2	151103	2-2, 2-14	151610	1-7, 1-8, 1-14, 1-20, 1-23, 6-20
144794	2-6	150013	2-2, 2-4, 6-12	151118	6-3, 6-4	151616	4-15 to 4-18
144795	2-5	150026	2-4, 6-12	151126	6-7	151618	1-18
144796	2-6	150029	2-2, 2-4, 6-12	151130	6-18	151620	3-2, 3-3, 3-4, 3-5, 3-6
144797	2-6	150040	2-4, 3-2, 3-3	151131	6-18	151621	3-2, 3-3, 3-4, 3-5, 3-6
144998	2-6	150043	2-2, 2-4, 6-12	151132	6-18	151622	3-2, 3-3, 3-4, 3-5, 3-6
144999	2-6	150044	2-2, 2-4, 6-12	151133	6-18	151626	See Section Index
145307	6-22	150048	2-2, 2-14	151134	6-18	151629	2-2, 2-7, 2-9, 2-19, 2-25, 2-32, 2-35, 5-7
145308	6-22	150089	1-4, 1-9, 1-11, 1-13, 1-18, 1-30, 2-15	151146	6-3, 6-4	151630	See Section Index
145309	6-21	150241	2-2, 2-4, 6-12	151152	See Section Index	151631	See Section Index
145310	6-3, 6-21, 6-22, 6-23	150327	2-17, 2-41	151171	6-15	151632	See Section Index
145311	6-21	150336	1-27	151180	6-15	151633	1-8, 1-17, 2-3
145313	6-20	150342	1-11	151182	6-15	151634	1-11, 1-13
145314	6-21	150355	2-2	151222	2-7	151637	See Section Index
145315	6-21	150356	2-2	151223	6-8	151640	2-2
145316	6-21	150411	2-2, 6-16	151224	6-8	151642	2-32, 3-6, 6-5
145325	4-22	150440	6-5	151228	6-7	151657	1-26, 1-27, 1-29, 2-8, 2-13, 2-14, 3-6, 4-6, 4-7, 4-15, 6-24
145326**	6-19	150441	6-5	151229	1-16, 1-25, 6-19	151658	1-5, 1-17, 1-18, 2-2, 2-3, 2-26, 2-32, 3-6, 6-20, 6-22
145327	6-19	150456	1-9, 1-24	151234	2-49	151659	1-11, 1-13, 2-32, 3-7, 6-8, 6-16
145328	6-19	150507	2-17, 2-20, 6-16	151235	2-49	151660	1-20
145329	6-19	150652	1-18	151236	2-49	151661	3-6, 3-7, 3-8, 3-9
145331	6-19	150687	2-14	151237	2-49	151678	6-3
145333	6-6	150701	3-6	151240	2-49	151685	1-27, 1-29, 2-32, 4-16 to 4-18, 4-20, 4-22, 6-16
145335	6-6	150710	6-23	151245	1-21, 6-20, 6-21	151686	1-30, 2-15, 3-2, 3-3, 3-4, 4-14, 6-17
145336	6-21	150711	1-28, 4-20	151246	2-3	151687	4-2, 4-13
145337	4-22	150802	1-11, 1-13	151329	6-3	151688	1-28, 2-15, 2-22, 2-24, 2-31, 2-34, 2-44, 2-46
145338	4-22	150845	3-7	151335	See Section Index	151689	2-30, 2-46
145339	4-22	150849	3-7	151336	2-14, 2-26	151690	1-9, 2-4, 6-5
145342	6-19	150850	3-7	151346	See Section Index	151691	1-20
145345	6-19	150856	3-7	151362	2-3	151692	1-9, 1-25, 1-30, 2-18, 3-2, 3-3, 6-17
145346	6-19	150857	3-7	151362	2-3		
145353	2-6	150858	3-7	151398	2-12		
145357	2-6	150859	3-7	151401	5-5		
145358	2-5	150865	3-7	151402	5-5		
145364	6-20, 6-22	150866	3-7	151403	5-5		
145365	6-20	150868	3-7	151406	5-5		
145366	6-20	150869	3-7	151407	5-5		
145367	6-20	150872	3-7	151408	5-5		
145368	6-20	150873	3-6	151409	5-5		
145369	6-20	150877	3-7	151410	5-5		
145370	6-20	150879	3-7	151411	1-2, 1-20, 1-30, 4-6, 4-7, 4-15 to 4-18, 6-4, 6-21		
145372	6-20	150880	3-6	151412	See Section Index		
145373	6-20	150881	3-6	151414	5-5		
145374	6-20	150882	3-6				
145375	6-20	150884	3-6				
145376	6-20	150885	3-6				
145381	6-20	150886	3-6				
145383	6-20	150923	2-7, 6-13, 6-14				
145384	6-20						

NUMERICAL INDEX (Continued)

Part Number	Page	Part Number	Page	Part Number	Page	Part Number	Page
151693	1-11, 1-13, 1-30, 2-2, 4-6, 6-5	152405	2-14	153459	1-30	154076	1-19, 6-3, 6-23
151694	1-4	152406	2-14	153463	4-7	154079	6-14
151695	6-5	152407	2-14	153464	4-7	154080	6-9
151700	2-11	152409	2-14	153478	5-5	154081	6-10
151701	2-14	152410	2-14	153480	4-7	154083	6-12
151712	6-7, 6-22	152411	2-14	153481	4-7	154084	6-14
151714	2-14	152412	2-14	153484	1-30, 6-23	154085	6-3
151715	2-15	152415	2-15, 2-26	153489	2-13	154086	6-10
151721	1-7, 1-24, 1-27, 2-38, 6-25	152420	2-15	153537	1-28, 4-6, 4-12	154087	6-3
151722	See Section Index	152421	2-15	153538	1-10, 1-12, 1-14, 1-16, 2-14, 2-38, 2-43, 6-6	154088	6-3
151723	See Section Index	152422	2-15	153539	1-7, 1-14, 1-16, 1-27, 6-6	154089	6-14
151724	1-20, 1-25, 4-18, 6-7	152424	2-15	153543	2-15	154091	6-14
151725	6-7	152425	2-15	153545	2-15	154092	6-7
151728	2-2, 2-4, 6-12	152426	2-15, 3-4, 4-19, 5-7	153799	2-19, 2-32, 6-16	154094	6-11
151731	1-18, 2-30, 6-17	152427	2-13	153817	See Section Index	154095	6-15
151732	1-6, 1-9, 1-11, 1-18, 1-24	152429	2-13	153819	1-16, 1-25, 1-26, 1-30, 2-29, 2-46	154096	6-11
151733	1-14, 1-16, 1-18, 2-21, 2-37, 6-6, 6-24	152432	2-13	153839	See Section Index	154101	6-11
151736	2-26	152436	2-13	153841	1-29, 2-17, 2-41, 2-43, 2-44, 4-22, 5-7, 6-3, 6-11	154102	6-14, 6-24
151737	See Section Index	152438	2-13	154000	6-3	154105	6-13
151795	3-2	152441	2-13, 4-22	154001	6-9	154106	6-3
151808	4-6	152445	2-13	154002	6-9	154107	6-8
151814	4-6	152457	2-14	154003	6-9	154117	6-8
151818	5-9, 6-4	152458	2-15	154004	6-9	154119	6-8
151819	1-5, 1-6, 1-20, 3-5, 4-7, 6-4, 6-23	152459	3-8, 3-9	154005	6-9	154120	6-9
151820	6-15	152465	5-9	154006	6-9	154121	6-9
151827	1-20, 6-4, 6-21	152466	5-9	154007	6-9	154122	6-9
151843	6-10	152495	3-7	154008	6-9	154123	6-9
151848	2-20	152634	2-7	154009	6-13	154124	6-9
151879	2-49	152760	6-23	154010	6-13	154125	6-9
151880	See Section Index	152764	6-18	154011	6-13	154126	6-14
151886	2-49	152765	6-18	154012	6-13	154127	6-14
151920	3-2	152766	6-18	154013	6-9	154128	6-9
151922	3-2, 3-4, 3-5	152839	6-16	154014	6-13	154129	6-9
151923	3-2	152887	2-16	154015	6-14	154130	6-15
151924	3-2	152890	1-28, 4-18	154016	6-9	154131	6-15
151925	3-2, 3-5	152891	2-14	154017	6-9	154132	6-12
151926	3-2, 3-3, 3-4	152893	See Section Index	154018	6-13	154133	6-12
151927	3-2, 3-3	152925	6-2	154019	6-12	154134	6-13
151939	4-6	152971	6-2	154020	6-8	154135	6-13
151982	4-22	152972	6-2	154021	6-8	154136	6-10
151996	5-9	152993	4-2, 6-2	154022	6-9	154137	6-10
152034	3-9	153017	4-6, 4-7	154023	6-9	154138	6-10
153035	3-9, 3-10	153021	4-22	154024	6-14	154139	6-10
152037	3-9	153022	4-22	154025	6-14	154140	6-10
152039	3-9	153023	4-16, 4-17, 4-20, 4-22	154026	6-14	154141	6-15
152040	3-9	153030	3-2, 3-3, 3-4, 3-5, 3-6	154027	6-14	154142	6-15
152044	3-9, 3-10	153031	3-6	154028	6-12	154143	6-15
152045	6-3	153032	3-6	154029	6-12	154144	6-15
152046	3-9, 3-10	153033	3-6	154030	6-12	154145	6-15
152054	3-8, 3-9	153034	4-15	154031	6-12	154146	6-14
152058	3-9	153035	4-15	154032	6-12	154147	6-14
152059	3-9, 3-10	153036	4-15	154033	6-11, 6-24	154148	6-15
152067	3-9, 3-10	153037	4-15 to 4-17	154034	6-11	154149	6-8
152078	3-9	153038	4-15	154035	6-13	154150	6-3
152109	4-7	153039	4-15	154036	6-13	154201	6-3
152124	4-7	153049	3-2, 3-3	154037	6-7	154210	6-8
152129	2-43	153101	3-6	154038	6-3	154211	6-8
152297	3-2, 3-3	153102	3-6	154039	6-3	154212	6-8
152400	2-14	153103	3-6	154040	6-13	154213	6-8
152401	2-14	153114	3-6	154041	6-13	154214	6-8
152402	2-14	153157	5-5	154042	6-15	154215	6-14
152403	2-14	153184	2-15	154043	6-15	154216	6-13
152404	2-14	153251	5-5	154044	6-15	154217	6-13
		153252	6-3	154045	6-15	154218	6-13
		153267	2-38, 2-40	154046	6-11	154219	6-13
		153342	2-44	154047	6-13	154220	6-13
		153442	1-2, 1-14, 1-16, 6-2	154048	6-11	154221	6-13
		153452	4-7	154049	6-9	154222	6-13
		153455	6-23	154050	6-14	154223	6-14
		153457	5-2	154051	6-14	154224	6-14
				154052	6-9	154225	6-14
				154053	6-11	154226	6-14
				154054	6-15	154227	6-14
				154055	6-15	154228	6-10
				154056	6-15	154229	6-10
				154057	6-7	154230	6-10
				154058	6-7	154231	6-10
				154059	6-7	154232	6-10
				154060	6-7	154233	6-10
				154061	6-9	154234	6-10
				154062	6-9	154235	6-10
				154063	6-9	154236	6-10
				154064	6-9	154237	6-10
				154065	6-9	154238	6-10
				154066	6-9	154239	6-10
				154067	6-9	154240	6-10
				154068	6-9	154241	6-10
				154069	6-9	154242	6-10
				154070	6-9	154243	6-10
				154071	6-9	154244	6-10

1167B

NUMERICAL INDEX (Continued)

Part Number	Page	Part Number	Page	Part Number	Page	Part Number	Page
154311	4-11	156019	2-6	156241	2-9	156445	1-5
154325	2-17	156020	2-5	156242	2-9	156446	1-5
154326	4-12	156024	2-5	156243	2-18	156448	1-7, 1-14, 1-16, 1-27, 6-6
154335	2-26	156028	2-6	156248	2-2	156449	1-7, 1-8, 1-14, 1-16, 1-27, 6-6
154337	5-5	156036	2-6	156250	2-39	156451	1-7, 1-14, 1-16, 1-27, 6-6
154342	4-12	156040	2-6	156252	2-18	156452	1-7, 1-27
154346	4-15 to 4-18	156042	2-6	156264	2-8, 2-11	156460	1-3, 1-5, 1-6, 1-7
154352	2-36	156043	2-7	156265	2-11	156462	2-10
154375	3-7	156044	2-6	156266	2-8, 2-11	156465	2-3
154395	5-6	156045	2-6	156267	2-26	156466	2-9
154396	2-4	156046	2-5	156268	2-12	156467	2-3
154397	2-4	156047	2-6	156276	2-8	156470	1-7
154398	2-4	156050	2-6	156277	2-8	156472	2-14
154399	4-15 to 4-19, 4-22	156051	2-7	156278	2-11	156473	2-39
154406	1-29	156052	2-6	156286	2-8	156476	2-9
154407	4-19, 4-22	156054	2-6	156287	2-8	156478	2-9
154409	4-15, 4-18	156055	2-6	156288	2-11	156484	2-18
154437	1-30	156057	1-18, 2-12	156289	2-8	156488	2-18
154446	1-30	156058	2-7	156290	2-8	156489	2-9
154620	2-14	156060	2-7	156291	2-8	156490	2-2
154621	2-14	156061	2-6	156292	2-11	156492	2-8
154622	2-14	156062	2-6	156293	2-11	156493	2-10
154632	5-6	156067	2-7	156294	2-10	156501	1-27, 2-8, 2-9
154636	5-6	156069	2-5	156296	2-12	156503	6-12
154662	6-7	156070	2-7	156300	2-12	156509	6-13
154663	6-7	156077	2-7	156306	2-9	156515	2-41
154694	2-2, 2-4, 6-12	156078	2-22	156311	2-9	156516	6-13
155023	4-3, 5-2	156089	2-5	156313	2-11	156536	2-12, 2-14
155043	5-6	156090	2-6	156316	2-12	156558	2-9, 2-21, 2-34, 2-43
155083	4-19	156093	2-7	156318	2-2	156572	2-22
155096	2-13	156094	2-7	156321	2-10	156574	6-10
155750	See Section Index	156095	2-7	156322	2-10	156576	2-3
155751	1-2, 1-10, 1-27, 2-21, 2-23, 2-29, 6-26	156099	2-7	156332	2-9	156577	2-6
155752	See Section Index	156103	2-7	156334	1-3, 1-5, 1-10	156588	1-17
155753	See Section Index	156104	2-40	156336	1-3, 1-5	156630	6-13
155754	1-6, 1-20, 1-25, 1-35, 1-36, 6-26	156106	2-40	156337	1-5, 1-20, 1-25	156632	2-28, 6-8, 6-16
155755	1-31, 3-5, 5-6, 5-9, 6-26	156125	2-19	156338	1-3, 1-5	156644	6-15
155861	1-28	156128	2-19	156339	1-5, 1-20, 1-25	156656	1-25
155951	6-17	156130	2-19	156340	1-2	156663	6-15
155952	6-17	156132	2-19, 2-32	156342	1-7	156670	4-15 to 4-20, 4-22
155953	6-17	156136	2-19, 2-25, 2-32	156343	1-4	156740	2-5, 2-32, 2-37
155954	1-26	156137	2-19, 2-32	156344	1-3, 1-5, 1-10, 1-12	156758	1-28
155956	6-17	156139	2-20	156366	2-3	156768	1-20, 1-28
155957	6-17	156143	2-20	156369	2-10	156769	1-16
155958	6-17	156146	2-20	156378	2-11	156807	1-17
155959	6-17	156147	2-19	156378	2-11	156808	1-17
155960	6-16	156147	2-19	156382	2-10	156835	2-9
155964	6-16	156152	2-19, 2-25	156387	2-2	156861	1-4, 1-8, 1-23
155965	6-16	156153	2-19	156388	2-2	156864	1-4
155966	6-16	156154	2-19	156389	2-9	156866	1-4, 1-8, 1-23
155967	6-16	156155	2-19	156390	2-9	156867	1-3, 2-2
155968	6-16	156156	2-19	156396	2-18	156869	2-9
155969	6-16	156158	2-20	156398	1-4	156870	2-10
155990	6-16	156159	2-22	156399	2-3	156871	2-3
155991	6-17	156162	2-7	156400	1-4, 1-11, 1-13, 1-18	156872	2-3
155992	6-17	156165	2-2, 2-7	156403	2-3	156874	2-8, 2-11
155994	6-17	156167	2-23	156413	2-18	156875	2-11
155995	2-26	156168	2-5	156414	2-17	156876	2-3
156008	2-40	156169	2-7	156419	2-17	156877	2-3
156009	2-7	156172	2-40	156421	2-17	156879	1-5, 1-31
156012	2-40	156173	2-5	156426	2-17	156880	2-15
156013	2-7	156177	2-22	156427	2-17	156881	2-15
156015	2-5	156183	2-6	156428	2-17	156884	2-7
156016	2-17	156184	2-6	156433	2-17	156887	1-3, 1-4, 1-5, 1-8, 1-20, 1-31
156017	2-7	156221	2-16	156436	2-17		
		156226	1-4, 1-8, 1-23, 6-5	156437	2-17		
		156230	2-18	156440	2-17		
		156235	2-2	156442	2-17		
		156236	2-39	156444	1-5		

NUMERICAL INDEX (Continued)

Part Number	Page	Part Number	Page	Part Number	Page	Part Number	Page
156898	1-2, 1-35	158031	6-16	159184	2-26	159498	2-16
156900	2-3	158032	6-16	159185	2-26	159499	2-16
156901	2-17	158033	6-16	159232	4-8	159500	2-16
156904	1-4	158036	6-16	159233	2-5	159501	2-16
156905	2-9	158038	6-16	159278	6-18	159502	2-16
156908	2-10	158040	6-16	158279	6-18	159503	2-12
156909	2-10	158042	6-16	159281	6-18	159504	2-16
156921	2-3	158045	6-16	159282	6-18	159508	2-16
156922	2-12	158046	6-16	159284	6-18	159512	2-18
156924	2-11	158047	6-16	159285	6-18	159515	2-12
156925	2-11	158050	6-16	159287	1-17, 6-18, 6-20	159516	2-12
156929	2-21	158051	6-16	159323	5-6	159519	2-10
156931	2-9	158052	6-16	159327	6-14	159522	2-10
156933	2-20	158053	6-16	159334	6-14	159523	2-10
156936	1-3, 1-5, 1-10, 1-12	158054	6-16	159340	6-16	159525	2-10
156937	2-18	158056	6-16	159341	6-5, 6-20	159526	2-11
156938	2-18	158063	6-9	159351	2-19, 2-20, 2-21	159528	2-8
156941	2-2	158105	6-9	159360	2-24	159529	2-8
156948	2-10	158107	6-9	159363	2-27	159530	2-8
156949	1-23	158147	6-16	159365	2-5	159531	2-8
156950	1-9	158163	1-16, 6-4, 6-6	159377	1-4	159532	2-8
156951	1-9	158171	2-26	159379	2-22	159533	2-11
156952	1-9, 1-24	158172	2-26	159380	2-22	159535	2-8
156953	1-9	158215	1-5, 1-33, 6-3, 6-4,	159381	2-22	159536	2-9
156954	1-9, 1-24		6-16, 6-23	159382	2-22	159539	2-18
156955	1-9	158238	1-14	159400	2-20	159540	1-7, 1-27
156956	1-9	158239	1-14, 1-16, 6-6	159403	2-20	159541	1-5, 1-29, 1-35, 1-36
156958	1-8	158268	6-14	159404	2-11	159542	1-5, 1-6, 1-35, 1-36,
156959	1-9	158272	5-2	159406	2-19		6-4
156960	1-9	158286	4-6	159411	2-3	159543	1-7, 1-27
156961	1-9	158287	4-6	159413	2-17	159544	2-2
156962	1-9, 1-24	158289	1-7, 1-14, 1-16, 6-6	159417	1-8, 1-9	159551	1-2, 1-35
156964	1-8, 1-23	158291	4-6	159422	2-21	159560	2-5
156965	1-8	158640	1-28	159427	2-2	159563	2-8
156966	1-2, 1-3, 1-4	158649	4-21	159430	2-2	159565	2-22, 2-31, 2-34,
156967	1-8	158701	2-4	159431	2-2		2-46
156968	1-8	158712	1-8, 1-18	159433	1-8	159568	2-22, 2-46
156971	1-7, 1-27	158716	1-9, 1-18	159434	2-18	159570	2-22, 2-44, 2-46
156972	1-7	158723	1-9, 1-18, 1-24	159437	2-12	159571	2-22, 2-44, 2-46
156974	1-7	158732	1-8, 1-18	159438	2-12	159575	2-22
156975	1-2	158733	1-9, 1-18, 1-24	159441	2-2	159578	2-22
156976	1-2, 1-35, 1-36, 2-23	158734	1-9, 1-18	159447	2-12	159579	2-22
156978	1-2, 1-35	158736	1-18	159448	2-12	159580	2-22
156981	1-4	158740	1-9, 1-18, 1-24	159450	2-12	159589	1-5, 1-6
156982	1-4	158741	1-9, 1-18, 1-24	159459	2-16	159592	1-5
156983	1-4	158745	1-4, 1-8, 1-17, 2-3,	159460	2-12	159597	2-10
156984	1-4		6-5, 6-20	159467	2-14	159600	1-4
156985	1-4	158753	2-21, 6-24	159468	2-12	159601	2-22
156986	1-4	158754	2-21, 6-24	159470	2-12	159602	2-20
156987	2-3	158757	2-21	159471	2-12	159603	1-5
156988	2-3	158758	2-21	159472	2-2	159604	1-5
156989	2-3	158760	2-21, 2-43	159476	2-12	159606	2-20
156990	2-3	158763	2-21	159477	2-12	159608	2-20
156991	2-19	158772	2-16	159480	2-9	159610	1-5, 1-20, 1-25
156993	4-15 to 4-20, 4-22	158807	1-16, 1-30, 2-29, 2-46	159481	2-12	159611	1-29
156994	2-3	158816	2-21, 2-30, 2-37, 2-49	159482	2-12	159613	2-19
156998	2-3	158817	2-49	159483	2-12	159614	2-20
157194	2-15	158859	6-24	159487	2-12	159615	2-20
157237	2-15	158881	2-26	159488	2-16	159616	2-20
157252	2-41	158925	2-5	159489	2-16	159617	2-20
157261	2-13	158940	2-26	159490	2-16	159621	2-5
157292	2-21	158946	2-23	159491	2-16	159622	2-5
157307	5-6	158950	2-22	159492	2-16	159623	2-20
157308	5-6	158989	1-31	159493	2-16	159625	2-3
157309	5-6	158990	1-31	159494	2-16	159626	2-18
157310	5-6	158998	4-8, 4-12	159495	2-16	159629	2-21
157998	5-9	159011		159496	2-16	159630	2-20
158019	6-16	159181	2-26	159497	2-16	159631	2-20, 2-24

NUMERICAL INDEX (Continued)

Part Number	Page	Part Number	Page	Part Number	Page	Part Number	Page
159636	2-20	159994	2-18	161301	1-17, 6-18	161674	1-10
159637	2-21	159995	2-18	161304	2-28	161676	1-11, 1-13
159642	2-8	159997	2-18	161305	2-29	161680	1-11
159643	2-11	160185	2-22	161318	2-30	161682	1-29, 4-19
159653	2-24	160248	4-7	161319	2-30	161683	1-15
159654	2-18	160279	1-7	161320	2-30	161684	1-15
159655	2-23	160298	3-3	161321	2-30	161685	1-10, 1-12
159656	2-40	160299	3-3	161323	2-9	161687	1-11, 1-13
159658	2-9	160300	3-3	161324	2-9	161703	4-2
159659	2-9	160301	3-3	161326	2-25	161705	4-2, 4-14, 4-18
159734	4-19, 4-22	160302	3-3, 3-4	161334	2-25	161706	4-14
159739	3-3	160303	3-3	161335	2-25	161707	4-14
159861	2-26	160304	3-3	161337	2-25	161708	4-2, 4-13, 4-14, 4-16 to 4-18
159865	2-26	160305	3-3	161338	2-25	161710	4-10
159880	2-26	160306	3-3	161339	2-25	161711	1-15, 4-10
159885	2-26	160307	1-5, 6-4	161340	2-25	161712	4-10
159886	2-26	160354	2-26	161341	2-25	161713	4-10
159888	2-26	160386	4-6	161342	2-14	161715	4-10
159889	2-26	160404	2-21, 2-30, 2-34, 2-37	161346	6-13	161716	1-15, 4-10
159891	2-26			161347	2-12, 2-49	161718	4-11
159892	2-26	160480	2-7	161355	2-30	161719	4-11
159894	2-26	160583	2-21, 2-30, 2-37, 2-46, 2-49	161431	2-9	161722	4-4
159895	2-26			161443	2-11	161731	4-13
159896	2-26	160593	2-49	161444	2-8	161740	4-2
159900	2-27	160626	2-45	161493	2-24	161741	4-2
159901	2-27	160627	2-45	161503	1-10	161742	4-2
159902	2-27	160628	2-45	161505	1-10, 1-12, 1-16	161744	4-2
159903	2-27	160664	4-19, 4-22	161506	1-11	161747	4-2, 4-13, 4-14, 4-18
159909	2-27	160666	2-24	161507	1-11	161748	4-2
159910	2-27	160672	2-24	161508	1-11, 1-13	161752	4-13
159911	2-27	160673	2-24	161509	1-11, 1-13	161753	4-13
159912	2-27	160674	2-24, 2-27	161510	1-11, 1-13	161754	4-13
159913	2-27, 2-47	160692	2-21	161511	1-4, 1-11, 1-13, 1-18	161770	1-16
159916	2-27	160694	2-20	161512	1-11	161772	1-17, 1-18
159919	4-15	160839	2-3	161513	1-11, 1-13	161773	1-16
159928	1-5, 1-35	160840	2-20	161514	1-11, 1-13	161777	1-19
159929	1-5	160842	2-19, 2-32	161516	1-10, 1-15	161778	1-19
159931	1-5	160843	2-41	161519	1-4	161779	1-17, 1-18
159932	1-5	160846	2-10	161520	1-11, 1-13	161780	1-17
159941	4-19	160847	5-6	161523	1-14	161781	1-17
159943	4-19	160881	2-24	161524	2-9	161782	1-17
159944	4-19	160943	2-9	161525	4-12	161783	1-17
159945	4-19	160944	2-22	161526	1-10, 1-12, 4-12	161784	1-18
159946	4-19	160948	2-6	161527	1-14	161785	1-18
159948	4-19	160974	4-21	161528	1-10, 1-12	161786	1-18
159949	4-19	160997	2-22	161529	1-14	161787	1-17, 1-18
159953	4-19	160998	2-22	161530	1-11	161788	1-18
159954	2-28	161087	4-6, 4-12	161531	1-11	161789	1-18
159955	2-28	161100	2-22, 2-44, 2-46	161532	1-11	161790	1-18
159956	2-25, 2-37	161102	2-22, 2-46	161533	1-11	161791	1-18
159957	2-28	161103	1-4	161534	1-11	161792	1-18
159958	2-28	161104	1-4	161535	1-11	161793	1-18
159959	2-28	161107	2-6	161536	1-11	161794	1-18
159960	2-28	161108	2-5	161537	1-11	161795	1-18
159961	2-28	161109	2-7	161538	1-11	161796	1-18
159962	2-28	161139	2-6	161546	1-10, 1-12	161797	1-18
159965	2-28	161215	4-3, 6-8	161552	1-10, 1-12	161798	1-19
159973	2-28	161237	2-29	161575	3-6	161800	1-19
159974	2-28	161238	1-16, 1-25, 1-26, 1-30, 1-35, 1-36, 2-29, 2-46	161576	3-6	161801	1-30
159975	2-28			161577	3-6	161803	1-16
159976	2-28, 2-34, 2-43			161578	3-9, 3-10	161804	1-16
159977	2-28, 2-34, 2-43	161239	1-6, 1-20, 1-25, 1-26, 1-30, 1-35, 1-36, 2-29, 4-12, 6-26	161579	3-8, 3-9, 3-10	161805	1-17
159978	2-28, 2-34, 2-43			161580	3-8, 3-9	161806	1-18
159979	2-28			161593	4-22	161807	1-18
159980	2-28	161240	2-29	161654	1-4	161809	1-17
159981	2-5	161293	6-18	161655	1-4	161811	1-18
159987	2-27	161294	6-18	161656	1-4	161812	1-18
159991	1-9	161295	6-18	161670	4-3, 4-4		
				161673	1-10		

NUMERICAL INDEX (Continued)

Part Number	Page	Part Number	Page	Part Number	Page	Part Number	Page
161813	1-18	161988	4-3 to 4-5	162306	2-22	162772	2-33
161815	1-19	161992	4-11	162333	6-7	162773	2-31, 2-34
161817	1-30	161993	4-11	162340	2-39	162774	2-31, 2-34
161818	1-35, 1-36	161994	4-12	162341	2-39	162775	2-31, 2-34
161819	1-17	161995	4-12	162346	2-17	162776	2-31
161821	1-16, 1-35	161996	4-8	162347	2-17	162778	2-31, 2-34
161824	1-17	161997	4-8	162350	2-3	162780	2-31, 2-34
161826	1-16, 6-6	161999	4-13	162357	4-6, 5-4	162781	2-31, 2-34
161827	1-30	162003		162358	4-6	162784	2-31, 2-34
161828	2-36	162005	4-2	162359	4-6, 5-4	162785	2-31, 2-34
161831	6-5	162006	4-8	162360	4-6, 5-4	162786	2-31, 2-34
161835	4-22	162009	4-11	162361	5-4	162788	2-31, 2-34
161873	1-6	162061	1-35, 1-36	162362	2-36	162790	2-31
161878	6-26	162064	2-29	162363	2-36	162791	2-34
161886	1-35, 1-36	162065	2-29	162373	1-7	162792	2-31, 2-34
161887	1-35, 1-36	162066	2-21	162374	1-7	162793	2-31, 2-34
161888	1-35	162067	2-30	162375	2-36	162794	2-31, 2-34
161889	1-30, 1-36	162070	4-6	162379	2-31, 2-32, 2-33	162795	2-31, 2-34
161891	6-8	162072	3-4, 3-5	162380	2-32 to 2-35	162796	2-31
161892	6-26	162075	1-7, 1-14, 1-16	162432	2-25	162797	2-31, 2-34
161895	6-5	162077	1-3	162434	2-19, 2-20, 2-21	162798	2-31, 2-34
161896	6-5	162095	2-21	162464	3-4, 3-5	162799	2-31, 2-34
161897	6-5	162096	2-21	162465	3-4, 3-5	162800	2-31, 2-34
161899	6-5	162097	2-21	162466	3-4, 3-5	162802	2-31, 2-34
161900	6-5	162098	2-21	162467	3-4, 3-5	162803	2-31
161901	6-5	162181	1-6	162469	3-4, 3-5	162804	2-31
161902	6-5	162182	1-6	162482	3-4, 3-5	162834	2-25
161903	6-4	162183	1-6	162574	1-6, 1-35, 1-36	162835	5-9
161904	6-4	162184	1-6	162590	4-22	162846	1-29, 4-19
161905	6-4	162185	1-6, 1-31	162653	1-23, 1-24	162850	2-17, 2-41
161906	6-8	162187	1-6	162659	6-20	162861	3-8
161907	6-8	162189	4-19	162671	4-4	162862	2-2
161908	6-4	162191	4-19	162672	4-7	162863	2-36
161909	4-3, 6-8	162195	4-19	162673	4-12	162865	4-7
161910	6-8	162196	3-5	162674	4-12	162900	1-25, 1-26
161911	6-8	162207	2-28	162678	4-7	162901	1-25, 1-26
161912	6-8	162211	2-24	162680	4-3	162902	1-25
161914	1-30, 1-35	162213	1-11	162683	4-3, 4-4	162903	1-25
161925	6-5	162214	1-11	162684	3-8, 3-9	162904	1-25
161926	6-5	162215	1-11	162685	3-9	162905	1-25
161927	6-5	162216	1-11	162692	4-12	162906	1-25
161928	2-36	162217	1-11	162730	1-16, 4-2, 4-8, 4-10,	162910	3-4
161930	2-36	162218	1-4, 1-11		4-12	162911	3-4
161932	6-8	162219	1-11	162739	4-12	162916	4-20
161934	4-22	162220	1-11	162741	2-32	162917	4-20
161935	4-22	162221	1-11	162742	2-32	162920	1-33
161936	4-22	162222	1-11	162743	2-32	162958	1-28
161937	4-22	162225	1-29	162744	2-32	162978	1-28
161939	6-2	162226	1-29	162745	2-32	162980	1-28
161940	4-22	162228	1-29	162747	2-32	162983	1-28
161941	4-22	162230	1-29	162748	2-32	162985	1-28
161942	6-4	162242	2-24	162750	2-32	162986	1-28
161943	4-22	162245	2-28	162752	2-32	163015	2-26
161944	4-22	162247	2-30	162753	2-32	163016	2-26
161945	4-22	162248	2-4	162754	2-32	163018	2-26
161949	6-2	162271	2-22	162755	2-32	163019	2-26
161950	6-3	162272	2-22	162756	2-32	163020	2-26
161951	6-5, 6-6	162273	2-22	162757	2-32	163021	2-26
161952**	6-2	162274	2-22	162758	2-32	163022	2-26
161954	6-8	162283	1-29	162760	2-31, 2-39	163023	2-26
161957	6-8	162284	1-29	162761	2-31	163024	2-26
161959	1-30	162285	1-29, 1-35	162762	2-33	163025	2-26
161961	4-22	162286	1-29, 1-35	162763	2-7	163113	2-9
161964	1-6, 6-4	162287	1-29	162764	2-33	163114	2-31, 2-34
161965	6-4	162288	1-29	162765	2-33	163163	4-2
161984	3-4, 3-5	162303	2-22, 2-50	162766	2-33	163255	2-31, 2-34
161986	4-13	162304	2-22, 2-50	162768	2-33	163256	1-8, 1-9
161987	4-13	162305	2-22	162770	2-33	163260	1-8

NUMERICAL INDEX (Continued)

Part Number	Page	Part Number	Page	Part Number	Page	Part Number	Page
163261	1-8	163945	2-22	164590	1-35, 1-36, 6-5, 6-26	170247	2-5
163262	1-9, 1-18, 1-24	163946	2-22, 2-50	164644	6-24	170306	1-33
163263	1-9	163958	4-11	164645	6-24	170324	6-9, 6-17
163264	1-8	163961	2-50	164646	6-24	170385	6-11, 6-24
163265	1-9	163972	4-8	164647	6-24	170386	6-13
163268	3-8	163973	4-10, 4-11	164649	6-24	170391	6-13
163269	3-8	164099	1-36	164651	6-24	170778	2-40
163279	4-7	164102	4-22	164652	6-24	170779	2-40
163280	1-5	164178	4-3	164656	6-24	170788	2-6
163281	1-5	164182	4-3	164740	2-38	170803	2-40
163282	1-35	164187	4-4	164743	2-38	170879	2-5
163283	1-35	164188	4-6	164751	4-12	170907	2-34
163296	1-36	164189	4-8	164752	4-12	171541	5-7
163303	2-18	164206	4-6, 4-8	164756	3-6	171952	1-10
163306	4-6	164209	4-6	164757	3-6	171953	1-10
163326	2-32	164210	4-6	164763	4-20	171972	1-10
163327	2-19, 2-25, 2-32	164272	1-33	164766	1-25	171973	1-10
163328	1-8	164273	1-33	164767	1-25, 1-36	172626	2-45
163333	1-36	164275	1-33	164768**	1-27	172627	2-45
163347	2-31, 2-32, 2-33	164278	1-33	164769**	1-27	172631	2-4
163351	2-31	164279	1-32, 1-33	164770**	1-27	172632	2-38
163368	6-12	164305	1-25	164771**	1-27	172638	2-5
163429	2-18	164337	1-11	164772	1-27	172639	2-35
163440	6-7	164338	1-11	164773**	1-27	172640	2-27
163442	6-6	164339	1-11	164781	1-25, 1-36	172692	5-9
163446	1-18	164340	1-11	164782	1-34	172721	6-26
163447	1-18	164341	1-32	164783	1-34	172759	2-45
163448	1-18	164343	1-32	164784	1-34	172902	3-4, 3-5
163449	1-18	164379	6-24	164875	4-20	172964	1-10
163450	1-18	164402	2-42	164883	2-35	172965	1-10
163451	1-18	164423	1-7	164884	2-35	172967	1-32
163455	2-26	164424	4-2	164886	2-35	172969	1-32
163456	2-26	164479	3-8, 3-9	164887	2-35	172973	1-29
163457	2-26	164485	6-11, 6-24	164888	2-35	172975	1-35
163459	6-5	164506	2-46	164890	3-4, 3-5	172983	2-7
163460	6-7	164507	2-46	164891	3-4, 3-5	172984	2-40
163461	6-18	164508	2-44	164892	3-4, 3-5	173001	4-5
163462	6-18	164509	2-46	164893	3-4, 3-5	173002	4-5
163463	6-18	164510	2-46	164894	3-4, 3-5	173004	3-10
163464	6-18	164511	2-6	164948	2-45	173007	1-10, 1-12
163476	2-4	164513	2-7	164949	2-45	173023	1-11
163500	2-26	164514	2-5	164950	2-45	173025	4-2
163501	2-26	164515	2-6	164962	3-4	173096	6-14
163502	2-26	164521	2-41	164963	2-5	173128	2-49
163503	6-5	164525	2-41	164964	2-41	173129	2-49
163504	6-18	164526	2-41	164965	2-41	173130	2-49
163505	6-18	164528	2-41	165027	2-15	173131	2-49
163519	6-12	164529	2-41	165082	1-29	173134	2-49
163522	6-4	164530	2-41	165083	1-29	173135	2-45
163587	1-16, 1-30	164531	2-41	165102	4-6, 4-7	173136	2-45
163590	6-5	164532	2-41	165656	6-26	173137	2-45
163647	6-10	164535	2-41	165659	6-23	173139	2-25
163674	1-33	164538	2-41	165660	6-23	173150	2-49
163675	2-51	164539	2-41	165661	6-23	173179	4-2
163676	2-51	164540	2-41	165662	6-23	173200	2-26, 2-39
163677	2-51	164541	2-41	165663	6-23	173336	2-4, 2-39
163679	2-51	164543	2-41	165676	6-8	173340	2-4
163681	2-51	164548	4-16, 4-17	165678	6-8	173381	4-2
163682	2-51	164553	4-16, 4-17	165679	6-26	173382	4-2
163683	2-51	164561	4-17	165680	6-23	173396	6-26
163685	2-51	164562	4-17	165681	6-23	173425	3-4, 3-5
163687	2-51	164563	4-17	165682	6-23	173441	1-36
163688	2-51	164565	6-6	170219	2-6	173442	1-36
163690	2-51	164569	4-16	170239	2-7	173443	2-32 to 2-35
163775	6-17	164570	4-16, 4-17	170241	2-6	173484	1-31
163813	6-17	164571	4-17	170242	2-5	173583	1-11
163814	6-17	164588	1-36	170243	2-5	173584	1-11
163868	1-7	164589	1-36	170246	2-5	173601	2-32

NUMERICAL INDEX (Continued)

Part Number	Page	Part Number	Page	Part Number	Page	Part Number	Page
173602	2-35	176065	1-23, 1-24	176493	4-2	178869	1-18
173604	2-35	176066	1-22	176494	4-2	178870	1-8, 1-18
173606	2-35	176068	1-23	176499	4-9	178885	1-18
173607	2-35	176069	1-24	176514	1-32	178886	5-7
173608	2-35	176071	1-24	176536	1-10	178887	5-7
173609	2-35	176072	1-23	176542	1-32	178888	5-7
173614	2-35	176073	1-23	176610	1-24	178910	1-9, 1-18
173616	2-35	176074	1-24	176612	1-20	179103	3-10
173618	2-35	176076	1-24	176613	1-20	179120	4-18
173619	2-34	176077	1-24	176694	5-9	179122	4-18
173620	2-34	176078	1-23, 1-24	177006	1-20, 1-36	179124	4-18
173621	2-34	176079	1-20	177010	5-7	179125	4-18
173691	2-34	176082	1-20	178178	2-4	179126	4-18
173713	1-31	176085	1-20	178306	6-23	179127	4-18
173754	2-9	176086	1-20	178363	4-7	179128	4-18
173755	2-9	176088	1-20	178426	1-10, 1-12, 1-16	179134	1-20
173756	2-9	176089	4-21	178427	1-10, 1-12, 1-16	179179	4-2
173759	2-51	176090	1-20	178535	6-23	179190	3-6
173769	2-51	176091	1-20	178696	1-28	179252	1-33
173770	2-40	176092	1-20	178706**	1-28	179256	1-33
173775	2-9	176093	1-20	178709	1-26	179258	6-16
173793	6-18	176094	1-20	178710	1-28	179278	6-16
173794	6-18	176095	1-20	178713	1-28	179279	6-16
173795	6-18	176096	4-21	178714	1-28	179344	1-36
173820	1-18	176097	4-21	178715	1-28	179345	1-36
173821	1-18	176098	4-21	178725	6-16	179420	3-10
173822	1-18	176099	1-23	178726	6-16	179421	3-10
173827	1-31	176100	1-23, 1-24	178728	6-16	179422	3-10
173849	1-36	176101	4-21	178741	1-13	179423	3-10
173850	2-46	176102	4-21	178742	1-13	179424	3-10
173861	4-16	176103	4-21	178743	1-13	179425	5-9
173922	6-26	176104	4-21	178744	1-13	179426	5-8
173961	2-43	176105	4-21	178745	1-12	179427	5-8
173965	2-51	176106	4-21	178746	1-12	179490	5-6
173966	2-51	176107	4-21	178747	1-12	179962	1-9, 1-18
173967	2-51	176108	4-21	178749	1-12	179963	1-8, 1-18
173977	2-9	176110	4-21	178750	1-12	179965	1-8, 1-9
173978	2-9	176111	3-5	178751	1-13	179969	1-8
173979	2-9	176112	1-22	178752	1-12	192678	1-18
173980	2-9	176113	1-22	178791	1-36	192680	1-18
173981	2-9	176114	1-22	178796	1-13	192681	6-10
173992	2-26	176115	1-22	178797	1-13	192684	1-9
173993	2-26	176116	1-22	178798	1-13	192685	1-8
173994	2-26	176117	1-20	178799	1-13	192788	1-34
174001	5-8	176118	1-22	178800	1-13	192789	1-34
174250	6-20	176119	1-22	178801	1-13	192790	1-34
174404	4-19	176120	1-22	178802	1-13	192791	1-34
174405	4-19	176121	1-22	178803	1-13	192797	6-25
174406	4-19	176123	1-20, 1-36	178804	1-13	192798	6-25
174407	4-19	176124	1-21	178810	1-13	192864	1-7
174408	4-19	176137	3-5	178811	1-13	192865	1-7
174418	1-32	176138	2-9	178813	1-13	192867	1-7
174419	1-32	176252	2-3	178814	1-13	192868	1-7
174456	4-2	176263	4-9	178815	1-13	192999	6-25
174457	4-19	176286		178831	5-2	193560	6-25
174459	1-22	176287	1-19	178832	5-2	193561	6-25
174471	3-4	176288	1-19	178839	6-8	193579	6-25
174491	6-15	176295	1-4	178840	5-7	193620	1-34
174492	1-21	176296	1-4	178841	5-7	193621	1-34
174649	2-22	176297	1-4	178843	5-7	193628	1-26
174650	2-22	176405	6-17	178849	6-16	193629	1-26, 1-36
176050	1-21	176406	6-17	178851	6-16	193630	1-26, 1-36
176057	1-21	176407	6-17	178853	5-2	193631	1-26
176058	1-21	176419	1-11, 1-13	178854	5-2	193632	1-26
176061	1-21	176422	1-19	178855	5-2	193633	1-36
176062	1-20	176447	5-9	178856	5-2	193634	1-26
176063	1-20	176448	5-6	178859	5-7	193635	1-26
176064	3-5	176492	4-2	178868	5-7	193636	1-26

1167B

NUMERICAL INDEX (Continued)

Part Number	Page	Part Number	Page	Part Number	Page	Part Number	Page
193637	1-26	193677	1-34	193719	6-24	194433	4-17
193641	1-34	193678	1-34	193778	1-6, 1-36	194862	1-33
193642	1-34	193679	1-34	193779	1-6	195177	5-7
193643	1-34	193680	1-34	193780	1-6	195186	6-15
193644	6-25	193681	1-34	193781	3-2	195388	1-31
193645	4-22	193705	1-26	193783	1-26, 1-36	195399	1-31
193654	6-24	193706	1-26	193800	6-24	195403	6-25
193666**	1-34	193707	1-26	193837	1-7	195718	6-24
193667	1-34	193708	1-26	194221	1-7	197693	1-11
193676	1-34	193715	6-24	194431	4-17	197699	1-11
				194432	4-17	207223WU	1-7