



PARTS
MODEL 28
UNIVERSAL TORN TAPE
SYSTEM

TELETYPE[®]
CORPORATION
SUBSIDIARY OF *Western Electric Company* INC.
SKOKIE, ILLINOIS, U. S. A.

© 1961 by Teletype Corporation.
All rights reserved.

Permission is hereby granted to the United States Government
to reproduce this publication or any portion thereof for govern-
mental purposes only.

Printed in U.S.A.

LIST OF EFFECTIVE PAGES

September, 1961

Page Number	Change In Effect
A to G	Original
1-1 to 1-26	Original
2-1 to 2-28	Original
3-1 to 3-7	Original
4-1 to 4-18	Original
5-1 to 5-5	Original
6-1 to 6-6	Original
7-1 to 7-7	Original
8-1 to 8-7	Original

The above list indicates the effective pages as of the date of issue. Upon receipt of change pages, insert them numerically and discard any superseded pages.

TABLE OF CONTENTS

Figure Number		Page Number
SECTION 1 - CABINET		
1-1	Variable Features for Transmitting Cabinet	1-2
1-2	Variable Features for Monitoring Cabinet	1-3
1-3	Variable Features for Receiving Cabinet	1-4
1-4	Capacitor Mounting Hardware	1-5
1-5	Latch Mechanism	1-5
1-6	Rear Doors and Latch Mechanism	1-6
1-7	173479** Modification Kit to add Figure 8 Tope Container	1-7
1-8	173478** Modification Kit to add Tope Grid	1-7
1-9	Channel Assemblies	1-8
1-10	Mounting Rock Frame Assembly	1-9
1-11	Terminal Blocks	1-10
1-12	176509 Resistor Plate Assembly - Transmitting Cabinet	1-11
1-13	176534 Control Plate Assembly - Transmitting Cabinet	1-11
1-14	Numbering Module Drawer Assembly - Transmitting Cabinet	1-12
1-15	176540 Numbering Module Assembly - Transmitting Cabinet	1-13
1-16	176561 Numbering Module Assembly - Transmitting Cabinet	1-14
1-17	176593 Rectifier	1-15
1-18	176553 Control Panel Assembly - Transmitting Cabinet	1-16
1-19	176529 Control Panel Assembly - Monitoring Cabinet	1-16
1-20	178310 Line Relay Mounting Assembly - Monitor and Receiving Cabinets	1-17
1-21	176550 Control Plate Assembly - Monitoring Cabinet	1-18
	176552 Control Plate Assembly - Receiving Cabinet	1-18
1-22	176530 Control Panel Assembly - Receiving Cabinet	1-19
1-23	176544 Modification Kit to provide Front Enclosures on Receiving Cabinet	1-20
1-24	Cable Chart	1-21
1-25	33RY Line Relay	1-22
1-26	161999** Modification Kit to provide End Enclosures on Cabinet	1-23
	Numerical Index	1-24

SECTION 2 - TYPING REPERFORATOR UNIT

2-1	Frame Mechanism	2-2
2-2	Frame Mechanism	2-3
2-3	Main Shaft Mechanism	2-4
2-4	Punch Rear Plate and Punch Block Assemblies	2-5
2-5	Punch Front Plate Mechanism	2-6
2-6	Punch Bail Mechanism	2-7
2-7	Rotary Positioning Mechanism	2-8
2-8	Rotary Positioning Mechanism	2-9
2-9	Axial Positioning Mechanism	2-10
2-10	Axial Positioning Mechanism	2-11
2-11	Function Box Mechanism	2-12
2-12	Range Finder Mechanism	2-13
2-13	Selecting Mechanism	2-14
2-14	Selecting Magnet Mechanism	2-15
2-15	Transfer Mechanism	2-16
2-16	Ribbon Feed Mechanism	2-17
2-17	Typing Mechanism	2-18
2-18	Cable and Bracket	2-19
2-19	162379 Modification Kit to add Automatic Non-interfering Letters Tope Feed-Out	2-20
2-20	162379 (Automatic) and 173443 (Remote Control) Modification Kits to add Non-interfering Letters Tape Feed-Out	2-21
2-21	162380 (Blank) and 173443 (Letters) Modification Kits to add Remote Control Non-interfering Tape Feed-Out	2-22
2-22	162380 (Blank) and 173443 (Letters) Modification Kits to add Remote Control Non-interfering Tope Feed-Out	2-23
2-23	162379 (Automatic Letters), 162380 (Remote Control Blank) and 173443 (Remote Control Letters) Modification Kits to add Non-interfering Tope Feed-Out	2-24
	Numerical Index	2-25

TABLE OF CONTENTS (Continued)

Figure Number		Page Number
SECTION 3 - MULTIPLE REPERFORATOR BASE		
3-1	Multiple Reperforator Base	3-2
3-2	Shaft Mechanism for Multiple Reperforator Base	3-3
3-3	Tape Container	3-4
3-4	161678 Modification Kit to Install a Multiple Reperforator Base (LMRB) in a Model 28 Cabinet (LBAC)	3-5
3-5	173484 Modification Kit to provide Power Correction Factor	3-6
3-6	164341 and 176542 Modification Kits to provide Chad Disposal	3-6
	Numerical Index	3-7
SECTION 4 - TRANSMITTER DISTRIBUTOR UNIT		
4-1	Top Plate	4-2
4-2	162592 Modification Kit to provide Tape Deflector	4-2
4-3	Tape Guide Plate	4-3
4-4	Center Plate	4-4
4-5	Switch Plate	4-5
4-6	Rear Plate	4-6
4-7	Bails	4-7
4-8	Front Plate	4-8
4-9	Sensing Shaft Mechanism	4-9
4-10	Distributor Shaft Mechanism	4-10
4-11	Sensing Mechanism	4-11
4-12	Main Frame	4-12
4-13	Distributor Block	4-13
4-14	Storing Switch	4-14
4-15	Clutch Trip Mechanism	4-15
4-16	161587 and 174067 Modification Kits to adapt a Transmitter Distributor (LBXD) for Multiple Mounting	4-16
	Numerical Index	4-17
SECTION 5 - MULTIPLE TRANSMITTER DISTRIBUTOR BASE		
5-1	Multiple Transmitter Distributor Base	5-2
5-2	Driving Shaft Mechanism - Multiple Mounted Units	5-3
5-3	Cover for Multiple Mounted Units	5-4
	Numerical Index	5-5
SECTION 6 - MOTOR UNIT		
6-1	LMU12 Synchronous Motor Unit	6-2
6-2	Series Motor for LMU14 Motor Unit	6-3
6-3	150845 Governor Assembly for LMU14 Motor Unit	6-4
6-4	Series Motor Mounting Parts with RF Suppression for LMU14 Motor Unit	6-5
	Numerical Index	6-6
SECTION 7 - TAPE WINDER		
7-1	Base and Bracket Assembly	7-2
7-2	Latch Mechanism	7-3
7-3	Shaft Mechanism	7-4
7-4	Motor and Relay Assembly	7-5
7-5	Tape Reels	7-6
7-6	164516 Modification Kit to Provide Reel Full Alarm	7-6
	Numerical Index	7-7
SECTION 8 - NUMERICAL INDEX		

COMPONENTS OF THE MODEL 28 TORN TAPE SYSTEM COVERED IN THIS BULLETIN

Unit Description and Code	Transmitting Cabinet	Monitoring Cabinet	Receiving Cabinet	
Cabinet LBAC229** LBAC230** LBAC231**	X	X	X	
Typing Reperforator LPR35BWA LPR37BWA LPR45AWA LPR48AWA		X X	X X X	
Typing Reperforator Multiple Base LMRB201** LMRB203** LMRB204**		X X X	X X X	
Transmitter Distributor LBXD9 LBXD17 LBXD18	X X X			
Transmitter Distributor Multiple Base LMXB200** LMXB204**	X X			
Motor Unit LMU12 LMU14	X X	X X	X X	
Tape Winder TW15		X		
Line Relay 33RY		X	X	

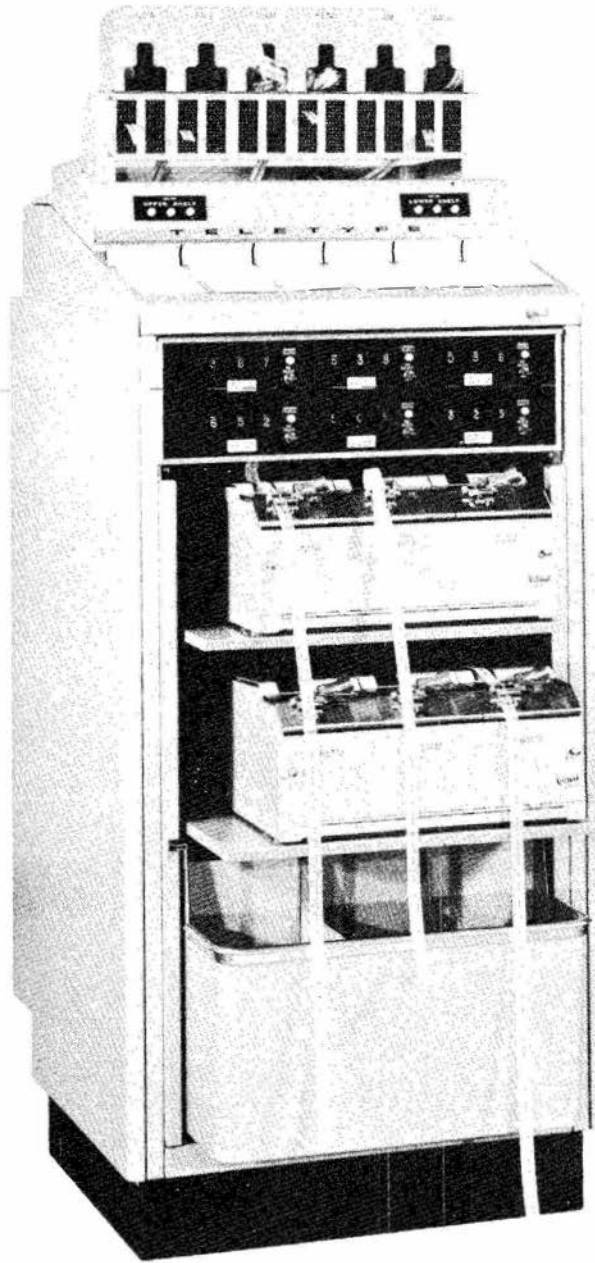
NOTES:

1. Description, adjustments and lubrication information is contained in Bulletin 2758.
2. Maintenance Tools can be found in Bulletin 11248.

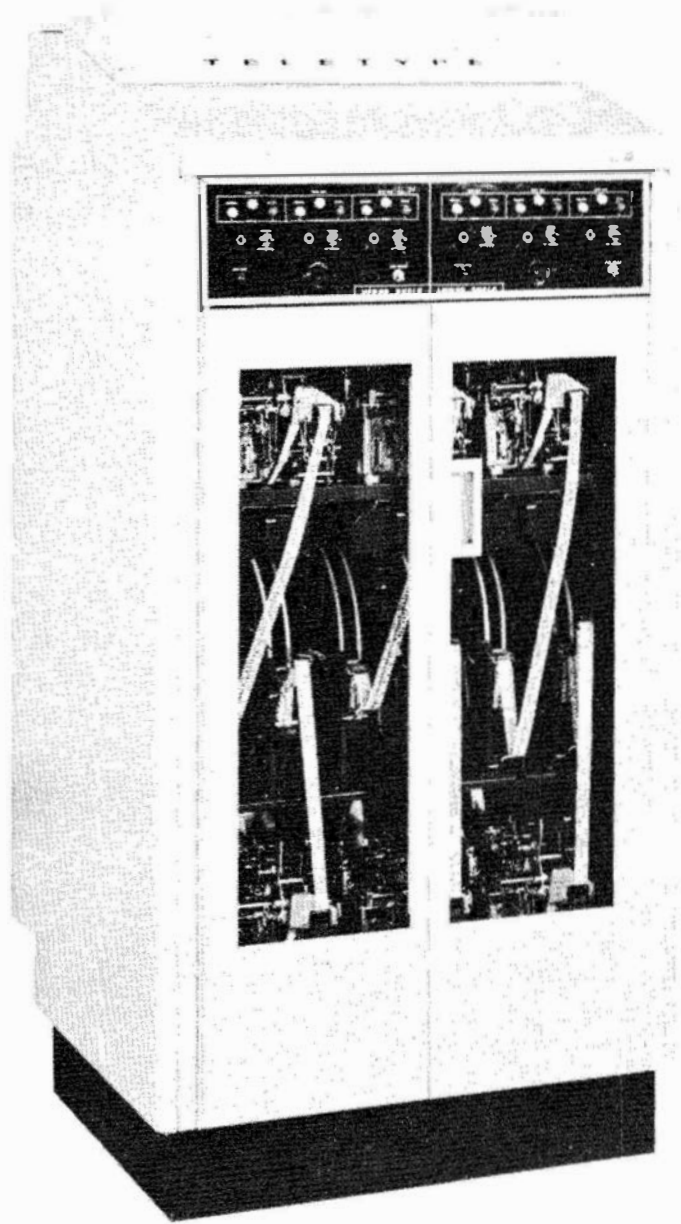
PAINT FINISH COLOR CODE CHART
(for parts and assemblies requiring a paint finish)

SMOOTH FINISHES		WRINKLE FINISHES	
Suffix	Color	Suffix	Color
BB	Black Semi Gloss	AA	Black
BK	Gray Green	AB	Gray Green
BL	Brown	AC	Light Brown
BR	Navy Light Gray	AD	Dark Brown
BV	Federal Gray	--	
BZ	Charcoal Gray	AF	Federal Gray
BX	Sunland Beige	AL	Charcoal Gray

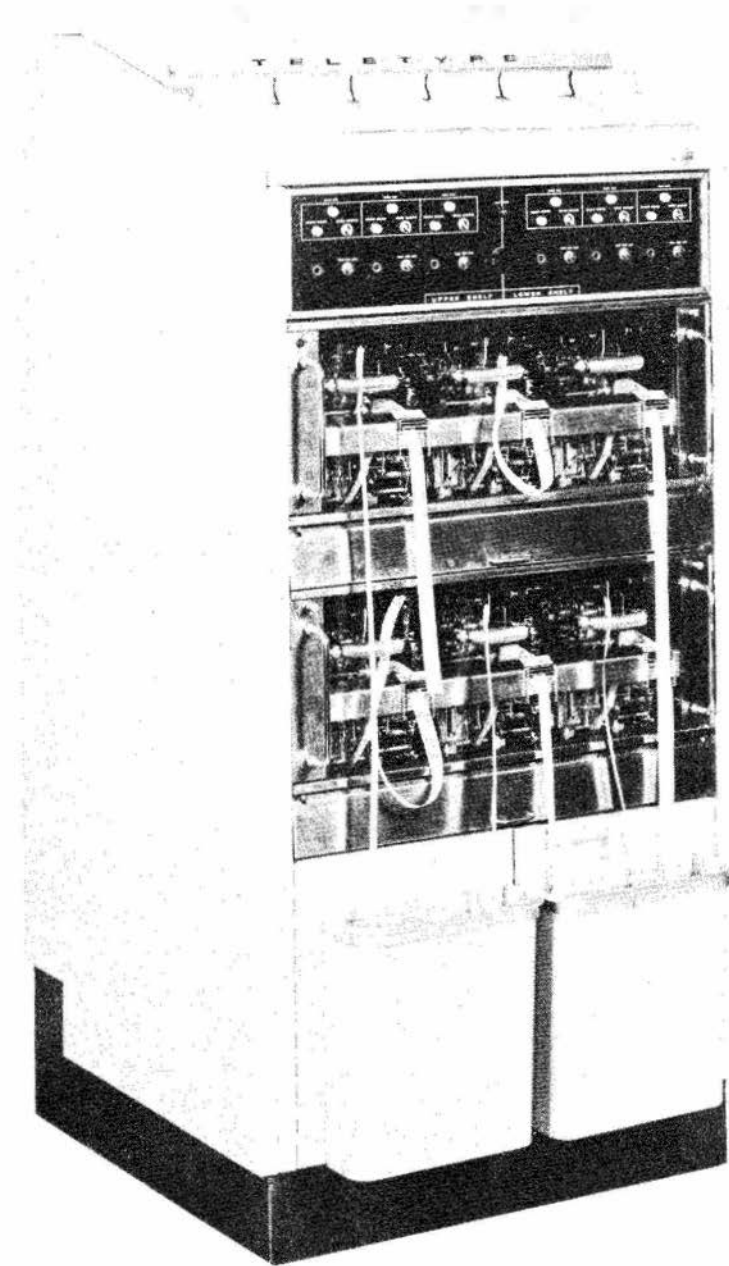
Suffix to be applied following the part number



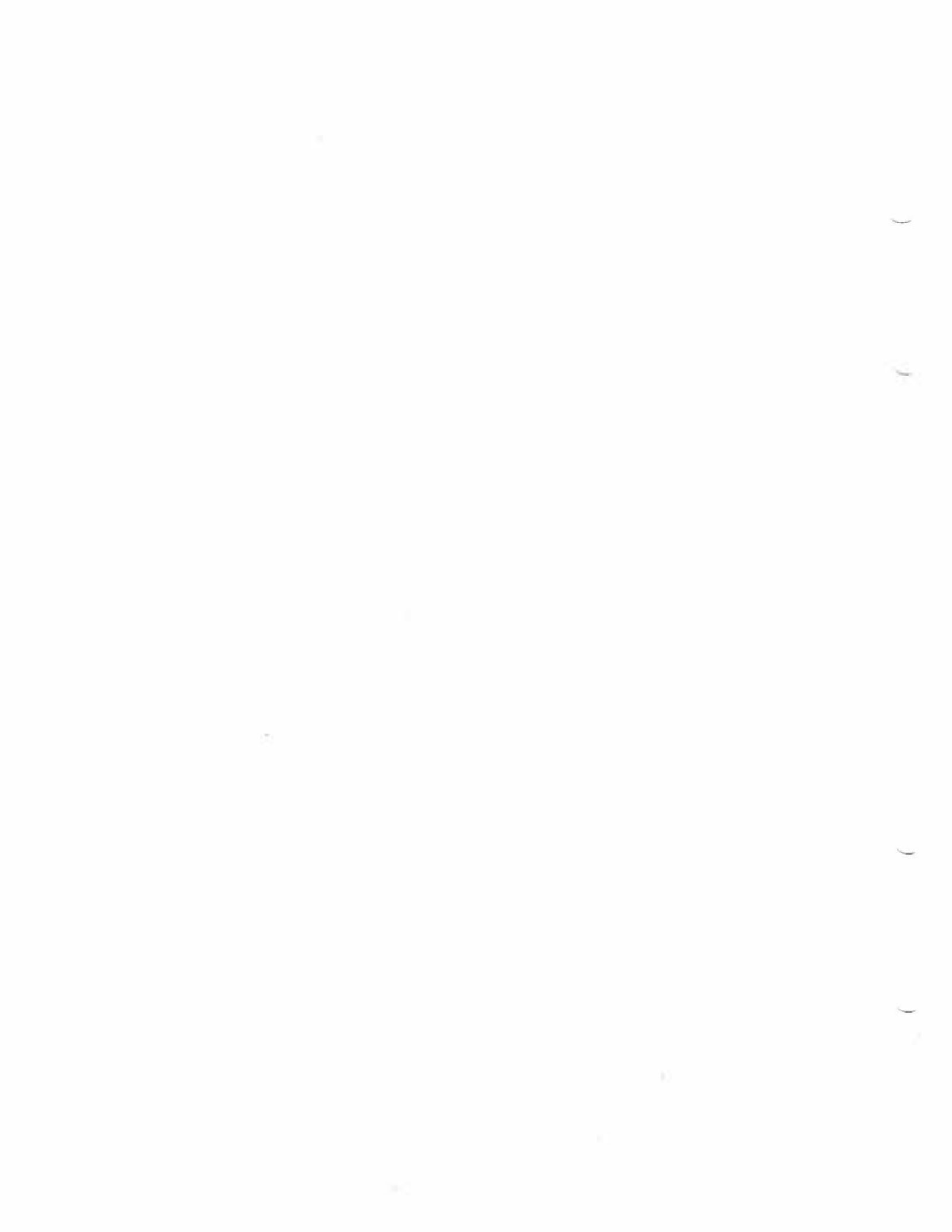
MODEL 28 TRANSMITTING CABINET FOR THE TORN TAPE SYSTEM



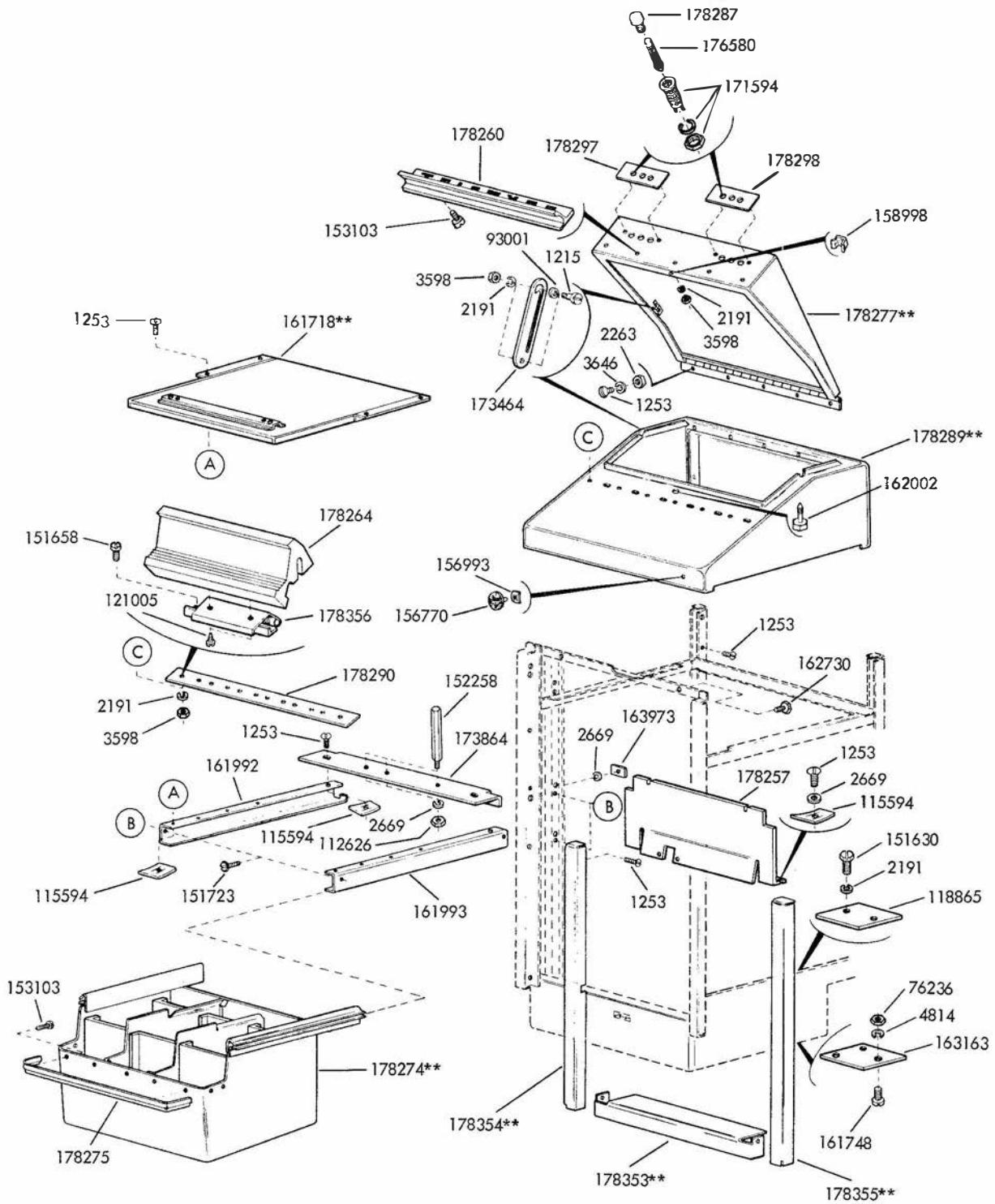
MODEL 28 MONITORING CABINET FOR THE TORN TAPE SYSTEM



MODEL 28 RECEIVING CABINET FOR THE TORN TAPE SYSTEM

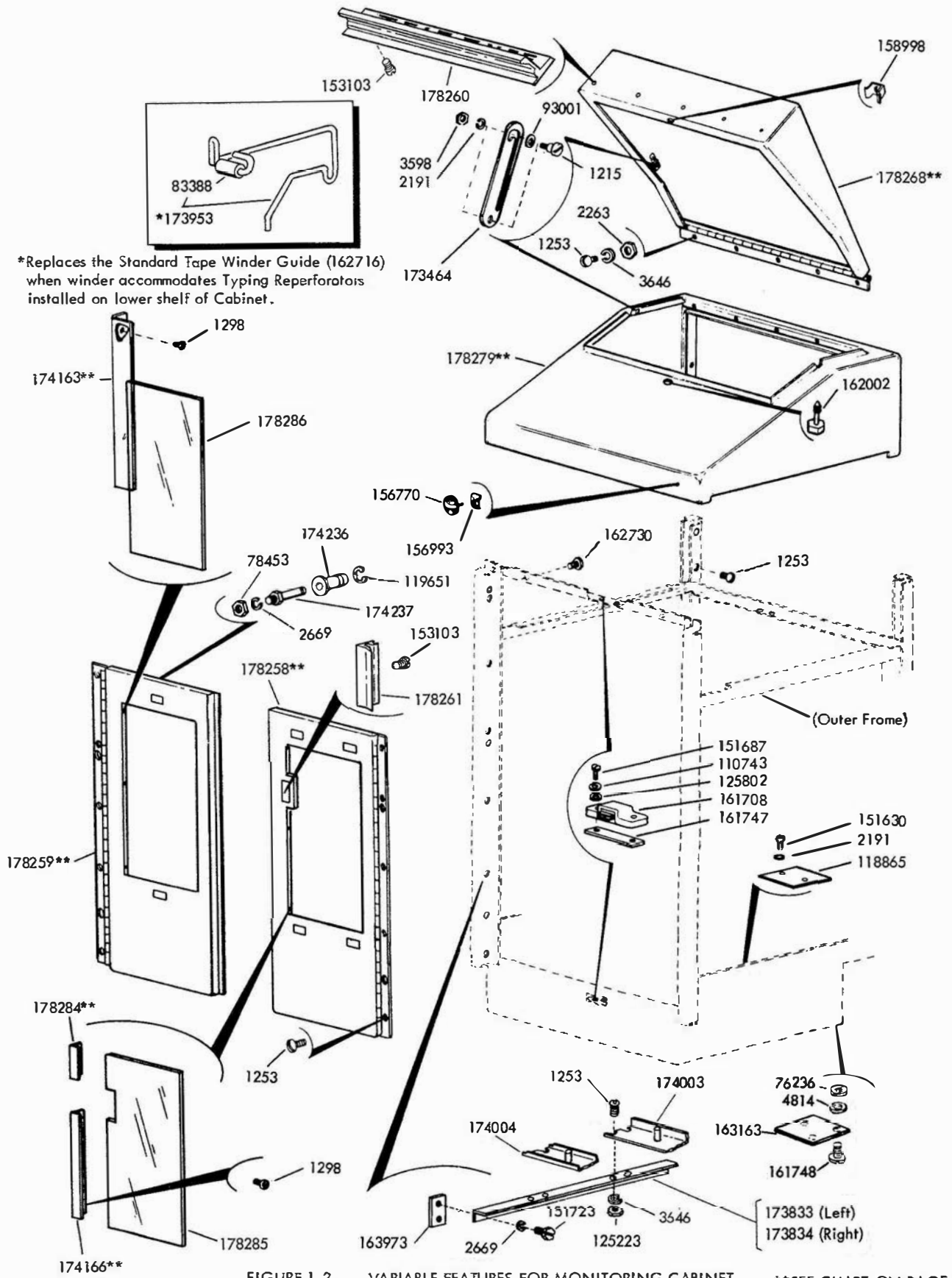


SECTION 1
CABINET



**SEE CHART ON PAGE D
FOR COLOR SUFFIX

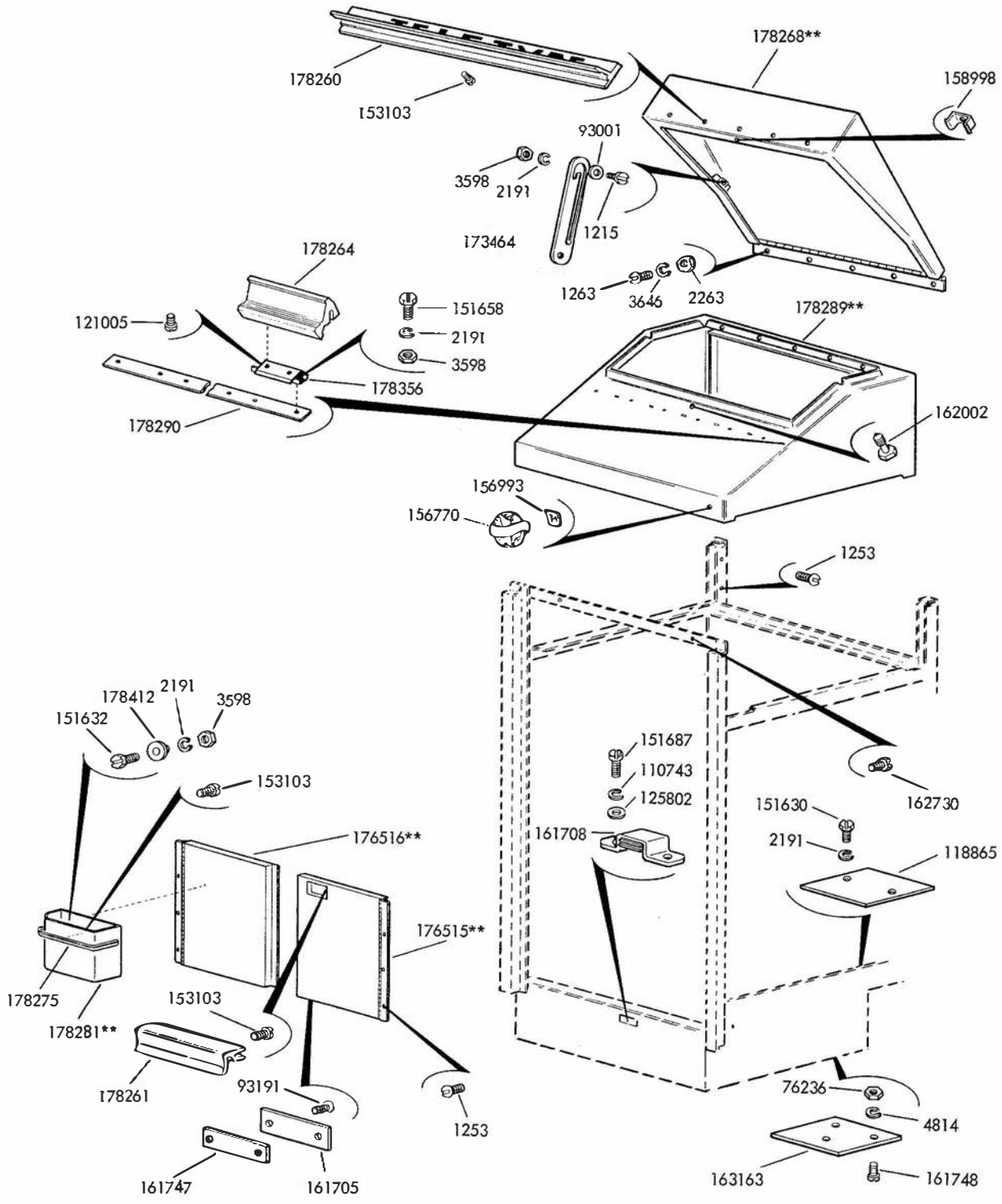
FIGURE 1-1. VARIABLE FEATURES FOR TRANSMITTING CABINET



*Replaces the Standard Tape Winder Guide (162716) when winder accommodates Typing Reperforators installed on lower shelf of Cabinet.

FIGURE 1-2. VARIABLE FEATURES FOR MONITORING CABINET

**SEE CHART ON PAGE D FOR COLOR SUFFIX



**SEE CHART ON PAGE D
FOR COLOR SUFFIX

FIGURE 1-3. VARIABLE FEATURES FOR RECEIVING CABINET

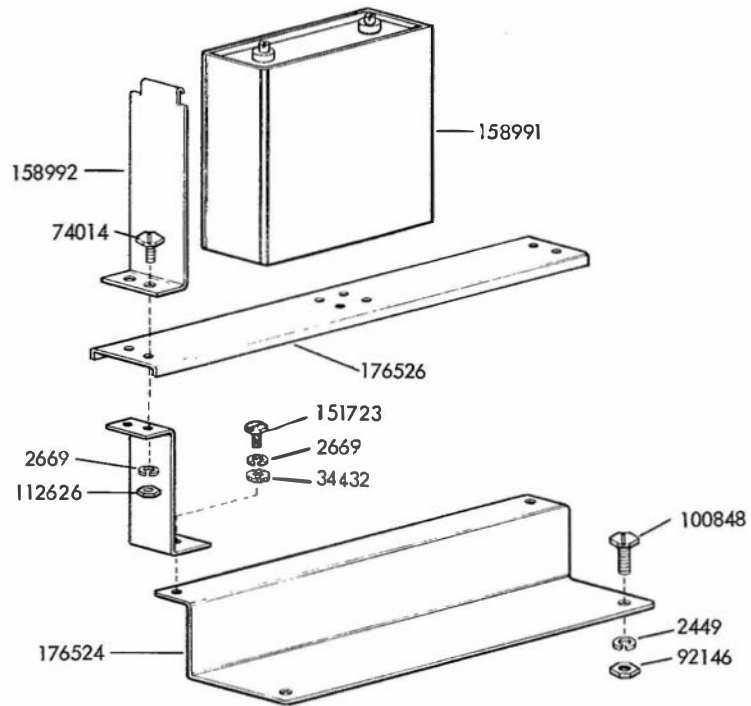


FIGURE 1-4 CAPACITOR MOUNTING HARDWARE

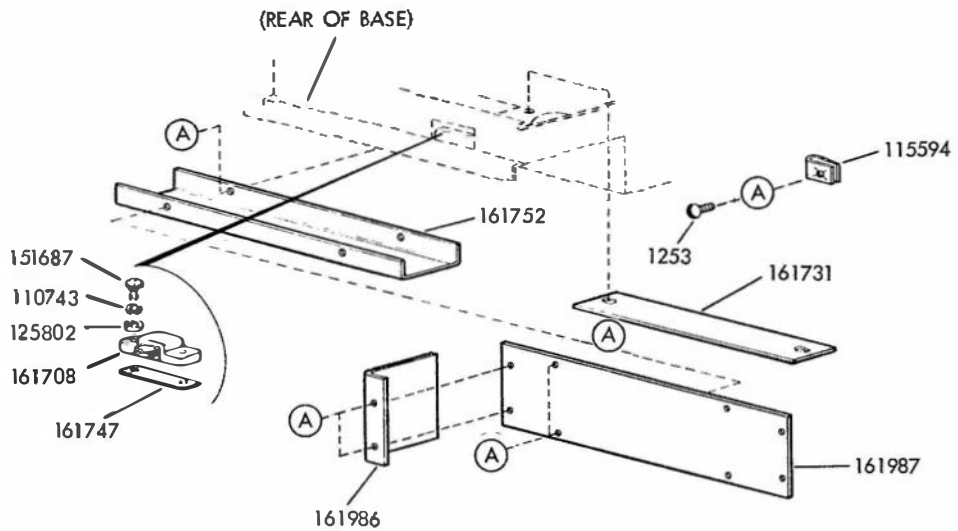
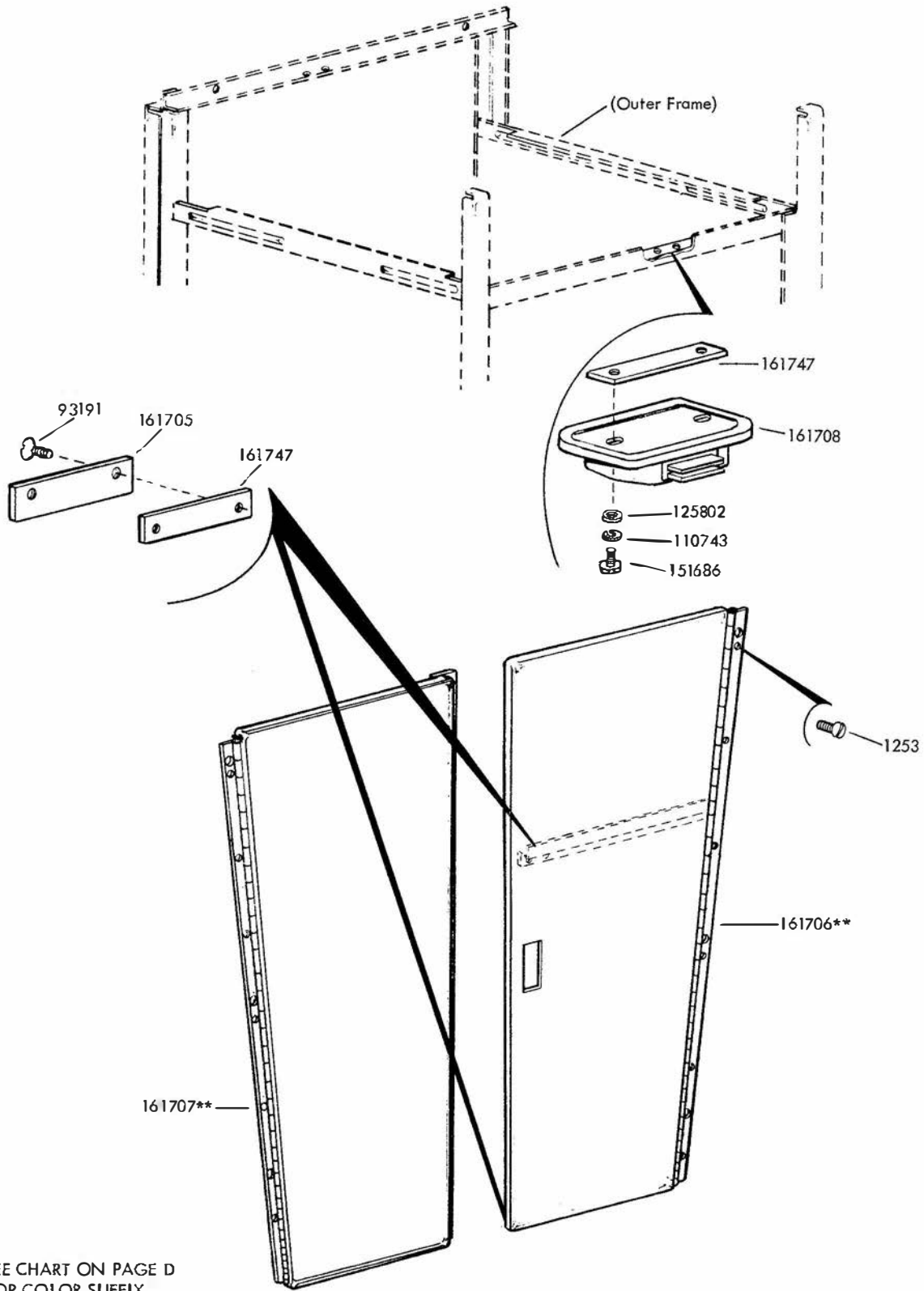


FIGURE 1-5. LATCH MECHANISM



**SEE CHART ON PAGE D FOR COLOR SUFFIX

FIGURE 1-6. REAR DOORS AND LATCH MECHANISM

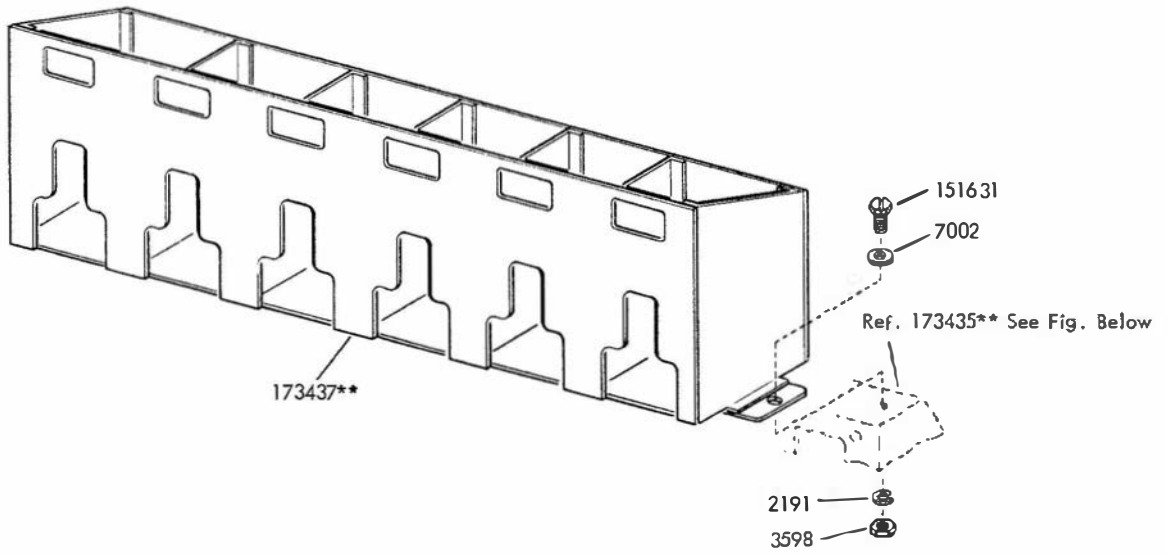


FIGURE 1-7. 173479** MODIFICATION KIT TO ADD FIGURE 8 TAPE CONTAINER

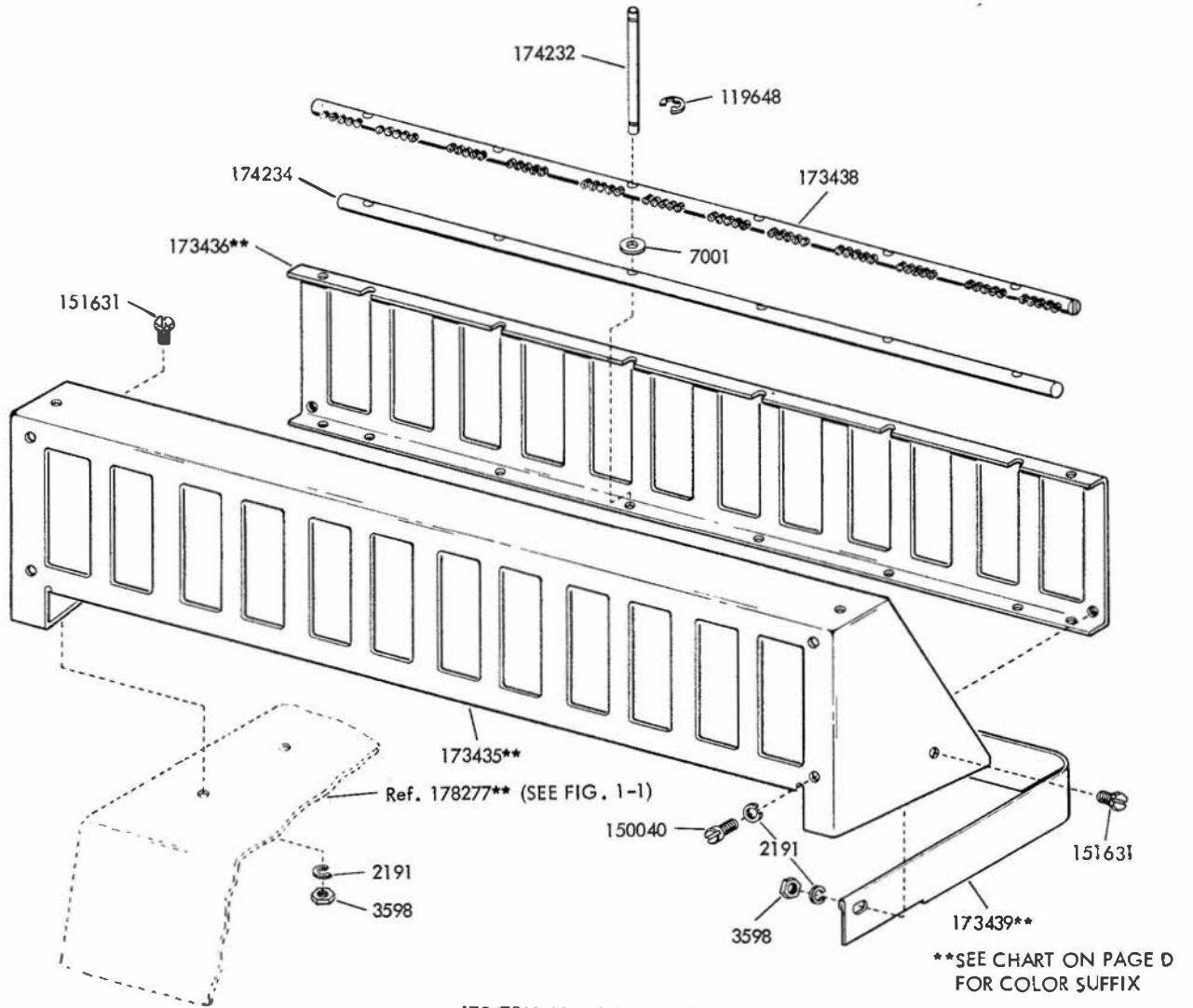


FIGURE 1-8. 173478** MODIFICATION KIT TO ADD TAPE GRID

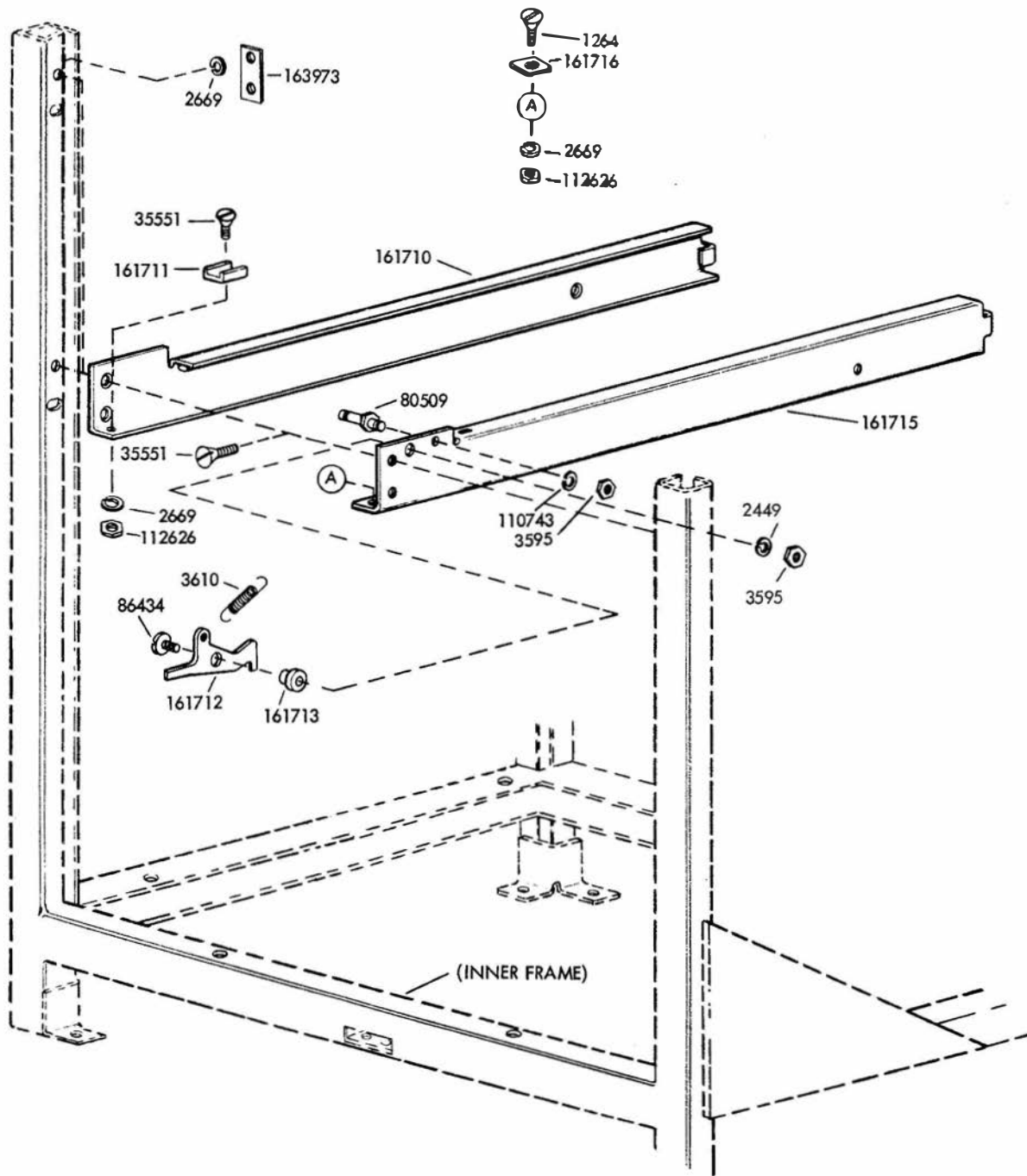
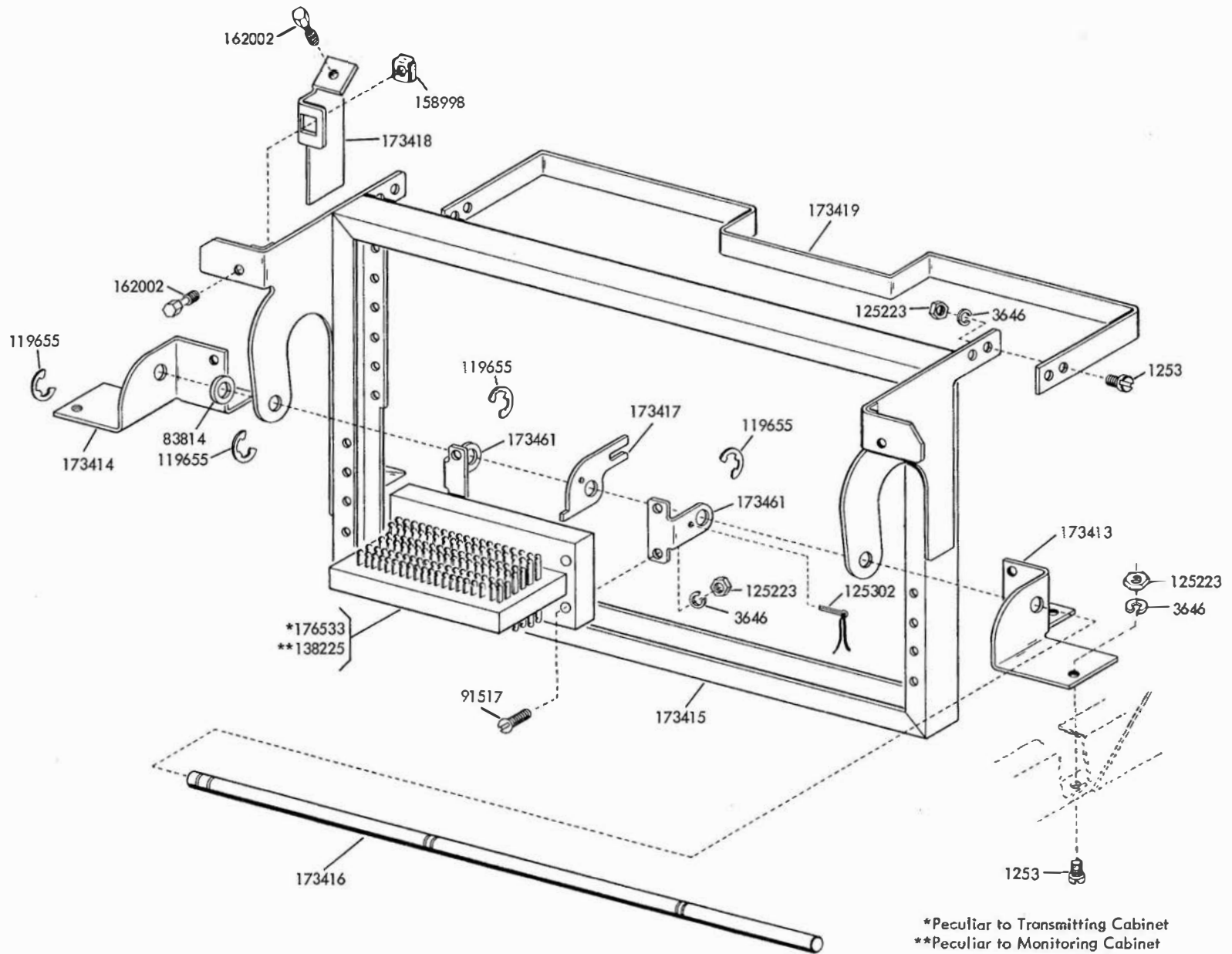


FIGURE I-9. CHANNEL ASSEMBLIES

FIGURE 1-10. MOUNTING RACK FRAME ASSEMBLY



11808

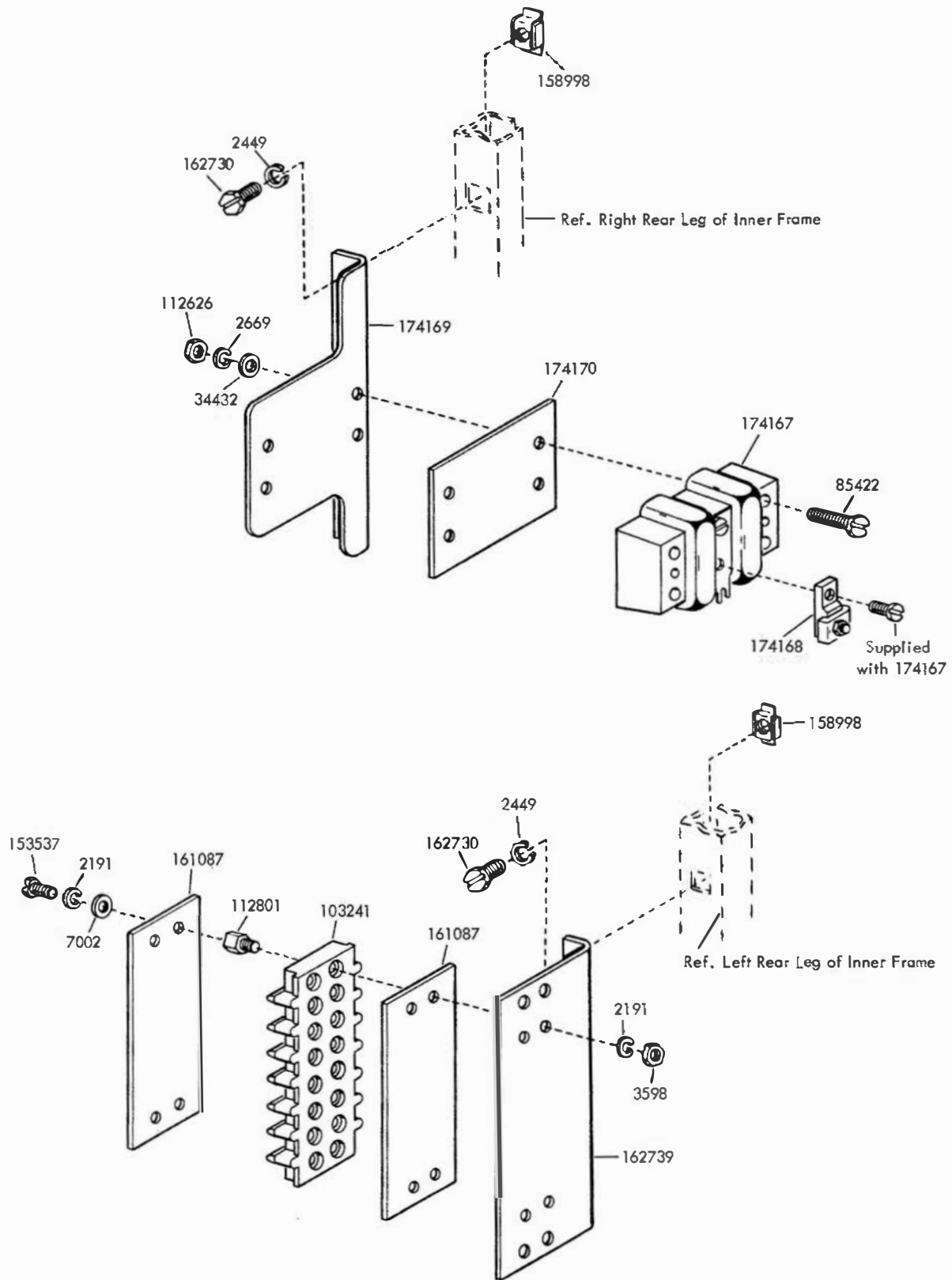


FIGURE 1-11. TERMINAL BLOCKS

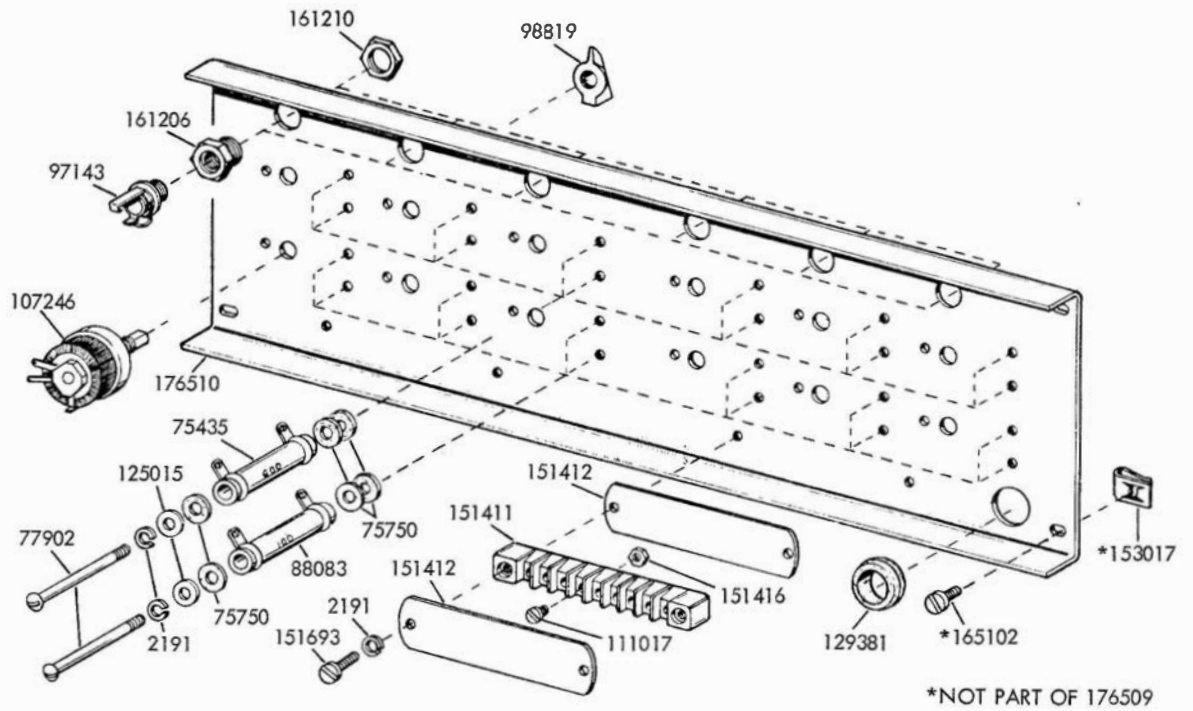


FIGURE 1-12. 176509 RESISTOR PLATE ASSEMBLY - TRANSMITTING CABINET

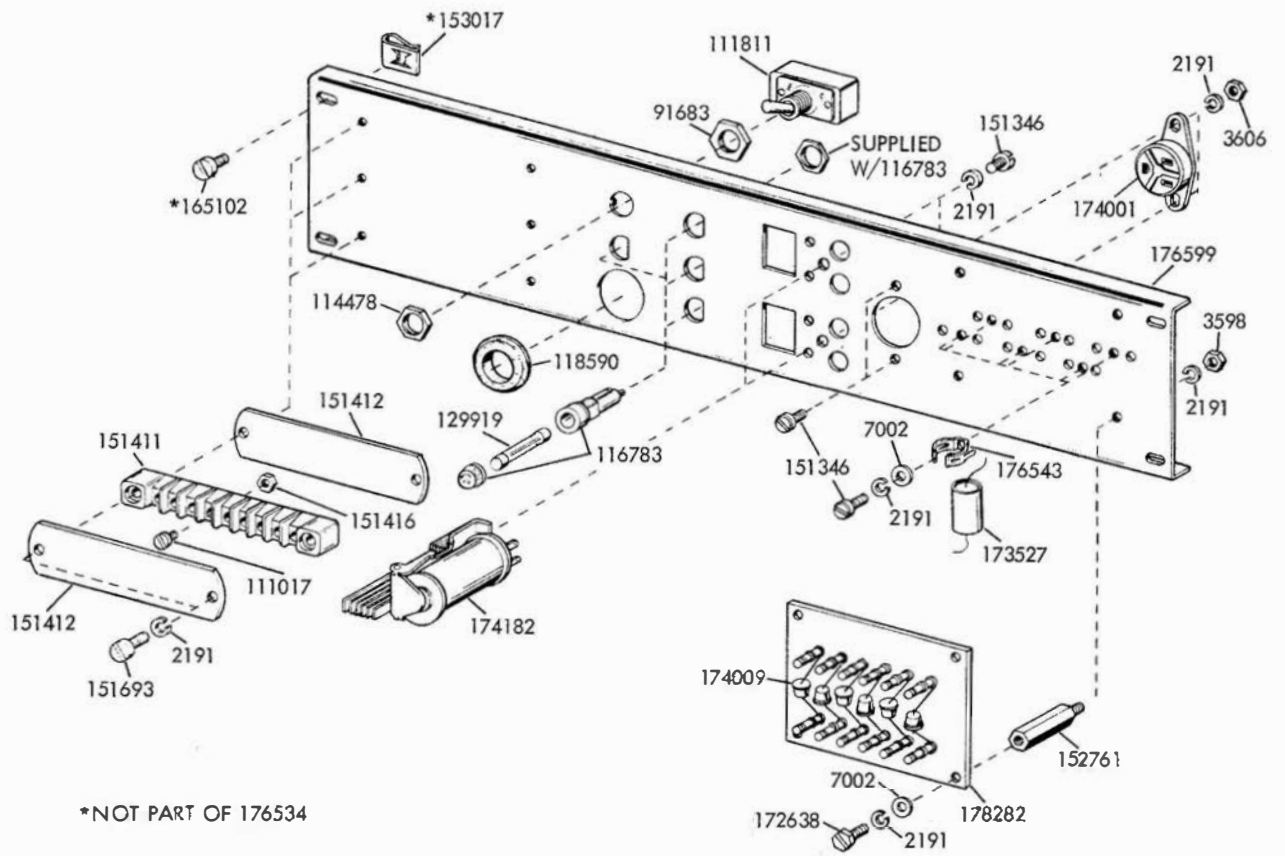
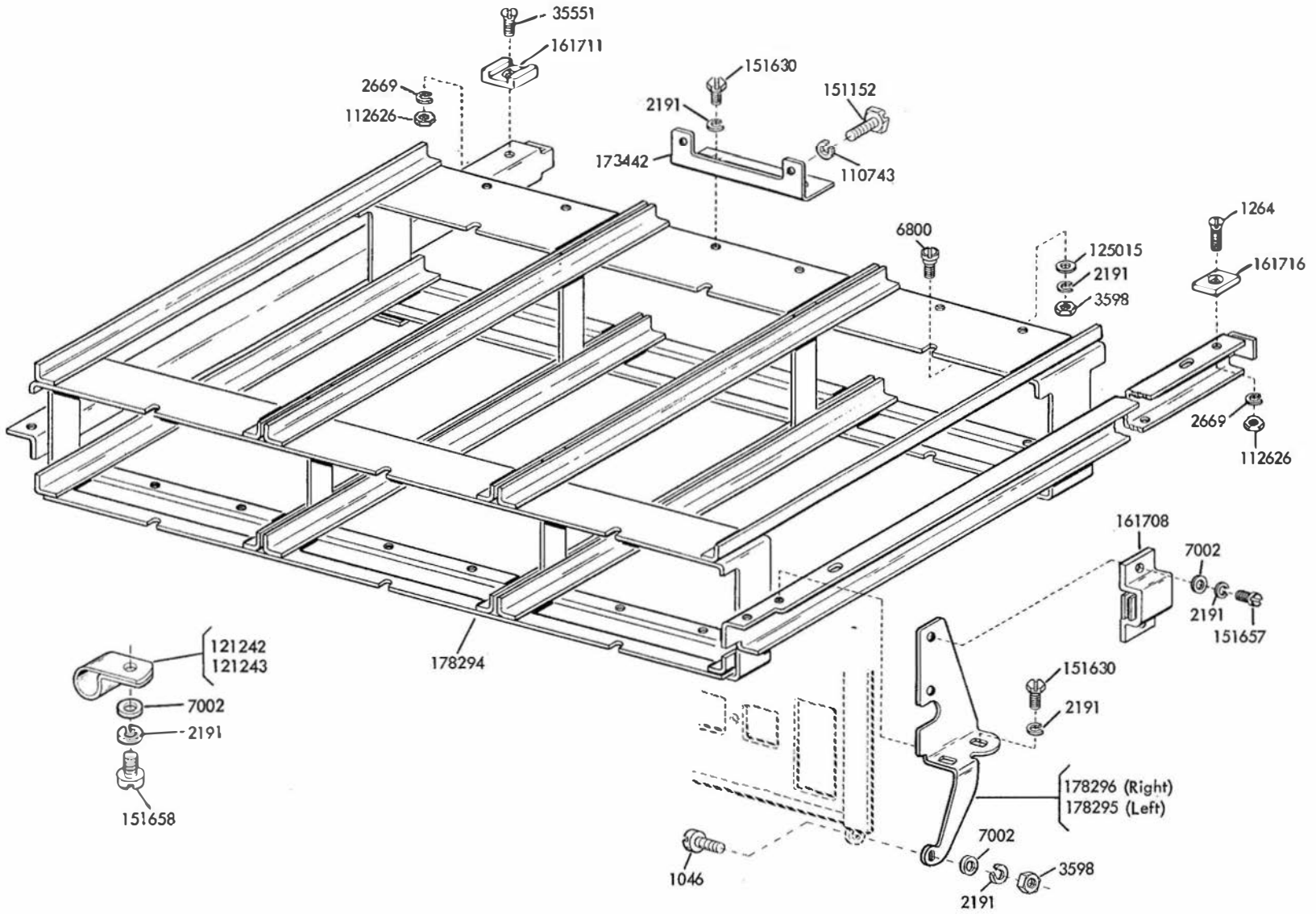
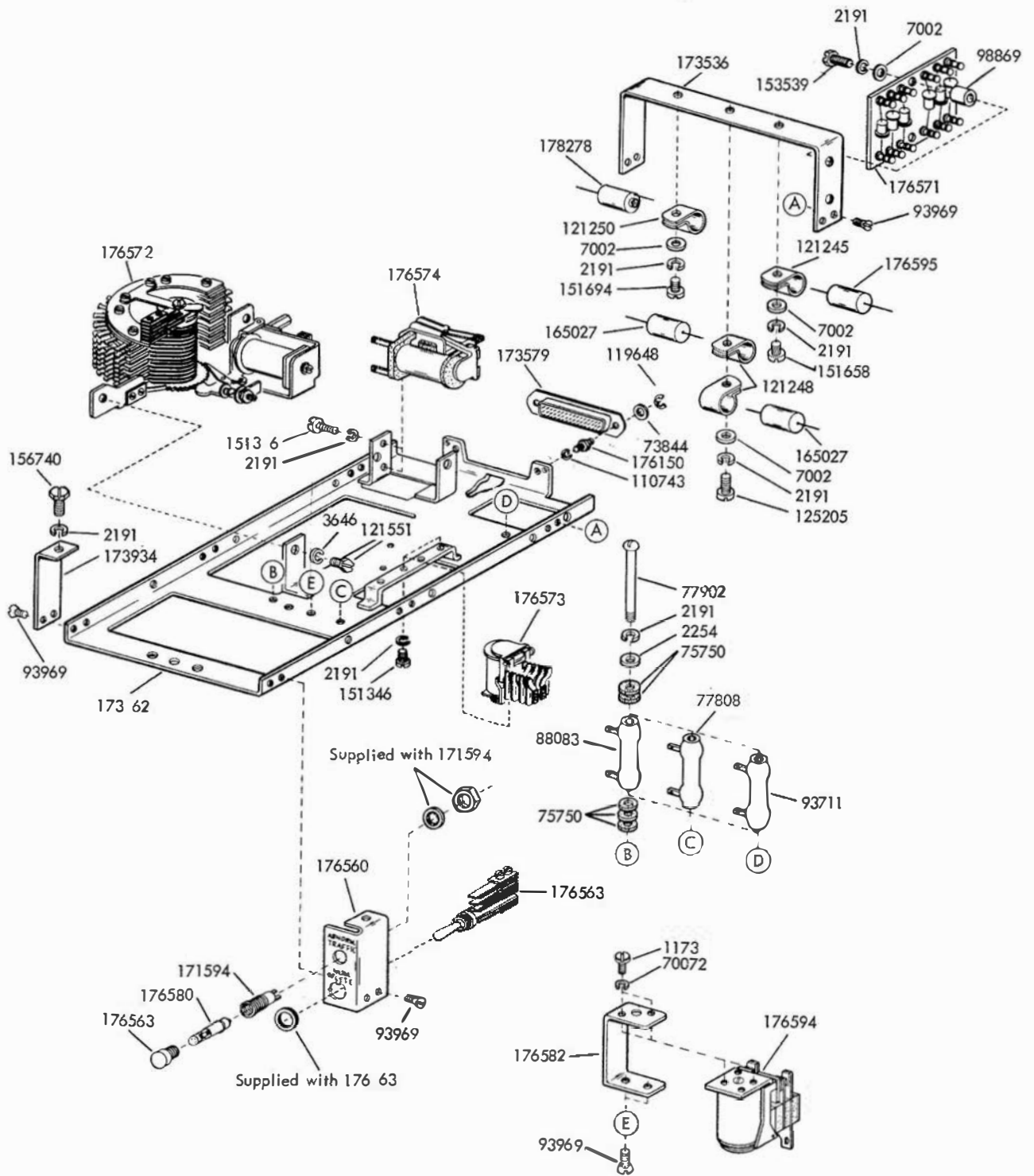


FIGURE 1-13. 176534 CONTROL PLATE ASSEMBLY - TRANSMITTING CABINET

FIGURE 1-14. NUMBERING MODULE DRAWER ASSEMBLY-TRANSMITTING CABINET





Also Includes all Parts in Figure 1-16.
See Figure 1-24 for Cable Assemblies.

FIGURE 1-15. 176540 NUMBERING MODULE ASSEMBLY-TRANSMITTING CABINET

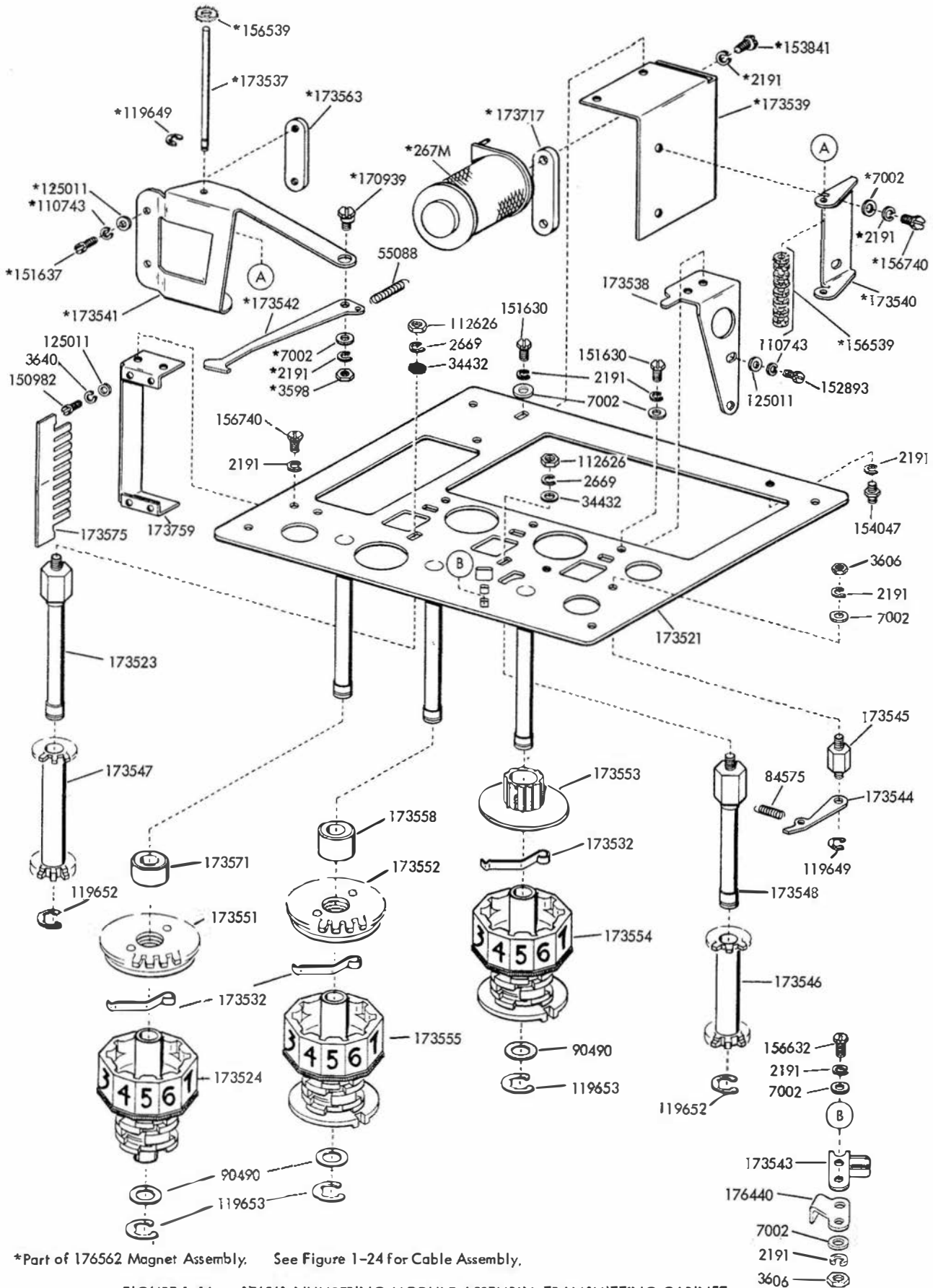


FIGURE 1-16. 176561 NUMBERING MODULE ASSEMBLY-TRANSMITTING CABINET

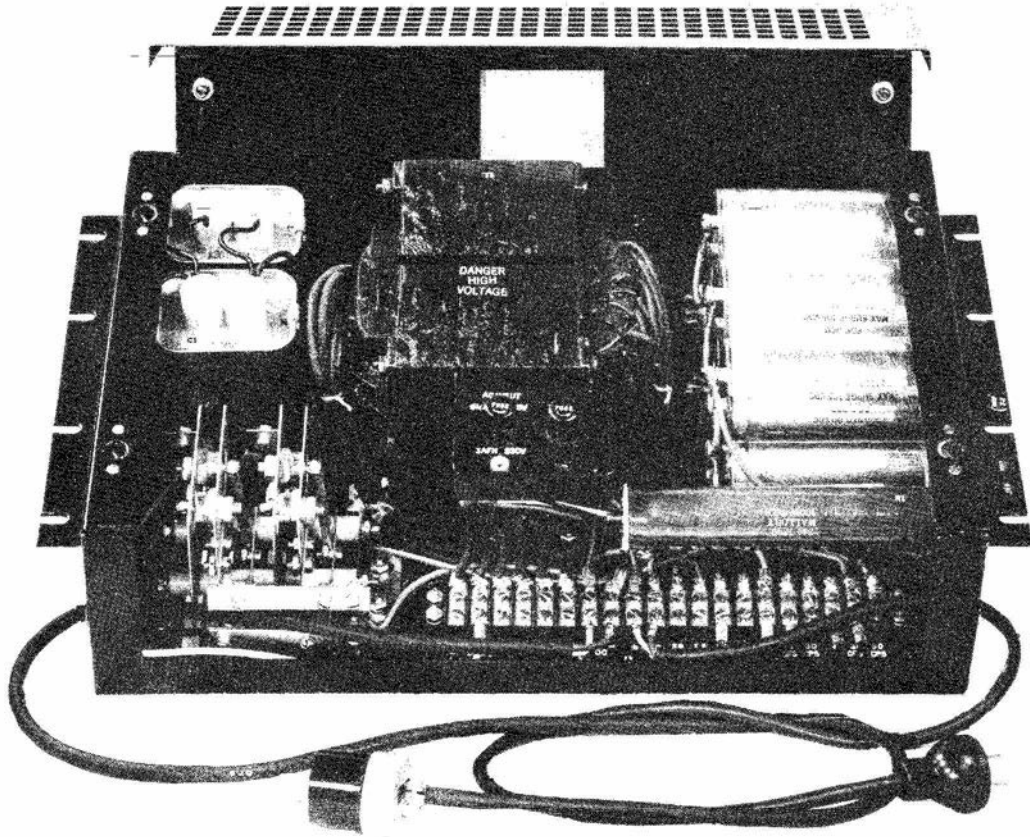


FIGURE 1-17. 176593 RECTIFIER

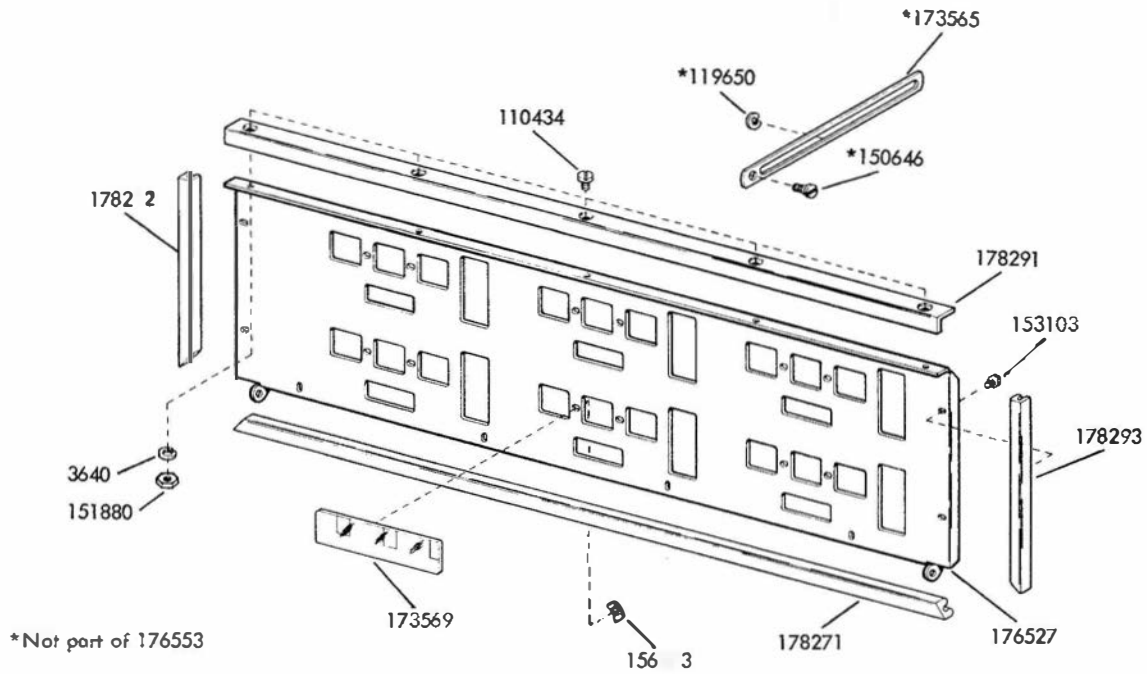


FIGURE 1-18. 176553 CONTROL PANEL ASSEMBLY-TRANSMITTING CABINET

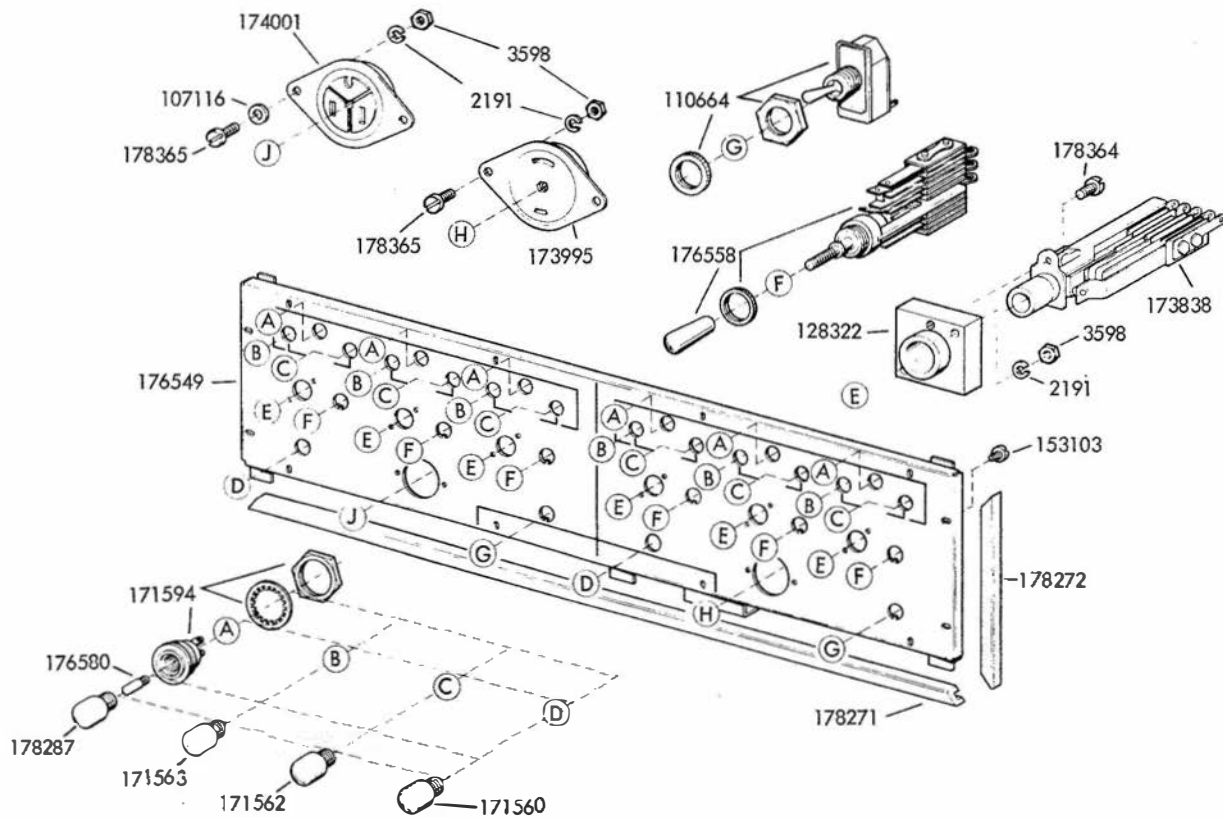
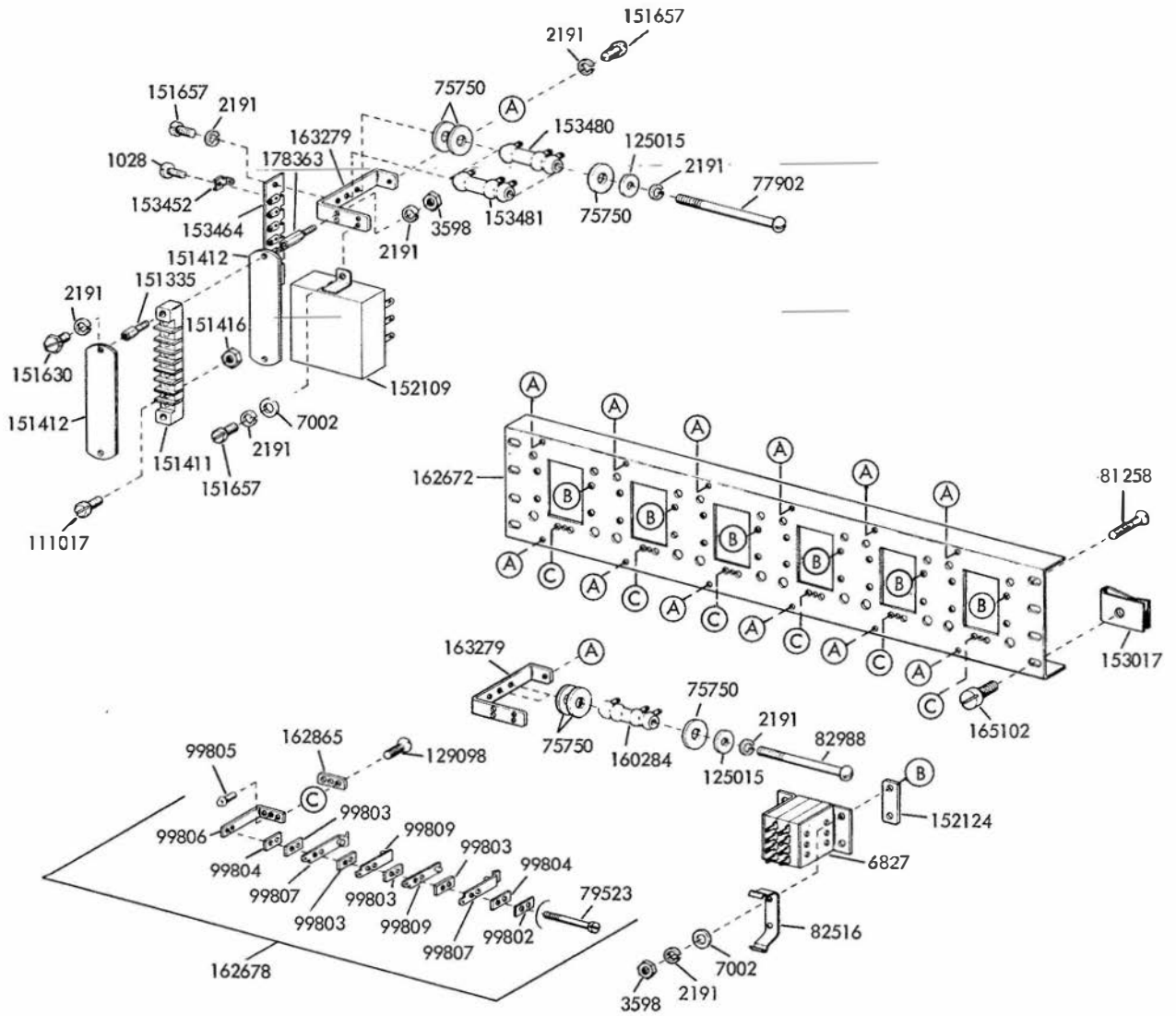


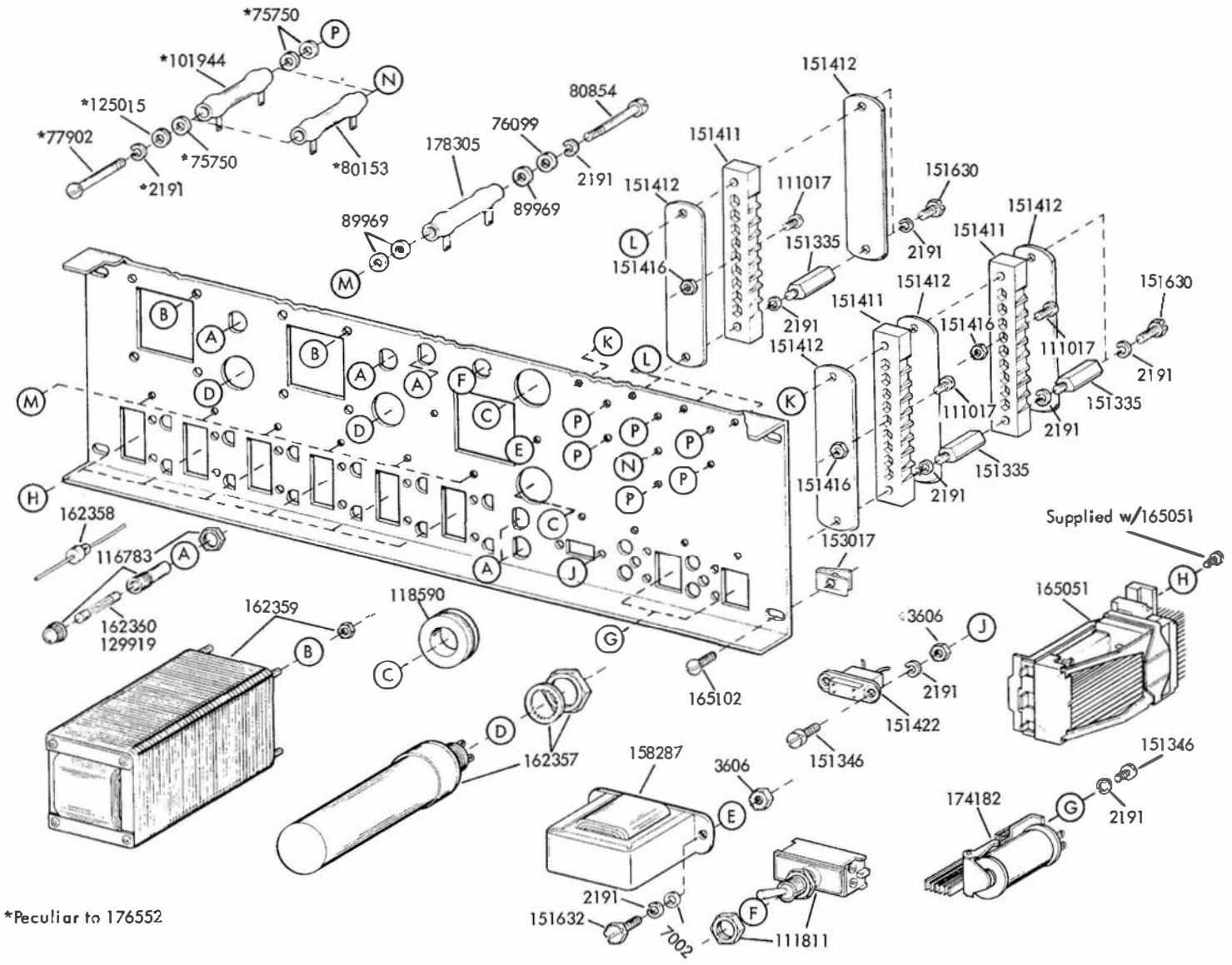
FIGURE 1-19. 176529 CONTROL PANEL ASSEMBLY-MONITORING CABINET



See figure 1-24 for Cable Assembly.

FIGURE 1-20. 178310 LINE RELAY MOUNTING ASSEMBLY-MONITORING CABINET AND RECEIVING CABINET

FIGURE 1-21
176550 CONTROL PLATE ASSEMBLY-MONITORING CABINET
176552 CONTROL PLATE ASSEMBLY-RECEIVING CABINET



*Peculiar to 176552

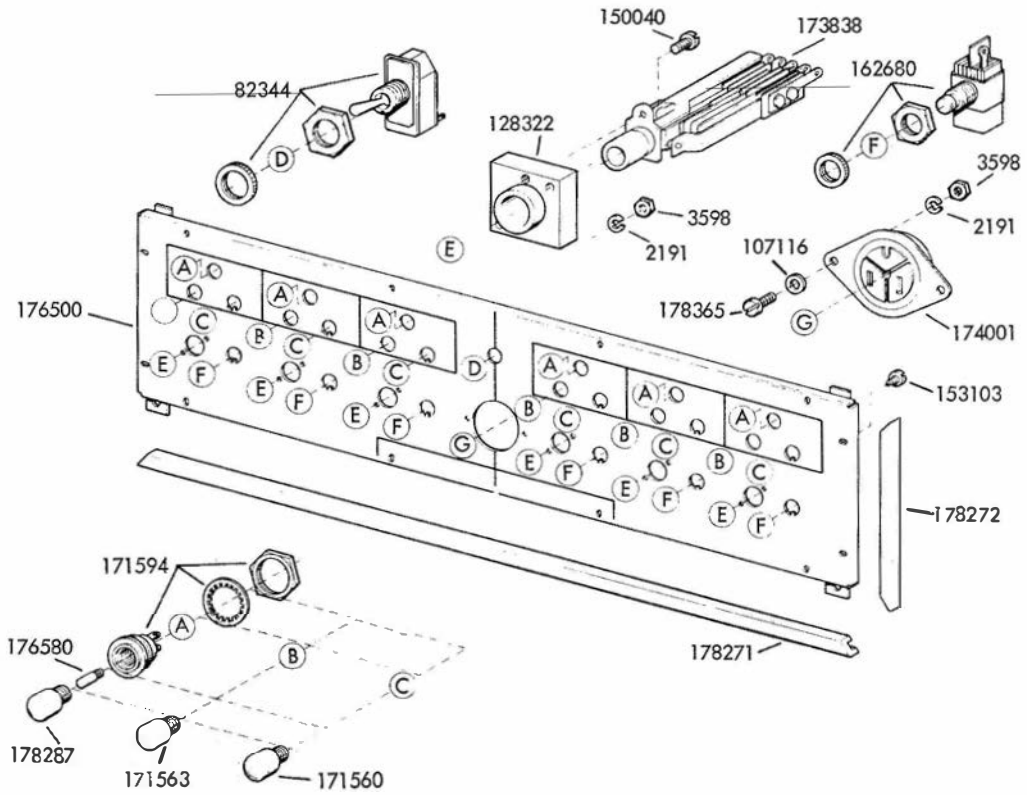


FIGURE 1-22. 176530 CONTROL PANEL ASSEMBLY - RECEIVING CABINET

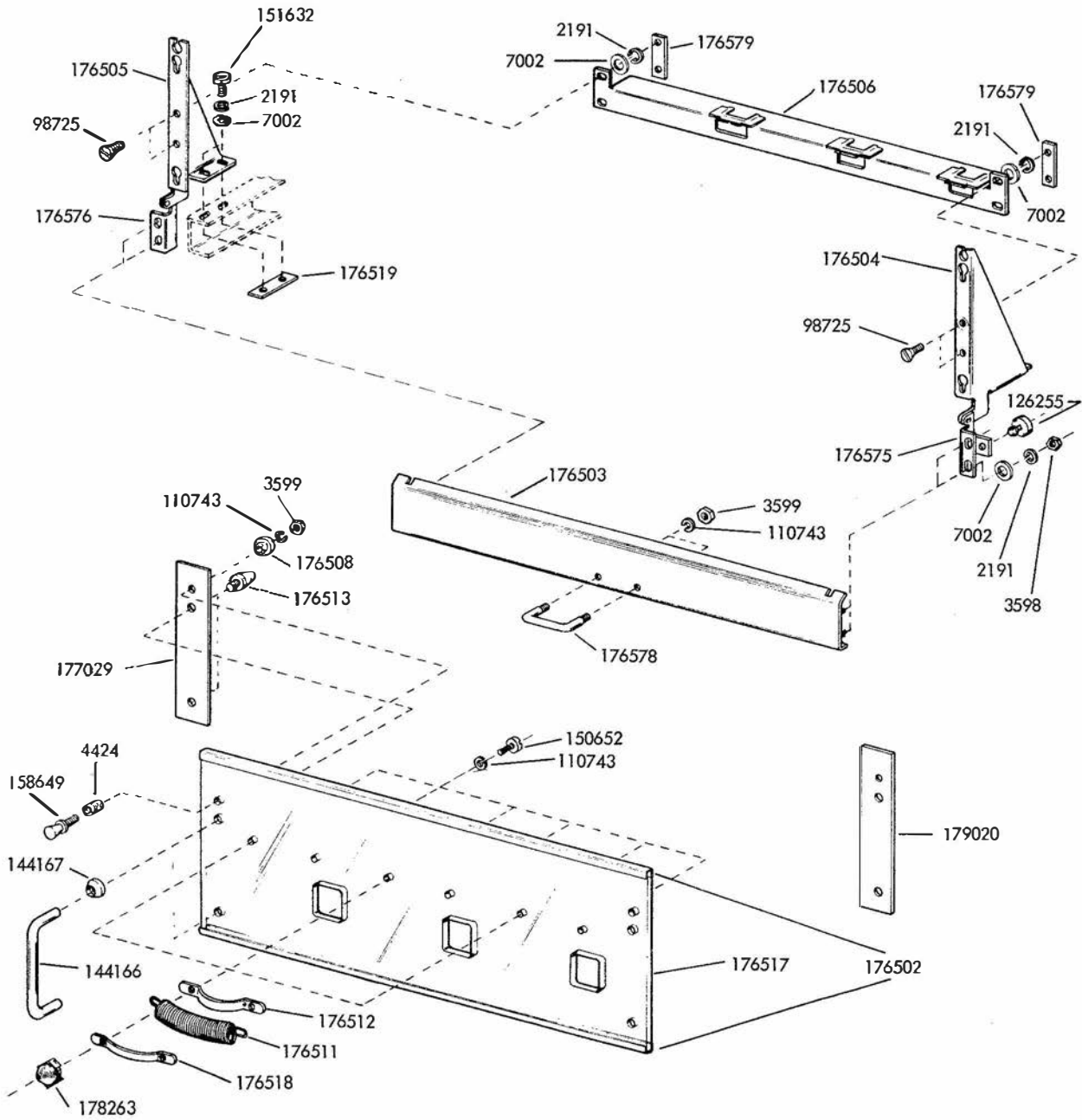
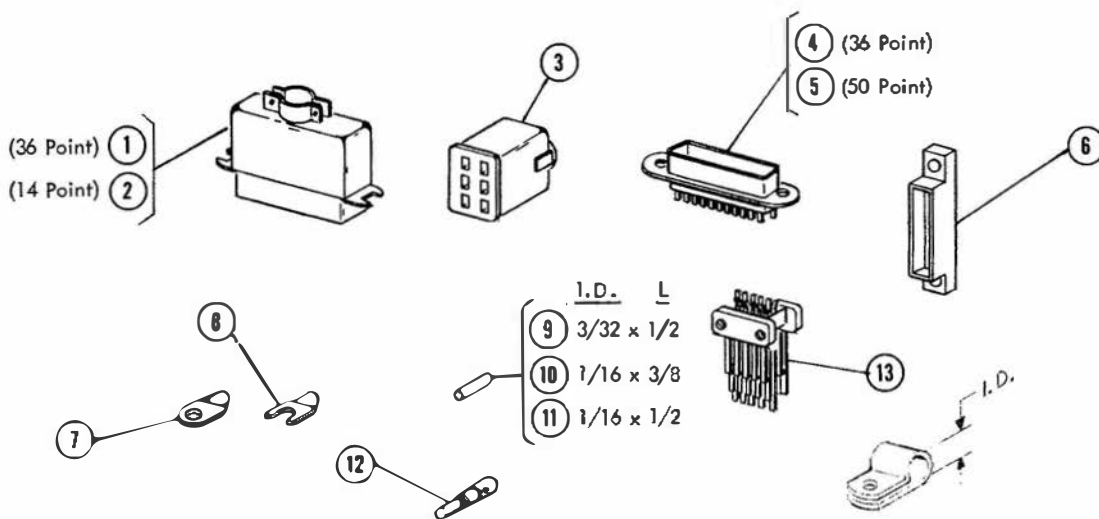


FIGURE 1-23. 176544 MODIFICATION KIT TO PROVIDE FRONT ENCLOSURES ON RECEIVING CABINET



*Part of 178310 See Fig. 1-20
 **Part of 176561 See Fig. 1-16
 ***Part of 176540 See Fig. 1-15

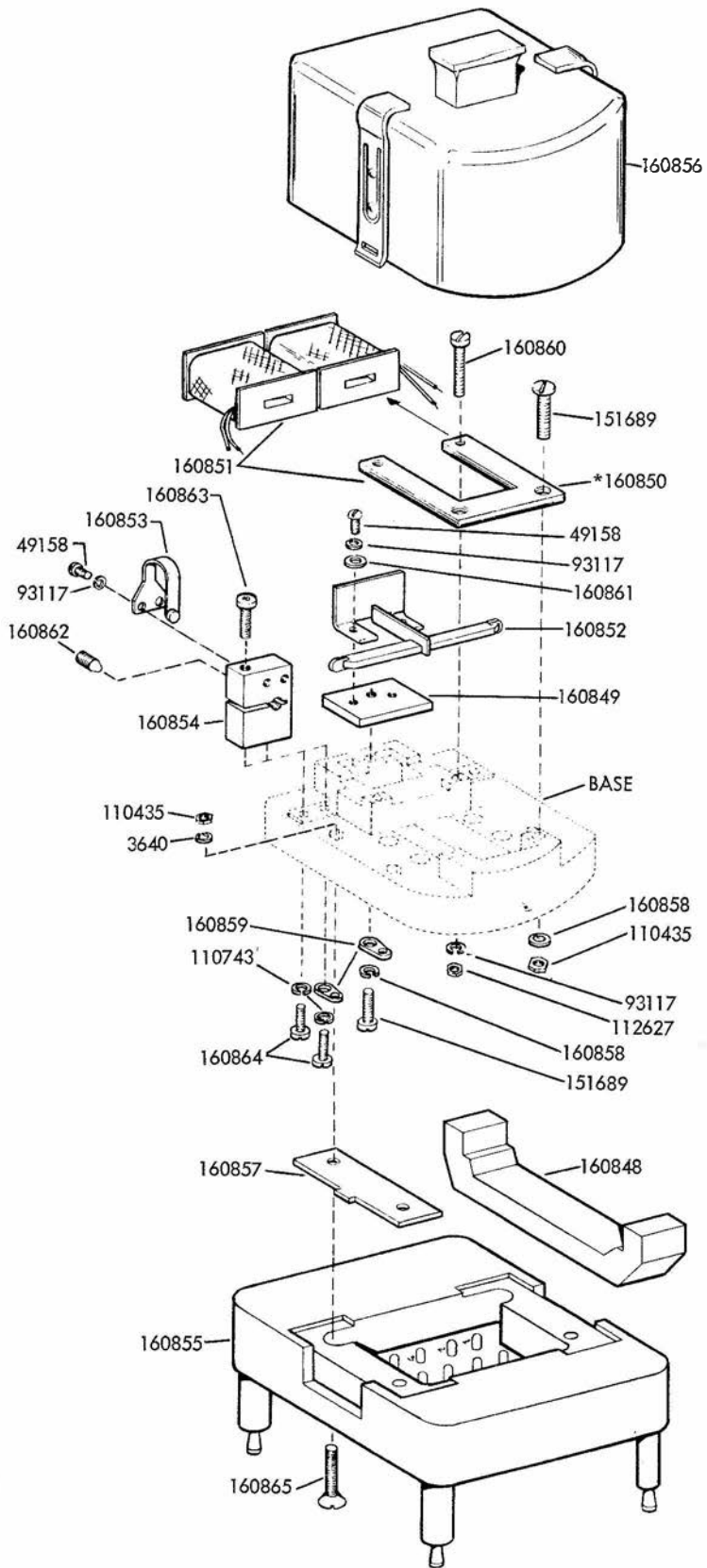
Cabinets		Transmitting					Monitoring			Receiving		
Cable Assemblies		176538	176539	***176501	***173840	**173839	*178312	176554	176555	*178312	176556	176557
Connectors	1 161239							X			X	
	2 161525								X			X
	3 114858											X
	4 161595	X										
	5 173578	X										
	6 173860					X						
Terminals	7 82474		X						X			X
	8 151626		X				X	X	X	X		X
Insulating Sleeves	9 155750					X						
	10 155752	X										X
	11 155754	X				X		X	X		X	
Contact	12 173715			X	X							
Code Reading Contacts	13 156078					X						

Components of Cable Assem.

Cable Clamps	I.D.	Part Number	I.D.	Part Number	I.D.	Part Number	I.D.	Part Number	I.D.	Part Number
	1/8	121242	1/4	121244	3/8	121246	1/2	121248	3/4	121250
	3/16	121243	5/16	121245	7/16	121247	5/8	121249	1	121251

FIGURE 1-24. CABLE CHART

1180B



*PART OF 160851

FIGURE 1-25. 33RY LINE RELAY

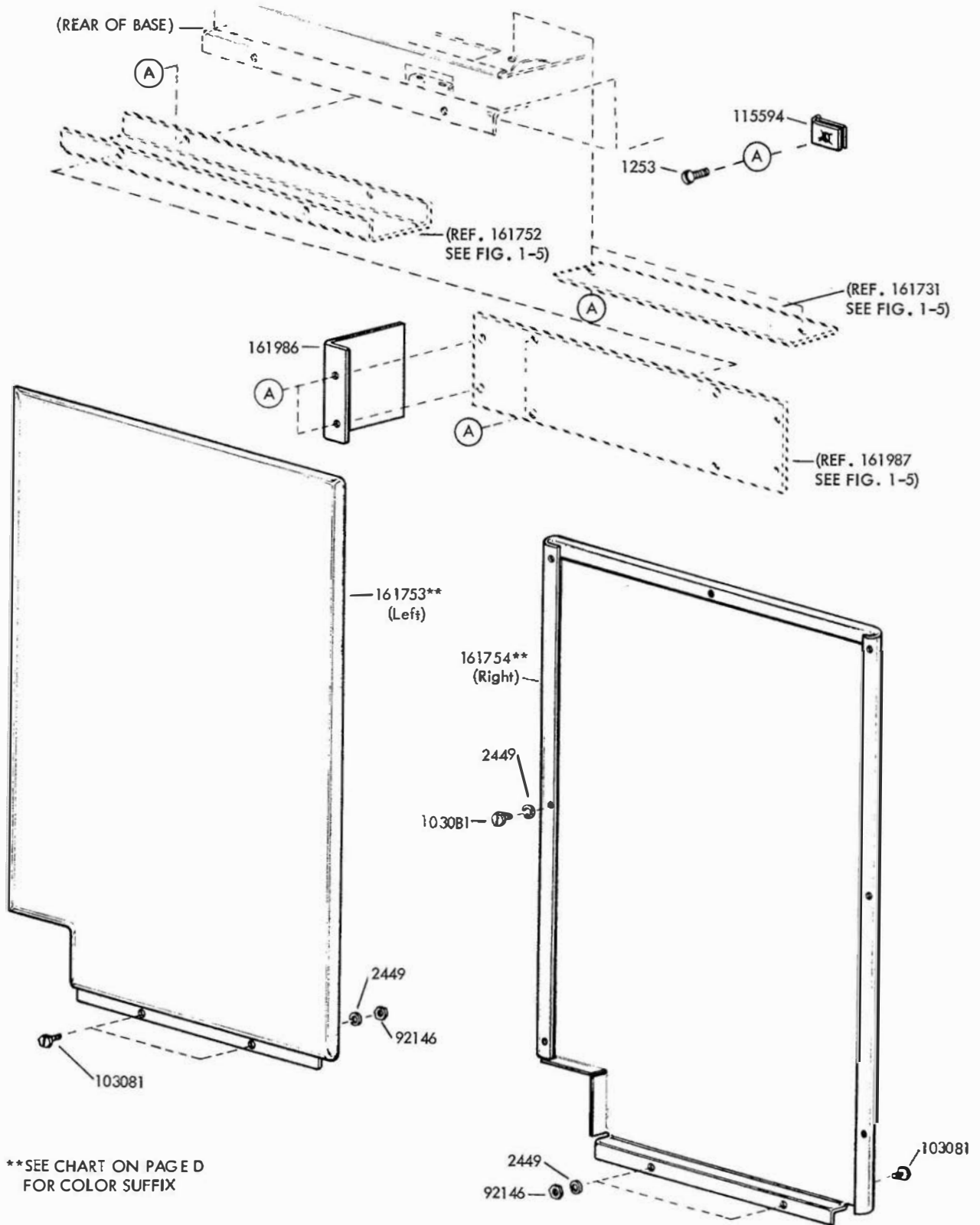


FIGURE 1-26. 161999** MODIFICATION KIT TO PROVIDE END ENCLOSURES FOR CABINET

NUMERICAL INDEX - SECTION 1

Part Number	Description and Page Number	Part Number	Description and Page Number	Part Number	Description and Page Number
267M	Coil, Magnet 1-14	83388	Roller 1-3	121245	Clamp, Cable (5/16" I.D.) 1-13, 1-21
1028	Screw (4-40x1/4 Fil) 1-17	83814	Washer, Flat 1-9	121246	Clamp, Cable (3/8" I.D.) 1-21
1046	Screw, Shoulder (6-40) 1-12	84575	Spring 1-14	121247	Clamp, Cable (7/16" I.D.) 1-21
1173	Screw (3-48x1/4 Fil) 1-13	85422	Screw (10-32x15/16 Hex) 1-10	121248	Clamp, Cable (1/2" I.D.) 1-13, 1-21
1215	Screw, Shoulder (6-40) 1-2, 1-3, 1-4	86434	Screw (1/4-32x1/2 Rd) 1-8	121249	Clamp, Cable (5/8" I.D.) 1-21
1253	Screw (8-32x3/8 Rd) 1-2, 1-3, 1-4, 1-5, 1-6, 1-9, 1-23	88083	Resistor (100 Ohms) 1-11, 1-13	121250	Clamp, Cable (3/4" I.D.) 1-13, 1-21
1264	Screw (10-32x1/2 Flat) 1-8, 1-12	89969	Washer, Fiber 1-18	121251	Clamp, Cable (1" I.D.) 1-21
2191	Washer, Lock 1-2 to 1-4, 1-7, 1-10, 1-12 to 1-14, 1-16 to 1-20	90490	Shim (.005") 1-14	121551	Screw (8-32x1/4 Hex) 1-13
2254	Washer, Flat 1-13	91517	Screw (8-32x3/4 Rd) 1-9	125011	Washer, Flat 1-14
2263	Nut (8-32 Hex) 1-2, 1-3, 1-4	91683	Nut (15/32-32 Hex) 1-11	125015	Washer, Flat 1-11, 1-12, 1-17, 1-18
2449	Washer, Lock 1-5, 1-8, 1-10, 1-23	92146	Nut (1/4-20 Hex) 1-5, 1-23	125205	Screw (6-40x7/16 Fil) 1-13
2669	Washer, Lock 1-2, 1-3, 1-5, 1-8, 1-10, 1-12, 1-14	93001	Washer, Flat 1-2, 1-3, 1-4	125223	Nut (8-32 Hex) 1-3, 1-9
3595	Nut (1/4-32 Hex) 1-8	93117	Washer, Lock 1-22	125302	Pin, Cotter 1-9
3598	Nut (6-40 Hex) 1-2 to 1-4, 1-7, 1-10 to 1-12, 1-14, 1-16, 1-17, 1-19, 1-20	93191	Screw (4-40x5/16 Flat) 1-4, 1-6	125802	Washer, Flat 1-3 to 1-6
3599	Nut (4-40 Hex) 1-20	93711	Resistor (200 Ohms) 1-13	126255	Bumper 1-20
3606	Nut (6-40 Hex) 1-11, 1-14, 1-18	93969	Screw (4-40x3/16 Flat) 1-13	128322	Rack, Mounting 1-16, 1-19
3610	Spring 1-8	97143	Jack 1-11	129098	Screw (6-40x11/32 Flat) 1-17
3640	Washer, Lock 1-14, 1-16, 1-22	98725	Screw (6-40x3/8 Flat) 1-20	129381	Grommet 1-11
3642	Washer, Flat 1-2	98819	Knob 1-11	129919	Fuse (4 Anps) 1-11, 1-18
3646	Washer, Lock 1-2, 1-3, 1-4, 1-9, 1-13	98869	Spacer 1-13	138225	Block, Terminal (6 Row) 1-9
4424	Spring 1-20	99802	Plate 1-17	144166	Handle, Panel 1-20
4814	Washer, Lock 1-2, 1-3, 1-4	99803	Insulator 1-17	144167	Handle, Panel 1-20
6800	Screw, Shoulder (6-40) 1-12	99804	Insulator 1-17	150040	Screw (6-40x5/8 Fil) 1-7, 1-19
6827	Block, Connecting 1-17	99805	Plunger 1-17	150646	Screw, Shoulder (6-40) 1-16
7001	Washer, Flat 1-7	99806	Bracket 1-17	150652	Screw (4-40x37/64 Fil) 1-20
7002	Washer, Flat 1-7, 1-10, to 1-14, 1-17, 1-18, 1-20	99807	Spring, Contact 1-17	150982	Screw (4-40x7/16 Fil) 1-14
34432	Washer, Flat 1-5, 1-10, 1-14	99809	Spring, Contact 1-17	151152	Screw (4-40x3/16 Hex) 1-12
35551	Screw (10-32x3/8 Flat) 1-8, 1-12	100848	Screw (1/4-20x1 Hex) 1-5	151335	Stud 1-17, 1-18
49158	Screw (2-56x1/4 Fil) 1-22	101944	Post, Spring 1-18	151346	Screw (6-40x3/8 Fil) 1-11, 1-13, 1-18
55088	Spring 1-14	103081	Screw (1/4-20 x 1/2 Fil) 1-23	151411	Block, Terminal 1-11, 1-17, 1-18
70072	Washer, Lock 1-13	103241	Block w/Screws, Terminal 1-10	151412	Insulator 1-11, 1-17, 1-18
73844	Washer, Flat 1-13	107116	Washer, Lock 1-16, 1-19	151416	Nut (6-40 Hex) 1-11, 1-18
74014	Screw (10-32x3/4 Hex) 1-5	107246	Rheostat 1-11	151422	Connector, Receptacle 1-18
75435	Resistor (600 Ohms) 1-11	110435	Nut (4-40 Hex) 1-16, 1-22	151626	Terminal 1-21
75750	Washer, Insulating 1-11, 1-13, 1-17, 1-18	110664	Switch, Toggle 1-16	151630	Screw (6-40x1/4 Hex) 1-2 to 1-4, 1-12, 1-14, 1-17, 1-18
76099	Washer, Flat 1-18	110743	Washer, Lock 1-3 to 1-6, 1-8, 1-12 to 1-14, 1-20, 1-22	151631	Screw (6-40x1/4 Hex) 1-7
76236	Nut (5/16-18 Hex) 1-2, 1-3, 1-4	111017	Screw (6-40x5/16 Fil) 1-11, 1-17, 1-18	151632	Screw (6-40x3/8 Hex) 1-4, 1-18, 1-20
77808	Resistor (250 Ohms) 1-13	111811	Switch, Toggle 1-11, 1-18	151637	Screw (4-40x1/4 Fil) 1-14
77902	Screw (6-40x2-3/8 Rd) 1-11, 1-13, 1-17, 1-18	112626	Nut (10-32 Hex) 1-2, 1-5, 1-8, 1-10, 1-12, 1-14	151657	Screw (6-40x1/4 Fil) 1-12, 1-17
78453	Nut (10-32 Hex) 1-3	112627	Nut (10-32 Hex) 1-22	151658	Screw (6-40x5/16 Fil) 1-2, 1-4, 1-12, 1-13
79523	Screw (2-56x25/32 Fil) 1-17	112801	Stud 1-10	151686	Screw (4-40x3/8 Fil) 1-6
80153	Resistor (1410 Ohms) 1-18	114478	Nut (15/32x32 Hex) 1-11	151687	Screw (4-40x7/16 Fil) 1-3, 1-4, 1-5
80509	Post 1-8	114858	Connector, Receptacle (6 Pt) 1-21	151689	Screw (4-40x3/4 Fil) 1-22
80854	Screw (6-40x7/16 Fil) 1-18	115594	Nut, Speed (8-32) 1-2, 1-5, 1-23	151693	Screw (6-40x9/16 Fil) 1-11
81238	Screw (6-40x5/8 Flat) 1-17	116783	Holder, Fuse 1-11, 1-18	151694	Screw (6-40x11/32 Fil) 1-13
82344	Switch, Toggle 1-19	118590	Grommet, Rubber 1-11, 1-18	151723	Screw (10-32x3/8 Hex) 1-2, 1-3
82474	Terminal 1-21	118865	Plate 1-2, 1-3, 1-4	151880	Nut (4-40 Hex) 1-16
82516	Spring, Retaining 1-17	119648	Ring, Retaining 1-7, 1-13	152109	Filter 1-17
82988	Screw (6-40x2-1/2 Rd) 1-17	119649	Ring, Retaining 1-14	152124	Spacer 1-17
		119650	Ring, Retaining 1-16	152258	Post 1-2
		119651	Ring, Retaining 1-3		
		119652	Ring, Retaining 1-14		
		119653	Ring, Retaining 1-14		
		119655	Ring, Retaining 1-9		
		121005	Screw, Self-Tapping 1-2, 1-4		
		121242	Clamp, Cable (1/8" I.D.) 1-12, 1-21		
		121243	Clamp, Cable (3/16" I.D.) 1-12, 1-21		
		121244	Clamp, Cable (1/4" I.D.) 1-21		

NUMERICAL INDEX - SECTION 1 (Continued)

Part Number	Description and Page Number	Part Number	Description and Page Number	Part Number	Description and Page Number
152761	Stud 1-11	161711	Block, Guide 1-8, 1-12	173532	Spring, Torsion 1-14
152893	Screw (4-40x1/4 Hex) 1-14	161712	Latch 1-8	173536	Bracket, Guard 1-13
153017	Nut, Speed 1-11, 1-17, 1-18	161713	Bushing, Shoulder 1-8	173537	Shaft 1-14
153103	Screw, Self Topping 1-2, 1-3, 1-4, 1-16, 1-19	161715	Channel, Right 1-8	173538	Bracket, Mounting 1-14
153452	Terminal 1-17	161716	Block, Support 1-8, 1-12	173539	Bracket, Magnet Mounting 1-14
153464	Block, Terminal 1-17	161718**	Shelf 1-2	173540	Hinge 1-14
153480	Resistor (6750 Ohms) 1-17	161731	Plate, Cover 1-5	173541	Boil, Armature 1-14
153481	Resistor (5800 Ohms) 1-17	161747	Plate, Nut 1-3, 1-4, 1-5, 1-6	173542	Pawl, Feed 1-14
153537	Screw (6-40x9/32 Hex) 1-10	161748	Screw (5/16-18x27/64 Flat) 1-2, 1-3, 1-4	173543	Bracket, Guide 1-14
153539	Screw (6-40x11/16 Hex) 1-13	161752	Channel, Duct 1-5	173545	Post, Eccentric 1-14
153544	Panel, Guide 1-14	161753**	Panel, Left 1-23	173546	Gear, Spur (8T) 1-14
153841	Screw (6-40x9/16 Hex) 1-14	161754**	Panel, Right 1-23	173547	Gear, Spur (8T) 1-14
154047	Post 1-14	161986	Cover, Duct 1-5, 1-23	173548	Shaft 1-14
155750	Sleeve, Insulating 1-21	161987	Plate, Duct 1-5	173551	Gear w/Disk 1-14
155752	Sleeve, Insulating 1-21	161992	Channel, Mounting-Left 1-2	173552	Gear w/Disk 1-14
155754	Sleeve, Insulating 1-21	161993	Channel, Mounting-Right 1-2	173553	Ratchet 1-14
156078	Contact Assembly 1-21	161999**	Modification Kit 1-23	173554	Drum, Numbering 1-14
156539	Washer, Flat 1-14	162002	Screw (1/4-20x13/16 Hex) 1-2, 1-3, 1-9	173555	Drum, Numbering 1-14
156632	Screw (6-40x13/32 Hex) 1-14	162357	Capacitor (500 MFD) 1-18	173558	Spacer 1-14
156740	Screw (6-40x7/32 Hex) 1-13, 1-14	162358	Diode, Silicon 1-18	173562	Base, Module 1-13
156770	Plate, Identification 1-2, 1-3, 1-4	162359	Transformer, Power 1-18	173563	Armature, Magnet 1-14
156993	Nut, Speed 1-2, 1-3, 1-4, 1-16	162360	Fuse (.8 AMP) 1-18	173565	Arm 1-16
158287	Transformer 1-18	162672	Plate, Relay 1-17	173569	Window, Numbering 1-16
158649	Screw, Thumb (4-40) 1-20	162678	Contact Assembly, Line Shunt 1-17	173571	Spacer 1-14
158991	Capacitor 1-5	162680	Switch, Push 1-19	173575	Card, Universal Code 1-14, 1-20
158992	Bracket, Mounting 1-5	162730	Screw (1/4-20x7/16 Hex) 1-2, 1-3, 1-4, 1-10	173578	Connector, Receptacle (50 Pt) 1-21
158998	Nut, Retainer (1/4-20) 1-2, 1-3, 1-4, 1-9, 1-10	162739	Bracket, Terminal Block 1-10	173579	Connector, Plug (50 Pt) 1-13
160284	Resistor (5500 Ohms) 1-17	162865	Spacer 1-17	173715	Contact, Plug 1-21
160848	Magnet, U-Shaped 1-22	163163	Pad 1-2, 1-3, 1-4	173717	Plate, Magnet 1-14
160849	Piece, Pole 1-22	163279	Bracket, Mounting 1-17	173759	Bracket 1-14
160850	Core 1-22	163973	Plate, Nut 1-2, 1-3, 1-8	173833	Strip, Left 1-3
160851	Coil Assembly 1-22	165027	Network, Spark Suppression 1-13	173834	Strip, Right 1-3
160852	Armature 1-22	165051	Relay 1-18	173838	Jock 1-16, 1-19
160853	Contact, Relay 1-22	165102	Screw (12-24x3/8 Rd) 1-11, 1-17, 1-18	173839	Cable Assembly 1-21
160854	Support, Contact 1-22	170939	Screw, Eccentric (6-40) 1-14	173840	Cable Assembly 1-21
160855	Plug, Adaptor 1-22	171560	Lens (Red) 1-16, 1-19	173860	Connector, Printed Circuit (10 Pt) 1-21
160856	Cover 1-22	171562	Lens (Green) 1-16	173864	Strip, Cable Guide 1-2
160857	Plate, Catch 1-22	171563	Lens (Amber) 1-13, 1-16, 1-19	173934	Bracket 1-13
160858	Washer, Lock 1-22	171594	Socket, Lamp 1-2, 1-13, 1-16, 1-19	173953	Guide, Tape 1-3
160859	Terminal 1-22	172638	Screw (6-40x9/32 Hex) 1-11	173995	Connector, Receptacle (2 Pt) 1-16
160860	Screw (2-56x7/8 Fil) 1-22	173413	Bracket, Right 1-9	174001	Connector, Receptacle (3 Pt) 1-11, 1-16, 1-19
160861	Washer, Flat 1-22	173414	Bracket, Left 1-9	174003	Angle 1-3
160862	Screw (8-56x5/16 Bristol Hd) 1-22	173415	Frame, Mounting Rack 1-9	174004	Channel 1-3
160863	Screw (4-40x3/4 Socket Hd) 1-22	173416	Shaft 1-9	174009	Diode, Silicon 1-11
160864	Screw (4-40x1/2 Fil) 1-22	173417	Plate, Locating 1-9	174163**	Bracket, Clip 1-3
160865	Screw (4-40x7/8 Flat) 1-22	173418	Bracket, Left Anchor 1-9	174166**	Bracket, Clip 1-3
161087	Insulator 1-10	173419	Handle 1-9	174167	Strip, Terminal 1-10
161206	Bushing, Insulating 1-11	173422	Bracket, Connector 1-12	174168	Lug, Terminal 1-10
161210	Nut (11/16-32 Hex) 1-11	173435**	Bracket, Front Plate 1-7	174169	Bracket, Terminal Block 1-10
161239	Connector, Plug (36 Pt) 1-21	173436**	Bracket 1-7	174170	Insulator, Terminal 1-10
161525	Connector, Plug (14 Pt) 1-21	173437**	Container, Tape 1-7	174182	Relay 1-11, 1-18
161595	Connector, Receptacle (36 Pt) 1-21	173438	Rod, Brush 1-7	174232	Pin 1-7
161705	Plate, Striker 1-4, 1-6	173439**	Railing 1-7	174234	Rod 1-7
161706**	Door, Rear 1-6	173461	Bracket, Terminal Block 1-9	174236	Roller 1-3
161707**	Door, Rear 1-6	173464	Arm 1-2, 1-3, 1-4	174237	Stud 1-3
161708	Latch, Magnet 1-3 to 1-6, 1-12	173478**	Modification Kit 1-7	176150	Post 1-13
161710	Channel, Left 1-8	173479**	Modification Kit 1-7	176440	Bracket, Stop 1-14
		173521	Plate 1-14	176500	Panel, Control 1-19
		173523	Shaft 1-14	176501	Cable Assembly 1-21
		173524	Drum, Numbering 1-14	176502	Moulding 1-20
		173527	Capacitor (20 MFD) 1-11	176503	Plate 1-20
				176504	Bracket, Right 1-20

NUMERICAL INDEX - SECTION 1 (Continued)

Part Number	Description and Page Number	Part Number	Description and Page Number	Part Number	Description and Page Number
176505	Bracket, Left 1-20	176557	Cable Assembly 1-21	178275	Trim, Tape Bin 1-2, 1-4
176506	Strip 1-20	176558	Switch, Lever 1-16	178278	Capacitor (60 MFD) 1-13
176508	Bushing 1-20	176560	Bracket, Switch 1-13	178279**	Frame, Top 1-3
176509	Plate Assembly 1-11	176561	Module Assembly 1-14	178281**	Bin, Tape 1-4
176510	Plate, Resistor 1-11	176562	Magnet Assembly 1-14	178282	Board Assembly, Diode 1-11
176511	Spring 1-20	176563	Switch, Lever 1-13	178284**	Bracket, Window 1-3
176512	Strip, Rear 1-20	176571	Board Assembly, Diode 1-13	178285	Window 1-3
176513	Stud 1-20	176572	Switch, Stepping 1-13	178286	Window 1-3
176515**	Door, Right 1-4	176573	Relay 1-13	178287	Lens, Lamp (White) 1-2, 1-16, 1-19
176516**	Door, Left 1-4	176574	Relay 1-13	178289**	Frame, Top 1-2, 1-4
176517	Panel, Front 1-20	176576	Bracket 1-20	178290	Strip, Wear 1-2, 1-4
176518	Strip, Spring 1-20	176578	Handle 1-20	178291	Molding, Top 1-16
176519	Plate, Nut 1-20	176579	Plate, Nut 1-20	178292	Molding, Left 1-16
176524	Bracket, Mounting 1-5	176580	Lamp, Incandescent (6 Volt) 1-2, 1-13, 1-16, 1-19	178293	Molding, Right 1-16
176526	Plate, Mounting 1-5	176582	Bracket 1-13	178294	Drawer 1-12
176527	Panel, Control 1-16	176582	Bracket 1-13	178295	Bracket, Left 1-12
176529	Panel Assembly 1-16	176593	Rectifier 1-15	178296	Bracket, Right 1-12
176530	Plate Assembly 1-19	176594	Relay 1-13	178297	Plate, Lamp 1-2
176533	Block, Terminal (7 Row) 1-9	176595	Capacitor (.22 MFD) 1-13	178298	Plate, Lamp 1-2
176534	Plate Assembly 1-11	176599	Plate, Mounting 1-11	178305	Resistor (1600 Ohms) 1-18
176538	Cable Assembly 1-21	177029	Strip, Wear 1-20	178310	Mounting Assembly 1-17
176539	Cable Assembly 1-21	178257	Baffle 1-2	178312	Cable Assembly 1-21
176540	Module Assembly 1-13	178258**	Door, Right 1-3	178353**	Trim, Channel 1-2
176543	Clamp, Capacitor 1-11	178259**	Door, Left 1-3	178354**	Trim, Channel-Left 1-2
176544	Modification Kit 1-20	178260	Handle, Cover 1-2, 1-3, 1-4	178355**	Trim, Channel-Right 1-2
176549	Panel, Control 1-16	178261	Handle, Door 1-3, 1-4	178356	Clip, Paper 1-2, 1-4
176550	Plate Assembly 1-18	178263	Nut, Cap (4-40) 1-20	178363	Post 1-17
176552	Plate Assembly 1-18	178264	Grip, Extended 1-2, 1-4	178364	Screw (6-40x7/8 Fil) 1-16
176553	Panel Assembly 1-16	178268**	Cover 1-3, 1-4	178365	Screw (6-40x7/32 Fil) 1-16
176554	Cable Assembly 1-21	178271	Moulding 1-16, 1-19	178412	1-19
176555	Cable Assembly 1-21	178272	Moulding 1-16, 1-19	179020	Bushing 1-4
176556	Cable Assembly 1-21	178274**	Bin, Tape 1-2		Strip, Wear-Right 1-20

SECTION 2
TYPING REPERFORATOR UNIT

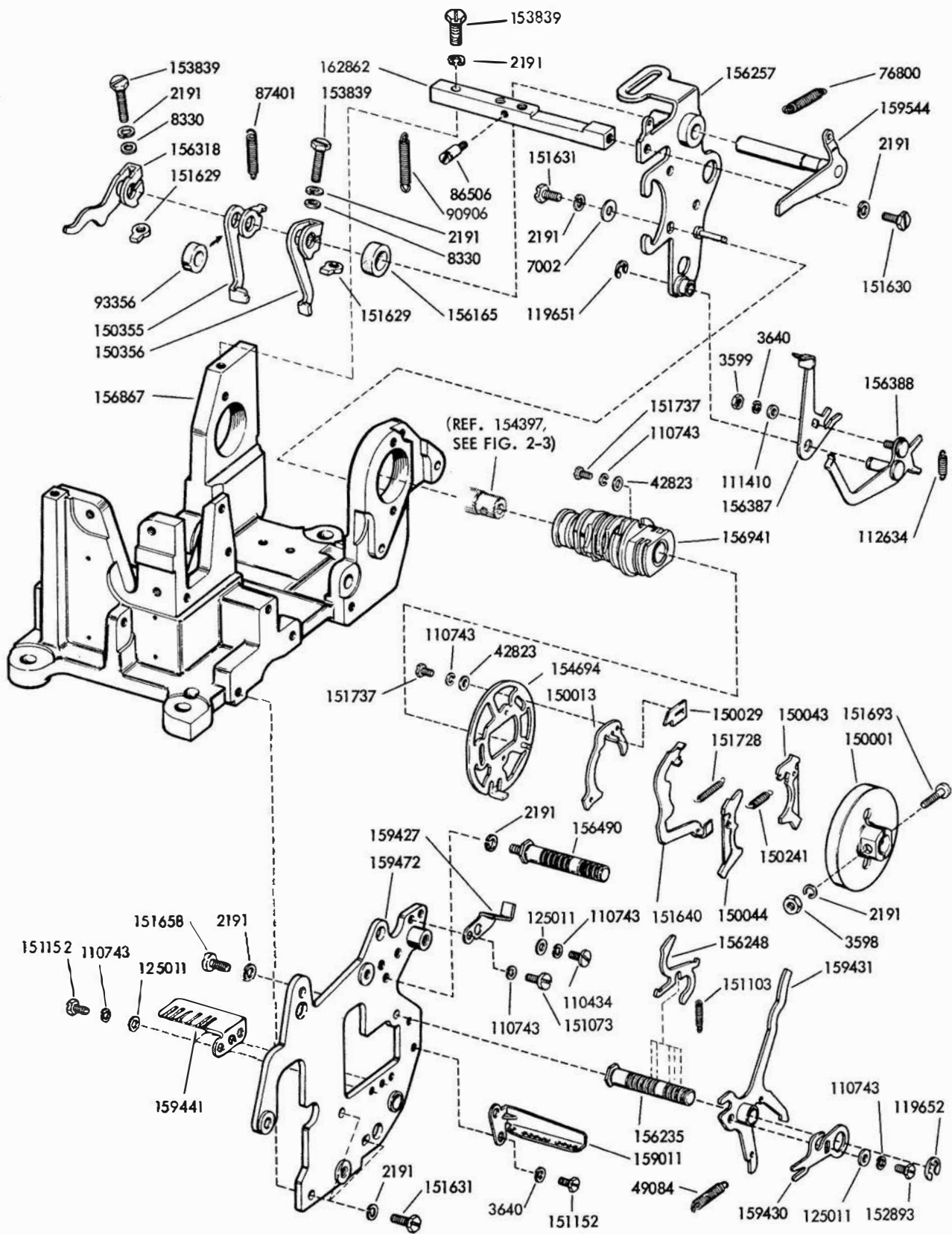


FIGURE 2-1. FRAME MECHANISM

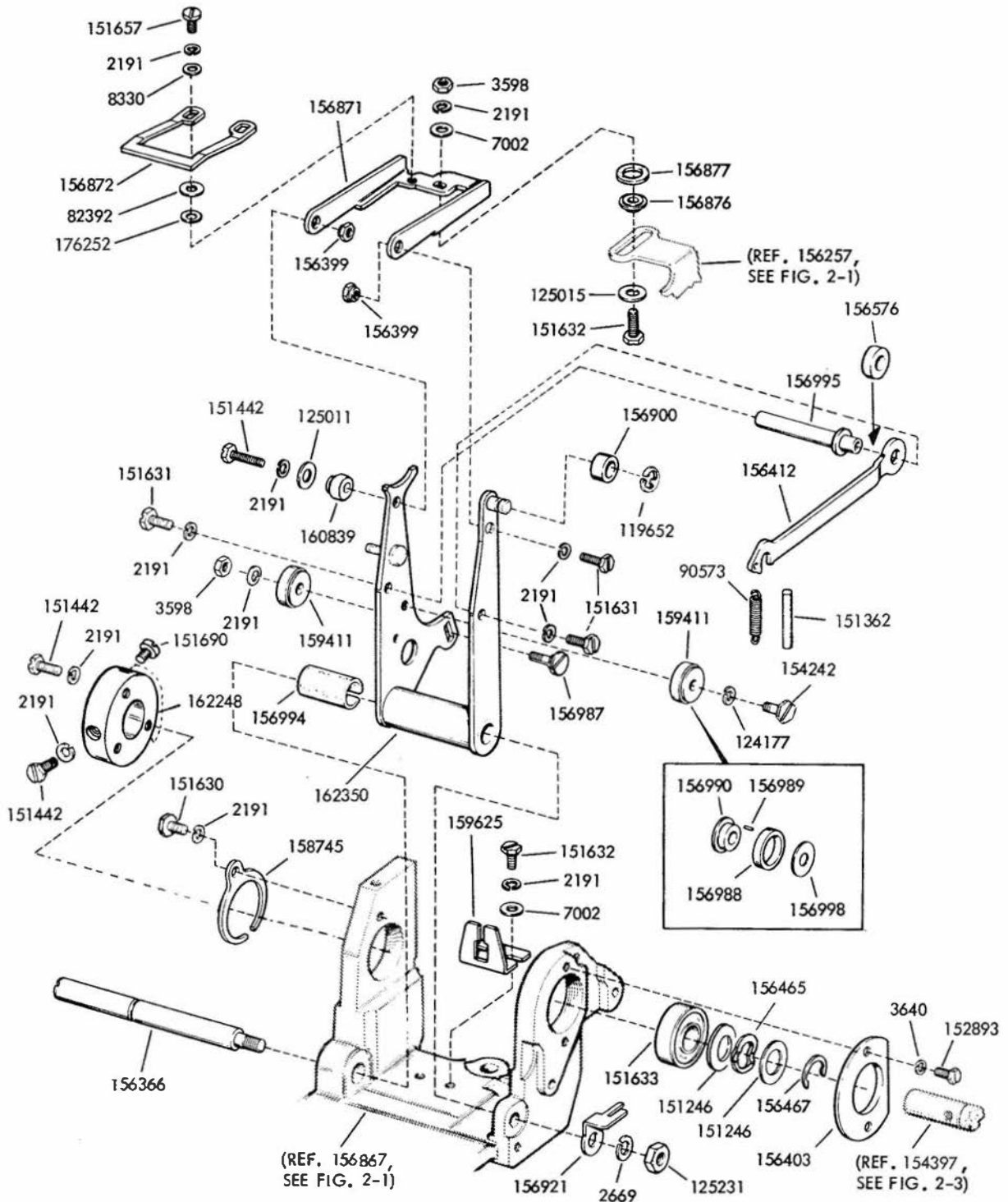


FIGURE 2-2. FRAME MECHANISM

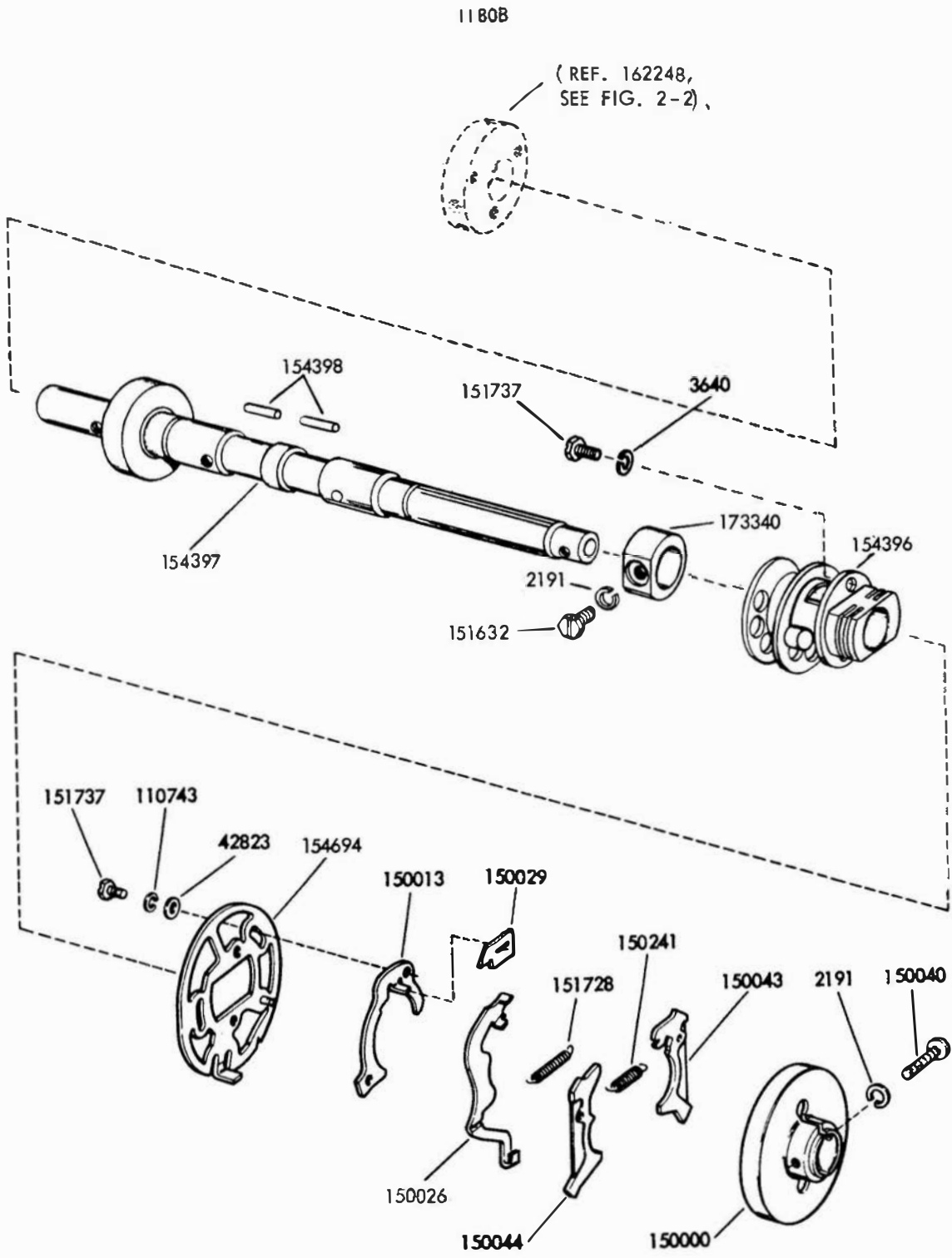
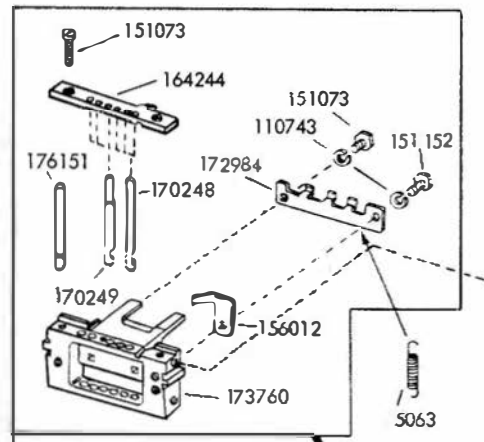
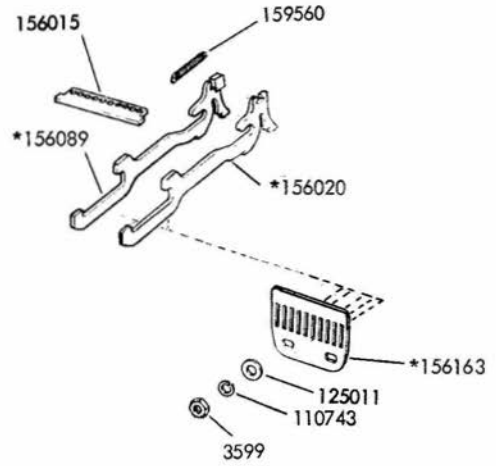
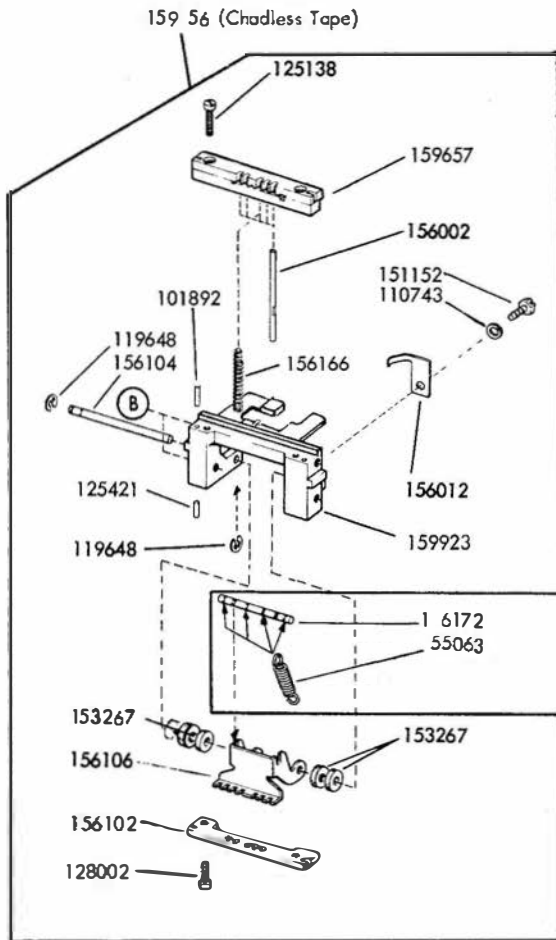
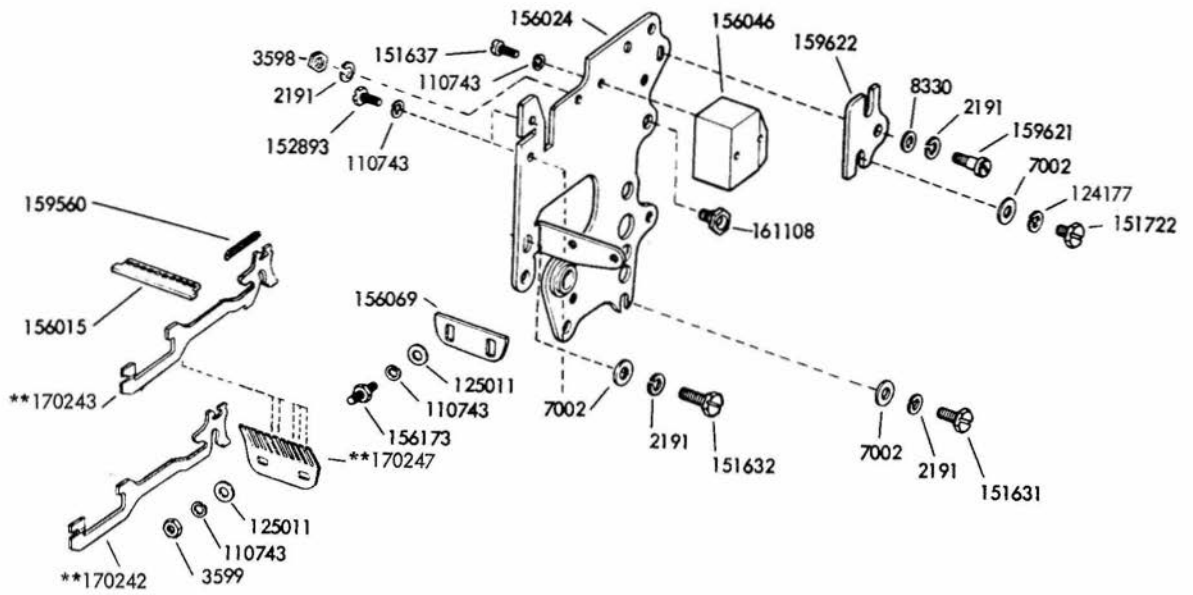


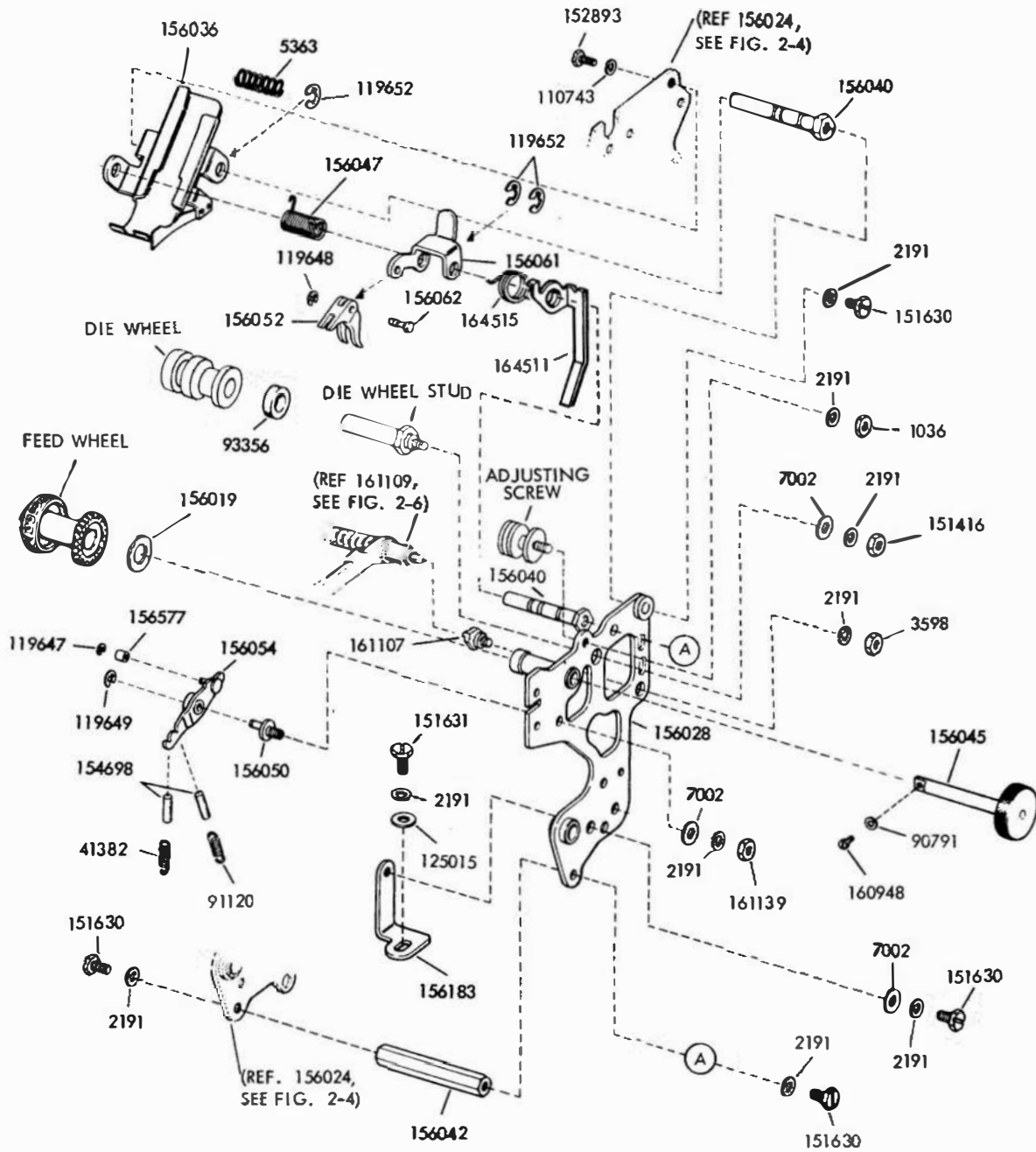
FIGURE 2-3. MAIN SHAFT MECHANISM



*Peculiar to units equipped with spring retracted punch pins.
 **Peculiar to units equipped with power retracted punch pins.

173770 (Fully Perforated)

FIGURE 2-4. PUNCH REAR PLATE AND PUNCH BLOCK ASSEMBLIES



Variables for Chadless and Fully Perforated Tape		
Type of Tape	Chadless	Fully Perforated
Die Wheel	156055	170788
Feed Wheel	156008	170779
Die Wheel Stud	156044	170219
Adjusting Screw	156090	170241

FIGURE 2-5. PUNCH FRONT PLATE MECHANISM

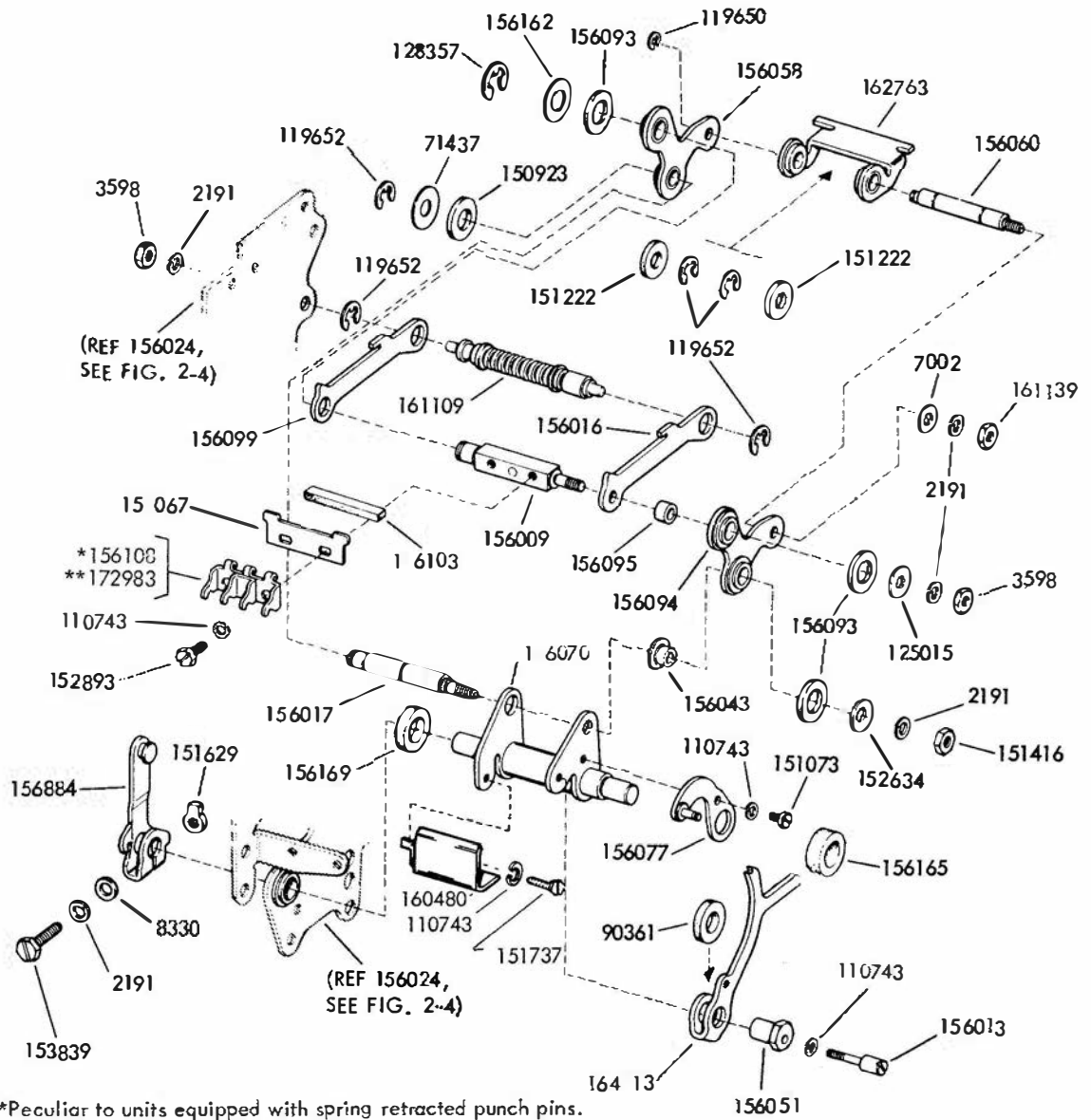


FIGURE 2-6. PUNCH BAIL MECHANISM

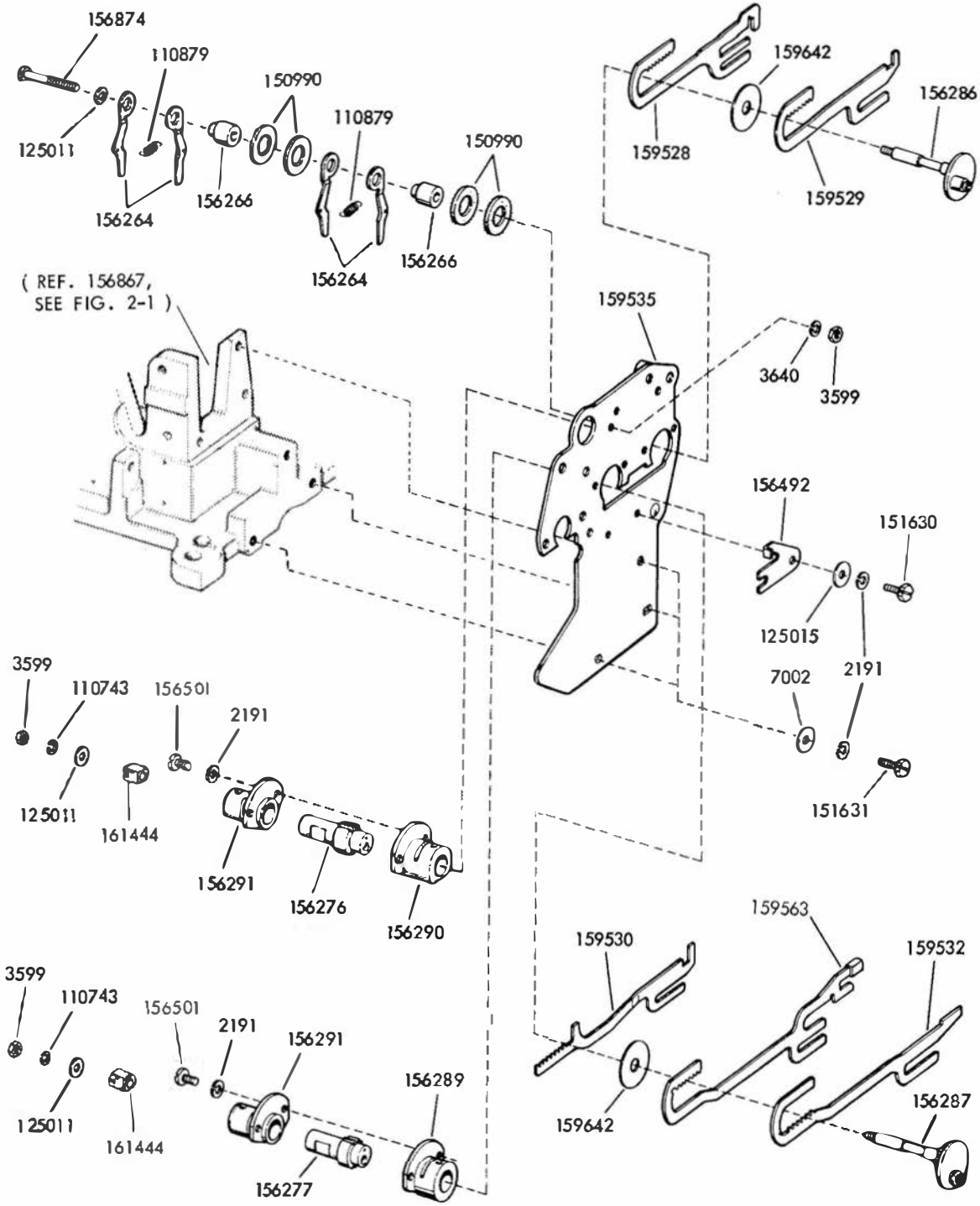
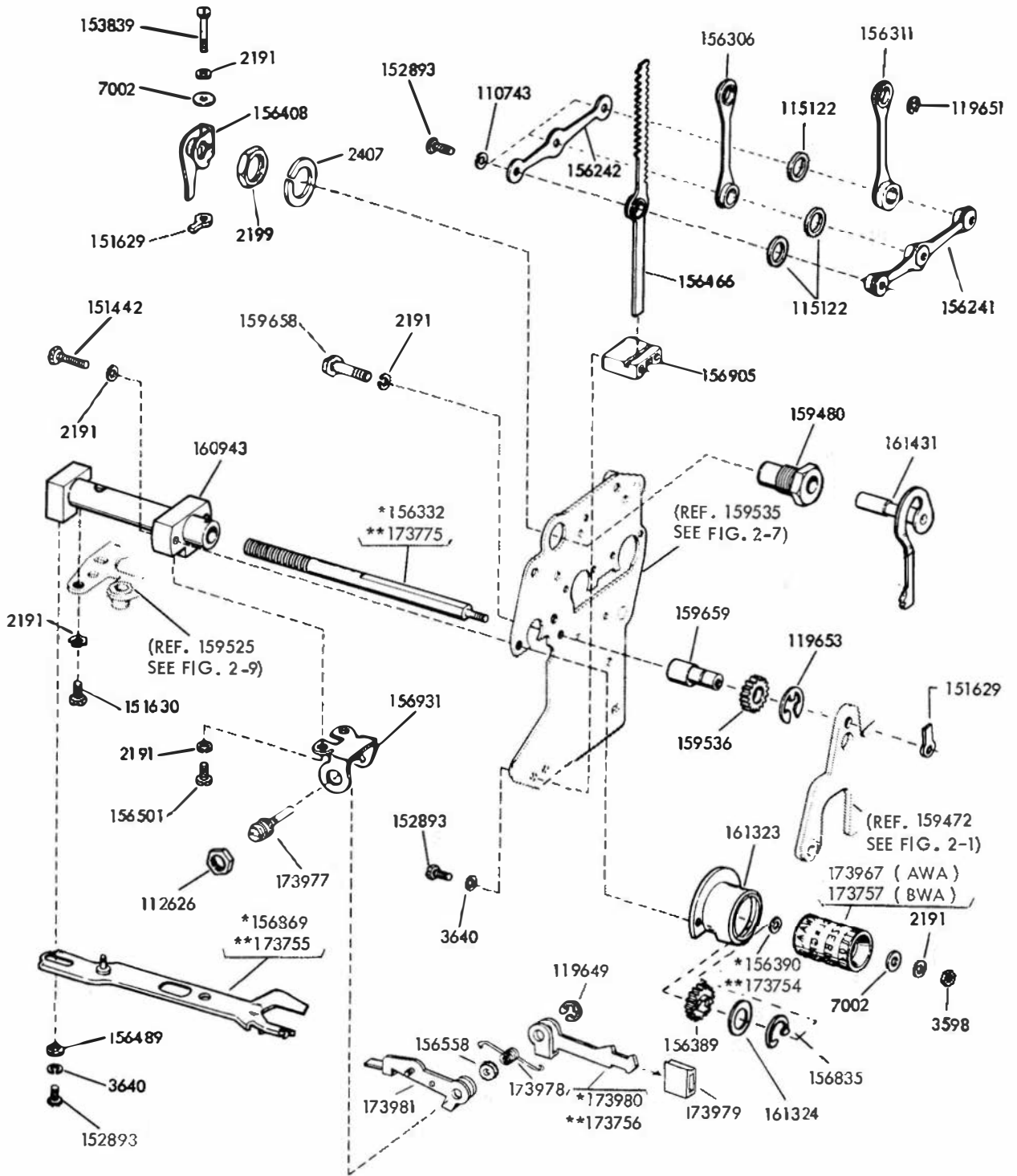


FIGURE 2-7. ROTARY POSITIONING MECHANISM



*USED WITH CHADLESS TAPE (PRINTING ON EDGE OF TAPE)
 **USED WITH FULLY PERFORATED TAPE (PRINTING BETWEEN FEED HOLES)

FIGURE 2-8. ROTARY POSITIONING MECHANISM

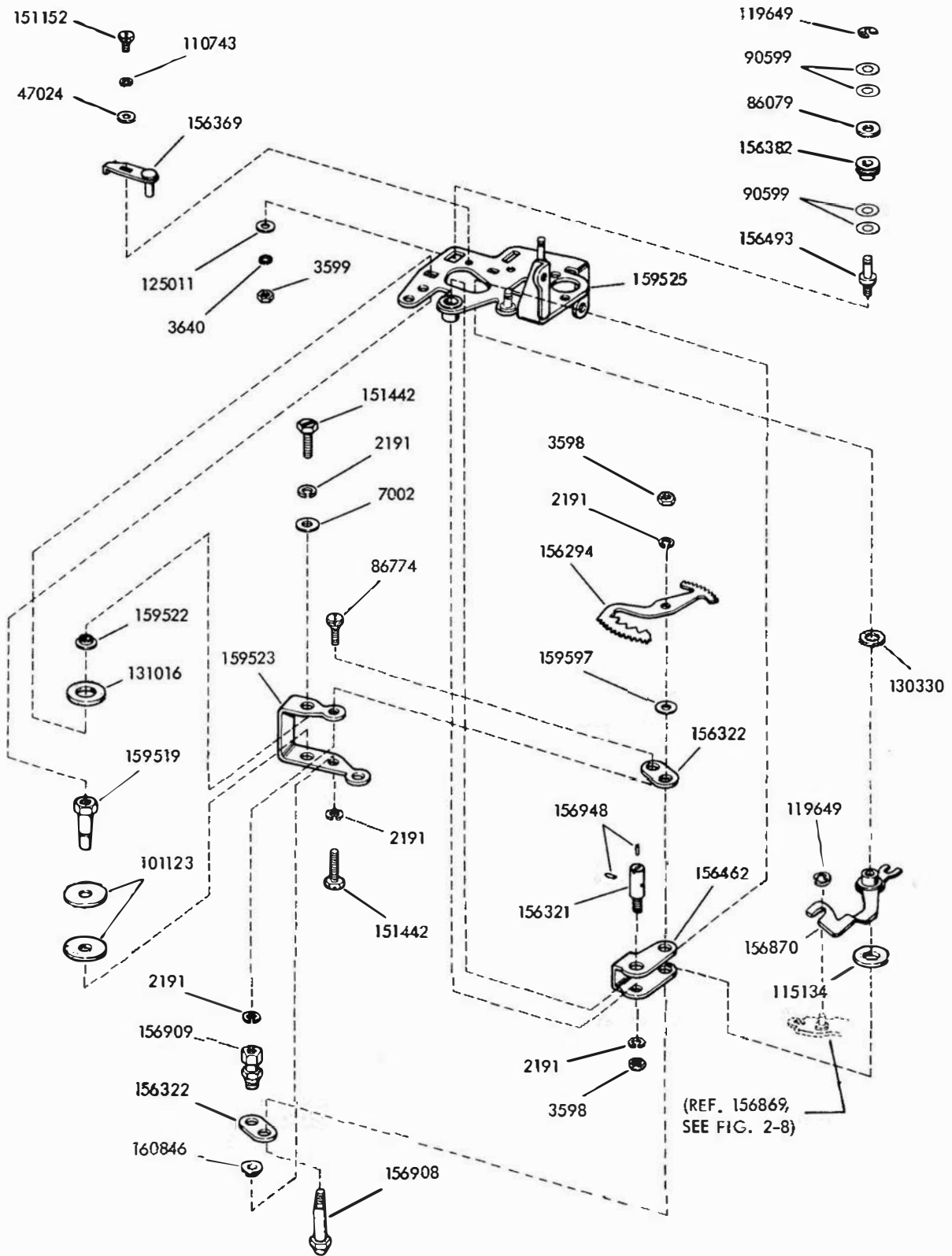


FIGURE 2-9. AXIAL POSITIONING MECHANISM

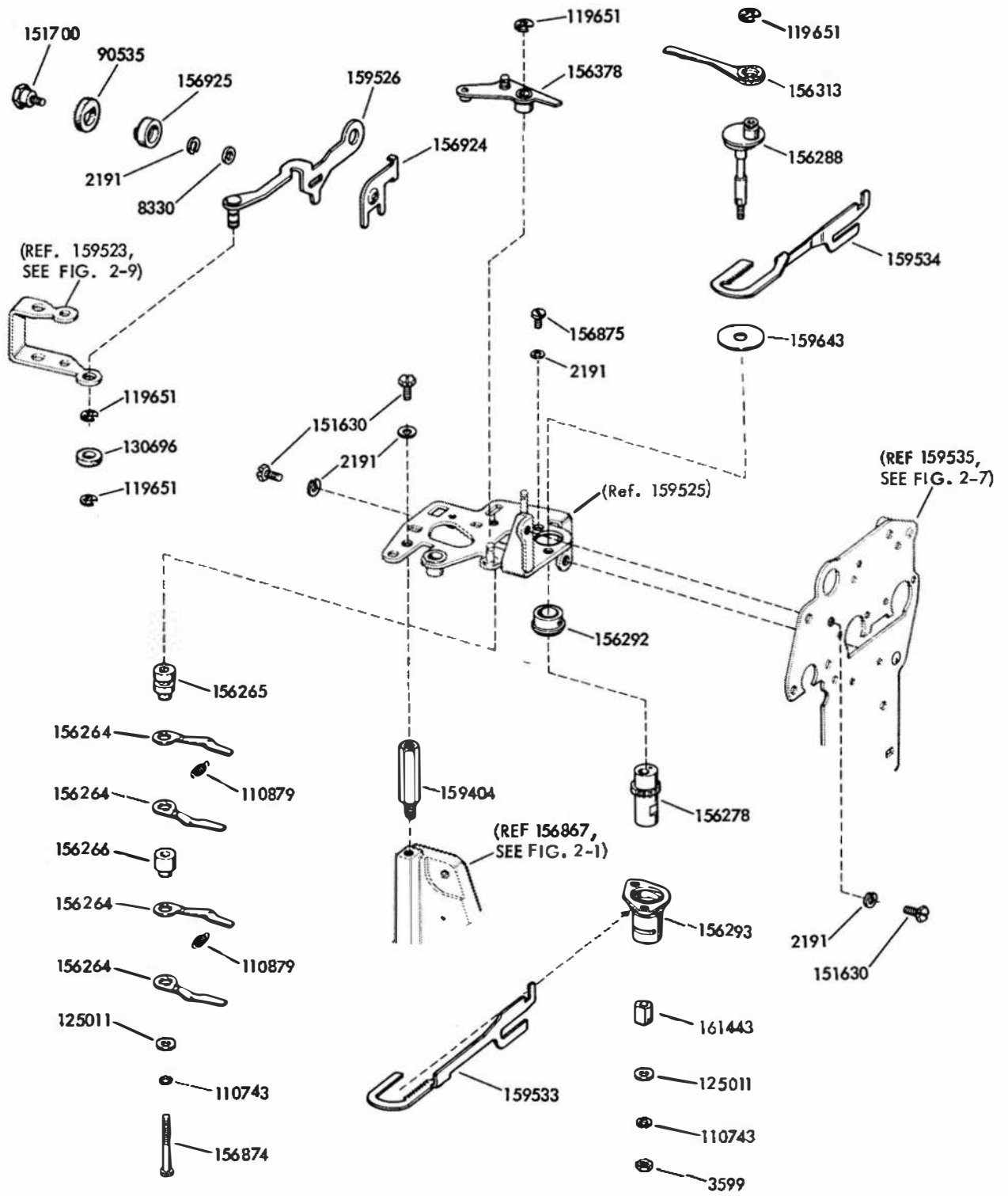


FIGURE 2-10. AXIAL POSITIONING MECHANISM

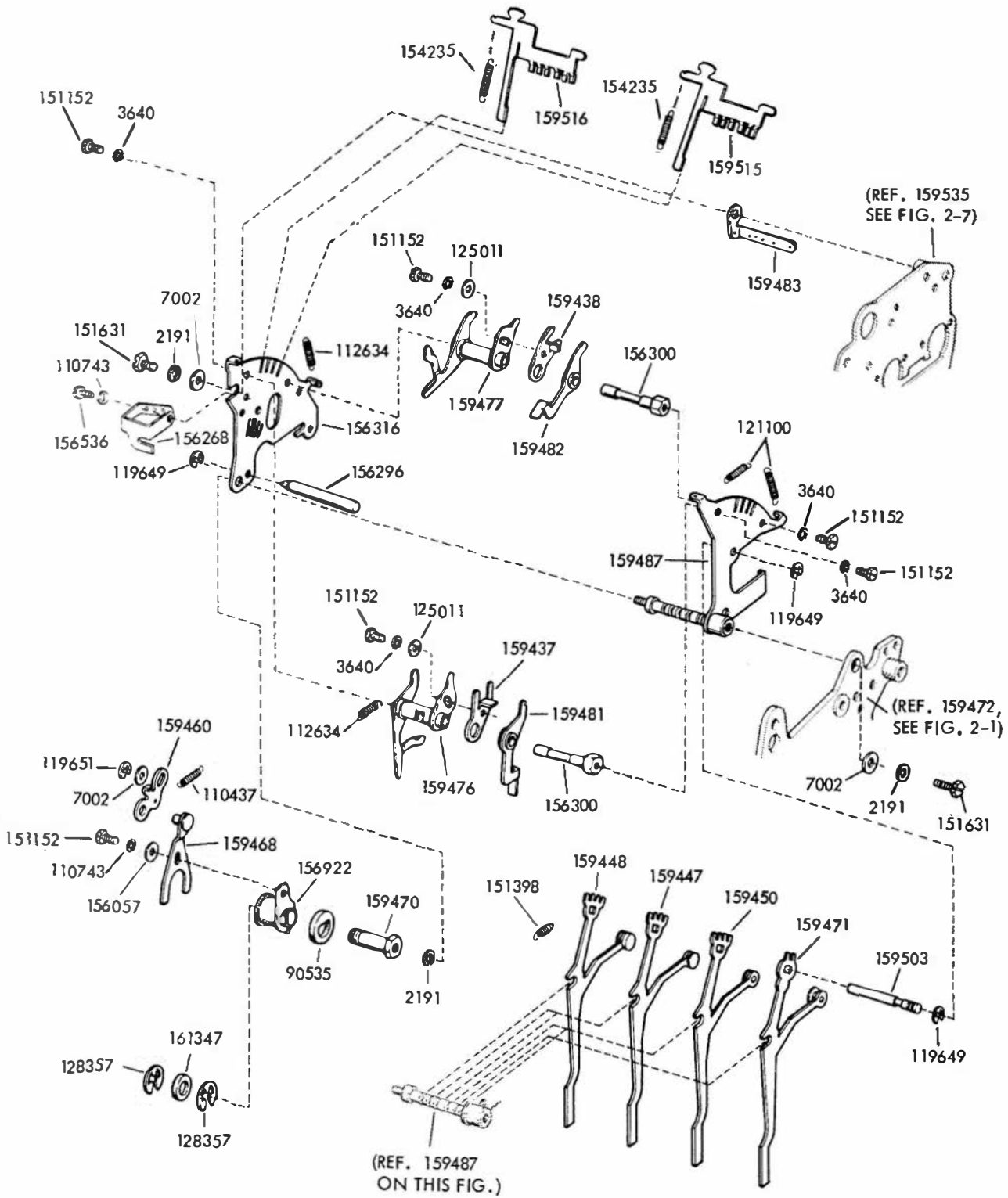


FIGURE 2-11. FUNCTION BOX MECHANISM

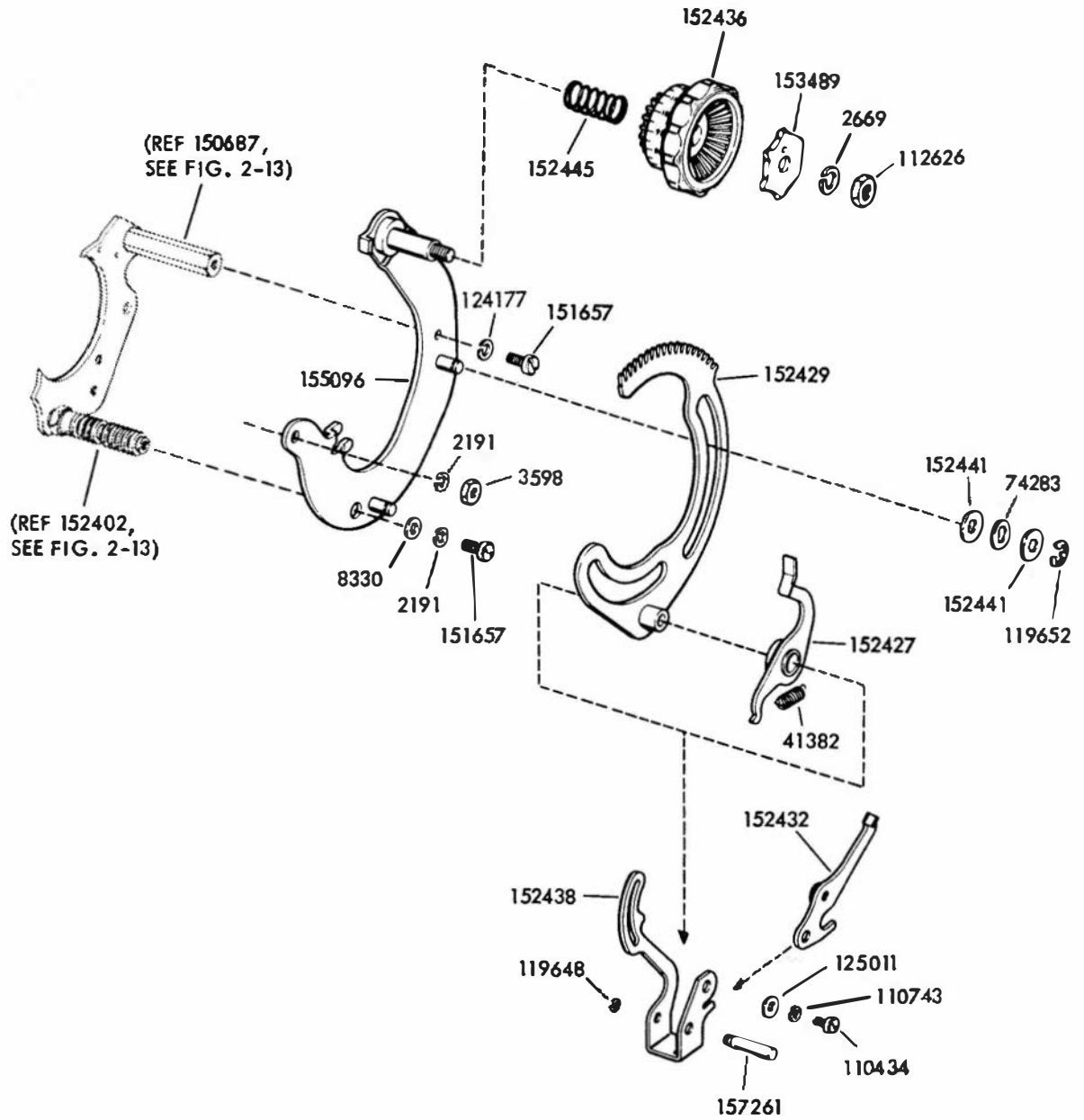


FIGURE 2-12. RANGE FINDER MECHANISM

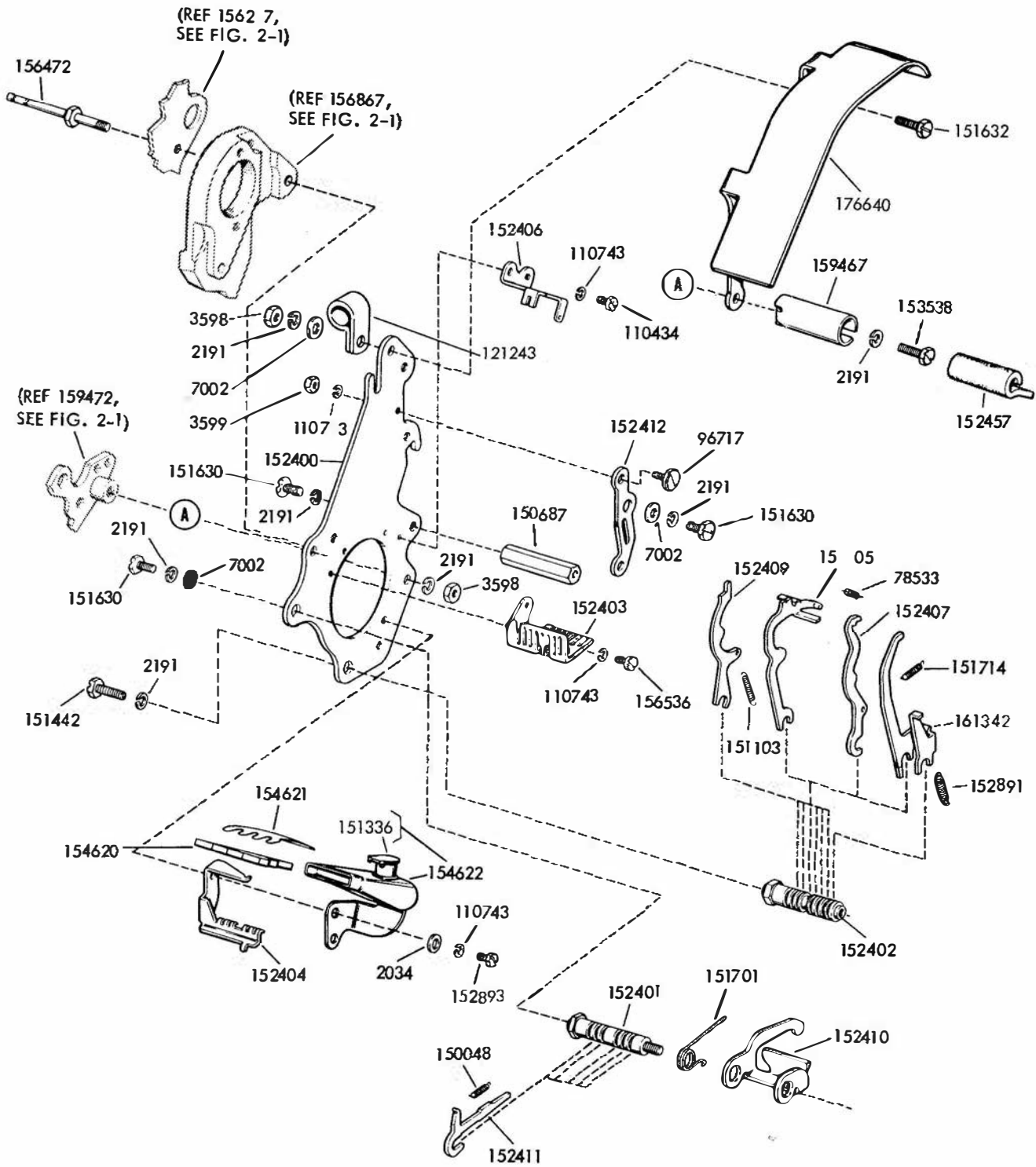


FIGURE 2-13. SELECTING MECHANISM

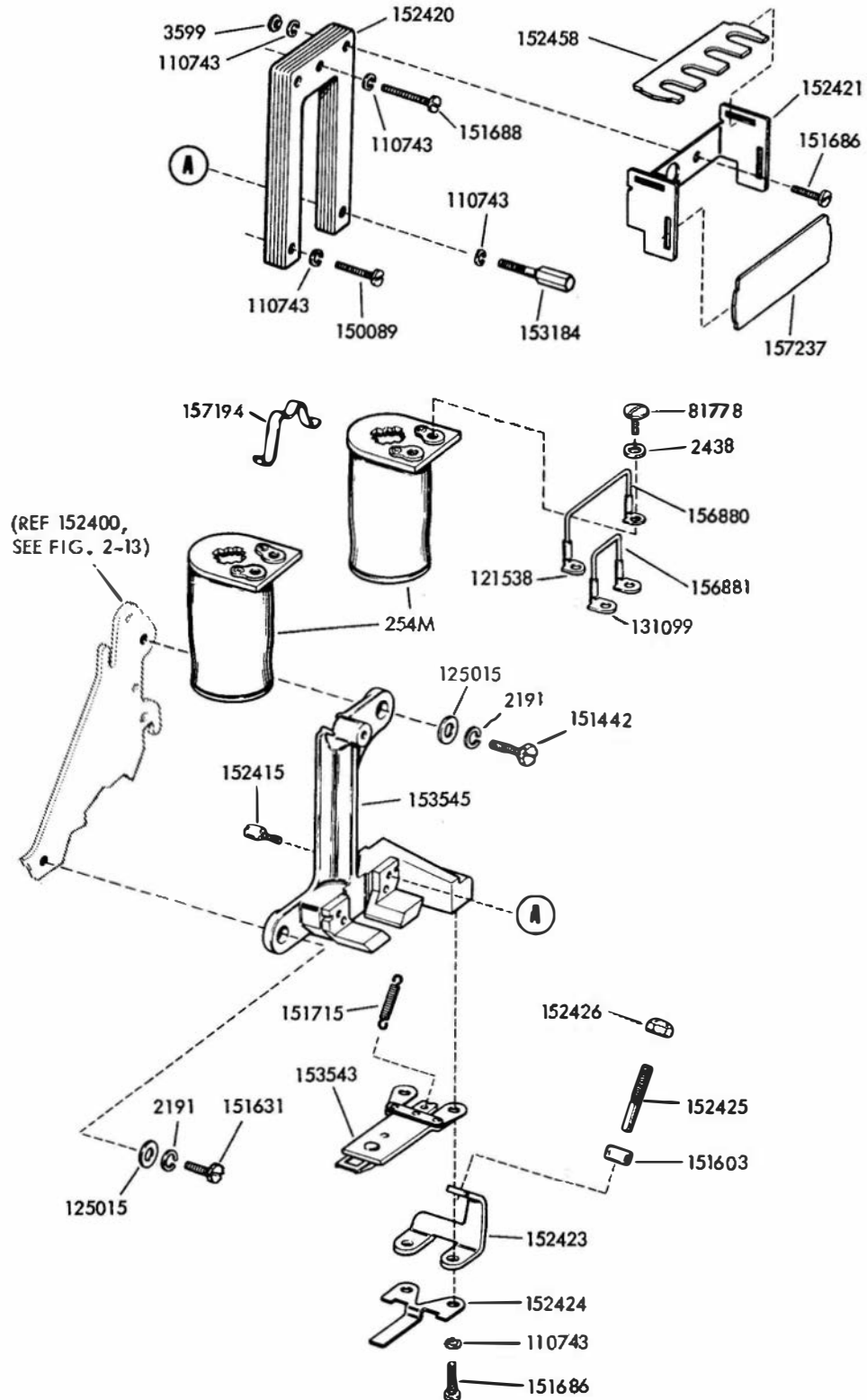


FIGURE 2-14. SELECTING MAGNET MECHANISM

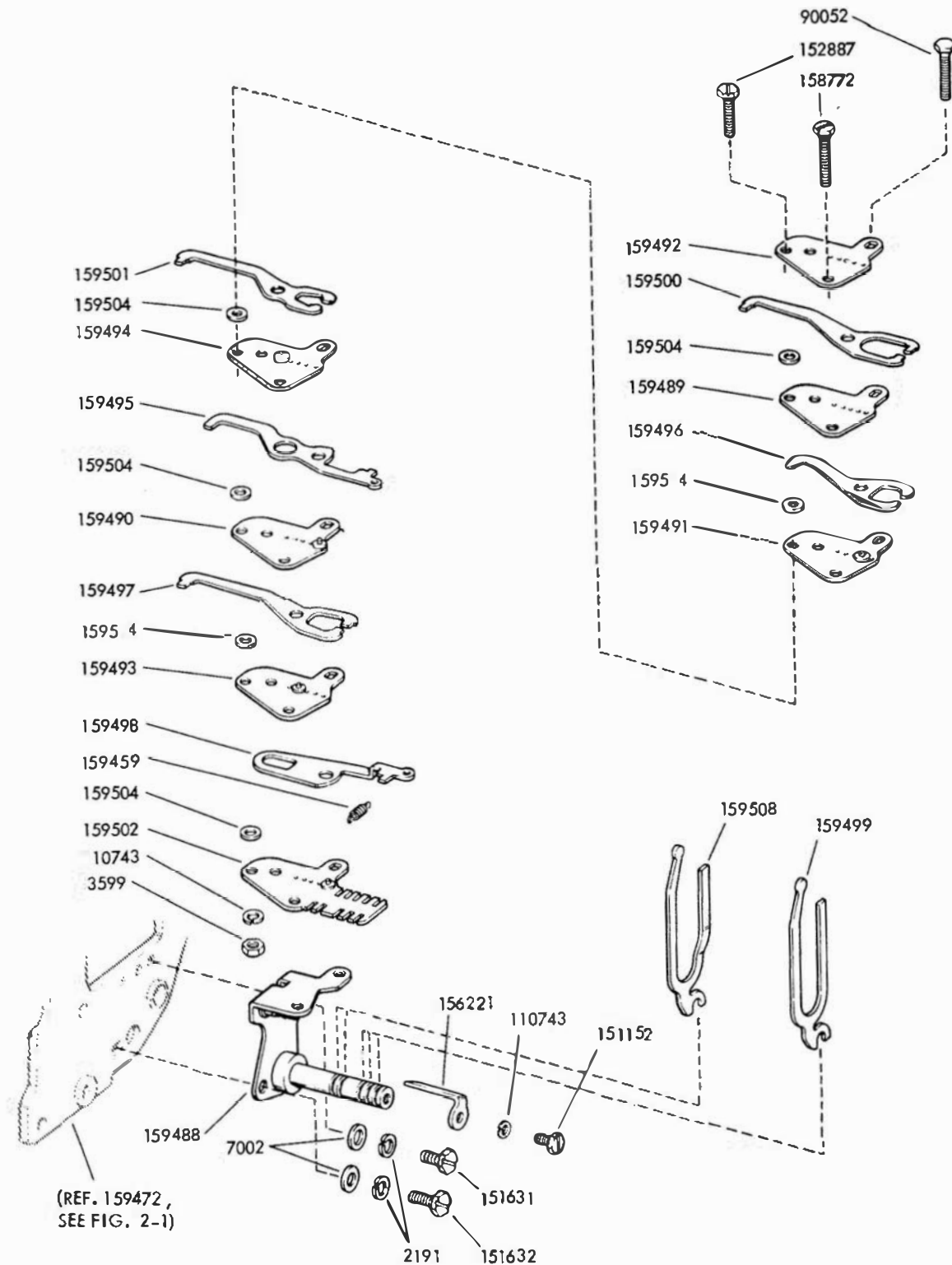


FIGURE 2-15. TRANSFER MECHANISM

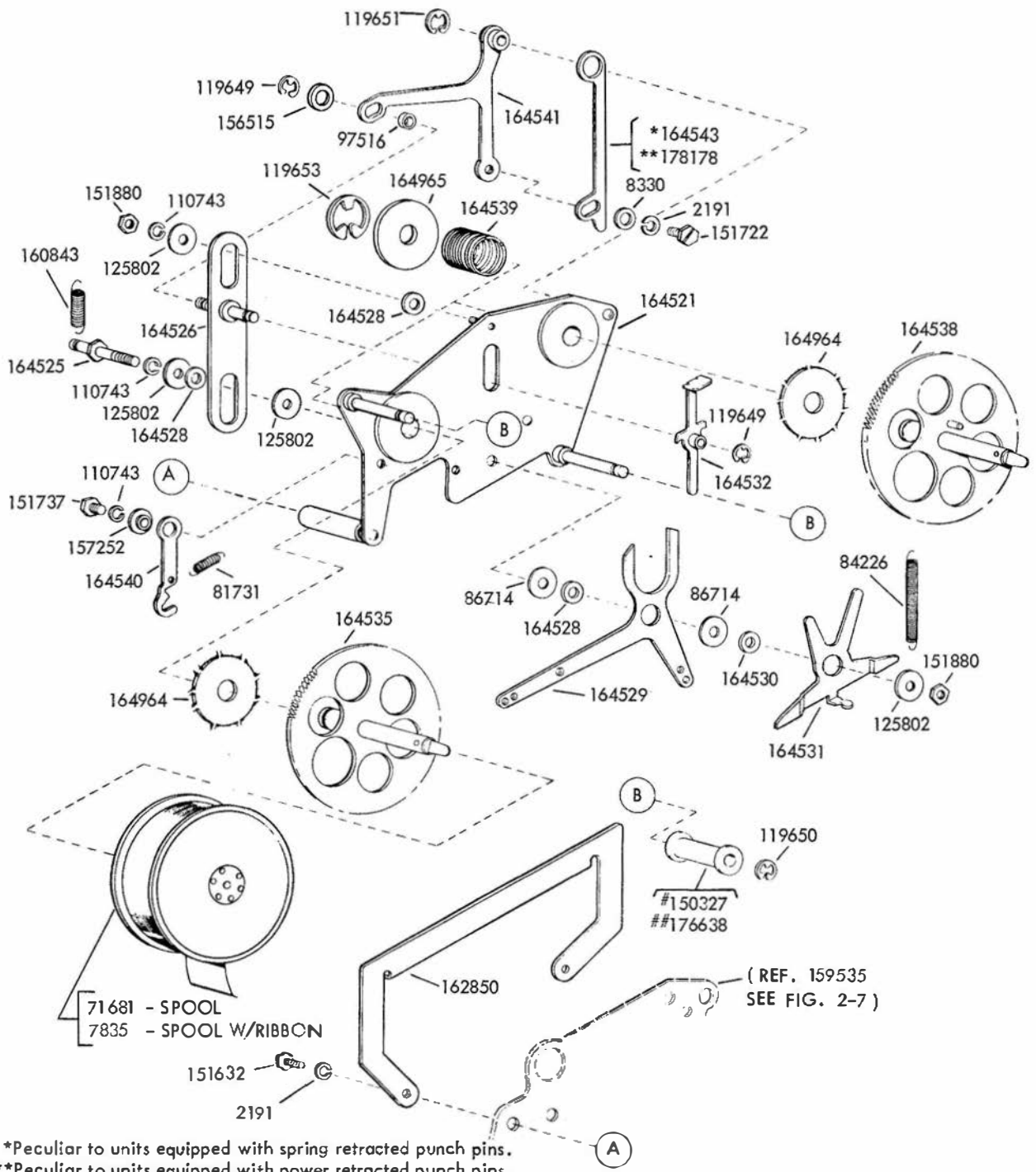


FIGURE 2-16. RIBBON FEED MECHANISM

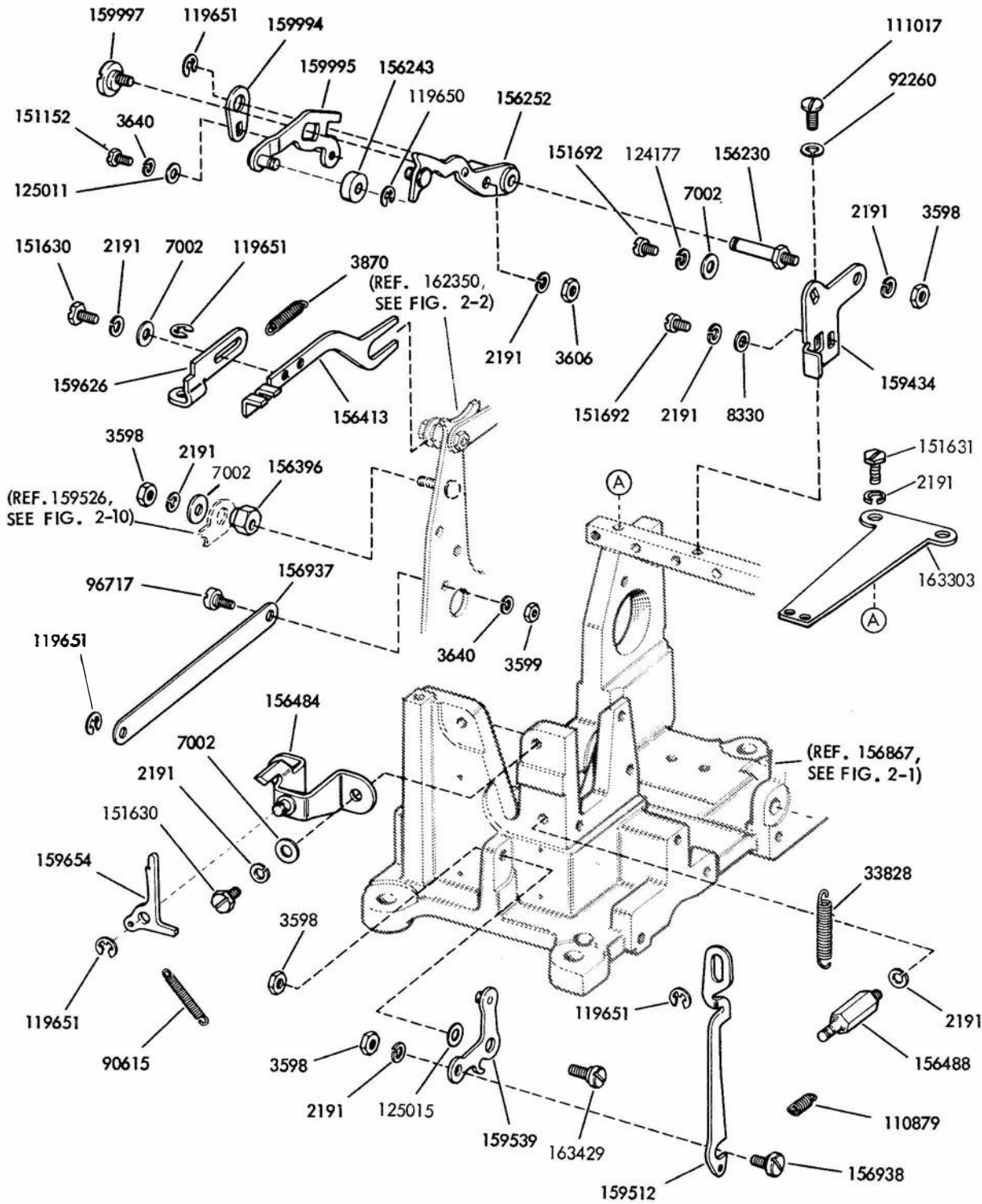


FIGURE 2-17. TYPING MECHANISM

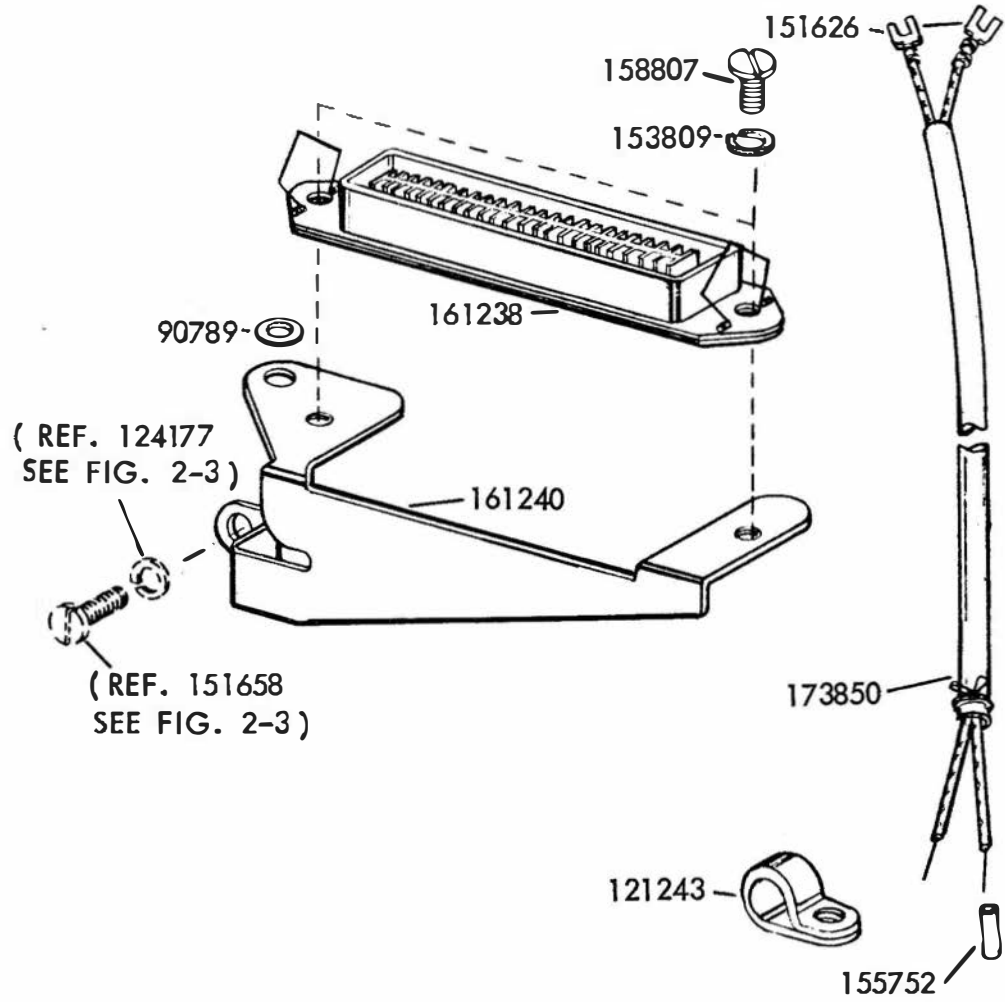


FIGURE 2-18. CABLE AND BRACKET

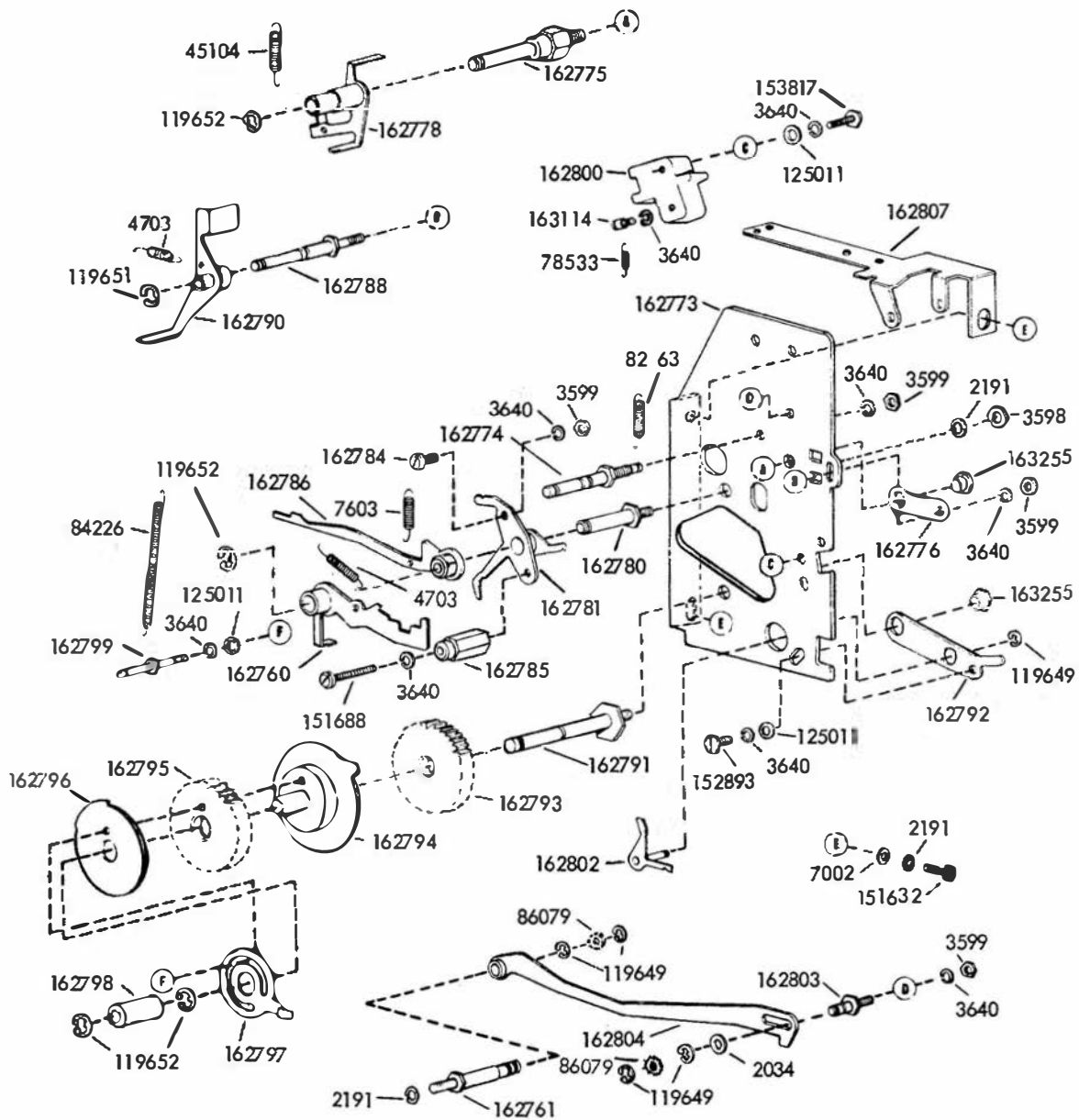


FIGURE 2-19. 162379 MODIFICATION KIT TO ADD AUTOMATIC NON-INTERFERING LETTERS TAPE FEED-OUT
 (ALSO SEE FIGURES 2-20 AND 2-23)

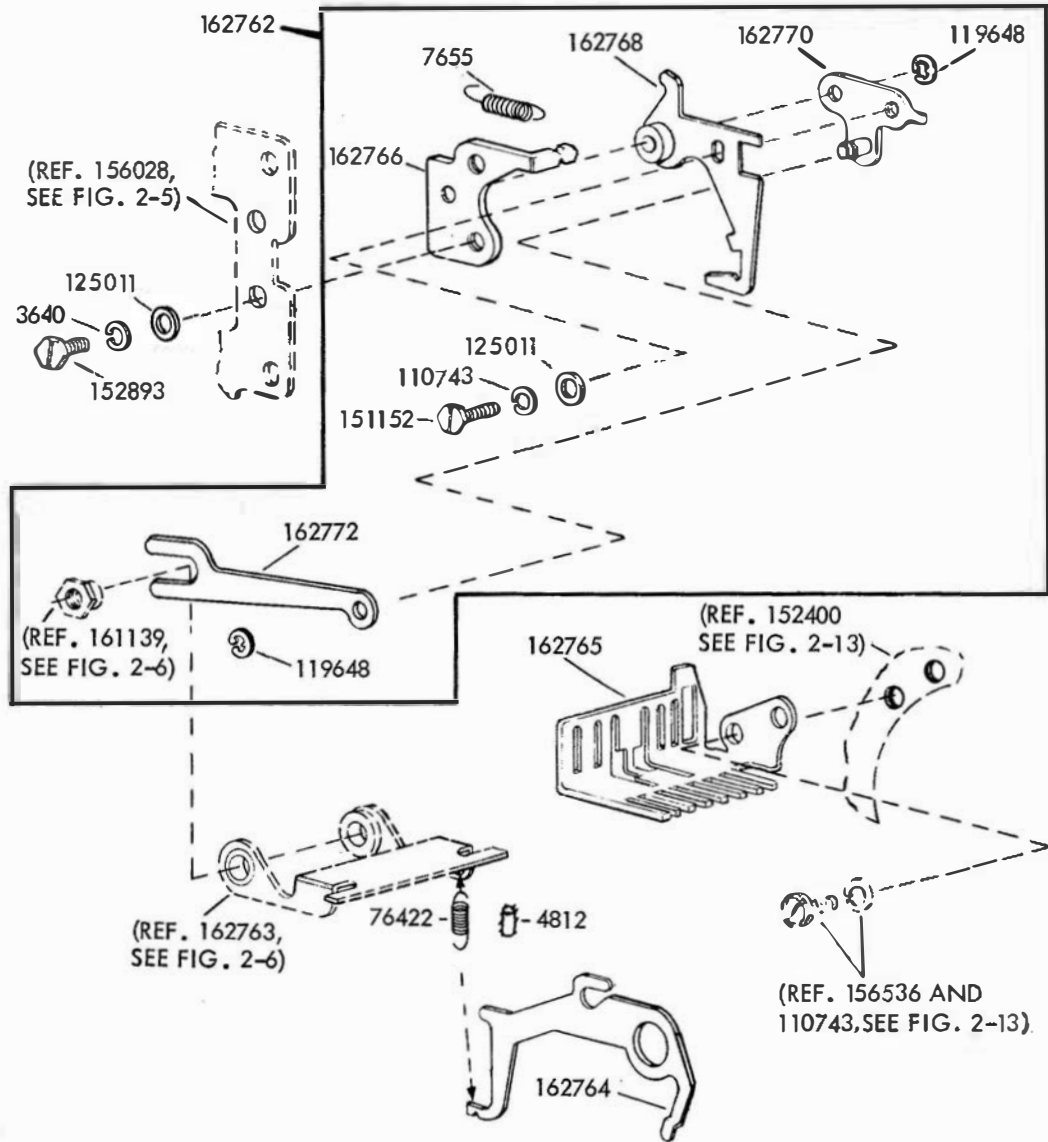


FIGURE 2-20. 162379 (AUTOMATIC) AND 173443 (REMOTE CONTROL) MODIFICATION KITS TO ADD NON-INTERFERING LETTERS TAPE FEED-OUT (ALSO SEE FIGURES 2-19, 2-21, 2-22, AND 2-23)

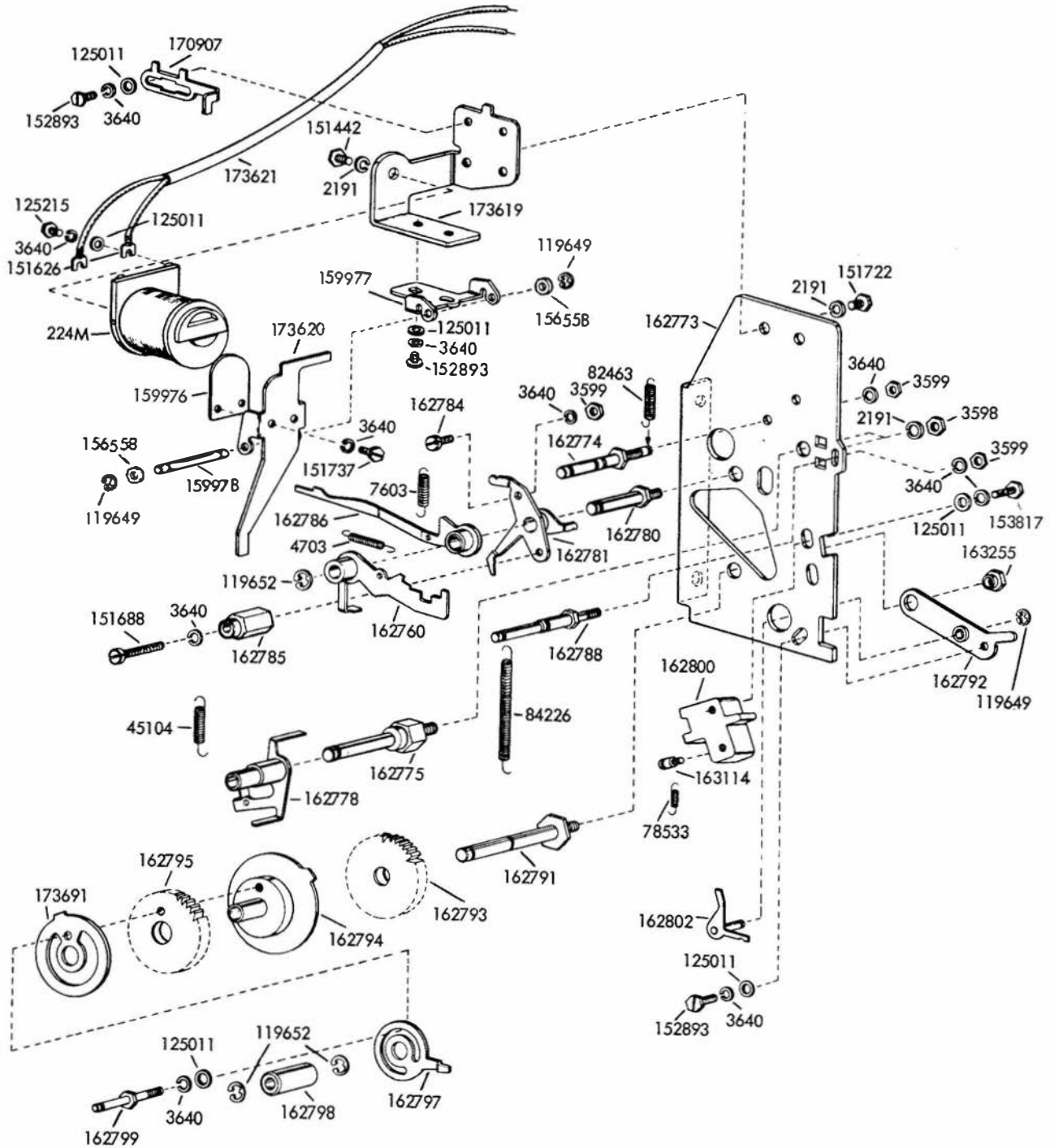
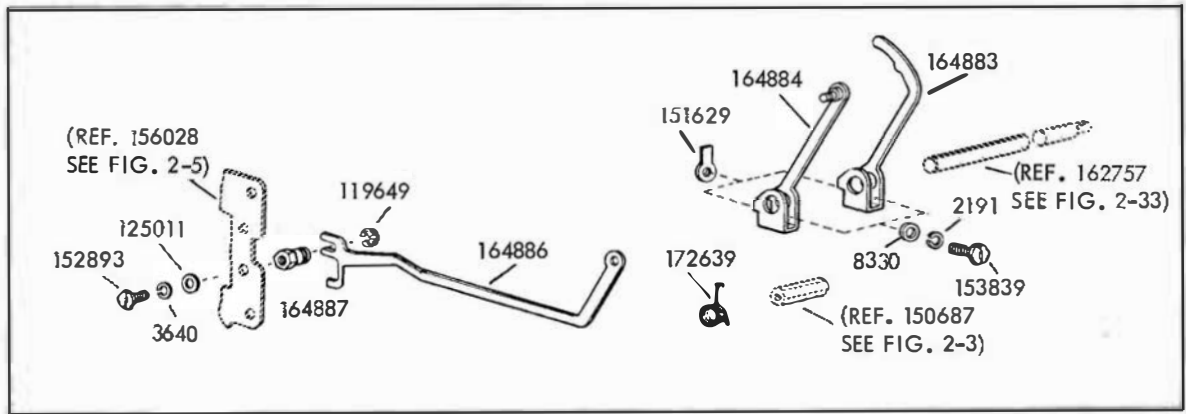


FIGURE 2-21. 162380 (BLANK) AND 173443 (LETTERS) MODIFICATION KITS TO ADD REMOTE CONTROL NON-INTERFERING TAPE FEED-OUT (ALSO SEE FIGURES 2-20, 2-22 AND 2-23)



PECULIAR TO 162380 MODIFICATION KIT

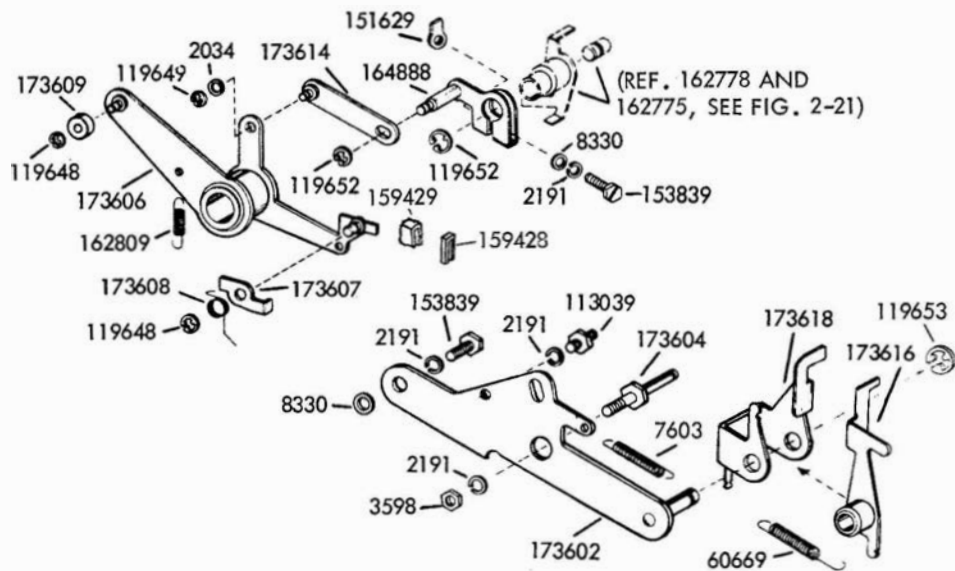
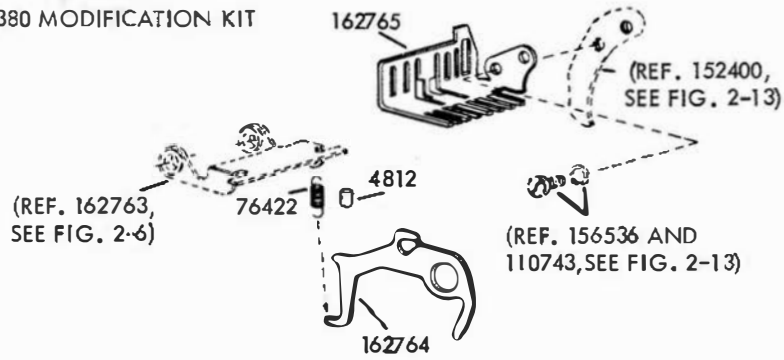


FIGURE 2-22. 162380 (BLANK) AND 173443 (LETTERS) MODIFICATION KITS TO ADD REMOTE CONTROL NON-INTERFERING TAPE FEED-OUT

(ALSO SEE FIGURES 2-20, 2-21 AND 2-23)

NUMERICAL INDEX - SECTION 2

Part Number	Description and Page Number	Part Number	Description and Page Number	Part Number	Description and Page Number
224M	Coil, Magnet 2-22	90361	Washer, Felt 2-7	128357	Ring, Retaining 2-7, 2-12
254M	Coil, Magnet 2-15	90535	Disk, Felt 2-11, 2-12	130330	Washer, Felt 2-10
1036	Nut (6-40 Hex) 2-6	90573	Spring 2-3	130696	Washer, Felt 2-11
2034	Washer, Flat 2-14, 2-20, 2-23	90599	Shim (.008") 2-10	131016	Washer, Felt 2-10
2191	Washer, Lock 2-2, 2-3, 2-4, 2-5, 2-6, 2-7, 2-8, 2-9, 2-10, 2-11, 2-12, 2-13, 2-14, 2-15, 2-16, 2-17, 2-18, 2-19, 2-20, 2-21, 2-22, 2-23, 2-24	90606	Spring, Lifter 2-2	131099	Terminal 2-15
2199	Nut (7/16-32 Hex) 2-9	90615	Spring, Printing Latch 2-18	150000	Drum, Clutch 2-4
2407	Washer, Lock 2-9	90789	Washer, Flat 2-14, 2-19	150001	Drum, Clutch 2-2
2438	Washer, Flat 2-15	90791	Washer, Lock 2-6	150013	Disk, Clutch Adjusting 2-2, 2-4
2539	Nut (3/8-32 Hex) 2-24	91120	Spring, Feed Pawl 2-6	150026	Lever, Shoe 2-4
2669	Washer, Lock 2-3, 2-13	92260	Washer, Lock 2-18	150029	Wick, Felt 2-2, 2-4
3598	Nut (6-40 Hex) 2-2, 2-3, 2-5, 2-6, 2-7, 2-9, 2-10, 2-11, 2-13, 2-14, 2-18, 2-20, 2-21, 2-22, 2-23	93356	Washer, Felt 2-2, 2-6	150040	Screw (6-40x5/8 Fil) 2-3
3599	Nut (4-40 Hex) 2-2, 2-5, 2-8, 2-10, 2-11, 2-14, 2-15, 2-16, 2-18, 2-19, 2-20	96717	Screw, Shoulder (4-40) 2-14, 2-18	150043	Shoe, Secondary 2-2, 2-4
3606	Nut (6-40 Hex) 2-18	97516	Bushing 2-17	150044	Shoe, Primary 2-2, 2-4
3624	Washer, Flat 2-21	101123	Washer, Felt 2-10	150048	Spring 2-14
3640	Washer, Lock 2-2, 2-3, 2-4, 2-8, 2-9, 2-10, 2-12, 2-18, 2-19, 2-20, 2-21, 2-22, 2-23, 2-24	101892	Dowel 2-5	150241	Spring 2-2, 2-4
3870	Spring, Correcting Drive Link 2-18	110434	Screw (4-40x3/16 Fil) 2-2, 2-13, 2-14	150327	Roller, Ribbon 2-17
4703	Spring 2-20, 2-22	110437	Spring, Toggle Link 2-12	150355	Lever, Clutch Latch 2-2
4812	Wick, Felt 2-21, 2-23	110743	Washer, Lock 2-2, 2-4, 2-5, 2-6, 2-7, 2-8, 2-9, 2-10, 2-11, 2-12, 2-13, 2-14, 2-15, 2-16, 2-17, 2-20, 2-23	150356	Lever, Clutch Trip 2-2
5363	Spring 2-6	110879	Spring 2-8, 2-11, 2-18	150687	Post, Mounting 2-14
7002	Washer, Flat 2-2, 2-3, 2-5, 2-6, 2-7, 2-8, 2-9, 2-10, 2-12, 2-14, 2-15, 2-16, 2-18, 2-20, 2-24	111017	Screw (6-40x5/16 Fil) 2-18	150923	Washer, Felt 2-7
7603	Spring 2-20, 2-22	111410	Washer, Flat 2-2	150990	Washer, Felt 2-8
7655	Spring 2-21	112626	Nut (10-32 Hex) 2-9, 2-14	151073	Screw (4-40x5/32 Fil) 2-2, 2-5, 2-7
7835	Ribbon, Black 2-17	112634	Spring 2-12	151103	Spring 2-2, 2-14
8330	Washer, Flat 2-2, 2-3, 2-5, 2-7, 2-11, 2-13, 2-17, 2-18, 2-23, 2-24	113039	Post, Spring 2-23	151152	Screw (4-40x3/16 Hex) 2-2, 2-5, 2-10, 2-12, 2-16, 2-18, 2-21, 2-22
22746	Spring 2-9	115122	Washer, Felt 2-9, 2-24	151222	Washer, Felt 2-7
33828	Spring, Accelerator 2-18	115134	Washer, Felt 2-10	151246	Washer, Flat 2-3
41382	Spring Detent 2-6, 2-13	117087	Screw, Shoulder (6-40) 2-10	151336	Oiler 2-14
42823	Washer, Flat 2-2, 2-4	119647	Ring, Retaining 2-6	151346	Screw (6-40x3/8 Fil) 2-4
45104	Spring 2-20, 2-22	119648	Ring, Retaining 2-5, 2-6, 2-13, 2-21, 2-23	151362	Wick, Felt 2-3
45963	Spring 2-24	119649	Ring, Retaining 2-6, 2-9, 2-10, 2-12, 2-17, 2-20, 2-23, 2-24	151398	Spring, Bellcrank 2-12
47024	Washer, Flat 2-10	119650	Ring, Retaining 2-2, 2-9, 2-11, 2-12, 2-17, 2-18, 2-20	151411	Block, Terminal 2-11
49084	Spring 2-2	119651	Ring, Retaining 2-2, 2-9, 2-11, 2-12, 2-17, 2-18, 2-20	151416	Nut (6-40 Hex) 2-6, 2-7
55063	Spring 2-5	119652	Ring, Retaining 2-2, 2-3, 2-6, 2-7, 2-13, 2-20, 2-22, 2-23	151442	Screw (6-40x1/2 Hex) 2-3, 2-9, 2-10, 2-14, 2-15, 2-22
60669	Spring 2-23	119653	Ring, Retaining 2-9, 2-17	151603	Spacer 2-15
71437	Washer, Flat 2-7	119655	Ring, Retaining 2-24	151626	Terminal 2-19, 2-22
71681	Spool, Ribbon 2-17	119656	Ring, Retaining 2-19, 2-24	151629	Nut (6-40 lug) 2-2, 2-7, 2-23, 2-24
73175	Washer, Lock 2-24	121242	Clamp, Cable (1/8" ID) 2-14	151630	Screw (6-40x1/4 Hex) 2-2, 2-6, 2-8, 2-9, 2-11, 2-14, 2-18, 2-24
74283	Washer, Spring 2-13	121243	Clamp, Cable (3/16" ID) 2-19	151631	Screw (6-40x5/16 Hex) 2-2, 2-3, 2-5, 2-6, 2-8, 2-12, 2-15, 2-16, 2-18, 2-20, 2-21
74553	Wick, Felt 2-23	121245	Clamp, Cable (5/16" ID) 2-14	151632	Screw (6-40x3/8 Hex) 2-3, 2-4, 2-5, 2-14, 2-16, 2-17, 2-20
76422	Spring 2-21, 2-23	121246	Clamp, Cable (3/8" ID) 2-14	151633	Bearing, Ball 2-3
76800	Spring 2-2	121538	Terminal 2-15	151637	Screw (4-40x1/4 Fil) 2-5
78533	Spring 2-14, 2-20, 2-22	124177	Washer, Lock 2-3, 2-5, 2-13, 2-18	151640	Lever, Clutch Shoe 2-2
81731	Spring 2-17	125011	Washer, Flat 2-2, 2-5, 2-8, 2-10, 2-11, 2-12, 2-13, 2-18, 2-20, 2-21, 2-22, 2-23, 2-24	151642	Screw (6-40x3/4 Fil) 2-24
81778	Screw (4-40x1/4 Fil) 2-15	125015	Washer, Flat 2-3, 2-6, 2-7, 2-8, 2-15, 2-18	151657	Screw (6-40x1/4 Fil) 2-3, 2-13
82392	Shim (.004") 2-3	125138	Screw (2-56x3/8 Fil) 2-5	151658	Screw (6-40x5/16 Fil) 2-2, 2-3, 2-24
82463	Spring 2-19, 2-20, 2-22	125215	Screw (4-40x3/16 Hex) 2-22	151659	Screw (6-40x1/2 Fil) 2-24
84226	Spring 2-17, 2-20, 2-22	125231	Nut (10-32 Hex) 2-3	151685	Screw (4-40x5/16 Fil) 2-24
84575	Spring 2-2	125421	Dowel, Lower 2-5	151686	Screw (4-40x3/8 Fil) 2-15
86079	Washer, Felt 2-10, 2-20	125802	Washer, Flat 2-17	151688	Screw (4-40x5/8 Fil) 2-15, 2-20, 2-22
86506	Post, Spring 2-2	128002	Screw (2-56x3/16 Fil) 2-5	151690	Screw (10-32x5/16 Fil) 2-3
86714	Spacer 2-17			151692	Screw (6-40x3/16 Fil) 2-18
87401	Spring 2-2			151693	Screw (6-40x9/16 Fil) 2-2
90052	Screw (4-40x5/8 Hex) 2-16			151700	Screw, Shoulder (6-40) 2-11
				151701	Spring, Reset Bail 2-14
				151714	Spring, Spacing Lock Lever 2-14

NUMERICAL INDEX - SECTION 2 (Continued)

Part Number	Description and Page Number	Part Number	Description and Page Number	Part Number	Description and Page Number
151715	Spring, Armature 2-15	155752	Sleeve, Insulating 2-19	156287	Shaft, Eccentric (L) 2-8
151722	Screw (6-40x3/16 Hex) 2-17, 2-22	156002	Pin, Punch 2-5	156288	Shaft, Eccentric 2-11
151728	Spring, Shoe Lever 2-2, 2-4	156008	Wheel, Feed 2-6	156289	Bearing, Left Front 2-8
151737	Screw (4-40x1/64 Hex) 2-2, 2-4, 2-7, 2-17, 2-20, 2-21, 2-22	156009	Post, Slide 2-7	156290	Bearing, Right Front 2-8
151880	Nut (4-40 Hex) 2-17	156012	Spring, Tape Biasing 2-5	156291	Bearing, Rear 2-8
152400	Plate, Selector Mounting 2-14	156013	Screw, Lock (6-40) 2-7	156292	Housing, Upper Axial 2-11
152401	Guide, Push Lever 2-14	156015	Plate, Spring 2-5	156293	Housing, Lower Axial 2-11
152402	Guide, Selector Lever 2-14	156016	Link, Front Drag 2-7	156294	Sector, Axial 2-10
152403	Bracket, Selector Level Guide 2-14	156017	Shaft, Eccentric 2-7	156296	Post 2-12
152404	Bracket, Spring 2-14	156019	Washer, Felt 2-6	156300	Shaft 2-12
152405	Lever, Marking Lock 2-14	156024	Plate, Rear 2-5	156306	Rod, Connecting (R) 2-9
152406	Bracket, Spring 2-14	156028	Plate, Front 2-6	156311	Rod, Connecting (L) 2-9
152407	Lever, Spacing Lock 2-14	156036	Guide, Tape 2-6	156313	Rack, Axial Output 2-11
152409	Lever, Selecting 2-14	156040	Post 2-6	156316	Plate, Rear 2-12
152410	Bail, Reset 2-14	156042	Post, Spacing 2-6	156318	Lever, Reset 2-2
152411	Lever, Push 2-14	156043	Bushing 2-7	156321	Shaft, Adjusting 2-10
152412	Link, Magnet Adjusting 2-14	156044	Stud, Die Wheel Eccentric 2-6	156322	Link, Toggle 2-10
152415	Stud, Adjusting 2-15	156045	Shaft w/Knob, Feed Wheel 2-6	156332	Shaft, Typewheel 2-9
152420	Lamination, Magnet 2-15	156046	Block, Tape Guide 2-5	156366	Shaft, Rocker Bail 2-3
152421	Bracket 2-15	156047	Spring, Tape Shoe 2-6	156368	Bail, Rocker 2-3
152423	Bracket, Armature Stop 2-15	156050	Stud, Eccentric 2-6	156369	Lever, Adjusting 2-10
152424	Plate, Armature Stop 2-15	156051	Bushing, Eccentric 2-7	156378	Plate, Correcting 2-11
152425	Post, Spring 2-15	156052	Shoe, Tape 2-6	156382	Roller, Guide 2-10
152426	Nut, Adjusting 2-15	156054	Lever, Detent 2-6	156387	Lever, Follower 2-2
152427	Lever, Latch 2-13	156057	Washer, Flat 2-12	156388	Arm, Adjusting 2-2
152429	Rack, Range Finder 2-13	156058	Link, Rear Toggle 2-7	156389	Gear, Spur (16T) 2-9
152432	Arm, Stop 2-13	156060	Shaft, Eccentric 2-7	156390	Washer, Flat 2-5
152436	Knob, Range Finder 2-13	156061	Arm, Tape Shoe 2-6	156396	Eccentric 2-18
152438	Bail, Stop Arm 2-13	156062	Pivot, Shoe 2-6	156399	Nut (6-40 Hex) 2-3
152441	Washer, Flat 2-13	156067	Guide, Slide Post 2-7	156403	Disk, Bearing 2-3
152445	Spring, Knob 2-13	156069	Plate, Downstop 2-5	156408	Arm, Correcting Clamp 2-9
152457	Wick, Felt 2-14	156070	Bail, Toggle 2-7	156412	Link, Drive 2-3
152458	Shield, Terminal 2-15	156077	Plate 2-7	156413	Link, Correcting Drive 2-18
152634	Washer, Flat 2-7	156089	Slide w/Insulator, Punch 2-5	156462	Bail, Oscillating 2-10
152887	Screw (4-40x1/2 Hex) 2-16	156090	Screw, Adjusting 2-6	156465	Washer, Spring 2-3
152891	Spring, Start Lever 2-14	156093	Washer, Felt 2-7	156466	Rack, Typewheel 2-9
152893	Screw (4-40x1/4 Hex) 2-2, 2-3, 2-4, 2-5, 2-6, 2-7, 2-9, 2-14, 2-19, 2-20, 2-21, 2-22, 2-23	156095	Link, Front Toggle 2-7	156467	Ring, Retaining 2-3
153184	Post 2-15	156099	Link, Rear Drag 2-7	156472	Post, Spring 2-14
153267	Washer, Felt 2-5	156102	Plate, Bottom Guide 2-5	156484	Bracket, Mounting 2-18
153489	Detent 2-13	156103	Strip, Felt 2-7	156488	Post, Spring 2-18
153538	Screw (6-40x7/16 Hex) 2-14	156104	Shaft, Retractor Bail 2-5	156490	Post, Guide 2-2
153543	Armature, Selector 2-15	156106	Bail, Retractor 2-5	156492	Bracket, Guide 2-8
153545	Bracket, Magnet Mounting 2-15	156108	Bracket, Spring 2-7	156493	Stud 2-10
153799	Screw (4-40x21/64 Hex) 2-19, 2-24	156132	Bearing, Eccentric 2-24,	156501	Screw (6-40x7/32 Fil) 2-8, 2-9
153809	Washer, Lock 2-19	156137	Washer, Flat 2-20	156515	Washer, Felt 2-17
153817	Screw (4-40x3/8 Hex) 2-20	156162	Washer, Felt 2-7	156536	Screw (4-40x1/8 Fil) 2-12, 2-14
153839	Screw (6-40x5/8 Hex) 2-2, 2-7, 2-9, 2-23, 2-24	156163	Guide, Punch Slide 2-5	156558	Washer, Felt 2-9, 2-22,
154235	Spring 2-12	156165	Washer, Felt 2-2, 2-7	156576	Washer, Felt 2-3
154242	Screw (6-40x5/16 Hex) 2-3	156166	Spring, Punch Pin 2-5	156577	Roller 2-6
154396	Can 2-4	156168	Spring, Depressor Slide 2-5	156740	Screw (6-40x7/32 Hex) 2-5, 2-24
154397	Shaft, Main 2-4	156169	Washer, Felt 2-7	156835	Ring, Retaining 2-9
154398	Bearing, Needle 2-4	156172	Rod, Retractor Bail 2-5	156867	Frame, Main 2-2
154620	Wick, Lubricator 2-14	156173	Stud, Mounting 2-5	156869	Guide, Ribbon 2-9
154621	Retainer, Wick 2-14	156183	Bracket, Anchor 2-6	156870	Lever, Oscillating 2-10
154622	Lubricator Assembly, Selector 2-14	156221	Lock, Retaining 2-16	156871	Bail, Mounting 2-3
154694	Disk, Clutch Cam 2-2, 2-4	156230	Stud, Lifter Pivot 2-18	156872	Blade, Operating 2-3
154698	Wick, Felt 2-6	156235	Post, Latch Guide 2-2	156874	Screw (4-40x15/16 Fil) 2-8, 2-11
155096	Plate, Range Finder Mounting 2-13	156241	Link, Front Cross 2-9	156875	Screw (6-40x5/32 Fil) 2-11
		156242	Link, Rear Cross 2-9	156876	Bushing 2-3
		156243	Roller, Lifter Arm 2-18	156877	Washer, Felt 2-3
		156248	Latch, Punch Slide 2-2	156880	Strap w/Terminals 2-15
		156252	Lifter 2-18	156881	Strap w/Terminals 2-15
		156257	Bracket, Trip 2-2	156884	Arm, Rocker 2-7
		156264	Lever, Detent 2-8, 2-11	156900	Roller 2-3
		156265	Bushing 2-11	156905	Block, Guide 2-9
		156266	Bushing 2-8, 2-11	156908	Post, Pivot 2-10
		156268	Bracket, Spring 2-12	156909	Post 2-10
		156276	Shaft, Eccentric (R) 2-8	156921	Guide 2-3
		156277	Shaft, Eccentric (L) 2-8	156922	Arm, Lock Release 2-12
		156278	Shaft, Eccentric 2-11	156924	Plate 2-11
		156286	Shaft, Eccentric (R) 2-8	156925	Roller 2-11

NUMERICAL INDEX - SECTION 2 (Continued)

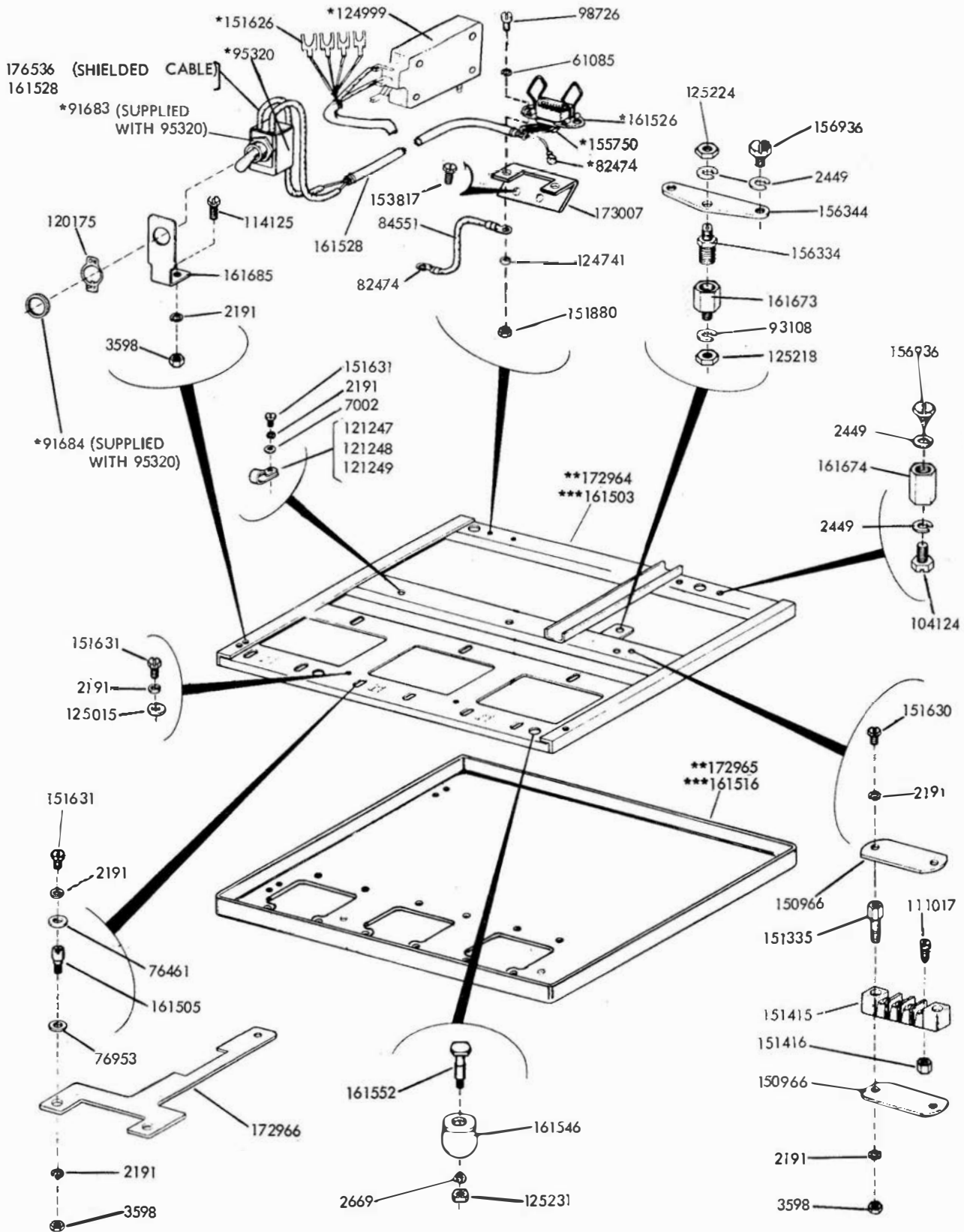
Part Number	Description and Page Number	Part Number	Description and Page Number	Part Number	Description and Page Number
156931	Bracket, Mounting 2-9	159525	Brocket, Mounting 2-10	162756	Bushing 2-24
156937	Link, Printing Drive 2-18	159526	Link, Drive 2-11	162757	Shaft 2-24
156938	Screw, Eccentric (6-40) 2-18	159528	Bar, No. 5 Push 2-8	162758	Lever, Cam Follower 2-24
156941	Cam, Selector 2-2	159529	Bar, No. 3 Push 2-8	162760	Latch 2-20, 2-22
156948	Wick, Felt 2-10	159530	Bar, No. 4 Push 2-8	162761	Post 2-20
156987	Screw, Shoulder (6-40) 2-3	159531	Bar, Letters Push 2-8	162762	Storage Assembly, Slide 2-21
156989	Roller, Bearing 2-3	159532	Bar, Figures Push 2-8		
156990	Race, Inner 2-3	159533	Bar, No. 1 Push 2-11	162763	Bail, Reset 2-21, 2-23
156994	Strip, Felt 2-3	159534	Bar, No. 2 Push 2-11	162764	Lever, Slide Trip 2-21, 2-23
156995	Post, Spacer 2-3	159535	Plate, Front 2-8	162765	Bracket 2-21, 2-23
156998	Retainer 2-3	159536	Gear, Idler (15T) 2-9	162766	Plate 2-21
157194	Spring, Retaining 2-15	159539	Arm, Pivot 2-18	162768	Latch 2-21
157252	Bushing 2-17	159544	Release, Clutch 2-2	162770	Plate 2-21
157261	Shaft, Stop Arm 2-13	159560	Spring 2-5	162772	Link 2-21
158745	Clamp, Bearing 2-3	159563	Bar, Letters Push 2-8	162773	Plate, Main 2-20, 2-22
158772	Screw (4-40x5/8 Hex) 2-16	159597	Washer, Flat 2-10	162774	Post, Spring 2-20, 2-22
158807	Screw (3-48x3/16 Fil) 2-19	159621	Screw, Shoulder (6-40) 2-5	162775	Shaft 2-20, 2-22
159011	Brocket, Spring 2-2	159622	Clamp, Adjusting 2-5	162776	Plate 2-20
159404	Post, Mounting 2-11	159625	Bracket, Guide 2-3	162778	Lever 2-20, 2-22
159411	Bearing Assembly 2-3	159626	Extension, Link 2-18	162780	Shaft 2-20, 2-22
159427	Brocket, Stop 2-2	159642	Shim (.008") 2-8	162781	Lever 2-20, 2-22
159428	Retainer, Wick 2-2	159643	Shim (.008") 2-11	162784	Screw, Eccentric (4-40) 2-20, 2-22
159429	Wick, Felt 2-2	159654	Latch 2-18		
159430	Lever, Trip 2-2	159656	Block Assembly, Punch 2-5	162785	Bushing, Eccentric 2-20, 2-22
159431	Lever, Main Trip 2-2	159657	Plates, Guide and Die 2-5		
159434	Plate, Lifter Mounting 2-18	159658	Screw (6-40x1-3/32 Hex) 2-9	162786	Arm, Blocking 2-20, 2-22
159437	Arm, Yield (Figures) 2-12			162788	Post 2-20, 2-22
159438	Arm, Yield (Letters) 2-12	159659	Shaft, Eccentric 2-9	162790	Lever 2-20
159441	Guide, Bellcrank 2-2	159776	Armature 2-22	162791	Shaft 2-20, 2-22
159447	Bellcrank (No. 1 & 4) 2-12	159923	Holder, Punch 2-5	162792	Arm, Detent 2-20, 2-22
159448	Bellcrank (No. 2) 2-12	159977	Hinge 2-22	162793	Ratchet 2-20, 2-22
159459	Spring, No. 5 Pulse Beam 2-16	159978	Shaft 2-22	162794	Hub, Back Stop 2-20, 2-22
		159993	Bracket, Spring 2-17	162795	Ratchet 2-20, 2-22
159460	Link, Toggle 2-12	159994	Plate, Lock 2-18	162796	Cam 2-20
159467	Holder, Wick 2-14	159995	Arm, Lifter 2-18	162797	Plate, Adjusting 2-20, 2-22
159468	Arm, Lock 2-12	159997	Screw, Eccentric (6-40) 2-18		
159470	Shaft, Lock Arm 2-12			162798	Roller 2-20, 2-22
159471	Bellcrank (Letters-Figures) 2-12	160839	Bushing, Shoulder 2-3	162799	Post, Spring 2-20, 2-22
		160842	Washer, Spring 2-17, 2-24,	162800	Plate, Stop 2-20, 2-22
159472	Plate, Main 2-2	160846	Bushing 2-10	162802	Pawl, Detent 2-20, 2-22
159476	Arm (Figures) 2-12	160943	Housing, Typewheel Shaft 2-9	162803	Shaft, Drive Link 2-20
159477	Arm (Letters) 2-12			162804	Link, Drive 2-20
159480	Bushing 2-9, 2-41	160948	Screw (2-56x5/32 Spl) 2-6	162807	Bracket 2-20
159481	Arm, Extension (Figures) 2-12	161107	Stud 2-6	162809	Spring 2-21, 2-23, 2-24
159482	Arm, Extension (Letters) 2-12	161108	Stud 2-5	162850	Handle 2-17
159483	Brocket, Spring 2-12	161109	Post 2-7	162862	Bar, Mounting 2-2
159487	Plate, Front 2-12	161113	Washer, Flat 2-9	163114	Post, Spring 2-20, 2-22
159488	Bracket, Mounting 2-16	161139	Nut (6-40 Hex) 2-6, 2-7	163255	Nut, Shoulder (6-40 Hex) 2-20, 2-22
159489	Plate 2-16	161238	Connector, Receptacle (36 Pt) 2-19		
159490	Plate 2-16			163303	Bracket, Spring 2-18
159491	Plate 2-16	161240	Bracket, Connector 2-19	163326	Lever 2-24
159492	Plate 2-16	161323	Housing, Spur Gear 2-9	163327	Ring, Retaining 2-24
159493	Plate 2-16	161324	Washer, Flat 2-9	163429	Screw, Shoulder (6-40) 2-18
159494	Plate 2-16	161342	Lever, Start 2-14		
159495	Beam, No. 5 Pulse 2-16	161347	Washer, Felt 2-12	164244	Plate, Die 2-5
159496	Beam, No. 3 Pulse 2-16	161431	Lever, Rotary Correcting 2-9	164511	Lever 2-6
159497	Beam, No. 2 Pulse 2-16			164513	Pawl, Feed 2-7
159498	Lever, No. 5 Pulse Beam 2-16	161443	Detent 2-11	164515	Spring 2-6
		161444	Detent 2-8	164521	Plate 2-17
159499	Lever, Transfer (Nos. 3, 4 and 5) 2-16	162248	Hub 2-3	164525	Post, Spring 2-17
		162350	Bail, Rocker 2-3	164526	Slide 2-17
159500	Beam, No. 4 Pulse 2-16	162379	Modification Kit 2-20, 2-21, 2-24	164528	Bushing 2-17
159501	Beam, No. 1 Pulse 2-16			164529	Lever 2-17
159502	Guide 2-16	162380	Modification Kit 2-22, 2-23, 2-24	164530	Bushing 2-17
159503	Post, Stop 2-12			164531	Pawl, Check 2-17
159508	Lever, Transfer (No. 1 and 2) 2-16	162741	Cam 2-24	164532	Pawl, Feed 2-17
		162742	Pawl, Detent 2-24	164535	Shaft, Right 2-17
159512	Link, Printing Trip 2-18	162743	Pawl, Feed 2-24	164538	Shaft, Left 2-17
159515	Blade, Function (Figures) 2-12	162744	Shaft 2-24	164539	Spring, Ratchet 2-17
		162745	Lever, Cam Follower 2-24	164540	Detent 2-17
159516	Blade, Function (Letters) 2-12	162747	Roller 2-24	164541	Arm 2-17
		162748	Lever 2-24	164883	Lever, Cam Follower 2-23
159519	Bushing, Drive Bail 2-10	162753	Spacer 2-24	164884	Lever w/ Stud 2-23
159522	Bushing, Drive Bail 2-10	162754	Plate 2-24	164886	Link 2-23
159523	Bail, Drive 2-10	162755	Bracket, Spring 2-24	164887	Post 2-23
				164888	Lever 2-23

NUMERICAL INDEX - SECTION 2 (Continued)

Part Number	Description and Page Number	Part Number	Description and Page Number	Part Number	Description and Page Number
164964	Washer, Felt 2-17	173602	Plate 2-23	173770	Block Assembly, Punch 2-5
164965	Washer, Felt 2-17	173604	Post, Spring 2-23	173775	Shaft, Typewheel 2-9
170219	Stud, Die Wheel 2-6	173606	Boil 2-23	173850	Cable 2-19
170241	Screw, Adjusting 2-6	173607	Lever 2-23	173967	Typewheel (Arrgt AWA) 2-9
170242	Slide, Feed Pin 2-5	173608	Spring 2-23	173977	Shaft, Hammer 2-9
170243	Slide, Code Pin 2-5	173609	Follower, Cam 2-23	173978	Spring 2-9
170247	Guide 2-5	173614	Link 2-23	173979	Head, Hammer 2-9
170248	Pin, Code Hole 2-5	173616	Lever 2-23	173980	Lever, Print Hammer 2-9
170249	Pin, Feed Hole 2-5	173618	Bail 2-23	173981	Accelerator, Hammer 2-9
170779	Wheel, Feed 2-6	173619	Bracket, Magnet 2-22	176151	Pin, Guide 2-5
170788	Wheel, Die 2-6	173620	Boil, Armature 2-22	176252	Washer, Flat 2-3
170879	Slide, Feed Pin 2-5	173621	Cable 2-22	176286	Lever, Adjusting 2-24
170907	Plate, Adjusting 2-22	173691	Cam 2-22	176638	Roller 2-17
172639	Spring 2-23	173754	Spacer 2-9	176640	Guard 2-14
172983	Bracket, Spring 2-1	173755	Guide, Ribbon 2-9	178178	Extension 2-17
172984	Bracket, Spring 2-5	173756	Lever, Print Hammer 2-9		
173440	Collar 2-4	173757	Typewheel (Arrgt BWA) 2-9		
173443	Modification Kit 2-22, 2-23, 2-24	173760	Holder, Punch 2-5		

SECTION 3

MULTIPLE REPERFORATOR BASE



*PART OF 161528 AND 176536
 **USED WITH FULLY PERFORATED TAPE
 ***USED WITH CHADLESS TAPE

FIGURE 3-1. SHAFT MECHANISM FOR MULTIPLE REPERFORATOR BASE

GEAR ARRANGEMENTS FOR MULTIPLE MOUNTED REPERFORATORS DRIVEN AT A COMMON SPEED						
Unit Code	7.42			7.00		
Baud OPM	45.5 368	56.9 460	75 600	45.5 390	50 428	75 643
Motor Gear Set Pinion Gear	161530; 161532 - 9T 161531 - 44T	161533; 161535 - 12T 161534 - 47T	161536; 161538 - 14T 161537 - 42T	*164339 - 10T *164340 - 37T	*164337 - 9T *164338 - 40T	*164339 - 10T *164340 - 37T
Mod. Kit at each Reperforator	161680	161680	161680	173584	161680	162213

GEAR ARRANGEMENTS FOR MULTIPLE MOUNTED REPERFORATORS DRIVEN AT INDEPENDENT SPEEDS						
Unit Code	7.42			7.00		
Baud OPM	45.5 368	56.9 460	75 600	45.5 390	50 428	75 643
Mod. Kit of each Reperforator	161680;	162213;	162217;	173584;	161680;	162213;
Hub	161509	162215	162220	161509	161509	162215
Cross-Shaft Sprocket	161510 - 16T	162214 - 20T	162219 - 27T	161510 - 16T	161510 - 16T	162214 - 20T
Retainer	161511	162216	162221	161511	161511	162216
Belt	161520	161520	162222	162222	161520	161520
Reperforator Sprocket	156400 - 28T	156400 - 28T	162218 - 29T	173583 - 33T	156400 - 28T	156400 - 28T
Motor Gear Set	161530	161530	161530	*164339 - 10T *164340 - 37T	*164337 - 9T *164338 - 40T	*164339 - 10T *164340 - 37T

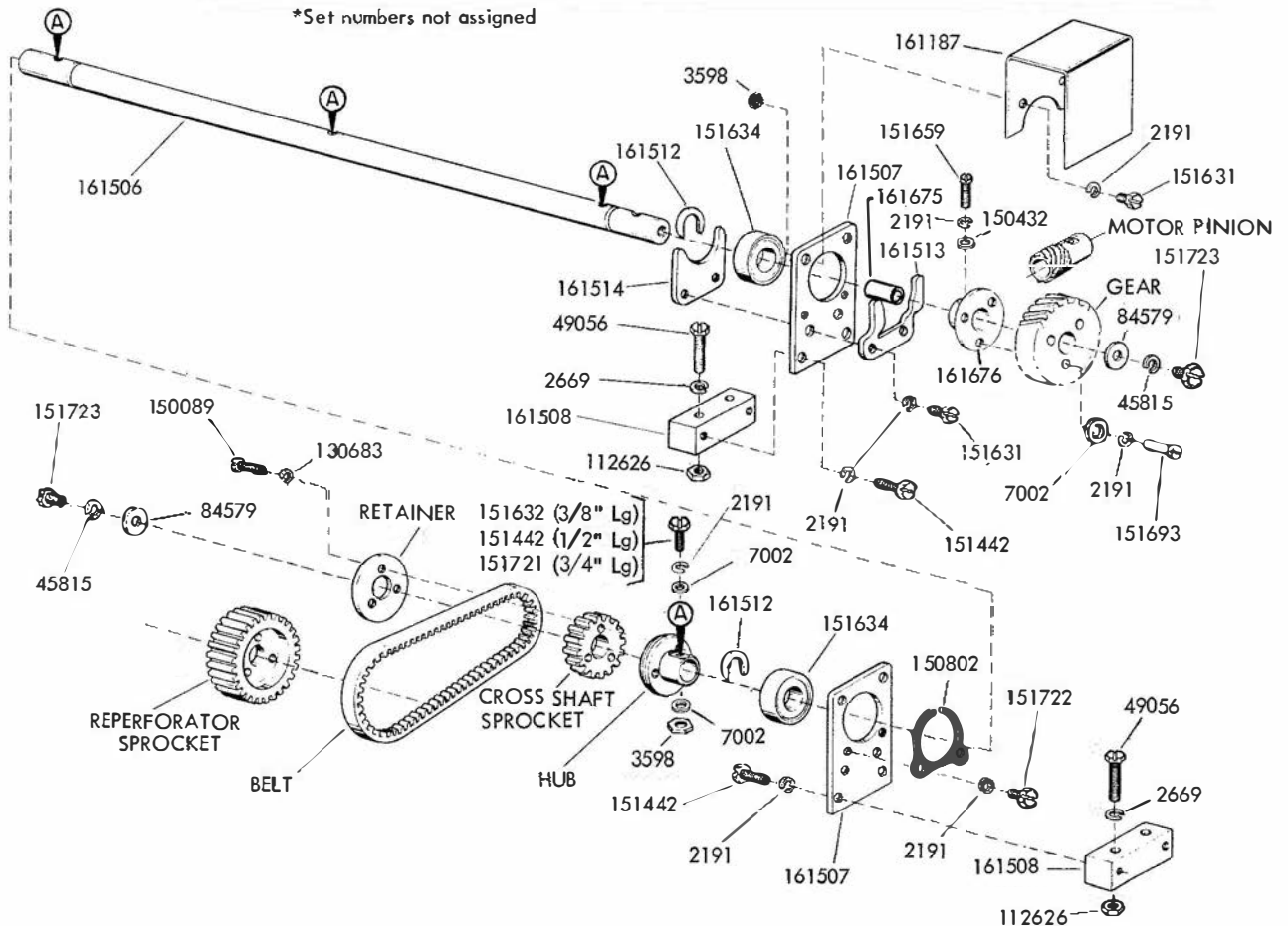
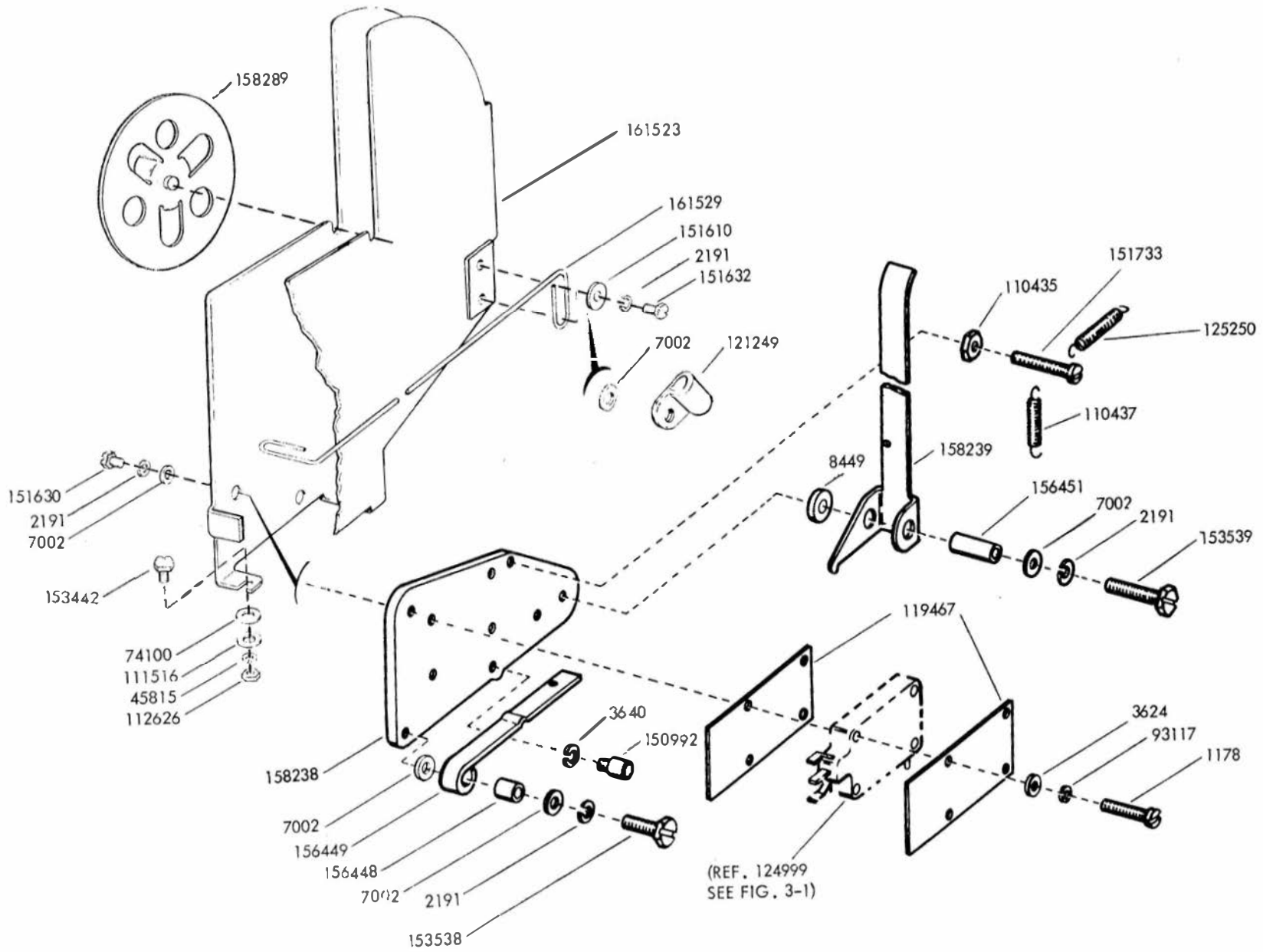


FIGURE 3-2. SHAFT MECHANISM FOR MULTIPLE REPERFORATOR BASE

FIGURE 3-3. TAPE CONTAINER



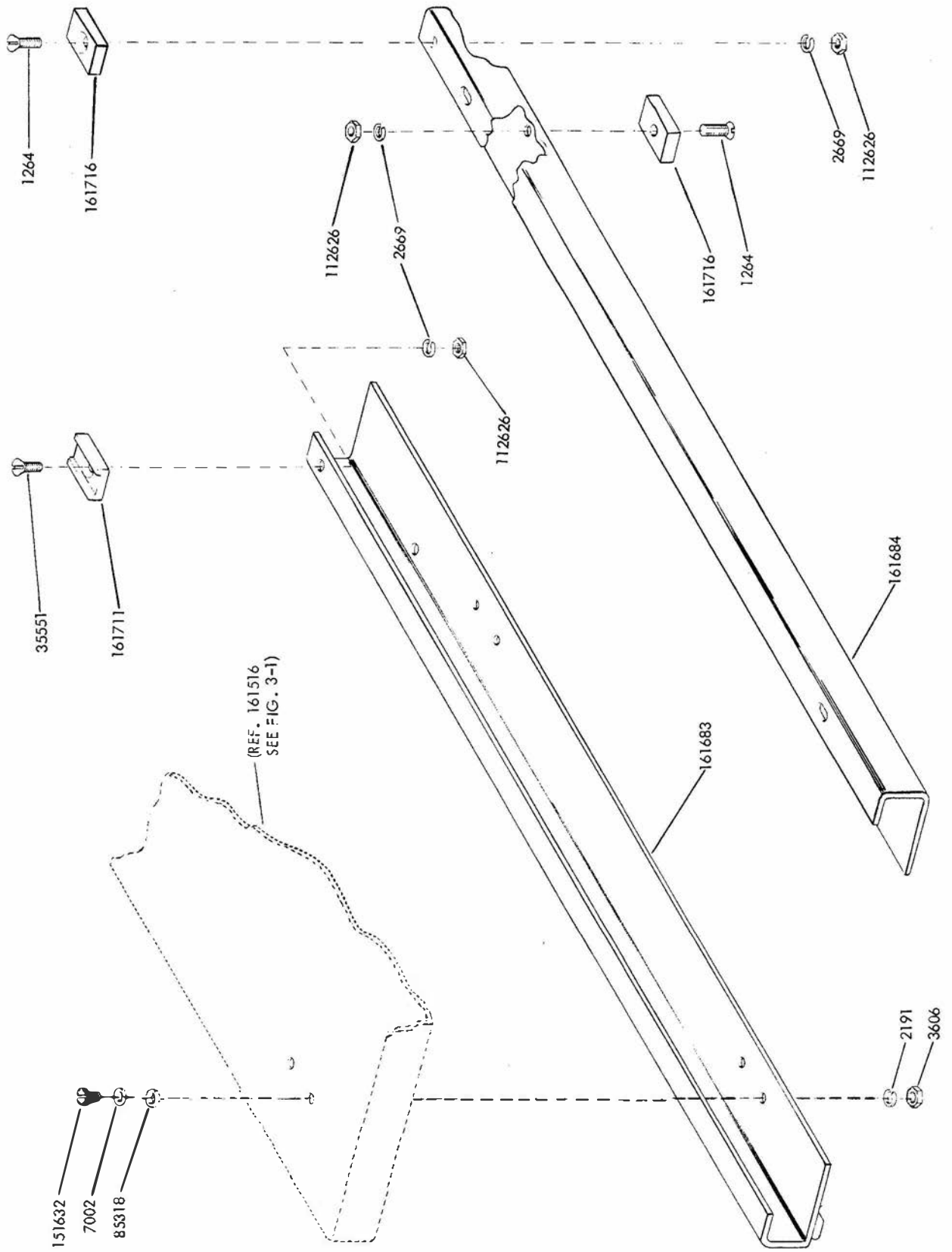


FIGURE 3-4. 161678 MODIFICATION KIT TO INSTALL A MULTIPLE REPERFORATOR BASE (LMRB) IN A MODEL 28 CABINET (LBAC)

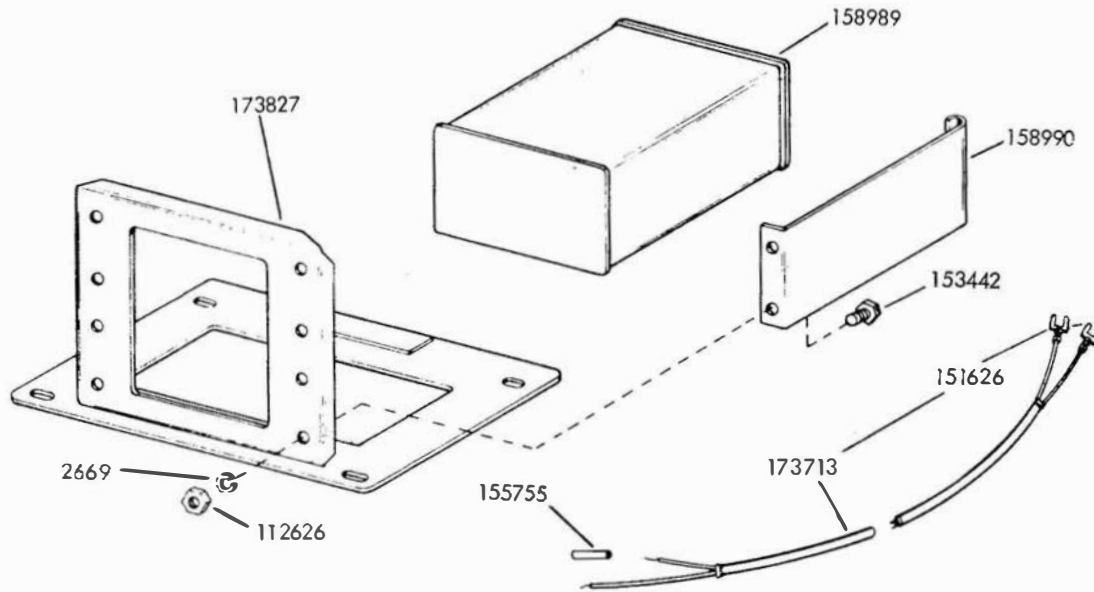
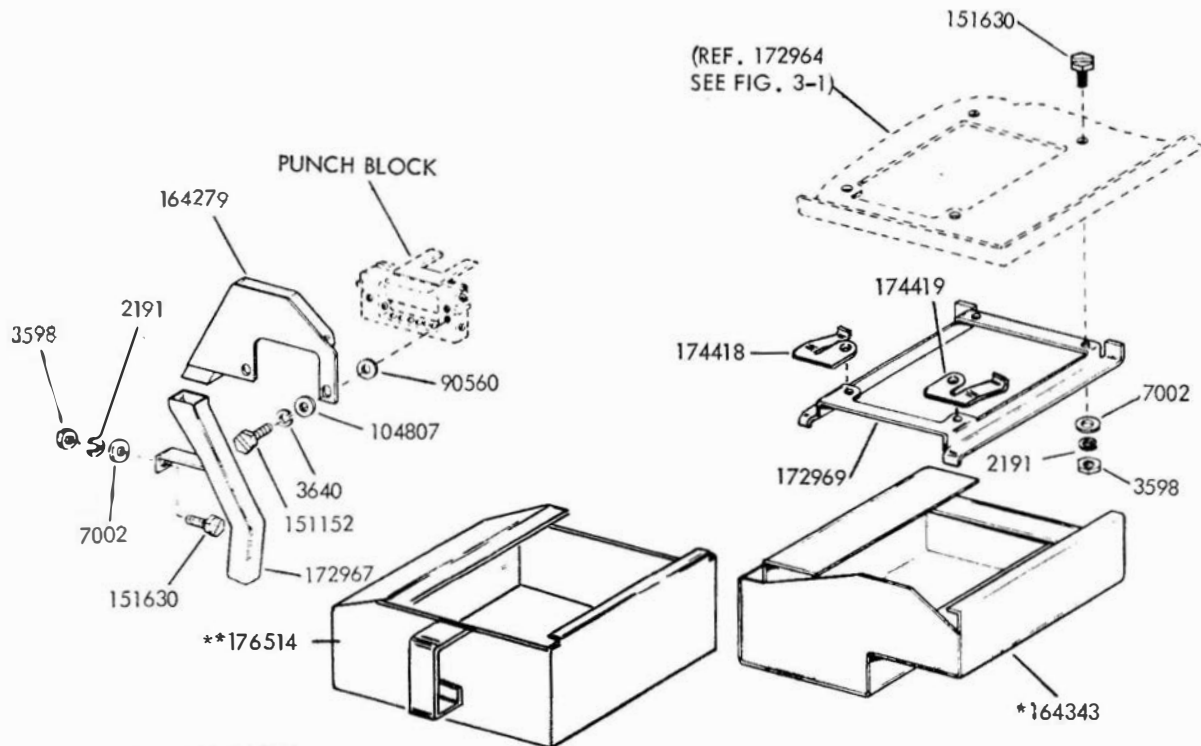


FIGURE 3-5. 173484 MODIFICATION KIT TO PROVIDE POWER CORRECTION FACTOR



*PECULIAR TO 164341

**PECULIAR TO 176542

FIGURE 3-6. 164341 AND 176542 MODIFICATION KITS TO PROVIDE CHAD DISPOSAL

NUMERICAL INDEX - SECTION 3

Part Number	Description and Page Number	Part Number	Description and Page Number	Part Number	Description and Page Number
1178	Screw (2-56x5/8 Fil) 3-4	150966	Insulator 3-2	161531	Gear (44T) 3-3
1264	Screw (10-32x1/2 Flat) 3-5	150992	Stud 3-4	161532	Pinion (9T) 3-3
2191	Washer, lock 3-2, 3-3, 3-4, 3-5, 3-6	151152	Screw (4-40x3/16 Hex) 3-6	161533	Gear Set 3-3
2449	Washer, lock 3-2	151335	Stud 3-2	161534	Gear (47T) 3-3
2669	Washer, lock 3-2, 3-3, 3-5, 3-6	151415	Block, Terminal 3-2	161535	Pinion (12T) 3-3
3598	Nut (6-40 Hex) 3-2, 3-3, 3-6	151416	Nut (6-40 Hex) 3-2	161536	Gear Set 3-3
3606	Nut (6-40 Hex) 3-5	151442	Screw (6-40x1/2 Hex) 3-3	161537	Gear (42T) 3-3
3624	Washer, Flat 3-4	151610	Washer, Flat 3-4	161538	Pinion (14T) 3-3
3640	Washer, lock 3-4, 3-6	151626	Terminal 3-2, 3-6	161546	Mount, Vibration 3-2
7002	Washer, Flat 3-2, 3-3, 3-4, 3-5, 3-6	151630	Screw (6-40x1/4 Hex) 3-2, 3-4, 3-6	161552	Screw, Shoulder (10-32) 3-2
8449	Washer, Flat 3-4	151631	Screw (6-40x5/16 Hex) 3-2, 3-3	161673	Post 3-2
35551	Screw (10-32x3/4 Flat) 3-5	151632	Screw (6-40x3/8 Hex) 3-3, 3-4, 3-5	161674	Post 3-2
45815	Washer, lock 3-3, 3-4	151634	Bearing, Ball 3-3	161675	Spacer 3-3
49056	Screw (10-32x7/8 Hex) 3-3	151659	Screw (6-40x1/2 Fil) 3-3	161676	Hub 3-3
61085	Washer, lock 3-2	151693	Screw (6-40x9/16 Fil) 3-3	161678	Modification Kit 3-5
74100	Washer, Leather 3-4	151721	Screw (6-40x3/4 Hex) 3-3	161680	Modification Kit to provide reperfocator drive parts 3-3
76461	Washer, Flat 3-2	151722	Screw (6-40x3/16 Hex) 3-3	161683	Channel (Left) 3-5
76953	Washer, Flat 3-2	151723	Screw (10-32x3/8 Hex) 3-3	161684	Channel (Right) 3-5
82474	Terminal 3-2	151733	Screw (4-40x9/16 Fil) 3-4	161685	Bracket 3-2
84551	Strop w/Terminals 3-2	151880	Nut (4-40 Hex) 3-2	161687	Guard 3-3
84579	Washer, Flat 3-3	153442	Screw (10-32x1/2 Hex) 3-4, 3-6	161711	Block 3-5
85318	Washer, Leather 3-5	153538	Screw (6-40 x 5/16 Hex) 3-4	161716	Block 3-5
90560	Washer, Flat 3-6	153539	Screw (6-40x11/16 Hex) 3-4	162213	Modification Kit to provide reperfocator drive parts 3-3
91683	Nut (15/32-32 Hex) 3-2	153817	Screw (4-40x3/8 Hex) 3-2	162214	Sprocket (20T) 3-3
91684	Nut (15/32-32 Ring) 3-2	155750	Sleeve, Insulating 3-2	162215	Hub 3-3
93108	Washer, lock 3-2	155755	Sleeve, Insulating 3-6	162216	Retainer 3-3
93117	Washer, lock 3-4	156334	Stud 3-2	162217	Modification Kit to provide reperfocator drive parts 3-3
95320	Switch 3-2	156400	Sprocket (28T) 3-3	162218	Sprocket (29T) 3-3
98726	Screw (3-48x1/4 Fil) 3-2	156448	Bushing 3-4	162219	Sprocket (27T) 3-3
104124	Screw (1/4-32x11/32 Hex) 3-2	156449	Lever 3-4	162220	Hub 3-3
104807	Washer, Flat 3-6	156451	Bushing 3-4	162221	Retainer 3-3
110435	Nut (4-40 Hex) 3-4	156936	Screw (1/4-32x5/16 Hex) 3-2	162222	Belt 3-3
110437	Spring 3-4	158238	Plate 3-4	164279	Chute, Chad 3-6
111017	Screw (6-40x5/16 Fil) 3-2	158239	Lever 3-4	164337	Pinion (9T) 3-3
111516	Washer, Flat 3-4	158289	Reel, Tape 3-4	164338	Gear (40T) 3-3
112626	Nut (10-32 Hex) 3-3, 3-4, 3-5, 3-6	158989	Capacitor (20MF) 3-6	164339	Pinion (10T) 3-3
114125	Screw (6-40x3/8 Hex) 3-2	158990	Bracket 3-6	164340	Gear (37T) 3-3
119467	Insulator 3-4	161503	Bose 3-2	164341	Modification Kit 3-6
120175	Plate, Instruction (OFF-ON) 3-2	161505	Stud 3-2	164343	Container, Chad 3-6
121247	Clamp, Cable (7/16" ID) 3-2	161506	Shaft 3-3	172964	Bose 3-2
121248	Clamp, Cable (1/2" ID) 3-2	161507	Plate 3-3	172965	Pan, Oil 3-2
121249	Clamp, Cable (5/8" ID) 3-2, 3-4	161508	Bar 3-3	172966	Plate, "T" 3-2
124741	Washer, lock 3-2	161509	Hub 3-3	172967	Chute, Chad 3-6
124999	Switch 3-2	161510	Sprocket (16T) 3-3	172969	Bracket, Roi! 3-6
125015	Washer, Flat 3-2	161511	Retainer 3-3	173007	Bracket, Connector 3-2
125218	Nut (1/4-32 Hex) 3-2	161512	Retainer 3-3	173484	Modification Kit 3-6
125224	Nut (1/4-32 Hex) 3-2	161513	Clamp 3-3	173583	Sprocket (33T) 3-3
125231	Nut (10-32 Hex) 3-2	161514	Plate 3-3	173584	Modification Kit to provide drive parts for 3 reperfocators 3-3
125250	Spring 3-4	161516	Pan, Oil 3-2	173713	Cable Assembly 3-6
130683	Washer, lock 3-3	161520	Belt 3-3	173827	Bracket 3-6
150089	Screw (4-40x1/2 Fil) 3-3	161523	Panel, Tape 3-4	174418	Detent, Left 3-6
150432	Washer, Flat 3-3	161526	Connector, Receptacle (14 Pt) 3-2	174419	Detent, Right 3-6
150802	Retainer 3-3	161528	Cable Assembly 3-2	176514	Container, Chad 3-6
		161529	Guide 3-4	176536	Cable Assembly 3-2
		161530	Gear Set 3-3	176542	Modification Kit 3-6

)

)

)

)

SECTION 4

TRANSMITTER DISTRIBUTOR UNIT

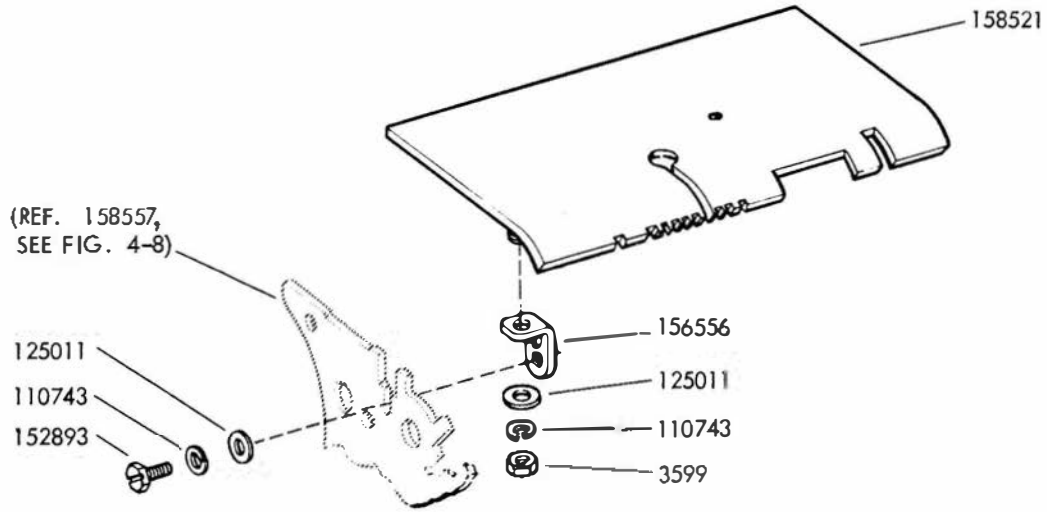


FIGURE 4-1. TOP PLATE

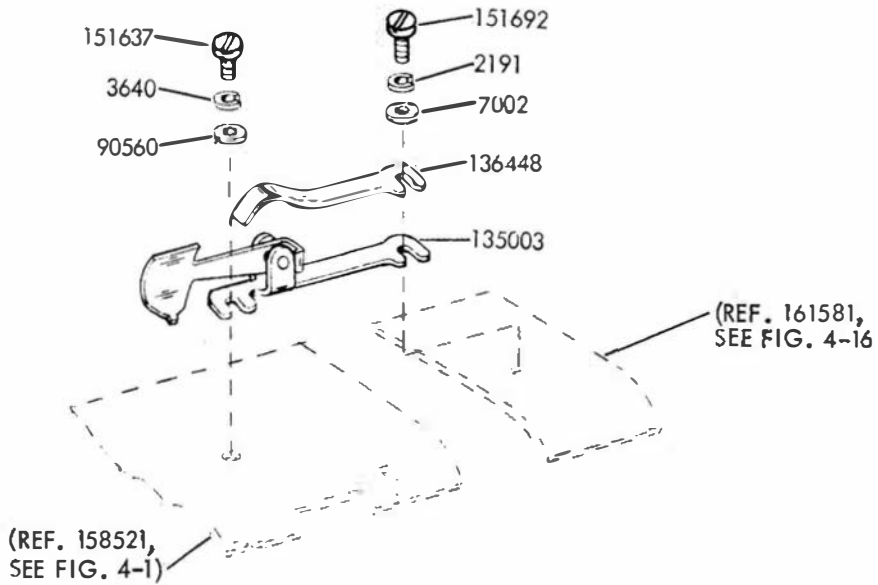


FIGURE 4-2. 162592 MODIFICATION KIT
TO PROVIDE TAPE DEFLECTOR

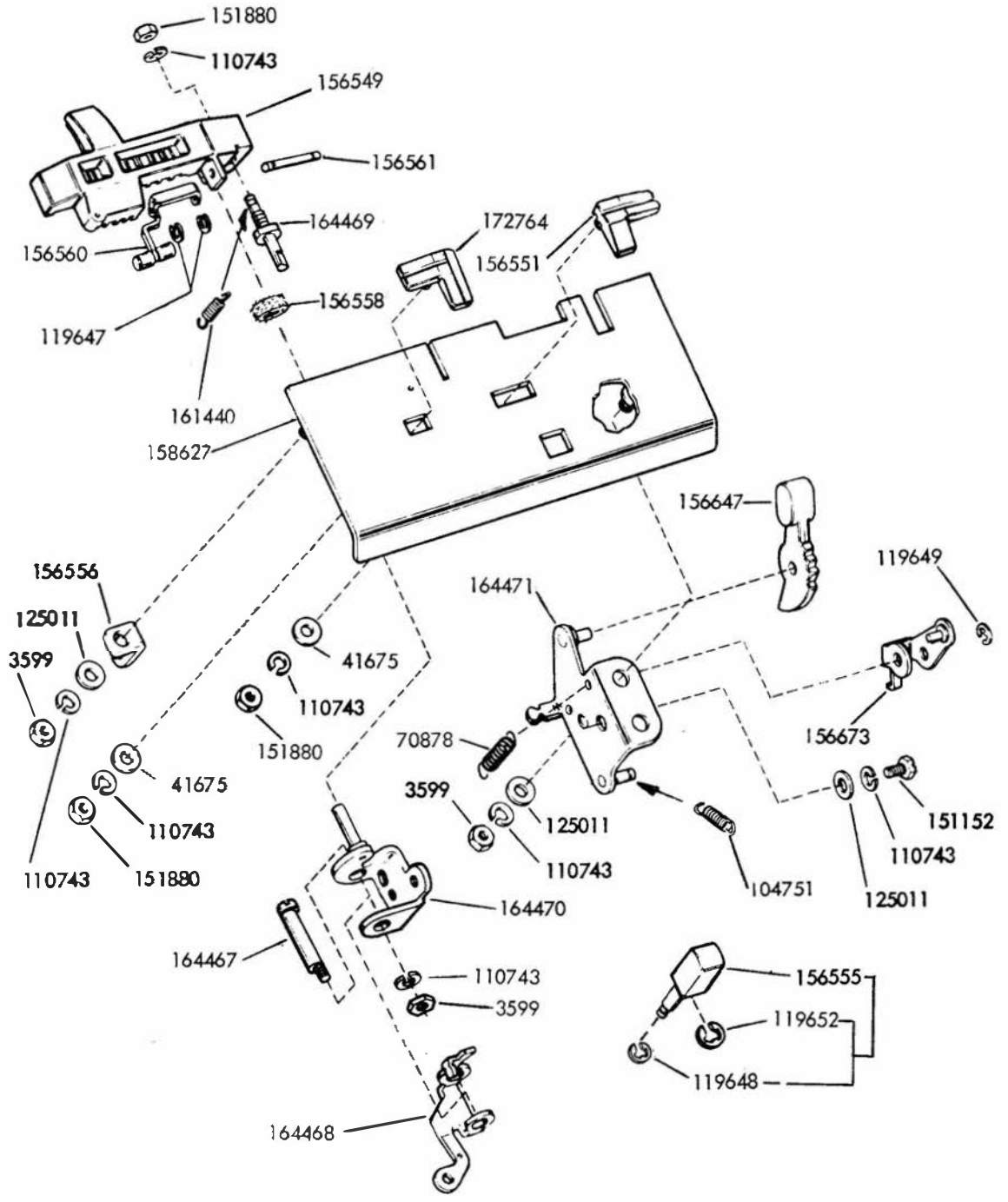


FIGURE 4-3. TAPE GUIDE PLATE

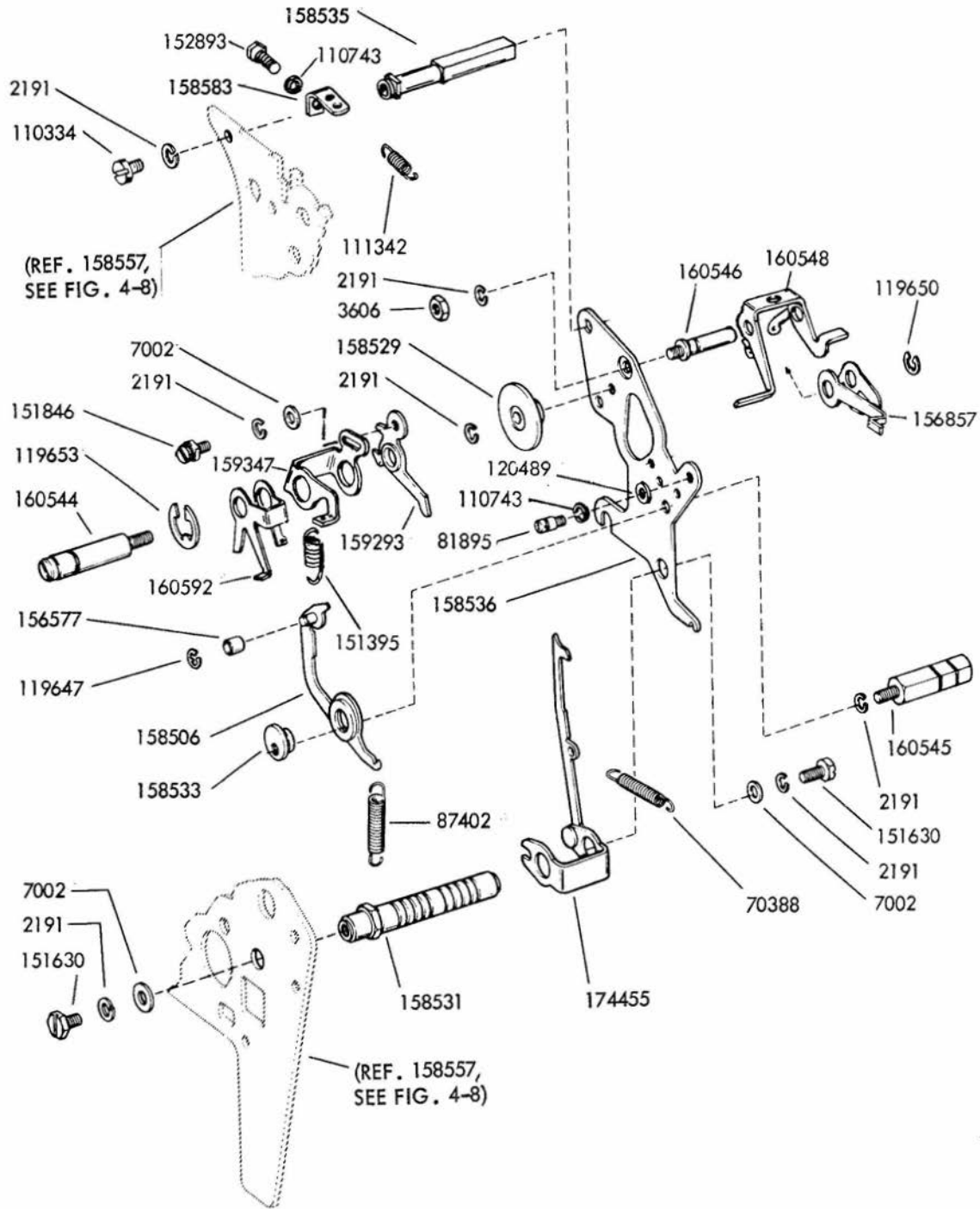


FIGURE 4-4. CENTER PLATE

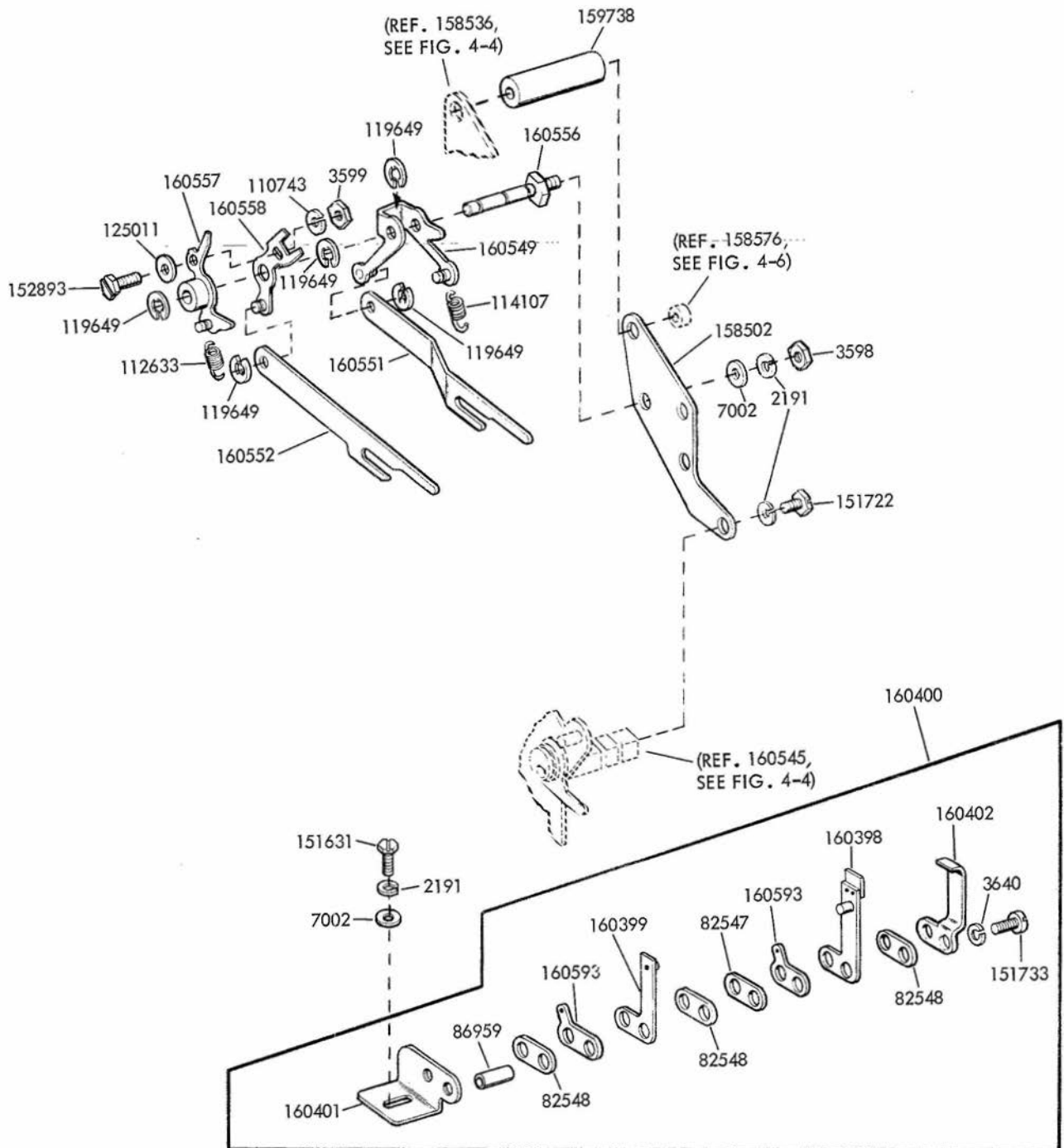


FIGURE 4-5. SWITCH PLATE

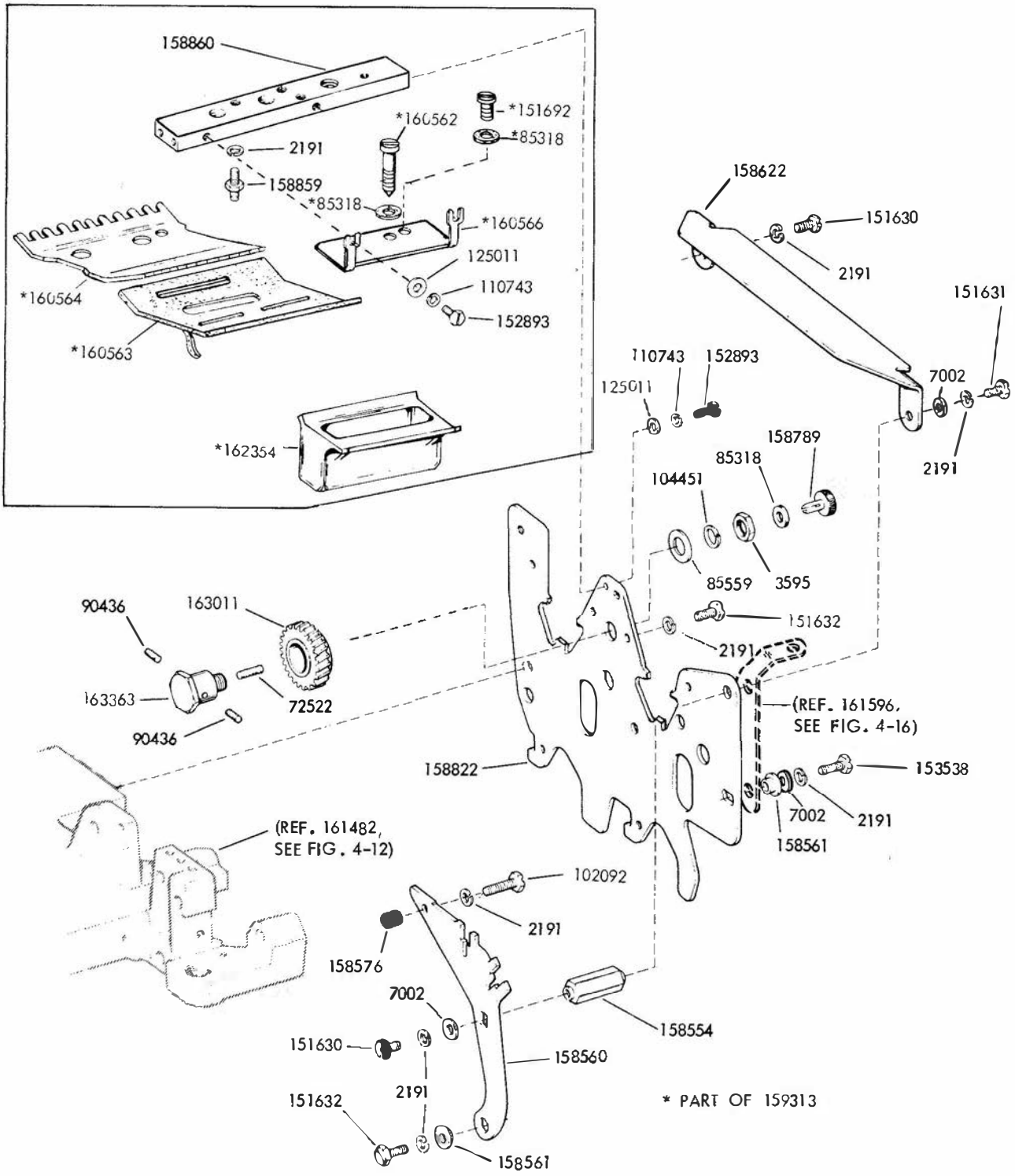


FIGURE 4-6. REAR PLATE

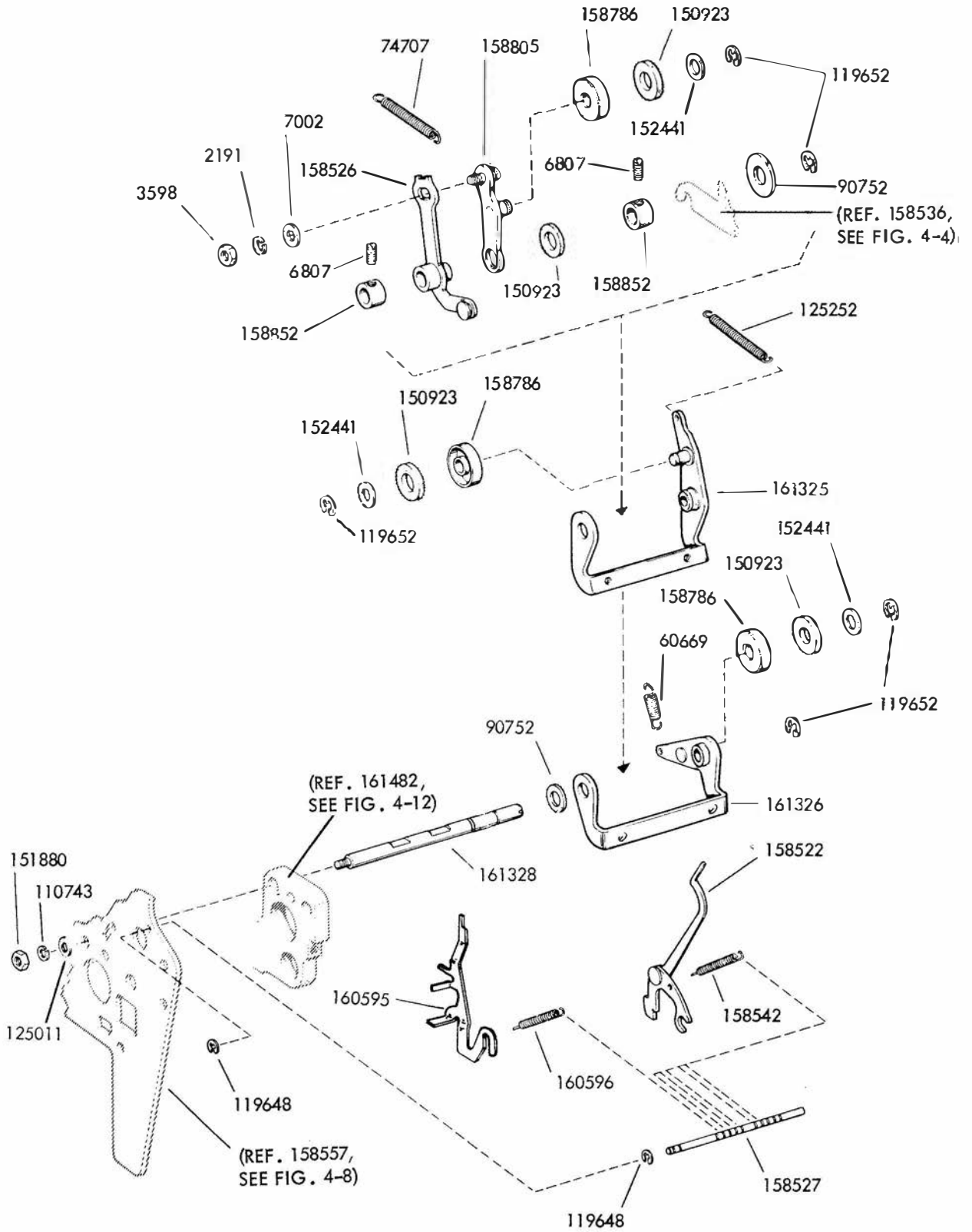


FIGURE 4-7. BAILS

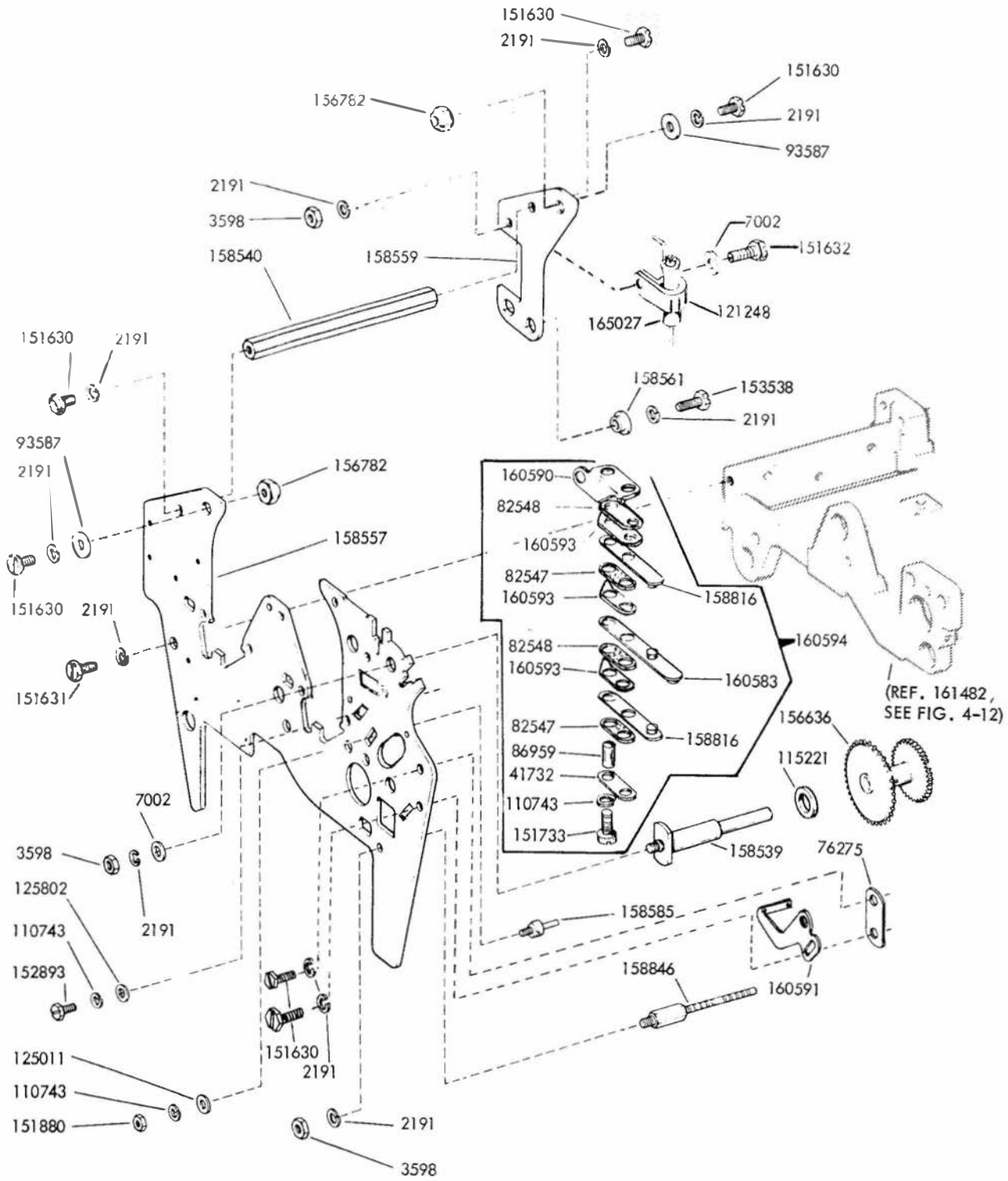


FIGURE 4-8. FRONT PLATE

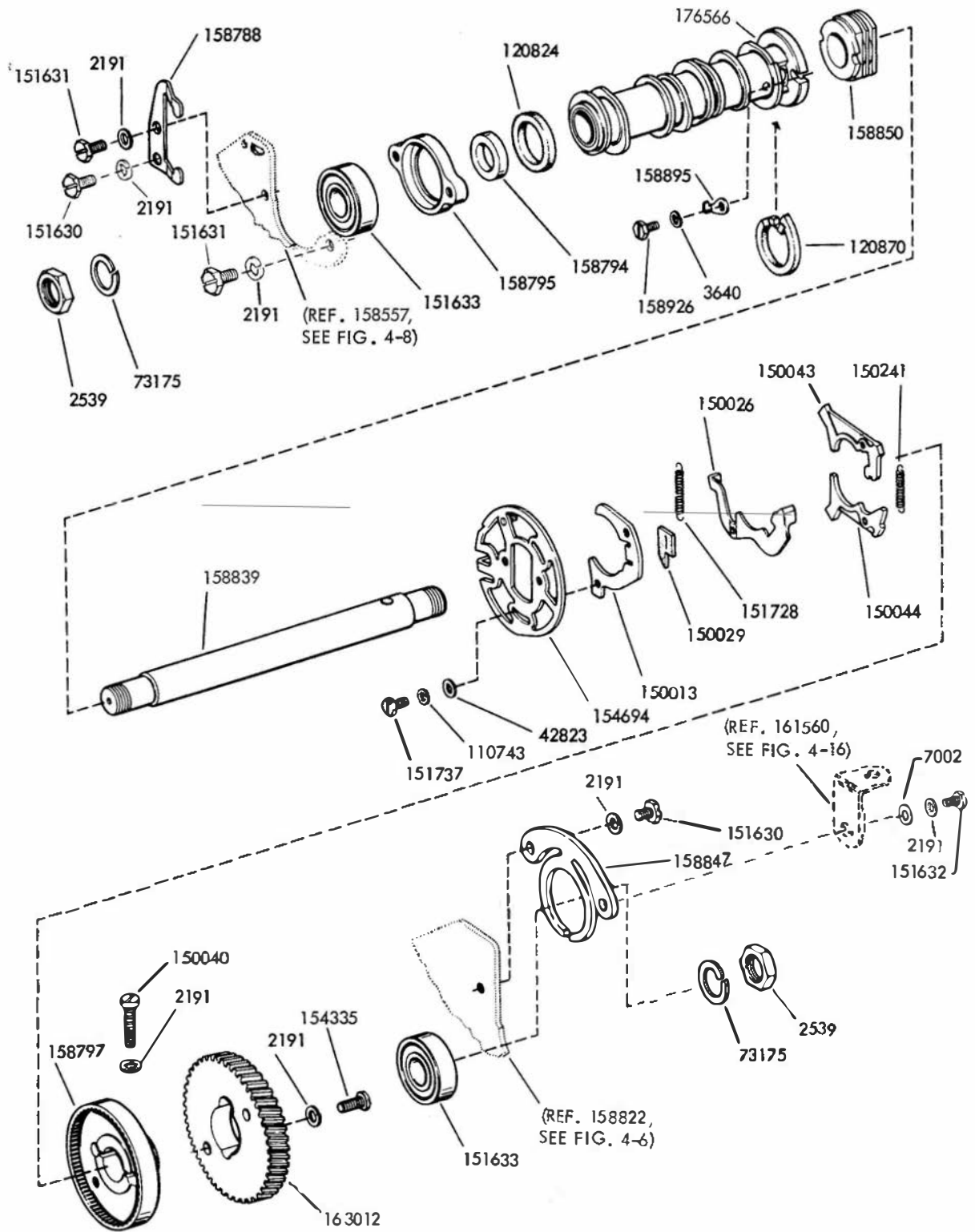


FIGURE 4-9. SENSING SHAFT MECHANISM

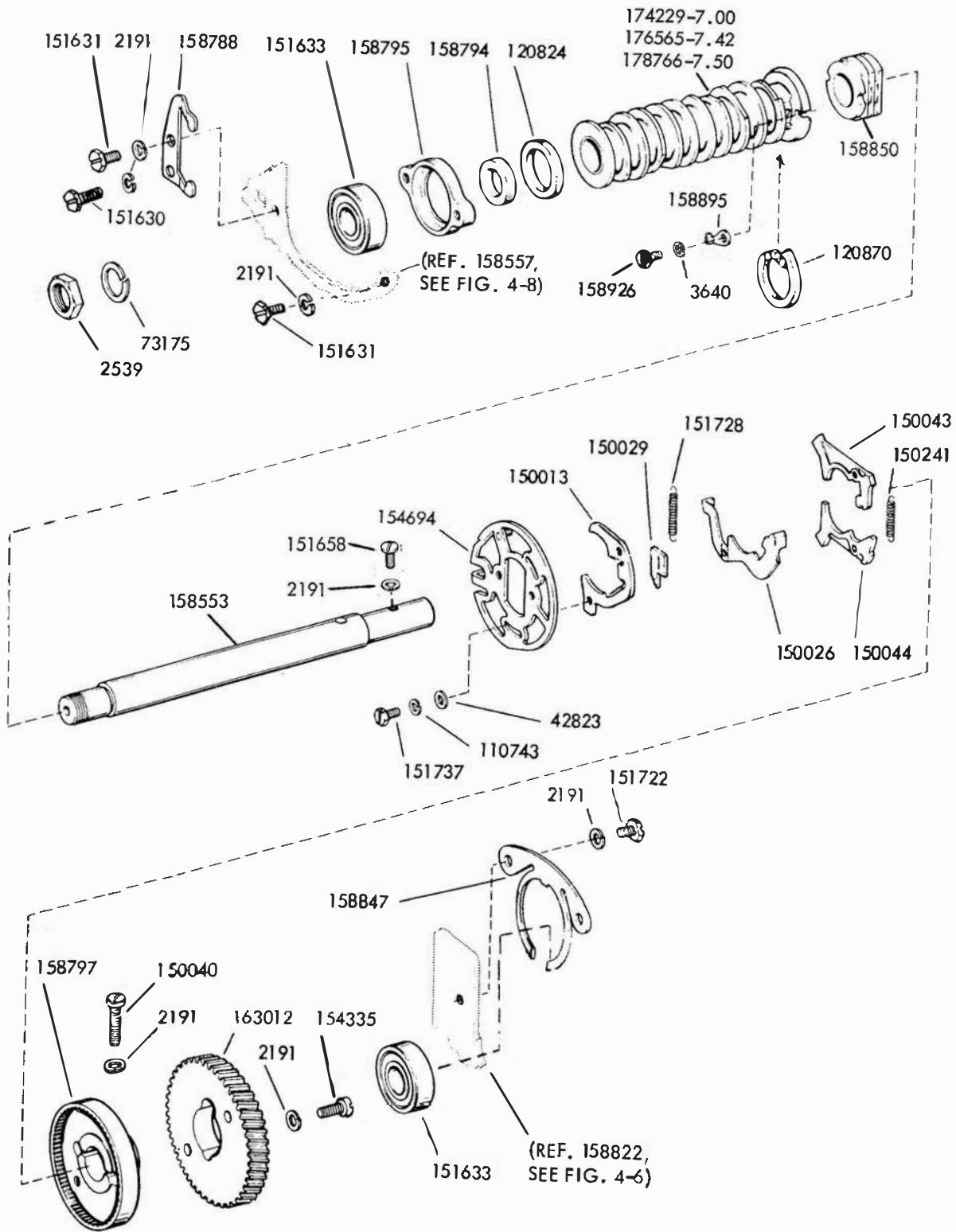


FIGURE 4-10. DISTRIBUTOR SHAFT MECHANISM

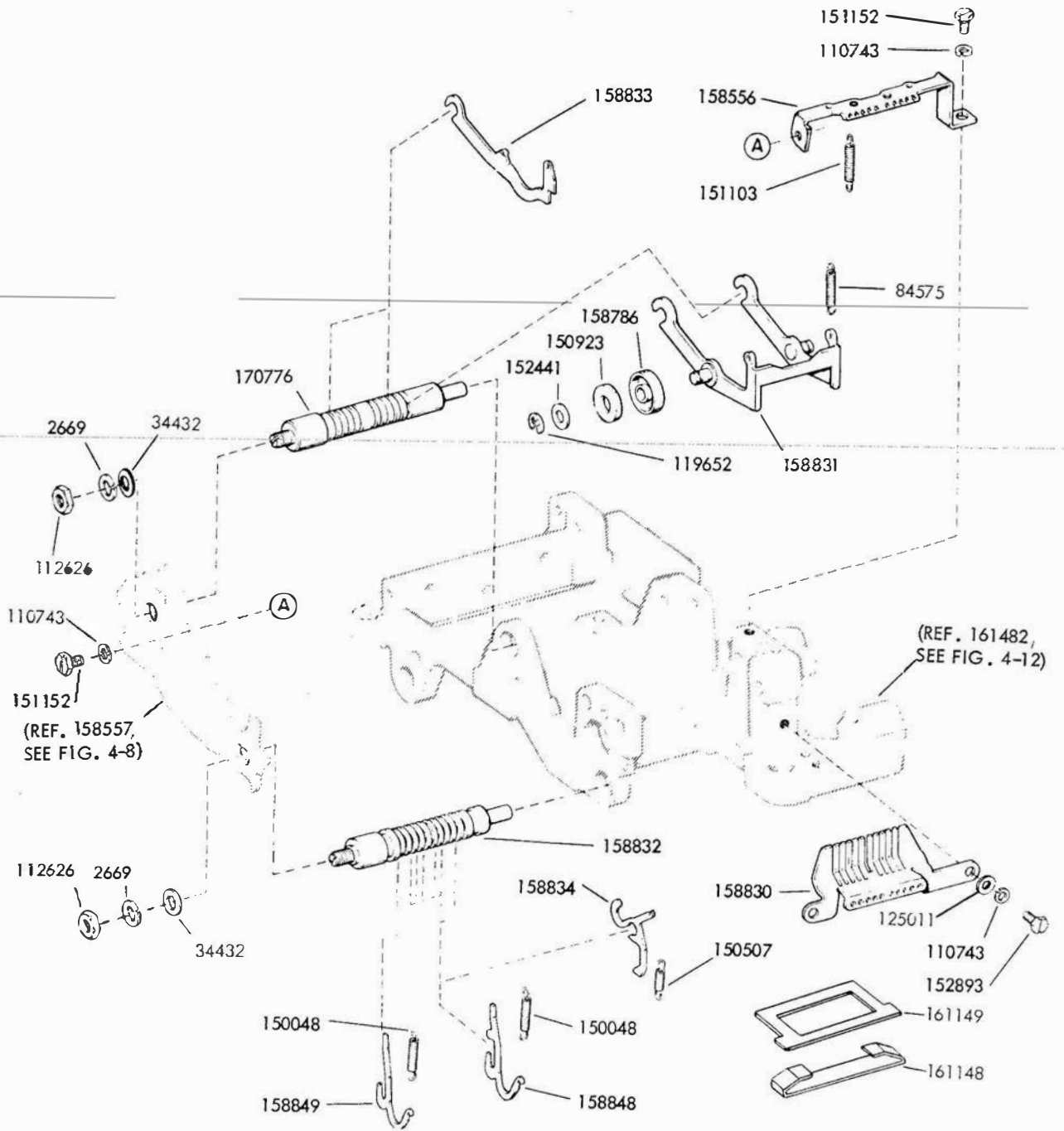


FIGURE 4-11. SENSING MECHANISM

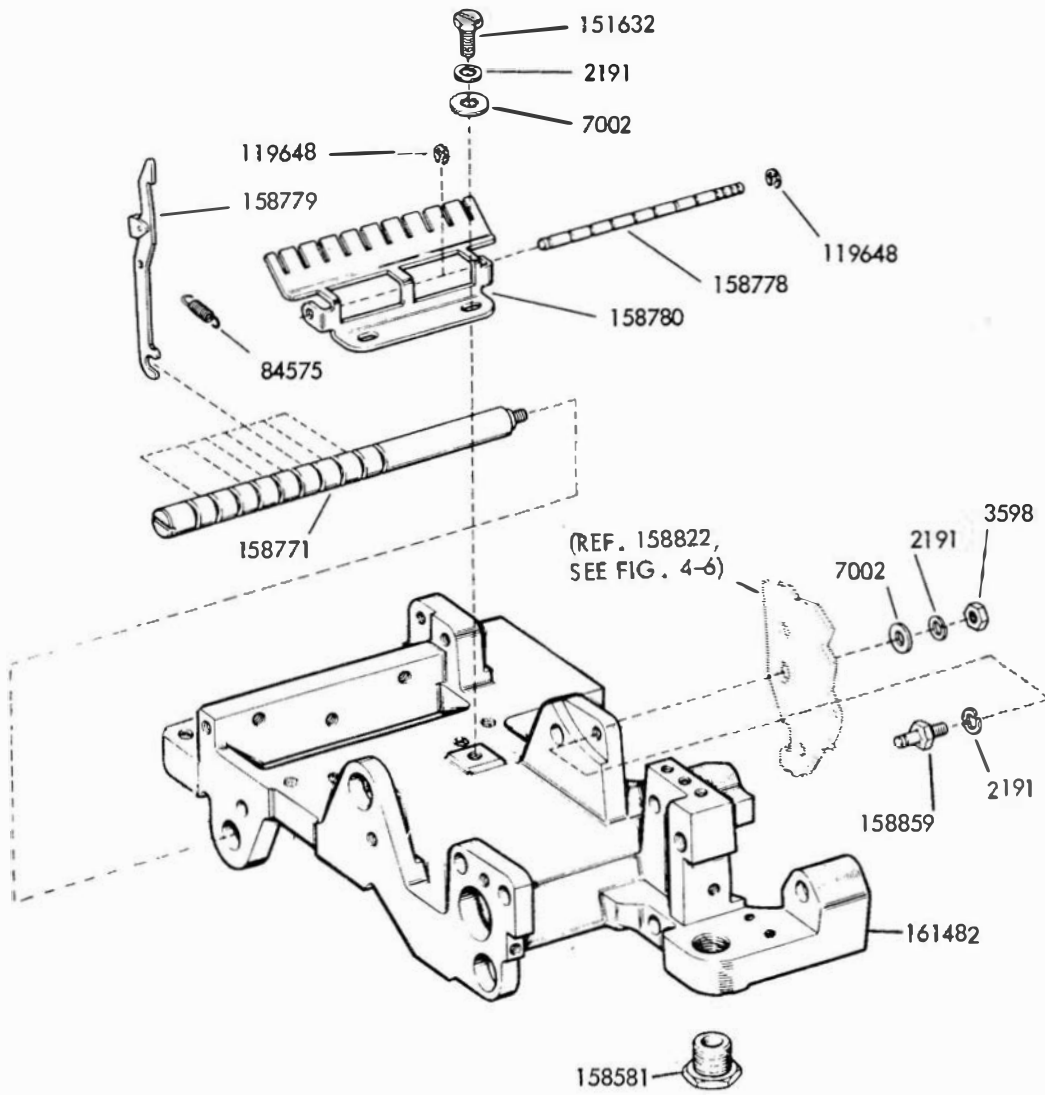


FIGURE 4-12. MAIN FRAME

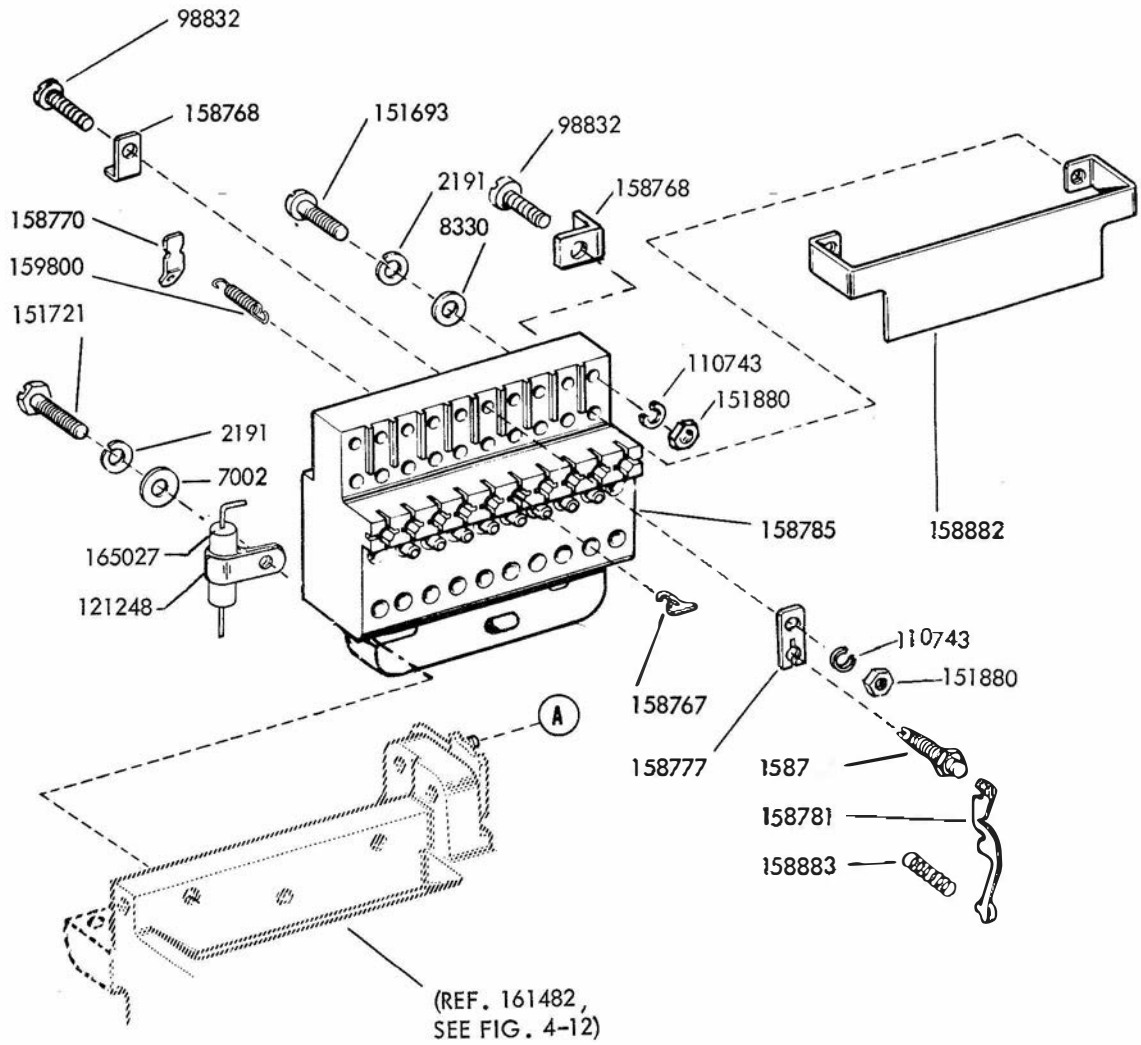


FIGURE 4-13. DISTRIBUTOR BLOCK

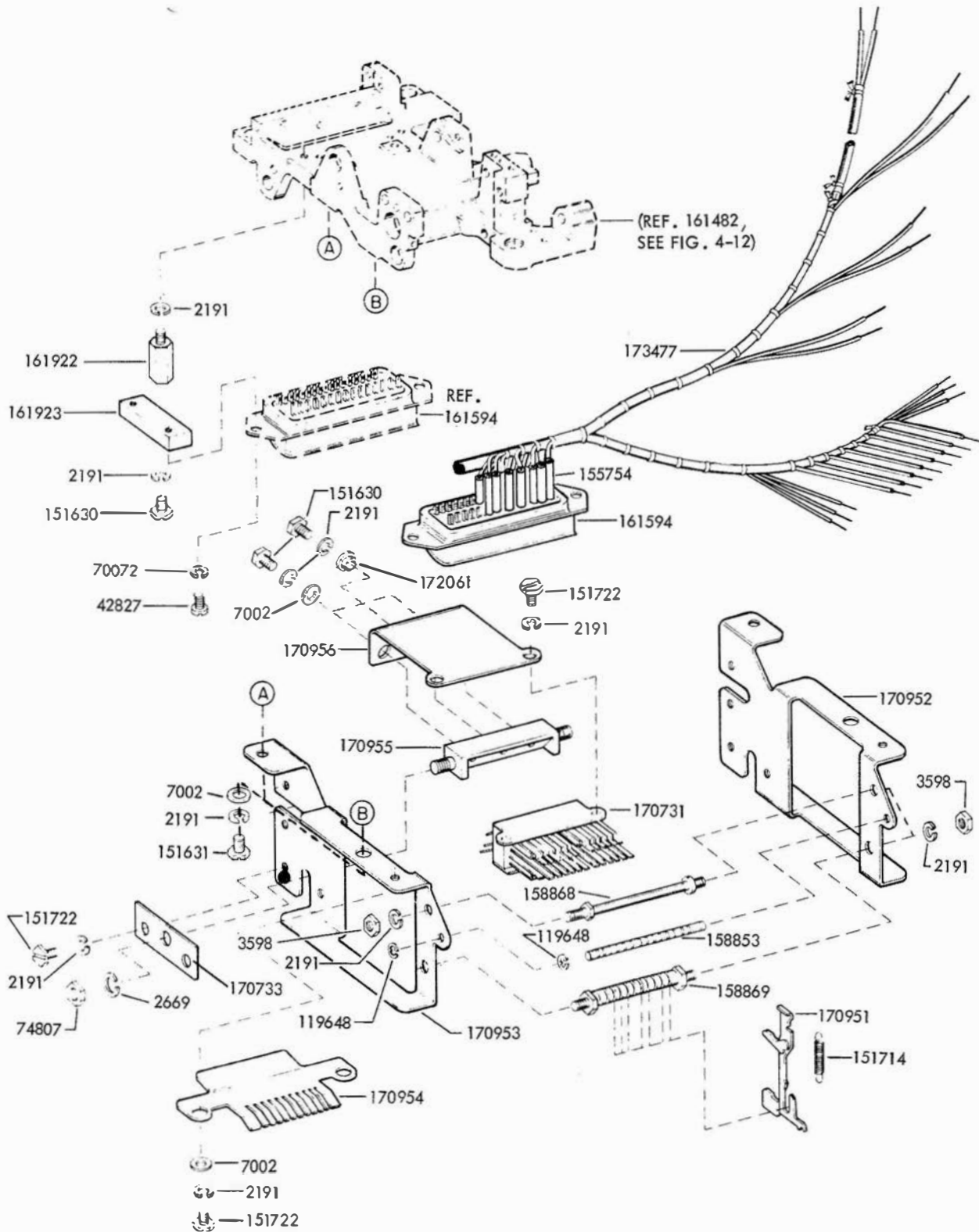


FIGURE 4-14. STORING SWITCH

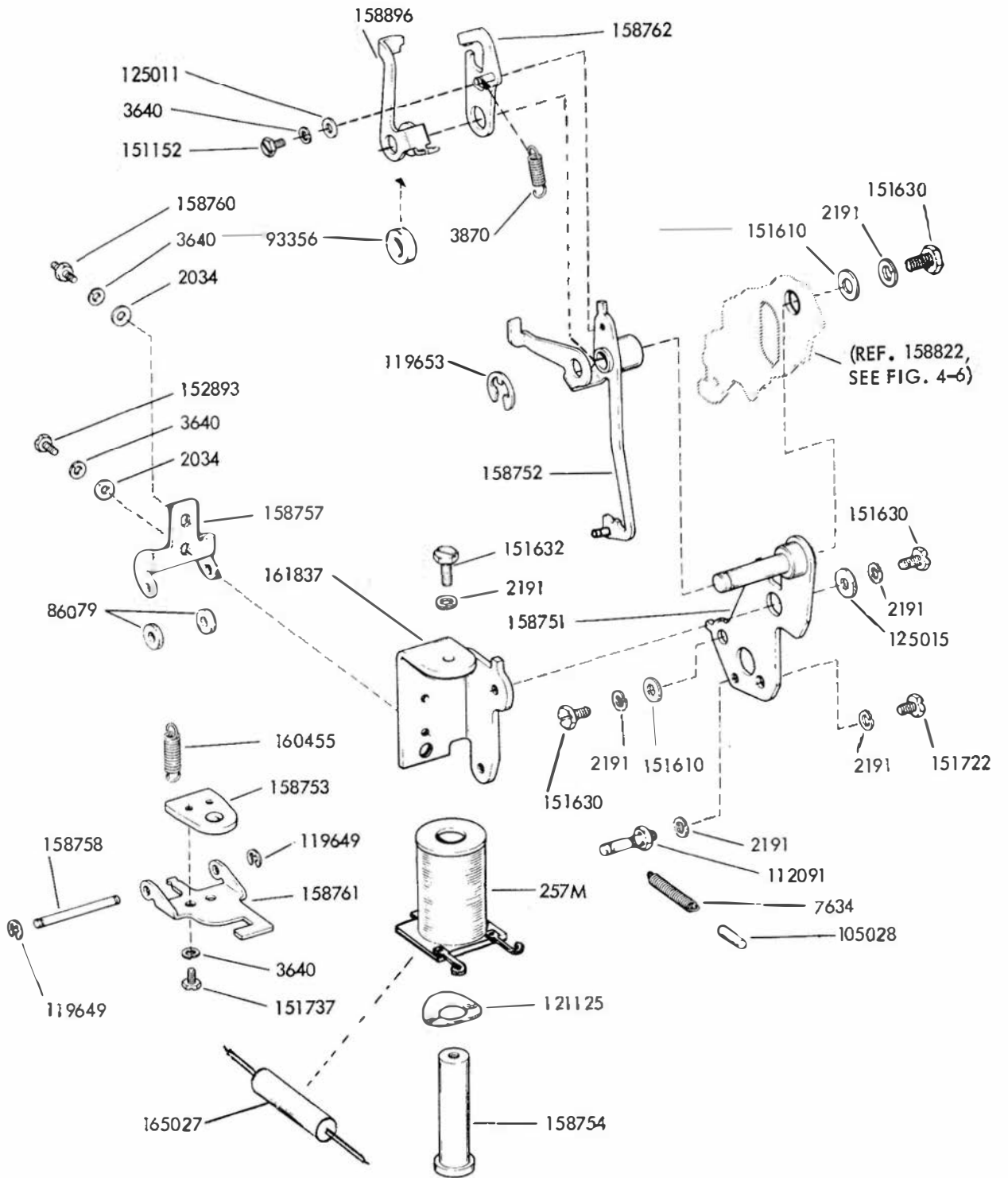
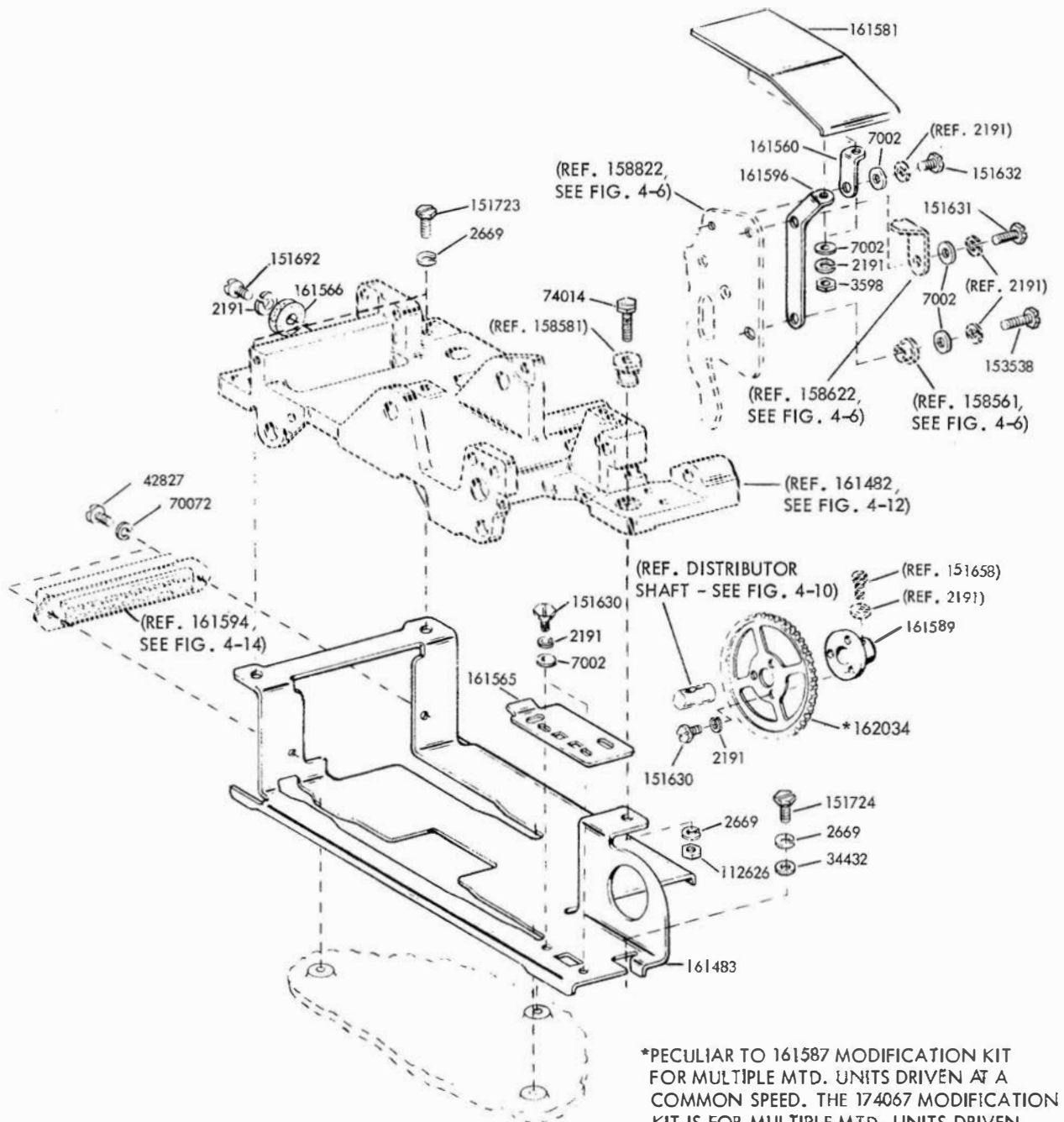


FIGURE 4-15. CLUTCH TRIP MECHANISM



*PECULIAR TO 161587 MODIFICATION KIT FOR MULTIPLE MTD. UNITS DRIVEN AT A COMMON SPEED. THE 174067 MODIFICATION KIT IS FOR MULTIPLE MTD. UNITS DRIVEN AT INDEPENDENT SPEEDS. SEE FIGURE 5-2 FOR APPLICABLE GEARS.

FIGURE 4-16. 161587 AND 174067 MODIFICATION KITS TO ADAPT A TRANSMITTER DISTRIBUTOR (LBXD) FOR MULTIPLE MOUNTING

NUMERICAL INDEX - SECTION 4

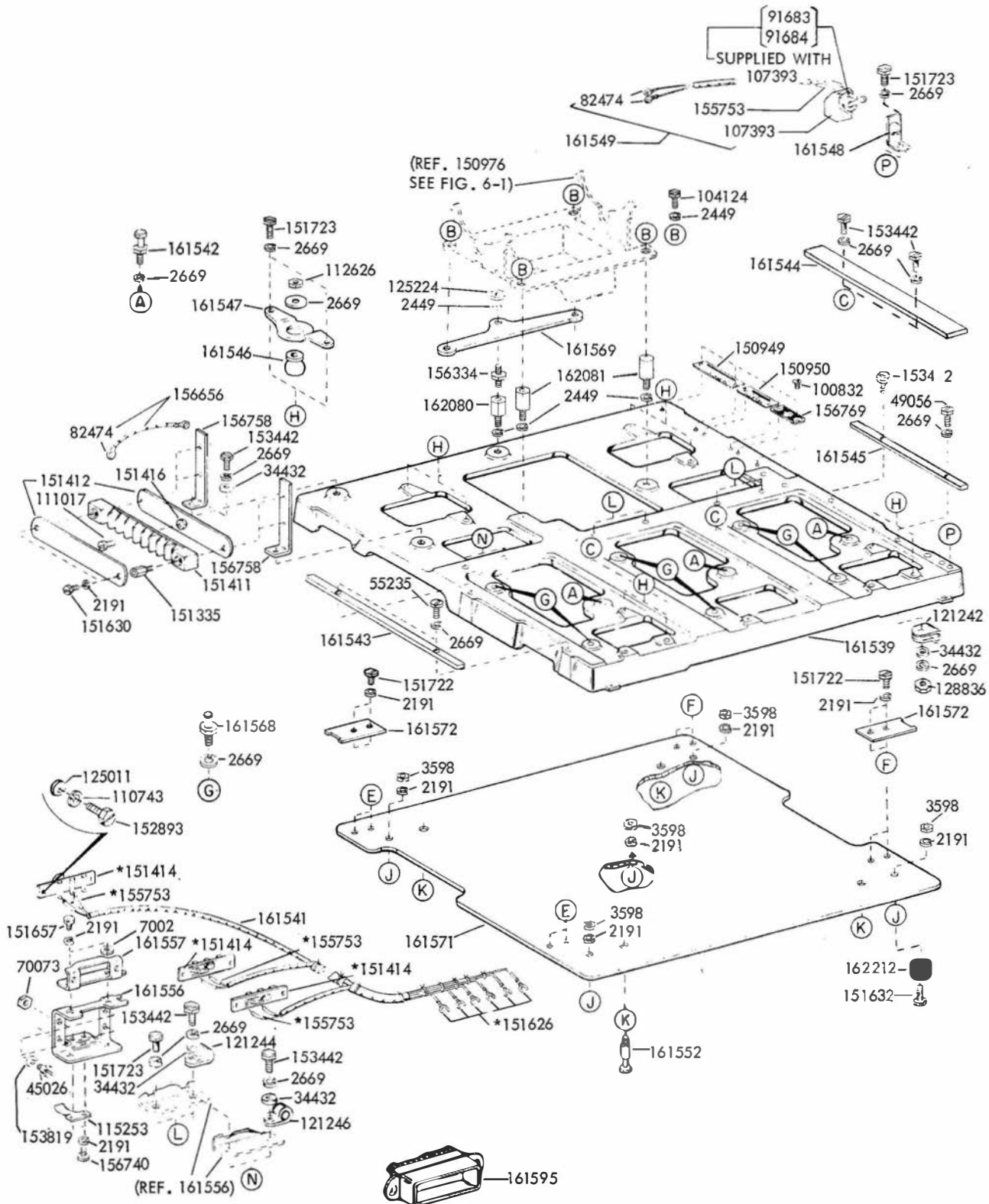
Part Number	Description and Page Number	Part Number	Description and Page Number	Part Number	Description and Page Number
257M	Coil, Magnet (200 Ohms) 4-15	112091	Post 4-15	151846	Post, Spring 4-4
2034	Washer, Flat 4-15	112626	Nut (10-32 Hex) 4-11, 4-16	151880	Nut (4-40 Hex) 4-3, 4-7, 4-8, 4-13
2191	Washer, Lock 4-2, 4-4, 4-5, 4-6, 4-7, 4-8, 4-9, 4-10, 4-12, 4-13, 4-14, 4-15, 4-16	112633	Spring 4-5	152441	Washer, Flat 4-7, 4-11
2539	Nut (3/8-32 Hex) 4-9	114107	Spring 4-5	152893	Screw (4-40x1/4 Hex) 4-2, 4-4, 4-5, 4-6, 4-8, 4-11, 4-15
2669	Washer, lock 4-11, 4-14, 4-16	115221	Washer, Felt 4-8	153538	Screw (6-40x7/16 Hex) 4-6, 4-8, 4-16
3595	Nut (1/4-32 Hex) 4-6	119647	Ring, Retaining 4-3, 4-4	154335	Screw (6-40x9/32 Fil) 4-9, 4-10
3598	Nut (6-40) 4-5, 4-7, 4-8, 4-12, 4-14, 4-16	119648	Ring, Retaining 4-3, 4-7, 4-12, 4-14	154694	Disk 4-9, 4-10
3599	Nut (4-40 Hex) 4-2, 4-3, 4-5	119649	Ring, Retaining 4-3, 4-5, 4-14, 4-15	155754	Sleeve, Insulating 4-14, 4-16
3606	Nut (6-40 Hex) 4-4	119650	Ring, Retaining 4-4	156549	Lid, Tape 4-3
3640	Washer, lock 4-2, 4-5, 4-10, 4-15	119652	Ring, Retaining 4-3, 4-7, 4-11	156551	Guide 4-3
3870	Spring 4-15	119653	Ring, Retaining 4-4, 4-15	156555	Plunger 4-3
6807	Screw (6-40x3/16 Set) 4-7	120489	Washer, Flat 4-4	156556	Bracket 4-2, 4-3
7002	Washer, Lock 4-2, 4-4, 4-5, 4-6, 4-7, 4-8, 4-9, 4-12, 4-13, 4-16	120824	Washer, Felt 4-9, 4-10	156558	Washer, Felt 4-3
7634	Spring 4-15	120870	Wick, Felt 4-9, 4-10	156560	Bail 4-3
8330	Washer, Flat 4-13	121125	Washer, Spring 4-15	156561	Shaft 4-3
34432	Washer, Flat 4-11	121248	Clamp, Cable 4-13	156577	Roller 4-4
41675	Washer, Flat 4-3	125011	Washer, Flat 4-2, 4-3, 4-5, 4-6, 4-7, 4-8, 4-11, 4-15	156636	Wheel, Feed 4-8
41732	Plate, Clamp 4-8	125015	Washer, Flat 4-15	156647	Lever, Stop-Start 4-3
42823	Washer, Flat 4-9, 4-10	125252	Spring, Latch 4-7	156673	Bail 4-3
42827	Screw (3-48x1/4 Fil) 4-14, 4-16	125802	Washer, Flat 4-8	156782	Nut, Detenting 4-8
60669	Spring 4-7	131099	Terminal 4-16	156857	Bail 4-4
70072	Washer, lock 4-14, 4-16	135003	Deflector, Tape 4-2	158502	Plate, Control 4-5
70388	Spring 4-4	136448	Spring 4-2	158506	Lever 4-4
70878	Spring 4-3	150013	Disk, Adjusting 4-9, 4-10	158521	Plate 4-2
72522	Wick, Felt 4-6	150026	Lever, Shoe 4-9, 4-10	158522	Pin, Sensing 4-7
73175	Washer, Lock 4-9, 4-10	150029	Wick, Felt 4-9, 4-10	158526	Lever, Feed 4-7
74707	Spring 4-7	150040	Screw (6-40x5/8 Fil) 4-9, 4-10	158527	Rod, Spring 4-7
74807	Nut, Shoulder (10-32 Hex) 4-14	150043	Sh e 4-9, 4-10	158531	Shaft 4-4
76275	Plate, Nut 4-8	150044	Shae 4-9, 4-10	158533	Bushing, Eccentric 4-4
81895	Post, Spring 4-4	150048	Spring 4-11	158535	Post 4-4
82547	Insulator (.094") 4-5, 4-8	150241	Spring 4-9, 4-10	158536	Plate 4-4
82548	Insulator (.062") 4-5, 4-8	150507	Spring 4-11	158539	Post 4-8
84575	Spring 4-11, 4-12	150923	Washer, Felt 4-7, 4-11	158540	Post 4-8
85318	Washer, Leather 4-6	151103	Spring 4-11	158542	Spring 4-7
85559	Washer, Flat 4-6	151152	Screw (4-40x3/16 Fil) 4-3, 4-11, 4-15	158544	Shaft 4-10
86079	Washer, Felt 4-15	151246	Washer, Flat 4-9	158554	Post 4-6
86959	Bushing 4-5, 4-8	151395	Spring 4-4	158556	Bracket 4-11
87402	Spring 4-4	151610	Washer, Flat 4-15	158557	Plate, Front 4-8
90436	Wick, Felt 4-6	151630	Screw (6-40x1/4 Hex) 4-4, 4-6, 4-8, 4-9, 4-10, 4-14, 4-15, 4-16	158559	Plate, Intermediate 4-8
90560	Washer, Flat 4-2	151631	Screw (6-40x5/16 Hex) 4-5, 4-6, 4-8, 4-9, 4-10, 4-14, 4-16	158560	Plate, Intermediate 4-6
90752	Washer, Felt 4-7	151632	Screw (6-40x3/8 Hex) 4-6, 4-8, 4-9, 4-12, 4-15, 4-16	158561	Bushing 4-6
90789	Washer, Flat 4-8	151633	Bearing, Ball 4-9, 4-10	158576	Bushing 4-6
90790	Washer, Flat 4-15	151637	Screw (4-40x1/4 Fil) 4-2	158581	Bushing 4-12, 4-16
93356	Washer, Felt 4-15	151658	Screw (6-40x5/16 Fil) 4-10	158583	Clip, Spring 4-4
93587	Washer, Flat 4-8	151692	Screw (6-40x3/16 Fil) 4-2, 4-6, 4-16	158585	Post 4-8
98832	Screw (4-40x1/16 Fil) 4-13	151693	Screw (6-40x9/16 Fil) 4-13	158622	Deflector 4-6
102092	Screw (6-40x1-17/32 Rd) 4-6	151714	Spring 4-14	158627	Plate 4-3
104451	Washer, Lock 4-6	151721	Screw (6-40x3/4 Hex) 4-13	158651	Plate 4-8
105028	Wick, Felt 4-15	151722	Screw (6-40x3/16 Hex) 4-5, 4-10, 4-14, 4-15	158751	Plate 4-15
110334	Screw, Sh ulder (4-40) 4-4	151723	Screw (10-32x3/8 Hex) 4-16	158752	Lever 4-15
110743	Washer, lock 4-3, 4-4, 4-5, 4-6, 4-7, 4-8, 4-9, 4-10, 4-11, 4-13	151728	Spring 4-9, 4-10	158753	Armature 4-15
111342	Spring 4-4	151733	Screw (4-40x9/16 Fil) 4-5, 4-8	158754	Core, Magnet 4-15
		151737	Screw (4-40x11/64 Hex) 4-9, 4-10, 4-15	158757	Hinge, Mounting 4-17
				158758	Shaft 4-15
				158760	Post 4-15
				158761	Bail 4-15
				158762	Lever 4-15
				158766	Screw, Contact 4-13
				158767	Guide, Lever 4-13
				158768	Terminal, Contact 4-13
				158770	Terminal 4-13
				158771	Shaft 4-12

NUMERICAL INDEX - SECTION 4 (Continued)

Part Number	Description and Page Number	Part Number	Description and Page Number	Part Number	Description and Page Number
158777	Holder 4-13	159738	Spacer 4-5	161587	Modification Kit 4-16
158778	Post, Spring 4-12	159800	Spring 4-13	161589	Hub 4-16
158779	Lever, Follower 4-12	160398	Spring, Contact 4-5	161594	Connector, Plug (36 Pt) 4-14, 4-16
158780	Guide, Lever 4-12	160399	Spring, Contact 4-5	161596	Bracket 4-16
158781	Rocker, Contact 4-13	160400	Contact Assembly 4-5	161837	Bracket 4-15
158785	Block, Distributor Contact 4-13	160401	Brocket 4-5	161922	Post 4-14
158786	Roller 4-7, 4-11	160402	Bracket 4-5	161923	Strip 4-14
158788	Clamp, Bearing 4-9, 4-10	160455	Spring 4-15	162034	Gear (96T) 4-16
158789	Plug 4-6	160544	Shaft 4-4	162354	Reservoir, Oil 4-6
158794	Spacer 4-9, 4-10	160545	Post, Guide 4-4	162592	Modification Kit 4-2
158795	Plate, Mounting 4-9, 4-10	160546	Post 4-4	163011	Gear (23T) 4-6
158797	Drum, Clutch 4-9, 4-10	160548	Bail 4-4	163012	Gear (46T) 4-9, 4-10
158805	Lever, Feed Cam Follower 4-7	160549	Bail 4-5	163363	Stud 4-6
158816	Spring, Contact 4-8	160551	Arm, Rear Slide 4-5	164467	Post, Eccentric 4-3
158822	Plate, Rear 4-6	160552	Arm, Front Slide 4-5	164468	Boil 4-3
158830	Guide, Sensing Lever 4-11	160556	Stud 4-5	164469	Post 4-3
158831	Boil, Sensing 4-11	160557	Arm 4-5	164470	Bracket 4-3
158832	Shaft, Eccentric 4-11	160558	Arm 4-5	164471	Brocket 4-3
158833	Lever, Auxiliary 4-11	160562	Screw (6-40x31/32 Spl) 4-6	165027	Network, Spark Suppression 4-8, 4-13, 4-15
158834	Lever, Slide Latch 4-11	160563	Wick, Leather 4-6	170731	Contact Assembly 4-14
158839	Shaft, Sensing 4-9	160564	Stiffener 4-6	170733	Plate, Bottom 4-14
158846	Post, Spring 4-8	160566	Bracket, Mounting 4-6	170776	Shaft, Eccentric 4-11
158847	Clamp, Bearing 4-9, 4-10	160583	Spring, Contact 4-8	170951	Slide 4-14
158848	Lever, Pusher (Sensing) 4-11	160590	Bracket 4-8	170952	Plate, Rear Side 4-14
158849	Lever, Pusher (Auxiliary) 4-11	160591	Bracket, Spring 4-8	170953	Plate, Front Side 4-14
158850	Bearing, Clutch 4-9, 4-10	160592	Bail 4-4	170954	Guide 4-14
158852	Collar 4-7	160593	Terminal, Contact 4-5, 4-8	170955	Bar, Support 4-14
158853	Post, Spring 4-14	160594	Contact Assembly, Tape Out 4-8	170956	Bracket, Contact 4-14
158859	Post 4-6, 4-12	160595	Pin, Tape Out 4-7	172061	Bushing, Shoulder 4-14
158860	Bar 4-6	160596	Spring 4-7	172764	Guide, Left 4-3
158868	Post 4-14	161148	Retainer 4-11	173477	Cable Assembly 4-14
158869	Shaft 4-14	161149	Wick, Oil 4-11	174067	Modification Kit 4-16
158882	Brocket 4-13	161325	Bail 4-7	174229	Sleeve, Cam (7.00 Code) 4-10
158883	Spring 4-13	161326	Bail 4-7	174455	Pawl, Feed 4-4
158895	Clip, Wick 4-10	161328	Shaft, Pivot 4-7	176565	Sleeve, Cam (7.42 Code) 4-10
158896	Lever 4-15	161440	Spring 4-3	176566	Sleeve, Cam 4-9
158926	Screw (4-40x7/32 Hex) 4-9, 4-10	161482	Coasting, Main 4-12	178766	Sleeve, Cam (7.50 Code) 4-10
159293	Arm 4-4	161483	Cradle 4-16		
159347	Boil 4-4	161560	Bracket 4-16		
		161565	Plate, Locating 4-16		
		161566	Bushing 4-16		
		161581	Cover 4-16		

SECTION 5

MULTIPLE TRANSMITTER DISTRIBUTOR UNIT



*PART OF 161541

FIGURE 5-1. MULTIPLE TRANSMITTER DISTRIBUTOR BASE

GEAR CHART FOR MULTIPLE MOUNTED UNITS OPERATING AT A COMMON SPEED						
Unit Code	7.00			7.42		
Baud OPM	5.5 390	50 428	75 643	45.5 368	56.9 460	74.2 600
Motor Gear Set:	173592:	179212:	173589:	162035:	162038:	16201:
(A) Pinion	173594 - 39T	179213 - 40T	173591 - 45T	162036-27T	162039 - 24T	162042 - 30T
(B) Gear	173593 - 180T	179214 - 168T	173590 - 126T	162037-132T	162040 - 94T	162043 - 90T
Associated Gears:						
(C) Cross - Shaft Gear	162033 - 48T	162033 - 48T	162033 - 48T	162033 - 48T	162033 - 48T	162033 - 48T
(D) TD Gear	162034 - 96T	162034 - 96T	162034 - 96T	162034 - 96T	162034 - 96T	162034 - 96T

GEAR CHART FOR MULTIPLE MOUNTED UNITS OPERATING AT INDEPENDENT SPEEDS							
Unit Code	7.00		7.42		7.42 - 7.50	7.50	
Baud OPM	45.5 390	74.2 636	45.5 368	56.9 460	74.2 - 75 600	45.5 364	50 400
Motor Gear Set:	172776:	172776:	172776:	172776:	172776:	172776:	172776:
(A) Pinion	172778 - 26T	172778 - 26T	172778 - 26T	172778 - 26T	172778 - 26T	172778 - 26T	172778 - 26T
(B) Gear	172777 - 104T	172777 - 104T	172777 - 104T	172777 - 104T	172777 - 104T	172777 - 104T	172777 - 104T
Gear Set:	178369:	178366:	172767:	172770:	172773:	178821:	178824:
(C) Cross - Shaft Gear	179060 - 52T	178367 - 82T	172768 - 36T	172771 - 48T	172774 - 52T	178819 - 0T	178822 - 0T
(D) TD Gear	179061 - 120T	178368 - 116T	172769 - 88T	172772 - 94T	172775 - 78T	178820 - 99T	178823 - 90T

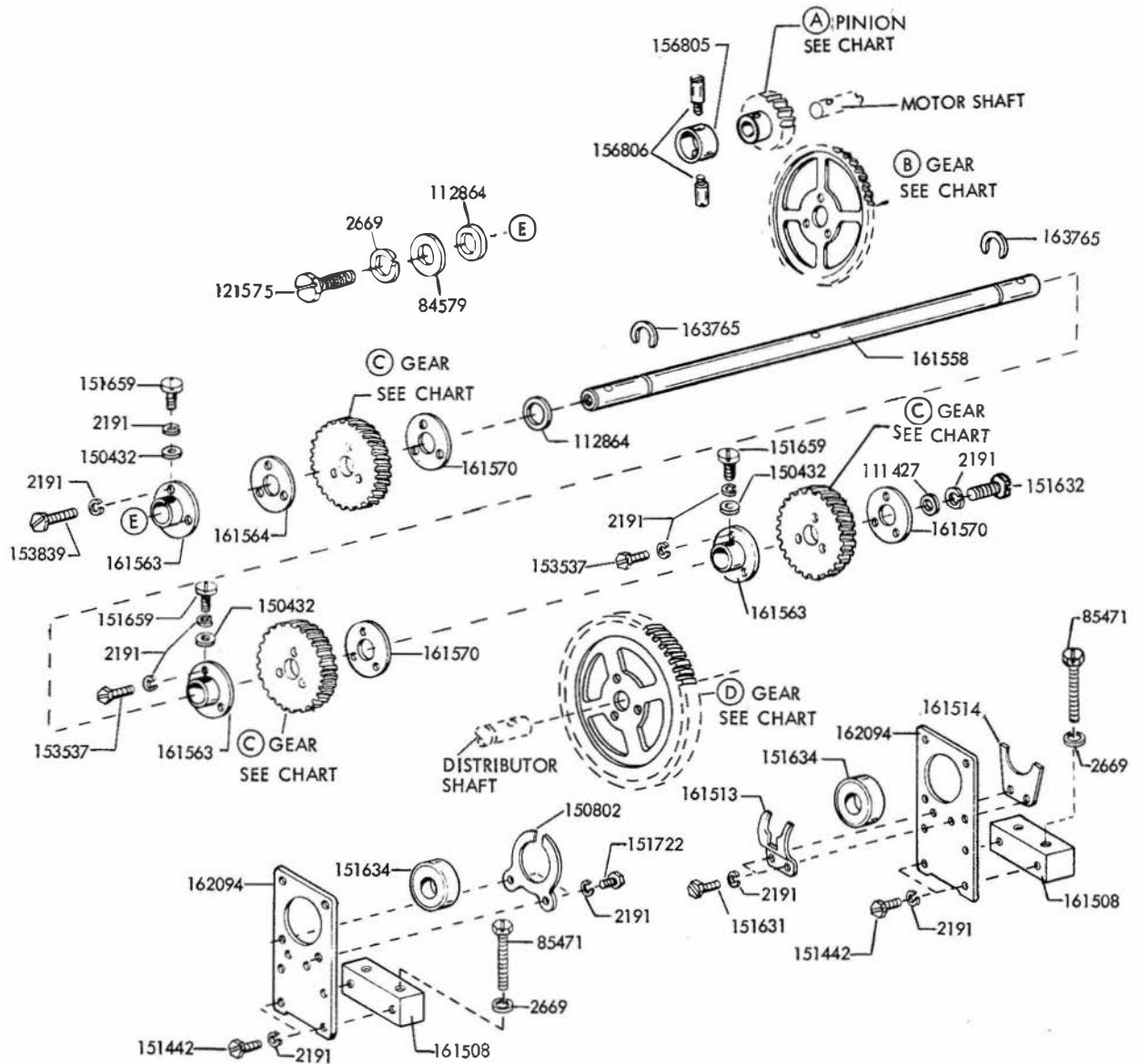


FIGURE 5-2. DRIVING SHAFT MECHANISM - MULTIPLE MOUNTED UNITS

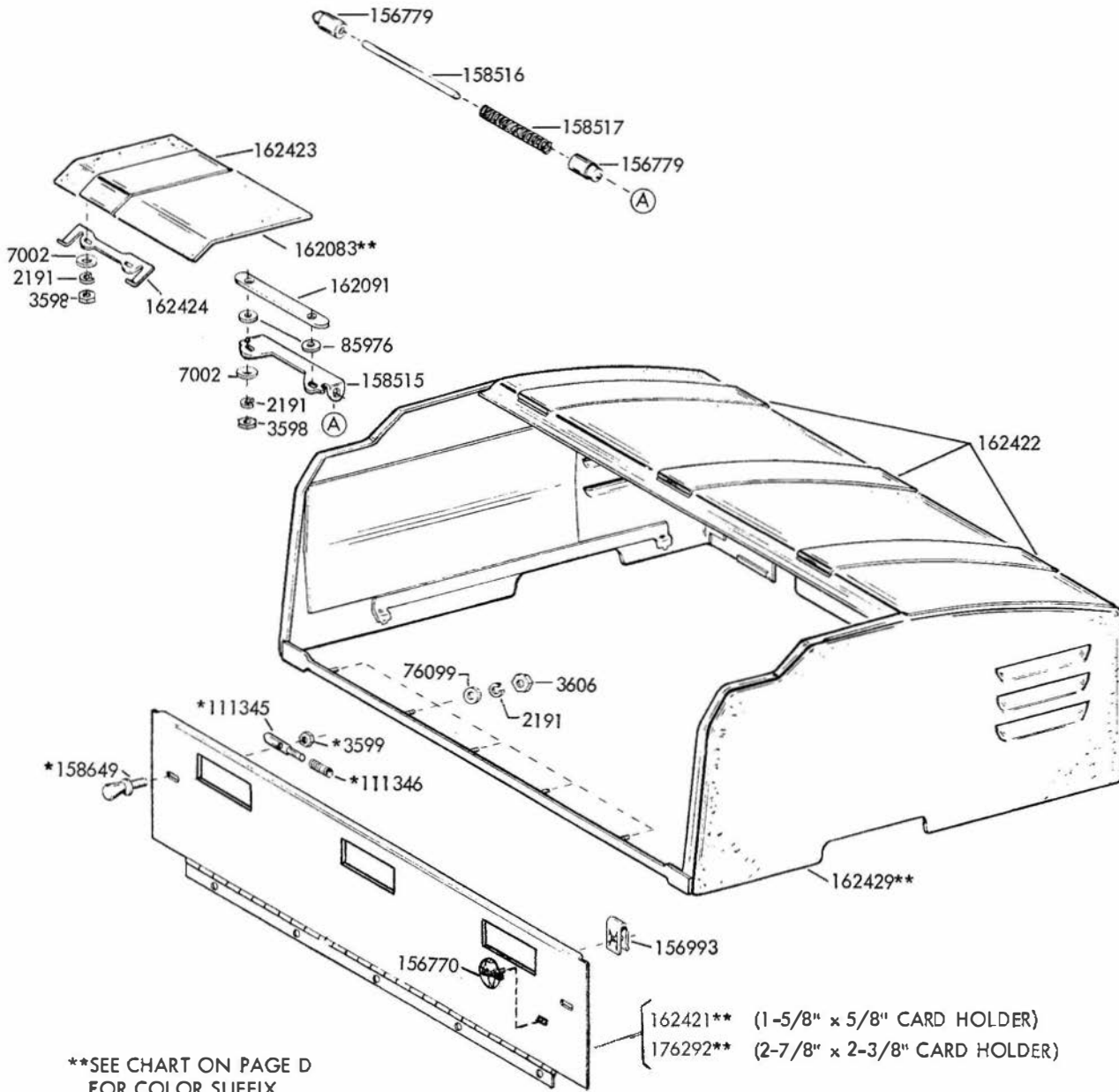


FIGURE 5-3. COVER FOR MULTIPLE MOUNTED UNITS

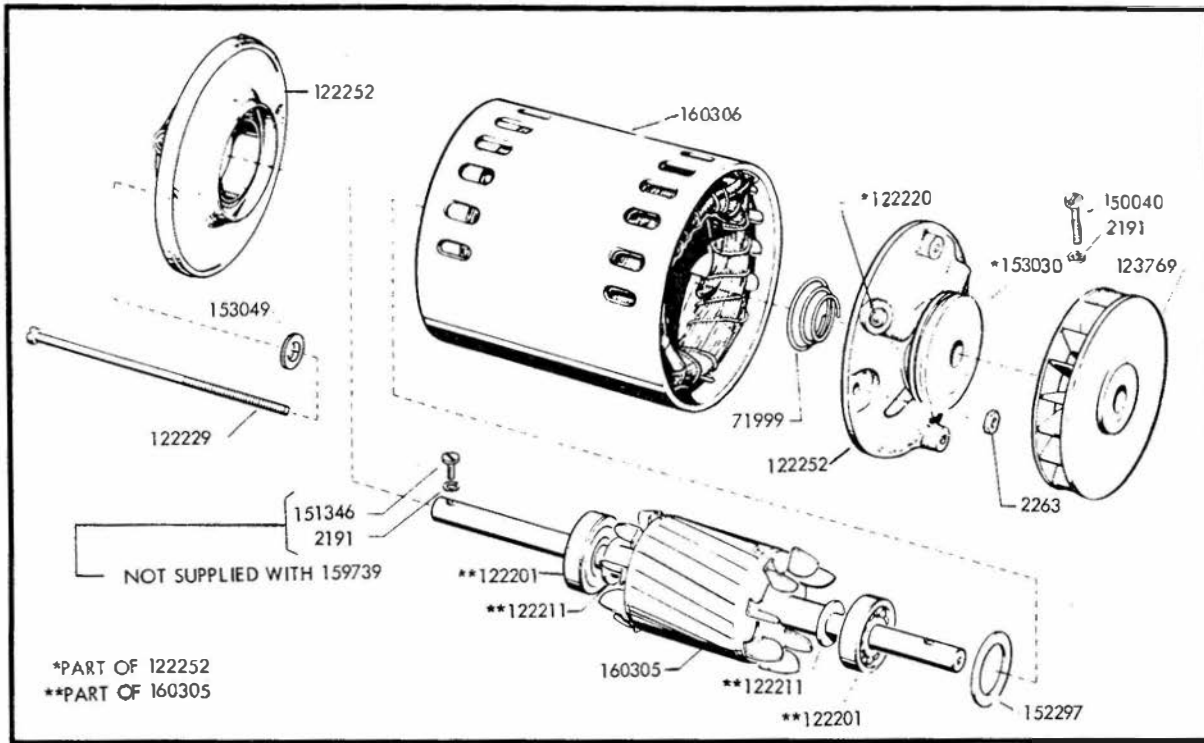
NUMERICAL INDEX - SECTION 5

Part Number	Description and Page Number	Part Number	Description and Page Number	Part Number	Description and Page Number
2191	Washer, Lock 5-2, 5-3, 5-4	151632	Screw (6-40x3/8 Hex) 5-2, 5-3	162033	Gear (48T) 5-3
2449	Washer, Lock 5-2	151634	Bearing, Ball 5-3	162034	Gear (96T) 5-3
2669	Washer, Lock 5-2, 5-3	151657	Screw (6-40x1/4 Fil) 5-2	162035	Gear Set 5-3
3598	Nut (6-40 Hex) 5-2, 5-4	151659	Screw (6-40x1/2 Fil) 5-3	162036	Pinion (27T) 5-3
3599	Nut (4-40 Hex) 5-4	151722	Screw (6-40x3/16 Hex) 5-2, 5-3	162037	Gear (132T) 5-3
3606	Nut (6-40 Hex) 5-4			162038	Gear Set 5-3
7002	Washer, Flat 5-2, 5-4	151723	Screw (10-32x3/8 Hex) 5-2	162039	Pinion (24T) 5-3
34432	Washer, Flat 5-2	152893	Screw (4-40x1/4 Hex) 5-2	162040	Gear (94T) 5-3
45026	Screw, Shoulder (3-48) 5-2	153442	Screw (10-32x1/2 Hex) 5-2	162041	Gear Set 5-3
49056	Screw (10-32x7/8 Hex) 5-2	153537	Screw (6-40x9/32 Hex) 5-3	162042	Pinion (30T) 5-3
55235	Screw (10-32x1/2 Fil) 5-2	153819	Washer, Lock 5-2	162043	Gear (90T) 5-3
70073	Nut (3-48 Hex) 5-2	153839	Screw (6-40x5/8 Hex) 5-3	162080	Stud 5-2
76099	Washer, Flat 5-4	155753	Sleeve, Insulating 5-2	162081	Stud 5-2
82474	Terminal 5-2	156334	Stud 5-2	162083**	Plate, Cover 5-4
84579	Washer, Flat 5-3	156656	Jumper w/Terminal 5-2	162091	Spacer 5-4
85471	Screw (10-32x1 Hex) 5-3	156740	Screw (6-40x7/32 Hex) 5-2	162094	Plate, Bearing Mounting 5-3
85976	Spacer 5-4	156758	Bracket 5-2	162212	Bumper 5-2
91683	Nut (15/32-32 Hex) 5-2	156769	Plate, Identification 5-2	162421**	Panel w/Latch 5-4
91684	Nut (15/32-32 Ring) 5-2	156770	Plate, Identification (Teletype) 5-4	162422	Strip, Cover 5-4
100832	Screw, Drive 5-2			162423	Strip, Cover 5-4
104124	Screw (1/4-32x11/32 Hex) 5-2	156779	Plunger 5-4	162424	Plate, Spring 5-4
		156805	Retainer, Pinion 5-3	162429**	Cover 5-4
107393	Switch 5-2	156806	Post 5-3	163765	Ring, Retaining 5-3
110743	Washer, Flat 5-2	156993	Nut, Speed 5-4	172767	Gear Set 5-3
111017	Screw (6-40x5/16 Fil) 5-2	158515	Bracket 5-4	172768	Gear (36T) 5-3
111345	Bolt 5-4	158516	Rod 5-4	172769	Gear (88T) 5-3
111346	Spring 5-4	158517	Spring 5-4	172770	Gear Set 5-3
111427	Washer, Flat 5-3	158649	Screw, Thumb (4-40) 5-4	172771	Gear (48T) 5-3
112626	Nut (10-32 Hex) 5-2	161508	Bar, Mounting Plate 5-3	172772	Gear (94T) 5-3
112864	Washer, Flat 5-3	161513	Clamp 5-3	172773	Gear Set 5-3
115253	Spring 5-3	161514	Plate 5-3	172774	Gear (52T) 5-3
121242	Clamp, Cable (1/8" I.D.) 5-2	161539	Base 5-2	172775	Gear (78T) 5-3
		161541	Cable Assembly 5-2	172776	Gear Set 5-3
121244	Clamp, Cable (1/4" I.D.) 5-2	161542	Post 5-2	172777	Gear (104T) 5-3
		161543	Bar 5-2	172778	Pinion (26T) 5-3
121246	Clamp, Cable (3/8" I.D.) 5-2	161544	Bar 5-2	173589	Gear Set 5-3
		161545	Bar 5-2	173590	Gear (126T) 5-3
121575	Screw (10-32x5/16 Hex) 5-3	161546	Mount, Vibration 5-2	173591	Pinion (45T) 5-3
		161547	Plate 5-2	173592	Gear Set 5-3
125011	Washer, Flat 5-2	161548	Bracket 5-2	173593	Gear (180T) 5-3
125224	Nut (1/4-32 Hex) 5-2	161549	Cable Assembly 5-2	173594	Pinion (39T) 5-3
128836	Nut (10-32 Hex) 5-2	161552	Screw, Shoulder (10-32) 5-2	176292**	Panel w/Latch 5-4
150432	Washer, Flat 5-3			178366	Gear Set 5-3
150802	Retainer, Bearing 5-3	161556	Bracket, Connector 5-2	178367	Gear (82T) 5-3
150949	Plate, Identification 5-2	161557	Bracket, Switch 5-2	178368	Gear (116T) 5-3
150950	Plate, Identification 5-2	161558	Shaft 5-3	178369	Gear Set 5-3
151335	Stud 5-2	161563	Hub 5-3	178819	Gear (40T) 5-3
151411	Block, Terminal 5-2	161564	Spacer 5-3	178820	Gear (99T) 5-3
151412	Insulator 5-2	161568	Stud, Location 5-2	178821	Gear Set 5-3
151414	Switch, Sensitive 5-2	161569	Plate 5-2	178822	Gear (40T) 5-3
151416	Nut (6-40 Hex) 5-2	161570	Plate, Nut 5-3	178823	Gear (90T) 5-3
151442	Screw (6-40x1/2 Hex) 5-3	161571	Plate, Oil 5-2	178824	Gear Set 5-3
151626	Terminal 5-2	161572	Plate 5-2	179060	Gear (52T) 5-3
151630	Screw (6-40x1/4 Hex) 5-2	161595	Connector, Receptacle (36 Pt) 5-2	179061	Gear (120T) 5-3
151631	Screw (6-40x5/16 Hex) 5-3			179212	Gear Set 5-3
				179213	Pinion (40T) 5-3
				179214	Gear (168T) 5-3



SECTION 6

MOTOR UNIT



159739 (1/12 H.P., 115V/1/60 Cycle, A.C. Synchronous Motor (G.E. Model 55C19LG10))

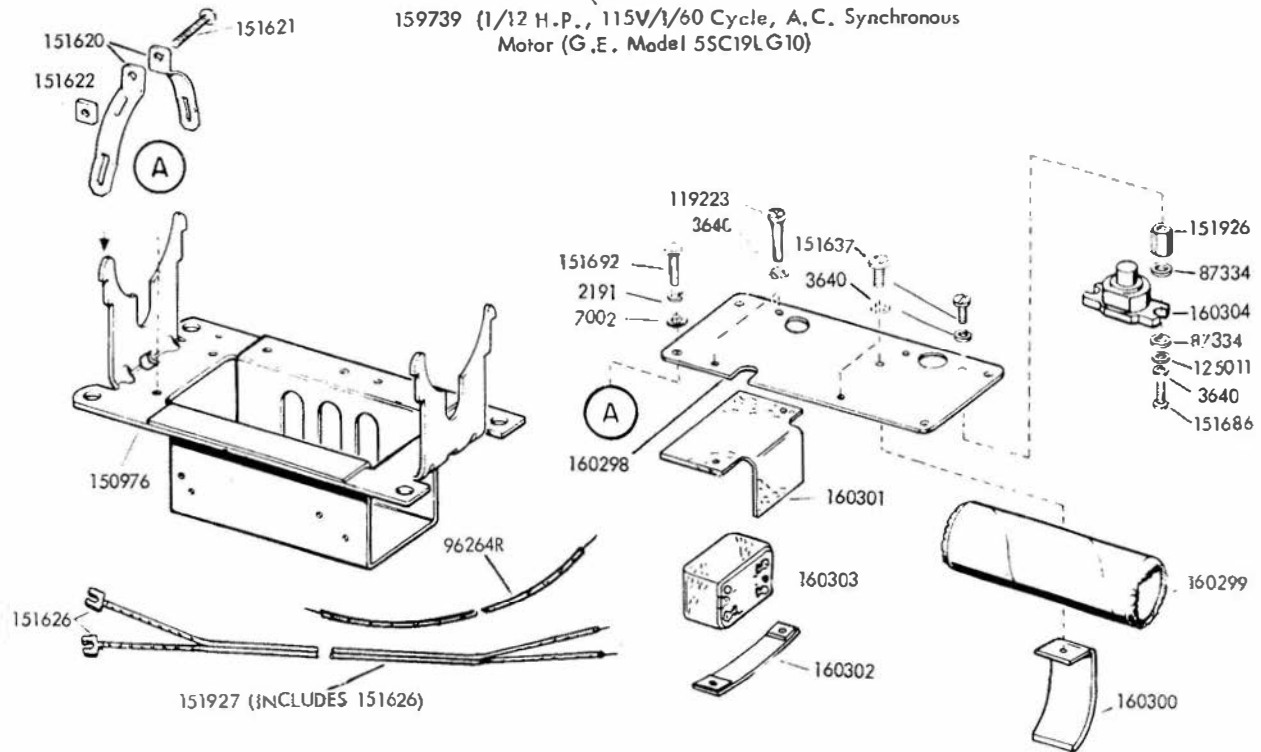
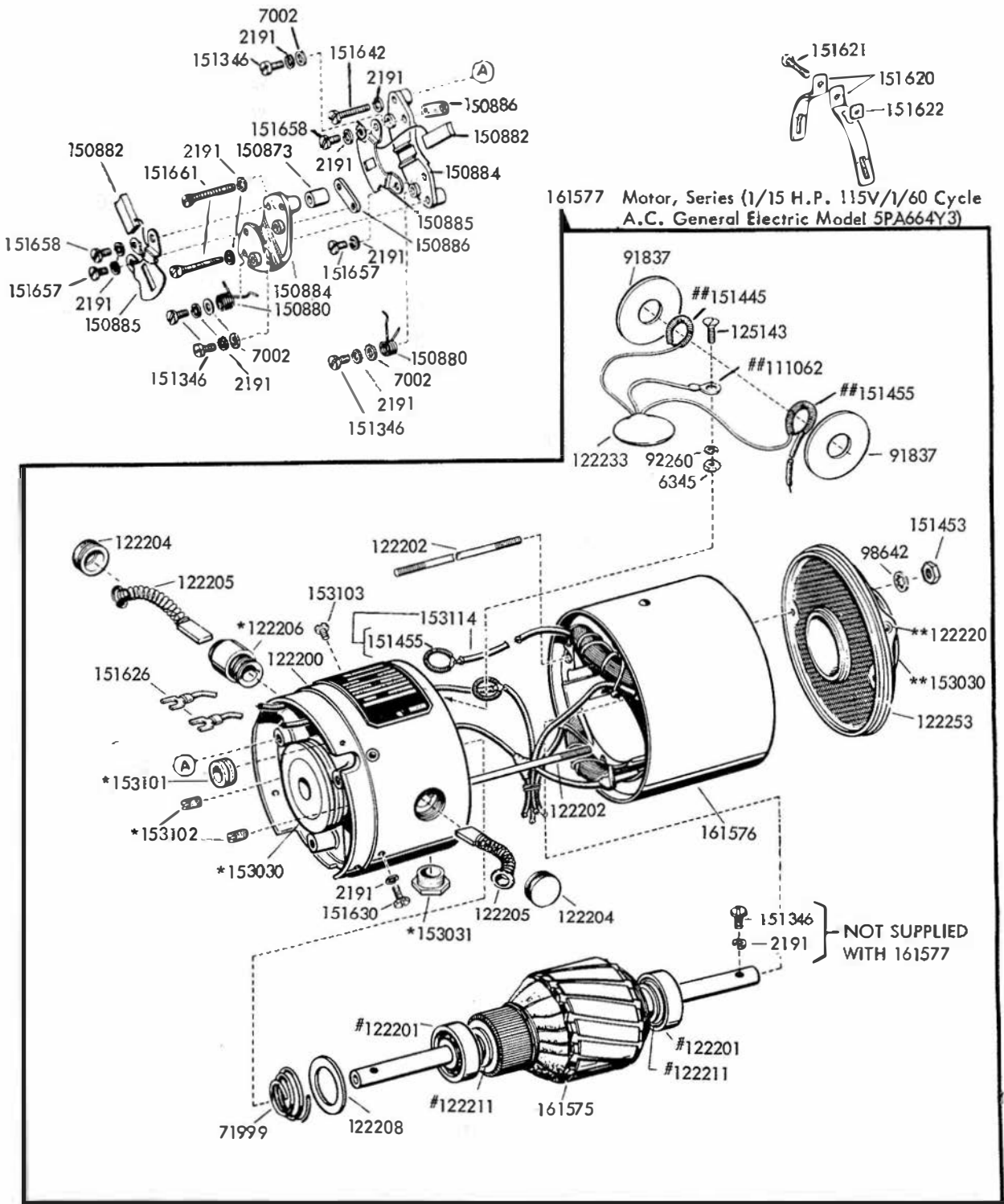


FIGURE 6-1. LMU12 SYNCHRONOUS MOTOR UNIT



*PART OF 122200 # PART OF 161575
**PART OF 122253 ## PART OF 122233

FIGURE 6-2. SERIES MOTOR FOR LMU14 MOTOR UNIT

FIGURE 6-3. 150845 GOVERNOR ASSEMBLY FOR LMU14 MOTOR UNIT

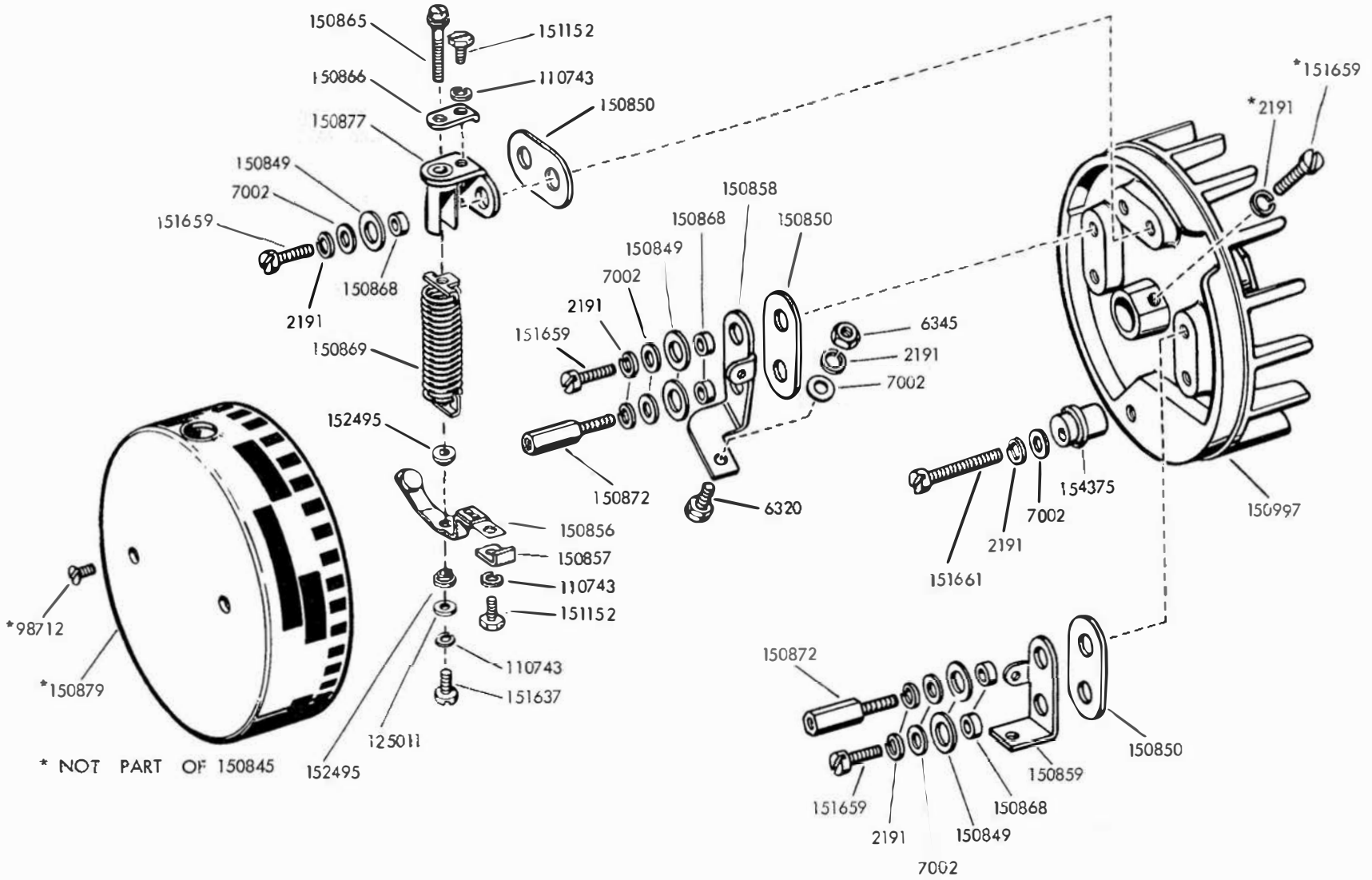
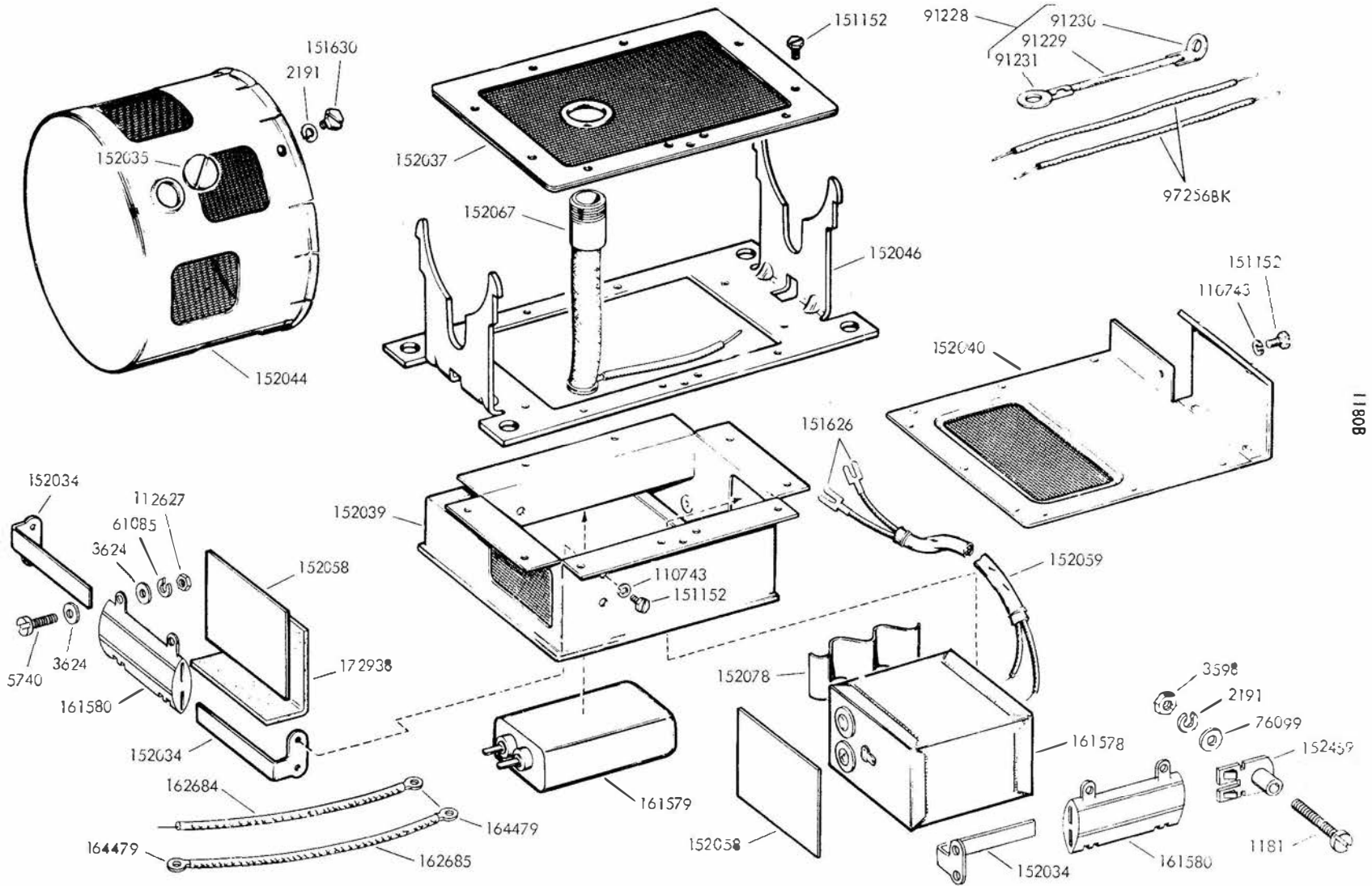


FIGURE 6-4. SERIES MOTOR MOUNTING PARTS WITH RF SUPPRESSION FOR LMU14 MOTOR UNIT



NUMERICAL INDEX - SECTION 6

Part Number	Description and Page Number	Part Number	Description and Page Number	Part Number	Description and Page Number
1181	Screw (6-40x5/8 Fil) 6-5	150845	Governor Assembly 6-4	151692	Screw (6-40x3/16 Fil) 6-2
2191	Washer, lock 6-2, 6-3, 6-4, 6-5	150849	Washer, Insulating 6-4	151926	Nut (4-40 Hex) 6-2
2263	Nut (8-32 Hex) 6-2	150850	Plate, Insulating 6-4	151927	Cable Assembly 6-2
3598	Nut (6-40 Hex) 6-5	150856	Arm, Contact 6-4	152034	Bracket, Resistor 6-5
3624	Washer, Flat 6-5	150857	Clamp, Contact Arm 6-4	152035	Plug 6-5
3640	Washer, lock 6-2	150858	Bracket, Contact 6-4	152037	Cover, Container 6-5
5740	Screw (2-56x1/4 Fil) 6-5	150859	Bracket 6-4	152039	Container 6-5
6320	Screw, Contact 6-4	150865	Screw, Clamping (4-40) 6-4	152040	Lid, Container 6-5
6345	Nut (6-32 Hex) 6-3, 6-4	150866	Clomp 6-4	152044	Cover, Governor 6-5
7002	Washer, Flat 6-2, 6-3, 6-4	150868	Bushing, Insulating 6-4	152046	Bracket, Motor Mounting 6-5
61085	Washer, lock 6-5	150869	Spring, Governor 6-4		
71999	Spring, Motor Thrust 6-2, 6-3	150872	Stud 6-4	152058	Separator 6-5
76099	Washer, Flat 6-5	150873	Spacer 6-3	152059	Cable Assembly 6-5
87334	Washer, Insulating 6-2	150877	Bracket 6-4	152067	Nipple 6-5
91228	Strop w/Terminals 6-5	150879	Cover, Governor 6-4	152078	Spring, Separator 6-5
91229	Strop 6-5	150880	Spring, Governor Brush 6-3	152297	Washer, Flat 6-2
91230	Terminal 6-5	150882	Brush 6-3	152459	Bracket, Resistor 6-5
91231	Terminal 6-5	150884	Mounting, Brush 6-3	152495	Bushing 6-4
91837	Washer, Fiber 6-3	150885	Plate, Brush 6-3	153030	Mount, Vibration 6-2, 6-3
92260	Washer, lock 6-3	150886	Plate, Clomp 6-3	153031	Bushing, Lead 6-3
96257BK	Strop (2-3/4" Block) 6-5	150976	Bracket, Motor 6-2	153101	Grommet 6-3
96264R	Strop (5" Red) 6-2	150997	Fan, Governor 6-4	153102	Screw, Set (8-32) 6-3
98642	Washer, lock 6-3	151152	Screw (4-40x3/16 Hex) 6-4, 6-5	153103	Screw, Self Topping 6-3
98712	Screw (4-40x7/32 Flat) 6-4	151346	Screw (6-40x3/8 Fil) 6-2, 6-3	153114	Wire Assembly 6-3
110743	Washer, lock 6-4, 6-5			154375	Backstop 6-4
111062	Terminal 6-3	151453	Nut (10-32 Hex) 6-3	159739	Motor, Synchronous 6-2
112627	Nut (2-56 Hex) 6-5	151455	Spring, Helical Clip 6-3	160298	Plate, Mounting 6-2
119223	Screw (4-40x1-15/32 Fil) 6-2	151620	Strap, Motor Mounting 6-2, 6-3	160299	Capacitor 6-2
122200	Shield, End 6-3	151621	Screw (6-32x3/4 Rd) 6-2, 6-3	160300	Clamp 6-2
122201	Bearing, Ball 6-2, 6-3			160301	Plate, Insulating 6-2
122202	Bolt, Clamping 6-3	151622	Nut (6-32 Sq) 6-2, 6-3	160302	Plate, Nut 6-2
122204	Cap, Brush 6-3	151626	Terminal 6-2, 6-3, 6-5	160303	Relay 6-2
122205	Brush w/Spring 6-3	151630	Screw (6-40x1/4 Hex) 6-3, 6-5	160304	Switch, Thermostatic 6-2
122206	Holder, Brush 6-3			160305	Rotor, Motor 6-2
122208	Washer, Flat 6-3	151637	Screw (4-40x1/4 Fil) 6-2, 6-4	160306	Stator, Motor 6-2
122211	Washer, Pull 6-2, 6-3			161575	Armature, Motor 6-3
122220	Oiler, Ball 6-2, 6-3	151642	Screw (6-40x3/4 Fil) 6-3	161576	Stator 6-3
122229	Bolt, Clamping 6-2	151657	Screw (6-40x1/4 Fil) 6-3	161577	Motor, Series 6-3
122233	Capacitor Assembly 6-3	151658	Screw (6-40x5/16 Fil) 6-3	161578	Suppressor, Electrical Noise 6-5
122252	Shield, End 6-2			161579	Capacitor 6-5
122253	Shield, End 6-3	151659	Screw (6-40x1/2 Fil) 6-4	161580	Resistor (500 Ohms) 6-5
123769	Fan, Motor 6-2	151661	Screw (6-40x1 Fil) 6-3, 6-4	162684	Jumper (2-3/4" White) 6-5
125011	Washer, Flat 6-2, 6-4			162685	Jumper (4" White) 6-5
125143	Screw (6-32x5/16 Flat) 6-3	151686	Screw (4-40x3/8 Fil) 6-2	164479	Terminal 6-5
150040	Screw (6-40x5/8 Fil) 6-2			172938	Insulator 6-5

SECTION 7

TAPE WINDER

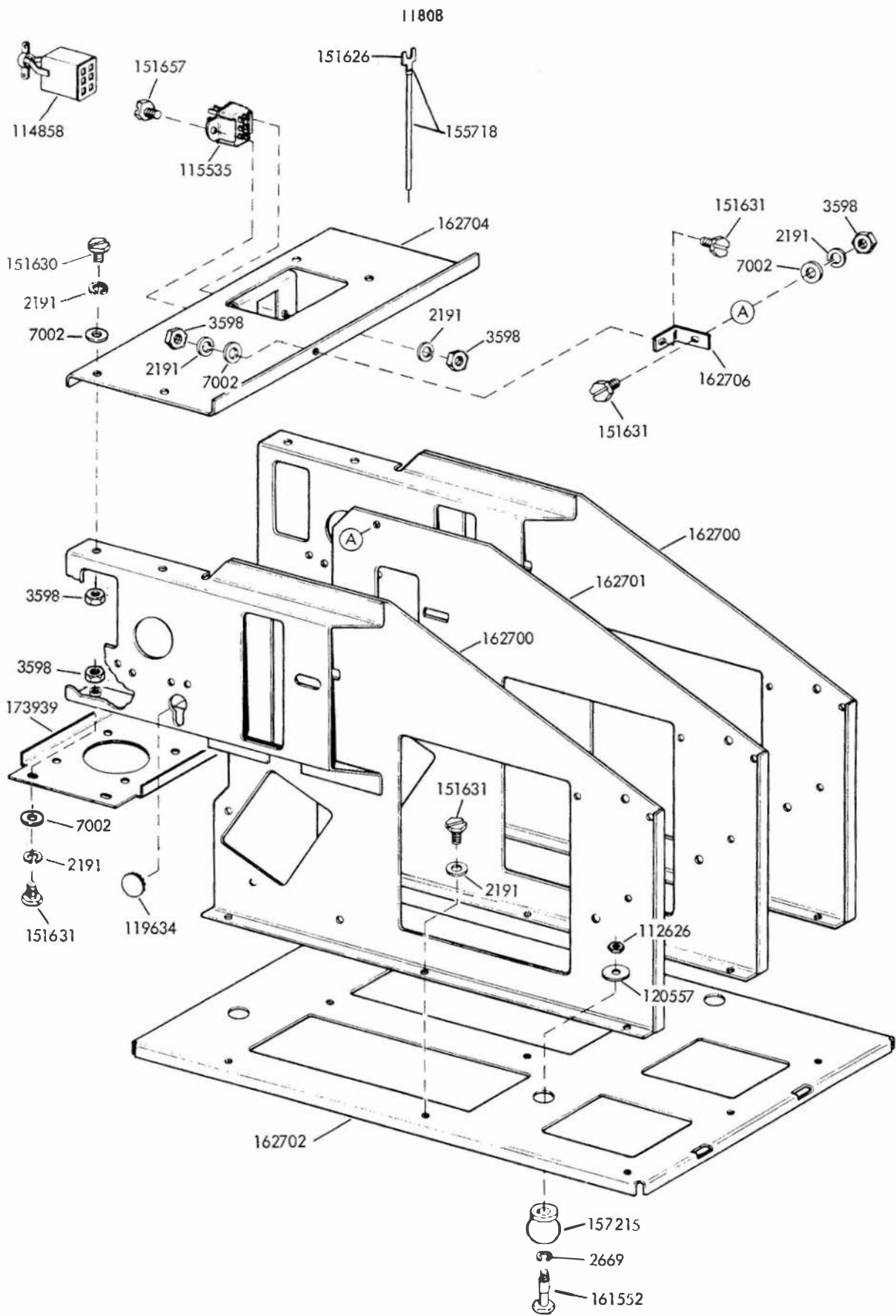
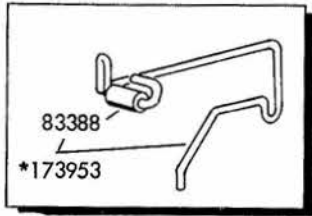


FIGURE 7-1. BASE AND BRACKET ASSEMBLY



*Replaces the Standard Tape Winder Guide (162716) when winder accommodates Typing Reperforators installed on lower shelf of Cabinet.

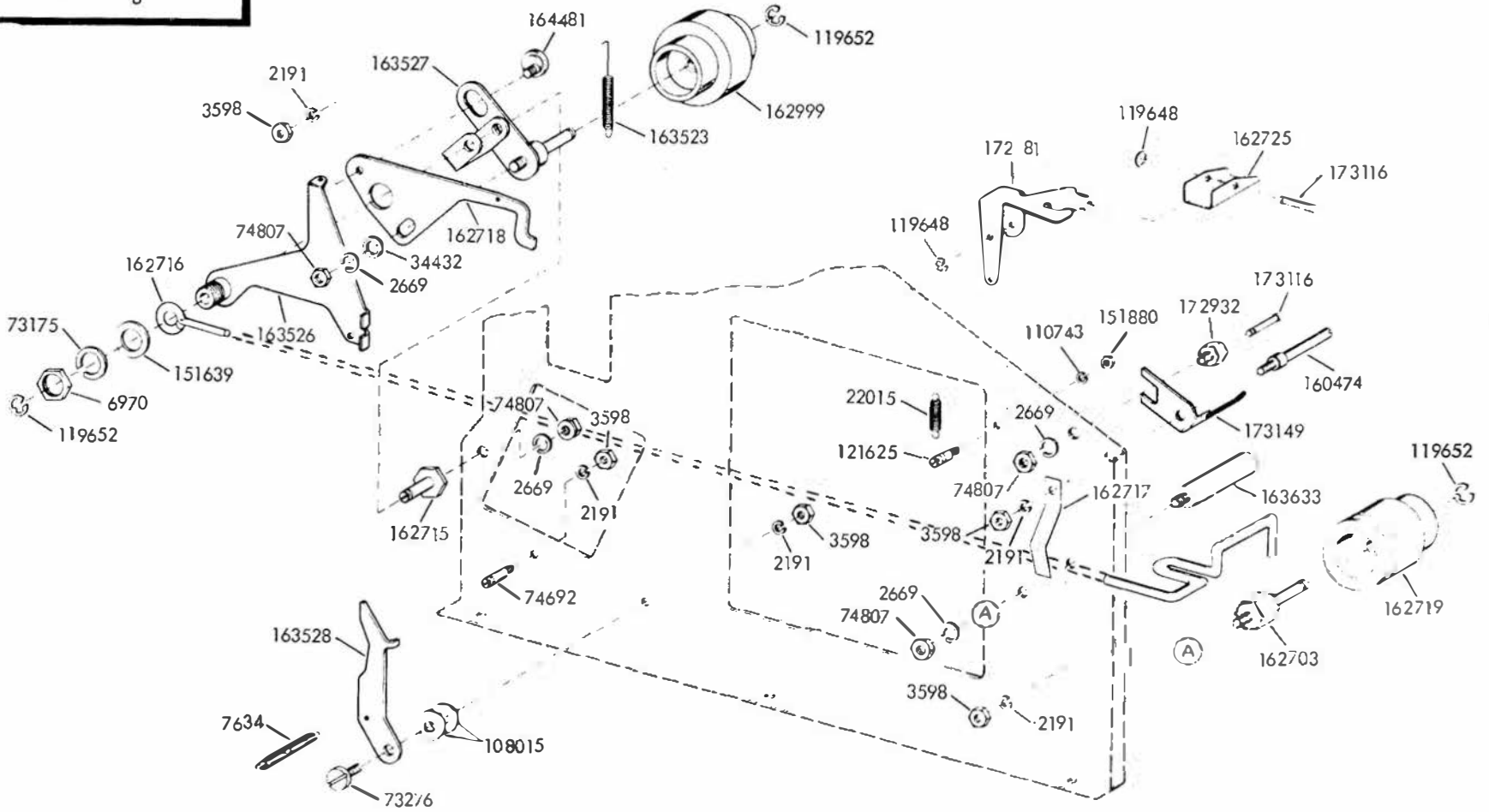
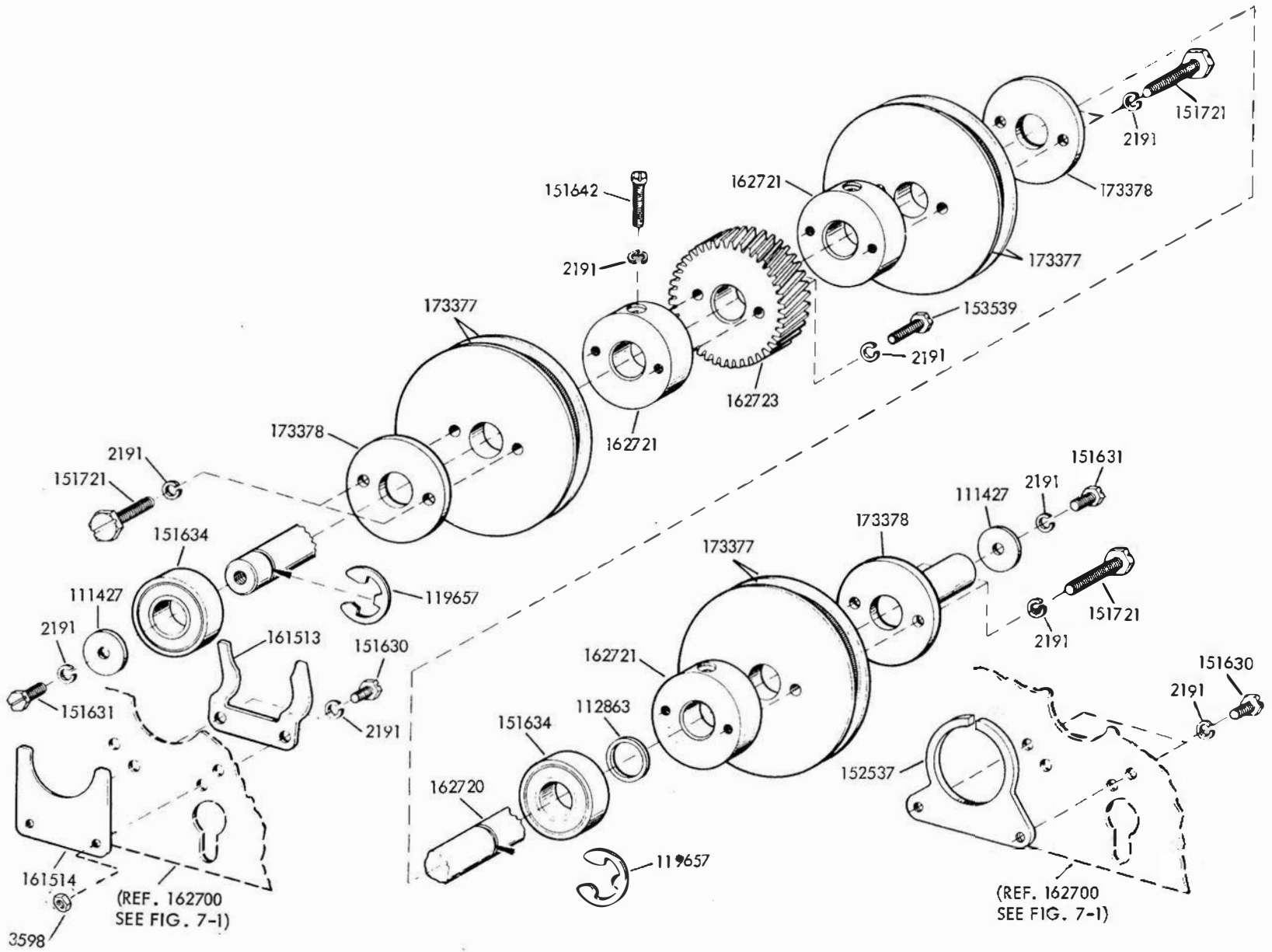


FIGURE 7-2. LATCH MECHANISM

11808

FIGURE 7-3. SHAFT MECHANISM



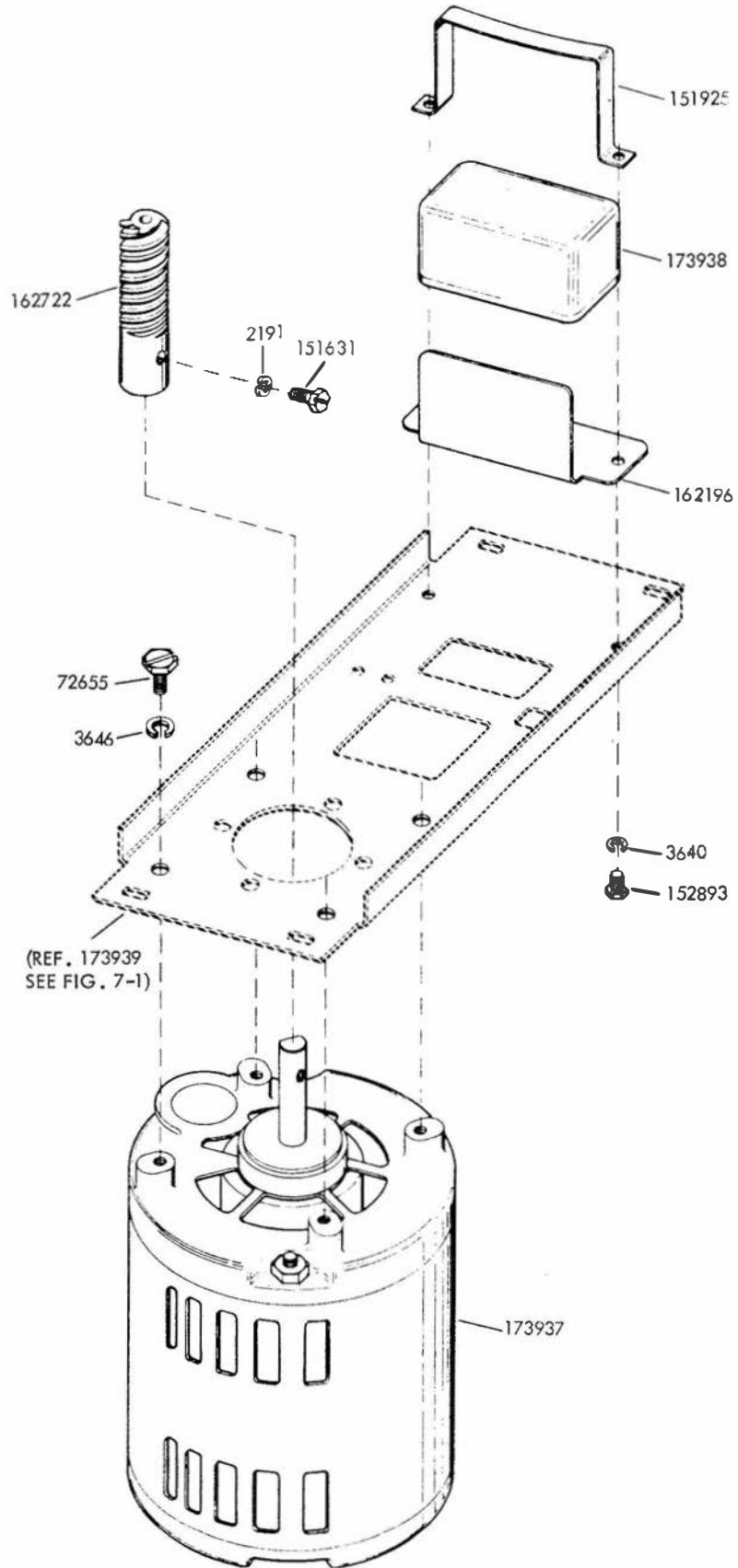


FIGURE 7-4. MOTOR AND RELAY ASSEMBLY

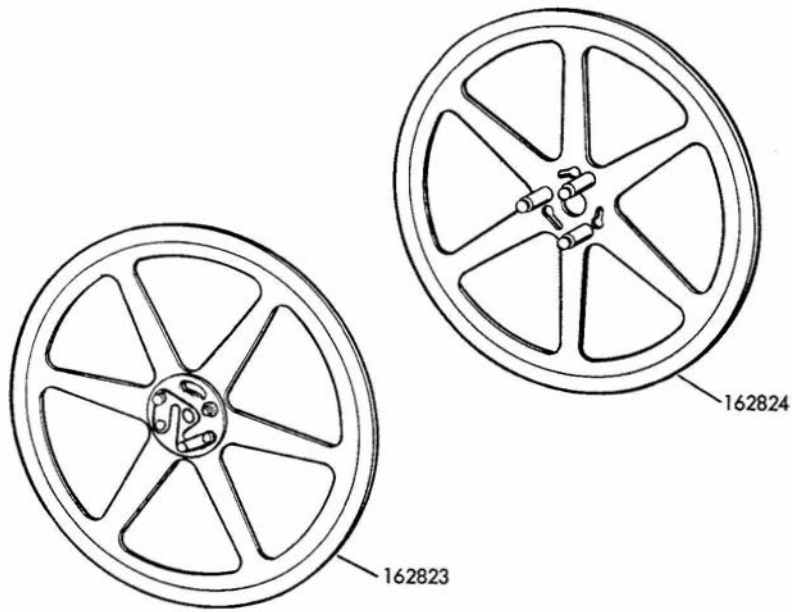


FIGURE 7-5. TAPE REELS

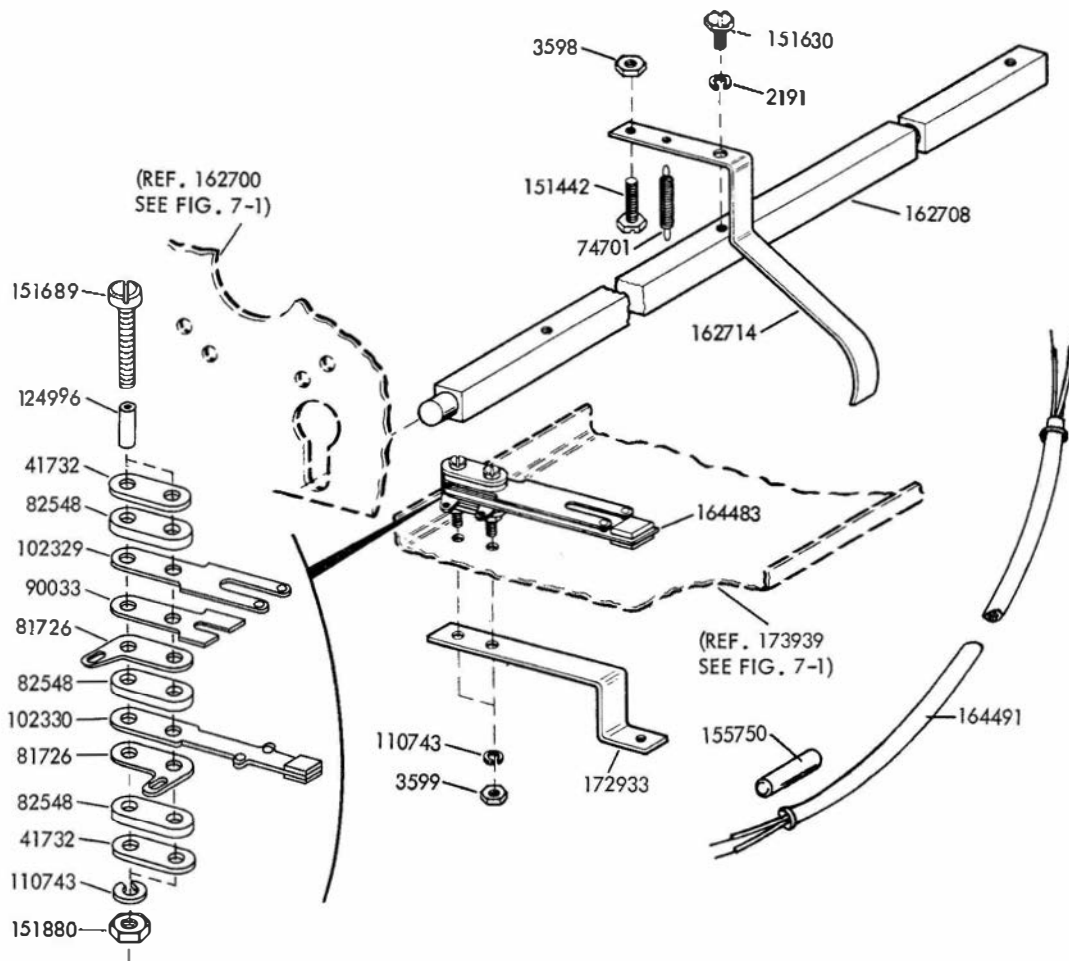


FIGURE 7-6. 164516 MODIFICATION KIT TO PROVIDE REEL FULL ALARM

NUMERICAL INDEX - SECTION 7

Part Number	Description and Page Number	Part Number	Description and Page Number	Part Number	Description and Page Number
2191	Washer, Lock 7-2, 7-3, 7-4, 7-5, 7-6	119652	Ring, Retaining 7-3	162708	Rod, Pivot 7-6
2669	Washer, Lock 7-2, 7-3	119657	Ring, Retaining 7-4	162714	Arm 7-6
3598	Nut (6-40 Hex) 7-2, 7-3, 7-4, 7-6	120557	Washer, Flat 7-2	162715	Stud 7-3
3599	Nut (4-40 Hex) 7-6	121625	Post, Spring 7-3	162716	Guide, Tape 7-3
3640	Washer, Lock 7-5	124996	Bushing 7-6	162717	Spring, Latch 7-3
3646	Washer, Lock 7-5	151442	Screw (6-40x1/2 Hex) 7-6	162718	Arm 7-3
6970	Nut (3/8-32 Hex) 7-3	151626	Terminal 7-2	162719	Roller 7-3
7002	Washer, Flat 7-2	151630	Screw (6-40x1/4 Hex) 7-2, 7-4, 7-6	162720	Shaft 7-4
7634	Spring 7-3	151631	Screw (6-40x5/16 Hex) 7-2, 7-4, 7-5	162721	Hub 7-4
22015	Spring 7-3	151634	Bearing, Ball 7-4	162722	Gear (4T) 7-5
34432	Washer, Flat 7-3	151639	Washer, Flat 7-3	162723	Gear (40T) 7-4
41732	Plate, Clamp 7-6	151642	Screw (6-40x3/4 Fil) 7-4	162725	Depressor, Chod 7-3
72655	Screw (8-32x1/2 Hex) 7-5	151657	Screw (6-40x1/4 Fil) 7-2	162823	Disk, Reel 7-6
73175	Washer, Lock 7-3	151689	Screw (4-40x3/4 Fil) 7-6	162824	Disk, Reel 7-6
73276	Screw, Shoulder (6-40) 7-3	151721	Screw (6-40x3/4 Hex) 7-4	162999	Roller 7-3
74692	Post, Spring 7-3	151880	Nut (4-40 Hex) 7-3, 7-6	163523	Spring 7-3
74701	Spring 7-6	151925	Clamp 7-5	163526	Bracket 7-3
74807	Nut, Shoulder (10-32 Hex) 7-3	152537	Clamp 7-4	163527	Arm 7-3
81726	Terminal 7-6	152893	Screw (4-40x1/4 Hex) 7-5	163528	Latch 7-3
82548	Insulator 7-6	153539	Screw (6-40x7/16 Hex) 7-4	163633	Post 7-3
90033	Stiffener 7-6	155718	Jumper w/Terminal 7-2	164481	Screw, Eccentric (6-40) 7-3
102329	Spring, Contact 7-6	155750	Sleeve, Insulating 7-6	164483	Contact Assembly 7-6
102330	Spring, Contact 7-6	157215	Mount, Vibration 7-2	164491	Cable 7-6
108015	Washer, Flat 7-3	160474	Stud 7-3	164516	Modification Kit 7-6
110743	Washer, Lock 7-3, 7-6	161513	Clamp 7-4	172932	Stud 7-3
111427	Washer, Flat 7-4	161514	Plate 7-4	172933	Bracket, Spring 7-6
112626	Nut (10-32 Hex) 7-2	161552	Screw, Shoulder (10-32) 7-2	172981	Arm 7-3
112863	Spacer 7-4	162196	Insulator 7-5	173116	Pin 7-3
114858	Connector, Receptacle (6 Pt) 7-2	162700	Bracket 7-2	173149	Guide, Tape 7-3
115535	Connector, Plug (6 Pt) 7-2	162701	Bracket 7-2	173377	Wheel, Drive 7-4
119634	Plug 7-2	162702	Plate, Base 7-2	173378	Washer, Flat 7-4
119648	Ring, Retaining 7-3	162703	Stud 7-3	173937	Motor, A.C. Induction - 115 V 7-5
		162704	Plate, Cover 7-2	173938	Relay 7-5
		162706	Bracket 7-2	173939	Plate, Motor Mounting 7-2
				173953	Guide, Tape 7-6

SECTION 8

MASTER NUMERICAL INDEX

MASTER NUMERICAL INDEX

Part Number	Page	Part Number	Page	Part Number	Page	Part Number	Page
224M	2-22	45815	3-3, 3-4	86434	1-8	107246	1-11
254M	2-15	45963	2-24	86506	2-2	107393	5-2
257M	4-15	47024	2-10	86714	2-17	108015	7-3
267M	1-14	49056	3-3, 5-2	86959	4-5, 4-8	110334	4-4
1028	1-17	49084	2-2	87334	6-2	110434	2-2, 2-13, 2-14
1036	2-6	49158	1-22	87401	2-2	110435	1-16, 1-22, 3-4
1046	1-12	55063	2-5	87402	4-4	110437	2-12, 3-4
1173	1-13	55088	1-14	88083	1-11, 1-13	110664	1-16
1178	3-4	55235	5-2	89969	1-18	110743	(SEV.)
1181	6-5	60669	2-23, 4-7	90033	7-6	110879	2-8, 2-11, 2-18
1215	1-2, 1-3, 1-4	61085	3-2, 6-5	90052	2-16	111017	1-11, 1-17, 1-18,
1253	1-2, 1-3, 1-4, 1-5, 1-6, 1-9, 1-23	70072	1-13, 4-14, 4-16	90361	2-7		2-18, 3-2, 5-2
1264	1-8, 1-12, 3-5	70073	5-2	90436	4-6	111062	6-3
2034	2-14, 2-20, 2-23, 4-15	70388	4-4	90490	1-14	111342	4-4
2191	(SEV.)	70878	4-3	90535	2-11, 2-12	111345	5-4
2199	2-9	71437	2-7	90560	3-6, 4-2	111346	5-4
2254	1-13	71681	2-17	90573	2-3	111410	2-2
2263	1-2, 1-3, 1-4, 6-2	71999	6-2, 6-3	90599	2-10	111427	5-3, 7-4
2407	2-9	72522	4-6	90606	2-2	111516	3-4
2438	2-15	72655	7-5	90615	2-18	111811	1-11, 1-18
2449	1-5, 1-8, 1-10, 1-23, 3-2, 5-2	73175	2-24, 4-9, 4-10, 7-3	90752	4-7	112091	4-15
2539	2-24, 4-9	73276	7-3	90789	2-14, 2-19, 4-8	112626	(SEV.)
2669	(SEV.)	73844	1-13	90790	4-15	112627	1-22, 6-5
3595	1-8, 4-6	74014	1-5	90791	2-6	112633	4-5
3598	(SEV.)	74100	3-4	91120	2-6	112634	2-12
3599	(SEV.)	74283	2-13	91228	6-5	112801	1-10
3606	1-11, 1-14, 1-18, 2-18, 3-5, 4-4, 5-4	74283	2-13	91229	6-5	112863	7-4
3610	1-8	74553	2-23	91230	6-5	112864	5-3
3624	2-21, 3-4, 6-5	74692	7-3	91231	6-5	113039	2-23
3640	(SEV.)	74701	7-6	91517	1-9	114107	4-5
3642	1-2	74707	4-7	91683	1-11, 3-2, 5-2	114125	3-2
3646	1-2, 1-3, 1-4, 1-9, 1-13, 7-5	74807	4-14, 7-3	91684	3-2, 5-2	114478	1-11
3870	2-18, 4-15	75435	1-11	91837	6-3	114858	1-21, 7-2
4424	1-20	75750	1-11, 1-13, 1-17, 1-18	92146	1-5, 1-23	115122	2-9, 2-24
4703	2-20, 2-22	76099	1-18, 5-4, 6-5	92260	2-18, 6-3	115134	2-10
4812	2-21, 2-23	76236	1-2, 1-3, 1-4	93001	1-2, 1-3, 1-4	115221	4-8
4814	1-2, 1-3, 1-4	76236	1-2, 1-3, 1-4	93108	3-2	115253	5-3
5363	2-6	76275	4-8	93117	1-22, 3-4	115535	7-2
5740	6-5	76422	2-21, 2-23	93191	1-4, 1-6	115594	1-2, 1-5, 1-23
6320	6-4	76461	3-2	93356	2-2, 2-6, 4-15	116783	1-11, 1-18
6345	6-3, 6-4	76800	2-2	93587	4-8	117087	2-10
6800	1-12	76953	3-2	93711	1-13	118590	1-11, 1-18
6807	4-7	77808	1-13	93969	1-13	118865	1-2, 1-3, 1-4
6827	1-17	77902	1-11, 1-13, 1-17, 1-18	95320	3-2	119223	6-2
6970	7-3	78453	1-3	96257BK	6-5	119467	3-4
7001	1-7	78533	2-14, 2-20, 2-22	96264R	6-2	119634	7-2
7002	(SEV.)	79523	1-17	96717	2-14, 2-18	119647	2-6, 4-3, 4-4
7603	2-20, 2-22	80153	1-18	97143	1-11	119648	1-7, 1-13, 2-5, 2-6, 2-13, 2-21, 4-3, 4-7, 4-12, 4-14, 7-3
7634	4-15, 7-3	80509	1-8	97516	2-17		
7655	2-21	80854	1-18	98642	6-3	119649	1-14, 2-6, 2-9, 2-10, 2-12, 2-17, 2-20, 4-3, 4-5, 4-14, 4-15
7835	2-17	80854	1-18	98712	6-4		
8330	2-2, 2-3, 2-5, 2-7, 2-11, 2-13, 2-17, 2-18, 2-23, 2-24, 4-13	81258	1-17	98725	1-20	119650	1-16, 2-2, 2-9, 2-11, 2-12, 2-17, 2-18, 2-20, 4-4
8449	3-4	81726	7-6	98726	3-2		
22015	7-3	81731	2-17	98819	1-11	119651	1-3, 2-2, 2-9, 2-11, 2-12, 2-23
22746	2-9	81778	2-15	98832	4-13		
33828	2-18	81895	4-4	98869	1-13	119652	1-14, 2-2, 2-3, 2-6, 2-7, 2-13, 2-20, 2-22, 2-23, 4-3, 4-7, 4-11, 7-3
34432	1-5, 1-10, 1-14, 4-11, 5-2, 7-3	82344	1-19	99802	1-17		
35551	1-8, 1-12, 3-5	82392	2-3	99803	1-17	119653	1-14, 2-9, 2-17, 4-4, 4-15
41382	2-6, 2-13	82463	2-19, 2-20, 2-22	99804	1-17	119655	1-9, 2-24
41675	4-3	82474	1-21, 3-2, 5-2	99805	1-17	119656	2-19, 2-24
41732	4-8, 7-6	82516	1-17	99806	1-17	119657	7-4
42823	2-2, 2-4, 4-9, 4-10	82547	4-5, 4-8	99807	1-17	120175	3-2
42827	4-14, 4-16	82548	4-5, 4-8, 7-6	99809	1-17	120489	4-4
45026	5-2	82598	1-17	100832	5-2	120557	7-2
45104	2-20, 2-22	83388	1-3	100848	1-5	120824	4-9, 4-10
		83814	1-9	101123	2-10	120870	4-9, 4-10
		84226	2-17, 2-20, 2-22	101892	2-5	121005	1-2, 1-4
		84551	3-2	101944	1-18		
		84575	1-14, 2-2, 4-11, 4-12	102092	4-6		
		84579	3-3, 5-3	102329	7-6		
		85318	3-5, 4-6	102330	7-6		
		85422	1-10	103081	1-23		
		85471	5-3	103241	1-10		
		85559	4-6	104124	3-2, 5-2		
		85976	5-4	104451	4-6		
		86079	2-10, 2-20, 4-15	104807	3-6		
				105028	4-15		
				107116	1-16, 1-19		

MASTER NUMERICAL INDEX (Continued)

Part Number	Page	Part Number	Page	Part Number	Page	Part Number	Page
153184	2-15	156093	2-7	156467	2-3	158289	3-4
153267	2-5	156094	2-7	156472	2-14	158502	4-5
153442	3-4, 3-6, 5-2	156095	2-7	156484	2-18	158506	4-4
153452	1-17	156099	2-7	156488	2-18	158515	5-4
153464	1-17	156102	2-5	156490	2-2	158516	5-4
153480	1-17	156103	2-7	156492	2-8	158517	5-4
153481	1-17	156104	2-5	156493	2-10	158521	4-2
153489	2-13	156106	2-5	156501	2-8, 2-9	158522	4-7
153537	1-10, 5-3	156108	2-7	156515	2-17	158526	4-7
153538	2-14, 3-4, 4-6, 4-8, 4-16	156132	2-24	156536	2-12, 2-14	158527	4-7
153539	1-13, 3-4, 7-4	156137	2-20	156539	1-14	158531	4-4
153543	2-15	156162	2-7	156549	4-3	158533	4-4
153544	1-14	156163	2-5	156551	4-3	158535	4-4
153545	2-15	156165	2-2, 2-7	156555	4-3	158536	4-4
153799	2-19, 2-24	156166	2-5	156556	4-2, 4-3	158539	4-8
153809	2-19	156168	2-5	156558	2-9, 2-27, 4-3	158540	4-8
153817	2-20, 3-2	156169	2-7	156560	4-3	158542	4-7
153819	5-2	156172	2-5	156561	4-3	158553	4-10
153839	2-2, 2-7, 2-9, 2-23, 2-24, 5-3	156173	2-5	156576	2-3	158554	4-6
153841	1-14	156183	2-6	156577	2-6, 4-4	158556	4-11
154047	1-14	156221	2-16	156632	1-14	158557	4-8
154235	2-12	156230	2-18	156636	4-8	158559	4-8
154242	2-3	156235	2-2	156647	4-3	158560	4-6
154335	4-9, 4-10	156241	2-9	156656	5-2	158561	4-6
154375	6-4	156242	2-9	156673	4-3	158576	4-6
154396	2-4	156243	2-18	156740	1-13, 1-14, 2-5, 2-24, 5-2	158581	4-12, 4-16
154397	2-4	156248	2-2	156758	5-2	158583	4-4
154398	2-4	156252	2-18	156769	5-2	158585	4-8
154620	2-14	156257	2-2	156770	1-2, 1-3, 1-4, 5-2	158622	4-6
154621	2-14	156265	2-11	156779	5-4	158627	4-3
154622	2-14	156266	2-8, 2-11	156782	4-8	158649	1-20, 5-4
154694	2-2, 2-4, 4-9, 4-10	156268	2-12	156805	5-3	158651	4-8
154698	2-6	156276	2-8	156806	5-3	158745	2-3
155096	2-13	156277	2-8	156835	2-9	158751	4-15
155718	7-2	156278	2-11	156857	4-4	158752	4-15
155750	1-21, 3-2, 7-6	156286	2-8	156867	2-2	158753	4-15
155752	1-21, 2-19	156287	2-8	156869	2-9	158754	4-15
155753	5-2	156288	2-11	156870	2-10	158757	4-17
155754	1-21, 4-14, 4-16	156289	2-8	156871	2-3	158758	4-15
155755	3-6	156290	2-8	156872	2-3	158760	4-15
156002	2-5	156291	2-8	156874	2-8, 2-11	158761	4-15
156008	2-6	156292	2-11	156875	2-11	158762	4-15
156009	2-7	156293	2-11	156876	2-3	158766	4-13
156012	2-5	156294	2-10	156877	2-3	158767	4-13
156013	2-7	156296	2-12	156878	2-3	158768	4-13
156015	2-5	156300	2-12	156879	2-15	158770	4-13
156016	2-7	156306	2-9	156880	2-15	158771	4-12
156017	2-7	156311	2-9	156881	2-15	158772	2-16
156019	2-6	156313	2-11	156884	2-7	158777	4-13
156024	2-5	156316	2-12	156900	2-3	158778	4-12
156028	2-6	156318	2-2	156905	2-9	158779	4-12
156036	2-6	156321	2-10	156908	2-10	158780	4-12
156040	2-6	156322	2-10	156909	2-10	158781	4-13
156042	2-6	156332	2-9	156921	2-3	158785	4-13
156043	2-7	156334	3-2, 5-2	156922	2-12	158786	4-7, 4-11
156044	2-6	156366	2-3	156924	2-11	158788	4-9, 4-10
156045	2-6	156368	2-3	156925	2-11	158789	4-6
156046	2-5	156369	2-10	156931	2-9	158794	4-9, 4-10
156047	2-6	156378	2-11	156936	3-2	158795	4-9, 4-10
156050	2-6	156382	2-10	156937	2-18	158797	4-9, 4-10
156051	2-7	156387	2-2	156938	2-18	158805	4-7
156052	2-6	156388	2-2	156941	2-2	158807	2-19
156054	2-6	156389	2-9	156948	2-10	158816	4-8
156057	2-12	156390	2-5	156987	2-3	158822	4-6
156058	2-7	156396	2-18	156989	2-3	158830	4-11
156060	2-7	156399	2-3	156990	2-3	158831	4-11
156061	2-6	156400	3-3	156993	1-2, 1-3, 1-4, 1-16, 5-4	158832	4-11
156062	2-6	156403	2-3	156994	2-3	158833	4-11
156067	2-7	156408	2-9	156995	2-3	158834	4-11
156069	2-5	156412	2-3	156998	2-3	158839	4-9
156070	2-7	156413	2-18	157194	2-15	158846	4-8
156077	2-7	156448	3-4	157215	7-2	158847	4-9, 4-10
156078	1-21	156449	3-4	157252	2-17	158848	4-11
156089	2-5	156451	3-4	157261	2-13	158849	4-11
156090	2-6	156462	2-10	158238	3-4	158850	4-9, 4-10
		156465	2-3	158239	3-4	158852	4-7
		156466	2-9	158287	1-18	158853	4-14
						158859	4-6, 4-12

MASTER NUMERICAL INDEX (Continued)

Part Number	Page	Part Number	Page	Part Number	Page	Part Number	Page
158860	4-6	159536	2-9	160856	1-22	161560	4-16
158868	4-14	159539	2-18	160857	1-22	161563	5-3
158869	4-14	159544	2-2	160858	1-22	161564	5-3
158882	4-13	159560	2-5	160859	1-22	161565	4-16
158883	4-13	159563	2-8	160860	1-22	161566	4-16
158895	4-10	159597	2-10	160861	1-22	161568	5-2
158896	4-15	159621	2-5	160862	1-22	161569	5-2
158926	4-9, 4-10	159622	2-5	160863	1-22	161570	5-3
158989	3-6	159625	2-3	160864	1-22	161571	5-2
158990	3-6	159626	2-18	160865	1-22	161572	5-2
158991	1-5	159642	2-8	160943	2-9	161575	6-3
158992	1-5	159643	2-11	160948	2-6	161576	6-3
158998	1-2, 1-3, 1-4, 1-9, 1-10	159654	2-18	161087	1-10	161577	6-3
159011	2-2	159656	2-5	161107	2-6	161578	6-5
159293	4-4	159657	2-5	161108	2-5	161579	6-5
159347	4-4	159658	2-9	161109	2-7	161580	6-5
159404	2-11	159659	2-9	161113	2-9	161581	4-16
159406	2-25	159738	4-5	161139	2-6, 2-7	161587	4-16
159411	2-3	159739	6-2	161148	4-11	161589	4-16
159427	2-2	159776	2-22	161149	4-11	161594	4-14, 4-16
159428	2-2	159800	4-13	161206	1-11	161595	1-21, 5-2
159429	2-2	159923	2-5	161210	1-11	161596	4-16
159430	2-2	159977	2-22	161238	2-19	161673	3-2
159431	2-2	159978	2-22	161239	1-21	161674	3-2
159434	2-18	159993	2-17	161240	2-19	161675	3-3
159437	2-12	159994	2-18	161323	2-9	161676	3-3
159438	2-12	159995	2-18	161324	2-9	161678	3-5
159441	2-2	159997	2-18	161325	4-7	161680	3-3
159447	2-12	160284	1-17	161326	4-7	161683	3-5
159448	2-12	160298	6-2	161328	4-7	161684	3-5
159459	2-16	160299	6-2	161342	2-14	161685	3-2
159460	2-12	160300	6-2	161347	2-12	161687	3-3
159467	2-14	160301	6-2	161431	2-9	161705	1-4, 1-6
159468	2-12	160302	6-2	161440	4-3	161706**	1-6
159470	2-12	160303	6-2	161443	2-11	161707**	1-6
159471	2-12	160304	6-2	161444	2-8	161708	1-3 to 1-6, 1-12
159472	2-2	160305	6-2	161482	4-12	161710	1-8
159476	2-12	160306	6-2	161483	4-16	161711	1-8, 1-12, 3-5
159477	2-12	160398	4-5	161503	3-2	161712	1-8
159480	2-9, 2-41	160399	4-5	161505	3-2	161713	1-8
159481	2-12	160400	4-5	161506	3-3	161715	1-8
159482	2-12	160401	4-5	161507	3-3	161716	1-8, 1-12, 3-5
159483	2-12	160402	4-5	161508	3-3, 5-3	161718**	1-2
159487	2-12	160455	4-15	161509	3-3	161731	1-5
159488	2-16	160474	7-3	161510	3-3	161747	1-3, 1-4, 1-5, 1-6
159489	2-16	160480	2-7	161511	3-3	161748	1-2, 1-3, 1-4
159490	2-16	160544	4-4	161512	3-3	161752	1-5
159491	2-16	160545	4-4	161513	3-3, 5-3, 7-4	161753**	1-23
159492	2-16	160546	4-4	161514	3-3, 5-3, 7-4	161754**	1-23
159493	2-16	160548	4-4	161516	3-2	161837	4-15
159494	2-16	160549	4-5	161520	3-3	161922	4-14
159495	2-16	160551	4-5	161523	3-4	161923	4-14
159496	2-16	160552	4-5	161525	1-21	161986	1-5, 1-23
159497	2-16	160556	4-5	161526	3-2	161987	1-5
159498	2-16	160557	4-5	161528	3-2	161992	1-2
159499	2-16	160558	4-5	161529	3-4	161993	1-2
159500	2-16	160562	4-6	161530	3-3	161999**	1-23
159501	2-16	160563	4-6	161531	3-3	162002	1-2, 1-3, 1-9
159502	2-16	160564	4-6	161532	3-3	162033	5-3
159503	2-12	160566	4-6	161533	3-3	162034	5-3
159508	2-16	160583	4-8	161534	3-3	162035	5-3
159512	2-18	160590	4-8	161535	3-3	162036	5-3
159515	2-12	160591	4-8	161536	3-3	162037	5-3
159516	2-12	160592	4-4	161537	3-3	162038	5-3
159519	2-10	160593	4-5, 4-8	161538	3-3	162039	5-3
159522	2-10	160594	4-8	161539	5-2	162040	5-3
159523	2-10	160595	4-7	161541	5-2	162041	5-3
159525	2-10	160596	4-7	161542	5-2	162042	5-3
159526	2-11	160839	2-3	161543	5-2	162043	5-3
159528	2-8	160842	2-17, 2-24	161544	5-2	162080	5-2
159529	2-8	160846	2-10	161545	5-2	162081	5-2
159530	2-8	160848	1-22	161546	3-2, 5-2	162083**	5-4
159531	2-8	160849	1-22	161547	5-2	162091	5-4
159532	2-8	160850	1-22	161548	5-2	162094	5-3
159533	2-11	160851	1-22	161549	5-2	162196	7-5
159534	2-11	160852	1-22	161552	3-2, 5-2, 7-2	162212	5-2
159535	2-8	160853	1-22	161556	5-2	162213	3-3
		160854	1-22	161557	5-2	162214	3-3
		160855	1-22	161558	5-3		

MASTER NUMERICAL INDEX (Continued)

Part Number	Page	Part Number	Page	Part Number	Page	Part Number	Page
162215	3-3	162781	2-20, 2-22	164541	2-17	173435**	1-7
162216	3-3	162784	2-20, 2-22	164883	2-23	173436**	1-7
162217	3-3	162785	2-20, 2-22	164884	2-23	173437**	1-7
162218	3-3	162786	2-20, 2-22	164886	2-23	173438	1-7
162219	3-3	162788	2-20, 2-22	164887	2-23	173439**	1-7
162220	3-3	162790	2-20	164888	2-23	173440	2-4
162221	3-3	162791	2-20, 2-22	164964	2-17	173443	2-21, 2-22, 2-23, 2-24
162222	3-3	162792	2-20, 2-22	164965	2-17	173461	1-9
162248	2-3	162793	2-20, 2-22	165027	1-13, 4-8, 4-13, 4-15	173464	1-2, 1-3, 1-4
162350	2-3	162794	2-20, 2-22	165051	1-18	173477	4-14
162354	4-6	162795	2-20, 2-22	165102	1-11, 1-17, 1-18	173478**	1-7
162357	1-18	162796	2-20	170219	2-6	173479**	1-7
162358	1-18	162797	2-20, 2-22	170241	2-6	173484	3-6
162359	1-18	162798	2-20, 2-22	170242	2-5	173521	1-14
162360	1-18	162799	2-20, 2-22	170243	2-5	173523	1-14
162379	2-20, 2-21, 2-24	162800	2-20, 2-22	170247	2-5	173524	1-14
162380	2-22, 2-23, 2-24	162802	2-20, 2-22	170248	2-5	173527	1-11
162421**	5-4	162803	2-20	170249	2-5	173532	1-14
162422	5-4	162804	2-20	170731	4-14	173536	1-13
162423	5-4	162807	2-20	170733	4-14	173537	1-14
162424	5-4	162809	2-21, 2-23, 2-24	170776	4-11	173538	1-14
162429**	5-4	162823	7-6	170779	2-6	173539	1-14
162592	4-2	162824	7-6	170788	2-6	173540	1-14
162672	1-17	162850	2-17	170879	2-5	173541	1-14
162678	1-17	162862	2-2	170907	2-22	173542	1-14
162680	1-19	162865	1-17	170939	1-14	173543	1-14
162684	6-5	162999	7-3	170951	4-14	173545	1-14
162685	6-5	163011	4-6	170952	4-14	173546	1-14
162700	7-2	163012	4-9, 4-10	170953	4-14	173547	1-14
162701	7-2	163114	2-20, 2-22	170954	4-14	173548	1-14
162702	7-2	163163	1-2, 1-3, 1-4	170955	4-14	173551	1-14
162703	7-3	163255	2-20, 2-22	170956	4-14	173552	1-14
162704	7-2	163279	1-17	171560	1-16, 1-19	173553	1-14
162706	7-2	163303	2-18	171562	1-16	173554	1-14
162708	7-6	163326	2-24	171563	1-13, 1-16, 1-19	173555	1-14
162714	7-6	163327	2-24	171594	1-2, 1-13, 1-16, 1-19	173558	1-14
162715	7-3	163363	4-6	172061	4-14	173562	1-13
162716	7-3	163429	2-18	172638	1-11	173563	1-16
162717	7-3	163523	7-3	172639	2-23	173569	1-16
162718	7-3	163526	7-3	172764	4-3	173571	1-14
162719	7-3	163527	7-3	172767	5-3	173575	1-14, 1-20
162720	7-4	163528	7-3	172768	5-3	173578	1-21
162721	7-4	163633	7-3	172769	5-3	173579	1-13
162722	7-5	163765	5-3	172770	5-3	173583	3-3
162723	7-4	163973	1-2, 1-3, 1-8	172771	5-3	173584	3-3
162725	7-3	164244	2-5	172772	5-3	173589	5-3
162730	1-2, 1-3, 1-4, 1-10	164279	3-6	172773	5-3	173590	5-3
162739	1-10	164337	3-3	172774	5-3	173591	5-3
162741	2-24	164338	3-3	172775	5-3	173592	5-3
162742	2-24	164339	3-3	172776	5-3	173593	5-3
162743	2-24	164340	3-3	172777	5-3	173594	5-3
162744	2-24	164341	3-6	172778	5-3	173602	2-23
162745	2-24	164343	3-6	172778	5-3	173604	2-23
162745	2-24	164467	4-3	172932	7-3	173606	2-23
162747	2-24	164468	4-3	172933	7-6	173607	2-23
162748	2-24	164469	4-3	172938	6-5	173608	2-23
162753	2-24	164470	4-3	172964	3-2	173609	2-23
162754	2-24	164471	4-3	172965	3-2	173614	2-23
162755	2-24	164479	6-5	172966	3-2	173616	2-23
162756	2-24	164481	7-3	172967	3-6	173618	2-23
162757	2-24	164483	7-6	172969	3-6	173619	2-22
162758	2-24	164491	7-6	172981	7-3	173620	2-22
162760	2-20, 2-22	164511	2-6	172983	2-1	173621	2-22
162761	2-20	164513	2-7	172984	2-5	173691	2-22
162762	2-21	164515	2-6	173007	3-2	173713	3-6
162763	2-21, 2-23	164516	7-6	173116	7-3	173715	1-21
162764	2-21, 2-23	164521	2-17	173149	7-3	173717	1-14
162765	2-21, 2-23	164525	2-17	173377	7-4	173754	2-9
162766	2-21	164526	2-17	173378	7-4	173755	2-9
162768	2-21	164528	2-17	173413	1-9	173756	2-9
162770	2-21	164529	2-17	173414	1-9	173757	2-9
162772	2-21	164530	2-17	173415	1-9	173759	1-14
162773	2-20, 2-22	164531	2-17	173416	1-9	173760	2-5
162774	2-20, 2-22	164532	2-17	173417	1-9	173770	2-5
162775	2-20, 2-22	164535	2-17	173418	1-9	173775	2-9
162776	2-20	164538	2-17	173419	1-9	173827	3-6
162778	2-20, 2-22	164539	2-17	173422	1-12		
162780	2-20, 2-22	164540	2-17				

MASTER NUMERICAL INDEX (Continued)

Part Number	Page	Part Number	Page	Part Number	Page	Part Number	Page
173833	1-3	176252	2-3	176555	1-21	178281**	1-4
173834	1-3	176286	2-24	176556	1-21	178282	1-11
173838	1-16, 1-19	176292**	5-4	176557	1-21	178284**	1-3
173839	1-21	176440	1-14	176558	1-16	178285	1-3
173840	1-21	176500	1-19	176560	1-13	178286	1-3
173850	2-19	176501	1-21	176561	1-14	178287	1-2, 1-16, 1-19
173860	1-21	176502	1-20	176562	1-14	178289**	1-2, 1-4
173864	1-2	176503	1-20	176563	1-13	178290	1-2, 1-4
173934	1-13	176504	1-20	176565	4-10	178291	1-16
173937	7-5	176505	1-20	176566	4-9	178292	1-16
173938	7-5	176506	1-20	176571	1-13	178293	1-16
173939	7-2	176508	1-20	176572	1-13	178294	1-12
173953	1-3, 7-6	176509	1-11	176573	1-13	178295	1-12
173967	2-9	176510	1-11	176574	1-13	178296	1-12
173977	2-9	176511	1-20	176576	1-20	178297	1-2
173978	2-9	176512	1-20	176578	1-20	178298	1-2
173979	2-9	176513	1-20	176579	1-20	178305	1-18
173980	2-9	176514	3-6	176580	1-2, 1-13, 1-16, 1-19	178310	1-17
173981	2-9	176515**	1-4			178312	1-21
173995	1-16	176516**	1-4	176582	1-13	178353**	1-2
174001	1-11, 1-16, 1-19	176517	1-20	176593	1-15	178354**	1-2
174003	1-3	176518	1-20	176594	1-13	178355**	1-2
174004	1-3	176519	1-20	176595	1-13	178356	1-2, 1-4
174009	1-11	176524	1-5	176599	1-11	178363	1-17
174067	4-16	176526	1-5	176638	2-17	178364	1-16
174163**	1-3	176527	1-16	176640	2-14	178365	1-16, 1-19
174166**	1-3	176529	1-16	177029	1-20	178366	5-3
174167	1-10	176530	1-19	178178	2-17	178367	5-3
174168	1-10	176533	1-9	178257	1-2	178368	5-3
174169	1-10	176534	1-11	178258**	1-3	178369	5-3
174170	1-10	176536	3-2	178259**	1-3	178412	1-4
174182	1-11, 1-18	176538	1-21	178260	1-2, 1-3, 1-4	178766	4-10
174229	4-10	176539	1-21	178261	1-3, 1-4	178819	5-3
174232	1-7	176540	1-13	178263	1-20	178820	5-3
174234	1-7	176542	3-6	178264	1-2, 1-4	178822	5-3
174236	1-3	176543	1-11	178268**	1-3, 1-4	178823	5-3
174237	1-3	176544	1-20	178271	1-16, 1-19	178824	5-3
174418	3-6	176549	1-16	178272	1-16, 1-19	179020	1-20
174419	3-6	176550	1-18	178274**	1-2	179060	5-3
174455	4-4	176552	1-18	178275	1-2, 1-4	179061	5-3
176150	1-13	176553	1-16	178278	1-13	179212	5-3
176151	2-5	176554	1-21	178279**	1-3	179213	5-3
						179214	5-3

)

)

)

)