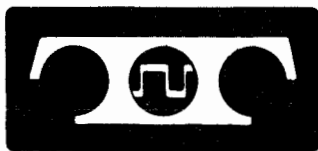
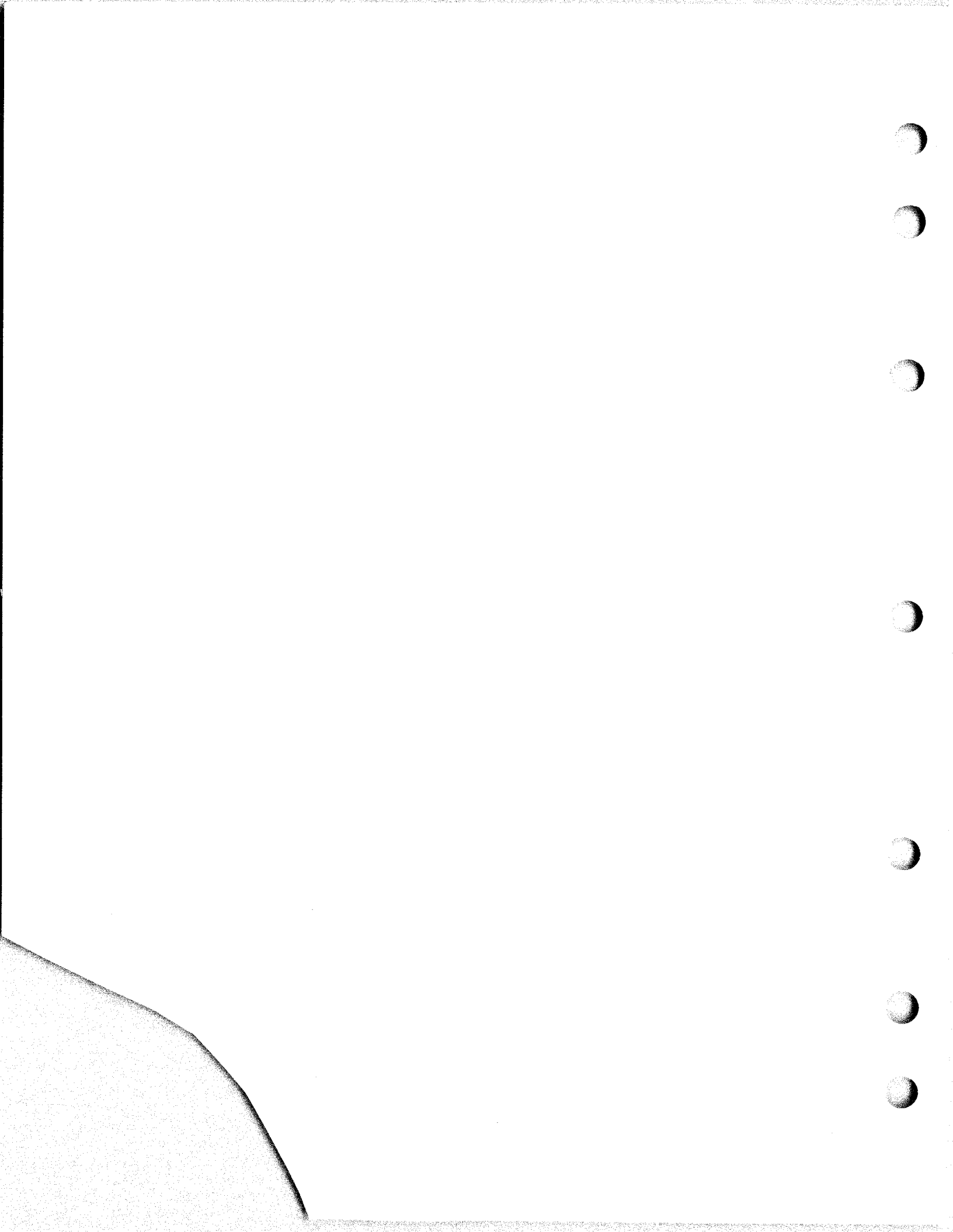


BULLETIN 1185B

PARTS
MODEL 28
RECEIVING SELECTOR
(LRS)



TELETYPE[®]
CORPORATION
5555 TOUHY AVENUE, SKOKIE, ILLINOIS



LIST OF EFFECTIVE PAGES

November , 1962

Page Number	Change In Effect
A to D	Original
1 to 12	Original

The above list indicates the effective pages as of the date of issue. Upon receipt of change pages, insert them numerically and discard any superseded pages.

TABLE OF CONTENTS

Title	Page Number
Base Assembly	1
Front Plate	7
Intermediate Gear Mechanism	2
LMU31 Synchronous Motor Unit (Miniature)	8
Main Plate	6
Numerical Index10
Selector Magnet Mechanism	5
Selector Mechanism	4
Shaft Mechanism	3
176420 Modification Kit to add Timing Contact Mechanism	9

TELETYPE AND BELL SYSTEM CODE REFERENCE CHART FOR UNITS COVERED IN THIS BULLETIN			
DESCRIPTION		TELETYPE CODE	BELL SYSTEM CODE
Receiving Selector	5 Level	LRS2	28A
		LRS3	
	8 Level	LRS800	
		LRS801	
Receiving Selector Base		LRSB201**	28A** (Includes Motor Unit)
Motor Unit		LMU31	

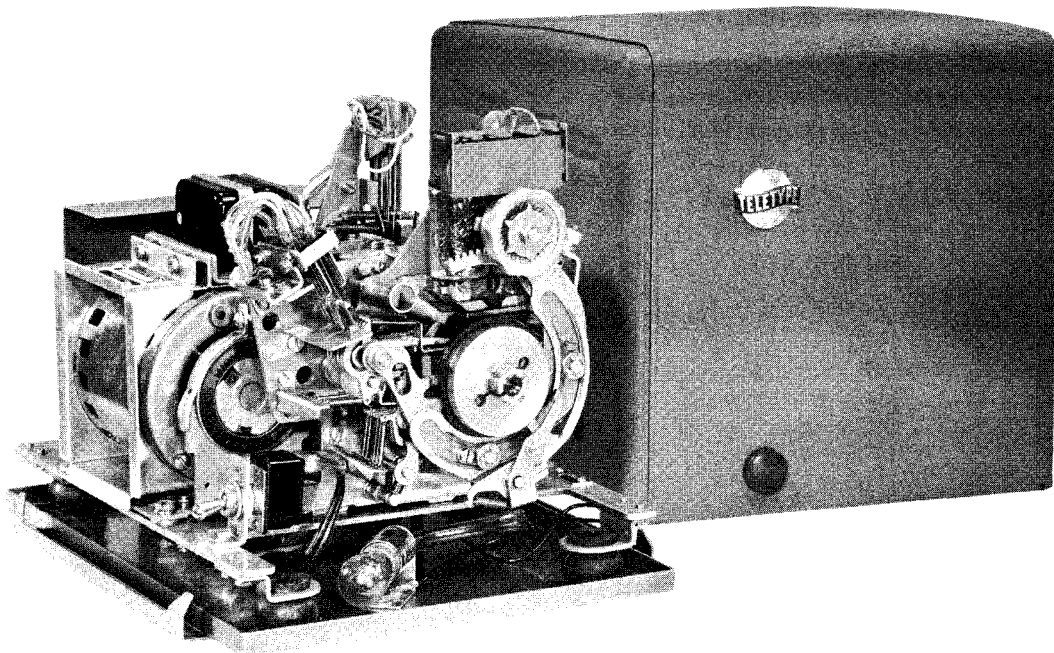
Note: Double asterisk (**) signifies suffix to be applied following part number of parts and assemblies requiring painted finish. (See chart below)

PAINT FINISH COLOR CODE CHART				
COLOR	Finish Suffixes			
	WRINKLE	SMOOTH	TEXTURED VINYL	SMOOTH VINYL
Black	AA (37)	BB (34)		
Dark Brown	AD (39)			
Gray Green	AB (40)	BK	GA (45)	
Charcoal Gray	AL	BZ		HA
Dark Gray			GB	
Light Gray		EJ		HB
Beige Gray				HE
Light Olive Gray				HF (46)
Fawn				HG
Light Beige		EL		HC
Moss Green		EN		HD
Eye Rest Green		EA		
Turquoise		EV		
Aqua Blue		EK		
Brussels Light Blue		EC		
Medium Blue		ES		
Cherry Red		EF		
Pastel Yellow		EG		
White		EH		
Ivory		EM		
Beige		ET		
Rose Beige		ER		
Rose Pink		EV		

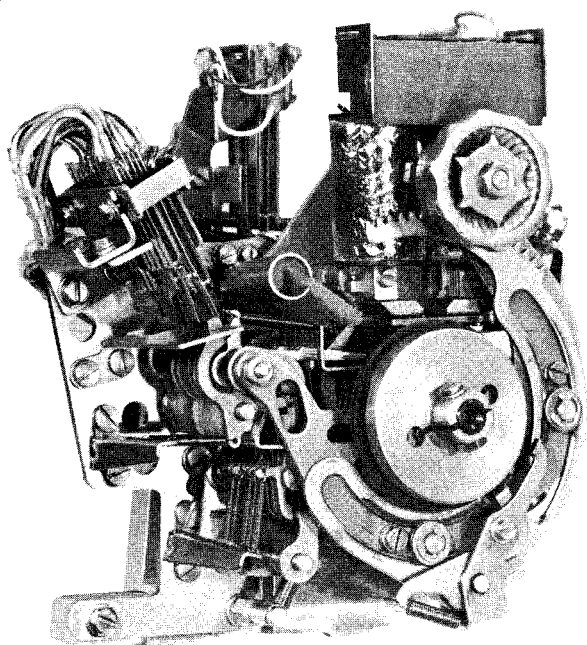
Note: Numbers in parenthesis () indicate the Bell System Code for that particular color.

BELL SYSTEM ONLY

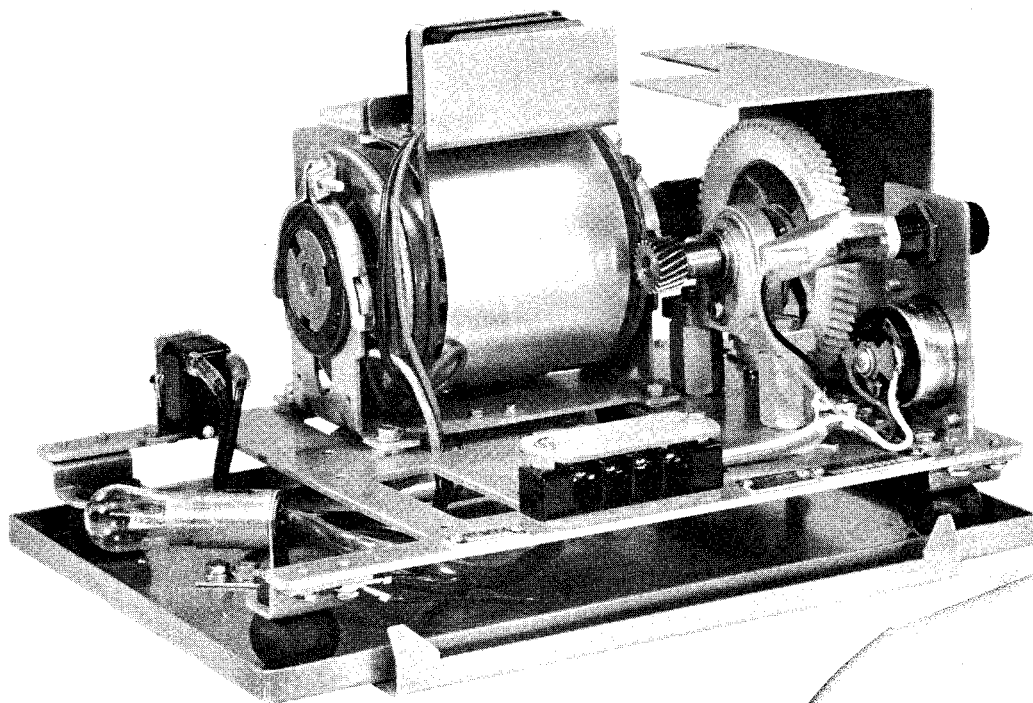
When ordering parts from this bulletin, prefix each number with the letters TP.



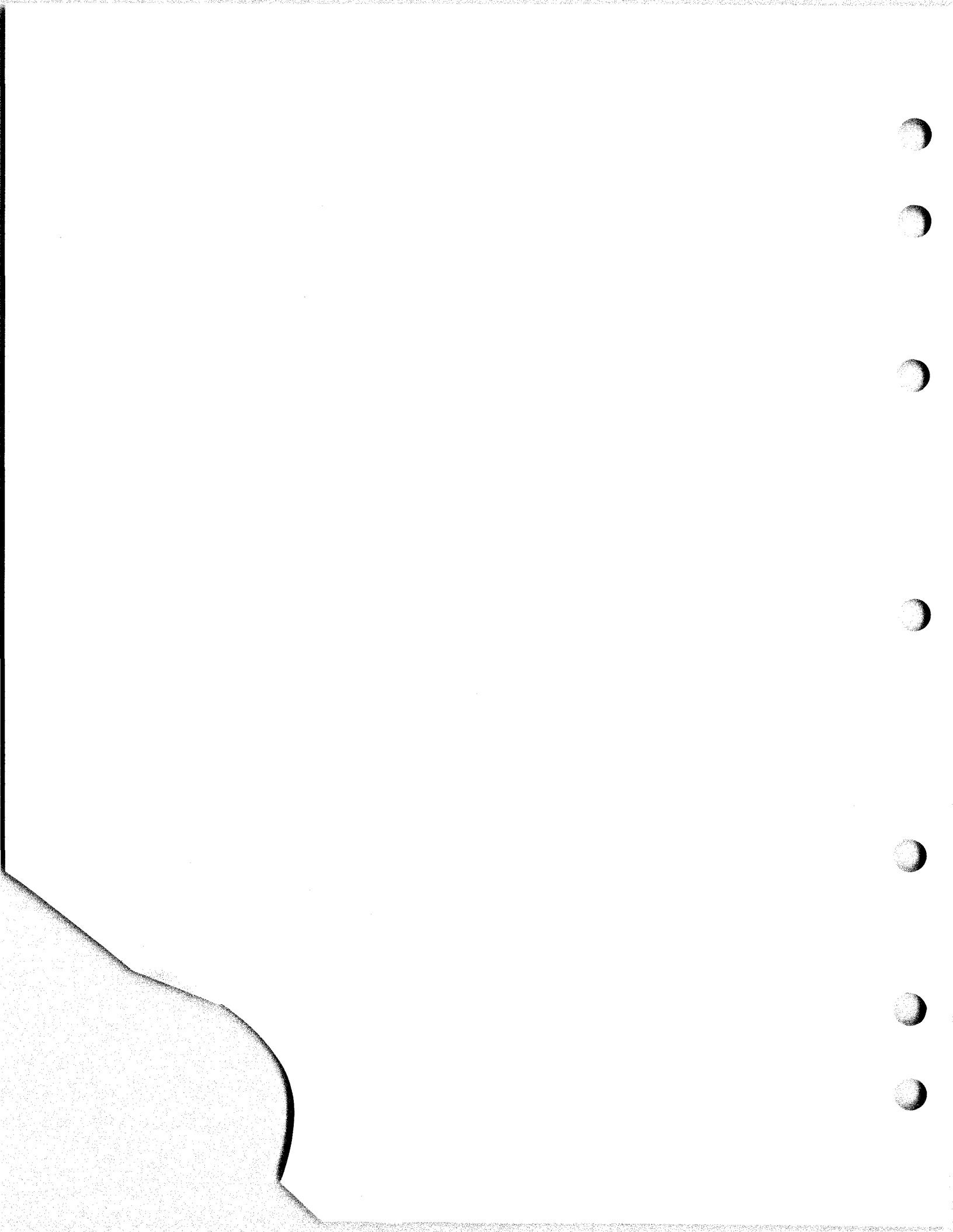
RECEIVING SELECTOR SET

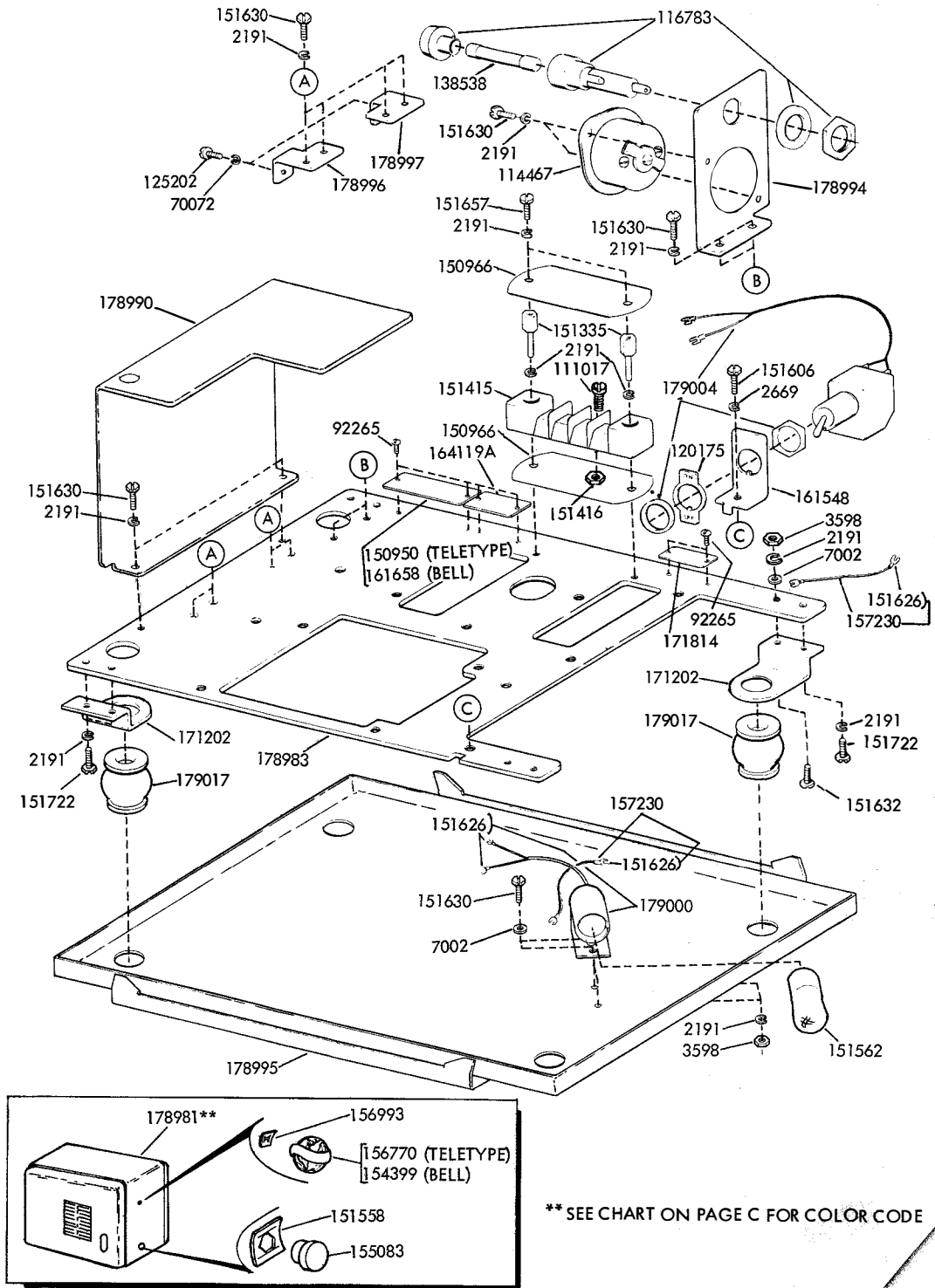


RECEIVING SELECTOR UNIT (LRS)



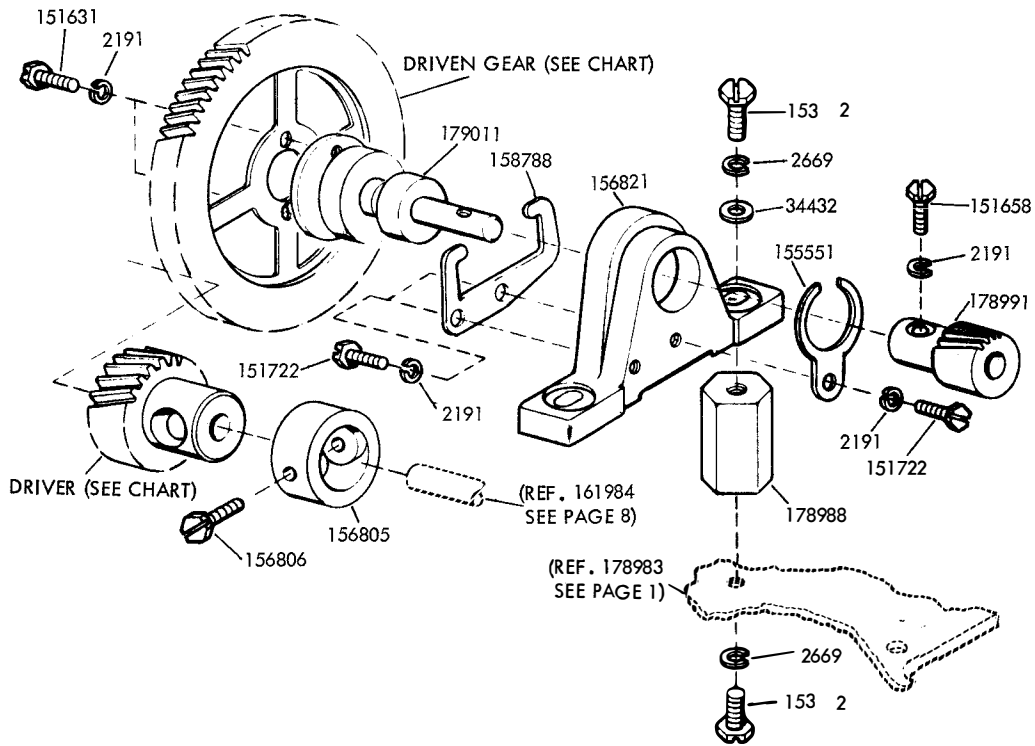
RECEIVING SELECTOR BASE (LRSB)





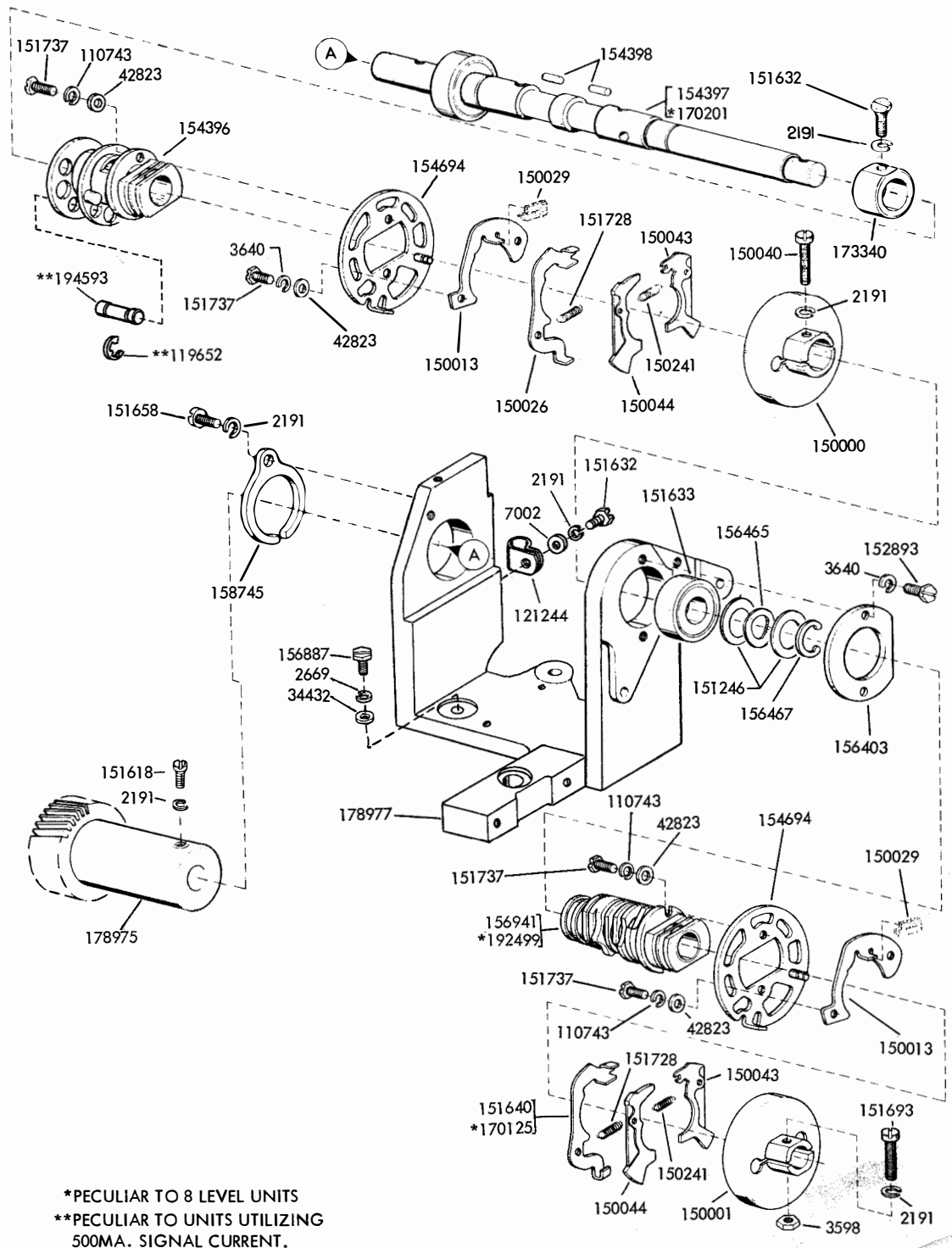
** SEE CHART ON PAGE C FOR COLOR CODE

BASE ASSEMBLY



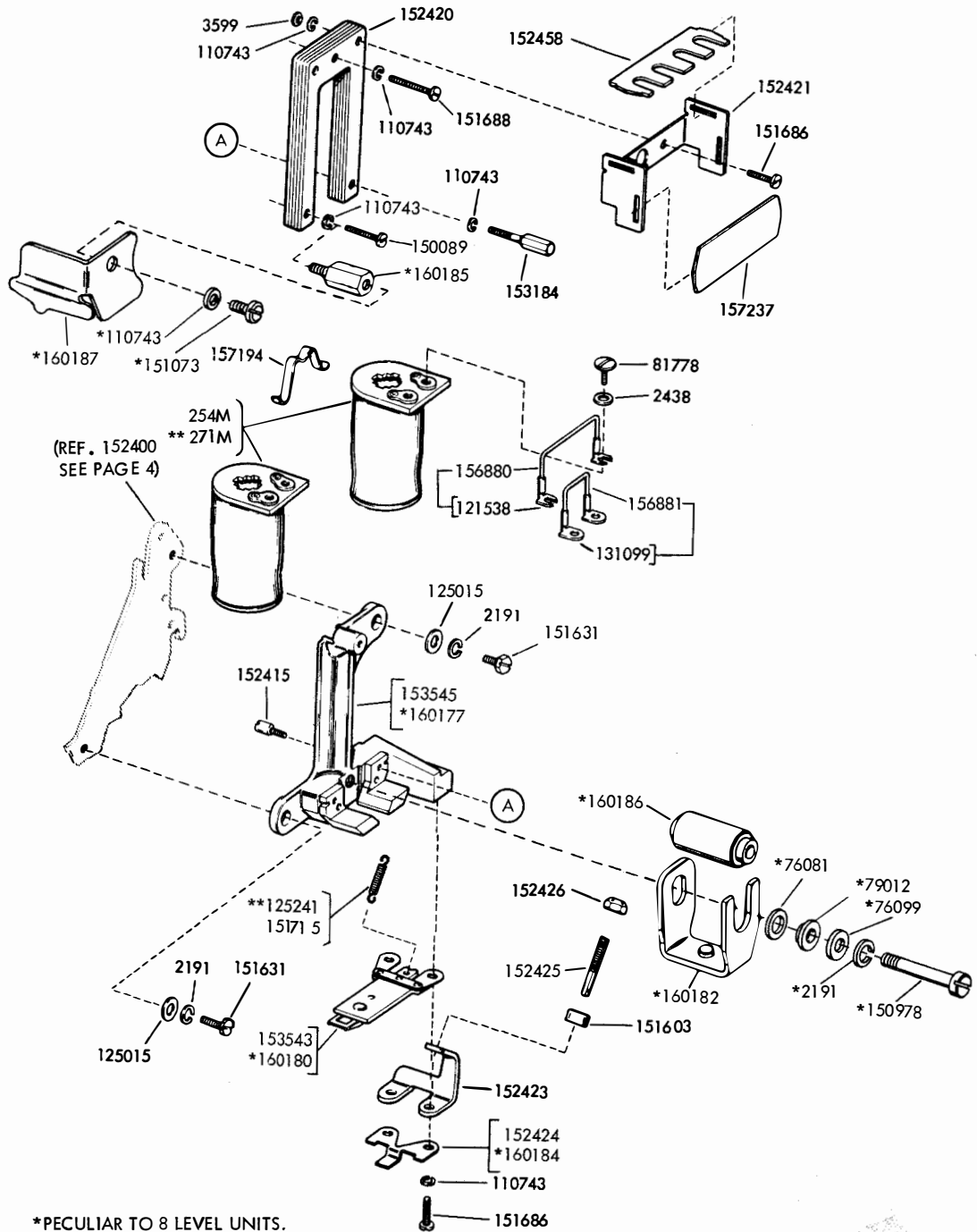
W.P.M.	GEAR SET	DRIVEN GEAR	DRIVER
60	156658	156626	156627
75	156728	156726	156725
100	156659	156628	156629

INTERMEDIATE GEAR MECHANISM



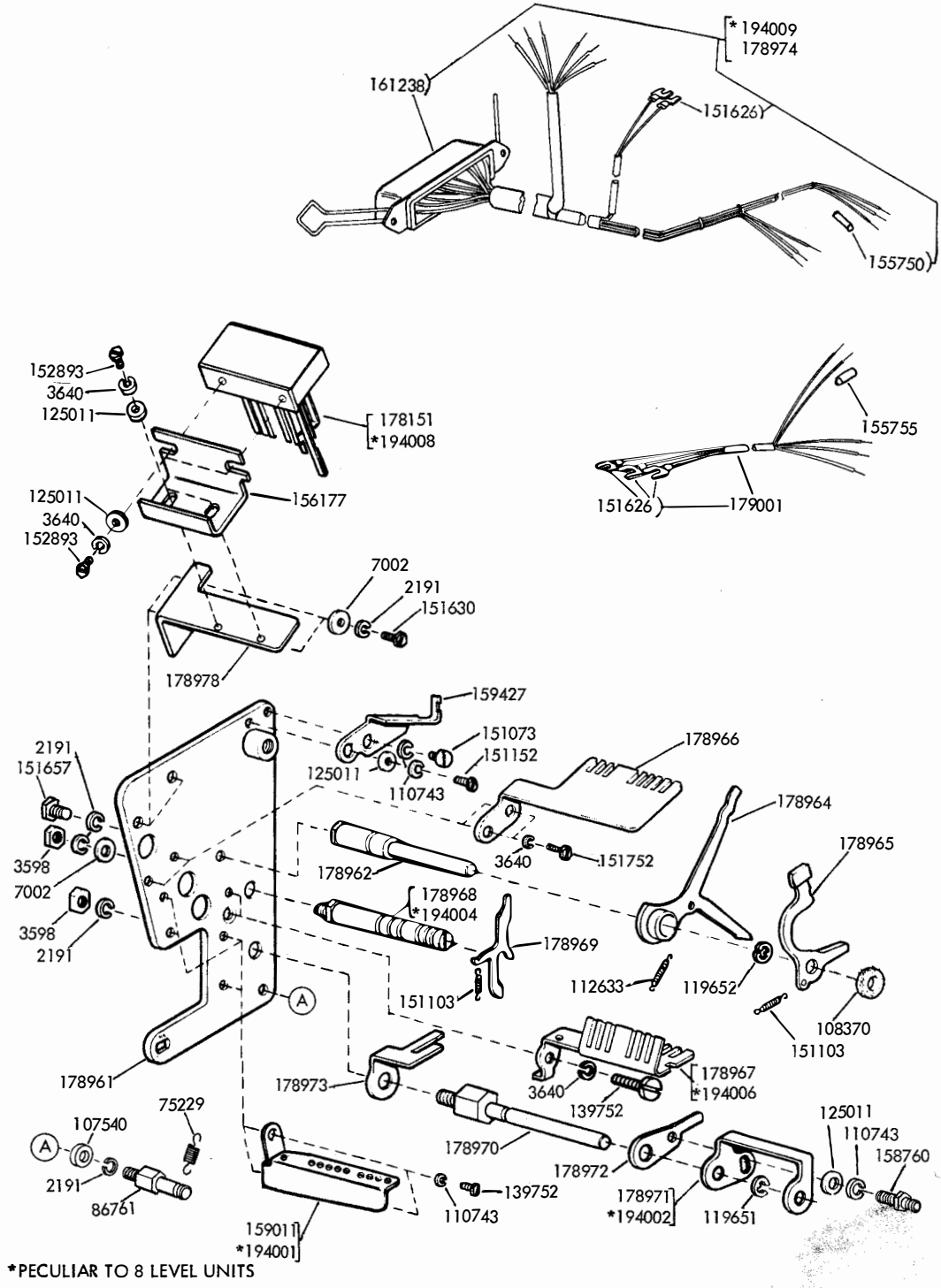
*PECULIAR TO 8 LEVEL UNITS
 **PECULIAR TO UNITS UTILIZING
 500MA. SIGNAL CURRENT.

SHAFT MECHANISM

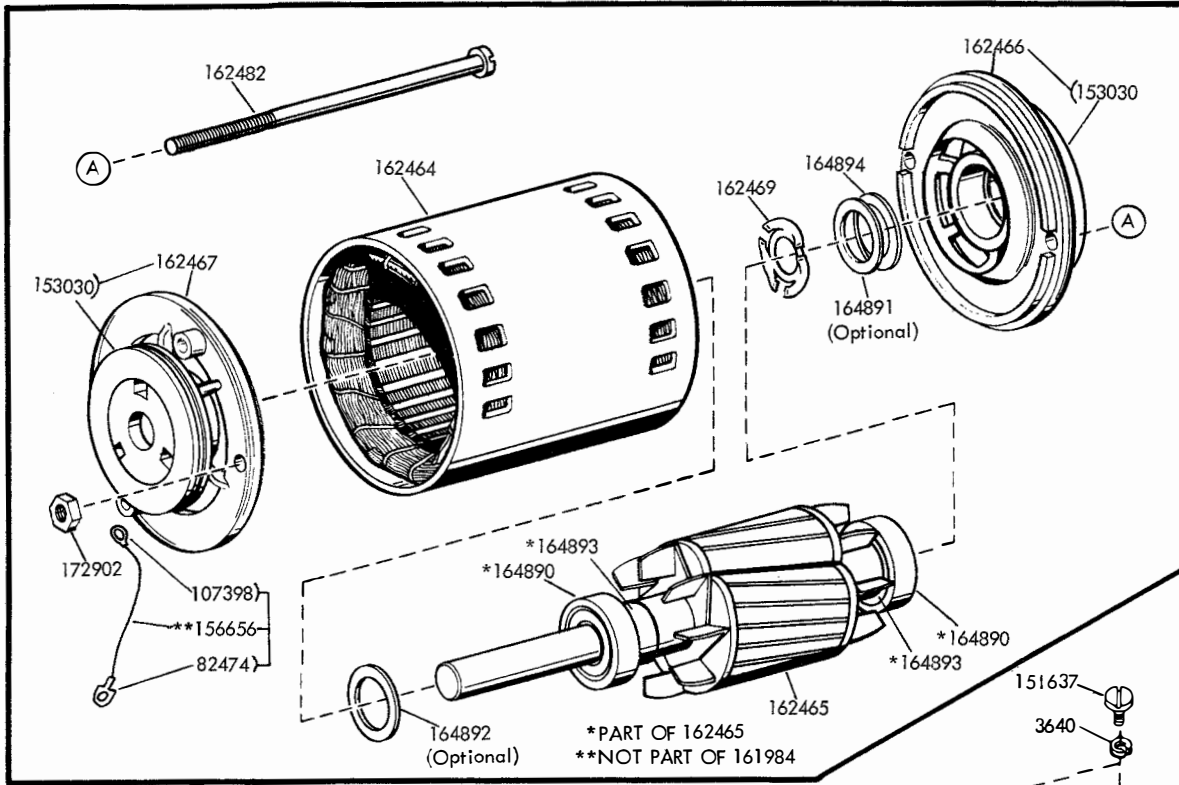


* PECULIAR TO 8 LEVEL UNITS.
 ** PECULIAR TO UNITS UTILIZING
 500MA. SIGNAL CURRENT.

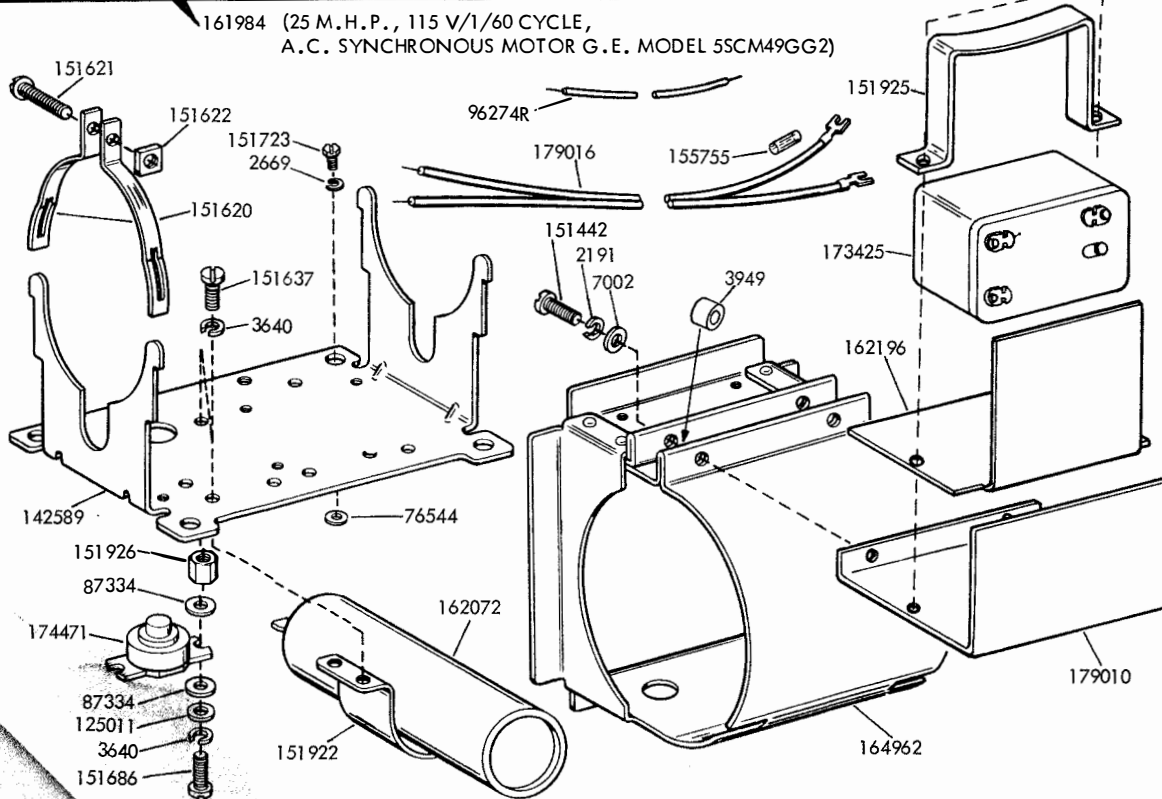
SELECTOR MAGNET MECHANISM



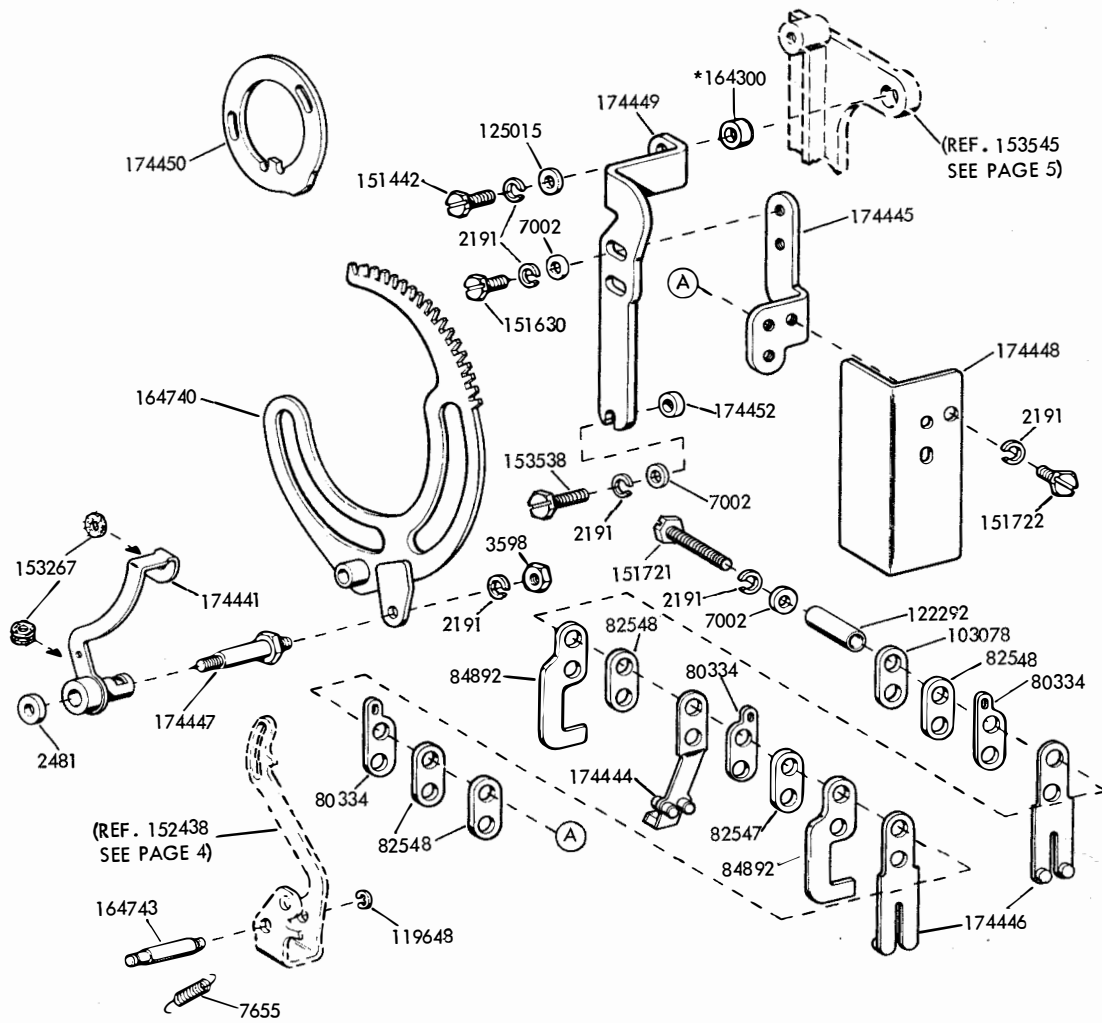
FRONT PLATE



161984 (25 M.H.P., 115 V/1/60 CYCLE, A.C. SYNCHRONOUS MOTOR G.E. MODEL 5SCM49GG2)



LMU31 SYNCHRONOUS MOTOR UNIT (MINIATURE)



SPECIFICATION 500415

*PECULIAR TO 8 LEVEL UNITS, NOT
PART OF 176420

176420 MODIFICATION KIT TO ADD TIMING CONTACT MECHANISM

NUMERICAL INDEX

Part Number	Description and Page Number	Part Number	Description and Page Number	Part Number	Description and Page Number
254M	Coil, Magnet 5	111410	Washer, Flat 6	151558	Nut, Speed 1
271M	Coil, Magnet 5	112626	Nut (10-32 Hex) 4	151562	Lamp (6W-110V) 1
2034	Washer, Flat 4	112633	Spring 7	151603	Spacer, Armature 5
2191	Washer, Lock 1 to 9	114467	Connector, Plug (2 Pt) 1	151606	Screw (10-32 x 1/4 Hex) 1
2438	Washer, Flat 5	116783	Holder, Fuse 1	151618	Screw (6-40 x 7/16 Fil) 3,6
2481	Washer, Flat 6,9	119648	Ring, Retaining 4,9	151620	Strap 8
2669	Washer, Lock 1,2,3,4,8	119649	Ring, Retaining 6	151621	Screw (6-32 x 3/4 Rd)8
3598	Nut (6-40 Hex) 1,3,4,6,7,9	119651	Ring, Retaining 6	151622	Nut (6-32 Sq) 8
3599	Nut (6-40 Hex) 4,5	119652	Ring, Retaining 3,4,7	151626	Terminal 1,7,8
3640	Washer, Lock 6,7,8	120175	Plate, Instruction (On-Off) 1	151629	Nut (6-40 Lug) 6
3949	Spacer 8	121242	Clamp, Cable (1/8 ID) 6	151630	Screw (6-40 x 1/4 Hex) 1,4,6,7,9
7002	Washer, Flat 1,4,6,7,8,9	121244	Clamp, Cable (1/4 ID) 3,6	151631	Screw (6-40 x 5/16 Hex) 1,2,5,6
7655	Spring 9	122292	Bushing 9	151632	Screw (6-40 x 3/8 Hex) 3,6
8330	Washer, Flat 4,6	124177	Washer, Lock 4	151633	Bearing 3
34432	Washer, Flat 2,3	125011	Washer, Flat 4,6,7,8	151637	Screw (4-40 x 1/4 Fil) 8
41382	Spring, Detent 4	125015	Washer, Flat 5,9	151640	Lever, Clutch 3
41732	Plate, Clamp 6	125241	Spring 5	151657	Screw (6-40x1/4 Fil)1,4,7
42823	Washer, Flat 3	131099	Terminal 5	151658	Screw (6-40 x 5/16 Fil) 1,2,3
49084	Spring 6	135716	Spring 6	151686	Screw (4-40 x 3/8 Fil) 5,8
73611	Wick, Felt 6	138538	Fuse (2 Amp) 1	151688	Screw (4-40 x 5/8 Fil) 5,6
74283	Washer, Spring 4	139752	Screw (4-40 x 3/16 Hex) 7	151693	Screw (6-40 x 9/16 Fil) 3
74727	Terminal 6	142589	Bracket, Motor 8	151694	Screw (6-40 x 11/32 Fil) 6
75229	Spring 7	150000	Drum, Clutch 3	151701	Spring 4
76081	Washer, Flat 5	150001	Drum, Clutch 3	151714	Spring 4
76099	Washer, Flat 5	150013	Disk, Clutch 3	151715	Spring 5
76544	Washer, Flat 1,8	150026	Lever, Shoe 3	151721	Screw (6-40 x 3/4 Fil) 9
78533	Spring 4	150028	Disk, Clutch 3	151722	Screw (6-40 x 3/4 Hex) 1,2,9
79012	Bushing, Insulating 5	150029	Wick, Felt 3	151723	Screw (10-32 x 3/8 Hex) 8
80334	Terminal 9	150040	Screw (6-40 x 5/8 Fil) 3	151728	Spring 3
80755	Bushing 6	150041	Spring 3	151737	Screw (4-40 x 11/64 Hex) 3,6
81778	Screw (4-40 x 1/4 Fil) 5	150043	Shoe, Secondary 3	151922	Clamp, Capacitor 8
82474	Terminal 8	150044	Shoe, Primary 3	151925	Clamp, Relay 8
82547	Insulator (.094) 9	150048	Spring 4	151926	Nut (4-40 Spl) 8
82548	Insulator (.062) 6,9	150089	Screw (4-40 x 1/2 Fil) 5	152400	Plate 4
84575	Spring 6	150241	Spring 6	152401	Guide 4
84892	Stiffener 9	150356	Lever, Trip 6	152402	Guide 4
86761	Post, Spring 7	150411	Washer, Flat 6	152403	Bracket 4
87334	Washer, Insulating 8	150687	Post 4	152404	Bracket, Spring 4
87401	Spring 6	150950	Nameplate 1	152405	Lever, Marking Lock 4
92265	Screw (2-56 x 1/8 Rd) 1	150966	Insulator 1	152406	Bracket, Spring 4
93356	Washer, Felt 6	150978	Screw (6-40 x 1-1/8 Fil) 5	152407	Lever, Space Lock 4
96274R	Wire (10" Red) 8	151073	Screw (4-40 x 5/32 Fil) 5,7	152409	Lever, Selecting 4
96717	Screw, Shoulder (4-40) 4	151103	Spring 4,7	152410	Bail, Reset 4
103078	Plate, Clamp 9	151152	Screw (4-40 x 3/16 Hex) 6,7	152411	Lever, Push 4
107398	Terminal 8	151335	Stud 1		
108370	Washer, Felt 7	151415	Block, Terminal 1,5		
110434	Screw (4-40 x 3/16 Fil) 4	151416	Nut (6-40 Hex) 1		
110743	Washer, Lock 3,4,5,6,7	151442	Screw (6-40 x 1/2 Hex) 6,8,9		
111017	Screw (6-40 x 5/16 Fil) 1				

NUMERICAL INDEX (Continued)

Part Number	Description and Page Number	Part Number	Description and Page Number	Part Number	Description and Page Number
152412	Link, Adjusting 4	156472	Post, Spring 6	160186	Bushing 5
152415	Stud 5	156536	Screw (4-40 x 3/16 Hex) 4	160187	Shield, Oil 5
152420	Lamination, Magnet 5	156558	Washer, Felt 6	160944	Washer, Felt 6
152421	Bracket 5	156572	Washer, Felt 6	160997	Roller 6
152423	Bracket, Armature 5	156626	Gear (88T) 2	160998	Arm 6
152424	Plate, Armature 5	156627	Gear (18T) 2	161100	Spring 6
152425	Post, Spring 5	156628	Gear (72T) 2	161102	Spring 6
152426	Nut, Adjusting 5	156629	Gear (24T) 2	161238	Connector, Receptacle (36 Pt) 7
152427	Lever, Latch 4	156656	Strap Assembly (2-3/4" Black) 8	161342	Lever, Start 4
152429	Rack, Range Finder 4	156658	Gear Set 2	161548	Bracket, Switch 1
152432	Arm, Stop 4	156659	Gear Set 2	161658	Nameplate (Bell Code) 1
152436	Knob, Range Finder 4	156725	Pinion (24T) 2	161984	Motor, Synchronous 8
152438	Bail, Stop Arm 4	156726	Gear (94T) 2	162072	Capacitor 8
152441	Washer, Flat 4	156728	Gear Set 2	162196	Insulator 8
152445	Spring 4	156770	Nameplate (Teletype) 1	162464	Stator 8
152458	Shield, Terminal 5	156805	Retainer, Pinion 2	162465	Rotor 8
152891	Spring 4	156806	Post 2	162466	Shield Assembly, End 8
152893	Screw (4-40 x 3/16 Hex) 3,4,6,7	156821	Housing, Bearing 2	162467	Shield Assembly, End 8
153030	Mount, Vibration 8	156880	Strap Assembly (2-3/8" Black) 5	162468	Spacer 8
153184	Post 5	156881	Strap Assembly (1-1/2" Black) 5	162469	Washer, Spring 8
153267	Washer, Felt 9	156887	Screw (10-32 x 9/16 Hex) 3	162482	Bolt (6-32 x 3-1/2 Fil) 8
153422	Screw (10-32 x 1/2 Hex) 1	156941	Cam, Selector 3	162862	Bar, Mounting 6
153442	Screw (10-32 x 1/2 Hex) 2	156993	Nut, Speed 1	162886	Screw (4-40 x 7/32 Hex) 6
153489	Detent, Range Finder 4	157194	Retainer, Spring 5	164300	Spacer 9
153538	Screw (6-40 x 7/16 Hex) 9	157230	Jumper (6-1/4" Black) 1	164740	Rack 9
153543	Armature, Selector 5	157237	Shield, Terminal 5	164743	Shaft 9
153545	Bracket, Magnet 5	157261	Shaft, Stop Arm 4	164890	Bearing, Ball 8
153839	Screw (6-40 x 5/8 Hex) 6	158172	Lever, Trip 6	164891	Washer, Shim (.032") 8
154396	Cam 3	158745	Clamp, Bearing 3	164892	Washer, Shim (.018") 8
154397	Shaft, Main 3	158760	Post, Spring 7	164893	Collar, Thrust 8
154398	Bearing, Needle 3	158788	Clamp 2	164894	Washer, Shim (.018") 8
154399	Nameplate (Bell) 1	159011	Bracket, Spring 7	164962	Bracket 8
154620	Wick, Lubricator 4	159181	Lubricator 4	165027	Network, Spark Suppression 6
154621	Retainer, Wick 4	159184	Wick, Oil 4	170124	Lubricator Assembly 4
154622	Lubricator Assembly 4	159185	Retainer, Wick 4	170125	Lever, Clutch 3
154694	Disk, Clutch Cam 3	159189	Wick 6	170198	Arm, Stop 4
155083	Lens (Red) 1	159427	Bracket 7	170201	Shaft, Main 3
155090	Lubricator Assembly 4	159467	Holder, Wick 6	170230	Knob 4
155551	Clamp 2	159544	Release, Clutch 6	170231	Guide 4
155750	Sleeve, Insulating (3/32 ID x 1/2 Lg) 7	159568	Bracket 6	170232	Guide 4
155755	Sleeve, Insulating (11/64 ID x 5/8 Lg) 7,8	159570	Spring, Contact 6	170233	Stud 4
156165	Washer, Felt 6	159571	Stiffener 6	170234	Bracket 4
156177	Bracket, Contact 7	159575	Bracket, Stop 6	170235	Bracket 4
156257	Bracket, Trip 6	159578	Bail 6	170236	Lever, Mark Lock 4
156318	Lever, Reset 6	159579	Bail 6	170237	Lever, Start 4
156387	Lever, Trip 6	159580	Shaft, Bail 6	170238	Bail, Reset 4
156403	Disk 3	159601	Bracket, Spring 6	171202	Bracket 1
156465	Washer, Spring 3	160177	Bracket, Magnet 5	172902	Nut (6-32 Hex) 8
156467	Ring, Retaining 3	160180	Armature, Selector 5	173340	Collar 3
		160182	Bracket 5	173425	Relay 8
		160184	Plate, Stop 5	174441	Cable 9
		160185	Post 5	174444	Spring, Contact 9
				174445	Bracket, Contact 9
				174446	Cable 9

NUMERICAL INDEX (Continued)

Part Number	Description and Page Number	Part Number	Description and Page Number	Part Number	Description and Page Number
174447	Post 9	178973	Guide, Lever 7	179010	Bracket 8
174448	Guard 9	178974	Cable Assembly 7	179011	Shaft 2
174449	Bracket 9	178975	Gear (35T) 3	179017	Mount, Vibration 1
174450	Cable 9	178977	Frame 3	179019	Plate 4
174452	Spacer 9	178978	Bracket, Mounting 7	192493	Spring 4
174471	Switch, Thermostatic 8	178981**	Cover 1	192499	Cam, Selector 3
176420	Modification Kit 9	178983	Plate 1	194001	Bracket, Spring 7
178151	Contact Assembly 7	178985	Bracket 6	194002	Bail 7
178961	Plate 7	178988	Stud 2	194004	Post, Guide 7
178962	Post 7	178990	Guard, Gear 1	194006	Bracket, Guide 7
178963	Lever 6	178991	Gear (20T) 2	194008	Contact Assembly 7
178964	Lever, Trip 7	178994	Bracket, Mounting 1	194009	Cable Assembly 7
178965	Latch, Actuator 7	178995	Pan, Oil 1	194587	Bail 6
178966	Bracket, Guide 7	178996	Bracket, Connector 1	194588	Extension, Bail 6
178967	Bracket, Guide 7	178997	Bracket, Connector 1	194589	Shaft 6
178968	Guide 7	179000	Cable Assembly 1	194591	Arm 6
178969	Lever, Latch 7	179001	Cable Assembly 7	194593	Roller 3
178970	Post 7	179004	Switch Assembly 1		