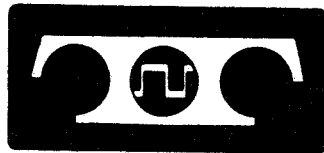


BULLETIN 1187B

35 AUTOMATIC SEND-RECEIVE SET
(ASR)

PARTS



TELETYPE[®]
CORPORATION
5555 TOUHY AVENUE, SKOKIE, ILLINOIS

TABLE OF CONTENTS

| SECTION | TITLE | ISSUE | DATE |
|---------------|---|-------|---------------|
| 574-220-800TC | 35 Typing Unit (LP) | *4 | August 1971 |
| 574-222-800TC | 35 Automatic Send-Receive Keyboard (LAK) | *3 | August 1971 |
| 574-223-800TC | 35 Transmitter Distributor Base (LCXB) | 2 | August 1968 |
| 574-224-800TC | 35 Nontyping Reperator (LRPE) | *3 | August 1971 |
| 574-226-801TC | 35 Electrical Service Unit (LESU) for ASR | 3 | December 1969 |
| 574-227-800TC | 35 Call Control Unit (LCCU) | 2 | August 1968 |
| 574-228-800TC | 35 Automatic Send-Receive Cabinet (LAAC) | 4 | April 1971 |
| 574-236-800TC | 35 Transmitter (LX) | 1 | February 1969 |

NOTE:

For Motors refer to Bulletin 295B

* Indicates revised sections

35 TYPING UNIT (LP)
PARTS

SECTION 574-220-800TC

| FIGURE | CONTENTS | PAGE | FIGURE | CONTENTS | PAGE |
|--------|--|------|--------|--|------|
| 1 | Right and Left Side Frames (Wall Mounted) | 3 | 46 | Left Side-Ribbon Feed Mechanism For Two Color Ribbon Printing | 48 |
| 2 | Right Side Frame | 4 | 47 | 152340 Modification Kit to Provide Multi-Copy Paper Handling | 49 |
| 3 | Left Side Frame | 5 | 48 | 154771 Modification Kit to Provide Vertical Tabulation | 50 |
| 4 | Pressure Roller Mechanism | 6 | 49 | 154798 Modification Kit to Provide Superfold Friction Feed Paper Handling | 51 |
| 5 | Paper Spindle and Reset Bail Mechanism | 7 | 50 | 157511 Modification Kit to Provide Local Reverse Line Feed | 52 |
| 6 | Sprocket Feed Platen Mechanism | 8 | 51 | 194324 & 305733 Modification Kits to Provide Paper-Out Alarm Switch | 53 |
| 7 | Friction Feed Platen and Line Feed Mechanisms | 9 | 52 | 329013 Handwheel Assembly | 54 |
| 8 | Trip Shaft Mechanism | 10 | 53 | 305035, 305036 & 307065 Modification Kits to Provide Manual Platen Line Feed | 54 |
| 9 | Space Suppression Mechanism | 11 | 54 | 163146 Modification Kit to Provide Universal Contact | 55 |
| 10 | Vertical Tabulating Mechanism | 12 | 55 | 324490 Modification Kit to Provide Paper Jam Alarm | 56 |
| 11 | 330682 Vertical Tabulation Assembly | 13 | 56 | 305037 Modification Kit to Adapt Sprocket Feed Printers to 9-1/2 Inch Form Widths | 57 |
| 12 | Contact Assemblies for Vertical Tabulating Mechanism | 14 | 57 | 311456, 324095 & 333520 Modification Kits to Provide Paper Jam Alarms | 58 |
| 13 | Main Shaft Mechanism | 15 | 58 | 312711 Modification Kit to Adapt Units with a Vertical Tabulating Mechanism to use the 179724 Modification Kit | 59 |
| 14 | Main Shaft Mechanism (Continued) | 16 | 59 | 311458, 311459, 311460 & 311461 Modification Kits to Add Adjustable Last Form Alarm | 60 |
| 15 | Right Side Linkage and Type Box Carriage Mechanism | 17 | 60 | 321099 Modification Kit to Provide Automatic Carriage Return and Line Feed | 61 |
| 16 | Left Side Linkage and Rocker Shaft Mechanism | 18 | 61 | 152350 Modification Kit to Provide Keyboard Lock | 62 |
| 17 | Front Plate Mechanism | 19 | 62 | 157510 Modification Kit to Provide Local Backspace | 62 |
| 18 | Front Plate Mechanism (Continued) | 20 | 63 | 305540 Modification Kit to Provide a Yield Mechanism for the Line Feed Stripper Slide (Function Box Slots 39, 40 & 41) | 63 |
| 19 | Front Plate Mechanism (Continued) | 21 | 64 | 305539 Modification Kit to Provide a Yield Mechanism for the Line Feed Stripper Slide (Function Box Slots 39 & 40) | 63 |
| 20 | Front Plate Mechanism (Continued) | 22 | 65 | 174439 Modification Kit to Add Timing Contacts for Selector (Less Cam) | 64 |
| 21 | Front Plate Mechanism (Continued) | 23 | 66 | 163183 Modification Kit to Provide D. C. Magnet Operated Print Suppression | 65 |
| 22 | Carriage Return and Spacing Drum Mechanism | 24 | 67 | 325967 Modification Kit to Convert Sprocket Feed Printer Line Feed from 6.1 to 3.1 Ratio (6 Stop to 3 Stop Clutch) | 66 |
| 23 | Selector Mechanism | 25 | | Numerical Index | 67 |
| 24 | Selector Magnet Timing Contact Mechanism | 26 | | | |
| 25 | Selector Magnet Mechanism | 27 | | | |
| 26 | 192495 Form-Out Solenoid Assembly | 28 | | | |
| 27 | Codebar Positioning Mechanism | 29 | | | |
| 28 | Intermediate Storage Feature for Codebar Positioning Mechanism | 30 | | | |
| 29 | Paper Alarms and Form-Out XD Control Mechanism | 31 | | | |
| 30 | Paper Alarms and Form-Out Mechanisms | 32 | | | |
| 31 | Left Ribbon Feed Mechanism | 33 | | | |
| 32 | Right Ribbon Feed Mechanism | 34 | | | |
| 33 | 173260 Printing Carriage Mechanism | 35 | | | |
| 34 | Horizontal Tabulating Mechanism | 36 | | | |
| 35 | Codebar Mechanism | 37 | | | |
| 36 | Basic Stunt Box Components | 38 | | | |
| 37 | Switch Assemblies and Components | 39 | | | |
| 38 | Function Levers and Pawls | 40 | | | |
| 39 | Suppression Solenoid Mechanism | 41 | | | |
| 40 | Function Bars | 42 | | | |
| 41 | Typepallet Box and Typepallet Chart | 43 | | | |
| 42 | Type Pallet Chart | 44 | | | |
| 43 | Sprocket Feed Paper Handling Modification Kits | 45 | | | |
| 44 | Vertical Tabulation Modification Kits | 46 | | | |
| 45 | Right Side-Ribbon Feed Mechanism For Two Color Ribbon Printing | 47 | | | |

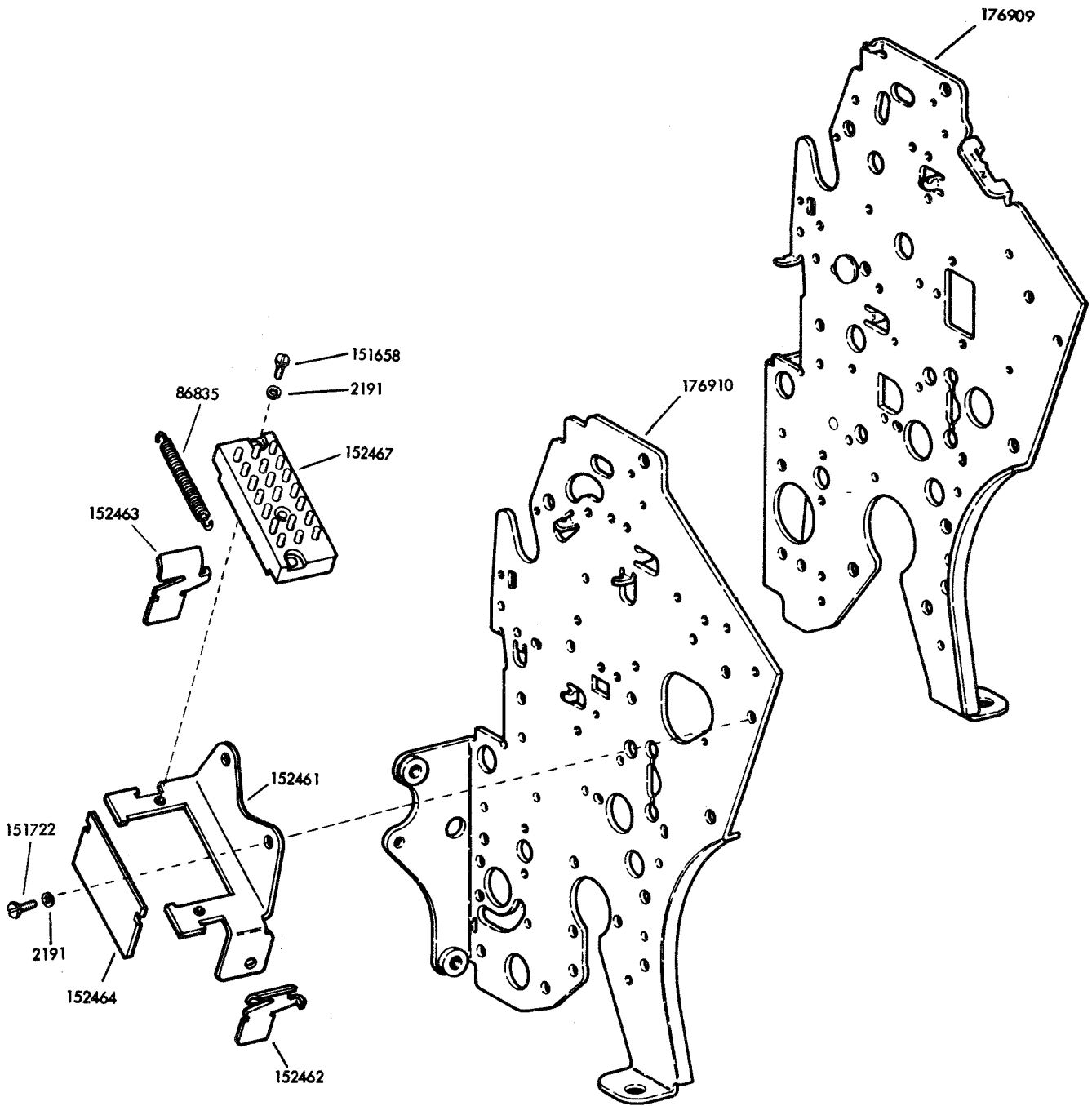


FIGURE 1. RIGHT AND LEFT SIDE FRAMES (WALL MOUNTED)

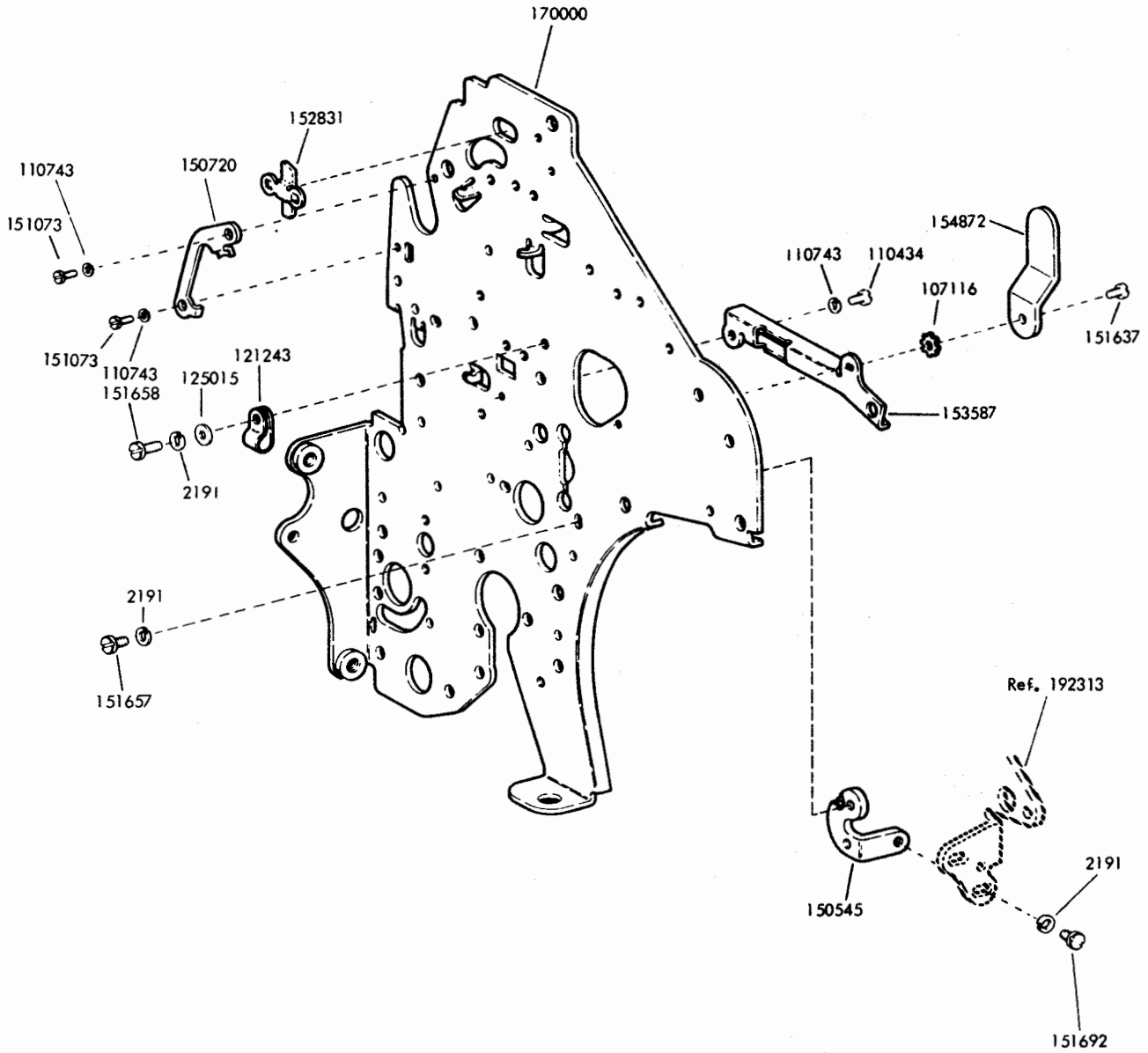
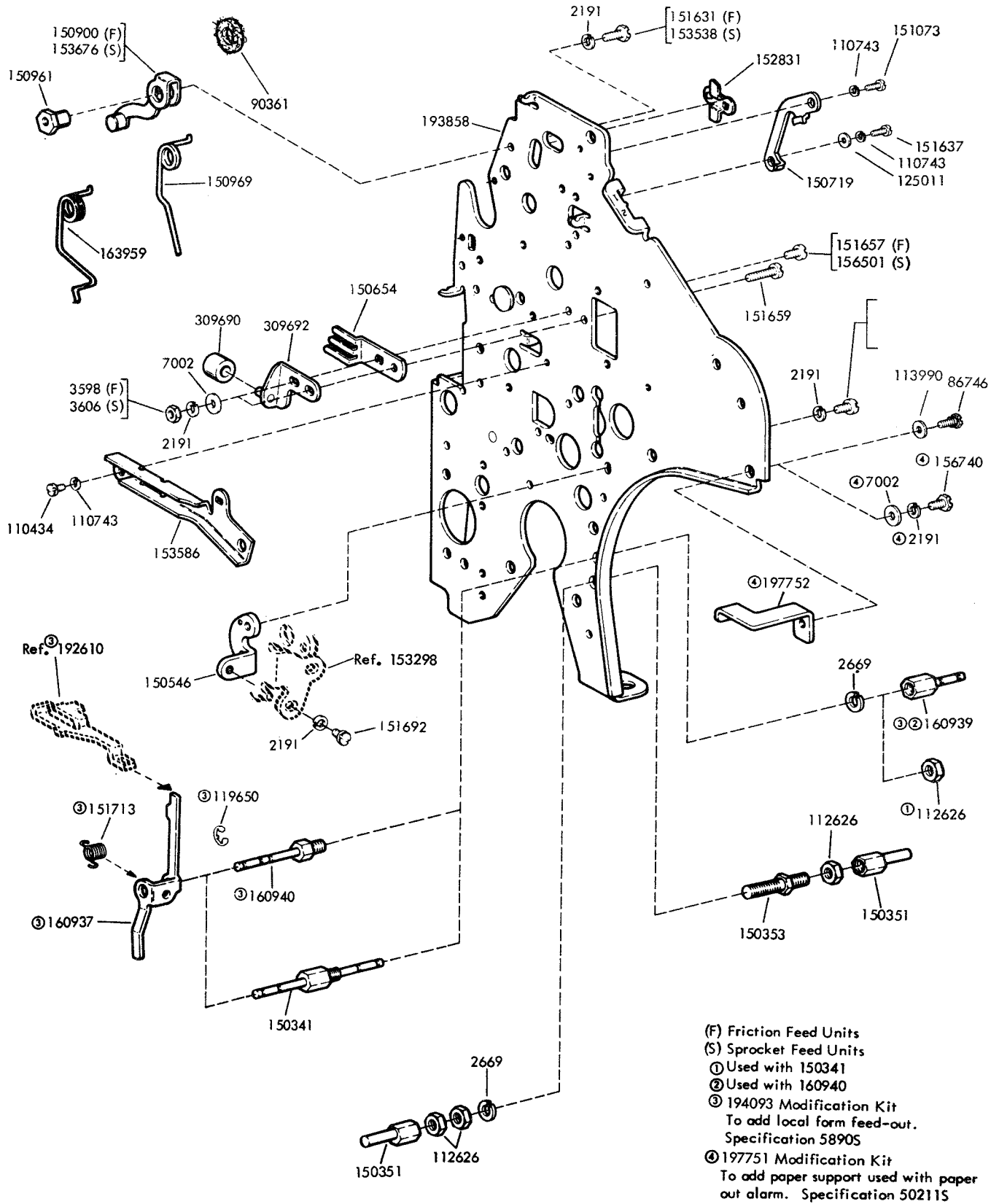
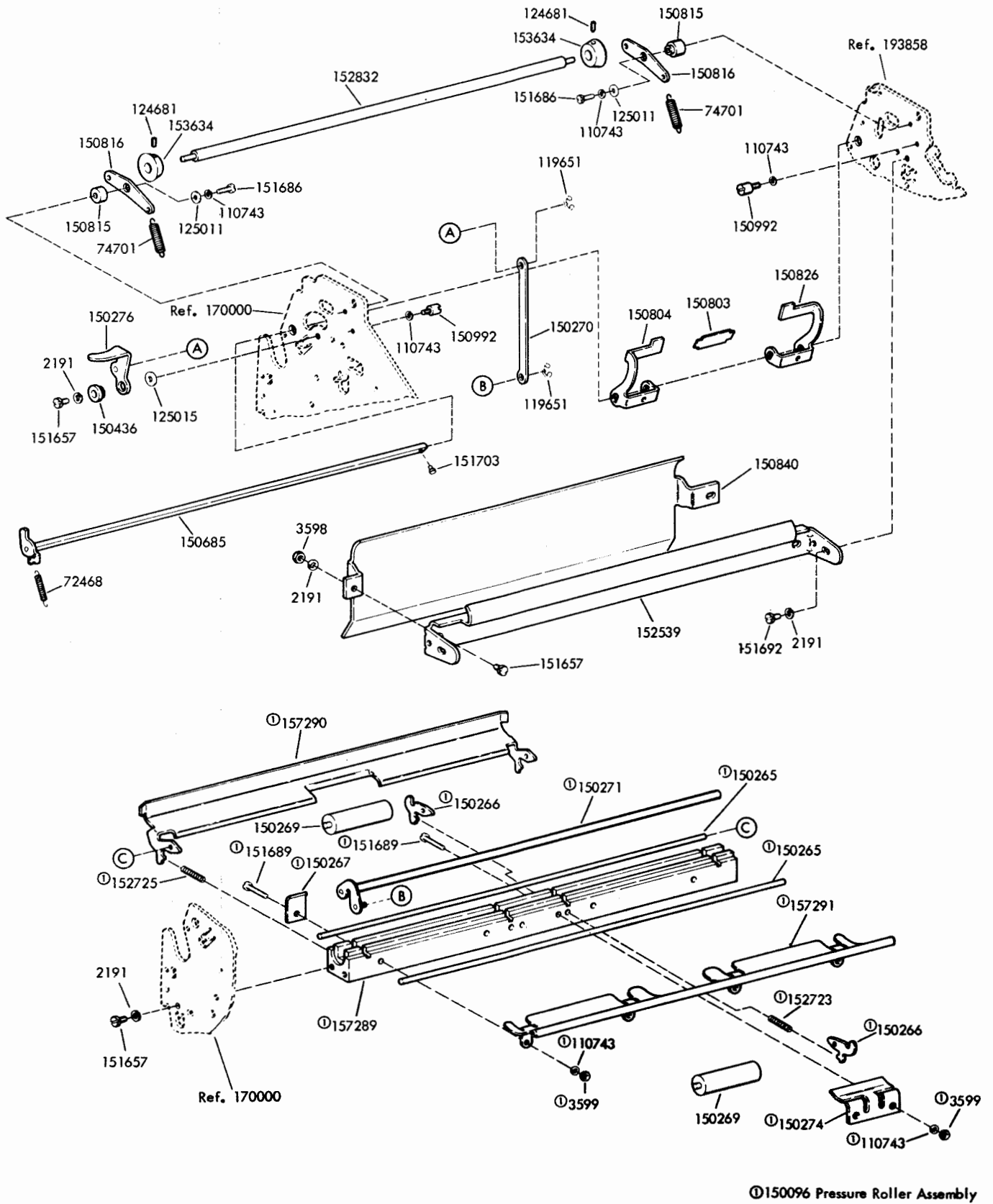


FIGURE 2. RIGHT SIDE FRAME



- (F) Friction Feed Units
- (S) Sprocket Feed Units
- ① Used with 150341
- ② Used with 160940
- ③ 194093 Modification Kit
To add local form feed-out.
Specification 58905
- ④ 197751 Modification Kit
To add paper support used with paper
out alarm. Specification 502115

FIGURE 3. LEFT SIDE FRAME



ⓐ150096 Pressure Roller Assembly

FIGURE 4. PRESSURE ROLLER MECHANISM

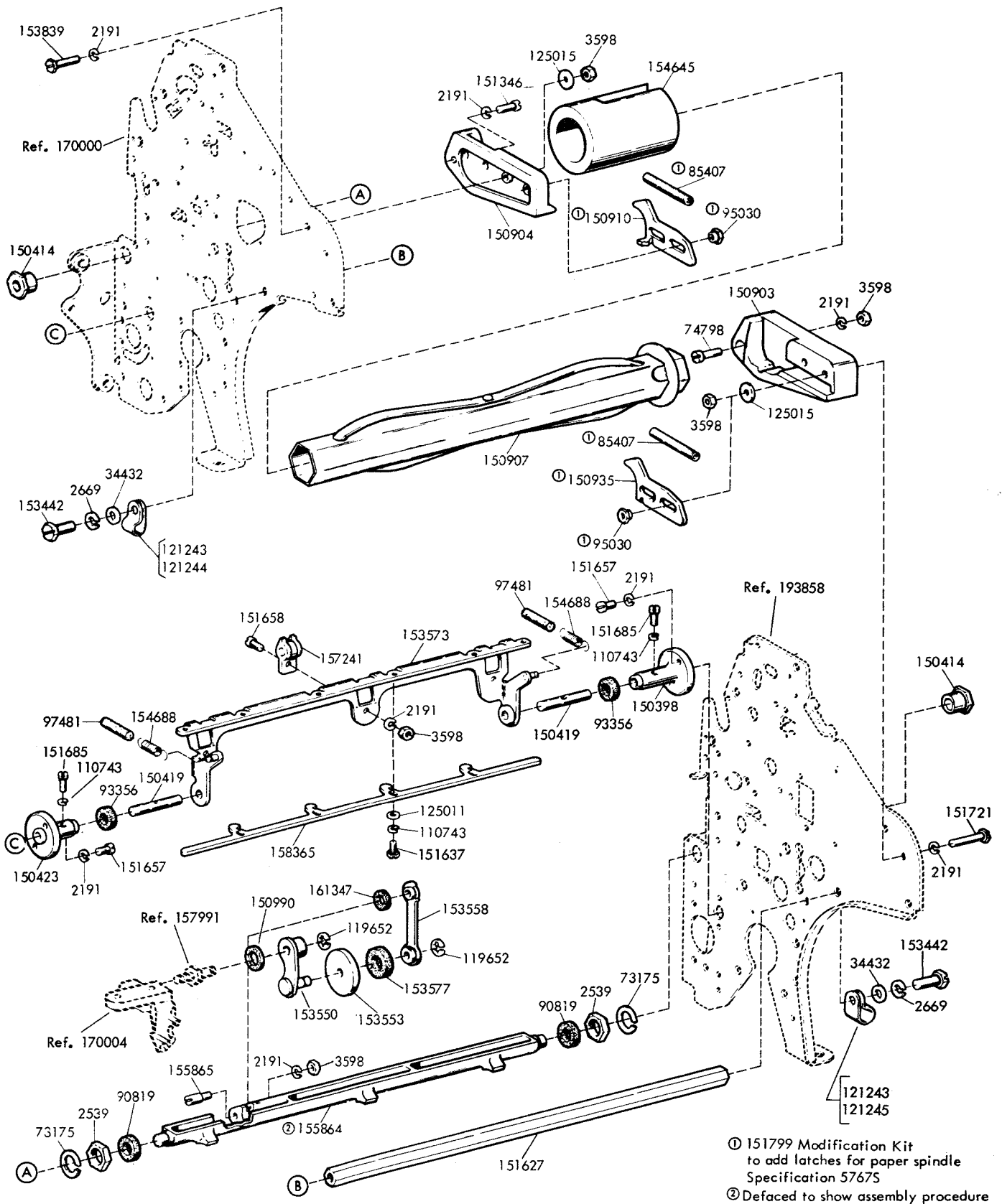


FIGURE 5. PAPER SPINDLE AND RESET BAIL MECHANISM

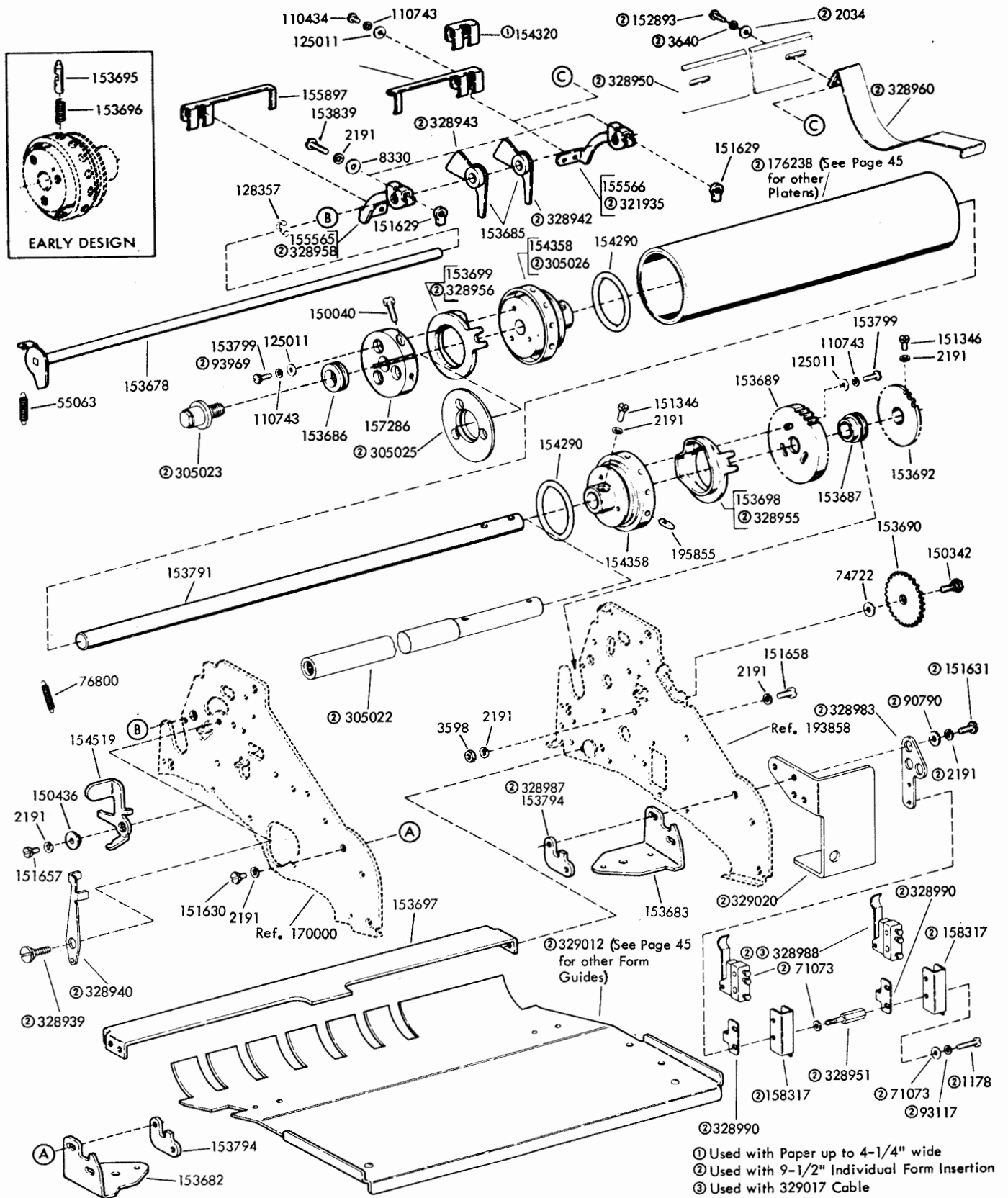


FIGURE 6. SPROCKET FEED PLATEN MECHANISM

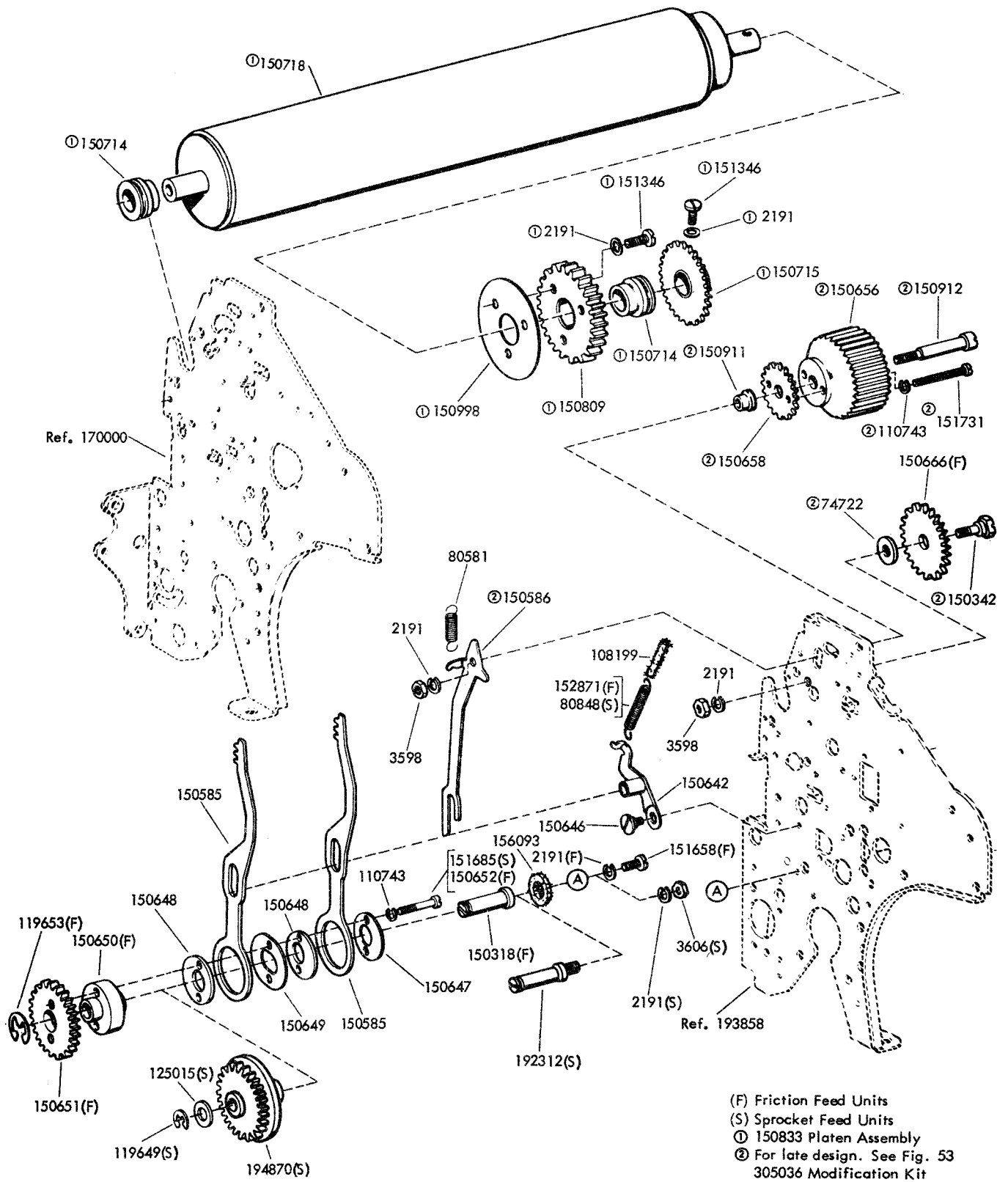


FIGURE 7. FRICTION FEED PLATEN AND LINE FEED MECHANISMS

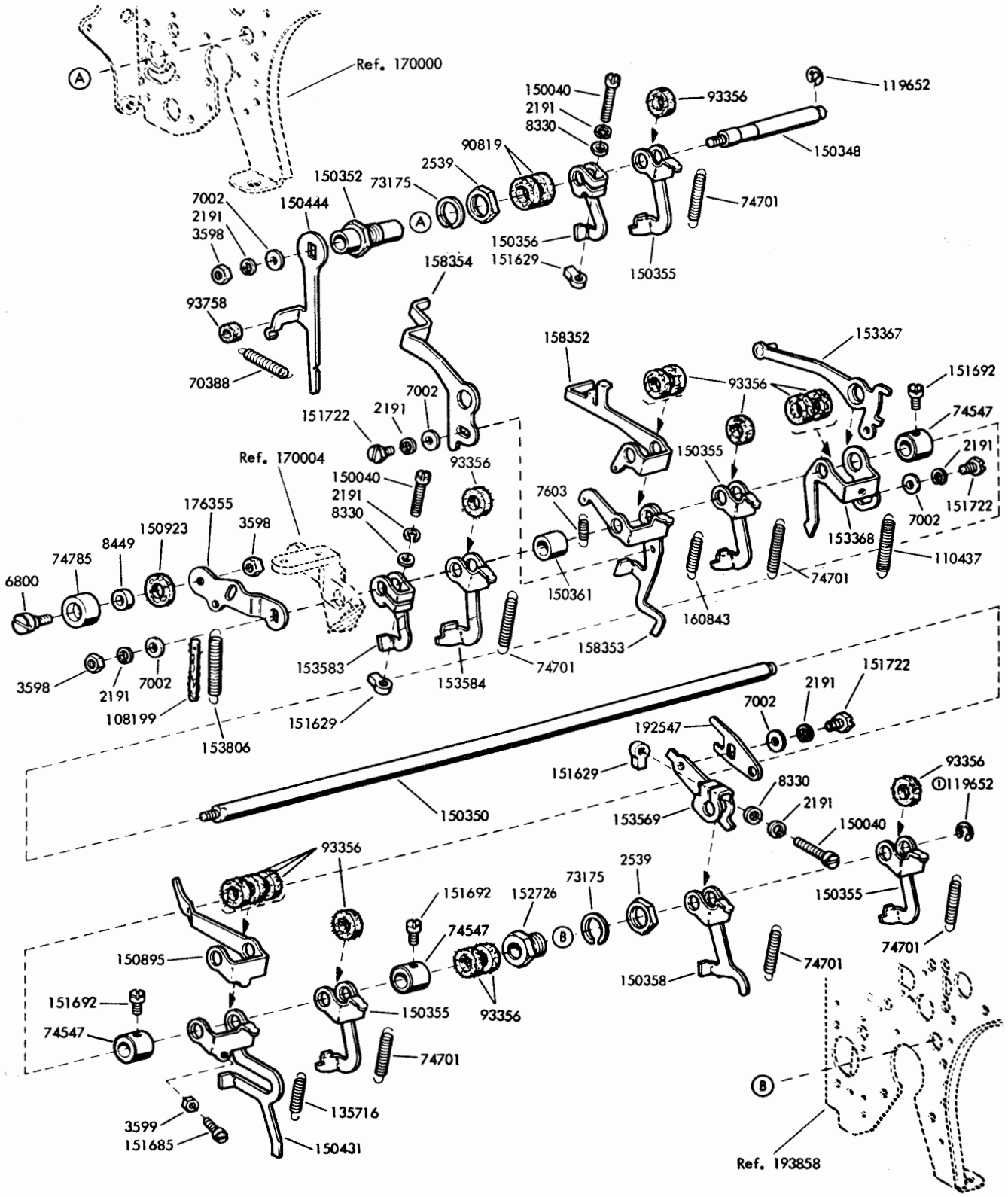


FIGURE 8. TRIP SHAFT MECHANISM

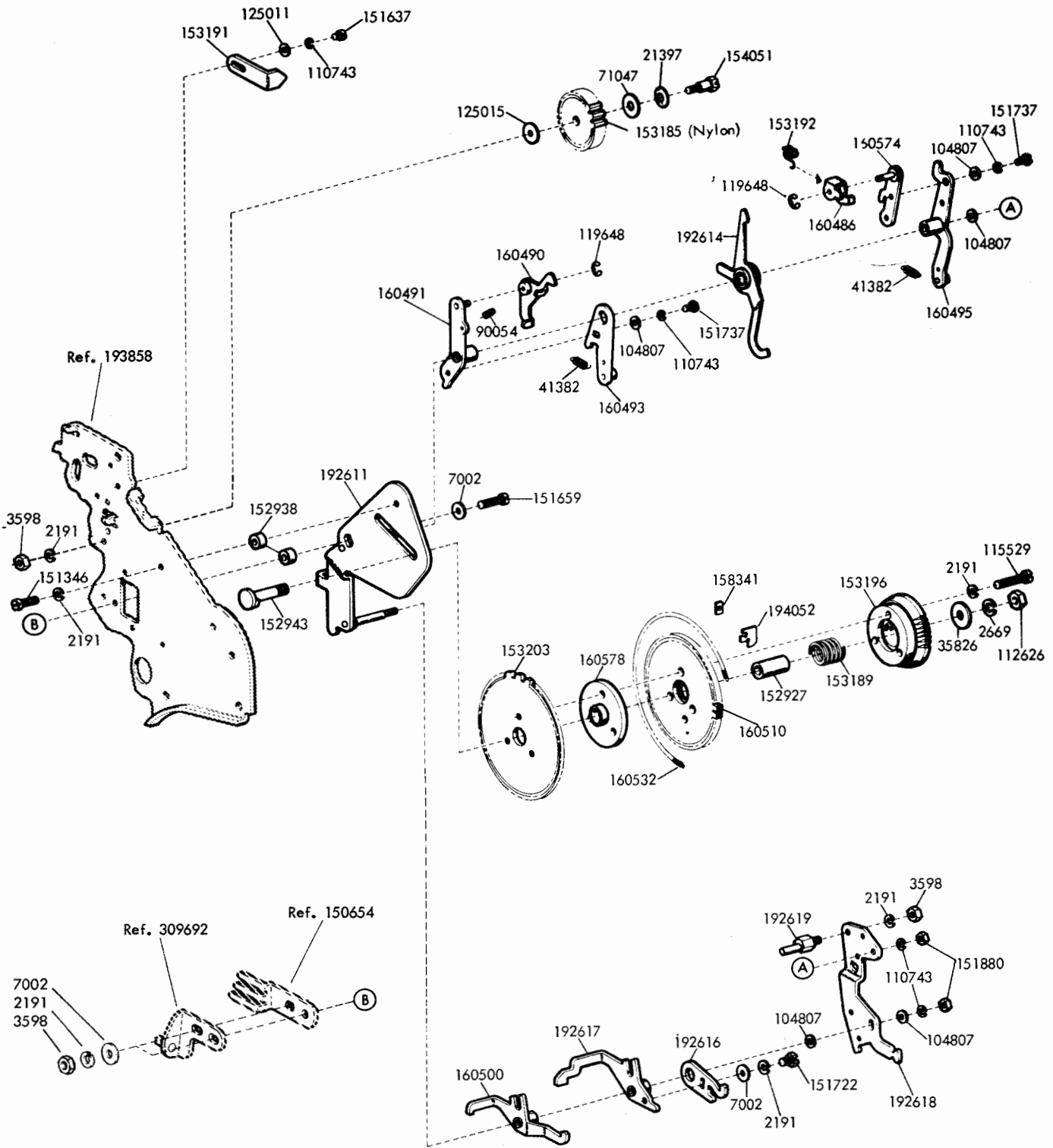


FIGURE 10. VERTICAL TABULATING MECHANISM

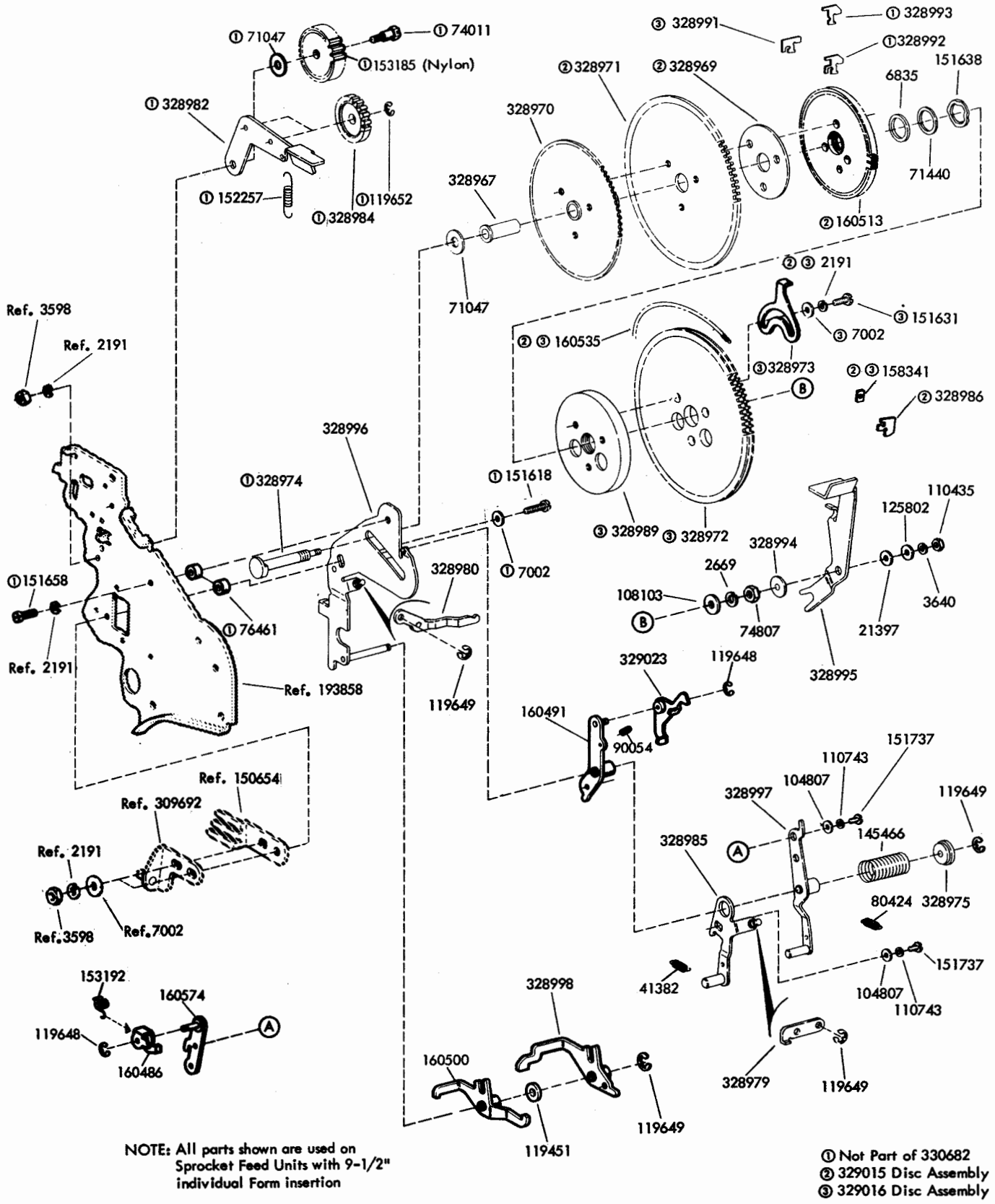


FIGURE 11. 330682 VERTICAL TABULATION ASSEMBLY

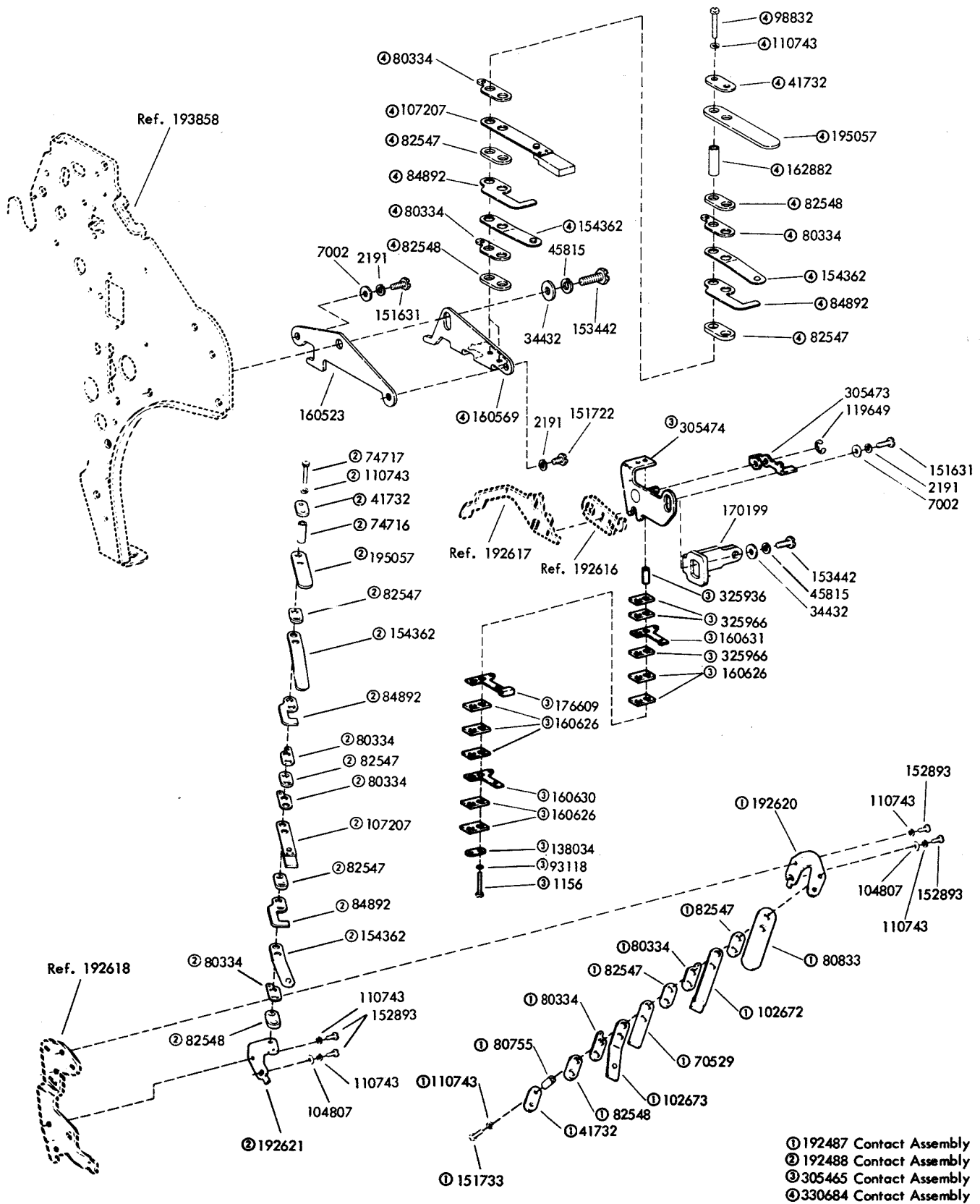


FIGURE 12. CONTACT ASSEMBLIES FOR VERTICAL TABULATING MECHANISM

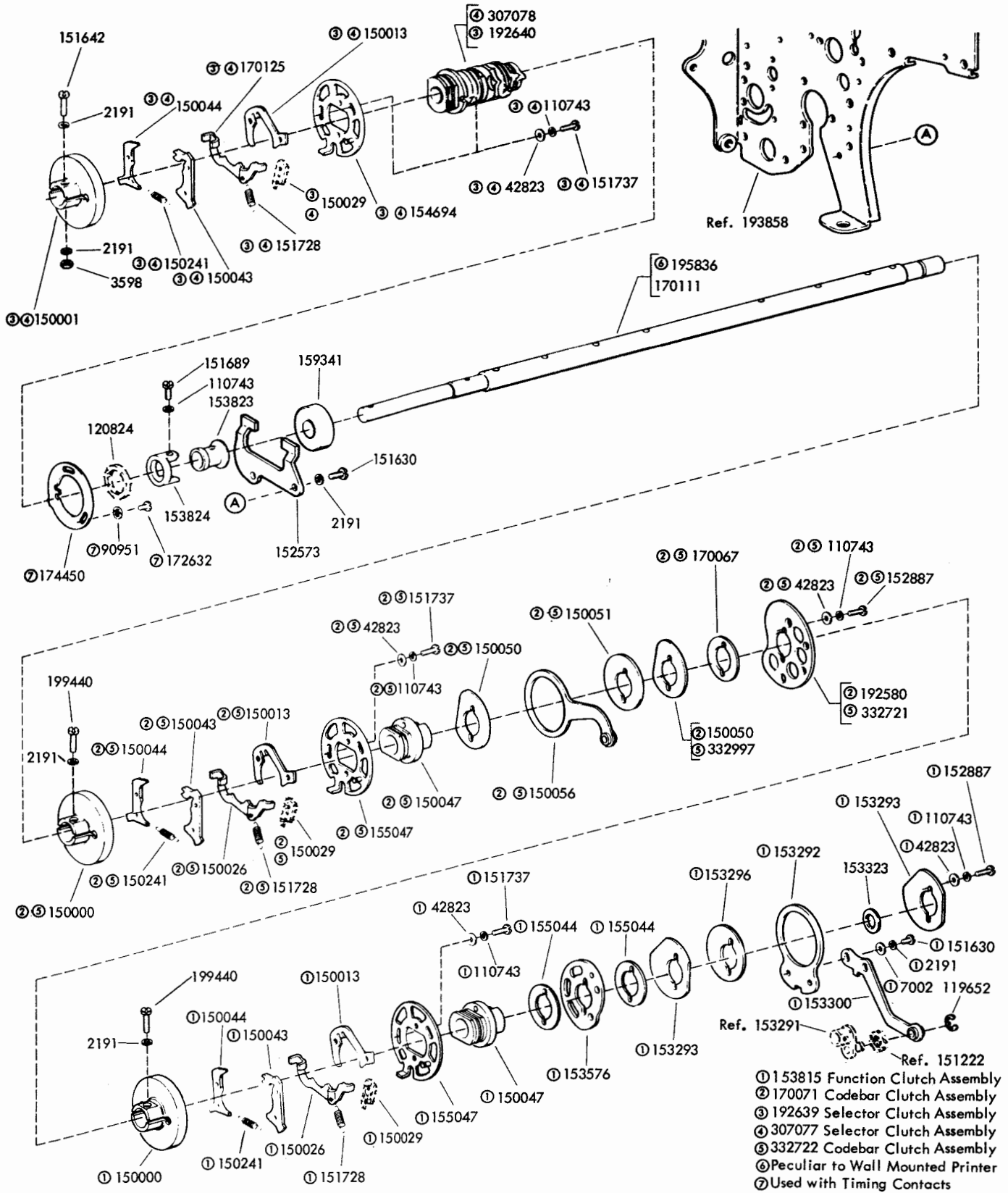


FIGURE 13. MAIN SHAFT MECHANISM

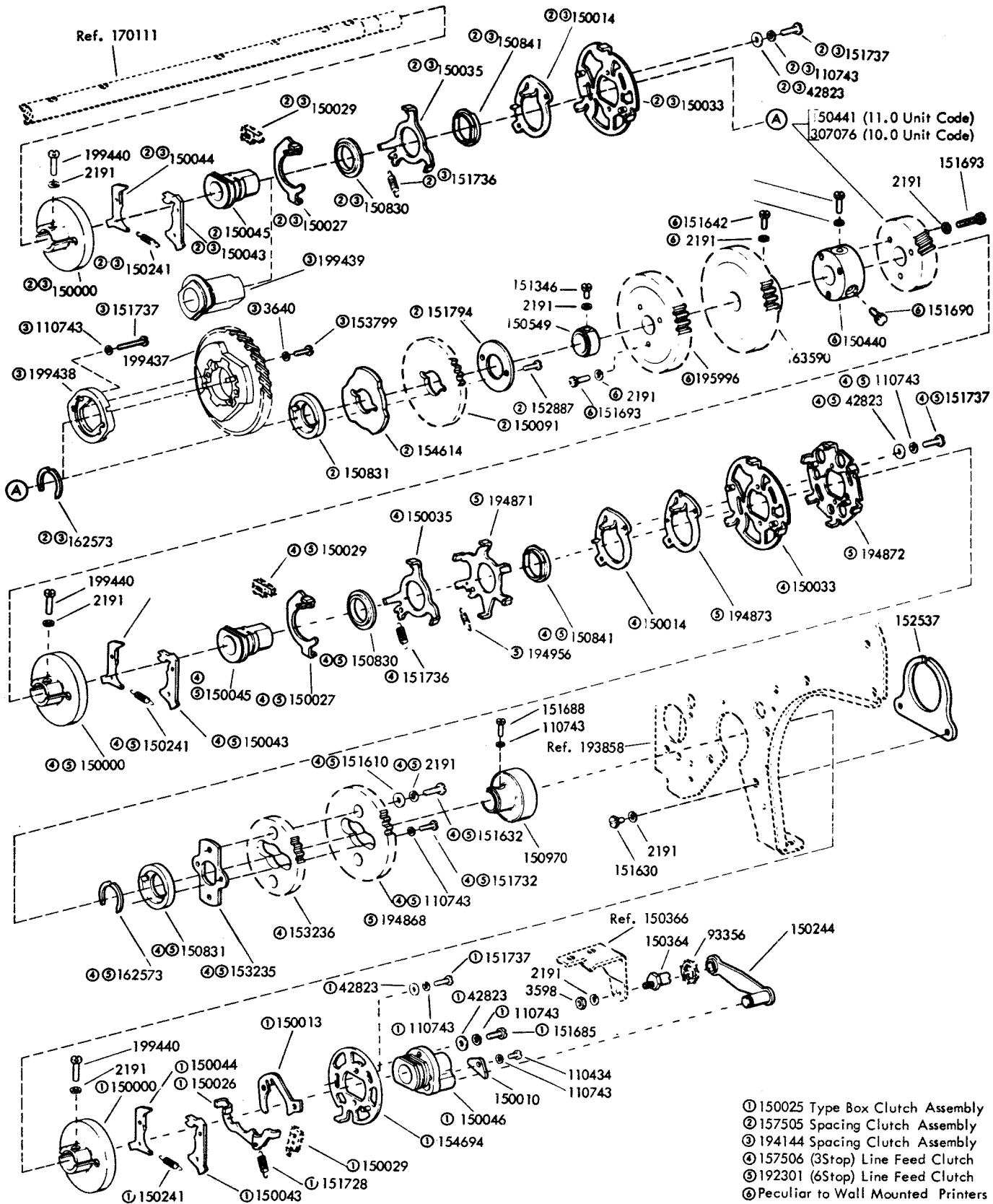


FIGURE 14. MAIN SHAFT MECHANISM (Continued)

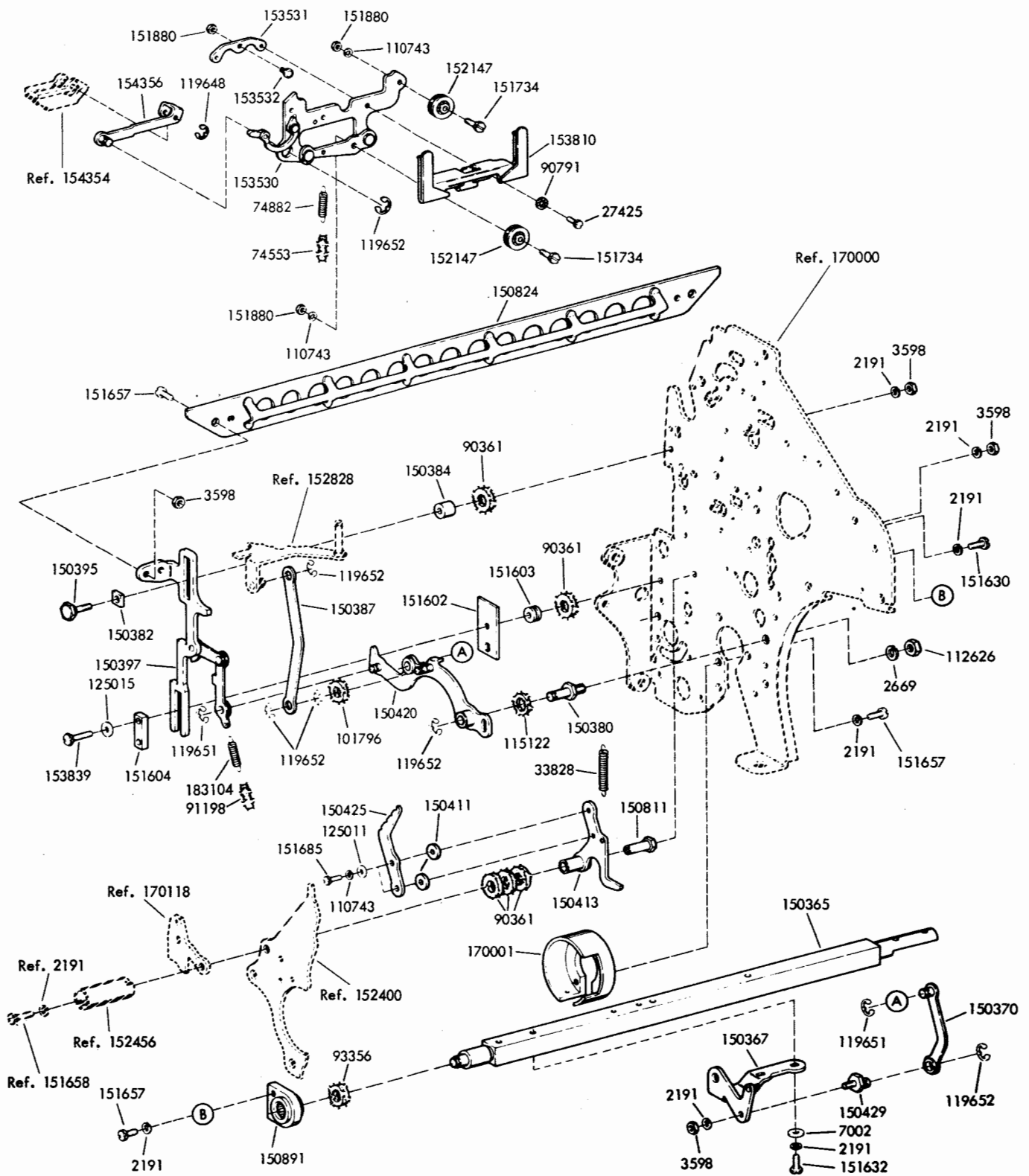


FIGURE 15. RIGHT SIDE LINKAGE AND TYPE BOX CARRIAGE MECHANISM

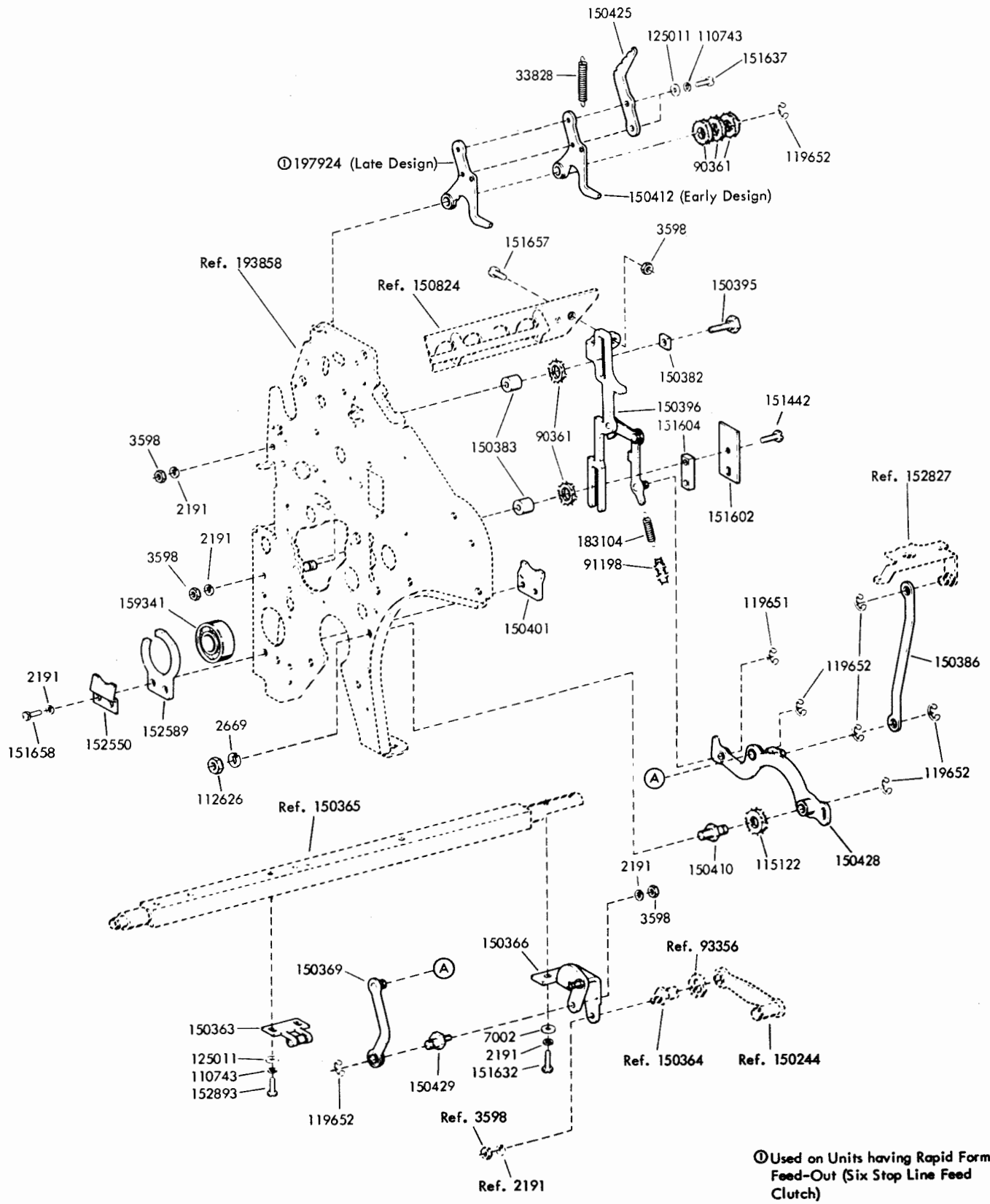


FIGURE 16. LEFT SIDE LINKAGE AND ROCKER SHAFT MECHANISM

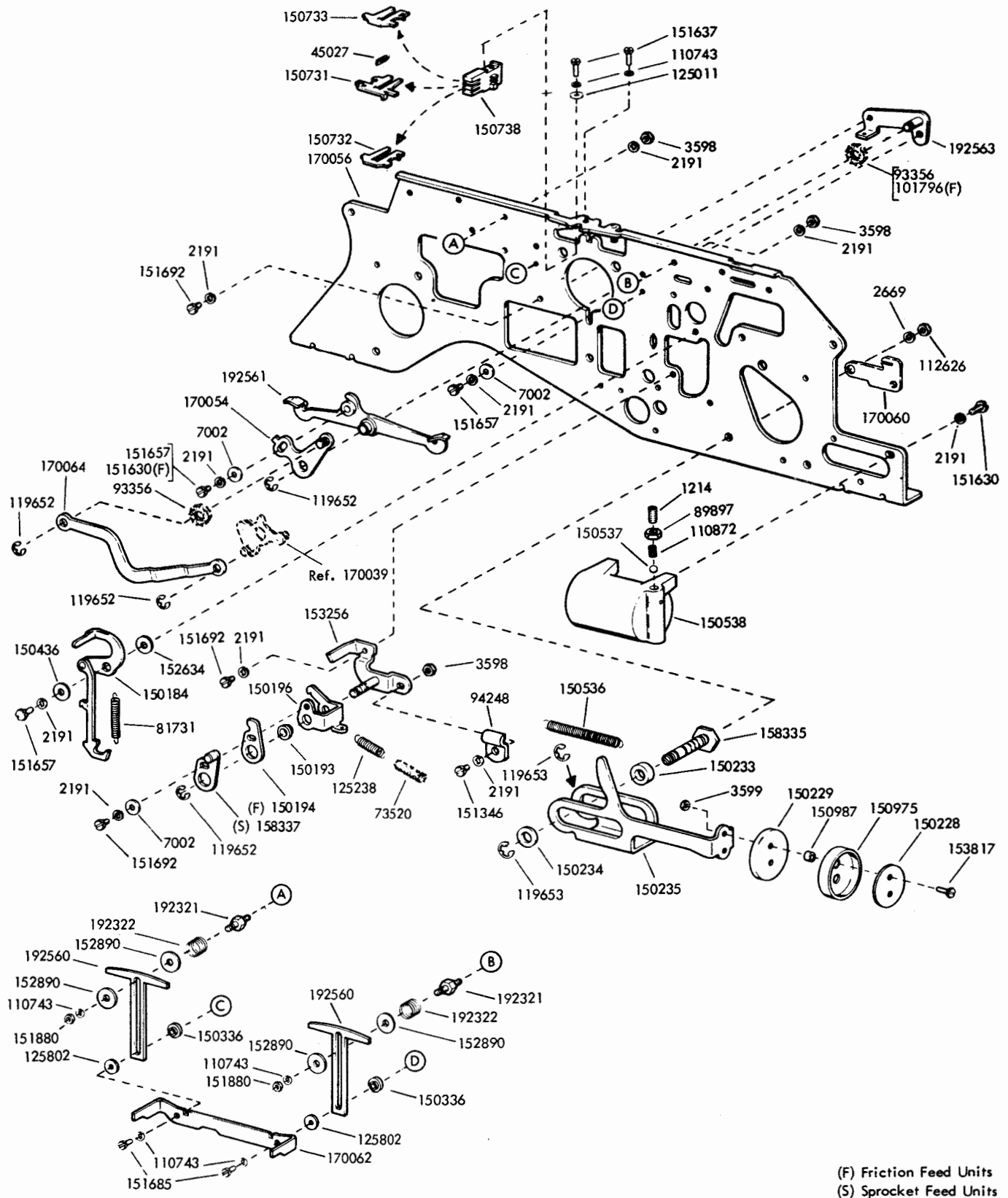


FIGURE 17. FRONT PLATE MECHANISM

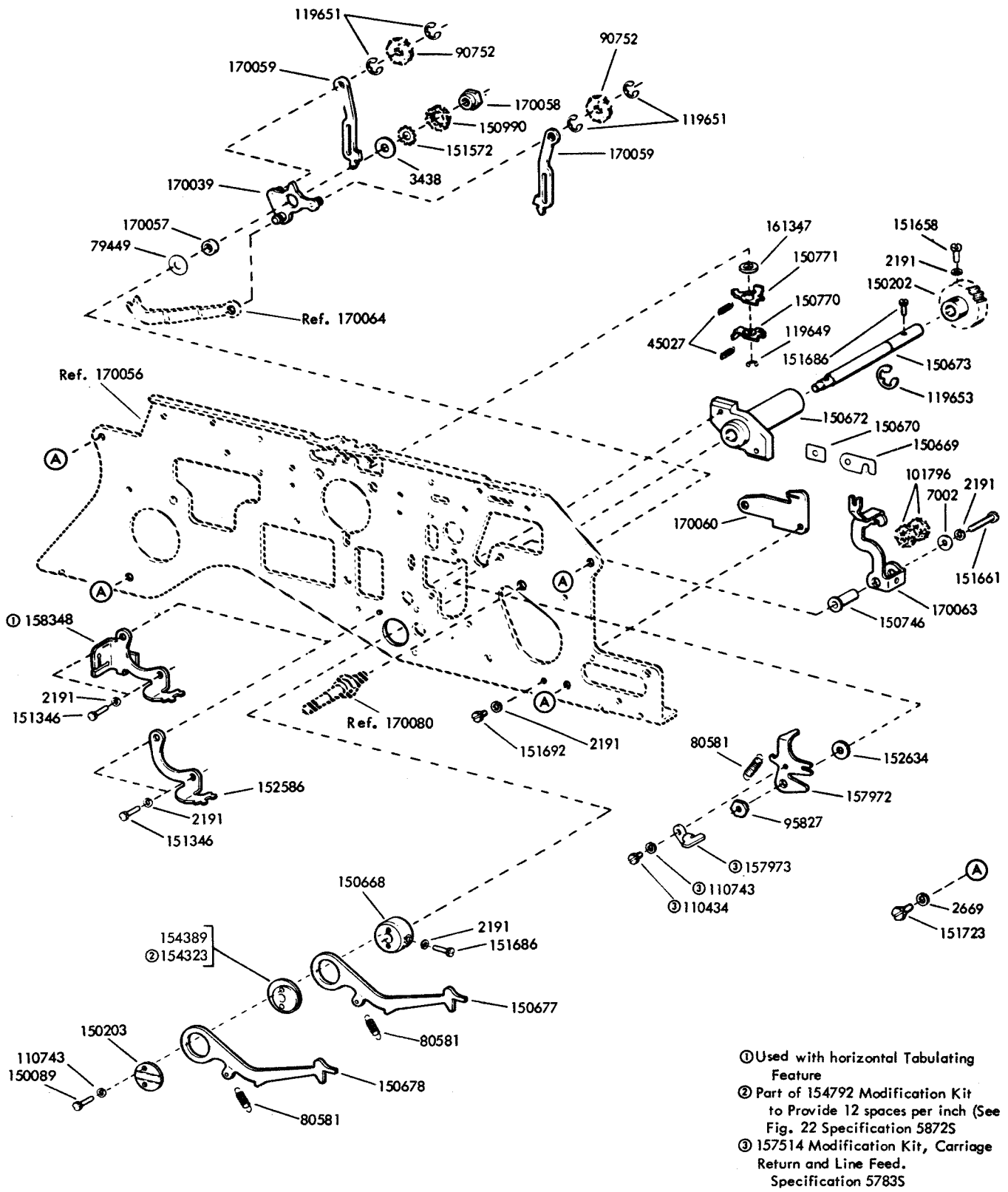


FIGURE 18. FRONT PLATE MECHANISM (Continued)

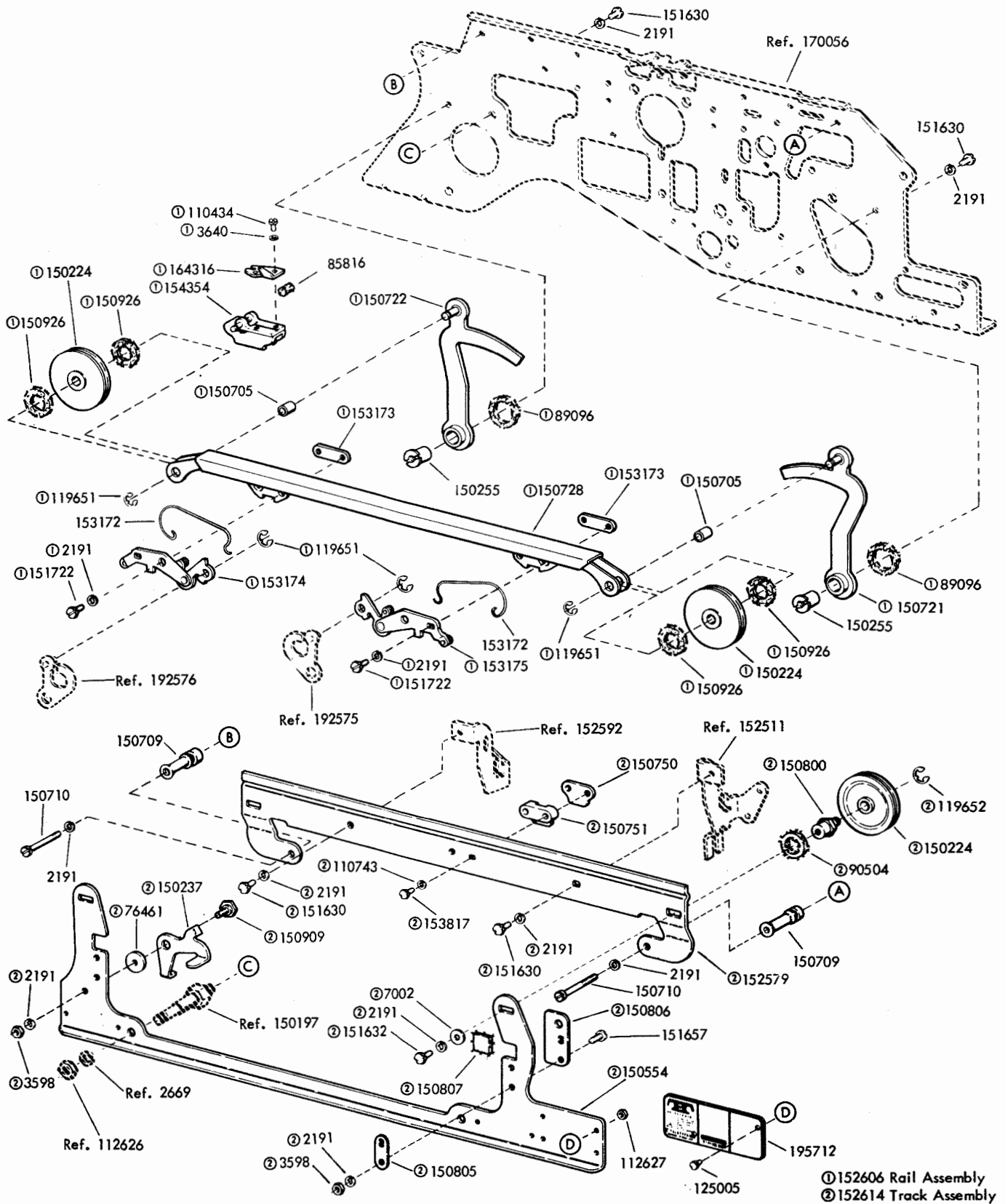


FIGURE 19. FRONT PLATE MECHANISM (Continued)

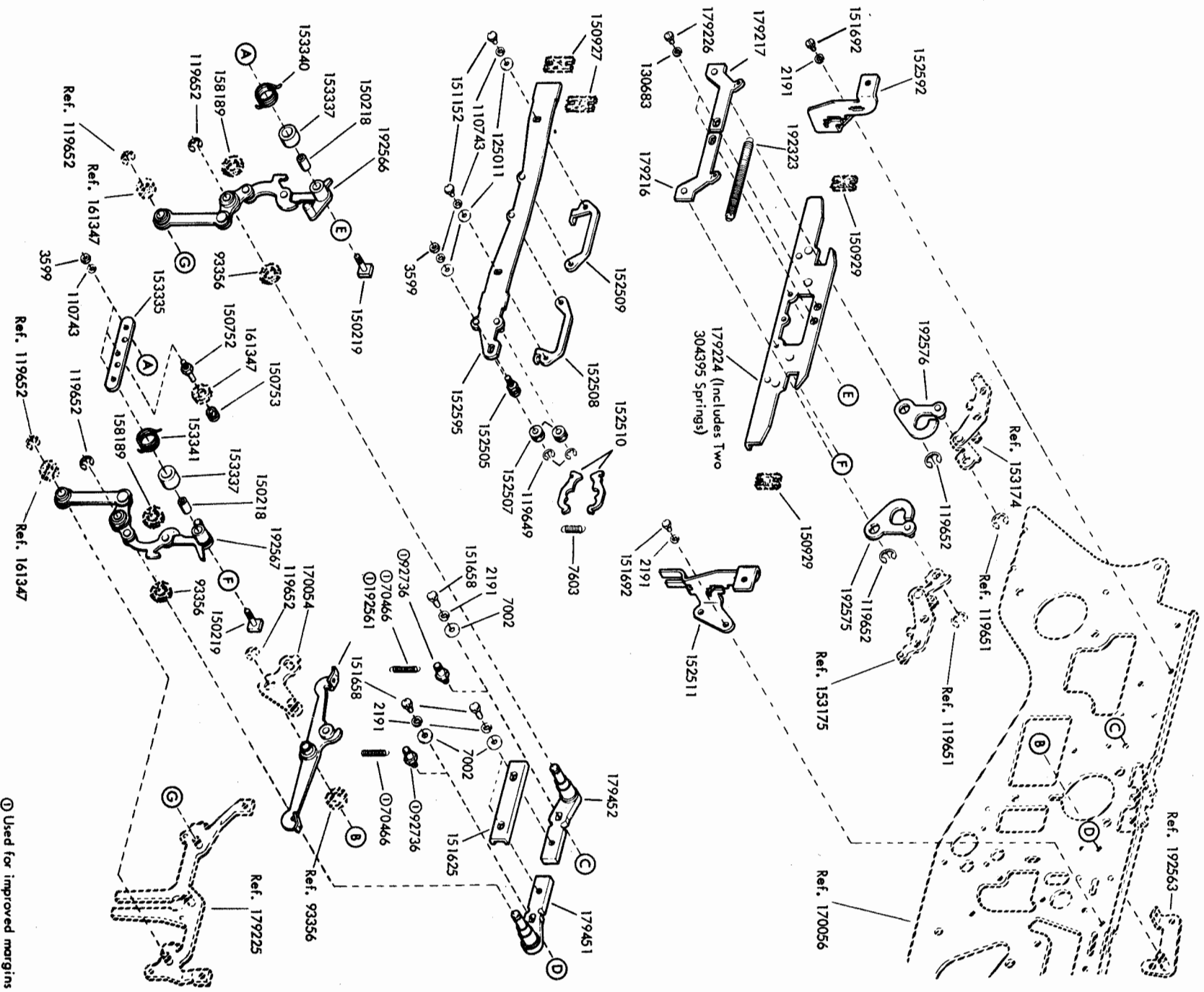


FIGURE 20. FRONT PLATE MECHANISM (Continued)

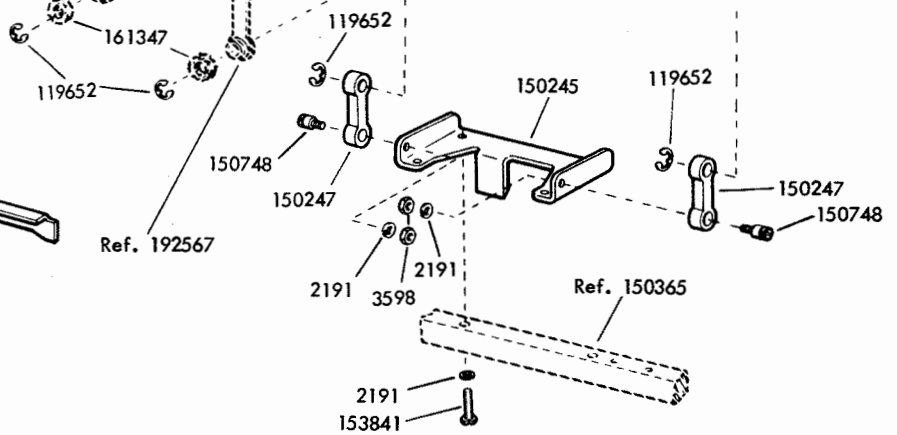
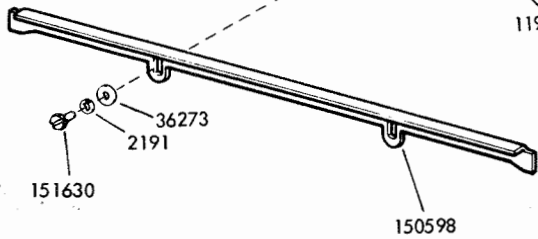
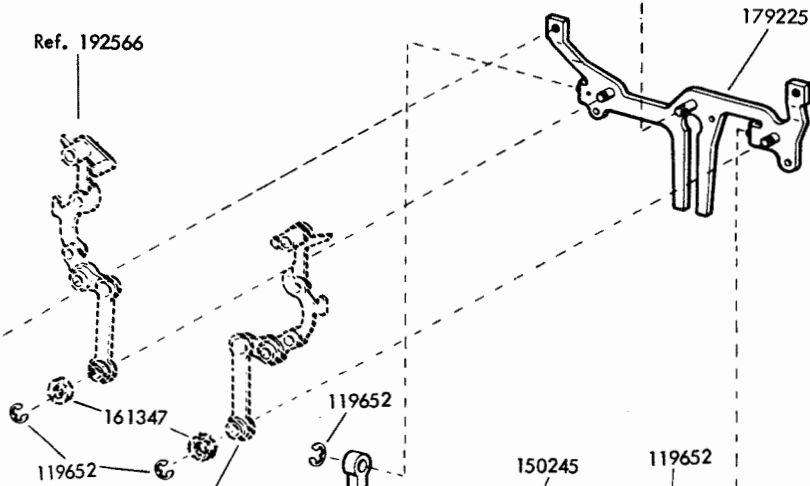
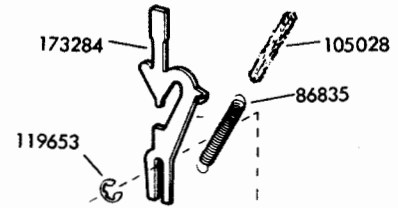
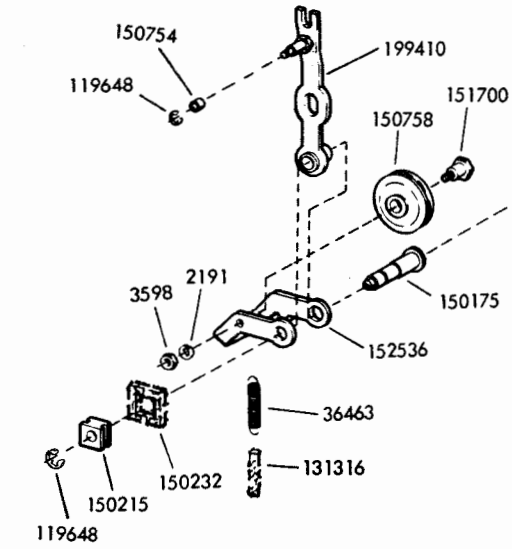
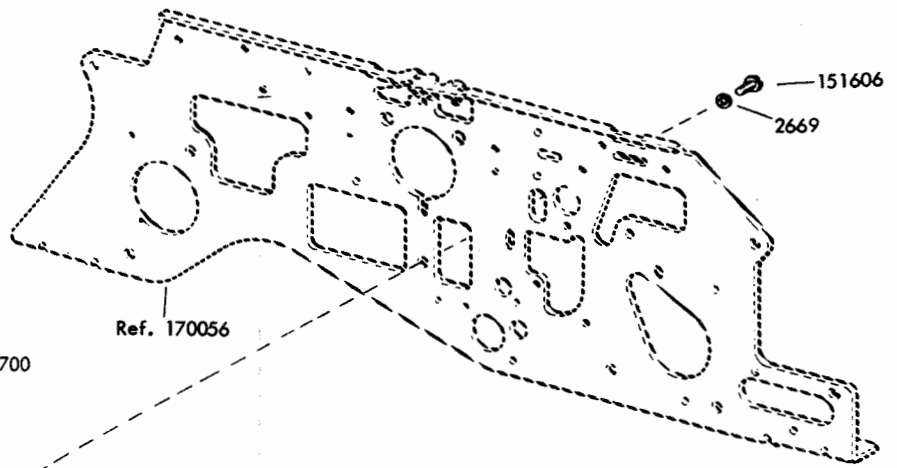
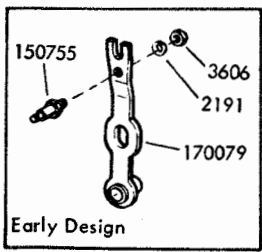


FIGURE 21. FRONT PLATE MECHANISM (Continued)

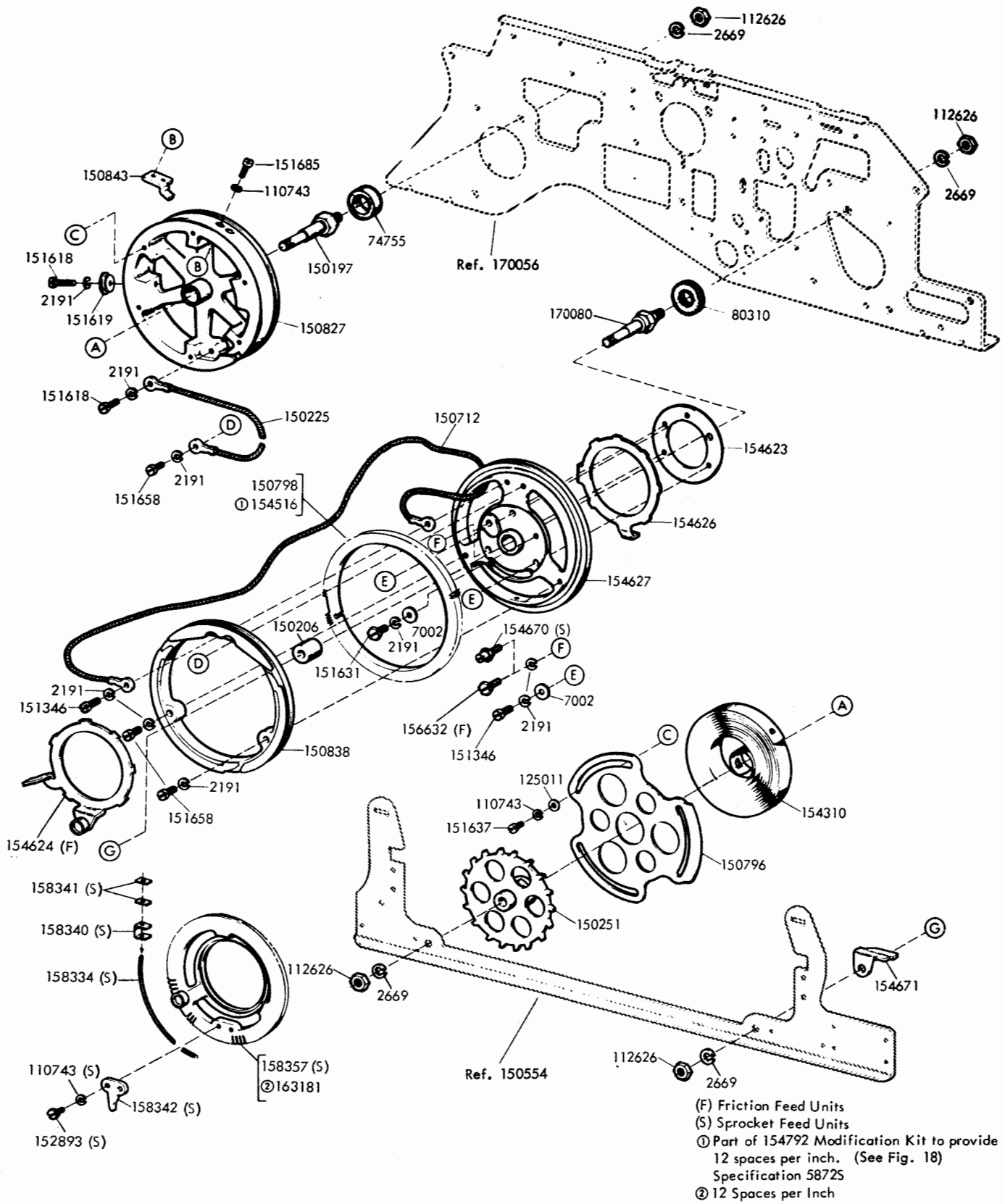
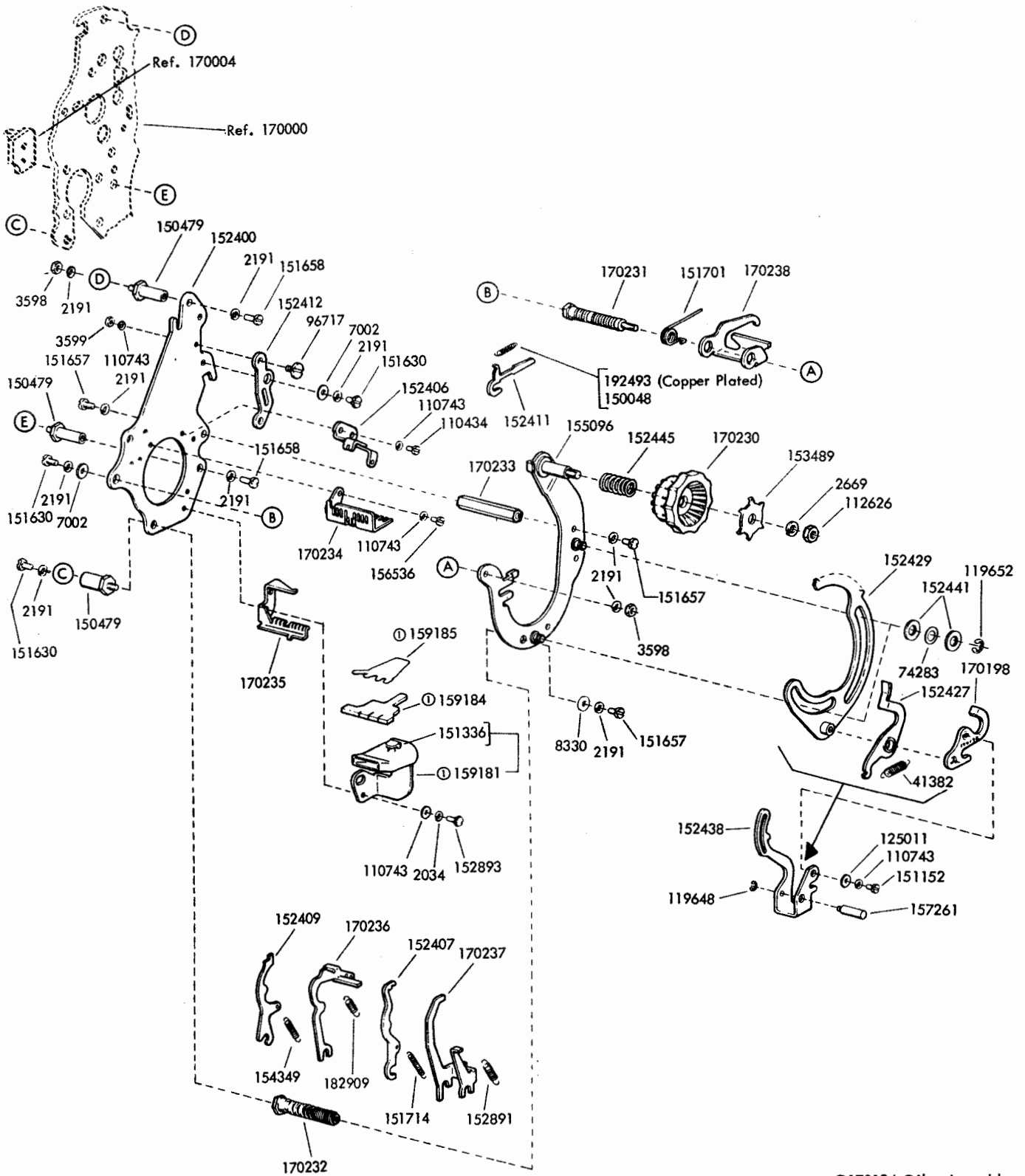
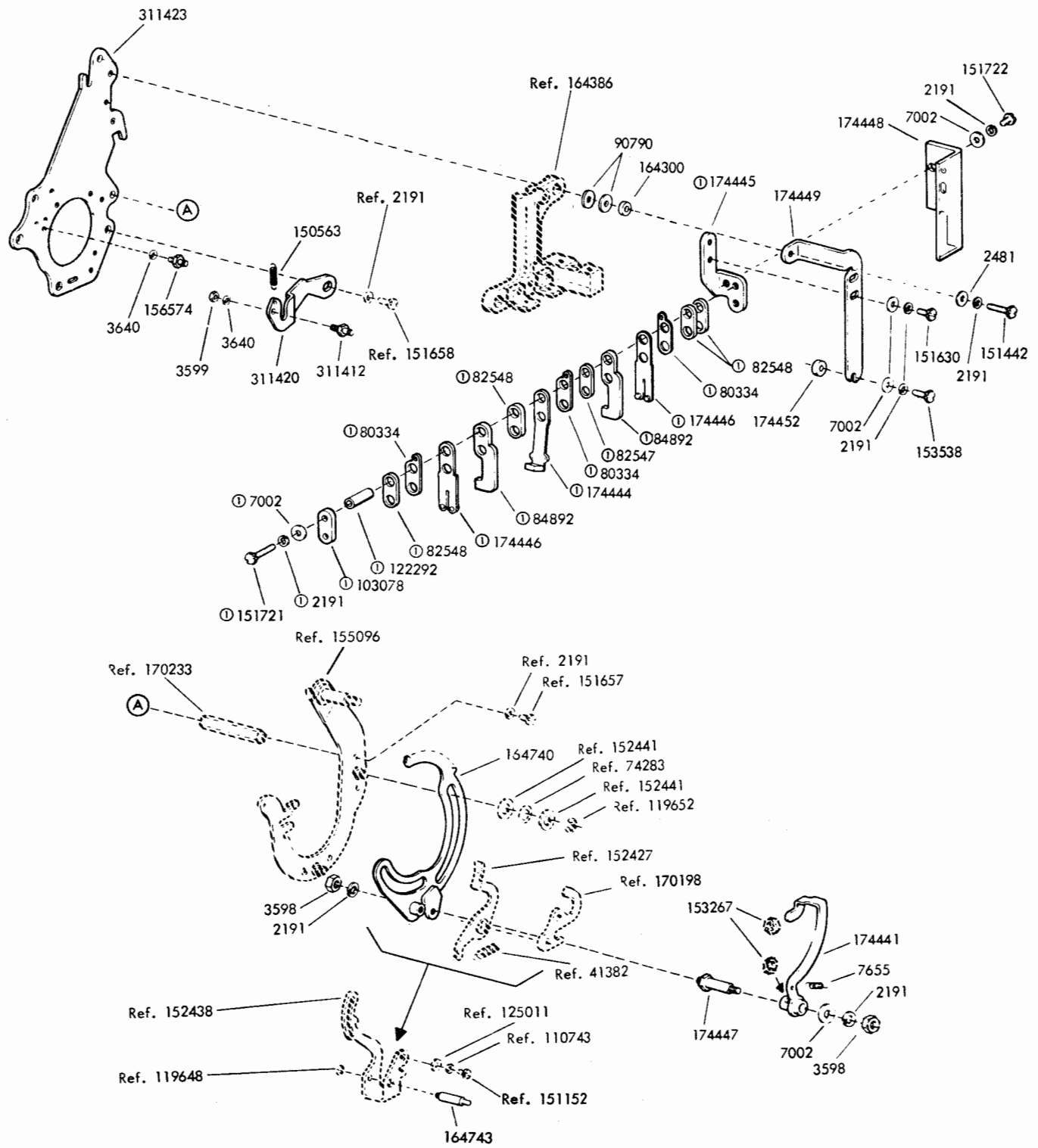


FIGURE 22. CARRIAGE RETURN AND SPACING DRUM MECHANISM



⓪170124 Oiler Assembly

FIGURE 23. SELECTOR MECHANISM



Ⓞ174442 Contact Assembly

FIGURE 24. SELECTOR MAGNET TIMING CONTACT MECHANISM

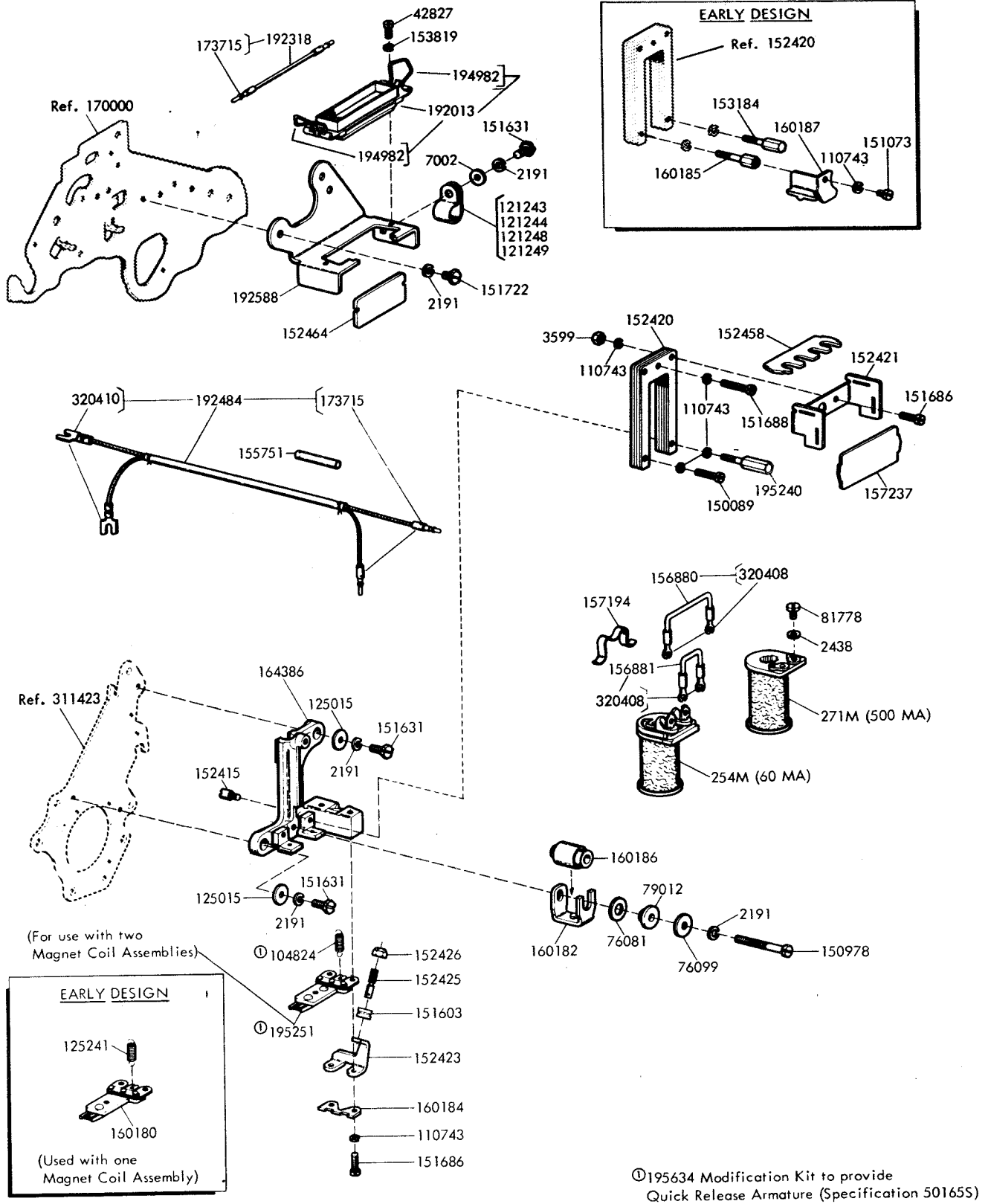
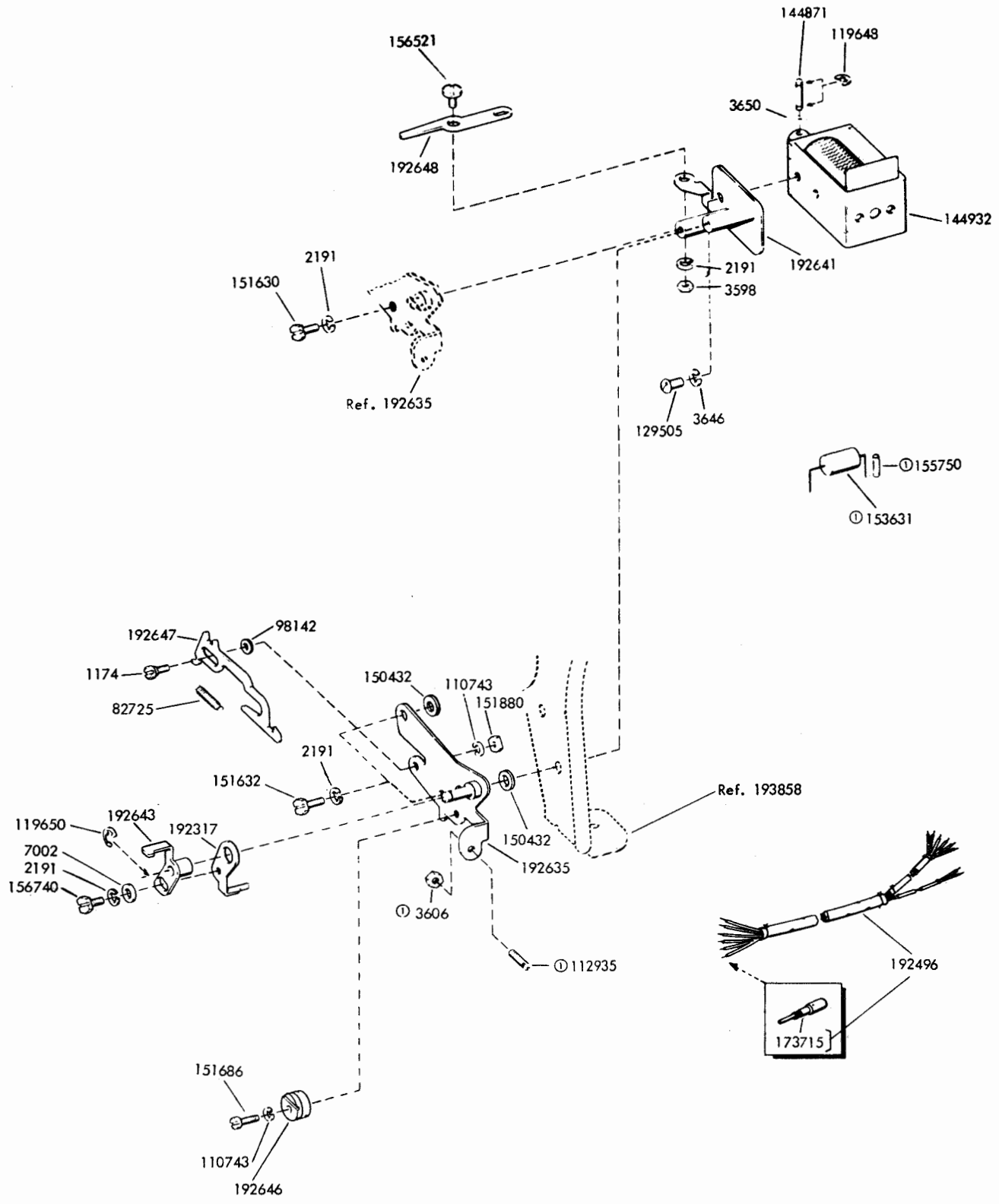


FIGURE 25. SELECTOR MAGNET MECHANISM



① Not used with 192495

FIGURE 26. 192495 FORM-OUT SOLENOID ASSEMBLY

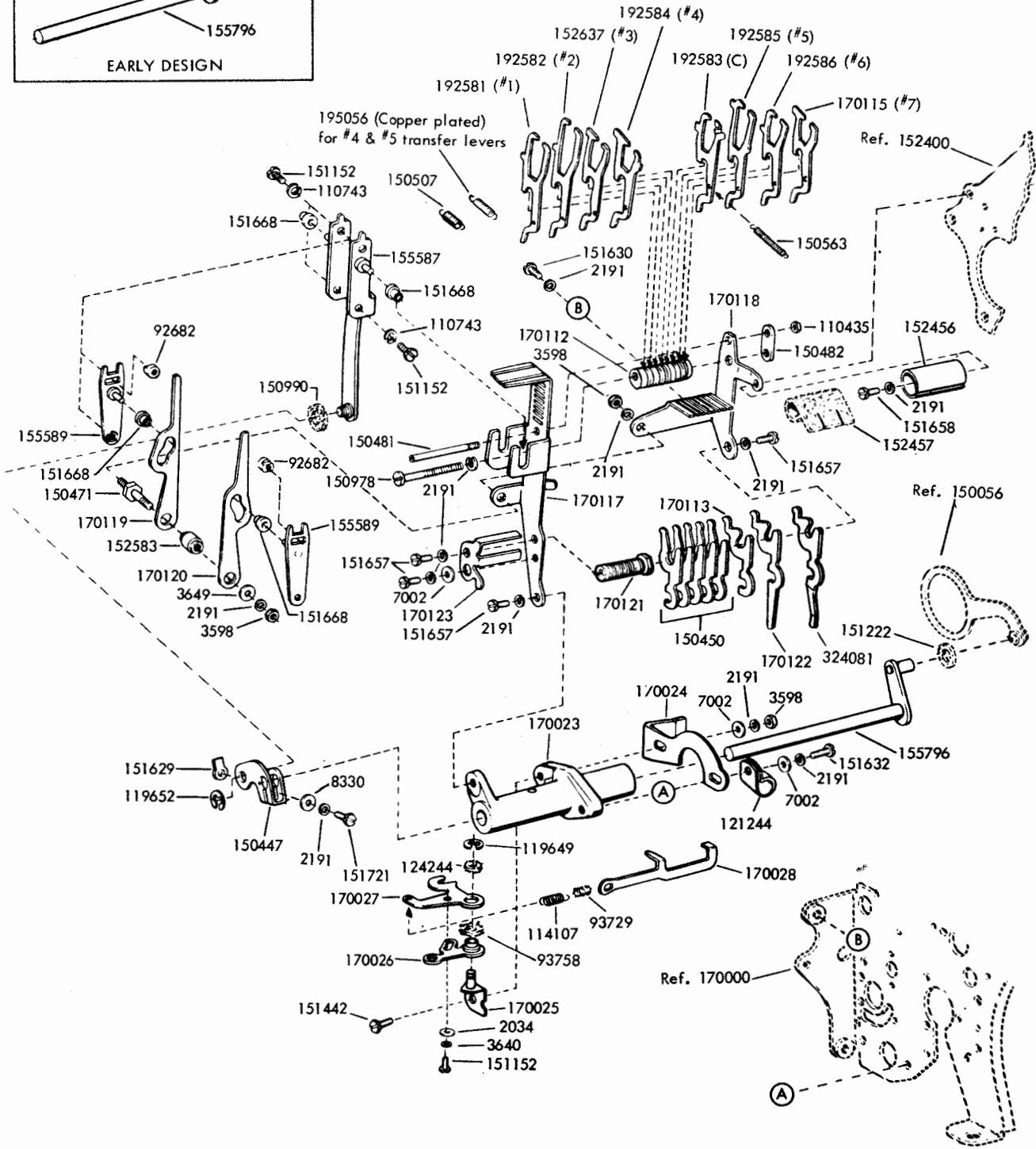
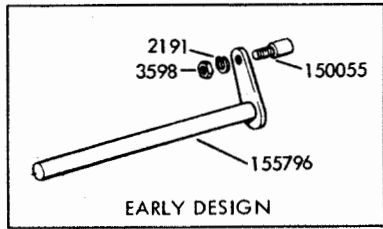


FIGURE 27. CODEBAR POSITIONING MECHANISM

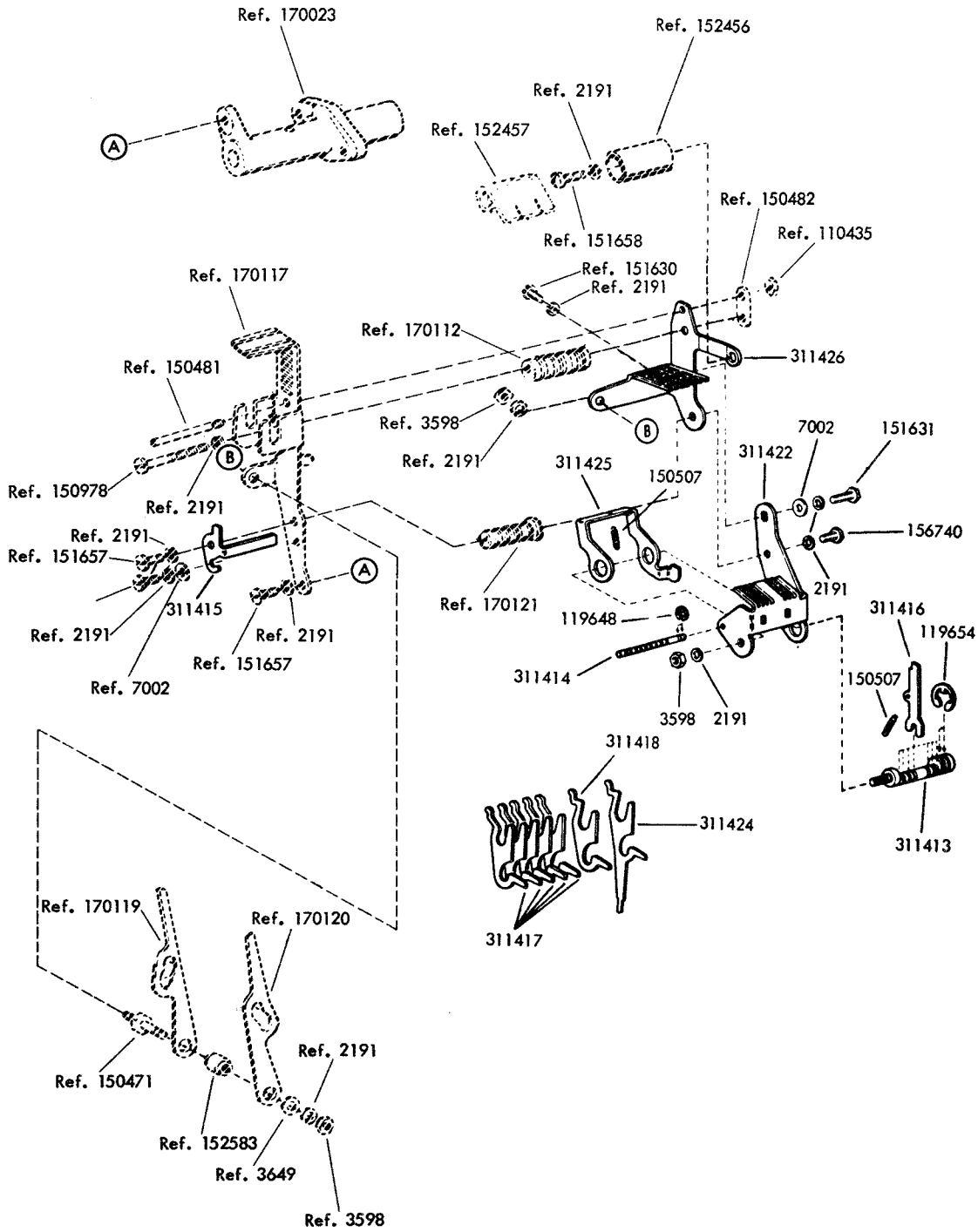
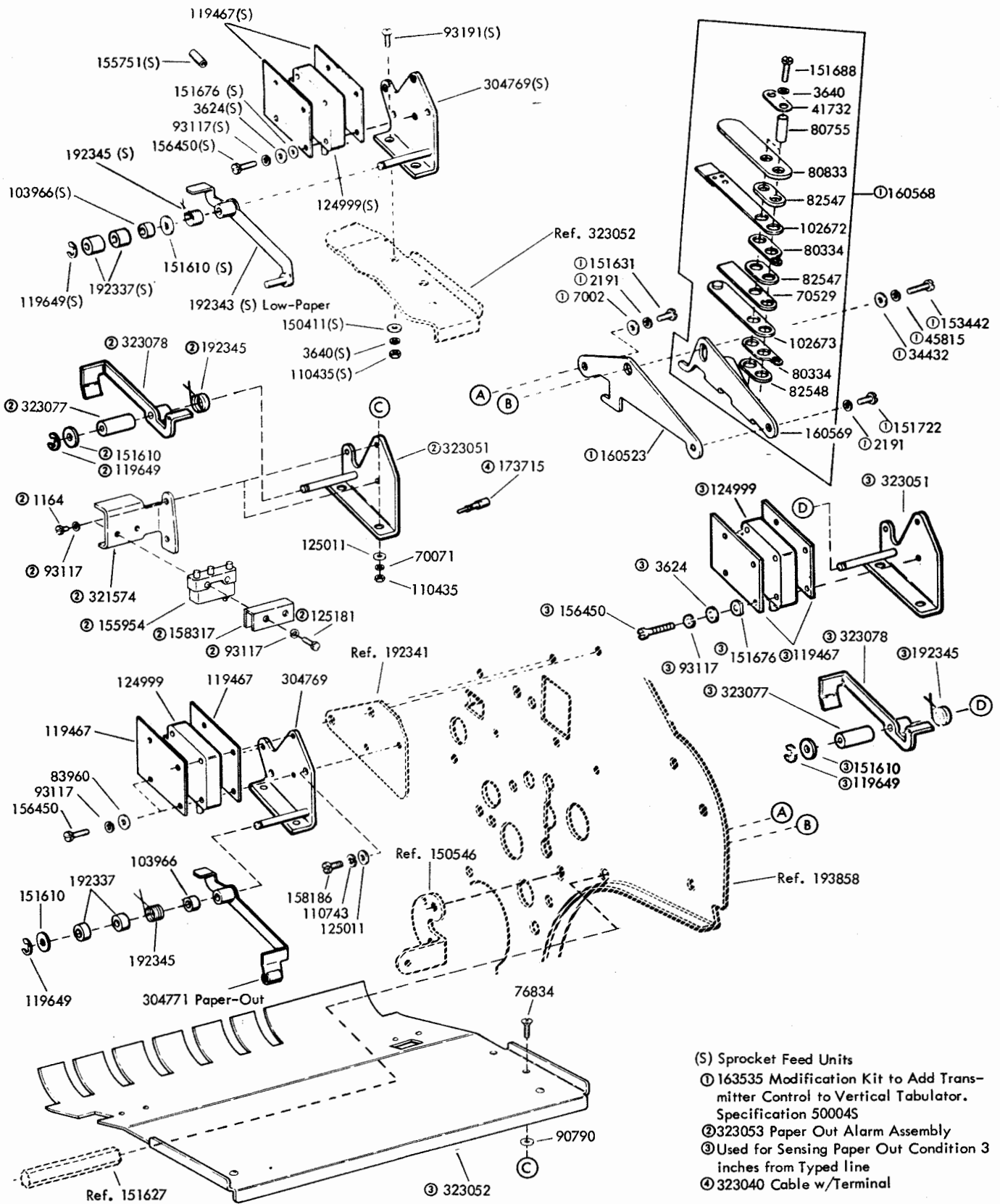


FIGURE 28. INTERMEDIATE STORAGE FEATURE FOR CODEBAR POSITIONING MECHANISM



- (S) Sprocket Feed Units
- ① 163535 Modification Kit to Add Transmitter Control to Vertical Tabulator. Specification 500045
- ② 323053 Paper Out Alarm Assembly
- ③ Used for Sensing Paper Out Condition 3 inches from Typed line
- ④ 323040 Cable w/Terminal

FIGURE 29. PAPER ALARMS AND FORM OUT XD CONTROL MECHANISM

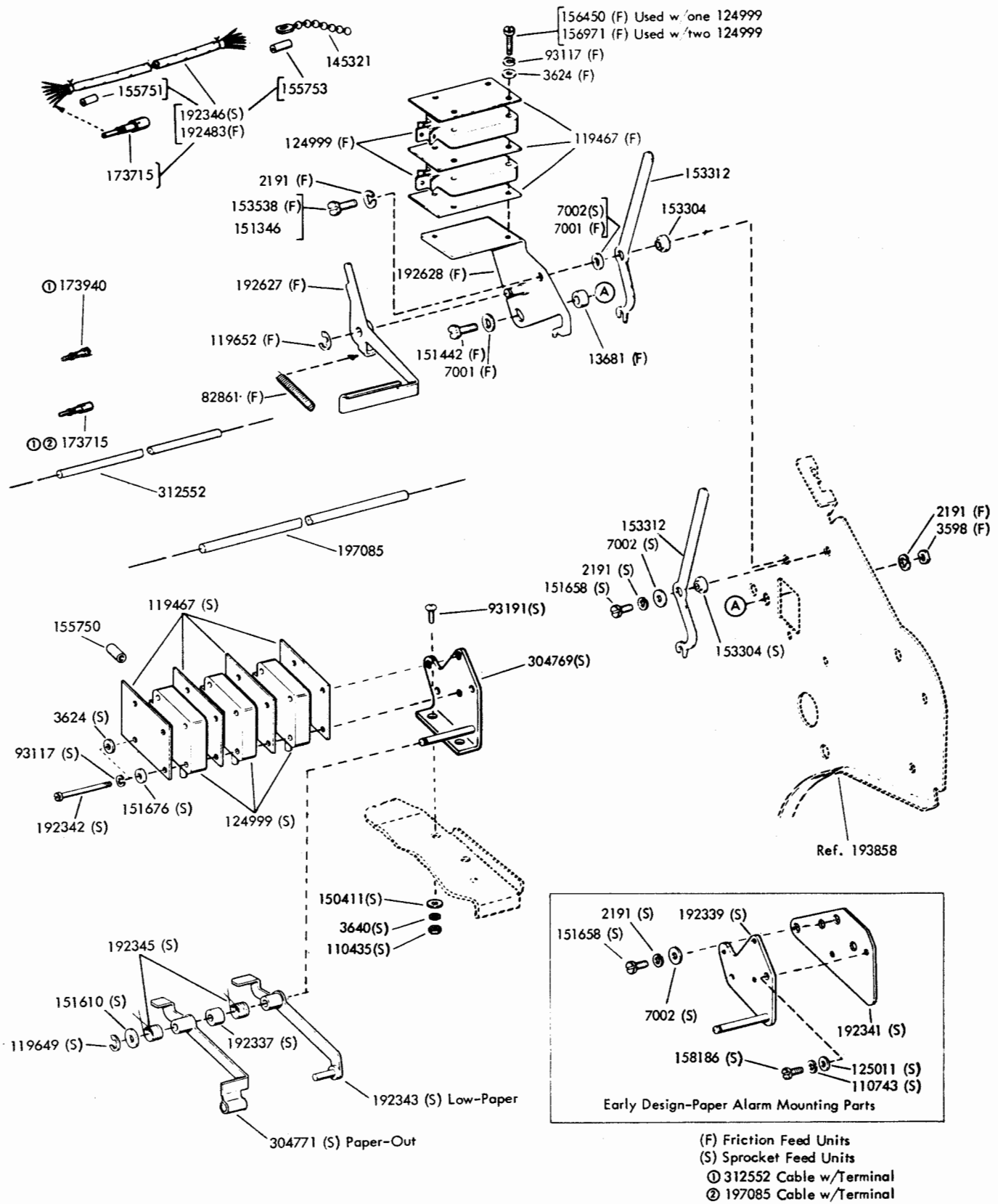


FIGURE 30. PAPER ALARMS AND FORM-OUT MECHANISMS

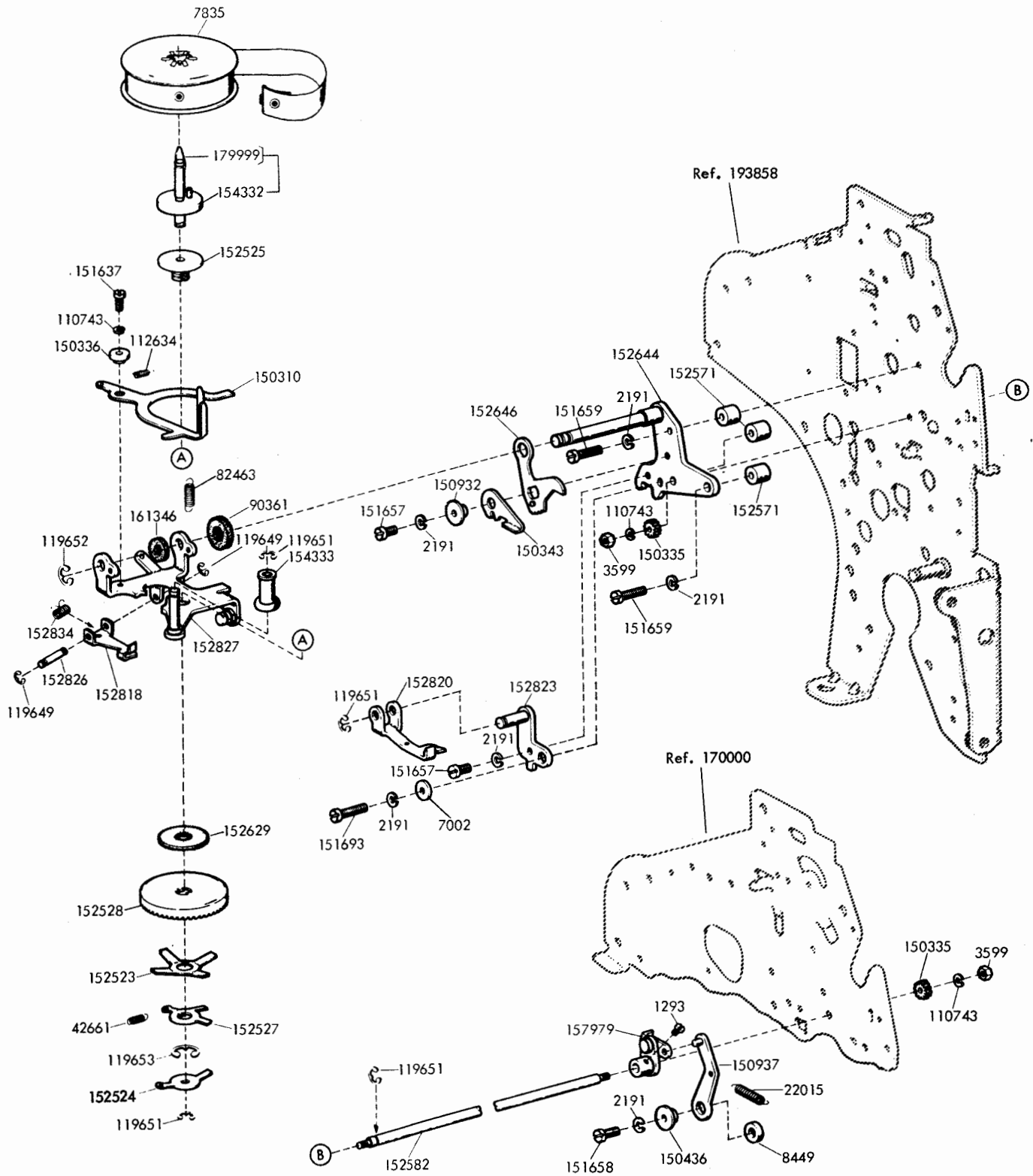


FIGURE 31. LEFT RIBBON FEED MECHANISM

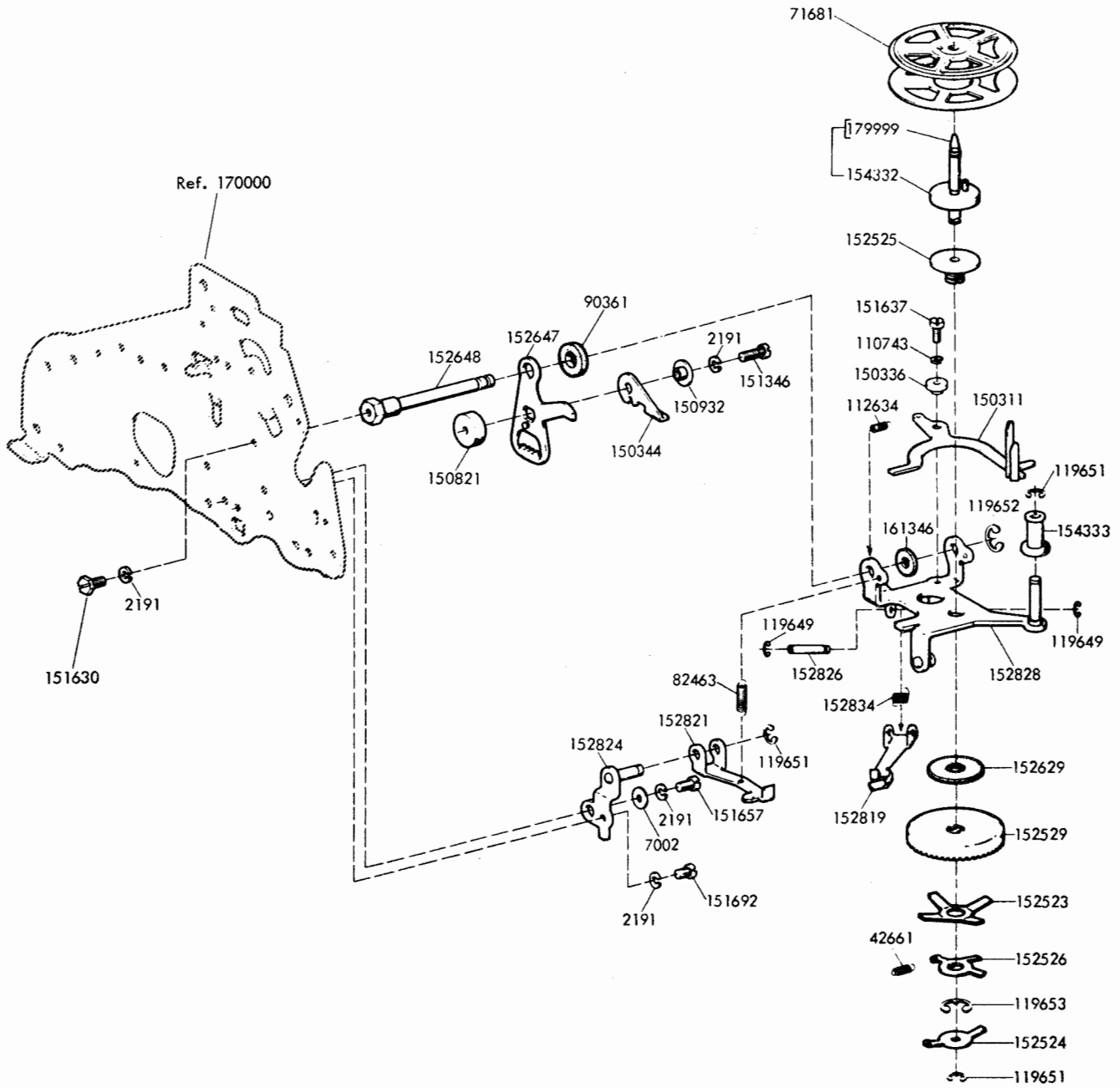


FIGURE 32. RIGHT RIBBON FEED MECHANISM

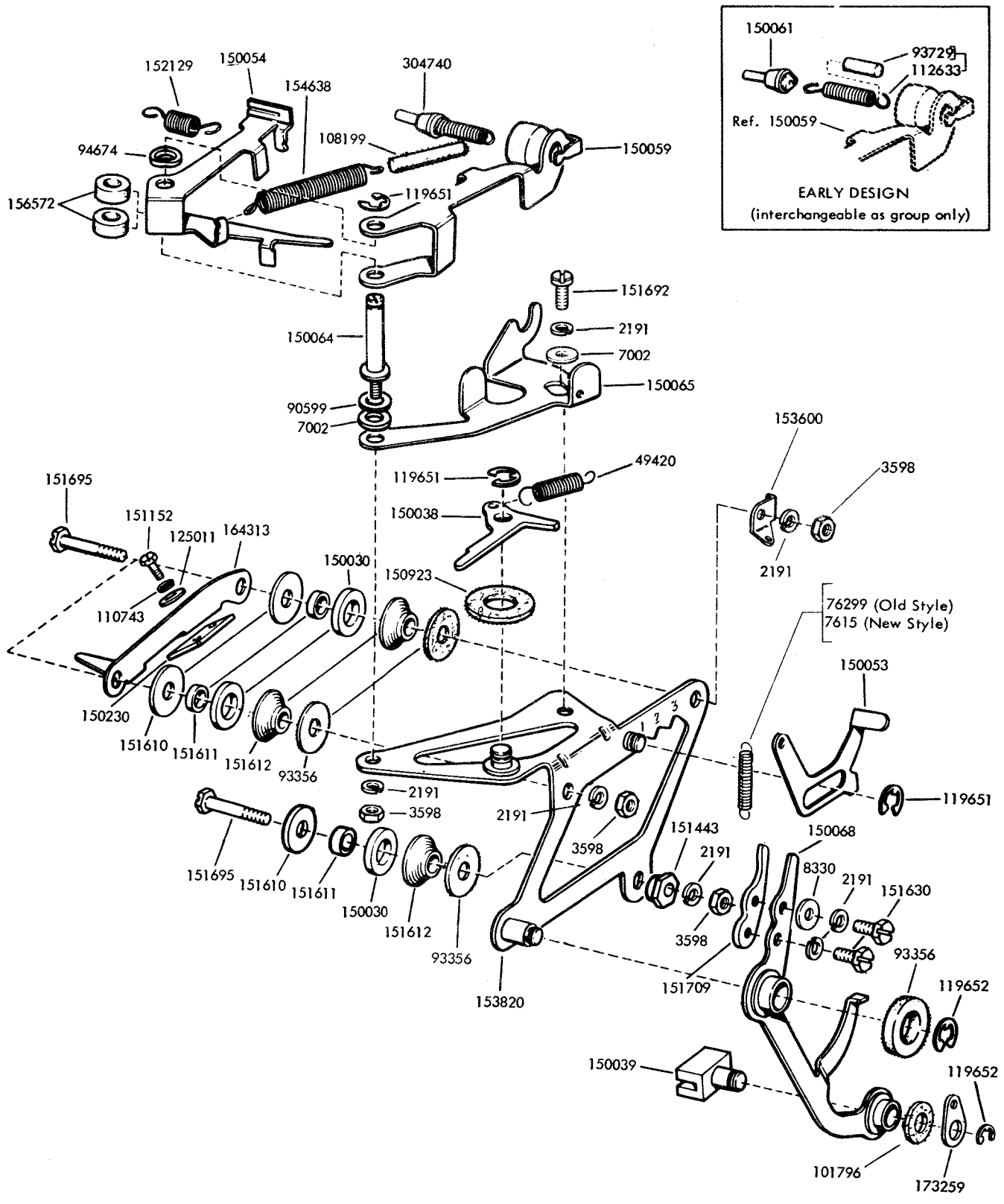


FIGURE 33. 173260 PRINTING CARRIAGE MECHANISM

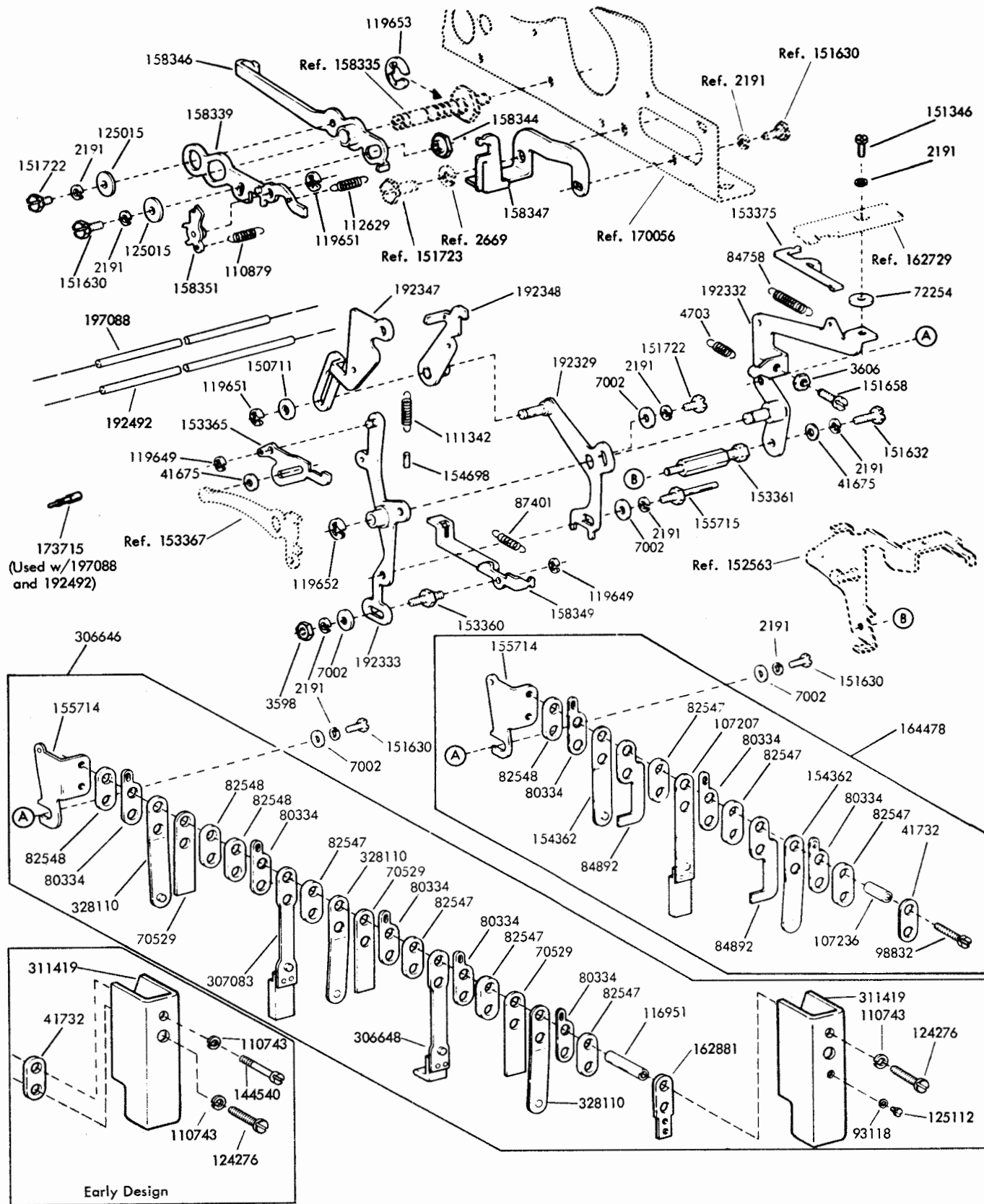


FIGURE 34. HORIZONTAL TABULATING MECHANISM

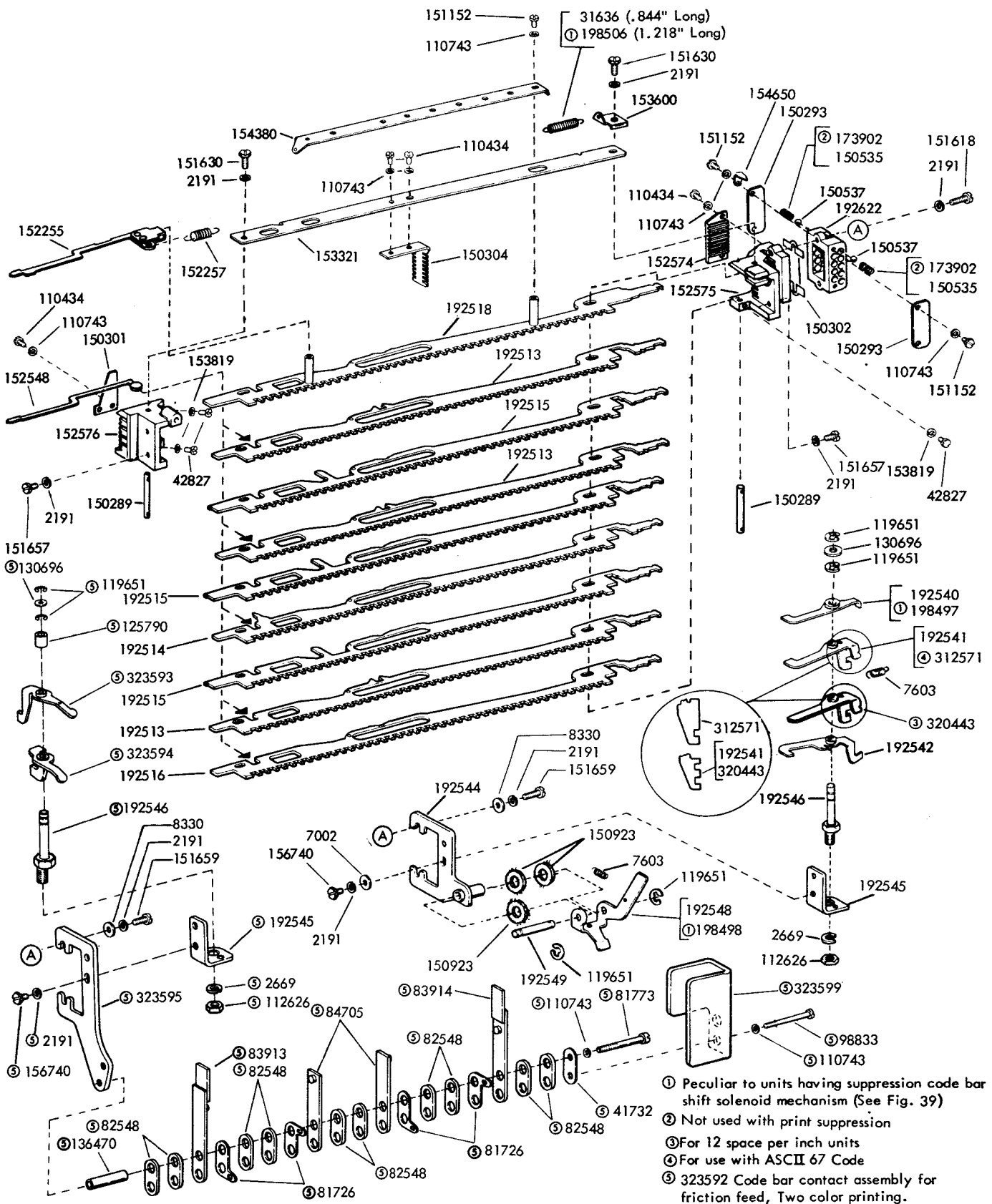
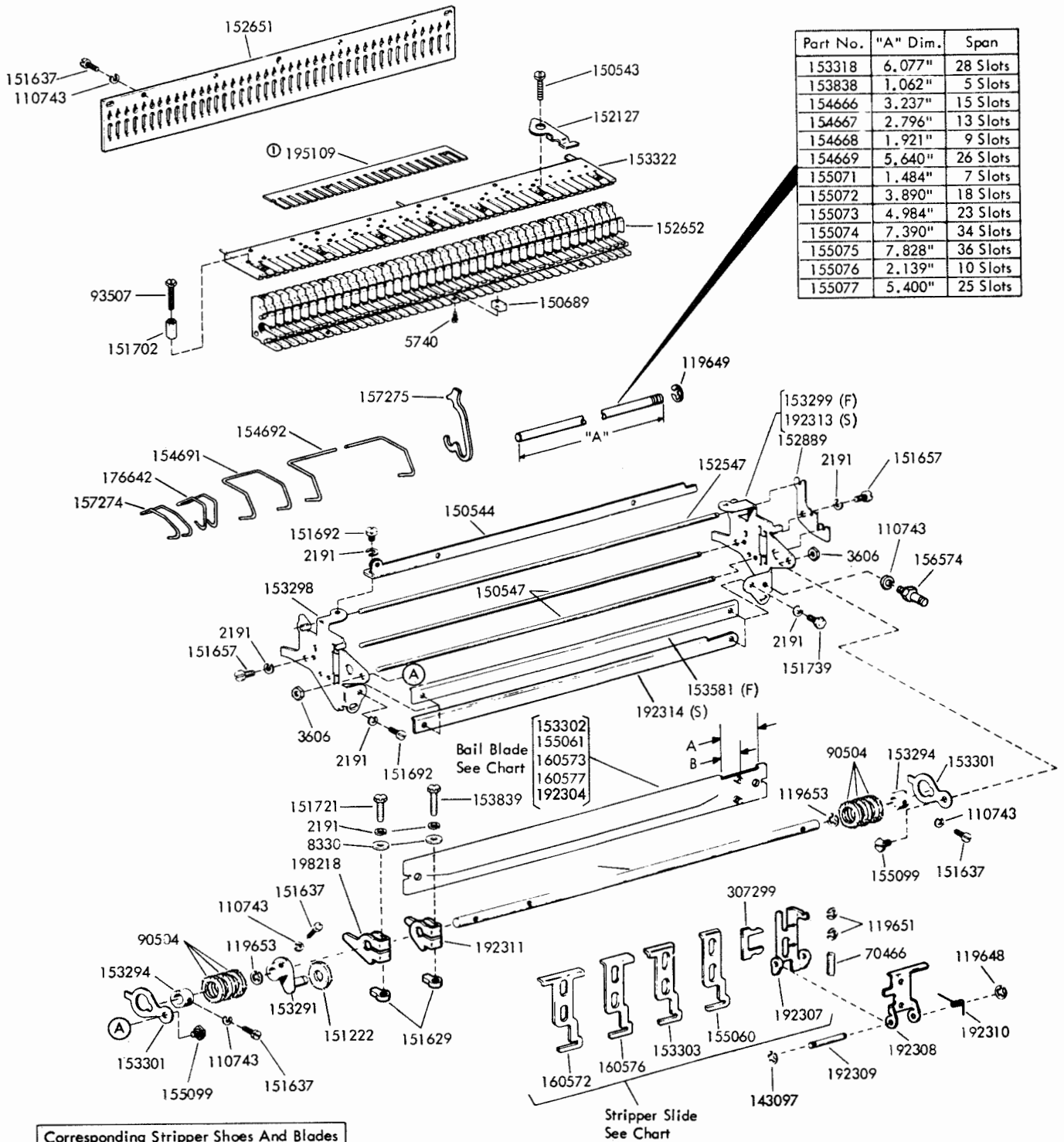
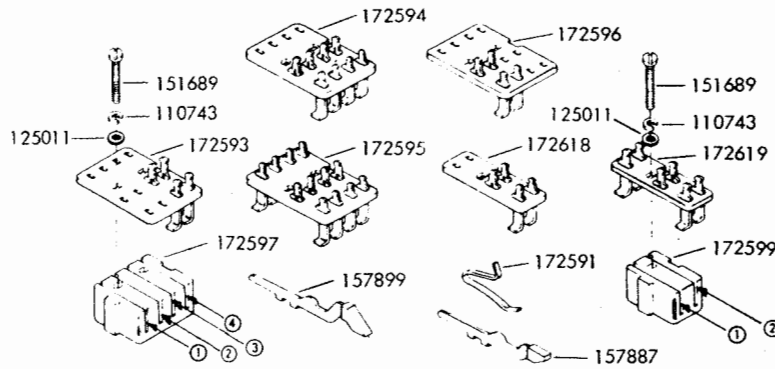


FIGURE 35. CODEBAR MECHANISM



ⓐ Two required to span Guide

FIGURE 36. BASIC STUNT BOX COMPONENTS



| SWITCH ASSEMBLY NO. | CONTACT PLATE NO. | CONTACT ARM POSITION | | | |
|---------------------|-------------------|----------------------|--------|--------|--------|
| | | 1 | 2 | 3 | 4 |
| 172500 | 172593 | | | 157887 | 157887 |
| 172501 | 172593 | | | 157887 | |
| 172502 | 172593 | | | | 157887 |
| 172503 | 172594 | 157887 | 157899 | 157899 | 157887 |
| 172504 | 172594 | | | 157887 | |
| 172505 | 172594 | 157899 | | | 157899 |
| 172506 | 172594 | | 157887 | | |
| 172507 | 172594 | 157899 | | | |
| 172508 | 172594 | 157887 | 157899 | | |
| 172509 | 172594 | 157899 | | 157899 | |
| 172510 | 172594 | 157899 | | 157899 | 157887 |
| 172511 | 172594 | 157899 | 157899 | 157899 | 157899 |
| 172512 | 172594 | 157887 | 157887 | 157899 | |
| 172513 | 172593 | | | 157899 | |
| 172514 | 172594 | 157887 | 157887 | 157887 | 157887 |
| 172515 | 172594 | 157887 | 157887 | 157887 | |
| 172516 | 172594 | | 157887 | | 157887 |
| 172517 | 172594 | 157899 | 157887 | 157899 | 157887 |
| 172518 | 172594 | | 157887 | 157899 | 157887 |
| 172519 | 172594 | 157899 | | | 157887 |
| 172520 | 172594 | 157899 | | 157887 | 157899 |
| 172521 | 172593 | | | | 157899 |
| 172522 | 172594 | 157887 | 157899 | | 157887 |
| 172523 | 172594 | 157899 | 157887 | 157887 | 157899 |
| 172524 | 172594 | 157887 | | 157887 | |
| 172525 | 172595 | 157887 | 157887 | 157887 | 157887 |
| 172526 | 172596 | | 157887 | | |
| 172527 | 172595 | | | 157887 | |
| 172528 | 172595 | 157887 | | 157887 | |
| 172529 | 172595 | | | 157887 | 157887 |
| 172530 | 172595 | 157887 | 157887 | 157887 | |
| 172531 | 172595 | 157887 | | 157887 | 157887 |
| 172532 | 172595 | 157887 | | | |
| 172533 | 172595 | 157887 | 157887 | | |
| 172534 | 172594 | | 157899 | 157887 | |
| 172535 | 172594 | | | 157899 | 157887 |
| 172536 | 172594 | 157899 | 157887 | 157899 | |
| 172537 | | | | | |
| 172538 | 172595 | | 157887 | 157887 | 157887 |
| 172539 | 172595 | | 157887 | | 157887 |
| 172540 | 172594 | | 157899 | 157887 | 157887 |
| 172541 | 172594 | 157899 | 157887 | 157887 | 157887 |
| 172542 | 172594 | 157887 | 157899 | 157887 | 157887 |
| 172543 | 172594 | 157899 | | 157887 | |
| 172544 | 172595 | | 157899 | | 157887 |
| 172545 | 172595 | 157899 | | 157899 | |
| 172546 | 172595 | 157899 | | 157887 | |
| 172547 | 172595 | 157887 | 157899 | 157887 | |
| 172548 | 172596 | | 157899 | | |
| 172549 | 172595 | | | | 157887 |
| 172550 | 172595 | 157899 | | | 157899 |
| 172551 | 172594 | | 157887 | 157887 | 157887 |
| 172552 | 172594 | 157899 | | 157887 | 157887 |
| 172553 | 172595 | | 157887 | 157899 | |
| 172554 | 172594 | | 157899 | | 157899 |
| 172555 | 172595 | 157899 | 157887 | 157899 | 157899 |
| 172556 | 172595 | 157887 | 157887 | | 157887 |
| 172557 | 172594 | 157887 | | 157887 | 157887 |
| 172558 | 172595 | 157899 | | | |
| 172559 | 172594 | 157899 | 157887 | | |
| 172560 | 172595 | 157899 | 157899 | 157887 | 157887 |
| 172561 | 172594 | | 157887 | 157899 | |
| 172562 | 172594 | | | 157899 | |
| 172563 | 172594 | 157887 | 157899 | 157887 | 157899 |
| 172564 | 172594 | 157899 | 157887 | | 157899 |
| 172565 | 172595 | 157899 | 157887 | | |
| 172566 | 172595 | | | 157899 | |
| 172567 | 172595 | | 157887 | | 157899 |
| 172568 | 172595 | 157887 | | | 157887 |
| 172569 | 172595 | | 157887 | 157887 | |
| 172570 | 172595 | | 157887 | | |
| 172571 | 172594 | 157887 | 157887 | | 157887 |
| 172572 | 172593 | | | 157899 | 157899 |
| 172573 | 172595 | 157899 | 157899 | 157899 | 157887 |
| 172574 | 172595 | 157899 | | 157899 | 157887 |
| 172575 | 172595 | 157899 | 157899 | | |
| 172576 | 172595 | 157899 | 157899 | 157899 | 157899 |
| 172577 | 172595 | 157899 | 157899 | 157899 | |
| 172578 | 172595 | | 157899 | 157899 | 157899 |
| 172579 | 172595 | | 157899 | 157887 | |
| 172580 | 172595 | 157899 | | 157899 | 157899 |
| 172581 | 172595 | | 157899 | | 157899 |
| 172582 | 172595 | 157887 | 157899 | 157899 | |
| 172583 | 172595 | | | 157887 | 157899 |
| 172584 | 172595 | | 157899 | 157899 | 157899 |
| 172585 | 172595 | 157887 | 157887 | | 157899 |
| 172586 | 172595 | | | 157899 | 157899 |
| 172587 | 172595 | | | 157899 | |
| 172588 | 172595 | 157887 | | 157899 | |
| 172589 | 172595 | | | | 157899 |
| 172590 | 172595 | ⑤ | ⑤ | ⑤ | ⑤ |
| 172600 | 172618 | 157887 | | | |
| 172601 | 172618 | | 157887 | | |
| 172602 | 172618 | 157887 | 157887 | | |
| 172603 | 172619 | 157887 | | | |
| 172604 | 172619 | | 157887 | | |
| 172605 | 172619 | 157887 | 157887 | | |
| 172606 | 172618 | 157899 | | | |
| 172607 | 172618 | 157899 | 157899 | | |
| 172608 | 172619 | 157899 | | | |

⑤172591 Contact Arm Spring included in slot

FIGURE 37. SWITCH ASSEMBLIES AND COMPONENTS

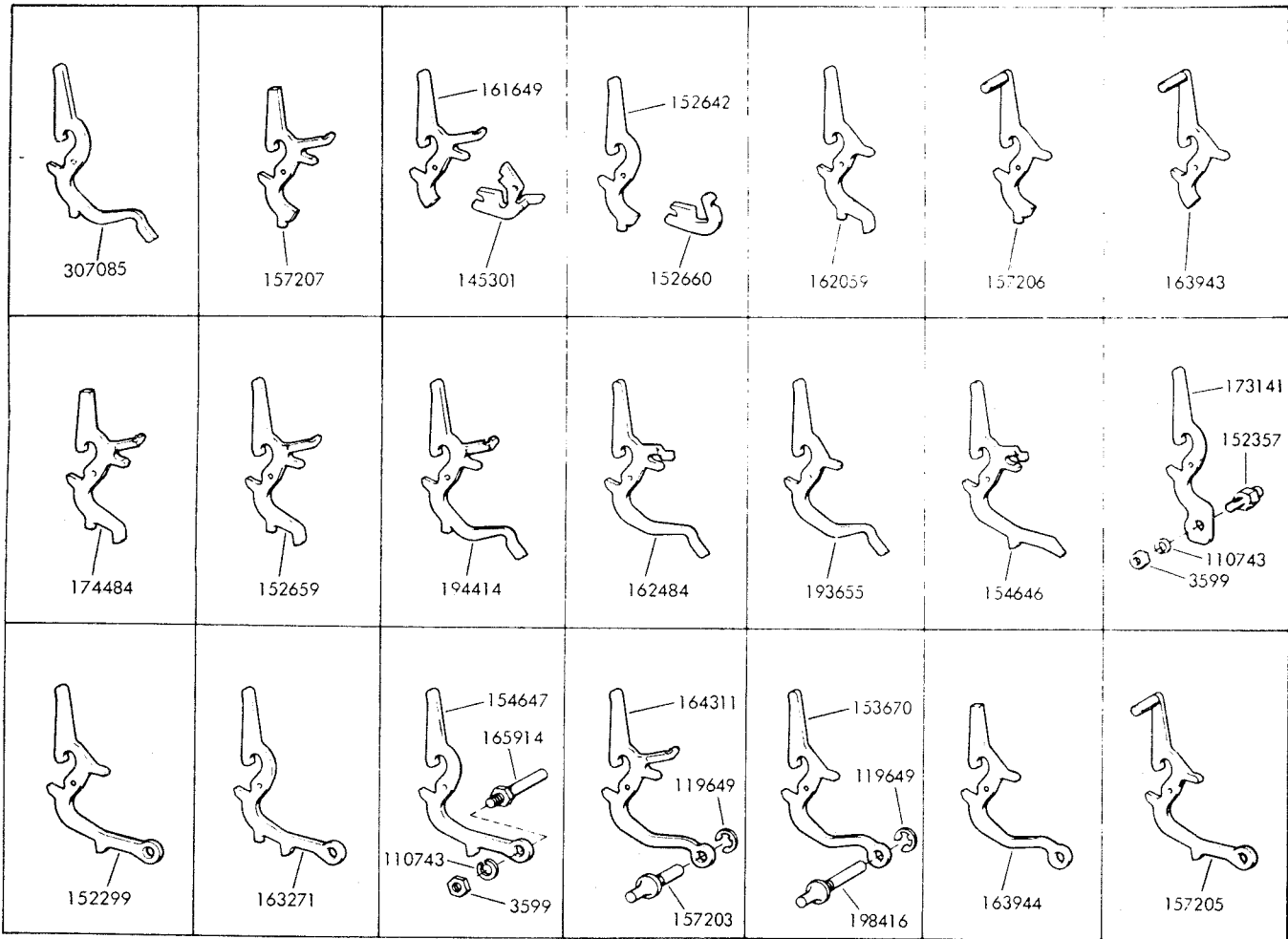
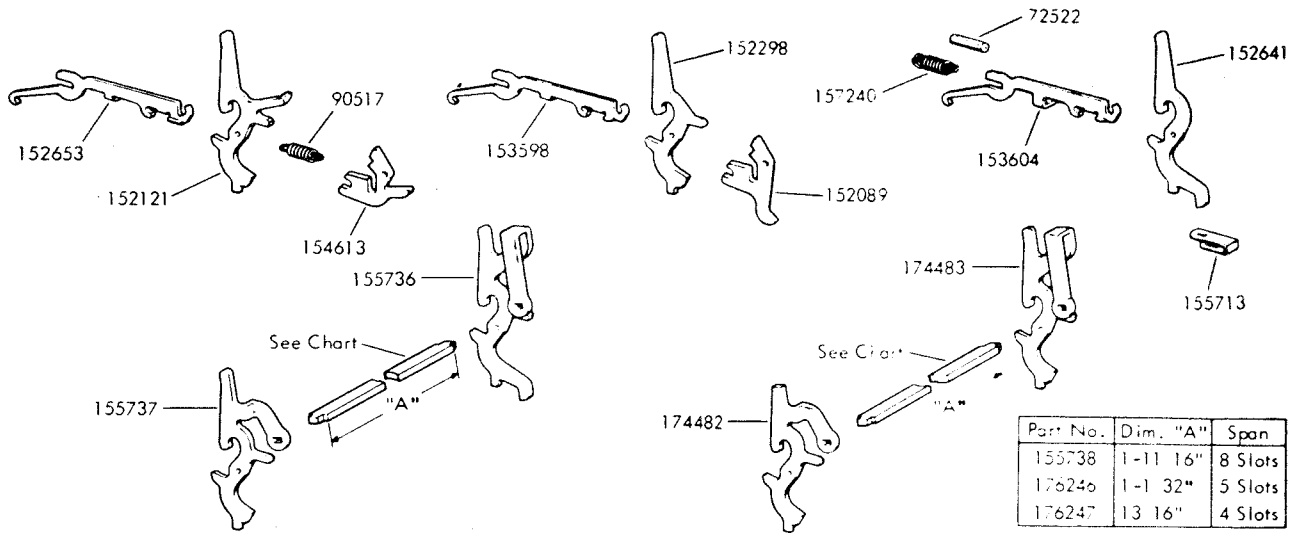


FIGURE 38. FUNCTION LEVERS AND PAWLS

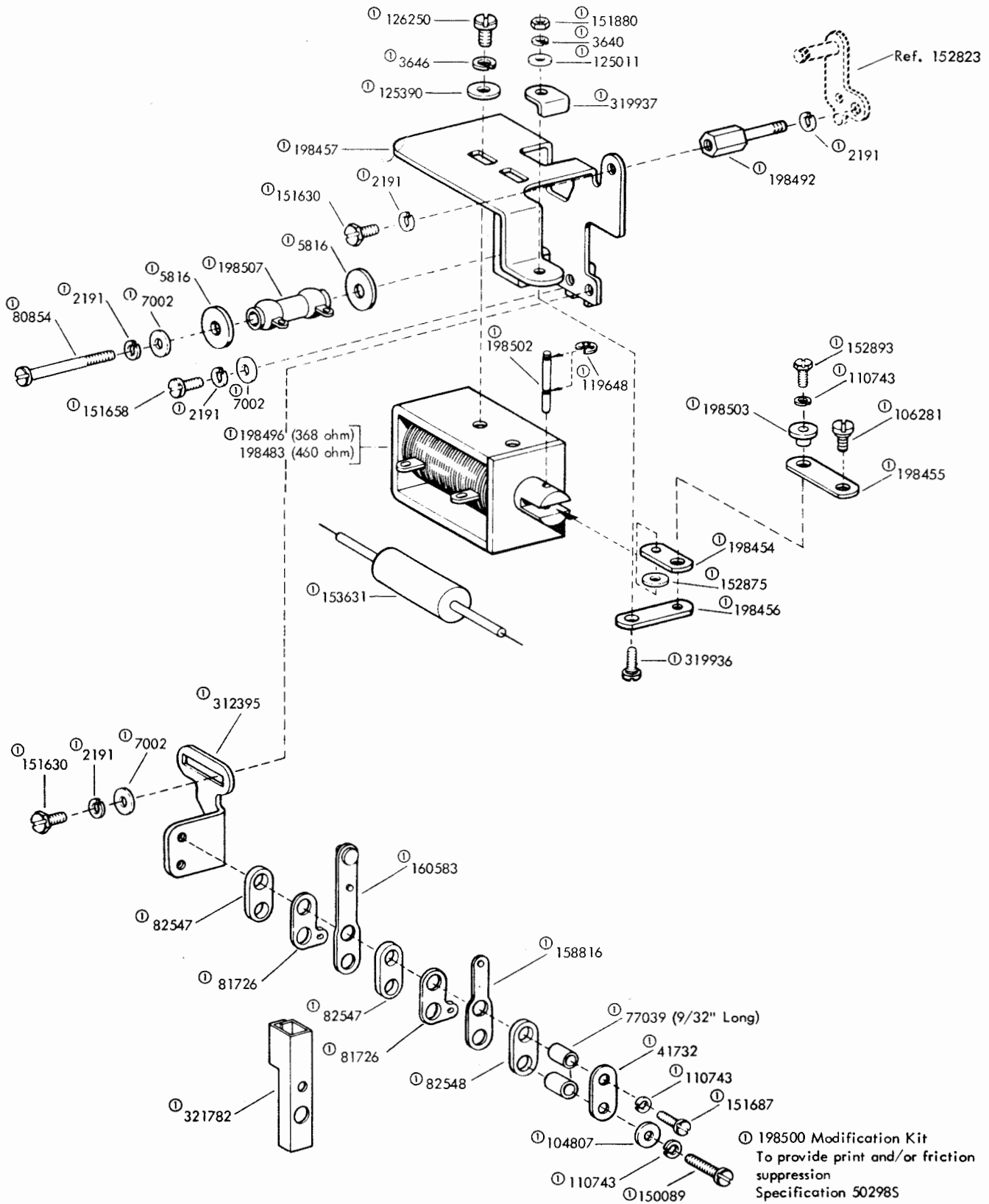
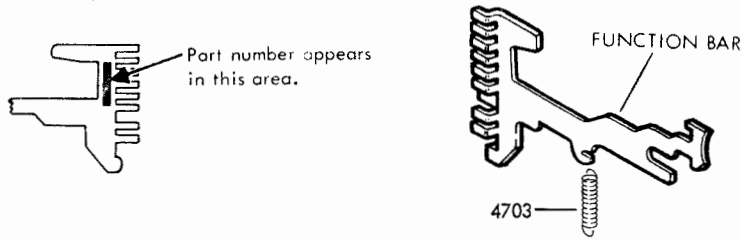


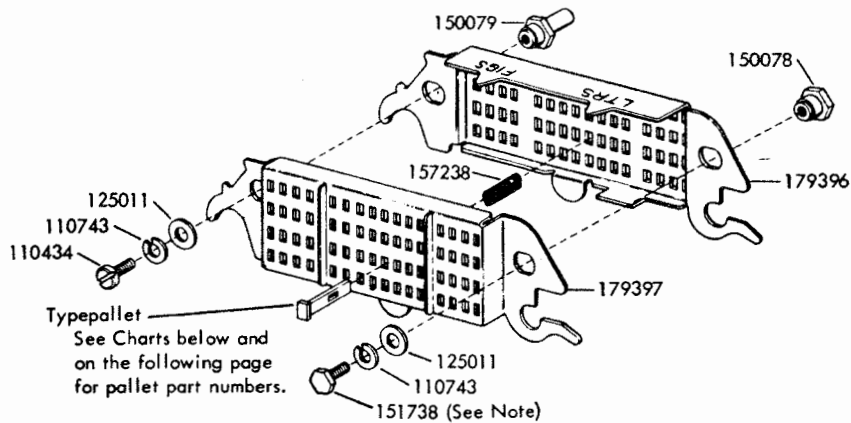
FIGURE 39. SUPPRESSION SOLENOID MECHANISM



| Function Bar Number | Description of Function Character | Function Bar Function Character | Function Bar Mnemonic Character | Function Bar Bell System Usage Function Character | Function Bar Private Line Usage Function Characters |
|---------------------|-----------------------------------|---------------------------------|---------------------------------|---|---|
| | | ASCII 63 Code | ASCII 67 Code | ASCII 67 Code | |
| 152704 | Universal -No Tines | | | | |
| 153440 | Uncoded -Two Full Rows of Tines | | | | |
| 192459 | Carriage Return | CR | CR | RETURN | CR (Return) |
| 192460 ① | Receiver Off Device Control | DC 4 (Stop) | DC 4 | TAPE | DC 4 (TAPE) |
| 192461 ① | End of Message End of Text | EOM | ETX | ETX | EOM or ETX |
| 192462 | Receiver On Device Control | DC 2 (TAPE) | DC 2 | TAPE | DC 2 TAPE) |
| 192463 | Bell | BELL | BEL | BELL | BELL |
| 192464 | Horizontal Tabulation | H-TAB | HT | TAB | H-TAB or HT |
| 192465 | Who Are You Enquiry | WRU | ENQ | WRU | WRU or ENQ |
| 192466 | End of Transmission | EOT | EOT | EOT | EOT |
| 192467 | Transmitter Off Device Control | DC 3 (X-OFF) | DC 3 | X-OFF | DC 3 (X-OFF) |
| 192468 | Are You Acknowledge | RU | ACK | ACK | ACK or RU |
| 192469 | Transmitter On Device Control | DC 1 (X-ON) | DC1 | X-ON | DC 1 (X-ON) |
| 192470 | Acknowledge | ACK | | | ACK |
| 192471 ① | Line Feed | LF | LF | LINE FEED | LF (Line Feed) |
| 192472 | Vertical Tabulation | V-TAB | VT | VT | V-TAB or VT |
| 192473 | Form Feed | FF | FF | FF | FF |
| 192474 | Escape (For Data Processing) | ESC | | | ESC |
| 192475 | Horizontal & Vertical Tabulation | H&V TAB | HT&VT | HT&VT | H&VTAB or HT&VT |
| 192476 ① | Blank | BLANK / Idle | NUL (Blank) | NULL (Blank) | NULL (Blank) |
| 192477 | Carriage Return-Form Feed | CR-FF | CR-FF | CR-FF | CR-FF |
| 192478 | For Data Processing Function | TREMA | TREMA | TREMA | TREMA |
| 192479 | For Data Processing Function | CIRCUMFLEX | CIRCUMFLEX | CIRCUMFLEX | CIRCUMFLEX |
| 192480 | For Data Processing Function | GRAVE ACCENT | GRAVE ACCENT | GRAVE ACCENT | GRAVE ACCENT |
| 198463 | Device Control Data Link Escape | DCo | DLE | DLE | DCo or DLE |
| 198464 | End of Address Start of Text | EOA | STX | STX | EOA or STX |
| 198465 | Any Symbol | GRAPHIC | GRAPHIC | GRAPHIC | GRAPHIC |
| 198467 ② | Blank | NULL | NULL | NULL | NULL (Blank) |
| 198468 | Space | SPACE | SPACE | SPACE | SPACE |
| 198469 | Start of Message Start of Heading | SOM | SOH | SOH | SOM or SOH |
| 198470 | Escape (For Data Processing) | | ESC | ESC | ESC |
| 198471 ② | End of Text | | ETX | ETX | ETX |
| 198472 ② | Line Feed or Vertical Tabulation | | LF or VT | LF or VT | LF or VT |
| 198473 ② | Receiver Off Device Control | | DC4 | DC4 | DC 4 |
| 199224 | Line Feed | | | | LF |
| 199225 | Carriage Return | | | | CR |
| 301761 | Alternate-Mode | | | | ALT-MODE |
| 301762 | Answer Back | | | | V |
| 301763 | Time Stamp | | | | TIME |
| 301764 | Upper Case - Time Stamp | | | | UCTIME |
| 306704 | For Data Processing Function | | | | SPECIAL |
| 306705 | For Data Processing Function | | | | SPECIAL |
| 306706 | For Data Processing Function | | | | SPECIAL |
| 315532 | Shift Out | SO | SO | SO | SO |
| 315533 | Shift In | SI | SI | SI | SI |
| 317218 | For Data Processing Function | | | | SPECIAL |

① Senses suppression bar in space
 ② Senses in either mark or space condition
 () Indicates possible implementation

FIGURE 40. FUNCTION BARS

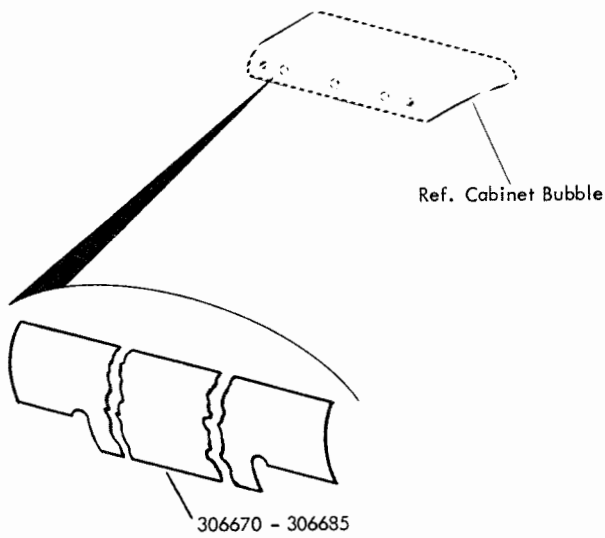
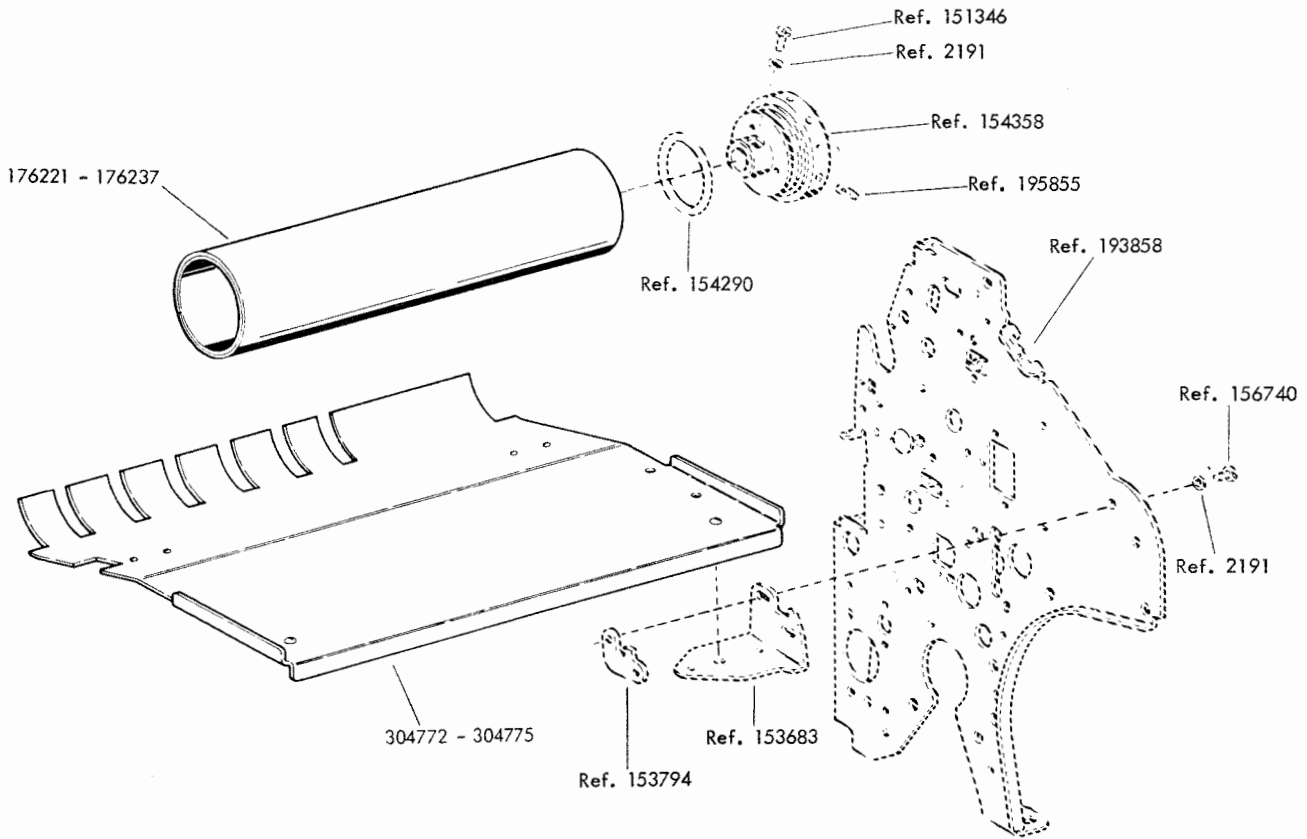


Note:
The 151738 identification screw has a two letter suffix stamped on its head to identify the type box arrangement. (Example TD=179814 Type box arrangement)

| MURRAY STYLE PALLETTS - Used in All Arrangements | | | | | | | | | | | | | |
|--|--------|--------|--------|--------|--------|--------|--------|--------|--------|--------|--------|--------|--------|
| PALLET | NUMBER | PALLET | NUMBER | PALLET | NUMBER | PALLET | NUMBER | PALLET | NUMBER | PALLET | NUMBER | PALLET | NUMBER |
| A | 157600 | G | 157606 | M | 157612 | S | 157618 | Y | 157624 | 5 | 157630 | / | 157643 |
| B | 157601 | H | 157607 | N | 157613 | T | 157619 | Z | 157625 | 6 | 157631 | | |
| C | 157602 | I | 157608 | O | 157614 | U | 157620 | 1 | 157626 | 7 | 157632 | | |
| D | 157603 | J | 157609 | P | 157615 | V | 157621 | 2 | 157627 | 8 | 157633 | | |
| E | 157604 | K | 157610 | Q | 157616 | W | 157622 | 3 | 157628 | 9 | 157634 | | |
| F | 157605 | L | 157611 | R | 157617 | X | 157623 | 4 | 157629 | | 157636 | | |

| MURRAY STYLE PALLETTS - Arrangement Variables | | | | | | | | | | | | | | | | | | | | | | | | | | | | | | | | | | |
|---|--------|-----------------------|-------------|-------------|-------------|-------------|-------------|-------------|-------------|-------------|-------------|-------------|-------------|--------|--------|-----------------------|-------------|-------------|-------------|-------------|-------------|-------------|-------------|-------------|-------------|-------------|-------------|--------|---|---|---|---|---|---|
| PALLET | NUMBER | ARRANGEMENT VARIABLES | | | | | | | | | | | | PALLET | NUMBER | ARRANGEMENT VARIABLES | | | | | | | | | | | | | | | | | | |
| | | 179814 "TD" | 305082 "TK" | 306979 "TL" | 304833 "TM" | 311071 "TS" | 311407 "TV" | 307864 "TX" | 317353 "TY" | 321983 "DC" | 323508 "DE" | 323600 "DF" | 333478 "DY" | | | 179814 "TD" | 305082 "TK" | 306979 "TL" | 304833 "TM" | 311071 "TS" | 311407 "TV" | 307864 "TX" | 317353 "TY" | 321983 "DC" | 323508 "DE" | 323600 "DF" | 333478 "DY" | | | | | | | |
| ~ | 155871 | | | | | | X | | | | | | ↓ | 157665 | | | X | | | | | | | | T1 | 305551 | | | X | | | | | |
| ■ | 155873 | | | | | | | | X | | | | ↑ | 157666 | X | X | X | X | X | | | X | | | | T2 | 305552 | | | X | | | | |
| ∅ | 157635 | | X | X | X | X | | | | | X | | + | 157671 | X | X | X | X | X | X | X | X | X | | T3 | 305553 | | | X | | | | | |
| . | 157636 | X | X | X | X | X | X | X | X | X | X | | = | 157678 | X | X | X | X | X | X | X | X | X | | T4 | 305554 | | | X | | | | | |
| · | 157637 | X | X | X | X | X | X | | | | X | | □ | 157721 | | | | X | | | | | | | T5 | 305555 | | | X | | | | | |
| " | 157638 | X | X | X | | X | X | | | X | X | | ⊙ | 157726 | X | X | X | X | X | X | X | X | X | | T6 | 305556 | | | X | | | | | |
| ∇ | 157639 | X | X | X | | X | X | | | X | X | | ⊕ | 157765 | | | X | | | | | | | | SM | 305558 | | | X | | | | | |
| ; | 157640 | X | X | X | | X | X | X | X | X | X | | > | 157790 | X | X | X | X | X | X | X | X | X | | OM | 305559 | | | X | | | | | |
| : | 157641 | X | X | X | X | X | X | X | X | X | X | | < | 157791 | X | X | X | X | X | X | X | X | X | | DN | 305560 | | | X | | | | | |
| - | 157642 | X | X | X | X | X | X | X | X | X | X | | _ | 157804 | | X | | X | X | X | X | X | | SF | 305561 | | | X | | | | | | |
| / | 157643 | X | X | X | X | X | X | X | X | X | X | | [| 163197 | X | X | X | X | X | X | X | X | X | | SI | 305562 | | | X | | | | | |
| ? | 157644 | X | X | X | X | X | X | X | X | X | X | |] | 163198 | X | X | X | X | X | X | X | X | | CN | 305563 | | | X | | | | | | |
|) | 157645 | X | X | X | X | X | X | X | X | X | X | | ^ | 179081 | | | | | X | | | | | | OC | 305564 | | | X | | | | | |
| (| 157646 | X | X | X | X | X | X | X | X | X | X | | \ | 179088 | X | X | X | | X | X | X | X | | | RX | 305565 | | | X | | | | | |
| ! | 157647 | X | X | X | | X | X | X | X | X | X | | ⊖ | 179091 | | | | | | | | | X | | XP | 305566 | | | X | | | | | |
| \$ | 157648 | X | X | X | | X | X | X | X | X | X | | | 195200 | | | X | X | | | | | X | | TX | 305567 | | | X | | | | | |
| & | 157649 | X | X | X | | X | X | X | X | X | X | | ^ | 195201 | | | X | X | X | | | | | | | | 305568 | | | X | | | | |
| ¢ | 157658 | | | | X | | | | | | X | | ∇ | 195202 | | | X | | | | | | | | | | 305589 | | | | | | | X |
| # | 157659 | X | X | X | X | X | X | X | X | X | X | | ∩ | 195203 | | | | X | | | | | | | | | | 307255 | | | | X | X | |
| % | 157660 | X | X | X | | X | X | X | X | X | X | | ‡ | 196917 | | | X | | | | | | | | | | | 307256 | | | | X | X | |
| * | 157662 | X | X | X | X | X | X | X | X | X | X | | ¶ | 196921 | | | X | | | | | | | | | | | 307257 | | | | X | X | |
| ← | 157663 | X | X | X | X | X | X | X | X | X | X | | μ | 196924 | | | X | | | | | | | | | | | 179082 | | | | | X | |
| → | 157664 | | | | X | | | | | | | | EM | 199773 | | | X | | | | | | | | | 0 | 155446 | | | | X | X | | |
| c | 199987 | | | | | | | | | | | | | | | | X | | | | | | | | | | | | | | | | | |

FIGURE 41. TYPE PALLET BOX AND TYPE PALLET CHART

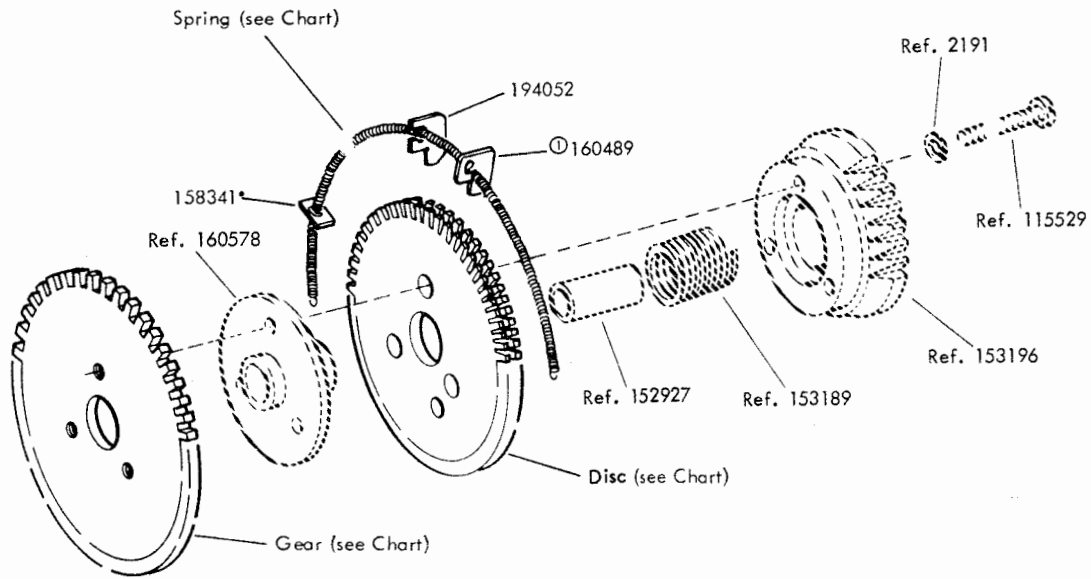


| Paper Widths | Paper Guide | Modification Kit Paper Handling Parts | | |
|--------------|-------------|---------------------------------------|--------|------------|
| | | Kit Number | Platen | Form Guide |
| 3 5/8 | 304772 | 306686 | 176237 | 306670 |
| 4 | 304773 | 306687 | 176236 | 306671 |
| 4 1/4 | 304774 | 306688 | 176235 | 306672 |
| 4 5/16 | 304775 | 306689 | 176234 | 306672 |
| 4 1/2 | 304772 | 306690 | 176233 | 306673 |
| 5 | 304773 | 306691 | 176232 | 306674 |
| 5 1/2 | 304772 | 306692 | 176231 | 306675 |
| 5 3/4 | 304774 | 306693 | 176230 | 306676 |
| 6 | 304773 | 306694 | 176229 | 306677 |
| 6 1/4 | 304775 | 306695 | 176228 | 306678 |
| 6 3/8 | 304774 | 306696 | 176227 | 306679 |
| 6 1/2 | 304772 | 306697 | 176226 | 306680 |
| 7 | 304773 | 306698 | 176225 | 306681 |
| 7 1/2 | 304772 | 306699 | 176224 | 306682 |
| 8 | 304773 | 306700 | 176223 | 306683 |
| 8 1/2 | 304772 | 306701 | 176222 | 306684 |
| 9 | 304773 | 306702 | 176221 | 306685 |

Note: For Paper Fingers, See Figure 6.

Specification 5792S covers all paper handling modification kits.

FIGURE 43. SPROCKET FEED PAPER HANDLING MODIFICATION KITS



| Form Length in inches | Mod. Kit No. | Gear No. | Disc No. | Spring No. |
|--------------------------|-----------------|-------------|-------------|---------------|
| 8, 4, 2 | 154760 | 153198 | 160505 | 160527 |
| 8-1/2 | 154761 | 153199 | 160506 | 160528 |
| 9, 4-1/2 | 154762 | 153200 | 160507 | 160529 |
| 9-1/2 | 154763 | 153201 | 160508 | 160530 |
| 10, 5 | 154764 | 153202 | 160509 | 160531 |
| 11, 5-1/2 | 154765 | 153203 | 160510 | 160532 |
| 12, 6, 3 | 154766 | 153204 | 160511 | 160533 |
| 13, 6-1/2 | 154767 | 153205 | 160512 | 160534 |
| 14, 7, 3-1/2 | 154768 | 153206 | 160513 | 160535 |
| 15, 7-1/2 | 154769 | 153207 | 160514 | 160536 |
| 14-2/3, 7-1/3, 3-2/3 | 192706 | 161250 | 192704 | 160536 |

① No longer available, use 194052

Specification 50004S covers all
Vertical tabulation modification kits

FIGURE 44. VERTICAL TABULATION MODIFICATION KITS

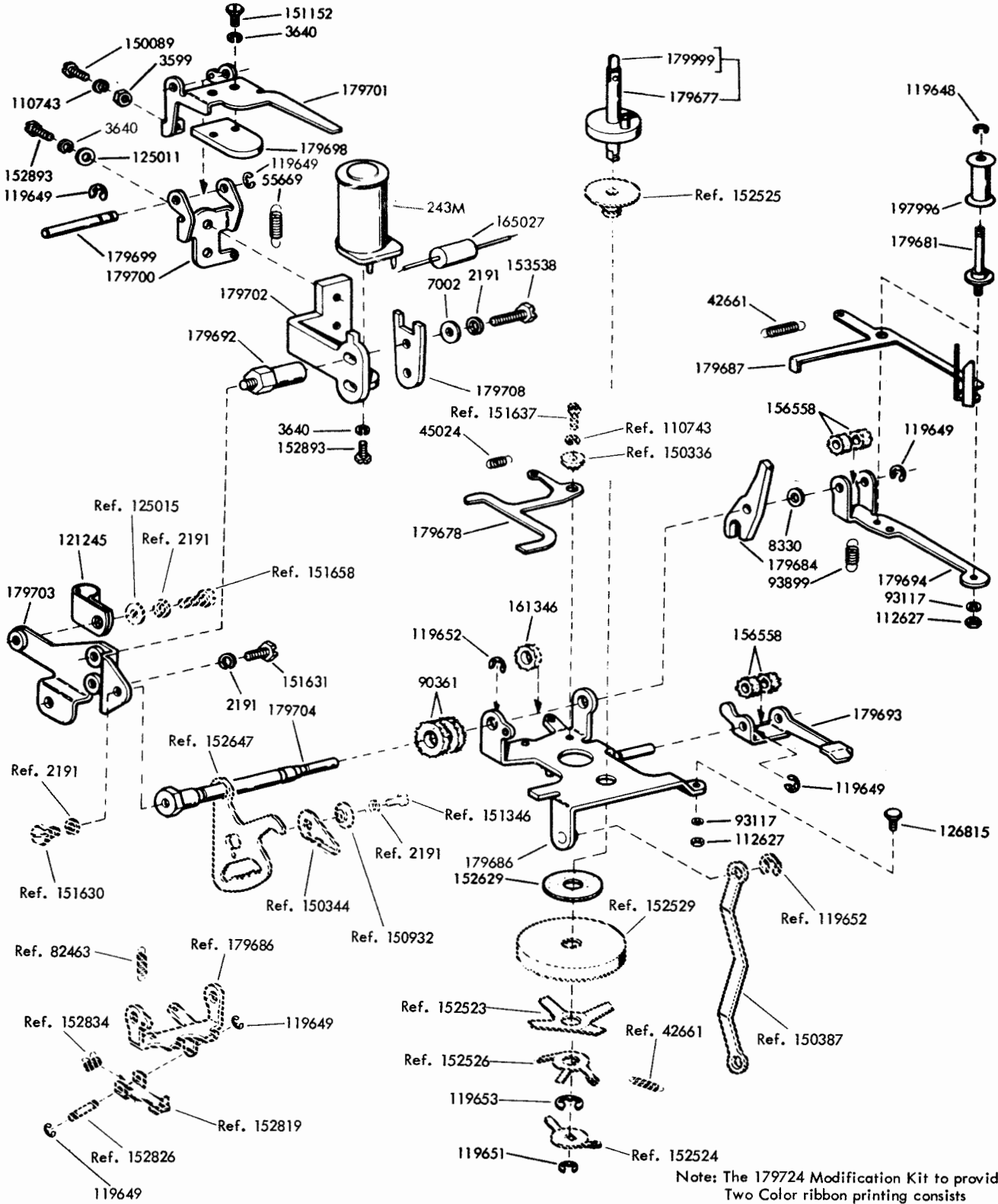
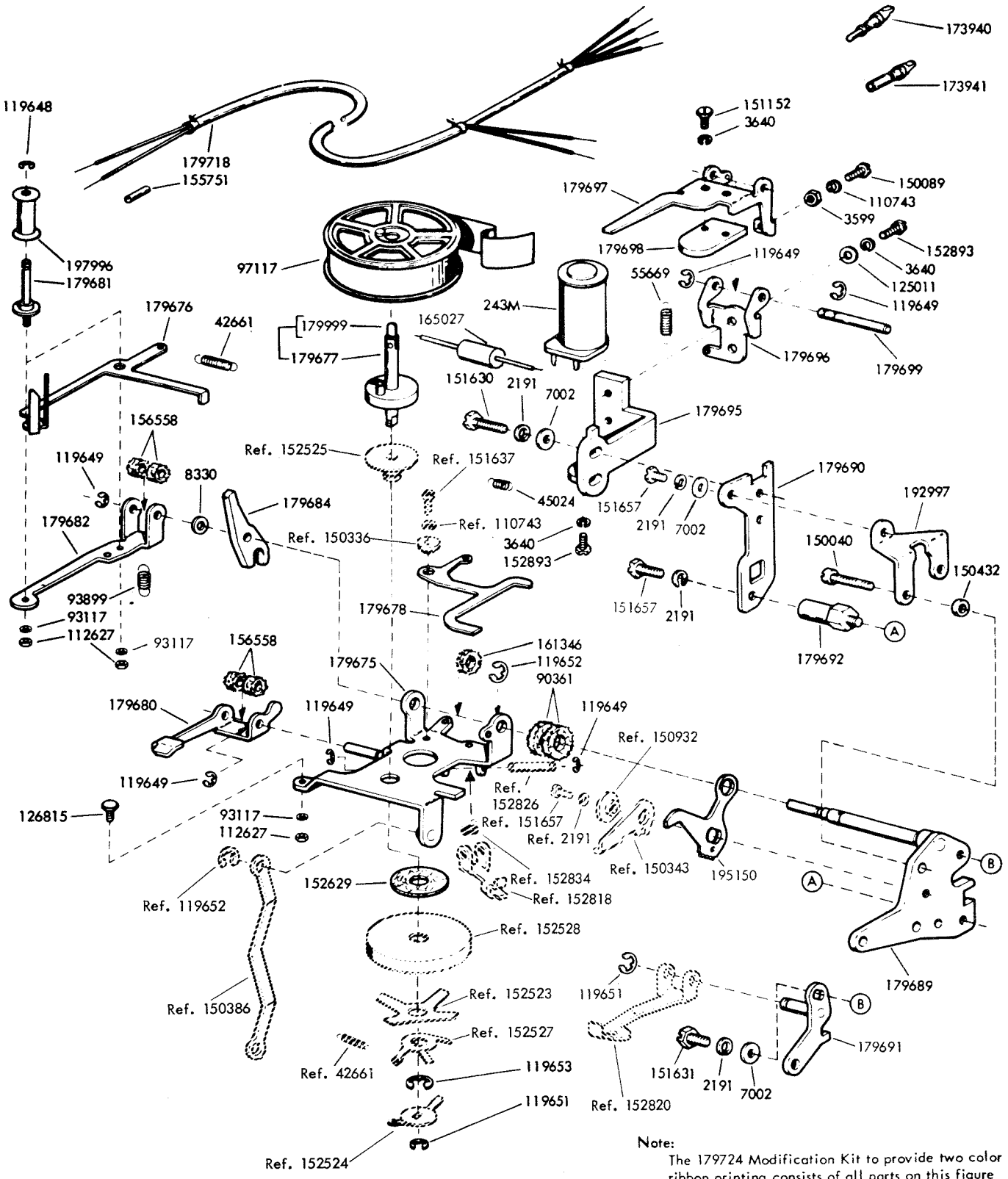


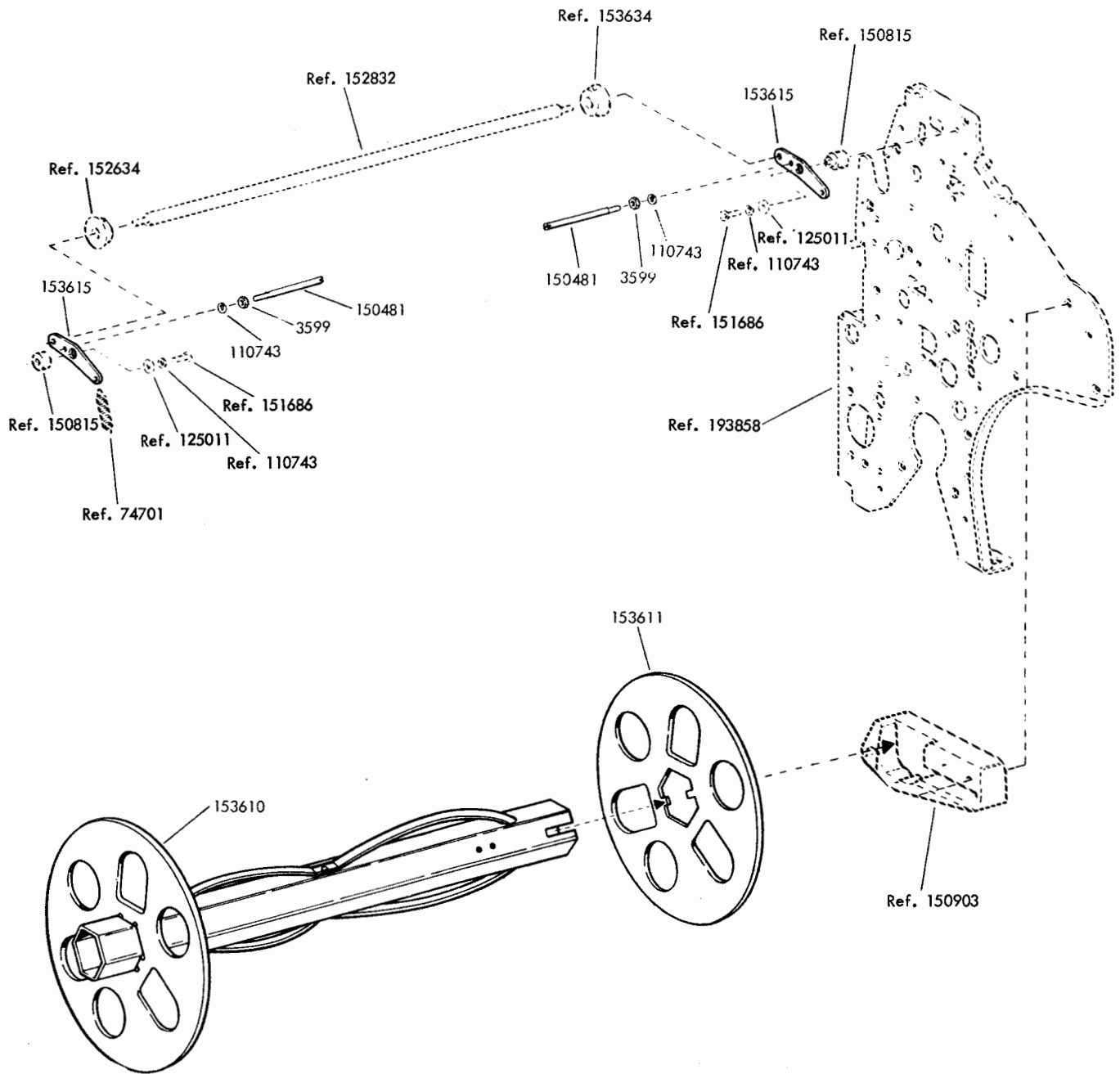
FIGURE 45. RIGHT SIDE-RIBBON FEED FOR TWO COLOR RIBBON PRINTING



Note:
The 179724 Modification Kit to provide two color ribbon printing consists of all parts on this figure and on figure 45.

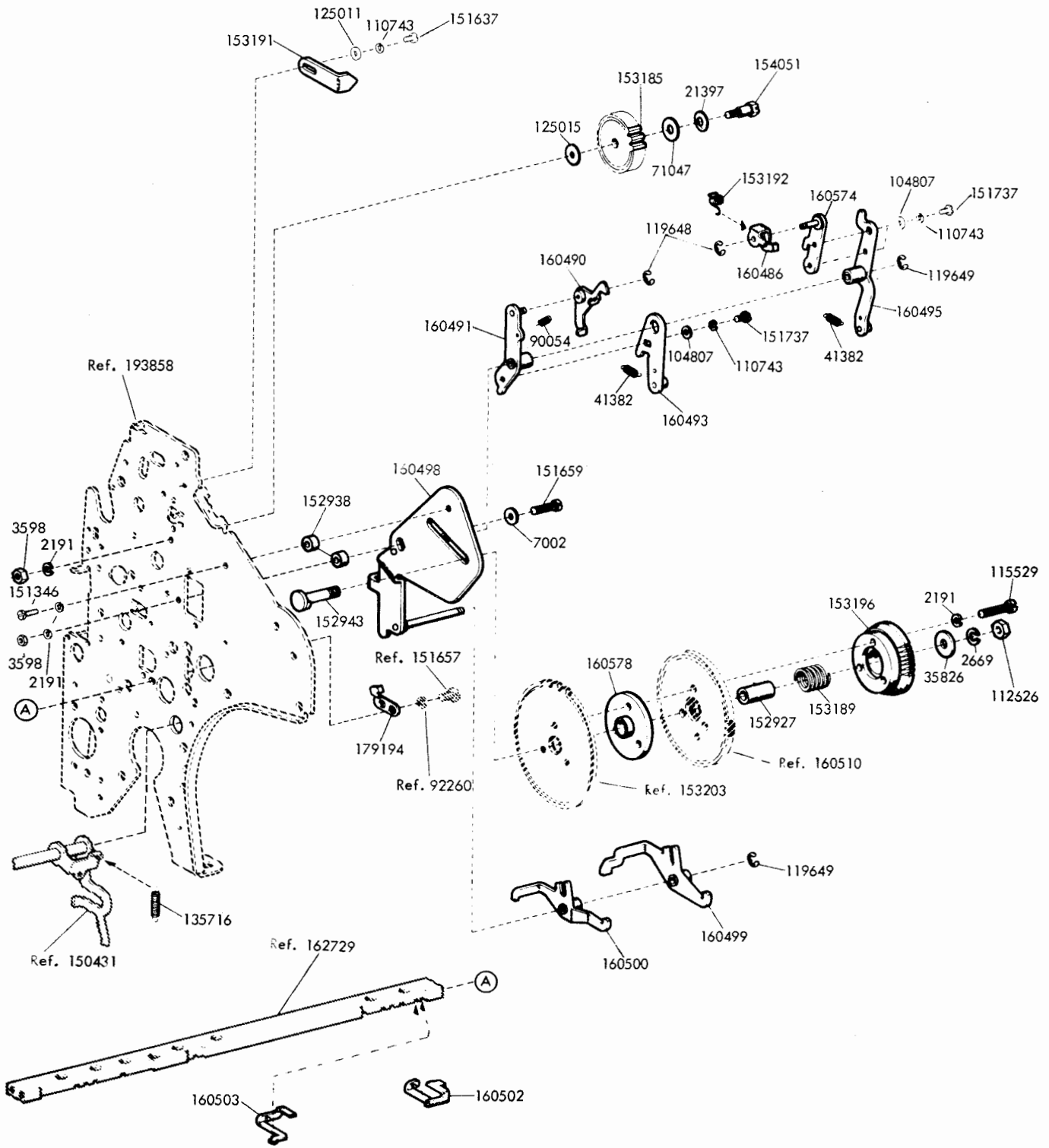
Specification 501505

FIGURE 46. LEFT SIDE-RIBBON FEED MECHANISM FOR TWO COLOR RIBBON PRINTING



Specification 57895

FIGURE 47. 152340 MODIFICATION KIT TO PROVIDE MULTI-COPY PAPER HANDLING



Specification 50004S

FIGURE 48. 154771 MODIFICATION KIT TO PROVIDE VERTICAL TABULATION

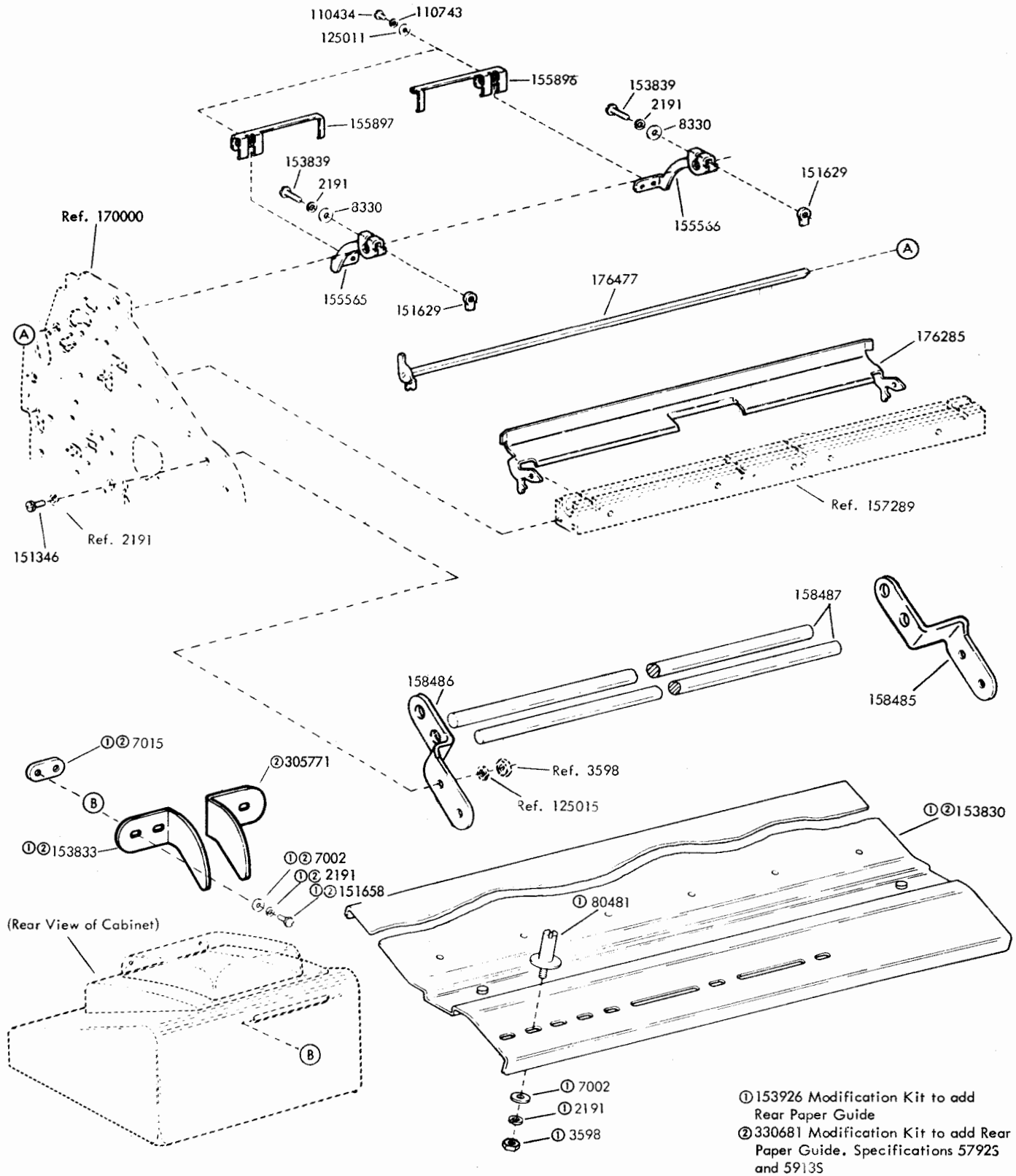


FIGURE 49. 154798 MODIFICATION KIT TO PROVIDE SUPERFOLD FRICTION FEED PAPER HANDLING

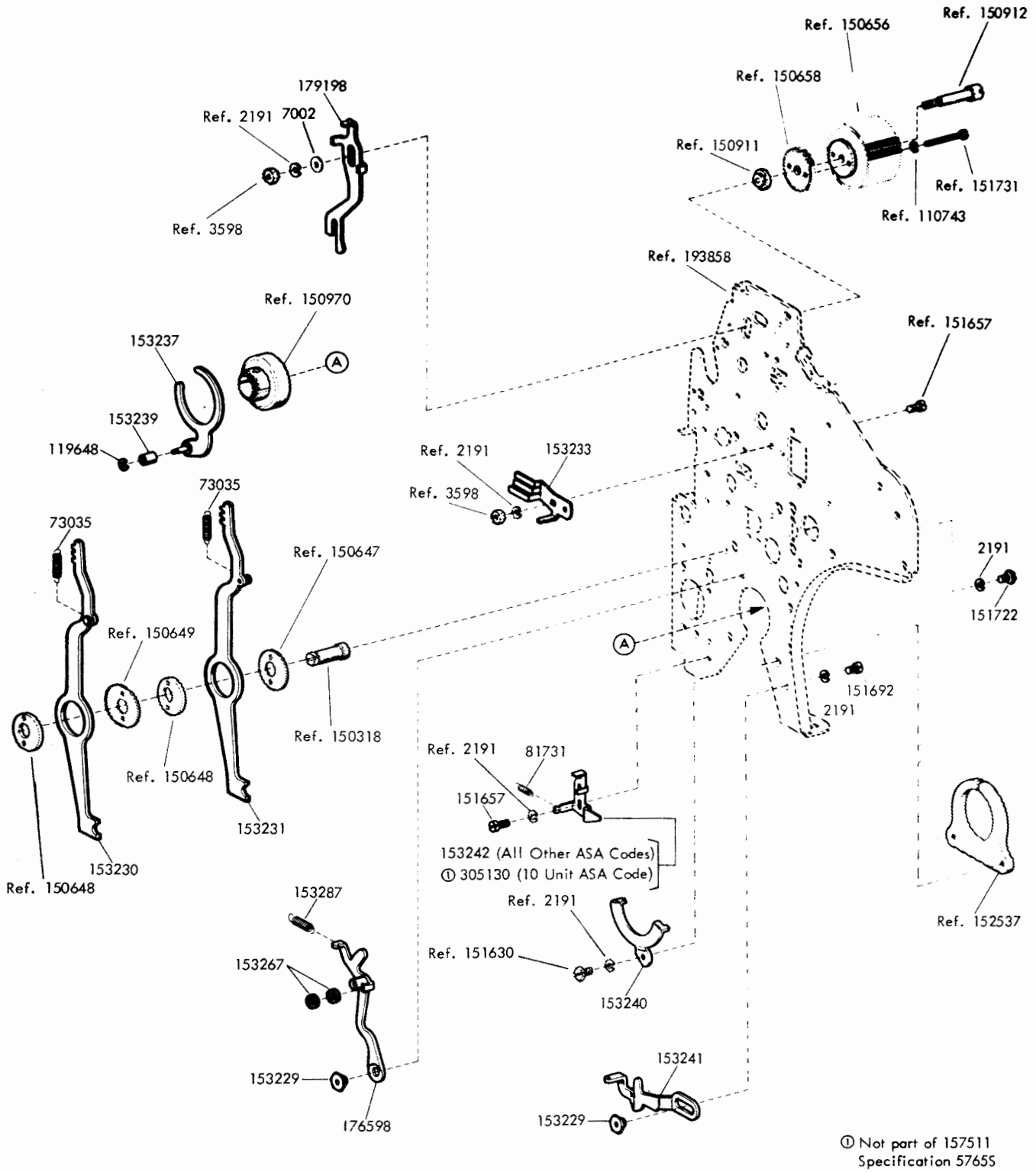


FIGURE 50. 157511 MODIFICATION KIT TO PROVIDE LOCAL REVERSE LINE FEED

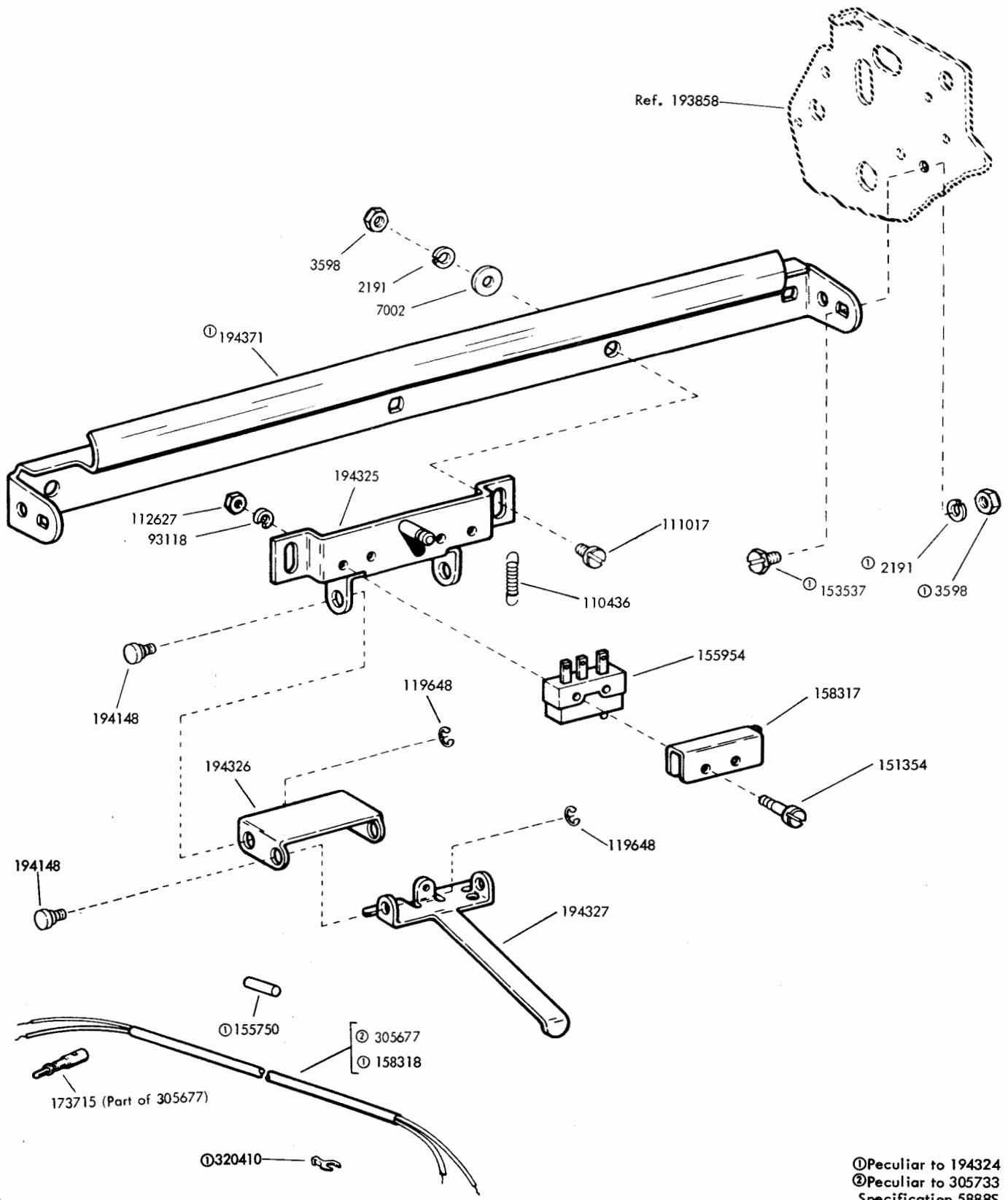


FIGURE 51. 194324 & 305733 MODIFICATION KITS TO PROVIDE PAPER-OUT ALARM SWITCH

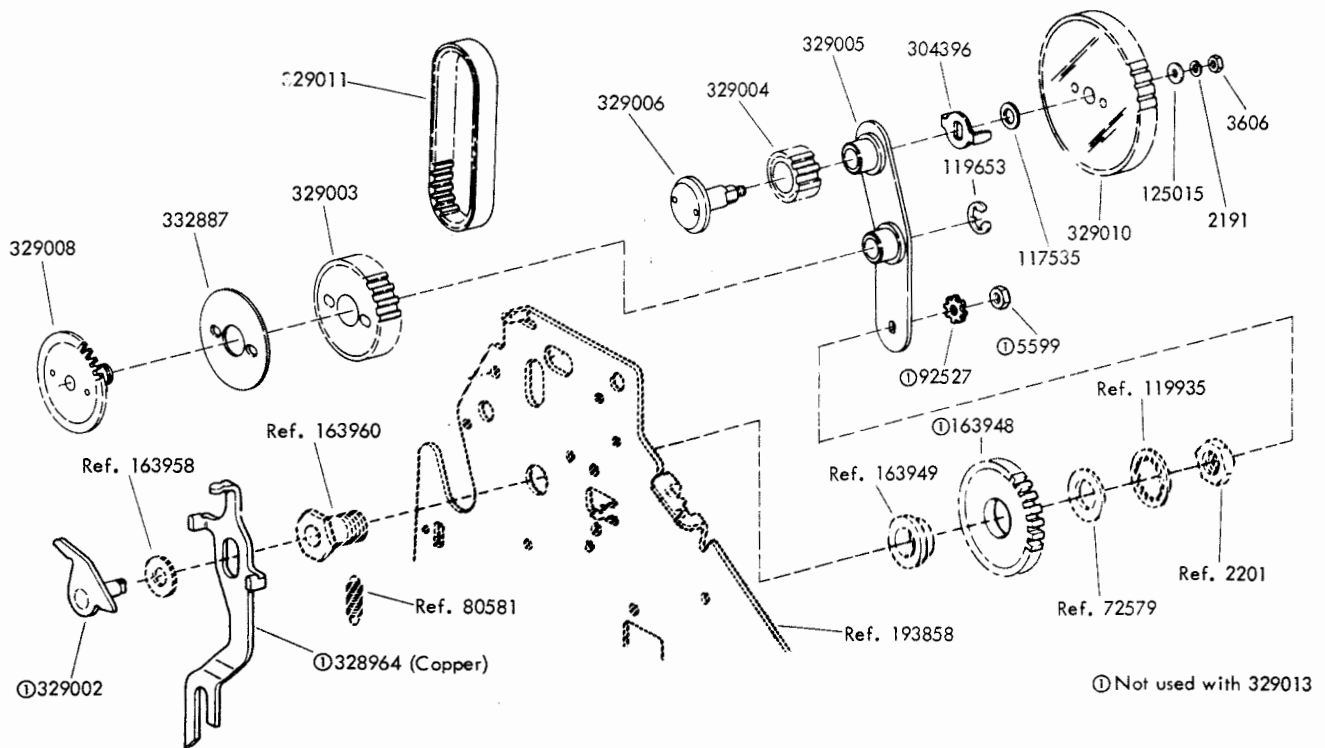


FIGURE 52. 329013 HANDWHEEL ASSEMBLY

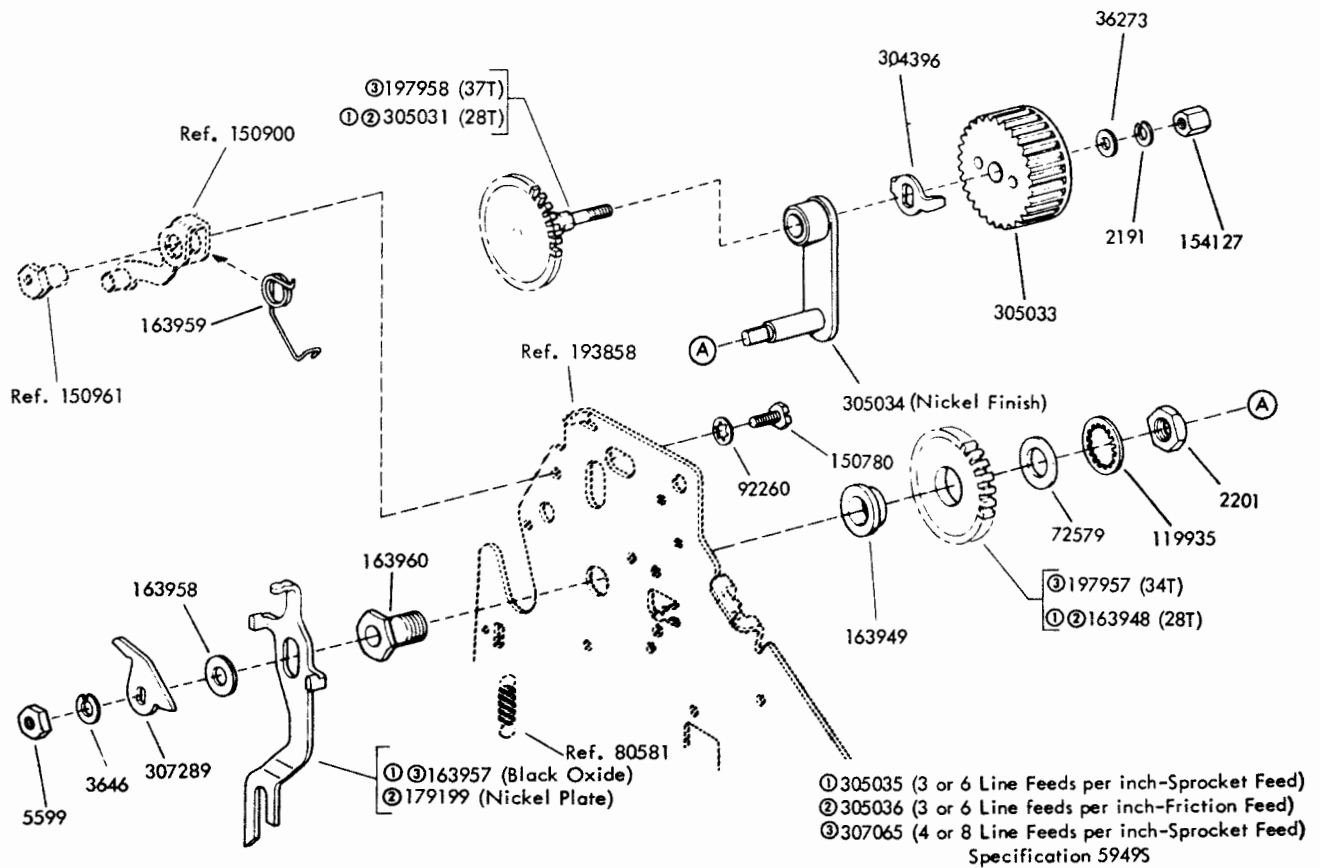
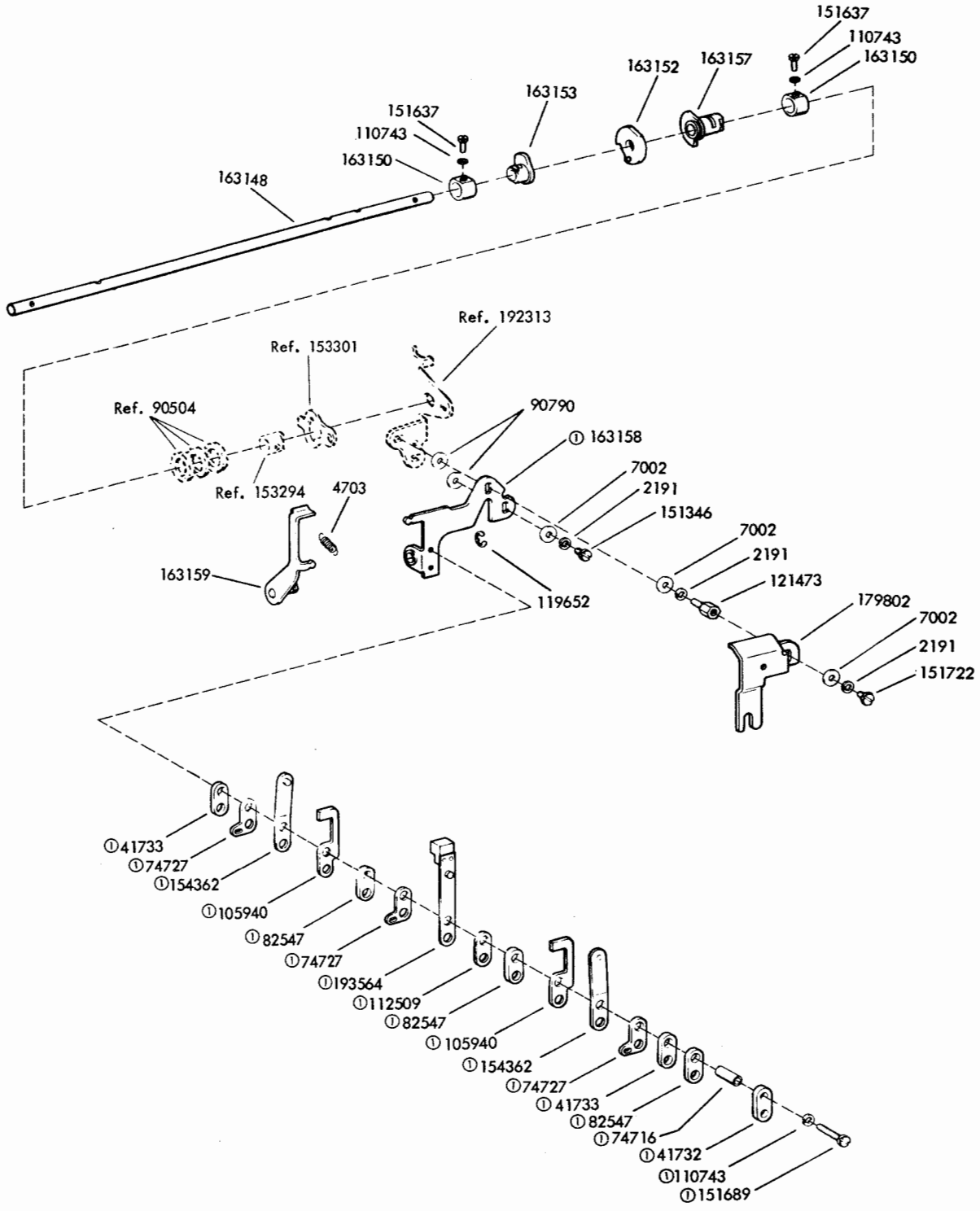


FIGURE 53. 305035, 305036, 307065 MODIFICATION KITS TO PROVIDE MANUAL PLATEN LINE FEED



①163147 Contact Assembly Specification 5804S

FIGURE 54. 163146 MODIFICATION KIT TO PROVIDE UNIVERSAL CONTACT

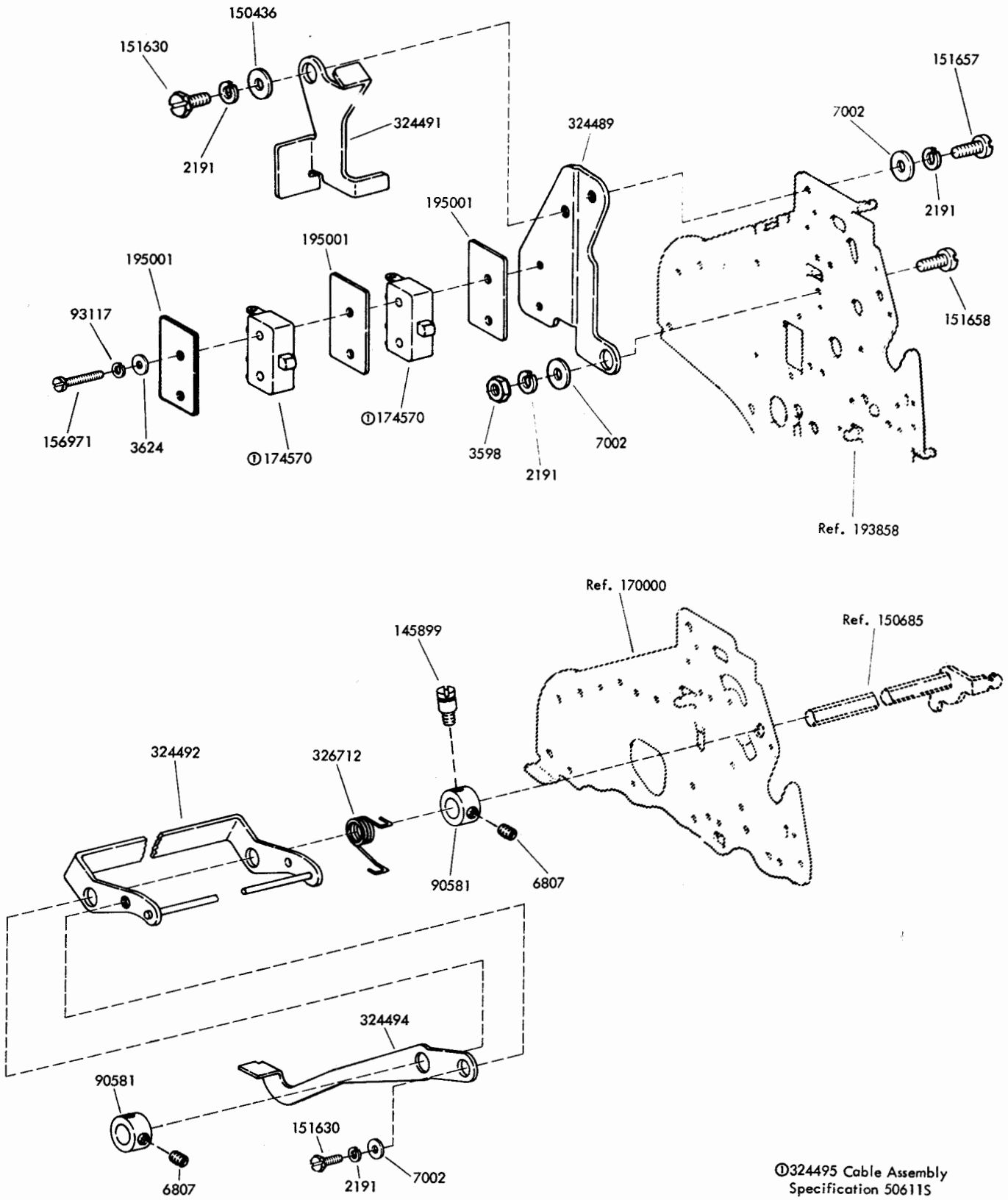
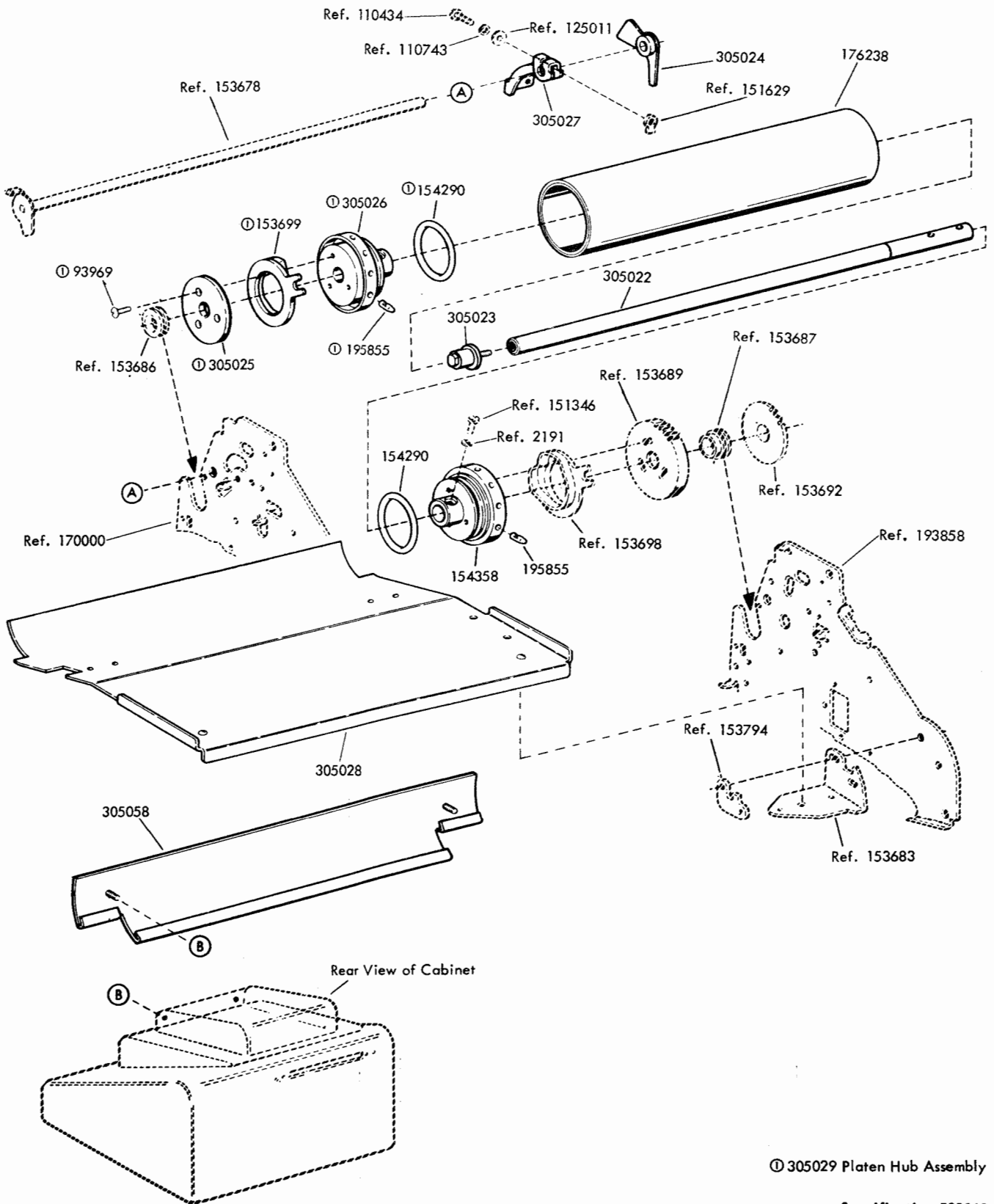


FIGURE 55. 324490 MODIFICATION KIT TO PROVIDE PAPER JAM ALARM



ⓐ 305029 Platen Hub Assembly
 Specification 503865

FIGURE 56. 305037 MODIFICATION KIT TO ADAPT SPROCKET FEED PRINTERS TO 9-1/2 INCH FORM WIDTHS

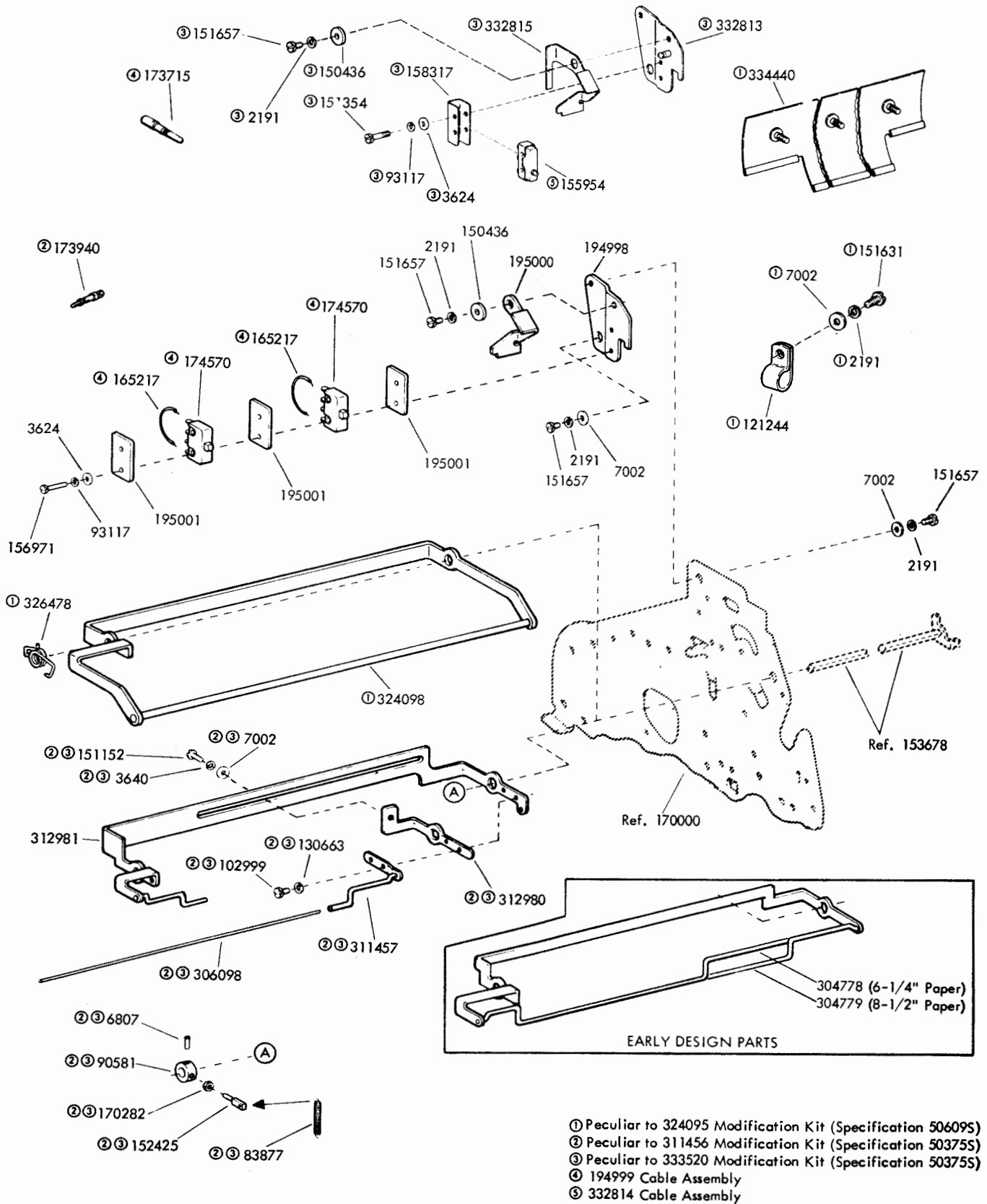
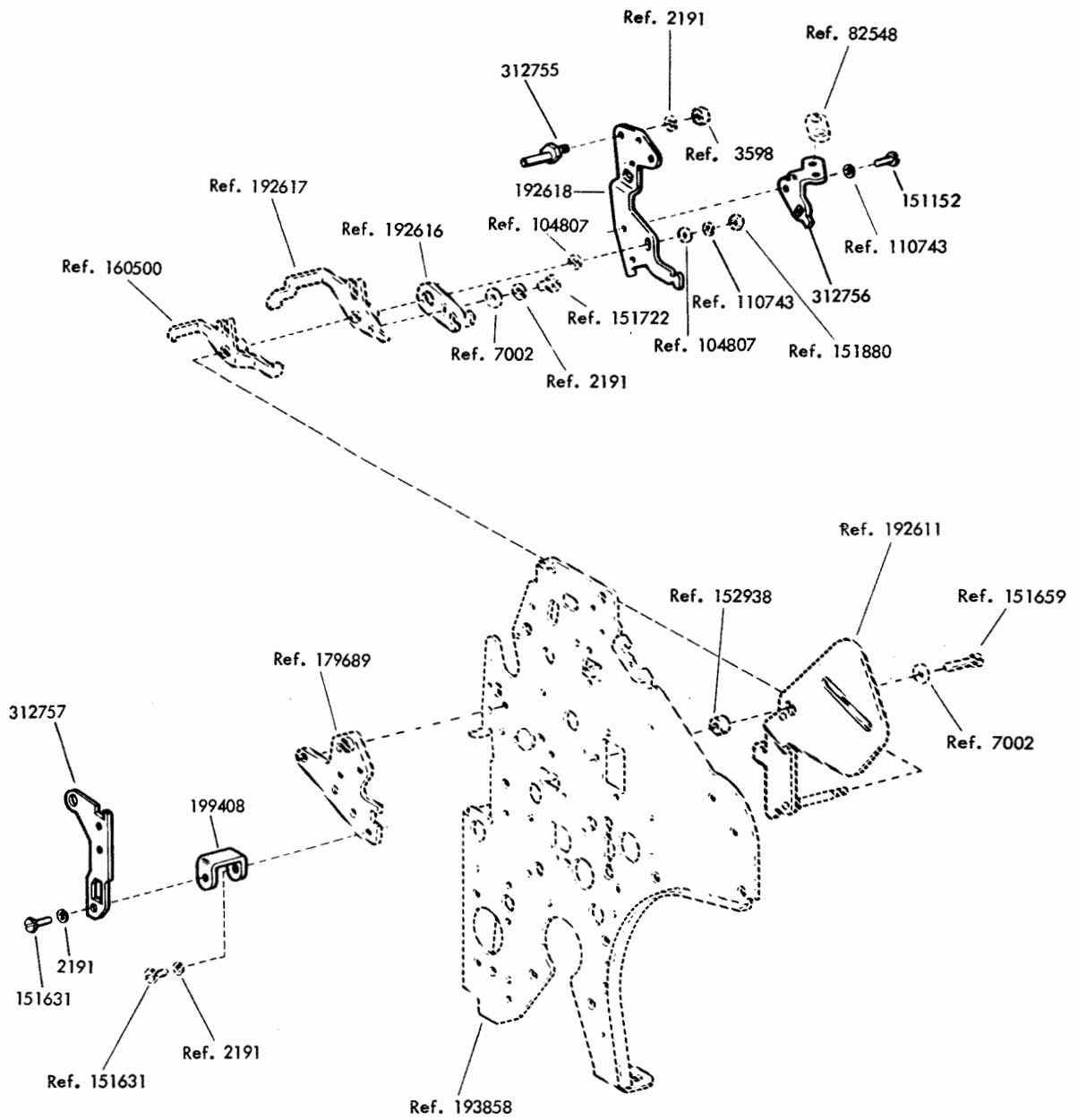
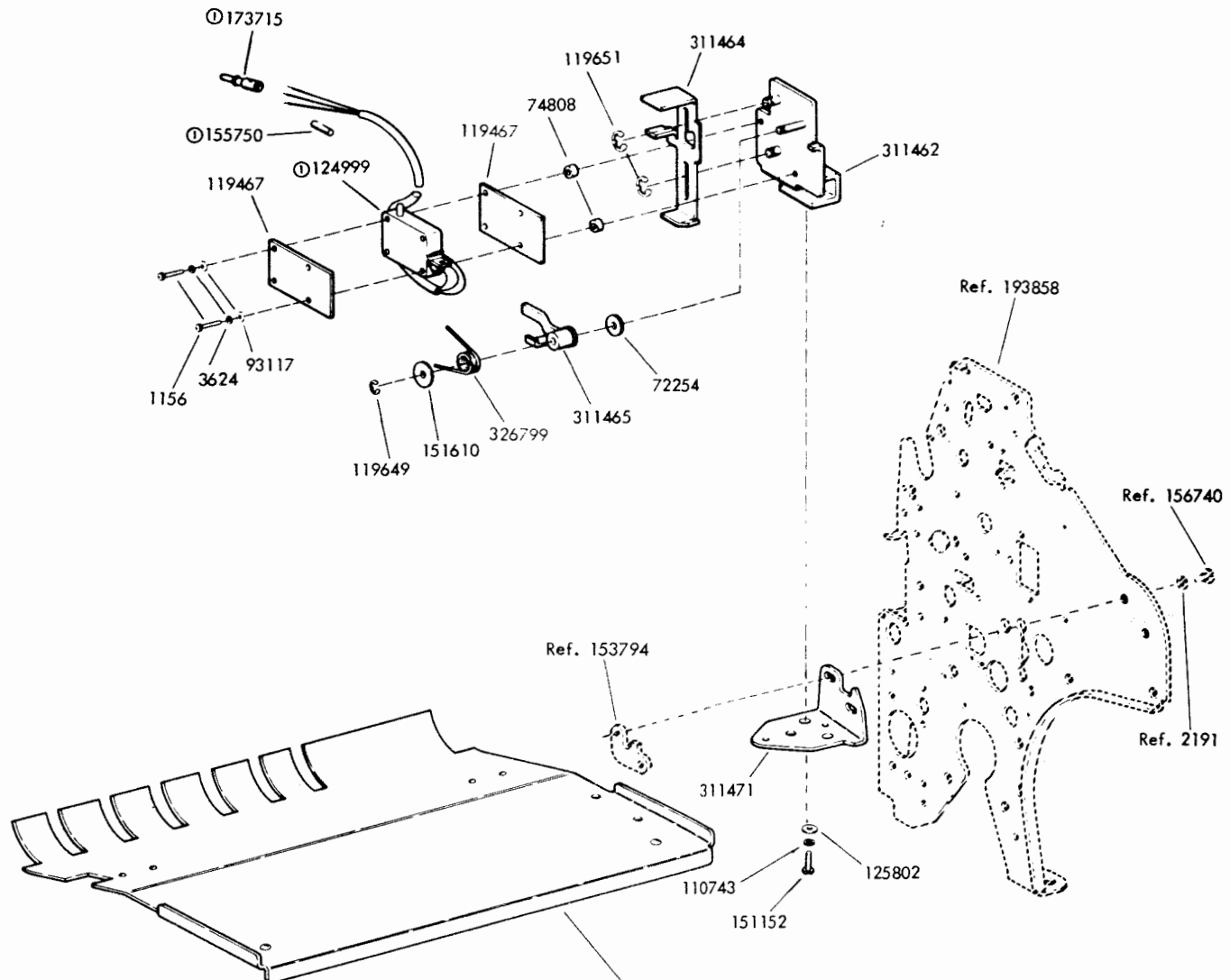


FIGURE 57. 311456, 324095 & 333520 MODIFICATION KITS TO PROVIDE PAPER JAM ALARMS



Specification 50150S

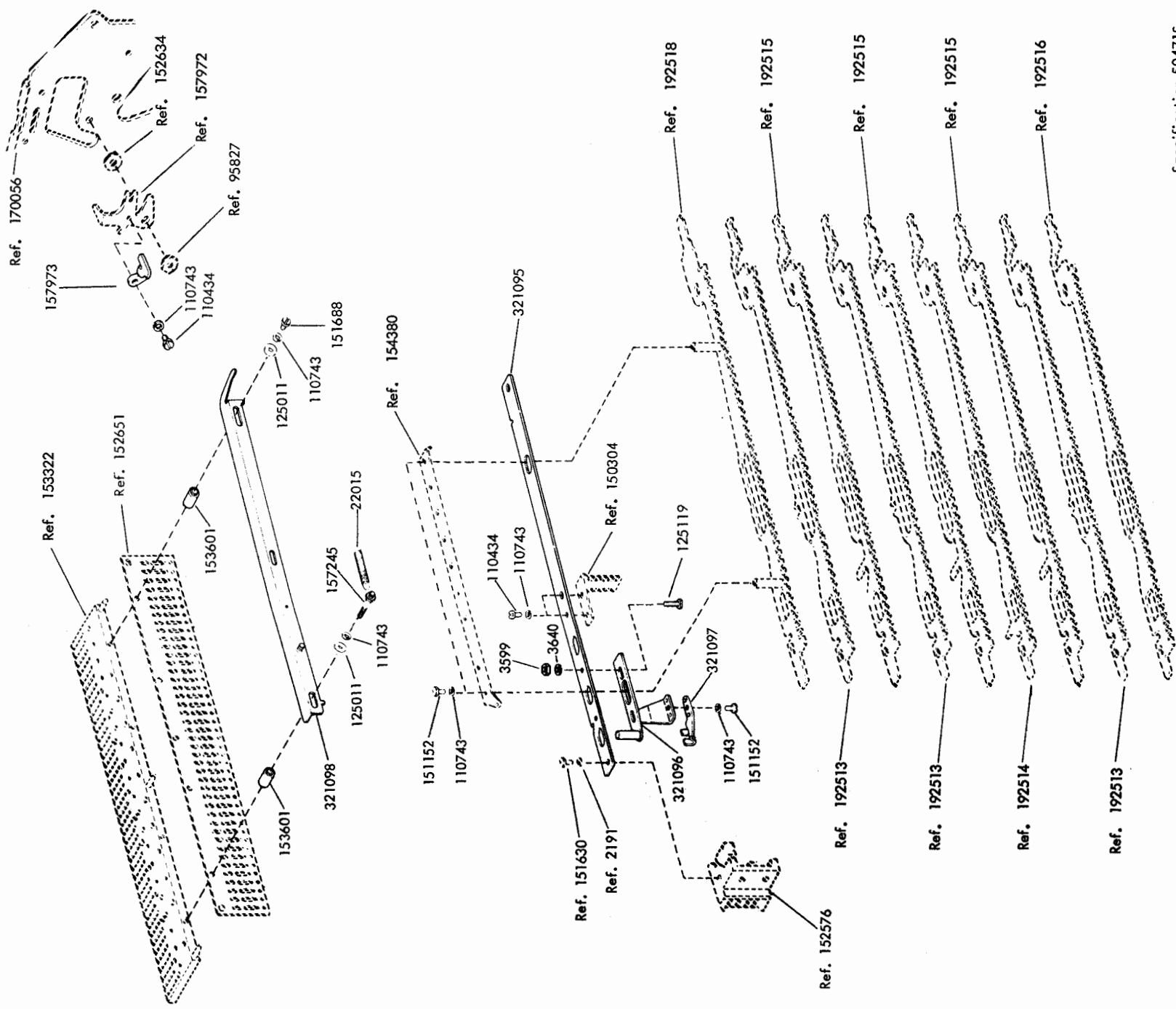
FIGURE 58. 312711 MODIFICATION KIT TO ADAPT UNITS WITH A VERTICAL TABULATING MECHANISM TO USE THE 179724 MODIFICATION KIT



- ② 311466 (3-5/8", 4-1/2", 5-1/2", 6-1/2", 7-1/2" or 8-1/2" Platen)
- ③ 311467 (3", 4", 5", 6", 7", 8" or 9" Platen)
- ④ 311468 (4-1/4", 5-3/4" or 6-3/8" Platen)
- ⑤ 311469 (4-5/16" or 6-1/4" Platen)

- ① 311730 Cable Assembly
 - ② Peculiar to 311458 Modification Kit
 - ③ Peculiar to 311459 Modification Kit
 - ④ Peculiar to 311460 Modification Kit
 - ⑤ Peculiar to 311461 Modification Kit
- Specification 504685

FIGURE 59. 311458, 311459, 311460 AND 311461 MODIFICATION KITS TO ADD ADJUSTABLE LAST FORM ALARM



Specification 504715

FIGURE 60. 321099 MODIFICATION KIT TO PROVIDE AUTOMATIC CARRIAGE RETURN AND LINE FEED

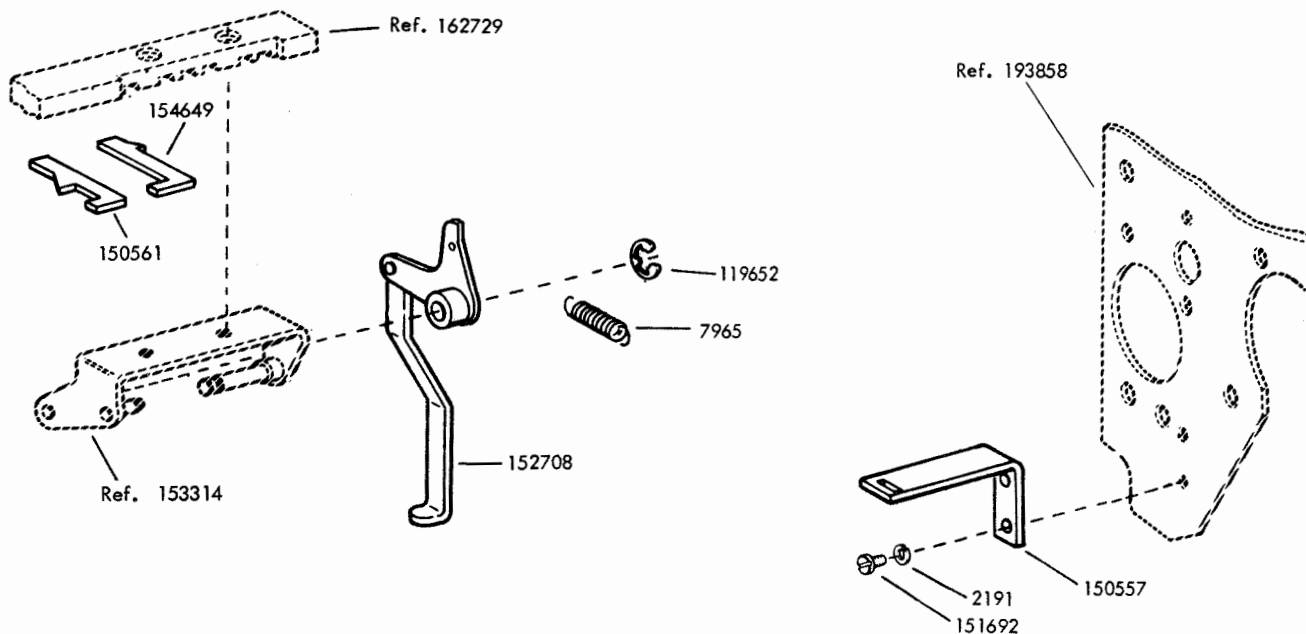


FIGURE 61. 152350 MODIFICATION KIT TO PROVIDE KEYBOARD LOCK

Specification 503345

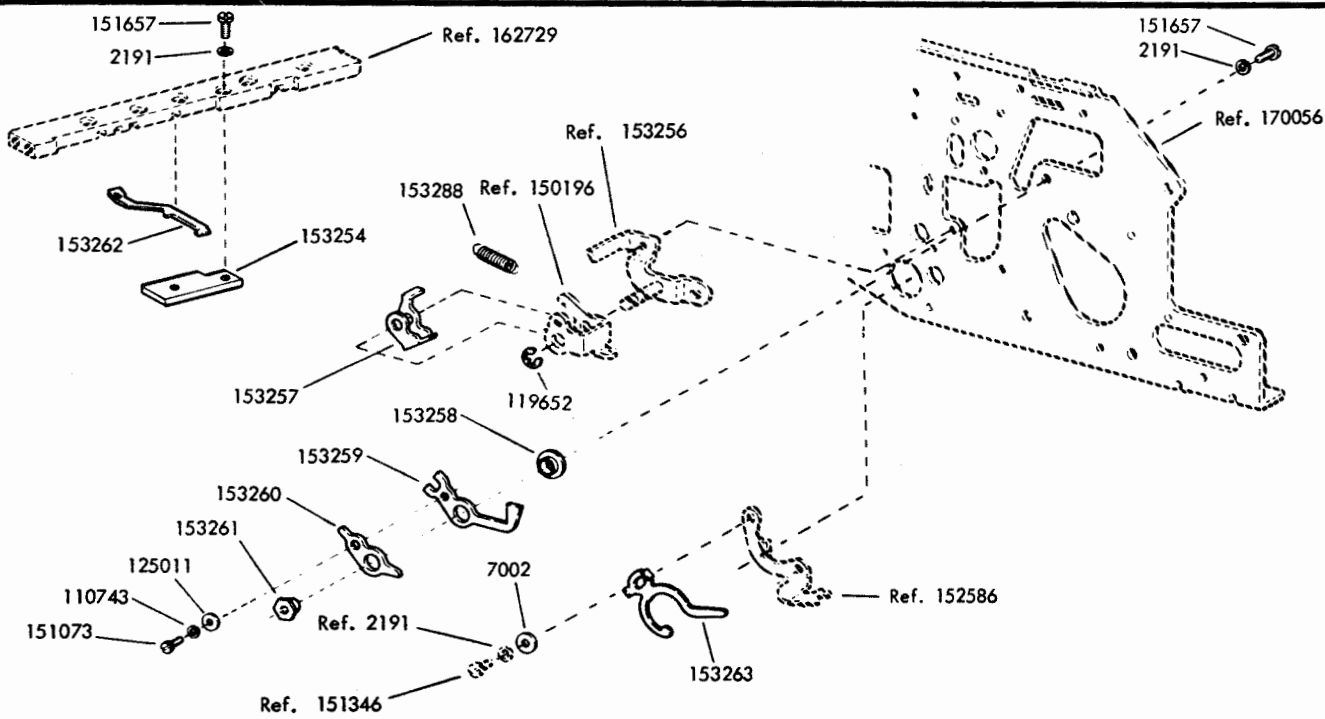
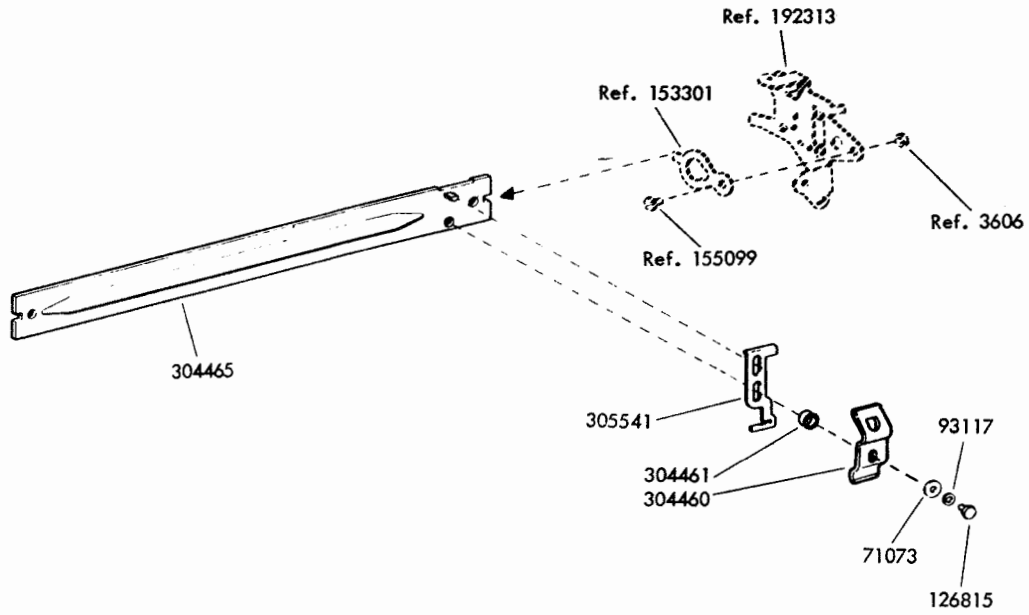


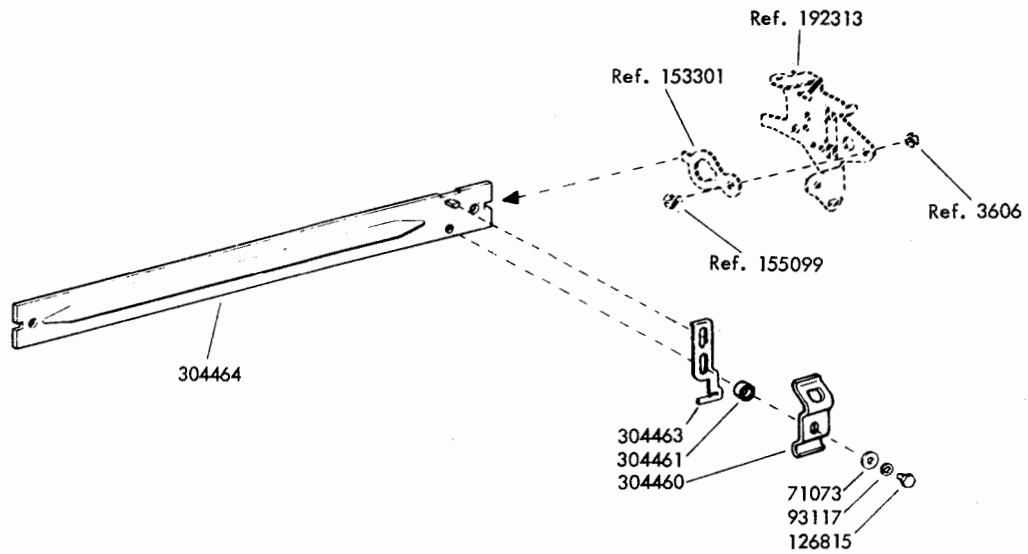
FIGURE 62. 157510 MODIFICATION KIT TO PROVIDE LOCAL BACKSPACE

Specification 57665



Specification 503525

FIGURE 63. 305540 MODIFICATION KIT TO PROVIDE A YIELD MECHANISM FOR THE LINE FEED STRIPPER SLIDE (FUNCTION BOX SLOTS 39, 40 & 41)



Specification 503525

FIGURE 64. 305539 MODIFICATION KIT TO PROVIDE A YIELD MECHANISM FOR THE LINE FEED STRIPPER SLIDE (FUNCTION BOX SLOTS 39 & 40)

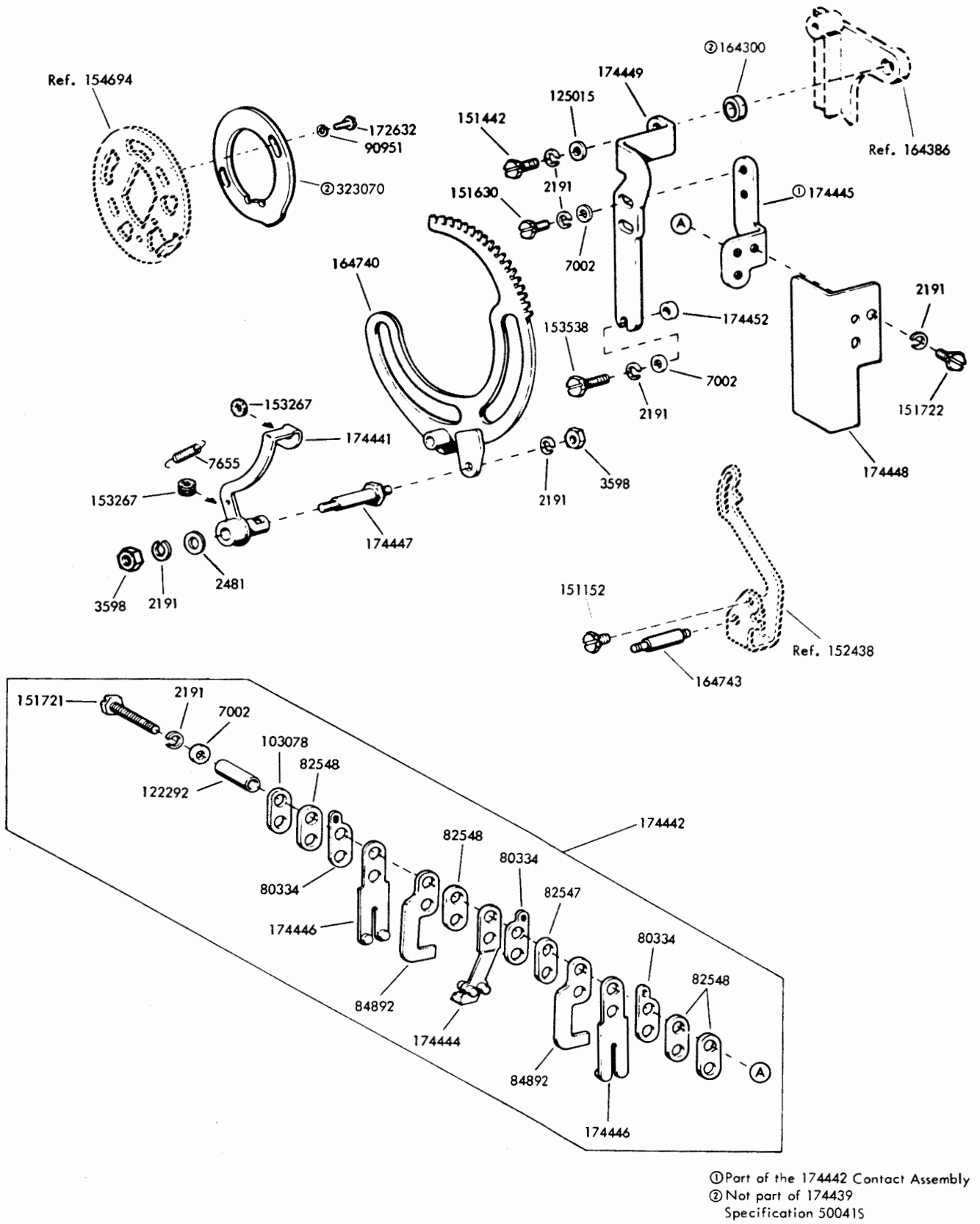
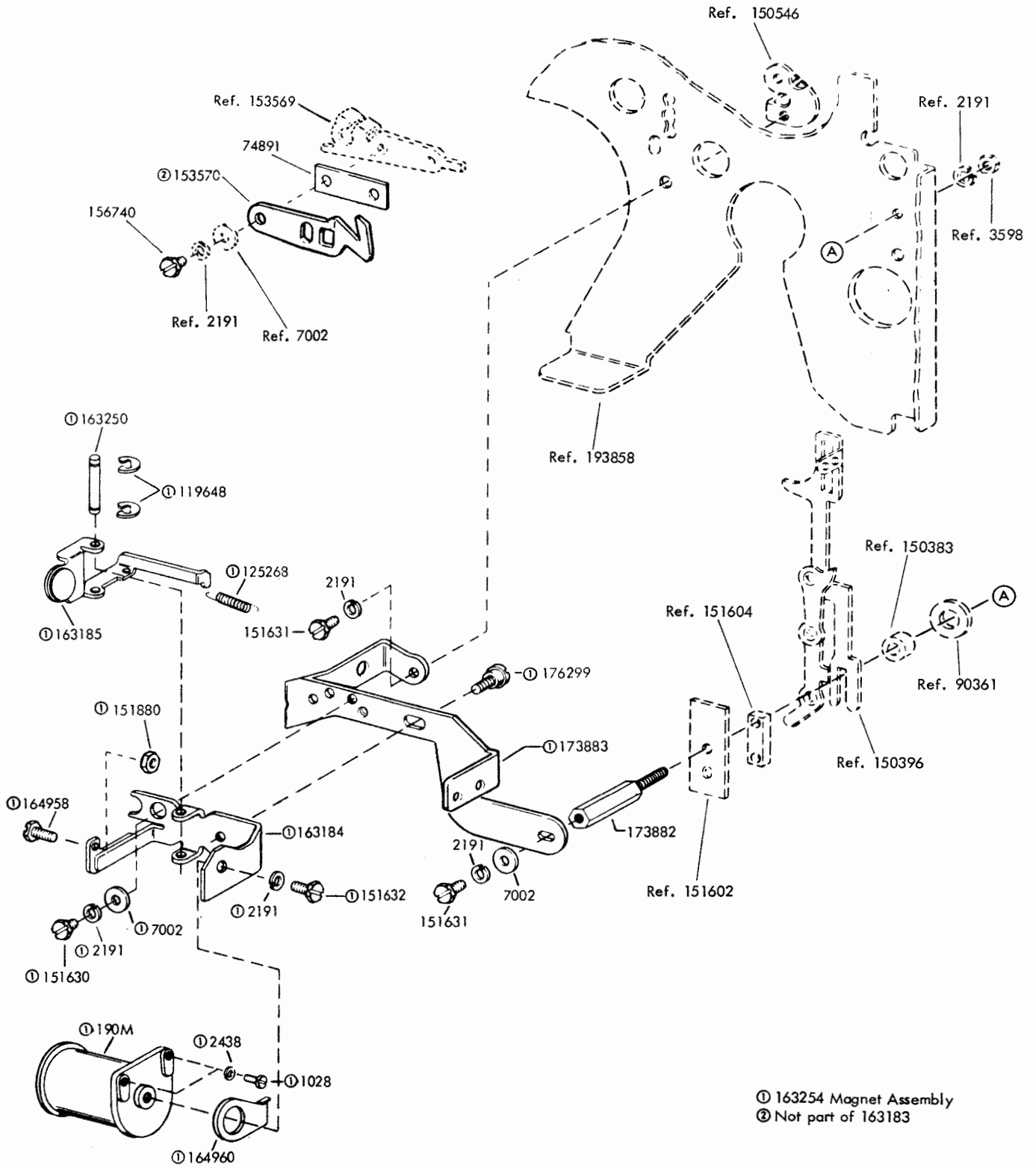
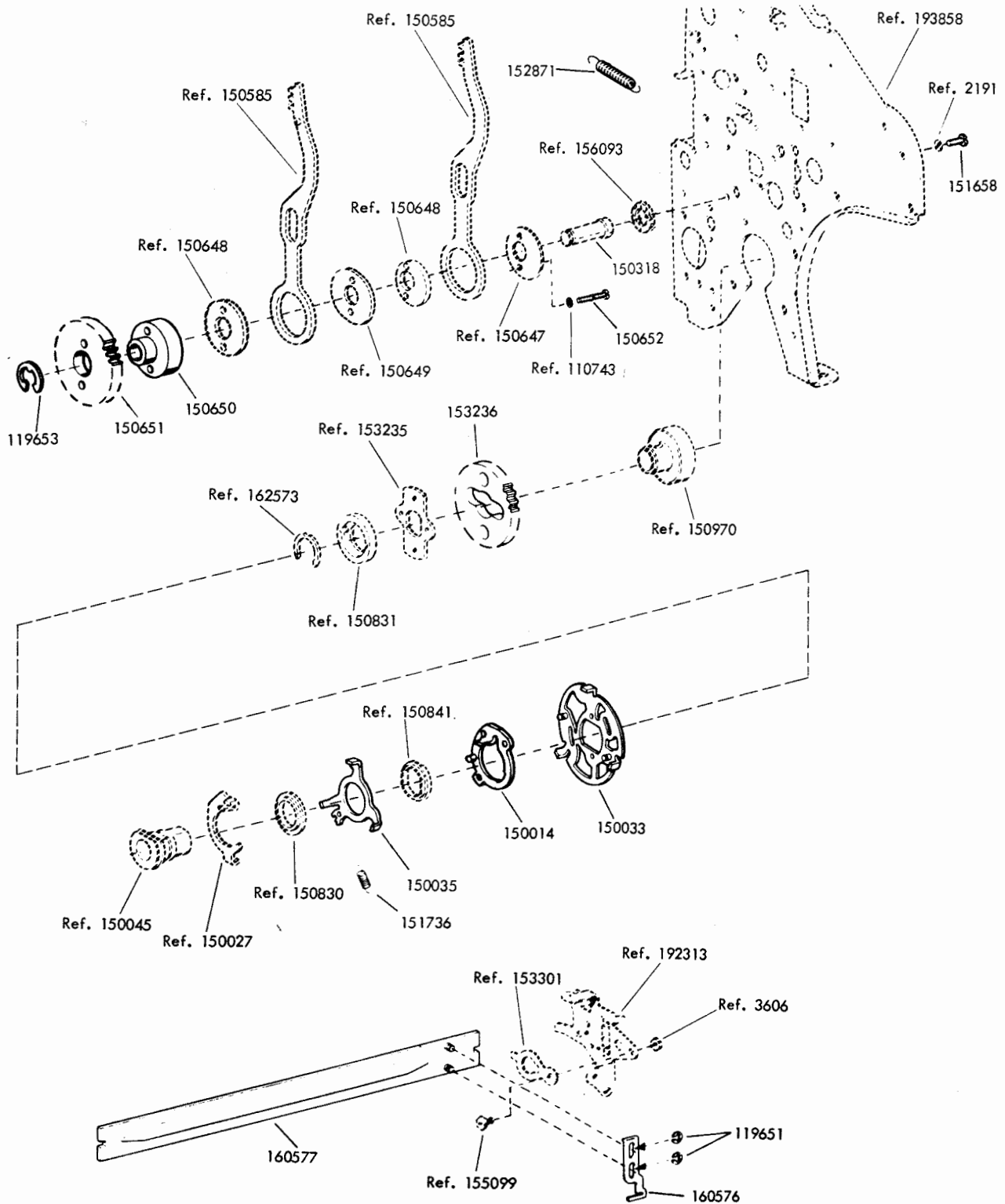


FIGURE 65. 174439 MODIFICATION KIT TO ADD TIMING CONTACTS FOR SELECTOR (LESS CAM)



Specification 59465

FIGURE 66. 163183 MODIFICATION KIT TO PROVIDE D.C. MAGNET OPERATED PRINT SUPPRESSION



Specification 506035

FIGURE 67. 325967 MODIFICATION KIT TO CONVERT SPROCKET FEED PRINTER LINE FEED FROM 6.1 TO 3.1 RATIO (6 STOP TO 3 STOP CLUTCH)

NUMERICAL INDEX

| Part Number | Description and Page Number | Part Number | Description and Page Number | Part Number | Description and Page Number |
|-------------|--|-------------|---|-------------|--------------------------------------|
| 190M | Coil, Magnet 65 | 7002 | Washer, Flat 5,10 to 15, | 72468 | Spring 6 |
| 243M | Coil, Magnet 47,48 | | 17 to 22,24 to 33,34,35, | 72522 | Wick, Felt 40 |
| 254M | Coil, Magnet 27 | | 36,37,41,47,48,50,51,52, | 72579 | Washer, Flat 54 |
| 271M | Coil, Magnet 27 | | 53,55,56,58,59,62,64,65 | 73035 | Spring 52 |
| 1028 | Screw, 4-40 x 1/4 Fil 65 | 7015 | Plate, Nut 51 | 73175 | Lockwasher 7,10 |
| 1156 | Screw, 2-56 x 9/16 Fil 14,60 | 7036 | Collar, Locking 11 | 73520 | Wick, Felt 19 |
| 1164 | Screw, 2-56 x 3/16 Fil 31 | 7603 | Spring 10,22,37 | 74011 | Screw, 6-40 Shoulder 13 |
| 1174 | Screw, 4-40 Shoulder 28 | 7615 | Spring 35 | 74283 | Washer, Spring 25,26 |
| 1178 | Screw, 2-56 x 7/16 Fil 8 | 7655 | Spring 26,64 | 74536 | Screw, 6-40 Set 11 |
| 1214 | Setscrew, 10-32 19 | 7835 | Ribbon w/Spool, Black 33 | 74547 | Collar 10 |
| 1293 | Screw, 4-40 x 1/8 Fil 33 | 7965 | Spring 62 | 74553 | Wick, Felt 17 |
| 2034 | Washer, Flat 8,25,29 | 8330 | Washer, Flat 8,10,25,29, 35,37,38,47,48,51 | 74701 | Spring 5,10,49 |
| 2191 | Lockwasher 3 to 38,41,45 to 48,50 to 61,62,64,65, 66 | 8449 | Spacer, .094" Thk 10.33 | 74707 | Spring 11 |
| 2201 | Nut, 5/16-32 Hex 54 | 13681 | Spacer, .187" Thk 32 | 74716 | Bushing, Insulating 14,55 |
| 2438 | Washer, Flat 27,65 | 21397 | Washer, Spring 12,13,50 | 74717 | Screw, 4-40 x 23/32 Fil 14 |
| 2481 | Washer, Flat 26,64 | 22015 | Spring 33,61 | 74722 | Washer, Flat 8,9,11 |
| 2539 | Nut, 3/8-32 Hex 7,10 | 27425 | Screw, 2-56 x 5/32 Fil 17 | 74727 | Terminal, Contact 55 |
| 2669 | Lockwasher 5,7,11,12,13, 17 to 21, 23,24,25,36, 37,50 | 31636 | Spring 37 | 74755 | Washer, Felt 24 |
| 3438 | Washer, Flat 20 | 33038 | Spring 11 | 74785 | Roller 10 |
| 3598 | Nut, 6-40 Hex 5 to 13,15, 16,17,18,19,21,23,25,26, 28,29,30,32,35,36,50,51, 52,53,56,59,64,65 | 33828 | Spring 17,18 | 74798 | Screw, 6-40 x 31/64 Fil 7 |
| 3599 | Nut, 4-40 Hex 6,10,19,22, 25,26,27,33,40,47,48,49, 61 | 34432 | Washer, Flat 7,14,31 | 74807 | Nut, 10-32 Shoulder Hex 13 |
| 3606 | Nut, 6-40 Hex 5,9,23,28, 36,38,54,63,66 | 35826 | Washer, Flat 12,50 | 74808 | Bushing 60 |
| 3624 | Washer, Flat 31,32,56, 58,60 | 36273 | Washer, Flat 23,54 | 74882 | Spring 17 |
| 3640 | Lockwasher 8,11,13,16,21, 26,29,31,32,41,47,48,58, 61 | 36463 | Spring 23 | 74891 | Shim, .004" Thk 65 |
| 3646 | Lockwasher 28,41,54 | 41382 | Spring 12,13,25,26,50 | 76081 | Washer, Flat 27 |
| 3649 | Washer, Flat 29,30 | 41675 | Washer, Flat 36 | 76099 | Washer, Flat 27 |
| 3650 | Washer, Flat 28 | 41732 | Plate, Clamp 14,31,36,37, 41,55 | 76299 | Spring 35 |
| 4586 | Washer, Felt 11 | 41733 | Insulator, .062" Thk 55 | 76461 | Washer, Flat 13,21 |
| 4703 | Spring 36,42,55 | 42661 | Spring 33,34,47,48 | 76474 | Nut, 10-32 Hex 11 |
| 5599 | Nut, 8-32 Hex 54 | 42823 | Washer, Flat 15,16 | 76800 | Spring 8 |
| 5740 | Screw, 2-56 x 1/4 Fil 38 | 42827 | Screw, 3-48 x 1/4 Fil 27, 37 | 76834 | Screw, 4-40 x 3/8 Flat 31 |
| 5816 | Washer, Insulating 41 | 45024 | Spring 47,48 | 77039 | Bushing, Insulating 41 |
| 6800 | Screw, 6-40 Shoulder 10 | 45027 | Spring 19,20 | 79012 | Insulator 27 |
| 6807 | Setscrew, 6-40 56,58 | 45815 | Lockwasher 14,31 | 79449 | Shim, .008" Thk 20 |
| 6835 | Washer, Flat 13 | 49420 | Spring 35 | 80310 | Washer, Felt 24 |
| 7001 | Washer, Flat 32 | 55063 | Spring 8 | 80334 | Terminal, Contact 14,26, 31,36,64 |
| | | 55669 | Spring 47,48 | 80424 | Spring 13 |
| | | 70071 | Lockwasher 31 | 80481 | Screw, 6-40 Spl 51 |
| | | 70388 | Spring 10 | 80581 | Spring 9,11,20,54 |
| | | 70466 | Spring 22,38 | 80755 | Bushing, Insulating 14,31 |
| | | 70529 | Stiffener 14,31,36 | 80833 | Guard, Contact Spring 14,31 |
| | | 70886 | Washer, Flat 11 | 80848 | Spring 9 |
| | | 71047 | Washer, Flat 12,13,50 | 80854 | Screw, 6-40 x 1-7/16 Fil 41 |
| | | 71073 | Washer, Flat 8,63 | 81726 | Terminal 37,41 |
| | | 71440 | Washer, Flat 13 | 81731 | Spring 19,52 |
| | | 71681 | Spool, Ribbon 34 | | |
| | | 72254 | Washer, Flat 36,60 | | |

NUMERICAL INDEX (Continued)

| Part Number | Description and Page Number | Part Number | Description and Page Number | Part Number | Description and Page Number |
|-------------|--|-------------|--|-------------|--|
| 81773 | Screw, 4-40 x 29/32 Fil 37 | 93356 | Washer, Felt 7,10,16,17, 18,19,22,35 | 110872 | Spring, Compression 19 |
| 81778 | Screw, 4-40 x 3/16 Fil 27 | 93507 | Screw, 4-40 x 3/4 Hex 38 | 110879 | Spring 36 |
| 82442 | Spring 11 | 93729 | Wick, Felt 29,35 | 111017 | Screw, 6-40 x 5/16 Fil 53 |
| 82463 | Spring 11,33,34,47 | 93758 | Washer, Felt 10,11,29 | 111342 | Spring 36 |
| 82547 | Insulator, .094" Thk 14,26,31,36,41,55,64 | 93879 | Oiler, Felt 11 | 111355 | Spring, Compression 11 |
| 82548 | Insulator, .062" Thk 14,26,31,36,37,41,59,64 | 93899 | Spring 47,48 | 112509 | Insulator, .031" Thk 55 |
| 82725 | Spring 28 | 93969 | Screw, 4-40 x 3/16 Flat 8,57 | 112626 | Nut, 10-32 Hex 5,12,17, 18,19,21,24,25,37,50 |
| 82861 | Spring 32 | 94248 | Clamp, Cable 19 | 112627 | Nut, 2-56 Hex 21,47,48, 53 |
| 83877 | Spring 58 | 94674 | Washer, Cup 35 | 112629 | Spring 36 |
| 83913 | Spring, Contact 37 | 95030 | Nut, 6-40 Shoulder 7 | 112633 | Spring w/Wick 35 |
| 83914 | Spring, Contact 37 | 95827 | Bushing 20,60 | 112634 | Spring 33,34 |
| 83960 | Washer, Flat 31 | 96717 | Screw, 4-40 Shoulder 25 | 112935 | Setscrew, 6-40 28 |
| 84575 | Spring 11 | 97117 | Ribbon w/Spool, Red-Black 48 | 113990 | Washer, Flat 5 |
| 84705 | Spring, Contact 37 | 97481 | Wick, Felt 7 | 114107 | Spring 29 |
| 84758 | Spring 36 | 98142 | Washer, Flat 28 | 115122 | Washer, Felt 17,18 |
| 84892 | Stiffener 14,26,36,64 | 98832 | Screw, 4-40 x 11/16 Fil 14,36 | 115529 | Screw, 6-40 x 11/16 Fil 12,46,50 |
| 85407 | Spring, Compression 7 | 98833 | Screw, 4-40 x 31/32 Fil 37 | 116951 | Bushing, Insulating 36 |
| 85816 | Wick, Felt 21 | 101796 | Washer, Felt 11,17,19,20, 35 | 117535 | Washer, Flat 54 |
| 86304 | Spring 11 | 102672 | Spring, Contact 14,31 | 119451 | Spacer 13 |
| 86746 | Screw, 6-40 Shoulder 5 | 102673 | Spring, Contact 14,31 | 119467 | Insulator, .032" Thk 31, 32,60 |
| 86835 | Spring 3,23 | 102999 | Screw, 2-56 x 5/32 Fil 58 | 119648 | Ring, Retaining 12,13,17, 23,25,26,28,30,41,47, 48,50,52,53,65 |
| 87401 | Spring 36 | 103078 | Plate 26,64 | 119649 | Ring, Retaining 9,11,13, 14,20,22,29,31,32,33,34, 36,38,40,47,48,50,60 |
| 89096 | Washer, Felt 21 | 103966 | Spacer 31 | 119650 | Ring, Retaining 5,28 |
| 89897 | Nut, 10-32 Hex 19 | 104807 | Washer, Flat 12,13,14,41, 50,59 | 119651 | Ring, Retaining 6,11,17, 18,20,21,22,33,34,35,36, 37,38,47,48,60,66 |
| 90054 | Spring 12,13,50 | 104824 | Spring 27 | 119652 | Ring, Retaining 7,10,11, 13,15,17,18,19,21,22,23, 25,26,29,32,33,34,35,36, 47,48,55,62 |
| 90361 | Washer, Felt 5,11,17,18, 33,34,47,48,65 | 105028 | Wick, Felt 23 | 119653 | Ring, Retaining 9,11,19, 20,23,33,34,36,38,47,48, 54,66 |
| 90490 | Shim, .005" Thk 11 | 105940 | Stiffener 55 | 119654 | Ring, Retaining 30 |
| 90504 | Washer, Felt 21,38,55 | 106281 | Screw, 4-40 Shoulder 41 | 119935 | Lockwasher 54 |
| 90517 | Spring 40 | 107116 | Lockwasher 4 | 120824 | Washer, Felt 15 |
| 90581 | Collar 56,58 | 107207 | Spring, Contact 14,36 | 121243 | Clamp, 3/16 ID Cable 4,7,27 |
| 90599 | Shim, .008" Thk 35 | 107236 | Bushing 36 | 121244 | Clamp, 1/4 ID Cable 7,27, 29,58 |
| 90679 | Washer, Felt 11 | 108103 | Washer, Flat 13 | 121245 | Clamp, 5/16 ID Cable 7,47 |
| 90752 | Washer, Felt 20 | 108199 | Wick, Felt 9,10,35 | 121248 | Clamp, 1/2 ID Cable 27 |
| 90790 | Washer, Flat 8,26,31,55 | 110434 | Screw, 4-40 x 3/16 Fil 4,5,8,16,20,21,25,37,43, 51,57,61 | 121249 | Clamp, 5/8 ID Cable 27 |
| 90791 | Lockwasher 17 | 110435 | Nut, 4-40 Hex 13,29,30, 31,32 | | |
| 90819 | Washer, Felt 7,10 | 110436 | Spring 53 | | |
| 90951 | Lockwasher 15,64 | 110437 | Spring 10 | | |
| 91198 | Wick, Felt 17,18 | 110743 | Lockwasher 4 to 9,12 to 22,24 to 29,31 to 41,43, 47,48,49,50,51,52,55,57, 59,60,61,62,66 | | |
| 92260 | Lockwasher 50,54 | | | | |
| 92527 | Lockwasher 54 | | | | |
| 92682 | Nut, 4-40 Spl 29 | | | | |
| 92736 | Post, Spring 22 | | | | |
| 93117 | Lockwasher 8,31,32,47, 48,56,58,60,63 | | | | |
| 93118 | Lockwasher 14,36,53 | | | | |
| 93191 | Screw, 6-40 x 5/16 Flat 31,32 | | | | |

NUMERICAL INDEX (Continued)

| Part Number | Description and Page Number | Part Number | Description and Page Number | Part Number | Description and Page Number |
|-------------|--|-------------|--------------------------------------|-------------|-----------------------------|
| 121473 | Post 55 | 150013 | Disc, Adjusting 15,16 | 150203 | Retainer 20 |
| 122292 | Bushing, Insulating 26,64 | 150014 | Disc, Adjusting 16,66 | 150206 | Spacer, .412" Thk 24 |
| 124244 | Washer, Felt 29 | 150025 | Clutch Assembly, Type Box 16 | 150214 | Stud, Bearing 11 |
| 124276 | Screw, 4-40 x 1-3/64 Fil 36 | 150026 | Lever, Shoe Release 15,16 | 150215 | Block, Guide 23 |
| 124681 | Setscrew, 6-40 6 | 150027 | Lever, Shoe Release 16,66 | 150218 | Bushing 22 |
| 124999 | Switch, Sensitive 31,32, 60 | 150029 | Wick, Felt 15,16 | 150219 | Screw, 4-40 x 1/2 Sq 22 |
| 125005 | Screw, 2-56 x 3/16 Rd 21 | 150029 | Wick, Felt 15,16 | 150224 | Pulley 21 |
| 125011 | Washer, Flat 5,6,7,8,11, 12,17,18,19,22,24,25,26, 31,32,35,39,41,43,47,48, 49,50,51,57,61,62 | 150030 | Roller, Bearing 35 | 150225 | Rope, Draw Wire 24 |
| 125015 | Washer, Flat 4,6,7,9,11, 12,17,27,36,47,50,51,54, 64 | 150033 | Disc, 3 Stop 16,66 | 150228 | Spacer, .035" Thk 19 |
| 125112 | Screw, 2-56 x 1/8 Fil 36 | 150035 | Disc, 3 Stop 16,66 | 150229 | Retainer 19 |
| 125119 | Screw, 4-40 Shoulder 61 | 150038 | Latch 35 | 150230 | Plate 35 |
| 125181 | Screw, 2-56 x 3/8 Fil 31 | 150039 | Slide, Printing Arm 35 | 150232 | Retainer, Oil 23 |
| 125238 | Spring 19 | 150040 | Screw, 6-40 x 5/8 Fil 8,10,48 | 150233 | Roller 19 |
| 125241 | Spring 27 | 150043 | Shoe, Secondary Clutch 15,16 | 150234 | Roller 19 |
| 125268 | Spring 65 | 150044 | Shoe, Primary Clutch 15,16 | 150235 | Slide, Transfer 19 |
| 125390 | Washer, Flat 41 | 150045 | Bearing, Clutch Sleeve 16,66 | 150237 | Lever, Escapement 21 |
| 125790 | Bushing 37 | 150046 | Bearing, Type Box Clutch 16 | 150241 | Spring 15,16 |
| 125802 | Washer, Flat 13,19,60 | 150047 | Bearing, Code Bar Clutch 15 | 150244 | Link 16,18 |
| 126250 | Screw, 8-32 x 1/4 Fil 41 | 150048 | Spring 25 | 150245 | Bracket 23 |
| 126815 | Screw, 2-56 x 15/64 Hex 47,48,63 | 150050 | Spacer, Clutch 15 | 150247 | Link 23 |
| 128357 | Ring, Retaining 8 | 150051 | Cam, Eccentric 15 | 150251 | Wheel, Ratchet 24 |
| 129505 | Screw, 8-32 x 3/16 Rd 28 | 150053 | Bracket 35 | 150255 | Bushing 21 |
| 130663 | Lockwasher 58 | 150054 | Bail w/Roller 35 | 150265 | Shaft 6 |
| 130683 | Lockwasher 22 | 150055 | Stud 29 | 150266 | Lever, Guide 6 |
| 130696 | Washer, Felt 37 | 150056 | Arm 15,29 | 150267 | Clamp 6 |
| 131316 | Wick, Felt 23 | 150059 | Bail 35 | 150269 | Roller, Pressure 6 |
| 135716 | Spring 10,50 | 150061 | Head, Print Hammer 35 | 150270 | Link 6 |
| 136470 | Bushing, Insulating 37 | 150064 | Stud 35 | 150271 | Arm, Release 6 |
| 138034 | Plate, Clamp 14 | 150065 | Bracket, Stop 35 | 150274 | Bracket, Clamp 6 |
| 143097 | Ring, Retaining 38 | 150068 | Arm 35 | 150276 | Lever 6 |
| 144540 | Screw, 4-40 x 1-1/8 Fil 36 | 150078 | Nut, 4-40 Shoulder Hex 43 | 150289 | Stud 37 |
| 144871 | Shaft, Solenoid Plunger 28 | 150079 | Stud 43 | 150293 | Plate, Retaining 37 |
| 144932 | Solenoid 28 | 150089 | Screw, 4-40 x 1/2 Fil 20,27,41,47,48 | 150301 | Plate, Retaining 37 |
| 145301 | Latch 40 | 150091 | Gear, 27T 16 | 150302 | Shim, .006" Thk 37 |
| 145321 | Tie, Cable 32 | 150096 | Roller Assembly, Pressure 6 | 150304 | Bracket, Guide 37,61 |
| 145466 | Spring, Compression 13 | 150175 | Stud 23 | 150310 | Lever, Ribbon 33 |
| 145899 | Post, Spring 56 | 150184 | Link 19 | 150311 | Lever, Ribbon 34 |
| 150000 | Drum, Clutch 15,16 | 150193 | Hub 19 | 150318 | Stud 9,52,66 |
| 150001 | Drum, Clutch 15 | 150194 | Plate 19 | 150335 | Gear, 12T 33 |
| 150010 | Plate, Retaining 16 | 150196 | Bail 19,62 | 150336 | Bushing 19,33,34,47,48 |
| | | 150197 | Stud 21,24 | 150341 | Post, Spring 5 |
| | | 150202 | Gear, 18T 20 | 150342 | Screw, 6-40 Shoulder 8,9 |
| | | | | 150343 | Lever 33,48 |
| | | | | 150344 | Lever 34,47 |
| | | | | 150348 | Shaft 10 |
| | | | | 150350 | Shaft 10 |
| | | | | 150351 | Stud, Eccentric 5 |
| | | | | 150352 | Bushing 10 |
| | | | | 150353 | Stud 5 |
| | | | | 150355 | Lever, Latch 10 |

NUMERICAL INDEX (Continued)

| Part Number | Description and Page Number | Part Number | Description and Page Number | Part Number | Description and Page Number |
|-------------|--------------------------------|-------------|------------------------------|-------------|--------------------------------|
| 150356 | Lever, Trip 10 | 150507 | Spring 29,30 | 150719 | Retainer 5 |
| 150358 | Lever, Trip 10 | 150535 | Spring, Compression 37 | 150720 | Retainer 4 |
| 150361 | Spacer, .277" Thk 10 | 150536 | Spring 19 | 150721 | Arm 21 |
| 150363 | Plate 18 | 150537 | Ball, Bearing 19,37 | 150722 | Arm 21 |
| 150364 | Stud, Eccentric 16,18 | 150538 | Cylinder, Dashpot 19 | 150728 | Rail 21 |
| 150365 | Shaft, Rocket 17,18,23 | 150543 | Screw, 3-48 x 13/32 Fil 38 | 150731 | Slide 19 |
| 150366 | Bracket 16,18 | 150544 | Handle 38 | 150732 | Slide, Bottom 19 |
| 150367 | Bracket 17 | 150545 | Bracket, Right 4 | 150733 | Slide, Top 19 |
| 150369 | Link, Left 18 | 150546 | Bracket, Left 5,31,65 | 150738 | Guide 19 |
| 150370 | Link, Right 17 | 150547 | Shaft 38 | 150746 | Bushing 20 |
| 150377 | Arm 11 | 150549 | Collar 16 | 150748 | Stud 23 |
| 150380 | Stud 17 | 150554 | Plate 21,24 | 150750 | Plate 21 |
| 150382 | Block, Guide 17,18 | 150557 | Bracket 62 | 150751 | Block, Guide 21 |
| 150383 | Spacer, .149" Thk 18,65 | 150561 | Arm 62 | 150752 | Stud 22 |
| 150384 | Spacer, .245" Thk 17 | 150563 | Spring 26,29 | 150753 | Roller 22 |
| 150386 | Link, Left Ribbon Drive 18,48 | 150585 | Bar, Line Feed 9,66 | 150754 | Roller 23 |
| 150387 | Link, Right Ribbon Drive 17,47 | 150586 | Lever 9 | 150755 | Stud 23 |
| 150392 | Bail 11 | 150598 | Track, Printing 23 | 150758 | Pulley 23 |
| 150395 | Screw, 6-40 Shoulder 17,18 | 150642 | Bellcrank 9 | 150770 | Bellcrank 20 |
| 150396 | Lever, Left 18,65 | 150646 | Screw, 6-40 Shoulder 9 | 150771 | Bellcrank 20 |
| 150397 | Lever, Right 17 | 150647 | Eccentric 9,52,66 | 150780 | Screw, 6-40 Spl 54 |
| 150398 | Stud, Pivot 7 | 150648 | Eccentric 9,52,66 | 150781 | Stud 11 |
| 150399 | Shaft 11 | 150649 | Washer, Spacing 9,52,66 | 150796 | Disc 24 |
| 150401 | Clamp 18 | 150650 | Bushing 9,66 | 150798 | Ratchet 24 |
| 150410 | Stud 18 | 150651 | Gear, 28T 9,66 | 150800 | Stud 21 |
| 150411 | Washer, Flat 17,31,32 | 150652 | Screw, 4-40 x 37/64 Fil 9,66 | 150803 | Spring, Flat 6 |
| 150412 | Arm, Left Follower 18 | 150654 | Guide 5,12,13 | 150804 | Guide, Right Paper 6 |
| 150413 | Arm, Right Follower 17 | 150656 | Handwheel 9,52 | 150805 | Shim, .012" Thk 21 |
| 150414 | Bushing 7 | 150658 | Gear, 21T 9,52 | 150806 | Plate 21 |
| 150419 | Shaft 7 | 150666 | Gear, 28T 9 | 150807 | Oiler, Felt 21 |
| 150420 | Lever, Right 17 | 150668 | Collar, Spacing 20 | 150809 | Gear, 32T 9 |
| 150423 | Stud, Pivot 7 | 150669 | Shim, .002" Thk 20 | 150811 | Stud 17 |
| 150425 | Lever, Lock 17,18 | 150670 | Shim, .004" Thk 20 | 150815 | Bushing 6,49 |
| 150428 | Lever, Left 18 | 150672 | Bearing 20 | 150816 | Lever 6 |
| 150429 | Stud, Eccentric 17,18 | 150673 | Shaft 20 | 150821 | Spacer, .156" Thk 34 |
| 150431 | Lever, Trip 10,50 | 150677 | Pawl, Feed 20 | 150824 | Track 17,18 |
| 150432 | Washer, Flat 28,48 | 150678 | Pawl, Feed 20 | 150826 | Guide, Left Paper 6 |
| 150436 | Bushing 6,8,19,33,56,58 | 150685 | Plate 6,56 | 150827 | Drum, Spring 24 |
| 150440 | Hub 16 | 150689 | Block, Guide 38 | 150830 | Bushing, Shoulder 16,66 |
| 150441 | Gear, 21T 16 | 150705 | Bushing 21 | 150831 | Ring, Retaining 16,66 |
| 150444 | Lever, Trip Shaft 10 | 150709 | Spacer 21 | 150833 | Platen Assembly 9 |
| 150447 | Arm 29 | 150710 | Screw, 6-40 x 1-1/4 Fil 21 | 150838 | Ring, Retaining 24 |
| 150450 | Arm 29 | 150711 | Washer, Flat 36 | 150840 | Bracket, Guide 6 |
| 150471 | Stud 29,30 | 150712 | Rope, Draw Wire 24 | 150841 | Bearing 16,66 |
| 150479 | Stud 11,25 | 150714 | Bearing, Sleeve 9 | 150843 | Plate, Hook 24 |
| 150481 | Shaft 29,30,49 | 150715 | Gear, 32T 9 | 150891 | Block 17 |
| 150482 | Plate 29,30 | 150718 | Platen 9 | 150895 | Arm, Trip 10 |
| | | | | 150900 | Bail, Detent 5,54 |
| | | | | 150903 | Block, Left Paper Spindle 7,49 |

NUMERICAL INDEX (Continued)

| Part Number | Description and Page Number | Part Number | Description and Page Number | Part Number | Description and Page Number |
|-------------|--|-------------|--|-------------|--|
| 150904 | Block, Right Paper Spindle 7 | 151619 | Bushing 24 | 151700 | Screw, 6-40 Shoulder 23 |
| 150907 | Spindle, Paper 7 | 151625 | Strip 22 | 151701 | Spring, Torsion 25 |
| 150909 | Screw, 6-40 Shoulder 21 | 151627 | Rod 7,31 | 151702 | Nut, 4-40 Hex 38 |
| 150910 | Latch, Right 7 | 151629 | Nut, 6-40 Lug 8,10,29,38, 51,57 | 151703 | Pin 6 |
| 150911 | Bushing, Shoulder 9,52 | 151630 | Screw, 6-40 x 1/4 Hex 8,11,15,16,17,19,21,23, 25,26,28,29,30,34,35,36, 37,41,47,48,52,56,61,64, 65 | 151709 | Arm 35 |
| 150912 | Screw, 6-40 Shoulder 9,52 | 151631 | Screw, 6-40 x 5/16 Hex 5,8,13,14,24,27,30,31,47, 48,58,59,65 | 151713 | Spring, Torsion 5 |
| 150923 | Washer, Felt 10,35,37 | 151632 | Screw, 6-40 x 3/8 Hex 16, 17,18,21,28,29,36,65 | 151714 | Spring 25 |
| 150926 | Washer, Felt 11,21 | 151637 | Screw, 4-40 x 1/4 Fil 4, 5,7,12,18,19,24,33,34,38, 47,48,50,55 | 151721 | Screw, 6-40 x 3/4 Hex 7, 26,29,38,64 |
| 150927 | Oiler, Felt 22 | 151638 | Washer, Spring 13 | 151722 | Screw, 6-40 x 3/16 Hex 3, 10,12,14,21,26,27,31,36, 52,55,59,64 |
| 150929 | Oiler, Felt 22 | 151642 | Screw, 6-40 x 3/4 Fil 15, 16 | 151723 | Screw, 10-32 x 3/8 Hex 20,36 |
| 150930 | Washer, Felt 11 | 151657 | Screw, 6-40 x 1/4 Fil 4,5,6,7,8,11,17,18,19, 21,25,26,29,30,33,34,37, 38,48,50,52,56,58,62 | 151728 | Spring 15,16 |
| 150932 | Bushing, Shoulder 33,34, 47,48 | 151658 | Screw, 6-40 x 5/16 Fil 3, 4,7,8,9,11,13,17,18,20, 22,24,25,26,29,30,32,33, 36,41,47,51,56,66 | 151731 | Screw, 4-40 x 7/8 Fil 9,52 |
| 150935 | Latch 7 | 151659 | Screw, 6-40 x 1/2 Fil 5,12,33,37,50,59 | 151732 | Screw, 4-40 x 11/32 Fil 16 |
| 150937 | Lever 33 | 151661 | Screw, 6-40 x 1 Fil 20 | 151733 | Screw, 4-40 x 9/16 Fil 14 |
| 150961 | Bushing, Eccentric 5,54 | 151668 | Roller 29 | 151734 | Screw, 4-40 x 3/8 Hex 17 |
| 150969 | Spring, Torsion 5 | 151676 | Shim, .010" Thk 31,32 | 151736 | Spring 16,66 |
| 150970 | Bearing, Ball 16,52,66 | 151685 | Screw, 4-40 x 5/16 Fil 7,9,10,16,17,19,24 | 151737 | Screw, 4-40 x 11/64 Hex 12,13,15,16,50 |
| 150975 | Cup, Dashpot 19 | 151686 | Screw, 4-40 x 3/8 Fil 6,20,27,28,49 | 151738 | Screw, Identification 43 |
| 150978 | Screw, 6-40 x 1-1/8 Fil 27,29,30 | 151687 | Screw, 4-40 x 7/16 Fil 41 | 151739 | Screw, Identification 38 |
| 150987 | Spacer, .090" Thk 19 | 151688 | Screw, 4-40 x 5/8 Fil 16,27,31,61 | 151794 | Washer, Spring 16 |
| 150990 | Washer, Felt 7,20,29 | 151689 | Screw, 4-40 x 3/4 Fil 6,15,39,55 | 151799 | Modification Kit 7 |
| 150992 | Stud 6 | 151690 | Screw, 10-32 x 5/16 Fil 16 | 151880 | Nut, 4-40 Hex 12,17,19, 28,41,59,65 |
| 150998 | Spacer, .020" Thk 9 | 151692 | Screw, 6-40 x 3/16 Fil 4,5,6,10,11,19,20,22,34, 35,38,52,62 | 152089 | Latch 40 |
| 151073 | Screw, 4-40 x 5/32 Fil 4,5,27,62 | 151693 | Screw, 6-40 x 9/16 Fil 16,33 | 152121 | Lever, Function 40 |
| 151152 | Screw, 4-40 x 3/16 Hex 22,25,26,29,35,37,47,48, 58,59,60,61,64 | 151695 | Screw, 6-40 x 5/8 Fil 35 | 152127 | Clip 38 |
| 151222 | Washer, Felt 15,29,38 | | | 152129 | Spring 35 |
| 151336 | Oiler 25 | | | 152140 | Bail 11 |
| 151346 | Screw, 6-40 x 3/8 Fil 7, 8,9,12,16,19,20,24,32,34, 36,45,47,50,51,55,57,62 | | | 152147 | Bearing, Ball 17 |
| 151354 | Screw, 2-56 x 15/32 Fil 53,58 | | | 152255 | Bar w/Retainer 37 |
| 151442 | Screw, 6-40 x 1/2 Hex 18, 26,29,32,64 | | | 152257 | Spring 13,37 |
| 151443 | Eccentric 35 | | | 152298 | Lever, Function 40 |
| 151572 | Lockwasher 20 | | | 152299 | Lever, Function 40 |
| 151602 | Plate 17,18,65 | | | 152340 | Modification Kit 2,49 |
| 151603 | Spacer 17,27 | | | 152350 | Modification Kit 2,62 |
| 151604 | Block, Guide 17,18,65 | | | 152357 | Stud 40 |
| 151606 | Screw, 10-32 x 1/4 Hex 23 | | | 152400 | Plate, Selector Mounting 17,25,29 |
| 151610 | Washer, Flat 16,31,32,35,60 | | | 152406 | Bracket, Spring 25 |
| 151611 | Bushing 35 | | | 152407 | Lever, Spacing Lock 25 |
| 151612 | Spacer 35 | | | 152409 | Lever, Selecting 25 |
| 151618 | Screw, 6-40 x 7/16 Fil 13,24,37 | | | 152411 | Lever, Punch 25 |
| | | | | 152412 | Link 25 |
| | | | | 152415 | Stud, Adjusting 27 |

NUMERICAL INDEX (Continued)

| Part Number | Description and Page Number | Part Number | Description and Page Number | Part Number | Description and Page Number |
|-------------|------------------------------------|-------------|-------------------------------|-------------|--|
| 152420 | Lamination, Magnet 27 | 152573 | Ratainer 15 | 152875 | Spacer, .050" Thk 41 |
| 152421 | Bracket, Shield Mounting 27 | 152574 | Plate 37 | 152887 | Screw, 4-40 x 1/2 Hex 15, 16 |
| 152423 | Bracket, Armature Stop Mounting 27 | 152575 | Bracket 37 | 152889 | Plate, Retaining 38 |
| 152425 | Post, Spring 27,58 | 152576 | Bracket 37,61 | 152890 | Washer, Flat 19 |
| 152426 | Nut, 6-40 Self-Locking 27 | 152579 | Track 21 | 152891 | Spring 25 |
| 152427 | Latch w/Hub 25,26 | 152582 | Shaft 33 | 152893 | Screw, 4-40 x 1/4 Hex 8, 11,14,18,24,25,41,47,48 |
| 152429 | Rack, Sector 25 | 152586 | Bracket 20,62 | 152927 | Bushing 12,46,50 |
| 152438 | Bail, Stop Arm 25,26,64 | 152589 | Clamp 18 | 152938 | Spacer, .125" Thk 12,50, 59 |
| 152441 | Washer, Flat 25,26 | 152592 | Guide 21,22 | 152943 | Screw, 10-32 Spl 12,50 |
| 152445 | Spring, Compression 25 | 152595 | Slide 22 | 153172 | Spring 21 |
| 152456 | Holder, Wick 17,29,30 | 152606 | Rail Assembly, Oscillating 21 | 153173 | Plate, Clamp 21 |
| 152457 | Wick, Felt 29,30 | 152614 | Track Assembly 21 | 153174 | Link, Left 21,22 |
| 152458 | Shield, Terminal 27 | 152629 | Washer, Friction 33,34, 47,48 | 153175 | Link, Right 21,22 |
| 152461 | Bracket 3 | 152634 | Washer, Flat 19,20,49,61 | 153184 | Post 27 |
| 152462 | Latch, Right 3 | 152637 | Lever, No.3 Transfer 29 | 153185 | Gear, 30T 12,13,50 |
| 152463 | Latch, Left 3 | 152641 | Lever, Function 40 | 153189 | Spring, Compression 12, 46,50 |
| 152464 | Insulator, .062" Thk 3,27 | 152642 | Lever, Function 40 | 153191 | Pointer 12,50 |
| 152467 | Connector, 20 Pt Plug 3 | 152644 | Bracket 33 | 153192 | Spring, Torsion 12,13,50 |
| 152505 | Stud 22 | 152646 | Lever, Left Reversing 33 | 153196 | Handwheel 12,46,50 |
| 152507 | Roller, Detent 22 | 152647 | Lever, Right Reversing 34,47 | 153198 | Gear, 48T 46 |
| 152508 | Bracket, Right 22 | 152648 | Stud 34 | 153199 | Gear, 51T 46 |
| 152509 | Bracket, Left 22 | 152651 | Plate, Guide 38,61 | 153200 | Gear, 54T 46 |
| 152510 | Lever, Detent 22 | 152652 | Bar, Guide 38 | 153201 | Gear, 57T 46 |
| 152511 | Guide 21,22 | 152653 | Pawl, Function 40 | 153202 | Gear, 60T 46 |
| 152514 | Bail 11 | 152659 | Lever, Function 40 | 153203 | Gear, 66T 12,46,50 |
| 152515 | Lever, Space Trip 11 | 152660 | Plate, Spring 40 | 153204 | Gear, 72T 46 |
| 152516 | Slide 11 | 152704 | Bar, Function 42 | 153205 | Gear, 78T 46 |
| 152518 | Bail 11 | 152708 | Lever, Keyboard Lock 62 | 153206 | Gear, 84T 46 |
| 152523 | Spring, Washer 33,34,47, 48 | 152723 | Spring 6 | 153207 | Gear, 90T 46 |
| 152524 | Bracket 33,34,47,48 | 152725 | Spring 6 | 153229 | Bushing, Shoulder 52 |
| 152525 | Hub 33,34,47,48 | 152726 | Bushing 10 | 153230 | Bar, Line Feed 52 |
| 152526 | Plate Right 34,47 | 152818 | Lever, Left Detent 33,48 | 153231 | Bar, Line Feed 52 |
| 152527 | Plate, Left 33,48 | 152819 | Lever, Right Detent 34,47 | 153233 | Guide 52 |
| 152528 | Ratchet, Left Ribbon 33, 48 | 152820 | Lever, Left Feed 33,48 | 153235 | Plate 16,66 |
| 152529 | Ratchet, Right Ribbon 34, 47 | 152821 | Lever, Right Feed 34 | 153236 | Gear, 42T 16,66 |
| 152536 | Bail 23 | 152823 | Bracket, Left 33,41 | 153237 | Arm 52 |
| 152537 | Clamp 16,52 | 152824 | Bracket, Right 34 | 153239 | Roller 52 |
| 152539 | Guide 6 | 152826 | Pin, Detent 33,34,47,48 | 153240 | Retainer, Bearing 52 |
| 152545 | Lever 11 | 152827 | Bracket, Left Spool 18,33 | 153241 | Link 52 |
| 152547 | Shaft 38 | 152828 | Bracket, Right Spool 17, 34 | 153242 | Bracket 52 |
| 152548 | Bar, Shift 37 | 152831 | Clip 4,5 | 153254 | Bracket 62 |
| 152550 | Clamp 18 | 152832 | Shaft 6,49 | 153255 | Bail 11 |
| 152563 | Bracket 11,36 | 152834 | Spring, Torsion 33,34,47, 48 | 153256 | Bracket 19,62 |
| 152571 | Spacer, .250" Thk 32 | 152871 | Spring 9,66 | 153257 | Bail 62 |
| | | | | 153258 | Bushing 62 |
| | | | | 153259 | Arm 62 |

NUMERICAL INDEX (Continued)

| Part Number | Description and Page Number | Part Number | Description and Page Number | Part Number | Description and Page Number |
|-------------|--------------------------------------|-------------|----------------------------------|-------------|------------------------------------|
| 153260 | Plate 62 | 153550 | Link 7 | 153817 | Screw, 4-40 x 3/8 Hex 19, 21 |
| 153261 | Bushing, Threaded 62 | 153553 | Roller 7 | 153819 | Lockwasher 27,37 |
| 153262 | Arm 62 | 153558 | Link 7 | 153820 | Frame, Printing Carriage 35 |
| 153263 | Arm, Stop 62 | 153569 | Arm, Trip 10,65 | 153823 | Collar 15 |
| 153267 | Washer, Felt 26,52,64 | 153570 | Arm, Suppression 65 | 153824 | Clamp 15 |
| 153287 | Spring 52 | 153573 | Bail 7 | 153830 | Guide, Rear 51 |
| 153288 | Spring 62 | 153575 | Wick, Felt 11 | 153833 | Bracket, Guide 51 |
| 153291 | Arm 15,38 | 153576 | Cam, Function 15 | 153838 | Shaft 38 |
| 153292 | Plate 15 | 153577 | Washer, Felt 7 | 153839 | Screw, 6-40 x 5/8 Hex 7,8,17,38,51 |
| 153293 | Spacer, Clutch 15 | 153581 | Handle 38 | 153841 | Screw, 6-40 x 9/16 Hex 23 |
| 153294 | Cam 38,55 | 153582 | Screw, 6-40 Shoulder 11 | 153926 | Modification Kit 51 |
| 153295 | Shaft | 153583 | Lever, Trip 10 | 154051 | Screw, 6-40 Shoulder 12, 50 |
| 153296 | Eccentric 15 | 153584 | Lever, Latch 10 | 154127 | Nut, 6-40 Hex 54 |
| 153298 | Bracket, Right 5,38 | 153586 | Guide 5 | 154290 | Ring, "O" 8,45,57 |
| 153299 | Bracket, Left 38 | 153587 | Guide 4 | 154310 | Spring 24 |
| 153300 | Arm 15 | 153598 | Pawl, Function 40 | 154320 | Finger, Left Paper 8 |
| 153301 | Arm 38,55,63,66 | 153600 | Bracket, Spring 35,37 | 154323 | Cam, Eccentric 20 |
| 153302 | Blade, Stripper 38 | 153601 | Bushing, Shoulder 61 | 154332 | Shaft 33,34 |
| 153303 | Slide, Stripper 38 | 153604 | Pawl, Function 40 | 154333 | Roller 33,34 |
| 153304 | Bushing, Shoulder 32 | 153610 | Spindle 49 | 154349 | Spring 25 |
| 153305 | Spring, Torsion 11 | 153611 | Disc, Paper Spindle 49 | 154354 | Slide 17,21 |
| 153310 | Bail 11 | 153615 | Lever 49 | 154356 | Bail 17 |
| 153311 | Arm 11 | 153631 | Network, Spark Suppression 28,41 | 154358 | Hub, Platen 8,45,57 |
| 153312 | Lever 32 | 153634 | Collar 6,49 | 154362 | Spring, Contact 14,36,55 |
| 153314 | Bracket 11,62 | 153670 | Lever, Function 40 | 154380 | Bracket w/Post 37,61 |
| 153318 | Shaft 38 | 153676 | Bail, Detent 5 | 154389 | Cam, Eccentric 20 |
| 153321 | Bracket, Tie 37 | 153678 | Bracket w/Shaft 8,57,58 | 154516 | Ratchet 24 |
| 153322 | Guide 38,61 | 153682 | Bracket, Right 8 | 154519 | Lever, Latch 8 |
| 153323 | Ring, Spacer 15 | 153683 | Bracket, Left 8,45,57 | 154613 | Latch 40 |
| 153335 | Plate 22 | 153685 | Arm w/Hub 8 | 154614 | Cam, Spacing 16 |
| 153337 | Bushing 22 | 153686 | Bearing, Right 8,57 | 154623 | Ring, Retaining 24 |
| 153340 | Spring, Left Torsion 22 | 153687 | Bearing, Left 8,57 | 154624 | Ring w/Roller 24 |
| 153341 | Spring, Right Torsion 22 | 153689 | Gear, 33T 8,57 | 154626 | Ring 24 |
| 153360 | Stud 36 | 153690 | Gear, 28T 8 | 154627 | Drum, Spacing 24 |
| 153361 | Post 36 | 153692 | Gear, 33T 8,57 | 154638 | Spring 35 |
| 153365 | Arm, Cam 36 | 153695 | Pin 8 | 154645 | Spacer 7 |
| 153367 | Arm 10,36 | 153696 | Spring 8 | 154646 | Lever, Function 40 |
| 153368 | Bail, Follower 10 | 153697 | Bracket 8 | 154647 | Lever, Function 40 |
| 153375 | Arm, Slide 36 | 153698 | Cam, Feed 8,57 | 154649 | Arm 11,62 |
| 153382 | Bail, Transfer 11 | 153699 | Cam, Feed 8,57 | 154650 | Clip 37 |
| 153383 | Arm, Bail Extension 11 | 153791 | Shaft 8 | 154666 | Shaft 38 |
| 153440 | Bar, Function 42 | 153794 | Plate, Adjusting 8,45,57, 60 | 154667 | Shaft 38 |
| 153442 | Screw, 10-32 x 1/2 Hex 7,14,31 | 153799 | Screw, 4-40 x 21/64 Hex 8,16 | 154668 | Shaft 38 |
| 153489 | Detent 25 | 153806 | Spring 10 | 154669 | Shaft 38 |
| 153530 | Plate 17 | 153810 | Guide, Ribbon 18 | 154670 | Screw, 6-40 Spl 24 |
| 153531 | Plate, Adjusting 17 | 153815 | Clutch Assembly, Function 15 | 154671 | Bracket 24 |
| 153532 | Screw, 4-40 Adjusting 17 | | | 154688 | Spring 7 |
| 153537 | Screw, 6-40 x 9/32 Hex 53 | | | | |
| 153538 | Screw, 6-40 x 7/16 Hex 5,26,32,47,64 | | | | |

NUMERICAL INDEX (Continued)

| Part Number | Description and Page Number | Part Number | Description and Page Number | Part Number | Description and Page Number |
|-------------|------------------------------------|-------------|--|-------------|-------------------------------|
| 154691 | Clip 38 | 155589 | Plate w/Stud 29 | 157207 | Lever, Function 40 |
| 154692 | Clip 38 | 155618 | | 157237 | Shield, Terminal 27 |
| 154694 | Disc, Clutch Cam 15,16,64 | thru | | 157238 | Spring 43 |
| 154698 | Wick, Felt 36 | 155658 | Pallet, Type 44 | 157240 | Spring 40 |
| 154760 | Modification Kit 46 | 155667 | | 157241 | Bracket, Roller 7 |
| 154761 | Modification Kit 46 | thru | | 157245 | Post 61 |
| 154762 | Modification Kit 46 | 155673 | Pallet, Type 44 | 157261 | Shaft, Stop Arm 25 |
| 154763 | Modification Kit 46 | 155713 | Clip 40 | 157274 | Clip 38 |
| 154764 | Modification Kit 46 | 155714 | Bracket 36 | 157275 | Clip, Spring 38 |
| 154765 | Modification Kit 46 | 155715 | Stud 36 | 157286 | Clamp, Platen 8 |
| 154766 | Modification Kit 46 | 155736 | Lever, Function 40 | 157289 | Bar, Cross 6,51 |
| 154767 | Modification Kit 46 | 155737 | Lever, Function 40 | 157290 | Bail, Pressure 6 |
| 154768 | Modification Kit 46 | 155738 | Bail, Blocking 40 | 157291 | Guide, Rear Paper 6 |
| 154769 | Modification Kit 46 | 155750 | Sleeve, 3/32 ID x 1/2" | 157505 | Clutch Assembly, Spacing 16 |
| 154771 | Modification Kit 2,50 | | Lg Insulating 28,32,53,60 | | |
| 154792 | Modification Kit 20,24 | 155751 | Sleeve, 1/8 ID x 1" Lg | 157506 | Clutch Assembly, Line Feed 16 |
| 154798 | Modification Kit 2,51 | | Insulating 27,31,32,48 | | |
| 154872 | Bracket 4 | 155753 | Sleeve, 1/8 ID x 1/2" | 157510 | Modification Kit 2,62 |
| 155044 | Spacer 15 | | Lg Insulating 32 | 157511 | Modification Kit 2,52 |
| 155046 | Screw, 4-40 x 15/32 Hex | 155796 | Shaft 29 | 157514 | Modification Kit 20 |
| 155047 | Disc 15 | 155864 | Shaft, Cam 7 | 157600 | |
| 155060 | Slide, Stripper 38 | 155865 | Stud 7 | thru | |
| 155061 | Blade, Stripper 38 | 155871 | Pallet, Type 43,44 | 157635 | Pallet, Type 43 |
| 155071 | Shaft 38 | 155873 | Pallet, Type 43 | 157636 | |
| 155072 | Shaft 38 | 155896 | Finger, Left Paper 51 | thru | |
| 155073 | Shaft 38 | 155897 | Finger, Right Paper 8,51 | 157649 | Pallet, Type 43,44 |
| 155074 | Shaft 38 | 155954 | Switch, Sensitive 31,53, 58 | 157658 | Pallet, Type 43,44 |
| 155075 | Shaft 38 | | | 157659 | Pallet, Type 43,44 |
| 155076 | Shaft 38 | 156093 | Washer, Felt 9,66 | 157660 | Pallet, Type 43,44 |
| 155077 | Shaft 38 | 156450 | Screw, 2-56 x 1/2 Fil 31,32 | 157662 | Pallet, Type 43,44 |
| 155096 | Plate, Range Finder Mounting 25,26 | 156501 | Screw, 6-40 x 7/32 Fil 5 | 157663 | Pallet, Type 43 |
| 155099 | Screw, 6-40 Shoulder 38,63,66 | 156521 | Screw, 6-40 Eccentric Shoulder 28 | 157664 | Pallet, Type 43,44 |
| 155432 | | 156536 | Screw, 4-40 x 1/8 Fil 25 | 157665 | Pallet, Type 43 |
| thru | | 156558 | Washer, Felt 47,48 | 157666 | Pallet, Type 43,44 |
| 155445 | Pallet, Type 44 | 156572 | Washer, Felt 35 | 157671 | Pallet, Type 43,44 |
| 155446 | Pallet, Type 43,44 | 156574 | Post, Spring 26,38 | 157678 | Pallet, Type 43,44 |
| 155447 | | 156632 | Screw, 6-40 x 13/32 Hex 24 | 157717 | Pallet, Type 44 |
| thru | | | | 157720 | Pallet, Type 44 |
| 155467 | Pallet, Type 44 | 156740 | Screw, 6-40 x 7/32 Hex 5,28,30,37,45,60,65 | 157721 | Pallet, Type 43 |
| 155469 | Pallet, Type 44 | | | 157726 | Pallet, Type 43,44 |
| 155670 | Pallet, Type 44 | 156880 | Jumper, 2-3/8" Black 27 | 157729 | |
| 155473 | Pallet, Type 44 | 156881 | Jumper, 1-1/2" Black 27 | thru | |
| 155479 | Pallet, Type 44 | 156971 | Screw, 2-56 x 3/4 Fil 32,56,58 | 157763 | Pallet, Type 44 |
| 155480 | Pallet, Type 44 | | | 157765 | Pallet, Type 43,44 |
| 155483 | Pallet, Type 44 | 157194 | Retainer, Spring 27 | 157766 | |
| 155565 | Arm, Right 8,51 | 157203 | Stud, Shoulder 40 | thru | |
| 155566 | Arm, Left 8,51 | 157205 | Lever, Function 40 | 157779 | Pallet, Type 44 |
| 155587 | Link w/Stud 29 | 157206 | Lever, Function 40 | 157790 | Pallet, Type 43,44 |
| | | | | 157791 | Pallet, Type 43,44 |
| | | | | 157804 | Pallet, Type 43,44 |

NUMERICAL INDEX (Continued)

| Part Number | Description and Page Number | Part Number | Description and Page Number | Part Number | Description and Page Number |
|-------------|----------------------------------|-------------|---------------------------------|-------------|-----------------------------|
| 157816 | Pallet, Type 44 | 160187 | Shield, Oil 27 | 160939 | Post, Spring 5 |
| 157820 | Pallet, Type 44 | 160486 | Bail 12,13,50 | 160940 | Post 5 |
| 157887 | Arm, NO Contact 39 | 160489 | Plate, Form Stop 46 | 161250 | Gear, 88T 46 |
| 157899 | Arm, NC Contact 39 | 160490 | Pawl 12,50 | 161346 | Washer, Felt 33,34,47 |
| 157972 | Bellcrank 20,61 | 160491 | Plate w/Stud 12,13,50 | 161347 | Washer, Felt 7,20,22,23 |
| 157973 | Extension, Transfer 20,61 | 160493 | Plate, Adjusting 12,50 | 161366 | Pallet, Type 44 |
| 157979 | Link, Toggle 33 | 160495 | Plate w/Stud 12,50 | 161369 | Pallet, Type 44 |
| 157991 | Stud 7,11 | 160498 | Plate, Mounting 50 | 161649 | Lever, Function 40 |
| 158186 | Screw, 4-40 x 7/32 Fil 31,32 | 160499 | Lever, Blocking 50 | 162059 | Lever, Function 40 |
| 158189 | Washer, Felt 22 | 160500 | Lever, Blocking 12,13, 50,59 | 162484 | Lever, Function 40 |
| 158317 | Insulator, Switch 8,31, 53,58 | 160502 | Slide, Form-Out 50 | 162573 | Retainer 16,66 |
| 158318 | Cable 53 | 160503 | Slide, Tab 11,50 | 162728 | Arm 11 |
| 158334 | Spring, Tension 24 | 160505 | Disc, Retaining 46 | 162729 | Bar, Guide 11,36,50,62 |
| 158335 | Stud 19,36 | 160506 | Disc, Retaining 46 | 162881 | Plate 36 |
| 158337 | Plate w/Pin 19 | 160507 | Disc, Retaining 46 | 162882 | Bushing, Insulating 14 |
| 158339 | Arm w/Pin 36 | 160508 | Disc, Retaining 46 | 163146 | Modification Kit 2,55 |
| 158340 | Bracket, Stop 24 | 160509 | Disc, Retaining 46 | 163147 | Contact Assembly 55 |
| 158341 | Plate, Stop 12,13,24,46 | 160510 | Disc, Retaining 12,46,50 | 163148 | Shaft 55 |
| 158342 | Arm 24 | 160511 | Disc, Retaining 46 | 163150 | Collar 55 |
| 158344 | Nut, 6-40 Shoulder 36 | 160512 | Disc, Retaining 46 | 163152 | Cam w/Stud 55 |
| 158346 | Lever w/Hub 36 | 160513 | Disc, Retaining 13,46 | 163153 | Cam, Trip 55 |
| 158347 | Bracket 36 | 160514 | Disc, Retaining 46 | 163157 | Cam, Drive 55 |
| 158348 | Bracket 20 | 160523 | Plate, Mounting 14,31 | 163158 | Bracket w/Hub 55 |
| 158349 | Arm, Slide 36 | 160527 | Spring 46 | 163159 | Lever 55 |
| 158351 | Pawl w/Stud 36 | 160528 | Spring 46 | 163181 | Wheel, Horizontal Tab 24 |
| 158352 | Bail, Trip 10 | 160529 | Spring 46 | 163183 | Modification Kit 2,65 |
| 158353 | Bail, Stop 10 | 160530 | Spring 46 | 163184 | Bracket, Magnet 65 |
| 158354 | Arm, Extension 10 | 160531 | Spring 46 | 163185 | Armature 65 |
| 158357 | Wheel, Horizontal Tab 24 | 160532 | Spring 12,46 | 163197 | Pallet, Type 43,44 |
| 158365 | Blade, Reset 7 | 160533 | Spring 46 | 163198 | Pallet, Type 43,44 |
| 158485 | Bracket, Left 51 | 160534 | Spring 46 | 163250 | Pin 65 |
| 158486 | Bracket, Right 51 | 160535 | Spring 13,46 | 163254 | Magnet Assembly 65 |
| 158487 | Shaft 51 | 160536 | Spring 46 | 163271 | Lever, Function 40 |
| 158816 | Spring, Contact 41 | 160568 | Contact Assembly 31 | 163308 | Pallet, Type 44 |
| 159181 | Lubricator 25 | 160569 | Bracket 14,31 | 163309 | Pallet, Type 44 |
| 159184 | Wick, Lubricating 25 | 160572 | Slide, Stripper 38 | 163311 | Pallet, Type 44 |
| 159185 | Retainer, Wick 25 | 160573 | Blade, Stripper 38 | 163313 | Pallet, Type 44 |
| 159334 | Washer, Insulating 11 | 160574 | Arm w/Stud 12,13,50 | 163314 | Pallet, Type 44 |
| 159341 | Bearing, Ball 15,18 | 160576 | Slide, Stripper 38,66 | 163535 | Modification Kit 31 |
| 159752 | thru | 160577 | Blade, Stripper 38,66 | 163590 | Gear, 60T 16 |
| 159786 | Pallet, Type 44 | 160578 | Sleeve, Pinion 12,46,50 | 163943 | Lever w/Pin, Function 40 |
| 159788 | Pallet, Type 44 | 160583 | Spring, Contact 41 | 163944 | Lever, Function 40 |
| 160180 | Armature w/Extension 27 | 160626 | Insulator, .031" Thk 14 | 163948 | Gear, 28T 54 |
| 160182 | Bracket w/Button 27 | 160627 | Bushing, Insulating | 163957 | Lever 54 |
| 160184 | Plate, Stop 27 | 160630 | Spring, Contact 14 | 163958 | Washer, Flat 54 |
| 160185 | Post 27 | 160631 | Spring, Contact 14 | 163959 | Spring, Torsion 5,54 |
| 160186 | Bushing, Shoulder 27 | 160779 | Pallet, Type 44 | 163960 | Bushing 54 |
| | | 160843 | Spring 10 | 164300 | Spacer, .100" Thk 26,64 |
| | | 160937 | Bail 5 | 164311 | Lever, Function 40 |

NUMERICAL INDEX (Continued)

| Part Number | Description and Page Number | Part Number | Description and Page Number | Part Number | Description and Page Number |
|-------------|--|-------------|---|-------------|---------------------------------|
| 164313 | Bracket 35 | 170118 | Bracket 17,29 | 174439 | Modification Kit 2,64 |
| 164316 | Plate, Clamp 21 | 170119 | Lever 29,30 | 174441 | Lever w/Bushing 26,64 |
| 164386 | Bracket, Magnet Mounting 26,27,64 | 170120 | Lever 29,30 | 174442 | Contact Assembly 26,64 |
| 164478 | Contact Assembly 36 | 170121 | Shaft 29,30 | 174444 | Spring, Contact 26,64 |
| 164740 | Rack, Range Finder 26,64 | 170122 | Lever 29 | 174445 | Bracket, Contact Mounting 26,64 |
| 164743 | Shaft 26,64 | 170123 | Bracket, Retaining 29 | 174446 | Spring, Contact 26,64 |
| 164958 | Screw, 4-40 x 1/2 Hex 65 | 170124 | Lubricator Assembly 25 | 174447 | Post 26,64 |
| 164960 | Insulator, .015" Thk 65 | 170125 | Lever, Shoe Release 15 | 174448 | Guard 26,64 |
| 165027 | Network, Spark Suppression 47,48 | 170198 | Arm, Stop 25,26 | 174449 | Bracket 26,64 |
| 165217 | Jumper, 1-1/2" Green 58 | 170199 | Bracket, Anchor 14 | 174450 | Cam 15 |
| 165914 | Stud 40 | 170230 | Knob 25 | 174452 | Spacer, .085" Thk 26,64 |
| 170000 | Frame, Right Side 4,6 to 11,17,25,27,29,33,34,51, 56,57,58 | 170231 | Guide, Upper 25 | 174482 | Lever 40 |
| 170001 | Housing, Bearing 17 | 170232 | Guide, Lower 25 | 174483 | Lever 40 |
| 170004 | Bracket w/Bushing 7,10, 11,25 | 170233 | Stud 25,26 | 174484 | Lever 40 |
| 170023 | Bearing 29,30 | 170234 | Bracket, Guide 25 | 174570 | Switch 56,58 |
| 170024 | Bracket 29 | 170235 | Bracket, Spring 25 | 176221 | Platen, 8-1/8 Rubber 45 |
| 170025 | Bracket w/Stud 29 | 170236 | Lever 25 | 176222 | Platen, 7-5/8 Rubber 45 |
| 170026 | Bellcrank w/Bushing 29 | 170237 | Lever, Start 25 | 176223 | Plate, 7-1/8 Rubber 45 |
| 170027 | Bellcrank 29 | 170238 | Bail, Reset 25 | 176224 | Platen, 6-5/8 Rubber 45 |
| 170028 | Link 29 | 170282 | Nut, 6-40 Hex 58 | 176225 | Platen, 6-1/8 Rubber 45 |
| 170039 | Bellcrank w/Posts 19,20 | 172500 | thru | 176226 | Platen, 5-5/8 Rubber 45 |
| 170042 | Bail w/Bushing 11 | 172590 | Switch Assembly 39 | 176227 | Platen, 5-1/2 Rubber 45 |
| 170054 | Arm w/Post 19,22 | 172591 | Spring, Contact Arm 39 | 176228 | Platen, 5-3/8 Rubber 45 |
| 170056 | Plate w/Stud 19,20,21,22, 23,24,36,61,62 | 172593 | Plate, Contact 39 | 176229 | Platen, 5-1/8 Rubber 45 |
| 170057 | Bearing 20 | 172594 | Plate, Contact 39 | 176230 | Platen, 4-7/8 Rubber 45 |
| 170058 | Nut, 10-32 Shoulder 20 | 172595 | Plate, Contact 39 | 176231 | Platen, 4-5/8 Rubber 45 |
| 170059 | Pawl, Drive 20 | 172596 | Plate, Contact 39 | 176232 | Platen, 4-1/8 Rubber 45 |
| 170060 | Plate, Guide 19,20 | 172597 | Block, Contact 39 | 176233 | Platen, 3-5/8 Rubber 45 |
| 170062 | Bail 19 | 172599 | Block, Contact 39 | 176234 | Platen, 3-7/16 Rubber 45 |
| 170063 | Lever 20 | 172600 | thru | 176235 | Platen, 3-3/8 Rubber 45 |
| 170064 | Link, Drive 19,20 | 172608 | Switch Assembly 39 | 176236 | Platen, 3-1/8 Rubber 45 |
| 170067 | Washer, Spacing 15 | 172618 | Plate, Contact 39 | 176237 | Platen, 2-3/4 Rubber 45 |
| 170071 | Clutch Assembly, Codebar 15 | 172619 | Plate, Contact 39 | 176238 | Platen 8,57 |
| 170074 | Arm 11 | 172632 | Screw, 4-40 x 3/16 Hex 15,64 | 176246 | Bail, Blocking 40 |
| 170075 | Roller 11 | 173141 | Lever, Function 40 | 176247 | Bail, Blocking 40 |
| 170076 | Pawl 11 | 173259 | Link 35 | 176285 | Bail, Pressure 51 |
| 170079 | Arm w/Hub 23 | 173260 | Carriage Assembly 2,35 | 176299 | Screw, 6-40 Shoulder 65 |
| 170080 | Stud 20,24 | 173284 | Lever, Lock 23 | 176355 | Arm, Cam Follower 10 |
| 170111 | Shaft 15,16 | 173715 | Terminal, Plug Type 27,28,31,32,36,53,58,60 | 176356 | Screw, 6-40 Pilot 11 |
| 170112 | Guide 29,30 | 173882 | Stud 65 | 176477 | Plate 51 |
| 170113 | Arm 29 | 173883 | Bracket, Mounting 65 | 176598 | Bellcrank 52 |
| 170115 | Lever, No.7 Transfer 29 | 173902 | Spring, Compression 37 | 176609 | Spring, Contact 14 |
| 170117 | Bracket 29,30 | 173940 | Terminal, Plug Type 32, 48,58 | 176642 | Clip, Spring 38 |
| | | 173941 | Terminal, Receptacle Type 48 | 176909 | Frame, Left Side 3 |
| | | | | 176910 | Frame, Right Side 3 |
| | | | | 178607 | Stud, Cam Follower 11 |
| | | | | 179081 | Pallet, Type 43 |
| | | | | 179082 | Pallet, Type 43 |
| | | | | 179088 | Pallet, Type 43,44 |

NUMERICAL INDEX (Continued)

| Part Number | Description and Page Number | Part Number | Description and Page Number | Part Number | Description and Page Number |
|-------------|-----------------------------|-------------|--|-------------|------------------------------|
| 179089 | Pallet, Type 44 | 192013 | Connector, 50 Pt Plug Type 27 | 192518 | Codebar, Suppression 37,61 |
| 179090 | Pallet, Type 44 | 192301 | Clutch Assembly, Line Feed 16 | 192540 | Lever w/Hub 37 |
| 179091 | Pallet, Type 43,44 | 192304 | Blade, Bail 38 | 192541 | Lever w/Hub 37 |
| 179194 | Bracket 11,50 | 192305 | Bail 11 | 192542 | Lever w/Hub 37 |
| 179198 | Lever 52 | 192307 | Slide 38 | 192544 | Plate w/Bearing 37 |
| 179199 | Lever 54 | 192308 | Bail, Stripper 38 | 192545 | Bracket 37 |
| 179216 | Arm, Right Slide 22 | 192309 | Pin 38 | 192546 | Post 37 |
| 179217 | Arm, Left Slide 22 | 192310 | Spring, Torsion 38 | 192547 | Arm, Suppression 10 |
| 179224 | Slide Assembly 22 | 192311 | Arm 38 | 192548 | Bail 37 |
| 179225 | Bail w/Studs 22,23 | 192312 | Shaft 9 | 192549 | Pin 37 |
| 179226 | Screw, 4-40 Shoulder 22 | 192313 | Bracket, Left 4,38,55,63,66 | 192560 | Slide 19 |
| 179396 | Plate, Front Type Box 43 | 192314 | Handle 38 | 192561 | Bar w/Hub 19,22 |
| 179397 | Plate, Rear Type Box 43 | 192317 | Lever 28 | 192563 | Bracket w/Stud 19,22 |
| 179451 | Plate, Right 22 | 192318 | Jumper, 2-3/4" Black 27 | 192566 | Link, Left Drive 22,23 |
| 179452 | Plate, Left 22 | 192321 | Stud 19 | 192567 | Link, Right Drive 22,23 |
| 179675 | Bracket 48 | 192322 | Spring, Compression 19 | 192575 | Link, Right 21,22 |
| 179676 | Lever, Left Guide 48 | 192323 | Spring 22 | 192576 | Lini, Left 21,22 |
| 179677 | Shaft, Ribbon Spool 47,48 | 192329 | Plate w/Stud 36 | 192580 | Cam 15 |
| 179678 | Lever 47,48 | 192332 | Bracket w/Stud 36 | 192581 | Lever, No.1 Transfer 29 |
| 179680 | Bail, Left Lifter 48 | 192333 | Lever w/Bushing 36 | 192582 | Lever, No. 2 Transfer 29 |
| 179681 | Post 47,48 | 192337 | Spacer, .243" Thk 31,32 | 192583 | Lever, C Transfer 29 |
| 179682 | Bail, Left Roller 48 | 192339 | Plate w/Post 32 | 192584 | Lever, No.4 Transfer 29 |
| 179684 | Lever 47,48 | 192341 | Plate 31,32 | 192585 | Lever, No.5 Transfer 29 |
| 179686 | Bracket, Right 47 | 192342 | Screw, 2056 x 1-1/16 Fil 32 | 192586 | Lever, No.6 Transfer 29 |
| 179687 | Lever, Right Guide 47 | 192343 | Lever w/Hub 31,32 | 192588 | Bracket 27 |
| 179689 | Bracket, Left 48,59 | 192344 | Spring, Torsion 31,32 | 192610 | Arm, Slide 5,11 |
| 179690 | Plate 48 | 192345 | Cable w/Terminal 32 | 192611 | Plate, Mounting 12,59 |
| 179691 | Bracket, Left 48 | 192346 | Slide 36 | 192614 | Lever w/Hub 12 |
| 179692 | Spacer 47,48 | 192347 | Lever w/Hub 36 | 192616 | Lever 12,14,59 |
| 179693 | Bail, Right Lifter 47 | 192348 | Bar, Function 42 | 192617 | Lever, Blocking 12,14,59 |
| 179694 | Bail, Right Roller 47 | 192459 | Cable w/Terminals 32 | 192618 | Plate, Contact 12,14,59 |
| 179695 | Bracket, Left Magnet 48 | 192480 | Contact Assembly 14 | 192619 | Post, Eccentric 12 |
| 179696 | Bracket, Left Hinge 48 | 192483 | Contact Assembly 14 | 192620 | Bracket, Contact 14 |
| 179697 | Lever, Left Stop 48 | 192487 | Cable w/Terminals 36 | 192621 | Bracket, Contact 14 |
| 179698 | Armature 47,48 | 192488 | Spring 25 | 192622 | Bracket, Detent 37 |
| 179699 | Shaft 47,48 | 192492 | Solenoid Assembly 2,28 | 192627 | Follower, Bellcrank 32 |
| 179700 | Bracket, Right Hinge 47 | 192493 | Cable w/Terminals 28 | 192628 | Bracket w/Stud 32 |
| 179701 | Lever, Right Stop 47 | 192495 | Codebar, No. 1, No. 2, and No. 7 37,61 | 192635 | Plate w/Stud 28 |
| 179702 | Bracket, Right Magnet 47 | 192496 | Codebar, No. 3 37,61 | 192639 | Clutch Assembly, Selector 15 |
| 179703 | Bracket 47 | 192513 | Codebar, No. 5, No. 4 and Common 37,61 | 192640 | Cam, Selector 15 |
| 179704 | Shaft, Right 47 | 192514 | Codebar, No. 6 37,61 | 192641 | Plate w/Posts 28 |
| 179708 | Plate, Adjusting 47 | 192515 | | 192643 | Lever w/Hub 28 |
| 179718 | Cable 48 | | | 192646 | Bushing, Eccentric 28 |
| 179724 | Modification Kit 2,47,48,59 | | | 192647 | Slide 28 |
| 179802 | Cover 55 | | | 192648 | Lever 28 |
| 179814 | Box Assembly, TD Type 43 | | | 192704 | Disc, Retaining 46 |
| 179999 | Bail, Spring 33,34,47,48 | | | 192706 | Modification Kit 46 |
| 182909 | Spring 25 | | | 192997 | Bracket 48 |
| 183104 | Spring 17,18 | | | | |

NUMERICAL INDEX (Continued)

| Part Number | Description and Page Number | Part Number | Description and Page Number | Part Number | Description and Page Number |
|-------------|--|-------------|--------------------------------|-------------|--------------------------------|
| 193564 | Spring, Contact 55 | 195200 | Pallet, Type 43,44 | 198506 | Spring 37 |
| 193655 | Lever, Function 40 | 195201 | Pallet, Type 43 | 198507 | Resistor, 100 Ohm 41 |
| 193858 | Frame, Left Side 5 to 16, 18,28,31,32,33,45,49,50, 52,53,54,56,57,59,60,62, 65,66 | 195202 | Pallet, Type 43 | 199224 | Bar, Function 42 |
| 194019 | Pallet, Type 44 | 195203 | Pallet, Type 43 | 199225 | Bar, Function 42 |
| 194037 | Pallet, Type 44 | 195205 | Pallet, Type 44 | 199408 | Bracket 59 |
| 194039 | Pallet, Type 44 | 195206 | Pallet, Type 44 | 199410 | Arm 23 |
| 194052 | Plate, Form Stop 12,46 | 195207 | Pallet, Type 44 | 199437 | Cam 16 |
| 194093 | Modification Kit 5 | 195240 | Post 27 | 199438 | Hub 16 |
| 194144 | Clutch Assembly, Spacing 16 | 195251 | Armature, Selector 27 | 199439 | Bearing 16 |
| 194148 | Stud 53 | 195634 | Modification Kit 27 | 199440 | Screw, 6-40 x 5/8 Fil 15,16 |
| 194208 | Pallet, Type 44 | 195712 | Plate, Identification 21 | 199457 | thru |
| 194209 | Pallet, Type 44 | 195836 | Shaft 15 | 199463 | Pallet, Type 44 |
| 194324 | Modification Kit 2,53 | 195855 | Pin, Sprocket Feed 8,45, 57 | 199773 | Pallet, Type 43 |
| 194325 | Bracket w/Post 53 | 195996 | Gear, 63T 16 | 199974 | Box Assembly, TH Type 44 |
| 194326 | Bracket, Switch 53 | 196917 | Pallet, Type 43 | 199986 | Box Assembly, TJ Type 44 |
| 194327 | Lever 53 | 196921 | Pallet, Type 43 | 199987 | Pallet, Type 43,44 |
| 194335 | Pallet, Type 44 | 196924 | Pallet, Type 43 | 199989 | Pallet, Type 44 |
| 194336 | Pallet, Type 44 | 197085 | Cable w/Terminal 32 | 199990 | Pallet, Type 44 |
| 194371 | Guide 53 | 197088 | Cable w/Terminal 36 | 301761 | thru |
| 194414 | Lever 40 | 197751 | Modification Kit 5 | 301764 | Bar, Function 42 |
| 194868 | Gear, 48T 16 | 197752 | Bracket, Support 5 | 304395 | Spring 22 |
| 194870 | Gear, 16T 9 | 197924 | Arm, Left Follower 18 | 304396 | Plate, Stop 54 |
| 194871 | Disc, 6 Stop 16 | 197957 | Gear, 34T 54 | 304460 | Spring 63 |
| 194872 | Disc, 6 Stop 16 | 197958 | Gear w/Shaft, 37T 54 | 304461 | Bushing 63 |
| 194873 | Disc, 6 Stop Adjusting 16 | 197996 | Roller, Front 47,48 | 304463 | Slide, Stripper 63 |
| 194884 | Pallet, Type 44 | 197997 | Box Assembly, TF Type 44 | 304464 | Blade w/Stud 63 |
| 194885 | Pallet, Type 44 | 198218 | Arm 38 | 304465 | Blade, Stripper 63 |
| 194886 | Pallet, Type 44 | 198416 | Stud, Shoulder 40 | 304740 | Head, Print Hammer 35 |
| 194956 | Spring 16 | 198454 | Arm, Power Drive 41 | 304769 | Plate w/Post 31,32 |
| 194982 | Clip, Connector 27 | 198455 | Link 41 | 304771 | Lever w/Hub 31,32 |
| 194998 | Plate, Mounting 58 | 198456 | Link 41 | 304772 | Guide, Paper 45 |
| 194999 | Cable Assembly 58 | 198457 | Bracket 41 | 304773 | Guide, Paper 45 |
| 195000 | Lever, Operating 58 | 198463 | Bar, Function 42 | 304774 | Guide, Paper 45 |
| 195001 | Insulator, .032" Thk 56,58 | 198464 | Bar, Function 42 | 304775 | Guide, Paper 45 |
| 195056 | Spring 29 | 198465 | Bar, Function 42 | 304778 | Bail w/Wire 58 |
| 195057 | Guard, Contact Spring 14 | 198466 | Bar, Function 42 | 304779 | Bail w/Wire, 8-1/2" Wide 58 |
| 195064 | thru | 198467 | Bar, Function 42 | 304833 | Box Assembly, TM Type 43 |
| 195067 | Pallet, Type 44 | 198468 | Bar, Function 42 | 305022 | Shaft 8,57 |
| 195069 | Pallet, Type 44 | 198469 | Bar, Function 42 | 305023 | Lock, Shaft 8,57 |
| 195070 | Pallet, Type 44 | 198470 | thru | 305024 | Arm, Right 57 |
| 195071 | Pallet, Type 44 | 198473 | Bar, Function 42 | 305025 | Retainer, Platen Hub 8,57 |
| 195072 | Pallet, Type 44 | 198483 | Solenoid 41 | 305026 | Hub, Right Platen 8,57 |
| 195109 | Plate, Stop 38 | 198482 | Stud 41 | 305027 | Arm, Right 57 |
| 195150 | Lever, Reversing 48 | 198488 | Stud 41 | 305028 | Guide, Paper 57 |
| | | 198496 | Solenoid 41 | 305029 | Hub Assembly, Platen 57 |
| | | 198497 | Lever w/Hub 37 | | |
| | | 198498 | Bail 37 | | |
| | | 198500 | Modification Kit 41 | | |
| | | 198502 | Pin, Solenoid Plunger 41 | | |
| | | 198503 | Bushing, Shoulder 41 | | |

NUMERICAL INDEX (Continued)

| Part Number | Description and Page Number | Part Number | Description and Page Number | Part Number | Description and Page Number |
|-------------|---------------------------------|-------------|-----------------------------|-------------|---------------------------------|
| 305031 | Gear w/Shaft 28T 54 | 307256 | Pallet, Type 43 | 312981 | Bail, Left 58 |
| 305033 | Handwheel 54 | 307257 | Pallet, Type 43 | 315532 | Bar, Function 42 |
| 305034 | Arm w/Hub 54 | 307289 | Lever 54 | 315533 | Bar, Function 42 |
| 305035 | Modification Kit 2,54 | 307299 | Retainer 38 | 317218 | Bar, Function 42 |
| 305036 | Modification Kit 2,54 | 307864 | Box Assembly, TX Type 43 | 317353 | Box Assembly, TY Type 43 |
| 305037 | Modification Kit 2,57 | 309690 | Bumper, Rubber 5 | 319936 | Screw, 4-40 Shoulder 41 |
| 305058 | Guide, Form 57 | 309692 | Bracket w/Post 5,12,13 | 319937 | Bracket 41 |
| 305082 | Box Assembly, TK Type 43 | 310309 | Box Assembly, TR Type 44 | 320408 | Terminal, Spade Type 27 |
| 305090 | Box Assembly, TP Type 44 | 310657 | thru | 320410 | Terminal, Spade Type 27, 53 |
| 305130 | Bracket 52 | 310666 | Pallet, Type 44 | 320443 | Lever w/Hub 37 |
| 305465 | Contact Assembly 14 | 311071 | Box Assembly, TS Type 43 | 321095 | Bracket, Tie 61 |
| 305473 | Bail 14 | 311407 | Box Assembly, TV Type 43 | 321096 | Bracket 61 |
| 305474 | Bracket 14 | 311412 | Post, Eccentric 26 | 321097 | Lever 61 |
| 305539 | Modification Kit 2,63 | 311413 | Post, Eccentric Guide 30 | 321098 | Bar w/Post 61 |
| 305540 | Modification Kit 2,63 | 311414 | Post, Spring 30 | 321099 | Modification Kit 2,61 |
| 305541 | Slide, Stripper 63 | 311415 | Bracket, Stop 30 | 321574 | Bracket 31 |
| 305551 | thru | 311416 | Lever, Latch 30 | 321681 | thru |
| 305556 | Pallet, Type 43 | 311417 | Arm 30 | 321692 | Pallet, Type 44 |
| 305558 | thru | 311418 | Arm 30 | 321694 | thru |
| 305568 | Pallet, Type 43 | 311419 | Cover, Insulating 36 | 321700 | Pallet, Type 44 |
| 305584 | Pallet, Type 44 | 311420 | Lever, Reset 26 | 321702 | Pallet, Type 44 |
| 305589 | Pallet, Type 43,44 | 311422 | Bracket, Guide 30 | 321703 | Pallet, Type 44 |
| 305590 | Pallet, Type 44 | 311423 | Plate 26,27 | 321705 | Box Assembly, DB Type 44 |
| 305677 | Cable w/Terminals 53 | 311424 | Lever 30 | 321780 | Pallet, Type 44 |
| 305733 | Modification Kit 2,53 | 311425 | Bail, Reset 30 | 321782 | Cover, Contact 41 |
| 305771 | Bracket, Guide 51 | 311426 | Bracket 30 | 321935 | Arm, Left 8 |
| 306098 | Wire, Guide 58 | 311456 | Modification Kit 2,58 | 321983 | Box Assembly, DC Type 43 |
| 306646 | Contact Assembly 36 | 311457 | Bracket, Bail 58 | 323040 | Cable w/Terminals 31 |
| 306648 | Spring, Contact 36 | 311458 | Modification Kit 2,60 | 323051 | Plate w/Post 31 |
| 306670 | thru | 311459 | Modification 2,60 | 323052 | Guide, Paper 31 |
| 306685 | Guide, Form 45 | 311460 | Modification Kit 2,60 | 323053 | Alarm Assembly, Paper Out 31 |
| 306686 | thru | 311461 | Modification Kit 2,60 | 323070 | Cam 64 |
| 306702 | Modification Kit 45 | 311462 | Bracket 60 | 323077 | Spacer 31 |
| 306704 | Bar, Function 42 | 311464 | Slide 60 | 323078 | Lever w/Hub 31 |
| 306705 | Bar, Function 42 | 311465 | Lever 60 | 323508 | Box Assembly, DE Type 43 |
| 306706 | Bar, Function 42 | 311466 | Tray, Paper 60 | 323592 | Contact Assembly 37 |
| 306979 | Box Assembly, TL Type 43 | 311467 | Tray, Paper 60 | 323593 | Lever w/Hub 37 |
| 307065 | Modification Kit 2,54 | 311468 | Tray, Paper 60 | 323594 | Lever w/Hub 37 |
| 307076 | Gear, 30T 16 | 311469 | Tray, Paper 60 | 323595 | Plate, Contact 37 |
| 307077 | Clutch Assembly, Selector 15 | 311471 | Bracket, Left 60 | 323599 | Cover, Insulating 37 |
| 307078 | Cam, Selector 15 | 311730 | Cable Assembly 60 | 323600 | Box Assembly, DF Type 43 |
| 307083 | Spring, Contact 36 | 312395 | Bracket 41 | 324081 | Lever 29 |
| 307085 | Lever 40 | 312552 | Cable w/Terminals 32 | 324095 | Modification Kit 2,58 |
| 307180 | Box Assembly, TN Type 44 | 312571 | Lever w/Hub 37 | 324098 | Bail 58 |
| 307255 | Pallet, Type 43 | 312711 | Modification Kit 2,59 | 324465 | Box Assembly, DG Type 44 |
| | | 312755 | Post, Eccentric 59 | | |
| | | 312756 | Bracket, Contact 59 | | |
| | | 312757 | Plate 59 | | |
| | | 312980 | Bail, Right 58 | | |

NUMERICAL INDEX (Continued)

| Part Number | Description and Page Number | Part Number | Description and Page Number | Part Number | Description and Page Number |
|-------------|-----------------------------|-------------|-----------------------------|-------------|------------------------------------|
| 324489 | Plate 56 | 328971 | Gear, 84T 13 | 329005 | Arm 54 |
| 324490 | Modification Kit 2,56 | 328972 | Disc 13 | 329006 | Shaft 54 |
| 324491 | Lever 56 | 328973 | Pointer 13 | 329008 | Gear w/Shaft 54 |
| 324492 | Bail 56 | 328974 | Screw, 4-40 Spl 13 | 329010 | Handwheel 54 |
| 324494 | Lever 56 | 328975 | Bushing 13 | 329011 | Belt, 27T 54 |
| 324495 | Cable Assembly 56 | 328979 | Link 13 | 329012 | Guide, Form 8 |
| 325936 | Bushing, Insulating 14 | 328980 | Link w/Post 13 | 329013 | Handwheel Assembly 2,54 |
| 325966 | Insulator 14 | 328982 | Lever 13 | 329015 | Disc Assembly 13 |
| 325967 | Modification Kit 2,66 | 328983 | Bracket 8 | 329016 | Disc Assembly 13 |
| 326478 | Spring, Torsion 58 | 328984 | Gear, 20T 13 | 329017 | Cable Assembly 8 |
| 326712 | Spring, Torsion 56 | 328985 | Plate 13 | 329020 | Plate 8 |
| 326799 | Spring, Torsion 60 | 328986 | Stop 13 | 329023 | Pawl 13 |
| 328110 | Spring, Contact 36 | 328987 | Plate 8 | 330681 | Modification Kit 51 |
| 328939 | Screw, 6-40 Shoulder 8 | 328988 | Switch 8 | 330682 | Tabulation Assembly, Vertical 2,13 |
| 328940 | Lever 8 | 328989 | Spacer 13 | 330684 | Contact Assembly 14 |
| 328942 | Arm, Left 8 | 328990 | Bracket 8 | 332721 | Cam, Shaft 15 |
| 328943 | Arm, Right 8 | 328991 | Plate 13 | 332722 | Clutch Assembly, Codebar 15 |
| 328950 | Deflector, Paper 8 | 328992 | Plate 13 | 332813 | Plate 58 |
| 328951 | Post 8 | 328993 | Plate, Switch 13 | 332814 | Cable Assembly 58 |
| 328955 | Cam, Left 8 | 328994 | Bushing 13 | 332815 | Lever 58 |
| 328956 | Cam, Right 8 | 328995 | Lever, Shift 13 | 332887 | Plate 54 |
| 328958 | Arm, Right 8 | 328996 | Plate 13 | 332997 | Spacer, Clutch 15 |
| 328960 | Guide, Paper 8 | 328997 | Plate w/Stud 13 | 333478 | Box Assembly, DY Type 43 |
| 328964 | Lever 54 | 328998 | Lever, Blocking 13 | 333520 | Modification Kit 2,58 |
| 328967 | Bushing 13 | 329002 | Lever 54 | 334440 | Guide, Form 58 |
| 328969 | Spacer 13 | 329003 | Sprocket, 20T 54 | | |
| 328970 | Gear w/Sleeve 13 | 329004 | Sprocket, 10T 54 | | |

35 AUTOMATIC SEND-RECEIVE KEYBOARD (LAK)

PARTS

| FIGURE | CONTENTS | PAGE | FIGURE | CONTENTS | PAGE |
|--------|--------------------------------------|------|--------|------------------------------------|------|
| 1 | Keyboard Base | 2 | 18 | Signal Generator Rear Plate | |
| 2 | Keyboard Base (Continued) | 3 | | Contact Mechanisms | 17 |
| 3 | 198240 Code Reading Contact Assembly | 4 | 19 | 176352, 197019 and 199070 | |
| 4 | Function Bail Mechanism | 5 | | Contact Box Assemblies | 18 |
| 5 | Gearsets | 6 | 20 | 144749 and 305634 Bearing | |
| 6 | 144770 Intermediate Gear Assembly | 6 | | Bracket Assemblies | 19 |
| 7 | 326729 Intermediate Gear Assembly | 7 | 21 | 155990 Character Counter | |
| 8 | Keyboard Mechanism | 8 | | Assembly | 20 |
| 9 | Codebar Mechanism (Non-Parity) | 9 | 22 | Tape Container | 21 |
| 10 | Codebar Mechanism (Even-Parity) | 10 | 23 | 199330 Modification Kit to Provide | |
| 11 | Codebars (Even-Parity) | 11 | | Alarm and Don't Answer on | |
| 12 | 170332 Universal Bail Assembly | 12 | | Low Tape | 21 |
| 13 | Bail Lock Mechanism | 12 | 24 | Cable Components | 22 |
| 14 | Signal Generator Frame Mechanism | 13 | 25 | Keytops and Keylevers | 23 |
| 15 | Signal Generator Shaft Mechanism | 14 | 26 | Keytops (Continued) | 24 |
| 16 | Signal Generator Front Plate | | 27 | Keytops (Continued) | 25 |
| | Mechanism | 15 | 28 | Keytops (Continued) | 26 |
| 17 | Signal Generator Rear Plate | | 29 | Keytops (Continued) | 27 |
| | Mechanism | 16 | 30 | Keytops (Continued) | 28 |
| | | | | Numerical Index | 29 |

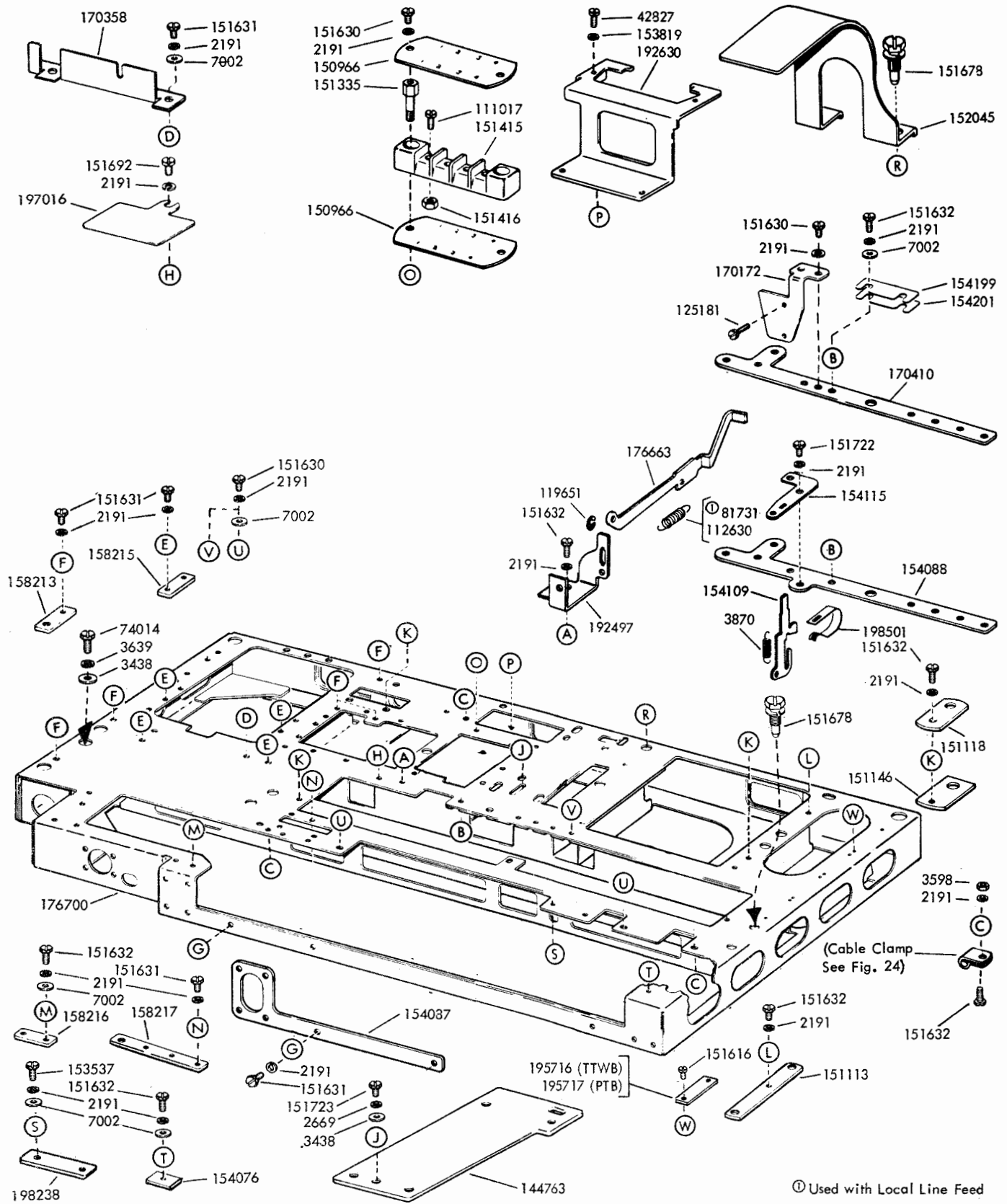


FIGURE 1. KEYBOARD BASE

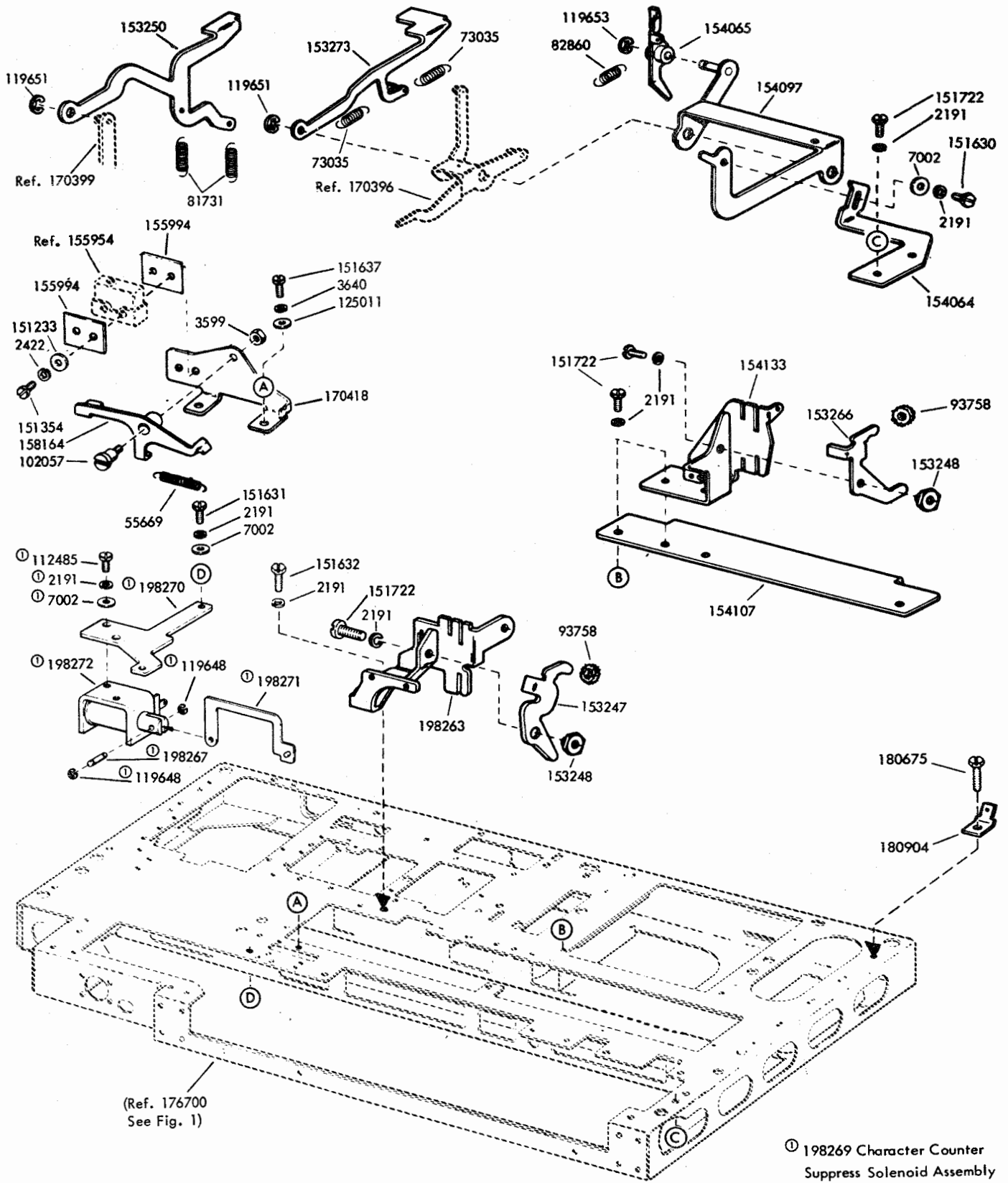
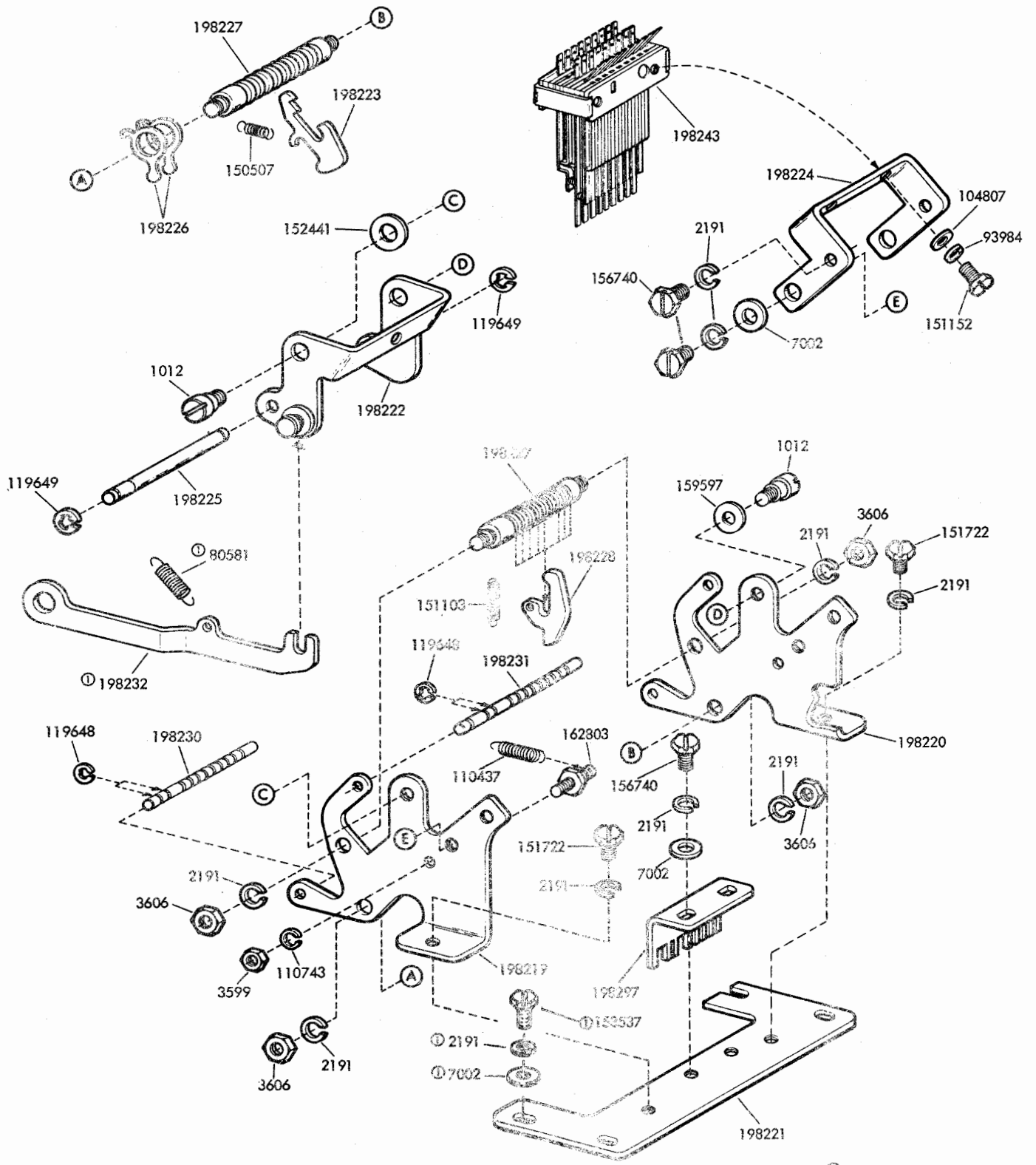
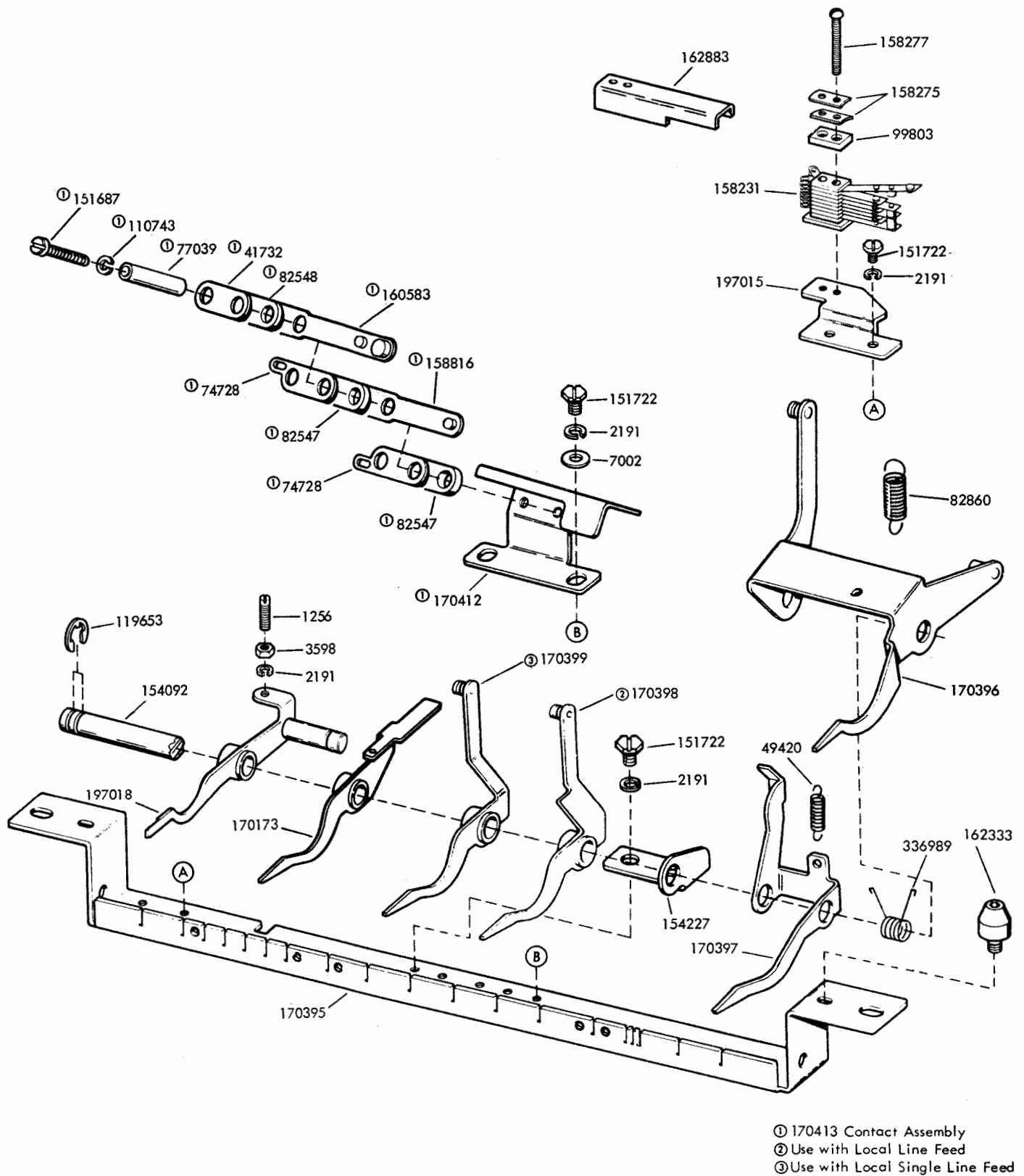


FIGURE 2. KEYBOARD BASE (Continued)



Ⓢ Not part of 198240

FIGURE 3. 198240 CODE READING CONTACT ASSEMBLY



- ① 170413 Contact Assembly
- ② Use with Local Line Feed
- ③ Use with Local Single Line Feed

FIGURE 4. FUNCTION BAIL MECHANISM

| GEAR CHART | | | |
|------------|--------|--------|--------|
| Gearset | 161295 | 311488 | 315865 |
| Pinion | 159284 | 311490 | 315861 |
| Gear | 159285 | 311491 | 315860 |
| Baud | 110 | 73.3 | 75 |
| Code | 11.00 | 11.0 | 11.0 |
| WPM | 100 | 67 | 68 |

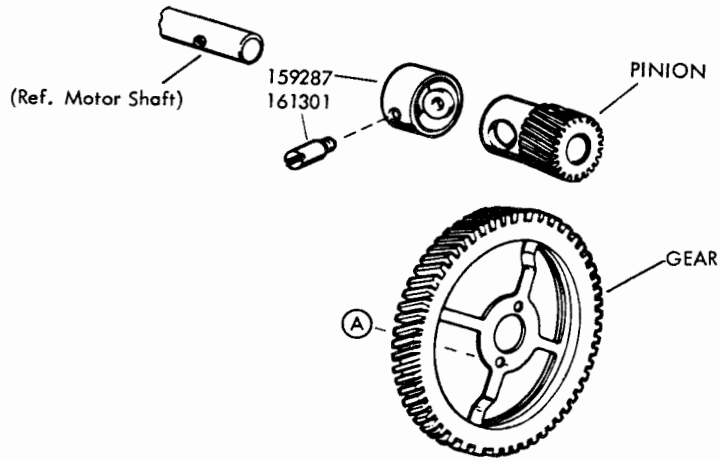
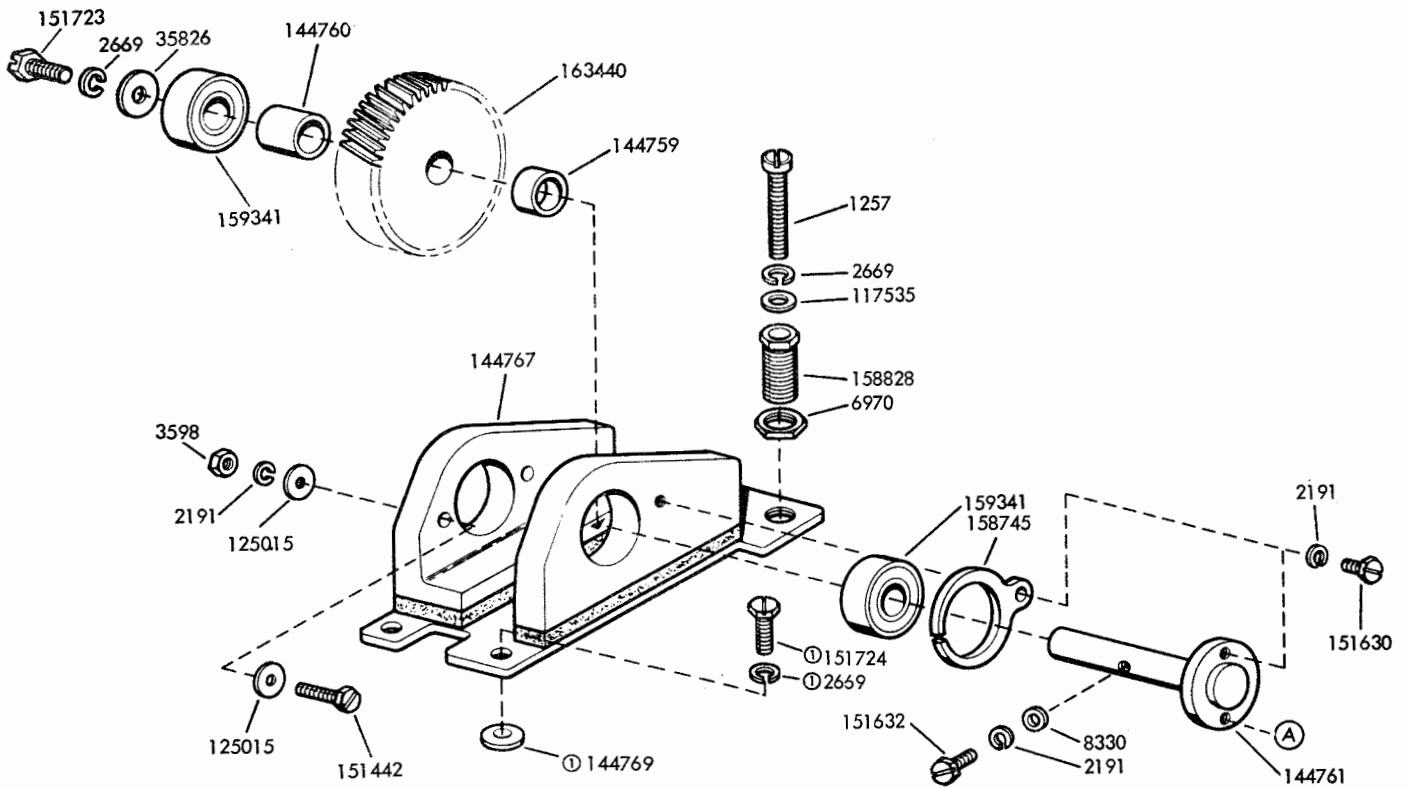


FIGURE 5. GEARSETS



ⓐ Not part of 144770

FIGURE 6. 144770 INTERMEDIATE GEAR ASSEMBLY

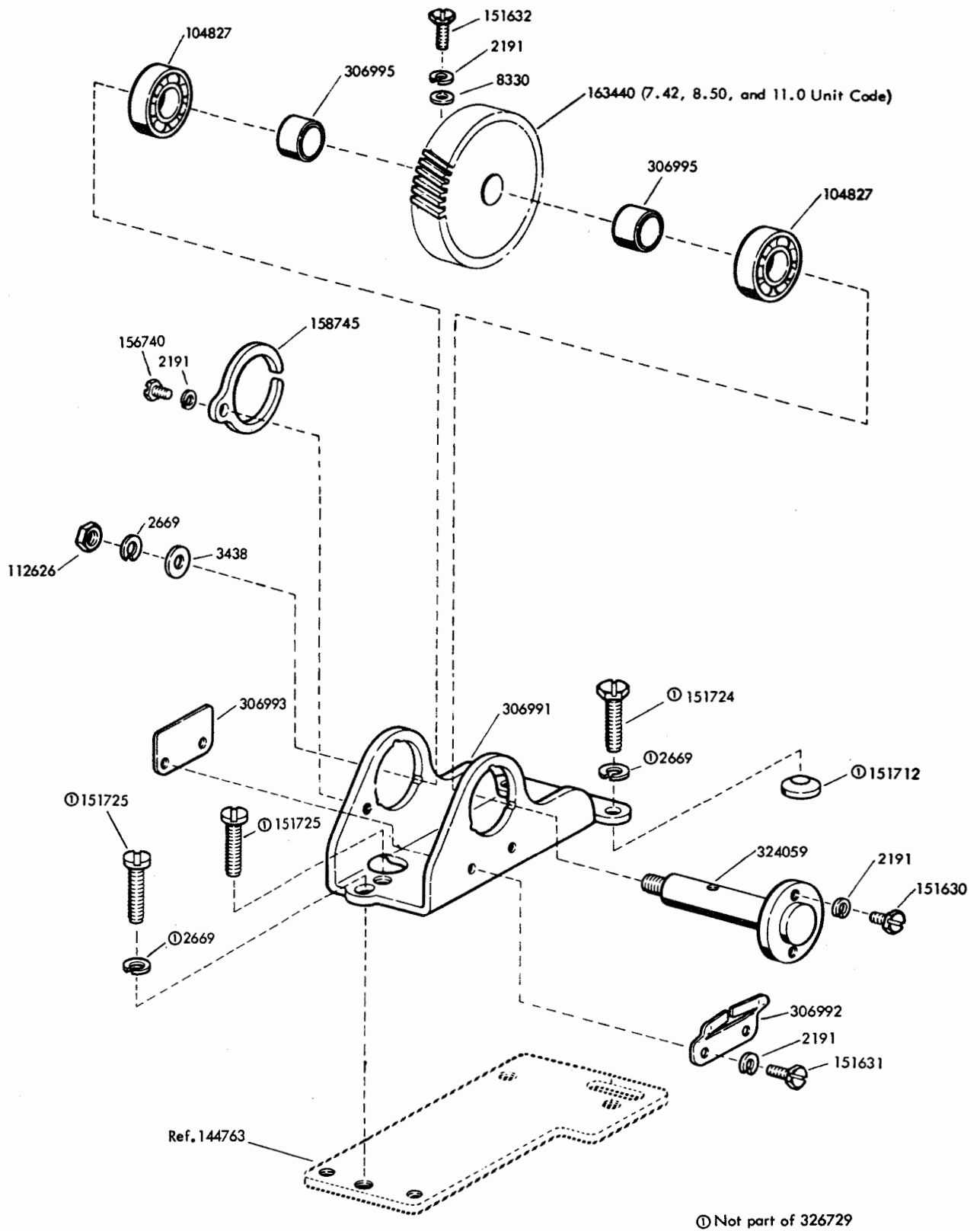


FIGURE 7. 326729 INTERMEDIATE GEAR ASSEMBLY

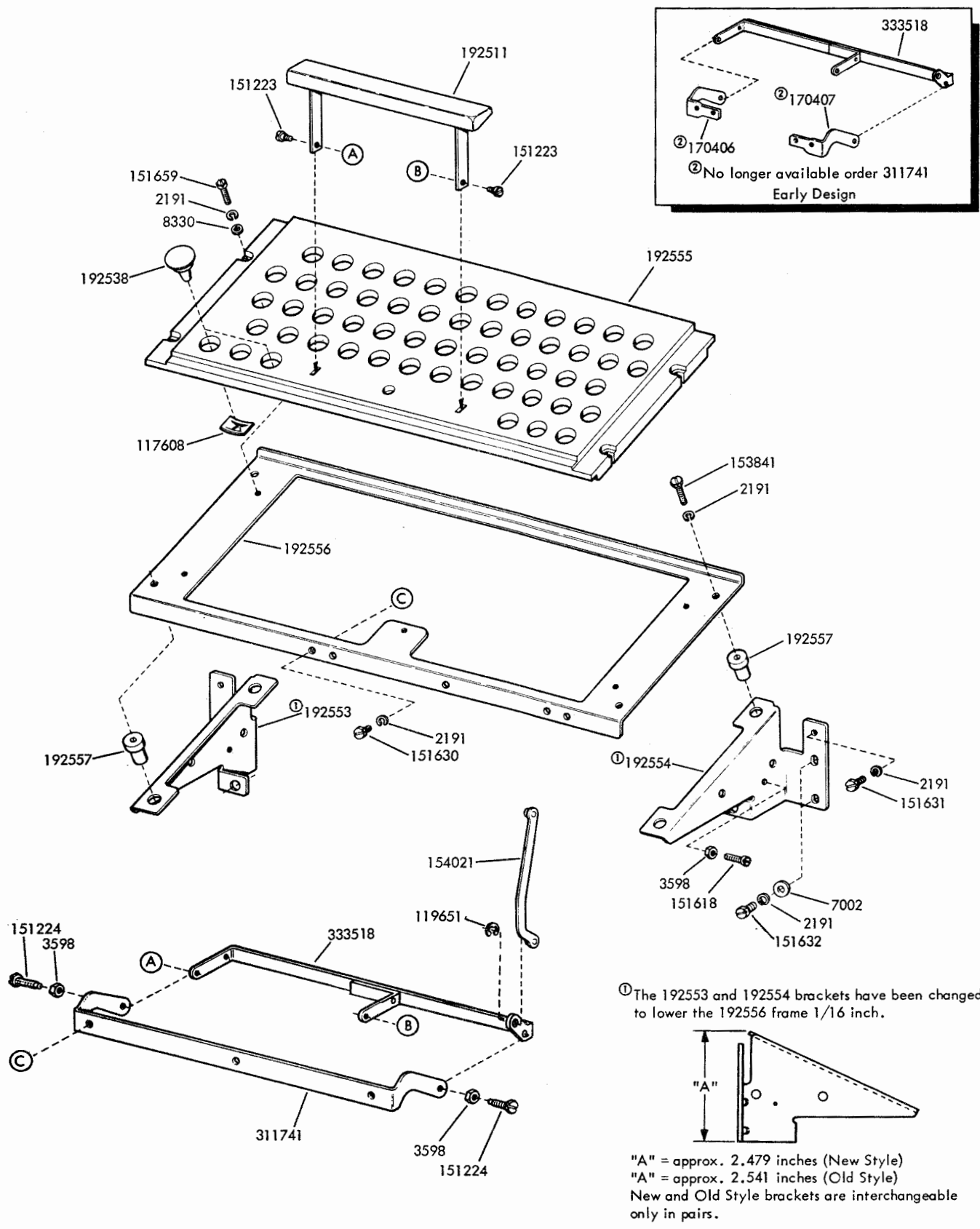


FIGURE 8. KEYBOARD MECHANISM

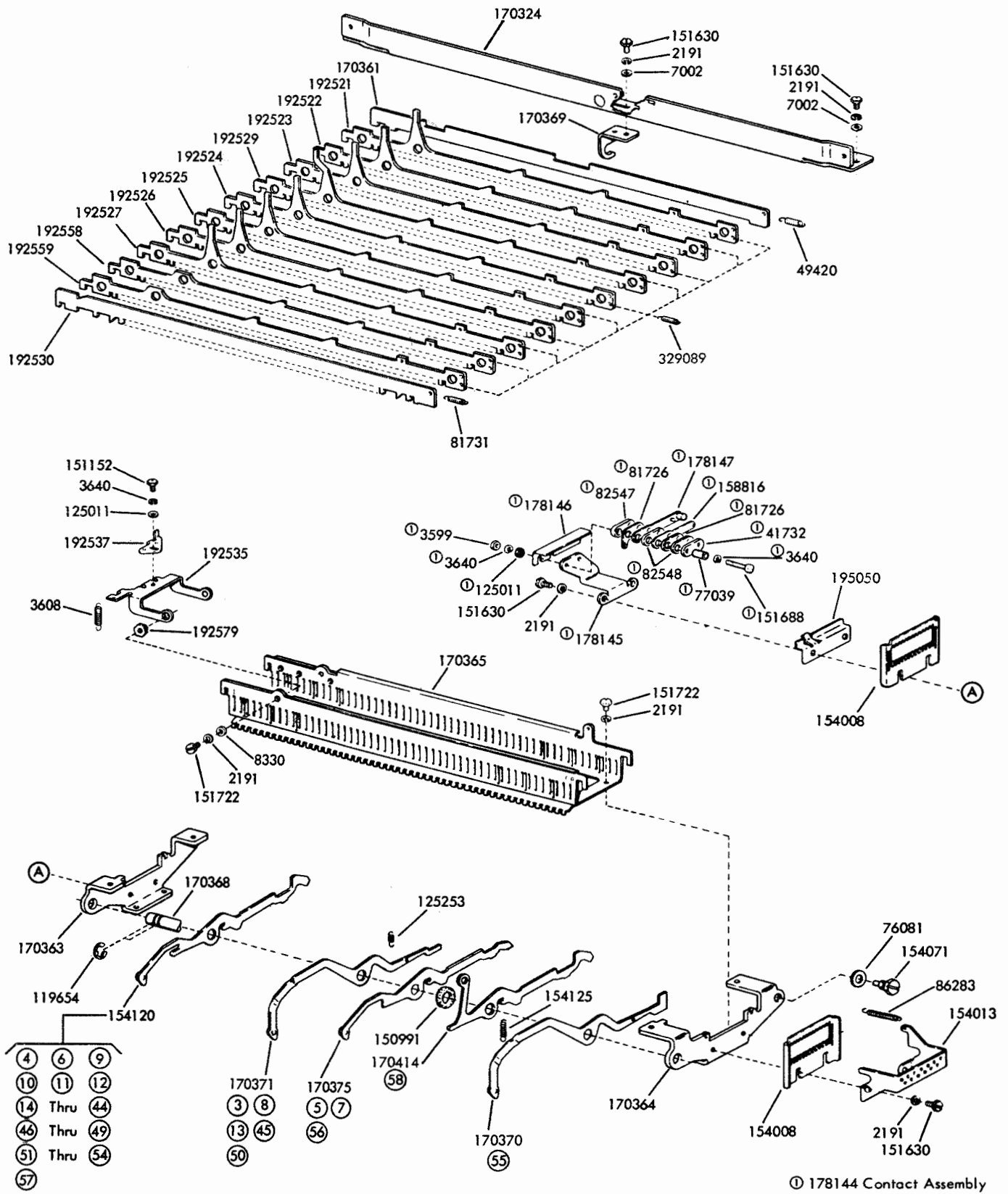


FIGURE 9. CODEBAR MECHANISM (NON-PARITY)

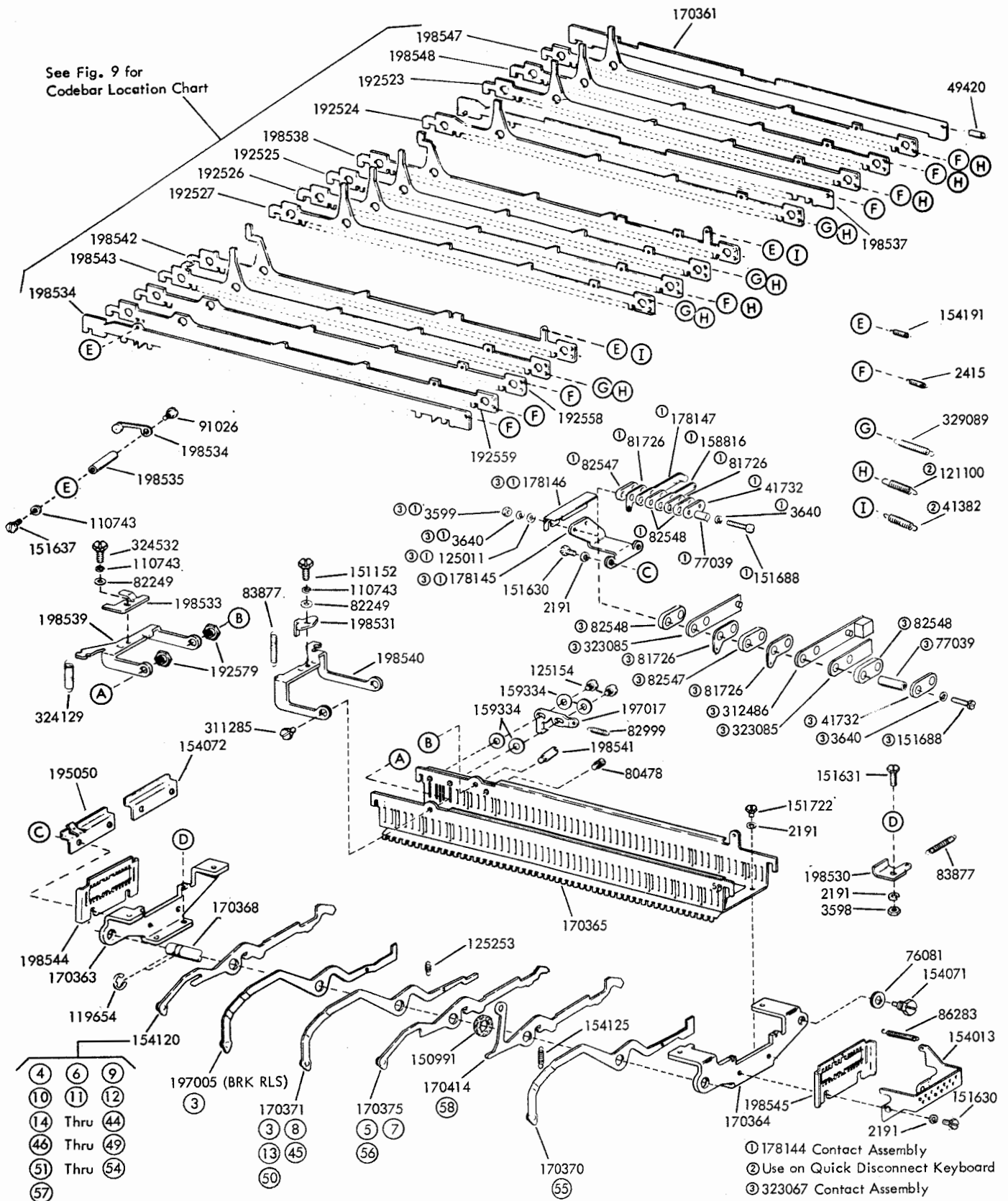
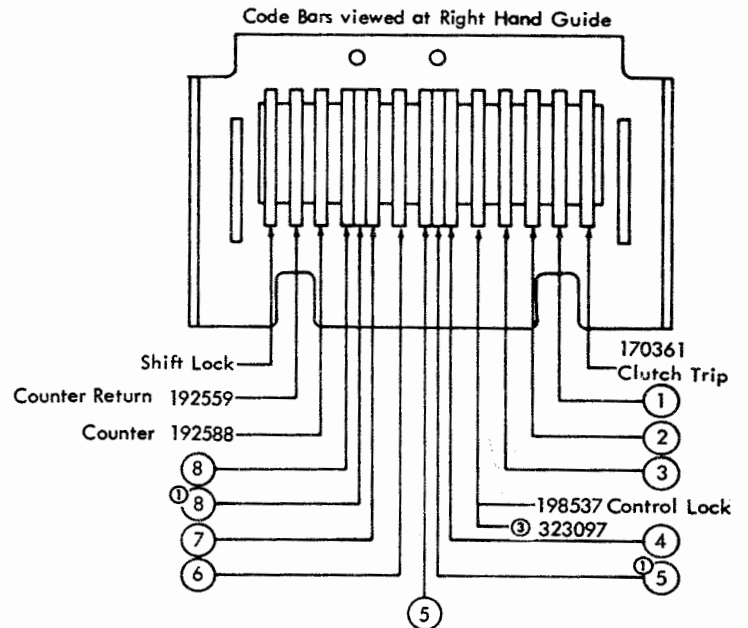
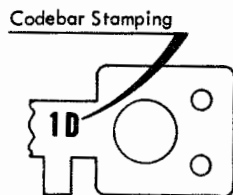
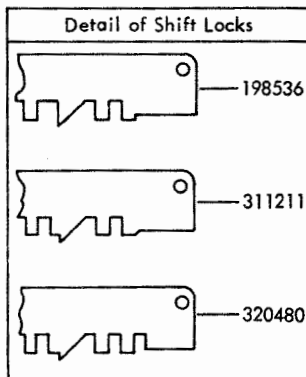


FIGURE 10. CODEBAR MECHANISM (Even-Parity)

| Location Chart for Even Parity - Codebars | | | | | | | | | | | |
|---|----------------------------------|----------------|----------------|----------------|----------------|----------------|----------------|----------------|----------------|----------------|----------------|
| Codebar Location | Shift Lock | ⑧ | ①⑧ | ⑦ | ⑥ | ⑤ | ①⑤ | ④ | ③ | ② | ① |
| Common Code See Figure 10 | 198536 See Detail Below | 198543 (8) | 198542 (8I) | 192527 (7) | 192526 (6) | 192525 (5) | 198538 (5I) | 192524 (4) | 192523 (3) | 198548 (2A) | 198547 (1A) |
| Escape II | 198536 See Detail Below | 198543 (8) | 198542 (8I) | 308431 (7A) | 308430 (6A) | 192525 (5) | 198538 (5I) | 192524 (4) | 308429 (3A) | 198548 (2A) | 192521 (1) |
| S.D.S. Auto. I.D.P. ② | 311211 See Detail Below | 311208 (8S) | 311533 (8U) | 311531 (7R) | 311201 (1S) | 311205 (5S) | 311209 (5T) | 311202 (2S) | 311204 (4S) | 311203 (3S) | 311206 (6S) |
| S.D.S. SIGMA Series | 320480 See Detail Below | 320478 (8D) | 324580 (8L) | 320476 (6D) | 320477 (7D) | 320475 (5D) | 320479 (5E) | 320474 (4D) | 320473 (3D) | 320472 (2D) | 320471 (1D) |



- ① Inversion
- ② Used with Character Counter
- ③ Used with 323067 Contact Assembly (Figure 10)

FIGURE 11. CODEBARS (Even-Parity)

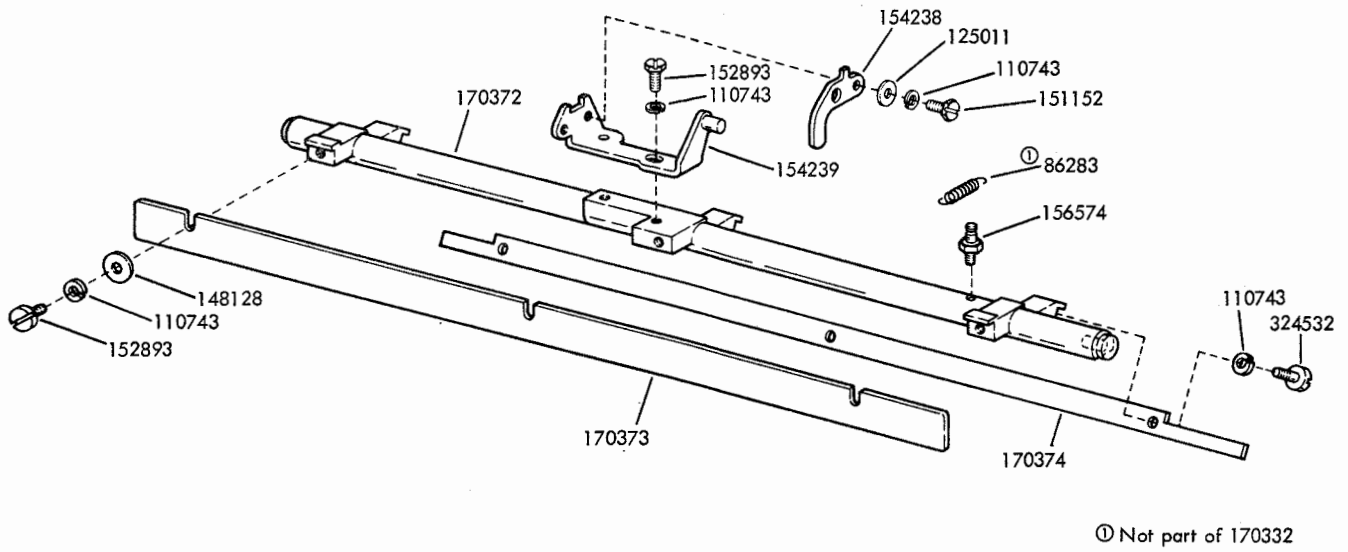


FIGURE 12. 170332 UNIVERSAL BAIL ASSEMBLY

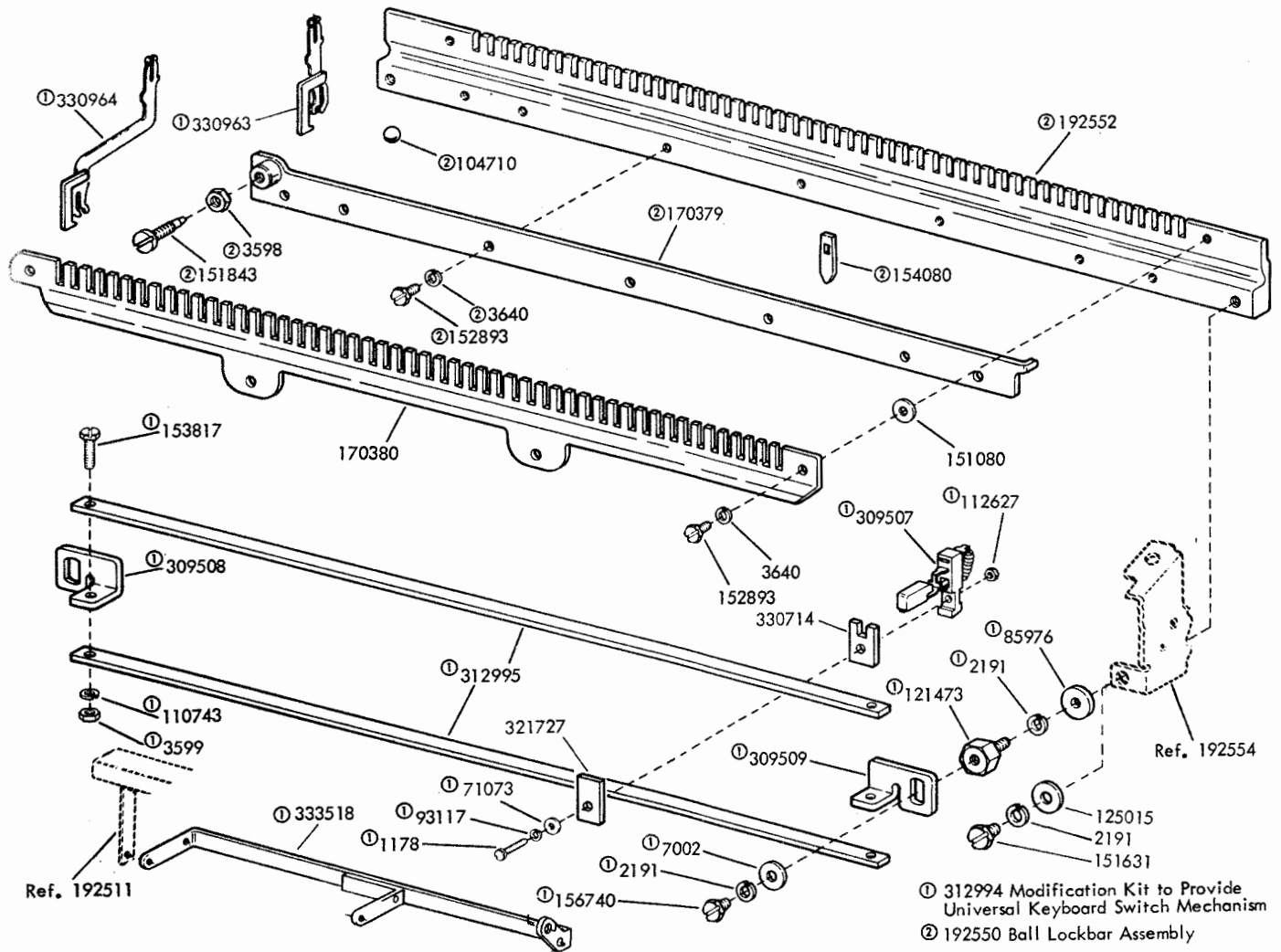


FIGURE 13. BALL LOCK MECHANISM

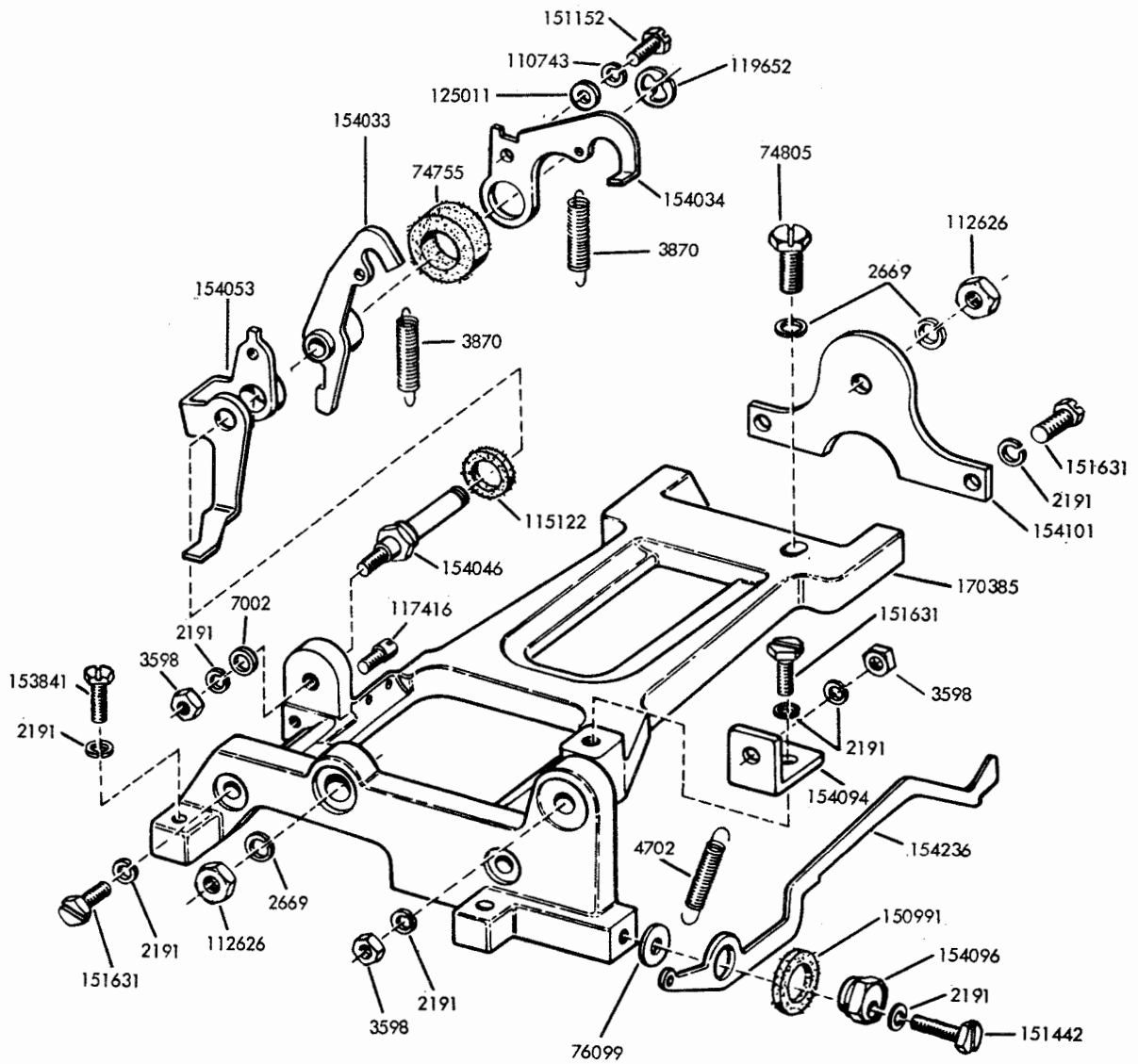


FIGURE 14. SIGNAL GENERATOR FRAME MECHANISM

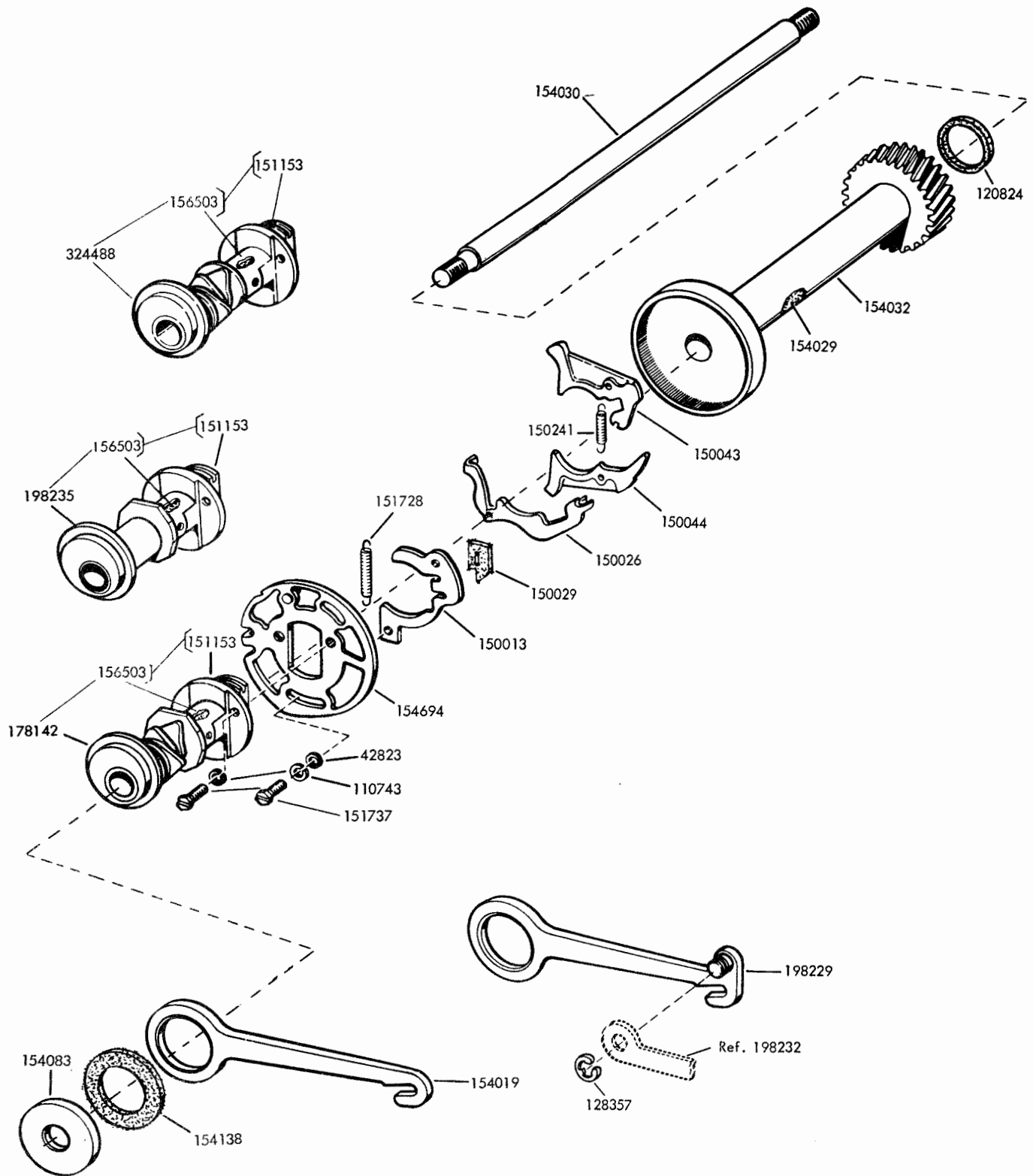


FIGURE 15. SIGNAL GENERATOR SHAFT MECHANISM

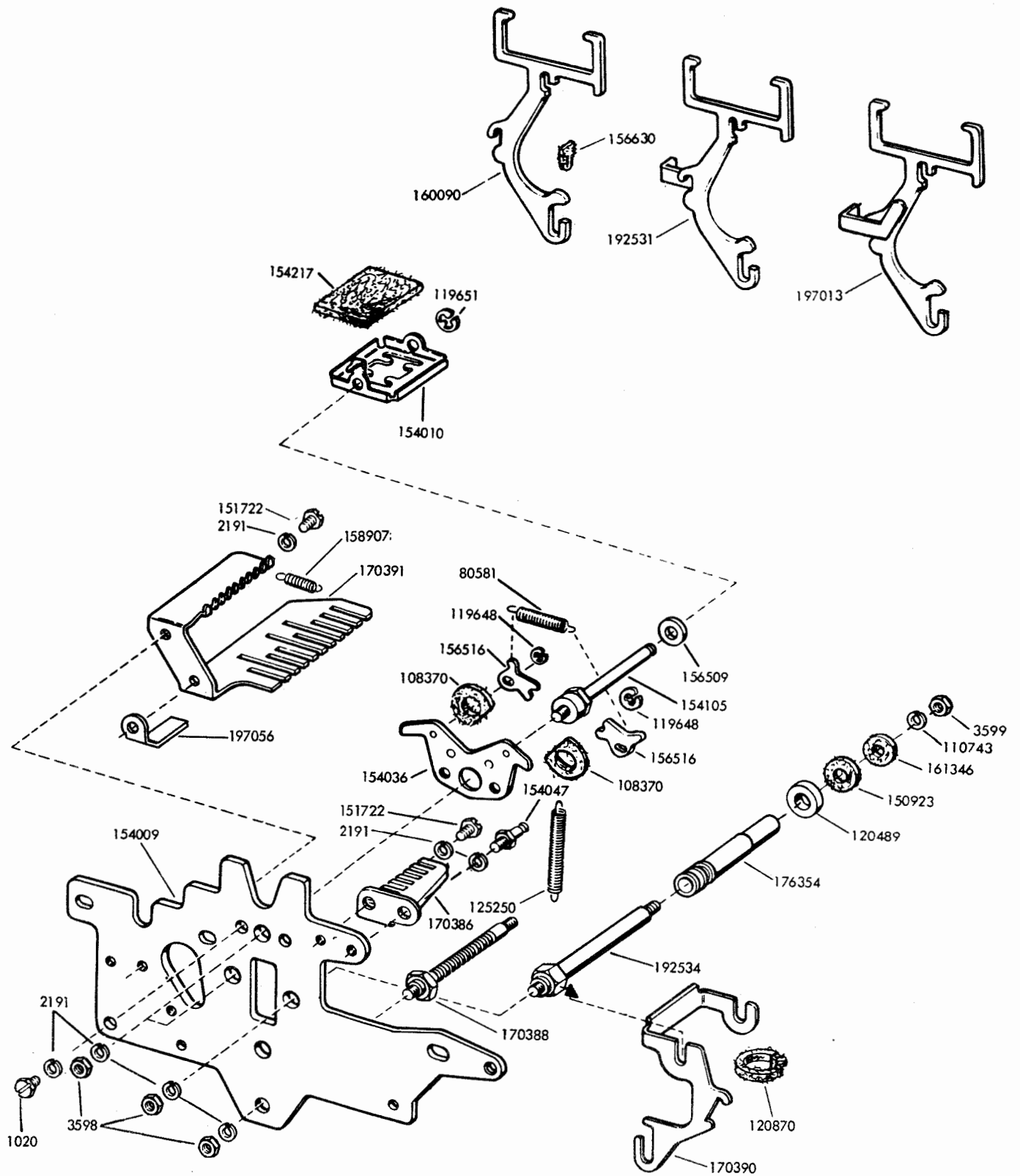
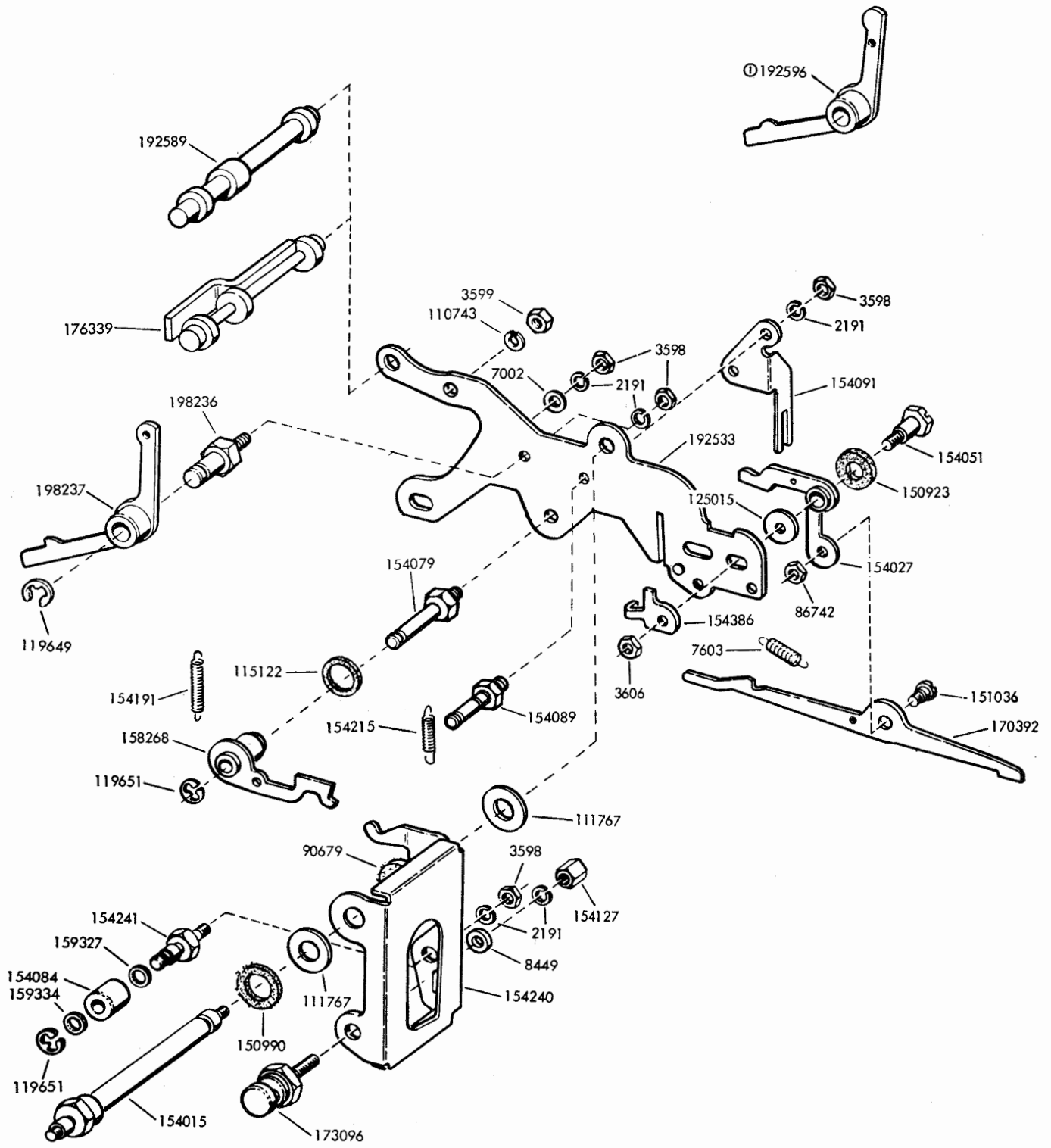
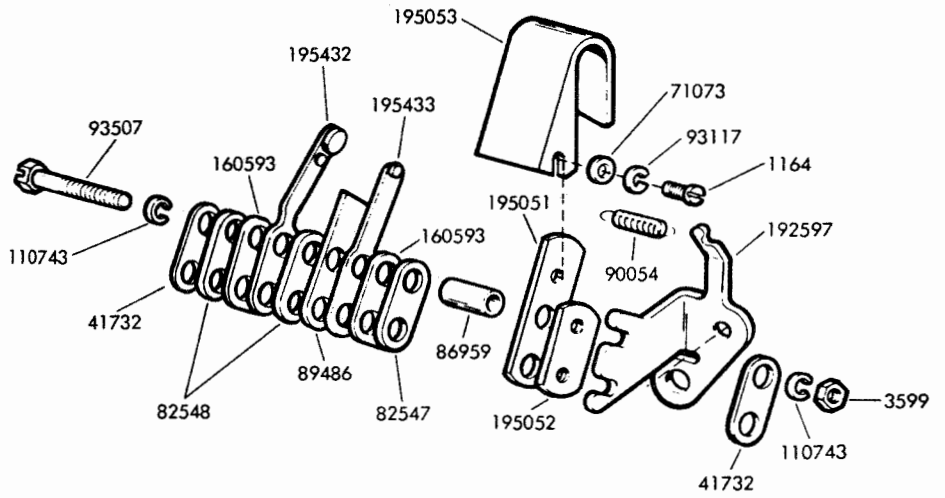


FIGURE 16. SIGNAL GENERATOR FRONT PLATE MECHANISM



Ⓞ Early Design Part

FIGURE 17. SIGNAL GENERATOR REAR PLATE MECHANISM



EARLY DESIGN CONTACT AND COVER

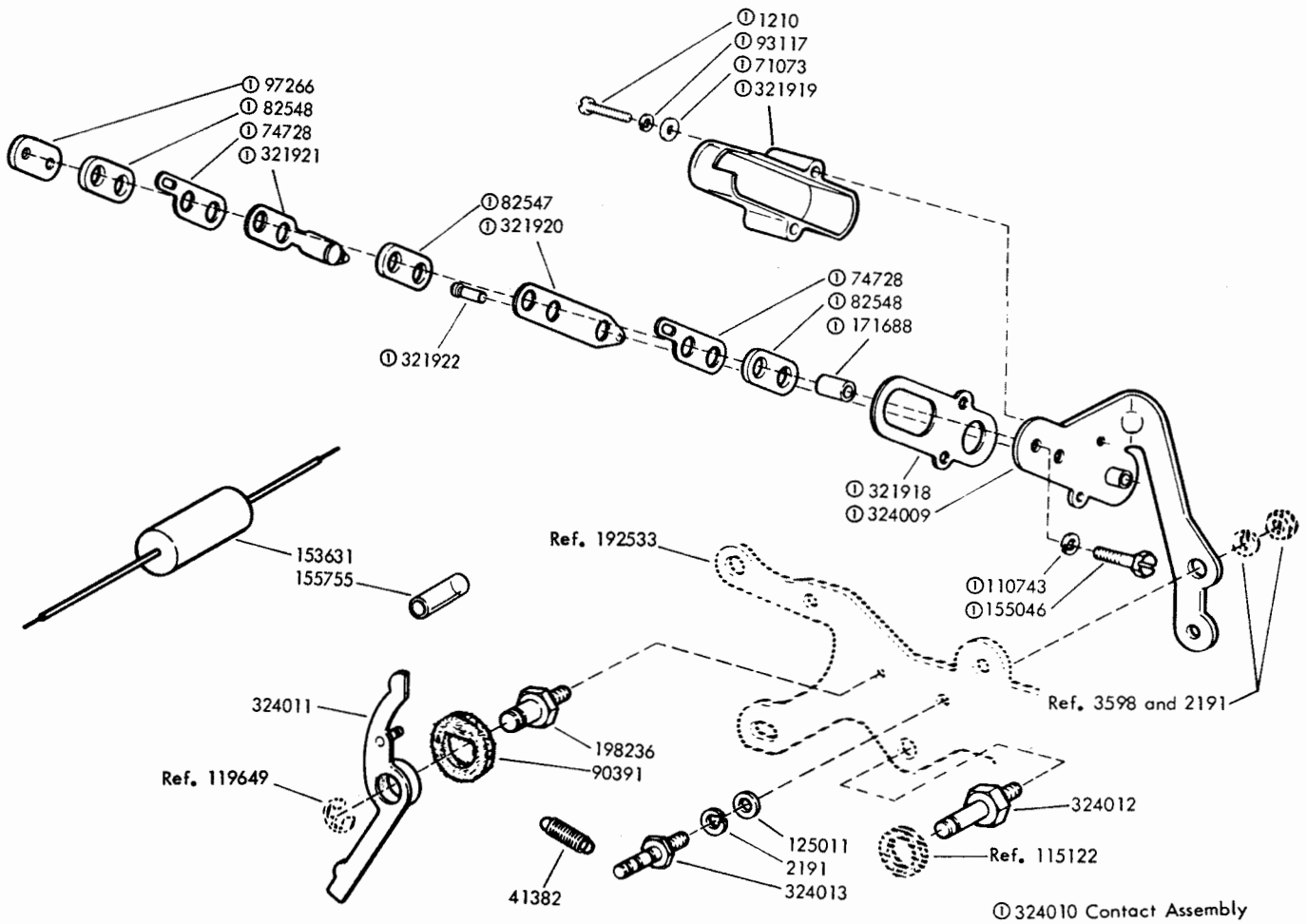


FIGURE 18. SIGNAL GENERATOR REAR PLATE CONTACT MECHANISMS

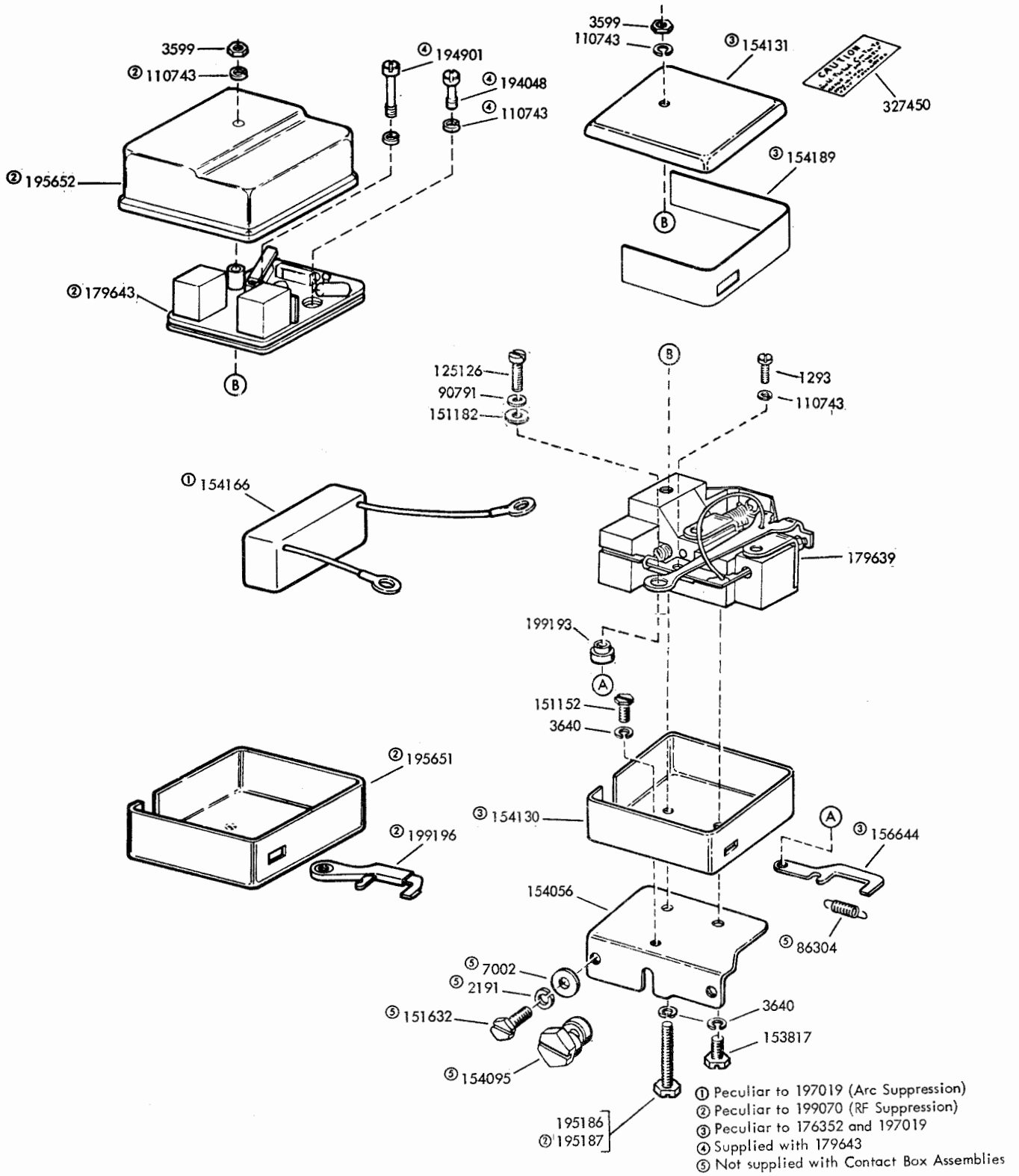


FIGURE 19. 176352, 197019 AND 199070 CONTACT BOX ASSEMBLIES

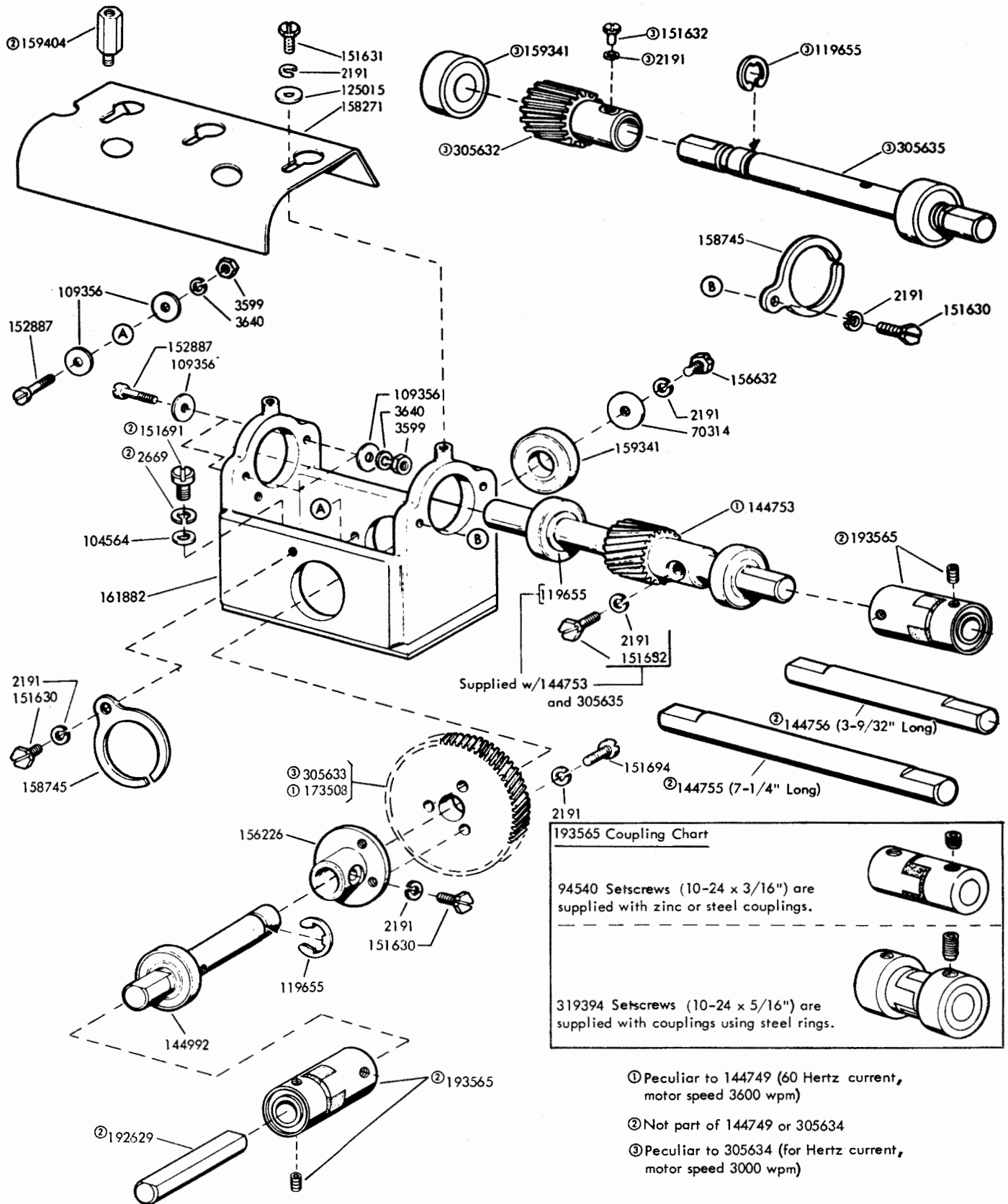


FIGURE 20. 144749 AND 305634 BEARING BRACKET ASSEMBLIES

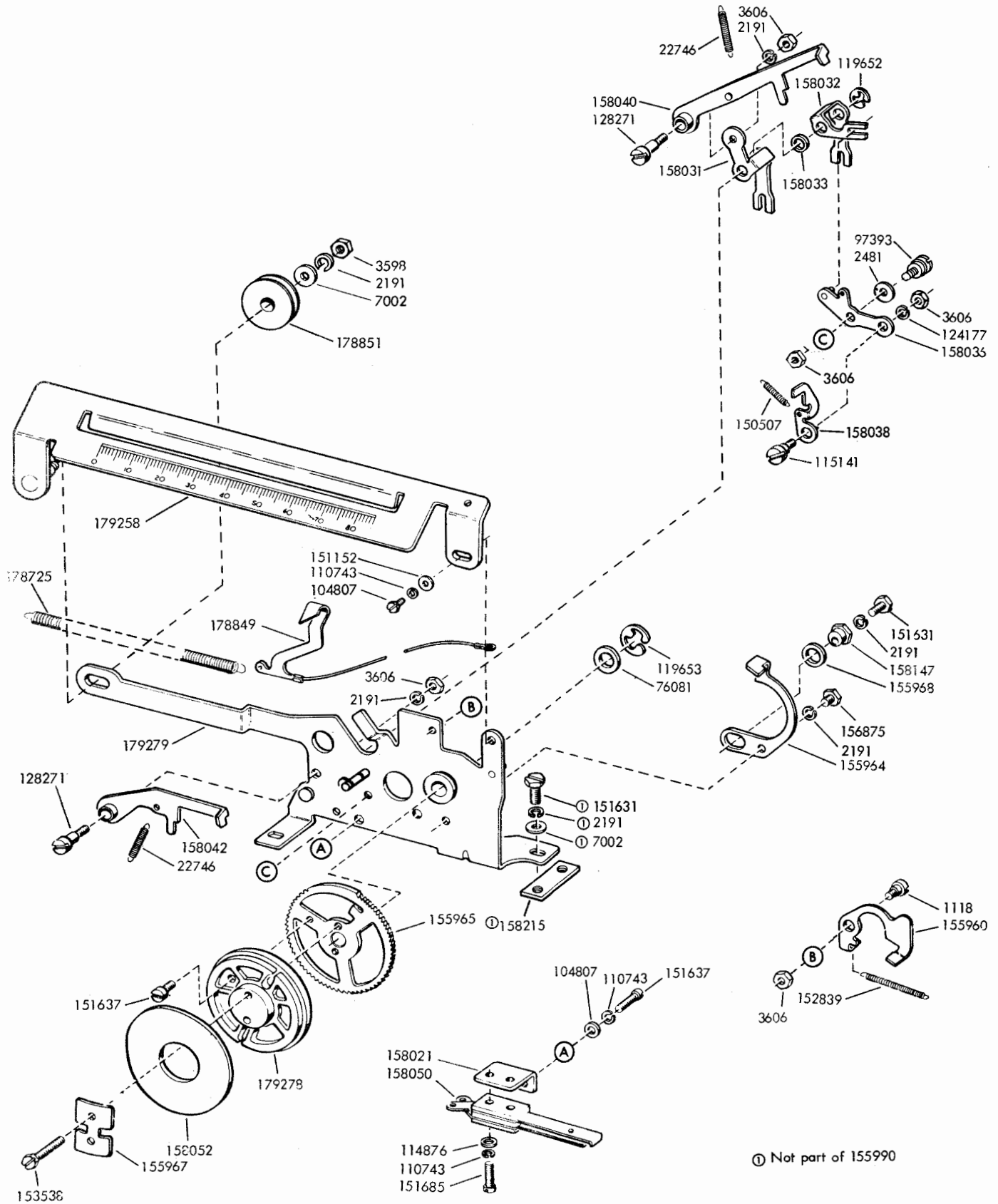


FIGURE 21. 155990 CHARACTER COUNTER ASSEMBLY

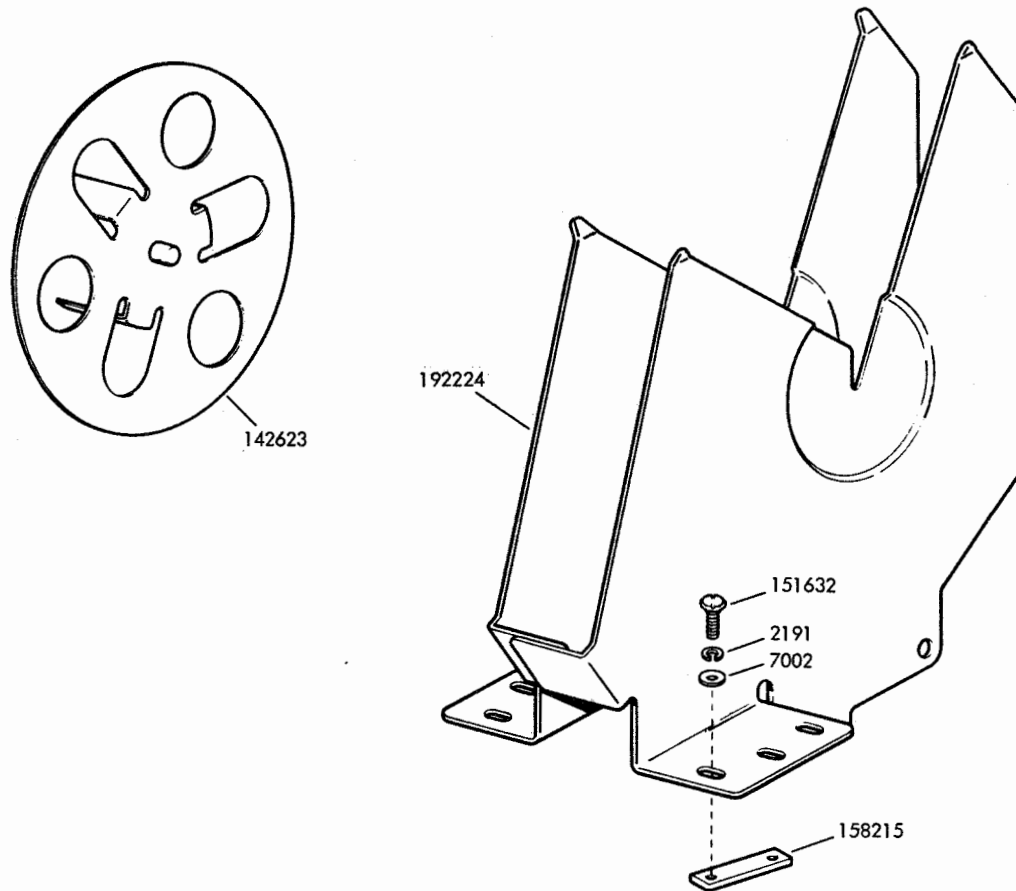


FIGURE 22. TAPE CONTAINER

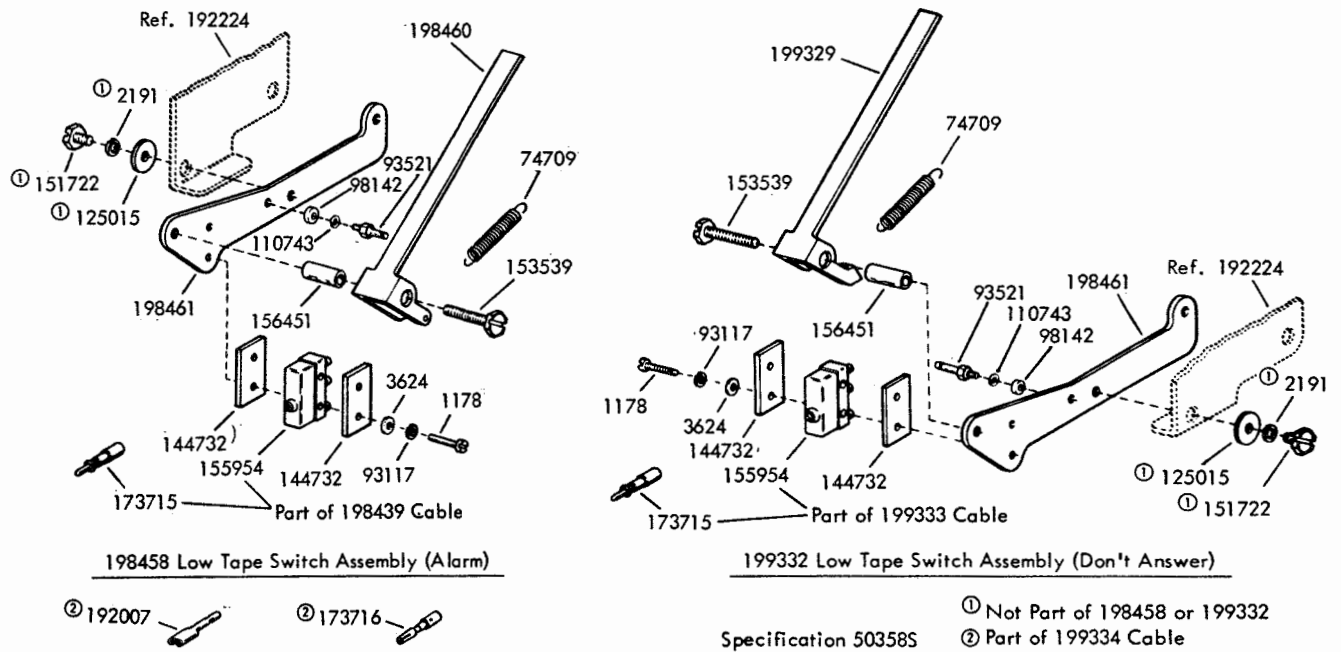

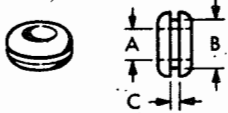

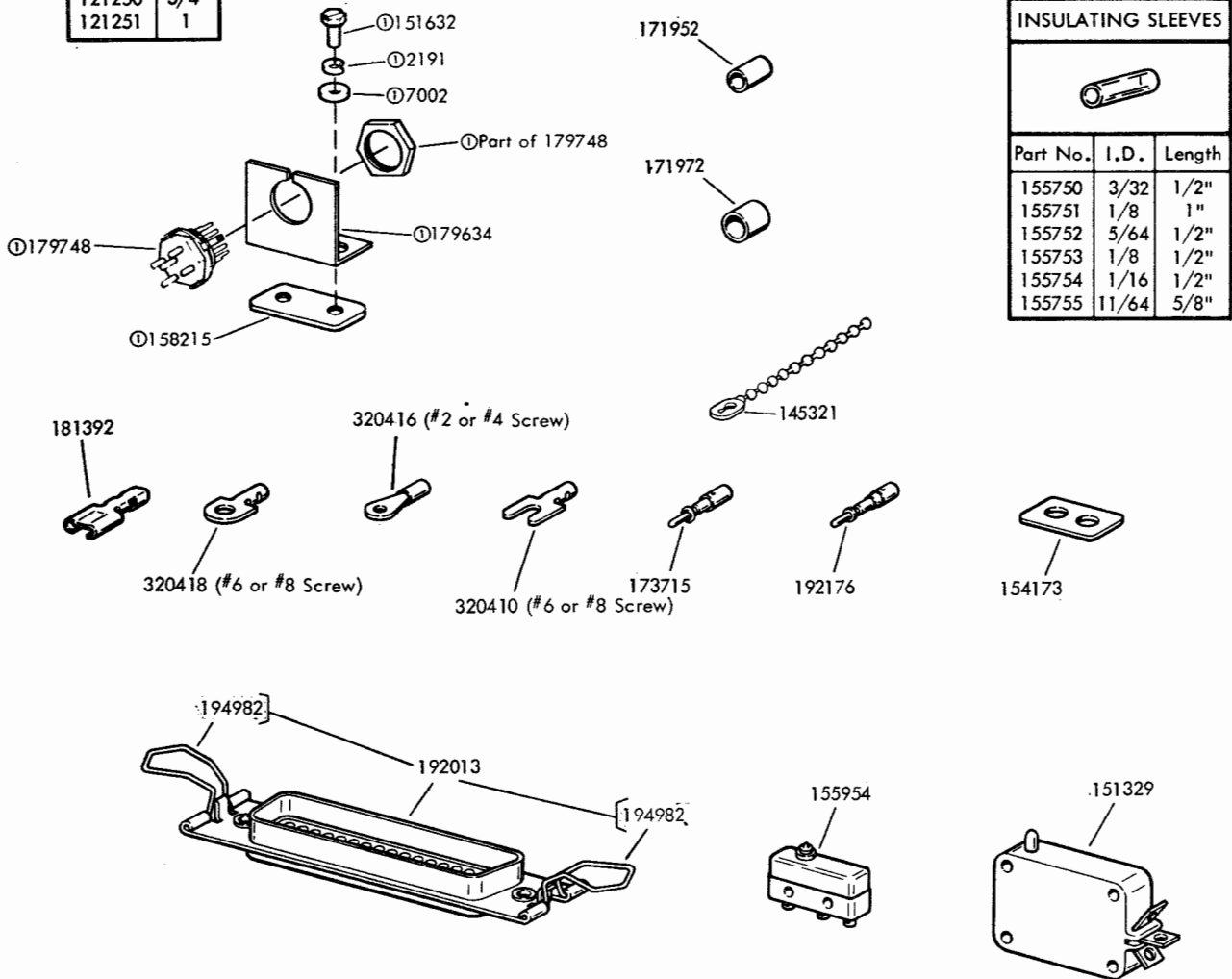



FIGURE 23. 199330 MODIFICATION KIT TO PROVIDE ALARM AND DON'T ANSWER ON LOW TAPE

| CABLE CLAMPS | |
|---|------|
|  | |
| Part No. | I.D. |
| 121242 | 1/8 |
| 121243 | 3/16 |
| 121244 | 1/4 |
| 121245 | 5/16 |
| 121246 | 3/8 |
| 121247 | 7/16 |
| 121248 | 1/2 |
| 121249 | 5/8 |
| 121250 | 3/4 |
| 121251 | 1 |

| GROMMETS | | | |
|---|------|------|------|
|  | | | |
| Part No. | A | B | C |
| 154156 | 3/16 | 5/16 | 1/32 |
| 154697 | 1/4 | .381 | 3/32 |

| JUMPERS | | | |
|---|--------|-------|-----------------|
|  | | | |
| Part No. | Length | Color | Terminals (Amt) |
| 192318 | 2-3/4" | Black | 173715 (2) |
| 197027 | 9" | Black | 181392 (2) |
| 156777 | 2" | Black | 320410 (2) |



| INSULATING SLEEVES | | |
|---|-------|--------|
|  | | |
| Part No. | I.D. | Length |
| 155750 | 3/32 | 1/2" |
| 155751 | 1/8 | 1" |
| 155752 | 5/64 | 1/2" |
| 155753 | 1/8 | 1/2" |
| 155754 | 1/16 | 1/2" |
| 155755 | 11/64 | 5/8" |

① Used with 199070 Contact Box Assembly (See Fig. 19)

FIGURE 24. CABLE COMPONENTS



| KEYTOP DESCRIPTION | PART NO. | KEYTOP DESCRIPTION | PART NO. | KEYTOP DESCRIPTION | PART NO. | KEYTOP DESCRIPTION | PART NO. |
|--------------------|----------|--------------------|----------|--------------------|----------|--------------------|----------|
| ① LOC LF | 151249 | BELL | 180341 | KBD UNLK | 184715 | TAB TX | 185091 |
| ① LOC CR | 151250 | TAB | 180373 | ERROR | 184719 | ⑤ CTRL | 185159 |
| ① REPT | 151254 | CAR RET | 180380 | CLR KYBD | 184734 | C/R EOB ⑤ | 185190 |
| ① LOC BSP | 153280 | ESC | 180382 | BLK | 184748 | ⑤ TAB | 185194 |
| RUB OUT | 180201 | BACK SPACE | 180402 | FORM OUT | 184819 | ⑤ MTAB | 185195 |
| RE TURN | 180202 | EOT | 180440 | DE LETE | 184842 | RUN OUT | 185211 |
| LINE FEED | 180203 | DIV | 180441 | THIN ADD | 184846 | BLANK FIGS | 185222 |
| HERE IS | 180206 | STORE | 180442 | SPACE EM | 184847 | SPACE | 185223 |
| BREAK | 180207 | TYPE ORD | 180443 | THIN SPACE | 184848 | NEW LINE | 185227 |
| REPT | 180208 | SECT | 180444 | SPACE EN | 184849 | EOM | 185228 |
| FIGS | 180210 | ① CTRL | 181253 | ELEV | 184858 | TAPE FEED | 185268 |
| LTRS | 180211 | ③ CTRL | 181971 | TAPE | 184859 | | |
| ALT MODE | 180257 | C/R EOB | 183920 | INT | 184862 | | |
| No Characters | 180299 | ④ No Characters | 184347 | SKIP | 184871 | | |

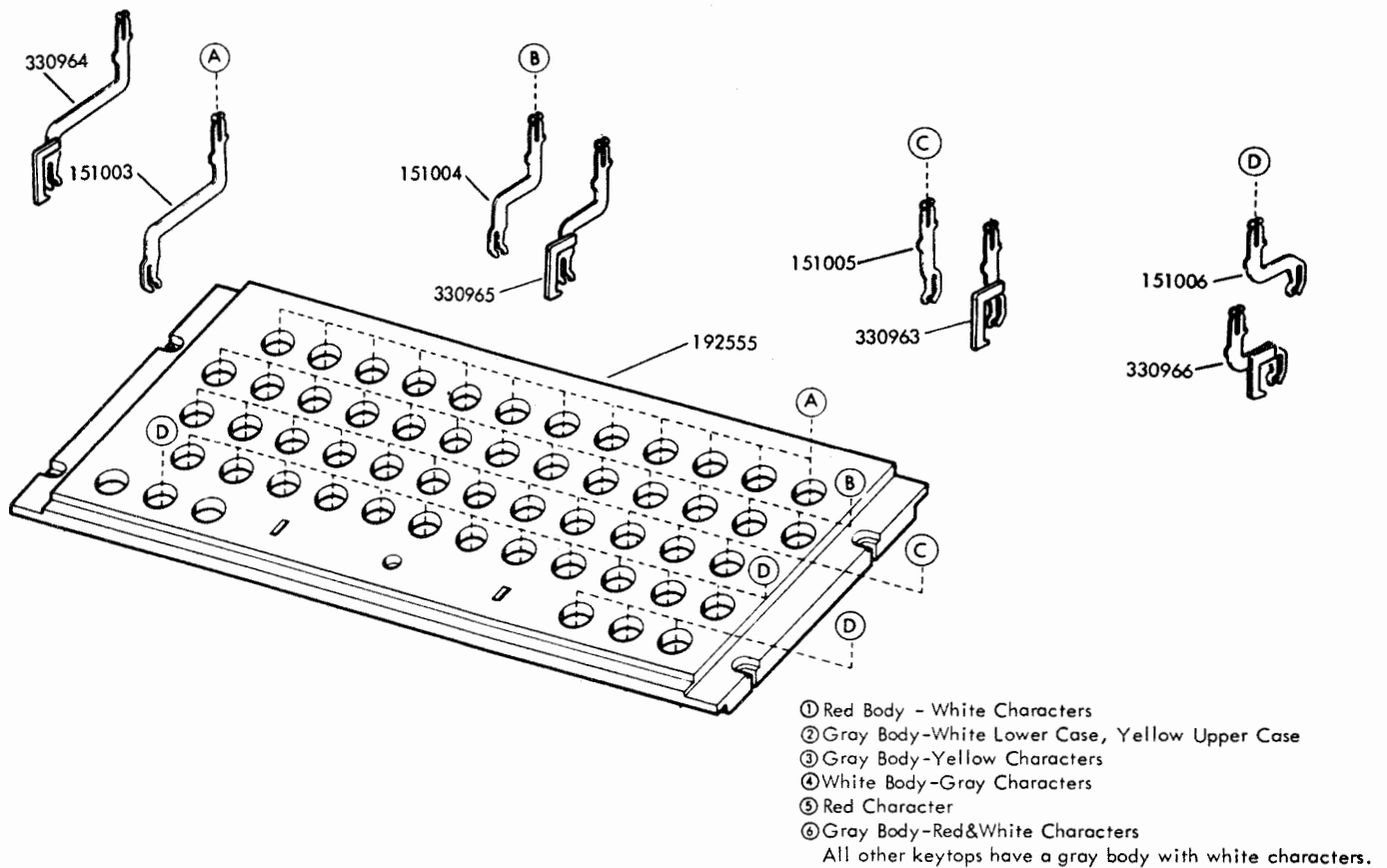


FIGURE 25. KEYTOPS AND KEYLEVERS

| KEYTOP DESCRIPTION | PART NO. | KEYTOP DESCRIPTION | PART NO. | KEYTOP DESCRIPTION | PART NO. | KEYTOP DESCRIPTION | PART NO. |
|---------------------------------|----------|---------------------|----------|---------------------------------|----------|---------------------|----------|
| A | 180181 | C O | 185238 | F % | 180386 | I TRAN ^① | 185205 |
| A - | 180223 | C ENX | 185243 | F < | 180410 | I TAB ^② | 185271 |
| A I | 180391 | ^③ C EOM | 185286 | F PRINT | 180429 | | |
| A SOM | 180427 | C 4B | 185293 | F \$ | 180447 | | |
| A SOA | 180435 | | | f RU | 184679 | J | 180187 |
| ^② A SOM | 183891 | | | F + | 184730 | J BELL | 180229 |
| ^④ A | 184343 | D EOT | 180183 | F ENT | 184801 | J ' . | 180243 |
| a | 184675 | D + | 180255 | F → | 185232 | J ▼ | 180390 |
| a B | 185059 | D \$ | 180240 | F DR | 185295 | j | 184660 |
| (A) 10 | 185143 | D WRU | 180277 | | | J = | 185213 |
| ^⑥ A SOH ^⑤ | 185148 | D | 180278 | | | J / | 185235 |
| A SOH | 185169 | D EOT | 180370 | G BELL | 180185 | | |
| A ↑ | 185230 | D) | 180409 | G &L | 180227 | | |
| A PA | 185291 | ^④ D | 184346 | G & | 180242 | K VT | 180188 |
| | | d EOT | 184678 | G | 180274 | K (| 180230 |
| | | D ← | 184729 | G BELL | 180372 | K 1/2 | 180244 |
| B | 180194 | D < | 184823 | G ⊙ | 180387 | K | 180280 |
| B ? | 180236 | D EOT ^⑤ | 185170 | G ▼ | 180394 | K VT \$ | 180361 |
| B 5/8 | 180249 | D ↗ | 185231 | G ¶ | 180411 | K VT [| 180430 |
| B EOA | 180381 | | | ^② G BELL | 183890 | K BP | 180449 |
| B ▼▼ | 180392 | | | g BELL | 184681 | K [| 184664 |
| B SOT | 180434 | E WRU | 180173 | G [| 184727 | K ! | 184731 |
| B BELL | 180455 | E 3 | 180215 | G I | 184824 | K (VT | 184803 |
| ^④ B | 184344 | E | 180259 | ^⑥ G BEL ^⑤ | 185173 | K [VT | 184870 |
| b | 184683 | E c | 180333 | G ↘ | 185233 | K → | 184888 |
| B c | 184827 | E WRU | 180369 | G BELL ^⑤ | 185273 | k | 185080 |
| B STX | 184868 | E [| 180404 | | | K! | 185090 |
| b + | 185078 | E PRINT | 180424 | | | K ' . | 185106 |
| (B) YES | 185144 | ^② E WRU | 183889 | H | 180186 | K] | 185126 |
| ^⑥ B STX ^⑤ | 185166 | e WRU | 184663 | H #L | 180228 | K < | 185142 |
| B ⊕ | 185240 | E (| 184725 | H STOP | 180378 | K [VT ^⑤ | 185171 |
| B SOM | 185242 | E & | 184745 | H ⌘ | 180388 | K - | 185214 |
| B RESET | 185292 | E ENQ | 185146 | H (| 180396 | K ← | 185236 |
| | | E WRU ^⑤ | 185175 | H FE | 180437 | | |
| | | E COND ^⑤ | 185200 | H # | 180448 | | |
| C | 180192 | E ENQ ^⑤ | 185283 | h | 184682 | L FORM | 180189 |
| C : | 180234 | E 4A | 185294 | H B5 ^⑤ | 185163 | L) | 180231 |
| C WRU | 180247 | | | H ↓ | 185234 | L 3/4 | 180245 |
| C 1/8 | 180377 | | | | | L | 180281 |
| C EOM | 180432 | F RU | 180184 | | | L FFC] = | 180362 |
| ^④ C | 184345 | F SL | 180226 | I TAB | 180178 | L \ | 180385 |
| c | 184677 | F 1/4 | 180241 | I 8 | 180220 | L FF \ | 180431 |
| C ETX | 184867 | F ¶ | 180258 | I | 180262 | L EA | 180450 |
| (C) NO | 185145 | F | 180273 | i TAB | 184672 | I - | 184668 |
| C ETX ^⑤ | 185165 | F ! | 180343 | i | 185065 | L FM] ≤ | 184710 |
| C * | 185212 | F RU | 180371 | I ↻ | 185188 | L DEL | 184713 |

① Red Body - White Characters

② Gray Body-White Lower Case, Yellow Upper Case

③ Gray Body-Yellow Characters

④ White Body-Gray Characters

⑤ Red Character

⑥ Gray Body-Red&White Characters

All other keytops have a gray body with white characters.

FIGURE 26. KEYTOPS (Continued)

| KEYTOP DESCRIPTION | PART NO. | KEYTOP DESCRIPTION | PART NO. | KEYTOP DESCRIPTION | PART NO. | KEYTOP DESCRIPTION | PART NO. |
|--------------------|----------|--------------------|----------|--------------------|----------|--------------------|----------|
| L \$ | 184732 | N ≥ | 184708 | P ↵ | 184821 | S X-OFF | 180182 |
| L ' / | 184744 | N) | 184711 | P → | 184834 | S ▽ | 180224 |
| L) FO | 184802 | N ⑆ | 184738 | P @ L | 184865 | S BELL | 180239 |
| L | 184804 | N | 184866 | P \ | 184872 | S | 185282 |
| L V | 184806 | N : | 184891 | P ▾ | 184887 | S R-C | 180360 |
| I ~ | 184835 | N BLK | 185092 | P) | 185125 | S STOP | 180428 |
| L ⑆ | 184873 | N ^ | 185132 | P ← | 185140 | S RM | 180446 |
| L & | 184889 | N CALL | 185296 | P ⑆ | 185265 | S DC-3 | 180458 |
| I | 185064 | | | P DLE | 180282 | ② S X-OFF | 183892 |
| L ≠ | 185127 | | | P PL-2 | 185298 | S X-OFF | 184676 |
| L \ FF | 185149 | O | 180169 | | | S e | 185086 |
| L FORM ⑤ | 185164 | O ← | 180179 | | | S X-OFF ③ | 185174 |
| L ~ FF ⑤ | 185172 | O 9 | 180221 | Q | 180171 | S DC-3 | 185276 |
| L FF S4 ⑤ | 185176 | O ▽ | 180313 | Q | 180213 | S RPR | 185301 |
| L MJ ⑤ | 185191 | O → | 180326 | Q BR | 180355 | ④ S | 185394 |
| L ▽ | 185219 | O < | 180358 | Q START | 180422 | | |
| L ↘ | 185237 | O ; | 180406 | Q DC-1 | 180456 | | |
| L \ FF ⑤ | 185270 | o ← | 184673 | ② Q X-ON | 183888 | T TAPE | 180175 |
| L ≤ FFO | 185272 | O 7 | 184706 | q | 184659 | T 5 | 180217 |
| L \ | 194227 | O ^ | 184735 | Q (| 184741 | T | 180261 |
| | | O % | 184746 | Q X-ON | 184869 | T P-O | 180357 |
| | | O @ | 184814 | Q RLF ⑤ | 185160 | T PUNCH | 180426 |
| M | 180196 | ∅ ← | 184860 | Q X-ON ⑤ | 185197 | t TAPE | 184667 |
| M . | 180238 | O - | 184864 | Q ADM ⑤ | 185198 | T ? | 184743 |
| M < | 180316 | O + | 184886 | Q > | 185215 | t f | 185087 |
| M ◇ | 180330 | O □ | 185089 | Q DC-1 | 185274 | T PR ⑤ | 185162 |
| M ? | 180365 | O S7 ⑤ | 185177 | Q IA | 185299 | T TAPE ⑤ | 185168 |
| M] | 180384 | O Δ ⑤ | 185189 | | | T BR ⑤ | 185202 |
| M * | 180417 | O TRAN ⑤ | 185206 | | | T NAL | 185210 |
| m] | 184665 | O PL-1 | 185257 | R TAPE | 180174 | T → | 185217 |
| M ≠ | 184836 | | | R 4 | 180216 | T DC-4 | 185277 |
| m | 185079 | P @ | 180180 | R | 180260 | T T-FWD | 185302 |
| M ^l | 185093 | P O | 180222 | R P-OFF | 180356 | ④ T | 185395 |
| M S | 185099 | P | 180263 | R PUNCH | 180425 | | |
| M , | 185105 | P | 180314 | R SEP | 180454 | | |
| | | P .. | 180327 | R DC-2 | 180457 | U | 180177 |
| | | P > | 180359 | r TAPE | 184666 | U 7 | 180219 |
| N ↑ | 180195 | P ∅ | 180389 | R) | 184742 | U ERROR | 180312 |
| N . | 180237 | P Δ | 180407 | R FS ⑤ | 185161 | U C | 180405 |
| N > | 180250 | P - | 180439 | R TAPE ⑤ | 185167 | u . | 184670 |
| N ? | 180315 | P DCO | 180459 | R EXPR ⑤ | 185201 | U % | 184726 |
| N X | 180340 | P 10 | 184658 | R ≥ | 185216 | U NA | 185147 |
| N ∇ | 180364 | P Σ | 184707 | R DC-2 ⑤ | 185275 | U RPT | 185204 |
| N 7/8 | 180379 | P √ | 184714 | R 8A | 185300 | U T-REV | 185303 |
| N] | 180416 | P] | 184728 | | | | |
| n ↑ | 184661 | P ^ | 184805 | | | | |

- ① Red Body - V. White Characters
 ② Gray Body-White Lower Case, Yellow Upper Case
 ③ Gray Body-Yellow Characters
 ④ White Body-Gray Characters
 ⑤ Red Character
 ⑥ Gray Body-Red&White Characters
 All other keytops have a gray body with white characters.

FIGURE 27. KEYTOPS (Continued)

SECTION 574-222-800TC

| KEYTOP DESCRIPTION | PART NO. | KEYTOP DESCRIPTION | PART NO. | KEYTOP DESCRIPTION | PART NO. | KEYTOP DESCRIPTION | PART NO. |
|--------------------|----------|--------------------|----------|--------------------|----------|--------------------|----------|
| V | 180193 | Y | 180176 | 1 ! | 180160 | ④ 3 | 184336 |
| V ;L= | 180235 | Y 6 | 180218 | 1 _ | 180264 | 3 4 | 184653 |
| V 3/8 | 180248 | Y | 184669 | 1 1/8 | 180284 | 3 | 184702 |
| V = | 180276 | Y DIAG | 185203 | 1 ⌋ | 180301 | 3 . | 184737 |
| V ; | 180342 | Y EM ⑤ | 185285 | 1 O | 180320 | 3 ≤ | 184829 |
| V ~ | 180415 | Y T.STP | 185307 | 1 ≠ | 180337 | 3 1/2 | 184874 |
| V PRINT | 180433 | | | ④ 1 | 184334 | 3 2 | 184877 |
| V NT | 180452 | | | 1 | 184651 | 3 3. | 185053 |
| v | 184680 | Z | 180190 | 1 ≡ | 184700 | 3 | 185081 |
| V " | 184712 | Z ∇L+ | 180232 | 1 ° | 184875 | 3 ^ | 185095 |
| V — | 184826 | Z " | 180246 | 1 DD2 | 184828 | 3 3 | 185112 |
| V ∅ | 185239 | Z + | 180275 | 1 1. | 185051 | 3 | 185180 |
| V SYN ⑥ | 185281 | Z PR | 180451 | 1 | 185069 | | |
| V 8B | 185304 | z | 184671 | 1 ③ | 185100 | | |
| | | Z § | 184800 | 1 | 185110 | 4 \$ | 180163 |
| | | Z SUB ③ | 185279 | 1 @ | 185120 | 4 | 180267 |
| W | 180172 | Z EOR ⑤ | 185288 | 1 ≥ | 185141 | 4 1/2 | 180287 |
| W 2 | 180214 | Z 1B | 185308 | 1 ⑤ | 185178 | 4 ■ | 180322 |
| W \ | 180403 | | | | | 4 — | 180348 |
| W LEM | 180423 | | | | | 4 EOT | 180393 |
| w | 184662 | FS | 184815 | | | 4 v | 180398 |
| W / | 184740 | GS | 184816 | 2 " | 180161 | ④ 4 | 184337 |
| W > | 184861 | RS | 184817 | 2 | 180265 | 4 , | 184654 |
| W DSCH | 185199 | US | 184818 | 2 1/4 | 180285 | 4 / | 184703 |
| W ETB | 185278 | PF | 184844 | 2 + | 180302 | 4 @ | 184721 |
| W SOR | 185287 | LD EM | 184850 | 2 ▽ | 180321 | 4 □ | 184807 |
| W ETB | 185289 | LR | 184851 | 2 | 180344 | 4 Y | 184830 |
| W DC7 | 185290 | VR | 184852 | 2 † | 180346 | 4 § | 184838 |
| W 2A | 185305 | QR | 184853 | ④ 2 | 184335 | 4 3 | 184878 |
| | | UR | 184854 | 2 ÷ | 184652 | 4 4. | 185054 |
| | | QL | 184855 | 2 ⊃ | 184701 | 4 | 185071 |
| X | 180191 | QC | 184856 | 2 : | 184720 | 4 4 | 185113 |
| X / | 180233 | LD EN | 184857 | 2 | 184876 | | |
| X ++ | 180414 | ENDE | 185134 | 2 2. | 185052 | | |
| X SEP | 180453 | FEHLER | 185135 | 2 | 185082 | 5 % | 180164 |
| x | 184674 | ANRUF | 185136 | 2 ≤ | 185094 | 5 | 180268 |
| X ↑ | 184733 | ④ YES | 185392 | 2 2 | 185111 | 5 5/8 | 180288 |
| X @ | 184747 | ④ NO | 185393 | | | 5 = | 180304 |
| X ? | 184825 | | | | | 5 c/o | 180323 |
| X ß | 185218 | | | 3 7 | 180162 | 5 ≤ | 180338 |
| X X | 185224 | | | 3 | 180266 | 5 ⊃ | 180349 |
| X CAN ⑥ | 185280 | | | 3 3/8 | 180286 | 5 : | 180399 |
| X 2B | 185306 | | | 3 — | 180303 | ④ 5 | 184338 |
| ④ X | 185396 | | | 3 ■ | 180334 | 5 ⌋ | 184655 |
| | | | | 3 ← | 180347 | 5 ' | 184722 |
| | | | | 3 = | 180397 | 5 u | 184808 |

① Red Body - White Characters

② Gray Body-White Lower Case, Yellow Upper Case

③ Gray Body-Yellow Characters

④ White Body-Gray Characters

⑤ Red Character

⑥ Gray Body-Red&White Characters

All other keytops have a gray body with white characters.

FIGURE 28. KEYTOPS (Continued)

| KEYTOP DESCRIPTION | PART NO. | KEYTOP DESCRIPTION | PART NO. | KEYTOP DESCRIPTION | PART NO. | KEYTOP DESCRIPTION | PART NO. |
|--------------------|----------|--------------------|----------|--------------------|----------|--------------------|----------|
| 5 ~ | 184831 | 7 7 | 185116 | <u>10</u> | 185075 | . | 180418 |
| 5 — | 184879 | 7 & | 185122 | ④ <u>10</u> | 185391 | . | 180419 |
| 5 5 | 185055 | 7 ▽ | 185138 | <u>11</u> | 185076 | / | 180420 |
| <u>5</u> | 185088 | | | <u>12</u> | 185077 | — @ | 180421 |
| 5 V | 185096 | | | <u>13</u> | 185084 | * | 180436 |
| 5 S | 185114 | 8 (| 180167 | <u>14</u> q | 185083 | + | 180438 |
| | | 8 | 180271 | <u>15</u> r | 185067 | X : | 184656 |
| | | 8 - | 180291 | <u>16</u> <u>θ</u> | 185068 | = = | 184657 |
| 6 & | 180165 | 8] | 180307 | <u>17</u> | 185061 | / 10 | 184709 |
| 6 | 180269 | 8 ~ | 180352 | <u>18</u> | 185063 | & | 184716 |
| 6 3/4 | 180289 | ④ 8 | 184341 | <u>19</u> | 185070 | > | 184717 |
| 6 ← | 180305 | 8 ⊕ | 184811 | | | < | 184718 |
| 6 FORM | 180345 | 8 (| 184882 | | | , E | 184736 |
| 6 ^ | 180350 | 8 5/8 | 184897 | — = | 180170 | , ^ | 184739 |
| 6 < | 180400 | 8 ← | 185057 | , < | 180197 | = | 184749 |
| ④ 6 | 184339 | <u>8</u> | 185074 | , > | 180198 | ↓ + | 184813 |
| 6 ÷ | 184705 | 8 8 | 185117 | ; + | 180199 | ^ | 184822 |
| 6 = | 184723 | 8 × | 185123 | / ? | 180200 | / ↓ | 184837 |
| 6 ! | 184809 | 8 | 185185 | : * | 180205 | ~ | 184841 |
| 6 ≥ | 184832 | | | \$! | 180283 | - + | 184843 |
| 6 { | 184880 | | | ; : | 180294 | : : | 184845 |
| 6 6. | 185056 | 9) | 180168 |) (| 180295 | , , | 184884 |
| <u>6</u> | 185072 | 9 | 180272 | , , | 180296 | ÷ | 184885 |
| 6 ≥ | 185097 | 9 & | 180292 | , . | 180297 | ≠ → | 184890 |
| 6 6 | 185115 | 9 (| 180308 | . . | 180298 | ⌋ < | 184892 |
| 6 ? | 185121 | 9 ▽ | 180375 | , ‘ | 180300 | ⌈ > | 184893 |
| 6 Δ | 185139 | ④ 9 | 184342 | ^ v | 180310 | [= | 184894 |
| | | 9 → | 184812 | — * | 180311 | / ■ | 184895 |
| | | 9) | 184883 | , ↑ | 180317 | — 7/8 | 184899 |
| 7 / | 180166 | 9 3/4 | 184898 | . ↓ | 180318 | & (oversize) | 184900 |
| 7 | 180270 | 9 A | 185058 | * : | 180324 | — d | 185060 |
| 7 7/8 | 180290 | <u>9</u> | 185066 | — ☆ | 180325 | g | 185062 |
| 7 [| 180306 | 9 9 | 185118 | ^ ^ | 180328 | ○ c | 185085 |
| 7 ≥ | 180339 | 90 | 185186 | // , | 180331 | ≡ ? | 185098 |
| 7 v | 180351 | | | / . | 180332 | & | 185101 |
| 7 BELL | 180395 | | | * | 180335 | % | 185102 |
| 7 ✓ | 180401 | 0 ? | 180293 | — | 180336 | - - | 185103 |
| ④ 7 | 184340 | 0 > | 180309 | ([| 180353 | / : | 185104 |
| 7 \ | 184724 | θ | 180374 |)] | 180354 | S = | 185108 |
| 7 P | 184810 | θ < | 180376 | + - | 180363 | & * | 185109 |
| 7 " | 184820 | θ 0 | 185119 | , ; | 180366 | / x | 185124 |
| 7 ≡ | 184833 | 0 | 185187 | . : | 180367 | , > | 185128 |
| 7 / | 184863 | ○ ← | 184839 | * / | 180368 | . < | 185129 |
| 7 } | 184881 | □ | 184840 | ⋈ | 180408 | ≥ ≤ | 185130 |
| 7 1/2 | 184896 | 10 / | 180319 | + | 180412 | [| 185131 |
| Z | 185073 | | | S | 180413 | | 185133 |

- ① Red Body - White Characters
 ② Gray Body - White Lower Case, Yellow Upper Case
 ③ Gray Body - Yellow Characters
 ④ White Body - Gray Characters
 ⑤ Red Character
 ⑥ Gray Body - Red & White Characters
 All other keytops have a gray body with white characters.

FIGURE 29. KEYTOPS (Continued)

SECTION 574-222-800TC

| KEYTOP DESCRIPTION | PART NO. | KEYTOP DESCRIPTION | PART NO. |
|--------------------|----------|--------------------|-----------|
| <E | 185137 | CTRL | 192299 |
| " 2 ② | 185179 | SHIFT | 192510 |
| \$ 4 ③ | 185181 | CNFM | 194226 |
| ? 5 ③ | 185182 | BRK RLS | ① 197040, |
| = 6 ③ | 185183 | LOC SLF | ① 198241 |
| v 7 ③ | 185184 | CTRL | ③ 305064 |
| ⑤ + | 185192 | CTRL | ① 323798 |
| ⑤ - | 185193 | ELF | 329251 |
| ⑤ ⌋ | 185196 | | |
| (| 185220 | | |
|) | 185221 | | |
| o | 185225 | | |
| ; | 185226 | | |
| | 185229 | | |
| + | 185244 | | |
| - | 185245 | | |
| ^ | 185246 | | |
| Δ | 185247 | | |
| ⌌ | 185248 | | |
| ⌋ | 185249 | | |
| ? | 185260 | | |
| □ | 185261 | | |
| : | 185262 | | |
| : □ | 185263 | | |
| • \$ | 185264 | | |
| / * | 185266 | | |
| % + | 185267 | | |
| ■ | 185269 | | |
| | | | |
| | | | |
| | | | |
| | | | |
| | | | |
| | | | |
| | | | |
| | | | |
| | | | |

- ① Red Body - White Characters
 - ② Gray Body-White Lower Case, Yellow Upper Case
 - ③ Gray Body-Yellow Characters
 - ④ White Body-Gray Characters
 - ⑤ Red Character
 - ⑥ Gray Body-Red&White Characters
- All other keytops have a gray body with white characters.

FIGURE 30. KEYTOPS (Continued)

NUMERICAL INDEX

| Part Number | Description and Page Number | Part Number | Description and Page Number | Part Number | Description and Page Number |
|-------------|---|-------------|--|-------------|--------------------------------|
| 1012 | Screw, 6-40 Shoulder 4 | 74755 | Washer, Felt 13 | 111767 | Washer, Flat 16 |
| 1020 | Screw, 6-40 x 1/4 Hex 15 | 74805 | Screw, 10-32 x 3/4 Hex 13 | 112485 | Screw, 6-32 x 1/4 Fil 3 |
| 1118 | Screw, 6-40 Shoulder 20 | 76081 | Washer, Flat 9,10,20 | 112626 | Nut, 10-32 Hex 7,13 |
| 1164 | Screw, 2-56 x 3/16 Fil 17 | 76099 | Washer, Flat 13 | 112627 | Nut, 2-56 Hex 12 |
| 1178 | Screw, 2-56 x 7/16 Fil 12,21 | 77039 | Bushing, Insulating 5,9,10 | 112630 | Spring 2 |
| 1210 | Screw, 2-56 x 5/8 Fil 17 | 80478 | Post, Spring 10 | 114876 | Washer, Flat 20 |
| 1256 | Setscrew, 6-40 5 | 80581 | Spring 4,15 | 115122 | Washer, Felt 13,16,17 |
| 1257 | Screw, 10-32 x 1-1/8 Fil 6 | 81726 | Terminal 9,10 | 115141 | Screw, 6-40 Shoulder 20 |
| 1293 | Screw, 4-40 x 1/8 Fil 18 | 81731 | Spring 2,3,9 | 117416 | Post 13 |
| 2191 | Lockwasher 2 to 10,12,13,15 to 22 | 82249 | Washer, Flat 10 | 117535 | Resistor, Cancelled 6 |
| 2415 | Spring 10 | 82547 | Insulator, .094" Thk 5,9,10,17 | 117608 | Nut, Speed 8 |
| 2422 | Lockwasher 3 | 82548 | Insulator, .062" Thk 5,9,10,17 | 119648 | Ring, Retaining 3,4,15 |
| 2481 | Washer, Flat 20 | 82860 | Spring 3,5 | 119649 | Ring, Retaining 4,16,17 |
| 2669 | Lockwasher 2,6,7,13,19 | 82999 | Spring 10 | 119651 | Ring, Retaining 2,3,8,15,16 |
| 3438 | Washer, Flat 2,7 | 83877 | Spring 10 | 119652 | Ring, Retaining 13,20 |
| 3598 | Nut, 6-40 Hex 2,5,6,8,10,12,13,15,16,17,20 | 85976 | Washer, Flat 12 | 119653 | Ring, Retaining 3,5,20 |
| 3599 | Nut, 4-40 Hex 3,4,9,10,12,15,16,17,18,19 | 86283 | Spring 9,10,12 | 119654 | Ring, Retaining 9,10 |
| 3606 | Nut, 6-40 Hex 4,16,20 | 86304 | Spring 18 | 119655 | Ring, Retaining 19 |
| 3608 | Spring 9 | 86742 | Nut, 4-40 Hex | 120489 | Spacer, .052" Thk 15 |
| 3624 | Washer, Flat 21 | 86959 | Bushing, Insulating 17 | 120824 | Washer, Felt 14 |
| 3639 | Lockwasher 2 | 89486 | Stiffener 17 | 120870 | Wick, Felt 15 |
| 3640 | Lockwasher 3,9,10,12,18,19 | 90054 | Spring 17 | 121100 | Spring 10 |
| 3870 | Spring 2,13 | 90391 | Washer, Felt 17 | 121242 | Clamp, 1/8 ID Cable 22 |
| 4702 | Spring 13 | 90679 | Washer, Felt 16 | 121243 | Clamp, 3/16 ID Cable 22 |
| 6970 | Nut, 3/8-32 Hex 6 | 90791 | Lockwasher 18 | 121244 | Clamp, 1/4 Cable 22 |
| 7002 | Washer, Flat 2,3,4,5,8,9,12,13,16,18,20,21,22 | 91026 | Screw, 4-40 Shoulder 10 | 121245 | Clamp, 5/16 ID Cable 22 |
| 7603 | Spring 16 | 93117 | Lockwasher 12,17,21 | 121246 | Clamp, 3/8 ID Cable 22 |
| 8330 | Washer, Flat 6,7,8,9 | 93507 | Screw, 4-40 x 3/4 Hex 17 | 121247 | Clamp, 7/16 ID Cable 22 |
| 8449 | Spacer, .094" Thk 16 | 93521 | Post, Spring 21 | 121248 | Clamp, 1/2 ID Cable 22 |
| 22746 | Spring 20 | 93758 | Washer, Felt 3 | 121249 | Clamp, 5/8 ID Cable 22 |
| 35826 | Washer, Flat 6 | 93984 | Lockwasher 4 | 121250 | Clamp, 3/4 ID Cable 22 |
| 41382 | Spring 10,17 | 94540 | Setscrew, 10-24 19 | 121251 | Clamp, 1 ID Cable 22 |
| 41732 | Plate, Clamp 5,9,10,17 | 97266 | Plate, Clamp 17 | 121473 | Post 12 |
| 42823 | Washer, Flat 14 | 97393 | Screw, 6 x 40 Shoulder 20 | 124177 | Lockwasher 20 |
| 42827 | Screw, 3-48 x 1/4 Fil 2 | 98142 | Washer, Flat 21 | 125011 | Washer, Flat 3,9,10,12,13,17 |
| 49420 | Spring, Torsion 5,9,10 | 99803 | Insulator, .094" Thk 5 | 125015 | Washer, Flat 6,12,16,19,21 |
| 55669 | Spring 3 | 102057 | Screw, 4-40 Shoulder 3 | 125126 | Screw, 2-56 x 9/32 Fil 18 |
| 70314 | Washer, Flat 19 | 104564 | Washer, Flat 19 | 125154 | Screw, 3-48 Shoulder 10 |
| 71073 | Washer, Flat 12,17 | 104710 | Ball, Bearing 12 | 125181 | Screw, 2-56 x 3/8 Fil 2 |
| 73035 | Spring 3 | 104807 | Washer, Flat 4,20 | 125250 | Spring 15 |
| 74014 | Screw, 10-32 x 3/4 Hex 2 | 104827 | Bearing, Ball 7 | 125253 | Spring 9,10 |
| 74709 | Spring 21 | 108370 | Washer, Felt 15 | 128271 | Screw, 6-40 Shoulder 20 |
| 74728 | Terminal, Contact 5,17 | 109356 | Washer, Flat 19 | 128357 | Ring, Retaining 14 |
| | | 110437 | Spring 4 | 142623 | Reel, Tape 21 |
| | | 110743 | Lockwasher 4,5,10,12,13,14,15,16,17,18,20,21 | 144732 | Insulator 21 |
| | | 111017 | Screw, 6-40 x 5/16 Hex 2 | 144749 | Bracket Assembly, Bearing 1,19 |

NUMERICAL INDEX (Continued)

| Part Number | Description and Page Number | Part Number | Description and Page Number | Part Number | Description and Page Number |
|-------------|--|-------------|--|-------------|-------------------------------|
| 144753 | Shaft w/Bearing 19 | 151415 | Block, Terminal 2 | 153538 | Screw, 6-40 x 7/16 Hex 20 |
| 144755 | Shaft, 7-1/4" Lg 19 | 151416 | Nut, 6-40 Hex 2 | 153539 | Screw, 6-40 x 11/16 Hex 21 |
| 144756 | Shaft, 3-9/32" Lg 19 | 151442 | Screw, 6-40 x 1/2 Hex 6, 13 | 153631 | Network, Spark Suppression 17 |
| 144759 | Spacer, .187" Thk 6 | 151616 | Screw, No. 2 Self-Tapping 2 | 153817 | Screw, 4-40 x 3/8 Hex 12, 18 |
| 144760 | Spacer, .400" Thk 6 | 151618 | Screw, 6-40 x 7/16 Fil 8 | 153819 | Lockwasher.2 |
| 144761 | Shaft 6 | 151630 | Screw, 6-40 x 1/4 Hex 2, 3,6,7,8,9,10,19 | 153841 | Screw, 6-40 x 9/16 Hex 8, 13 |
| 144763 | Plate, Nut 2,7 | 151631 | Screw, 6-40 x 5/16 Hex 2, 3,7,8,10,12,13,19,20 | 154008 | Guide, Codebar 9 |
| 144767 | Plate w/Bracket, Bearing 6 | 151632 | Screw, 6-40 x 3/8 Hex 2, 3,6,7,8,18,19,21,22 | 154009 | Plate, Front 15 |
| 144769 | Button, Pivot 6 | 151637 | Screw, 4-40 x 1/4 Fil 3, 10,20 | 154010 | Bail, Transfer 15 |
| 144770 | Gear Assembly, Intermediate 1,6 | 151659 | Screw, 6-40 x 1/2 Fil 8 | 154013 | Bracket, Spring 9,10 |
| 144992 | Shaft w/Bearing 19 | 151678 | Screw, 1/4-32 Pilot 2 | 154015 | Post 16 |
| 145321 | Tie, Cable 22 | 151685 | Screw, 4-40 x 5/16 Fil 20 | 154019 | Follower, Eccentric 14 |
| 148128 | Washer, Flat 12 | 151687 | Screw, 4-40 x 7/16 Fil 5 | 154021 | Link 8 |
| 150013 | Disc, Adjusting 14 | 151688 | Screw, 4-40 x 5/8 Fil 9, 10 | 154027 | Bellcrank 16 |
| 150026 | Lever, Shoe Release 14 | 151691 | Screw, 10-32 x 3/8 Fil 19 | 154029 | Wick, Felt 14 |
| 150029 | Wick, Felt 14 | 151692 | Screw, 6-40 x 3/16 Fil 2 | 154030 | Shaft, Signal Generator 14 |
| 150043 | Shoe, Secondary Clutch 14 | 151694 | Screw, 6-40 x 11/32 Fil 19 | 154032 | Sleeve, Gear 14 |
| 150044 | Shoe, Primary Clutch 14 | 151712 | Button, Pivot 7 | 154033 | Ltachlever, Clutch 13 |
| 150241 | Spring 14 | 151722 | Screw, 6-40 x 3/16 Hex 2, 3,4,5,9,10,15,21 | 154034 | Lever, Clutch Stop 13 |
| 150507 | Spring 4,20 | 151723 | Screw, 10-32 x 3/8 Hex 2, 6 | 154036 | Plate, Detent 15 |
| 150923 | Washer, Felt 15,16 | 151724 | Screw, 10-32 x 5/8 Hex 6, 7 | 154046 | Stud 13 |
| 150966 | Insulator, Terminal Block 2 | 151725 | Screw, 10-32 x 3/4 Fil 7 | 154047 | Post, Spring 15 |
| 150990 | Washer, Felt 16 | 151728 | Spring 14 | 154051 | Screw, 6-40 Shoulder 16 |
| 150991 | Washer, Felt 9,10,13 | 151737 | Screw, 4-40 x 11/64 Hex 14 | 154053 | Bail, Clutch Trip 13 |
| 151003 | Keylever 23 | 151843 | Screw, 6-40 Adjusting 12 | 154056 | Bracket, Contact Box 18 |
| 151004 | Keylever 23 | 152045 | Gaurd, Gear 2 | 154064 | Bracket, Adjusting 3 |
| 151005 | Keylever 23 | 152441 | Washer, Flat 4 | 154065 | Lever w/Hub 3 |
| 151006 | Keylever 23 | 152839 | Spring, Latch 20 | 154071 | Screw, 1/4-32 Pilot 9,10 |
| 151036 | Screw, 4-40 Shoulder 16 | 152887 | Screw, 4-40 x 1/2 Hex 19 | 154072 | Bracket, Stop 10 |
| 151080 | Washer, Flat 12 | 152893 | Screw, 4-40 x 1/4 Hex 12 | 154076 | Plate, Nut 2 |
| 151103 | Spring 4 | 153247 | Lever, Trip 3 | 154079 | Stud 16 |
| 151113 | Strip, Mounting 2 | 153248 | Bushing,6-40 Shoulder 3 | 154080 | Lock, Wedge 12 |
| 151118 | Plate, Spacing 2 | 153250 | Link 3 | 154083 | Spacer, Cam 14 |
| 151146 | Strap, Mounting 2 | 153266 | Lever, Trip 3 | 154084 | Bearing, Needle 16 |
| 151152 | Screw, 4-40 x 3/16 Hex 4, 9,10,12,13,18,20 | 153273 | Link 3 | 154087 | Plate, Nut 2 |
| 151153 | Bearing, Sleeve 14 | 153280 | Keytop 23 | 154088 | Plate, Nut 2 |
| 151182 | Washer, Insulating 18 | 153537 | Screw, 6-40 x 9/32 Hex 2, 4 | 154089 | Post, Spring 16 |
| 151223 | Screw, 4-40 Shoulder 8 | | | 154091 | Guide, Non-Repeat Lever 16 |
| 151224 | Screw, 6-40 Pilot 8 | | | 154092 | Shaft 5 |
| 151233 | Spacer, .065" Thk 3 | | | 154094 | Clamp 13 |
| 151249 | Keytop 23 | | | 154095 | Eccentric, Contact Box 18 |
| 151250 | Keytop 23 | | | 154096 | Bushing, Eccentric 13 |
| 151254 | Keytop 23 | | | 154097 | Bail 3 |
| 151329 | Switch, Sensitive 22 | | | 154101 | Plate, Rear 13 |
| 151335 | Stud 2 | | | | |
| 151354 | Screw, 2-56 x 15/32 Fil 3 | | | | |

NUMERICAL INDEX (Continued)

| Part Number | Description and Page Number | Part Number | Description and Page Number | Part Number | Description and Page Number |
|-------------|---|-------------|----------------------------------|-------------|----------------------------------|
| 154105 | Post, Transfer Bail 15 | 155990 | Counter Assembly, Character 1,20 | 160090 | Lever, Transfer 15 |
| 154107 | Bracket 3 | 155994 | Insulator, .015" Thk 3 | 160583 | Spring, Contact 5 |
| 154109 | Plunger 2 | 156226 | Hub 19 | 160593 | Terminal 17 |
| 154115 | Guide Plate 2 | 156451 | Bushing 21 | 161295 | Gearset, 100 WPM 6 |
| 154120 | Lever, Codebar 9,10 | 156503 | Wick, Felt 14 | 161301 | Post 6 |
| 154125 | Spring 9,10 | 156509 | Washer, Flat 15 | 161346 | Washer, Felt 15 |
| 154127 | Nut, 6-40 Hex 16 | 156516 | Latch 15 | 161882 | Plate w/Bracket 19 |
| 154130 | Box, Contact 18 | 156574 | Post, Spring 12 | 162333 | Stud, Locating 5 |
| 154131 | Cover, Contact 18 | 156630 | Washer, Felt 15 | 162803 | Post, Drive Link 4 |
| 154133 | Bracket 3 | 156632 | Screw, 6-40 x 13/32 Hex 19 | 162883 | Cover, Insulating 5 |
| 154138 | Washer, Felt 14 | 156644 | Link, Drive 18 | 163440 | Gear, 48T 6,7 |
| 154156 | Grommet, Rubber 22 | 156740 | Screw, 6-40 x 7/32 Hex 4, 7,12 | 170172 | Bracket 2 |
| 154166 | Suppressor, ARC 18 | 156777 | Jumper, 2" Black 22 | 170173 | Lever w/Hub 5 |
| 154173 | Plate 22 | 156875 | Screw, 6-40 x 5/32 Fil 20 | 170324 | Bracket, Front 9 |
| 154189 | Insulator 18 | 158021 | Bracket, Switch 20 | 170332 | Bail Assembly, Universal 1,12 |
| 154191 | Spring 10,16 | 158031 | Bail, Feed 20 | 170358 | Bracket 2 |
| 154199 | Shim, .005" Thk 2 | 158032 | Bail, Reset 20 | 170361 | Bar, Clutch Trip 9,10,11 |
| 154201 | Shim, .014" Thk 2 | 158033 | Spacer, .055" Thk 20 | 170363 | Bracket, Left 9,10 |
| 154215 | Spring 16 | 158036 | Lever, Reset 20 | 170364 | Bracket, Right 9,10 |
| 154217 | Wick, Leather 15 | 158038 | Lever 20 | 170365 | Guide, Codelever 9,10 |
| 154227 | Bracket, Support 5 | 158040 | Lever, Ratchet Drive 20 | 170368 | Shaft 9,10 |
| 154236 | Latchlever 13 | 158042 | Lever, Latch 20 | 170369 | Bracket, Support 9 |
| 154238 | Extension 12 | 158050 | Switch, Contact 20 | 170370 | Lever, Function 9,10 |
| 154239 | Extension w/Post 12 | 158052 | Cam, Switch 20 | 170371 | Lever, Function 9,10 |
| 154240 | Bail, Codebar 16 | 158147 | Bushing, Eccentric 20 | 170372 | Bail, Universal 12 |
| 154241 | Stud 16 | 158164 | Lever w/Hub 3 | 170373 | Blade, Rear 12 |
| 154386 | Plate, Adjusting 16 | 158213 | Plate, Nut 2 | 170374 | Blade, Front 12 |
| 154694 | Disc, Clutch Cam 14 | 158215 | Plate, Nut 2,20,21,22 | 170375 | Lever, Assembly 9,10 |
| 154697 | Grommet, Rubber 22 | 158216 | Plate, Nut 2 | 170379 | Retainer, Ball 12 |
| 155046 | Screw, 4-40 x 15/32 Hex 17 | 158217 | Plate, nut 2 | 170380 | Retainer, Wedge 12 |
| 155750 | Sleeve, 3/32 ID x 1/2" Lg Insulating 22 | 158231 | Contact Assembly 5 | 170385 | Frame w/Bushing 13 |
| 155751 | Sleeve, 1/8 ID Cable x 1" Lg Insulating 22 | 158268 | Latch w/Hub 16 | 170386 | Guide, Transfer Level 15 |
| 155752 | Sleeve, 5/64 ID x 1/2" Lg Insulating 22 | 158271 | Guard, Gear 19 | 170388 | Guidepost 15 |
| 155753 | Sleeve, 1/8 ID x 1/2" Lg Insulating 22 | 158275 | Plate, Clamp 5 | 170390 | Bail, Locking 15 |
| 155754 | Sleeve, 1/16 ID x 1/2" Lg Insulating 22 | 158277 | Screw, 3-48 x 1 RD 5 | 170391 | Guide, Transfer Lever 15 |
| 155755 | Sleeve, 11/64 ID x 5/8" Lg Insulating 17,22 | 158745 | Clamp, Bearing 6,7,19 | 170392 | Lever, Non-Repeat 16 |
| 155954 | Switch, Sensitive 3,21, 22 | 158816 | Spring, Contact 5,9,10 | 170395 | Bracket, Function Bail 5 |
| 155960 | Latch 20 | 158828 | Bushing, Mounting 6 | 170396 | Bail, L.B.S. 3,5,16 |
| 155964 | Lever, Stop 20 | 158907 | Spring 15 | 170397 | Bail, L.C.R. 5 |
| 155965 | Ratchet, 88T 20 | 159284 | Pinion, 20T 6 | 170398 | Lever, L.L.F. 5 |
| 155967 | Washer, Spring 20 | 159285 | Gear, 84T 6 | 170399 | Lever 3,5 |
| 155968 | Washer, Flat 20 | 159287 | Retainer, Pinion 6 | 170406 | Bracket, Left Spacebar 311741 8 |
| | | 159327 | Washer, Flat 16 | 170407 | Bracket, Right Spacebar 311741 8 |
| | | 159334 | Washer, Insulation 10,16 | 170410 | Plate, Nut 2 |
| | | 159341 | Bearing, Ball 6,19 | 170412 | Bracket, Switch Mounting 5 |
| | | 159404 | Post 19 | 170413 | Contact Assembly 5 |
| | | 159597 | Washer, Flat 4 | | |

NUMERICAL INDEX (Continued)

| Part Number | Description and Page Number | Part Number | Description and Page Number | Part Number | Description and Page Number |
|-------------|--------------------------------|-------------|-----------------------------|-------------|-----------------------------|
| 170414 | Lever, Function 9,10 | 180175 | Keytop 25 | 180229 | Keytop 24 |
| 170418 | Bracket 3 | 180176 | Keytop 26 | 180230 | Keytop 24 |
| 171688 | Bushing, .265" Thk 17 | 180177 | Keytop 25 | 180231 | Keytop 24 |
| 171952 | Connector, Green Shielding 22 | 180178 | Keytop 24 | 180232 | Keytop 26 |
| 171972 | Connector, Green Insulated 22 | 180179 | Keytop 25 | 180233 | Keytop 26 |
| 173096 | Stud, Eccentric 16 | 180180 | Keytop 25 | 180234 | Keytop 24 |
| 173508 | Gear, 66T 19 | 180181 | Keytop 24 | 180235 | Keytop 26 |
| 173715 | Terminal, Plug Type 21,22 | 180182 | Keytop 25 | 180236 | Keytop 24 |
| 173716 | Terminal, Receptacle Type 21 | 180183 | Keytop 24 | 180237 | Keytop 25 |
| 176339 | Post, Stop 16 | 180184 | Keytop 24 | 180238 | Keytop 25 |
| 176352 | Box Assembly, Contact 1, 18 | 180185 | Keytop 24 | 180239 | Keytop 25 |
| 176354 | Sleeve 15 | 180186 | Keytop 24 | 180240 | Keytop 24 |
| 176673 | Suppressor, Spark 2 | 180187 | Keytop 24 | 180241 | Keytop 24 |
| 176700 | Base 2,3 | 180188 | Keytop 24 | 180242 | Keytop 24 |
| 178142 | Camsleeve 14 | 180189 | Keytop 24 | 180243 | Keytop 24 |
| 178144 | Contact Assembly 9,10 | 180190 | Keytop 26 | 180244 | Keytop 24 |
| 178145 | Bracket, Switch 9,10 | 180191 | Keytop 26 | 180245 | Keytop 24 |
| 178146 | Guard 9,10 | 180192 | Keytop 24 | 180246 | Keytop 26 |
| 178147 | Spring, Contact 9,10 | 180193 | Keytop 26 | 180247 | Keytop 24 |
| 178725 | Spring 20 | 180194 | Keytop 24 | 180248 | Keytop 26 |
| 178849 | Cord Assembly, Indicator 20 | 180195 | Keytop 25 | 180249 | Keytop 24 |
| 178851 | Pulley 20 | 180196 | Keytop 25 | 180250 | Keytop 25 |
| 179258 | Bracket, Scale 20 | 180197 | Keytop 27 | 180255 | Keytop 24 |
| 179278 | Drum, Ratchet 20 | 180198 | Keytop 27 | 180257 | Keytop 23 |
| 179279 | Bracket w/Posts 20 | 180199 | Keytop 27 | 180258 | Keytop 24 |
| 179634 | Bracket, Connector Mounting 22 | 180200 | Keytop 27 | 180259 | Keytop 24 |
| 179639 | Contact Assembly 18 | 180201 | Keytop 23 | 180260 | Keytop 25 |
| 179643 | Network, Filter 18 | 180202 | Keytop 23 | 180261 | Keytop 25 |
| 179748 | Connector, 5 Pt Plug 22 | 180203 | Keytop 23 | 180262 | Keytop 24 |
| 180160 | Keytop 26 | 180205 | Keytop 27 | 180263 | Keytop 25 |
| 180161 | Keytop 26 | 180206 | Keytop 23 | 180264 | Keytop 26 |
| 180162 | Keytop 26 | 180207 | Keytop 23 | 180265 | Keytop 26 |
| 180163 | Keytop 26 | 180208 | Keytop 23 | 180266 | Keytop 26 |
| 180164 | Keytop 26 | 180210 | Keytop 23 | 180267 | Keytop 26 |
| 180165 | Keytop 27 | 180211 | Keytop 23 | 180268 | Keytop 26 |
| 180166 | Keytop 27 | 180213 | Keytop 25 | 180269 | Keytop 27 |
| 180167 | Keytop 27 | 180214 | Keytop 26 | 180270 | Keytop 27 |
| 180168 | Keytop 27 | 180215 | Keytop 24 | 180271 | Keytop 27 |
| 180169 | Keytop 25 | 180216 | Keytop 25 | 180272 | Keytop 27 |
| 180170 | Keytop 27 | 180217 | Keytop 25 | 180273 | Keytop 24 |
| 180171 | Keytop 25 | 180218 | Keytop 26 | 180274 | Keytop 24 |
| 180172 | Keytop 26 | 180219 | Keytop 25 | 180275 | Keytop 26 |
| 180173 | Keytop 24 | 180220 | Keytop 24 | 180276 | Keytop 26 |
| 180174 | Keytop 25 | 180221 | Keytop 25 | 180277 | Keytop 24 |
| | | 180222 | Keytop 25 | 180278 | Keytop 24 |
| | | 180223 | Keytop 24 | 180280 | Keytop 24 |
| | | 180224 | Keytop 25 | 180281 | Keytop 24 |
| | | 180226 | Keytop 24 | 180282 | Keytop 25 |
| | | 180227 | Keytop 24 | 180283 | Keytop 27 |
| | | 180228 | Keytop 24 | 180284 | Keytop 26 |

NUMERICAL INDEX (Continued)

| Part Number | Description and Page Number | Part Number | Description and Page Number | Part Number | Description and Page Number |
|-------------|-----------------------------|-------------|-----------------------------|-------------|-----------------------------|
| 180285 | Keytop 26 | 180336 | Keytop 27 | 180387 | Keytop 24 |
| 180286 | Keytop 26 | 180337 | Keytop 26 | 180388 | Keytop 24 |
| 180287 | Keytop 26 | 180338 | Keytop 26 | 180389 | Keytop 25 |
| 180288 | Keytop 26 | 180339 | Keytop 27 | 180390 | Keytop 24 |
| 180289 | Keytop 27 | 180340 | Keytop 25 | 180391 | Keytop 24 |
| 180290 | Keytop 27 | 180341 | Keytop 23 | 180392 | Keytop 24 |
| 180291 | Keytop 27 | 180342 | Keytop 26 | 180393 | Keytop 26 |
| 180292 | Keytop 27 | 180343 | Keytop 24 | 180394 | Keytop 24 |
| 180293 | Keytop 27 | 180344 | Keytop 26 | 180395 | Keytop 27 |
| 180294 | Keytop 27 | 180345 | Krytop 27 | 180396 | Keytop 24 |
| 180295 | Keytop 27 | 180346 | Keytop 26 | 180397 | Keytop 26 |
| 180296 | Keytop 27 | 180347 | Keytop 26 | 180398 | Keytop 26 |
| 180297 | Keytop 27 | 180348 | Keytop 26 | 180399 | Keytop 26 |
| 180298 | Keytop 27 | 180349 | Keytop 26 | 180400 | Keytop 27 |
| 180299 | Keytop 23 | 180350 | Keytop 27 | 180401 | Keytop 27 |
| 180300 | Keytop 27 | 180351 | Keytop 27 | 180402 | Keytop 23 |
| 180301 | Keytop 26 | 180352 | Keytop 27 | 180403 | Keytop 26 |
| 180302 | Keytop 26 | 180353 | Keytop 27 | 180404 | Keytop 24 |
| 180303 | Keytop 26 | 180354 | Keytop 27 | 180405 | Keytop 25 |
| 180304 | Keytop 26 | 180355 | Keytop 25 | 180406 | Keytop 25 |
| 180305 | Keytop 27 | 180356 | Keytop 25 | 180407 | Keytop 25 |
| 180306 | Keytop 27 | 180357 | Keytop 25 | 180408 | Keytop 27 |
| 180307 | Keytop 27 | 180358 | Keytop 25 | 180409 | Keytop 24 |
| 180308 | Keytop 27 | 180359 | Keytop 25 | 180410 | Keytop 24 |
| 180309 | Keytop 27 | 180360 | Keytop 25 | 180411 | Keytop 24 |
| 180310 | Keytop 27 | 180361 | Keytop 24 | 180412 | Keytop 27 |
| 180311 | Keytop 27 | 180362 | Keytop 24 | 180413 | Keytop 27 |
| 180312 | Keytop 25 | 180363 | Keytop 27 | 180414 | Keytop 26 |
| 180313 | Keytop 25 | 180364 | Keytop 25 | 180415 | Keytop 26 |
| 180314 | Keytop 25 | 180365 | Keytop 25 | 180416 | Keytop 25 |
| 180315 | Keytop 25 | 180366 | Keytop 27 | 180417 | Keytop 25 |
| 180316 | Keytop 25 | 180367 | Keytop 27 | 180418 | Keytop 27 |
| 180317 | Keytop 27 | 180368 | Keytop 27 | 180419 | Keytop 27 |
| 180318 | Keytop 27 | 180369 | Keytop 24 | 180420 | Keytop 27 |
| 180319 | Keytop 27 | 180370 | Keytop 24 | 180421 | Keytop 27 |
| 180320 | Keytop 26 | 180371 | Keytop 24 | 180422 | Keytop 25 |
| 180321 | Keytop 26 | 180372 | Keytop 24 | 180423 | Keytop 26 |
| 180322 | Keytop 26 | 180373 | Keytop 23 | 180424 | Keytop 24 |
| 180323 | Keytop 26 | 180374 | Keytop 27 | 180425 | Keytop 25 |
| 180324 | Keytop 27 | 180375 | Keytop 27 | 180426 | Keytop 25 |
| 180325 | Keytop 27 | 180376 | Keytop 27 | 180427 | Keytop 24 |
| 180326 | Keytop 25 | 180377 | Keytop 24 | 180428 | Keytop 25 |
| 180327 | Keytop 25 | 180378 | Keytop 24 | 180429 | Keytop 24 |
| 180328 | Keytop 27 | 180379 | Keytop 25 | 180430 | Keytop 24 |
| 180330 | Keytop 25 | 180380 | Keytop 23 | 180431 | Keytop 24 |
| 180331 | Keytop 27 | 180381 | Keytop 24 | 180432 | Keytop 24 |
| 180332 | Keytop 27 | 180382 | Keytop 23 | 180433 | Keytop 26 |
| 180333 | Keytop 24 | 180384 | Keytop 25 | 180434 | Keytop 24 |
| 180334 | Keytop 26 | 180385 | Keytop 24 | 180435 | Keytop 24 |
| 180335 | Keytop 27 | 180386 | Keytop 24 | 180436 | Keytop 27 |

NUMERICAL INDEX (Continued)

| Part Number | Description and Page Number | Part Number | Description and Page Number | Part Number | Description and Page Number |
|-------------|--------------------------------|-------------|-----------------------------|-------------|-----------------------------|
| 180437 | Keytop 24 | 184653 | Keytop 26 | 184720 | Keytop 26 |
| 180438 | Keytop 27 | 184654 | Keytop 26 | 184721 | Keytop 26 |
| 180439 | Keytop 25 | 184655 | Keytop 26 | 184722 | Keytop 26 |
| 180440 | Keytop 23 | 184656 | Keytop 27 | 184723 | Keytop 27 |
| 180441 | Keytop 23 | 184657 | Keytop 27 | 184724 | Keytop 27 |
| 180442 | Keytop 23 | 184658 | Keytop 25 | 184725 | Keytop 24 |
| 180443 | Keytop 23 | 184659 | Keytop 25 | 184726 | Keytop 25 |
| 180444 | Keytop 23 | 184660 | Keytop 24 | 184727 | Keytop 24 |
| 180446 | Keytop 25 | 184661 | Keytop 25 | 184728 | Keytop 25 |
| 180447 | Keytop 24 | 184662 | Keytop 26 | 184729 | Keytop 24 |
| 180448 | Keytop 24 | 184663 | Keytop 24 | 184730 | Keytop 24 |
| 180449 | Keytop 24 | 184664 | Keytop 24 | 184731 | Keytop 24 |
| 180450 | Keytop 24 | 184665 | Keytop 25 | 184732 | Keytop 25 |
| 180451 | Keytop 26 | 184666 | Keytop 25 | 184733 | Keytop 26 |
| 180452 | Keytop 26 | 184667 | Keytop 25 | 184734 | Keytop 23 |
| 180453 | Keytop 26 | 184668 | Keytop 24 | 184735 | Keytop 25 |
| 180454 | Keytop 25 | 184669 | Keytop 26 | 184736 | Keytop 27 |
| 180455 | Keytop 24 | 184670 | Keytop 25 | 184737 | Keytop 26 |
| 180456 | Keytop 25 | 184671 | Keytop 26 | 184738 | Keytop 25 |
| 180457 | Keytop 25 | 184672 | Keytop 24 | 184739 | Keytop 27 |
| 180458 | Keytop 25 | 184673 | Keytop 25 | 184740 | Keytop 26 |
| 180459 | Keytop 25 | 184674 | Keytop 26 | 184741 | Keytop 25 |
| 180675 | Screw, No. 6 Self-Tapping 3 | 184675 | Keytop 24 | 184742 | Keytop 25 |
| 180904 | Tab, Terminal 3 | 184676 | Keytop 25 | 184743 | Keytop 25 |
| 181253 | Keytop 23 | 184677 | Keytop 24 | 184745 | Keytop 24 |
| 181392 | Terminal, Tab Type 22 | 184678 | Keytop 24 | 184744 | Keytop 25 |
| 181971 | Keytop 23 | 184679 | Keytop 24 | 184746 | Keytop 25 |
| 183888 | Keytop 25 | 184680 | Keytop 26 | 184747 | Keytop 26 |
| 183889 | Keytop 24 | 184681 | Keytop 24 | 184748 | Keytop 23 |
| 183890 | Keytop 24 | 184682 | Keytop 24 | 184749 | Keytop 27 |
| 183891 | Keytop 24 | 184683 | Keytop 24 | 184800 | Keytop 26 |
| 183892 | Keytop 25 | 184700 | Keytop 26 | 184801 | Keytop 24 |
| 183920 | Keytop 23 | 184701 | Keytop 26 | 184802 | Keytop 25 |
| 184334 | Keytop 26 | 184702 | Keytop 26 | 184803 | Keytop 24 |
| 184335 | Keytop 26 | 184703 | Keytop 26 | 184804 | Keytop 25 |
| 184336 | Keytop 26 | 184705 | Keytop 27 | 184805 | Keytop 25 |
| 184337 | Keytop 26 | 184706 | Keytop 25 | 184806 | Keytop 25 |
| 184338 | Keytop 26 | 184707 | Keytop 25 | 184807 | Keytop 26 |
| 184339 | Keytop 27 | 184708 | Keytop 25 | 184808 | Keytop 26 |
| 184340 | Keytop 27 | 184709 | Keytop 27 | 184809 | Keytop 27 |
| 184341 | Keytop 27 | 184710 | Keytop 24 | 184810 | Keytop 27 |
| 184342 | Keytop 27 | 184711 | Keytop 25 | 184811 | Keytop 27 |
| 184343 | Keytop 24 | 184712 | Keytop 26 | 184812 | Keytop 27 |
| 184344 | Keytop 24 | 184713 | Keytop 24 | 184813 | Keytop 27 |
| 184345 | Keytop 24 | 184714 | Keytop 25 | 184814 | Keytop 25 |
| 184346 | Keytop 24 | 184715 | Keytop 23 | 184815 | Keytop 26 |
| 184347 | Keytop 23 | 184716 | Keytop 27 | 184816 | Keytop 26 |
| 184651 | Keytop 26 | 184717 | Keytop 27 | 184817 | Keytop 26 |
| 184652 | Keytop 26 | 184718 | Keytop 27 | 184818 | Keytop 26 |
| | | 184719 | Keytop 23 | 184819 | Keytop 23 |

NUMERICAL INDEX (Continued)

| Part Number | Description and Page Number | Part Number | Description and Page Number | Part Number | Description and Page Number |
|-------------|-----------------------------|-------------|-----------------------------|-------------|-----------------------------|
| 184820 | Keytop 27 | 184871 | Keytop 23 | 185071 | Keytop 26 |
| 184821 | Keytop 25 | 184872 | Keytop 25 | 185072 | Keytop 27 |
| 184822 | Keytop 27 | 184873 | Keytop 25 | 185073 | Keytop 27 |
| 184823 | Keytop 24 | 184874 | Keytop 26 | 185074 | Keytop 27 |
| 184824 | Keytop 24 | 184875 | Keytop 26 | 185075 | Keytop 27 |
| 184825 | Keytop 26 | 184876 | Keytop 26 | 185076 | Keytop 27 |
| 184826 | Keytop 26 | 184877 | Keytop 26 | 185077 | Keytop 27 |
| 184827 | Keytop 24 | 184878 | Keytop 26 | 185078 | Keytop 24 |
| 184828 | Keytop 26 | 184879 | Keytop 27 | 185079 | Keytop 25 |
| 184829 | Keytop 26 | 184880 | Keytop 27 | 185080 | Keytop 24 |
| 184830 | Keytop 26 | 184881 | Keytop 27 | 185081 | Keytop 26 |
| 184831 | Keytop 27 | 184882 | Keytop 27 | 185082 | Keytop 26 |
| 184832 | Keytop 27 | 184883 | Keytop 27 | 185083 | Keytop 27 |
| 184833 | Keytop 27 | 184884 | Keytop 27 | 185084 | Keytop 27 |
| 184834 | Keytop 25 | 184885 | Keytop 27 | 185085 | Keytop 27 |
| 184835 | Keytop 25 | 184886 | Keytop 25 | 185086 | Keytop 25 |
| 184836 | Keytop 25 | 184887 | Keytop 25 | 185087 | Keytop 25 |
| 184837 | Keytop 27 | 184888 | Keytop 24 | 185088 | Keytop 27 |
| 184838 | Keytop 26 | 184889 | Keytop 25 | 185089 | Keytop 25 |
| 184839 | Keytop 27 | 184890 | Keytop 27 | 185090 | Keytop 24 |
| 184840 | Keytop 27 | 184891 | Keytop 25 | 185091 | Keytop 23 |
| 184841 | Keytop 27 | 184892 | Keytop 27 | 185092 | Keytop 25 |
| 184842 | Keytop 23 | 184893 | Keytop 27 | 185093 | Keytop 25 |
| 184843 | Keytop 27 | 184894 | Keytop 27 | 185094 | Keytop 26 |
| 184844 | Keytop 26 | 184895 | Keytop 27 | 185095 | Keytop 26 |
| 184845 | Keytop 27 | 184896 | Keytop 27 | 185096 | Keytop 27 |
| 184846 | Keytop 23 | 184897 | Keytop 27 | 185097 | Keytop 27 |
| 184847 | Keytop 23 | 184898 | Keytop 27 | 185098 | Keytop 27 |
| 184848 | Keytop 23 | 184899 | Keytop 27 | 185099 | Keytop 25 |
| 184849 | Keytop 23 | 184900 | Keytop 27 | 185100 | Keytop 26 |
| 184850 | Keytop 26 | 185051 | Keytop 26 | 185101 | Keytop 27 |
| 184851 | Keytop 26 | 185052 | Keytop 26 | 185102 | Keytop 27 |
| 184852 | Keytop 26 | 185053 | Keytop 26 | 185103 | Keytop 27 |
| 184853 | Keytop 26 | 185054 | Keytop 26 | 185104 | Keytop 27 |
| 184854 | Keytop 26 | 185055 | Keytop 27 | 185105 | Keytop 25 |
| 184855 | Keytop 26 | 185056 | Keytop 27 | 185106 | Keytop 24 |
| 184857 | Keytop 26 | 185057 | Keytop 27 | 185108 | Keytop 27 |
| 184858 | Keytop 23 | 185058 | Keytop 27 | 185109 | Keytop 27 |
| 184859 | Keytop 23 | 185059 | Keytop 24 | 185110 | Keytop 26 |
| 184860 | Keytop 25 | 185060 | Keytop 27 | 185111 | Keytop 26 |
| 184861 | Keytop 26 | 185061 | Keytop 27 | 185112 | Keytop 26 |
| 184862 | Keytop 23 | 185062 | Keytop 27 | 185113 | Keytop 26 |
| 184863 | Keytop 27 | 185063 | Keytop 27 | 185114 | Keytop 27 |
| 184864 | Keytop 25 | 185064 | Keytop 25 | 185115 | Keytop 27 |
| 184865 | Keytop 25 | 185065 | Keytop 24 | 185116 | Keytop 27 |
| 184866 | Keytop 25 | 185066 | Keytop 27 | 185117 | Keytop 27 |
| 184867 | Keytop 24 | 185067 | Keytop 27 | 185118 | Keytop 27 |
| 184868 | Keytop 24 | 185068 | Keytop 27 | 185119 | Keytop 27 |
| 184869 | Keytop 25 | 185069 | Keytop 26 | 185120 | Keytop 26 |
| 184870 | Keytop 24 | 185070 | Keytop 27 | 185121 | Keytop 27 |

NUMERICAL INDEX (Continued)

| Part Number | Description and Page Number | Part Number | Description and Page Number | Part Number | Description and Page Number |
|-------------|-----------------------------|-------------|-----------------------------|-------------|-----------------------------|
| 185122 | Keytop 27 | 185181 | Keytop 28 | 185234 | Keytop 24 |
| 185123 | Keytop 27 | 185182 | Keytop 28 | 185235 | Keytop 24 |
| 185124 | Keytop 27 | 185183 | Keytop 28 | 185236 | Keytop 24 |
| 185125 | Keytop 25 | 185184 | Keytop 28 | 185237 | Keytop 25 |
| 185126 | Keytop 24 | 185185 | Keytop 27 | 185238 | Keytop 24 |
| 185127 | Keytop 25 | 185186 | Keytop 27 | 185239 | Keytop 26 |
| 185128 | Keytop 27 | 185187 | Keytop 27 | 185240 | Keytop 24 |
| 185129 | Keytop 27 | 185188 | Keytop 24 | 185242 | Keytop 24 |
| 185130 | Keytop 27 | 185189 | Keytop 25 | 185243 | Keytop 24 |
| 185131 | Keytop 27 | 185190 | Keytop 23 | 185244 | Keytop 28 |
| 185132 | Keytop 25 | 185191 | Keytop 25 | 185245 | Keytop 28 |
| 185133 | Keytop 27 | 185192 | Keytop 28 | 185246 | Keytop 28 |
| 185134 | Keytop 26 | 185193 | Keytop 28 | 185247 | Keytop 28 |
| 185135 | Keytop 26 | 185194 | Keytop 23 | 185248 | Keytop 28 |
| 185136 | Keytop 26 | 185195 | Keytop 23 | 185249 | Keytop 28 |
| 185137 | Keytop 28 | 185196 | Keytop 28 | 185260 | Keytop 28 |
| 185138 | Keytop 27 | 185197 | Keytop 25 | 185261 | Keytop 28 |
| 185139 | Keytop 27 | 185198 | Keytop 25 | 185262 | Keytop 28 |
| 185140 | Keytop 25 | 185199 | Keytop 26 | 185263 | Keytop 28 |
| 185141 | Keytop 26 | 185200 | Keytop 24 | 185264 | Keytop 28 |
| 185142 | Keytop 24 | 185201 | Keytop 25 | 185265 | Keytop 25 |
| 185143 | Keytop 24 | 185202 | Keytop 25 | 185266 | Keytop 28 |
| 185144 | Keytop 24 | 185203 | Keytop 26 | 185267 | Keytop 28 |
| 185145 | Keytop 24 | 185204 | Keytop 25 | 185268 | Keytop 23 |
| 185146 | Keytop 24 | 185205 | Keytop 24 | 185269 | Keytop 28 |
| 185147 | Keytop 25 | 185206 | Keytop 25 | 185270 | Keytop 25 |
| 185148 | Keytop 24 | 185210 | Keytop 25 | 185271 | Keytop 24 |
| 185149 | Keytop 25 | 185211 | Keytop 23 | 185272 | Keytop 25 |
| 185159 | Keytop 23 | 185212 | Keytop 24 | 185273 | Keytop 24 |
| 185160 | Keytop 25 | 185213 | Keytop 24 | 185274 | Keytop 25 |
| 185161 | Keytop 25 | 185214 | Keytop 24 | 185275 | Keytop 25 |
| 185162 | Keytop 25 | 185215 | Keytop 25 | 185276 | Keytop 25 |
| 185163 | Keytop 24 | 185216 | Keytop 25 | 185277 | Keytop 25 |
| 185164 | Keytop 25 | 185217 | Keytop 25 | 185278 | Keytop 26 |
| 185165 | Keytop 24 | 185218 | Keytop 26 | 185279 | Keytop 26 |
| 185166 | Keytop 24 | 185219 | Keytop 25 | 185280 | Keytop 26 |
| 185167 | Keytop 25 | 185220 | Keytop 28 | 185281 | Keytop 26 |
| 185168 | Keytop 25 | 185221 | Keytop 28 | 185282 | Keytop 25 |
| 185169 | Keytop 24 | 185222 | Keytop 23 | 185283 | Keytop 24 |
| 185170 | Keytop 24 | 185223 | Keytop 23 | 185285 | Keytop 26 |
| 185171 | Keytop 24 | 185224 | Keytop 26 | 185286 | Keytop 24 |
| 185172 | Keytop 25 | 185225 | Keytop 28 | 185287 | Keytop 26 |
| 185173 | Keytop 24 | 185226 | Keytop 28 | 185288 | Keytop 26 |
| 185174 | Keytop 25 | 185227 | Keytop 23,25 | 185289 | Keytop 26 |
| 185175 | Keytop 24 | 185228 | Keytop 23 | 185290 | Keytop 26 |
| 185176 | Keytop 25 | 185229 | Keytop 28 | 185291 | Keytop 24 |
| 185177 | Keytop 26 | 185230 | Keytop 24 | 185292 | Keytop 24 |
| 185178 | Keytop 26 | 185231 | Keytop 24 | 185293 | Keytop 24 |
| 185179 | Keytop 28 | 185232 | Keytop 24 | 185294 | Keytop 24 |
| 185180 | Keytop 26 | 185233 | Keytop 24 | 185295 | Keytop 24 |

NUMERICAL INDEX (Continued)

| Part Number | Description and Page Number | Part Number | Description and Page Number | Part Number | Description and Page Number |
|-------------|-------------------------------|-------------|-----------------------------|-------------|------------------------------------|
| 185296 | Keytop 25 | 192555 | Guide Plate, Keytop 8,23 | 198227 | Guidepost 4 |
| 185297 | Keytop 25 | 192556 | Frame 8 | 198228 | Lever, Intermediate 4 |
| 185298 | Keytop 25 | 192557 | Grommet, Rubber 8 | 198229 | Follower, Eccentric 14 |
| 185299 | Keytop 25 | 192558 | Codebar, CR 9,10 | 198230 | Post, Lower Spring 4 |
| 185300 | Keytop 25 | 192559 | Codebar, Counter 9,10,11 | 198231 | Post Upper Spring 4 |
| 185301 | Keytop 25 | 192579 | Bushing, Shoulder 9,10 | 198232 | Link 4,14 |
| 185302 | Keytop 25 | 192588 | Bracket 11 | 198235 | Camsleeve 14 |
| 185303 | Keytop 25 | 192589 | Post, Stop 16 | 198236 | Post 16,17 |
| 185304 | Keytop 26 | 192596 | Follower, Cam 16 | 198237 | Follower, Cam 16 |
| 185305 | Keytop 26 | 192597 | Bracket 17 | 198238 | Plate, Nut 2 |
| 185306 | Keytop 26 | 192629 | Shaft 19 | 198240 | Contact Assembly, Code Reading 1,4 |
| 185307 | Keytop 26 | 192630 | Bracket 2 | 198241 | Keytop 28 |
| 185308 | Keytop 26 | 193565 | Coupling, Flexible 19 | 198243 | Contact Assembly 4 |
| 185391 | Keytop 27 | 194048 | Screw, 4-40 Spl 18 | 198263 | Bracket 3 |
| 185392 | Keytop 26 | 194226 | Keytop 28 | 198267 | Pin 3 |
| 185393 | Keytop 26 | 194227 | Keytop 25 | 198269 | Solenoid Assembly 3 |
| 185394 | Keytop 25 | 194901 | Screw, 4-40 Spl 18 | 198270 | Bracket 3 |
| 185395 | Keytop 25 | 194982 | Clip, Connector 22 | 198271 | Lever 3 |
| 185396 | Keytop 26 | 195050 | Bracket 9,10 | 198272 | Solenoid 3 |
| 192007 | Terminal, Tab Type 21 | 195051 | Plate 17 | 198297 | Guide, Codebar 4 |
| 192013 | Connector, 50 Pt Plug Type 22 | 195052 | Plate, Nut 17 | 198439 | Cable Assembly 21 |
| 192176 | Terminal, Plug Type 22 | 195053 | Cover, Insulating 17 | 198458 | Switch Assembly, Low Tape 21 |
| 192224 | Panel, Tape Container 21 | 195186 | Screw, 4-40 x 7/8 Hex 18 | 198460 | Arm, Tape 21 |
| 192299 | Keytop 28 | 195187 | Screw, 4-40 x 1-1/2 Hex 18 | 198461 | Plate, Mounting 21 |
| 192318 | Jumper, 2-3/4" Black 22 | 195432 | Spring, Contact 17 | 198501 | Spring, Lock 2 |
| 192497 | Bracket 2 | 195433 | Spring, Contact 17 | 198530 | Plate, Spring 10 |
| 192510 | Keytop 28 | 195651 | Box, Contact 18 | 198531 | Plate, Blocking 10 |
| 192511 | Bar, Space 8,12 | 195652 | Cover, Contact Box 18 | 198533 | Plate, Blocking 10 |
| 192521 | Codebar, No. 1 9,11 | 195716 | Plate, Identification 2 | 198534 | Arm w/Roller 10 |
| 192522 | Codebar, No. 2 9 | 195717 | Plate, Identification 2 | 198535 | Post 10 |
| 192523 | Codebar No. 3 9,10,11 | 197005 | Lever, Function 10 | 198536 | Lockbar, Shift 11 |
| 192524 | Codebar, No. 4 9,10,11 | 197013 | Lever, Transfer 15 | 198537 | Lockbar, Control 10,11 |
| 193525 | Codebar, No. 5 9,10,11 | 197015 | Bracket, Mounting 5 | 198538 | Codebar, No. 51 10,11 |
| 192526 | Codebar, No. 6 9,10,11 | 197016 | Insulator, .020" Thk 2 | 198539 | Bail, Locking 10 |
| 192527 | Codebar, No. 7 9,10,11 | 197017 | Latch, Lock 10 | 198540 | Bail, Locking 10 |
| 192529 | Codebar, Shift 9 | 197018 | Lever, Keyboard Lock 5 | 198541 | Screw, 6-40 Shoulder 10 |
| 192530 | Bar, Shift Lock 9 | 197019 | Box Assembly, Contact 1, 18 | 198542 | Codebar, No. 81 10,11 |
| 192531 | Lever, Transfer 15 | 197027 | Jumper, 9" Black 22 | 198543 | Codebar, No. 8 10,11 |
| 192533 | Plate, Rear 16,17 | 197040 | Keytop 28 | 198544 | Guide, Left Codebar 10 |
| 192534 | Post, Locking Bail 15 | 197056 | Clip 15 | 198545 | Guide, Right Codebar 10 |
| 192535 | Bail w/Post 9 | 198219 | Plate, Front 4 | 198547 | Codebar, No. 1A 10,11 |
| 192537 | Plate, Adjustment 9 | 198220 | Plate, Rear 4 | 198548 | Codebar, No. 2A 10,11 |
| 192538 | Plug, Button 8 | 198221 | Plate, Mounting 4 | 199070 | Box Assembly, Contact 1, 18,22 |
| 192550 | Bar Assembly, Call Lock 12 | 198222 | Bail, Reset 4 | 199193 | Bushing, Insulating 18 |
| 192552 | Channel, Ball 12 | 198223 | Latch 4 | 199196 | Link 18 |
| 192553 | Bracket, Left Mounting 8 | 198224 | Bracket 4 | 199329 | Arm, Tape 21 |
| 192554 | Bracket, Right Mounting 8,12 | 198225 | Shaft, Drive 4 | 199330 | Modification Kit 1,21 |
| | | 198226 | Lever 4 | | |

NUMERICAL INDEX (Continued)

| Part Number | Description and Page Number | Part Number | Description and Page Number | Part Number | Description and Page Number |
|-------------|--------------------------------|-------------|-----------------------------|-------------|---------------------------------|
| 199332 | Switch Assembly, Low Tape 21 | 311488 | Gearset, 67 WPM 6 | 321921 | Spring, Contact 17 |
| 199333 | Cable Assembly 21 | 311490 | Pinion 20T 6 | 321922 | Plunger 17 |
| 199334 | Cable w/Terminals 21 | 311491 | Gear, 126T 6 | 323064 | Keytop 28 |
| 305064 | Keytop 28 | 311531 | Codebar 11 | 323067 | Contact Assembly 10,11 |
| 305632 | Pinion, 22T 19 | 311533 | Codebar 11 | 323085 | Stiffner 10 |
| 305633 | Gear, 55T 19 | 311741 | Bracket, Spacebar 8 | 323097 | Bar, Control Lock 11 |
| 305634 | Bracket Assembly, Bearing 1,19 | 312486 | Spring, Contact 10 | 324009 | Bracket 17 |
| 305635 | Shaft w/Bearings 19 | 312994 | Modification Kit 12 | 324010 | Contact Assembly 17 |
| 306991 | Bracket 7 | 312995 | Bar, Retainer 12 | 324011 | Follower, Cam 17 |
| 306992 | Clamp 7 | 315860 | Gear, 117T 6 | 324012 | Stud 17 |
| 306993 | Plate 7 | 315861 | Pinion, 19T 6 | 324013 | Post 17 |
| 306995 | Spacer 7 | 315865 | Gearset, 100 WPM 6 | 324059 | Shaft 7 |
| 308429 | Codebar, No. 3A 11 | 319394 | Setscrew, 10-24 19 | 324129 | Spring 10 |
| 308430 | Codebar, No. 6A 11 | 320410 | Terminal, Spade Type 22 | 324488 | Camsleeve 14 |
| 308431 | Codebar, No. 7A 11 | 320416 | Terminal, Ring Type 22 | 324532 | Screw, 4-40 x 3/16 Hex 10,12 |
| 309507 | Contact 12 | 320418 | Terminal, Ring Type 22 | 324580 | Codebar 11 |
| 309508 | Bracket, Left 12 | 320471 | Codebar 11 | 326729 | Gear Assembly, Intermediate 1,7 |
| 309509 | Bracket, Right 12 | 320472 | Codebar 11 | 327450 | Label 18 |
| 311201 | Codebar 11 | 320473 | Codebar 11 | 329089 | Spring 9,10 |
| 311202 | Codebar 11 | 320474 | Codebar 11 | 329089 | Spring 9,10 |
| 311203 | Codebar 11 | 320475 | Codebar 11 | 329251 | Keytop 28 |
| 311204 | Codebar 11 | 320476 | Codebar 11 | 330963 | Keylever 12,23 |
| 311205 | Codebar 11 | 320477 | Codebar 11 | 330964 | Keylever 12,23 |
| 311206 | Codebar 11 | 320478 | Codebar 11 | 330965 | Keylever 23 |
| 311208 | Codebar 11 | 320479 | Codebar 11 | 330966 | Keylever 23 |
| 311209 | Codebar 11 | 320480 | Lockbar, Shift 11 | 333518 | Bail, Space Bar 8,12 |
| 311211 | Lockbar, Shift 11 | 321727 | Guide 12 | 336989 | Spring, Torsion 5 |
| 311285 | Screw, 6-40 Shoulder 10 | 321918 | Gasket 17 | | |
| | | 321919 | Cover 17 | | |
| | | 321920 | Spring, Contact 17 | | |

35 NON-TYPING REPERFORATOR (LRPE)

PARTS

| FIGURE | CONTENTS | PAGE |
|--------|--|------|
| 1 | Main Plate - One Punch Unit | 2 |
| 2 | Main Plate - Duo Punch Unit | 3 |
| 3 | Frame Mechanism | 4 |
| 4 | Main Shaft - 1 Cycle | 5 |
| 5 | Punch Front Plate Mechanism | 6 |
| 6 | Punch Rear Plate Mechanism | 7 |
| 7 | Punch Blocks and Chad Chutes | 8 |
| 8 | Punch Bail Mechanism | 9 |
| 9 | Rocker Bail Mechanism | 10 |
| 10 | Selector Mechanism | 11 |
| 11 | Selector Mechanism (Continued) | 12 |
| 12 | Selector Magnet Mechanism | 13 |
| 13 | 170196 Modification Kit to add Power Drive to Backspace | 14 |
| 14 | 170196 Modification Kit to add Power Drive to Backspace(Continued) | 15 |
| 15 | Slack Tape Mechanism | 16 |
| 16 | 198760 Timing Contact Assembly | 17 |
| 17 | Code Reading Contacts | 18 |
| 18 | 159381 Modification Kit to Provide Auxiliary Timing Contacts | 18 |
| 19 | Components for Quick Disconnect Feature | 19 |
| | Numerical Index | 20 |

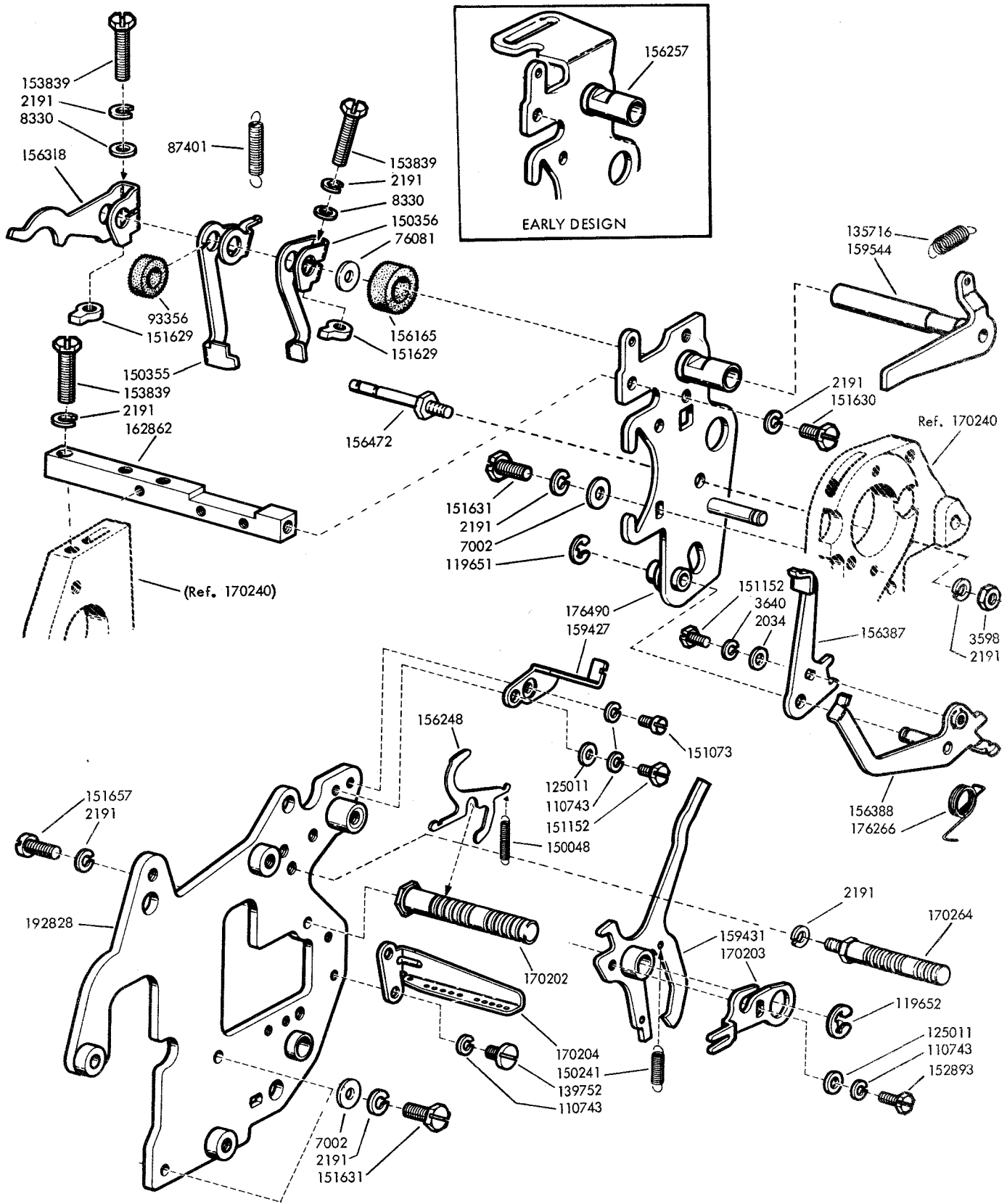


FIGURE 1. MAIN PLATE-ONE PUNCH UNIT

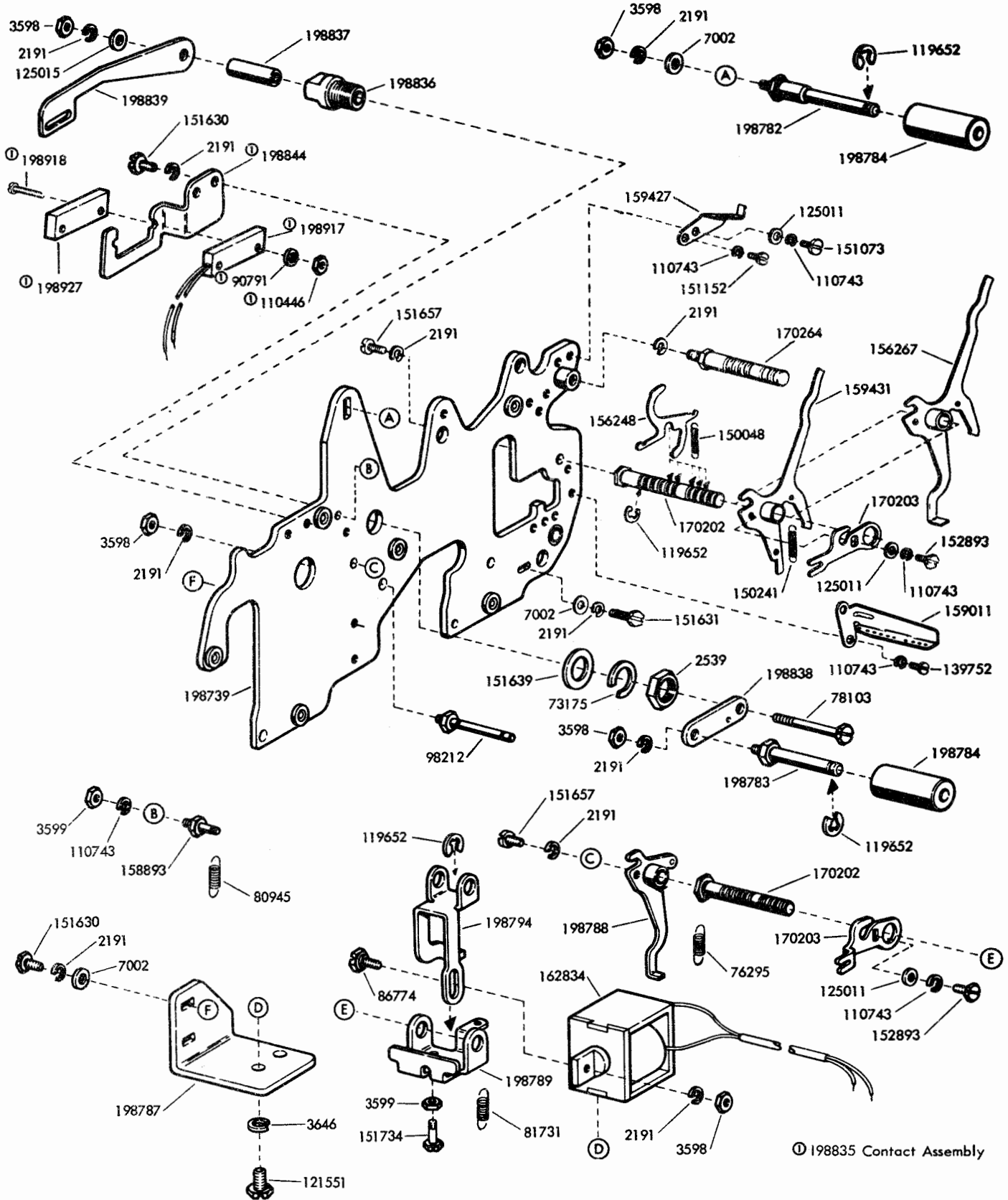
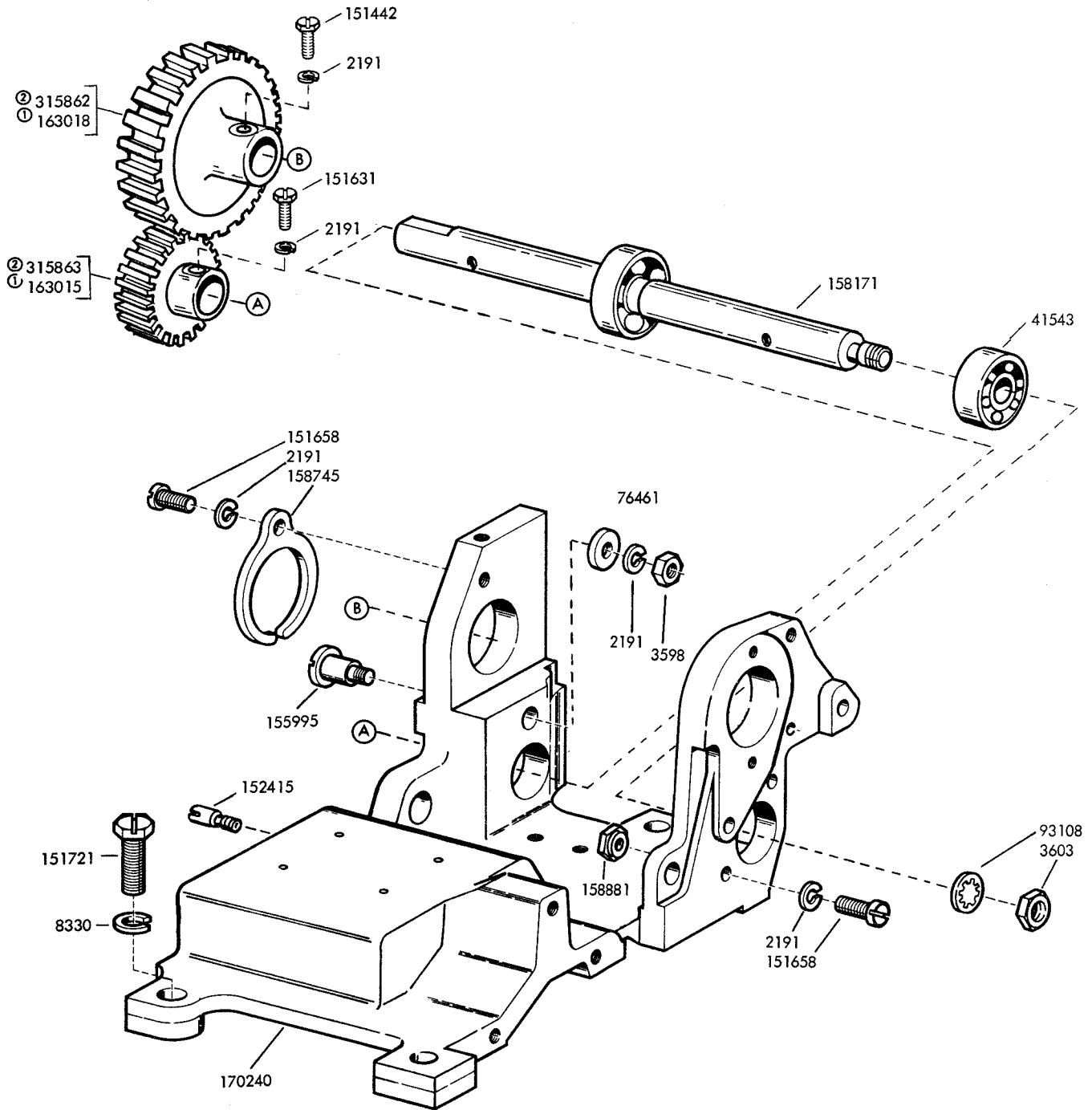


FIGURE 2. MAIN PLATE-DUO PUNCH UNIT



① 163025 Gear Set, 100 WPM
② 315866 Gear Set, 114 WPM

FIGURE 3. FRAME MECHANISM

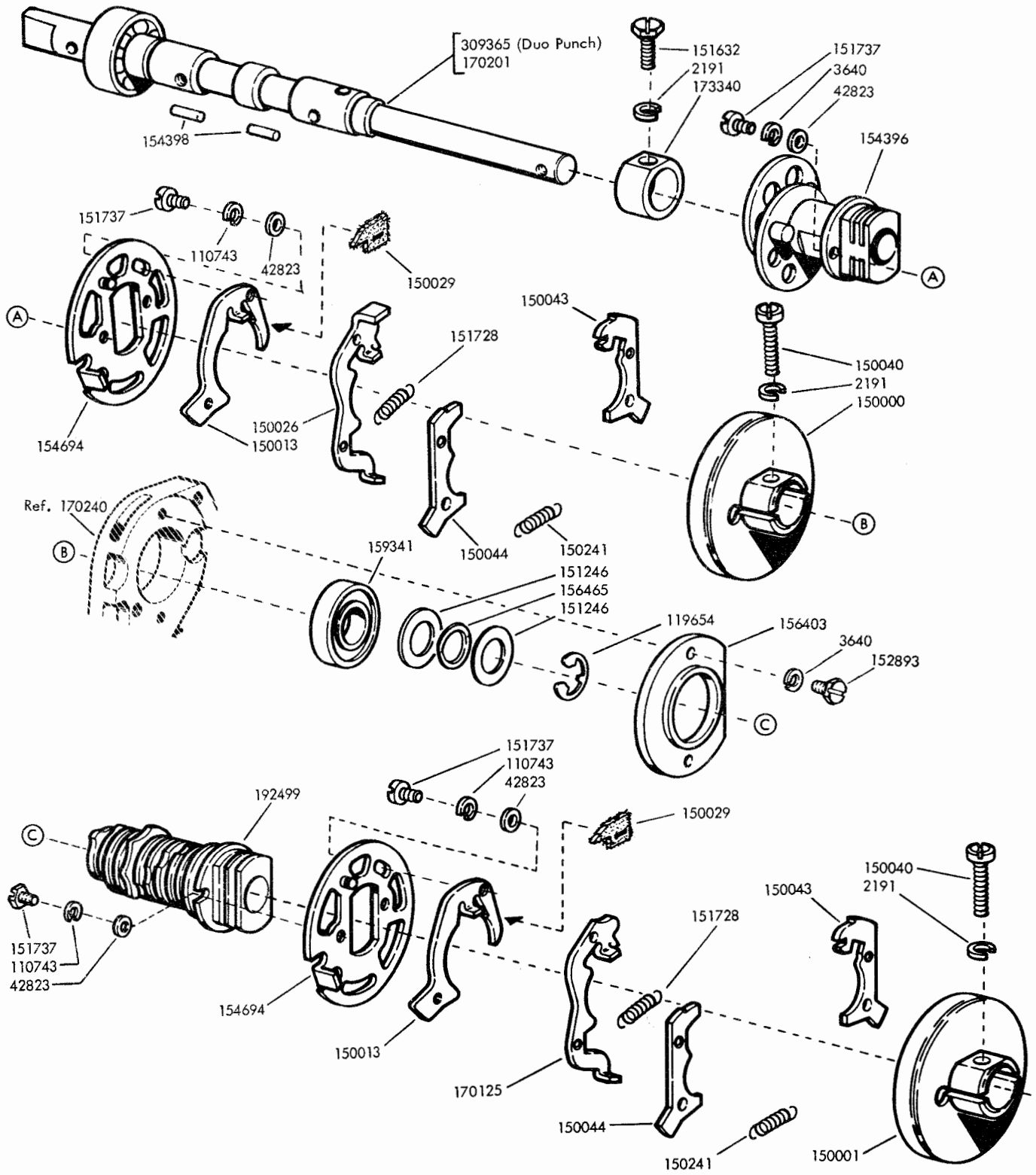
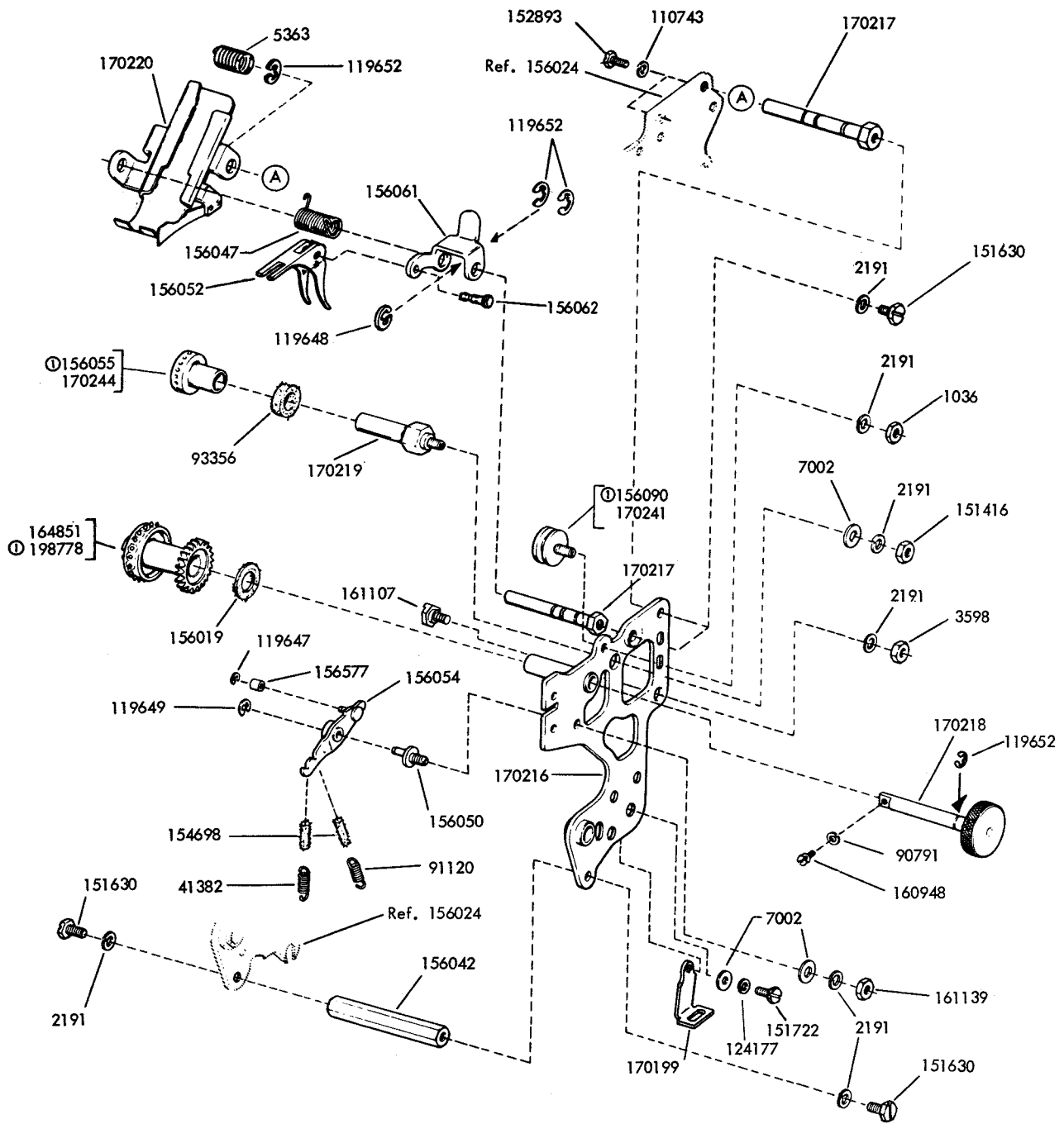


FIGURE 4. MAIN SHAFT-1 CYCLE



① Peculiar to Delete Punch Mechanism

FIGURE 5. PUNCH FRONT PLATE MECHANISM

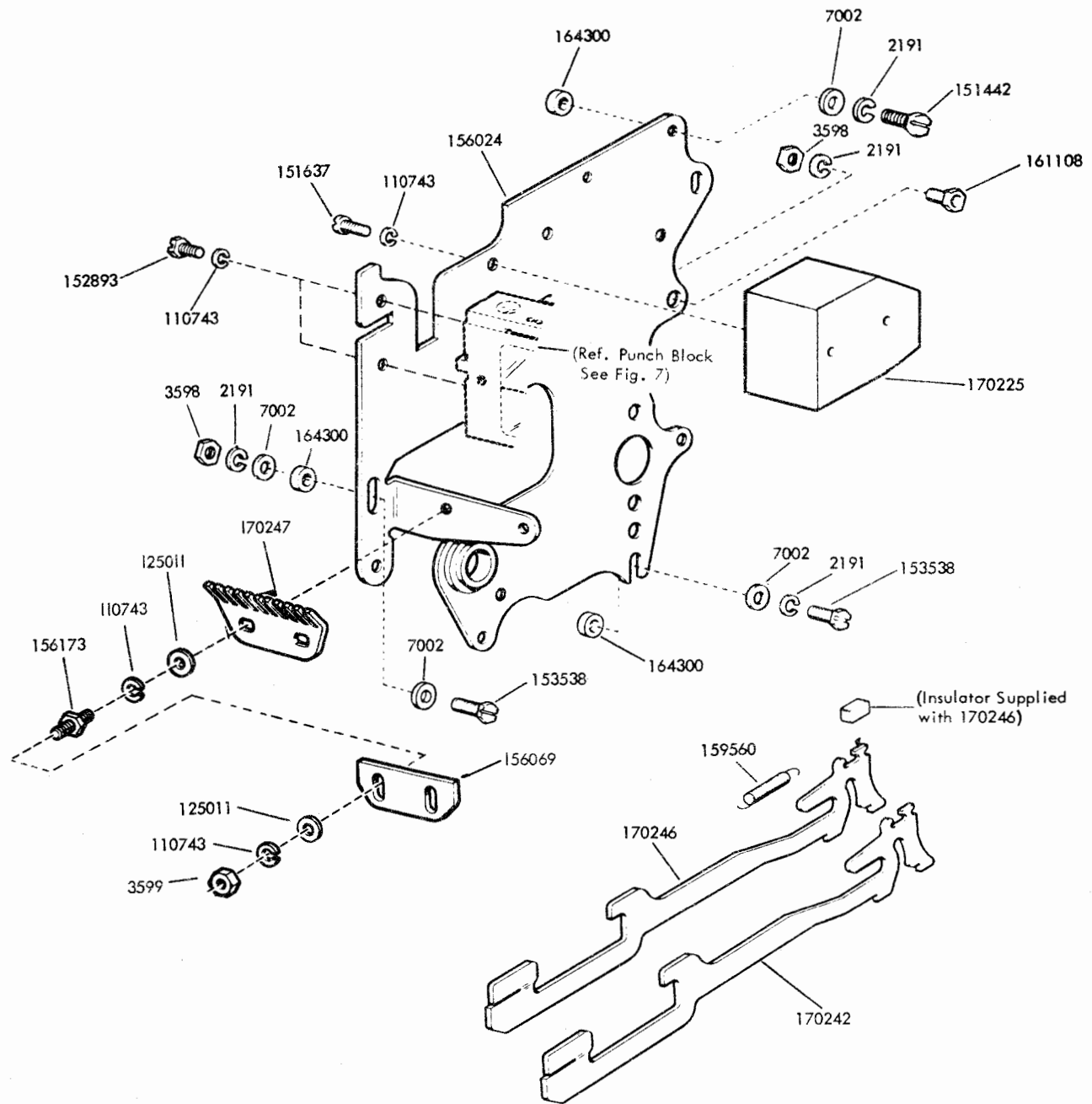
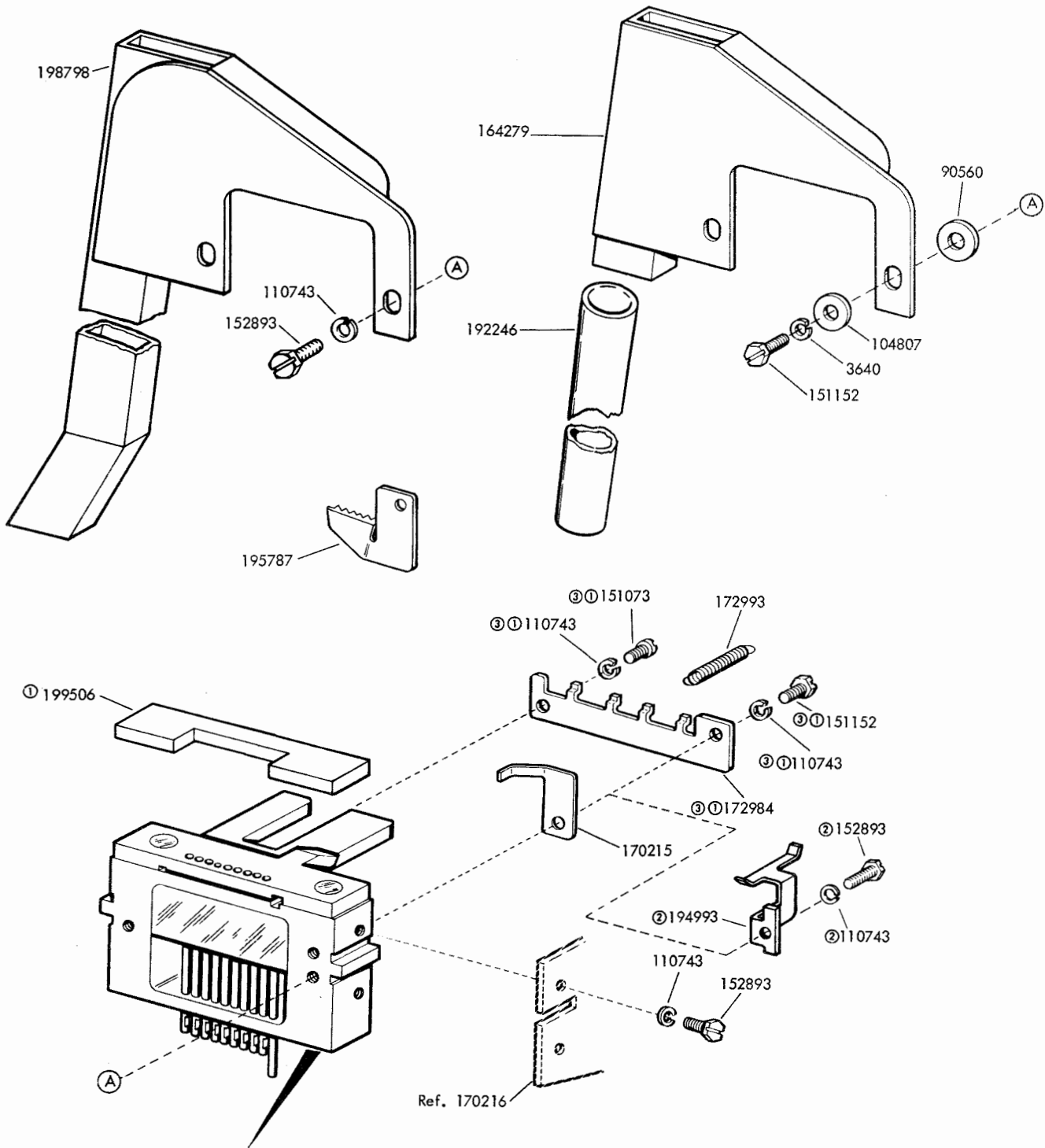


FIGURE 6. PUNCH REAR PLATE MECHANISM



Due to special assembly processes, it is recommended that Teletype Corporation be contacted to determine if part replacement or repair is possible on this portion of the Punch Block Assembly.

- ① 170210 (Delete) Punch Block Assembly
- ② 194992 Modification Kit to provide a Tape Guide Specification 501885
- ③ 198781 (Delete) Punch Block Assembly

FIGURE 7. PUNCH BLOCKS AND CHAD CHUTES

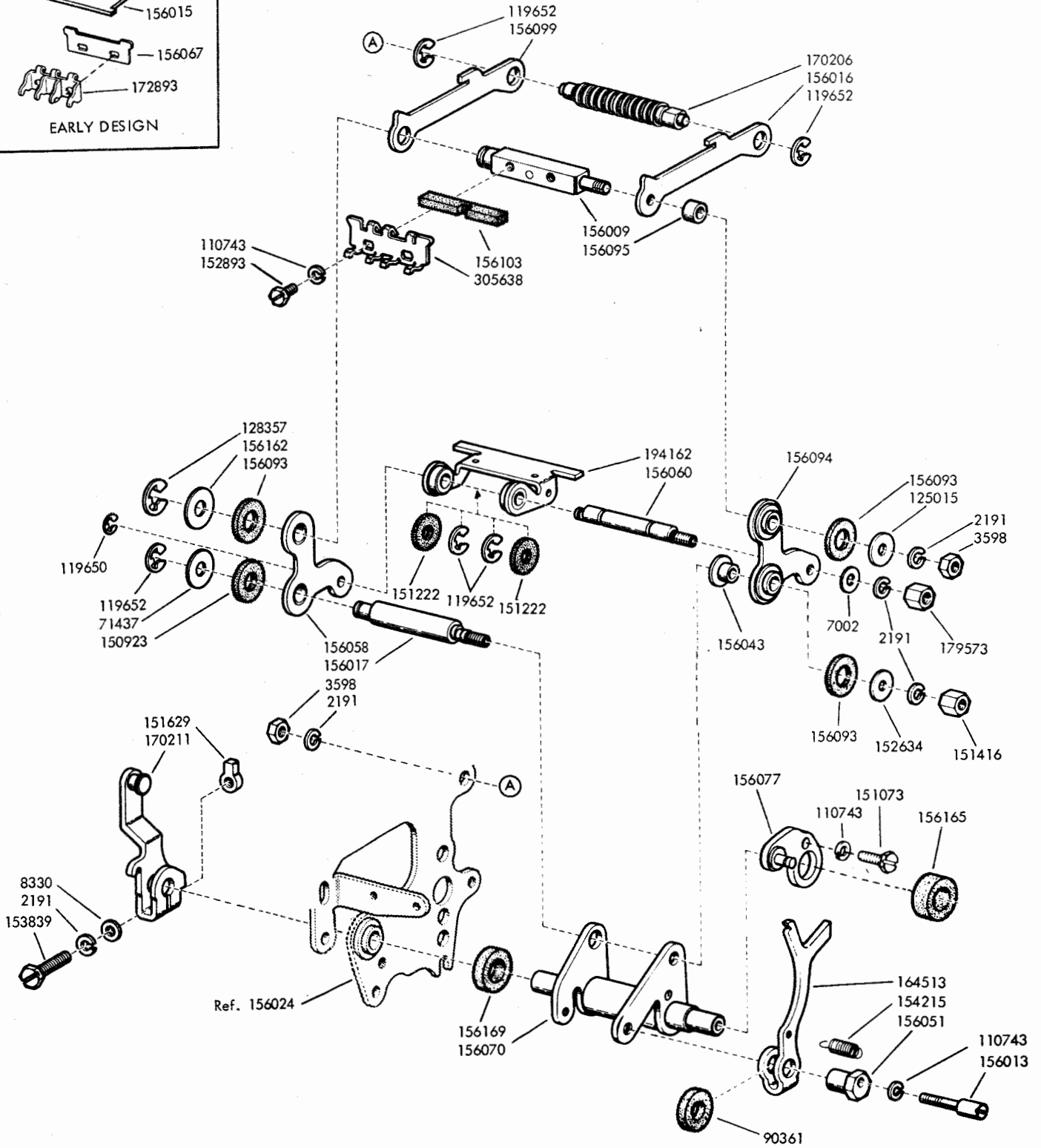
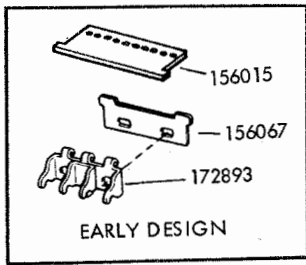
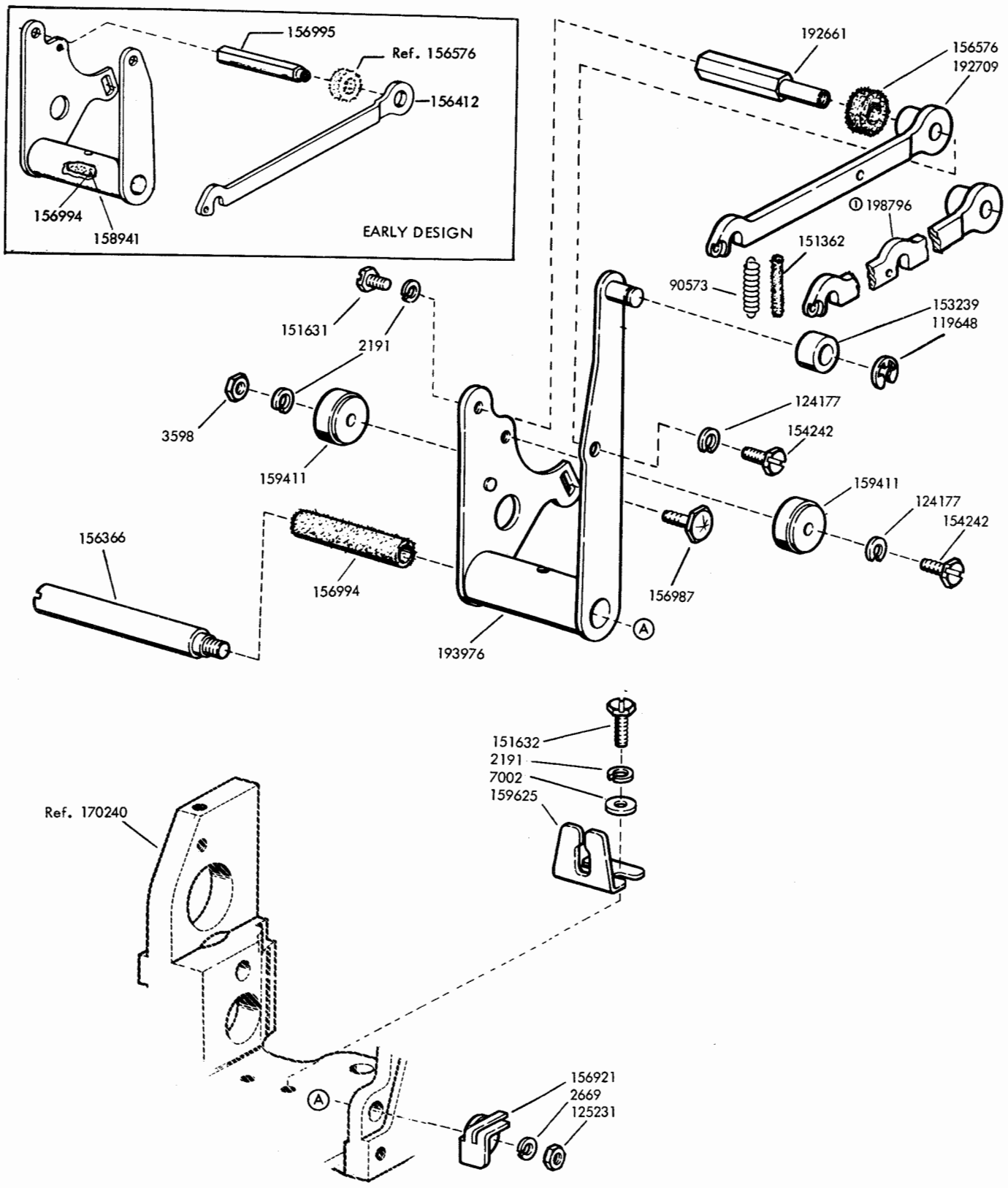


FIGURE 8. PUNCH BAIL MECHANISM



ⓐ Peculiar to Delete Punch Mechanism

FIGURE 9. ROCKER BAIL MECHANISM

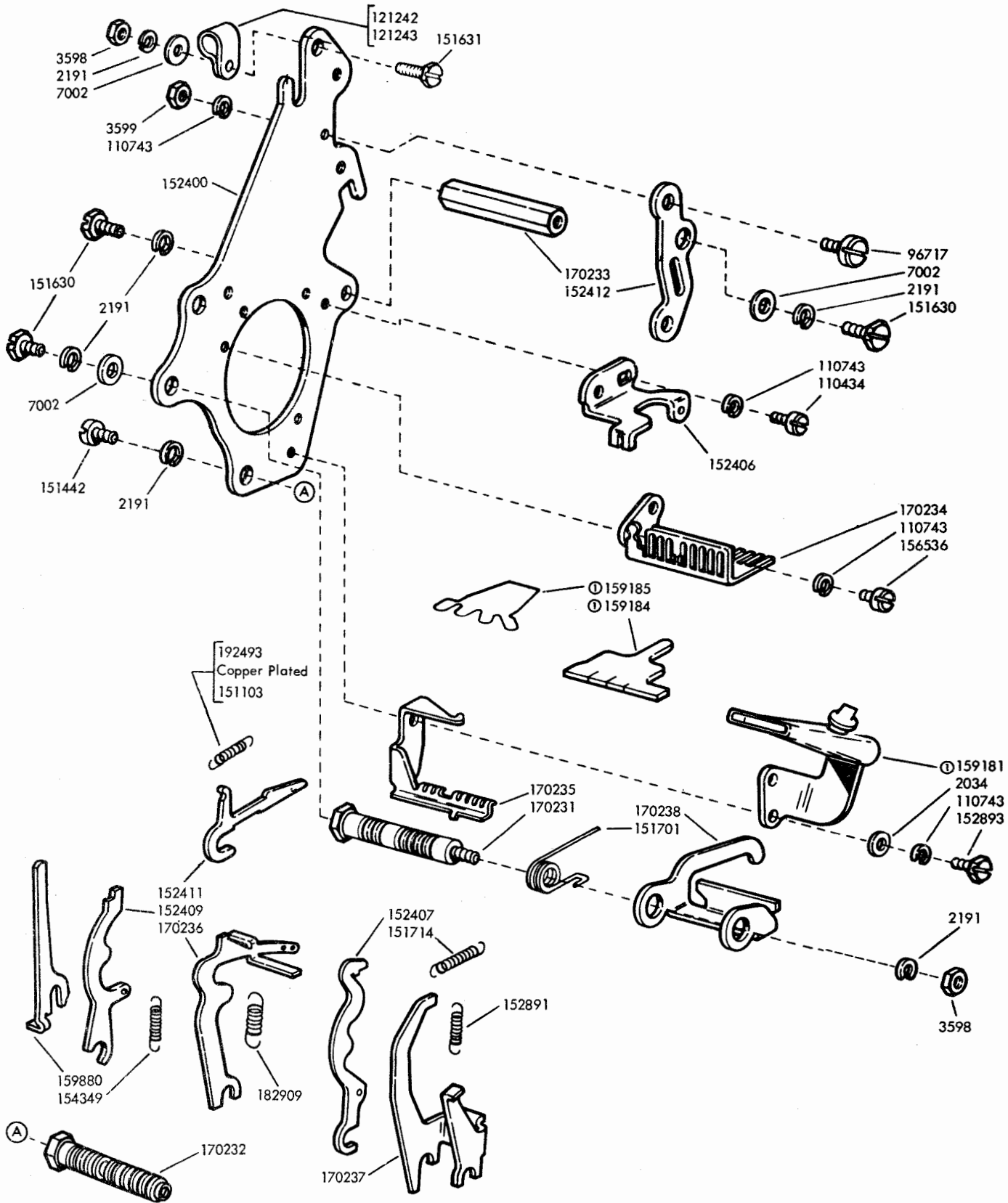


FIGURE 10. SELECTOR MECHANISM

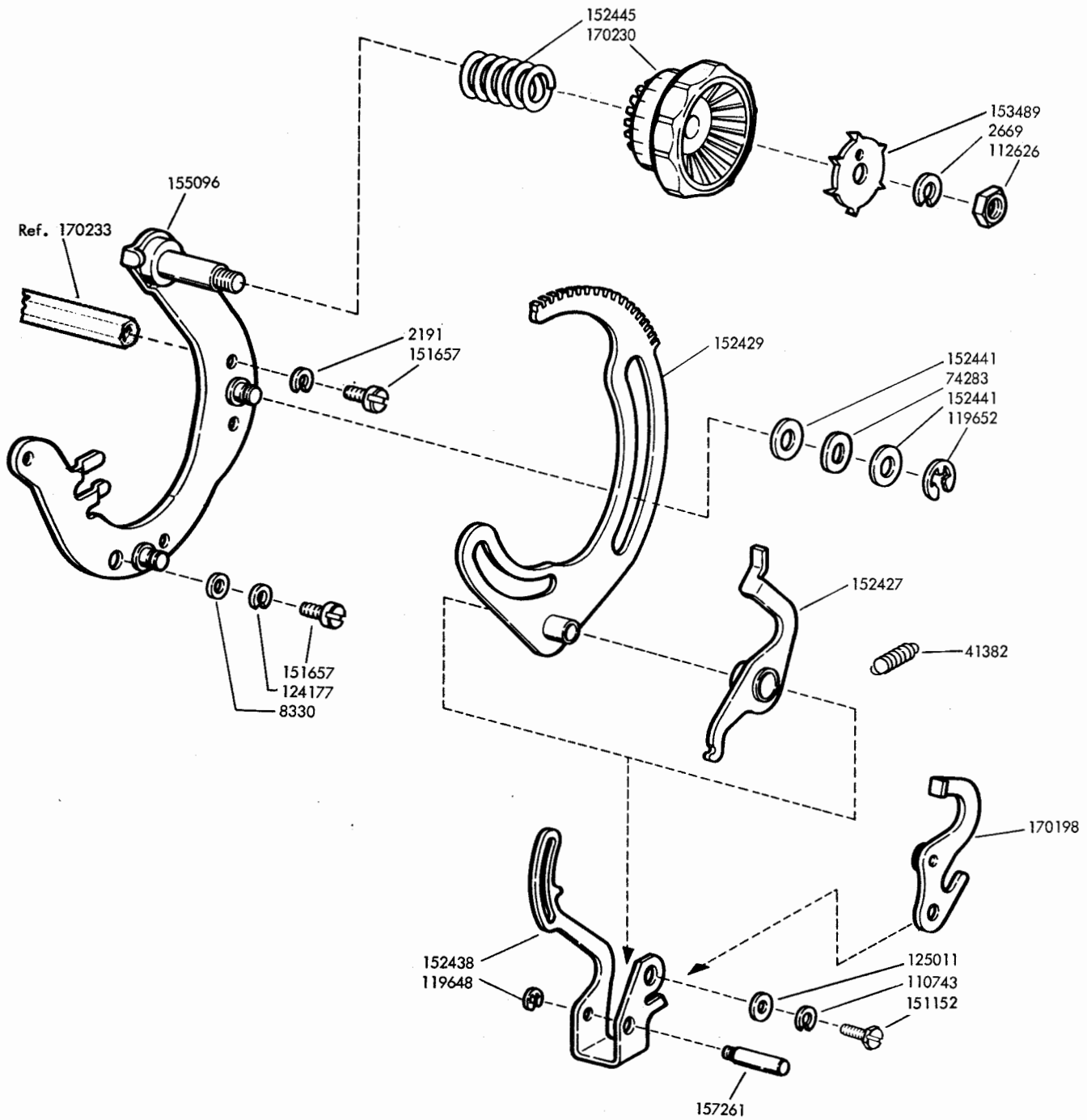


FIGURE 11. SELECTOR MECHANISM (Continued)

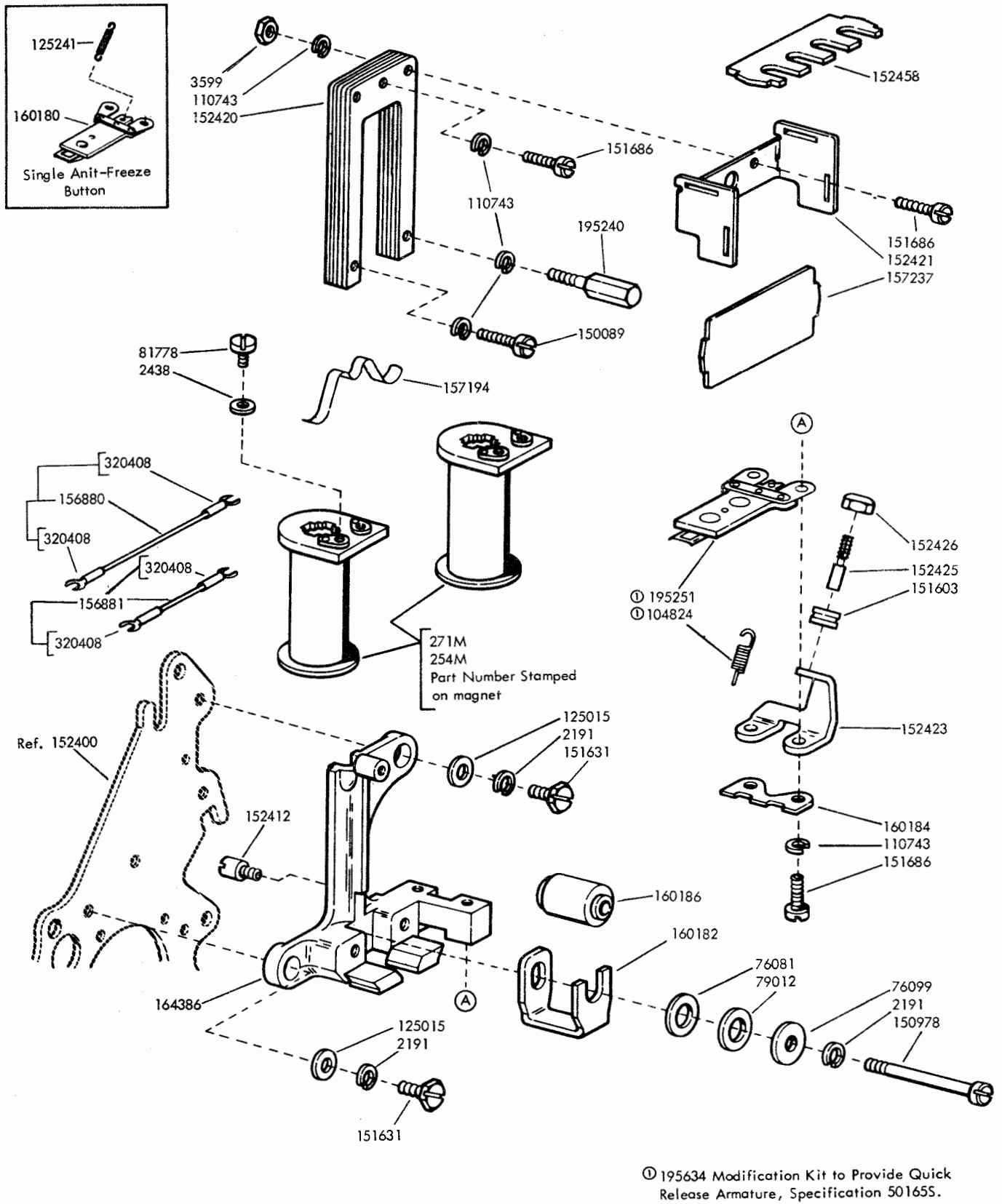


FIGURE 12. SELECTOR MAGNET MECHANISM

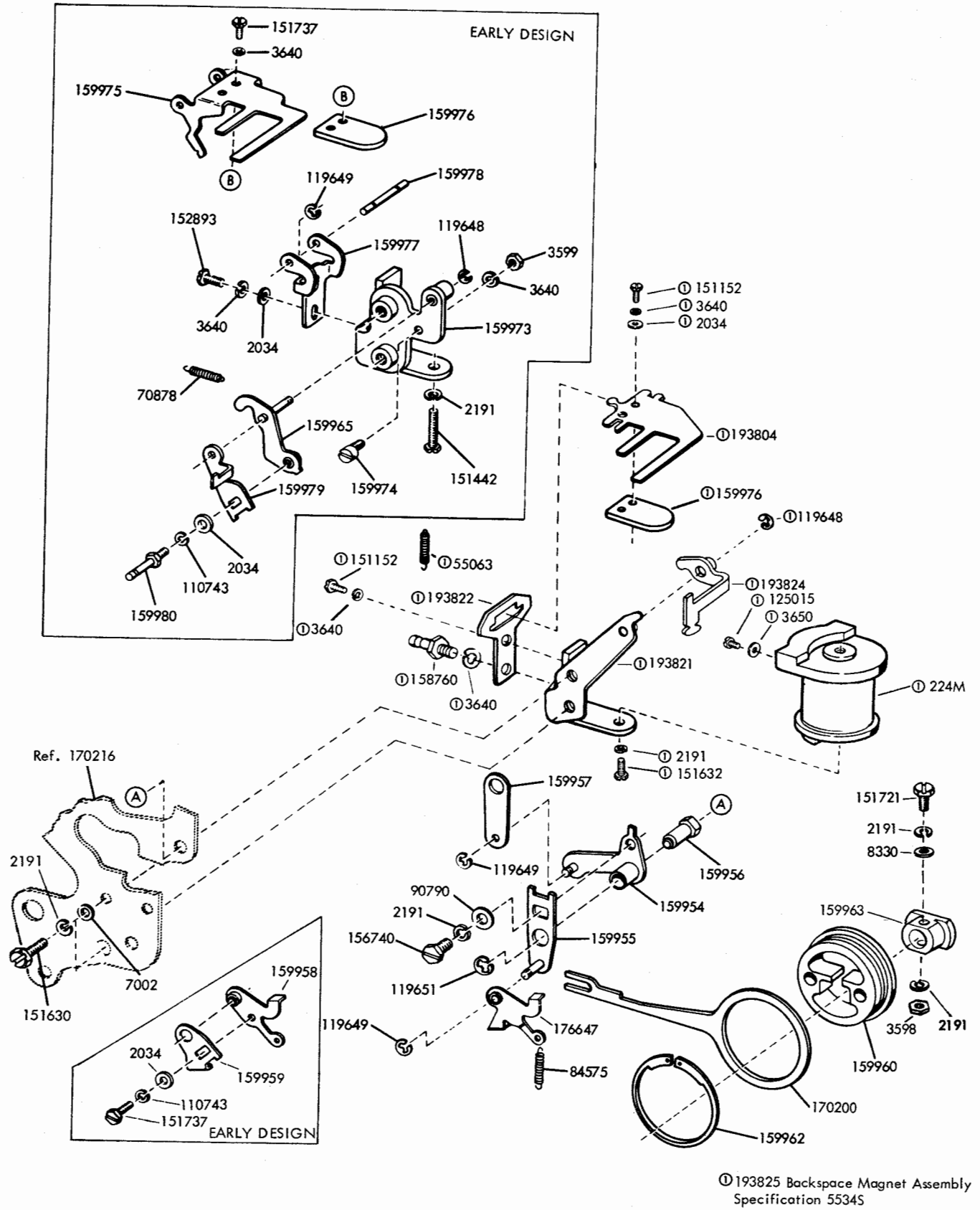
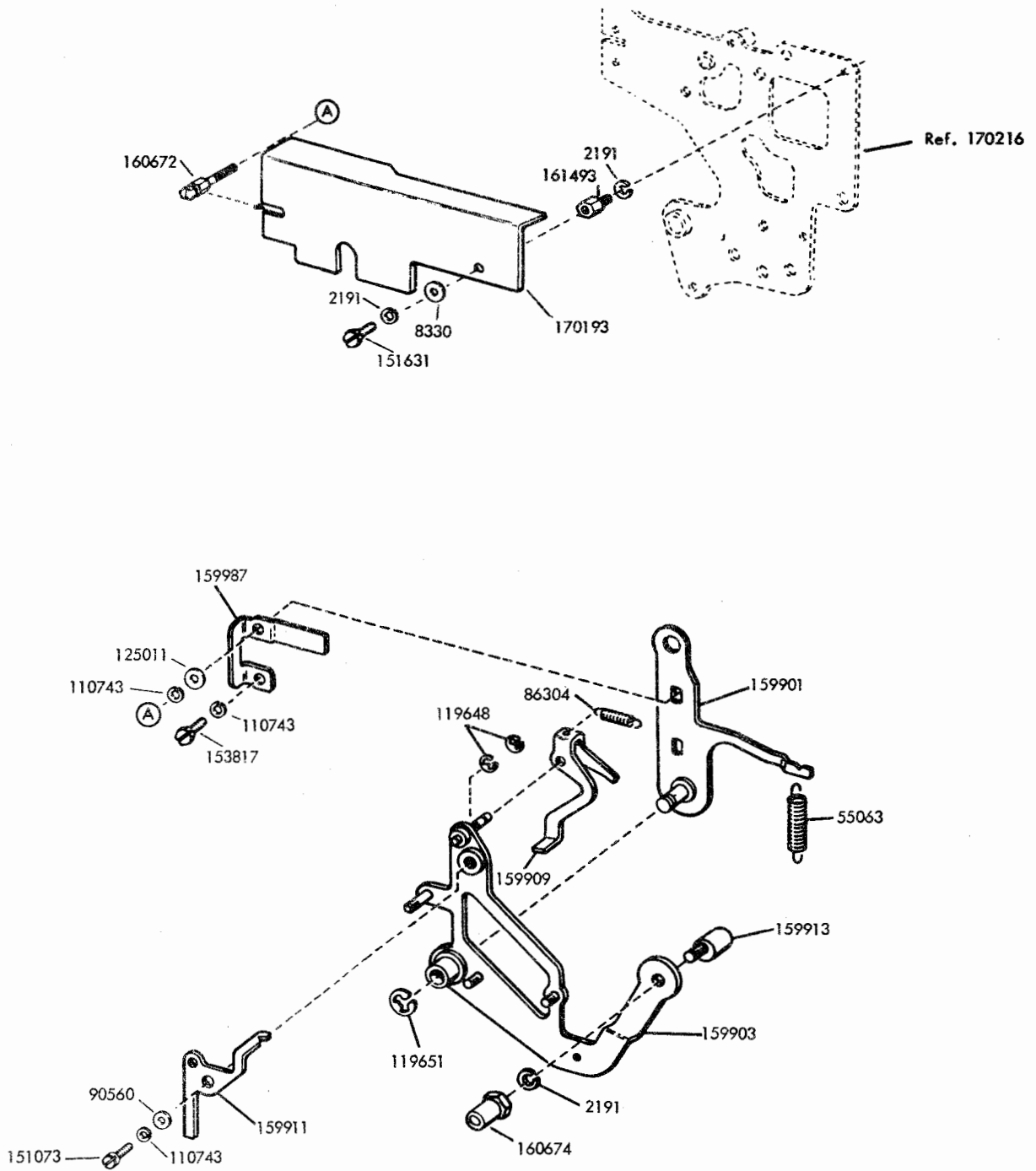


FIGURE 13. 170196 MODIFICATION KIT TO ADD POWER DRIVE TO BACKSPACE



Specification 5534S

FIGURE 14. 170196 MODIFICATION KIT TO ADD POWER DRIVE TO BACKSPACE (Continued)

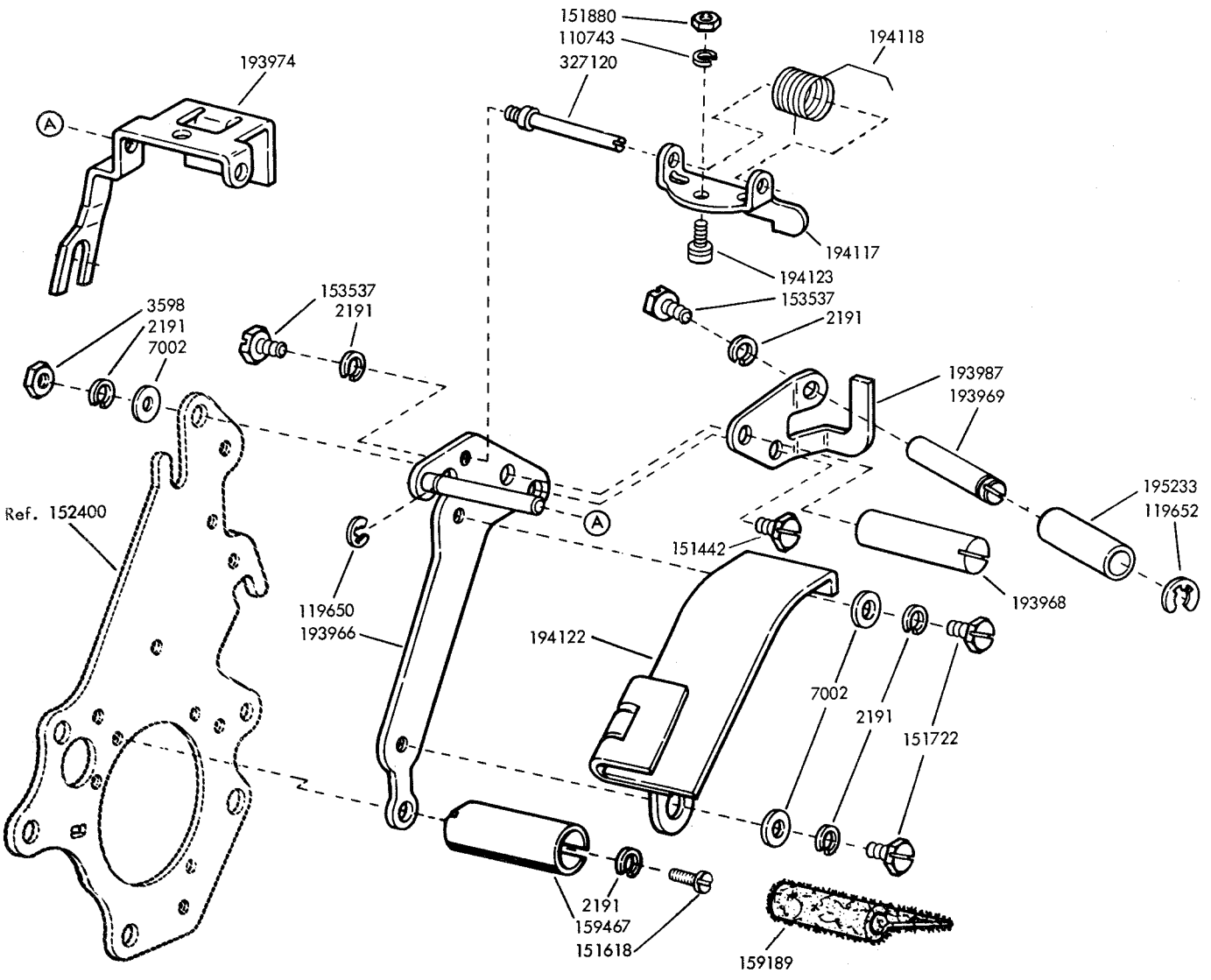
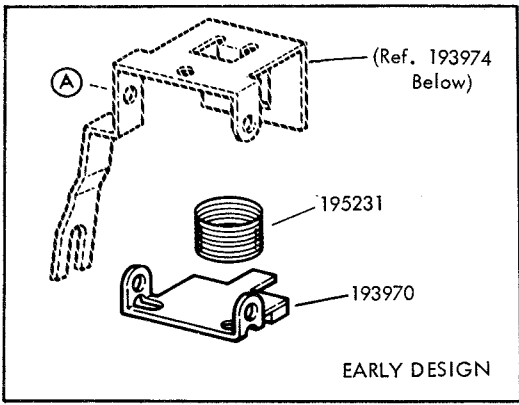


FIGURE 15. SLACK TAPE MECHANISM

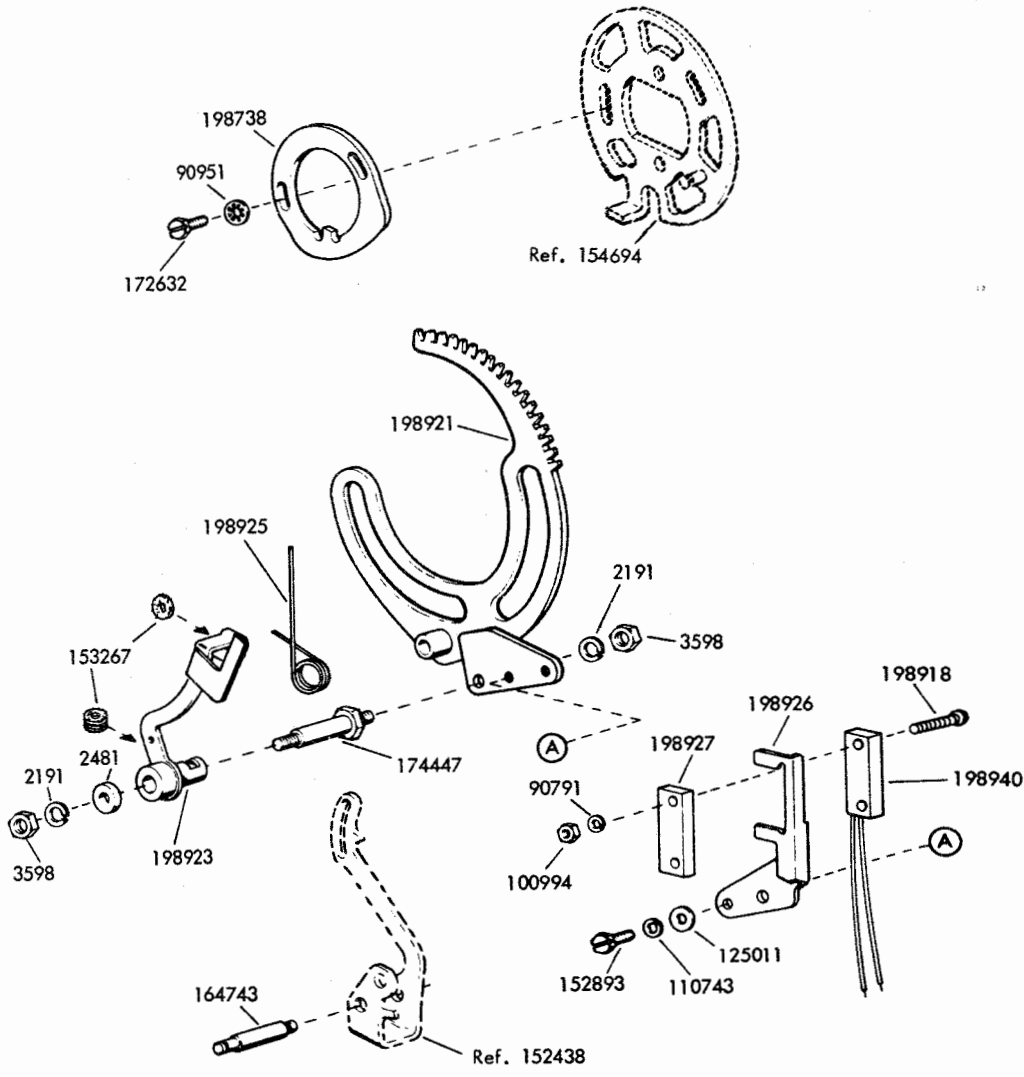


FIGURE 16. 198760 TIMING CONTACT ASSEMBLY

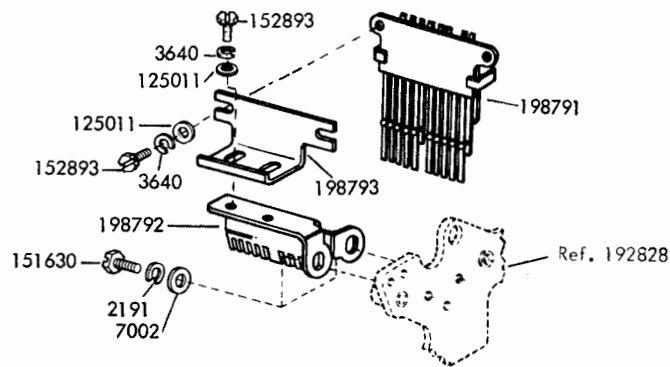


FIGURE 17 CODE READING CONTACTS

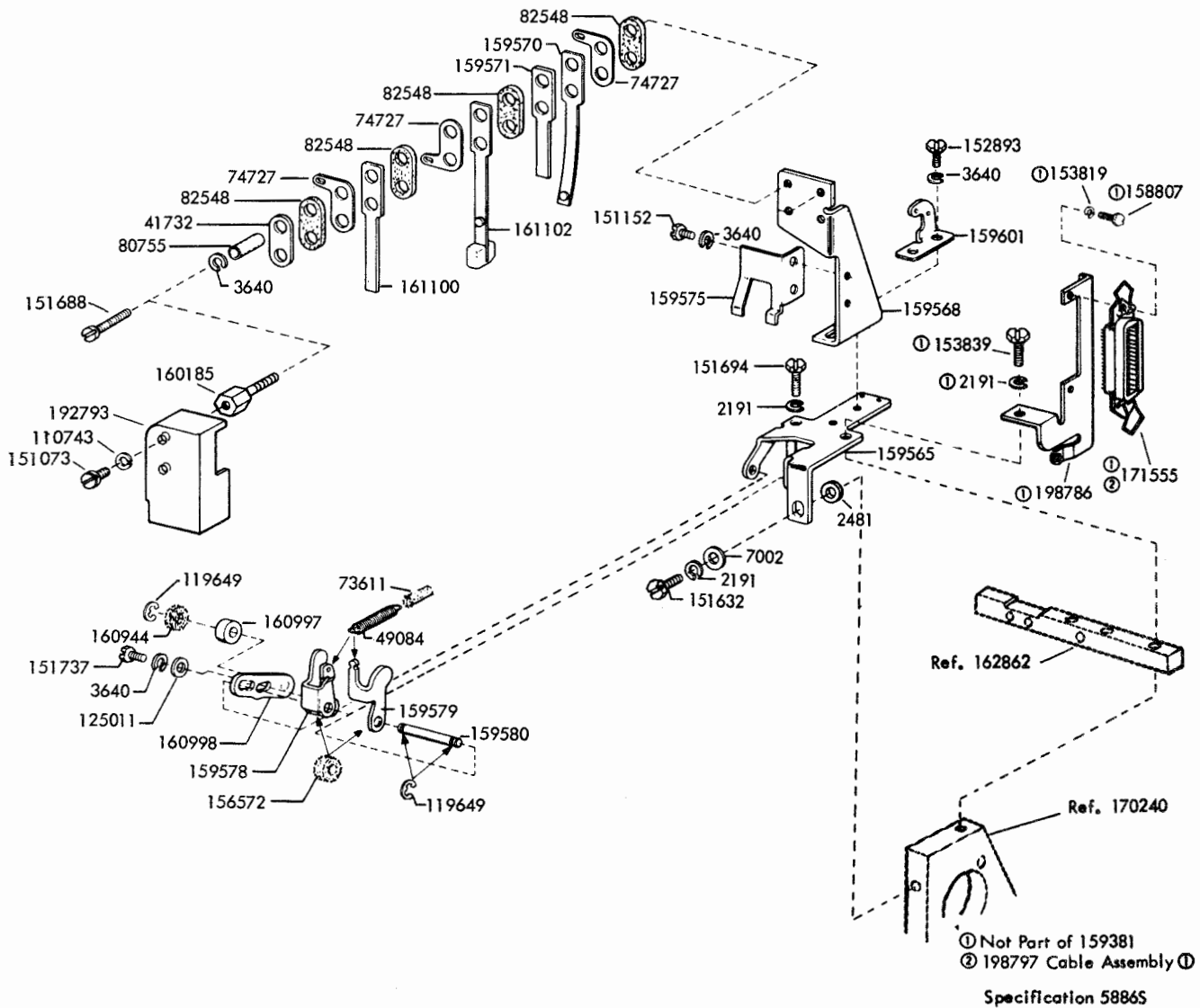


FIGURE 18. 159381 MODIFICATION KIT TO PROVIDE AUXILIARY TIMING CONTACTS

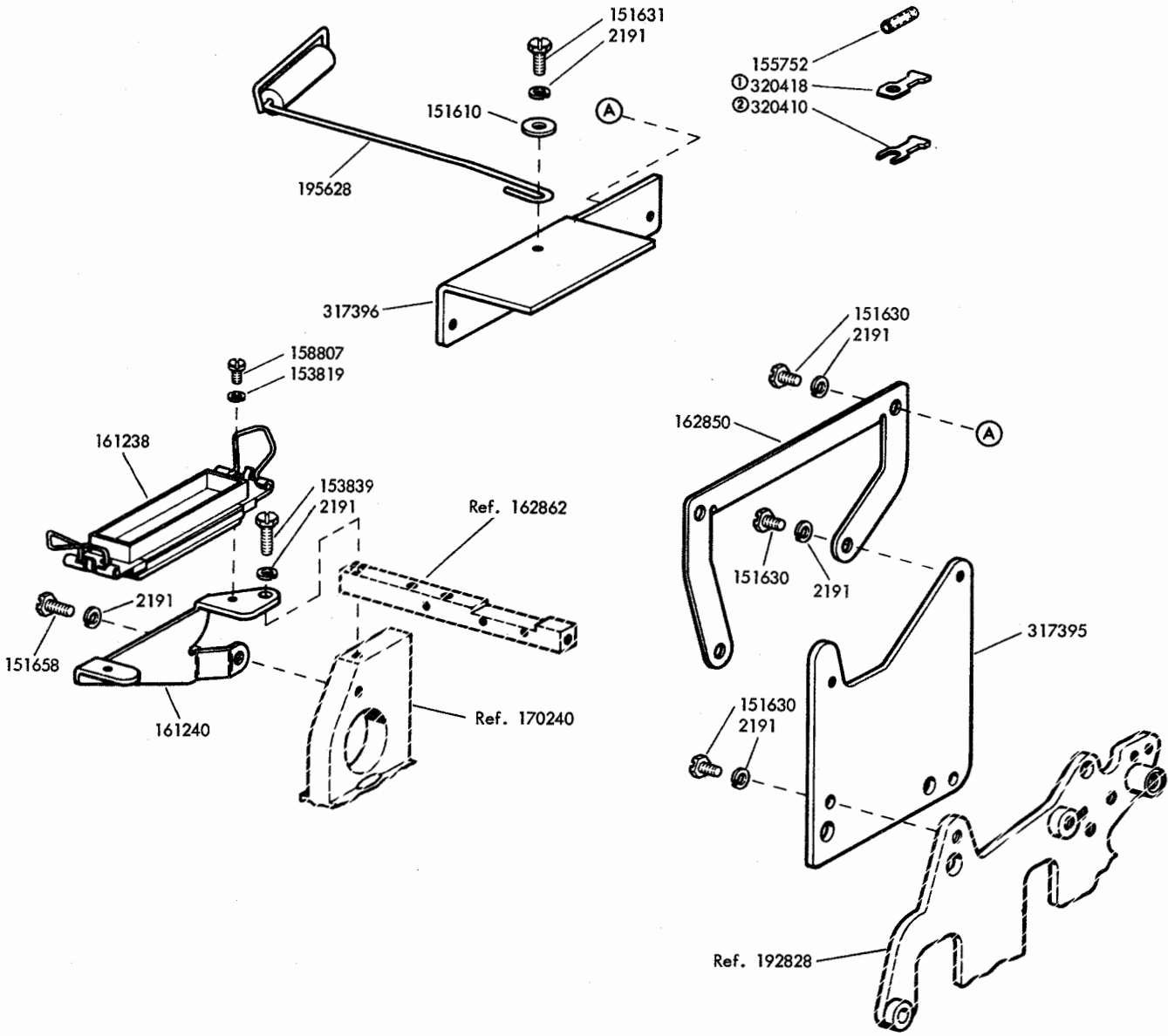


FIGURE 19. COMPONENTS FOR QUICK DISCONNECT FEATURE

NUMERICAL INDEX

| Part Number | Description and Page Number | Part Number | Description and Page Number | Part Number | Description and Page Number |
|-------------|--|-------------|-----------------------------------|-------------|---|
| 224M | Coil, Magnet 14 | 87401 | Spring 2 | 150048 | Spring 2,3 |
| 254M | Coil, Magnet 13 | 90361 | Washer, Felt 9 | 250089 | Screw, 4-40 x 1/2 Fil 13 |
| 271M | Coil, Magnet 13 | 90560 | Washer, Flat 8,15 | 150241 | Spring 2,3,5 |
| 1036 | Nut, 6-40 Hex 6 | 90573 | Spring 10 | 150355 | Lever, Latch 2 |
| 2034 | Washer, Flat 2,11,14 | 90790 | Washer, Flat 14 | 150356 | Lever, Trip 2 |
| 2191 | Lockwasher 2 to 7,9 to 19 | 90791 | Lockwasher 3,6,17 | 150923 | Washer, Felt 9 |
| 2438 | Washer, Flat 13 | 90951 | Lockwasher 17 | 150978 | Screw, 6-40 x 1-1/8 Fil 13 |
| 2481 | Washer, Flat 17,18 | 91120 | Spring 6 | 151073 | Screw, 4-40 x 5/32 Fil 2,3,8,9,15,18 |
| 2539 | Nut, 3/8-32 Hex 3 | 93108 | Lockwasher 4 | 151103 | Spring 11 |
| 2669 | Lockwasher 10,12 | 93356 | Washer, Felt 2,6 | 151152 | Screw, 4-40 x 3/16 Hex 2,3,8,12,14,18 |
| 3598 | Nut, 6-40 Hex 2,3,4,6,7,9,10,11,14,16,17 | 96717 | Screw, 4-40 Shoulder 11 | 151222 | Washer, Felt 9 |
| 3599 | Nut, 4-40 Hex 3,7,11,13,14 | 98212 | Post, Spring 3 | 151246 | Washer, Flat 5 |
| 3603 | Nut, 1/4-32 Hex 4 | 100994 | Nut, 2-56 Hex 17 | 151362 | Wick, Felt 10 |
| 3640 | Lockwasher 2,5,8,14,18 | 104807 | Washer, Flat 8 | 151416 | Nut, 6-40 Hex 6,9 |
| 3646 | Lockwasher 3 | 104824 | Spring 13 | 151442 | Screw, 6-40 x 1/2 Hex 4,7,11,14,16 |
| 3650 | Washer, Flat 14 | 110434 | Screw, 4-40 x 3/16 Fil 11 | 151603 | Spacer 13 |
| 5363 | Spring Compression 6 | 110446 | Nut, 2-56 Hex 3 | 151610 | Washer, Flat 19 |
| 7002 | Washer, Flat 2,3,6,7,9,10,11,14,16,18 | 110743 | Lockwasher 2,3,5,6,7,8,9,11 to 18 | 151618 | Screw, 6-40 x 7/16 Fil 16 |
| 8330 | Washer, Flat 2,4,9,12,14,15 | 112626 | Nut, 10-32 Hex 12 | 151629 | Nut, 6-40 Lug 2,9 |
| 41382 | Spring 6,12 | 119647 | Ring, Retaining 6 | 151630 | Screw, 6-40 x 1/4 Hex 2,3,6,11,14,18,19 |
| 41543 | Bearing, Ball 4 | 119648 | Ring, Retaining 6,10,12,14,15 | 151631 | Screw, 6-40 x 5/16 Hex 2,3,4,10,11,13,15,19 |
| 41732 | Plate, Clamp 18 | 119649 | Ring, Retaining 6,14,18 | 151632 | Screw, 6-40 x 3/8 Hex 5,10,14,18 |
| 42823 | Washer, Flat 5 | 119650 | Ring, Retaining 9,16 | 151637 | Screw, 4-40 x 1/4 Fil 7 |
| 49084 | Spring 18 | 119651 | Ring, Retaining 2,14,15 | 151639 | Washer, Flat 3 |
| 55063 | Spring 14,15 | 119652 | Ring, Retaining 2,3,6,9,12,16 | 151657 | Screw, 6-40 x 1/4 Fil 2,3,12 |
| 70878 | Spring 14 | 119654 | Ring, Retaining 5 | 151658 | Screw, 6-40 x 5/16 Fil 4,19 |
| 71437 | Washer, Flat 9 | 121242 | Clamp, 1/8 ID Cable 11 | 151686 | Screw, 4-40 x 3/8 Fil 13 |
| 73175 | Lockwasher 3 | 121243 | Clamp, 3/16 ID Cable 11 | 151688 | Screw, 4-40 x 5/8 Fil 18 |
| 73611 | Wick, Felt 18 | 121551 | Screw, 8-32 x 1/4 Hex 3 | 151694 | Screw, 6-40 x 11/32 Fil 18 |
| 74283 | Washer, Spring 12 | 124177 | Lockwasher 6,10,12 | 151701 | Spring, Torsion 11 |
| 74727 | Terminal, Contact 18 | 125011 | Washer, Flat 2,3,7,12,15,17,18 | 151714 | Spring 11 |
| 76081 | Washer, Flat 2,13 | 125015 | Washer, Flat 3,9,13,14 | 151721 | Screw, 6-40 x 3/4 Hex 4,14 |
| 76099 | Washer, Flat 13 | 125015 | Washer, Flat 3,9,13,14 | 151722 | Screw, 6-40 x 3/16 Hex 6,16 |
| 76295 | Spring 3 | 125231 | Nut, 10-32 Hex 10 | 151728 | Spring 5 |
| 76461 | Washer, Flat 4 | 125241 | Spring 13 | 151734 | Screw, 4-40 x 3/8 Hex 3 |
| 78103 | Screw, 6-40 x 1-3/16 Hex 3 | 128357 | Ring, Retaining 9 | 151737 | Screw, 4-40 x 11/64 Hex 5,14,18 |
| 79012 | Insulator 13 | 135716 | Spring 2 | 151880 | Nut, 4-40 Hex 16 |
| 80755 | Bushing, Insulating 18 | 139752 | Screw, 4-40 x 11/64 Fil 2,3 | | |
| 80945 | Spring 3 | 150000 | Drum, Clutch 5 | | |
| 81731 | Spring 3 | 150001 | Drum, Clutch 5 | | |
| 81778 | Screw, 4-40 x 3/16 Fil 13 | 150013 | Disk, Adjusting 5 | | |
| 82548 | Insulator, .062" Thk 18 | 150026 | Lever, Shoe Release 5 | | |
| 84575 | Spring 14 | 150029 | Wick, Felt 5 | | |
| 86304 | Spring 15 | 150040 | Screw, 6-40 x 5/8 Fil 5 | | |
| 86774 | Screw, 6-40 Shoulder 3 | 150043 | Shoe, Secondary Clutch 5 | | |
| | | 150044 | Shoe, Primary Clutch 5 | | |

NUMERICAL INDEX (Continued)

| Part Number | Description and Page Number | Part Number | Description and Page Number | Part Number | Description and Page Number |
|-------------|--|-------------|-----------------------------|-------------|-------------------------------|
| 152400 | Plate, Selector Mounting 11,13,16 | 156017 | Shaft, Eccentric 9 | 156995 | Post 10 |
| 152406 | Bracket, Spring 11 | 156019 | Washer, Felt 6 | 157194 | Retainer, Spring 13 |
| 152407 | Lever, Spacing Lock 11 | 156024 | Plate, Rear 6,7,9 | 157237 | Shield, Terminal 13 |
| 152409 | Lever, Selecting 11 | 156042 | Post, Spacing 6 | 157261 | Shaft, Stop Arm 12 |
| 152411 | Lever, Push 11 | 156043 | Bushing 9 | 158171 | Shaft w/Bearing 4 |
| 152412 | Link 11,13 | 156047 | Spring, Torsion 6 | 158745 | Clamp, Bearing 4 |
| 152415 | Stud, Adjusting 4 | 156050 | Stud, Eccentric 6 | 158760 | Post, Spring 14 |
| 152420 | Lamination, Magnet 13 | 156051 | Bushing, Eccentric 9 | 158807 | Screw, 3-48 x 11/64 Fil 18,19 |
| 152421 | Bracket, Shield Mounting 13 | 156052 | Shoe, Tape 6 | 158881 | Nut, 6-40 Shoulder 4 |
| 152423 | Bracket, Armature Stop Mounting 13 | 156054 | Lever, Detent 6 | 158893 | Post, Spring 3 |
| 152427 | Latch w/Hub 12 | 156055 | Wheel, Die 6 | 158941 | Bail, Rocker 10 |
| 152425 | Post, Spring 13 | 156058 | Link, Rear 9 | 159011 | Bracket, Spring 3 |
| 152426 | Nut, 6-40 Self-Locking 13 | 156060 | Shaft, Eccentric 9 | 159181 | Lubricator 11 |
| 152429 | Rack, Sector 12 | 156061 | Arm, Tape Shoe 6 | 159184 | Wick, Lubricating 11 |
| 152438 | Bail, Stop Arm 12,17 | 156062 | Post, Pivot 6 | 159185 | Retainer, Wick 11 |
| 152441 | Washer, Flat 12 | 156067 | Guide, Slide Post 9 | 159189 | Wick, Felt 16 |
| 152445 | Spring Compression 12 | 156069 | Plate 7 | 159341 | Bearing, Ball 5 |
| 152458 | Shield, Terminal 13 | 156070 | Bail, Toggle 9 | 159381 | Modification Kit 1,18 |
| 152634 | Washer, Flat 9 | 156077 | Plate w/Post 9 | 159411 | Bearing Assembly 10 |
| 152891 | Spring 11 | 156090 | Screw, 6-40 Adjusting 6 | 159427 | Bracket, Stop 2,3 |
| 152893 | Screw, 4-40 x 1/4 Hex 2, 3,5,6,7,8,9,11,14,17,18 | 156093 | Washer, Felt 9 | 159431 | Lever, Main Trip 2,3 |
| 153239 | Roller 10 | 156094 | Link, Front 9 | 159467 | Holder, Wick 16 |
| 153267 | Washer, Felt 17 | 156095 | Bushing 9 | 159544 | Release, Clutch 2 |
| 153489 | Detent 12 | 156099 | Link, Rear Drag 9 | 159560 | Spring 7 |
| 153537 | Screw, 6-40 x 9/32 Hex 16 | 156103 | Strip, Felt 9 | 159565 | Bracket w/Post 18 |
| 153538 | Screw, 6-40 x 7/16 Hex 7 | 156162 | Washer, Flat 9 | 159568 | Bracket, Contact 18 |
| 153817 | Screw, 4-40 x 3/8 Hex 15 | 156165 | Washer, Felt 2,9 | 159570 | Spring, Contact 18 |
| 153819 | Lockwasher 18,19 | 156169 | Washer, Felt 9 | 159571 | Stiffener 18 |
| 153839 | Screw, 6-40 x 5/8 Hex 2,9,18,19 | 156173 | Stud 7 | 159575 | Bracket, Stop 18 |
| 154215 | Spring 9 | 156248 | Latch 2,3 | 159578 | Bail, Front Contact 18 |
| 154242 | Screw, 6-40 x 5/16 Hex 10 | 156257 | Bracket 2 | 159579 | Bail, Rear Contact 18 |
| 154349 | Spring 11 | 156267 | Lever, Trip 3 | 159580 | Shaft, Actuating Bail 18 |
| 154396 | Cam w/Pin 5 | 156318 | Lever, Reset 2 | 159601 | Bracket, Spring 18 |
| 154398 | Bearing, Needle 5 | 156366 | Shaft, Rocker Bail 10 | 159625 | Bracket, Bail Guide 10 |
| 154694 | Disk, Clutch Cam 5,17 | 156387 | Lever, Trip 2 | 159880 | Slide 11 |
| 154698 | Wick, Felt 6 | 156388 | Lever, Adjusting 2 | 159901 | Plate w/Post 15 |
| 155096 | Plate, Range Finder Mounting 12 | 156403 | Disk, Bearing 5 | 159903 | Bellcrank 15 |
| 155752 | Sleeve, 5/64 ID x 1/2" Lg Insulating 19 | 156412 | Link, Drive 10 | 159909 | Pawl, Feed 15 |
| 155995 | Screw, 6-40 Shoulder 4 | 156465 | Washer, Spring 5 | 159911 | Plate 15 |
| 156009 | Post, Slide 9 | 156472 | Post, Spring 2 | 159913 | Screw, 6-40 Eccentric 15 |
| 156013 | Screw, 4-40 Spl 9 | 156536 | Screw, 4-40 x 1/8 Fil 11 | 159954 | Link, Adjusting 14 |
| 156015 | Plate, Spring 9 | 156572 | Washer, Felt 18 | 159955 | Link, Drive 14 |
| 156016 | Link, Front Drag 9 | 156576 | Washer, Felt 10 | 159956 | Post 14 |
| | | 156577 | Roller, Detent Lever 6 | 159957 | Link 14 |
| | | 156880 | Jumper, 2-3/8" Black 13 | 159958 | Latch 14 |
| | | 156881 | Jumper, 1-1/2" Black 13 | 159959 | Extension 14 |
| | | 156740 | Screw, 6-40 x 7/32 Hex 14 | 159960 | Eccentric 14 |
| | | 156921 | Guide, Adjusting Lever 10 | 159962 | Ring, Retaining 14 |
| | | 156987 | Screw, 6-40 Spl 10 | 159963 | Arm, Adjusting 14 |
| | | 156994 | Strip, Felt 10 | | |

NUMERICAL INDEX (Continued)

| Part Number | Description and Page Number | Part Number | Description and Page Number | Part Number | Description and Page Number |
|-------------|-----------------------------------|-------------|-----------------------------------|-------------|----------------------------------|
| 159965 | Arm, Adjusting 10 | 170199 | Bracket, Anchor 6 | 192793 | Guard 18 |
| 159973 | Bracket w/Bushing 14 | 170200 | Arm, Eccentric 14 | 192828 | Plate w/Bushing 2,18,19 |
| 159974 | Eccentric 14 | 170201 | Shaft w/Bearing 5 | 193804 | Armature 14 |
| 159975 | Bail, Armature 14 | 170202 | Post, Guide 2,3 | 193821 | Bracket w/Post 14 |
| 159976 | Armature 14 | 170203 | Lever, Slide Trip 2,3 | 193822 | Clamp 14 |
| 159977 | Hinge 14 | 170204 | Bracket, Spring 2 | 193824 | Latch w/Hub 14 |
| 159978 | Shaft 14 | 170206 | Post, Guide 9 | 193825 | Magnet Assembly 14 |
| 159979 | Arm, Non-Repeat 14 | 170210 | Block Assembly, Punch 8 | 193966 | Bracket w/Stud 16 |
| 159980 | Post, Spring 14 | 170211 | Arm, Rocker 9 | 193968 | Post 16 |
| 159987 | Bracket, Guide 15 | 170215 | Spring, Punch Block 8 | 193969 | Post 16 |
| 160180 | Armature w/Extension 13 | 170216 | Plate, Front 6,8,14,15 | 193970 | Plate, Clamp 16 |
| 160182 | Bracket w/Button 13 | 170217 | Post 6 | 193974 | Depressor, Tape 16 |
| 160184 | Plate, Stop 13 | 170218 | Shaft, Feed Wheel 6 | 193976 | Bail, Rocker 10 |
| 160185 | Post 18 | 170219 | Stud, Die Wheel 6 | 193987 | Bracket, Roller 16 |
| 160186 | Bushing, Shoulder 13 | 170220 | Guide, Tape 6 | 194117 | Plate, Clamp 16 |
| 160672 | Stud 15 | 170225 | Block, Tape Guide 7 | 194118 | Spring, Torsion 16 |
| 160674 | Nut, 6-40 Shoulder 15 | 170230 | Knob 12 | 194122 | Platform, Tape 16 |
| 160744 | Washer, Felt 18 | 170231 | Guide, Upper 11 | 194123 | Screw, 4-40 Spl 16 |
| 160948 | Screw, 2-56 Spl 6 | 170232 | Guide, Lower 11 | 194162 | Bail, Reset 9 |
| 160997 | Roller 18 | 170233 | Stud 11,12 | 194992 | Modification Kit 8 |
| 160998 | Pad, Base 18 | 170234 | Bracket, Guide 11 | 194993 | Guide, Tape 8 |
| 161100 | Spring, Contact 18 | 170235 | Bracket, Spring 11 | 195231 | Spring, Compression 16 |
| 161102 | Spring, Contact 18 | 170236 | Lever 11 | 195233 | Roller 16 |
| 161107 | Stud 6 | 170237 | Lever, Start 11 | 195240 | Post 13 |
| 161108 | Stud 7 | 170238 | Bail, Reset 11 | 195251 | Armature, Selector 13 |
| 161139 | Nut, 6-40 Hex 6 | 170240 | Frame 2,4,5,10,18,19 | 195628 | Guide, Tape 19 |
| 161238 | Connector, 36 Pt Receptacle 19 | 170241 | Screw, 6-40 Adjusting 6 | 195634 | Modification Kit 13 |
| 161240 | Bracket, Connector 19 | 170242 | Slide, Feed Hole Punch 7 | 195787 | Retainer, Chad Chute 8 |
| 161493 | Post, Supporting 15 | 170244 | Wheel, Die 6 | 198738 | Cam, Timing 17 |
| 162064 | Cable w/Terminals 19 | 170246 | Slide w/Insulator 7 | 198739 | Plate 3 |
| 162207 | Cable w/Terminals 19 | 170247 | Guide 7 | 198760 | Contact Assembly, Timing 1,17 |
| 162834 | Solenoid, Feed-Out 3 | 170264 | Post, Guide 2,3 | 198778 | Wheel, Feed 6 |
| 162850 | Handle 19 | 171555 | Connector, 50 Pt Receptacle 18 | 198781 | Block Assembly, Punch 8 |
| 162862 | Bar, Mounting 2,18,19 | 172632 | Screw, 4-40 x 3/16 Hex 17 | 198782 | Post, Roller 3 |
| 163015 | Pinion, 28T 4 | 172893 | Plate Assembly, Front 9 | 198783 | Post, Roller 3 |
| 163018 | Gear, 49T 4 | 172984 | Cover, Gear 8 | 198784 | Roller, Tape 3 |
| 163025 | Gear Set, 100 WPM 4 | 172993 | Spring 8 | 198786 | Bracket, Connector 18 |
| 164279 | Chute, Chad 8 | 173340 | Collar 5 | 198787 | Bracket, Mounting 3 |
| 164300 | Spacer, .100" Thk 7 | 174447 | Post 17 | 198788 | Lever, Trip 3 |
| 164386 | Bracket, Magnet Mounting 13 | 176266 | Spring, Torsion 2 | 198789 | Bail, Latch 3 |
| 164513 | Pawl, Feed 9 | 176490 | Bracket w/Hub 2 | 198791 | Contact Assembly 18 |
| 164743 | Shaft 17 | 176647 | Latch w/Hub 14 | 198792 | Bracket, Guide 18 |
| 164851 | Wheel, Feed 6 | 179573 | Nut, 6-40 Hex 9 | 198793 | Bracket, Contact 18 |
| 170124 | Lubricator Assembly 11 | 182909 | Spring 11 | 198794 | Bail, Solenoid 3 |
| 170125 | Lever, Shoe Release 5 | 192246 | Extension, Chad Chute 8 | 198796 | Link w/Hub 10 |
| 170193 | Guard, Back Space 15 | 192493 | Spring 11 | 198797 | Cable Assembly 18 |
| 170196 | Modification Kit 1,14,15 | 192499 | Cam, Selector 5 | 198798 | Chute, Chad 8 |
| 170198 | Arm, Stop 12 | 192661 | Post 10 | 198835 | Contact Assembly 3 |
| | | 192709 | Link w/Hub 10 | 198836 | Bushing 3 |

NUMERICAL INDEX (Continued)

| Part Number | Description and Page Number | Part Number | Description and Page Number | Part Number | Description and Page Number |
|-------------|-----------------------------|-------------|-----------------------------|-------------|-----------------------------|
| 198837 | Bushing 3 | 198923 | Lever w/Bushing 17 | 315862 | Gear, 59T 4 |
| 198838 | Arm 3 | 198925 | Spring, Torsion 17 | 315863 | Pinion, 23T 4 |
| 198839 | Arm, Actuator 3 | 198926 | Bracket, Switch Mounting 17 | 315866 | Gear Set, 114 WPM 4 |
| 198844 | Bracket, Switch Mounting 3 | 198927 | Magnet 3,17 | 317395 | Plate 19 |
| 198917 | Switch, Feed 3 | 198940 | Switch, Feed 17 | 317396 | Bracket, Stop 19 |
| 198918 | Screw, 2-56 x 5/8 Fil 3, 17 | 199506 | Gasket 8 | 320408 | Terminal, Spade Type 13 |
| 198921 | Rack, Sector 17 | 305638 | Bracket, Guide 9 | 320410 | Terminal, Spade Type 19 |
| | | 309365 | Shaft w/Bearing 5 | 320418 | Terminal, Ring Type 19 |
| | | | | 327120 | Post 16 |

