

BULLETIN 1202B

HIGH SPEED TAPE SENDER SET (DX)

PARTS



TELETYPE[®]
CORPORATION
5555 TOUHY AVENUE, SKOKIE, ILLINOIS



TABLE OF CONTENTS

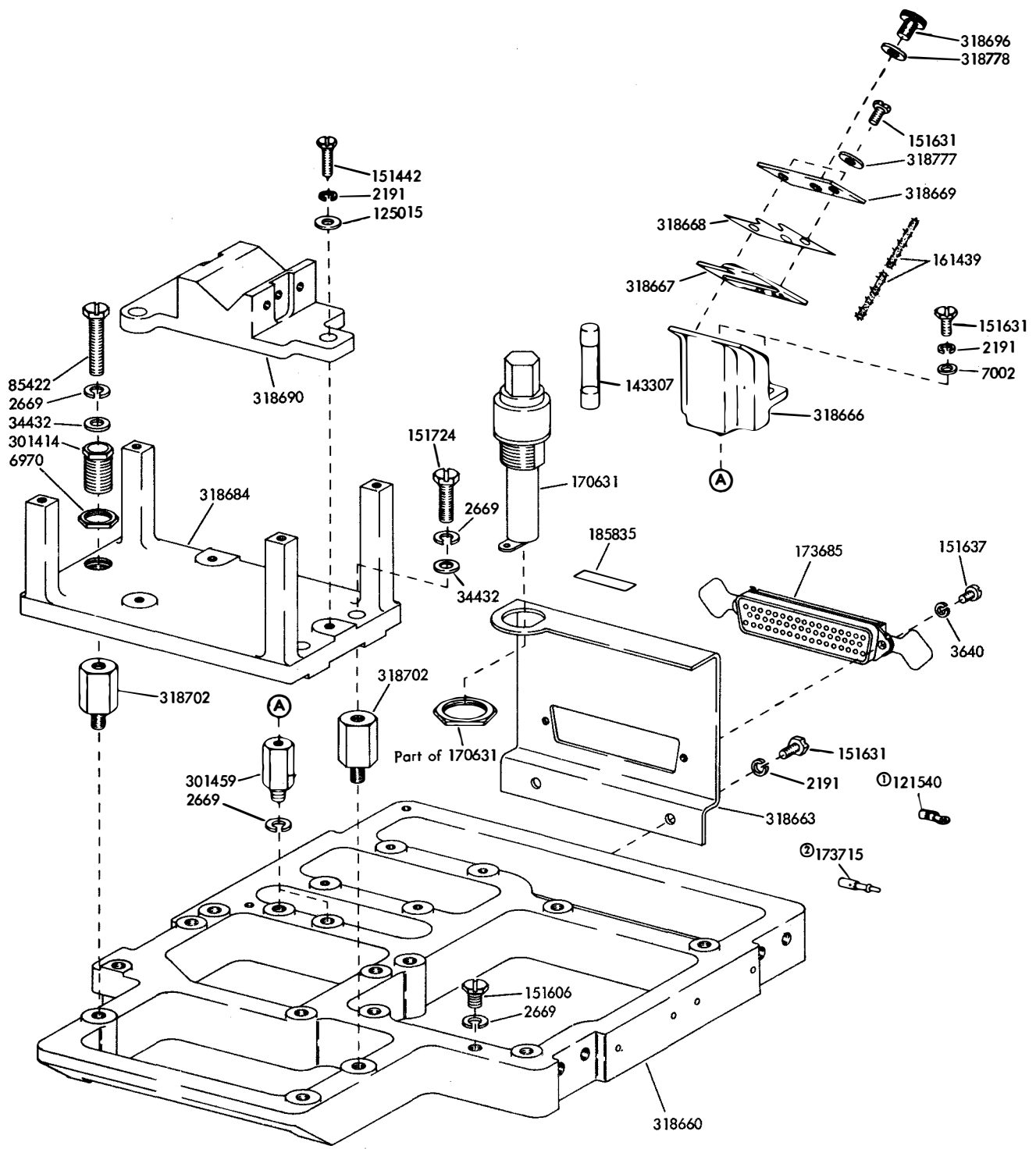
Section	Title	Issue	Date
592-804-800TC	High Speed Tape Reader (DX)	3	August, 1967
592-811-800TC	"Telespeed"* Tape Sender Cabinet (AC) and Modules	1	August, 1967

*Trademark of Teletype Corporation.



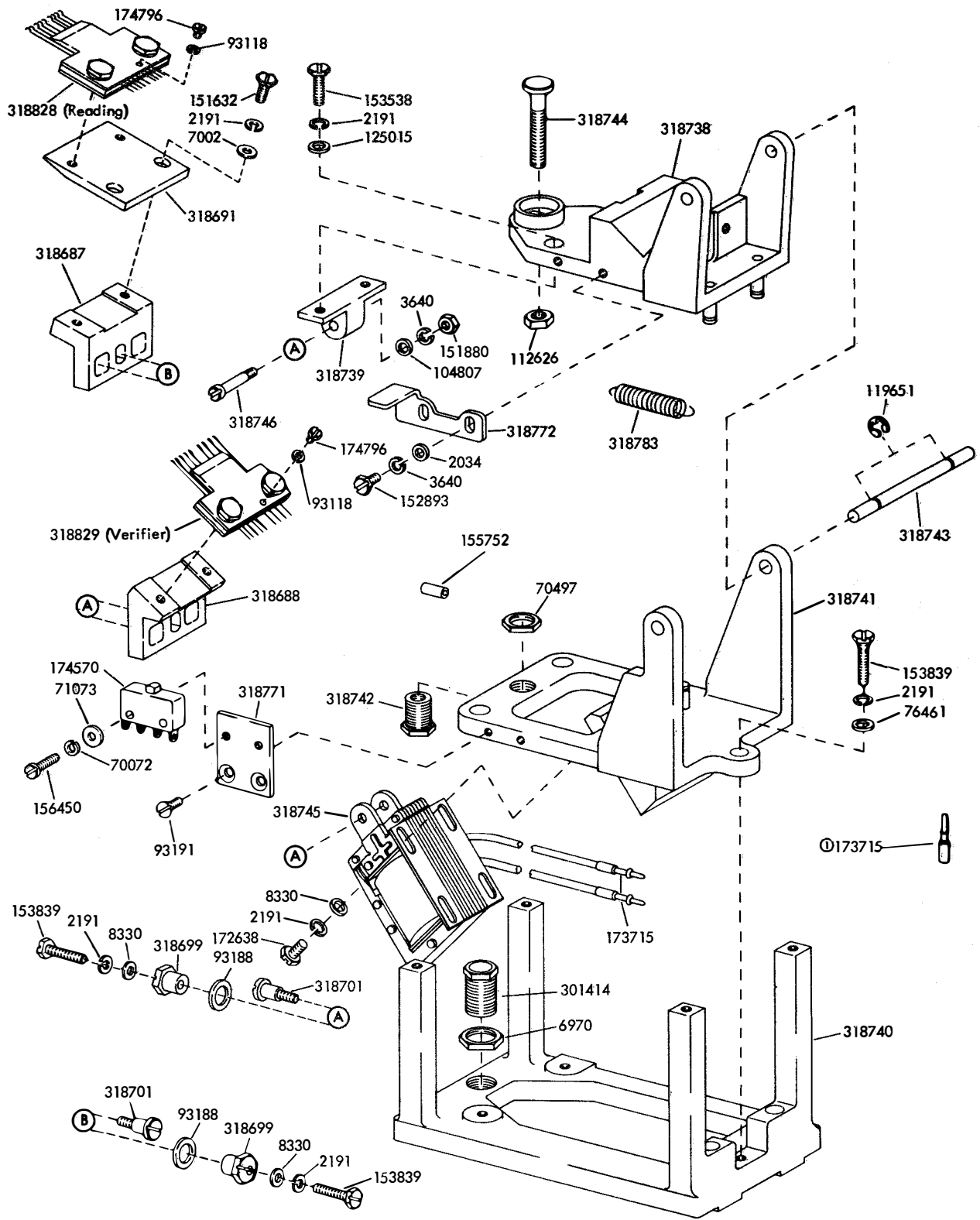
HIGH SPEED TAPE READER (DX)
PARTS

FIGURE	CONTENTS	PAGE
1	Base and Components	2
2	318675 Reading Head Assembly	3
3	318601 and 318736 Stepper Block Assemblies	4
4	318700 Block Counter Assembly	5
5	318634 Hysteresis Clutch Assembly	6
6	318685 Top Plate Assembly	7
7	Motor	7
	Numerical Index	8



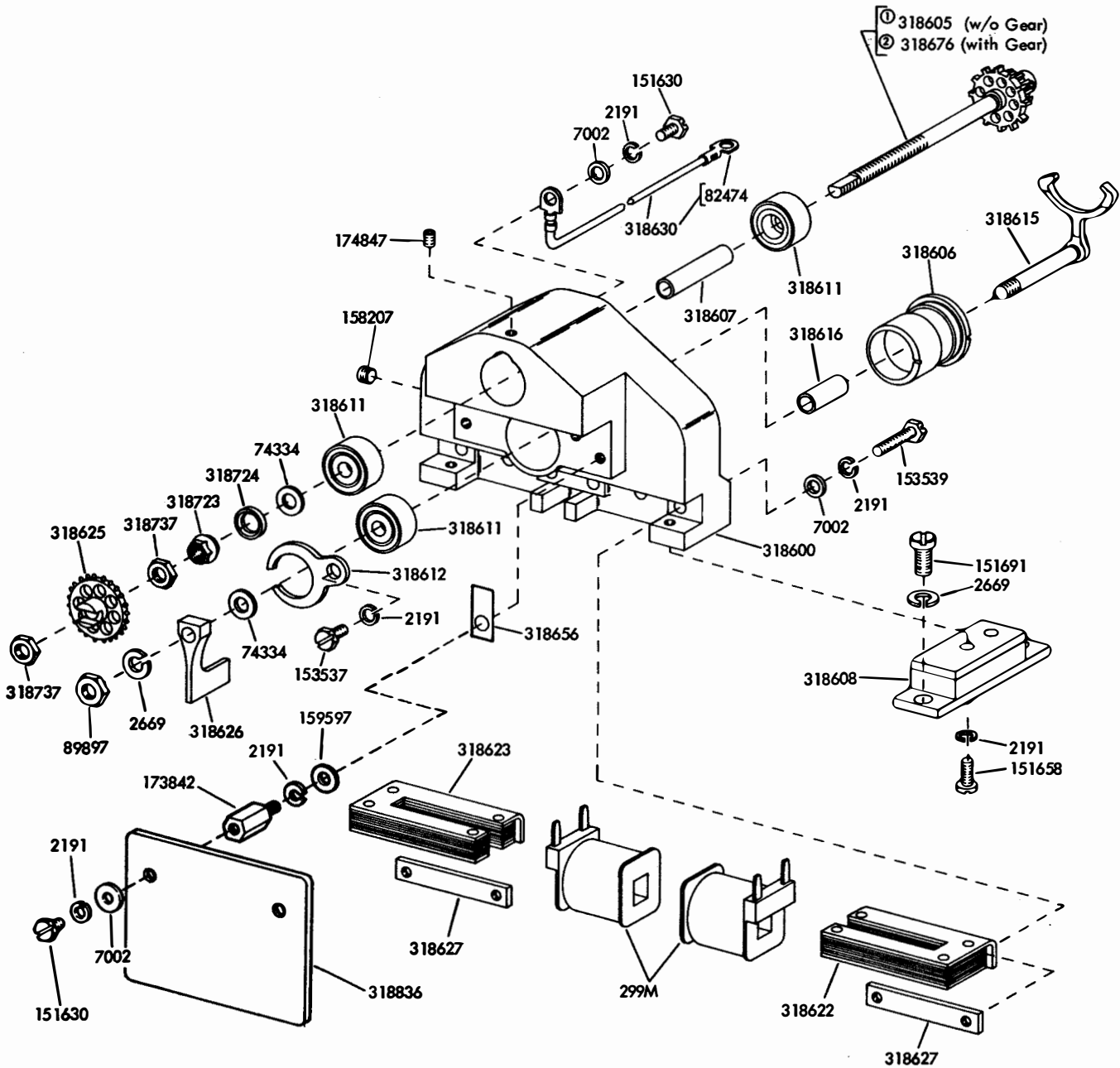
① Part of 318673 Cable Assembly
 ② Part of 318673 and 318707 Cable

FIGURE 1. BASE AND COMPONENTS



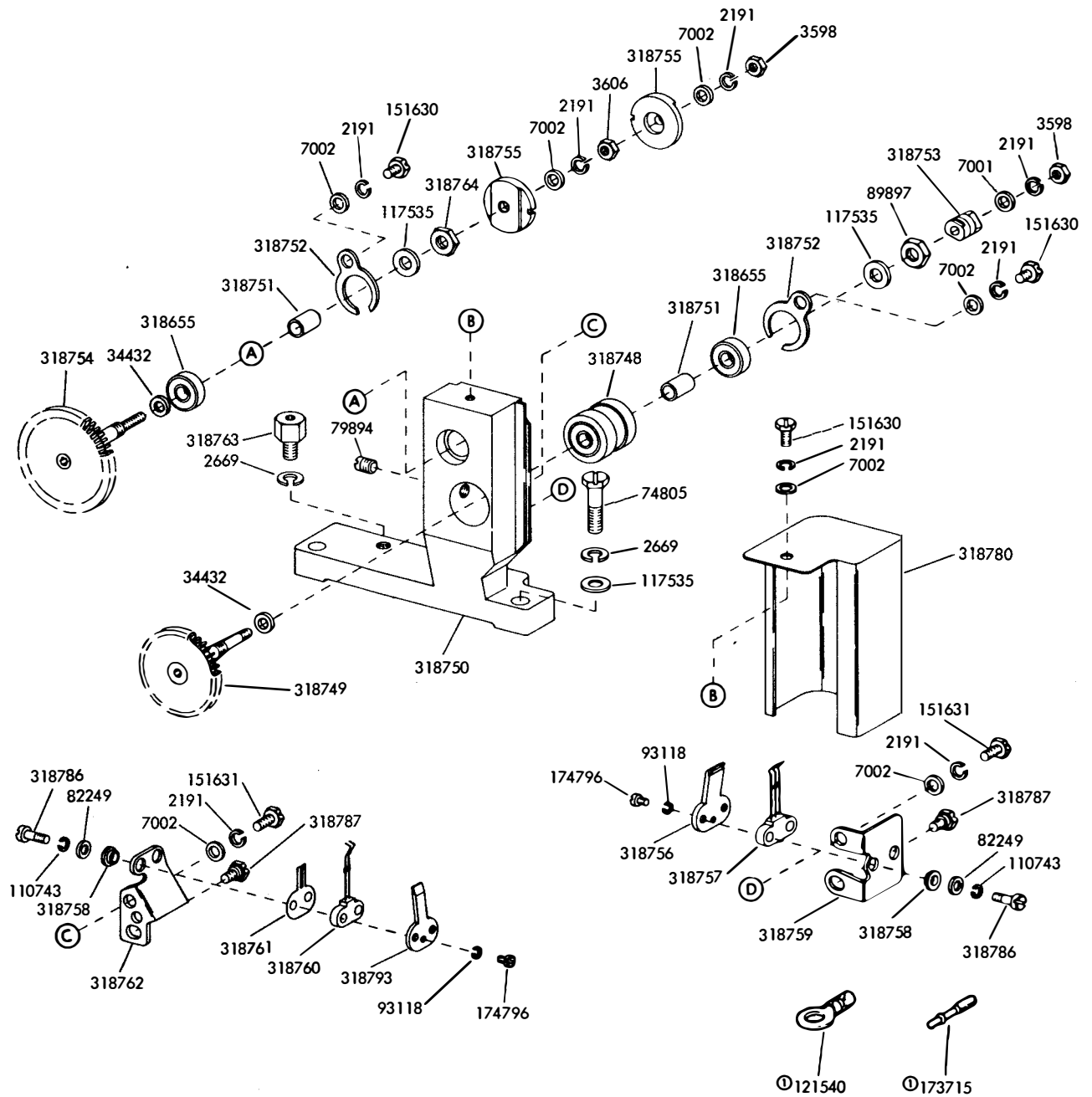
① Part of 318795 Cable

FIGURE 2. 318675 READING HEAD ASSEMBLY



① Peculiar to 318601
 ② Peculiar to 318736

FIGURE 3. 318601 AND 318736 STEPPER BLOCK ASSEMBLIES



ⓐ Part of 318796 Cable Assembly

FIGURE 4. 318700 BLOCK COUNTER ASSEMBLY

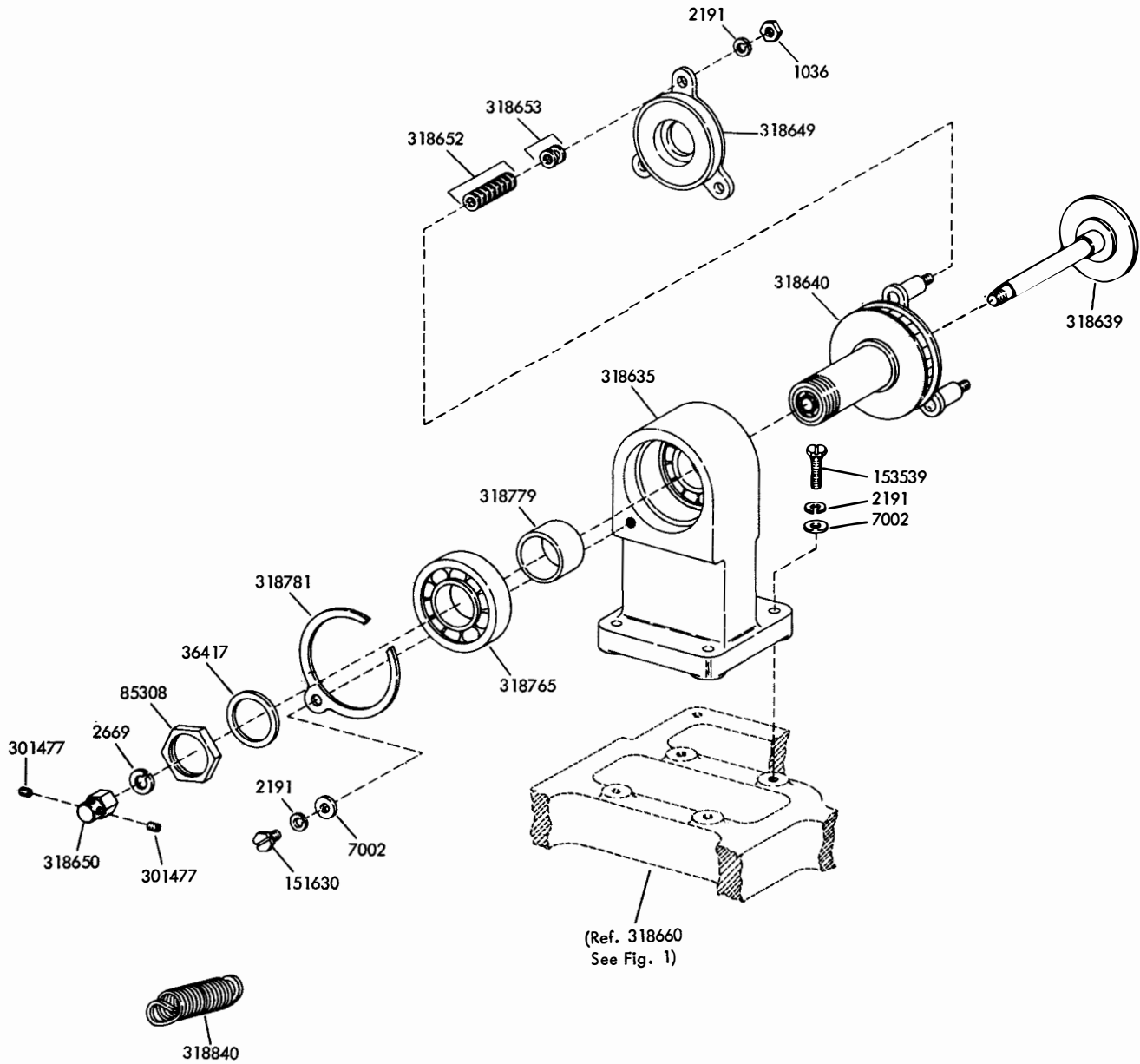


FIGURE 5. 318634 HYSTERESIS CLUTCH ASSEMBLY

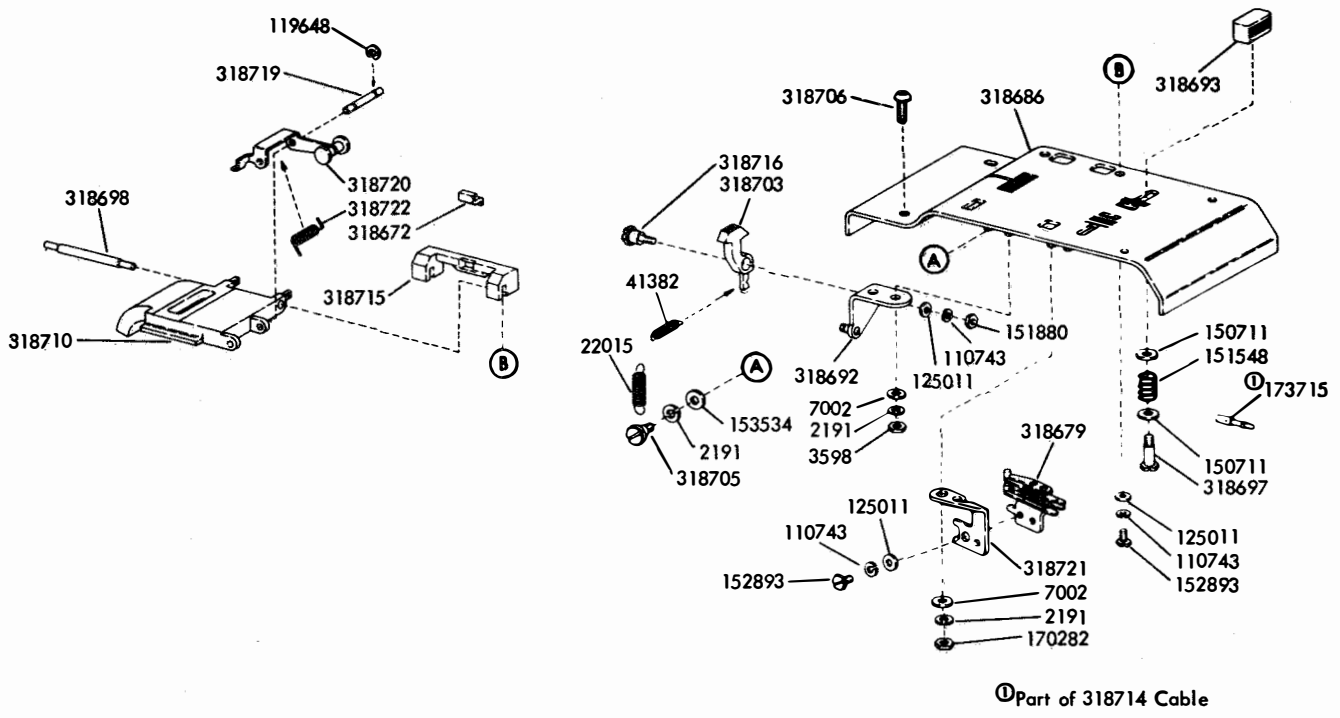


FIGURE 6. 318685 TOP PLATE ASSEMBLY

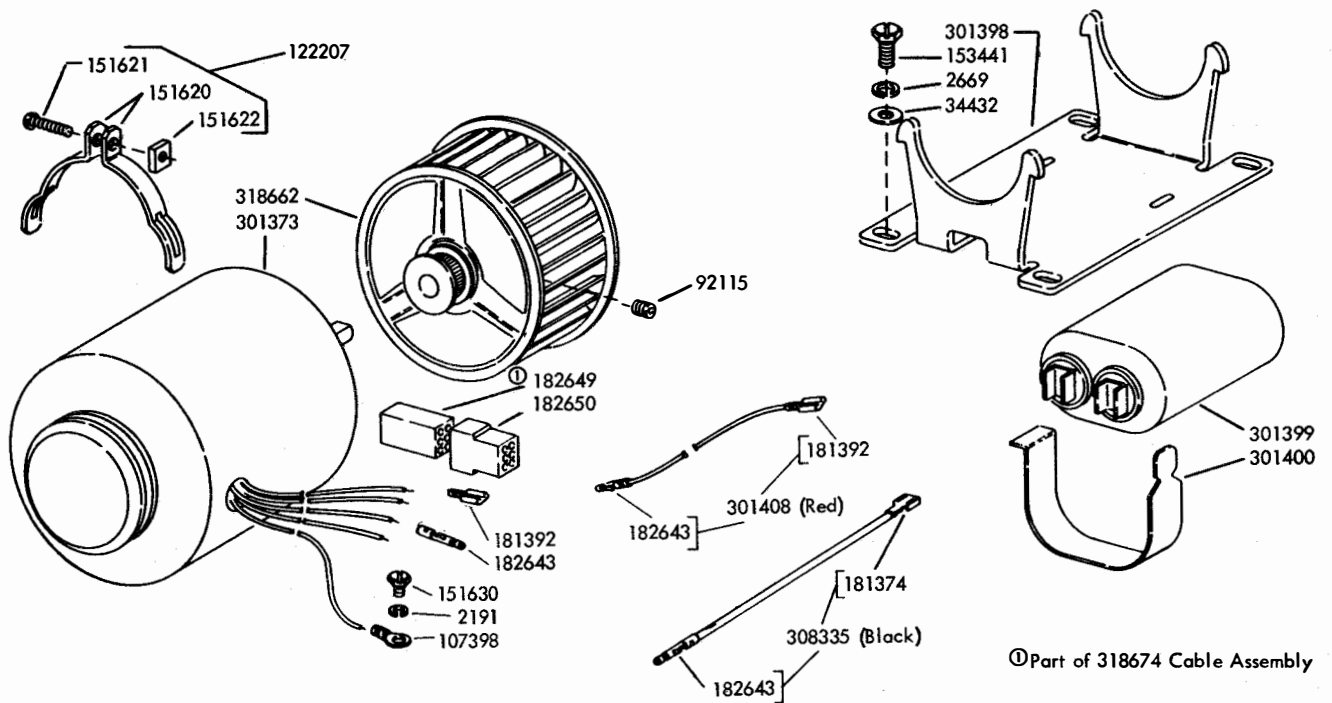


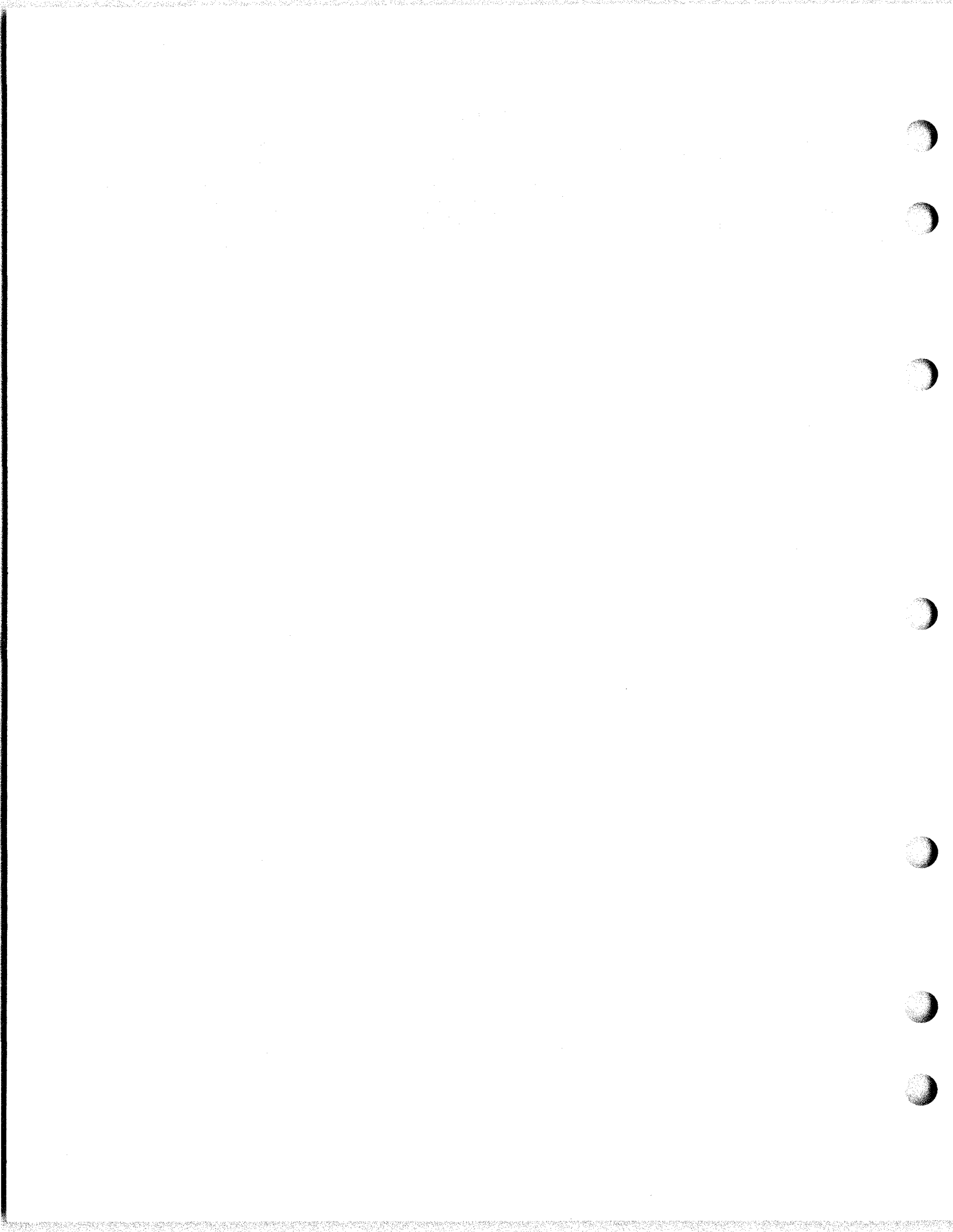
FIGURE 7. MOTOR

NUMERICAL INDEX

Part Number	Description and Page Number	Part Number	Description and Page Number	Part Number	Description and Page Number
299M	Coil, Magnet 4	156450	Screw, 2-56 x 1/2 Fil 3	318679	Contact Assembly 7
1036	Nut, 6-40 Hex 6	158207	Screw, 10-32 Set 4	318684	Frame 2
2034	Washer, Flat 3	159597	Washer, Flat 4	318685	Plate Assembly, Top 1, 7
2191	Washer, Lock 2 to 7	161439	Wick, Felt 2	318686	Plate w/Studs, Top 7
2669	Washer, Lock 2, 4 to 7	170282	Nut, 6-40 Hex 7	318687	Pedestal, Rear 3
3598	Nut, 6-40 Hex 5, 7	170631	Holder, Fuse 2	318688	Pedestal, Front 3
3606	Nut, 6-40 Hex 5	172638	Screw, 6-40 x 9/32 Hex 3	318690	Support, Pedestal 2
3640	Washer, Lock 2, 3	173685	Connector, 50 Pt Plug 2	318691	Plate, Adjusting 3
6970	Nut, 3/8-32 Hex 2, 3	173715	Terminal, Plug Type 2, 3, 5, 7	318692	Bracket w/Post, Latch 7
7001	Washer, Flat 5			318693	Guide, Tape 7
7002	Washer, Flat 2 to 7	173842	Stud 4	318696	Screw, 10-32 Thumb 2
8330	Washer, Flat 3	174570	Switch 3	318697	Screw, 6-40 Shoulder 7
22015	Spring 7	174796	Screw, 2-56 x 5/64 Fil 3, 5	318698	Shaft, Tape Lid 7
34432	Washer, Flat 2, 5, 7	174847	Screw, 6-40 Set 4	318699	Bushing, Eccentric 3
36417	Washer, Flat 6	181374	Terminal, Tab Type 7	318700	Counter Assembly, Block 1, 5
41382	Spring 7	181392	Terminal, Tab Type 7	318701	Screw, 6-40 Shoulder 3
70072	Washer, Lock 3	182643	Terminal, Plug Type 7	318702	Post 2
70497	Nut, 5/16-32 Hex 3	182649	Connector, 6 Pt Receptacle Type 7	318703	Latch, Tape Lid 7
71073	Washer, Flat 3	182650	Connector, 6 Pt Plug Type 7	318705	Screw, 6-40 Shoulder 7
74334	Washer, Flat 4	185835	Plate, Identification 2	318706	Screw, 6-40 Spl 7
74805	Screw, 10-32 x 3/4 Hex 5	301373	Motor, 115V 60 Cycle 7	318707	Cable w/Terminals 2
76461	Washer, Flat 3	301398	Bracket, Motor 7	318710	Lid w/Pins, Tape 7
79894	Screw, 10-32 Set 5	301399	Capacitor, 5 MFD 7	318714	Cable w/Terminals 7
82249	Washer, Flat 5	301400	Bracket, Capacitor 7	318715	Housing, Tape Lid 7
82474	Terminal 4	301408	Jumper, 6" Red 7	318716	Screw, 4-40 Eccentric Shoulder 7
85308	Nut, 5/8-32 Hex 6	301414	Bushing 2, 3		
85422	Screw, 10-32 x 15/16 Hex 2	301459	Stud 2	318719	Shaft 7
89897	Nut, 10-32 Hex 4, 5	301477	Screw, 4-40 Set 6	318720	Bail 7
92115	Screw, 8-32 Set 7	308335	Jumper, 5" Black 7	318721	Bracket 7
93118	Washer, Lock 3, 5	318600	Block, Stepper 4	318722	Spring, Torsion 7
93188	Washer, Flat 3	318601	Block Assembly, Stepper 1, 4	318723	Nut, 10-32 Spl (L.H. Thread) 4
93191	Screw, 4-40 x 5/16 Flat 3	318605	Shaft, Escapement 4	318724	Ring 4
104807	Washer, Flat 3	318606	Bushing, Eccentric 4	318736	Block Assembly, Stepper 1, 4
107398	Terminal 7	318607	Sleeve, Escapement 4	318737	Nut, 10-32 Hex 4
110743	Washer, Lock 5, 7	318608	Strap, Mounting 4	318738	Support w/Bushing, Pivoted Pedestal 3
112626	Nut, 10-32 Hex 3	318611	Bearing, Ball 4		
117535	Washer, Flat 5	318612	Clamp, Bearing 4	318739	Bracket 3
119648	Ring, Retaining 7	318615	Pallet, Escapement 4	318740	Frame 3
119651	Ring, Retaining 3	318616	Sleeve, Pallet 4	318741	Frame, Support 3
121540	Terminal w/Insulator 2, 5	318622	Core, Right Magnet 4	318742	Bushing 3
122207	Strap Assembly 7	318623	Core, Left Magnet 4	318743	Shaft 3
125011	Washer, Flat 7	318625	Wheel, Feed 4	318744	Screw, 10-32 Adjusting 3
125015	Washer, Flat 2, 3	318626	Armature 4	318745	Solenoid 3
143307	Fuse, .6 Amp 2	318627	Plate, Nut 4	318746	Shaft, Solenoid 3
150711	Washer, Flat 7	318630	Jumper, 6-1/8" Braided 4	318748	Sleeve w/Bearing, Eccentric 5
151442	Screw, 6-40 x 1/2 Hex 2	318634	Clutch Assembly, Hysteresis 1, 6	318749	Shaft w/Gear 5
151548	Spring, Compression 7	318635	Housing, Clutch 6	318750	Block w/Ball Bearing 5
151606	Screw, 10-32 x 1/4 Hex 2	318639	Shaft w/Follower Magnet 6	318751	Spacer 5
151620	Strap, Motor Mounting 7	318640	Hub, Clutch 6	318752	Retainer, Bearing 5
151621	Screw, 6-32 x 3/4 Rd 7	318649	Plate w/Driver Magnet 6	318753	Cam 5
151622	Nut, 6-32 Sq 7	318650	Coupler 6	318754	Shaft w/Gears 5
151630	Screw, 6-40 x 1/4 Hex 4, 5, 6, 7	318652	Shim 6	318755	Cam 5
151631	Screw, 6-40 x 5/16 Hex 2, 5	318653	Spacer 6	318756	Plate w/Contact 5
151632	Screw, 6-40 x 3/8 Hex 3	318655	Bearing, Ball 5	318757	Contact, Spring 5
151637	Screw, 4-40 x 1/4 Fil 2	318656	Clamp, Cable 4	318758	Bushing, Insulating 5
151658	Screw, 6-40 x 5/16 Fil 4	318660	Base 2, 6	318759	Bracket, Contact 5
151691	Screw, 10-32 x 3/8 Fil 4	318662	Fan w/Pulley 7	318760	Contact, Spring 5
151724	Screw, 10-32 x 5/8 Hex 2	318663	Bracket, Connector 2	318761	Plate 5
151880	Nut, 4-40 Hex 3, 7	318666	Reservoir, Oil 2	318762	Bracket, Contact 5
152893	Screw, 4-40 x 1/4 Hex 3, 7	318667	Wick, Leather 2	318763	Stud 5
153441	Screw, 10-32 x 7/16 Hex 7	318668	Stiffener 2	318764	Nut, 10-32 Hex 5
153534	Washer, Flat 7	318669	Plate 2	318765	Bearing, Ball 6
153537	Screw, 6-40 x 9/32 Hex 4	318672	Stop, Tape Lid 7	318771	Plate, Switch 3
153538	Screw, 6-40 x 7/16 Hex 3	318673	Cable w/Terminals 2	318772	Bracket 3
153539	Screw, 6-40 x 11/16 Hex 4, 6	318674	Cable Assembly 7	318777	Washer, .365" OD Sealing 2
153839	Screw, 6-40 x 5/8 Hex 3	318675	Head Assembly, Reading 1, 3	318778	Washer, .437" OD Sealing 2
155752	Sleeve, 5/64 ID x 1/2 Lg Insulating 3	318676	Shaft, Escapement 4	318779	Sleeve 6

NUMERICAL INDEX (Continued)

Part Number	Description and Page Number	Part Number	Description and Page Number	Part Number	Description and Page Number
318780	Cover 5	318787	Screw, 6-40 Shoulder 5	318828	Contact Assembly, Code Reading 3
318781	Bearing, Retainer 6	318793	Plate w/Contact 5	318829	Contact Assembly, Verifying 3
318783	Spring 3	318795	Cable w/Terminals 3	318836	Cover 4
318786	Screw, 4-40 Shoulder 5	318796	Cable w/Terminals 5	318840	Spring 6



"TELESPEED" * TAPE SENDER CABINET (AC) AND MODULES

TYPE 4

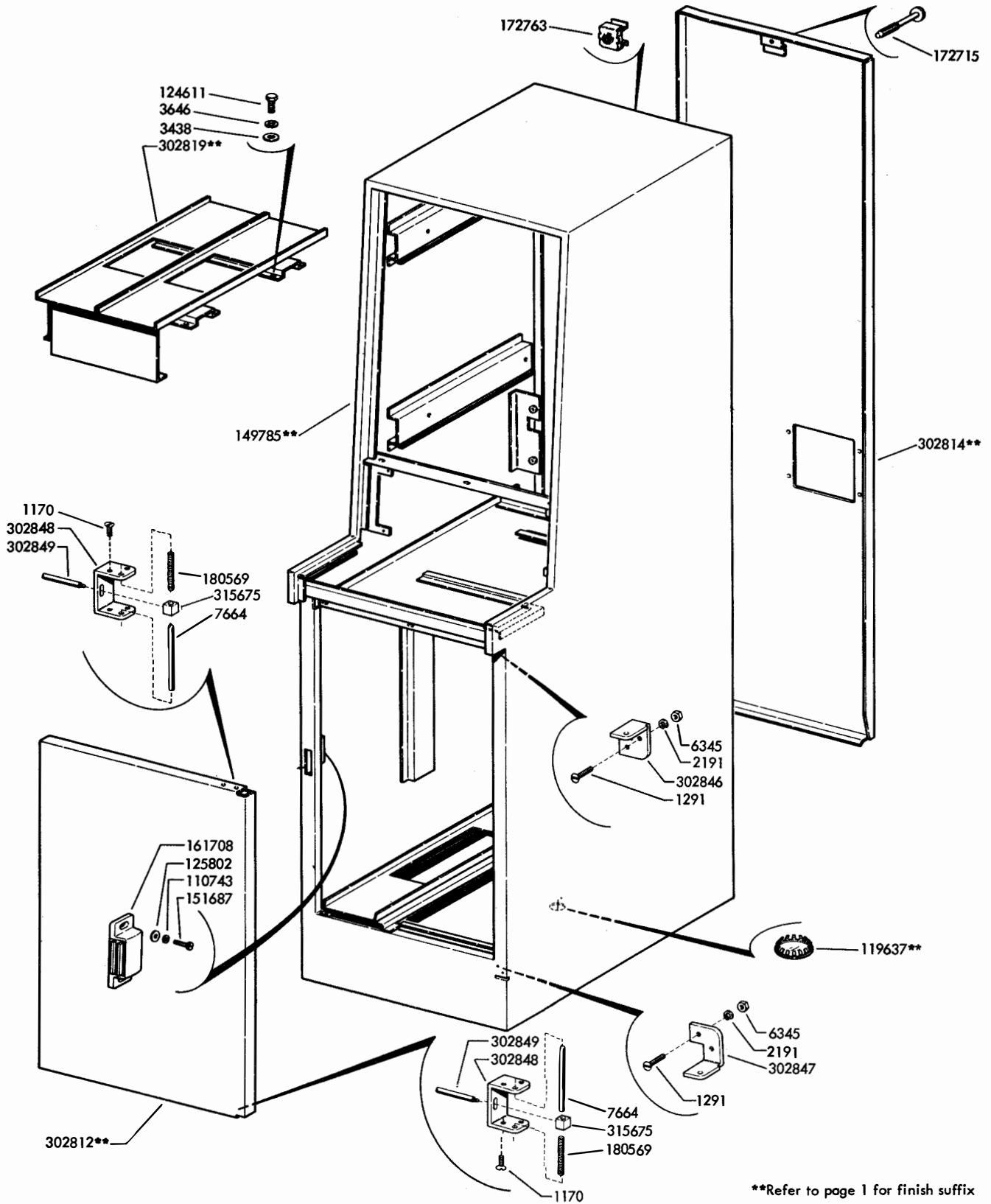
PARTS

FIGURE	CONTENTS	PAGE
1	Cabinet	2
2	Cabinet (Continued)	3
3	Front Panel	4
4	Frame	5
5	Upper Cross Bar Mechanism	6
6	173937 35 MHP, 115 VAC/1/60-50 Cycle, 1725/1425 RPM, Induction Motor	7
7	Intermediate Shaft Mechanism	8
8	Clutch Release Arm	9
9	Clutch Release Arm and Lever Mechanism	10
10	Lower Cross Bar and Clutch Drive Mechanism	11
11	Fan	12
12	302788 Wiring Field Assembly	13
13	308461 Station Control Assembly	14
14	302728 Sender Control Module (HSEDC)	15
15	308500** High Speed Sender Distributor and Reader Drive Module	16
16	302720 Multi-Voltage Power Supply (Part of 308500** Module)	17
17	308451 48 Volt Power Supply (Part of 308500** Module)	18
18	302728 and 308500** Positioning Reference Charts Numerical Index	19 20

<u>Multi- Color Code</u>	<u>Color (Smooth)</u>	<u>Suffix</u>
MA	Light Beige	HC
	Fawn	HG
MB	Light Gray	HB
	Beige	HE
MC	Light Gray	HB
	Moss Green	HD

The double asterisk (**) denotes a painted part. Suffix to be applied following the part number.

*Trademark of Teletype Corporation.



**Refer to page 1 for finish suffix

FIGURE 1. CABINET

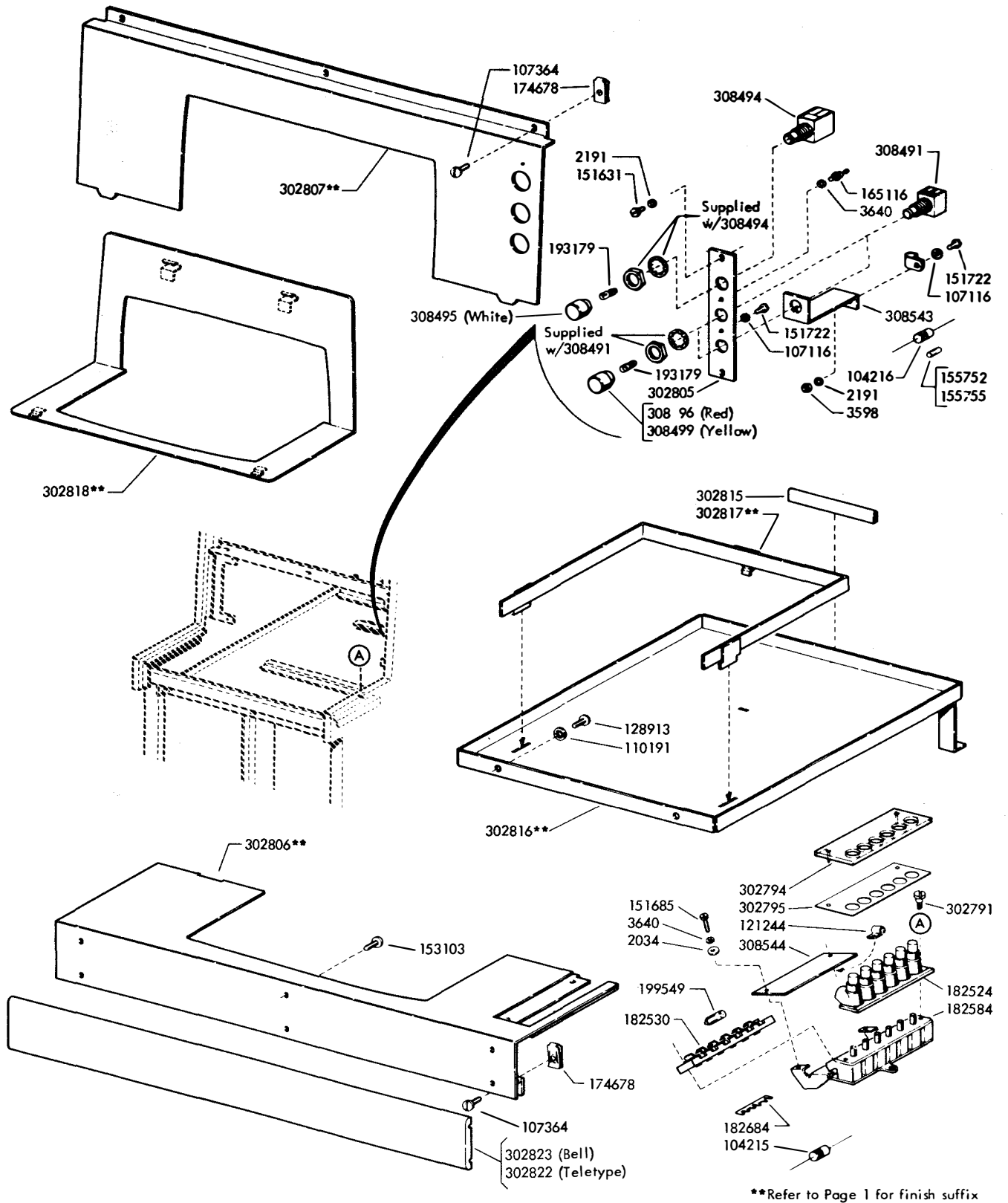
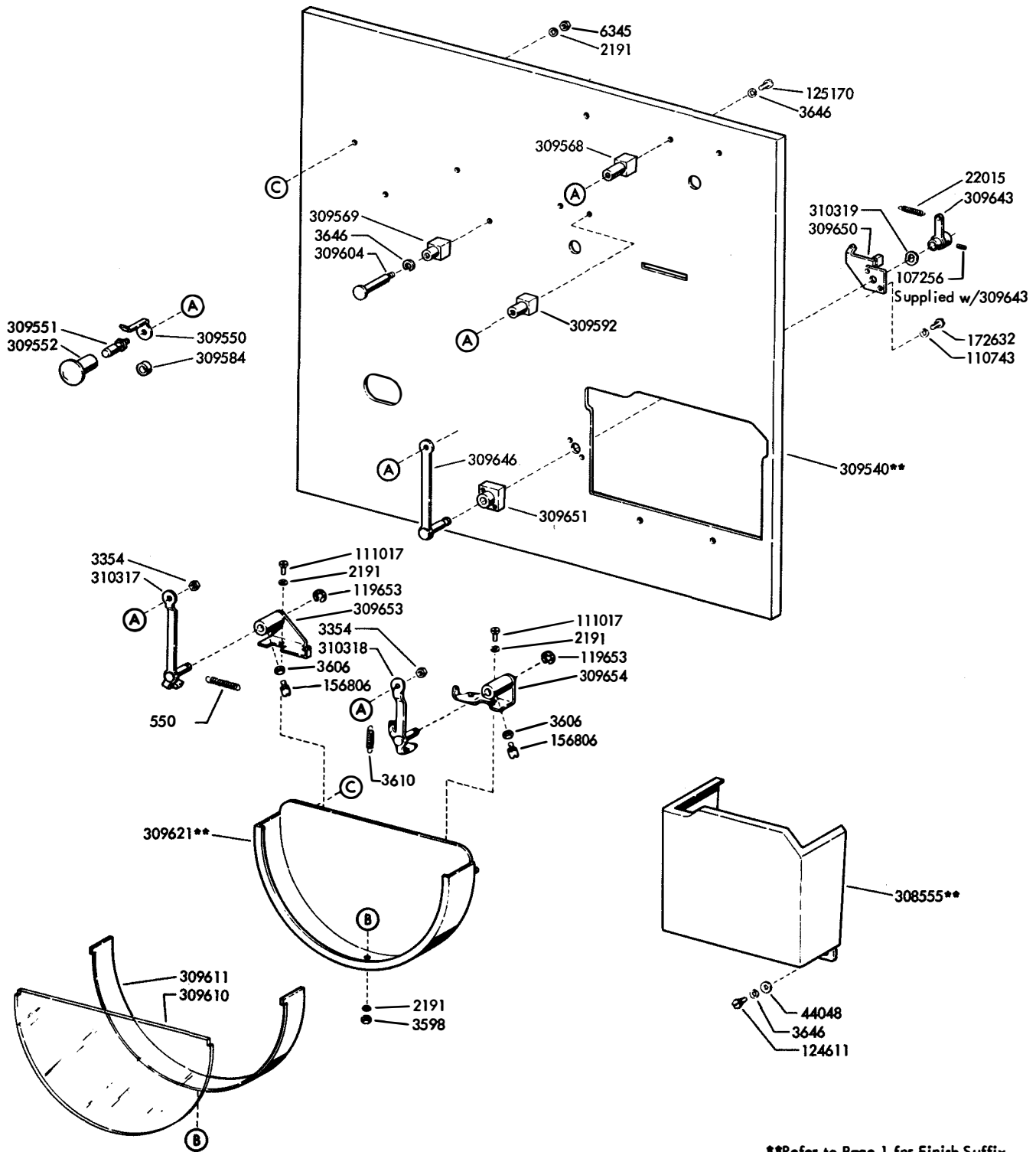
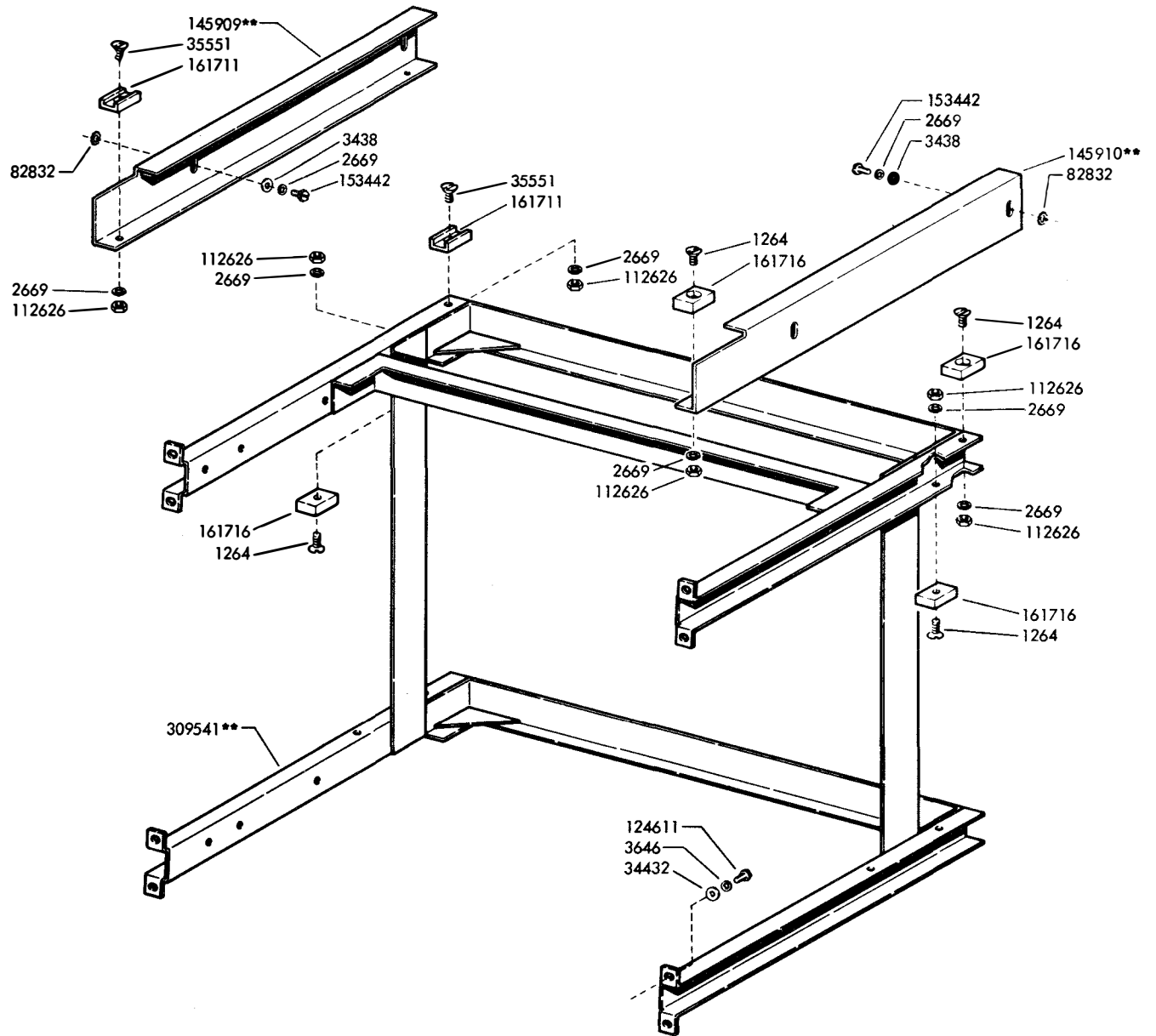


FIGURE 2. CABINET (Continued)



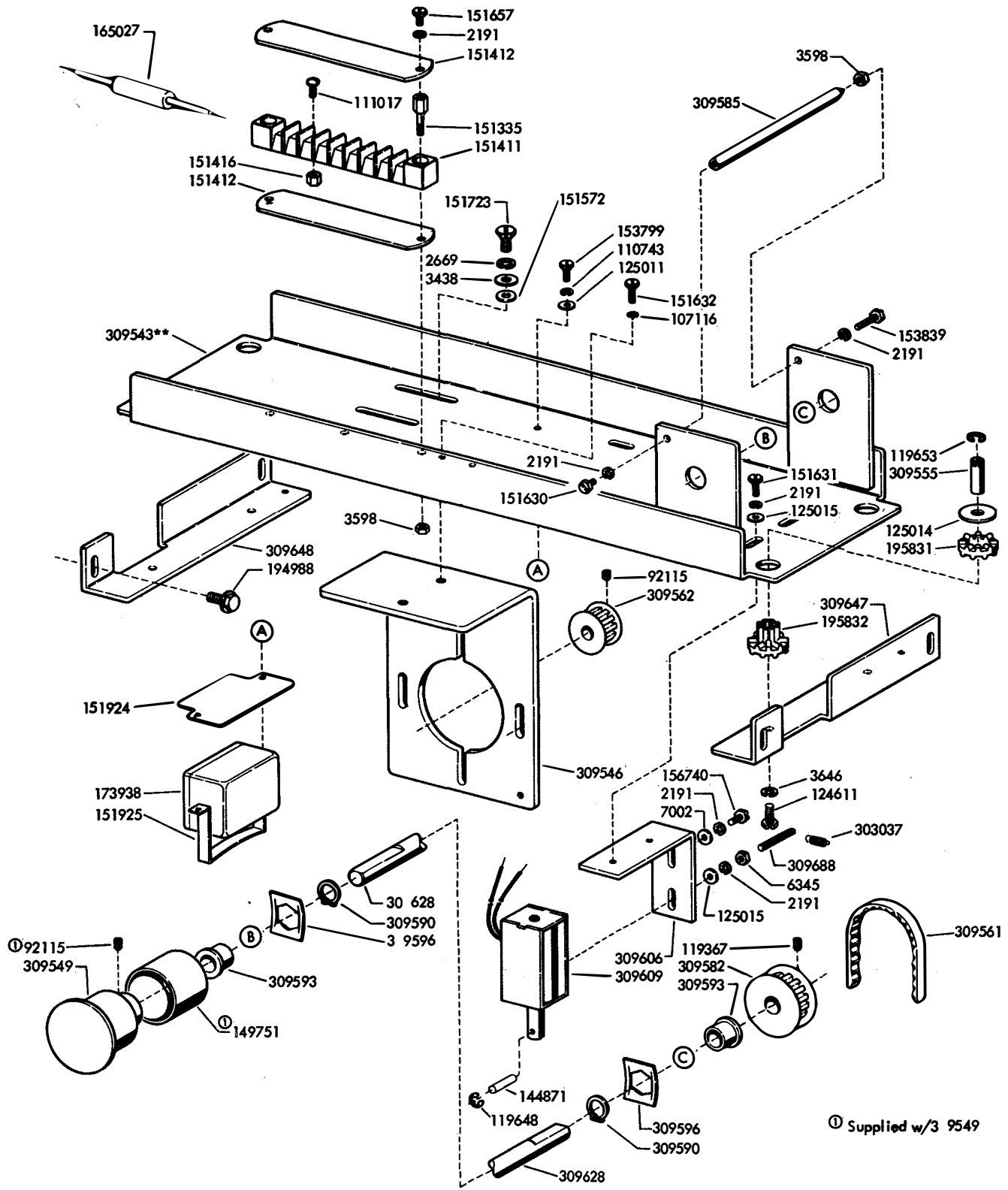
**Refer to Page 1 for Finish Suffix

FIGURE 3. FRONT PANEL



**Refer to Page 1 for Finish Suffix

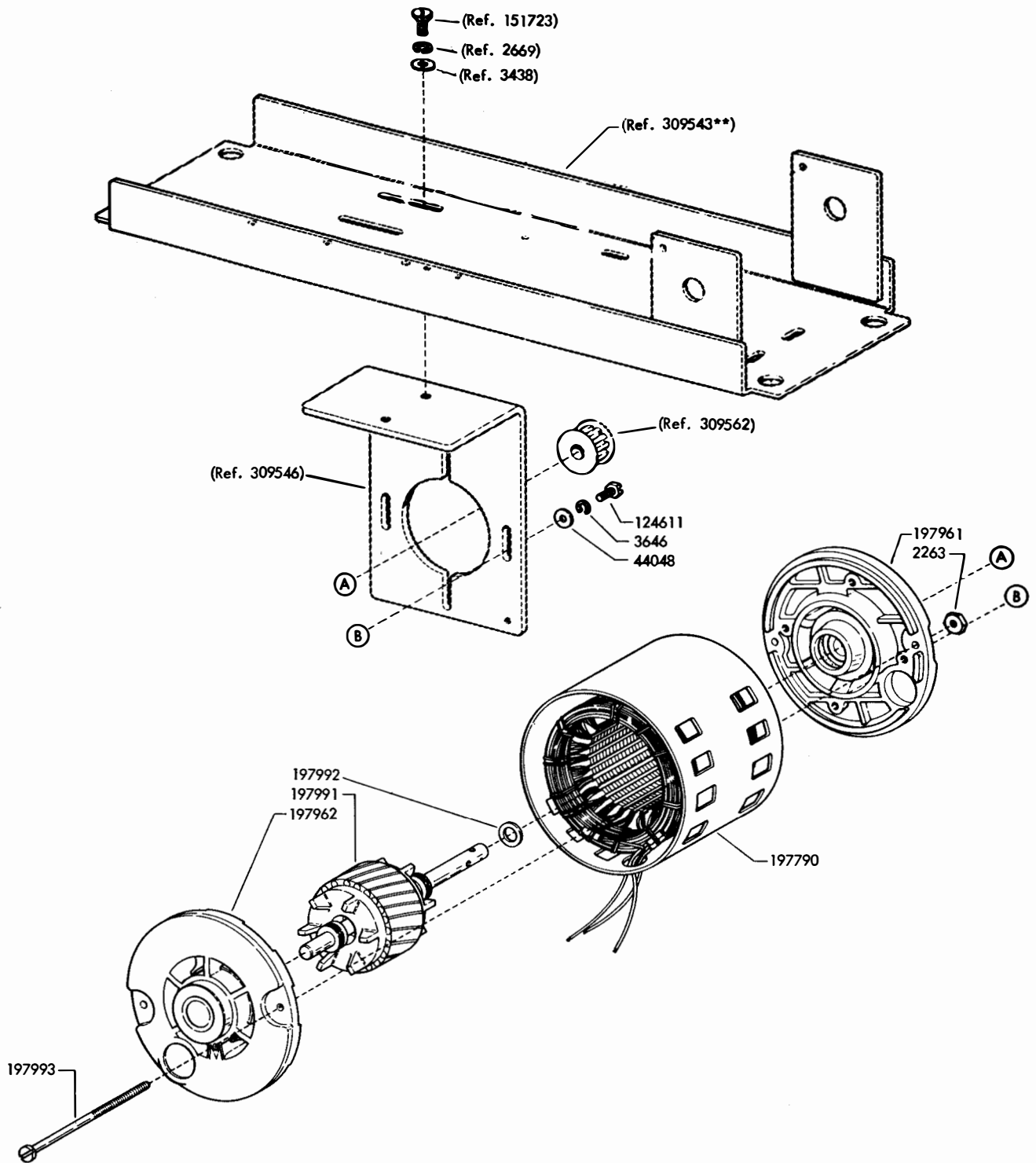
FIGURE 4. FRAME



ⓐ Supplied w/3 9549

**Refer to Page 1 for Finish Suffix

FIGURE 5. UPPER CROSS BAR MECHANISM



**Refer to Page 1 for Finish Suffix

FIGURE 6. 173937 35 MHP, 115 VAC/1/60-50 CYCLE,
1725/1425 RPM, INDUCTION MOTOR

SECTION 592-811-800TC

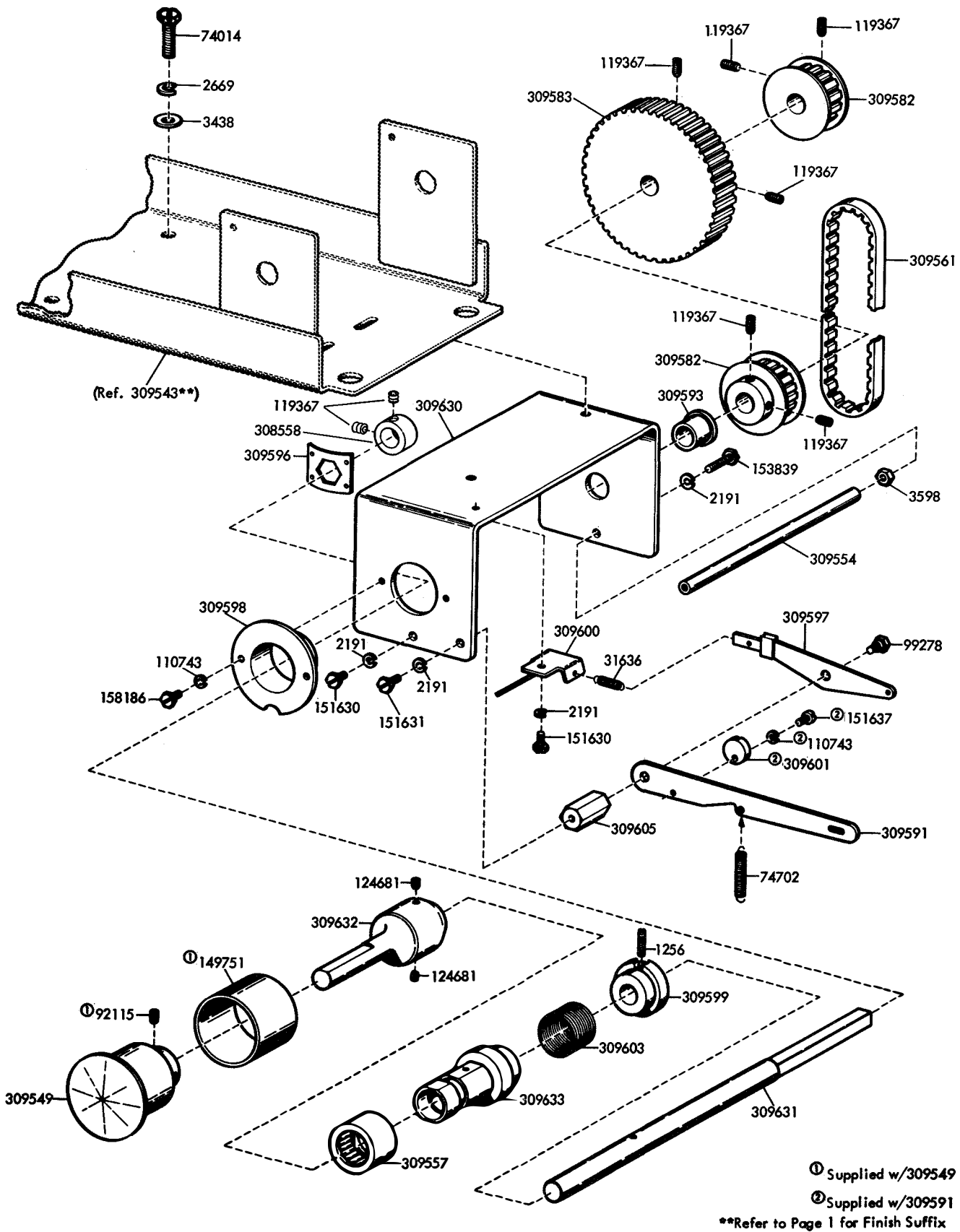
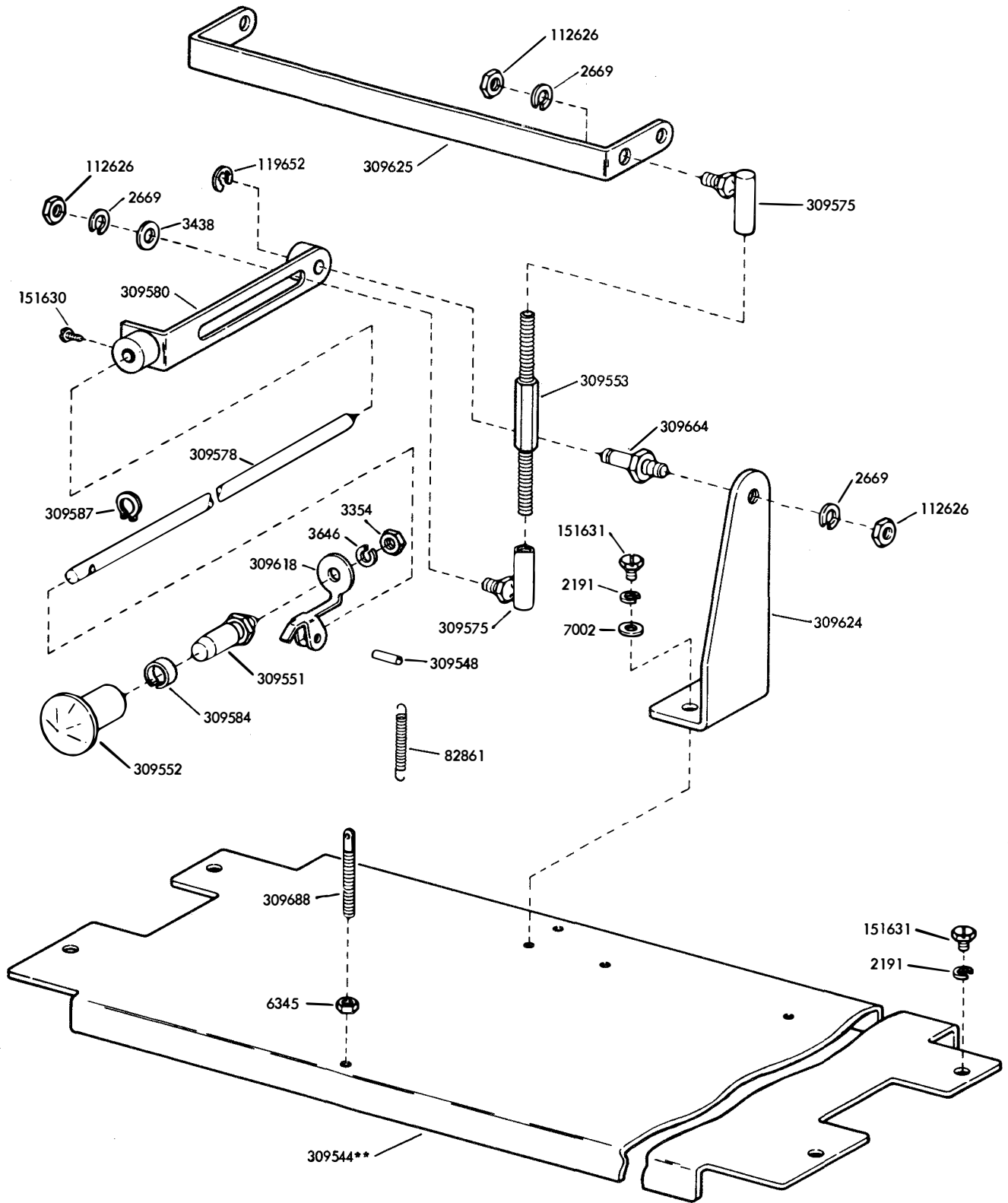


FIGURE 7. INTERMEDIATE SHAFT MECHANISM



**Refer to Page 1 for Finish Suffix

FIGURE 8. CLUTCH RELEASE ARM

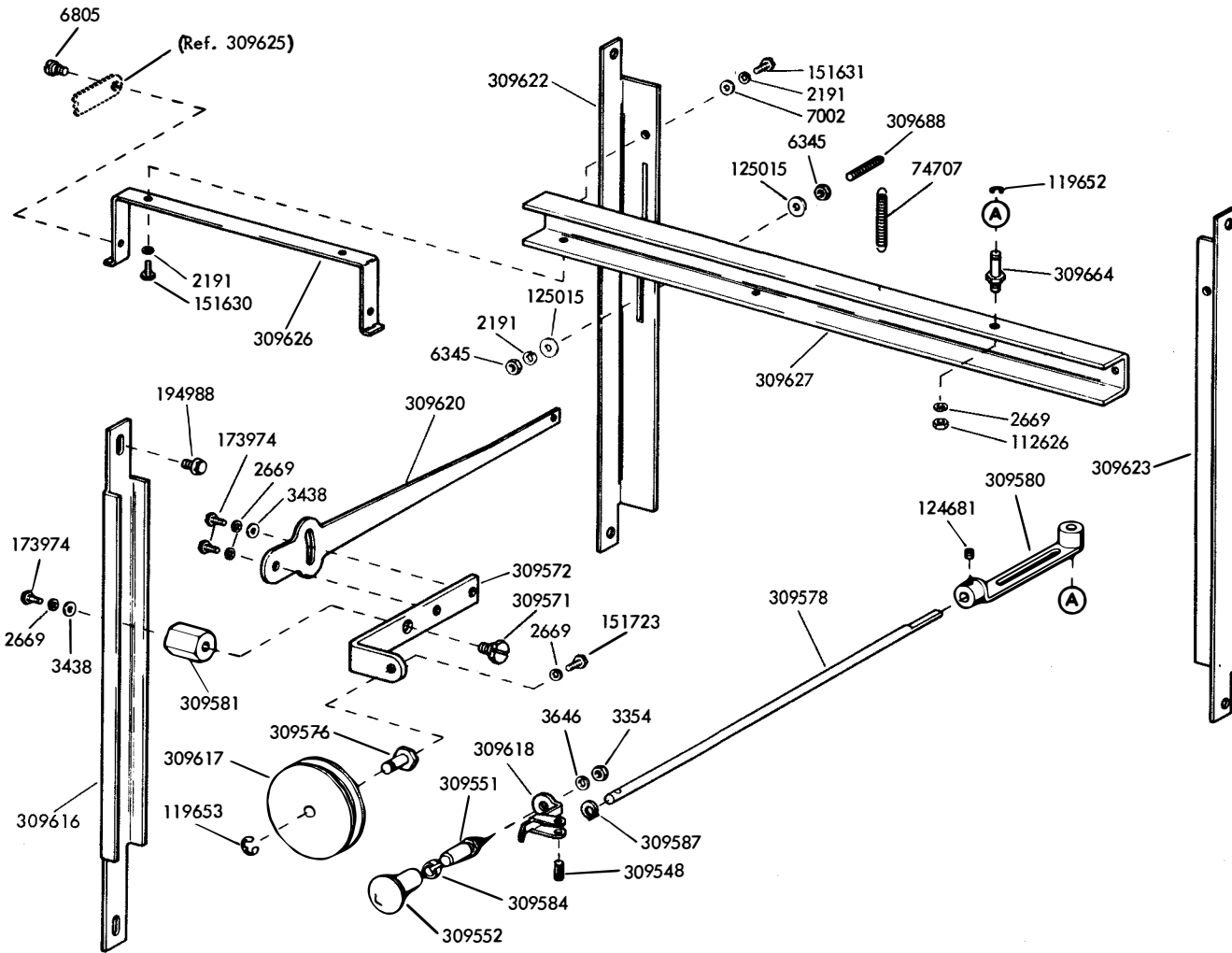


FIGURE 9. CLUTCH RELEASE ARM AND LEVER MECHANISM

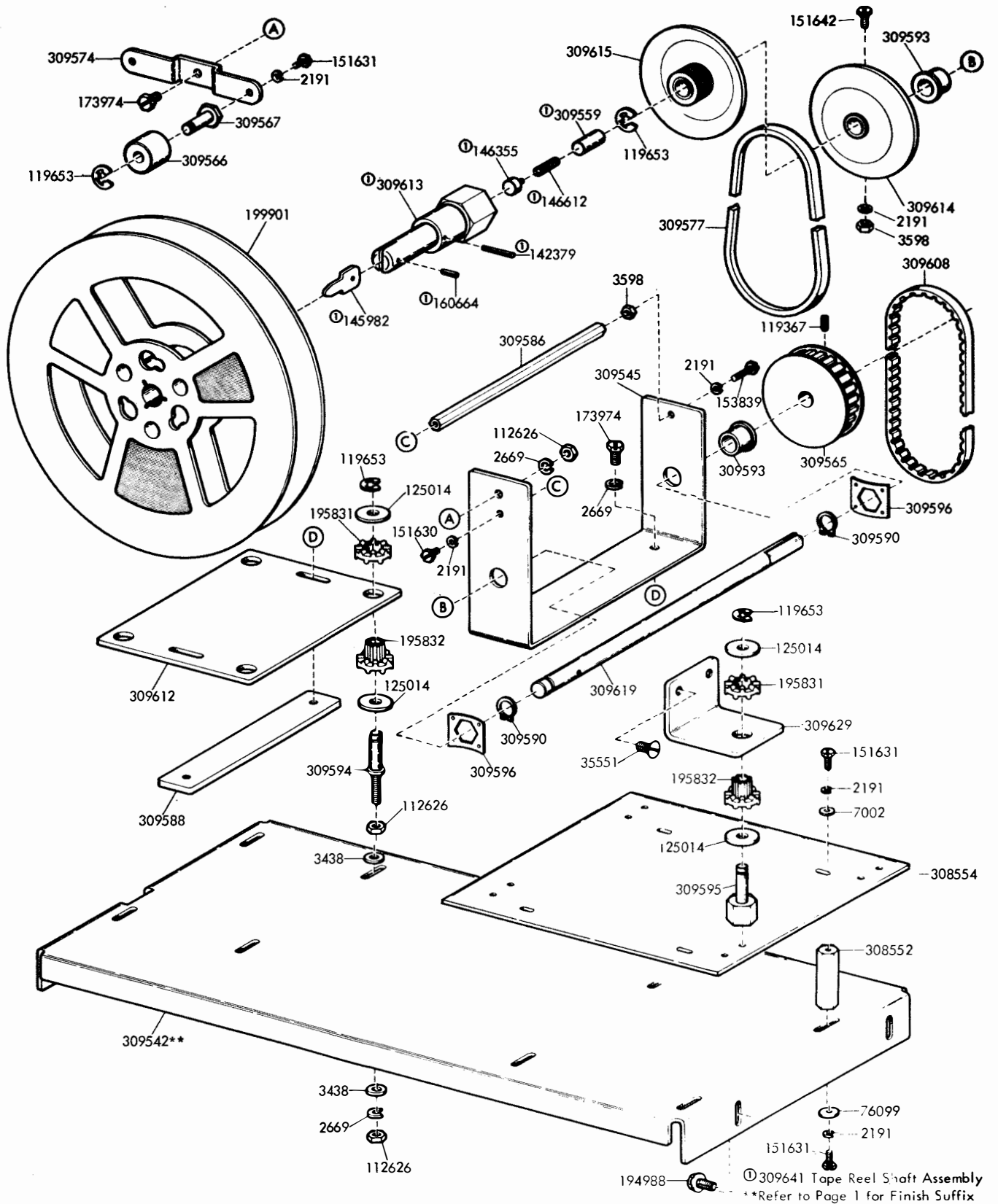


FIGURE 10. LOWER CROSS BAR AND CLUTCH DRIVE MECHANISM

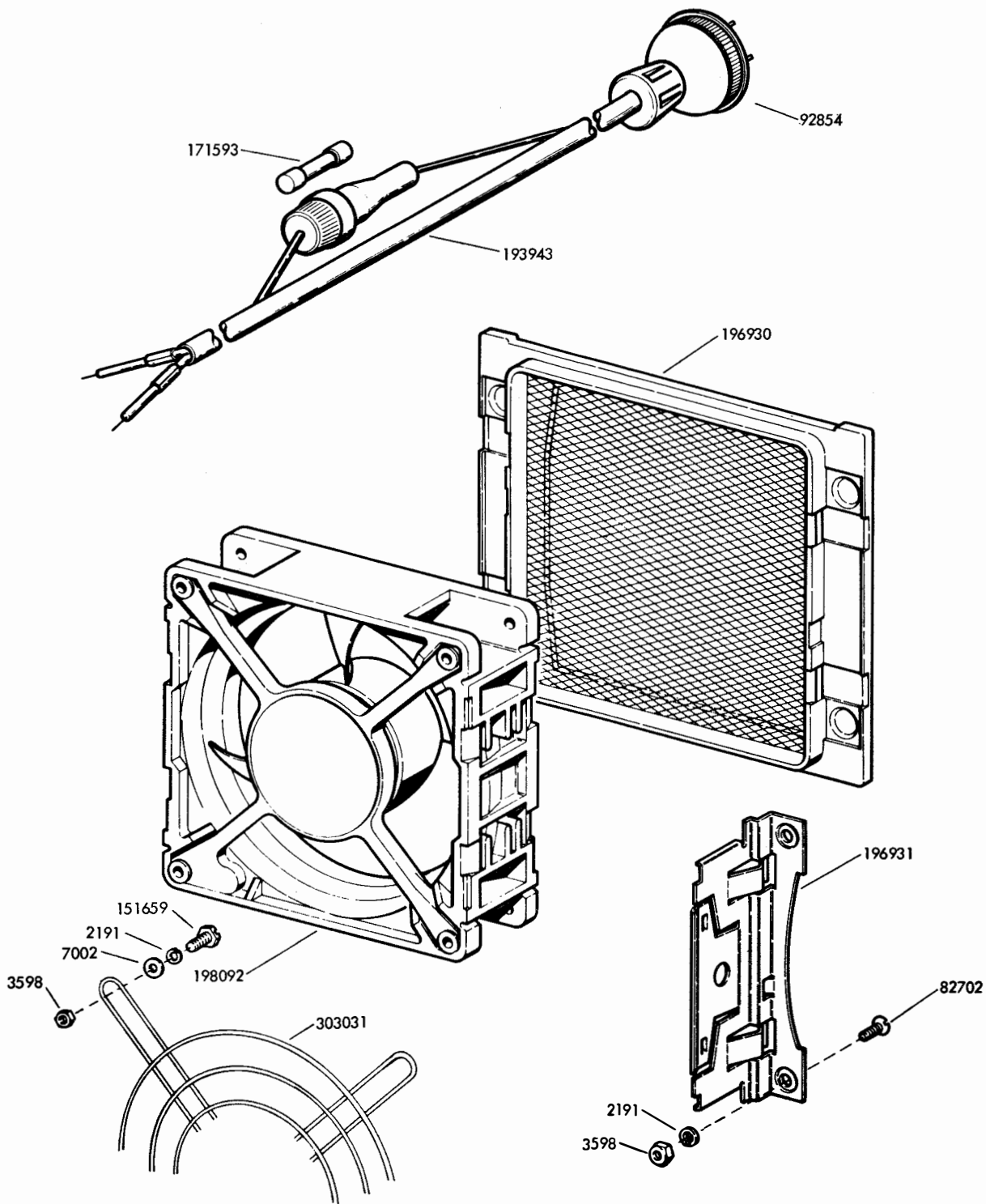
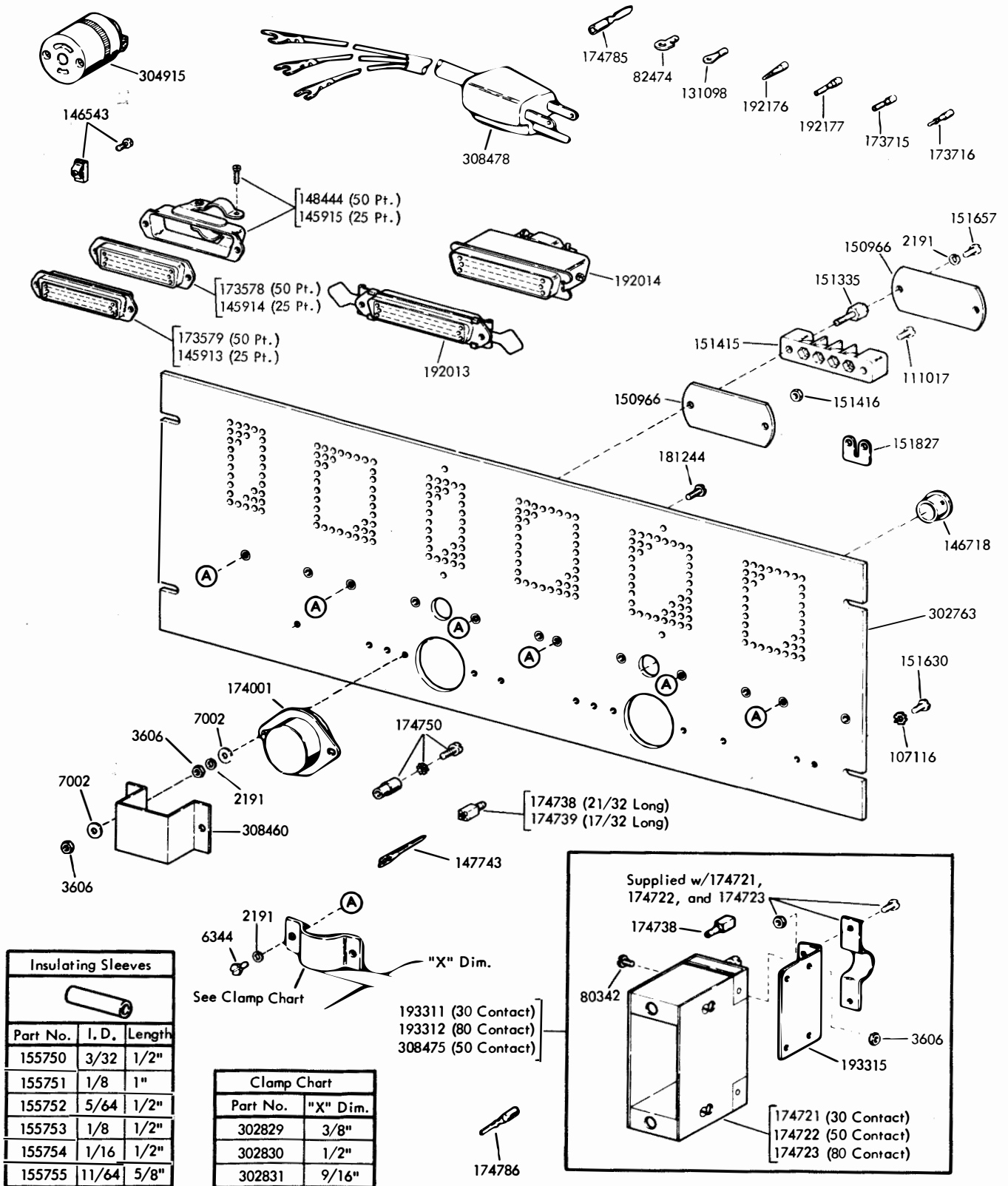


FIGURE 11. FAN



Insulating Sleeves		
Part No.	I. D.	Length
155750	3/32	1/2"
155751	1/8	1"
155752	5/64	1/2"
155753	1/8	1/2"
155754	1/16	1/2"
155755	11/64	5/8"

Clamp Chart	
Part No.	"X" Dim.
302829	3/8"
302830	1/2"
302831	9/16"

FIGURE 12. 302788 WIRING FIELD ASSEMBLY

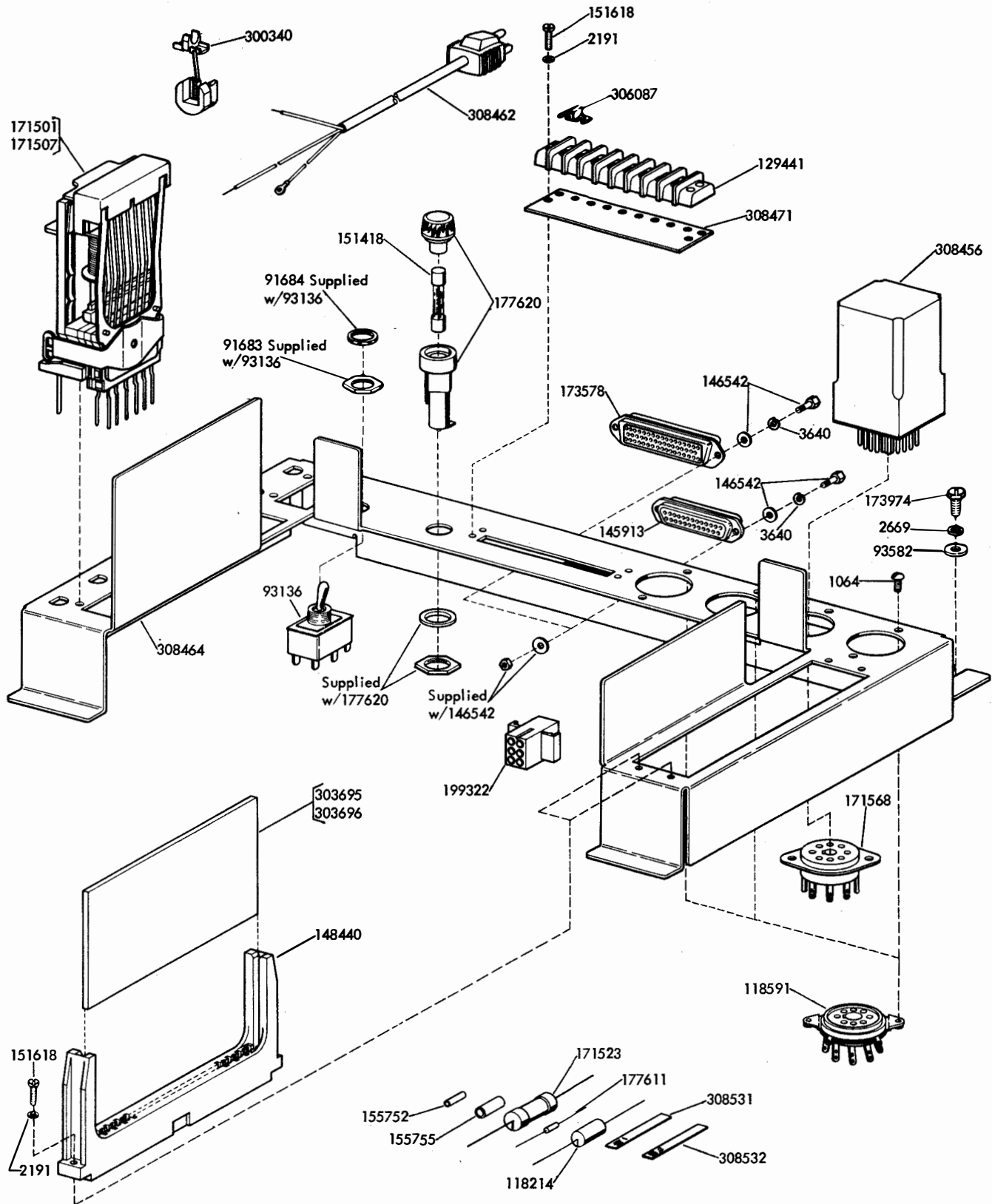
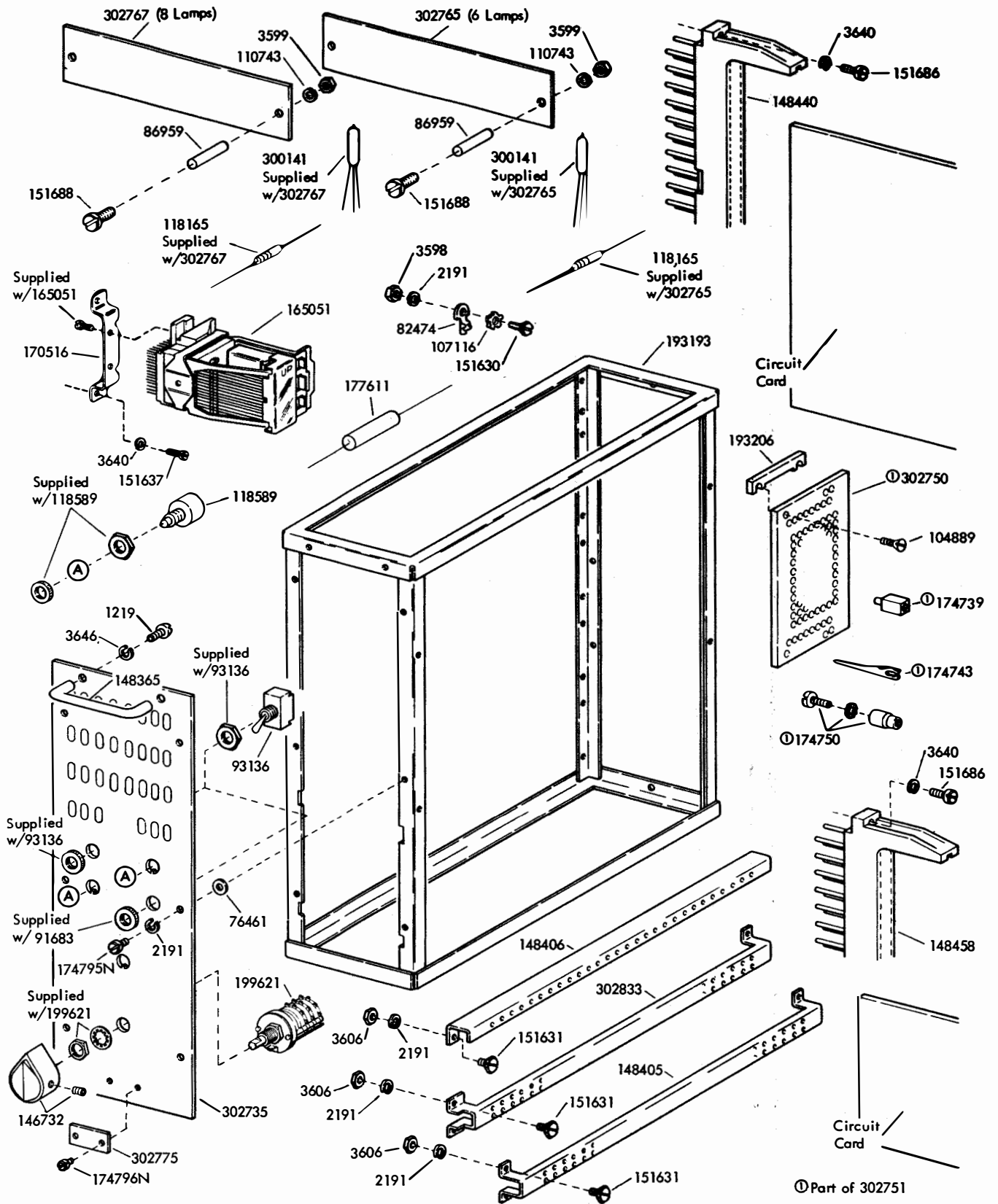


FIGURE 13. 308461 STATION CONTROL ASSEMBLY



For Part Numbers and Positioning of Circuit Cards and Other Components See Page 18 (7057WD)

FIGURE 14. 302728 SENDER CONTROL MODULE (HSED)

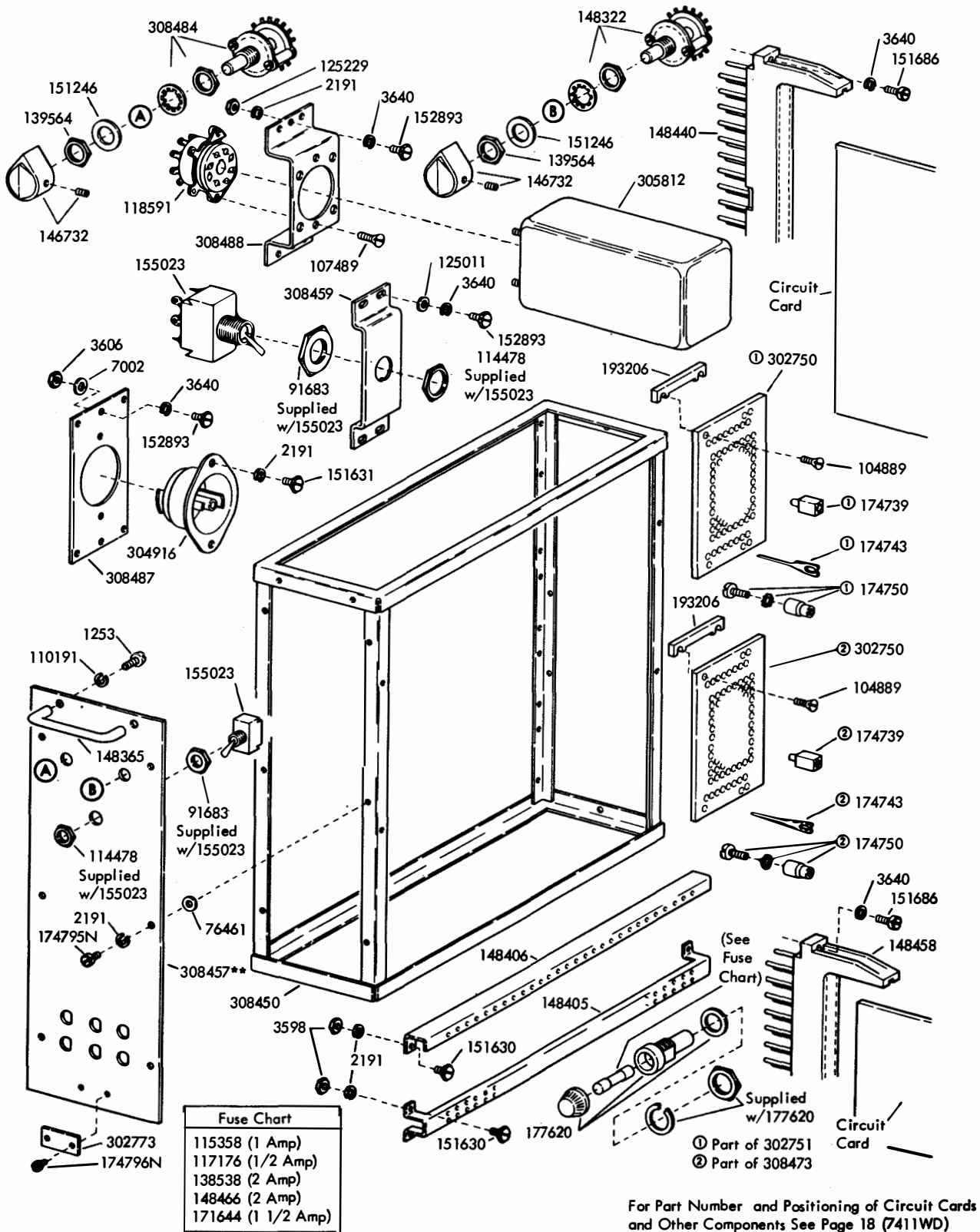


FIGURE 15. 308500** HIGH SPEED SENDER DISTRIBUTOR AND READER DRIVE MODULE

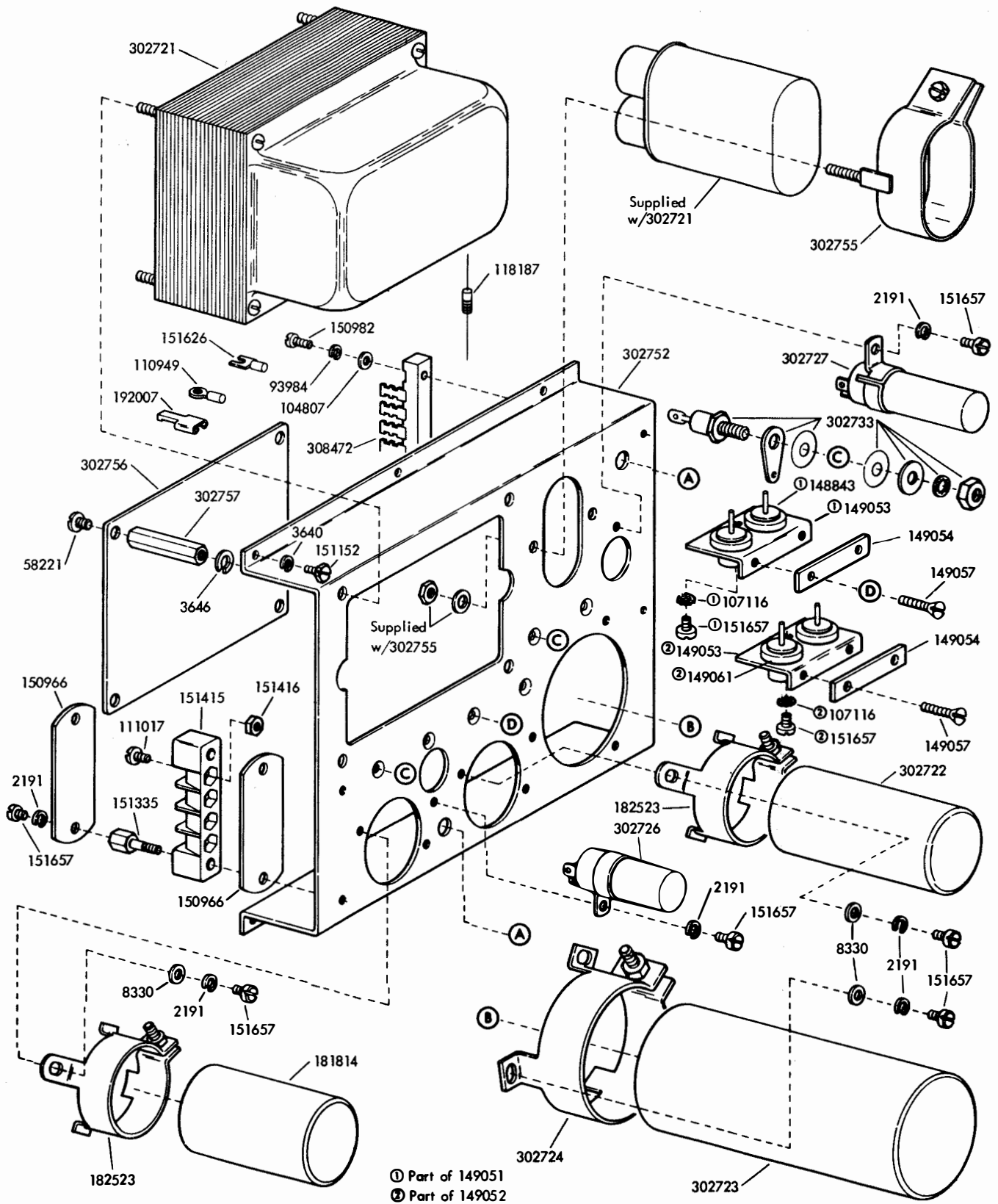


FIGURE 16. 302720 MULTI-VOLTAGE POWER SUPPLY (Part of 308500** Module)

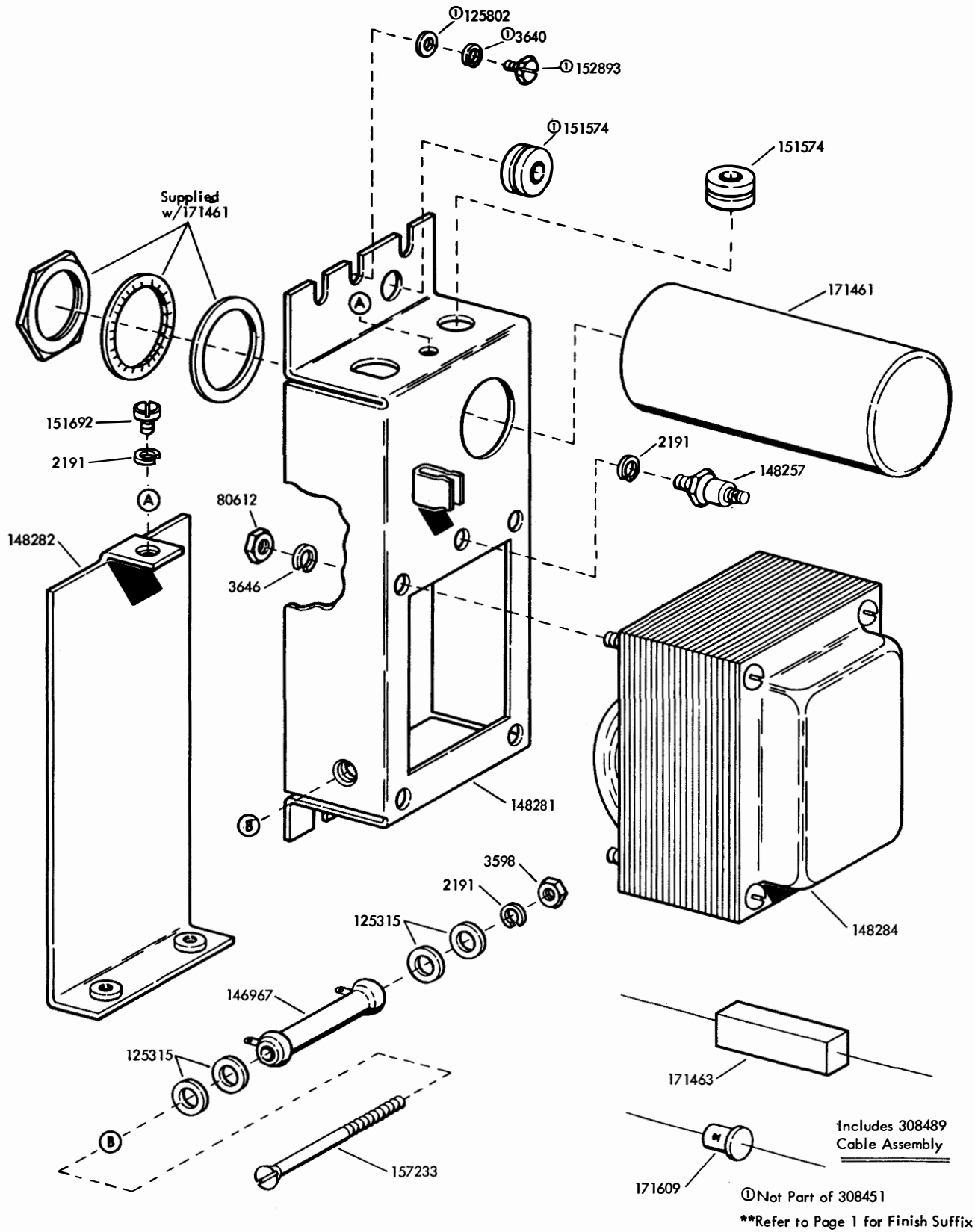


FIGURE 17. 308451 48 VOLT POWER SUPPLY (Part of 308500** Module)

MODULE 302728

POSITION ON BRACKET														
Row	1	2	3	4	5	6	7	8	9	10	11	12	13	14
1				172357	172356	172357	177528							
2					303641	303600	303600					303671	303606	
3														
4		172356	172357	303138	177502	172383	177503	177527	172356	177504	177589	172353	172353	177589
5			172457	172332	177597	177589	172383	172354	177527	172441	177501	303104	177581	172441
6														

302728 (Continued)

POSITION ON BRACKET														
Row	15	16	17	18	19	20	21	22	23	24	25	26	27	28
1	172428	177512	172332	177589	172383	177516	172352	172380	177547					302751
2	303682	303600	303671	303671	303671	303671	303671	303671						
3														
4	177504	172327	172327	177527	177503	177546	172380	177581	177546	149181				
5	303119			302862		165051								
6														

MODULE 308500**

POSITION ON BRACKET														
Row	1	2	3	4	5	6	7	8	9	10	11	12	13	14
1			155023			305812		303121						
2		303606	303683	303684	303671	303671	303671	303671	303671	303682				
3														
4														308451
5														

308500** (Continued)

POSITION ON BRACKET														
Row	15	16	17	18	19	20	21	22	23	24	25	26	27	28
1							304916				308473			302751
2														
3														
4														302720
5														

**refer to page 1 for finish suffix

FIGURE 18. 302728 AND 308500** POSITIONING REFERENCE CHARTS

NUMERICAL INDEX

Part Number	Description and Page Number	Part Number	Description and Page Number	Part Number	Description and Page Number
1064	Screw, 6-32 x 1/2 Rd 14	112626	Nut, 10-32 Hex 5, 9 to 11	149057	Screw, Nylon 4-40 x 1/2 Flat 17
1170	Screw, 6-32 x 5/16 Flat 2	114478	Nut, 15/32-32 Hex 16	149061	Rectifier 17
1219	Screw, 8-32 x 5/16 Fil 15	115358	Fuse, 1 Amp 16	149181	Board, TB181 Terminal 19
1253	Screw, 8-32 x 3/8 Rd 16	117176	Fuse, .5 Amp SL-BL 16	149751	Sleeve 6, 8
1256	Screw, 6-40 Set 8	118165	Resistor, 470,000 Ohm 15	149785**	Cabinet 2
1264	Screw, 10-32 x 1/2 Flat 5	118187	Resistor, 27,000 Ohm 17	150966	Insulator, Terminal 13, 17
1291	Screw, 6-32 x 3/4 Flat 2	118214	Resistor, 27 Ohm 14	150982	Screw, 4-40 x 7/16 Fil 17
2034	Washer, Flat 3	118589	Switch, Black Pushbutton 15	151152	Screw, 4-40 x 3/16 Hex 17
2191	Washer, Lock 2, 3, 4, 6, 8 to 18	119367	Screw, 8-32 Set 6, 8, 11	151246	Washer, Flat 16
2263	Nut, 8-32 Hex 7	119637**	Button, Plug 2	151335	Stud 6, 13, 17
2669	Washer, Lock 5 to 11, 14	119648	Ring, Retaining 6	151411	Block, Terminal 6
3354	Nut, 8-32 Hex 4, 9, 10	119652	Ring, Retaining 9, 10	151412	Insulator, Terminal 6
3438	Washer, Flat 2, 5 to 11	119653	Ring, Retaining 4, 6, 10, 11	151415	Block, Terminal 13, 17
3598	Nut, 6-40 Hex 3, 4, 6, 8, 11, 12, 15, 16, 18	121244	Clamp, 1/4 ID Cable 3	151416	Nut, 6-40 Hex 6, 13, 17
3599	Nut, 4-40 Hex 15	124611	Screw, 8-32 x 3/8 Hex 2, 4 to 7	151418	Fuse, 10 Amp 14
3606	Nut, 6-40 Hex 4, 13, 15, 16	124681	Screw, 6-40 Set 8, 10	151572	Washer, Lock 6
3610	Spring 4	125011	Washer, Flat 6, 16	151574	Grommet, Rubber 18
3640	Washer, Lock 3, 14, 15 to 18	125014	Washer, Flat 6, 11	151618	Screw, 6-40 x 7/16 Fil 14
3646	Washer, Lock 2, 4 to 7, 9, 10, 15, 17, 18	125015	Washer, Flat 6, 10	151626	Terminal 17
6344	Screw, 6-32 x 11/32 Hex 13	125170	Screw, 8-32 x 5/16 Fil 4	151630	Screw, 6-40 x 1/4 Hex 6, 8 to 11, 13, 15, 16
6345	Nut, 6-32 Hex 2, 4, 6, 9, 10	125229	Nut, 6-32 Hex 16	151631	Screw, 6-40 x 5/16 Hex 3, 6, 8 to 11, 15, 16
6805	Screw, 6-40 Shoulder 10	125315	Washer, Insulating 18	151632	Screw, 6-40 x 3/8 Hex 6
7002	Washer, Flat 6, 9 to 13, 16	125802	Washer, Flat 2, 18	151637	Screw, 4-40 x 1/4 Fil 8, 15
7664	Pin, Roll 2	128913	Screw, 8-32 Self-Tapping 3	151642	Screw, 6-40 x 3/4 Fil 11
8330	Washer, Flat 17	129441	Board, Terminal 14	151657	Screw, 6-40 x 1/4 Fil 6, 13, 17
8330	Washer, Flat 17	131098	Terminal, 25/32" Lg 13	151659	Screw, 6-40 x 1/2 Fil 12
22015	Spring 4	138538	Fuse, 2 Amp SL-BL 16	151685	Screw, 4-40 x 5/16 Fil 3
31636	Spring 8	139564	Nut, 3/8-32 Hex 16	151686	Screw, 4-40 x 3/8 Fil 15, 16
34432	Washer, Flat 5	142379	Pin, Roll 11	151687	Screw, 4-40 x 7/16 Fil 2
35551	Screw, 10-32 x 3/8 Flat 5, 11	144871	Shaft, Solenoid Plunger 6	151688	Screw, 4-40 x 5/8 Fil 15
44048	Washer, Flat 4, 7	145909**	Channel, Left 5	151692	Screw, 6-40 x 3/16 Fil 18
55088	Spring 4	145910**	Channel, Right 5	151722	Screw, 6-40 x 3/16 Hex 3
58221	Screw, 6-32 x 1/4 Fil 17	145913	Connector, 25 Pt Receptacle Type 13, 14	151723	Screw, 10-32 x 3/8 Hex 6, 7, 10
74014	Screw, 10-32 x 3/4 Hex 8	145914	Connector, 25 Pt Plug Type 13	151827	Strap, Terminal 13
74702	Spring 8	145915	Clamp, Cable 13	151924	Insulator, .031" Thk 6
74707	Spring 10	145982	Detent, Tape Reel 11	151925	Clamp 6
76099	Washer, Flat 11	146355	Plunger 11	152893	Screw, 4-40 x 1/4 Hex 16, 18
76461	Washer, Flat 15, 16	146542	Post Assembly 14	153103	Screw, 4-40 Self-Tapping 3
80342	Screw, 6-40 x 23/64 Hex 13	146543	Screw Assembly 13	153442	Screw, 10-32 x 1/2 Hex 5
80612	Nut, 8-32 Hex 18	146612	Spring, Compression 11	153799	Screw, 4-40 x 21/64 Hex 6
82474	Terminal 13, 15	146718	Bushing, Snap 13	153839	Screw, 6-40 x 5/8 Hex 6, 8, 11
82702	Screw, 6-40 x 9/32 Flat 12	146732	Knob, Pointer 15, 16	155023	Switch, DP-DT Toggle 16, 19
82832	Washer, Lock 5	146967	Resistor, 750 Ohm 18	155750	Sleeve, 3/32 ID x 1/2" Lg Insulating 13
82861	Spring 9	147743	Bracket 13	155751	Sleeve, 1/8 ID x 1" Lg Insulating 13
86959	Bushing, Insulating 15	148257	Terminal, Insulated 18	155752	Sleeve, 5/64 ID x 1/2" Lg Insulating 3, 13, 14
91683	Nut, 15/32-32 Hex 14, 15, 16	148281	Cover, Rectifier 18	155753	Sleeve, 1/8 ID x 1/2" Lg Insulating 13
91684	Nut, 15/32-32 Ring 14	148282	Cover, Base Plate 18	155754	Sleeve, 1/16 ID x 1/2" Lg Insulating 13
92115	Screw, 8-32 Set 6, 8	148284	Transformer 18	155755	Sleeve, 11/64 ID x 5/8" Lg Insulating 3, 13, 14
92854	Connector, 2 Pt Plug 12	148322	Switch, Rotary 16	156740	Screw, 6-40 x 7/32 Hex 6 Post 4
93136	Switch, DP-DT Toggle 14, 15	148365	Handle 15, 16	156806	Screw, 6-40 x 2-3/8 Flat 18
93582	Washer, Flat 14	148405	Bracket 15, 16	157233	Screw, 4-40 x 7/32 Fil 8
93984	Washer, Lock 17	148406	Bracket 15, 16	160664	Pin, Roll 11
99278	Screw, 6-40 Shoulder 8	148440	Connector, 36 Pt Circuit Card 14, 15, 16	161708	Latch, Magnetic 2
104215	Resistor, 620 Ohm 3	148444	Clamp, Cable 13	161711	Block, Guide 5
104216	Resistor, 820 Ohm 3	148458	Connector, 15 Pt Circuit Card 15, 16		
104807	Washer, Flat 17	148466	Fuse, 4 Amp 16		
104889	Screw, 4-40 x 7/16 Flat 15, 16	148843	Rectifier 17		
107116	Washer, Lock 3, 6, 13, 15, 17	149051	Rectifier Assembly 17		
107256	Screw, 4-40 Set 4	149052	Rectifier Assembly 17		
107364	Screw, 6-32 x 3/8 Fil 3	149053	Plate, Rectifier 17		
107489	Screw, 6-32 x 3/8 Flat 16	149054	Insulator 17		
110191	Washer, Lock 3, 16				
110743	Washer, Lock 2, 4, 6, 8, 15				
110949	Terminal 17				
111017	Screw, 6-40 x 5/16 Fil 4, 6, 13, 17				

**Refer to page 1 for finish suffix

NUMERICAL INDEX (Continued)

Part Number	Description and Page Number	Part Number	Description and Page Number	Part Number	Description and Page Number
161716	Block, Support 5	180569	Spring, Compression 2	302805	Plate, Switch 3
165027	Network, Spark Suppression 6	181244	Screw w/Lockwasher, 6-40 x 7/16 Hex 13	302806**	Panel, Control 3
165051	Relay, 945 Ohm 15, 19	181814	Capacitor, 250 MFD 17	302807**	Door, Control 3
165116	Terminal 3	182523	Clamp, 1-3/8" ID Mounting 17	302812**	Panel, Front 2
170516	Bracket 15	182524	Button Assembly 3	302814**	Panel, Rear 2
171461	Capacitor, 900 MFD 18	182530	Strip Assembly, Lamp 3	302815	Strip, Rubber 3
171463	Resistor, 1 Ohm 18	182584	Key Assembly 3	302816**	Rack, Mounting 3
171501	Relay 14	182684	Strap 3	302817**	Retainer 3
171507	Relay 14	192007	Terminal, Tab Type 17	302818**	Panel 3
171523	Resistor, 500 Ohm 14	192013	Connector, 50 Pt Plug Type 13	302819**	Tray 2
171568	Socket, 11 Pt 14	192014	Connector, 50 Pt Receptacle Type 13	302822	Plate, Name 3
171593	Fuse, .5 Amp 12	192176	Terminal, Plug Type 13	302823	Plate, Name 3
171609	Diode 18	192177	Terminal, Receptacle Type 13	302829	Clamp, Cable 13
171644	Fuse, 1.5 Amp 16	193179	Lamp, 28V 3	302830	Clamp, Cable 13
172327	Card, EC327 Circuit 19	193193	Frame 15	302831	Clamp, Cable 13
172332	Card, EC332 Circuit 19	193206	Spacer 15, 16	302833	Bracket 15
172352	Card, EC352 Circuit 19	193311	Connector Assembly 13	302846	Bracket, Right 2
172353	Card, EC353 Circuit 19	193312	Connector Assembly 13	302847	Bracket, Left 2
172354	Card, EC354 Circuit 19	193315	Bracket, Connector 13	302848	Bracket 2
172356	Card, EC356 Circuit 19	193943	Cable Assembly 12	302849	Post 2
172357	Card, EC357 Circuit 19	194988	Screw, 10-32 Spl 6, 10, 11	302862	Board, Terminal 19
172380	Card, EC380 Circuit 19	195831	Ring, Rubber 6, 11	303031	Guard, Fan 12
172383	Card, EC383 Circuit 19	195832	Bushing 6, 11	303037	Spring, Compression 6
172428	Card, EC428 Circuit 19	196930	Grille 12	303104	Card, EC104 Circuit 19
172441	Card, EC441 Circuit 19	196931	Clip 12	303119	Card, EC119 Circuit 19
172457	Card, EC457 Circuit 19	197790	Plate, Bearing Mounting 7	303121	Card, EC121 Circuit 19
172632	Screw, 4-40 x 3/16 Hex 4	197961	Shield, End 7	303138	Card, EC138 Circuit 19
172715	Screw, 10-24 Captive 2	197962	Shield, End 7	303600	Card, EC600 Circuit 19
172763	Nut, Grip 2	197991	Rotor, Motor 7	303606	Card, EC606 Circuit 19
173578	Connector, 50 Pt Receptacle Type 13, 14	197992	Washer, Thrust 7	303641	Card, EC641 Circuit 19
173579	Connector, 50 Pt Plug Type 13	197993	Screw, 8-32 x 3-7/8 Fil 7	303671	Card, EC671 Circuit 19
173715	Terminal, Plug Type 13	198092	Fan 12	303682	Card, EC682 Circuit 19
173716	Terminal, Receptacle Type 13	199322	Connector, 6 Pt Receptacle Type 14	303683	Card, EC683 Circuit 19
173937	Motor, 115V Induction 1, 7	199549	Lamp, 48V 3	303684	Card, EC684 Circuit 19
173938	Relay 6	199621	Switch, Rotary 15	303695	Card, EC695 Circuit 14
173974	Screw, 10-32 x 5/16 Hex 10, 11, 14	199901	Reel, Tape 11	303696	Card, EC696 Circuit 14
174001	Connector, 3 Pt Receptacle 13	300141	Triode, Indicating 15	304915	Connector, 2 Pt Receptacle 13
174678	Nut, Speed 3	300340	Bushing 14	304916	Connector, 2 Pt Plug 16, 19
174721	Connector, 30 Pt Plug Type 13	302720	Power Supply 1, 17, 19	305812	Oscillator, Tuning Fork 16, 19
174722	Connector, 50 Pt Plug Type 13	302721	Transformer 17	306087	Jumper 14
174723	Connector, 80 Pt Plug Type 13	302722	Capacitor, 2,500 MFD 17	308450	Frame, Module 16
174738	Insulator, White 13	302723	Capacitor, 17,000 MFD 17	308451	Power Supply 1, 18, 19
174739	Insulator, White 13, 15, 16	302724	Clamp, Capacitor 17	308456	Relay 14
174743	Terminal, Plug Type 15, 16	302726	Resistor, 7.5 Ohm 17	308457**	Plate, Front 16
174750	Key, Locating Assembly 13, 15, 16	302727	Resistor, 7.5-70 Ohm 17	308459	Bracket, Mounting 16
174785	Terminal, Plug Type 13	302728	Module 1, 15, 19	308460	Cover 13
174786	Terminal, Plug Type 13	302733	Diode 17	308461	Control Assembly, Station 1, 14
174795N	Screw, 6-40 x 1/4 Fil 15, 16	302735	Plate, Front 15	308462	Card, 144" Power 14
174796N	Screw, 2-56 x 5/64 Fil 15, 16	302750	Plate, Connector 15, 16	308464	Chassis 14
177501	Card, EC501 Circuit 19	302751	Plate Assembly, 80 Pt Connector 15, 16, 19	308471	Insulator 14
177502	Card, EC502 Circuit 19	302752	Chassis, Power Supply 17	308472	Board, Terminal 17
177503	Card, EC503 Circuit 19	302755	Clamp, Capacitor 17	308473	Plate Assembly, 50 Pt Connector 16, 19
177504	Card, EC504 Circuit 19	302756	Plate, Insulator 17	308475	Connector Assembly 13
177512	Card, EC512 Circuit 19	302757	Post 17	308478	Cord, Power 13
177516	Card, EC516 Circuit 19	302763	Plate Assembly, Connector 13	308484	Switch, Rotary 16
177527	Card, EC527 Circuit 19	302765	Indicator Assembly 15	308487	Plate, Mounting 16
177528	Card, EC528 Circuit 19	302767	Indicator Assembly 15	308488	Bracket, Mounting 16
177546	Card, EC546 Circuit 19	302773	Plate, Identification 16	308489	Cable 18
177547	Card, EC547 Circuit 19	302775	Plate, Identification 15	308491	Switch, Pushbutton 3
177581	Card, EC581 Circuit 19	302788	Field Assembly, Wiring 1, 13	308494	Switch, Pushbutton 3
177589	Card, EC589 Circuit 19	302791	Screw, 4-40 Shoulder 3	308495	Lens, White 3
177597	Card, EC597 Circuit 19	302794	Holder, Plastic 3	308496	Lens, Red 3
177611	Rectifier 14, 15	302795	Label 3	308499	Lens, Yellow 3
177620	Holder, Fuse 14, 16			308500**	Module 1, 16 to 19
				308531	Strip, Identification 14
				308532	Strip, Identification 14

**Refer to page 1 for finish suffix

NUMERICAL INDEX (Continued)

Part Number	Description and Page Number	Part Number	Description and Page Number	Part Number	Description and Page Number
308543	Bracket 3	309576	Post, Pulley 10	309614	Pulley, Drive 11
308544	Insulator 3	309577	Belt, V 11	309615	Pulley 11
308552	Post 11	309578	Arm, Release 9, 10	309616	Bracket 10
308554	Plate 11	309580	Bracket w/Hub 9, 10	309617	Pulley w/Bearing 10
308555**	Cover 4	309581	Spacer 10	309618	Bracket, Roller 9, 10
308558	Collar 8	309582	Pulley, 18T 6, 8	309619	Shaft, Clutch 11
309540**	Panel 4	309583	Pulley, 48T 8	309620	Extension, Drive Arm 10
309541**	Frame 5	309584	Keeper 4, 9, 10	309621**	Container, Tape 4
309542**	Bar, Lower Cross 11	309585	Spacer 6	309622	Bracket, Left 10
309543**	Bar, Upper Cross 6, 7, 8	309586	Spacer 11	309623	Bracket, Right 10
309544**	Pan 9	309587	Ring, Grip 9, 10	309624	Bracket 9
309545	Bracket 11	309588	Plate, Nut 11	309625	Bail 9, 10
309546	Bracket, Motor 6, 7	309590	Ring, Retaining 6, 11	309626	Bracket, Bail 10
309548	Pin, Roll 9, 10	309591	Blade 8	309627	Bracket 10
309549	Capstan Assembly 6, 8	309592	Post 4	309628	Shaft 6
309550	Retainer, Tape 4	309593	Bearing 6, 8, 11	309629	Bracket 11
309551	Stud 4, 9, 10	309594	Post, Adjusting 11	309630	Bracket 8
309552	Roller 4, 9, 10	309595	Post 11	309631	Shaft, Intermediate 8
309553	Rod, Take-Up 9	309596	Nut, Speed 6, 8, 11	309632	Shaft 8
309554	Spacer 8	309597	Arm, Stop 8	309633	Bearing 8
309555	Post 6	309598	Holder, Bearing 8	309641	Shaft Assembly, Tape Reel 11
309557	Bearing, Needle 8	309599	Driver, Capstan 8	309643	Arm, Spring 4
309559	Plug 11	309600	Guide 8	309646	Lever, Yield 4
309561	Belt, 80T 6, 8	309601	Stop, Eccentric 8	309647	Bracket, Right 6
309562	Pulley, 12T 6, 7	309603	Spring, Clutch 8	309648	Bracket, Left 6
309565	Pulley, 30T 11	309604	Post 4	309650	Bracket, Stop 4
309566	Roller 11	309605	Post 8	309651	Block 4
309567	Stud 11	309606	Bracket, Solenoid 6	309653	Bracket, Left 4
309568	Post 4	309608	Belt, 80T 11	309654	Bracket, Right 4
309569	Post 4	309609	Solenoid 6	309664	Stud 9, 10
309571	Screw, 10-32 Shoulder 10	309610	Window 4	309688	Post, Spring 6, 9, 10
309572	Arm, Drive 10	309611	Retainer, Glass 4	310317	Bracket, Roller 4
309574	Bracket, Roller 11	309612	Plate 11	310318	Bracket, Roller 4
309575	Joint, Ball 9	309613	Shaft, Tape Reel 11	310319	Washer, Spring 4
				315675	Collar 2

**Refer to page 1 for finish suffix