

BULLETIN 311B/RF
NAVSHIPS 0967-173-7040
T. O. 31W4-4-5-1063
VOLUME 4 (Of 4 Volumes)

TECHNICAL MANUAL
28 KEYBOARD SEND-RECEIVE (KSR)
AND RECEIVE-ONLY (RO)
TELETYPEWRITER SETS



TELETYPE[®]
CORPORATION
5555 TOUHY AVENUE, SKOKIE, ILLINOIS

INTRODUCTION

Volumes 3 and 4 have been added to Bulletin 311B to include Radio Frequency Interference Suppression features for the 28 Keyboard Send-Receive (KSR) and Receive-Only (RO) Teletypewriter Sets. These volumes are identified by an RF suffix and must be used with Volumes 1 and 2 which contain literature for the standard features. Volumes 1 and 2 must be used with all sets whether RFI modified or not.

Volume 3, identified as 311B/RF (NAVSHIPS 0967-173-7030), provides descriptive information and parts ordering information peculiar to sets with RFI features installed.

Volume 4, identified as 311B/RF (NAVSHIPS 0967-173-7040), provides wiring diagrams for sets and their components that are equipped with RFI features.

Each volume is made up of a group of appropriate independent sections. The sections are complete within themselves; they are separately identified by title and section number and the pages of each section are numbered consecutively, independent of other sections.

The identifying number of a section, a 9-digit number, appears at the top of each page of the section, in the left corner of left-hand pages and the right corner of right-hand pages.

To locate specific information, refer to the table of contents. The name of the involved component, the title of the section, and the 9-digit section number may then be found. The sections are arranged in the order shown in the table of contents. Turn to page one of the section indicated where the contents of the section will be found (except where a section is small and does not require a listing of contents).

311B/RF

NAVSHIPS 0967-173-7040
Original, October 1969

VOLUME 4

TABLE OF CONTENTS

<u>Title</u>	<u>Contents</u>	<u>Section</u>	<u>Issue</u>
28 Keyboard Send-Receive (KSR) and Receive-Only (RO) Teletypewriter Sets (with RFI Suppression)	Wiring Diagrams	573-600-401TC	1

28 KEYBOARD SEND-RECEIVE (KSR) AND
RECEIVE-ONLY (RO) TELETYPEWRITER SETS

(WITH RFI SUPPRESSION)

WIRING DIAGRAMS

1. GENERAL

1.01 This section contains the wiring diagrams for the 28 Keyboard Send-Receive and Receive-Only Teletypewriter Sets (page printers only including multiple-mounted sets) listed in the charts of Section 573-600-100TC.

1.02 The wiring diagram index lists the equipment involved, the number of the wiring diagram followed by the type (A for actual, S for schematic), the number of diagram sheets, and the number of the wiring diagram package in which the diagram may also be found. The wiring diagrams are listed in numerical order.

2. WIRING DIAGRAM INDEX

EQUIPMENT	WIRING DIAGRAM NO. AND TYPE		SHEETS	WIRING DIAGRAM PACKAGE NO.						
				0038	0039	0050	0077	0099	0100	0110
Paper Winder (PW201)	1543WD	A	1	X	X					
Motor Unit	2900WD	A	2	X	X	X	X	X	X	X
Base Assembly	4763WD	A	1					X		
146901 Rectifier	5762WD	A	1					X		
146901 Rectifier	5763WD	S	1					X		
Paper Winder (LPW300)	5830WD	A	1	X	X					
305143 Power Supply	7241WD	S	1					X		
Base Assembly	7556WD	A	1						X	
321225 ESA	8132WD	A	4			X				
323810 SMD	8143WD	S	1	X	X	X			X	X
321225 ESA	8297WD	S	1			X				
319204 Selector Assembly	8299WD	S	1			X				
Cabinet (LAC227)	8300WD	A	1			X				X
Typing Unit	8301WD	A	1			X		X	X	X
Keyboard (LK61 and 63)	8302WD	A	1			X				
Electrical Service Unit (LESU128)	8303WD	A	1			X				X
28RFK2001A and 2002B Sets	8304WD	S	2			X				
323820 ESA	8305WD	A	4			X				
323820 ESA	8306WD	S	1			X				
Cover (LPC213)	8325WD	A	1	X	X		X			
Typing Unit (LP135)	8326WD	A	1	X	X					
Connection of ESA to Printer Set	8328WD	A	4		X		X			
324060, 324061, 325918, 326471 ESAs	8329WD	A	2	X	X					
325919 Container Assembly	8330WD	A	4	X	X		X			
326471 ESA	8331WD	S	3				X			
324061 or 325918 ESA	8332WD	S	5		X					
323821 ESA	8450WD	A	6					X		

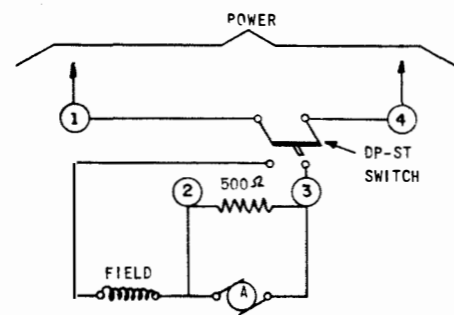
SECTION 573-600-401TC

WIRING DIAGRAM INDEX (continued)

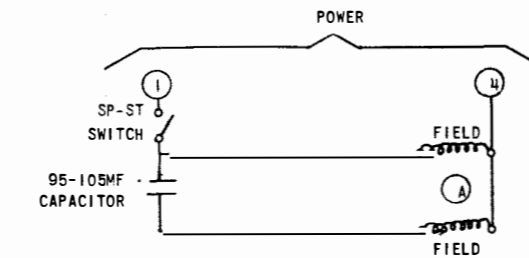
EQUIPMENT	WIRING DIAGRAM NO. AND TYPE	SHEETS	WIRING DIAGRAM PACKAGE NO.						
			0038	0039	0050	0077	0099	0100	0110
323821 ESA	8451WD S	1					X		
323822 ESA	8452WD A	4					X		
323822 ESA	8453WD S	1					X		
321228 ESA	8454WD A	5						X	
321228 ESA	8455WD S	1						X	
28RFC7300A Set	8710WD S	3					X		
Keyboard (LK71)	8711WD A	1					X		
28RFC7300A Set	8712WD A	3					X		
28RFC7400B Set	8713WD S	3						X	
28RFC7400B Set	8714WD A	3						X	
Keyer Circuit Board	303142 S	1		X	X		X		
CMD Circuit Board	320045 S	1		X	X		X		
Power Supply Circuit Board	321130 S	2	X	X	X	X	X		X
Filter Card (Plus Contact)	321268 S	1					X		
SMD Circuit Card	323810 S	1	X	X		X	X	X	X

NO	NOTES
1.	FOR OPERATION ON 50-60 CYCLE 110V AC REMOVE STRAP "A" AND CONNECT PLUG (1) INTO PLUG (2).
2.	FOR OPERATION ON 110V DC OR 25 CYCLE AC CONNECT 100 OHM RESISTOR OF 104851 SET OF PARTS FOR TABLE APPLICATION AS SHOWN AND CONNECT PLUG (1) INTO PLUG (4) AND PLUG (3) INTO PLUG (2).
3.	88085 CABLE HAS BEEN REDESIGNED FOR USE WITH OP-ST SWITCH. WHEN UNITS EQUIPPED WITH SINGLE POLE SWITCHES ARE CHANGED TO OP-ST SWITCHES. IT MAY BE NECESSARY TO ADD STRAP AS SHOWN.
4.	CORD TO BE SUPPLIED AS NEEDED BY THE CUSTOMER.
5.	COLOR CODE: BK-BLACK O - ORANGE BR-BROWN Y - YELLOW BL-BLUE R - RED S -SLATE W - WHITE G -GREEN P - PURPLE

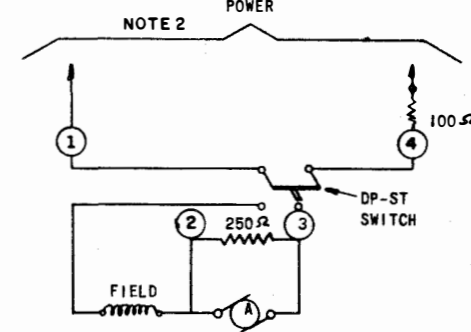
**SCHEMATIC
50-60 CYCLE 110V.A.C. OPERATION**



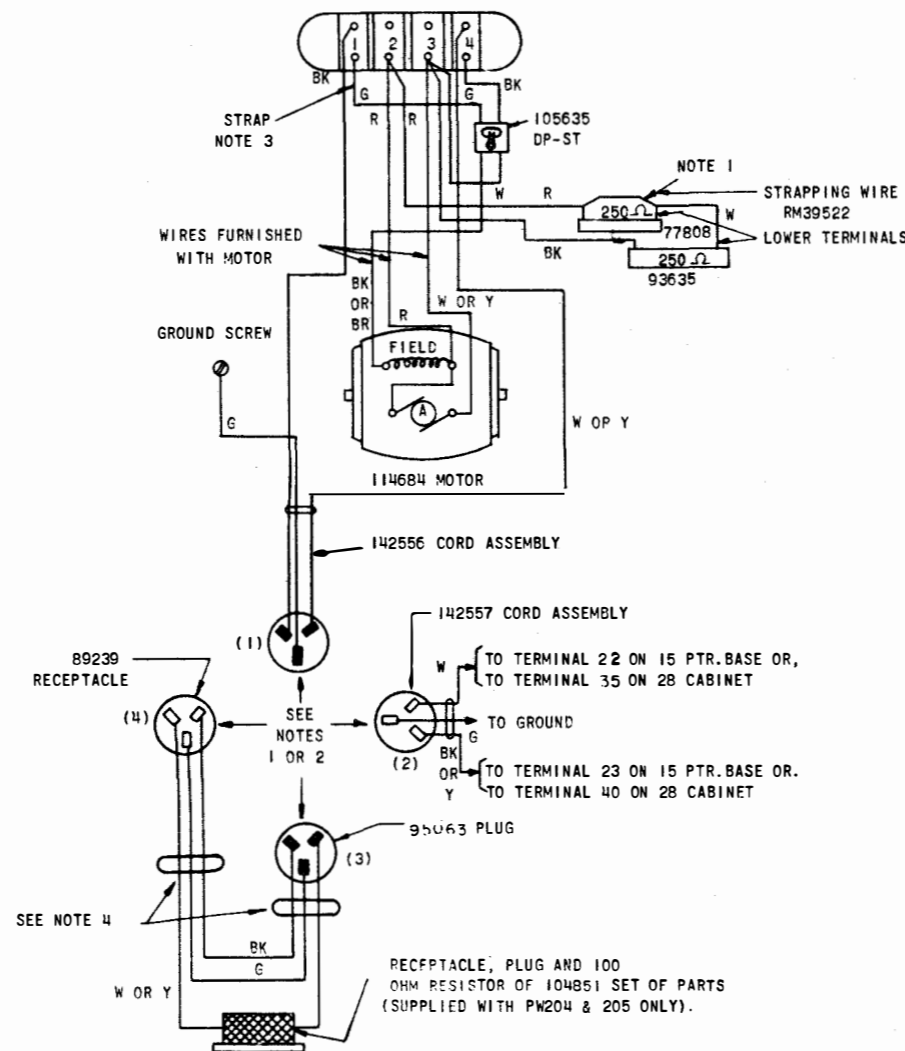
**SCHEMATIC
115V.A.C. 60 CYCLE SYNCHRONOUS OPERATION**



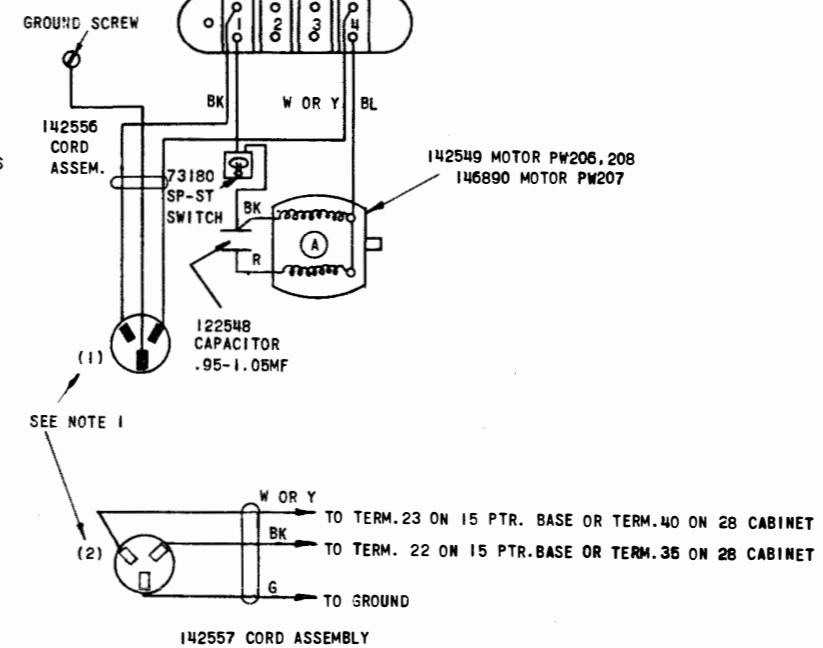
**SCHEMATIC
25 CYCLE 115V.A.C. OR 110V.D.C. OPERATION**



**FIGURE 1
PW 200, 201, 202, 203, 204, 205
ACTUAL**



**FIGURE 2
PW 206, 208-115V.A.C. 60 CYCLE
SYNCHRONOUS MOTOR
ACTUAL
PW 207-115V. 50-60 CYCLE
INDUCTION MOTOR**



1543WD

REVISIONS

ISSUE	DATE	AUTH. NO.
K13	11-16-55	62153
M14	10-6-58	66700
15	4-21-59	67288
16	9-3-59	67567
17	10-23-59	67696
18	2-12-60	67963
19	9-13-61	70923
20	8-6-62	74139
21	6-25-63	77214
22	8-26-66	91054

WIRING DIAGRAM
FOR
PAPER WINDER
PW200, 201, 202
203, 204, 205
206, 207, 208

APPROVALS

D AND R	E OF M
---	---
E-NUMBER	
PROD. NO. 1543WD	
DATE	
P.D. FILE NO. 1-99.AAA	
DRAWN W.A.W	CHKD. E.G.
ENGD.	APPD. E.P.K.

TELETYPE
CORPORATION

1543 WD

NOTES:

- A. FOR OPERATION ON 50-60 CYCLE 110V. AC. REMOVE STRAP "A". AND CONNECT PLUG (1) INTO PLUG (2)
- B. FOR OPERATION ON 110V. D.C. OR 25 CYCLE A.C., CONNECT 100 OHM RESISTOR OF 104851 SET OF PARTS FOR TABLE APPLICATION AS SHOWN, AND CONNECT PLUG (1) INTO PLUG (4) AND PLUG (3) INTO PLUG (2)
- C. 88085 CABLE HAS BEEN REDESIGNED FOR USE WITH DP-ST SWITCH. WHEN UNITS EQUIPPED WITH SINGLE POLE SWITCHES ARE CHANGED TO DP-ST SWITCHES. IT MAY BE NECESSARY TO ADD STRAP AS SHOWN.
- D. CORD TO BE SUPPLIED AS NEEDED BY THE CUSTOMER.

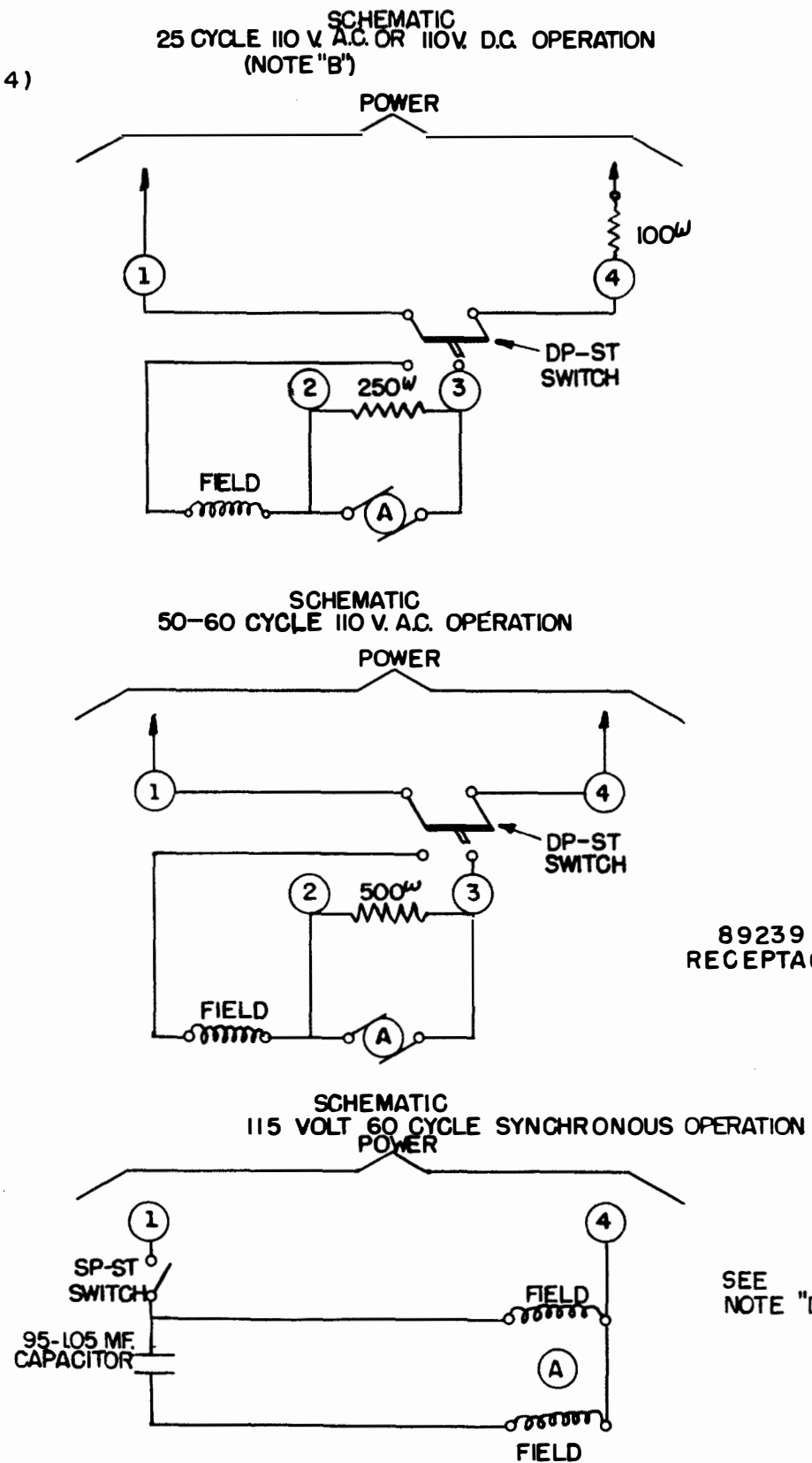


FIGURE 1
PW 200,201,202,203,204,205

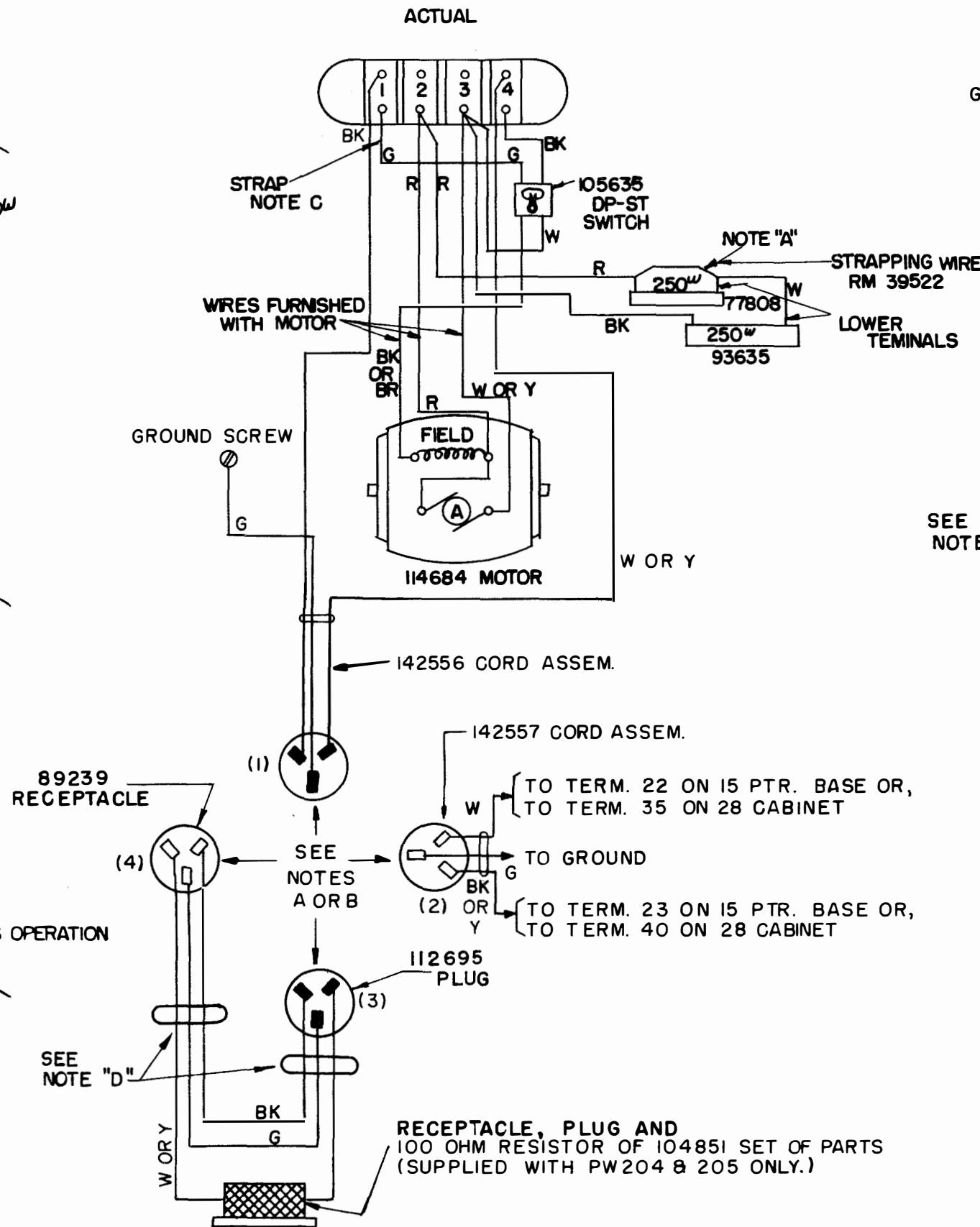
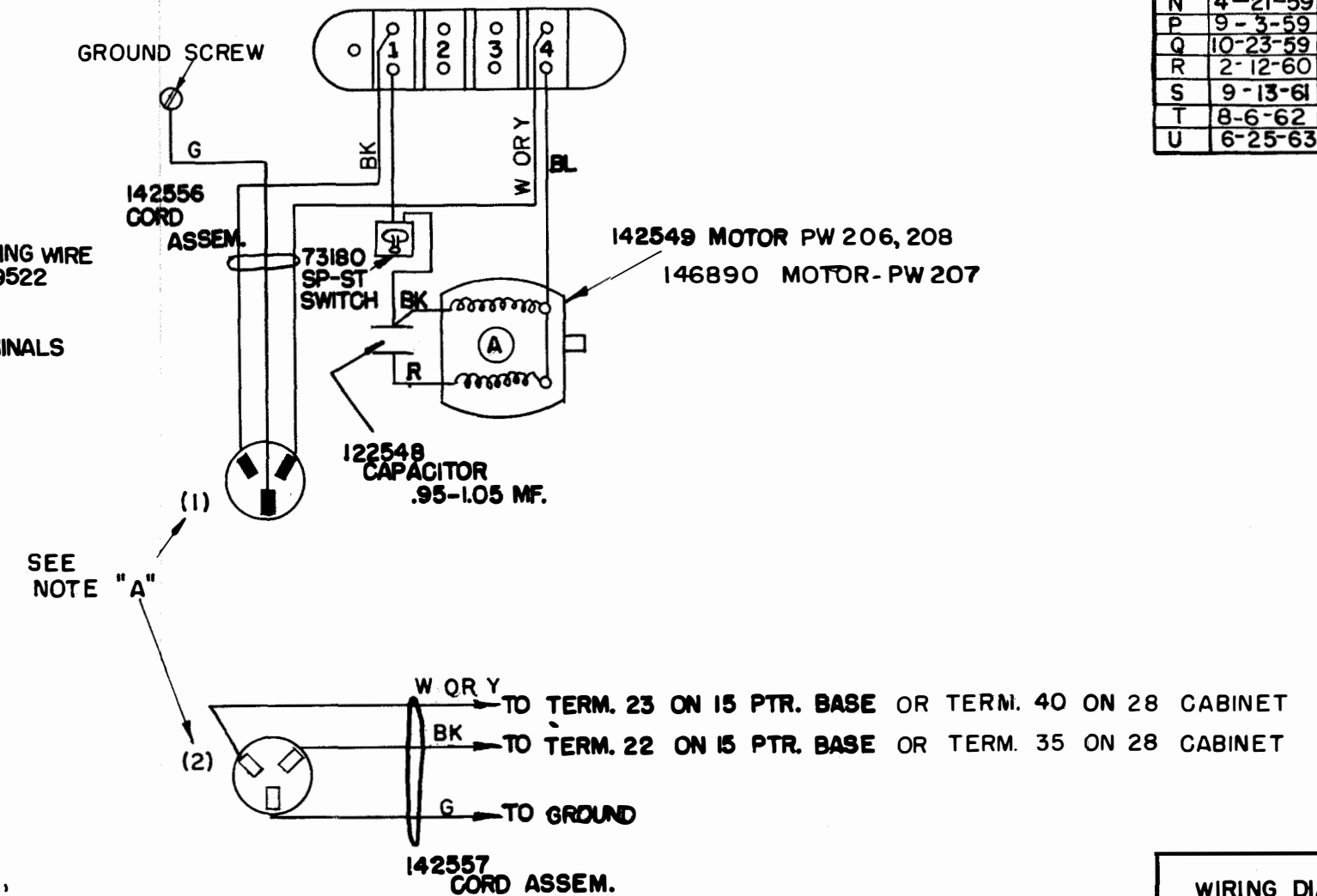


FIGURE 2
PW 206,208-115V. 60 CYCLE AC SYNCHRONOUS MOTOR
ACTUAL
PW 207-115V 50/60 CYCLE AC INDUCTION MOTOR



1543WD

REVISIONS

ISSUE	DATE	AUTH. NO.
L	11-16-55	62153
M	10-6-58	66700
N	4-21-59	67288
P	9-3-59	67567
Q	10-23-59	67696
R	2-12-60	67963
S	9-13-61	70923
T	8-6-62	74139
U	6-25-63	77214

WIRING DIAGRAM
PAPER WINDERS
PW 200,201,202,
203,204,205,
206,208,207

APPROVALS
D AND R E OF M

E-NUMBER
PROD. NO. 1543 WD
DATE
RD. FILE NO. I-99.AAA
DRAWN W.A.W. CHKD. *W.A.W.*
ENGD. APPD. *E.P.K.*

TELETYPE CORPORATION

1543WD

SYNCHRONOUS MOTOR UNITS

NOTE:
REVISION INFORMATION MUST ALSO BE
REFLECTED IN THE ISSUE CONTROL REC-
ORD, WHICH IS A PART OF THIS DRAWING.

2900WD

REVISIONS

ISSUE	DATE	AUTH. NO.
L	2-15-60	28-12447
M	5-17-60	28-13280
N	5-27-60	28-13361
P	7-6-60	28-13494
Q	9-13-60	28-13899
R	12-14-60	28-14406
S	6-23-61	70255
T	8-8-61	70559
U	10-18-61	71471
V	11-30-61	71805
W	8-24-62	74285
X	9-20-62	74557
Y	11-29-62	75216
Z	4-15-63	76528
AA	4-15-63	76592
AB	5-16-63	76655
AC	5-28-63	76116
AD	8-22-63	77895
AE	1-13-64	79966
AF	1-24-64	79730-1
32	4-13-64	79730-2
33	5-22-64	P2008
34	11-4-64	84364
35	3-4-65	82432
36	4-10-65	82432-1
37	9-22-65	82432-3
38	11-8-65	82432-4
39	11-10-65	87664
40	2-22-66	90356
41	4-5-66	90628
42	9-21-66	91790
43	2-27-68	95441
44	1-30-69	98432
45	8-15-69	99487

SEE ISSUE CONTROL RECORD FOR COM-
PLETE LIST OF SHEETS COMPRISING THIS
W.D.

SHEET 1

ACTUAL
WIRING DIAGRAM
FOR
MODEL 28 & 35
MOTOR UNITS

APPROVALS

D AND R E OF M

E-NUMBER

PROD. NO. 2900WD

DATE 1-28-55

R.D. FILE NO. 1-30.65.156A

DRAWN E.R.

CHKD. REA

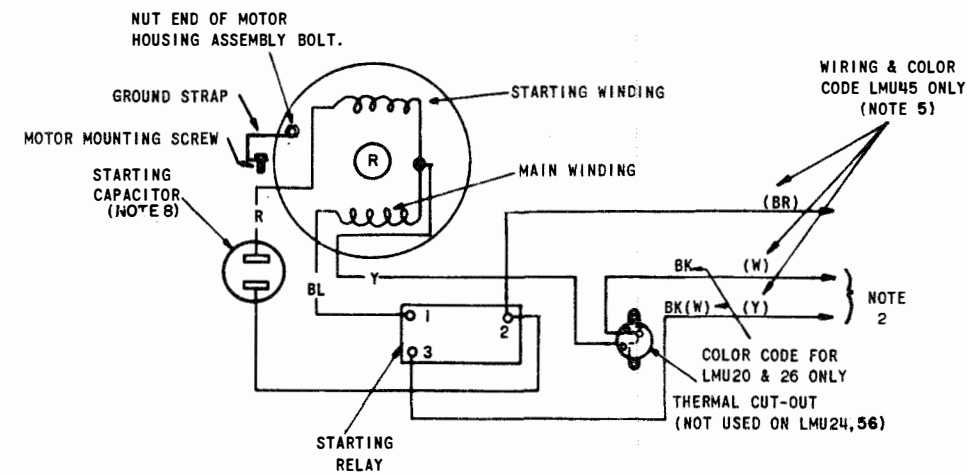
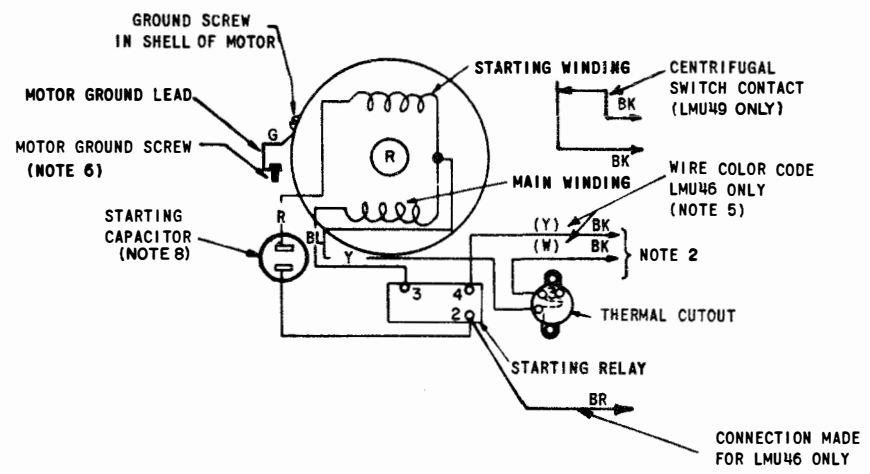
ENGD. B.M.B.

APPD.

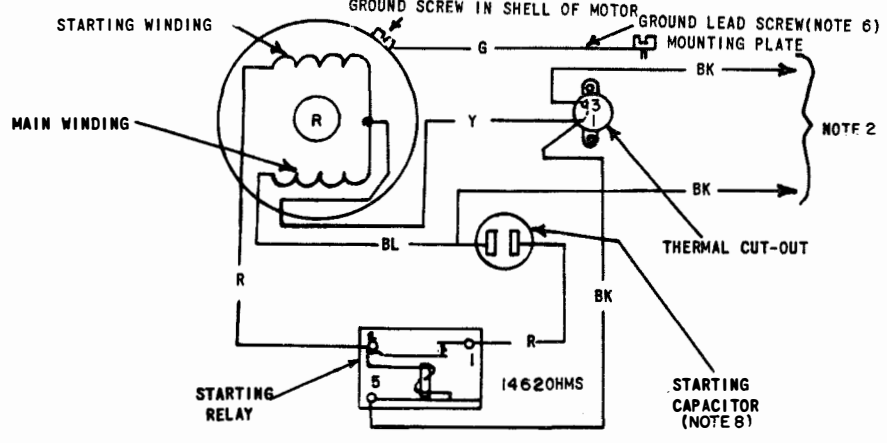
TELETYPE
CORPORATION

2900WD

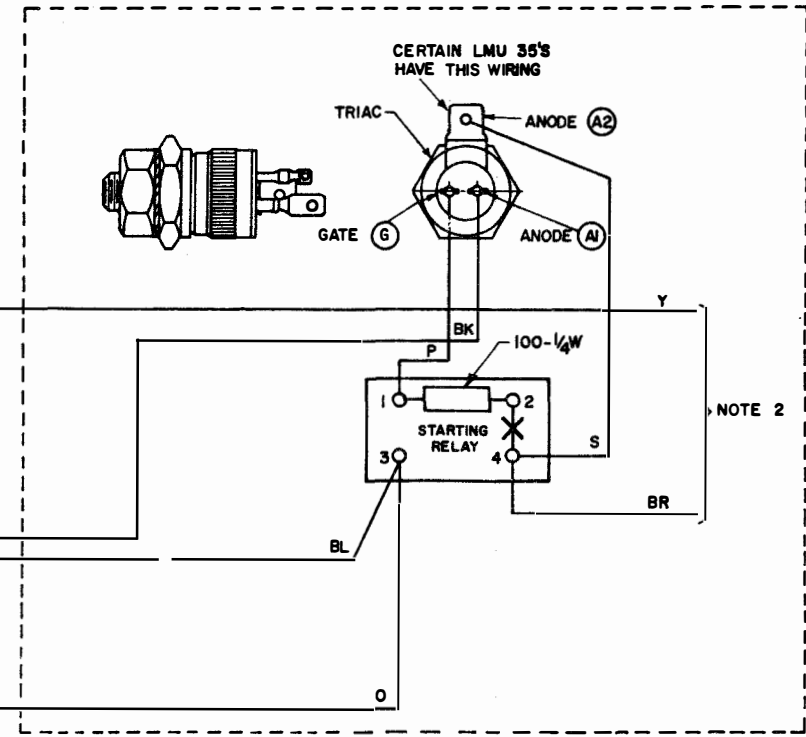
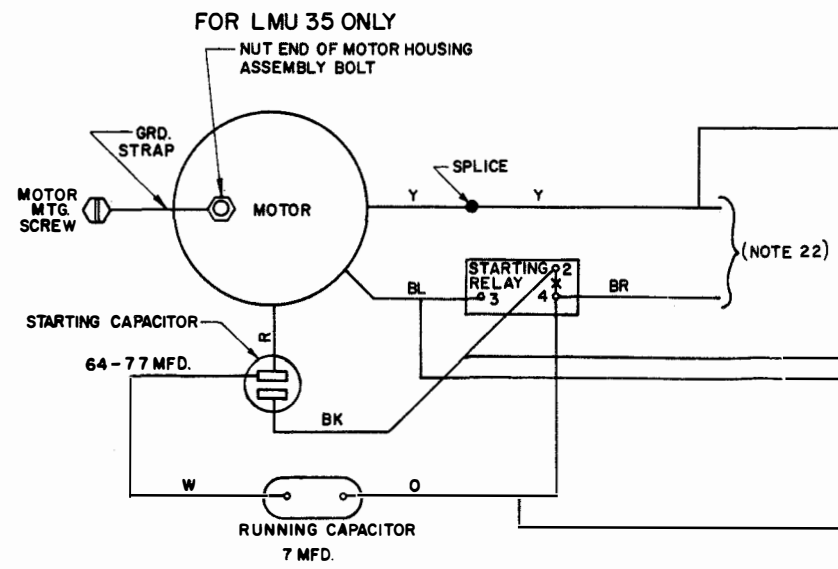
NO.	NOTES														
1.	SYNCHRONOUS MOTOR OPERATES ON REGULATED FREQUENCY ($\pm 0.75\%$) MAXIMUM AC ONLY.														
2.	CONNECT EITHER WIRE TO DESIGNATED TERMINALS OF UNIT TERMINAL BLOCK, PER WIRING DIAGRAM OF ASSOCIATED UNIT														
3.	MOTOR LEADS OF SAME COLOR ARE INTER-CHANGEABLE.														
5.	EXTERNAL NOISE SUPPRESSION NETWORK CONSISTING OF 100 OHM, 1/2 WATT RESISTOR IN SERIES WITH 0.25 MFD 1K V CAPACITOR CONNECTED ACROSS YELLOW AND BROWN WIRES. (FOR LMU45,46)														
6.	MOTOR GROUND LEAD (GREEN) TERMINAL MUST BE FASTENED TO MOUNTING CRADLE OF MOTOR UNDER A SEPARATE GROUND SCREW ONLY. A SCREW USED FOR ANOTHER PURPOSE CANNOT BE USED FOR GROUNDING (UNDERWRITERS LABORATORIES REQUIREMENT).														
7.	WIRE COLOR CODE: BK - BLACK R - RED BL - BLUE O - ORANGE BR - BROWN Y - YELLOW P - PURPLE S - SLATE W - WHITE G - GREEN														
8.	<table border="1"> <thead> <tr> <th>LMU</th> <th>STARTING CAPACITOR VALUE</th> </tr> </thead> <tbody> <tr> <td>3,15,21,30,33,36,37,38,42,46,49,51,52</td> <td>43-48 MFD</td> </tr> <tr> <td>11,12</td> <td>170-226 MFD</td> </tr> <tr> <td>35</td> <td>64-77 MFD</td> </tr> <tr> <td>55</td> <td>15-18 MFD</td> </tr> <tr> <td>19,20,24,26,31,45,56</td> <td>88-108 MFD</td> </tr> <tr> <td>50,</td> <td>161-193 MFD</td> </tr> </tbody> </table>	LMU	STARTING CAPACITOR VALUE	3,15,21,30,33,36,37,38,42,46,49,51,52	43-48 MFD	11,12	170-226 MFD	35	64-77 MFD	55	15-18 MFD	19,20,24,26,31,45,56	88-108 MFD	50,	161-193 MFD
LMU	STARTING CAPACITOR VALUE														
3,15,21,30,33,36,37,38,42,46,49,51,52	43-48 MFD														
11,12	170-226 MFD														
35	64-77 MFD														
55	15-18 MFD														
19,20,24,26,31,45,56	88-108 MFD														
50,	161-193 MFD														



LMU 3,11,12,15,21,30,37,42,46,49
FOR USE WITH 115V.A.C. 60~POWER SUPPLY
LMU 33, 36,38, 51,52
FOR 115V.A.C. 50~POWER SUPPLY.
LMU 55
FOR 230 V.A.C. 50~POWER SUPPLY



LMU 50,
FOR USE WITH 115V AC 50~POWER SUPPLY ONLY



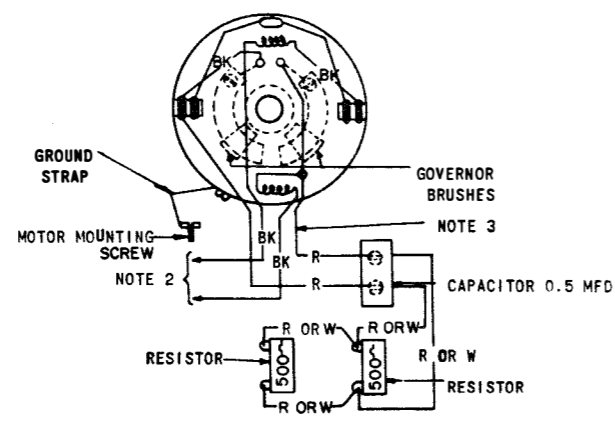
SERIES GOVERNED MOTOR UNITS

NOTE:
REVISION INFORMATION MUST ALSO BE
REFLECTED ON THE ISSUE CONTROL REC-
ORD, WHICH IS A PART OF THIS DRAWING.

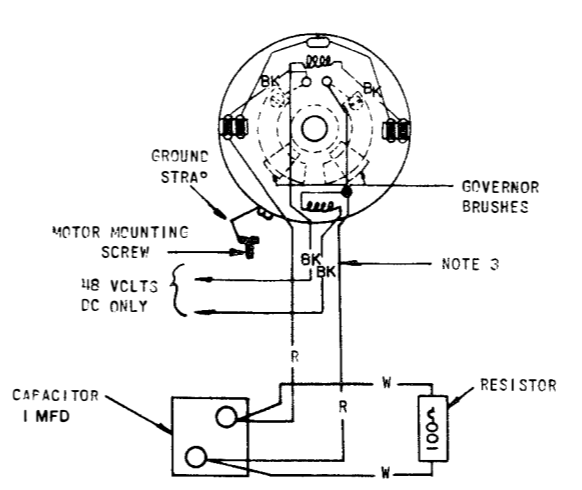
2900WD

- | NO. | NOTES |
|-----|---|
| 1. | A. AC SERIES MOTOR UNITS OPERATE ON UN-REGULATED AC POWER.
B. ASSOCIATED LESU MUST BE EQUIPPED WITH CAPACITOR-RESISTOR ASSEMBLY FOR DC OPERATION OF GOVERNED MOTORS. |
| 2. | CONNECT EITHER WIRE TO DESIGNATED TERMINALS OF UNIT TERMINAL BLOCK, PER WIRING DIAGRAM OF ASSOCIATED UNIT. |
| 3. | MOTOR LEADS OF SAME COLOR ARE INTER-CHANGEABLE. |
| 4. | MOTOR LEADS ARE ENCLOSED IN APPROXIMATELY 10" LONG COPPER SHIELDING & FASTENED TO MOTOR AND CONTROL PARTS COMPARTMENT. (FOR LMU28). |
| 5. | LMU4, 10, AND 14 MOTOR UNITS (UNIVERSAL SERIES GOVERNED) CONTAIN TWO 500 OHM RESISTORS WIRED IN PARALLEL EQUIVALENT TO 250 OHMS.
LMU4 MOTOR UNIT SUPERSEDED BY LMU41 MOTOR UNIT.
LMU10 MOTOR UNIT SUPERSEDED BY LMU47 MOTOR UNIT.
LMU14 MOTOR UNIT SUPERSEDED BY LMU39 MOTOR UNIT. |
| 6. | WIRE COLOR CODE:
BK - BLACK R - RED
BL - BLUE O - ORANGE
BR - BROWN Y - YELLOW
P - PURPLE S - SLATE
W - WHITE G - GREEN |

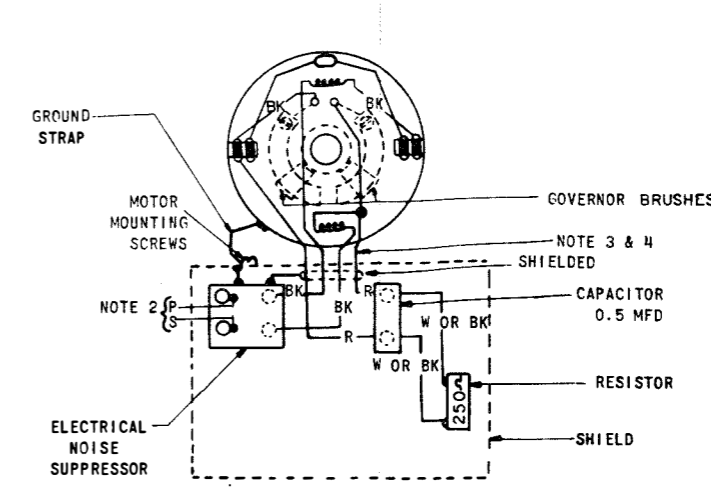
REVISIONS		
ISSUE	DATE	AUTH. NO.
L	2-15-60	28-12447
M	5-17-60	28-13280
N	5-27-60	28-13361
P	7-6-60	28-13494
Q	9-13-60	28-13899
R	12-14-60	28-14406
S	6-23-61	70255
T	8-8-61	70559
U	10-18-61	71471
V	11-30-61	71805
W	8-24-62	74285
X	9-20-62	74557
Y	11-29-62	75216
Z	4-15-63	76588
AA	4-15-63	76592
AB	5-16-63	76965
AC	5-28-63	76149
AD	8-22-63	77845
AE	1-13-64	79966
AF	1-24-64	79730-1
32	4-13-64	79730-2
33	5-22-64	82008
34	11-4-64	84364
35	3-4-65	82432
36	4-10-65	82432-1
37	9-22-65	82432-3
38	11-8-65	82432-4
39	11-10-65	87664
40	2-22-66	90356
41	4-5-66	90628
42	4-26-67	95075
43	5-26-67	9428-RC
44	5-13-68	95859
45	6-12-69	99366



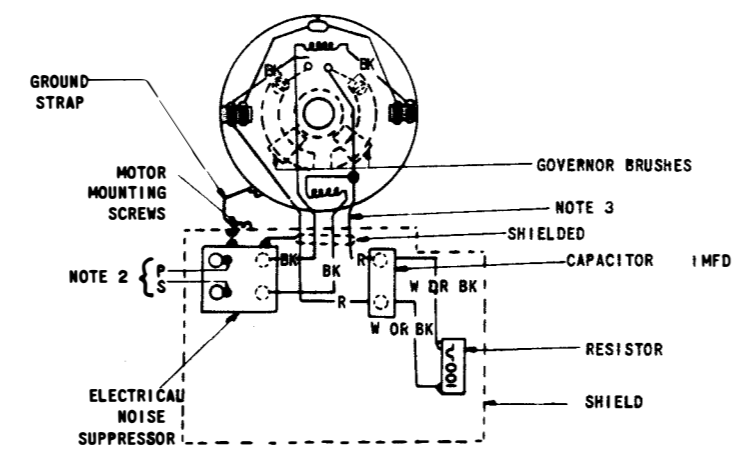
LMU 6,13 (UNIVERSAL)
WITHOUT RADIO FREQUENCY SUPPRESSORS
FOR USE WITH EITHER 115V AC 50-60~OR 115V DC
POWER SUPPLY (NOTE 1B).



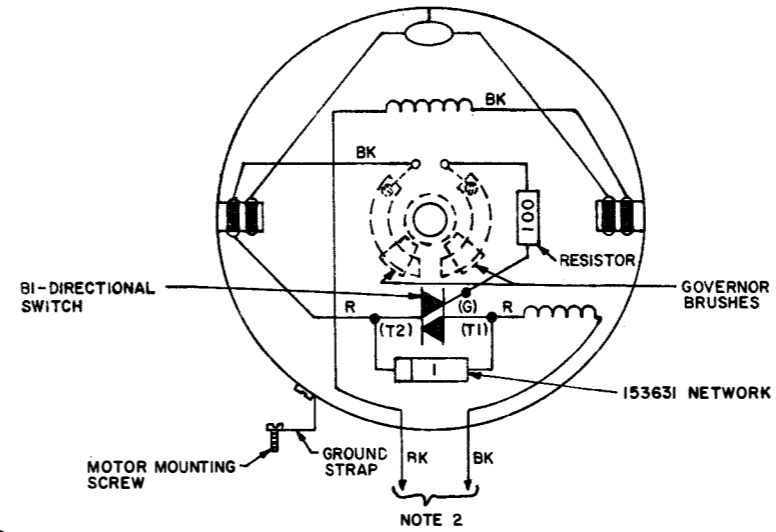
LMU 23 (48 VOLTS)
WITHOUT RADIO FREQUENCY SUPPRESSORS
FOR USE ON 48 V.D.C. POWER SUPPLY ONLY.



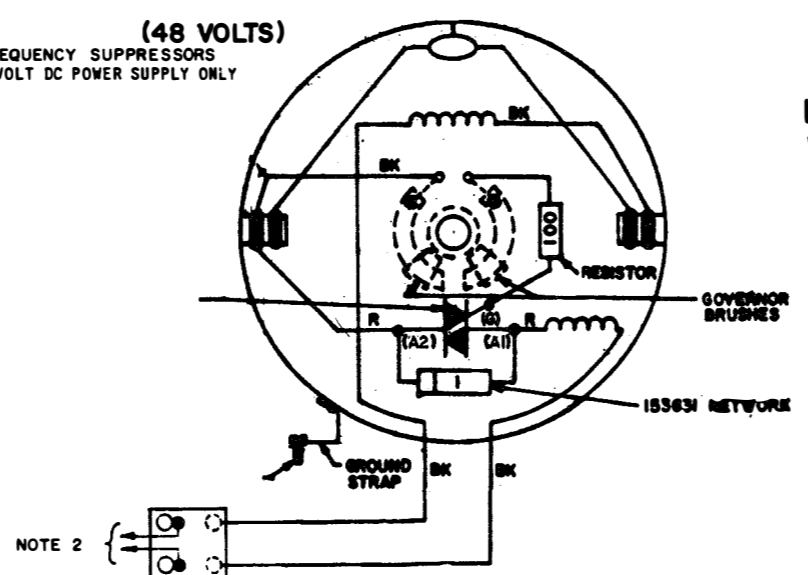
LMU 28,32,39,41,47 (UNIVERSAL)
WITH RADIO FREQUENCY SUPPRESSORS
FOR USE WITH EITHER 115V AC 50-60~115 V DC
POWER SUPPLY (NOTE 1B)



LMU 29 (48 VOLTS)
WITH RADIO FREQUENCY SUPPRESSORS
FOR USE ON 48 VOLT DC POWER SUPPLY ONLY



LMU 57, (115 VOLTS AC)
WITHOUT RADIO FREQUENCY SUPPRESSORS
FOR USE ON 115 VOLTS AC ONLY



LMU 60,61 (115 VOLTS AC)
WITH RADIO FREQUENCY SUPPRESSORS
FOR USE ON 115 VOLTS AC ONLY

SEE ISSUE CONTROL RECORD FOR COMPLETE LIST OF SHEETS COMPRISING THIS W.O.

SHEET 2

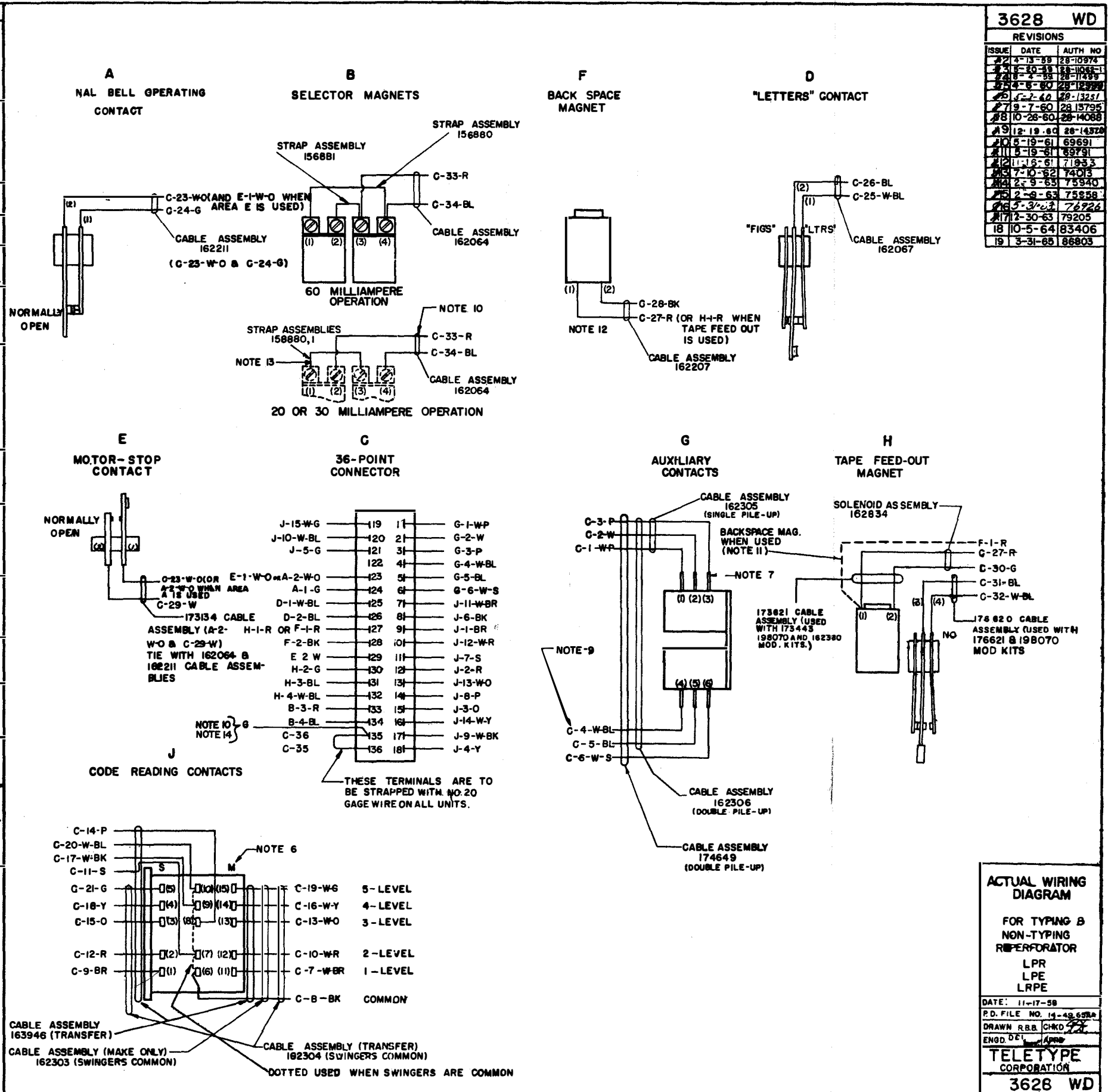
ACTUAL
WIRING DIAGRAM
FOR
MODEL 28 & 35
MOTOR UNITS

APPROVALS
D AND R E OF M

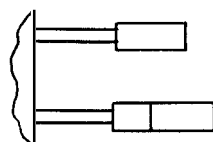
E-NUMBER
PROD. NO. 2900WD
DATE 1-28-55
P.D. FILE NO. 1-30.65.156A
DRAWN E.R. CHKD. R.J.H.
ENGD. B.M.B. APPD.

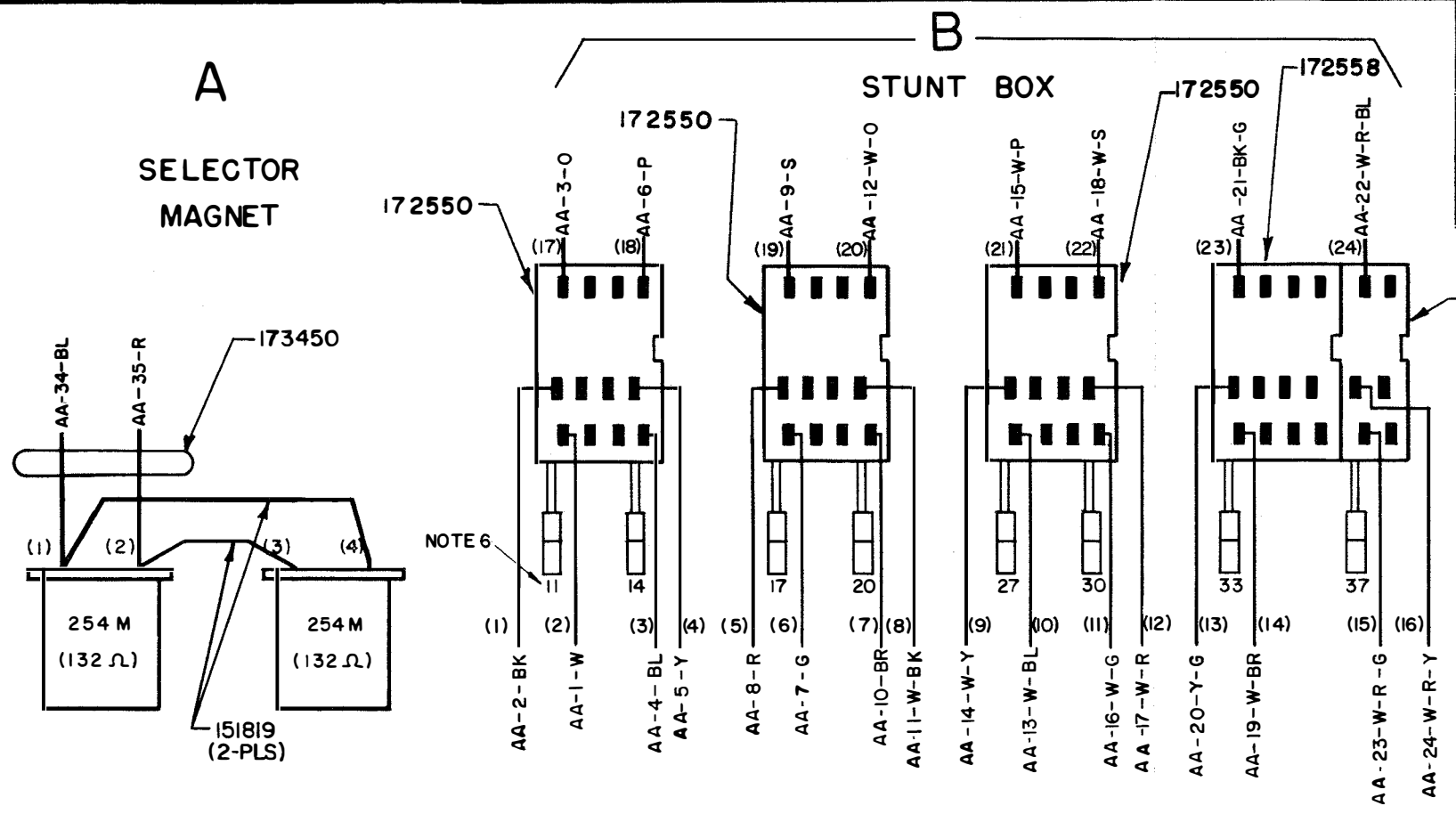
TELETYPE
CORPORATION
2900WD

NO.	NOTES
	COLOR CODE BK BLACK G GREEN BR BROWN BL BLUE R RED P PURPLE O ORANGE S SLATE Y YELLOW W WHITE
2	WIRING LEGEND
3	TERMINALS DESIGNATED IN PARENTHESIS ARE NOT MARKED ON COMPONENTS.
4	TERMINALS ON CONNECTOR SHOWN AS VIEWED FROM SOLDER END.
5	NORMALLY OPEN (NO) AND NORMALLY CLOSED (NC) CONTACTS ARE SHOWN WHEN THE REPERFORATOR IS IN THE STOP (IDLE) POSITION.
6	THE SPACING (S) SIDE ON THE CODE READING CONTACTS ARE NORMALLY CLOSED. THE MARKING (M) SIDE OF THE CODE READING CONTACTS ARE NORMALLY OPEN.
7	WHEN THE AUXILIARY CONTACTS ARE OPERATED FROM A SINGLE CYCLE FUNCTION CAM THE CONTACTS NEAREST THE MOUNTING BRACKET ARE NORMALLY CLOSED. WHEN THE AUXILIARY CONTACTS ARE OPERATED FROM A DOUBLE CYCLE FUNCTION CAM THE CONTACTS FARTHEST THE MOUNTING BRACKET ARE NORMALLY CLOSED.
8	GENERAL NOTE: WIRING OF INDIVIDUAL COMPONENTS IS DETERMINED BY REFERRING TO THE CABLE ASSEMBLIES SPECIFIED ON THE UNIT B/M.
9	WHEN USING CABLE ASSEMBLY 162306 WITH THE LKPE 8, CONNECT THE W-BL WIRE (NORMALLY) CONNECTED TO G4) TO G6.
10	WIRED FOR 20 OR 30 MIL OPERATION. UNITS USING 173850 SHIELDED CABLE ON "G" CONNECTOR. OMIT STRAP BETWEEN TERMINALS 35 AND 36 CONNECT "B" WIRE TO TERMINAL 35. SEE NOTE 14
11	WHEN COMMON CONNECTION IS USED, D.C. MUST BE PROVIDED FOR MAGNETS OTHER THAN 224M WHICH OPERATES ON A.C. OR D.C.
12	FOR WIRING OF BACKSPACE MAGNET ON LAK KEYBOARD MOUNTED REPERFORATORS, REFER TO ASSOCIATED LAK WIRING DIAGRAM.
13	SELECTOR MAGNETS MUST BE STRAPPED FOR 60 MILLIAMPERE OPERATION WHEN 179615 AND 179616 R.F. SUPPRESSION MODIFICATION KITS ARE USED WITH REPERFORATOR SET.
14	THIS CONNECTION IS APPLICABLE ONLY ON COMPATIBLE UNITS CONTAINING R.F. SUPPRESSION WIRING ON MATING CONNECTOR. ON OTHER NON-COMPATIBLE (INCLUDING BELL SYSTEM) UNITS IF EQUIPPED WITH A SHIELDED CABLE, THE SHIELD "G" WIRE IS TO BE DIBABLED.

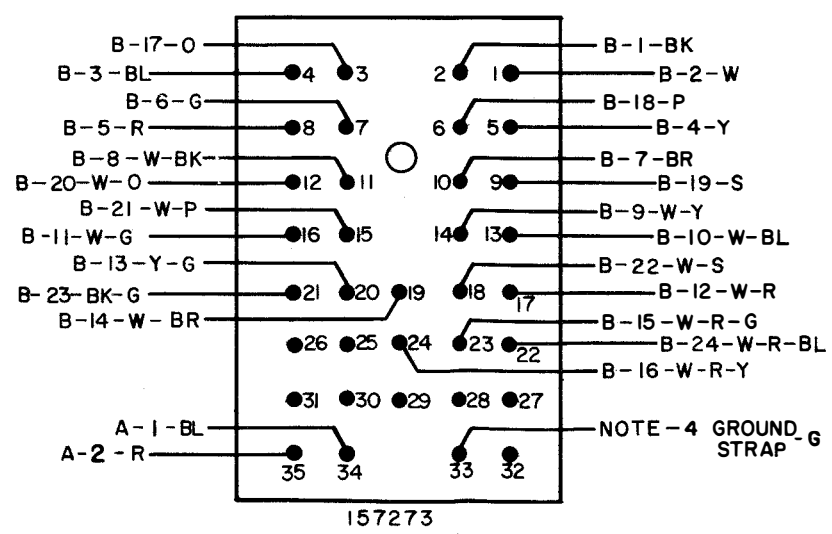


3628 WD REVISIONS		
ISSUE	DATE	AUTH NO.
22	4-13-58	28-10974
23	5-20-58	28-11068-1
24	6-2-58	28-11389
25	6-6-60	28-12999
26	6-2-60	28-13251
27	9-7-60	28-13795
28	10-28-60	28-14088
29	12-19-60	28-14328
30	5-19-61	69691
31	5-19-61	69791
32	11-16-61	71953
33	7-10-62	74013
34	2-9-63	75940
35	2-9-63	75958
36	5-3-63	76926
37	2-30-63	79205
38	10-5-64	83406
39	3-31-65	86803

NO.	NOTES												
1.	<p>WIRING LEGEND</p> <p>— DISTANT TERMINATING AREA — DISTANT TERMINAL DESIGNATION. AA-B-R — WIRE COLOR CODE.</p>												
2.	<p>WIRE COLOR CODE :</p> <table border="0"> <tr> <td>W - WHITE</td> <td>R - RED</td> <td>BL - BLUE</td> </tr> <tr> <td>BK - BLACK</td> <td>S - SLATE</td> <td>G - GREEN</td> </tr> <tr> <td>O - ORANGE</td> <td>BR - BROWN</td> <td>Y - YELLOW</td> </tr> <tr> <td>P - PURPLE</td> <td></td> <td></td> </tr> </table>	W - WHITE	R - RED	BL - BLUE	BK - BLACK	S - SLATE	G - GREEN	O - ORANGE	BR - BROWN	Y - YELLOW	P - PURPLE		
W - WHITE	R - RED	BL - BLUE											
BK - BLACK	S - SLATE	G - GREEN											
O - ORANGE	BR - BROWN	Y - YELLOW											
P - PURPLE													
3.	CONNECTOR VIEWED FROM SOLDERED TERMINAL END.												
4.	GROUND SHIELDING OF SELECTOR CABLE.												
5.	 <p>NORMALLY OPEN CONTACT</p> <p>NORMALLY CLOSED CONTACT</p>												
6.	INDICATE SLOT LOCATIONS												



**AA
TYPING UNIT
CONNECTOR**



4196 WD

ISSUE	DATE	AUTH. NO.
2	9-19-61	70984
3	9-21-61	70997
4	4-2-65	86811
5	5-15-65	86811-2

ACTUAL
WIRING DIAGRAM
FOR
MODEL 28
TYPING UNIT
LP 77, 94
STUNT BOX
AGM

APPROVALS

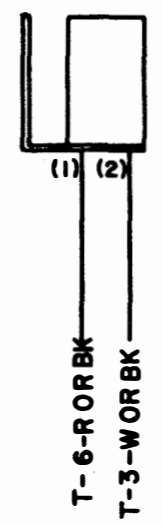
D AND R <i>O.A.C.</i>	E OF M
E-NUMBER	
PROD. NO. 4196 WD	
DATE: 7-7-60	
P.D. FILE NO. 18-A65/2.219A	
DRAWN. P.K.	CHKD. <i>Don</i>
ENG. E.F.D.	APPD. <i>Don</i>
TELETYPE CORPORATION	
4196 WD	

4257WD

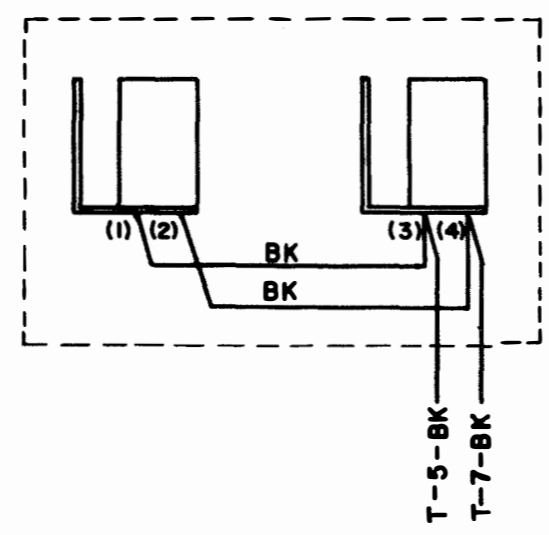
ISSUE	DATE	AUTH. NO.
A	11-27-63	79385

- NO.**
- NOTES:**
- 1. WIRING LEGEND:**
- Distant Terminating Area
 A-I-W Distant Terminal Designation
 — Wiring Color Code
- 2. COLOR CODE**
- BK - BLACK
 - R - RED
 - S - GREEN
 - P - PURPLE
 - W - WHITE
 - S - SLATE
- 3. CONNECTOR VIEWED FROM SOLDER TERMINAL ENDS.**
- 4. GROUND SCREW ON RIGHT SIDE OF TRANSFORMER.**
- 5. THE NUMBERS ENCLOSED BY PARENTHESES ARE USED FOR REFERENCE AND ARE NOT NECESSARILY SHOWN ON THE PARTS**
- 6. ASSOCIATED CABLES**
- 173877 COVER CONNECTOR CABLE
 - 173879 BASE CONNECTOR CABLE
 - 304520 MARGIN LAMP CABLE
 - 157278 COPYLIGHT LAMP CABLE
 - 164384 TRANSFORMER CABLE

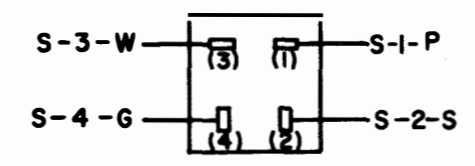
E
MARGIN
INDICATOR
LAMP



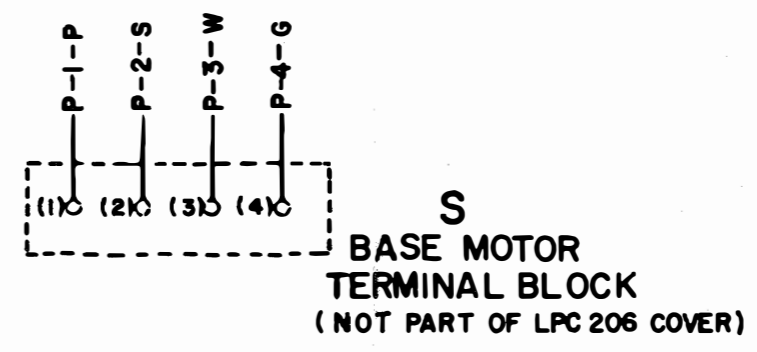
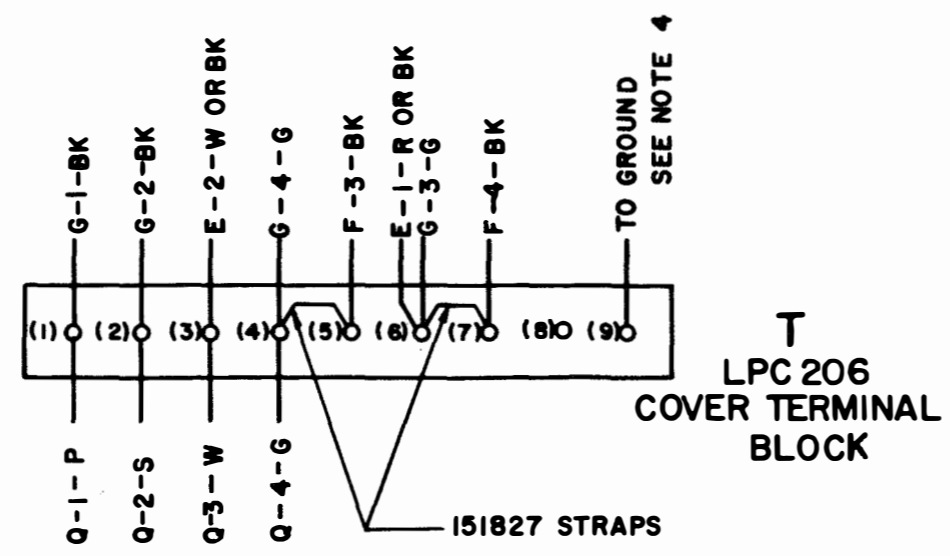
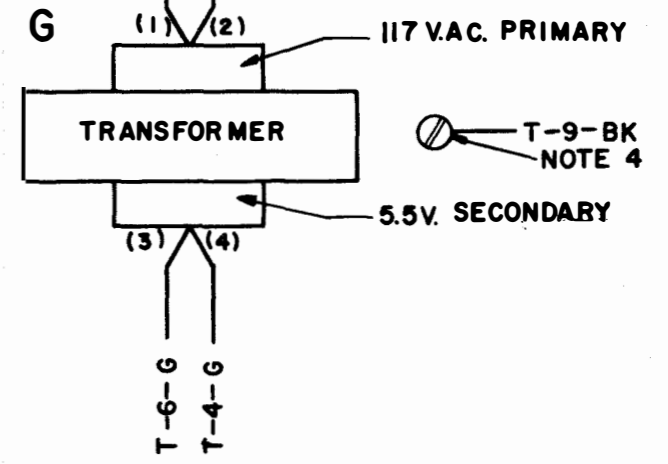
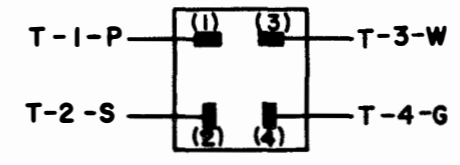
F
COPYLIGHT LAMP



P
BASE CONNECTOR
CABLE ASSEMBLY



Q
COVER CONNECTOR
CABLE ASSEMBLY



ACTUAL WIRING
DIAGRAM
OF
LPC 206
SKIN TIGHT COVER

APPROVALS

D AND R	E OF M
<i>O.A.</i>	

E-NUMBER
PROD. NO. 4257WD

DATE: 6-8-60

P.D. FILE NO. 38-A2/65 AA

DRAWN E. M. CHKD. *[Signature]*

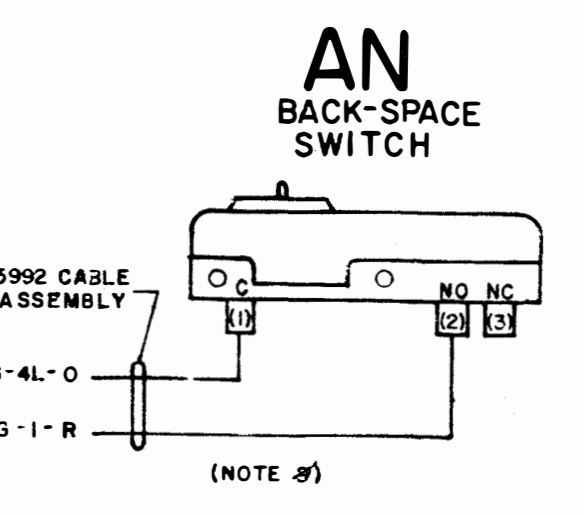
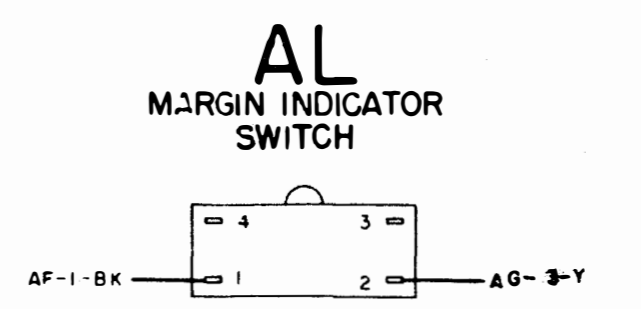
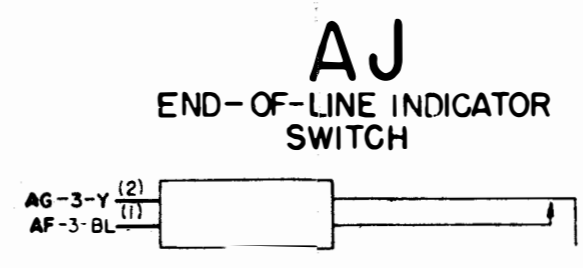
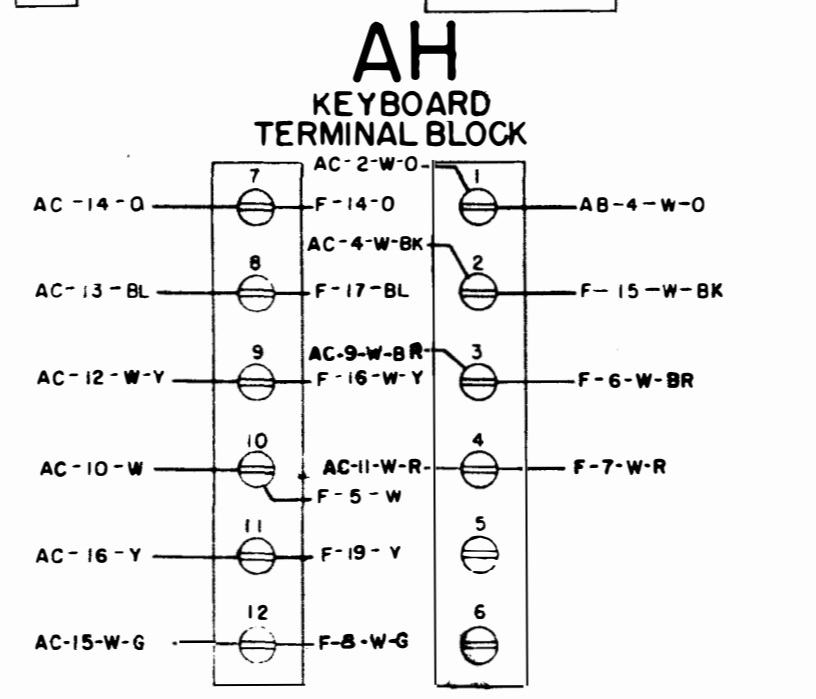
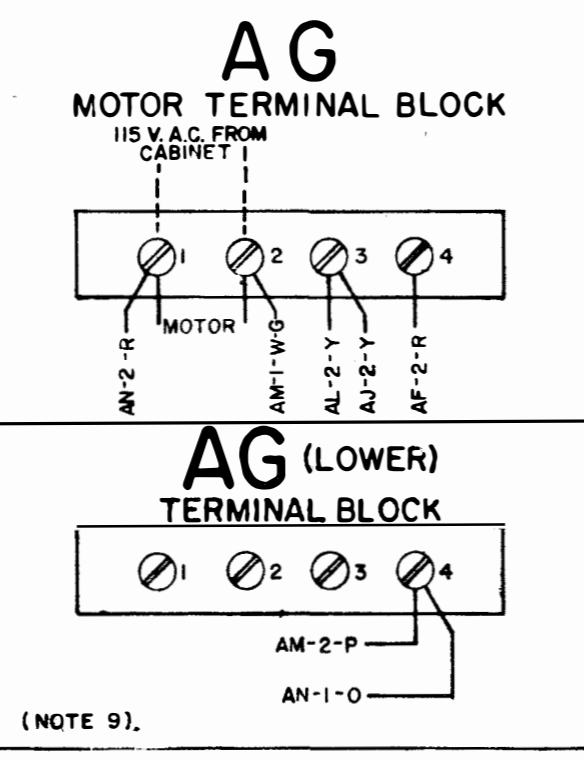
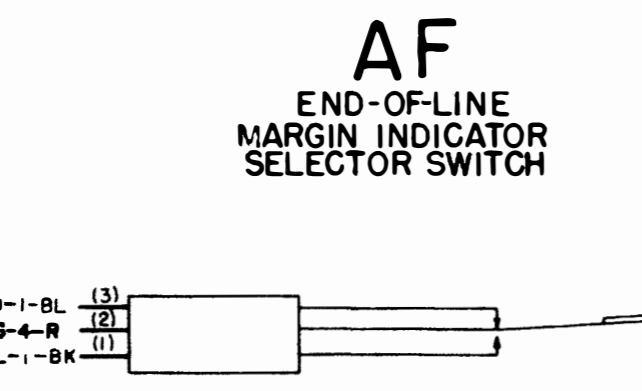
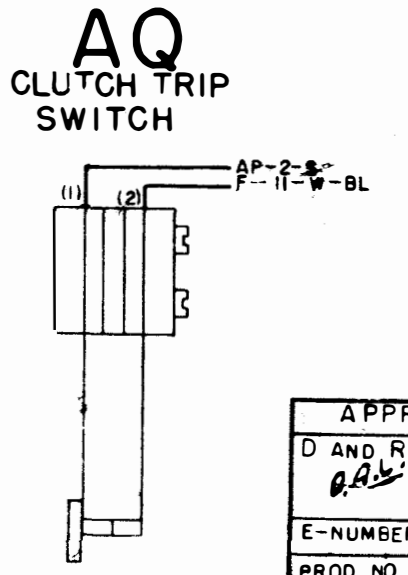
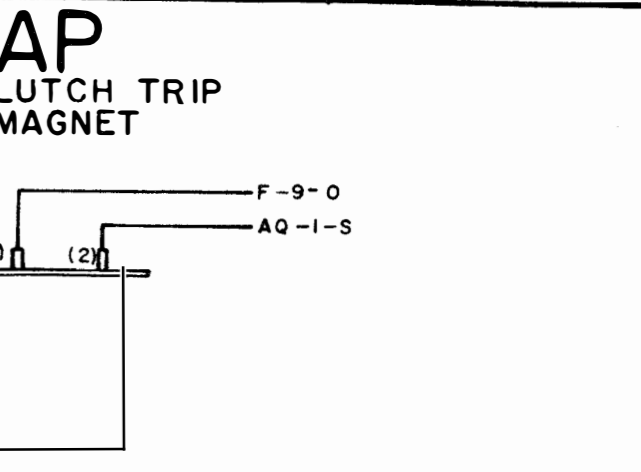
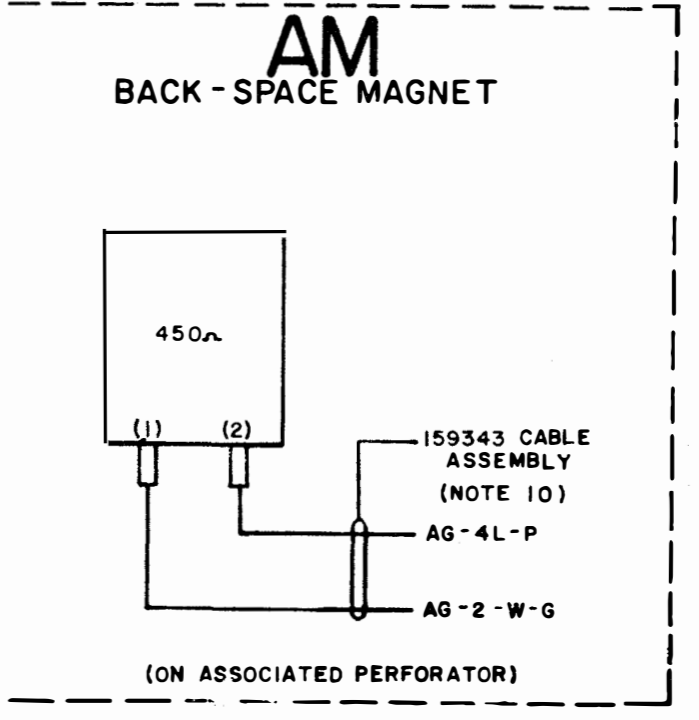
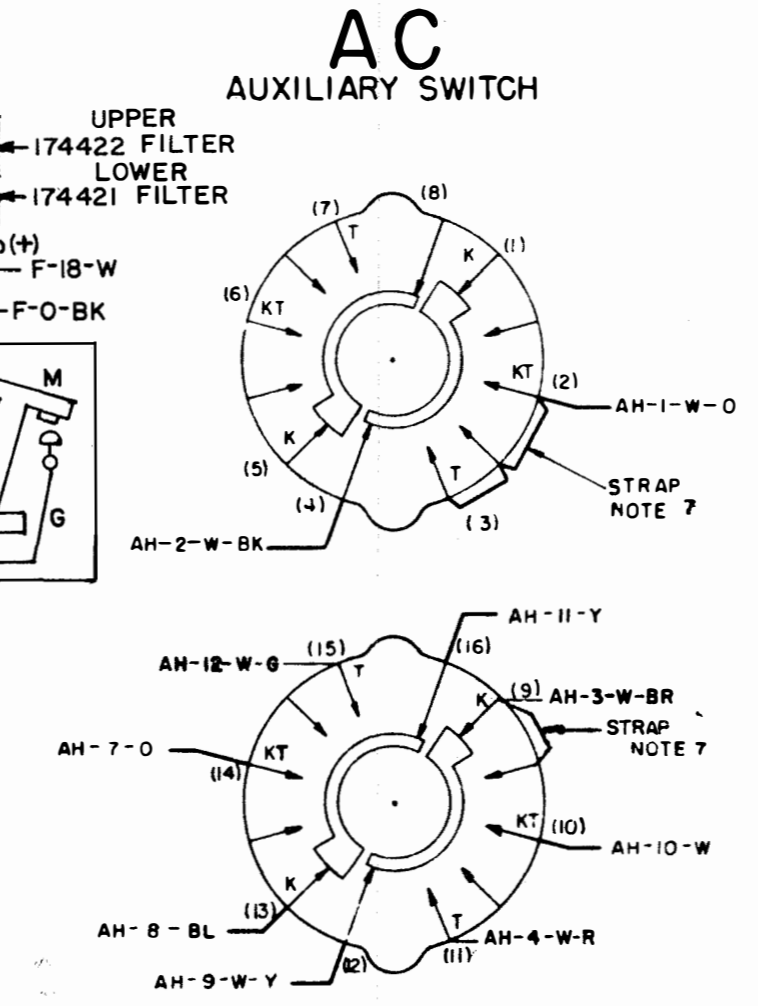
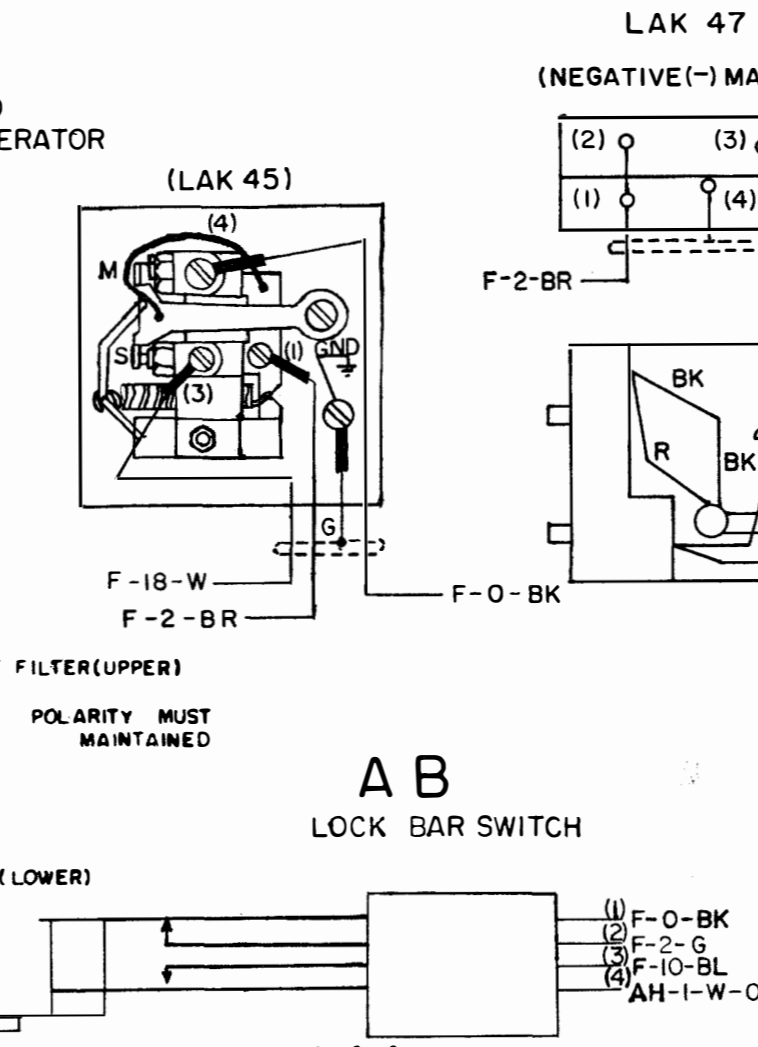
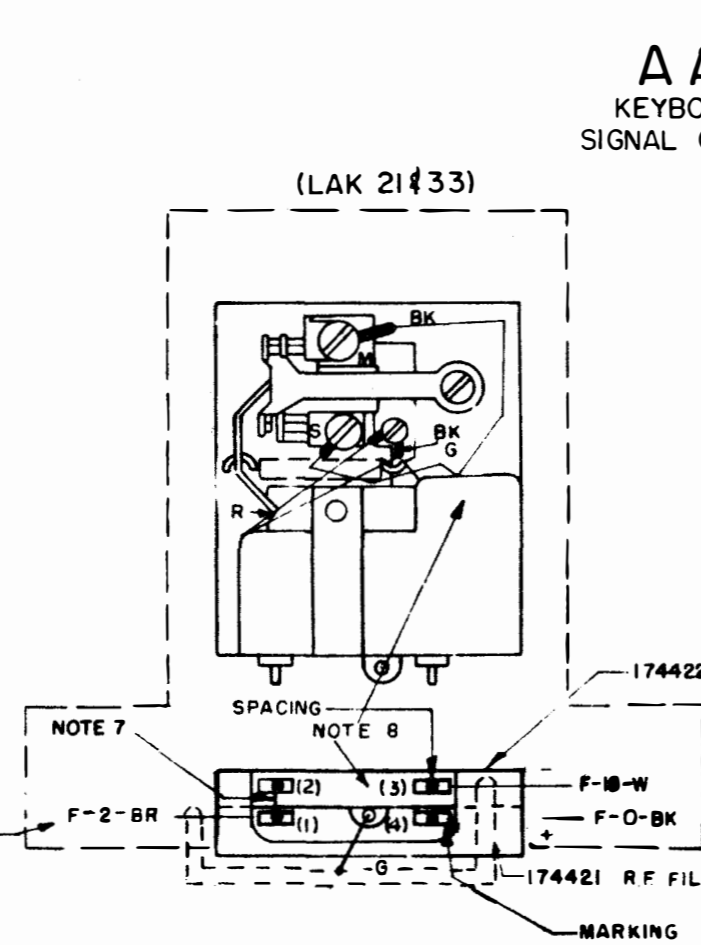
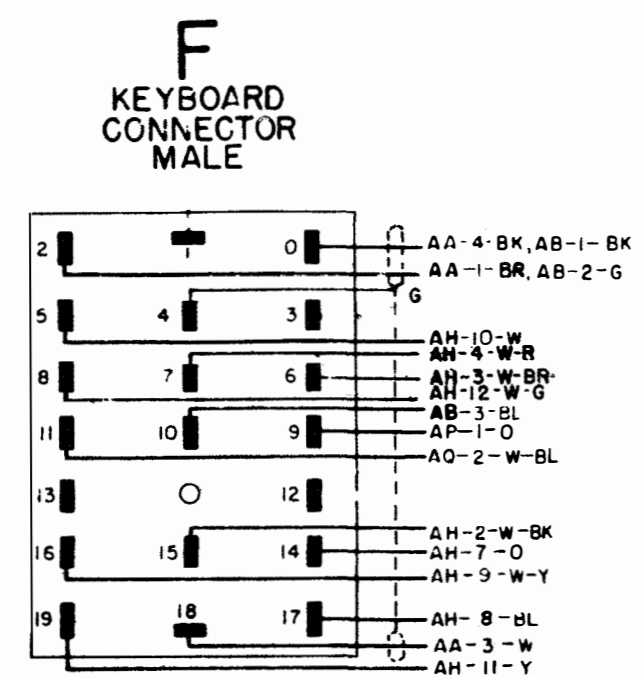
ENGD. H.A.K. APPD. *[Signature]*

TELETYPE
CORPORATION

4257WD

- NO. NOTES:
1. WIRING LEGEND:

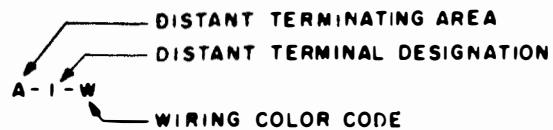
 DISTANT TERMINATING AREA
 DISTANT TERMINAL DESIGNATION
 WIRE COLOR CODE
2. COLOR CODE:
 BK - BLACK W-BK - WHITE - BLACK
 BR - BROWN W-BR - WHITE - BROWN
 R - RED W-R - WHITE - RED
 O - ORANGE W-O - WHITE - ORANGE
 Y - YELLOW W-Y - WHITE - YELLOW
 G - GREEN W-G - WHITE - GREEN
 BL - BLUE W-BL - WHITE - BLUE
 P - PURPLE W-P - WHITE - PURPLE
 W - WHITE W-S - WHITE - SLATE
 S - SLATE
3. UNIT WIRED FOR 115 VOLTS AC OR DC POWER INPUT.
4. PLUGS VIEWED FROM SOLDER TERMINAL ENDS.
5. ALL CONTACTS SHOWN IN UNOPERATED POSITION IN KEYBOARD.
6. ASSOCIATED CABLES:
 164379 CABLE ASSEMBLY, CLUTCH TRIP
 174354 CABLE ASSEMBLY, KEYBOARD BASE (LAK 21, 331)
 174314 CABLE ASSEMBLY, AUX SWITCH
 173711 CABLE ASSEMBLY, MARGIN INDICATOR
 155992 CABLE ASSEMBLY, BACKSPACE (LAK 33, 45 & 47)
 159343 CABLE ASSEMBLY, BACKSPACE
 307287 CABLE ASSEMBLY, KEYBOARD BASE (LAK 45)
7. BARE WIRE STRAP 39522 RM.
8. FOR PROPER R.F. FILTERING, POLARITY OF FILTERS MUST BE MAINTAINED. UNIT AS FURNISHED IS WIRED FOR MARKING CONTACT POSITIVE (+) 'SPACING' CONTACT NEGATIVE (-). TO REVERSE POLARITY ON CONTACTS SO THAT THE MARKING CONTACT IS NEGATIVE (-) AND 'SPACING' CONTACT POSITIVE (+), MAKE THE FOLLOWING CONNECTIONS IN THE CONTACTS BOX ASSEMBLY:
 1. MOVE BLACK LEAD OF THE BOTTOM FILTER FROM MARKING CONTACT TO 'SPACING' CONTACT.
 2. MOVE GREEN LEAD OF TOP FILTER FROM THE 'SPACING' CONTACT TO THE MARKING CONTACT.
9. BACKSPACE COMPONENTS AND ASSOCIATED WIRING ON LAK 33, 45, 47, ONLY. — THE AG (LOWER) TERMINAL BLOCK LOCATED DIRECTLY BENEATH THE AG MOTOR TERMINAL BLOCK ON LAK.
10. TAPE AND TIE BACK BOTH LEADS OF THE 159343 CABLE ASSEMBLY WHEN THE ASSOCIATED PERFORATING UNIT FOR THE LAK IS NOT EQUIPPED WITH THE POWER BACKSPACE FEATURE.



4263WD			
REVISIONS			
ISSUE	DATE	AUTH	NO.
2	9-24-60	CC94	
3	11-2-62	CC 182	
4	8-7-63	74054	
5	2-9-65	73940	
5A	9-23-64	83065	
5B	11-13-64	84170	
5C	3-12-65	86449	
P			
APPROVALS			
D AND R	E OF M		
E-NUMBER			
PROD. NO. 4263 W.D.			
ACTUAL WIRING DIAGRAM MODEL 28 KEYBOARD BASE LAK 21, 33 & 45 47			
DATE: 6-9-60			
P.D. FILE NO 18-A65/2.219A			
DRAWN E.M. CHKD. /			
ENGD. D.C.L. APPD.			
TELETYPE CORPORATION			
4263WD			

NOTES:

1. WIRING LEGEND:



2. COLOR CODE:

BK - BLACK	W-BK - WHITE-BLACK
BR - BROWN	W-BR - WHITE-BROWN
R - RED	W-R - WHITE-RED
O - ORANGE	W-O - WHITE-ORANGE
Y - YELLOW	W-Y - WHITE-YELLOW
G - GREEN	W-G - WHITE-GREEN
BL - BLUE	W-BL - WHITE-BLUE
P - PURPLE	W-P - WHITE-PURPLE
S - SLATE	W-S - WHITE-SLATE
W - WHITE	

3. CONNECTORS VIEWED FROM SOLDER TERMINAL ENDS

4. ALL CONTACTS SHOWN IN UNOPERATED POSITION.

5. ASSOCIATED CABLES:
 173440 CABLE ASSEMBLY (LXD II)
 307288 CABLE ASSEMBLY (LXD 29)

6. THE NUMBERS ENCLOSED BY PARENTHESES ARE USED FOR REFERENCE AND ARE NOT NECESSARILY SHOWN ON THE PARTS.

7. UNIT EQUIPPED WITH 202 COIL ASSEMBLY (RESISTANCE 210Ω EACH). THE OPERATING CURRENT MUST BE 50 MA. 120V DC FOR EXTERNAL PULSING.
 FOR 110V AC NON-PULSING OPERATION, RELOCATE STRAP ON TERMINAL (1) TO TERMINAL (2). ADD STRAP BETWEEN TERMINALS (1) AND (4) FOR PARALLEL OPERATION OF MAGNETS.

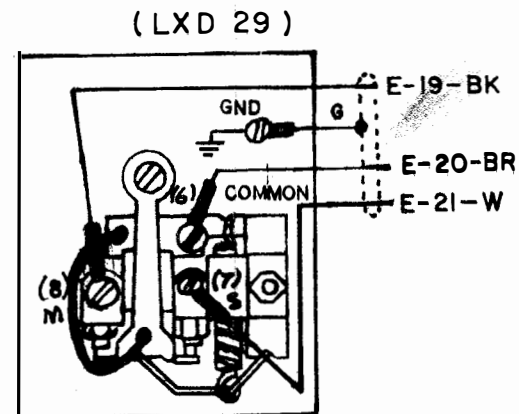
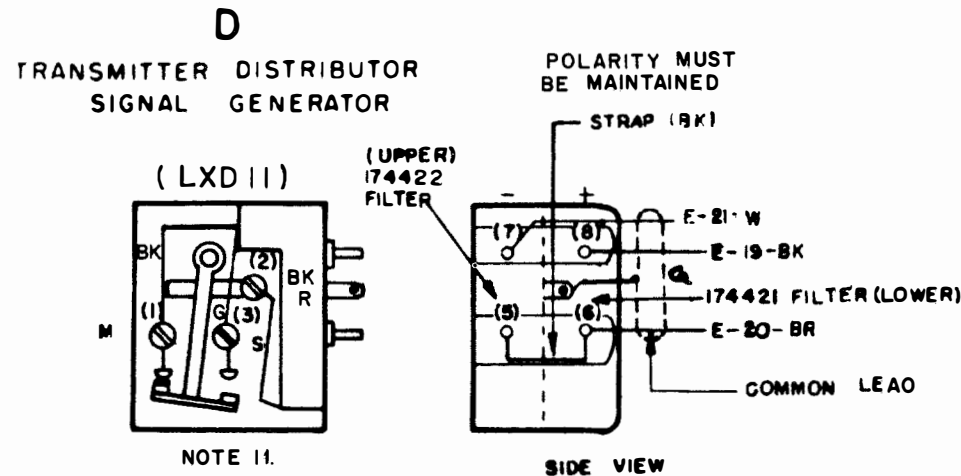
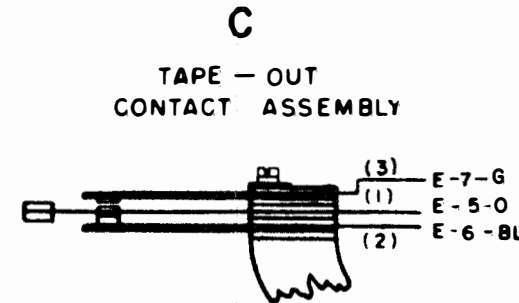
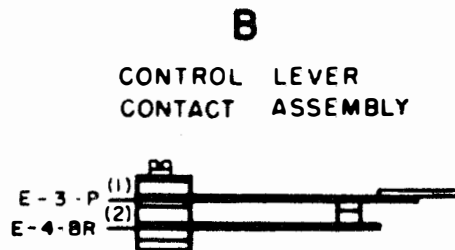
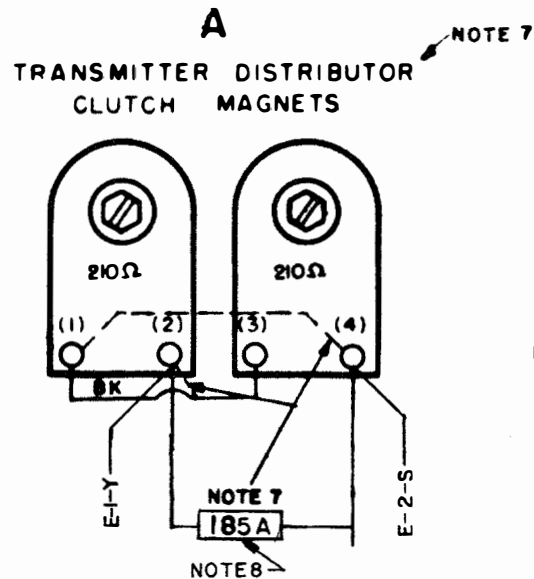
8. 195377 SPARK SUPPRESSOR ASSEMBLY (185A NETWORK) USED ON LXD 29 ONLY.

9. TERMINAL NO. 21 ON CONNECTOR E IS RESERVED FOR POLAR SIGNAL.

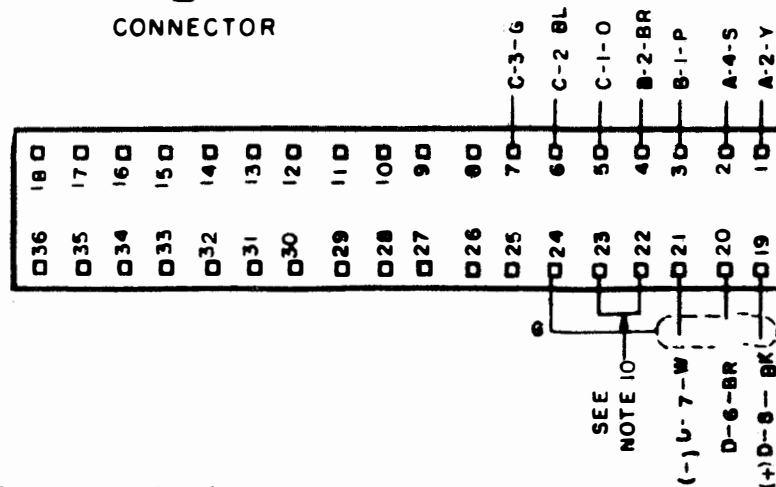
10. STRAP WITH # 22 GAUGE WIRE AS INDICATED.

11. FOR PROPER R.F. FILTERING, POLARITY OF FILTERS MUST BE MAINTAINED. UNIT AS FURNISHED IS WIRED FOR "MARKING" CONTACT POSITIVE (+) "SPACING" CONTACT NEGATIVE (-). TO REVERSE POLARITY OF CONTACTS SO THAT THE "MARKING" CONTACT IS NEGATIVE (-) AND "SPACING" POSITIVE (+), MAKE THE FOLLOWING CONNECTIONS IN CONTACT BOX ASSEMBLY.

1. MOVE BLACK LEAD OF BOTTOM FILTER FROM "MARKING" CONTACT TO "SPACING" CONTACT.
2. MOVE GREEN LEAD OF TOP FILTER FROM "SPACING" CONTACT TO "MARKING" CONTACT.



E
 CONNECTOR



4264 WD

ISSUE	DATE	AUTH NO
2	9-24-60	CC 94
3	11-18-60	CC 102
4	5-16-62	73431
4A	9-9-64	83066
4B	3-8-65	86448

P

ACTUAL WIRING DIAGRAM
 MODEL 28
 TRANSMITTER DISTRIBUTOR
 LXD II 29

APPROVALS

D AND R E OF M

ENGINEER

PROD. NO. 4264 WD

DATE 6-8-60

P.D. FILE 18-A.65-2.219 A

DRAWN WPH CHKI

ENGD DCL APPD

TELETYPE CORPORATION

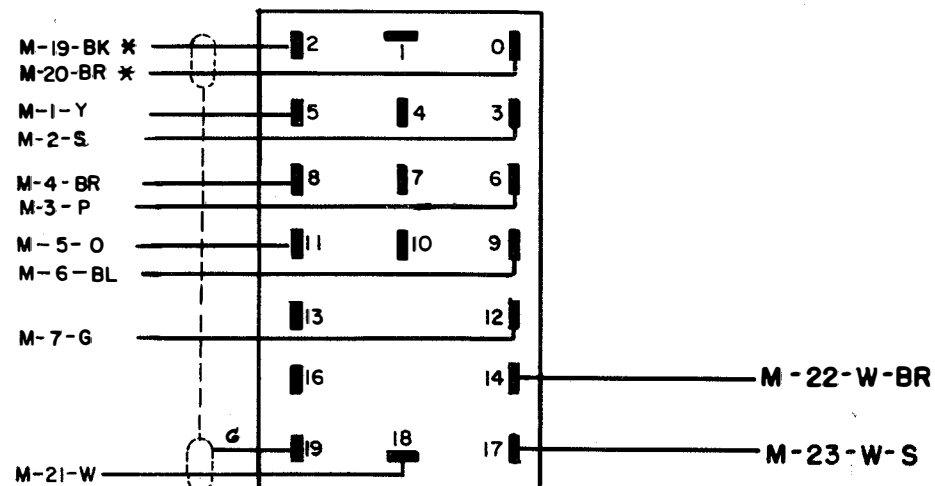
4264 WD

4265 WD

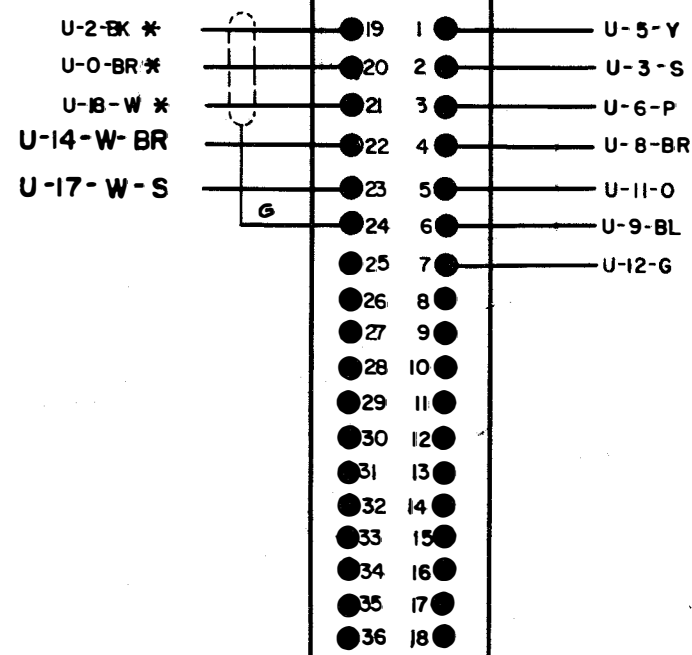
ISSUE	DATE	AUTH. NO.
A	9-28-60	CC-106
B	11-18-60	CC-102
C	1-2-62	72026

NO.	NOTES																
1.	<p>WIRING LEGEND</p> <p>DISTANT TERMINAL AREA DISTANT TERMINAL DESIGNATED WIRE COLOR</p>																
2.	<p>COLOR CODE:</p> <table border="0"> <tr> <td>BK</td> <td>BLACK</td> <td>BR</td> <td>BROWN</td> </tr> <tr> <td>Y</td> <td>YELLOW</td> <td>S</td> <td>SLATE</td> </tr> <tr> <td>P</td> <td>PURPLE</td> <td>O</td> <td>ORANGE</td> </tr> <tr> <td>BL</td> <td>BLUE</td> <td>W</td> <td>WHITE</td> </tr> </table>	BK	BLACK	BR	BROWN	Y	YELLOW	S	SLATE	P	PURPLE	O	ORANGE	BL	BLUE	W	WHITE
BK	BLACK	BR	BROWN														
Y	YELLOW	S	SLATE														
P	PURPLE	O	ORANGE														
BL	BLUE	W	WHITE														
3.	CONNECTIONS VIEWED FROM SOLDER TERMINAL ENDS.																
4.	ASSOCIATED CABLE 173448																
5.	ASSOCIATED SCHEMATIC WIRING DIAGRAM 4275WD																
6.	(*) ASTERISK INDICATES 3 WIRE SHIELDED CABLE.																

U
TRANSMITTER BASE
CONNECTOR (PLUG)



M
TRANSMITTER
CONNECTOR
(RECEPTACLE)



ACTUAL
WIRING DIAGRAM
FOR
LCXB13

APPROVALS

D AND R <i>D.A.L.</i>	E OF M
--------------------------	--------

E-NUMBER

PROD. NO. 4265WD

DATE: 6-23-60

P.D. FILE NO. 18-A65/2219A

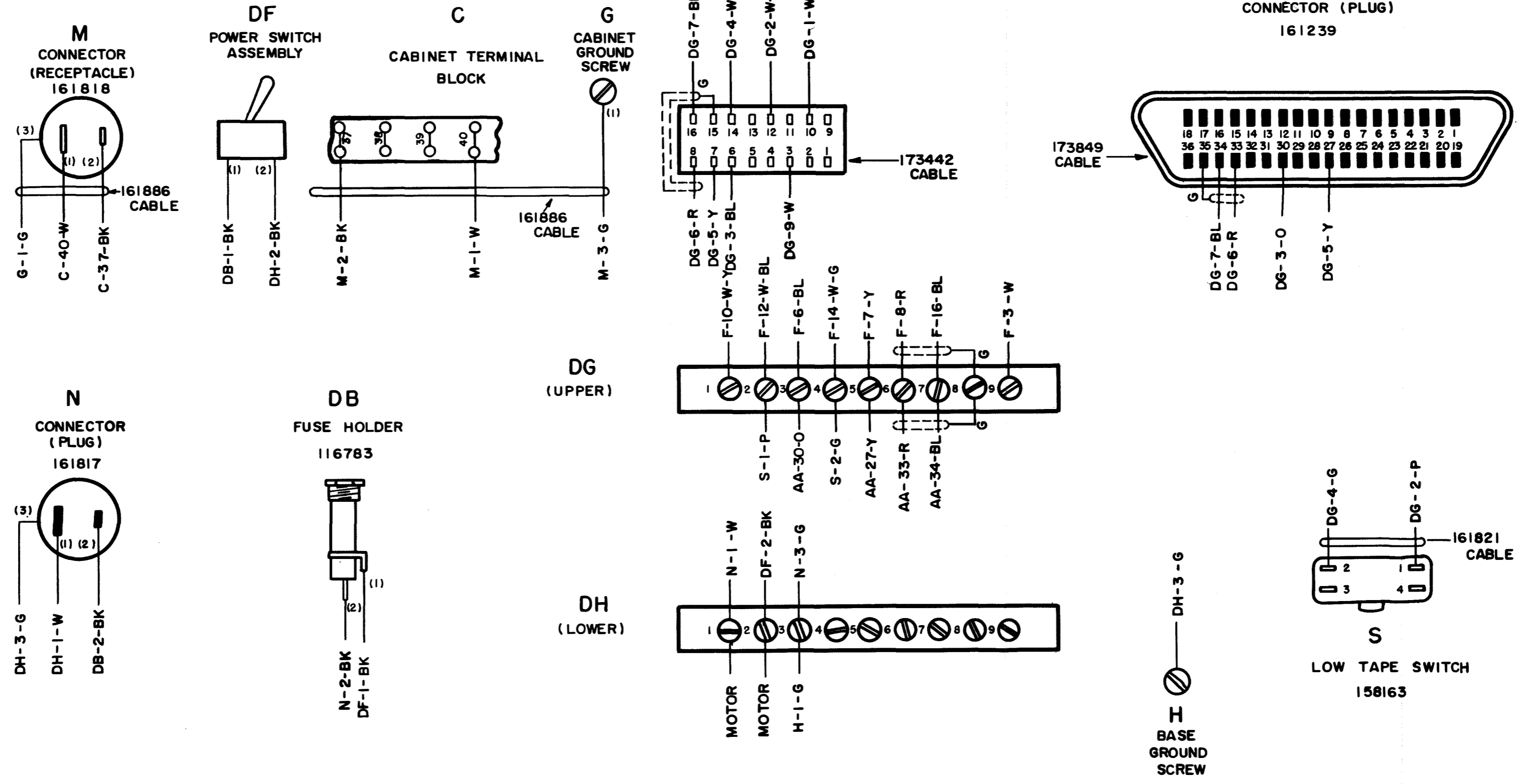
DRAWN. N.K.G.	CHKD. <i>[Signature]</i>
ENGD. D.C.L.	APPD. <i>[Signature]</i>

TELETYPE
CORPORATION

4265 WD

4266 WD		
REVISIONS		
ISSUE	DATE	AUTH. NO.
A	11-3-60	CC-154
B	11-18-60	CC-182
C	12-11-63	78325

- NO. NOTES
1. WIRING LEGEND
-
2. COLOR CODE:
- | | | |
|------------|------|----------------|
| BK - BLACK | W-BK | WHITE - BLACK |
| BR - BROWN | W-BR | WHITE - BROWN |
| R - RED | W-R | WHITE - RED |
| O - ORANGE | W-O | WHITE - ORANGE |
| Y - YELLOW | W-Y | WHITE - YELLOW |
| G - GREEN | W-G | WHITE - GREEN |
| BL - BLUE | W-BL | WHITE - BLUE |
| S - SLATE | W-S | WHITE - SLATE |
| P - PURPLE | W-P | WHITE - PURPLE |
| W - WHITE | | |
3. ASSOCIATED CABLE ASSEMBLIES 161886, 173441, 173442 AND 173849.
4. ALL CONNECTORS VIEWED FROM SOLDER END.
5. TERMINAL DESIGNATIONS ENCLOSED IN PARENTHESIS ARE NOT MARKED ON COMPONENTS.
6. FOR SCHEMATIC WIRING DIAGRAM SEE 4275 WD.



ACTUAL WIRING DIAGRAM
MODEL 28
REPERFORATOR
BASE
LRB 32

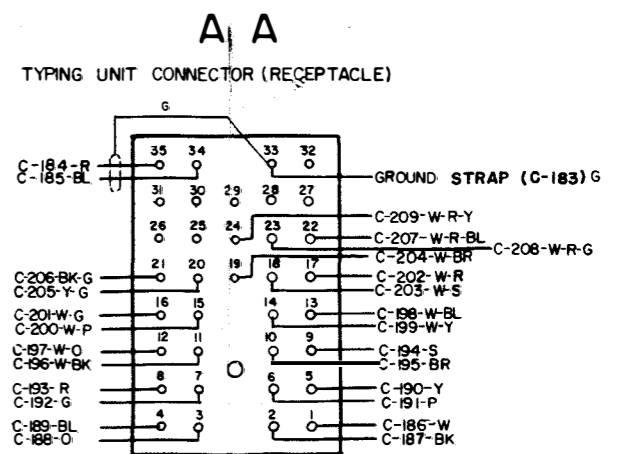
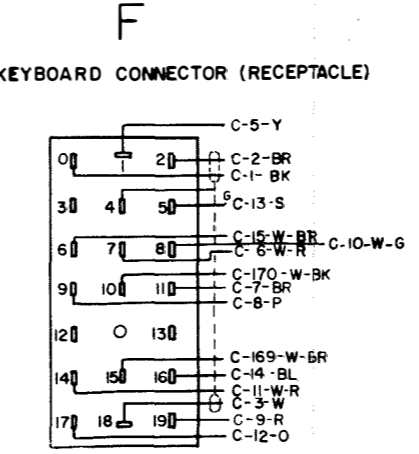
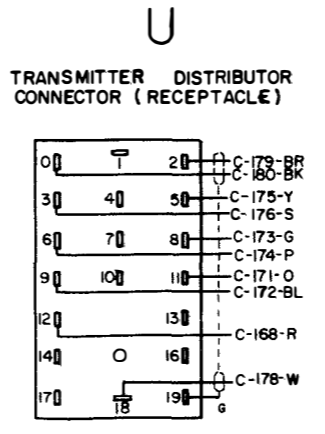
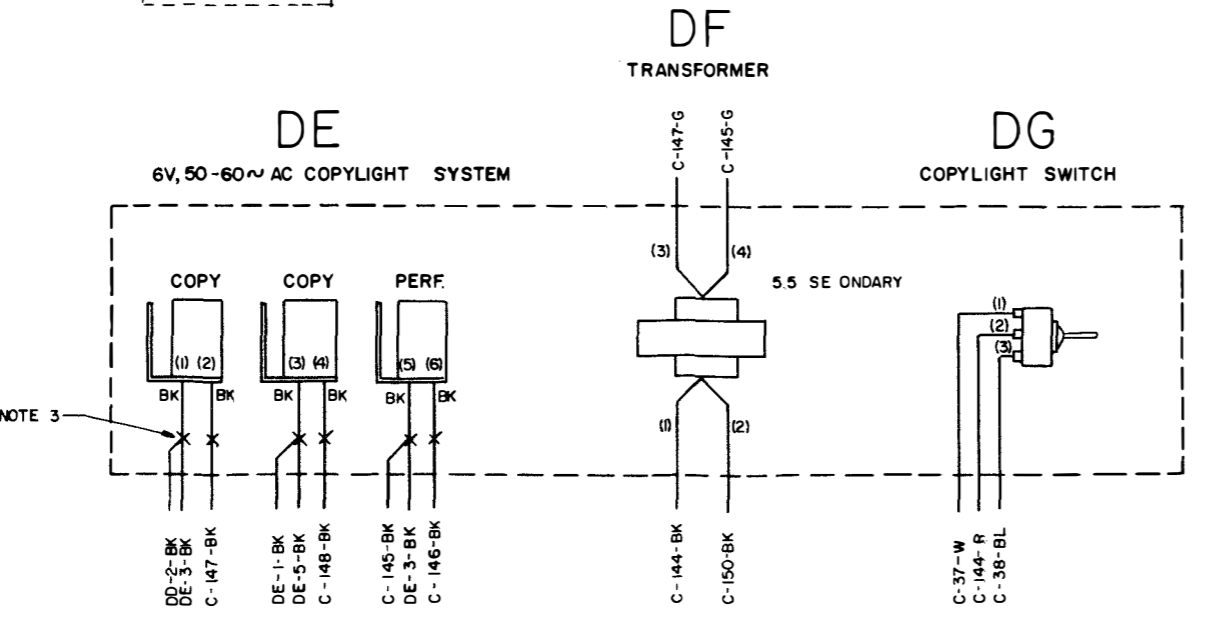
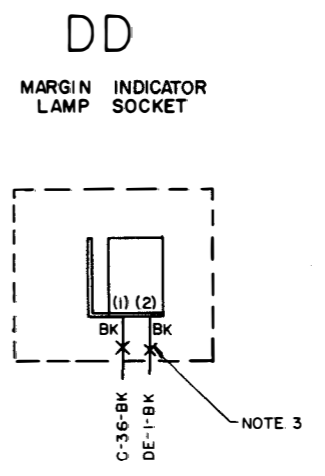
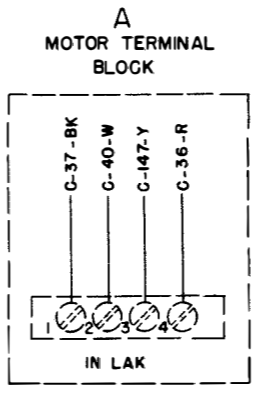
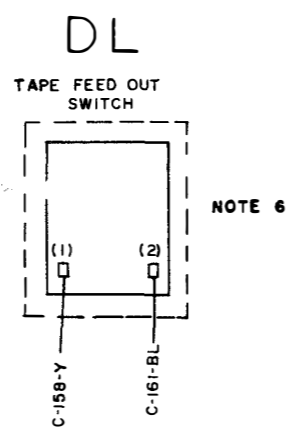
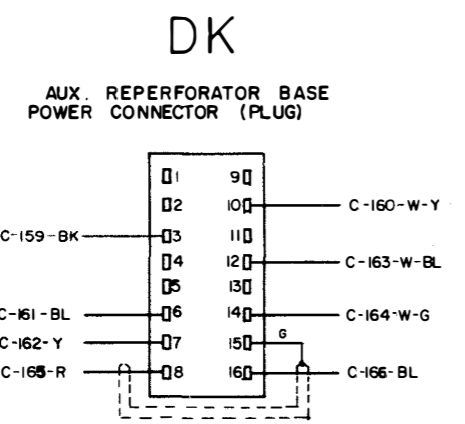
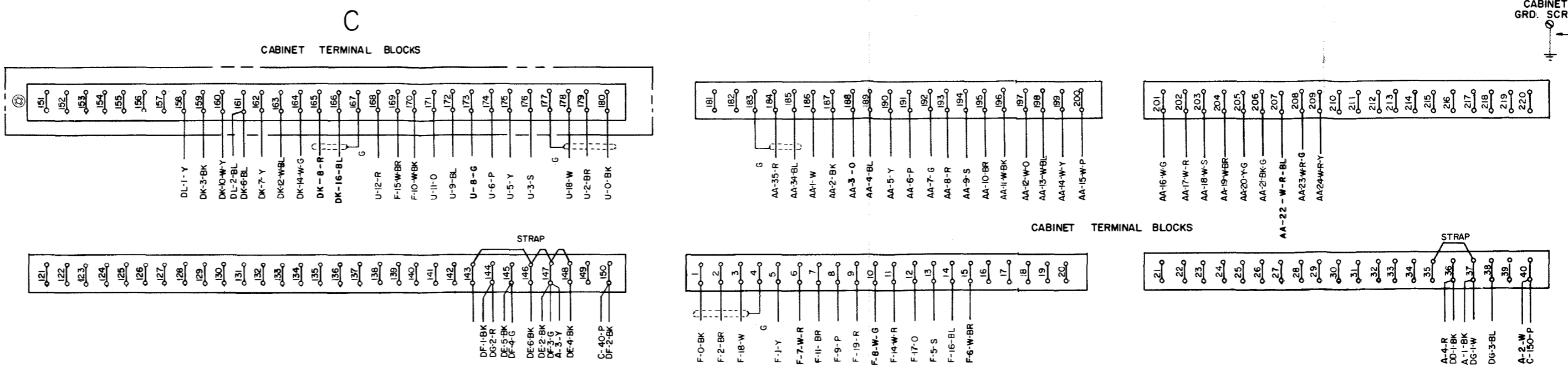
APPROVALS	
D AND R <i>D.A.L.</i>	E OF M <i>N</i>
E NUMBER	
PROD. NO. 4266 WD	
DATE 6-23-60	
PD. FILE NO. 18-AGS/2210A	
DRAWN N.A.R.	CHK'D <i>[Signature]</i>
ENG. D.C.L.	APP'D. <i>[Signature]</i>
TELETYPE CORPORATION	
4266 WD	

4267WD		
REVISIONS		
ISSUE	DATE	AUTH. NO.
1	7-22-60	4267WD
2	11-22-60	4267WD
3	12-22-60	4267WD
4	5-20-63	76437

CABINET GRD. SCREW
NOTE 5

- NOTES
1. WIRING LEGEND
 2. COLOR CODE

BK - BLACK	W - BK - WHITE - BLACK
BR - BROWN	W - BR - WHITE - BROWN
R - RED	W - R - WHITE - RED
O - ORANGE	W - O - WHITE - ORANGE
Y - YELLOW	W - Y - WHITE - YELLOW
G - GREEN	W - G - WHITE - GREEN
BL - BLUE	W - BL - WHITE - BLUE
P - PURPLE	W - P - WHITE - PURPLE
W - WHITE	W - S - WHITE - SLATE
S - SLATE	
 3. DENOTES SPLICED AND TAPED WIRES.
 4. ASSOCIATED CABLES
 159279 TRANSFORMER CABLE
 154440 CABINET LIGHTS SWITCH CABLE
 173458 KEYD CABLE
 173455 PAGE PRINTER CABLE
 173456 TRANS. DIST. BASE CABLE
 173457 AUX. TYPING REPERFORATOR BASE CABLE
 173781 MOTOR & MARGIN INDICATOR CABLE
 5. GROUND WIRE MAY BE ATTACHED TO THE RIGHT 154412 TERMINAL BLOCK ASSEMBLY MOUNTING STUD BY MEANS OF THE TERMINAL BLOCK COVER MOUNTING SCREW AND LOCK WASHER
 6. ACCESSORY PART OF 173778 CONTROL PANEL ASSEM.

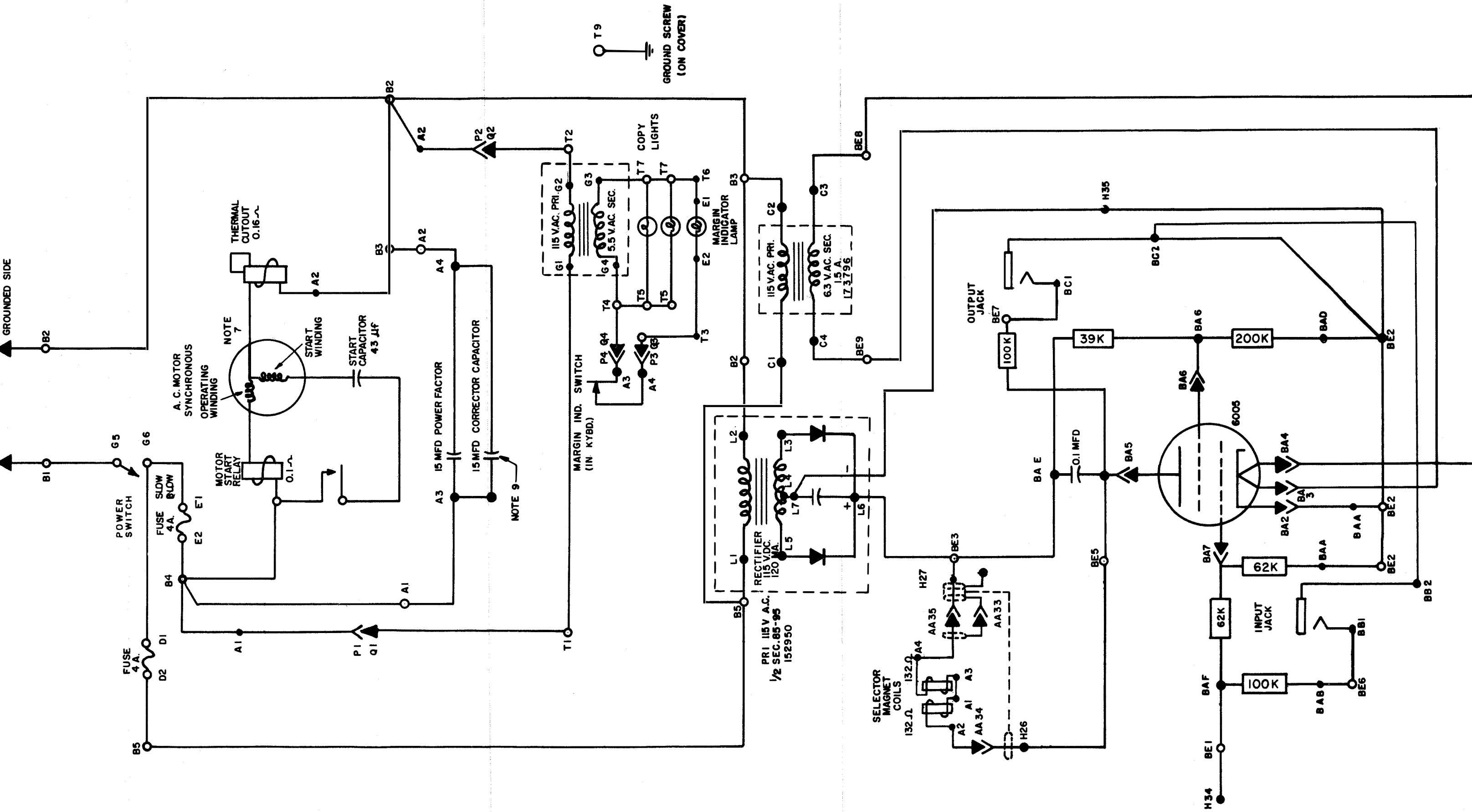


ACTUAL WIRING DIAGRAM FOR M-28 AUTOMATIC SEND-RECEIVE CABINET LAAC229

APPROVALS
 D AND R E OF M
 [Signature]

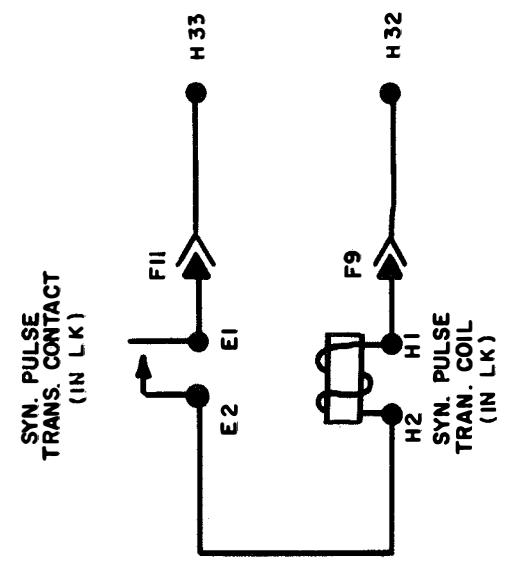
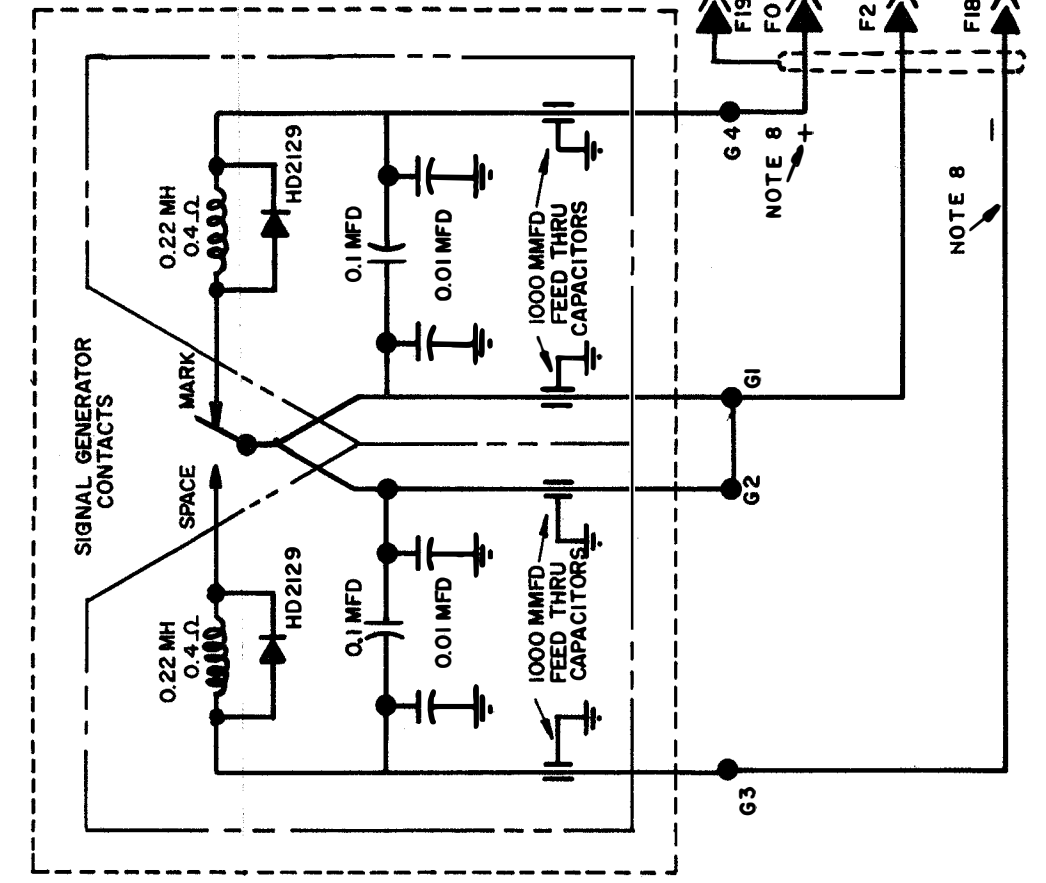
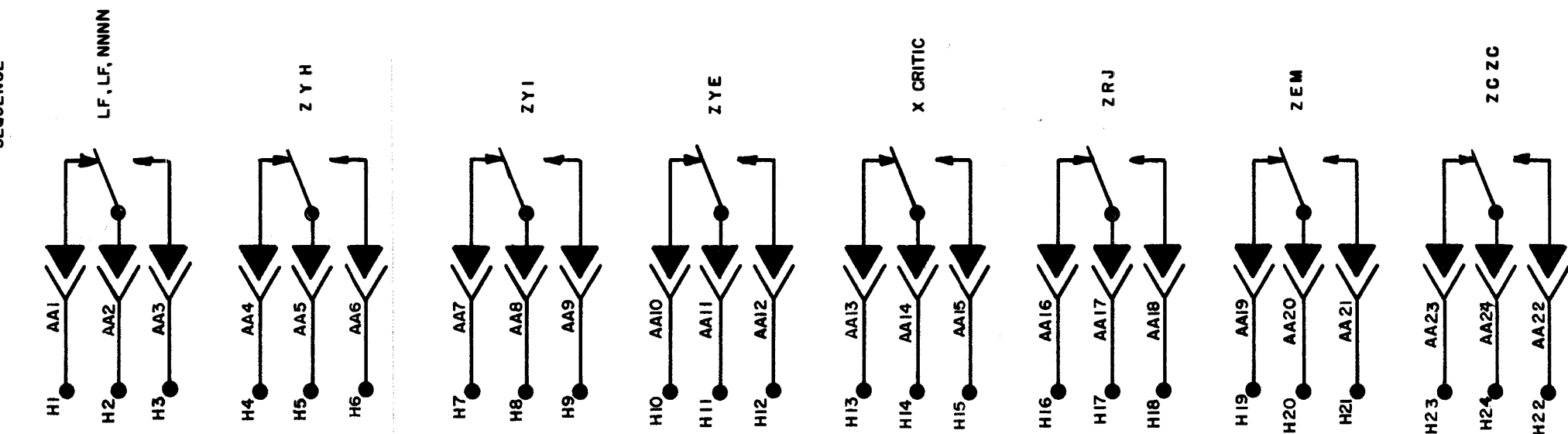
PROD. NO. 4267WD
 DATE: 6-7-60
 P.D. FILE NO. 18-A-65/229A
 DRAWN N.K.G. CHKD. [Signature]
 ENGD. D.C.L. APPD. [Signature]

TELETYPE CORPORATION
 4267WD



ELECTRONIC KEYS ASSEMBLY

CONTACTS IN STUNT BOX (LP)

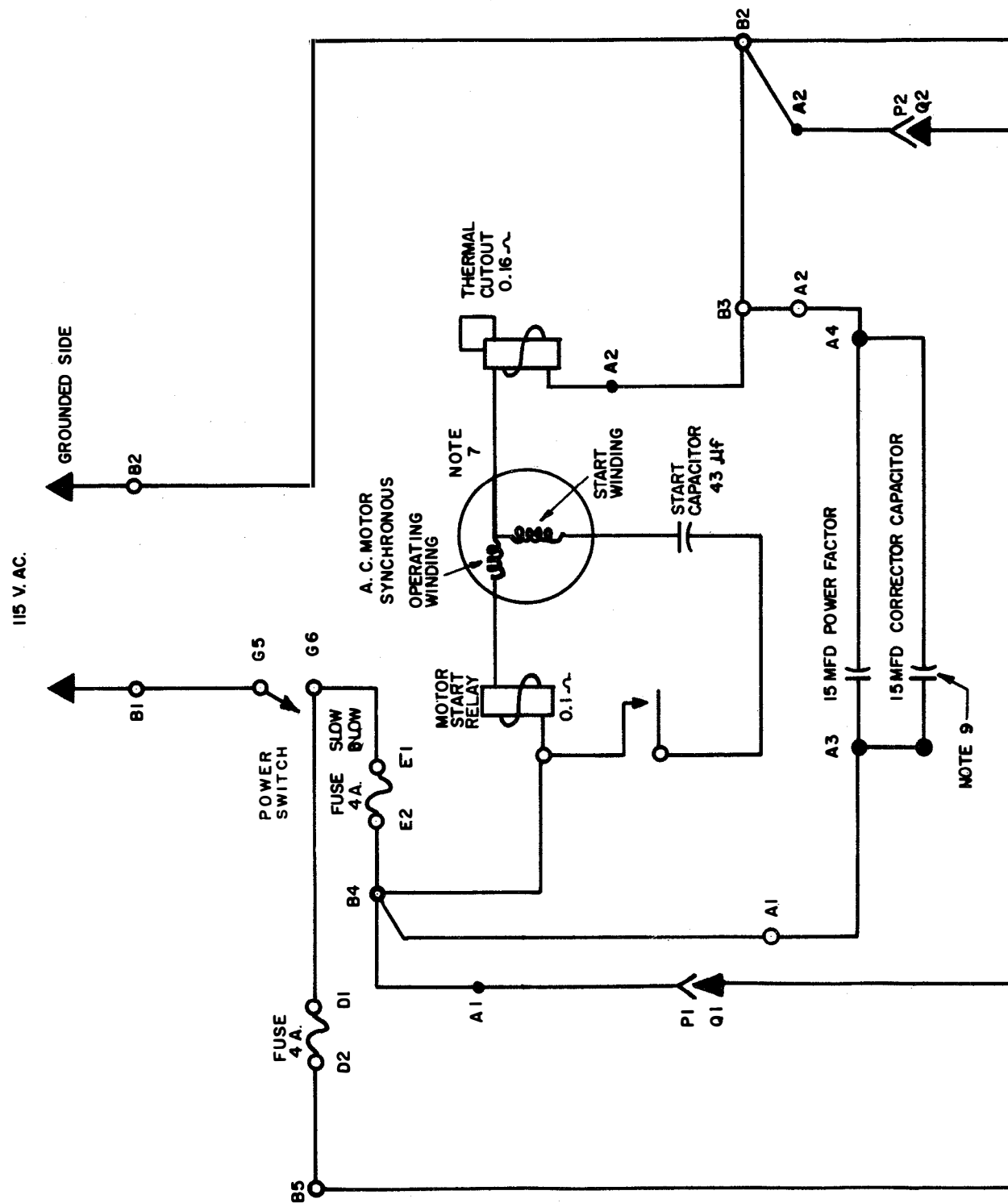


4269WD		
REVISIONS		
ISSUE	DATE	AUTH. NO.
A	7-28-60	CC-106
B	7-6-61	70857

SCHEMATIC WIRING DIAGRAM FOR RACK MOUNTED PAGE PRINTER SET 173395
173816 ELECTRICAL SERVICE ASSEMBLY

APPROVALS	
D A R	E / M
E-NO.	
PROD. NO. 4269 WD	
DATE: 7-7-60	
P.D. FILE NO. 18-A.65/2.219A	
DRAWN WPH	CHKD. [Signature]
ENGD. D.C.L.	APPD. [Signature]
TELETYPE CORPORATION	
4269 WD	

NO.	NOTES												
1.	FOR ACTUAL WIRING DIAGRAMS OF INDIVIDUAL UNITS SEE: <table border="1"> <thead> <tr> <th>WD NO.</th> <th>UNITS DIRECTLY OPERABLE</th> </tr> </thead> <tbody> <tr> <td>4270 WD</td> <td>ELECTRICAL SERVICE ASSEM.</td> </tr> <tr> <td>4257 WD</td> <td>CABINET LPC</td> </tr> <tr> <td>4262 WD</td> <td>KEYBOARD LK</td> </tr> <tr> <td>2900 WD</td> <td>MOTOR UNIT LMU3</td> </tr> <tr> <td>4196 WD</td> <td>PAGE TYPING UNIT-LP</td> </tr> </tbody> </table>	WD NO.	UNITS DIRECTLY OPERABLE	4270 WD	ELECTRICAL SERVICE ASSEM.	4257 WD	CABINET LPC	4262 WD	KEYBOARD LK	2900 WD	MOTOR UNIT LMU3	4196 WD	PAGE TYPING UNIT-LP
WD NO.	UNITS DIRECTLY OPERABLE												
4270 WD	ELECTRICAL SERVICE ASSEM.												
4257 WD	CABINET LPC												
4262 WD	KEYBOARD LK												
2900 WD	MOTOR UNIT LMU3												
4196 WD	PAGE TYPING UNIT-LP												
2.	LEGEND: <ul style="list-style-type: none"> ○ A KEYBOARD OR REC. ONLY TERM. BLOCK ○ B POWER TERM. BLOCK (E.S.U.) ● C FILAMENT TRANSFORMER (E. S. U.) ◀ F KEYBOARD CONNECTOR ● L 120 MA RECTIFIER ● H 120 POINT TERM. BLOCK (E. S. U.) ◀ P BASE CONNECTOR ◀ Q COVER CONNECTOR LPC ○ T COVER TERM. BLOCK LPC ◀ AA PRINTER CONNECTOR ◀ BA TURRET SOCKET (E. S. U) ○ BE TERMINAL BLOCK (ELECTRONIC KEYS) 												
3.	DOT DASH (·—·—) LINES INDICATE FILTERING, SHIELDING AND SUPPRESSION NETWORK.												
4.	ALL APPARATUS SHOWN IN UNOPERATED OR DE-ENERGIZED POSITIONS.												
5.	RESISTANCE VALUES IN OHMS (Ω) INDUCTANCE VALUES IN MICROHENRIES (μH or MH) CAPACITANCE VALUES IN MICROFARADS (μf or MF)												
6.	CIRCUITS SHOWN FOR POLAR SIGNAL LINE OPERATION.												
7.	USE SYNCHRONOUS MOTOR ON REGULATED 60~ (±1%) A.C. POWER ONLY. GOVERNED MOTORS AND OTHER POWER CIRCUITS OPERABLE ON 50-60~ UNREGULATED A.C.												
8.	POLARITY AS INDICATED MUST BE OBSERVED FOR PROPER R.F. FILTER OPERATION.												
9.	POWER FACTOR CORRECTION IS NOT SUPPLIED WITH 173816 ELECTRICAL SERVICE ASSEMBLY.												



NO. 1 NOTES

1 WIRING LEGEND

DISTANT TERMINATING AREA
DISTANT TERMINAL DESIGNATION

A-I-W

WIRE COLOR CODE

2 COLOR CODE

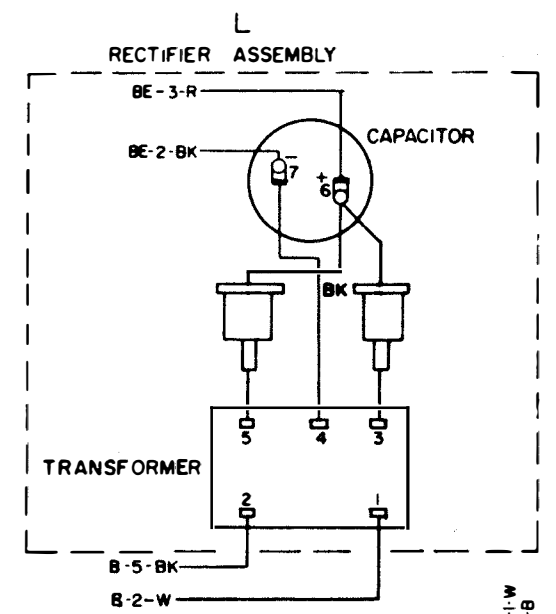
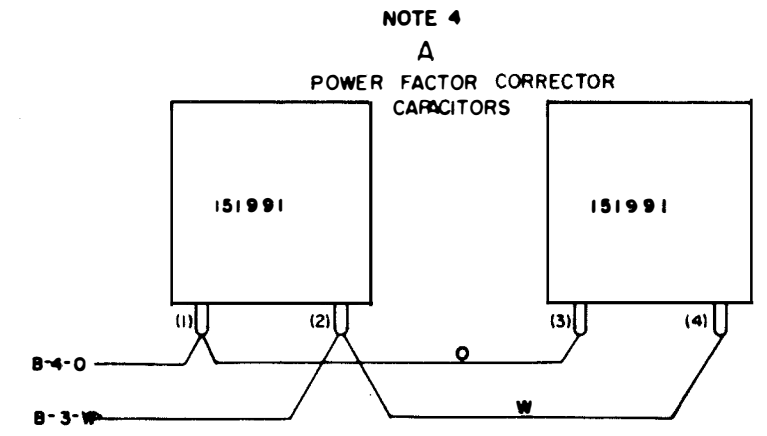
BK-BLACK	W-BK-WHITE-BLACK
BR-BROWN	W-BR-WHITE-BROWN
R-RED	W-R-WHITE-RED
O-ORANGE	W-O-WHITE-ORANGE
Y-YELLOW	W-Y-WHITE-YELLOW
G-GREEN	W-G-WHITE-GREEN
BL-BLUE	W-BL-WHITE-BLUE
P-PURPLE	W-P-WHITE-PURPLE
W-WHITE	W-S-WHITE-SLATE
S-SLATE	

3.

4 POWER FACTOR CORRECTION CAPACITOR ARE NOT INCLUDED IN THE 173816 ELECTRICAL SERVICE ASSEMBLY.

5 SEE 4269 WD FOR SCHEMATIC WIRING.

4270WD		
REVISIONS		
ISSUE	DATE	AUTH NO.
1	2-22-60	CE-100
2	7-6-60	CE-100
3	8-1-60	CE-100
4	10-1-60	CE-100



173845

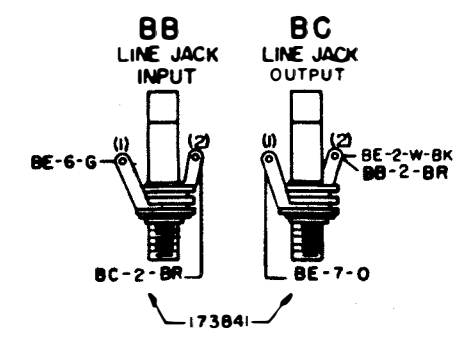
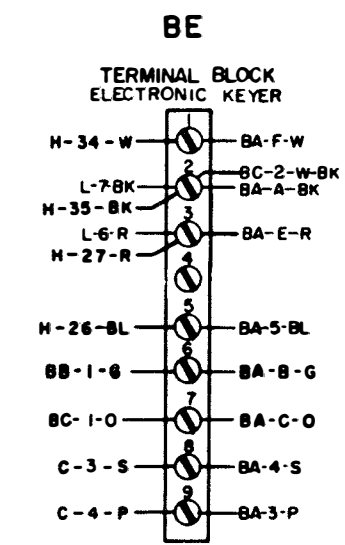
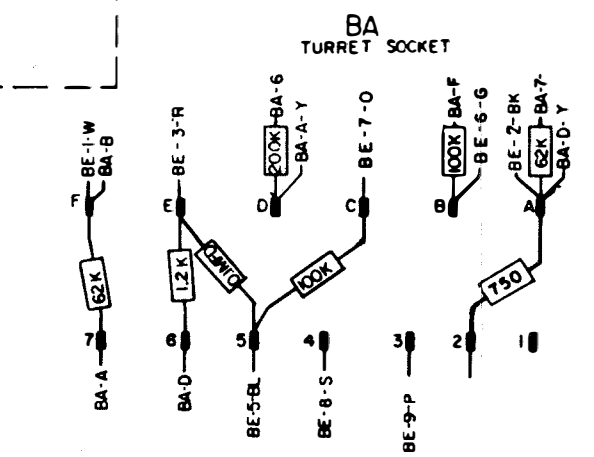
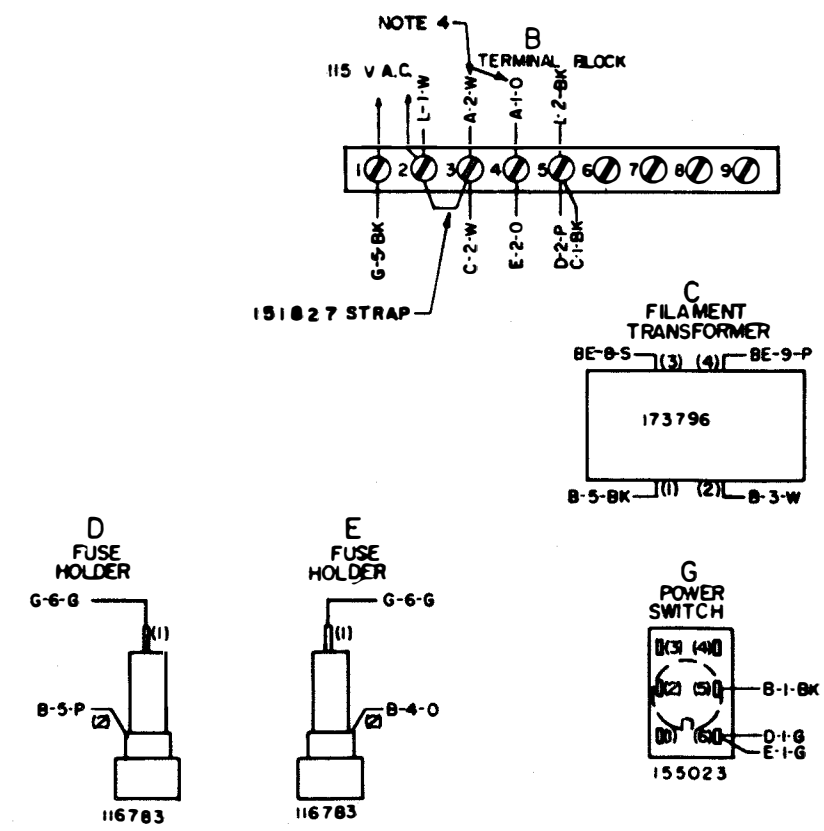
40-POINT TERMINAL BLOCK

(4)	---	(1)	---	(4)
(8)	---	(5)	---	(8)
(12)	---	(9)	---	(12)
(16)	---	(13)	---	(16)
(20)	---	(17)	---	(20)
(24)	---	(21)	---	(24)
(28)	---	(25)	---	(28)
(32)	---	(29)	---	(32)
(36)	---	(33)	---	(36)
(40)	---	(37)	---	(40)

H

LEADS CONNECTED TO INSIDE OF 40-POINT TERMINAL BLOCK

1	11	21	31	
2	12	22	32	
3	13	23	33	
4	14	24	34	BE-1 W
5	15	25	35	BE-2 BK
6	16	26	BE-9 BL	36
7	17	27	BE-3 R	37
8	18	28		38
9	19	29		39
10	20	30		40



APPROVALS

D AND R
O.A.

E OFM
N

E NUMBER

PROD NO 4270 WD

ACTUAL WIRING DIAGRAM ELECTRICAL SERVICE ASSEMBLY 173395

173816

DATE 8-10-60

PDFILE NO 18-465/2 218A

DRAWN RKG [CHKD] [APPD]

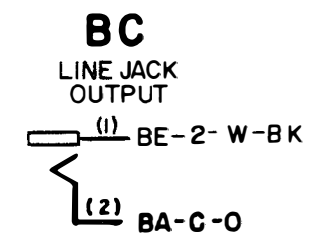
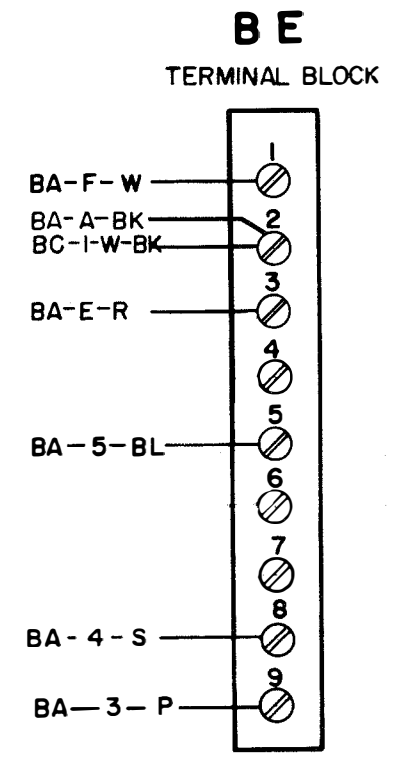
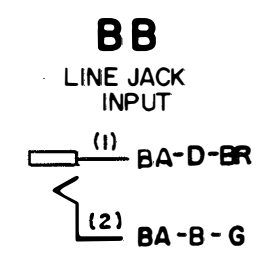
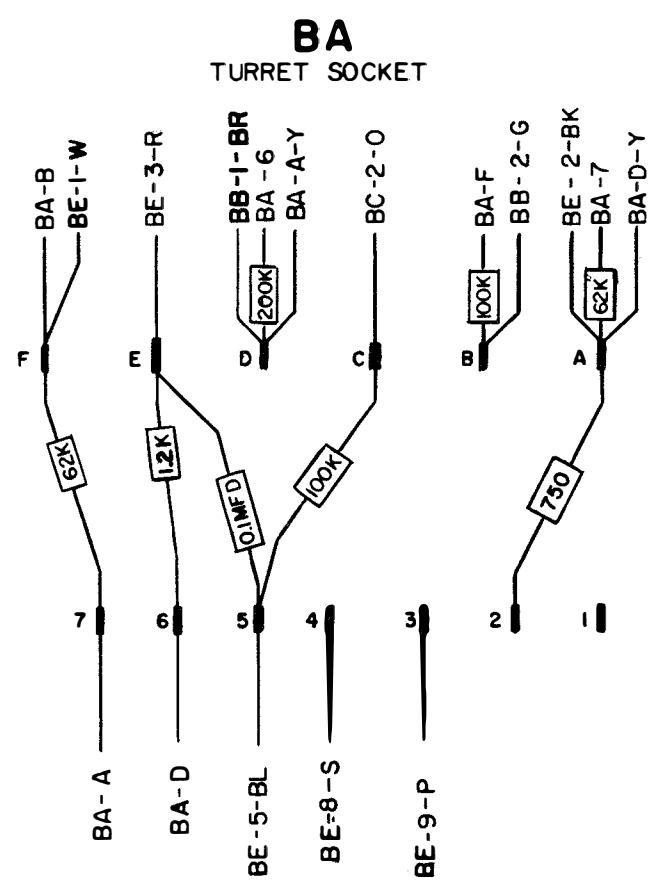
ENGD DCL [APPD]

TELETYPE CORPORATION

4270 WD

ISSUE	DATE	AUTH. NO.
2	4-10-65	86460

- NOTE**
1. **WIRING LEGEND:**
- DISTANT TERMINATING AREA
 - DISTANT TERMINAL DESIGNATION
 - WIRE COLOR CODE
- AA-2-W
2. **COLOR CODE:**
- | | |
|------------|--------------------|
| BK - BLACK | W-BK WHITE - BLACK |
| BR - BROWN | W-BR WHITE - BROWN |
| R - RED | W-R WHITE - RED |
| O - ORANGE | W-O WHITE - ORANGE |
| Y - YELLOW | W-Y WHITE - YELLOW |
| G - GREEN | W-G WHITE - GREEN |
| BL - BLUE | W-BL WHITE - BLUE |
| S - SLATE | W-S WHITE - SLATE |
| P - PURPLE | W-P WHITE - PURPLE |
| W - WHITE | |
3. ALL CONNECTORS VIEWED FROM SOLDER END.
4. TERMINAL DESIGNATIONS ENCLOSED IN PARENTHESES ARE NOT MARKED ON COMPONENTS.



ACTUAL
WIRING DIAGRAM
ELECTRONIC KEYS
173779

APPROVALS

D AND R <i>O.A.</i>	E OF M
------------------------	--------

E-NUMBER

PROD. NO. 4271WD

DATE: 6-4-60

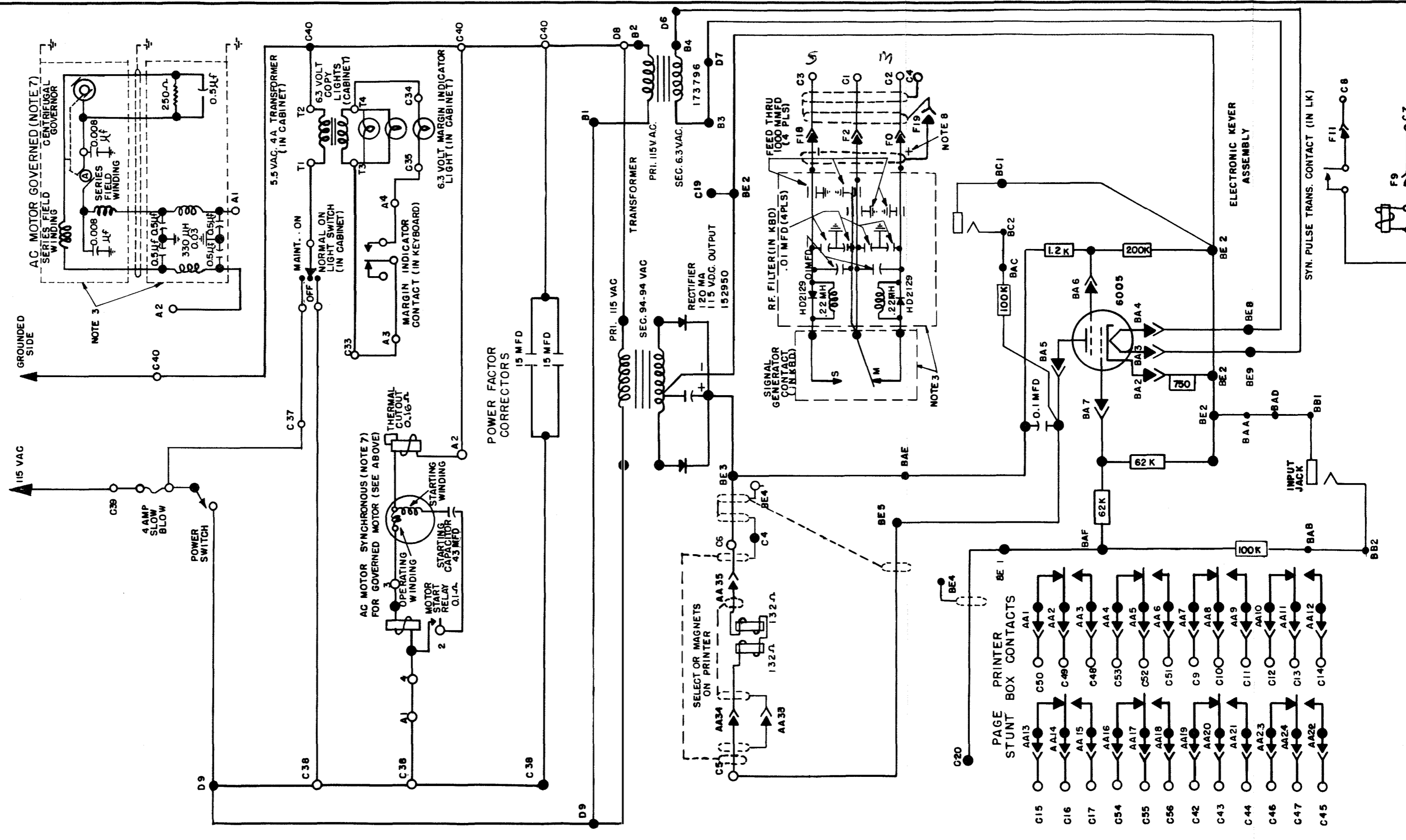
P.D. FILE NO. 18-A65/2.219A

DRAWN. N.K.G.	CHKD. <i>BR</i>
ENG'D. D.C.L.	APPD. <i>DR</i>

TELETYPE CORPORATION

4271 WD

- NO NOTES
- FOR ACTUAL WIRING DIAGRAMS OF INDIVIDUAL UNITS SEE:
 WD NO. UNITS DIRECTLY OPERABLE
 ACC. GRP. 255
 4272WD ELECTRICAL SERVICE ASSEM.
 4268WD CABINET LAC
 4262WD KEYBOARD LK
 2900WD MOTOR UNIT LMU3
 4196WD PAGE TYPING UNITS-LP
 - LEGEND:
 ○ A. KEYBOARD OR REC. ONLY TERM. BLOCK
 ● B. FILAMENT TRANSFORMER (E.S.U.)
 ○ C. CABINET TERM. BLOCK
 ● D. TERMINAL BLOCK (E.S.U.)
 ○ F. KEYBOARD OR REC. ONLY CONNECTOR
 T. TRANSFORMER TERM. BLOCK (IN CABINET)
 ◁ AA. PRINTER CONNECTOR
 ● BE. TERMINAL BLOCK (ELECTRONIC KEYS)
 - DOT DASH (----) LINES INDICATE FILTERING, SHIELDING, AND SUPPRESSION NETWORKS.
 - ALL APPARATUS IS SHOWN IN UNOPERATED OR DE-ENERGIZED POSITIONS.
 - RESISTANCE VALUES IN OHMS (Ω)
 INDUCTANCE VALUES IN MICROHENRIES (μH or MH)
 CAPACITANCE VALUES IN MICROFARADS (μF or MFD)
 - CIRCUITS SHOWN FOR POLAR SIGNAL LINE OPERATION.
 - USE SYNCHRONOUS MOTOR ON REGULATED 60~ (±1%) A.C. POWER ONLY. GOVERNED MOTORS AND OTHER POWER CIRCUITS OPERABLE ON 50-60~ UNREGULATED A.C.
 - POLARITY AS INDICATED MUST BE OBSERVED FOR PROPER RF FILTER OPERATION.



4273WD

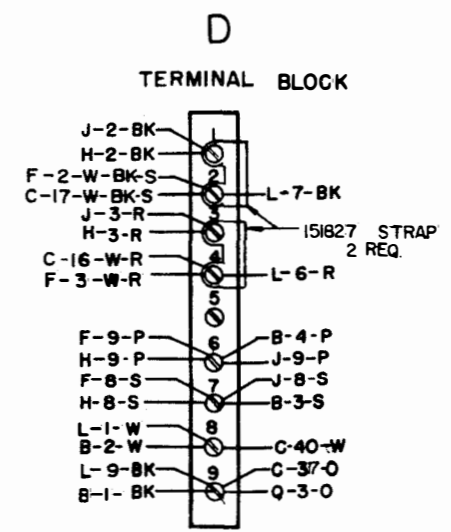
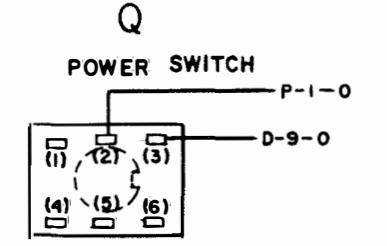
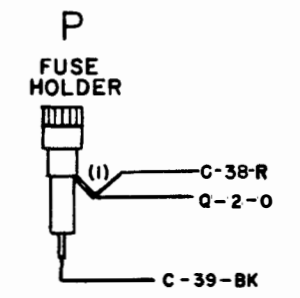
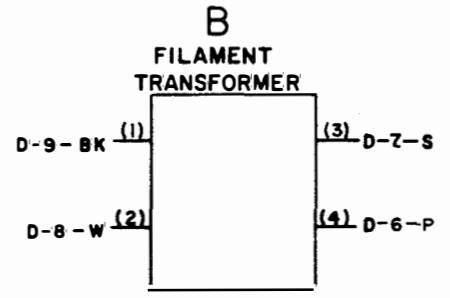
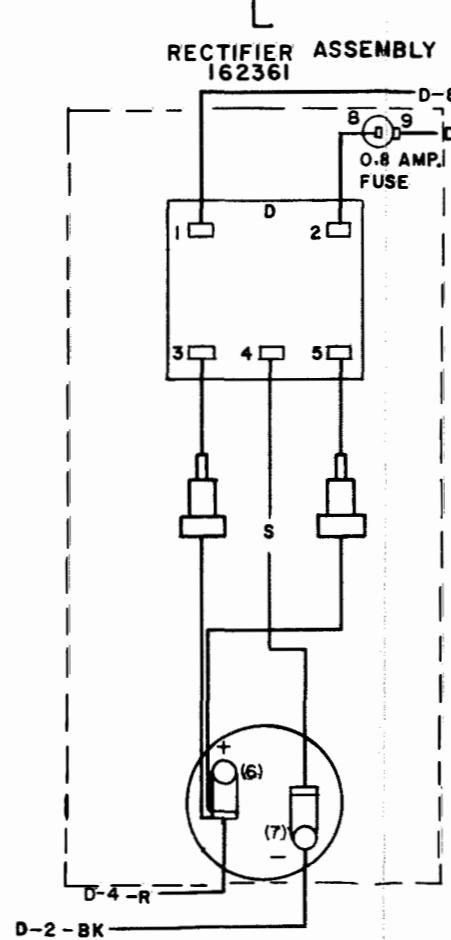
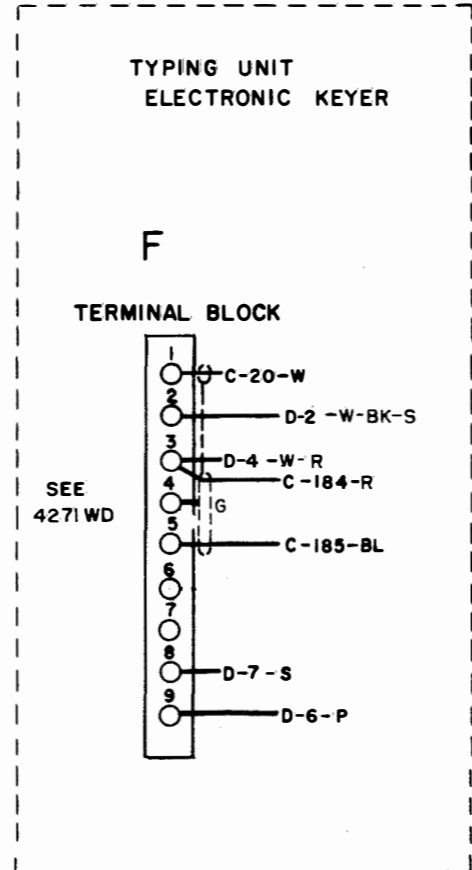
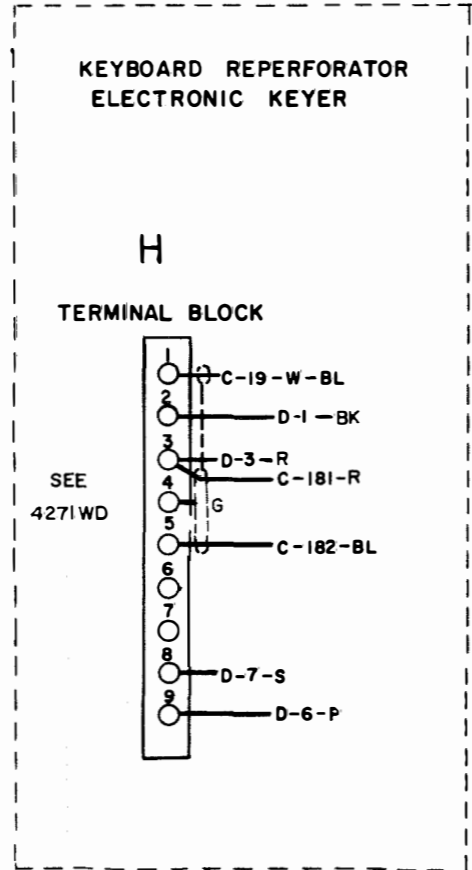
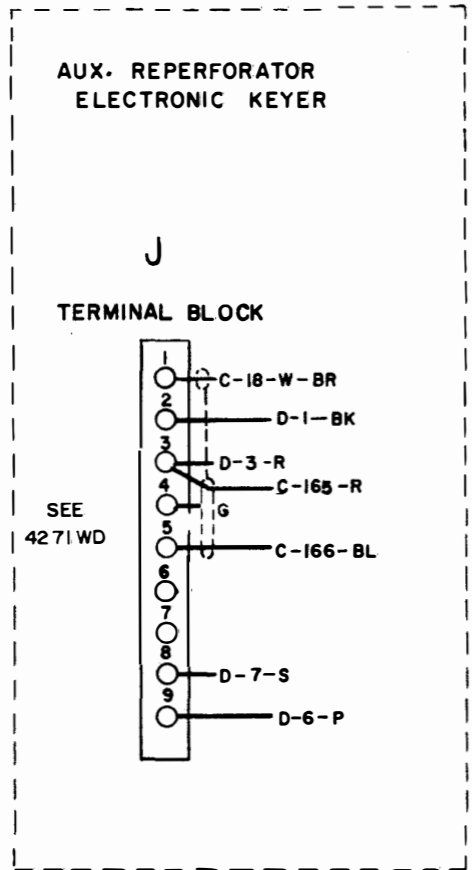
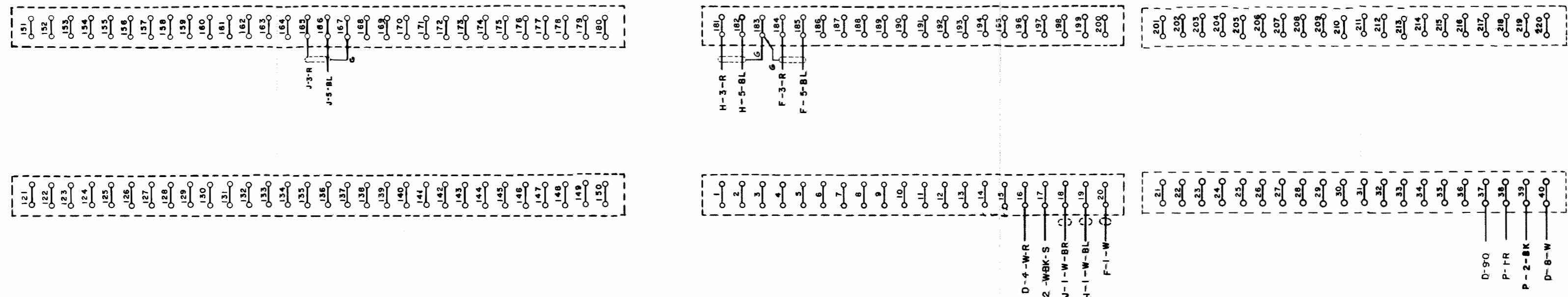
REVISIONS		
ISSUE	DATE	AUTH. NO.
1	9-28-60	CC-106
2	3-7-65	8533
3	4-10-65	8640

SCHMATIC WIRING DIAGRAM
 MODEL 28
 PAGE PRINTING SET
 WITH FACILITIES PROVIDED BY
 LAC ACCESSORY GROUP 255
 AND ASSOCIATED UNITS

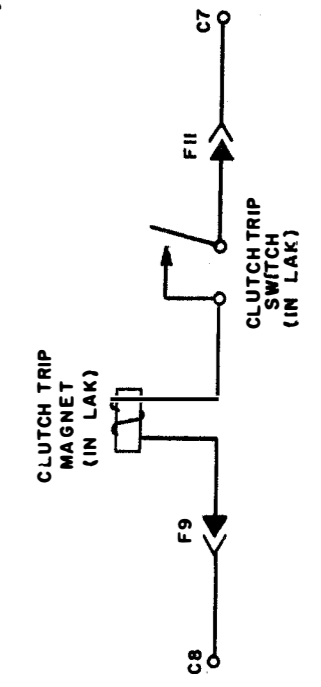
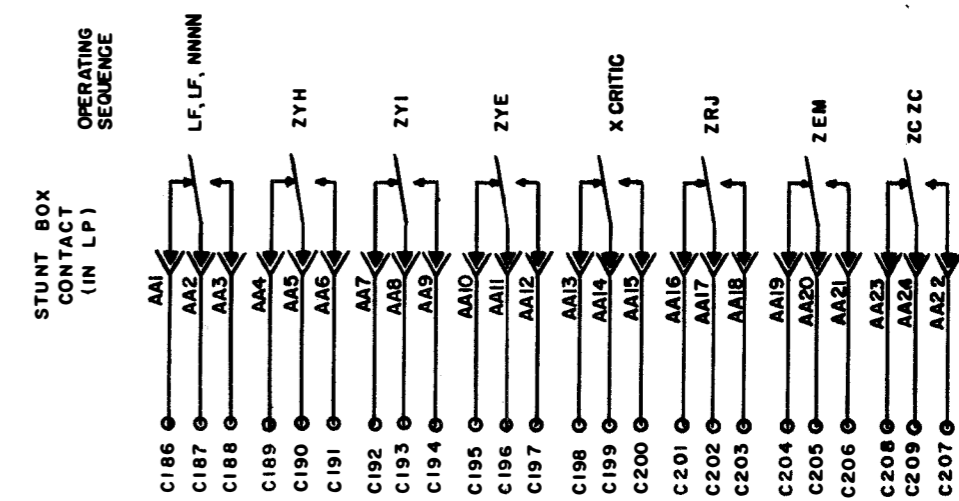
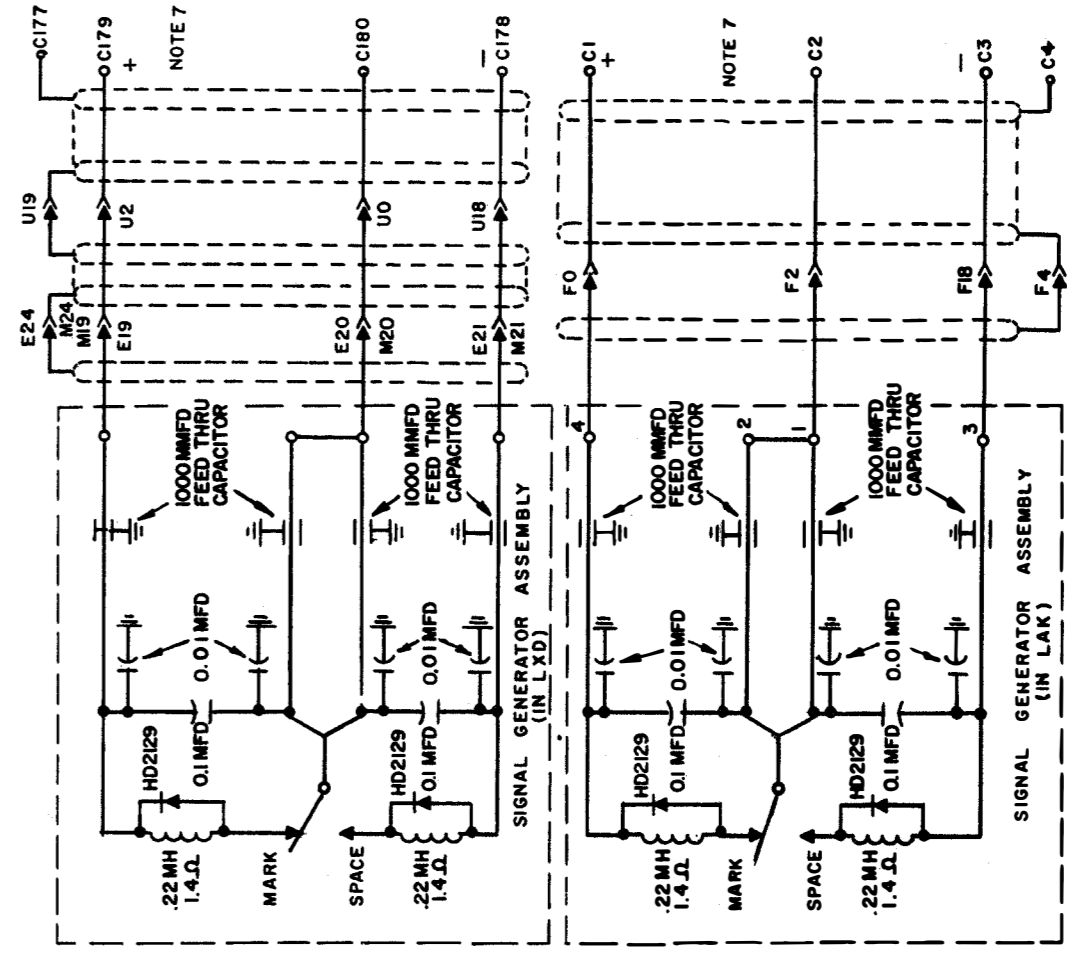
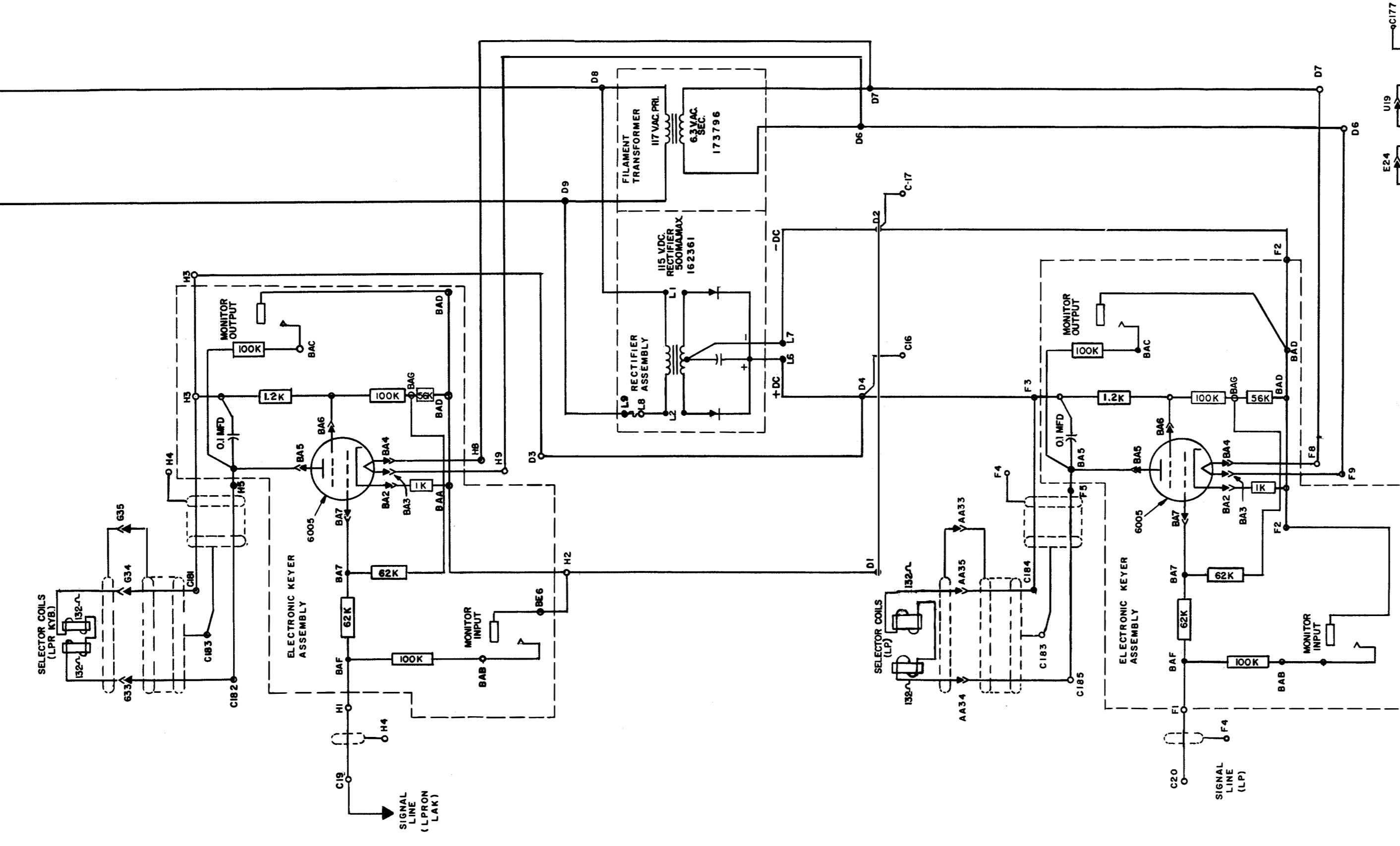
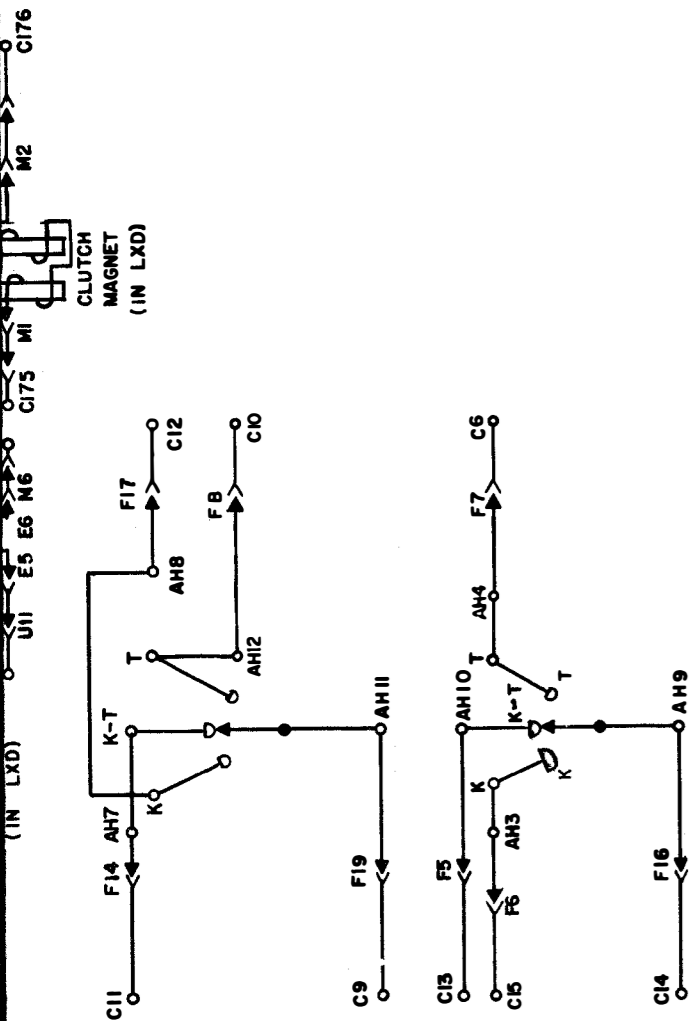
APPROVALS	
D AND R <i>O.A.L.</i>	E OF M
E NUMBER	
PROD. NO 4273 WD	
DATE 6-6-60	
P.D. FILE NO. 18-A65/2.219A	
DRAWN: G.L.Z	CHKD: <i>[Signature]</i>
ENGD D.C.L.	APP'D: <i>[Signature]</i>
TELETYPE CORPORATION	
4273WD	

NOTES
 1. WIRING LEGEND:
 DISTANT TERMINATING AREA
 DISTANT TERMINAL DESIGNATION
 WIRE COLOR CODE
 2.
 3. SEE 4275WD FOR SCHEMATIC WIRING

C
 CABINET TERMINAL BLOCKS



ACTUAL WIRING DIAGRAM
 ELECTRICAL SERVICE ASSEMBLY
 173823
 173824
 AUTOMATIC SEND-RECEIVE CABINET
 LAAC 229
 DATE: 6-6-60
 P.D. FILE NO. 18-463/230A
 DRAWN: A.D. CHKD: [Signature]
 ENGD: D.C.L. APPD: [Signature]
 TELETYPE CORPORATION
 4274 WD



4275 WD		
REVISIONS		
ISSUE	DATE	AUTH. NO.
1	9-28-60	CC-108
2	11-18-60	CC-108
3	1-2-61	CC-108
4	2-2-61	CC-108
5	2-2-61	CC-108
6	2-2-61	CC-108
7	2-2-61	CC-108
8	8-14-64	82644
9	4-10-65	86460
10	12-10-65	89682

APPROVALS	
D B R	E/M
E-NO.	
PROD. NO. 4275 WD	

SCHEMATIC
WIRING DIAGRAM
FOR
173824
ELECTRICAL SERVICE
ASSEMBLY

DATE:	8-8-60
P.D. FILE NO.	18-A-65/238A
DRAWN:	CHMD
ENGR. D.C.L.	APPO

TELETYPE
CORPORATION
4275 WD

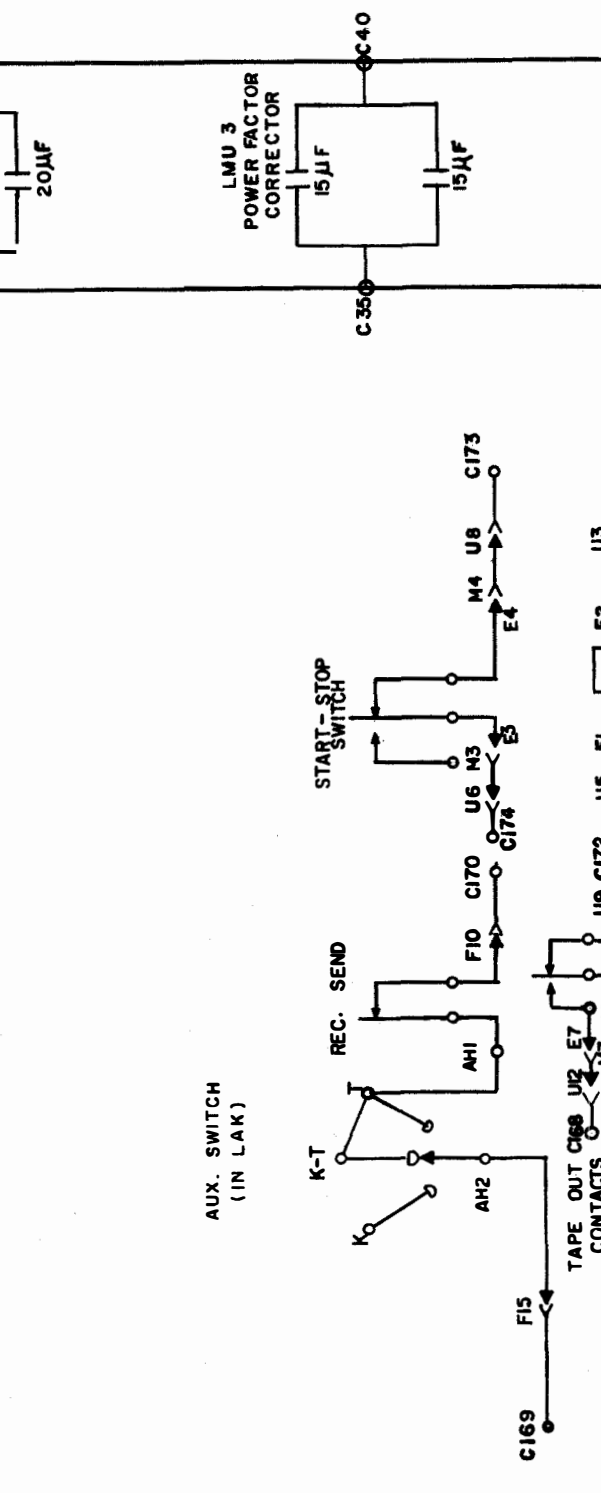
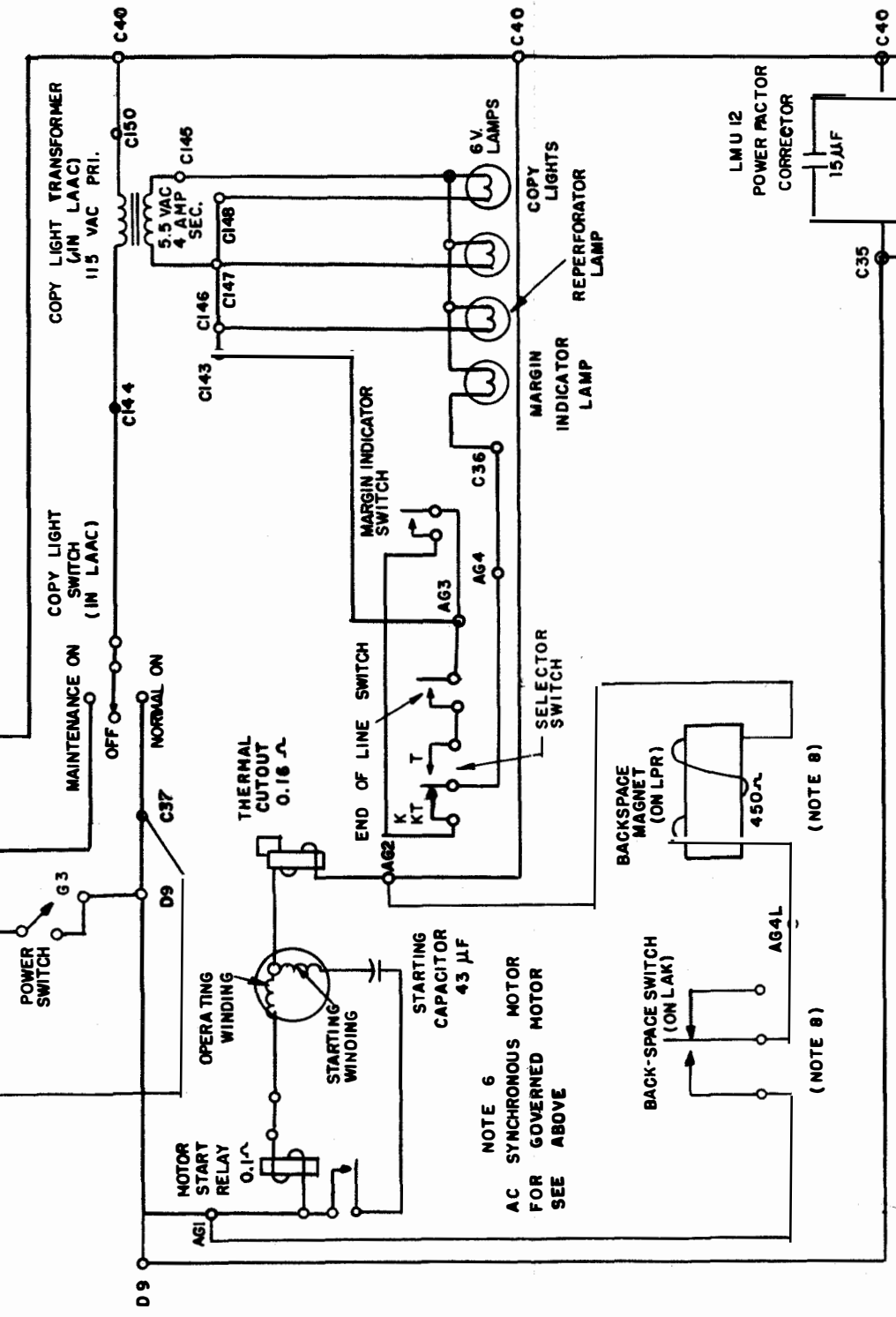
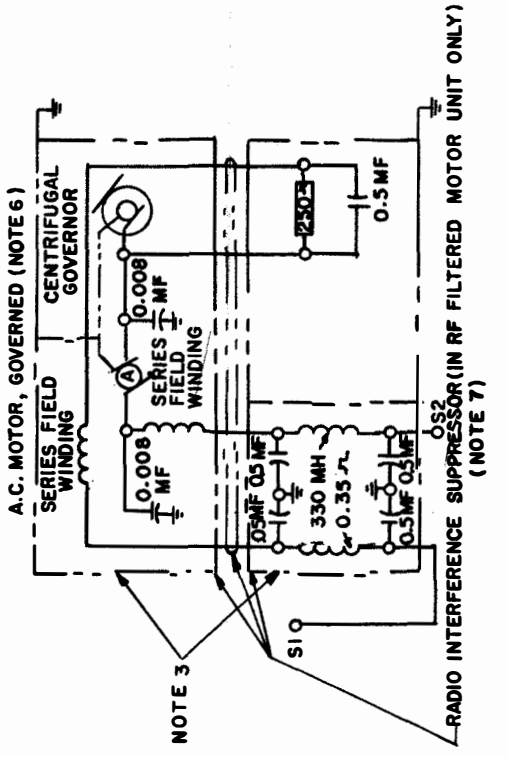
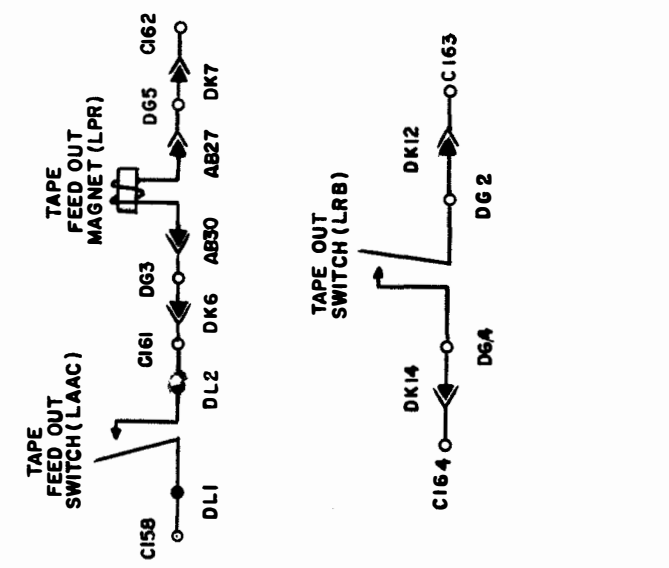
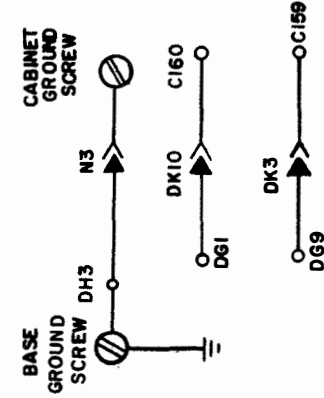
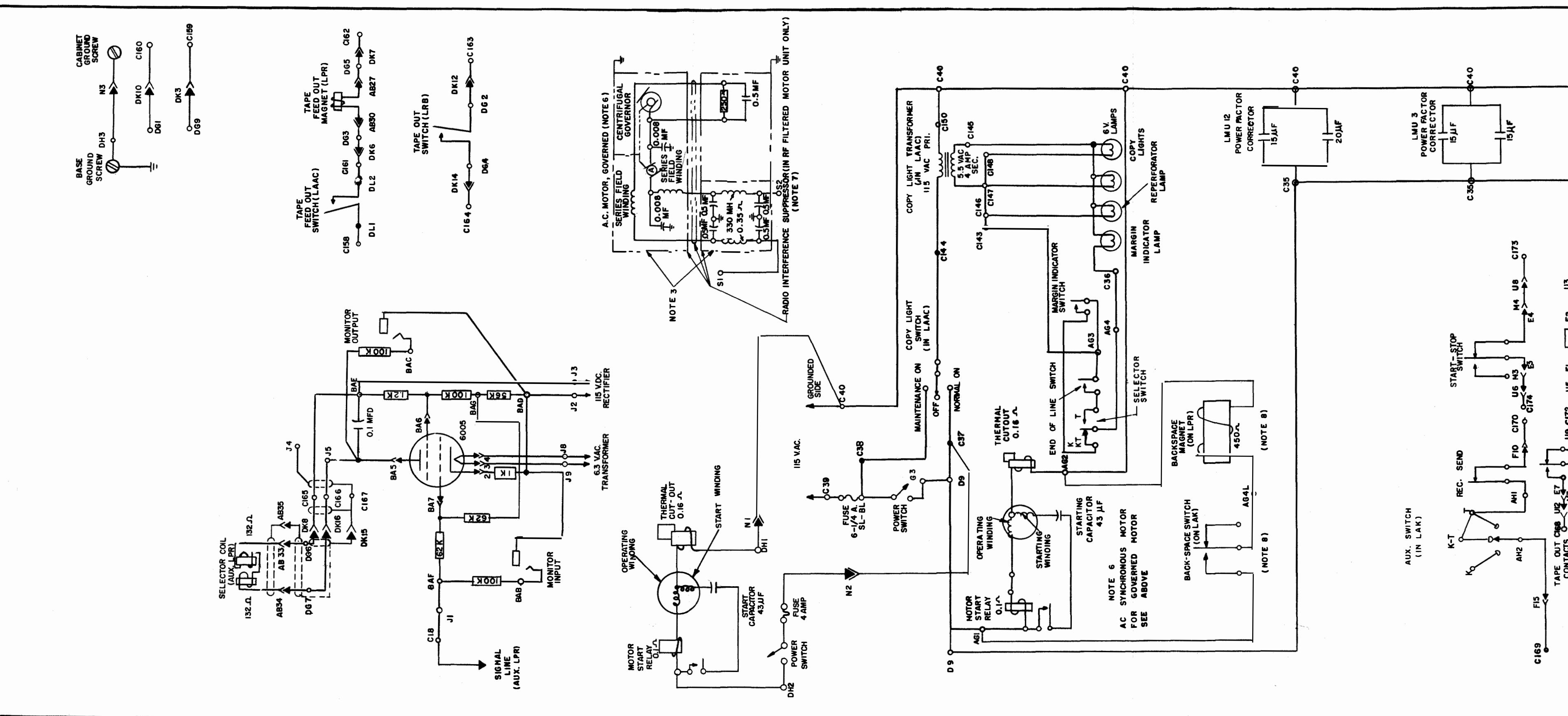
NOTES

- FOR ACTUAL WIRING DIAGRAMS OF INDIVIDUAL UNITS, SEE

WD NO.	UNITS DIRECTLY OPERATED WITH 172823 & 172824
4263WD	KEYBOARD BASE LAK 21 & 33
4267WD	CABINET LAAC 229
4264WD	TRANSMITTER - DISTRIBUTOR LXD II
4265WD	TRANSMITTER - DISTRIBUTOR BASE LCXB 13
4266WD	REPERFORATOR BASE LRB32
3628WD	TYPING REPERFORATOR LPR35, 36, & 57
2900WD	MOTOR UNIT LMU II
4195WD	PAGE TYPING UNIT LP77
4274WD	ELECTRICAL SERVICE ASSEMBLY
4287WD	POWER FACTOR CORRECTOR I73706 (LMU 2)
4288WD	POWER FACTOR CORRECTOR I73707 (LMU 3)
- LEGEND:

C	CABINET TERMINAL BLOCK
D	POWER TERMINAL BLOCK IN SERVICE ASSEMBLY
F	KEYER
H	"
J	"
U	"
AG	POWER TERMINAL BLOCK IN KEYBOARD
AG-L	LOWER POWER TERMINAL BLOCK IN KEYBOARD
AH	AUX. SWITCH TERMINAL BLOCK IN LAK
DG	SIGNAL TERMINAL BLOCK IN LRB
DH	POWER

AA	TYPING UNIT CONNECTOR	U	AUX. REPERF. POWER CON- NECTOR.
BA	KEYER SOCKET		
DK	AUX. REPERF. CONNECTOR		
F	KEYBOARD CONNECTOR		
G	KEYBOARD REPERF. CONNECTOR		
M	TRANS. DIST. CONNECTOR		
U	"		
AB	AUX. REPERF. CONNECTOR		
- DOT DASH (. - -) LINE INDICATES FILTERING, SUPPRESSION, AND SHIELDING NETWORK.
- ALL APPARATUS SHOWN IN UNOPERATED OR DE-ENERGIZED POSITION.
- RESISTANCE VALUES IN OHMS (Ω).
INDUCTANCE VALUES IN MICROHENRIES (MH).
CAPACITANCE VALUES IN MICROFARADS (MF) OR W/F
- USE SYNCHRONOUS MOTOR ON REGULATED 60 \sim ($\pm 1\%$) A.C. POWER ONLY. GOVERNED MOTOR AND OTHER POWER CIRCUITS OPERABLE ON 50-60 \sim UNREGULATED A.C.
- POLARITY AS INDICATED MUST BE OBSERVED FOR PROPER R.F. FILTER OPERATION.
- BACKSPACE SWITCH ON LAK 33 ONLY, AND BACKSPACE MAGNET ON LPR 57 ONLY.



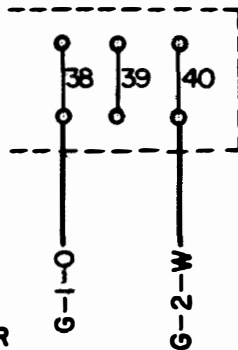
4286 WD

REVISIONS

ISSUE	DATE	AUTH. NO.
2	1-18-65	85769

C

CABINET TERMINAL BLOCK

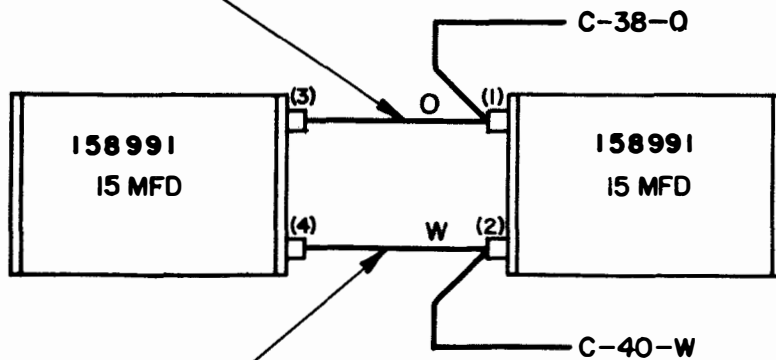


NOTE:
 WIRING SHOWN IS FOR
 LAC CABINETS ONLY.
 CUSTOMER MUST DETERMINE PROPER
 CONNECTIONS IF MOD. KIT IS USED
 IN OTHER APPLICATIONS.

G

POWER FACTOR CORRECTOR

STRAP (31775RM WIRE 0.5FT.)



STRAP (31771RM WIRE 0.5FT.)

ACTUAL WIRING DIAGRAM
 173705 MOD. KIT
 TO ADD POWER FACTOR
 CORRECTION TO LAC

APPROVALS

D AND R <i>D.R.</i>	E OF M
------------------------	--------

E-NUMBER

PROD. NO. 4286 WD

DATE: 9-20-60

P.D. FILE NO. 18-A.65/2.219.A

DRAWN. WPH	CHKD. <i>[Signature]</i>
ENGD. DCL	APPD. <i>[Signature]</i>

TELETYPE
 CORPORATION

4286 WD

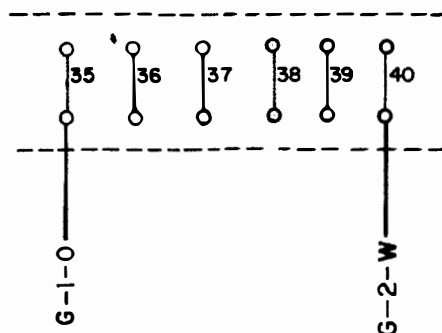
4287 WD

REVISIONS

ISSUE	DATE	AUTH. NO.
2	8-14-64	82644
3	1-18-65	85769

C

CABINET TERMINAL BLOCK
(IN LAAC)

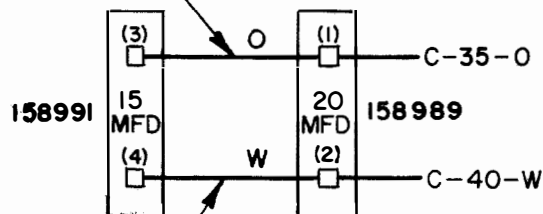


NOTE:
WIRING SHOWN IS FOR
LAAC229 CABINET ONLY.
CUSTOMER MUST DETERMINE PROPER
CONNECTIONS IF MOD. KIT IS USED
IN OTHER APPLICATIONS.

G

POWER FACTOR CORRECTOR

STRAP (31775RM WIRE 0.5 FT.)



STRAP (31771RM WIRE 0.5 FT.)

ACTUAL WIRING DIAGRAM
173706 MOD. KIT
TO ADD POWER FACTOR
CORRECTION TO LAAC229(LM)

APPROVALS

D AND R E OF M

E-NUMBER

PROD. NO. 4287 WD

DATE: 9-20-60

P.D. FILE NO. 18-A.65/2.219.A

DRAWN. WPH CHKD. *WPH*

ENG. DCL APPD. *WPH*

TELETYPE
CORPORATION

4287 WD

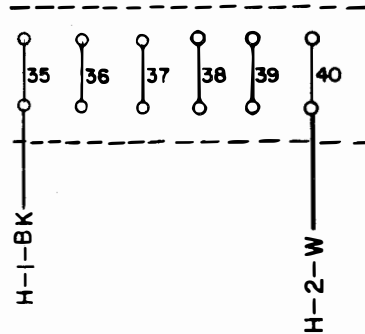
4288 WD

REVISIONS

ISSUE	DATE	AUTH. NO.
2	8-14-64	82644
3	1-18-65	85769

C

CABINET TERMINAL BLOCK
(IN LAAC)

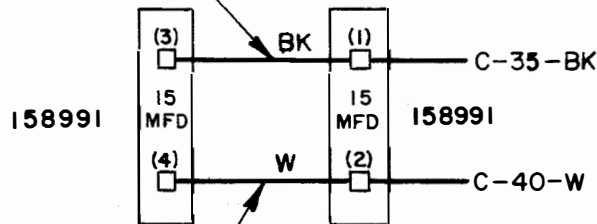


NOTE:
WIRING SHOWN IS FOR LAAC 229
CABINET ONLY. CUSTOMER MUST
DETERMINE PROPER CONNECTIONS
IF MOD. KIT IS USED IN OTHER
APPLICATIONS.

H

POWER FACTOR CORRECTOR
(AUX. REPERF.)

STRAP (31770RM WIRE 0.5FT.)



STRAP (31771RM WIRE 0.5FT.)

ACTUAL WIRING DIAGRAM
173707 MOD. KIT
TO ADD POWER FACTOR
CORRECTION TO AUX.
REPERFORATOR IN LAAC229
(LMU3)

APPROVALS

D AND R

O.A.L.

E OF M

[Signature]

E-NUMBER

PROD. NO. 4288 WD

DATE: 9-20-60

P.D. FILE NO. 18-A.65/2.219.A

DRAWN. WPH

CHKD. *[Signature]*

ENG. DCL

APPD. *[Signature]*

TELETYPE
CORPORATION

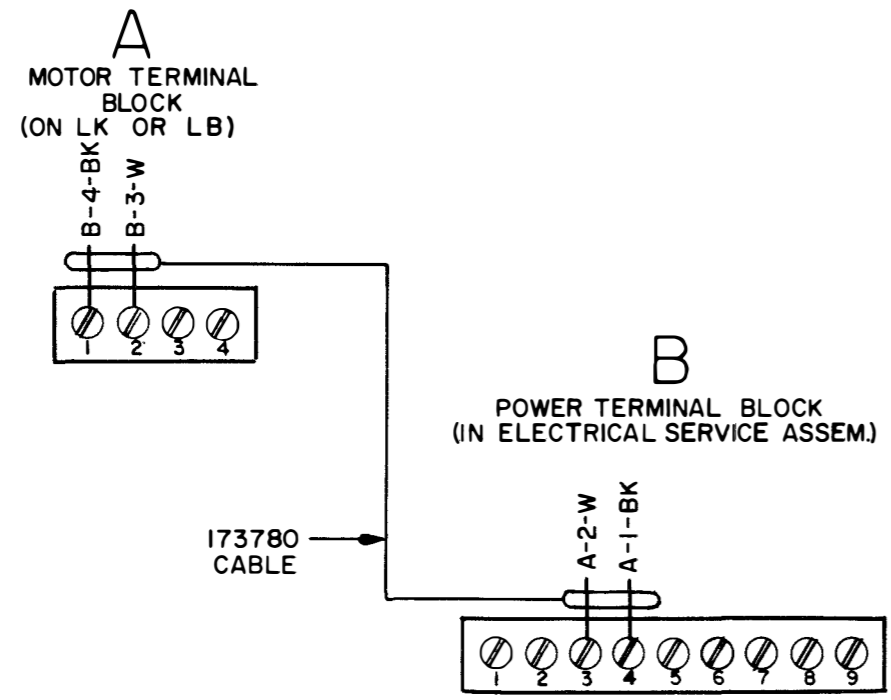
4288 WD

4304WD		
REVISIONS		
ISSUE	DATE	AUTH. NO.
2	9-28-60	CC-106
3	5-5-65	86734-1

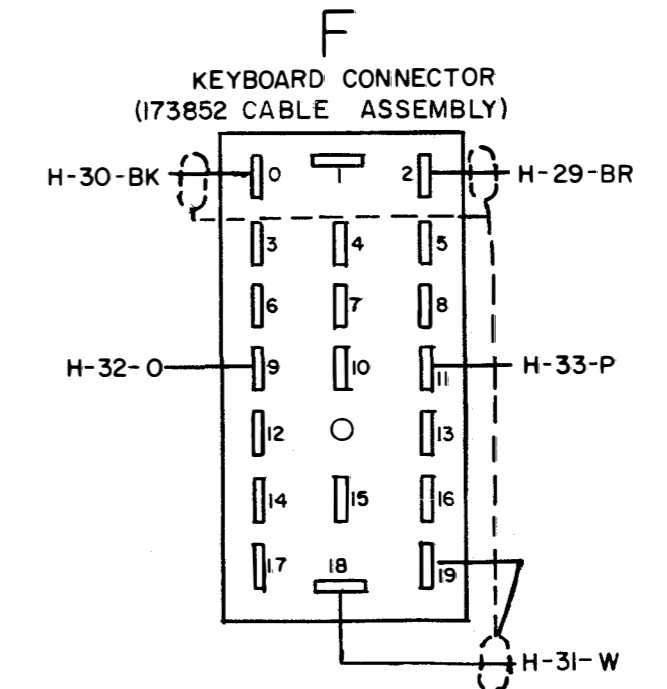
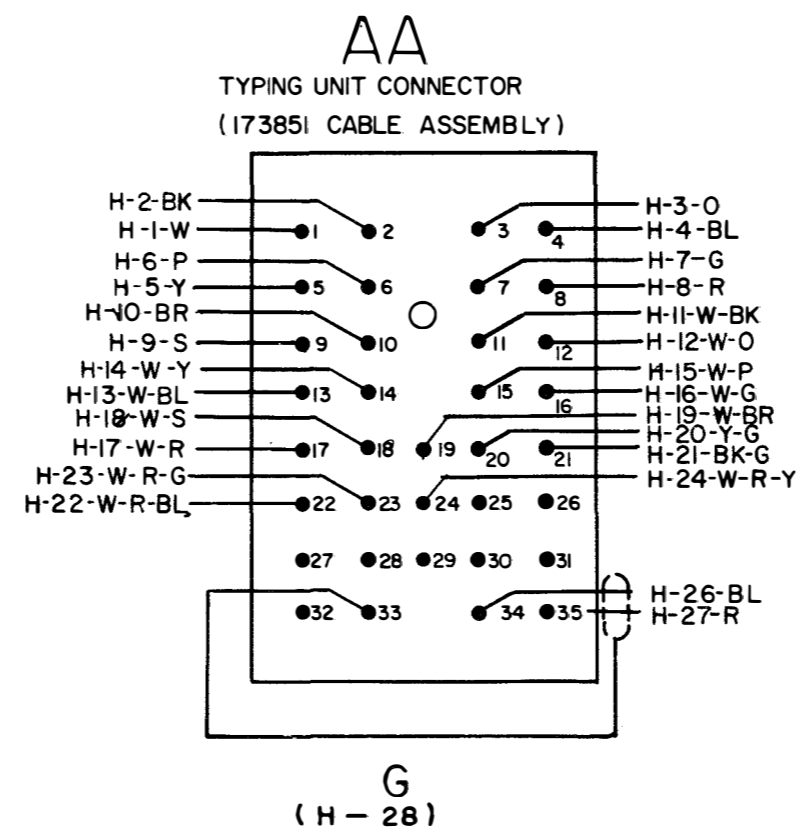
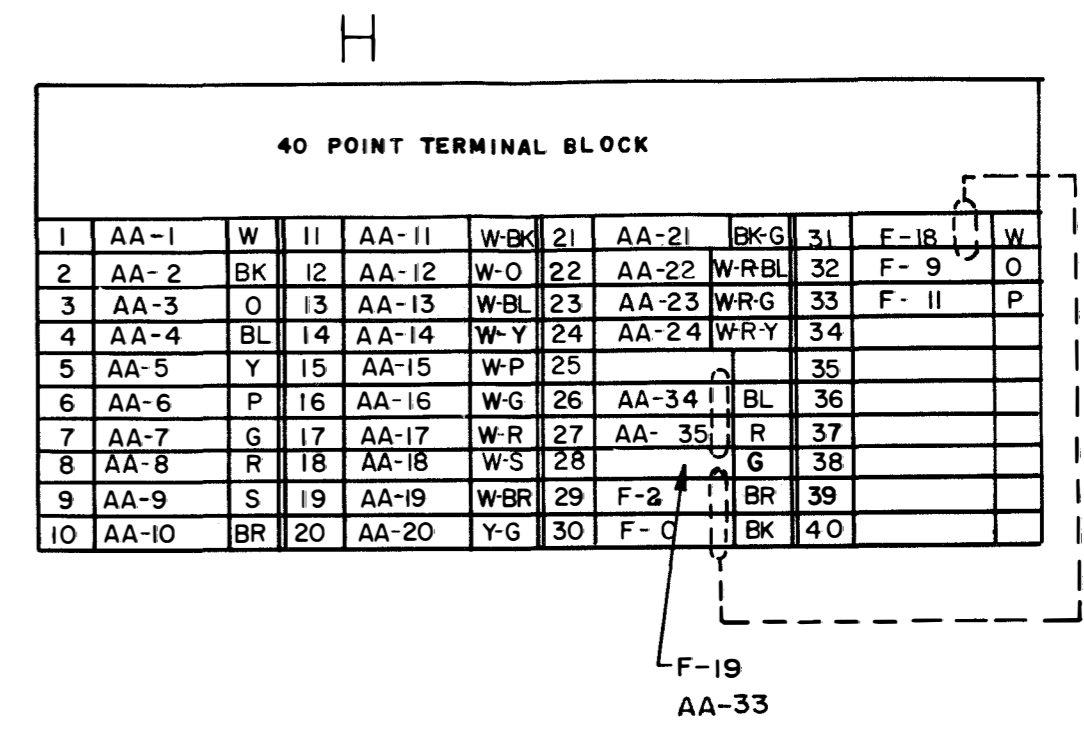
- NO. NOTES
- WIRING LEGEND
 - COLOR CODE

BK - BLACK	W-R - WHITE-RED
BR - BROWN	W-O - WHITE-ORANGE
R - RED	W-Y - WHITE-YELLOW
O - ORANGE	W-G - WHITE-GREEN
Y - YELLOW	W-BL - WHITE-BLUE
G - GREEN	W-S - WHITE-SLATE
BL - BLUE	W-P - WHITE-PURPLE
S - SLATE	Y-G - YELLOW-GREEN
P - PURPLE	BK-G - BLACK-GREEN
W - WHITE	W-R-G - WHITE-RED-GREEN
W-BK - WHITE-BLACK	W-R-BL - WHITE-RED-BLUE
W-BR - WHITE-BROWN	W-R-Y - WHITE-RED-YELLOW
 - ASSOCIATED CABLE ASSEMBLIES
173851
173852
173780
THE 173852 IS NOT NECESSARY WHEN SET IS EQUIPPED WITH LBIO.
 - ALL CONNECTOR VIEWED FROM SOLDER TERMINAL END.
 - FOR SCHEMATIC WIRING DIAGRAM SEE 4269WD.
 - FOR ACTUAL WIRING DIAGRAMS

WD NO.	UNIT
4262 WD	KEYBOARD LK25
4192 WD	TYPING UNIT LP77
4257 WD	COVER LPC206
4270 WD	ELECTRICAL SERVICE ASSEM. 173395

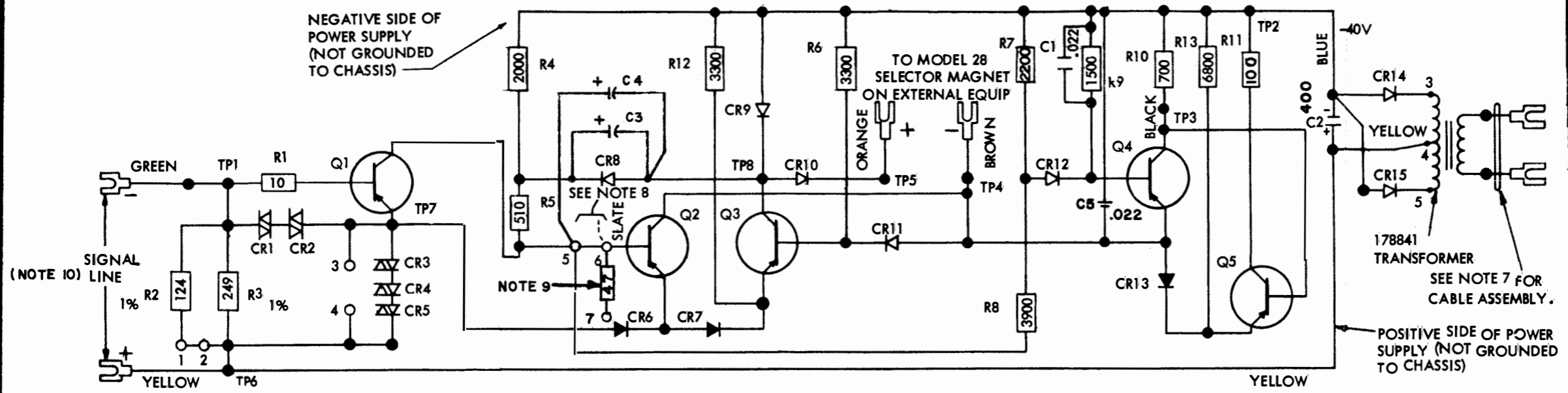


(4)	---	(1)	---	(4)
(8)	---	(5)	---	(8)
(12)	---	(9)	---	(12)
(16)	---	(13)	---	(16)
(20)	---	(17)	---	(20)
(24)	---	(21)	---	(24)
(28)	---	(25)	---	(28)
(32)	---	(29)	---	(32)
(36)	---	(33)	---	(36)
(40)	---	(37)	---	(40)



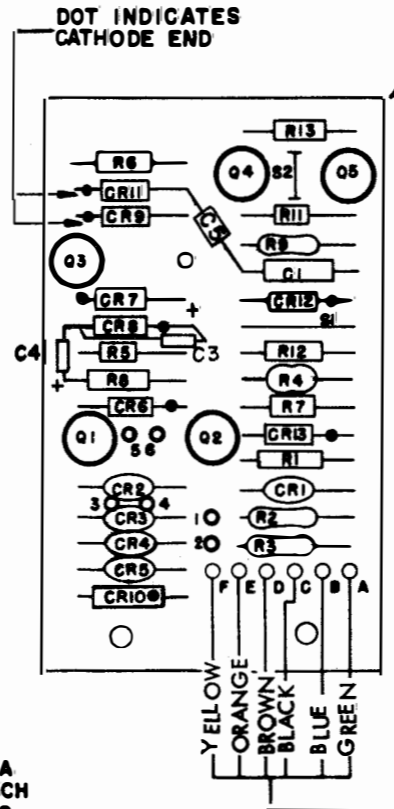
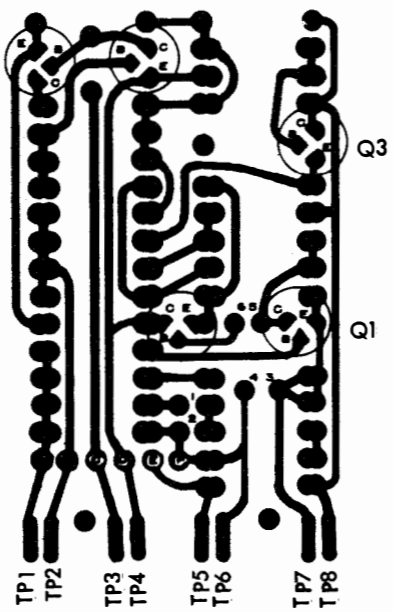
APPROVALS	
D AND R	E OFM
<i>OA</i>	
E NUMBER	
PROD. NO 4304 WD	
ACTUAL WIRING DIAGRAM FOR CONNECTING 173395 ELECTRICAL SERVICE ASSEMBLY WITH RACK MOUNTING PAGE PRINTER SET	
DATE: 8-6-60	
P.D.F. FILE NO: 18-A65/2.219A	
DRAWN N.K.G.	CHKD. <i>PSW</i>
ENGD. D.C.L.	APPD. <i>DDH</i>
TELETYPE CORPORATION	
4304WD	

ISSUE	DATE	AUTH. NO.
2	10-8-64	71841
3	11-20-64	71678
4	2-7-62	72360
5	10-5-62	74758
6	10-19-62	74878
7	3-4-63	76176
8	2-27-64	81002
9	9-9-64	83349
10	10-9-64	84164
11	3-9-65	86451



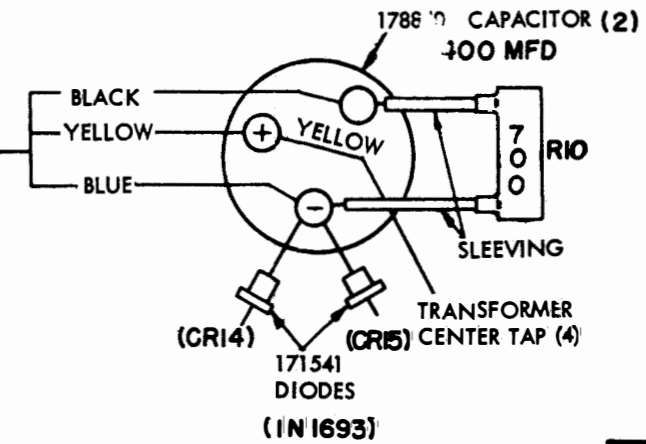
NOTES

- Units wired for 117V 50/60cycle operation only.
- Selector coils in parallel for all conditions of operation.
- Strapping for input options:
 .020 Amp. neutral operation:
 1-2 Open 3-4 Open
 .060 Amp. neutral operation:
 1-2 Strapped 3-4 Open
 .020 to .030 Amp. polar operation:
 1-2 Open 3-4 Strapped
- For normal operation terminals 5 & 6 are strapped. To "blind" the selector (steady marking condition), CONNECT 5 & 6 TO POSITIVE SIDE of power supply through A 47 OHM RESISTOR AND AUXILIARY CONTROL CONTACTS. SEE NOTE 9.
- Factory Strapping: 1-2, 5-6.
- All resistors 5% tolerance unless otherwise indicated.
- Associated Cables: Used On
 178886 — 177010
 178887 — 309494
 178602 — 178601
 178508 — 178507
- When installing 178602 Cable Assembly ADU SLATE LEAD TO TERMINAL 6 AS SHOWN.
- 195528 MOD. KIT TO ADD BLINDING RESISTOR, USED ON 198360 SMD. 309494 SMD.



10. 307240 DRIVER USES A 307244 CARD IN WHICH R2 AND R3 RESISTORS (124 Ω AND 249 Ω RESPECTIVELY) ARE REPLACED BY A 820 Ω RESISTOR. THIS PROVIDES FOR A -6 VOLT SPACE AND 0 VOLT MARK INPUT. 309494 DRIVER TO BE WIRED FOR POLAR OPERATION (OPTION NOTE 3)

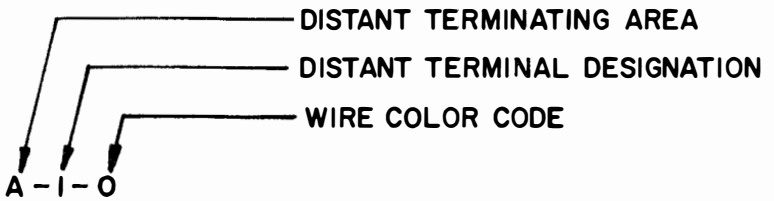
11. SPECIFICATIONS APPLICABLE ARE 60,239S AND 50,042S.



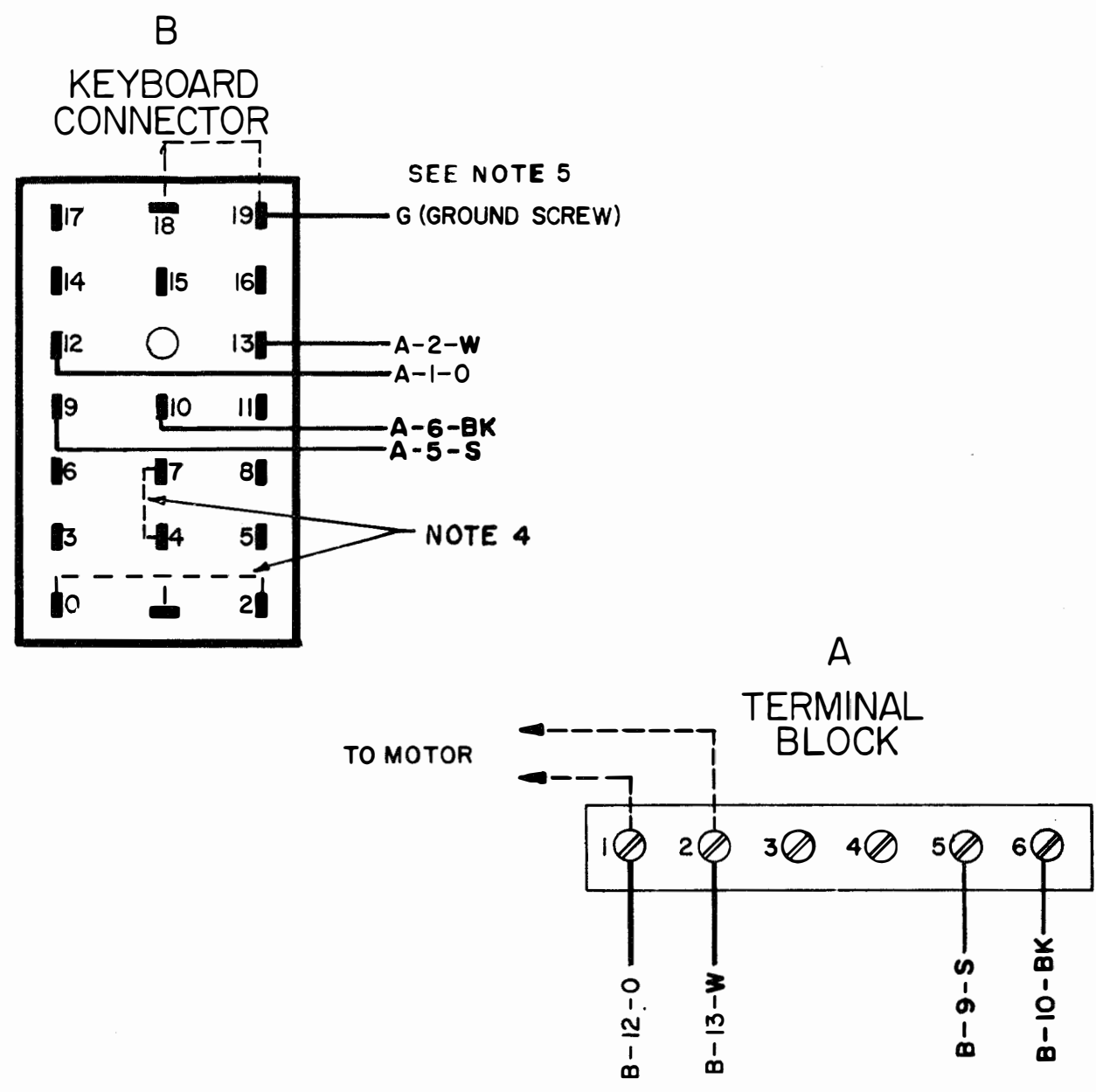
SEE NOTE 7 FOR CABLE ASSEMBLY

ACTUAL AND SCHEMATIC WIRING DIAGRAM FOR SELECTOR MAGNET DRIVER ASSEMBLY
 177010, 178507, 178601, 198360, 307240, 309494

APPROVALS	
D AND R	E OF M
E-NUMBER	
PROD. NO. 4445 WD	
DATE: 5-29-61	
P.D. FILE NO. 26-158AAA	
DRAWN.	CHKD. <i>J.W.</i>
ENGD. F.J.M.	APPD. <i>J.W.</i>
TELETYPE CORPORATION	
4445 WD	

NO.	NOTES
1	WIRING LEGEND:  <p>DISTANT TERMINATING AREA DISTANT TERMINAL DESIGNATION WIRE COLOR CODE</p> <p>A-I-O</p>
2	COLOR CODE: BK BLACK O ORANGE S SLATE W WHITE G GREEN
3	CONNECTORS VIEWED FROM SOLDER TERMINAL END.
4	ON 194795 BASE, STRAP TERMINALS AS SHOWN. ON 179374 BASE, THESE STRAPS ARE TO BE ADDED WHEN LESU 77 IS USED.
5	ATTACH 18 AWG WIRE BETWEEN PIN 18 AND 19 OF CONNECTOR WHEN BASE IS USED ON LBAC280.

4763WD		
ISSUE	DATE	AUTH. NO.
2	1-6-62	72126
3	2-2-62	72334
4	8-29-63	77884
5	8-1-67	93286
6	5-24-68	95812
7	2-6-69	96646



WDP

ACTUAL WIRING DIAGRAM
179374, 193573 & 194795
BASE ASSEMBLIES

APPROVALS

D AND R	E OF M
<i>[Signature]</i>	<i>[Signature]</i>

E-NUMBER
PROD. NO. 4763WD

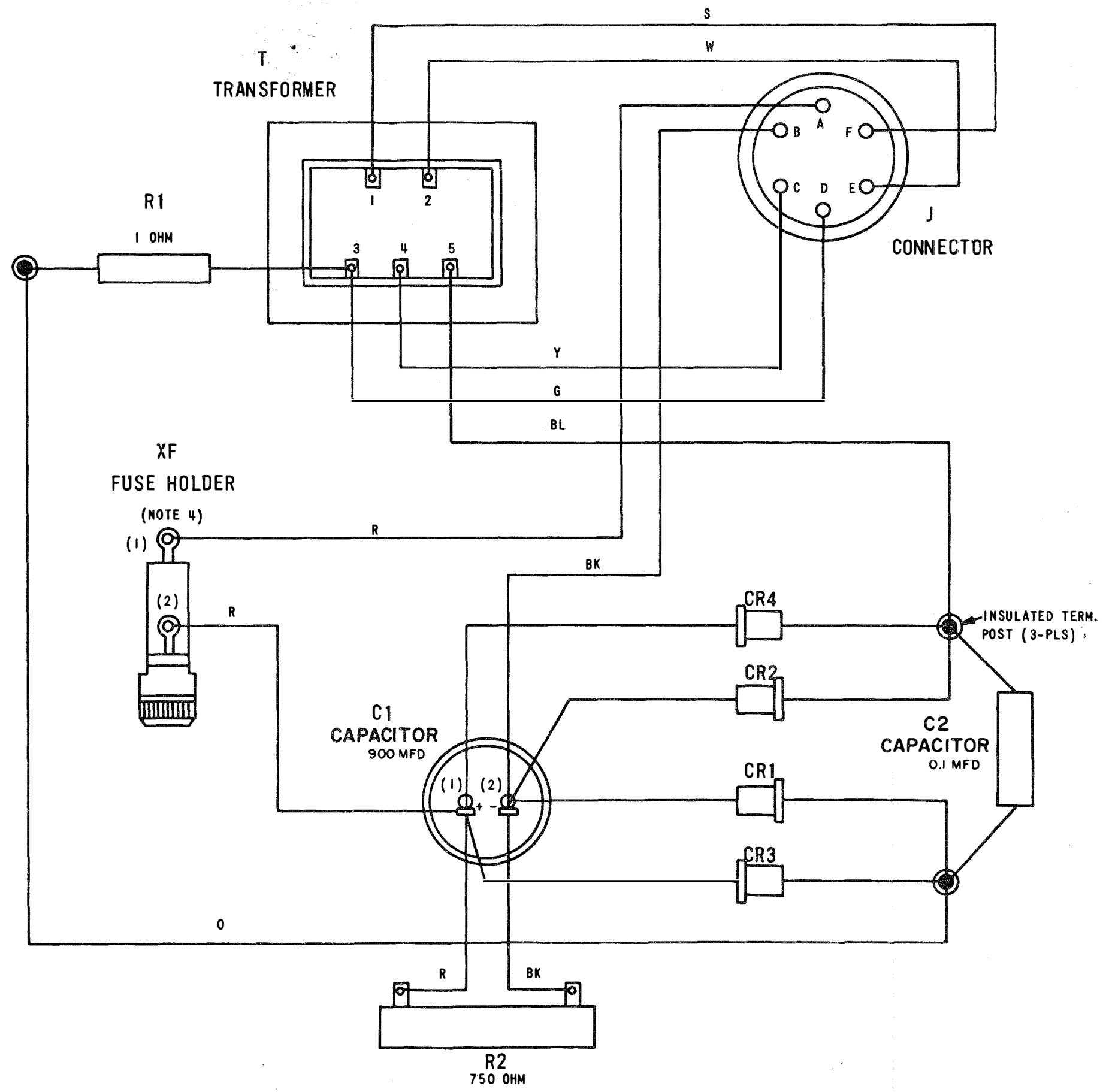
DATE: 8-31-61
P.D. FILE NO. 5-55.65.220A

DRAWN WPH	CHKD <i>[Signature]</i>
ENGD. D.C.L.	APPR <i>[Signature]</i>

TELETYPE CORPORATION

4763WD

- NO. NOTES
- REFER TO 5763WD FOR SCHEMATIC.
 - ALL WIRES 20 AWG.
 - USE SLEEVING TO INSULATE WHERE NECESSARY.
 - FUSE VALUE:
XF - 1-1/2 AMP.
 - COLOR CODE:
BL-BLACK W-WHITE
BR-BROWN R-RED
BL-BLUE G-GREEN
Y-YELLOW O-ORANGE
S-SLATE P-PURPLE
 - A & B = 48V DC
C & D = 24V AC
E & F = 115V AC



5762 WD

REVISIONS		
ISSUE	DATE	AUTH. NO.
2	12-12-62	DCA6542
3	4-6-63	DCA6558
4	1-23-64	79201
5	6-18-64	82766
6	6-22-66	93445RC

ACTUAL WIRING DIAGRAM FOR 50/60 HERTZ 48 VOLT 1 AMP RECTIFIER ASSEMBLY NO. 146901

APPROVALS

D AND R	E OF M
---------	--------

E-NUMBER

PROD. NO. 5762WD

DATE: 8-2-62

P.D. FILE NO. 35-A25AA

DRAWN HEG	CHKD.
ENGD. EJT	APPD.

TELETYPE CORPORATION

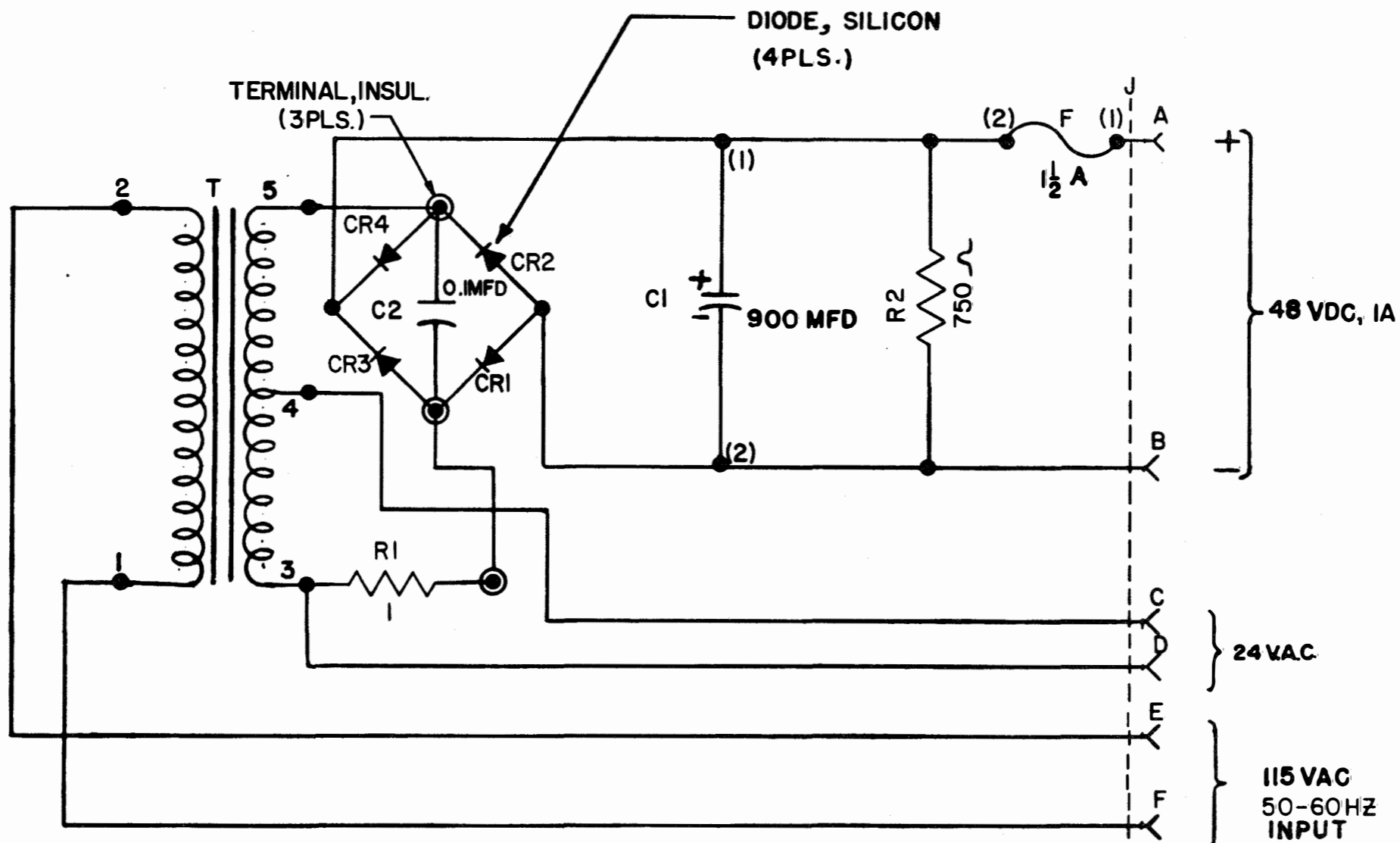
5762 WD

- NO. NOTES**
- REFER TO 5762 WD FOR ACTUAL WIRING DIAGRAM.
 - > INDICATES TERMINAL ON RECEPTACLE J.
 - ALL VOLTAGES DC UNLESS OTHERWISE SPECIFIED.
 - TRANSFORMER RESISTANCE VALUES BETWEEN WINDINGS

WINDINGS	COLD RESISTANCE
1 — 2	4.1
3 — 4	.55 Ω
4 — 5	.40 Ω

5763 WD

ISSUE	DATE	AUTH. NO.
1	12-12-62	DCA 6542
2	4-6-63	DCA 6558
3	1-23-64	79201
4	6-18-64	B2766
5	6-19-67	93445RC
6	10-24-67	94742-RC



SPEC. 9554S

APPROVALS	
D AND R	E OF M
E-NUMBER	
PROD. NO. 5763WD	
SCHEMATIC WIRING DIAGRAM FOR 50/60 CYCLE 48 V RECTIFIER	
ASSEM. NO. 146901	

DATE:	8-2-62
P.D. FILE NO.	35-225AA
DRAWN M.A.R.	CHKD P.D.
ENGD. E.J.T.	APPD. P.

TELETYPE CORPORATION

5763 WD

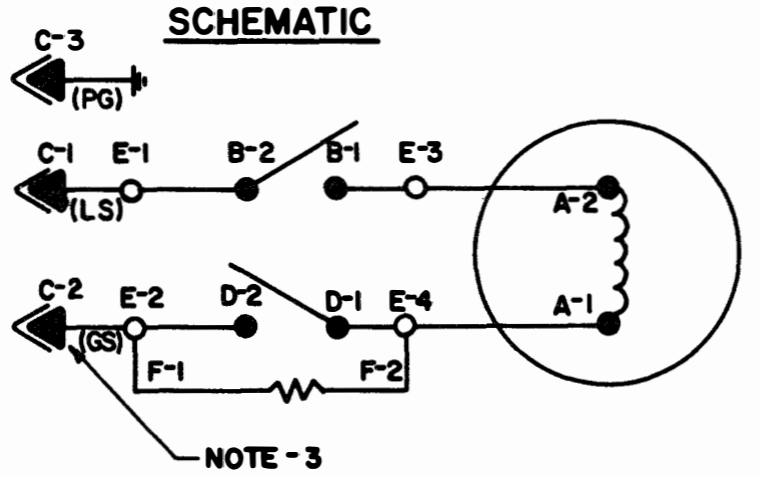
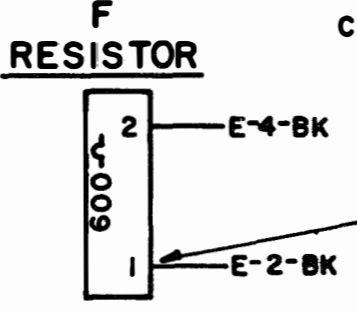
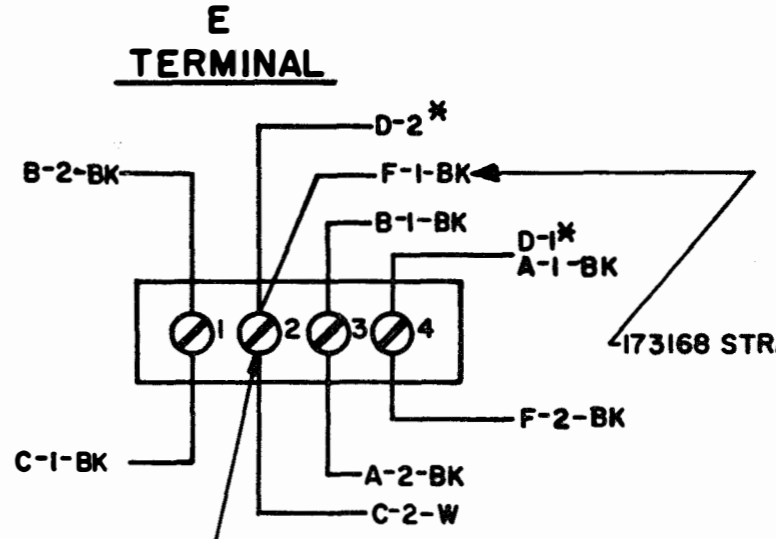
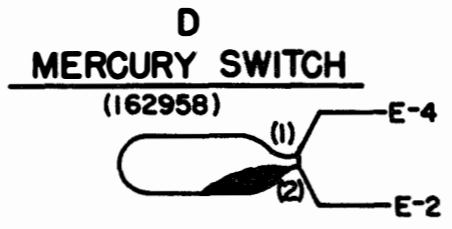
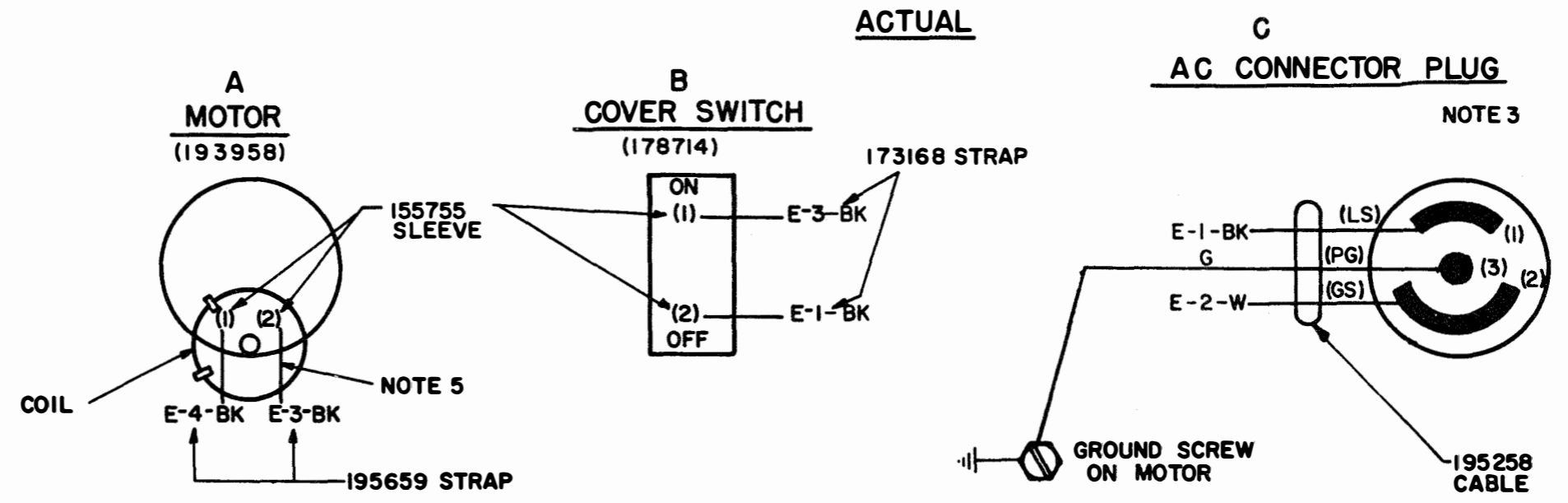
REVISIONS

ISSUE	DATE	AUTH. NO.
2	11-8-62	75064
3	11-27-62	75207
4	1-10-63	75653
5	4-22-63	76601
6	12-23-63	77313
7	6-7-67	94092

NOTES

- WIRING LEGEND**

— DISTANT TERM. AREA
 — DISTANT TERM. DESIG.
 A-I-R WIRE COLOR CODE
- COLOR CODE:**
 R-RED W-WHITE BK-BLACK
- MATING CONNECTOR 114466 IS FURNISHED WITH UNIT. WIRING BETWEEN A.C. POWER AND 114466 IS TO BE PROVIDED IN FIELD AT INSTALLATION TIME.
- REMOVE AND TAPE RESISTOR LEADS WHEN LPW300 IS OPERATED WITH MODEL 32 AND 33 PAGE PRINTERS.
- MOTOR OPERATES ON 50-60 CYCLE 110 V.A.C.
- THE NUMBERS ENCLOSED BY PARENTHESES ARE USED FOR REFERENCE AND ARE NOT SHOWN ON THE PART.



ACTUAL AND SCHEMATIC WIRING DIAGRAM OF LPW300

APPROVALS

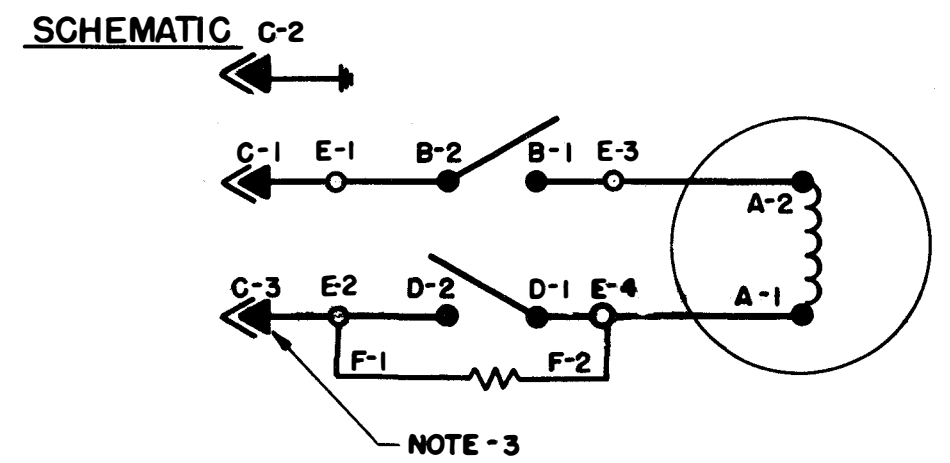
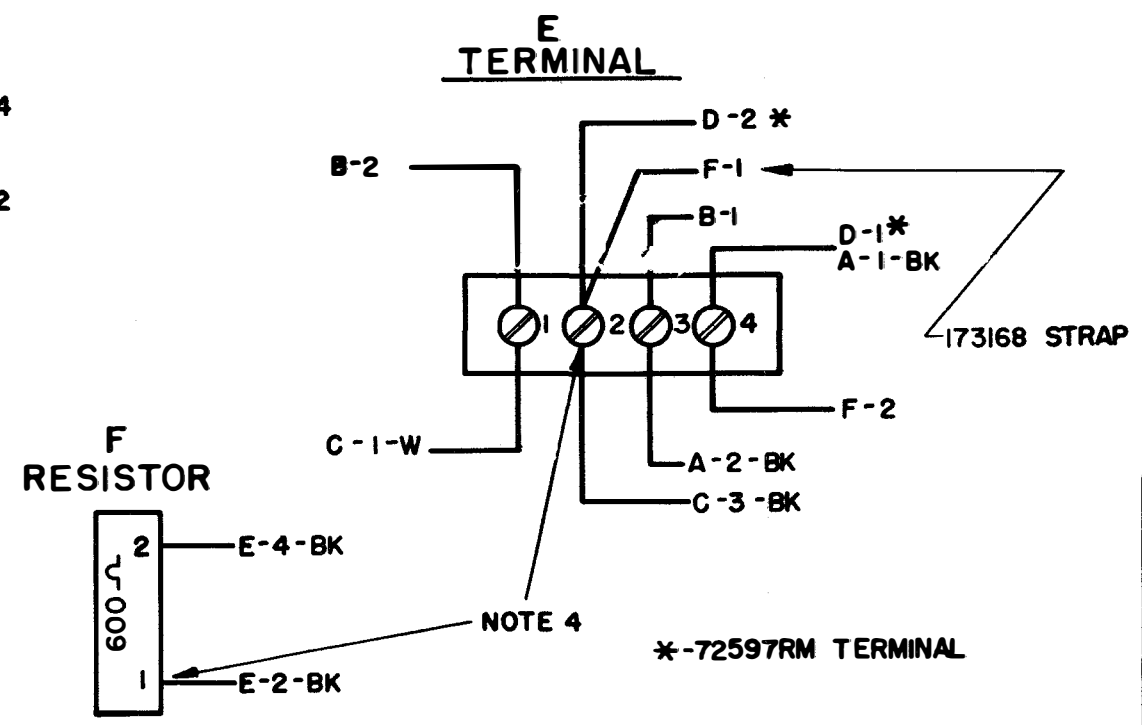
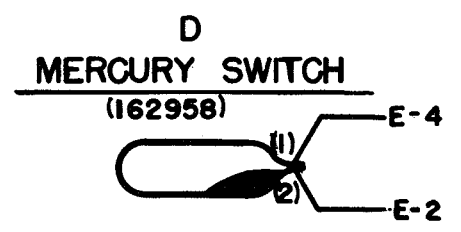
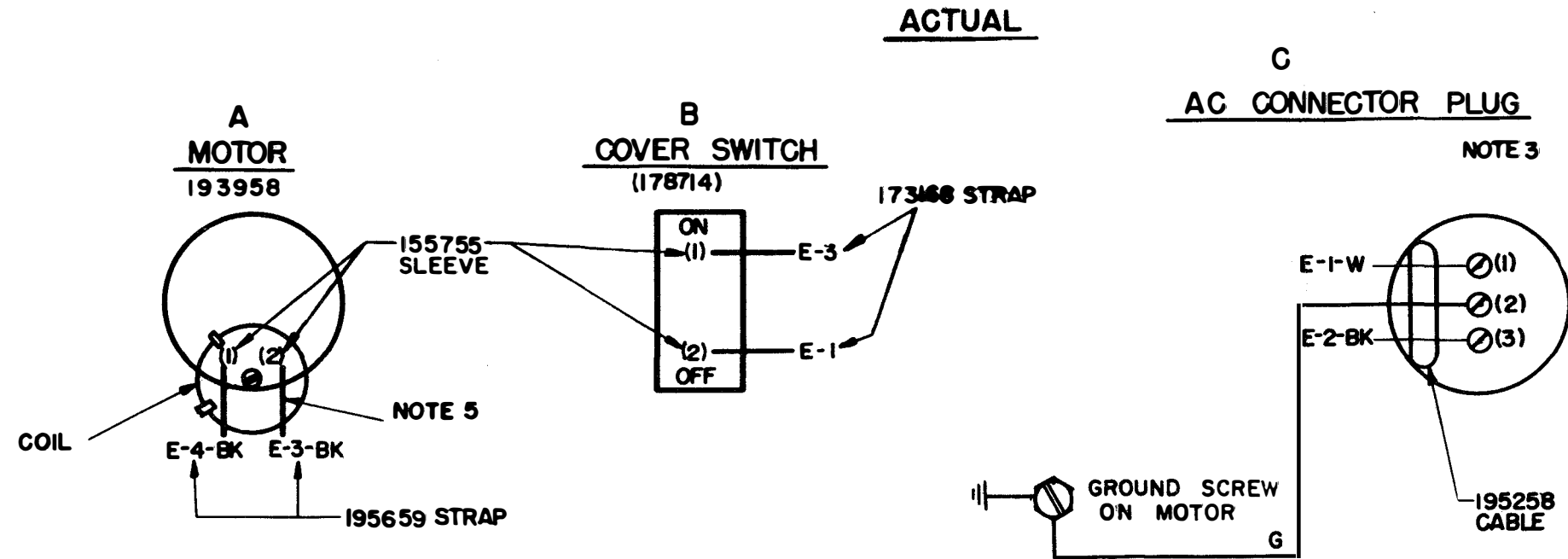
D AND R	E OF M
<i>HJK</i>	<i>[Signature]</i>
E NUMBER	
PROD. NO. 5830 WD	
DATE: 5-22-62	
P.D. FILE NO. 13-99AAA	
DRAWN TJM	CHKD. <i>[Signature]</i>
ENGD. JCF	APPD. <i>TJP</i>

TELETYPE CORPORATION
 5830 WD

5830WD

ISSUE	DATE	AUTH. NO.
A	1-8-62	75064
B	11-27-62	75207
C	1-10-63	75653
D	4-22-63	76601
E	12-23-63	77313

- NOTES**
- WIRING LEGEND**
 DISTANT TERM. AREA
 DISTANT TERM. DESIG.
 A-I-R
 WIRE COLOR CODE
 - COLOR CODE :**
 R-RED W-WHITE BK-BLACK
 - MATING CONNECTOR 114466 IS FURNISHED WITH UNIT. WIRING BETWEEN A. C. POWER AND 114466 IS TO BE PROVIDED IN FIELD AT INSTALLATION TIME.**
 - REMOVE AND TAPE RESISTOR LEADS WHEN LPW300 IS OPERATED WITH MODEL 32 AND 33 PAGE PRINTERS**
 - MOTOR OPERATES ON 50-60 CYCLE 110 V. A.C.**
 - THE NUMBERS ENCLOSED BY PARENTHESES ARE USED FOR REFERENCE AND ARE NOT SHOWN ON THE PART.**



ACTUAL AND SCHEMATIC WIRING DIAGRAM OF LPW300

APPROVALS

D AND R	E OF M
<i>[Signature]</i>	<i>[Signature]</i>

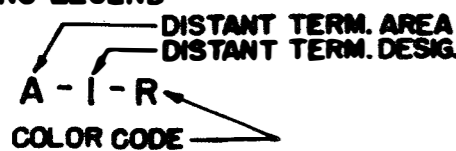
E-NUMBER
 PROD. NO. 5830 WD
 DATE: 5-22-62
 P.D. FILE NO. 13-99AAA
 DRAWN. E.R. CHKD. *[Signature]*
 ENGD. J.C.F. APPD. *[Signature]*

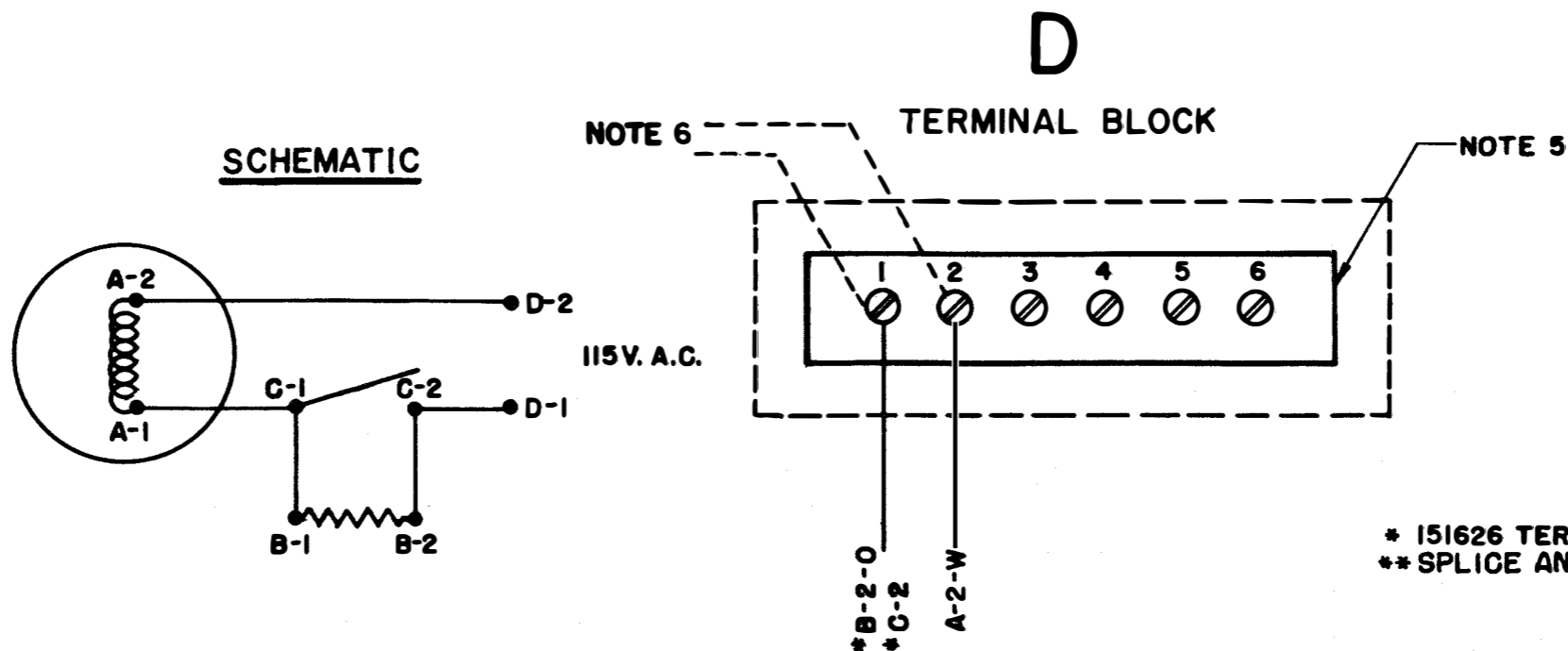
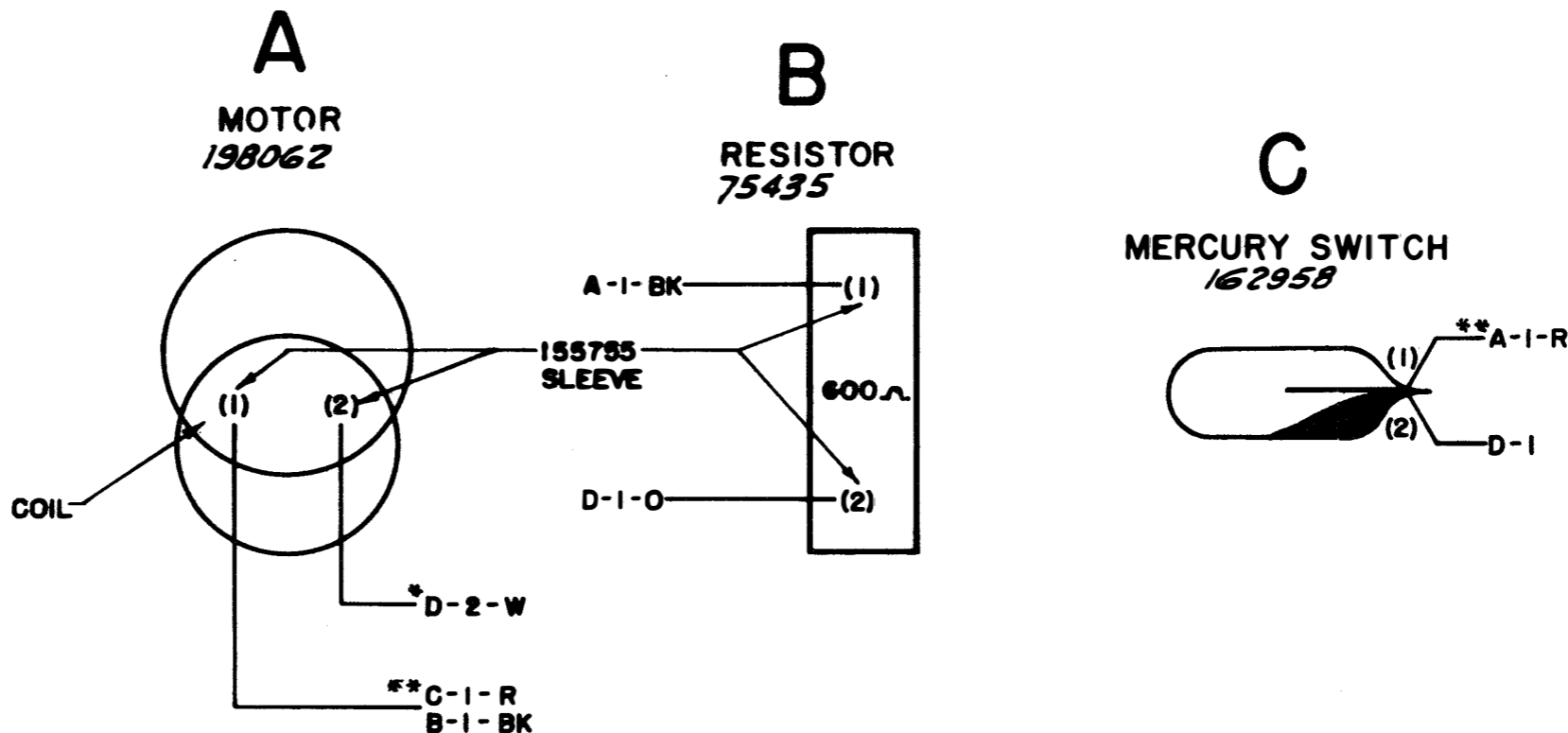
TELETYPE CORPORATION

5830WD

6363WD

ISSUE	DATE	AUTH. NO.
2	12-28-64	85663
3	2-8-65	86027

- NO. NOTES**
- 1. WIRING LEGEND**

 - 2. COLOR CODE**
 R - RED
 BK - BLACK
 O - ORANGE
 W - WHITE
 - 3. MOTOR OPERATES ON 115 VOLTS A.C. 50/60 CYCLE**
 - 4. THE NUMBERS ENCLOSED BY PARENTHESES ARE USED FOR REFERENCE AND ARE NOT SHOWN ON THE PART.**
 - 5. ON 195921 PAPER WINDER, TERMINAL BLOCK IS PART OF BASE ASSEMBLY.**
 - 6. 310342 CABLE PROVIDES CONNECTIONS BETWEEN "D" TERMINAL BLOCK AND LB OR LK CONNECTOR**



* 151626 TERMINAL
 ** SPLICE AND TAPE

ACTUAL & SCHEMATIC
 WIRING DIAGRAM OF
 195921 & 195922
 PAPER WINDER

APPROVALS

D AND R E OF M

[Handwritten signatures]

E-NUMBER

PROD. NO. 6363 WD

DATE: 3-20-63

P.D. FILE NO. 13-99AAA

DRAWN. HDS CHKD. *[Signature]*

ENGD. *[Signature]* APPD. *[Signature]*

TELETYPE
 CORPORATION

6363 WD

NOTES

ASSOCIATED DIAGRAMS:
 2900WD MOTOR UNITS - LMU3 - LMU21
 4445WD SELECTOR MAGNET DRIVER-177010
 6363WD PAPER WINDER - 195922
 7137WD BASE ASSEMBLY - 304195
 7154WD PRINTER LP124 WITH AJU STUNT BOX
 7155WD KEYBOARD - LK52

PAPER WINDER 195922 ON BOTTOM SHELF, PAPER WINDERS 195921 ON OTHER SHELVES. 6363WD APPLIES TO BOTH.

ALL APPARATUS IS SHOWN IN UNOPERATED OR DE-ENERGIZED POSITION.

POLARITY OF SELECTOR MAGNET DRIVERS MUST BE MAINTAINED, AS SHOWN, FOR MARKING CONDITION.

TO USE SIGNAL LINE BREAK SWITCH:
 a. CONNECT SIGNAL LINE TO BL-47 INSTEAD OF BL-109.
 b. STRAP BL-109 TO BL-54.

CUSTOMER TO WIRE THESE CIRCUITS.

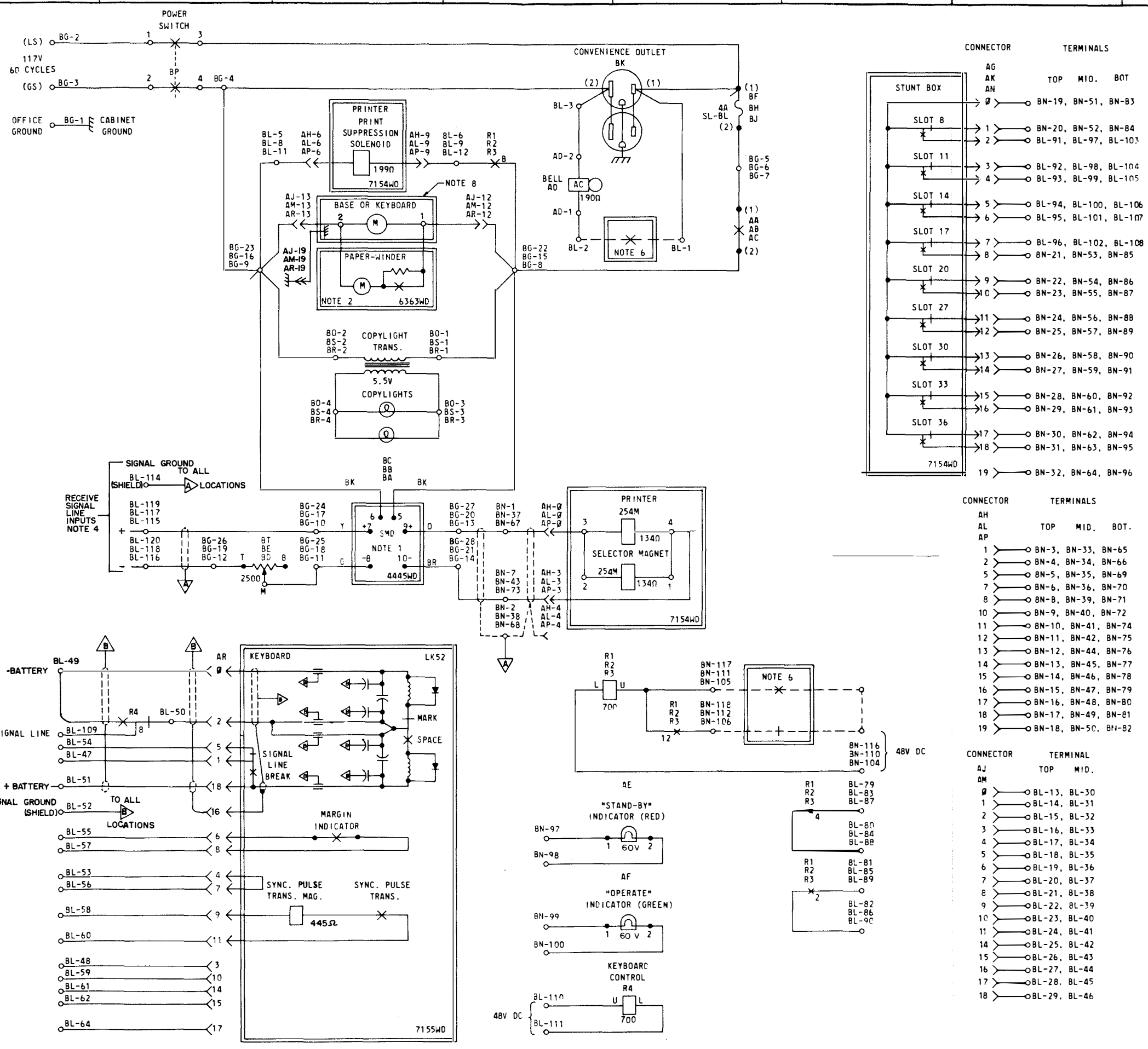
LISTINGS AT TERMINAL POINTS ARE IN THE FOLLOWING ORDER:
 TOP SHELF
 MIDDLE SHELF
 BOTTOM SHELF

BASE 7137WD OR KEYBOARD 7155WD.

ACTUAL WIRING DIAGRAM OF LBAC255 - 7149WD.

REPRESENTS MULTIPLE CONNECTOR.

SL-BL INDICATES SLOW BLOWING



7087WD

REVISIONS		
ISSUE	DATE	AUTH. NO.
1	9-4-64	15987-R
2	2-11-65	86185
3	4-2-65	86688

SCHEMATIC
 WIRING DIAGRAM
 FOR
 LBAC255
 WITH
 ASSOCIATED
 EQUIPMENT

APPROVALS	
D AND R	E OF M
E-NUMBER	
PROD. NO. 7087WD	
DATE 6-22-64	
P.D. FILE NO. 42-A2/65AA	
DRAWN F.C.S.	CHKD.
ENGD. P.P.P.	APPD. <i>EJC</i>

TELETYPE CORPORATION

7087WD

ISSUE	DATE	AUTH. NO.
1	10-29-64	10259-R
2	3-26-65	86859

NOTES

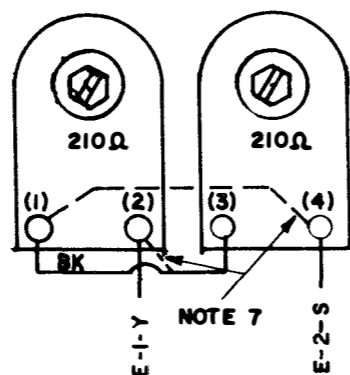
- 1. WIRING LEGEND**
- 2. COLOR CODE**

BK-BLACK	W-BK-WHITE-BLACK
BR-BROWN	W-BR-WHITE-BROWN
R-RED	W-R-WHITE-RED
O-ORANGE	W-O-WHITE-ORANGE
Y-YELLOW	W-Y-WHITE-YELLOW
G-GREEN	W-G-WHITE-GREEN
BL-BLUE	W-BL-WHITE-BLUE
P-PURPLE	W-P-WHITE-PURPLE
S-SLATE	W-S-WHITE-SLATE
W-WHITE	
- 3. CONNECTORS VIEWED FROM SOLDER TERMINAL ENDS**
- 4. ALL CONTACTS SHOWN IN UNOPERATED POSITION**
- 5. ASSOCIATED CABLES:**
173440 CABLE ASSEMBLY
- 6. THE NUMBERS ENCLOSED BY PARENTHESES ARE USED FOR REFERENCE AND ARE NOT NECESSARILY SHOWN ON THE PARTS.**
- 7. UNIT EQUIPPED WITH 262 COIL ASSEMBLY (RESISTANCE 210Ω EACH) THE OPERATING CURRENT MUST BE 50 MA 120 V DC FOR EXTERNAL PULSING**

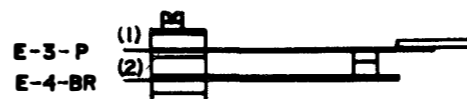
FOR IIO AC NON-PULSING OPERATION, RELOCATE STRAP ON TERMINAL (1) TO TERMINAL (2), ADD STRAP BETWEEN TERMINALS (1) AND (4) FOR PARALLEL OPERATION OF MAGNETS
- 8. TERMINAL NO.21 ON CONNECTOR E IS RESERVED FOR POLAR SIGNAL.**
- 9. STRAP WITH #22 GAUGE WIRE AS INDICATED**
- 10. FOR PROPER R.F. FILTERING, POLARITY OF FILTERS MUST BE MAINTAINED. UNIT AS FURNISHED IS WIRED FOR "MARKING" CONTACT NEGATIVE (-) "SPACING" CONTACT POSITIVE (+). TO REVERSE POLARITY OF CONTACTS (MARKING +, SPACING-) MAKE THE FOLLOWING CHANGES:**

 - MOVE GREEN OF TOP FILTER FROM MARKING CONTACT TO SPACING CONTACT
 - MOVE BLACK LEAD OF BOTTOM FILTER FROM SPACING CONTACT TO MARKING CONTACT

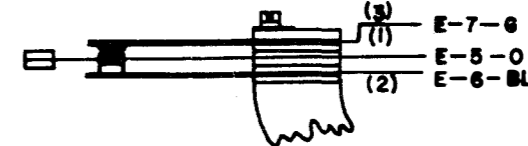
A
TRANSMITTER DISTRIBUTOR
CLUTCH MAGNETS



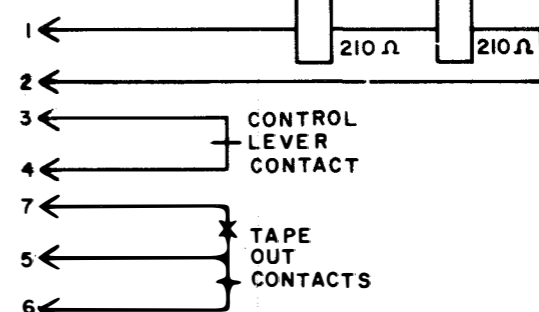
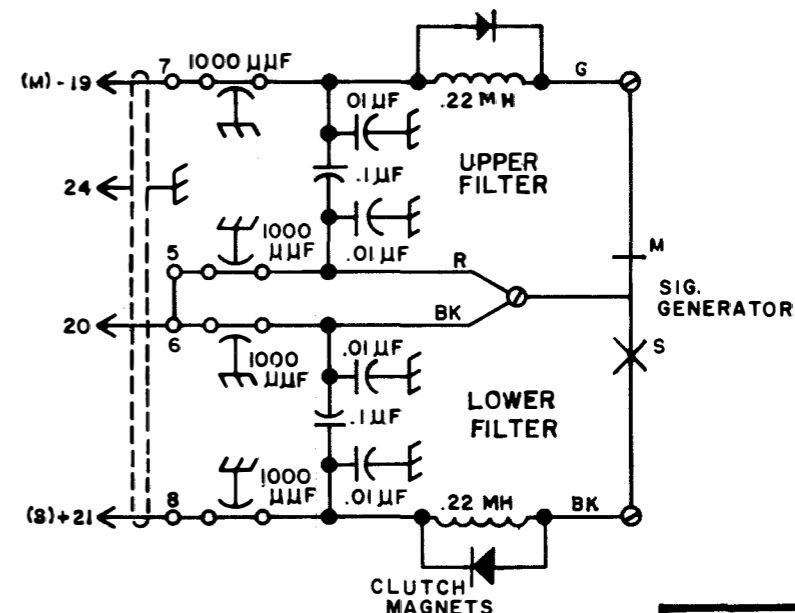
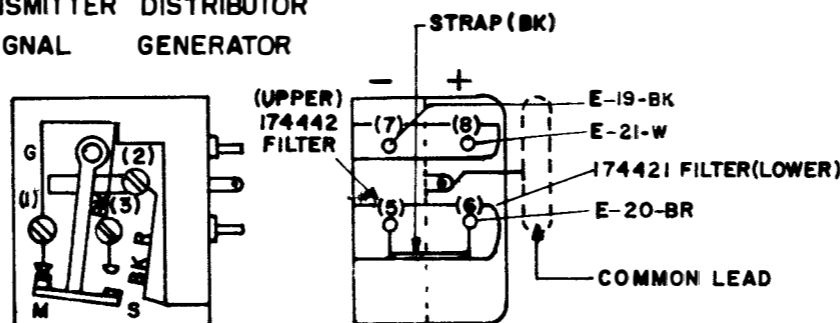
B
CONTROL LEVER
CONTACT ASSEMBLY



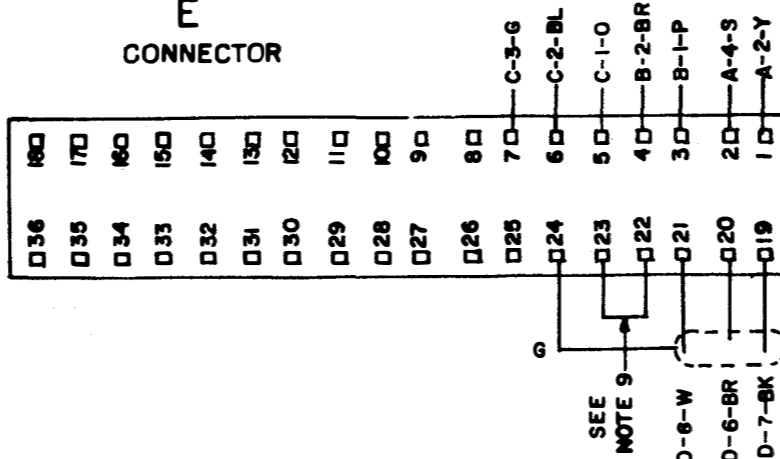
C
TAPE-OUT
CONTACT ASSEMBLY



D
TRANSMITTER DISTRIBUTOR
SIGNAL GENERATOR



E
CONNECTOR



WIRING DIAGRAM
MODEL 28
TRANSMITTER
DISTRIBUTOR
LXD 31

APPROVALS

D AND R: *HJK* E OF M: *[Signature]*

E-NUMBER

PROB. NO. 7094 WD

DATE: 11-16-64

P.O. FILE NO. 42- A2/65AA

DRAWN R.A.L. CHKD. *[Signature]*

ENGD. P.P.P. APPD. *[Signature]*

TELETYPE CORPORATION

NOTES:

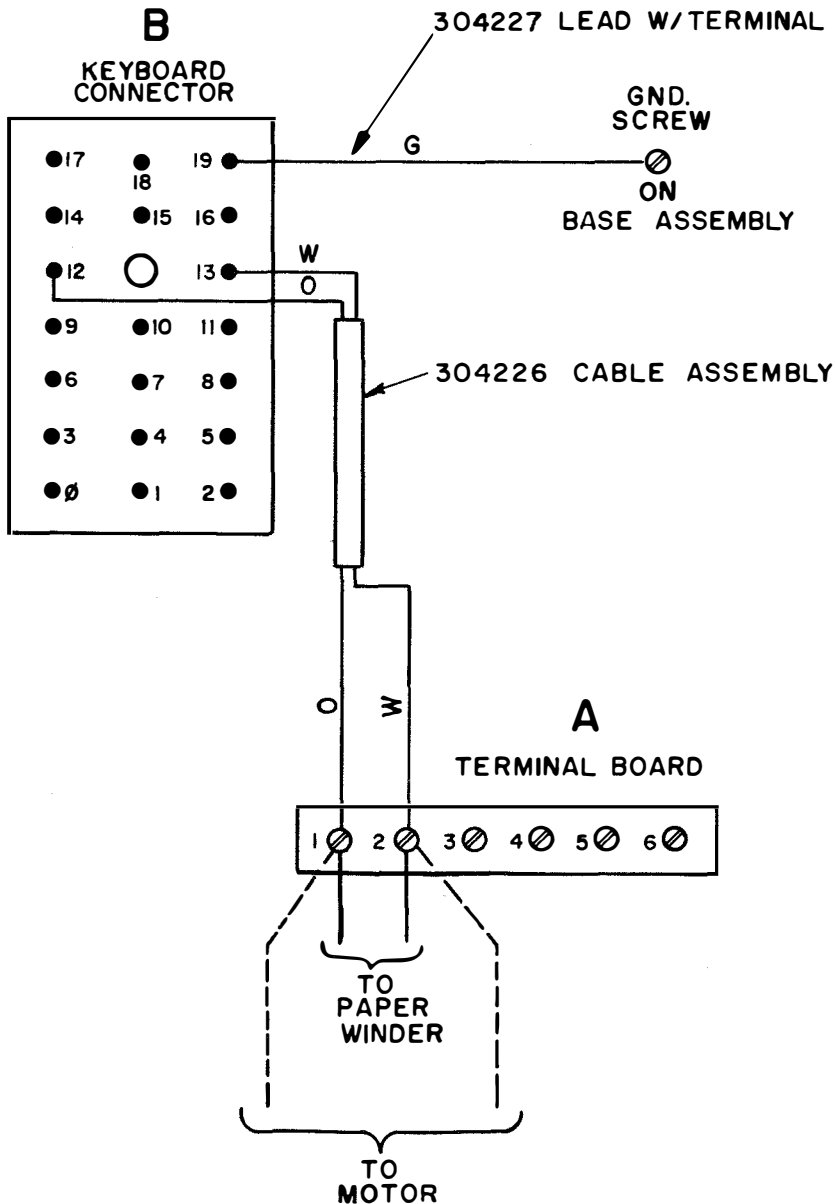
I. CONNECTOR VIEWED FROM SOLDER END.

DUPLICATE

7137 WD

REVISIONS

ISSUE	DATE	AUTH. NO.
2	2-11-65	86185



ACTUAL
WIRING DIAGRAM
FOR
BASE ASSEMBLY
304195

APPROVALS

D AND R

E OF M

HR

[Signature]

E-NUMBER

PROD. NO. 7137WD

DATE: 6-2-64

P.D. FILE NO. 42-A2/65AA

DRAWN. F.C.S.
M.K.

CHKD.

ENGD. P.P.P.

APPD.

TELETYPE
CORPORATION

7137 WD

REVISIONS

ISSUE	DATE	AUTH. NO.
1	9-4-64	15987-R
2	4-2-65	86688

- SHEET 1: ACTUAL WIRING OF 179376 CABLE ASSEMBLY (PART OF 304230).

SHEET 2: ACTUAL WIRING OF 304224 CABLE ASSEMBLY.

SHEET 3: ACTUAL WIRING OF BL AND BN TERMINAL BOARDS.

SCHEMATIC DIAGRAM - 7087WD
- WIRING LEGEND:

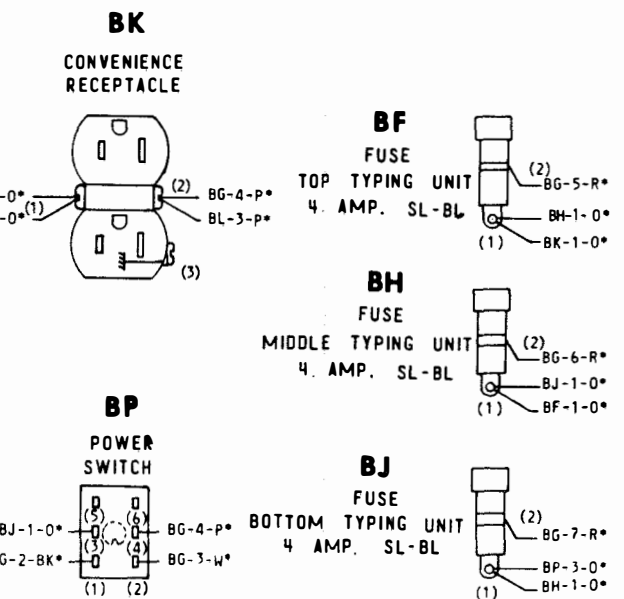
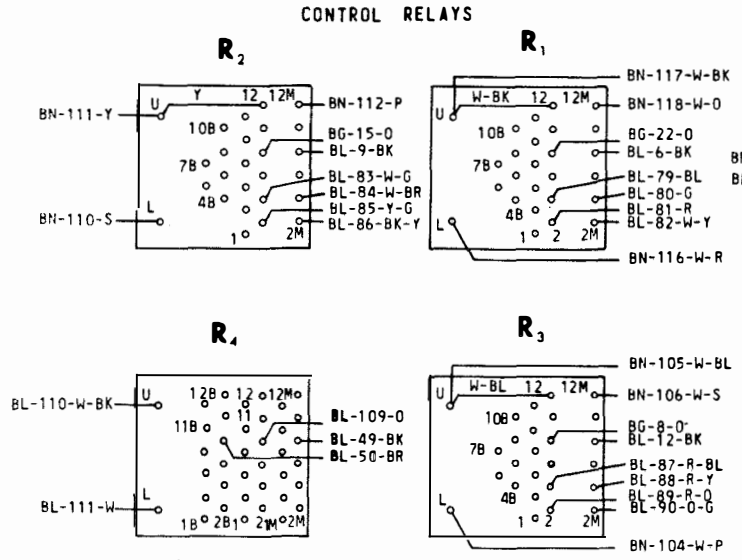
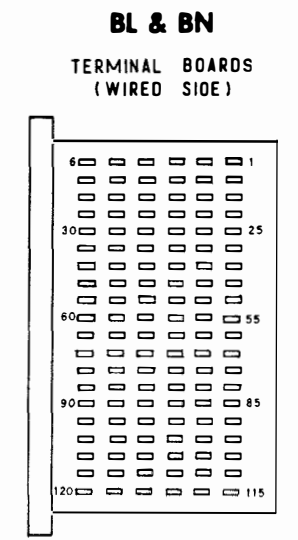
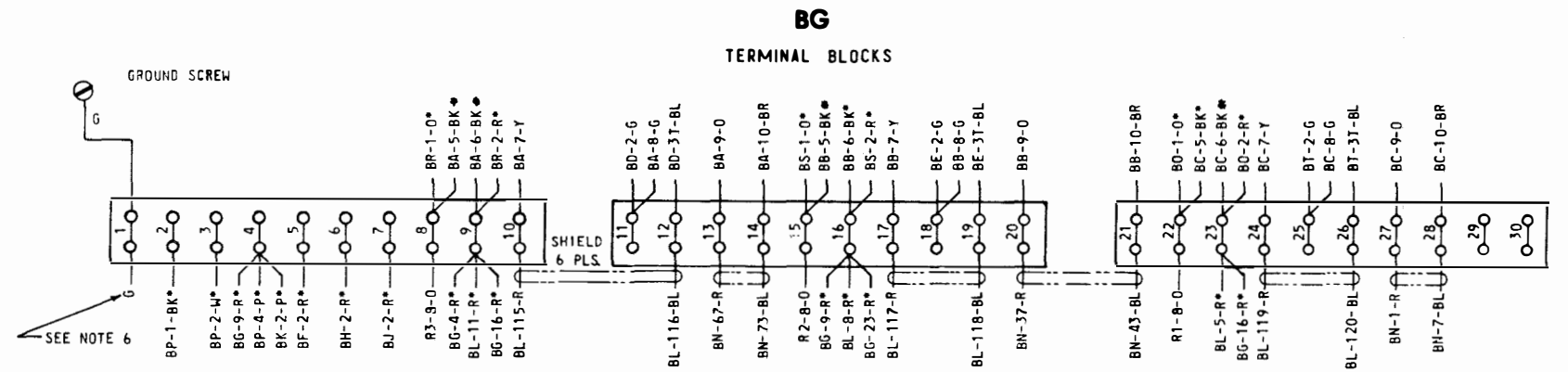
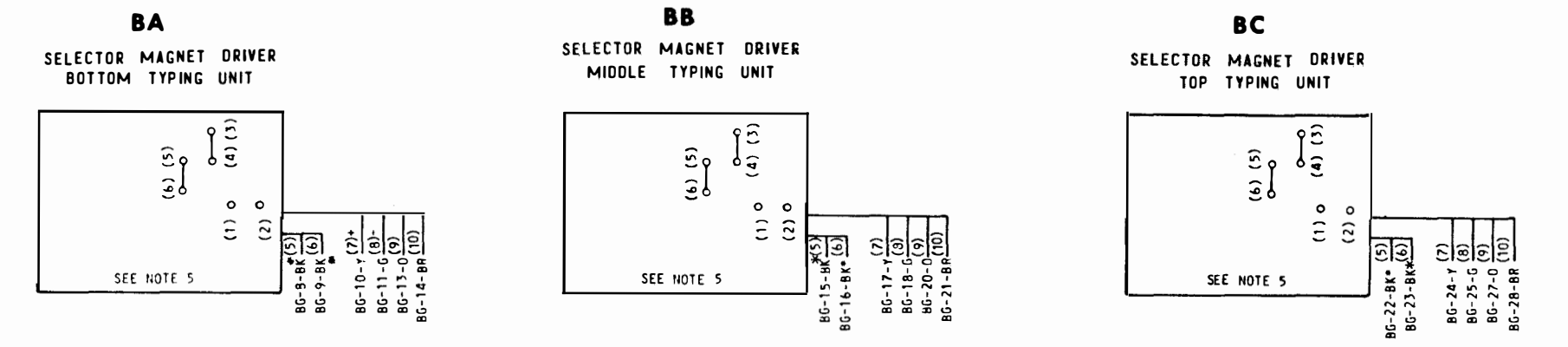
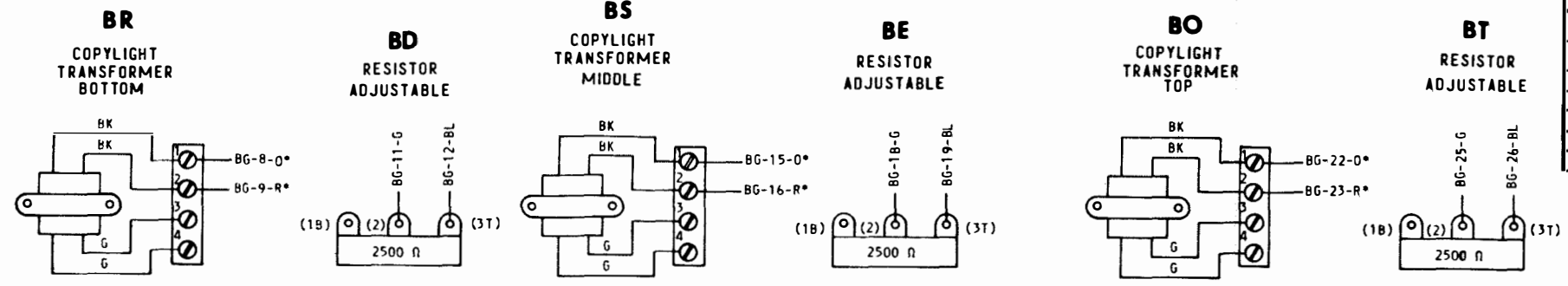
 - DISTANT TERMINATING AREA
 - DISTANT TERMINATING DESIGNATION
 - BG-12-BL WIRE COLOR CODE
- COLOR CODE:

BK-BLACK	P-PURPLE
BL-BLUE	R-RED
BR-BROWN	S-SLATE
G-GREEN	W-WHITE
O-ORANGE	Y-YELLOW
- COMPONENTS VIEWED FROM SOLDER TERMINAL ENDS.
- a. STRAPPING FOR SELECTOR MAGNET DRIVER INPUT OPTIONS:

.020 AMP. NEUTRAL OPERATION	1-2 OPEN	3-4 OPEN
.060 AMP. NEUTRAL OPERATION	1-2 STRAPPED	3-4 OPEN
.020 TO .030 AMP. POLAR OPERATION	1-2 OPEN	3-4 STRAPPED

b. FACTORY STRAPPING: 3 TO 4
- CUSTOMER TO INSTALL GROUND WIRE IN THIS POSITION.
- INDICATES 18 GA. WIRE.

— INDICATES SHIELDED CABLE. ALL OTHER WIRE 24 GA.
- INDICATES SPLICE.
- SL-BL INDICATES SLOW-BLOWING.
- SPECIFICATION NUMBER: 60311S
- TERMINAL DESIGNATIONS IN PARENTHESIS DO NOT APPEAR ON COMPONENTS.
- SHIELDS CONNECTED TO THE AIR CONNECTOR PLUG ARE ISOLATED FROM ALL OTHER SHIELDS AND ARE CONNECTED TO TERMINAL 52 OF THE BL TERMINAL BOARD.



SHEET 1 OF 3

ACTUAL WIRING DIAGRAM LBAC255

(WIRING OF ELECTRICAL SERVICE ASSEMBLY 304230)

APPROVALS

D AND R	E OF M
---------	--------

E-NUMBER

PROD. NO. 7149WD

DATE 6/11/64

P.D. FILE NO. 42-A2/65AA

DRAWN

CHKD.

ENGD. P.P.P.

APPD. EJC

TELETYPE CORPORATION

7149WD

SEE SHEET 1 FOR NOTES.
ALL LEADS ON THIS SHEET
ARE PART OF 304224 CABLE
ASSEMBLY.

RECEPTACLE CONNECTORS

7149WD

ISSUE	DATE	AUTH. NO.
1	9-4-64	15987-R
2	4-2-65	88688

STUNT BOX
(OUTER)

PRINTER
(INNER)

BASE OR
KEYBOARD

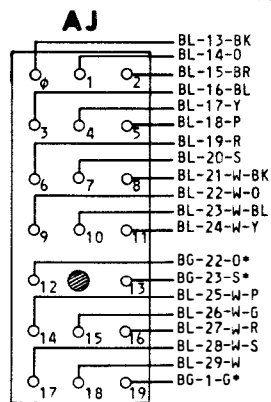
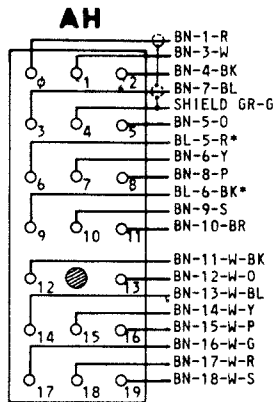
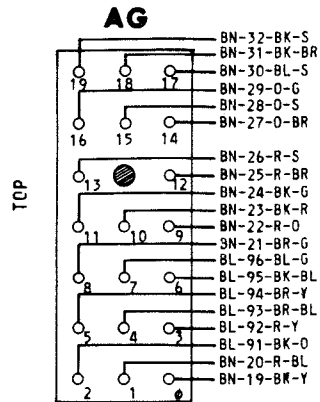
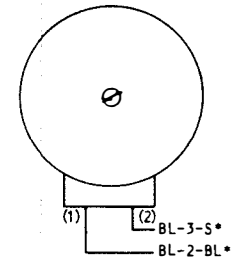
POWER
SWITCHES

COPY
LAMP HOLDERS

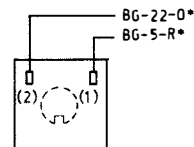
COPYRIGHT
TRANSFORMER
TERMINAL
BOARD

AD

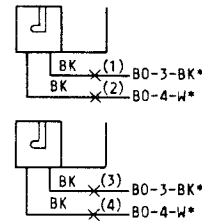
SIGNAL BELL



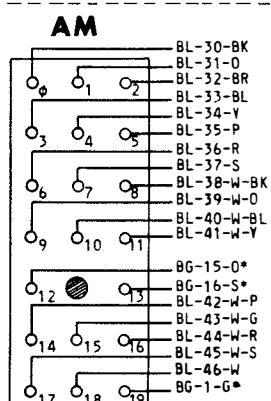
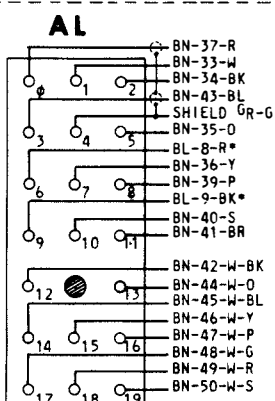
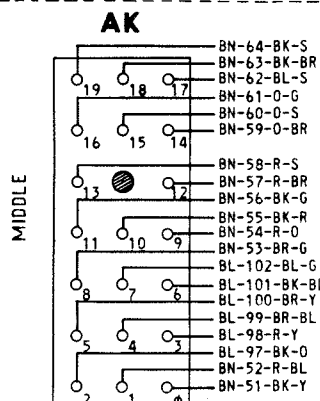
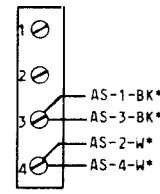
AA



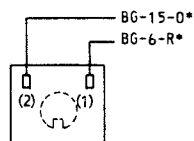
AS



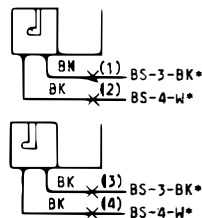
BO



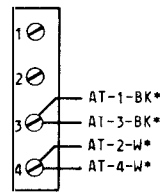
AB



AT

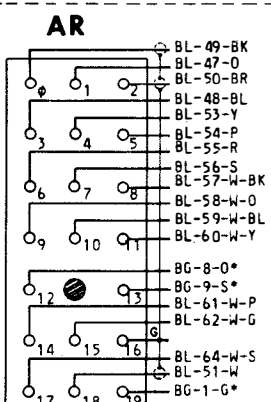
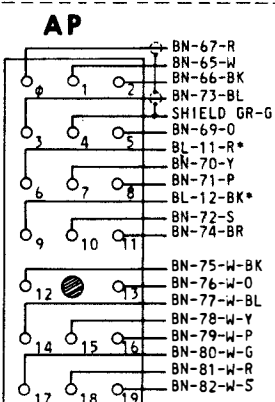
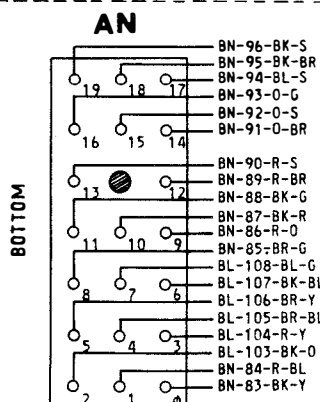
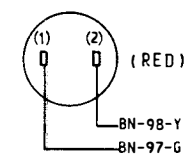


BS

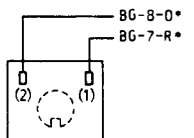


AE

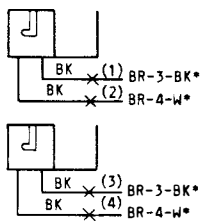
STAND-BY
INDICATOR LAMP



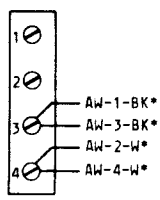
AC



AW

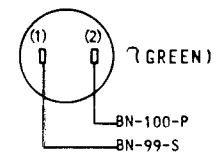


BR

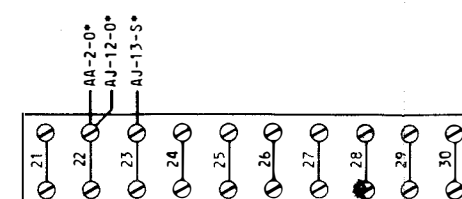
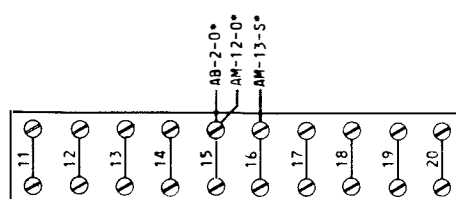
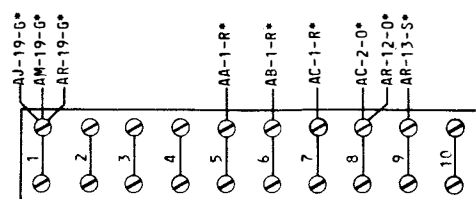


AF

OPERATE
INDICATOR LAMP



BG
TERMINAL BOARDS
(ON ELECTRICAL SERVICE ASSEMBLY)



SHEET 2 OF 3

ACTUAL
WIRING DIAGRAM
FOR
LBAC255

APPROVALS

D AND R E OF M

E-NUMBER

PRCD NO 7149WD

DATE 6-16-64

P.D. FILE NO 42-A2/65AA

DRAWN CHKD

ENGD P.P.P. APFD

TELETYPE
CORPORATION

7149WD

SEE SHEET 1 FOR NOTES.
SEE SHEET 2 FOR NUMBERING OF TERMINAL BOARDS.

179376 CABLE ASSEMBLY

7149WD

ISSUE	DATE	AUTH. NO.
1	9-4-64	15987-R
2	4-2-65	86688

NO.	DESTINATION	NO.	DESTINATION	NO.	DESTINATION	NO.	DESTINATION
1	BK-1-O*	31		61		91	
2		32		62		92	
3	BK-2-P*	33		63		93	
4		34		64		94	
5	BG-23-R*	35		65		95	
6	R1-8M-BK	36		66		96	
7		37		67		97	
8	BG-16-R*	38		68		98	
9	R2-8M-BK	39		69		99	
10		40		70		100	
11	BG-9-R*	41		71		101	
12	R3-8M-BK	42		72		102	
13		43		73		103	
14		44		74		104	
15		45		75		105	
16		46		76		106	
17		47		77		107	
18		48		78		108	
19		49	R4-8M-BK	79	R1-4-BL	109	R4-8-O
20		50	R4-8B-BR	80	R1-4M-G	110	R4-U-W-BK
21		51		81	R1-2-R	111	R4-L-W
22		52		82	R1-2M-W-Y	112	
23		53		83	R2-4-W-G	113	
24		54		84	R2-4M-W-BR	114	SHIELD GR.-G
25		55		85	R2-2-Y-G	115	BG-10-R
26		56		86	R2-2M-BK-Y	116	BG-12-BL
27		57		87	R3-4-R-BL	117	BG-17-R
28		58		88	R3-4M-R-Y	118	BG-19-BL
29		59		89	R3-2-R-O	119	BG-24-R
30		60		90	R3-2M-O-G	120	BG-26-BL

NO.	DESTINATION	NO.	DESTINATION	NO.	DESTINATION	NO.	DESTINATION
1	BG-27-R	31		61		91	
2	SHIELD GR.-G	32		62		92	
3		33		63		93	
4		34		64		94	
5		35		65		95	
6		36		66		96	
7	BG-28-BL	37	BG-20-R	67	BG-13-R	97	
8		38	SHIELD GR.-G	68	SHIELD GR.-G	98	
9		39		69		99	
10		40		70		100	
11		41		71		101	
12		42		72		102	
13		43	BG-21-BL	73	BG-14-BL	103	
14		44		74		104	R3-L-W-P
15		45		75		105	R3-U-W-BL
16		46		76		106	R3-12M-W-S
17		47		77		107	
18		48		78		108	
19		49		79		109	
20		50		80		110	R2-L-S
21		51		81		111	R2-U-Y
22		52		82		112	R2-12M-P
23		53		83		113	
24		54		84		114	
25		55		85		115	
26		56		86		116	R1-L-W-R
27		57		87		117	R1-U-W-BK
28		58		88		118	R1-12M-W-O
29		59		89		119	
30		60		90		120	

304224 CABLE ASSEMBLY

NO.	DESTINATION	NO.	DESTINATION	NO.	DESTINATION	NO.	DESTINATION
1		31	AM-1-O	61	AR-14-W-P	91	AG-2-BK-O
2	AD-1-BL*	32	AM-2-BR	62	AR-15-W-G	92	AG-3-R-Y
3	AD-2-S*	33	AM-3-BL	63		93	AG-4-BR-BL
4		34	AM-4-Y	64	AR-17-W-S	94	AG-5-BR-Y
5	AH-6-R*	35	AM-5-P	65		95	AG-6-BK-BL
6	AH-9-BK*	36	AM-6-R	66		96	AG-7-BL-G
7		37	AM-7-S	67		97	AK-2-BK-O
8	AL-6-R*	38	AM-8-W-BK	68		98	AK-3-R-Y
9	AL-9-BK*	39	AM-9-W-O	69		99	AK-4-BR-BL
10		40	AM-10-W-BL	70		100	AK-5-BR-Y
11	AP-6-R*	41	AM-11-W-Y	71		101	AK-6-BK-BL
12	AP-9-BK*	42	AM-14-W-P	72		102	AK-7-BL-G
13	AJ-φ-9K	43	AM-15-W-G	73		103	AN-2-BK-O
14	AJ-1-O	44	AM-16-W-R	74		104	AN-3-R-Y
15	AJ-2-BR	45	AM-17-W-S	75		105	AN-4-BR-BL
16	AJ-3-BL	46	AM-18-W	76		106	AN-5-BR-Y
17	AJ-4-Y	47	AR-1-O	77		107	AN-6-BK-BL
18	AJ-5-P	48	AR-3-BL	78		108	AN-7-BL-G
19	AJ-6-R	49	AR-φ-BK	79		109	
20	AJ-7-S	50	AR-2-BR	80		110	
21	AJ-8-W-BK	51	AR-18-W	81		111	
22	AJ-9-W-O	52	SHIELD GR.-G(NOTE 12)	82		112	
23	AJ-10-W-BL	53	AR-4-Y	83		113	
24	AJ-11-W-Y	54	AR-5-P	84	BN-2-G	114	
25	AJ-14-W-P	55	AR-6-R	85		115	
26	AJ-15-W-G	56	AR-7-S	86		116	
27	AJ-16-W-R	57	AR-8-W-BK	87		117	
28	AJ-17-W-S	58	AR-9-W-O	88		118	
29	AJ-18-W	59	AR-10-W-BL	89		119	
30	AM-φ-BK	60	AR-11-W-Y	90		120	

NO.	DESTINATION	NO.	DESTINATION	NO.	DESTINATION	NO.	DESTINATION
1	AH-φ-R	31	AG-18-BK-BR	61	AK-16-O-G	91	AN-14-O-BR
2	SHIELD GR.-G(BL-14-G)	32	AG-19-BK-S	62	AK-17-BL-S	92	AN-15-O-S
3	AH-1-W	33	AL-1-W	63	AK-18-BK-BR	93	AN-16-O-G
4	AH-2-BK	34	AL-2-BK	64	AK-19-BK-S	94	AN-17-BL-S
5	AH-5-O	35	AL-5-O	65	AP-1-W	95	AN-18-BK-BR
6	AH-7-Y	36	AL-7-Y	66	AP-2-BK	96	AN-19-BK-S
7	AH-3-BL	37	AL-φ-R	67	AP-φ-R	97	AE-1-G
8	AH-B-P	38	SHIELD GR.-G(BN-2-G)	68	SHIELD GR.-G(BN-30-G)	98	AE-2-Y
9	AH-10-S	39	AL-8-P	69	AP-5-O	99	AF-1-S
10	AH-11-BR	40	AL-10-S	70	AP-7-Y	100	AF-2-P
11	AH-12-W-BK	41	AL-11-BR	71	AP-8-P	101	
12	AH-13-W-O	42	AL-12-W-BK	72	AP-10-S	102	
13	AH-14-W-BL	43	AL-3-BL	73	AP-3-BL	103	
14	AH-15-W-Y	44	AL-13-W-O	74	AP-11-BR	104	
15	AH-16-W-P	45	AL-14-W-BL	75	AP-12-W-BK	105	
16	AH-17-W-G	46	AL-15-W-Y	76	AP-13-W-O	106	
17	AH-18-W-R	47	AL-16-W-P	77	AP-14-W-BL	107	
18	AH-19-W-S	48	AL-17-W-G	78	AP-15-W-Y	108	
19	AG-φ-BK-Y	49	AL-18-W-R	79	AP-16-W-P	109	
20	AG-1-R-BL	50	AL-19-W-S	80	AP-17-W-G	110	
21	AG-8-BR-G	51	AK-φ-BK-Y	81	AP-18-W-R	111	
22	AG-9-R-O	52	AK-1-R-BL	82	AP-19-W-S	112	
23	AG-10-BK-R	53	AK-8-BR-G	83	AN-φ-BK-Y	113	
24	AG-11-BK-G	54	AK-9-R-O	84	AN-1-R-BL	114	
25	AG-12-R-BR	55	AK-10-BK-R	85	AN-8-BR-G	115	
26	AG-13-R-S	56	AK-11-BK-G	86	AN-9-R-O	116	
27	AG-14-O-BR	57	AK-12-R-BR	87	AN-10-BK-R	117	
28	AG-15-O-S	58	AK-13-R-S	88	AN-11-BK-G	118	
29	AG-16-O-G	59	AK-14-O-BR	89	AN-12-R-BR	119	
30	AG-17-BL-S	60	AK-15-O-S	90	AN-13-R-S	120	

SHEET 3 OF 3

ACTUAL WIRING DIAGRAM
LBAC255
(WIRING OF BL AND BN TERMINAL BOARDS)

APPROVALS
BY AND FOR E OF M

DATE 7-10-64
P.O. FILE NO. 42-A2/65AA

DRAWN CHKD
ENGR PPP APPD

TELETYPE CORPORATION
7149WD

- NO. NOTES**
- CHANNEL LEGEND:**

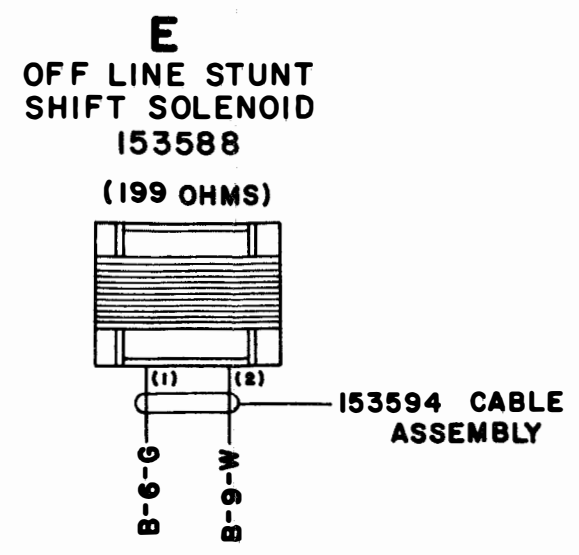
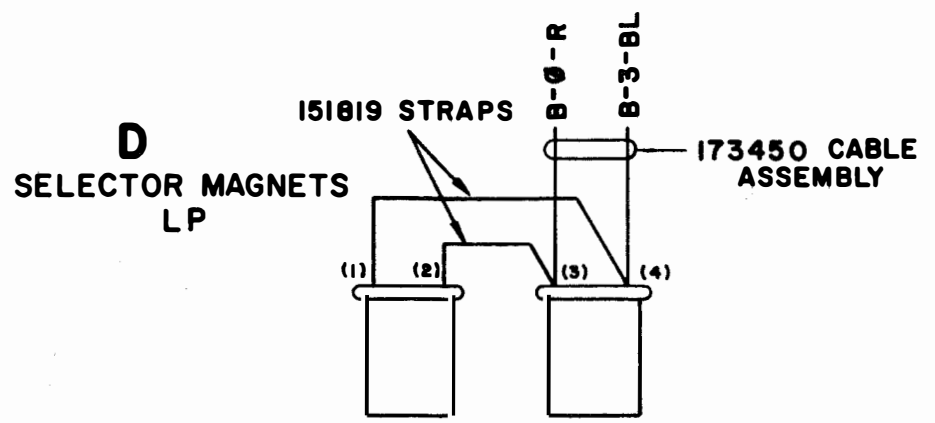
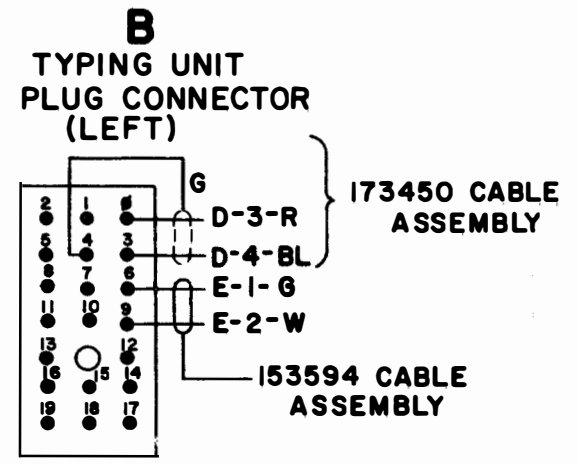
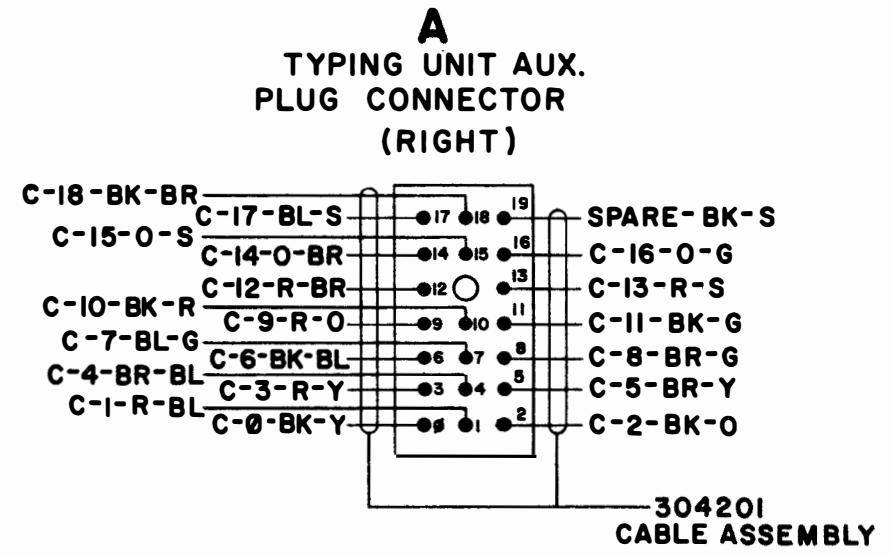
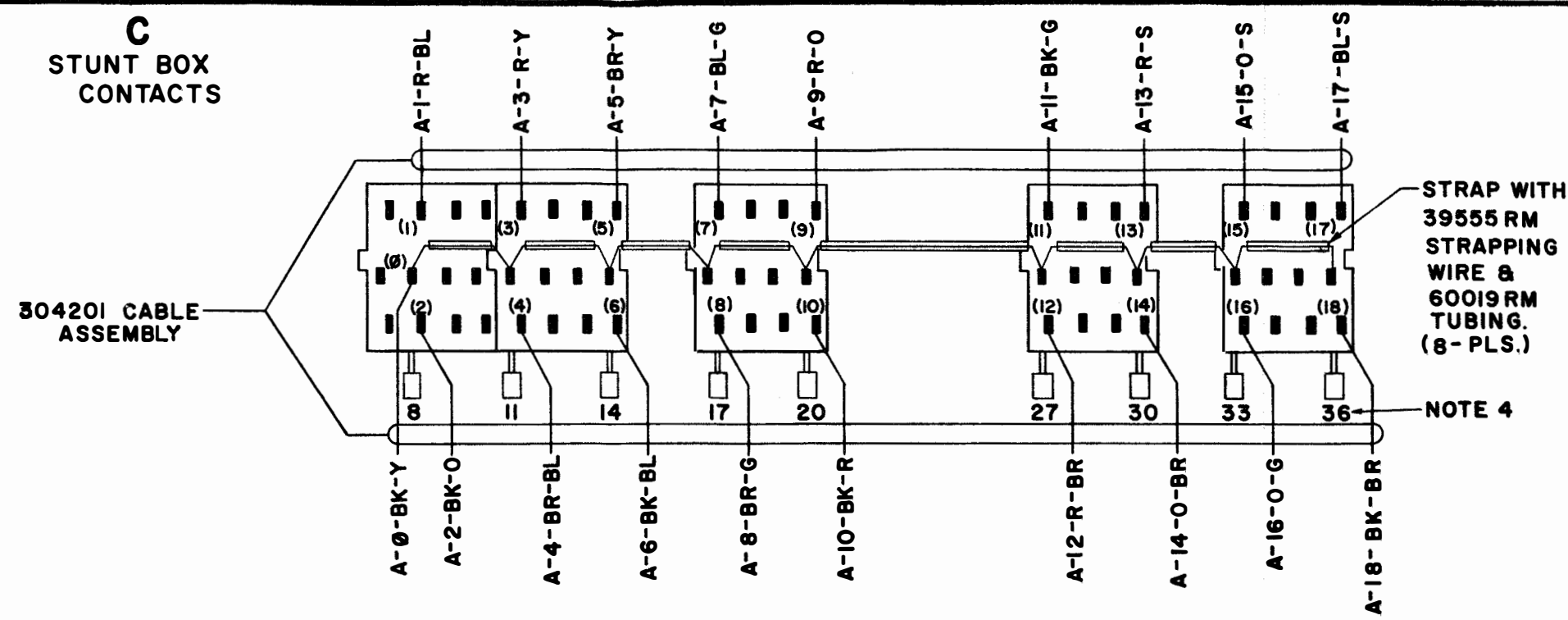
DISTANT TERMINATING AREA

DISTANT TERMINAL DESTINATION

WIRE COLOR

C-3-BL
 - COLOR CODE:**

BK - BLACK	G - GREEN
BR - BROWN	BL - BLUE
R - RED	P - PURPLE
O - ORANGE	S - SLATE
Y - YELLOW	W - WHITE
 - CONNECTORS VIEWED FROM SOLDERED TERMINAL END.
 - INDICATES NUMBER OF SLOT IN STUNT BOX.
 - USE 15575I SLEEVES ON EACH TERMINAL OF THE "A" CONNECTOR AND ON TERMINALS 4, 6 & 9 OF THE "B" CONNECTOR.



APPROVALS

D AND R	E OF M
<i>[Signature]</i>	<i>[Signature]</i>

E. NUMBER

PROD. NO. 7154 WD

ACTUAL WIRING DIAGRAM FOR MODEL 28 TYPING UNIT LP124 WITH STUNT BOX "AJU"

DATE: 6-4-64

P.D. FILE NO. 42-A2/65AA

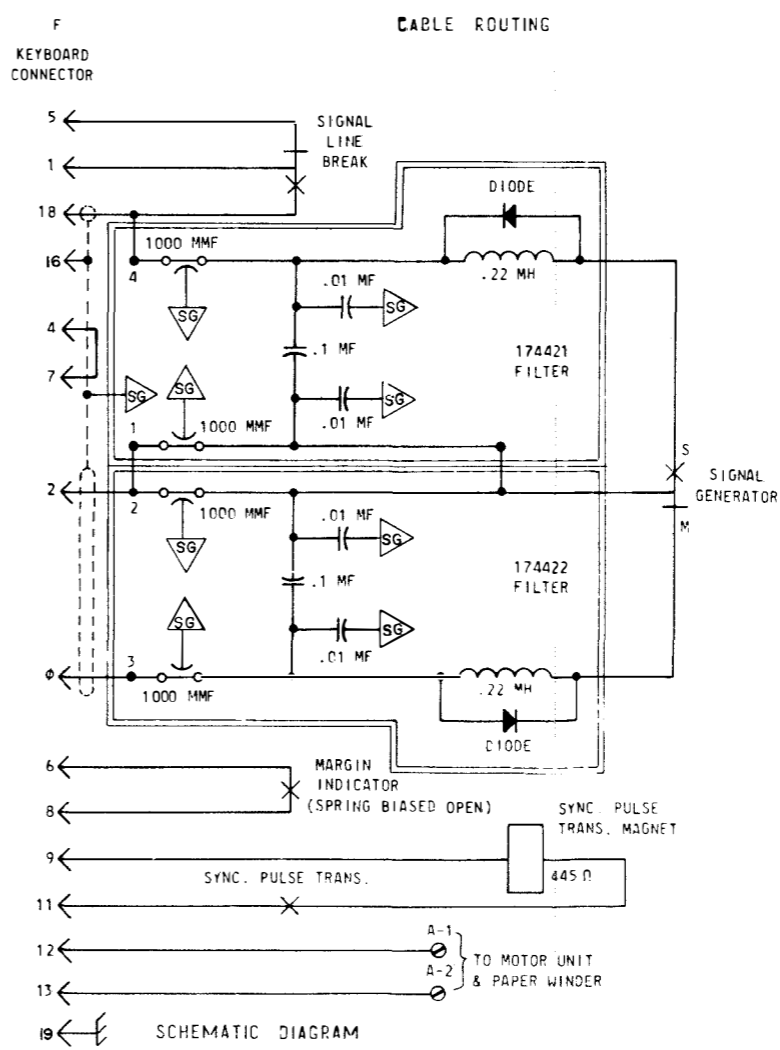
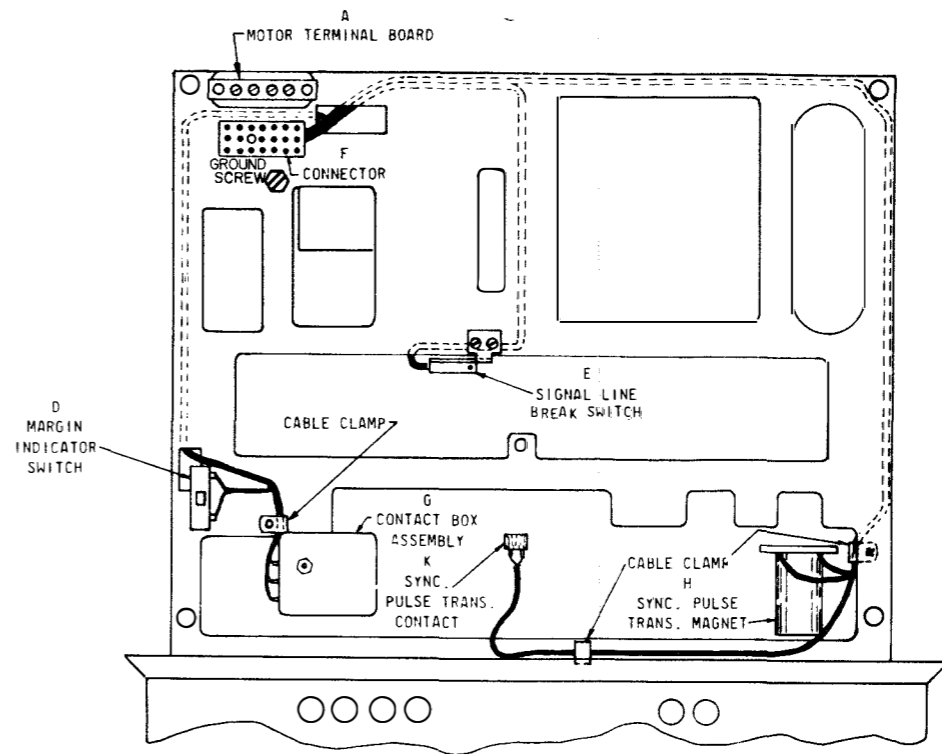
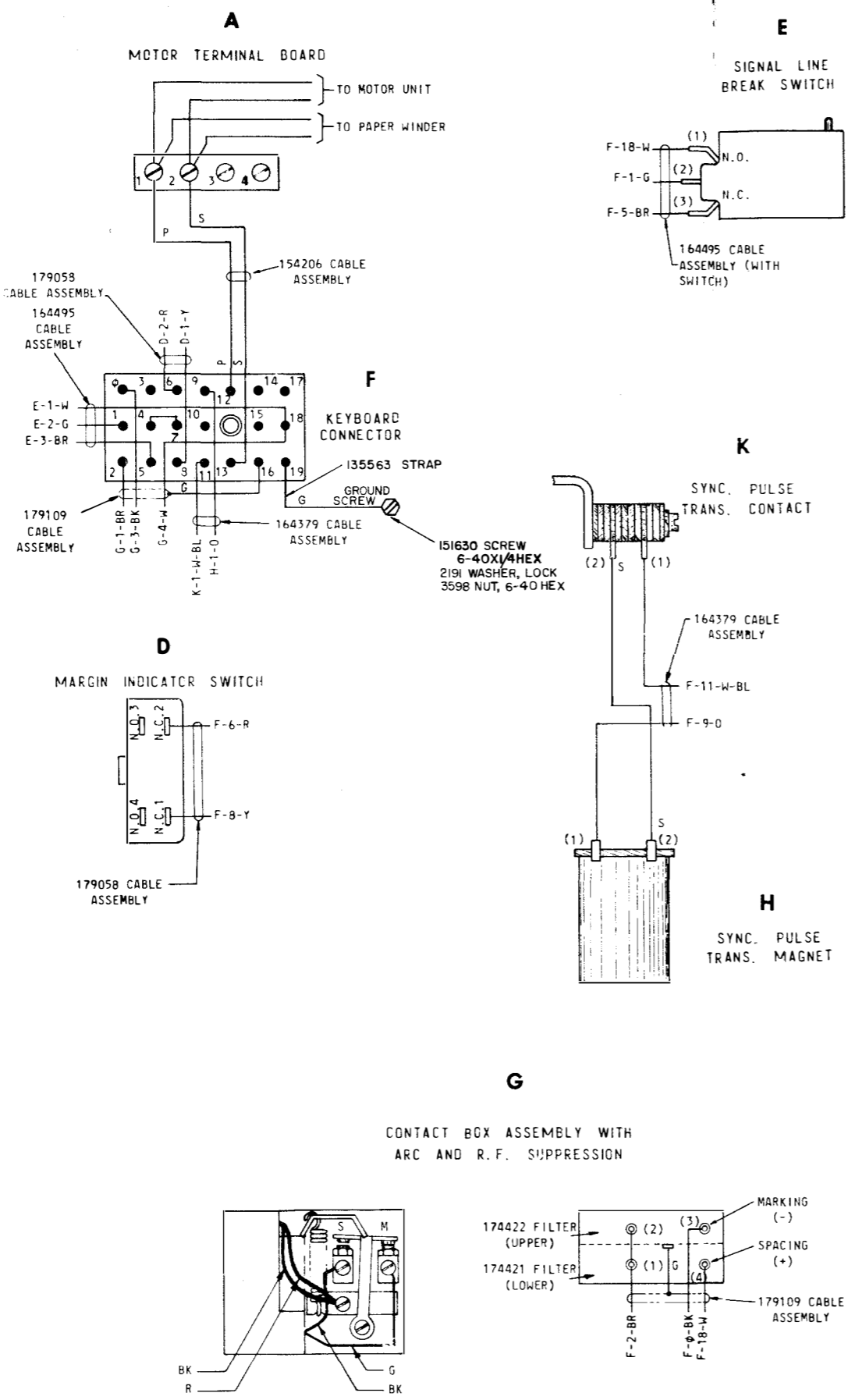
DRAWN. F.C.S. CHKD. *[Signature]*

ENGD. P.P.P. APPD. *[Signature]*

TELETYPE CORPORATION

7154 W

1. WIRING LEGEND:
 DISTANT TERMINATING AREA
 DISTANT TERMINATING DESIGNATION
 F-8-Y WIRE COLOR CODE
2. COLOR CODE:
 BK-BLACK P-PURPLE
 BL-BLUE R-RED
 BR-BROWN S-SLATE
 G-GREEN W-WHITE
 O-ORANGE Y-YELLOW
3. CONNECTOR VIEWED FROM SOLDER TERMINAL SIDE.
4. 154206, 179058 AND 179109 CABLE ASSEMBLIES ARE PART OF 179110 KEYBOARD CABLE ASSEMBLY.
5. FOR PROPER R.F. FILTERING, POLARITY OF FILTERS MUST BE MAINTAINED. FACTORY WIRING IS FOR:
 a. MARKING CONTACT - NEGATIVE (-)
 b. SPACING CONTACT - POSITIVE (+)
 TO REVERSE POLARITY SO THAT THE MARKING CONTACT IS POSITIVE (+) AND THE SPACING CONTACT IS NEGATIVE (-), MAKE THE FOLLOWING CHANGES WITHIN THE CONTACT BOX ASSEMBLY:
 a. MOVE THE BLACK LEAD ON THE SPACING CONTACT TERMINAL SCREW TO THE MARKING CONTACT TERMINAL SCREW.
 b. MOVE THE GREEN LEAD ON THE MARKING CONTACT TERMINAL SCREW TO THE SPACING CONTACT TERMINAL SCREW.
 c. INTERCHANGE THE BLACK AND WHITE LEADS FROM THE "F" CONNECTOR TO THE CONTACT BOX SO THAT THE BLACK LEAD NOW CONNECTS TO TERMINAL 4 AND THE WHITE LEAD CONNECTS TO TERMINAL 3.
6. ← MALE CONNECTOR TERMINAL
7. TERMINATING DESIGNATIONS IN PARENTHESIS, DO NOT APPEAR ON COMPONENT.



7155 WD

REVISIONS

ISSUE	DATE	AUTH. NO.
1	2-5-65	16061-R
2	3-23-65	86787

ACTUAL AND SCHEMATIC WIRING DIAGRAM FOR MODEL 28 KEYBOARD LK52

APPROVALS

D AND R E OF M
H/K *[Signature]*

E-NUMBER

PROD. NO. 7155WD

DATE 6/17/64

P.D. FILE NO. 42-42765AA

DRAWN P.P.P. CHKD. *[Signature]*

ENG. P.P.P. APPD. *[Signature]*

TELETYPE CORPORATION

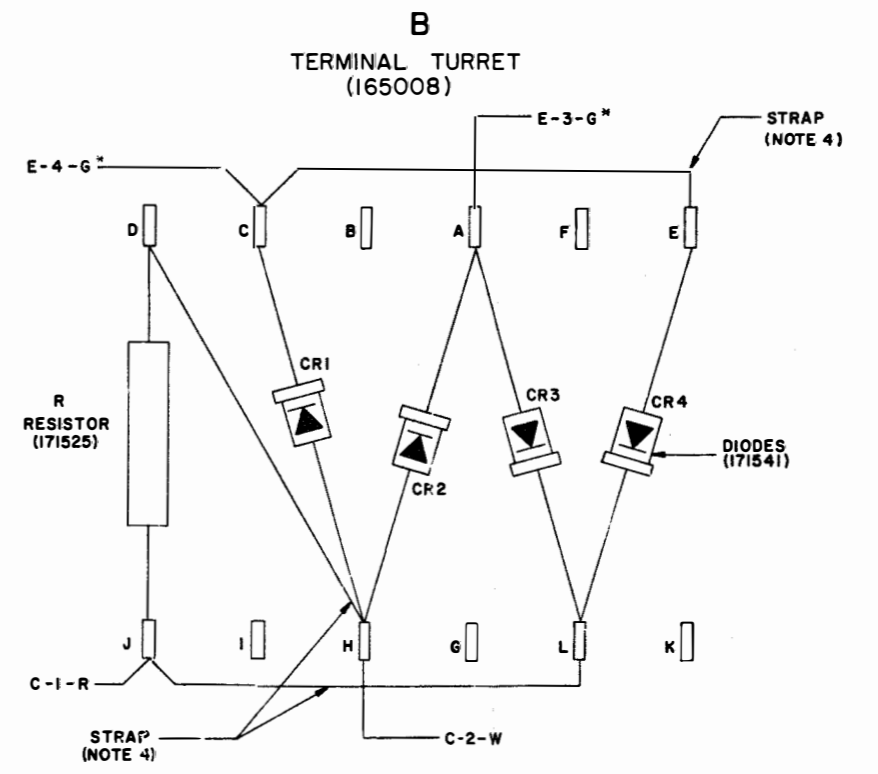
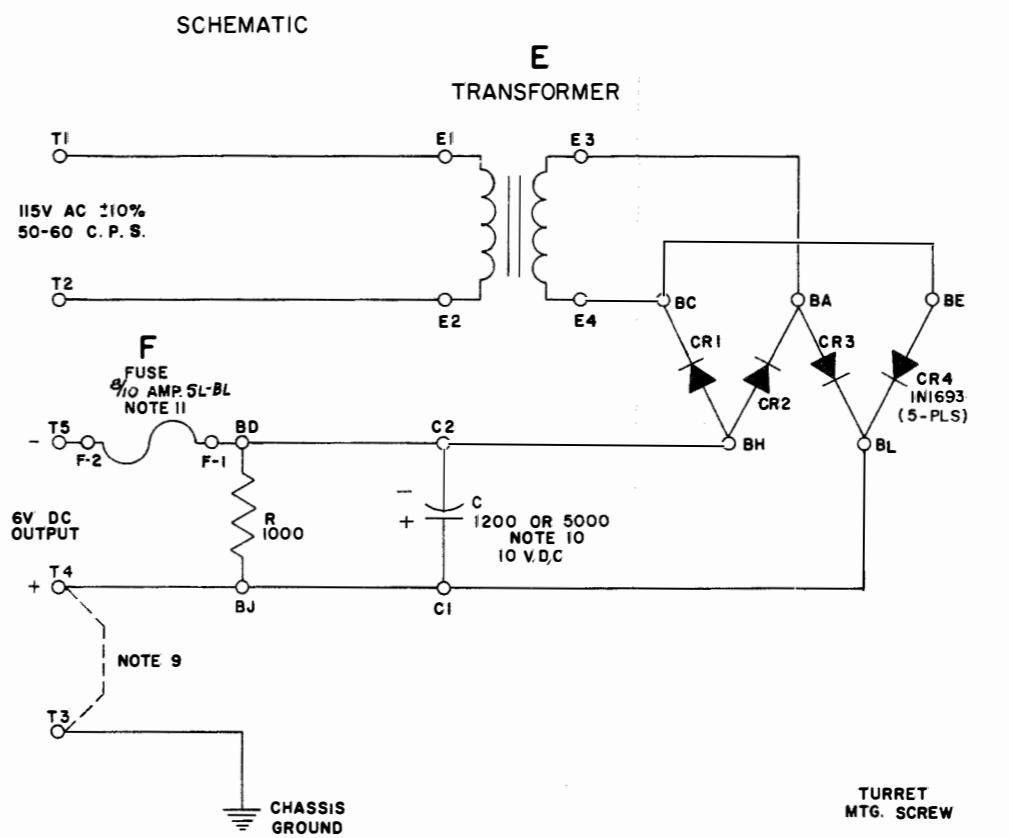
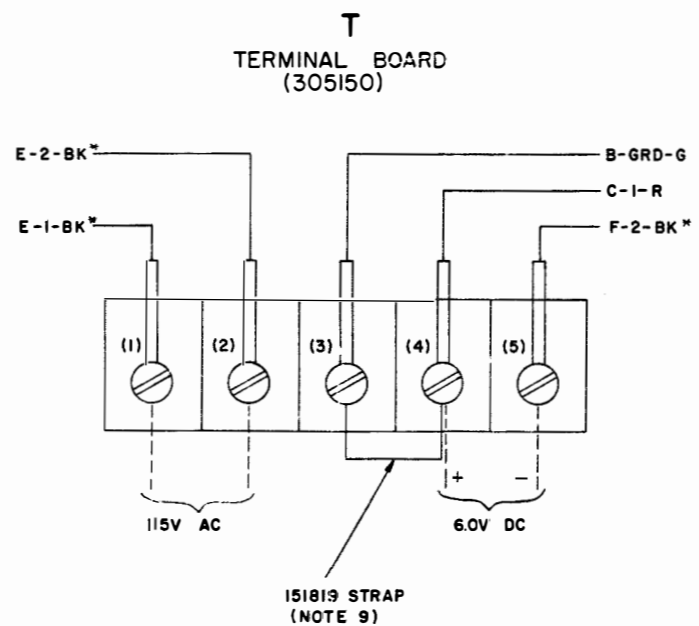
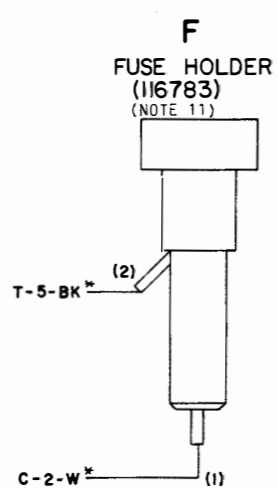
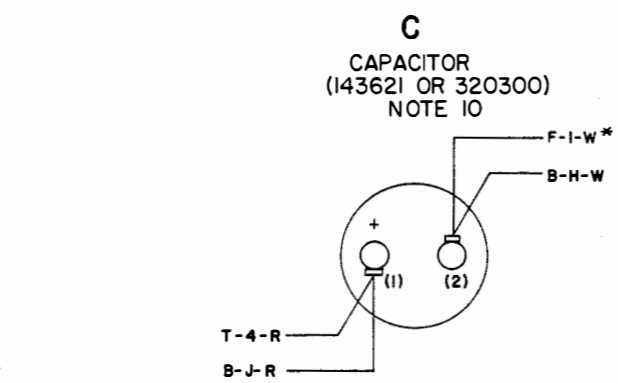
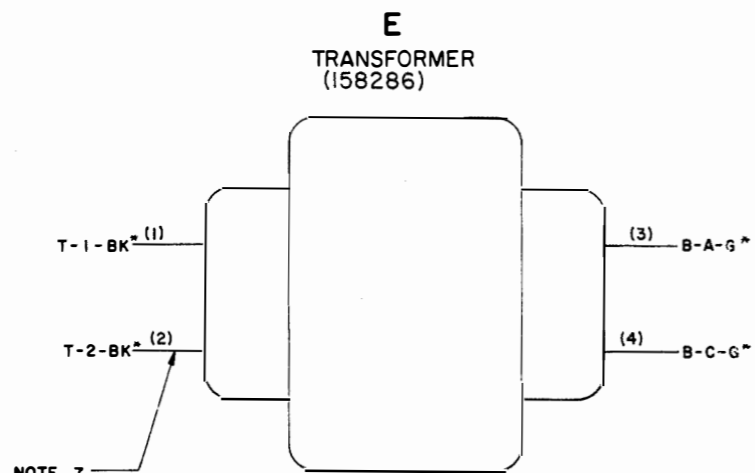
7155 WD

7241WD

REVISIONS

ISSUE	DATE	AUTH. NO.
1	6-22-64	15889
2	3- -65	86444
3	5-4-65	87006
4	6-23-65	87626
5	7-27-65	88257
6	9-22-65	89046
7	3-28-66	90478
8	6-19-67	92656
9	3-26-68	95610
10	8-11-69	99383

- NO NOTES
- WIRE COLOR CODE.
BK - BLACK R - RED
BL - BLUE G - GREEN
S - SLATE W - WHITE
P - PURPLE Y - YELLOW
G - GREEN BR - BROWN
 - WIRING LEGEND.
DISTANT TERMINATING AREA
DISTANT TERMINATING DESIGNATIONS
A-1-BK WIRE COLOR CODE
 - ASTERISK * INDICATES 18 GA U L WIRE ALL OTHER WIRE 22 GA
 - STRAP WITH 22 GA INSULATED WIRE
 - RESISTOR 5 WATT. RESISTANCE VALUE IN OHMS
 - CAPACITANCE VALUE IN MICROFARADS
 - LEADS FURNISHED WITH TRANSFORMER. CUT LEADS TO 4 1/2 INCH LENGTH. SKIN 3.8 INCH TWIST AND TIN (4 PLS)
 - DESIGNATIONS SHOWN IN PARENTHESES ARE FOR REFERENCE ONLY, AND DO NOT NECESSARILY APPEAR ON THE COMPONENT.
 - THE POSITIVE SIDE OF THE OUTPUT VOLTAGE IS GROUNDED IF THIS IS NOT DESIRED IN OTHER APPLICATION. REMOVE STRAP BETWEEN TERMINALS 3 AND 4
 - THE 143621 CAPACITOR (1200 uF) HAS BEEN CHANGED TO A 320300 CAPACITOR (5000 uF) ON MORE RECENT SETS THIS CHANGE WAS INITIATED TO REDUCE THE RIPPLE OF THE REFERENCE VOLTAGE SUPPLY
 - SOME SETS EQUIPPED WITH 3/10 AMP. OR 1/2 AMP. FUSE. THE 8/10 AMP. FUSE HAS PART NO. 162360 SL-BL INDICATES SLOW-BLOWING.



WDP

ACTUAL AND SCHEMATIC WIRING DIAGRAM FOR 305143 6.0 VOLT DC REFERENCE VOLTAGE SUPPLY

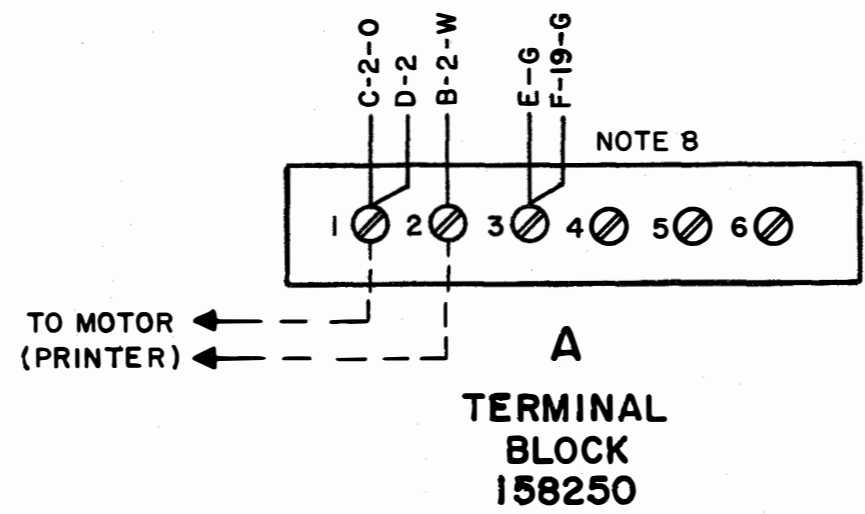
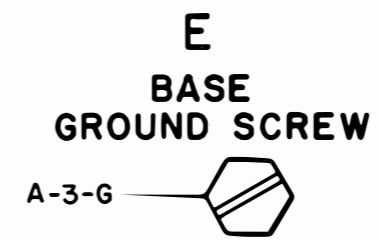
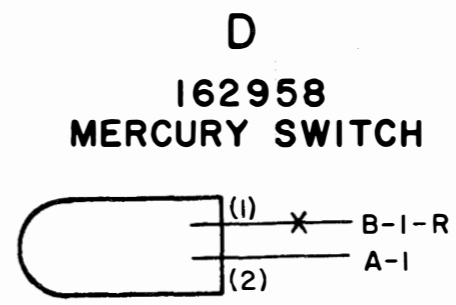
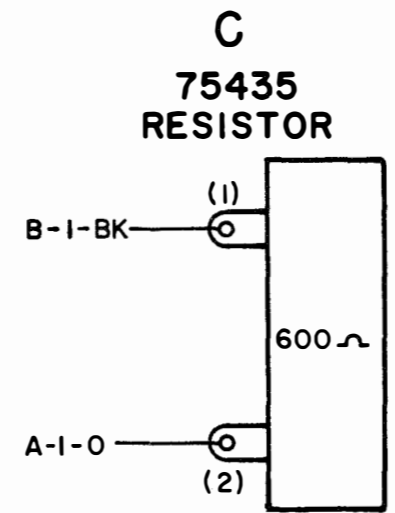
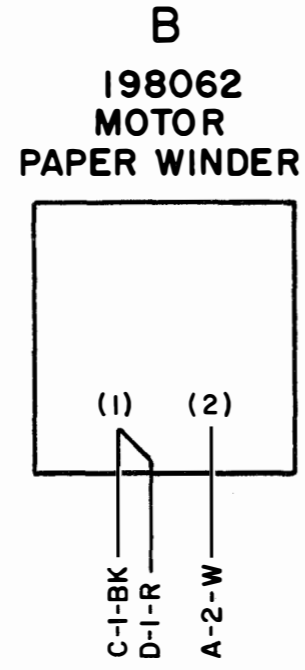
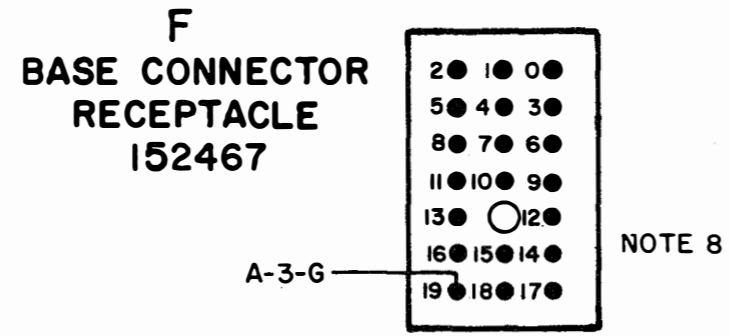
APPROVALS	
D AND R H. J. K.	E OF M
E-NUMBER	
PROD. NO. 7241WD	
DATE 3/19/64	
P.D. FILE NO. 6-AA 219A	
DRAWN H.C.	CHKD.
ENGD. D.E.T	APPD. T.I.P.

TELETYPE CORPORATION

7241WD

- NO. NOTES**
- WIRING LEGEND:**
 - DISTANT TERMINATING AREA
 - DISTANT TERMINAL DESIGNATION
 - WIRE COLOR CODE

A-1-0
 - COLOR CODE:**
 - BK - BLACK
 - O - ORANGE
 - W - WHITE
 - G - GREEN
 - R - RED
 - NUMBERS ENCLOSED IN PARENTHESES ARE FOR REFERENCE ONLY AND ARE NOT MARKED ON COMPONENT.
 - X** DENOTES SPLICE AND TAPE.
 - PAPER WINDER MOTOR OPERATES ON 115 V.A.C. ± 10% 50 OR 60 CYCLES.
 - FOR TELETYPE PERSONNEL REFERENCE: REFER TO SPECIFICATION 60,995 S FOR THE 310088 BASE ASSEMBLY AND SPECIFICATION 61,102 S FOR THE 317009 BASE ASSEMBLY.
 - FOR SCHEMATIC WIRING DIAGRAMS REFER TO 7532 WD FOR 310088 BASE ASSEMBLY AND 7809 WD FOR 317009 BASE ASSEMBLY.
 - "F" CONNECTOR AND ASSOCIATED WIRING NOT USED ON 317009 BASE ASSEMBLY.



7556 WD

REVISIONS		
ISSUE	DATE	AUTH. NO.
1	1-9-65	16358-R
2	10-21-65	89283

ACTUAL WIRING DIAGRAM FOR 310088 AND 317009 BASE ASSEMBLIES

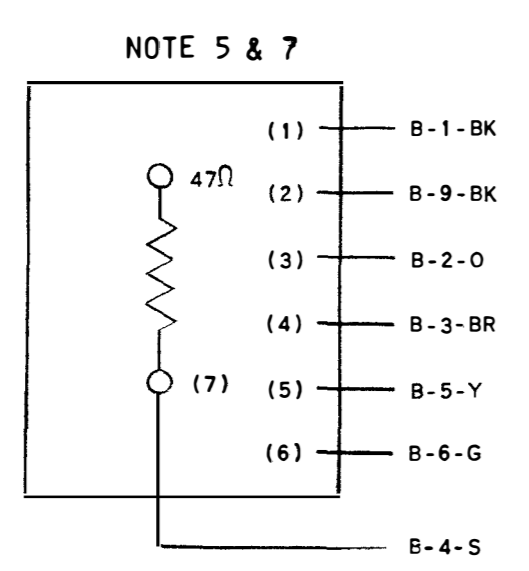
APPROVALS	
D AND R	E OF M
<i>O.A.L.</i>	<i>[Signature]</i>
E-NUMBER	
PROD. NO. 7556 WD	
DATE: 11-12-64	
P.D. FILE NO. N-8-G	
DRAWN J.J.A.	CHKD. <i>[Signature]</i>
ENGR. D.C.L.	APPD. <i>O.A.L.</i>
TELETYPE CORPORATION	
7556 WD	

REVISIONS

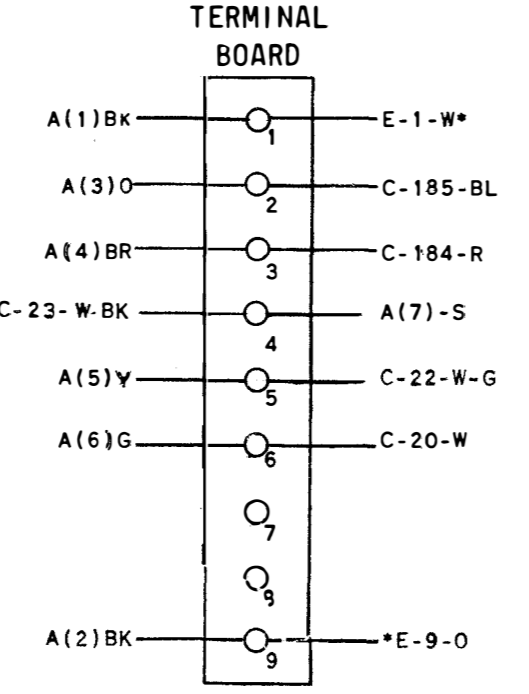
ISSUE	DATE	AUTH. NO.
1	11-16-64	15864-R
2	4-20-65	86583

1. WIRING LEGEND:
 DISTANT TERMINATING AREA
 DISTANT TERMINATING DESIGNATION
 B-1-BK
 WIRE COLOR CODE
2. SEE 7469WD FOR SCHEMATIC WIRING DIAGRAM.
3. TERMINAL DESIGNATIONS ENCLOSED IN PARENTHESES ARE FOR REFERENCE AND ARE NOT MARKED ON COMPONENTS.
4. ASSOCIATED CABLES:
 173857 CABLE ASSEMBLY
 309422 CABLE ASSEMBLY
 309423 CABLE ASSEMBLY
5. SELECTOR MAGNET DRIVERS TO BE WIRED FOR POLAR OPTIONS (REFER TO 4445WD).
6. *ASTERISK INDICATES 18 GA.
7. SELECTOR MAGNET DRIVERS ARE EQUIPPED WITH MOD. KIT 195528 TO ADD BLINDING RESISTOR (47Ω) (REFER TO SPECIFICATION 60,610S)

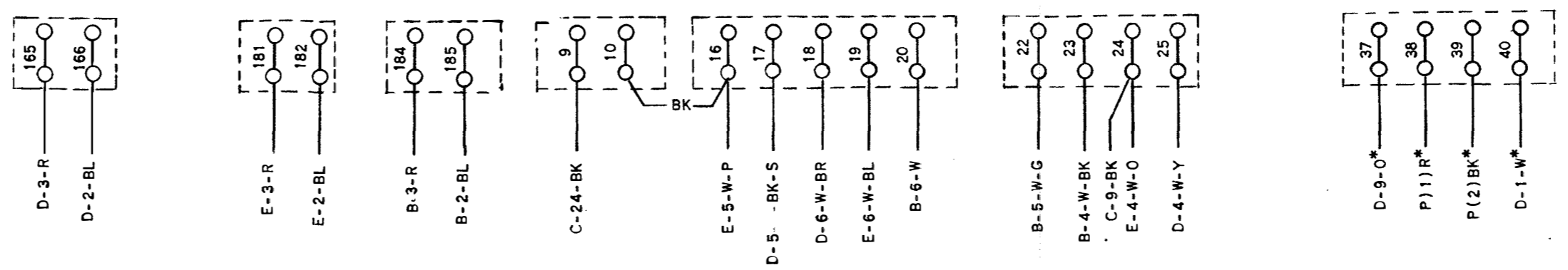
SELECTOR MAGNET DRIVER



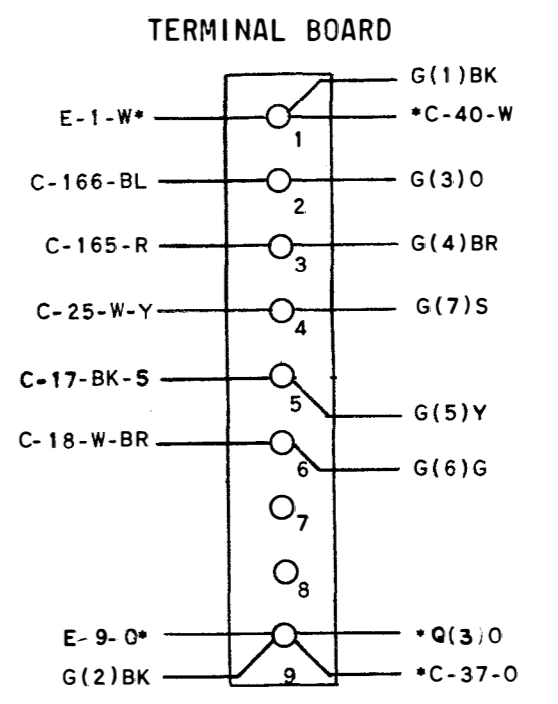
TERMINAL BOARD



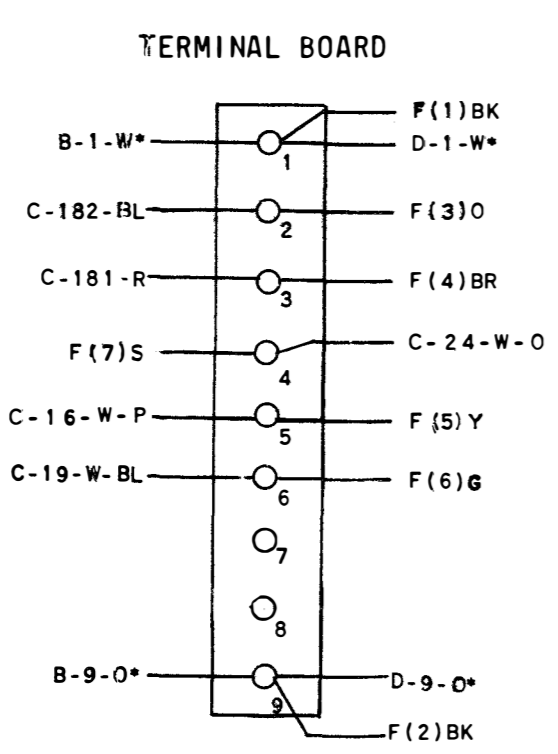
CABINET TERMINAL BLOCK



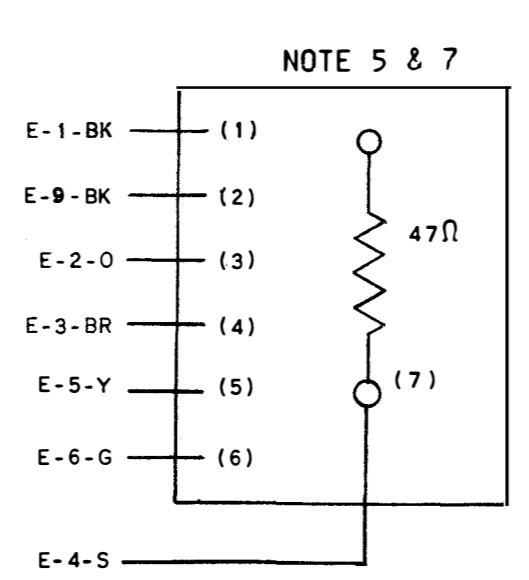
TERMINAL BOARD



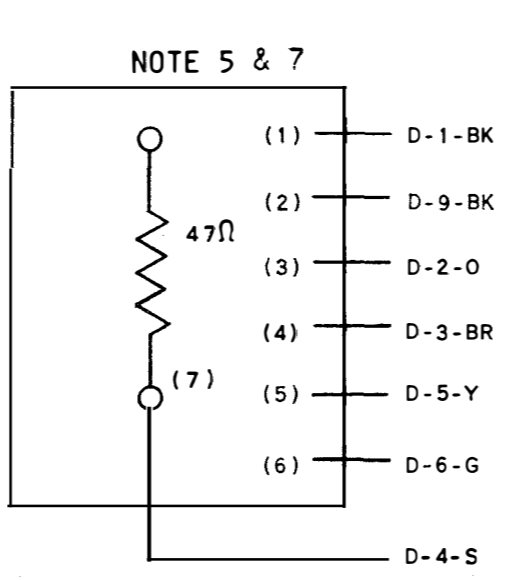
TERMINAL BOARD



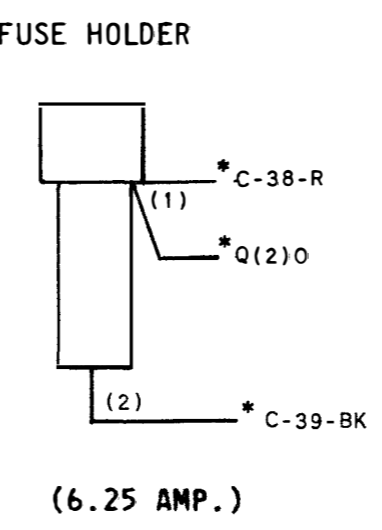
SELECTOR MAGNET DRIVER



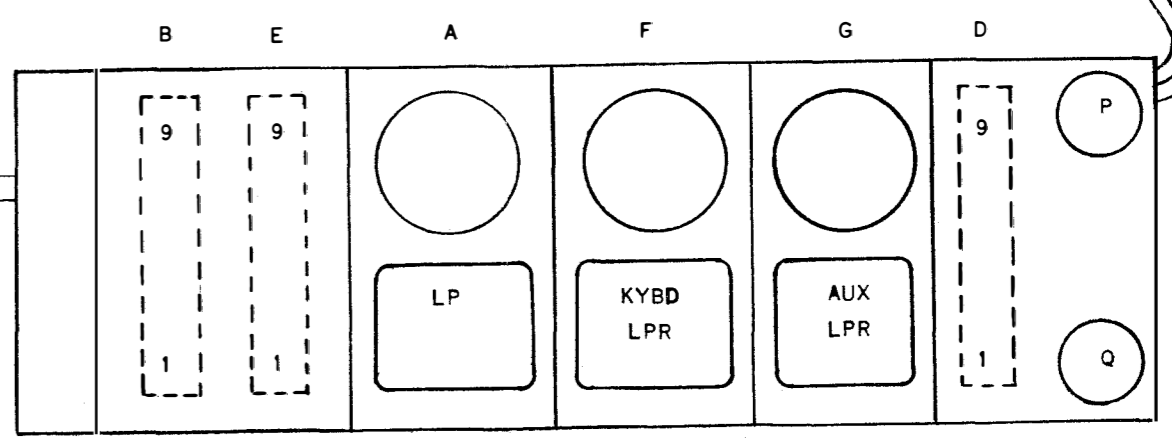
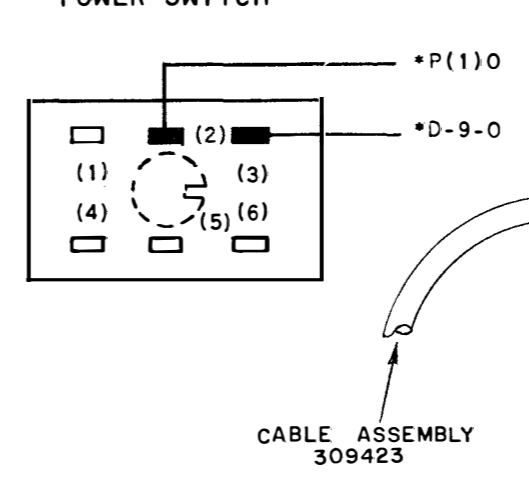
SELECTOR MAGNET DRIVER



FUSE HOLDER



POWER SWITCH



TOP VIEW

ACTUAL WIRING DIAGRAM ELECTRICAL SERVICE ASSEMBLY 304203 (ASR SET)

APPROVALS

R AND D E OF M
 O.A.V.

E-NUMBER

PROD. NO. 7468WD

DATE: 9/17/64

R. & D. FILE NO. 2-A2/65AA

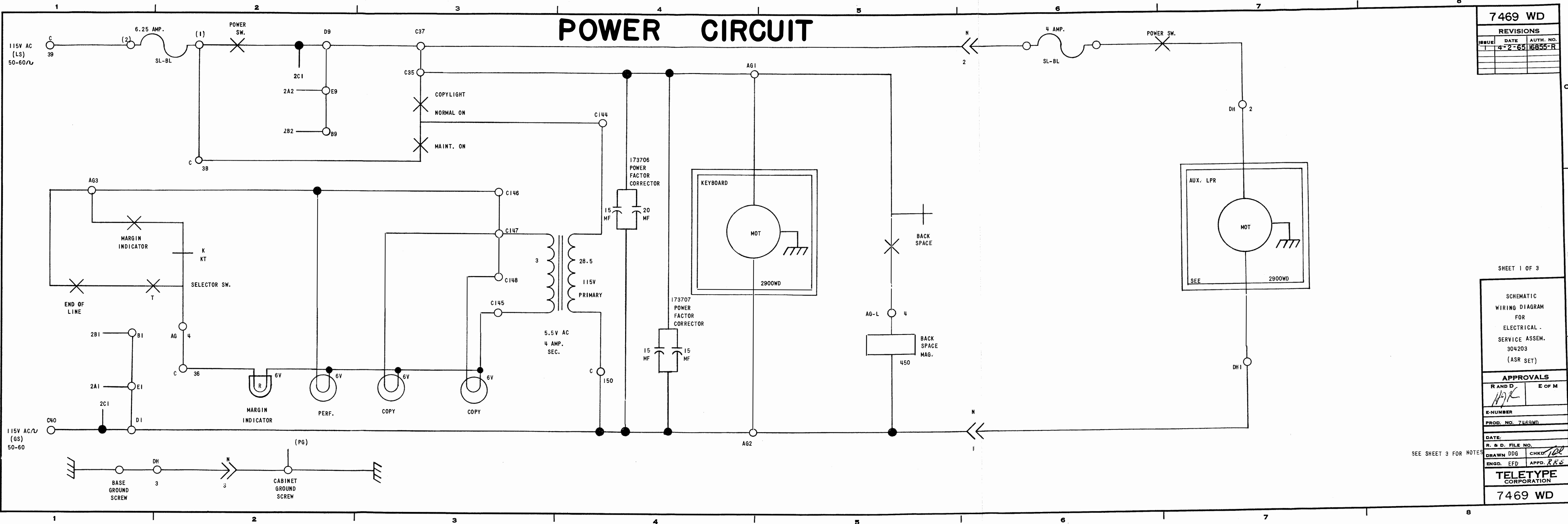
DRAWN DDG CHKD. TOL

ENGD. EFG APPD. O.A.V.

TELETYPE CORPORATION

7468WD

POWER CIRCUIT



7469 WD		
REVISIONS		
ISSUE	DATE	AUTH. NO.
1	4-2-65	16855-R

SHEET 1 OF 3

SCHEMATIC
WIRING DIAGRAM
FOR
ELECTRICAL
SERVICE ASSEM.
304203
(ASR SET)

APPROVALS	
R AND D	E OF M
E-NUMBER	
PROD. NO. 7469WD	
DATE:	
R. & D. FILE NO.	
DRAWN DDG	CHKD. <i>DDG</i>
ENGD. EFD	APPD. <i>R.R.S.</i>

TELETYPE
CORPORATION
7469 WD

SEE SHEET 3 FOR NOTES

REVISIONS

ISSUE	DATE	AUTH. NO.
1	4-2-65	16855-R

C

B

SHEET 2 OF 3

SCHEMATIC
WIRING DIAGRAM
ELECTRICAL
SERVICE ASSEMBLY
304203
(ASR SET)

APPROVALS

R AND D E OF M

AK

E-NUMBER

PROD. NO. 7469WD

DATE:

R. & D. FILE NO. 42-A2/65AA

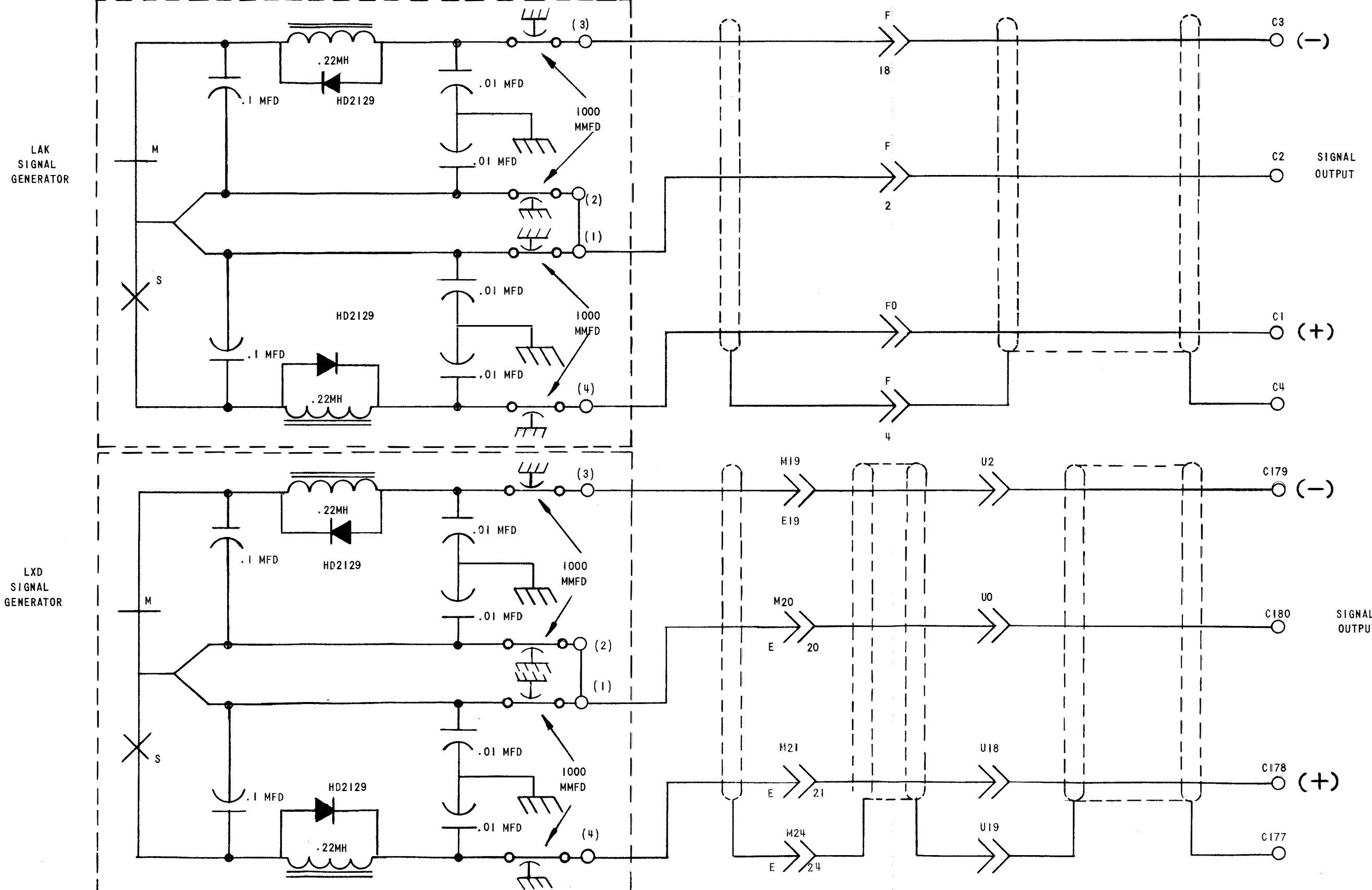
DRAWN DDG CHKD *AK*

ENGD. EFD APPD. *AK*

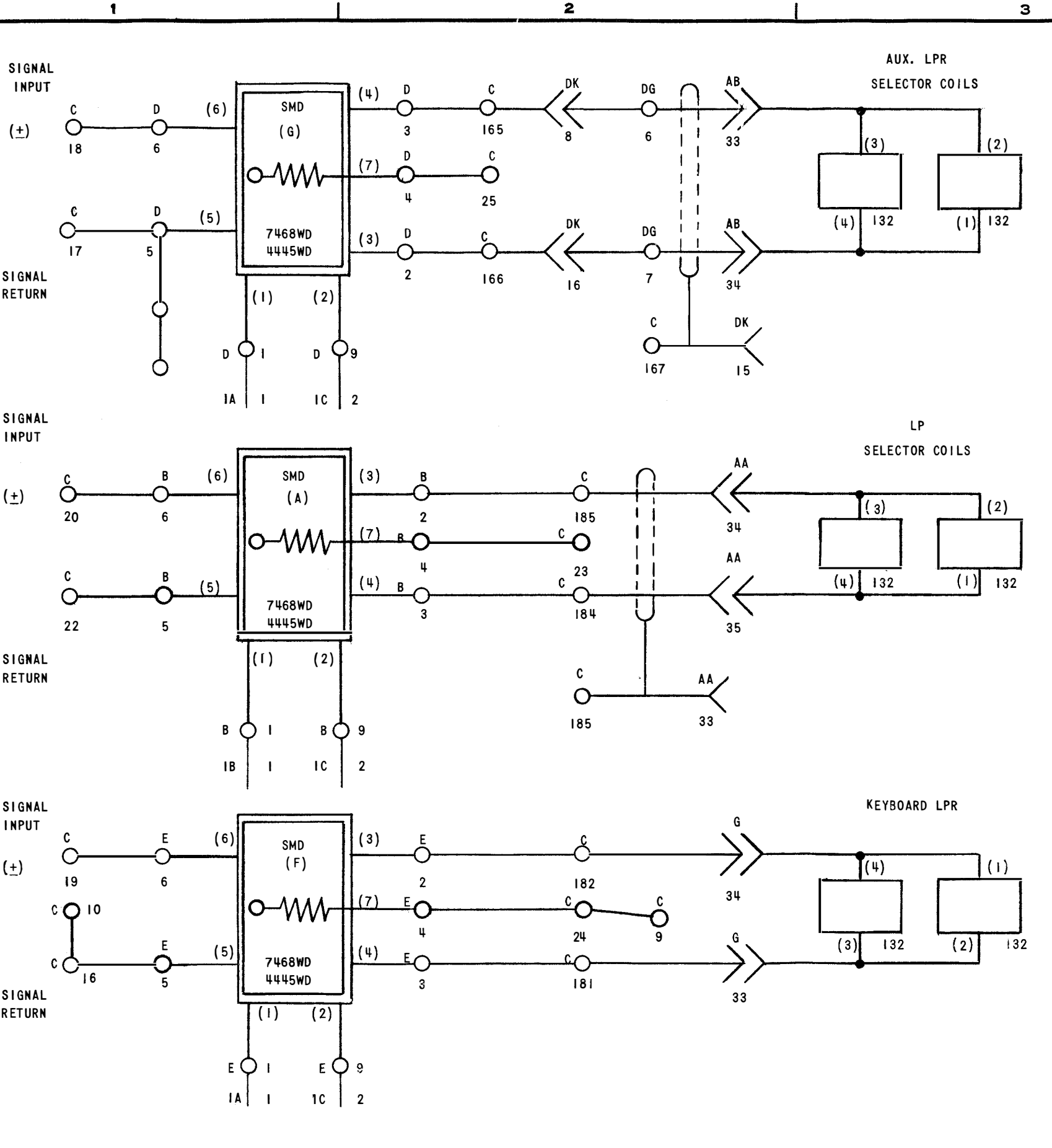
TELETYPE CORPORATION

A

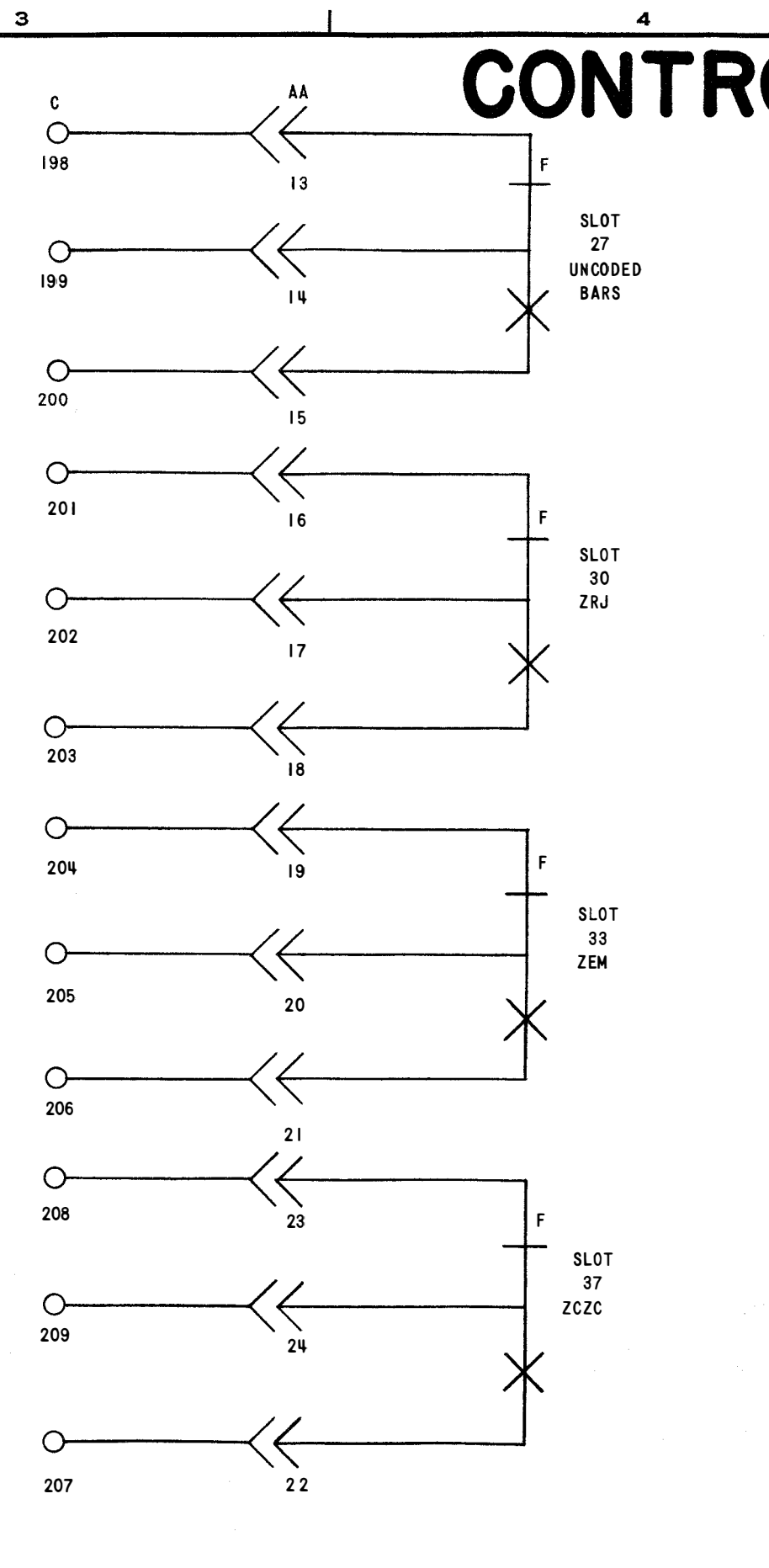
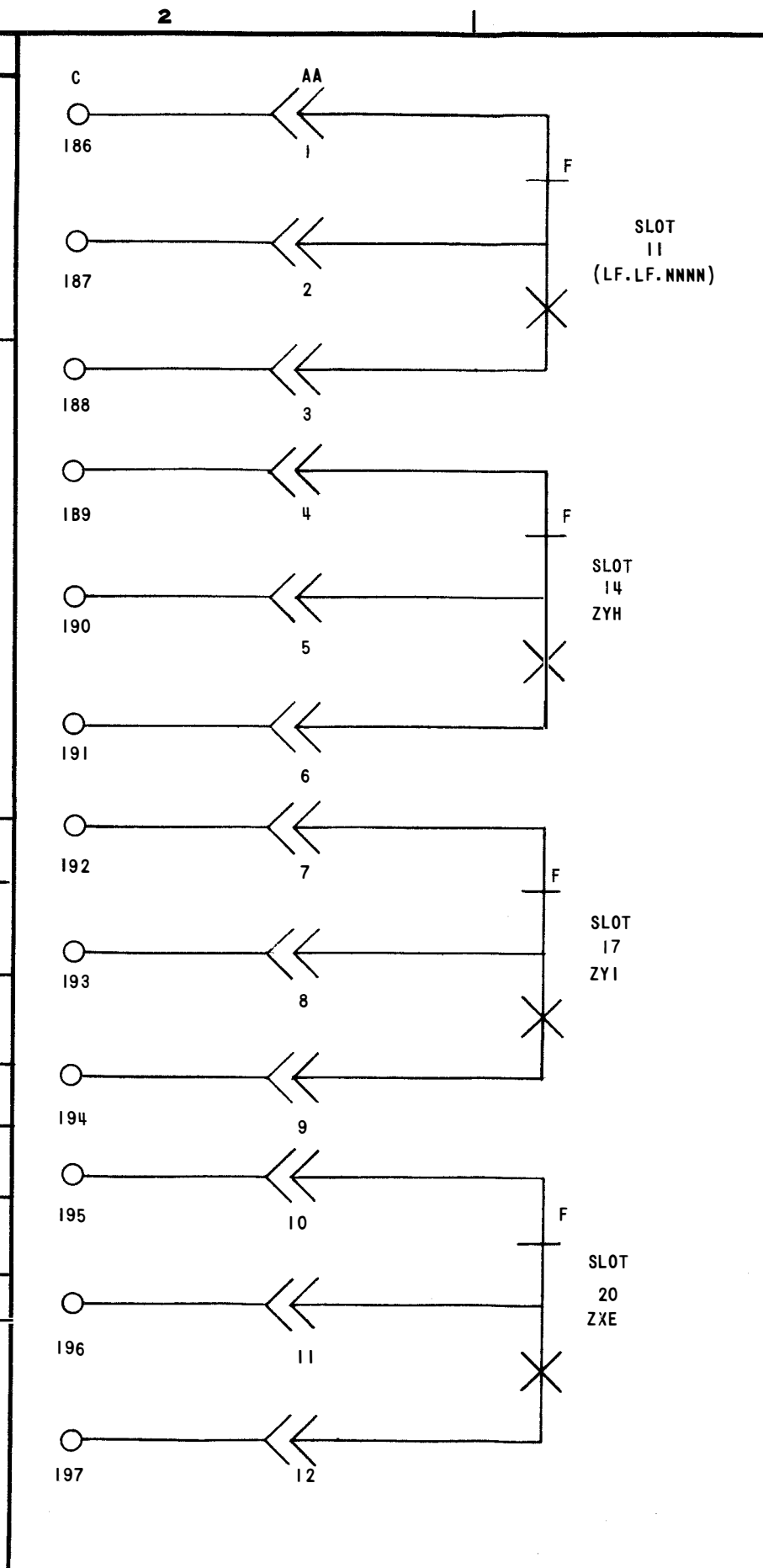
SIGNAL CIRCUIT



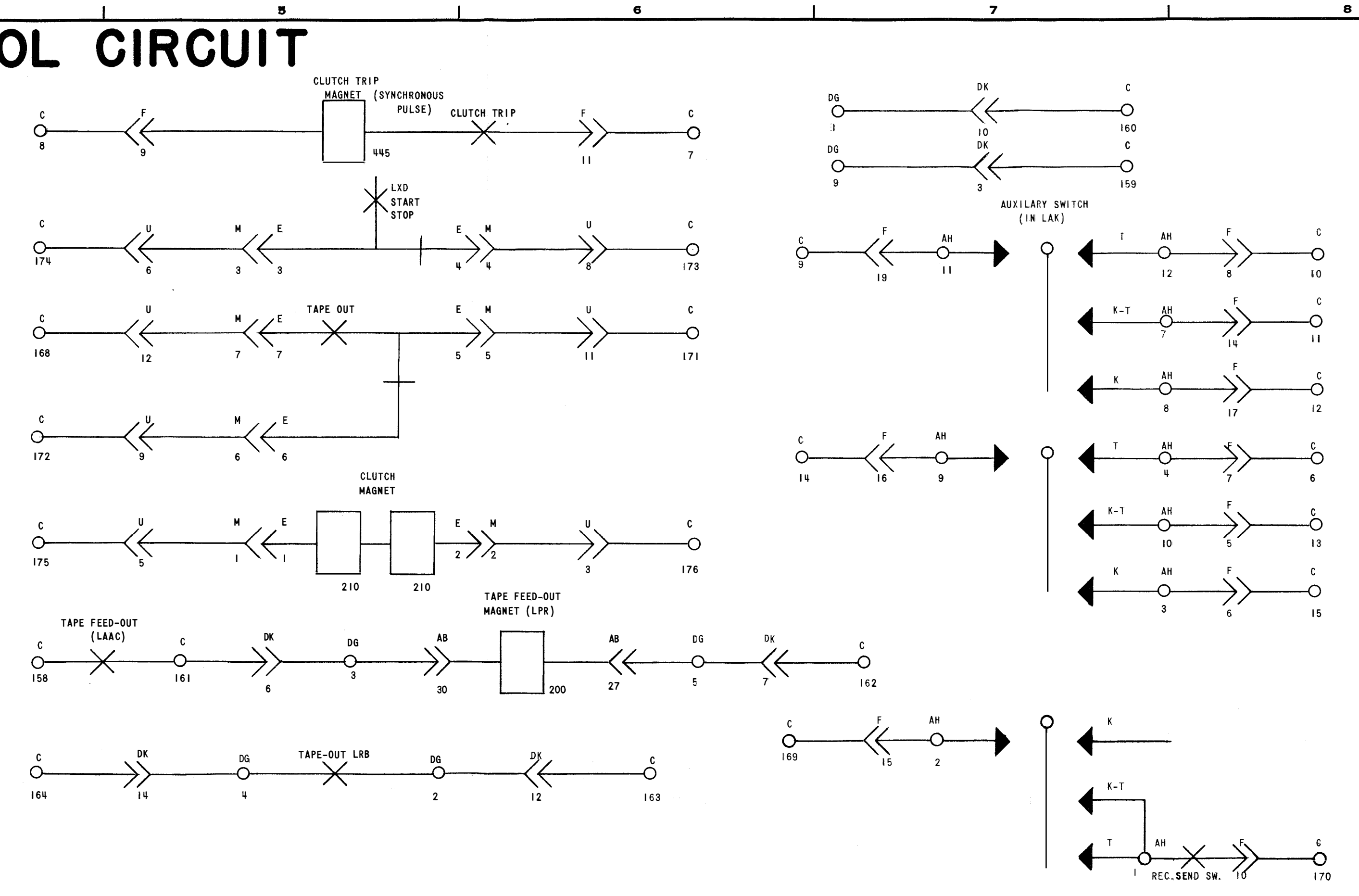
SEE SHEET 3 FOR NOTES



1		2		3		4		5		6		7		8			
N O .		NOTES															
1.		ASSOCIATED WIRING DIAGRAMS: 4445WD SELECTOR MAGNET DRIVER 7468WD ELECTRICAL SERVICE ASSEMBLY 4267WD CABINET LAAC229 7094WD TRANSMITTER-DISTRIBUTOR LXD31 4265WD TRANSMITTER-DISTRIBUTOR BASE LCXB13 4266WD REPERFORATOR BASE LRB32 3628WD TYPING REPERFORATOR LPR35, 36, & 57 2900WD MOTOR UNIT LMU11 7481WD TYPING UNIT. 4263WD KEYBOARD LAK															
2.		LEGEND:															
		<ul style="list-style-type: none"> ○ B SMD TERMINAL BLOCK IN LESU ○ C CABINET TERMINAL BLOCK ○ D SMD TERMINAL BLOCK IN LESU ○ F SMD TERMINAL BLOCK IN LESU ○ AG MOTOR TERMINAL BLOCK IN KEYBOARD ○ AG-L LOWER POWER TERMINAL BLOCK IN KEYBOARD ○ AH AUX. SWITCH TERMINAL BLOCK IN LAK ○ DG SIGNAL TERMINAL BLOCK IN LRB ○ DH POWER TERMINAL BLOCK IN LRB ○ E&M TRANS. DIST. CONNECTOR ○ F KEYBOARD CONNECTOR ○ G KEYBOARD PERFORATOR ○ M&E TRANS. DIST. CONNECTOR ○ N AUX. REPERF. POWER CONNECTOR ○ U TRANS. DIST. CONNECTOR BASE ○ AA TYPING UNIT CONNECTOR ○ AB AUX. REPERF. CONNECTOR ○ DK AUX. REPERF. BASE 															
3.		ALL APPARATUS SHOWN IN UNOPERATED OR DE-ENERGIZED POSITION.															
4.		RESISTANCE VALUES IN OHMS (Ω). INDUCTANCE VALUES IN MICROHENRIES (MH). CAPACITANCE, VALUES IN MICROFARADS (MFD)															
5.		USE SYNCHRONOUS MOTOR ON REGULATED 60M (± 1%) AC POWER ONLY, GOVERNED MOTOR AND OTHER POWER CIRCUITS OPERABLE ON 50-60 UNREGULATED AC.															
6.		POLARITY AS INDICATED MUST BE OBSERVED FOR PROPER R.F. FILTER OPERATION.															
7.		BACKSPACE SWITCH ON LAK33 ONLY, AND BACKSPACE MAGNET ON LPR57 ONLY.															
8.		<ul style="list-style-type: none"> → INDICATES FEMALE AND ← INDICATES MALE. 															
9.		SL-BL INDICATES SLOW-BLOWING FUSE.															



CONTROL CIRCUIT

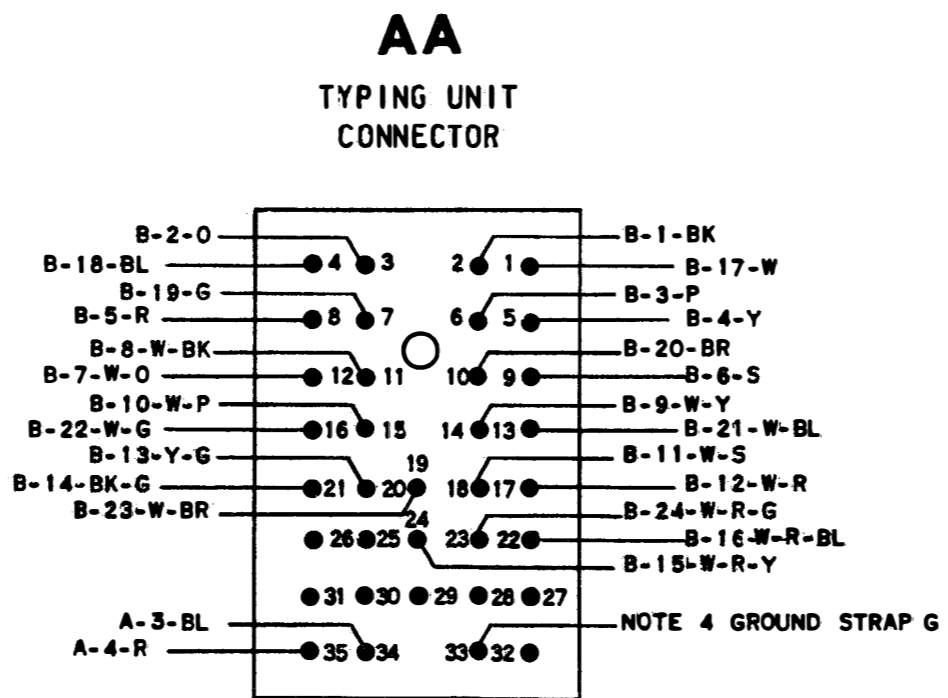
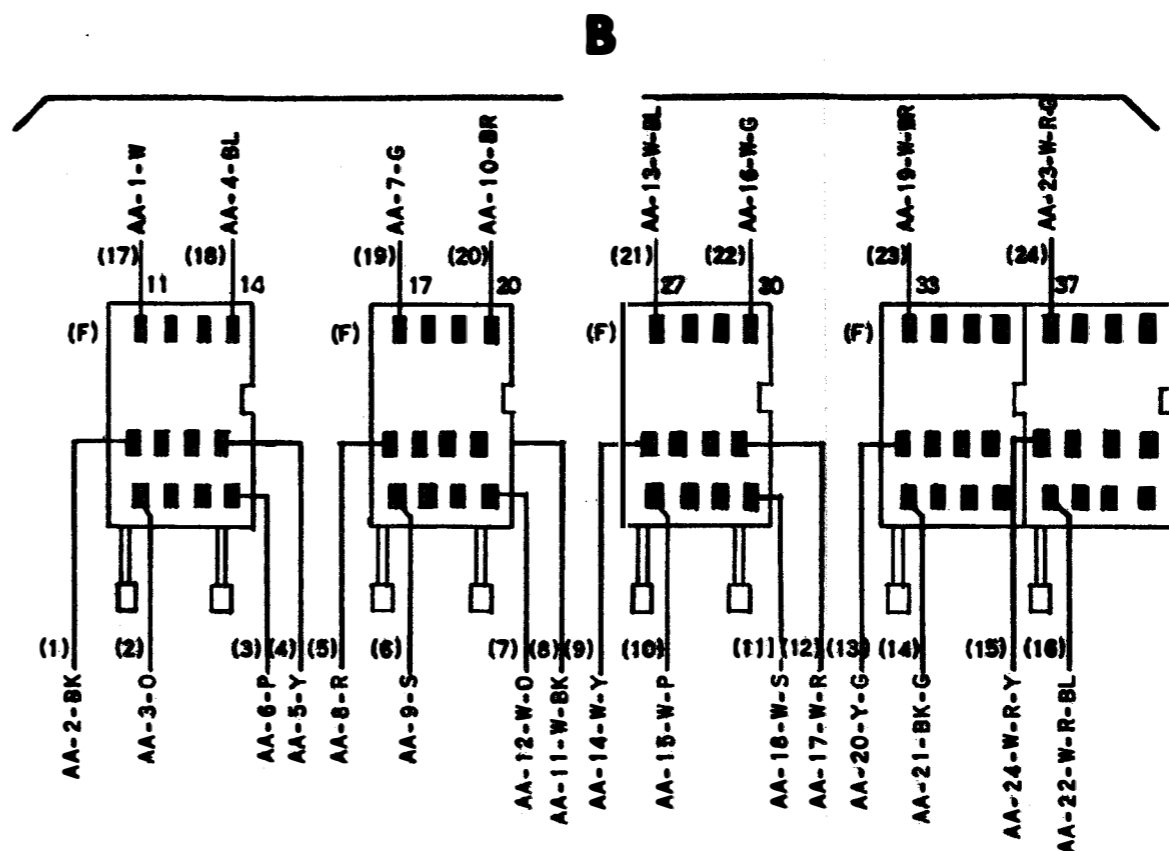
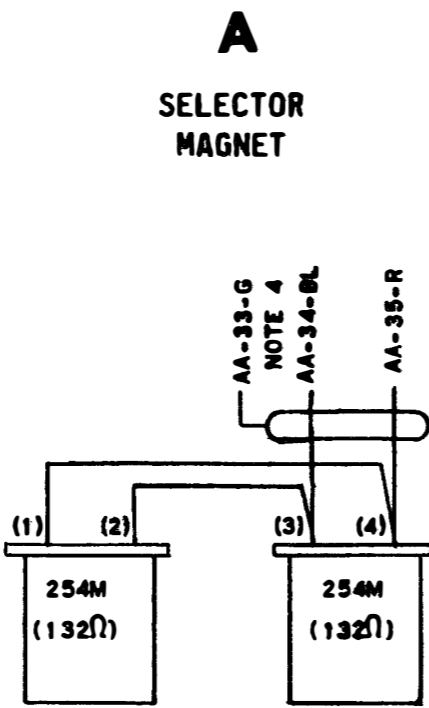


7469 WD		
REVISIONS		
ISSUE	DATE	AUTH. NO.
1	4-2-65	16855-R
SHEET 3 OF 3		
SCHEMATIC WIRING DIAGRAM FOR ELECTRICAL SERVICE ASSEM. 304203 (ASR SET)		
APPROVALS		
RAND D	E OF M	
E-NUMBER		
PROD. NO. 7469WD		
DATE:		
R. & D. FILE NO 42-A2/65AA		
DRAWN DDG	CHKD. [Signature]	
ENGD. EFD	APPD. [Signature]	
TELETYPE CORPORATION		
7469 WD		

ISSUE	DATE	AUTH. NO.
1	10-31-64	15866-R

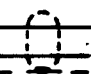
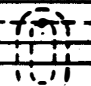
- NO** **NOTES**
- 1. WIRING LEGEND:**
 - 2. WIRE COLOR CODE:**

W - WHITE	R - RED	BL - BLUE
BK - BLACK	S - SLATE	G - GREEN
O - ORANGE	BR - BROWN	Y - YELLOW
P - PURPLE		
 - 3. CONNECTOR VIEWED FROM SOLDERED TERMINAL END.**
 - 4. GROUND SHIELDING OF SELECTOR CABLE.**
 - 5. CONTACT ARM**
 - 6. ASSOCIATED CABLES:**
 173698 CABLE ASSEMBLY
 173450 CABLE ASSEMBLY

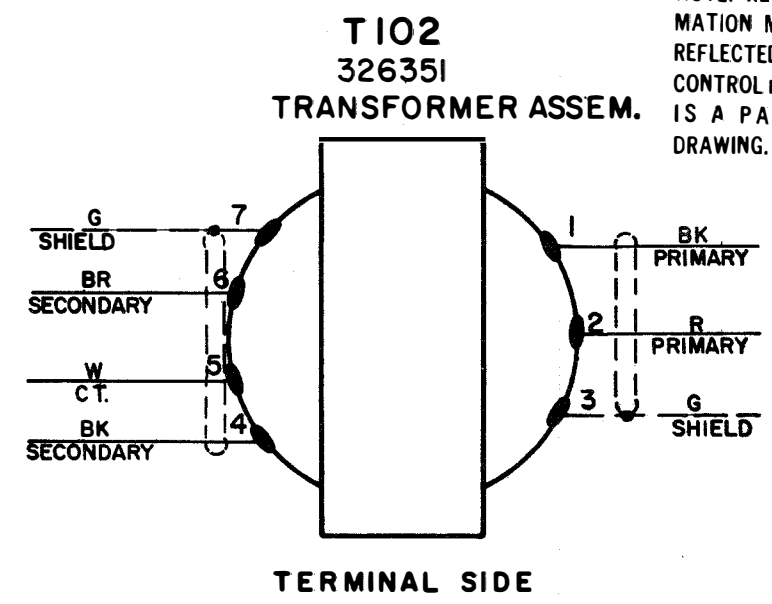
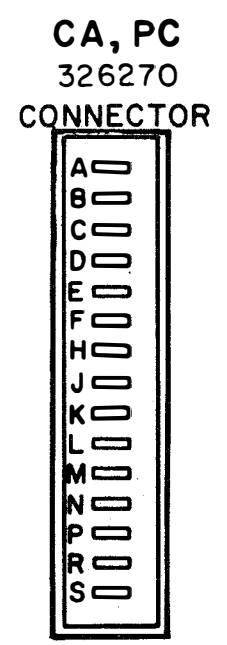
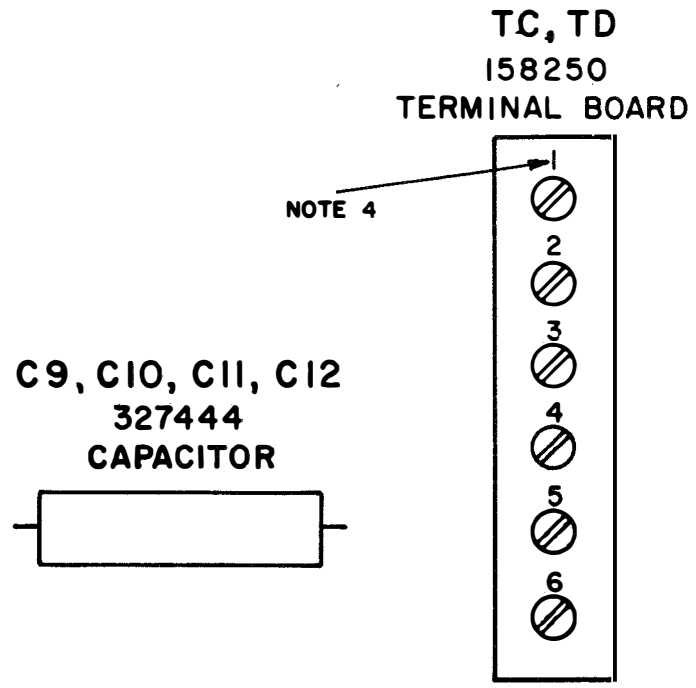


ACTUAL WIRING DIAGRAM FOR MODEL 28 TYPING UNIT LP77 STUNT BOX AJV

APPROVALS	
D AND R <i>O.A.</i>	E OF M
E-NUMBER	
PROD. NO. 7481WD	
DATE:	
P.D. FILE NO. 42-A2/65AA	
DRAWN.	CHKD. <i>79</i>
ENG. E.F.D.	APPD. <i>O.A.</i>
TELETYPE CORPORATION	
7481WD	

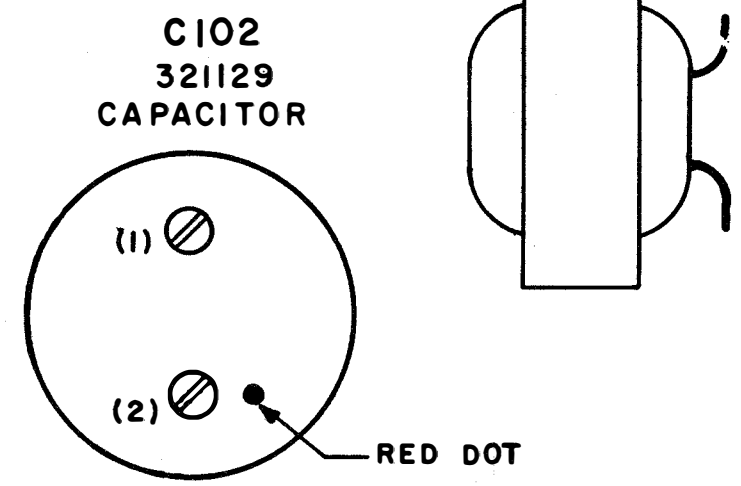
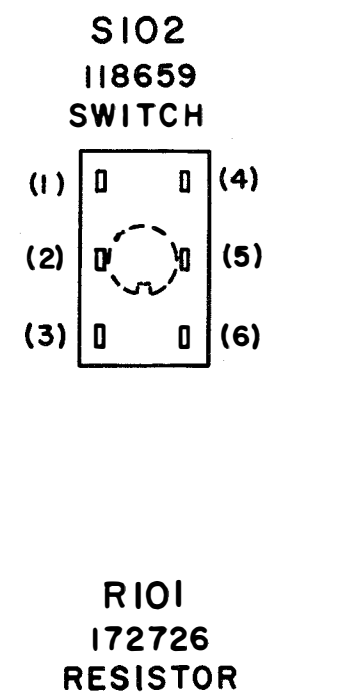
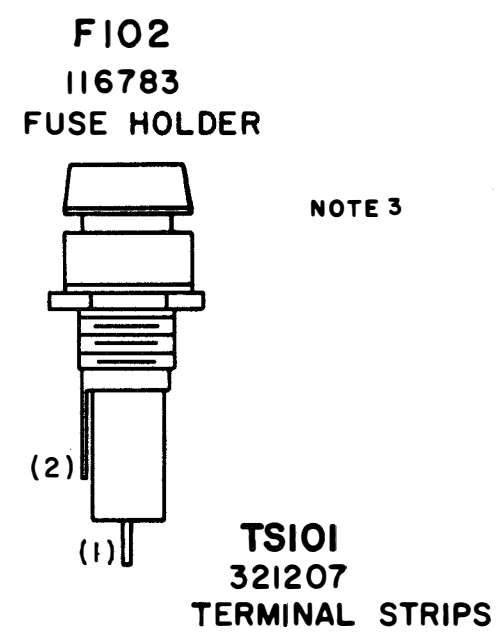
- NO. NOTES**
- ALL VOLTAGES DC UNLESS OTHERWISE SPECIFIED.
 - TERMINAL DESIGNATION ENCLOSED IN PARENTHESIS ARE FOR REFERENCE AND ARE NOT MARKED ON COMPONENT.
 - FUSE NUMBER-162360
8/10 AMP SLOW BLOWING
 - TERMINAL NUMBERS APPEAR ON ASSOCIATED MARKING STRIP.
 - * INDICATES TO TAPE END TERMINATING POINT.
 -  INDICATES SINGLE SHIELDING
 -  INDICATES DOUBLE SHIELDING
 - ALL STRAPPING WIRE 24 AWG BARE, 39603RM. USE SLEEVING WHERE REQUIRED.
 - ① INDICATES 18 AWG STRANDED WIRE.
 - ② INDICATES 24 AWG STRANDED WIRE.
 - ③ INDICATES 24 AWG 2 LEAD SINGLE SHIELDED CABLE.
 ALL SURFACE WIRE 24 AWG GREEN, 31784 RM, UNLESS OTHERWISE SPECIFIED.
 - REFER TO 8297WD FOR SCHEMATIC WIRING DIAGRAM
 - COLOR CODE

BK- BLACK	G- GREEN
BR- BROWN	O- ORANGE
BL- BLUE	P- PURPLE
R - RED	Y- YELLOW
S - SLATE	W- WHITE
 - OUTER SHIELD CONNECTED TO BOX AT CONNECTOR.



NOTE: REVISION INFORMATION MUST ALSO BE REFLECTED ON THE ISSUE CONTROL RECORD, WHICH IS A PART OF THIS DRAWING.

8132 WD		
REVISIONS		
ISSUE	DATE	AUTH. NO.
1	6-16-67	17983-R
2	8-17-67	24386A
3	1-19-68	94934



SHEET 1 WDP

ACTUAL WIRING DIAGRAM FOR 321225 & 321230 ELECTRICAL SERVICE ASSEMBLY (CLUTCH)

APPROVALS

D AND R	E OF M
<i>[Signature]</i>	<i>[Signature]</i>

E-NUMBER

PROD. NO. 8132 WD

DATE: 9-22-66

P.O. FILE NO. 15-65AAA

DRAWN J. J. A. CHRD. *[Signature]*

ENGD. E. J. Z. APPR. *[Signature]*

TELETYPE CORPORATION

3 8132 WD

NO. NOTES
 I. SEE SHEET 1 FOR NOTES.

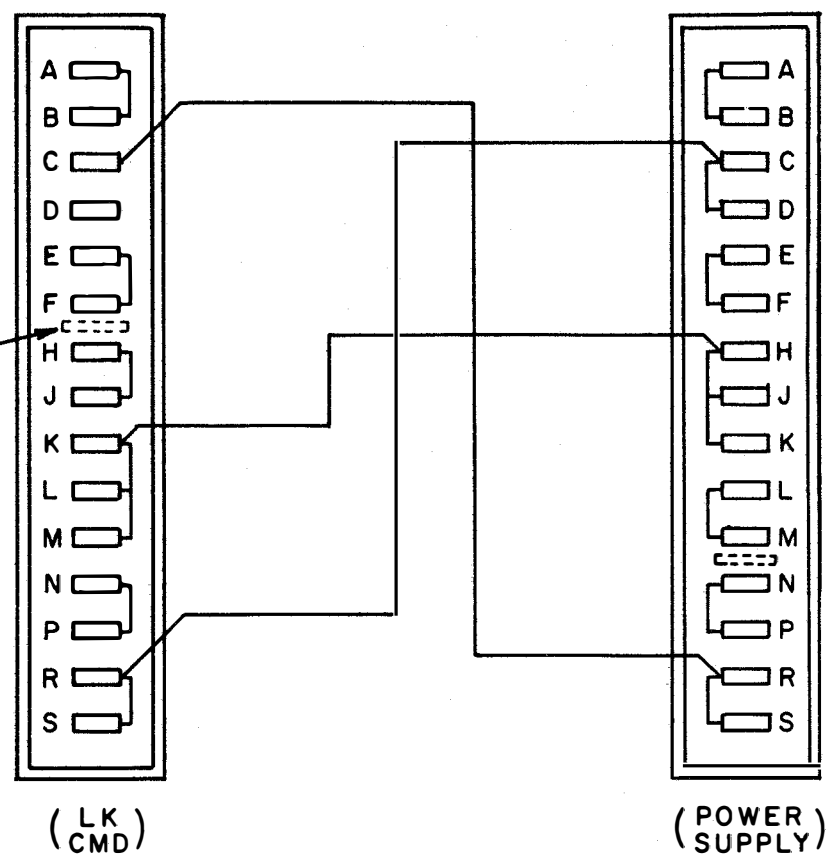
NOTE: REVISION INFORMATION MUST ALSO BE REFLECTED ON THE ISSUE CONTROL RECORD, WHICH IS A PART OF THIS DRAWING.

8132 WD		
REVISIONS		
ISSUE	DATE	AUTH. NO.
1	6-20-67	17983-R
2	8-17-67	94386A
3	1-19-68	94934
4	4-25-69	98545

CA
 326270
 CONNECTOR

PC
 326270
 CONNECTOR

ADD POLARIZING KEY TO CONNECTOR IN POSITIONS INDICATED. (2-PLS)

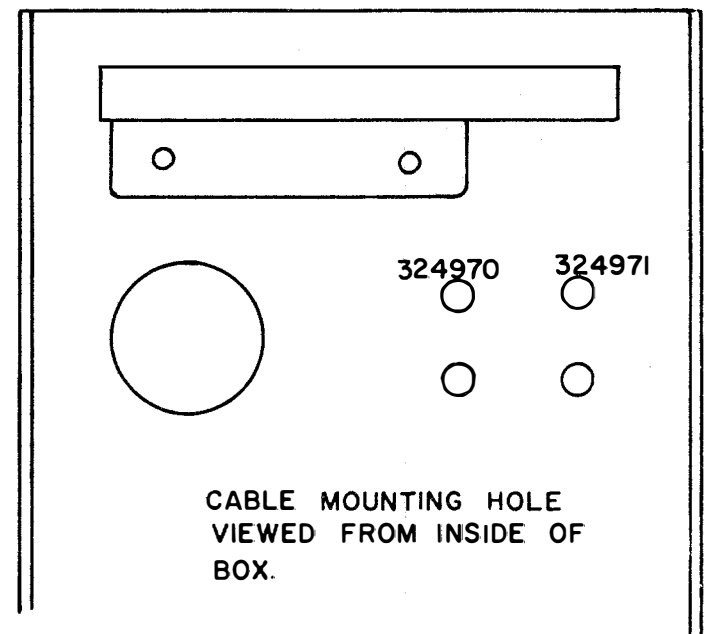


SEE ISSUE CONTROL RECORD FOR COMPLETE LIST OF SHEETS COMPRISING THIS W.D.

SHEET 2 **WDP**

ACTUAL WIRING DIAGRAM FOR 321225 & 321230 ELECTRICAL SERVICE ASSEMBLY (CLUTCH)

APPROVALS	
D AND R	E OF M
<i>[Signature]</i>	<i>[Signature]</i>
E-NUMBER	
PROD. NO. 8132 WD	
DATE: 4-4-67	
P.D. FILE NO. 15-65 AAA	
DRAWN J. J. A.	CHKD.
ENGD. G. H. M.	APPD. <i>[Signature]</i>
TELETYPE CORPORATION	



CABLE MOUNTING HOLE VIEWED FROM INSIDE OF BOX.

8132 WD

REVISIONS

ISSUE	DATE	AUTH. NO.
1	6-20-67	17983-R
2	8-17-67	94386-A
3	1-19-68	94934

NOTE: REVISION INFORMATION MUST ALSO BE REFLECTED ON THE ISSUE CONTROL RECORD, WHICH IS A PART OF THIS DRAWING.

SEE ISSUE CONTROL RECORD FOR COMPLETE LIST OF SHEETS COMPRISING THIS W.D.
SHEET 3

ACTUAL WIRING DIAGRAM FOR 321225 & 321230 ELECTRICAL SERVICE ASSEMBLY (CLUTCH)

WDP

APPROVALS

R AND D: *ARK* E OF M: *[Signature]*

E-NUMBER

PROD. NO. 8132 WD

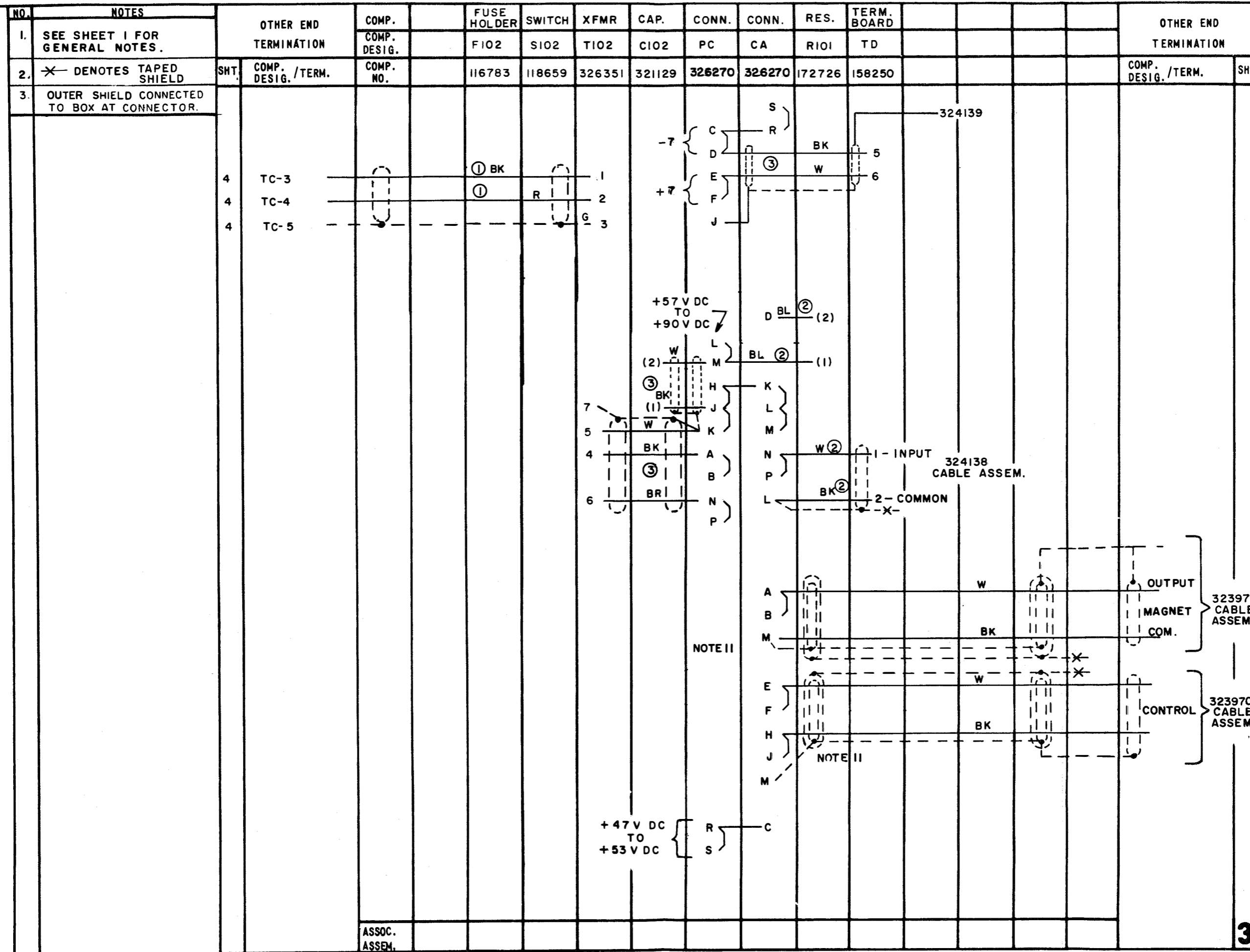
DATE 9-22-66

P.D. FILE NO. 15-65 AAA

DRAWN R.S.S. CHKD. *[Signature]*

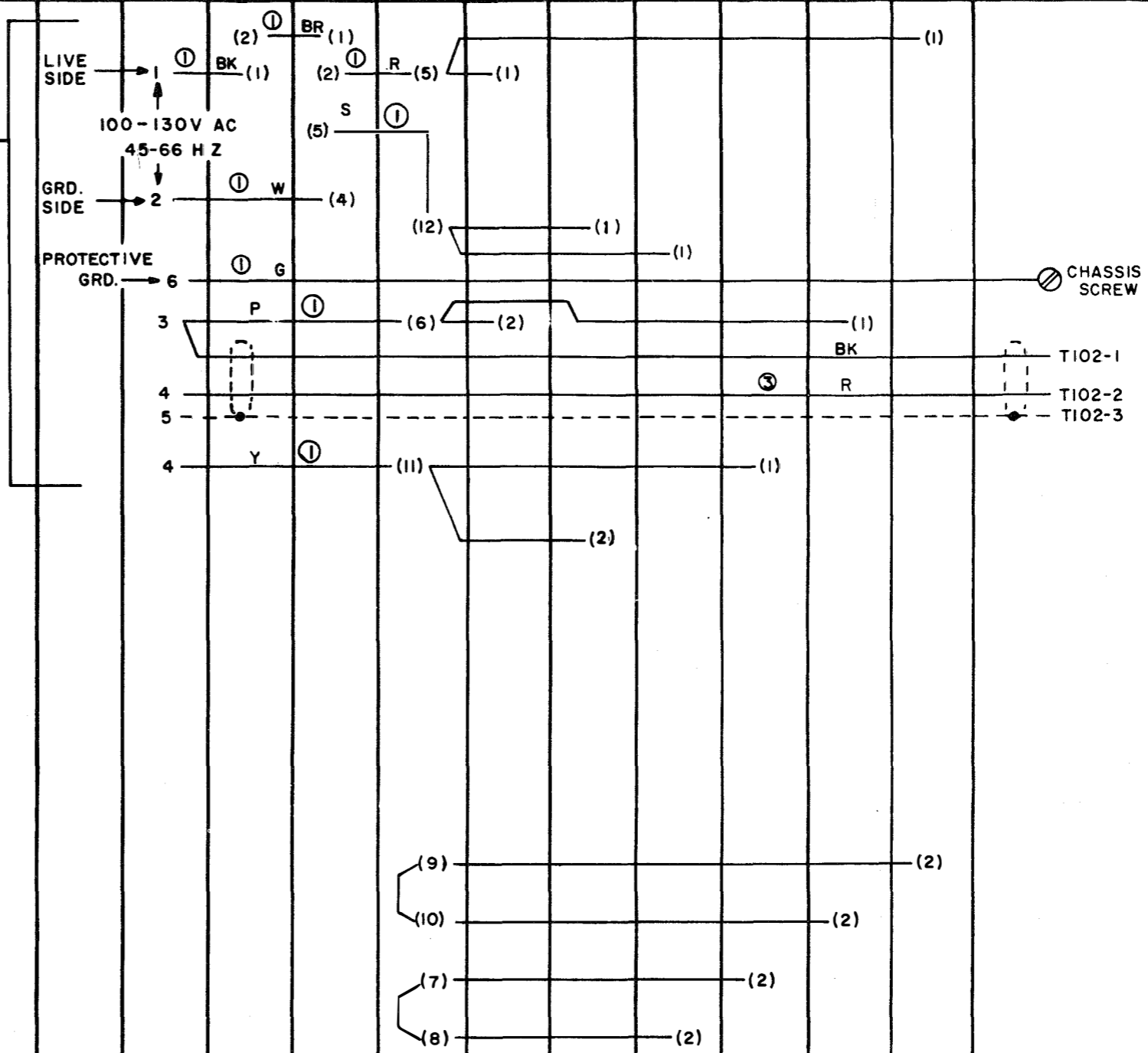
ENG. E.J.Z. APPD. *[Signature]*

TELETYPE CORPORATION



NO.	NOTES	OTHER END TERMINATION		COMP. DESIG.	TERM. BOARD	FUSE HOLDER	SWITCH	TERM. STRIP	CHOKE	CHOKE	CAP.	CAP.	CAP.	CAP.	OTHER END TERMINATION	
		TC	F102												S102	TS101
I.	SEE SHEET I FOR GENERAL NOTES.				158250	116783	118659	321207	321133	321133	327444	327444	327444	327444		
		SHT.	COMP. DESIG. / TERM.	COMP. NO.											COMP. DESIG. / TERM.	SHT.

8132 WD		
REVISIONS		
ISSUE	DATE	AUTH. NO.
1	6-20-67	17983-R
2	8-17-67	94386A
3	1-17-68	94934
4	5-20-68	97543



NOTE: REVISION INFORMATION MUST ALSO BE REFLECTED ON THE ISSUE CONTROL RECORD WHICH IS A PART OF THIS DRAWING.

WDP

SEE ISSUE CONTROL RECORD FOR COMPLETE LIST OF SHEETS COMPRISING THIS W.D.

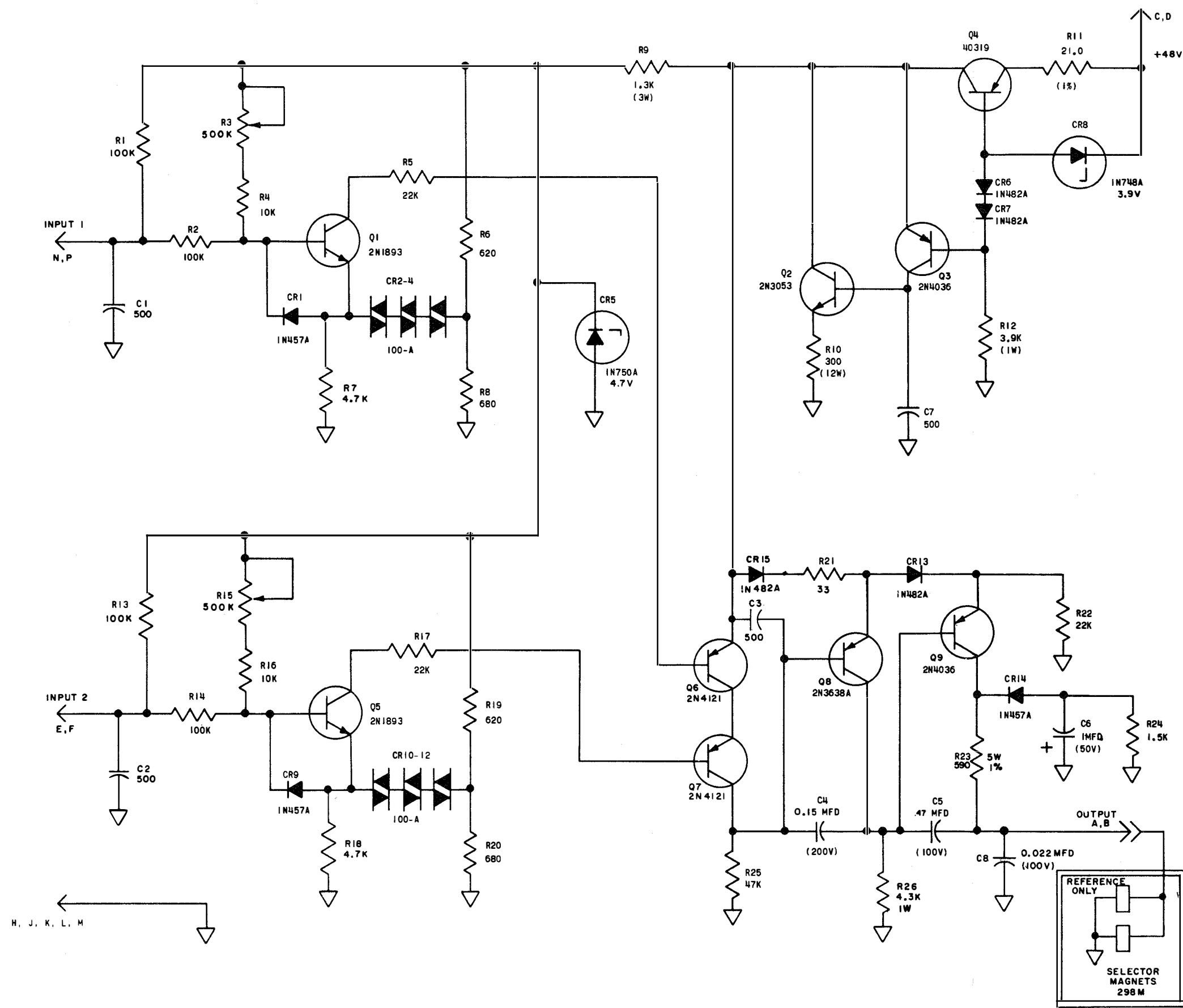
SHEET 4

ACTUAL
WIRING DIAGRAM
FOR
321225 & 321230
ELECTRICAL
SERVICE
ASSEMBLY
(CLUTCH)

APPROVALS	
R AND D H. J. K.	E OF M
E-NUMBER	
PROD. NO. 8132 WD	
DATE 9-22-66	
P. D. FILE NO. 15-65AAA	
DRAWN R. S. S.	CHKD.
ENGD. E. J. Z.	APPD.
TELETYPE CORPORATION	
8132 WD	

- | NO. | NOTES |
|-----|---|
| 1. | R3 AND R15 ARE ADJUSTED FOR SYMMETRICAL SWITCHING ABOUT ZERO VOLTS FOR INPUT 1 AND 2 RESPECTIVELY. |
| 2. | PINS A,B - 60MA TO COILS
PINS C,D - 47 TO 53V DC POWER INPUT
PINS N,P - MS 188B SIGNAL INPUT 1
PINS E,F - MS 188B SIGNAL INPUT 2
PINS H,J,K,L,M, - CIRCUIT COMMON
(ALL INPUTS AND OUTPUTS REFERRED TO CIRCUIT COMMON). |
| 3. | REFERENCE SPEC. FOR TELETYPE CORP. EMPLOYEES ONLY:
61,264S. |
| 4. | ALL RESISTORS ARE 5%, 1/2 WATT UNLESS OTHERWISE SPECIFIED. |
| 5. | ALL CAPACITANCE VALUES IN PICO FARADS UNLESS OTHERWISE SPECIFIED. |
| 6. | ∇ DENOTES CIRCUIT COMMON. |

8143 WD		
REVISIONS		
ISSUE	DATE	AUTH. NO.
1	2-23-67	18284-R
2	5-17-67	93739
3	10-16-67	94596-B



WDP

SCHEMATIC
WIRING DIAGRAM
FOR
323810
SELECTOR MAGNET
DRIVER
WITH SIGNAL COMBINER
(MS 188B INPUTS)

APPROVALS

D AND R <i>[Signature]</i>	E OF M <i>[Signature]</i>
-------------------------------	------------------------------

E-NUMBER

PROD. NO. 8143WD

DATE 9-12-66

P.D. FILE NO. 15-65AAA

DRAWN R. S. S. CHKD. *[Signature]*

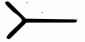
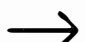
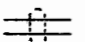
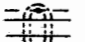

ENGD. D. D. APPD. *[Signature]*

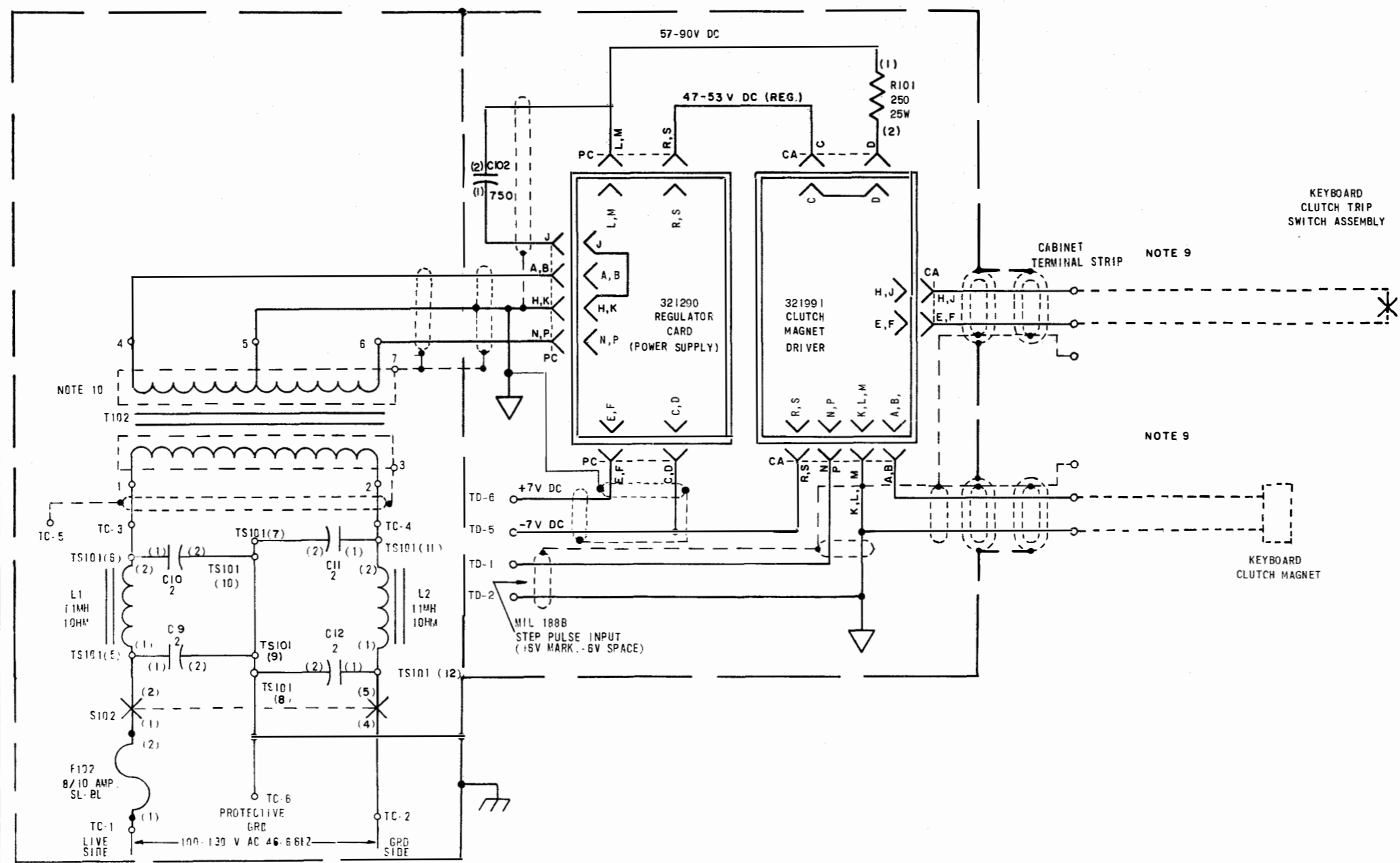
TELETYPE
CORPORATION

8143 WD

REVISIONS

ISSUE	DATE	AUTH. NO.
1	4-11-67	18427-R
2	8-16-67	94183 A
3	12-5-67	94693-D

- NO. NOTES
- ALL RESISTORS 1/2 WATT, RESISTANCE VALUES IN OHMS, CAPACITANCE VALUES IN MICROFARADS UNLESS OTHERWISE SPECIFIED.
 -  INDICATES FEMALE TERMINAL
 INDICATES MALE TERMINAL
 -  INDICATES SINGLE SHIELDING
 INDICATES DOUBLE SHIELDING
 - REFER TO 8132WD FOR ACTUAL WIRING DIAGRAM.
 - SL-BL INDICATES SLOW-BLOWING.
 -  INDICATES CIRCUIT COMMON
 - REFERENCE SPEC FOR TELETYPE CORPORATION EMPLOYEES ONLY 61267S
 - TERMINAL DESIGNATIONS ENCLOSED IN PARENTHESIS ARE FOR REFERENCE AND ARE NOT MARKED ON COMPONENT.
 - REFER TO RELATED SET SCHEMATIC FOR EXTERNAL CIRCUITS.
 - 8 OHMS (MAX.) PRIMARY RESISTANCE
10 OHMS (MAX.) SECONDARY RESISTANCE TO CENTER TAP.



SCHMATIC
WIRING DIAGRAM
FOR
321225 AND 321230
ELECTRICAL
SERVICE ASSEMBLY

APPROVALS

D AND R <i>[Signature]</i>	E OF M <i>[Signature]</i>
-------------------------------	------------------------------

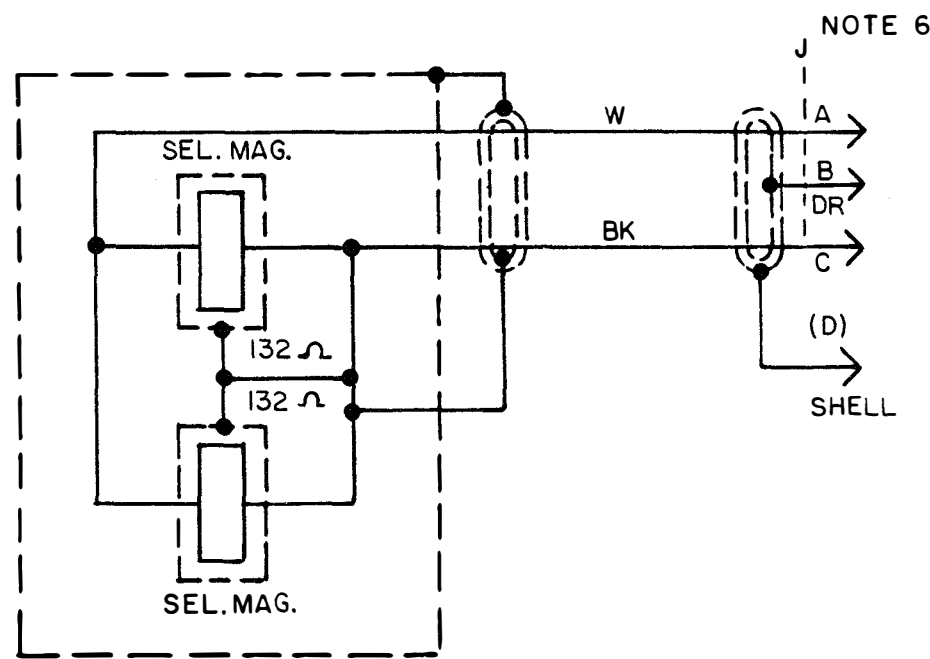
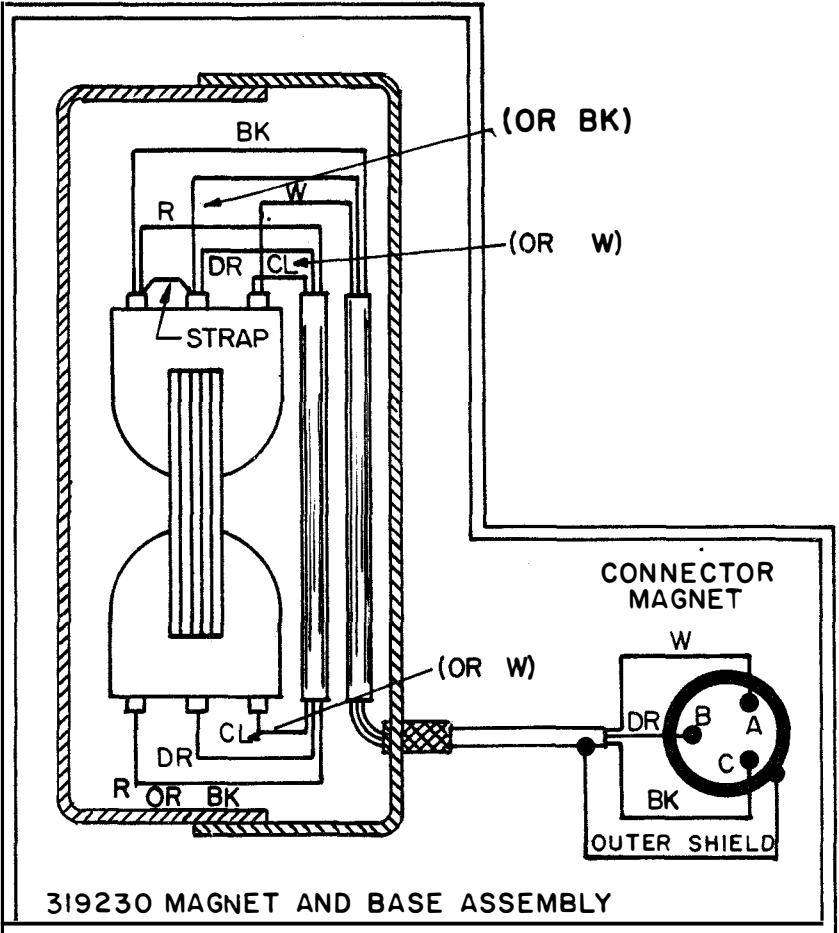
E-NUMBER
PROD. NO. 8297WD
DATE 2-15-67
P.D. FILE NO. 15-654AA
DRAWN JJA
ENG. G.H.M.

CHKD.	APPD.
-------	-------

TELETYPE CORPORATION

NO.	NOTES
1	CONNECTOR VIEWED FROM SOLDER TERMINAL END.
2	SELECTOR MAGNETS ARE WIRED FOR .060 AMPERE OPERATION OR USE WITH 323810 SELECTOR MAGNET DRIVER.
3	COLOR CODE R- RED W- WHITE BK- BLACK
4	REFERENCE SPEC. FOR TELETYPE CORPORATION EMPLOYEES ONLY 61213S
5	LEGEND: DR-DRAIN CL-CLEAR INSULATION
6	REFER TO APPROPRIATE SET SCHEMATIC WIRING DIAGRAM FOR J CONNECTOR NUMBER.

8299 WD		
REVISIONS		
ISSUE	DATE	AUTH NO
1	7-13-67	18641R
2	5-3-68	95712



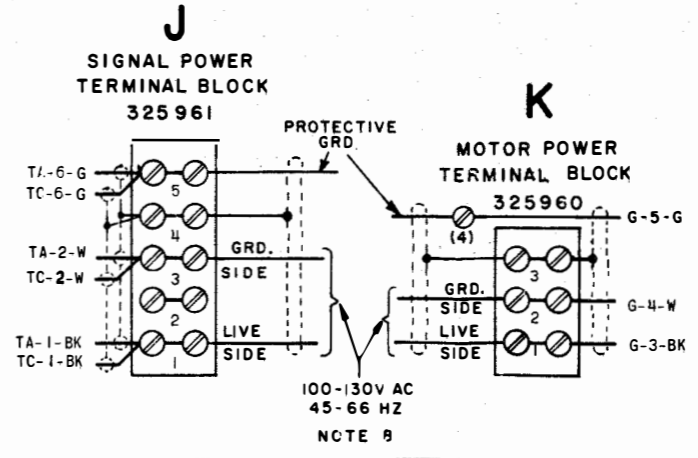
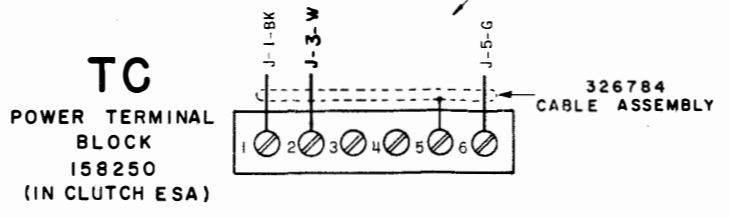
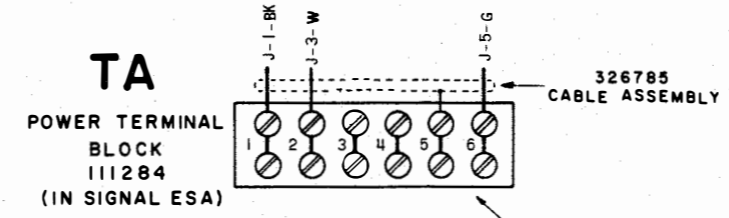
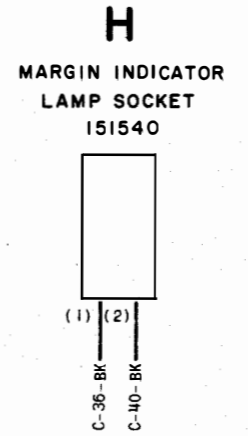
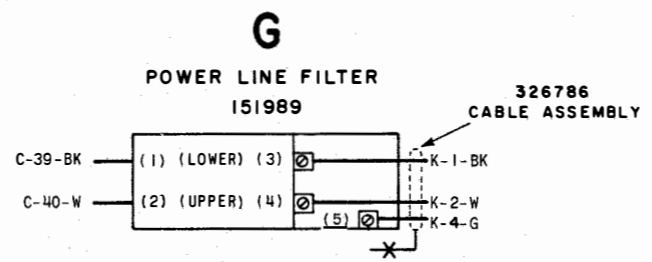
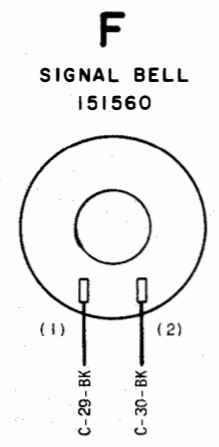
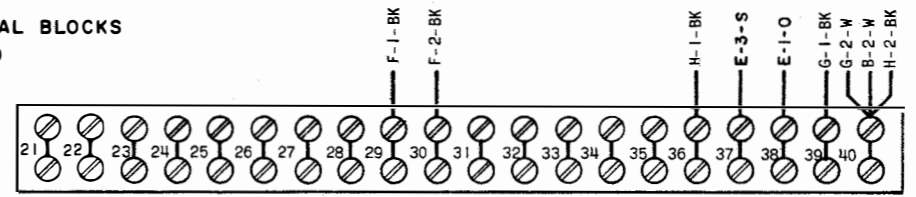
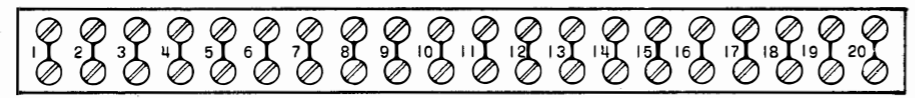
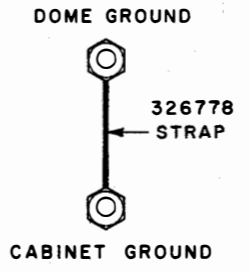
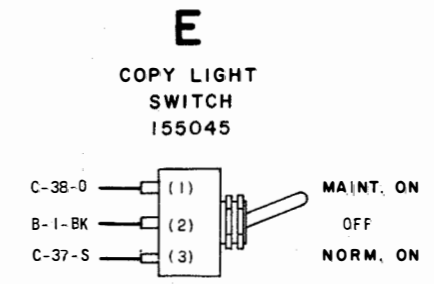
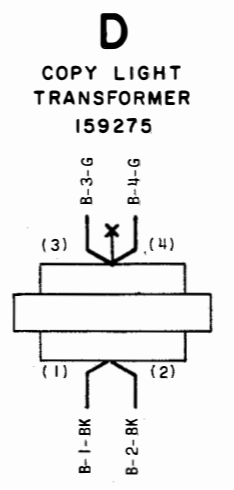
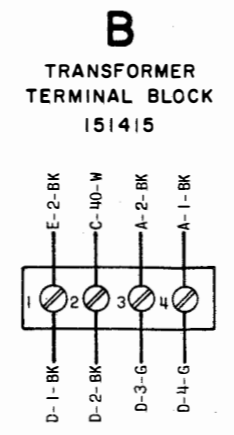
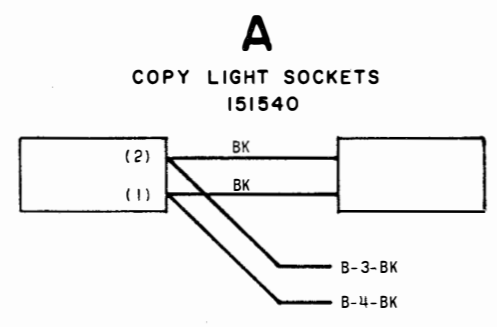
WDP

ACTUAL AND SCHEMATIC WIRING DIAGRAM FOR 319204 SELECTOR ASSEMBLY

APPROVALS	
D AND R	E OF M
<i>DR</i>	<i>EM</i>
E NUMBER	
PROD. NO. 8299 WD	
DATE: 4-27-67	
P.D. FILE NO. 15-65-AAA	
DRAWN	CHKD
ENGD. D.C.L.R.	APPD
TELETYPE CORPORATION	
8299 WD	

- NO. NOTES
1. WIRING LEGEND:
 2. COLOR CODE:

BK - BLACK	P - PURPLE
BL - BLUE	R - RED
BR - BROWN	S - SLATE
G - GREEN	W - WHITE
O - ORANGE	Y - YELLOW
 3. DENOTES SPICED & TAPED WIRES.
 DENOTES SHIELDED WIRES.
 4. CABINET POWER CIRCUITS ARE WIRED FOR 100-130VAC, 45-66HZ OPERATION. THE MOTOR UNIT MUST BE CHOSEN IN ACCORDANCE WITH AVAILABLE LINE FREQUENCY AND REGULATION.
 5. NECESSARY STRAP CONNECTIONS AT THE CABINET TERMINAL BLOCKS ARE SHOWN ON THE ASSOCIATED ELECTRICAL SERVICE UNIT WIRING DIAGRAM 8303WD
 6. ROUTE MARGIN INDICATOR CABLE ALONG COPYLIGHT CABLE AND COPYLIGHT SWITCH CABLES. FASTEN INDICATOR AND SWITCH CABLES UNDER LOWER LEFT-HAND MOUNTING SCREW FOR THE RIGHT CABINET HINGE WITH CABLE CLAMPS, LOCKWASHERS, AND SCREWS SUPPLIED WITH THE COPYLIGHT KIT.
 7. REFER TO SET SCHEMATIC 8304WD
 8. CONNECT POWER LINE SHIELDS TO J4 & K3 UNIT AS SHIPPED IS WIRED FOR SEPARATE POWER CIRCUITS FOR MOTOR POWER AND SIGNAL POWER. IF SINGLE POWER CIRCUIT IS BROUGHT IN, REMOVE KNOCK OUT IN POWER CONNECTION BOX AND STRAP J1 TO K1, J3 TO K2, J5 TO K4, AND J4 TO K3 IF POWER CIRCUITS ARE SHIELDED.
 9. TERMINAL DESIGNATIONS ENCLOSED IN PARENTHESIS ARE FOR REFERENCE AND ARE NOT MARKED ON COMPONENT.
 10. POWER TERMINAL BLOCKS ARE NOT PART OF THE CABINET BUT ARE SHOWN FOR REFERENCE ONLY REFER TO ACTUAL WIRING DIAGRAMS 8305WD AND 8132 WD FOR TA AND TC RESPECTIVELY
 11. REFERENCE SPEC. FOR TELETYPE CORPORATION EMPLOYEES ONLY 6322S
 12. ASSOCIATED CABLES
 157997 COPYLIGHT CABLE
 326784 CMD POWER CABLE
 326785 SMD POWER CABLE
 326786 MOTOR POWER CABLE

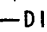
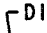
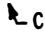




8300WD

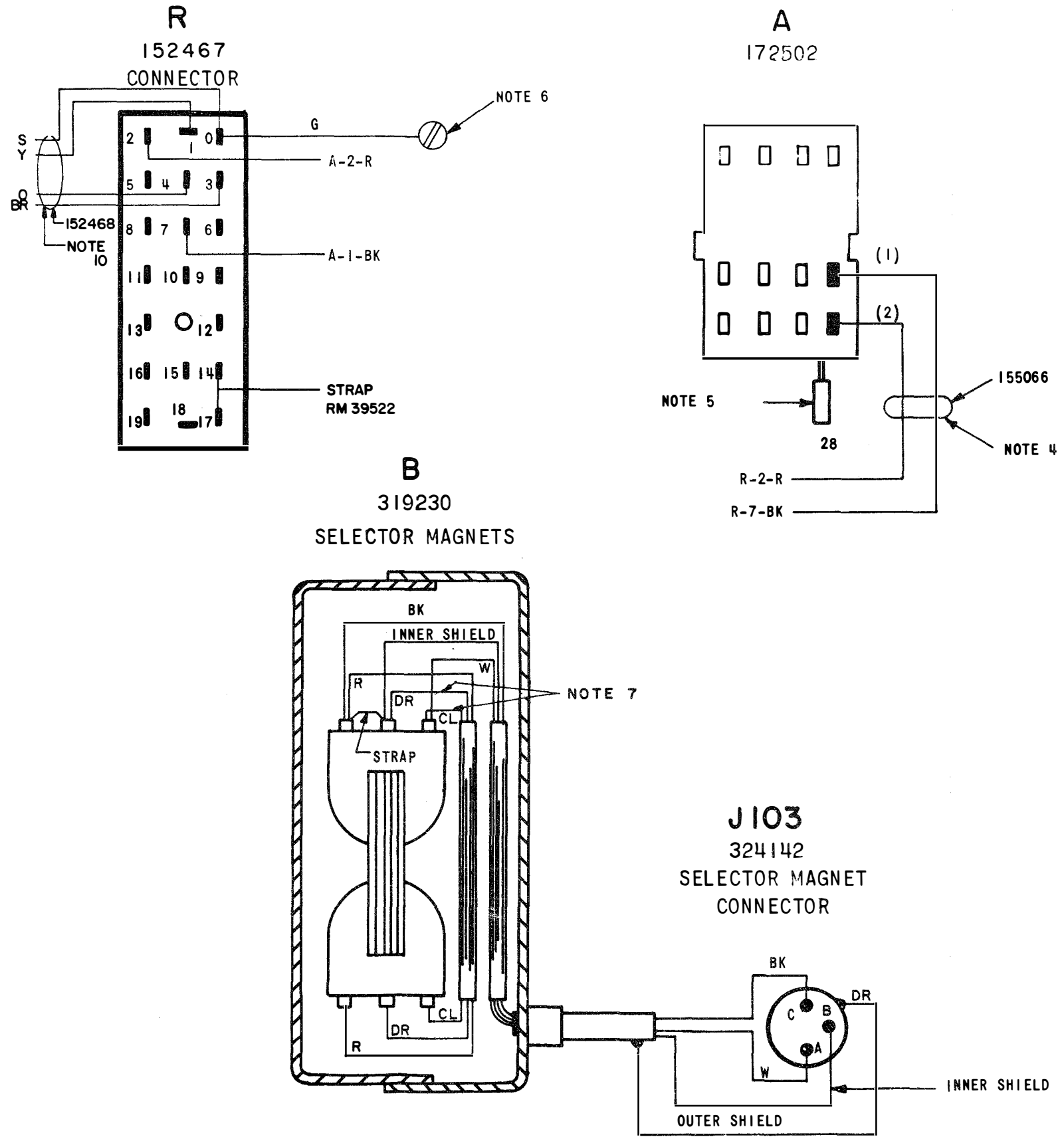
REVISIONS		
ISSUE	DATE	AUTH. NO.
1	5-29-67	18394-R
2	8-18-67	94386-A





ACTUAL WIRING DIAGRAM FOR LAC227 CABINET

APPROVALS	
D AND R	E OF M
E-NUMBER	
PROD. NO. 8300WD	
DATE 1-10-67	
P.D. FILE NO. 15-65AAA	
DRAWN J. J. A.	CHKD.
ENG. D. C. L.	APPD.
TELETYPE CORPORATION	
8300WD	

- | NO | NOTES |
|-----|--|
| 1. | WIRING LEGEND:
 DISTANT TERMINATING AREA
 DISTANT TERMINATING DESIGNATION
A-1-BK
 COLOR CODE |
| 2. | COLOR CODE:
BK-BLACK BL-BLUE
W-WHITE BR-BROWN
Y-YELLOW O-ORANGE
P-PURPLE G-GREEN
S-SLATE R-RED |
| 3. | CONNECTORS VIEWED FROM SOLDERED TERMINAL END. |
| 4. | THESE LEADS FURNISHED WITH STUNT BOX. |
| 5. |  NORMALLY OPEN CONTACTS
 NORMALLY CLOSED CONTACTS |
| 6. | 135563 STRAP CONNECTED TO TERMINAL TO BE CONNECTED TO CONNECTOR BRACKET MOUNTING SCREW ON LP 134, LP 138, LP 149 LP 150 |
| 7. | LEGEND:
DR- DRAIN LEAD
CL-CLEAR INSULATION |
| 8. | REFERENCE SPEC. FOR TELETYPE CORPORATION EMPLOYEES ONLY.
6267 S |
| 9. | TERMINAL DESIGNATIONS ENCLOSED IN PARENTHESIS ARE FOR REFERENCE AND ARE NOT MARKED ON COMPONENT. |
| 10. | TAPE ENDS AND TIE BACK 152468 CABLE IF NECESSARY. |

8301 WD		
REVISIONS		
ISSUE	DATE	AUTH. NO.
1	9-29-67	18394-R
2	5-20-68	95722
3	11-1-68	36515



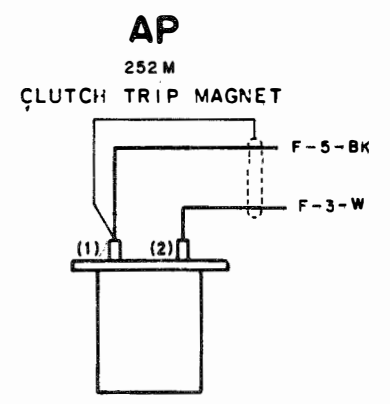
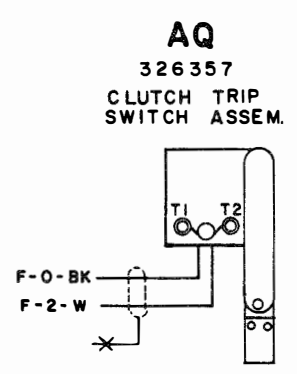
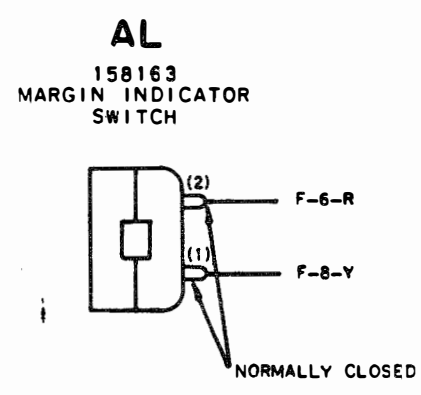
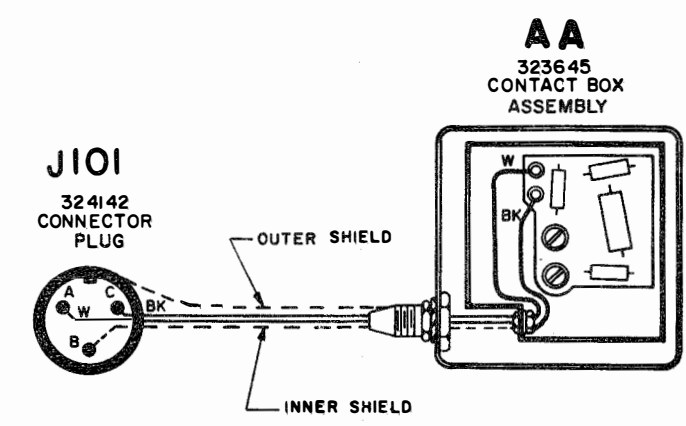
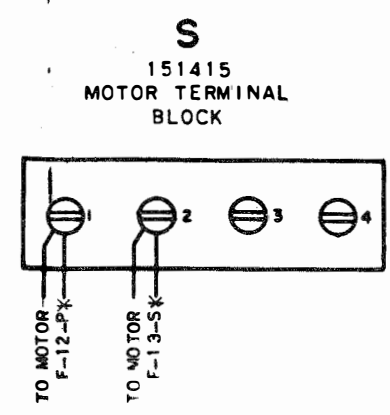
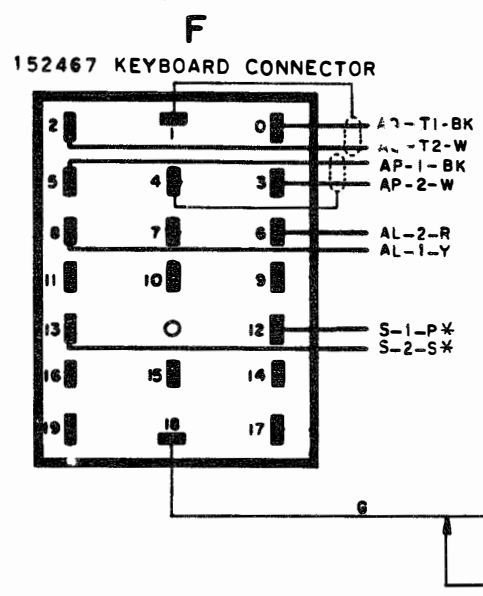
ACTUAL WIRING DIAGRAM LP 138, LP 134 LP 149, LP 150 PAGE PRINTER AY, AJG STUNT BOX	
APPROVALS D AND R E OF M  	
E-NUMBER	
PROD. NO. 8301 WD	
DATE: 1-5-67	
P.D. FILE NO. 15-65AAA	
DRAWN R.T.S.	CHKD 
ENGD. G. H. M.	APPR. 
TELETYPE CORPORATION 8301 WD	

8302 WD

REVISIONS

ISSUE	DATE	AUTH. NO.
1	6-13-67	18394-R

- NOTES**
- 1 WIRE COLOR CODE:
BK - BLACK BL - BLUE
BR - BROWN S - SLATE
R - RED W - WHITE
O - ORANGE P - PURPLE
G - GREEN Y - YELLOW
 - 2 DENOTES SHIELDED CABLE
 DENOTES TAPE END OF SHIELD
 - 3 ASSOCIATED CABLES:
323974 KEYBOARD CABLE
326355 SYNC. PULSE CABLE
 - 4 CONNECTOR VIEWED FROM TERMINAL END.
 - 5 TERMINAL DESIGNATIONS ENCLOSED IN PARENTHESES ARE NOT MARKED ON THE COMPONENT.
 - 6 WIRING LEGEND:
 DISTANT TERMINATING AREA
 DISTANT TERMINATING DESIGNATION
A-1-W-BK WIRE COLOR CODE
 - 7 REFERENCE SPEC. FOR TELETYPE CORPORATION EMPLOYEES ONLY 6322 S
 - 8 REFER TO 8304WD FOR SCHEMATIC WIRING DIAGRAM.
 - 9 * DENOTES #18 WIRE



ACTUAL WIRING DIAGRAM FOR MODEL 28 KEYBOARD LK61

APPROVALS

D AND R	E OF M
---------	--------

E-NUMBER
PROD. NO. 8302 WD

DATE 1-30-67
P.D. FILE NO. 15-65 AAA

DRAWN CHKD. *[Signature]*
ENGD. D.C.L. APPD. *[Signature]*

TELETYPE CORPORATION

8302 WD

8303 WD

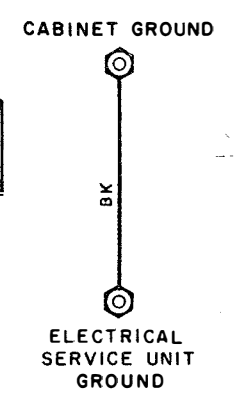
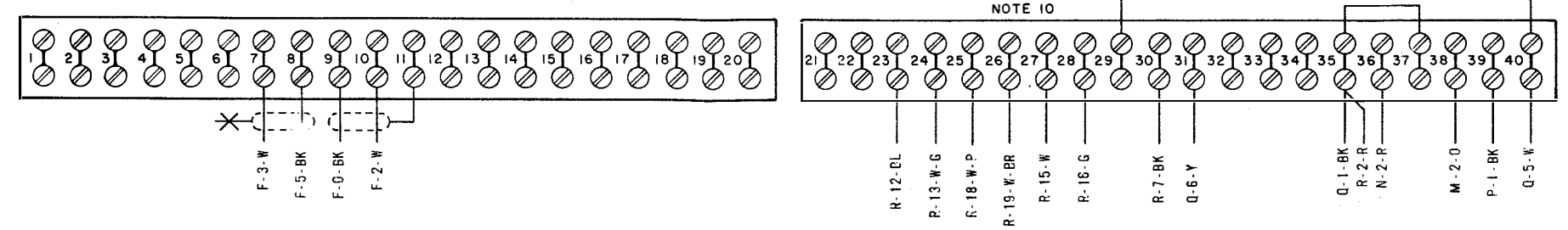
REVISIONS

ISSUE	DATE	AUTH. NO.
1	6-16-67	18394-R
2	3-22-68	97526 RC
3	4-17-68	95476

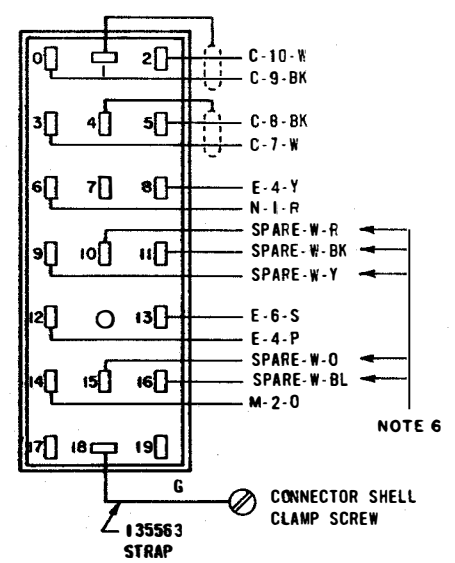
- NO. NOTES
1. WIRING LEGEND:
 2. COLOR CODE:

BK - BLACK	P - PURPLE
BL - BLUE	R - RED
BR - BROWN	S - SLATE
G - GREEN	W - WHITE
O - ORANGE	Y - YELLOW
 3. UNIT WIRED FOR 100-130 VOLTS, 45 TO 66 HZ AC POWER INPUT ONLY.
 4. ✕ DENOTES TAPE END OF SHIELD
 5. DENOTES SHIELDED CABLE
 6. THE SPARE LEADS FROM THE KEYBOARD (OR RECEIVE-ONLY BASE) AND TYPING UNIT CONNECTOR PLUGS ARE TERMINATED IN THE RIGHT AND LEFT ENDS OF THE ELECTRICAL SERVICE UNIT, RESPECTIVELY.
 7. TERMINAL DESIGNATIONS SHOWN IN PARENTHESIS ARE NOT MARKED ON COMPONENTS.
 8. REFERENCE SPEC. FOR TELETYPE CORPORATION EMPLOYEES ONLY:
61.324S
 9. ASSOCIATED CABLE ASSEMBLY:
324152
 10. LEADS FROM R CONNECTOR TO C23 THROUGH C28 ARE SPARES.
 11. REFER TO SET SCHEMATIC 8304WD

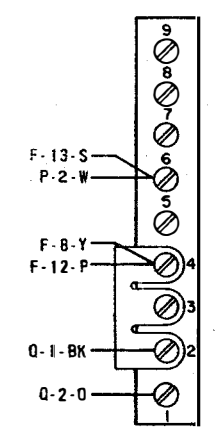
C CABINET TERMINAL BLOCKS



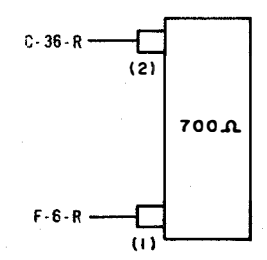
F KEYBOARD OR RECEIVING ONLY BASE CONNECTOR



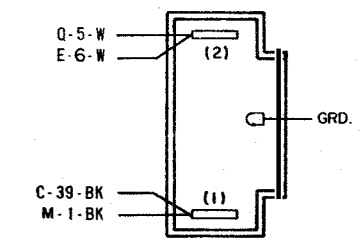
E POWER TERMINAL BLOCK



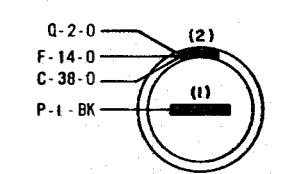
N MARGIN INDICATOR LAMP RESISTOR



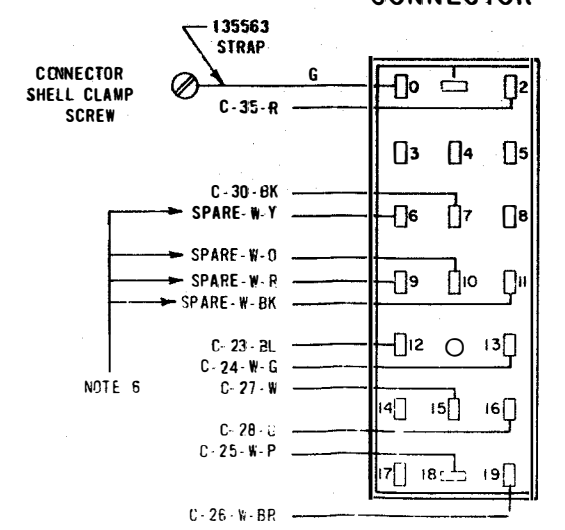
P CONVENIENCE RECEPTACLE



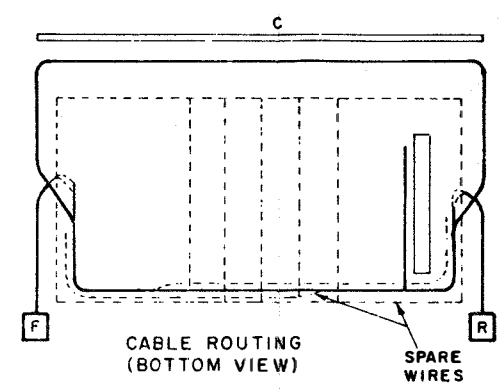
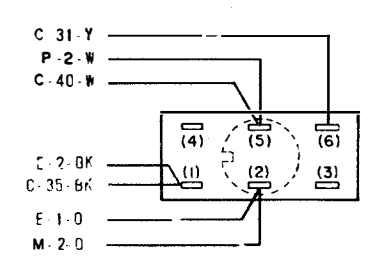
M FUSE HOLDER



R TYPING UNIT CONNECTOR



Q POWER SWITCH



ACTUAL WIRING DIAGRAM FOR MODEL 28 ELECTRICAL SERVICE UNIT LESU128

APPROVALS

D AND R	E OF M
---------	--------

E-NUMBER

PROD. NO. 8303 WD

DATE 4-7-67

P.D. FILE NO. 15-65AAA

DRAWN J. J. A. CHKD. *[Signature]*

ENGD. G. H. M. APPD. *[Signature]*

TELETYPE CORPORATION

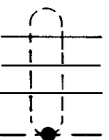
8303 WD

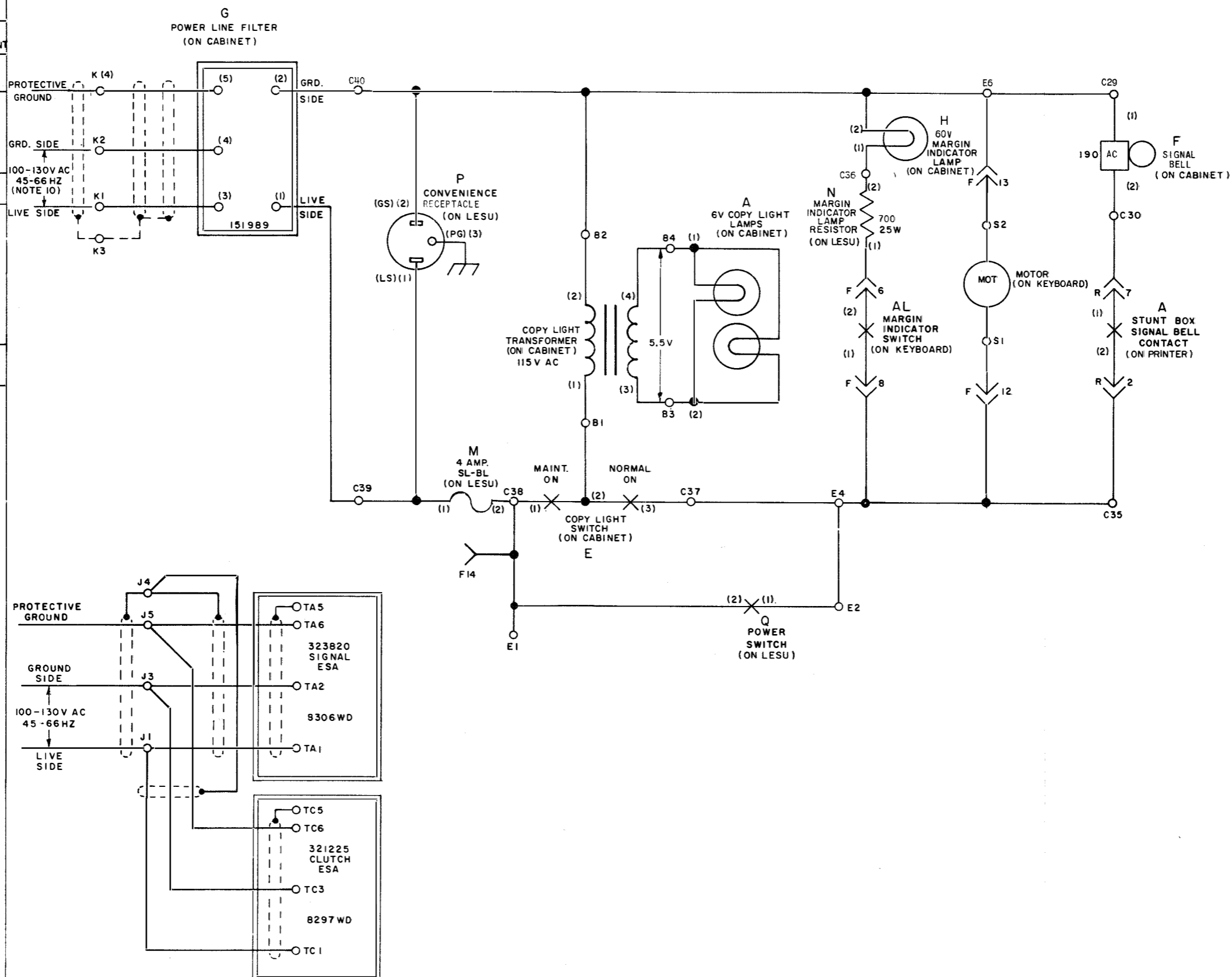
8304 WD

REVISIONS

ISSUE	DATE	AUTH. NO.
1	7-11-67	17983-R
2	7-1-68	95875

NOTE:
REVISION INFORMATION MUST ALSO BE REFLECTED ON THE ISSUE CONTROL RECORD, WHICH IS A PART OF THIS DRAWING.

- NO. NOTES
- ALL RESISTANCE VALUES ARE IN OHMS, CAPACITANCE IN MICROFARADS, AND INDUCTANCE VALUES IN MICROHENRIES UNLESS OTHERWISE SPECIFIED.
 - ALL RESISTORS 1/2 WATT UNLESS OTHERWISE SPECIFIED.
 - SL-BL INDICATES SLOW BLOWING.
 - INDICATES FEMALE TERMINAL
 - INDICATES MALE TERMINAL
 - TERMINAL DESIGNATIONS ENCLOSED IN PARENTHESIS ARE NOT MARKED ON COMPONENT
7. FOR ACTUAL WIRING DIAGRAMS OF INDIVIDUAL UNITS SEE:
 2900WD L MU (MOTOR)
 8300WD LAC 227 (CABINET)
 8301WD LP 138 (PRINTER)
 8302WD LK 61 (KEYBOARD)
 8303WD LESU 128 (LESU)
8. ALL APPARATUS SHOWN IN DE-ENERGIZED OR UNOPERATED POSITION.
9.
  INDICATES SHIELDED LEADS.
10. MOTOR UNITS MUST BE CHOSEN IN ACCORDANCE WITH AVAILABLE LINE FREQUENCY AND REGULATION.



SEE ISSUE CONTROL RECORD FOR COMPLETE LIST OF SHEETS COMPRISING THIS W.D.

SHEET 1

WDP

SCHEMATIC WIRING DIAGRAM FOR
 28-RFK 2001A
 28-RFK 2002B
 KSR SET

AC POWER DISTRIBUTION

APPROVALS

D AND R	E OF M
<i>[Signature]</i>	<i>[Signature]</i>

E-NUMBER

PROD. NO. 8304 WD

DATE 1-30-67

P.D. FILE NO. 15-65AAA

DRAWN _____ CHKD. _____

ENGD. D.C.L. _____ APPD. _____

TELETYPE CORPORATION

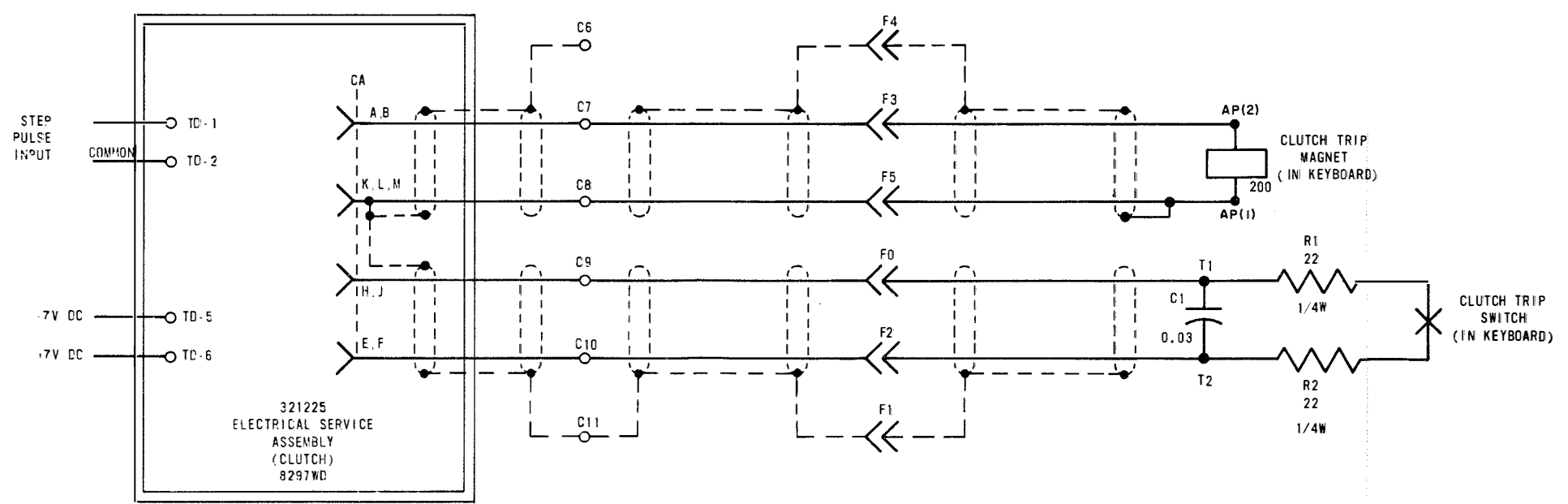
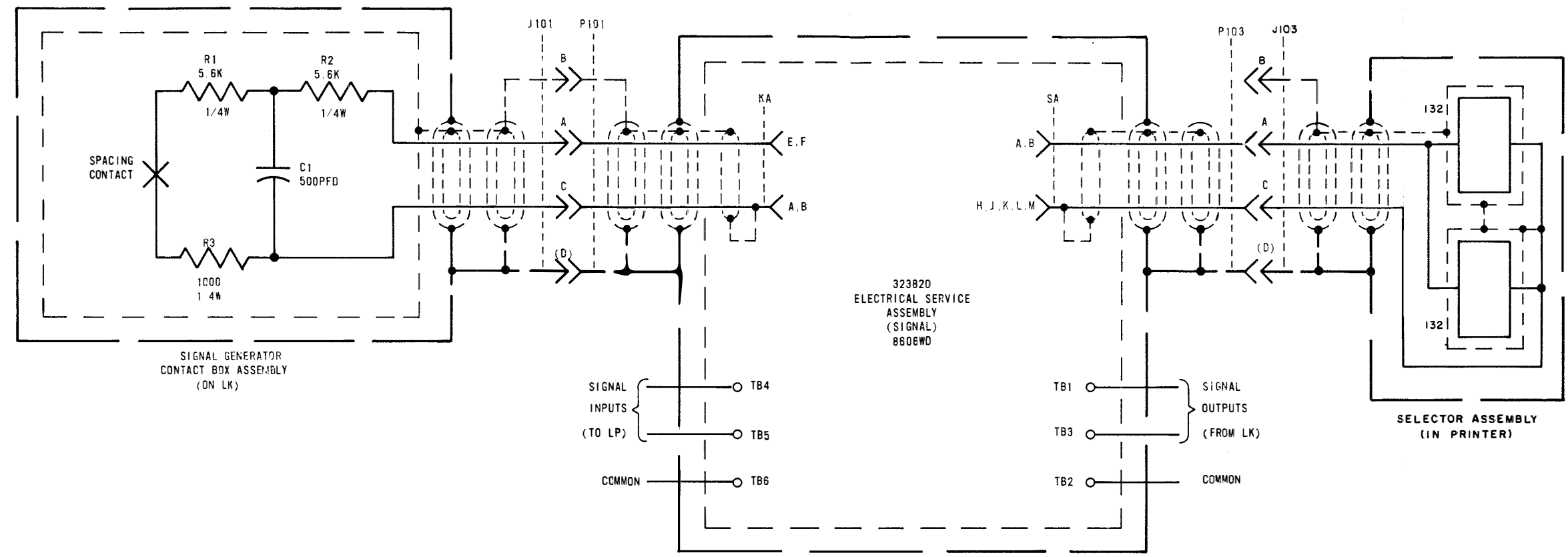
8304 WD

NO.	NOTES
1	REFER TO SHEET 1 FOR NOTES

NOTE:
REVISION INFORMATION MUST ALSO BE REFLECTED ON THE ISSUE CONTROL RECORD, WHICH IS A PART OF THIS DRAWING.

8304WD

REVISIONS		
ISSUE	DATE	AUTH. NO.
1	7-11-67	17983-R
2	1-24-68	94934
3	7-1-68	95875



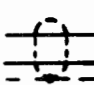

SEE ISSUE CONTROL RECORD FOR COMPLETE LIST OF SHEETS COMPRISING THIS W.D.

SHEET 2

WDP
SCHEMATIC WIRING DIAGRAM FOR 28-RFK2001A 28-RFK2002B SIGNAL AND CONTROL CIRCUITS

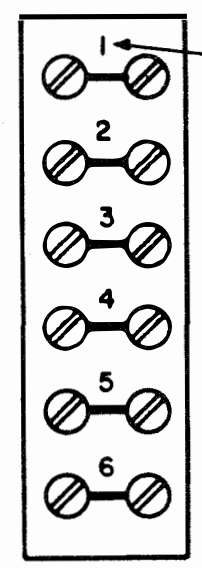
APPROVALS	
D AND R <i>HJK</i>	E OF M <i>[Signature]</i>
E-NUMBER	
PROD. NO. 8304 WD	
DATE 5-10-67	
P.D. FILE NO. 15-65 AAA	
DRAWN J. J. A	CHKD. <i>[Signature]</i>
ENGD. D. C. L.	APPD. <i>[Signature]</i>
TELETYPE CORPORATION	

8304WD

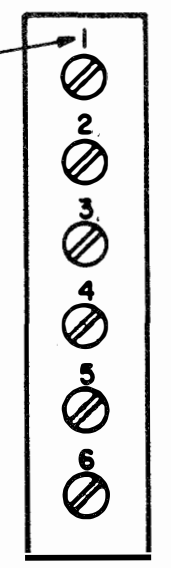
- NO. NOTES**
- ALL VOLTAGES DC UNLESS OTHERWISE SPECIFIED.
 - TERMINAL DESIGNATIONS ENCLOSED IN PARENTHESIS ARE FOR REFERENCE AND ARE NOT MARKED ON COMPONENT.
 - FUSE NUMBER: 162360
10 AMP SLOW BLOWING.
 - TERMINAL NUMBERS APPEAR ON ASSOCIATED MARKING STRIP.
 - * INDICATES TO TAPE END TERMINATING POINT.
 -  INDICATES SINGLE SHIELDING
 -  INDICATES DOUBLE SHIELDING
 - ALL STRAPPING WIRE 24 AWG BARE, 39603 RM, USE SLEEVING WHERE REQUIRED.
 - INDICATES 18 AWG STRANDED WIRE.
 - INDICATES 24 AWG STRANDED WIRE.
 - INDICATES 24 AWG 2 LEAD SINGLE SHIELDED CABLE.
 ALL SURFACE WIRE 24AWG GREEN, 31784 RM, UNLESS OTHERWISE SPECIFIED.
 - STRAP BETWEEN TERMINALS TB3 & 4 CONNECTS PRINTER TO KEYBOARD OUTPUT. FOR FULL DUPLEX OPERATION REMOVE STRAP.
 - IF EXTERNAL BATTERY IS SUPPLIED FOR POLAR LINE KEYS, REMOVE STRAPS BETWEEN TD1, TD2 & TD3, TD4. APPLY + BATTERY (6.6 TO 7.8V) TO TD2 & - BATTERY (6.6 TO 7.8V) TO TD4. IF ±6V IS SUPPLIED, KEYS OUTPUT WILL DROP TO ±4.5V.
 - REFER TO 8306WD FOR SCHEMATIC WIRING DIAGRAM
 - COLOR CODE:

BK - BLACK	P - PURPLE
BL - BLUE	R - RED
BR - BROWN	S - SLATE
G - GREEN	W - WHITE
O - ORANGE	Y - YELLOW

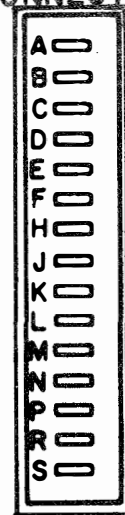
TA
111284
TERMINAL BOARD



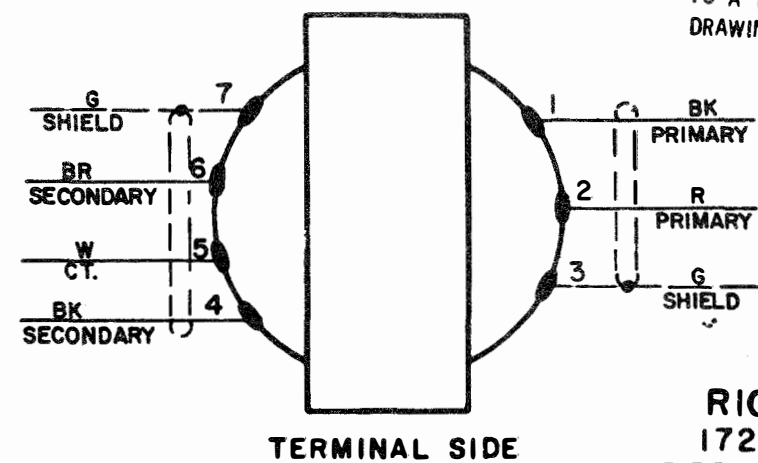
TB, TC, TD
158250
TERMINAL BOARD



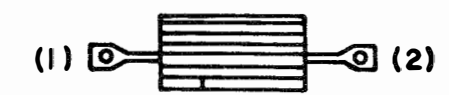
KA, PA, SA
326270
CONNECTOR



T1
326351
TRANSFORMER ASSEM.



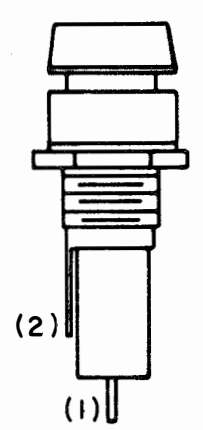
RI01
172726
RESISTOR



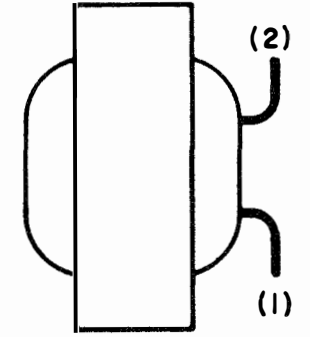
NOTE: REVISION INFORMATION MUST ALSO BE REFLECTED ON THE ISSUE CONTROL RECORD, WHICH IS A PART OF THIS DRAWING.

8305WD		
REVISIONS		
ISSUE	DATE	AUTH. NO.
1	6-20-67	17983-R
2	1-23-68	94934

FI01
116783
FUSE HOLDER



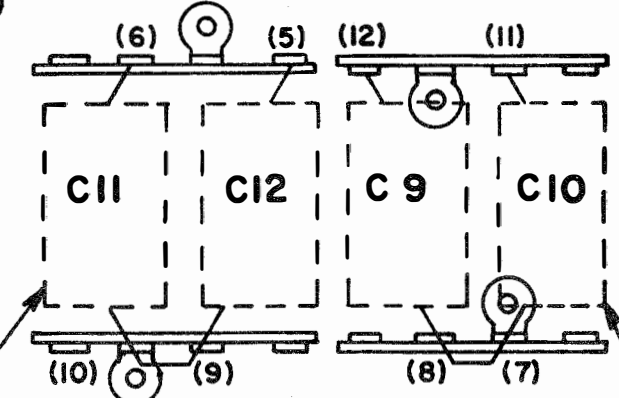
L1, L2
321133
CHOKE, FILTER



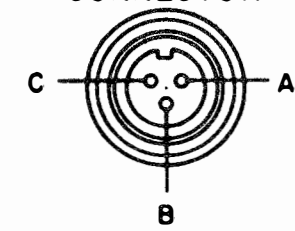
C9, C10, C11, C12
327444
CAPACITOR



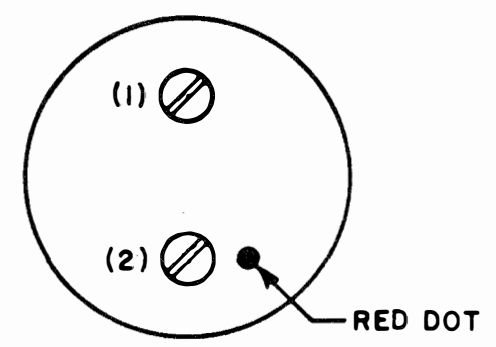
TS101
321207
TERMINAL STRIPS



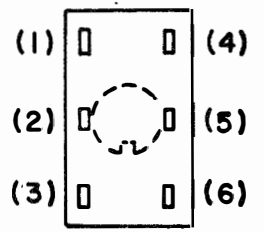
PI01, PI03
324141
CONNECTOR



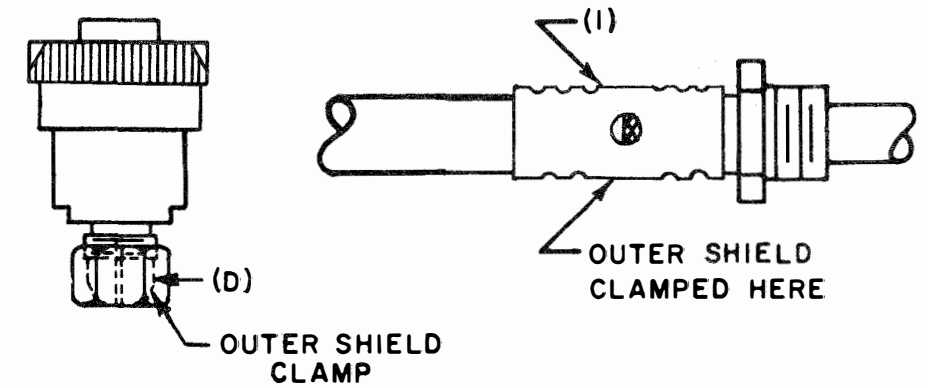
C8
321129
CAPACITOR



SI01
118659
SWITCH



CL101, CL103
321276, 321238
CLAMP



SEE ISSUE CONTROL RECORD FOR COMPLETE LIST OF SHEETS COMPRISING THIS W.D.

SHEET 1 WDP

ACTUAL WIRING DIAGRAM FOR 323820 ELECTRICAL SERVICE ASSEMBLY

APPROVALS

D AND R E OF M

K NUMBER

PROD. NO. 8305 WD

DATE: 1-23-67

P.D. FILE NO. 15-65AAA

DRAWN J. J. A. CHRD.

ENGD. E. J. Z. APPD.

TELETYPE CORPORATION

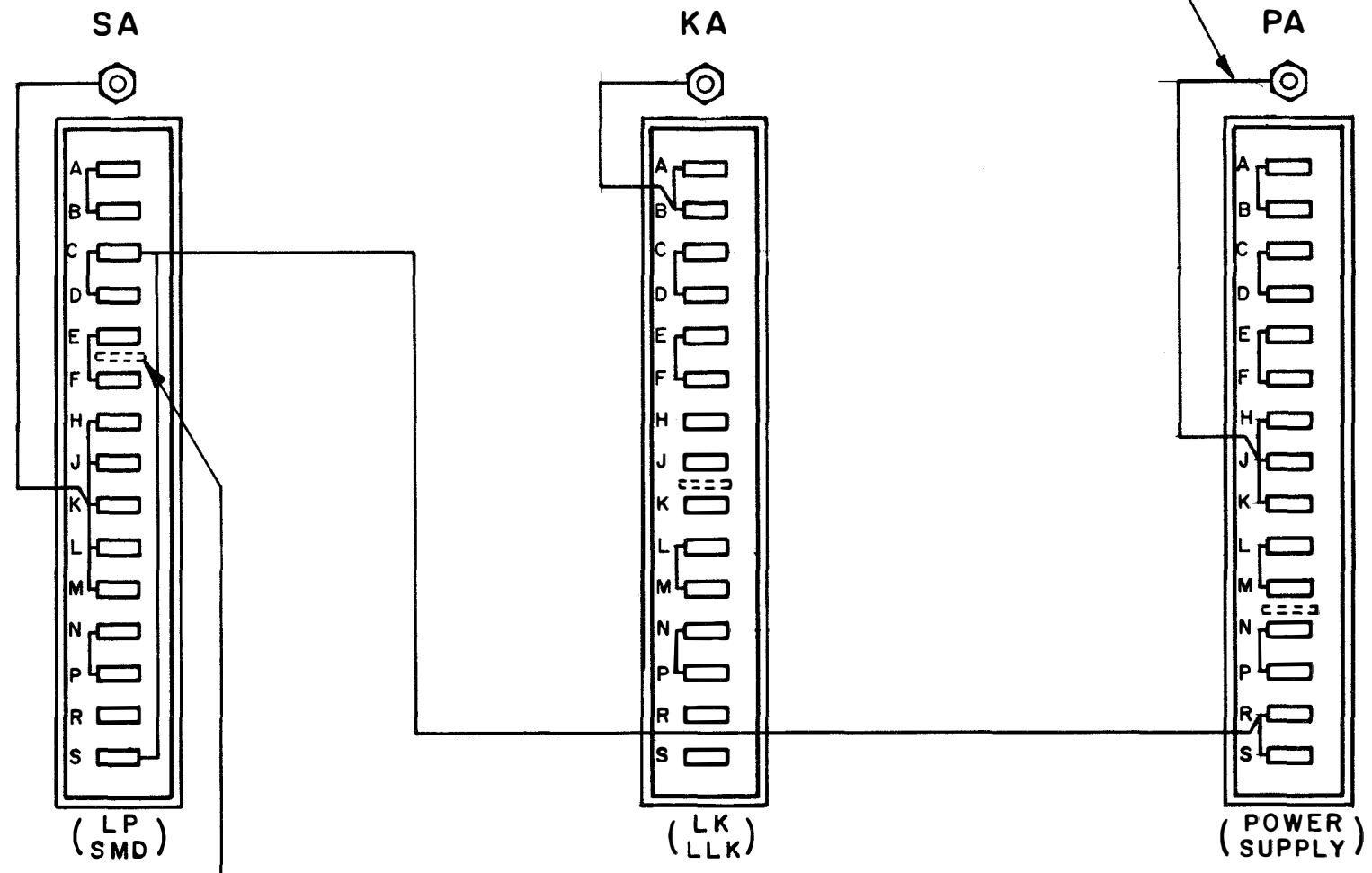
8305 WD

NO.	NOTES
1.	SEE SHEET 1 FOR NOTES.

8305WD		
REVISIONS		
ISSUE	DATE	AUTH. NO.
1	6-20-67	17983-R
2	1-23-68	94934
3	4-25-69	98545

NOTE: REVISION INFORMATION MUST ALSO BE REFLECTED ON THE ISSUE CONTROL RECORD, WHICH IS A PART OF THIS DRAWING.

326270
CONNECTOR

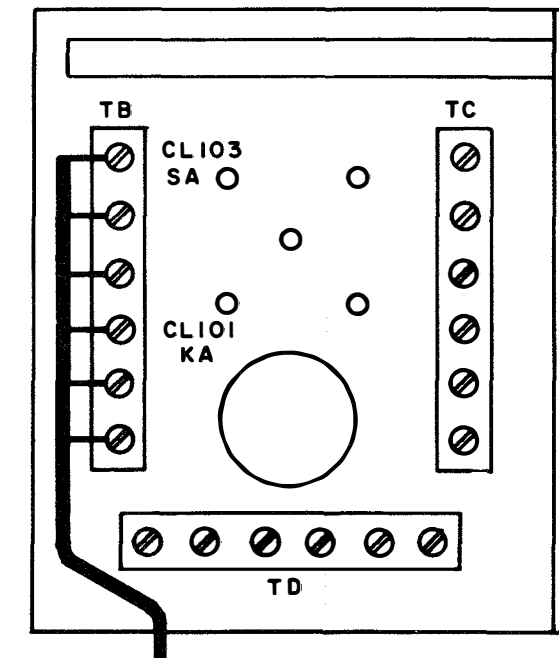


136653 STRAP (3 PLS.)

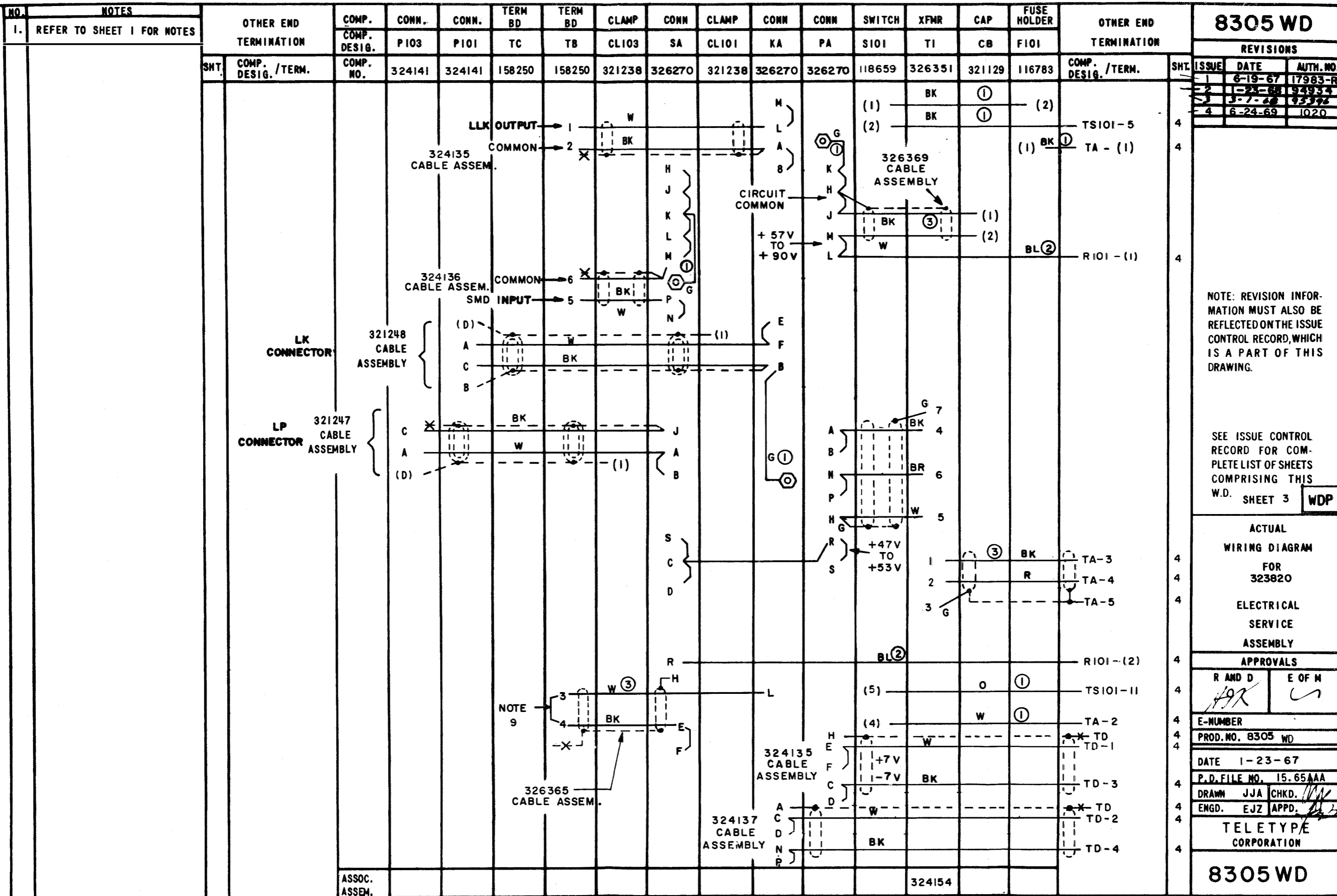
SEE ISSUE CONTROL RECORD FOR COMPLETE LIST OF SHEETS COMPRISING THIS W.D.

SHEET 2 WDP

ACTUAL WIRING DIAGRAM FOR 323820 ELECTRICAL SERVICE ASSEMBLY



APPROVALS	
D AND R	E OF M
E-NUMBER	
PROD. NO. 8305 WD	
DATE: 11-1-66	
P.D FILE NO. 15-65AAA	
DRAWN J.J.A.	CHKD.
ENGR. D.C.L.	APPD.
TELETYPE CORPORATION	
8305WD	



NOTE: REVISION INFORMATION MUST ALSO BE REFLECTED ON THE ISSUE CONTROL RECORD, WHICH IS A PART OF THIS DRAWING.

SEE ISSUE CONTROL RECORD FOR COMPLETE LIST OF SHEETS COMPRISING THIS W.D. SHEET 3 WDP

ACTUAL WIRING DIAGRAM FOR 323820 ELECTRICAL SERVICE ASSEMBLY

APPROVALS R AND D [Signature] E OF M [Signature]

E-NUMBER PROD. NO. 8305 WD

DATE 1-23-67

P.D. FILE NO. 15.65AAA

DRAWN JJA CHKD. [Signature]

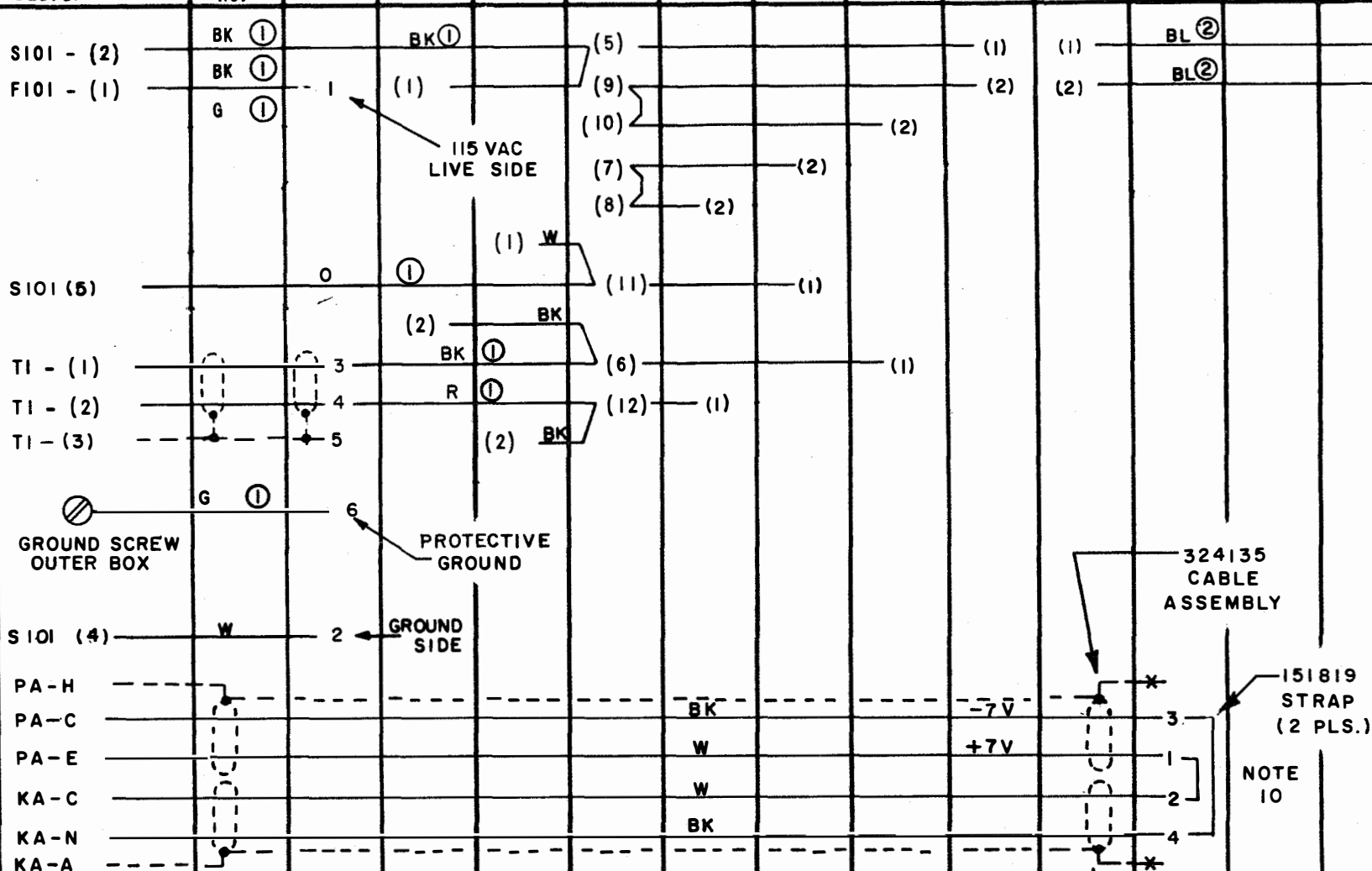
ENG. EJZ APPD. [Signature]

TELETYPE CORPORATION

8305 WD

NO. NOTES
1. REFER TO SHEET 1 FOR NOTES.

SHT	OTHER END TERMINATION	COMP. DESIG. / TERM.	COMP.	TERM BD	CHOKE	CHOKE	TERM STRIP	CAP	CAP	CAP	CAP	RES.	TERM. BOARD	OTHER END TERMINATION	SHT.
			COMP. NO.	TA	L1	L2	TS101	C9	C10	C11	C12	R101	TD		
			111284		321133	321133	321207	327444	327444	327444	327444	172726	158250		
3	SI01 - (2)	BK ①			BK ①		(5)					(1)	(1)	BL ②	PA-L
3	FI01 - (1)	BK ① G ①		1	(1)		(9)					(2)	(2)	BL ②	SA-R
							(10)				(2)				
							(7)				(2)				
							(8)				(2)				
3	SI01 (5)			0	①		(1) W				(11)			(1)	
							(2) BK								
3	TI - (1)			3	BK ①		(6)				(1)			(1)	
3	TI - (2)			4	R ①		(12)				(1)				
3	TI - (3)			5	(2) BK										
				6											
3	SI01 (4)			2											
3	PA-H														
3	PA-C														
3	PA-E														
3	KA-C														
3	KA-N														
3	KA-A														



8305 WD
REVISIONS
ISSUE DATE AUTH. NO.
1 6-19-67 17983-R
2 1-23-68 94934
3 3-1-68 95396

NOTE: REVISION INFORMATION MUST ALSO BE REFLECTED ON THE ISSUE CONTROL RECORD, WHICH IS A PART OF THIS DRAWING.

SEE ISSUE CONTROL RECORD FOR COMPLETE LIST OF SHEETS COMPRISING THIS W.D. SHEET 4 WDP

ACTUAL WIRING DIAGRAM FOR 323820 ELECTRICAL SERVICE ASSEMBLY

APPROVALS
R AND D E OF M
HJK *[Signature]*

E-NUMBER
PROD. NO. 8305 WD
DATE 1-23-67
P.D. FILE NO. 15-65AAA
DRAWN JJA CHKO. *[Signature]*
ENGD. EJZ APPD. *[Signature]*

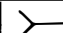
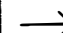
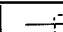
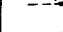
TELETYPE CORPORATION
8305 WD

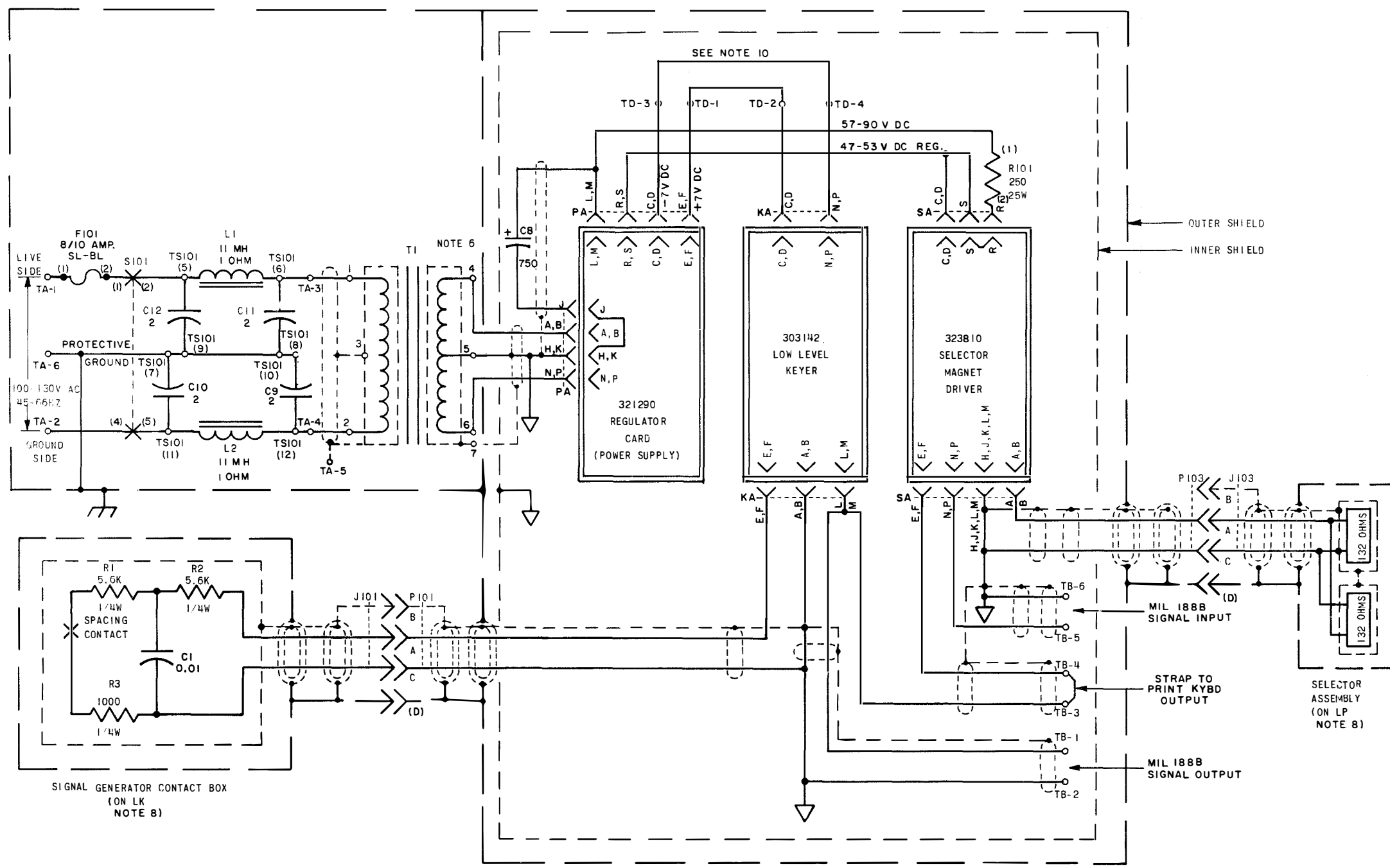
3

8306 WD

REVISIONS

ISSUE	DATE	AUTH. NO.
1	4-11-67	18427-R
2	1-25-68	94934
3	2-28-68	95396

10. NOTES.
- RESISTANCE VALUES IN OHMS. ALL CAPACITANCE VALUES IN MICRO-FARADS, UNLESS OTHERWISE SPECIFIED.
 -  INDICATES FEMALE TERMINAL
 INDICATES MALE TERMINAL
 -  INDICATES SINGLE SHIELDING
 INDICATES DOUBLE SHIELDING
 - REFER TO 8305WD FOR ACTUAL WIRING DIAGRAM.
 - SL-BL INDICATES SLOW-BLOWING.
 - TI SECONDARY 50V AC TO CENTER TAP WITH 115V AC INPUT. B OHMS (MAX.) PRIMARY RESISTANCE 10 OHMS (MAX.) SECONDARY RESISTANCE TO CENTER TAP.
 - INDICATES CIRCUIT COMMON
 - REFER TO ACTUAL WIRING DIAGRAM FOR THE PARTICULAR LK, OR LP ASSOCIATED WITH THE SET.
 - REFERENCE SPEC FOR TELETYPE CORPORATION EMPLOYEES ONLY 612675
 - TERMINAL DESIGNATIONS ENCLOSED IN PARENTHESES ARE FOR REFERENCE AND ARE NOT MARKED ON COMPONENT.
 - IF EXTERNAL BATTERY IS SUPPLIED FOR POLAR LINE KEYS, REMOVE STRAPS BETWEEN TD-1, TD-2 AND TD-3, TD-4. APPLY + BATTERY (6.6 TO 7.8V) TO TD-2, AND - BATTERY (6.6 TO 7.8V) TO TD-4. IF ±6V IS SUPPLIED, THE KEYS OUTPUT WILL DROP TO ±4.5V



SCHEMATIC WIRING DIAGRAM FOR 323820 ELECTRICAL SERVICE ASSEMBLY

APPROVALS

D AND R <i>ABK</i>	E OF M <i>[Signature]</i>
-----------------------	------------------------------

E-NUMBER

PROD. NO. 8306WD

DATE 2-13-67

P.D. FILE NO. 15-65AAA

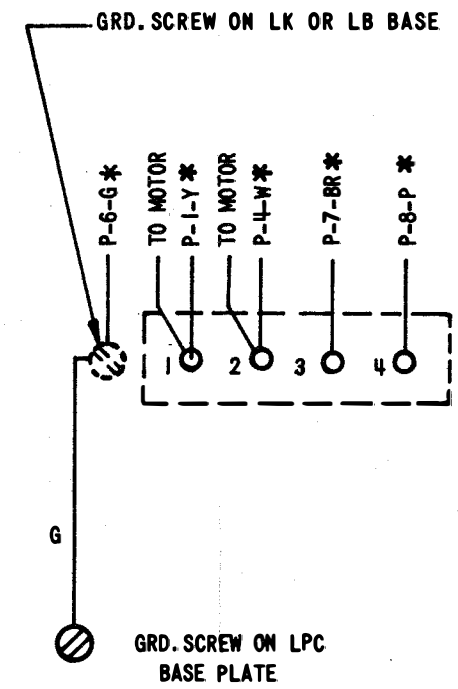
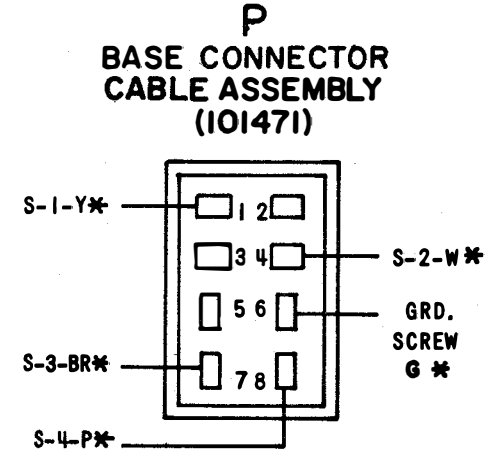
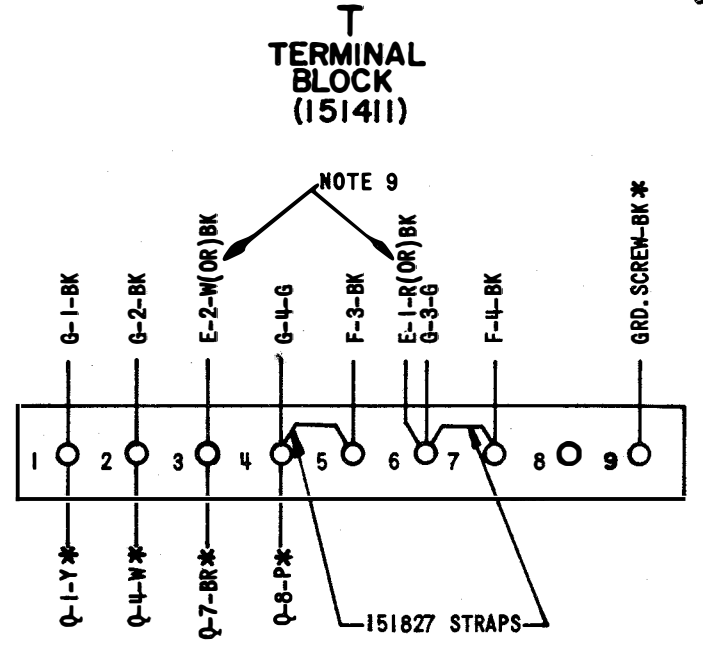
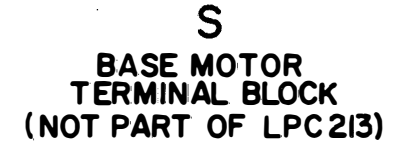
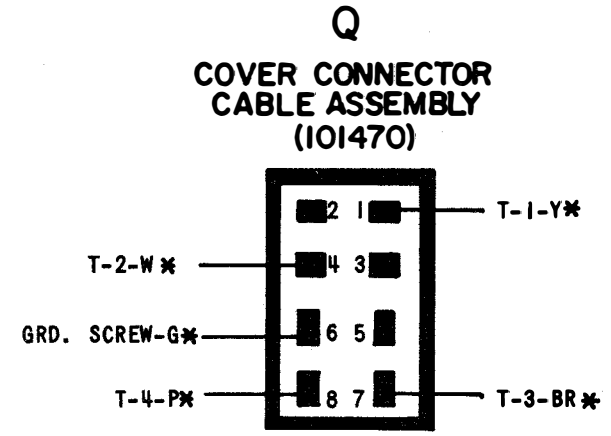
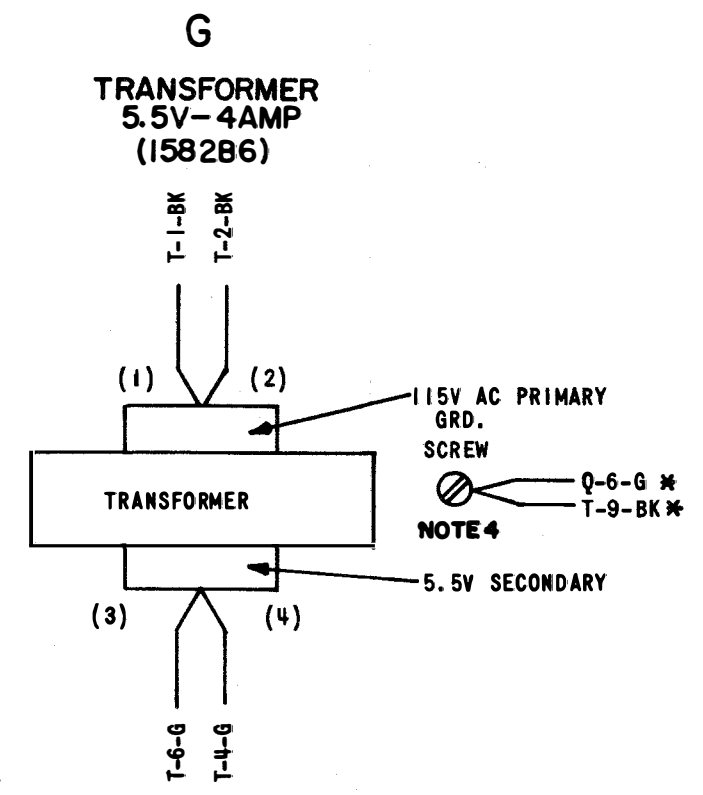
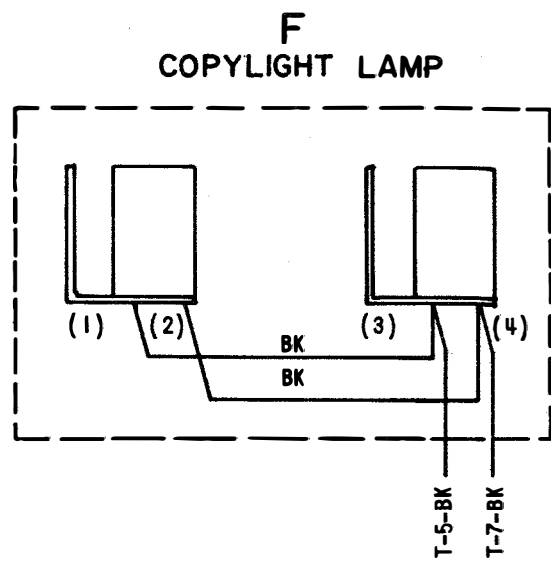
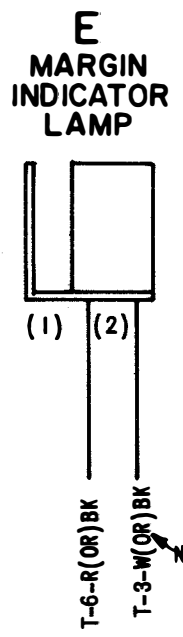
DRAWN JJA CHKD. *[Signature]*

ENGD. G. H. M. APPD. *[Signature]*

TELETYPE CORPORATION

8306 WD

- 1. WIRING LEGEND:**
 DISTANT TERMINATING AREA
 DISTANT TERMINATING DESIGNATION
 WIRE COLOR CODE
- 2. COLOR CODE:**
 BK - BLACK BL - BLUE
 R - RED Y - YELLOW
 G - GREEN P - PURPLE
 W - WHITE S - SLATE
 O - ORANGE BR - BROWN
- 3. CONNECTORS VIEWED FROM SOLDER TERMINAL ENDS.**
- 4. GROUND SCREW LOCATED ON LEFT SIDE OF COVER HINGE.**
- 5. TERMINAL DESIGNATIONS ENCLOSED IN PARENTHESIS ARE FOR REFERENCE AND ARE NOT MARKED ON COMPONENTS.**
- 6. ASSOCIATED CABLES & ASSEM.**
 325906 COVER CONNECTOR CABLE
 325907 BASE CONN. CABLE
 304520 MARGIN LAMP CABLE
 157278 COPYLIGHT LAMP CABLE
 164384 TRANSFORMER ASSEM.
- 7. * DENOTES 18 AWG WIRE.**
- 8. REFER TO 8331 WD & 8332 WD FOR SCHEMATIC DIAGRAM.**
- 9. RED OR BLACK (ANY OTHER COLORS ARE PERMISSIBLE)**
- 10. REFERENCE SPEC. FOR TELETYPE CORPORATION EMPLOYEES ONLY: 61,306S**



8325 WD

REVISIONS		
ISSUE	DATE	AUTH. NO.
1	8-24-67	18598-R

WDP

ACTUAL WIRING DIAGRAM FOR LPC213 SKIN TIGHT COVER

APPROVALS	
D AND R	E OF M
<i>HAK</i>	<i>[Signature]</i>
E-NUMBER	
PROD. NO. 8325WD	
DATE: 3-28-67	
P.O. FILE NO. 15-65AAA	
DRAWN TFG	CHKD <i>[Signature]</i>
ENGD. HAK	APPD. <i>[Signature]</i>

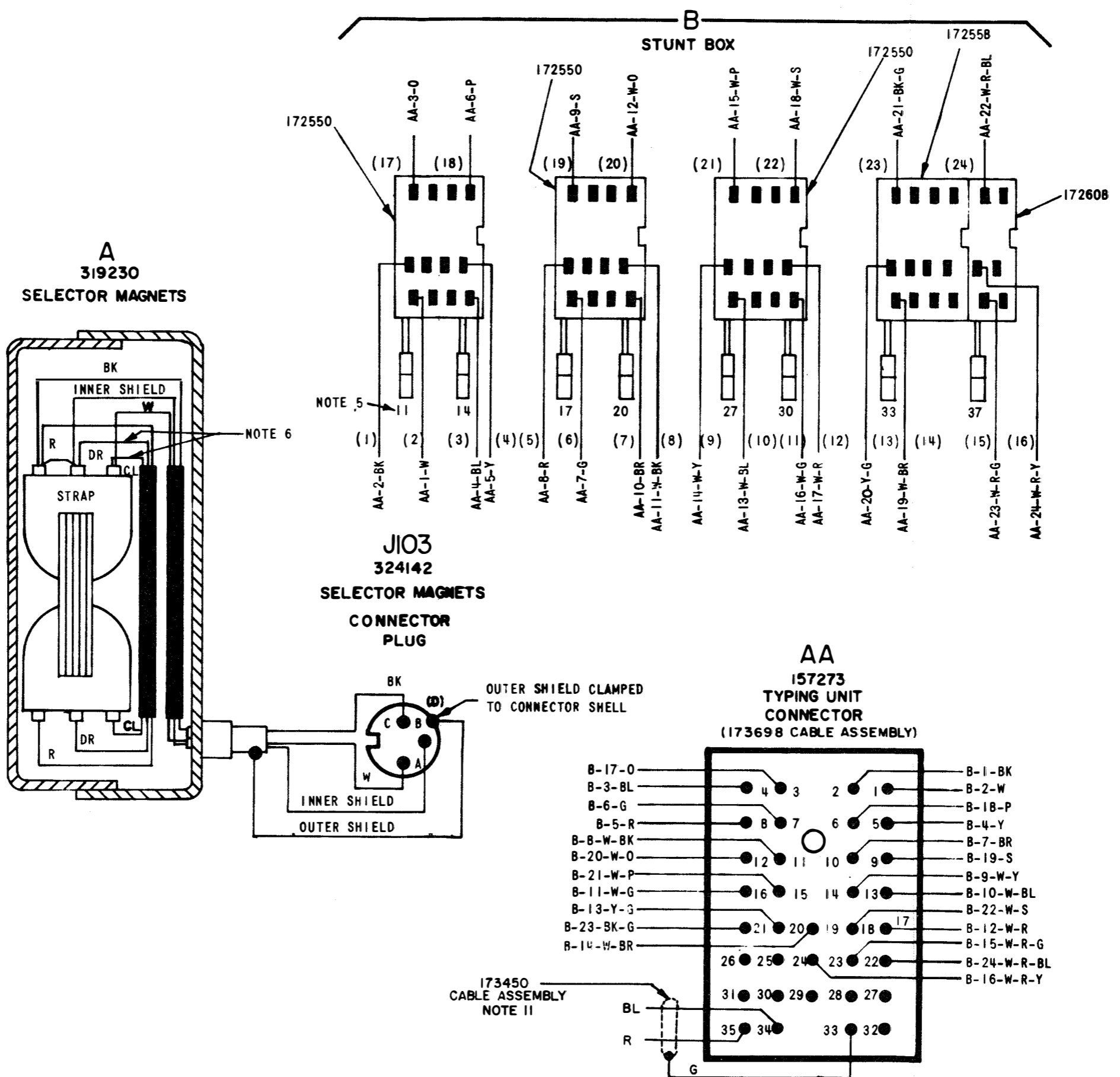
TELETYPE CORPORATION

8325 WD

REVISIONS

ISSUE	DATE	AUTH. NO.
1	8-24-67	18598-R
2	10-31-67	94691-D

1. WIRING LEGEND:
 DISTANT TERMINATING AREA
 DISTANT TERMINATING DESIGNATION
 AA-8-R
 WIRE COLOR CODE
2. COLOR CODE:
 W - WHITE R - RED
 O - ORANGE BL - BLUE
 P - PURPLE S - SLATE
 Y - YELLOW G - GREEN
 BR - BROWN BK - BLACK
3. CONNECTORS VIEWED FROM WIRING SIDE.
4. NORMALLY OPEN CONTACT
 NORMALLY CLOSED CONTACT
5. INDICATED SLOT LOCATION.
6. LEGEND:
 DR - SWELED DRAIN
 CL - CLEAR INSULATION
7. SELECTOR MAGNET WIRED FOR 60MA OPERATION.
8. REFER TO 8331 WD & 8332 WD FOR SCHEMATIC DIAGRAM.
- REFERENCE SPECIFICATION FOR TELETYPE CORPORATION EMPLOYEES ONLY:
 6275S; 6869S; 61, 213S
10. TERMINAL DESIGNATIONS ENCLOSED IN PARENTHESIS ARE FOR REFERENCE AND ARE NOT MARKED ON COMPONENTS.
11. A UNIT OR STUNT BOX MAY BE EQUIPPED WITH A 173450 CABLE ASSEMBLY. IF PRESENT, TAPE TERMINALS AND TIE BACK CABLE ASSEMBLY.



WDP

ACTUAL WIRING DIAGRAM FOR MODEL 28 LP135 STUNT BOX AGM

APPROVALS

D AND R	E OF M
<i>HAK</i>	<i>CM</i>

E NUMBER

PROD. NO. 8326WD

DATE: 3-28-67

P.O. FILE NO. 15-65AAA

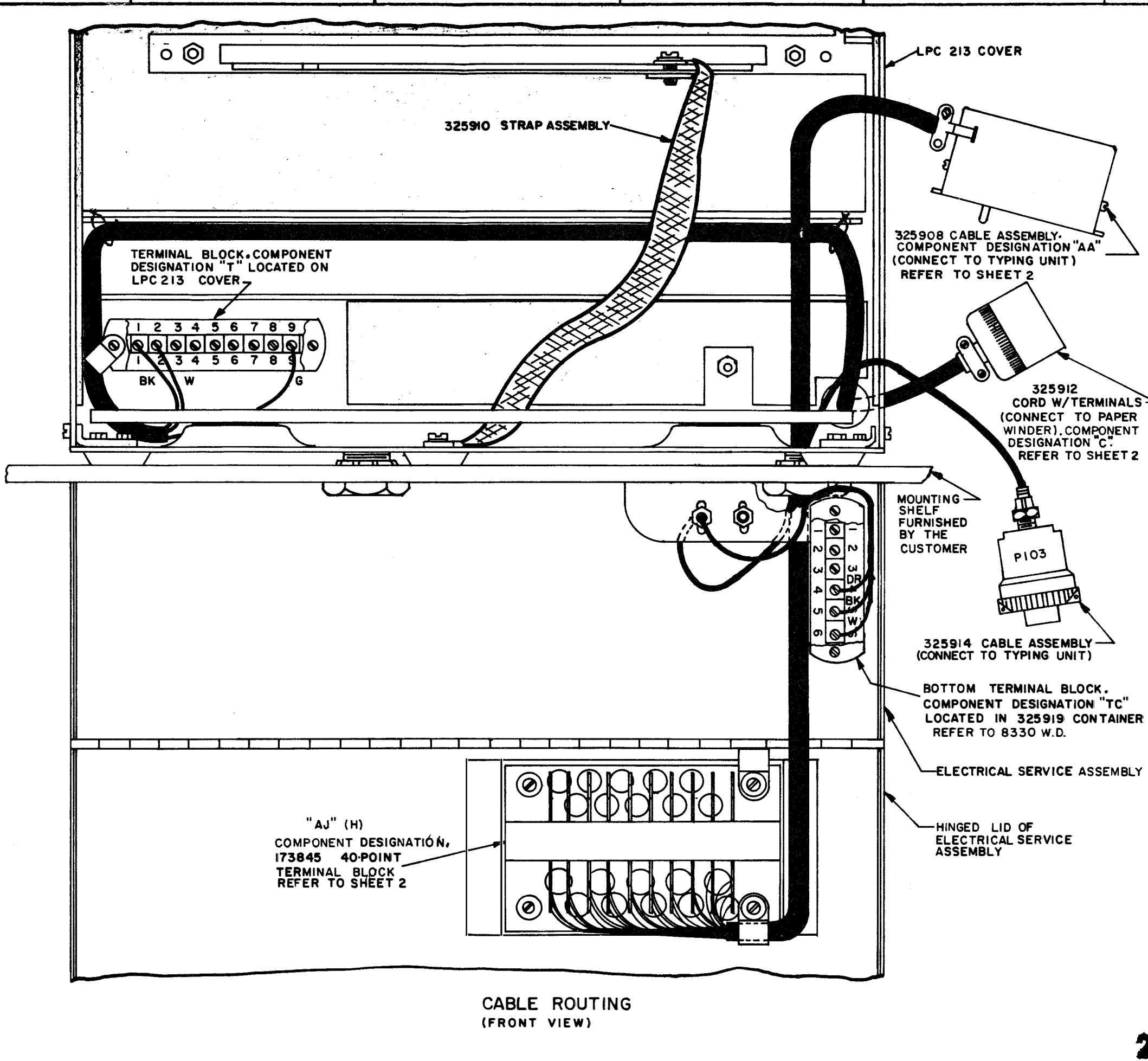
DRAWN TFG

ENGD. HAK

TELETYPE CORPORATION

8326 WD

- NO NOTES
1. WIRING LEGEND:
 DISTANT TERMINATING AREA
 DISTANT TERMINATING DESIGNATION
 AA-1-BK ←
 WIRE COLOR CODE
 2. 324060 & 326471 ELECTRICAL SERVICE ASSEMBLIES REQUIRE ALL COMPONENTS ON SHEETS 1 & 3
 324061 & 325918 ELECTRICAL SERVICE ASSEMBLIES REQUIRE ALL COMPONENTS ON SHEETS 1 & 4.
 3. COLOR CODE:
 BK-BLACK BL-BLUE
 BR-BROWN W-WHITE
 R-RED Y-YELLOW
 P-PURPLE O-ORANGE
 G-GREEN S-SLATE
 4. ALL CONNECTORS VIEWED FROM WIRING SIDE.
 5. TERMINAL DESIGNATIONS ENCLOSED IN PARENTHESIS ARE FOR REFERENCE AND ARE NOT MARKED ON COMP.
 6. REFER TO 8331 WD OR B332WD FOR SCHEMATIC DIAGRAM.
 7. LEGEND:
 DR= SHIELD DRAIN
 8. * DENOTES 18 AWG. WIRE



8328 WD

REVISIONS		
ISSUE	DATE	AUTH. NO.
1	7-13-67	18598R
2	11-7-67	94648-D

NOTE: REVISION INFORMATION MUST ALSO BE REFLECTED ON THE ISSUE CONTROL RECORD, WHICH IS PART OF THIS W.D.

SEE ISSUE CONTROL RECORD FOR COMPLETE LIST OF SHEETS COMPRISING THIS W.D.

SHEET 1 WDP

ACTUAL WIRING DIAGRAM FOR CONNECTING 324060, 324061 325918 OR 326471 ELECTRICAL SERVICE ASSEMBLY TO RACK-MOUNTED PAGE PRINTER SET

APPROVALS	
D AND R	E OF M
<i>HAK</i>	<i>[Signature]</i>

E-NUMBER

PROD. NO. 8328 W.D.

DATE: 4-22-67

P.D. FILE NO. 15-65 AAA

DRAWN TFG CHKD *[Signature]*

ENGD. HAK APPD. *[Signature]*

TELETYPE CORPORATION

8328 WD

REVISIONS

ISSUE	DATE	AUTH. NO.
1	7-13-67	18598 R
2	11-7-67	94648-D
3	2-27-68	95172

NOTE: REVISION INFORMATION MUST ALSO BE REFLECTED ON THE ISSUE CONTROL RECORD, WHICH IS PART OF THIS W.D.

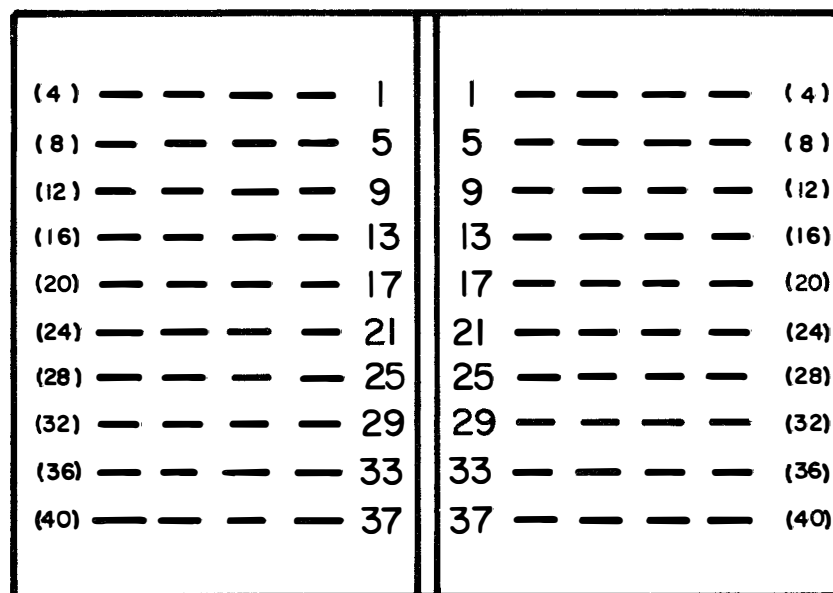
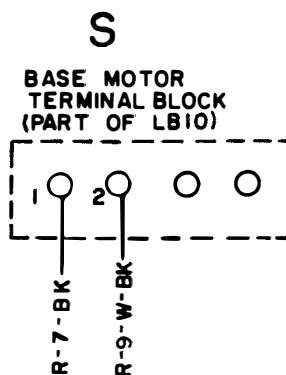
AJ
(H)

REFER TO 8329 W.D.

40 POINT TERMINAL BLOCK (173845)											
TO	FROM	COLOR	TO	FROM	COLOR	TO	FROM	COLOR	TO	FROM	COLOR
1	AA-1	W	11	AA-11	W-BK	21	AA-21	BK-G	31		
2	AA-2	BK	12	AA-12	W-O	22	AA-22	W-R-BL	32		
3	AA-3	O	13	AA-13	W-BL	23	AA-23	W-R-G	33		
4	AA-4	BL	14	AA-14	W-Y	24	AA-24	W-R-Y	34		
5	AA-5	Y	15	AA-15	W-P	25			35		
6	AA-6	P	16	AA-16	W-G	26			36		
7	AA-7	G	17	AA-17	W-R	27			37		
8	AA-8	R	18	AA-18	W-S	28			38		
9	AA-9	S	19	AA-19	W-BR	29			39		
10	AA-10	BR	20	AA-20	Y-G	30			40		

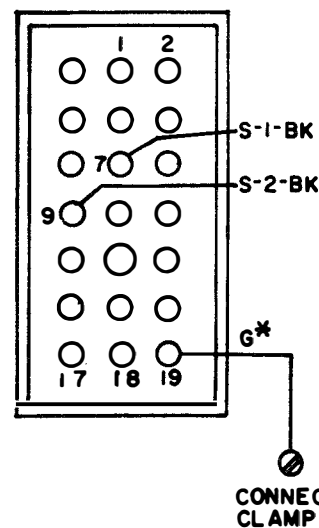
325908 TYPING UNIT CABLE ASSEMBLY. WIRED DURING UNIT INSTALLATION PER ABOVE WIRING CHART AND ROUTED PER SHEET 1 OF THIS WD.

SEE ISSUE CONTROL RECORD FOR COMPLETE LIST OF SHEET COMPRISING THIS W.D.



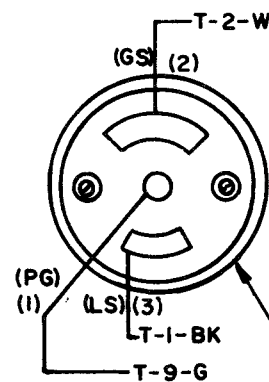
R

TYPING UNIT CONNECTOR ON 324497 CABLE ASSEMBLY



C

325912 CORD W/TERMINALS

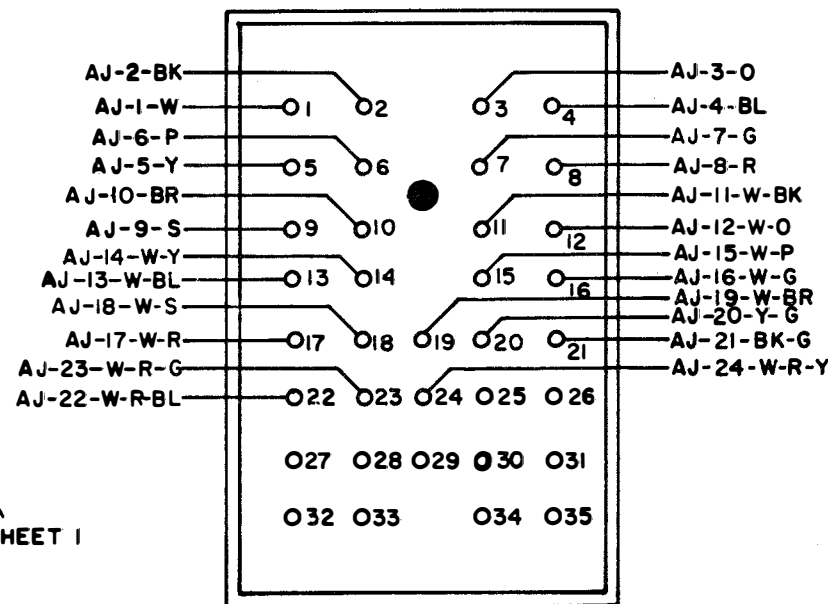


CONNECTOR SHELL CLAMP SCREW

REFER TO SHEET 1

AA

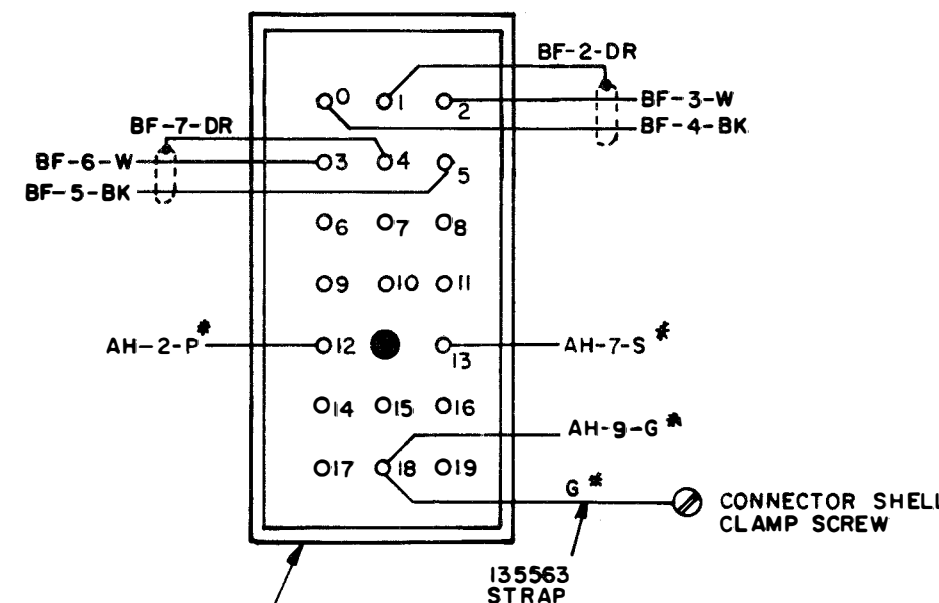
TYPING UNIT CONNECTOR ON 325908 CABLE ASSEMBLY



REFER TO SHEET 1

F

KEYBOARD CONNECTOR ON 325913 CABLE ASSEMBLY



REFER TO SHEET 4

ACTUAL WIRING DIAGRAM FOR CONNECTING 324060, 324061, 325918 OR 326471 ELECTRICAL SERVICE ASSEMBLY TO RACK-MOUNTED PAGE PRINTER SET

APPROVALS

D AND R	E OF M
<i>[Signature]</i>	<i>[Signature]</i>
E-NUMBER	
PROD. NO. 8328 W.D.	
DATE: 4-27-67	
P.D. FILE NO. 15-65 AAA	
DRAWN TFG	CHK <i>[Signature]</i>
ENGD. HAK	APPD. <i>[Signature]</i>

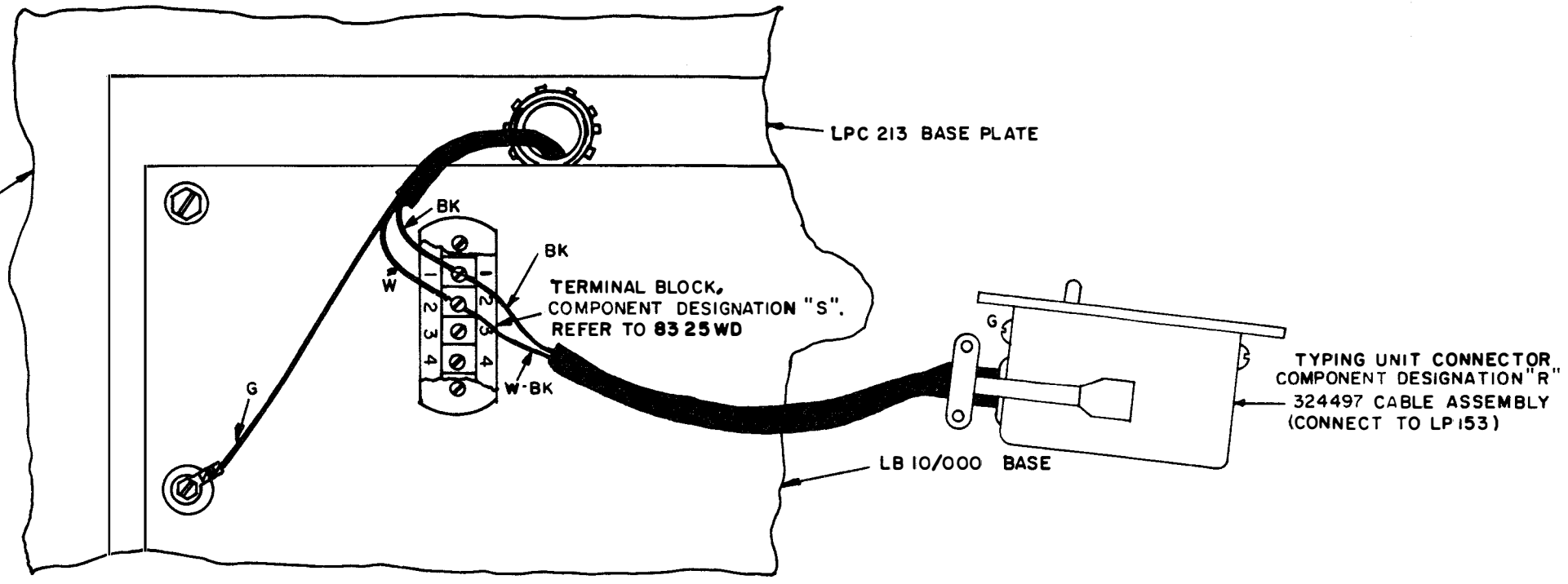
TELETYPE CORPORATION

REVISIONS

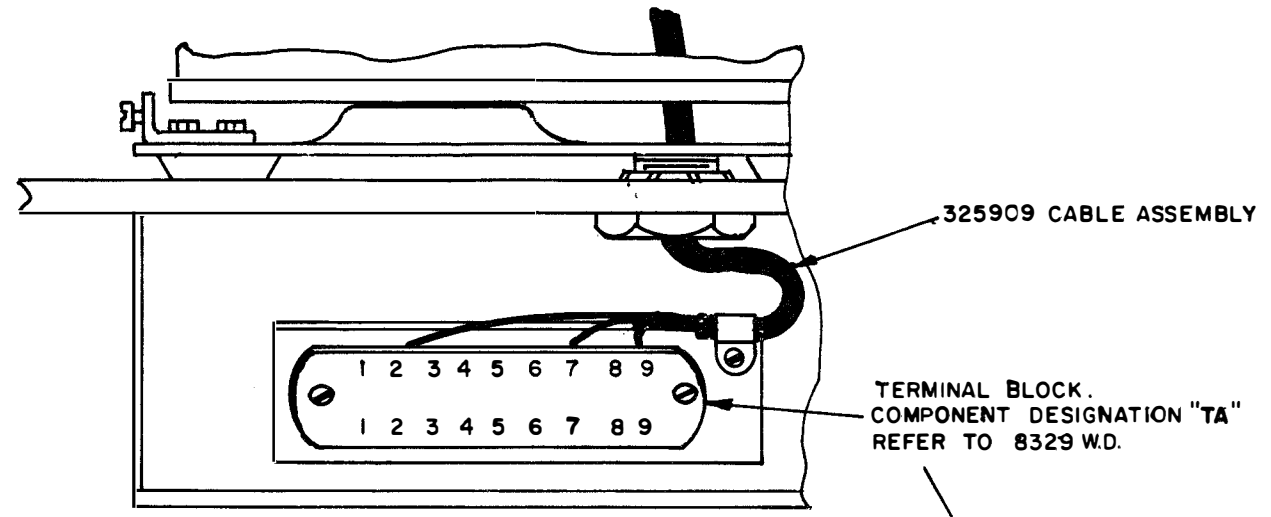
ISSUE	DATE	AUTH. NO.
1	7-13-67	18598 R
2	2-26-68	95172

NOTE: REVISION INFORMATION MUST ALSO BE REFLECTED ON THE ISSUE CONTROL RECORD, WHICH IS PART OF THIS W.D.

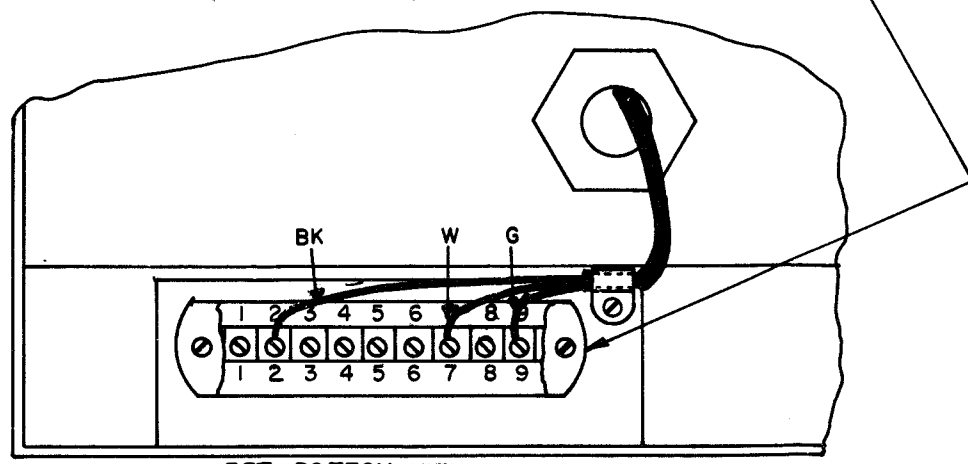
MOUNTING SHELF FURNISHED BY CUSTOMER



LEFT REAR TOP VIEW (CABLE ROUTING)



LEFT FRONT VIEW (CABLE ROUTING)



LEFT BOTTOM VIEW (CABLE ROUTING)

SEE ISSUE CONTROL RECORD FOR COMPLETE LIST OF SHEETS COMPRISING THIS W.D.



SHEET 3

ACTUAL WIRING DIAGRAM FOR CONNECTING 324060, 324061 325918 OR 326471 ELECTRICAL SERVICE ASSEMBLY TO RACK-MOUNTED PAGE PRINTER SET

APPROVALS

D AND R	E OF M
<i>HAK</i>	<i>[Signature]</i>

E-NUMBER

PROD. NO. 8328 WD

DATE: 4-28-67

P.D. FILE NO. 15-65AAA

DRAWN TFG

CHKD *[Signature]*

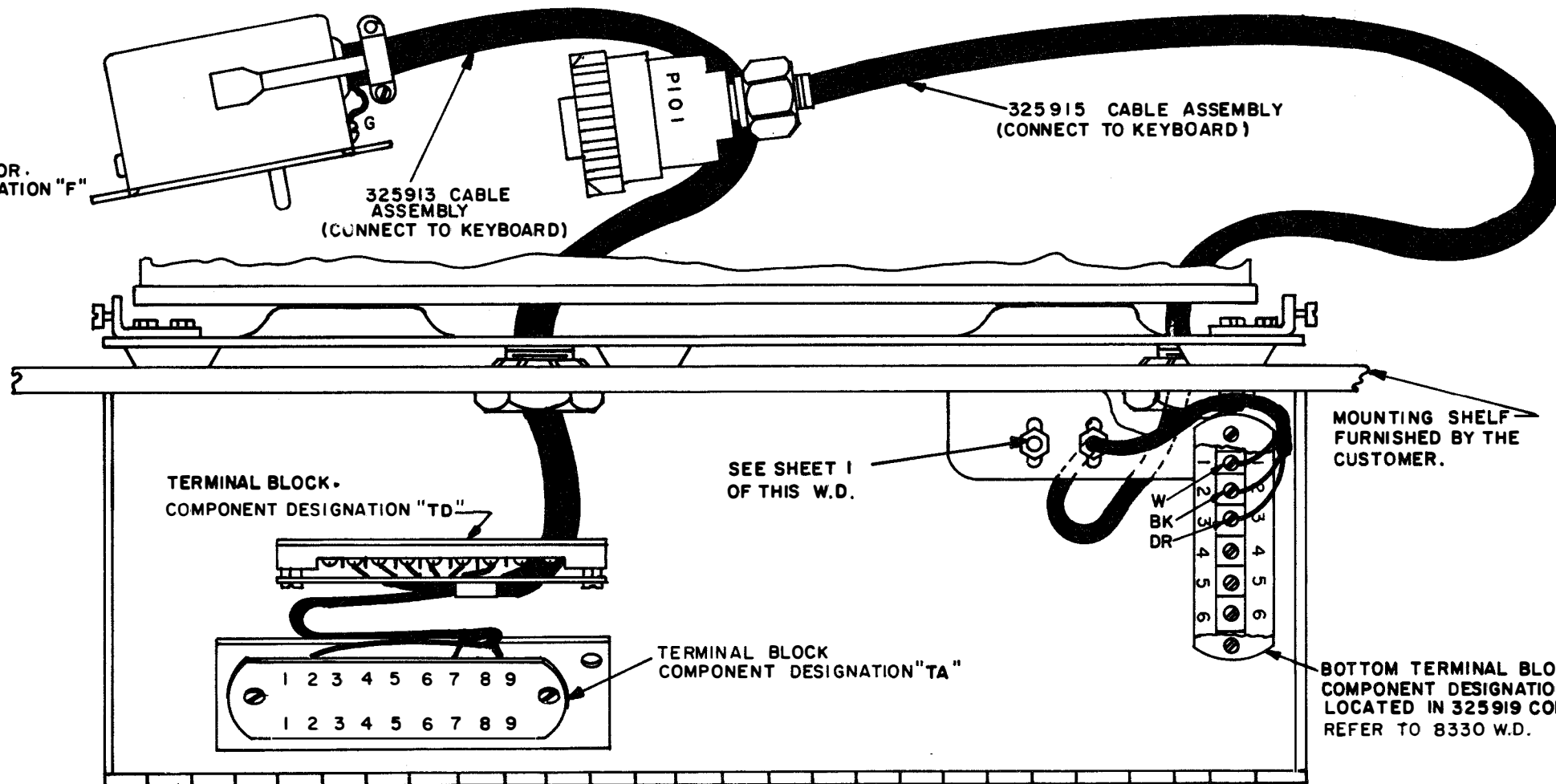
ENGD. HAK

APPD *[Signature]*

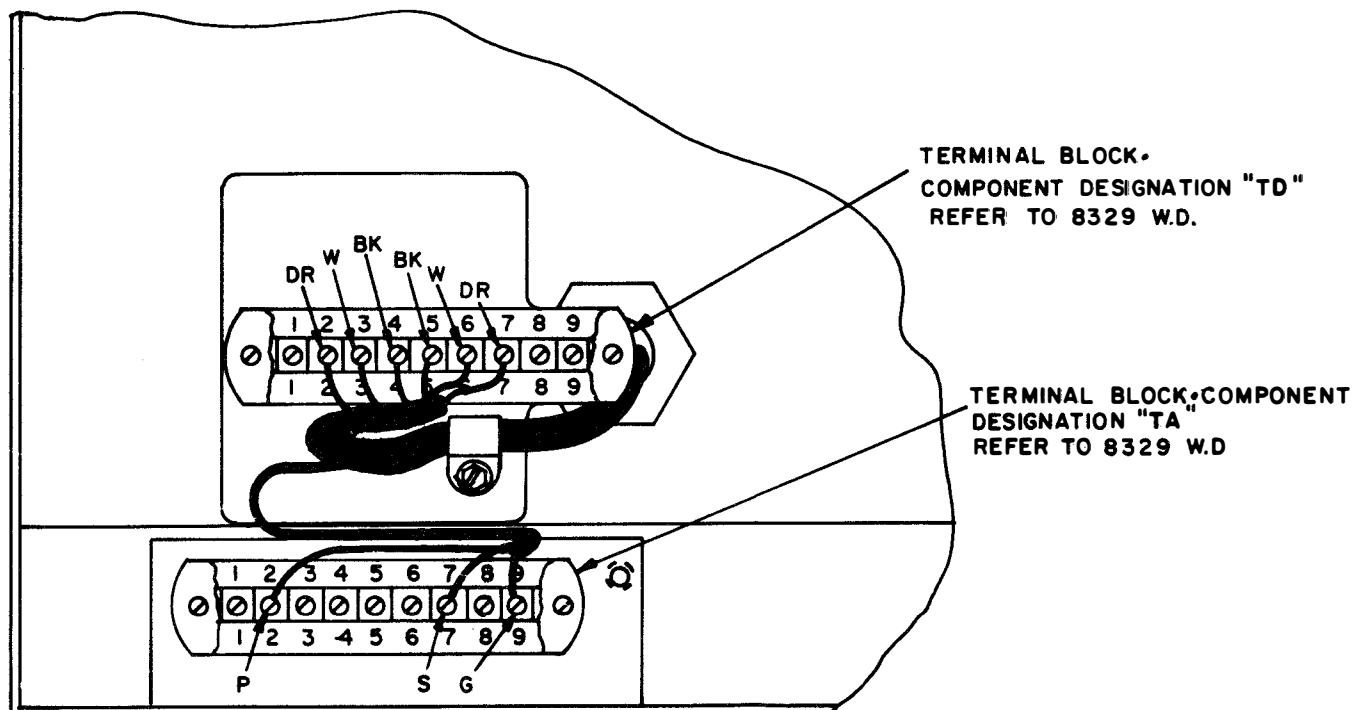
TELETYPE CORPORATION

SEE SHEET 1 FOR NOTES

KEYBOARD CONNECTOR.
COMPONENT DESIGNATION "F"
REFER TO SHEET 2



FRONT VIEW
(CABLE ROUTING)



LEFT BOTTOM VIEW
(CABLE ROUTING)

8328 WD

REVISIONS

ISSUE	DATE	AUTH. NO.
1	7-13-67	18598R

NOTE: REVISION INFORMATION MUST ALSO BE REFLECTED ON THE ISSUE CONTROL RECORD, WHICH IS PART OF THIS W.D.

SEE ISSUE CONTROL RECORD FOR COMPLETE LIST OF SHEETS COMPRISING THIS W.D.

SHEET 4

ACTUAL WIRING DIAGRAM FOR CONNECTING 324060, 324061 325918 OR 326471 ELECTRICAL SERVICE ASSEMBLY TO RACK-MOUNTED PAGE PRINTER SET

APPROVALS

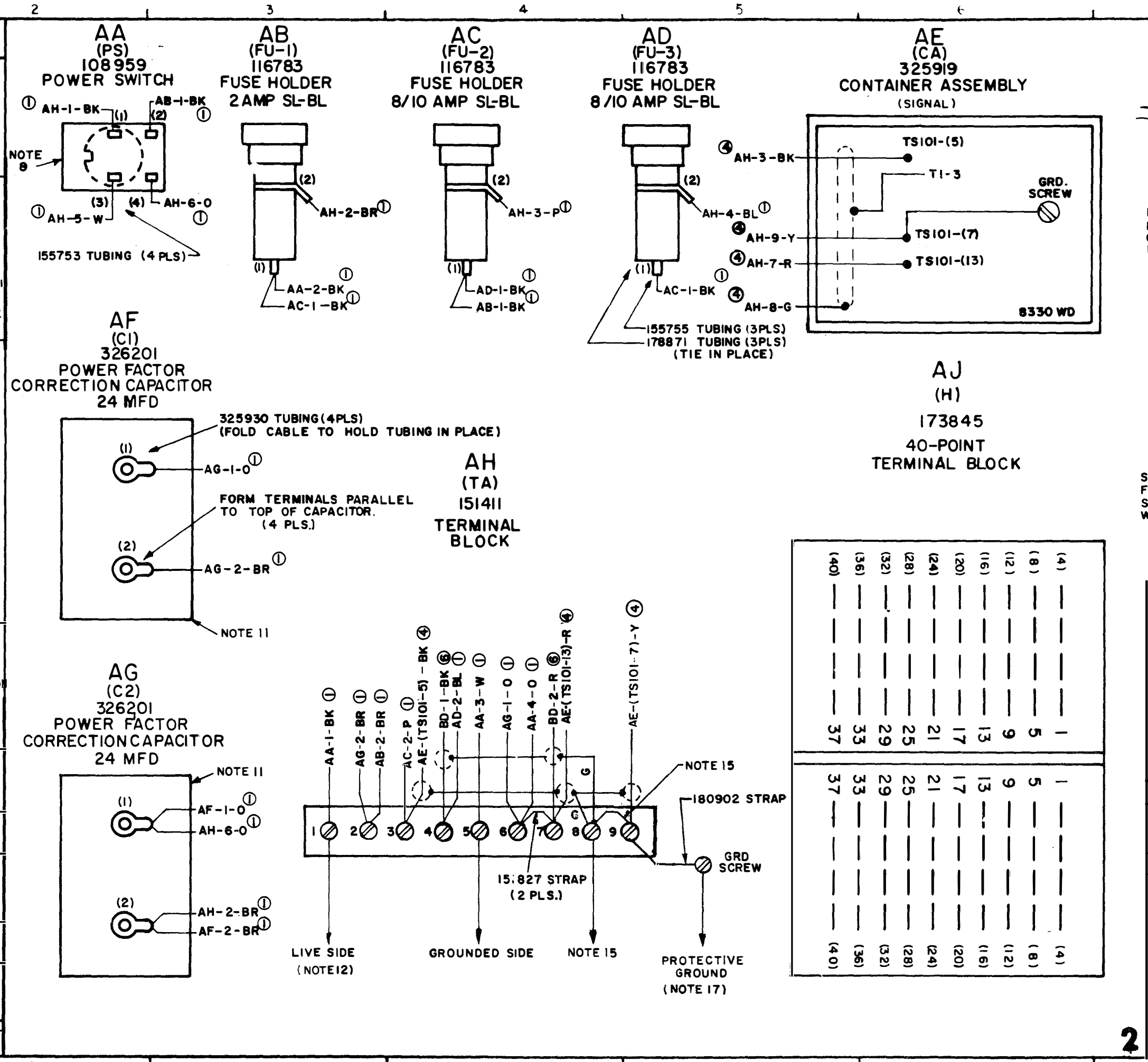
D AND R	E OF M
<i>[Signature]</i>	<i>[Signature]</i>

E-NUMBER	
PROD. NO.	8328 W.D.
DATE:	4-24-67
P.D. FILE NO.	15-65 AAA
DRAWN TFG	CHKD <i>[Signature]</i>
ENG. HAK	APPD <i>[Signature]</i>

TELETYPE CORPORATION

8328 WD

- NO. NOTES
1. WIRING LEGEND:
 2. 324060 ASSEM. INCLUDES ALL COMPONENTS ON SHEET 1 ONLY
 324061 ASSEM. INCLUDES ALL COMPONENTS ON SHEET 1 AND 2
 325918 ASSEM. INCLUDES ALL COMPONENTS ON SHEET 1 AND 2 EXCEPT "C1" AND "C2" ON SHEET 1
 326471 ASSEM. INCLUDES ALL COMPONENTS ON SHEET 1 ONLY EXCEPT "C1" AND "C2"
 3. ALL WIRING 18 AWG ALL STRAPPING WIRE 24 AWG BARE 39603RM
 (3) INDICATES 24 AWG SURFACE WIRE 31784RM.
 (1) INDICATES 18 AWG STRANDED WIRE
 (2) INDICATES 24 AWG STRANDED WIRE.
 (3) INDICATES 24 AWG, 2 LEAD SINGLE SHIELDED CABLE.
 (4) INDICATES 20 AWG, 3 LEAD SINGLE SHIELDED CABLE
 (5) INDICATES 22 AWG, 3 LEAD SINGLE SHIELDED CABLE.
 (6) INDICATES 22 AWG, 2 LEAD SINGLE SHIELDED CABLE.
 4. ASSOCIATED CABLES:
 325924 POWER SWITCH & FUSE CABLE
 325923 POWER FACTOR CORRECTION CABLE
 325919 CONTAINER ASSEM.W/ CABLE.
 5. REFER TO 8330WD FOR WIRING DIAGRAM OF 325919 CONTAINER ASSEMBLY.
 6. REFER TO 8331WD & 8332WD FOR SCHEMATIC DIAGRAM.
 7. REFERENCE SPEC. FOR TELETYPE CORPORATION EMPLOYEES ONLY:
6,387 S
 8. COMPONENT VIEWED FROM WIRING SIDE.
 9. TERMINAL DESIGNATIONS ENCLOSED IN PARENTHESIS ARE FOR REF. AND ARE NOT MARKED ON COMP.
- SEE SHEET 2 FOR ADDITIONAL NOTES



8329 WD

REVISIONS		
ISSUE	DATE	AUTH. NO.
1	8-3-67	2500 R
2	11-7-67	24648 D

NOTE: REVISION FORMATION MUST ALSO BE REFLECTED ON THE ISSUE CONTROL RECORD, WHICH IS PART OF THIS W.D.

SEE ISSUE CONTROL RECORD FOR COMPLETE LIST OF SHEETS COMPRISING THIS W.D.

SHEET 1 WDP

ACTUAL WIRING DIAGRAM FOR ELECTRICAL SERVICE ASSEMBLY
 324060
 324061
 325918
 326471

APPROVALS

D AND R	E OF M
<i>HAK</i>	<i>[Signature]</i>
E NUMBER	
PROD. NO. 8329 WD	
DATE: 3-20-67	
P.D. FILE NO 15-65AAA	
DRAWN TFG	CHKD. [Signature]
ENGD. HAK	APPD. [Signature]

TELETYPE CORPORATION

8329 WD

SEE SHEET 1 FOR NOTES

10. COLOR CODE:
 BK-BLACK BL-BLUE
 BR-BROWN W-WHITE
 R-RED Y-YELLOW
 P-PURPLE O-ORANGE
 G-GREEN S-SLATE

11. POWER FACTOR CORRECTION CAPACITORS ARE NOT INCLUDED IN THE 325918 OR 326471 ELECTRICAL SERVICE ASSEMBLIES.

12. 324060 OR 324061 E.S.A.'S ARE INTENDED FOR USE WITH A 50 OR 60 HZ. SYNCHRONOUS MOTOR AND 115 VAC ±10%, 50 OR 60 HZ. ±.75% SINGLE PHASE POWER.
 325918 OR 326471 E.S.A.'S ARE INTENDED FOR USE WITH GOVERNED MOTOR AND 115VAC ±10%, 50 OR 60 HZ. UNREG., SINGLE PHASE POWER.

13. TERMINALS TD2, TD3 AND TD4 ARE CONNECTED TO THE CLUTCH MAGNET CONTROL CONTACTS WHILE TERMINALS TD5, TD6 AND TD7 ARE CONNECTED TO THE CLUTCH MAGNET ON THE ASSOCIATED KEYBOARD BY MEANS OF 325913 CABLE ASSEMBLY. REFER TO 8328 WD.

14. FOR OPERATION WITHOUT SYNCHRONIZING PULSES, STRAP TERMINAL TD1 TO TD8 (FACTORY INSTALLATION).
 FOR STEP PULSE OPERATION REMOVE STRAP AND APPLY +6VOLTS TO TERMINAL TD8 TO ENERGIZE CLUTCH MAGNET AND -6VOLTS (OR OPEN LINE) TO DE-ENERGIZE MAGNET. CONNECT BATTERY COMMON TO TERMINAL TD9.

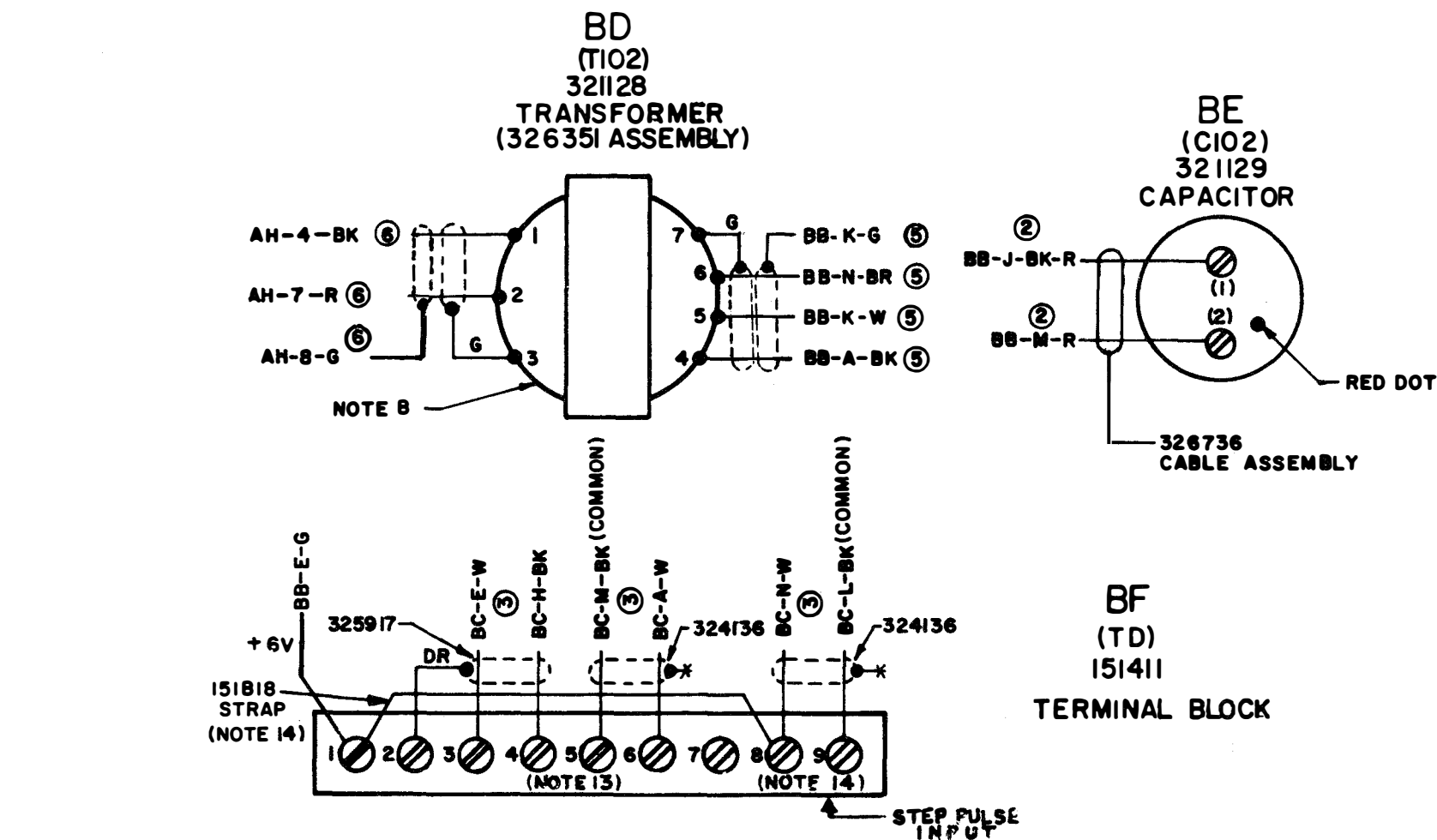
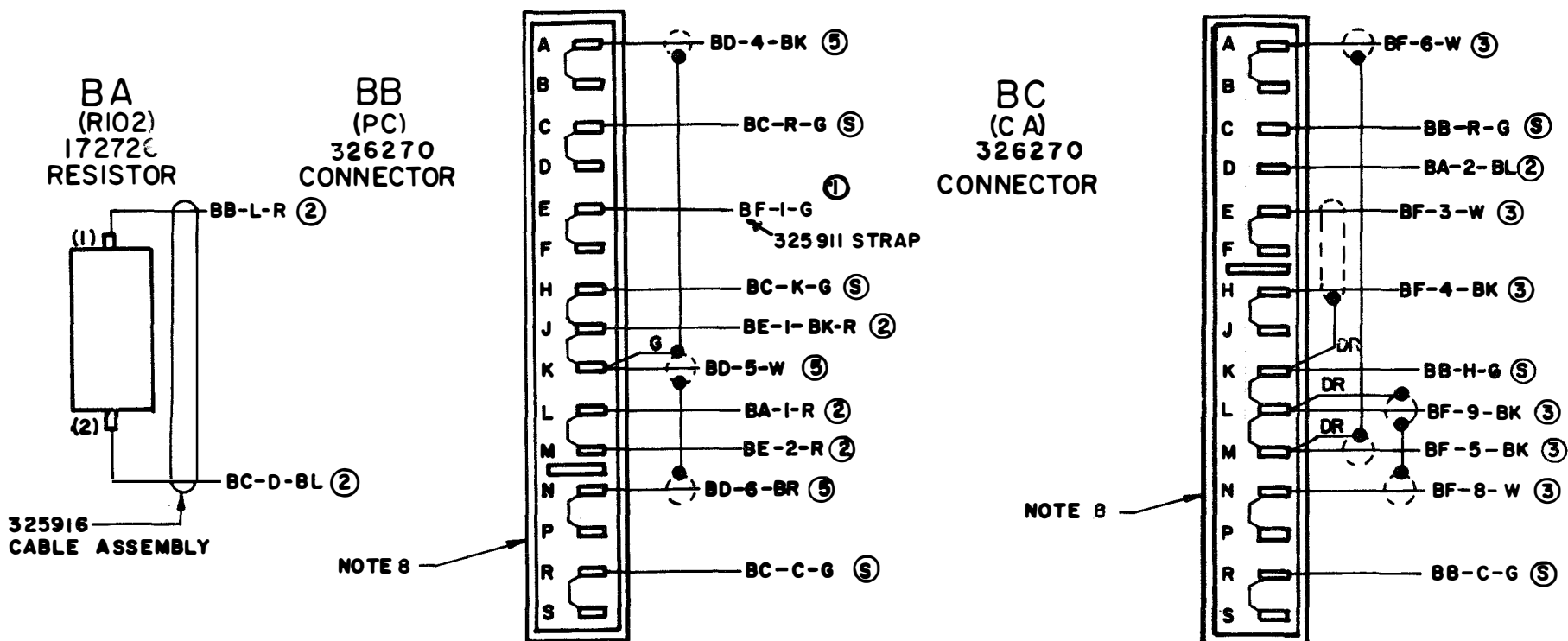
15. CONNECT POWER INPUT SHIELDING, IF SO EQUIPPED, TO TAB8.
 STRAP BETWEEN TAB8 AND TAB9 IS INTENDED FOR OPTIONAL SHIELD GROUNDING. REMOVE IF DESIRED.

16. LEGEND:
 DR= SHIELD DRAIN

17. CAUTION: CABINET MUST BE GROUNDED TO PREVENT SHOCK HAZARD. (CHECK GROUNDING BEFORE TURNING POWER ON.)

18. X-DENOTES TAPE END OF SHIELD

COMPONENTS REQUIRED FOR CLUTCH MAGNET DRIVER OPERATION



8329 WD

REVISIONS

ISSUE	DATE	AUTH. NO.
1	8-3-67	18598 R
2	11-7-67	94648 D
3	12-6-67	94845 D

NOTE: REVISION INFORMATION MUST ALSO BE REFLECTED ON THE ISSUE CONTROL RECORD, WHICH IS PART OF THIS W.D.

SEE ISSUE CONTROL RECORD FOR COMPLETE LIST OF SHEETS COMPRISING THIS W.D.

SHEET 2 WDP

ACTUAL WIRING DIAGRAM FOR ELECTRICAL SERVICE ASSEMBLY
 324060
 324061
 325918
 326471

APPROVALS

D AND R: *HAK*
 E OF M: *CR*

PROJ. NO. 8329 WD

DATE: 3-21-67

P.D. FILE NO 15-65 AAA

DRAWN TFG

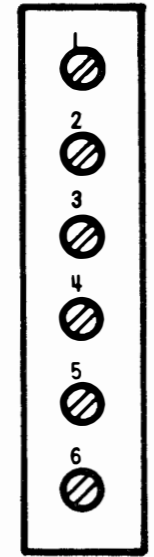
ENGR. HAK

TELETYPE CORPORATION

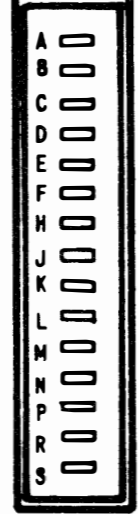
8329 WD

- NO. NOTES.**
- ALL VOLTAGES DC UNLESS OTHERWISE SPECIFIED.
 - TERMINAL DESIGNATIONS ENCLOSED IN PARENTHESIS ARE FOR REF. AND ARE NOT MARKED ON COMPONENT
 - ALL STRAPPING WIRE 24 AWG BARE 39603RM-USE SLEEVING WHERE REQ. ALL SURFACE WIRE 24 AWG GREEN, 31784RM, UNLESS OTHERWISE SPECIFIED.
 - ① INDICATES 18 AWG STRANDED WIRE
 - ② INDICATES 24 AWG STRANDED WIRE.
 - ③ INDICATES 24 AWG 2 LEAD SINGLE SHIELDED CABLE
 - ⑤ INDICATES 22 AWG, 3 LEAD SINGLE SHIELDED CABLE
 - ⑥ INDICATES 22 AWG, 2 LEAD SINGLE SHIELDED CABLE.
 - ⑨ INDICATES 20 AWG, 3 LEAD SINGLE SHIELDED CABLE.
 - INDICATES TO TAPE END TERMINATING POINT.
 - INDICATES SINGLE SHIELDING
 - INDICATES DOUBLE SHIELDING
 - REFERENCE SPEC. FOR TELETYPE CORPORATION EMPLOYEES ONLY: 61,387S
 - DO NOT INSTALL 325914 AND 325915 CABLE ASSEMBLY AT FACTORY. THESE CABLES SHALL BE INSTALLED ONLY DURING SET ASSEMBLY. REFER TO 8328 WD.
 - STRAP BETWEEN TERMINALS TB1 AND TB3 CONNECTS PRINTER TO KEYBOARD OUTPUT FOR FULL DUPLEX OPERATION REMOVE STRAP.
 - WHEN USING EXTERNAL BATTERY: REMOVE TAPE AND TIE BACK THE W AND BK LEADS THAT ARE CONNECTED TO TERMINALS TB5 & TB6 WHICH ARE ALSO CONNECTED TO PA-E(+7V) AND PA-C(-7V). APPLY + BATTERY (6.5 TO 7.8V) TO TB5 AND - BATTERY TO TB6. IF 6V IS SUPPLIED, THE KEYS OUTPUT WILL DROP TO ± 4.5V.
- SEE SHEET 2 FOR ADDITIONAL NOTES

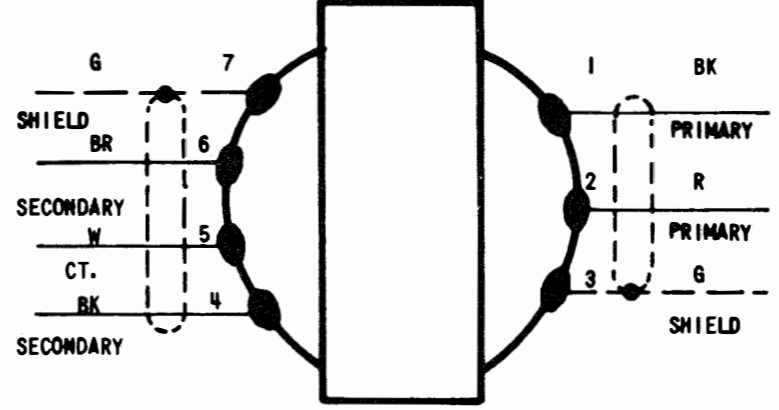
TB,TC
158250
TERMINAL BOARD



KA,PA,SA
326270
CONNECTOR

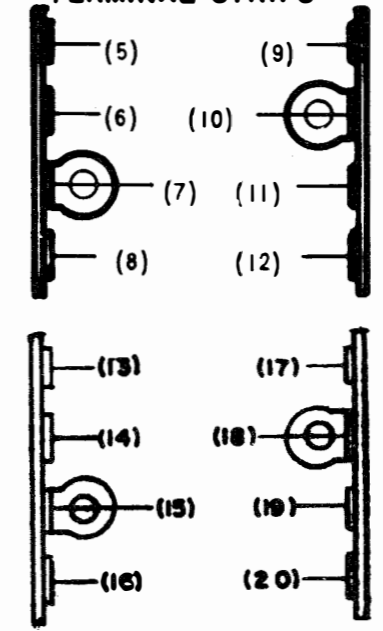


T1
321128
TRANSFORMER



TERMINAL SIDE

TS101
321207
TERMINAL STRIPS

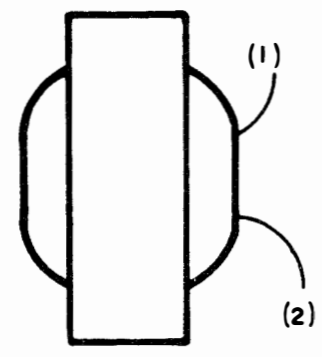


RI01
172726
RESISTOR



155751 TUBING
(2 PLS.)

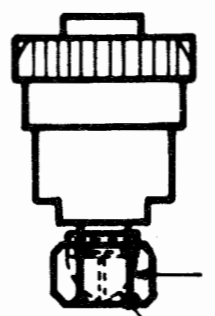
L1,L2
321133
CHOKE, FILTER



C9,C10,C11,C12
327444
CAPACITOR

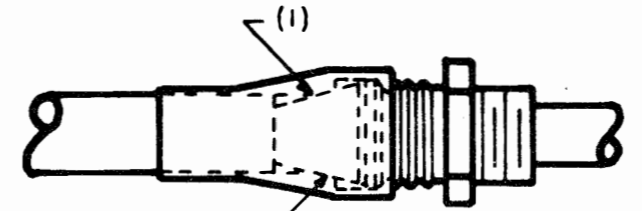


PI01,PI03
324141
CONNECTOR



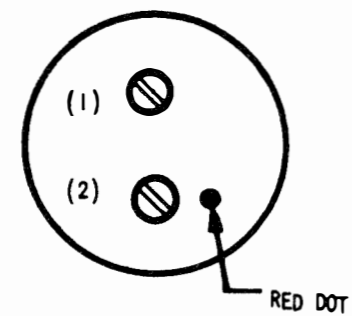
OUTER SHIELD CLAMP

CL101,CL103
321276,321238
CLAMP



OUTER SHIELD CLAMPED HERE

C8
321129
CAPACITOR



RED DOT

NOTE: REVISION INFORMATION MUST ALSO BE REFLECTED ON THE ISSUE CONTROL RECORD, WHICH IS PART OF THIS W.D.


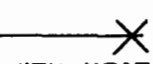
8330 WD		
REVISIONS		
ISSUE	DATE	AUTH. NO.
1	8-3-67	18598-R
2	12-6-67	94845 D

SEE ISSUE CONTROL RECORD FOR COMPLETE LIST OF SHEETS COMPRISING THIS W.D.

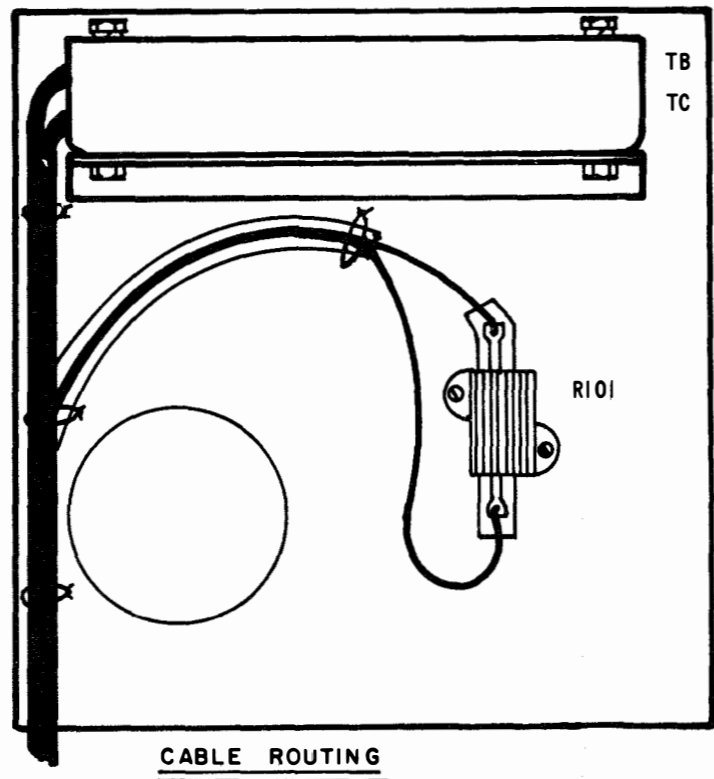
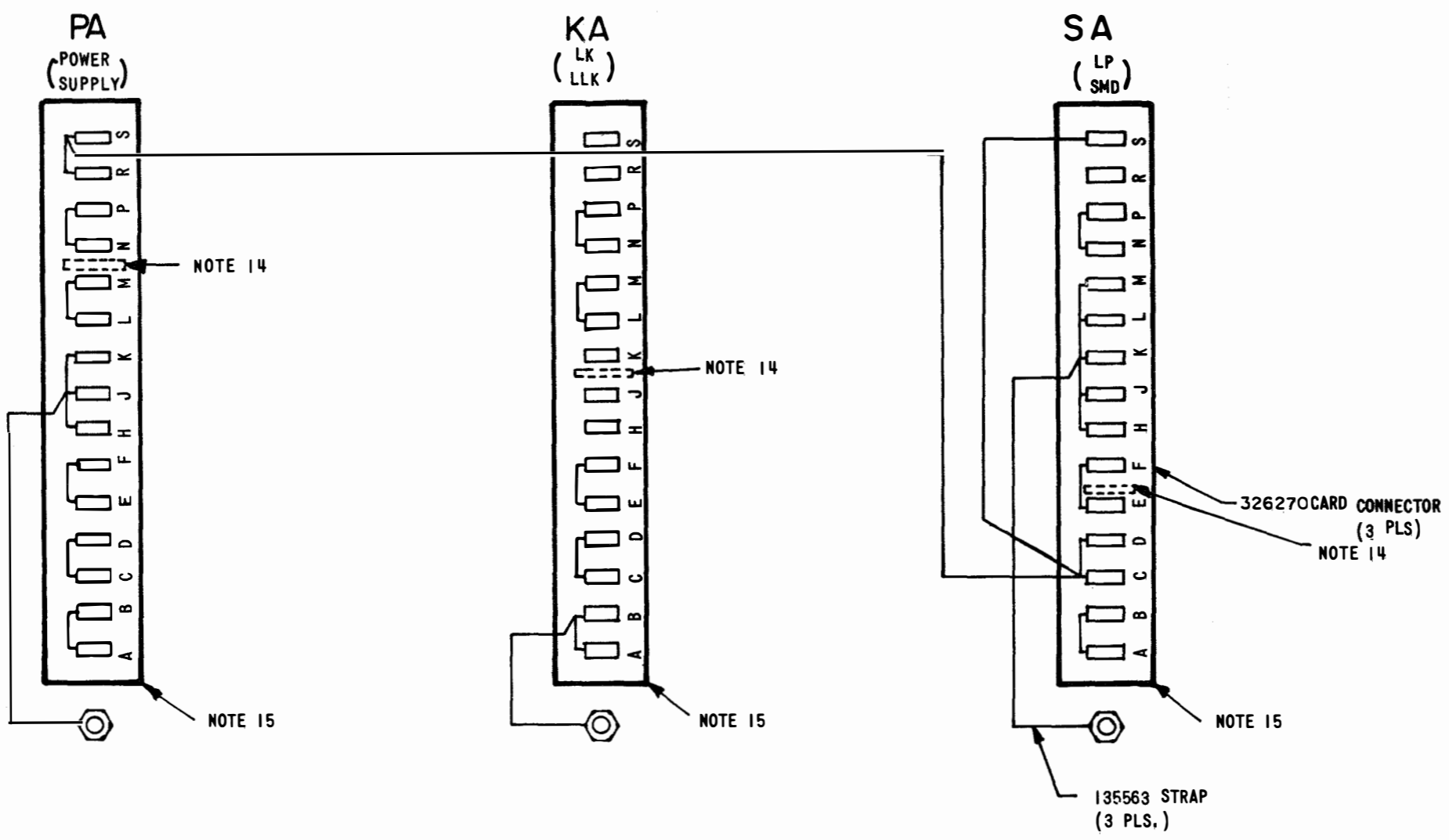
SHEET 1 WDP

ACTUAL WIRING DIAGRAM FOR 325919 CONTAINER ASSEMBLY (SIGNAL)

APPROVALS	
D AND R	E OF M
<i>HAK</i>	<i>[Signature]</i>
E NUMBER	
PROD. NO. 8330WD	
DATE 4-7-67	
P.D. FILE NO. 15-65AAA	
DRAWN TFG	CHKD <i>[Signature]</i>
ENGD. HAK	APPR. <i>[Signature]</i>
TELETYPE CORPORATION	

NO.	NOTES
11.	WIRE COLOR CODE: BK - BLACK BL - BLUE BR - BROWN R - RED W - WHITE Y - YELLOW P - PURPLE O - ORANGE G - GREEN S - SLATE
12.	REFER TO 8331WD AND 8332 WD SCHEMATIC DIAGRAM.
13.	 INDICATES GROUNDING NUT
14.	ADD POLARIZING KEY TO CONNECTOR IN POSITION INDICATED.
15.	CARD CONNECTOR VIEWED FROM WIRING SIDE.
16.	 INDICATES SPLICE & COVER WITH HEAT SHRINK

FOR ADDITIONAL NOTES SEE SHEET 1.



CABLE ROUTING

8330 WD

REVISIONS		
ISSUE	DATE	AUTH. NO.
1	8-3-67	18598-R
2	12-6-67	94845 D
3	4-11-68	95572
4	4-25-69	98545

NOTE: REVISION INFORMATION MUST ALSO BE REFLECTED ON THE ISSUE CONTROL RECORD, WHICH IS PART OF THIS W.D.

SEE ISSUE CONTROL RECORD FOR COMPLETE LIST OF SHEETS COMPRISING THIS W.D.

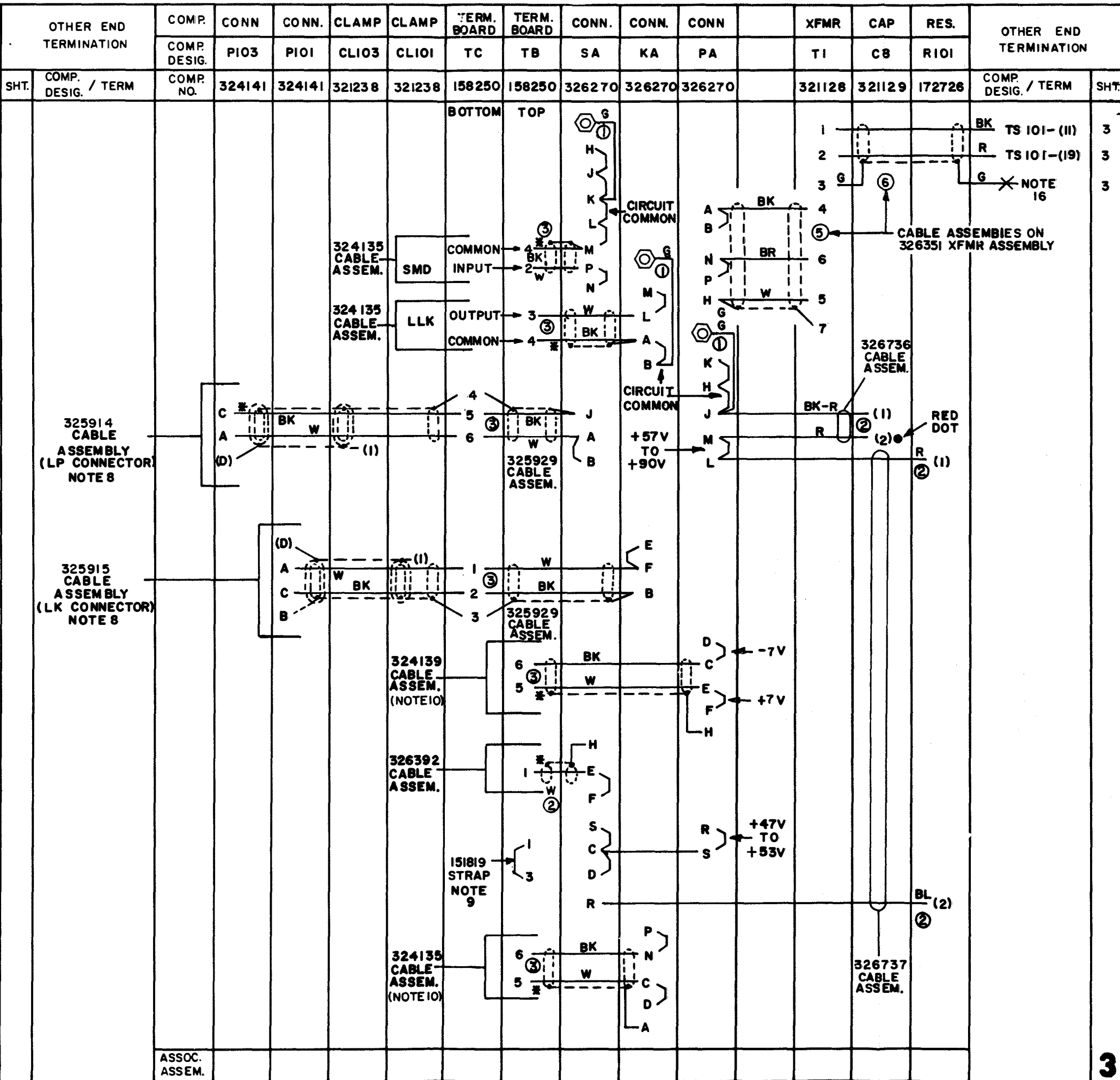
SHEET 2 WDP

ACTUAL
WIRING DIAGRAM
FOR
325919
CONTAINER
ASSEMBLY
(SIGNAL)

APPROVALS	
D AND R	E OF M
E-NUMBER	
PROD. NO. 8330WD	
DATE: 4-11-67	
P.O. FILE NO. 15-65AAA	
DRAWN TFG	CHKD <i>TFG</i>
ENGD. HAK	APPR. <i>HAK</i>

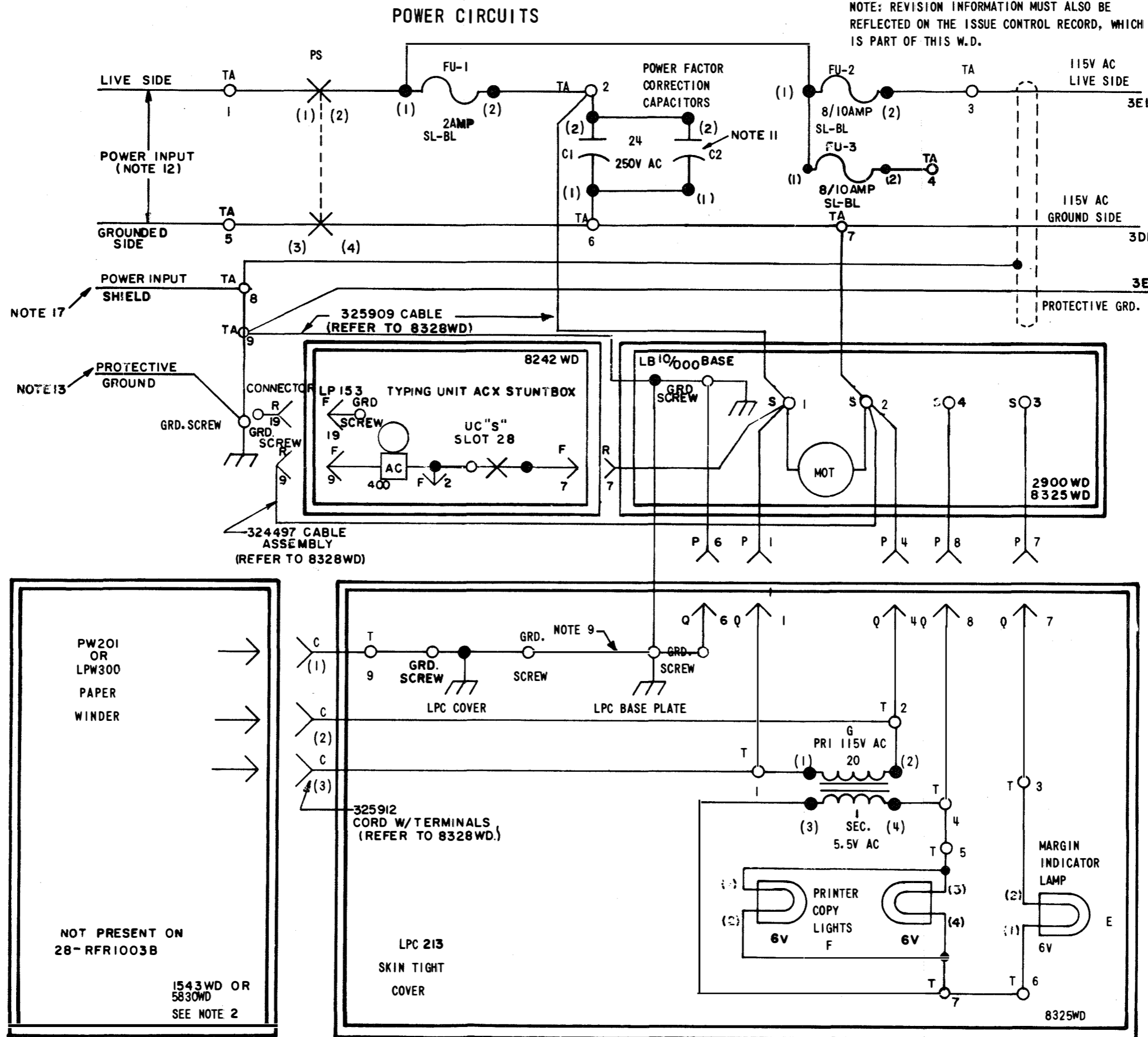
TELETYPE
CORPORATION
8330 WD

NO. NOTES
I. REFER TO SHEETS 1 & 2 FOR NOTES.



8330 WD		
REVISIONS		
ISSUE	DATE	AUTH. NO.
1	8-3-67	18598-R
2	11-7-67	94648-D
3	12-6-67	94845-D
NOTE: REVISION INFORMATION MUST ALSO BE REFLECTED ON THE ISSUE CONTROL RECORD WHICH IS PART OF THIS W.D.		
SEE ISSUE CONTROL RECORD FOR COMPLETE LIST OF SHEETS COMPRISING THIS W.D.		
SHEET 3		WDP
ACTUAL WIRING DIAGRAM FOR 325919 CONTAINER ASSEMBLY (SIGNAL)		
APPROVALS		
R AND D	E OF M	
<i>HAK</i>	<i>[Signature]</i>	
W.D. NO. 8330		
DATE 3-14-67		
R.D. FILE NO. 15-65AAA		
DRAWN TFG	CHKD	
ENG. HAK	APPD	
TELETYPE CORPORATION		
		3
8330 WD		

- NO. NOTES**
- ALL RESISTANCE VALUES IN OHMS, ALL CAPACITANCE VALUES IN MICROFARADS UNLESS OTHERWISE SPECIFIED.
 - 324060 ELECTRICAL SERVICE ASSEMBLY IS ALSO PART OF 324056 MODIFICATION KIT WHICH CONVERTS EXISTING INSTALLATIONS (TT-306, TT-306A) TO 28-RFR1000B SET EXCEPT FOR THE PAPER WINDER. TT-306 HAS PW 201. TT-306A HAS LPW300. LPW300 IS A COMPONENT OF EITHER THE 28-RFR1000B OR 28-RFR1001B SET.
 - INDICATES FEMALE TERMINAL
 - INDICATES MALE TERMINAL
 - INDICATES SINGLE SHIELDING
 - INDICATES DOUBLE SHIELDING
 - REFER TO 8329WD FOR ACTUAL WIRING DIAGRAM.
 - SL-BL INDICATES SLOW BLOW.
 - REFERENCE SPEC. FOR TELETYPE CORPORATION EMPLOYEES ONLY, 61,387S
 - TERMINAL DESIGNATIONS ENCLOSED IN PARENTHESIS ARE FOR REFERENCE AND ARE NOT MARKED ON COMPONENT.
 - 325910 STRAP ASSEMBLY CONNECTED BETWEEN LPC213 BASE PLATE AND LPC213 COVER DURING INSTALLATION.
 - INDICATES CIRCUIT COMMON.
 - POWER FACTOR CORRECTION CAPACITORS ARE NOT INCLUDED IN THE 326471 ELECTRICAL SERVICE ASSEMBLY.
 - SEE SHEET 2 FOR ADDITIONAL NOTES



8331 WD

REVISIONS

ISSUE	DATE	AUTH. NO.
1	7-13-67	16598 F
2	11-7-67	34648-D
3	2-26-68	93172

NOTE: SEE ISSUE CONTROL RECORD FOR COMPLETE LIST OF SHEETS COMPRISING THIS W.D.

SHEET 1 **WDP**

APPROVALS

D AND R	E OF M
<i>HAK</i>	<i>[Signature]</i>

E NUMBER
PROD. NO. 8331WD

DATE: 4-17-67
P.D. FILE NO 15-65AAA

DRAWN TFG CHKD *[Signature]*
ENGD. HAK APPD *[Signature]*

TELETYPE CORPORATION

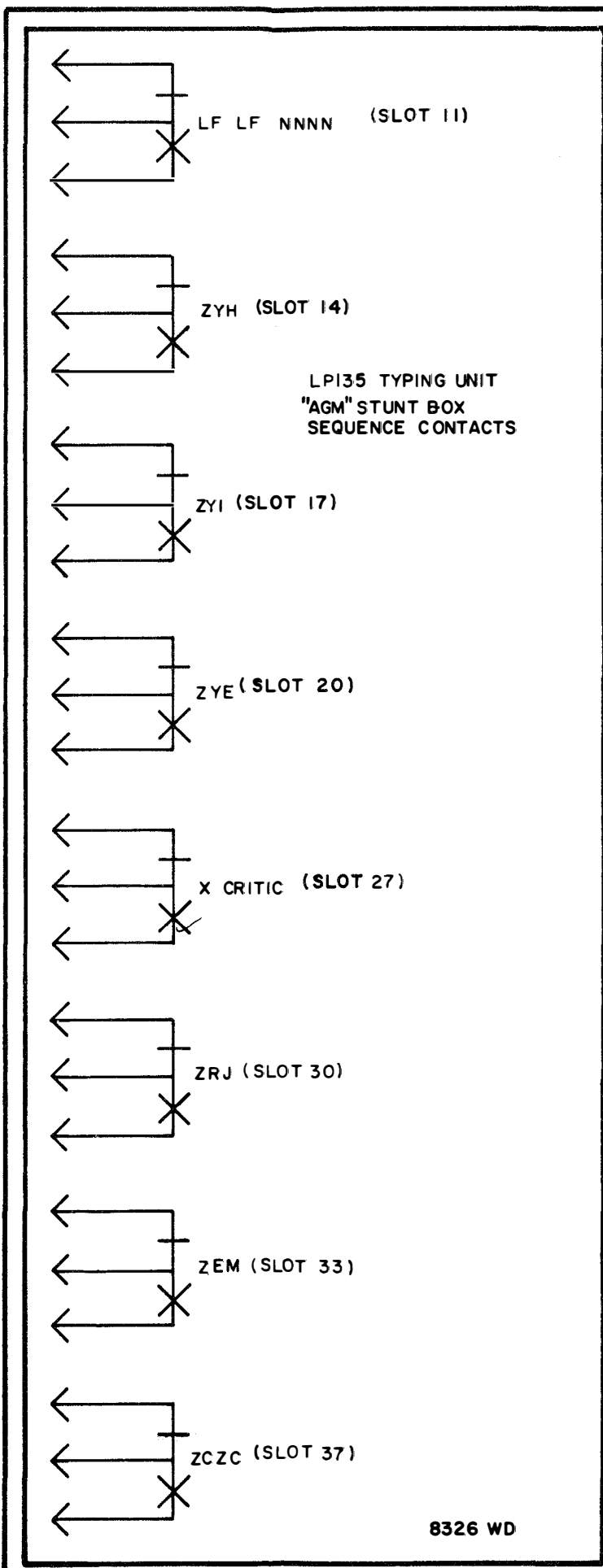
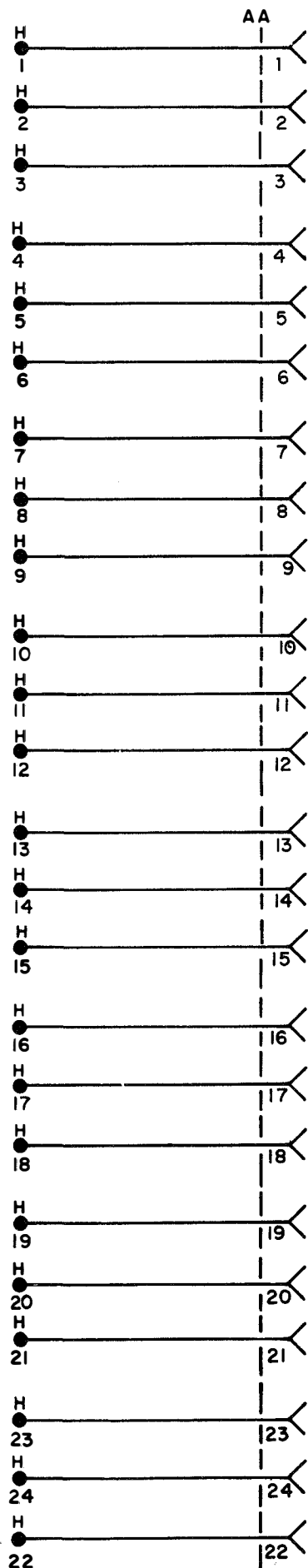
8331 WD

SEE SHEETS 1 FOR ADDITIONAL NOTES

- | NO | NOTES |
|-----|--|
| 12. | 324060 ELECTRICAL SERVICE ASSEM. IS INTENDED FOR USE WITH A 50 OR 60 Hz. SYNCHRONOUS MOTOR AND 115V AC ± 10%, 50 OR 60 Hz ± 7.5% SINGLE PHASE POWER.

326471 ELECTRICAL SERVICE ASSEM. IS INTENDED FOR USE WITH GOVERNED MOTORS AND 115VAC ± 10%, 50 OR 60 Hz. UNREGULATED SINGLE PHASE POWER. |
| 13. | CAUTION: CABINET MUST BE GROUNDED TO PREVENT SHOCK HAZARD. (CHECK GROUNDING BEFORE TURNING POWER ON). |
| 14. | 303142 KEYSER IS NOT INCLUDED IN THE 28-1000B 28-1001 B SET, OR 28-1003B
TERMINAL TB5 AND TB6 ARE USED TO PROVIDE EXTERNAL BATTERY TO THE KEYSER IN SEND-RECEIVE SETS. |
| 15. | TB2 AND TB4 ARE THE NORMAL SELECTOR MAGNET DRIVER INPUT.
(+6V MARK, -6V SPACE)
TBI IS AN AUXILIARY INPUT USED ONLY IN A SEND-RECEIVE SET. |
| 16. | 80HMS (MAX) PRIMARY RESISTANCE
100HMS (MAX) SECONDARY RESISTANCE TO CENTER TAP. |
| 17. | CONNECT POWER INPUT SHIELDING, IF SO EQUIPPED, TO TAB
STRAP BETWEEN TAB8 AND TAB9 IS INTENDED FOR OPTIONAL SHIELD GROUNDING. REMOVE IF DESIRED. |
| 18. | ----- INDICATES OUTER SHIELD
----- INDICATES INNER SHIELD
X INDICATES SPLICE & TAPE |

325908 CABLE
(REFER TO 8328 WD)



MISCELLANEOUS CIRCUITS
NOT PRESENT ON 28-RFR 1003B

8331 WD

REVISIONS		
ISSUE	DATE	AUTH NO.
1	7-13-67	18598R
2	2-26-68	95172
3	3-17-69	96947

NOTE: REVISION INFORMATION MUST ALSO BE REFLECTED ON THE ISSUE CONTROL RECORD WHICH IS PART OF THIS W.D.

SEE ISSUE CONTROL RECORD FOR COMPLETE LIST OF SHEETS COMPRISING THIS W.D.

SHEET 2

WDP

SCHEMATIC WIRING DIAGRAM FOR
ELECTRICAL SERVICE ASSEMBLY
324060 AS PART OF 28-RFR1000B OR 326471 AS PART OF 28-RFR1001B, 1003B
RACK-MOUNTED RECEIVE ONLY PRINTER SET

APPROVALS

D A N G R	E O F M
<i>HAK</i>	<i>EM</i>

E NUMBER

PROD. NO. 8331 WD

DATE: 4-18-67

P.D FILE NO. 15-65 AAA

DRAWN TFG

CHK

ENGD. HAK

APPD

TELETYPE CORPORATION

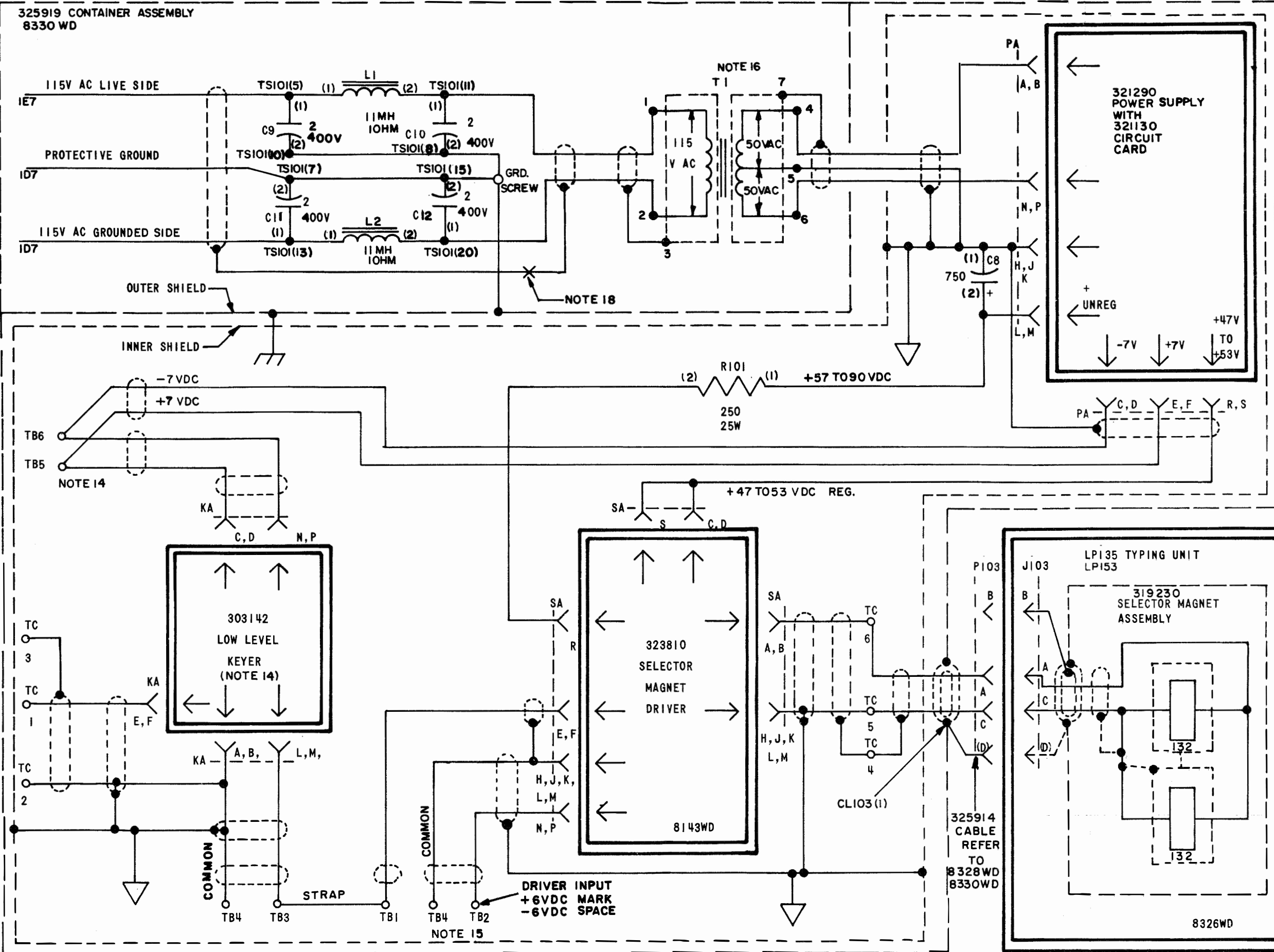
8331 WD

3

SEE SHEETS 1 AND 2 FOR NOTES

325919 CONTAINER ASSEMBLY
8330 WD

SIGNAL CIRCUITS



8331 WD

REVISIONS

ISSUE	DATE	AUTH. NO.
1	7-13-67	18598 R
2	12-6-67	94845 D
3	2-26-68	95172

NOTE: REVISION INFORMATION MUST ALSO BE REFLECTED ON THE ISSUE CONTROL RECORD, WHICH IS PART OF THIS W.D.

SEE ISSUE CONTROL RECORD FOR COMPLETE LIST OF SHEETS COMPRISING THIS W.D.

SHEET 3

WDP

SCHEMATIC WIRING DIAGRAM FOR ELECTRICAL SERVICE ASSEMBLY 324060 AS PART OF 28-RFR1000B OR 326471 AS PART OF 28-RFR1001B, 1003B RACK-MOUNTED RECEIVE-ONLY PRINTER SET

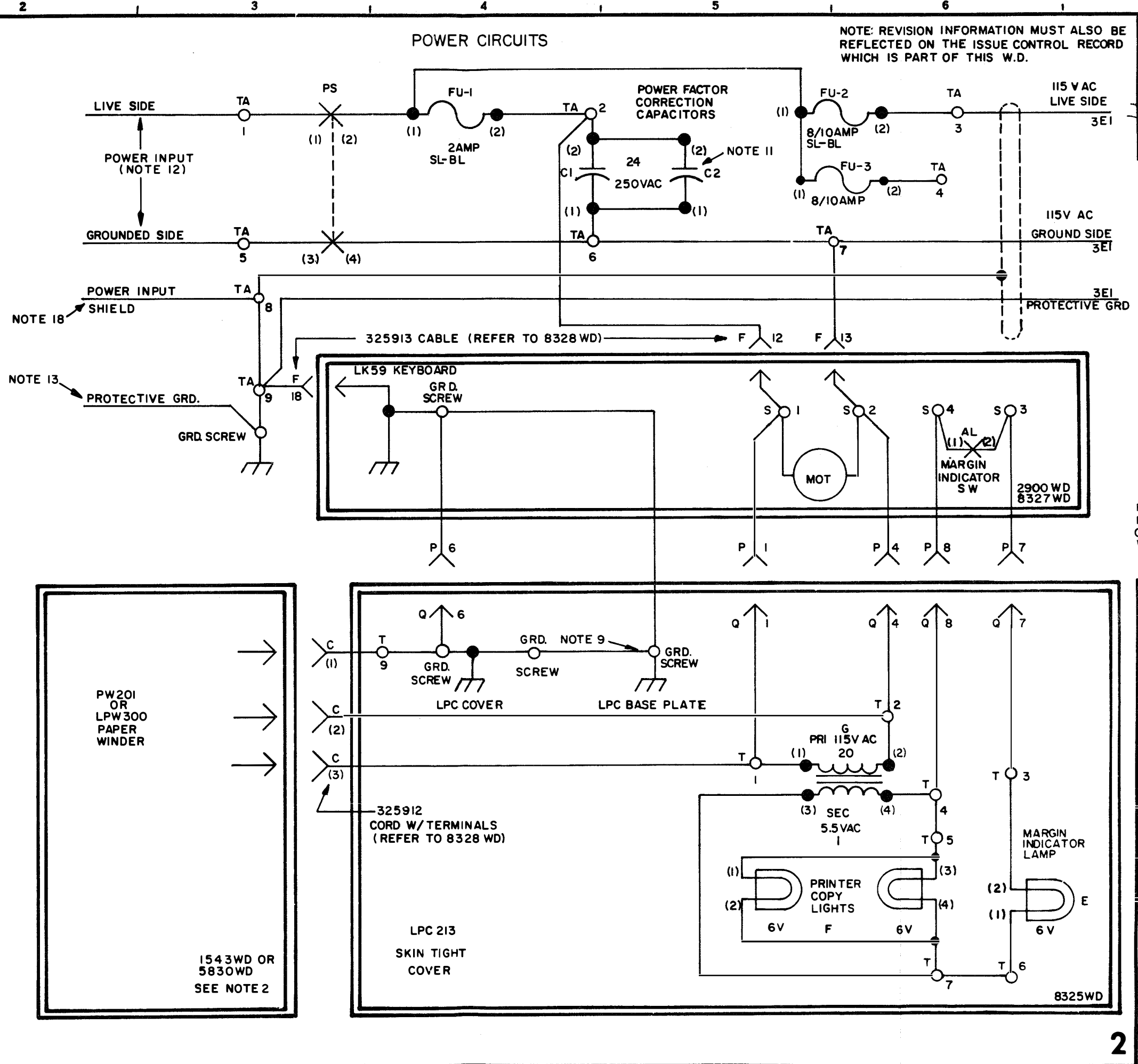
APPROVALS

D AND R	E OF M
<i>[Signature]</i>	<i>[Signature]</i>
E NUMBER	
PROD. NO. 8331WD	
DATE: 4-17-67	
P.D. FILE NO. 15-65AAA	
DRAWN TFG	CHKD <i>[Signature]</i>
ENGD. HAK	APPD. <i>[Signature]</i>

TELETYPE CORPORATION

8331 WD

1. ALL RESISTANCE VALUES IN OHMS, ALL CAPACITANCE VALUES IN MICROFARADS UNLESS OTHERWISE SPECIFIED.
2. 324061 E.S.A. IS ALSO PART OF 324057 MOD. KIT WHICH CONVERTS (T.T-307, T.T-307A) TO 28-RFK 2000B SET EXCEPT FOR THE PAPER WINDER. TT-307 HAS PW201. TT-307A HAS LPW300. LPW300 IS A COMPONENT OF EITHER THE 28-RFK2000B OR 28-RFK2001B SET.
3. INDICATES SINGLE SHIELDING
 INDICATES DOUBLE SHIELDING
4. REFER TO 8329 WD FOR ACTUAL WIRING DIAGRAM.
5. SL-BL INDICATES SLOW BLOW.
6. REFERENCE SPEC. FOR TELETYPE CORPORATION EMPLOYEES ONLY: 61,387S
7. TERMINAL DESIGNATIONS ENCLOSED IN PARENTHESIS ARE FOR REFERENCE AND ARE NOT MARKED ON COMPONENT.
8. INDICATES FEMALE TERMINAL
 INDICATES MALE TERMINAL
9. 325910 STRAP ASSEMBLY CONNECTED BETWEEN LPC213 BASE PLATE AND LPC213 COVER DURING INSTALLATION
10. INDICATES CIRCUIT COMMON.
11. POWER FACTOR CORRECTION CAPACITORS ARE NOT INCLUDED IN THE 325918 ELECTRICAL SERVICE ASSEM.
12. 324061 E.S.A. IS INTENDED FOR USE WITH A 50 OR 60 HZ SYNCHRONOUS MOTOR AND 115V AC $\pm 10\%$, 50 OR 60 HZ $\pm 7.5\%$ SINGLE PHASE POWER.
325918 E.S.A. IS INTENDED FOR USE WITH GOVERNED MOTORS AND 115VAC $\pm 10\%$, 50 OR 60 HZ UNREGULATED SINGLE PHASE POWER.
- SEE SHEET 2 FOR ADDITIONAL NOTES



8332 WD		
REVISIONS		
ISSUE	DATE	AUTH. NO.
1	8-2-67	18615-R
2	11-7-67	94648-D

NOTE: SEE ISSUE CONTROL RECORD FOR COMPLETE LIST OF SHEETS COMPRISING THIS W.D.

SHEET 1 **WDP**

SCHEMATIC WIRING DIAGRAM FOR

ELECTRICAL SERVICE ASSEMBLY
324061 AS PART OF 28-RFK 2000B
OR
325918 AS PART OF 28-RFK 2001B
RACK-MOUNTED SEND-RECEIVE PRINTER SET

APPROVALS

D AND R	E OF M
E-NUMBER	
PROD. NO. 8332WD	
DATE: 4-28-67	
P.D. FILE NO. 15-65AAA	
DRAWN TFG	CHKD <i>[Signature]</i>
ENGD. HAK	APPD. <i>[Signature]</i>

TELETYPE CORPORATION

8332 WD

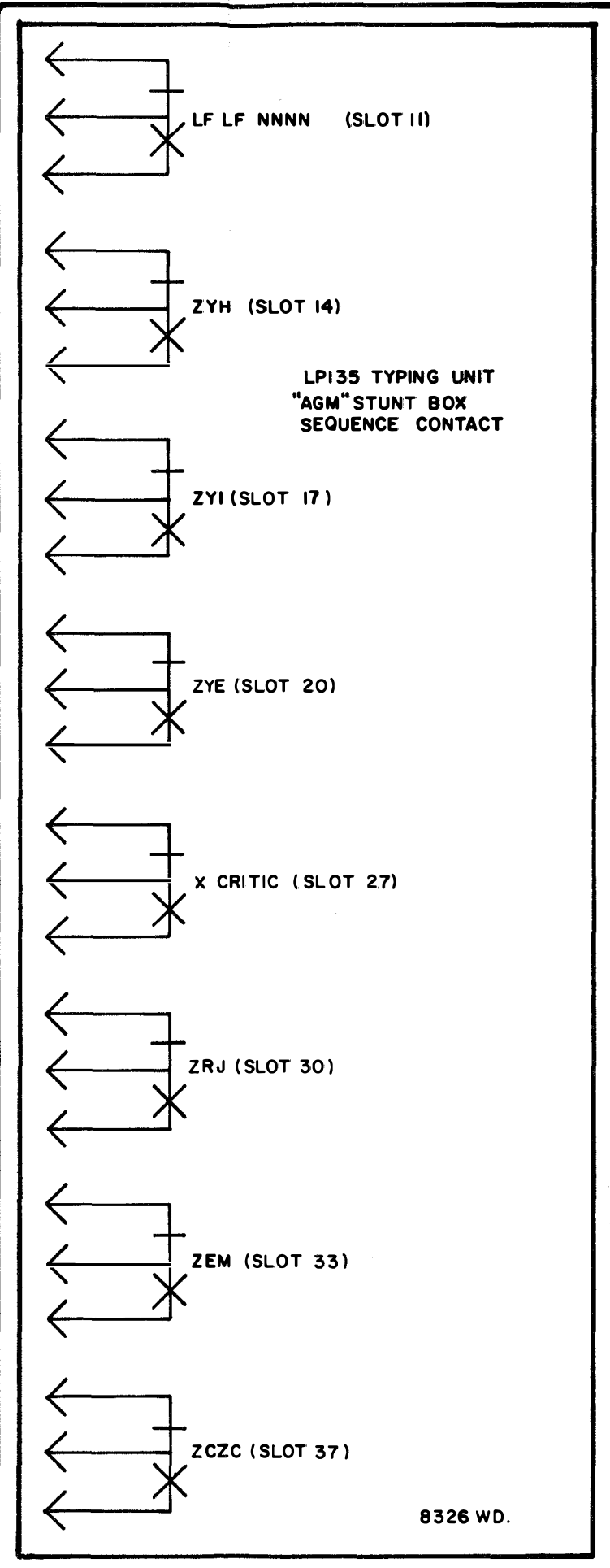
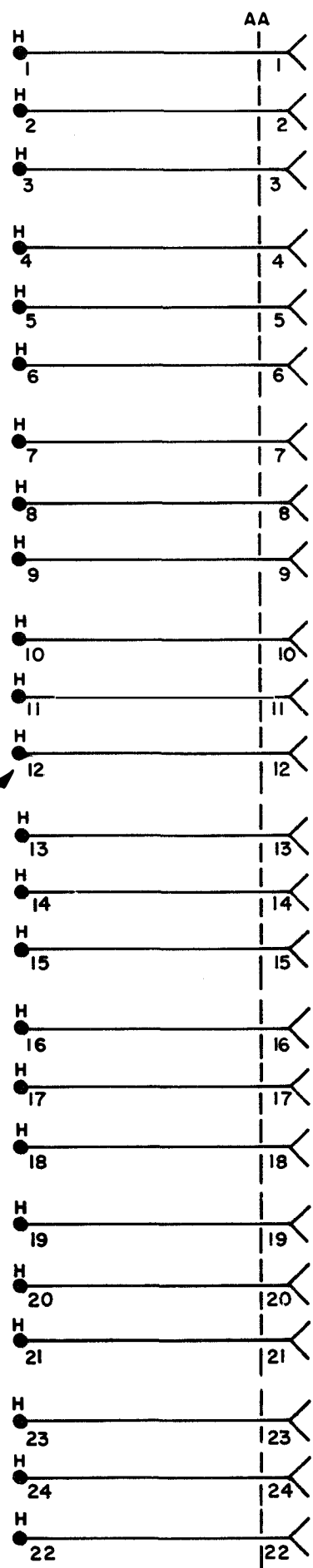
SEE SHEET 1 FOR NOTES

- | NO | NOTES |
|-----|--|
| 13. | CAUTION: CABINET MUST BE GROUNDED TO PREVENT SHOCK HAZARD. (CHECK GROUNDING BEFORE TURNING POWER ON.) |
| 14. | TERMINALS TB5 AND TB6 ARE USED TO PROVIDE EXTERNAL BATTERY TO THE KEYS IN SEND-RECEIVE SETS. AS FOLLOWS: REMOVE TAPE AND TIE BACK THE LEADS CONNECTED TO TB5 AND TB6 WHICH EMANATE FROM THE 321130 CIRCUIT CARD. APPLY +BATTERY (6.6 TO 7.8V) TO TB5 AND -BATTERY TO TB6. IF +6V IS SUPPLIED, KEYS OUTPUT WILL DROP TO 4.5V. |
| 15. | TB2 AND TB4 ARE THE NORMAL SELECTOR MAGNET DRIVER INPUT. (+6V MARK, -6V SPACE) TB1 IS AN AUXILIARY INPUT TO THE SELECTOR MAGNET DRIVER. AS SHIPPED, TB3 IS STRAPPED TO TB1 SO THAT THAT THE LP WILL MONITOR TRANSMISSION FROM THE KEYS. FOR FULL DUPLEX OPERATION REMOVE THIS STRAP. |
| 16. | 8 OHMS(MAX) PRIMARY RESISTANCE. 10 OHMS(MAX) SECONDARY RESISTANCE TO CENTER TAP. |
| 17. | FOR OPERATION WITHOUT SYNCHRONIZING PULSE, STRAP TERMINAL TDI TO TD8. (FACTORY INSTALLATION)

FOR STEP PULSE OPERATION REMOVE STRAP AND APPLY +6VOLTS TO TERMINAL TD8 TO ENERGIZE CLUTCH MAGNET AND -6VOLTS (OR OPEN LINE) TO DE-ENERGIZE MAGNET. CONNECT BATTERY COMMON TO TERM. TD9. |
| 18. | CONNECT POWER INPUT SHIELDING, IF SO EQUIPPED, TO TAB.

STRAP BETWEEN TAB AND TA9 IS INTENDED FOR OPTIONAL SHIELD GROUNDING REMOVE IF DESIRED. |
| 19. | INDICATES OUTER SHIELD
INDICATES INNER SHIELD
X INDICATES SPLICE & TAPE |
| 20. | TB3 & TB4 IS THE KEYS OUTPUT
+ 6VDC MARK
- 6VDC SPACE |

325908 CABLE (REFER TO 8328WD)



8326 WD.

MISCELLANEOUS CIRCUITS

8332 WD

REVISIONS		
ISSUE	DATE	AUTH. NO.
1	8-2-67	18615-R
2	12-6-67	94845 D

NOTE: REVISION INFORMATION MUST ALSO BE REFLECTED ON THE ISSUE CONTROL RECORD WHICH IS PART OF THIS WD.

SEE ISSUE CONTROL RECORD FOR COMPLETE LIST OF SHEETS COMPRISING THIS W.D.

SHEET 2 WDP

SCHEMATIC
WIRING DIAGRAM
FOR

ELECTRICAL SERVICE
ASSEMBLY
324061 AS PART OF
28-RFK 2000B
OR
325918 AS PART OF
28-RFK 2001B
RACK-MOUNTED
SEND-RECEIVE
PRINTER SET

APPROVALS

D AND R	E OF M
<i>[Signature]</i>	<i>[Signature]</i>

E-NUMBER

PROD. NO. 8332 WD

DATE: 5-1-67

P.D. FILE NO. 15-65 AAA

DRAWN T.F.G.	CHKD <i>[Signature]</i>
ENGD. H.A.K.	APPD. <i>[Signature]</i>

TELETYPE CORPORATION

2 8332 WD

SEE SHEETS 1 AND 2 FOR NOTES

325919 CONTAINER ASSEMBLY
8330 WD

SIGNAL CIRCUITS

8332 WD

REVISIONS

ISSUE	DATE	AUTH NO
1	8-2-67	18615-R
2	12-6-67	94845-D

NOTE: REVISION INFORMATION MUST ALSO BE REFLECTED ON THE ISSUE CONTROL RECORD, WHICH IS PART OF THIS W.D.

SEE ISSUE CONTROL RECORD FOR COMPLETE LIST OF SHEETS COMPRISING THIS W.D.

SHEET 3 **WDP**

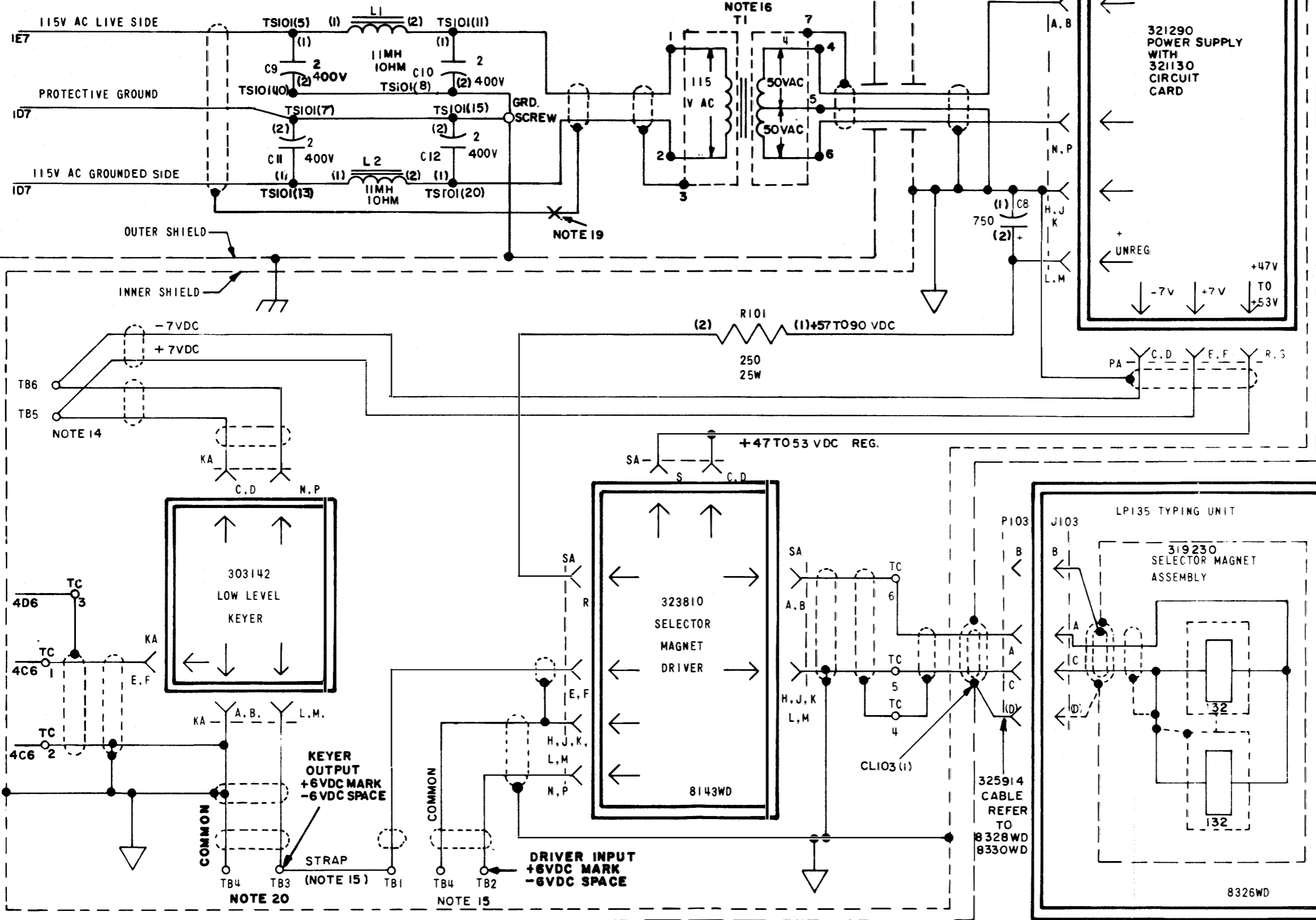
SCHEMATIC WIRING DIAGRAM FOR ELECTRICAL SERVICE ASSEMBLY 324061 AS PART OF 28-RFK2000B OR 325918 AS PART OF 28-RFK2001B RACK-MOUNTED SEND-RECEIVE PRINTER SET

APPROVALS

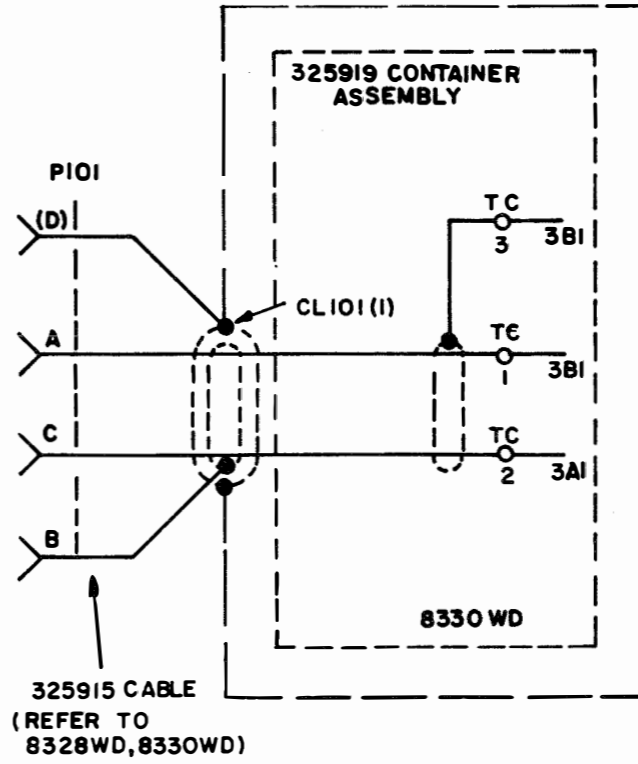
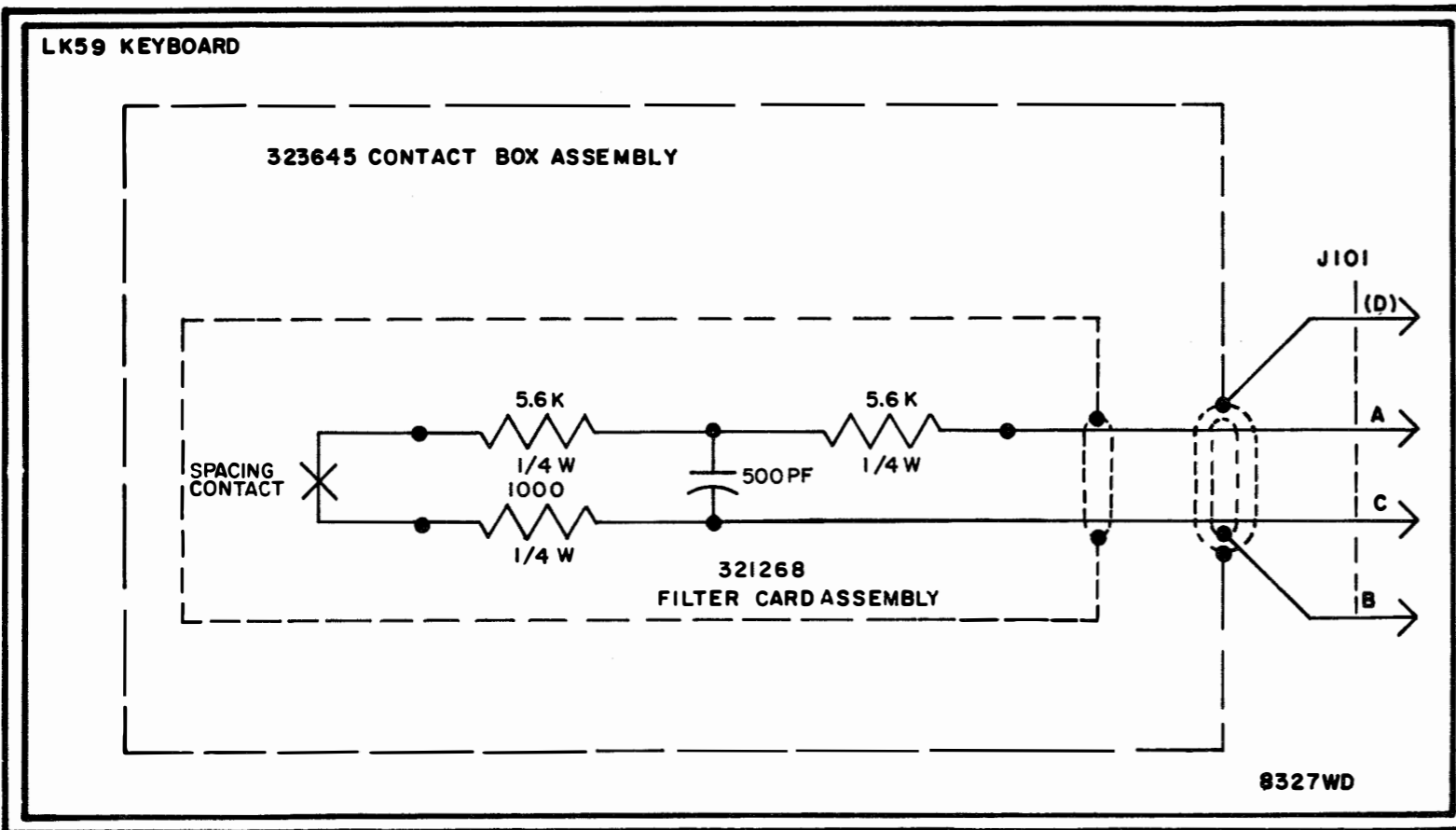
D AND R	E OF M
<i>[Signature]</i>	<i>[Signature]</i>
E NUMBER	
PROD NO 8332 WD	
DATE 4-17-67	
P.O. FILE NO 15-65AAA	
DRAWN TFG	CHKD <i>[Signature]</i>
ENGD HAK	APPD <i>[Signature]</i>

TELETYPE CORPORATION

8332 WD



REVISIONS		
ISSUE	DATE	AUTH. NO.
1	8-2-67	18615-R



SEE ISSUE CONTROL RECORD FOR COMPLETE LIST OF SHEETS COMPRISING THIS W.D.

SHEET 4

SCHMATIC WIRING DIAGRAM FOR ELECTRICAL SERVICE ASSEMBLY 324061 AS PART OF 28-RFK 2000B OR 325918 AS PART OF 28-RFK 2001B RACK-MOUNTED SEND-RECEIVE PRINTER SET

APPROVALS	
D AND R	E OF M
<i>HAK</i>	<i>[Signature]</i>
E-NUMBER	
PROD. NO. 8332 WD	
DATE: 5-8-67	
P.D. FILE NO. 15-65AAA	
DRAWN T.F.S.	CHKD. <i>[Signature]</i>
ENGD. HAK	APPD. <i>[Signature]</i>
TELETYPE CORPORATION	

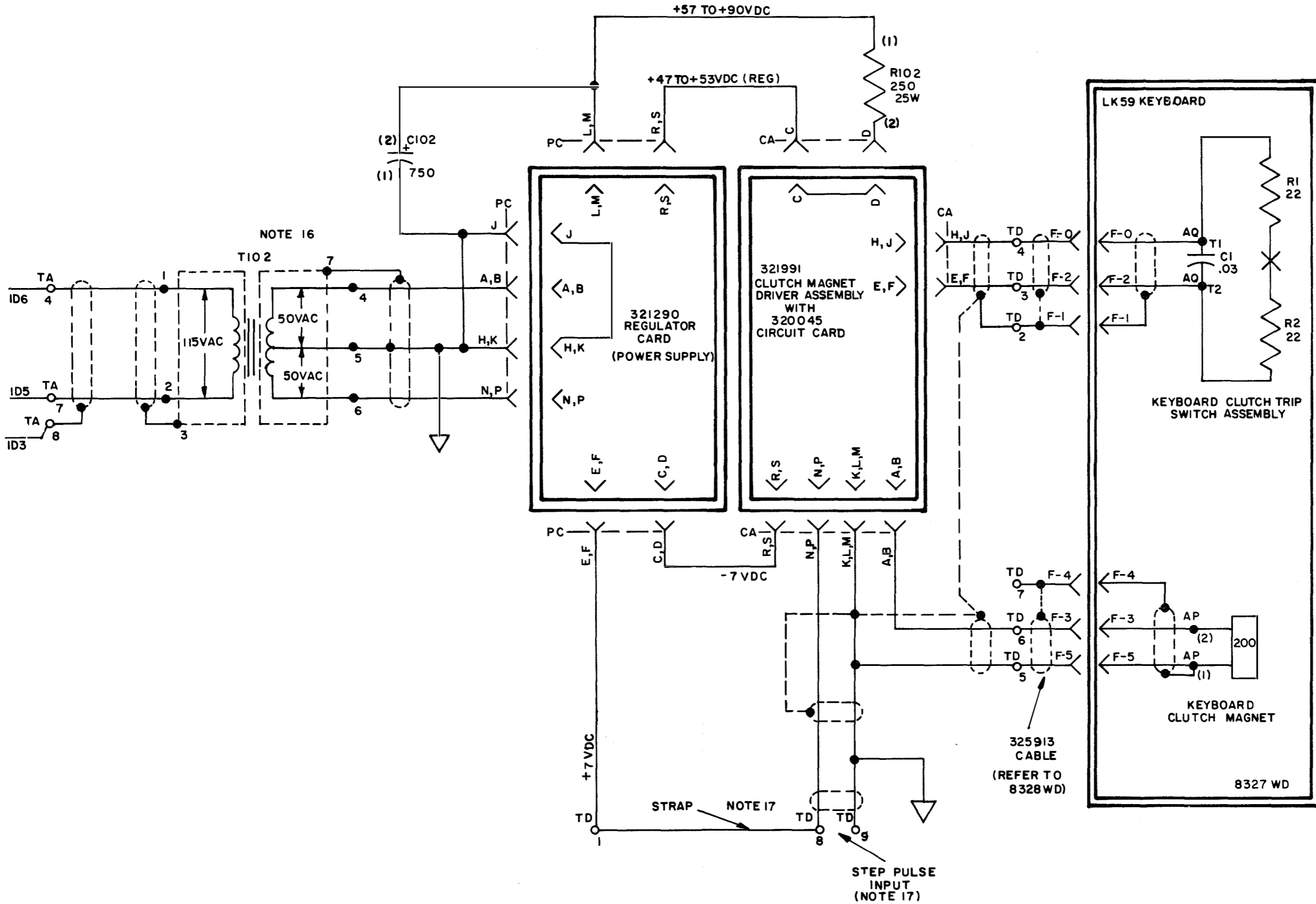
CLUTCH MAGNET CIRCUITS

NOTE: REVISION INFORMATION MUST ALSO BE REFLECTED ON THE ISSUE CONTROL RECORD, WHICH IS PART OF THIS W.D.

8332 WD

REVISIONS

ISSUE	DATE	AUTH. NO.
1	8-2-67	18615-R
2	12-6-67	94845-D
3	4-11-68	95572



SEE ISSUE CONTROL RECORD FOR COMPLETE LIST OF SHEETS COMPRISING THIS W.D.

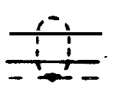
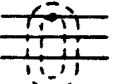

SHEET 5 WDP

SCHEMATIC WIRING DIAGRAM FOR ELECTRICAL SERVICE ASSEMBLY 324061 AS PART OF 28-RFK2000 B OR 325918 AS PART OF 28-RFK2001 B RACK-MOUNTED SEND-RECEIVE PRINTER SET

APPROVALS

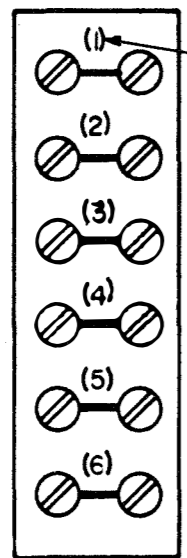
D AND R	E OF M
<i>[Signature]</i>	<i>[Signature]</i>
E-NUMBER	
PROD. NO. 8332 WD	
DATE: 5-9-67	
P.D. FILE NO. 15-65 AAA	
DRAWN TFG	CHKD. <i>[Signature]</i>
ENGD. HAK	APPD. <i>[Signature]</i>

TELETYPE CORPORATION

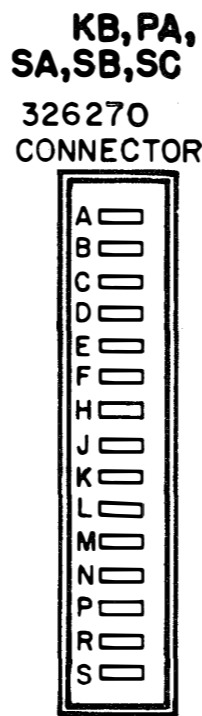
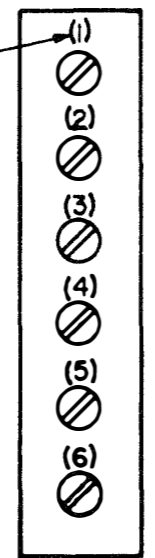
- NO. NOTES**
- ALL VOLTAGES DC UNLESS OTHERWISE SPECIFIED.
 - TERMINAL DESIGNATION ENCLOSED IN PARENTHESIS ARE FOR REFERENCE AND ARE NOT MARKED ON COMPONENT.
 - FUSE NUMBER-162360 8/10 AMP. SLOW BLOWING
 - TERMINAL NUMBERS APPEAR ON ASSOCIATED MARKING STRIP
 - * INDICATES TO TAPE END TERMINATING POINT.
 -  INDICATES SINGLE SHIELDING
 -  INDICATES DOUBLE SHIELDING
 - ALL STRAPPING WIRE 24 AWG BARE, 39603RM. USE SLEEVING WHERE REQUIRED.
 - ① INDICATES 18 AWG STRANDED WIRE.
 - ② INDICATES 24 AWG STRANDED WIRE.
 - ③ INDICATES 24 AWG 2 LEAD SINGLE SHIELDED CABLE.
 ALL SURFACE WIRE 24 AWG GREEN, 31784RM UNLESS OTHERWISE SPECIFIED.
 - REMOVE STRAPS ON TC-1 TO TC-2 AND TC3 TO TC-4 IF EXTERNAL POWER SUPPLY IS TO BE USED
 -  INDICATES SPLICED WIRES COVERED WITH APPROPRIATE SLEEVING
 - CUT STRAP IF LOCAL COPY IS NOT REQUIRED.(CUSTOMER OPTION.)
 - COLOR CODE:**

BK-BLACK	P-PURPLE
BL-BLUE	R-RED
BR-BROWN	S-SLATE
G-GREEN	W-WHITE
O-ORANGE	Y-YELLOW
 - REFER TO 8451WD FOR SCHEMATIC WIRING DIAGRAM
 - CUSTOMER MAY WIRE SHIELD AS DESIRED

TA
111284
TERMINAL BOARD



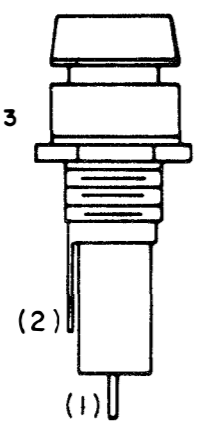
TB,TC,TD
158250
TERMINAL BOARD CONNECTOR



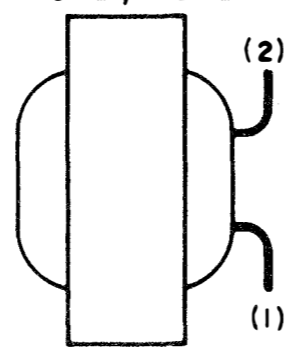
NOTE 4

F101
116783
FUSE HOLDER

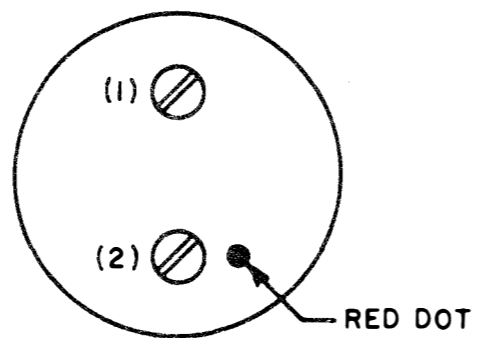
NOTE 3



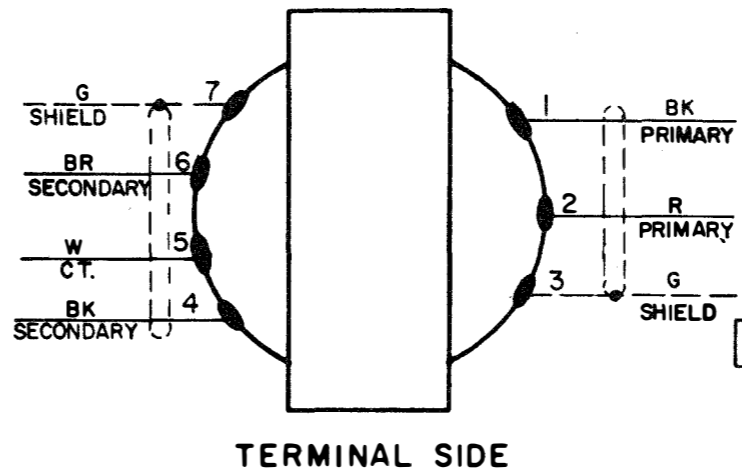
L1,L2
321133
CHOKE, FILTER



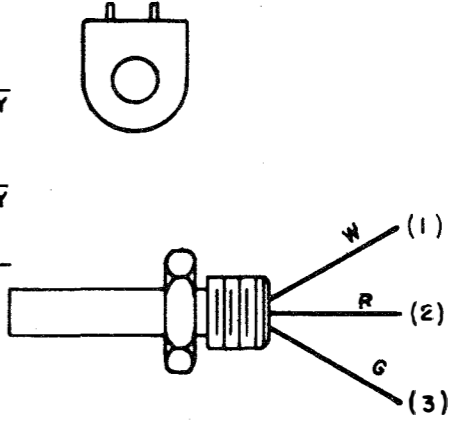
C8
321129
CAPACITOR



T1
326351
TRANSFORMER ASSEM.



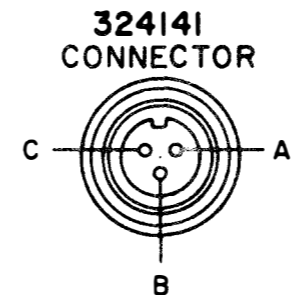
R21,R22,R23
323652
RELAY ASSEMBLY



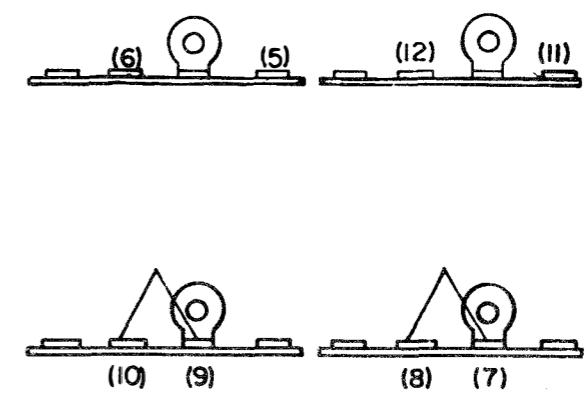
C9,C10,C11,C12
327444
CAPACITOR



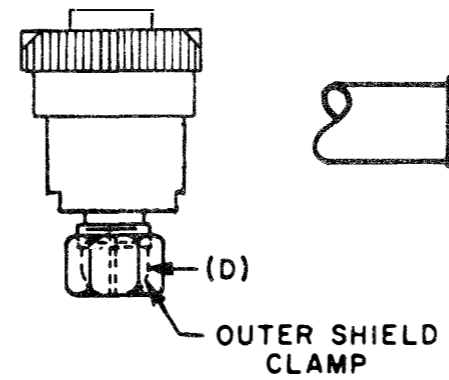
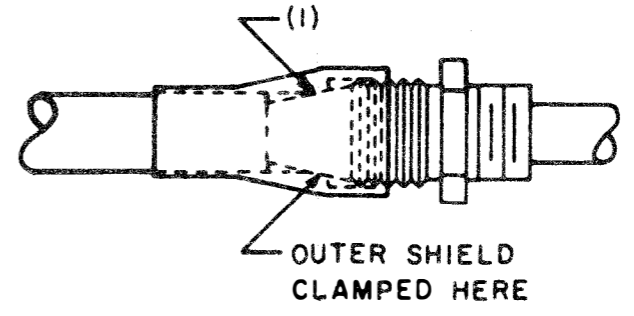
PI05,PI02, PI03,PI04,



TS101
321207
TERMINAL STRIPS



CL105,CL102,CL103,CL104
321276, 321277
CLAMP



8450 WD

REVISIONS

ISSUE	DATE	AUTH. NO.
1	9-25-67	18691-R
2	11-21-67	94960-3
3	2-1-69	95273
4	2-21-68	97453
5	2-6-69	96646

NOTE: REVISION INFORMATION MUST ALSO BE REFLECTED ON THE ISSUE CONTROL RECORD, WHICH IS A PART OF THIS DRAWING.

SEE ISSUE CONTROL RECORD FOR COMPLETE LIST OF SHEETS COMPRISING THIS W.D.

SHEET 1 **WDP**

ACTUAL WIRING DIAGRAM FOR 323821 ELECTRICAL SERVICE ASSEMBLY (SIGNAL)

APPROVALS

D AND R <i>HJR</i>	E OF M <i>[Signature]</i>
-----------------------	------------------------------

E NUMBER
PROD. NO. 9450 WD

DATE: 7-12-67
P.D. FILE NO 15-65AAA

DRAWN P.K. *[Signature]* CHKD *[Signature]*
ENGD. P.R.S. APPD *[Signature]*

TELETYPE CORPORATION

8450 WD

5

NO NOTES

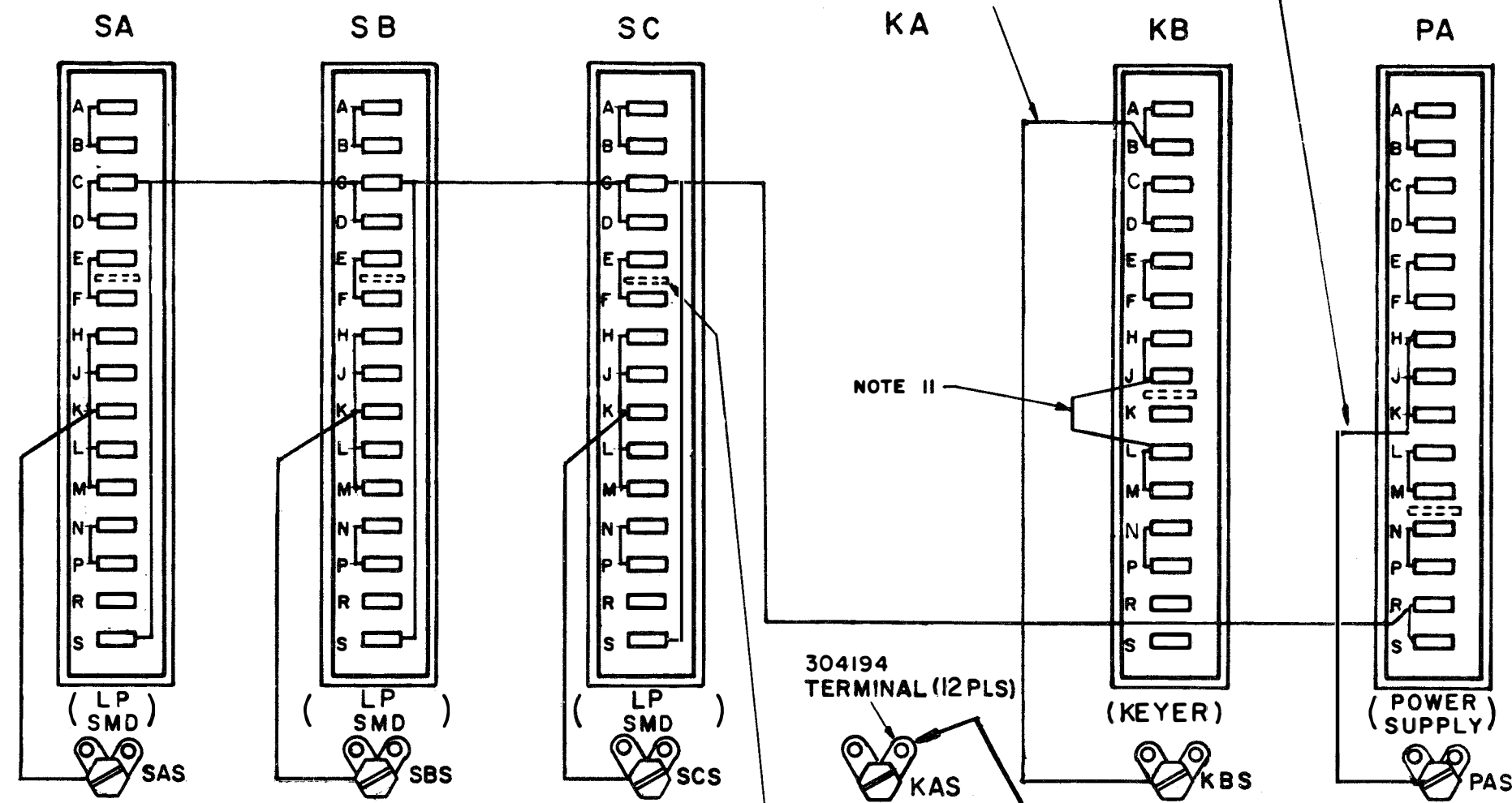
REFER TO SHEET 1 FOR NOTES.

8450 WD

REVISIONS

ISSUE	DATE	AUTH. NO.
1	9-25-67	18691-R
2	11-21-67	94960-2
3	2-1-68	95273
4	2-21-68	97453
5	4-25-69	198545

148458 CONNECTOR



NOTE II

304194 TERMINAL (12 PLS.)



ADD POLARIZING KEY TO CONNECTOR IN POSITIONS AS INDICATED (5 PLS.)

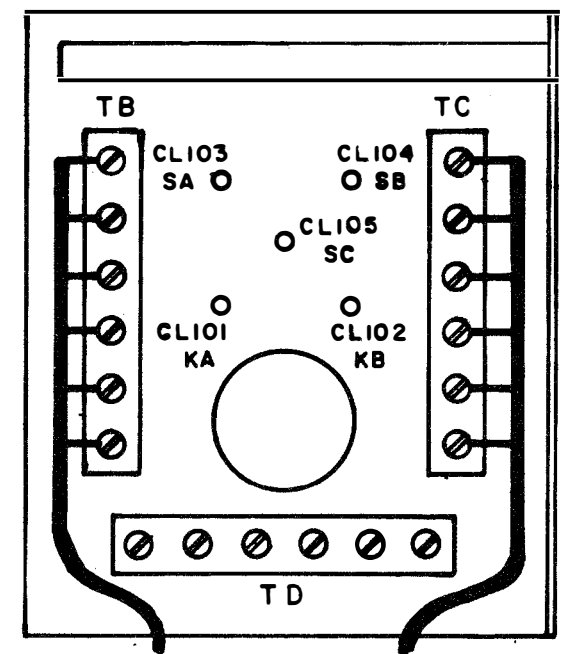
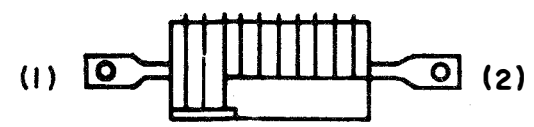
COVER WIRES BEFORE SOLDERING WITH 1/2" 60416 RM TUBING, (12 PLS.)

R 31, R 32, R 33, R 24
323653 RELAY ASSEMBLY.
(5) (6)



R101, R102, R103

172726 RESISTOR



SEE ISSUE CONTROL RECORD FOR COMPLETE LIST OF SHEETS COMPRISING THIS W.D.

SHEET 2

WDP

ACTUAL WIRING DIAGRAM FOR 323821 ELECTRICAL SERVICE ASSEMBLY (SIGNAL)

APPROVALS

D AND R	E OF M
<i>ARK</i>	<i>ei</i>

E-NUMBER
PROD. NO. 8450 WD

DATE: 7-12-67
P.O. FILE NO. 15-65AAA

DRAWN P.K.	CHEK
ENGR. P.R.S	APPR.

TELETYPE CORPORATION

8450 WD

NO. NOTES

REFER TO SHEET 1 FOR NOTES

SHT.	COMP. DESIG. / TERM	COMP. NO.	OTHER END TERMINATION	COMP.	XFMR	TERM BLOCK	FUSE HOLDER	SWITCH	TERM STRIP	CHOKE	CHOKE	CAP	CAP	CAP	CAP	OTHER END TERMINATION
			COMP. DESIG.	T1	TA	F101	B101	TS101	L1	L2	C12	C11	C10	C9		
				326351	111284	116783	118659	321207	321133	321133	327444	327444	327444	327444		
	LIVE SIDE 115V AC INPUT		BK ①		①	BK ①	(1) BK ①	(2) BK ①	(5) BK ①	(1) BK ①						
	CHASSIS SCREWS															
	POWER GRD.	307 455 STRAP														
	GRD. SIDE 115V AC INPUT						W ①	(4)	(5) O ①							
	326352 CABLE ASSEM.															
	POWER CABLE SHIELD SEE NOTE 14															

8450WD

REVISIONS		
ISSUE	DATE	AUTH. NO.
1	9-25-67	1869-R
2	11-21-67	9498-B
3	3-1-68	95396
4	2-6-69	96646

324140 CABLE ASSEM.

SEE ISSUE CONTROL RECORD FOR COMPLETE LIST OF SHEETS COMPRISING THIS W.D.

SHEET 3 WDP

ACTUAL WIRING DIAGRAM FOR 323821 ELECTRICAL SERVICE ASSEMBLY SIGNAL

APPROVALS	
R AND D	E OF M
<i>AK</i>	<i>[Signature]</i>
W.D. NO. 8450WD	DATE 5-29-67
R.D. FILE NO. 15-85,AAA	DRAWN P.K. CHKD. <i>[Signature]</i>
ENGD. P.R.S. APPD. <i>[Signature]</i>	

TELETYPE CORPORATION

8450WD

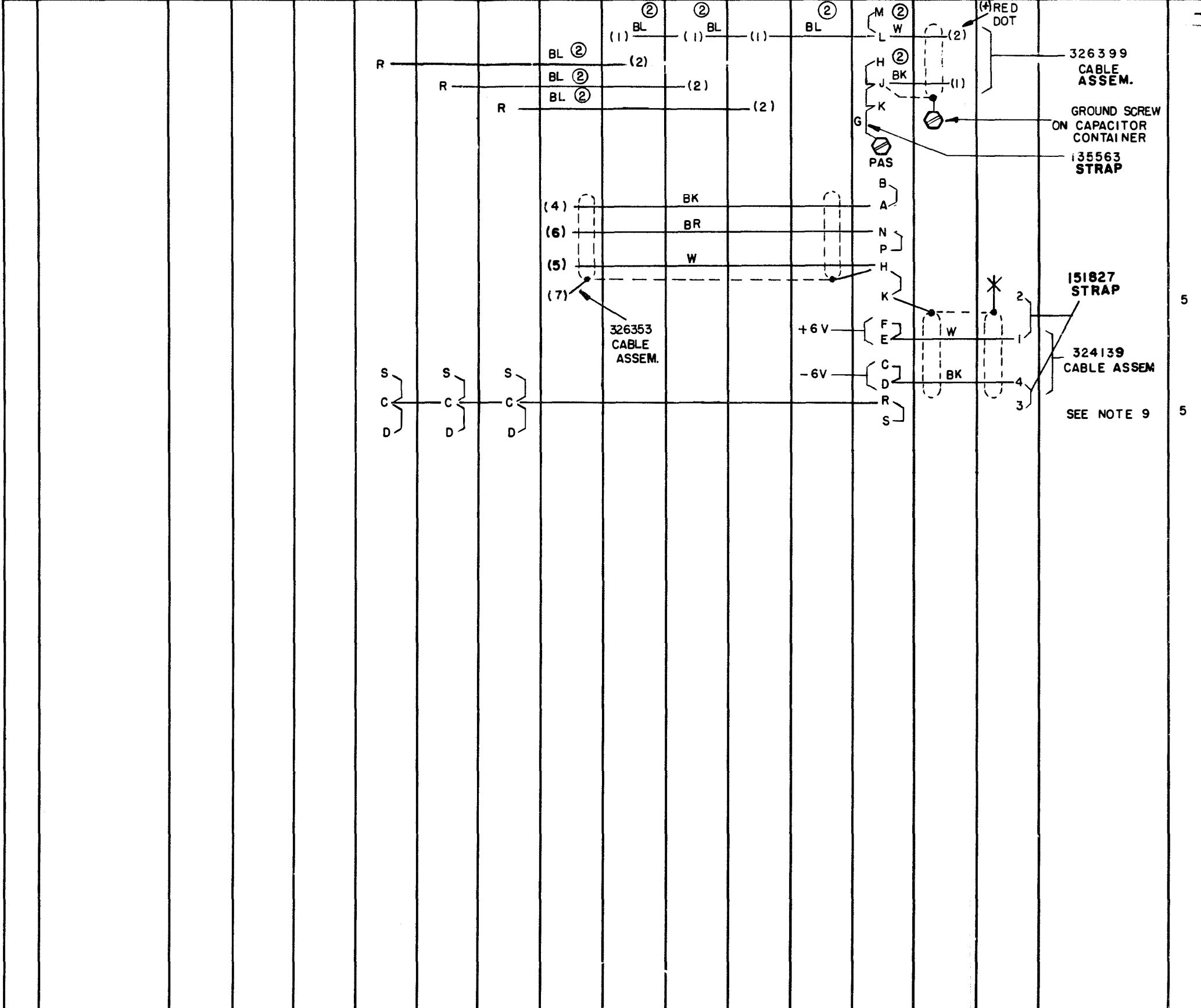
NO. NOTES

REFER TO SHEET 1 FOR NOTES.

OTHER END TERMINATION

COMP. DESIG. / TERM

SHT. COMP. DESIG. / TERM



8450 WD

REVISIONS

ISSUE	DATE	AUTH. NO.
1	9-25-67	18691R
2	11-21-67	94960-1
3	3-1-68	95396
4	2-6-69	96646

COMP. DESIG. / TERM

326399 CABLE ASSEM.

GROUND SCREW ON CAPACITOR CONTAINER

135563 STRAP

151827 STRAP

324139 CABLE ASSEM

SEE NOTE 9

SHE ISSUE CONTROL RECORD FOR COMPLETE LIST OF SHEETS COMPRISING THIS W.D.

SHEET 4 **WDP**

ACTUAL WIRING DIAGRAM FOR 323821 ELECTRICAL SERVICE ASSEMBLY SIGNAL

APPROVALS

R AND D: *ARK* E OF M: *[Signature]*

W.D. NO. 8450 WD

DATE 5-29-67

R.D. FILE NO. 15-65AAA

DRAWN P.K. CHKD. *[Signature]*

ENG. P.R.S. APPD. *[Signature]*

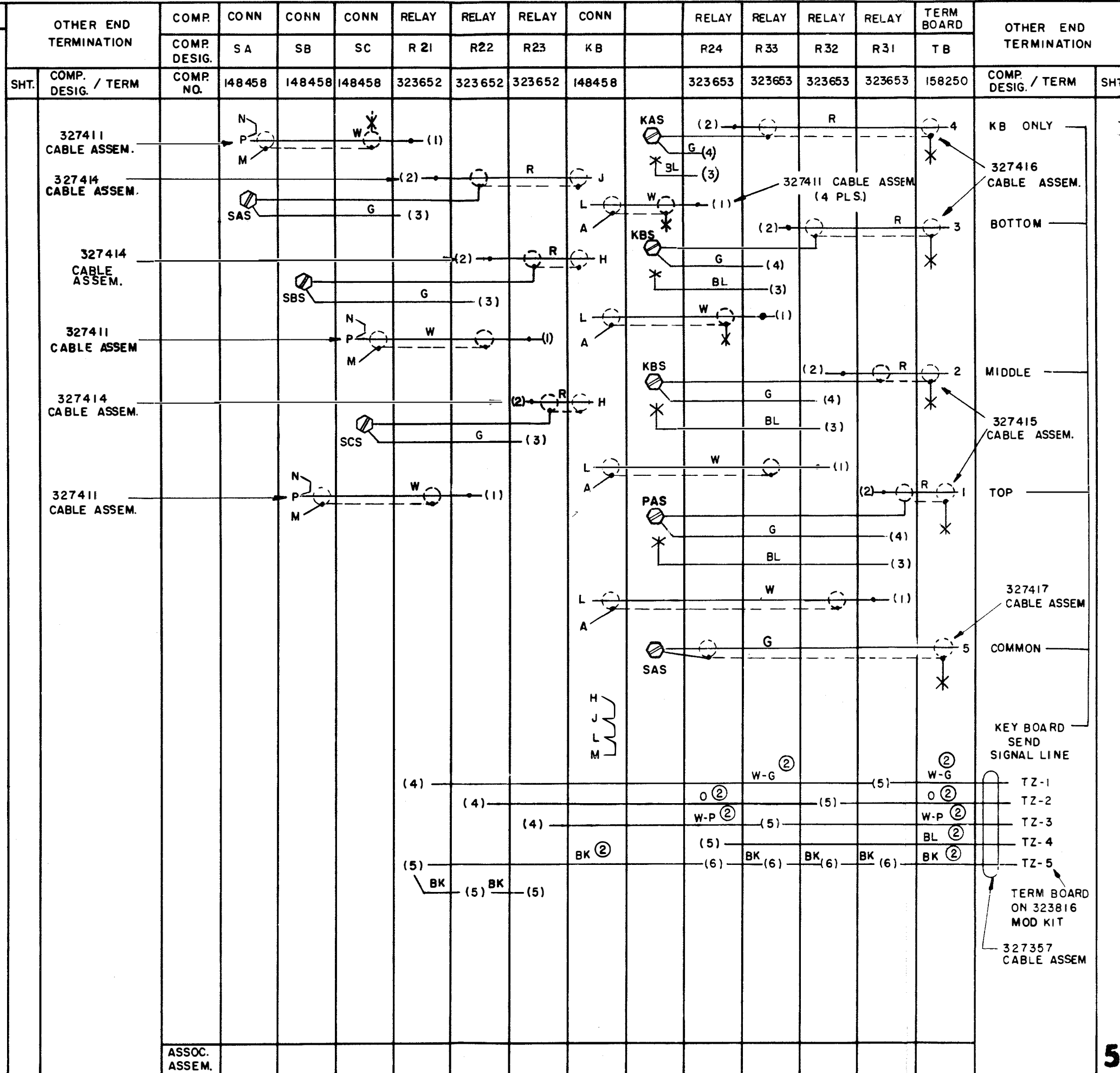
TELETYPE CORPORATION

4 8450 WD

ASSOC. ASSEM.

NO. NOTES

REFER TO SHEET 1 FOR NOTES.



8450WD

REVISIONS		
ISSUE	DATE	AUTH. NO.
1	9-25-67	18691-R
2	11-21-67	94960-B
3	2-1-68	95273
4	2-21-68	97453
5	2-6-69	96646

SEE ISSUE CONTROL RECORD FOR COMPLETE LIST OF SHEETS COMPRISING THIS W.D.

SHEET 6 WDP

ACTUAL WIRING DIAGRAM FOR 323821 ELECTRICAL SERVICE ASSEMBLY SIGNAL

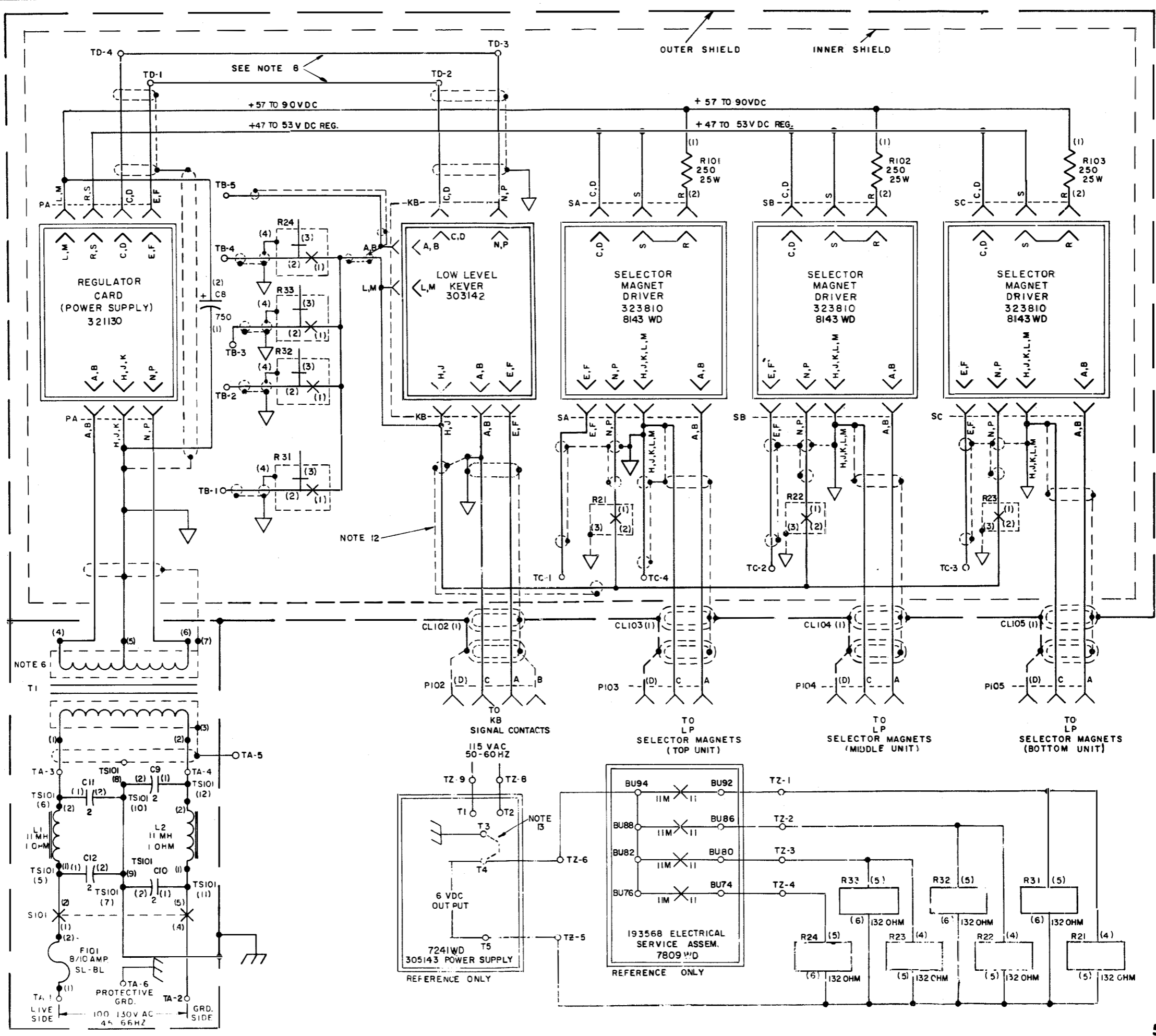
APPROVALS	
R AND D	E OF M
<i>[Signature]</i>	<i>[Signature]</i>

W.D. NO. 8450 WD
 DATE 5-29-67
 R.D. FILE NO. 15-65 AAA
 DRAWN P.K. CHKD. *[Signature]*
 ENGD. P.R.S. APPD. *[Signature]*

TELETYPE CORPORATION

8450WD

- NO. NOTES
1. ALL RESISTORS 1/2 WATT RESISTANCE VALUE IN OHMS CAPACITANCE VALUES IN MICROFARADS UNLESS OTHERWISE SPECIFIED.
 2. TERMINALS ENCLOSED IN PARENTHESES ARE FOR REFERENCE AND ARE NOT MARKED ON COMPONENT.
 3. SL-BL INDICATES SLOW BLOWING
 4. INDICATES FEMALE TERMINAL
 INDICATES MALE TERMINAL
 5. REFERENCE SPEC. FOR TELETYPE CORPORATION EMPLOYEES ONLY 61267S
 6. T1 SECONDARY 50V AP TO CENTER TAP WITH 115V AC INPUT; 8 OHMS (MAX.) PRIMARY RESISTANCE; 10 OHMS (MAX.) SECONDARY RESISTANCE TO CENTER TAP.
 7. INDICATES CIRCUIT COMMON.
 8. REMOVE THESE STRAPS IF EXTERNAL POWER SUPPLY IS TO BE USED.
 9. REFER TO B450WD FOR ACTUAL WIRING DIAGRAM.
 10. REFER TO RELATED SET DIAGRAM FOR EXTERNAL CIRCUITS.
 11. INDICATES SINGLE SHIELDING
 INDICATES DOUBLE SHIELDING
 12. SHIELDED WIRES FROM KB ARE CONTINUOUS FROM KB-H,J CONN. TO R21-(2), R22-(2) AND R23-(2)
 13. 151819 STRAP TO BE REMOVED.



8451WD

REVISIONS		
ISSUE	DATE	AUTH. NO.
1	9-25-67	18691-R
2	11-21-67	94960-B
3	2-1-68	95273
4	2-29-68	95376
5	2-6-69	96646




SCHEMATIC WIRING DIAGRAM FOR 323821 ELECTRICAL SERVICE ASSEMBLY (SIGNAL)

APPROVALS	
D AND R	E OF M
E-NUMBER	
PROD. NO. 8451WD	
DATE 6-16-67	
P.D. FILE NO. 15-65AAA	
DRAWN P.K.	CHKD.
ENGD. P.R.S.	APPD.

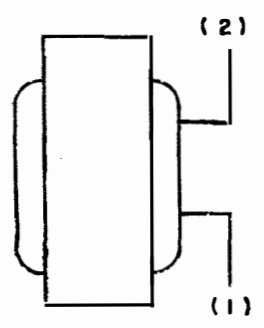
TELETYPE CORPORATION

8451WD

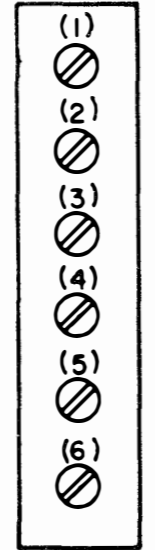
NO. NOTES

1. ALL VOLTAGES DC UNLESS OTHERWISE SPECIFIED.
2. TERMINAL DESIGNATION ENCLOSED IN PARENTHESIS ARE FOR REFERENCE AND ARE NOT MARKED ON COMPONENT.
3. FUSE NUMBER: 162360
8/10 AMP. SLOW BLOWING.
- 4.
5. * INDICATES TO TAPE END TERMINATING POINT.
6.  INDICATES SINGLE SHIELDING
7.  INDICATES DOUBLE SHIELDING
8. ALL STRAPPING WIRE 24 AWG BARE, 39603RM. USE SLEEVING WHERE REQUIRED.
 - ① INDICATES 18 AWG STRANDED WIRE.
 - ② INDICATES 24 AWG STRANDED WIRE.
 - ③ INDICATES 24 AWG 2 LEAD SINGLE SHIELDED CABLE.
 ALL SURFACE WIRE 24 AWG GREEN, 31784 RM, UNLESS OTHERWISE SPECIFIED
9. REFER TO 8453 WD FOR SCHEMATIC WIRING DIAGRAM.
10. COLOR CODE:
BK-BLACK P-PURPLE
BL-BLUE R-RED
BR-BROWN S-SLATE
G-GREEN W-WHITE
O-ORANGE Y-YELLOW
11.  INDICATES SPLICED WIRES COVERED WITH APPROPRIATE SLEEVING.

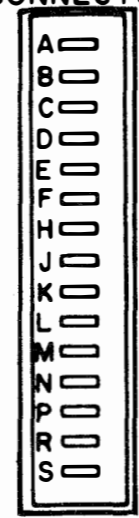
L1, L2
321133
CHOKE, FILTER



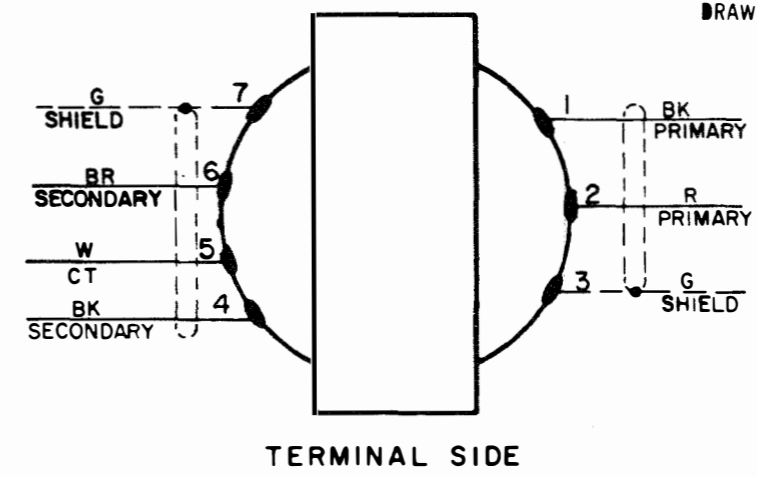
TA, TD
158250
TERMINAL BOARD



CB, PC
326270
CONNECTOR



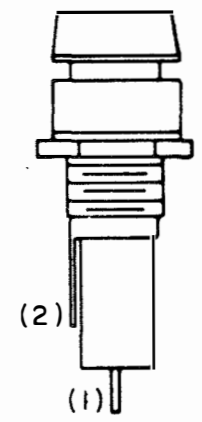
T102
326351
TRANSFORMER ASSEM.



NOTE: REVISION INFORMATION MUST ALSO BE REFLECTED ON THE ISSUE CONTROL RECORD, WHICH IS A PART OF THIS DRAWING

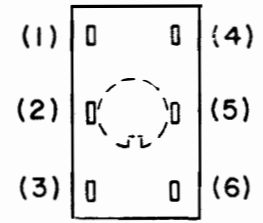
8452 WD		
REVISIONS		
ISSUE	DATE	AUTH NO.
1	9-25-67	18691-R
2	11-21-67	94960-B
3	5-20-68	97543

F102
116783
FUSE HOLDER

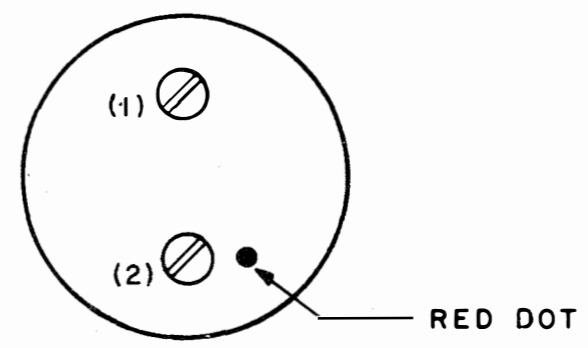


SEE NOTE 3

S102
118659
SWITCH



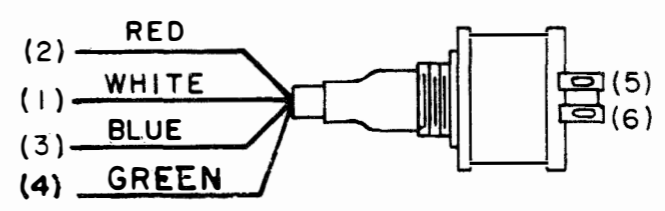
C101
321129
CAPACITOR



R101
172726
RESISTOR



R11, R12, R13, R14
323653
RELAY ASSEMBLY



SEE ISSUE CONTROL RECORD FOR COMPLETE LIST OF SHEETS COMPRISING THIS W.D.
SHEET 1 **WDP**

ACTUAL WIRING DIAGRAM FOR 323822 ELECTRICAL SERVICE ASSEMBLY (CLUTCH)

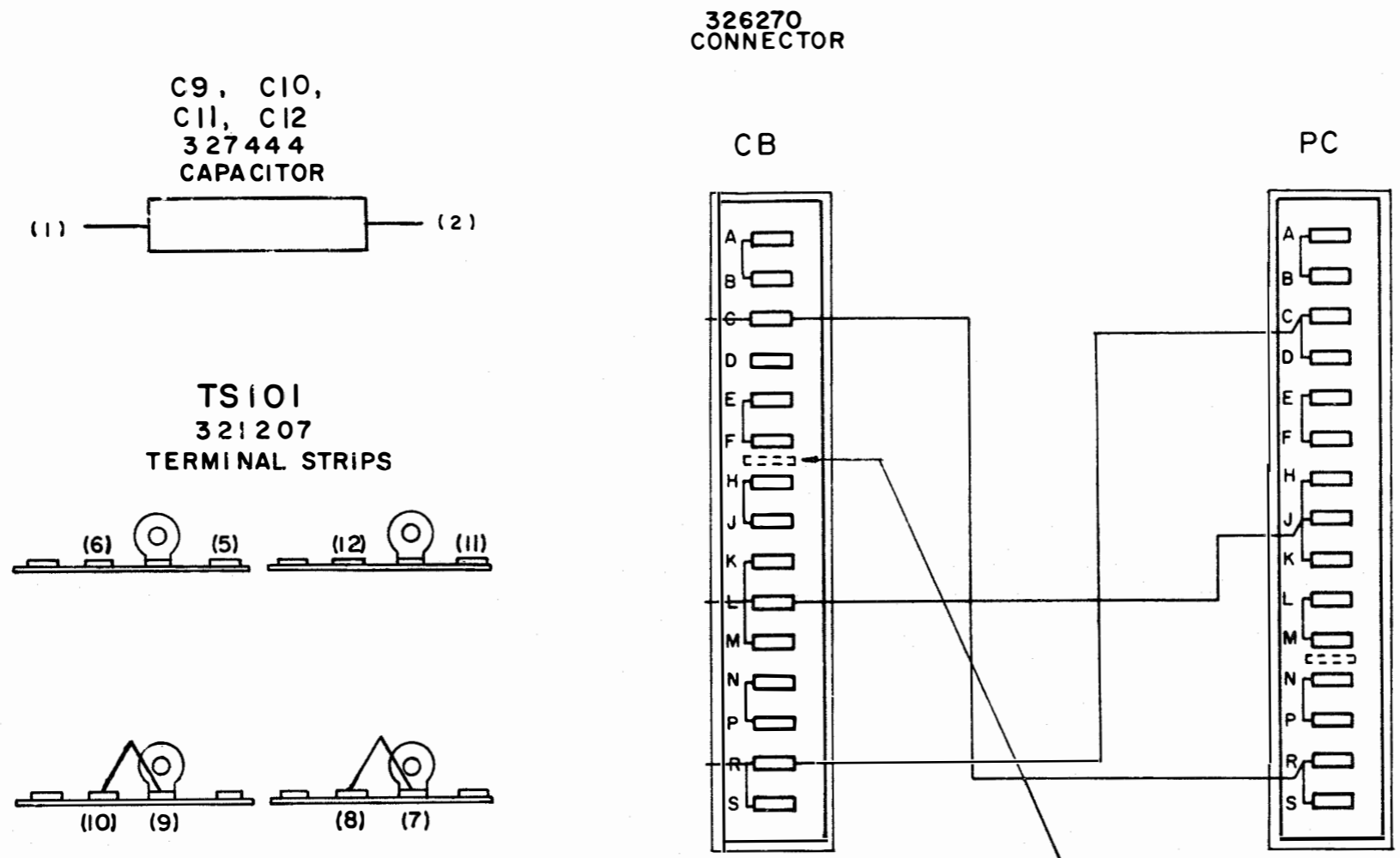
APPROVALS	
D AND R <i>AK</i>	E OF M <i>[Signature]</i>
E NUMBER	
PROD. NO. 8452 WD	
DATE: 8-21-67	
P.D. FILE NO. 15-65 AAA	
DRAWN P K	CHKD <i>[Signature]</i>
ENGD. P R S	APPD. <i>[Signature]</i>
TELETYPE CORPORATION	
8452 WD	

NO.	NOTES
I.	SEE SHEET I FOR GENERAL NOTES.

NOTE: REVISION INFORMATION MUST ALSO BE REFLECTED ON THE ISSUE CONTROL RECORD, WHICH IS A PART OF THIS DRAWING.

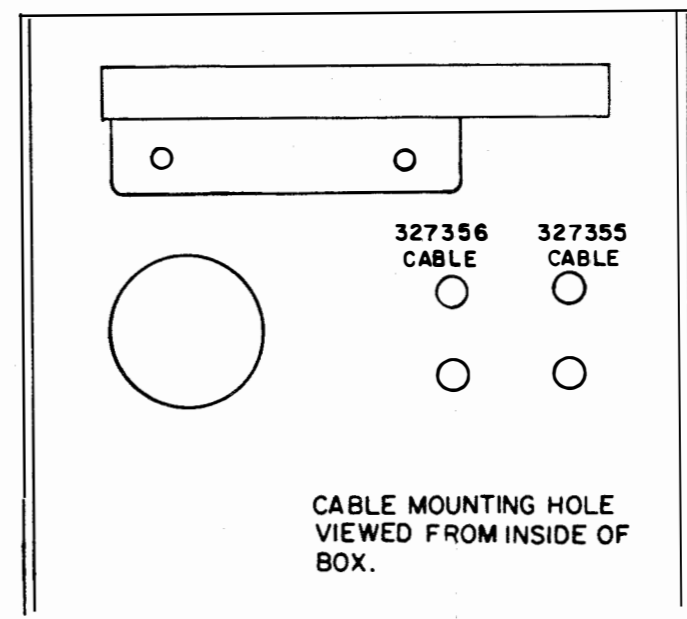
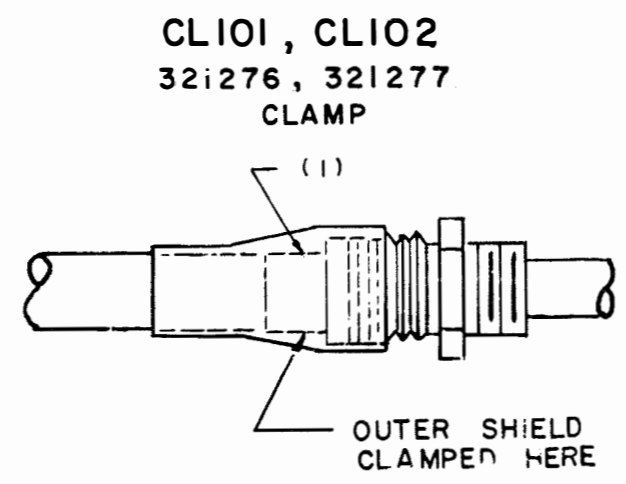
8452 WD

REVISIONS		
ISSUE	DATE	AUTH NO
1	9-25-67	18691-R
2	11-21-67	94960-D
3	5-20-68	97543
4	4-25-69	98545



ADD POLARIZING KEY TO CONNECTOR IN POSITIONS INDICATED. (2 PLS.)

SURFACE WIRING BETWEEN CARD CONNECTORS SHALL TAKE THE SHORTEST POSSIBLE ROUTE.



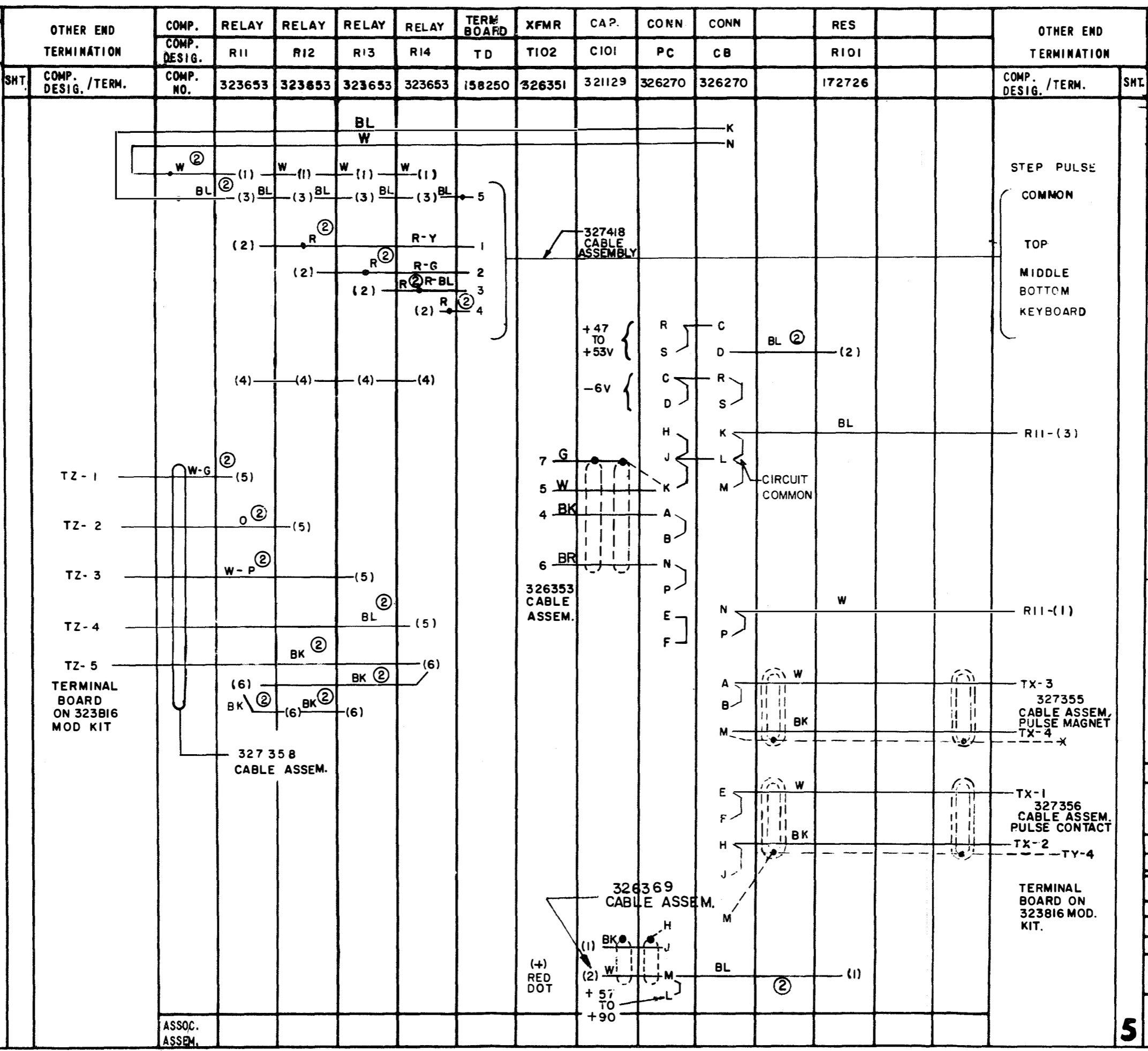
SEE ISSUE CONTROL RECORD FOR COMPLETE LIST OF SHEETS COMPRISING THIS W.D.

SHEET 2 **WDP**

ACTUAL WIRING DIAGRAM FOR 323822 ELECTRICAL SERVICE ASSEMBLY (CLUTCH)

APPROVALS	
D AND R	E OF M
<i>[Signature]</i>	<i>[Signature]</i>
E NUMBER	
PROD. NO. 8452WD	
DATE: 8-21-67	
P.D. FILE NO. 15-65AAA	
DRAWN P.K.	CHKD. <i>[Signature]</i>
ENGD. P.R.S.	APPD. <i>[Signature]</i>
TELETYPE CORPORATION	
8452 WD	

NO.	NOTES
1.	SEE SHEET 1 FOR GENERAL NOTES.



8452 WD

REVISIONS		
ISSUE	DATE	AUTH. NO.
1	9-25-67	118691-R
2	11-21-67	94960-R
3	3-7-68	93376
4	5-20-68	97543
5	2-6-69	96546

SHEET 3 WDP

ACTUAL WIRING DIAGRAM FOR 323822 ELECTRICAL SERVICE ASSEMBLY (CLUTCH)

APPROVALS	
R AND D	E OF M
<i>[Signature]</i>	<i>[Signature]</i>

E-NUMBER
 PROD. NO. 8452 WD
 DATE 8-21-67
 P.D. FILE NO. 15-65 AAA
 DRAWN P.K. CHKD *[Signature]*
 ENGD. P.R.S. APPD. *[Signature]*

TELETYPE CORPORATION

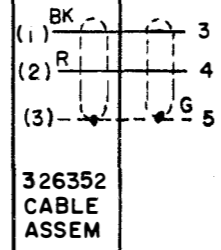
5 8452 WD

NO. NOTES

OTHER END TERMINATION		COMP. DESIG.	XFMR	TERM BLOCK	FUSE HOLDER	SWITCH	TERM STRIP	CHOKE	CHOKE	CAP	CAP	C/P	CAP	OTHER END TERMINATION	
COMP. DESIG. / TERM		COMP. NO.	326351	158250	116783	118659	321207	321133	321133	327444	327444	327444	327444	COMP. DESIG. / TERM	SHT.
LIVE SIDE 115V AC INPUT	BK (1)			1 (1) BK		(2) R (1)	(5)	(1)							
CHASSIS SCREWS				(2) BR (1)		P (1)	(6)	(2)							
							(9)	(2)							
							(10)	(2)							
							(7)	(2)							
GRD. SIDE 115V AC INPUT				2 W (1)		(4) Y (1)	(11)	(1)							
				4		(5) S (1)	(12)	(1)							

8452 WD		
REVISIONS		
ISSUE	DATE	AUTH. NO.
1	9-25-67	18691-R
2	11-21-67	94860-B
3	3-1-68	95398
4	5-20-68	97543

324154
CABLE
ASSEM.



SHEET 4 WDP

ACTUAL
WIRING DIAGRAM
FOR
323822
ELECTRICAL
SERVICE
ASSEMBLY
(CLUTCH)

APPROVALS	
R AND D	E OF M
<i>AK</i>	<i>[Signature]</i>
W.D. NO.	8452 WD
DATE	8-21-67
R.D. FILE NO.	
DRAWN P. K.	CHKD. <i>[Signature]</i>
ENG. P. R. S.	APPD. <i>[Signature]</i>

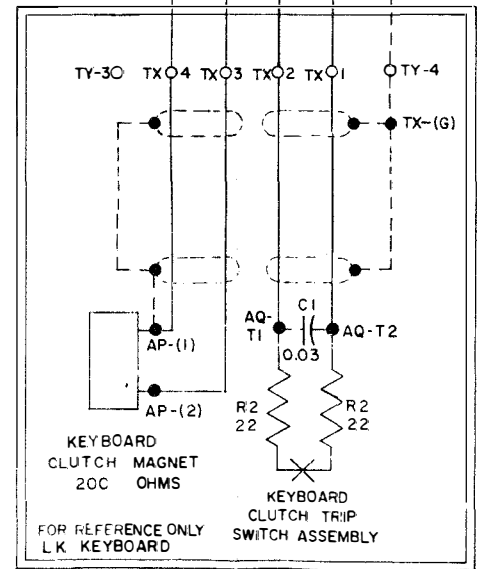
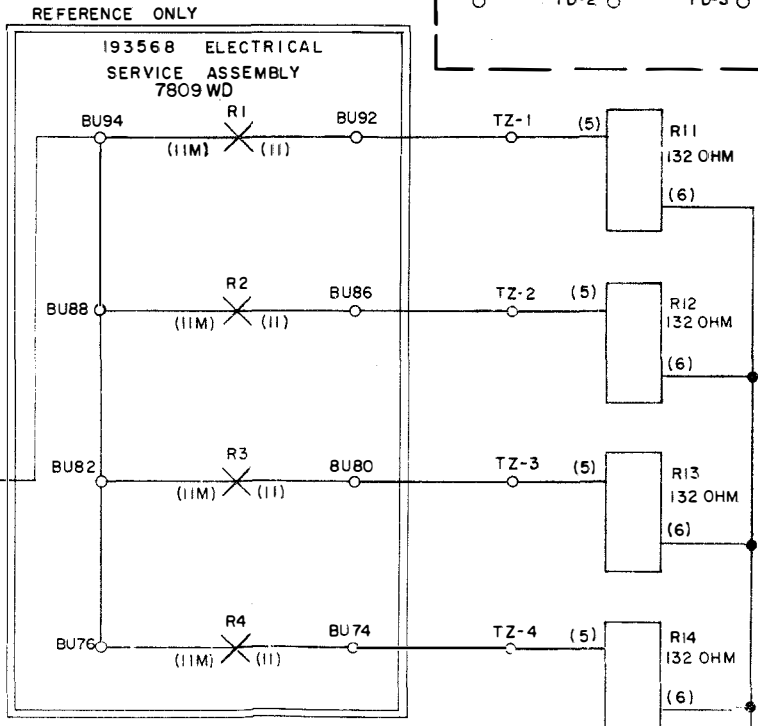
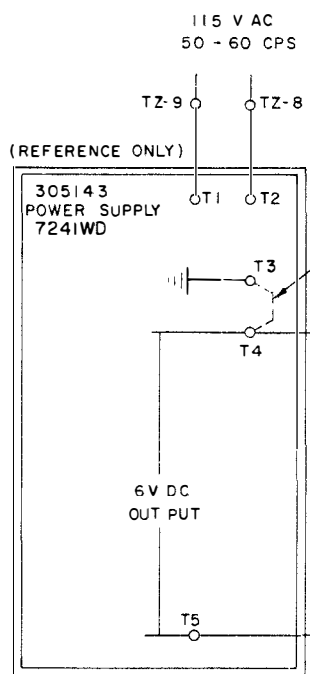
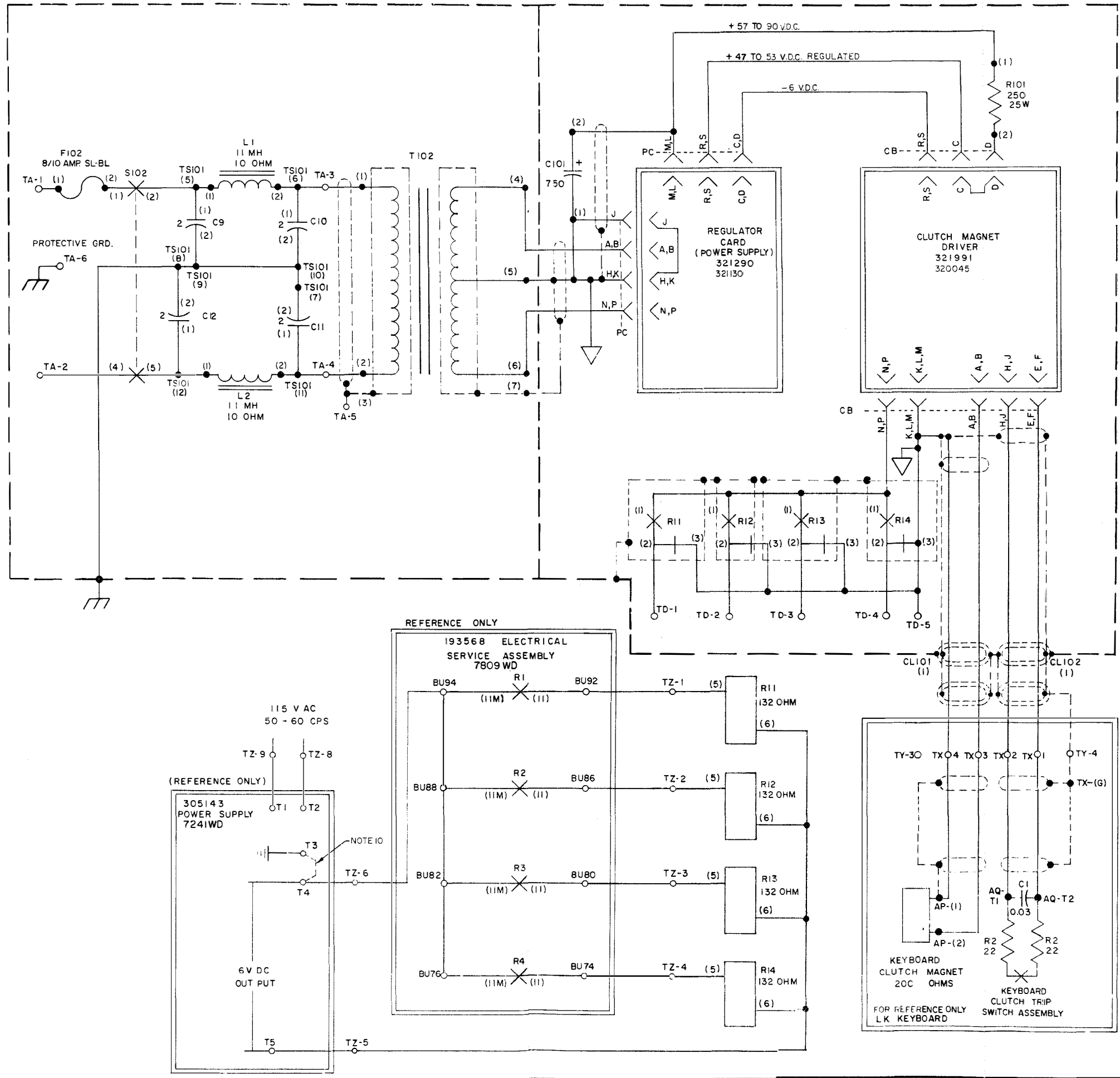
TELETYPE
CORPORATION

4 8452WD

REVISIONS

ISSUE	DATE	AUTH. NO.
1	9-25-67	18691-R
2	11-21-67	94960-B
3	2-27-68	95396
4	5-20-68	97543
5	2-6-69	96646

- NO NOTES
- ALL RESISTORS 1/2 WATT. RESISTANCE VALUES IN OHMS. CAPACITANCE VALUES IN MICROFARADS UNLESS OTHERWISE SPECIFIED.
 - INDICATES FEMALE TERMINAL
INDICATES MALE TERMINAL
 - INDICATES CIRCUIT COMMON
 - TERMINAL DESIGNATIONS ENCLOSED IN PARENTHESES ARE FOR REFERENCE AND ARE NOT MARKED ON COMPONENT.
 - SL-BL INDICATES SLOW-BLOWING
 - REFER TO 8452WD FOR ACTUAL WIRING DIAGRAM
 - REFERENCE SPEC. FOR TELETYPE CORP EMPLOYEES ONLY
61267S
 - INDICATES SINGLE SHIELDING
INDICATES DOUBLE SHIELDING
 - T1 SECONDARY 50V AC TO CENTER TAP WITH 115V AC INPUT. 8 OHMS (MAX.) PRIMARY RESISTANCE 10 OHMS (MAX.) SECONDARY RESISTANCE TO CENTER TAP.
 - 151819 STRAP TO BE REMOVED.





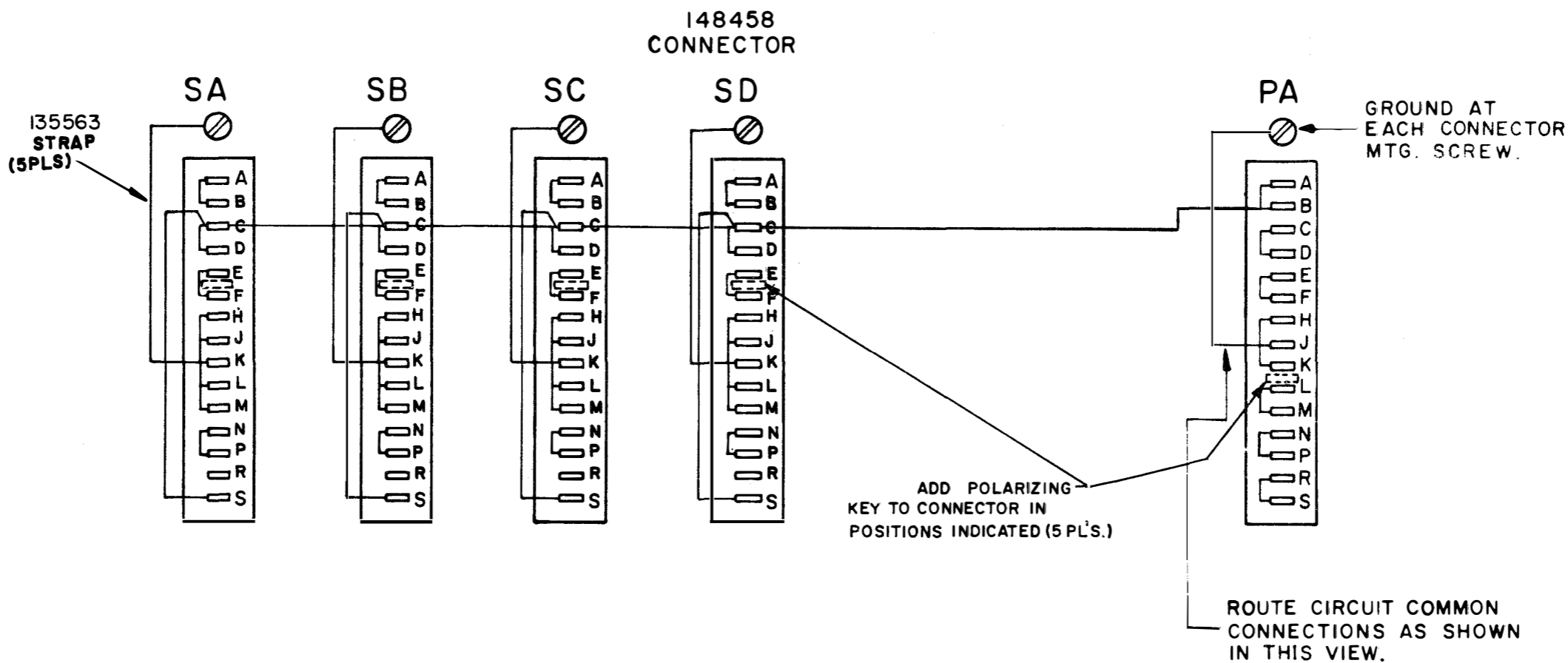
SCHEMATIC WIRING DIAGRAM FOR 323822 ELECTRICAL SERVICE ASSEMBLY (CLUTCH)

APPROVALS

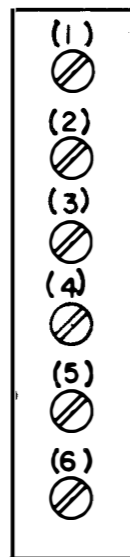
D AND R	E OF M
E-NUMBER	
PROD. NO. 8453 WD	
DATE 6-19-67	
P.D. FILE NO. 15-65 AAA	
DRAWN P.K.	CHKD. <i>[Signature]</i>
ENGD. P.R.S.	APPD. <i>[Signature]</i>

TELETYPE CORPORATION

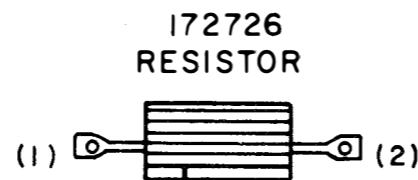
NO.	NOTES
1.	ALL VOLTAGES DC UNLESS OTHERWISE SPECIFIED.
2.	TERMINAL DESIGNATION ENCLOSED IN PARENTHESIS ARE FOR REFERENCE AND ARE NOT MARKED ON COMPONENT.
3.	ALL SURFACE WIRE 24 AWG GREEN, 31784RM, UNLESS OTHERWISE SPECIFIED.
4.	ALL STRAPPING WIRE 24 AWG BARE, 39603RM. USE SLEEVING WHERE REQUIRED.
5.	*INDICATES TO TAPE END TERMINATING POINT.
6.	 INDICATES SINGLE SHIELDING
7.	 INDICATES DOUBLE SHIELDING
8.	USE CLOSED TERMINALS ON TERMINAL BOARD CONNECTIONS
9.	① INDICATES 18 AWG STRANDED WIRE
10.	② INDICATES 24 AWG STRANDED WIRE.
11.	③ INDICATES 24 AWG 2 LEAD SINGLE SHIELDED CABLE.
12.	FUSE NUMBER 171642 1-6/10AMP SLOW-BLOWING.
13.	OUTER SHIELD IS GROUNDED TO OUTER BOX AT CL-(1). (6 PLS).
14.	SHIELD CLAMP SCREWED INTO CHASSIS (4 PL'S.)
15.	REFER TO 8455WD FOR SCHEMATIC WIRING DIAGRAM.



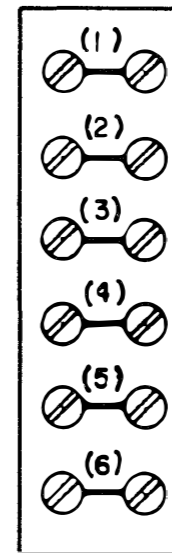
TC, TB
158250
TERMINAL BOARD



RI01, RI02, RI03
RI04



TA
111284
TERMINAL BOARD



8454 WD

REVISIONS

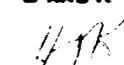

ISSUE	DATE	AUTH. NO.
1	9-18-67	18644-R
2	11-21-67	94960-B
3	4-25-69	98545

WDP

SEE ISSUE CONTROL RECORD FOR COMPLETE LIST OF SHEETS COMPRISING THIS W.D.
SHEET 1

ACTUAL WIRING DIAGRAM FOR 321228 ELECTRICAL SERVICE ASSEM.

APPROVALS

D AND R	E OF M
	

E NUMBER

PROD. NO. 8454 WD

DATE: 4-26-67

P.O. FILE NO 15-65AAA

DRAWN	CHKD
ENGR. P.R.S.	APPD.

TELETYPE CORPORATION

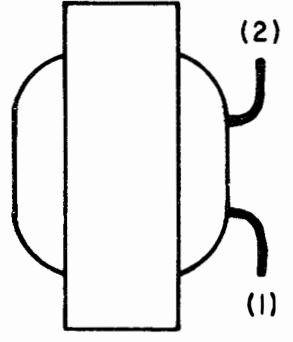
8454 WD

SEE SHEET 1 FOR NOTES

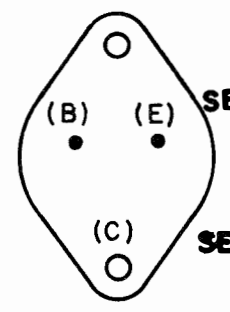
NOTE: REVISION INFORMATION MUST ALSO BE REFLECTED ON THE ISSUE CONTROL RECORD, WHICH IS A PART OF THIS DRAWING.

8454 WD		
REVISIONS		
ISSUE	DATE	AUTH. NO.
1	9-15-67	18644-R
2	11-21-67	94960B
3	12-27-68	98132

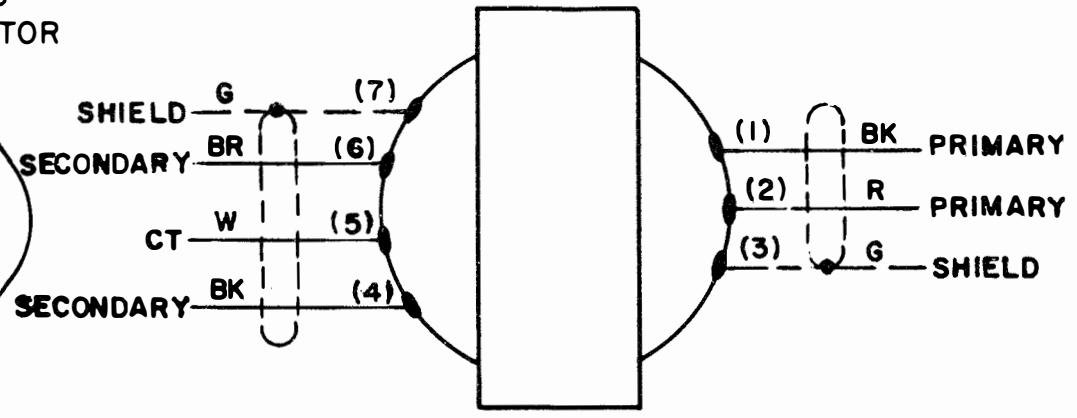
L1, L2
321133
CHOKE, FILTER



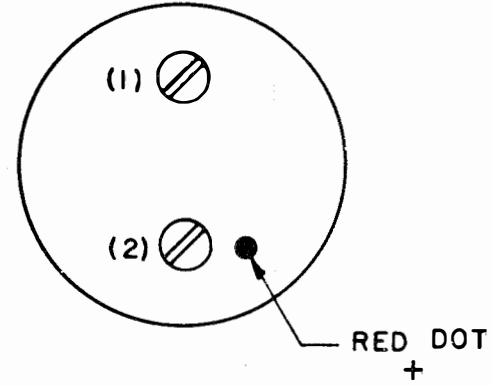
Q1
318835
TRANSISTOR



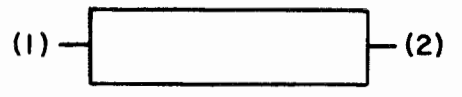
T1
326231
TRANSFORMER



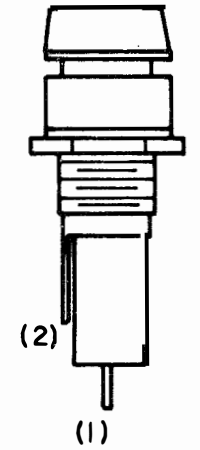
C101
321279
CAPACITOR



C9, C10, C11, C12
327444
CAPACITOR



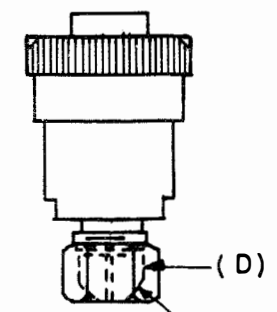
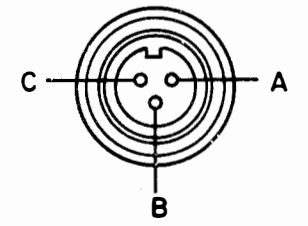
F101
116783
FUSE HOLDER



NOTE 12

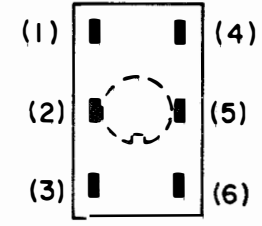
PI01, PI02
PI03, PI04

324141
CONNECTOR

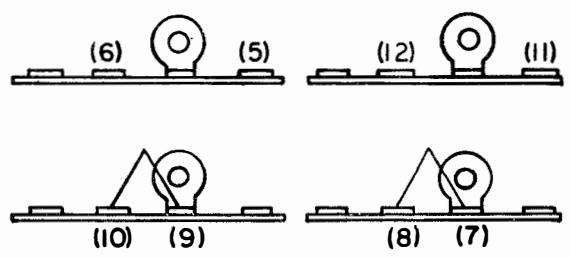


OUTER SHIELD CLAMP

S101
118659
SWITCH

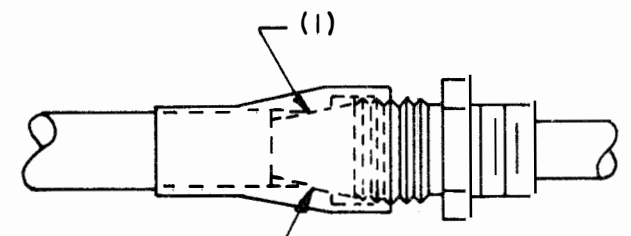


TS101
321207
TERMINAL STRIPS



CL101, CL102, CL103, CL104 (4 PLS)
321276, 321277
CLAMP

SEE NOTE 14



OUTER SHIELD CLAMPED HERE

SEE ISSUE CONTROL RECORD FOR COMPLETE LIST OF SHEETS COMPRISING THIS W.D.
SHEET 2 WDP

ACTUAL WIRING DIAGRAM FOR 321228 ELECTRICAL SERVICE ASSEM.

APPROVALS

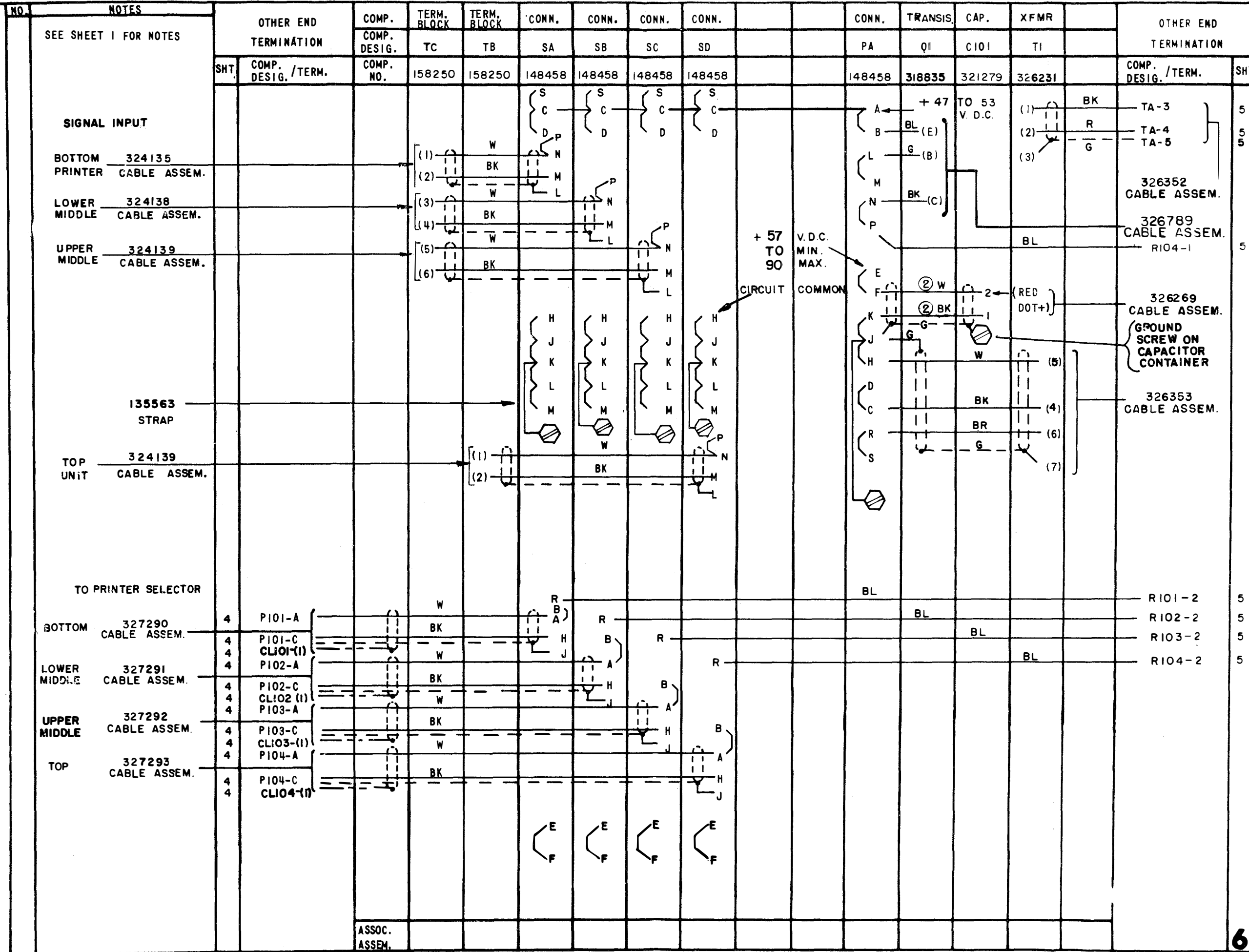
D AND R E OF M
HJK *CS*

E NUMBER
PROD. NO. 8454WD

DATE: 4-26-67
P.D. FILE NO. 15-65AAA

DRAWN CHKD
ENGD. P.R.S. APPD.

TELETYPE CORPORATION



8454 WD

REVISIONS		
ISSUE	DATE	AUTH. NO.
1	9-18-67	18644-R
2	11-21-67	94960-P
3	1-10-68	94960-1
4	3-7-68	95383
5	12-27-68	98132
6	2-6-69	96648

NOTE: REVISION INFORMATION MUST ALSO BE REFLECTED ON THE ISSUE CONTROL RECORD, WHICH IS A PART OF THIS DRAWING.

SHEET 3 **WDP**

ACTUAL WIRING DIAGRAM FOR **321228** ELECTRICAL SERVICE ASSEM.

APPROVALS

R AND D	E OF M
<i>[Signature]</i>	<i>[Signature]</i>

E-NUMBER
PROD. NO. **8454WD**
DATE **4-26-67**
P.D. FILE NO. 15-65AAA
DRAWN *[Signature]* CHKD *[Signature]*
ENG. P.R.S. APPD. *[Signature]*

TELETYPE CORPORATION

8454 WD

NO. NOTES

SEE SHEET 1 FOR NOTES

SHT.	COMP. DESIG. / TERM	COMP. NO.	OTHER END TERMINATION	COMP.	TERM BLOCK	SWITCH	TERM BLOCK	CHOKE	CHOKE	CAP	CAP	CAP	CAP	RES	RES	RES	RES	OTHER END TERMINATION
			TA	SI01	TS101	L1	L2	C9	C10	C11	C12	R101	R102	R103	R104			
4	F101-(2)	BK ①	BK ①	11284	118659		321207	321133	321133	327444	327444	327444	327444	172726	172726	172726	172726	
4	F101-(1)	BK ①																
3	TI-3		G															
3	TI-1		BK															
3	TI-2		R															
3	PA-P																	
3	SA-R																	
3	SB-R																	
3	SC-R																	
3	SD-R																	

8454 WD

REVISIONS		
ISSUE	DATE	AUTH. NO.
1	9-18-67	18644-R
2	11-21-67	94960-B
3	1 10 68	94960-J
4	3-7-68	95383
5	2-6-69	96646

326254
CABLE
ASSEMBLY

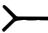
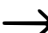

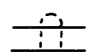

SHEET 5 **WDP**

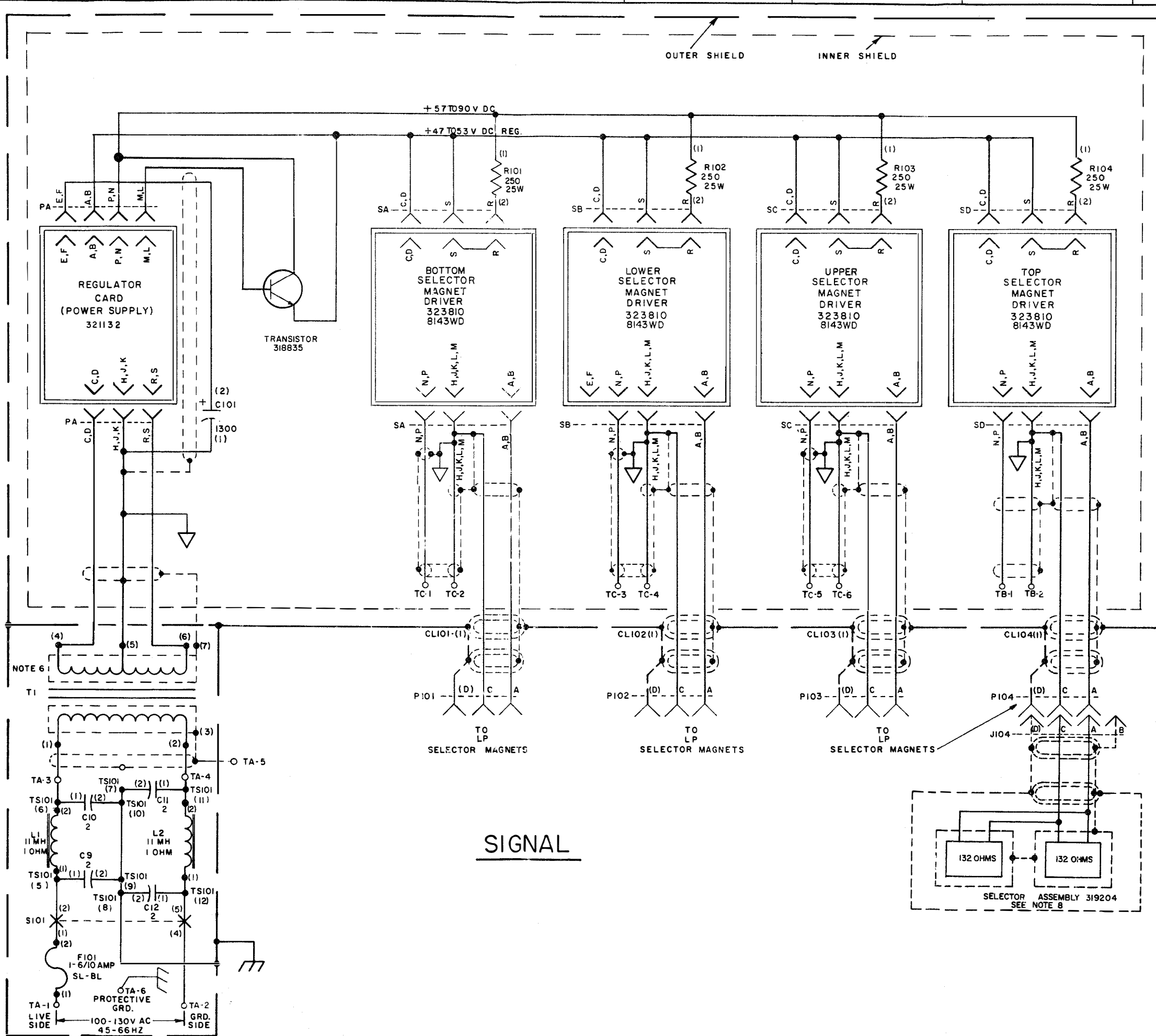
ACTUAL
WIRING DIAGRAM
FOR
321228
ELECTRICAL
SERVICE ASSEM.

APPROVALS	
R AND D	E OF M
<i>[Signature]</i>	<i>[Signature]</i>
W.D. NO. 8454 WD	DATE 4-26-67
R.D. FILE NO. 15-65AAA	DRAWN P.K. CHKD. <i>[Signature]</i>
ENGD. P.R.S. APPD. <i>[Signature]</i>	

TELETYPE
CORPORATION

5 8454 WD

- NO. NOTES
1. ALL RESISTORS 1/2 WATT. RESISTANCE VALUES IN OHMS. CAPACITANCE VALUES IN MICROFARADS UNLESS OTHERWISE SPECIFIED.
 2. TERMINAL ENCLOSED IN PARENTHESIS ARE FOR REFERENCE AND ARE NOT MARKED ON COMPONENT.
 3. SL-BL INDICATES SLOW BLOWING.
 4.  INDICATES FEMALE TERMINAL
 INDICATES MALE TERMINAL
 5. REFERENCE SPEC. FOR TELETYPE CORPORATION EMPLOYEES ONLY 61268 S.
 6. T1 SECONDARY 50V AC TO CENTER TAP WITH 115V AC INPUT; 8 OHMS (MAX.) PRIMARY RESISTANCE; 10 OHMS (MAX.) SECONDARY RESISTANCE TO CENTER TAP
 7.  INDICATES CIRCUIT COMMON
 8. REFER TO 8299WD FOR ASSOCIATED SELECTOR ASSEMBLY.
 9. REFER TO 8454WD FOR ACTUAL WIRING DIAGRAM.
 10. REFER TO RELATED SET DIAGRAMS FOR EXTERNAL CIRCUITS.
 11.  INDICATES SINGLE SHIELDING
 INDICATES DOUBLE SHIELDING



8455 WD

REVISIONS		
ISSUE	DATE	AUTH. NO.
1	9-18-67	18644-R
2	11-21-67	94960-B
3	1-10-68	94960-1
4	3-7-68	95383
5	4-25-69	98545



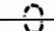


SCHEMATIC WIRING DIAGRAM FOR 321228 ELECTRICAL SERVICE ASSEMBLY

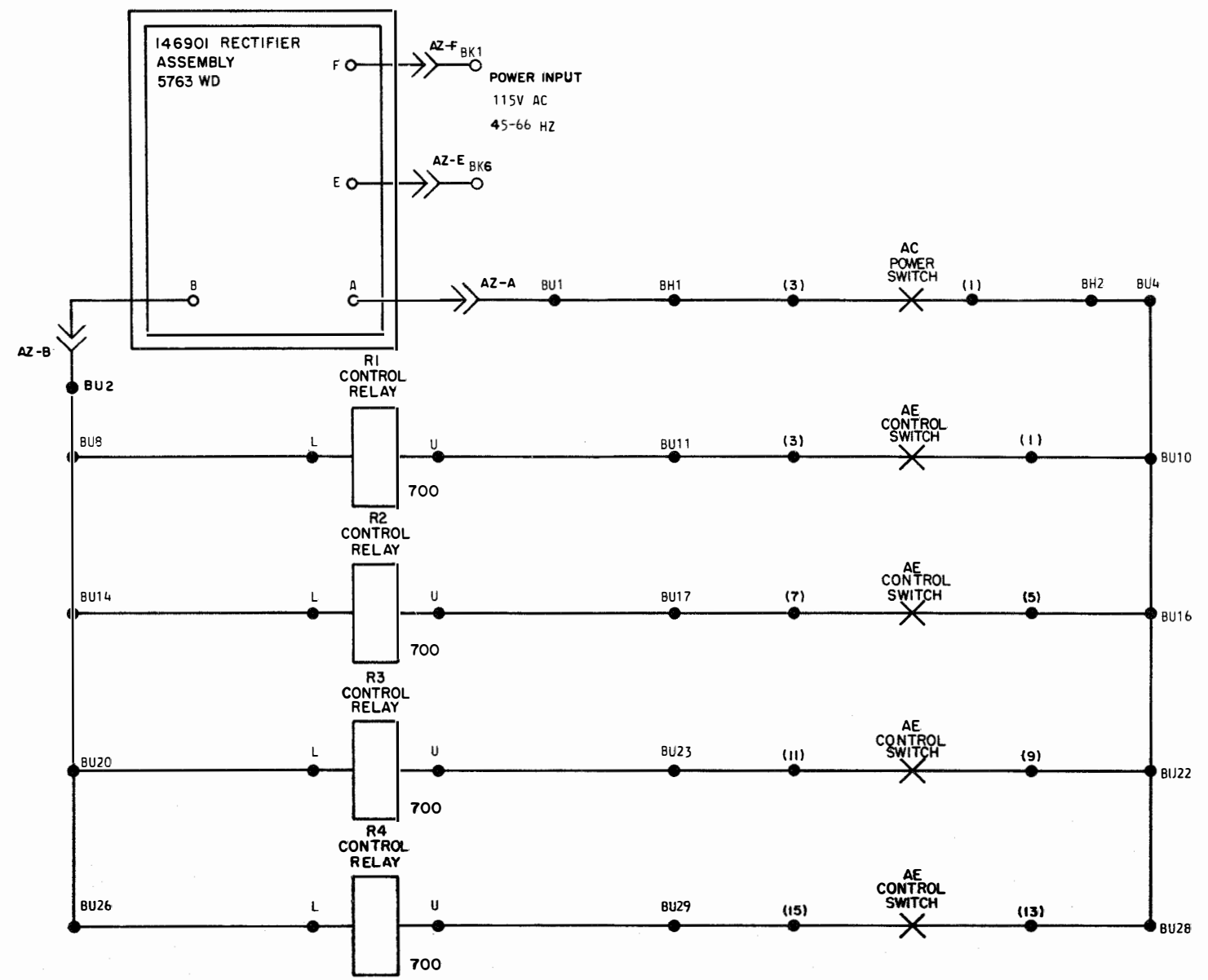
APPROVALS
D AND R *[Signature]* E OF M *[Signature]*

E-NUMBER
PROD. NO. 8455 WD
DATE
P.D. FILE NO 15-35 AAA
DRAWN P Y CHKO *[Signature]*
ENGD. P. R. S. APPD. *[Signature]*

TELETYPE CORPORATION

8455 WD

- NO. NOTES
1. ALL RESISTORS 1/2 WATT, RESISTANCE VALUES IN OHMS, CAPACITANCE VALUES IN MICROFARADS UNLESS OTHERWISE SPECIFIED.
 2. TERMINAL DESIGNATIONS ENCLOSED IN PARENTHESIS ARE FOR REFERENCE AND ARE NOT MARKED ON COMPONENT.
 3. SL-BL INDICATES SLOW-BLOWING
 4.  INDICATES FEMALE TERMINAL
 INDICATES MALE TERMINAL
 5. REFER TO 8712WD FOR ACTUAL WIRING DIAGRAM.
 6. REFER TO RELATED SET DIAGRAMS FOR EXTERNAL CIRCUITS.
 7.  INDICATES SINGLE SHIELDING
 INDICATES DOUBLE SHIELDING
 8. ALL APPARATUS IS SHOWN IN UNOPERATED OR DE-ENERGIZED POSITION.
 9. REFERENCE SPEC. FOR TELETYPE CORP. EMPLOYEES ONLY: 61,550S.
 10. CUSTOMER TO MAKE THESE CONNECTIONS AS SHOWN.
 11.  INDICATES GROUND



NOTE:
REVISION INFORMATION MUST ALSO BE REFLECTED ON THE ISSUE CONTROL RECORD, WHICH IS A PART OF THIS DRAWING.

8710WD

REVISIONS

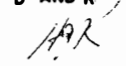
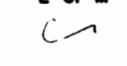
ISSUE	DATE	AUTH. NO.
1	6-26-68	19377 R

SEE ISSUE CONTROL RECORD FOR COMPLETE LIST OF SHEETS COMPRISING THIS W.D.

SHEET 1

SCHEMATIC
WIRING DIAGRAM
FOR
28-RFC7300A
COMBINATION

APPROVALS

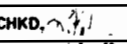
D AND R 	E OF M 
--	---

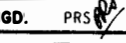
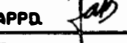
E-NUMBER

PROD. NO. 8710WD

DATE 4/3/68

P.D. FILE NO. 15-65AAA

DRAWN T.R. CHKD. 

ENG. PRS.  APPD. 

TELETYPE
CORPORATION

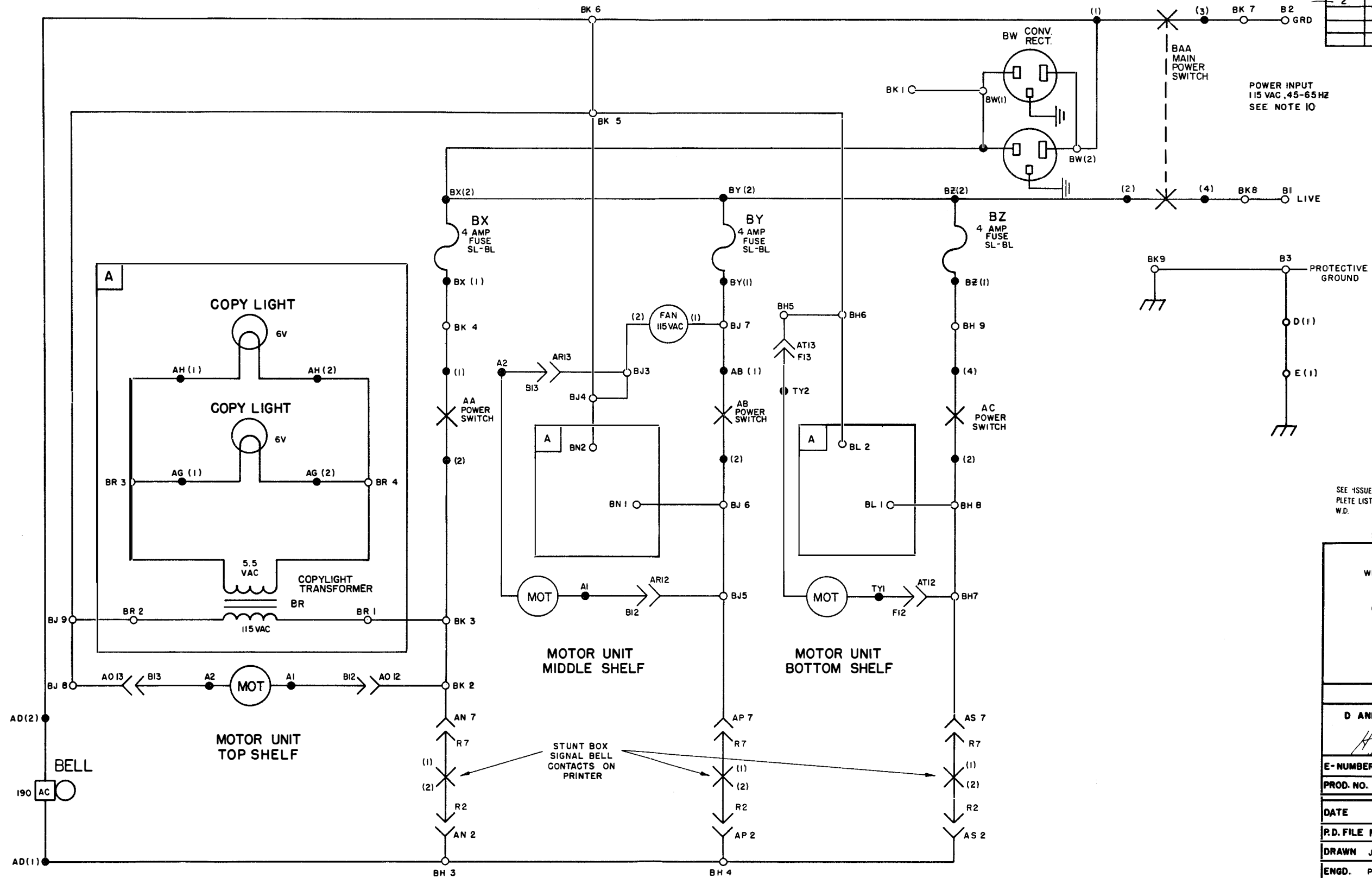
8710WD

NOTE:
REVISION INFORMATION MUST ALSO BE
REFLECTED ON THE ISSUE CONTROL REC-
ORD, WHICH IS A PART OF THIS DRAWING.

8710WD

REVISIONS

ISSUE	DATE	AUTH. NO.
1	6-26-68	19377 R
2	2-6-69	96646



SEE ISSUE CONTROL RECORD FOR COM-
PLETE LIST OF SHEETS COMPRISING THIS
W.D.

SHEET 2

SCHEMATIC
WIRING DIAGRAM
FOR
28-RFC7300A
COMBINATION

APPROVALS

D AND R <i>[Signature]</i>	E OF M <i>[Signature]</i>
-------------------------------	------------------------------

E-NUMBER

PROD. NO. 8710 WD

DATE 4-22-68

P.D. FILE NO. 15-65AAA

DRAWN JWM | CHKD. *[Signature]*

ENGD. PRS *[Signature]* | APPD. *[Signature]*

TELETYPE
CORPORATION

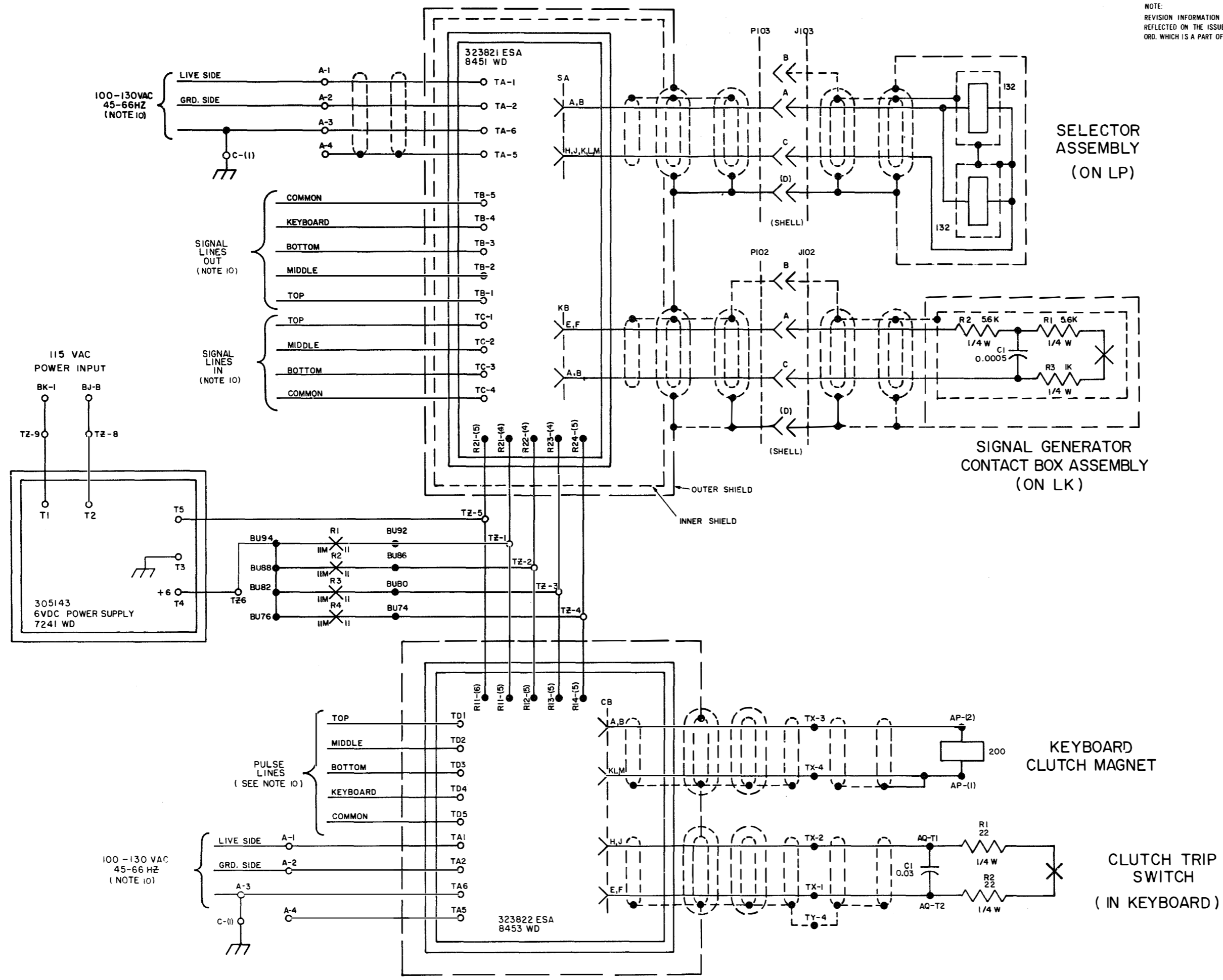
8710WD

8710WD

REVISIONS

ISSUE	DATE	AUTH. NO.
1	6-26-68	19377 R
2	2-6-69	96646

NOTE:
REVISION INFORMATION MUST ALSO BE
REFLECTED ON THE ISSUE CONTROL REC-
ORD. WHICH IS A PART OF THIS DRAWING.



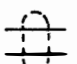

SEE ISSUE CONTROL RECORD FOR COMPLETE LIST OF SHEETS COMPRISING THIS W.D.

SHEET 3

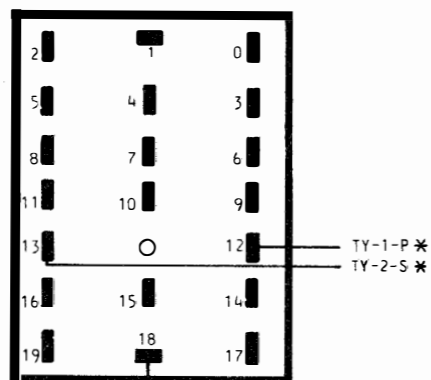
SCHEMATIC
WIRING DIAGRAM
FOR
28-RFC7300A
COMBINATION

APPROVALS	
D AND R <i>APK</i>	E OF M <i>[Signature]</i>
E-NUMBER	
PROD. NO. 8710WD	
DATE 4-22-68	
P.D. FILE NO. 15-65AAA	
DRAWN T.R.	CHKD. <i>[Signature]</i>
ENGD. PRS. <i>[Signature]</i>	APPD. <i>[Signature]</i>
TELETYPE CORPORATION	

8710WD

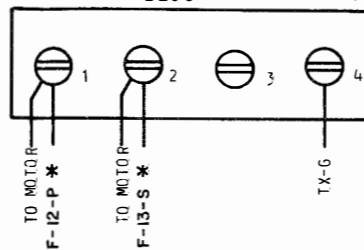
- NO. NOTES
1. WIRE COLOR CODE:
BK - BLACK BL - BLUE
BR - BROWN S - SLATE
R - RED W - WHITE
O - ORANGE P - PURPLE
G - GREEN Y - YELLOW
 2.  DENOTES SHIELDED CABLE
 DENOTES TAPE END OF SHIELD
 3. ASSOCIATED CABLES:
332853 KEYBOARD CABLE
326756 SYNC. PULSE CABLE
 4. CONNECTOR VIEWED FROM TERMINAL END.
 5. TERMINAL DESIGNATIONS ENCLOSED IN PARENTHESIS ARE NOT MARKED ON THE COMPONENT.
 6. WIRING LEGEND:
— DISTANT TERMINATING AREA
— DISTANT TERMINATING DESIGNATION
A-1-W-BK
— WIRE COLOR CODE
 7. REFERENCE SPEC. FOR TELETYPE CORPORATION EMPLOYEES ONLY: 63225
 8. REFER TO 8710 WD. FOR SCHEMATIC WIRING DIAGRAM.
 9. * DENOTES NO. 18 AWG WIRE.
 10. TAPED AND TIED BACK IN ASSEMBLY.

F
152467 KEYBOARD CONNECTOR



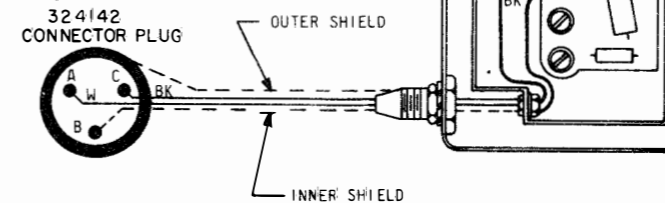
G
CONNECTOR BRACKET MOUNTING SCREW

TY
151415
MOTOR TERMINAL BLOCK (LOWER)

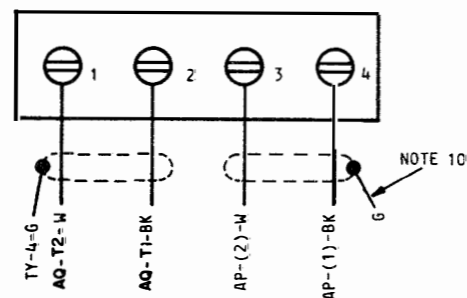


AA
323645
CONTACT BOX ASSEMBLY

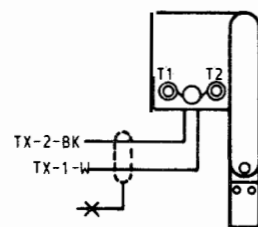
J102
324142
CONNECTOR PLUG



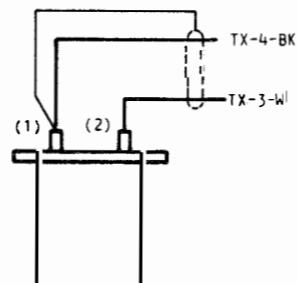
TX
151415
TERMINAL BLOCK (UPPER)



AQ
326357
CLUTCH TRIP SWITCH ASSEM.



AP
252 M
CLUTCH TRIP MAGNET



8711 WD

REVISIONS

ISSUE	DATE	AUTH. NO.
1	6-13-68	19377-R
2	10-18-68	98021
3	2-6-69	96646

ACTUAL WIRING DIAGRAM FOR MODEL 28 LK71

APPROVALS

D AND R

ABK

E OF M

[Signature]

E-NUMBER

PROD. NO. 8711WD

DATE 4-8-68

P.D. FILE NO. 15-65AAA

DRAWN T.R.

CHKD. *[Signature]*

ENGD. P.R.S.

APPD. *[Signature]*

TELETYPE CORPORATION

8711 WD

WDP

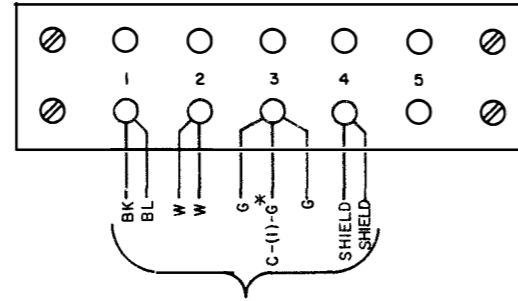
NO.	NOTES										
1.	<p>WIRING LEGEND:</p> <p>— DISTANT TERMINATING AREA</p> <p>— DISTANT TERMINATING DESIGNATION</p> <p>BR-3-BK</p> <p>— WIRE COLOR CODE</p>										
2.	<p>COLOR CODE:</p> <table border="0"> <tr> <td>BK - BLACK</td> <td>P - PURPLE</td> </tr> <tr> <td>BL - BLUE</td> <td>R - RED</td> </tr> <tr> <td>BR - BROWN</td> <td>S - SLATE</td> </tr> <tr> <td>G - GREEN</td> <td>W - WHITE</td> </tr> <tr> <td>O - ORANGE</td> <td>Y - YELLOW</td> </tr> </table>	BK - BLACK	P - PURPLE	BL - BLUE	R - RED	BR - BROWN	S - SLATE	G - GREEN	W - WHITE	O - ORANGE	Y - YELLOW
BK - BLACK	P - PURPLE										
BL - BLUE	R - RED										
BR - BROWN	S - SLATE										
G - GREEN	W - WHITE										
O - ORANGE	Y - YELLOW										
3.	CONNECTORS AND SWITCHES VIEWED FROM SOLDERED TERMINAL ENDS.										
4.	* MARKED LEADS ARE 18 GA. WIRE, ALL OTHERS ARE 24 GA.										
5.	—*— DESIGNATES SPLICE.										
6.	<p>(1) INNER SHELL GROUND SCREW IS ON THE INNER FRAME REAR CENTER CROSS MEMBER.</p> <p>(2) THE OUTER SHELL GROUND SCREW IS THREADED STUD OF THE FIXED PANEL.</p>										
7.	ELECTRICAL SERVICE GROUND SCREW IS THE LEFT MOUNTING SCREW OF THE "BN" COPYLIGHT TRANSFORMER.										
8.	REFER TO 8710WD FOR SCHEMATIC WIRING DIAGRAM.										
9.	TERMINAL DESIGNATIONS ENCLOSED IN PARENTHESES ARE FOR REFERENCE AND ARE NOT MARKED ON COMPONENT.										
10.	ALL VOLTAGES DC UNLESS OTHERWISE SPECIFIED.										
11.	** DESIGNATES 14 GA. WIRE.										
12.	ASSOCIATED CABLE ASSEMBLIES:										
	<table border="0"> <tr> <td>332851</td> <td>332852</td> </tr> <tr> <td>332854</td> <td>327360</td> </tr> <tr> <td>327359</td> <td>326753</td> </tr> </table>	332851	332852	332854	327360	327359	326753				
332851	332852										
332854	327360										
327359	326753										
13.	REFERENCE SPEC. FOR TELETYPE CORP EMPLOYEES ONLY: 61,550S.										
14.	TERMINATED ON CONNECTOR CLAMP SCREW.										

NOTE:
REVISION INFORMATION MUST ALSO BE REFLECTED ON THE ISSUE CONTROL RECORD, WHICH IS A PART OF THIS DRAWING.

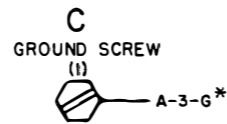
8712 WD

REVISIONS		
ISSUE	DATE	AUTH. NO.
1	6-26-68	19377-R
2	2-5-69	96646

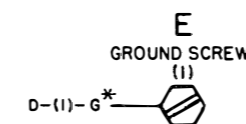
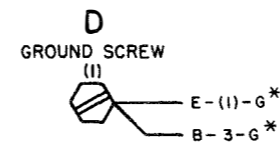
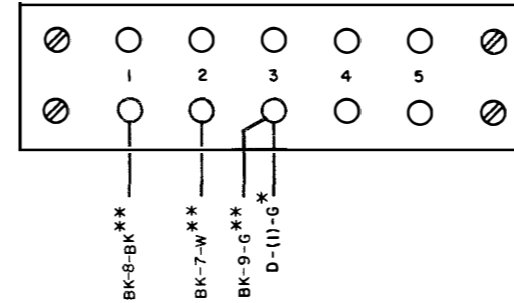
A
325961
TERMINAL BLOCK



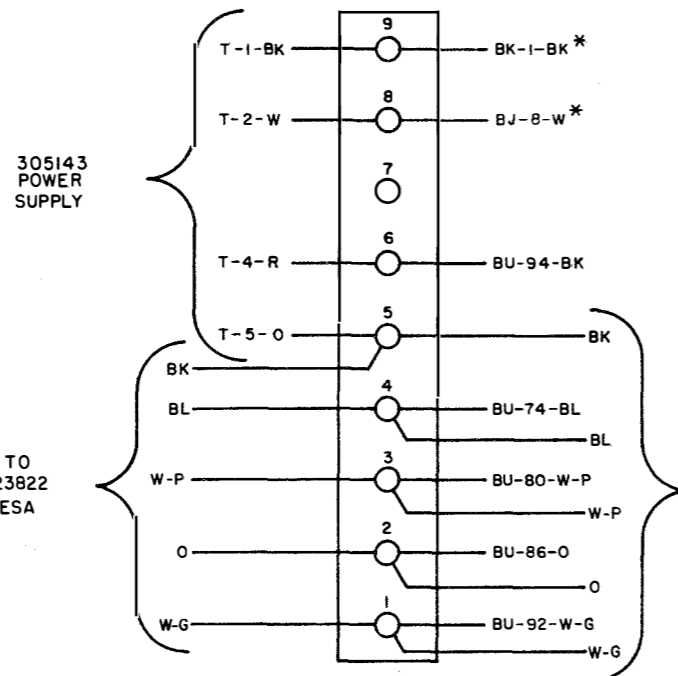
TO 323821 ESA AND
323822 ESA



B
325961
TERMINAL BLOCK



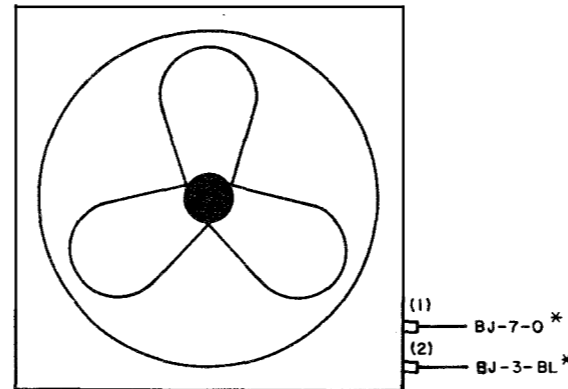
TZ
151411
TERMINAL BLOCK



TO
323822
ESA

TO
323821
ESA

F
198092
FAN



SEE ISSUE CONTROL RECORD FOR COMPLETE LIST OF SHEETS COMPRISING THIS W.D.

SHEET 1

ACTUAL
WIRING DIAGRAM
FOR
28-RFC7300A
COMBINATION

APPROVALS

D AND R <i>[Signature]</i>	E OF M <i>[Signature]</i>
-------------------------------	------------------------------

E-NUMBER

PROD. NO. 8712 WD

DATE 4/3/68

P.D. FILE NO. 15-65AAA

DRAWN T.R.	CHKD. <i>[Signature]</i>
ENGD. PRS <i>[Signature]</i>	APPD. <i>[Signature]</i>

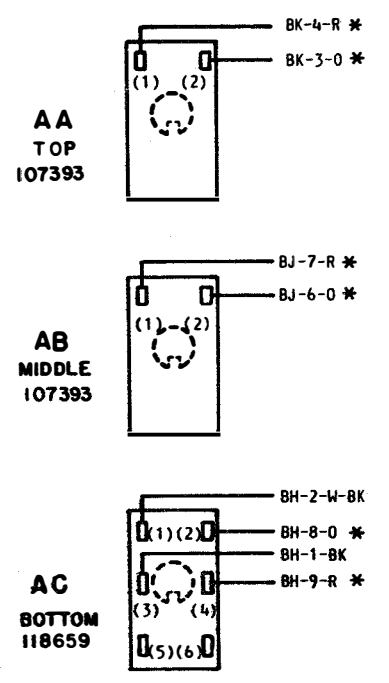
TELETYPE
CORPORATION

8712 WD

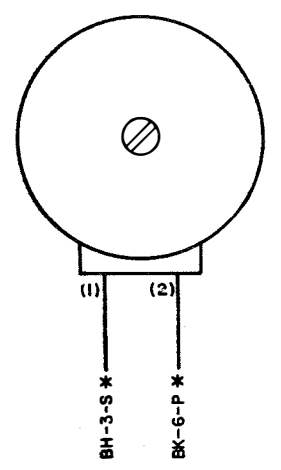
NOTE:
REVISION INFORMATION MUST ALSO BE
REFLECTED ON THE ISSUE CONTROL REC-
ORD, WHICH IS A PART OF THIS DRAWING.

REVISIONS		
ISSUE	DATE	AUTH. NO.
1	6-26-68	19377R
2	2-6-69	96646

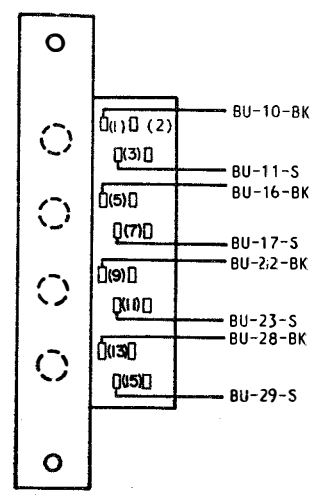
POWER SWITCHES



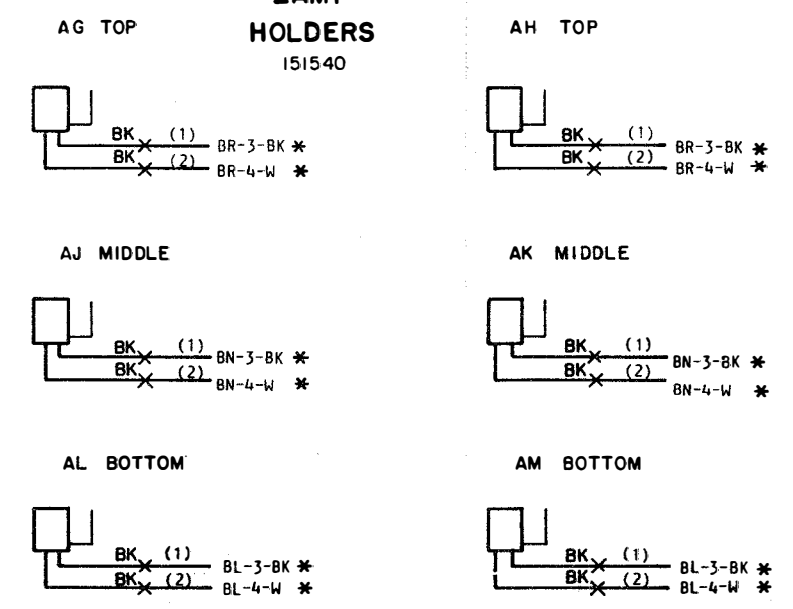
AD
SIGNAL BELL
151560



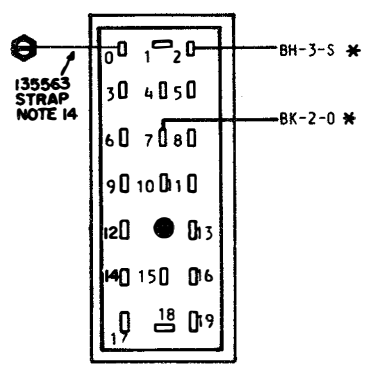
AE
PUSH
BUTTON
CONTROL
SWITCH
193657



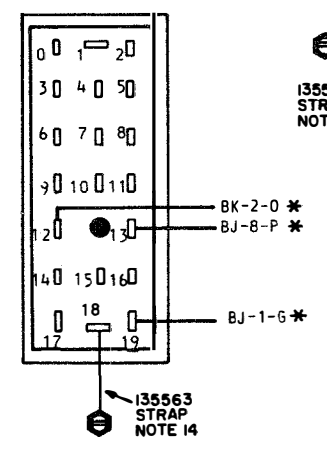
COPY LAMP HOLDERS
151540



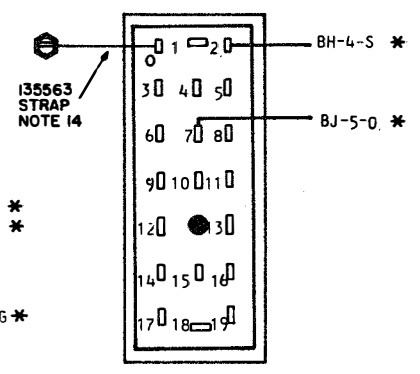
AN
TYPING UNIT
CONNECTOR
TOP
152465



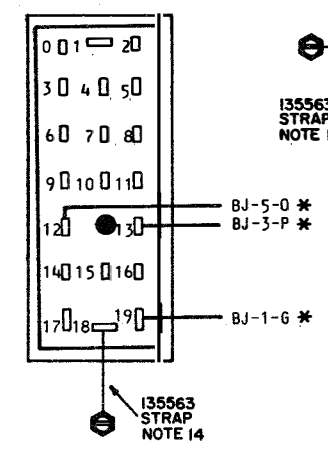
AO
BASE
CONNECTOR
TOP
152466



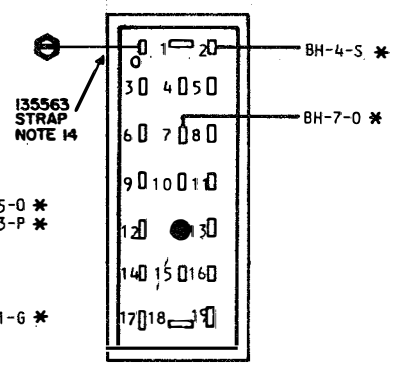
AP
TYPING UNIT
CONNECTOR
MIDDLE
152465



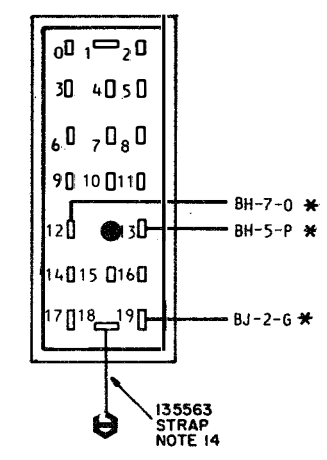
AR
BASE
CONNECTOR
MIDDLE
152466



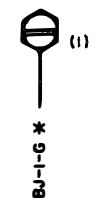
AS
TYPING UNIT
CONNECTOR
BOTTOM
152465



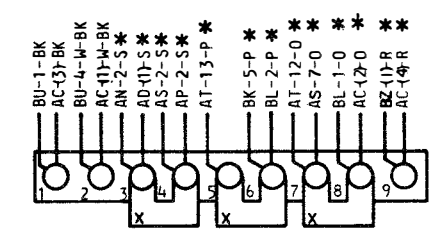
AT
KEYBOARD
CONNECTOR
BOTTOM
152466



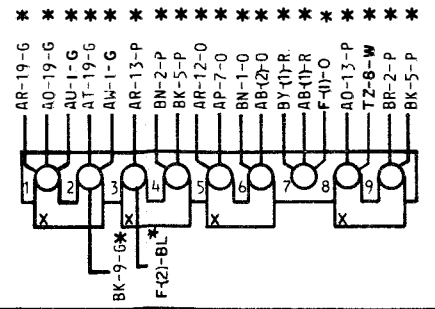
AU
CABINET
GROUND SCREWS
(NOTE 6)



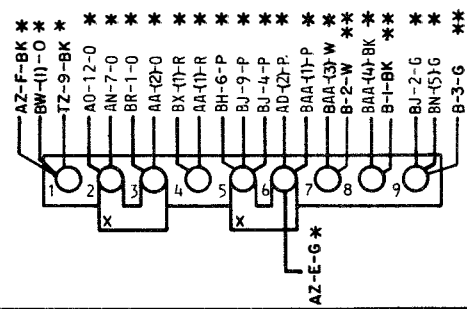
BH
TERMINAL BLOCK
151411



BJ
TERMINAL BLOCK
151411



BK
TERMINAL BLOCK
151411



SEE ISSUE CONTROL RECORD FOR COMPLETE LIST OF SHEETS COMPRISING THIS W.D.

SHEET 2 WDP

ACTUAL WIRING DIAGRAM FOR 28-RFC 7300A COMBINATION

APPROVALS

D AND R	E OF M
<i>[Signature]</i>	<i>[Signature]</i>

E-NUMBER

PROD. NO. 8712WD

DATE 4/3/68

P.D. FILE NO. 15-65AAA

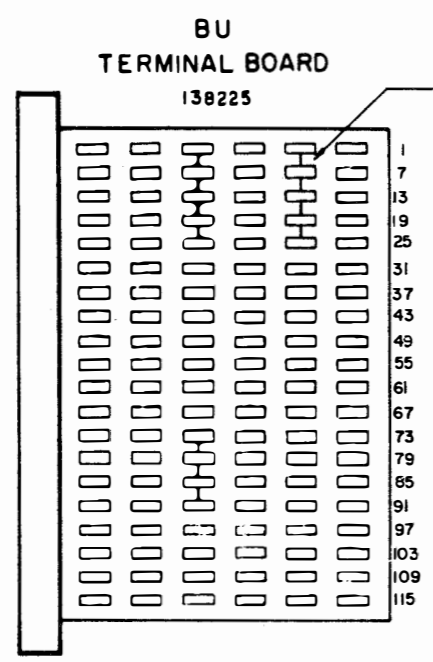
DRAWN J.M.	CHKD. <i>[Signature]</i>
ENGD. P.R.S. <i>[Signature]</i>	APPD. <i>[Signature]</i>

TELETYPE CORPORATION

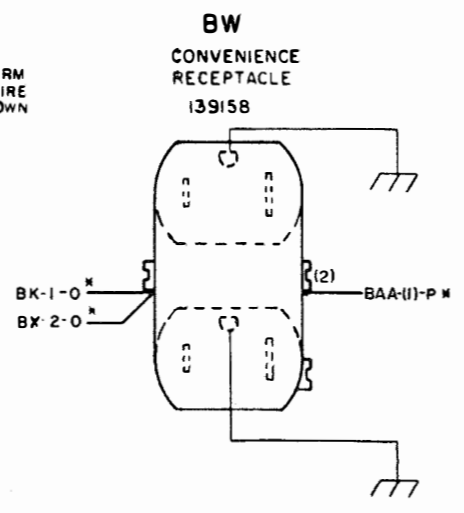
8712 WD

NOTE:
REVISION INFORMATION MUST ALSO BE
REFLECTED ON THE ISSUE CONTROL REC-
ORD, WHICH IS A PART OF THIS DRAWING.

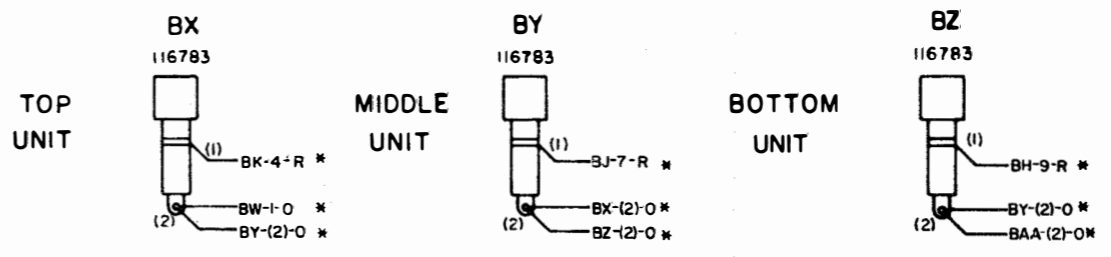
REVISIONS		
ISSUE	DATE	AUTH NO
1	6 26 68	19377 R
2	2 6 69	96846



39603 RM
BARE WIRE
AS SHOWN

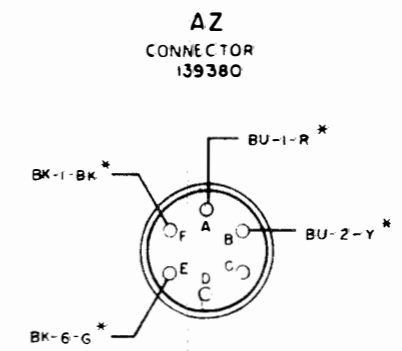
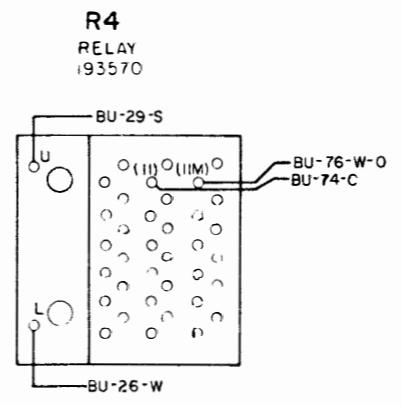
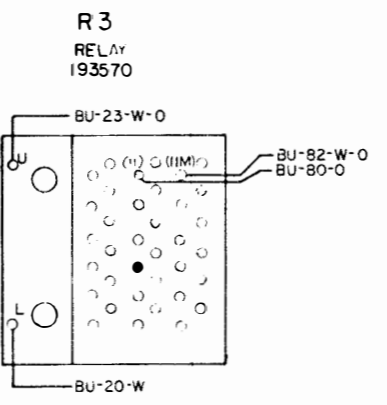
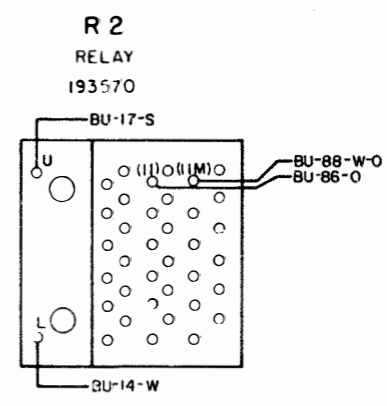
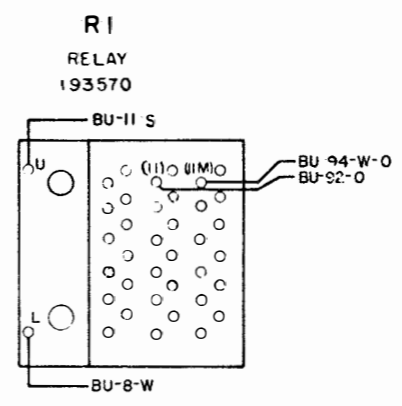
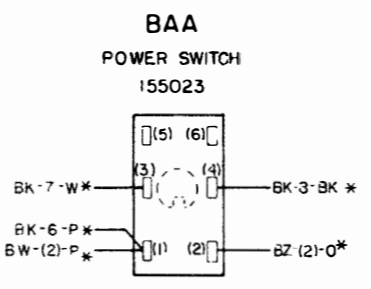
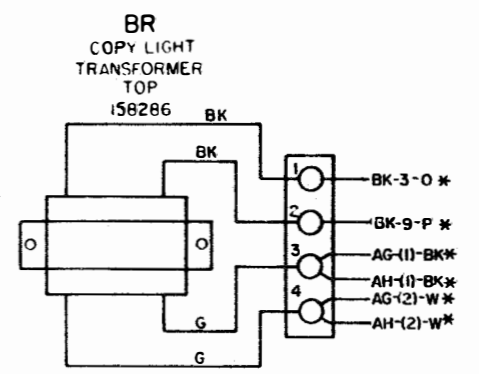
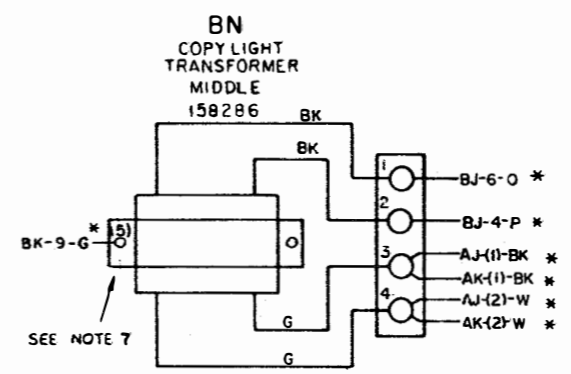
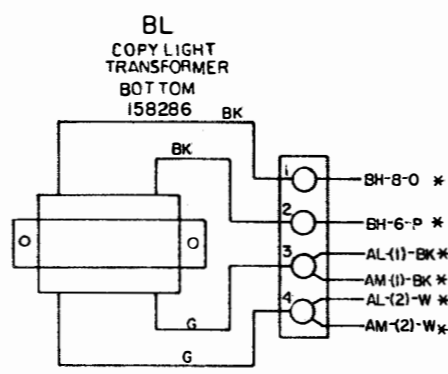


**FUSES
4 AMP.
SL-BL**



BU TERMINAL BOARD LEGEND

NO	DESTINATION	NO	DESTINATION
1	BH-1-BK, AZ-A R *	61	
2	AZ B-Y *	62	
3		63	
4	BH-2-W-BK	64	
5		65	
6		66	
7		67	
8	R1-L-W	68	
9		69	
10	AE-(1)-BK	70	
11	R1-U-S, AE-(3)-S	71	
12		72	
13		73	
14	R2-L-W	74	R4-(1)-O TZ-4-BL
15		75	
16	AE-(5)-BK	76	R4-(11M)-W-O
17	R2-U-S, AE-(7)-S	77	
18		78	
19		79	
20	R3-L-W	80	R3-(11)-O TZ-3-W-P
21		81	
22	AE-(9)-BK	82	R3-(11M)-W-O
23	R3-U-S, AE-(11)-S	83	
24		84	
25		85	
26	R4-L-W	86	R2-(11)-O TZ-2-O
27		87	
28	AE-(13)-BK	88	R2-(11M)-W-O
29	R4-U-S, AE-(15)-S	89	
30		90	
31		91	
32		92	R1-(11)-O TZ-1-W-G
33		93	
34		94	H1-(11M)-W-O TZ-6-BK
35		95	
36		96	
37		97	
38		98	
39		99	
40		100	
41		101	
42		102	
43		103	
44		104	
45		105	
46		106	
47		107	
48		108	
49		109	
50		110	
51		111	
52		112	
53		113	
54		114	
55		115	
56		116	
57		117	
58		118	
59		119	
60		120	



SEE ISSUE CONTROL RECORD FOR COM-
PLETE LIST OF SHEETS COMPRISING THIS
W.D.

SHEET 3

ACTUAL
WIRING DIAGRAM
FOR
28 RFC7300A
COMBINATION

APPROVALS

D AND R E OF M

E-NUMBER

PROD. NO. 8712 WD

DATE 4 3 68

P.D. FILE NO. 15-65AAA

DRAWN TR. CHKD.

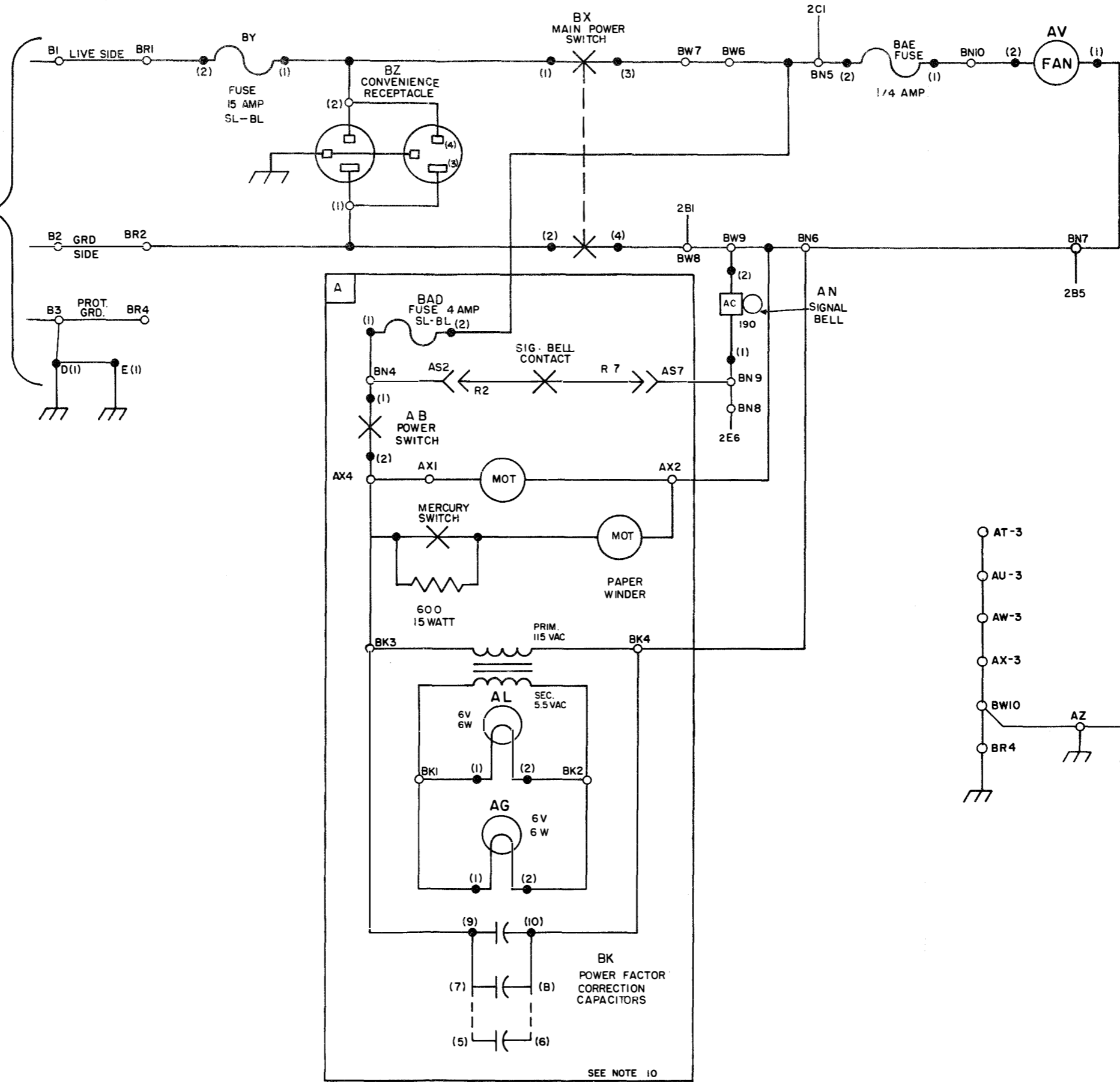
ENGD. APPD.

**TELETYPE
CORPORATION**

8712 WD

- NO NOTES
- ALL RESISTORS 1/2 WATT, RESISTANCE VALUES IN OHMS, CAPACITANCE VALUES IN MICROFARADS UNLESS OTHERWISE SPECIFIED.
 - TERMINAL DESIGNATIONS ENCLOSED IN PARENTHESIS ARE FOR REFERENCE AND ARE NOT MARKED ON COMPONENT.
 - SL-BL INDICATES SLOW-BLOWING.
 - INDICATES FEMALE TERMINAL
 - INDICATES MALE TERMINAL
 - REFER TO 8714WD FOR ACTUAL WIRING DIAGRAM.
 - REFER TO RELATED SET DIAGRAMS FOR EXTERNAL CIRCUITS.
 - INDICATES SINGLE SHIELDING
 - INDICATES DOUBLE SHIELDING
 - CUSTOMER TO MAKE CONNECTIONS AS SHOWN
 - REFERENCE SPEC. FOR TELETYPE CORP. EMPLOYEES ONLY: 61551S.
 - DESIGNATIONS FOR REPEATED CIRCUIT "A".
- | TOP | UPPER-MIDDLE |
|-----|--------------|
| AQ | AP |
| BN1 | BN2 |
| BAA | BAB |
| AT | AU |
| BG | BH |
| AC | AD |
| AE | AG |
| AF | AH |
- | LOWER-MIDDLE | BOTTOM |
|--------------|--------|
| AR | AS |
| BN3 | BN4 |
| BAC | BAD |
| AW | AX |
| BJ | BK |
| AA | AB |
| AJ | AL |
| AK | AM |

POWER INPUT
115 VAC
46-65HZ
SEE NOTE 8



NOTE:
REVISION INFORMATION MUST ALSO BE REFLECTED ON THE ISSUE CONTROL RECORD, WHICH IS A PART OF THIS DRAWING.

8713 WD		
REVISIONS		
ISSUE	DATE	AUTH. NO.
1	7/10/68	19379-R
2	11-22-68	96441
3	2-6-69	96646

SEE ISSUE CONTROL RECORD FOR COMPLETE LIST OF SHEETS COMPRISING THIS WD.

SHEET 1

SCHMATIC WD FOR 28RFC7400 B COMBINATION

APPROVALS	
D AND R	E OF M
<i>HJK</i>	<i>C-1</i>
E-NUMBER	
PROD. NO. 8713 WD	
DATE 4-22-68	
P.D. FILE NO. 15-65AAA	
DRAWN T.R.	CHKD. <i>[Signature]</i>
ENGD. P.R.S.	APPD. <i>[Signature]</i>
TELETYPE CORPORATION	

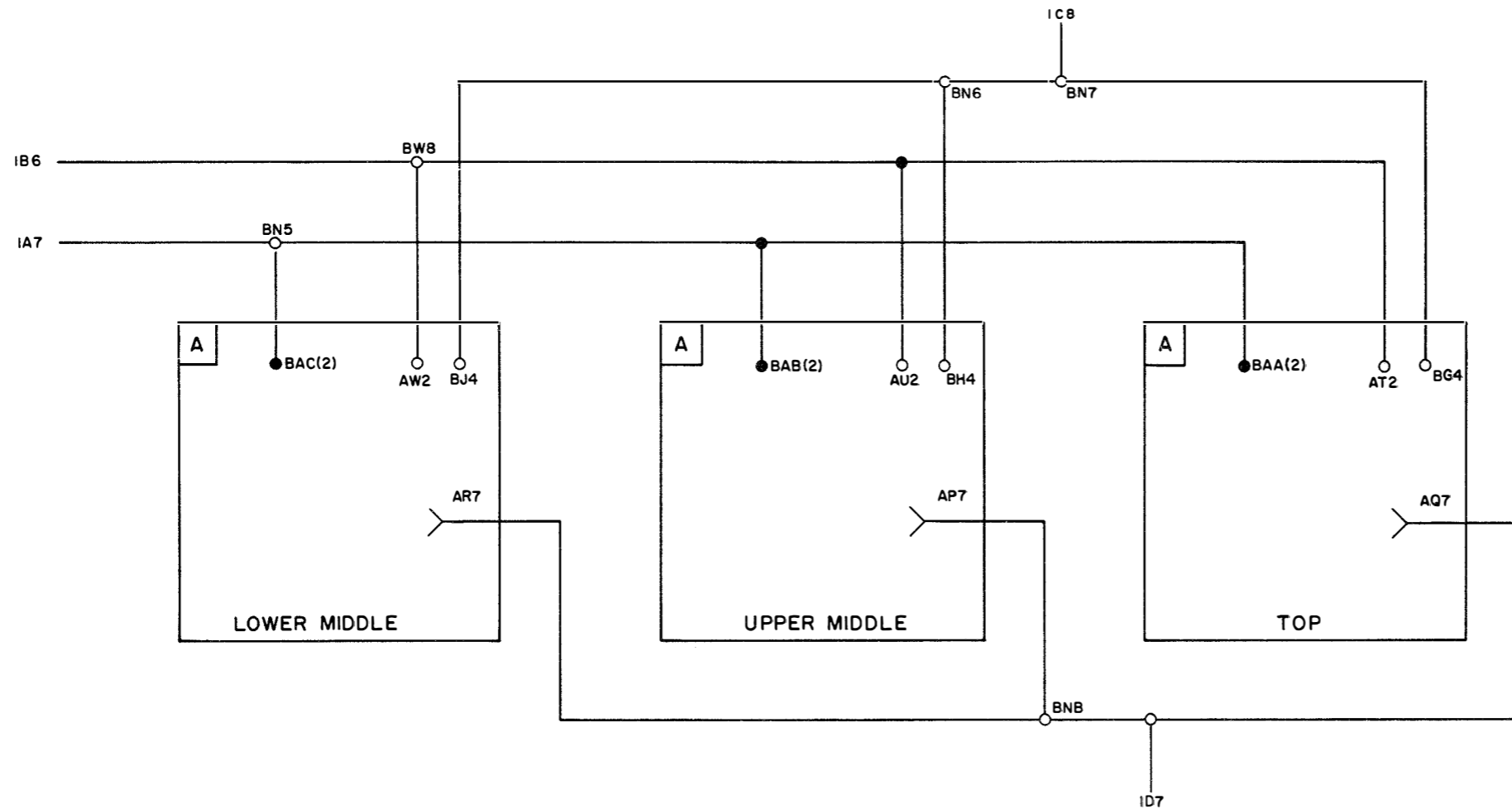
8713 WD

SEE SHEET 1 FOR NOTES

8713 WD

REVISIONS

ISSUE	DATE	AUTH. NO.
1	7/10/68	19379-R
2	2-6-69	96646



SHEET 2

SCHEMATIC WD FOR 28RFC7400B COMBINATION

APPROVALS

D AND R	E OF M
<i>HRK</i>	<i>[Signature]</i>

E-NUMBER	
PROD. NO. 8713 WD	
DATE 4-22-68	
P.D. FILE NO. 15-65AAA	
DRAWN T.R.	CHKD. <i>[Signature]</i>
ENGD. P.R.S.	APPD. <i>[Signature]</i>

TELETYPE CORPORATION

8713 WD

SEE SHEET 1 FOR NOTES

NOTE:
REVISION INFORMATION MUST ALSO BE
REFLECTED ON THE ISSUE CONTROL REC-
ORD. WHICH IS A PART OF THIS DRAWING.

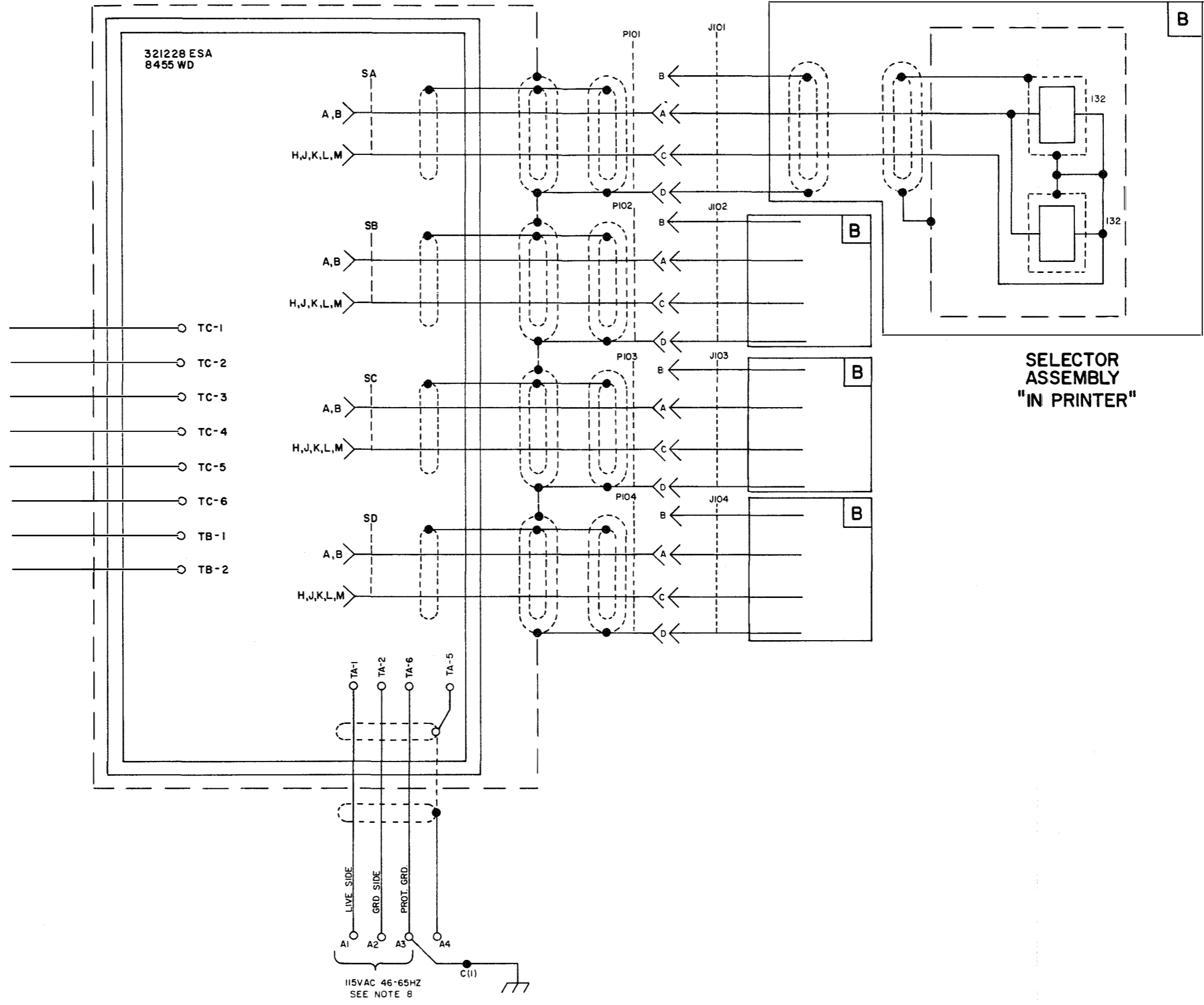
8713 WD

REVISIONS

ISSUE	DATE	AUTH. NO.
1	7/10/68	19379-R

SIGNAL INPUT
SEE NOTE 8

- BOTTOM
- COMMON
- LOWER
- COMMON
- UPPER
- COMMON
- TOP
- COMMON



SEE ISSUE CONTROL RECORD FOR COM-
PLETE LIST OF SHEETS COMPRISING THIS
W.D.

SHEET 3

SCHEMATIC WD
FOR
28RFC7400B
COMBINATION

APPROVALS

D AND R <i>APK</i>	E OF M <i>[Signature]</i>
-----------------------	------------------------------

E-NUMBER

PROD. NO. 8713 WD

DATE 4-22-68

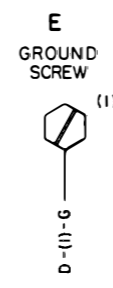
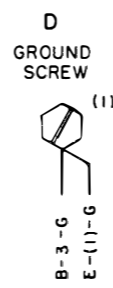
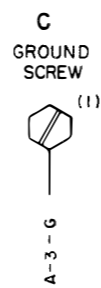
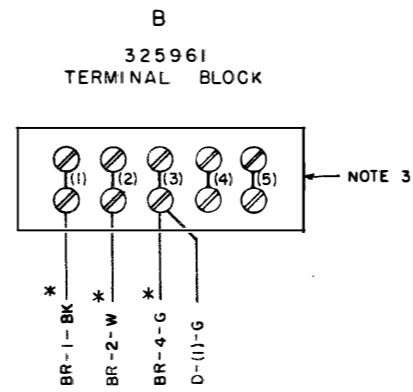
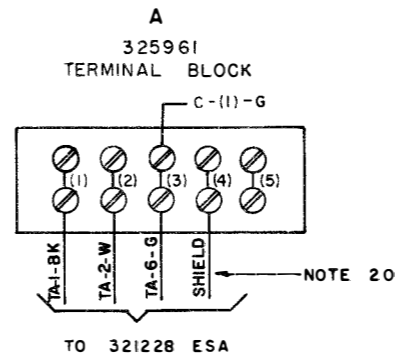
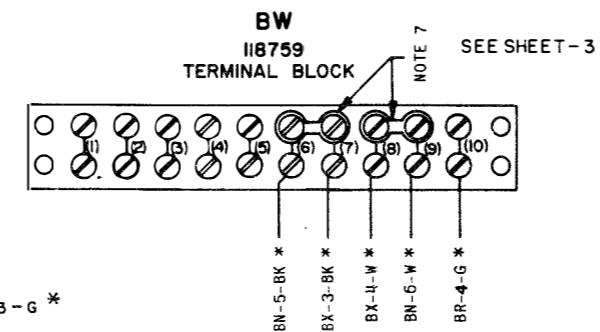
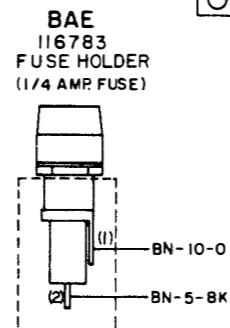
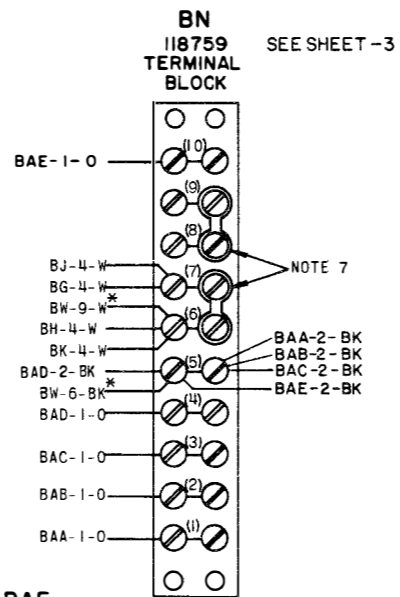
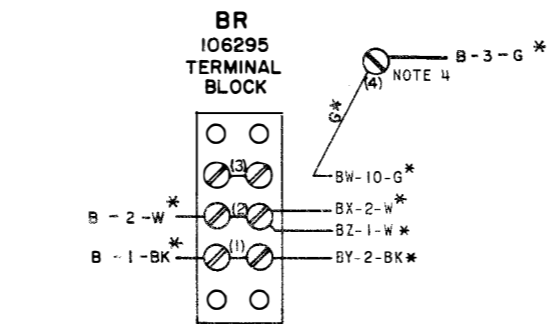
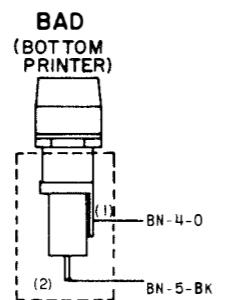
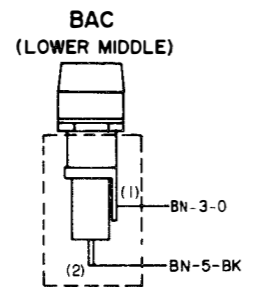
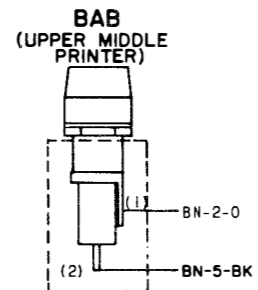
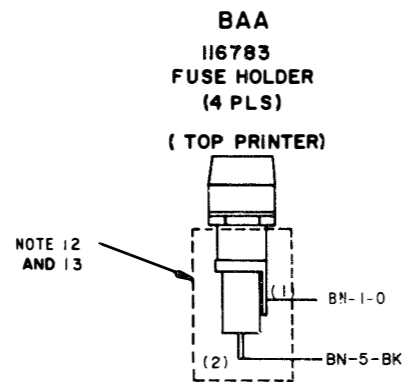
P.D. FILE NO. 15-65AAA

DRAWN JWM	CHKD. <i>[Signature]</i>
ENGD. PRS <i>[Signature]</i>	APPD. <i>[Signature]</i>

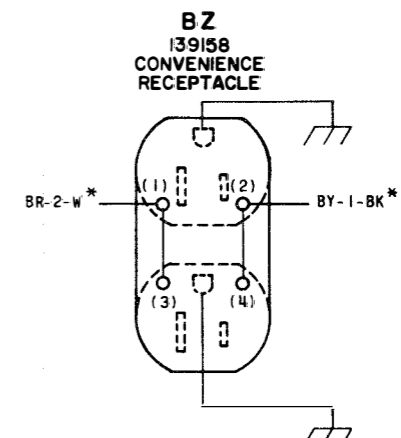
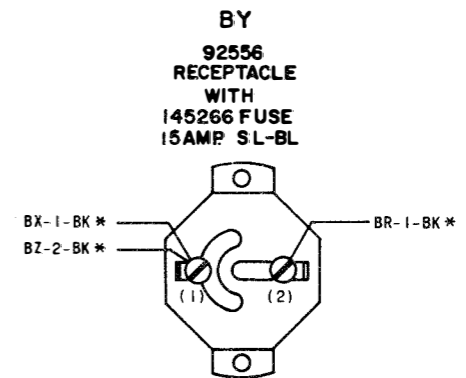
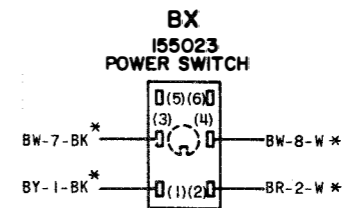
TELETYPE
CORPORATION

8713 WD

NO.	NOTES
1	WIRING LEGEND: DISTANT TERMINATING AREA DISTANT TERMINATING DESIGNATION WIRE COLOR CODE BW-7-BK
2	COLOR CODE: BK-BLACK P-PURPLE BL-BLUE R-RED BR-BROWN S-SLATE G-GREEN W-WHITE O-ORANGE Y-YELLOW
3	CUSTOMER TO INSTALL AC POWER INPUT AS FOLLOWS: AREA B LIVE SIDE OF LINE - TERMINAL 1 GROUND SIDE OF LINE - TERMINAL 2 PROTECTIVE GROUND - TERMINAL 3
4	ELECTRICAL SERVICE GROUND SCREW. INSERT GROUND LEAD TERMINAL BETWEEN 92260 LOCK WASHER AND HEAD OF 151630 SCREW.
5	* INDICATES 14 AWG WIRE ** INDICATES 24 AWG WIRE ALL OTHER WIRE 18 GA.
6	TERMINAL DESIGNATIONS ENCLOSED IN PARENTHESES ARE FOR REFERENCE AND ARE NOT MARKED ON COMPONENT.
7	312703 TERMINAL STRAP.
8	COMPONENTS VIEWED FROM SOLDERED TERMINAL ENDS.
9	TERMINATED ON CONNECTOR CLAMP SCREW.
10	REFER TO 8713 WD FOR SCHEMATIC WD
11	REFERENCE SPEC. FOR TELETYPE CORP. EMPLOYEES ONLY: 61551S
12	BAA, BAB, BAC, AND BAD USE A 4 AMP. SL-BL FUSE
13	ADD 60040RM TUBING, 1-1/2 INCH 5 PLACES.
14	SL-BL INDICATES SLOW BLOWING.
15	ASSOCIATED CABLE ASSEMBLIES 327361 312693 332855 327347 332856
16	FOR 60 HZ OPERATION USE TWO CAPACITORS. FOR 50 HZ OPERATION USE THREE CAPACITORS. CAPACITORS SHOWN WITH DASHED LINES TO BE WIRED BY CUSTOMER IF SET IS TO BE USED FOR 50 HZ OPERATION
17	* DESIGNATES SPLICE AND TAPE
18	STRAP 91943 (18 GA.) 4- PLS.
19	
20	321228 ESA CONNECTED TO TERMINAL BLOCK A BY 327347 CABLE.



GROUND SCREWS ON POWER BOX.



NOTE:
REVISION INFORMATION MUST ALSO BE REFLECTED ON THE ISSUE CONTROL RECORD, WHICH IS A PART OF THIS DRAWING.

8714 WD

REVISIONS

ISSUE	DATE	AUTH. NO.
1	7/10/68	19379-R
2	11-22-68	96441
3	2-6-69	96646

SEE ISSUE CONTROL RECORD FOR COMPLETE LIST OF SHEETS COMPRISING THIS W.D.

SHEET 1

ACTUAL WD FOR 28RFC7400B COMBINATION

APPROVALS

D AND R	E OF M
<i>APK</i>	<i>[Signature]</i>

E-NUMBER

PROD. NO. 8714 WD

DATE 4-22-68

P.D. FILE NO. 15-65AAA

DRAWN J.W.M.	CHKD. <i>[Signature]</i>
ENGD. P.R.S.	APPD. <i>[Signature]</i>

TELETYPE CORPORATION

8714 WD

SEE SHEET 1 FOR NOTES

107393
POWER
SWITCHES
(4-PLS.)

151540
COPYLAMP
HOLDERS
(8-PLS.)

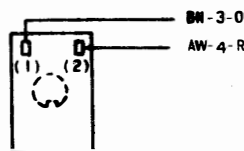
NOTE:
REVISION INFORMATION MUST
ALSO BE REFLECTED ON THE
ISSUE CONTROL RECORD, WHICH
IS A PART OF THIS DRAWING.

8714 WD

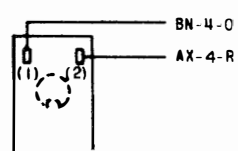
REVISIONS

ISSUE	DATE	AUTH. NO.
1	7/10/68	19379-R
2	11-22-68	96441
3	2-6-69	96646

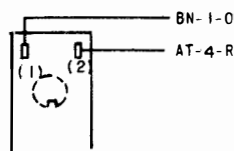
AA
LOWER
MIDDLE



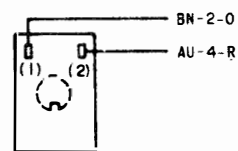
AB
BOTTOM



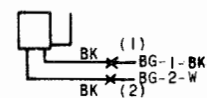
AC
TOP



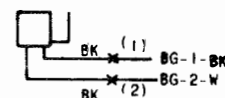
AD
UPPER
MIDDLE



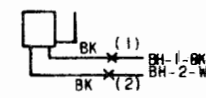
AE
TOP



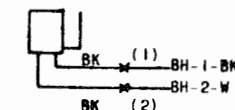
AF
TOP



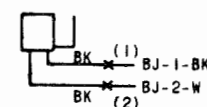
AG
UPPER
MIDDLE



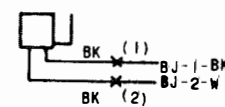
AH
UPPER
MIDDLE



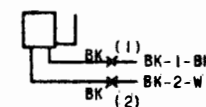
AJ
LOWER
MIDDLE



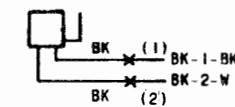
AK
LOWER
MIDDLE



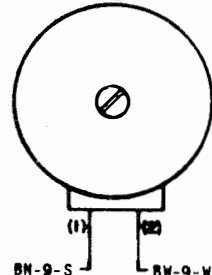
AL
BOTTOM



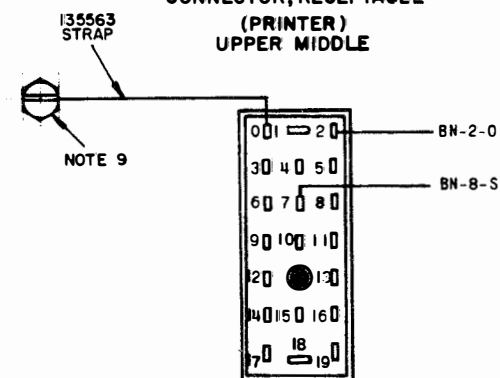
AM
BOTTOM



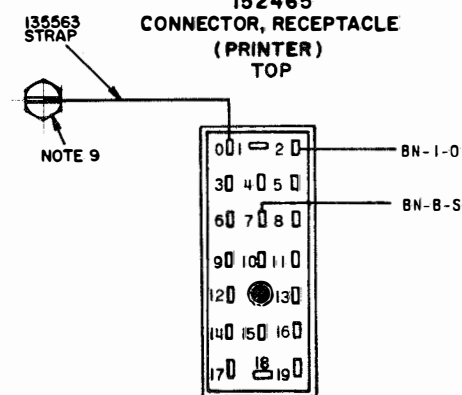
AN
151560
SIGNAL
BELL



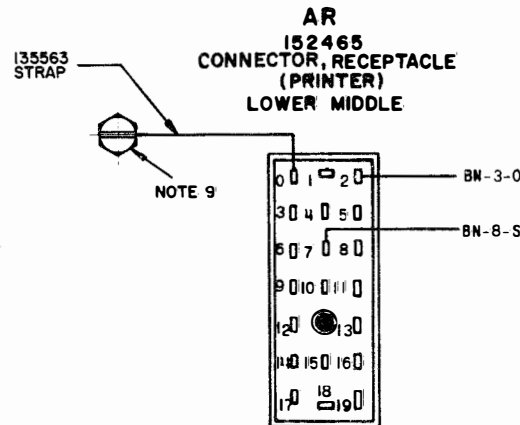
AP
152465
CONNECTOR, RECEPTACLE
(PRINTER)
UPPER MIDDLE



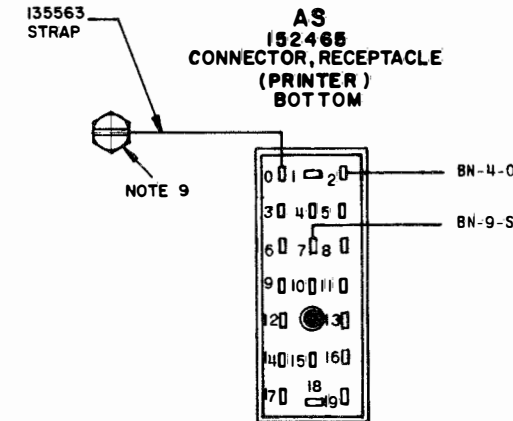
AQ
152465
CONNECTOR, RECEPTACLE
(PRINTER)
TOP



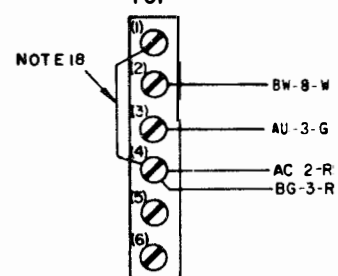
AR
152465
CONNECTOR, RECEPTACLE
(PRINTER)
LOWER MIDDLE



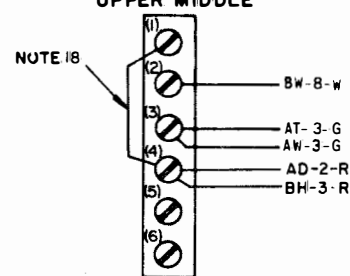
AS
152465
CONNECTOR, RECEPTACLE
(PRINTER)
BOTTOM



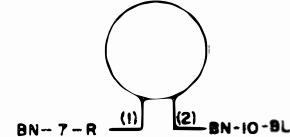
AT
158250
TERMINAL BLOCK
(ON PRINTER BASE)
TOP



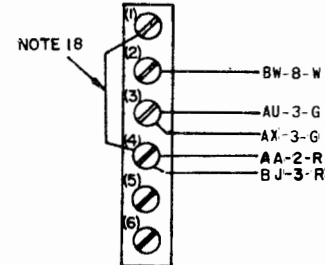
AU
158250
TERMINAL BLOCK
(ON PRINTER BASE)
UPPER MIDDLE



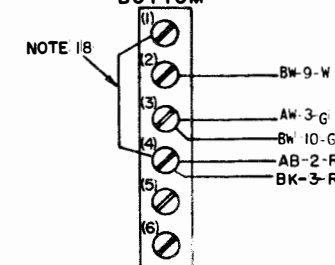
AV
198092
FAN MOTOR



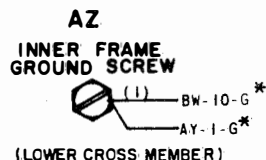
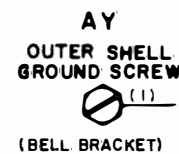
AW
158250
TERMINAL BLOCK
(ON PRINTER BASE)
LOWER MIDDLE



AX
158250
TERMINAL BLOCK
(ON PRINTER BASE)
BOTTOM



CABINET
GROUND SCREWS



SEE ISSUE CONTROL RECORD FOR COMPLETE LIST OF SHEETS COMPRISING THIS W/D.

SHEET 2

ACTUAL WD
FOR
28RFC7400B
COMBINATION

APPROVALS

D AND R	E OF M
<i>[Signature]</i>	<i>[Signature]</i>

E-NUMBER

PROD. NO. 8714 WD

DATE 4-22-68

P.D. FILE NO. 15-65AAA

DRAWN T.R. CHKD. *[Signature]*
ENGD. P.R.S. APPD. *[Signature]*

TELETYPE CORPORATION

8714 WD

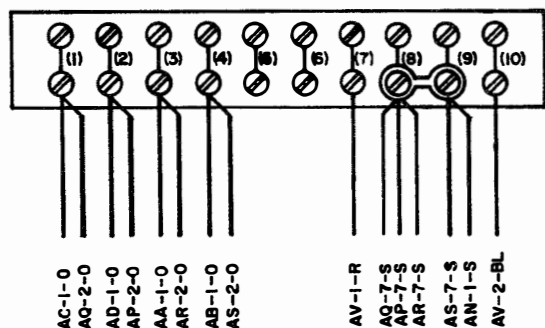
SEE SHEET 1 FOR NOTES

NOTE:
REVISION INFORMATION MUST ALSO BE REFLECTED ON THE ISSUE CONTROL RECORD, WHICH IS A PART OF THIS DRAWING.

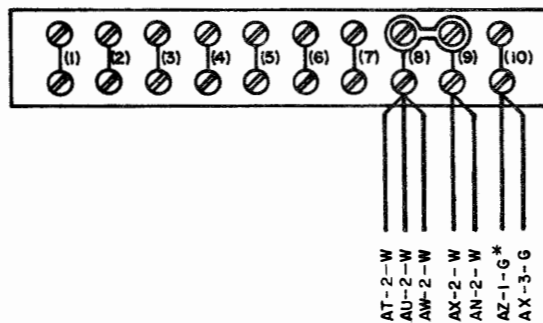
8714 WD

REVISIONS		
ISSUE	DATE	AUTH. NO.
1	7/10/68	19379-R
2	2-6-69	96646

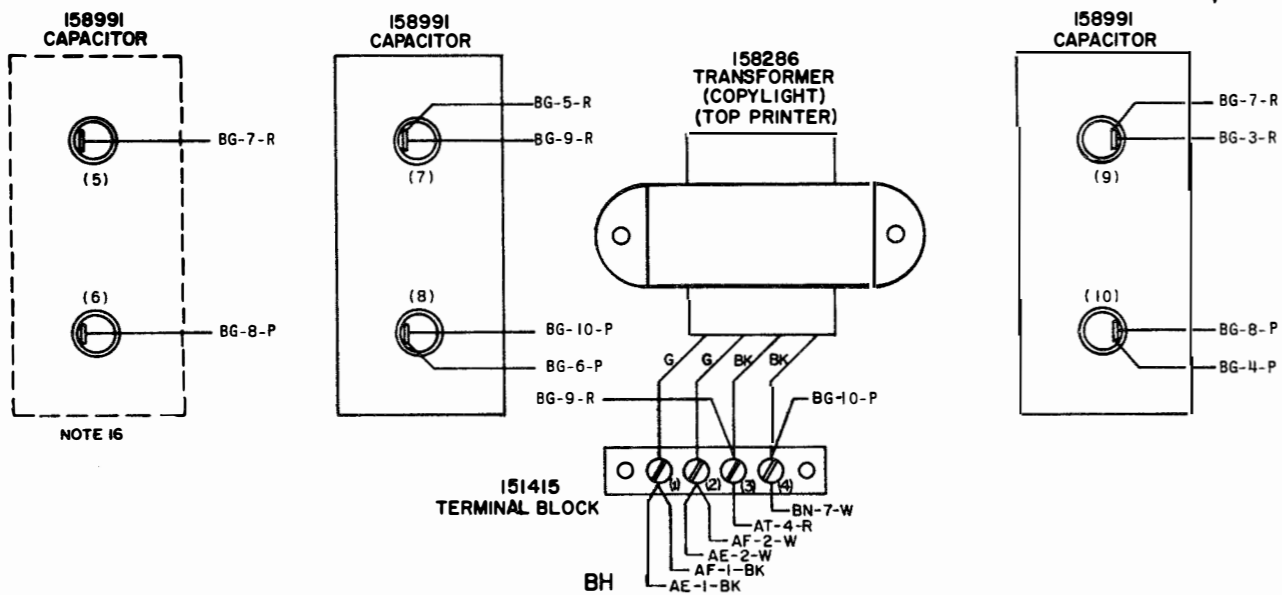
BN
118759
TERMINAL BLOCK



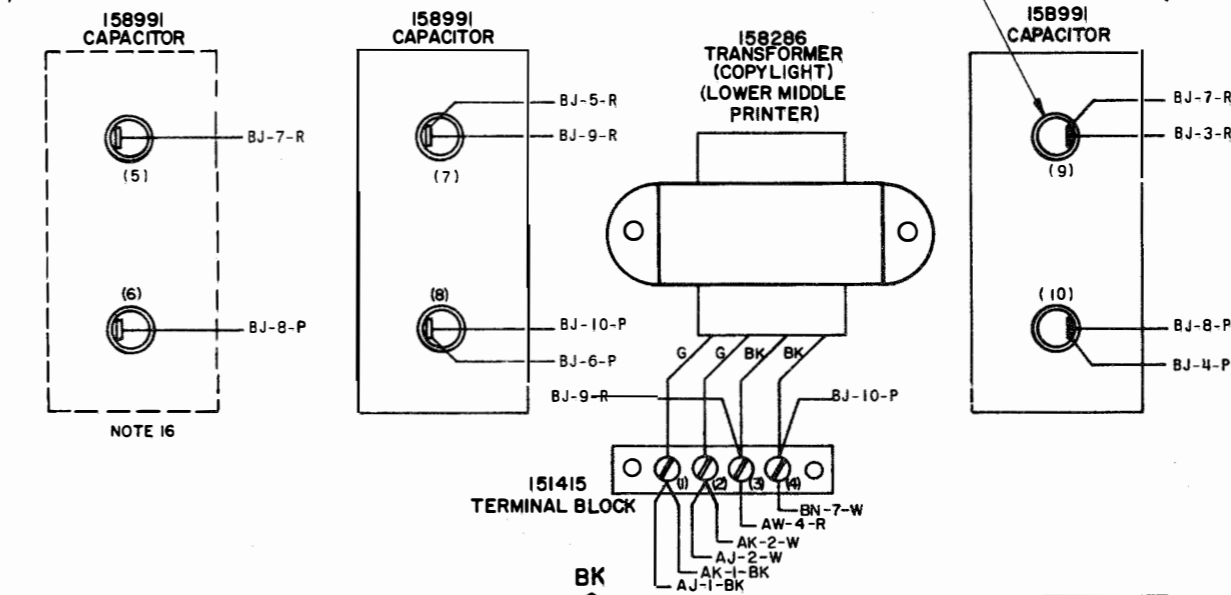
BW
118759
TERMINAL BLOCK



BG

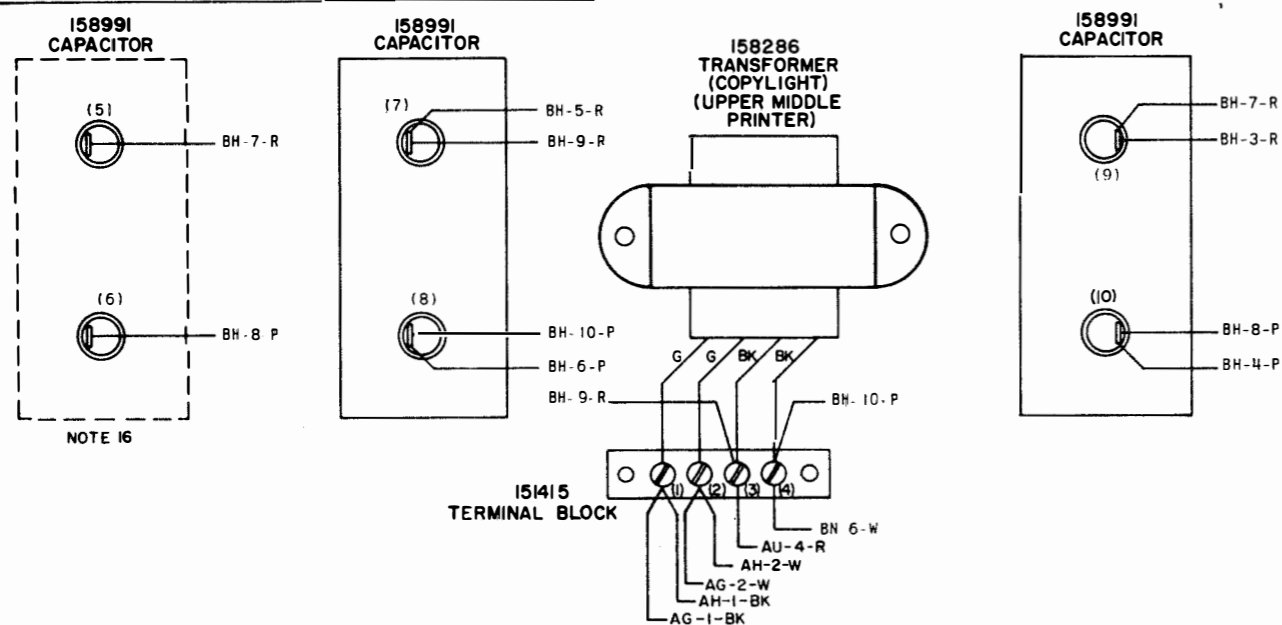


BJ

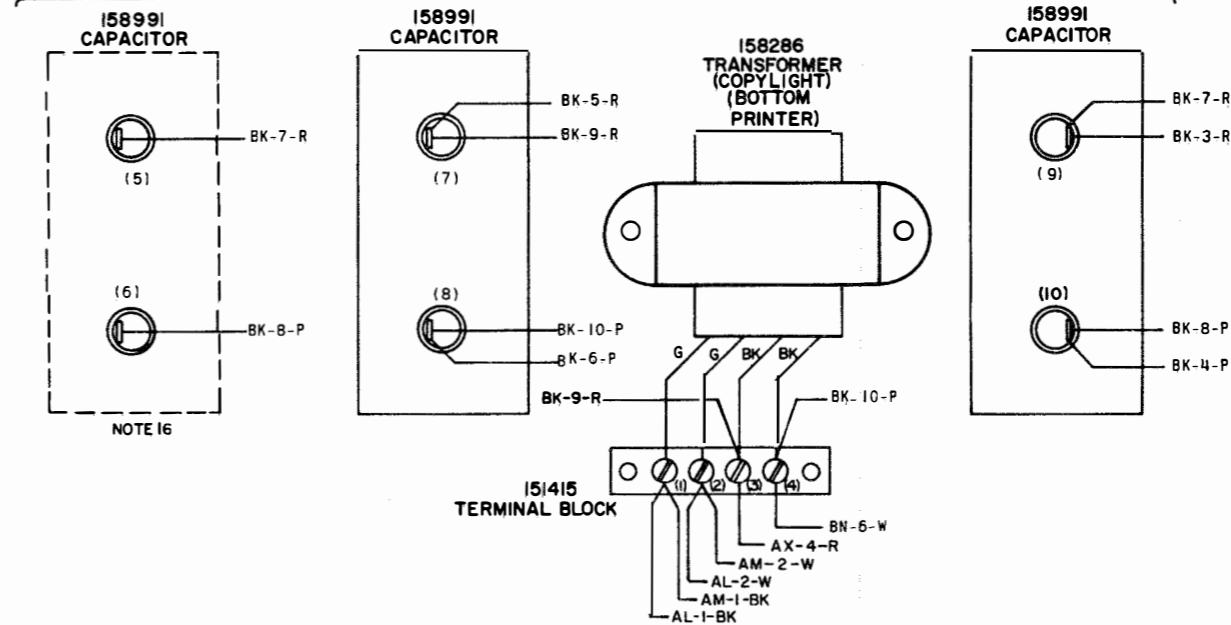


60038RM TUBING
1" LONG (24 PLACES)

BH



BK



SEE ISSUE CONTROL RECORD FOR COMPLETE LIST OF SHEETS COMPRISING THIS W.D.

SHEET 3

ACTUAL WD
FOR
28RFT400B
COMBINATION

APPROVALS

D AND R *APK* E OF M *CT*

E-NUMBER

PROD. NO. 8714 WD

DATE 4-22-68

P.D. FILE NO. 15-65AAA

DRAWN T.R.

CHKD. *RH*

ENGD. PRS. *JAB*

APPD. *JAB*

TELETYPE CORPORATION

8714 WD

EC 142

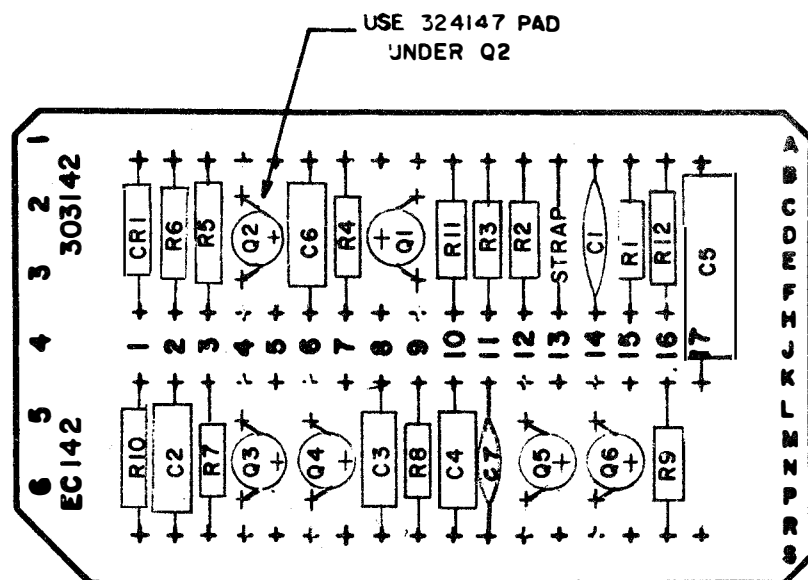
303142

CIRCUIT BOARD EC 142

303142

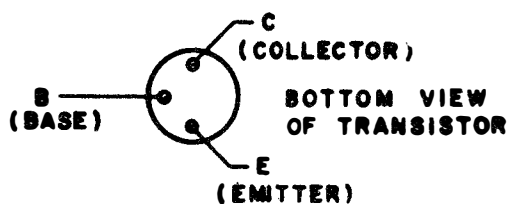
REVISIONS

ISSUE	DATE	AUTH NO
1	3-5-65	17939 R
2	2-21-67	92989
3	6-16-67	94065
4	1-19-68	94934
5	8-21-68	95881



ALPHA NUMERIC CONVERSION CHART

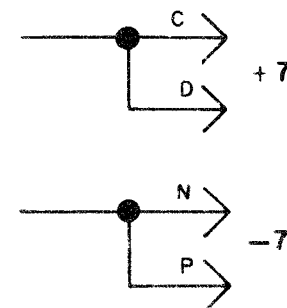
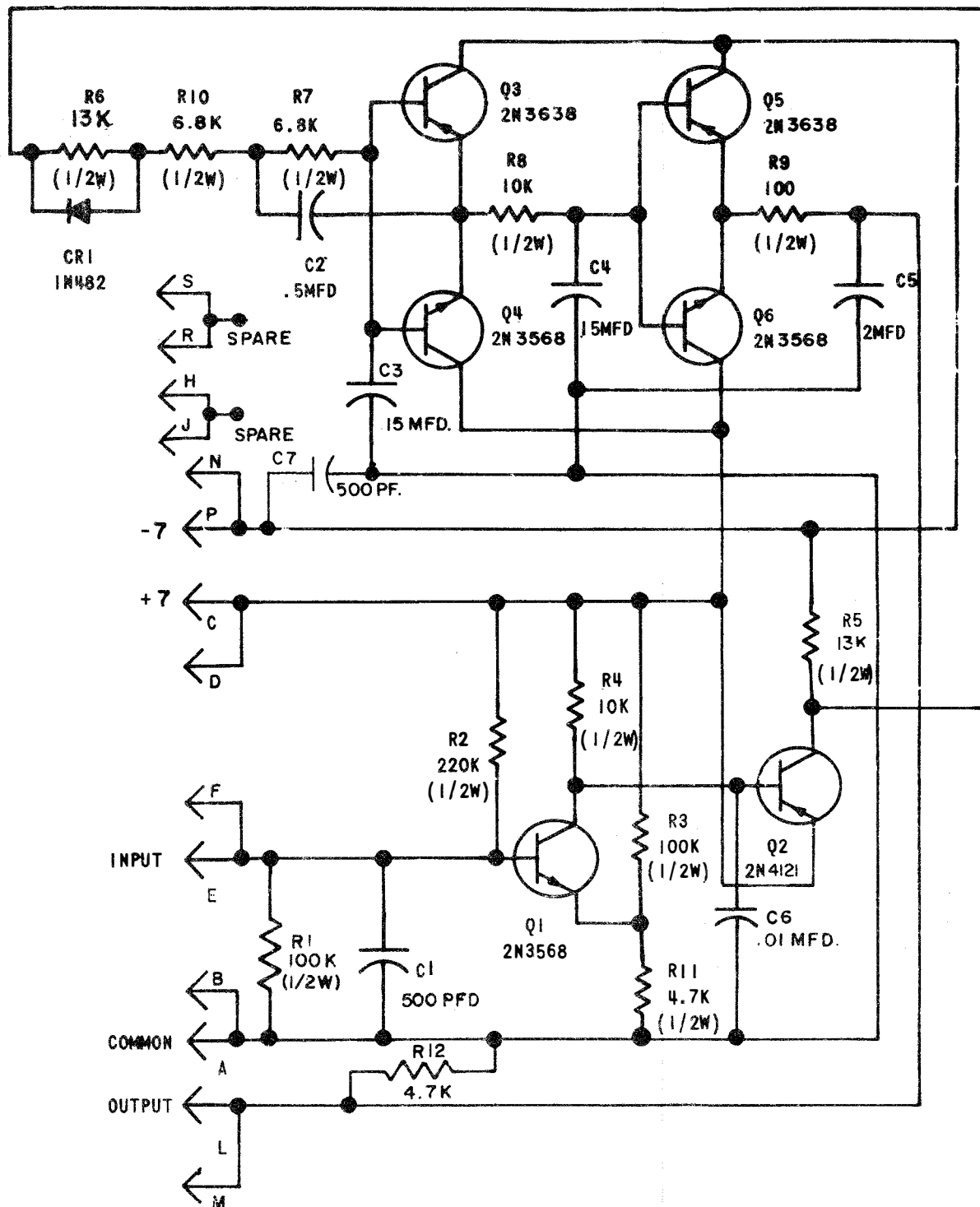
STAMPING ON CIRCUIT BOARD	NUMERICAL CONVERSION FOR 15 PT. CARDS WHEN USED WITH 36 PT. CONNECTOR	
	WHEN INSERTED IN UPPER HALF OF CONNECTOR	WHEN INSERTED IN LOWER HALF OF CONNECTOR
A	1	22
B	2	23
C	3	24
D	4	25
E	5	26
F	6	27
H	7	28
J	8	29
K	9	30
L	10	31
M	11	32
N	12	33
P	13	34
R	14	35
S	15	36



NOTE:
REFER TO 506WD FOR MARKING INFORMATION

REF. DESIGN	TELETYPE PART NO.	TOTAL QTY.	NAME AND DESCRIPTION	LOCATING FUNCTION
R1	118720	2	RESISTOR 100K 5% 1/2 WATT	RC FILTER
R2	118179	1	RESISTOR 220K 5% 1/2 WATT	Q1 BASE BIAS
R3			RESISTOR SAME AS R1	Q1 EMITTER BIAS
R4	129854	2	RESISTOR 10K 5% 1/2 WATT	Q1 COLLECTOR BIAS
R5	321204	2	RESISTOR 13K 1% 1/2 WATT	Q2 COLLECTOR BIAS
R6			RESISTOR SAME AS R5	RC BIAS EQUALIZER
R7	118147	2	RESISTOR 6.8K 5% 1/2 WATT	Q3,4 BASE BIAS
R8			RESISTOR SAME AS R4	Q5,6 BASE BIAS
R9	137438	1	RESISTOR 100-OHMS 5% 1/2 WATT	RC FILTER
R10			RESISTOR SAME AS R7	Q3,4 BASE BIAS
R11	118146	2	RESISTOR 4.7K 5% 1/2 WATT	Q1 EMITTER BIAS
CR1	181619	1	DIODE 1N482	R6 SHUNT SWITCH
C1	321157	2	CAPACITOR 500PFD	INPUT FILTER
C2	320048	1	CAPACITOR .5MFD	ACTIVE FILTER FEEDBACK
C3	320049	2	CAPACITOR .15MFD	ACTIVE FILTER INTEGRATOR
C4			CAPACITOR SAME AS C3	RC FILTER INTEGRATOR
C5	320047	1	CAPACITOR 2MFD	RC FILTER INTEGRATOR
Q1	315930	3	TRANSISTOR, 2N3568	1st AMPLIFIER
Q2	324144	1	TRANSISTOR 2N4121	2nd AMPLIFIER
Q3	315931	2	TRANSISTOR 2N3638	ACTIVE COMPLIMENTARY FILTER
Q4			TRANSISTOR SAME AS Q1	ACTIVE COMPLIMENTARY FILTER
Q5			TRANSISTOR SAME AS Q3	COMPLIMENTARY SYMMETRY
Q6			TRANSISTOR SAME AS Q1	EMITTER FOLLOWER AMPLIFIER
R12			RESISTOR SAME AS R11	OUTPUT LOAD
C6	181618	1	CAPACITOR .01MFD	RC FILTER
C7			CAPACITOR SAME AS C1	RF BY PASS
EC	320051	1	BOARD, ETCHED CIRCUIT	
		1	STRAP, BARE 24AWG.	
	324147	1	PAD, TRANSISTOR	
	144495	5	PAD, TRANSISTOR	

POLAR LINE KEYSER ±6V



NOTE:
CARD CONNECTIONS ARE REPRESENTED BY LETTERS
TEST POINTS ARE REPRESENTED BY NUMBERS

WDP

APPROVALS

D AND R E OF M

E-NUMBER

PROD. NO. 303142

DATE 4-27-65

P.D. FILE NO. 15-65AAA

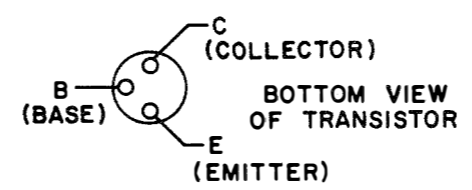
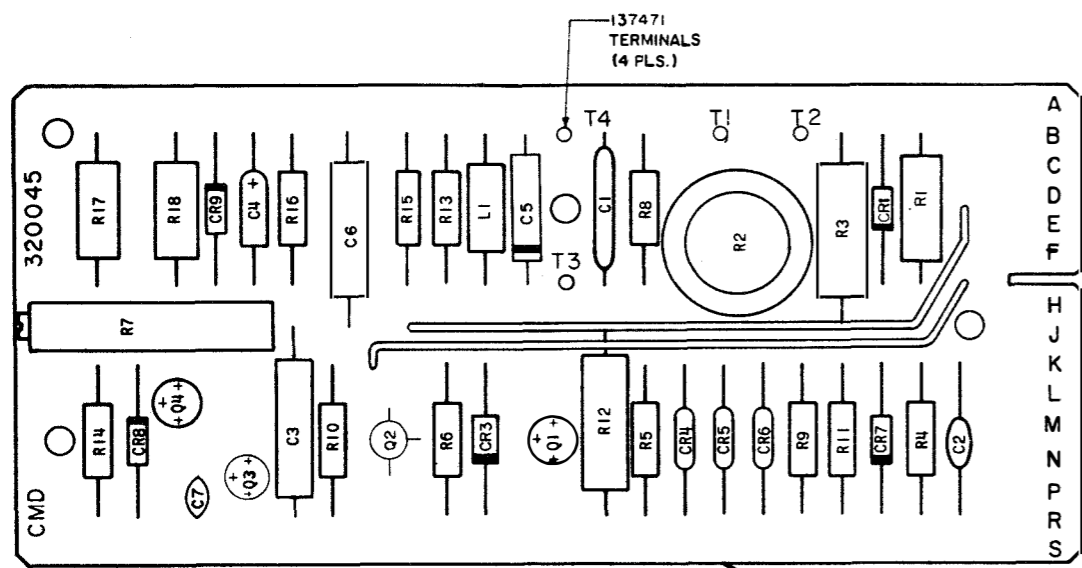
DRAWN

CHKD

ENGD. R.J.M. APPD

TELETYPE CORPORATION

303142



- NO. NOTES
- ALL RESISTORS 1/2 WATT, ALL RESISTANCE VALUES IN OHMS AND ALL CAPACITANCE VALUES IN MFD. UNLESS OTHERWISE SPECIFIED.
 - Q5 (181675) AND CR2 (321149) ARE MOUNTED TO 321148 HEAT SINK. SEE CMO ASSEMBLY 321991.
 - R2 IS ADJUSTED FOR 15 MA IN CR2 WITH INPUT MARKING (+6) AND OUTPUT CONNECTED TO A 150 OHM RESISTOR (5W)
 - R7 IS ADJUSTED FOR SYMMETRICAL SWITCHING ABOUT ZERO.
 - PINS A, B 140 MA TO COILS
PINS R, S -6V DC
PINS C, D +47 TO 53V DC POWER
PINS E, F, H, J CONTROL CONTACT PROVISION
PINS N, P MS 1888 SIGNAL INPUT
PINS K, L, M COMMON
(ALL INPUTS AND OUTPUTS REFERRED TO COMMON)
 - §-NUMBER 61,263§

USED ON 321991
NO B/M

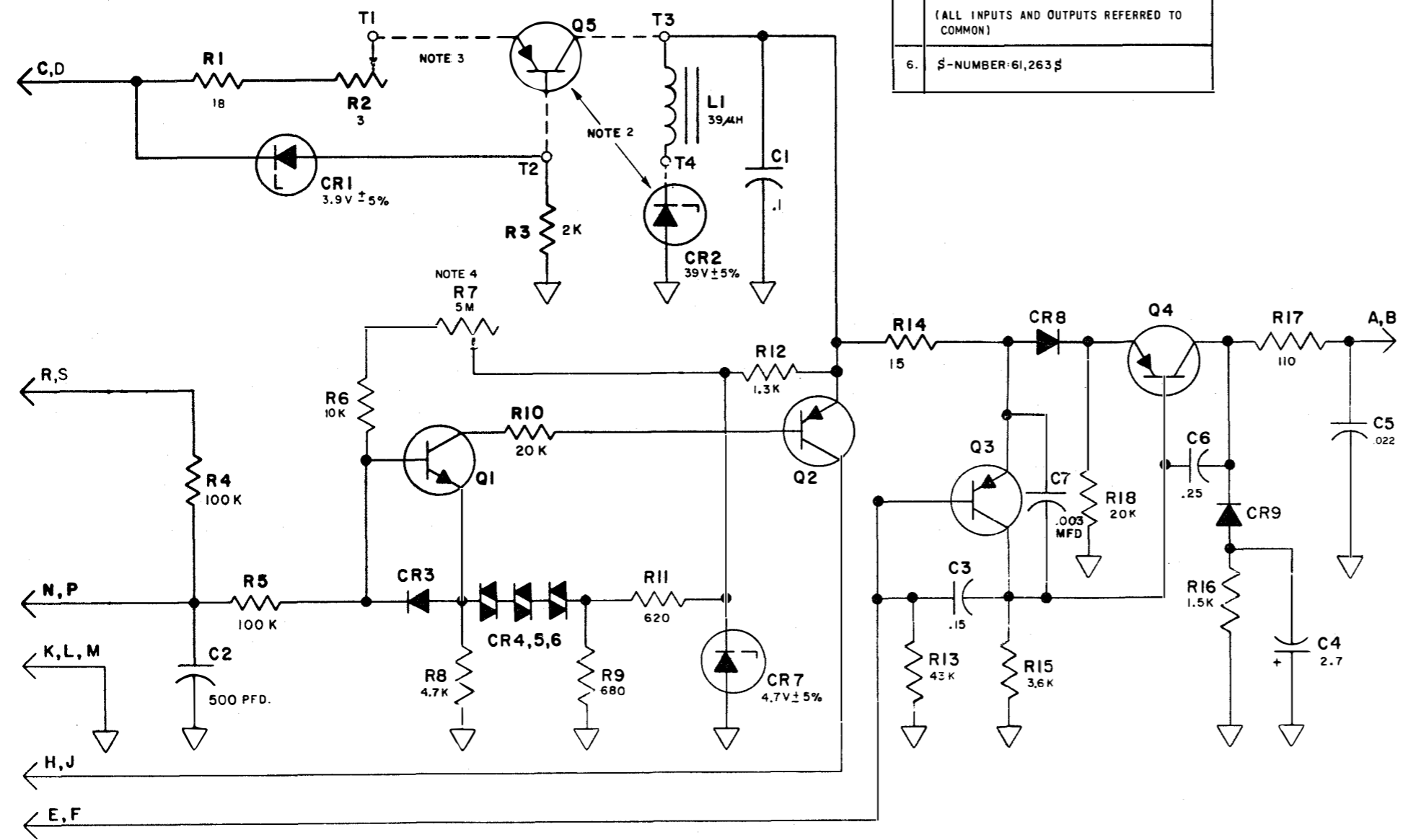
ASSEMBLY, CIRCUIT CARD (CMD)

REF. DESIG.	TELETYPE PART NO.	TOTAL QTY.	NAME AND DESCRIPTION	LOCATING FUNCTION
R1	327793	1	RESISTOR, 18 OHM 3W, ±1%	REG. CURRENT LIMITER
R2	182773	1	POTENTIOMETER, 3 OHM, 2.5W	REG. CURRENT ADJ.
R3	321155	1	RESISTOR, 2K, 2W, 5%	CR1 CURRENT LIMITER
R4	118720	1	RESISTOR, 100K, 1/2W, 5%	Q1 OPEN LINE BIAS
R5	118720	1	RESISTOR, 100K, 1/2W, 5%	INPUT RESISTOR
R6	129854	1	RESISTOR, 10K, 1/2W	Q1 BIAS
R7	321160	1	POTENTIOMETER, 5M	Q1 BIAS
R8	118146	1	RESISTOR, 4.7K, 1/2W, 5%	Q1 EMITTER RES.
R9	129850	1	RESISTOR, 680 OHM, 1/2W, 5%	VOLTAGE DIVIDER
R10	321258	1	RESISTOR, 20K, 1/2W, 5%	Q1 LOAD RES.
R11	137604	1	RESISTOR, 620 OHM, 1/2W, 5%	VOLTAGE DIVIDER
R12	321292	1	RESISTOR, 1.3K, 2W, 5%	CR7 CURRENT LIMITER
R13	139143	1	RESISTOR, 43K, 1/2W, 5%	Q2 LOAD RES.
R14	321259	1	RESISTOR, 15 OHM, 1/2W, 5%	Q3 EMITTER RES.
R15	165178	1	RESISTOR, 3.6K, 1/2W, 5%	Q3 LOAD RES.
R16	137442	1	RESISTOR, 1.5K, 1/2W, 5%	C4 BLEEDER RES.
R17	321151	1	RESISTOR, 110 OHM, 3W, 1%	COIL CURRENT LIMITER
R18	321258	1	RESISTOR, 20K, 1/2W, 5%	CR8 BIAS RES.
C1	321158	1	CAPACITOR, .1 MFD.	R. F. BY-PASS CAP.
C2	321157	1	CAPACITOR, 500 PFD.	R. F. BY-PASS CAP.
C3	171829	1	CAPACITOR, .15 MFD.	Q3 FEEDBACK CAP.
C4	321264	1	CAPACITOR, 50V, 2.7 MFD.	TRANSIENT SUPP.
C5	178860	1	CAPACITOR, 100V, .022 MFD.	R. F. BY-PASS
C6	171587	1	CAPACITOR, 200V, .25 MFD.	Q4 FEEDBACK CAP.
C7	171583	1	CAPACITOR, .003 MFD	R. F. BY-PASS CAP.
L1	321159	1	CHOKE, 39.0μH	R. F. CHOKE
CR1	321161	1	DIODE, 1N748A, 3.9V ±5%	REG. VOLT. REF.
CR3	321154	1	DIODE, 1N457A	Q1 BASE PROT.
CR4	178844	1	VARIATOR, 100-A	TEMP. COMP.
CR5	178844	1	VARIATOR, 100-A	TEMP. COMP.
CR6	178844	1	VARIATOR, 100-A	TEMP. COMP.
CR7	181667	1	DIODE, 1N750A, 4.7V ±5%	TEMP. COMP. REF.
CR8	177511	1	DIODE, 1N682	Q4 EMITTER DIODE
CR9	321154	1	DIODE, 1N457A	TRANSIENT SUPP.
Q1	321166	1	TRANSISTOR, 2N1893	D. C. AMP.
Q2	324144	1	TRANSISTOR, 2N4121	D. C. AMP.
Q3	321165	1	TRANSISTOR,	D. C. AMP.
Q4	321261	1	TRANSISTOR, 2N4036	D. C. AMP.
	324147	1	PAD, TRANSISTOR	Q2
	144495	3	PAD, TRANSISTOR	Q1, Q3, Q4
	321299	1	CIRCUIT BOARD, ETCHED	
	321171	2	LEAD (BK)	
T1-T4	137471	4	LUG, TERMINAL	

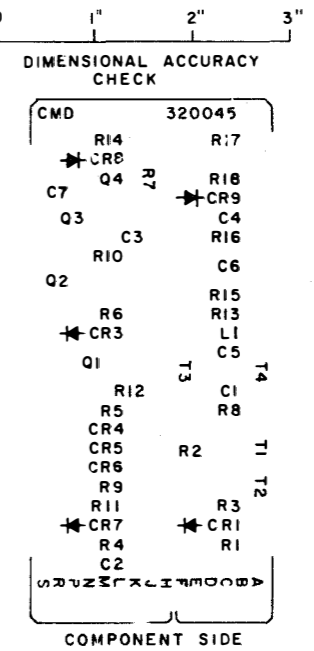
320045

REVISIONS

ISSUE	DATE	AUTH. NO.
1	9-14-66	18023 R
2	10-27-66	92065
3	3-6-67	92987
4	4-25-67	93727
5	7-6-67	94317
6	11-2-67	94589-B
7	12-8-67	95065-B
8	1-29-69	98172



- NOTES
- THIS VIEW MAY BE USED AS TO MASTER FOR ART WORK.
 - ALL CHARACTERS TO BE .125 HIGH AND PRINTED WITH WHITE ENAMEL.
 - ALL PRINTED CHARACTERS TO BE LOCATED ±.031 FROM POSITION SHOWN IN VIEW.



APPROVALS

D AND R	E OF M
<i>[Signature]</i>	<i>[Signature]</i>

E-NUMBER

PROD. NO. 320045

DATE 6-27-66

P.D. FILE NO. 15-65AAA

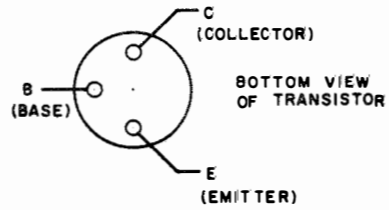
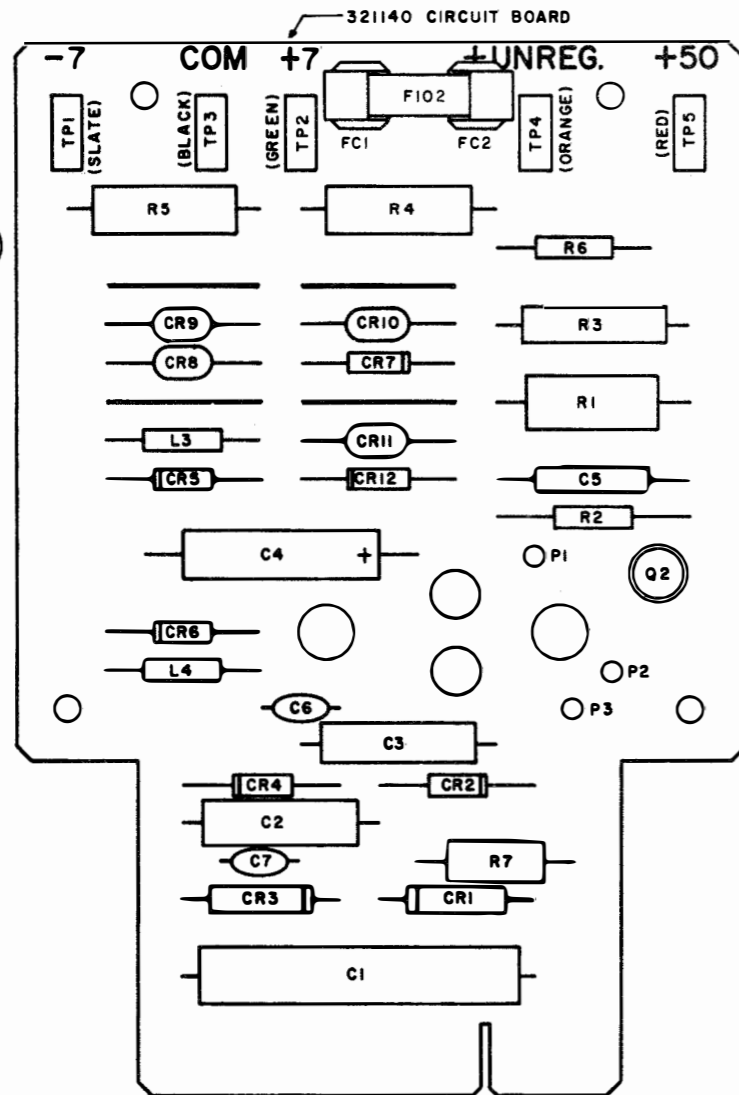
DRAWN J. J. A. CHKD *[Signature]*

ENGL. D. D. APPD. *[Signature]*

TELETYPE CORPORATION

320045

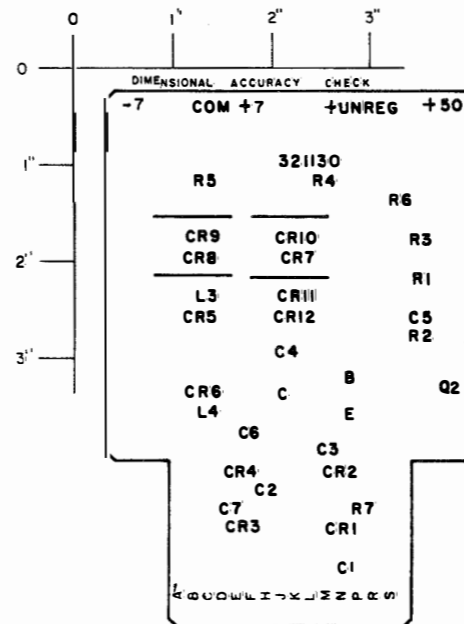
MAINTAIN A MINIMUM SPACING OF 1/4 INCH BETWEEN R4, R5 AND ADJACENT COMPONENTS, ON EITHER SIDE OF R4, R5



CIRCUIT DESCRIPTION (SEE SHEET 2)

DIODES CR1 AND CR3 FORM A RECTIFIER WITH ASSOCIATED TRANSFORMER (321123) T1 AND CAPACITOR C8 (321129) TO OBTAIN A MINIMUM +58V DC UNREGULATED. Q1 IS AN EMITTER FOLLOWER VOLTAGE REGULATING ELEMENT WHICH ABSORBS THE VOLTAGE DIFFERENCE BETWEEN THE UNREGULATED DC AND THE CONSTANT +50V DC REFERENCE ESTABLISHED BY DIODES CR7-CR12. Q2 PROVIDES GAIN FOR Q1. DIODES CR3, CR4, TRANSFORMER T1 AND CAPACITOR C4 FORM A FULL WAVE RECTIFIER TO OBTAIN NEGATIVE UNREGULATED DC. R4 AND CR6, R5 AND CR5 FORM BASIC SHUNT REGULATORS TO OBTAIN +7 AND -7V DC.

- 1) TELETYPE REFERENCE ONLY: SPECIFICATION 61,2675
- 2) SEE SHEET 2 FOR SCHEMATIC WIRING
- 3) ALL CHARACTERS TO BE .125 HIGH AND PRINTED WITH WHITE ENAMEL.
- 4) ALL PRINTED CHARACTERS TO BE LOCATED ±.031 FROM NOMINAL POSITION.



CIRCUIT BOARD ASSEMBLY, POWER SUPPLY (47-53V.D.C. .5AMP. MAX.)

REF. DESIGN.	PART NO.	TOTAL QTY.	NAME AND DESCRIPTION	FUNCTION
C1	312284	1	CAPACITOR, 1.5MFD 400V	RF FILTER
C2,3	171585	2	CAPACITOR, .22MFD 200V	RF FILTER
C4	171831	1	CAPACITOR, 10MFD 150V	RECTIFIER FILTER
C5	178860	1	CAPACITOR, .022MFD 100V	RF FILTER
C6,7	312385	2	CAPACITOR, 1MFD 10V	RF FILTER
R1	198937	1	RESISTOR, 2.7K 2W	
R2	182180	2	RESISTOR, 200 OHM 1/2W	
R3	171533	1	RESISTOR 4 OHM 5W	
R4,5	311664	2	RESISTOR, 2.5K 8W	DROPPING
R6			SAME AS R2	RF FILTER
R7	305298	1	RESISTOR, 3.3K 3W	BLEEDER
CR1-4	182520	4	DIODE (1N4383)	RECTIFIER
CR5,6	327794	2	DIODE, ZENER (7.2V)	REFERENCE
CR7	321286	2	DIODE, ZENER (1N4749A)	REFERENCE
CR8-11	178844	4	VARIATOR (W.F. 100A)	REFERENCE
CR12			SAME AS CR7	REFERENCE
L3,4	321159	2	INDUCTOR 39 μH	RF FILTER
Q2	321145	1	TRANSISTOR (2N2270)	GAIN
FC1,2	311068	2	FUSE CLIP	
F102	131807	1	FUSE .5 AMP.	
TP1	320042	1	JACK, TEST (SLATE)	
TP2	320041	1	JACK, TEST (GREEN)	
TP3	320039	1	JACK, TEST (BLACK)	
TP4	320040	1	JACK, TEST (ORANGE)	
TP5	320038	1	JACK, TEST (RED)	
PI-3	137471	3	TERMINAL POST	CONNECTOR
	321140	1	CIRCUIT CARD	
	39603RM	33 FT.	24 GA. WIRE, BARE (4 STRAPS)	
I	110141	2	RIVET	

3 2 1 1 3 0

REVISIONS

ISSUE	DATE	AUTH. NO.
2	2-23-67	92981
3	3-29-67	92996
4	4-11-67	93726
5	6-1-67	93511
6	11-7-67	93511-1
7	3-13-68	95422
8	4-11-68	95605
9	5-22-68	95763
10	10-28-68	96033
11	12-20-68	98266

SHEET 1

WDP

APPROVALS

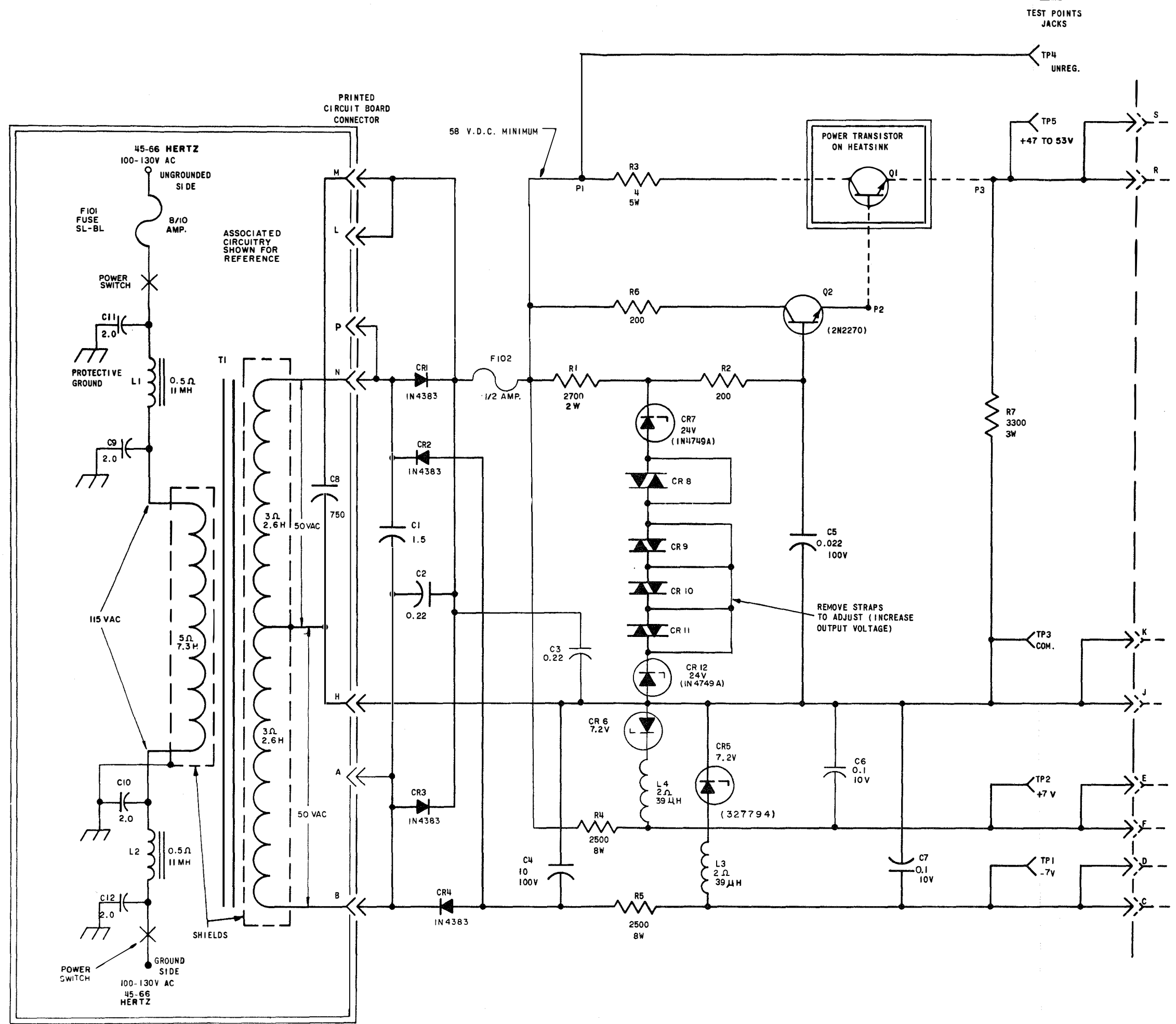
D AND R HJK	E OF M LH
E-NUMBER	
PROD. NO. 321130	
DATE 12-14-66	
P.D. FILE NO. 15-65AAA	
DRAWN J.J.A.	CHKD. HJK
ENGD. B.P.K.	APPD.
TELETYPE CORPORATION	

3 2 1 1 3 0

321130

REVISIONS

ISSUE	DATE	AUTH. NO.
1	2-23-67	92981
2	4-11-67	93726
3	10-26-67	94751 B
4	1-25-68	94934
5	10-28-68	96033
6	12-27-68	98132



SHEET 2

WDP

APPROVALS

D AND R E OF M
HJK C-17

E-NUMBER

PROD. NO. 321130

DATE 12-14-67

P.D. FILE NO. 15-65AAA

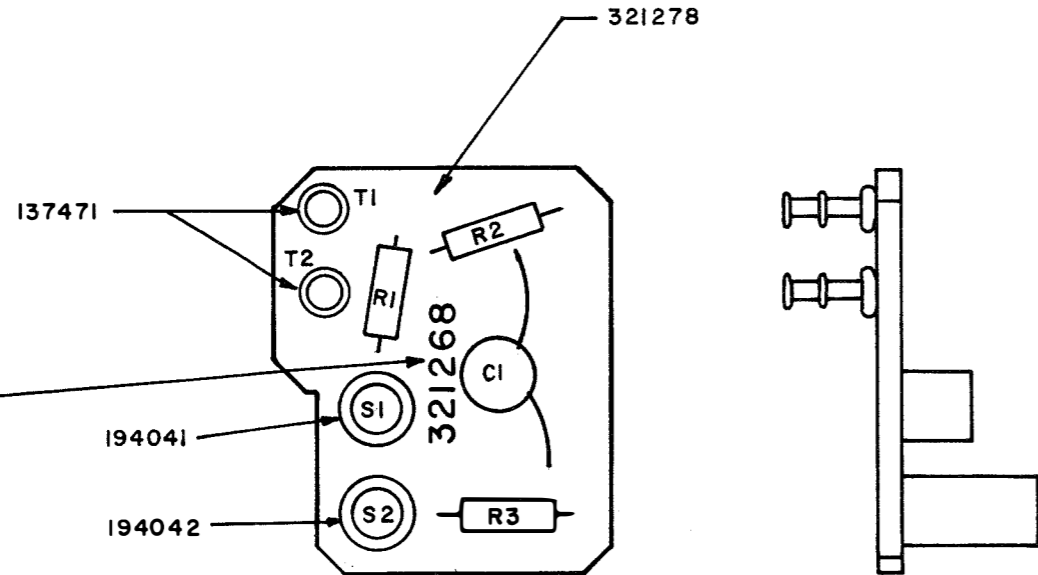
DRAWN J.J.A. CHKD. J.J.

ENGD. B.P.K. APPD.

TELETYPE CORPORATION

321130

ALL DIMENSIONS ± UNLESS OTHERWISE SPECIFIED.



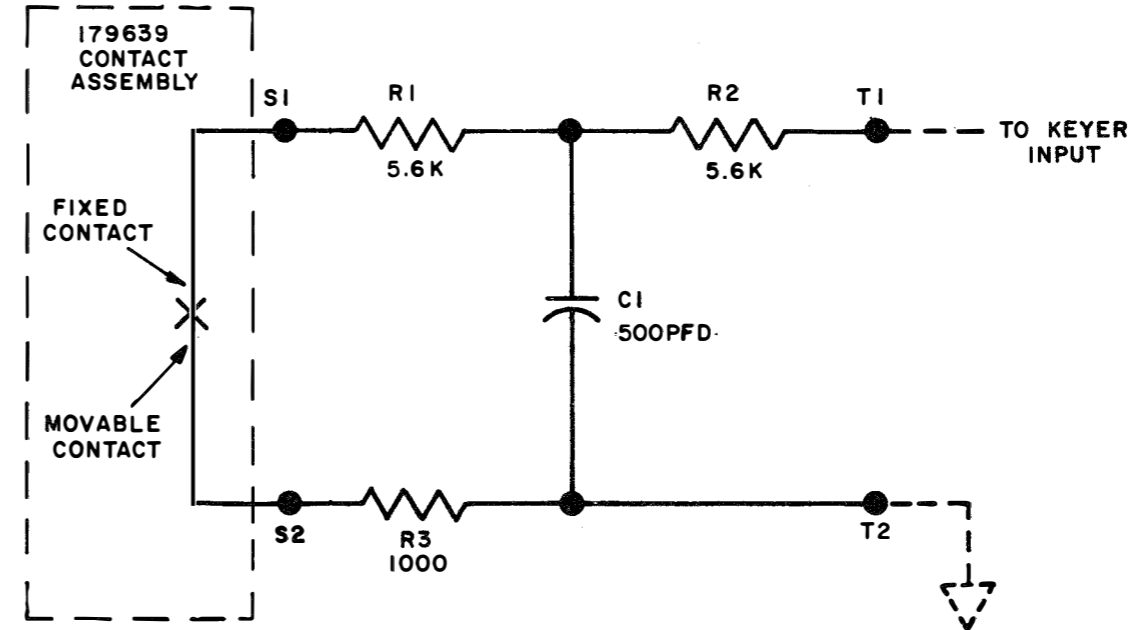
FILTER CARD ASSEMBLY

321268

PARTS REQ.	NO. REQ.	USED ON	NO. REQ.
		321241	1
		321265	1

REVISIONS

ISSUE NO.	DATE	AUTHOR NO.
1	9-13-66	17939-R
2	6-16-67	94065



NOTE:
DASHED LINES INDICATE EXTERNAL CIRCUITRY.

REF. DESIGN	TELETYPE PART NO.	TOTAL QTY.	NAME AND DESCRIPTION	LOCATING FUNCTION
R1	315960	2	RESISTOR, 5.6K 1/4 WATT	RC FILTER
R2	"		SAME AS R1	"
R3	321213	1	RESISTOR, 1000 Ω 1/4 WATT	"
C1	321157	1	CAPACITOR, 500 PFD	"
T1	137471	2	TERMINAL, SOLDER	
T2	"		"	
S1	194041	1	STUD, CONNECTOR	
S2	194042	1	"	
321278	321278	1	BOARD, ETCHED CIRCUIT	

WDP

APPROVALS

D AND R: *[Signature]* E OF M: *[Signature]*

E. NUMBER

PROG. NO. 321268

TELETYPE CORPORATION

321268

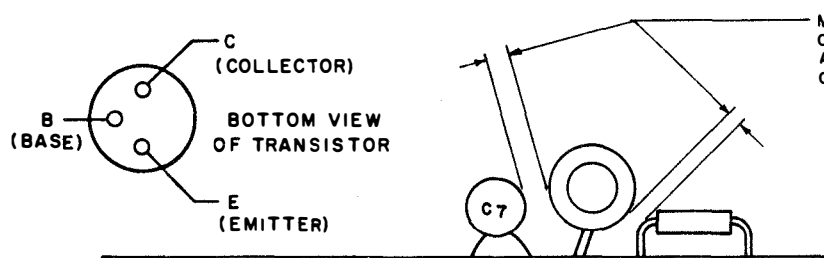
SCALE: 2/1

STOCK SPECIFICATION

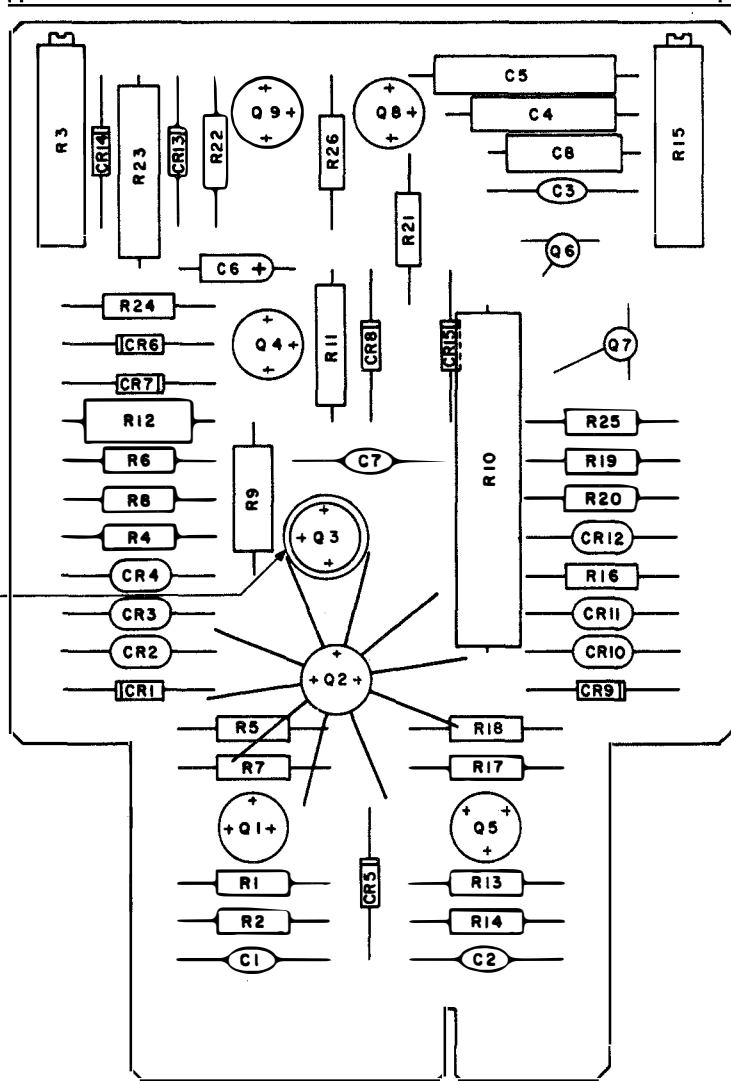
DRAWN	P.D. FILE NO.	DATE	SIZE	KIND	SHAPE	TEMPER
R.S.S.	15-65AAA	6-13-66				
DESIGNED	ENGINEER	CHECKED	APPROVED			
	R.J.M.	<i>[Signature]</i>	<i>[Signature]</i>			

ASSEMBLY, CIRCUIT (SMD WITH SIGNAL COMBINER)

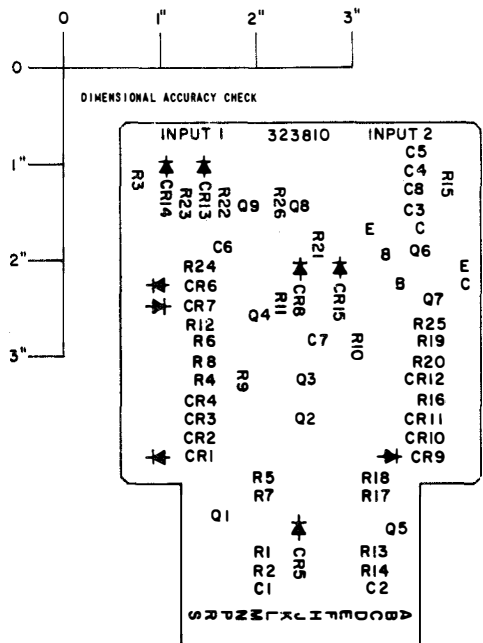
NO B/M



MAINTAIN A MINIMUM SPACING OF 1/8 INCH BETWEEN R10 AND ADJACENT COMPONENTS ON EITHER SIDE OF R10



SCALE 2/1



- NOTE:
1. TRANSISTOR Q2 HAS 323847 HEAT SINK PRESSED ON.
 2. USE 323846 TRANSISTOR PAD UNDER TRANSISTOR Q3.
 3. REFERENCE SPECIFICATION FOR TELETYPE CORP. EMPLOYEES ONLY: 61-2645
 4. REFER TO 8143WD FOR SCHEMATIC WIRING DIAGRAM
 5. ALL CHARACTERS TO BE .125 HIGH AND PRINTED WITH WHITE ENAMEL.
 6. ALL PRINTED CHARACTERS TO BE LOCATED +.031 FROM NOMINAL POSITION
 7. Q3 HAS 300H6 INSULATING COVER. POSITION Q3 (WITH COVER) SO THAT 323847 HEAT SINK MAY BE FULLY SEATED ON Q2.
 8. 144495 TRANSISTOR PAD REQUIRED ON Q1, Q4, Q5, Q8 AND Q9, AND Q2.

REF. DESIG.	TELETYPE PART NO.	TOTAL QTY.	NAME AND DESCRIPTION	LOCATING FUNCTION
C1	321157	1	CAPACITOR, 500 pf	R.F. BY-PASS CAP.
C2	321157	1	CAPACITOR, 500 pf	R.F. BY-PASS CAP.
C3	321157	1	CAPACITOR, 500 pf	R.F. BY-PASS CAP.
C4	171829	1	CAPACITOR, .15 MFD	Q8 FEEDBACK CAP.
C5	326776	1	CAPACITOR, .47 MFD	Q9 FEEDBACK CAP.
C6	321260	1	CAPACITOR, 1 MFD 50V	TRANSIENT SUPP.
C7	321157	1	CAPACITOR, 500 pf	R.F. BY-PASS CAP.
C8	178860	1	CAPACITOR, .022 MFD	R.F. BY-PASS CAP.
R1	118720	1	RESISTOR, 100K, 1/2W	Q1 OPEN LINE BIAS
R2	118720	1	RESISTOR, 100K, 1/2W	INPUT 1 RES
R3	323964	1	POTENTIOMETER 500K	Q1 BIAS
R4	129854	1	RESISTOR, 10K, 1/2W	Q1 BIAS
R5	118177	1	RESISTOR, 22K, 1/2W	Q1 LOAD RES.
R6	137604	1	RESISTOR, 620, 1/2W	VOLTAGE DIVIDER
R7	118146	1	RESISTOR, 4.7K, 1/2W	Q1 EMITTER RES.
R8	129850	1	RESISTOR, 680, 1/2W	VOLTAGE DIVIDER
R9	309868	1	RESISTOR, 1.3K, 3W	CR5 CURRENT LIMITER
R10	323841	1	RESISTOR, 300, 1/2W	Q2 LOAD RES.
R11	323842	1	RESISTOR, 21, 1/2W, 1%	REG. CURRENT SET
R12	178864	1	RESISTOR, 3.9K, 1W	CR8 CURRENT LIMITER
R13	118720	1	RESISTOR, 100K 1/2W	Q5 OPENLINE BIAS
R14	118720	1	RESISTOR, 100K, 1/2W	INPUT 2 RES.
R15	323964	1	POTENTIOMETER 500K	Q5 BIAS
R16	129854	1	RESISTOR, 10K, 1/2W	Q5 BIAS
R17	118177	1	RESISTOR, 22K, 1/2W	Q5 LOAD RES.
R18	118146	1	RESISTOR, 4.7K, 1/2W	Q5 EMITTER RES.
R19	137604	1	RESISTOR, 620, 1/2W	VOLTAGE DIVIDER
R20	129850	1	RESISTOR, 680, 1/2W	VOLTAGE DIVIDER
R21	321975	1	RESISTOR, 33, 1/2W	Q8 EMITTER RES.
R22	118177	1	RESISTOR, 22K, 1/2W	CR13 BIAS RES.
R23	323843	1	RESISTOR, 590, 5W, 1%	COIL CURRENT LIMITER
R24	137442	1	RESISTOR, 1.5K, 1/2W	Q6 BLEEDER RES.
R25	118154	1	RESISTOR 47K, 1/2W	Q6, Q7 LOAD RES.
R26	120424	1	RESISTOR 4.3K, 1W	Q8 LOAD RES.
CR1	321154	1	DIODE, 1N457A	Q1 BASE PROT.
CR2	178844	1	VARIATOR, 100-A	TEMP. COMP.
CR3	178844	1	VARIATOR, 100-A	TEMP. COMP.
CR4	178844	1	VARIATOR, 100-A	TEMP. COMP.
CR5	181667	1	DIODE, 1N750A	TEMP. COMP. REF.
CR6	321156	1	DIODE, 1N482A	Q4 COLLECTOR CLAMP
CR7	321156	1	DIODE, 1N482A	Q4 COLLECTOR CLAMP
CR8	321161	1	DIODE, 1N748A	REG. VOLT REF.
CR9	321154	1	DIODE, 1N457A	Q5 BASE PROT.
CR10	178844	1	VARIATOR, 100-A	TEMP. COMP.
CR11	178844	1	VARIATOR, 100-A	TEMP. COMP.
CR12	178844	1	VARIATOR, 100-A	TEMP. COMP.
CR13	321156	1	DIODE, 1N482A	Q9 EMITTER DIODE
CR14	321154	1	DIODE, 1N457A	TRANSIENT SUPP.
CR15	321156	1	DIODE, 1N482A	Q8 EMITTER DIODE
Q1	321166	1	TRANSISTOR, 2N1893	DC AMP.
Q2	323844	1	TRANSISTOR, 2N3053	SHUNT REG.
Q3	321261	1	TRANSISTOR, 2N4036	SHUNT REG. AMP.
Q4	323845	1	TRANSISTOR, 40319	SERIES REG.
Q5	321166	1	TRANSISTOR, 2N1893	DC AMP.
Q6	324144	2	TRANSISTOR, 2N4121	DC AMP.
Q7			SAME AS Q6	
Q8	321165	1	TRANSISTOR, 2N3638A	DC AMP.
Q9	321261	1	TRANSISTOR, 2N4036	DC AMP.
	324147	2	PAD, TRANSISTOR	
	144495	1	PAD, TRANSISTOR	
	323846	1	PAD, TRANSISTOR	
	323847	1	HEAT SINK	
	323835	1	CIRCUIT BOARD, ETCHED	
	306116	1	COVER, INSULATING	

323810

REVISIONS

ISSUE	DATE	AUTH. NO.
1	2-23-67	18240-R
2	4-24-67	93730
3	10-16-67	94596-B
4	11-21-67	94849-B
5	5-22-68	95850
6	12-20-68	98266
7	1-29-69	98172
8	2-17-69	98267

USED ON323808

APPROVALS

D AND R	E OF M
<i>HJK</i>	<i>[Signature]</i>

E-NUMBER

PROD. NO. 323810

DATE 2-1-67

R.D. FILE NO. 15-65AAA

DRAWN J.J.A. CHKD. *[Signature]*

ENGD. *[Signature]* APPD. *[Signature]*

TELETYPE CORPORATION

323810