

5- TO 8-LEVEL UNIVERSAL STATION CONVERTERS
SCHEMATIC WIRING DIAGRAMS

CONTENTS	PAGE
1. GENERAL	1
2. DIAGRAM INDEX	1
1. GENERAL	
1.01 This section is reissued to include the latest issues of the schematic wiring diagrams for the 5- to 8-level Signal-to-Tape and Tape-to-Tape Universal Station Converter ter-	

minals. Since this is a general revision, marginal arrows have been omitted.

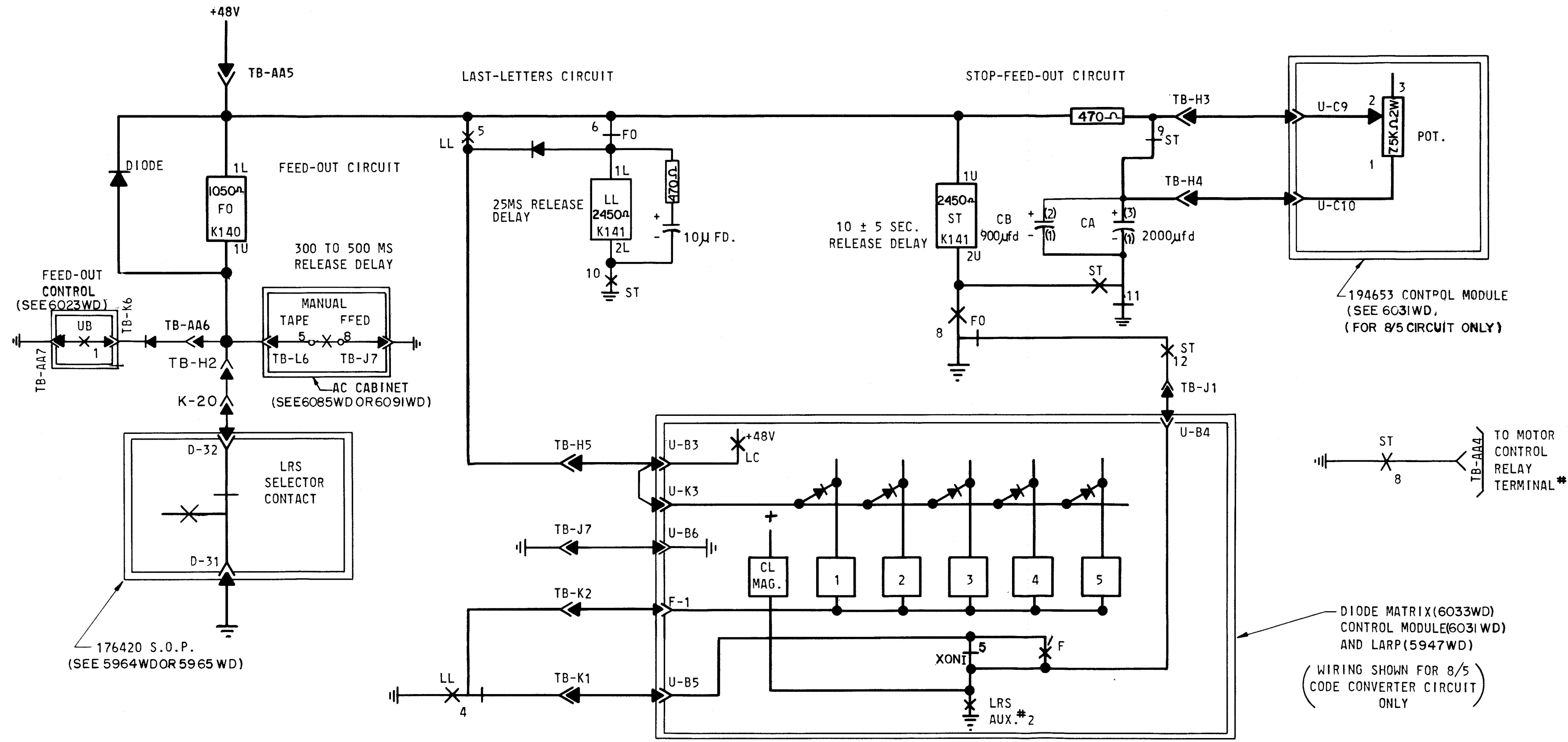
1.02 The location of each wiring diagram is indicated by its position in the index. The index also lists the subject matter of each wiring diagram, and its current issue.

1.03 For wiring information concerning the mechanical units associated with the converter terminals, refer to the appropriate section.

2. DIAGRAM INDEX

SUBJECT	DRAWING NUMBER	ISSUE					
		1	2	3	4	5	6
Automatic LTRS Feed-Out Assembly, TP194595	5887		4				
Selector Magnet Driver, TP193400	5949		2				
Tape-to-Tape Panel Assembly, VCL283 and VCL316	6021		3				
Service Unit, TP194605	6023		3				
Feed-Out Assembly, TP194608	6037		2				
Transfer Tree Module, TP194670	6039		3				
Transfer Tree Module, TP194670 TP193400, TP194595 and TP194706 Assemblies	6081		4				
Diode Matrix Assembly, TP194671	6083		3				
Control Module, TP194672	6087		2				
Cabinet Schematic, 5- to 8-level	6088		4				
Power Schematic, 5- to 8-level	6091	A	9				
Translation Schematic, 5- to 8-level	6364		4				
Cabinet Cable Routing, 5- to 8-level	6365		Orig				
Translation Chart for TP194718 Cable Assembly	6366		A				
Translation Chart for TP194719 Cable Assembly	6370		3				
	6371		4				

- NO. NOTES
1. REFER TO 6084 AND 6036WD FOR WIRING LIST.
 2. CONNECTIONS "TB" ARE ON 194636 TERMINAL BOARD LOCATED ON 194605 SERVICE UNIT.
 3. ALL VOLTAGE DC UNLESS OTHERWISE SPECIFIED.
 4. ∇ INDICATES FEMALE AND \rightarrow INDICATES MALE TERMINALS
 5. ALL CAPACITANCE VALUES IN MICROFARADS, UNLESS OTHERWISE SPECIFIED.
 6. TERMINAL DESIGNATION ENCLOSED IN PARENTHESES ARE FOR REFERENCE AND ARE NOT MARKED ON COMPONENT.



5887WD

ISSUE	DATE	AUTH. NO.
2	9-24-63	78176
3	8-10-64	83011
4	9-25-64	83011-1

SCHEMATIC AUTOMATIC "LTRS" FEED OUT 194595 ASSEMBLY



APPROVALS

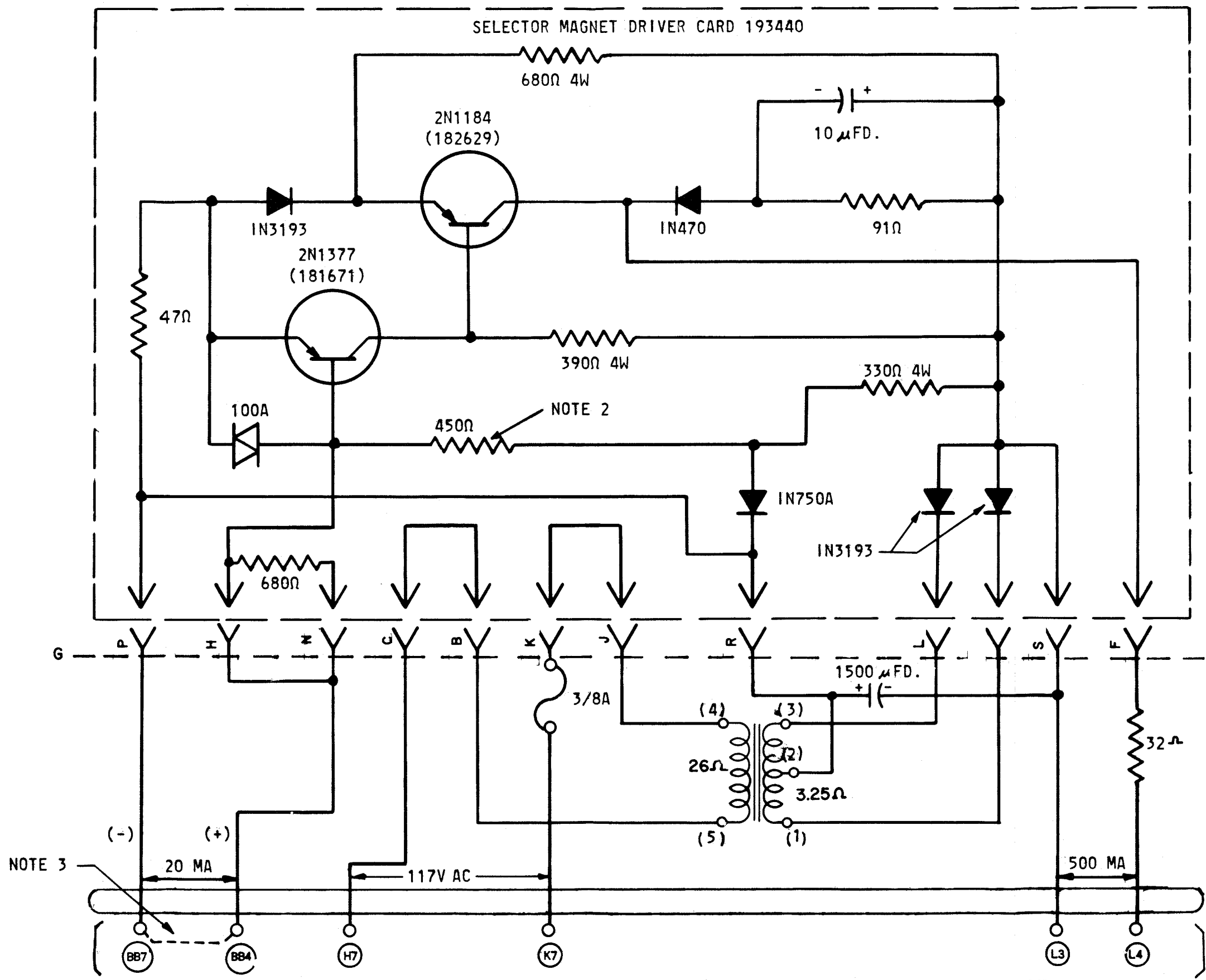
D AND R	E OF M
<i>JHK</i>	<i>[Signature]</i>
E-NUMBER	
PROD. NO. 5887WD	
DATE: 8-17-62	
P.D. FILE NO. 3-95AAA	
DRAWN. E. R. CHKD. <i>[Signature]</i>	
ENGD. P. H. B. APPD.	
TELETYPE CORPORATION	
5887WD	

DIODE MATRIX(6033WD) CONTROL MODULE(6031WD) AND LARP(5947WD)
(WIRING SHOWN FOR 8/5 CODE CONVERTER CIRCUIT ONLY)

5949WD

ISSUE	DATE	AUTH. NO.
2	8-6-64	83021

- NO. NOTES
- REFER TO 5826WD AND 6035WD FOR ACTUAL AND WIRING LIST.
 - CIRCUIT IS WIRED FOR .020 A SIGNAL LINE INPUT. FOR .060A INPUT, 450 OHM RESISTOR MUST BE CHANGED TO 140 OHM.
 - IN ORDER TO BLIND THE SELECTOR MAGNET DRIVER TO LINE SIGNALS AND MAINTAIN A STEADY MARK OUTPUT, THE FOLLOWING CHANGE IS RECOMMENDED; ADD A STRAP ACROSS TERMINALS BB7 AND BB4
 - ALL VOLTAGES DC UNLESS OTHERWISE SPECIFIED.
 - ALL CAPACITANCE VALUES IN MICROFARADS UNLESS OTHERWISE SPECIFIED
 -  INDICATES FEMALE AND
 INDICATES MALE TERMINALS.
 - TERMINAL DESIGNATIONS ENCLOSED IN PARENTHESES ARE FOR REFERENCE AND ARE NOT MARKED ON COMPONENT.




CONNECTIONS TO SERVICE UNIT TERMINAL BOARD

SELECTOR MAGNET DRIVER ASSEMBLY 193400 USED ON 194605 SERVICE UNIT ASSEMBLY

APPROVALS

D AND R. E OF M
 

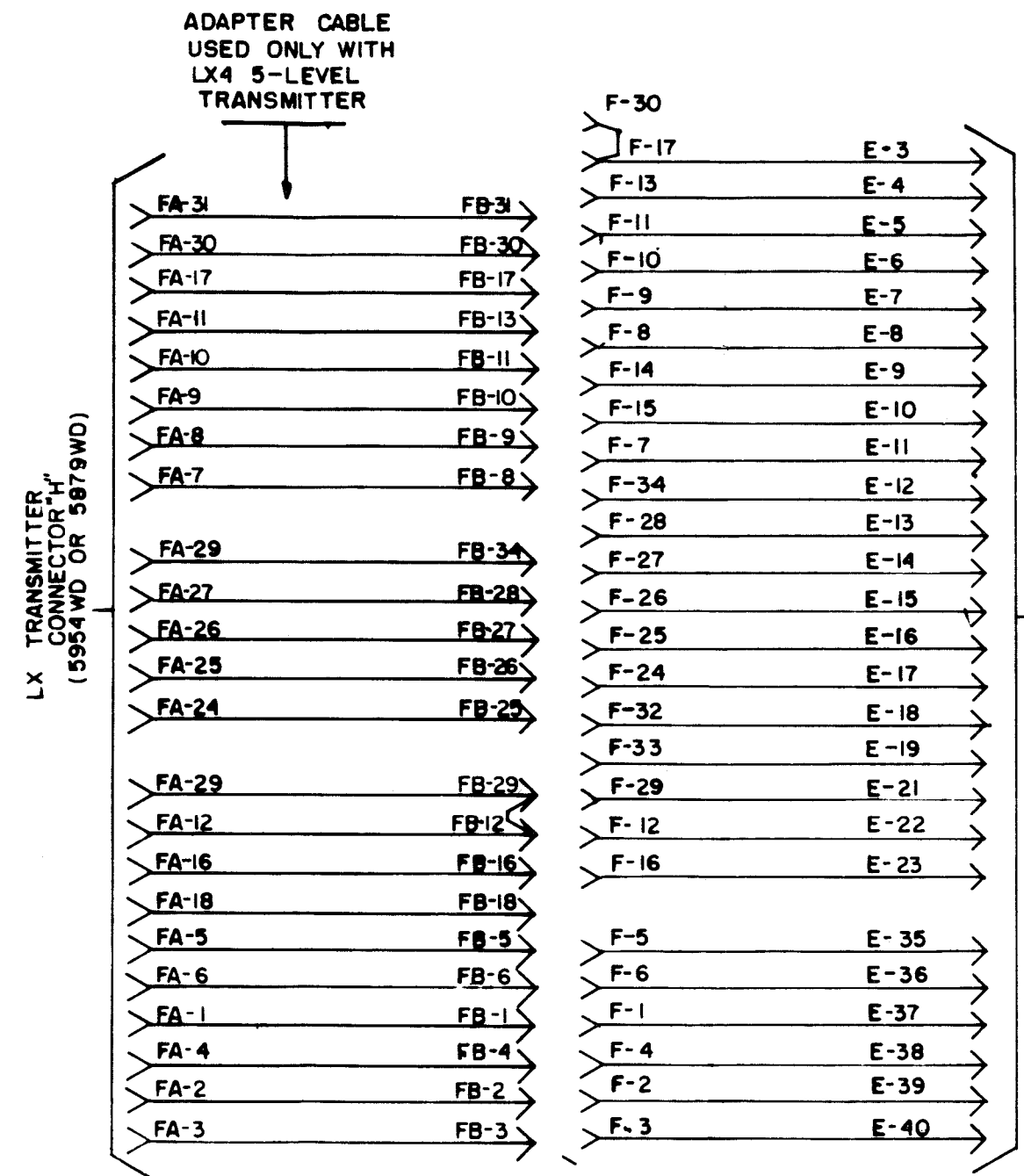
E-NUMBER
 PROD. NO. 5949WD

DATE: 8-25-62
 P.D. FILE NO. 3-95AAA
 DRAWN G.M. CHKD. 
 ENGR. P.H.B. APPD.

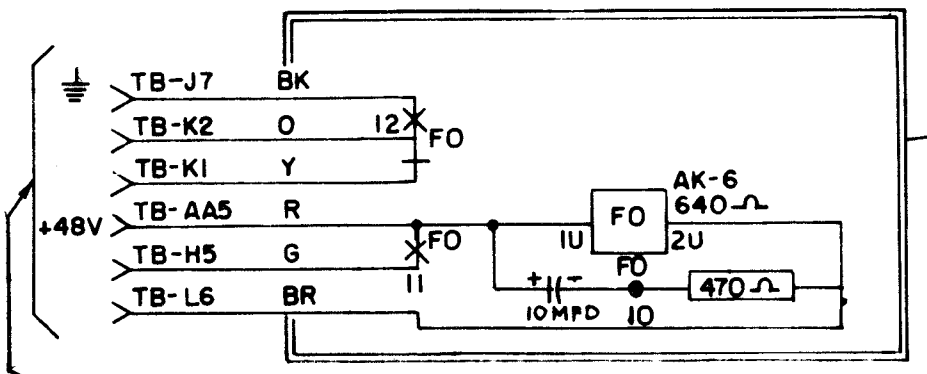
TELETYPE CORPORATION
 5949WD

EFH

- NOTES**
- REFER TO 6022 WD FOR ACTUAL WD.
 - "TB" NUMBERS INDICATE CONNECTIONS TO TERMINAL BOARD IN 194605 SERVICE UNIT ASSEMBLY
 - INDICATES FEMALE AND → INDICATES MALE TERMINALS
 - ALL VOLTAGES DC UNLESS OTHERWISE SPECIFIED

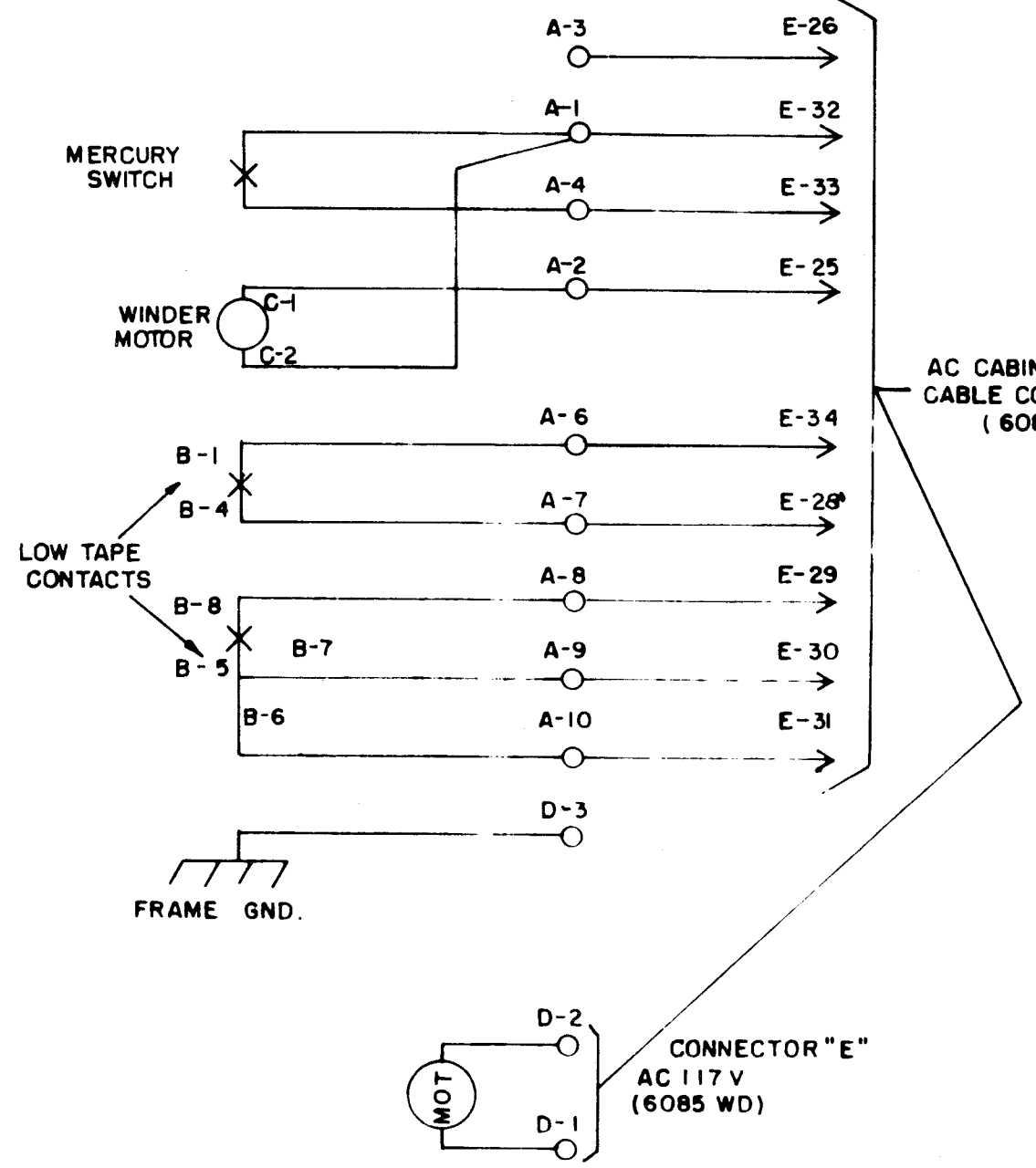


AC CABINET CABLE CONNECTOR "K" (6085 WD)



REFER TO 6037 WD FOR TERMINAL ROUTING.

194608 FEED OUT ASSEMBLY "FO"



AC CABINET CABLE CONNECTOR "K" (6085 WD)


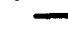
CONNECTOR "E" AC 117 V (6085 WD)

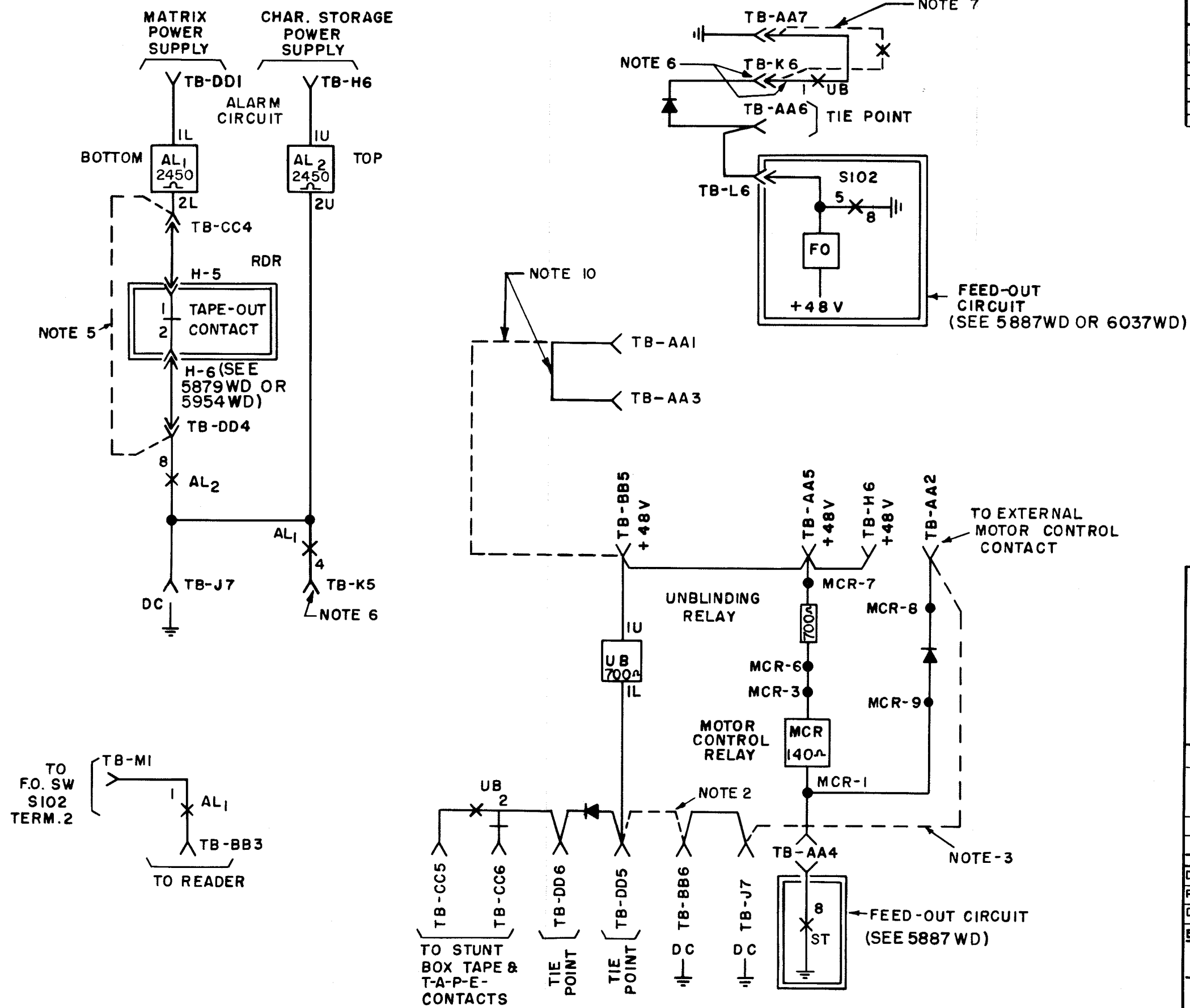
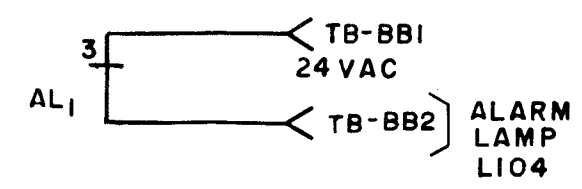
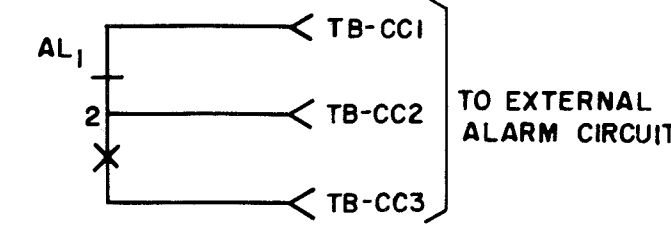
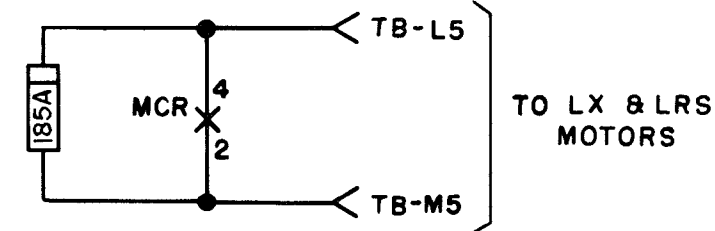
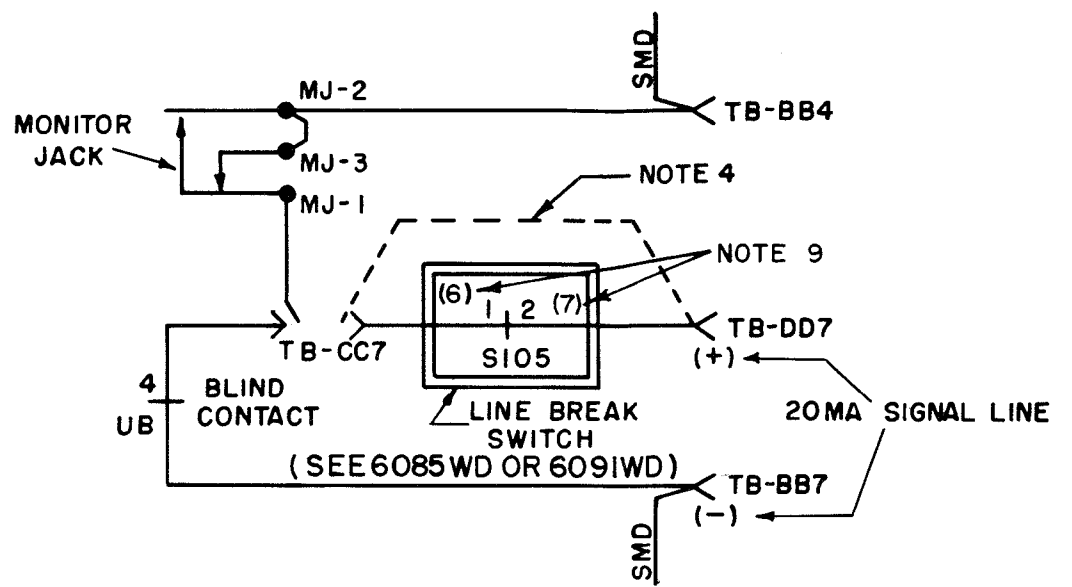
6021 WD

REVISIONS		
ISSUE	DATE	AUTH. NO.
2	7-9-64	82984
3	7-10-64	83009

SCHEMATIC WIRING DIAGRAM FOR TAPE PANEL ASSEMBLY VCL 287 AND VCL 316 ASSEMBLY NO. 194548

APPROVALS	
R AND D	E OF M
	<i>[Signature]</i>
E NUMBER	
PROD. NO. 6021 WD	
DATE: 2-1-63	
R. & D. FILE NO. 3-95AAA	
DRAWN R.A.L.	CHKD.
ENGD. P.H.B.	APPD.
TELETYPE CORPORATION	
6021 WD	

NO	NOTES
1	FOR WIRING LIST REFER TO 6024 WD
2	ADD STRAP ACROSS DD5 AND BB6 TO DISABLE BLINDING CIRCUIT
3	ADD STRAP ACROSS AA2 AND J7 TO RUN MOTOR CONTINUOUSLY
4	ADD STRAP ACROSS CC7 AND DD7 TO DISABLE LINE BREAK KEY
5	ADD STRAP ACROSS CC4 AND DD4 WHEN CONVERTER IS USED AS A SIGNAL-TO-TAPE TRANSLATOR
6	STRAP TB-K5 TO TB-K6 WHEN AUTOMATIC LTRS FEED-OUT IS REQUIRED FOR TAPE-TO-TAPE CONVERTERS. REMOVE CONNECTION TO CONTACT 1 UB AND TIE BACK.
7	CIRCUIT IS WIRED FOR STUNT-BOX CONTROL OF FEED-OUT RELAY, FO, THROUGH UNBLIND RELAY, "UB" IF EXTERNAL CONTROL IS DESIRED. DISCONNECT LEAD BETWEEN TB-K6 AND TB-AA7 AND CONNECT EXTERNAL CONTACT TO TERMINALS.
8	 INDICATES FEMALE AND  INDICATES MALE TERMINALS.
9	DESIGNATIONS (6) AND (7) ARE USED FOR THE 5-8 LEVEL CODE CONVERTER.
10	5-8 LEVEL CONVERTER IS WIRED FOR VERTICAL PARITY. IF CONTINUOUS MARK IS DESIRED IN THE 8TH LEVEL, REMOVE STRAP FROM TB-AA1 AND CONNECT TO TB-BB5.



6023WD		
ISSUE	DATE	AUTH. NO.
2	9-24-63	78176
3	7-10-64	82990

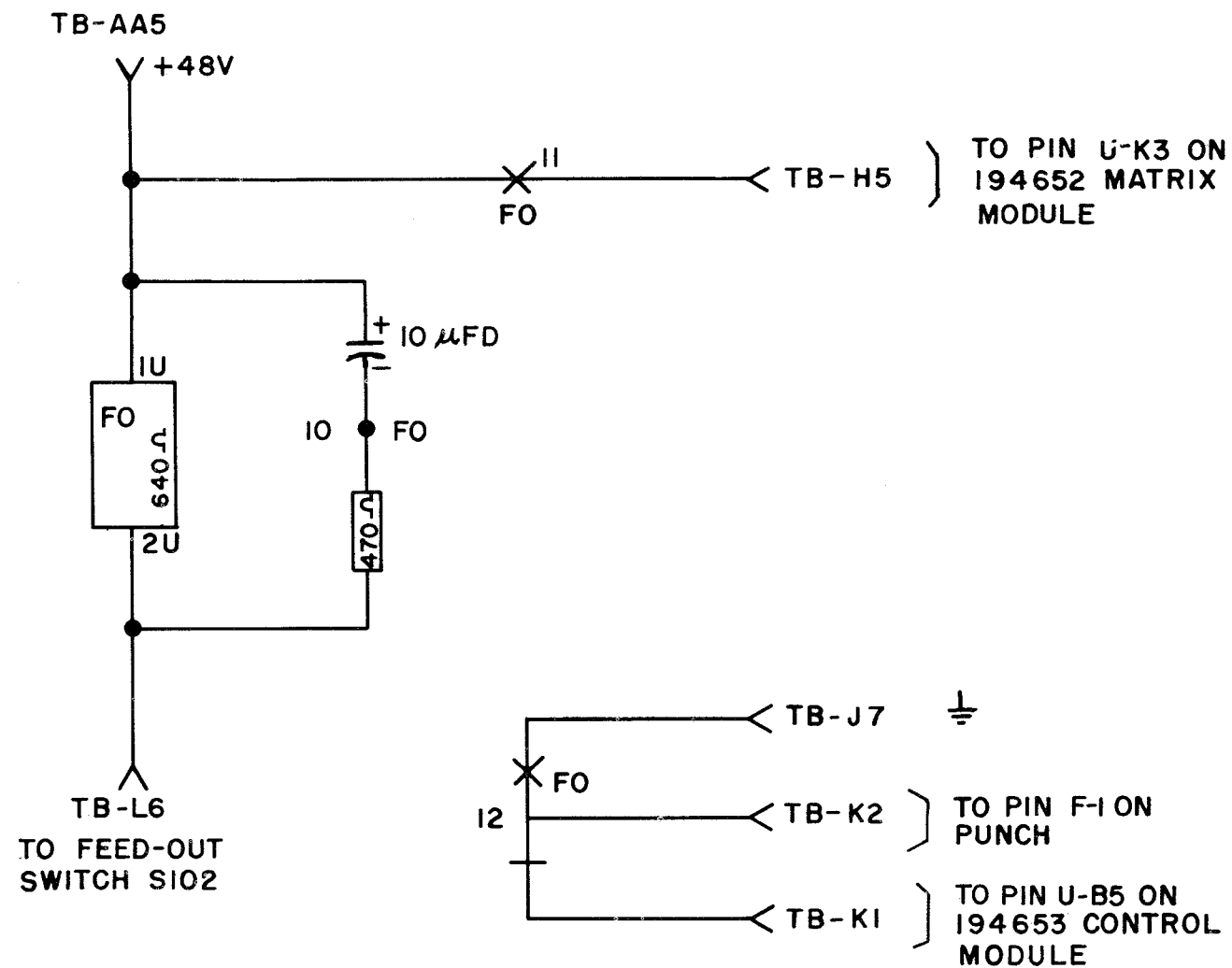
SCHEMATIC WIRING DIAGRAM	
194605 SERVICE UNIT ASSEMBLY	
APPROVALS	
DANDR	E OF M
E-NUMBER	
PROD. NO 6023 WD	
DATE 1-17-63	
P.D. FILE NO 3-95 AAA	
DRAWN C G	CHKD. [Signature]
ENGD PHB	APPD [Signature]
TELETYPE CORPORATION	
6023WD	

BFK

6037 WD

ISSUE	DATE	AUTH. NO.
2	7-30-64	83012

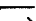
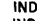
- | NO. | NOTES |
|-----|--|
| 1. | FOR ACTUAL WD REFER TO 6038 WD. |
| 2. | "TB" NUMBERS INDICATE CONNECTIONS TO TERMINAL BOARD IN 194605 SERVICE UNIT ASSEMBLY. REFER TO 6021WD |
| 3. | ALL VOLTAGES DC UNLESS OTHERWISE SPECIFIED. |
| 4. | —> INDICATES FEMALE TERMINAL. |
| 5. | ALL CAPACITANCE VALUES IN MICROFARADS UNLESS OTHERWISE SPECIFIED. |

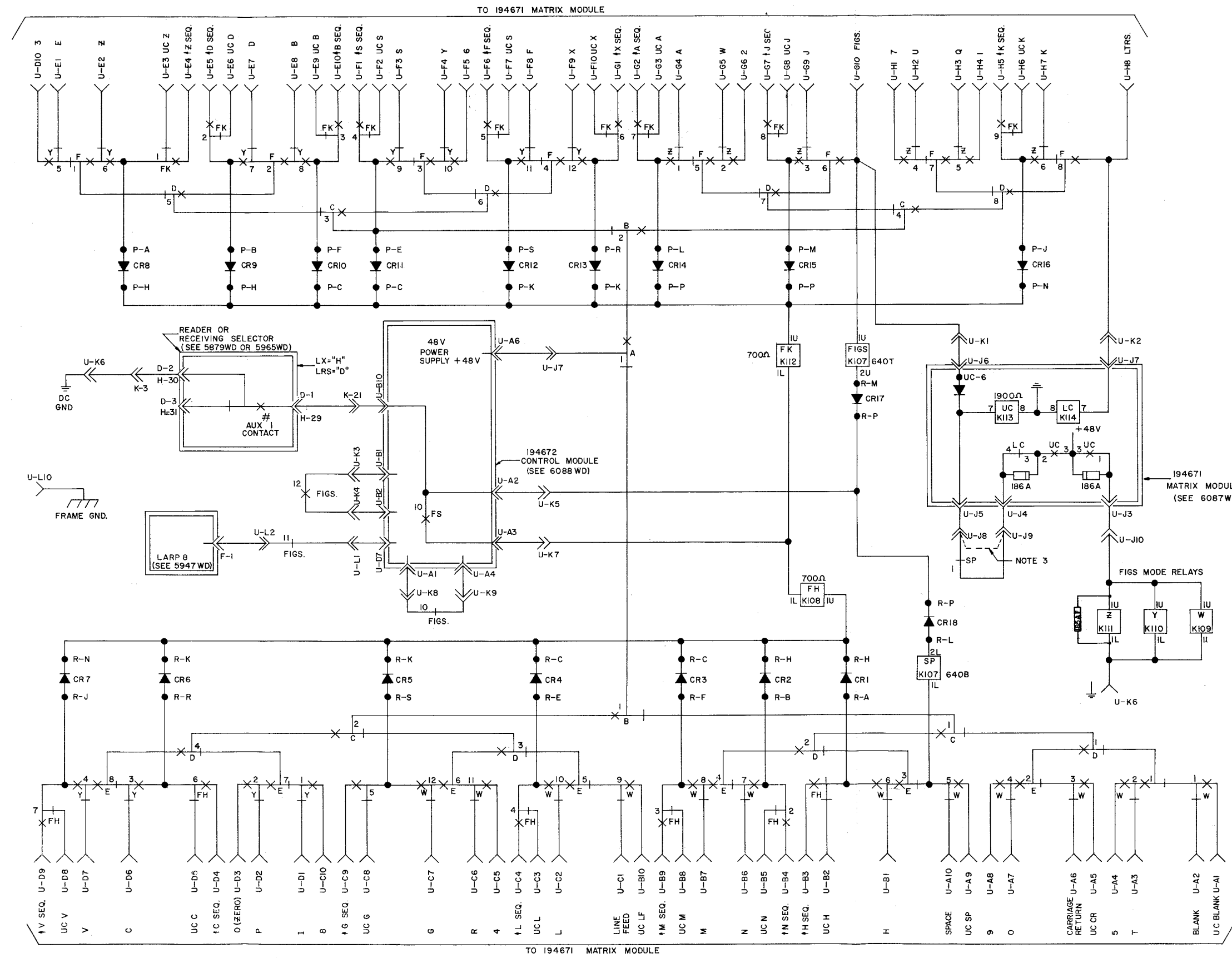


SCHEMATIC WIRING DIAGRAM

194608
FEED - OUT
ASSEMBLY

APPROVALS	
D AND R <i>PHB</i>	E OF M <i>[Signature]</i>
E-NUMBER	
PROD. NO. 6037 WD	
DATE: 1 - 3 - 63	
P.D. FILE NO. 3-95AAA	
DRAWN. <i>C.A.</i>	CHKD. <i>[Signature]</i>
ENGD. <i>PHB</i>	APPD. <i>[Signature]</i>
TELETYPE CORPORATION	
6037 WD	

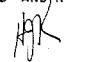
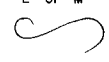
NO	NOTES
1	REFER TO 6081WD FOR SCHEMATIC OF TRANSFER TREE RELAYS
2	REFER TO 6082WD FOR WIRING LIST
3	ADD STRAP ACROSS THESE TERMINALS TO DISABLE UNSHIFT ON SPACE FEATURE
4	ALL VOLTAGES DC UNLESS OTHERWISE SPECIFIED
5	 INDICATES FEMALE AND  INDICATES MALE TERMINALS



6039W D

ISSUE	DATE	AUTH	NO
1	9-24-63		78176
2	7-9-64		82992
3	10-23-64		83877

SCHEMATIC
5 TO 8 LEVEL
TRANSFER TREE
MODULE
194670

APPROVALS	
D AND R	E OF M
	

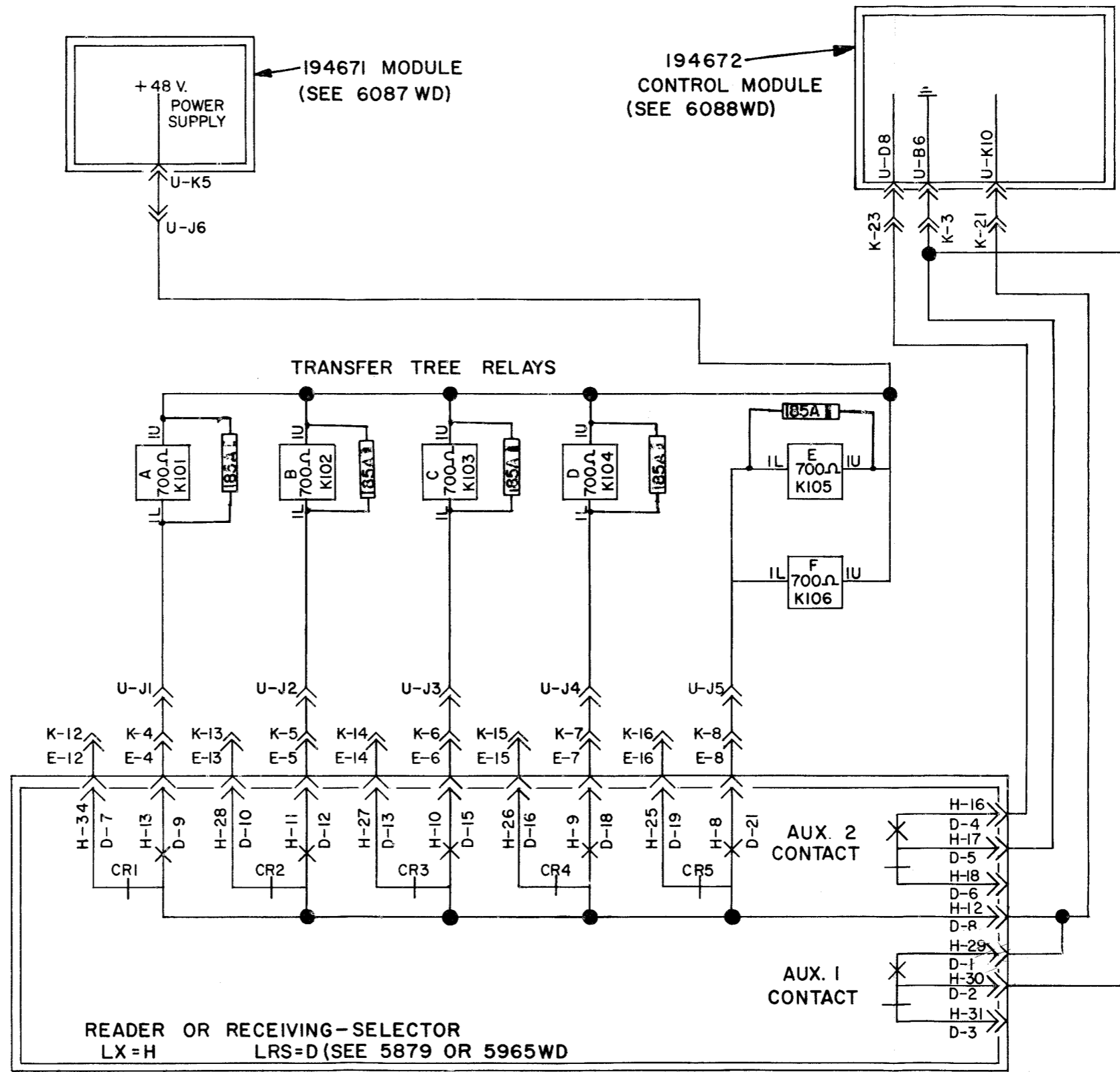
E-NUMBER	
PROD. NO.	6039 WD
DATE:	2-16-63
P.D. FILE NO.	4.95 AAA
DRAWN	CG
CHKD.	RJK
ENGD.	PHB
APPD.	RAG

TELETYPE
CORPORATION
6039WD

6081 WD

ISSUE	DATE	AUTH. NO.
2	9-24-63	78176
3	7-9-64	82992
4	10-23-64	83877

NO.	NOTE
1	REFER TO 6039 WD. FOR TRANSFER TREE MAZE CONTACTS.
2.	REFER TO 6082 W.D. FOR WIRING LIST.
3.	ALL VOLTAGES DC UNLESS OTHERWISE SPECIFIED.
4.	⤴ INDICATES FEMALE AND ⤵ INDICATES MALE TERMINALS.



SCHEMATIC
5 TO 8 LEVEL
TRANSFER TREE
MODULE 194670

APPROVALS

D AND R	E OF M
<i>[Signature]</i>	<i>[Signature]</i>

E-NUMBER

PROD. NO. 6081 WD

DATE: 2-14-63

P.D. FILE NO. 4-95. AAA



DRAWN	CHKD <i>RJK</i>
ENGD	APPD <i>RGG</i>

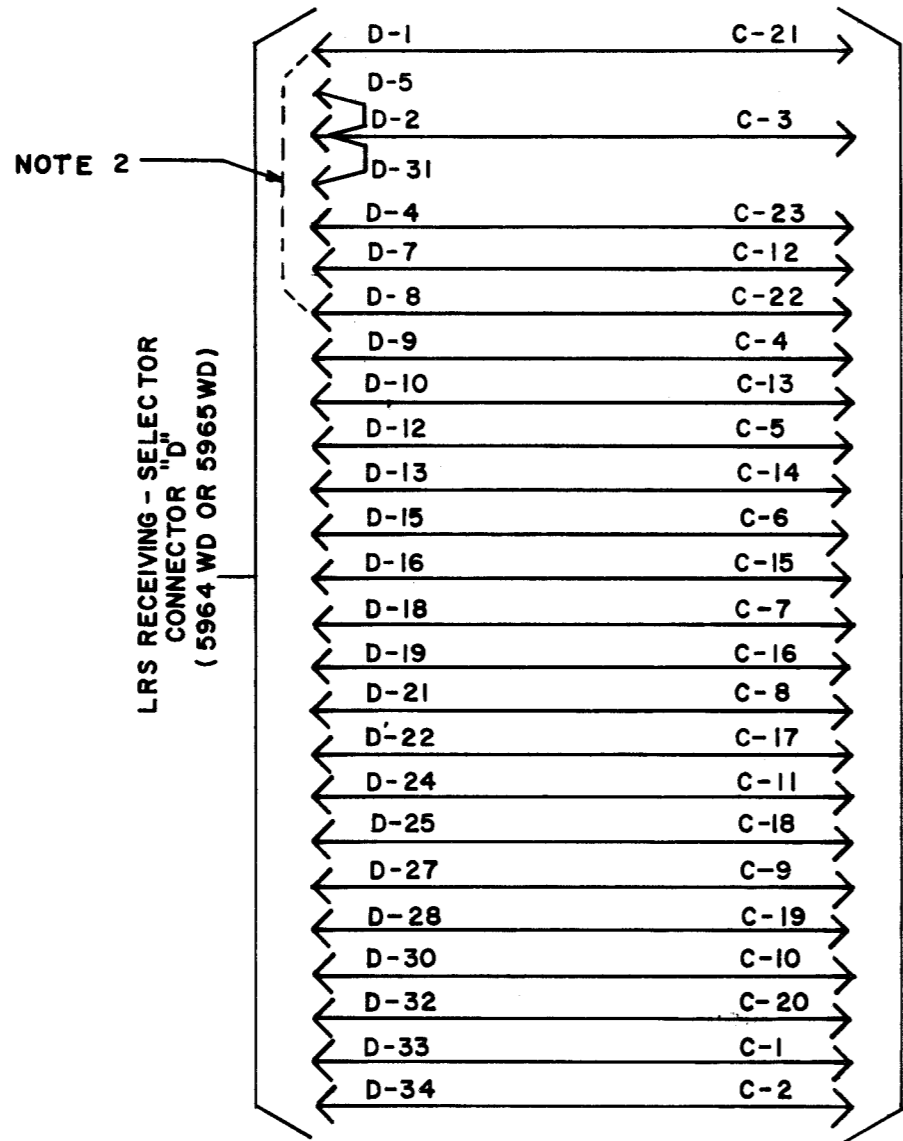
TELETYPE CORPORATION

6081 WD

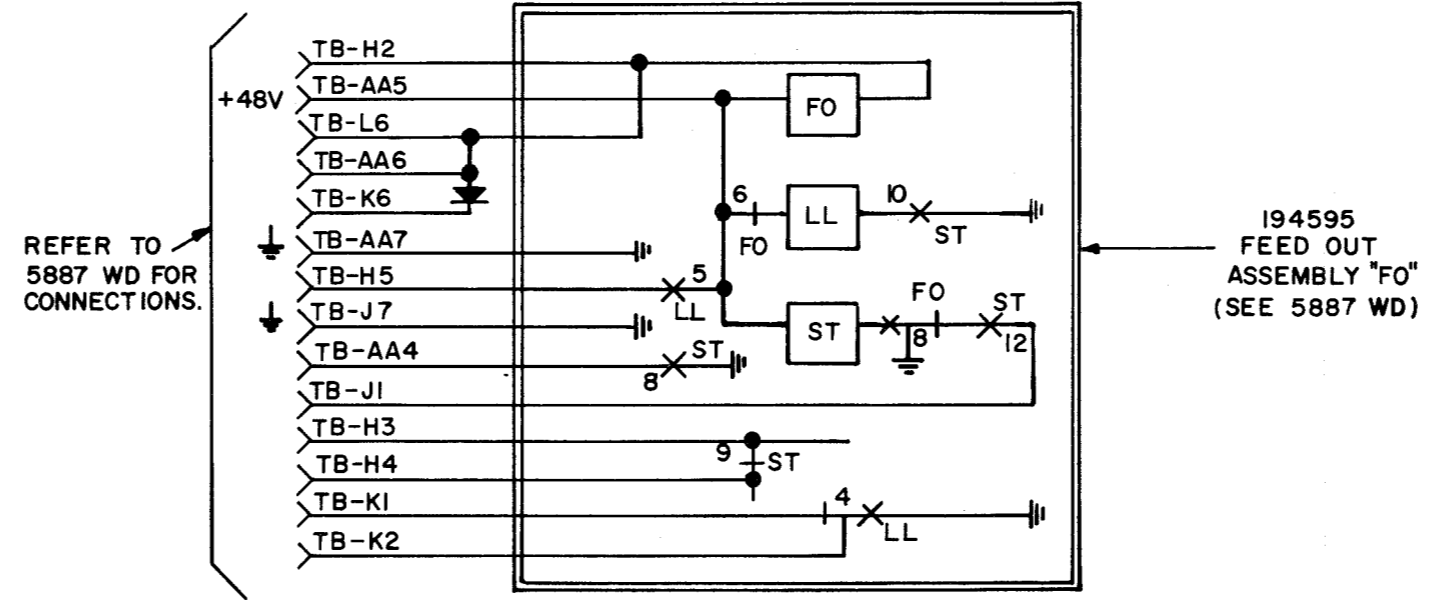
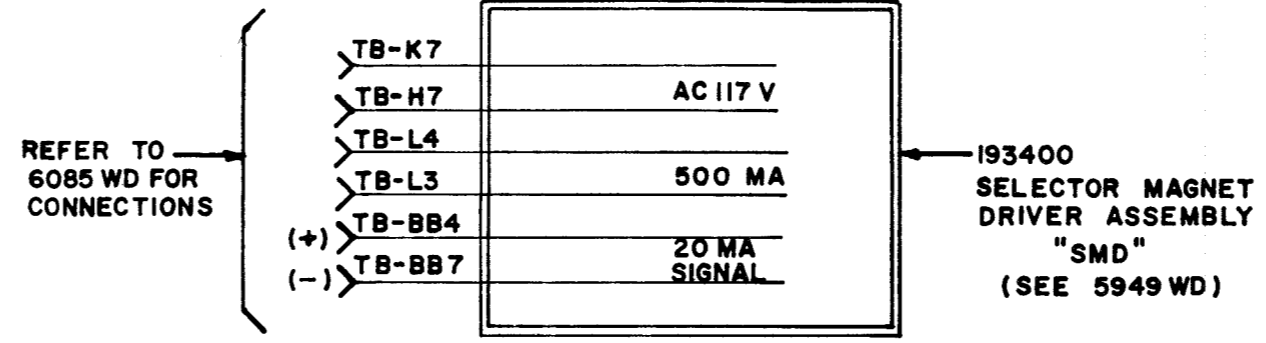
6083 WD

REVISIONS		
ISSUE	DATE	AUTH. NO.
2	9-24-63	78176
3	7-10-64	82986

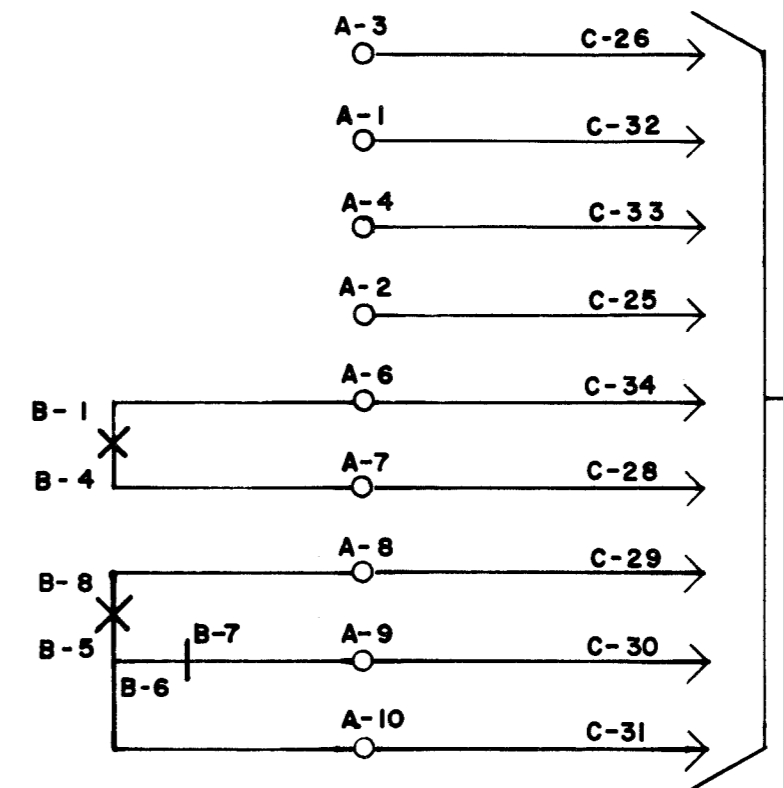
- | NO. | NOTES |
|-----|---|
| 1. | REFER TO 6084 WD FOR ACTUAL WD. |
| 2. | THIS STRAP IS NOT PART OF THE 194698 CABLE ASSEMBLY BUT MUST BE ADDED WHEN THE CABLE IS USED AS PART OF THE VCL 317 ASSEMBLY. |
| 3. |  INDICATES FEMALE AND
 INDICATES MALE TERMINALS. |
| 4. | ALL VOLTAGES DC UNLESS OTHERWISE SPECIFIED. |



AC CABINET CABLE CONNECTOR "K" (6085 WD)



LOW-TAPE CONTACTS



AC CABINET CABLE CONNECTOR "K" (6085 WD)

SCHMATIC WIRING DIAGRAM FOR SIGNAL TO TAPE PANEL ASSEMBLY VCL 282 AND VCL 317
193400, 194595, AND 194706 ASSEMBLIES

APPROVALS

R AND D E OF M

E-NUMBER

PROD. NO. 6083 WD

DATE: 2-2-63

R. & D. FILE NO. 3-95AAA

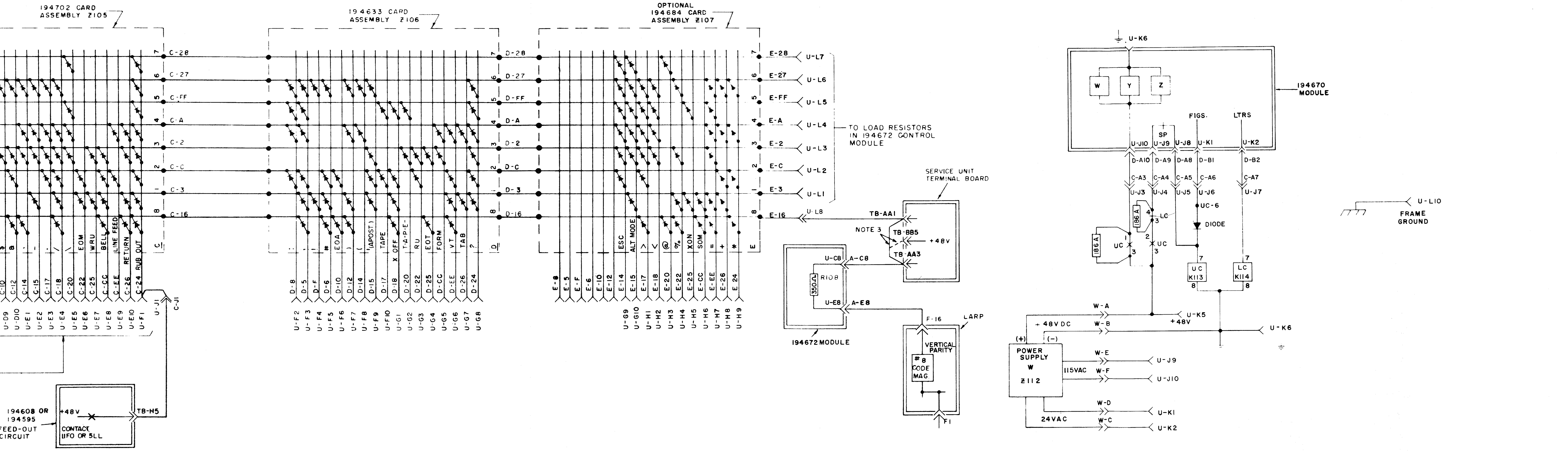
DRAWN C.G. CHKD.

ENGD. R.J.K. APPD. R.G.G.

TELETYPE CORPORATION

6083 WD

ISSUE	DATE	AUTH. NO.
2	7-7-64	82995



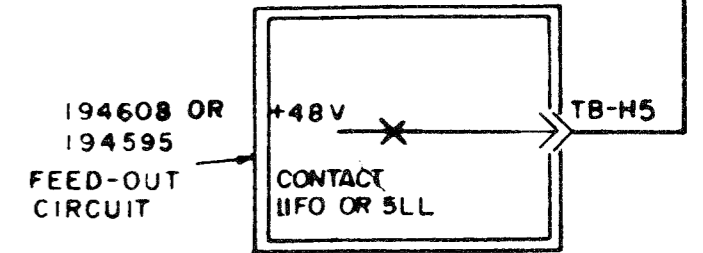
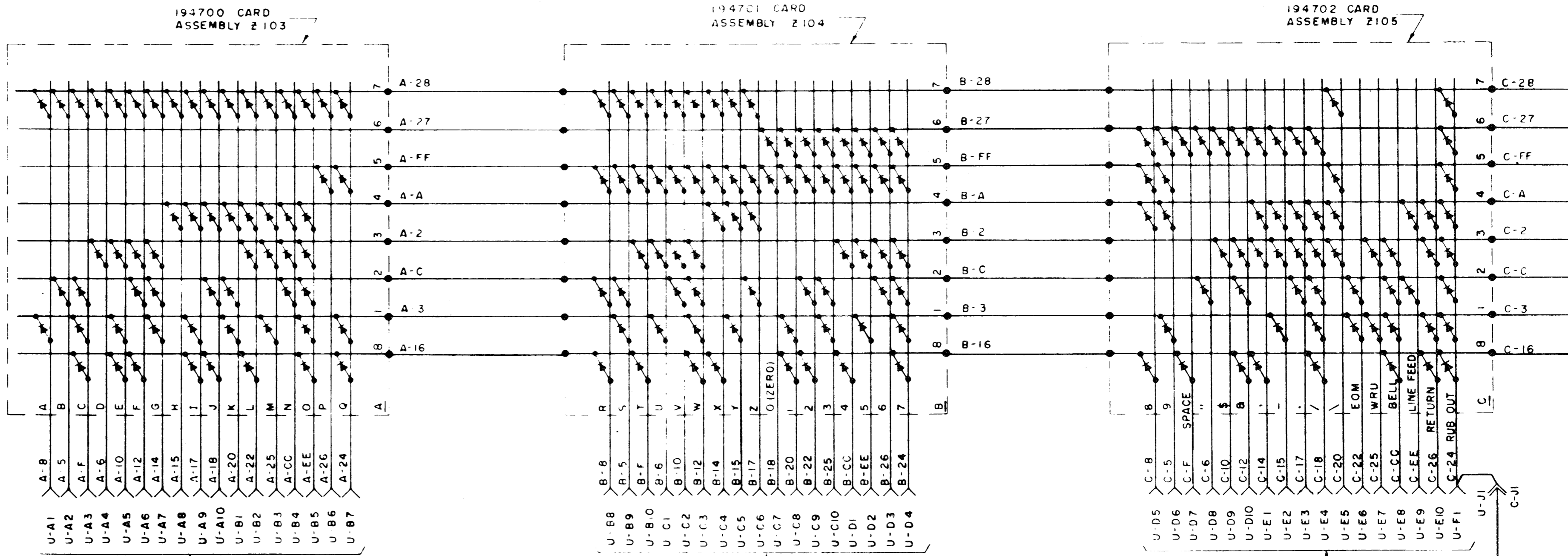
SCHMATIC WIRING DIAGRAM
5 TO 8 LEVEL CODE CONVERTER
194671
DIODE MATRIX ASSEMBLY

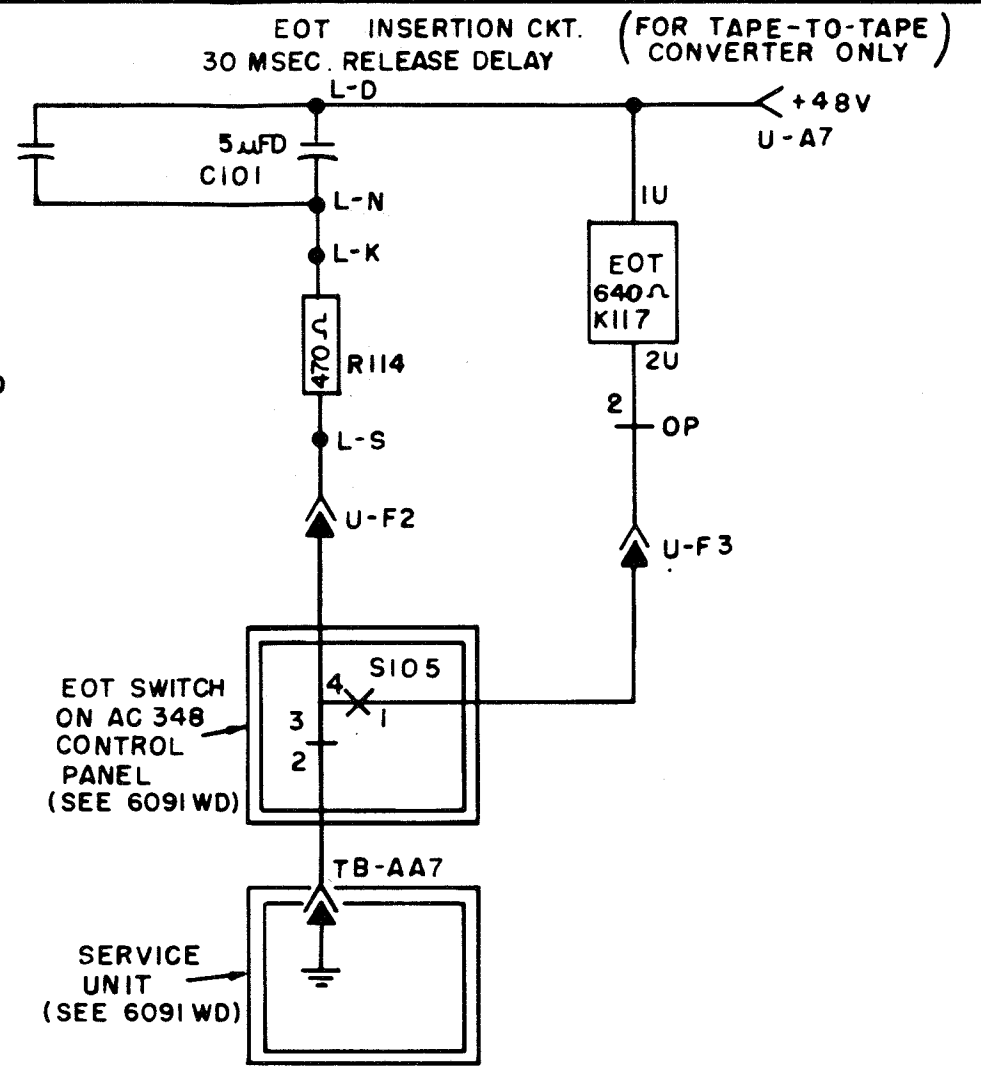
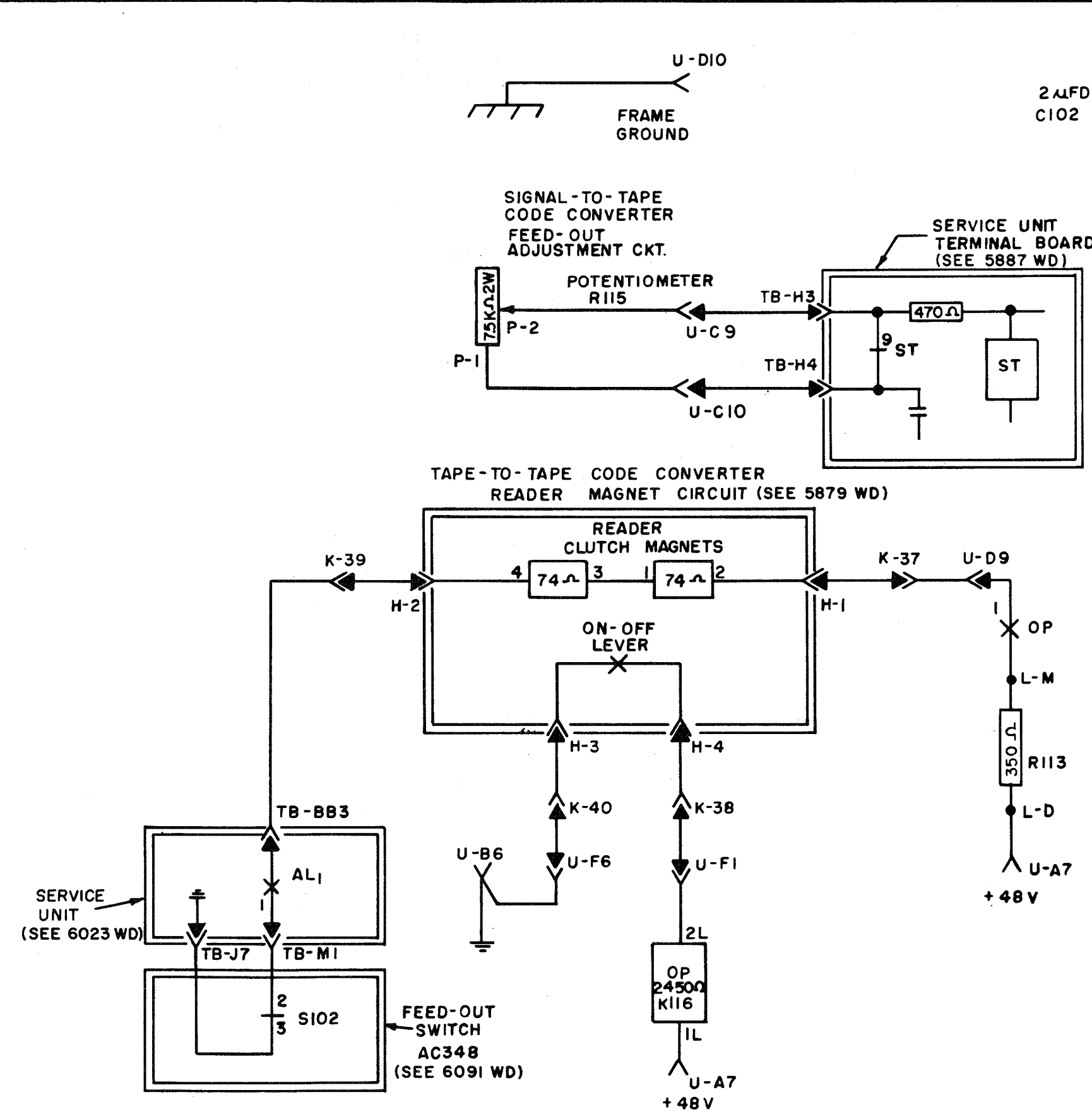
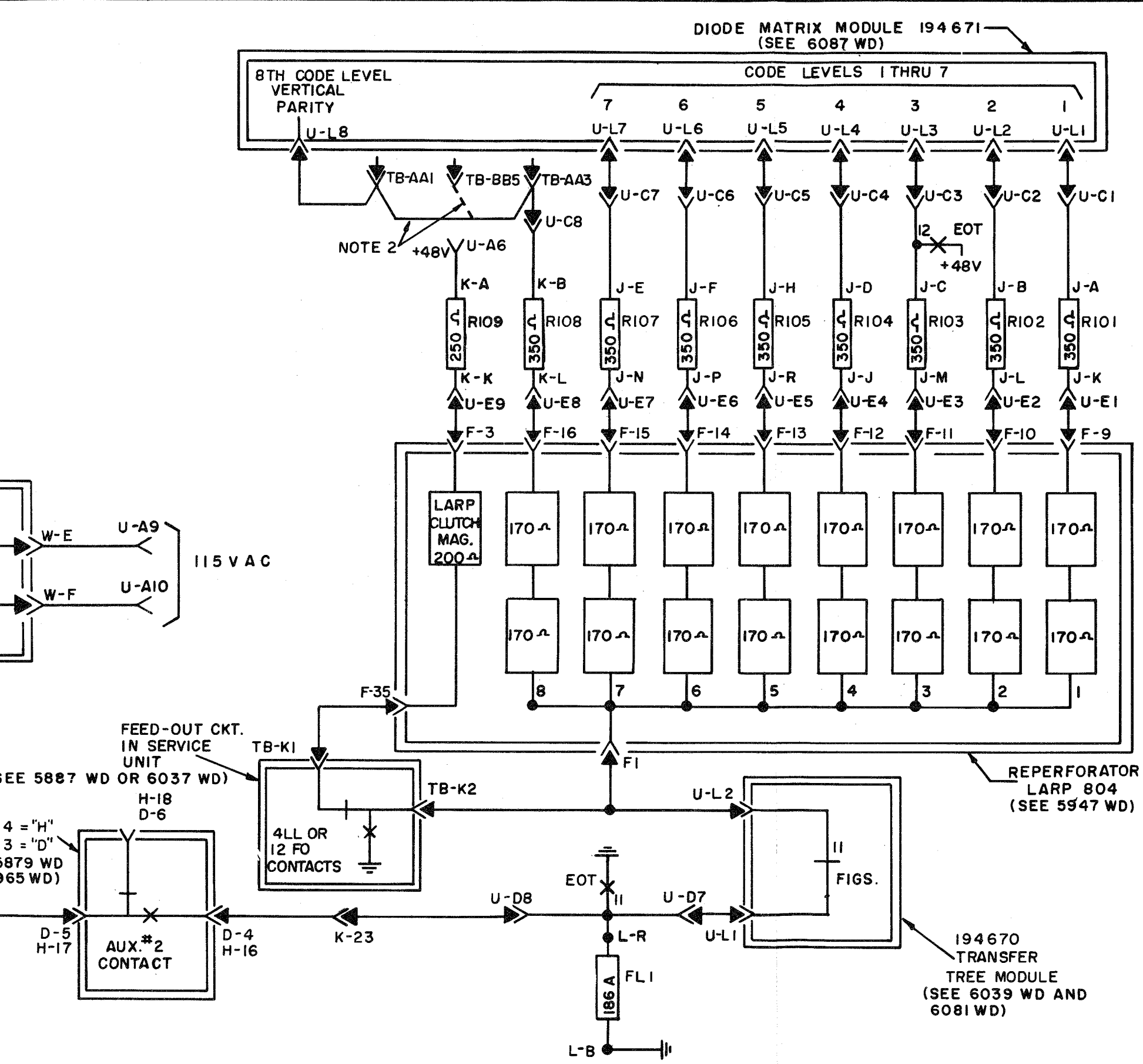
APPROVALS
D AND R E OF M

E-NUMBER
PROD. NO. 6087 WD
DATE 2-25-63
PD FILE NO. 4-95 AAA
DRAWN CG CHKD. [initials]
ENGD. PHB APPD. [initials]

TELETYPE CORPORATION
6087 WD

- NO** **NOTES**
- REFER TO 6086WD FOR WIRING LIST
 - A-E CONNECTOR (56 PIN)**
(J103 - J107) 193033
U CONNECTOR (110 PIN)
(J115) 174732
 - CONVERTER IS STRAPPED BETWEEN TB-AA1 AND TB-AA3 TO PRODUCE A VERTICAL PARITY BIT IN THE 8TH LEVEL IF CONTINUOUS MARKING IS DESIRED, REMOVE STRAP FROM TB-AA1 AND CONNECT TO TB-BB5
 - ALL VOLTAGES DC UNLESS OTHERWISE SPECIFIED.
 - ↘ INDICATES FEMALE AND → INDICATES MALE TERMINALS.





6088 WD		
ISSUE	DATE	AUTH. NO.
22	7-31-63	775 98
418	2-4-63	78176
418	6-6-64	82899

SCHEMATIC WIRING DIAGRAM

194672 CONTROL MODULE 5 TO 8 LEVEL CODE CONVERTER

APPROVALS

D AND B	E OF M
<i>[Signature]</i>	<i>[Signature]</i>

E-NUMBER

PROD. NO 6088 WD

DATE 3-2-63



P.D. FILE NO. 4-95 AAA

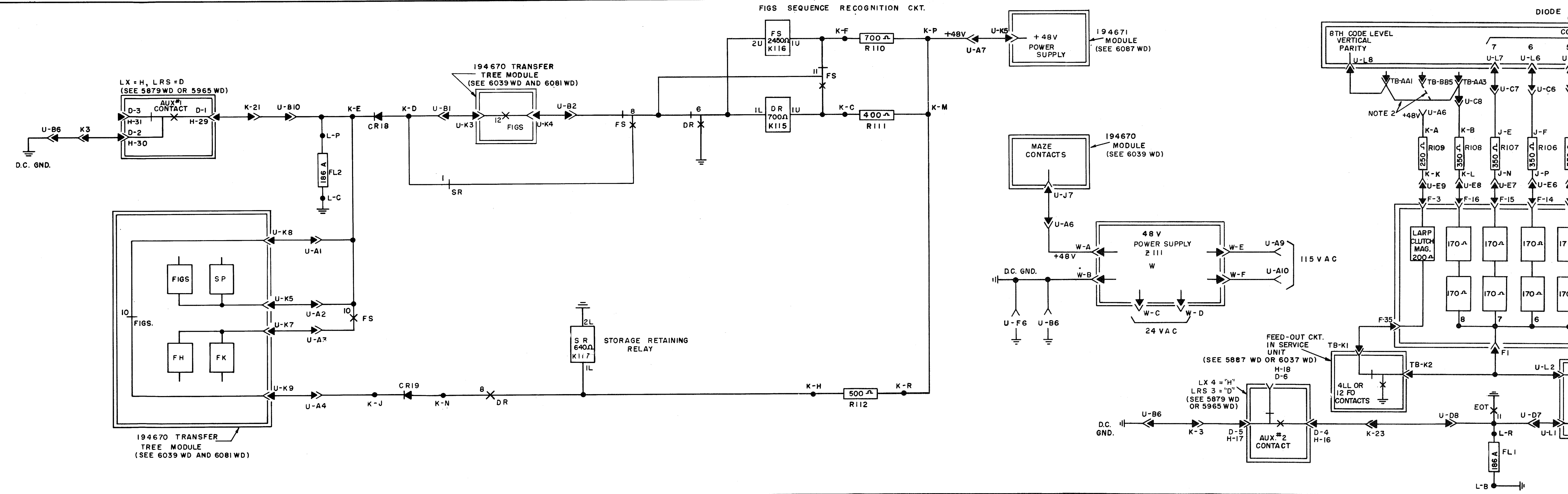
DRAWN CG

ENGD. PHB

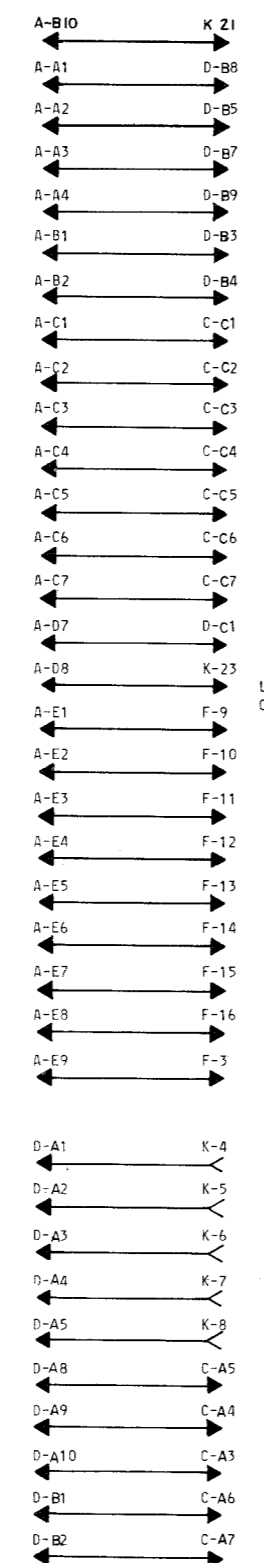
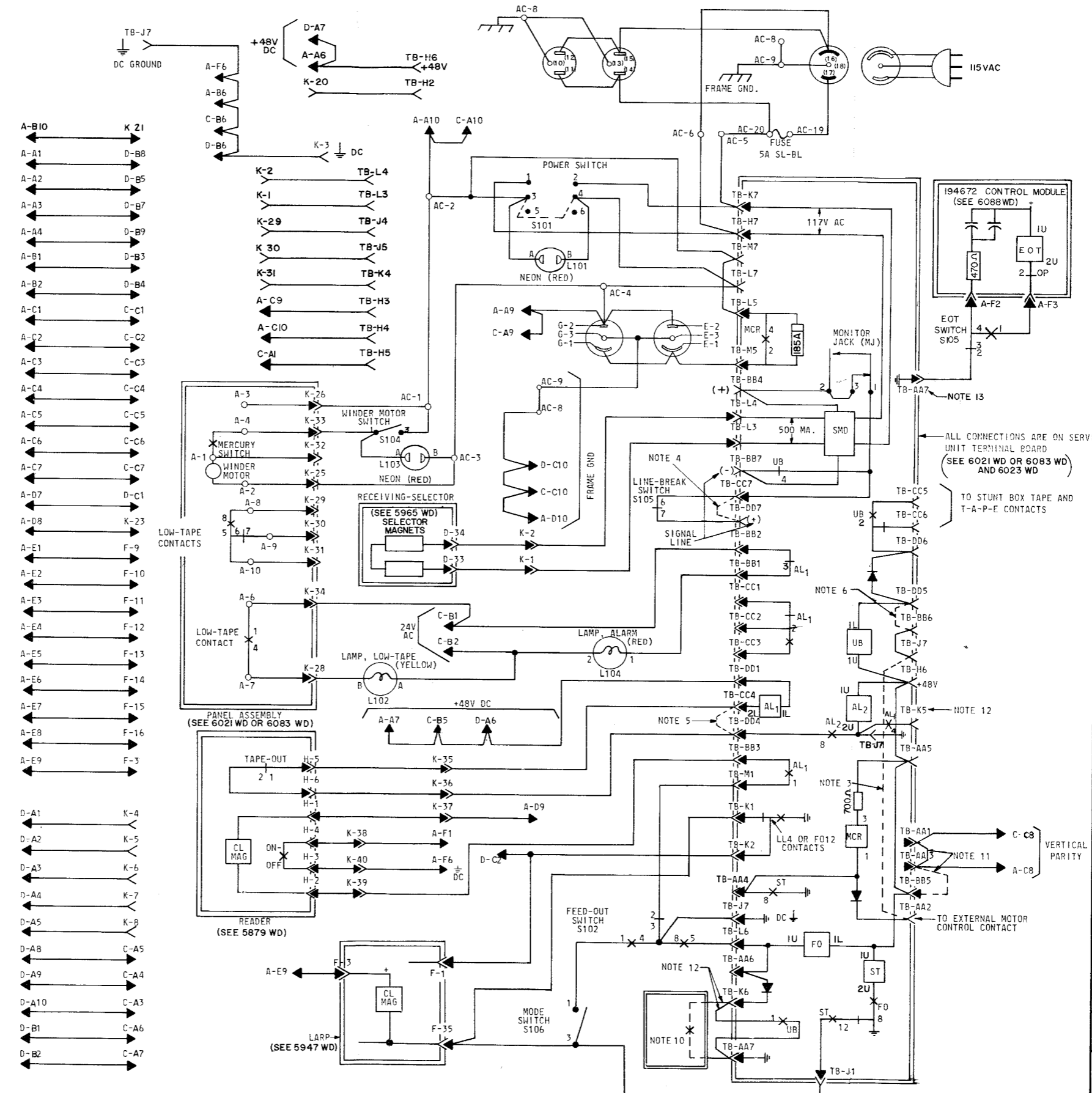
TELETYPE CORPORATION

6088 WD

NO	NOTES
1	REFER TO 6089WD FOR WIRING LIST
2	CONVERTER IS WIRED FOR VERTICAL PARITY. IF CONTINUOUS MARKING IS DESIRED IN THE 8TH LEVEL, REMOVE STRAP FROM TB-AA1 AND CONNECT TO TB-BB5
3	ALL VOLTAGES DC UNLESS OTHERWISE SPECIFIED.
4	ALL CAPACITANCE VALUES IN MICROFARADS, UNLESS OTHERWISE SPECIFIED.
5	 INDICATES FEMALE TERMINAL  INDICATES MALE TERMINAL



- NOTES**
- FOR WIRING LIST, REFER TO 6090WD.
 - "A" CONNECTOR IS ON 194672 CONTROL MODULE, 6088WD.
"C" CONNECTOR IS ON 194671 DIODE MATRIX MODULE, 6087WD.
"D" CONNECTOR IS ON 194670 TRANSFER TREE MODULE, 6039WD, 6081WD.
 - ADD STRAP ACROSS TB-AA2 & TB-J7 TO RUN MOTOR CONTINUOUSLY.
 - ADD STRAP ACROSS TB-CC7 & TB-D7 TO DISABLE LINE BREAK KEY.
 - ADD STRAP ACROSS TB-CC4 & TB-DD4 WHEN CONVERTER IS USED AS A SIGNAL-TO-TAPE TRANSLATOR.
 - ADD STRAP ACROSS TB-DD5 & TB-BB6 TO DISABLE BLINDING CIRCUIT.
 - "TB" CONNECTIONS SHOWN ON 6023WD.
 - "F" CONNECTIONS SHOWN ON 5947WD.
 - "K" CONNECTIONS SHOWN ON 6021WD.
 - CIRCUIT IS WIRED FOR STUNT-BOX CONTROL OF FEED-OUT RELAY, "FO", THROUGH UNBLIND RELAY, "UB". IF EXTERNAL CONTROL IS DESIRED, DISCONNECT LEAD BETWEEN TB-K6 AND TB-AA7 AND CONNECT EXTERNAL CONTACT TO TERMINALS.
 - CONVERTER IS WIRED FOR VERTICAL PARITY. IF CONTINUOUS MARK IS DESIRED IN THE 8TH LEVEL, REMOVE STRAP FROM TB-AA1 AND CONNECT TO TB-BB5.
 - STRAP TB-K5 TO TB-K6 WHEN AUTOMATIC LTRS. FEED-OUT IS REQUIRED FOR TAPE-TO-TAPE CONVERTERS AND REPLACE 194608 MANUAL FEED-OUT ASSEMBLY WITH 194595 AUTOMATIC FEED-OUT ASSEMBLY. REMOVE CONNECTION TO CONTACT 1 UB AND TIE BACK.
 - DISCONNECT S-105-2 LEAD AT TB-AA7 AND TAPE IN SIGNAL-TO-TAPE APPLICATION.
 - ALL VOLTAGES DC UNLESS OTHERWISE SPECIFIED.
 - TERMINAL DESIGNATIONS ENCLOSED IN PARENTHESES ARE FOR REFERENCE AND ARE NOT MARKED ON COMPONENT.
 - ← INDICATES FEMALE AND
 - INDICATES MALE TERMINALS.



6091WD		
ISSUE	DATE	AUTH. NO.
A 2	5-22-63	76489
B 3	9-4-63	77405
C 4	9-5-63	77874
D 5	9-23-63	78176
E 6	12-12-63	77435
F 7	6-9-64	82051
8	8-3-64	83000
9	9-1-64	83054

ALL CONNECTIONS ARE ON SERVICE UNIT TERMINAL BOARD (SEE 6021WD OR 6083WD) AND 6023WD

TO STUNT BOX TAPE AND T-A-P-E CONTACTS

NOTE 13

NOTE 12

NOTE 11

NOTE 10

NOTE 9

NOTE 8

NOTE 7

NOTE 6

NOTE 5

NOTE 4

NOTE 3

NOTE 2

NOTE 1

SCHEMATIC WIRING DIAGRAM
AC348
5 TO 8 LEVEL CODE
CONVERTER CABINET

APPROVALS

D AND R	E OF M
---------	--------

E-NUMBER

PROD. NO. 6091WD

DATE: 3-4-63

P.D. FILE NO. 4-95AAA

DRAWN C.G. CHKD. T

ENGD. P.H.B. APPD. M

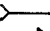

TELETYPE CORPORATION

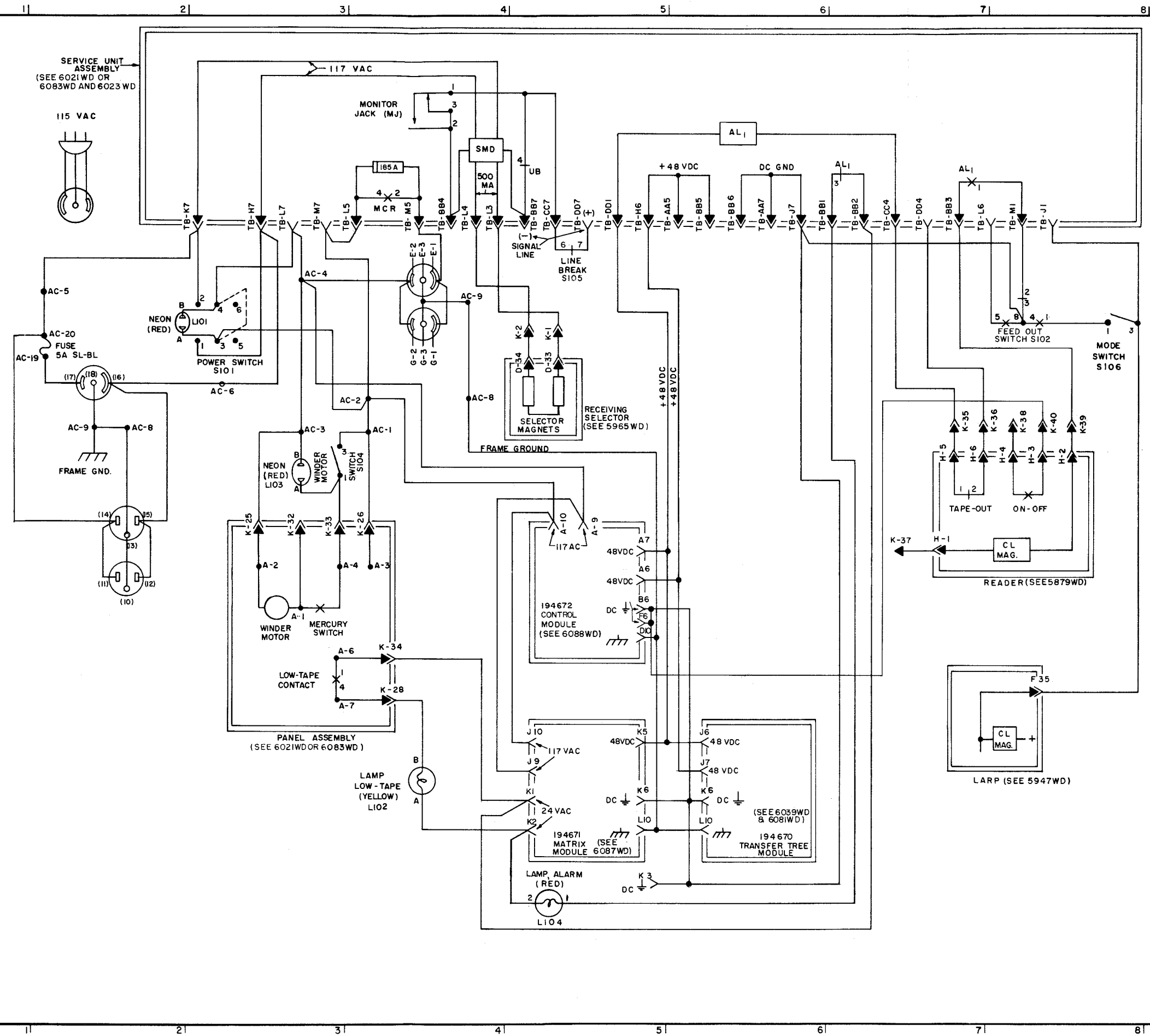
6091WD

EFH

6364WD

ISSUE	DATE	AUTH. NO.
# 2	9-24-63	78176
# 3	12-12-63	77435
4	7-31-64	83005

- NO. NOTES
- FOR WIRING LIST REFER TO 6090WD.
 - FOR TRANSLATION SCHEMATIC REFER TO 6365 WD.
 - ALL VOLTAGES DC UNLESS OTHERWISE SPECIFIED.
 - TERMINAL DESIGNATIONS ENCLOSED IN PARENTHESES ARE FOR REFERENCE AND ARE NOT MARKED ON COMPONENTS.
 -  INDICATES FEMALE AND
 INDICATES MALE TERMINALS.



POWER SCHEMATIC OF 5 TO 8 LEVEL CODE CONVERTER

APPROVALS

D AND R	E OF M
---------	--------

E-NUMBER

PROD. NO. 6364 WD

DATE: 3-16-63

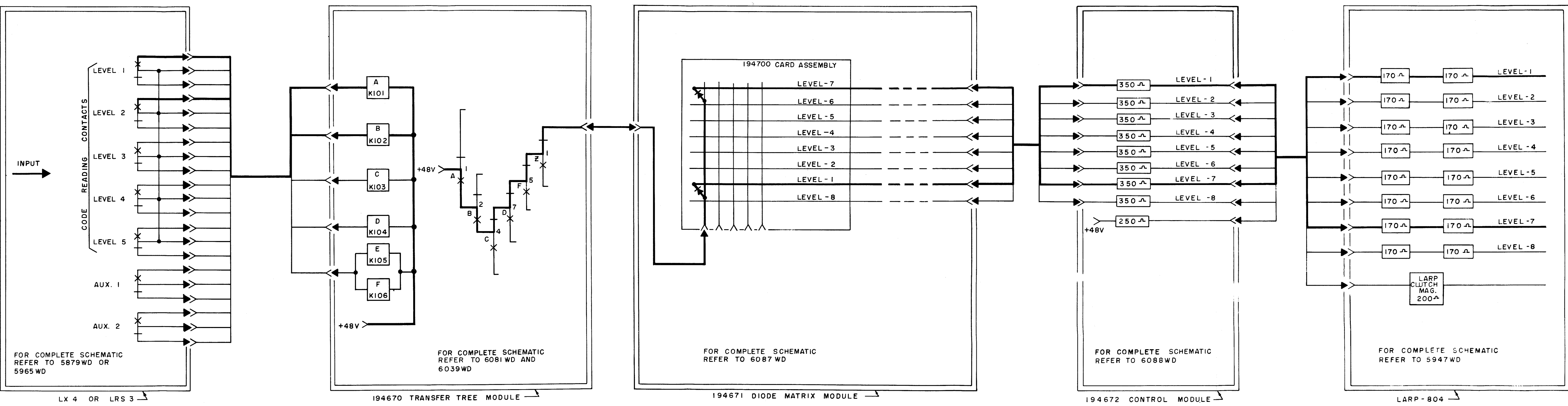
P.D. FILE NO. 4-95AAA

DRAWN C G CHKD. *[Signature]*

ENGD. RJK APPD. *[Signature]*

TELETYPE CORPORATION

6364WD



TRANSLATION SCHEMATIC OF 5-TO-8 LEVEL CODE CONVERTER

APPROVALS

D AND B E OF M

E-NUMBER
PROD. NO. 6365 WD

DATE 3-19-63

P.D. FILE NO.

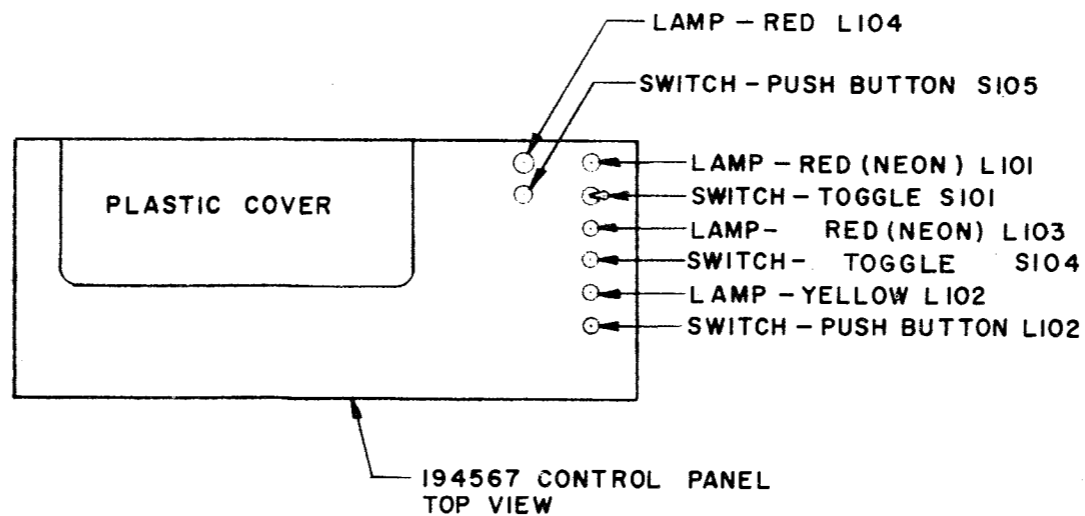
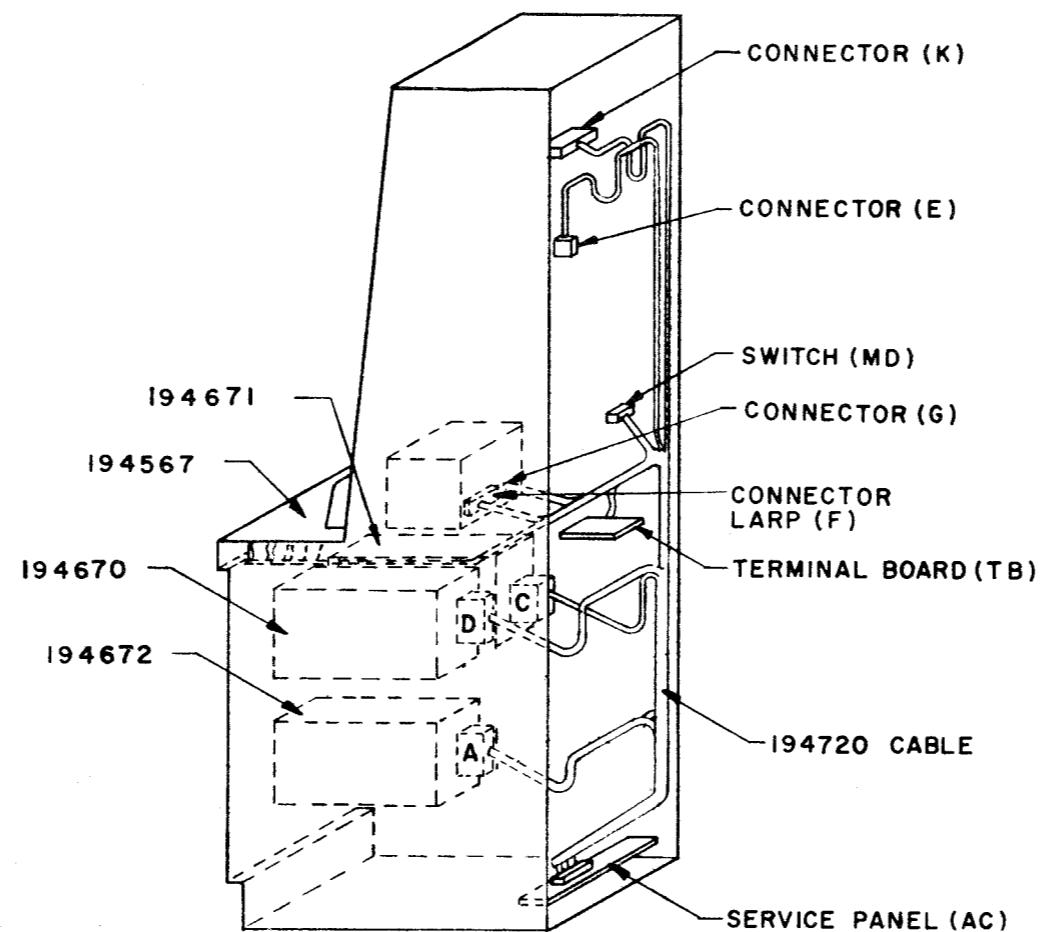
DRAWN CG [CHKD] [APPD.]
ENGR. RJK [APPD.]

TELETYPE CORPORATION

6366WD

ISSUE	DATE	AUTH. NO.
A	12-12-63	77435

NO.	NOTES
1.	REFER TO 6090WD AND 6367WD FOR WIRING INFORMATION.



CABLE ROUTING
AC 348

APPROVALS

D AND R	E OF M
<i>J.V.K.</i>	<i>CJ</i>

E-NUMBER
PROD. NO. 6366WD

DATE 5-21-63
P.D. FILE NO. 4-95 AAA
DRAWN. J.V.K. CHKD. *[Signature]*
ENGD. R.J.K. APPD. *[Signature]*

TELETYPE CORPORATION

6366WD

EPH

6370 WD

ISSUE	DATE	AUTH NO
2	3-5-64	79251
3	8-5-64	83008

NO.	NOTES
1.	IN 194692 CONNECTOR, THE SYMBOLS θ , \square , \neq , $*$, ϕ , Δ , Σ , Ψ , Γ , ∇ , $\#$, \diamond , \boxtimes INDICATES STRAPS BETWEEN TERMINALS MARKED WITH LIKE SYMBOLS.
2.	ANY CODE ALTERATIONS ARE TO BE MADE IN THE 194692 CONNECTOR.
3.	COLOR CODE IDENTIFICATION: W - WHITE P - PURPLE BK - BLACK G - GREEN O - ORANGE R - RED BL - BLUE S - SLATE Y - YELLOW BR - BROWN W-BK - WHITE-BLACK W-O - WHITE-ORANGE W-BL - WHITE-BLUE W-Y - WHITE-YELLOW W-P - WHITE-PURPLE W-G - WHITE-GREEN W-R - WHITE-RED W-S - WHITE-SLATE W-BR - WHITE-BROWN Y-G - YELLOW-GREEN BK-Y - BLACK-YELLOW R-BL - RED-BLUE R-G - RED-GREEN R-Y - RED-YELLOW BR-BL - BROWN-BLUE BR-G - BROWN-GREEN BR-Y - BROWN-YELLOW BK-BL - BLACK-BLUE BK-G - BLACK-GREEN BK-R - BLACK-RED R-O - RED-ORANGE R-S - RED-SLATE R-BR - RED-BROWN O-G - ORANGE-GREEN O-S - ORANGE-SLATE O-BR - ORANGE-BROWN BK-S - BLACK-SLATE BK-BR - BLACK-BROWN BL-S - BLUE-SLATE BL-G - BLUE-GREEN G-S - GREEN-SLATE BR-S - BROWN-SLATE W-BK-R - WHITE-BLACK-RED W-O-G - WHITE-ORANGE-GREEN W-O-BL - WHITE-ORANGE-BLUE W-BK-O - WHITE-BLACK-ORANGE W-BK-P - WHITE-BLACK-PURPLE W-BK-G - WHITE-BLACK-GREEN W-R-G - WHITE-RED-GREEN W-R-Y - WHITE-RED-YELLOW W-O-BR - WHITE-ORANGE-BROWN BK-O - BLACK-ORANGE W-R-BK - WHITE-RED-BLACK W-R-P - WHITE-RED-PURPLE

NO.	NOTES
	W-G-BL - WHITE-GREEN-BLUE W-G-BR - WHITE-GREEN-BROWN W-G-P - WHITE-GREEN-PURPLE W-G-R - WHITE-GREEN-RED W-G-BK - WHITE-GREEN-BLACK W-BL-R - WHITE-BLUE-RED W-BL-G - WHITE-BLUE-GREEN W-P-BL - WHITE-PURPLE-BLUE W-BL-BK - WHITE-BLUE-BLACK W-BL-BR - WHITE-BLUE-BROWN W-BL-P - WHITE-BLUE-PURPLE W-BR-BK - WHITE-BROWN-BLACK W-BR-P - WHITE-BROWN-PURPLE W-P-R - WHITE-PURPLE-RED Y-BR - YELLOW-BROWN Y-O - YELLOW-ORANGE Y-P - YELLOW-PURPLE S-BK - SLATE-BLACK S-BR - SLATE-BROWN S-O - SLATE-ORANGE S-Y - SLATE-YELLOW S-G - SLATE-GREEN S-BL - SLATE-BLUE S-P - SLATE-PURPLE O-BL - ORANGE-BLUE

4. TERMINAL DESIGNATIONS ENCLOSED IN PARENTHESES ARE FOR REFERENCE AND ARE NOT MARKED ON COMPONENT.

194670 TRANSFER TREE END OF CABLE

	(10)	(9)	(8)	(7)	(6)	(5)	(4)	(3)	(2)	(1)
(A)	SP	UC-SP	9	O	CR	UC-CR	5	T	BLANK	UC-BLANK
(B)	BK-S #	#	O-BR	W-P	W-R-Y	g	R-S	Y-G	θ	θ
(C)	UC-LF	FIGS-M	UC-M	M	N	UC-N	FIGS-N	FIGS-H	UC-H	H
(D)	Δ	ϕ	W-BK-R	W-BL	W-Y	W-O-BL	*	W-BK-O	*	R
(E)	8	FIGS-G	UC-G	G	R	4	FIGS-L	UC-L	L	LF
(F)	O-S	Σ	BL-G Σ	G	W-S	R-O	*	*	W-O	W-R-G
(G)	3	FIGS-V	UC-V	V	C	UC-C	FIGS-C	O	P	I
(H)	BK-R	*	*	R-BL	O	*	W-BK-P	(ZERO) BR-Y	W-G	S
(I)	FIGS-B	UC-B	B	D	UC-D	FIGS-D	FIGS-Z	UC-Z	Z	E
(J)	*	*	BK	BL	BL-S Γ	Γ	Ψ	BK-BR Ψ	BR-G	Y
(K)	UC-X	X	F	UC-F	FIGS-F	6	Y	S	UC-S	FIGS-S
(L)	W-O-G*	R-Y	P	*	*	R-BR	BR-BL	W-BR	W-BK-G	∞
(M)	FIGS	J	UC-J	FIGS-J	2	W	A	UC-A	FIGS-A	FIGS-X
(N)		BR	G-S \boxtimes	\boxtimes	BK-G	R-G	W	BR-S \diamond	\diamond	#
(O)			LTRS	K	UC-K	FIGS-K	I	Q	U	7
(P)			W-O-BR	W-BK	*	*	BK-BL	W-R	BK-Y	O-G

WIRING SIDE OF 194692 CONNECTOR

194671 DIODE MATRIX END OF CABLE

	(10)	(9)	(8)	(7)	(6)	(5)	(4)	(3)	(2)	(1)
(A)	J	I	H	G	F	E	D	C	B	A
(B)	BR	S	R	G	P	Y	BL	O	BK	W
(C)	T	S	R	Q	P	O	N	M	L	K
(D)	Y-G	W-BR	W-S	W-R	W-G	W-P	W-Y	W-BL	W-O	W-BK
(E)	3	2	1	O	Z	Y	X	W	V	U
(F)	BK-R	BK-G	BK-BL	(ZERO) BR-Y	BR-G	BR-BL	R-Y	R-G	R-BL	BK-Y
(G)	8	\$	"	SP	9	8	7	6	5	4
(H)	BL-G	BL-S	QUOTES	BK-S	O-BR	O-S	O-G	R-BR	R-S	R-O
(I)	CR	LF	BELL	WRU	EOM	\	/	-	?	
(J)	W-R-Y	W-R-G	W-BK-G	W-BK-P	W-BK-O	W-O-BL	W-O-G	PERIOD	BR-S	(COMMA) G-S
(K)	TAPE	()	EOA	*	!	;	:	LTRS	
(L)	W-BL-R	W-G-BK	W-G-R	W-G-P	W-G-BR	W-G-BL	W-R-P	W-R-BK	BK-O	W-O-BR
(M)	ALT MODE	ESC	?	TAB	VT	FORM	EOT	RU	TAPE	X OFF
(N)	Y-O	Y-BR	W-P-R	W-BR-P	W-BR-BK	W-BL-P	W-BL-BR	W-BL-BK	W-P-BL	W-BL-G
(O)		*	+	=	SOM	X ON	%	@	<	>
(P)		O-BL	S-P	S-BL	S-G	S-Y	S-O	S-BR	S-BK	Y-P

WIRING SIDE OF 174723 CONNECTOR

TRANSLATION CHART FOR 194718 CABLE ASSEMBLY ARRANGEMENT "C" USED ON 5 TO 8 CODE CONVERTER

APPROVALS

C AND R	E OF M
E-NUMBER	
PROD NO 6370WD	
DATE 4-17-63	
PD FILE NO 4 95AAA	
DRAWN L.J.F	CHKD
ENGD R.J.K.	APPD
TELETYPE CORPORATION	
6370 WD	

6371WD

ISSUE	DATE	AUTH NO
2	3-5-64	79251
3	6-4-64	81242
4	8-5-64	83008

1. IN 194692 CONNECTOR, THE SYMBOLS θ , \square , \ddagger , $*$, ϕ , Δ , Σ , Ψ , Γ , \boxtimes , $\#$, \diamond , \boxplus , \oplus , ∞ , \ominus , \boxminus , \boxdot , \boxtimes INDICATE STRAPS BETWEEN TERMINALS MARKED WITH LIKE SYMBOLS.

2. ANY CODE ALTERATIONS ARE TO BE MADE IN THE 194692 CONNECTOR.

3. COLOR CODE IDENTIFICATION:

W - WHITE	P - PURPLE
BK - BLACK	G - GREEN
O - ORANGE	R - RED
BL - BLUE	S - SLATE
Y - YELLOW	BR - BROWN

W-BK - WHITE-BLACK	W-O - WHITE-ORANGE	W-BL - WHITE-BLUE	W-Y - WHITE-YELLOW	W-P - WHITE-PURPLE	W-G - WHITE-GREEN	W-R - WHITE-RED	W-S - WHITE-SLATE	W-BR - WHITE-BROWN	Y-G - YELLOW-GREEN	BK-Y - BLACK-YELLOW	R-BL - RED-BLUE	R-G - RED-GREEN	R-Y - RED-YELLOW	BR-BL - BROWN-BLUE	BR-G - BROWN-GREEN	BR-Y - BROWN-YELLOW	BK-BL - BLACK-BLUE	BK-G - BLACK-GREEN	BK-R - BLACK-RED	R-O - RED-ORANGE	R-S - RED-SLATE	R-BR - RED-BROWN	O-G - ORANGE-GREEN	O-S - ORANGE-SLATE	O-BR - ORANGE-BROWN	BK-S - BLACK-SLATE	BK-BR - BLACK-BROWN	BL-S - BLUE-SLATE	BL-G - BLUE-GREEN	G-S - GREEN-SLATE	BR-S - BROWN-SLATE
--------------------	--------------------	-------------------	--------------------	--------------------	-------------------	-----------------	-------------------	--------------------	--------------------	---------------------	-----------------	-----------------	------------------	--------------------	--------------------	---------------------	--------------------	--------------------	------------------	------------------	-----------------	------------------	--------------------	--------------------	---------------------	--------------------	---------------------	-------------------	-------------------	-------------------	--------------------

NO. NOTES

W-R-P - WHITE-RED-PURPLE	W-G-BL - WHITE-GREEN-BLUE	W-G-BR - WHITE-GREEN-BROWN	W-G-P - WHITE-GREEN-PURPLE	W-G-R - WHITE-GREEN-RED	W-G-BK - WHITE-GREEN-BLACK	W-BL-R - WHITE-BLUE-RED	W-BL-G - WHITE-BLUE-GREEN	W-P-BL - WHITE-PURPLE-BLUE	W-BL-BK - WHITE-BLUE-BLACK	W-BL-BR - WHITE-BLUE-BROWN	W-BL-P - WHITE-BLUE-PURPLE	W-BR-BK - WHITE-BROWN-BLACK	W-BR-P - WHITE-BROWN-PURPLE	W-P-R - WHITE-PURPLE-RED	Y-BR - YELLOW-BROWN	Y-O - YELLOW-ORANGE	Y-P - YELLOW-PURPLE	S-BK - SLATE-BLACK	S-BR - SLATE-BROWN	S-O - SLATE-ORANGE	S-Y - SLATE-YELLOW	S-G - SLATE-GREEN	S-BL - SLATE-BLUE	S-P - SLATE-PURPLE	O-BL - ORANGE-BLUE
--------------------------	---------------------------	----------------------------	----------------------------	-------------------------	----------------------------	-------------------------	---------------------------	----------------------------	----------------------------	----------------------------	----------------------------	-----------------------------	-----------------------------	--------------------------	---------------------	---------------------	---------------------	--------------------	--------------------	--------------------	--------------------	-------------------	-------------------	--------------------	--------------------

4. TERMINAL DESIGNATIONS ENCLOSED IN PARENTHESES ARE FOR REFERENCE AND ARE NOT MARKED ON COMPONENT.

194670 TRANSFER TREE END OF CABLE

	(10)	(9)	(8)	(7)	(6)	(5)	(4)	(3)	(2)	(1)
(A)	SP	UC-SP	9	O	CR	UC-CR	5	T	BLANK	UC-BLANK
(B)	BK-S \ddagger	\ddagger O-BR	W-P	W-R-Y θ	\square R-S	Y-G	θ	θ	θ	θ
(C)	UC-LF	FIGS-M	UC-M	M	N	UC-N	FIGS-N	FIGS-H	UC-H	H
(D)	Δ	ϕ W-BK-R	W-BL	W-Y	G-S	\dagger	\dagger	\dagger	\dagger	R
(E)	8	FIGS-G	UC-G	G	R	4	FIGS-L	UC-L	L	LF
(F)	O-S	Σ BL-G Σ	G	W-S	R-O	\diamond	\diamond W-G-P	W-O	W-R-G	Δ
(G)	3	FIGS-V	UC-V	V	C	UC-C	FIGS-C	O	P	I
(H)	BK-R	\oplus W-R-BK	R-BL	O	BK-O	∞	∞ BR-Y	W-G	S	
(I)	FIGS-B	UC-B	B	D	UC-D	FIGS-D	FIGS-Z	UC-Z	Z	E
(J)	\boxplus W-P-R	BK	BL	BL-S Γ	Γ	∇ BK-BR	BR-G	BR-G	Y	
(K)	UC-X	X	F	UC-F	FIGS-F	6	Y	S	UC-S	FIGS-S
(L)	W-O-G $\#$	R-Y	P	W-R-P	\boxplus	R-BR	BR-BL	W-BR	W-BK-G	\boxtimes
(M)	FIGS	J	UC-J	FIGS-J	2	W	A	UC-A	FIGS-A	FIGS-X
(N)		BR	W-G-BK	\boxtimes BK-G	R-G	W	BR-S \diamond	\diamond	\diamond	$\#$
(O)			LTRS	K	UC-K	FIGS-K	I	Q	U	7
(P)			W-O-BR	W-BK	W-G-R	\times	BK-BL	W-R	BK-Y	O-G

WIRING SIDE OF 194692 CONNECTOR

194671 DIODE MATRIX END OF CABLE

	(10)	(9)	(8)	(7)	(6)	(5)	(4)	(3)	(2)	(1)
(A)	J	I	H	G	F	E	D	C	B	A
(B)	BR	S	R	G	P	Y	BL	O	BK	W
(C)	T	S	R	Q	P	O	N	M	L	K
(D)	Y-G	W-BR	W-S	W-R	W-G	W-P	W-Y	W-BL	W-O	W-BK
(E)	3	2	1	O	Z	Y	X	W	V	U
(F)	BK-R	BK-G	BK-BL	(ZERO) BR-Y	BR-G	BR-BL	R-Y	R-G	R-BL	BK-Y
(G)	8	$\$$	QUOTES	SP	9	8	7	6	5	4
(H)	BL-G	BL-S	BK-BR	BK-S	O-BR	O-S	O-G	R-BR	R-S	R-O
(I)	CR	LF	BELL	WRU	EOM	\	/	-	,	
(J)	W-R-Y	W-R-G	W-BK-G	W-BK-P	W-BK-O	W-O-BL	W-O-G	W-BK-R	BR-S	(COMMA) G-S
(K)	TAPE	∇	()	EOA	$\#$!	;	:	LTRS
(L)	W-BL-R	W-G-BK	W-G-R	W-G-P	W-G-BR	W-G-BL	W-R-P	W-R-BK	BK-O	W-O-BR
(M)	ALT MODE	ESC	?	TAB	VT	FORM	EOT	RU	T-APPE	X OFF
(N)	Y-O	Y-BR	W-P-R	W-BR-P	W-BR-BK	W-BL-P	W-BL-BR	W-BL-BK	W-P-BL	W-BL-G
(O)		$*$	\dagger	=	SOM	X ON	%	\odot	<	>
(P)		O-BL	S-P	S-BL	S-G	S-Y	S-O	S-BR	S-BK	Y-P

WIRING SIDE OF 174723 CONNECTOR

TRANSLATION CHART FOR 194719 CABLE ASSEMBLY (ARRANGEMENT "A") USED ON 5 TO 8 CODE CONVERTERS

APPROVALS

D AND R	E OF M
E-NUMBER	
PROD. NO. 6371WD	
DATE: 5-21-63	
P.D. FILE NO. 4-95AAA	
DRAWN L.J.F.	CHKD
ENGD R.J.K.	APPD

TELETYPE CORPORATION
6371WD