

MOTOR UNIT (MU, LMU AND YMU)
PARTS

| FIGURE | CONTENTS | PAGE |
|--------|----------------------------------------------------------------------|----------|
| 1 | Motor Unit Application Chart | 2 |
| 2 | Synchronous and Series Motors Cross-Reference Charts | 3 |
| 3 | Synchronous Motor Assemblies (Standard or Heavy Duty) | 4 |
| 4 | Synchronous Motor Assembly (Miniature) | 5 |
| 5 | Relay and Capacitor Mounting (Synchronous) | 6 |
| 6 | Relay and Capacitor Mounting (Synchronous) | 7 |
| 7 | Relay and Capacitor Mounting (Synchronous) | 8 |
| 8 | Relay and Capacitor Mounting (Synchronous) | 9 |
| 9 | Series Motor Assemblies | 10 |
| 10 | Brush Assemblies | 11 |
| 11 | 150845 Governor Assembly | 12 |
| 12 | Series Motor Mounting Parts | 13 |
| 13 | Series Motor Mounting Parts with RF Suppression | 14 |
| 14 | Series Motor Mounting Parts with RF Suppression Modification Kits | 15 16 |
| | Numerical Index | 17 |

| TELETYPE TO BELL SYSTEM CODE CROSS REFERENCE CHART | | |
|----------------------------------------------------|---------------|------------------|
| Unit Description | Teletype Code | Bell System Code |
| Motor Unit | LMU3 | 28A |
| | LMU6 | 28B |
| | LMU12 | 28C |
| | LMU15 | 35A |
| | LMU21 | 28LA |
| | LMU29 | 28E |
| | LMU39 | 28D |
| | MU43 | 28F |
| | YMU2 | 37B |

Note: When ordering parts from this section, prefix each number with the letters TP.

MOTOR UNIT APPLICATION CHART

| Units Covered | | Operating Characteristics | General Usage | ASR Set | High Speed Reader | Multiple Mounted Units | Stack Mounted | 37 Type |
|---------------|------------------|--------------------------------------------------|---------------|---------|-------------------|------------------------|---------------|---------|
| Teletype Code | Bell System Code | | | | | | | |
| LMU3 | 28A | AC Synchronous, 1/20 HP, 115V/60 Hertz/3600 RPM | X | | | | | |
| LMU6 | 28B | Series, 1/20 HP, 115V/60 Hertz/3600 RPM | X | | | | | |
| LMU12 | 28C | AC Synchronous, 1/12 HP, 115V/60 Hertz/3600 RPM | | X | | X | | |
| ① LMU14 | 28D | Series, 1/15 HP, 115V/60 Hertz/3600 RPM, RF Sup. | | X | | X | | |
| LMU15 | 35A | AC Synchronous, 1/20 HP, 115V/60 Hertz/3600 RPM | X | | | | | |
| LMU21 | 28LA | AC Synchronous, 1/20 HP, 115V/60 Hertz/3600 RPM | | | | | X | |
| LMU29 | 28E | DC Series, 1/15 HP, 48V/3600 RPM | X | | | | | |
| LMU39 | 28D | Series, 1/15 HP, 115V/60 Hertz/3600 RPM, RF Sup. | | X | | X | | |
| MU43 | 28F | AC Synchronous, 25 MPH, 115V/60 Hertz/3600 RPM | | | X | | | |
| YMU2 | 37B | AC Synchronous, 1/20 HP, 115V/60 Hertz/3600 RPM | | | | | | X |

① The LMU14 is no longer available. It has been replaced by the LMU 39.

FIGURE 1. MOTOR UNIT APPLICATION CHART

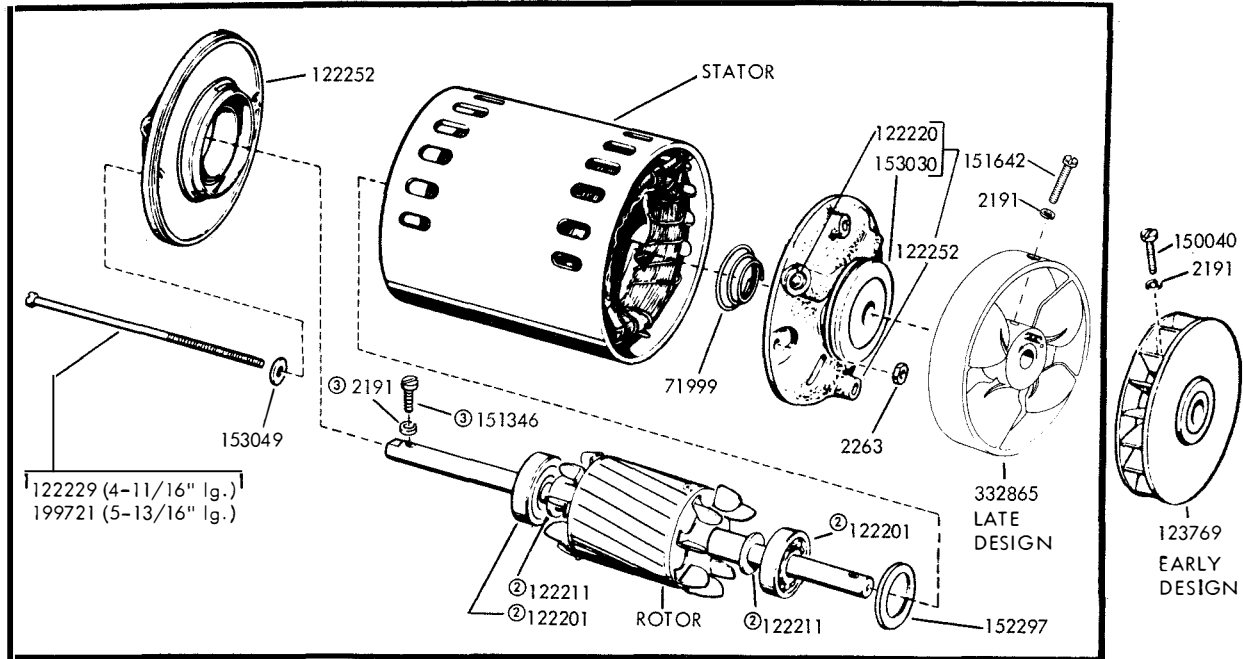
SYNCHRONOUS MOTOR UNITS

| Teletype Code | Motor Assembly | Motor Bracket | Mounting Plate | Thermostatic Switch | Fixed Capacitor | Spring or Clamp | Relay | Relay Insulator | Spring or Clamp | Cable Assembly | Jumper |
|---------------|----------------|---------------|----------------|---------------------|-----------------|-----------------|--------|-----------------|-----------------|----------------|---------------------|
| LMU3 | 151795 | 305661 | 305660 | 122249 | 122245 | 305658 | 151923 | 305659 | 305658 | 151927 | 96264R (5" lg. Red) |
| LMU12 | 159739 | 305661 | 305660 | 160304 | 160299 | 305658 | 160303 | 305659 | 305658 | 151927 | 96264R (5" lg. Red) |
| LMU15 | 170764 | 305661 | 305660 | 122249 | 122245 | 305658 | 151923 | 305659 | 305658 | 151927 | 96264R (5" lg. Red) |
| LMU21 | 151795 | 164612 | | 122249 | 122245 | 151922 | 151923 | 164603 | 151925 | 151927 | 96264R (5" lg. Red) |
| MU43 | 161984 | 171749 | | 174471 | 162072 | 171702 | 173425 | 171704 | 171703 | 171810 | 96264R (5" lg. Red) |
| YMU2 | 170764 | 312979 | | 122249 | 122245 | 151922 | 151923 | 312977 | 151925 | 306320 | 96262R (4" lg. Red) |

SERIES MOTOR UNITS

| Teletype Code | Motor Assembly | Motor Bracket | Container | Lid | Nipple | Capacitor | Resistor | Electrical Noise Suppressor | Cable Assembly | Jumper |
|---------------|----------------|---------------|-----------|--------|--------|-----------|----------|-----------------------------|----------------|-------------------------------------------------------------------------------------------------------------------------------------------------------------------------|
| LMU6 | 150701 | 150976 | | | | 161579 | 161580 | | | 91228 (2-1/2" lg. w/320420 and 320422 Terminals) 162684 (2-3/4" lg. w/320416 Terminal) 163268 (6-1/2" lg. w/320416 Terminal) 163269 (2" lg. w/320416 Terminal) |
| LMU14 | 161577 | 152046 | 152039 | 152040 | 152067 | 161579 | 161580 | 161578 | 152059 | 91228 (2-1/2" lg. w/320420 and 320422 Terminals) 162684 (2-3/4" lg. w/320416 Terminal) 162685 (4" lg. w/320416 Terminal) |
| LMU29 | 179190 | 152046 | 179420 | 179424 | 152067 | 179421 | 173004 | 179422 | 152059 | 91228 (2-1/2" lg. w/320420 and 320422 Terminals) |
| LMU39 | 161577 | 152046 | 179420 | 179424 | 152067 | 161579 | 179103 | 161578 | 152059 | 91228 (2-1/2" lg. w/320420 and 320422 Terminals) |

FIGURE 2. SYNCHRONOUS AND SERIES MOTORS CROSS-REFERENCE CHARTS

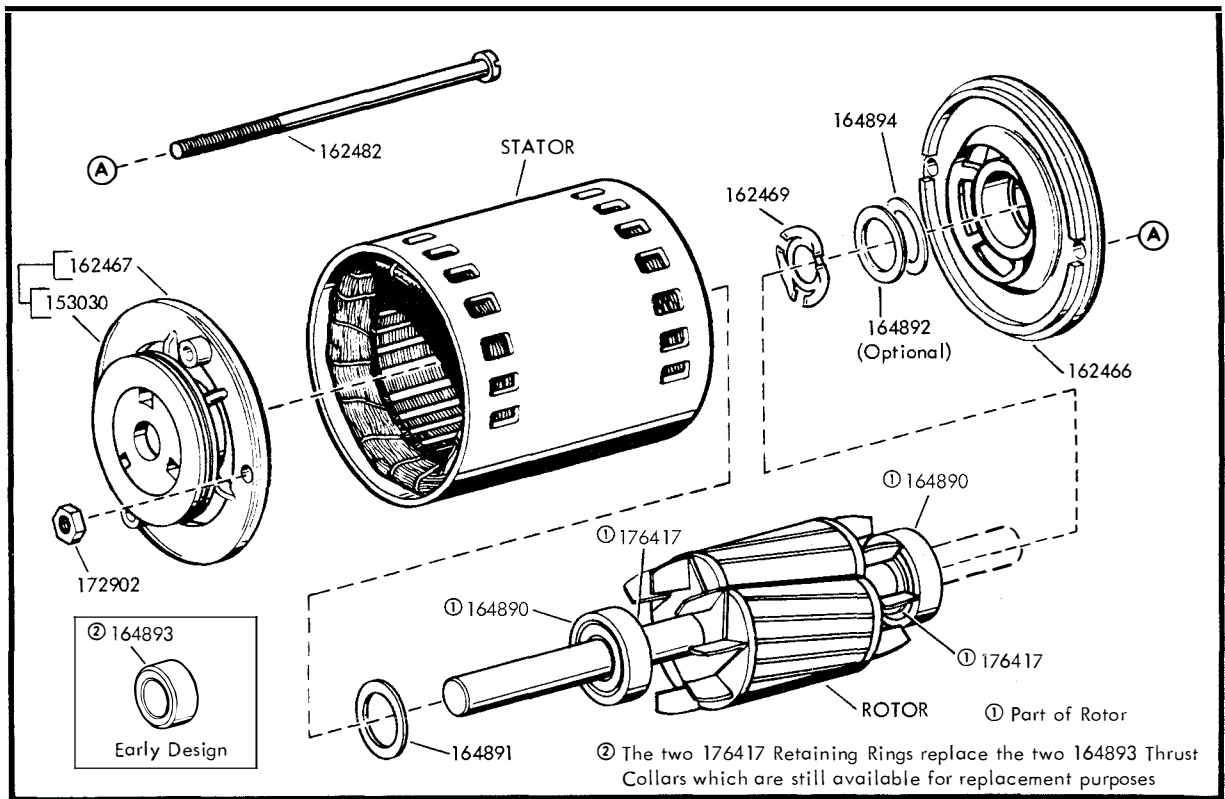


SYNCHRONOUS MOTOR ASSEMBLY - STANDARD OR HEAVY DUTY

| SYNCHRONOUS MOTORS - Standard or Heavy Duty | | | | |
|---------------------------------------------|----------------|--------|--------|-----------------------------------------------------------|
| DUTY | MOTOR ASSEMBLY | STATOR | ROTOR | MOTOR DATA |
| Standard | 151795 | 122251 | 128874 | AC Synchronous, 1/20 HP, 115V: 50/60 Hertz, 3000/3600 RPM |
| Heavy | 159739 | 160306 | 160305 | AC Synchronous, 1/12 HP, 115V: 60 Hertz, 3600 RPM |
| Standard | ① 170764 | 122251 | 128874 | AC Synchronous, 1/20 HP, 115V: 50/60 Hertz, 3000/3600 RPM |

- ① Without fan
- ② Common to all rotors
- ③ Not part of motor assemblies

FIGURE 3. SYNCHRONOUS MOTOR ASSEMBLIES (STANDARD OR HEAVY DUTY)



MINIATURE MOTOR ASSEMBLY

| SYNCHRONOUS MOTOR - Miniature | | | |
|-------------------------------|--------|---------|--------------------------------------------------|
| MOTOR ASSEMBLY | STATOR | ROTOR | MOTOR DATA |
| 161984 | 162464 | 330564 | AC Synchronous, 25 MPH, 115V: 60 Hertz, 3600 RPM |
| 194924 | 195214 | 330564 | AC Synchronous, 25 MHP, 115V: 50 Cycle, 3000 RPM |
| 310295 | 162464 | ②330565 | AC Synchronous, 25 MHP, 115V: 60 Cycle, 3600 RPM |

② Has double shaft extension

FIGURE 4. SYNCHRONOUS MOTOR ASSEMBLY (MINIATURE)

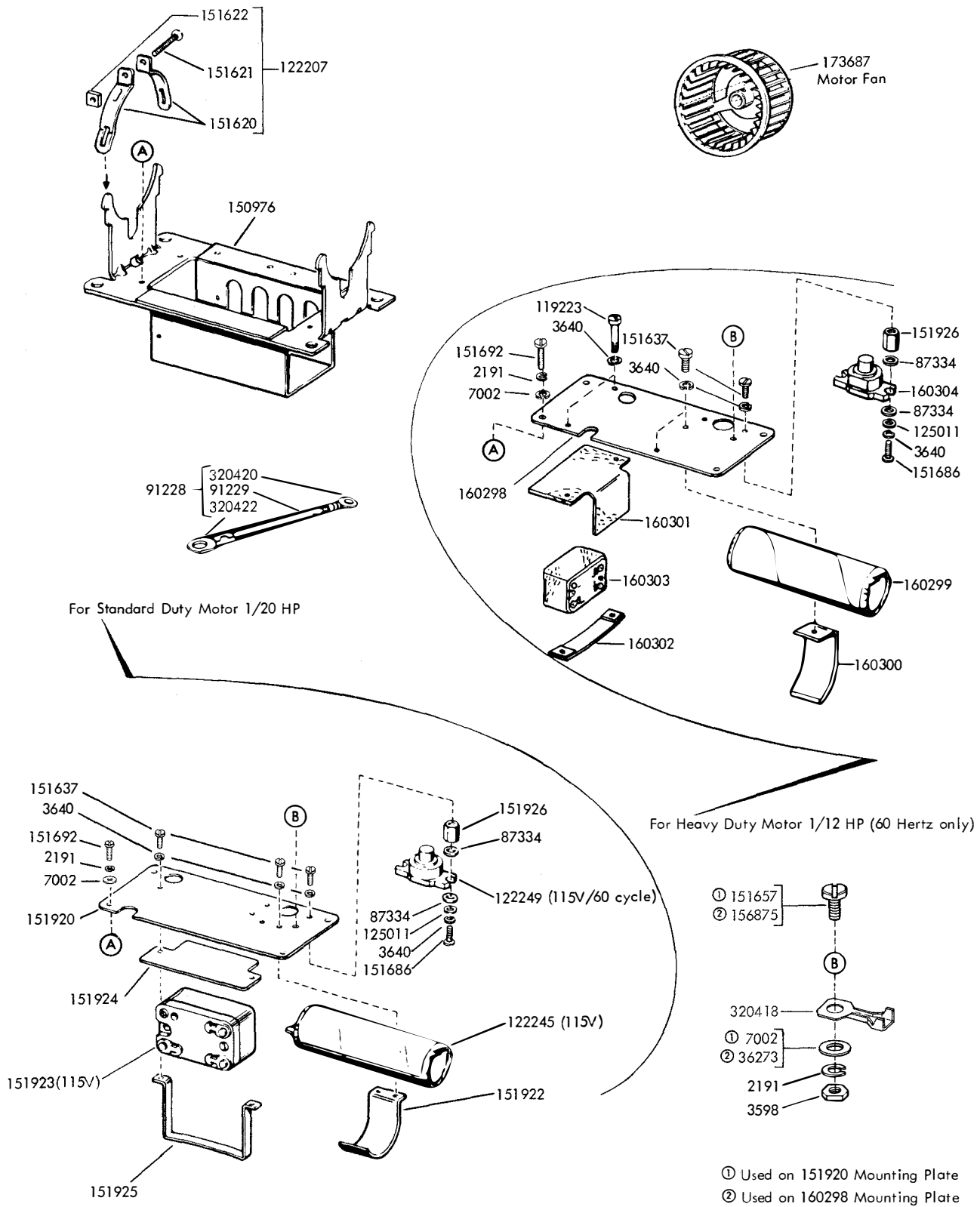


FIGURE 5. RELAY AND CAPACITOR MOUNTING (SYNCHRONOUS)

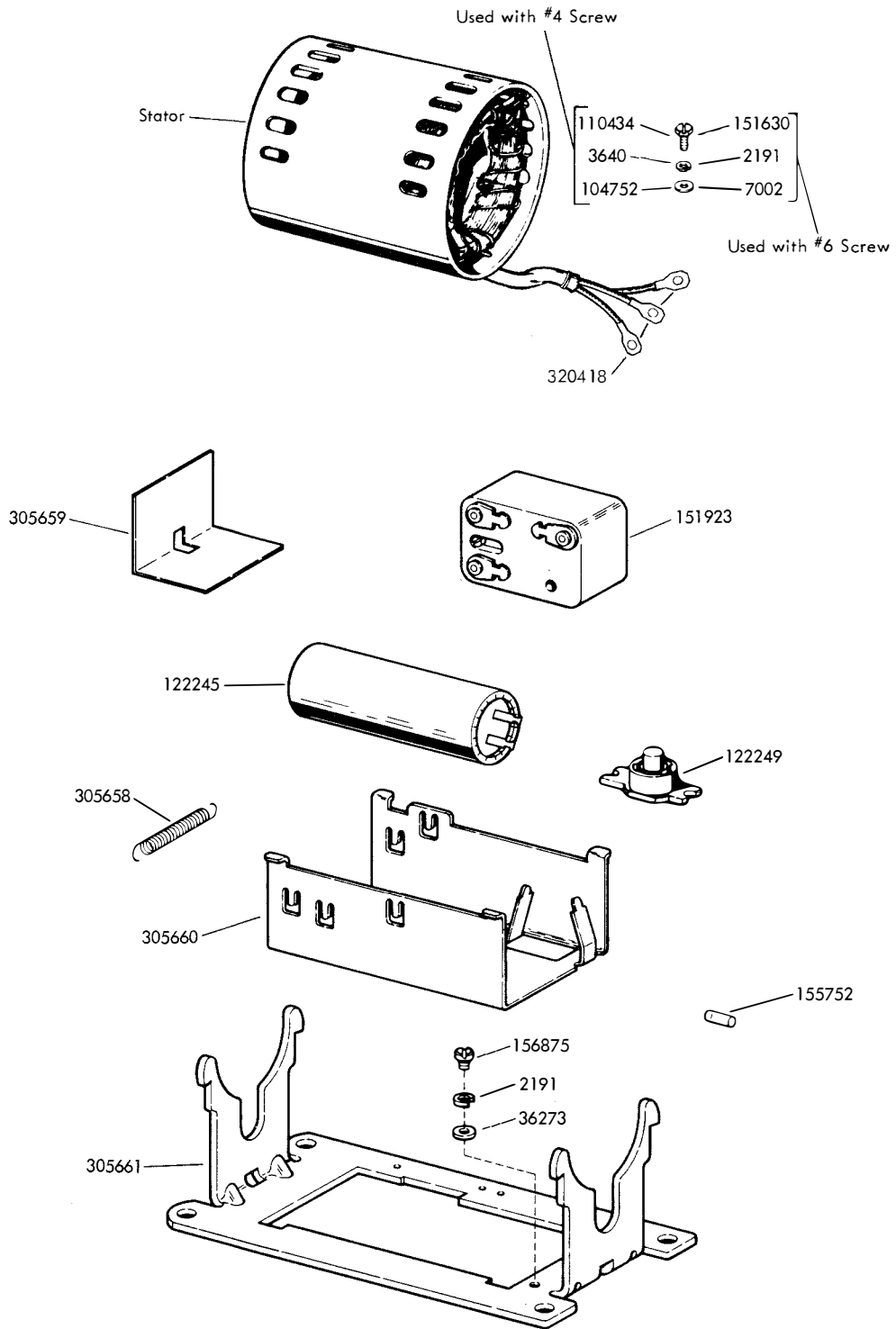


FIGURE 6. RELAY AND CAPACITOR MOUNTING (SYNCHRONOUS)

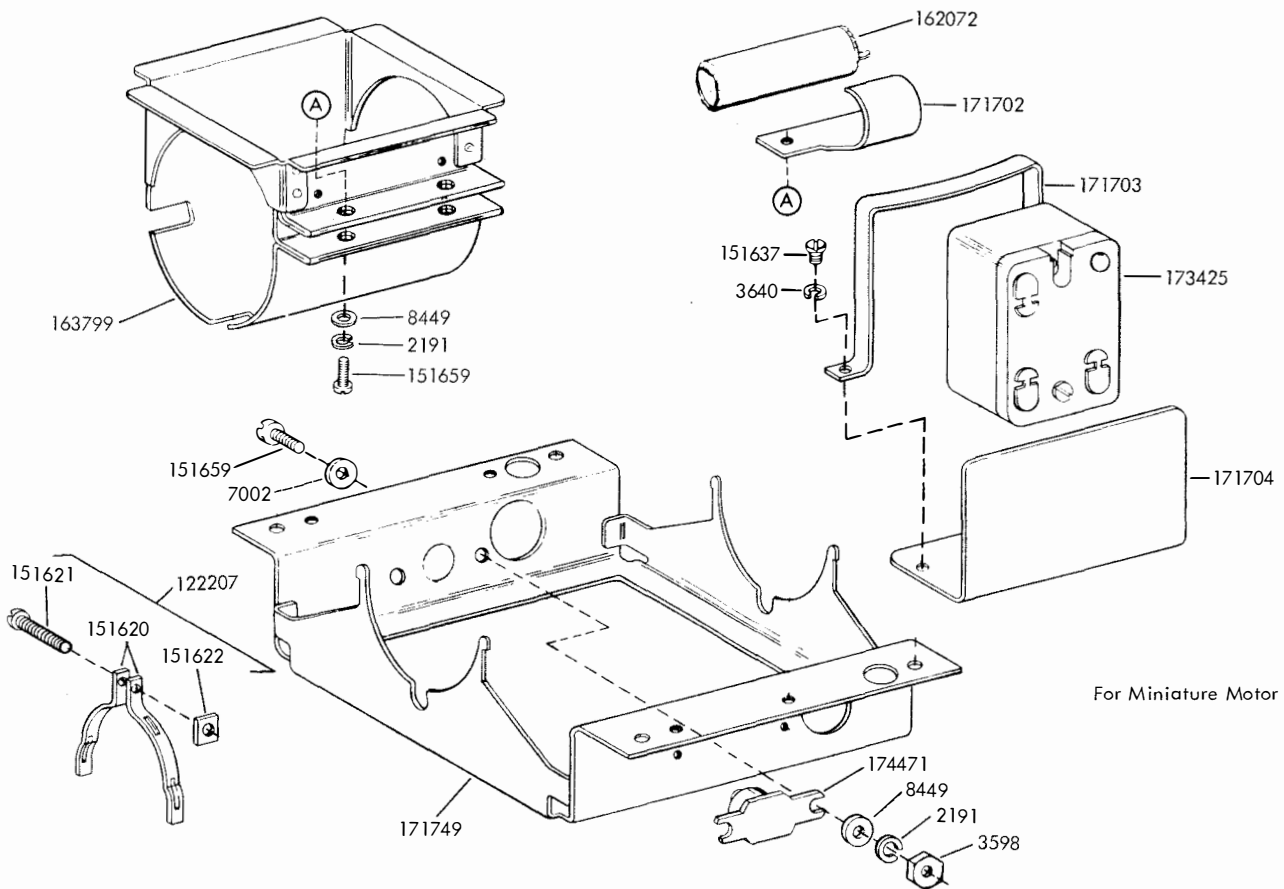
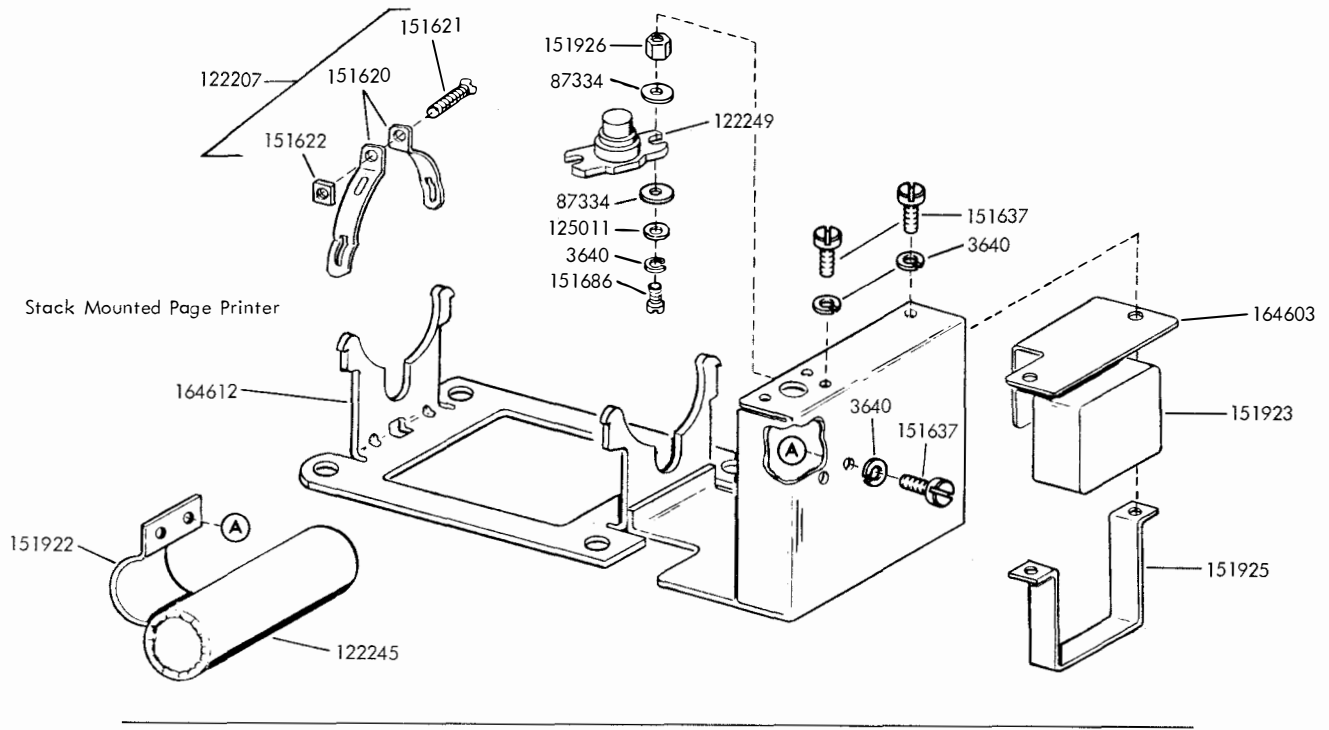


FIGURE 7. RELAY AND CAPACITOR MOUNTING (SYNCHRONOUS)

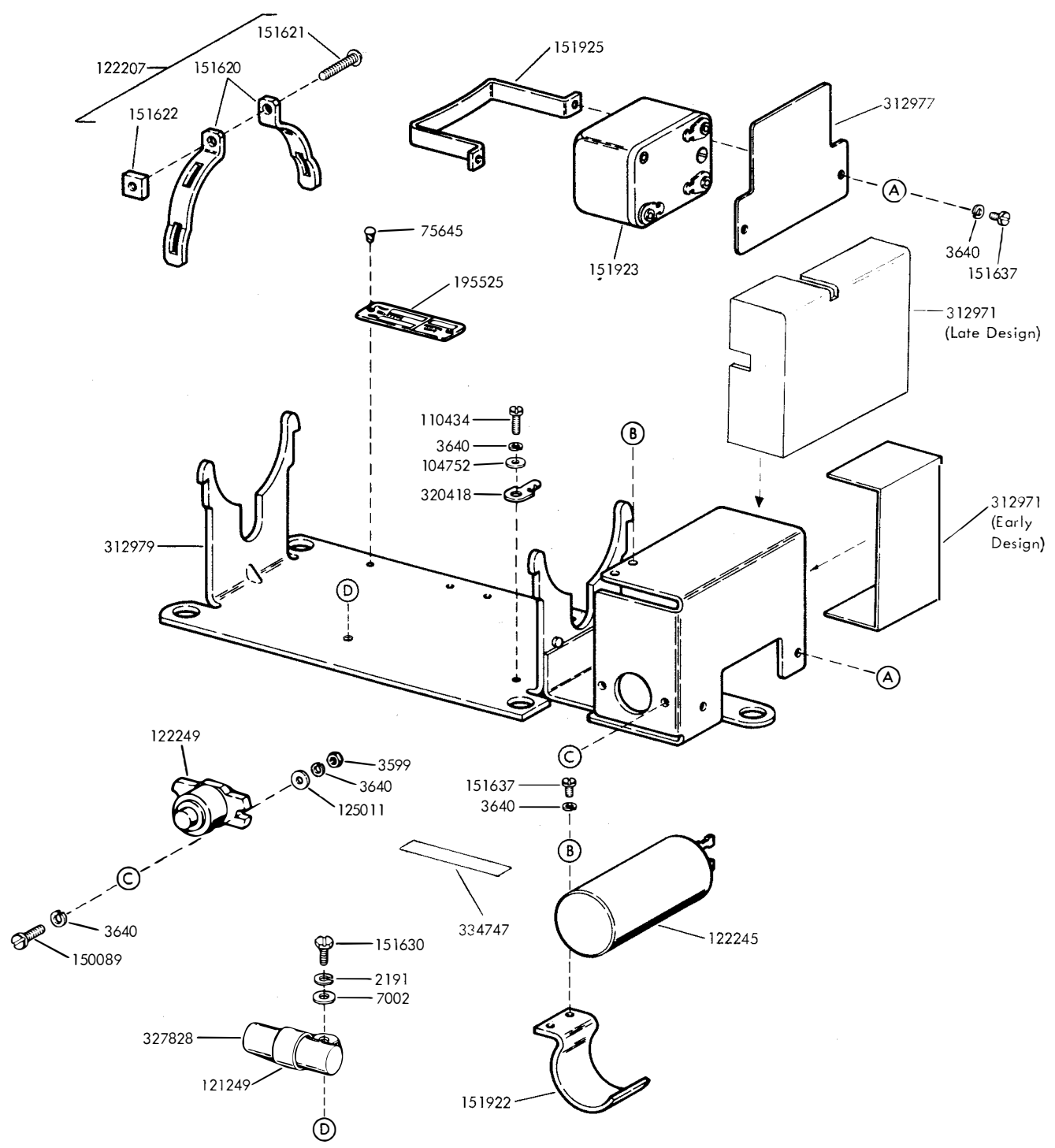
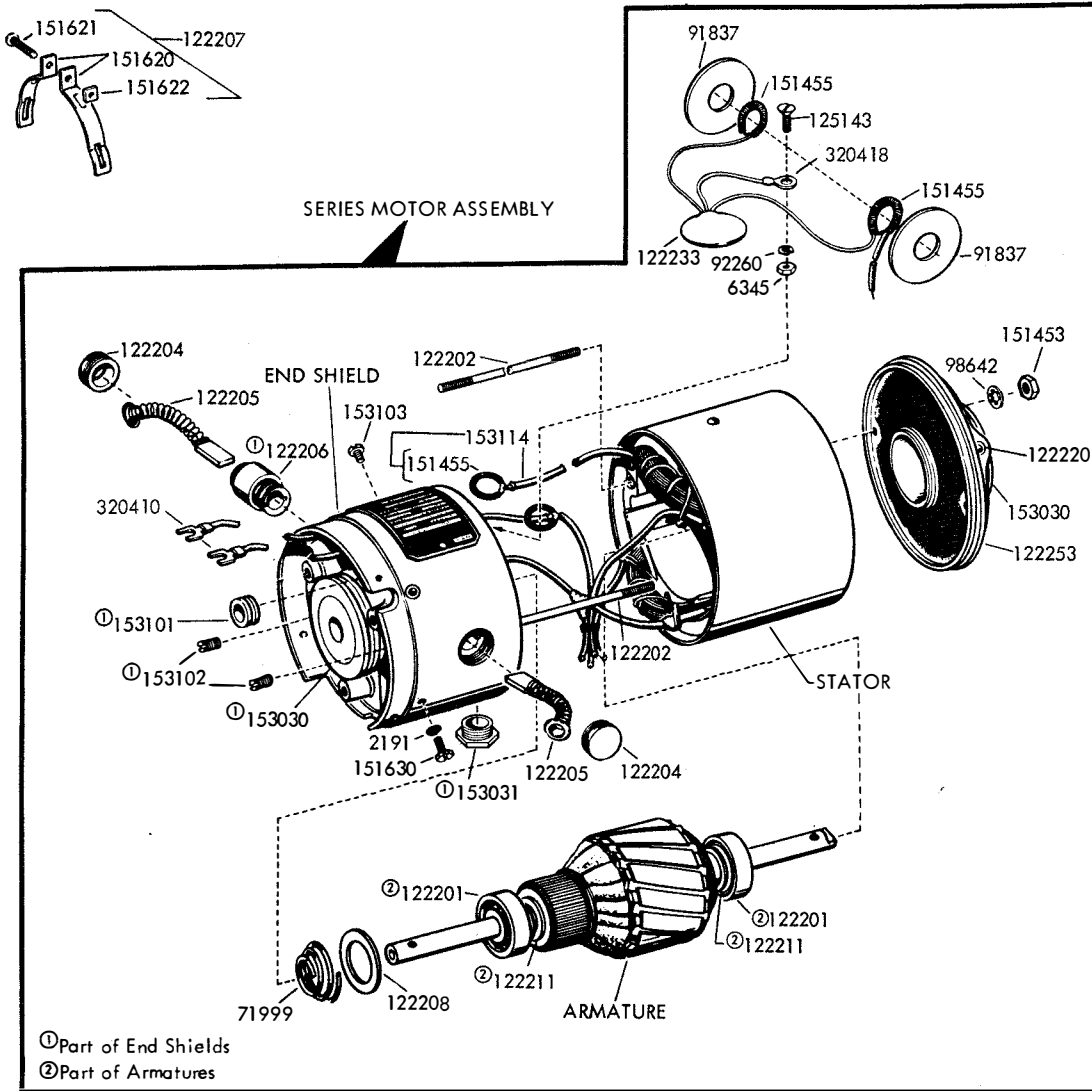


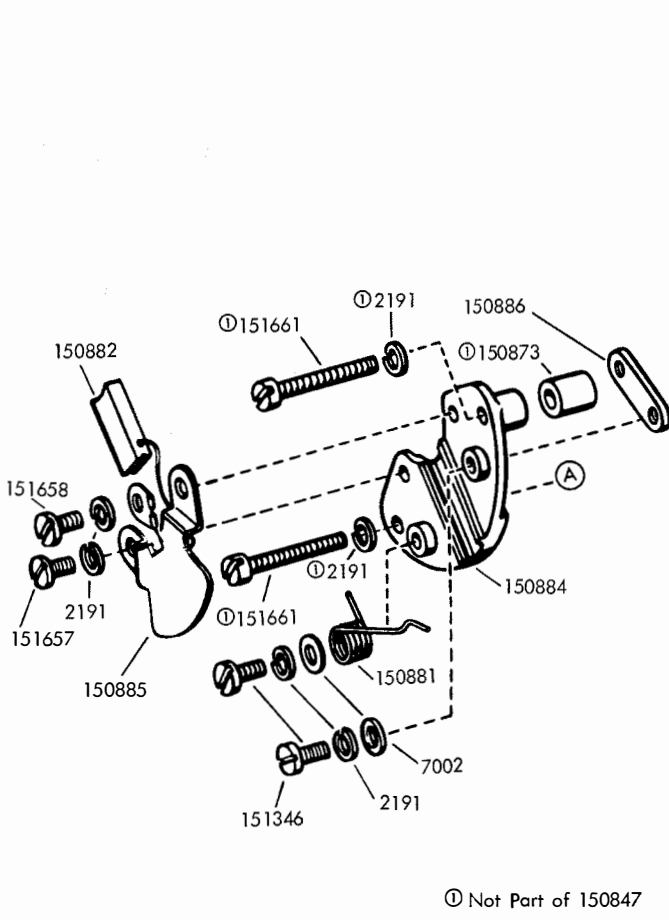
FIGURE 8. RELAY AND CAPACITOR MOUNTING (SYNCHRONOUS)



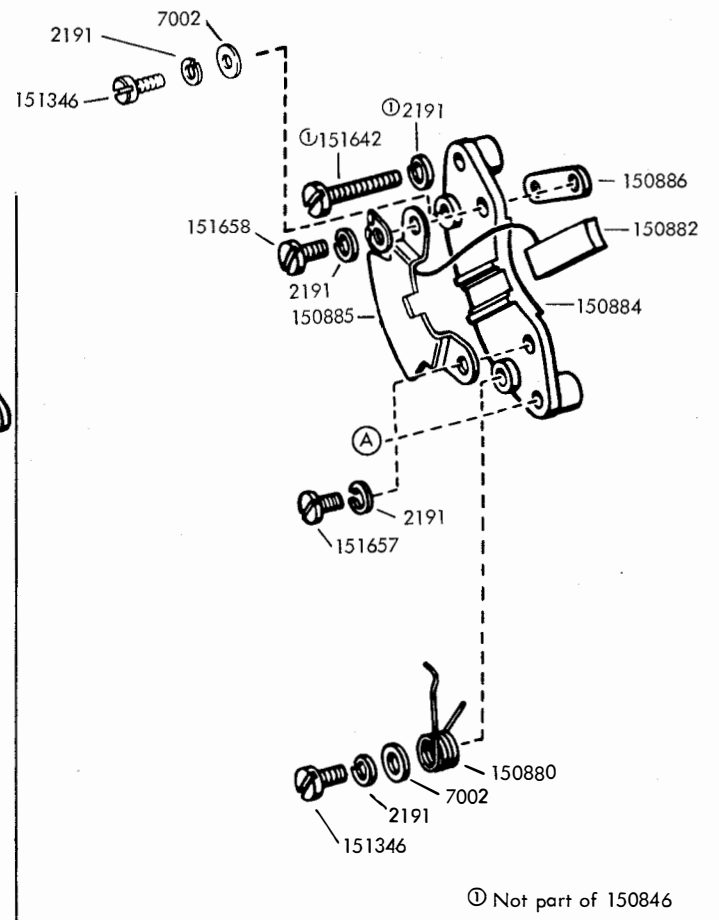
| SERIES MOTORS STANDARD OR HEAVY DUTY | | | | | |
|--------------------------------------|----------------|--------|----------|------------|-------------------------------------------|
| DUTY | MOTOR ASSEMBLY | STATOR | ARMATURE | END SHIELD | MOTOR DATA |
| Standard | ③ 150701 | 122221 | 122210 | 122200 | Series, 1/20 HP, 115V: 60 Hertz, 3600 RPM |
| Heavy | 161577 | 161576 | 161575 | 122200 | Series, 1/15 HP, 115V: 60 Hertz, 3600 RPM |
| Heavy | 179190 | 164756 | 164757 | 122200 | DC Series, 1/15 HP, 48V: 3600 RPM |

③ New style has flat at end of rotor shaft

FIGURE 9. SERIES MOTOR ASSEMBLIES



150847 RIGHT BRUSH HOLDER ASSEMBLY



150846 LEFT BRUSH HOLDER ASSEMBLY

FIGURE 10. BRUSH ASSEMBLIES

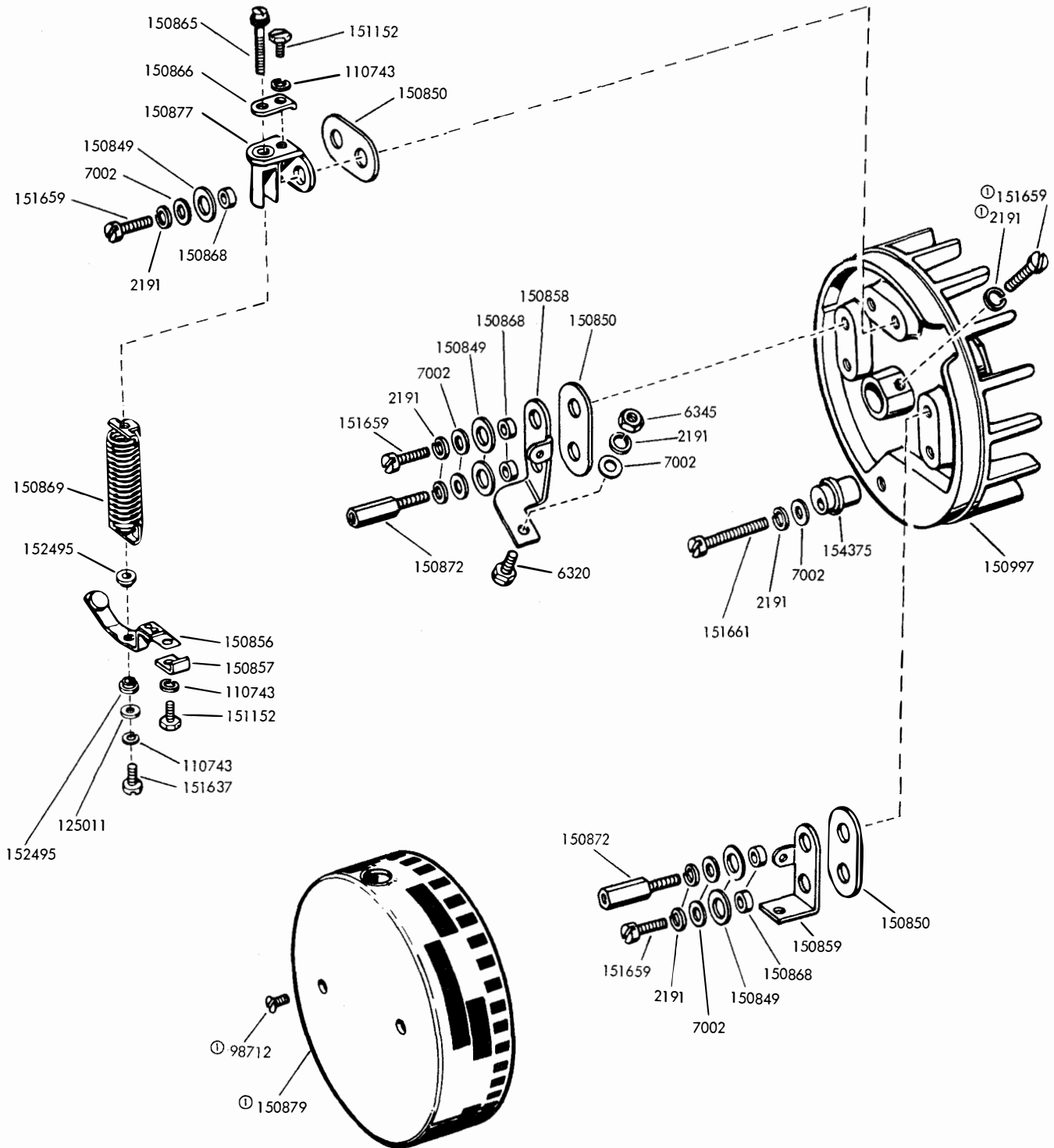
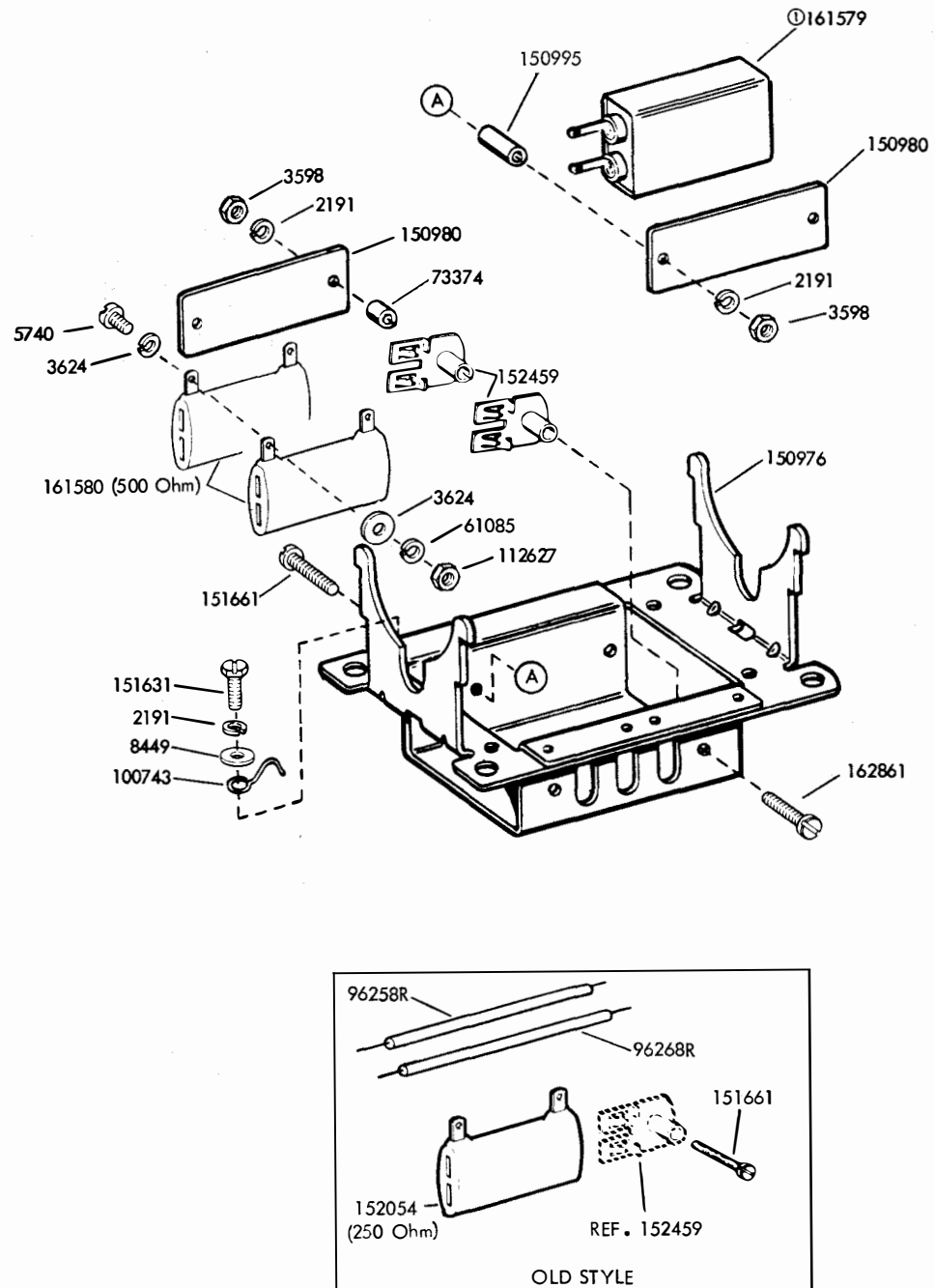


FIGURE 11. 150845 GOVERNOR ASSEMBLY



Ⓐ Replaced by Late Design non-inductive type capacitor (stamped 2951). Early Design inductive type (stamped 2196)

FIGURE 12. SERIES MOTOR MOUNTING PARTS

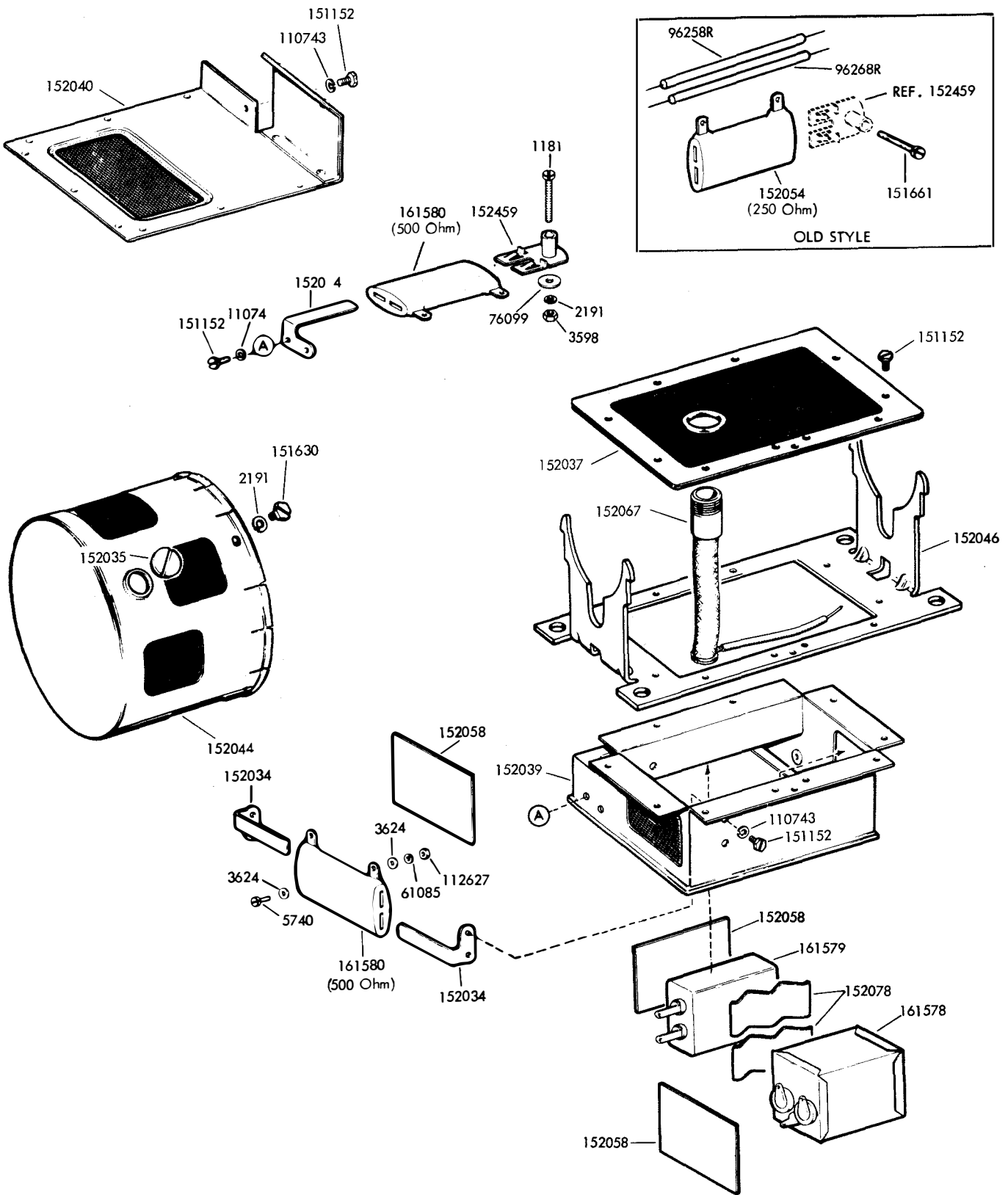


FIGURE 13. SERIES MOTOR MOUNTING PARTS WITH RF SUPPRESSION

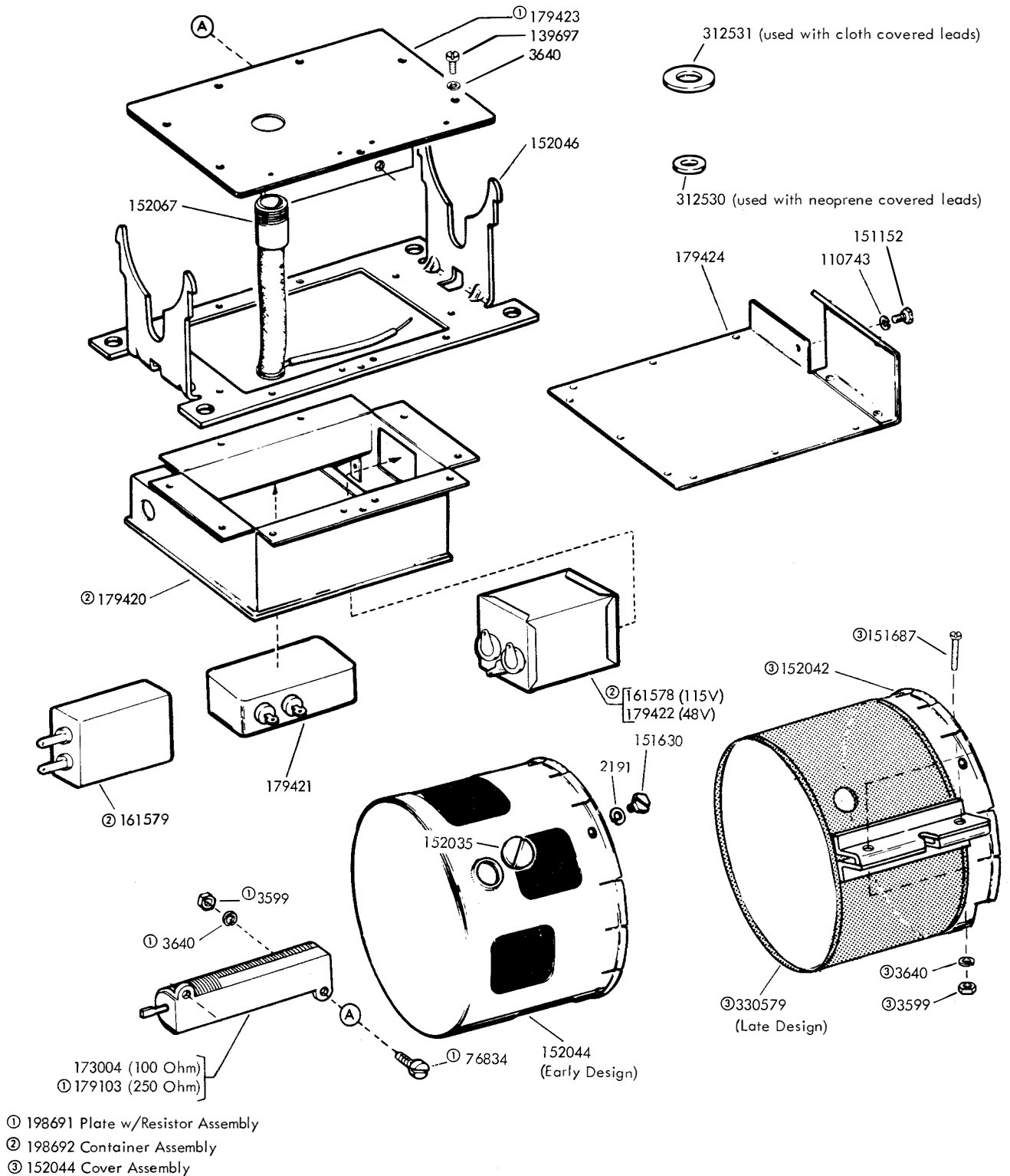


FIGURE 14. SERIES MOTOR MOUNTING PARTS WITH RF SUPPRESSION

MODIFICATION KITS
(Parts are illustrated on the pages indicated)

| Modification Kit-Number | Part Number | Description | Quantity | Page Number | Specification Number |
|-------------------------|------------------------------------------------------|---------------------------|----------|-------------|----------------------|
| 198693 | Modification Kit to Convert a LMU14 to a LMU39 (28D) | | | | 50,376S |
| | 3640 | Lockwasher | 7 | 15 | |
| | 75646 | Screw, Drive | 4 | | |
| | 122233 | Capacitor Assembly | 1 | 10 | |
| | 139697 | Screw, 4-40 x 9/32 Fil | 7 | 15 | |
| | 320410 | Terminal | 1 | 10 | |
| | 152067 | Nipple | 1 | 15 | |
| | 161576 | Stator, Motor | 1 | 10 | |
| | 179424 | Lid w/Insulator | 1 | 15 | |
| | 198691 | Plate w/Resistor Assembly | 1 | 15 | |
| | 198692 | Container Assembly | 1 | 15 | |
| | 309431 | Plate, Code (LMU39X) | 1 | | |
| | 312530 | Washer, Textolite | 1 | 15 | |
| | 312531 | Washer, Fiber | 1 | 15 | |
| 304739 | Modification Kit to Convert a LMU6 (28B) to a LMU41 | | | | 50,376S |
| | 2191 | Lockwasher | 4 | 15 | |
| | 3640 | Lockwasher | 8 | 15 | |
| | 75646 | Screw, Drive | 4 | | |
| | 110743 | Lockwasher | 1 | 15 | |
| | 122221 | Stator, Motor | 1 | 10 | |
| | 122233 | Capacitor Assembly | 1 | 10 | |
| | 139697 | Screw, 4-40 x 9/32 Fil | 7 | 15 | |
| | 151152 | Screw, 4-40 x 3/16 Hex | 1 | 15 | |
| | 320410 | Terminal | 1 | 10 | |
| | 151630 | Screw, 6-40 x 1/4 Hex | 4 | 15 | |
| | 152035 | Plug | 1 | 15 | |
| | 152044 | Cover Assembly | 1 | 15 | |
| | 152046 | Bracket w/Cradle, Motor | 1 | 15 | |
| | 152067 | Nipple | 1 | 15 | |
| | 179424 | Lid w/Insulator | 1 | 15 | |
| | 198691 | Plate w/Resistor Assembly | 1 | 15 | |
| | 198692 | Container Assembly | 1 | 15 | |
| | 309432 | Plate, Code (LMU41X) | 1 | | |
| | 312530 | Washer, Textolite | 1 | 15 | |
| | 312531 | Washer, Fiber | 1 | 15 | |

NUMERICAL INDEX

| Part Number | Description and Page Number | Part Number | Description and Page Number | Part Number | Description and Page Number |
|-------------|-------------------------------|-------------|----------------------------------|-------------|----------------------------------------|
| 1181 | Screw, 6-40 x 11/16 Fil 14 | 122208 | Washer, Flat 10 | 150976 | Bracket w/Cradle, Motor 3,6,13 |
| 2191 | Lockwasher 4,6 to 16 | 122210 | Armature, Motor 10 | 150980 | Plate, Clamping 13 |
| 2263 | Nut, 8-32 Hex 4 | 122211 | Washer, Pull 4,10 | 150995 | Bushing 13 |
| 3598 | Nut, 6-40 Hex 6,8,13,14 | 122220 | Oiler, Ball 4,10 | 150997 | Fan, Governor 12 |
| 3599 | Nut, 4-40 Hex 9,15 | 122221 | Stator 10,16 | 151152 | Screw, 4-40 x 3/16 Hex 12,14,15,16 |
| 3624 | Washer, Flat 13,14 | 122229 | Bolt, 8-32 x 4-11/16 Fil 4 | 151346 | Screw, 6-40 x 3/8 Fil 4, 11 |
| 3640 | Lockwasher 6 to 9,15,16 | 122233 | Capacitor Assembly 10,16 | 151453 | Nut, 10-32 Hex 10 |
| 5740 | Screw, 2-56 x 1/4 Fil 13, 14 | 122245 | Capacitor, 43 to 48 MFD 3,6 to 9 | 151455 | Spring, Helical Clip 10 |
| 6320 | Screw, 6-32 Contact 12 | 122249 | Switch, Thermostatic 3,6 to 9 | 151620 | Strap, Motor Mounting 6, 8,9,10 |
| 6345 | Nut, 6-32 Hex 10,12 | 122251 | Stator, Motor 4 | 151621 | Screw, 6-32 x 3/4 Rd 6,8, 9,10 |
| 7002 | Washer, Flat 6 to 9,11,12 | 122252 | Shield Assembly, End 4 | 151622 | Nut, 6-32 Sq 6,8,9,10 |
| 8449 | Spacer, .094" Thk 8,13 | 122253 | Shield Assembly, End 10 | 151630 | Screw, 6-40 x 1/4 Hex 7, 9,10,14,15,16 |
| 36273 | Washer, Flat 6,7 | 123769 | Fan, Motor 4 | 151631 | Screw, 6-40 x 5/16 Hex 13 |
| 61085 | Lockwasher 13,14 | 125011 | Washer, Flat 6,8,9,12 | 151637 | Screw, 4-40 x 1/4 Fil 6, 7,8,9,12 |
| 71999 | Spring, Motor Thrust 4,10 | 125143 | Screw, 6-32 x 3/8 Flat 10 | 151642 | Screw, 6-40 x 3/4 Fil 4, 11 |
| 73374 | Spacer, .250" Thk 13 | 128874 | Rotor, Motor 4 | 151657 | Screw, 6-40 x 1/4 Fil 6, 11 |
| 75645 | Screw, No. 0 x 1/8 Drive 9,16 | 139697 | Screw, 4-40 x 9/32 Fil 15, 16 | 151658 | Screw, 6-40 x 5/16 Fil 11 |
| 76099 | Washer, Flat 14 | 150040 | Screw, 6-40 x 5/8 Fil 4 | 151659 | Screw, 6-40 x 1/2 Fil 8, 12 |
| 76834 | Screw, 4-40 x 3/8 Flat 15 | 150089 | Screw, 4-40 x 1/2 Fil 9 | 151661 | Screw, 6-40 x 1 Fil 11 to 14 |
| 87334 | Washer, Insulating 6,8 | 150701 | Motor, 115 V AC Series 3, 10 | 151686 | Screw, 4-40 x 3/8 Fil 6,8 |
| 91228 | Strap, 2-1/2" Braided 3, 6 | 150845 | Governor Assembly 1,12 | 151687 | Screw, 4-40 x 7/16 Fil 15 |
| 91229 | Strap, 2" Braided 6 | 150846 | Holder Assembly, Left Brush 11 | 151692 | Screw, 6-40 x 3/16 Fil 6 |
| 91837 | Washer, Insulating 10 | 150847 | Holder Assembly, Right Brush 11 | 151795 | Motor, Synchronous 3,4 |
| 92260 | Lockwasher 10 | 150849 | Washer, Insulating 12 | 151920 | Plate, Mounting 6 |
| 96258R | Jumper, 3" Red 13,14 | 150850 | Insulator, .031" Thk 12 | 151922 | Clamp 3,6,8,9 |
| 96262R | Jumper, 4" Red 3 | 150856 | Arm, Contact 12 | 151923 | Relay, Motor Starting 3, 6 to 9 |
| 96264R | Jumper, 5" Red 3 | 150857 | Clamp 12 | 151924 | Insulator, .031" Thk 6 |
| 96268R | Jumper, 7" Red 13,14 | 150858 | Bracket, Contact 12 | 151925 | Clamp 3,6,8,9 |
| 98642 | Lockwasher 10 | 150859 | Bracket, Mounting 12 | 151926 | Nut, 4-40 Spl 6,8 |
| 98712 | Screw, 4-40 x 1/4 Flat 12 | 150865 | Screw, 4-40 Clamping 12 | 151927 | Cable w/Terminals 3 |
| 100743 | Clamp, Cable 14 | 150866 | Clamp 12 | 152034 | Bracket, Resistor 14 |
| 104752 | Washer, Flat 7,9 | 150868 | Bushing, Insulating 12 | 152035 | Plug 14,15,16 |
| 110434 | Screw, 4-40 x 7/16 Fil 7, 9 | 150869 | Spring 12 | 152037 | Cover 14 |
| 110743 | Lockwasher 12,13,15,16 | 150872 | Stud 12 | 152039 | Container 3,14 |
| 112627 | Nut, 2-56 Hex 13,14 | 150873 | Collar 11 | 152040 | Lid 3,14 |
| 119223 | Screw, 4-40 x 1-15/32 Fil 6 | 150877 | Bracket, Guide 12 | 152042 | Cover 15 |
| 121249 | Clamp, 5/8 ID Cable 9 | 150879 | Cover, Governor 12 | 152044 | Cover 14,15,16 |
| 122200 | Shield Assembly, End 10 | 150880 | Spring, Governor Brush 11 | 152046 | Bracket w/Cradle, Motor 3,14,15,16 |
| 122201 | Bearing, Ball 4,10 | 150881 | Spring, Governor Brush 11 | | |
| 122202 | Stud 10 | 150882 | Brush, Contact 11 | | |
| 122204 | Cap, Brush 10 | 150884 | Mounting, Brush 11 | | |
| 122205 | Brush, w/Spring 10 | 150885 | Plate, Brush 11 | | |
| 122206 | Holder, Brush 10 | 150886 | Plate, Clamp 11 | | |
| 122207 | Stop Assembly 6,8,9,10 | | | | |

NUMERICAL INDEX (Continued)

| Part Number | Description and Page Number | Part Number | Description and Page Number | Part Number | Description and Page Number |
|-------------|----------------------------------------|-------------|-----------------------------|-------------|---------------------------------|
| 152054 | Resistor, 250 Ohm 13,14 | 162072 | Stator, Motor 3,8 | 179421 | Capacitor, 1 MFD 3,15 |
| 152058 | Seperator 14 | 162464 | Stator, Motor 5 | 179422 | Suppressor, Noise 3,15 |
| 152059 | Cable w/Terminals 3 | 162466 | Shield, Rear End 5 | 179423 | Plate w/Bracket 15 |
| 152067 | Nipple 3,14,15,16 | 162467 | Shield, Front End 5 | 179424 | Lid w/Insulator 3,15,16 |
| 152078 | Spring, Seperator 14 | 162469 | Washer, Spring 5 | 194924 | Motor, 115 V AC Synchronous 5 |
| 152297 | Washer, Bearing 4 | 162482 | Bolt, 6-32 x 3-1/2 Fil 5 | 195214 | Stator 5 |
| 152459 | Bracket, Mounting 13,14 | 162684 | Jumper, 2-3/4" White 3 | 195525 | Plate, Identification 9 |
| 152495 | Bracket, Mounting 12 | 162685 | Jumper, 4" White 3 | 198691 | Plate w/Resistor Assembly 15,16 |
| 153030 | Mount, Vibration 4,5,10 | 162861 | Screw, 6-40 x 1-7/16 Fil 13 | 198692 | Container Assembly 15,16 |
| 153031 | Bushing, Lead 10 | 163268 | Jumper, 6-1/2" White 3 | 198693 | Modification Kit 16 |
| 153049 | Washer, Insulating 4 | 163269 | Jumper, 2" White 3 | 199721 | Bolt, 8-32 x 5-13/16 Fil 4 |
| 153101 | Grommet, Rubber 10 | 163799 | Bracket 8 | 304739 | Modification Kit 16 |
| 153102 | Setscrew, 8-32 10 | 164603 | Insulator 3,8 | 305658 | Spring 3,7 |
| 153103 | Screw, 4-40 Self-Tapping 10 | 164612 | Bracket w/Cradle, Motor 3,8 | 305659 | Insulator 3,7 |
| 153114 | Jumper, 8-1/2" Black 10 | 164756 | Stator, Motor 10 | 305660 | Plate, Mounting 3,7 |
| 154375 | Backstop 12 | 164757 | Armature, Motor 10 | 305661 | Bracket w/Cradle, Motor 3,7 |
| 155752 | Sleeve, 5/64 ID x 1/2" Lg Insulating 7 | 164890 | Bearing, Ball 5 | 306320 | Cable Assembly 3 |
| 156875 | Screw, 6-40 x 5/32 Fil 6, 7 | 164891 | Shim, .032" Thk 5 | 310295 | Motor, Synchronous 5 |
| 159739 | Motor, 115V Synchronous 3,4 | 164892 | Shim, .018" Thk 5 | 312530 | Washer, Textolite 15,16 |
| 160298 | Plate, Mounting 6 | 164894 | Shim, .018" Thk 5 | 312531 | Washer, Fiber 15,16 |
| 160299 | Capacitor, 226 MFD 3,6 | 170764 | Motor, AC Synchronous 3,4 | 312971 | Shield 9 |
| 160300 | Clamp 6 | 171702 | Clamp 3,8 | 312977 | Insulator 3,9 |
| 160301 | Plate, Insulating 6 | 171703 | Clamp 3,8 | 312979 | Bracket w/Cradle, Motor 3,9 |
| 160302 | Plate, Nut 6 | 171704 | Insulator 3,8 | 320410 | Terminal, Spade Type 10, 16 |
| 160303 | Relay 3,6 | 171749 | Bracket w/Cradle, Motor 3,8 | 320416 | Terminal, Ring Type 3 |
| 160304 | Switch, Thermostatic 3,6 | 171810 | Cable w/Terminals 3 | 320418 | Terminal, Ring Type 6,7, 9,10 |
| 160305 | Rotor, Motor 4 | 172902 | Nut, 6-32 Hex 5 | 320420 | Terminal, Ring Type 3,6 |
| 160306 | Stator, Motor 4 | 173004 | Resistor, 100 Ohm 3,15 | 320422 | Terminal, Ring Type 3,6 |
| 161575 | Armature, Motor 10 | 173425 | Relay, Motor Starting 3,8 | 327828 | Filter w/Network 9 |
| 161576 | Stator, Motor 10,16 | 173687 | Fan, Motor 6 | 330564 | Rotor 5 |
| 161577 | Motor, 115 V AC Series 3, 10 | 174471 | Switch, Thermostatic 3,8 | 330565 | Rotor 5 |
| 161578 | Suppressor, Noise 3,14,15 | 176417 | Ring, Retaining 5 | 330579 | Screen w/Bracket 15 |
| 161579 | Capacitor, .5 MFD 3,13 to 15 | 179103 | Resistor, 250 Ohm 3,15 | 332865 | Fan 4 |
| 161580 | Resistor, 500 Ohm 3,13,14 | 179190 | Motor, 48 V DC Series 3, 10 | 334747 | Label 9 |
| 161984 | Motor, 115 V AC Synchronous 3,5 | 179420 | Container 3,15 | | |