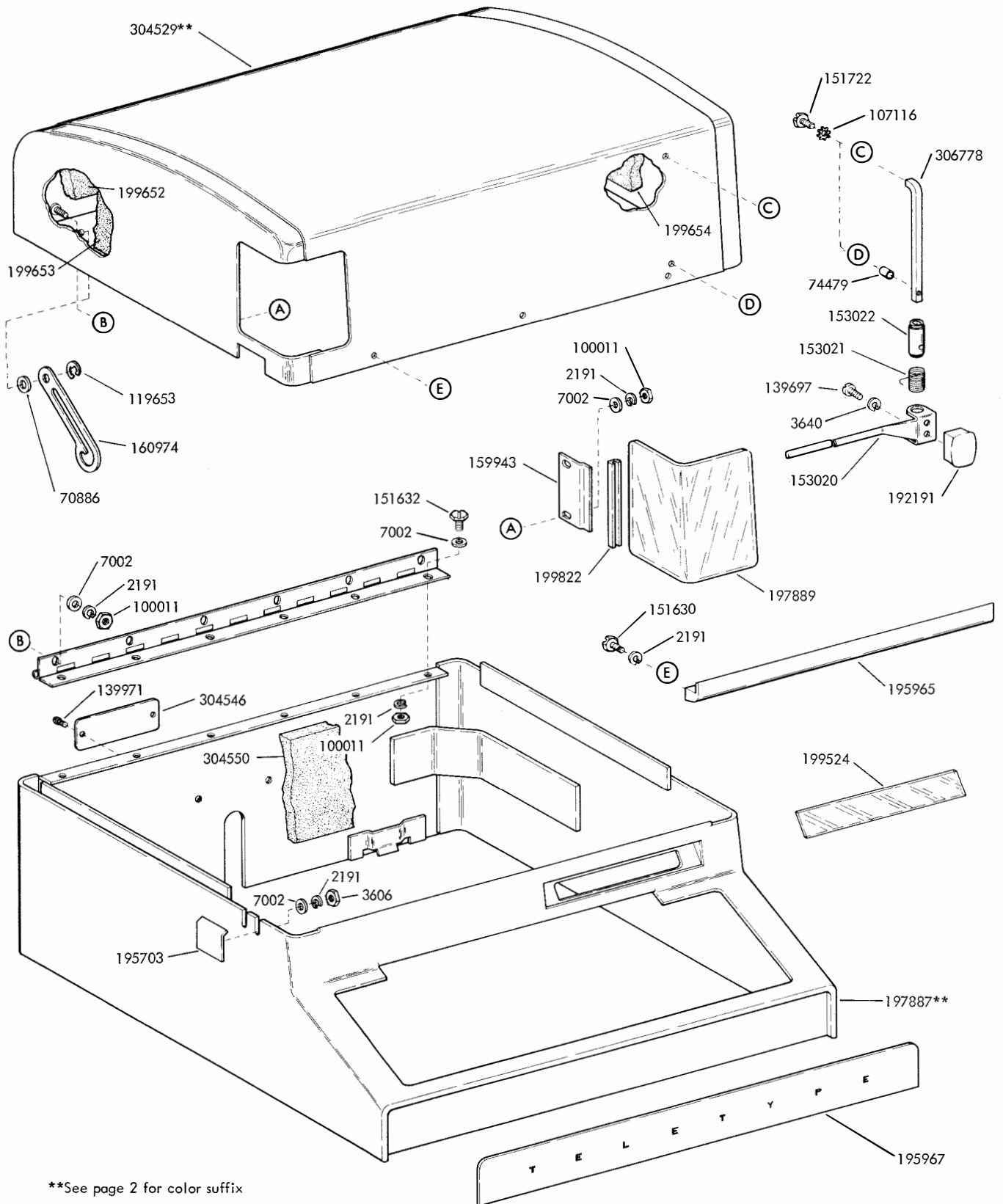


KEYBOARD TAPE PUNCH (LKPE),  
KEYBOARD TYPING TAPE PUNCH (LKTP)  
AND COVER (LKPC)  
PARTS

FIGURE	CONTENTS	PAGE	FIGURE	CONTENTS	PAGE
1	Cover	3	24	Punch Front Plate Mechanism	24
2	Base Pan	4	25	Punch Rear Plate Mechanism	25
3	Base	5	26	Axial Positioning Mechanism	26
4	Function Bail Mechanism	5	27	Axial Positioning Mechanism (Continued)	27
5	Intermediate Gear Mechanism	6	28	Rotary Positioning Mechanism	28
6	Code Bar Reset Bail Mechanism	7	29	Rotary Positioning Mechanism (Continued)	29
7	Adapter Plate	8	30	Typing Mechanism	30
8	Adapter Plate (Continued)	9	31	Punch Bail Mechanism	31
9	Code Bar Mechanism	10	32	Ribbon Shift Mechanism	32
10	Code Bar and Function Lever Chart	11	33	Ribbon Feed Mechanism	33
11	Keyboard Mechanism	12	34	Power Drive for Backspace Mechanism	34
12	Keytop Chart	13	35	Backspace Mechanism for Non-typing Punch	35
13	Universal Bail Mechanism	14	36	Chad Disposal	36
14	Ball Lock Mechanism	14	37	Tape Container	37
15	155990 Character Counter Assembly	15	38	Punch Block Assemblies	38
16	Non-typing Punch Frame Mechanism	16	39	195620 Modification Kit to provide Backspace Mechanism for Fully Perforated Tape and Printing Between Feed Holes	39
17	Non-typing Punch Frame Mechanism (Continued)	17	40	178918 Modification Kit to provide guard for Backspace Mechanism	39
18	Typing Punch Frame Mechanism	18	41	Synchronons Motor	40
19	Typing Punch Frame Mechanism (Continued)	19		Numerical Index	41
20	Transfer Mechanism	20			
21	Function Box Mechanism	21			
22	Main Shaft ( 5 and 6 Level)	22			
23	Main Shaft (8 Level)	23			

PAINT FINISH COLOR CODE CHART (For Parts and Assemblies Replacing a Paint Finish)				
Color	Finish Suffixes			
	Wrinkle Finish	Smooth Finish	Textured Vinyl	Smooth Vinyl
Black	AA (37)	BB		
Dark Brown	AD (38)			
Gray Green	AB (40)	BK	GA (45)	
Charcoal Gray	AL	BZ		HA
Dark Gray			GB	
Light Gray		EJ		HB (68)
Beige Gray			GC	
Light Beige		EL		HC
Moss Green		EN		HD
Eye Rest Green		EA		
Turquoise		EV		
Aqua Blue		EK		
Brussels Light Blue		EC		
Medium Blue		ES		
Cherry Red		EF		
Pastel Yellow		EG		
White		EH		
Ivory		EM		
Beige		ET		
Rose Beige		ER		
Rose Pink		EU		
Dark Covert Gray				HE
Light Olive Gray		EW	GE	HF (46)
Fawn				HG

Numbers in Parenthesis ( ) indicates Bell System Code.  
Suffix to be applied following the part number.  
Other colors available on request.



\*\*See page 2 for color suffix

FIGURE 1. COVER

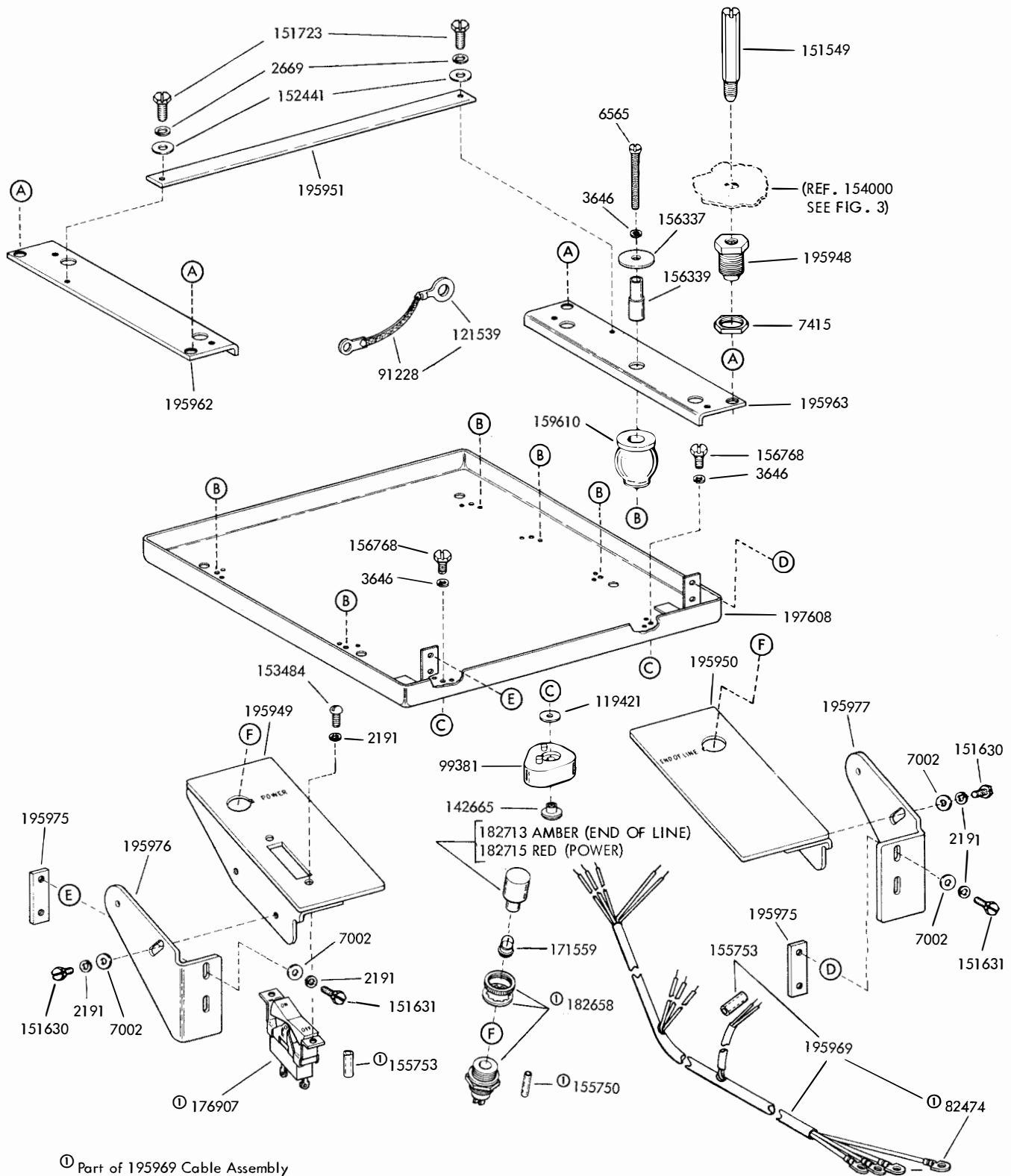


FIGURE 2. BASE PAN

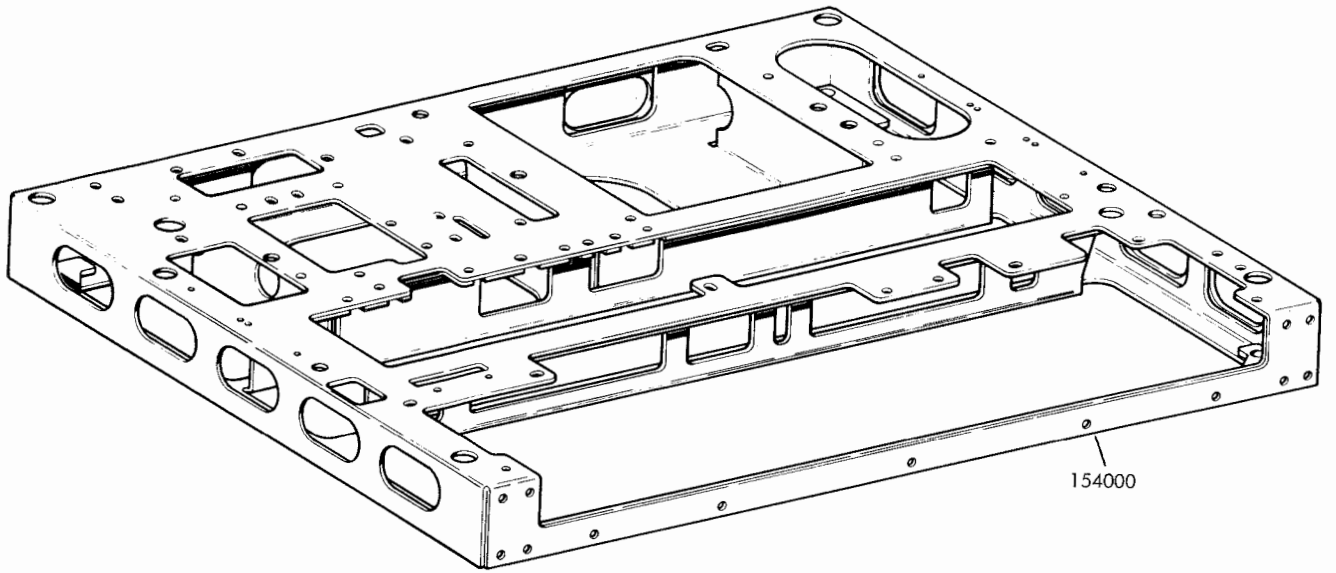


FIGURE 3. BASE

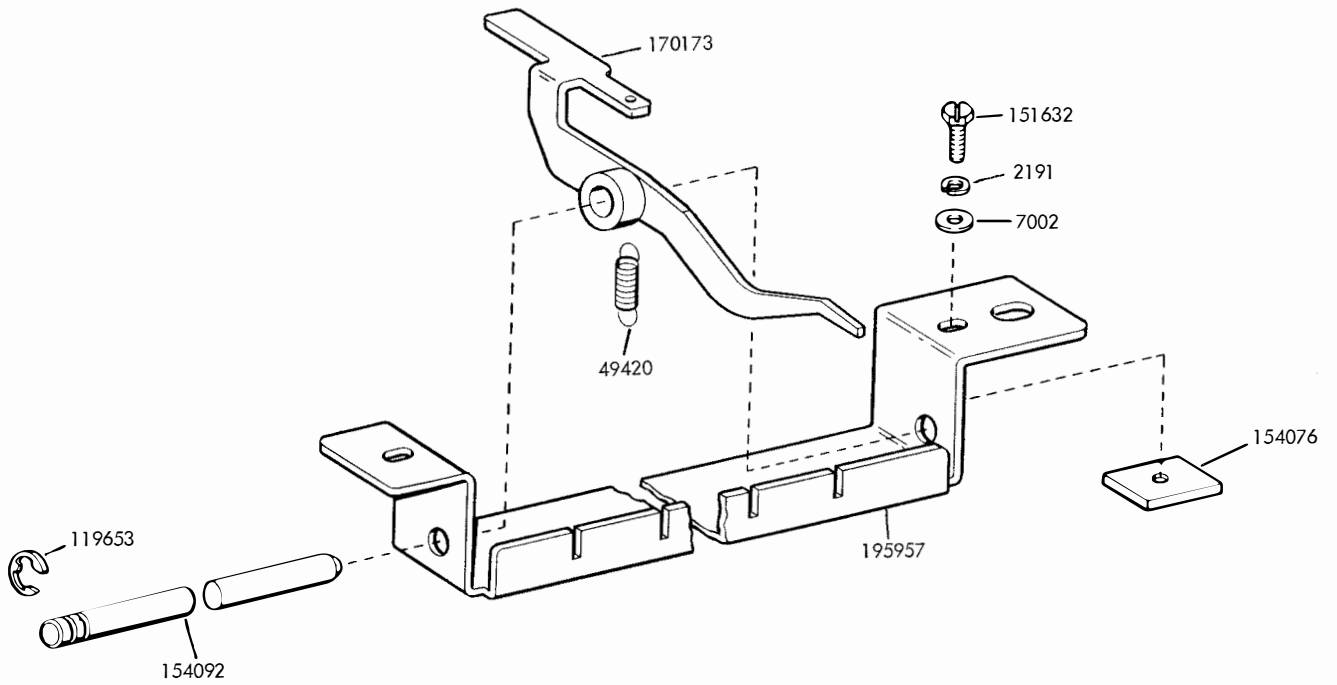
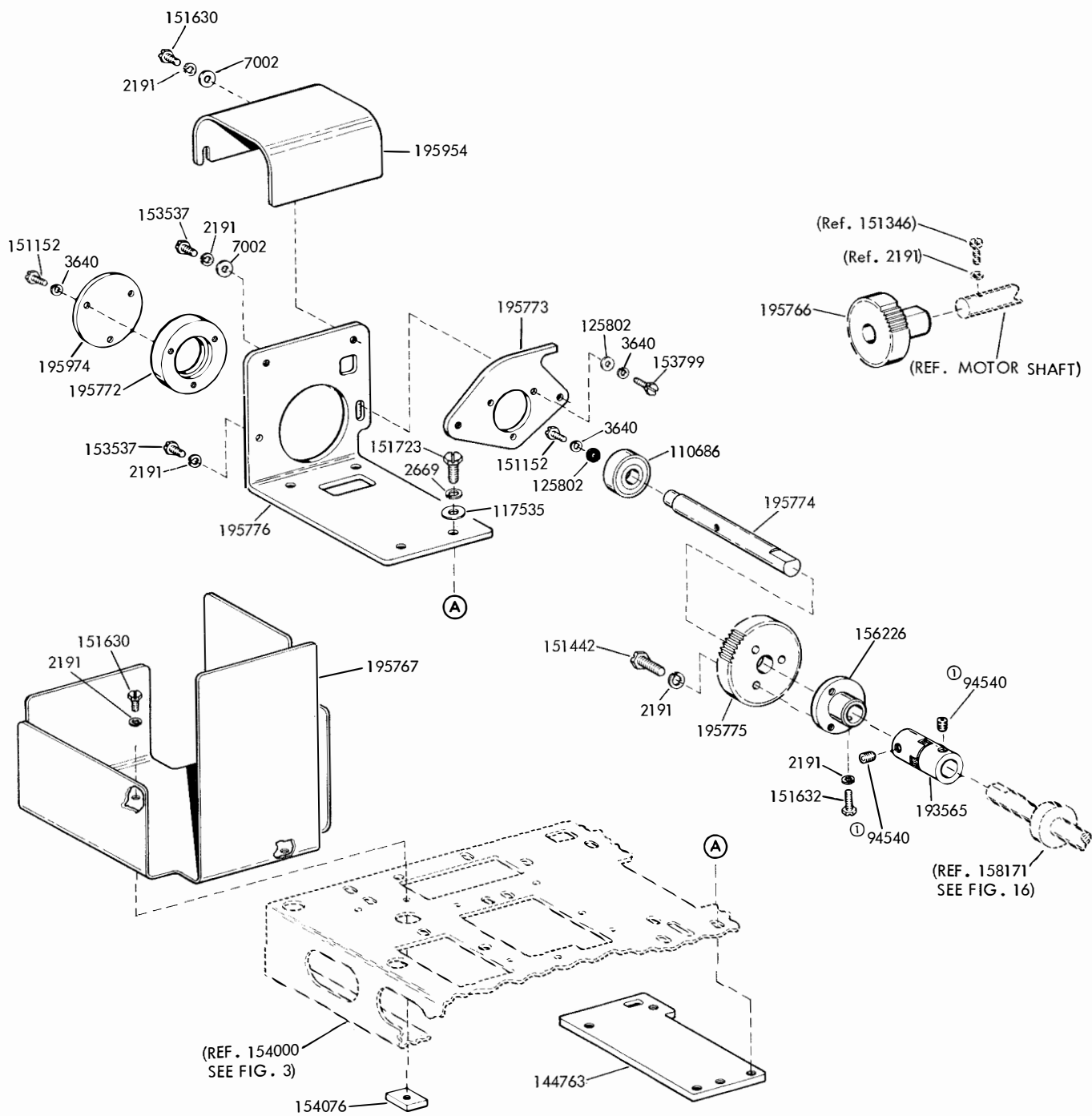


FIGURE 4. FUNCTION BAIL MECHANISM



① Supplied w/193565

FIGURE 5. INTERMEDIATE GEAR MECHANISM

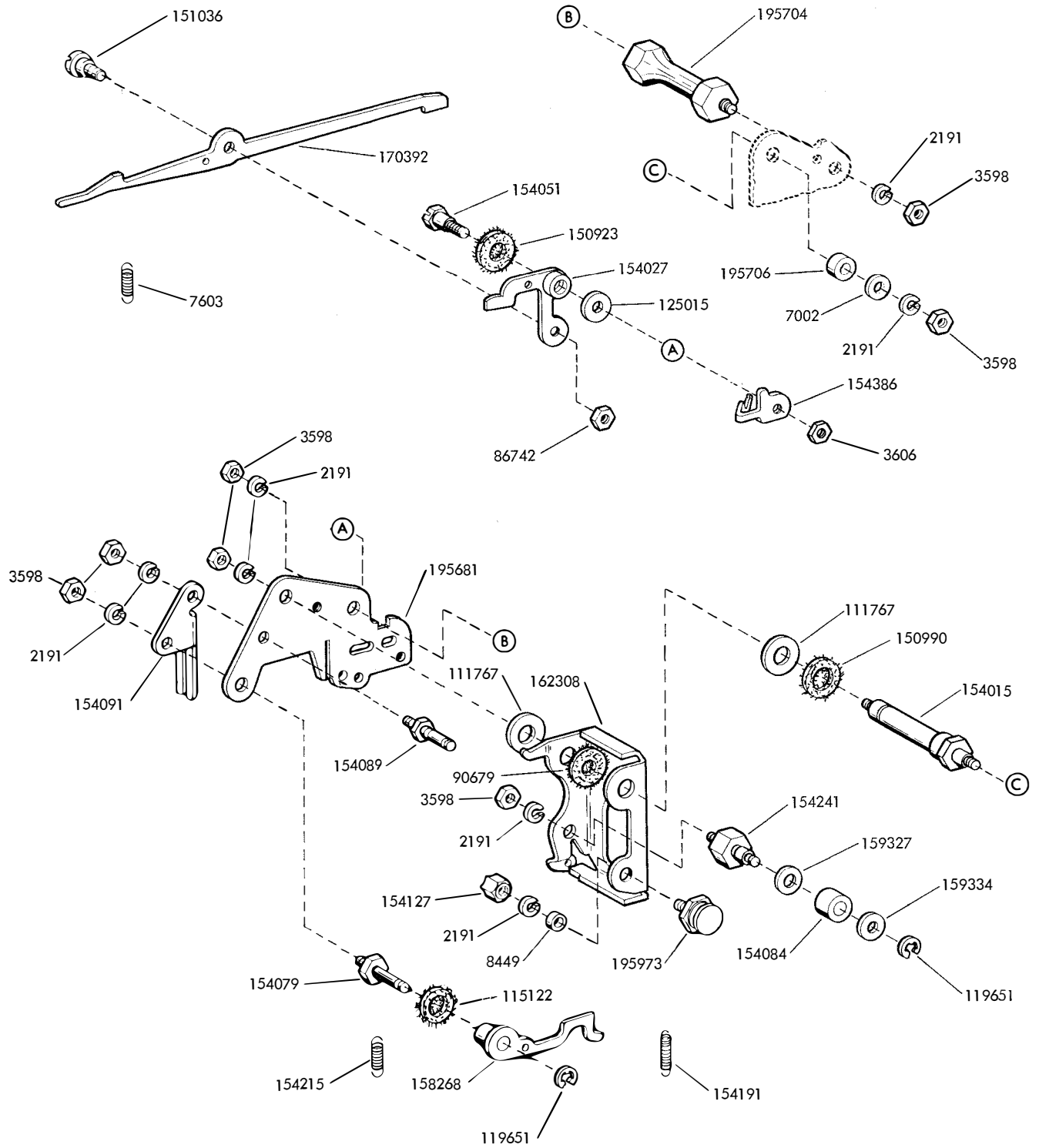


FIGURE 6. CODE BAR RESET BAIL MECHANISM

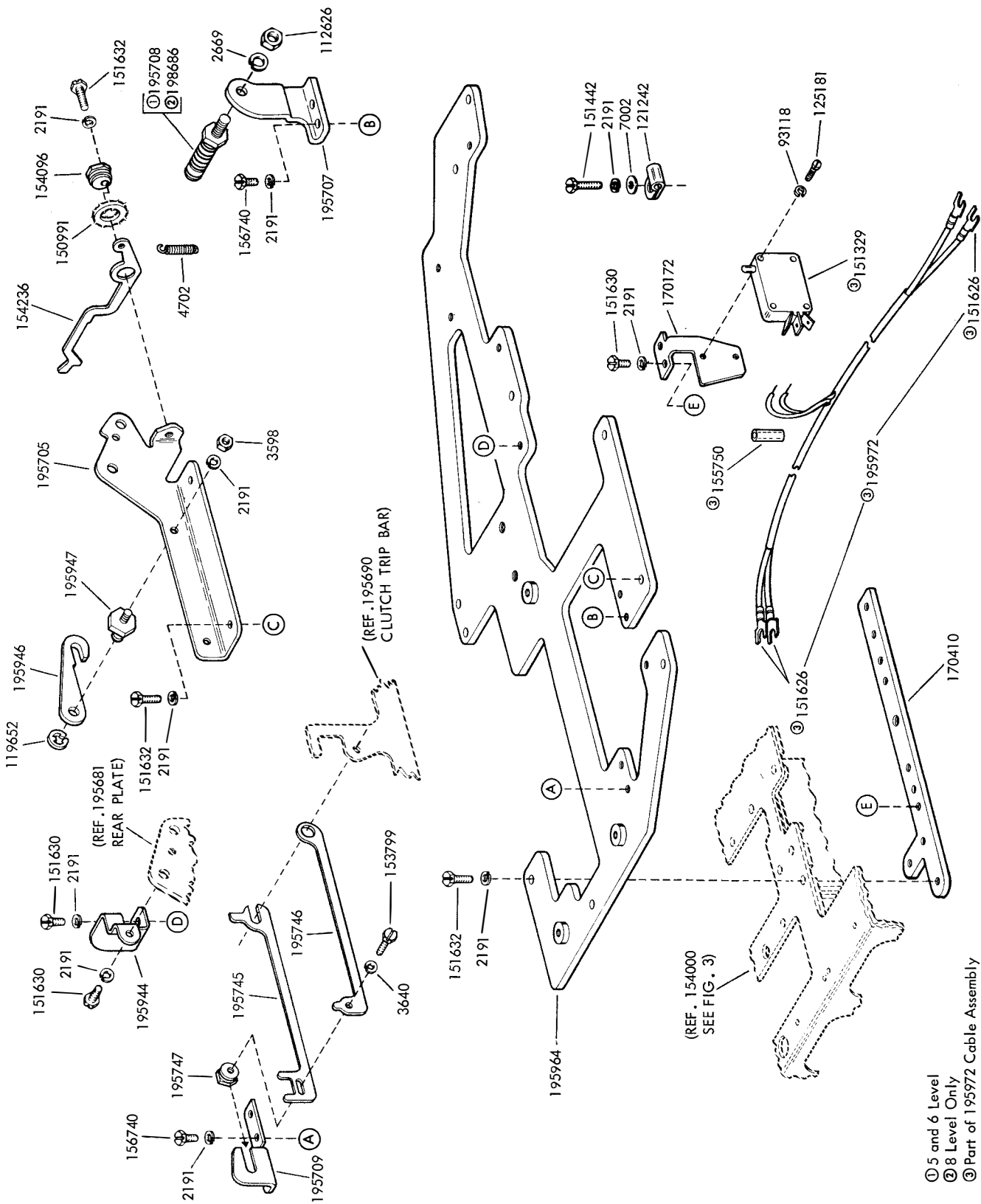


FIGURE 7. ADAPTER PLATE



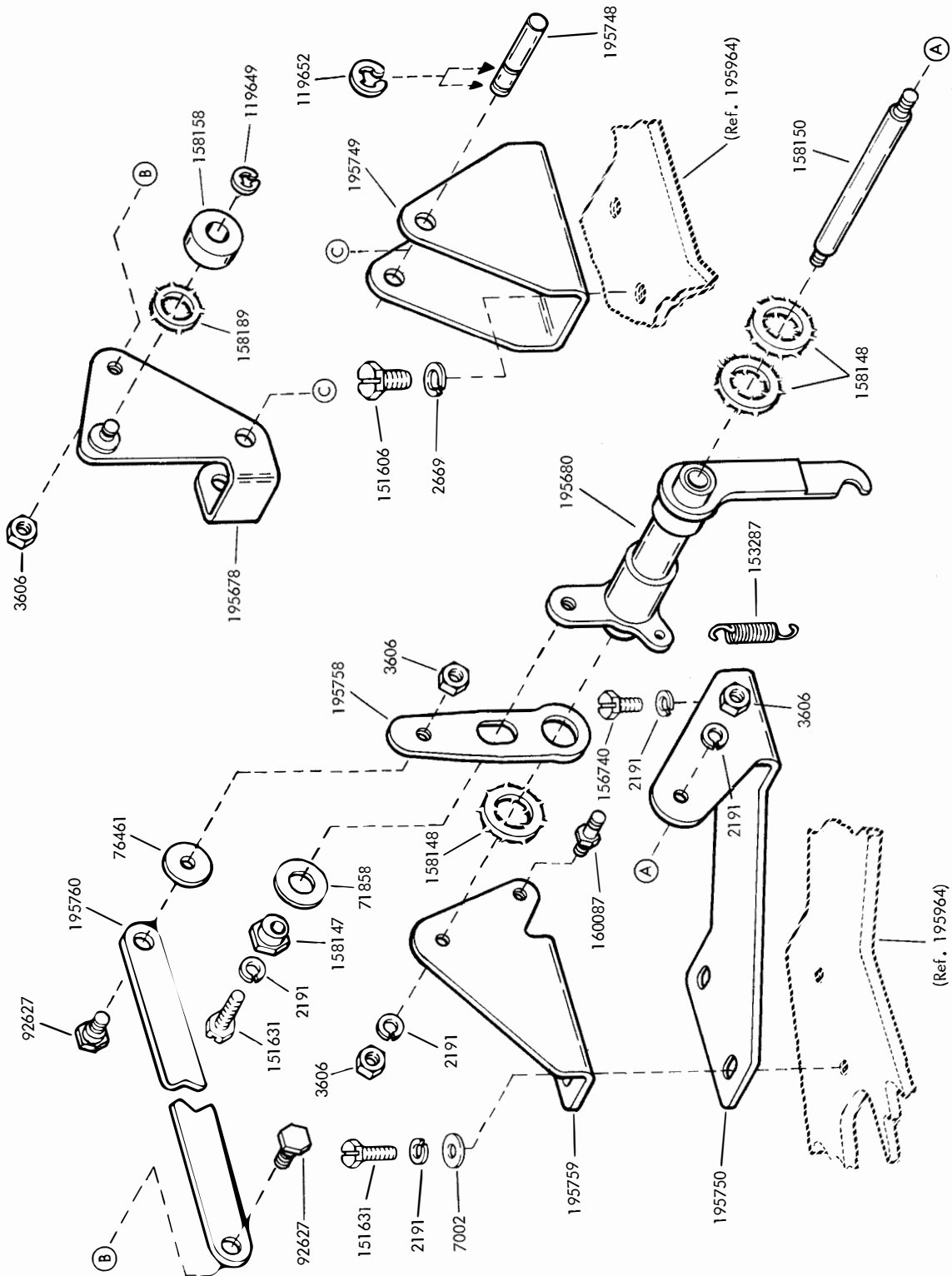


FIGURE 8. ADAPTER PLATE (CONTINUED)

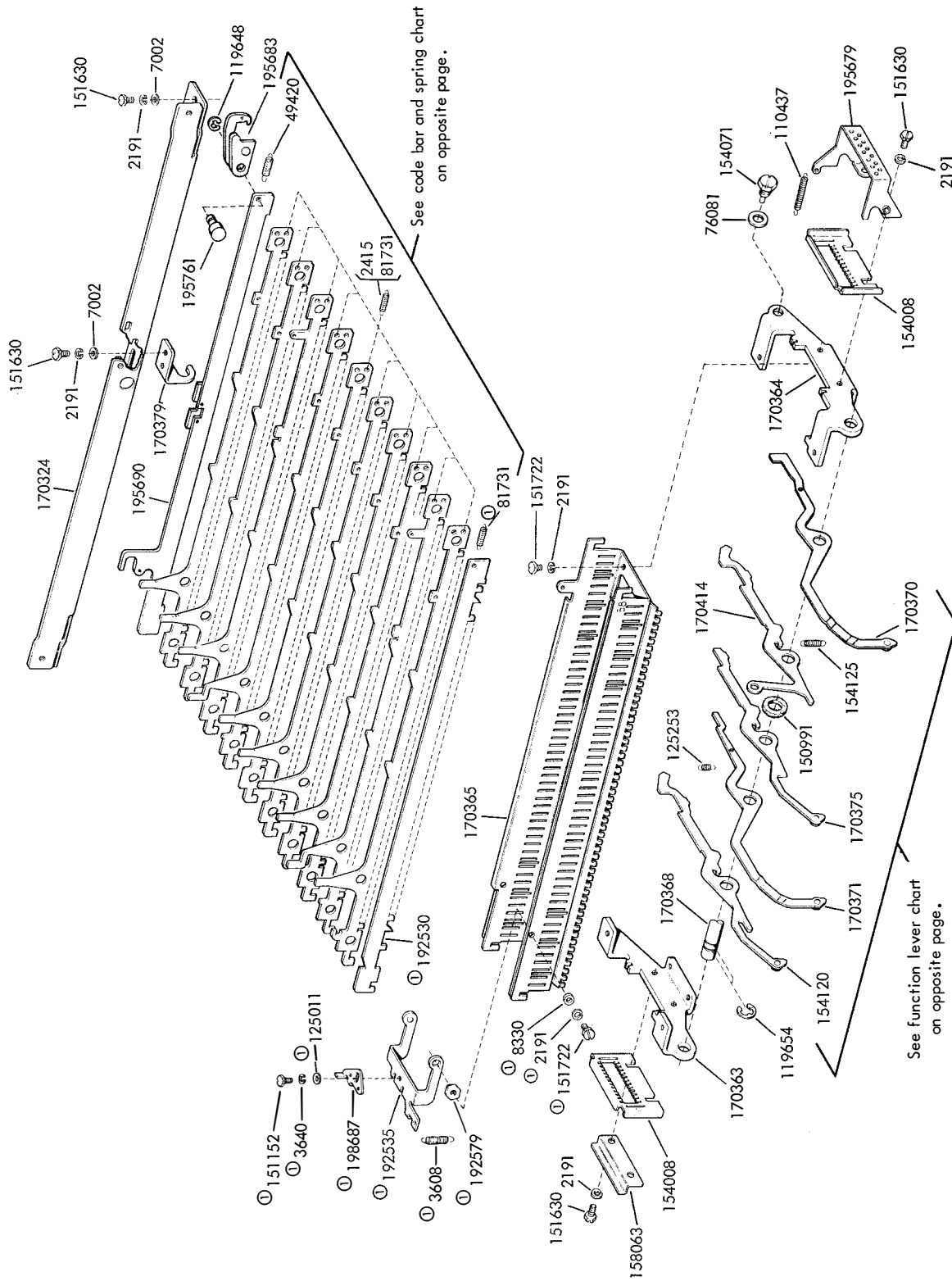


FIGURE 9. CODE BAR MECHANISM

① Used on 8 Level Only

CODE BAR AND ASSOCIATED SPRING CHART

SLOT NO.	1	2	3	4	5	6	7	8	9	10	11	12	13
5 LEVEL	Open	195757 2415	195756 2415	Open	Open	195755 2415	195754 2415	195753 2415	Open	195752 2415	195751 2415	Open	195690 49420
6 LEVEL	Open	199120 2415	199119 2415	Open	Open	197745 2415	197744 2415	197743 2415	Open	197742 2415	197741 2415	197740 2415	195690 49420
8 LEVEL	192530 81731	192559 2415	192558 2415	Open	197683 2415	197682 2415	197681 2415	197680 2415	197679 81731	197678 2415	197677 2415	197676 2415	195690 49420

The code bars are listed according to their position in the 154008 guide, counting from front to back.

FUNCTION LEVER CHART

SLOT NO.	5 LEVEL	6 LEVEL	8 LEVEL	SLOT NO.	5 LEVEL	6 LEVEL	8 LEVEL	SLOT NO.	5 LEVEL	6 LEVEL	8 LEVEL
1	Open	Open	Open	20	Open	154120	154120	39	154120	154120	154120
2	Open	Open	Open	21	154120	154120	154120	40	Open	154120	154120
3	170371	170371	170371	22	154120	154120	154120	41	154120	154120	154120
4	Open	154120	170375	23	154120	154120	154120	42	154120	154120	154120
5	Open	154120	154120	24	Open	154120	154120	43	154120	154120	154120
6	Open	154120	154120	25	154120	154120	154120	44	154120	154120	154120
7	154120	154120	170375	26	154120	154120	154120	45	Open	Open	Open
8	Open	Open	Open	27	154120	154120	154120	46	154120	154120	154120
9	154120	154120	154120	28	Open	154120	154120	47	154120	154120	154120
10	154120	154120	154120	29	154120	154120	154120	48	154120	154120	154120
11	Open	154120	154120	30	154120	154120	154120	49	Open	154120	154120
12	154120	154120	154120	31	154120	154120	154120	50	Open	Open	Open
13	Open	Open	Open	32	Open	154120	154120	51	154120	154120	154120
14	154120	154120	154120	33	154120	154120	154120	52	Open	154120	154120
15	154120	154120	154120	34	154120	154120	154120	53	Open	154120	154120
16	Open	154120	154120	35	154120	154120	154120	54	Open	154120	154120
17	154120	154120	154120	36	Open	154120	154120	55	170370	170370	170370
18	154120	154120	154120	37	154120	154120	154120	56	Open	154120	170375
19	154120	154120	154120	38	154120	154120	154120	57	Open	154120	154120
								58	170414	170414	170414

The function levers are listed according to their position in the 170365 guide counting from left to right.

FIGURE 10. CODE BAR AND FUNCTION LEVER CHART

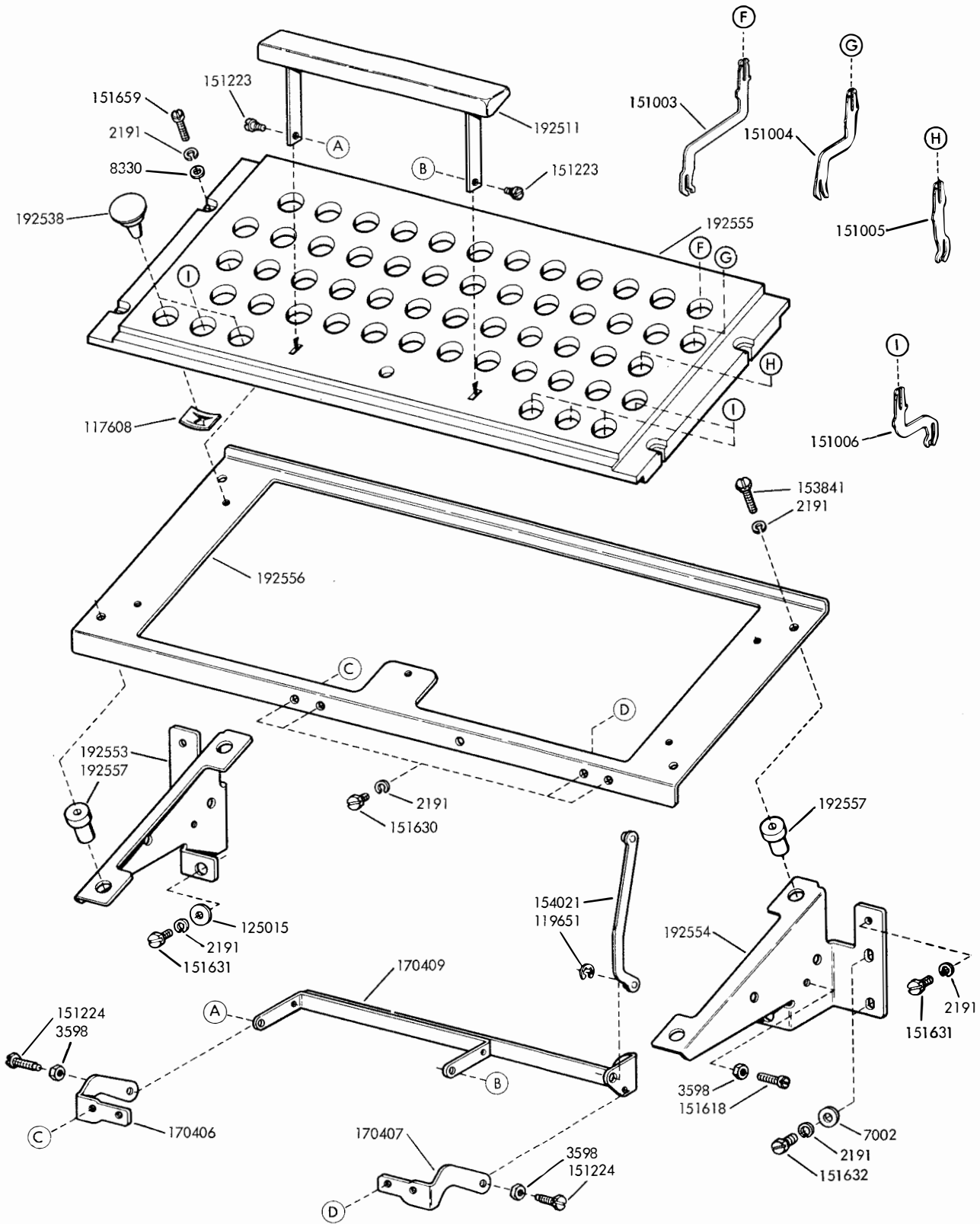


FIGURE 11. KEYBOARD MECHANISM

Keytop Description			Keytop Description			Keytop Description			Keytop Description			Keytop Description		
Lower Case	Upper Case	Part Number	Lower Case	Upper Case	Part Number	Lower Case	Upper Case	Part Number	Lower Case	Upper Case	Part Number	Lower Case	Upper Case	Part Number
A		180181	I	TAB	180178	R	TAPE	180174	3	3/8	180286	:	*	180205
A	-	180223	I	8	180220	R	4	180216	3	▶	180303	\$	!	180283
A	!	180391	I		180262	R		180260	3	■	180334	;	:	180294
A	SOM	180427				R	P-OFF	180356	3	◀	180347	)	(	180295
A	SOA	180435	J		180187	R	PUNCH	180425	3	=	180397	,	,	180296
A	SOM	*183891	J	BELL	180229				4	\$	180163	,	,	180297
			J	,	180243	S	X OFF	180182	4		180267	.	.	180298
B		180194	J	,	180390	S	'	180224	4	1/2	180287	.	.	180299
B	?	180236				S	BELL	180239	4	■	180322	.	.	180300
B	5/8	180249	K	VT	180188	S		180282	4	—	180348	^	v	180310
B	EOA	180381	K	(	180230	S	R-C	180360	4	EOT	180393	—	*	180311
B	"	180392	K	1/2	180244	S	STOP	180428	4	'	180398	,	▲	180317
B	SOT	180434	K		180280	S	X OFF	*183892	5	%	180164	,	▼	180318
			K	VT] \$	180361				5		180164	*	:	180324
C		180192	K	[	180383	T	TAPE	180175	5		180268	—	★	180325
C	:	180234	K	VT] C	180430	T	5	180217	5	5/8	180288	^	^	180328
C	WRU	180247				T		180261	5	=	180304	^	^	180331
C	1/8	180377	L	FORM	180189	T	P-ON	180357	5	C/O	180323	//	,	180332
C	EOM	180432	L	)	180231	T	PUNCH	180426	5	◀	180338	/	.	180353
			L	3/4	180245				5	∩	180349	(	[	180354
D	EOT	180183	L		180281	U		180177	5	:	180399	)	]	180354
D	+	180225	L	FFO] =	180362	U	7	180219				+	—	180363
D	\$	180240	L	\	180385	U	ERROR	180312	6	&	180165	,	:	180366
D	WRU	180277	L	FE] \	180431	U	(	180405	6		180269	*	/	180368
D		180278							6	3/4	180289	—	@	180421
D	EOT	180370	M		180196	V		180193	6	◀	180305	*		180335
D	)	180409	M	.	180238	V	] E	180235	6	FORM	180345	—		180336
			M	<	180316	V	3/8	180248	6	^	180350	+		180412
E	WRU	180173	M	∩	180330	V	=	180276	6	>	180400	\$		180413
E	3	180215	M	?	180365	V	;	180342	6			,		180418
E		180259	M	] ]	180384	V	~	180415	7		180166	,		180419
E	C	180333	M	*	180417	V	PRINT	180433	7		180270	/		180420
E	WRU	180369	N	▲	180195	W		180172	7	7/8	180290		*	180436
E	[	180404	N	,	180237	W	2	180214	7	] ]	180306		+	180438
E	PRINT	180424	N		180250	W	\	180403	7	≥	180339			
E	WRU	*183889	N	>	180315	W	LEM	180423	7	v	180351			
			N	?	180329				7	BELL	180395			
F	RU	180184	N	X	180340	X		180191	7	√	180401	RUB OUT		180201
F	\$L	180226	N	=	180364	X	/	180233	8	(	180167	RE TURN		180202
F	1/4	180241	N	7/8	180379	X	##	180414	8		180271	LINE FEED		180203
F	ST	180258	N	] ]	180416				8		180291	HERE IS		180206
F		180273				Y		180176	8	-	180291	BREAK		180207
F	!	180343	O	◀	180179	Y	6	180218	8	] ]	180307	REPT		180208
F	RU	180371	O	9	180221				8	2	180352	FIGS		180210
F	%	180386	O	.	180313	Z		180190	9			LTRS		180211
F	<	180410	O	▶	180326	Z	"  E	180232	9	)	180168	ALT MODE		180257
F	PRINT	180429	O	<	180358	Z	"  E	180246	9		180272	BELL		180341
			O	;	180406	Z	+	180275	9	&	180292	TAB		180373
G	BELL	180185							9	(	180308	CAR RET		180380
G	&L	180227	P	@	180180	I	!	180160	9	'	180375	ESC		180382
G	&	180242	P	0	180222	I		180264				BACK SPACE		180402
G		180274	P		180263	I	1/8	180284	10	/	180319	REPT		180408
G	BELL	180372	P		180314	I	] ]	180301				EOT		180440
G	@	180387	P	:	180327	I	●	180320	0		180169	DIV		180441
G	,	180394	P	∩ v :	180359	I	#	180337	0	?	180293	STORE		180442
G	≠	180411	P	∩ v :	180389	I	"	180161	0	)	180309	TYPE ORD		180443
G	BELL	*183890	P	∩ v :	180407	I		180265	∅		i80374	SECT		180444
			P	∩ v :	180439	I	1/4	180285	∅	<	180376	TAPE OUT		180445
H		180186					+	180302				REPT	**151254	
H	#L	180228	Q		180171		▶	180321	—	=	180170	LOC B SP	**153280	
H	STOP	180378	Q		180213		HT	180344	,	<	180197	SHIFT	173285	
H	£	180388	Q	BR	180355			180346	.	>	180198	UN SHIFT	197748	
H	(	180396	Q	START	180422		#	180162	,	+	180199			
H	FE	180437	Q	X ON	*183888			180266	/	?	180200			

NOTE:  
All Keytops are gray with white characters except as noted.

\*Gray Keytops with yellow characters

\*\* Red Keytops with white characters

FIGURE 12. KEYTOP CHART

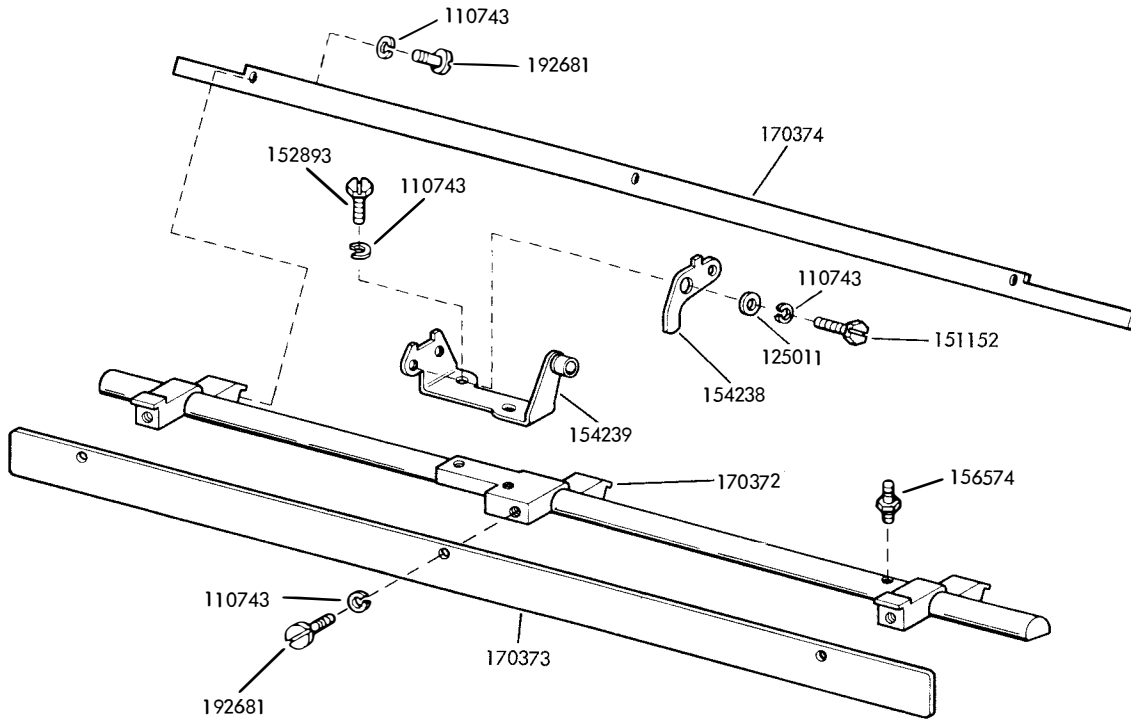


FIGURE 13. UNIVERSAL BAIL MECHANISM

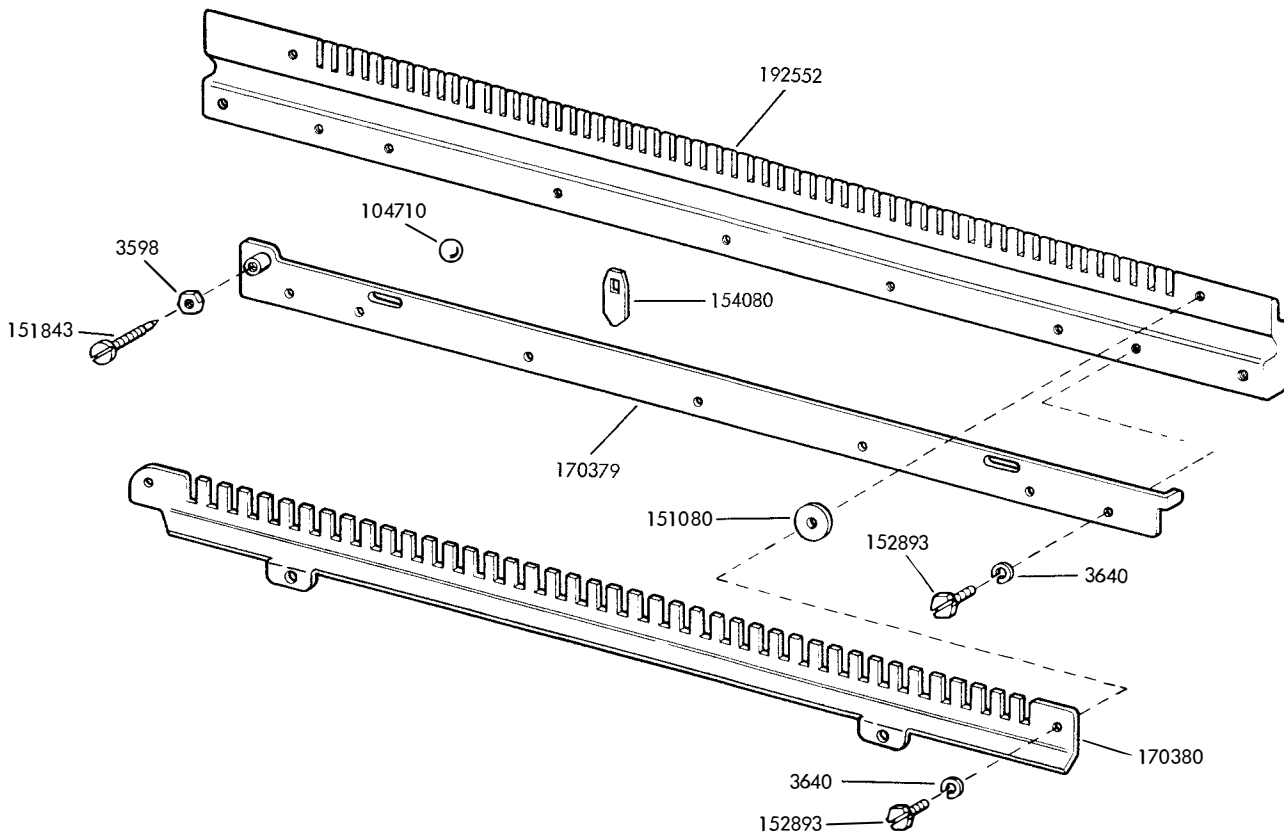


FIGURE 14. BALL LOCK MECHANISM

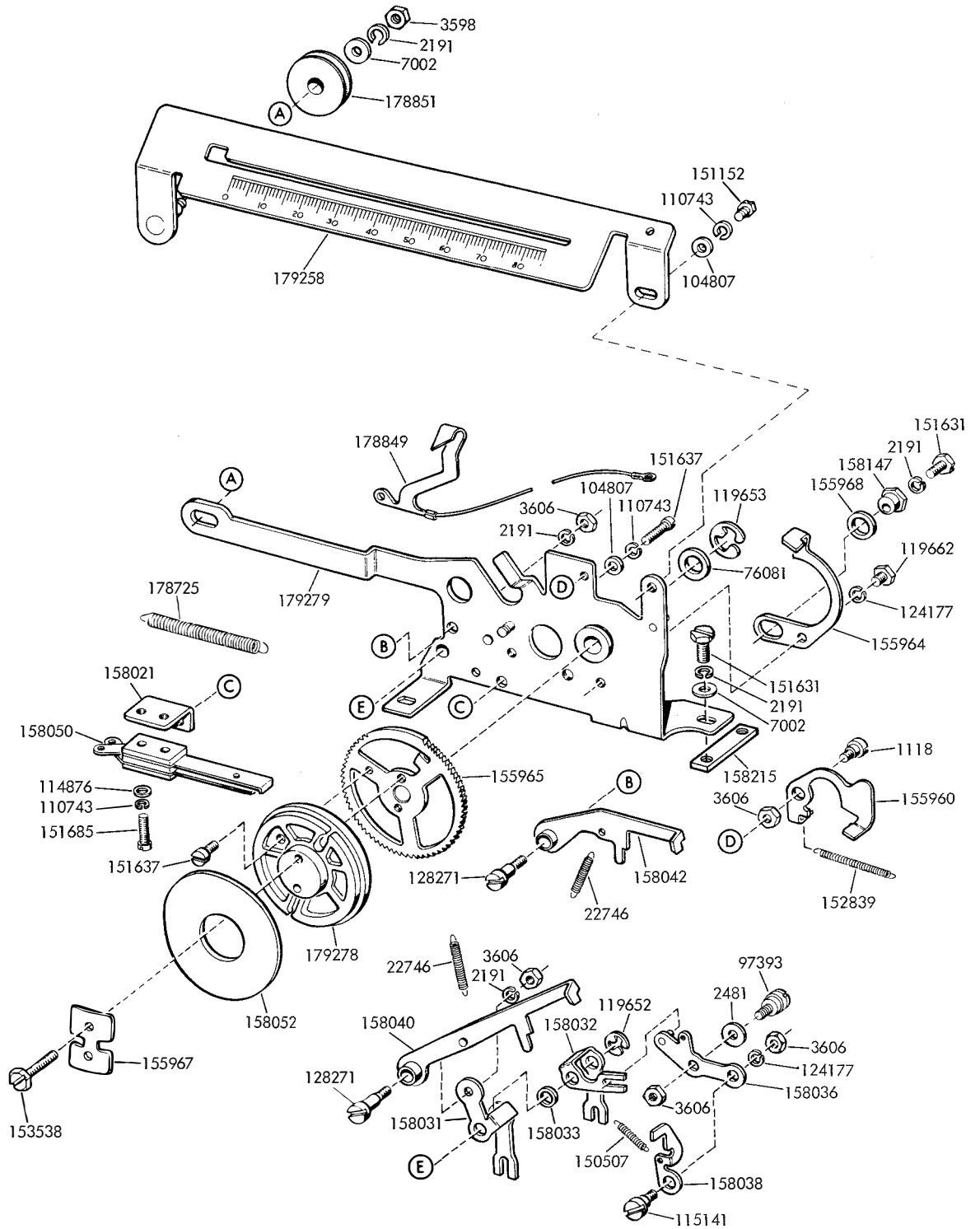


FIGURE 15. 155990 CHARACTER COUNTER ASSEMBLY

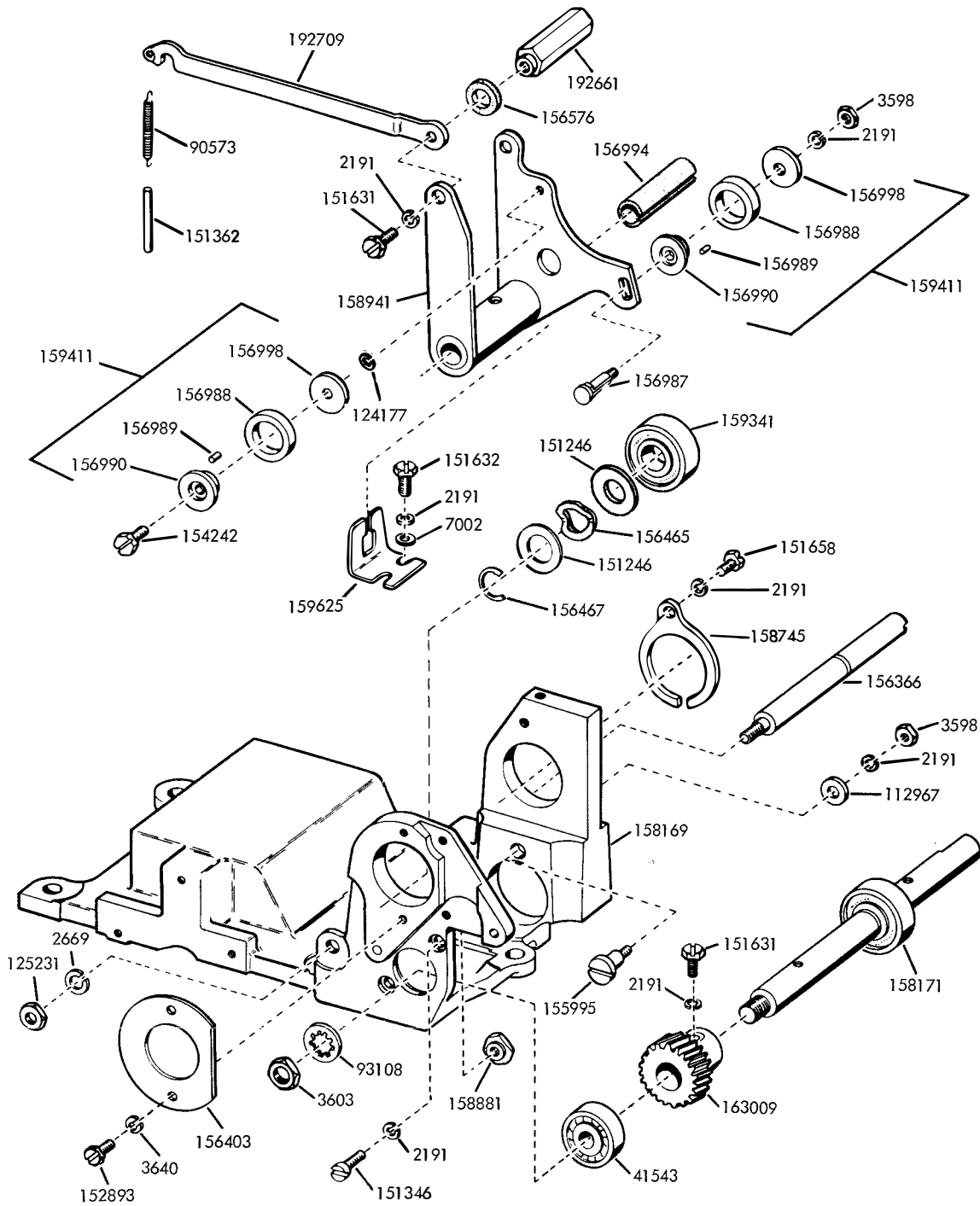


FIGURE 16. NON-TYPING PUNCH FRAME MECHANISM



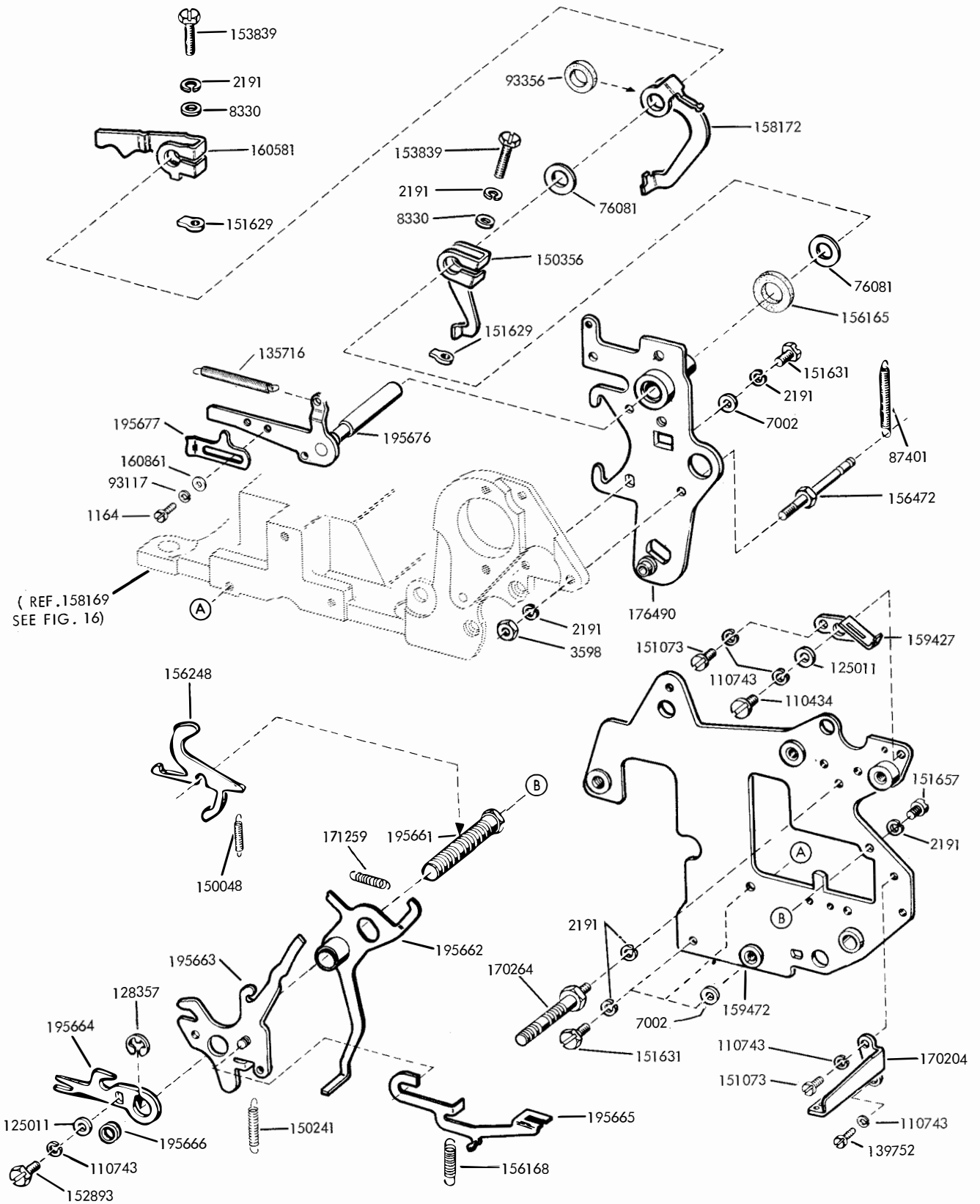


FIGURE 17. NON-TYPING PUNCH FRAME MECHANISM (CONTINUED)



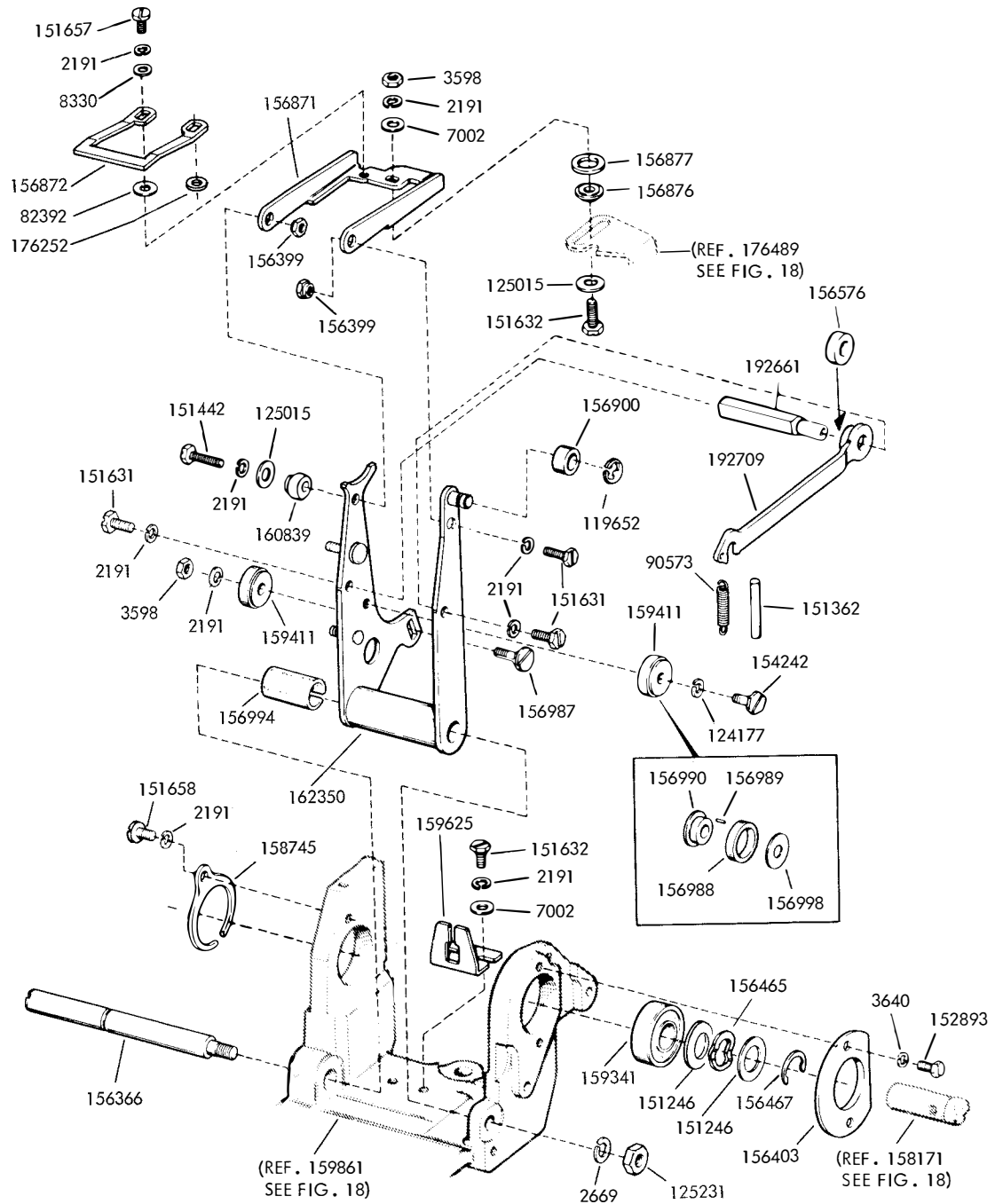


FIGURE 19. TYPING PUNCH FRAME MECHANISM (CONTINUED)

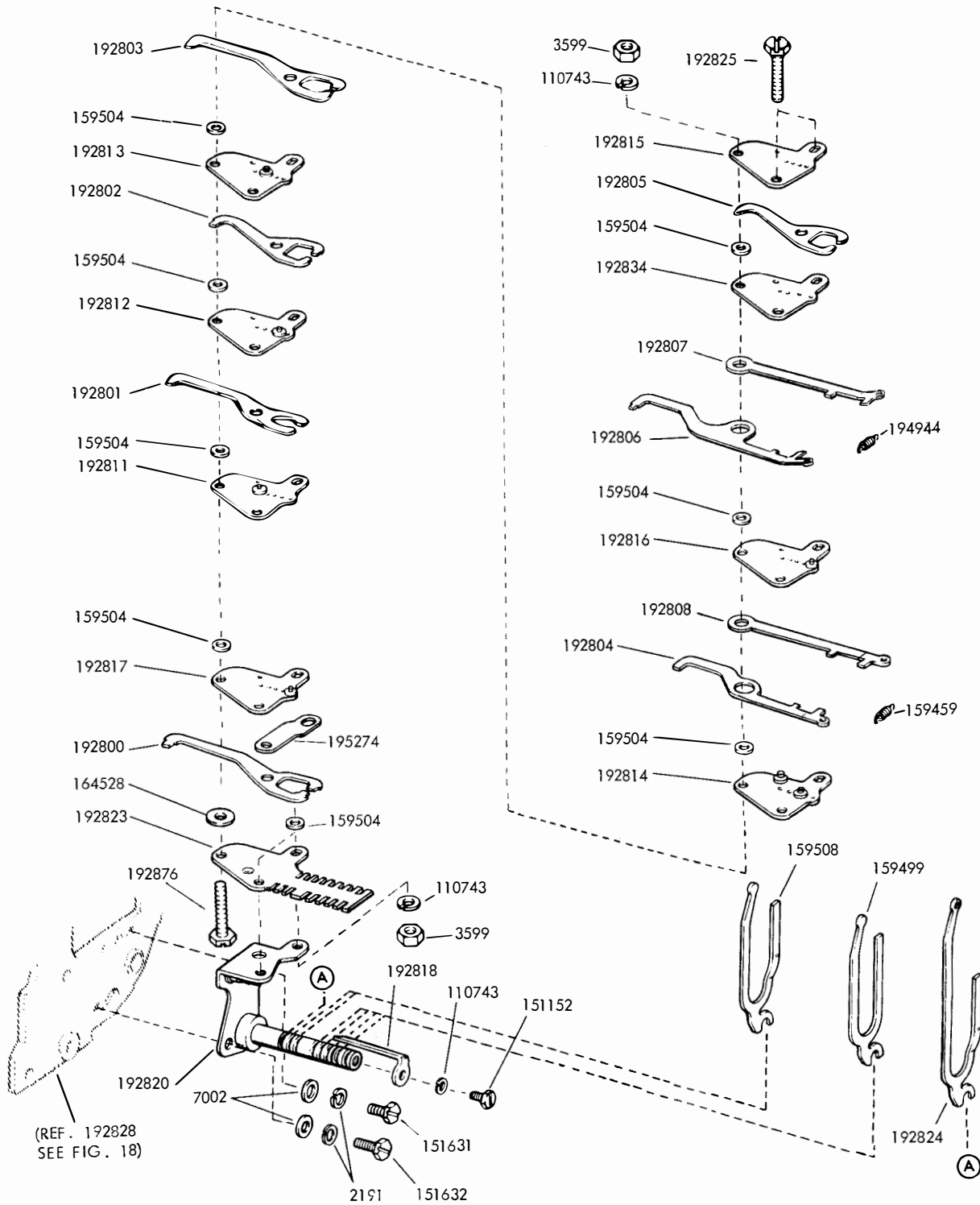


FIGURE 20. TRANSFER MECHANISM

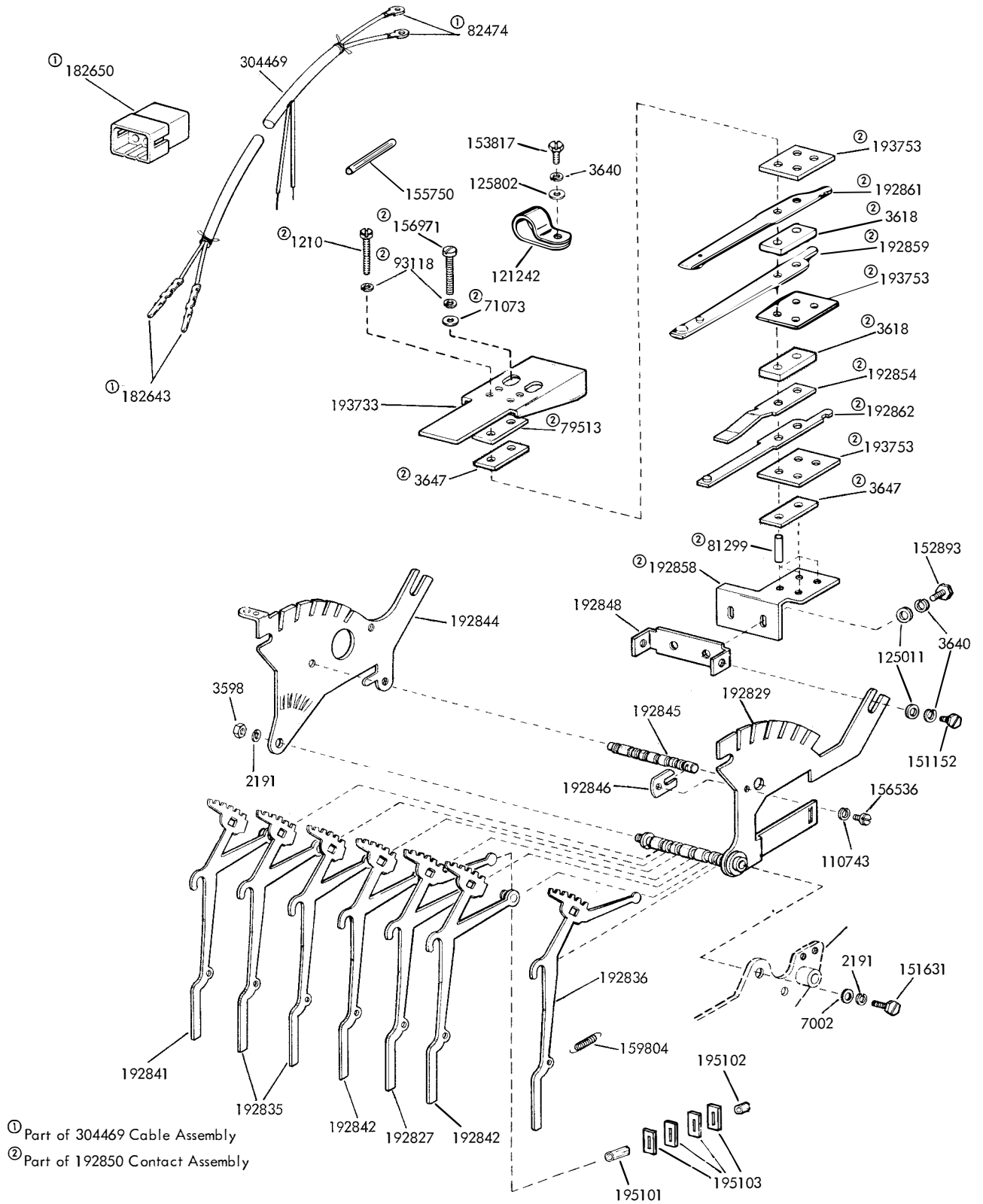


FIGURE 21. FUNCTION BOX MECHANISM

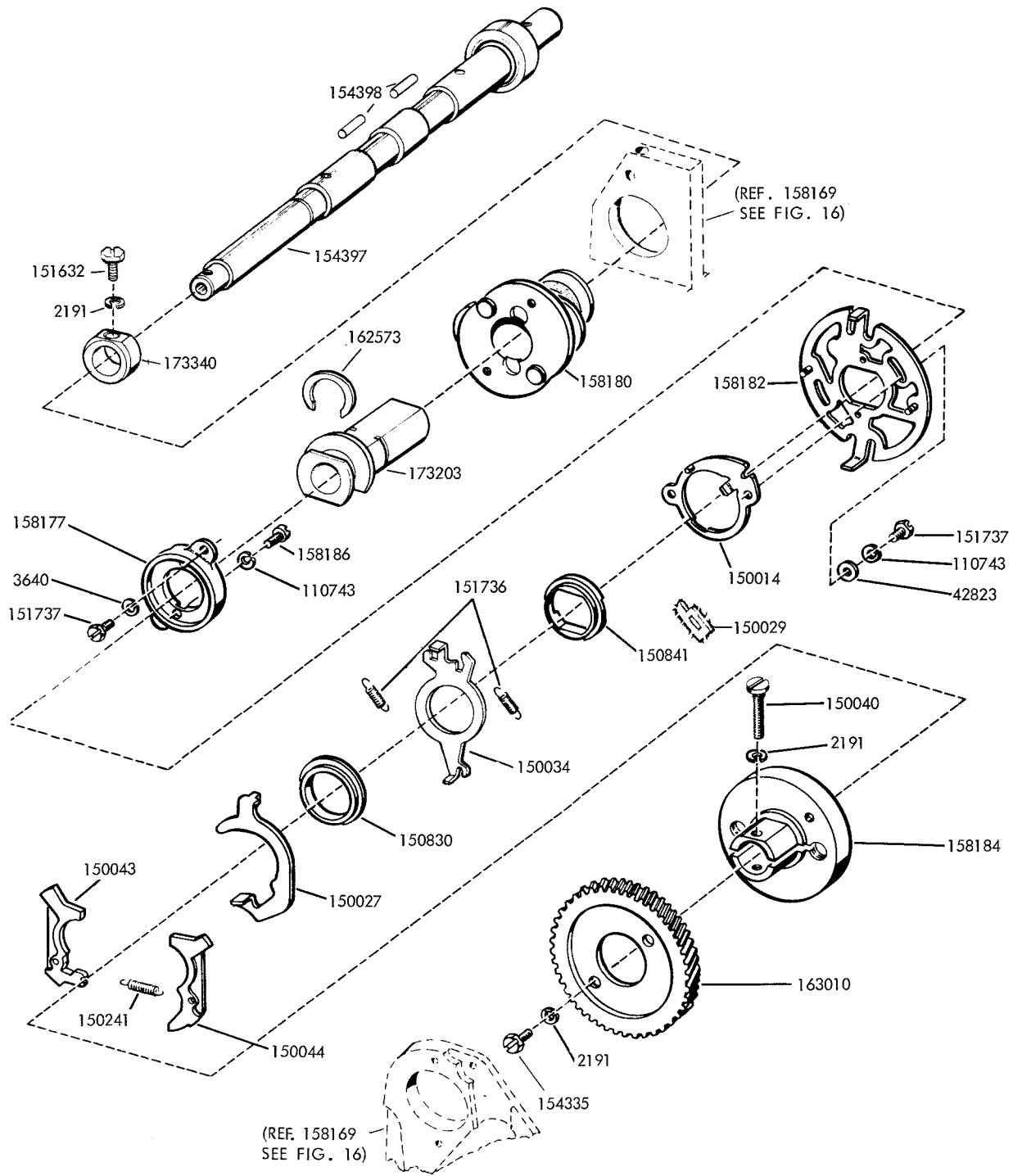


FIGURE 22. MAIN SHAFT (5 AND 6 LEVEL)

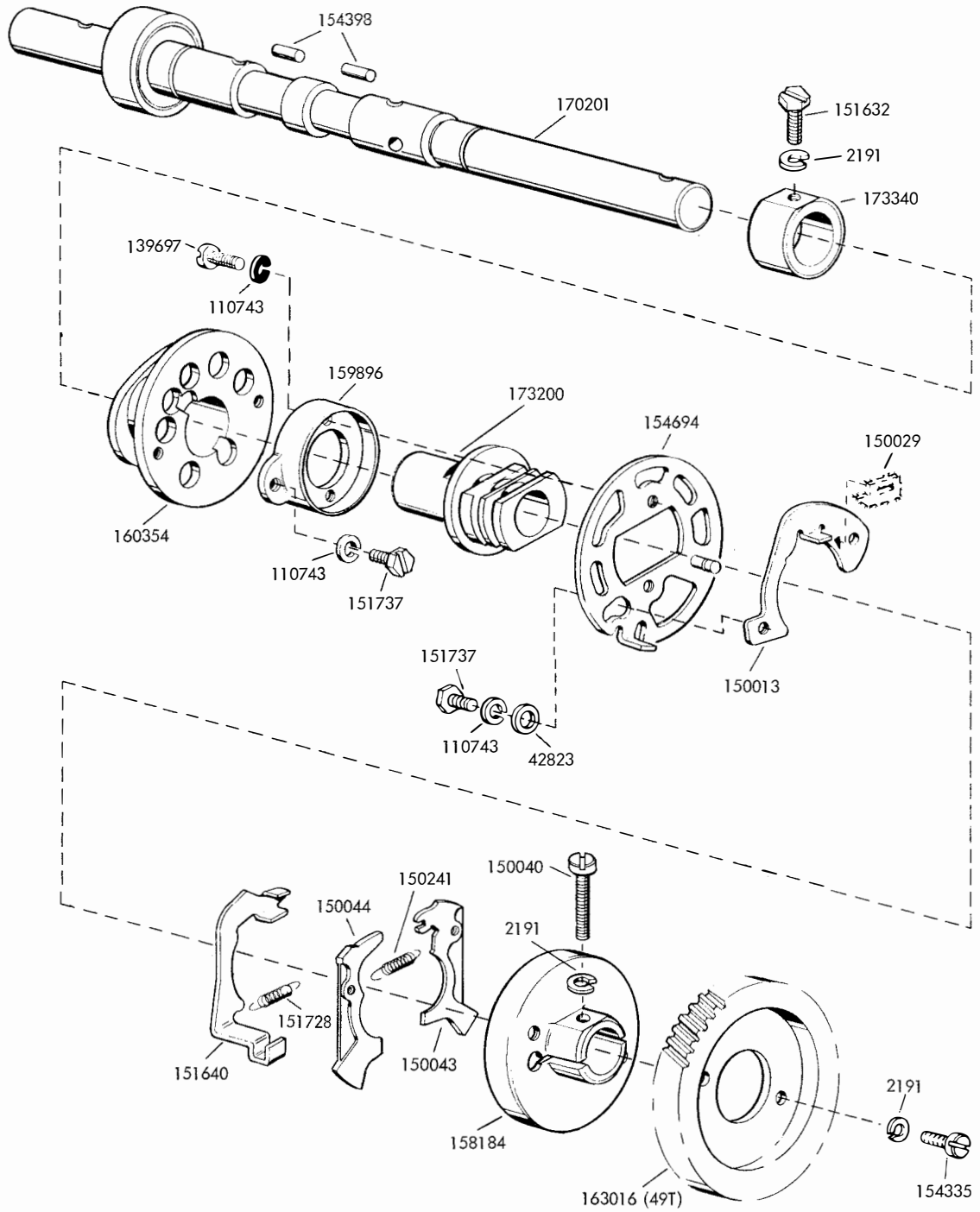
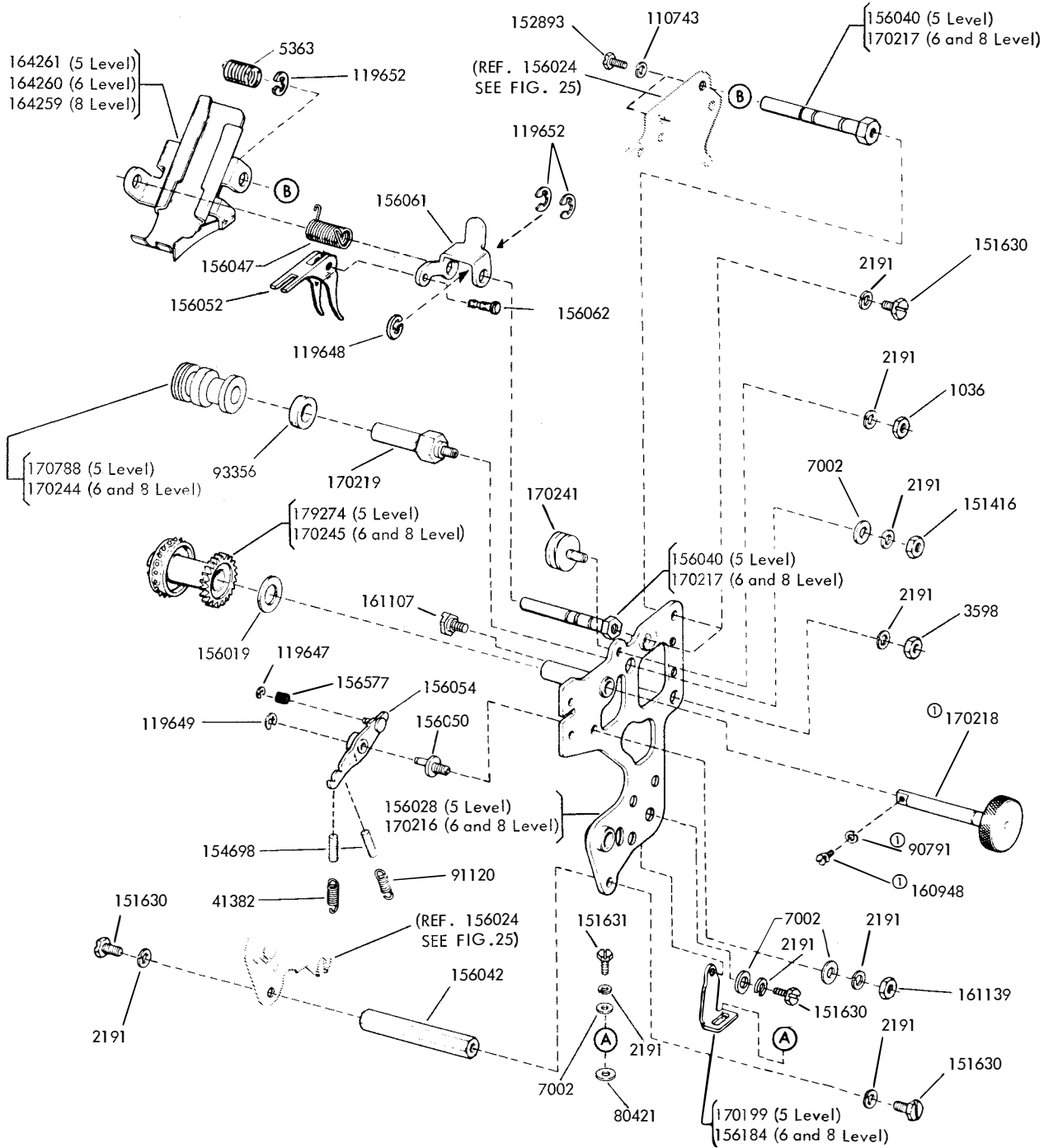


FIGURE 23. MAIN SHAFT (8 LEVEL)



① 5 Level Only (See Fig. 39 for 8 Level)

FIGURE 24. PUNCH FRONT PLATE MECHANISM



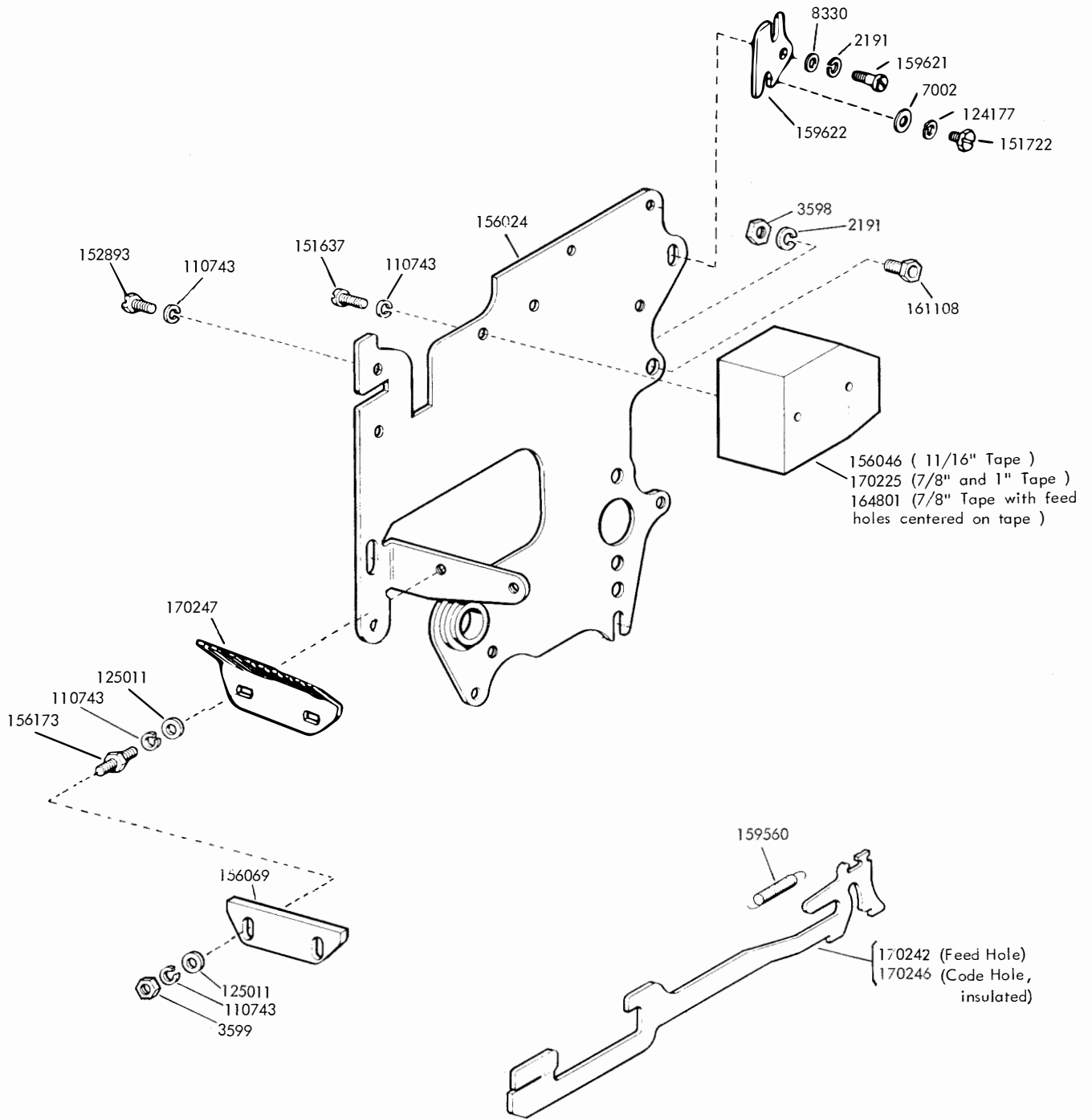


FIGURE 25. PUNCH REAR PLATE MECHANISM

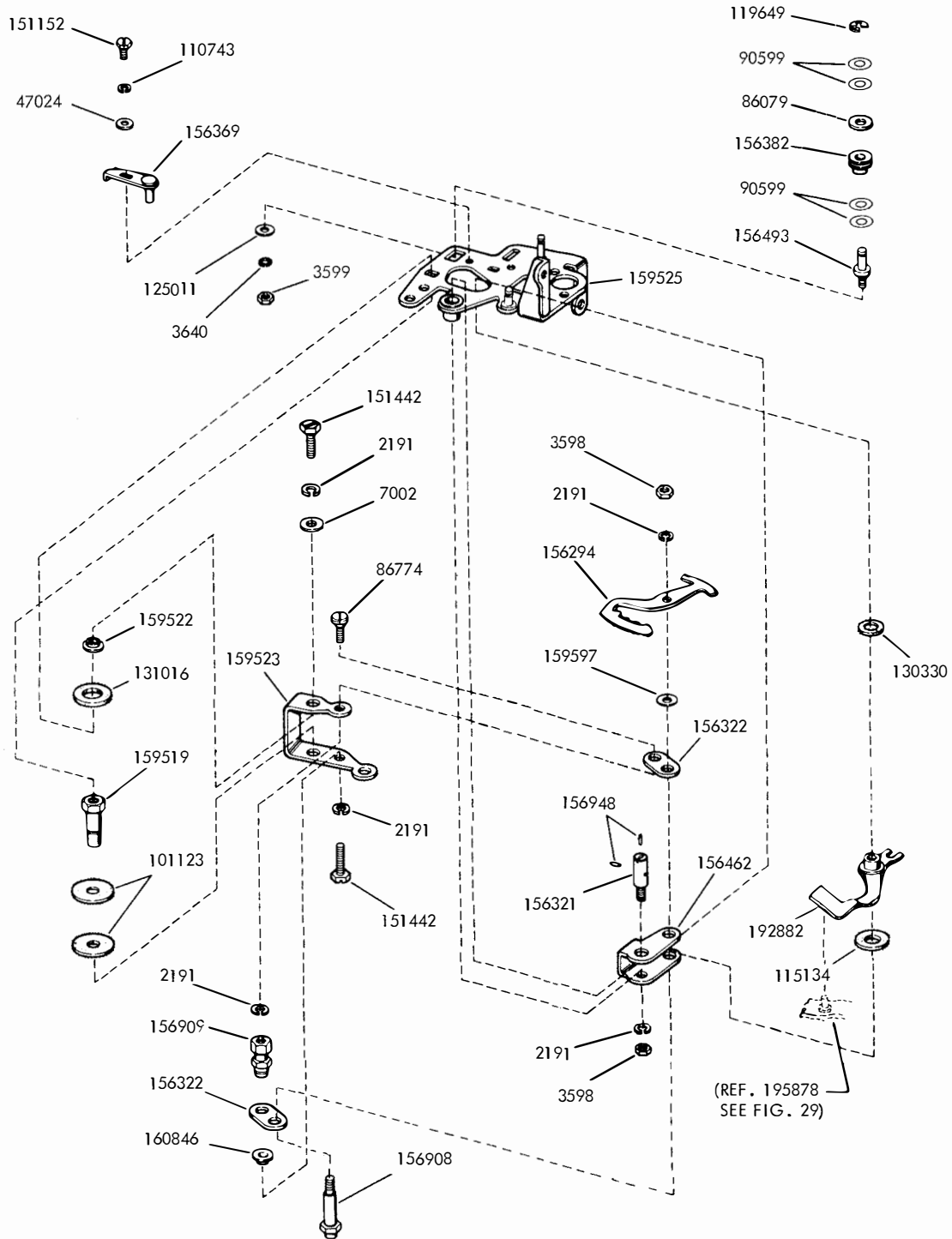


FIGURE 26. AXIAL POSITIONING MECHANISM

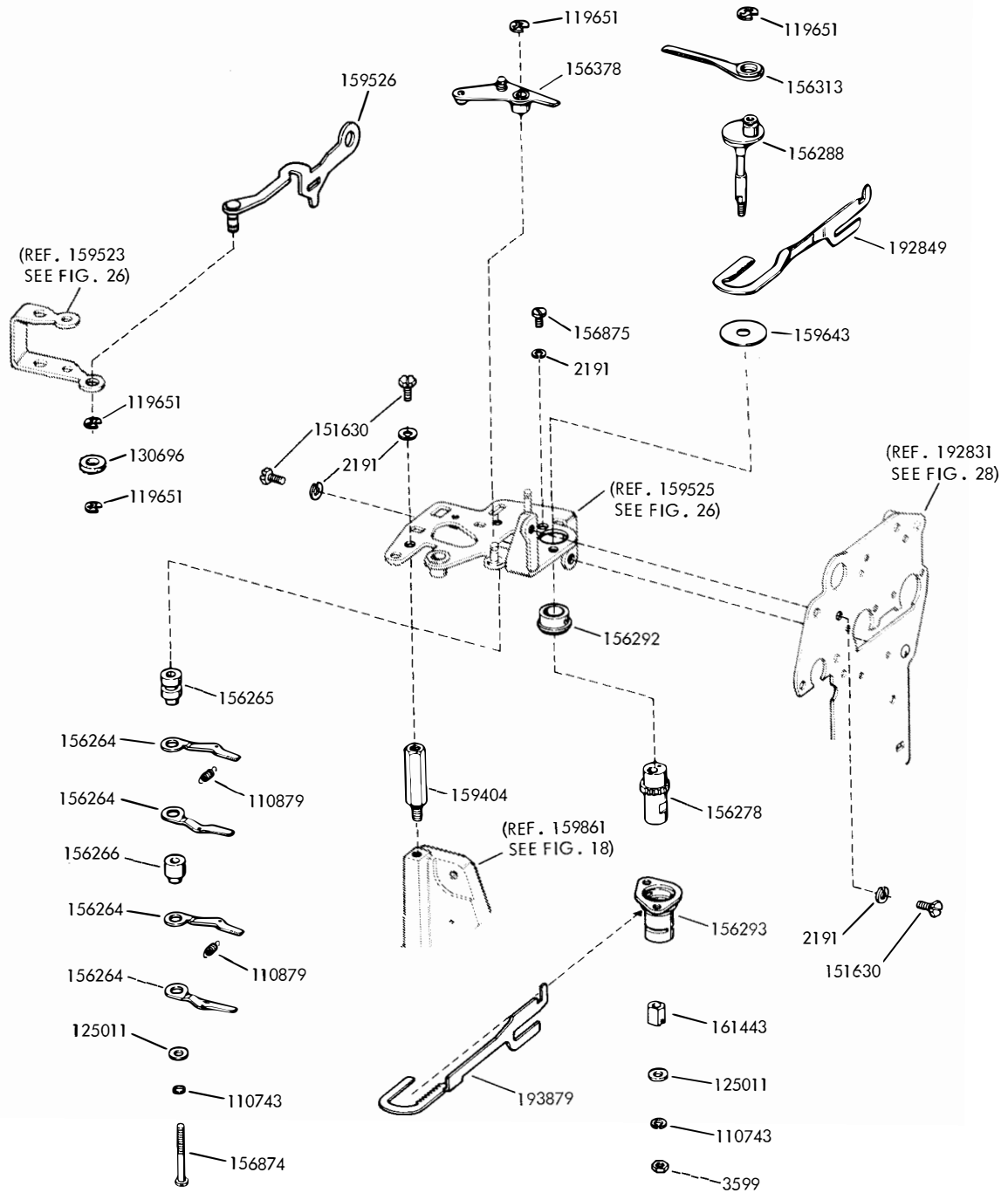


FIGURE 27. AXIAL POSITIONING MECHANISM (CONTINUED)

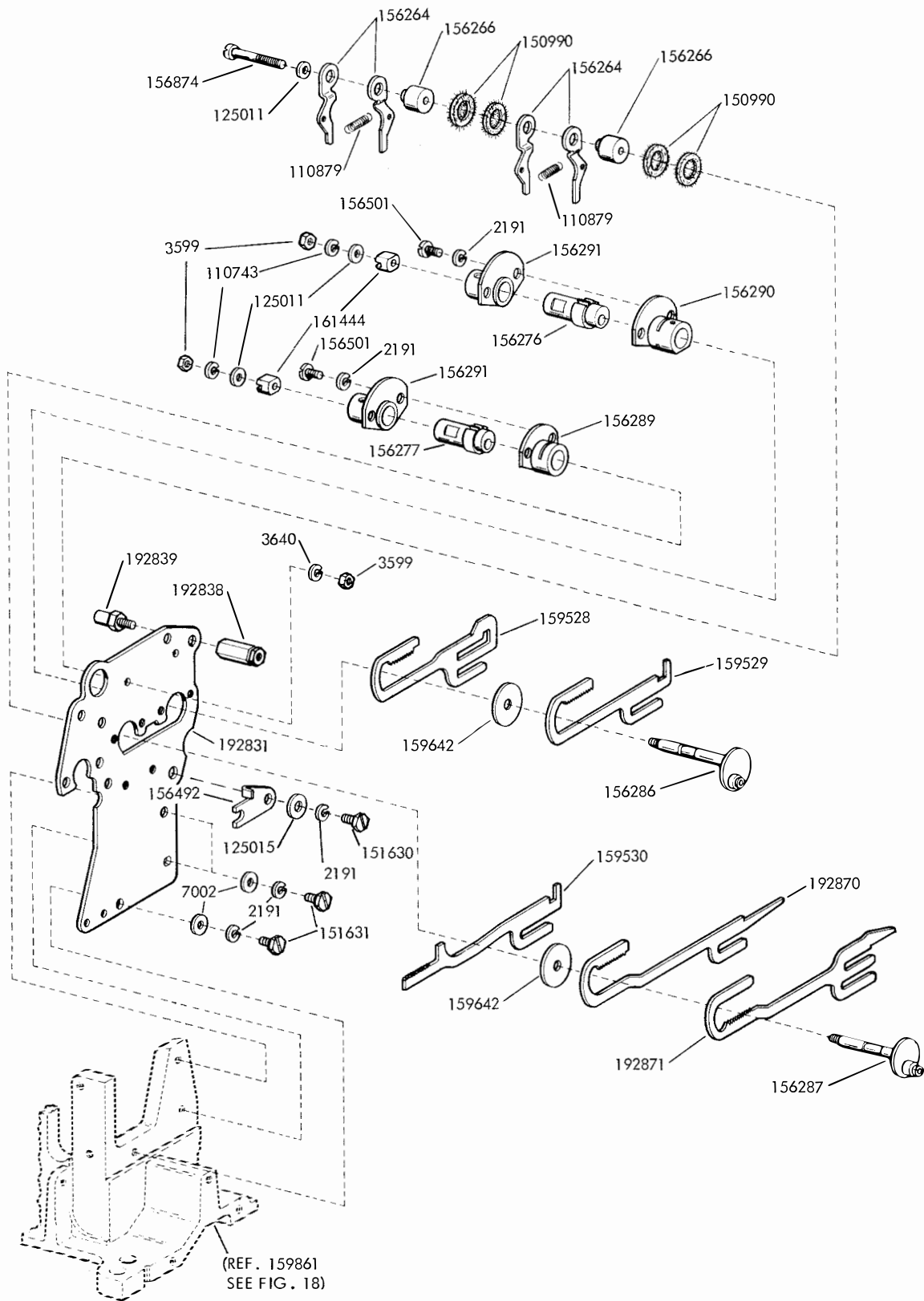


FIGURE 28. ROTARY POSITIONING MECHANISM

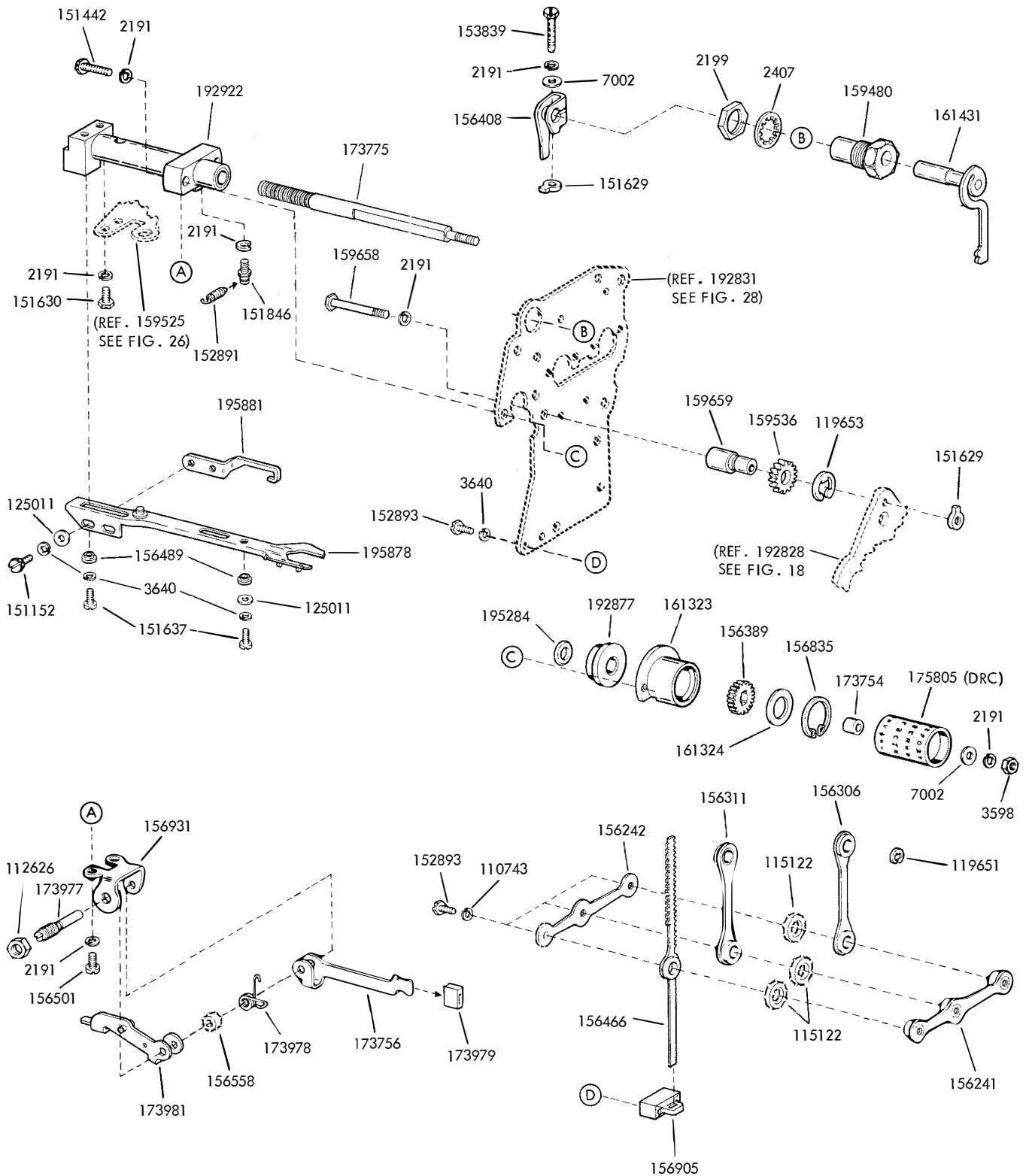


FIGURE 29. ROTARY POSITIONING MECHANISM (CONTINUED)

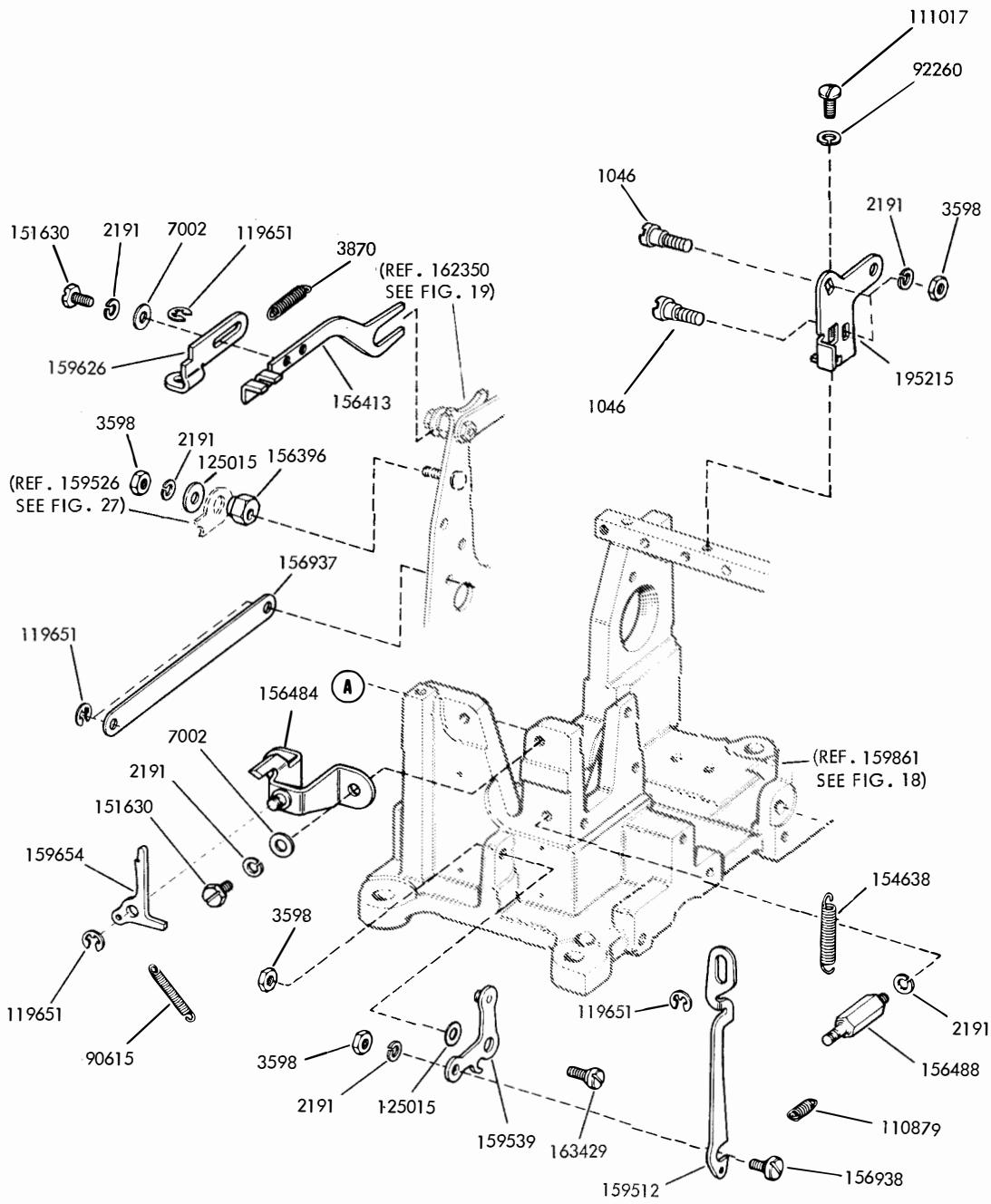


FIGURE 30. TYPING MECHANISM

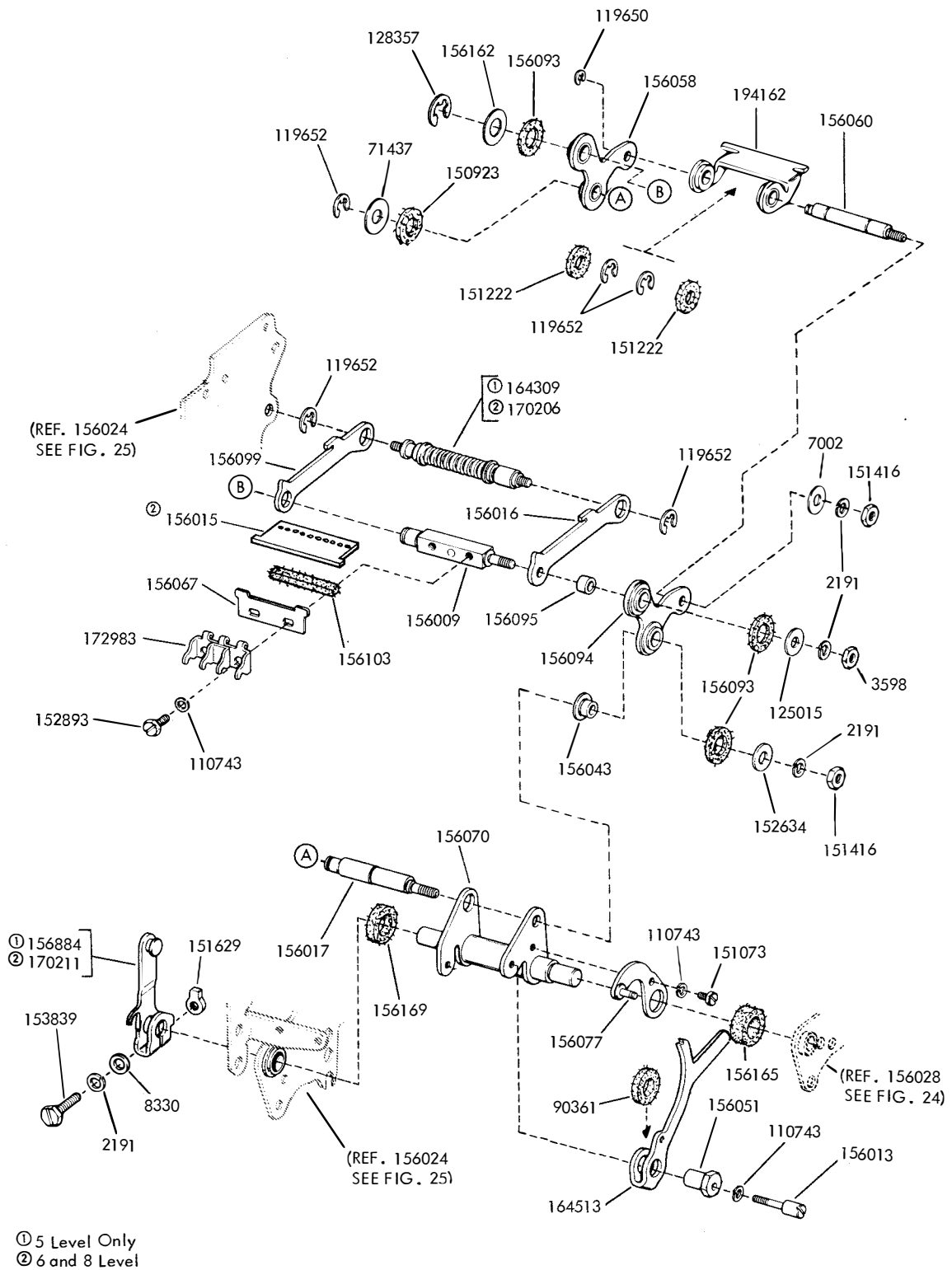


FIGURE 31. PUNCH BAIL MECHANISM

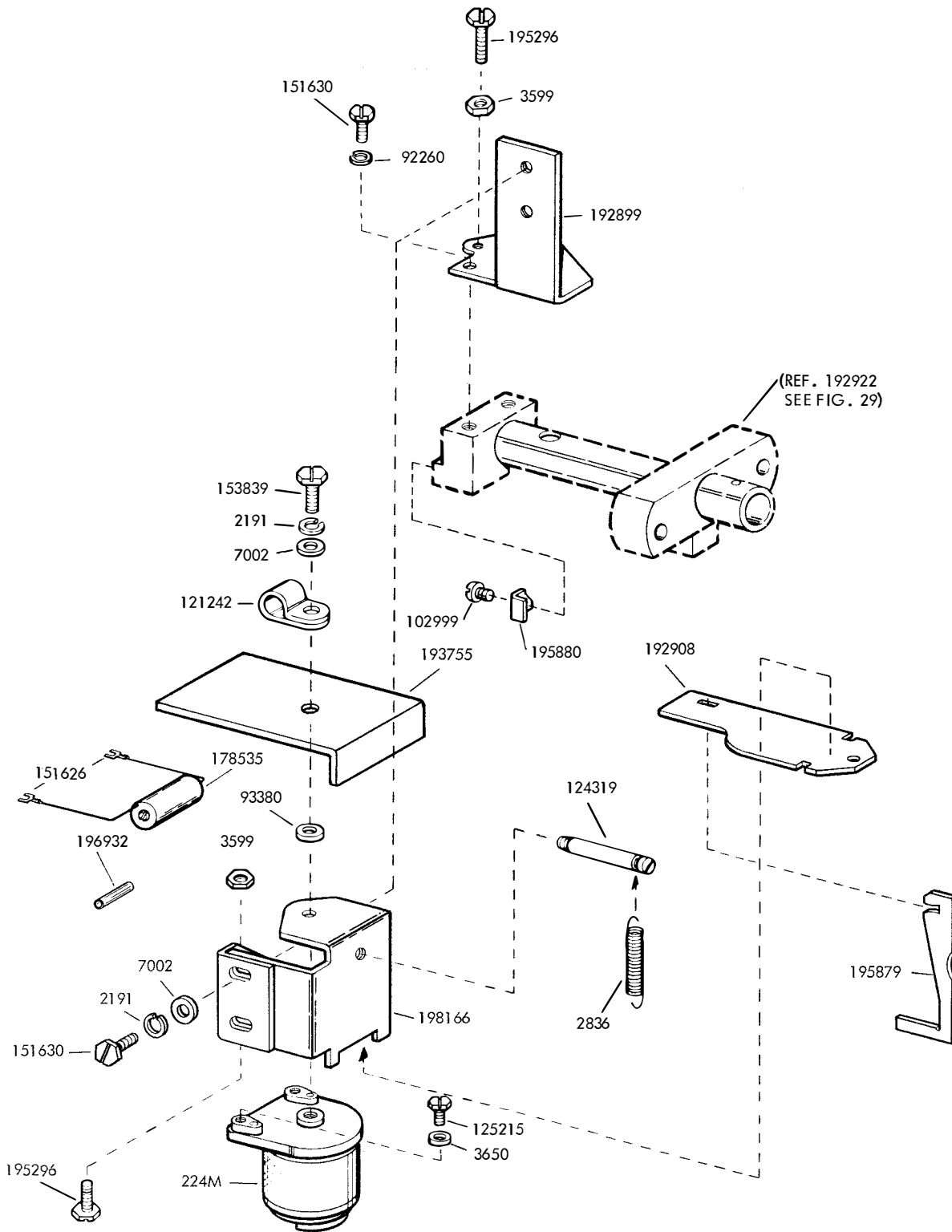


FIGURE 32. RIBBON SHIFT MECHANISM



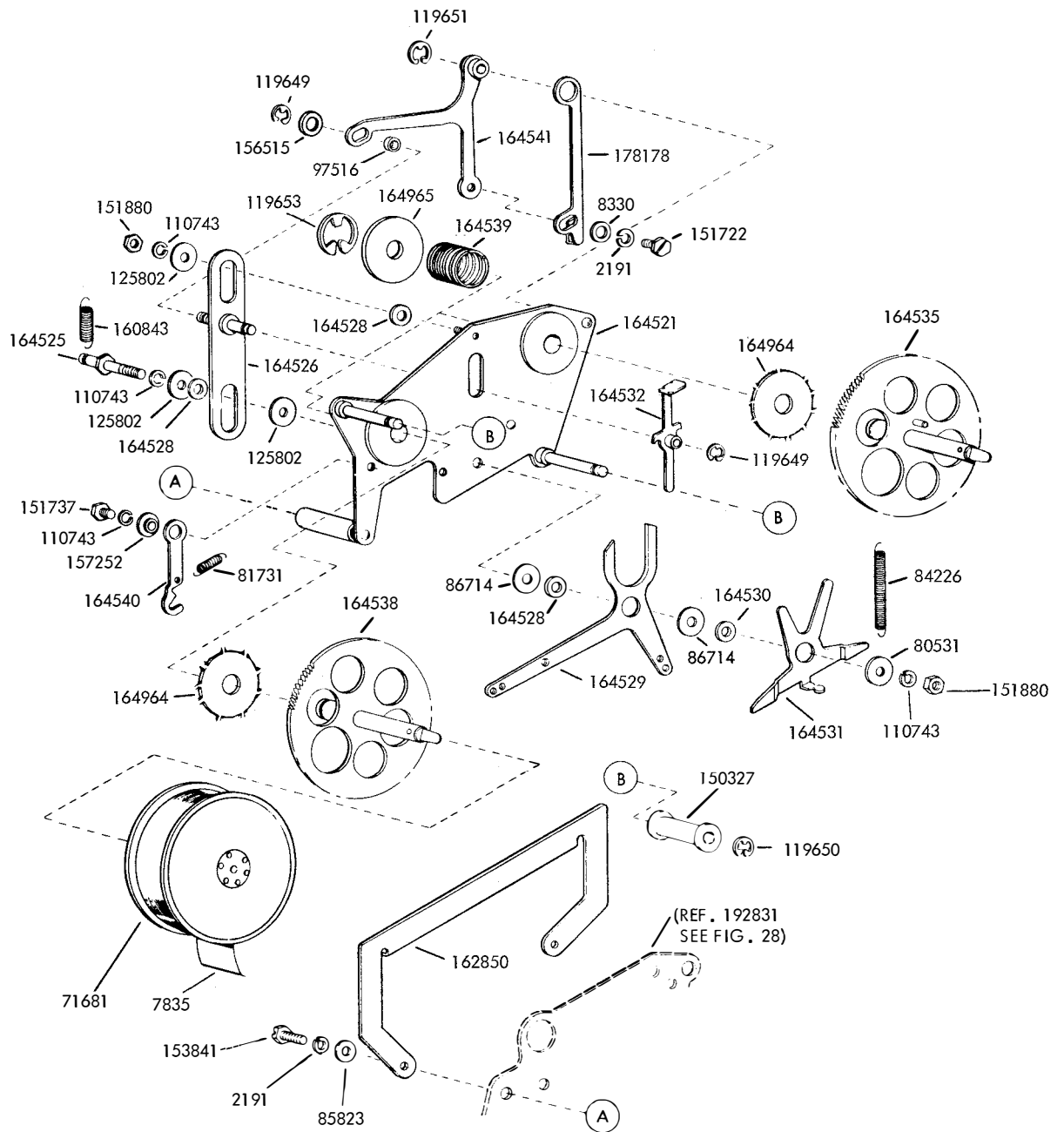


FIGURE 33. RIBBON FEED MECHANISM

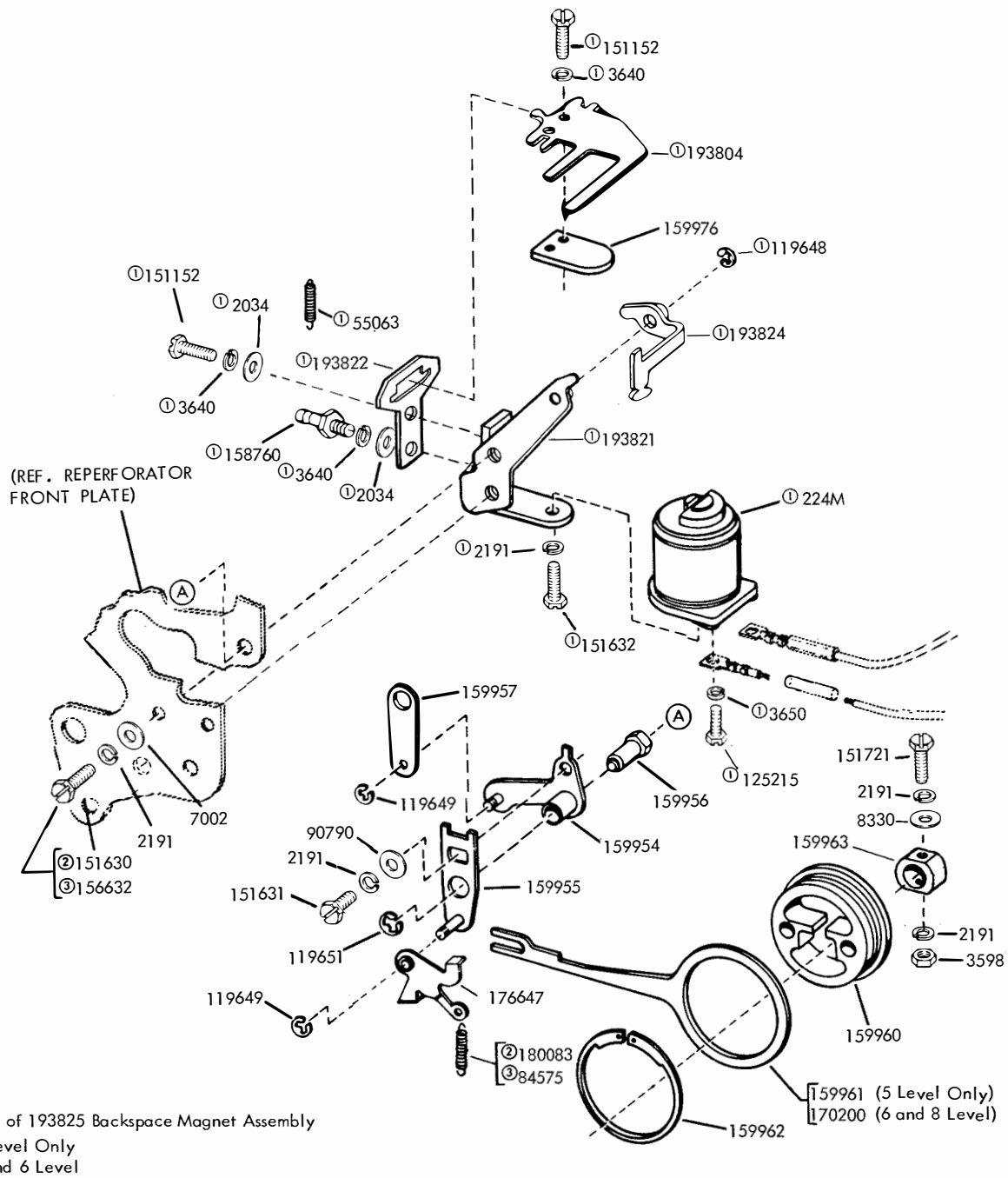


FIGURE 34. POWER DRIVE FOR BACKSPACE MECHANISM

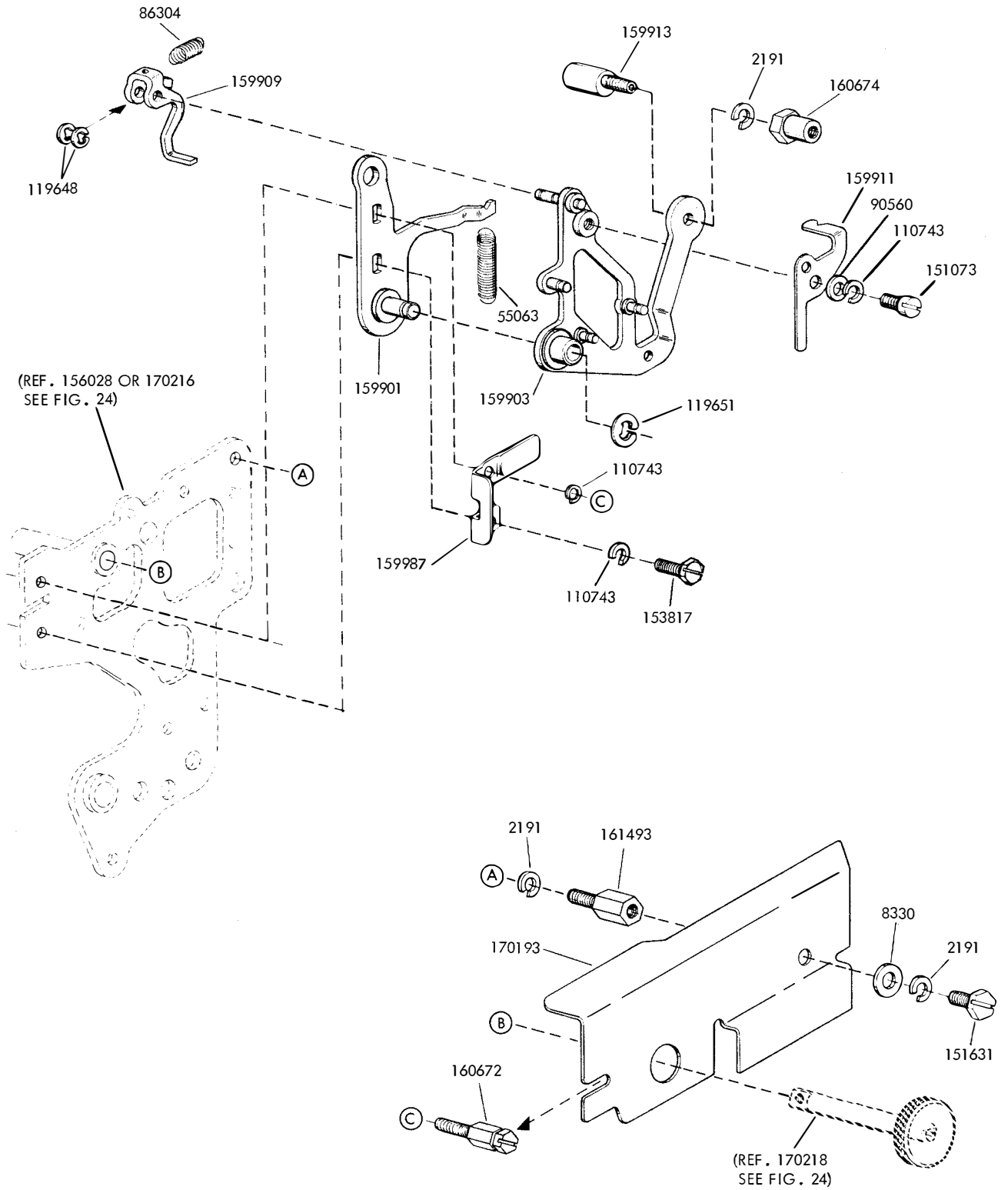


FIGURE 35. BACKSPACE MECHANISM FOR NON-TYPING PUNCH

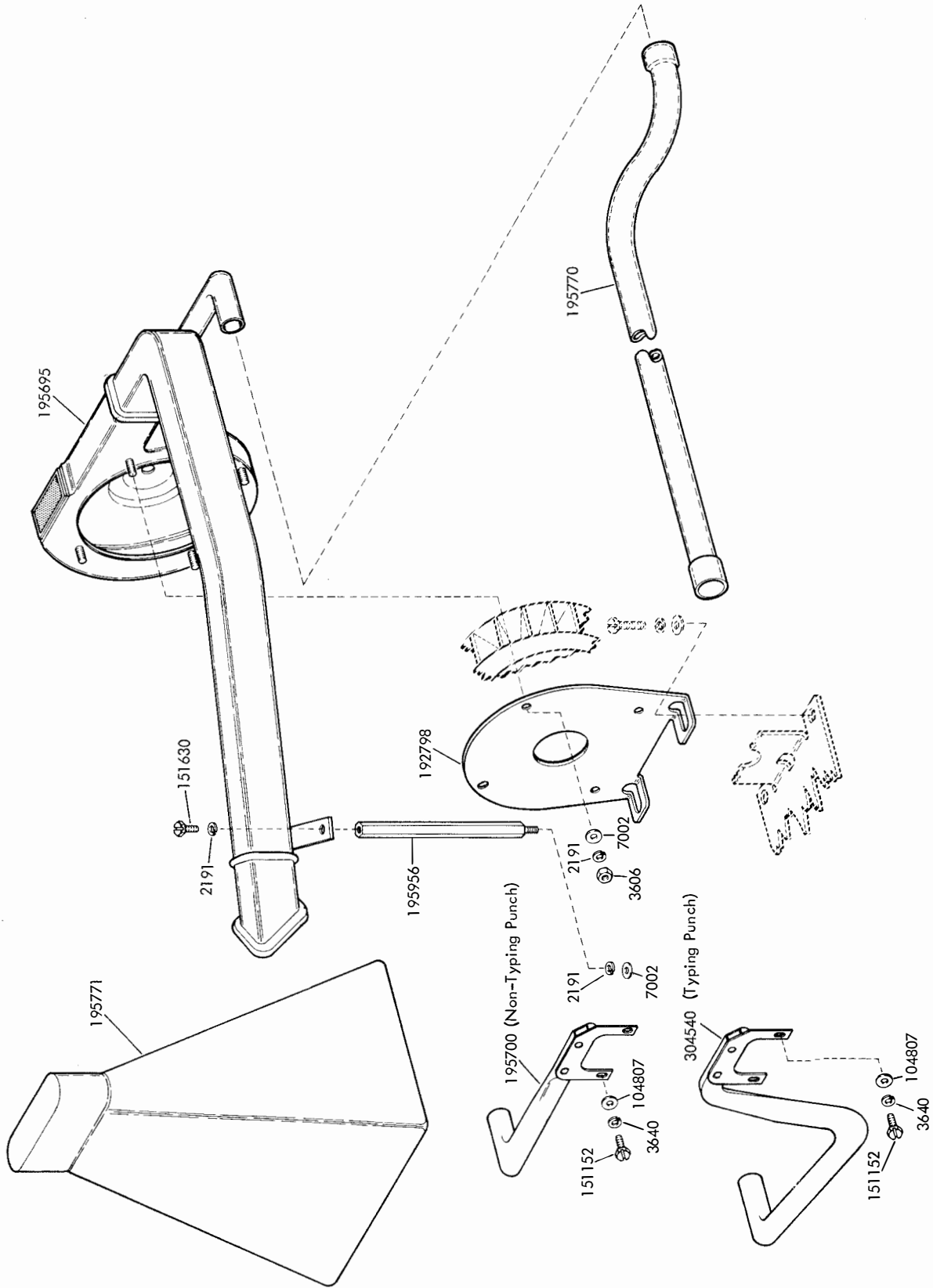


FIGURE 36. CHAD DISPOSAL

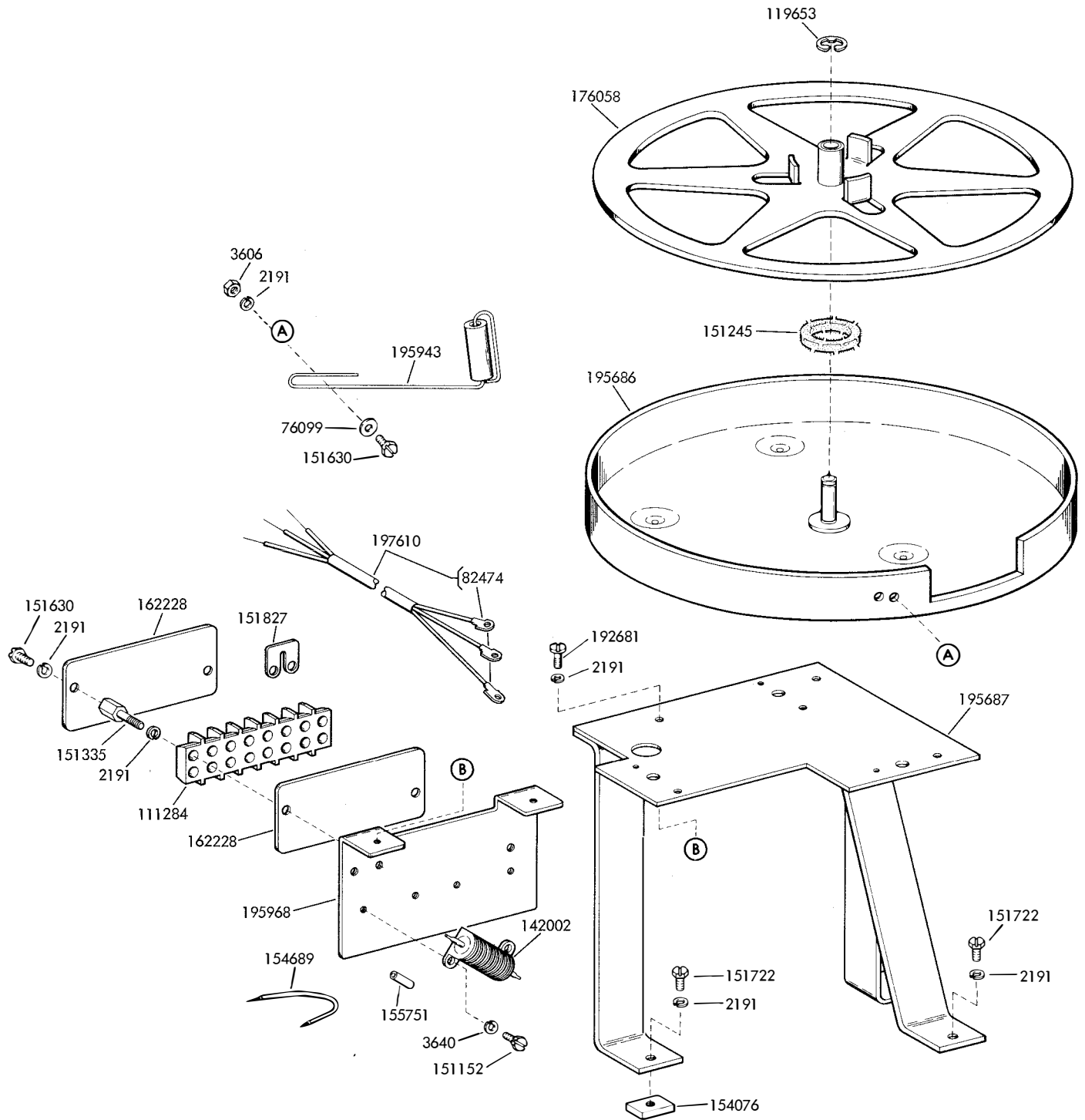
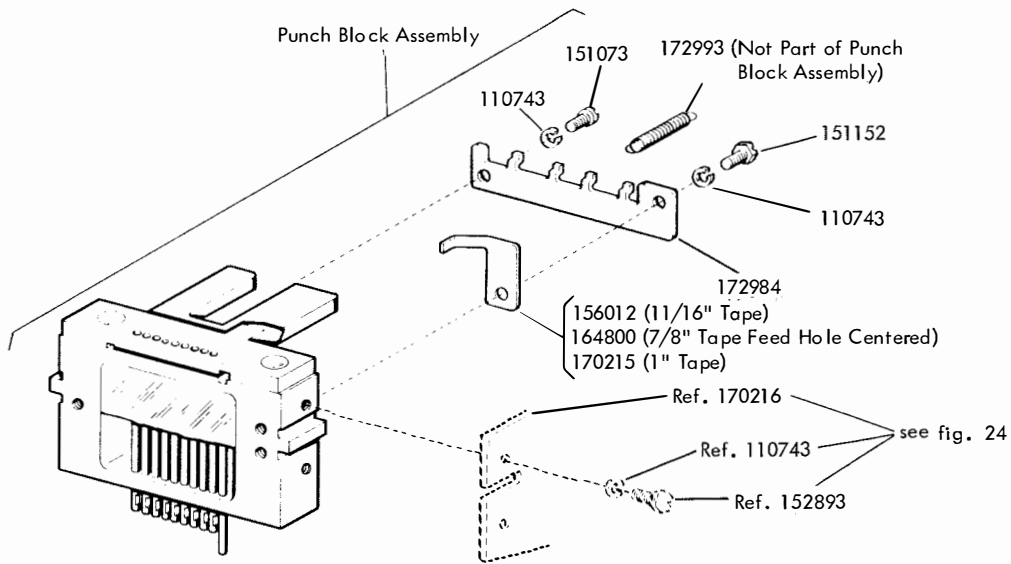


FIGURE 37. TAPE CONTAINER

- 162994 Punch Block Assembly (5 level in line feed hole)
- 170210 Punch Block Assembly (8 level fully perforated tape)
- 192897 Punch Block Assembly (8 level in line feed hole tilted face)
- 194100 Punch Block Assembly (6 level fully perforated tape with feed hole centered on tape)
- 195673 Punch Block Assembly (5 level advance feed hole)



Note:  
Due to special assembly processes, it is recommended that when part replacement becomes necessary on this portion of the Punch Block Assembly it be returned to Teletype for repair.

FIGURE 38. PUNCH BLOCK ASSEMBLIES

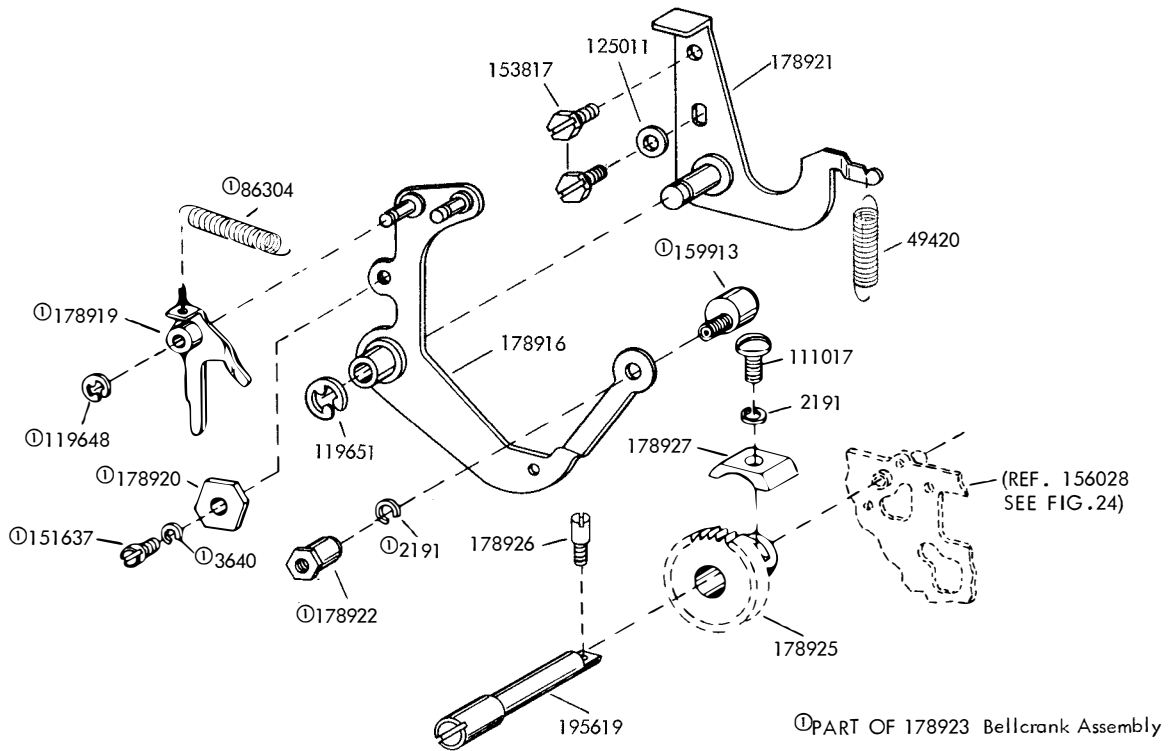


FIGURE 39. 195620 MODIFICATION KIT TO PROVIDE BACKSPACE MECHANISM FOR FULLY PERFORATED TAPE AND PRINTING BETWEEN FEED HOLES

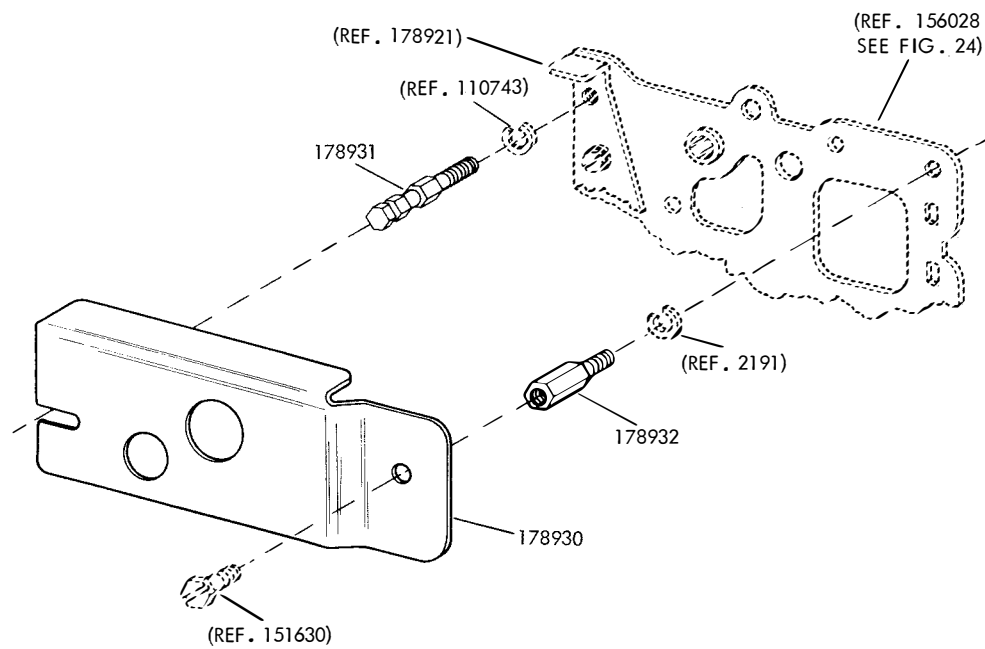
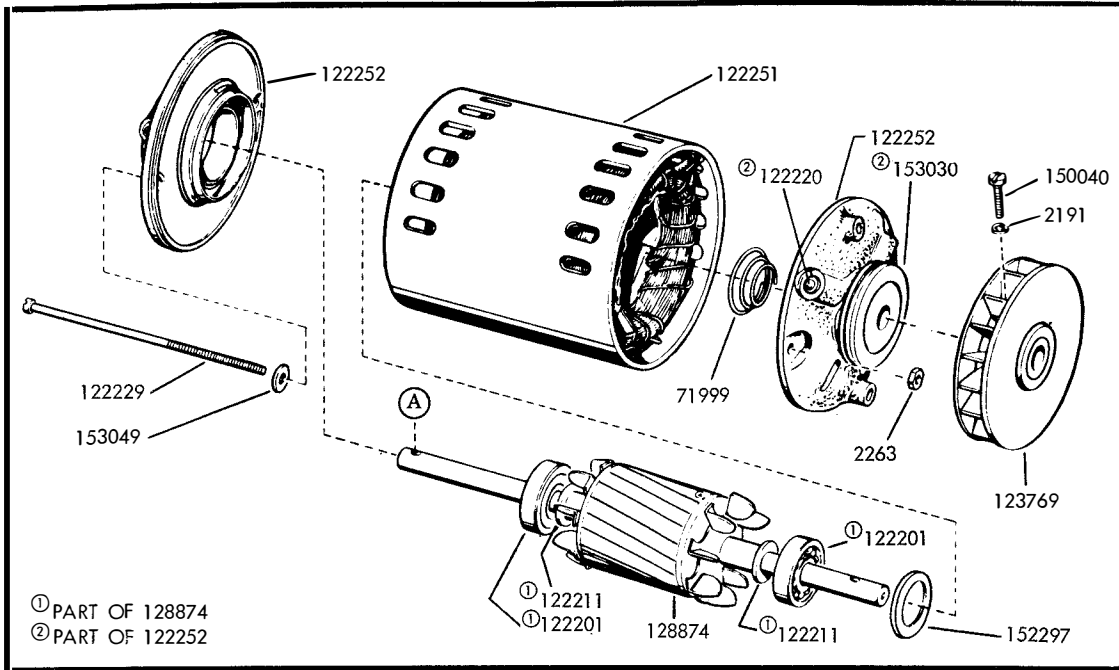


FIGURE 40. 178918 MODIFICATION KIT TO PROVIDE GUARD FOR BACKSPACE MECHANISM



151795 (1/20 HP, 115V/1/60 Cycle, AC Synchronous Motor)

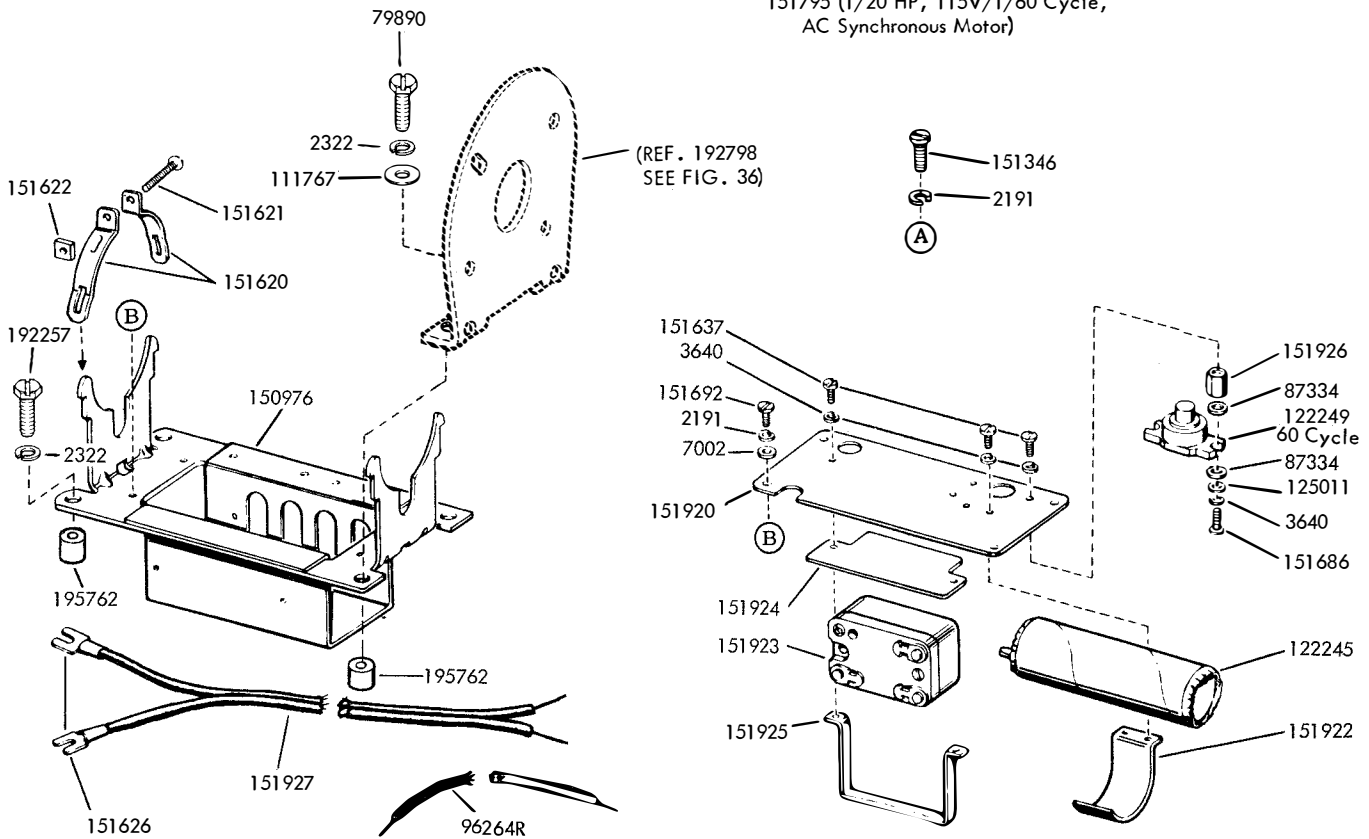


FIGURE 41. SYNCHRONOUS MOTOR



## NUMERICAL INDEX

Part Number	Description and Page Number	Part Number	Description and Page Number	Part Number	Description and Page Number
224M	Coil, Magnet 32, 34	71437	Washer, Flat 31	110434	Screw (4-40 x 3/16 Fil) 17, 18
1036	Nut (6-40 Hex) 24	71681	Spool, Ribbon 33	110437	Spring 10
1046	Screw, Shoulder (6-40) 30	71858	Washer, Flat 9	110686	Bearing, Ball 6
1118	Screw, Shoulder (6-40) 15	71999	Spring, Motor Thrust 40	110743	Washer, Lock 14, 15, 17, 18, 20 to 29, 31, 33, 35, 38
1164	Screw (2-56 x 3/6 Fil) 17, 18	74479	Bushing 3	110879	Spring 26, 28, 30
1210	Screw (2-56 x 5/8 Fil) 21	76081	Washer, Flat 10, 15, 17	111017	Screw (6-40 x 5/16 Fil) 30, 39
2034	Washer, Flat 34	76099	Washer, Flat 37	111284	Block, Terminal 37
2191	Washer, Lock 3 to 10, 12, 15 to 37, 39, 40	76461	Washer, Flat 9	111767	Washer, Flat 7, 40
2199	Nut (7/16-32 Hex) 29	79513	Plate, Contact Top 21	112626	Nut (10-32 Hex) 8, 29
2263	Nut (8-32 Hex) 40	79890	Screw (1/4-32 x 7/8 Hex) 40	112967	Washer, Flat 16, 18
2322	Washer, Lock 40	80421	Spacer 24	114876	Washer, Flat 15
2407	Washer, Lock 29	80531	Washer, Flat 33	115122	Washer, Felt 7, 29
2415	Spring 11	81299	Bushing, Insulating 21	115134	Washer, Felt 26
2481	Washer, Flat 15	81731	Spring 10, 11	115141	Screw, Shoulder (6-40) 15
2669	Washer, Lock 4, 6, 8, 9, 16, 19	82392	Shim (.004") 19	117535	Washer, Flat 6
2836	Spring 32	82474	Terminal 4, 21, 37	117608	Nut, Speed 12
3598	Nut (6-40 Hex) 7, 8, 12, 14 to 19, 21, 24, 25, 26, 29, 30, 31, 34	84226	Spring 33	119421	Washer, Flat 4
3599	Nut (4-40 Hex) 20, 25 to 28, 32	84575	Spring 34	119647	Ring, Retaining 24
3603	Nut (1/4-32 Hex) 16, 18	85823	Spacer 33	119648	Ring, Retaining 10, 24, 34, 35, 39
3606	Nut (6-40 Hex) 3, 7, 9, 15, 36, 37	86079	Washer, Felt 26	119649	Ring, Retaining 9, 24, 26, 33, 34
3608	Spring 10	86304	Spring 35, 39	119650	Ring, Retaining 31, 33
3618	Insulator (.062") 21	86506	Spring, Post 18	119651	Ring, Retaining 7, 12, 27, 29, 30, 33, 34, 35, 39
3640	Washer, Lock 3, 6, 8, 10, 14, 16, 18, 19, 21, 22, 26, 28, 29, 34, 36, 37, 39, 40	86714	Washer, Flat 33	119652	Ring, Retaining 8, 9, 15, 19, 24, 31
3646	Washer, Lock 4	86742	Nut (4-40 Hex) 7	119653	Ring, Retaining 3, 5, 15, 29, 33, 37
3647	Insulator (.094") 21	86774	Screw, Shoulder (6-40) 26	119654	Ring, Retaining 10
3650	Washer, Flat 32, 34	87334	Washer, Insulating 40	119662	Screw (6-40 Spl) 15
3870	Spring 30	87401	Spring 17, 18	121242	Clamp, Cable (1/8" ID) 8, 21, 32
4702	Spring 8	90361	Washer, Felt 31	121539	Terminal 4
5363	Spring 24	90560	Washer, Flat 35	122201	Bearing, Ball 40
6565	Screw (8-32 x 1/8 Fil) 4	90573	Spring 16, 19	122211	Washer, Pull 40
7002	Washer, Flat 3 to 10, 12, 15 to 21, 24, 25, 26, 28 to 32, 34, 36, 40	90599	Shim (.008") 26	122220	Oiler, Ball 40
7415	Nut (1/2-32 Hex) 4	90615	Spring 30	122229	Bolt (8-32 x 4-11/16 Fil) 40
7603	Spring 7	90679	Washer, Felt 7	122245	Capacitor (43 to 48 Mfd) 40
7835	Ribbon W/Spool (Black) 33	90790	Washer, Flat 34	122249	Switch, Thermostatic 40
8330	Washer, Flat 10, 12, 17, 18, 19, 25, 31, 33, 34, 35	90791	Washer, Lock 24	122251	Stator, Motor 40
8449	Spacer (.094") 7	91120	Spring 24	122252	Shield Assembly, End 40
22746	Spring 15	91228	Strap (2-1/2" Braided) 4	123769	Fan, Motor 40
41382	Spring 24	92260	Washer, Lock 30, 32	124177	Washer, Lock 15, 16, 19, 25
41543	Bearing, Ball 16, 18	92267	Screw, Shoulder (6-40) 9	124319	Post 32
42823	Washer, Flat 22, 23	93108	Washer, Lock 16, 18	125011	Washer, Flat 10, 14, 17, 18, 21, 25 to 29, 39, 40
47024	Washer, Flat 26	93117	Washer, Lock 17	125015	Washer, Flat 7, 12, 19, 28, 30, 31
49420	Spring 5, 10, 11, 39	93118	Washer, Lock 8, 21	125181	Screw (2-56 x 3/8 Fil) 8
55063	Spring 34, 35	93356	Washer, Felt 17, 18, 24	125215	Screw (4-40 x 3/16 Hex) 32, 34
70072	Washer, Lock 18	93380	Washer, Flat 32		
70886	Washer, Flat 3	94540	Screw, Set (10-24) 6		
71073	Washer, Flat 21	96264R	Jumper (5" Flat) 40		
		97393	Screw, Shoulder (6-40) 15		
		97516	Bushing 33		
		99381	Foot, Rubber 4		
		100011	Nut (6-40 Hex) 3		
		101123	Washer, Felt 26		
		101714	Spring 18		
		102999	Screw (2-56 x 5/32 Fil) 32		
		104710	Ball, Bearing 14		
		104807	Washer, Flat 15, 36		
		107116	Washer, Lock 3		

## NUMERICAL INDEX

Part Number	Description and Page Number	Part Number	Description and Page Number	Part Number	Description and Page Number
125231	Nut (10-32 Hex) 16, 19	151346	Screw (6-40 x 3/8 Fil) 16, 40	151926	Nut (4-40 Spl) 40
125253	Spring 10	151362	Wick, Felt 16, 19	151927	Cable W/Terminals 40
125802	Washer, Flat 6, 21, 33	151416	Nut (6-40 Hex) 24, 31	152297	Washer, Flat 40
128271	Screw, Shoulder (6-40) 15	151442	Screw (6-40 x 1/2 Hex) 6, 8, 19, 26, 29	152441	Washer, Flat 4
128357	Ring, Retaining 17, 18, 31	151549	Post 4	152634	Washer, Flat 31
128874	Rotor, Motor 40	151606	Screw (10-32 x 1/4 Hex) 9	152839	Spring 15
130330	Washer, Felt 26	151618	Screw (6-40 x 7/16 Fil) 12	152891	Spring 29
130696	Washer, Felt 27	151620	Strap, Motor Mounting 40	152893	Screw (4-40 x 1/4 Hex) 14, 16 to 19, 21, 24, 25, 29, 31
131016	Washer, Felt 26	151621	Screw (6-32 x 3/4 Rd) 40	153020	Guide, Line 3
135716	Spring 17, 18	151622	Nut (6-32 Sq) 40	153021	Spring 3
139697	Screw (4-40 x 9/32 Fil) 3, 23	151626	Terminal 8, 32, 40	153022	Bushing 3
139752	Screw (4-40 x 11/64 Fil) 17, 18	151629	Nut (6-40 Lug) 17, 18, 29, 31	153030	Mount, Vibration 40
139971	Screw, Self-Tapping (2-56) 3	151630	Screw (6-40 x 1/4 Hex) 3, 4, 6, 8, 10, 12, 18, 24, 27 to 30, 32, 34, 36, 37	153049	Washer, Fiber 40
142002	Resistor (2500 Ohm) 37	151631	Screw (6-40 x 5/16 Hex) 4, 9, 12, 15 to 21, 24, 28, 34, 35	153280	Keytop 13
142665	Nut (8-32 Spl) 4	151632	Screw (6-40 x 3/8 Hex) 3, 5, 6, 8, 12, 16, 18, 19, 20, 22, 23, 34	153287	Spring 9
144763	Plate, Nut 6	151637	Screw (4-40 x 1/4 Fil) 15, 25, 29, 39, 40	153484	Screw (6-32 Spl) 4
150013	Disk, Adjusting 23	151640	Lever, Clutch Shoe 23	153537	Screw (6-40 x 9/32 Hex) 6
150014	Disk, Adjusting 22	151657	Screw (6-40 x 1/4 Fil) 17, 18, 19	153538	Screw (6-40 x 7/16 Hex) 15
150027	Lever, Shoe Release 22	151658	Screw (6-40 x 5/16 Hex) 16, 18, 19	153799	Screw (4-40 x 21/64 Hex) 6, 8
150029	Wick, Felt 22, 23	151659	Screw (6-40 x 1/2 Fil) 12	153817	Screw (4-40 x 3/8 Hex) 21, 35, 39
150034	Disk (2 Stop) 22	151685	Screw (4-40 x 5/16 Fil) 15	153839	Screw (6-40 x 5/8 Hex) 17, 18, 29, 31, 32
150040	Screw (6-40 x 5/8 Fil) 22, 23, 40	151686	Screw (4-40 x 3/8 Fil) 40	153841	Screw (6-40 x 9/16 Hex) 12, 33
150043	Shoe, Clutch 22, 23	151692	Screw (6-40 x 3/16 Fil) 40	154000	Base 5
150044	Shoe, Clutch 22, 23	151721	Screw (6-40 x 3/4 Hex) 34	154008	Guide, Code Bar 10, 11
150048	Spring 17, 18	151722	Screw (6-40 x 3/16 Hex) 3, 10, 25, 33, 37	154015	Post 7
150241	Spring 17, 18, 22, 23	151723	Screw (10-32 x 3/8 Hex) 4, 6	154021	Link 12
150327	Roller, Ribbon 33	151728	Spring 23	154027	Bellcrank 7
150356	Lever, Trip 17, 18	151736	Spring 22	154051	Screw, Shoulder (6-40) 7
150507	Spring 15	151737	Screw (4-40 x 11/64 Hex) 22, 23, 33	154071	Screw, Pilot (1/4-32) 10
150830	Bushing, Shoulder 22	151795	Motor, Synchronous 40	154076	Plate, Nut 5, 6, 37
150841	Bearing 22	151827	Strap, Terminal 37	154079	Stud 7
150923	Washer, Felt 7, 31	151843	Screw, Adjusting (6-40) 14	154080	Lock, Wedge 14
150976	Bracket, Motor 40	151846	Post, Spring 29	154084	Bearing 7
150990	Washer, Felt 7, 28	151880	Nut (4-40 Hex) 33	154089	Post, Spring 7
150991	Washer, Felt 8, 10	151920	Plate, Mounting 40	154091	Guide 7
151003	Keylever 12	151922	Clamp 40	154092	Shaft 5
151004	Keylever 12	151923	Relay, Motor 40	154096	Bushing, Eccentric 8
151005	Keylever 12	151924	Insulator 40	154120	Lever 10, 11
151006	Keylever 12	151925	Clamp 40	154125	Spring 10
151036	Screw, Shoulder (4-40) 7			154127	Nut (6-40 Hex) 7
151073	Screw (4-40 x 5/32 Fil) 17, 18, 31, 35, 38			154191	Spring 7
151080	Washer, Flat 14			154215	Spring 7
151152	Screw (4-40 x 3/16 Hex) 6, 10, 14, 15, 18, 20, 21, 26, 29, 34, 36, 37, 38			154236	Lever, Latch 8
151222	Washer, Felt 31			154238	Extension 14
151223	Screw, Shoulder (4-40) 12			154239	Extension W/Post 14
151224	Screw, Pilot (6-40) 12			154241	Stud 7
151245	Washer, Felt 37			154242	Screw (6-40 x 5/16 Hex) 16
151246	Washer, Flat 16, 19			154335	Screw (6-40 x 9/32 Fil) 22, 23
151254	Keytop 13			154386	Plate, Adjusting 7
151329	Switch, Sensitive 8				
151335	Stud 37				

## NUMERICAL INDEX

Part Number	Description and Page Number	Part Number	Description and Page Number	Part Number	Description and Page Number
154397	Shaft W/Bearings 22	156226	Hub 6	156632	Screw (6-40 x 13/32 Hex) 34
154398	Bearing, Needle 22, 23	156241	Link, Front 29	156740	Screw (6-40 x 7/32 Hex) 8, 9
154638	Spring 30	156242	Link, Rear 29	156768	Screw (8-32 x 9/32 Hex) 4
154689	Jumper (3" Black) 37	156248	Latch 17, 18	156835	Ring, Retaining 29
154694	Disk, Clutch 23	156264	Lever, Detent 27, 28	156871	Bail 19
154698	Wick, Felt 24	156265	Bushing, Shoulder 27	156872	Blade 19
155750	Sleeve, Insulating (3/32 ID x 1/2" Lg) 4, 18, 21	156266	Bushing, Shoulder 27, 28	156874	Screw (4-40 x 15/16 Fil) 27, 28
155751	Sleeve, Insulating (1/8 ID x 1" Lg) 37	156276	Eccentric, Right Rotary 28	156875	Screw (6-40 x 5/32 Fil) 27
155753	Sleeve, Insulating (1/8 ID x 1/2" Lg) 4	156277	Eccentric, Left Rotary 28	156876	Bushing 19
155960	Latch 15	156278	Eccentric 27	156877	Washer, Felt 19
155964	Lever, Stop 15	156286	Shaft, Right Eccentric 28	156884	Arm, Rocker 31
155965	Ratchet (88T) 15	156287	Shaft, Left Eccentric 28	156900	Roller 19
155967	Washer, Spring 15	156288	Shaft, Axial 27	156905	Block, Guide 29
155968	Washer, Flat 15	156289	Bearing, Left Front 28	156908	Post, Sector Pivot 26
155990	Counter Assembly, Character 15	156290	Bearing, Right Front 28	156909	Post, Toggle Link 26
155995	Screw, Shoulder (6-40) 16, 18	156291	Bearing, Rear 28	156931	Bracket 29
156009	Post, Slide 31	156292	Housing, Upper Axial 27	156937	Link 30
156012	Spring, Punch Block 38	156293	Housing, Lower Axial 27	156938	Screw, Eccentric Shoulder (6-40) 30
156013	Screw (4-40 Spl) 31	156294	Sector, Axial 26	156948	Wick, Felt 26
156015	Plate, Spring 31	156306	Rod, Right Connecting 29	156971	Screw (2-56 x 3/4 Fil) 21
156016	Link, Front 31	156311	Rod, Left Connecting 29	156987	Screw (6-40 Spl) 16, 19
156017	Shaft, Eccentric 31	156313	Rack, Axial Output 27	156988	Race, Outer 16, 19
156019	Washer, Felt 24	156318	Lever, Reset 18	156989	Bearing 16, 19
156024	Plate, Rear 25	156321	Shaft 26	156990	Race, Inner 16, 19
156028	Plate, Front 24	156322	Link, Axial Toggle 26	156994	Strip, Felt 16, 19
156040	Post 24	156337	Washer, Flat 4	156998	Retainer 16, 19
156042	Post 24	156339	Bushing 4	157252	Bushing 33
156043	Bushing 31	156366	Shaft 16, 19	158021	Bracket, Switch 15
156046	Block, Tape Guide 25	156369	Lever W/Post 25	158031	Bail, Feed 15
156047	Spring, Torsion 24	156378	Plate, Axial Positioning 27	158032	Bail, Reset 15
156050	Stud, Eccentric 24	156382	Roller, Guide 25	158033	Spacer 15
156051	Bushing, Eccentric 31	156389	Gear (16 T) 29	158036	Lever, Reset 15
156052	Shoe, Tape 24	156396	Eccentric 30	158038	Lever 15
156054	Lever, Detent 24	156399	Nut, Shoulder (6-40 Hex) 19	158040	Lever, Ratchet Drive 15
156058	Link, Rear 31	156403	Disk, Bearing 16, 19	158042	Lever, Latch 15
156060	Shaft, Eccentric 31	156408	Arm 29	158050	Switch 15
156061	Arm, Tape Shoe 24	156413	Link, Drive 30	158052	Cam, Switch 15
156062	Post, Pivot 24	156462	Bail, Oscillating 26	158063	Bracket, Stop 10
156066	Guide 31	156465	Washer, Spring 16, 19	158147	Bushing, Eccentric 9, 15
156069	Plate 25	156466	Rack, Typewheel 29	158148	Washer, Felt 9
156070	Bail, Toggle 31	156467	Ring, Retaining 16, 19	158150	Shaft 9
156077	Plate W/Post 31	156472	Post, Spring 17, 18	158158	Roller 9
156093	Washer, Felt 31	156484	Bracket 30	158169	Frame 16
156094	Link, Front 31	156488	Post, Spring 30	158171	Shaft W/Bearing 16, 18
156095	Bushing 31	156489	Bushing 29	158172	Lever, Latch 17, 18
156099	Link, Rear 31	156492	Bracket, Guide 28	158177	Collar 22
156103	Strip, Felt 31	156493	Stud 25	158180	Cam 22
156162	Washer, Flat 31	156496	Screw (6-40 x 7/32 Fil) 28, 29	158182	Disk, Clutch 22
156165	Washer, Felt 17, 18, 31	156501	Washer, Felt 33	158184	Drum, Clutch 22, 23
156168	Spring 17, 18	156515	Screw (4-40 x 1/8 Fil) 21	158186	Screw (4-40 x 7/32 Fil) 22
156169	Washer, Felt 31	156536	Washer, Felt 29	158189	Washer, Felt 9
156173	Stud 25	156558	Post, Spring 14		
156184	Bracket, Anchor 24	156574	Washer, Felt 16, 19		
		156576	Roller 24		
		156577			

## NUMERICAL INDEX

Part Number	Description and Page Number	Part Number	Description and Page Number	Part Number	Description and Page Number
158215	Plate, Nut 15	159960	Eccentric 34	164539	Spring 33
158268	Latch W/Hub 7	159961	Arm, Eccentric 34	164540	Detent 33
158745	Clamp, Bearing 16, 19	159962	Ring, Retaining 34	164541	Arm, Ribbon Drive 33
158760	Post, Spring 34	159963	Hub 34	164800	Spring, Punch Block 38
158881	Nut (6-40 Hex) 16, 18	159976	Armature 34	164801	Block, Tape Guide 25
158941	Bail 16	159987	Bracket, Guide 35	164964	Washer, Felt 33
159327	Washer, Flat 7	160087	Post, Spring 9	164965	Washer, Flat 33
159334	Washer, Insulating 7	160354	Cam 23	170172	Bracket 8
159341	Bearing, Ball 16, 19	160581	Lever, Upper Reset 17	170173	Lever W/Hub 5
159404	Post 27	160672	Stud 35	170193	Guard, Back Space 35
159411	Bearing Assembly 16, 19	160674	Nut, Shoulder (6-40) 35	170199	Bracket, Anchor 24
159427	Bracket, Stop 17, 18	160839	Spacer 19	170200	Arm, Eccentric 34
159459	Spring 20	160843	Spring 33	170201	Shaft 23
159472	Plate 17	160846	Bushing, Shoulder 26	170202	Post, Guide 31
159480	Bushing, Eccentric 29	160861	Washer, Flat 17, 18	170204	Bracket, Spring 17, 18
159499	Lever, Transfer (#3, 4 & 5) 20	160948	Screw (2-56 Spl) 24	170210	Block Assembly, Punch 38
159504	Spacer 20	160974	Arm, Stop 3	170211	Arm, Rocker 31
159508	Lever, Transfer (#1 & 2) 20	161107	Stud 24	170215	Spring, Punch Block 38
159512	Link, Printing Trip 30	161108	Stud 25	170216	Plate, Front 24
159519	Bushing 26	161139	Nut (6-40 Hex) 24	170217	Post 24
159522	Bushing, Shoulder 26	161323	Housing, Gear 29	170218	Shaft, Feed Wheel 24
159523	Bail, Oscillating 26	161324	Washer, Flat 29	170219	Stud, Die Wheel 24
159525	Bracket, Axial 26	161431	Lever 29	170225	Block, Tape Guide 25
159526	Link, Oscillating 27	161443	Detent, Axial Shaft 27	170241	Screw, Adjusting (6-40) 24
159528	Bar, Push (#5) 28	161444	Detent 28	170242	Slide, Feed Hole Punch 25
159529	Bar, Push (#3) 28	161493	Post, Supporting 35	170244	Wheel, Die 24
159530	Bar, Push (#4) 28	162228	Insulator (1-6) 37	170245	Wheel, Feed 24
159536	Gear (15 T) 29	162308	Bail, Code Bar 7	170246	Slide W/Insulator 25
159539	Arm, Pivot 30	162350	Bail, Rocker 19	170247	Guide 25
159560	Spring 25	162573	Retainer 22	170264	Post, Guide 17, 18
159597	Washer, Flat 26	162850	Handle 33	170324	Bracket 10
159610	Mount, Vibration 4	162862	Bar, Mounting 18	170363	Bracket, Left 10
159621	Screw, Shoulder (6-40) 25	162994	Block Assembly, Punch 38	170364	Bracket, Right 10
159622	Clamp, Adjusting 25	163009	Pinion (21 T) 16	170365	Guide, Code Lever 10, 11
159625	Bracket, Guide 16, 19	163010	Gear (49 T) 22	170368	Shaft 10
159626	Extension, Drive Link 30	163015	Gear (28 T) 18	170370	Lever, Function 10, 11
159642	Shim (.008") 28	163016	Gear (49 T) 23	170371	Lever, Function 10, 11
159643	Shim (.008") 27	163429	Screw, Shoulder (6-40) 30	170372	Bail 14
159654	Latch, Printing 30	164259	Chute, Tape (1" Tape) 24	170373	Blade, Rear 14
159658	Screw (6-40 x 1-7/64 Hex) 29	164260	Chute, Tape (7/8" Tape) 24	170374	Blade, Front 14
159659	Shaft, Eccentric 29	164261	Chute, Tape (11/16" Tape) 24	170375	Lever, Function 10, 11
159804	Spring 21	164300	Spacer 25	170379	Retainer, Ball 10, 14
159861	Frame, Main 18	164309	Post, Guide 31	170380	Retainer, Wedge 14
159896	Collar 23	164513	Pawl, Feed 31	170392	Lever, Non Repeat 7
159901	Plate 35	164521	Plate 33	170406	Bracket, Left Space Bar 12
159903	Bellcrank 35	164525	Post, Spring 33	170407	Bracket, Right Space Bar 12
159909	Pawl 35	164526	Slide 33	170409	Bail, Space Bar 12
159911	Plate 35	164528	Bushing 20, 33	170410	Plate, Nut 8
159913	Screw, Eccentric (6-40) 35, 39	164529	Lever, Ribbon Reverse 33	170414	Lever, Function 10, 11
159943	Bracket, Window 3	164530	Bushing (.068") 33	170788	Wheel, Die 24
159954	Link W/Stud 34	164531	Pawl, Check 33	171259	Spring 17, 18
159955	Link, Drive 34	164532	Pawl, Feed 33	171559	Bulb, Lamp (28 V) 4
159956	Post 34	164533	Shaft, Right Ribbon Ratchet 33	172983	Bracket, Spring 31
159957	Link 34	164538	Shaft, Left Ribbon Ratchet 33	172984	Bracket, Spring 38

## NUMERICAL INDEX

Part Number	Description and Page Number	Part Number	Description and Page Number	Part Number	Description and Page Number
172993	Spring 38	180280	thru	192834	Plate (#7) 20
173200	Sleeve, Bearing 23	180445	Keytops 13	192835	Bellcrank (#1 & 4) 21
173203	Sleeve, Bearing 22	182643	Terminal, Plug Type 21	192836	Bellcrank (#6) 21
173285	Keytop 13	182650	Connector, Plug Type 21	192838	Spacer 28
173340	Collar 22, 23	182658	Socket, Lamp 4	192839	Spacer 28
173754	Spacer, Typewheel 29	182713	Cap, Lens (Amber) 4	192841	Bellcrank (#2) 21
173756	Lever, Print Hammer 29	182715	Cap, Lens (Red) 4	192842	Bellcrank (#3 & 5) 21
173775	Shaft, Typewheel 29	183888	thru	192844	Plate, Rear 21
173977	Shaft, Hammer 29	183892	Keytops 13	192845	Guide, Bellcrank 21
173978	Spring, Torsion 29	192191	Knob 3	192846	Retainer 21
173979	Head, Hammer 29	192257	Screw (1/4-32 x 1-1/8 Hex) 40	192848	Bar, Contact Mounting 21
173981	Accelerator, Hammer 29	192511	Bar, Space 12	192849	Bar, Push (#2) 27
175805	Typewheel 29	192530	Bar, Shift Lock 10, 11	192850	Contact Assembly 21
176058	Reel, Tape 37	192535	Bail 10	192854	Stiffener 21
176252	Washer, Flat 19	192538	Plug, Button 12	192858	Bracket, Mounting 21
176489	Guide 18	192552	Channel, Ball 14	192859	Spring, Contact 21
176490	Bracket 17, 18	192553	Bracket, Left Mounting 12	192861	Spring, Contact 21
176647	Latch 34	192554	Bracket, Right Mounting 12	192862	Spring, Contact 21
176907	Switch, Rocker 4	192555	Plate, Keytop Guide 12	192870	Bar, Push (Letters) 28
178178	Lever, Adjustable Extension 33	192556	Frame 12	192871	Bar, Push (Figs) 28
178535	Suppressor, Spark 32	192557	Grommet, Rubber 12	192876	Screw (4-40 x 21/32 Hex) 20
178725	Spring 15	192558	Bar, Code (CR) 11	192877	Bushing, Guide 29
178849	Cord Assembly 15	192559	Bar, Code (Counter) 11	192882	Lever, Ribbon Oscillator 26
178851	Pulley 15	192579	Bushing, Shoulder 10	192897	Block Assembly, Punch 38
178916	Bellcrank 39	192661	Post 16, 19	192899	Bracket, Magnet Mounting 32
178918	Modification Kit 39	192681	Screw (4-40 Spl) 14, 37	192908	Armature, Magnet 32
178919	Pawl, Backspace 39	192709	Link 16, 19	192922	Housing 29
178920	Post, Eccentric 39	192798	Plate, Mounting 36	193565	Coupling 6
178921	Plate 39	192800	Beam, Pulse (#1) 20	193733	Cover, Contact 21
178922	Nut, Shoulder (6-40) 39	192801	Beam, Pulse (#2) 20	193753	Strap, Contact 21
178923	Bellcrank Assembly 39	192802	Beam, Pulse (#3) 20	193755	Cover, Magnet Coil 32
178925	Ratchet (24 T) 39	192803	Beam, Pulse (#4) 20	193804	Armature 34
178926	Screw (2-56 Spl) 39	192804	Beam, Pulse (#5) 20	193821	Bracket 34
178927	Clamp, Adjusting 39	192805	Beam, Pulse (#6) 20	193822	Clamp 34
178930	Guard 39	192806	Beam, Pulse (#7) 20	193824	Latch 34
178931	Post 39	192807	Lever, Pulse (#7) 20	193825	Magnet Assembly, Back-Space 34
178932	Post, Supporting 39	192808	Lever, Pulse (#5) 20	193877	Latch 18
179258	Bracket, Scale 15	192811	Plate (#2) 20	193879	Bar, Push (#1) 27
179274	Wheel, Feed 24	192812	Plate (#3) 20	194100	Block Assembly, Punch 38
179278	Drum, Ratchet 15	192813	Plate (#4) 20	194162	Bail, Reset 31
179279	Bracket 15	192814	Plate (#5) 20	194944	Spring 20
180083	Spring 34	192815	Plate, Top 20	195101	Sleeve, Insulating (5/32 ID x 3/8" Lg) 21
180160	thru	192816	Plate (#6) 20	195102	Sleeve, Insulating (5/32 ID x 7/32" Lg) 21
180203	Keytops 13	192817	Plate (#1) 20	195103	Damper 21
180205	thru	192818	Lock 20	195215	Plate, Lifter Mounting 30
180208	Keytops 13	192820	Bracket, Separator 20	195274	Spacer (.014") 20
180210	Keytop 13	192821	Guide 18	195284	Ring (O) 29
180211	Keytop 13	192823	Guide 20	195296	Screw (4-40 x 1/2 Hex) 32
180213	thru	192824	Lever 20	195619	Shaft, Backspace 39
180250	Keytops 13	192825	Screw (4-40 x 3/4 Hex) 20	195620	Modification Kit 39
180257	thru	192827	Bellcrank (Letters-Figs) 21		
180278	Keytops 13	192828	Plate 18		
		192829	Plate, Front 21		
		192831	Plate W/Stud 28		

## NUMERICAL INDEX

Part Number	Description and Page Number	Part Number	Description and Page Number	Part Number	Description and Page Number
195661	Post, Guide 17, 18	195759	Bracket 9	195976	Bracket, Left 4
195662	Lever 17, 18	195760	Link 9	195977	Bracket, Right 4
195663	Lever, Trip 17, 18	195761	Pin 10	196932	Sleeve, Insulating (7/16 ID x 1-1/4" Lg) 32
195664	Lever, Slide Trip 17	195762	Spacer 40	197608	Pan 4
195665	Lever, Guide 17, 18	195766	Pinion (14 T) 6	197610	Cable W/Terminals 37
195666	Spacer 17, 18	195767	Container, Chad Bag 6	197676	Bar, Code (#1) 11
195673	Block Assembly, Punch 38	195770	Tube, Chad 36	197677	Bar, Code (#2) 11
195676	Release, Clutch 17, 18	195771	Bag, Chad 36	197678	Bar, Code (#3) 11
195677	Plate, Stop 17, 18	195772	Bushing, Bearing 6	197679	Bar, Code (Shift) 11
195678	Lever 9	195773	Plate 6	197680	Bar, Code (#4) 11
195679	Bracket, Spring 10	195774	Shaft 6	197681	Bar, Code (#5) 11
195680	Arm, Code Bar Return 9	195775	Gear (40 T) 6	197682	Bar, Code (#6) 11
195681	Plate, Rear 7	195776	Plate 6	197683	Bar, Code (#7) 11
195683	Link 10	195878	Guide, Ribbon 29	197683	Bar, Code (#7) 11
195686	Container, Tape 37	195879	Link, Locking 32	197740	Bar, Code (#0) 11
195687	Bracket W/Springs 10, 37	195880	Retainer, Link 32	197741	Bar, Code (#1) 11
195690	Bar, Clutch Trip 10, 11	195881	Link, Accelerator Blocking 29	197742	Bar, Code (#2) 11
195695	Casing, Fan Wheel 36	195943	Guide W/Roller 37	197743	Bar, Code (#3) 11
195700	Chute, Chad 36	195944	Bracket 8	197744	Bar, Code (#4) 11
195703	Plate 3	195946	Link, Stop 8	197745	Bar, Code (#5) 11
195704	Post 7	195947	Post, Eccentric 8	197748	Keypad 13
195705	Plate, Front 8	195948	Bushing 4	197887**	Cover 3
195706	Spacer 7	195949	Plate, Left 4	197889	Window, Plastic 3
195707	Bracket, Guide Post 8	195950	Plate, Right 4	198082	Lever, Slide Trip 18
195708	Guide 8	195951	Bar 4	198166	Bracket, Magnet 32
195709	Bracket, Slide 8	195954	Guard, Gear 6	198686	Guide 8
195745	Extension 8	195956	Post 36	198688	Lever, Latch 18
195746	Extension 8	195957	Bracket 5	199119	Bar, Code (CR) 11
195747	Nut, Slide 8	195962	Frame, Left 4	199120	Bar, Code (Counter) 11
195748	Pin 9	195963	Frame, Right 4	199524	Window, Plastic 3
195749	Bracket 9	195964	Plate, Adapter 8	199652	Pad, Top 3
195750	Bracket 9	195965	Tray, Copyholder 3	199653	Pad, Left 3
195751	Bar, Code (#1) 11	195967	Nameplate (Teletype) 3	199654	Pad, Right 3
195752	Bar, Code (#2) 11	195968	Bracket 37	199822	Gasket, Window 3
195753	Bar, Code (#3) 11	195969	Cable Assembly 4	304469	Cable Assembly 21
195754	Bar, Code (#4) 11	195972	Cable Assembly 8	304529**	Cover, Top 3
195755	Bar, Code (#5) 11	195973	Stud 7	304540	Chute, Chad 36
195756	Bar, Code (CR) 11	195974	Plate 6	304546	Plate, Identification 3
195757	Bar, Code (Counter) 11	195975	Plate, Nut 4	304550	Pad, Rear 3
195758	Lever 9			306778	Shaft 3

\*\*See page 2 for color suffix