

KEYBOARD TAPE PUNCH (LKPE)  
KEYBOARD TYPING TAPE PUNCH (LKTP)  
AND COVER (LKPC) OFF-LINE  
PARTS

PAINT FINISH COLOR CODE CHART		
COLOR	Finish Suffixes	
	Textured Vinyl	Smooth Vinyl
Green Gray Light Gray Olive Gray	GA(45)	HB(68) HF(46)
The double asterisk(**) denotes a painted part. Suffix to be applied following the part number. Number in parentheses indicates Bell System Code.		

NOTE: When ordering parts from this section, prefix each number with the letters TP.

The part identification information contained in the following change notice has been incorporated in this issue.	
TCN	#1114

FIGURE	CONTENTS	PAGE	FIGURE	CONTENTS	PAGE
1	Upper and Lower Cover	3	25	Punch Rear Plate Mechanism	25
2	Upper Cover and Page Size Holder	4	26	Axial Positioning Mechanism	26
3	Base Pan	5	27	Axial Positioning Mechanism (Continued)	27
4	Base	6	28	Rotary Positioning Mechanism	28
5	Function Bail Mechanism	6	29	Rotary Positioning Mechanism (Continued)	29
6	Intermediate Gear Mechanism	7	30	Typing Mechanism	30
7	Adapter Plate	8	31	Punch Bail Mechanism	31
8	Adapter Plate (Continued)	9	32	Mainshaft (8 Level)	32
9	Codebar Mechanism	10	33	Ribbon Shift Mechanism	33
10	330743 Keylever Guide Assembly	11	34	Ribbon Feed Mechanism	34
11	Codebar and Function Lever Chart	12	35	Power Drive for Backspace Mechanism	35
12	Keyboard Mechanism	13	36	Backspace Mechanism for Non-Typing Punch	36
13	Codebar Reset Bail Mechanism	14	37	Punch Block Assemblies	37
14	170332 Universal Bail Assembly	15	38	155990 Character Counter Assembly	38
15	Ball Lock Mechanism	15	39	195620 Modification Kit to Provide Backspace Mechanism for Fully Perforated Tape and Printing Between Feed Holes	39
16	Non-Typing Perforator Punch Frame Mechanism	16	40	178918 Modification Kit to Provide Guard for Backspace Mechanism	39
17	Non-Typing Perforator Punch Frame Mechanism (Continued)	17	41	Chad Disposal	40
18	Non-Typing Perforator Punch Frame Mechanism (Continued)	18	42	Tape Container	41
19	Typing Perforator Punch Frame Mechanism	19	43	Keypop Chart	42
20	Typing Perforator Punch Frame Mechanism (Continued)	20		Numerical Index	43
21	Transfer Mechanism	21			
22	Function Box Mechanism	22			
23	Punch Front Plate Mechanism	23			
24	Mainshaft (5 and 6 Level)	24			

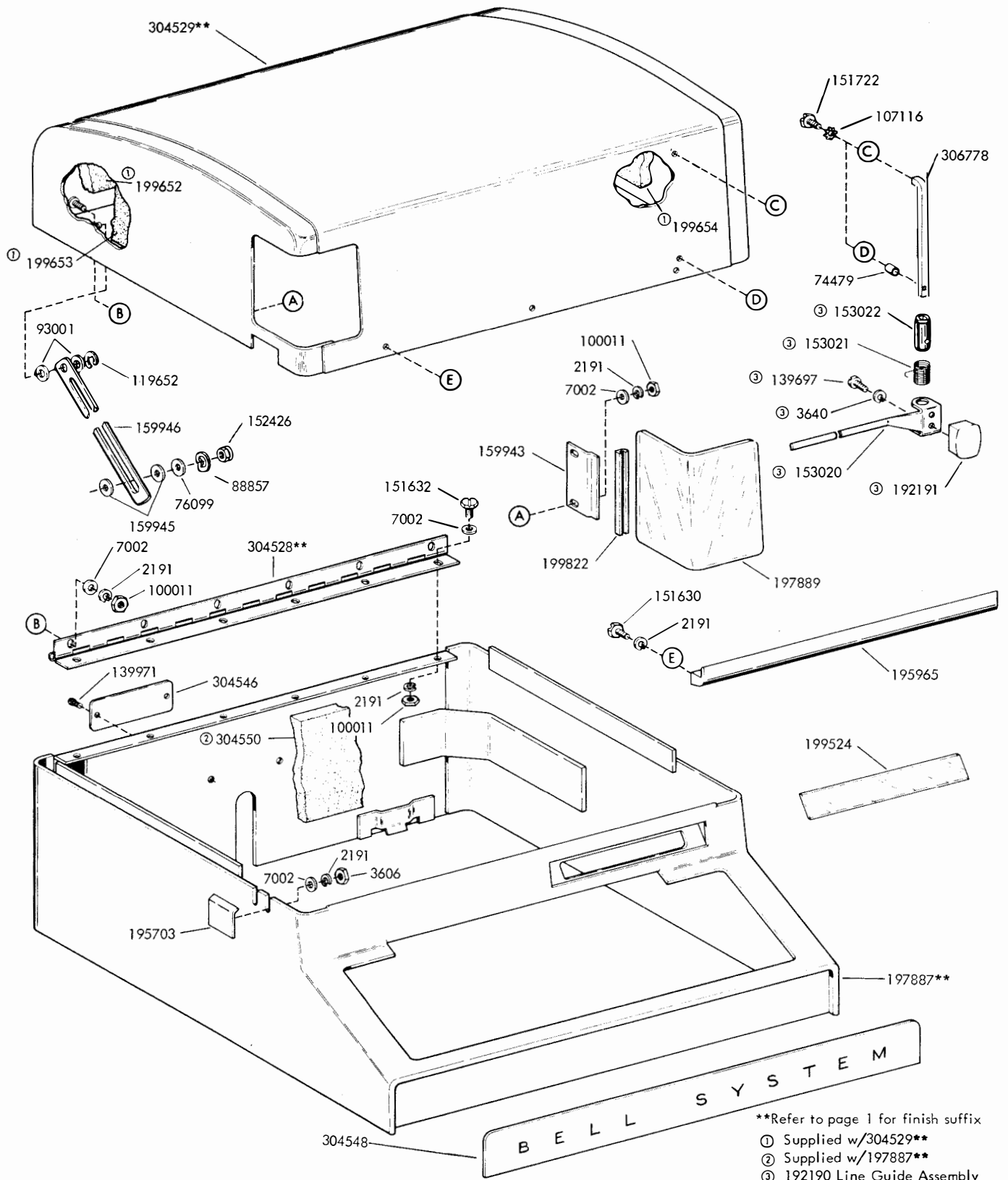


FIGURE 1. UPPER AND LOWER COVER

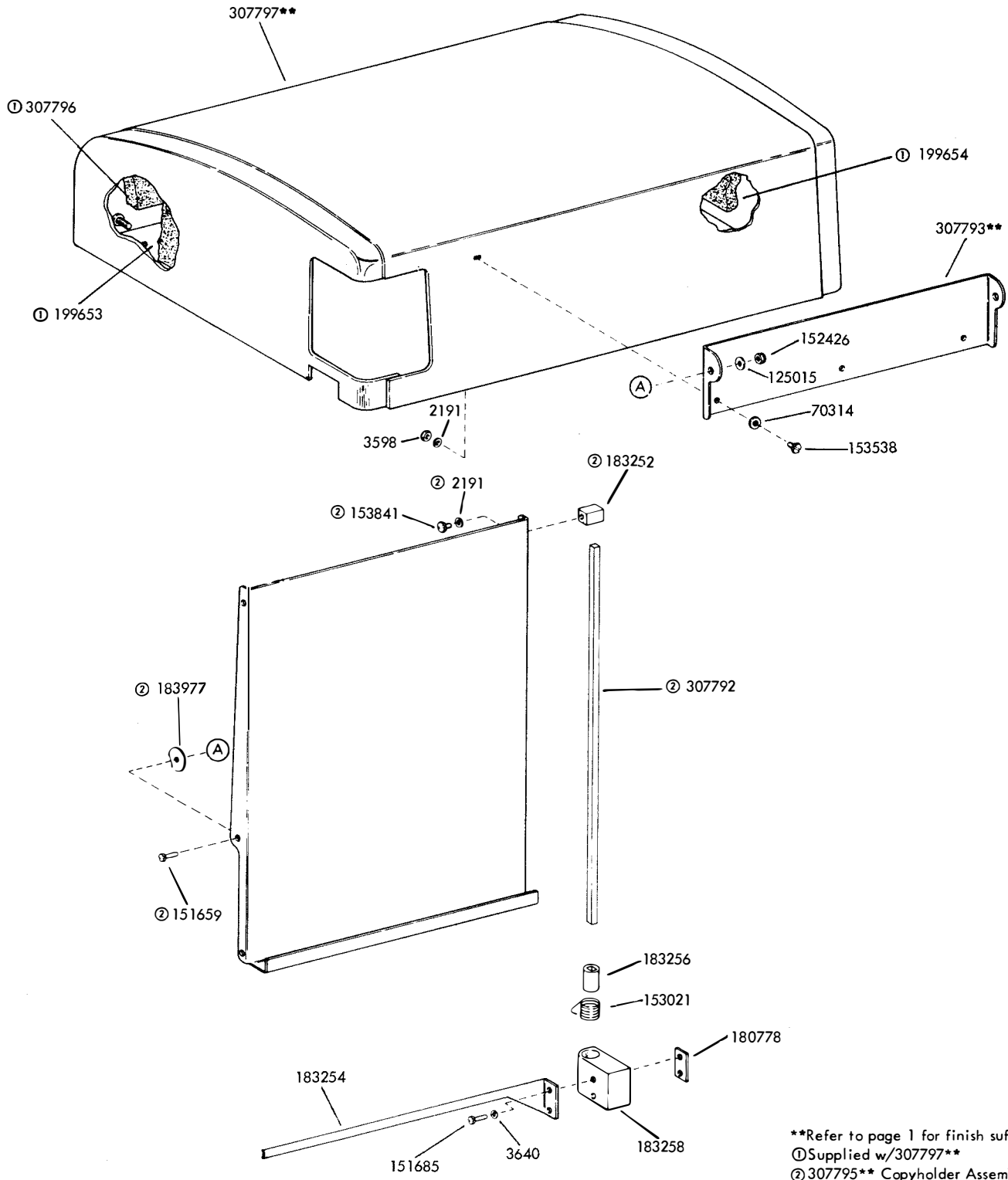


FIGURE 2. UPPER COVER AND PAGE SIZE HOLDER

\*\*Refer to page 1 for finish suffix  
① Supplied w/307797\*\*  
② 307795\*\* Copyholder Assembly

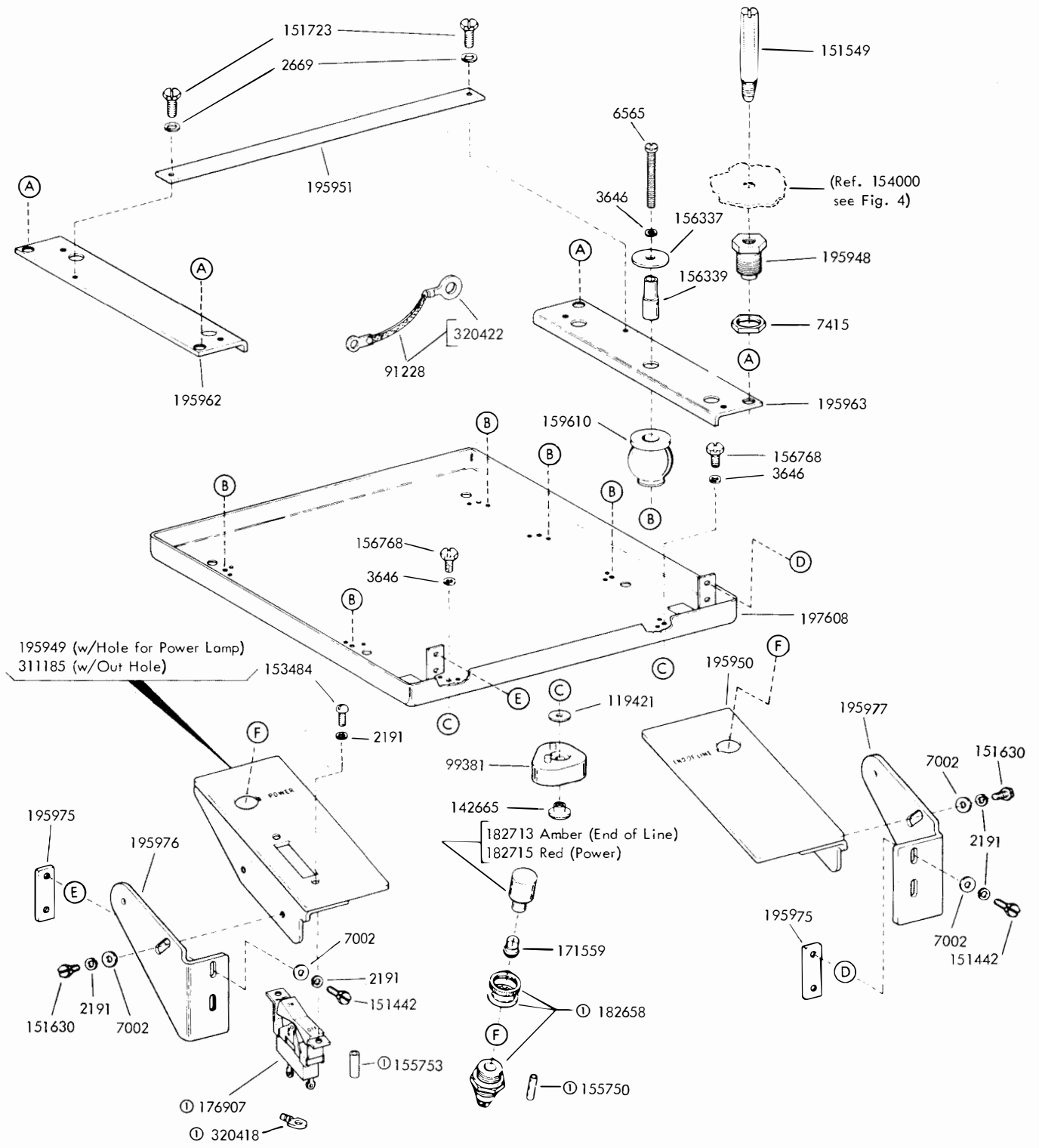


FIGURE 3. BASE PAN

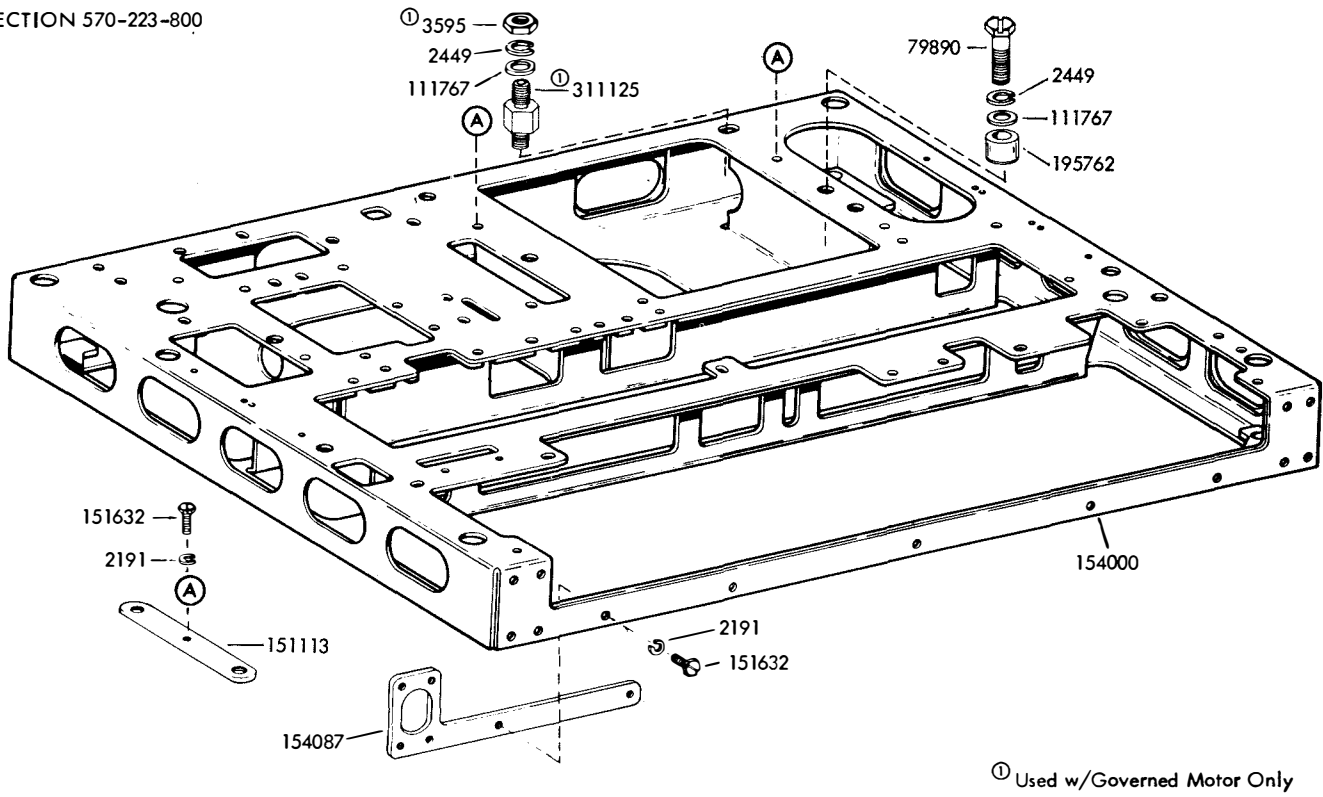


FIGURE 4. BASE

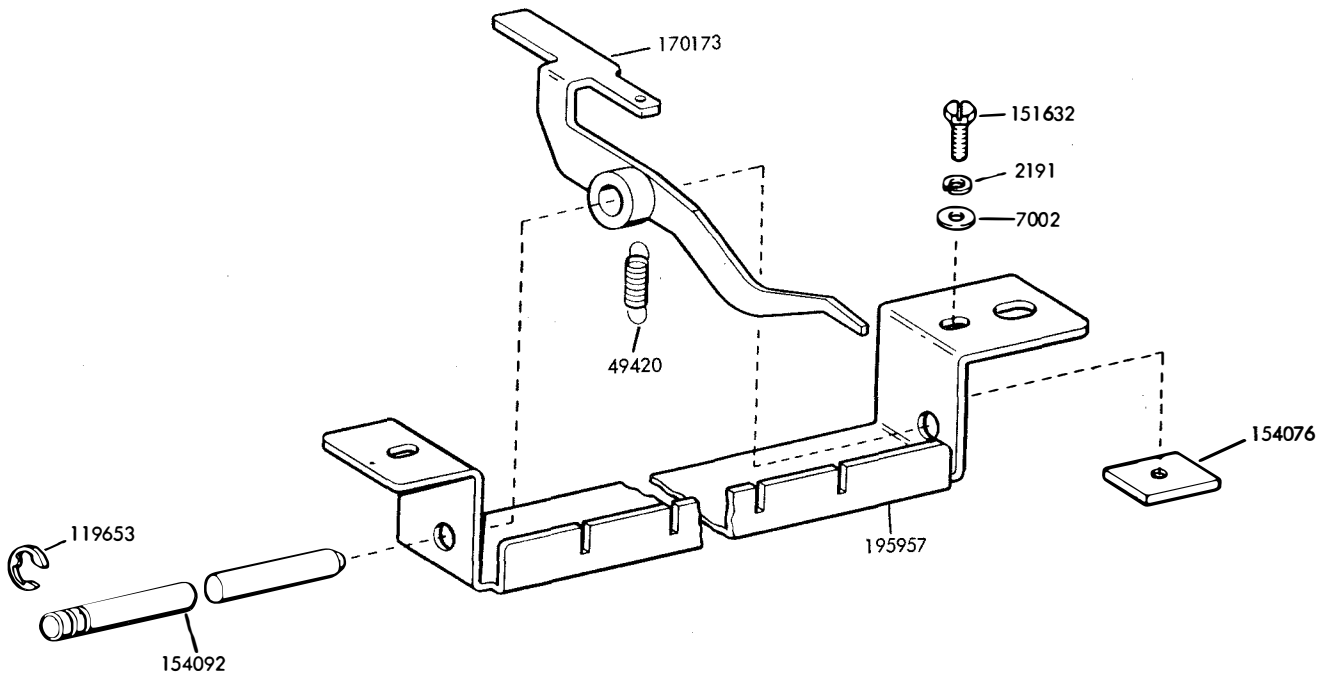
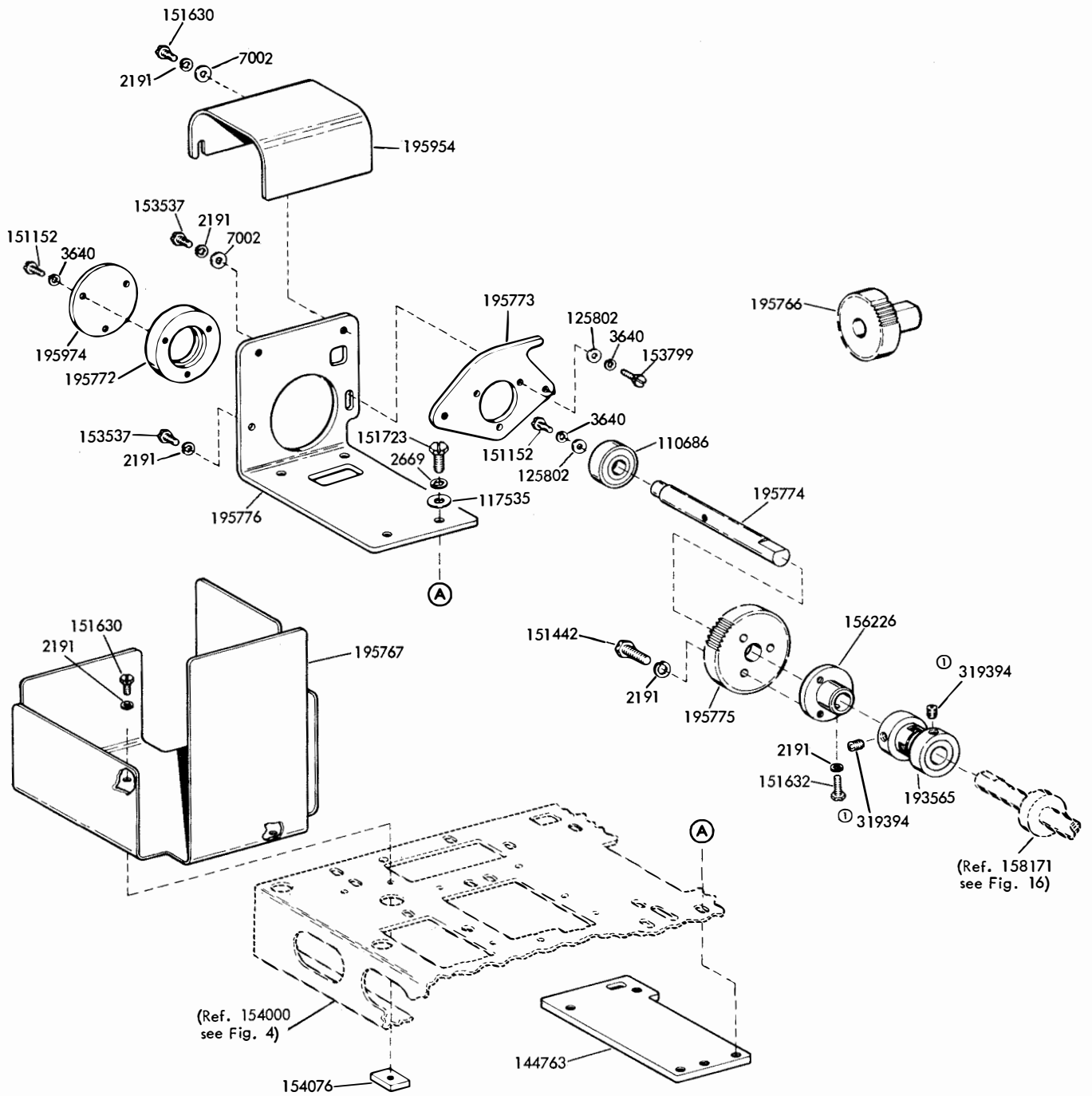
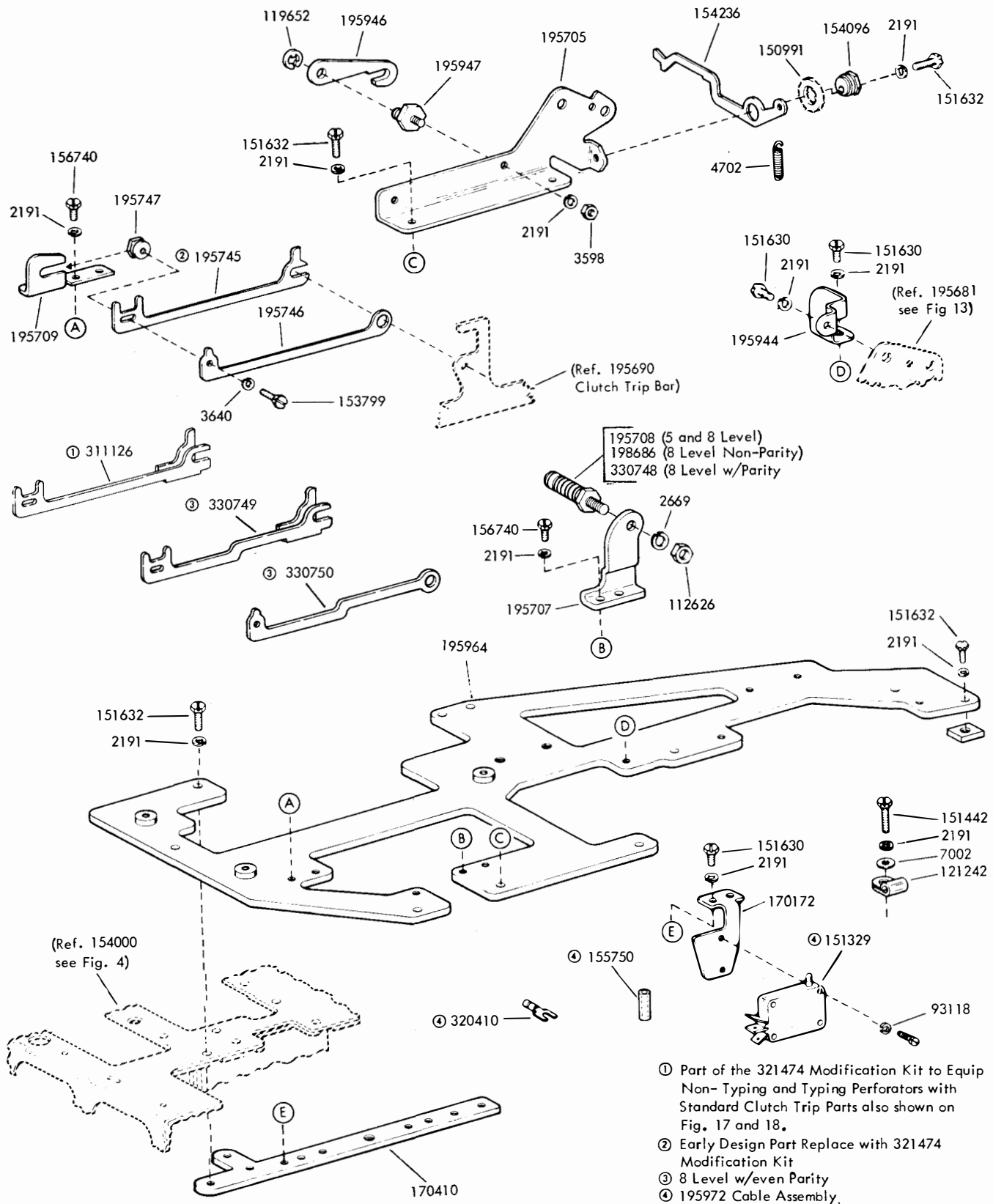


FIGURE 5. FUNCTION BAIL MECHANISM



Ⓛ Supplied w/193565

FIGURE 6. INTERMEDIATE GEAR MECHANISM



- ① Part of the 321474 Modification Kit to Equip Non-Typing and Typing Perforators with Standard Clutch Trip Parts also shown on Fig. 17 and 18.
- ② Early Design Part Replace with 321474 Modification Kit
- ③ 8 Level w/even Parity
- ④ 195972 Cable Assembly.

FIGURE 7. ADAPTER PLATE



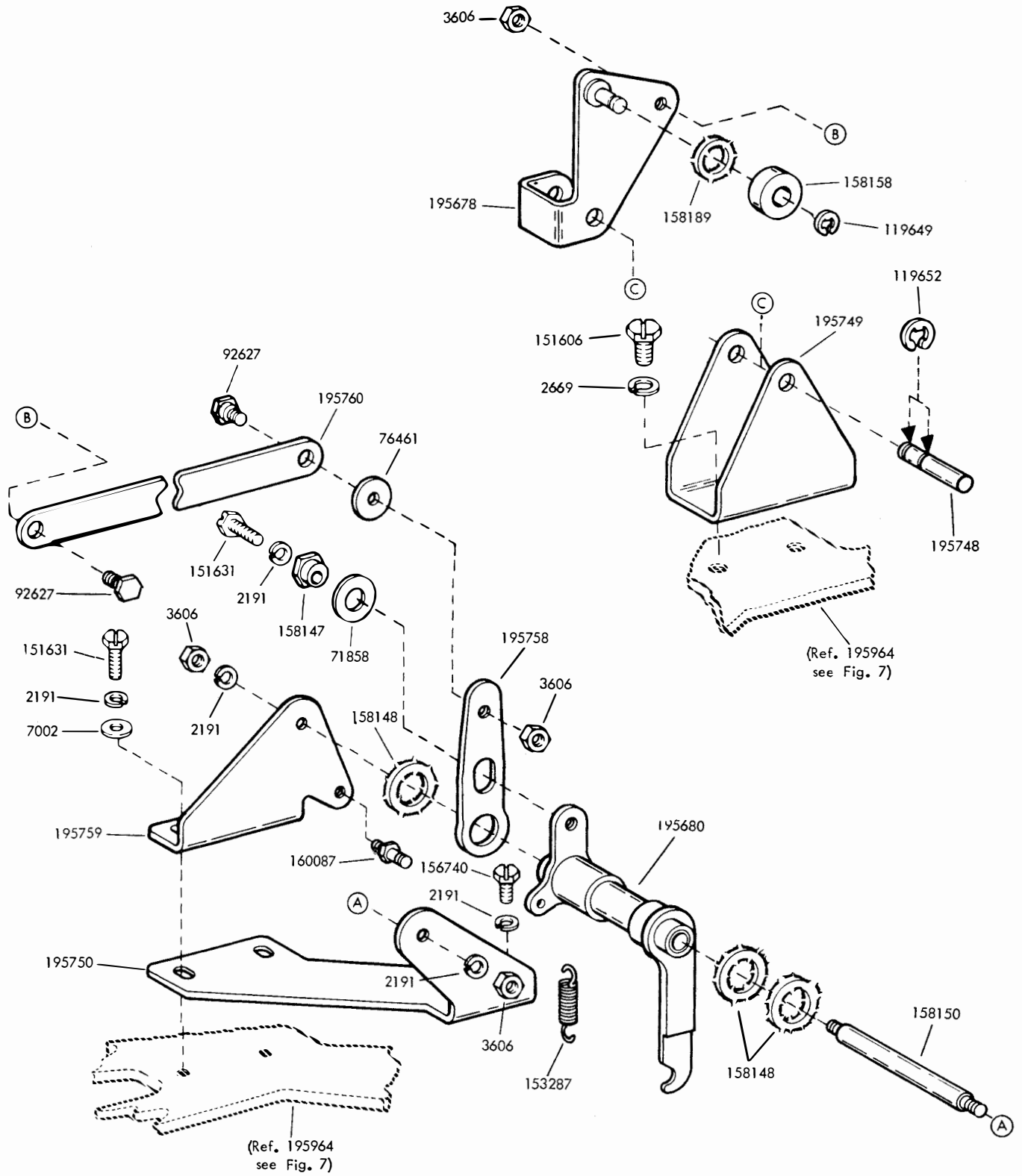
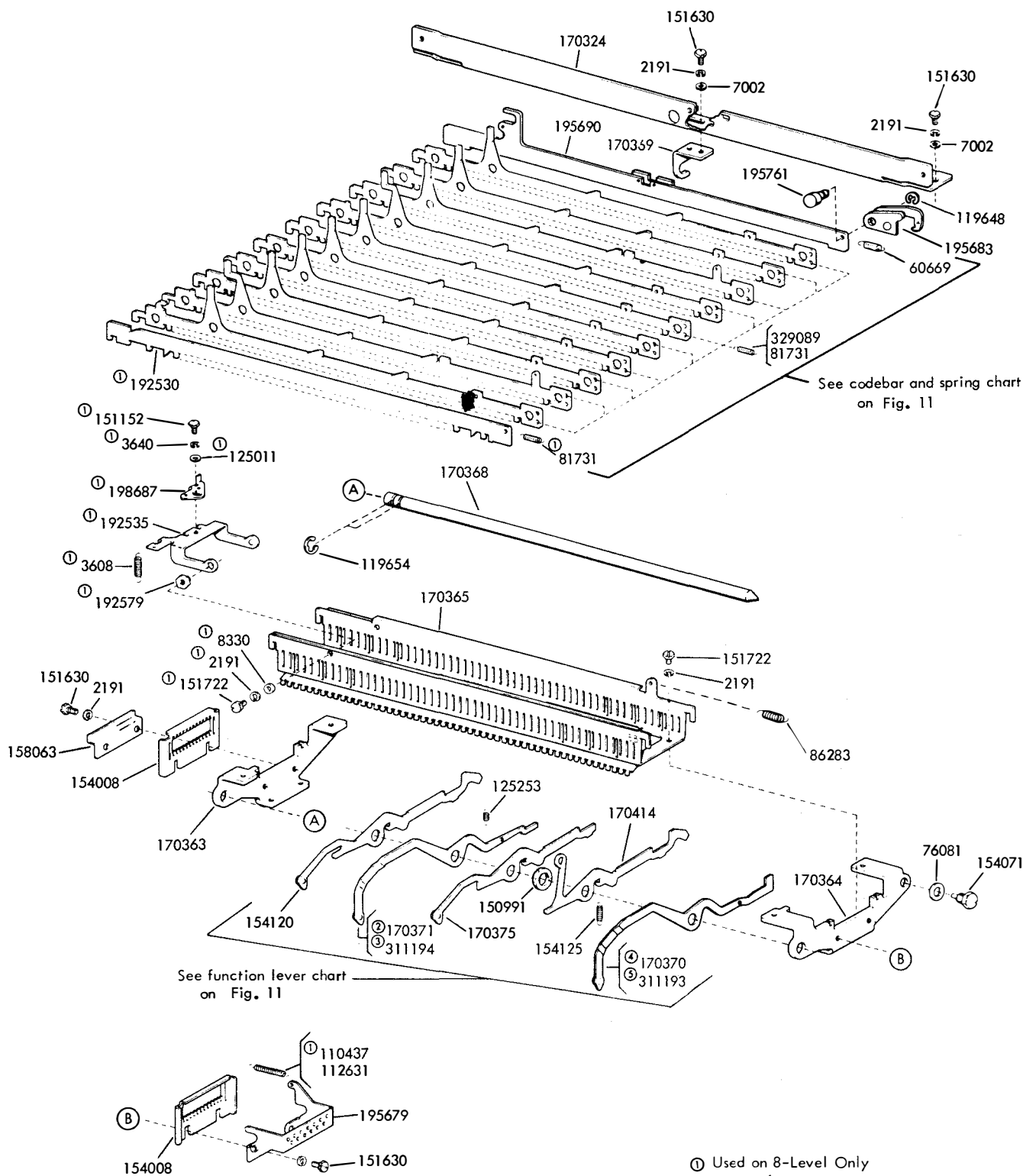
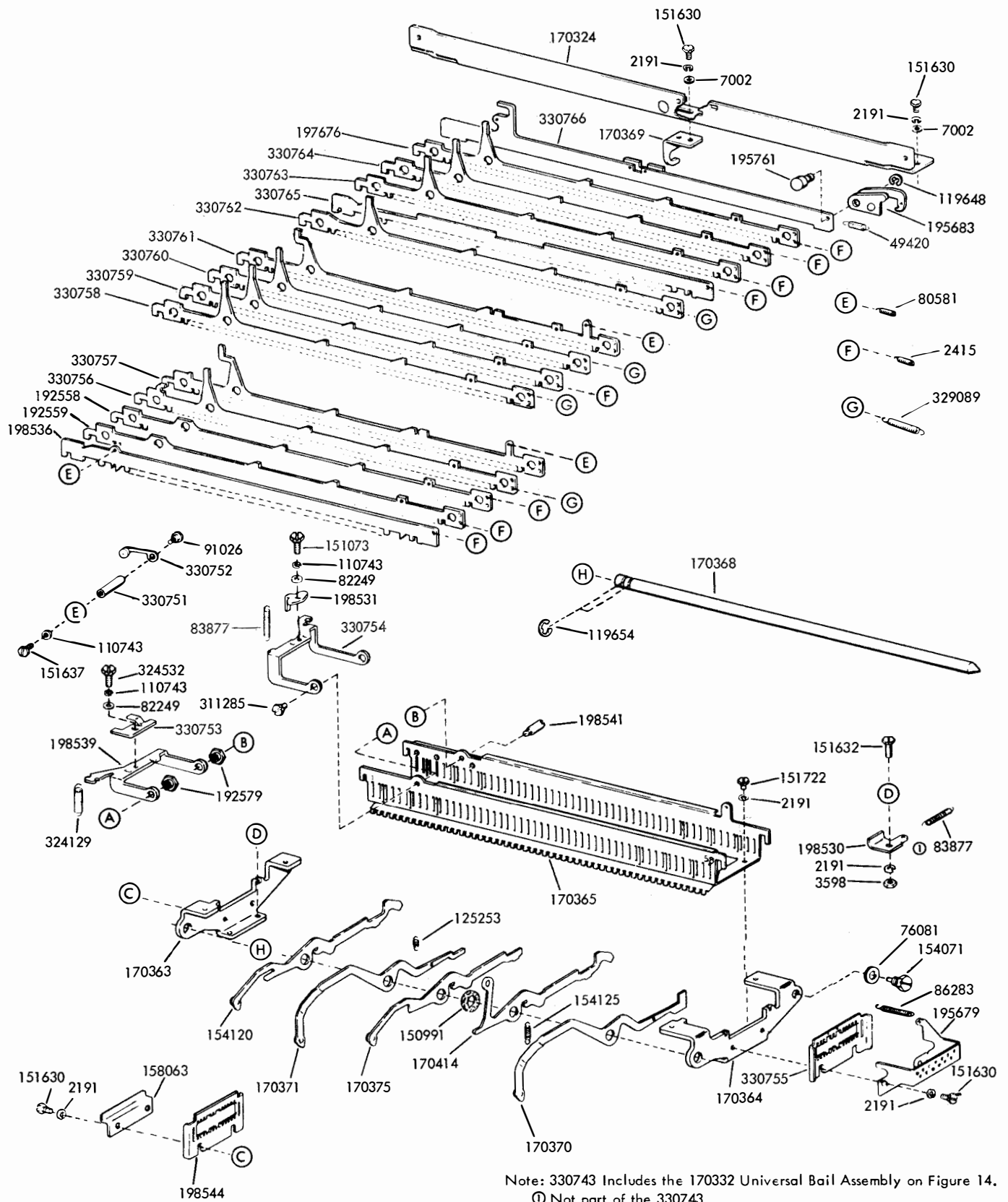


FIGURE 8. ADAPTER PLATE (CONTINUED)



- ① Used on 8-Level Only
- ② Used w/LOC. BSP Keylever in Bottom Row
- ③ Used w/LOC. BSP Keylever in Top Row
- ④ Used w/REPT Keylever in Bottom
- ⑤ Used w/REPT Keylever in Top Row

FIGURE 9. CODEBAR MECHANISM



Note: 330743 Includes the 170332 Universal Bail Assembly on Figure 14.  
 ⓐ Not part of the 330743

FIGURE 10. 330743 KEYLEVER GUIDE ASSEMBLY

## LOCATION CHART FOR NON-PARITY CODEBARS

SLOT NO.	1	2	3	4	5	6	7	8	9	10	11	12	13
5-LEVEL	Open	195757 2415	195756 2415	Open	Open	195755 2415	195754 2415	195753 2415	Open	195752 2415	195751 2415	Open	195690 60669
6-LEVEL	Open	199120 2415	199119 2415	Open	Open	197745 2415	197744 2415	197743 2415	Open	197742 2415	197741 2415	197740 2415	195690 60669
8-LEVEL	192530 81731	192559 2415	192558 2415	197679 81731	197683 2415	197682 2415	197681 2415	197680 2415	197678 2415	197677 2415	197676 2415	Open	195690 60669

The codebars are listed according to their position in the 154008 guide, counting from front to back.

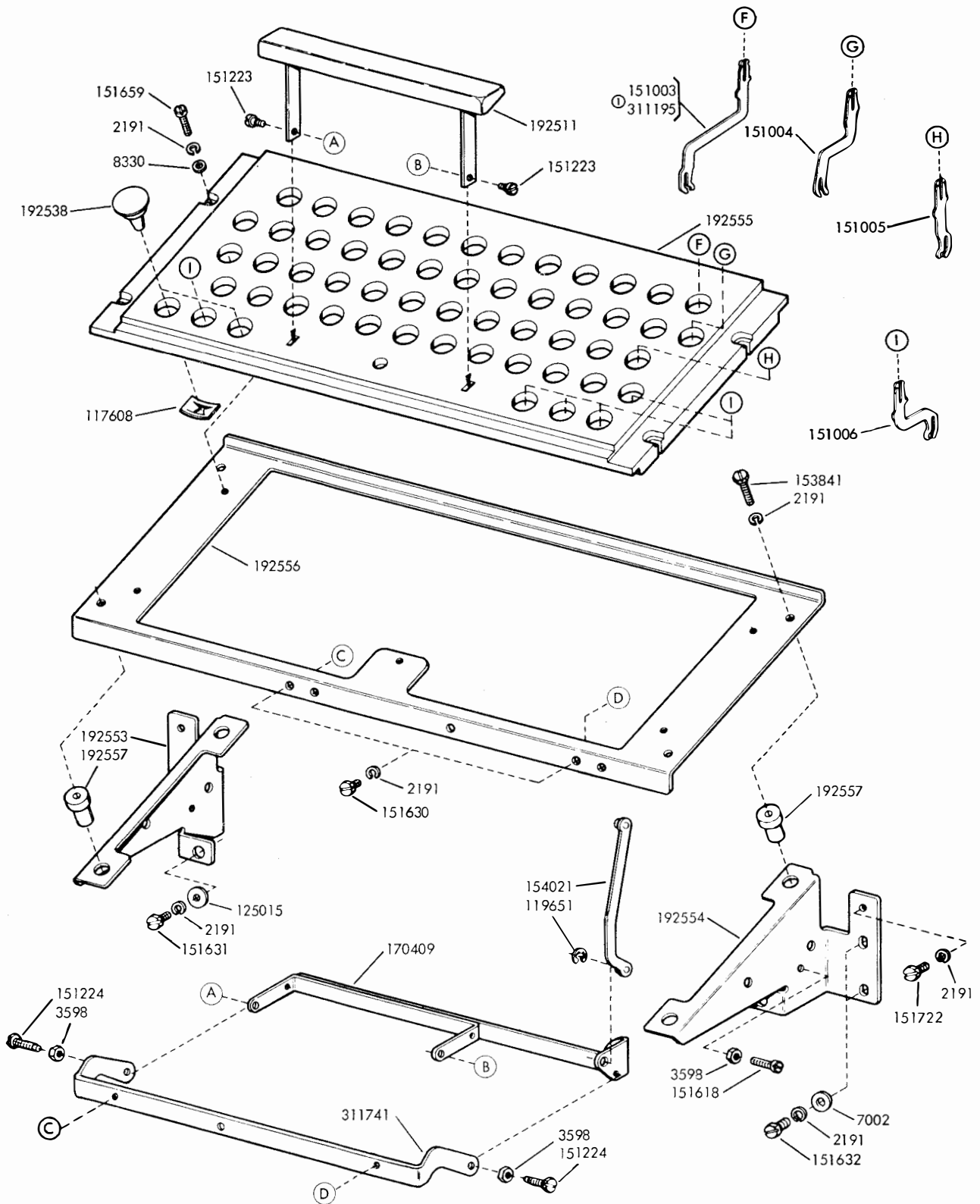
## FUNCTION LEVER CHART

SLOT NO.	5-LEVEL	6-LEVEL	8-LEVEL	SLOT NO.	5-LEVEL	6-LEVEL	8-LEVEL	SLOT NO.	5-LEVEL	6-LEVEL	8-LEVEL
1	Open	Open	Open	20	Open	154120	154120	39	154120	154120	154120
2	Open	Open	Open	21	154120	154120	154120	40	Open	154120	154120
3	Notes ① ②	170371	170371	22	154120	154120	154120	41	154120	154120	154120
4	Open	154120	154120	23	154120	154120	154120	42	154120	154120	154120
5	Open	154120	170375	24	Open	154120	154120	43	154120	154120	154120
6	Open	154120	154120	25	154120	154120	154120	44	Open	154120	154120
7	154120	154120	170375	26	154120	154120	154120	45	Open	Open	Open
8	Open	Open	Open	27	154120	154120	154120	46	154120	154120	154120
9	154120	154120	154120	28	Open	154120	154120	47	154120	154120	154120
10	154120	154120	154120	29	154120	154120	154120	48	154120	154120	154120
11	Open	154120	154120	30	154120	154120	154120	49	Open	154120	154120
12	154120	Open	154120	31	Open	154120	154120	50	Open	Open	Open
13	Open	Open	Open	32	Open	154120	154120	51	154120	154120	154120
14	154120	154120	154120	33	154120	154120	154120	52	Open	154120	154120
15	154120	154120	154120	34	154120	154120	154120	53	Open	154120	154120
16	Open	154120	154120	35	154120	154120	154120	54	Open	154120	154120
17	154120	154120	154120	36	Open	154120	154120	55	Notes ③ ④	170370	170370
18	154120	154120	154120	37	154120	154120	154120	56	Open	154120	170375
19	154120	154120	154120	38	154120	154120	154120	57	Open	154120	154120
								58	170414	170414	170414

The function levers are listed according to their position in the 170365 guide counting from left to right.

- ① 170371 Used w/LOC BSP Keylever in Bottom Row
- ② 311194 Used w/LOC BSP Keylever in Top Row
- ③ 170370 Used w/REPT Keylever in Bottom Row
- ④ 311193 Used w/REPT Keylever in Top Row

FIGURE 11. CODEBAR AND FUNCTION LEVER CHART



① Used only w/LOC BSP and REPT Keytops in Top Row

FIGURE 12. KEYBOARD MECHANISM

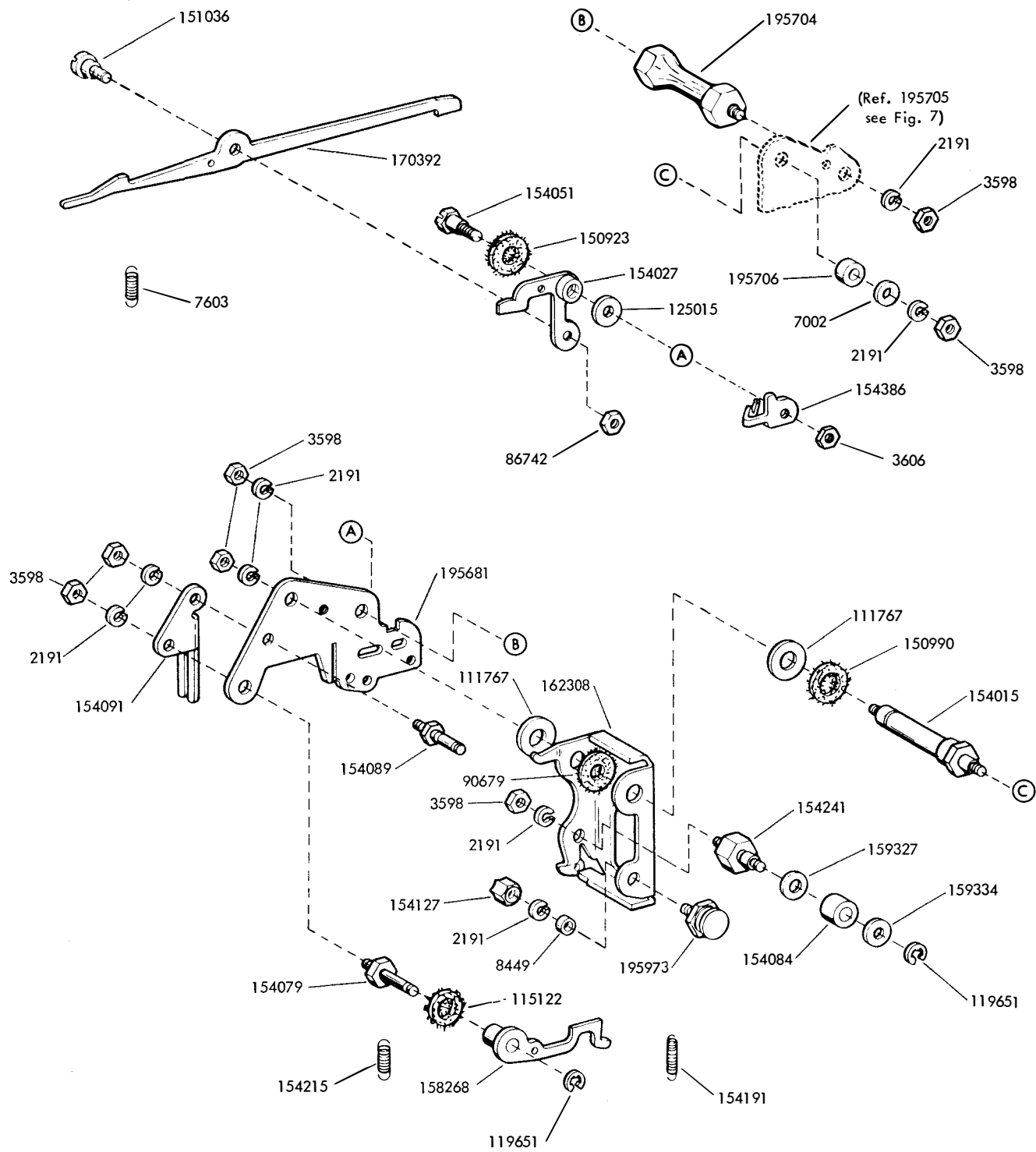


FIGURE 13. CODEBAR RESET BAIL MECHANISM

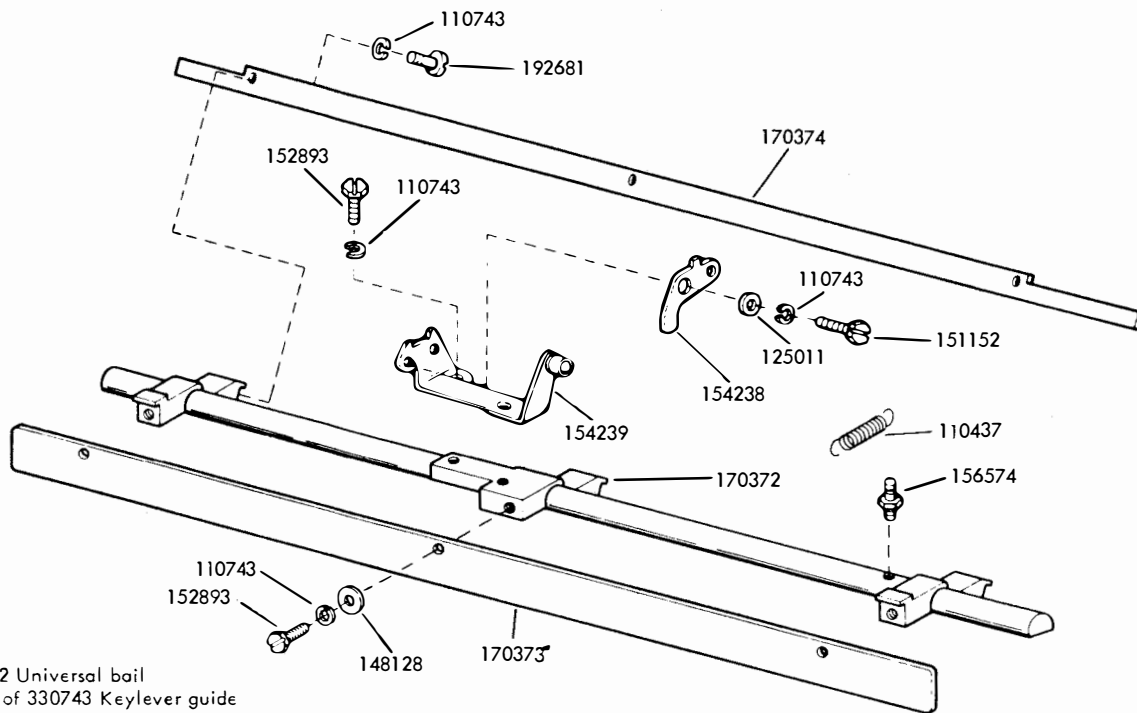
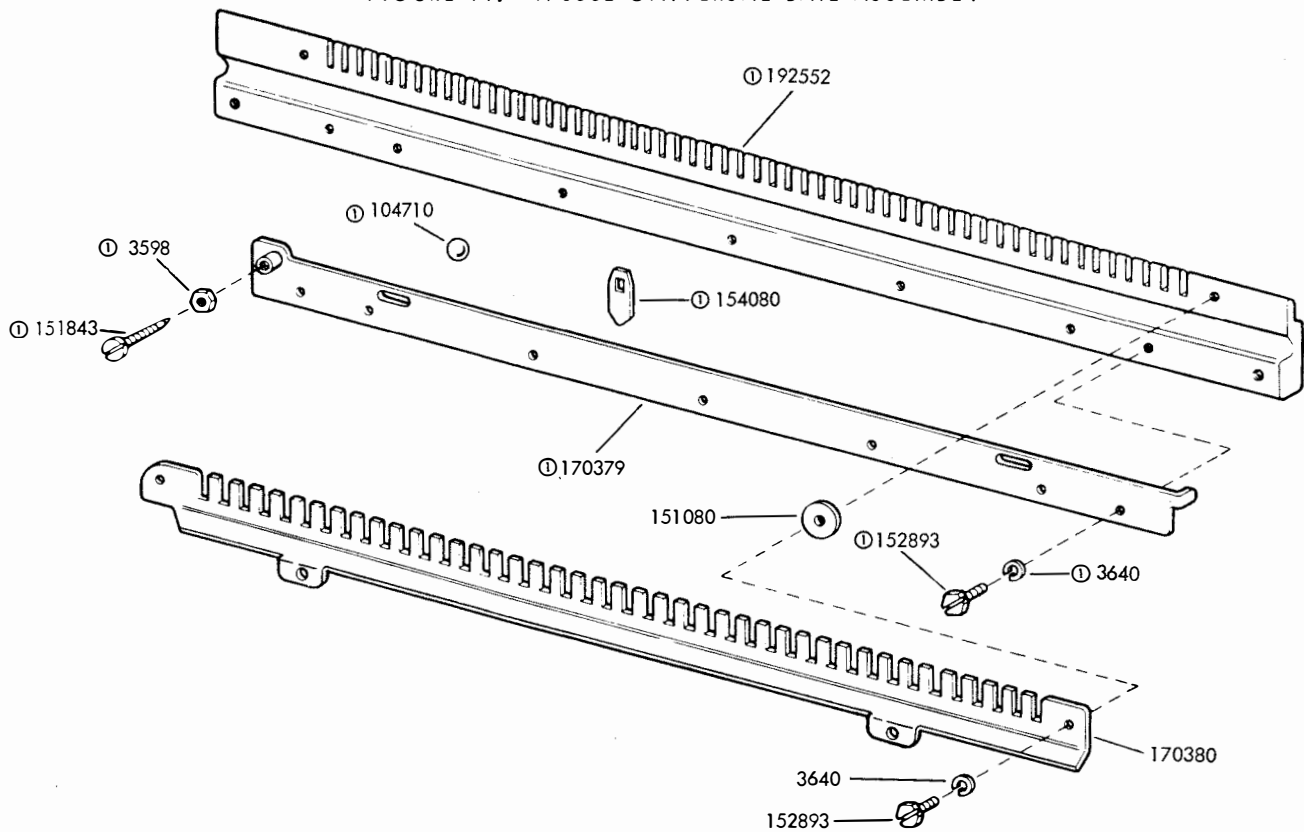


FIGURE 14. 170332 UNIVERSAL BAIL ASSEMBLY



192550 Ball Lock Bar Assembly

FIGURE 15. BALL LOCK MECHANISM

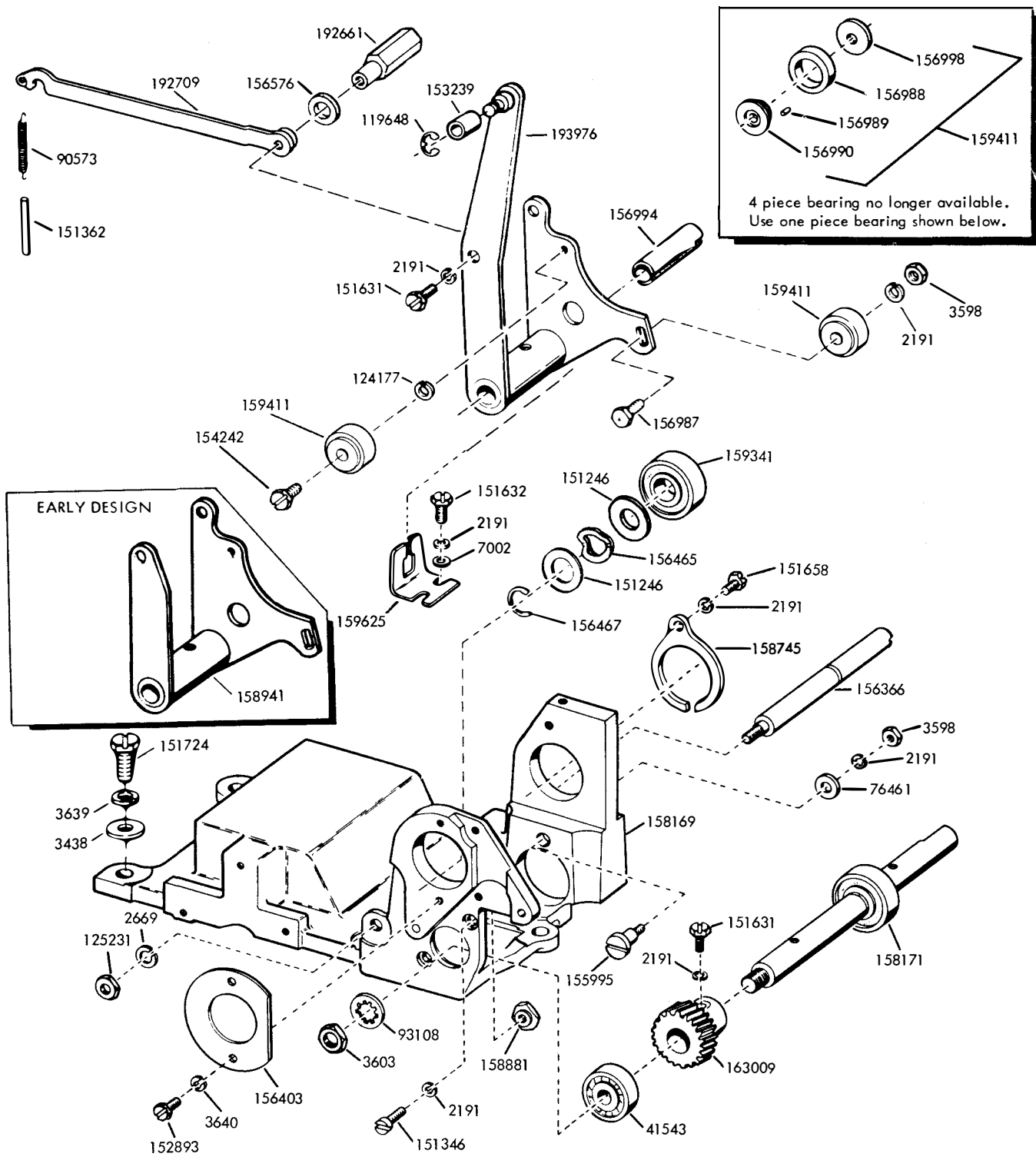
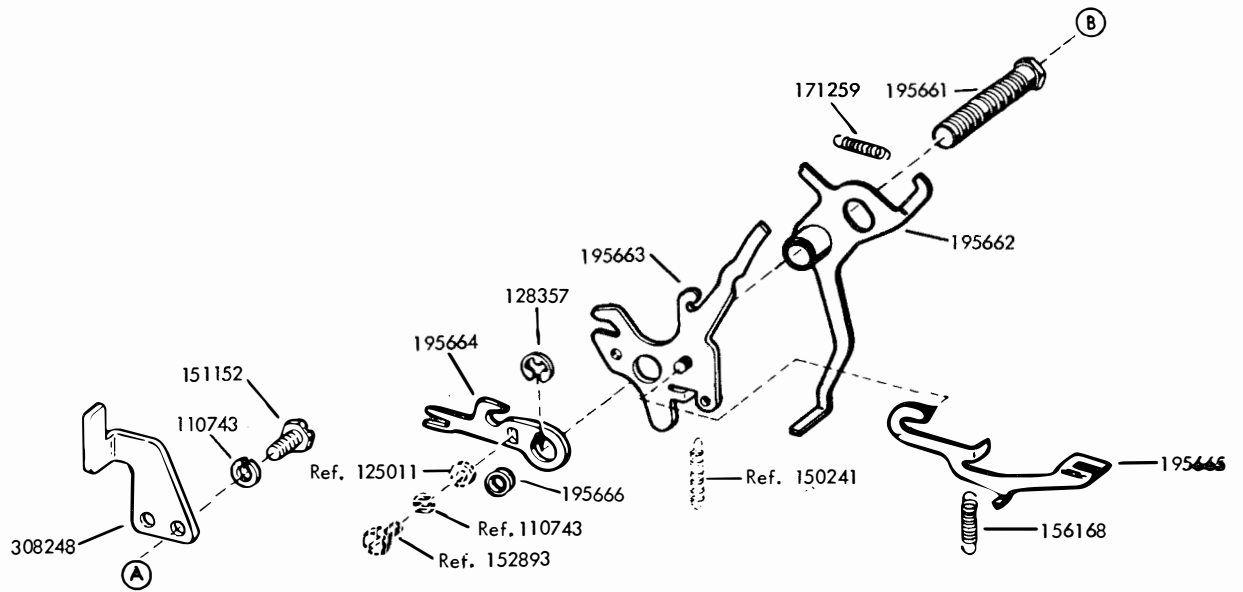
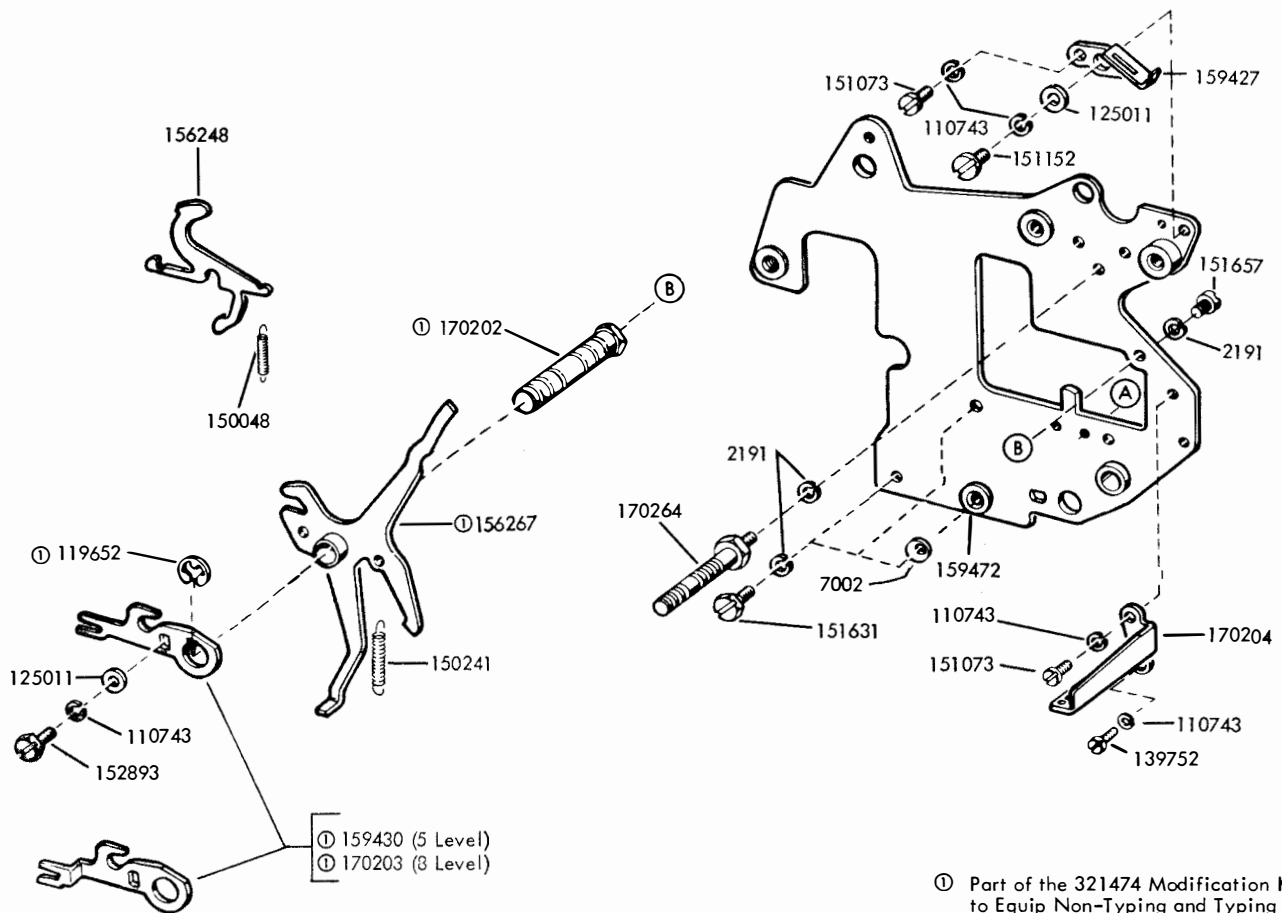


FIGURE 16. NON-TYPING PERFORATOR PUNCH FRAME MECHANISM



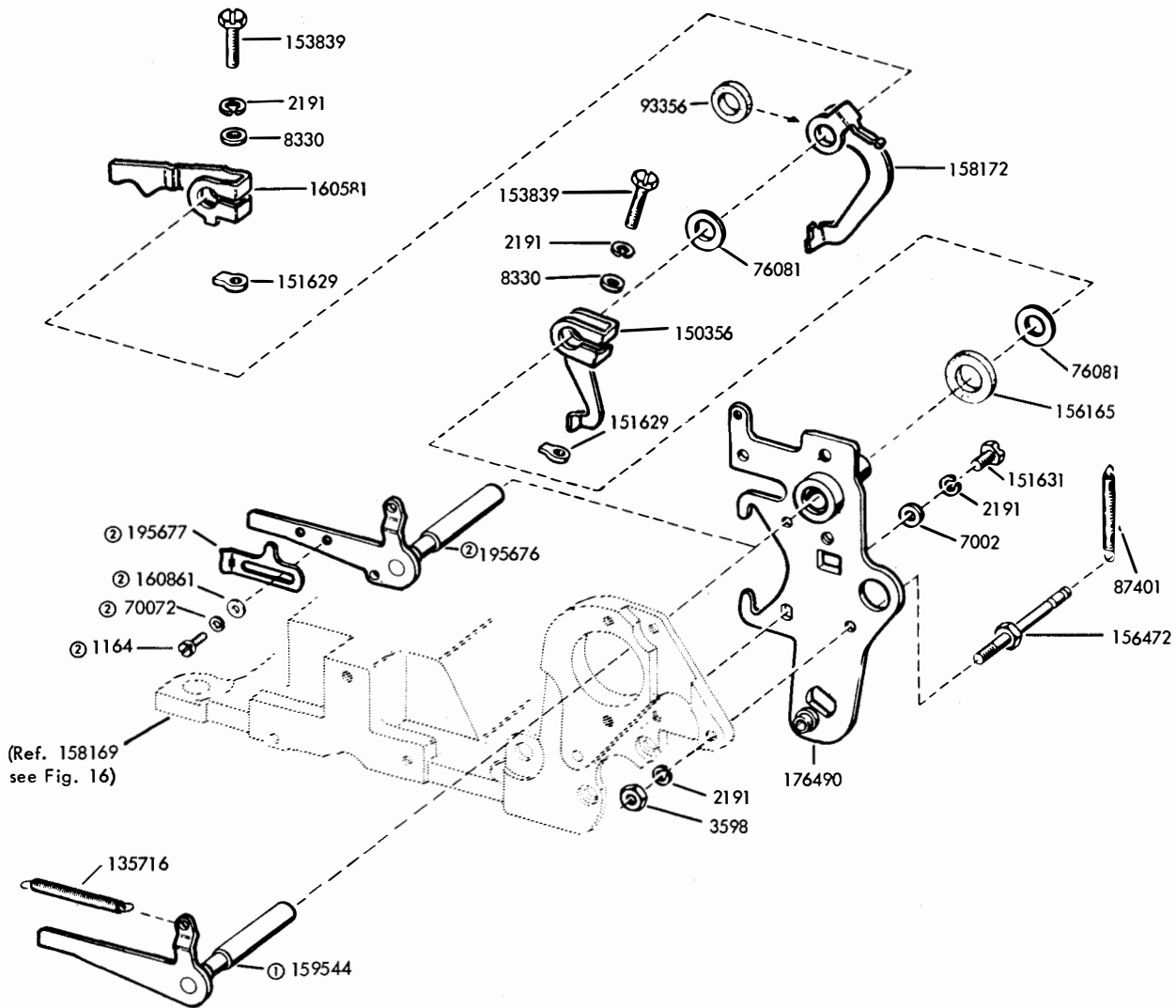


Note: Early Design Parts Replace with 321474 Modification Kit



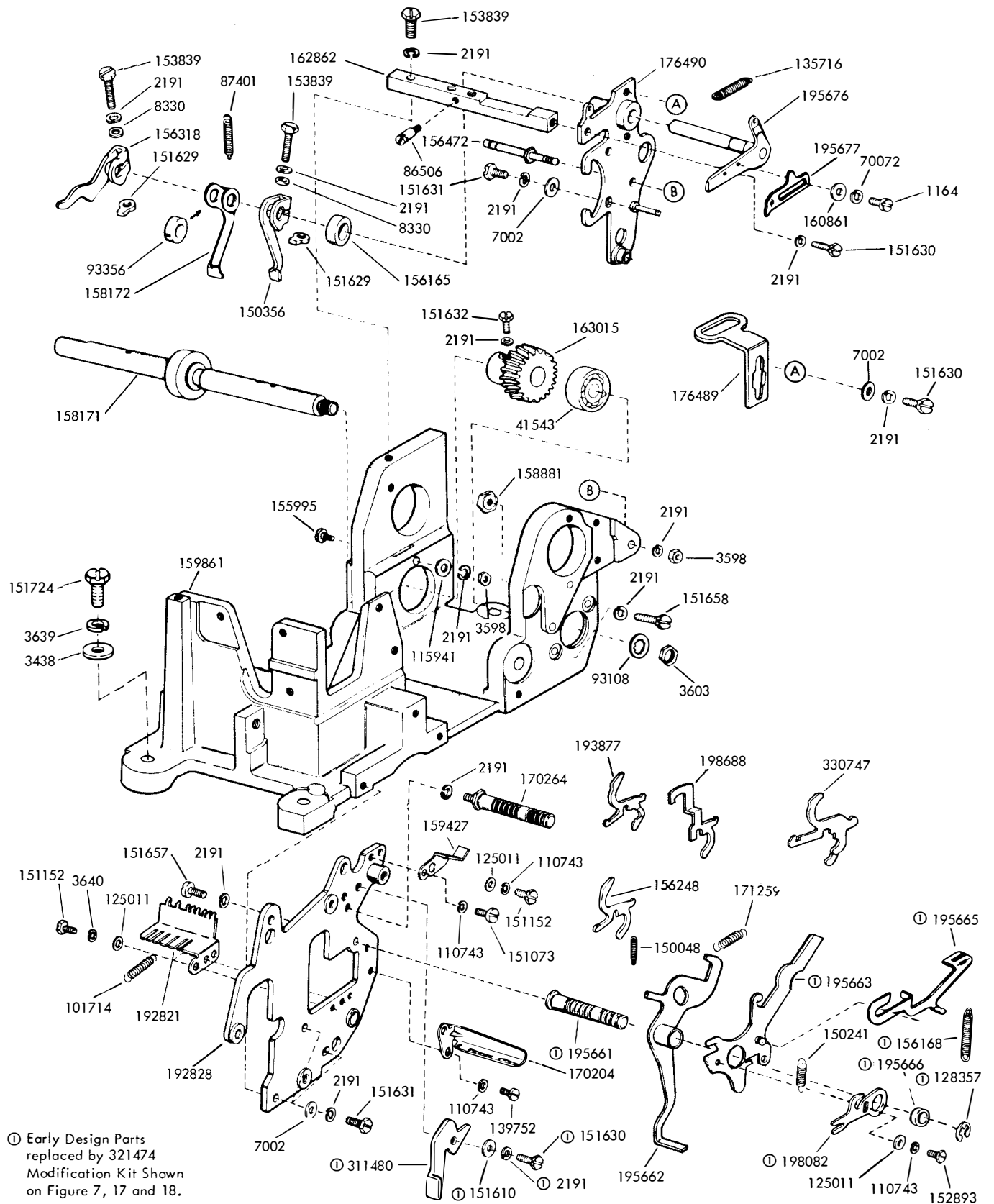
① Part of the 321474 Modification Kit to Equip Non-Typing and Typing Perforators with Standard Clutch Trip parts. Also shown on Fig. 18 and 7

FIGURE 17. NON-TYPING PERFORATOR PUNCH FRAME MECHANISM (Continued)



- ① Part of the 321474 Modification Kit to Equip Non-Typing and Typing Perforators with Standard Clutch Trip Parts. Also shown in Figure 17 and 7
- ② Early Design Parts Replace with 321474 Modification Kit

FIGURE 18. NON-TYPING PERFORATOR PUNCH FRAME MECHANISM(Continued)



① Early Design Parts replaced by 321474 Modification Kit Shown on Figure 7, 17 and 18.

FIGURE 19. TYPING PERFORATOR PUNCH FRAME MECHANISM

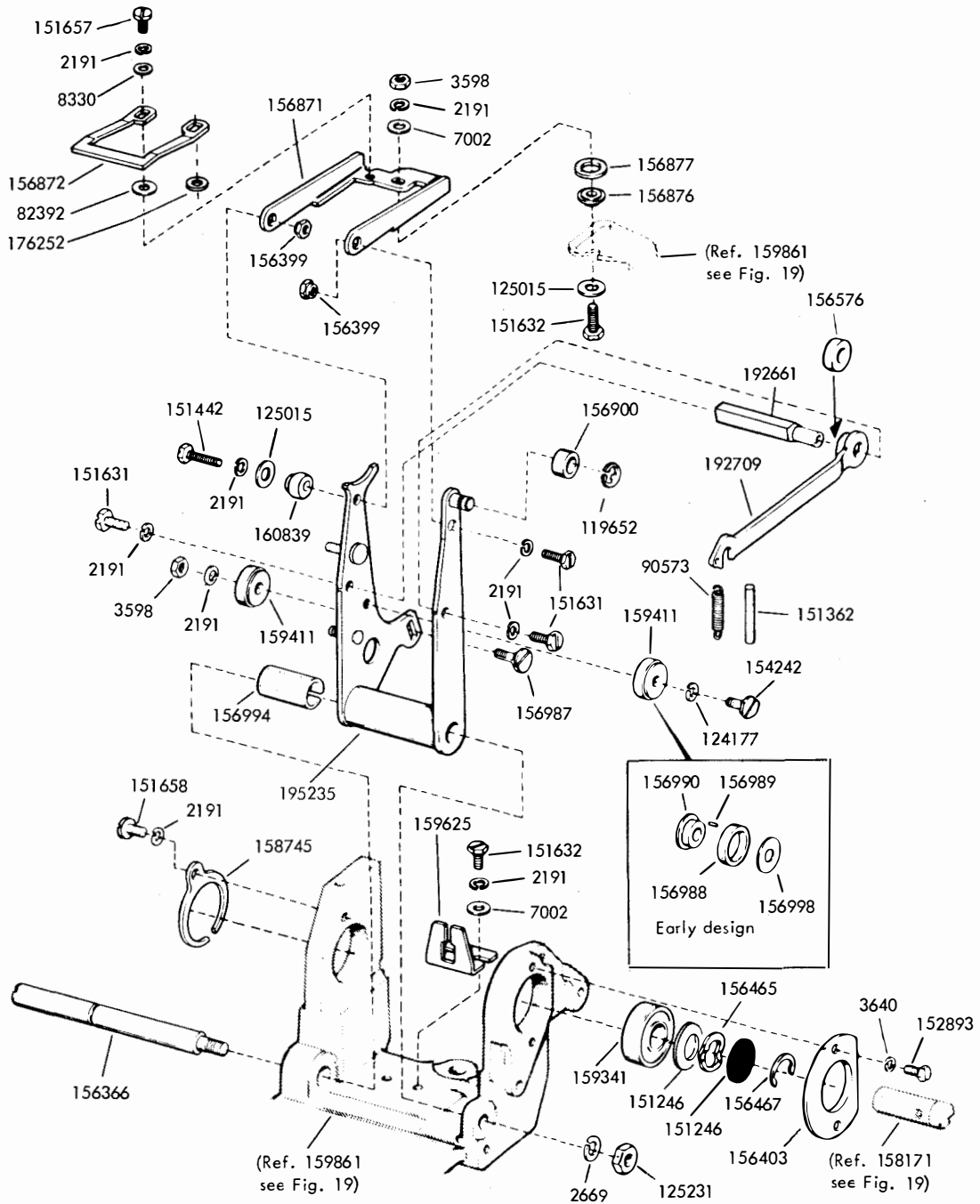


FIGURE 20. TYPING PERFORATOR PUNCH FRAME MECHANISM (Continued)

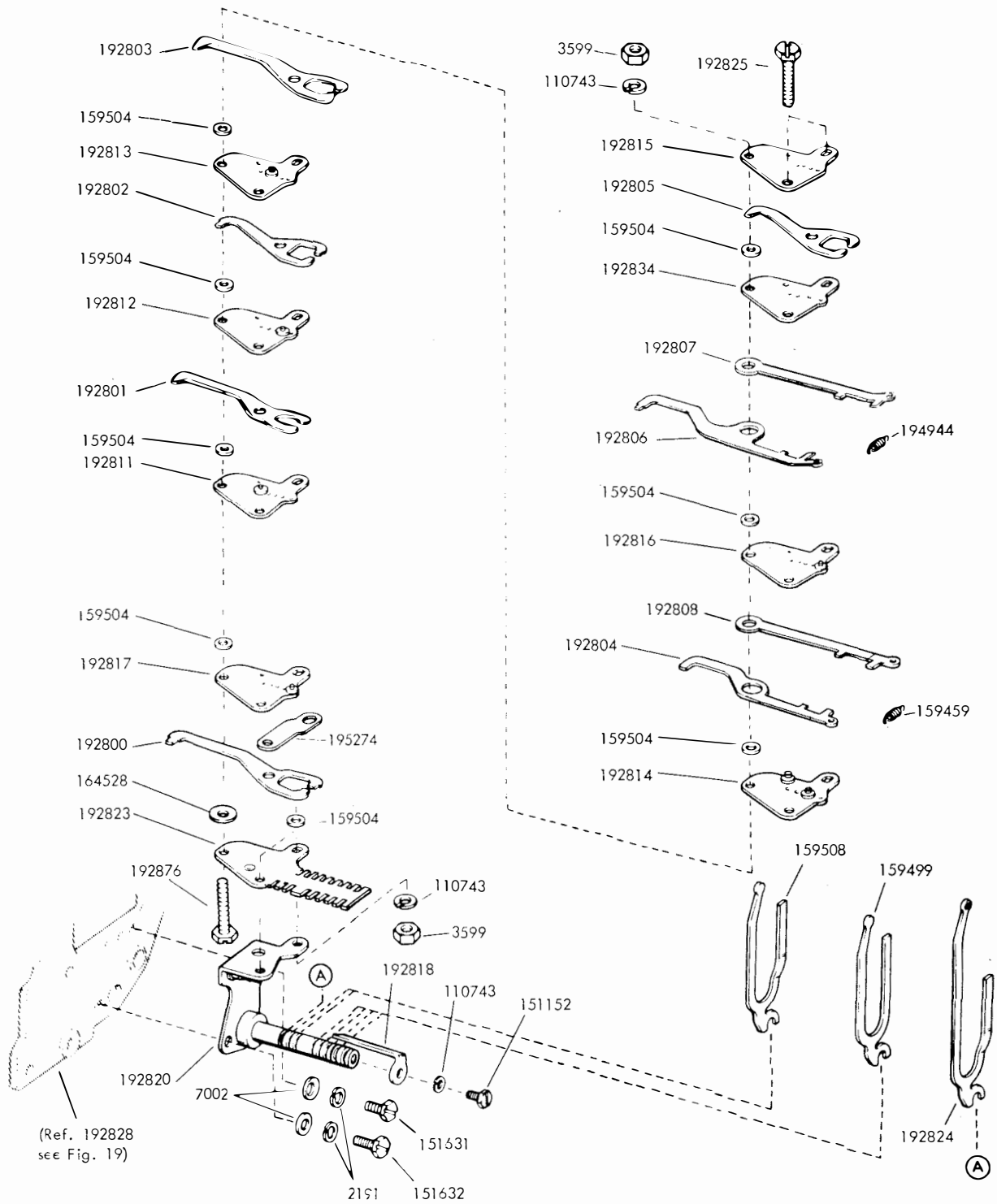


FIGURE 21. TRANSFER MECHANISM

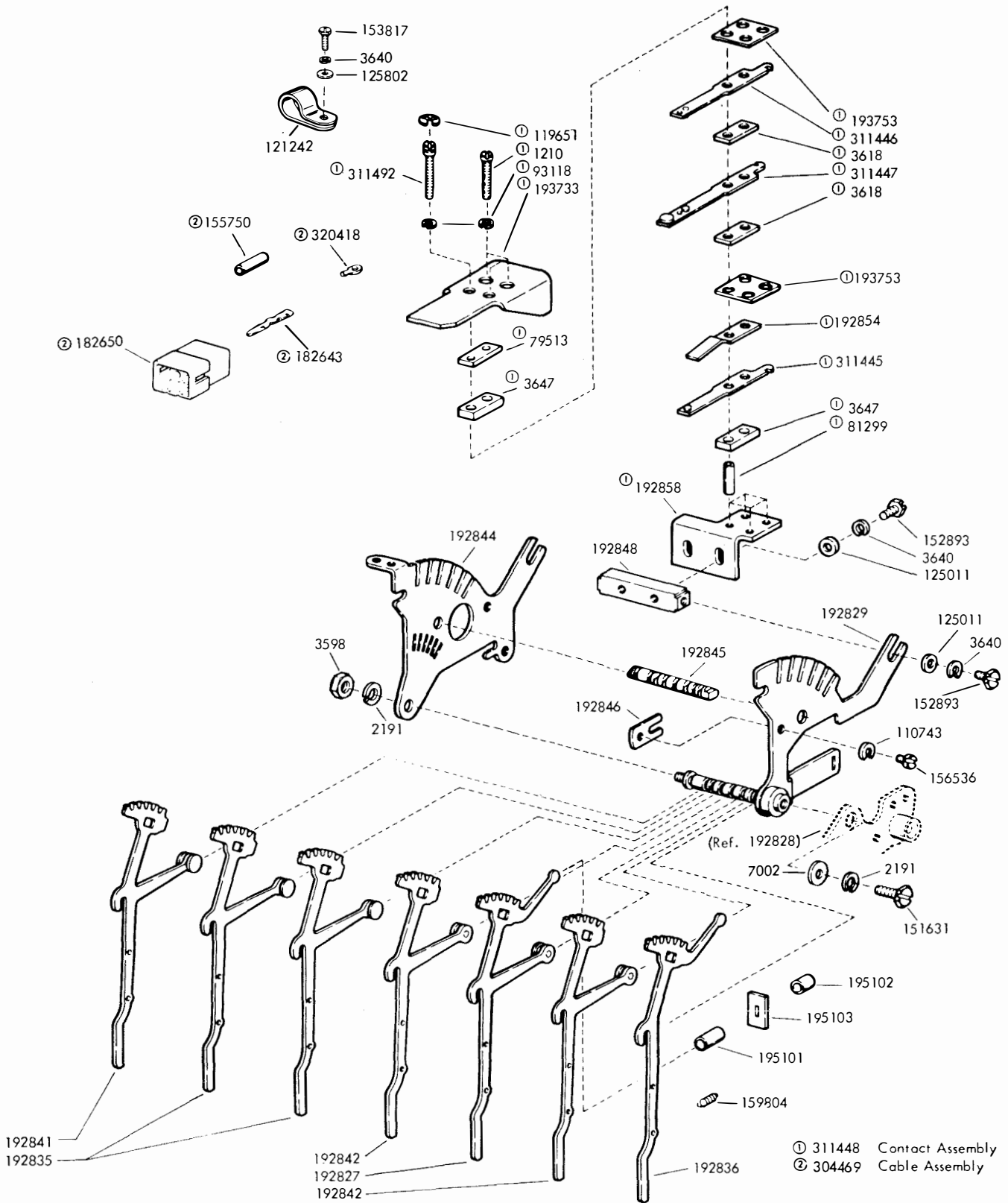


FIGURE 22. FUNCTION BOX MECHANISM

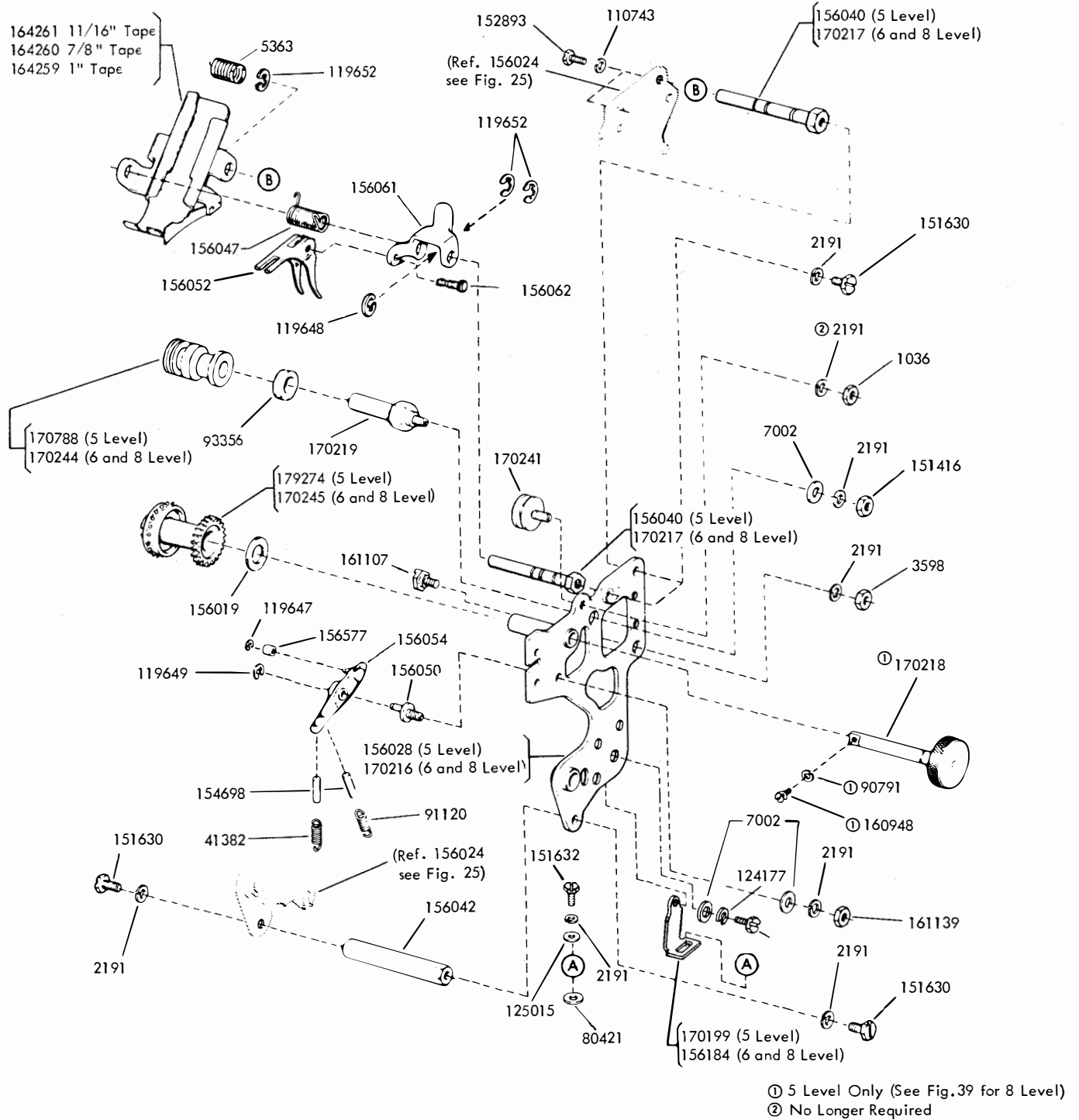


FIGURE 23. PUNCH FRONT PLATE MECHANISM

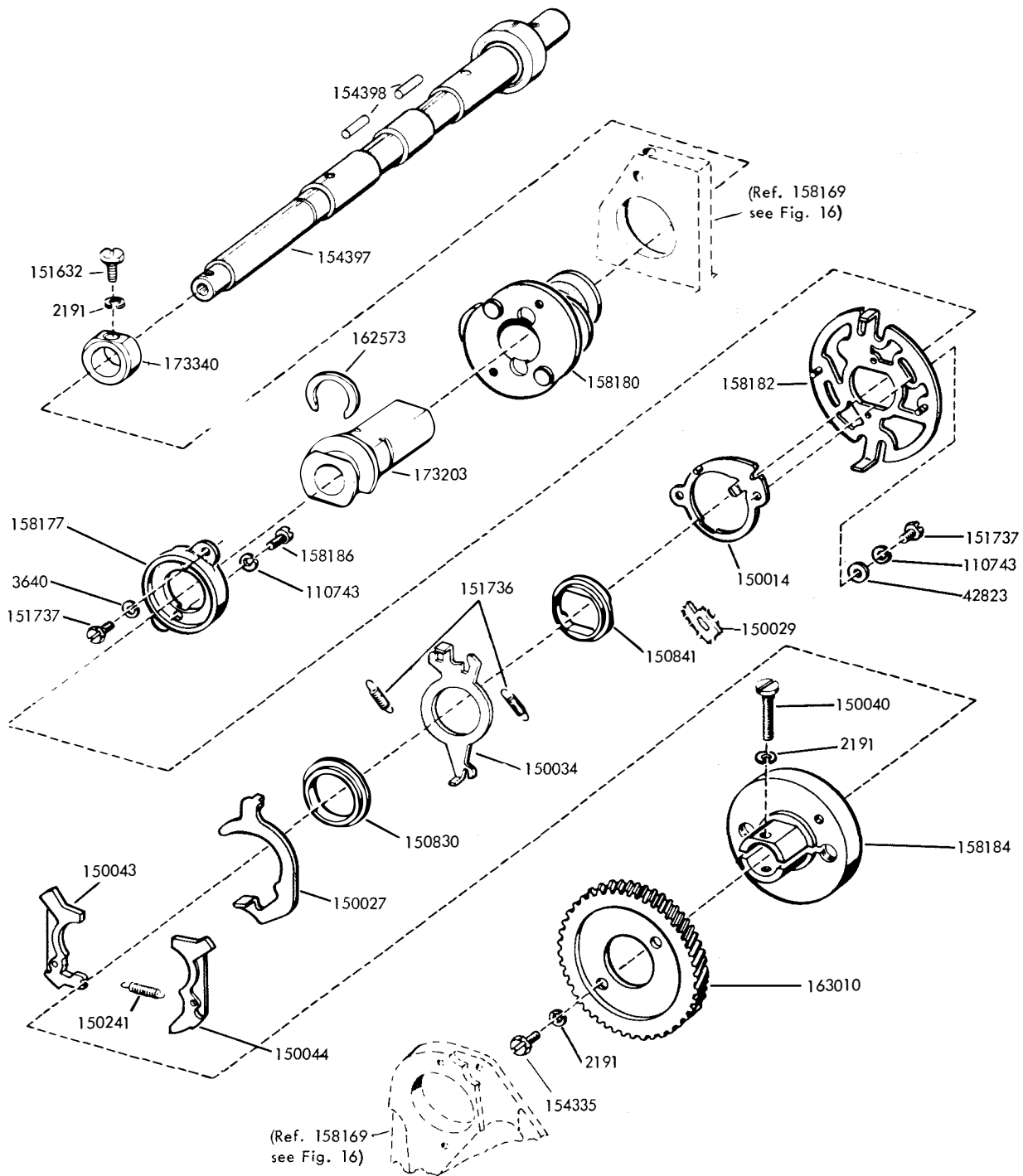


FIGURE 24. MAINSHAFT (5 AND 6 LEVEL)



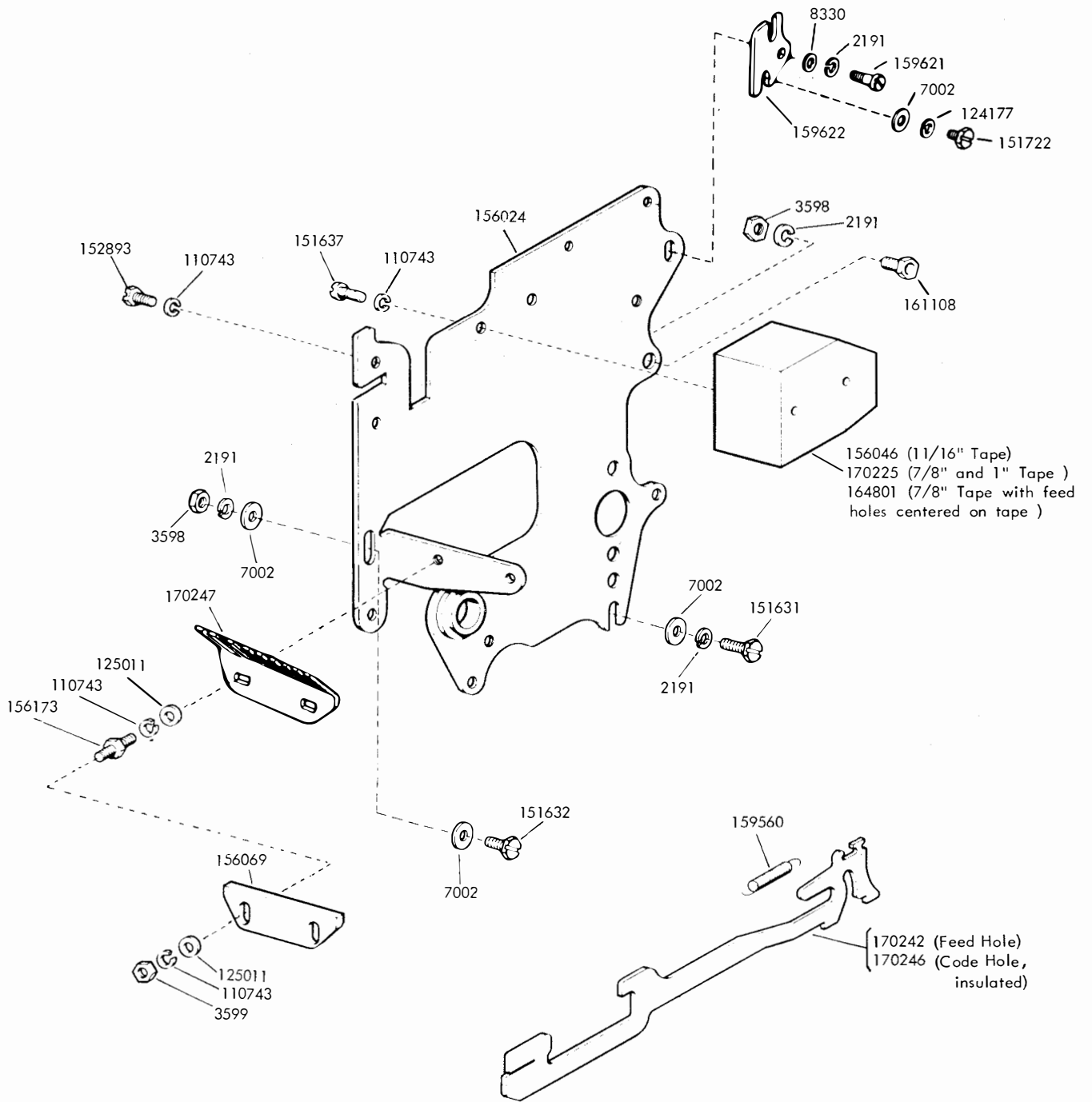
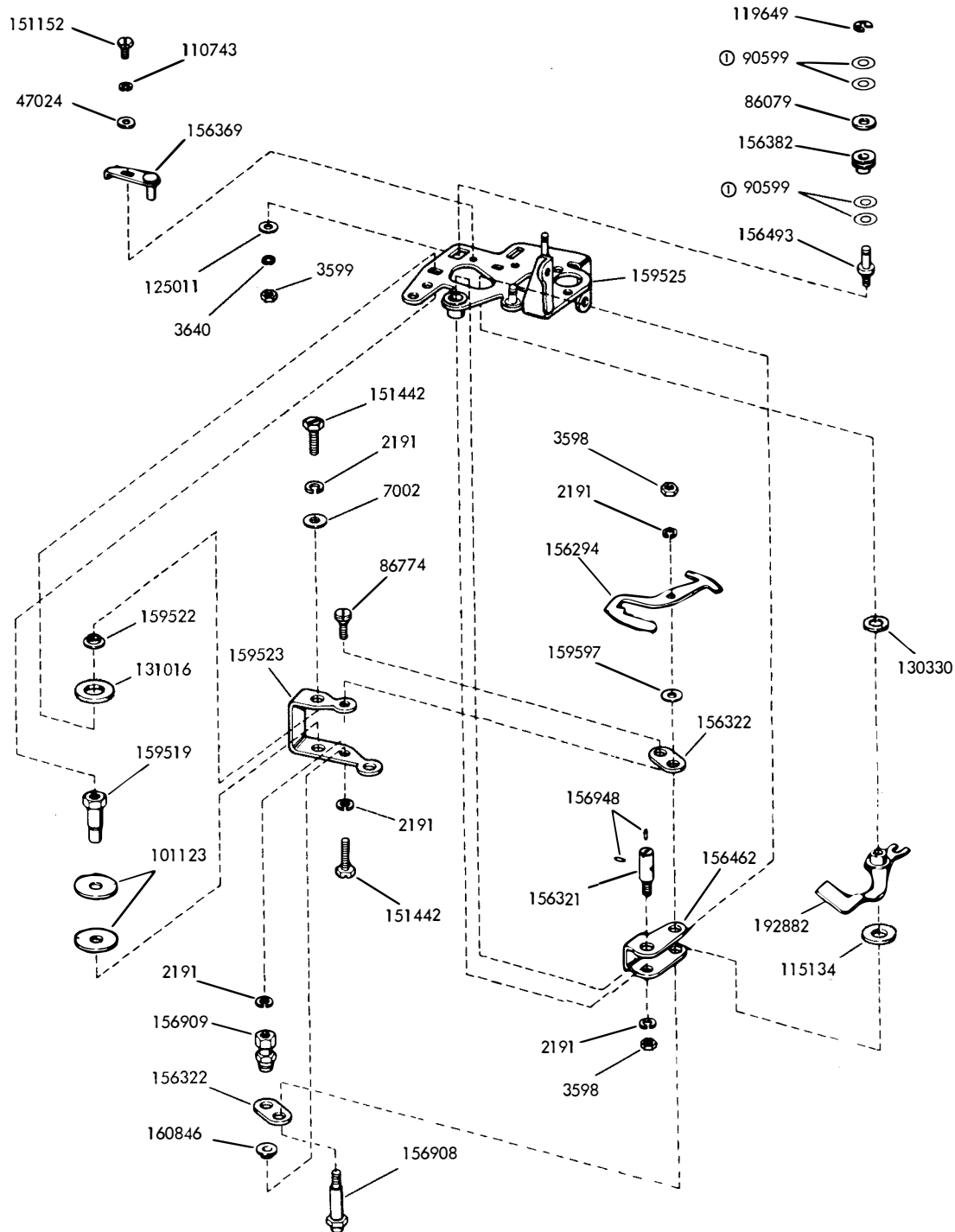


FIGURE 25. PUNCH REAR PLATE MECHANISM



① Use as Required

FIGURE 26. AXIAL POSITIONING MECHANISM

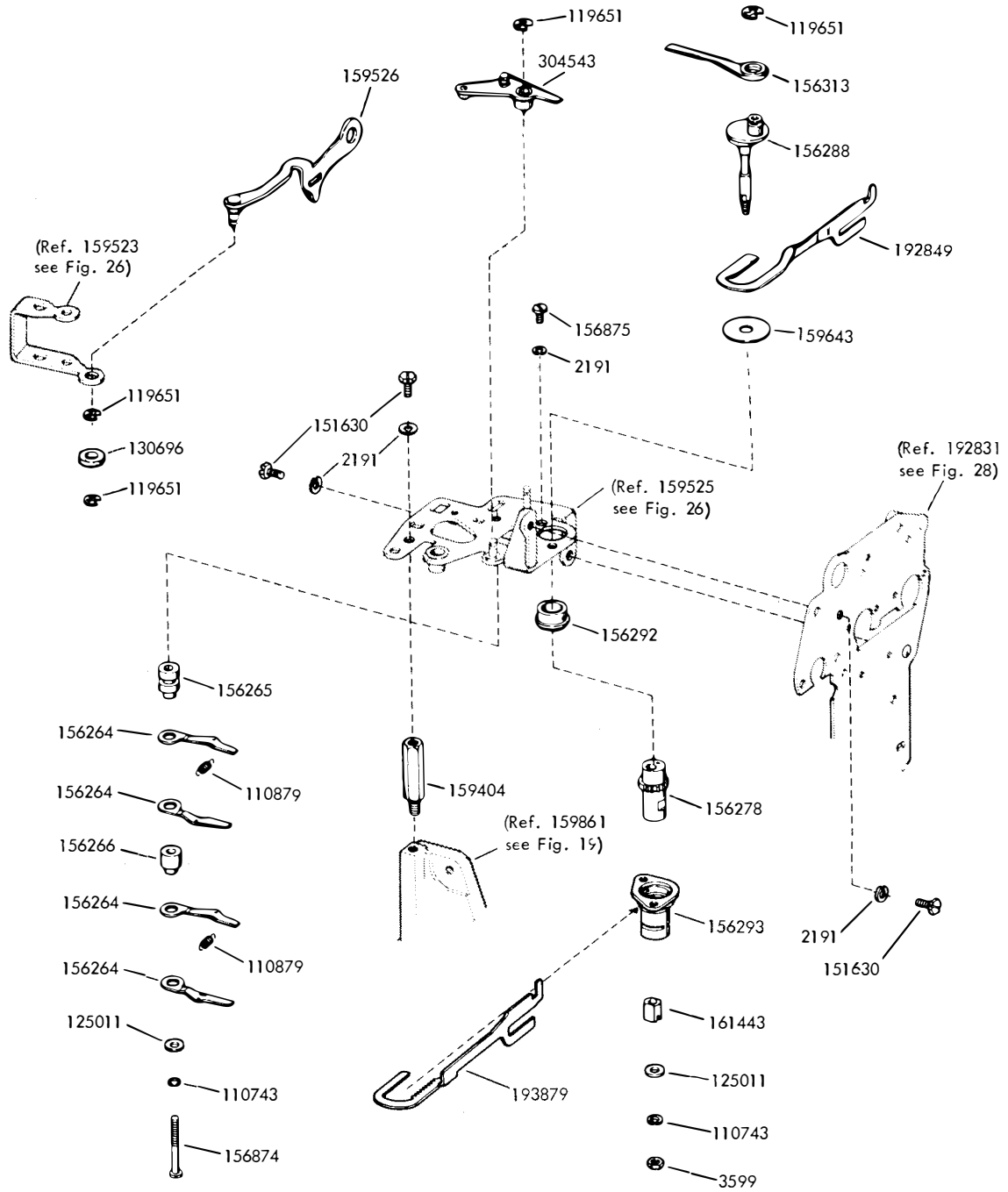


FIGURE 27. AXIAL POSITIONING MECHANISM (CONTINUED)

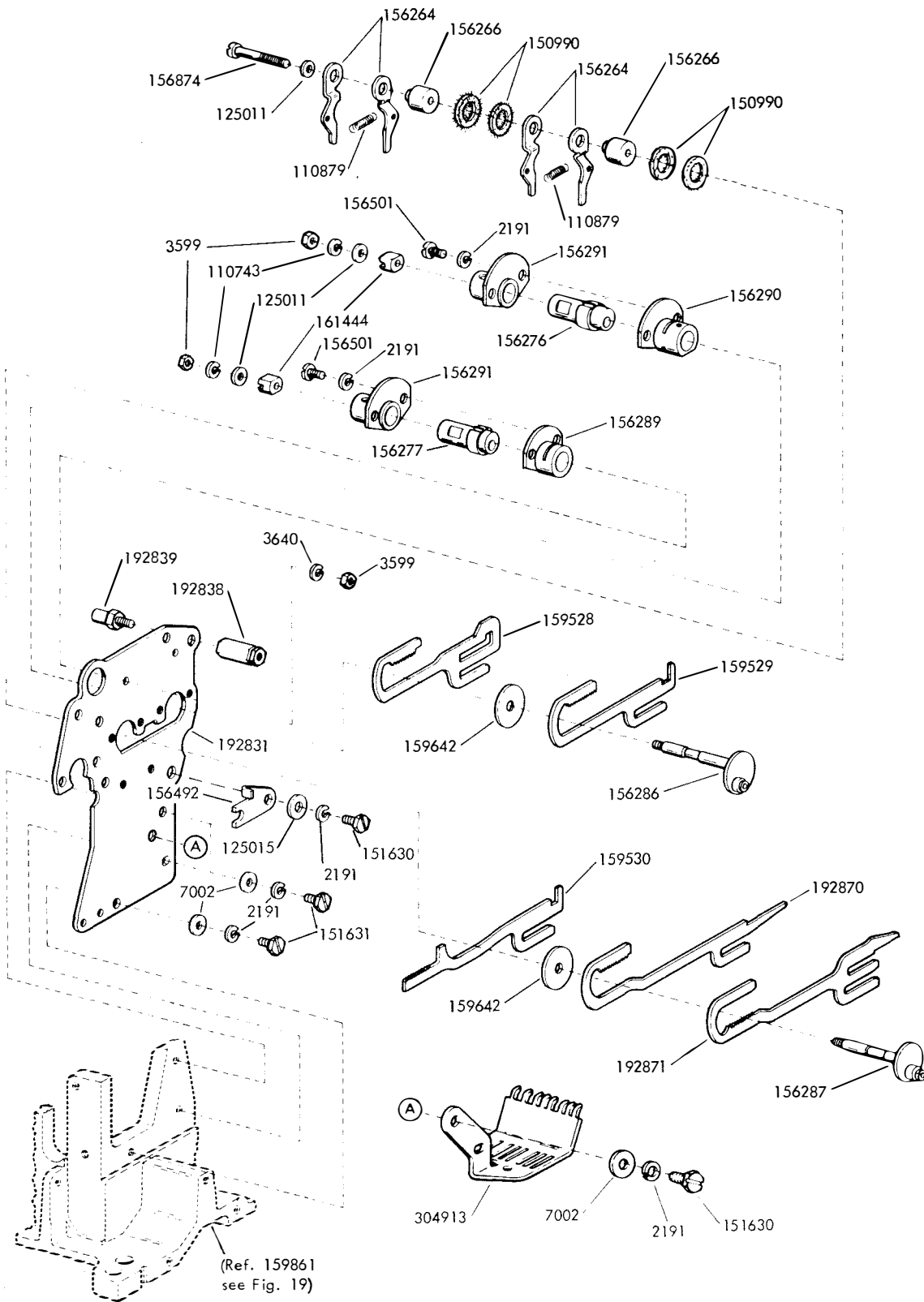


FIGURE 28. ROTARY POSITIONING MECHANISM

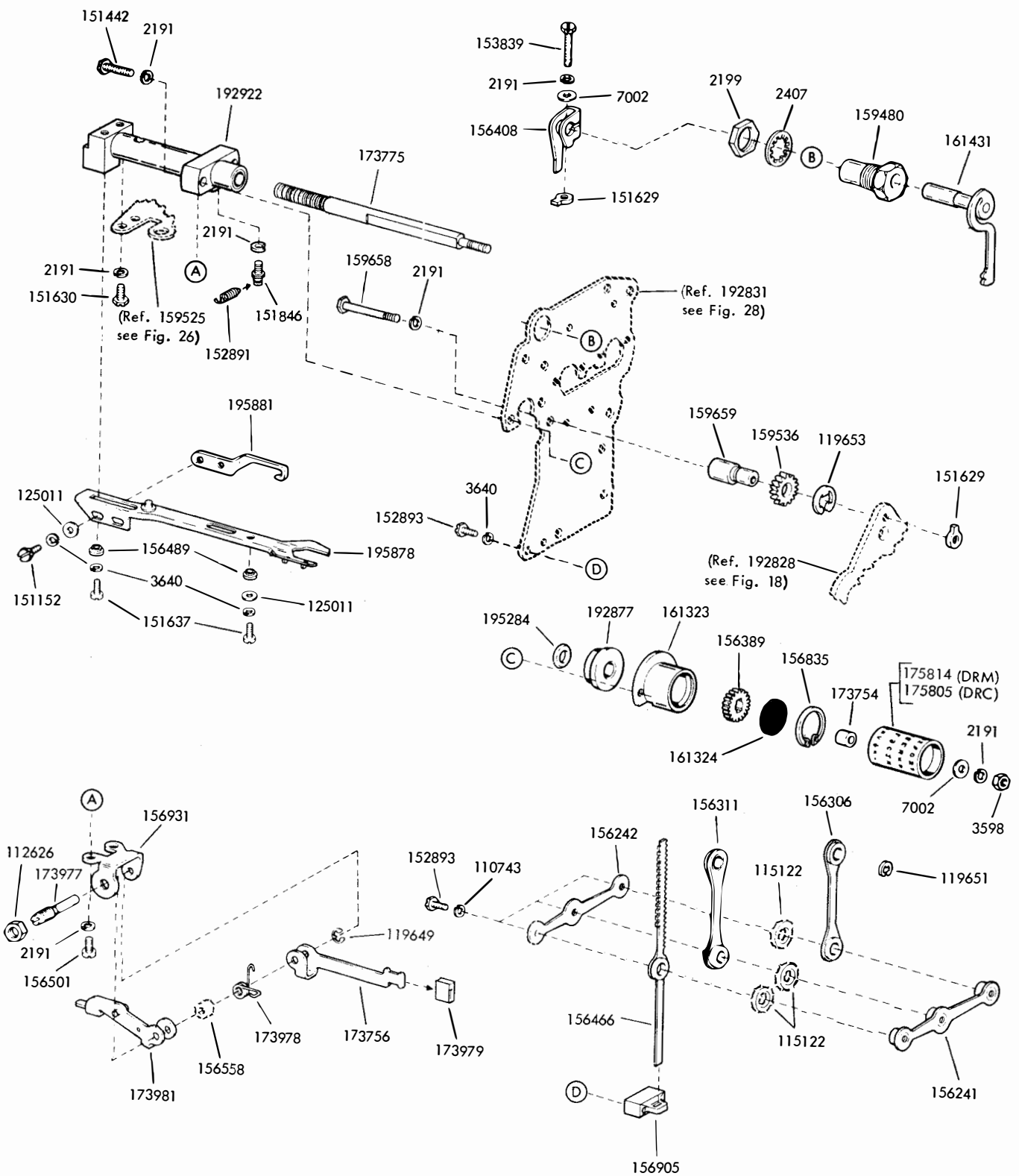


FIGURE 29. ROTARY POSITIONING MECHANISM (CONTINUED)

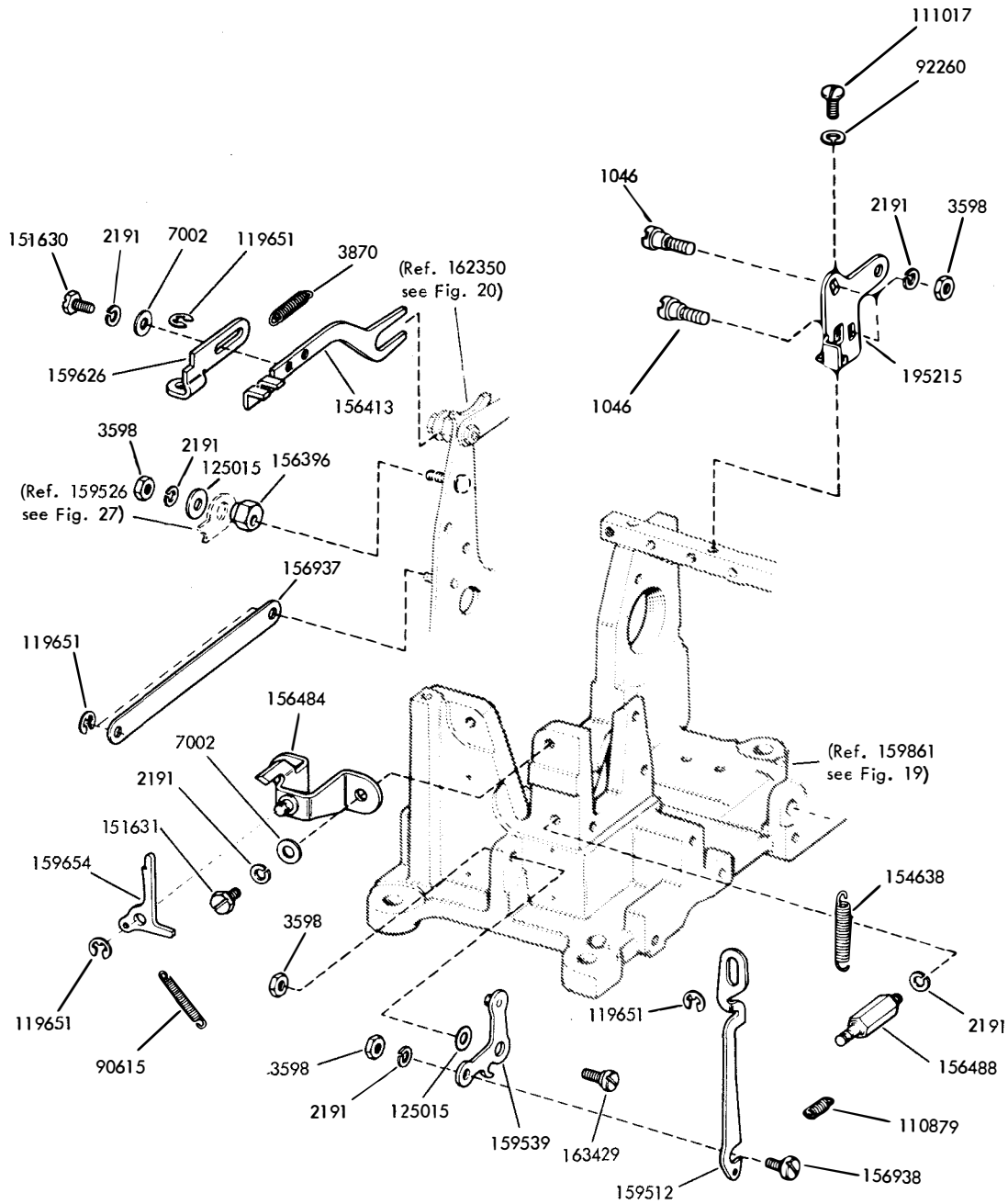


FIGURE 30. TYPING MECHANISM

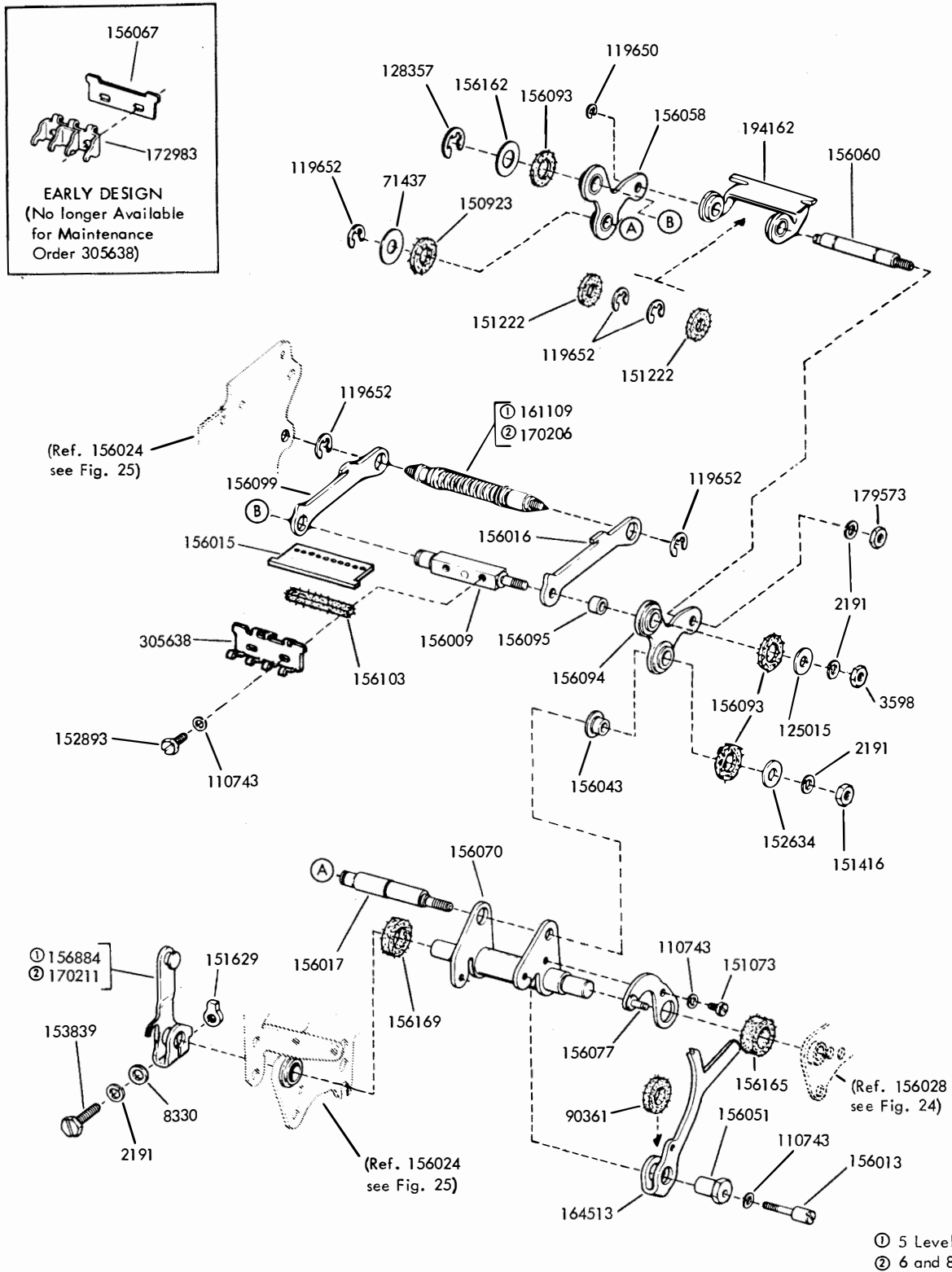


FIGURE 31. PUNCH BAIL MECHANISM

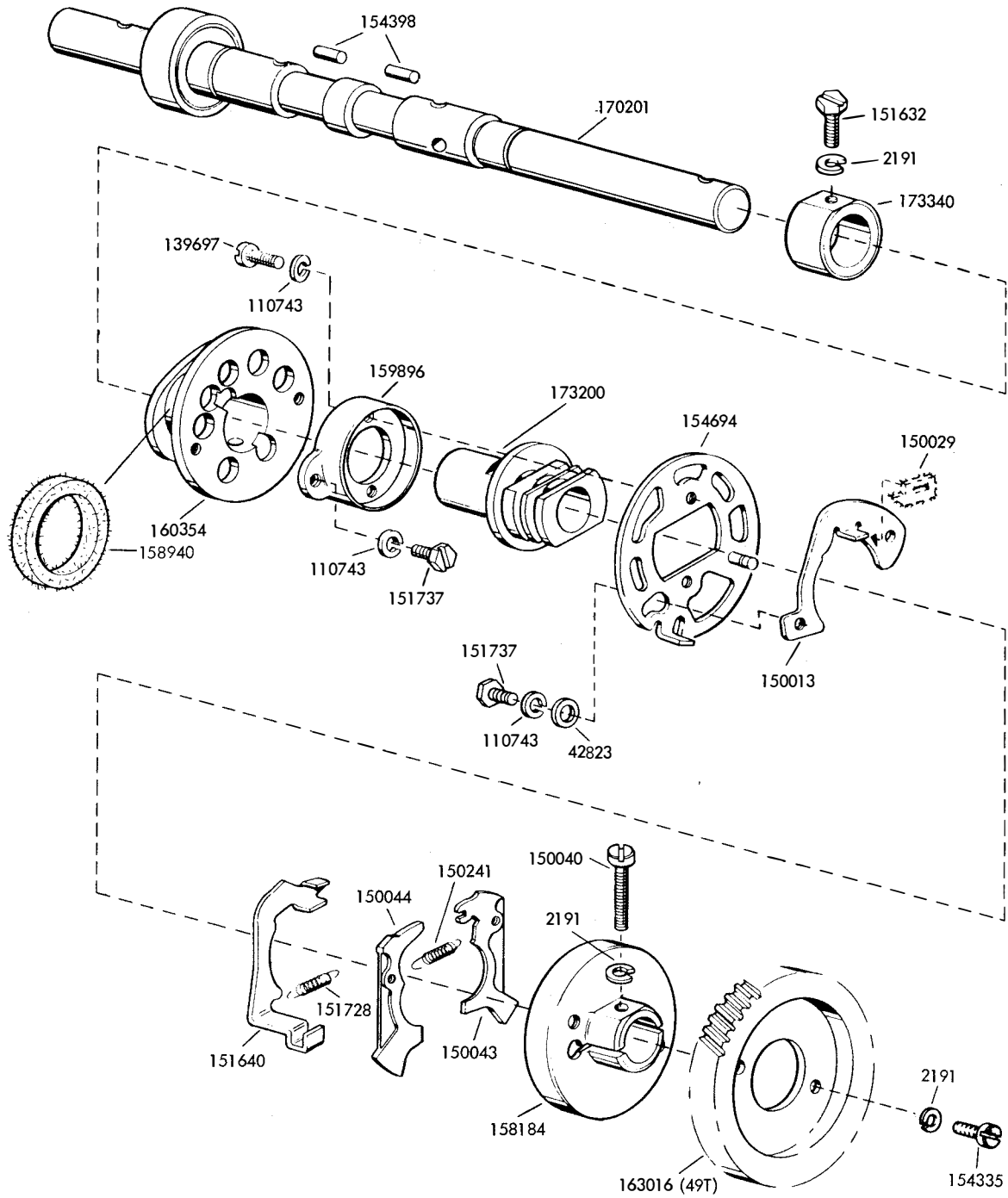


FIGURE 32. MAINSHAFT (8 LEVEL)



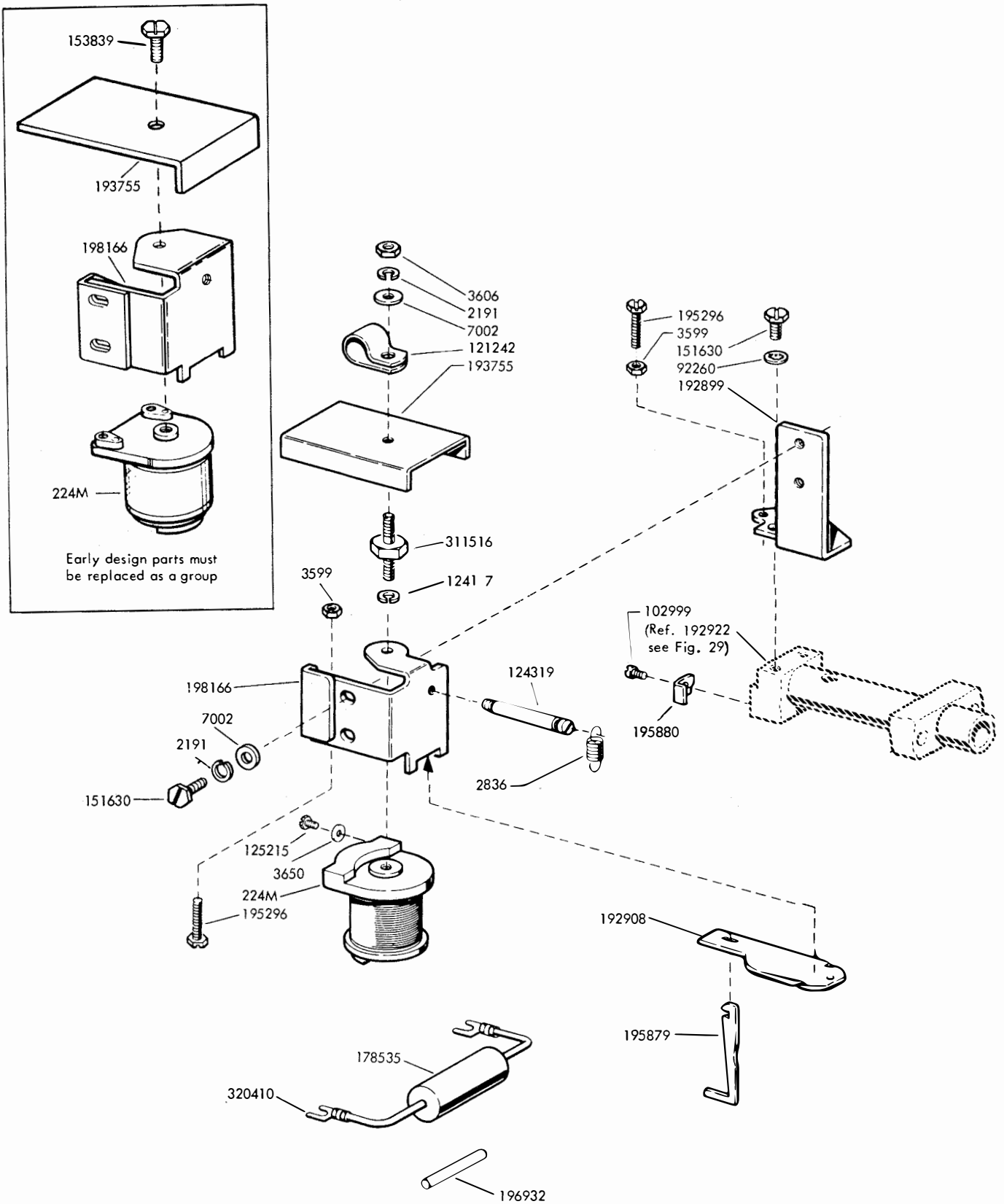


FIGURE 33. RIBBON SHIFT MECHANISM

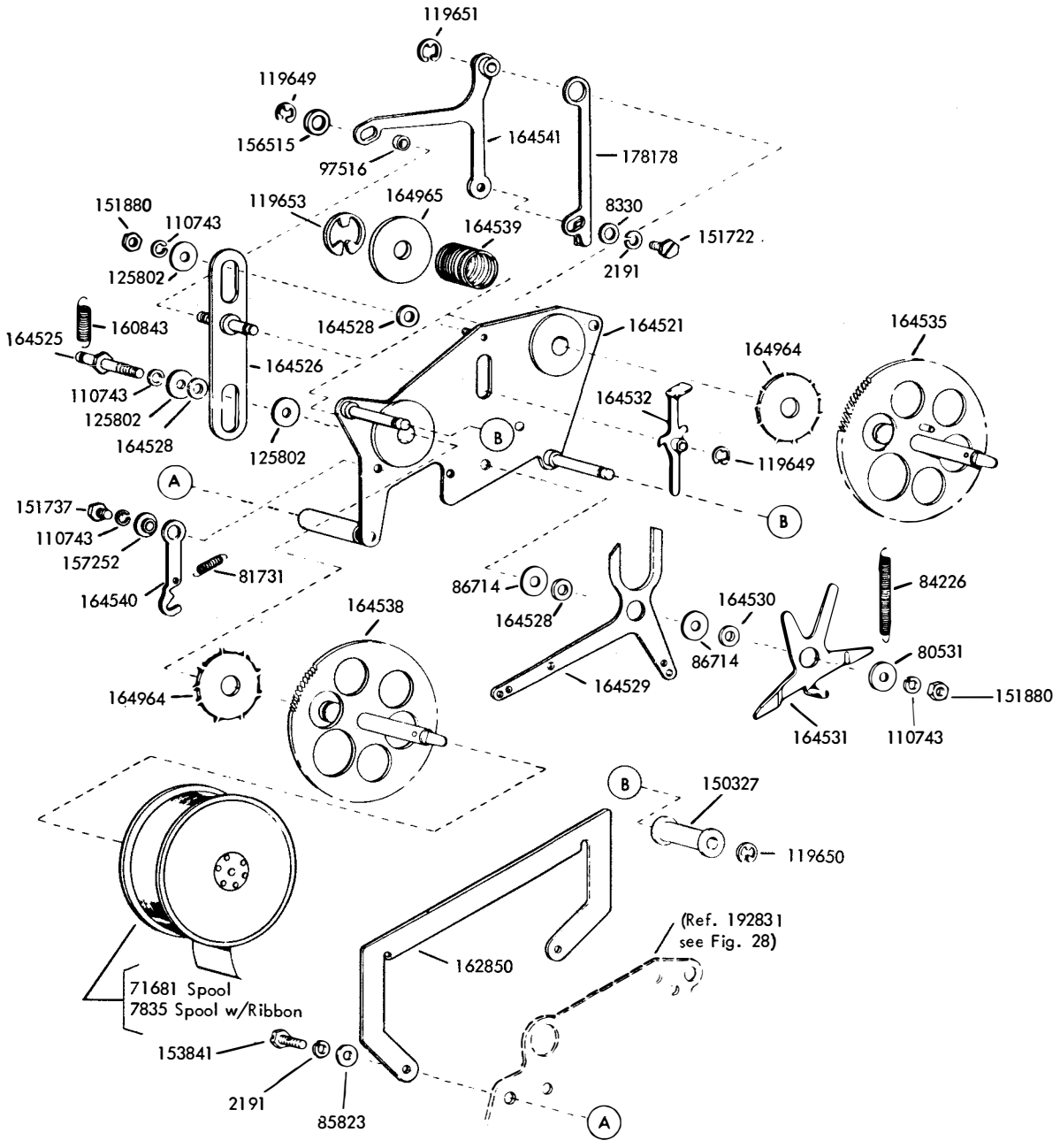
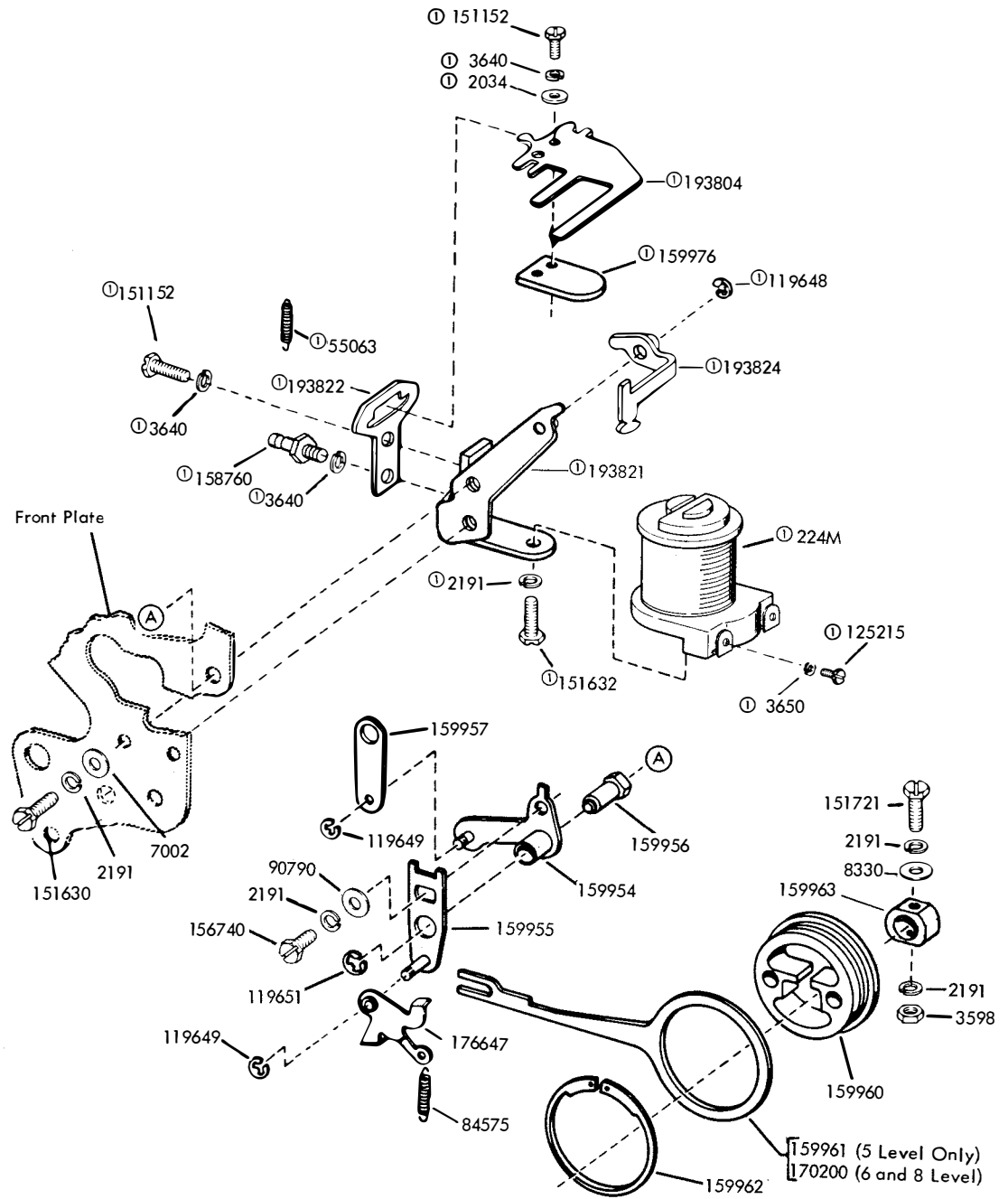


FIGURE 34. RIBBON FEED MECHANISM



Ⓢ 193825 Backspace Mechanism

FIGURE 35. POWER DRIVE FOR BACKSPACE MECHANISM

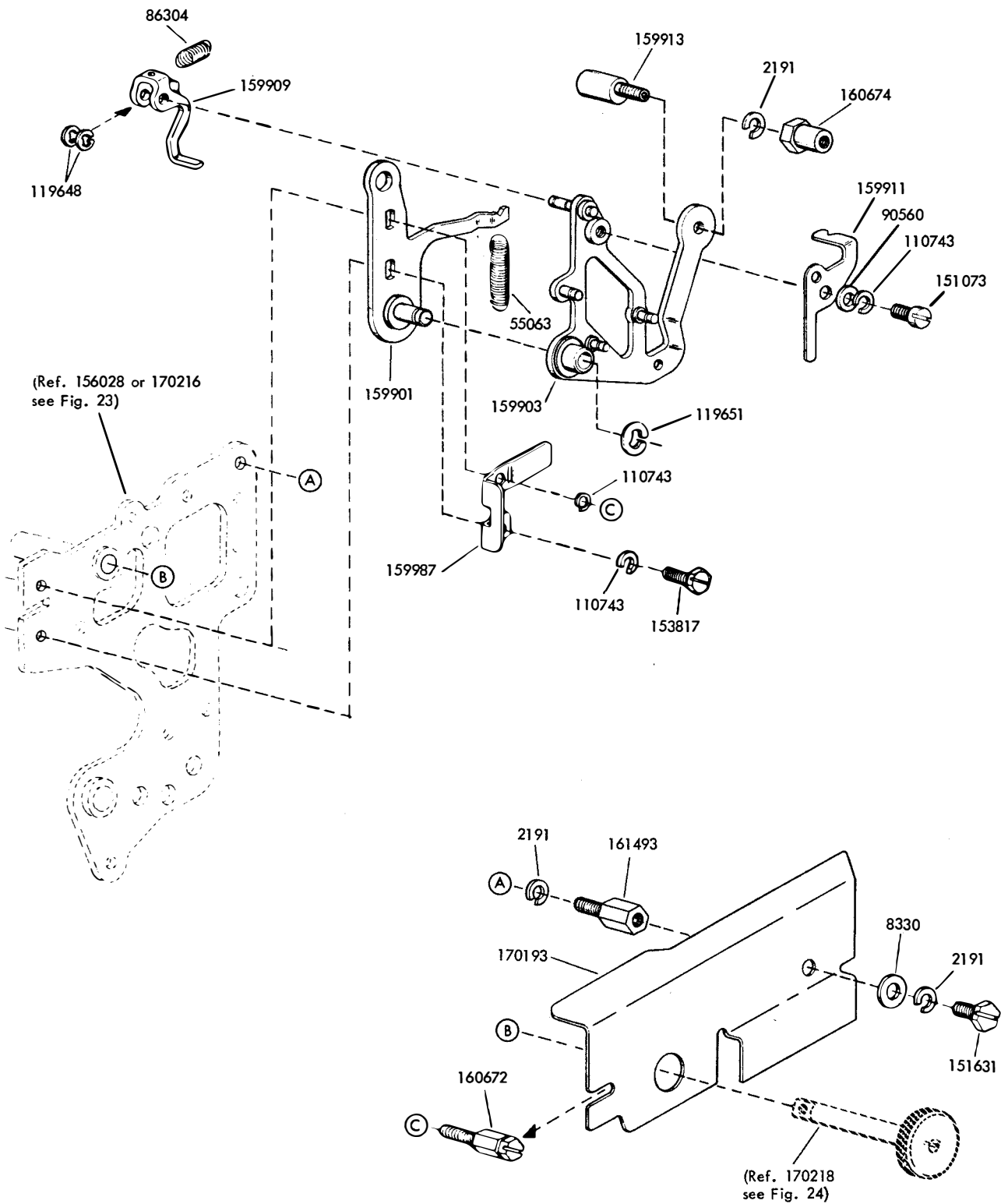
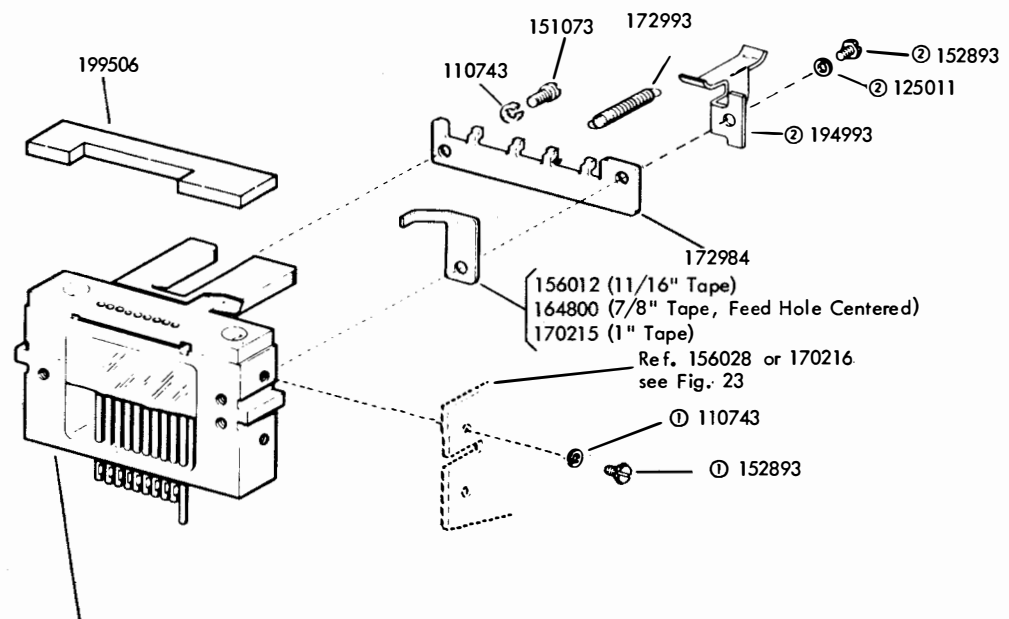


FIGURE 36. BACKSPACE MECHANISM FOR NON-TYPING PUNCH

- 162994 Punch Block Assembly (5 level in line feed hole)
- 170210 Punch Block Assembly (8 level fully perforated tape)
- 192897 Punch Block Assembly (8 level in line feed hole tilted face)
- 194100 Punch Block Assembly (6 level fully perforated tape with feed hole centered on tape)
- 195673 Punch Block Assembly (5 level advance feed hole)



Note: Due to special assembly processes, it is recommended that Teletype Corporation be contacted to determine if part replacement or repair is possible on this portion of the Punch Block Assembly.

- ① Not part of Punch Block Assemblies
- ② 194992 Modification Kit to provide Tape Guide Specification 501885

FIGURE 37. PUNCH BLOCK ASSEMBLIES

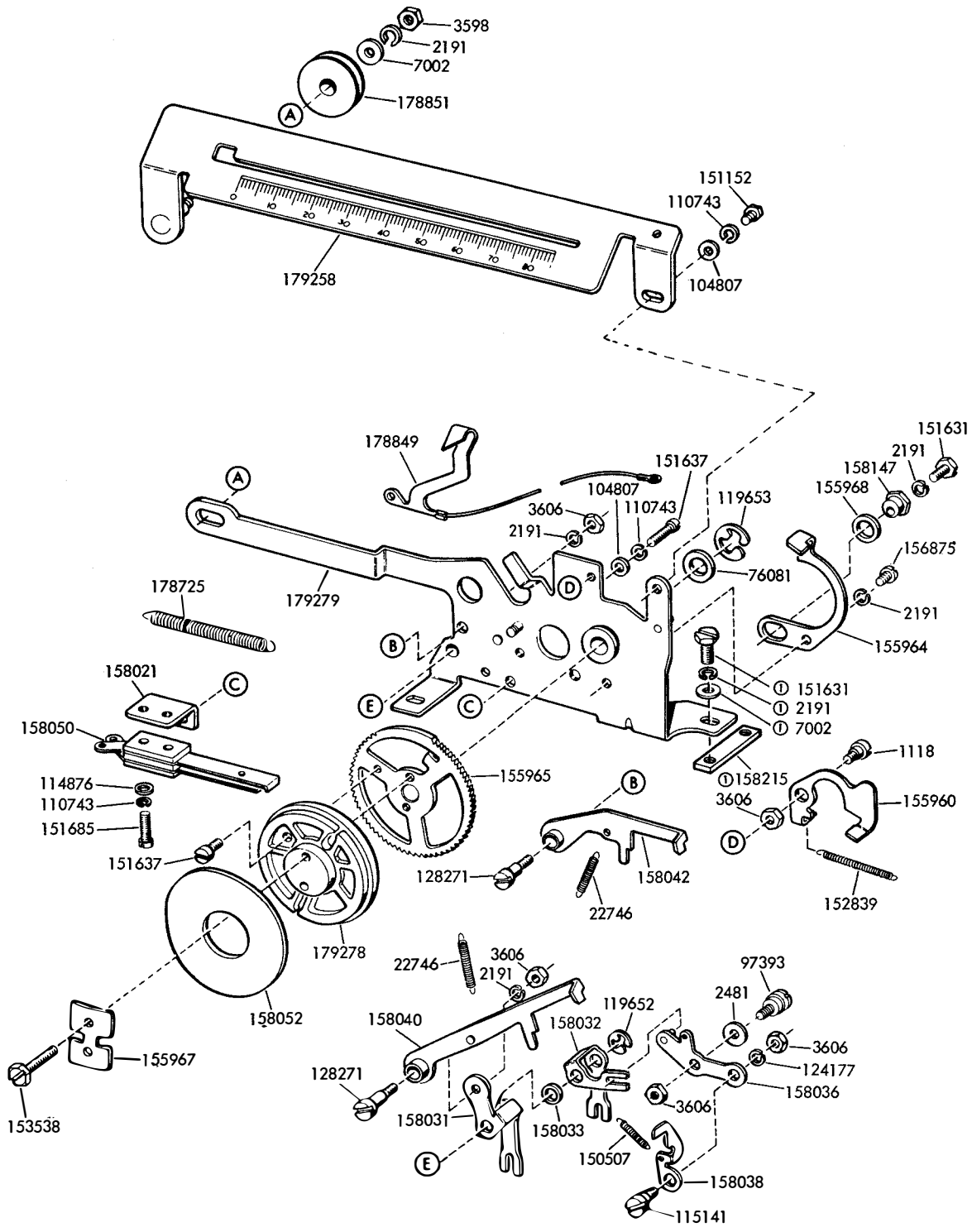


FIGURE 38. 155990 CHARACTER COUNTER ASSEMBLY

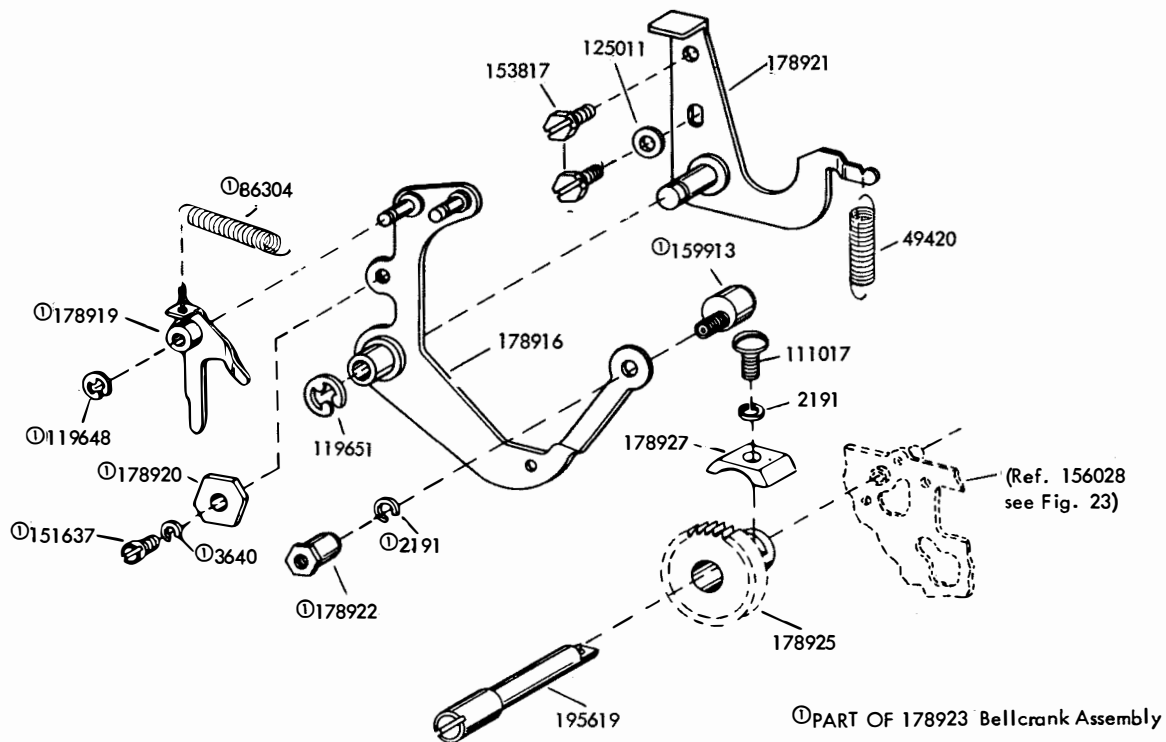


FIGURE 39. 195620 MODIFICATION KIT TO PROVIDE BACKSPACE MECHANISM FOR FULLY PERFORATED TAPE AND PRINTING BETWEEN FEED HOLES

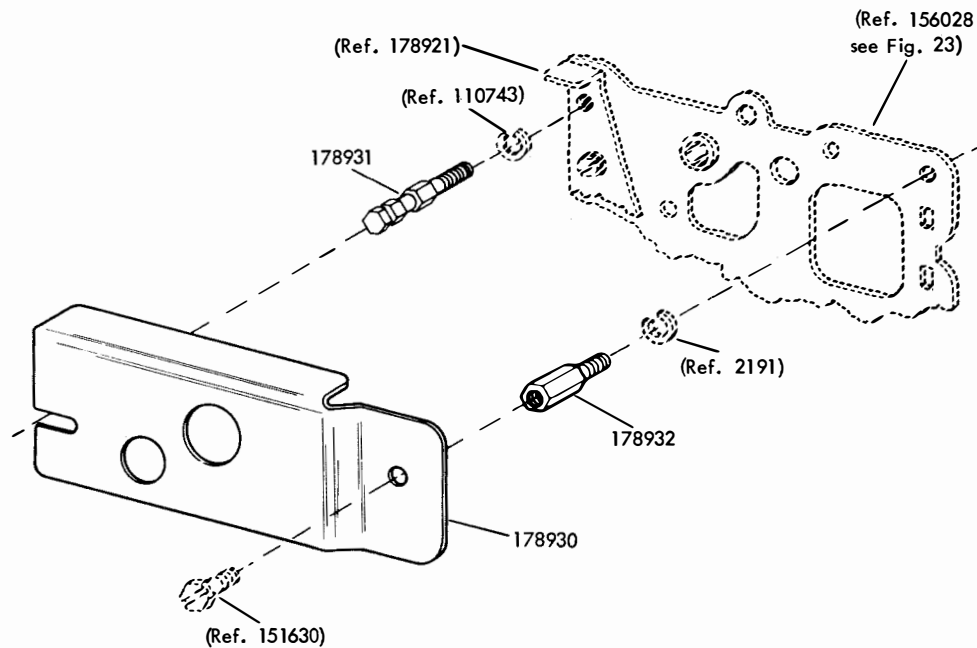


FIGURE 40. 178918 MODIFICATION KIT TO PROVIDE GUARD FOR BACKSPACE MECHANISM

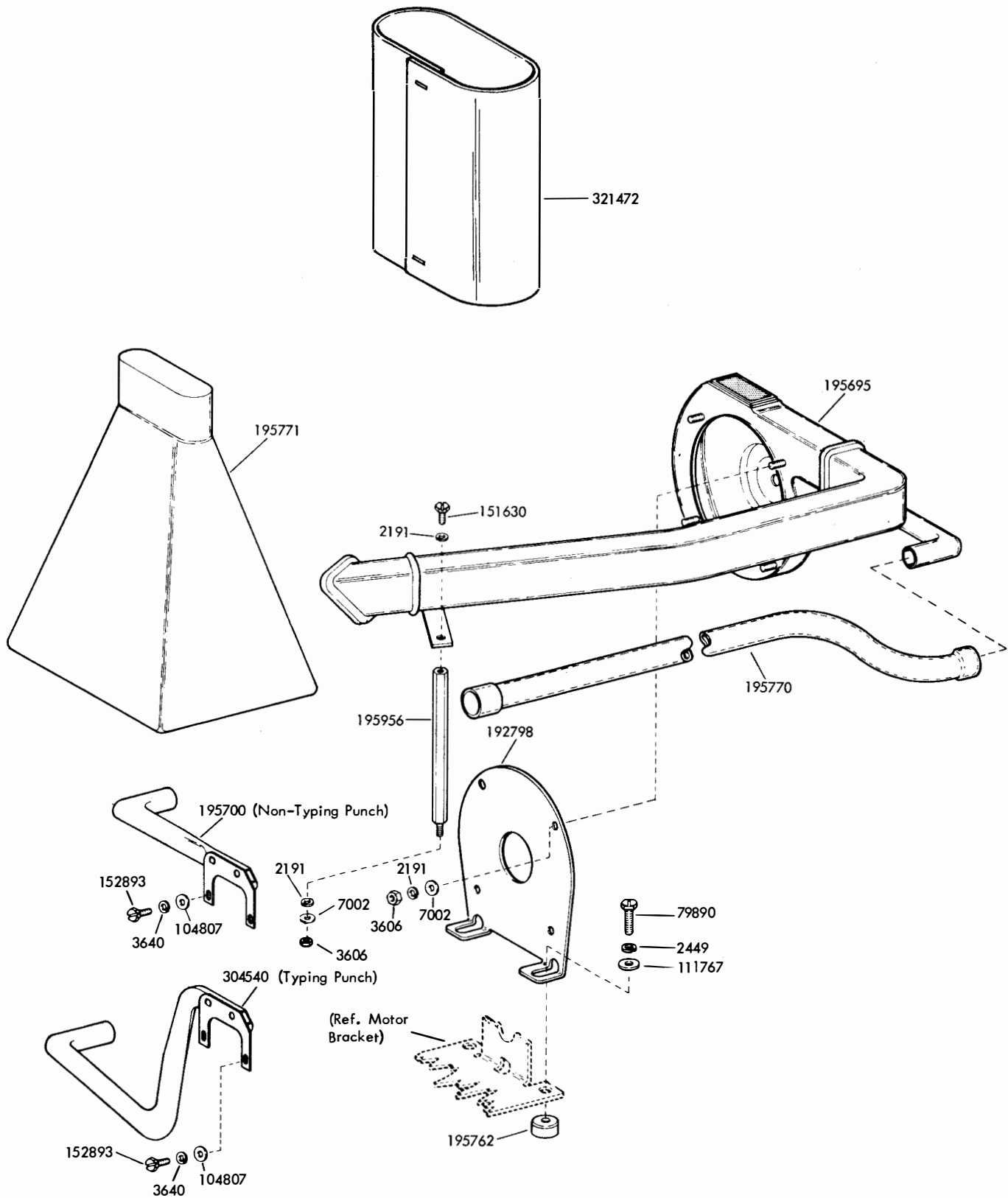


FIGURE 41. CHAD DISPOSAL



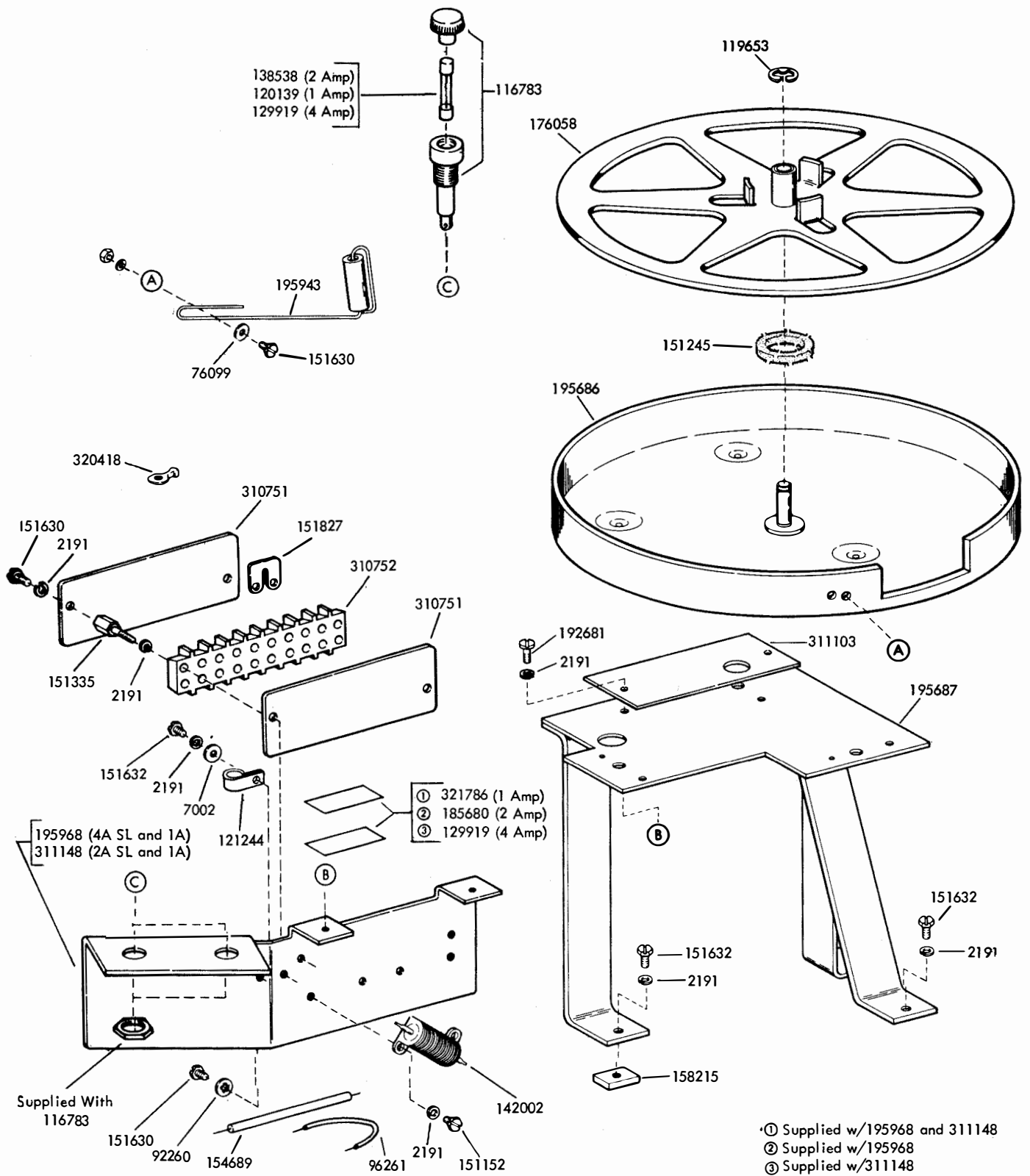


FIGURE 42. TAPE CONTAINER

SECTION 570-223-800

Keytop Description			Keytop Description			Keytop Description			Keytop Description			Keytop Description		
Lower Case	Upper Case	Part Number	Lower Case	Upper Case	Part Number	Lower Case	Upper Case	Part Number	Lower Case	Upper Case	Part Number	Lower Case	Upper Case	Part Number
A		180181	I	TAB	180178	R	TAPE	180174	3	3/8	180286	:	*	180205
A	-	180223	I	8	180220	R	4	180216	3	▶	180303	\$	!	180283
A	I	180391	I		180262	R		180260	3	■	180334	)	:	180294
A	SOM	180427	I	TAB	185271	R	<u>P-OFF</u>	180356	3	◀	180347	)	(	180295
A	SOA	180435	J		180187	R	PUNCH	180425	3	=	180397	,	,	180296
A	SOM	① 183891	J	BELL	180229	R	TAPE	④ 185167	4	\$	180163	,	,	180297
A	SOH	④ 185169	J	,	180243	S	X OFF	180182	4		180267	,	,	180298
B		180194	J	,	180390	S	,	180224	4	1/2	180287	(No Symbol)		180299
B	?	180236	K	VT	④ 185171	S	BELL	180239	4	■	180322	,	,	180300
B	5/8	180249	K	VT	180188	S		180282	4	—	180348	^	v	180310
B	EOA	180381	K	(	180230	S	<u>R-C</u>	180360	4	EOT	180393	—	*	180311
B	"	180392	K	1/2	180244	S	STOP	180428	4	,	180398	,	▲	180317
B	SOT	180434	K		180280	S	X OFF	① 183892				,	▼	180318
B	STX	④ 185166	K	VT	180361	S	X-OFF	④ 185174	5	%	180164	*	:	180324
C		180192	K	VT	180383	T	<u>TAPE</u>	180175	5		180268	—	★	180325
C	:	180234	K	VT	180430	T	5	180217	5	5/8	180288	^	^	180328
C	WRU	180247				T		180261	5	=	180304	//	,	180331
C	1/8	180377	L	FORM	180189	T	<u>P-ON</u>	180357	5	C/O	180323	/	.	180332
C	EOM	180432	L	)	180231	T	<u>PUNCH</u>	180426	5	≤	180338	(	[	180353
C	ETX	④ 185165	L	3/4	180245	T	<u>TAPE</u>	185168	5	∩	180349	)	]	180354
D	EOT	180183	L		180281	U		180177	5	:	180399	+	—	180363
D	✦	180225	L	<u>FEQ</u>	180362	U	7	180219				,	:	180366
D	\$	180240	L	\	180385	U	ERROR	180312	6	&	180165	,	:	180367
D	WRU	180277	L	<u>FE</u>	180431	U	(	180405	6		180269	*	/	180368
D		180278	L	\	185270				6	3/4	180289	—	"	180421
D	<u>EOT</u>	180370	M		180196	V		180193	6	◀	180305	*		180335
D	)	180409	M		180238	V	3/8	180248	6	FORM	180345	—		180336
D			M	<	180316	V	=	180276	6	>	180400	+		180412
E	WRU	180173	M	∅	180330	V		180342	6			\$		180413
E	3	180215	M	?	180365	V	,	180342				,	.	180418
E		180259	M	]	180384	V	m	180415				,	.	180419
E	C	180333	M	*	180417	V	PRINT	180433	7			/	.	180420
E	WRU	180369	N	▲	180195	W		180172	7	7/8	180290		*	180436
E	E	180404	N	,	180237	W	2	180214	7	[	180306		+	180438
E	PRINT	180424	N		180250	W	\	180403	7	≥	180339			
E	WRU	① 183889	N	>	180315	W	LEM	180423	7	∇	180351	X-ON	④ 185197	
E	WRU	④ 185175	N	?	180329				7	BELL	180395	RUB OUT	180201	
F	RU	180184	N	X	180340	X		180191		√	180401	RE TURN	180202	
F	\$L	180226	N	=	180364	X	/	180233	8	(	180167	LINE FEED	180203	
F	1/4	180241	N	7/8	180379	X	#	180414	8		180271	HERE IS	180206	
F	9T	180258	N	]	180416				8	-	180291	BREAK	180207	
F		180273	N	>	180150	Y		180176	8		180307	REPT	180208	
F	I	180343	N	>	180179	Y	6	180218	8	]	180352	FIGS	180210	
F	RU	180371	O	9	180221	Z		180190	8	2		LTRS	180211	
F	%	180386	O	'	180313	Z		180232	9	)	180168	ALT MODE	180257	
F	<	180410	O	→	180326	Z	" _	180246	9		180272	BELL	180341	
F	PRINT	180429	O	<	180358	Z	" _	180246	9	&	180292	TAB	180373	
G	BELL	185273	O	;	180406	Z	+	180275	9	(	180308	CAR RET	180380	
G	BELL	180185	O		184864				9	,	180375	ESC	180382	
G	&L	180227	P	@	180180	I	!	180160	9			BACK SPACE	180402	
G	&	180242	P	0	180222	I		180264	10	/	180319	6	180408	
G		180274	P	0	180263	I	1/8	180284				EOT	180440	
G	BELL	180372	P	I	180314	I		180301				DIV	180441	
G	②	180387	P	I	180327	I	◻	180320	0		180169	STORE	180442	
G	,	180394	P	>	180359	I	z	180337	0	?	180293	TYPE ORD	180443	
G	≠	180411	P	∅	180389	2	"	180161	0	)	180309	SECT	180444	
G	BELL	① 183890	P	^	180407	2		180265	∅		180374	TAPE OUT	180445	
H	#	180448	P	—	180439	2	1/4	180285	∅	<	180376	REPT	② 151254	
H		180186				2	+	180302				LOC B SP	② 153280	
H	#L	180228	Q		180171	2	▶	180321	—	=	180170	SHIFT	③ 173285	
H	STOP	180378	Q	I	180213	2	HT	180344	,	>	180197	UN SHIFT	197748	
H	£	180388	Q	BR	180355	2	I	180346	.		180198	CTRL	192299	
H	(	180396	Q	START	180422	3	#	180162	,	+	180199	CTRL	⑤ 323798	
H	FE	180437	Q	X ON	① 183888	3		180266	/	?	180200	SHIFT	192510	

NOTE: All Keytops are gray with white characters except as noted  
 ① Gray Keytops with yellow characters

② Red Keytops with white characters  
 ③ Green Keytops with white characters

④ Gray green Keytops with red and white characters

⑤ Gray Keytops with red characters

FIGURE 43. KEYTOP CHART

## NUMERICAL INDEX

Part Number	Description and Page Number	Part Number	Description Page Number	Part Number	Description and Page Number
224M	Coil, Magnet 33,35	22746	Spring 38	91228	Strap, 2-1/2" Braided 5
1036	Nut, 6-40 Hex 23	41382	Spring 23	92260	Lockwasher 30,33,41
1046	Screw, 6-40 Shoulder 30	41543	Bearing, Ball 16,19	92627	Screw, 4-40 Shoulder 9
1118	Screw, 6-40 Shoulder 38	42823	Washer, Flat 24,32	93001	Washer, Flat 3
1164	Screw, 2-56 x 3/16 Fil 18,19	47024	Washer, Flat 26	93108	Lockwasher 16,19
1210	Screw, 2-56 x 5/8 Fil 22	49420	Spring, Torsion 6,11,39	93118	Lockwasher 8,22
2034	Washer, Flat 35	55063	Spring 35,36	93356	Washer, Felt 18,19,23
2191	Lockwasher 3 to 11,13, 14,16 to 36,38 to 41	60669	Spring 10,12	96261	Jumper, 3-3/4" 41
2199	Nut, 7/16-32 Hex 29	70072	Lockwasher 18,19	97393	Screw, 6-40 Shoulder 38
2407	Lockwasher 29	70314	Washer, Flat 4	97516	Bushing 34
2415	Spring 11,12	71437	Washer, Flat 31	99381	Foot, Rubber 5
2449	Lockwasher 6,40	71681	Spool, Ribbon 34	100011	Nut, 6-40 Hex 3
2481	Washer, Flat 38	71858	Washer, Flat 9	101123	Washer, Felt 26
2669	Lockwasher 5,7,8,9,16,20	74479	Bushing 3	101714	Spring 19
2836	Spring 33	76081	Washer, Flat 10,11,18,38	102999	Screw, 2-56 x 5/32 Fil 33
3438	Washer, Flat 16,19	76099	Washer, Flat 3,41	104710	Ball, Bearing 15
3595	Nut, 1/4-32 Hex 6	76461	Washer, Flat 9,16	104807	Washer, Flat 38,40
3598	Nut, 6-40 Hex 4,8,11, 13 to 16,18 to 20,22,23, 25,26,29 to 31,35,38	79513	Plate, Contact Top 22	107116	Lockwasher 3
3599	Nut, 4-40 Hex 21,25 to 28,33	79890	Screw, 1/4-32 x 7/8 Hex 6,40	110437	Spring 10,15
3603	Nut, 1/4-32 Hex 16,19	80421	Spacer 23	110686	Bearing, Ball 7
3606	Nut, 6-40 Hex 3,9,14,33, 38,40	80531	Washer, Flat 34	110743	Lockwasher 11,15,17,19, 21 to 29,31,32,34,36 to 39
3608	Spring 10	80581	Spring 11	110879	Spring 27,28,30
3618	Insulator, .062" Thk 22	81299	Bushing, Insulating 22	111017	Screw, 6-40 x 5/16 Fil 30,39
3639	Lockwasher 16,19	81731	Spring 10,12,34	111767	Washer, Flat 6,14,40
3640	Lockwasher 3,4,7,8,10, 15,16,19,20,22,24,26,28, 29,35,39,40	82249	Washer, Flat 11	112626	Nut, 10-32 Hex 8,29
3646	Lockwasher 5	82392	Shim, .004" Thk 20	112631	Spring 10
3647	Insulator, .094" Thk 22	83877	Spring 11	114876	Washer, Flat 38
3650	Washer, Flat 33,35	84226	Spring 34	115122	Washer, Felt 14,29
3870	Spring 30	84575	Spring 35	115134	Washer, Felt 26
4702	Spring 8	85823	Spacer, .188" Thk 34	115141	Screw, 6-40 Shoulder 38
5363	Spring, Compression 23	86079	Washer, Felt 26	115941	Washer, Flat 19
6565	Screw, 8-32 x 1-1/4 Fil 5	86283	Spring 10,11	116783	Holder, Fuse 41
7002	Washer, Flat 3,5 to 11, 13,14,16 to 23,25,26,28, 29,30,33,35,38,40,41	86304	Spring 36,39	117535	Washer, Flat 7
7415	Nut, 1/2-32 Hex 5	86506	Post, Spring 19	117608	Nut, Speed 13
7603	Spring 14	86714	Washer, Flat 34	119421	Washer, Flat 5
7835	Ribbon w/Spool, Black 34	86742	Nut, 4-40 Hex 14	119647	Ring, Retaining 23
8330	Washer, Flat 10,13,18, 19,20,25,31,34,35,36	86774	Screw, 6-40 Shoulder 26	119648	Ring, Retaining 10,11, 16,23,35,36,39
8449	Spacer, .094" Thk 14	87401	Spring 18,19	119649	Ring, Retaining 9,23,26, 29,34,35
		88857	Washer, Spring 3	119650	Ring, Retaining 31,34
		90361	Washer, Felt 31	119651	Ring, Retaining 13,14, 22,27,29,30,34 to 36,39
		90560	Washer, Flat 36	119652	Ring, Retaining 3,8,9, 17,20,23,31,38
		90573	Spring 16,20		
		90599	Shim, .008" Thk 26		
		90615	Spring 30		
		90679	Washer, Felt 14		
		90790	Washer, Flat 35		
		90791	Lockwasher 23		
		91026	Screw, 4-40 Shoulder 11		
		91120	Spring 23		

## NUMERICAL INDEX (Continued)

Part Number	Description and Page Number	Part Number	Description and Page Number	Part Number	Description and Page Number
119653	Ring, Retaining 6,29,34, 38,41	150327	Roller, Ribbon 34	151637	Screw, 4-40 x 1/4 Fil 11,25,29,38,39
119654	Ring, Retaining 10,11	150356	Lever, Trip 18,19	151640	Lever, Shoe Release 32
120139	Fuse, 1 Amp 41	150507	Spring 38	151657	Screw, 6-40 x 1/4 Fil 17,19,20
121242	Clamp, 1/8 ID Cable 8, 22,33	150830	Bushing, Shoulder 24	151658	Screw, 6-40 x 5/16 Fil 16,19,20
121244	Clamp, 1/4 ID Cable 41	150841	Bearing 24	151659	Screw, 6-40 x 1/2 Fil 4,13
124177	Lockwasher 16,20,23,25, 33,38	150923	Washer, Felt 14,31	151685	Screw, 4-40 x 5/16 Fil 4,38
124319	Post 33	150990	Washer, Felt 14,28	151721	Screw, 6-40 x 3/4 Hex 35
125011	Washer, Flat 10,15,17, 19,22,25 to 29,37,39	150991	Washer, Felt 8,10,11	151722	Screw, 6-40 x 3/16 Hex 3,10,11,13,25,34
125015	Washer, Flat 4,13,14,20, 23,28,30,31	151003	Keylever 13	151723	Screw, 10-32 x 3/8 Hex 5,7
125215	Screw, 4-40 x 3/16 Hex 33,35	151004	Keylever 13	151724	Screw, 10-32 x 5/8 Hex 16,19
125231	Nut, 10-32 Hex 16,20	151005	Keylever 13	151728	Spring 32
125253	Spring 10,11	151006	Keylever 13	151736	Spring 24
125802	Washer, Flat 7,22,34	151036	Screw, 4-40 Shoulder 14	151737	Screw, 4-40 x 11/64 Hex 24,32,34
128271	Screw, 6-40 Shoulder 38	151073	Screw, 4-40 x 5/32 Fil 11,17,19,31,36,37	151827	Strap, Terminal 41
128357	Ring, Retaining 17,19,31	151080	Washer, Flat 15	151843	Screw, 6-40 Adjusting 15
129919	Fuse, SL-BL 4 Amp 41	151113	Strip, Mounting 6	151846	Post, Spring 29
130330	Washer, Felt 26	151152	Screw, 4-40 x 3/16 Hex 7,10,15,17,19,21,26,29, 35,38,41	151880	Nut, 4-40 Hex 34
130696	Washer, Felt 27	151222	Washer, Felt 31	152426	Nut, 6-40 Self-Locking 3,4
131016	Washer, Felt 26	151223	Screw, 4-40 Shoulder 13	152634	Washer, Flat 31
135716	Spring 18,19	151224	Screw, 6-40 Pilot 13	152839	Spring, Latch 38
138538	Fuse, SL-BL 2 Amp 41	151245	Washer, Felt 41	152891	Spring 29
139697	Screw, 4-40 x 9/32 Fil 3,32	151246	Washer, Flat 16,20	152893	Screw, 4-40 x 1/4 Hex 15,16,17,19,20,22,23,25, 29,31,37,40
139752	Screw, 4-40 x 11/64 Fil 17,19	151254	Keytop 42	153020	Guide, Line 3
139971	Screw, 2-56 Self-Tapping 3	151329	Switch, Sensitive 8	153021	Spring, Torsion 3,4
142002	Resistor, 2,500 Ohm 41	151335	Stud 41	153022	Bushing 3
142665	Nut, 8-32 Spl 5	151346	Screw, 6-40 x 3/8 Fil 16	153239	Roller 16
144763	Plate, Nut 7	151362	Wick, Felt 16,20	153280	Keytop 42
148128	Washer, Flat 15	151416	Nut, 6-40 Hex 23,31	153287	Spring 9
150013	Disc, Adjusting 32	151442	Screw, 6-40 x 1/2 Hex 5, 7,8,20,26,29	153484	Screw, 6-32 Spl 5
150014	Disc, Adjusting 24	151549	Post 5	153537	Screw, 6-40 x 9/32 Hex 7
150027	Lever, Shoe Release 24	151606	Screw, 10-32 x 1/4 Hex 9	153538	Screw, 6-40 x 7/16 Hex 4,38
150029	Wick, Felt 24,32	151610	Washer, Flat 19	153799	Screw, 4-40 x 21/64 Hex 7,8
150034	Disc, 2 Stop Clutch 24	151618	Screw, 6-40 x 7/16 Fil 13	153817	Screw, 4-40 x 3/8 Hex 22,36,39
150040	Screw, 6-40 x 5/8 Fil 24,32	151629	Nut, 6-40 Lug 18,19,29, 31	153839	Screw, 6-40 x 5/8 Hex 18,19,29,31,33
150043	Shoe, Secondary Clutch 24,32	151630	Screw, 6-40 x 1/4 Hex 3,5,7,8,10,11,13,19,23, 27 to 30,33,35,39,40,41		
150044	Shoe, Primary Clutch 24,32	151631	Screw, 6-40 x 5/16 Hex 9,13,16,17 to 22,25,28 30,36,38		
150048	Spring 17,19	151632	Screw, 6-40 x 3/8 Hex 3, 6,7,8,11,13,16,19,20,21, 23,24,25,32,35,41		
150241	Spring 17,19,24,32				

## NUMERICAL INDEX (Continued)

Part Number	Description and Page Number	Part Number	Description and Page Number	Part Number	Description and Page Number
153841	Screw, 6-40 x 9/16 Hex 4,13,34	155990	Counter Assembly, Character 2,38	156276	Eccentric, Right Rotary 28
154000	Base 5,6,7,8	155995	Screw, 6-40 Shoulder 16,19	156277	Eccentric, Left Rotary 28
154008	Guide, Codebar 10	156009	Post, Slide 31	156278	Eccentric 27
154015	Post 14	156012	Spring, Punch Block 3'	156286	Shaft, Right Eccentric 28
154021	Link 13	156013	Screw, 4-40 Spl 31	156287	Shaft, Left Eccentric 28
154027	Bellcrank 14	156015	Plate, Spring 31	156288	Shaft, Axial Eccentric 27
154051	Screw, 6-40 Shoulder 14	156016	Link, Front Drag 31	156289	Bearing, Left Front 28
154071	Screw, 1/4-32 Pilot 10,11	156017	Shaft, Eccentric 31	156290	Bearing, Right Front 28
154076	Plate, Nut 6,7	156019	Washer, Felt 23	156291	Bearing, Rear 28
154079	Stud 14	156024	Plate, Rear 23,25,31	156292	Housing, Upper Axial 27
154080	Lock, Wedge 15	156028	Plate, Front 23,31,36, 37,39	156293	Housing, Lower Axial 27
154084	Bearing, Needle 14	156040	Post 23	156294	Sector, Axial 26
154087	Plate, Nut 6	156042	Post, Spacing 23	156306	Rod, Right Connecting 29
154089	Post, Spring 14	156043	Bushing 31	156311	Rod, Left Connecting 29
154091	Guide, Non-Repeat Lever 14	156046	Block, Tape Guide 25	156313	Rack, Axial Output 27
154092	Shaft 6	156047	Spring, Torsion 23	156318	Lever, Reset 19
154096	Bushing, Eccentric 8	156050	Stud, Eccentric 23	156321	Shaft, Oscillating 26
154120	Lever, Codebar 10,11,12	156051	Bushing, Eccentric 31	156322	Link, Axial Toggle 26
154125	Spring 10,11	156052	Shoe, Tape 23	156337	Washer, Flat 5
154127	Nut, 6-40 Hex 14	156054	Lever, Detent 23	156339	Bushing 5
154191	Spring 14	156058	Link, Rear 31	156366	Shaft, Rocker Bail 16.20
154215	Spring 14	156060	Shaft, Eccentric 31	156369	Lever, Adjusting 26
154236	Latchlever 8	156061	Arm, Tape Shoe 23	156382	Roller, Guide 26
154238	Extension 15	156062	Post, Pivot 23	156389	Gear, 16T 29
154239	Extension w/Post 15	156067	Guide, Slide Post 31	156396	Eccentric 30
154241	Stud 14	156069	Plate 25	156399	Nut, 6-40 Shoulder 20
154242	Screw, 6-40 x 5/16 Hex 16,20	156070	Bail, Toggle 31	156403	Disc, Bearing 16.20
154335	Screw, 6-40 x 9/32 Fil 24,32	156077	Plate w/Post 31	156408	Arm, Clamp 29
154386	Plate, Adjusting 14	156093	Washer, Felt 31	156413	Link, Drive 30
154397	Shaft w/Bearing 24	156094	Link, Front 31	156462	Bail, Oscillating 26
154398	Bearing, Needle 24,32	156095	Bushing 31	156465	Washer, Spring 16,20
154638	Spring 30	156099	Link, Rear Drag 31	156466	Rack, Typewheel 29
154689	Jumper, 3" Black 41	156103	Strip, Felt 31	156467	Ring, Retaining 16,20
154694	Disc, Clutch Cam 32	156162	Washer, Flat 31	156472	Post, Spring 18,19
154698	Wick, Felt 23	156165	Washer, Felt 18,19,31	156484	Bracket 30
155750	Sleeve, 3/32 ID x 1/2" Lg Insulating 5,8,22	156168	Spring 17,19	156488	Post, Spring 30
155753	Sleeve, 1/8 ID x 1/2" Lg Insulating 5	156169	Washer, Felt 31	156489	Bushing, Ribbon Guide 29
155960	Latch 38	156173	Stud 25	156492	Bracket, Guide 28
155964	Lever, Stop 38	156184	Bracket, Anchor 23	156493	Stud 26
155965	Ratchet, 88T 38	156226	Hub 7	156501	Screw, 6-40 x 7/32 Fil 28,29
155967	Washer, Spring 38	156241	Link, Front 29	156515	Washer, Felt 34
155968	Washer, Flat 38	156242	Link, Rear 29	156536	Screw, 4-40 x 1/8 Fil 22
		156248	Latch 17,19	156558	Washer, Felt 29
		156264	Lever, Detent 27,28	156574	Post, Spring 15
		156265	Bushing, Shoulder 27	156576	Washer, Felt 16,20
		156266	Bushing, Shoulder 27,28		
		156267	Lever, Trip 17		

## NUMERICAL INDEX (Continued)

Part Number	Description and Page Number	Part Number	Description and Page Number	Part Number	Description and Page Number
156577	Roller, Detent Lever 23	158177	Collar 24	159625	Bracket, Bail Guide 16,20
156740	Screw, 6-40 x 7/32 Hex 8,9,35	158180	Cam w/Pins 24	159626	Extension, Drive Link 30
156768	Screw, 8-32 x 9/32 Hex 5	158182	Disc, Clutch Cam 24	159642	Shim, .008" Thk 28
156835	Ring, Retaining 29	158184	Drum, Function Clutch 24,32	159643	Shim, .008" Thk 27
156871	Bail, Operating Blade 20	158186	Screw, 4-40 x 7/32 Fil 24	159654	Latch, Printing 30
156872	Blade, Operating 20	158189	Washer, Felt 9	159658	Screw, 6-40 x 1-3/32 Hex 29
156874	Screw, 4-40 x 15/16 Fil 27,28	158215	Plate, Nut 38,41	159659	Shaft, Eccentric 29
156875	Screw, 6-40 x 5/32 Fil 27,38	158268	Latch w/Hub 14	159804	Spring 22
156876	Bushing 20	158745	Clamp, Bearing 16,20	159861	Frame, Main 19,20,27,28, 30
156877	Washer, Felt 20	158760	Post, Spring 35	159896	Collar 32
156884	Arm, Rocker 31	158881	Nut, 6-40 Shoulder 16,19	159901	Plate w/Post 36
156900	Roller 20	158940	Wick, Felt 32	159903	Bellcrank 36
156905	Block, Rack Guide 29	158941	Bail, Rocker 16	159909	Pawl, Feed 36
156908	Post, Sector Pivot 26	159327	Washer, Flat 14	159911	Plate 36
156909	Post, Toggle Link 26	159334	Washer, Insulating 14	159913	Screw, 6-40 Eccentric 36,39
156931	Bracket, Hammer Mounting 29	159341	Bearing, Ball 16,20	159943	Bracket, Window 3
156937	Link, Printing Drive 30	159404	Post 27	159945	Washer, Friction 3
156938	Screw, 6-40 Eccentric Shoulder 30	159411	Bearing Assembly 16,20	159946	Arm 3
156948	Wick, Felt 26	159427	Bracket, Stop 17,19	159954	Link, Adjusting 35
156987	Screw, 6-40 Spl 16,20	159430	Lever, Slide Trip 17	159955	Link, Drive 35
156988	Race, Outer 16,20	159459	Spring 21	159956	Post 35
156989	Bearing 16,20	159472	Plate, Main 17	159957	Link 35
156990	Race, Inner 16,20	159480	Bushing, Eccentric 29	159960	Eccentric 35
156994	Strip, Felt 16,20	159499	Lever, No.3, No.4 & No.5 Transfer 21	159961	Arm, Eccentric 35
156998	Retainer, Roller 16,20	159504	Spacer, .037" Thk 21	159962	Ring, Retaining 35
157252	Bushing 34	159508	Lever, No.1 & No.2 Transfer 21	159963	Hub 35
158021	Bracket, Switch 38	159512	Link, Printing Trip 30	159976	Armature 35
158031	Bail, Feed 38	159519	Bushing, Drive Bail 26	159987	Bracket, Guide 36
158032	Bail, Reset 38	159522	Bushing, Drive Bail 26	160087	Post, Spring 9
158033	Spacer, .055" Thk 38	159523	Bail, Oscillating Drive 26,27	160354	Cam, Function 32
158036	Lever, Reset 38	159525	Bracket, Axial Mounting 26,27,29	160581	Lever, Upper Reset 18
158038	Lever 38	159526	Link, Oscillating 27,30	160672	Stud 36
158040	Lever, Ratchet Drive 38	159528	Pushbar, No. 5 28	160674	Nut, 6-40 Shoulder 36
158042	Latchlever 38	159529	Pushbar, No. 3 28	160839	Spacer, Shoulder 20
158050	Switch, Contact 38	159530	Pushbar, No. 4 28	160843	Spring 34
158052	Cam, Switch 38	159536	Gear, 15T 29	160846	Bushing, Shoulder 26
158063	Bracket, Stop 10,11	159539	Arm, Printing Pivot 30	160861	Washer, Flat 18,19
158147	Bushing, Eccentric 9,38	159544	Release, Clutch 18	160948	Screw, 2-56 Spl 23
158148	Washer, Felt 9	159560	Spring 25	161107	Stud 23
158150	Shaft 9	159597	Washer, Flat 26	161108	Stud 25
158158	Roller 9	159610	Mount, Vibration 5	161109	Guidepost 31
158169	Frame 16,18,24	159621	Screw, 6-40 Shoulder 25	161139	Nut, 6-40 Hex 23
158171	Shaft w/Bearing 7,16, 19,20	159622	Clamp, Adjusting 25	161323	Housing, Gear 29
158172	Latchlever 18,19			161324	Washer, Flat 29
				161431	Lever, Rotary Correcting 29

## NUMERICAL INDEX (Continued)

Part Number	Description and Page Number	Part Number	Description and Page Number	Part Number	Description and Page Number
161443	Detent, Axial Shaft 27	170216	Plate, Front 23,36,37	173978	Spring, Torsion 29
161444	Detent, Rotary Shaft 28	170217	Post 23	173979	Head, Hammer 29
161493	Post, Supporting 36	170218	Shaft, Feed Wheel 23,36	173981	Accelerator, Hammer 29
162308	Bail, Codebar 14	170219	Stud, Die Wheel 23	175805	Typewheel, DRC 29
162350	Bail, Rocker 30	170225	Block, Tape Guide 25	175814	Typewheel, DRM 29
162573	Retainer 24	170241	Screw, 6-40 Adjusting 23	176058	Reel, Tape 41
162850	Handle 34	170242	Slide, Feed Hole Punch 25	176252	Washer, Flat 20
162862	Bar, Mounting 19	170244	Wheel, Die 23	176489	Guide 19
162994	Block Assembly, Punch 37	170245	Wheel, Feed 23	176490	Bracket w/Hubs 18,19
163009	Pinion, 21T 16	170246	Slide w/Insulator 25	176647	Latch w/Hub 35
163010	Gear, 49T 24	170247	Guide 25	176907	Switch, Rocker 5
163015	Pinion, 28T 19	170264	Guidepost 17,19	178178	Lever, Adjusting 34
163016	Gear, 49T 32	170264	Guidepost 17,19	178535	Suppressor, Spark 33
163429	Screw, 6-40 Shoulder 30	170324	Bracket, Front 10,11	178725	Spring 38
164259	Chute, 1" Tape 23	170332	Bail Assembly, Universal 2,11,15	178849	Card Assembly, Indicator 38
164260	Chute, 7/8" Tape 23	170363	Bracket, Left 10,11	178851	Pulley 38
164261	Chute, 11/16" Tape 23	170364	Bracket, Right 10,11	178916	Bellcrank 39
164513	Pawl, Feed 31	170365	Guide, Codelever 10,11, 12	178918	Modification Kit 2,39
164521	Plate w/Studs 34	170368	Shaft 10,11	178919	Pawl, Backspace 39
164525	Post, Spring 34	170369	Bracket, Support 10,11	178920	Post, Eccentric 39
164526	Slide w/Post 34	170370	Lever, Function 10,11,12	178921	Plate w/Post 39
164528	Bushing 21,34	170371	Lever, Function 10,11,12	178922	Nut, 6-40 Shoulder 39
164529	Lever, Ribbon Release 34	170372	Bail, Universal 15	178923	Bellcrank Assembly 39
164530	Bushing 34	170372	Bail, Universal 15	178925	Ratchet, 24T 39
164531	Pawl, Check 34	170373	Blade, Rear 15	178927	Clamp, Adjusting 39
164532	Pawl, Feed 34	170374	Blade, Front 15	178930	Guard 39
164535	Shaft, Right Ribbon Ratchet 34	170375	Lever, Auxiliary 10,11, 12	178931	Post 39
164538	Shaft, Left Ribbon Ratchet 34	170379	Retainer, Ball 15	178932	Post, Supporting 39
164539	Spring, Compression 34	170380	Retainer, Wedge 15	179258	Bracket, Scale 38
164540	Detent 34	170392	Lever, Non-Repeat 14	179274	Wheel, Feed 23
164541	Arm, Ribbon Drive 34	170409	Bail, Spacebar 13	179278	Drum, Ratchet 38
164800	Spring, Punch Block 37	170410	Plate, Nut 8	179279	Bracket w/Posts 38
164801	Block, Tape Guide 25	170414	Lever, Function 10,11,12	179573	Nut, 6-40 Hex 31
164964	Washer, Felt 34	170788	Wheel, Die 23	180160	thru
164965	Washer, Flat 34	171259	Spring 17,19	180203	Keytop 42
170172	Bracket 8	171559	Lamp, 28 V Incandescent 5	180205	thru
170173	Lever w/Hub 6	172983	Bracket, Spring 31	180208	Keytop 42
170193	Guard, Backspace 36	172984	Bracket, Spring 37	180210	Keytop 42
170199	Bracket, Anchor 23	172993	Spring 37	180211	Keytop 42
170200	Arm, Eccentric 35	173200	Sleeve, Bearing 32	180213	thru
170201	Shaft w/Bearing 32	173203	Sleeve, Bearing 24	180213	thru
170202	Guidepost 17	173285	Keytop 42	180250	Keytop 42
170203	Lever, Slide Trip 17	173340	Collar 24,32	180257	thru
170204	Bracket, Spring 17,19	173754	Spacer 29	180278	Keytop 42
170206	Guidepost 31	173756	Lever, Print Hammer 29		
170210	Block Assembly, Punch 37	173775	Shaft, Typewheel 29		
170211	Arm Rocker 31	173977	Shaft, Print Hammer 29		
170215	Spring, Punch Block 37				

## NUMERICAL INDEX (Continued)

Part Number	Description and Page Number	Part Number	Description and Page Number	Part Number	Description and Page Number
180280		192558	Codebar, CR 11,12	192849	Pushbar, No.2 27
thru		192559	Codebar, Counter 11,12	192854	Stiffener 22
180445	Keytop 42	192579	Bushing, Shoulder 10,11	192858	Bracket, Mounting 22
180448	Keytop 42	192661	Post 16,20	192870	Pushbar, LTRS 28
180778	Plate 4	192681	Screw, 4-40 Spl 15,41	192871	Pushbar, FIGS 28
182643	Terminal, Plug Type 22	192709	Link w/Hub 16,20	192876	Screw, 4-40 x 2/32 Hex 21
182650	Connector, 6 Pt Plug Type 22	192798	Plate, Mounting 40	192877	Bushing, Guide 29
182658	Socket, Lamp 5	192800	Beam, No.1 Pulse 21	192882	Lever, Ribbon Oscillator 26
182713	Cap, Amber Lens 5	192801	Beam, No.2 Pulse 21	192897	Block Assembly, Punch 37
182715	Cap, Red Lens 5	192802	Beam, No.3 Pulse 21	192899	Bracket, Magnet Mounting 33
183252	Post 4	192803	Beam, No.4 Pulse 21	192908	Armature, Magnet 33
183254	Guide, Line 4	192804	Beam, No.5 Pulse 21	192922	Housing, Typewheel Shaft 29,33
183256	Bushing 4	192805	Beam, No.6 Pulse 21	193565	Coupling, Flexible 7
183258	Handle, Copyholder 4	192806	Beam, No.7 Pulse 21	193733	Cover, Contact 22
183888		192807	Lever, No.7 Pulse 21	193753	Strap, Contact 22
thru		192808	Lever, No.5 Pulse 21	193755	Cover, Magnet Coil 33
183892	Keytop 42	192811	Plate, No.2 Level 21	193804	Armature 35
183977	Washer, Spring 4	192812	Plate, No.3 Level 21	193821	Bracket w/Post 35
184864	Keytop 42	192813	Plate, No.4 Level 21	193822	Clamp 35
185150	Keytop 42	192814	Plate, No.5 Level 21	193824	Latch w/Hub 35
185165		192815	Plate, Top Level 21	193825	Magnet Assembly, Backspace 35
thru		192816	Plate, No.6 Level 21	193877	Latch 19
185169	Keytop 42	192817	Plate, No.1 Level 21	193879	Pushbar, No.1 27
185171	Keytop 42	192818	Lock 21	193976	Bail, Rocker 16
185174	Keytop 42	192820	Bracket, Separator 21	194100	Block Assembly, Punch 37
185175	Keytop 42	192821	Guide, Bellcrank 19	194162	Bail, Reset 31
185197	Keytop 42	192823	Guide w/Pivot 21	194944	Spring 21
185270	Keytop 42	192824	Lever 21	194992	Modification Kit 37
185271	Keytop 42	192825	Screw, 4-40 x 3/4 Hex 21	194993	Guide, Tape 37
185273	Keytop 42	192827	Bellcrank, LTRS-FIGS 22	195101	Sleeve, 5/32 ID x 3/8" Lg Insulating 22
185680	Plate, Identification 41	192828	Plate w/Bushing 19,21, 22,29	195102	Sleeve, 5/32 ID x 7/32" Lg Insulating 22
192190	Guide Assembly, Line 3	192829	Plate, Front 22	195103	Damper 22
192191	Knob 3	192831	Plate w/Stud 27,28,29,34	195215	Plate, Lifter Mounting 30
192299	Keytop 42	192834	Plate, No.7 Level 21	195235	Bail, Rocker 20
192510	Keytop 42	192835	Bellcrank, No.1 & No.4 22	195274	Spacer, .014" Thk 21
192511	Spacebar 13	192836	Bellcrank, No.6 22	195284	Ring, O 29
192530	Lockbar, Shift 10,12	192838	Spacer, Front Function Plate 28,	195296	Screw, 4-40 x 1/2 Hex 33
192535	Bail w/Post 10	192839	Spacer, Rear Function Plate 28	195619	Shaft, Backspace 39
192538	Plug, Button 13	192841	Bellcrank, No.2 22	195620	Modification Kit 2,39
192550	Lockbar Assembly, Ball 15	192842	Bellcrank, No.3 & No.5 22	195661	Guidepost 17,19
192552	Channel, Ball 15	192844	Plate, Rear 22	195662	Lever 17,19
192553	Bracket, Left Mounting 13	192845	Guide, Bellcrank 22	195663	Lever, Trip 17,19
192554	Bracket, Right Mounting 13	192846	Retainer, Bellcrank Guide 22		
192555	Guideplate, Keytop 13	192848	Bar, Contact Mounting 22		
192556	Frame 13				
192557	Grommet, Rubber 13				



## NUMERICAL INDEX (Continued)

Part Number	Description and Page Number	Part Number	Description and Page Number	Part Number	Description and Page Number
195664	Lever, Slide Trip 17	195878	Guide, Ribbon 29	198166	Bracket, Magnet 33
195665	Lever, Guide 17,19	195879	Link, Block 33	198530	Plate, Spring 11
195666	Spacer 17,19	195880	Retainer, Link 33	198531	Plate, Blocking 11
195673	Block Assembly, Punch 37	195881	Link, Accelerator Blocking 29	198536	Lockbar, Shift 11
195676	Release, Clutch 18,19	195943	Guide w/Roller 41	198539	Bail, Blocking 11
195677	Plate, Stop 18,19	195944	Bracket 8	198541	Screw, 6-40 Shoulder 11
195678	Lever 9	195946	Link, Stop 8	198544	Guide, Left Codebar 11
195679	Bracket, Spring 10,11	195947	Post, Eccentric 8	198686	Guide 8
195680	Arm, Codebar Return 9	195948	Bushing 5	198687	Plate 10
195681	Plate, Rear 8,14	195949	Plate, Left 5	198688	Latchlever 19
195683	Link 10,11	195950	Plate, Right 5	199119	Codebar, CR 12
195686	Container, Tape 41	195951	Bar 5	199120	Codebar, Counter 12
195687	Bracket w/Springs 41	195954	Guard, Gear 7	199506	Gasket 37
195690	Bar, Clutch Trip 8,10,12	195956	Post 40	199524	Window, Plastic 3
195695	Casing, Fan Wheel 40	195957	Bracket 6	199652	Pad, Top 3
195700	Chute, Chad 40	195962	Frame, Left 5	199653	Pad, Left 3,4
195703	Plate 3	195963	Frame, Right 5	199654	Pad, Right 3,4
195704	Post 14	195964	Plate, Adapter 9	199822	Gasket, Window 3
195705	Plate, Front 8,14	195965	Tray, Copyholder 3	304469	Cable Assembly 22
195706	Spacer 14	195968	Bracket 41	304528**	Hinge 3
195707	Bracket, Guidepost 8	195969	Cable Assembly 5	304529**	Cover, Top 3
195708	Guide 8	195972	Cable Assembly 8	304540	Chute, Chad 40
195709	Bracket, Slide 8	195973	Stud 14	304543	Plate, Corrector 27
195745	Extension 8	195974	Plate 7	304546	Plate, Identification 3
195747	Nut, Slide 8	195975	Plate, Nut 5	304548	Nameplate 3
195748	Pin 9	195976	Bracket, Left 5	304550	Pad, Rear 3
195749	Bracket 9	195977	Bracket, Right 5	304913	Bracket, Guide 28
195750	Bracket 9	195978	Sleeve, 7/16 ID x 1-1/4" Lg Insulating 33	305638	Bracket, Guide 31
195751	Codebar, No.1 12	197608	Pan 5	306778	Shaft 3
195752	Codebar, No.2 12	197676	Codebar, No.1 11,12	307792	Shaft 4
195753	Codebar, No.3 12	197677	Codebar, No.2 12	307793**	Bracket 4
195754	Codebar, No.4 12	197678	Codebar, No.3 12	307795**	Copyholder, Assembly 4
195755	Codebar, No.5 12	197679	Codebar, Shift 12	307796	Pad 4
195756	Codebar, CR 12	197680	Codebar, No.4 12	307797**	Cover 4
195757	Codebar, Counter 12	197681	Codebar, No.5 12	308248	Guide 17
195758	Lever 9	197682	Codebar, No.6 12	310751	Insulator, Terminal Block 41
195759	Bracket 9	197683	Codebar, No.7 12	310752	Block, Terminal 41
195760	Link 9	197740	Codebar, No.0 12	311103	Insulator 41
195761	Pin 10,11	197741	Codebar, No.1 12	311125	Post 6
195762	Spacer 6,40	197742	Codebar, No.2 12	311126	Extension 8
195766	Pinion, 14T 7	197743	Codebar, No.3 12	311148	Bracket 41
195767	Container, Chad Bag 7	197744	Codebar, No.4 12	311185	Plate 5
195770	Tube, Chad 40	197745	Codebar, No.5 12	311193	Lever, Function 10,12
195771	Bag, Chad 40	197748	Keytop 42	311194	Lever, Function 10,12
195772	Bushing, Bearing 7	197887**	Cover 3	311195	Keylever 13
195773	Plate 7	197889	Window, Plastic 3	311285	Screw, 6-40 Shoulder 11
195774	Shaft 7	198082	Lever, Slide Trip 19	311445	Spring, Contact 22
195775	Gear, 40T 7			311446	Spring, Contact 22
195776	Plate 7				

\*\* Refer to page 1 for finish suffix

## NUMERICAL INDEX (Continued)

Part Number	Description and Page Number	Part Number	Description and Page Number	Part Number	Description and Page Number
311447	Spring, Contact 22	321786	Plate, Identification 41	330754	Bar 11
311448	Contact Assembly 22	323798	Keytop 42	330755	Guide 11
311480	Guide 19	324129	Spring 11	330756	Codebar, No.8 11
311492	Screw, 2-56 Spl 22	324532	Screw, 4-40 x 3/16 Hex 11	330757	Codebar, No.8 Inversion 11
311516	Post 33	329089	Spring 10,11	330758	Codebar, No.7 11
311741	Bracket, Spacebar 13	330743	Guide Assembly, Keylever 2,11,15	330759	Codebar, No.6 11
319394	Setscrew, 10-24 7	330747	Latch 19	330760	Codebar, No.5 11
320410	Terminal, Spade Type 8,33	330748	Guide 8	330761	Codebar, No.5 Inversion 11
320418	Terminal, Ring Type 5, 22,41	330749	Extension 8	330762	Codebar, No.4 11
320422	Terminal, Ring Type 5	330750	Extension 8	330763	Codebar, No.3 11
321472	Expander 40	330751	Post 11	330764	Codebar, No.2 11
321474	Modification Kit 8,17, 18,19	330752	Arm 11	330765	Bar, Control Lock 11
		330753	Plate 11	330766	Bar, Clutch Trip 11