

TAPE WINDERS (TW) AND UNWIND REELS

PARTS

FIGURE	CONTENTS	PAGE	FIGURE	CONTENTS	PAGE
1	Base and Brackets for Motor Driven Tape Winders	3	15	Shaft Mechanism for Motor Driven Tape Winders	15
2	Drive Shaft and Gears for Motor Driven Tape Winders	4	16	Motor and Relay	16
3	Drive Shaft and Gears for Triple Reel Motor Driven Tape Winders	5	17	Tape Reels	17
4	102073 Tape Reel Assembly	6	18	199900 and 164516 Modification Kits to Provide Reel Full Alarm	17
5	Intermediate Gear	6	19	Base and Brackets for Single Reel Motor Driven Tape Winders	18
6	Motor and Cord Assemblies	7	20	Tape Reel and Shaft Mechanism for Single Reel Motor Driven Tape Winders	19
7	Base and Brackets for Single Reel Motor Driven Tape Winders	8	21	Motor and Relay	20
8	Intermediate Gear for Single Reel Motor Driven Tape Winders	9	22	Tape Reel Adapter	21
9	Drive Gear Mechanism for Single Reel Motor Driven Tape Winders	10	23	146822 Modification Kit to Adapt Spring Driven Tape Winders with 199901 Tape Reel	21
10	159222 Tape Reel Assembly	11	24	Tape Guides and Rollers for Double Reel Tape Winder	22
11	Motor and Mounting Bracket for Single Reel Tape Winders	11	25	Electrical Components for Double Reel Tape Winder	23
12	115743** Modification Kit to Provide Means for Housing a Motor Driven Single Reel Tape Winder at the Left Side of the Table	12	26	Shaft Mechanism for Motor Driven Double Reel Tape Winder	24
13	Base and Bracket Mechanism for Triple Reel Motor Driven Tape Winders	13	27	91819 Modification Kit for Applying Center Unwind Reel	25
14	Tape Guides and Rollers	14	28	103035 Modification Kit for Applying Center Unwind Reel	25
			29	114189 Modification Kit for Applying Center Unwind Reel	25
				Numerical Index	26

PAINT FINISH COLOR CODE CHART		
COLOR	Finish Suffixes	
	Textured Vinyl	Smooth Vinyl
Green Gray Light Gray Olive Gray	GA(45)	HB(68) HF(46)
The double asterisk(**) denotes a painted part. Suffix to be applied following the part number. Number in parentheses indicates Bell System Code.		

Note: When ordering parts from this section, prefix each number with the letters TP.

The part identification information contained in the following change notices have been incorporated in this issue.	
TCN's	#878, #1034, #1296, #1445, #1523

MOTOR DRIVEN TAPE WINDERS																	
Teletype Code or Part No.	Bell System Code	Weight	Dimensions (inches)			Motor			No. of Reels	Reel Speed (WPM at core)	Reel Size (inches)	Core Size (inches)	Reel Capacity (feet)		Tape Width (inches)	Remarks	Page No.
			Length	Width	Height	Volt	Hertz	Current					Fully Perforated	Chadless			
TW5	2A	35	16	6-1/4	17-1/2	110	60	AC	1	167	13	3	2000	1000	11/16	Specification 5366S	3,4,6,7,
TW5 plus 115743**	2B					110	60	AC	1	167	13	3	2000	1000	11/16		3,4,6,7,12
TW6	1A	40	16	7-1/4	17-1/2	110	60	AC	2	167	13	3	2000	1000	11/16		3,4,6,7
TW10	3A	45	16	11-1/2	17-1/2	110	60	AC	3	167	13	3	2000	1000	11/16		3,4,5,6,7
TW13	4A	17	20-1/2	5	12-3/4	115	60	AC	1	110	12	2	2000	1000	11/16	Specification 5884S	8,9,10,11
TW18	5B	14	18	6	12-1/2	115	50-60	AC	1	300	12	2	2000	1000	11/16,7/8,1	Specification 5976S	18,19,20
TW20	5A		18	10	12-1/2	115		AC	3	300	12	2	2000	1000	11/16,7/8,1	Specification 5976S	13 to 17
TW206** plus 147720** 194861** 199468	5C		18	6-1/2	12-1/2	115	60	AC	2	300	12	2	2000	1000	11/16	Specification 5976S	22,23,24
TW207** plus 194442 199933 320278**	5D**		18	6-1/2	12-1/2	115	60	AC	2	300	12	2	2000	1000	11/16	Specification 5976S	22,23,24

TAPE UNWIND REELS														
Teletype Code or Part No.	Bell System Code	Weight	Dimensions (inches)			No. of Reels	Reel Speed (WPM at core)	Reel Size (inches)	Core Size (inches)	Reel Capacity (feet)		Tape Width (inches)	Remarks	Page No.
			Length	Width	Height					Fully Perforated	Chadless			
91819						1	100	4-1/2	2-5/8	90	50	11/16,7/8,1	Mounts on Bell System 19A Table	25 (Fig. 27)
103035						1	100	6-1/4	2-5/8	180	100	11/16,7/8,1	Mounts on Bell System 19A Table	25 (Fig. 28)
114189						1	100	6-1/4	2-5/8	180	100	11/16,7/8,1	Mounts on M14 TD Cover 5573S	25 (Fig. 29)

**Refer to page 1 for finish suffix

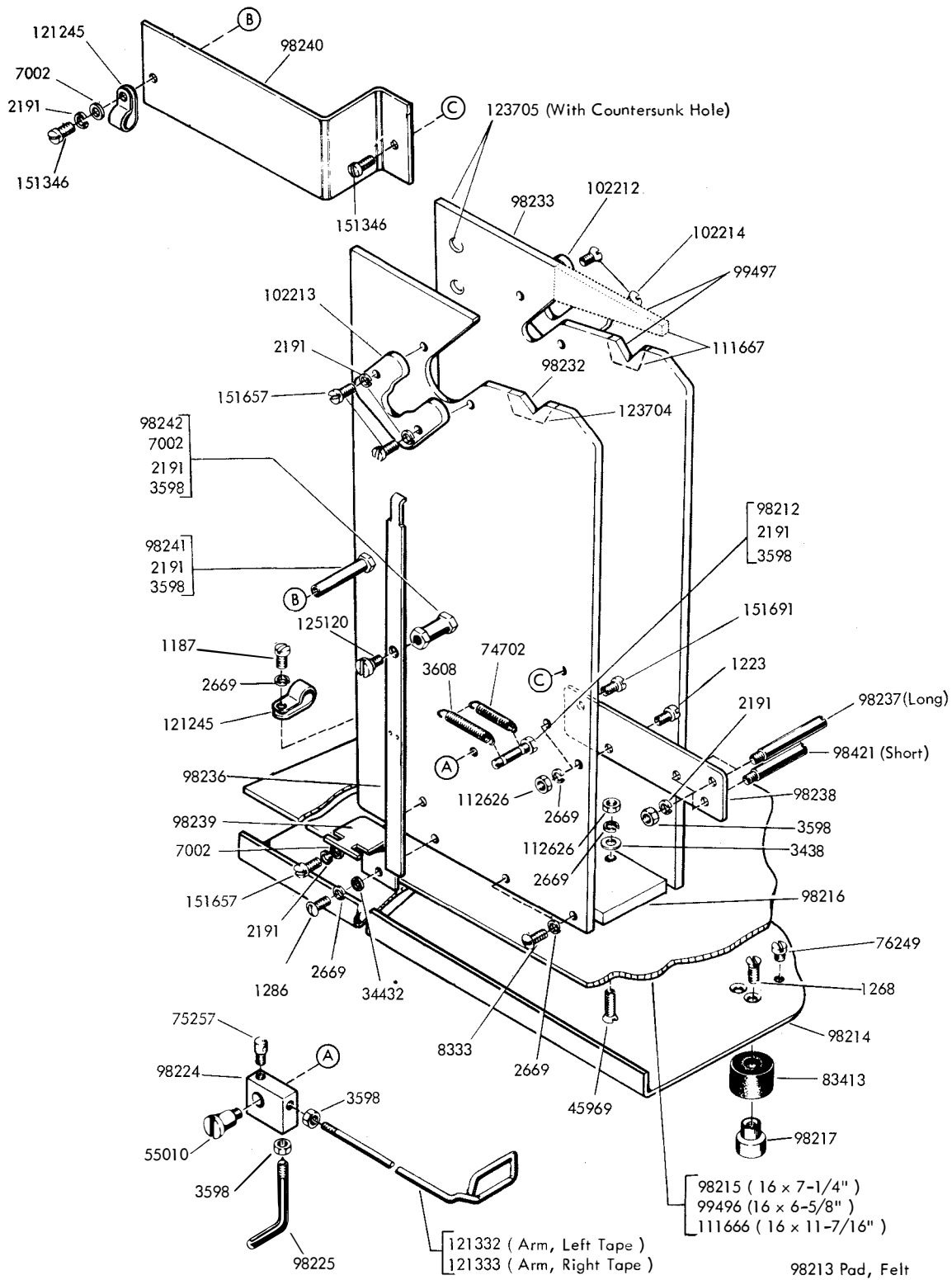


FIGURE 1. BASE AND BRACKETS FOR MOTOR DRIVEN TAPE WINDERS

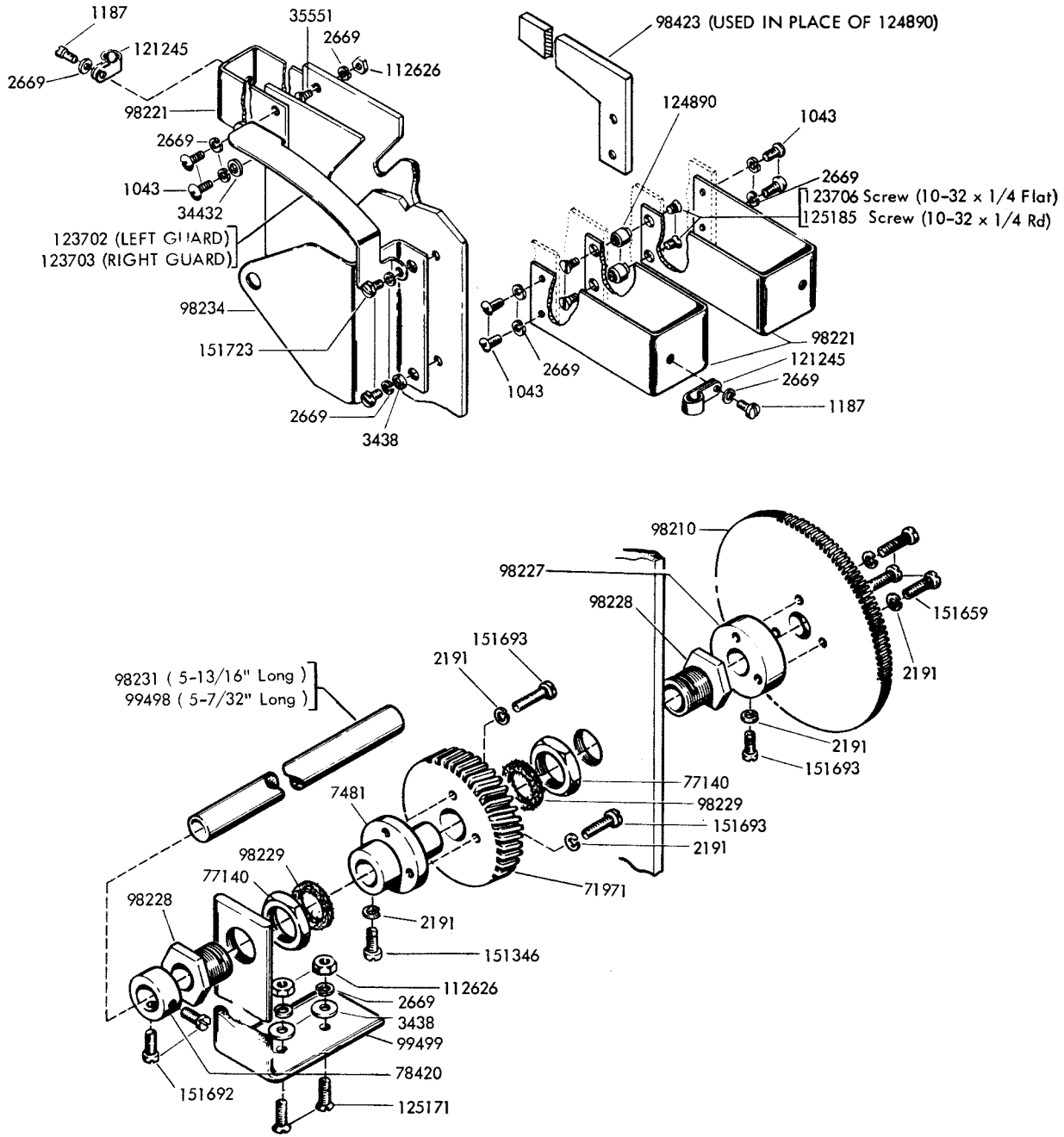
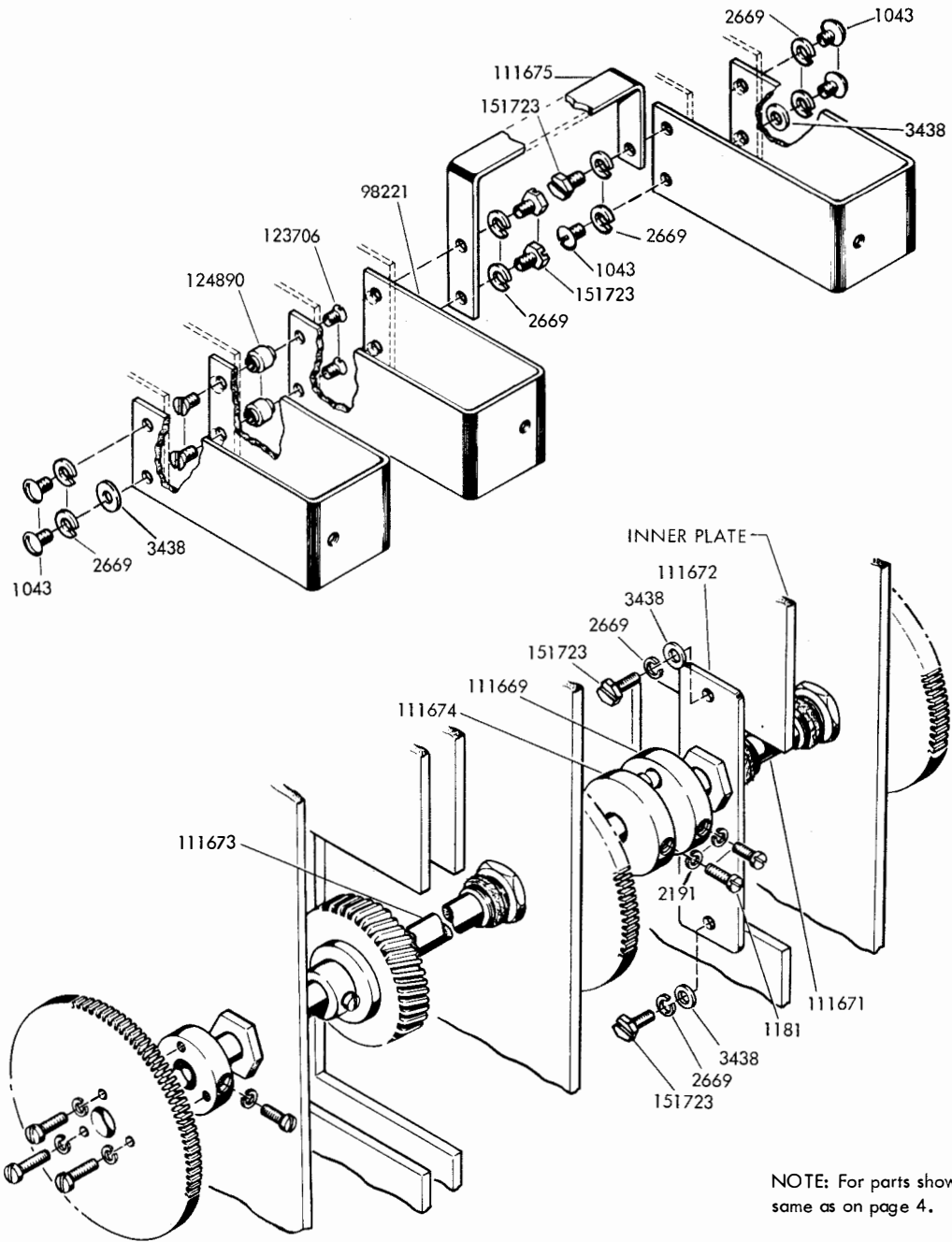
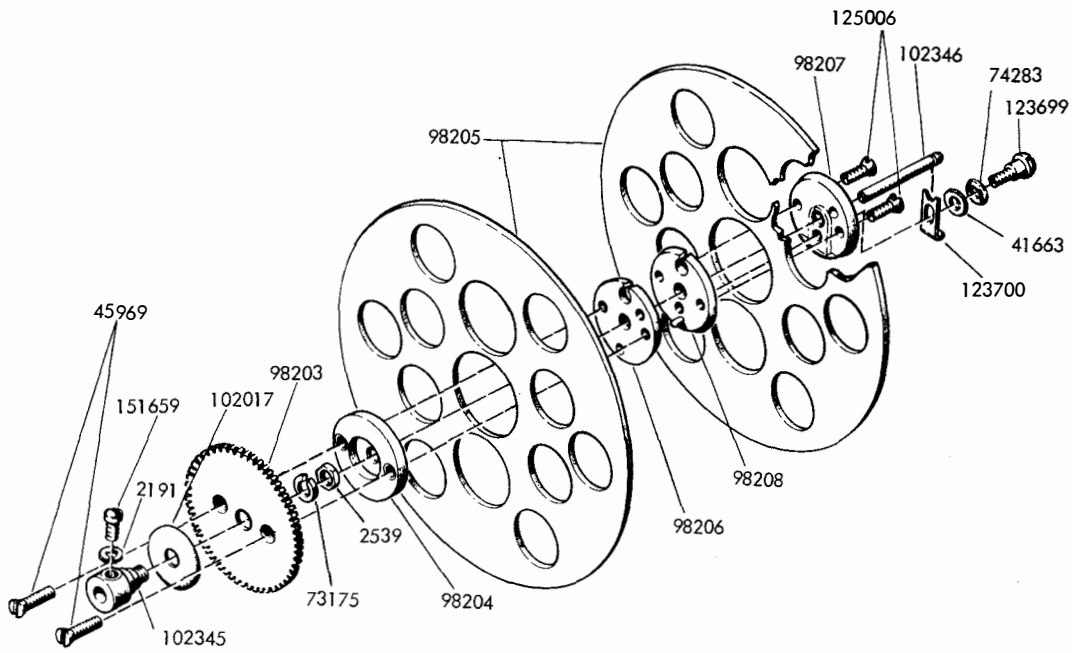


FIGURE 2. DRIVE SHAFT AND GEARS FOR MOTOR DRIVEN TAPE WINDERS



NOTE: For parts shown but not listed same as on page 4.

FIGURE 3. DRIVE SHAFT AND GEARS FOR TRIPPLE REEL MOTOR DRIVEN TAPE WINDERS



Peculiar to 1A, 2A, 3A

FIGURE 4. 102073 TAPE REEL ASSEMBLY

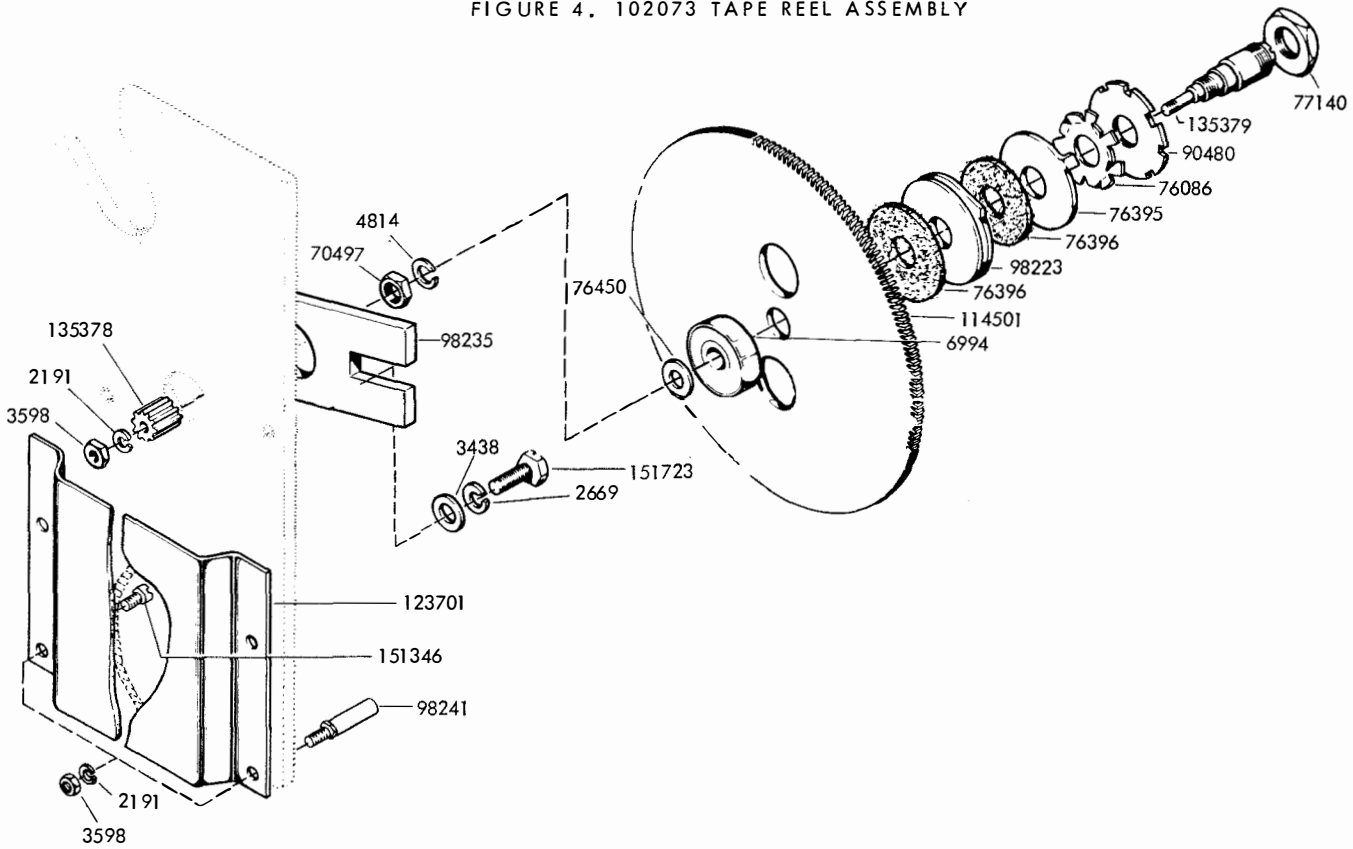


FIGURE 5. INTERMEDIATE GEAR

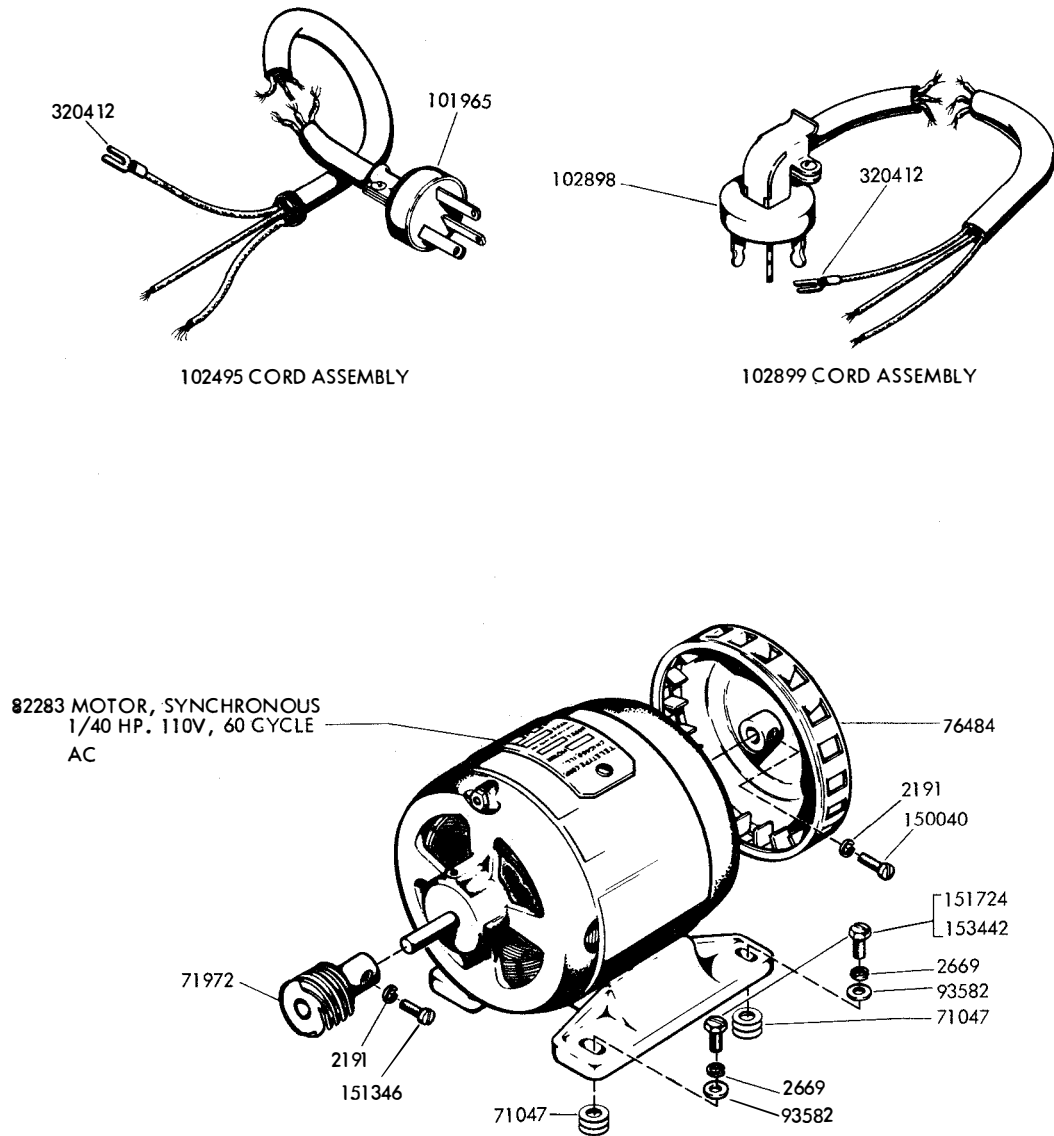
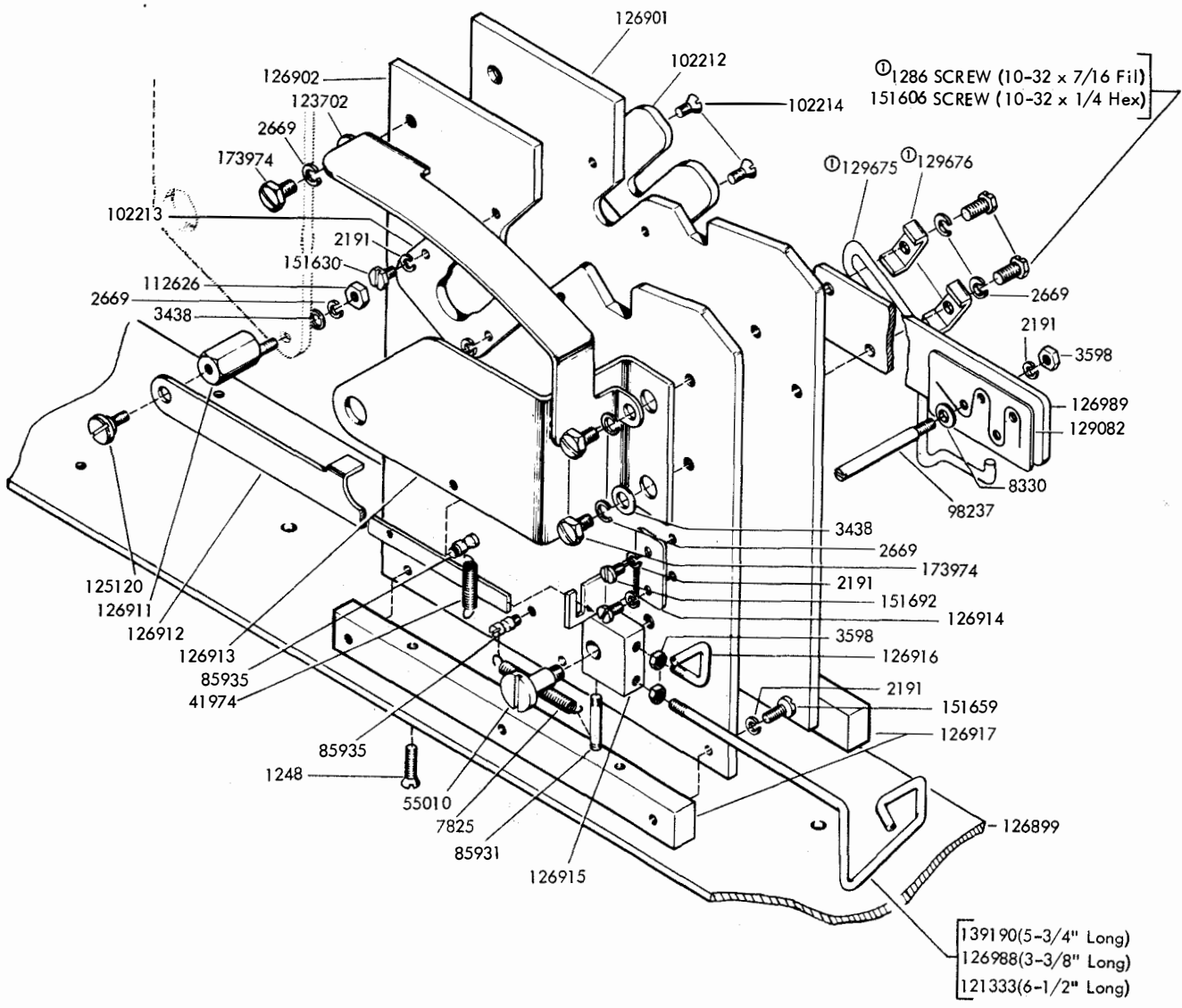


FIGURE 6. MOTOR AND CORD ASSEMBLIES



① 113746 Modification Kit to add
 tape guide parts to tape winder

FIGURE 7. BASE AND BRACKETS FOR SINGLE REEL MOTOR DRIVEN TAPE WINDERS

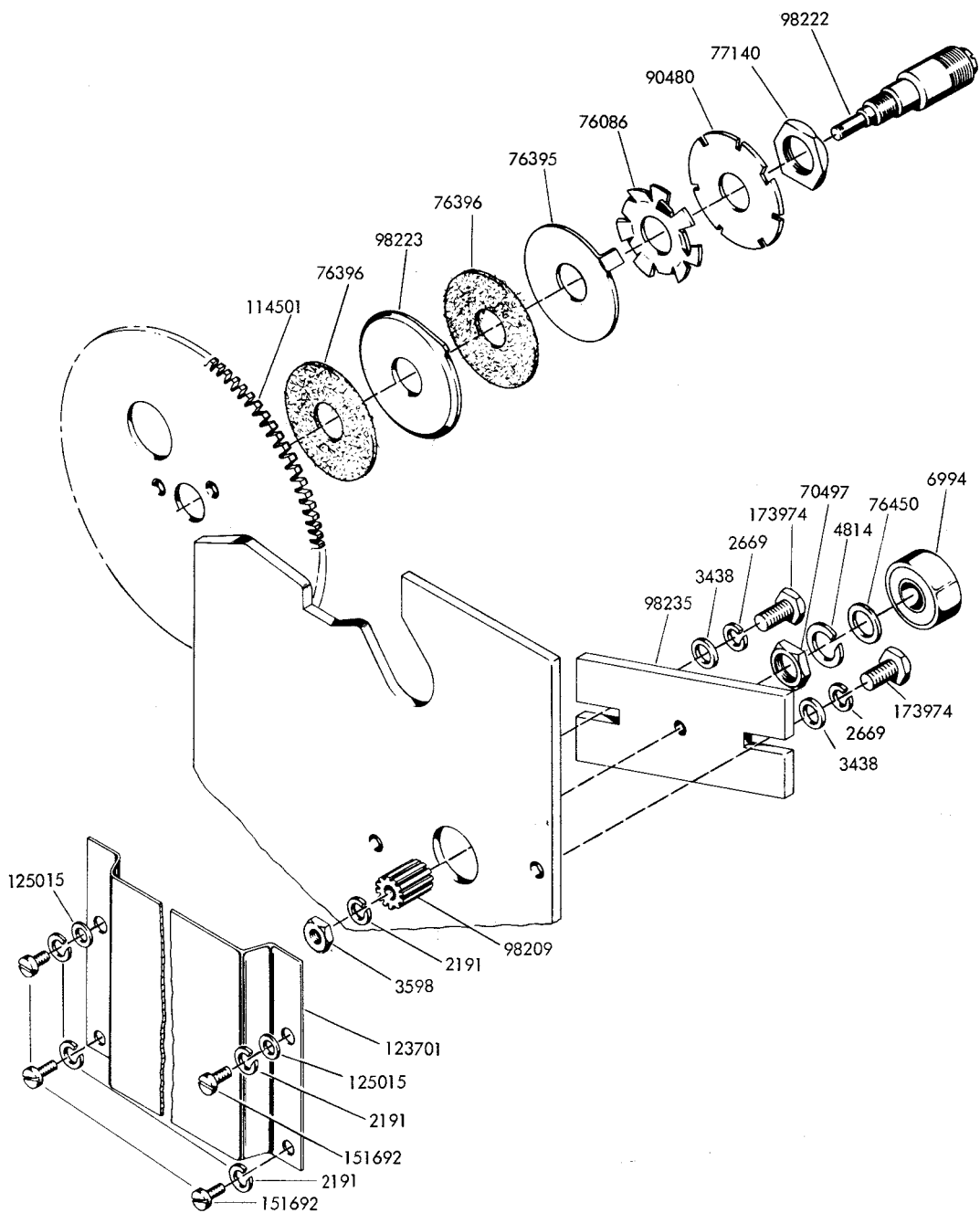


FIGURE 8. INTERMEDIATE GEAR FOR SINGLE REEL MOTOR DRIVEN TAPE WINDERS

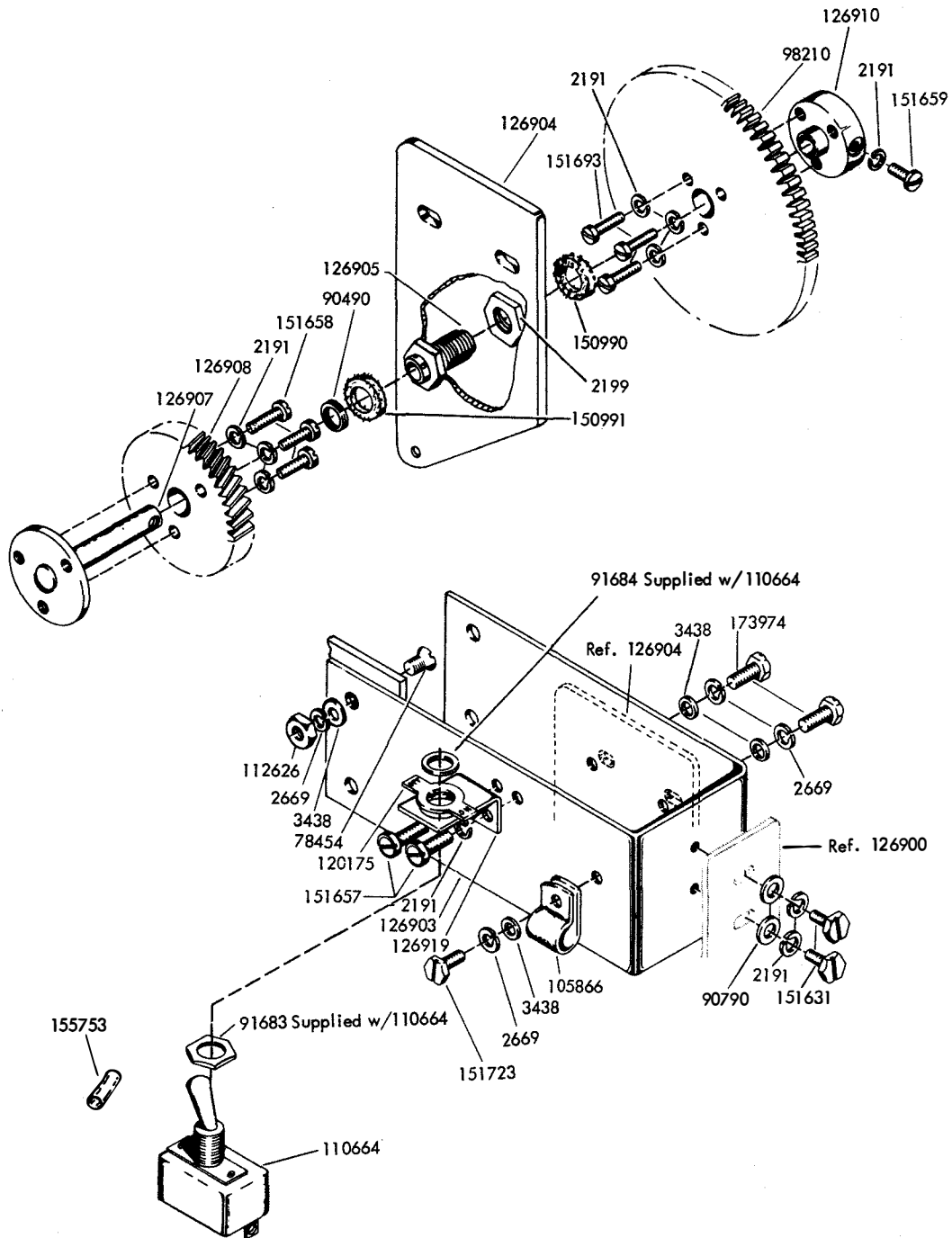
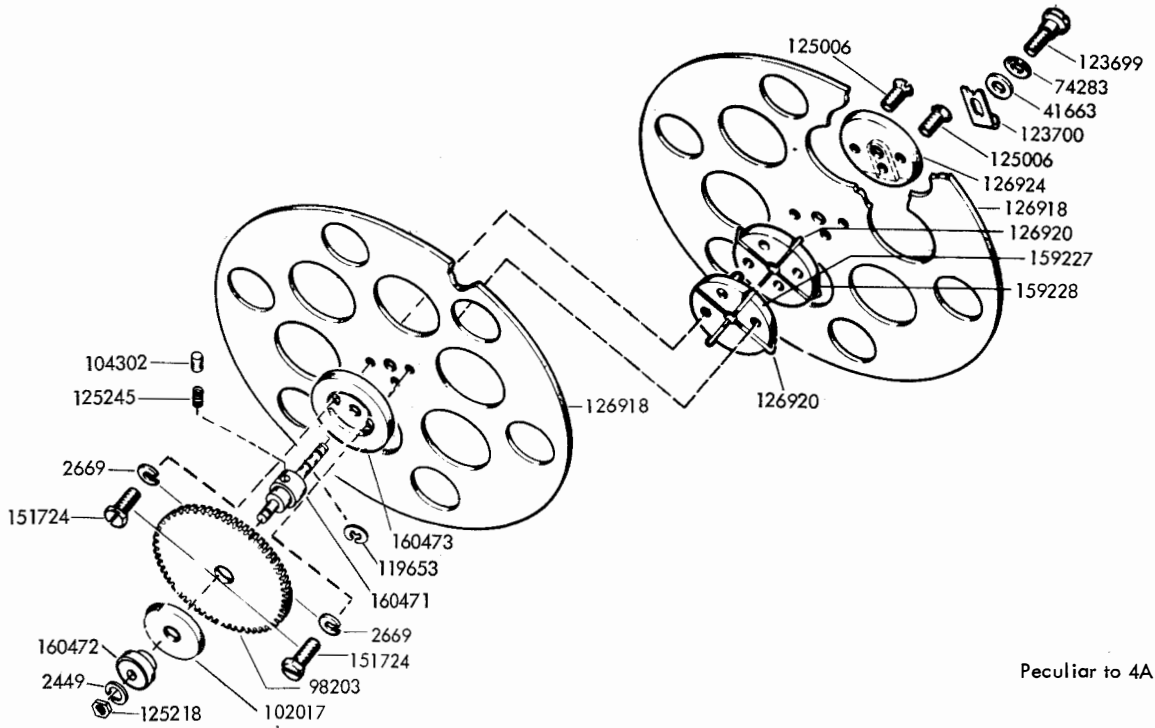
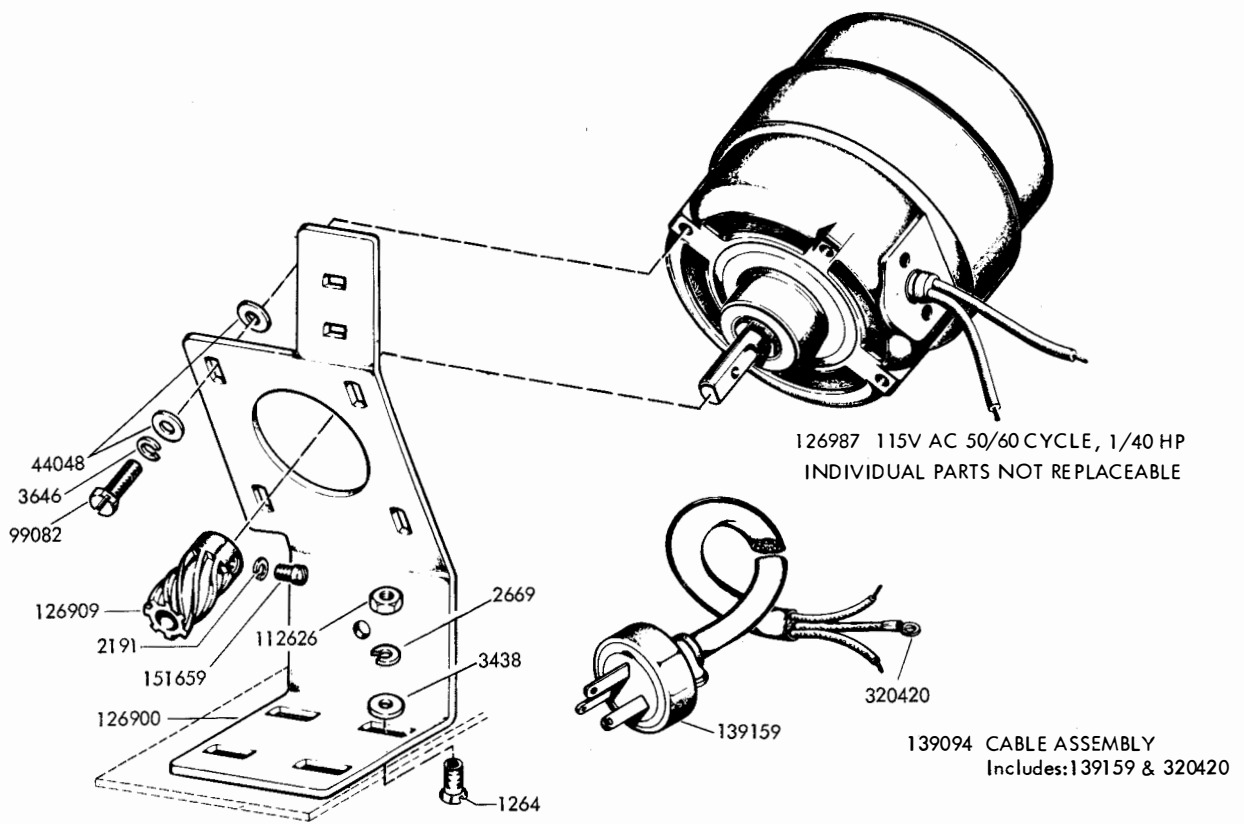


FIGURE 9. DRIVE GEAR MECHANISM FOR SINGLE REEL MOTOR DRIVEN TAPE WINDERS



Peculiar to 4A

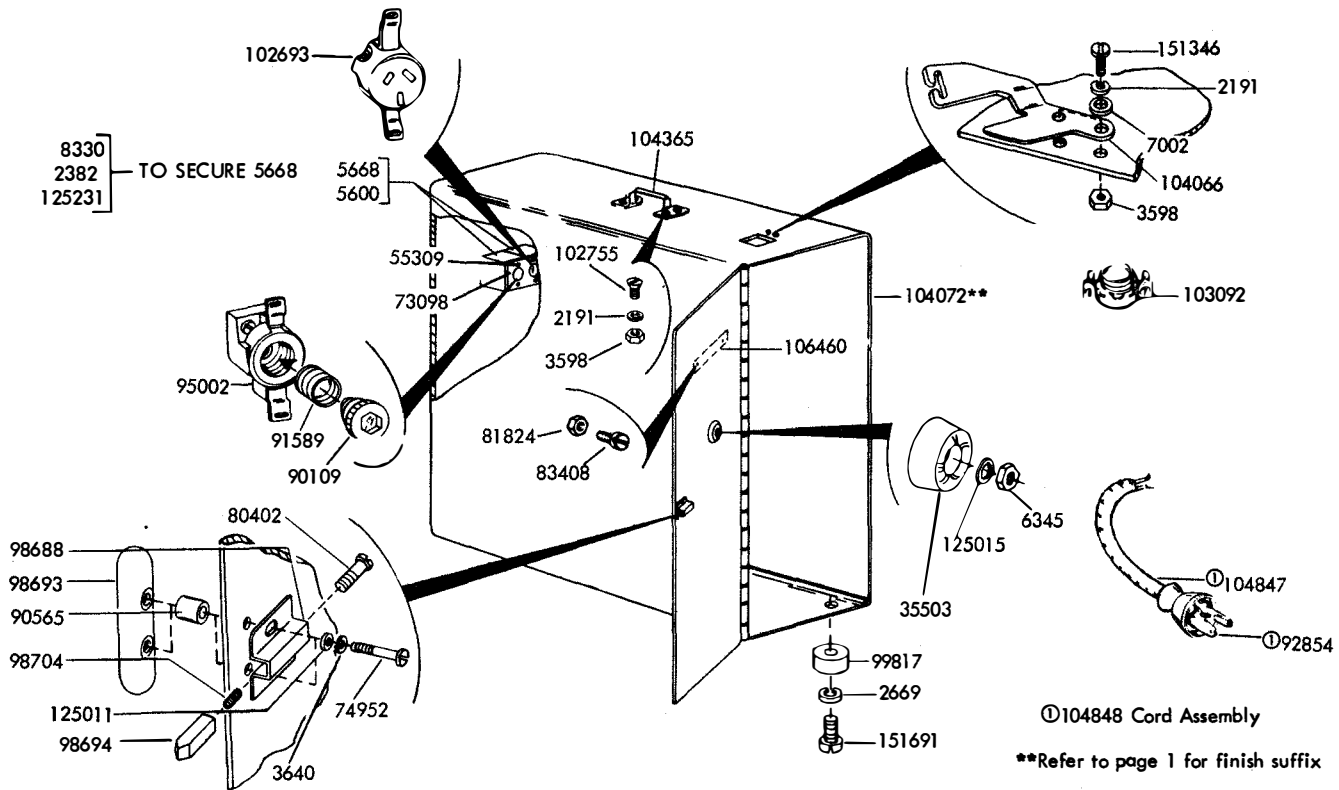
FIGURE 10. 159222 TAPE REEL ASSEMBLIES



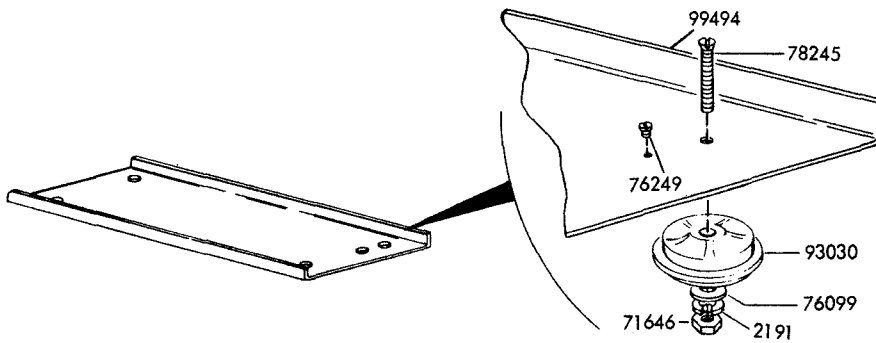
126987 115V AC 50/60 CYCLE, 1/40 HP
INDIVIDUAL PARTS NOT REPLACEABLE

139094 CABLE ASSEMBLY
Includes: 139159 & 320420

FIGURE 11. MOTOR AND MOUNTING BRACKET FOR SINGLE REEL TAPE WINDERS



119936** TAPE WINDER CABINET ASSEMBLY



102492 TAPE WINDER MOUNTING CHANNEL ASSEMBLY

Specification 53665

**Refer to page 1 for finish suffix

FIGURE 12. 115743** MODIFICATION KIT TO PROVIDE MEANS FOR HOUSING A MOTOR DRIVEN SINGLE REEL TAPE WINDER AT THE LEFT SIDE OF THE TABLE

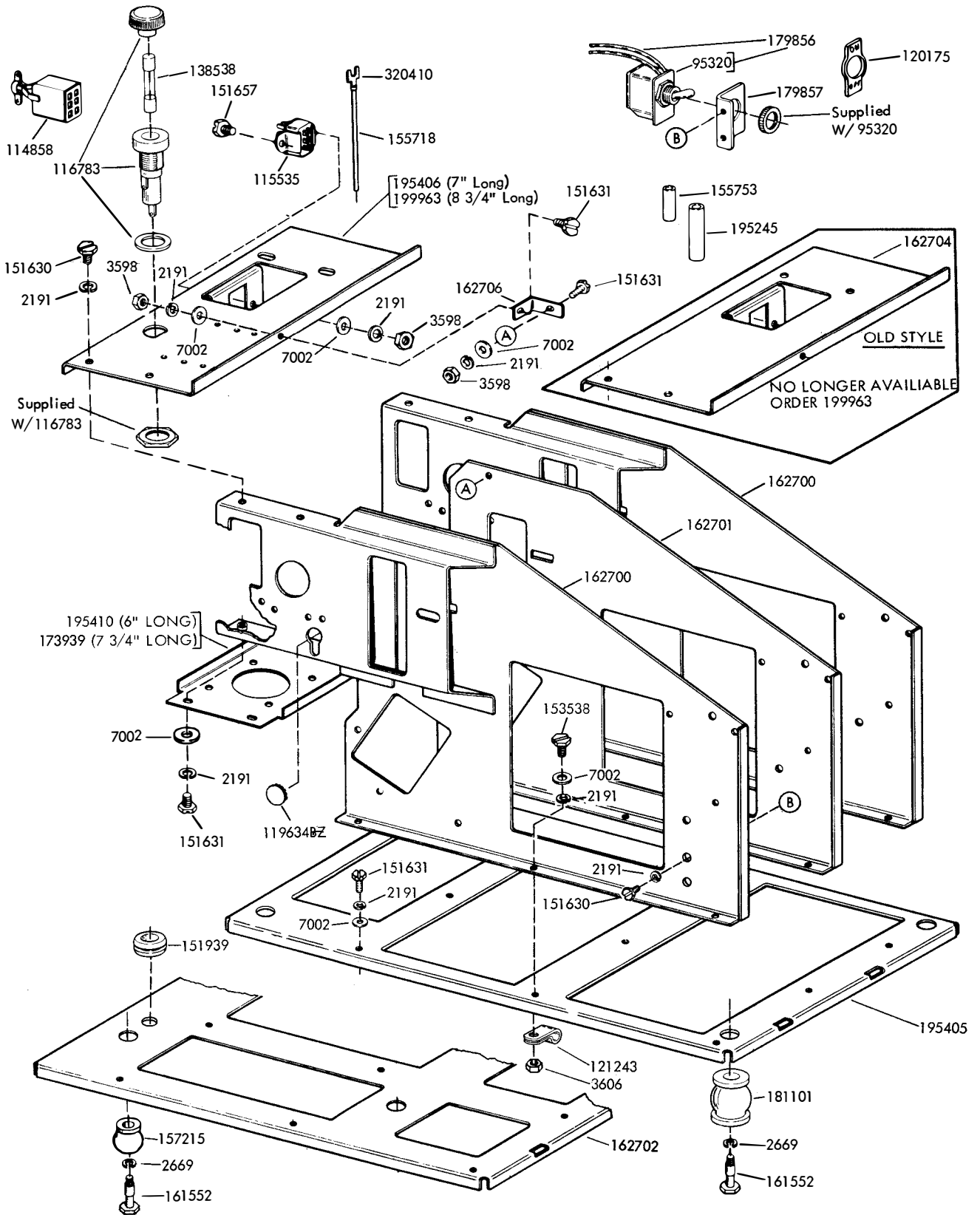
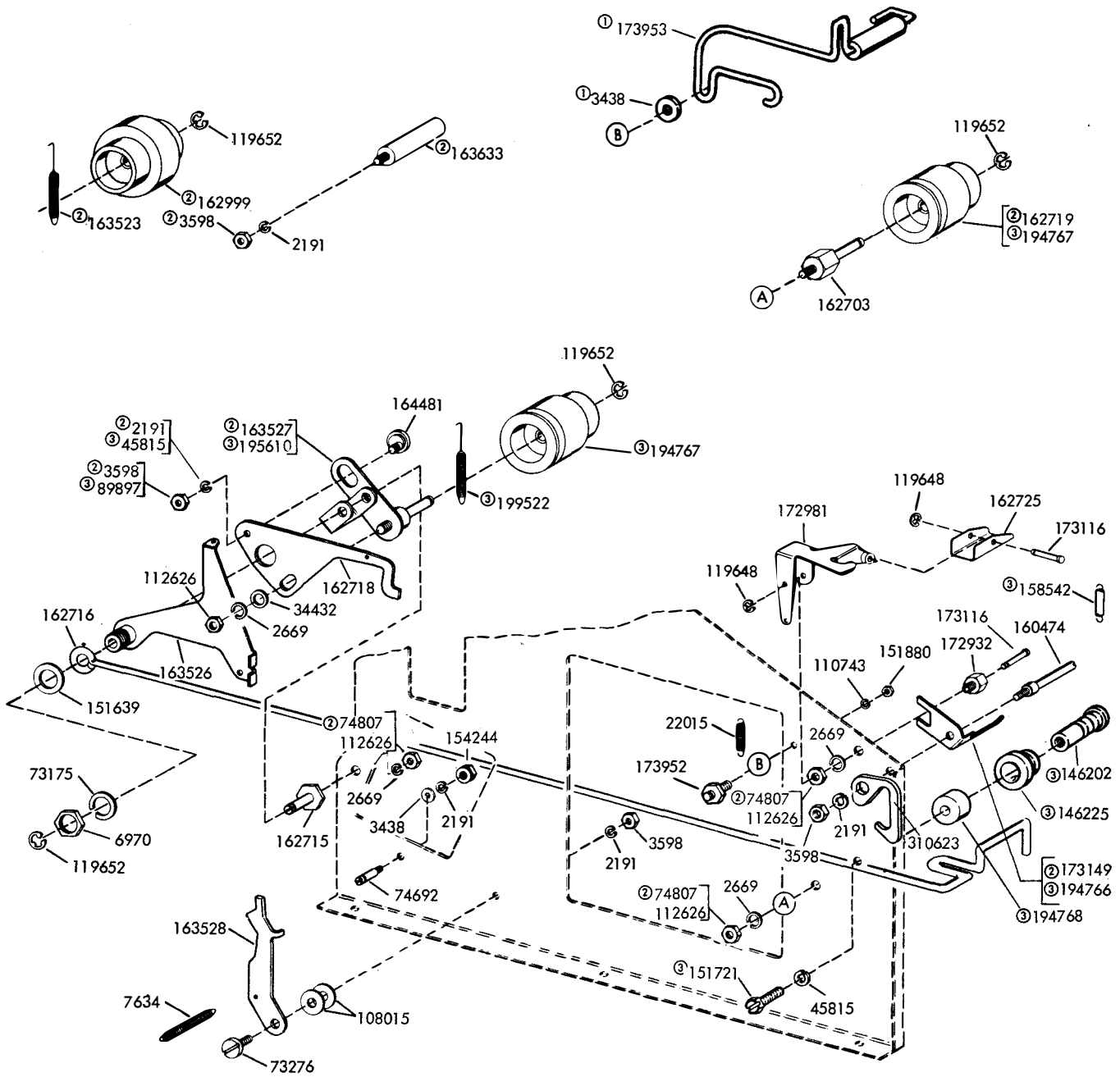


FIGURE 13. BASE AND BRACKET MECHANISM FOR TRIPLE REEL MOTOR DRIVEN TAPE WINDERS



- ① Required when winder accommodates reperforsators installed on lower shelf of cabinet.
- ② Will accommodate up to 11/16" tape
- ③ Will accommodate 11/16", 7/8", 1" tape

FIGURE 14. TAPE GUIDES AND ROLLERS

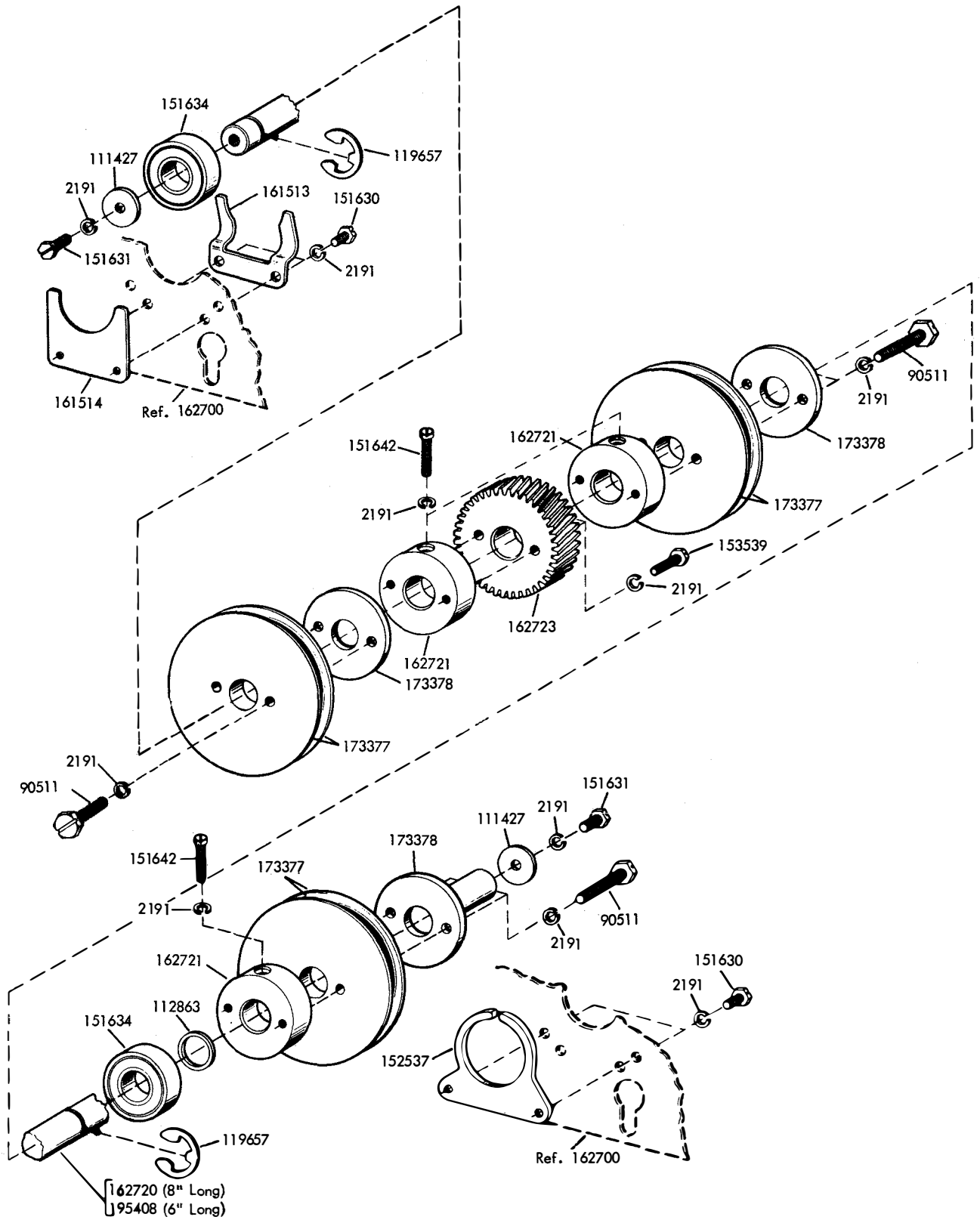


FIGURE 15. SHAFT MECHANISM FOR MOTOR DRIVEN TAPE WINDERS

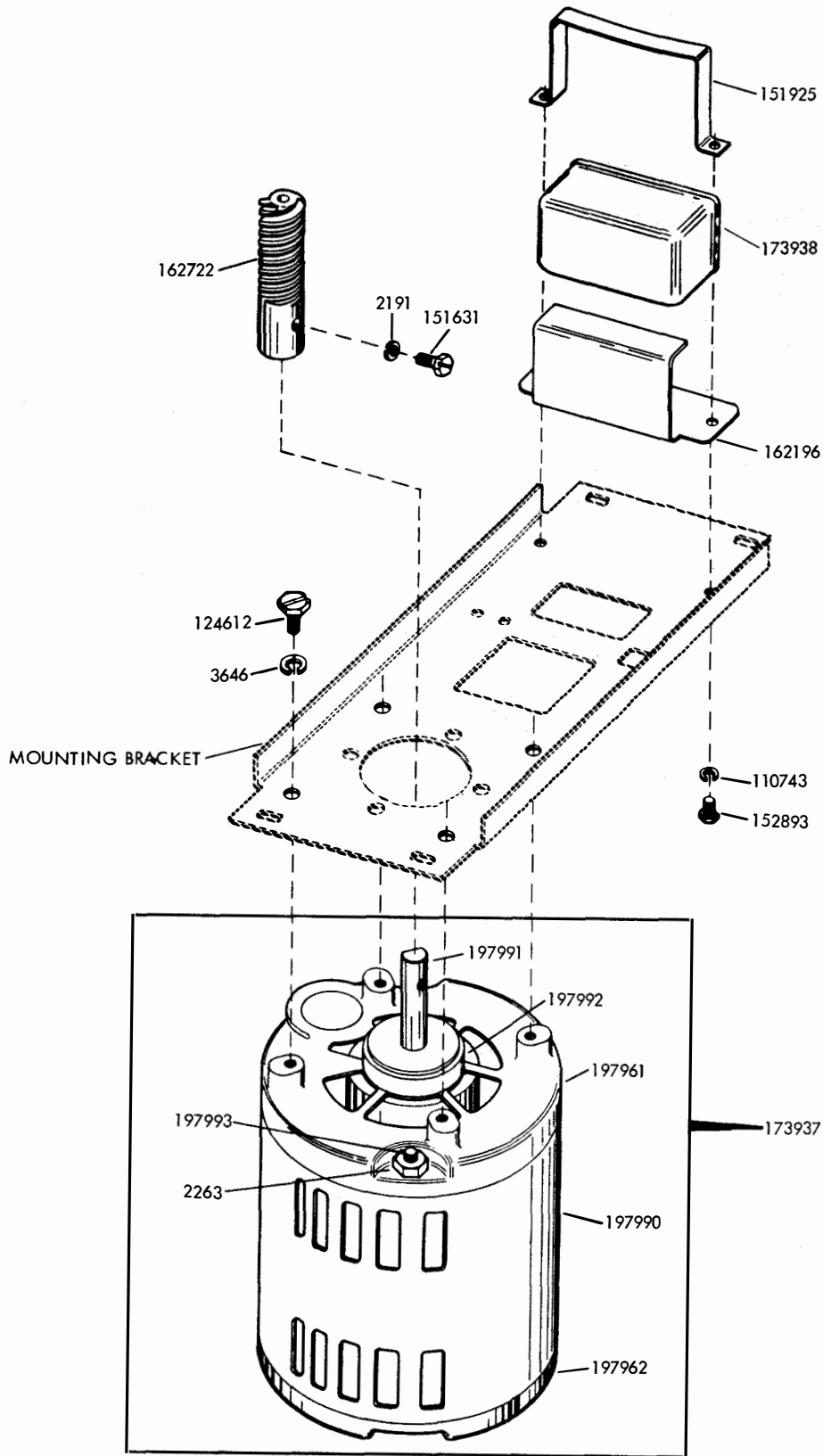
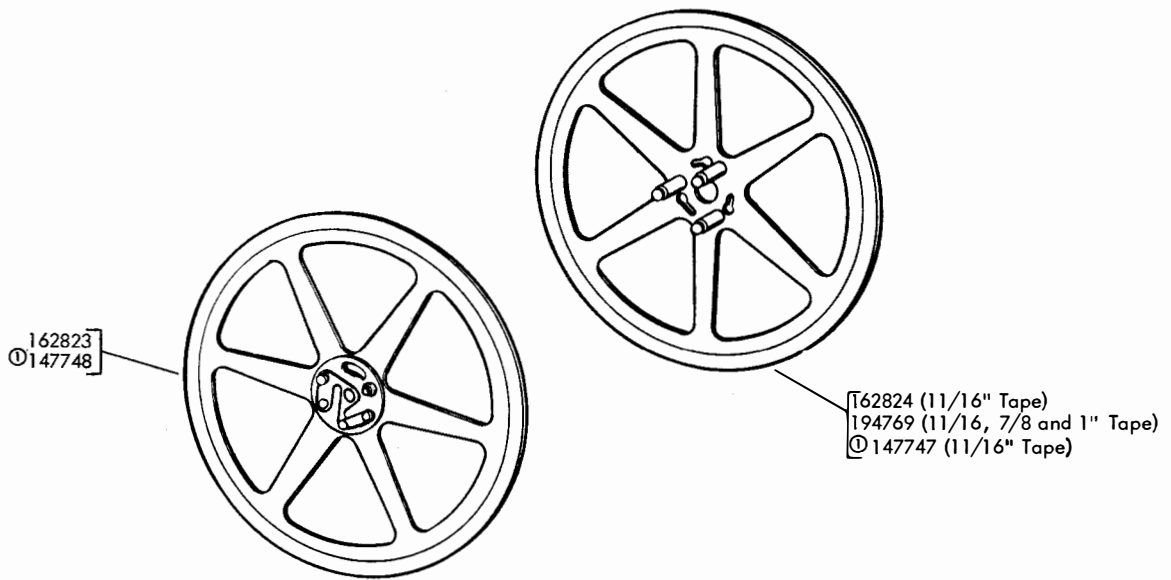
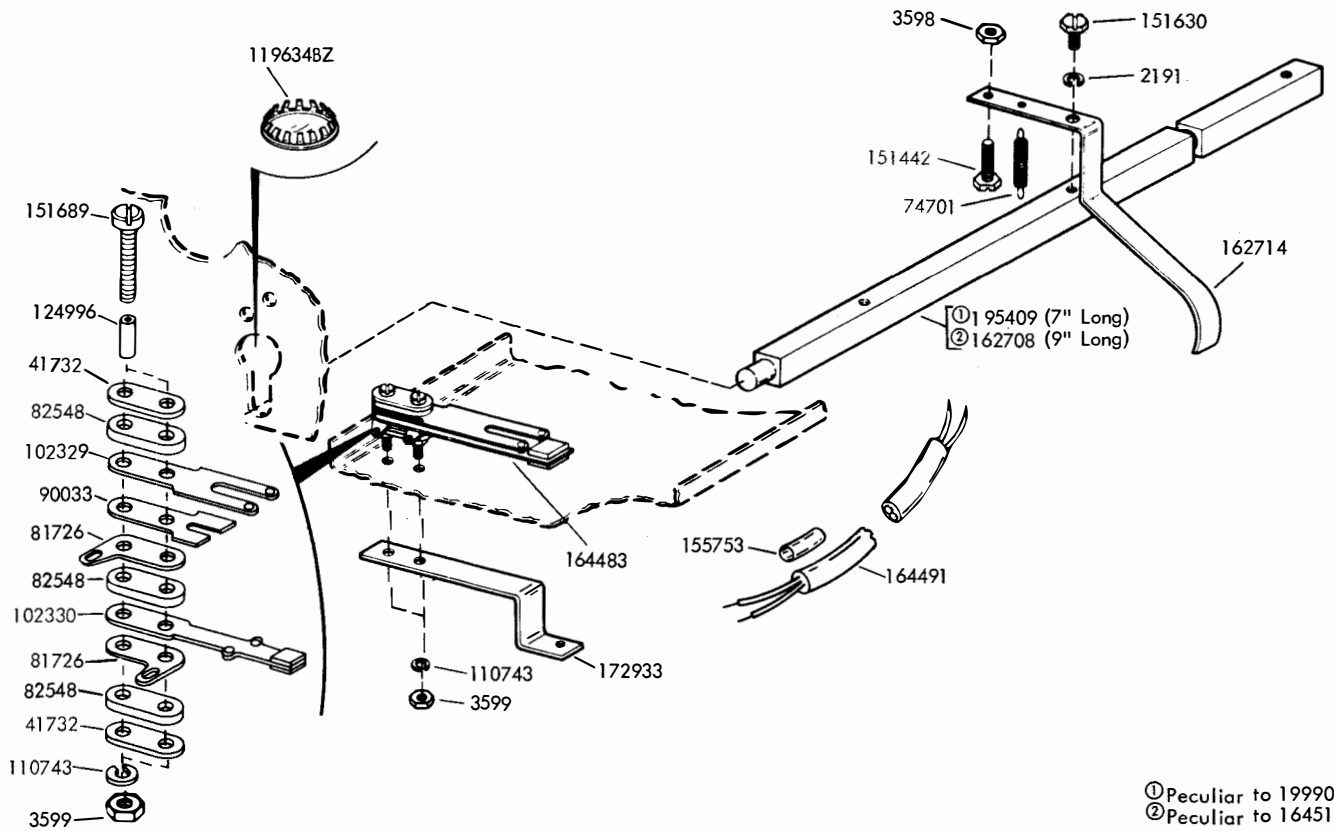


FIGURE 16. MOTOR AND RELAY



① Nylon Extended Down Inside of Spokes

FIGURE 17. TAPE REELS



① Peculiar to 199900
 ② Peculiar to 164516

FIGURE 18. 199900 AND 164516 MODIFICATION KITS TO PROVIDE REEL FULL ALARM

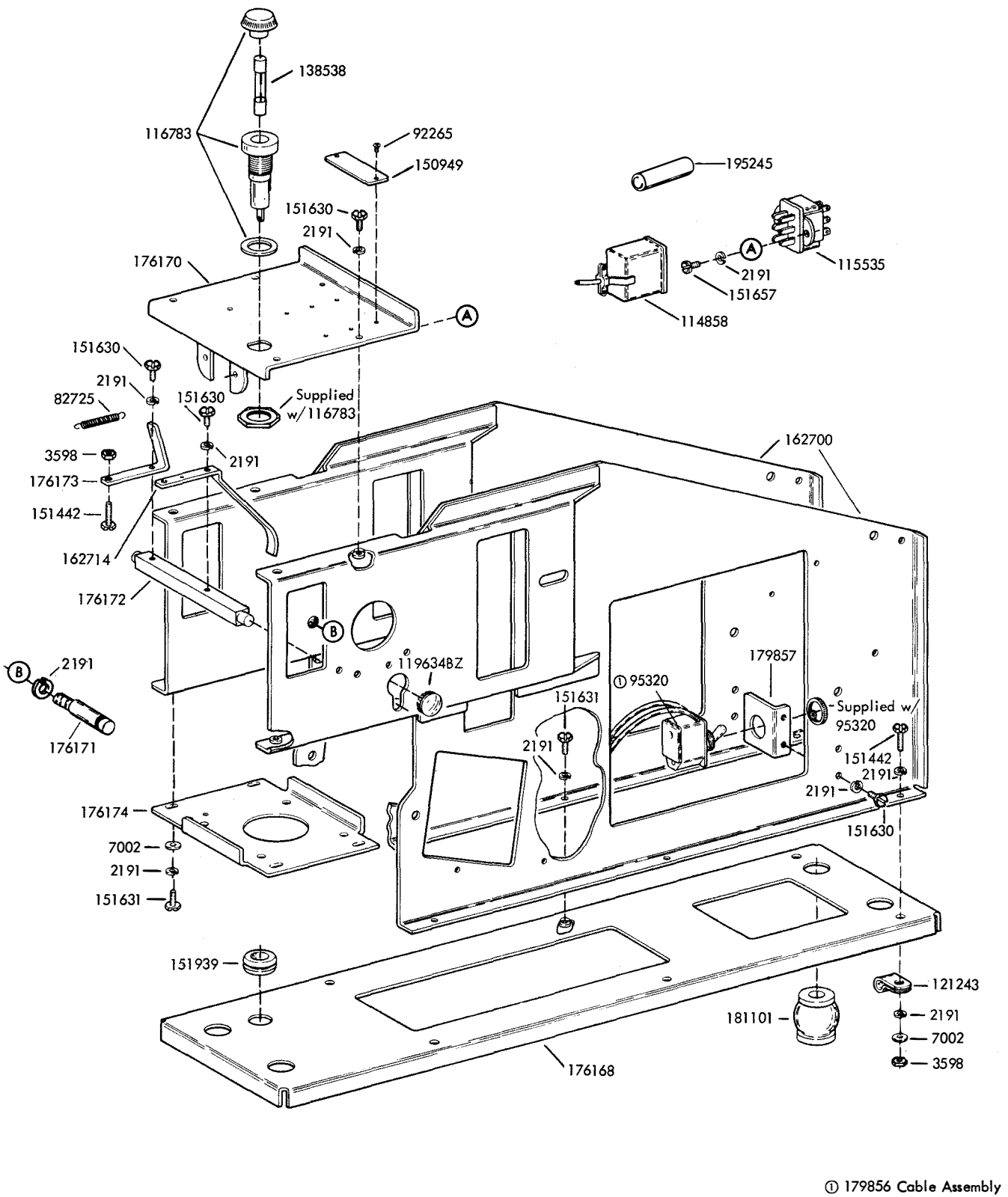


FIGURE 19. BASE AND BRACKETS FOR SINGLE REEL MOTOR DRIVEN TAPE WINDERS

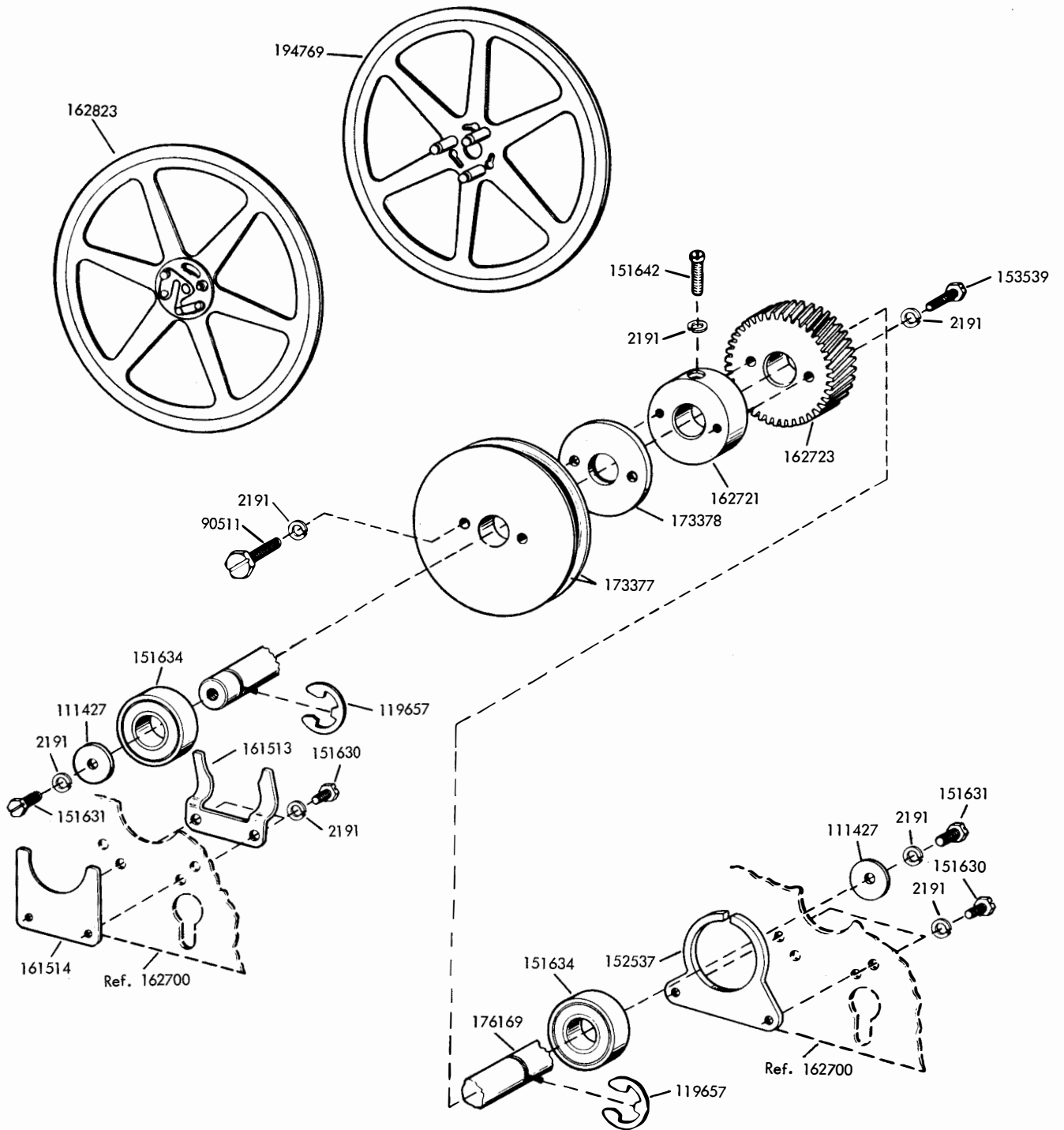


FIGURE 20. TAPE REEL AND SHAFT MECHANISM FOR SINGLE REEL MOTOR DRIVEN TAPE WINDERS

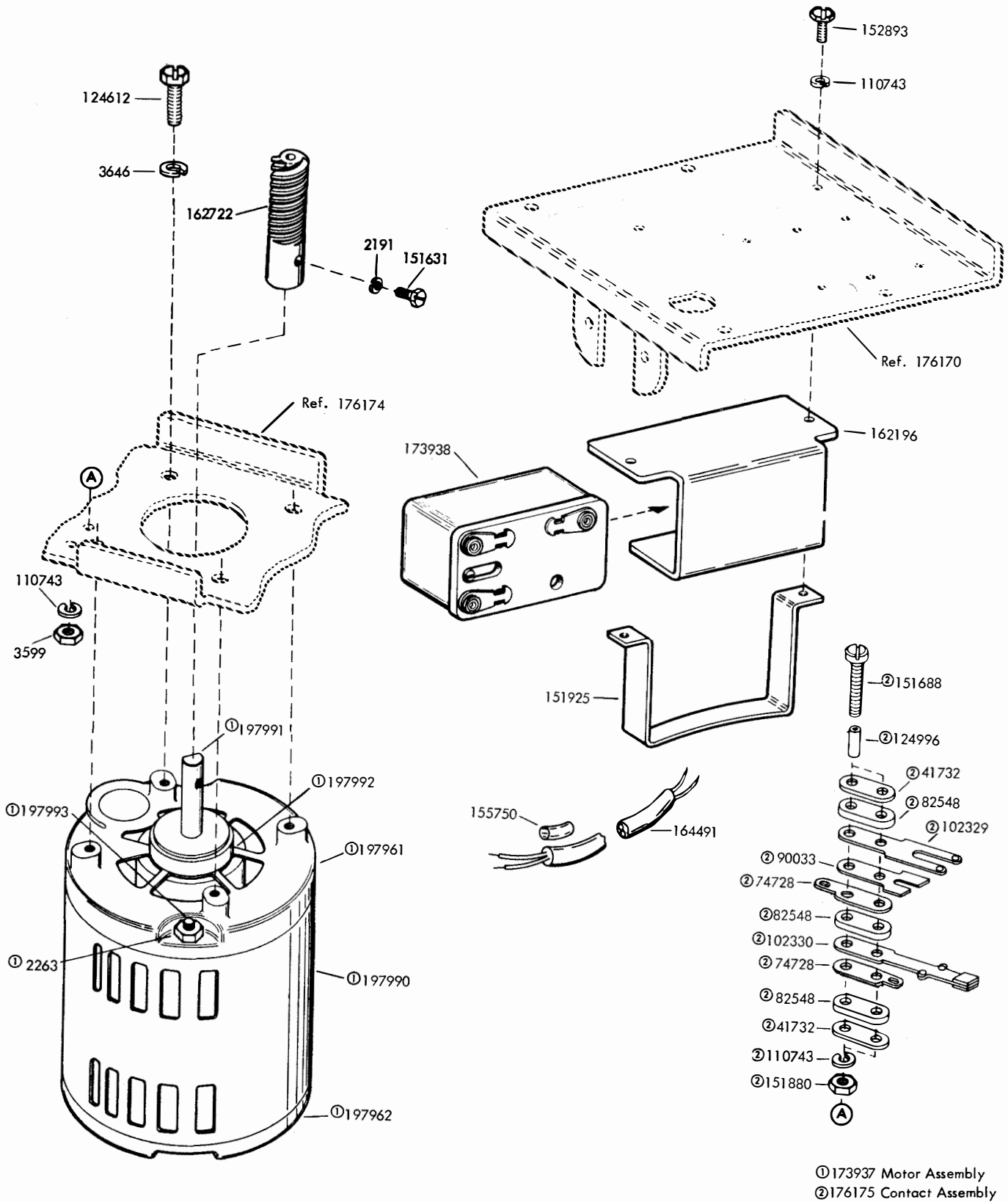


FIGURE 21. MOTOR AND RELAY

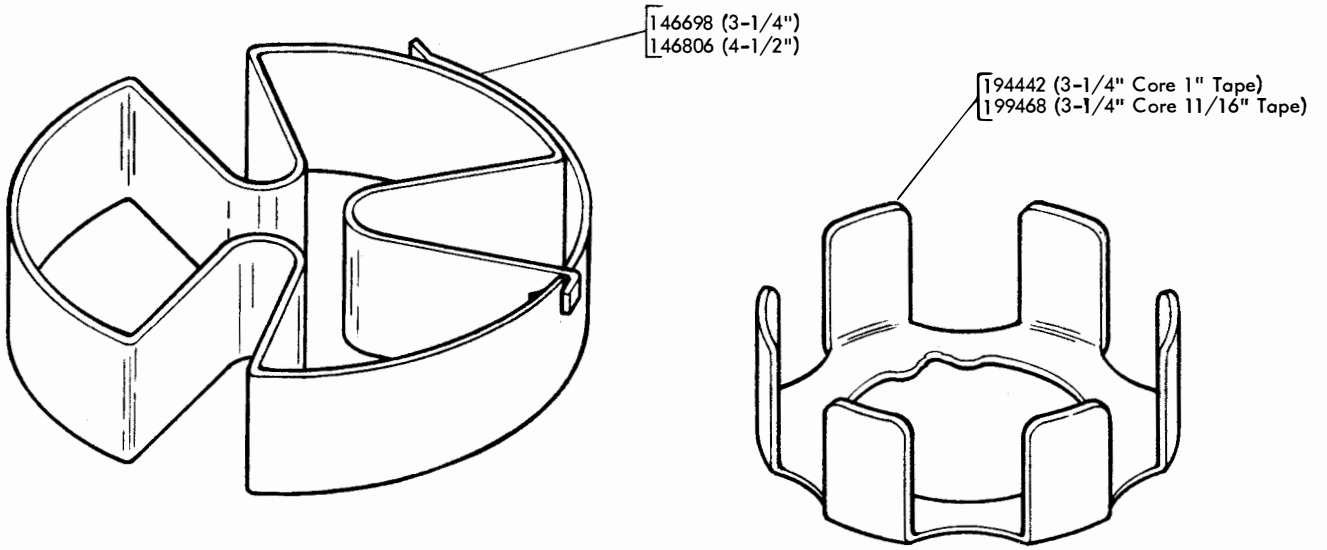


FIGURE 22. TAPE REEL ADAPTERS

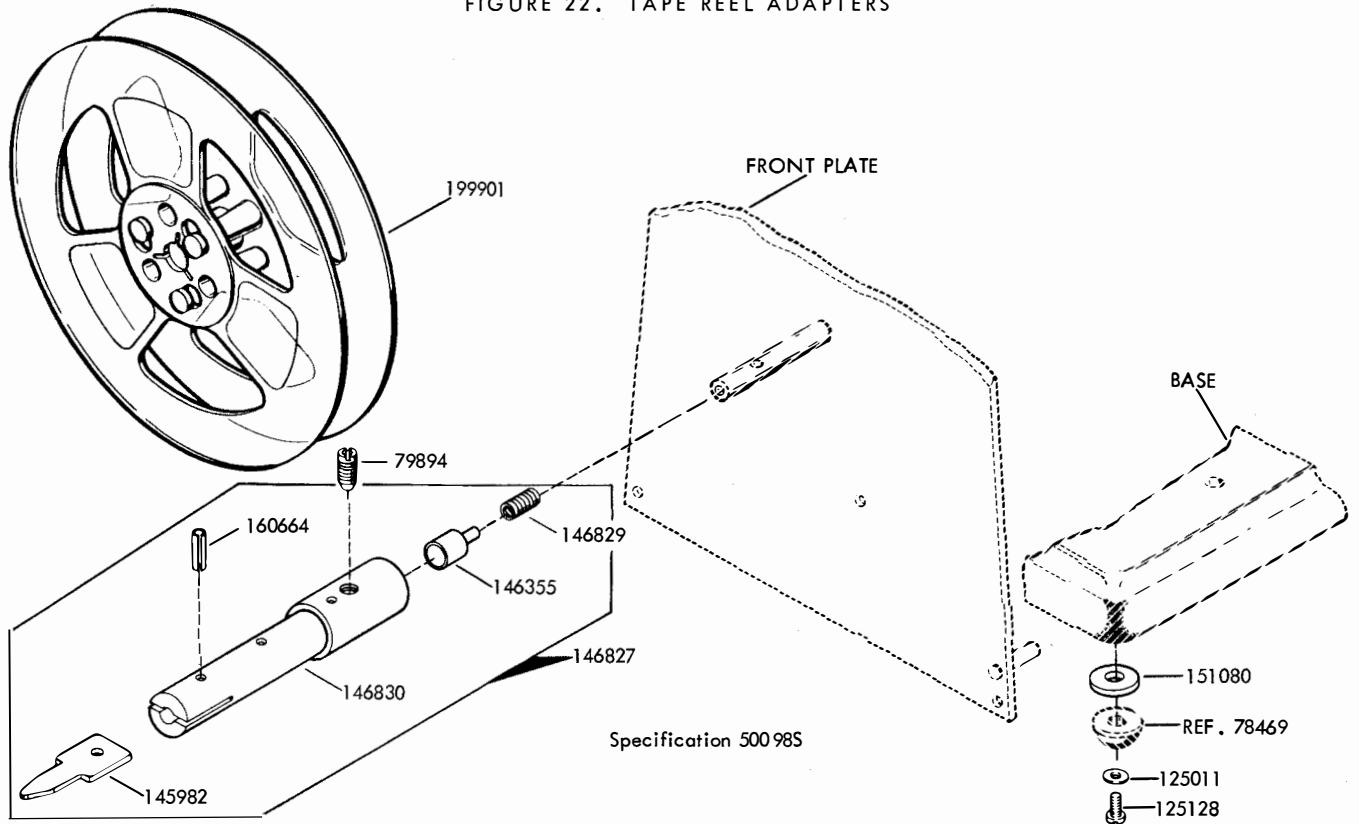


FIGURE 23. 146822 MODIFICATION KIT TO ADAPT SPRING DRIVEN TAPE WINDERS WITH 199901 TAPE REEL

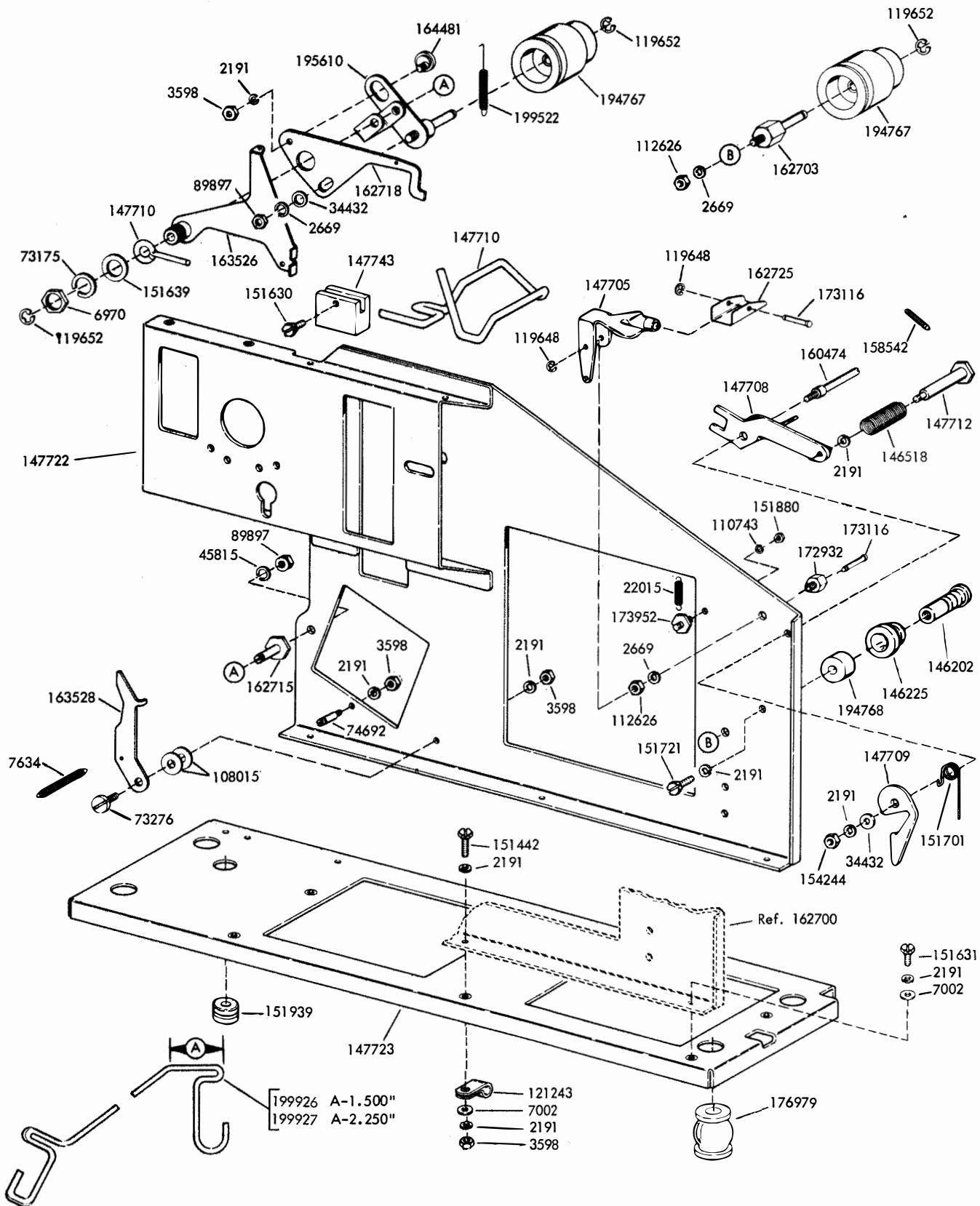


FIGURE 24. TAPE GUIDES AND ROLLERS FOR DOUBLE REEL TAPE WINDER

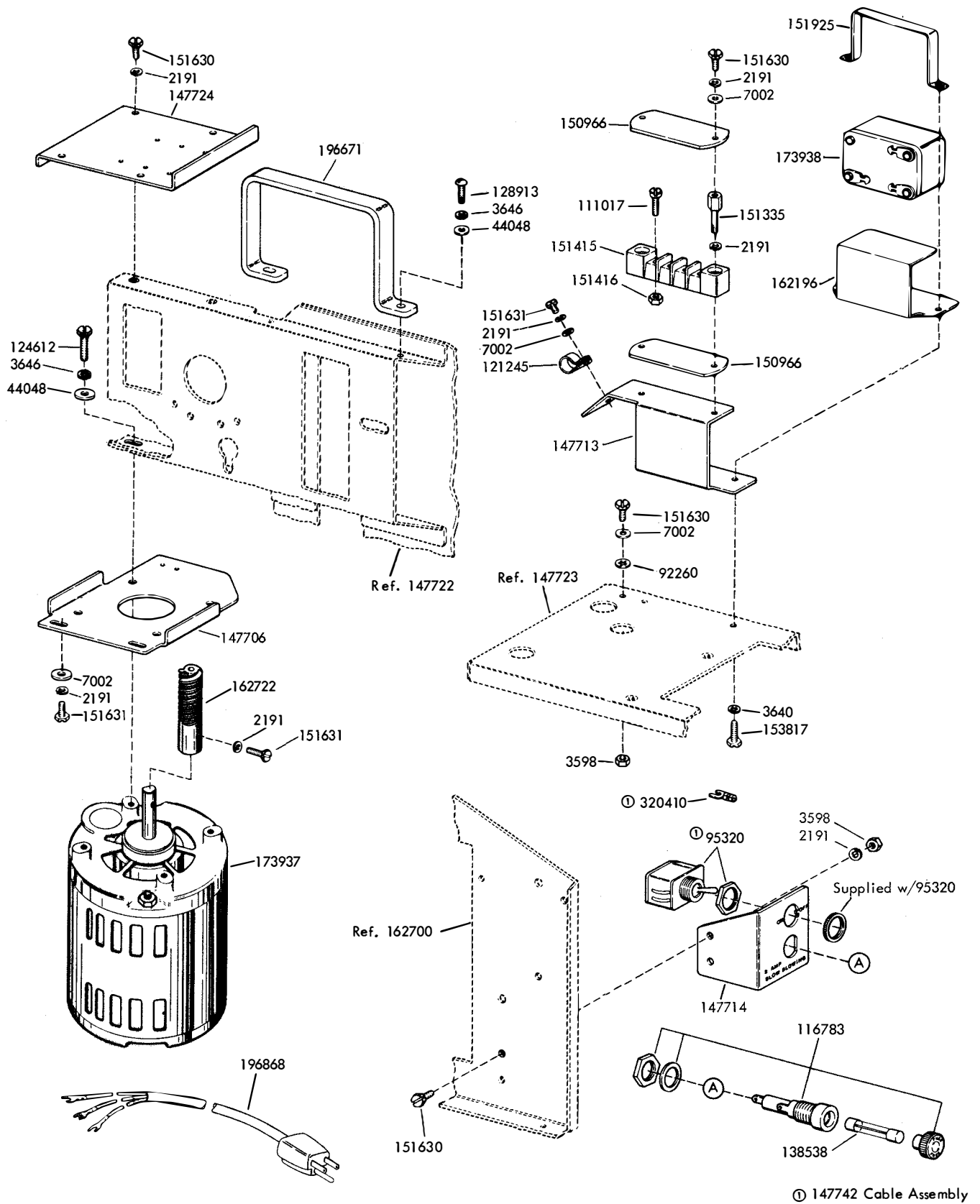


FIGURE 25. ELECTRICAL COMPONENTS FOR DOUBLE REEL TAPE WINDER

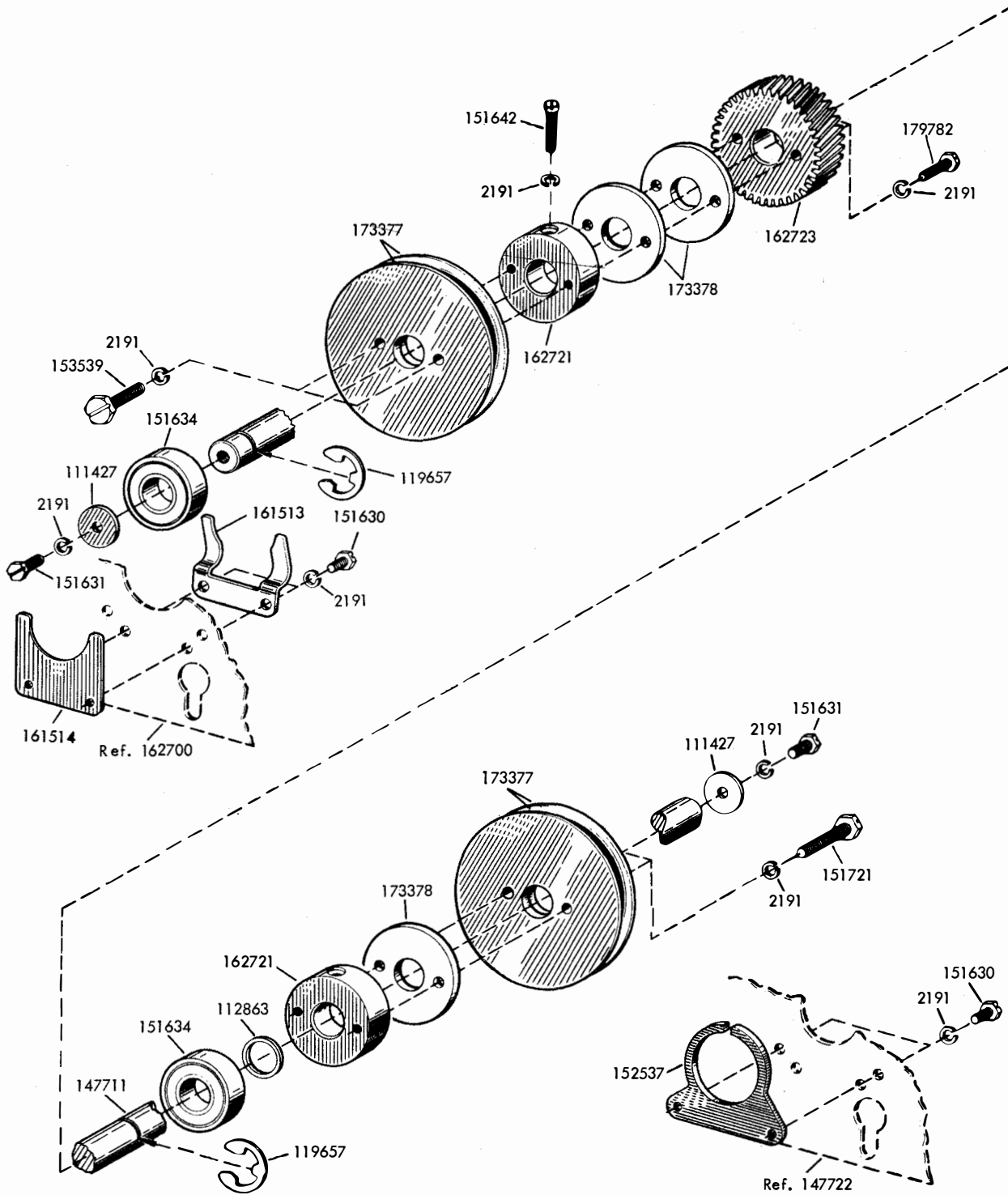


FIGURE 26. SHAFT MECHANISM FOR MOTOR DRIVEN DOUBLE REEL TAPE WINDER

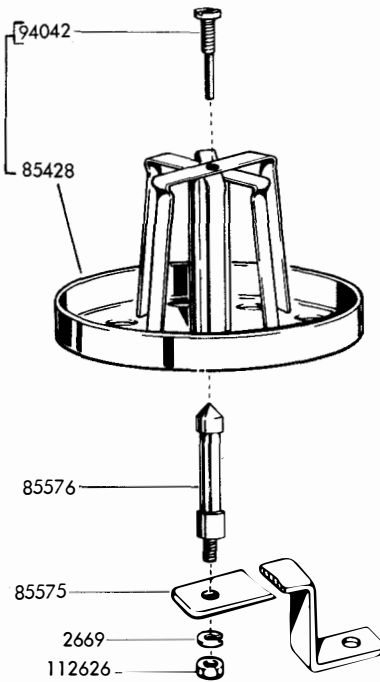


FIGURE 27. 91819 MODIFICATION KIT FOR APPLYING CENTER UNWIND REEL

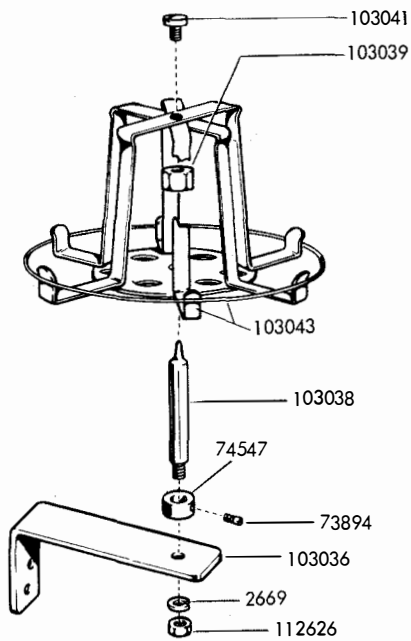


FIGURE 28. 103035 MODIFICATION KIT FOR APPLYING CENTER UNWIND REEL

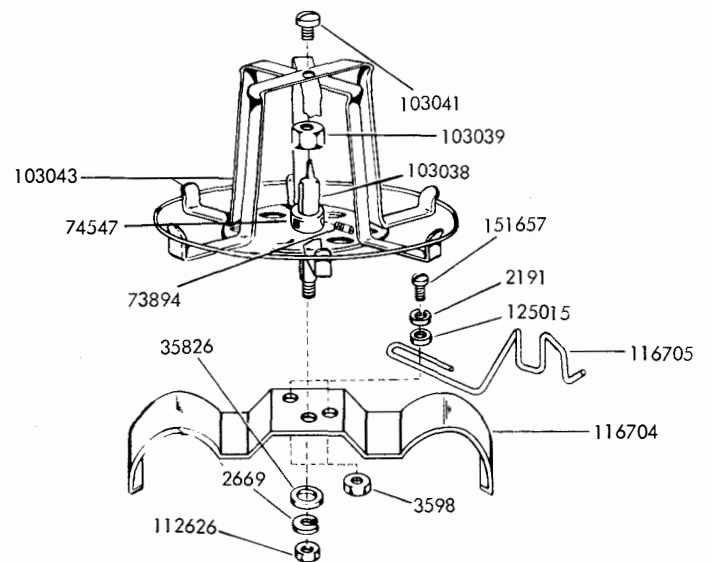


FIGURE 29. 114189 MODIFICATION KIT FOR APPLYING CENTER UNWIND REEL

Specification 5573S

NUMERICAL INDEX

Part Number	Description and Page Number	Part Number	Description and Page Number	Part Number	Description and Page Number
1043	Screw, 10-32 x 5/16 RD 4,5	44048	Washer, Flat 11,23	83408	Screw, 4-40 x 3/16 RD 12
1181	Screw, 6-40 x 11/16 Fil 5	45815	Lockwasher 14,22	83413	Buffer 3
1187	Screw, 10-32 x 1/4 Fil 3,4	45969	Screw, 10-32 x 3/4 Flat 3,6	85428	Reel Assembly, Tape 25
1223	Screw, 10-32 x 1/2 Fil 3	55010	Screw, 10-32 Shoulder 3, 8	85576	Pivot, Tape Reel 25
1248	Screw, 6-40 x 1/2 Flat 8	55309	Screw, 6-32 x 1/2 Oval 12	85575	Bracket, Tape Reel 25
1264	Screw, 10-32 x 1/2 Flat 11	70497	Nut, 5/16-32 Hex 6,9	85931	Post, Spring 8
1268	Screw, 6-40 x 5/16 Flat 3	71047	Washer, Flat 7	85935	Post, Spring 8
1286	Screw, 10-32 x 7/16 Fil 3,8	71646	Nut, 6-32 Hex 12	89897	Nut, 10-32 Hex 14,22
2191	Lockwasher 3 to 20, 22 to 25	71971	Gear, 35T 4	90033	Stiffener 17,20
2199	Nut, 7/16-32 Hex 10	71972	Pinion, 5T 7	90109	Fuse, 3.2 Amp 12
2263	Nut, 8-32 Hex 16,20	73098	Plate, Switch Box 12	90480	Nut, 9/16-32 Capstan 6,9
2382	Lockwasher 12	73175	Lockwasher 6,14,22	90490	Shim, .005" Thk 10
2449	Lockwasher 11	73276	Screw, 6-40 Shoulder 14, 22	90511	Screw, 6-40 x 13/16 Hex 15,19
2539	Nut, 3/8-32 Hex 6	73894	Setscrew, 6-40 25	90565	Spacer 12
2669	Lockwasher 3 to 14, 22,25	74283	Washer, Spring 6,11	90790	Washer, Flat 10
3438	Washer, Flat 3,4,5,6,8, 9,10,11,14	74547	Collar 25	91589	Adapter, Fuse 12
3598	Nut, 6-40 Hex 3,6,8,9,12, 13,14,17,18,22,23,25	74692	Post, Spring 14,22	91683	Nut, 15/32-32 Hex 10
3599	Nut, 4-40 Hex 17,20	74701	Spring 17	91684	Nut, 15/32-32 Ring 10
3606	Nut, 6-40 Hex 13	74702	Spring 3	91819	Modification Kit 1,2,25
3608	Spring 3	74728	Terminal, Contact 20	92260	Lockwasher 23
3640	Lockwasher 12,23	74807	Nut, 10-32 Shoulder Hex 14	92265	Screw, 2-56 x 1/8 RD 18
3646	Lockwasher 11,16,20,23	74952	Screw, 4-40 x 5/8 Fil 12	92854	Connector, 2 Pt Plug 12
4814	Lockwasher 6,9	75257	Post, Spring 3	93030	Mount, Vibration 12
5600	Spacer 12	76086	Washer, Spring 6,9	93582	Washer, Flat 7
5668	Box, Switch 12	76099	Washer, Flat 12	94042	Screw, 6-40 Pilot 25
6345	Nut, 6-32 Hex 12	76249	Screw, 6-40 x 1/8 Fil 3, 12	95002	Holder, Fuse 12
6970	Nut, 3/8-32 Hex 14,22	76395	Disc, Friction 6,9	95320	Switch, SP-ST Toggle 13, 18,23
6994	Bearing, Ball 6,9	76396	Washer, Felt 6,9	98203	Gear, 144T 6,11
7002	Washer, Flat 3,12,13,18, 22,23	76450	Shim, .028" Thk 6,9	98204	Flange, Tape Reel 6
7481	Hub, Gear 4	76484	Fan 7	98205	Reel, Tape 6
7634	Spring 14,22	77140	Nut, 9/16-32 Hex 4,6,9	98206	Core, Tape Reel 6
7825	Spring 8	78245	Screw, 6-32 x 7/8 Flat 12	98207	Knob 6
8330	Washer, Flat 8,12	78420	Collar 4	98208	Core, Tape Reel 6
8333	Screw, 10-32 x 3/8 RD 3	78454	Screw, 10-32 x 7/16 Flat 10	98209	Pinion, 10T 9
22015	Spring 14,22	78469	Foot, Rubber 21	98210	Gear, 108T 4,10
34432	Washer, Flat 3,4,14,22	79894	Screw, 10-32 Set 21	98212	Post, Spring 3
35503	Foot, Rubber 12	80402	Screw, 4-40 x 15/32 Fil 12	98213	Pad, Felt 3
35551	Screw, 10-32 x 3/8 Flat 4	81726	Terminal 17	98214	Channel, Locating 3
35826	Washer, Flat 25	81824	Nut, 4-40 Hex 12	98215	Plate, Base 3
41663	Washer, Flat 6,11	82283	Motor, 110 V AC Synchronous 7	98216	Support, Side Plate 3
41732	Plate, Clamp 17,20	82548	Insulator, .062" Thk 17, 20	98217	Stud 3
41974	Spring 8	82725	Spring 18	98221	Bracket 4,5
				98222	Shaft, Clutch 9
				98223	Cam, Stop 6,9
				98224	Block, Bearing 3
				98225	Arm, Tape Stop 3
				98227	Hub, Gear 4
				98228	Bearing 4

NUMERICAL INDEX (Continued)

Part Number	Description and Page Number	Part Number	Description and Page Number	Part Number	Description and Page Number
98229	Washer, Felt 4	103041	Screw, 6-40 x 1/4 Fil 25	121333	Arm, Right Tape 3,8
98231	Shaft, Cross 4	103043	Spindle 25	123699	Screw, 6-40 Shoulder 6, 11
98232	Plate, Outer 3	103092	Connector, Cord 12	123700	Plate, Locking 6,11
98233	Plate, Inner 3	104066	Guide, Tape 12	123701	Guard, Pinion 6,9
98234	Bracket, Bearing 4	104072**	Cabinet, Tape Winder 12	123702	Guard, Left 4,8
98235	Plate, Bearing 6,9	104302	Pin 11	123703	Guard, Right 4
98236	Lever, Stop 3	104365	Handle 12	123704	Plate, Outer 3
98237	Pin, Long 3,8	104847	Cord 12	123705	Plate, Inner 3
98238	Bracket, Tight Tape 3	104848	Cord Assembly 12	123706	Screw, 10-32 x 1/4 Flat 4,5
98239	Guide, Stop Lever 3	105866	Clamp, 7/16 ID Cable 10	124612	Screw, 8-32 x 1/2 Hex 16, 20,23
98240	Guard, Gear 3	106460	Nameplate 12	124890	Spacer, .188" Thk 4,5
98241	Post 3,6	108015	Washer, Flat 14,22	124996	Bushing 17,20
98242	Post 3	110664	Switch, SP-ST Toggle 10	125006	Screw, 10-32 x 5/8 Flat 6,11
98421	Pin, Short 3	110743	Lockwasher 14,16,17,20,22	125011	Washer, Flat 12,21
98423	Plate, Blocking 4	111017	Screw, 6-40 x 5/16 Fil 23	125015	Washer, Flat 9,12,25
98688	Housing 12	111427	Washer, Flat 15,19,24	125120	Screw, 6-40 Shoulder 3,8
98693	Knob 12	111666	Plate, Base 3	125128	Screw, 4-36 x 5/16 Fil 21
98694	Latch 12	111667	Plate, Inner 3	125171	Screw, 10-32 x 1/2 Flat 4
98704	Spring 12	111669	Coupling 5	125185	Screw, 10-32 x 1/4 RD 4
99082	Screw, 8-32 x 11/16 Hex 11	111671	Shaft, Cross 5	125218	Nut, 1/4-32 Hex 11
99494	Channel, Locating 12	111672	Bracket, Bearing 5	125231	Nut, 10-32 Hex 12
99496	Plate, Base 3	111673	Shaft, Cross 5	125245	Spring, Compression 11
99497	Plate, Inner 3	111674	Coupling 5	126899	Plate, Base 8
99498	Shaft, Cross 4	111675	Bracket 5	126900	Bracket, Motor 10,11
99499	Bracket, Bearing 4	112626	Nut, 10-32 Hex 3,4,8,10, 11,14,22,25	126901	Plate, Inner 8
99817	Foot 12	112863	Spacer, .063" Thk 15,24	126902	Plate, Outer 8
101965	Connector, 3 Pt Plug 7	113746	Modification Kit 8	126903	Bracket 10
102017	Washer, Beveled 6,11	114189	Modification Kit 1,2,25	126904	Bracket 10
102073	Reel Assembly, Tape 1,6	114501	Gear, 192T 6,9	126905	Bearing 10
102212	Plate, Inner Bearing 3,8	114858	Connector, 6 Pt Receptacle 13,18	126907	Shaft 10
102213	Plate, Outer Bearing 3,8	115535	Connector, 6 Pt Plug 13, 18	126908	Gear, 40T 10
102214	Screw, 6-40 x 13/64 Flat 3,8	116704	Holder 25	126909	Pinion, 7T 11
102329	Spring, Contact 17,20	116705	Guide 25	126910	Hub, Gear 10
102330	Spring, Contact 17,20	115743**	Modification Kit 1,2,12	126911	Stud, Eccentric 8
102345	Hub, Locating 6	116783	Holder, Fuse 13,18,23	126912	Lever, Stop 8
102346	Shaft 6	119634**	Button, Plug 13,17,18	126913	Bracket, Clutch Bearing 8
102492	Channel Assembly, Tape Winder 12	119648	Ring, Retaining 14,22	126914	Guide, Stop Lever 8
102495	Cord Assembly 7	119652	Ring, Retaining 14,22	126915	Block 8
102693	Receptacle, 3 Pt Connector 12	119653	Ring, Retaining 11	126916	Arm, Release 8
102755	Screw, 6-40 x 7/16 Flat 12	119657	Ring, Retaining 15,19,24	126917	Block, Mounting 8
102898	Connector, 3 Pt Plug 7	119936**	Cabinet Assembly, Tape Winder 12	126918	Disc, Tape Reel 11
102899	Cord Assembly 7	120175	Plate, ON-OFF 10,13	126919	Bracket, Switch 10
103035	Modification Kit 1,2,25	121243	Clamp, 3/16 ID Cable 13, 18,22	126920	Spring, Friction 11
103036	Bracket, Tape Reel 25	121245	Clamp, 5/16 ID Cable 3, 4,23	126924	Knob, Tape Reel 11
103038	Post 25	121332	Arm, Left Tape 3		
103039	Nut, 6-40 Spl 25				

**Refer to page 1 for finish suffix

NUMERICAL INDEX (Continued)

Part Number	Description and Page Number	Part Number	Description and Page Number	Part Number	Description and Page Number
126987	Motor, 115 V 60 Cycle AC 11	150990	Washer, Felt 10	153539	Screw, 6-40 x 11/16 Hex 15,19,24
126988	Arm, Tape 8	150991	Washer, Felt 10	153817	Screw, 4-40 x 3/8 Hex 23
126989	Bracket, Tight Tape 8	151080	Washer, Flat 21	154244	Nut, 6-40 Shoulder 14,22
128913	Screw, 8-32 Self-Tapping 23	151335	Stud 23	155718	Jumper, 3" Black 13
129082	Plate, Direction 8	151346	Screw, 6-40 x 3/8 Fil 3, 4,6,7,12	155750	Sleeve, 3/32 ID x 1/2" Lg Insulating 20
129675	Guide, Tape 8	151415	Block, Terminal 23	155753	Sleeve, 1/8 ID x 1/2" Lg Insulating 10,13,17
129676	Washer, Clamp 8	151416	Nut, 6-40 Hex 23	157215	Mount, Vibration 13
135378	Pinion, 10T 6	151442	Screw, 6-40 x 1/2 Hex 17, 18,22	158542	Spring 14,22
135379	Shaft, Clutch 6	151606	Screw, 10-32 x 1/4 Hex 8	159222	Reel Assembly, Tape 1,11
138538	Fuse, SL-BL 2 Amp 13,18, 23	151630	Screw, 6-40 x 1/4 Hex 8, 13,15,17,18,19,22,23,24	159227	Core, Tape Reel 11
139094	Cable 11	151631	Screw, 6-40 x 5/16 Hex 10,13,15,16,18,19,20,22, 23,24	159228	Core, Tape Reel 11
139159	Connector, 3 Pt Plug 11	151634	Bearing, Ball 15,19,24	160471	Shaft 11
139190	Arm, Tape 8	151639	Washer, Flat 14,22	160472	Hub 11
145982	Detent, Tape Reel 21	151642	Screw, 6-40 x 3/4 Fil 15, 19,24	160473	Block 11
146202	Post, Tape Guide 14,22	151657	Screw, 6-40 x 1/4 Fil 3, 10,13,18,25	160474	Stud, Eccentric 14,22
146225	Collar 14,22	151658	Screw, 6 x 40 x 5/16 Fil 10	160664	Pin, Roll 21
146355	Plunger 21	151659	Screw, 6-40 x 1/2 Fil 4, 6,8,10,11	161513	Clamp 15,19,24
146518	Roller, Spring 22	151688	Screw, 4-40 x 5/8 Fil 20	161514	Plate 15,19,24
146698	Adapter, Tape Reel 21	151689	Screw, 4-40 x 3/4 Fil 17	161552	Screw, 10-32 Spl 13
146806	Adapter, Tape Reel 21	151691	Screw, 10-32 x 3/8 Fil 3,12	162196	Insulator 16,20,23
146822	Modification Kit 1,21	151692	Screw, 6-40 x 3/16 Fil 4,8,9	162700	Bracket w/Extension 13, 15,18,19,22,23,24
146827	Hub Assembly 21	151693	Screw, 6-40 x 9/16 Fil 4,10	162701	Bracket 13
146829	Spring, Compression 21	151701	Spring, Torsion 22	162702	Plate, Base 13
146830	Hub 21	151721	Screw, 6-40 x 3/4 Hex 14, 22,24	162703	Stud 14,22
147705	Arm, Spring 22	151723	Screw, 10-32 x 3/8 Hex 4,5,6,10	162704	Plate, Cover 199963 13
147706	Plate, Motor Mounting 23	151724	Screw, 10-32 x 5/8 Hex 7,11	162706	Bracket 13
147708	Guide, Tape 22	151880	Nut, 4-40 Hex 14,20,22	162708	Rod, Pivot 17
147709	Latch 22	151925	Clamp 16,20,23	162714	Arm 17,18
147710	Arm, Tape 22	151939	Grommet, Rubber 13,18,22	162715	Std 14,22
147711	Shaft 24	152537	Clamp 15,24	162716	Arm, Tape 14
147712	Post, Roller 22	152893	Screw, 4-40 x 1/4 Hex 16,20	162718	Arm 14,22
147713	Bracket 23	153442	Screw, 10-32 x 1/2 Hex 7	162719	Roller, Guide 14
147714	Bracket, Switch 23	153538	Screw, 6-40 x 7/16 Hex 13	162720	Shaft 15
147720**	Modification Kit 2			162721	Hub 15,19,24
147722	Bracket w/Extension 22, 23,24			162722	Pinion, 4T 16,20,23
147723	Base 22,23			162723	Gear, 40T 15,19,24
147724	Coverplate 23			162725	Depressor, Chad 14,22
147742	Cable Assembly 23			162823	Disc, Tape Reel 17,19
147743	Bracket 22			162824	Disc, Tape Reel 17
147747	Disc, Tape Reel 17			162999	Roller w/Bearing 14
147748	Disc, Tape Reel 17			163523	Spring 14
150040	Screw, 6-40 x 5/8 Fil 7			163526	Bracket w/Post 14,22
150949	Plate, Identification 18			163527	Arm 14
150966	Insulator, Terminal Block 23			163528	Latch 14,22
				163633	Post 14
				164481	Screw, 6-40 Eccentric 14, 22

**Refer to page 1 for finish suffix

NUMERICAL INDEX (Continued)

Part Number	Description and Page Number	Part Number	Description and Page Number	Part Number	Description and Page Number
164483	Contact Assembly 17	176174	Plate, Motor Mounting 18, 20	196671	Handle 23
164491	Cable 17,20	176175	Contact Assembly 20	196868	Cord, Power 23
164516	Modification Kit 1,17	176979	Mount, Vibration 22	197961	Shield, End 16,20
172932	Stud 14,22	179782	Screw, 6-40 x 7/8 Hex 24	197962	Shield, End 16,20
172933	Bracket, Spring 17	179856	Cable Assembly 13,18	197990	Stator, Motor 16,20
172981	Arm, Spring 14	179857	Bracket, Switch 13,18	197991	Rotor, Motor 16,20
173116	Pin 14,22	181101	Isolator, Vibrating 13, 18	197992	Washer, Thrust 16,20
173149	Guide, Tape 14	194442	Adapter, Tape Reel 2,21	197993	Screw, 8-32 x 3-7/8 Fil 16,20
173377	Wheel, Drive 15,19,24	194766	Guide, Tape 14	199468	Adapter, Tape Reel 2,21
173378	Washer, Flat 15,19,24	194767	Roller, Guide 14,22	199522	Spring 14,22
173937	Motor, 115 V Induction 16,20,23	194768	Spacer, .375" Thk 14,22	199900	Modification Kit 1,17
173938	Relay 16,20,23	194769	Disc, Tape Reel 17,19	199901	Reel, 7-1/2" Tape 1,21
173939	Plate, Motor Mounting 13	194861**	Modification Kit 2	199926	Guide, Tape 22
173952	Post, Spring 14,22	195245	Sleeve, 1/2 ID x 1-1/2" Lg Insulating 13,18	199927	Guide, Tape 22
173953	Guide, Tape 14	195405	Plate, Base 13	199933	Guide 2
173974	Screw, 10-32 x 5/16 Hex 8,9,10	195406	Coverplate 13	199963	Coverplate 13
176168	Plate, Base 18	195408	Shaft 15	310623	Latch 14
176169	Shaft 19	195409	Rod, Pivot 17	320278**	Shelf 2
176170	Coverplate 18,20	195410	Plate, Motor Mounting 13	320410	Terminal, Spade Type 13, 23
176171	Post, Spring 18	195610	Arm 14,22	320412	Terminal, Spade Type 7
176172	Rod, Pivot 18			320420	Terminal, Ring Type 11
176173	Arm 18				

**Refer to page 1 for finish suffix

