

PAPER WINDER (LPW)

FIGURE	CONTENTS	PAGE
1	Paper Winder Mechanism	2
2	Copy Display Racks	3
	Numerical Index	4

PAINT FINISH COLOR CODE CHART (for parts and assemblies requiring a paint finish)													
Color	Finish Suffixes				Color	Finish Suffixes							
	Wrinkle Finish	Smooth Finish	Textured Vinyl	Smooth Vinyl		Wrinkle Finish	Smooth Finish	Textured Vinyl	Smooth Vinyl				
Beige	AA (37)	ET	GC	HC	Gray, Federal	AB (40)	BV	GG	HB (68)				
Beige, Light		EL			Gray, Green		BK			GA (45)	HE		
Beige, Rose		ER			Gray, Light		EJ			HF (46)			
Black		BA (34)			BB		Gray, Covert			EW	GE		
Black, High Gloss							Gray, Olive						
Black, Semi Gloss							Gray, Maritime Deck						
Blue, Aqua							AJ					BJ	
Blue, Brussels Light		EC			ES		Gray, Oxford			AB (40)	BK	GA (45)	HD
Blue, Medium							Green, Gray						
Brown, Dark		AD (38)			HG		Green, Moss			EN	EM	EU	
Brown, Light	AC (39)	Ivory											
Fawn	AL	BZ	GF	HA	EH	EG							
Gray, Beige							GC	Turquoise					
Gray, Charcoal							GF	White					
Gray, Dark							GB	Yellow, Pastel					

The double asterisk (**) denotes a painted part. Suffix to be applied following the part number.
Number in parentheses indicates Bell System code



Unit Description	Teletype Code	Bell System Code
Paper Winder	LPW 300**	1A**

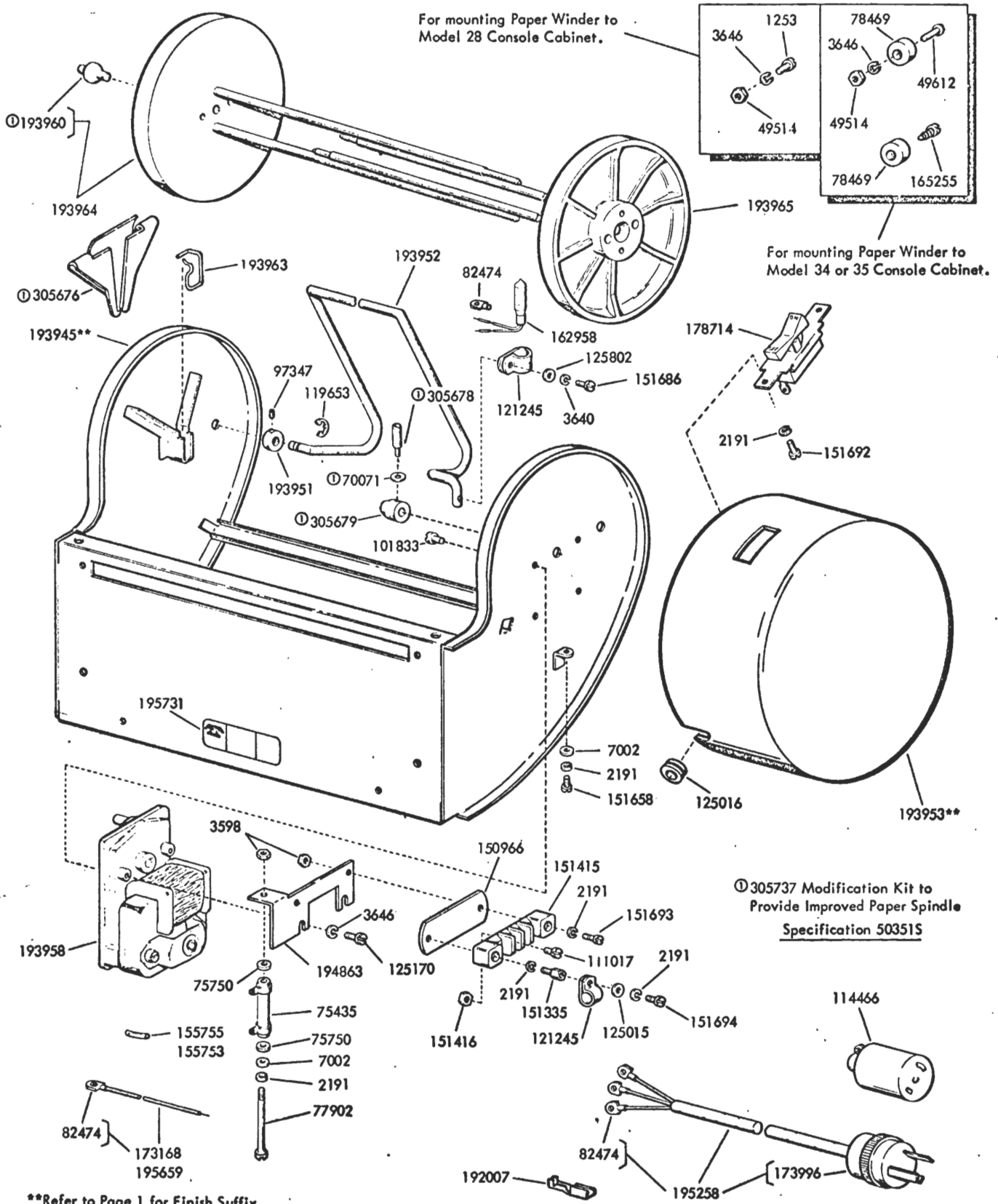
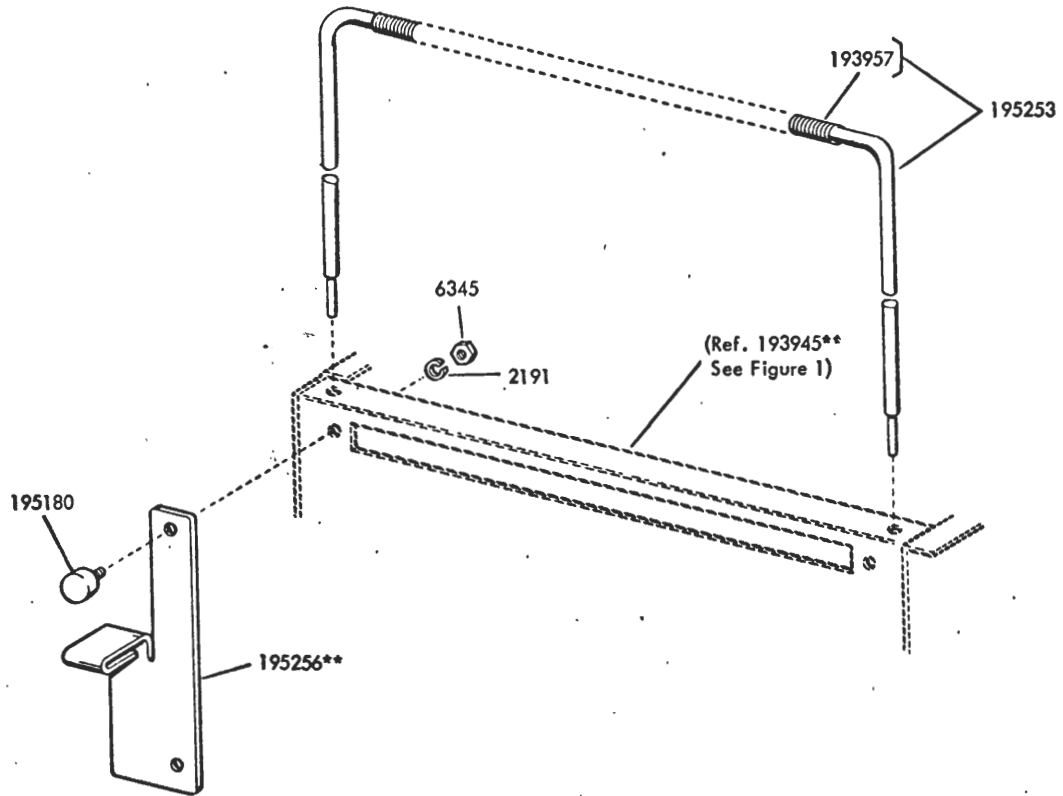
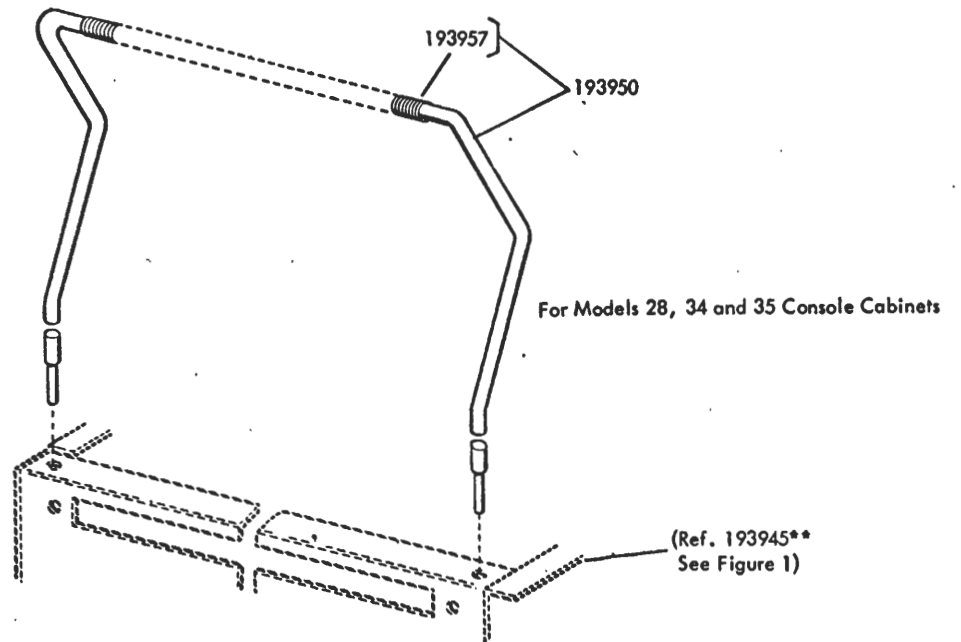


FIGURE 1. PAPER WINDER MECHANISM



195259** Modification Kit to provide copy display for Models 32 and 33 Page Printers

Specification 501435



For Models 28, 34 and 35 Console Cabinets

Specification 501435

**Refer to Page 1 for Finish Suffix

FIGURE 2. COPY DISPLAY RACKS

NUMERICAL INDEX - SECTION 2

Part Number	Description and Page Number	Part Number	Description and Page Number	Part Number	Description and Page Number
1253	Screw (8-32 x 5/16 Fil) 2	125015	Washer, Flat 2	193950	Rack Assembly, Display 3
2191	Washer, Lock 2,3	125016	Grommet 2	193951	Guide, Paper 2
3598	Nut (6-40 Hex) 2	125170	Screw (8-32 x 5/16 Fil) 2	193952	Bail, Paper Slack 2
3640	Washer, Lock 2	125802	Washer, Flat 2	193953**	Housing, Motor 2
3646	Washer, Lock 2	150966	Insulator 2	193957	Spring 3
6345	Nut (6-32 Hex) 3	151335	Post 2	193958	Motor: 115V, 50/60Cycle, AC 2
7002	Washer, Flat 2	151415	Block, Terminal 2	193960	Pilot 2
45815	Washer, Lock 2	151416	Nut (6-40 Hex) 2	193963	Clip, Spring 2
49514	Nut (8-32 Hex) 2	151658	Screw (6-40 x 5/16 Fil) 2	193964	Flange, Right 2
49612	Screw (8-32 x 9/16 Rd) 2	151686	Screw (4-40 x 3/8 Fil) 2	193965	Flange, Left 2
70071	Washer, Lock 2	151692	Screw (6-40 x 3/16 Fil) 2	194863	Bracket 2
75435	Resistor (600 Ohms) 2	151693	Screw (6-40 x 9/16 Fil) 2	195180	Bumper 3
75750	Washer, Insulating 2	151694	Screw (6-40 x 11/32 Fil) 2	195253	Rack Assembly, Display 3
77902	Screw (6-40 x 2-3/8 Rd) 2	155753	Sleeve, Insulating (1/8x1/2) 2	195256**	Hanger 3
78469	Foot, Rubber 2	155755	Sleeve, Insulating (11/64 x 5/8) 2	195258	Cable Assembly 2
82474	Terminal 2	162958	Switch, Mercury 2	195259**	Modification Kit 3
97347	Screw, Set (4-40 x 1/8) 2	165255	Screw, Sheet Metal (#8) 2	195659	Jumper (3" Black) 2
101833	Screw (8-32 x 5/16 Fil) 2	173168	Jumper (4-1/2" Black) 2	195731	Plate, Identification 2
111017	Screw (6-40 x 5/16 Fil) 2	173996	Connector, Plug (3 Pt) 2	305676	Retainer 2
114466	Connector, Receptacle (3 Pt) 2	178714	Switch (On-Off) 2	305678	Post 2
119653	Ring, Retaining 2	192007	Terminal, Tab Type 2	305679	Bearing 2
121245	Clamp, Cable (5/16" ID) 2	193945**	Bracket 2	305737	Modification Kit 2

**Refer to Page 1 for Finish Suffix