

14 TRANSMITTER-DISTRIBUTOR

WIRING DIAGRAM

CONTENTS	PAGE	
1. GENERAL .....	1	1.02 This section is reissued to include Figures 12, 13, and show a change in Figure 1.
2. WIRING DIAGRAMS .....	2	1.03 The wiring shown in Figures 1, 2, and 3 for transmitter-distributors which are used at teletypewriter stations, covers the ac clutch magnet which is adapted for use on either ac- or dc-power supply.
14A, 14B, 14H, 14J, 14Y, 14AE, 14AE-38A, and 14AU Transmitter-Distributors (Synchronous Motor).....	2	1.04 Figures 4 and 5 cover the wiring of test message transmitter-distributors which are used in connection with central office apparatus.
14AA Transmitter-Distributor (Synchronous Motor) .....	8	1.05 Figure 6 shows the type of transmitter-distributor which is used at the switching center of an 81-type system. Figures 7 and 8 are types of transmitter-distributors which are used at an outlying station of an 81-type system.
14AB Transmitter-Distributor (AC-Governed Motor).....	9	1.06 Figures 9, 10, and 11 show the transmitter-distributors used with the 131 teletypewriter subscriber set.
14AD Transmitter-Distributor (DC-Governed Motor).....	10	1.07 Figure 12 shows the transmitter-distributors used with the 83BI system. The 14BH unit is used for 60 wpm and the 14BJ for 75 wpm operation.
14BD and 14BE Transmitter-Distributors (Synchronous Motor).....	6	1.08 Figure 13 shows the transmitter-distributor used with the Teletypewriter Automatic Dispatch System (TADS).
14BF and 14BG Transmitter-Distributors (DC-Shunt Motor) ...	7	1.09 Some of the earlier sets were shipped with a strap across the 350-ohm portion of the resistor in series with the start magnet. This strap should be removed when the start magnet is operated on dc power, otherwise, the 175-ohm resistor will severely overheat. The 350-ohm resistor should be strapped out when the ac start magnet is operated on ac power.
14BH and 14BJ Transmitter-Distributors .....	11	
14BK Transmitter-Distributor ...	12	
14C, 14K, and 14AF Transmitter-Distributors (DC-Shunt Motor) ...	2	
14D, 14L, and 14BA Transmitter-Distributors (AC-Series Motor)...	3	
14F, 14G, 14P, and 14AW Transmitter-Distributors (Synchronous Motor) .....	3	
14M and 14AT Transmitter-Distributors (AC-Series Motor)...	4	
14W, 14W38 -A, 14W38-BB, and 14W38-BC Transmitter-Distributors .....	5	
1. GENERAL		
1.01 This section covers the wiring of 14-type transmitter-distributors. The diagrams show the wiring of the machines as they are received from the factory.		

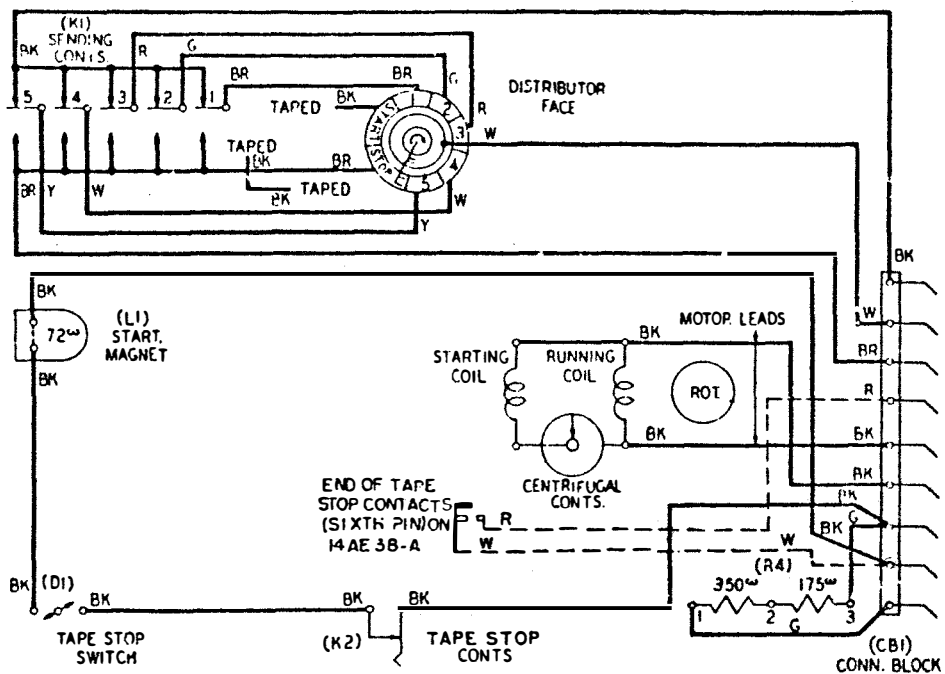


Figure 1 - 14A, 14B, 14H, 14J, 14Y, 14AE, 14AE-38A, and 14AU Transmitter-Distributors (Synchronous Motor)

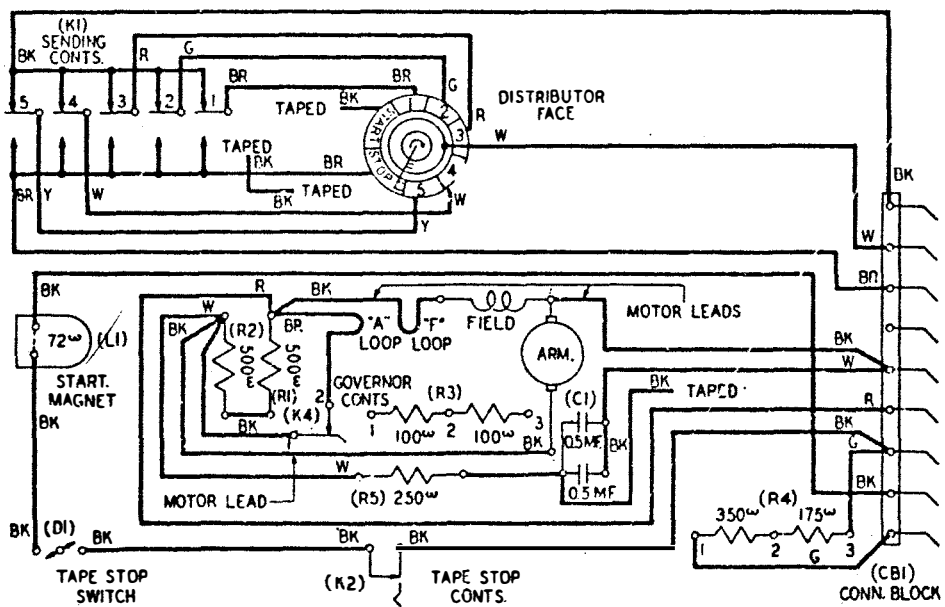


Figure 2 - 14C, 14K, and 14AF Transmitter-Distributors (D. C. Shunt Motor)

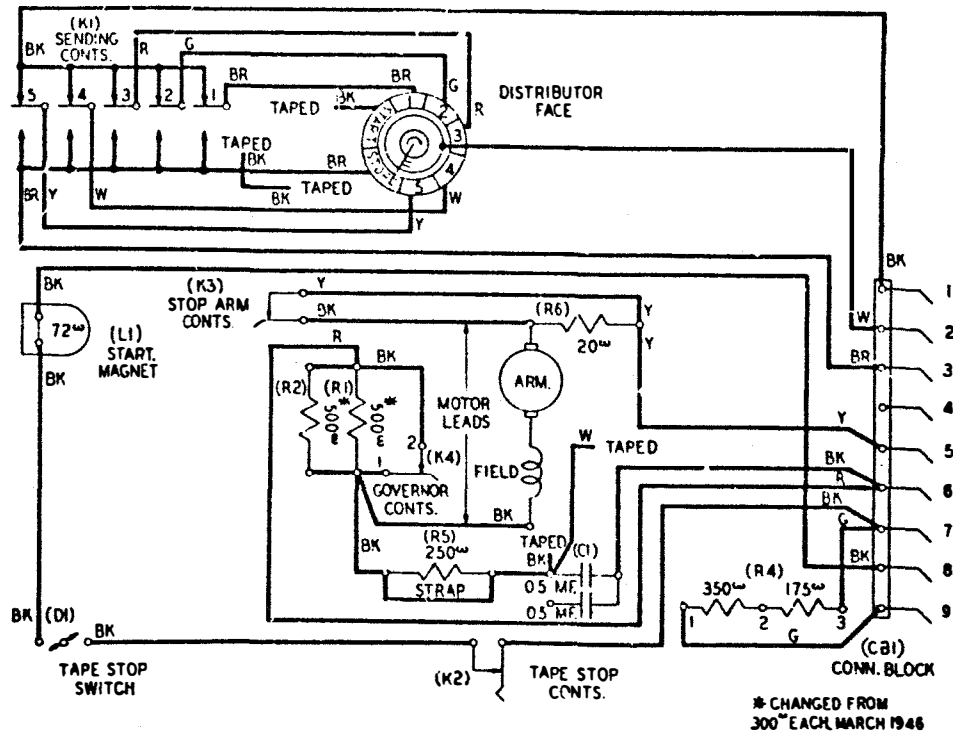


Figure 3 - 14D, 14L, and 14BA Transmitter-Distributors  
(AC Series Motor)

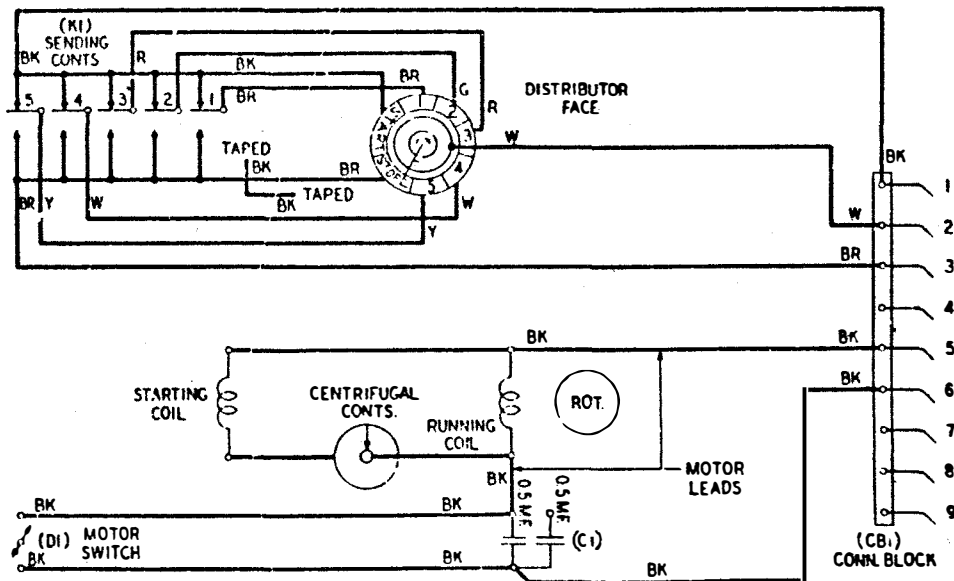


Figure 4 - 14F, 14G, 14P, and 14AW Transmitter-Distributors  
(Synchronous Motor)

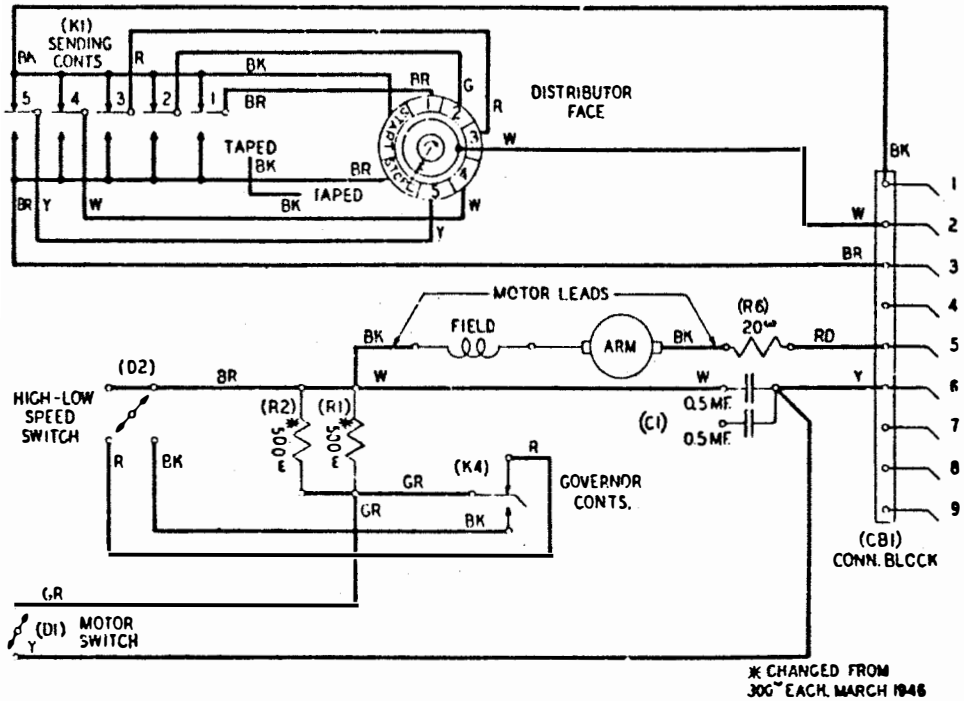


Figure 5 - 14M and 14AT Transmitter-Distributors  
(AC Series Motor)

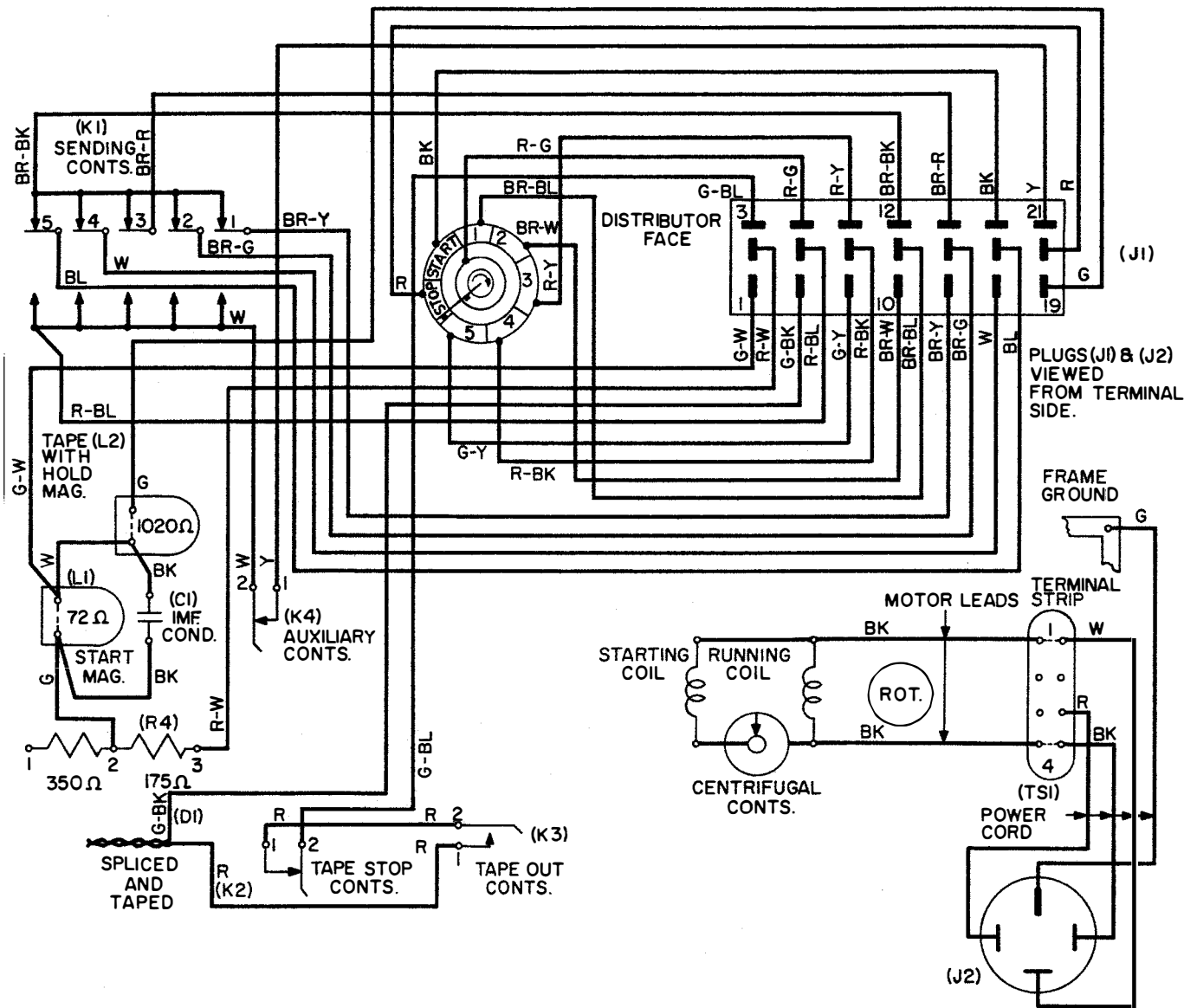


Figure 6 - 14W, 14W38-A, 14W38-BB, and 14W38-BC Transmitter-Distributors

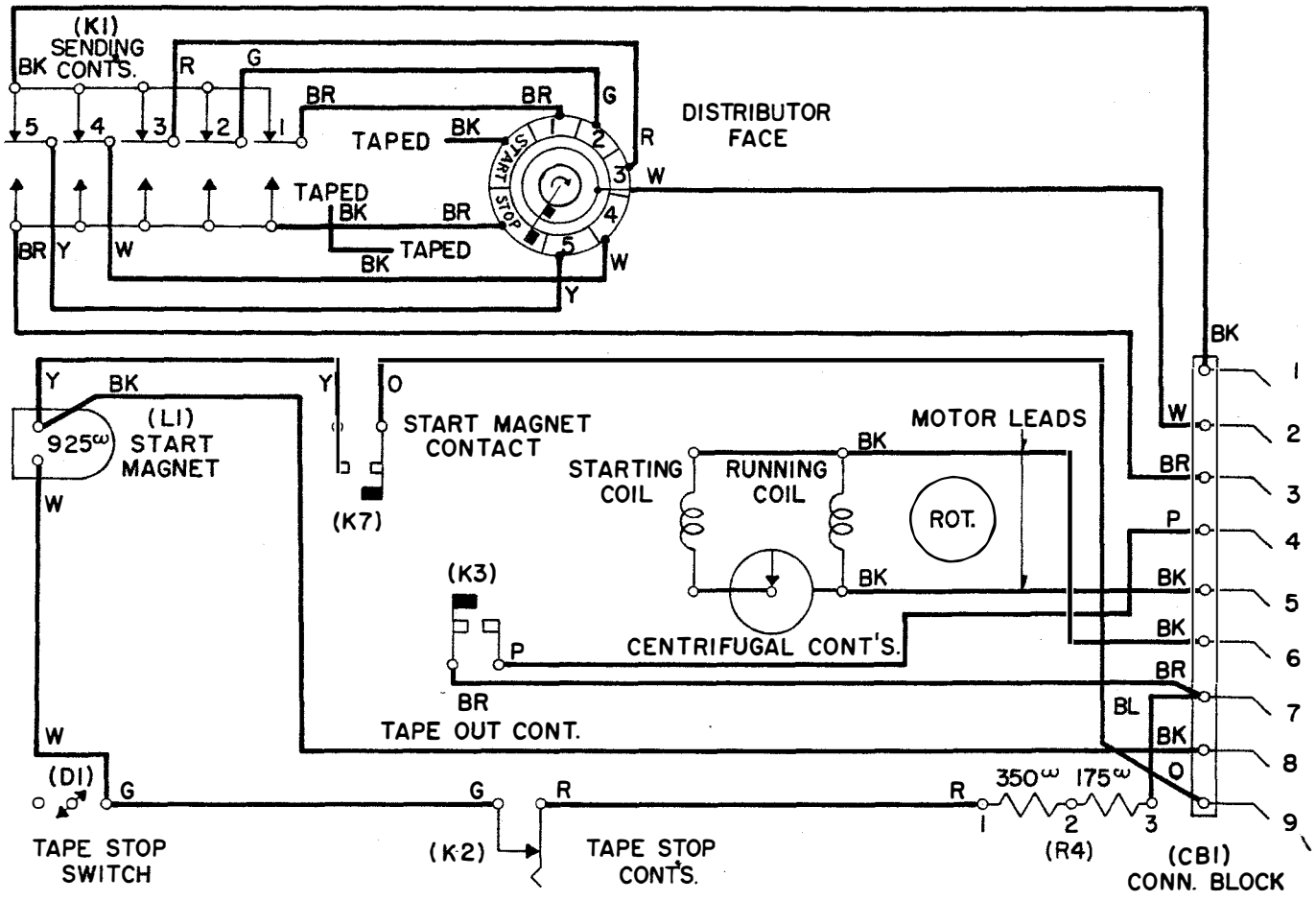


Figure 7 - 14BD and 14BE Transmitter-Distributors  
(Synchronous Motor)

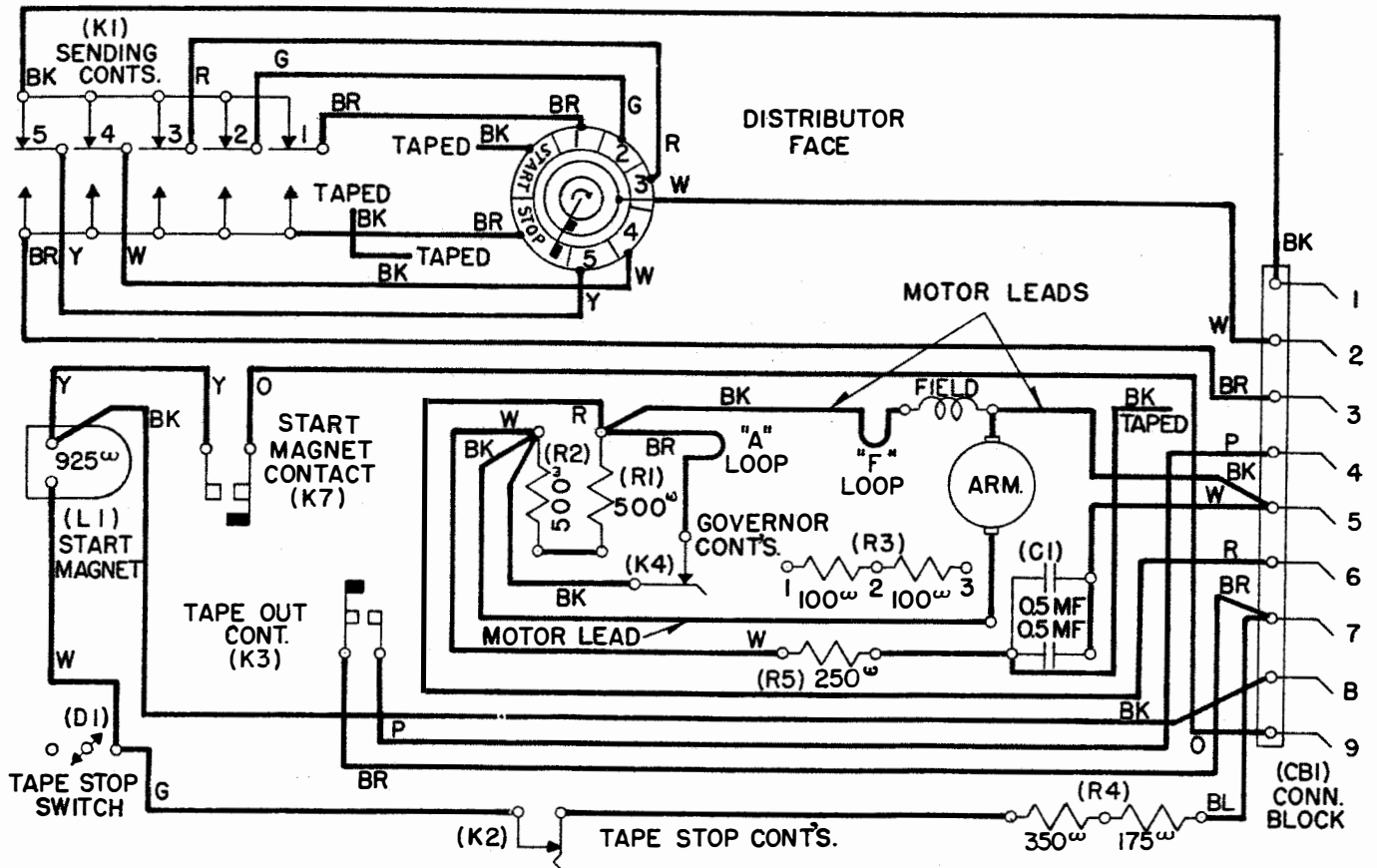


Figure 8 - 14BF and 14BG Transmitter-Distributors (DC Shunt Motor)

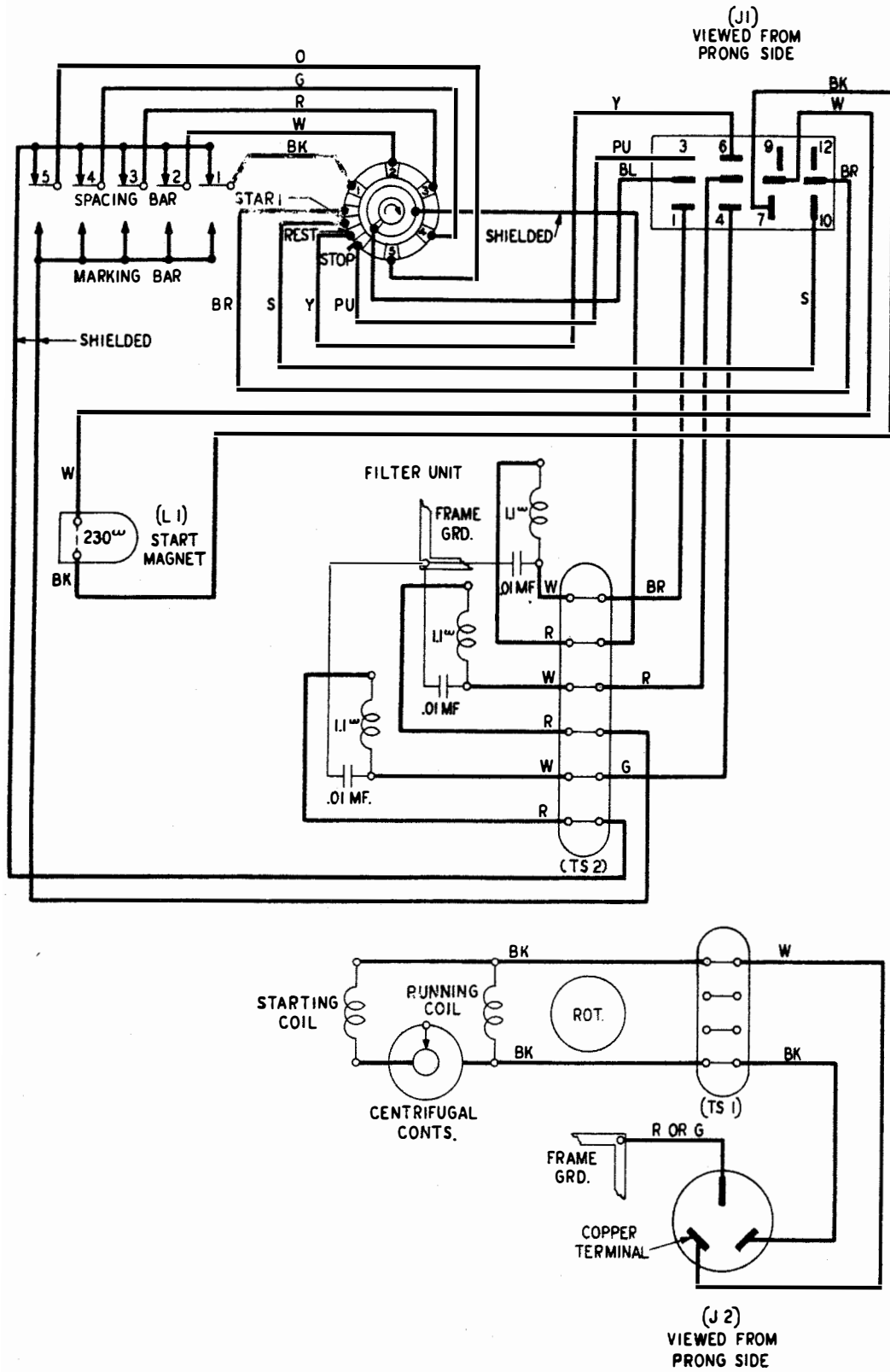


Figure 9 - 14AA Transmitter-Distributor (Synchronous Motor)



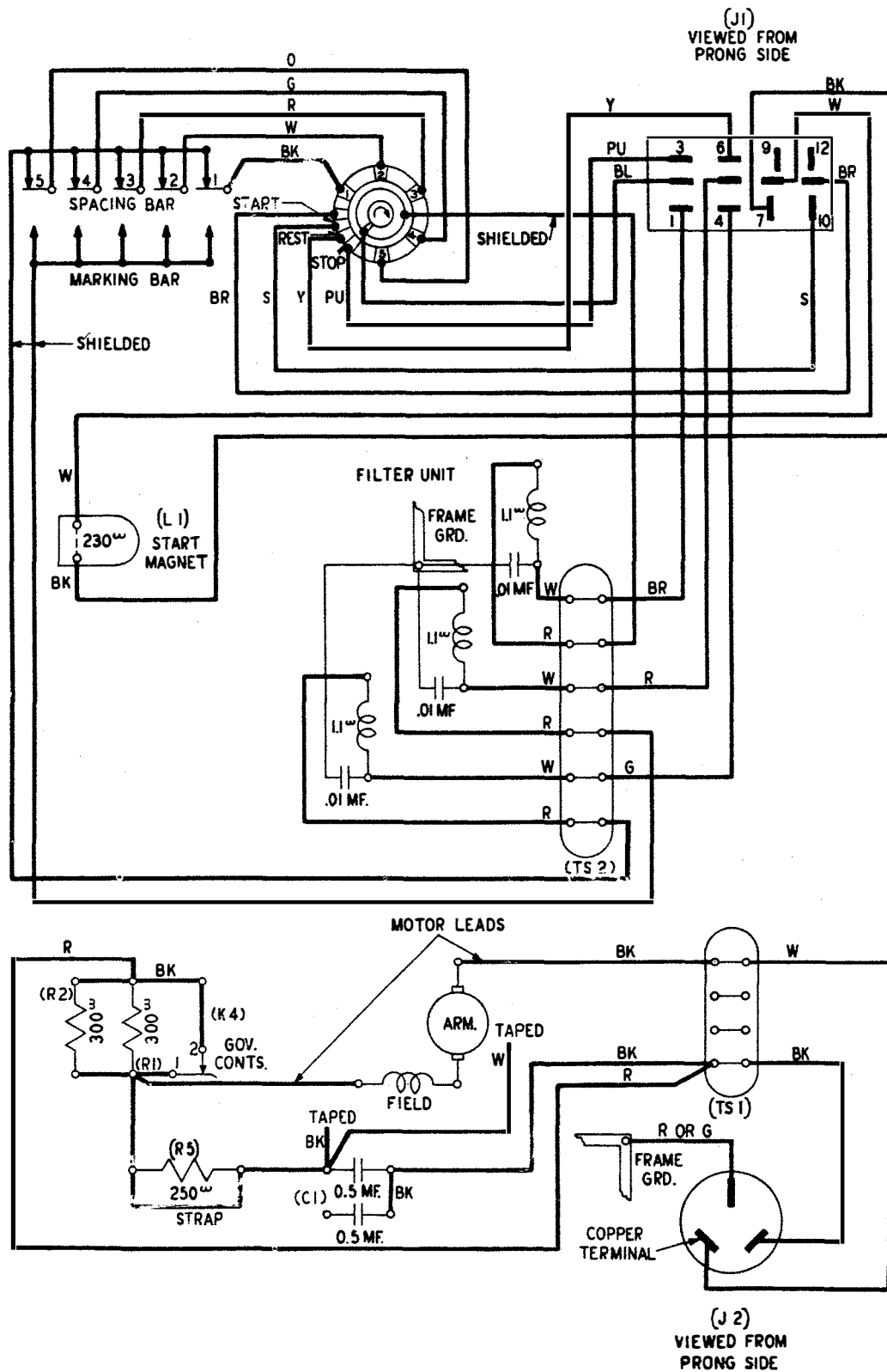


Figure 10 - 14AB Transmitter-Distributor (AC Governed Motor)

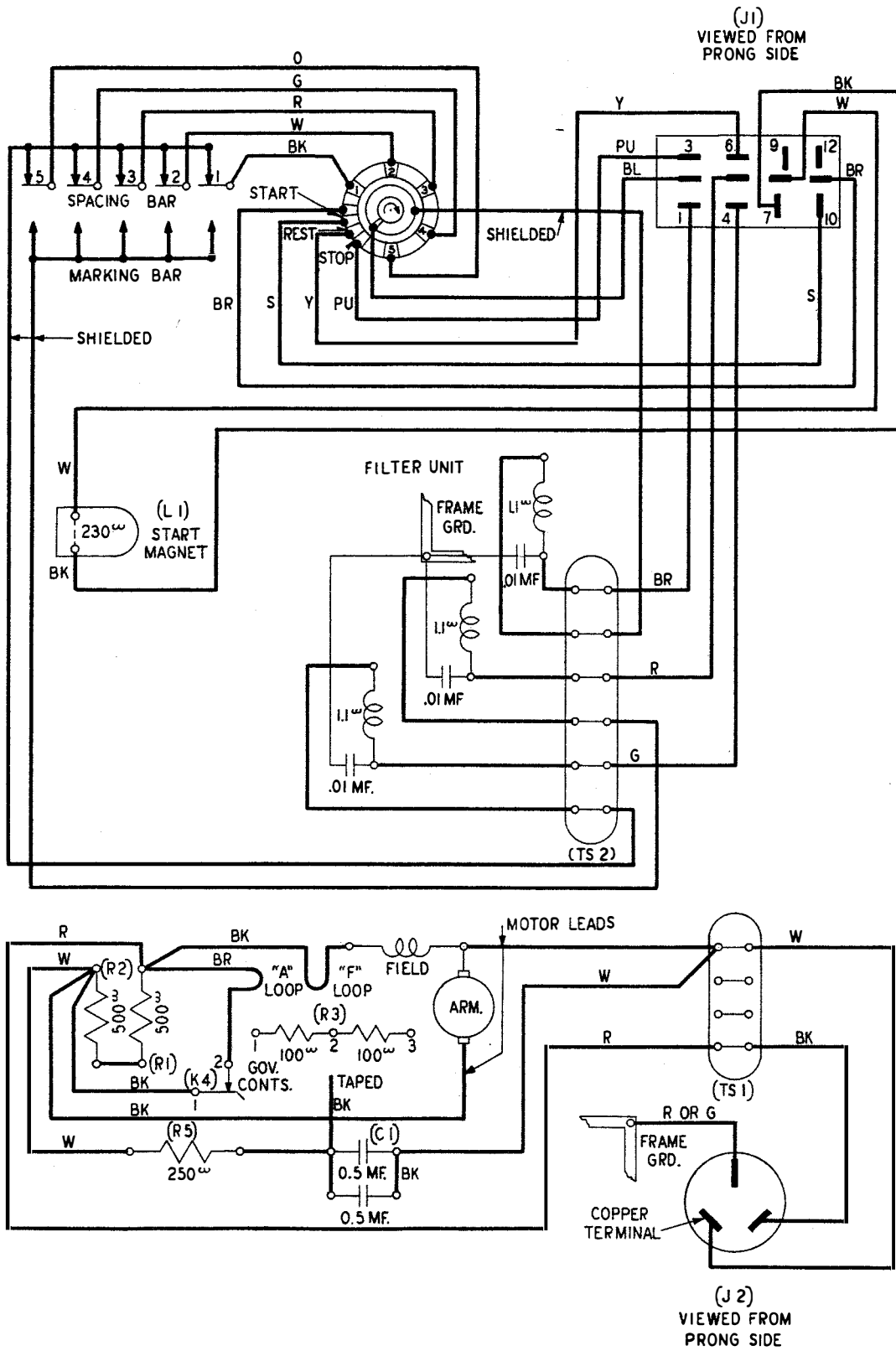


Figure 11 - 14AD Transmitter-Distributor  
(DC Governed Motor)

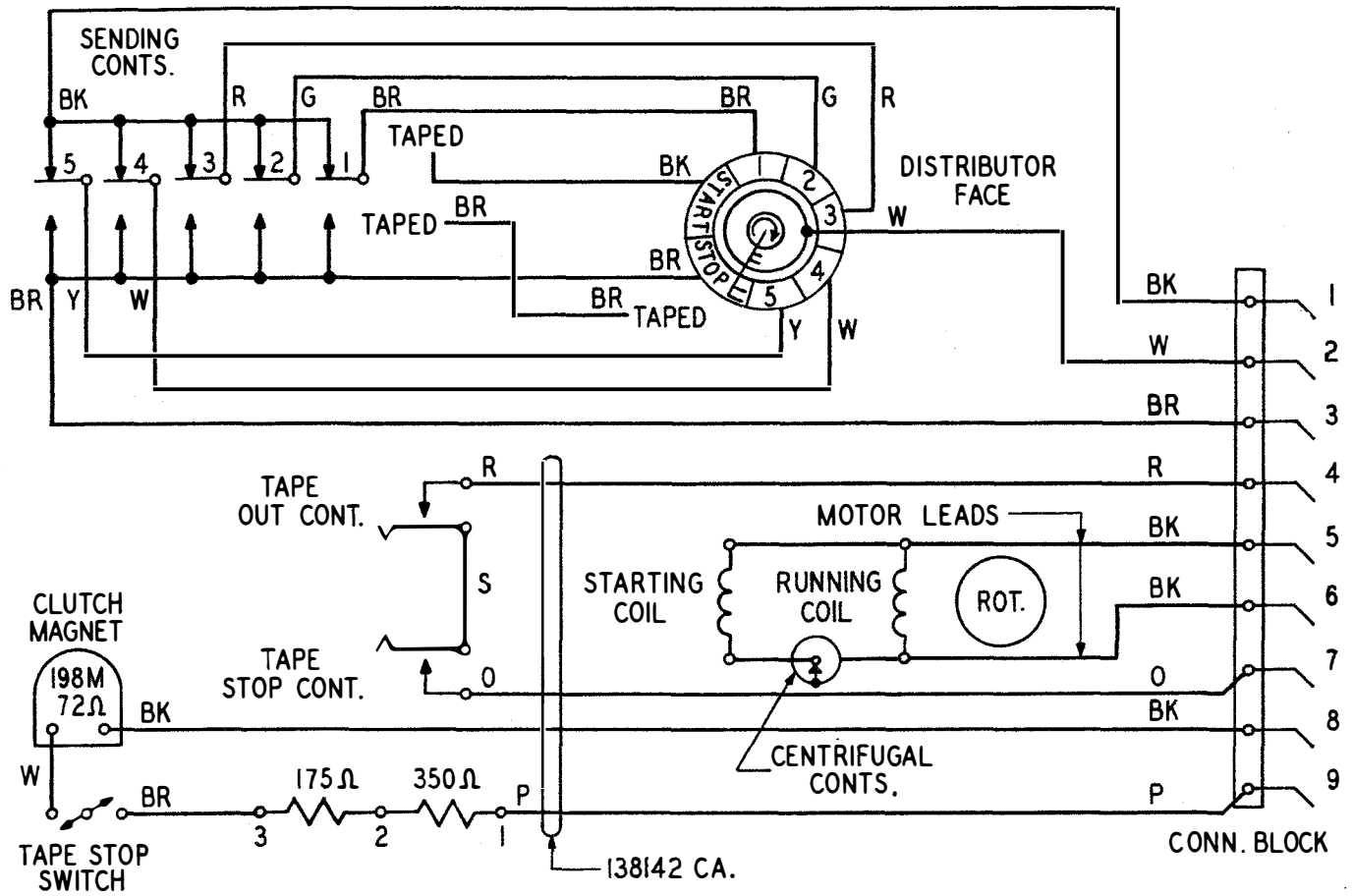


Figure 12 - 14BH and 14BJ Transmitter-Distributors

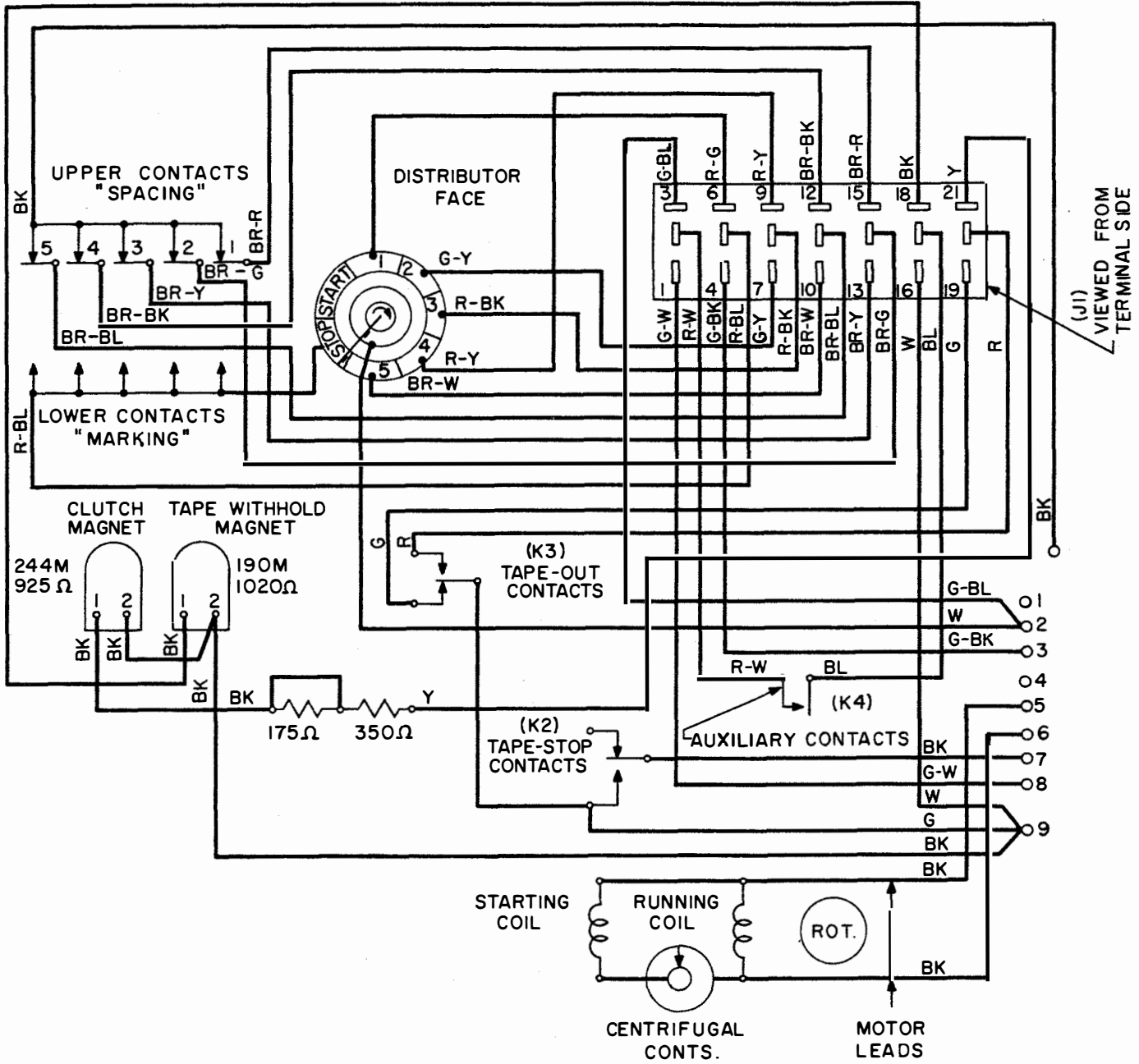


Figure 13 - BK14 Transmitter-Distributor