

28 REPERFORATOR-TRANSMITTER SET

WIRING DIAGRAM

1. GENERAL

- 1.01 This section shows the wiring of the 28A, 28B, 28C, 28D, and 28E reperforator-transmitter sets.
- 1.02 The 28A, 28B, 28C, 28D, and 28E reperforator-transmitter sets differ from the 28-type reperforator-transmitter units in that they include a tape handling stand.

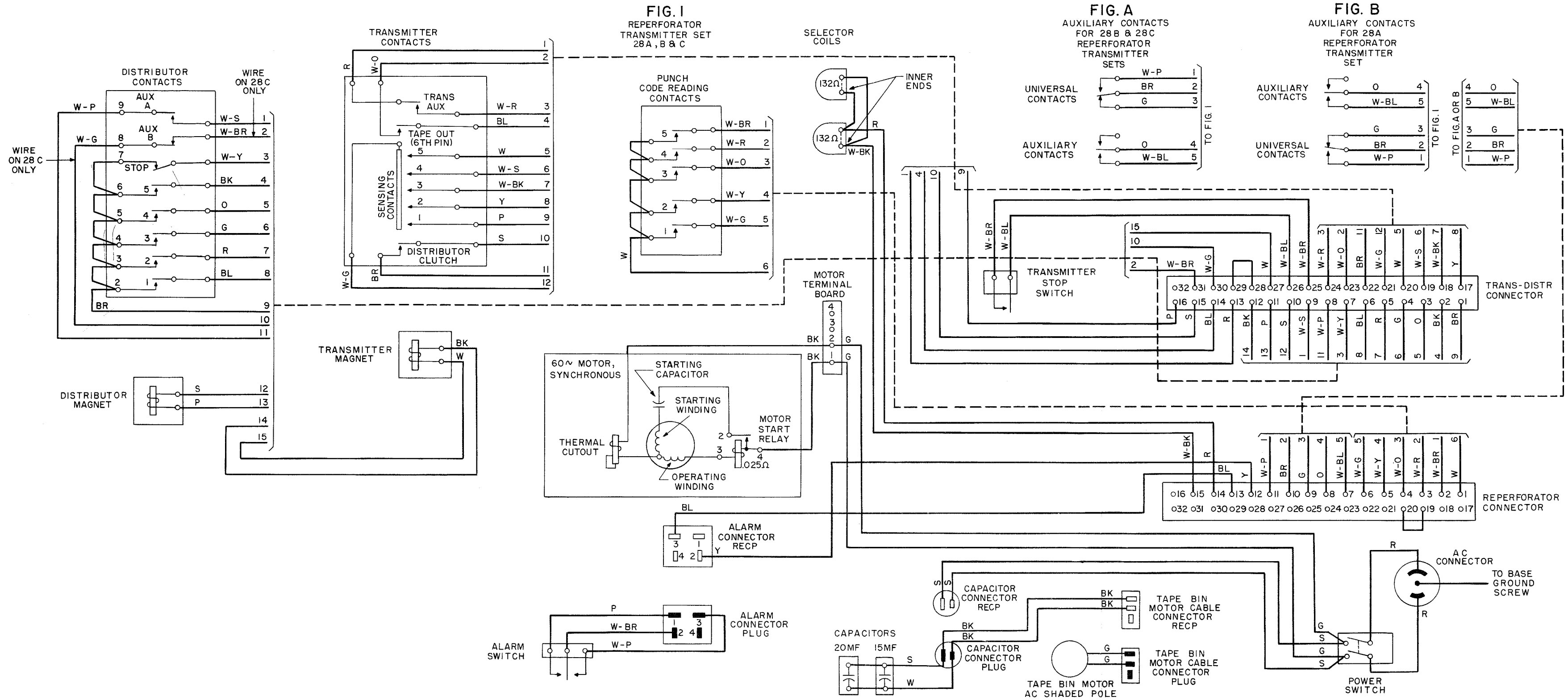
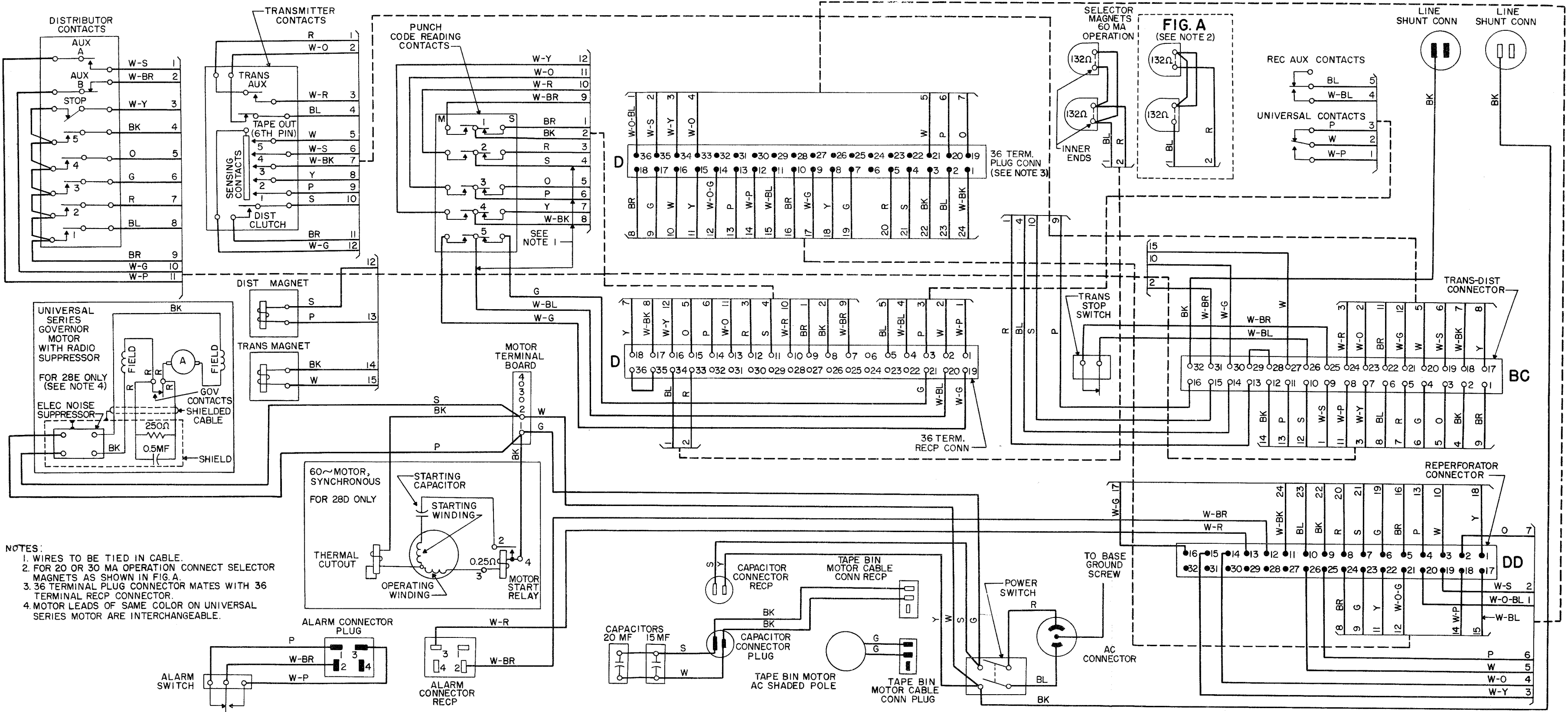


Figure 1 - 28A, 28B, and 28C Reperforator - Transmitter Sets



- NOTES:
1. WIRES TO BE TIED IN CABLE.
 2. FOR 20 OR 30 MA OPERATION CONNECT SELECTOR MAGNETS AS SHOWN IN FIG. A.
 3. 36 TERMINAL PLUG CONNECTOR MATES WITH 36 TERMINAL RECP CONNECTOR.
 4. MOTOR LEADS OF SAME COLOR ON UNIVERSAL SERIES MOTOR ARE INTERCHANGEABLE.

Figure 2 - 28D and 28E Repeater Transmitter Sets