

28 SELF-CONTAINED TRANSMITTER-DISTRIBUTOR SET
(SINGLE-CONTACT AND MULTICONTACT)

LUBRICATION

CONTENTS	PAGE
1. GENERAL.....	1
2. LUBRICATION DETAILS	1
A. Transmitter-Distributor Unit.....	1
B. Motor Unit	1
C. Gear Assemblies	2
Gear train	2, 3
Intermediate gear assembly.....	3, 4

1. GENERAL

1.01 This section, the sections referred to in this section, and the teletypewriter general lubrication section provide the complete lubrication procedures for the 28 self-contained transmitter-distributor set.

1.02 Lubrication of the set before it is placed in service should be governed by the principles given in the section covering preparation of teletypewriter apparatus for installation. After that, because of varying conditions at each station, the unit should be lubricated as often as specified by local instructions.

1.03 The lubricants to be used and their methods of application are those specified in the section covering general lubrication. The lubrication symbols used in this section are the same as those given in the section covering general lubrication, except that the symbol O is used to mean only one drop of oil, and the symbol O2 is used to specify two drops of oil.

1.04 The following recommended lubrication intervals are included as a guide for use under normal operating conditions.

<u>Operating Speed</u> (Words per Minute)	<u>Lubrication Interval</u> (Whichever occurs first)
60	3000 Hours or 1 Year
75	2400 Hours or 9 Months
100	1500 Hours or 6 Months

2. LUBRICATION DETAILS

A. Transmitter-Distributor Unit

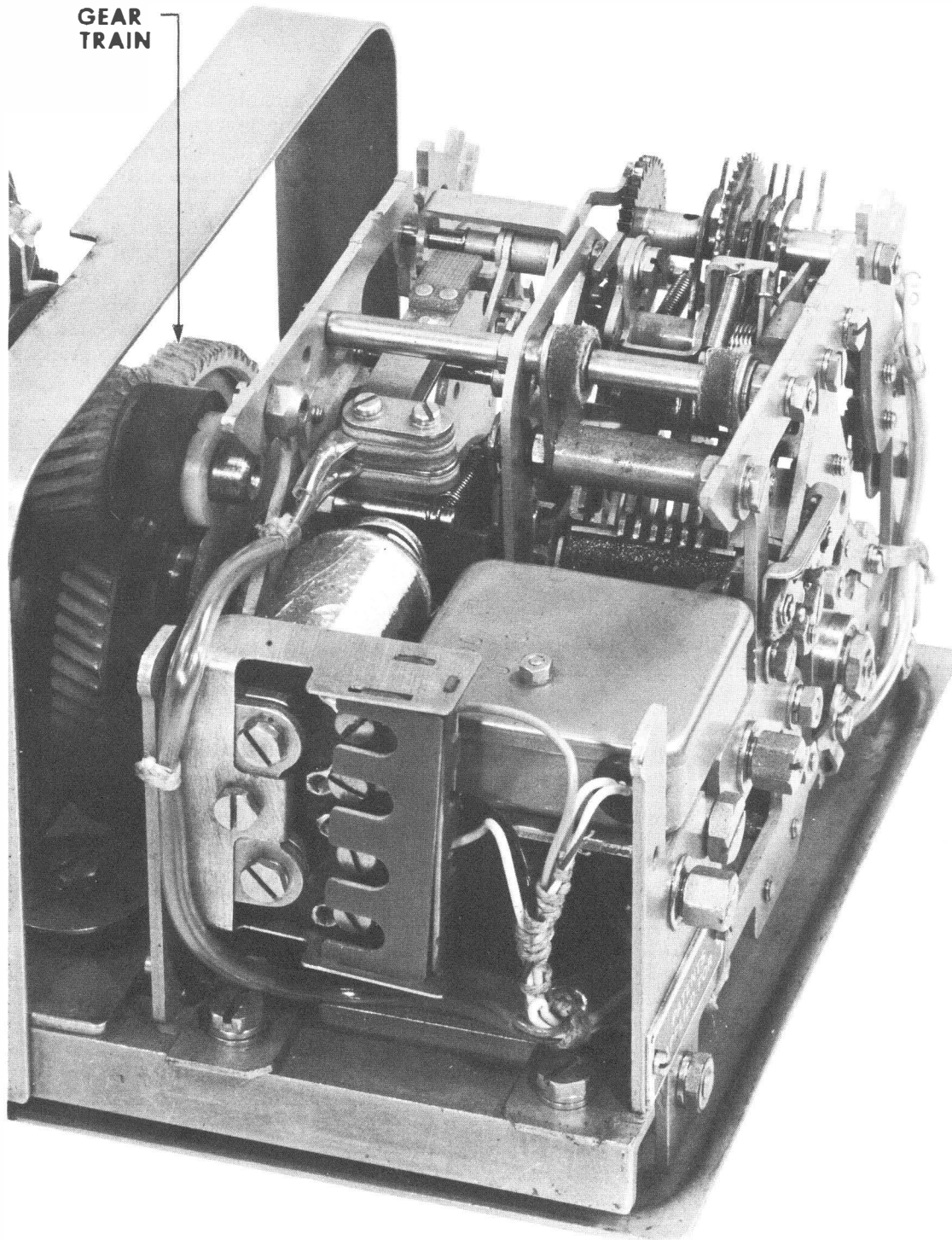
2.01 Refer to the section covering 28 transmitter-distributor unit lubrication.

B. Motor Unit

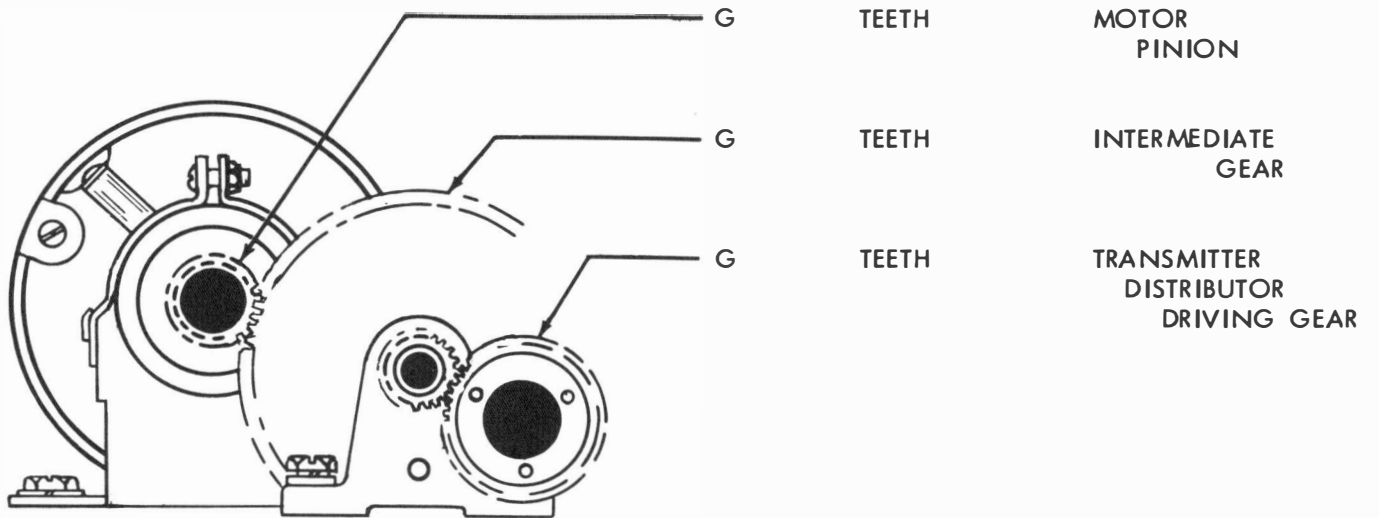
2.02 Refer to the section covering 28 motor unit lubrication.

C Gear Assemblies

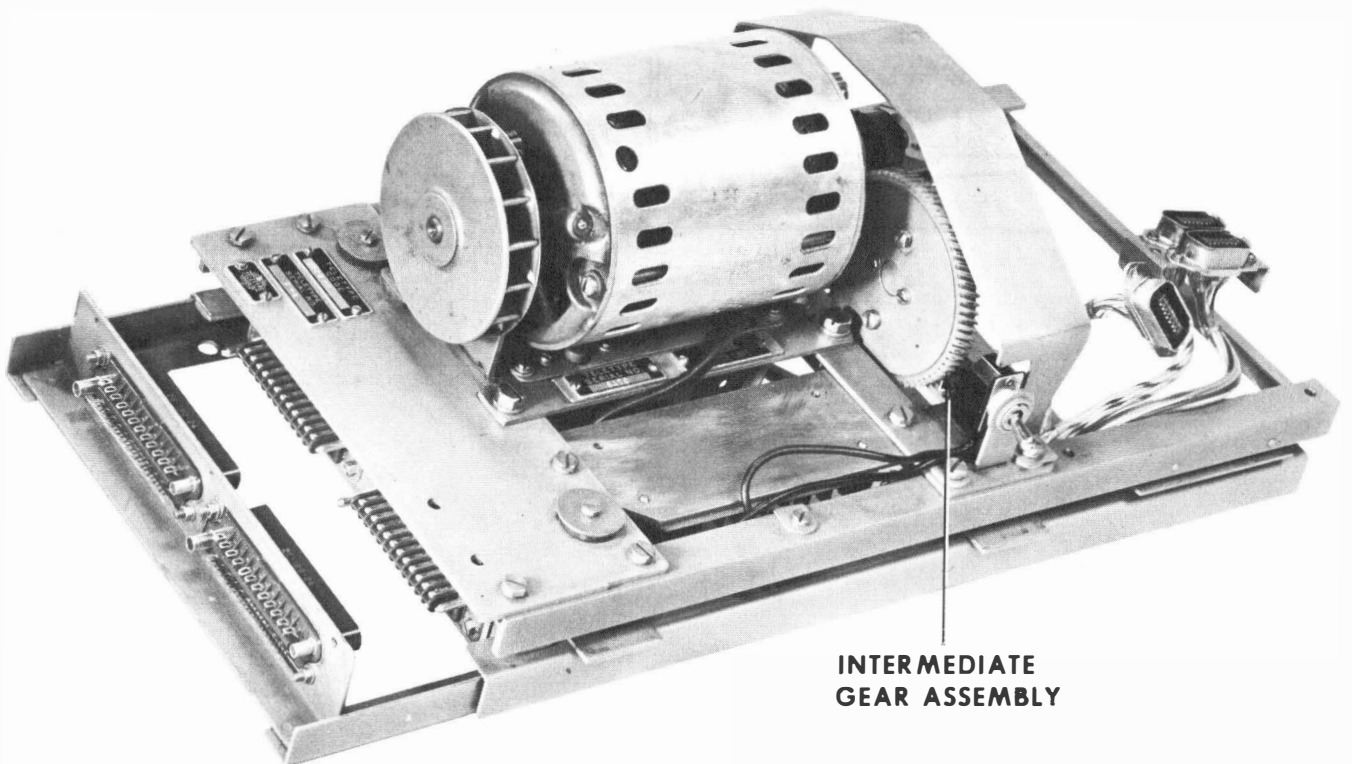
2.03 Gear Train (Single-contact Self-contained Transmitter-Distributor Set)



2.04 Gear Train



2.05 Intermediate Gear Assembly (Multicontact Self-contained Transmitter-Distributor Set)



2.06 Intermediate Gear Assembly

