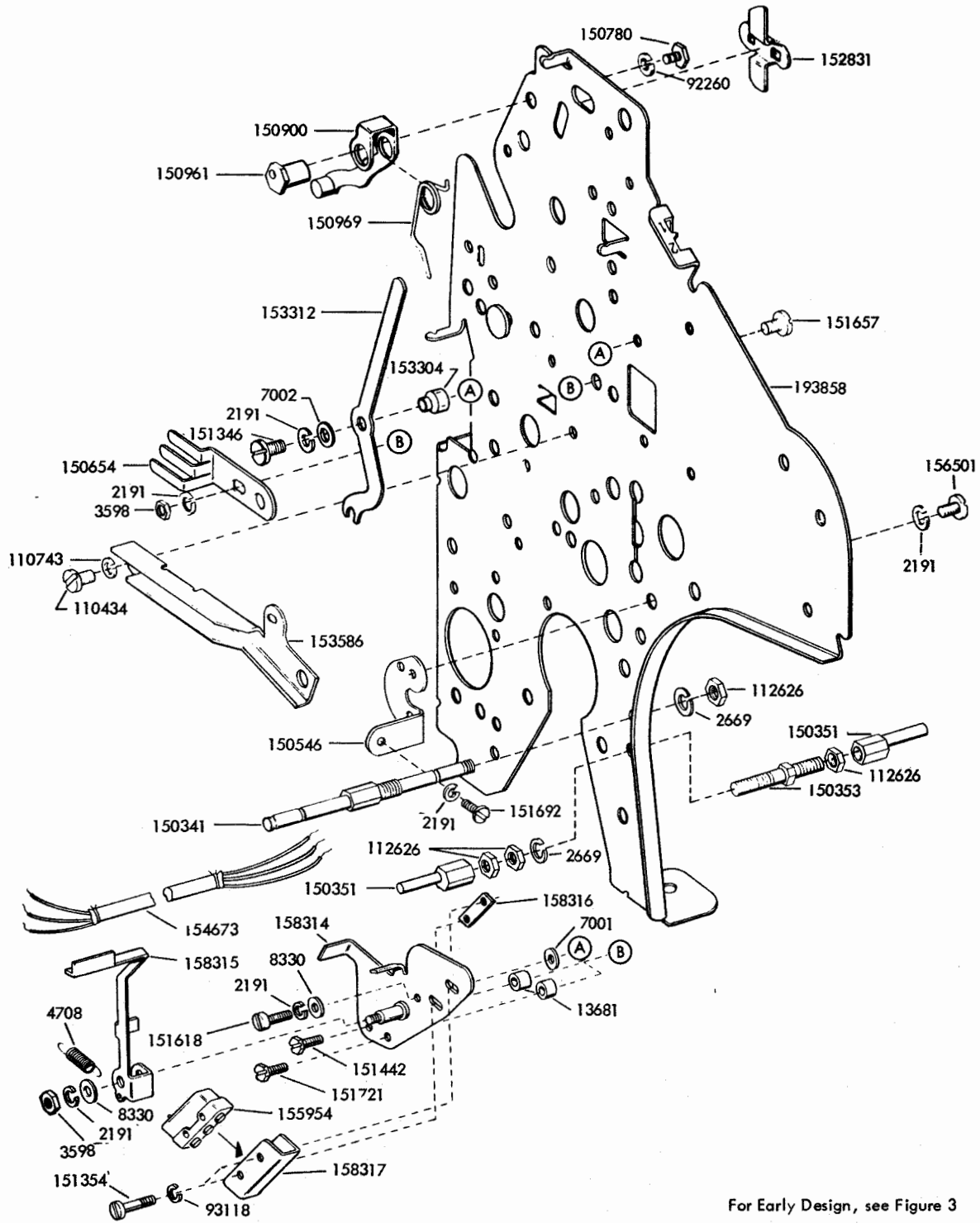


28 and 29 TYPING UNIT (LP)

PARTS

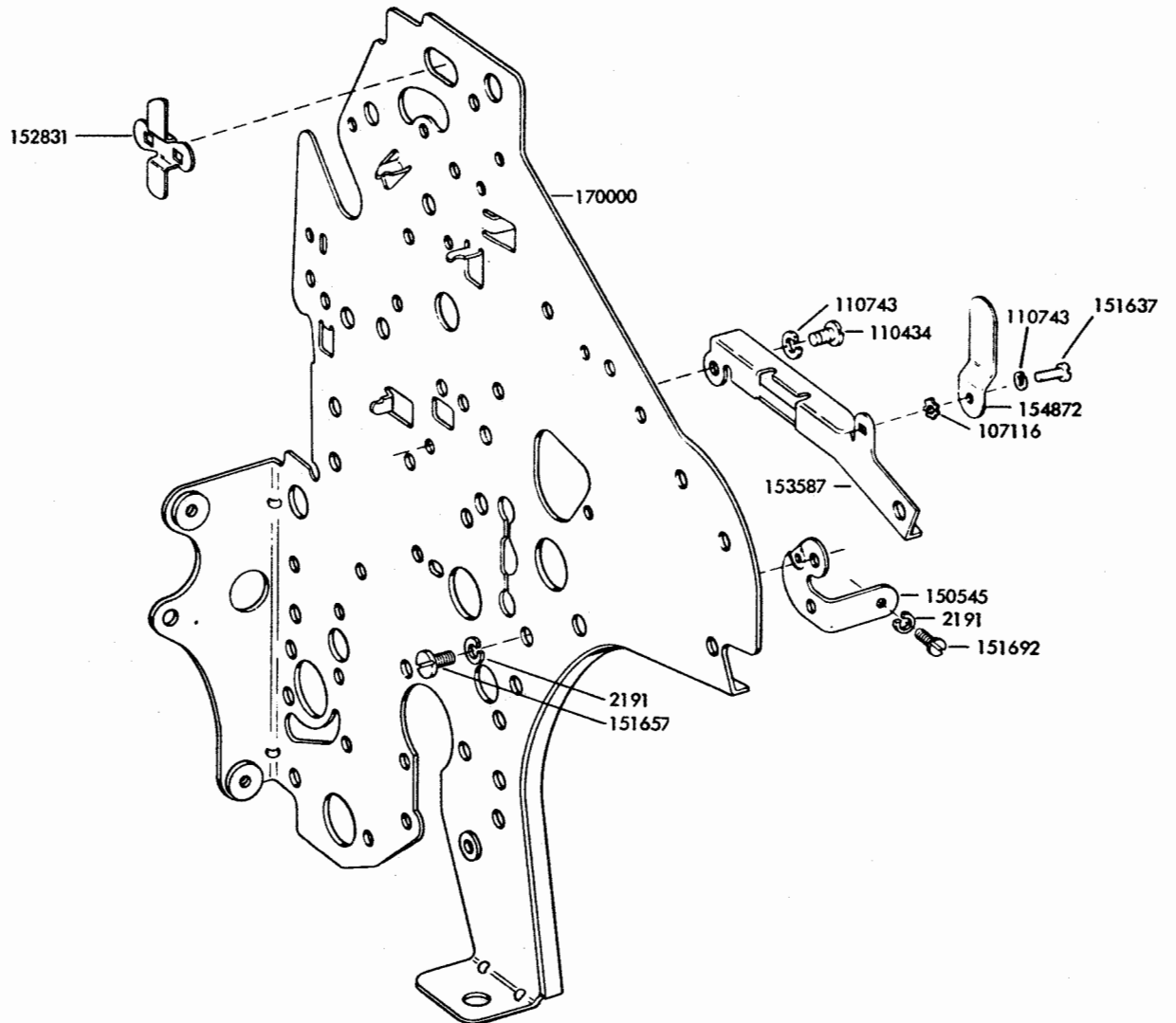
FIGURE	CONTENTS	PAGE	FIGURE	CONTENTS	PAGE
1	Left Side Frame Mechanism	4	50	Type Box and Pallets	53
2	Right Side Frame Mechanism	5	51	Type Box and Pallets	54
3	Left and Right Side Frame Mechanism	6	52	Typepallet Chart	55
4	Left and Right Side Frame Mechanism	7	53	Typepallet Charts	56
5	Left and Right Side Frames (Wall Mounted)	8	54	Typepallet Charts	57
6	Pressure Roller Mechanism	9	55	Stunt Box - Major Components	58
7	Pressure Roller Mechanism	10	56	Stunt Box - Major Components	59
8	Space Suppression Mechanism	11	57	Shift Mechanism Components	60
9	Space Suppression, Stunt Shift Control and Code Bar Suppression Mechanism (8 Level)	12	58	Function Levers	61
10	Space Suppression Mechanism	13	59	Switch Assemblies and Components	62
11	Print Suppression Mechanism	14	60	Switch Assemblies and Components	63
12	Electrically Operated Letters Shift Mechanism	15	61	Cable Assemblies	64
13	Page Feed-Out and Form Starter Mechanism	16	62	Function Bars	65
14	Paper Spindle and Reset Bail Mechanism	17	63	Function Bar Condition Chart	66
15	Paper Spindle and Reset Bail Mechanism	18	64	Function Bar Condition Chart	67
16	Reset Bail Mechanism	19	65	152302 (Sprocket Feed) and 155763 (Friction Feed) Modification Kits to Provide Page Feed-Out on Upper Case "Z"	68
17	Sprocket Feed Mechanism	20	66	152303 and 176821 Modification Kits to Provide Page Feed-Out Transmitter Control	69
18	Line Feed and Platen Mechanism	21	67	154780, 164476 and 178141 Modification Kits to Provide Horizontal Tabulator XD Control	69
19	Left Side Linkage and Rocker Shaft Mechanism	22	68	Page Feed-Out Form Length Gear and Disk Modification Kits	70
20	Left Side Linkage and Stripper Blade Mechanism	23	69	152304 Modification Kit to Provide Horizontal Tabulation (Continued on next page)	71
21	Right Side Linkage and Type Box Carriage Mechanism	24	70	152304 Modification Kit to Provide Horizontal Tabulation (Continued from preceding page)	72
22	Right Side Linkage and Type Box Carriage Mechanism	25	71	159362 Modification Kit to Provide Spacers for Centering Narrow Paper Roll on Spindle	73
23	Main Shaft Mechanism	26	72	151799 Modification Kit to Provide Latches for Paper Spindle	73
24	Main Shaft Mechanism	27	73	152315 and 154743 Modification Kits to Provide Manual Selection of Stunt Box Operation	73
25	Line Feed Clutch and Function Clutch Mechanism	28	74	154727 Modification Kit to Provide Auxiliary Connector	74
26	Trip Shaft Mechanism	29	75	152317 Modification Kit to Provide Horizontal Tabulator XD Control	74
27	Trip Shaft Mechanism	30	76	152337, 157509 and 173283 Modification Kits to Provide On-Line Stunt Shift Control	75
28	Carriage Return and Spacing Drum Mechanism	31	77	153912 Modification Kit to Provide Figs-Ltrs Code Bar Manual Shifting	76
29	Carriage Return and Spacing Drum Mechanism	32	78	152312 Modification Kit to Convert Printer for Use with Lightweight Set	76
30	Front Plate Mechanism	33	79	160886 and 194093 Modification Kits to Provide Local Form Feed-Out (Receiving Only Base)	76
31	Front Plate Mechanism	34	80	152340 Modification Kit to Provide Multi-Copy Paper Handling	77
32	Front Plate Mechanism	35			
33	Front Plate Mechanism (8 Level)	36			
34	Front Plate Mechanism	37			
35	Front Plate Mechanism	38			
36	Code Bar Positioning Mechanism	39			
37	Code Bar Positioning Mechanism (8 Level)	40			
38	Code Bar Positioning Mechanism	41			
39	Selector Mechanism	42			
40	Selector Mechanism (8 Level)	43			
41	Selector Knob Mechanism	44			
42	Selector Magnet Mechanism	45			
43	Selector Magnet Mechanism (8 Level)	46			
44	Selector Magnet Mechanism	47			
45	Right Ribbon Feed Mechanism	48			
46	Left Ribbon Feed Mechanism	49			
47	Code Bar Mechanism	50			
48	Code Bar Mechanism	51			
49	150036 Printing Carriage Assembly	52			

FIGURE	CONTENTS	PAGE	FIGURE	CONTENTS	PAGE
81	153910 Modification Kit to Provide Function Suppression for "AZ" Stunt Box	77	105	152917 and 157510 Modification Kits to Provide Local Back Space	95
82	152345 Modification Kit to Provide Off-Line Stunt Shift Control	78	106	161280 Modification Kit to Provide On-Line Reverse Line Feed	96
83	152350 Modification Kit to Provide Keyboard Lock	79	107	163183 Modification Kit to Provide D.C. Magnet Operated Print Suppression	97
84	153919 Modification Kit to Provide Auxiliary Connector	79	108	163947 Modification Kit to Provide Improved Manual Platen Line Feed	98
85	152915 and 157511 Modification Kits to Provide Local Reverse Line Feed	80	109	163535 and 178301 Modification Kits to Provide Transmitter Control for the Vertical Tabulator	98
86	Sprocket Feed Paper Handling Modification Kits (Typing Unit and Cabinet)	81	110	164270 Modification Kit to Provide Copy Display	99
87	Sprocket Feed Paper Handling Modification Kits (Wall Mounted Typing Unit and Cabinet)	82	111	157514 Modification Kit to Provide Automatic Carriage Return and Line Feed	100
88	153911 Modification Kit to Provide Continuous Spacing (Continued on next page)	83	112	172181 Modification Kit to Provide Copy Display	100
89	153911 Modification Kit to Provide Continuous Spacing (Continued from preceding page)	84	113	163146 Modification Kit to Provide Universal Contact	101
90	152348 Automatic Carriage Return and Line Feed and 153945 "O" Code Bar and Bellcrank Modification Kits	85	114	159366 Modification Kit to Provide a Friction Feed Printer with Paper-Out Alarm	102
91	154742 Modification Kit to Provide Four Lines Per Inch	85	115	179369 Modification Kit to Provide Copy Display	103
92	155051 Auxiliary Cable Assembly	86	116	Selective Calling Function Lever Modification Kits	104
93	154753 Modification Kit to Provide Auxiliary Connector	86	117	179724 Modification Kit to Provide Two Color Ribbon Printing - Right Side (Continued on next page)	105
94	154755 Modification Kit to Provide 5 Spaces Per Inch Horizontally	87	118	179724 Modification Kit to Provide Two Color Ribbon Printing - Left Side (Continued from preceding page)	106
95	159395 Modification Kit to Provide 6 Spaces Per Inch Horizontally	87	119	194995 and 199245 Modification Kits to Provide Paper Jam Alarm	107
96	163292 Modification Kit to Provide 8 Spaces Per Inch Horizontally	87	120	174043 Modification Kit to Provide Paper Feed Failure Indicator	108
97	154792 Modification Kit to Provide 12 Spaces Per Inch Horizontally	87	121	198394 Modification Kit to Provide Universal Contacts	109
98	Vertical Tabulation Modification Kits	88	122	176420 Modification Kit to Provide Selector with Timing Contacts	110
99	154770 Modification Kit to Provide Vertical Tabulation on Upper Case "J" and "Z" (Includes the 163535 Modification Kit in Figure 109)	89	123	154798 Modification Kit to Provide Superfold Friction Feed Paper Handling	111
100	154778 Modification Kit to Provide External Pulse Shift Feature (Continued on next page)	90	124	194092 Modification Kit to Provide Paper Motion Alarm	112
101	154778 Modification Kit to Provide External Pulse Shift Feature (Continued from preceding page)	91	125	194324 Modification Kit to Provide a Paper-Out Alarm Switch	113
102	154785 Modification Kit to Provide Universal Contacts	92	126	305035, 305036 and 307065 Modification Kits to Provide Improved Manual Platen Line Feed	114
103	157508 and 163180 Modification Kits to Provide Horizontal Tabulation (Continued on next page)	93	127	311456 Modification Kit to Provide Paper Jam Alarm	115
104	157508 and 163180 Modification Kits to Provide Horizontal Tabulation (Continued from preceding page)	94		Notes of Explanation	116
				Notes of Explanation (Continued)	117
				Numerical Index	118



For Early Design, see Figure 3

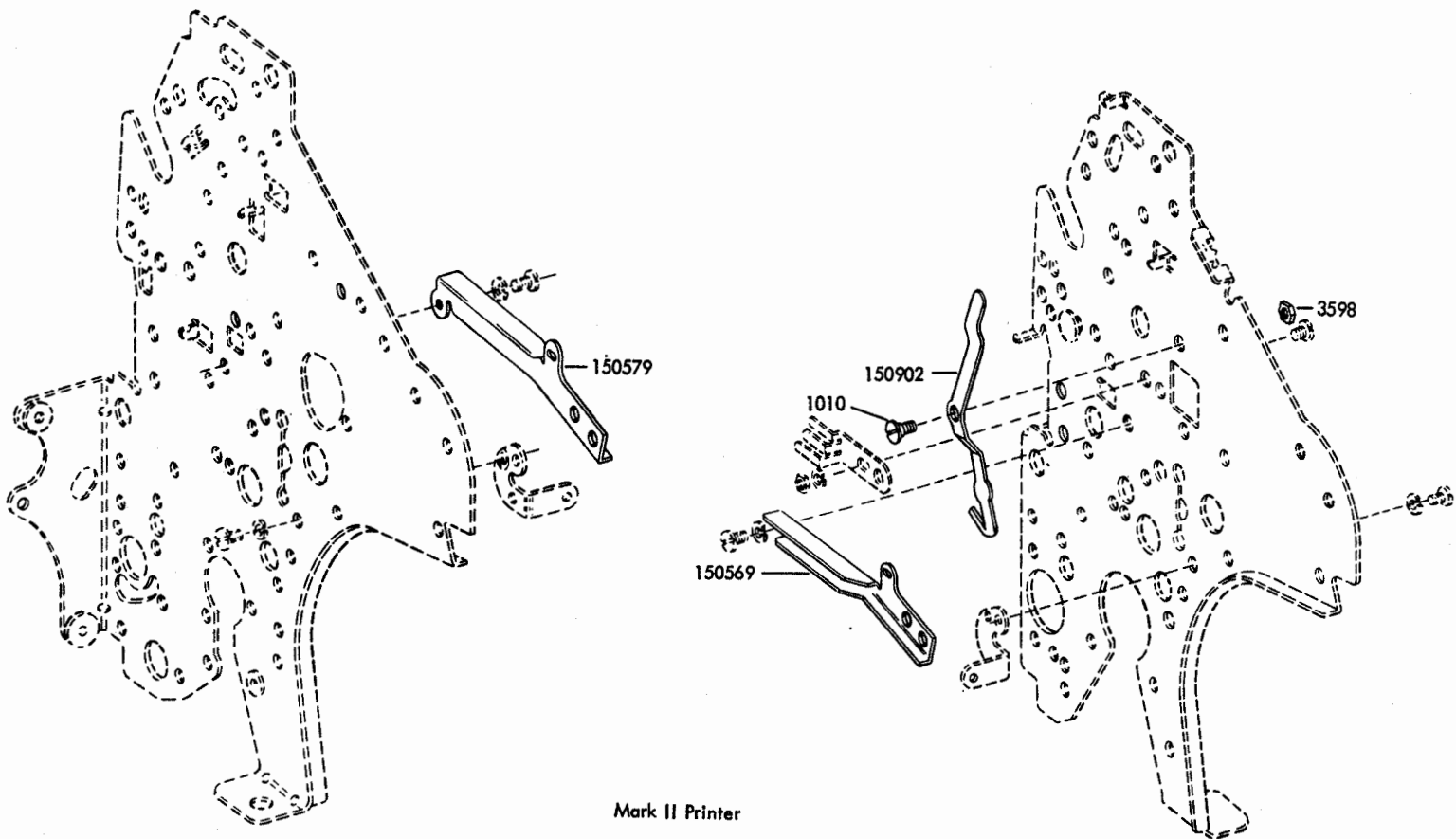
FIGURE 1. LEFT SIDE FRAME MECHANISM



For Early Design, see Figure 3

FIGURE 2. RIGHT SIDE FRAME MECHANISM

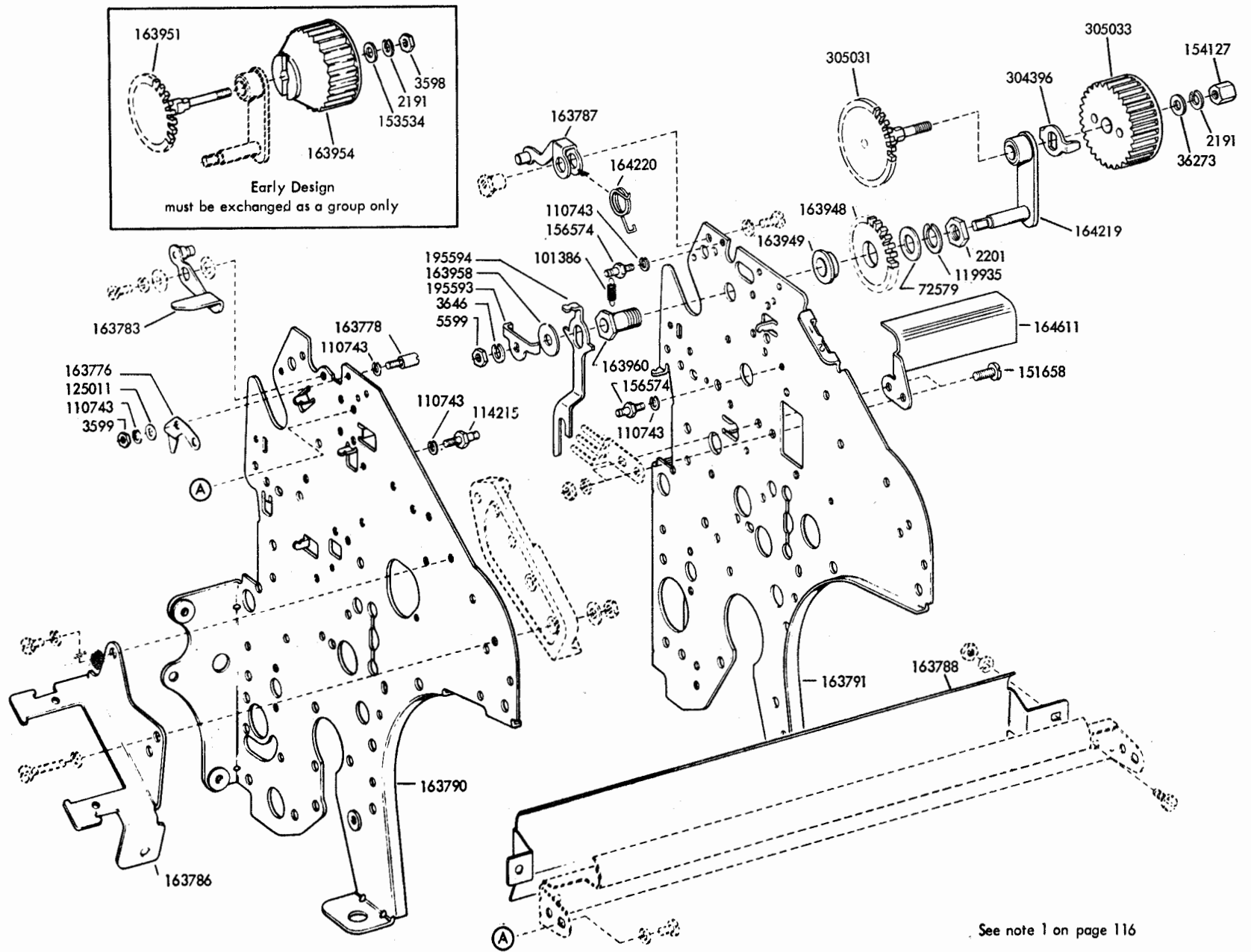
FIGURE 3 LEFT AND RIGHT SIDE FRAME MECHANISM



Mark II Printer

Early Design Parts

FIGURE 4. LEFT AND RIGHT SIDE FRAME MECHANISM



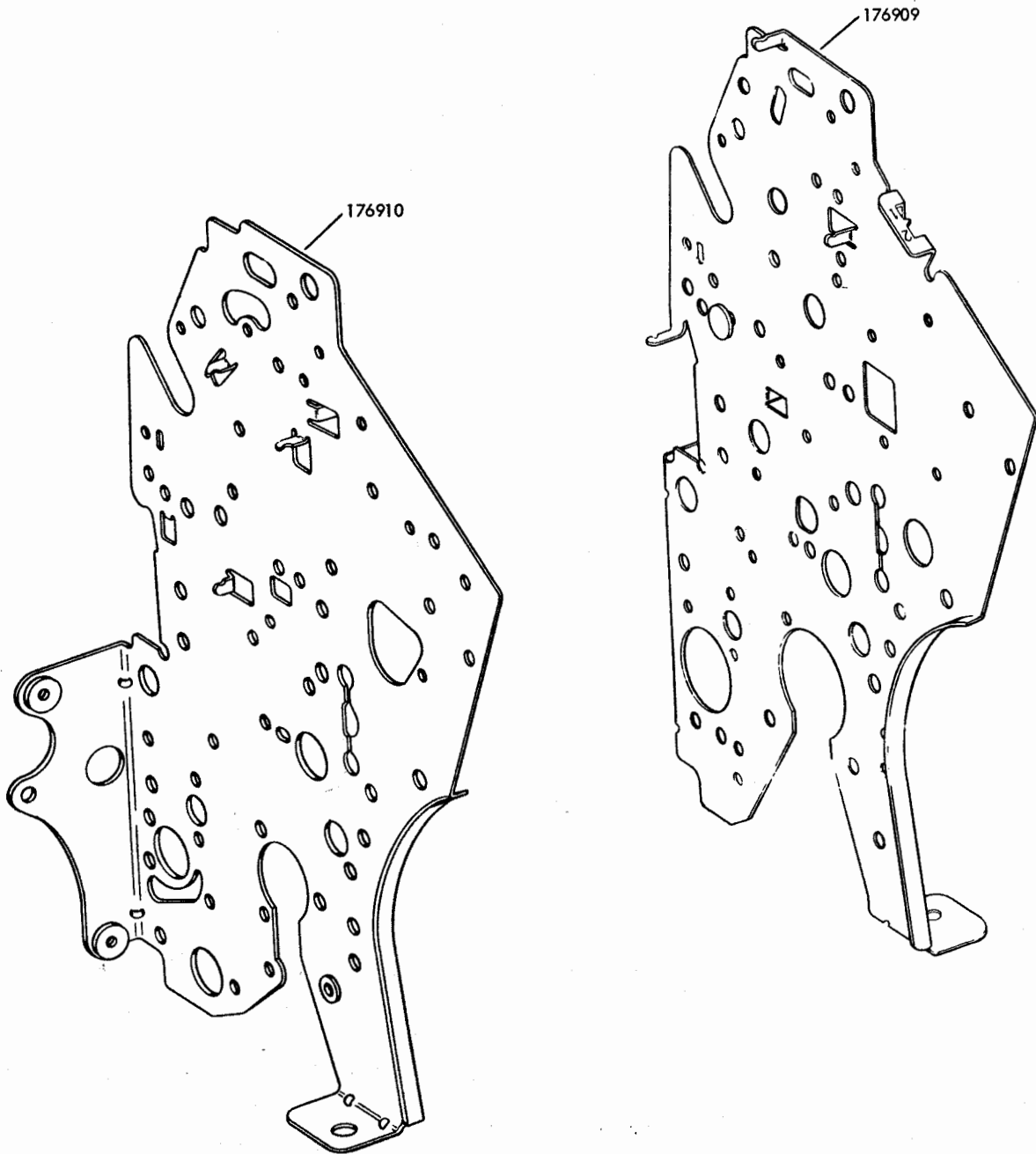
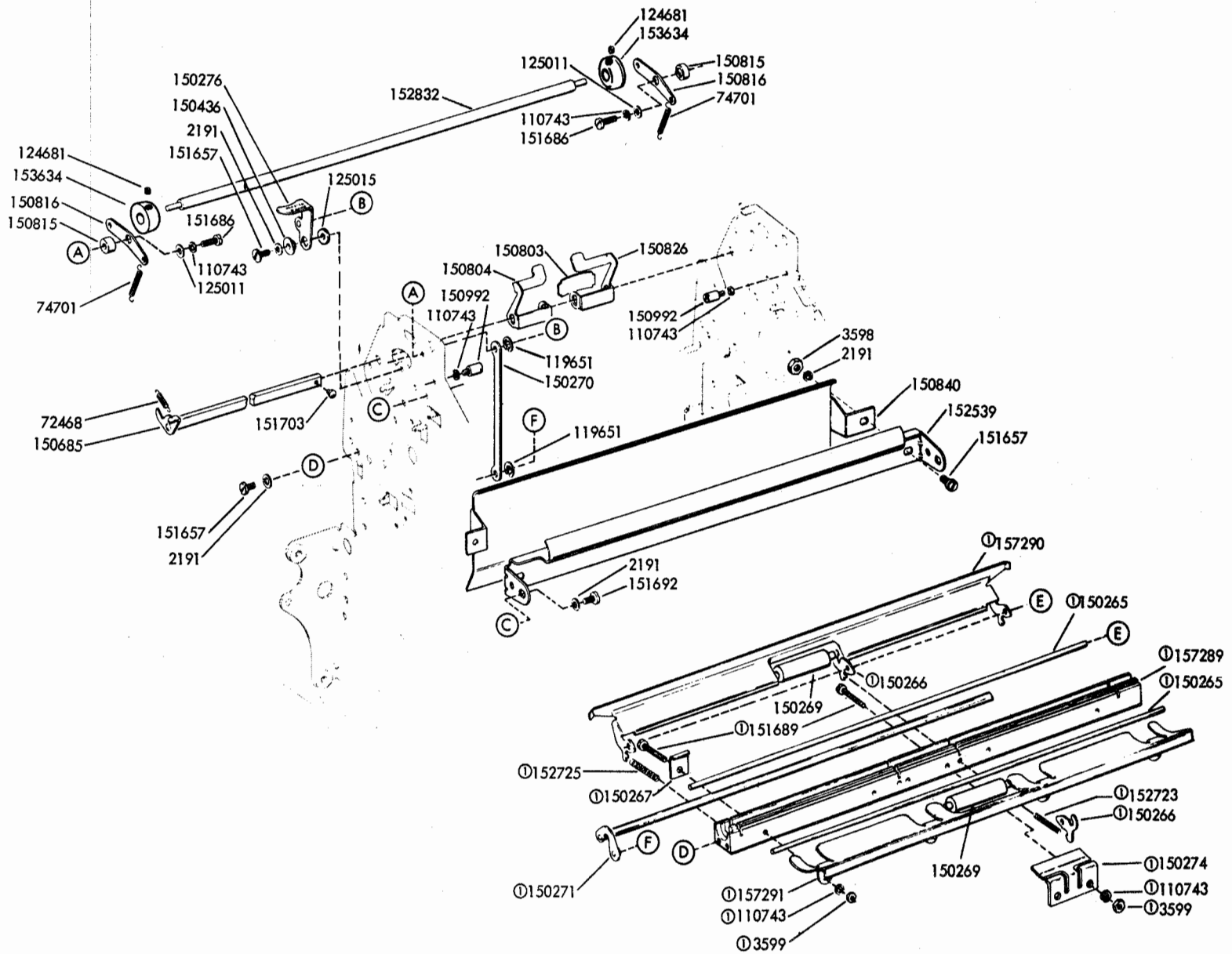


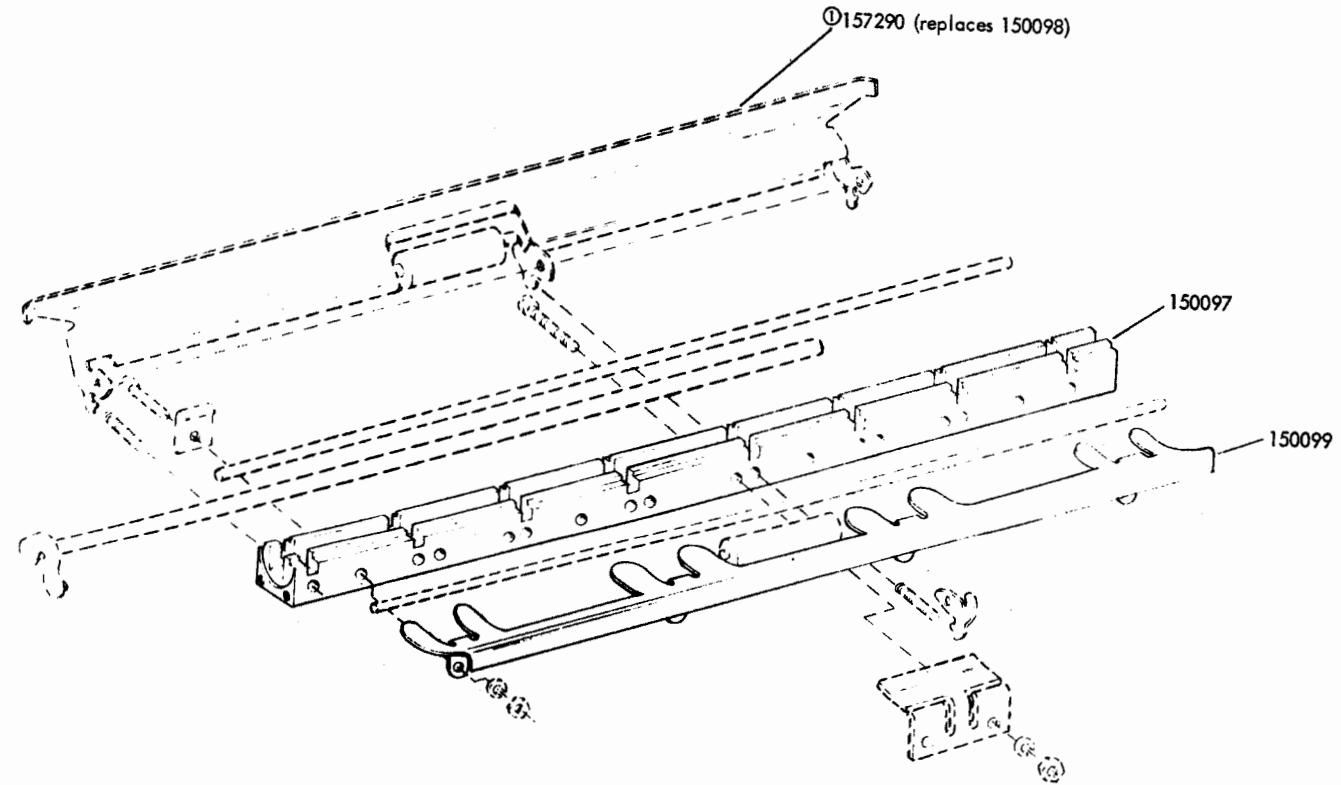
FIGURE 5. LEFT AND RIGHT SIDE FRAMES (WALL MOUNTED)

FIGURE 6. PRESSURE ROLLER MECHANISM



① 150096 Pressure Roller Assembly
For Early Design, see Figure 7

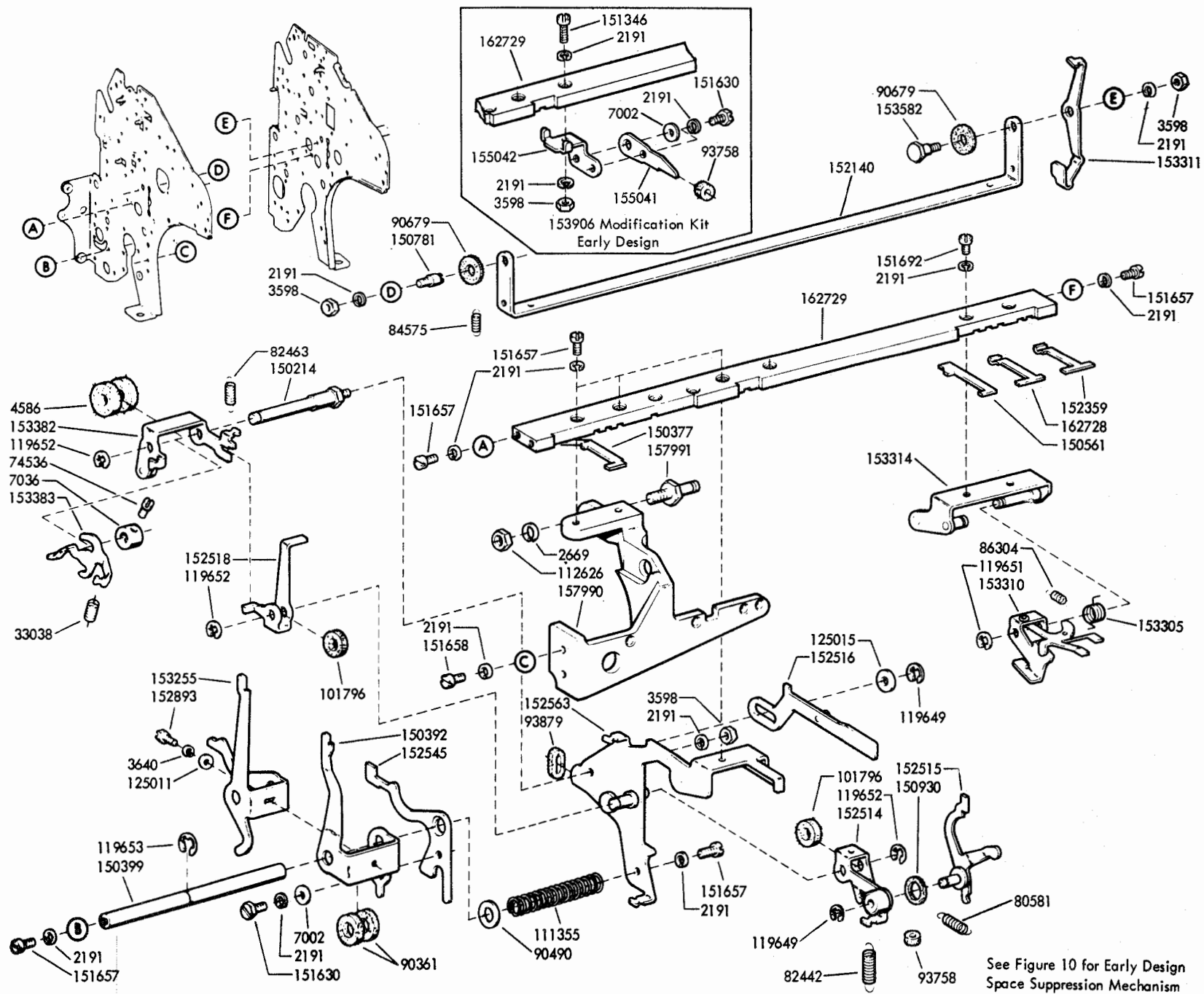
FIGURE 7. PRESSURE ROLLER MECHANISM



Early Design Parts

①See note 2 on page 116

FIGURE 8. SPACE SUPPRESSION MECHANISM



See Figure 10 for Early Design Space Suppression Mechanism

FIGURE 9. SPACE SUPPRESSION, STUNT SHIFT CONTROL AND CODE BAR SUPPRESSION MECHANISM (8 LEVEL)

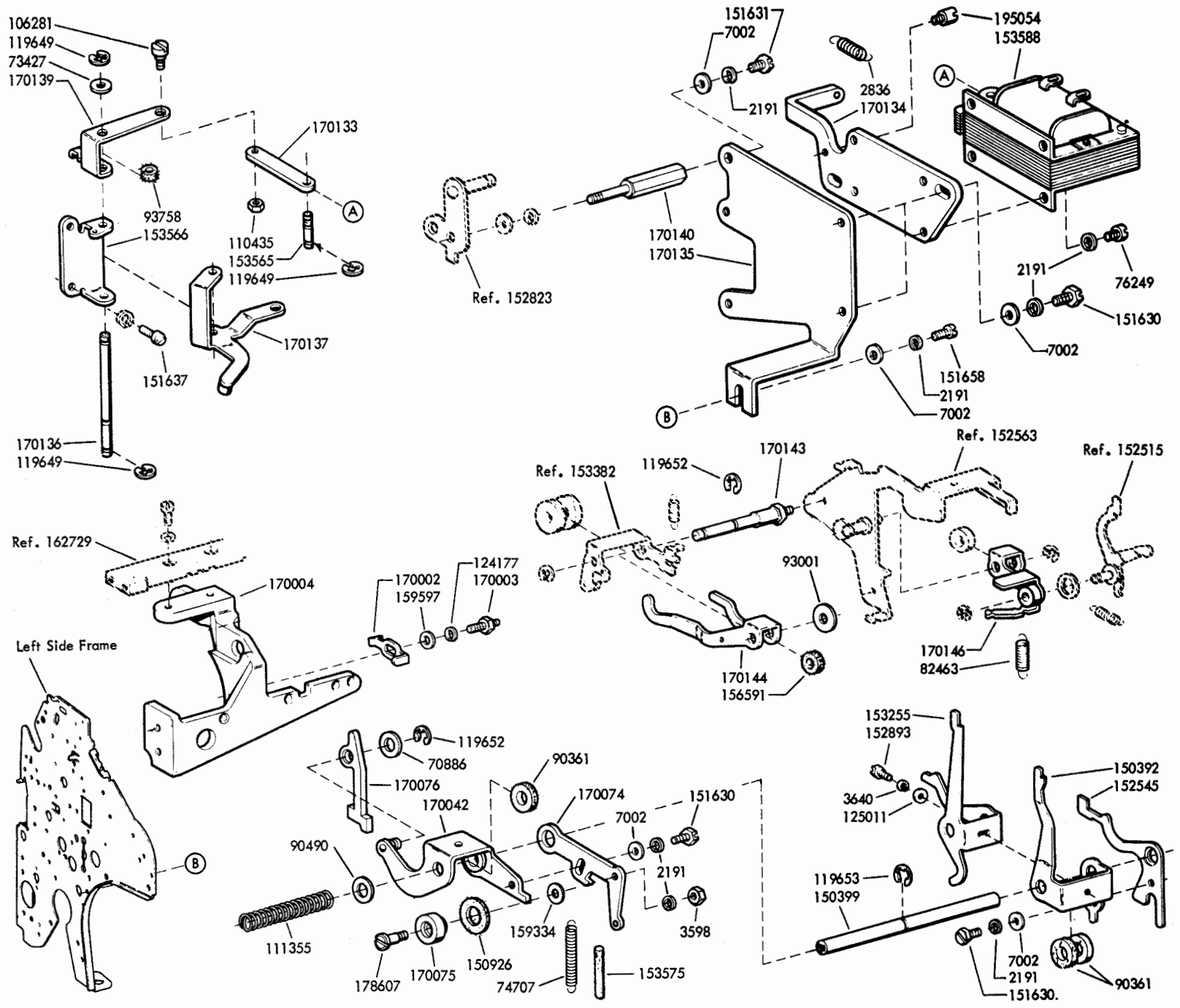
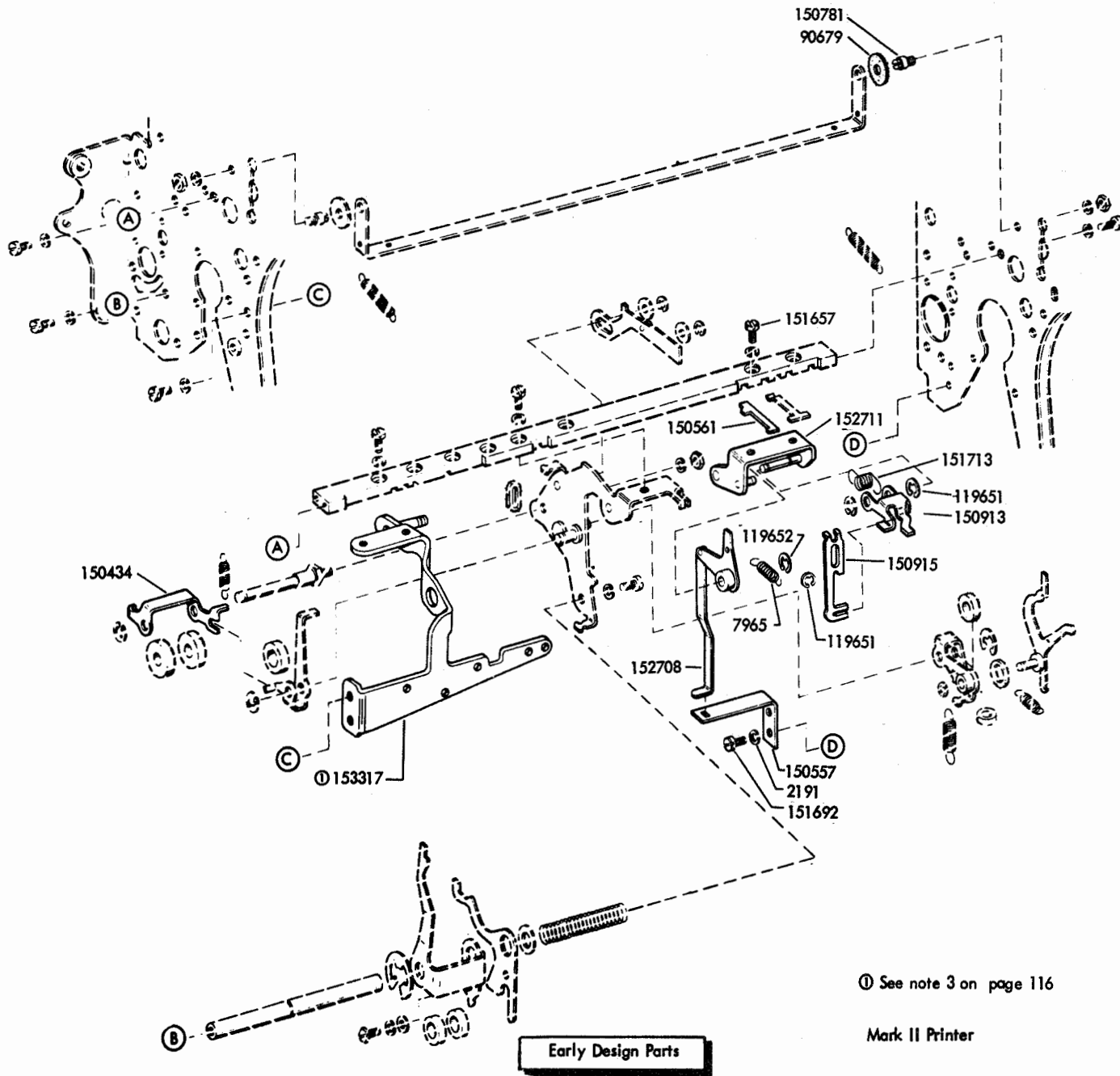


FIGURE 10. SPACE SUPPRESSION MECHANISM



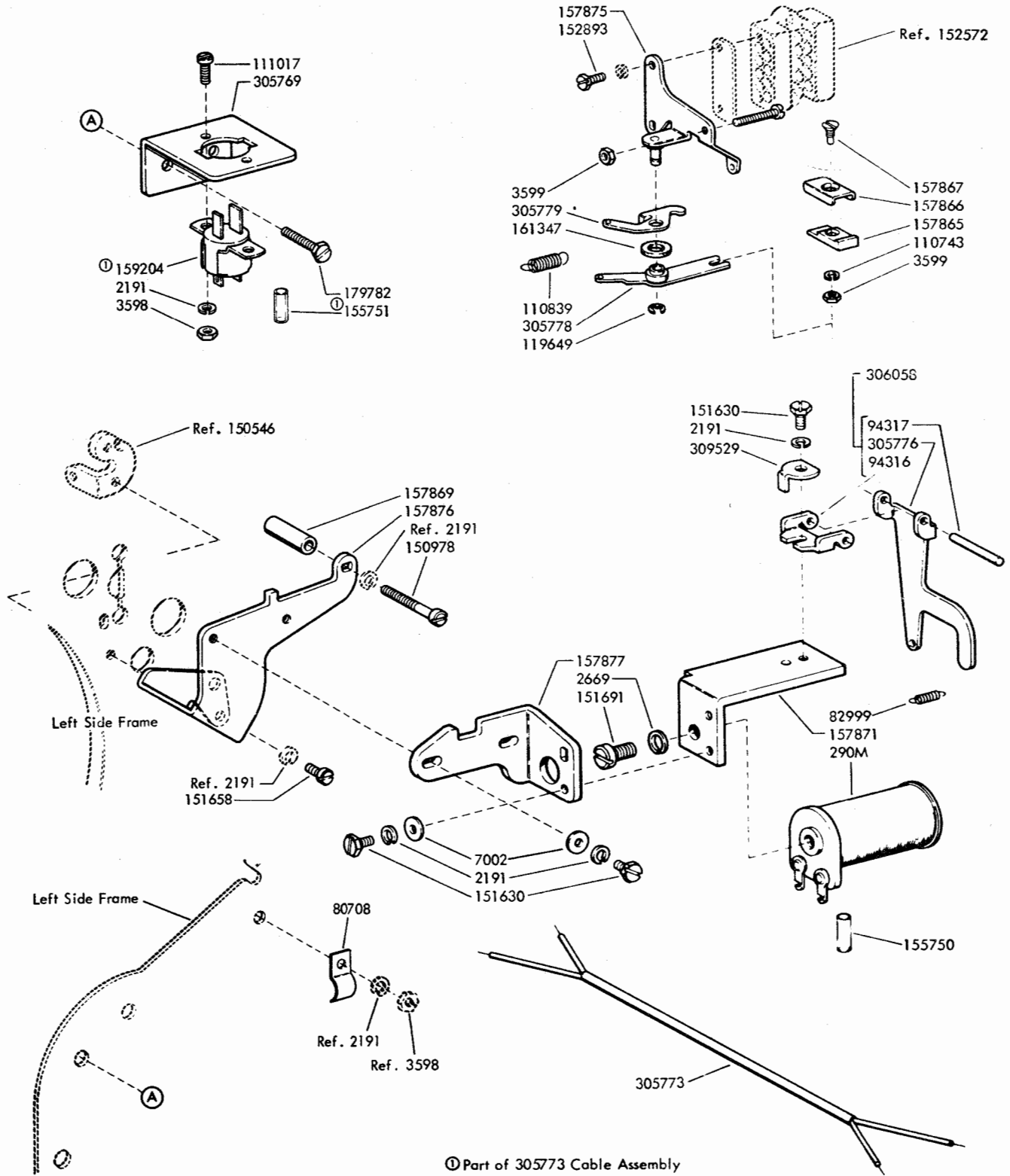
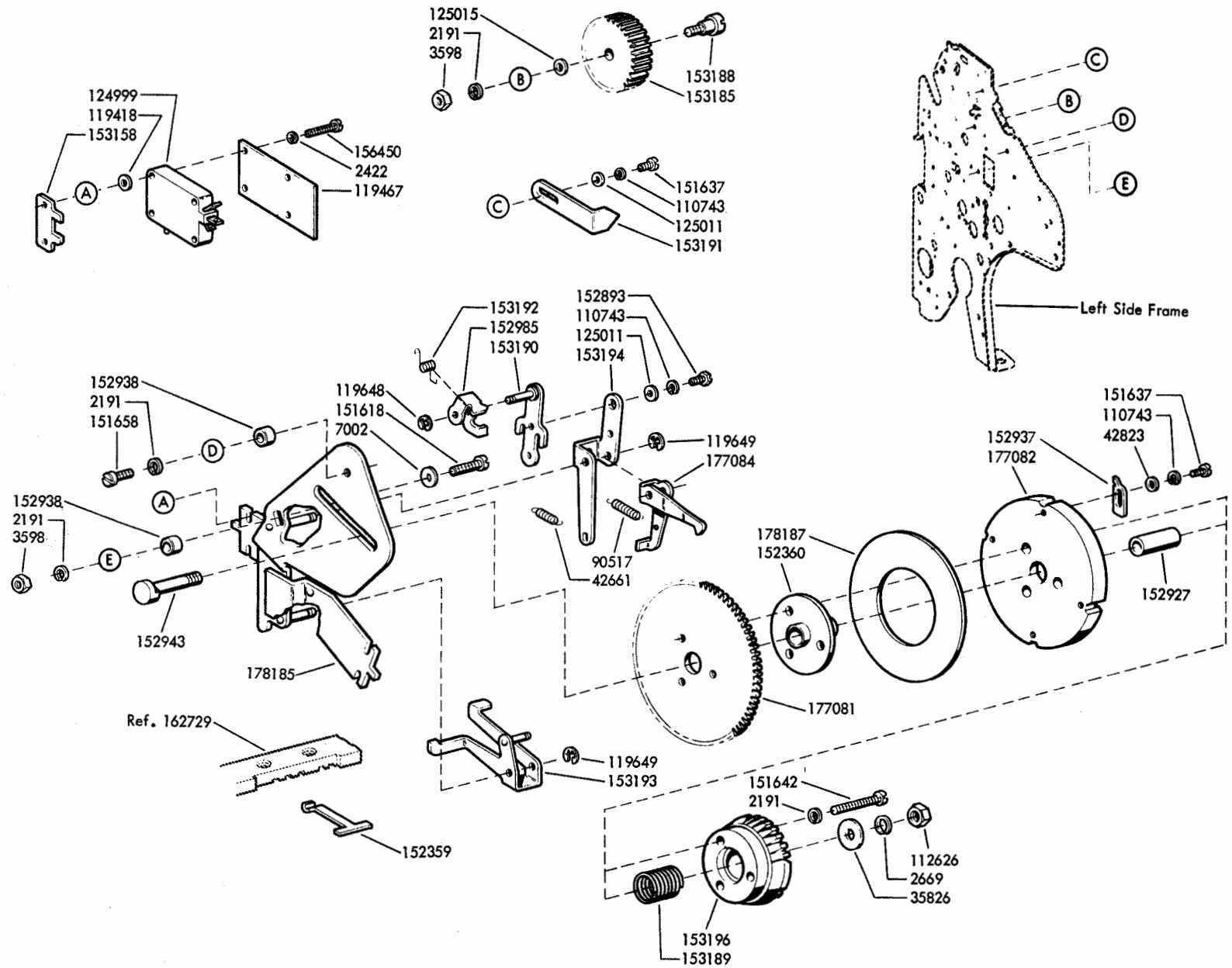


FIGURE 12. ELECTRICALLY OPERATED LETTERS SHIFT MECHANISM

FIGURE 13. PAGE FEED-OUT AND FORM STARTER MECHANISM



See note 4 on page 116

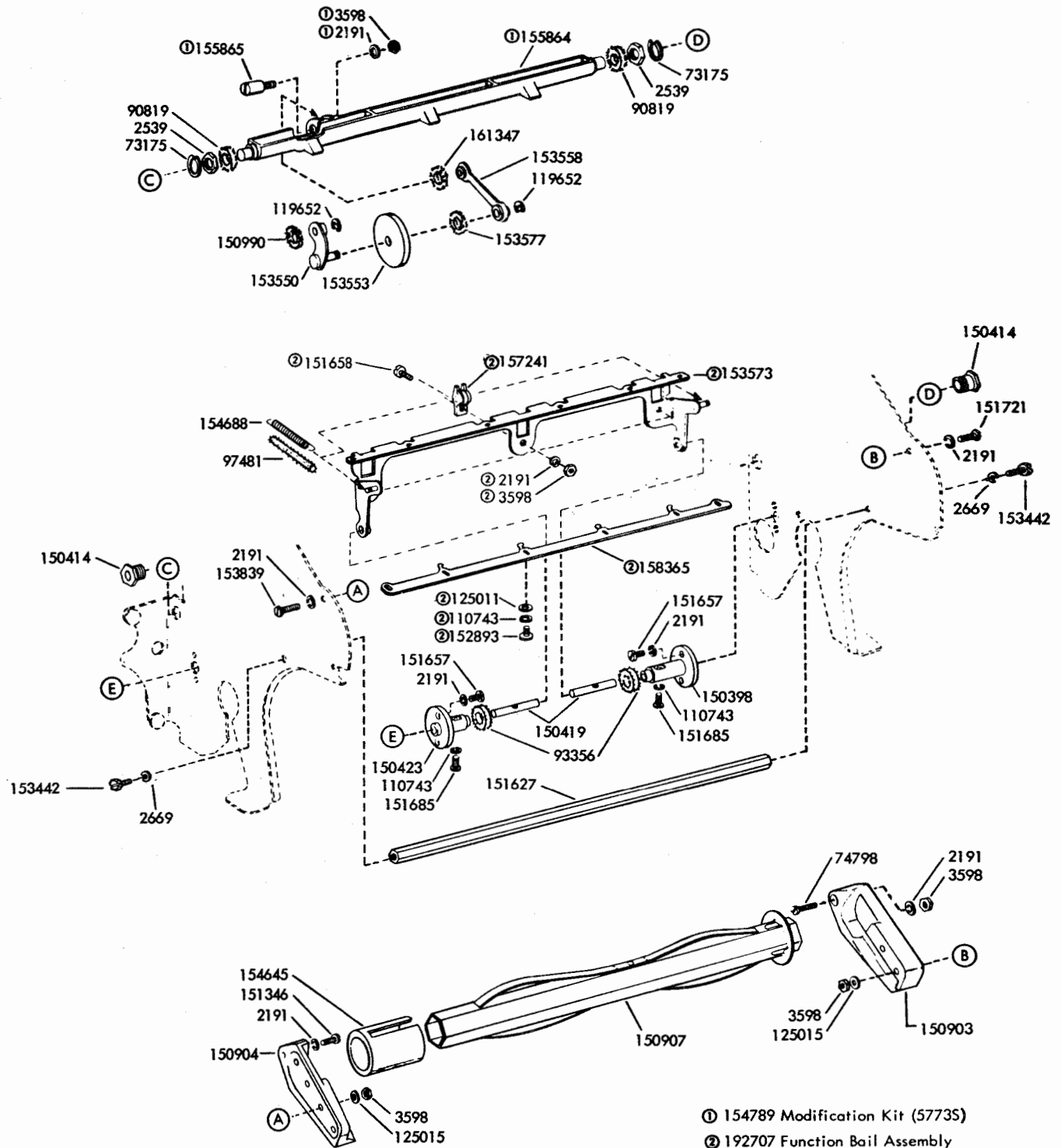
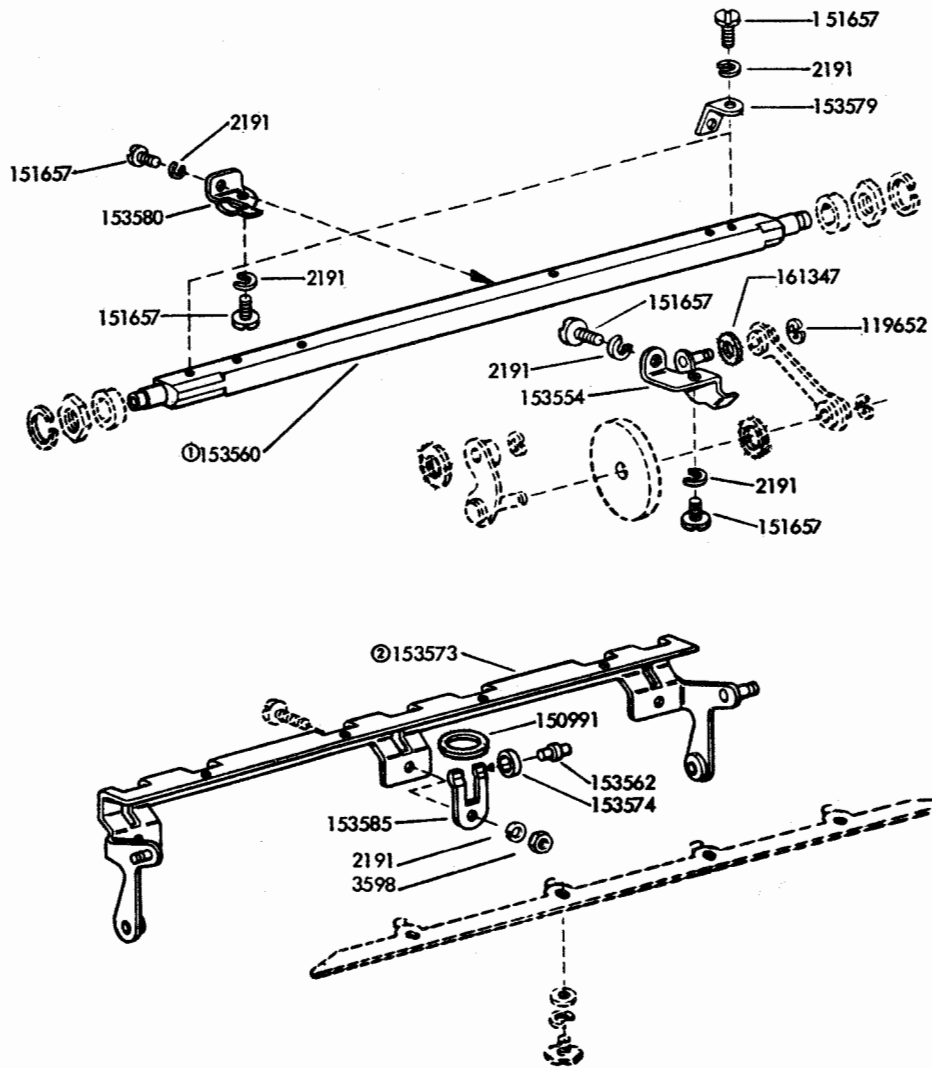


FIGURE 14. PAPER SPINDLE AND RESET BAIL MECHANISM

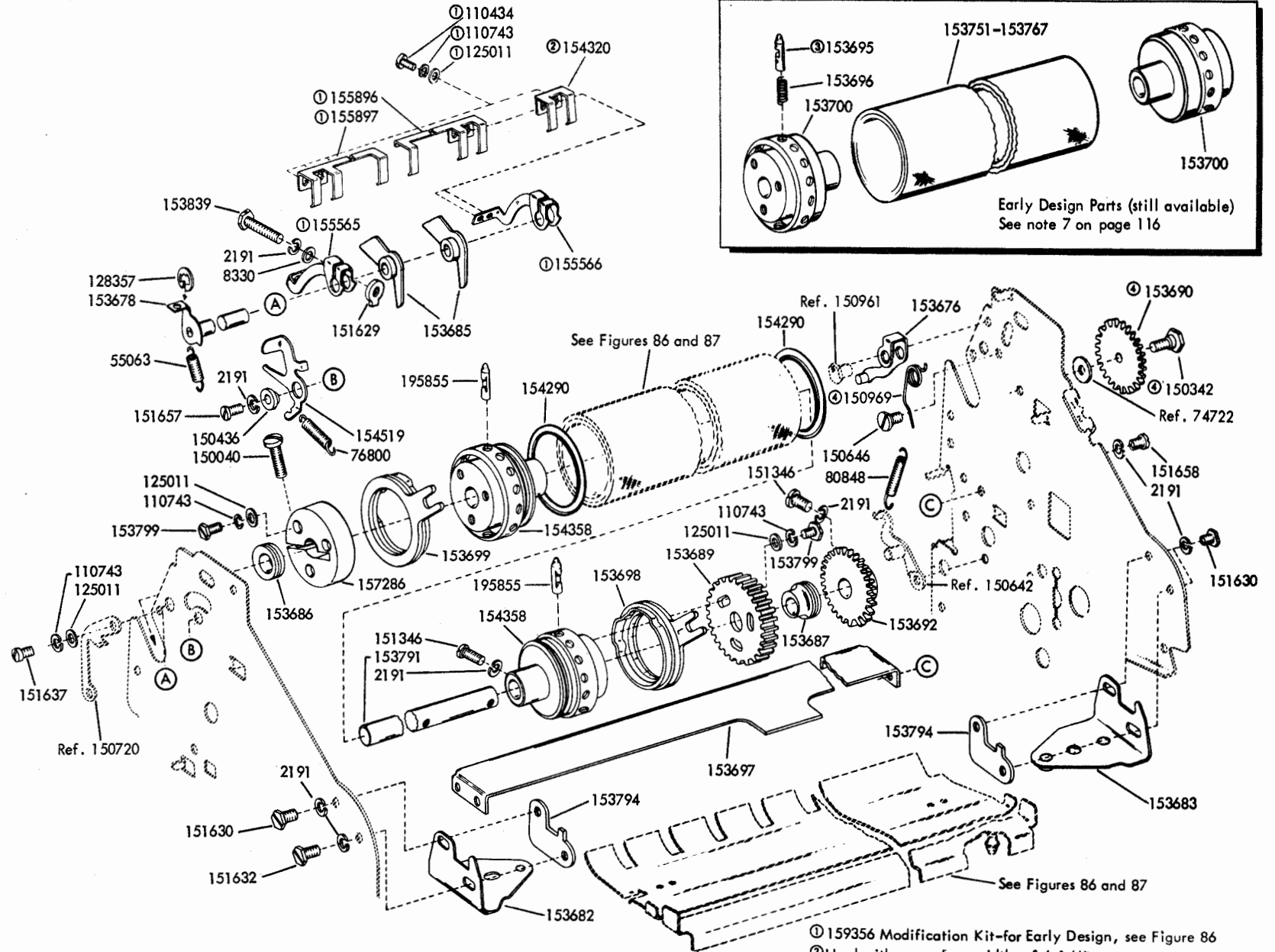


Early Design Parts

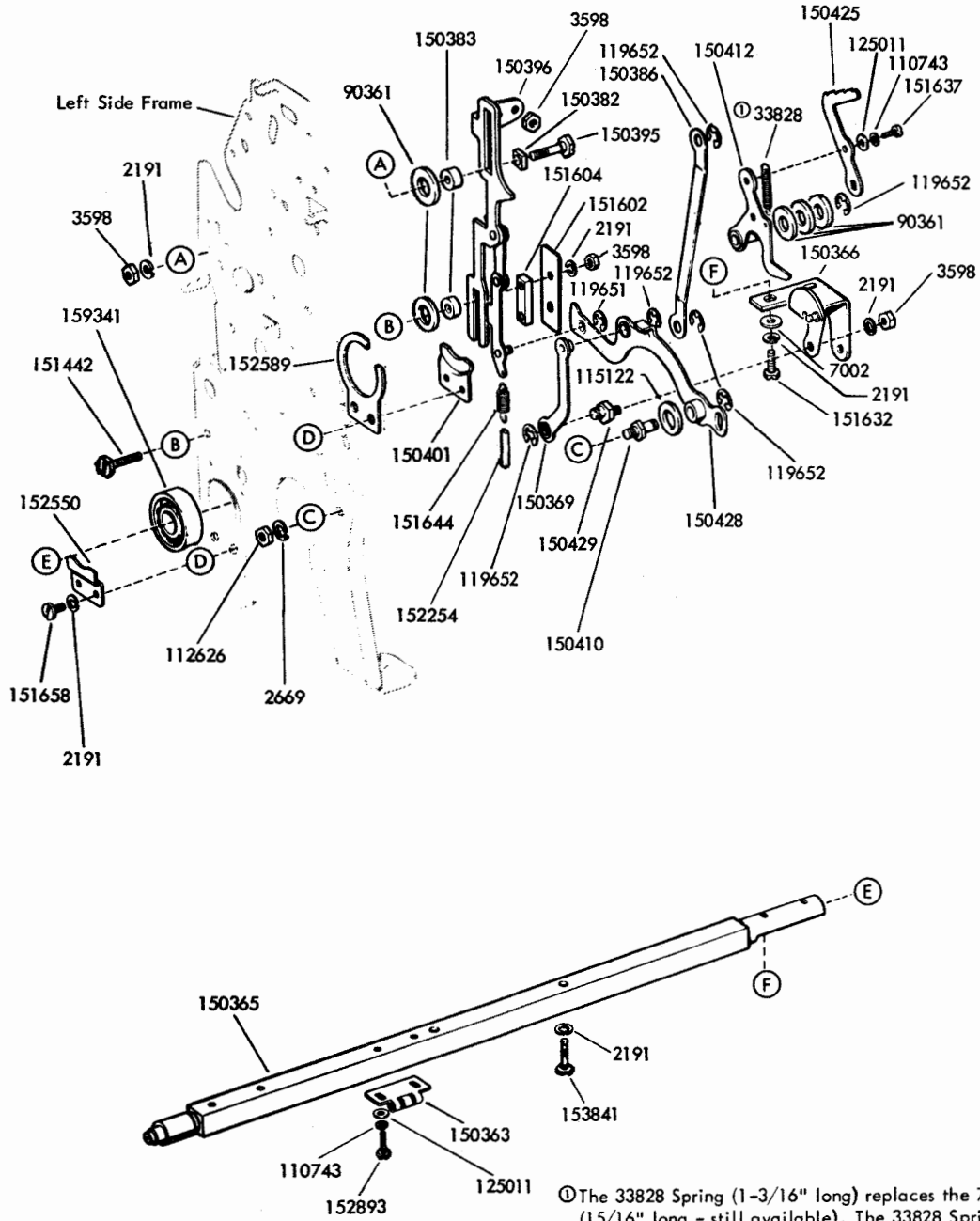
- ① See note 5 on page 116
- ② See note 6 on page 116

FIGURE 16. RESET BAIL MECHANISM

FIGURE 17. SPROCKET FEED MECHANISM



- Ⓛ 159356 Modification Kit—for Early Design, see Figure 86
- Ⓜ Used with paper form widths of 4-1/4" or narrower
- Ⓝ The 153695 Pin (steel) is no longer available. It has been replaced with a 195855 Pin (plastic)
- Ⓞ For Late Design, see 305035 Modification Kit in Figure 126



Ⓛ The 33828 Spring (1-3/16" long) replaces the 76379 Spring (15/16" long - still available). The 33828 Spring and the 76379 Spring are not individually replaceable. They must be replaced in sets of two for the Left and Right Side Linkage Mechanisms. (see Figure 21)

For Early Design, see Figure 20

FIGURE 19. LEFT SIDE LINKAGE AND ROCKER SHAFT MECHANISM

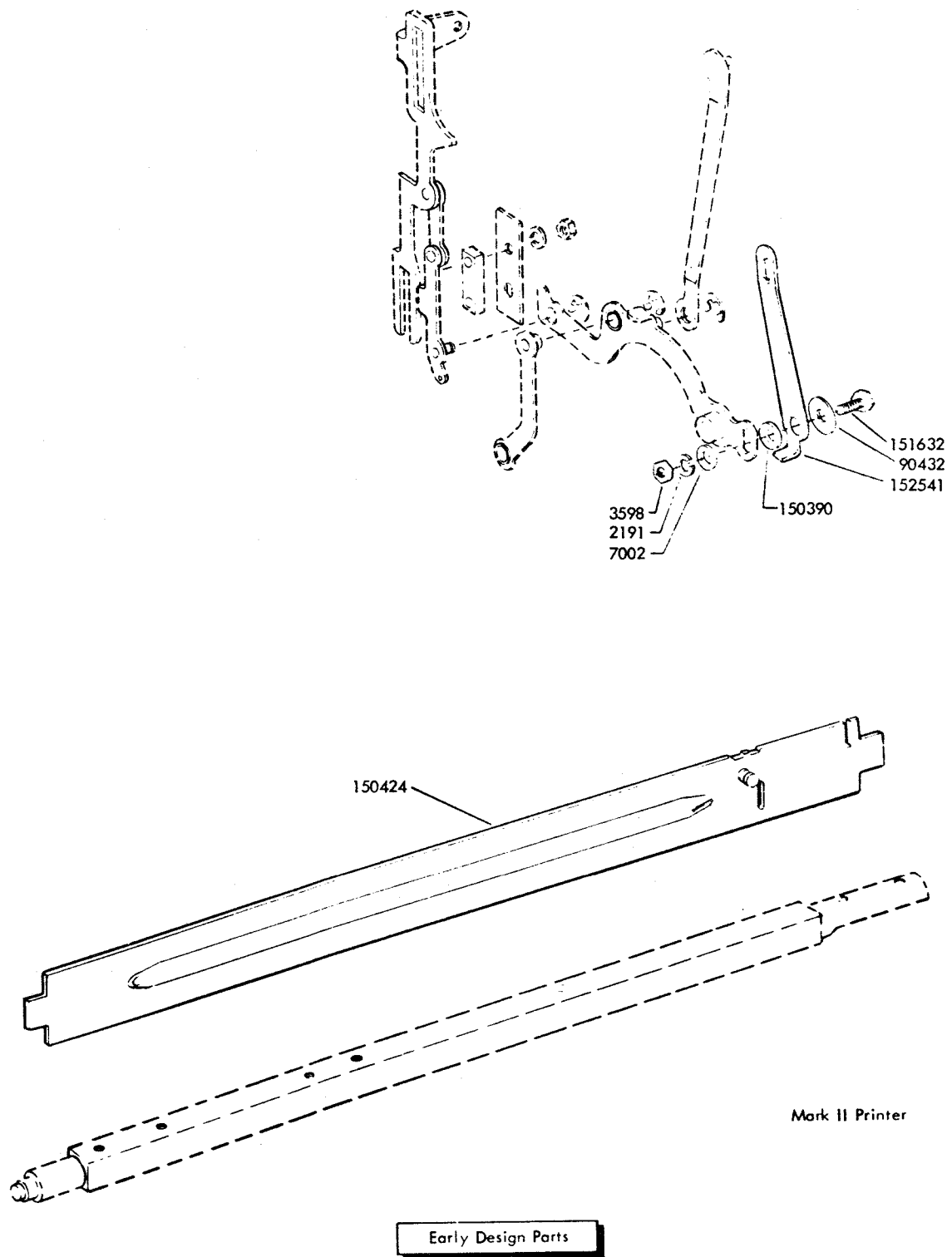


FIGURE 20. LEFT SIDE LINKAGE AND STRIPPER BLADE MECHANISM

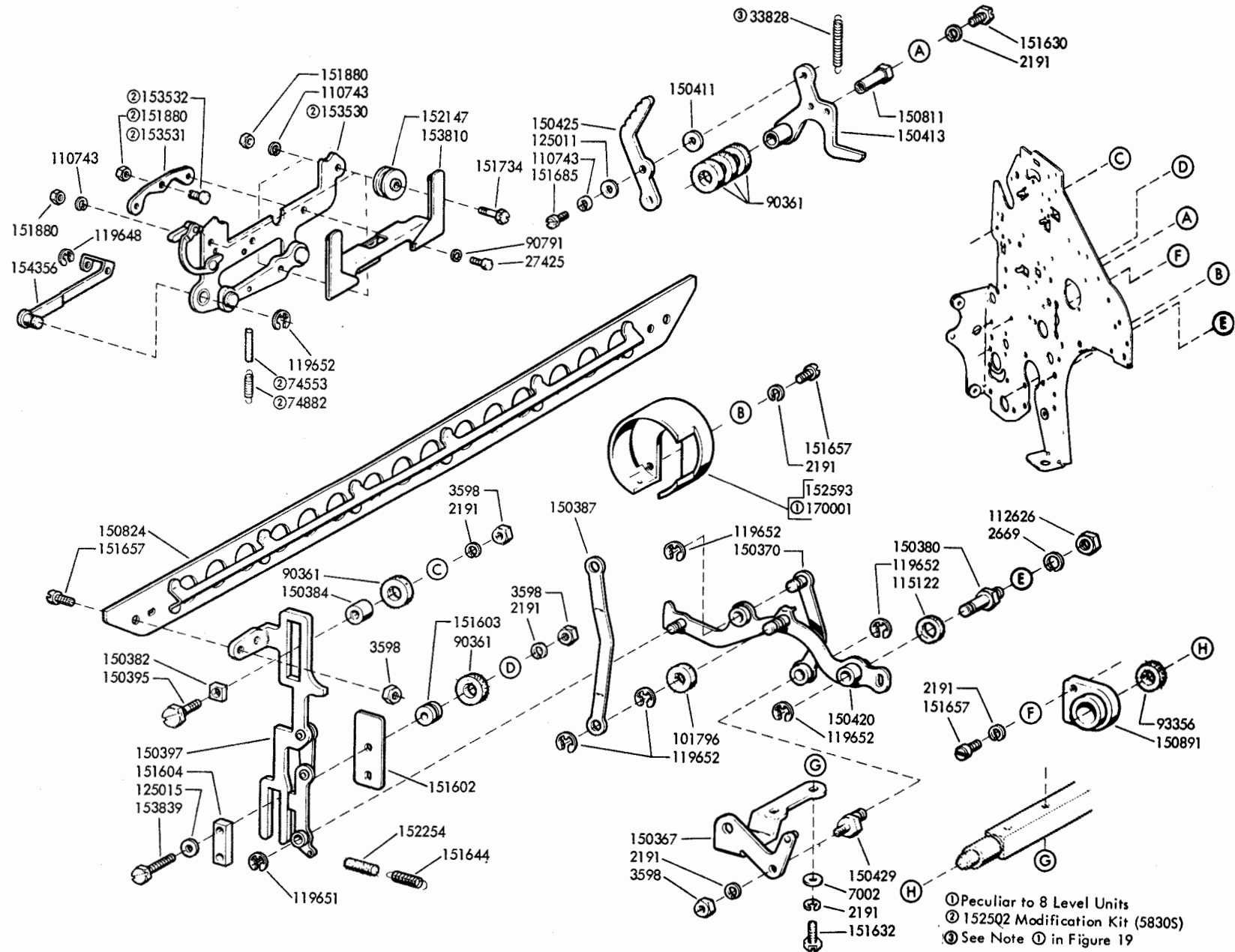
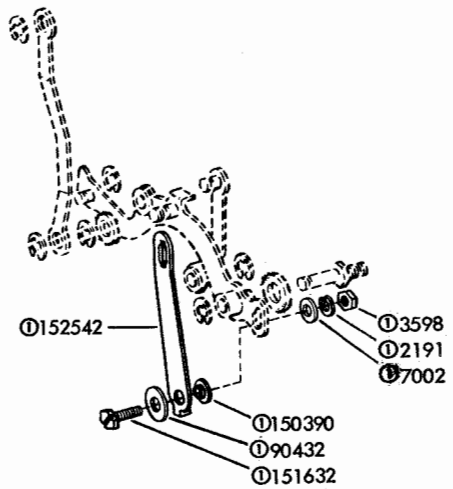
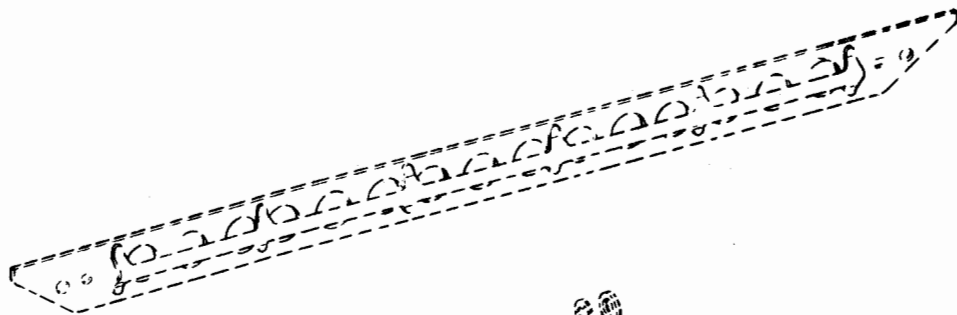
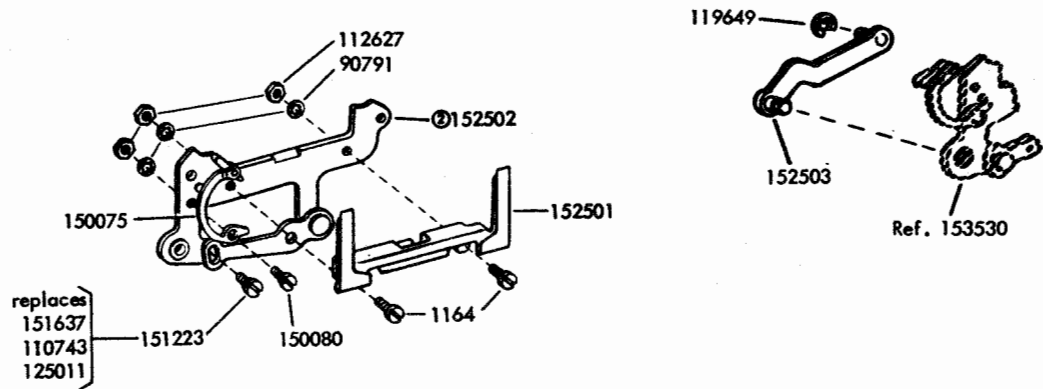


FIGURE 21. RIGHT SIDE LINKAGE AND TYPE BOX CARRIAGE MECHANISM

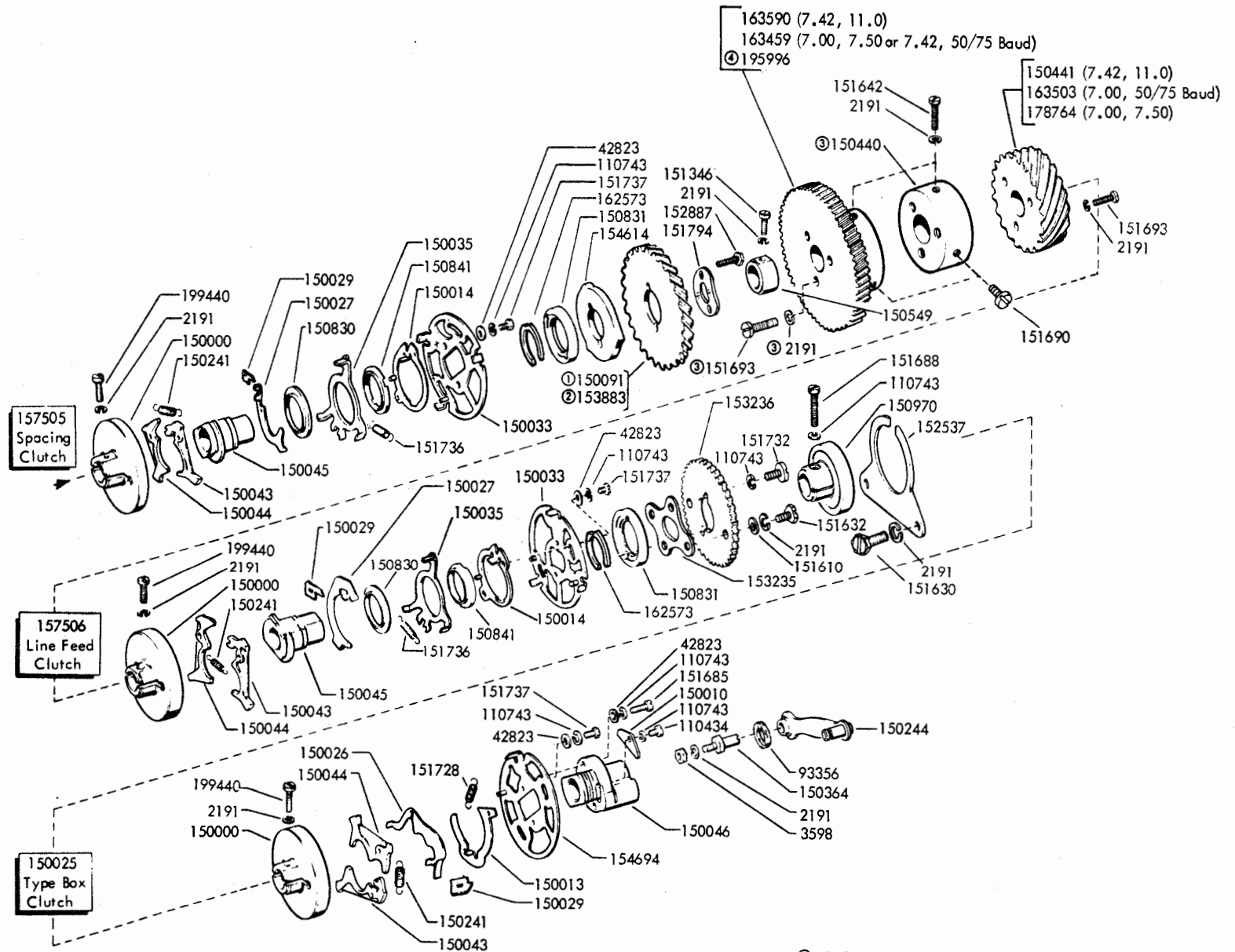


Early Design Parts

① Mark II Printer
② See note 8 on page 116

FIGURE 22. RIGHT SIDE LINKAGE AND TYPE BOX CARRIAGE MECHANISM

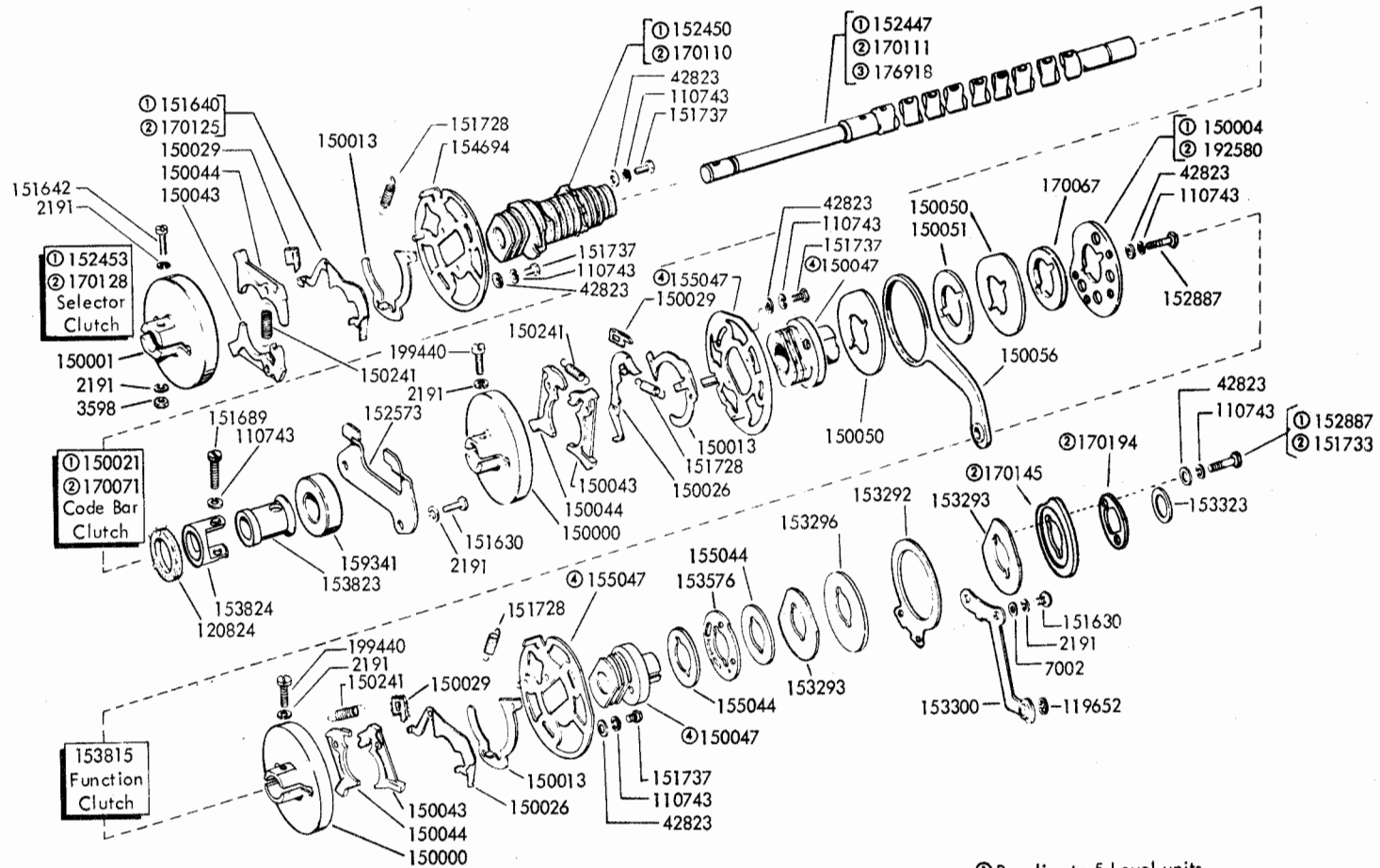
FIGURE 23. MAIN SHAFT MECHANISM



For Early Design, see Figure 25

- ① 10 characters per inch
- ② 5 characters per inch
- ③ Used when the Driven Gear does not have a hub
- ④ Peculiar to Wall Mounted Units (7.42)

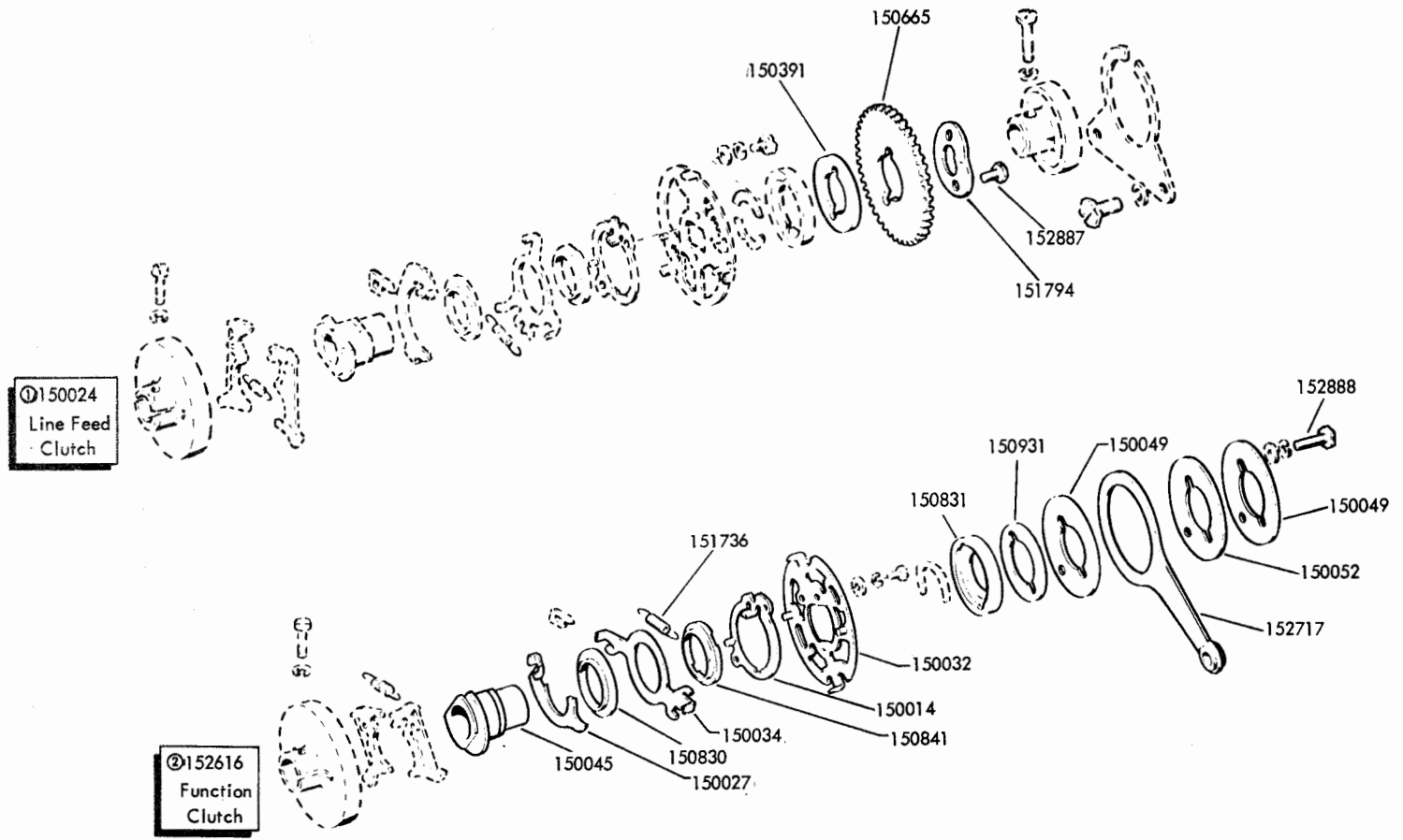
FIGURE 24. MAIN SHAFT MECHANISM



- ① Peculiar to 5 Level units
- ② Peculiar to 8 Level units
- ③ Peculiar to Wall Mounted units
- ④ When replacing an Early Design 155047 Disk without hubs with a Late Design Disk with hubs, a Late Design 150047 Bearing with countersunk mounting holes should also be used.

For Early Design, see Figure 25.

FIGURE 25. LINE FEED CLUTCH AND FUNCTION CLUTCH MECHANISM

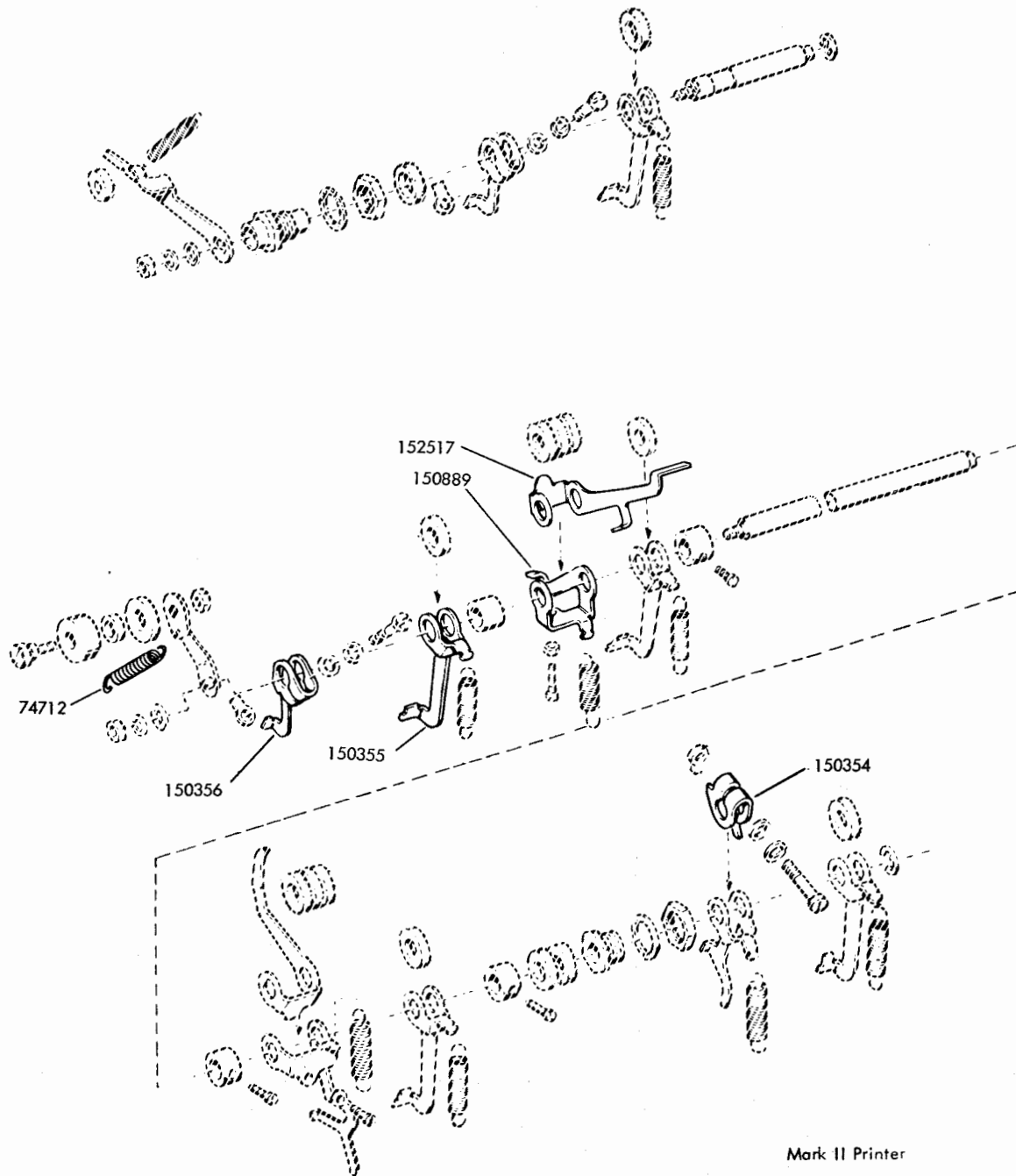


① 150024
Line Feed
Clutch

② 152616
Function
Clutch

- ① Mark II Printer
- ② Two-Stop Function Clutch

Early Design Parts

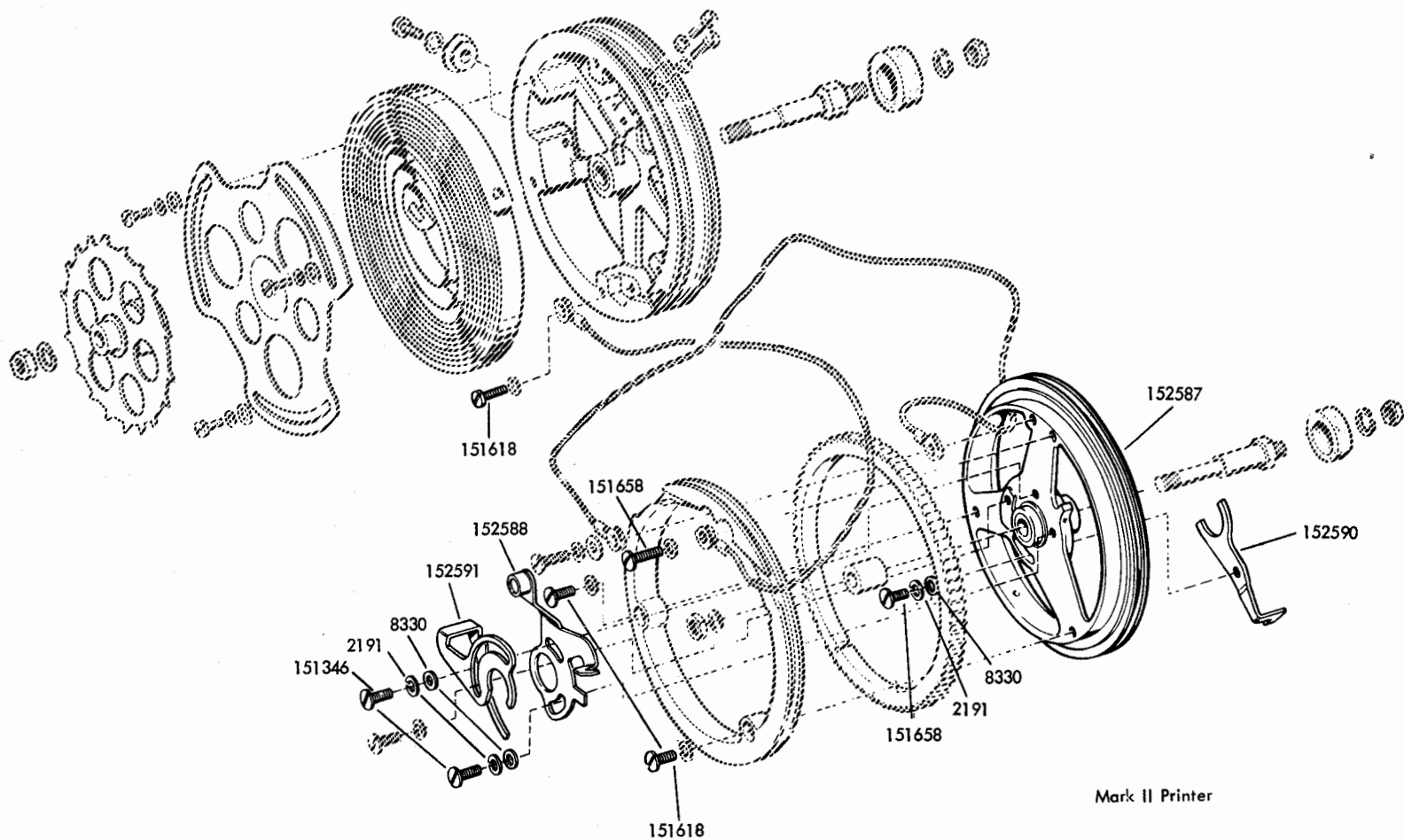


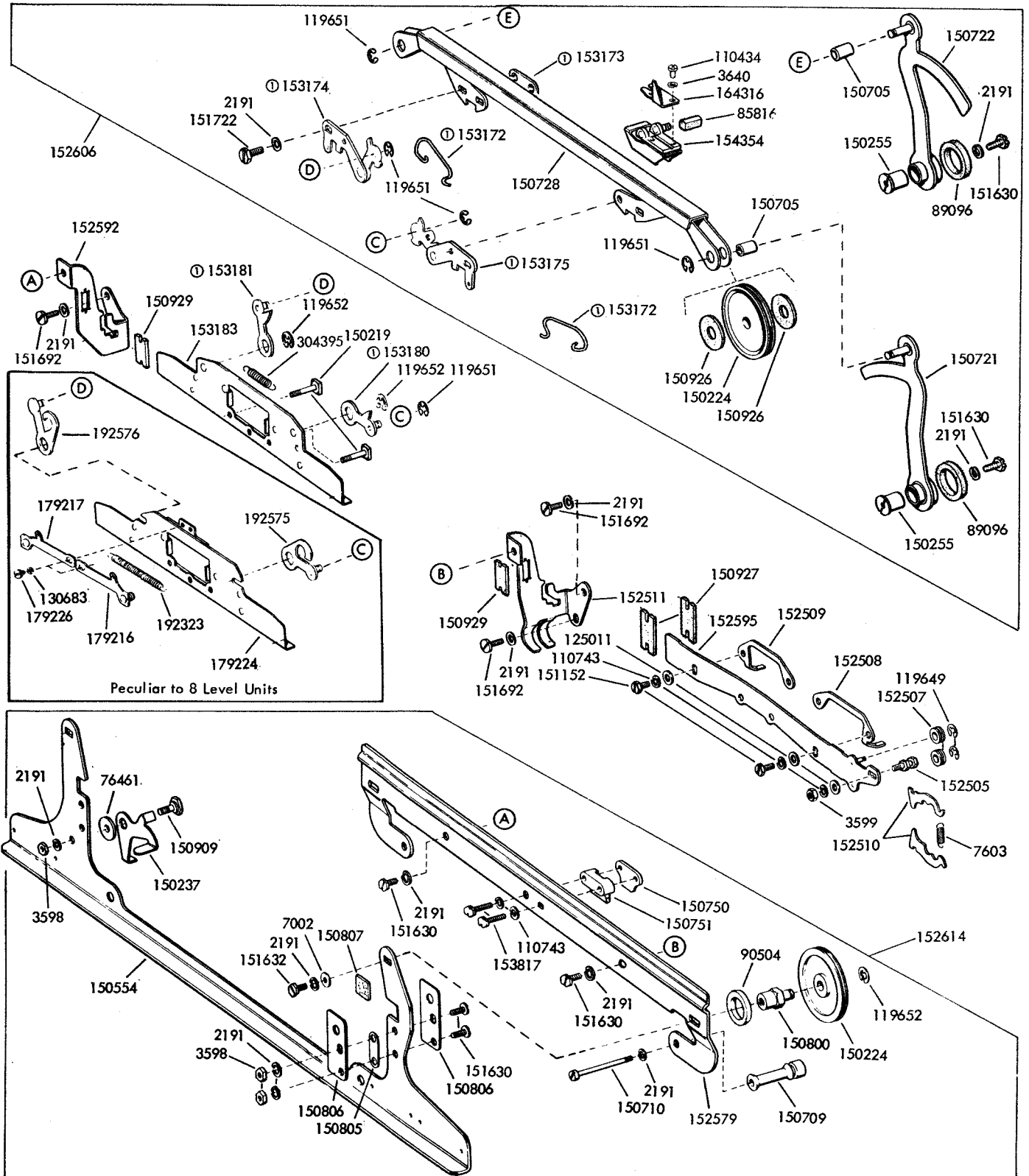
Mark II Printer

Early Design Parts

FIGURE 27. TRIP SHAFT MECHANISM

FIGURE 29. CARRIAGE RETURN AND SPACING DRUM MECHANISM

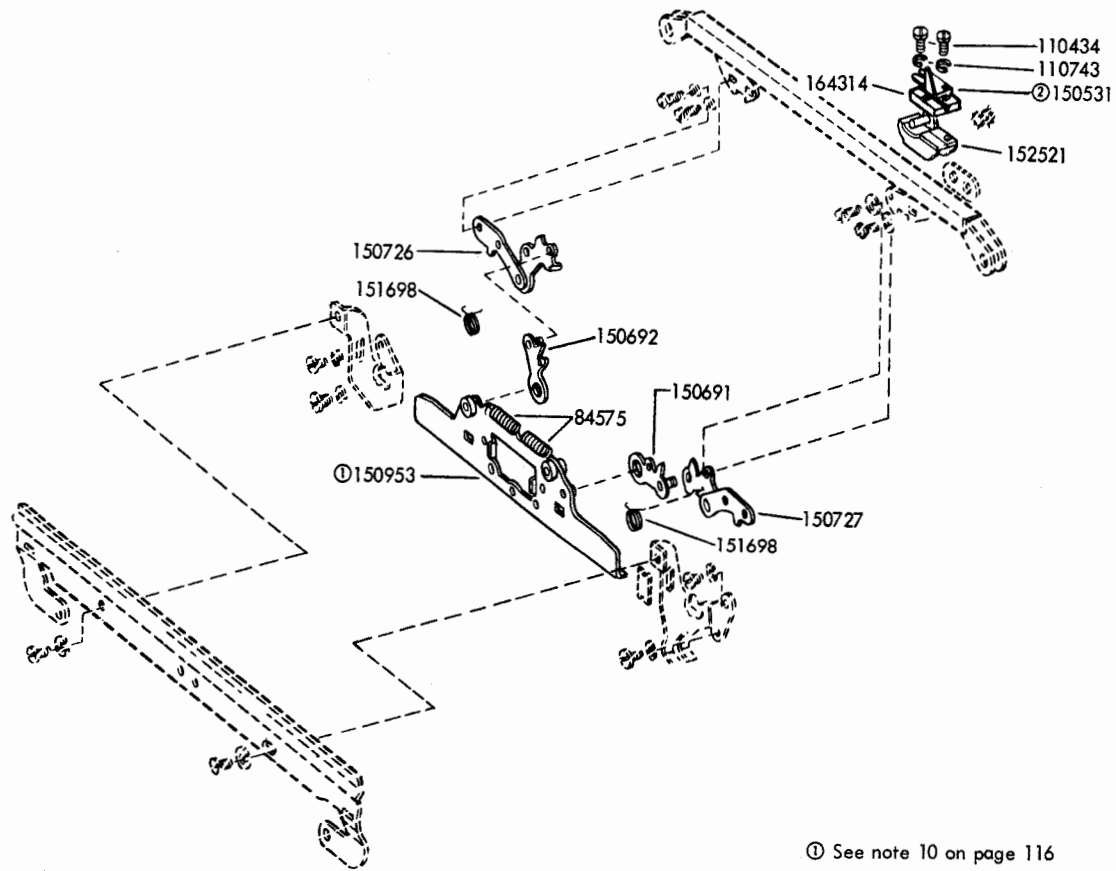




Ⓛ 153947 Modification Kit (58105)
For Early Design, see Figure 31

FIGURE 30. FRONT PLATE MECHANISM

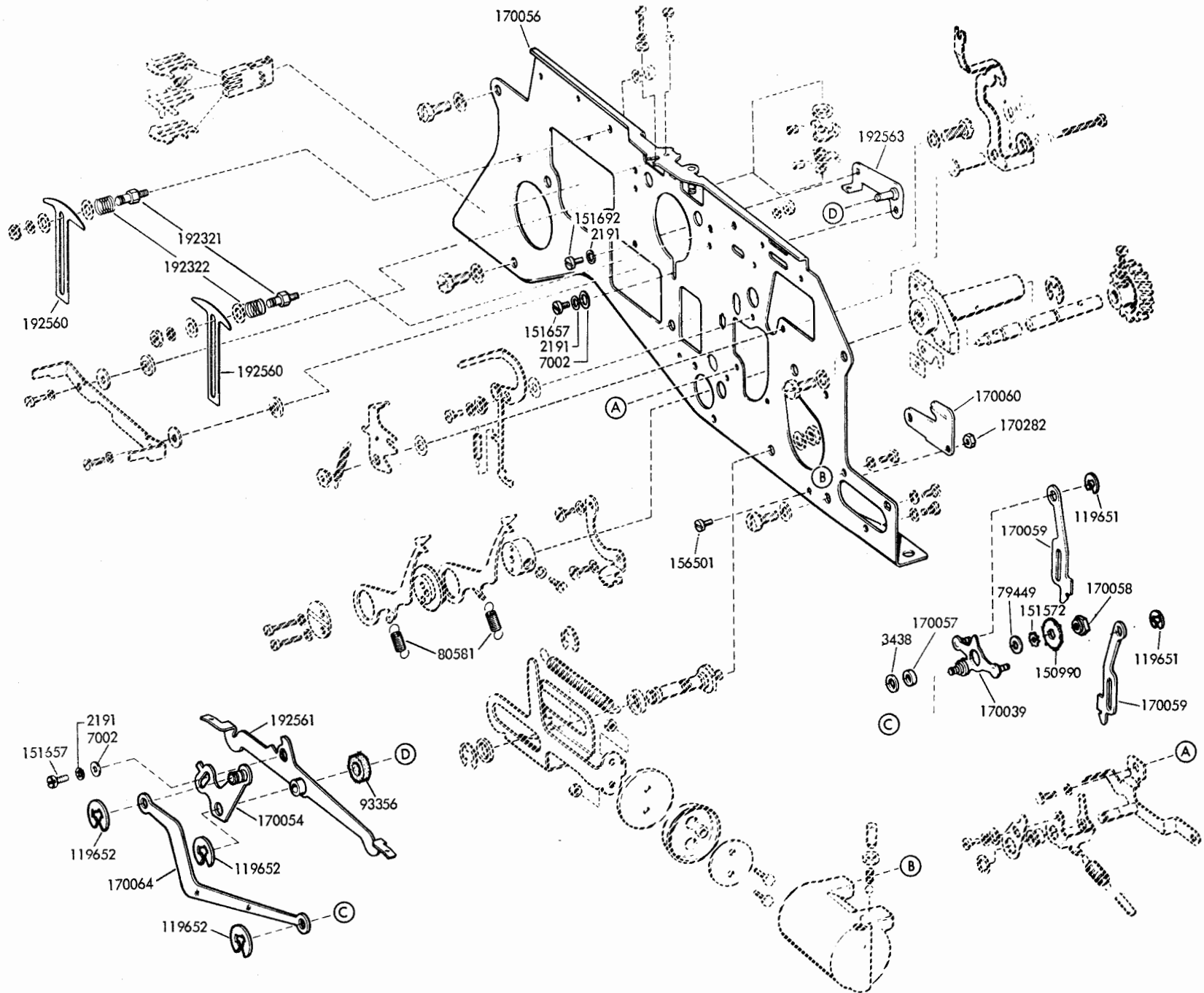
FIGURE 31. FRONT PLATE MECHANISM

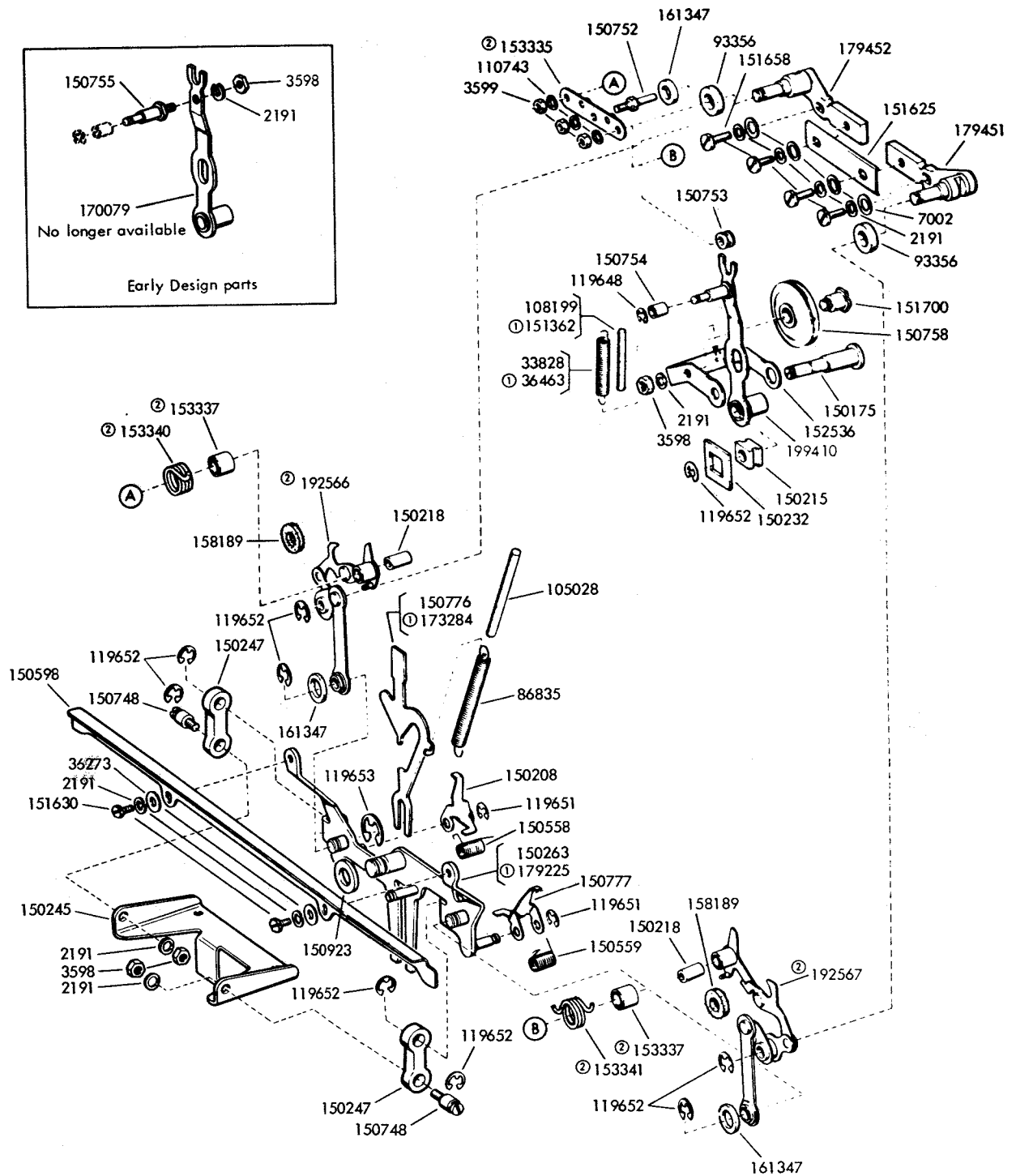


- ① See note 10 on page 116
- ② See note 11 on page 116

Early Design Parts

FIGURE 33. FRONT PLATE MECHANISM (8 LEVEL)

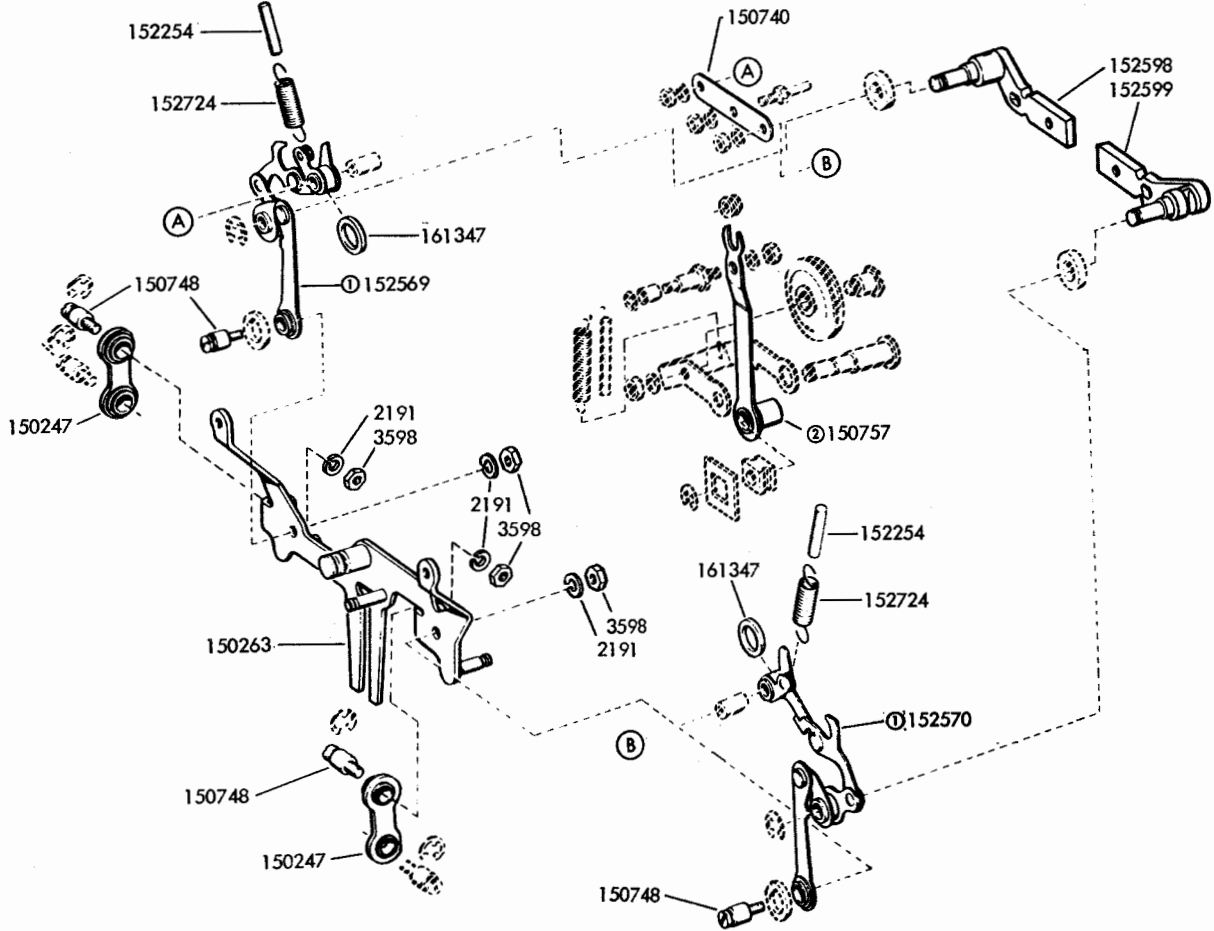




- ① Peculiar to 8 Level Units
- ② 153946 Modification Kit (58075)

For Early Design, see Figure 35

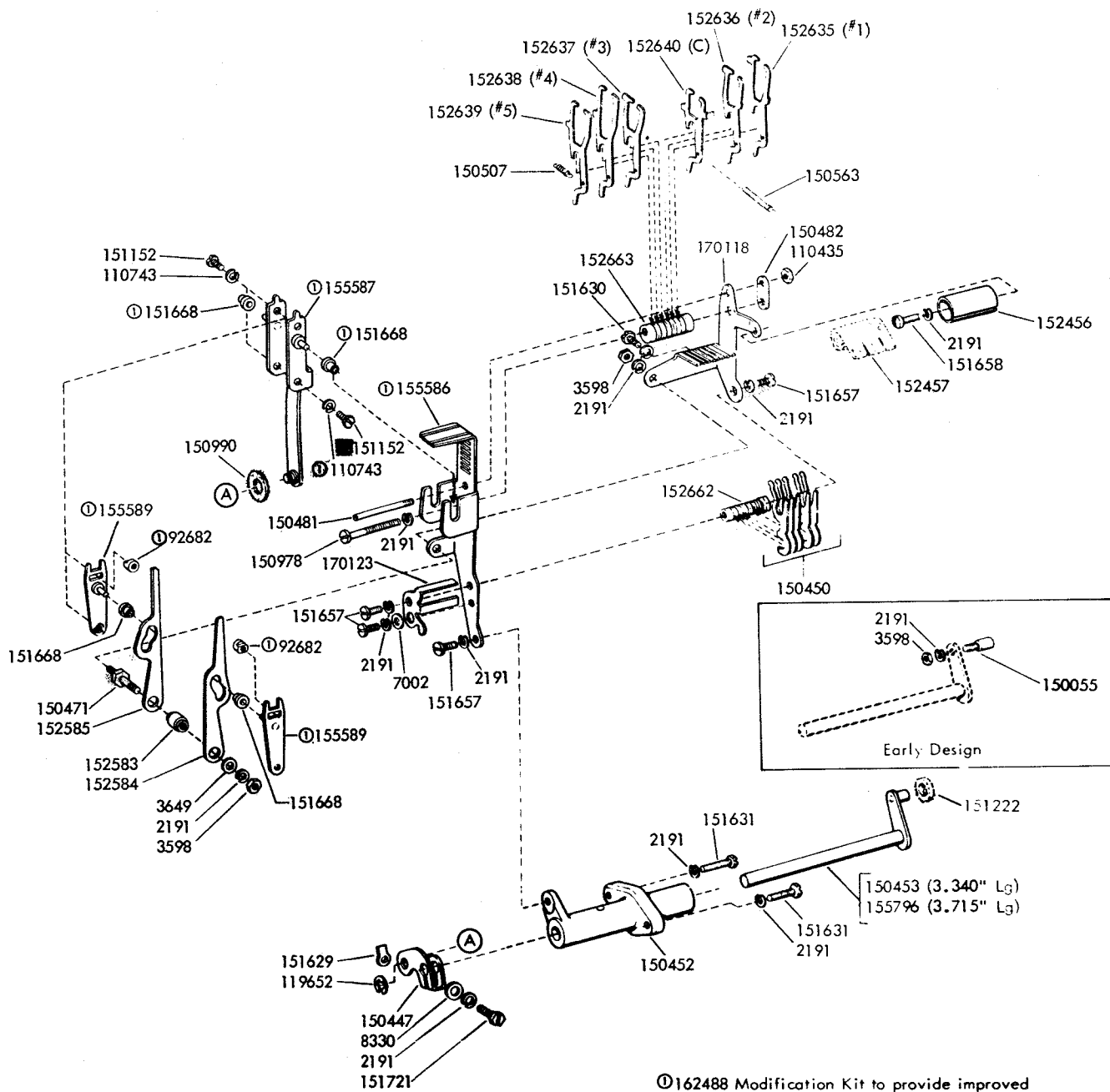
FIGURE 34. FRONT PLATE MECHANISM



Early Design Parts

① See note 14 on page 116
 ② See note 15 on page 116

FIGURE 35. FRONT PLATE MECHANISM



⓪162488 Modification Kit to provide improved Code Bar Positioning Mechanism (59225)
 For Early Design, see Figure 38

FIGURE 36. CODE BAR POSITIONING MECHANISM

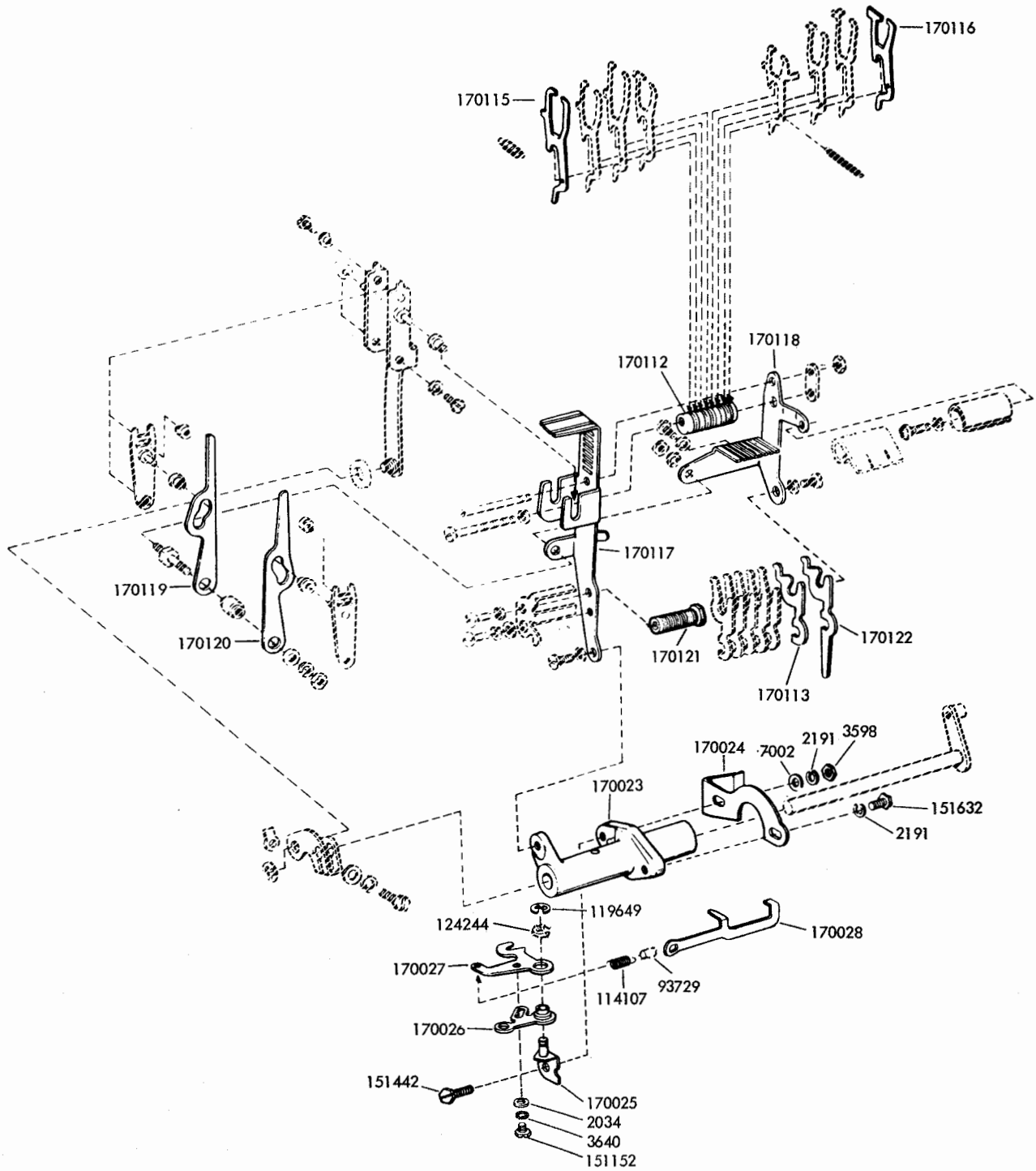
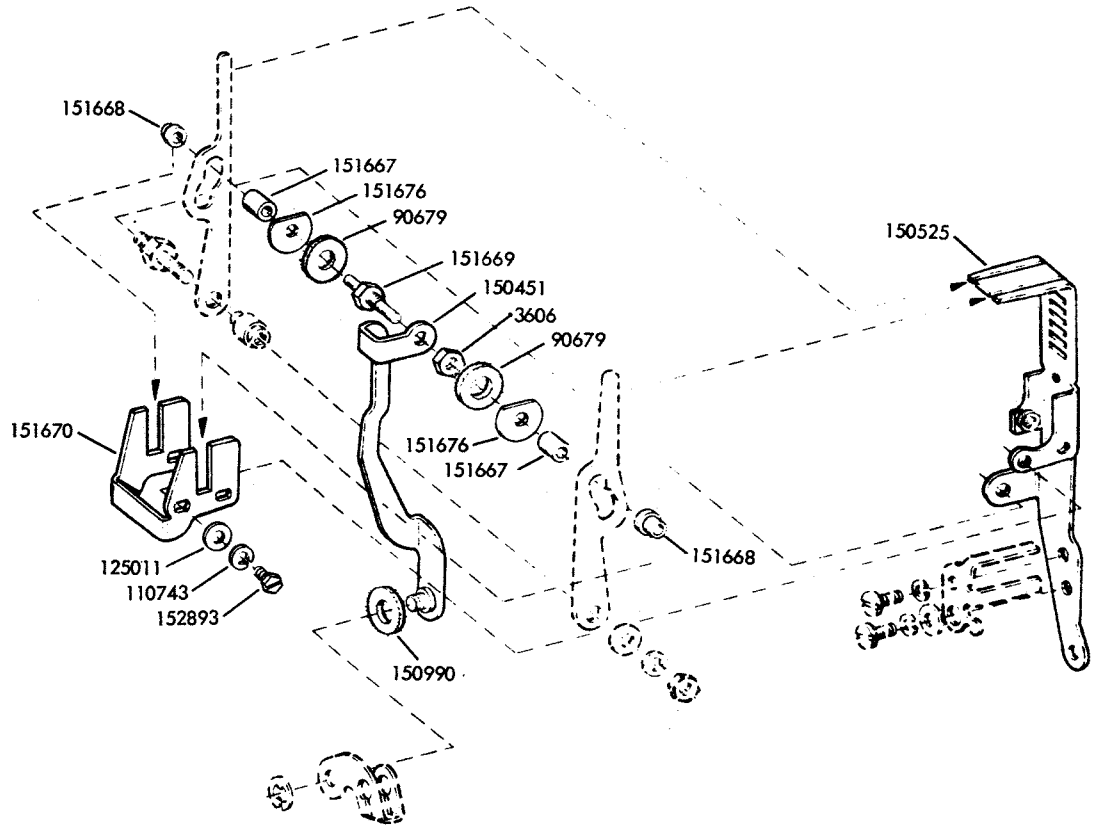


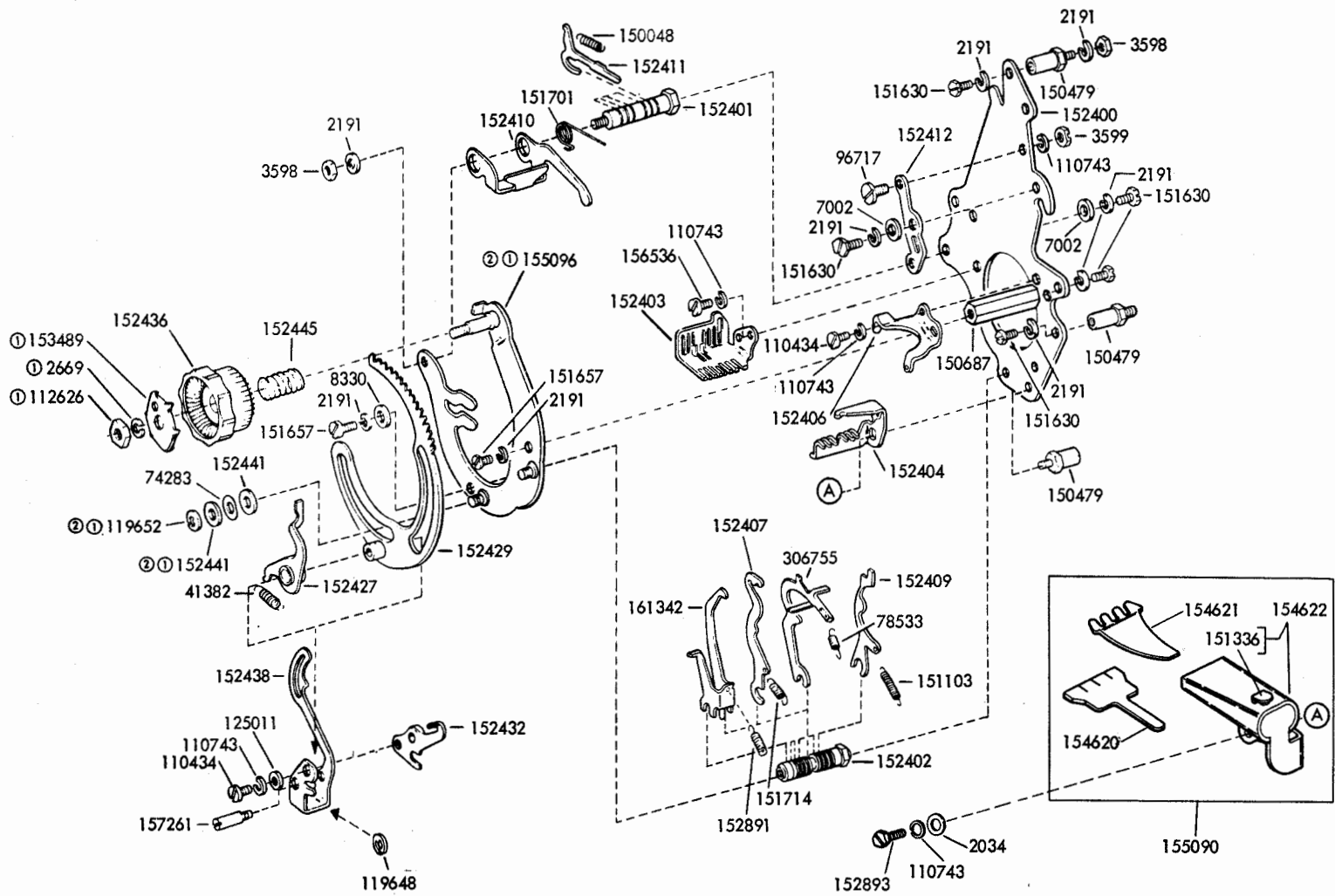
FIGURE 37. CODE BAR POSITIONING MECHANISM (8 LEVEL)



Early Design Parts

FIGURE 38. CODE BAR POSITIONING MECHANISM

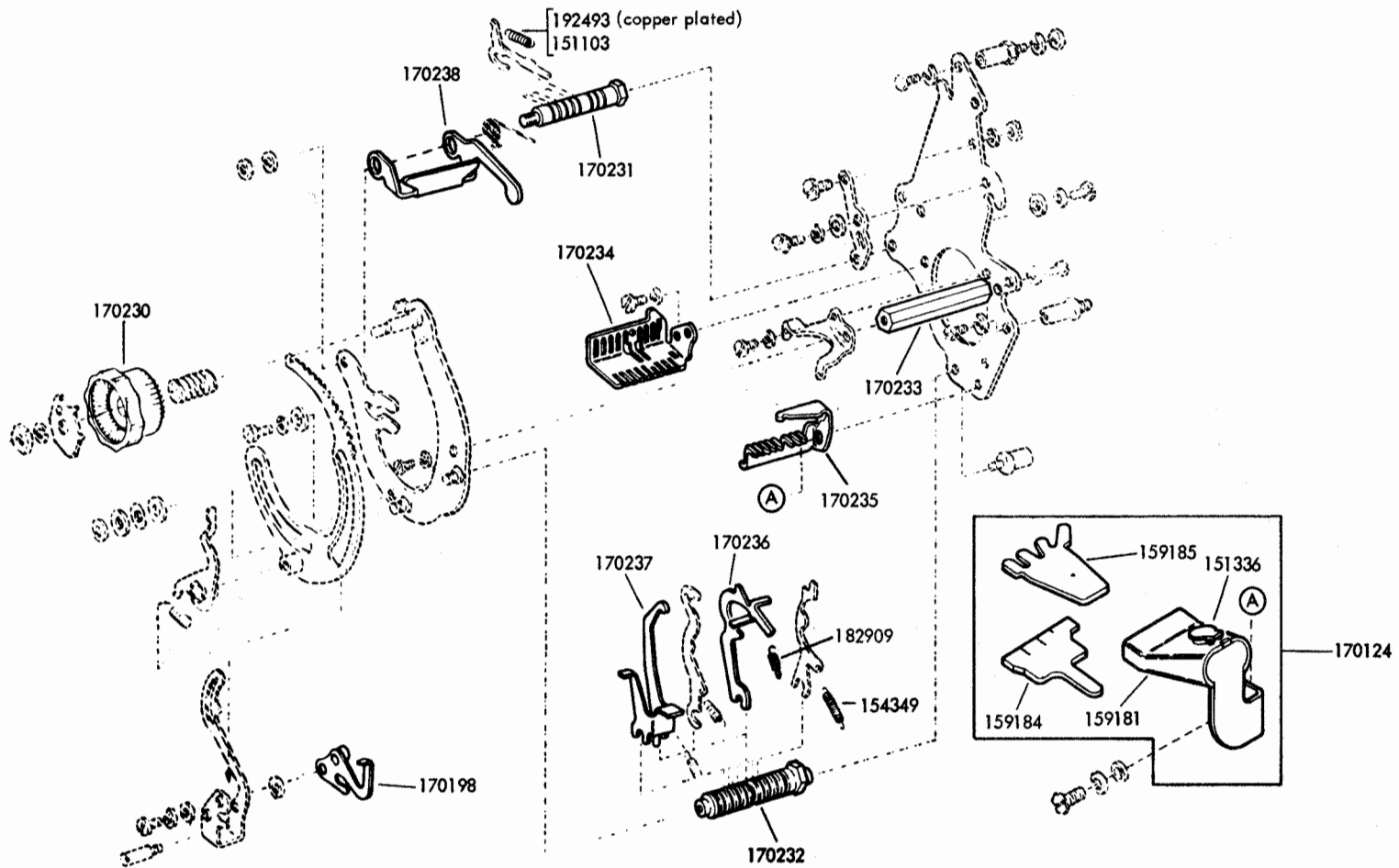
FIGURE 39. SELECTOR MECHANISM

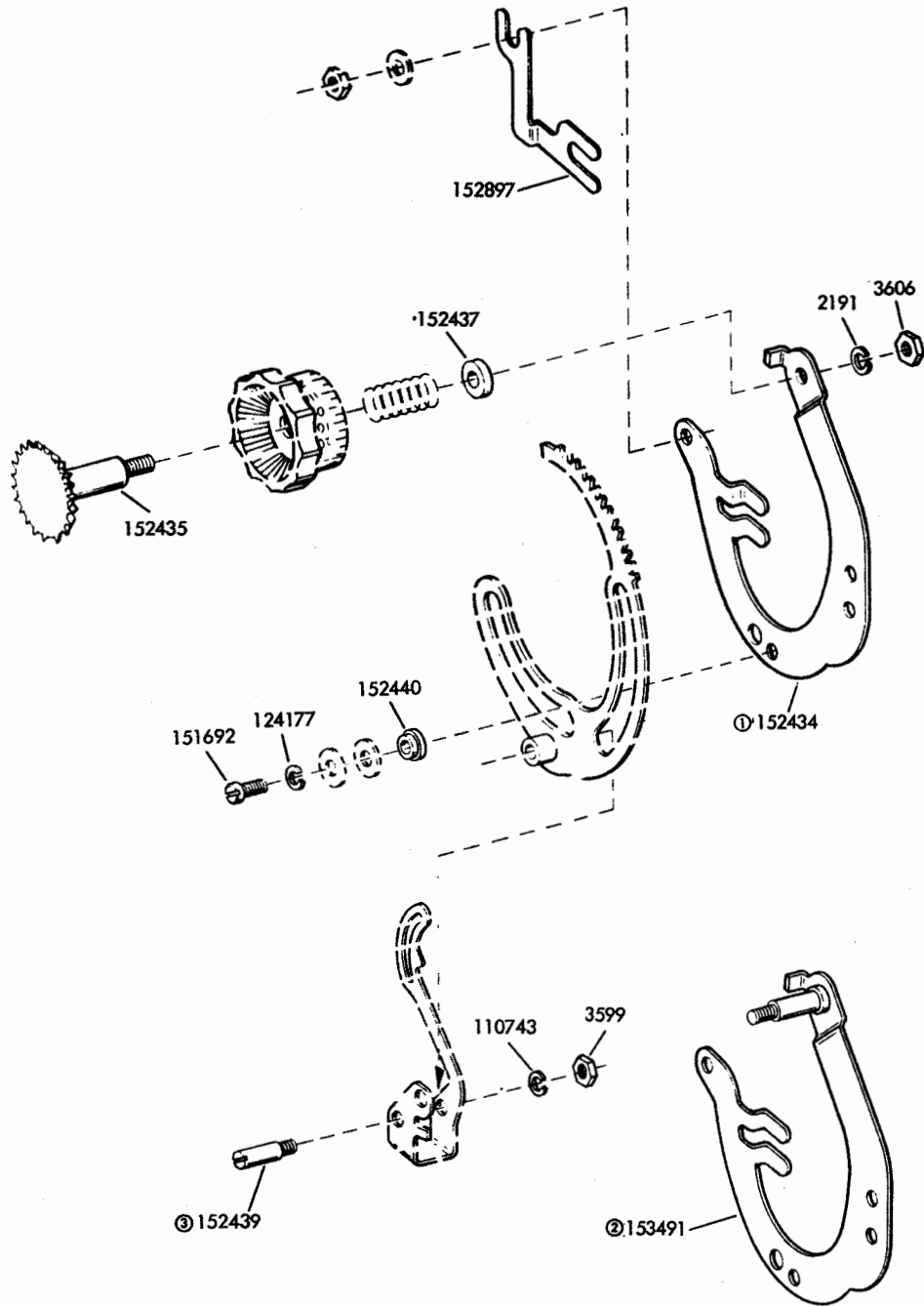


- ① 153904 Modification Kit (5843S)
- ② 154723 Modification Kit (5843S)

For Early Design, see Figure 41

FIGURE 40. SELECTOR MECHANISM (8 LEVEL)

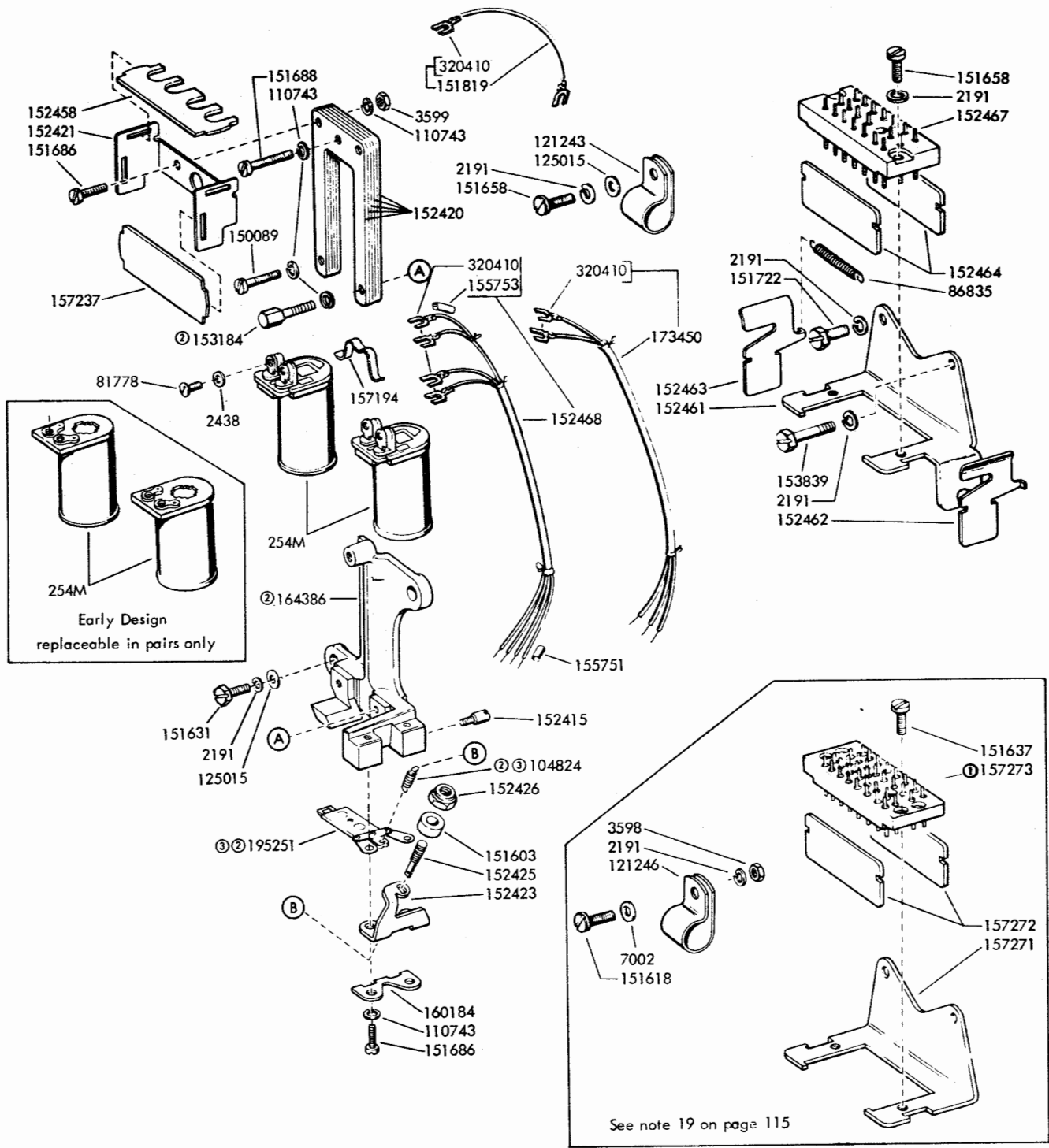




- ① See note 16 on page 116
- ② See note 17 on page 116
- ③ See note 18 on page 116

Early Design Parts

FIGURE 41. SELECTOR KNOB MECHANISM



- ⓐ Part of 173698 Cable Assembly (see Figure 61)
- ⓑ 153949 Modification Kit 57885
- ⓒ 195634 Modification Kit to Provide Quick Release Armature 501655 For Early Design, see Figure 44

FIGURE 42. SELECTOR MAGNET MECHANISM

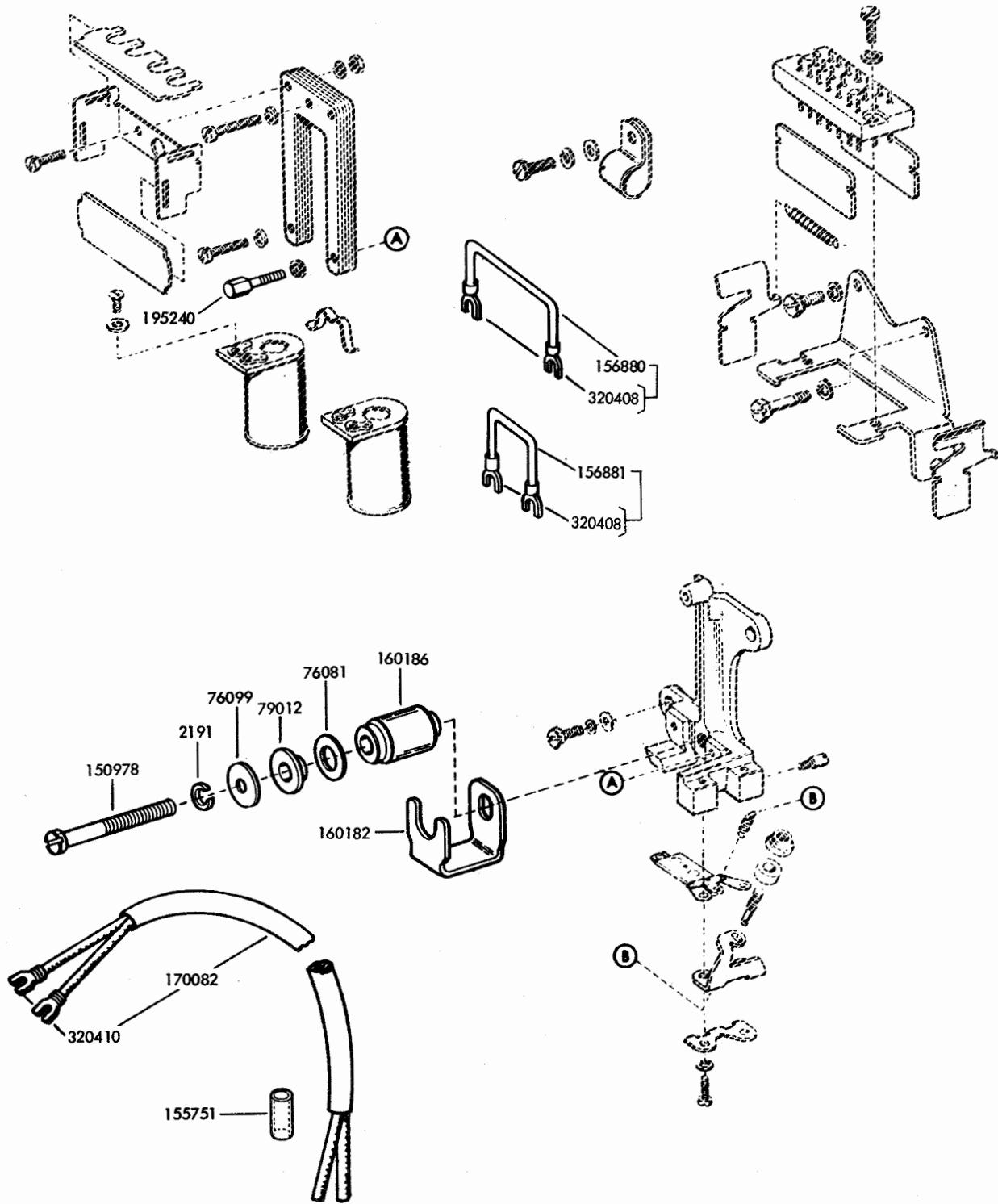
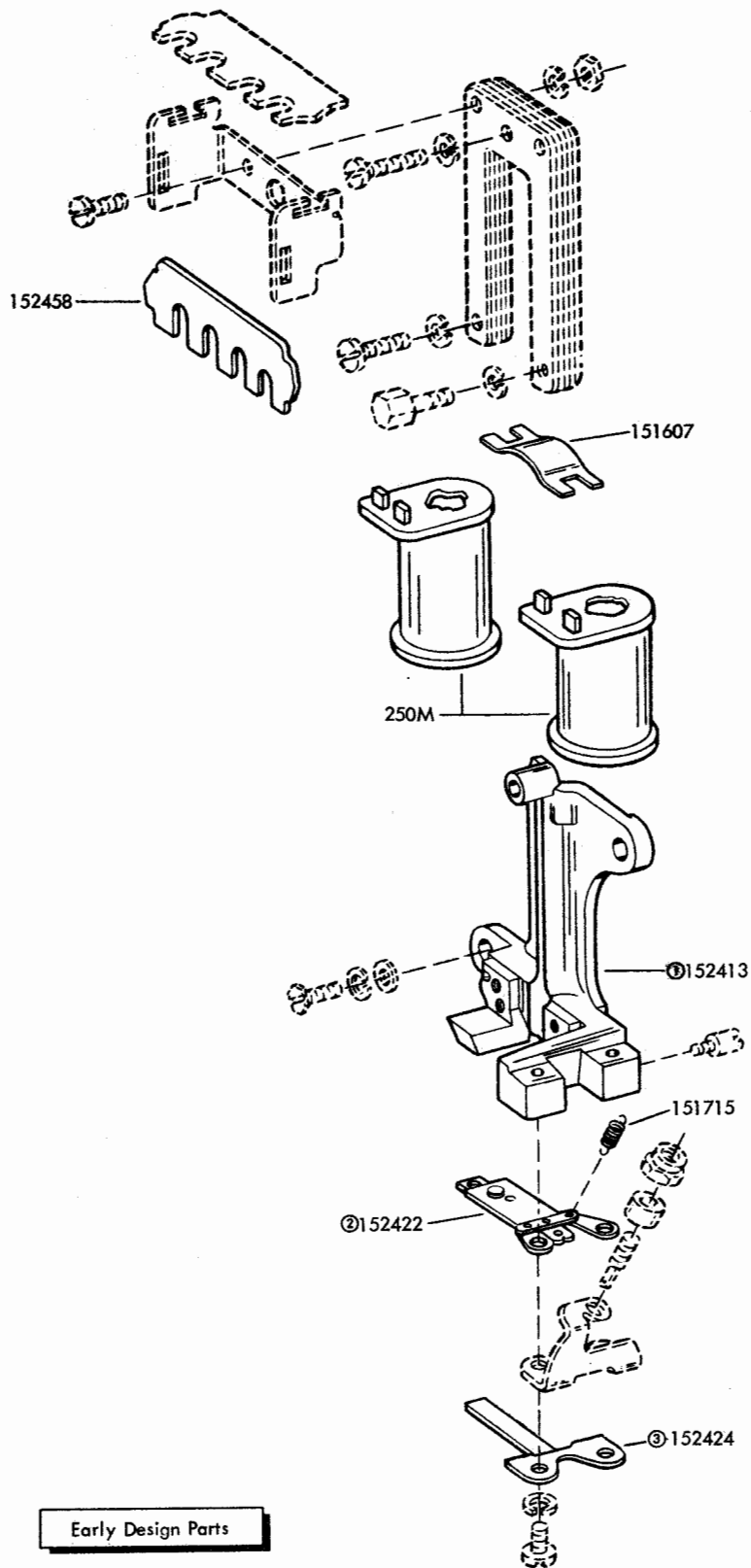


FIGURE 43. SELECTOR MAGNET MECHANISM (8 LEVEL)



① See note 20 on page 116

② See note 21 on page 116

③ See note 22 on page 116

FIGURE 44. SELECTOR MAGNET MECHANISM

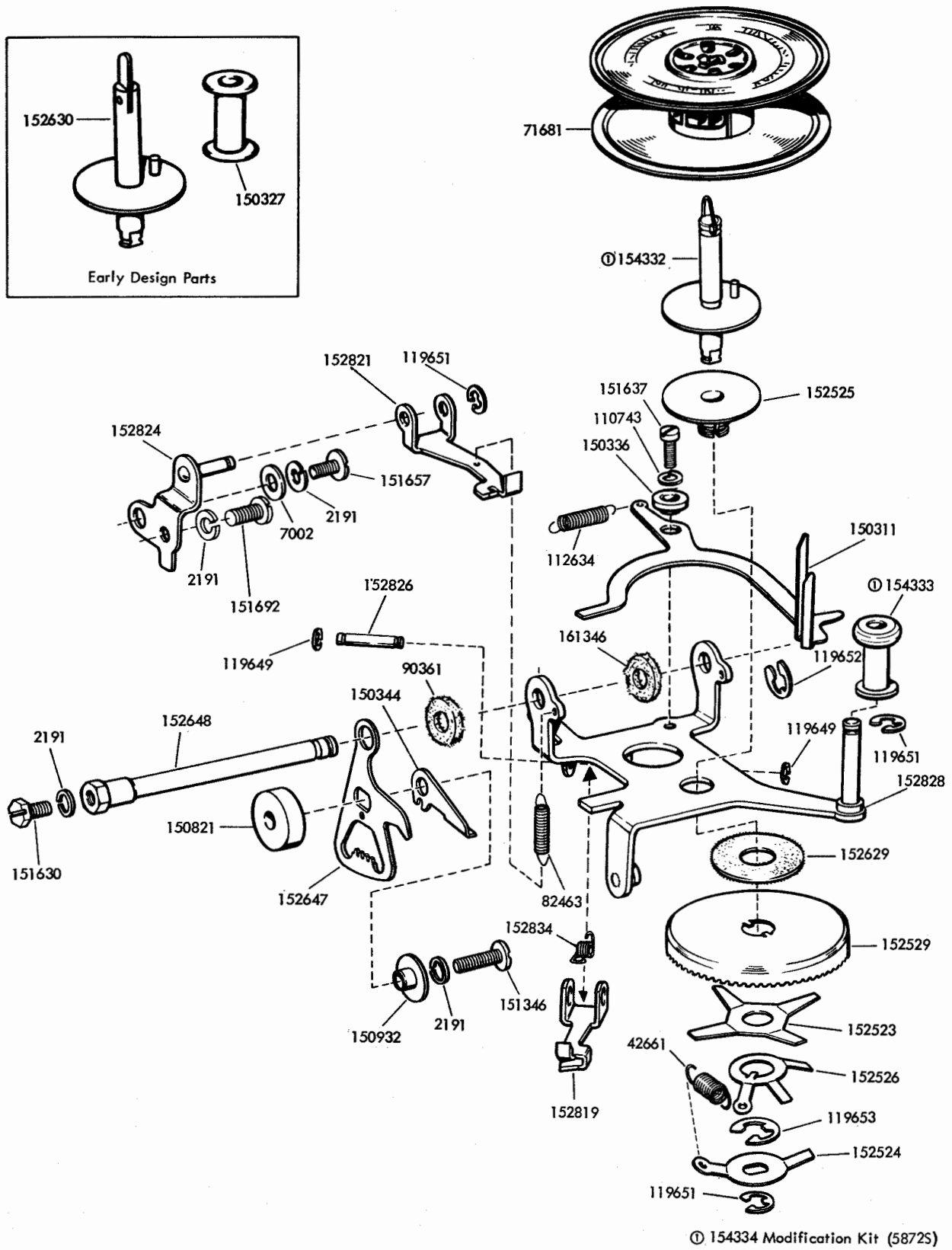


FIGURE 45. RIGHT RIBBON FEED MECHANISM

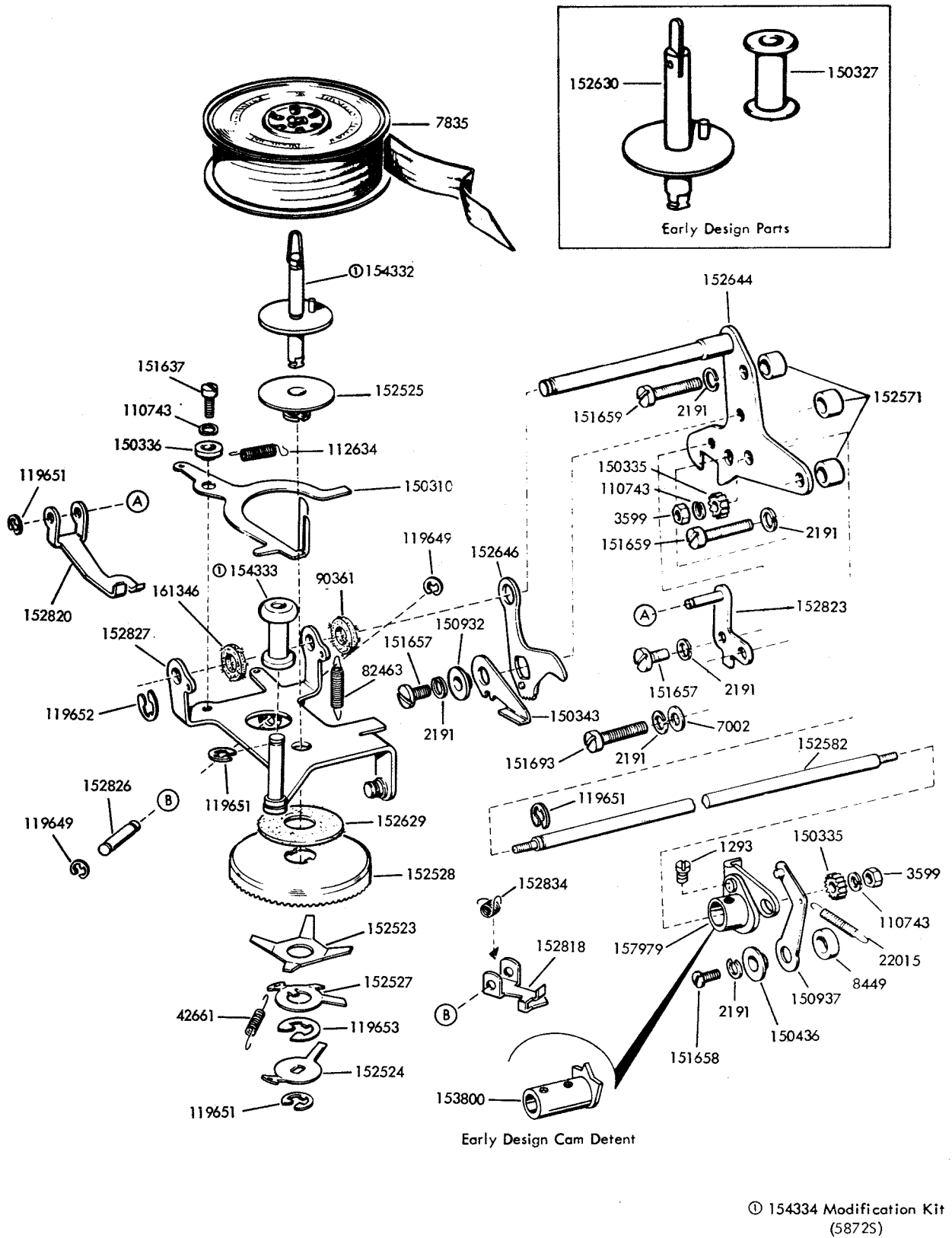
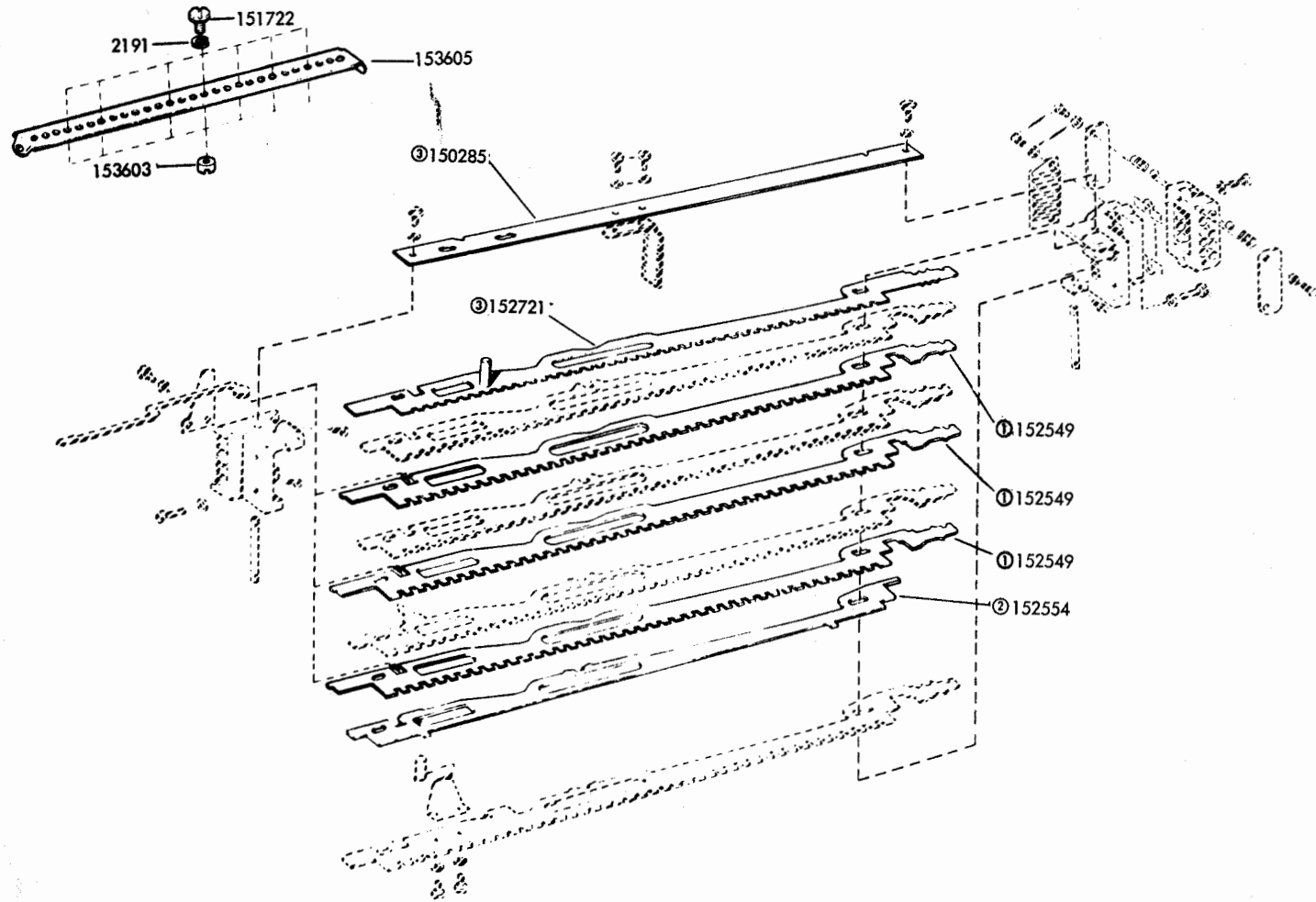


FIGURE 46. LEFT RIBBON FEED MECHANISM

FIGURE 48. CODE BAR MECHANISM



- ① Peculiar to units with Serial Numbers 8699 and lower
- ② See note 23 on page 116
- ③ See note 24 on page 116

Early Design Parts

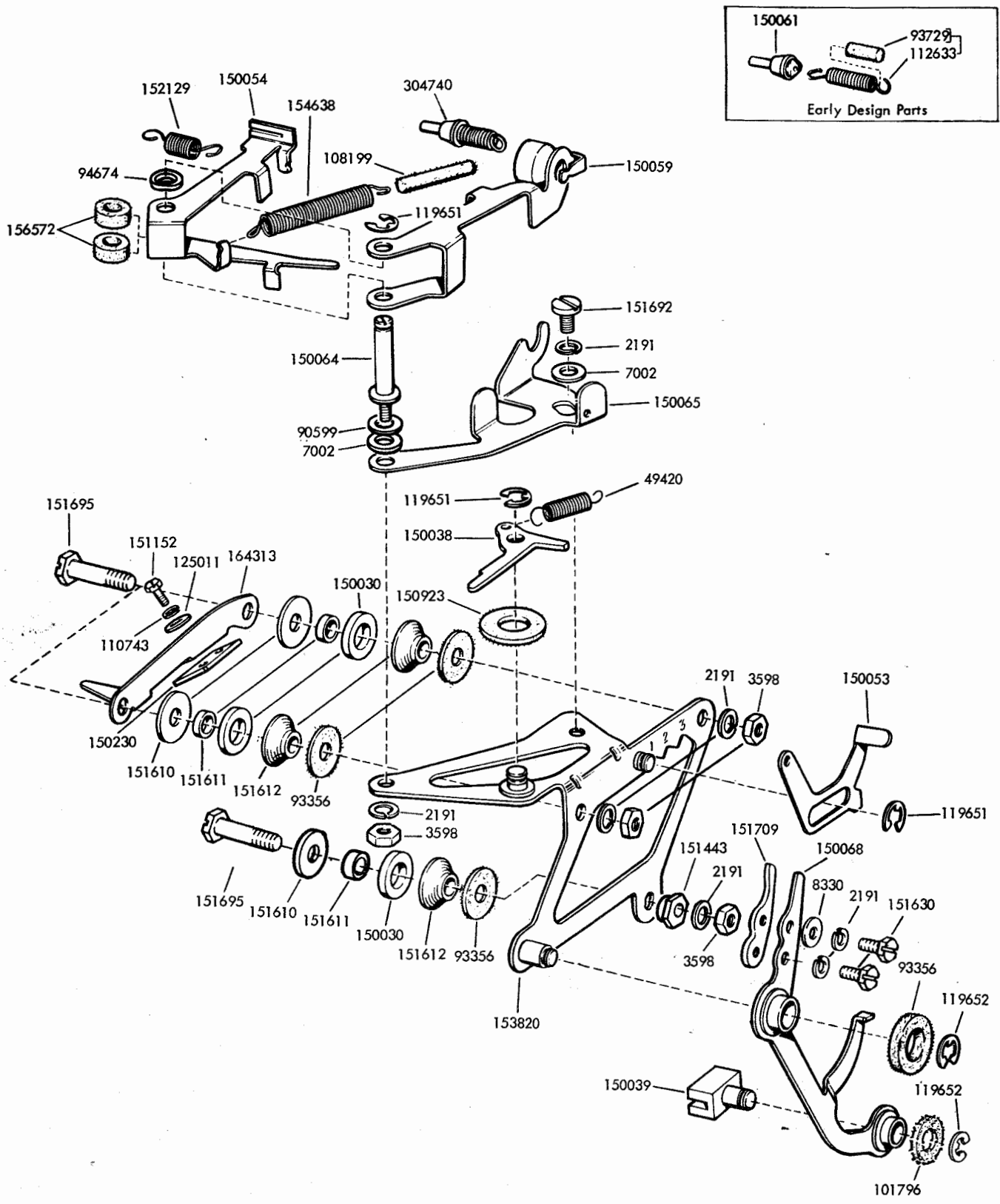
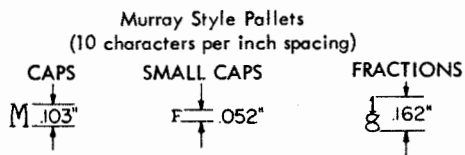
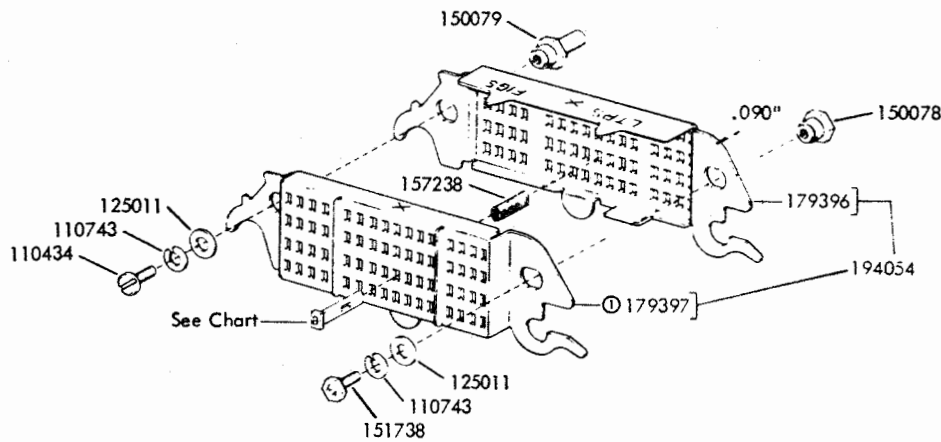


FIGURE 49. 150036 PRINTING CARRIAGE ASSEMBLY



Note: Part number of 151738 Identification Screw to include two letter suffix of type box arrangement.

MURRAY STYLE PALLETS													
PALLET	NUMBER	PALLET	NUMBER	PALLET	NUMBER	PALLET	NUMBER	PALLET	NUMBER	PALLET	NUMBER	PALLET	NUMBER
A	157600	F	157605	K	157610	P	157615	U	157620	Z	157625	5	157630
B	157601	G	157606	L	157611	Q	157616	V	157621	1	157626	6	157631
C	157602	H	157607	M	157612	R	157617	W	157622	2	157627	7	157632
D	157603	I	157608	N	157613	S	157618	X	157623	3	157628	8	157633
E	157604	J	157609	O	157614	T	157619	Y	157624	4	157629	9	157634

The above pallets are common to all Murray Style Arrangements

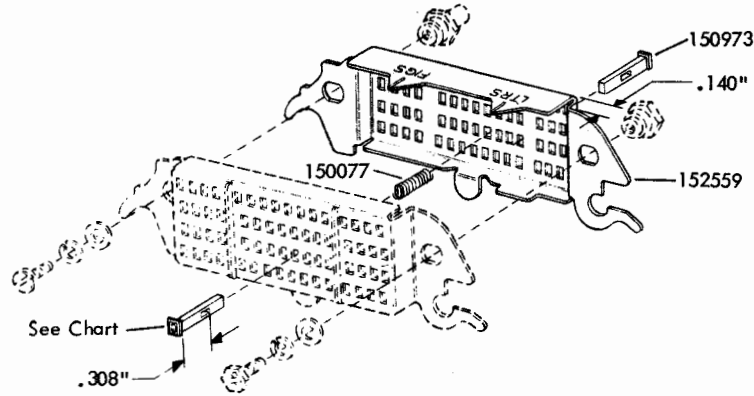
ADDITIONAL MURRAY STYLE PALLETS													
PALLET	NUMBER	PALLET	NUMBER	PALLET	NUMBER	PALLET	NUMBER	PALLET	NUMBER	PALLET	NUMBER	PALLET	NUMBER
CS	155880	H	155868	n	157785	z	157788	¢	157658	≡	155870	E	157721
c	157780	J	157796	OZ	155879	3	157805	@	157726	■	155873	3	157722
DZ	157801	j	157783	o	157725	/16	155874	△	157807	<<	155877		157727
E	155869	K	157797	g	157794	/32	155875	o	157728	>>	155878	-	157642
EA	157799	k	157784	s	157786	...	155876	±	157806	~	155871		
F	157795	L	157803	t	157787	-	157804	=	157678	^	155872		
f	157781	N	157716	YD	157800	%	157660	x	157715	⊗	157719		
g	157782	n	157798	Yd	157802	£	157650	∞	157661	□	157720		

① See note 25 on page 116

See Figures 52, 53 and 54 for pallet arrangements

For Early Design, see Figure 51

FIGURE 50. TYPE BOX AND PALLETS



MURRAY STYLE PALLETS

PALLET	NUMBER	PALLET	NUMBER	PALLET	NUMBER	PALLET	NUMBER
A	150100	X	150123	!	150146	∩	151947
B	150101	Y	150124	&	150147	∪	151948
C	150102	Z	150125	;	150148	+	151949
D	150103	1	150126	/	150149	○	151950
E	150104	2	150127	∨	150150	⊙	151951
F	150105	3	150128	1	150151	⊗	151952
G	150106	4	150129	4	150152	⊕	151953
H	150107	5	150130	8	150153	x	154536
I	150108	6	150131	2	150154	ñ	154537
J	150109	7	150132	5	150155	∩	154538
K	150110	8	150133	3	150156	Δ	154539
L	150111	9	150134	7	150157	⊕	154540
M	150112	-	150143	6	150158	□	154541
N	150113	.	150145	#	150159	▢	154542
O	150114	,	150136	%	150160	⊠	154543
P	150115	"	150137	∞	150161	∧	154544
Q	150116	(150138	*	150162	∨	154545
R	150117	?	150139	←	151941	Ω	154546
S	150118	∅	150140	→	151942	@	154547
T	150119)	150141	↓	151943		154548
U	150120	z	150142	↑	151944	•	154549
V	150121	\$	150144	↘	151945	BLANK	150973
W	150122	:	150145	↙	151946		

See note 26 on page 116

Early Design Parts

FIGURE 51. TYPE BOX AND PALLETS

GOTHIC STYLE PALLETS ① (12-TO-INCH SPACING)										The Pallets listed below are common to 12-to-inch Gothic Style Arrangements		
PALLET	NUMBER	155705 "XD"	155706 "XE"	155707 "XF"	161362 "XR"	161363 "XS"	161364 "XT"	161365 "XU"	162056 "XZ"			179057 "YV"
&	155467	X	X		X	X	X		X	X	A	155432
\$	155468	X	X	X	X	X	X		X	X	B	155433
%	155470			X					X		C	155434
1	155471		X	X		X	X				D	155435
2											E	155436
1	155472		X	X		X	X				F	155437
4											G	155438
#	155473	X	X		X	X			X	X	H	155439
7	155474		X			X	X				I	155440
8											J	155441
5	155475		X			X	X				K	155442
8											L	155443
1	155476		X			X	X				M	155444
8											N	155445
3	155477		X			X	X				O	155446
8											P	155447
3	155478		X			X	X				Q	155448
4											R	155449
+	155479							X			S	155450
∅	155483									X	T	155451
"		M	M	M	M	M	M		M	M	U	155452
'		M			M	M			M	M	V	155453
:		M		M	M				M	M	W	155454
;		M		M	M				M	M	X	155455
?		M		M	M				M	M	Y	155456
)		M			M				M	M	Z	155457
(M		M	M				M	M	1	155458
!					M					M	2	155459
,		M	M	M	M		M		M	M	3	155460
←	161366							X			4	155461
→	161367							X			5	155462
↓	161368							X			6	155463
↑	161369							X			7	155464
↖	161370							X			8	155465
↗	161371							X			9	155466
↘	161372							X			/	155469
↙	161373							X			-	157636
○	161374							X				157642
⊖	161375							X				
⊕	161376							X				
⊗	161377							X				

M = Murray Typepallet

LARGE GOTHIC STYLE PALLETS ②										The Pallets listed below are common to all large Gothic Style Arrangements	
PALLET	NUMBER	154643 "RV"	153518 "WA"	160755 "XM"	160999 "XP"	163295 "YC"	161081 "YG"	164218 "YJ"	164348 "YK"		
∅	157764	X	X					X		A	157729
,	157766	X	X	X	X	X	X	X	X	B	157730
"	157767	X	X	X	X	X	X	X	X	C	157731
'	157768	X	X				X	X	X	D	157732
:	157769	X	X				X	X		E	157733
;	157770	X	X				X	X		F	157734
-	157771	X	X		X	X	X	X	X	G	157735
?	157773	X	X				X	X		H	157736
(157774	X	X				X	X		I	157737
)	157775	X	X				X	X		J	157738
!	157776	X	X					X		K	157739
#	157779		X	X	X		X	X	X	L	157740
1	157823			X	X					M	157741
8										N	157742
1	157824			X	X					O	157743
4										P	157744
3	157825			X	X					Q	157745
8										R	157746
1	157826			X	X					S	157747
2										T	157748
5	157827			X	X					U	157749
8										V	157750
3	157828			X	X					W	157751
4										X	157752
7	157829			X	X					Y	157753
8										Z	157754
1	163308						X		X	1	157755
8										2	157756
1	163309						X		X	3	157757
4										4	157758
3	163310						X		X	5	157759
8										6	157760
1	163311						X		X	7	157761
2										8	157762
5	163312						X		X	9	157763
8										.	157765
3	163313						X		X	/	157772
4										\$	157777
7	163314						X		X	&	157778
8											

① Used with 154792 Modification Kit (see Figure 97)

② Used with 154755, 159395 or 163292 Modification Kit (see Figures 94, 95 and 96)

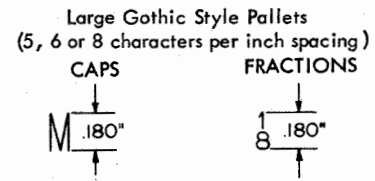
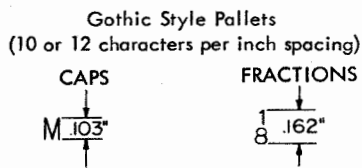
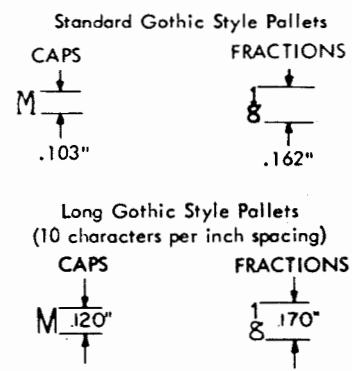


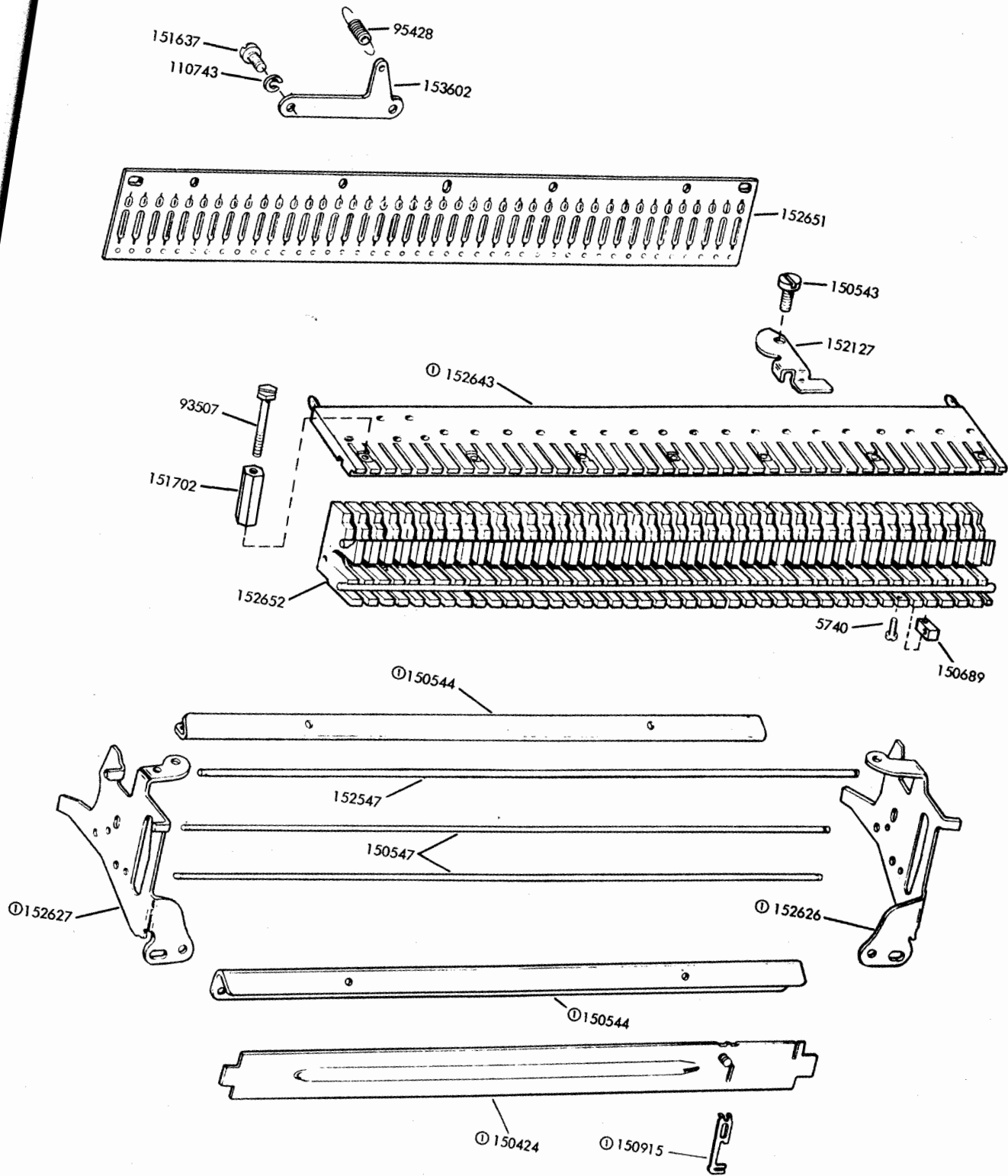
FIGURE 53. TYPEPALLET CHARTS

LONG GOTHIC STYLE PALLETS							The Pallets listed below are common to all long Gothic Style Arrangements	STANDARD GOTHIC STYLE PALLETS					The Pallets listed below are common to all standard Gothic Style Arrangements				
PALLET	NUMBER	155693 "WP"	155709 "XH"	162058 "YA"	194026 "AC"	194027 "AD"		194929 "AE"	195461 "AH"	PALLET	NUMBER	178852 "YU"		193803 "AB"	195009 "AF"	199898 "AL"	PALLET
:	155654	X	X				X		A	155618	M	M	M	M	A	159752	
(155657	X	X				X		B	155619	M	M		M	B	159753	
)	155658	X	X				X		C	155620					C	159754	
	155660	X							D	155621	M		M	M	D	159755	
O	155661	X							E	155622	M	M	M	M	E	159756	
O	155662	X							F	155623	M				F	159757	
→	155663	X							G	155624					G	159758	
*	155664	X							H	155625	M	M		M	H	159759	
∞	155665	X							I	155626	M	M	M	M	I	159760	
\$	155667		X	X					J	155627	M	M	M	M	J	159761	
?	155668		X				X		K	155628	M	M		M	K	159762	
!	155669		X						L	155629	M	M	M		L	159763	
;	155670		X						M	155630	M	M	M		M	159764	
,	155671		X				X		N	155631	M	M	M		N	159765	
.	155672		X	X	X	X	X	X	O	155632	M			M	O	159766	
"	155673		X	X	X				P	155633					P	159767	
7	155885			X					Q	155634	M		M	M	Q	159768	
8	155886			X					R	155635	M			M	R	159769	
1	155887			X					S	155636		M		M	S	159770	
3	155888			X					T	155637	M			M	T	159771	
1	155889			X					U	155638	M		M	M	U	159772	
3	155890			X					V	155639		M			V	159773	
1	155891			X					W	155640					W	159774	
-	155655	X	X	X			X	X	X	155641		M			X	159775	
Δ	155884			X					Y	155642		M			Y	159776	
∅	155895							X	Z	155643					Z	159777	
±	194018			X	X				1	155644					1	159778	
+	194019			X	X	X			2	155645					2	159779	
→	194020					X	M		3	155646					3	159780	
=	194021						X		4	155647					4	159781	
↖	194035			X	X		M		5	155648					5	159782	
↑	194036			X	X		M		6	155649					6	159783	
↓	194037			X			M		7	155650					7	159784	
↙	194038				X	M			8	155651					8	159785	
←	194039				X	M			9	155652					9	159786	
(I)	195486						X		/	155653					▲	159787	
(O)	195487						X		#	155656							
⊕	195488						X		&	155659							
↗ ↘ ○							M										
⊗ ⊠ ⊡							M										



M = Murray Typepallet

FIGURE 54. TYPEPALLET CHARTS



Ⓢ Early Design

FIGURE 55. STUNT BOX - MAJOR COMPONENTS

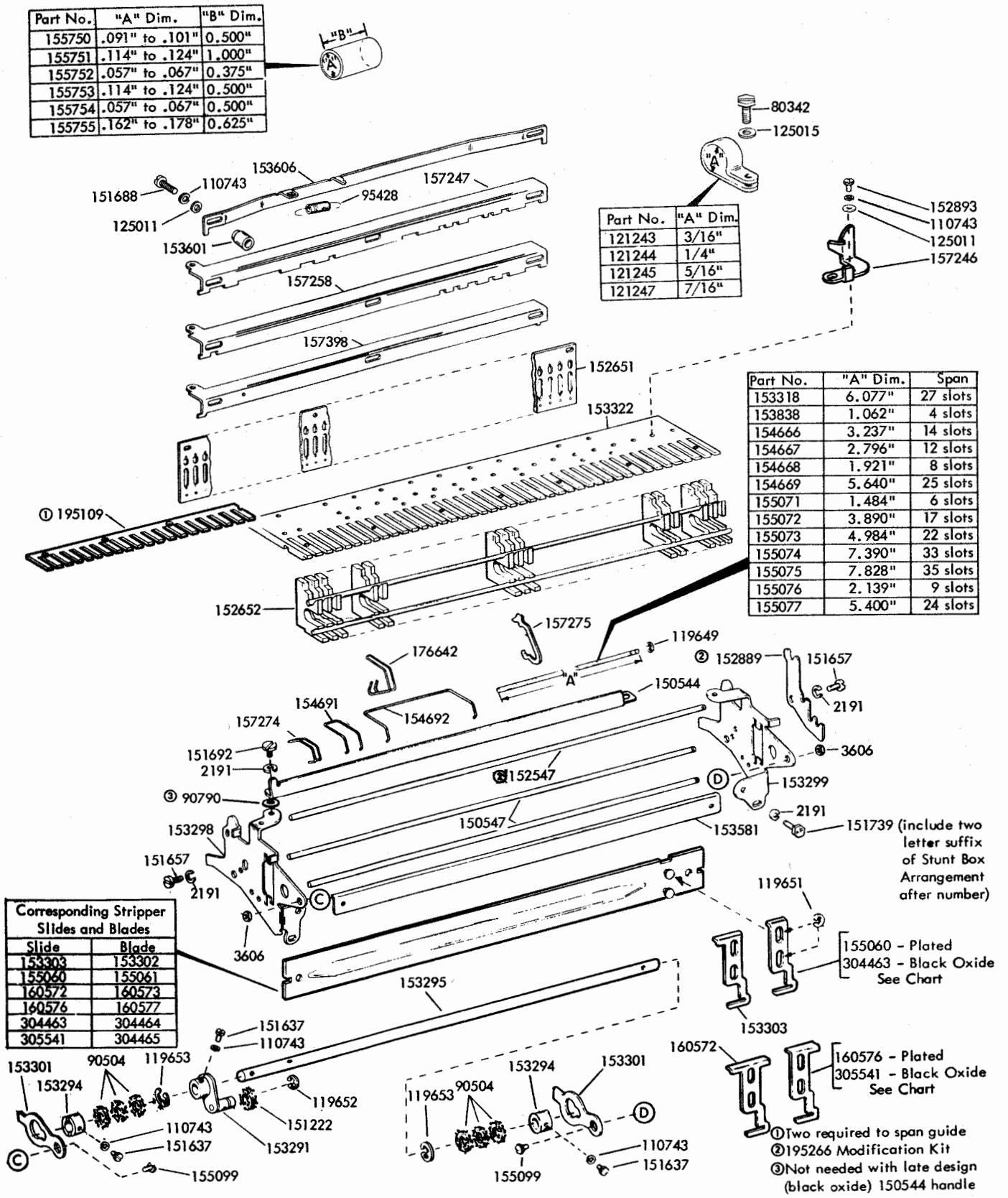
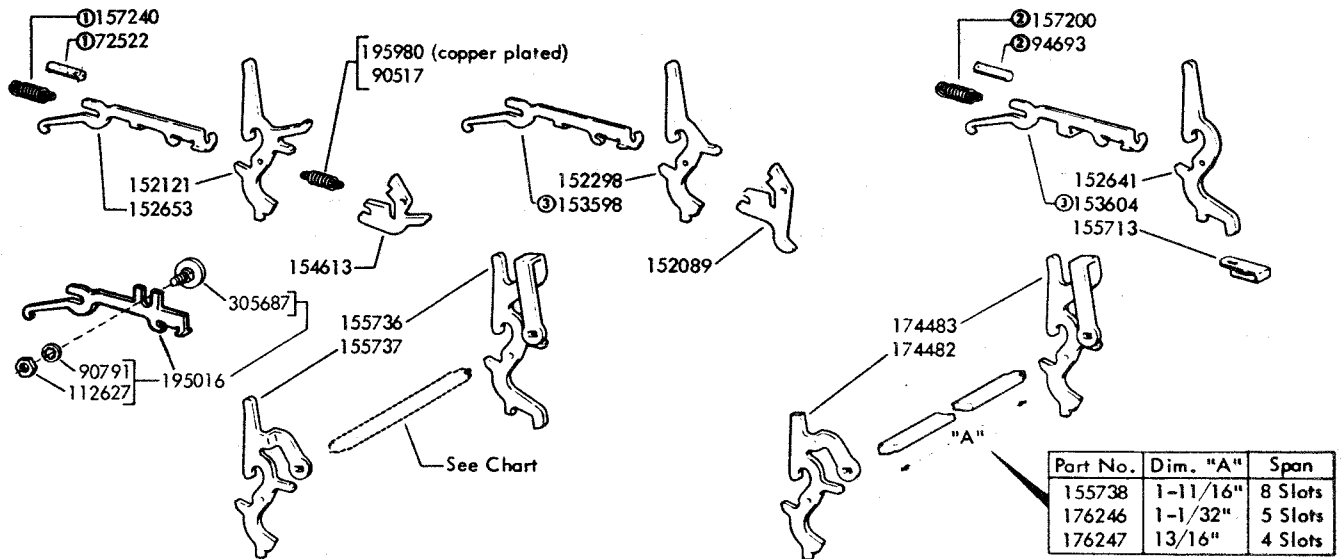


FIGURE 56. STUNT BOX - MAJOR COMPONENTS



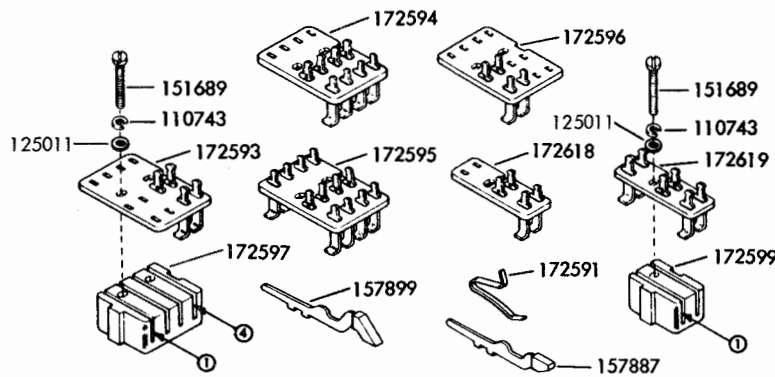
Part No.	Dim. "A"	Span
155738	1-11/16"	8 Slots
176246	1-1/32"	5 Slots
176247	13/16"	4 Slots

 152642	 152659	 157206	 157207	 161649	 162059	 163943
 152642	 174484		 154646	 162484	 193655	 194414
 152299	 153670	 154647	 157205	 163271	 163944	 164311

① Used on units equipped with One-Stop and Three-Stop Clutches
 ② Used on units equipped with Two-Stop Clutches

③ Not used with Early Design 195109 Stop Plate. Early and Late Design Stop Plates may be identified by their widths. (Early Design width 15/32" - Late Design width 17/32")

FIGURE 58. FUNCTION LEVERS

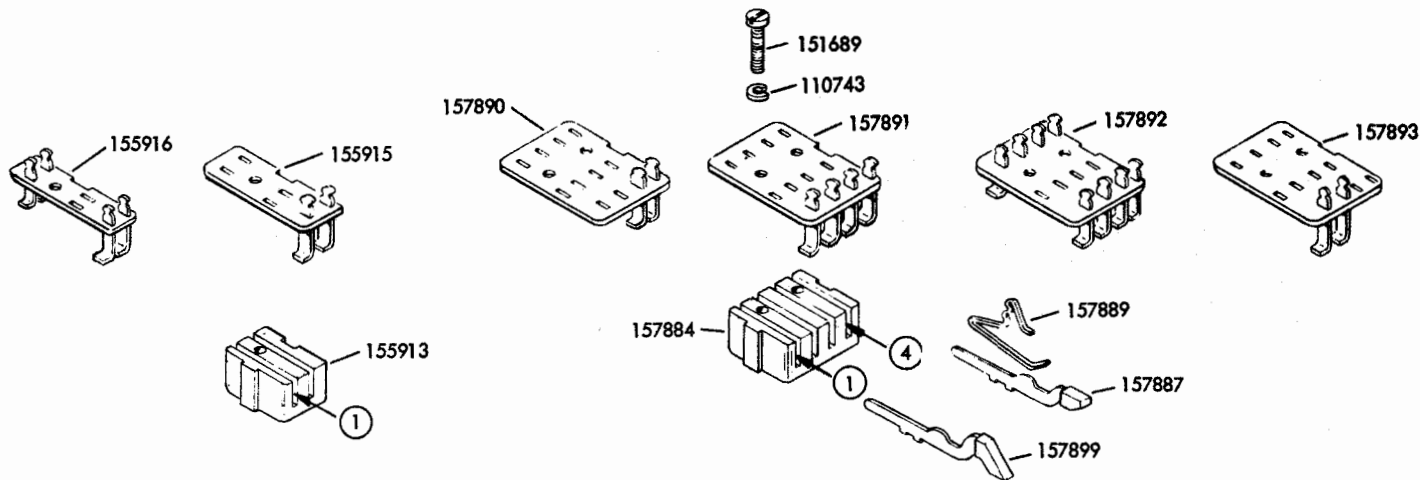


SWITCH ASSEMBLY NO.	CONTACT PLATE NO.	CONTACT ARM POSITION			
		1	2	3	4
172500	172593			157887	157887
172501	172593			157887	157887
172502	172593				157887
172503	172594	157887	157899	157899	157887
172504	172594	157887			
172505	172594	157899			157899
172506	172594		157887		
172507	172594	157899			
172508	172594	157887	157899		
172509	172594	157899		157899	
172510	172594	157899		157899	157887
172511	172594	157899	157899	157899	157899
172512	172594	157887	157887	157899	
172513	172593			157899	
172514	172594	157887	157887	157887	157887
172515	172594	157887	157887	157887	
172516	172594			157887	157887
172517	172594	157899	157887	157899	157887
172518	172594		157887	157899	157887
172519	172594	157899			
172520	172594	157899		157887	157899
172521	172593			157899	
172522	172594	157887	157899		157887
172523	172594	157899	157887	157887	157899
172524	172594	157887			157887
172525	172595	157887	157887	157887	157887
172526	172596		157887		
172527	172595			157887	
172528	172595	157887		157887	
172529	172595			157887	157887
172530	172595	157887	157887	157887	
172531	172595	157887		157887	157887
172532	172595	157887			
172533	172595	157887	157887		
172534	172594		157899	157887	
172535	172594			157899	157887
172536	172594	157899	157887	157899	
172538	172595		157887	157887	157887
172539	172595		157887		157887
172540	172594		157899	157887	157887
172541	172594	157899	157887	157887	157887
172542	172594	157887	157899	157887	157887
172543	172594	157899		157887	
172544	172595		157899		157887
172545	172595	157899		157899	
172546	172595	157899		157887	
172547	172595	157887	157899	157887	
172548	172596		157899		
172549	172595				157887
172550	172595	157899			157899
172551	172594		157887	157887	157887
172552	172594	157899		157887	157887
172553	172595		157887	157899	
172554	172594		157899		157899
172555	172595	157899	157887	157899	157899
172556	172595	157887	157887		157887
172557	172594	157887		157887	157887
172558	172595	157899			
172559	172594	157899	157887		
172560	172595	157899	157899	157887	157887
172561	172594		157887	157899	
172562	172594			157899	157899
172563	172594	157887	157899	157887	157899
172564	172594	157899	157887		157899
172565	172595	157899		157887	
172566	172595			157899	
172567	172595	157887		157887	157899
172568	172595	157899		157887	
172569	172595	157887		157887	157887
172570	172595		157887		
172571	172594	157887	157887		157887
172572	172593				157899
172573	172595	157899	157899	157899	157887
172574	172595	157899		157899	157887
172575	172595	157899	157899		
172576	172595	157899	157899	157899	157899
172577	172595	157899	157899	157899	157899
172578	172595		157899	157899	157899
172579	172595		157899	157887	
172580	172595	157899		157899	157899
172581	172595		157899		157899
172582	172595	157887	157899	157899	
172583	172595			157887	157899
172584	172595		157899	157899	157899
172585	172595	157887	157887		157899
172586	172595			157899	157899
172587	172595			157899	
172588	172595	157887		157899	
172589	172595			157899	
172590	172595	(1)	(1)	(1)	(1)
172600	172618	157887			
172601	172618		157887		
172602	172618	157887	157887		
172603	172619	157887			
172604	172619		157887		
172605	172619	157887	157887		
172606	172618	157899			
172607	172618	157899	157899		
172608	172619	157899			

⓪172591 Contact Arm Spring included in slot
For Early Design, see Figure 60

FIGURE 59. SWITCH ASSEMBLIES AND COMPONENTS

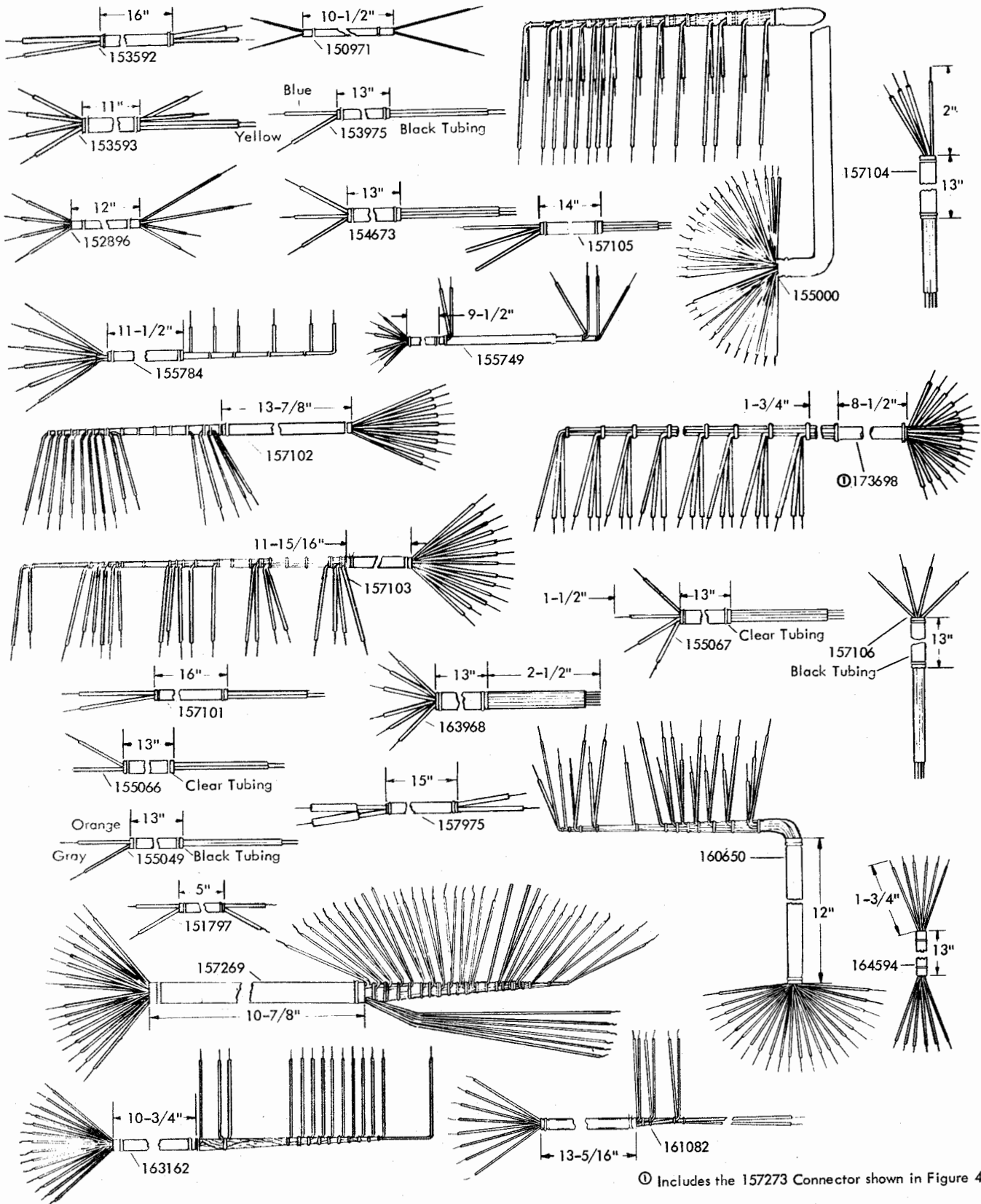
FIGURE 60. SWITCH ASSEMBLIES AND COMPONENTS



SWITCH ASSEMBLY NO.	CONTACT PLATE NO.	CONTACT ARM POSITION		SWITCH ASSEMBLY NO.	CONTACT PLATE NO.	CONTACT ARM POSITION				SWITCH ASSEMBLY NO.	CONTACT PLATE NO.	CONTACT ARM POSITION			
		1	2			1	2	3	4			1	2	3	4
155917	155915	157887		157070	157890			157887	157887	160192	157892	157887		157887	157887
155918	155915		157887	157071	157890			157887		160193	157892	157887			
155919	155915	157887	157887	157072	157890				157887	160194	157892	157887	157887		
155920	155916	157887		157073	157891	157887	157899	157899	157887	160195	157891		157899	157887	
155921	155916		157887	157074	157891	157887				160196	157891			157899	157887
155922	155916	157887	157887	157075	157891	157899			157899	160197	157891	157899	157887	157899	
155923	155915	157899		157076	157891		157887			160198	157891		157899	157887	
155924	155915	157899	157899	157077	157891	157899				160199	157892		157887	157887	157887
155925	155915	157899		157078	157891	157887	157899			160200	157892		157887	157887	157887
				157079	157891	157899		157899		160201	157891		157899	157887	157887
				157080	157891	157899		157899	157887	160202	157891	157899	157887	157887	157887
				157081	157891	157899	157899	157899	157899	160203	157891	157887	157899	157887	157887
				157082	157891	157887	157887	157899		160204	157891	157899	157887		
				157083	157890			157899		160205	157892		157899		157887
				157084	157891	157887	157887	157887	157887	160206	157892	157899		157899	
				157085	157891	157887	157887	157887		160207	157892	157899		157887	
				157086	157891		157887		157887	160208	157892	157887	157899	157887	
				157087	157891	157899	157887	157899	157887	160209	157893		157899		
				157088	157891		157887	157899	157887	160210	157892				157887
				157089	157891	157899			157887	160211	157892	157899			157899
				157090	157891	157899		157887	157899	160212	157891		157887	157887	157887
				157091	157890				157899	160213	157891	157899		157887	157887
				157092	157891	157887	157899		157887	160214	157892		157887	157899	
				157093	157891	157899	157887	157887	157899	160215	157891			157899	157899
				157094	157891	157887			157887	160216	157892	157899	157887	157899	157899
				157095	157892	157887	157887	157887	157887	160217	157892	157887	157887	157887	157887
				157096	157893		157887			160218	157891			157887	157887
				157097	157892			157887		160219	157892	157899	157899	157887	157887
				157098	157892	157887			157887	160220	157891	157899	157887		
				157099	157892			157887	157887						
				157100	157892	157887	157887	157887							

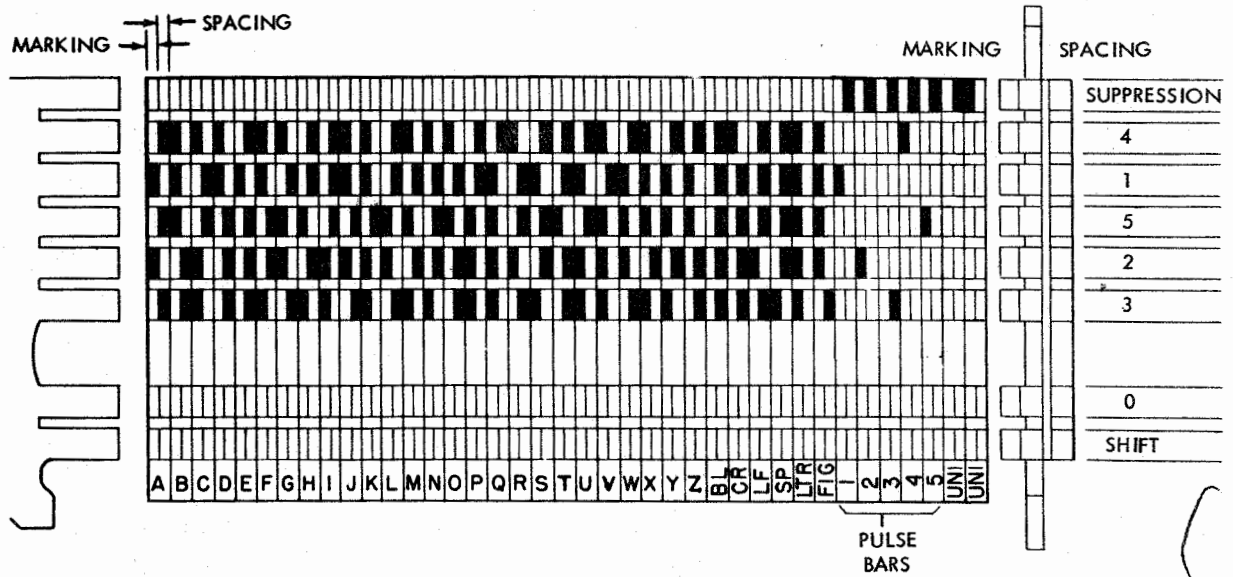
Early Design Parts

See note 27 on page 116



① Includes the 15723 Connector shown in Figure 42

FIGURE 61. CABLE ASSEMBLIES

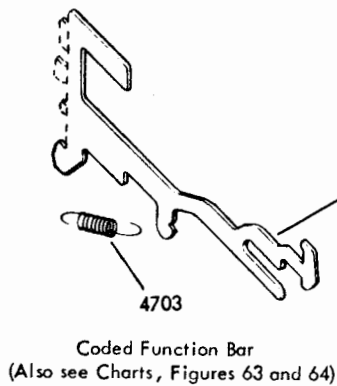


Blank squares indicate the Tines that should be removed to code the 153440 Function Bar.

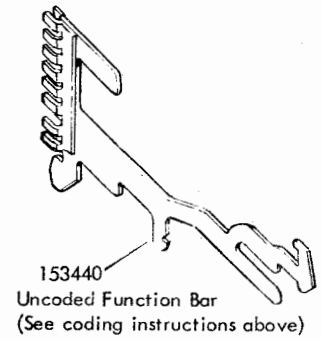
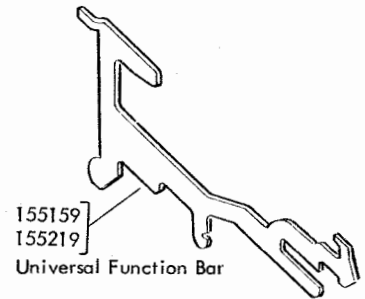
Additional levels at which the Function Bar can be controlled.

SUPPRESSION TINES	MARKING SPACING	NON-PRINT PRINT
0 TINES	MARKING SPACING	SELECT NON-SELECT
SHIFT TINES	MARKING SPACING	UPPER CASE LOWER CASE

These terms apply only to Selective Calling.



- 152665 — THROUGH — 152704
- 153160 — THROUGH — 153169
- 153409 — THROUGH — 153438
- 153520 — THROUGH — 153528
- 155100 — THROUGH — 155135
- 155141 — THROUGH — 155145
- 155176 — THROUGH — 155180
- 155191 — THROUGH — 155218
- 155246 — THROUGH — 155250
- 155286 — THROUGH — 155290
- 155294 —
- 155296 — THROUGH — 155300
- 155306 — THROUGH — 155307
- 155311 — THROUGH — 155315
- 155326 — THROUGH — 155330
- 155336 — THROUGH — 155340
- 155366 — THROUGH — 155370
- 162636 — THROUGH — 162640



Note: For removing Tines, use 161686 Tine Tool.

FIGURE 62. FUNCTION BARS

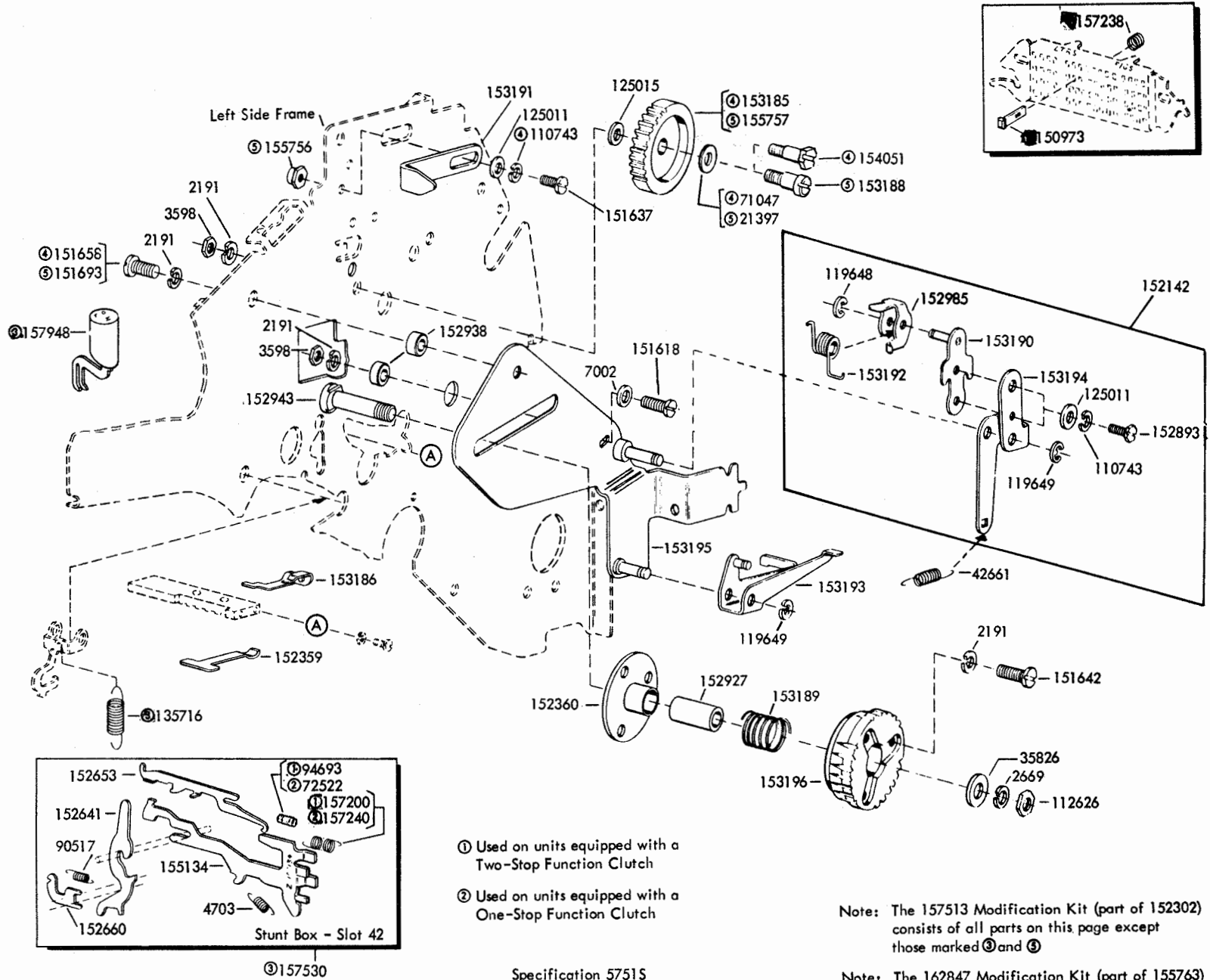
FIGURE 63. FUNCTION BAR CONDITION CHART

CONDITION OF TYPING UNIT FOR FUNCTION BAR SELECTION		NO RESTRICTION	UPPER CASE	LOWER CASE	SELECT	NON-SELECT	PRINT	NON-PRINT	CONDITION OF TYPING UNIT FOR FUNCTION BAR SELECTION
CHARACTER OR FUNCTION 153440 UNCODED FUNCTION BAR IS AVAILABLE FOR USE ON ANY CHARACTER OR FUNCTION BY REMOVING TINES	A	152676			155100	153409	155191		A
	B	152677	153526		155101	153410	155192		B
	C	152678	153520		155102	153411	155193		C
	D	152679	153521		155103	153412	155194		D
	E	152680	153166		155104	153413	155195		E
	F	152681	153160	155326	155105	153414	155196	155286	F
	G	152682	153162	155327	155106	153415	155197	155287	G
	H	152683	152673	155328	155107	153416	155198	155288	H
	I	152684	155249	155329	155108	153417	155199	155289	I
	J	152685	152694	155330	155109	153418	155200	155290	J
	K	152686	153529		155110	153419	155201		K
	L	152687	153522		155111	153420	155202		L
	M	152688	152674		155112	153421	155203		M
	N	152689	153523		155113	153422	155204	155294	N
	O	152690	153528		155114	153423	155205		O
	P	152691	155250	155336	155115	153424	155206	155296	P
	Q	152692	153165	155337	155116	153425	155207	155297	Q
	R	152695	153167	155338	155117	153426	155208	155298	R
	S	152696	152672	155339	155118	153427	155209	155299	S
	T	152697	153524	153169	155119	153428	155210	155300	T
	U	152698	155248	155340	155120	153429	155211		U
	V	152699	153164		155121	153430	155212		V
	W	152700	153163		155122	153431	155213		W
	X	152701	153525		155123	153432	155214		X
	Y	152702	153527		155124	153433	155215		Y
	Z	152703	153161		155125	153434	155216	155306	Z
	BLANK LETTERS	152669	152693	152675	155312		155217	155307	BLANK LETTERS
	FIGURES	152665			155313		153438		FIGURES
SPACE	152666							SPACE	
CARRIAGE-RETURN	155129			155314	152670			CARRIAGE-RETURN	
LINE FEED	152667			155128	199519	155127		LINE FEED	
ANY CHARACTER OR FUNCTION	152668			155315		153435	155130	ANY CHARACTER OR FUNCTION	
M & N	152704	153168		155311	152671			M & N	
M & V				155132				M & V	
PULSE #1	199518			155218				PULSE #1	
" #2						162636		" #2	
" #3						162637		" #3	
" #4						162638		" #4	
" #5						162639		" #5	
UNIV.						162640		UNIV.	
						155159	155219		
POSITION OF FUNCTION BAR TINES	SUPPRESSION LEVEL ZERO LEVEL SHIFT LEVEL		MARKING	SPACING	MARKING	SPACING	MARKING	SUPPRESSION LEVEL ZERO LEVEL SHIFT LEVEL	

FIGURE 64. FUNCTION BAR CONDITION CHART

CONDITION OF TYPING UNIT FOR FUNCTION BAR SELECTION		PRINT NON-SELECT	PRINT UPPER CASE	PRINT SELECT	SELECT LOWER CASE	PRINT LOWER CASE	SELECT UPPER CASE	NON-SELECT LOWER CASE	CONDITION OF TYPING UNIT FOR FUNCTION BAR SELECTION
CHARACTER OR FUNCTION	A								A
	B								B
	C								C
	D								D
	E								E
	F		155141						F
	G		155135						G
	H		155142		155133				H
	I		155143						I
	J		155131						J
	K		155144						K
	L		155145						L
	M								M
	N								N
	O								O
	P						155176	155366	P
	Q						155177	155367	Q
	R						155178	155368	R
	S		153437				155179	155369	S
	T						155180	155370	T
	U								U
	V								V
	W								W
	X								X
	Y								Y
	Z		155134					155246	Z
							155247		
	BLANK LETTERS							BLANK LETTERS	
	FIGURES							FIGURES	
	SPACE							SPACE	
	CARRIAGE-RETURN							CARRIAGE-RETURN	
	LINE FEED							LINE FEED	
	ANY CHARACTER OR FUNCTION	153436		155126				ANY CHARACTER OR FUNCTION	
	M & N							M & N	
	M & V							M & V	
	PULSE #1							PULSE #1	
	" 2							" 2	
	" 3							" 3	
	" 4							" 4	
	" 5							" 5	
	UNIV.							UNIV.	
POSITION OF FUNCTION BAR TINES	SUPPRESSION LEVEL ZERO LEVEL SHIFT LEVEL	SPACING SPACING	SPACING MARKING	SPACING MARKING	MARKING SPACING	SPACING SPACING	MARKING MARKING	SPACING SPACING	SUPPRESSION LEVEL ZERO LEVEL SHIFT LEVEL

FIGURE 65. 152302 (SPROCKET FEED) AND 155763 (FRICTION FEED) MODIFICATION KITS TO PROVIDE PAGE FEED-OUT ON UPPER CASE "Z"



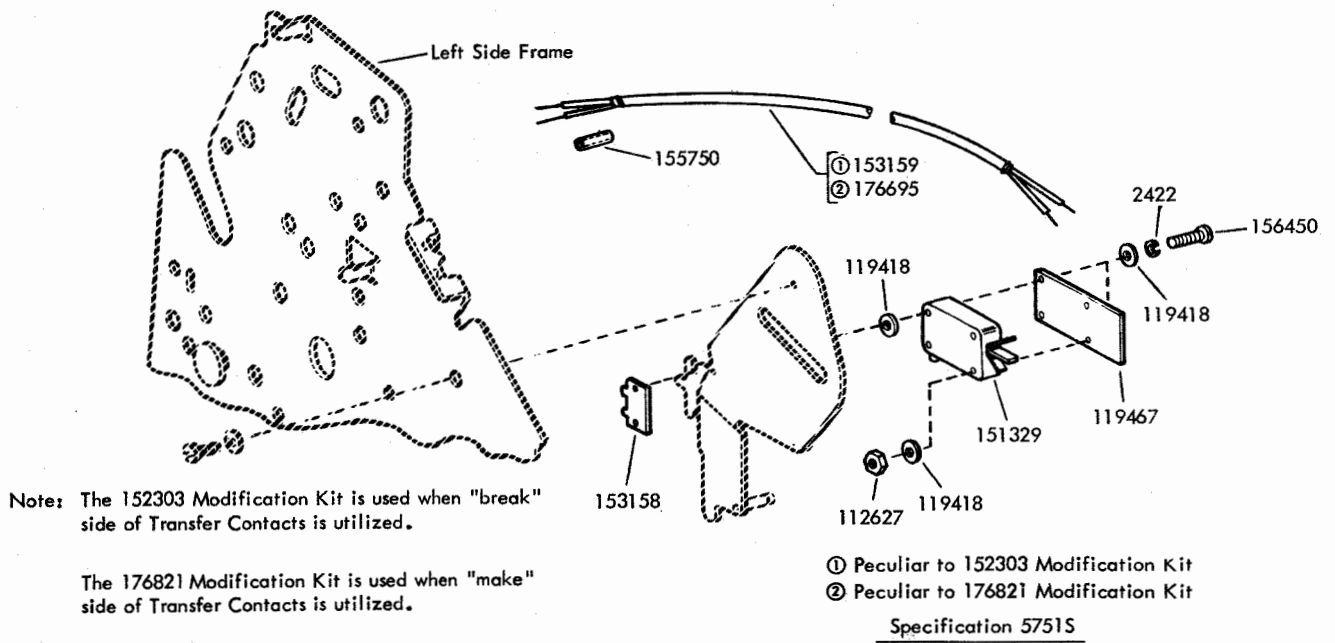


FIGURE 66. 152303 AND 176821 MODIFICATION KITS TO PROVIDE PAGE FEED-OUT TRANSMITTER CONTROL

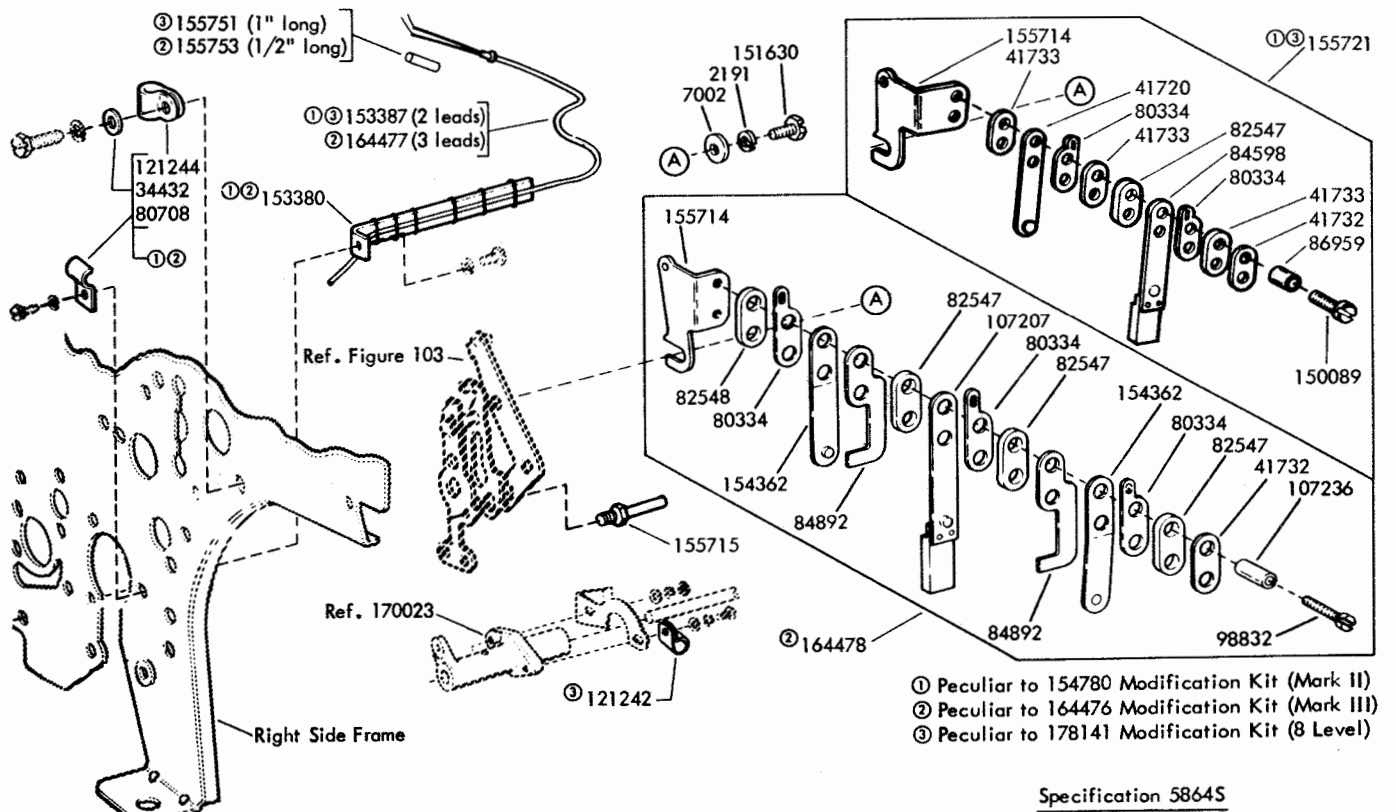
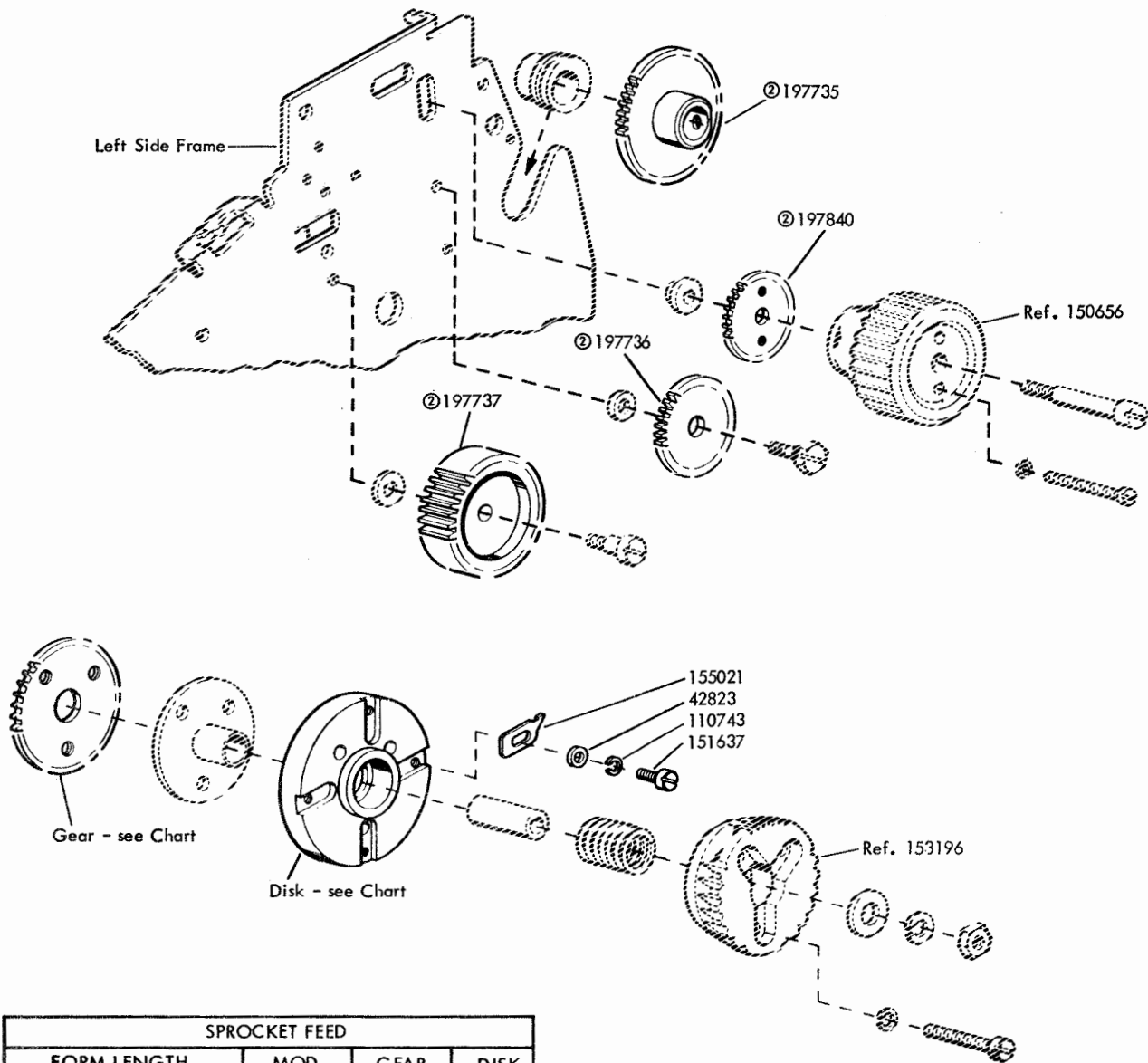


FIGURE 67. 154780, 164476 AND 178141 MODIFICATION KITS TO PROVIDE HORIZONTAL TABULATOR XD CONTROL



SPROCKET FEED			
FORM LENGTH IN INCHES	MOD. KIT	GEAR NO.	DISK NO.
7-1/2, 15	153927	153207	153217
3-1/2, 7, 14	153928	153206	153216
6-1/2, 13	153929	153205	153215
3, 6, 12	153930	153204	153214
5-1/2, 11	153931	153203	153213
5, 10	153932	153202	153212
9-1/2	153933	153201	153211
4-1/2, 9	153934	153200	153210
8-1/2	153935	153199	153209
2, 4, 8	153936	153198	153208
3-2/3, 7-1/3, 14-2/3	161140	161250	161260
3-1/4, 6-1/2, 13	①197847	197732	197730
4-1/4	①197848	197731	197729

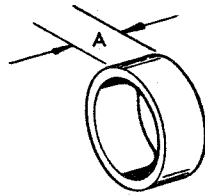
FRICTION FEED			
FORM LENGTH IN INCHES	MOD. KIT	GEAR NO.	DISK NO.
5-1/2, 11	155765	155758	153213
2, 4, 8	161767	155759	153208

① The 197847 and 197848 Modification Kits can only be used with the 154742 Modification Kit (4 lines per inch)

② Part of 197847 and 197848 Modification Kits only

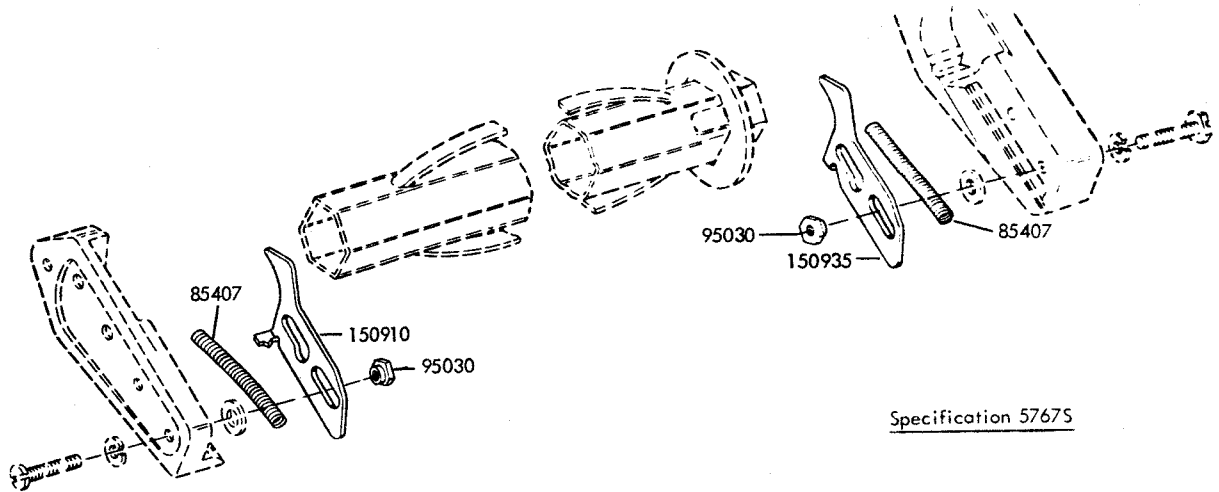
Specification 5751S

FIGURE 68. PAGE FEED-OUT FORM LENGTH GEAR AND DISK MODIFICATION KITS



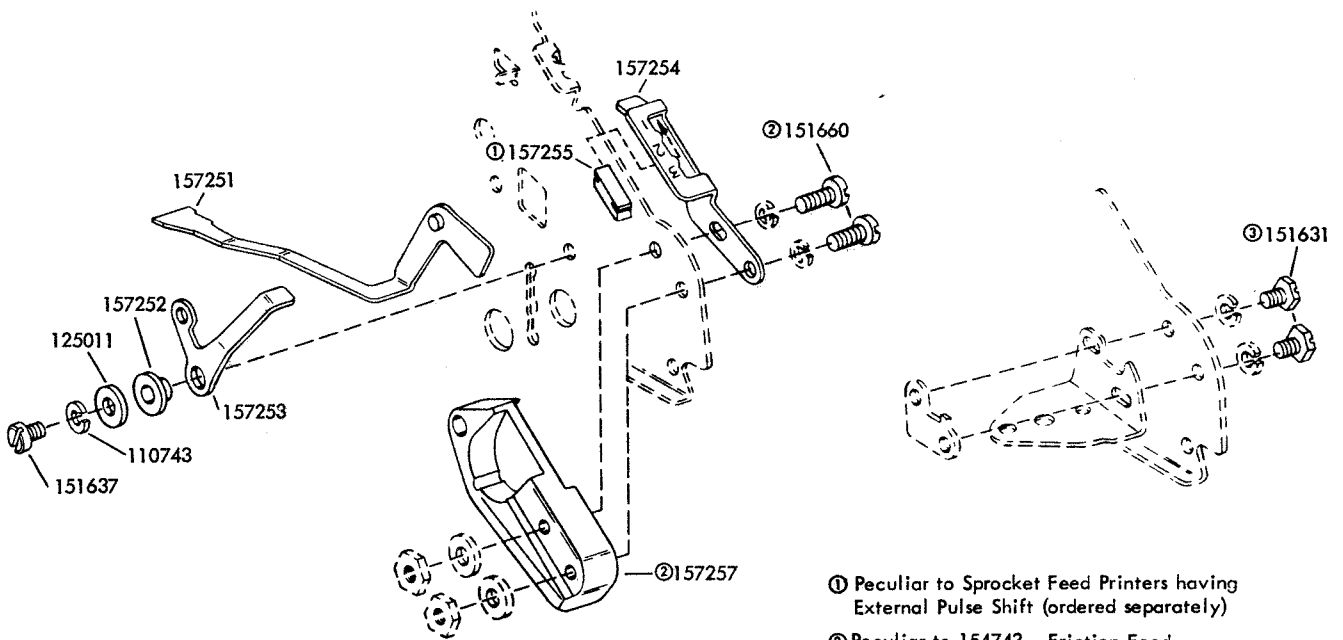
Part No.	Dim. "A"
155581	.250
155582	.500
155583	1.000
155584	2.000

FIGURE 71. 159362 MODIFICATION KIT TO PROVIDE SPACERS FOR CENTERING NARROW PAPER ROLL ON SPINDLE



Specification 57675

FIGURE 72. 151799 MODIFICATION KIT TO PROVIDE LATCHES FOR PAPER SPINDLE



- ① Peculiar to Sprocket Feed Printers having External Pulse Shift (ordered separately)
- ② Peculiar to 154743 - Friction Feed
- ③ Peculiar to 152315 - Sprocket Feed

Specification 58005

FIGURE 73. 152315 AND 154743 MODIFICATION KITS TO PROVIDE MANUAL SELECTION OF STUNT BOX OPERATION

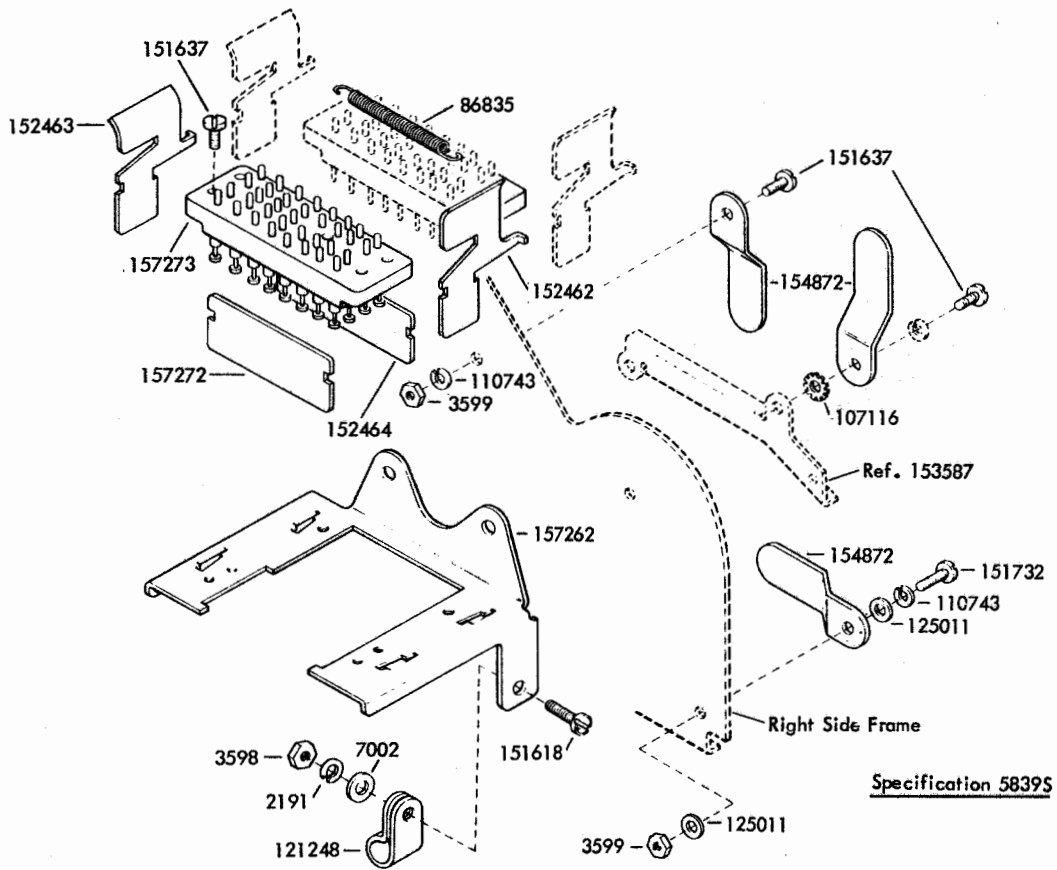


FIGURE 74. 154727 MODIFICATION KIT TO PROVIDE AUXILIARY CONNECTOR

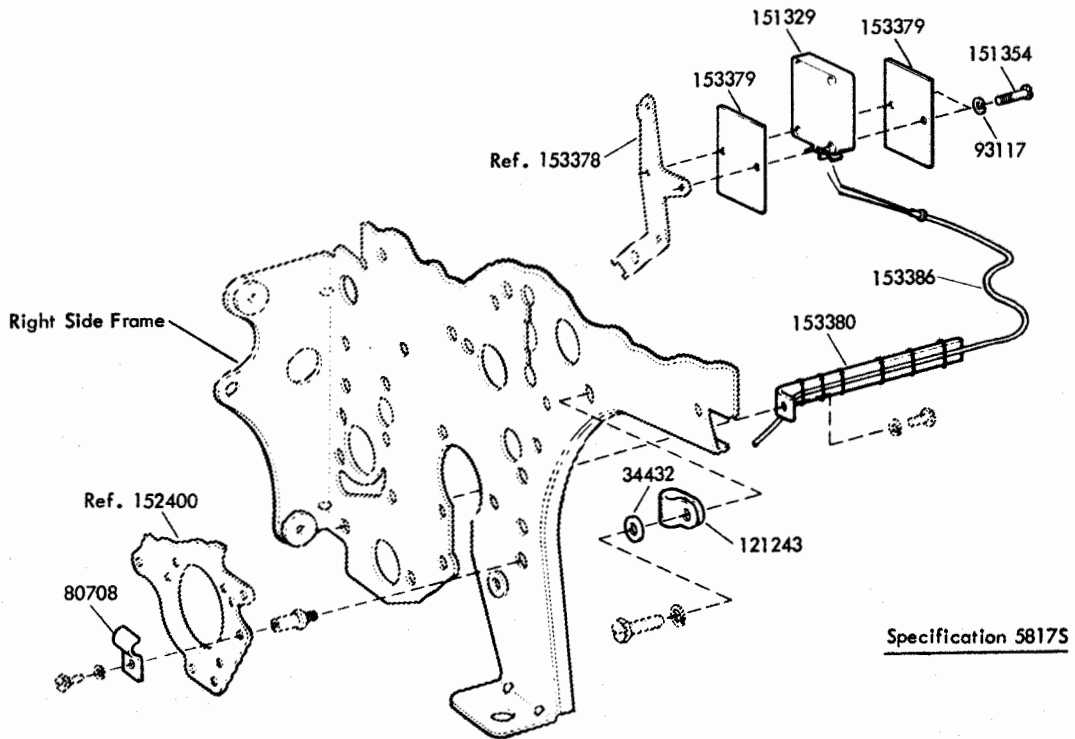
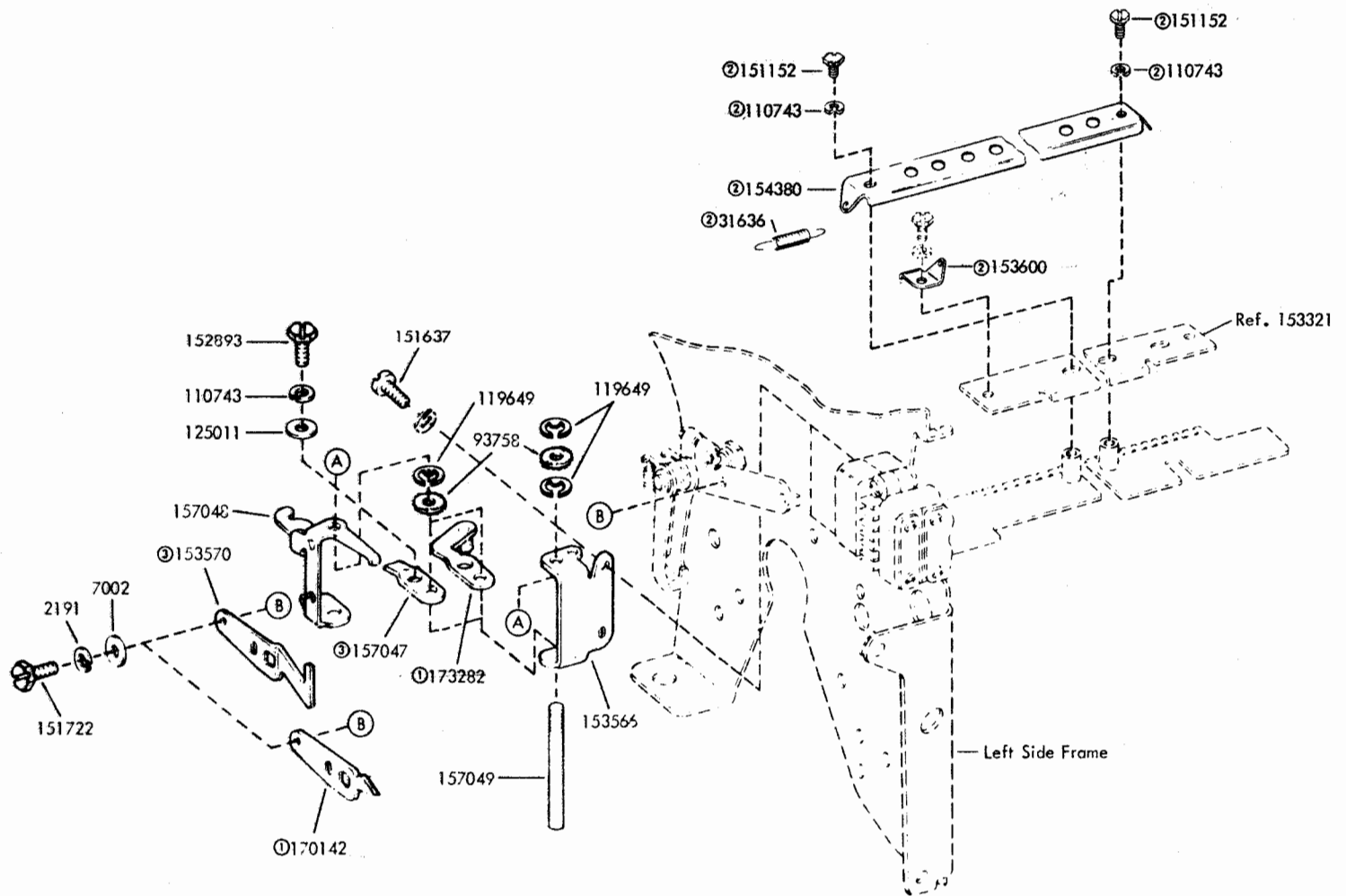


FIGURE 75. 152317 MODIFICATION KIT TO PROVIDE HORIZONTAL TABULATOR XD CONTROL

FIGURE 76. 152337, 157509 AND 173283 MODIFICATION KITS TO PROVIDE
ON-LINE STUNT SHIFT CONTROL



Specification 58235

- ① Part of 173283 Modification Kit (8 Level)
- ② Part of 152337 (Mark II) and 173283 (8 Level) Modification Kits
- ③ Part of 152337 (Mark II) and 157509 (Mark III) Modification Kits

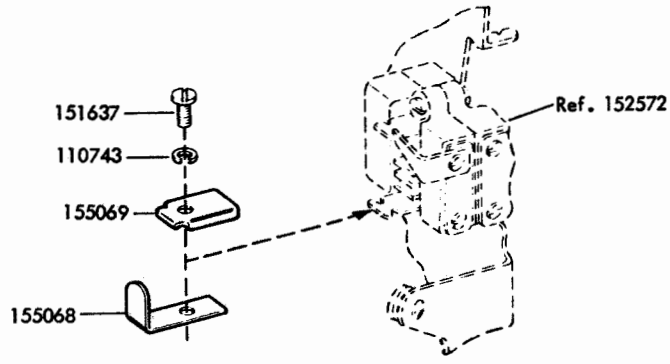
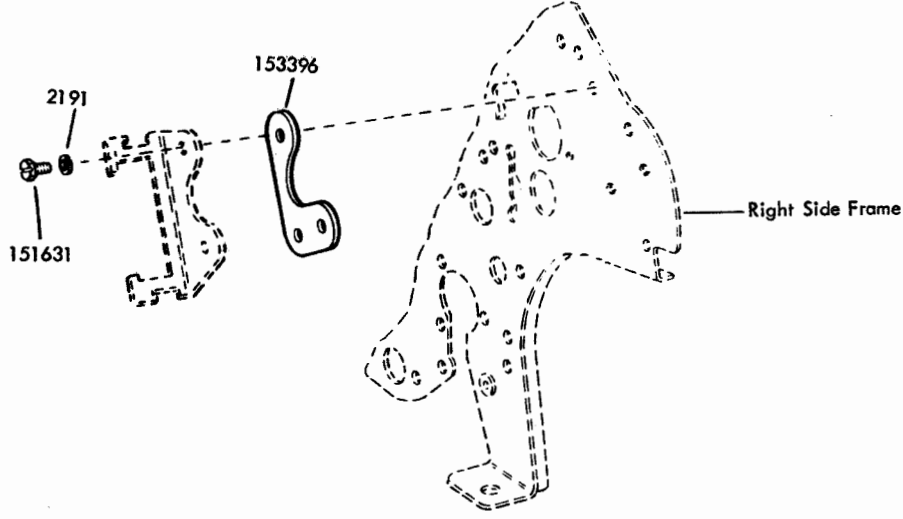
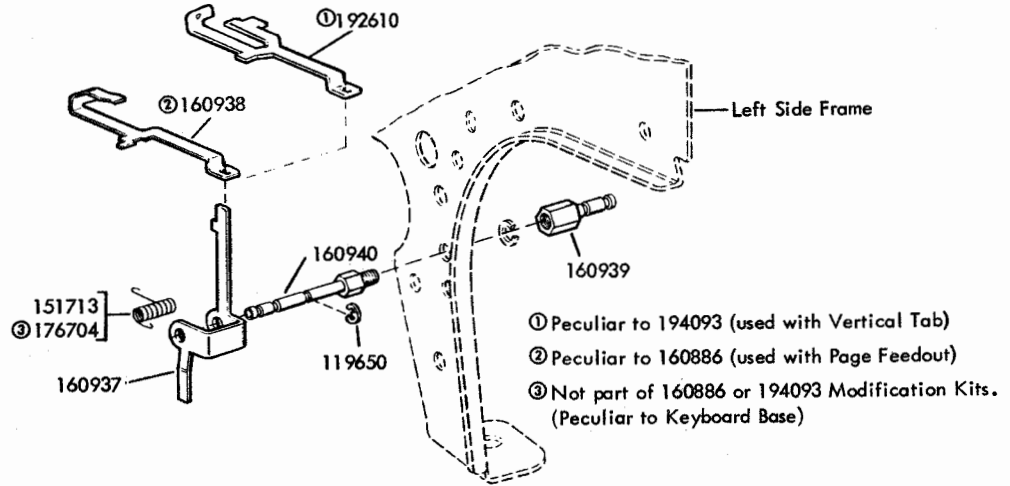


FIGURE 77. 153912 MODIFICATION KIT TO PROVIDE FIGS-LTRS CODE BAR MANUAL SHIFTING



Specification 57935

FIGURE 78. 152312 MODIFICATION KIT TO CONVERT PRINTER FOR USE WITH LIGHTWEIGHT SET



Specification 58905

FIGURE 79. 160886 AND 194093 MODIFICATION KITS TO PROVIDE LOCAL FORM FEED-OUT (RECEIVING ONLY BASE)

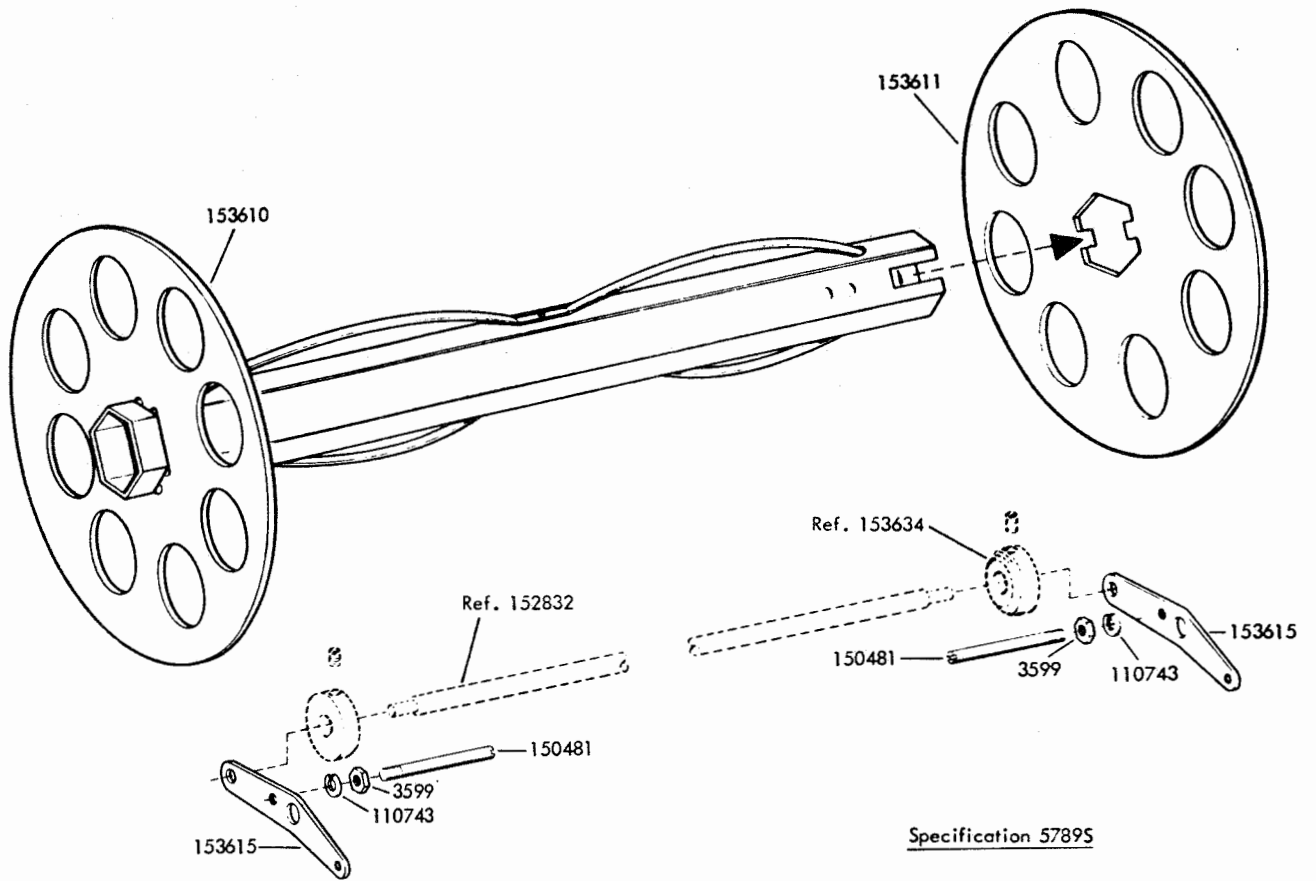


FIGURE 80. 152340 MODIFICATION KIT TO PROVIDE MULTI-COPY PAPER HANDLING

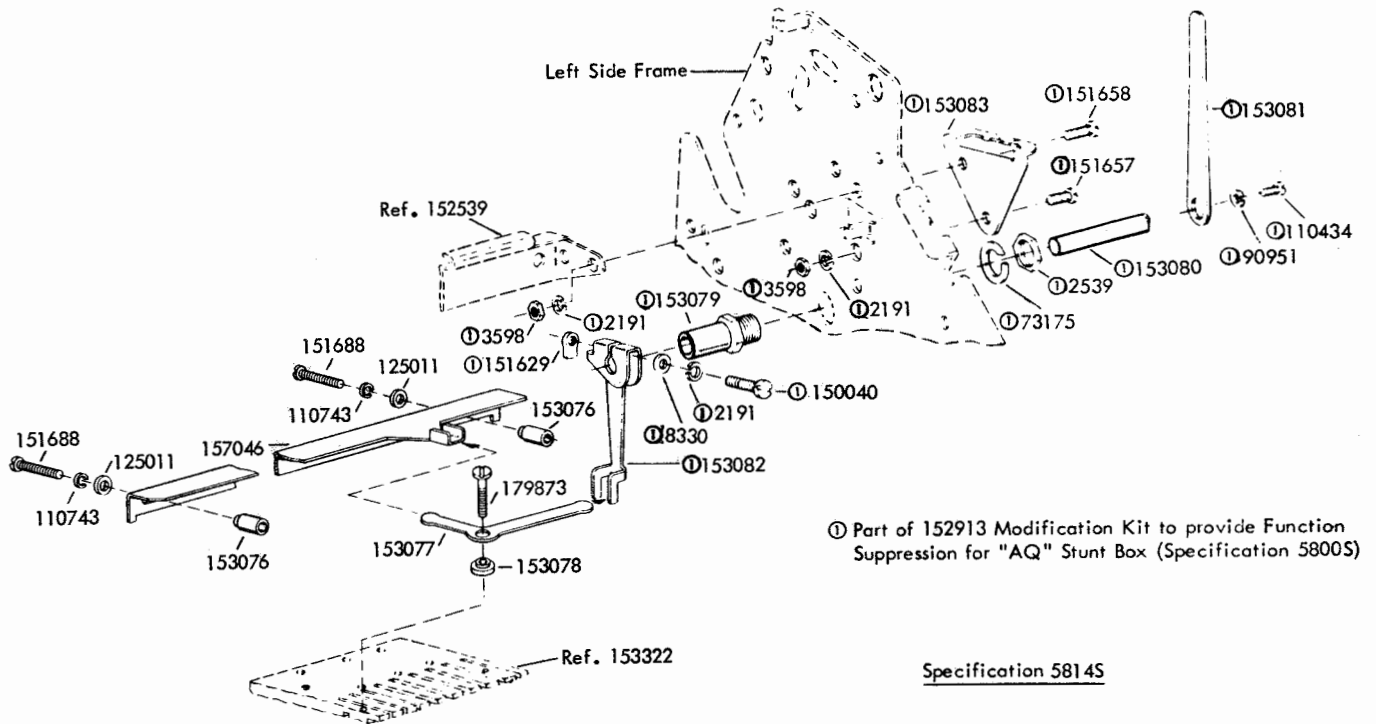
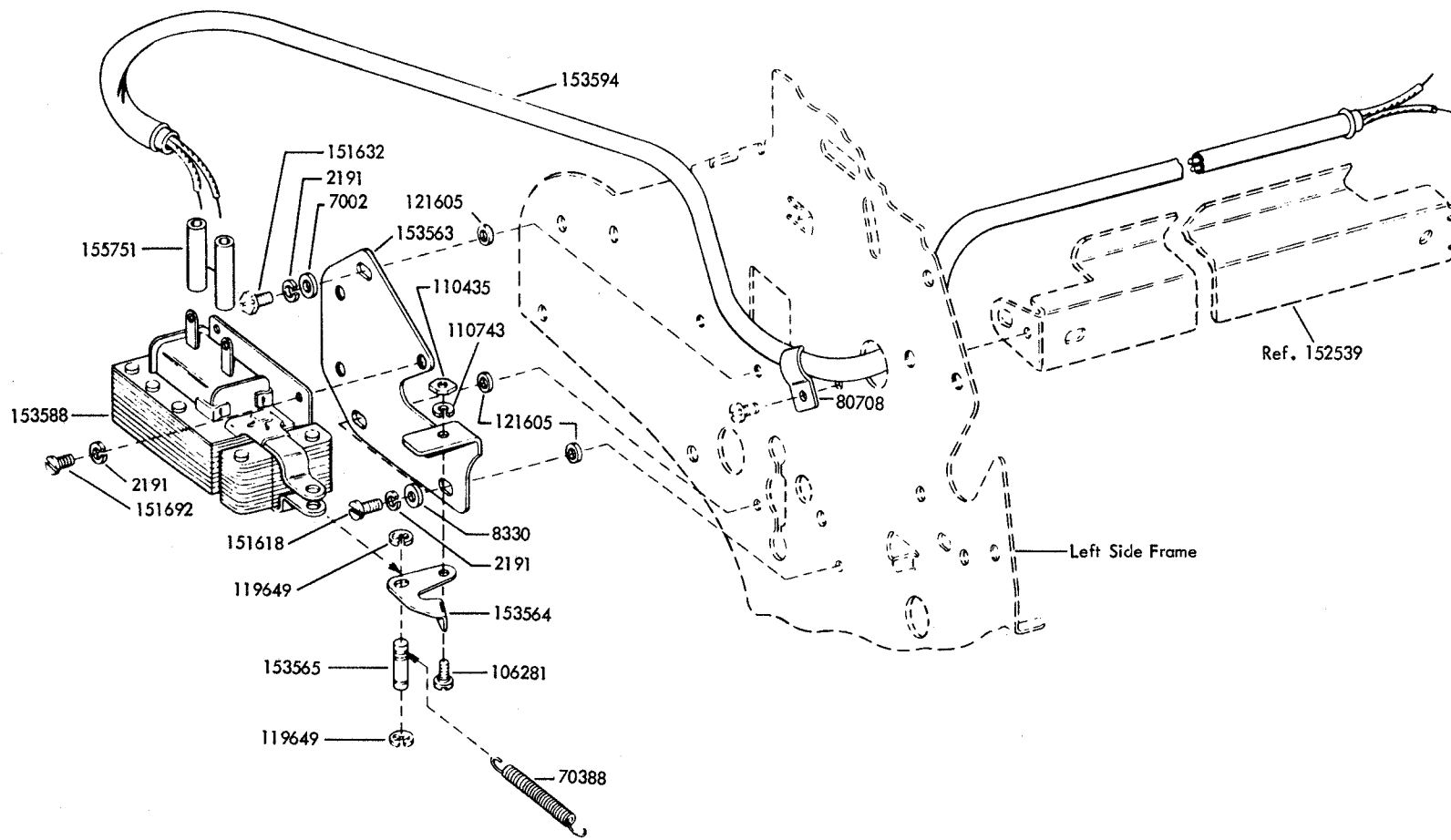


FIGURE 81. 153910 MODIFICATION KIT TO PROVIDE FUNCTION SUPPRESSION FOR "AZ" STUNT BOX

FIGURE 82. 152345 MODIFICATION KIT TO PROVIDE OFF-LINE STUNT SHIFT CONTROL



Specification 58235

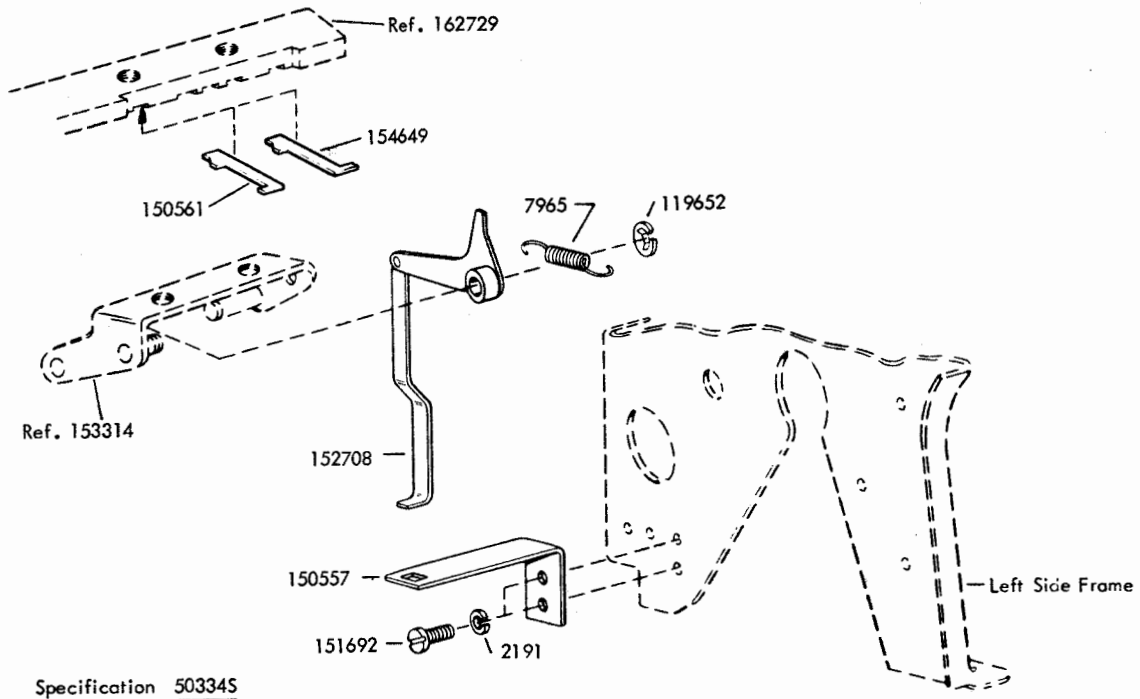


FIGURE 83. 152350 MODIFICATION KIT TO PROVIDE KEYBOARD LOCK

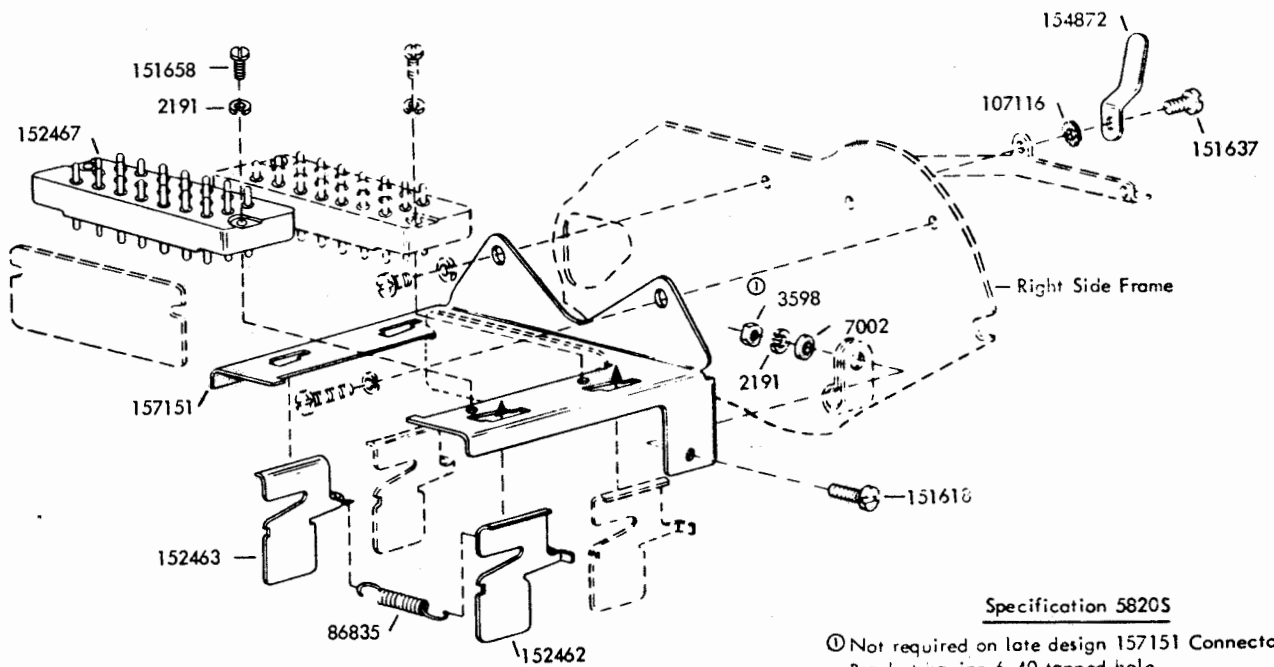


FIGURE 84. 153919 MODIFICATION KIT TO PROVIDE AUXILIARY CONNECTOR

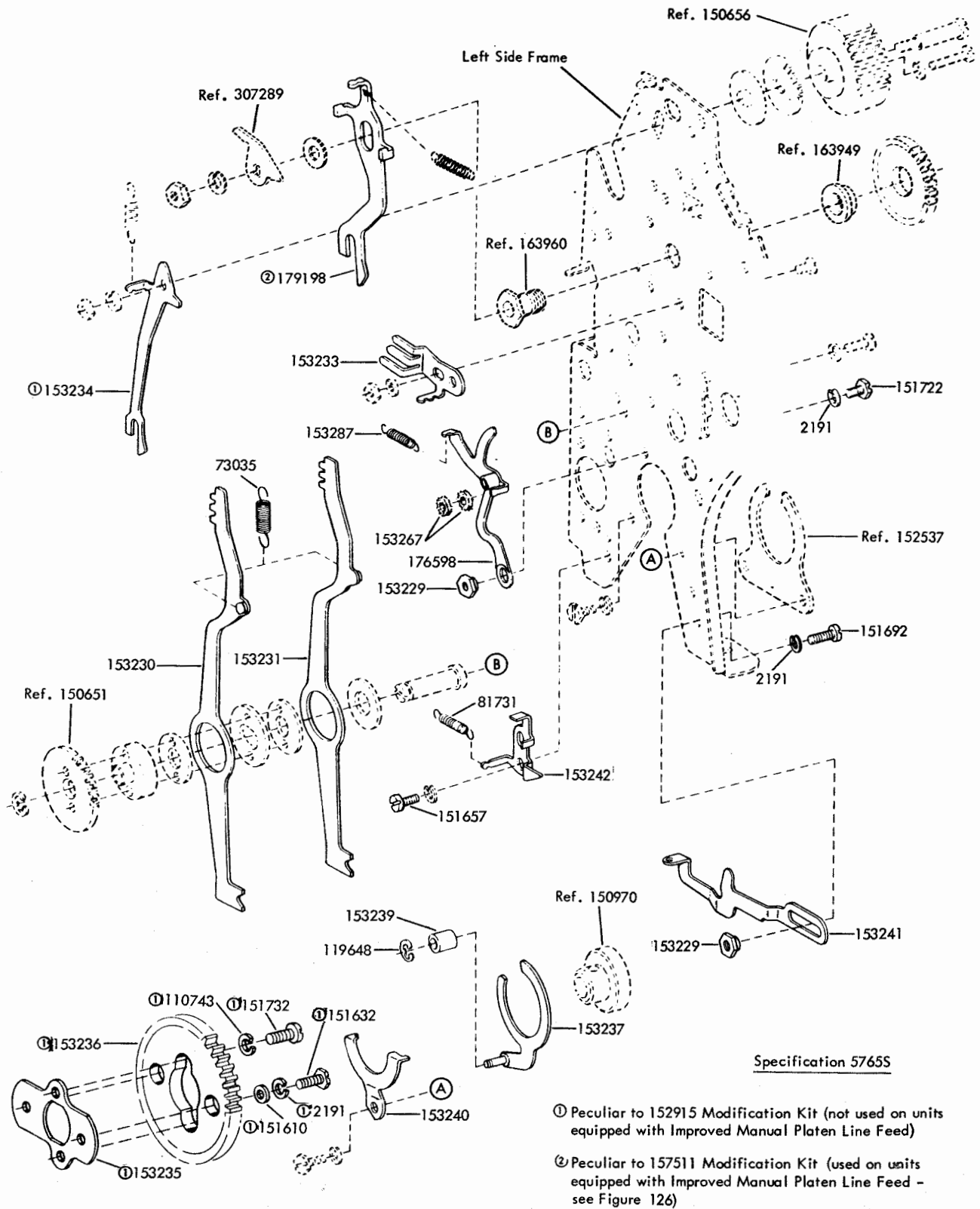
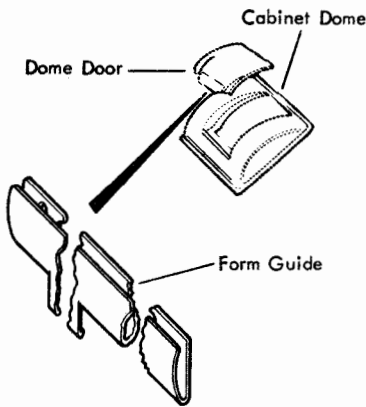
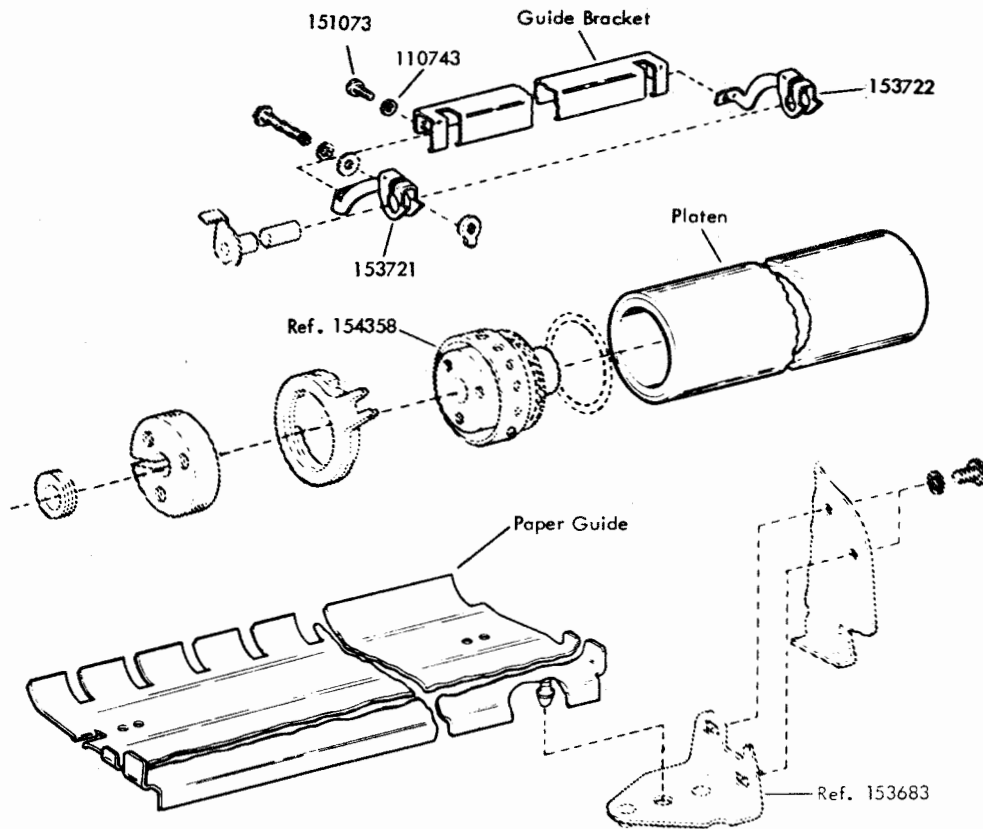


FIGURE 85. 152915 AND 157511 MODIFICATION KITS TO PROVIDE LOCAL REVERSE LINE FEED



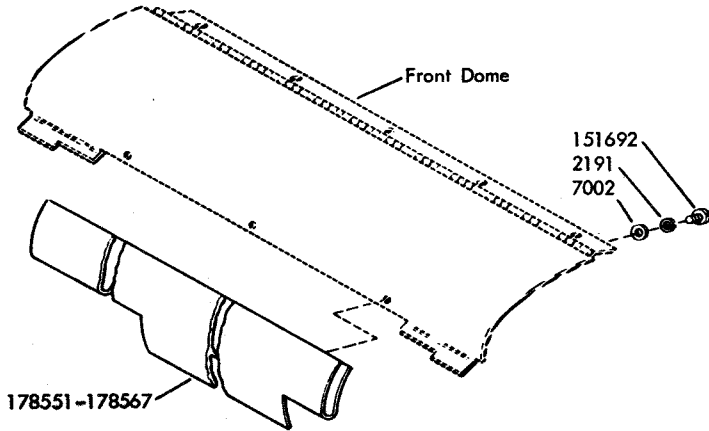
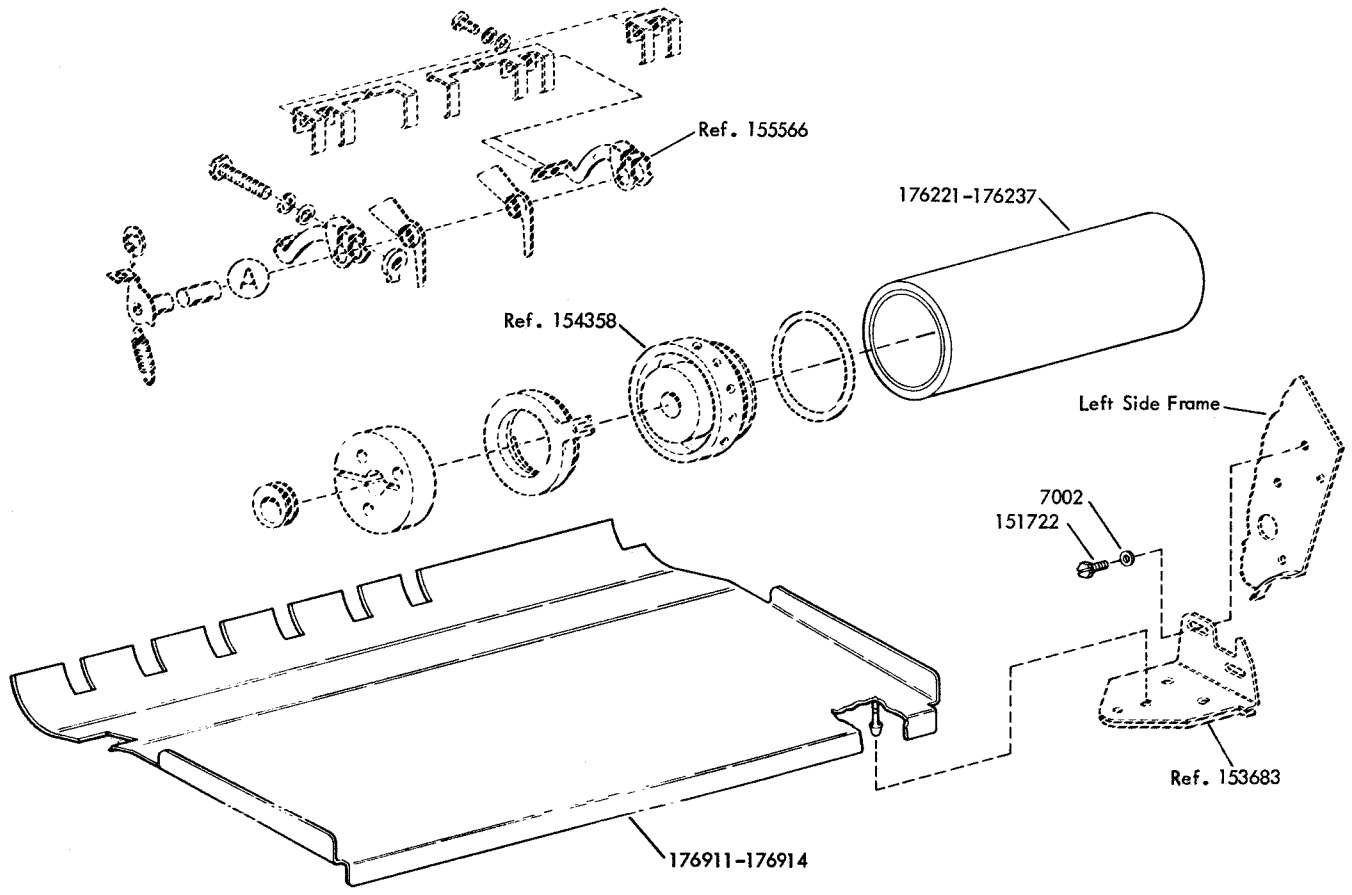
See note 28 on page 116

Specification 57925

① PAPER WIDTHS	PAPER GUIDE	GUIDE BRACKET	MOD. KIT: PAPER HANDLING PARTS		
			KIT. NO.	PLATEN	FORM GUIDE
9-1/2"	305028	305771	310733	176238	305059
9"	304773	153771	176181	176221	153652
8-1/2"	304772	153772	176182	176222	153653
8"	304773	153773	176183	176223	153654
7-1/2"	304772	153774	176184	176224	153655
7"	304773	153775	176185	176225	153656
6-1/2"	304772	153776	176186	176226	153657
6-3/8"	304774	153777	176187	176227	153658
6-1/4"	304775	153778	176188	176228	153659
6"	304773	153779	176189	176229	153660
5-3/4"	304774	153780	176190	176230	153661
5-1/2"	304772	153781	176191	176231	153662
5"	304773	153782	176192	176232	153663
4-1/2"	304772	153783	176193	176233	153664
4-5/16"	304775	153784	176194	176234	153665
4-1/4"	304774	153785	176195	176235	153665
4"	304773	153786	176196	176236	153666
3-5/8"	304772	153787	176197	176237	153667

① The width shown is the overall dimension of the paper, and the distance between Sprocket Pin holes is 1/2" less. See note 28 on page 117

FIGURE 86. SPROCKET FEED PAPER HANDLING MODIFICATION KITS (TYPING UNIT AND CABINET)

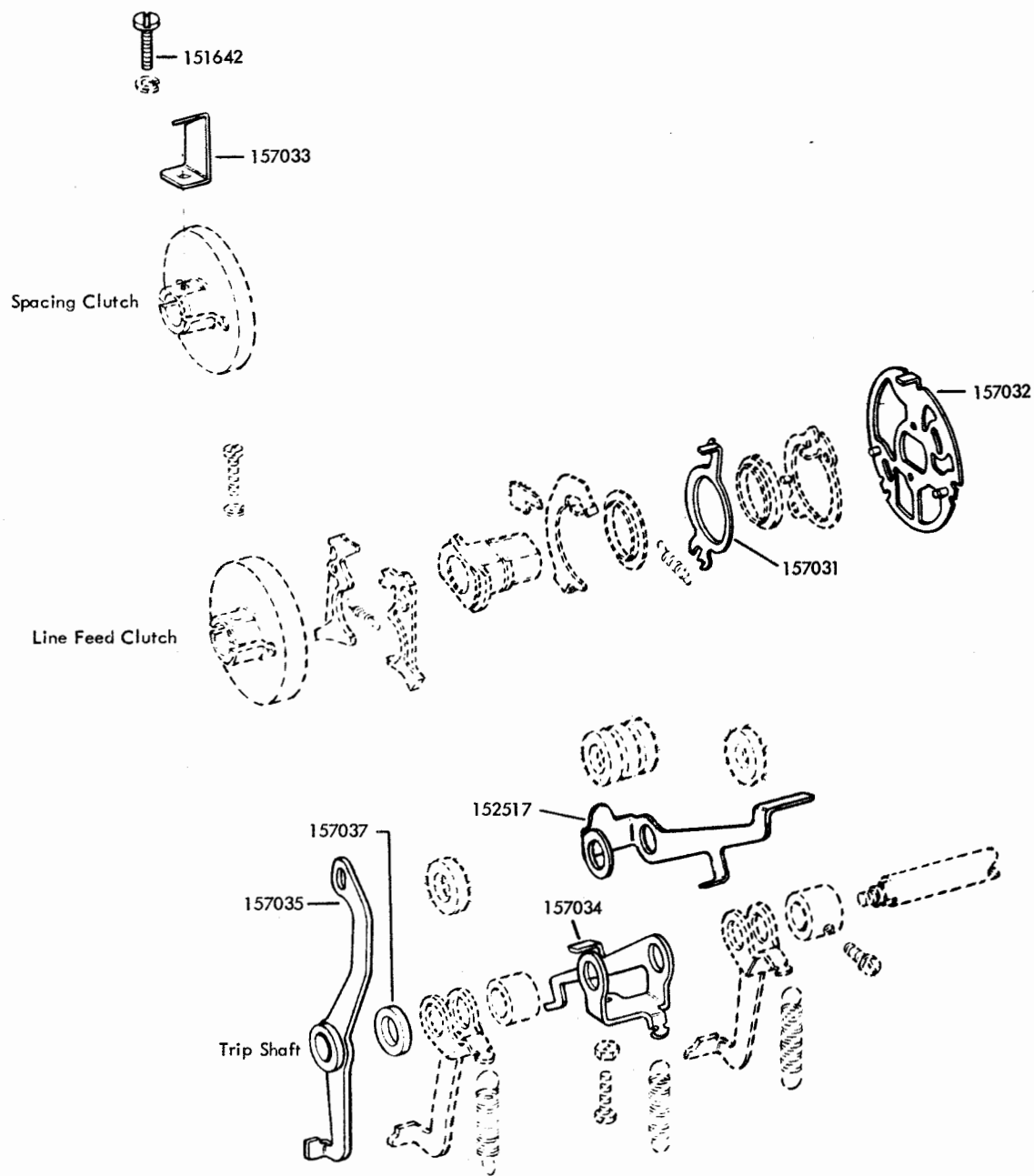


② Paper Widths	Paper Guide	Mod. Kit Paper Handling Parts		
		Kit No.	Platen	Form Guide
9"	176912	178568	175221	178551
8-1/2"	176911	178569	176222	178552
8"	176912	178570	176223	178553
7-1/2"	176911	178571	176224	178554
7"	176912	178572	176225	178555
6-1/2"	176911	178573	176226	178556
6-3/8"	176913	178574	176227	178557
6-1/4"	176914	178575	176228	178558
6"	176912	178576	176229	178559
5-3/4"	176913	178577	176230	178560
5-1/2"	176911	178578	176231	178561
5"	176912	178579	176232	178562
4-1/2"	176911	178580	176233	178563
4-5/16"	176914	178581	176234	178564
4-1/4"	176913	178582	176235	178565
4"	176912	178583	176236	178566
3-5/8"	176911	178584	176237	178567

② The width shown is the overall dimension of the paper, and the distance between Sprocket Pin holes is 1/2" less.

Specification 5792S

FIGURE 87. SPROCKET FEED PAPER HANDLING MODIFICATION KITS (WALL MOUNTED TYPING UNIT AND CABINET)



Specification 5775

FIGURE 89. 153911 MODIFICATION KIT TO PROVIDE CONTINUOUS SPACING
(CONTINUED FROM PRECEDING PAGE)

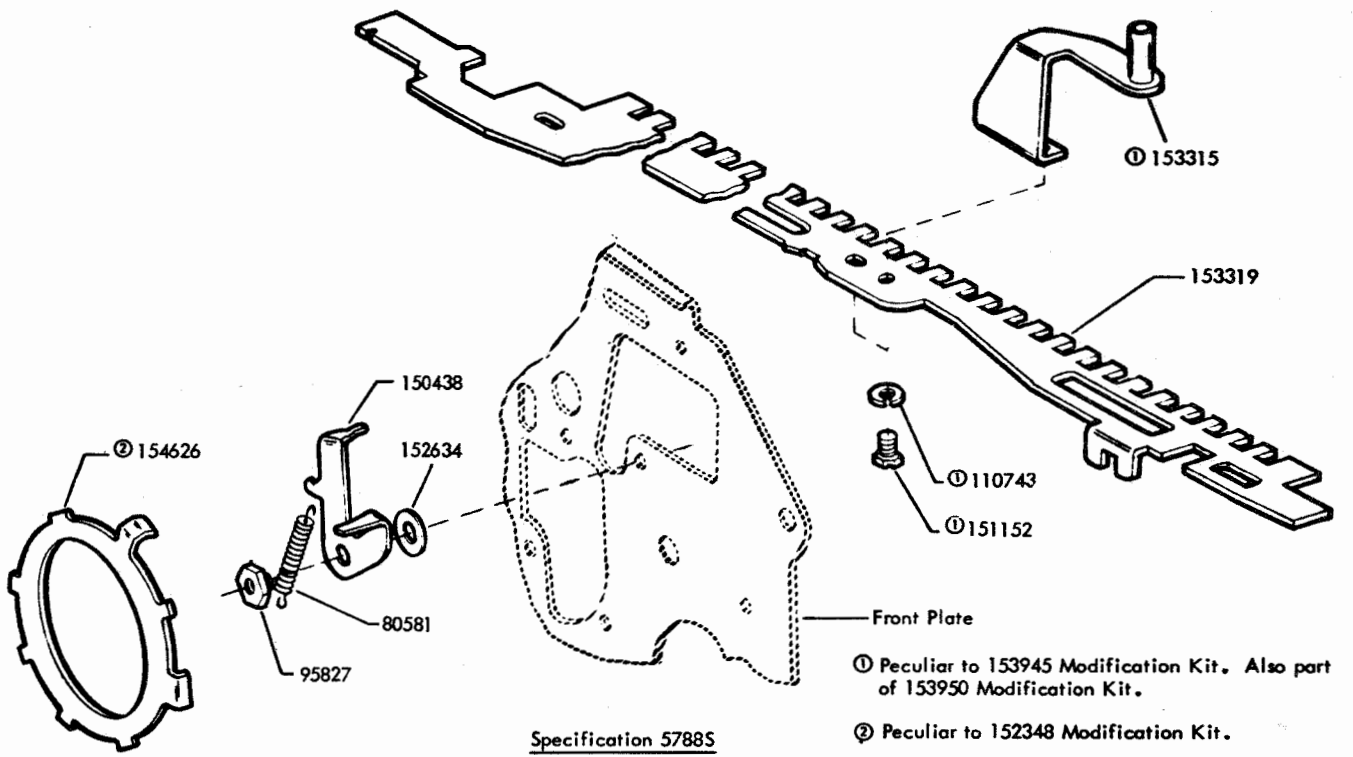


FIGURE 90. 152348 AUTOMATIC CARRIAGE RETURN AND LINE FEED AND 153945 "O" CODE BAR AND BELLCRANK MODIFICATION KITS

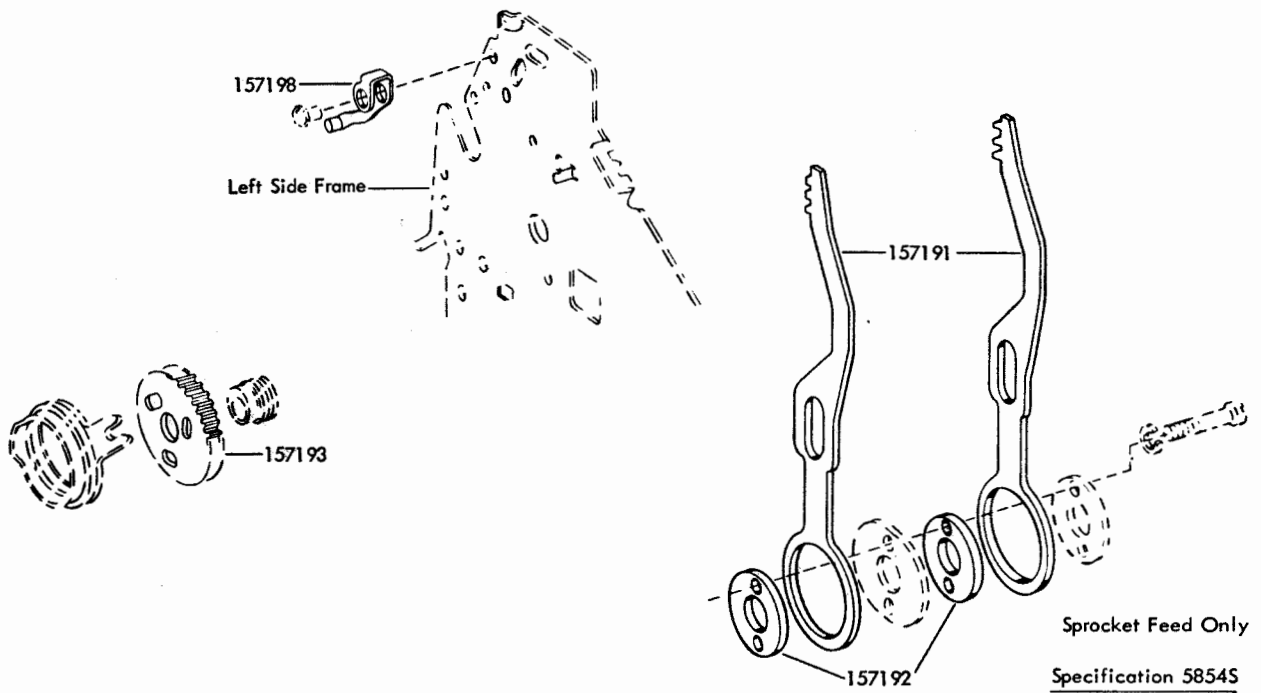


FIGURE 91. 154742 MODIFICATION KIT TO PROVIDE FOUR LINES PER INCH

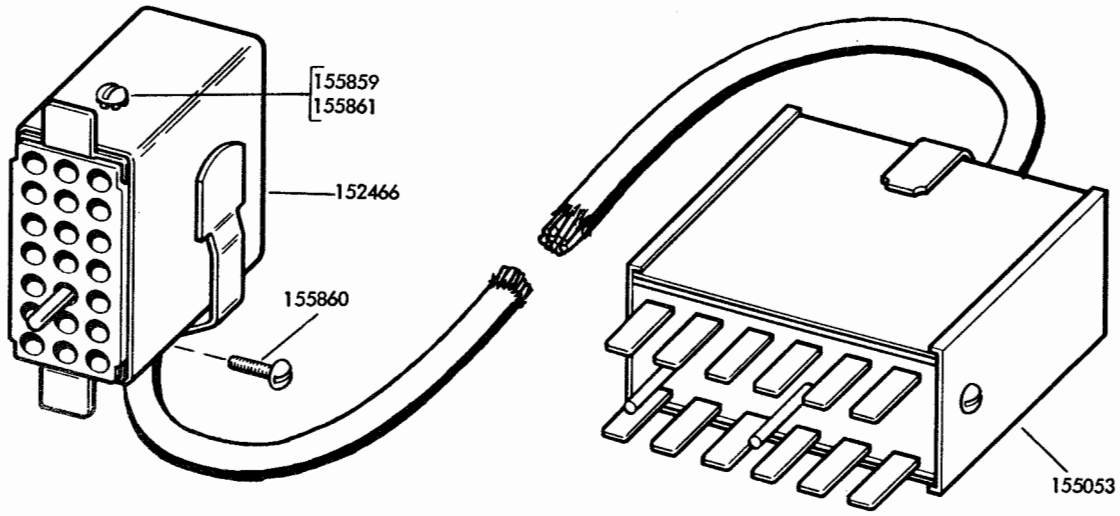


FIGURE 92. 155051 AUXILIARY CABLE ASSEMBLY

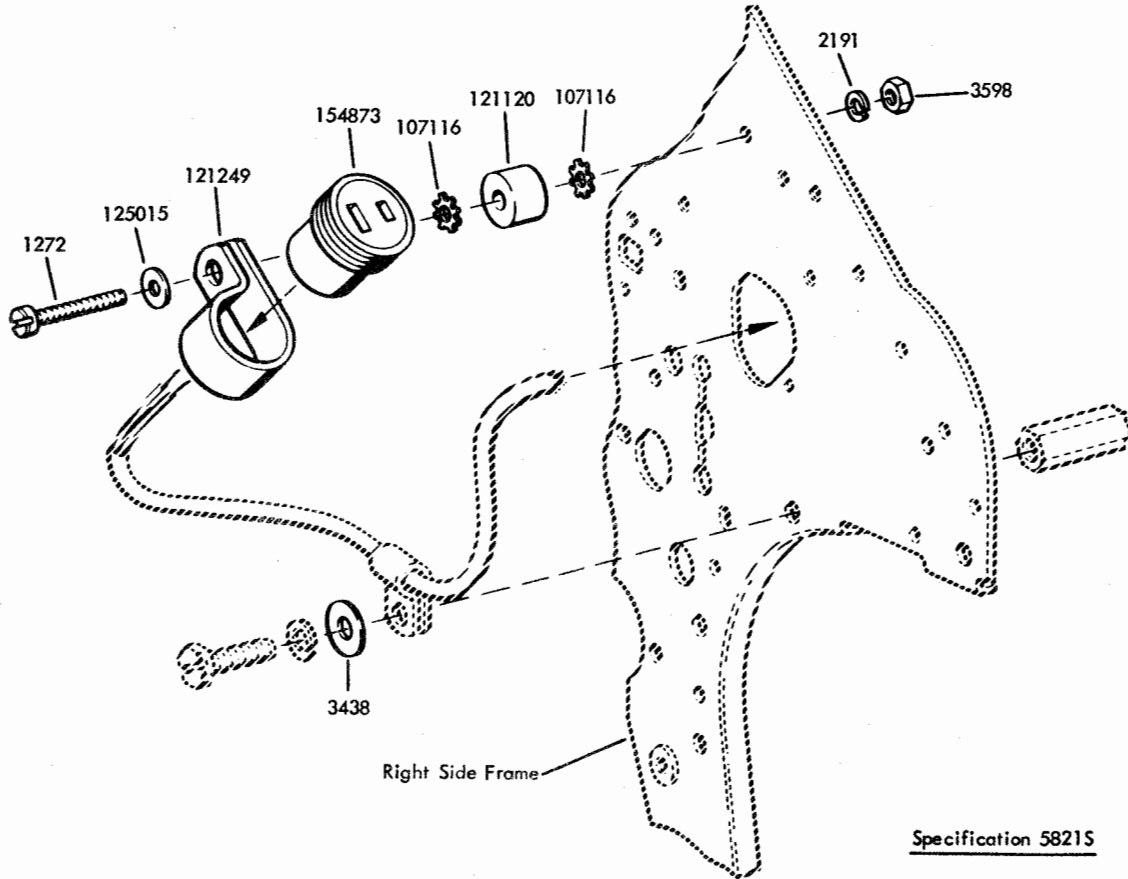


FIGURE 93. 154753 MODIFICATION KIT TO PROVIDE AUXILIARY CONNECTOR

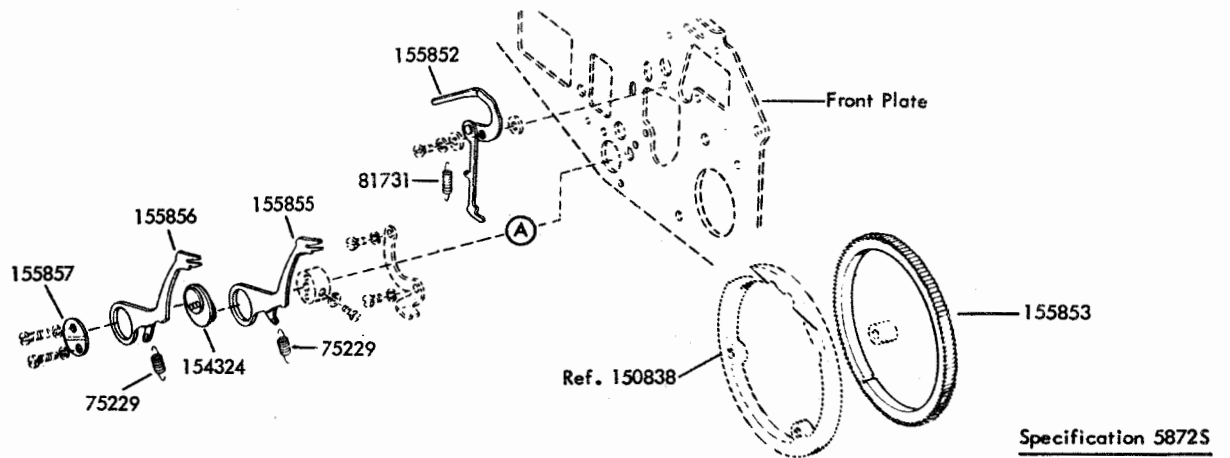


FIGURE 94. 154755 MODIFICATION KIT TO PROVIDE 5 SPACES PER INCH HORIZONTALLY

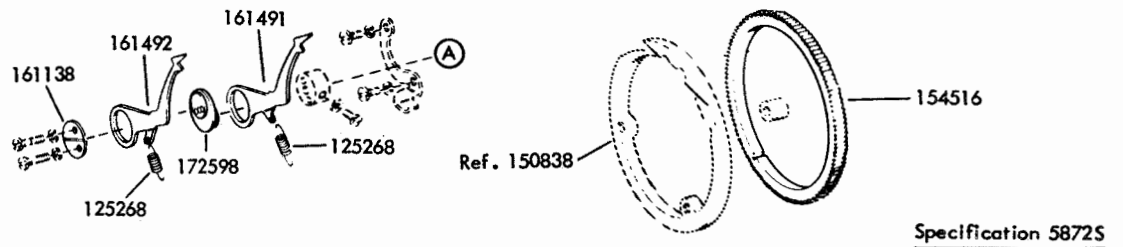


FIGURE 95. 159395 MODIFICATION KIT TO PROVIDE 6 SPACES PER INCH HORIZONTALLY

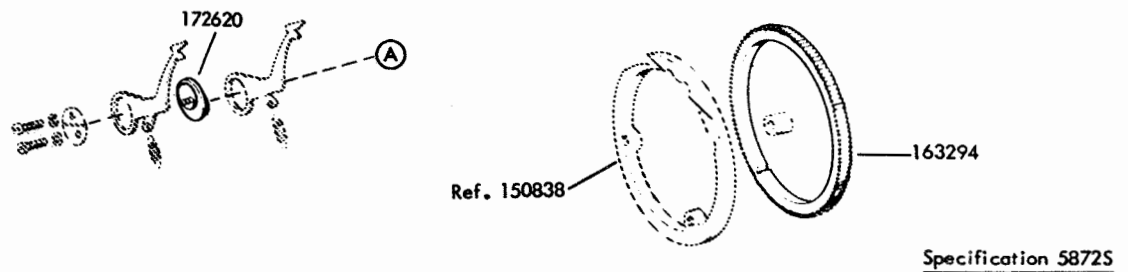


FIGURE 96. 163292 MODIFICATION KIT TO PROVIDE 8 SPACES PER INCH HORIZONTALLY

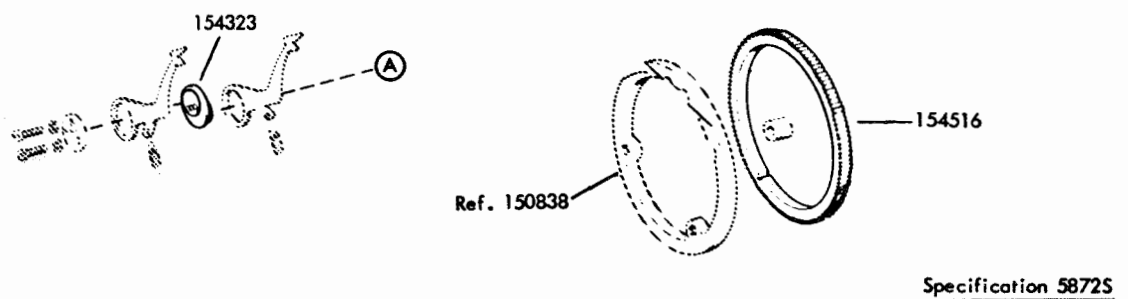
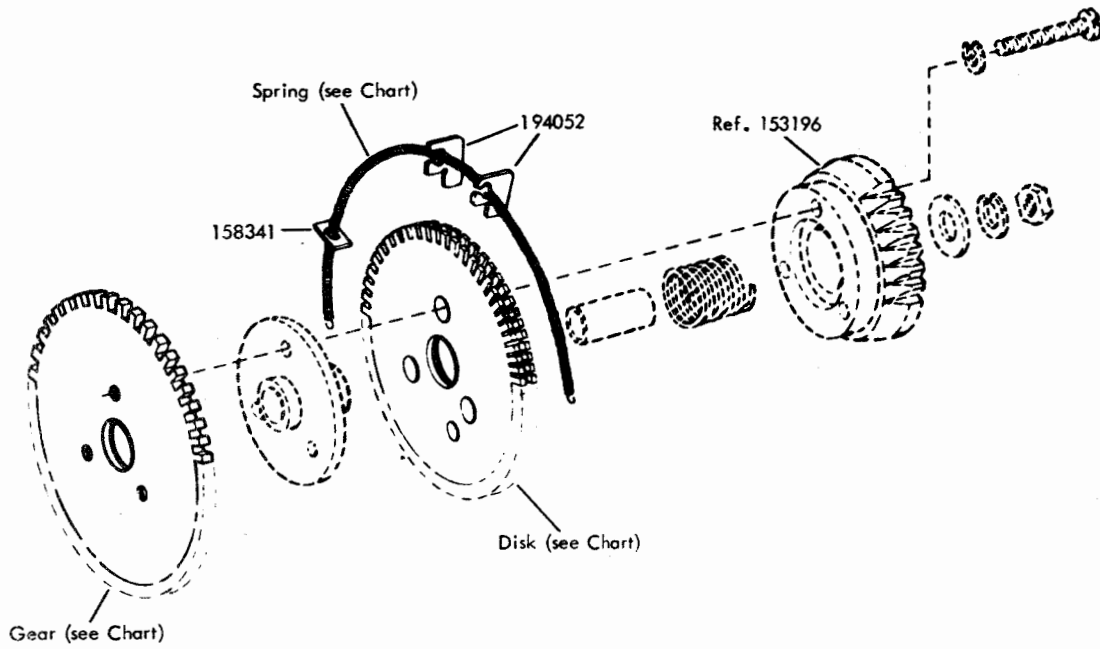


FIGURE 97. 154792 MODIFICATION KIT TO PROVIDE 12 SPACES PER INCH HORIZONTALLY



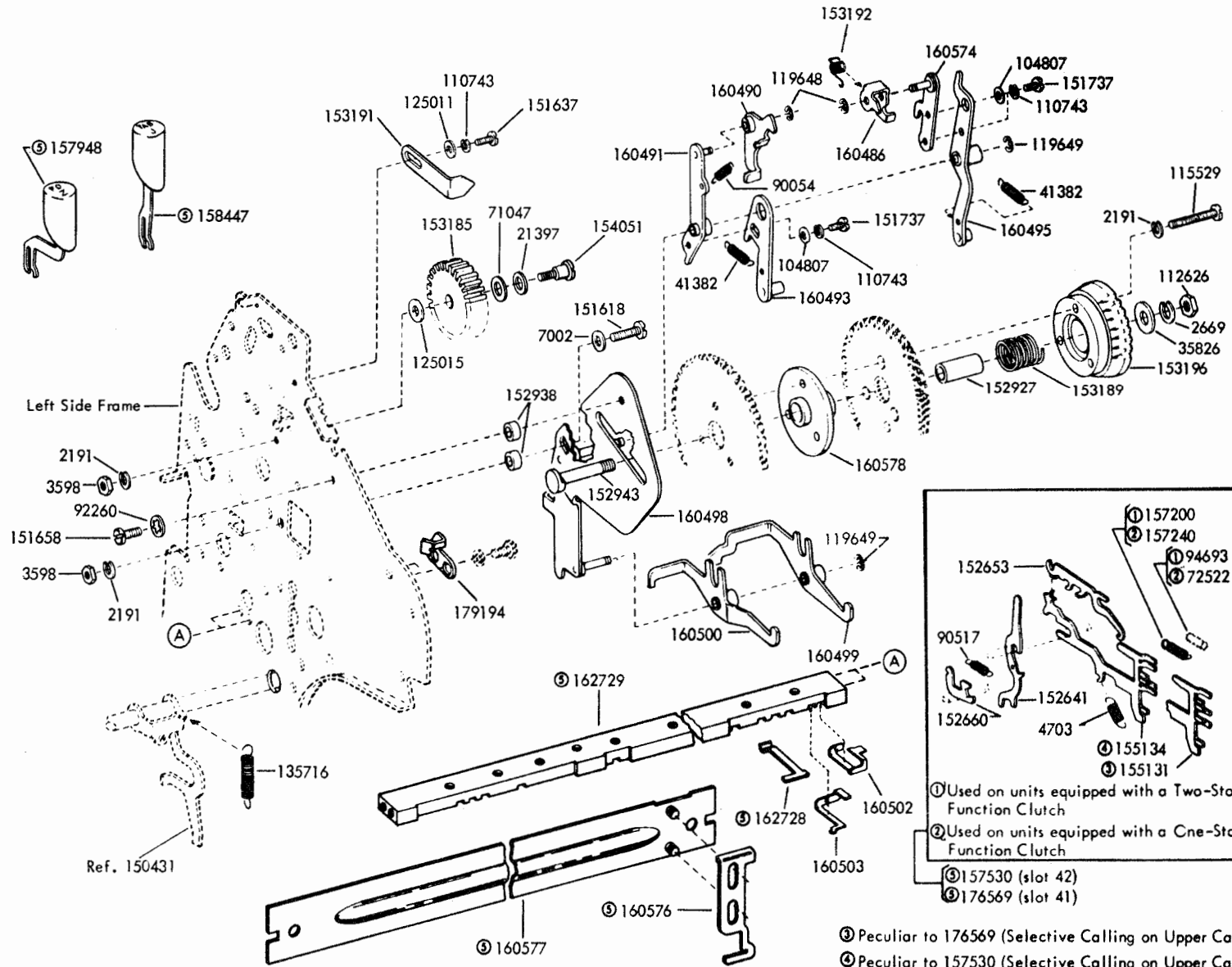
FORM LENGTH IN INCHES	MOD KIT	GEAR NO.	DISK NO.	SPRING NO.	NO. OF STOPS
8, 4, 2	154760	153198	160505	160527	47
8-1/2	154761	153199	160506	160528	10
9, 4-1/2	154762	153200	160507	160529	10
9-1/2	154763	153201	160508	160530	11
10, 5	154764	153202	160509	160531	12
11, 5-1/2	154765	153203	160510	160532	14
12, 6, 3	154766	153204	160511	160533	15
13, 6-1/2	154767	153205	160512	160534	16
14, 7, 3-1/2	154768	153206	160513	160535	17
15, 7-1/2	154769	153207	160514	160536	18
14-2/3, 7-1/3, 3-2/3	192706	161250	192704	160536	16
13, 6-1/2, 3-1/4	①197849	197732	197734	160534	14
4-1/4	①197850	197731	197733	160528	10
14, 7, 3-1/2	305079	305071	305075	160536	16

Specification 50004S

① The 197849 and 197850 Modification Kits can only be used with the 154742 Modification Kit (4 lines per inch). The 197849 and 197850 Modification Kits also include the 197735, 197736, 197737 and 197840 Spur Gears shown in their respective positions in Figure 68.

FIGURE 98. VERTICAL TABULATION MODIFICATION KITS

FIGURE 99. 154770 MODIFICATION KIT TO PROVIDE VERTICAL TABULATION ON UPPER CASE "J" AND "Z" (INCLUDES THE 163535 MODIFICATION KIT IN FIGURE 109)



- ① Peculiar to 176569 (Selective Calling on Upper Case "J")
- ② Peculiar to 157530 (Selective Calling on Upper Case "Z")

The 154771 Modification Kit to Provide Vertical Tabulation consists of all parts on this page except those marked ④

Specification 500045

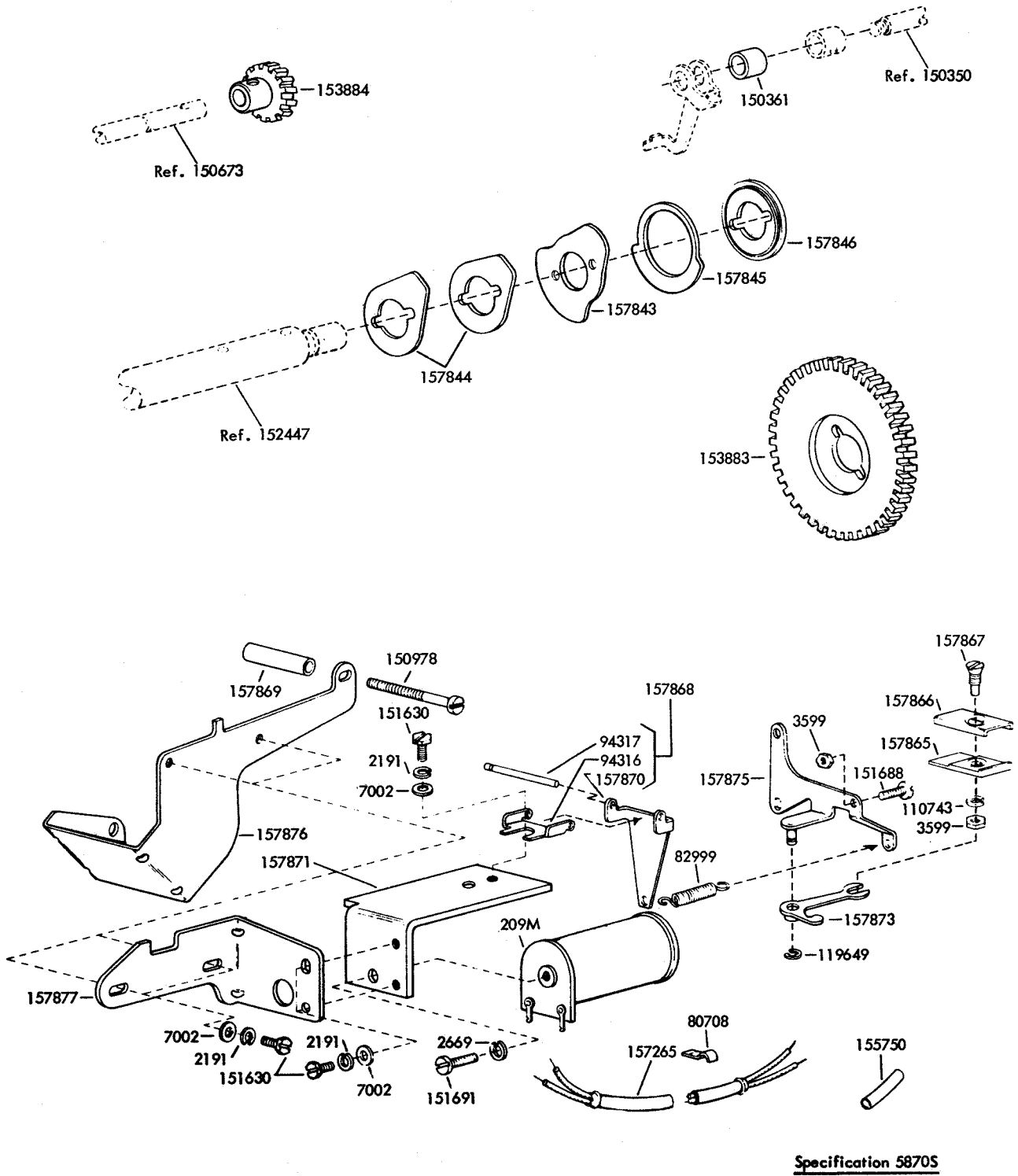


FIGURE 100. 154778 MODIFICATION KIT TO PROVIDE EXTERNAL PULSE SHIFT FEATURE
(CONTINUED ON NEXT PAGE)

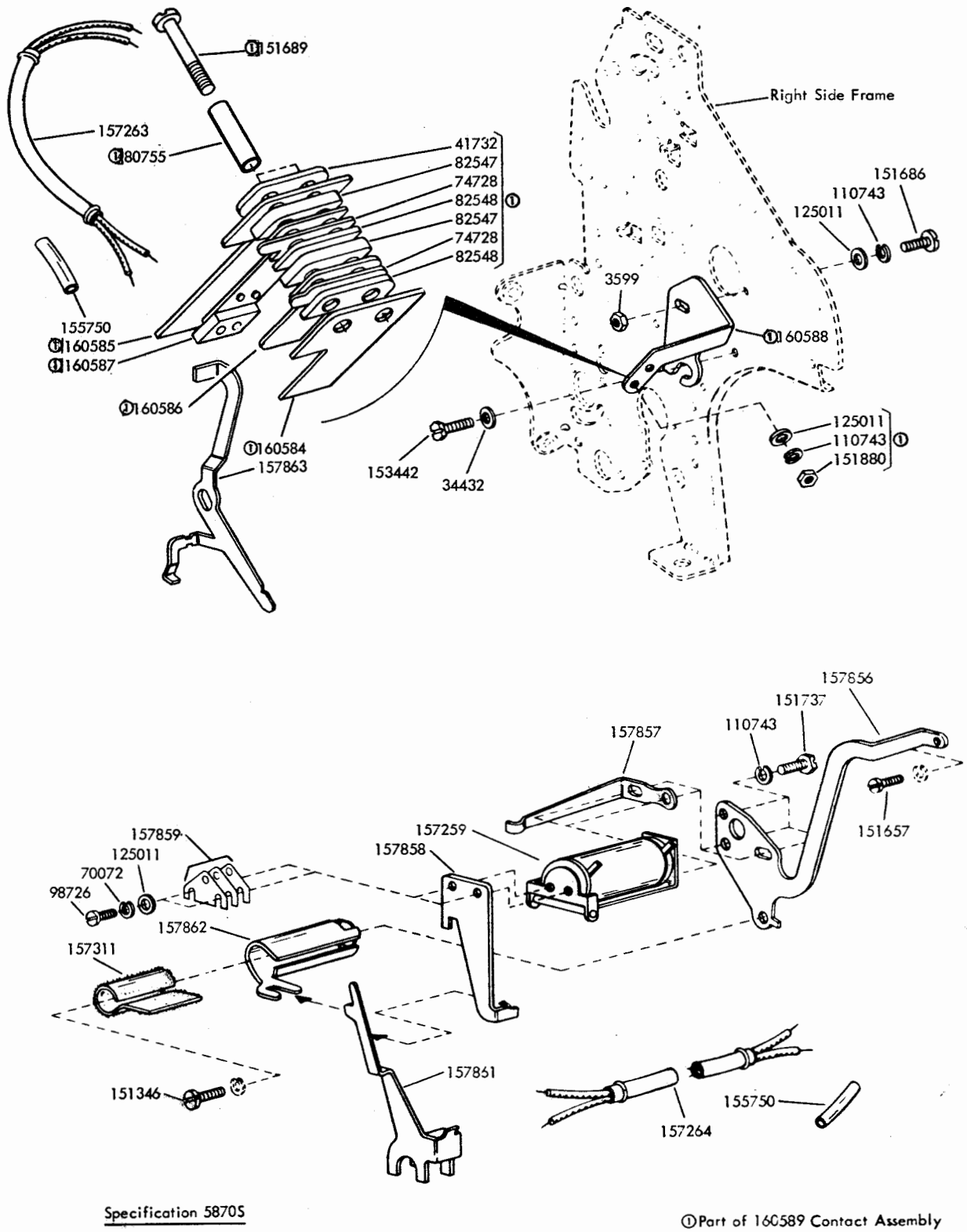
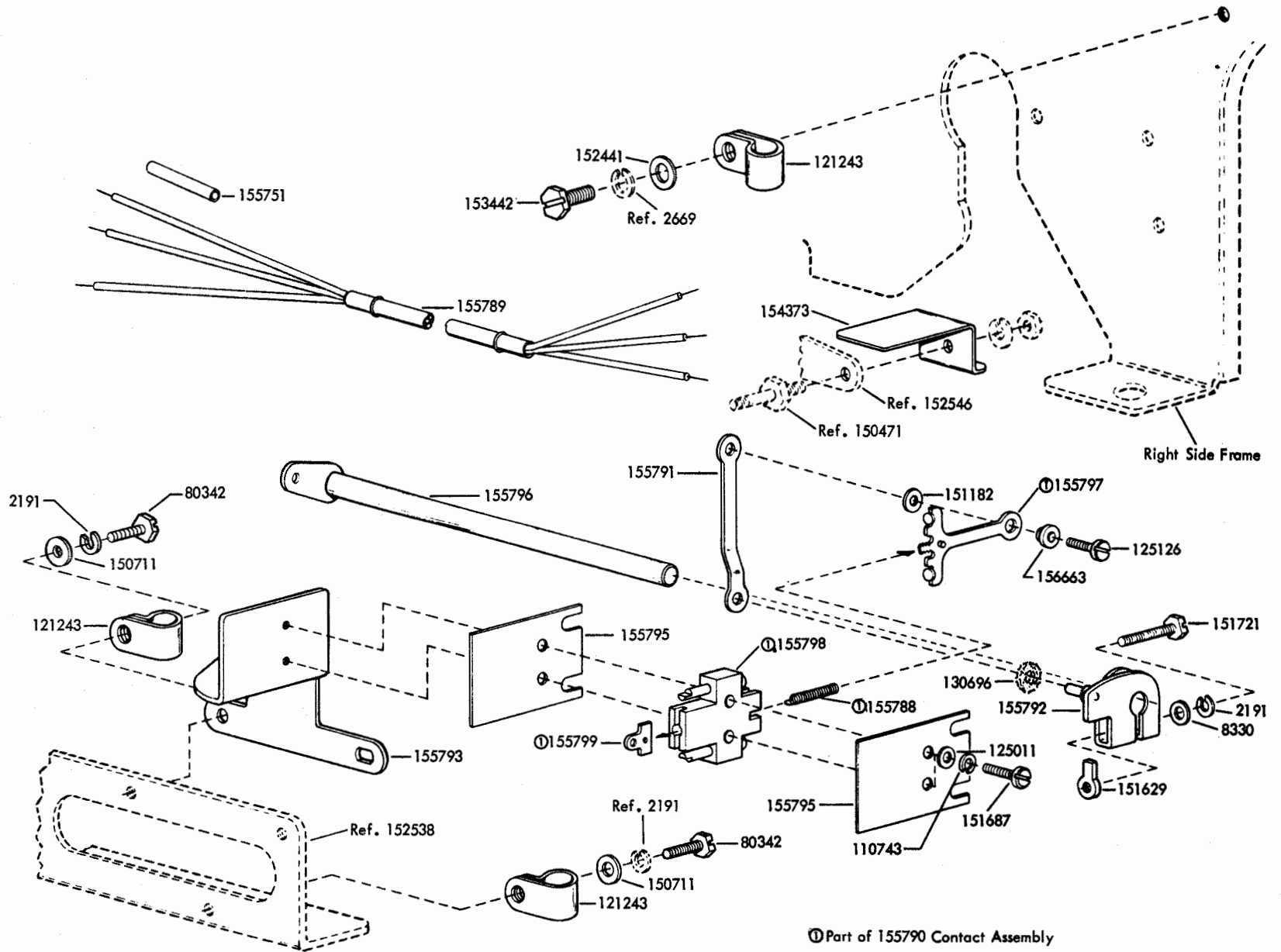


FIGURE 101. 154778 MODIFICATION KIT TO PROVIDE EXTERNAL PULSE SHIFT FEATURE
(CONTINUED FROM PRECEDING PAGE)

FIGURE 102. 154785 MODIFICATION KIT TO PROVIDE UNIVERSAL CONTACTS



Specification 58045

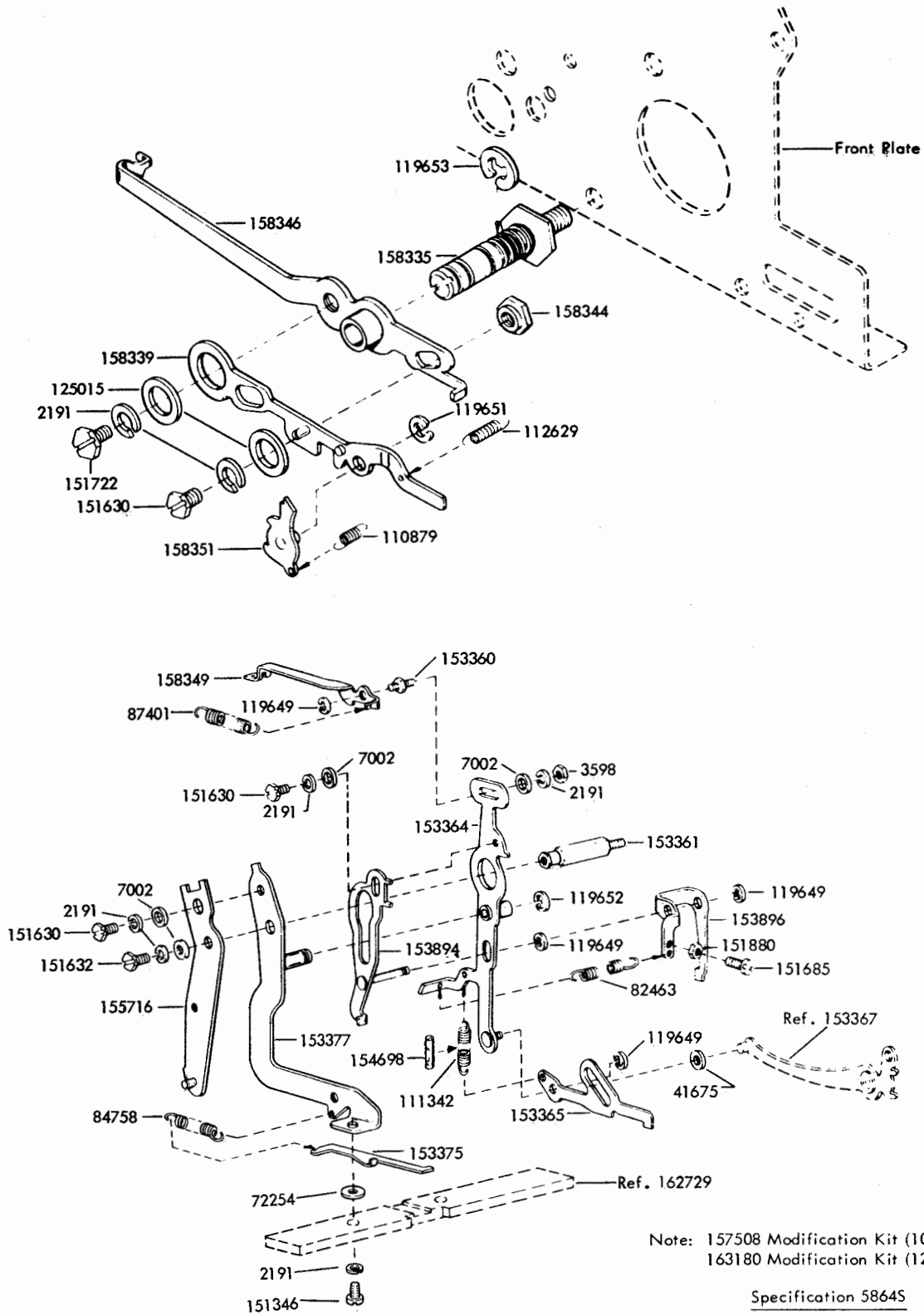


FIGURE 103. 157508 AND 163180 MCDIFICATION KITS TO PROVIDE HORIZONTAL TABULATION
(CONTINUED ON NEXT PAGE)

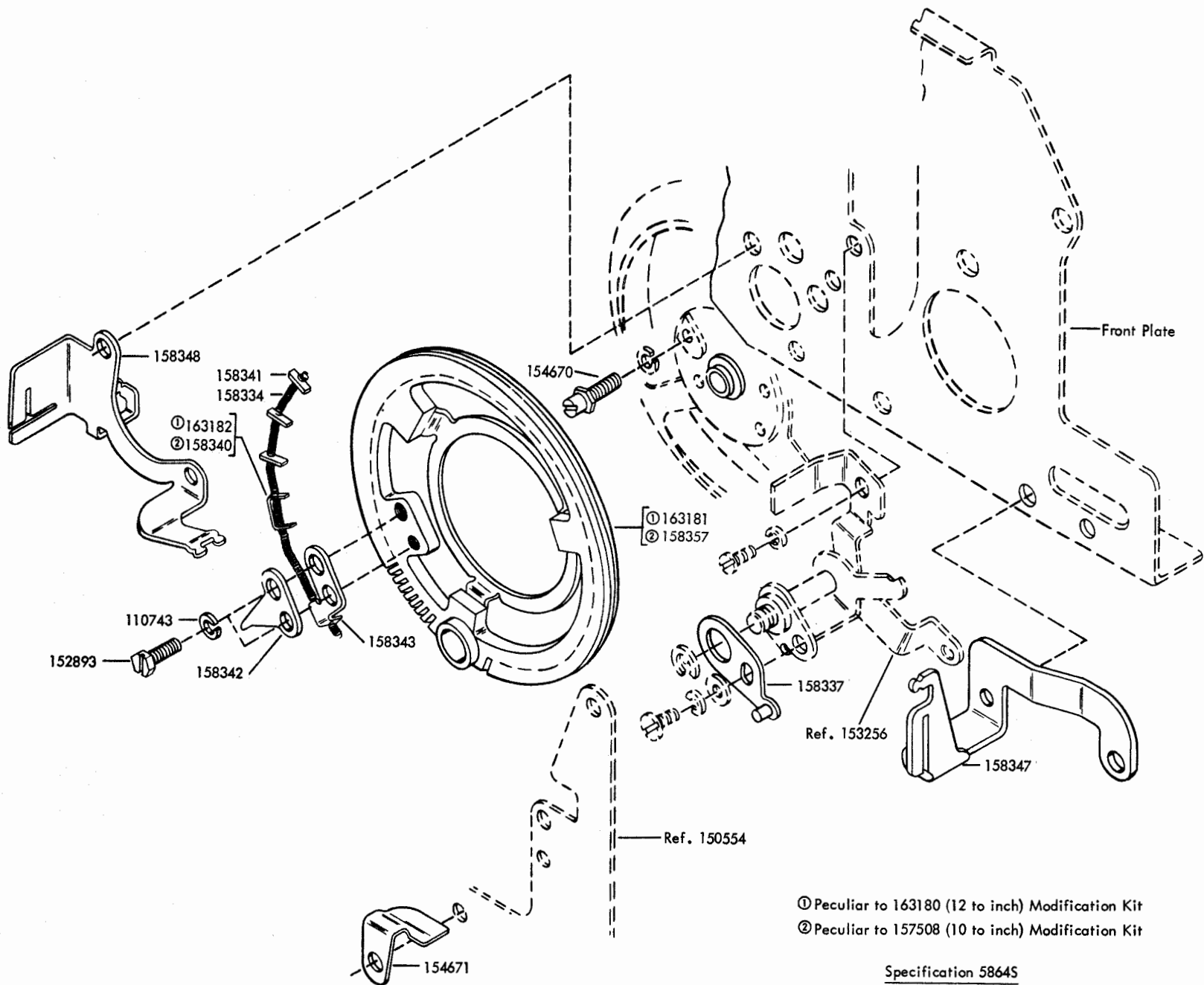
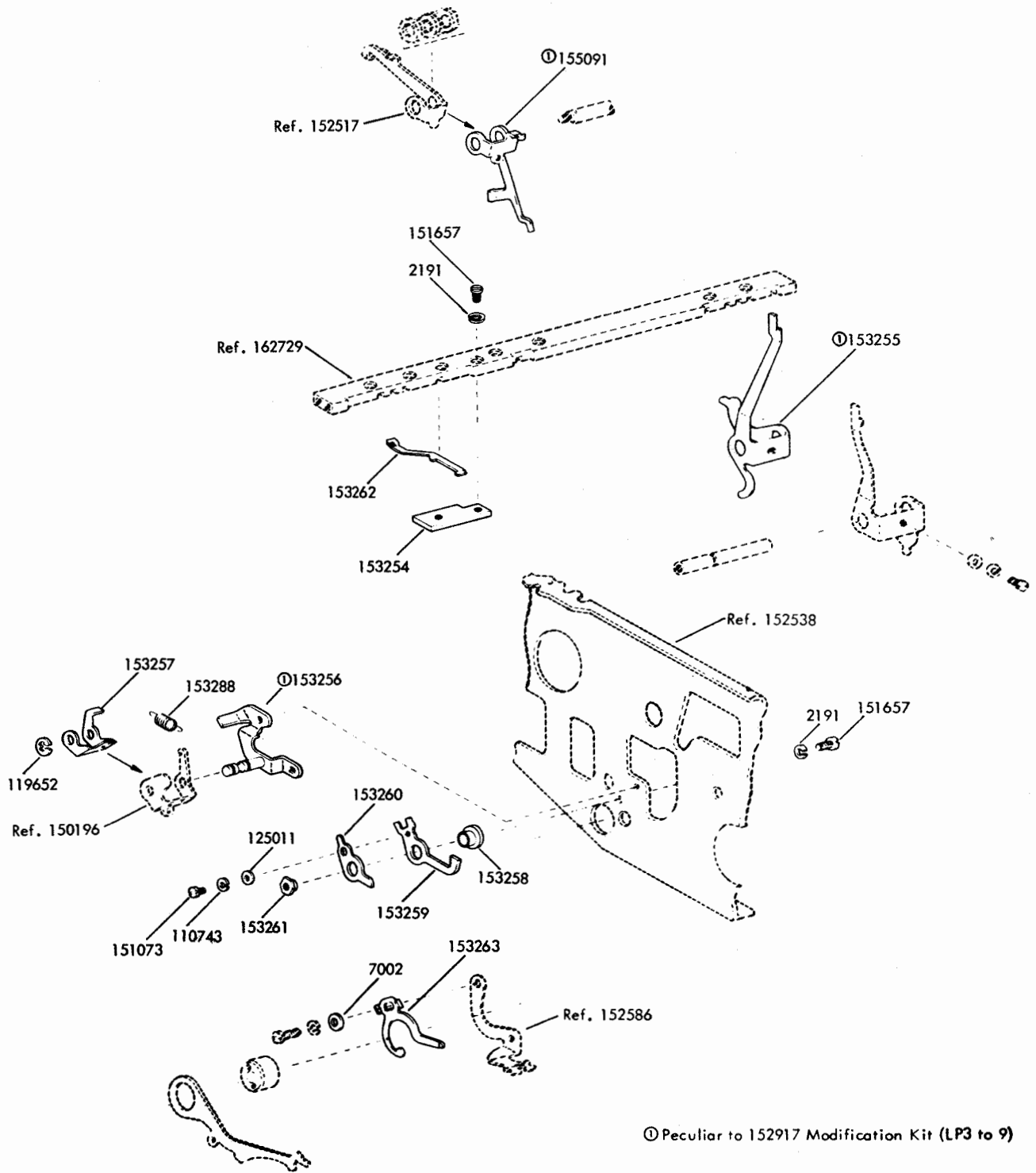


FIGURE 104. 157508 AND 163180 MODIFICATION KITS TO PROVIDE HORIZONTAL TABULATION
(CONTINUED FROM PRECEDING PAGE)

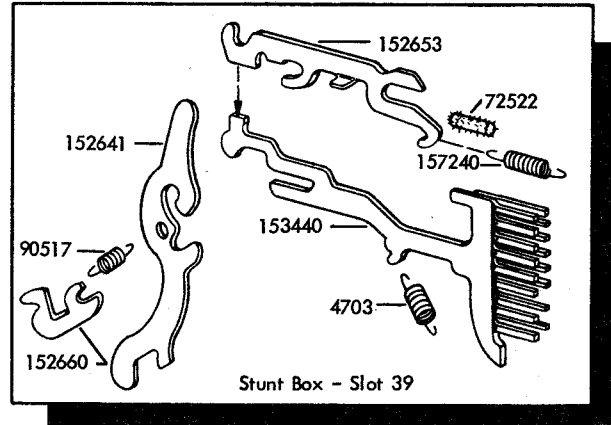
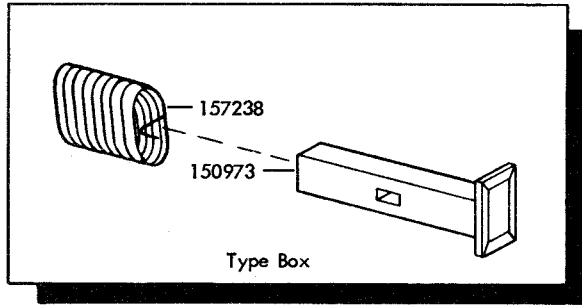
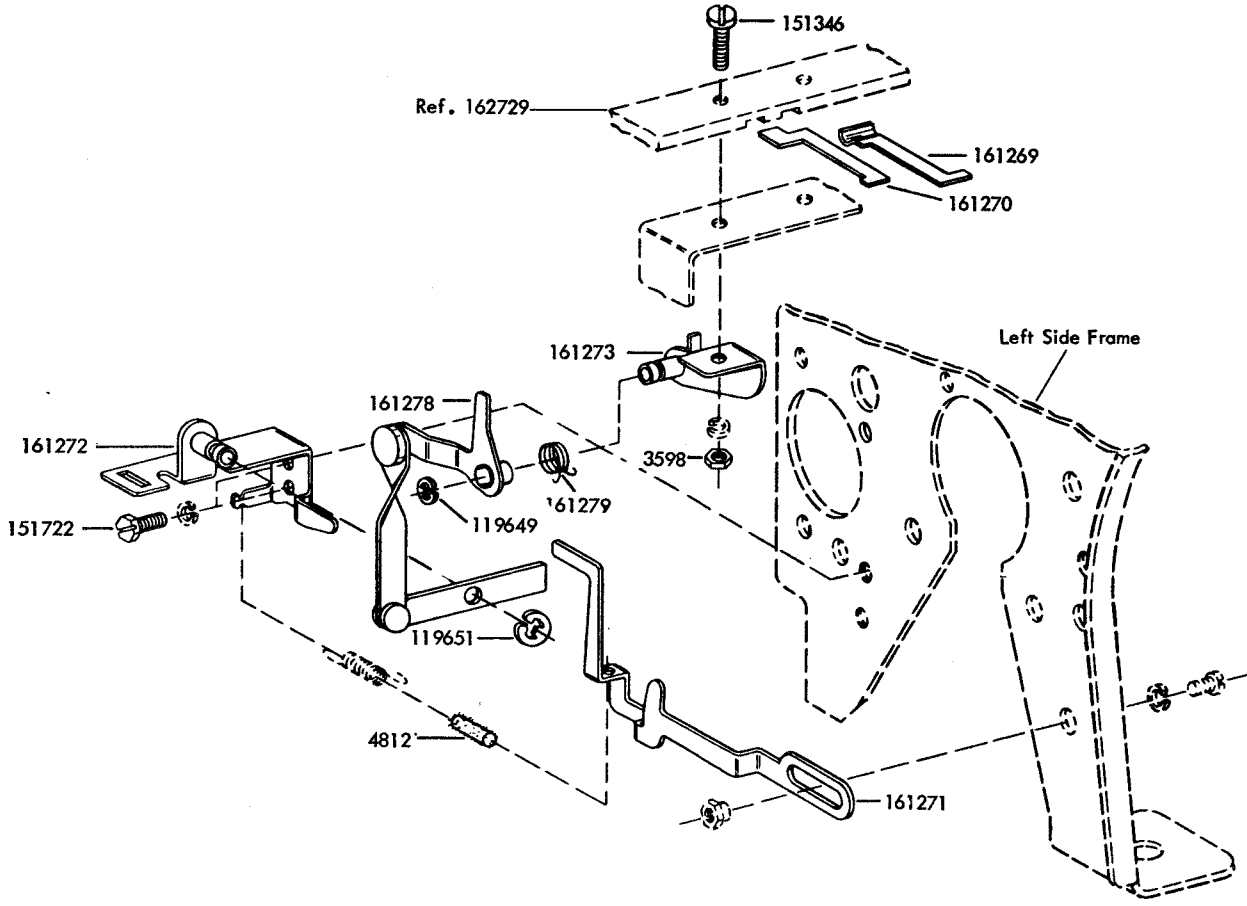
Specification 5864S



⊙ Peculiar to 152917 Modification Kit (LP3 to 9)

Specification 5766S

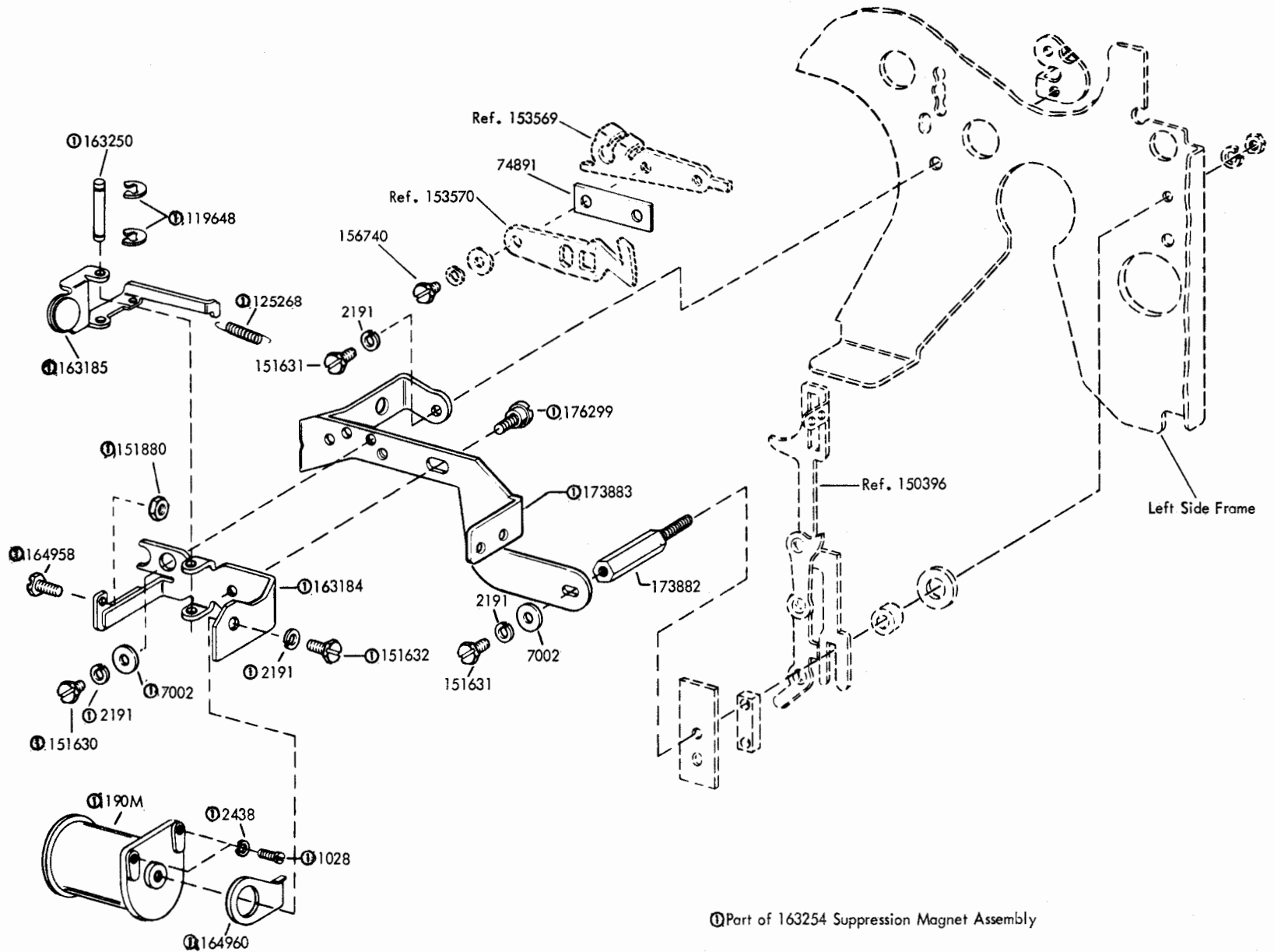
FIGURE 105. 152917 AND 157510 MODIFICATION KITS TO PROVIDE LOCAL BACK SPACE



Specification 58985

FIGURE 106. 161280 MODIFICATION KIT TO PROVIDE ON-LINE REVERSE LINE FEED.

FIGURE 107. 163183 MODIFICATION KIT TO PROVIDE D.C. MAGNET OPERATED PRINT SUPPRESSION



Specification 5946S

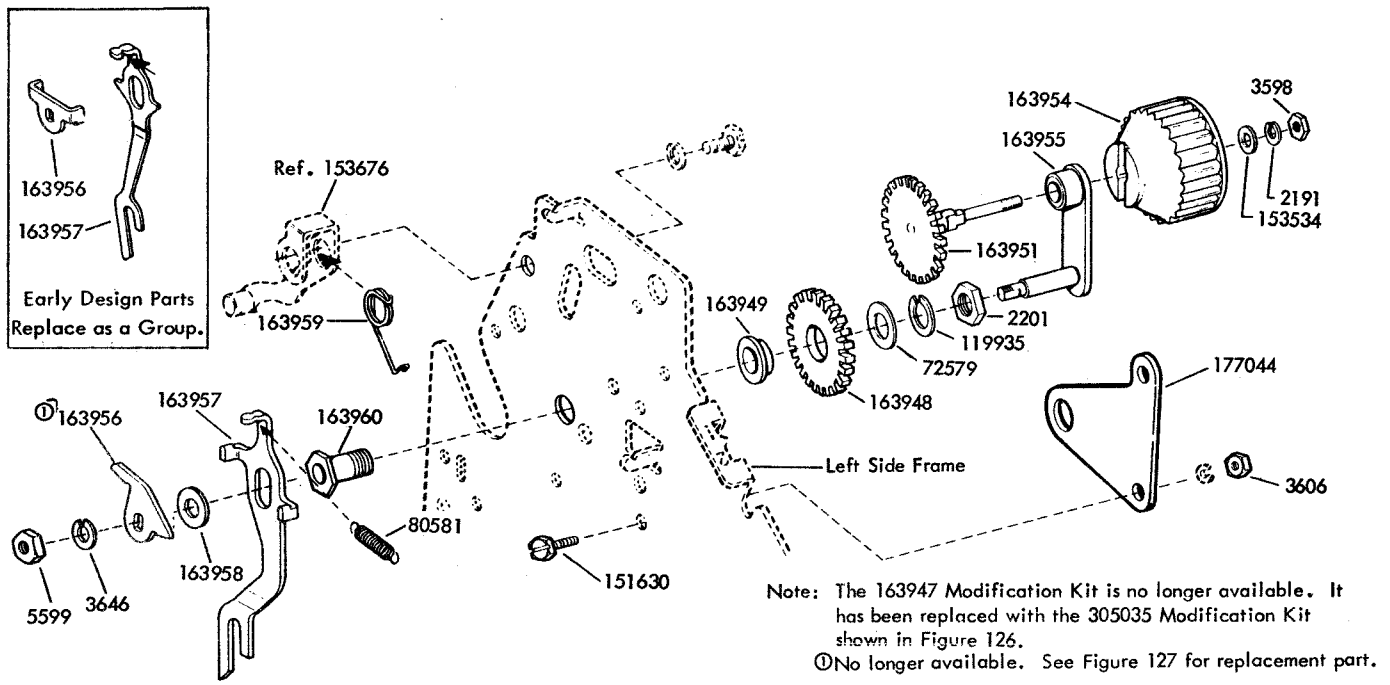


FIGURE 108. 163947 MODIFICATION KIT TO PROVIDE IMPROVED MANUAL PLATEN LINE FEED

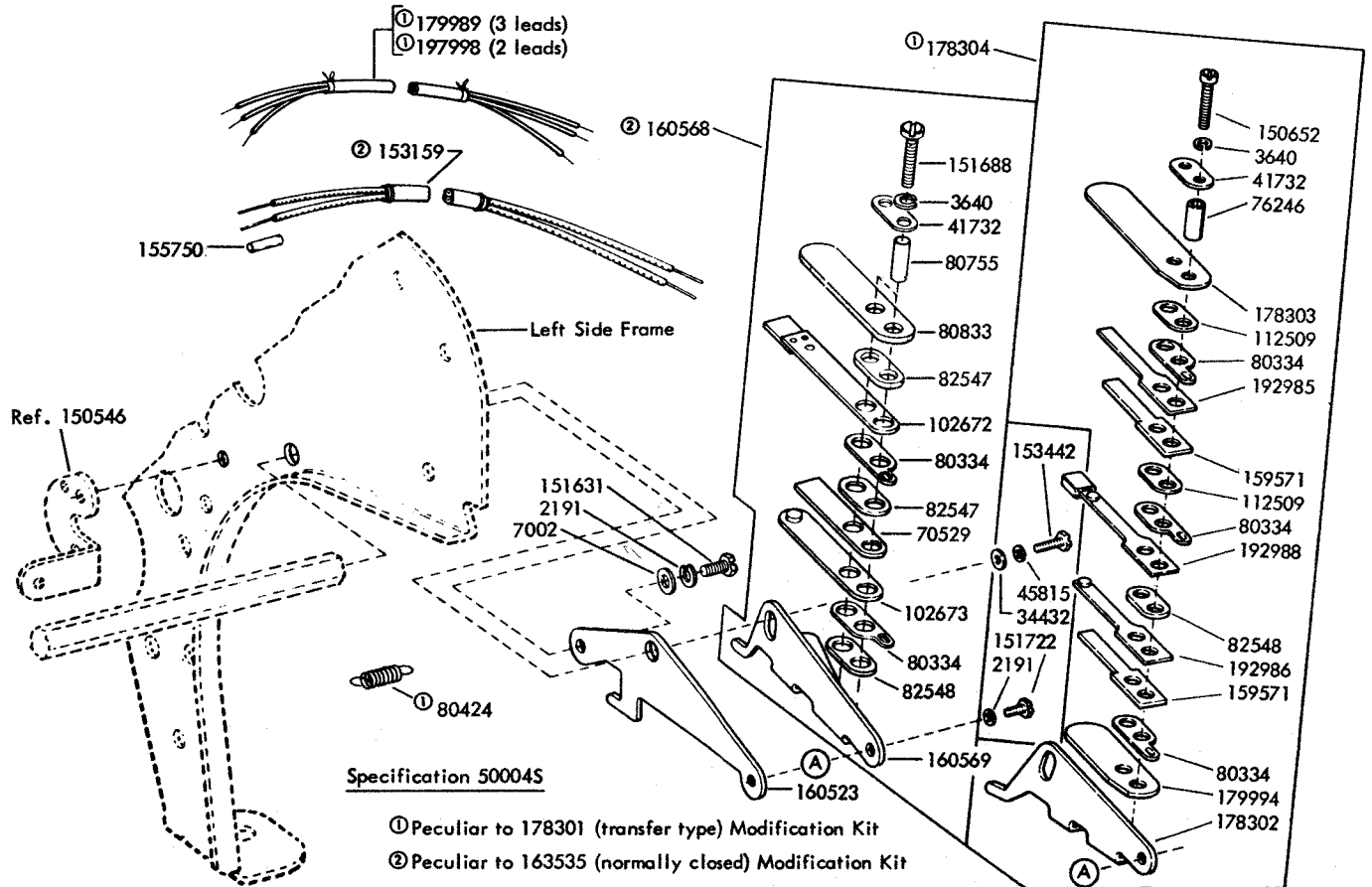
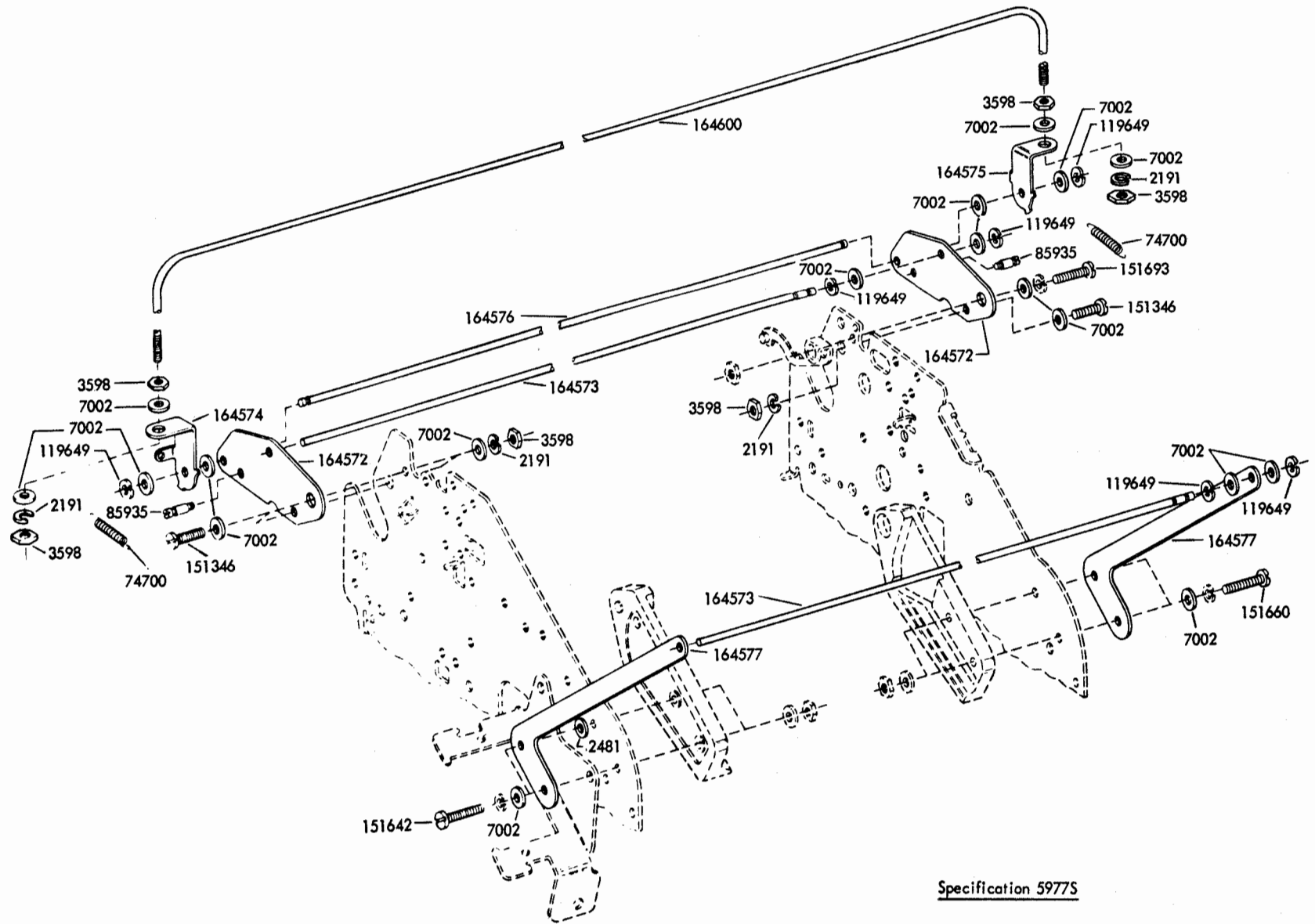


FIGURE 109. 163535 AND 178301 MODIFICATION KITS TO PROVIDE TRANSMITTER CONTROL FOR THE VERTICAL TABULATOR

FIGURE 110. 164270 MODIFICATION KIT TO PROVIDE COPY DISPLAY



Specification 5977S

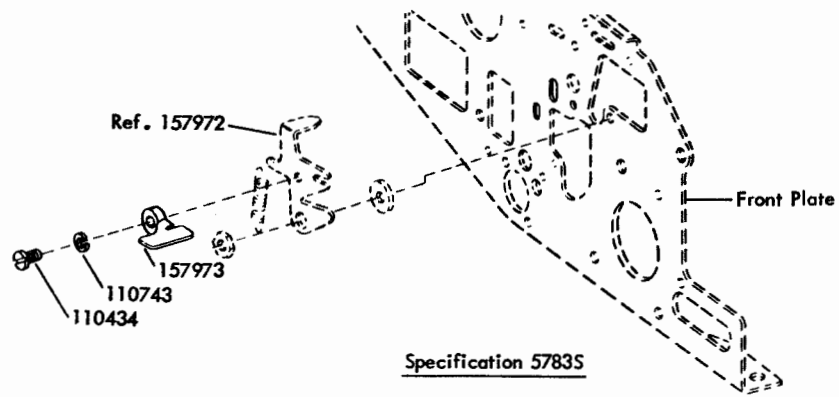


FIGURE 111. 157514 MODIFICATION KIT TO PROVIDE AUTOMATIC CARRIAGE RETURN AND LINE FEED

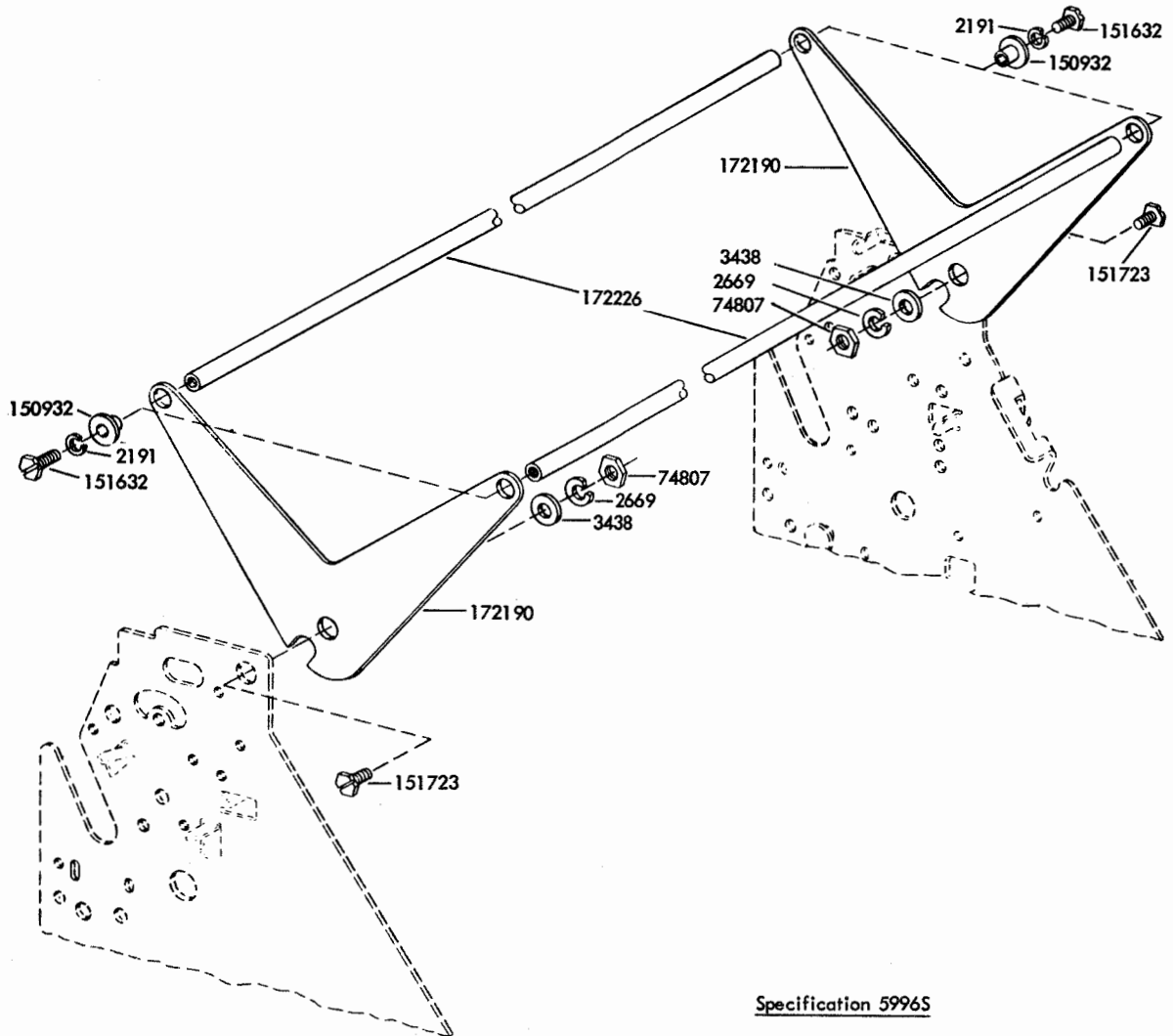
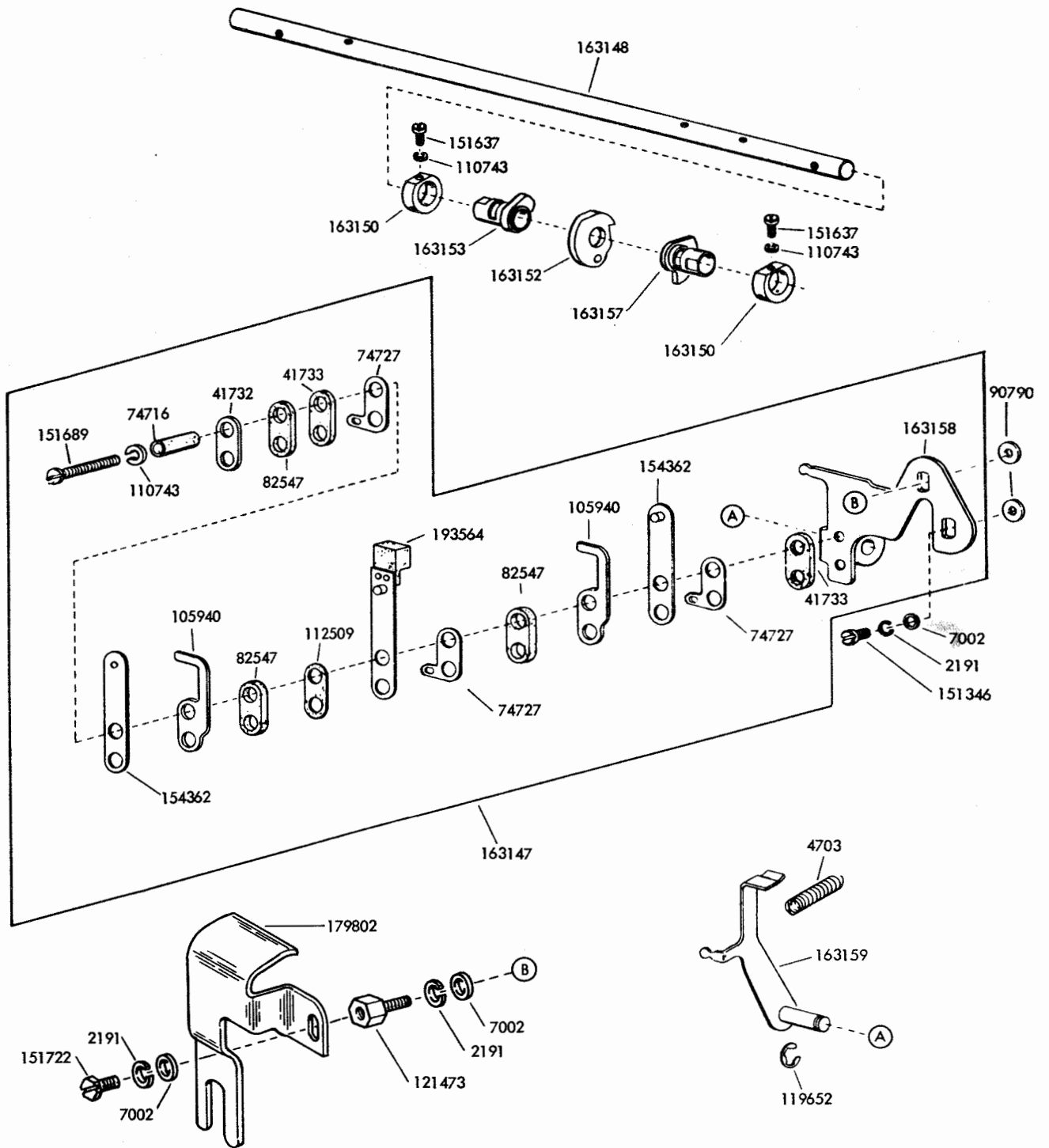


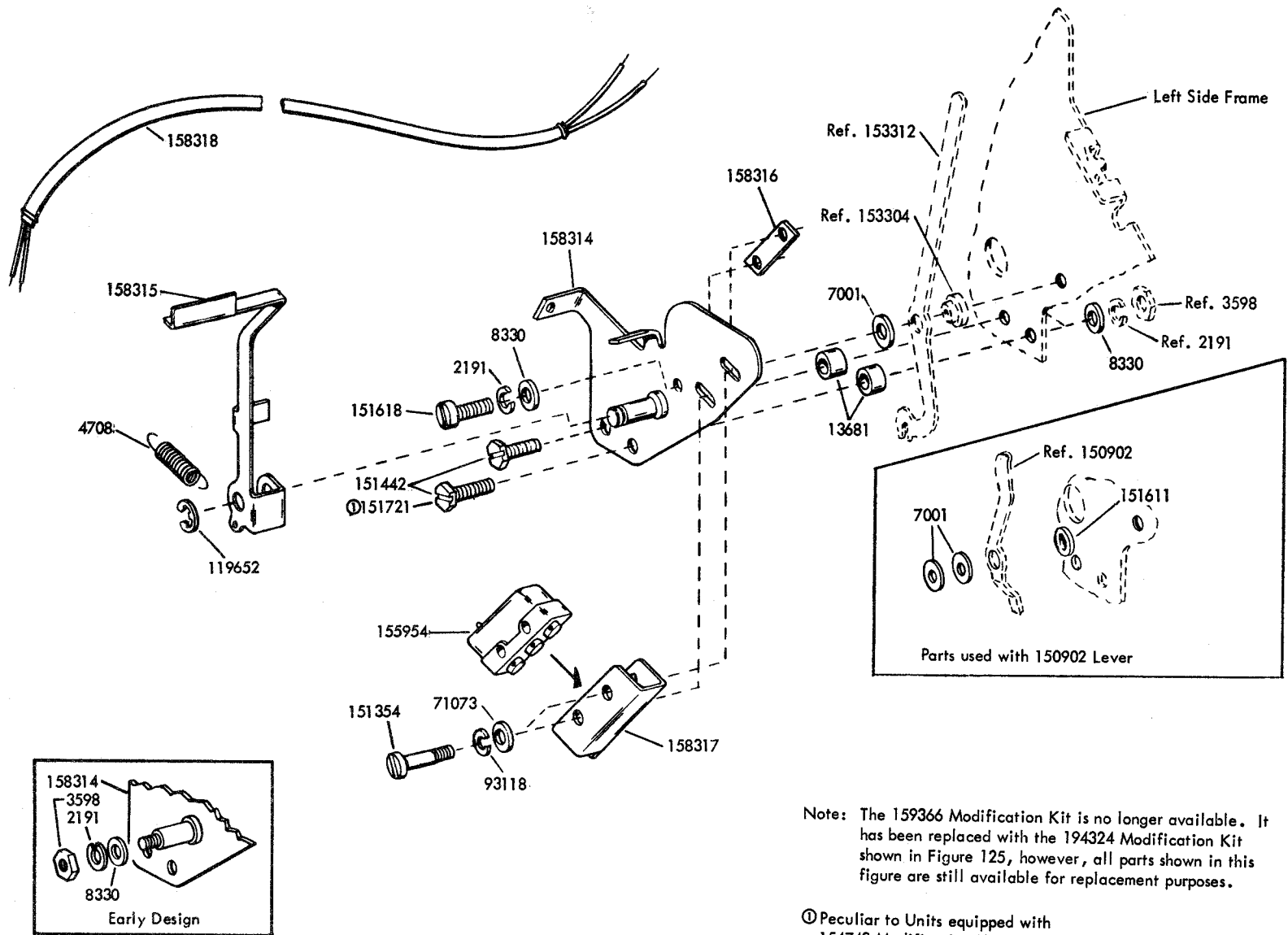
FIGURE 112. 172181 MODIFICATION KIT TO PROVIDE COPY DISPLAY



Specification 58045

FIGURE 113. 163146 MODIFICATION KIT TO PROVIDE UNIVERSAL CONTACT

FIGURE 114. 159366 MODIFICATION KIT TO PROVIDE A FRICTION FEED
 PRINTER WITH PAPER-OUT ALARM



Note: The 159366 Modification Kit is no longer available. It has been replaced with the 194324 Modification Kit shown in Figure 125, however, all parts shown in this figure are still available for replacement purposes.

Ⓞ Peculiar to Units equipped with 154743 Modification Kit

Specification 58885

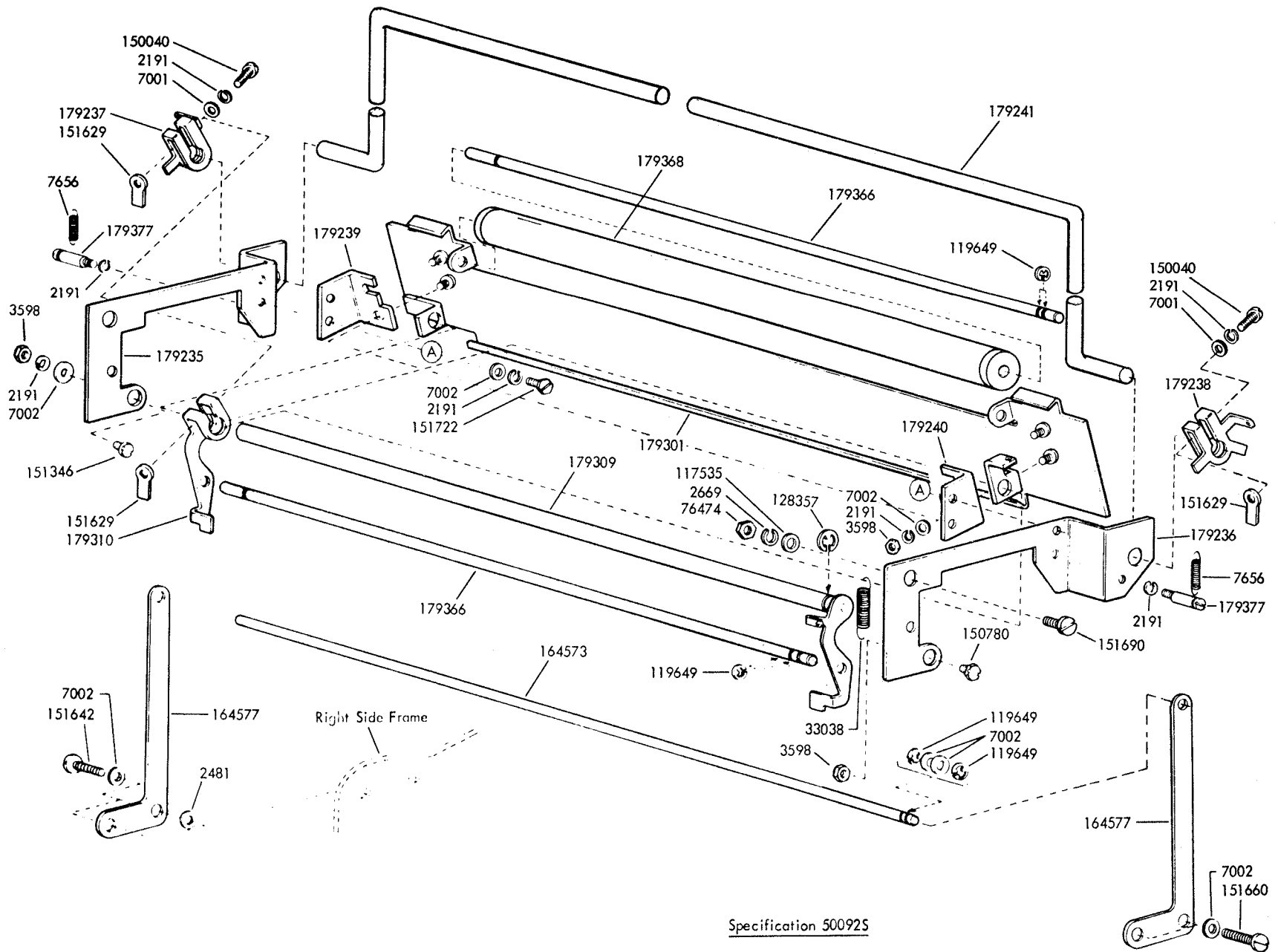
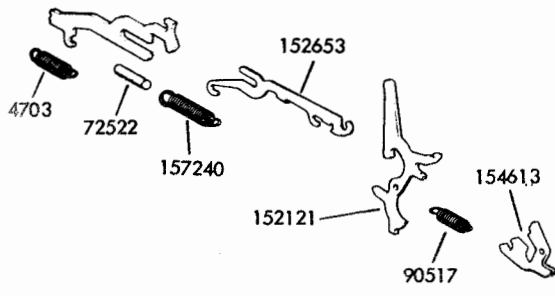
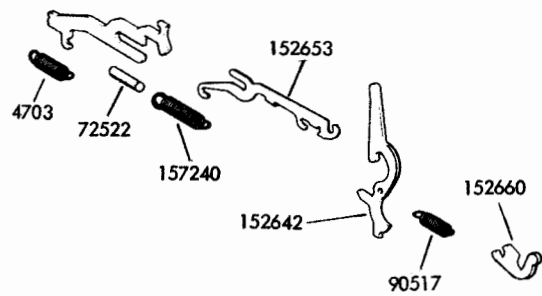


FIGURE 115. 179369 MODIFICATION KIT TO PROVIDE COPY DISPLAY

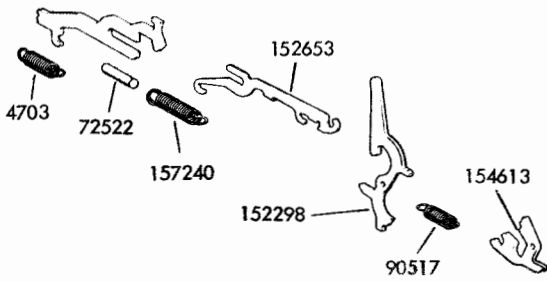
Specification 500925



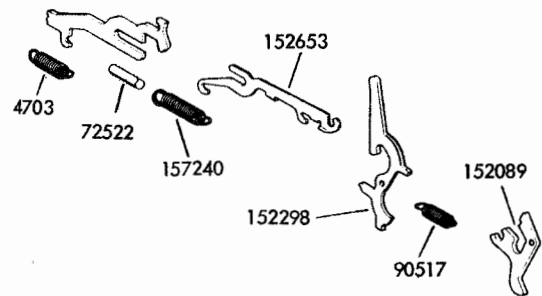
153915 (sequential)



153916 (without latching)

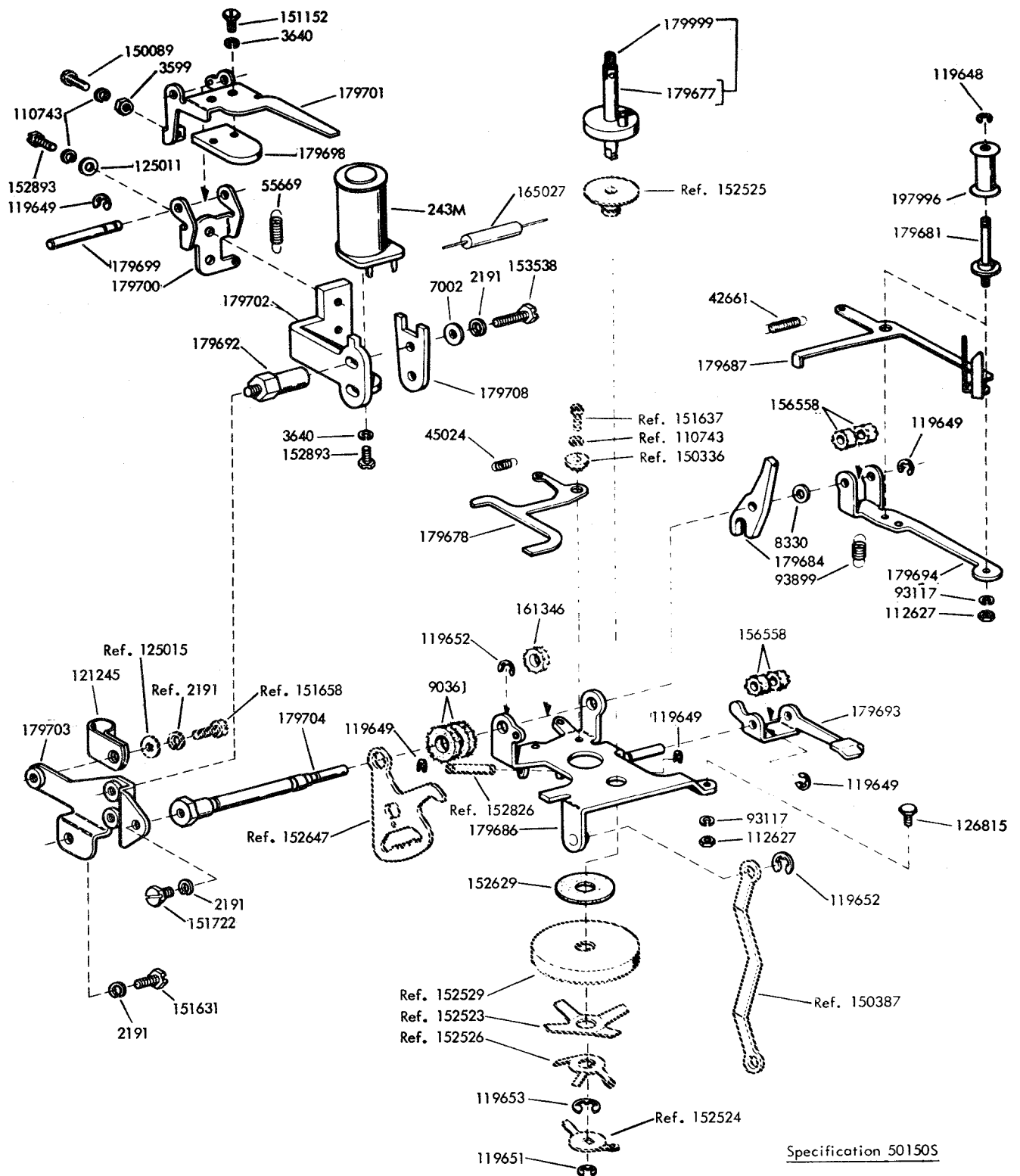


153917 (latching by stripper bail latch)



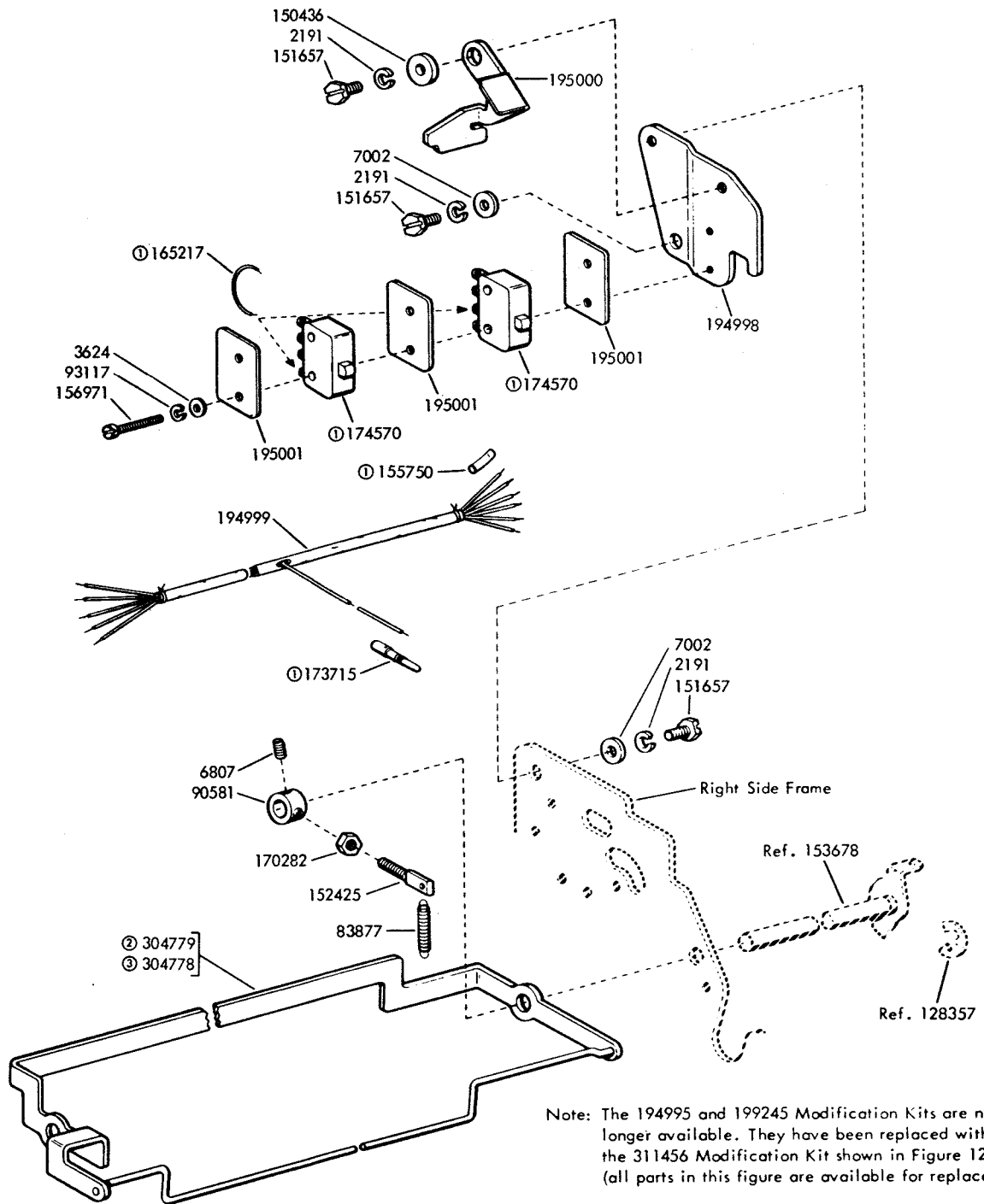
153918 (latching with release latch)

FIGURE 116. SELECTIVE CALLING FUNCTION LEVER MODIFICATION KITS



Specification 50150S

FIGURE 117. 179724 MODIFICATION KIT TO PROVIDE TWO COLOR RIBBON PRINTING - RIGHT SIDE (CONTINUED ON NEXT PAGE)



- ① Part of 194999 Cable Assembly
- ② Peculiar to 194995 Modification Kit (8-1/2" wide paper)
- ③ Peculiar to 199245 Modification Kit (6-1/4" wide paper)

Specification 501355

FIGURE 119. 194995 AND 199245 MODIFICATION KITS TO PROVIDE PAPER JAM ALARM

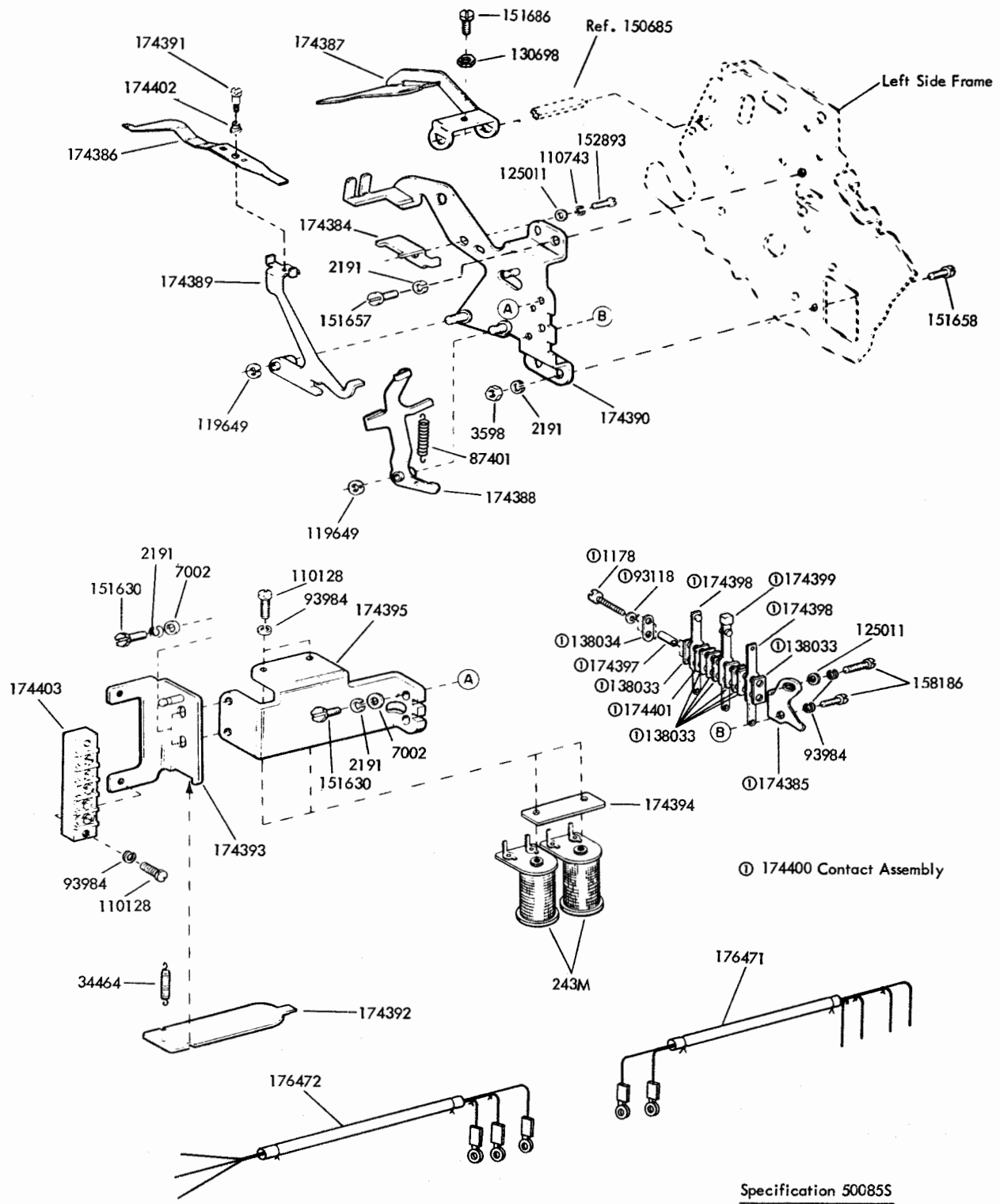


FIGURE 120. 174043 MODIFICATION KIT TO PROVIDE PAPER FEED FAILURE INDICATOR

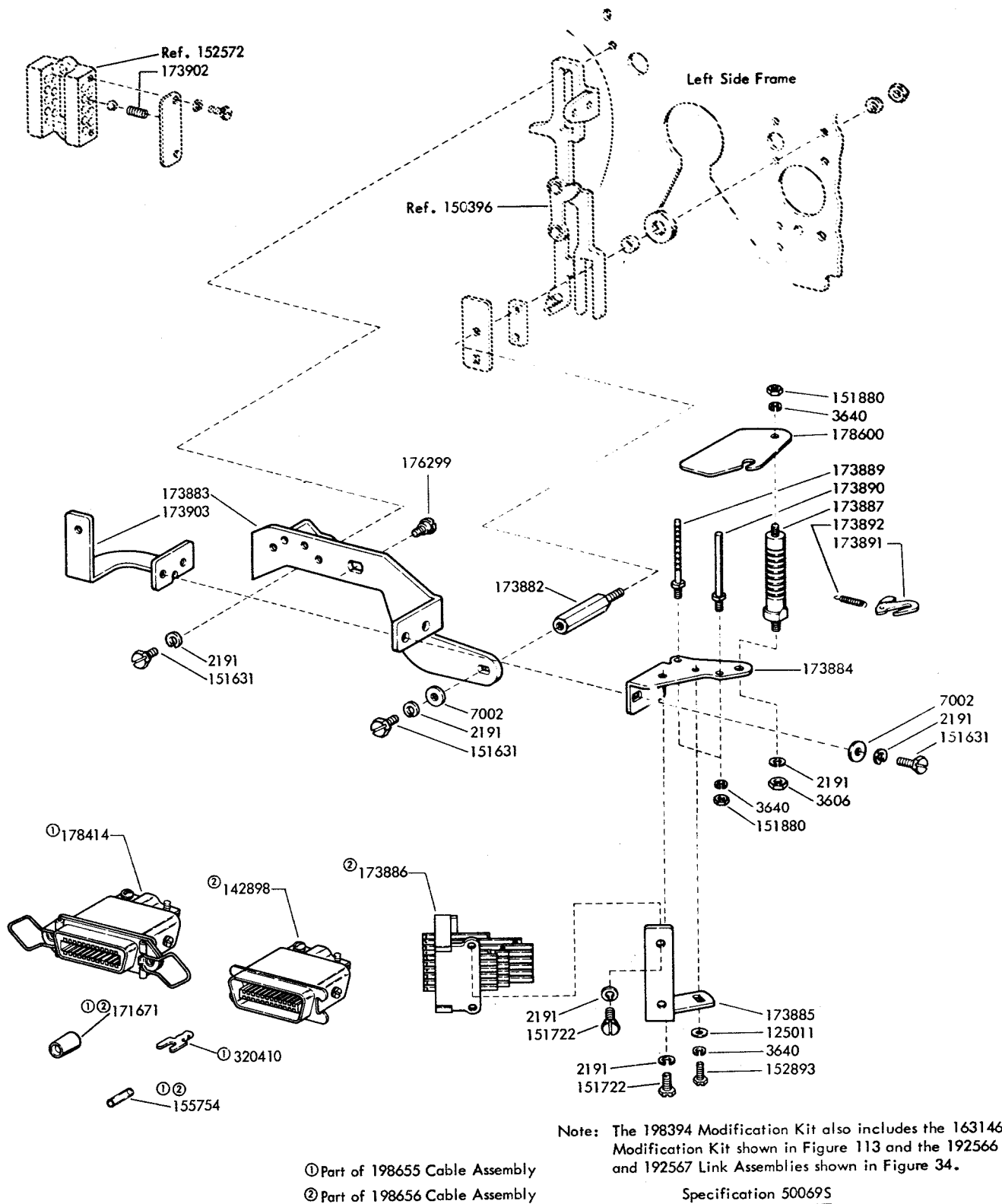
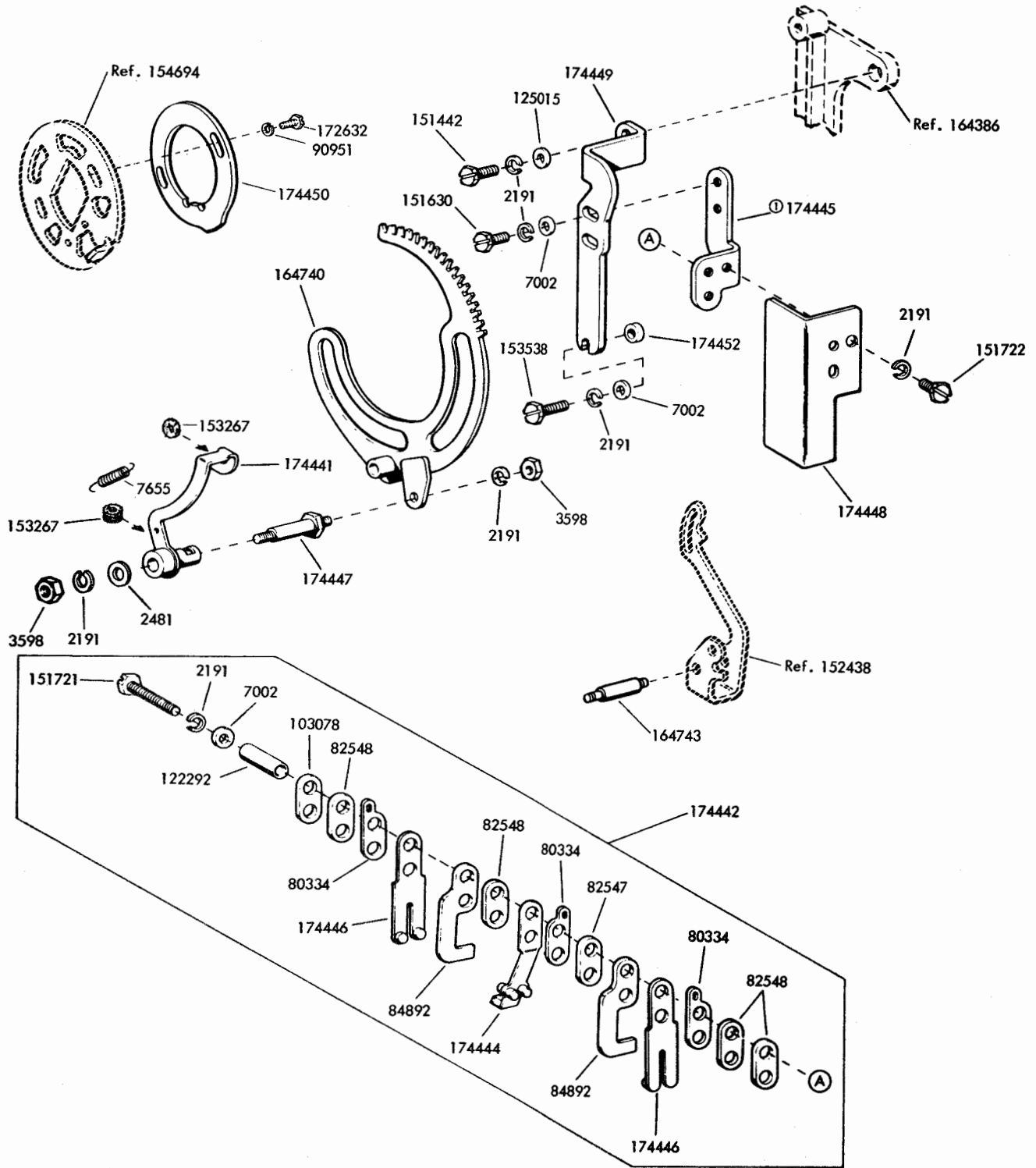


FIGURE 121. 198394 MODIFICATION KIT TO PROVIDE UNIVERSAL CONTACTS



Specification 500415

ⓐ Part of 174442 Contact Assembly

FIGURE 122. 176420 MODIFICATION KIT TO PROVIDE SELECTOR WITH TIMING CONTACTS

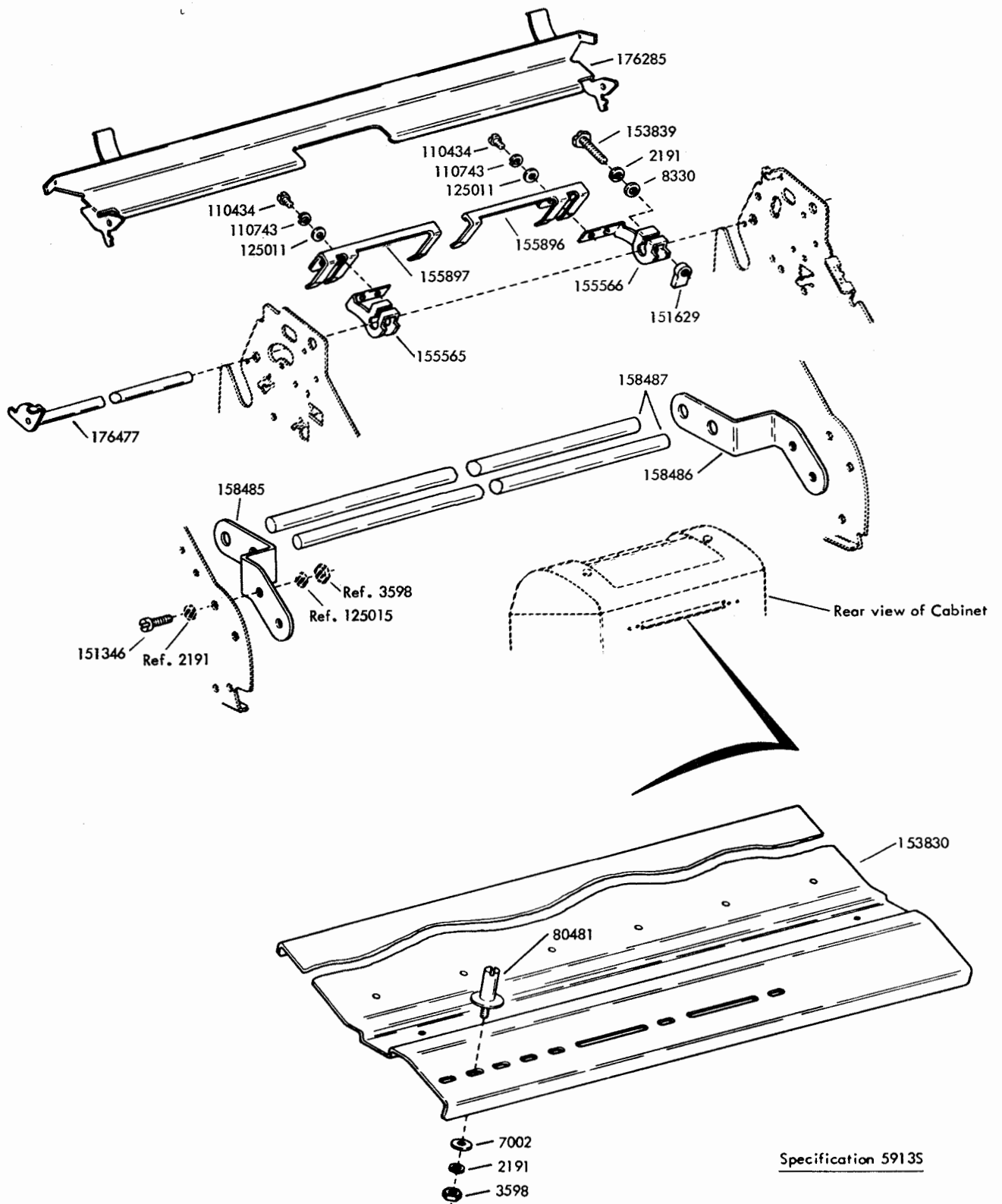
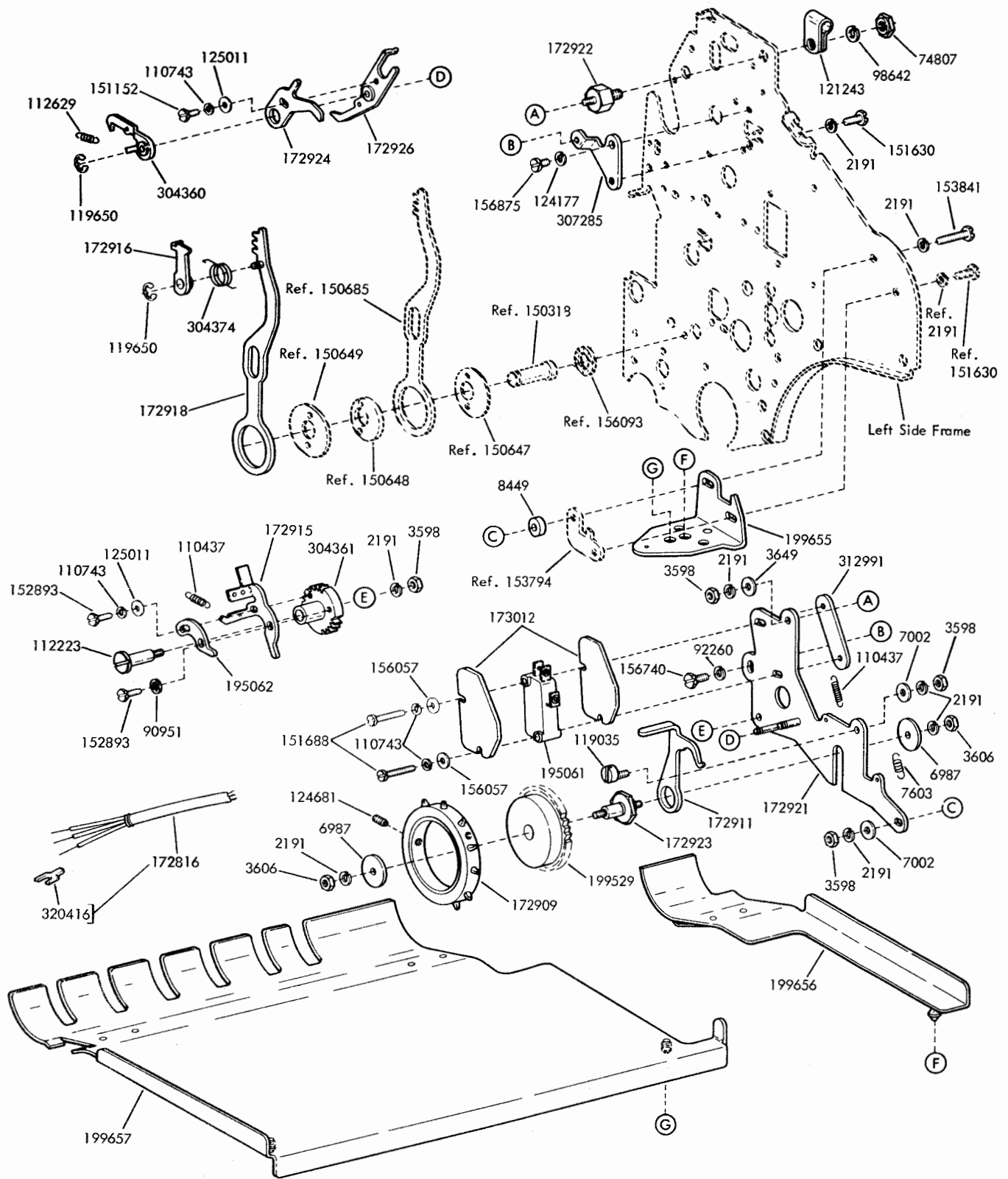


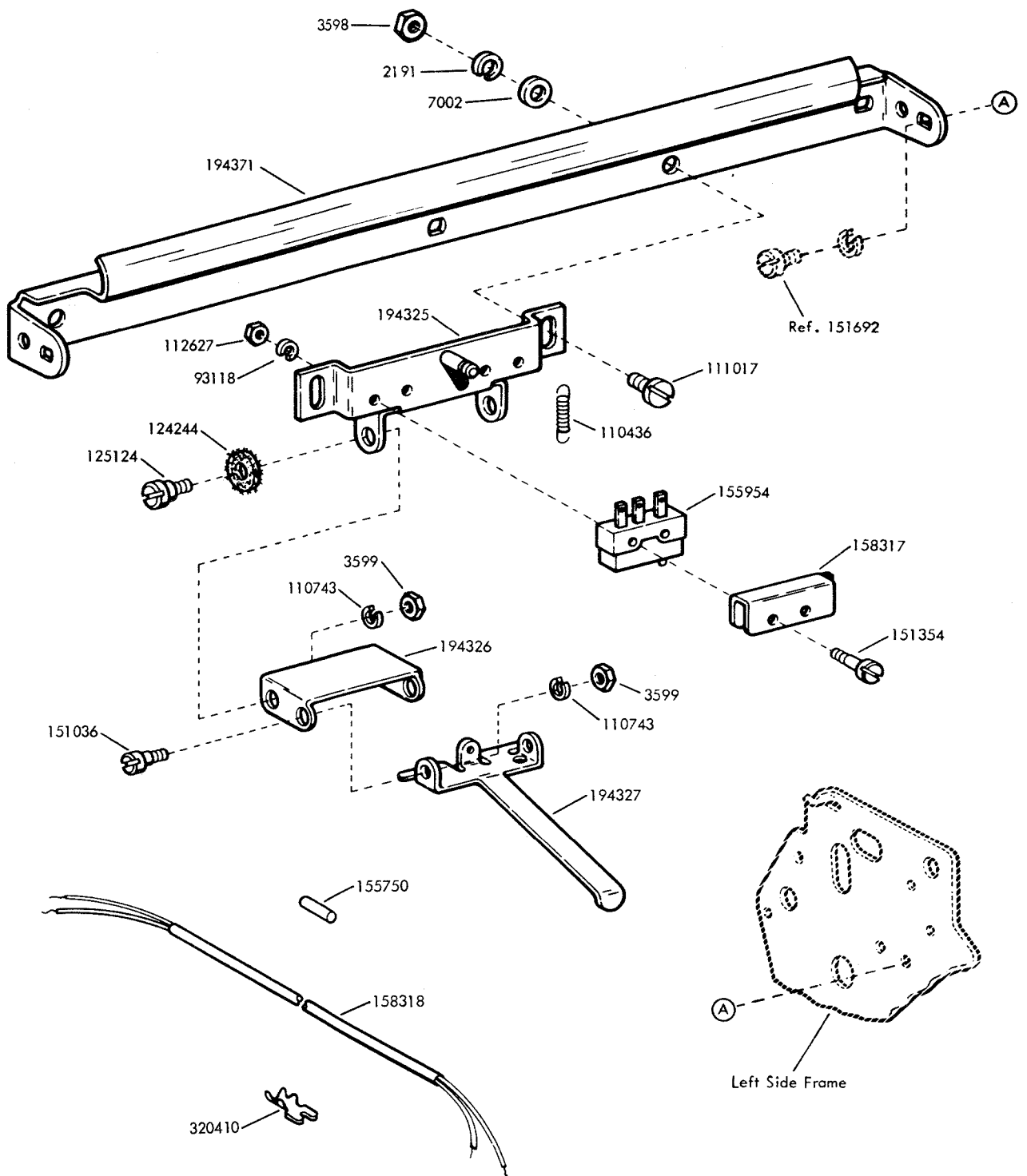
FIGURE 123. 154798 MODIFICATION KIT TO PROVIDE SUPERFOLD FRICTION FEED PAPER HANDLING

Specification 59135



Specification 50328S

FIGURE 124. 194092 MODIFICATION KIT TO PROVIDE PAPER MOTION ALARM



Specification 58885

FIGURE 125. 194324 MODIFICATION KIT TO PROVIDE A PAPER-OUT ALARM SWITCH

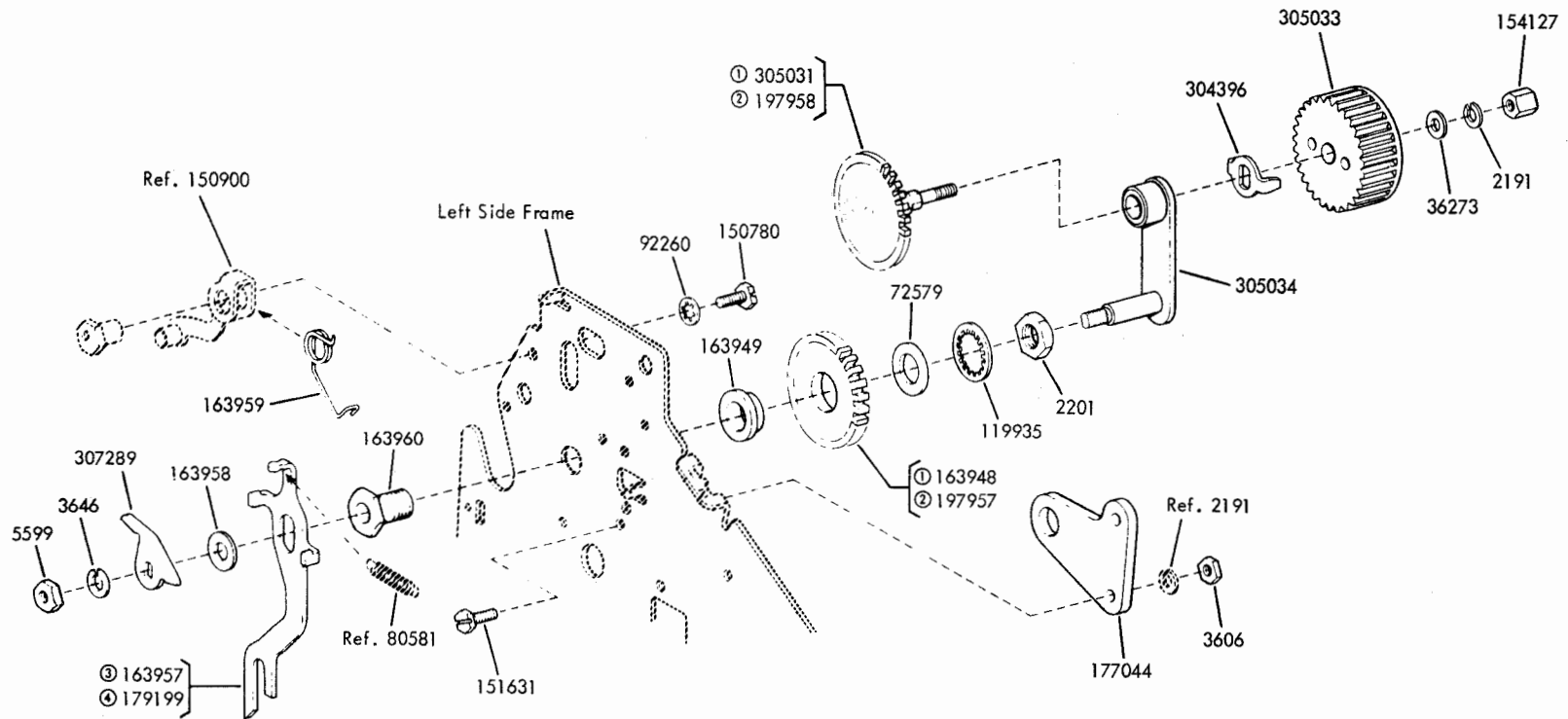


FIGURE 126. 305035, 305036 AND 307065 MODIFICATION KITS TO PROVIDE IMPROVED MANUAL PLATEN LINE FEED

- ① Part of 305035 and 305036 Modification Kits (3 or 6 line feeds per inch)
- ② Part of 307065 Modification Kit (4 or 8 line feeds per inch)
- ③ Black oxide coated - part of 305035 and 307065 Modification Kits (for Sprocket Feed Printers)
- ④ Nickel plated - part of 305036 Modification Kit (for Friction Feed Printers)

Specification 59495

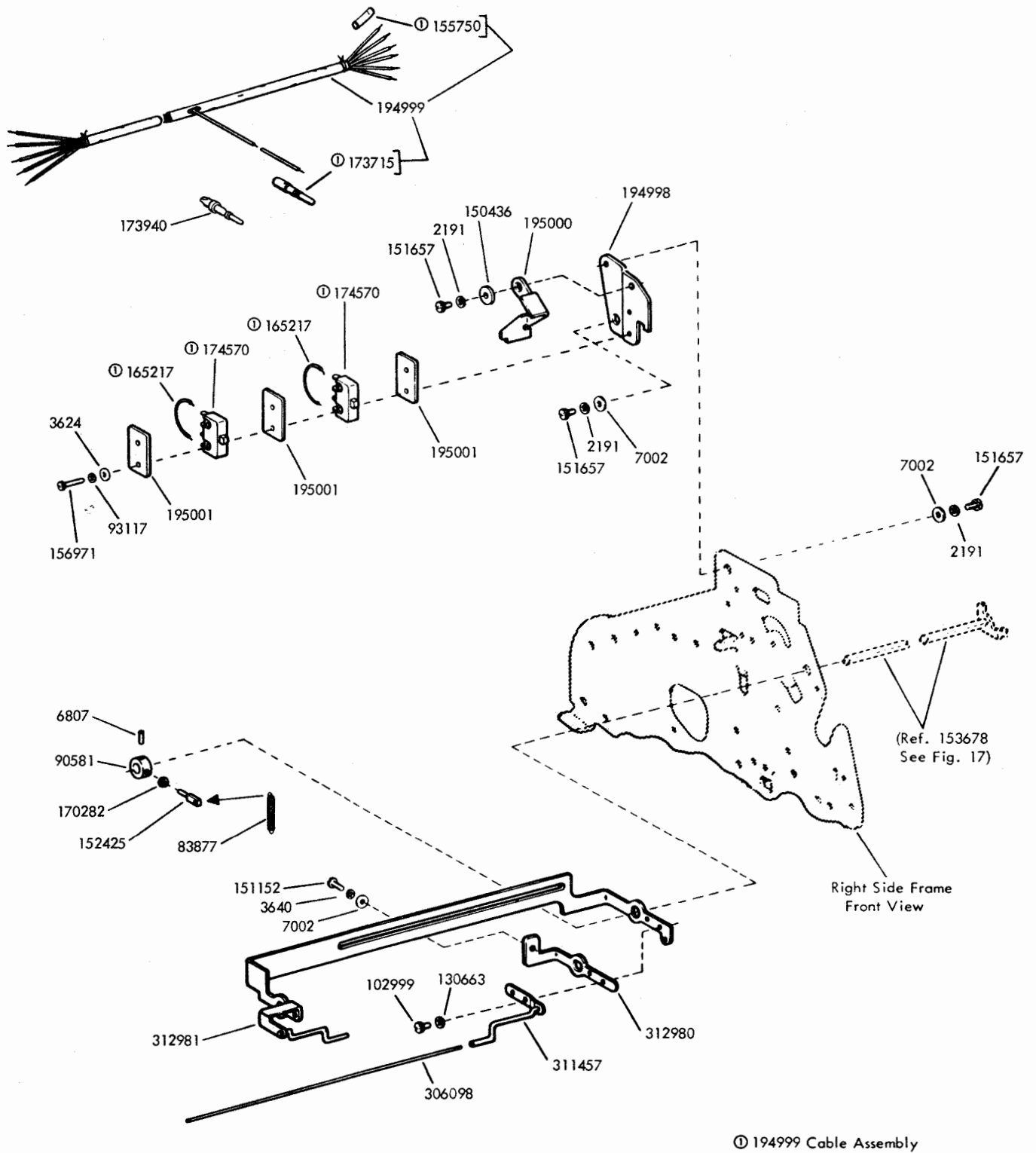


FIGURE 127. 311456 MODIFICATION KIT TO PROVIDE PAPER JAM ALARM

NOTES OF EXPLANATION

- Note 1: (Figure 4) Parts shown in Figure 4 are peculiar to LP68.
- Note 2: (Figure 7) The 150098 Pressure Bail is no longer available. It has been replaced by a 157290 Pressure Bail. When replacing the 150098 with the 157290 Pressure Bail, two 150269 Rollers and four 150266 Guide Levers are removed. All other parts are available for maintenance.
- Note 3: (Figure 10) The 153317 Bearing Bracket is no longer available. It has been replaced by a 157990 Bearing Bracket, a 157991 Stud, a 2669 Lock Washer and a 112626 Nut.
- Note 4: (Figures 11 and 13) Parts shown in Figures 11 and 13 are peculiar to LP98.
- Note 5: (Figure 16) The 153560 Cam Shaft is no longer available. It has been replaced by a 154789 Modification Kit to replace the 153560 Cam Shaft and associated parts (see Figure 14 for components).
- Note 6: (Figure 16) The 153573 Bail has been redesigned but retains its original number (see Figure 14 for late design).
- Note 7: (Figure 17) The 153700 Platen Hub has been replaced by a new 154358 Platen Hub. The 153751 through 153767 Rubber Platens have been replaced by new 176221 through 176237 Rubber Platens. The new platen hub may be identified by ① a rectangular groove in the platen locating diameter of the hub (for a neoprene "O" ring) and ② a shoulder to act as a stop for the platen. The early design rubber platen has ① formed lugs to position the platen against the hub and ② the inside diameter is increased at each end to fit the platen hub. The new rubber platen has no positioning lugs and the inside diameter is uniform from end to end. The old style rubber platens can be used with the new hubs, but the new rubber platens cannot be used with the old style hubs.
- Note 8: (Figure 22) Since the type box alignment cannot be adjusted, the 152502 Type Box Carriage Plate is no longer available. It has been replaced by a 152502 Modification Kit to provide Type Box Alignment (See Figure 21 for components).
- Note 9: (Figure 28) The 154625 Space Suppression Ring is used on LP6, LP7, LP8 and LP9.
- Note 10: (Figure 31) The 150953 Slide Assembly is no longer available. It has been replaced by a 153183 Slide Assembly and a 153946 Modification Kit to provide improved Horizontal Positioning Knee Link Assembly (see Figures 30 and 34 for components).
- Note 11: (Figure 31) The 150531 Clamp Plate is no longer available. It has been replaced by a 164316 Clamp Plate (shown in Figure 30).
- Note 12: (Figure 32) The 3649 Flat Washer and 153884 Gear are used on LP8.
- Note 13: (Figure 32) The 150438 Bellcrank is used on LP3 and LP8.
- Note 14: (Figure 35) The 152569 and 152570 Shift Slide Drive Linkages are no longer available. They are replaced by a 153946 Modification Kit to provide improved Horizontal Positioning Knee Link Assembly (see Figure 34 for components).
- Note 15: (Figure 35) The 150757 Arm is no longer available. It has been replaced by a 170079 Arm.
- Note 16: (Figure 41) The 152434 Plate is no longer available. It has been replaced by a 153904 Modification Kit to provide improved Range Scale Sector Mounting (see Figure 39 for components).
- Note 17: (Figure 41) The 153491 Plate is no longer available. It has been replaced by a 154723 Modification Kit to provide improved Range Scale Sector Mounting (see Figure 39 for components).
- Note 18: (Figure 41) The 152439 Shaft is no longer available. It has been replaced by a 157261 Shaft and a 119648 Retaining Ring.
- Note 19: (Figure 42) Parts shown enclosed are peculiar to LP94.
- Note 20: (Figure 44) The 152413 Magnet Bracket is no longer available. It has been replaced by a 164386 Magnet Bracket.
- Note 21: (Figure 44) The 152422 Armature is no longer available. It has been replaced by a 160180 Armature.
- Note 22: (Figure 44) The 152424 Stop Plate is no longer available. It has been replaced by a 160184 Stop Plate.
- Note 23: (Figure 48) The 152554 Code Bar is used on LP3.
- Note 24: (Figure 48) The 150285 Tie Bar and the 152721 Code Bar are used on LP3, LP4, LP5 and LP7.
- Note 25: (Figure 50) The old 152560 Pallet Box Rear Plate previously shown is no longer available. It is replaced by the 194054 Set of Parts consisting of a Front Plate and Rear Plate shown in Figure 50. The new plates are identified by a letter "X" stamped in the top center of each plate between the "LTRS" and "FIGS" stamping. The "X" is omitted on the old plates. New and old style plates are interchangeable in pairs only. The old 154616 Pallet Box Front Plate previously shown is still available for replacement purposes.
- Note 26: (Figure 51) The old and new style type boxes may be identified by the depth of the Pallet Box Front Plate (new style being shallower). The old style pallets cannot be used in the new style type boxes. New style pallets can be used in either new or old style type boxes. The old style 150077 Pallet Spring is no longer available and is replaced by a new style 157238 Pallet Spring. Only the new style spring can be used universally with either the new or old style typepallets and typeboxes. However, the old style springs can be used with the new style pallets in an old style type box. The old and new style pallets may be identified by the length of the shank from the rear of the pallet head to the far end of the elongated hole. (The old style being the longer — See Figures 50 and 51).
- Note 27: (Figure 60) The switch assemblies shown in Figure 60 are no longer available. They have been replaced by new style switch assemblies shown in Figure 59. The replacements are as follows: The 155917 through 155925 Switch Assemblies have been replaced by 172600 through 172608 Switch Assemblies respectively. The 157070 through 157100 Switch Assemblies have been replaced by 172500 through 172530 Switch Assemblies respectively. The 160192 through 160197

NOTES OF EXPLANATION (continued)

Switch Assemblies have been replaced by 172531 through 172536 Switch Assemblies respectively. The 160198 Switch Assembly has been replaced by a 172534 Switch Assembly. The 160199 through 160218 Switch Assemblies have been replaced by 172538 through 172557 Switch Assemblies respectively. The 160219 Switch Assembly has been replaced by a 172560 Switch Assembly. The 160220 Switch Assembly has been replaced by a 172559 Switch Assembly.

Note 28: (Figure 86) The 153701 through 153717 Modification Kits are no longer available. They have been replaced by 176181 through 176197 Modification Kits respectively; However, the parts remain the same with the exception of the 153751 through 153767 Platens which have been replaced by the new 176221 through 176237 Platens respectively. The old style 153751 through 153767 Platens are still available for replacement purposes (see Figure 17 and Note 7).

NUMERICAL INDEX

Part Number	Description and Page Number	Part Number	Description and Page Number	Part Number	Description and Page Number
190M	Coil, Magnet 97	7036	Collar, Locking 11, 50	74807	Nut, 10-32 Shoulder Hex 100, 112
209M	Coil, Magnet 90	7603	Spring 29, 33, 112	74882	Spring 24
233M	Coil, Magnet 14	7655	Spring 71, 110	74891	Shim, .004" Thk 97
243M	Coil, Magnet 105, 106, 108	7656	Spring 103	75229	Spring 35, 87
250M	Coil, Magnet 47	7835	Ribbon w/Spool, Black 49	75607	Washer, Flat 83
254M	Coil, Magnet 45	7965	Spring 13, 79	76081	Washer, Flat 46
290M	Coil, Magnet 15	8330	Washer, Flat 4, 20, 29, 32, 39, 42, 52, 77, 78, 92, 102, 105, 106, 111	76099	Washer, Flat 46
1010	Screw, 6-40 Shoulder 6			76246	Bushing, Insulating 98
1028	Screw, 4-40 x 1/4 Fil 14, 97	8449	Spacer, .094" Thk 29, 49, 112	76249	Screw, 6-40 x 1/8 Fil 12
1041	Screw, 6-40 Shoulder 83	13681	Spacer, .187" Thk 4, 102	76379	Spring 22
1164	Screw, 2-56 x 3/16 Fil 25	21397	Washer, Spring 68, 89	76461	Washer, Flat 33
1178	Screw, 2-56 x 7/16 Fil 108	22015	Spring 49	76474	Nut, 10-32 Hex 103
1196	Screw, 6-40 Shoulder 18	27425	Screw, 2-56 x 5/32 Fil 24	76800	Spring 20
1214	Screw, 10-32 Set 35	31636	Spring 50, 75	78533	Spring 42
1272	Screw, 6-40 x 11/16 Fil 86	33038	Spring 11, 71, 103	79012	Insulator 46
1293	Screw, 4-40 x 1/8 Fil 49	33828	Spring 22, 24, 37	79449	Shim, .008" Thk 36
2034	Washer, Flat 40, 42	34432	Washer, Flat 50, 69, 74, 91, 98	80310	Washer, Felt 31
2191	Washer, Lock 4, 5, 7, 9, 11 to 27, 29, 31, 32, 33, 35 to 40, 42, 44, 45, 46, 48 to 52, 59, 60, 68, 69, 71, 72, 74 to 80, 82, 83, 86, 89, 90, 92, 93, 95, 97 to 103, 105 to 115	34464	Spring 108	80334	Terminal, Contact 69, 98, 110
		35826	Washer, Flat 16, 68, 89		
		36273	Washer, Flat 7, 37, 114	80342	Screw, 6-40 x 23/64 Hex 59, 92
		36463	Spring 37		
		41382	Spring 42, 89	80424	Spring 98
		41675	Washer, Flat 71, 93	80481	Screw, 6-40 Spl 111
2201	Nut, 5/16-32 Hex 7, 98, 114	41720	Spring, Contact 69	80581	Spring 11, 21, 35, 36, 85, 98, 114
2422	Washer, Lock 16, 69	41732	Plate, Clamp 69, 91, 98, 101		
2438	Washer, Flat 14, 45, 97	41733	Insulator, .062" Thk 69, 101	80708	Clamp, Cable 15, 69, 74, 78, 90
2481	Washer, Flat 18, 99, 103, 110	42661	Spring 16, 48, 49, 69, 105, 106		
2539	Nut, 3/8-32 Hex 17, 29, 77	42823	Washer, Flat 16, 26, 27, 70	80755	Bushing, Insulating 91, 98
2669	Washer, Lock 4, 11, 15, 16, 17, 22, 24, 31, 35, 42, 68, 89, 90, 92, 100, 103, 116	42827	Screw, 3-48 x 1/4 Fil 50	80833	Guard, Contact Spring 98
		45024	Spring 105, 106	80848	Spring 20
		45027	Spring 35	81731	Spring 35, 80, 87
2836	Spring 12	45815	Washer, Lock 98	81778	Screw, 4-40 x 3/16 Fil 45
3438	Washer, Flat 36, 86, 100	49420	Spring 52	82442	Spring 11
3598	Nut, 6-40 Hex 4, 6, 7, 9, 11, 12, 15 to 19, 21 to 27, 29, 33, 35, 37 to 40, 42, 45, 52, 68, 71, 72, 74, 77, 79, 83, 86, 89, 93, 96, 98, 99, 102, 103, 108, 110, 111, 112, 113	55063	Spring 20	82463	Spring 11, 12, 48, 49, 71 93
		55669	Spring 105, 106	82547	Insulator, .094" Thk 69, 91, 98, 101, 110
		70072	Washer, Lock 91		
		70388	Spring 29, 60, 78	82548	Insulator, .062" Thk 69, 91, 98, 110
		70529	Stiffener 98		
3599	Nut, 4-40 Hex 7, 9, 15, 29, 33, 35, 37, 42, 44, 45, 49, 60, 61 74, 77, 90, 91, 105, 106, 113	70886	Washer, Flat 12	82860	Spring 83
		71047	Washer, Flat 68, 89	82999	Spring 15, 90
		71073	Washer, Flat 102	83877	Spring 107, 115
3606	Nut, 6-40 Hex 41, 44, 59, 98, 109, 112, 114	71681	Spool, Ribbon 48	84575	Spring 11, 34
		72254	Washer, Flat 93	84598	Spring, Contact 69
3624	Washer, Flat 107, 115	72468	Spring 9	84758	Spring 71, 93
3640	Washer, Lock 11, 12, 33, 40, 98, 105, 106, 109, 115	72522	Wick, Felt 61, 68, 72, 89, 96, 104	84892	Stiffener 69, 110
				85407	Spring, Compression 73
3646	Washer, Lock 7, 98, 114	72579	Washer, Flat 7, 98, 114	85816	Wick, Felt 33
3649	Washer, Flat 35, 39, 112, 116	73035	Spring 80	85935	Post, Spring 99
4586	Washer, Felt 11	73175	Washer, Lock 17, 29, 77	86079	Washer, Felt 83
4703	Spring 65, 68, 72, 89, 96, 101, 104	73427	Washer, Flat 12	86304	Spring 11
		73520	Wick, Felt 35	86835	Spring 37, 45, 74, 79
4708	Spring 4, 102	74283	Washer, Spring 42	86959	Bushing, Insulating 69
4812	Wick, Felt 96	74536	Screw, 6-40 Set 11	87401	Spring 71, 93, 108
5599	Nut, 8-32 Hex 7, 98, 114	74547	Collar 29	89096	Washer, Felt 33
5740	Screw, 2-56 x 1/4 Fil 58	74553	Wick, Felt 24	89897	Nut, 10-32 Hex 35
6800	Screw, 6-40 Shoulder 29	74700	Spring 99	90054	Spring 89
6807	Screw, 6-40 Set 107, 115	74701	Spring 9, 29	90361	Washer, Felt 11, 12, 22, 24, 48, 49, 105, 106
6987	Washer, Flat 112	74707	Spring 12		
7001	Washer, Flat 4, 102, 103	74712	Spring 30	90432	Washer, Flat 23, 25
7002	Washer, Flat 4, 11, 12, 14 to 16, 22 to 25, 27, 29, 31, 33, 35, 36, 37, 39, 40, 42, 45, 48, 49, 52, 68, 69, 71, 72, 74, 75, 78, 79, 82, 83, 89, 90, 93, 95, 97, 98, 99, 101, 103, 105 to 113, 115	74716	Bushing 101	90490	Shim, .005" Thk 11, 12
		74722	Washer, Flat 20, 21	90504	Washer, Felt 33, 59
		74727	Terminal, Contact 101	90517	Spring 16, 61, 68, 72, 89, 96, 104
		74728	Terminal, Contact 91		
		74755	Washer, Felt 31	90581	Collar 107, 115
		74785	Roller 29	90599	Shim, .008" Thk 52
		74798	Screw, 6-40 x 31/64 Fil 17	90606	Spring 60

NUMERICAL INDEX (Continued)

Part Number	Description and Page Number	Part Number	Description and Page Number	Part Number	Description and Page Number
90679	Washer, Felt 11, 13, 41	110879	Spring 93	125124	Screw, 4-40 Shoulder 113
90790	Washer, Flat 59, 101	110107	Screw, 6-40 x 5/16 Fil 15, 113	125126	Screw, 2-56 x 9/32 Fil 92
90791	Washer, Lock 24, 25, 61	111342	Spring 93	125238	Spring 35
90819	Washer, Felt 17, 29	111355	Spring, Compression 11, 12	125268	Spring 87, 97
90951	Washer, Lock 77, 110, 112	112223	Screw, 6-40 Shoulder 112	125802	Washer, Flat 21, 35, 60
92260	Washer, Lock 4, 89, 112, 114	112509	Insulator, .031" Thk 98, 101	126815	Screw, 2-56 x 15/64 Hex 105, 106
92682	Nut, 4-40 Spl 39	112626	Nut, 10-32 Hex 4, 11, 17, 22, 24, 31, 35, 42, 68, 89, 116	128357	Ring, Retaining 20, 103, 107
93001	Washer, Flat 12	112627	Nut, 2-56 Hex 25, 61, 69, 105, 106, 113	130663	Washer, Lock 115
93117	Washer, Lock 74, 105, 106, 107, 115	112629	Spring 93, 112	130683	Washer, Lock 33
93118	Washer, Lock 4, 102, 108, 113	112633	Spring w/Wick 52	130696	Washer, Felt 92
93356	Washer, Felt 17, 18, 24, 26, 29, 36, 37, 52, 71	112634	Spring 48, 49	130698	Nut, 4-40 Hex 108
93507	Screw, 4-40 x 3/4 Hex 58	112889	Screw, 4-40 x 1/8 Fil 71	135716	Spring 14, 29, 68, 71, 89
93729	Wick, Felt 40, 52	114107	Spring 40	138033	Insulator, .031" Thk 108
93758	Washer, Felt 11, 12, 14, 29, 75	114215	Post, Spring 7	138034	Plate, Clamp 108
93879	Oiler, Felt 11	115122	Washer, Felt 22, 24	139555	Spring 35
93899	Spring 105, 106	115529	Screw, 6-40 x 11/16 Fil 89	142898	Connector, 24 Pt Plug 109
93984	Washer, Lock 108	117535	Washer, Flat 103	145301	Latch 61
94316	Yoke 15, 90	119035	Screw, 6-40 Eccentric 112	150000	Drum, Clutch 26, 27
94317	Shaft 15, 90	119418	Washer, Flat 16, 69	150001	Drum, Clutch 27
94674	Washer, Cup 52	119467	Insulator, .032" Thk 16, 69	150004	Cam, Code Bar Clutch 27
94693	Wick, Felt 61, 68, 72, 89	119648	Ring, Retaining 14, 16, 24, 37, 42, 60, 68, 80, 89, 97, 105, 106, 116	150010	Plate, Retaining 26
95030	Nut, 6-40 Shoulder 73	119649	Ring, Retaining 11, 12, 14 to 16, 25, 33, 35, 40, 48, 49, 59, 68, 71, 72, 75, 78, 83, 89, 90, 93, 96, 99, 103, 105, 106, 108	150013	Disk, Adjusting 26, 27
95428	Spring 58, 59	119650	Ring, Retaining 76, 112	150014	Disk, Adjusting 26, 28
95827	Bushing 35, 85	119651	Ring, Retaining 9, 11, 13, 22, 24, 33, 36, 37, 48, 49, 52, 59, 72, 93, 96, 105, 106	150021	Clutch Assembly, Code Bar 27
96717	Screw, 4-40 Shoulder 42	119652	Ring, Retaining 11 to 13, 17, 19, 22, 24, 27, 29, 33, 35, 36, 37, 39, 42, 48, 49, 52, 59, 71, 79, 93, 95, 101, 102, 105, 106	150024	Clutch Assembly, Line Feed 28
97117	Ribbon w/Spool, Red-Black 106	119653	Ring, Retaining 11, 12, 21, 35, 37, 48, 49, 59, 93, 105, 106	150025	Clutch Assembly, Type Box 26
97481	Wick, Felt 17	119935	Washer, Lock 7, 98, 114	150026	Lever, Shoe, Release 26, 27
98561	Bushing 83	120824	Washer, Felt 27	150027	Lever, Shoe, Release 26, 28
98642	Washer, Lock 112	121120	Collar 86	150029	Wick, Felt 26, 27
98726	Screw, 3-48 x 1/4 Fil 91	121242	Clamp, 1/8" ID Cable 69	150030	Roller, Bearing 52
98832	Screw, 4-40 x 11/16 Fil 69	121243	Clamp, 3/16" ID Cable 14, 45, 59, 74, 92, 112	150032	Disk, 2 Stop Clutch Cam 28
100337	Spring 72	121244	Clamp, 1/4" ID Cable 59, 69	150033	Disk, 3 Stop 26
101386	Spring 7	121245	Clamp, 5/16" ID Cable 59, 105	150034	Disk, 2 Stop 28
101796	Washer, Felt 11, 24, 35, 52	121246	Clamp, 3/8" ID Cable 45	150035	Disk, 3 Stop 26
102672	Spring, Contact 98	121247	Clamp, 7/16" ID Cable 59	150036	Carriage Assembly 2, 52
102673	Spring, Contact 98	121248	Clamp, 1/2" ID Cable 74	150038	Latch 52
102999	Screw, 2-56 x 5/32 Fil 115	121249	Clamp, 5/8" ID Cable 86	150039	Slide, Printing Arm 52
103078	Plate 110	121473	Post 101	150040	Screw, 6-40 x 5/8 Fil 20, 29, 77, 103, 106
103815	Collar 71	121605	Bushing 78	150043	Shoe, Secondary Clutch 26, 27
103863	Spacer, .055" Thk 60	122149	Screw, 4-40 Spl 60	150044	Shoe, Primary Clutch 26, 27
104807	Washer, Flat 89	122292	Bushing, Insulating 110	150045	Bearing, Clutch Sleeve 26, 28
104824	Spring 45	124177	Washer, Lock 12, 44, 112	150046	Bearing, Type Box Clutch 26
105028	Wick, Felt 37	124244	Washer, Felt 40, 113	150047	Bearing, Code Bar Clutch 27
105940	Stiffener 101	124681	Screw, 6-40 Set 9, 112	150048	Spring 42
106281	Screw, 4-40 Shoulder 12, 78	124999	Switch, Sensitive 16	150049	Spacer, Clutch 28
107116	Washer, Lock 5, 74, 79, 86	125011	Washer, Flat 7, 9, 11, 12, 14, 16, 17, 20 to 22, 24, 25, 31, 33, 35, 41, 42, 52, 53, 59, 60, 62, 68, 73, 74, 75, 77, 89, 91, 92, 95, 105, 106, 108, 109, 111, 112	150050	Spacer, Clutch 27
107207	Spring, Contact 69	125015	Washer, Flat 9, 11, 14, 16, 17, 24, 45, 59, 68, 86, 89, 93, 105, 110, 111	150051	Cam, Eccentric 27
107236	Bushing 69			150052	Cam, Eccentric 28
108199	Wick, Felt 29, 37, 52, 83			150053	Bracket 52
110128	Screw, 4-40 x 3/8 Fil 108			150054	Bail w/Roller 52
110434	Screw, 4-40 x 3/16 Fil 4, 5, 20, 26, 33, 34, 35, 42, 50, 53, 60, 77, 100, 111			150055	Stud 18, 39
110435	Nut, 4-40 Hex 12, 39, 78			150056	Arm 27
110436	Spring 113			150059	Bail 52
110437	Spring 29, 71, 112			150061	Head, Print Hammer 52
110743	Washer, Lock 4, 5, 7, 9, 14 to 17, 20 to 22, 24 to 27, 31, 33 to 35, 37 to 39, 41, 42, 44, 45, 48 to 50, 52, 53, 58 to 63, 68, 70, 72 to 78, 80, 81, 83, 85, 89 to 92, 94, 95, 100, 101, 105, 106, 108, 111, 112, 113			150064	Stud 52
110839	Spring 15			150065	Bracket, Stop 52
110872	Spring, Compression 35			150068	Arm 52

NUMERICAL INDEX (Continued)

Part Number	Description and Page Number	Part Number	Description and Page Number	Part Number	Description and Page Number
150091	Gear, 27T 26	150348	Shaft 29	150535	Spring, Compression 50
150096	Roller Assembly, Pressure 9	150349	Arm, Follower 29	150536	Spring 35
150097	Bar, Cross 10	150350	Shaft 29, 71, 90	150537	Ball, Bearing 35, 50
150098	Bail, Pressure 10, 116	150351	Stud, Eccentric 4	150538	Cylinder, Dashpot 35
150099	Guide Rear Paper 10	150352	Bushing 29	150543	Screw, 3-48 x 13/32 Fil 58
150100	thru	150353	Stud 4	150544	Handle 58, 59
150162	Pallet, Type 54	150354	Arm, Trip 30	150545	Bracket, Right 5
150175	Stud 37	150355	Lever, Latch 29, 30	150546	Bracket, Left 4, 15, 98
150184	Link 35	150356	Lever, Trip 29, 30	150547	Shaft 58, 59
150193	Hub 35	150358	Lever, Trip 29	150549	Collar 26
150194	Plate 35	150361	Spacer, .277" Thk 29, 90	150553	Bushing, Insulating 60
150196	Bail 35, 95	150363	Plate 22	150554	Plate 33, 94
150197	Stud 31	150364	Stud, Eccentric 26	150557	Bracket 13, 79
150202	Gear, 18T 35	150365	Shaft, Rocker 22	150558	Spring, Torsion 37
150203	Retainer 35	150366	Bracket 22	150559	Spring, Torsion 37
150206	Spacer, .412" Thk 31	150367	Bracket 24	150561	Arm 11, 13, 79
150208	Bail, Left 37	150369	Link, Left 22	150563	Spring 39
150214	Stud, Bearing 11	150370	Link, Right 24	150569	Guide, Left 6
150215	Block, Guide 37	150371	Slide 60	150571	Plate; Spacing 60
150218	Bushing 37	150377	Arm 11	150572	Separator, .105" Thk 60
150219	Screw, 4-40 x 1/2 Sq 33	150380	Stud 24	150573	Separator, .075" Thk 60
150224	Pulley 33	150382	Block, Guide 22, 24	150576	Spring, Contact 60
150225	Rope, Draw Wire 31	150383	Spacer, .149" Thk 22	150579	Guide, Right 6
150228	Spacer, .035" Thk 35	150384	Spacer, .245" Thk 24	150585	Bar, Line Feed 21
150229	Retainer 35	150386	Link, Left Ribbon Drive 22, 106	150586	Lever 21
150230	Plate 52	150387	Link, Right Ribbon Drive 24, 105	150587	Spring, Contact 60
150232	Retainer, Oil 37	150390	Bushing 23, 25	150588	Spring, Contact 60
150233	Roller 35	150391	Spacer, .095" Thk 28	150598	Track, Printing 37
150234	Roller 35	150392	Bail 11, 12	150642	Bellcrank 20, 21
150235	Slide, Transfer 35	150395	Screw, 6-40 Shoulder 22, 24	150646	Screw, 6-40 Shoulder 20, 21
150237	Lever, Escapement 33	150396	Lever, Left 14, 22, 97, 109	150647	Eccentric 21, 112
150241	Spring 26, 27	150397	Lever, Right 24	150648	Eccentric 21, 112
150244	Link 26	150398	Stud, Pivot 17	150649	Washer, Spacing 21, 112
150245	Bracket 37	150399	Shaft 11, 12	150650	Bushing 21
150247	Link 37, 38	150401	Clamp 22	150651	Gear, 28T 21, 80
150251	Wheel, Ratchet 31	150410	Stud 22	150652	Screw, 4-40 x 37/64 Fil 21, 98
150255	Bushing 33	150411	Washer, Flat 24	150654	Guide 4
150263	Bail 37, 38	150412	Arm, Left Follower 22	150656	Handwheel 21, 70, 80
150265	Shaft 9	150413	Arm, Right Follower 24	150658	Gear, 21T 21
150266	Lever, Guide 9, 116	150414	Bushing 17	150665	Gear, 42T 28
150267	Clamp 9	150419	Shaft 17	150666	Gear, 28T 21
150269	Roller, Pressure 9, 116	150420	Lever, Right 24	150668	Collar, Spacing 35
150270	Link 9	150423	Stud, Pivot 17	150669	Shim, .002" Thk 35
150271	Arm, Release 9	150424	Blade, Stripper 23, 58	150670	Shim, .004" Thk 35
150274	Bracket, Clamp 9	150425	Lever, Lock 22, 24	150672	Bearing 35
150276	Lever 9	150428	Lever, Left 22	150673	Shaft 35, 90
150285	Bar, Tie 51, 116	150429	Stud, Eccentric 22, 24	150677	Pawl, Feed 35
150288	Bracket 50	150431	Lever, Trip 29, 89	150678	Pawl, Feed 35
150289	Stud 50	150432	Washer, Flat 106	150685	Plate 9, 108, 112
150291	Slide 60	150434	Bail, Transfer 13	150687	Stud 42
150293	Plate, Retaining 50	150436	Bushing 9, 20, 35, 49, 107, 115	150689	Block, Guide 58
150296	Fork, Code Bar 60	150438	Bellcrank 35, 85, 116	150691	Link 34
150298	Bushing 60	150440	Hub 26	150692	Link 34
150301	Plate, Retaining 50	150441	Gear, 21T 26	150694	Slide 35
150302	Shim, .006" Thk 50	150444	Lever, Trip Shaft 29	150705	Bushing 33
150304	Bracket, Guide 50	150447	Arm 39	150709	Spacer 33
150310	Lever, Ribbon 49	150450	Arm 39	150710	Screw, 6-40 x 1-1/4 Fil 33
150311	Lever, Ribbon 48	150451	Link 41	150711	Washer, Flat 92
150318	Stud 21, 112	150452	Bearing 39	150712	Rope, Draw Wire 31
150327	Roller, Ribbon 48, 49	150453	Shaft 39	150714	Bearing, Sleeve 21
150335	Gear, 12T 49	150471	Stud 39, 92	150715	Gear, 32T 21
150336	Bushing 35, 48, 49, 105, 106	150479	Stud 42	150718	Platen 21
150341	Post, Spring 4	150481	Shaft 39, 77	150719	Retainer 21
150342	Screw, 6-40 Shoulder 20, 21	150482	Plate 39	150720	Retainer 20, 21
150343	Lever 49	150507	Spring 39	150721	Arm 33
150344	Lever 48	150525	Bracket 41	150722	Arm 33
		150531	Plate, Clamp 34, 116		

NUMERICAL INDEX (Continued)

Part Number	Description and Page Number	Part Number	Description and Page Number	Part Number	Description and Page Number
150726	Link, Left 34	150932	Bushing, Shoulder 48, 49, 100	151637	Screw, 4-40 x 1/4 Fil 5, 12, 14, 16, 20 to 22, 25, 31, 35, 45, 48, 49, 58 to 60, 68, 70, 72, 73, 74, 75, 76, 79, 89, 101, 105, 106
150727	Link, Right 34	150935	Latch 73	151640	Lever, Shoe Release 27
150728	Rail 33	150937	Lever 49	151642	Screw, 6-40 x 3/4 Fil 16, 26, 27, 68, 84, 99, 103
150731	Slide 35	150953	Slide Assembly 34, 116	151644	Spring 22, 24
150732	Slide, Bottom 35	150961	Bushing, Eccentric 4, 20	151657	Screw, 6-40 x 1/4 Fil 4, 5, 9, 11, 13, 17, 19, 20, 24, 35, 36, 39, 42, 48, 49, 50, 59, 60, 77, 80, 91, 95, 107, 108, 115
150733	Slide, Top 35	150963	Plate, Retaining 60	151658	Screw, 6-40 x 5/16 Fil 7, 11, 12, 15 to 17, 20, 21, 22, 31, 32, 35, 37, 39, 45, 49, 68, 77, 79, 89, 105, 106, 108
150738	Guide 35	150969	Spring, Torsion 4, 20	151659	Screw, 6-40 x 1/2 Fil 49
150740	Plate 38	150970	Bearing, Ball 26, 80	151660	Screw, 6-40 x 7/8 Fil 73, 99, 103
150746	Bushing 35	150971	Cable 64	151661	Screw, 6-40 x 1 Fil 35
150748	Stud 37, 38	150973	Pallet, Dummy 54, 68, 72, 96	151667	Roller 41
150750	Plate 33	150975	Cup, Dashpot 35	151668	Roller 39, 41
150751	Block, Guide 33	150978	Screw, 6-40 x 1-1/8 Fil 15, 39, 46, 90	151669	Stud 41
150752	Stud 37	150986	Pawl Assembly, Spacing 35	151670	Bracket 41
150753	Roller 37	150987	Spacer, .090" Thk 35	151676	Shim, .010" Thk 41
150754	Roller 37	150990	Washer, Felt 17, 18, 36, 39, 41	151683	Box Assembly, RE Type 55
150755	Stud 37	150991	Washer, Felt 19	151685	Screw, 4-40 x 5/16 Fil 17, 24, 26, 29, 31, 35, 60, 71, 93
150757	Arm 38, 116	150992	Stud 9	151686	Screw, 4-40 x 3/8 Fil 9, 35, 45, 91, 108
150758	Pulley 37	150998	Spacer, .020" Thk 21	151687	Screw, 4-40 x 7/16 Fil 60, 92
150770	Bellcrank 35	151036	Screw, 4-40 Shoulder 113	151688	Screw, 4-40 x 5/8 Fil 26, 45, 59, 77, 90, 98, 112
150771	Bellcrank 35	151073	Screw, 4-40 x 5/32 Fil 21, 81, 83, 95	151689	Screw, 4-40 x 3/4 Fil 9, 27, 62, 63, 91, 101
150776	Lever, Lock 37	151103	Spring 42, 43	151690	Screw, 10-32 x 5/16 Fil 26, 103
150777	Bail, Right 37	151152	Screw, 4-40 x 3/16 Hex 14, 33, 39, 40, 50, 52, 75, 85, 105, 106, 112, 115	151691	Screw, 10-32 x 3/8 Fil 15, 90
150780	Screw, 6-40 Spl 4, 103, 114	151182	Washer, Insulating 92	151692	Screw, 6-40 x 3/16 Fil 4, 5, 9, 11, 13, 29, 33, 35, 36, 44, 48, 52, 59, 78, 79, 80, 82, 83, 113
150781	Stud 11, 13	151222	Washer, Felt 18, 39, 59	151693	Screw, 6-40 x 9/16 Fil 26, 49, 68, 99
150796	Disk 31	151223	Screw, 4-40 Shoulder 25	151695	Screw, 6-40 x 5/8 Hex 52
150798	Ratchet 31	151329	Switch, Sensitive 69, 74	151698	Spring, Torsion 34
150800	Stud 33	151336	Oiler 42, 43	151700	Screw, 6-40 Shoulder 37
150803	Spring, Flat 9	151346	Screw, 6-40 x 3/8 Fil 4, 11, 17, 18, 20, 21, 26, 31, 32, 35, 48, 91, 93, 96, 99, 101, 103, 111	151701	Spring, Torsion 42
150804	Finger, Right Paper 9	151354	Screw, 2-56 x 15/32 Fil 4, 74, 102, 113	151702	Nut, 4-40 Hex 58
150805	Shim, .012" Thk 33	151362	Wick, Felt 37	151703	Pin 9
150806	Plate 33	151442	Screw, 6-40 x 1/2 Hex 4, 22, 40, 102, 110	151709	Arm 52
150807	Oiler, Felt 33	151443	Eccentric 52	151713	Spring, Torsion 13, 76
150809	Gear, 32T 21	151572	Washer, Lock 36	151714	Spring 42
150811	Stud 24	151602	Plate 22, 24	151715	Spring 47
150815	Bushing 9	151603	Spacer 24, 45	151721	Screw, 6-40 x 3/4 Hex 4, 17, 39, 92, 102, 110
150816	Lever 9	151604	Block, Guide 22, 24	151722	Screw, 6-40 x 3/16 Hex 14, 29, 33, 45, 51, 71, 75, 80, 82, 93, 96, 98, 101, 103, 105, 109, 110
150821	Spacer, .156" Thk 48	151606	Screw, 10-32 x 1/4 Hex 18, 35	151723	Screw, 10-32 x 3/8 Hex 35, 100
150824	Track 24	151607	Retainer, Spring 47	151728	Spring 26, 27
150826	Guide, Left Paper 9	151610	Washer, Flat 26, 52, 80	151731	Screw, 4-40 x 7/8 Fil 21
150827	Drum, Spring 31	151611	Bushing 52, 102		
150830	Bushing, Shoulder 26, 28	151612	Spacer 52		
150831	Ring, Retaining 26, 28	151618	Screw, 6-40 x 7/16 Fil 4, 16, 31, 32, 45, 50, 68, 74, 78, 79, 83, 89, 102		
150833	Platen Assembly 21	151619	Bushing 31		
150838	Ring, Retaining 31, 87	151625	Strip 37		
150840	Bracket, Guide 9	151627	Rod 17, 83		
150841	Bearing 26, 28	151629	Nut, 6-40 Lug 20, 29, 39, 77, 92, 103, 111		
150843	Plate, Hook 31	151630	Screw, 6-40 x 1/4 Hex 11, 12, 14, 15, 20, 24, 26, 27, 33, 35, 37, 39, 42, 48, 50, 52, 69, 71, 90, 93, 97, 98, 106, 108, 110, 112		
150889	Lever, Trip 30	151631	Screw, 6-40 x 5/16 Hex 12, 31, 39, 45, 73, 76, 97, 98, 105, 106, 109, 114		
150891	Block 24	151632	Screw, 6-40 x 3/8 Hex 14, 20, 22 to 26, 33, 40, 71, 72, 78, 80, 93, 97, 100		
150895	Arm, Trip 29				
150900	Bail, Detent 4, 114				
150902	Lever 6, 102				
150903	Block, Left Paper Spindle 17				
150904	Block, Right Paper Spindle 17				
150907	Spindle, Paper 17				
150909	Screw, 6-40 Shoulder 33				
150910	Latch, Right 73				
150911	Bushing, Shoulder 21				
150912	Screw, 6-40 Shoulder 21				
150913	Bail 13				
150915	Blade, Stripper 13, 58				
150923	Washer, Felt 29, 37, 52				
150926	Washer, Felt 12, 33				
150927	Oiler, Felt 33				
150929	Oiler, Felt 33				
150930	Washer, Felt 11				
150931	Spacer, .040" Thk 28				

NUMERICAL INDEX (Continued)

Part Number	Description and Page Number	Part Number	Description and Page Number	Part Number	Description and Page Number
151732	Screw, 4-40 x 11/32 Fil 26, 74, 80	152424	Plate, Stop 47, 116	152554	Bar, Auto LF & CR Code 51, 116
151733	Screw, 4-40 x 9/16 Fil 27	152425	Post, Spring 45, 107, 115	152555	Shaft 18
151734	Screw, 4-40 x 3/8 Hex 24	152426	Nut, 6-40 Self-Locking 45	152559	Plate, Front Pallet Box 54
151736	Spring 26, 28	152427	Latch w/Hub 42	152560	Plate, Rear Pallet Box 116
151737	Screw, 4-40 x 11/64 Hex 26, 27, 89, 91	152429	Rack, Sector 42	152563	Bracket 11, 12
151738	Screw, Identification 53	152432	Arm, Stop 42	152569	Linkage 38, 116
151739	Screw, Identification 59	152434	Plate 44, 116	152570	Linkage 38, 116
151794	Washer, Spring 26, 28	152435	Stud 44	152571	Spacer, .250" Thk 49
151797	Cable 64	152436	Knob, Range Scale 42	152572	Bracket 14, 15, 50, 76, 109
151799	Modification Kit 2, 73	152438	Bail, Stop Arm 42, 110	152573	Retainer 27
151819	Jumper, 3" Black 45	152439	Shaft 44, 116	152574	Plate 50
151880	Nut, 4-40 Hex 24, 35, 71, 91, 93, 97, 109	152440	Bushing 44	152575	Bracket 50
151930	Box Assembly, RA Type 1, 55	152441	Washer, Flat 42, 92	152576	Bracket 50
151931	Box Assembly, RC Type 1, 55	152445	Spring, Compression 42	152579	Track 33
151937	Box Assembly, RD Type 1, 55	152447	Shaft 27, 90	152582	Shaft 49
151938	Box Assembly, RN Type 55	152450	Cam, Selector 27	152583	Bearing, Sleeve 39
151941	thru	152453	Clutch Asm, Selector Cam 27	152584	Lever 39
151953	Pallet, Type 54	152456	Holder, Wick 39	152585	Lever 39
152089	Latch 61, 104	152457	Wick, Felt 39	152586	Bracket 35, 95
152121	Lever, Function 61, 104	152458	Shield, Terminal 45, 47	152587	Drum, Spacing 32
152127	Clip 58	152461	Bracket 45	152588	Arm 32
152129	Spring 52	152462	Latch, Right 45, 74, 79	152589	Clamp 22
152140	Bail 11	152463	Latch, Left 45, 74, 79	152590	Lever, Cutout 32
152142	Lever Assembly 68	152464	Insulator, .062" Thk 45, 74	152591	Arm, Automatic CR & LF 32
152147	Bearing, Ball 24	152466	Connector, 21 Pt Receptacle 86	152592	Guide 33
152254	Wick, Felt 22, 24, 38	152467	Connector, 20 Pt Plug 45, 79	152593	Housing, Bearing 24
152255	Bar w/Retainer 50	152468	Cable w/Terminals 45	152595	Slide 33
152256	Bar, Code 50	152501	Guide, Ribbon 25	152596	Slide, Shift 35
152257	Spring 50	152502	Modification Kit to provide a Type Box Alignment Adjustment 24, 25, 116	152598	Plate, Left 38
152298	Lever, Function 61, 104	152503	Link 25	152599	Plate, Right 38
152299	Lever, Function 61	152505	Stud 33	152606	Rail Assembly, Oscillating 33
152302	Modification Kit 2, 68	152507	Roller, Detent 33	152614	Track Assembly 33
152303	Modification Kit 2, 69	152508	Bracket, Right 33	152616	Clutch Assembly, Function 28
152304	Modification Kit 2, 71, 72	152509	Bracket, Left 33	152626	Bracket, Left 58
152312	Modification Kit 2, 76	152510	Lever, Detent 33	152627	Bracket, Right 58
152315	Modification Kit 2, 73	152511	Guide 33	152629	Washer, Friction 48, 49, 105, 106
152317	Modification Kit 2, 74	152514	Bail 11	152630	Shaft, Ribbon Spool 48, 49
152337	Modification Kit 2, 75	152515	Lever, Space Trip 11, 12	152633	Plate, Mounting 60
152340	Modification Kit 2, 77	152516	Slide 11	152634	Washer, Flat 35, 85
152345	Modification Kit 3, 78	152517	Arm, Trip Lever 30, 84, 95	152635	Lever, #1 Transfer 39
152348	Modification Kit 3, 85	152518	Bail 11	152636	Lever, #2 Transfer 39
152350	Modification Kit 3, 79	152521	Slide 34	152637	Lever, #3 Transfer 39
152357	Stud 61	152523	Spring 48, 49, 105, 106	152638	Lever, #4 Transfer 39
152359	Arm 11, 16, 68	152524	Bracket 48, 49, 105, 106	152639	Lever, #5 Transfer 39
152360	Sleeve 16, 68	152525	Hub 48, 49, 105, 106	152640	Lever, #6 Transfer 39
152400	Plate, Selector Mounting 42, 74	152526	Plate, Right 48, 105	152641	Lever, Function 61, 68, 89, 96
152401	Guide 42	152527	Plate, Left 49, 106	152642	Lever, Function 61, 72, 104
152402	Guide, Selector Lever 42	152528	Ratchet, Left Ribbon 49, 106	152643	Guide 58
152403	Bracket, Guide 42	152529	Ratchet, Right Ribbon 48, 105	152644	Bracket 49
152404	Bracket, Spring 42	152536	Bail 37	152646	Lever, Left Reversing 49
152406	Bracket, Spring 42	152537	Clamp 26, 80	152647	Lever, Right Reversing 48, 105
152407	Lever, Spacing Lock 42	152538	Plate, Front 35, 92, 95	162648	Stud 48
152409	Lever, Selecting 42	152539	Guide 9, 77, 78	152651	Plate, Guide 58, 59
152410	Bail, Reset 42	152541	Arm, Left 23	152652	Bar, Guide 58, 59
152411	Lever, Push 42	152542	Arm, Right 25	152653	Pawl, Function 61, 68, 72, 89, 96, 104
152412	Link 42	152543	Link 18	152654	Plate, Guide 60
152413	Bracket 47, 116	152545	Lever 11, 12	152655	Plate, Adjusting 60
152415	Stud, Adjusting 45	152546	Bracket 92	152656	Stud 60
152420	Lamination, Magnet 45	152547	Shaft 58, 59	152658	Plate 60
152421	Bracket, Shield Mounting 45	152548	Bar, Shift 50	152659	Lever, Function 61
152422	Armature 47, 116	152549	Bar, Code 51	152660	Plate, Spring 61, 68, 72, 89, 96, 104
152423	Bracket, Armature Stop Mounting 45	152550	Clamp 22	152662	Shaft 39
		152552	Bar, #4 & #5 Code 50	152663	Guide 39
			Bar, #3 Code 50		

NUMERICAL INDEX (Continued)

Part Number	Description and Page Number	Part Number	Description and Page Number	Part Number	Description and Page Number
152665					
	thru				
152704	Bar, Function 65, 66	153175	Link, Right 33	153303	Slide, Stripper 59
152708	Lever, Keyboard Lock 13, 79	153180	Link, Right 33	153304	Bushing, Shoulder 4, 102
152711	Bracket 13	153181	Link, Left 33	153305	Spring, Torsion 11
152716	Bail 18	153183	Slide 33, 116	153310	Bail 11
152717	Arm 28	153184	Post 45	153311	Arm 11
152721	Bar, Code 51, 116	153185	Gear, 30T 16, 68, 89	153312	Lever 4, 102
152723	Spring 9	153186	Arm, Slide 68	153314	Bracket 11, 79
152724	Spring 38	153188	Screw, 6-40 Shoulder 16, 68	153315	Bracket 50, 85
152725	Spring 9	153189	Spring, Compression 16, 68, 89	153317	Bracket 13, 116
152726	Bushing 29	153190	Arm 16, 68	153318	Shaft 59
152742	Box Assembly, RG Type 55	153191	Pointer 16, 68, 89	153319	Bar, Code 50, 85
152752	Box Assembly, RH Type 55	153192	Spring, Torsion 16, 68, 89	153321	Bracket, Tie 50, 75
152818	Lever, Left Detent 49	153193	Lever 16, 68	153322	Guide 59, 77
152819	Lever, Right Detent 48	153194	Bail 16, 68	153323	Ring, Spacer 27
152820	Lever, Left Feed 49, 106	153195	Plate 68	153326	Blade 18
152821	Lever, Right Feed 48	153196	Handwheel 16, 68, 70, 88, 89	153335	Plate 37
152823	Bracket, Left 12, 49	153198	Gear, 48T 70, 88	153337	Bushing 37
152824	Bracket, Right 48	153199	Gear, 51T 70, 88	153340	Spring, Left Torsion 37
152826	Pin, Detent 48, 49, 105, 106	153200	Gear, 54T 70, 88	153341	Spring, Right Torsion 37
152827	Bracket, Left Spool 49	153201	Gear, 57T 70, 88	153342	Screw, 6-40 x 15/16 Hex 72
152828	Bracket, Right Spool 48	153202	Gear, 60T 70, 88	153343	Bushing, Eccentric 72
152831	Clip 4, 5	153203	Gear, 66T 70, 88	153345	Arm w/Stud 72
152832	Shaft 9, 77	153204	Gear, 72T 70, 88	153346	Pawl 72
152834	Spring, Torsion 48, 49	153205	Gear, 78T 70, 88	153347	Bracket 72
152871	Spring 21	153206	Gear, 84T 70, 88	153350	Shaft 72
152881	Box Assembly, RB Type 1, 55	153207	Gear, 90T 70, 88	153351	Clip, Stop 72
152887	Screw, 4-40 x 1/2 Hex 26 to 28	153208		153352	Spring, Torsion 72
152888	Screw, 4-40 x 7/16 Hex 28		thru	153355	Bracket 72
152889	Plate, Retaining 59	153217	Disk 70	153356	Arm 72
152890	Washer, Flat 35	153229	Bushing, Shoulder 80	153358	Bracket w/Stud 72
152891	Spring 42, 50	153230	Bar, Line Feed 80	153359	Arm, Slide 71
152893	Screw, 4-40 x 1/4 Hex 11, 12, 14 to 17, 22, 41, 42, 59, 68, 75, 94, 105, 106, 108, 109, 112	153231	Bar, Line Feed 80	153360	Stud 71, 93
		153233	Guide 80	153361	Post 71, 93
152896	Cable 64	153234	Lever 80	153364	Lever w/Bushing 71, 93
152897	Guide, Bail Lever 44	153235	Plate 26, 80	153365	Arm, Cam 71, 93
152913	Modification Kit 77	153236	Gear, 42T 26, 80	153367	Arm 29, 71, 93
152915	Modification Kit 3, 80	153237	Arm 80	153368	Bail, Follower 29, 71
152917	Modification Kit 3, 95	153239	Roller 80	153375	Arm, Slide 71, 93
152927	Bushing 16, 68, 89	153240	Retainer, Bearing 80	153377	Bracket w/Studs 71, 93
152937	Plate 16	153241	Link 80	153378	Plate w/Pin 71, 74
152938	Spacer, .125" Thk 16, 68, 89	153242	Bracket 80	153379	Plate, Insulating 74
152943	Screw, 10-32 Spl 16, 68, 89	153254	Bracket 95	153380	Bracket 69, 74
152985	Bail 16, 68	153255	Bail 11, 12, 95	153382	Bail, Transfer 11, 12, 71
153071	Slide 60	153256	Bracket 35, 94, 95	153383	Arm, Bail Extension 11, 71
153073	Link 60	153257	Bail 95	153385	Plate 72
153074	Link 60	153258	Bushing 95	153386	Cable 74
153076	Bushing, Shoulder 77	153259	Arm 95	153387	Cable 69
153077	Bellcrank 77	153260	Plate 95	153396	Plate 76
153078	Bushing, Shoulder 77	153261	Bushing, Threaded 95	153409	
153079	Bushing, Bearing 77	153262	Arm 95		thru
153080	Shaft 77	153263	Arm, Stop 95	153435	Bar, Function 65, 66
153081	Lever 77	153267	Washer, Felt 80, 110	153436	Bar, Function 65, 67
153082	Lever 77	153287	Spring 80	153437	Bar, Function 65, 67
153083	Bracket 77	153288	Spring 95	153438	Bar, Function 65, 66
153084	Spacer, .260" Thk 60	153291	Arm 59	153440	Bar, Function 65, 66, 96
153139	Box Assembly, RJ Type 55	153292	Plate 27	153442	Screw, 10-32 x 1/2 Hex 17, 91, 92, 98
153158	Plate, Nut 16, 69	153293	Spacer, Clutch 27		
153159	Cable Assembly 69, 98	153294	Cam 59		
153160		153295	Shaft 59	153489	Detent 42
	thru	153296	Eccentric 27	153491	Plate 44, 116
153169	Bar, Function 65, 66	153298	Bracket, Right 59	153508	Box Assembly, RS Type 55
153172	Spring 33	153299	Bracket, Left 59	153510	Box Assembly, RU Type 55
153173	Plate, Clamp 33	153300	Arm 27	153513	Box Assembly, RW Type 55
153174	Link, Left 33	153301	Arm 59	153514	Box Assembly, RV Type 55
		153302	Blade, Stripper 59	153516	Box Assembly, RZ Type 55
				153518	Box Assembly 1, 56

NUMERICAL INDEX (Continued)

Part Number	Description and Page Number	Part Number	Description and Page Number	Part Number	Description and Page Number
153520					
	thru				
153528	Bar, Function 65, 66	153683	Bracket, Left 20, 81, 82	153927	
153529	Bar, Function 66	153685	Arm w/Hub 20		thru
153530	Plate 24, 25	153686	Bearing, Right 20	153936	Modification Kit 70
153531	Plate, Adjusting 24	153687	Bearing, Left 20	153945	Modification Kit 3, 85
153532	Screw, 4-40 Adjusting 24	153689	Gear, 33T 20	153946	Modification Kit to Add an Improved Oscillator Shift
153534	Washer, Flat 7, 98	153690	Gear, 28T 20		Knee Link Assembly 37, 116
153538	Screw, 6-40 x 7/16 Hex 105, 110	153692	Gear, 33T 20	153947	Modification Kit to Add an Improved Oscillator Shift
153550	Link 17	153695	Pin 20		Knee Link Assembly 33
153553	Roller 17	153696	Spring 20	153949	Modification Kit to Add an Improved Magnet Bracket 45
153554	Bracket w/Stud 19	153697	Bracket 20	153950	Modification Kit to Add Bracket to "O" Code Bar 85
153558	Link 17	153698	Cam, Feed 20		Cable 64
153560	Shaft 19, 116	153699	Cam, Feed 20	154051	Screw, 6-40 Shoulder 68, 89
153562	Shaft 19	153700	Hub, Platen 20, 116	154127	Nut, 6-40 Hex 7, 114
153563	Bracket 78	153701		154253	Stud 35
153564	Lever 78		thru	154290	Ring, "O" 20
153565	Pin 12, 78, 83	153717	Modification Kits 117	154310	Spring 31
153566	Bracket 12, 14, 75	153721	Arm 81	154320	Finger, Left Paper 20
153569	Arm, Trip 14, 29, 97	153722	Arm 81	154323	Cam, Eccentric 87
153570	Arm, Suppression 14, 75, 97	153722	Arm 81	154324	Cam, Eccentric 87
153573	Bail 17, 19, 83, 116	153751		154332	Shaft 48, 49
153574	Roller 19	153751	thru	154333	Roller 48, 49
153575	Wick, Felt 12	153767	Platen, Rubber 20, 116, 117	154334	Modification Kit to Provide Increased Ribbon Height 48, 49
153576	Cam, Function 27	153771		154335	Screw, 6-40 x 9/32 Fil 14
153577	Washer, Felt 17	153787	Bracket, Guide 81	154349	Spring 43
153579	Bracket, Spring 19	153791	Shaft 20	154354	Slide 33
153580	Cam 19	153791	Shaft 20	154356	Bail 24
153581	Handle 59	153794	Plate, Adjusting 20, 112	154358	Hub, Platen 20, 81, 82, 116
153582	Screw, 6-40 Shoulder 11	153795	Slide 60	154362	Spring, Contact 69, 101
153583	Lever, Trip 29	153799	Screw, 4-40 x 21/64 Hex 20	154373	Shield, Oil 92
153584	Lever, Latch 29	153800	Cam 49	154380	Bracket w/Post 50, 75
153585	Clamp 19	153800	Spring 29	154389	Cam, Eccentric 35
153586	Guide 4	153810	Guide, Ribbon 24	154394	Post, Spring 50
153587	Guide 5, 74	153815	Clutch Assembly, Function 27	154516	Ratchet 87
153588	Solenoid 12, 78, 83	153817	Screw, 4-40 x 3/8 Hex 33, 35	154519	Lever, Latch 20
153592	Cable 64	153817	Screw, 4-40 x 3/8 Hex 33, 35	154536	
153593	Cable 64	153819	Washer, Lock 50		thru
153594	Cable Assembly 78	153820	Frame, Printing Carriage 52	154549	Pallet, Type 54
153596	Fork w/Post 60	153823	Collar 27	154613	Latch 61, 104
153598	Pawl, Function 61	153824	Clamp 27	154614	Cam, Spacing 26, 71
153600	Bracket, Spring 50, 75	153830	Guide, Rear 111	154616	Plate, Front Pallet Box 116
153601	Bushing, Shoulder 59	153838	Shaft 59	154620	Wick, Lubricating 42
153602	Plate 58	153839	Screw, 6-40 x 5/8 Hex 17, 20, 24, 29, 45, 111	154621	Retainer, Wick 42
153603	Nut, 6-40 Spl 51	153841	Screw, 6-40 x 9/16 Hex 22, 112	154622	Lubricator 42
153604	Pawl, Function 61	153883	Gear, 33T 26, 90	154623	Ring, Retaining 31
153605	Bracket 51	153884	Gear, 11T 35, 90, 116	154624	Ring w/Roller 31
153606	Slide, Blocking 59	153894	Plate 71, 93	154625	Ring 31, 116
153608	Fork 60	153896	Bail, Latch 71, 93	154626	Ring 31, 85
153609	Roller 60	153897	Arm, Trip 71	154627	Drum, Spacing 31
153610	Spindle, Paper 77	153899	Bracket, Guard 72	154638	Spring 52
153611	Disk, Paper Spindle 77	153904	Modification Kit to Provide Parts for Improved Range Scale Sector Mounting 42, 116	154639	Slide 60
153615	Lever 77		thru	154642	Slide 60
153634	Collar 9, 77	153906	Modification Kit to Add Trip Shaft Support Bracket 11	154643	Box Assembly, RV Type 1, 56
153643	Slide 60		thru	154645	Spacer 17
153644	Stud 60	153910	Modification Kit 3, 77	154646	Lever, Function 61
153645	Plate, Guide 60	153911	Modification Kit 3, 83, 84	154647	Lever, Function 61
153646	Bushing 60	153912	Modification Kit 2, 76	154649	Arm 79
153647	Plate 60	153914	Modification Kit to Add Universal Spacing Drum with Automatic Carriage Return and Line Feed 31	154650	Clip 50
153652			thru		
	thru				
153667	Guide, Form 81	153915	Modification Kit 104		
153670	Lever, Function 61	153916	Modification Kit 104		
153676	Bail, Detent 20, 98	153917	Modification Kit 104		
153678	Bracket w/Shaft 20, 107, 115	153918	Modification Kit 104		
153682	Bracket, Right 20	153919	Modification Kit 3, 79		

NUMERICAL INDEX (Continued)

Part Number	Description and Page Number	Part Number	Description and Page Number	Part Number	Description and Page Number
154666		155131	Bar, Function 65, 67, 89	155708	Box Assembly, XG Type 55
thru		155132	Bar, Function 65, 66	155709	Box Assembly, XH Type 1, 57
154669	Shaft 59	155133	Bar, Function 65, 67	155710	Box Assembly, XJ Type 55
154670	Screw, 6-40 Spl 72, 94	155134	Bar, Function 65, 67, 68, 89	155713	Clip 61
154671	Bracket 72, 94	155135	Bar, Function 65, 67, 72	155714	Bracket 69
154672	Bracket, Clip Stop 72	155141		155715	Stud 69
154673	Cable 4, 64	thru		155716	Plate w/Pin 93
154688	Spring 17	155145	Bar, Function 65, 67	155721	Contact Assembly 69
154691	Clip 59	155159	Bar, Function 65, 66	155736	Lever, Function 61
154692	Clip 59	155176		155737	Lever, Function 61
154694	Disk, Clutch Cam 26, 27, 110	thru		155738	Bail, Blocking 61
154698	Wick, Felt 71, 93	155180	Bar, Function 65, 67	155749	Cable 64
154723	Modification Kit to Provide Parts for Improved Range Scale Sector Mounting 42, 116	155191		155750	Sleeve, 3/32 ID x 1/2" Lg Insulating 15, 59, 69, 90, 91, 98, 107, 113, 115
154727	Modification Kit 2, 74	155218	Bar, Function 65, 66	155751	Sleeve, 1/8 ID x 1" Lg Insulating 15, 45, 46, 59, 69, 78, 92, 106
154742	Modification Kit 3, 70, 85, 88	155219	Bar, Function 65, 66	155752	Sleeve, 5/64 ID x 1/2" Lg Insulating 59
154743	Modification Kit 2, 73, 102	155246	Bar, Function 65, 67	155753	Sleeve, 1/8 ID x 1/2" Lg Insulating 45, 59, 69
154753	Modification Kit 3, 86	155247	Bar, Function 65, 67	155754	Sleeve, 1/64 ID x 1/2" Lg Insulating 59, 109
154755	Modification Kit 3, 56, 87	155248		155755	Sleeve, 11/64 ID x 5/8" Lg Insulating 59
154760	thru	155250	Bar, Function 65, 66	155756	Nut, 4-40 Spl 68
154769	Modification Kit 88	155286		155757	Gear, 28T 68
154770	Modification Kit 3, 89	thru		155758	Gear, 66T 70
154771	Modification Kit 89	155290	Bar, Function 65, 66	155759	Gear, 48T 70
154778	Modification Kit 3, 90, 91	155294	Bar, Function 65, 66	155763	Modification Kit 2, 68
154780	Modification Kit 2, 69	155296		155765	Modification Kit 70
154785	Modification Kit 3, 92	thru		155767	Slide 60
154789	Modification Kit to Provide Replacement Parts for the 153560 Shaft and Associated Parts 17, 116	155300	Bar, Function 65, 66	155784	Cable 64
154792	Modification Kit 3, 56, 87	155306	Bar, Function 65, 66	155788	Spring 92
154798	Modification Kit 3, 111	155307	Bar, Function 65, 66	155789	Cable Assembly 92
154872	Bracket 5, 74, 79	155311		155790	Contact Assembly 92
154873	Connector, 2 Pt Receptacle 86	thru		155791	Link 92
155000	Cable 64	155315	Bar, Function 65, 66	155792	Arm w/Stud 92
155021	Plate 70	155326		155793	Bracket, Mounting 92
155037	Keylever Assembly 72	thru		155795	Insulator, .031" Thk 92
155041	Plate 11	155330	Bar, Function 65, 66	155796	Shaft 39, 92
155042	Bracket 11	155336		155797	Arm, Contact 92
155044	Spacer 27	thru		155798	Block, Terminal 92
155047	Disk 27	155340	Bar, Function 65, 66	155799	Terminal, Plate 92
155049	Cable 64	155366		155852	Arm w/Link 87
155051	Cable Assembly 3, 86	thru		155853	Ratchet 87
155053	Connector, 12 Pt Plug 86	155370	Bar, Function 65, 67	155855	Pawl, Spacing 87
155060	Slide, Stripper 59	155432		155856	Pawl, Spacing 87
155061	Blade, Stripper 59	thru		155857	Retainer 87
155066	Cable 64	155479	Pallet, Type 56	155859	Screw, 4-40 Spl 86
155067	Cable 64	155483	Pallet, Type 56	155860	Screw, 4-40 x 3/8 Rd 86
155068	Bracket 76	155497	Box Assembly, XK Type 55	155861	Washer, Lock 86
155069	Bracket 76	155565	Arm, Right 20, 111	155864	Shaft, Cam 17
155071	thru	155566	Arm, Left 20, 82, 111	155865	Stud 17
155077	Shaft 59	155581		155868	
155081	Post, Spring 35	thru		thru	
155090	Lubricator Assembly 42	155584	Spacer 73	155870	Pallet, Type 53, 55
155091	Lever, Trip 95	155586	Bracket 39	155871	thru
155096	Plate, Range Finder 42	155587	Link w/Stud 39	155876	Pallet, Type 53
155099	Screw, 6-40 Shoulder 59	155589	Plate w/Stud 39	155877	Pallet, Type 53, 55
155100	thru	155618		155878	Pallet, Type 53, 55
155125	Bar, Function 65, 66	thru		155879	Pallet, Type 53
155126	Bar, Function 65, 67	155673	Pallet, Type 57	155880	Pallet, Type 53
155127	thru	155693	Box Assembly, WP Type 1, 57	155884	thru
155130	Bar, Function 65, 66	155697	Box Assembly, WV Type 55	155891	Pallet, Type 57
		155699	Box Assembly, WX Type 55		
		155701	Box Assembly, WY Type 1, 55		
		155703	Box Assembly, XA Type 55		
		155704	Box Assembly, XC Type 55		
		155705	Box Assembly, XD Type 56		
		155706	Box Assembly, XE Type 56		
		155707	Box Assembly, XF Type 56		

NUMERICAL INDEX (Continued)

Part Number	Description and Page Number	Part Number	Description and Page Number	Part Number	Description and Page Number
155895	Pallet, Type 57	157048	Lever 75	157642	Pallet, Type 53, 55, 56
155896	Finger, Left Paper 20, 111	157049	Pin 14,75	157643	thru
155897	Finger, Right Paper 20, 111	157070	thru	157649	Pallet, Type 55
155913	Block, Contact 63	157100	Switch Assembly 63, 116	157650	Pallet, Type 53, 55
155915	Plate, Contact 63	157101	thru	157651	thru
155916	Plate, Contact 63	157106	Cable 64	157657	Pallet, Type 55
155917	thru	157151	Bracket 79	157658	Pallet, Type 53
155925	Switch Assembly 63, 116	157163	Spring, Compression 83	157659	Pallet, Type 55, 89
155933	Plate, Guide 60	157164	Slide 60	157660	Pallet, Type 53, 55
155934	Plate 60	157191	Bar, Line Feed 85	157661	Pallet, Type 53
155935	Fork w/Post 60	157192	Eccentric 85	157662	thru
155936	Fork w/Post 60	157193	Gear, 44T 85	157675	Pallet, Type 55
155937	Fork w/Post 60	157194	Retainer, Spring 45	157678	Pallet, Type 53, 55
155938	Slide 60	157198	Bail, Detent 85	157715	Pallet, Type 53
155939	Slide 60	157200	Spring 61, 68, 72, 89	157716	Pallet, Type 53, 55
155940	Slide 60	157205	Lever, Function 61	157717	Pallet, Type 55
155941	Slide 60	157206	Lever, Function 61	157718	Pallet, Type 55
155942	Slide 60	157207	Lever, Function 61	157719	thru
155946	Slide 60	157237	Shield, Terminal 45	157722	Pallet, Type 53, 55
155948	Slide 60	157238	Spring 53, 68, 72, 96, 116	157723	Pallet, Type 55
155954	Switch, Sensitive 4, 102, 113	157240	Spring 61, 68, 72, 89, 96, 104	157724	Pallet, Type 55
156057	Washer, Flat 112	157241	Bracket, Roller 17	157725	Pallet, Type 53
156093	Washer, Felt 21, 112	157243	Plate 60	157726	Pallet, Type 53, 55
156450	Screw, 2-56 x 1/2 Fil 16, 69	157246	Bracket 59	157727	Pallet, Type 53, 55
156501	Screw, 6-40 x 7/32 Fil 4, 36	157247	Bar w/Post 59	157728	Pallet, Type 53, 55
156536	Screw, 4-40 x 1/8 Fil 42	157251	Arm w/Pin 73	157729	thru
156558	Washer, Felt 105, 106	157252	Bushing 73	157779	Pallet, Type 56
156572	Washer, Felt 52	157253	Lever 73	157780	thru
156574	Post, Spring 7	157254	Bracket 73	157788	Pallet, Type 53
156591	Washer, Felt 12	157255	Block 73	157790	thru
156632	Screw, 6-40 x 13/32 Hex 31	157257	Block, Left Paper Spindle 73	157792	Pallet, Type 55
156663	Bushing, Insulating 92	157258	Bar w/Post 59	157794	thru
156740	Screw, 6-40 x 7/32 Hex 97, 112	157259	Relay 91	157807	Pallet, Type 53
156875	Screw, 6-40 x 5/32 Fil 112	157261	Shaft, Stop Arm 42, 116	157823	thru
156880	Jumper, 2-3/8" Black 46	157262	Bracket, Double Connector 74	157829	Pallet, Type 56
156881	Jumper, 1-1/2" Black 46	157263	Cable 91	157843	Cam 90
156971	Screw, 2-56 x 3/4 Fil 107, 115	157264	Cable 91	157844	Plate, Spacer 90
157000	Box Assembly, WB Type 55	157265	Cable 90	157845	Plate 90
157001	Box Assembly, WC Type 55	157269	Cable 64	157846	Spacer, Shoulder 90
157002	Box Assembly, WD Type 55	157271	Bracket 45	157847	Bracket, Spring 60
157003	Box Assembly, WE Type 55	157272	Insulator, .062" Thk 45, 74	157849	Lever 60
157004	Box Assembly, WF Type 55	157273	Connector, 35 Pt Plug 45, 64, 74	157850	Lever 60
157007	Box Assembly, WG Type 55	157274	Clip 59	157851	Plate, Spring 60
157009	Box Assembly, WH Type 55	157275	Clip, Spring 59	157852	Arm 60
157011	Box Assembly, WJ Type 55	157286	Clamp, Platen 20	157854	Plate 60
157013	Box Assembly, WK Type 55	157289	Bar, Cross 9	157855	Plate, Guide 60
157015	Box Assembly, WL Type 55	157290	Bail, Pressure 9, 10, 116	157856	Bracket 91
157017	Box Assembly, WM Type 55	157291	Guide, Rear Paper 9	157857	Spring, Flat 91
157018	Box Assembly, WN Type 1, 55	157311	Wick, Felt 91	157858	Extension, Armature 91
157030	Box Assembly, WT Type 55	157398	Bar w/Post 59	157859	Shim, .006" Thk 91
157031	Disk 84	157505	Clutch Assembly, Spacing 26	157861	Lever, Start 91
157032	Disk 84	157506	Clutch Assembly, Line Feed 26	157862	Bracket, Guide 91
157033	Plate, Cam 84	157508	Modification Kit 3, 93, 94	157863	Lever 91
157034	Lever, Trip 84	157509	Modification Kit 2, 75	157865	Plate 15, 90
157035	Lever, Trip 84	157510	Modification Kit 3, 95	157866	Bracket 15, 90
157037	Spacer 84	157511	Modification Kit 3, 80	157867	Screw, 4-40 Pilot 15, 90
157038	Plate, Mounting 83	157513	Modification Kit 68	157868	Armature 90
157039	Clip, Spring 83	157514	Modification Kit 3, 100	157869	Spacer, .824" Thk 15, 90
157040	Bracket 83	157530	Modification Kit 68, 89		
157041	Bail 83	157600	thru		
157042	Bracket 83	157634	Pallet, Type 53		
157043	Bracket, Adjusting 83	157635	Pallet, Type 55		
157044	Link 83	157636	Pallet, Type 55, 56		
157045	Cable 83	157637	thru		
157046	Bar 77	157641	Pallet, Type 55		
157047	Lever 14, 75				

NUMERICAL INDEX (Continued)

Part Number	Description and Page Number	Part Number	Description and Page Number	Part Number	Description and Page Number
157870	Armature 90	160182	Bracket w/Button 46	161308	
157871	Bracket 15, 90	160184	Plate, Stop 45, 116	thru	
157873	Lever 90	160186	Bushing, Shoulder 46	161317	Pallet, Type 55
157875	Bracket 15, 90	160192		161342	Lever, Start 42
157876	Bracket 15, 90	thru		161346	Washer, Felt 48, 49, 105, 106
157877	Bracket 15, 90	160197	Switch Assembly 63, 116	161347	Washer, Felt 15, 17, 19, 35, 37, 38, 83
157884	Block, Contact 63	160198	thru	161362	Box Assembly, XR Type 1, 56
157887	Arm, NO Contact 62, 63	160220	Switch Assembly 63, 117	161363	Box Assembly, XS Type 1, 56
157889	Spring, NO Contact 63	160486	Bail 89	161364	Box Assembly, XT Type 1, 56
157890	thru	160490	Pawl 89	161365	Box Assembly, XU Type 1, 56
157893	Plate, Contact 63	160491	Plate w/Stud 89	161366	thru
157899	Arm, NC Contact 62, 63	160493	Plate, Adjusting 89	161377	Pallet, Type 56
157948	Keylever Assembly 68, 89	160495	Plate w/Stud 89	161491	Pawl, Feed 87
157972	Bellcrank 35, 100	160498	Plate, Mounting 89	161492	Pawl, Feed 87
157973	Extension, Transfer 100	160499	Lever, Blocking 89	161649	Lever, Function 61
157975	Cable 64	160500	Lever, Blocking 89	161686	Tool, Tine 65
157979	Link, Toggle 49	160502	Slide, Form Out 89	161767	Modification Kit 70
157990	Bracket w/Bearing 11, 116	160503	Slide, Tab 89	161769	Box Assembly, XW Type 55
157991	Stud 11, 116	160505	thru	162056	Box Assembly, XZ Type 56
158186	Screw, 4-40 x 7/32 Fil 108	160514	Disk, Retaining 88	162058	Box Assembly, YA Type 57
158189	Washer, Felt 37	160523	Plate, Mounting 98	162059	Lever, Function 61
158314	Bracket w/Stud 4, 102	160527	thru	162298	Slide 60
158315	Follower, Bellcrank 4, 102	160536	Spring 88	162484	Lever, Function 61
158316	Plate, Nut 4, 102	160568	Contact Assembly 98	162488	Modification Kit 39
158317	Insulator, Switch 4, 102, 113	160569	Bracket 98	162539	Box Assembly, YB Type 55
158318	Cable 102, 113	160572	Slide, Stripper 59	162573	Retainer 26
158334	Spring, Tension 94	160573	Blade, Stripper 59	162605	Box Assembly, YF Type 55
158335	Stud 35, 93	160574	Arm w/Stud 89	162636	thru
158337	Plate w/Pin 94	160576	Slide, Stripper 59, 89	162640	Bar, Function 65, 66
158339	Arm w/Pin 93	160577	Blade, Stripper 59, 89	162728	Arm 11, 89
158340	Bracket, Stop 94	160578	Sleeve, Pinion 89	162729	Bar, Guide 11, 12, 16, 71, 79, 83, 89, 93, 95, 96
158341	Plate, Stop 88, 94	160584	Shield, Insulating 91	162847	Modification Kit 68
158342	Arm 94	160585	Shield, Insulating 91	163146	Modification Kit 3, 101, 109
158343	Bracket, Spring 94	160586	Spring, Contact 91	163147	Contact Assembly 101
158344	Nut, 6-40 Shoulder 93	160587	Spring, Contact 91	163148	Shaft 101
158346	Lever w/Hub 93	160588	Bracket, Contact 91	163150	Collar 101
158347	Bracket 94	160589	Contact Assembly 91	163152	Cam w/Stud 101
158348	Bracket 94	160650	Cable 64	163153	Cam, Trip 101
158349	Arm, Slide 93	160751	Pallet, Type 55	163157	Cam, Drive 101
158351	Pawl w/Stud 93	160755	Box Assembly, XM Type 56	163158	Bracket w/Hub 101
158352	Bail, Trip 29	160843	Spring 29	163159	Lever 101
158353	Bail, Stop 29	160844	Box Assembly, XN Type 55	163162	Cable 64
158354	Arm, Extension 29	160886	Modification Kit 2, 76	163180	Modification Kit 3, 93, 94
158357	Wheel, Horizontal Tab 94	160937	Bail 76	163181	Wheel, Horizontal Tab 94
158365	Blade, Reset 17	160938	Arm, Slide 76	163182	Bracket, Stop 94
158447	Keylever Assembly 89	160939	Post, Spring 76	163183	Modification Kit 3, 97
158485	Bracket, Left 111	160940	Post 76	163184	Bracket, Magnet 97
158486	Bracket, Right 111	160999	Box Assembly, XP Type 56	163185	Armature 97
158487	Shaft 111	161081	Box Assembly, YG Type 56	163197	Pallet, Type 55
159181	Lubricator 43	161082	Cable 64	163198	Pallet, Type 55
159184	Wick, Lubricating 43	161134	Bracket, Spring 50	163250	Pin 14, 97
159185	Retainer, Wick 43	161138	Retainer 87	163254	Magnet Assembly 97
159204	Connector, 2 Pt Plug 15	161140	Modification Kit 70	163271	Lever, Function 61
159334	Washer, Insulating 12	161250	Gear, 88T 70, 88	163292	Modification Kit 3, 56, 87
159341	Bearing, Ball 22, 27	161260	Disk 70	163294	Ratchet, 81T 87
159356	Modification Kit to Replace Old Style Guide Bracket 20	161269	Arm, L.F. Slide 96	163295	Box Assembly, YC Type 56
159362	Modification Kit 2, 73	161270	Arm, Reverse L.F. Slide 96	163308	thru
159366	Modification Kit 3, 102	161271	Link 96	163314	Pallet, Type 56
159395	Modification Kit 3, 56, 87	161272	Bracket w/Stud 96	163459	Gear, 66T 26
159571	Stiffener 98	161273	Bracket w/Stud 96	163503	Gear, 26T 26
159597	Washer, Flat 12	161278	Lever 96	163535	Modification Kit 3, 89, 98
159752	thru	161279	Spring, Torsion 96	163590	Gear, 60T 26
159787	Pallet, Type 57	161280	Modification Kit 3, 96		
160180	Armature w/Extension 116				

NUMERICAL INDEX (Continued)

Part Number	Description and Page Number	Part Number	Description and Page Number	Part Number	Description and Page Number
163776	Stop 7	170027	Bellcrank 40	172500	thru
163778	Stud 7	170028	Link 40	172530	Switch Assembly 62, 116
163783	Lever w/Stud 7	170039	Bellcrank w/Posts 36	172531	thru
163786	Bracket 7	170042	Bail w/Bushing 12	172536	Switch Assembly 62, 117
163787	Bail, Detent 7	170054	Arm w/Post 36	172538	thru
163788	Bracket, Guide 7	170056	Plate w/Stud 36	172557	Switch Assembly 62, 117
163790	Frame, Right 7	170057	Bearing 36	172558	Switch Assembly 62
163791	Frame, Left 7	170058	Nut, 10-32 Shoulder Hex 36	172559	Switch Assembly 62, 117
163943	Lever w/Pin, Function 61	170059	Pawl, Drive 36	172560	thru
163944	Lever, Function 61	170060	Plate, Guide 36	172590	Switch Assembly 62
163947	Modification Kit 3, 98	170062	Bail 35	172591	Switch Assembly 62
163948	Gear, 28T 7, 98, 114	170063	Lever 35	172593	Switch Assembly 62
163949	Bushing 7, 80, 98, 114	170064	Link, Drive 36	172594	Spring, Contact Arm 62
163951	Gear w/Shaft, 28T 7, 98	170066	Bar, Code 50	172595	Plate, Contact 62
163954	Handwheel 7, 98	170067	Washer, Spacing 27	172595	Plate, Contact 62
163955	Arm w/Hub & Stud 98	170071	Clutch Assembly, Code Bar 27	172596	Plate, Contact 62
163956	Lever 98	170074	Arm 12	172597	Block, Contact 62
163957	Lever 98, 114	170075	Roller 12	172598	Cam, Eccentric 87
163958	Washer, Flat 7, 98, 114	170076	Pawl 12	172599	Block, Contact 62
163959	Spring, Torsion 98, 114	170079	Arm w/Hub 37, 116	172600	thru
163960	Bushing 7, 80, 98, 114	170080	Stud 31	172608	Switch Assembly 62, 116
163968	Cable 64	170082	Cable w/Terminals 46	172618	Plate, Contact 62
164218	Box Assembly, YJ Type 56	170110	Cam, Selector 27	172619	Plate, Contact 62
164219	Arm w/Hub 7	170111	Shaft 27	172620	Cam, Eccentric 87
164220	Spring, Torsion 7	170112	Guide 40	172632	Screw, 4-40 x 3/16 Hex 110
164270	Modification Kit 3, 99	170113	Arm 40	172723	Box Assembly, YM Type 55
164311	Lever, Function 61	170115	Lever, #7 Transfer 40	172816	Cable w/Terminals 112
164313	Bracket 52	170116	Lever, #0 Transfer 40	172909	Sprocket 112
164314	Plate 34	170117	Bracket 40	172911	Lever, Latch 112
164316	Plate, Clamp 33, 116	170118	Bracket 39	172915	Lever, Switch Actuating 112
164348	Box Assembly, YK Type 1, 56	170119	Lever 40	172916	Pawl w/Bushing 112
164386	Bracket, Magnet 45, 110, 116	170120	Lever 40	172918	Bar, Line Feed 112
164476	Modification Kit 2, 69	170121	Shaft 40	172921	Plate, Mounting 112
164477	Cable 69	170122	Lever 40	172922	Post, Upper Mounting 112
164478	Contact Assembly 69	170123	Bracket, Retaining 39	172923	Post, Sprocket Mounting 112
164498	Box Assembly, YL Type 55	170124	Lubricator Assembly 43	172924	Lever, Reset 112
164572	Plate, Mounting 99	170125	Lever, Shoe Release 27	172926	Lever, Ratchet Release 112
164573	Rod 99, 103	170128	Clutch Asm, Selector Cam 27	173012	Insulator 112
164574	Bracket, Right 99	170133	Link 12	173141	Lever, Function 61
164575	Bracket, Left 99	170134	Plate 12	173282	Bail w/Post 75
164576	Rod 99	170135	Bracket 12	173283	Modification Kit 2, 75
164577	Bracket 99, 103	170136	Shaft 12	173284	Lever, Lock 37
164586	Box Assembly, YE Type 55	170137	Bail w/Post 12	173450	Cable w/Terminals 45
164594	Cable 64	170139	Bail 12	173698	Cable Assembly 45, 64
164600	Holder, Paper 99	170140	Stud 12	173715	Terminal, Plug Type 107, 115
164611	Guard 7	170142	Arm, Suppression 29, 75	173882	Stud 14, 97, 109
164740	Rack, Range Finder 110	170143	Stud, Bearing 12	173883	Bracket, Mounting 14, 97, 109
164743	Shaft 110	170144	Bail 12	173884	Plate, Mounting 109
164958	Screw, 4-40 x 1/2 Hex 97	170145	Cam 27	173885	Bracket, Mounting 109
164960	Insulator, .015" Thk 97	170146	Bail w/Hub 12	173886	Contact Assembly 109
165027	Network, Spark Suppression 105, 106	170164	Box Assembly, TA Type 55	173887	Post, Pivot 109
165217	Jumper, 1-1/2" Green 107, 115	170194	Washer, Spring 27	173889	Post, Spring 109
170000	Frame, Right Side 5	170198	Arm, Stop 43	173890	Pin, Stop 109
170001	Housing, Bearing 24	170230	Knob 43	173891	Bellcrank 109
170002	Bracket w/Bushing 12	170231	Guide, Upper 43	173892	Spring 109
170003	Post, Anchor 12	170232	Guide, Lower 43	173902	Spring, Compression 109
170004	Bracket w/Bushing 12	170233	Stud 43	173903	Bracket 109
170018	Bushing 29	170234	Bracket, Guide 43	173940	Terminal, Plug Type 115
170019	Lever, Latch 29	170235	Bracket, Spring 43	174043	Modification Kit 3, 108
170020	Lever, Trip 29	170236	Lever 43	174086	Box Assembly, TB Type 55
170021	Arm, Clamp 29	170237	Lever, Start 43	174384	Guide 108
170022	Arm, Cam 29	170238	Bail, Reset 43	174385	Bracket 108
170023	Bearing 40, 69	170282	Nut, 6-40 Hex 36, 107, 115	174386	Knife 108
170024	Bracket 40	171671	Connector, Blue Insulated 109		
170025	Bracket w/Stud 40	172181	Modification Kit 3, 100		
170026	Bellcrank w/Bushing 40	172190	Bracket 100		
		172226	Rod, Copy Holder 100		

NUMERICAL INDEX (Continued)

Part Number	Description and Page Number	Part Number	Description and Page Number	Part Number	Description and Page Number
174387	Finger, Paper 108	178188	Lever 14	179695	Bracket, Left Magnet 106
174388	Lever w/Hub 108	178189	Armature 14	179696	Bracket, Left Hinge 106
174389	Lever w/Hub 108	178190	Extension, Armature 14	179697	Lever, Left Stop 106
174390	Bracket w/Posts 108	178301	Modification Kit 3, 98	179698	Armature 105, 106
174391	Screw, 2-56 Shoulder 108	178302	Bracket, Mounting 98	179699	Shaft 105, 106
174392	Armature 108	178303	Guard, Contact Spring 98	179700	Bracket, Right Hinge 105
174393	Bracket w/Posts 108	178304	Contact Assembly 98	179701	Lever, Right Stop 105
174394	Yoke 108	178358	Modification Kit 14	179702	Bracket, Right Magnet 105
174395	Bracket 108	178359	Bracket 14	179703	Bracket 105
174397	Bushing 108	178414	Connector, 24 Pt Receptacle 109	179704	Shaft, Right 105
174398	Spring, Contact 108	178551		179708	Plate, Adjusting 105
174399	Spring, Contact 108	178567	Guide, Form 82	179718	Cable 106
174400	Contact Assembly 108	178568		179724	Modification Kit 3, 105, 106
174401	Insulator, .015" Thk 108	178584		179782	Screw, 6-40 x 7/8 Hex 15
174402	Spring, Compression 108	178600		179802	Cover 101
174403	Strip, Terminal 108	178607	Modification Kit 82	179814	Box Assembly, TD Type 55
174441	Lever w/Bushing 110	178724	Cover 109	179873	Screw, 3-48 x 5/8 Fil 77
174442	Contact Assembly 110	178724	Stud, Cam Follower 12	179989	Cable 98
174444	Spring, Contact 110	178724	Box Assembly, YS Type 1, 55	179994	Guard, Contact Spring 98
174445	Bracket, Contact Mounting 110	178809	Gear, 26T 26	179999	Bail, Spring 105, 106
174446	Spring, Contact 110	178809	Box Assembly, YT Type 55	182909	Spring 43
174447	Post 110	178852	Box Assembly, YU Type 57	192321	Stud 36
174448	Guard 110	179057	Box Assembly, YV Type 56	192322	Spring, Compression 36
174449	Bracket 110	179088	Pallet, Type 55	192323	Spring 33
174450	Cam 110	179194	Bracket 89	192493	Spring 43
174452	Spacer, .085" Thk 110	179198	Lever 80	192518	Bar, Suppression Code 50
174482	Lever 61	179199	Lever 114	192560	Slide 36
174483	Lever 61	179216	Arm, Right Side 33	192561	Bar w/Hub 36
174484	Lever 61	179217	Arm, Left Side 33	192563	Bracket w/Stud 36
174570	Switch 107, 115	179224	Slide Assembly 33	192566	Link, Left Drive 37, 109
176181		179225	Bail w/Studs 37	192567	Link, Right Drive 37, 109
176197		179226	Screw, 4-40 Shoulder 33	192575	Link, Right 33
176197	Modification Kit 81, 117	179235	Bracket, Right Mounting 103	192576	Link, Left 33
176221		179236	Bracket, Left Mounting 103	192580	Cam 27
176221		179237	Clamp, Left 103	192610	Arm, Slide 7φ
176237	Platen, Rubber 81, 82, 116, 117	179238	Clamp, Right 103	192704	Disk, Retaining 88
176238	Platen, Rubber 81	179239	Bracket, Right Mounting 103	192706	Modification Kit 88
176246	Bail, Blocking 61	179240	Bracket, Left Mounting 103	192707	Bail Assembly, Function 17
176247	Bail, Blocking 61	179241	Rack, Copy Display 103	192985	Spring, Contact 98
176285	Bail, Pressure 111	179301	Plate, Paper Guide 103	192986	Spring, Contact 98
176299	Screw, 6-40 Shoulder 97, 109	179309	Finger, Left Paper 103	192988	Spring, Contact 98
176420	Modification Kit 3, 110	179310	Finger, Right Paper 103	192997	Bracket 106
176471	Cable w/Terminals 108	179366	Shaft 103	193564	Spring, Contact 101
176472	Cable w/Terminals 108	179368	Roller, Paper Guide 103	193578	Box Assembly, YZ Type 55
176477	Plate 111	179369	Modification Kit 3, 103	193655	Lever, Function 61
176569	Modification Kit 89	179377	Post 103	193803	Box Assembly, AB Type 57
176598	Bellcrank 80	179396	Plate, Front Type Box 53	193858	Frame, Left Side 4
176642	Clip, Spring 59	179397	Plate, Rear Type Box 53	194018	
176651	Box Assembly, YP Type 1, 55	179451	Plate, Right 37		
176695	Cable 69	179452	Plate, Left 37	194021	Pallet, Type 57
176704	Spring, Torsion 76	179666	Box Assembly, YW Type 55	194026	Box Assembly, AC Type 57
176821	Modification Kit 2, 69	179675	Bracket 106	194027	Box Assembly, AD Type 57
176909	Frame, Left Side 8	179676	Lever, Left Guide 106	194035	
176910	Frame, Right Side 8	179677	Shaft, Ribbon Spool 105, 106		
176911		179678	Lever 105, 106	194039	Pallet, Type 57
176911		179680	Bail, Left Lifter 106	194052	Plate, Form Stop 88
176914	Guide w/Pins, Paper 82	179681	Post 105, 106	194054	Modification Kit 53, 116
176918	Shaft 27	179682	Bail, Left Roller 106	194092	Modification Kit 3, 112
177044	Template 98, 114	179684	Lever 105, 106	194093	Modification Kit 2, 76
177081	Gear 68T 16	179686	Bracket, Right 105	194324	Modification Kit 3, 102, 113
177082	Disk 16	179687	Lever, Right Guide 105		
177083	Yoke 14	179689	Bracket, Left 106	194325	Bracket w/Post 113
177084	Lever 16	179690	Plate 106	194326	Bracket, Switch 113
177089	Box Assembly, YR Type 55	179691	Bracket, Left 106	194327	Lever 113
178141	Modification Kit 2, 69	179692	Spacer 105, 106	194371	Guide 113
178185	Bracket w/Studs 16	179693	Bail, Right Lifter 105	194414	Lever 61
178187	Disk 16	179694	Bail, Right Roller 105	194929	Box Assembly, AE Type 57

NUMERICAL INDEX (Continued)

Part Number	Description and Page Number	Part Number	Description and Page Number	Part Number	Description and Page Number
194995	Modification Kit 3, 107	197737	Gear, 40T 70, 88	304779	Bail w/Wire 107
194998	Plate, Mounting 107, 115	197840	Gear, 31T 70, 88	305028	Guide, Paper 81
194999	Cable Assembly 107, 115	197847	Modification Kit 70	305031	Gear w/Shaft, 28T 7, 114
195000	Lever, Operating 107, 115	197848	Modification Kit 70	305033	Handwheel 7, 114
195001	Insulator, .032" Thk 107, 115	197849	Modification Kit 88	305034	Arm w/Hub 114
195009	Box Assembly, AF Type 57	197850	Modification Kit 88	305035	Modification Kit 3, 20, 98, 114
195016	Pawl Assembly 61	197957	Gear, 34T 114	305036	Modification Kit 3, 21, 114
195054	Stud 12	197958	Gear w/Shaft, 37T 114	305059	Guide, 6-1/2" Form 81
195061	Switch, DT-SP 112	197996	Roller, Front 105, 106	305071	Gear, 112T 81
195062	Arm, Stop 112	197998	Cable 98	305075	Disk, Retainer 88
195109	Plate, Stop 59, 61	198394	Modification Kit 3, 109	305079	Modification Kit 88
195150	Lever, Reversing 106	198655	Cable Assembly 109	305541	Slide, Stripper 59
195218	Box Assembly, AG Type 55	198656	Cable Assembly 109	305687	Stud 61
195240	Post 46	199245	Modification Kit 3, 107	305769	Bracket 15
195251	Armature, Selector 45	199410	Arm 37	305771	Bracket, Guide 81
195266	Modification Kit to Add Shaft and Retainer 59	199440	Screw, 6-40 x 5/8 Fil 26, 27	305773	Cable Assembly 15
195461	Box Assembly, AH Type 57	199518	Bar, Function 66	305776	Armature 15
195486	thru	199519	Bar, Function 66	305778	Lever, Shift 15
195488	Pallet, Type 57	199529	Cam, 33T Restoring 112	305779	Bellcrank 15
195593	Lever 7	199655	Bracket, Left 112	306058	Armature Assembly 15
195594	Lever 7	199656	Guide, Left Paper 112	306098	Wire, Guide 115
195634	Modification Kit 45	199657	Guide, Right Paper 112	306755	Lever, Marking Lock 42
195855	Pin, Sprocket Feed 20	199898	Box Assembly, AL Type 1, 57	307065	Modification Kit 3, 114
195980	Spring 61	304360	Pawl, Check 112	307285	Plate, Mounting 112
195996	Gear, 63T 26	304361	Ratchet 112	307289	Lever 80, 114
197713	Box Assembly, AK Type 55	304374	Spring, Torsion 112	309529	Washer, Clamp 15
197729	Disk 70	304395	Spring 33	310733	Modification Kit 81
197730	Disk 70	304396	Plate, Stop 7, 114	311456	Modification Kit 3, 107, 115
197731	Gear, 68T 70, 88	304463	Slide, Stripper 59	311457	Bracket, Bail 115
197732	Gear, 104T 70, 88	304464	Blade w/Stud 59	312980	Bail, Right 115
197733	Disk, Retaining 88	304465	Blade, Stripper 59	312981	Bail, Left 115
197734	Disk, Retaining 88	304740	Head, Print Hammer 52	319991	Plate, Nut 112
197735	Gear, 44T 70, 88	304772	thru	32 408	Terminal, Spade Type 46
197736	Gear, 34T 70, 88	304775	Guide, Paper 81	320410	Terminal, Spade Type 45, 46, 109, 113
		304778	Bail w/Wire 107	320416	Terminal, Ring Type 112