

28 SFND-RECEIVE KEYBOARD (LK)
AND
28 RECIEVE-ONLY BASE (LB)
PARTS

Note:

When ordering parts from this section,
prefix each number with the letters TP

Unit Description	Teletype Code	Bell System Code
60 WPM	151060	28A
	161293	28A-1
Gear Sets 75 WPM	151075	28B
	161294	28B-1
100 WPM	151100	28C
	161295	28C-1

BELL SYSTEM and TELETYPE CODE CROSS-REFERENCE		
Unit Description	Teletype Code	Bell System Code
Keyboard	LK14BRX	28J
	LK16ARC	28D
	LK22BRS	28E
	LK26BRX	28G
	LK27ARC	28K
	LK45BSD	28M
	LK46BRX	28H
	LK47BRX	28H-1
	LK3RC106	28A
	Base	LB31
LB4/146		28B
LB4/218		28B-1
LB9/146		28F

SECTION 573-116-800

Figure	Contents	Page	Figure	Contents	Page
1	Keyboard or Base Mechanism (Mark II)	4	36	Function Bail Mechanism (Mark III)	34
2	Tachometer and Governor Adjustment Linkage	5	37	154224 and 164234 Intermediate Gear Assemblies (Mark III)	34
3	Code Bar Mechanism (Mark II)	6	38	154151 Universal Bail Assembly (Mark III)	35
4	Function and Code Levers (Mark II)	7	39	154152 Ball Lock Bar Assembly (Mark III)	35
5	151890 Intermediate Gear Assembly - with Overload	8	40	Trip Lever Mechanism (Wall Mounted)	36
6	Intermediate Gear Mechanism	8	41	192550 Ball Lock Bar Assembly (Wall Mounted)	36
7	Carriage Return Mechanism (Mark II)	9	42	Keyboard Hood and Mounting Parts (Mark III)	37
8	Keyboard Lock and Local Line Feed Mechanism (Mark II)	9	43	Keyboard Top Plates (Mark III)	38
9	Keyboard Mechanism (Mark II)	10	44	Keyboard Mechanism (Wall Mounted)	39
10	Base Mechanism (Mark II)	11	45	Code Bar Mechanism (Mark III)	40
11	Receiving-only Base Covers (Mark II)	12	46	Signal Generator Frame Mechanism (Mark III)	41
12	Keylever Assemblies	13	47	Signal Generator Shaft Mechanism (Mark III)	42
13	Keylever Assemblies	14	48	Signal Generator Front Plate Mechanism (Mark III)	43
14	Signal Generator Mechanism (Mark II)	15	49	Signal Generator Rear Plate Mechanism (Mark III)	44
15	Signal Generator Mechanism (Mark II)	16	50	154165 (w/Arc Suppression), 154225 (w/RF Suppression-Neutral Transmission) and 162892 (w/RF Suppression - Polar Transmission) Contact Box Assemblies (Mark III)	45
16	Signal Generator Mechanism (Mark II)	17	51	174410 Contact Box Assembly w/RF Suppression and Shielded Signal Lines-Polar Transmission (Mark III)	46
17	Signal Generator Mechanism (Mark II)	18	52	163775 Modification Kit to Provide Repeat on Space Mechanism (Mark III)	47
18	152333 (Electrical) and 153902 (Mechanical) Modification Kits to Provide Signal Line Break Mechanism on Keyboard (Mark II)	19	53	Keyboard Cable Components	47
19	151887 Modification Kit to Provide Repeat on Space Mechanism (Mark II)	19	54	154147 Modification Kit to Provide Local Paper Feed-Out Motor Starting Mechanism (Mark III)	48
20	Gear Sets	20	55	154141 and 164494 Modification Kits to Provide Electrical Signal Line Break Mechanism (Mark III)	48
21	152343 Modification Kit to Provide End-of-Line Switch (Mark II)	20	56	164005 (for Mark III) and 164077 (for Mark II) Modification Kits to Provide Universal Keyboard Switch	49
22	152334 Modification Kit to Provide Paper Feed-out Motor Starting Mechanism (Mark II)	21	57	162224 Modification Kit to Add Lock Bar Contact to Keyboard (Mark III)	49
23	152911 (Less Switch) 152344 (With Switch) Modification Kits to Provide Signal Line Break Mechanism on Base (Mark II)	21	58	154145 Modification Kit to Provide Local Reverse Line Feed Mechanism (Mark III)	50
24	152342 (Local-Remote) Switch (Base) 154681 (Print-Suppression) Modification Kits to Provide Switch on Base (Mark II)	22	59	154146 Modification Kit to Provide Local Back Space Mechanism (Mark III)	50
25	152338 Modification Kit to Provide Time Delay Mechanism on Keyboard or Base (Mark II)	23	60	154142 Modification Kit to Provide Keyboard with Time Delay Mechanism (Mark III)	51
26	152918 Modification Kit to Provide Local Back Space Mechanism on Keyboard (Mark II)	24	61	164660 (100 MA) and 194424 (50 MA) Modification Kits to Provide Synchronous Pulsed Transmission (Mark III)	52
27	152916 Modification Kit to Provide Local Reverse Line Feed Mechanism on Keyboard (Mark II)	25	62	195415 Modification Kit to Provide a Three Speed Gear Shift (60, 67 and 100 WPM, 7.42 Unit Code)	53
28	Auxiliary Cables for Keyboard or Base (Mark II)	26	63	164926 and 146320 Modification Kits to Provide Paper Winding Facilities for Send-Receive and Receive-only Bases Mounted in an Apparatus Cabinet	54
29	154783 Modification Kit to Equip a Keyboard with Off-Line Contacts	27			
30	154783 Modification Kit to Equip a Keyboard with Off-Line Contacts (Continued)	28			
31	158359 Modification Kit to Provide Busy Key Switch (Base)	29			
32	161435 Modification Kit to Provide Neutral & Inverse Transmission (Mark II)	30			
33	Keyboard Base Parts (Mark III)	31			
34	Keyboard Base for Remote Controlled Gear Shift Mechanism	32			
35	Keyboard or Base Mechanism (Wall Mounted)	33			

Figure	Contents	Page	Figure	Contents	Page
64	Remote Controlled Shift Gear Mechanism (60 and 100 WPM, 7.42 Unit Code)	55	66	Answer-Back Mechanism	57
65	162641 (Mark II) and 163359 (Mark III) Modification Kits to Provide Variable Speed Gear Shift Mechanism (60,75 and 100 WPM, 7.42 Unit Code)	56	67	Answer-Back Mechanism (Continued)	58
			68	Answer-Back Mechanism (Continued)	59
			69	Coding Keyboard Answer-Back	
				Drum Blade	60
				Numerical Index	61

FIGURE 1. KEYBOARD OR BASE MECHANISM (MARK II)

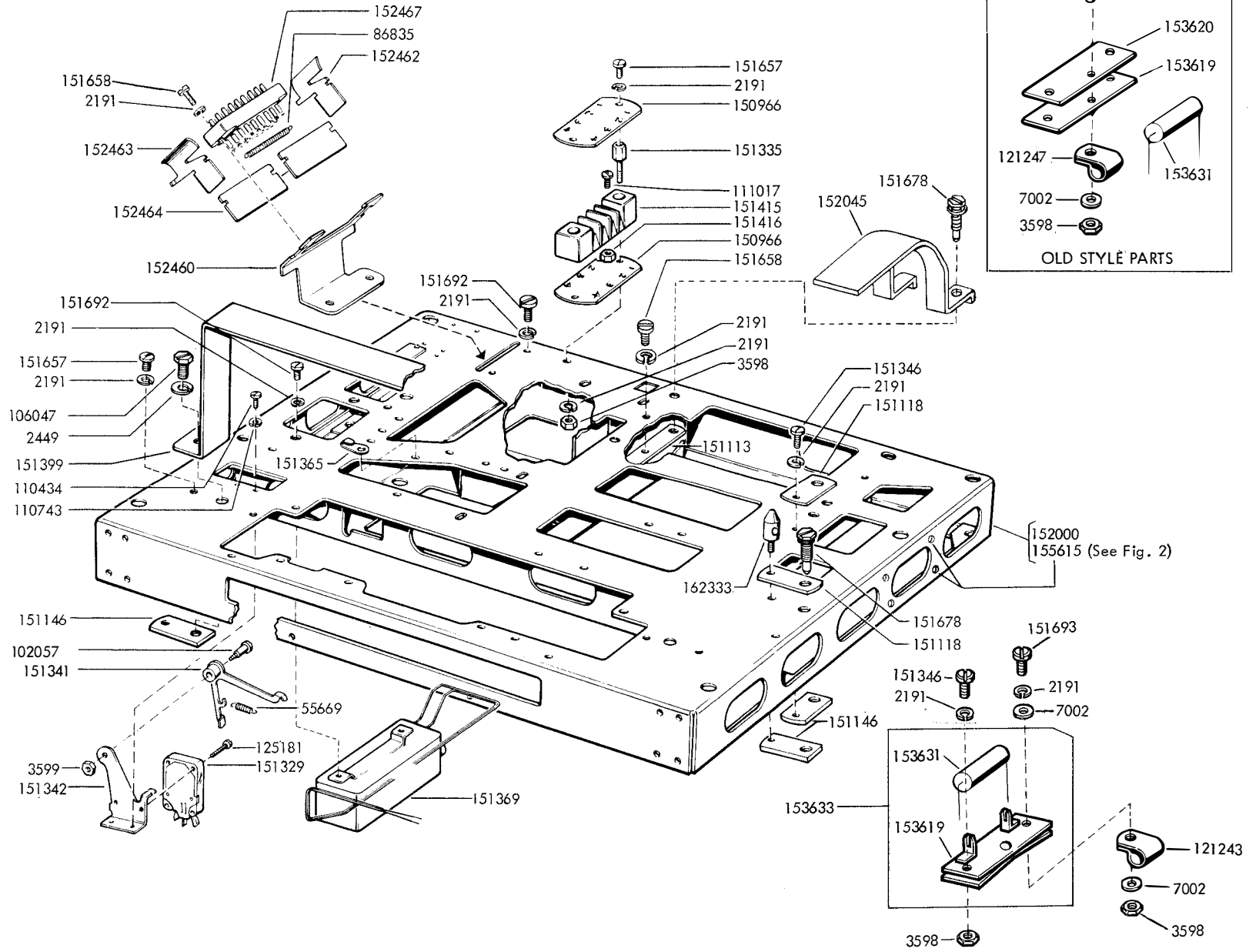
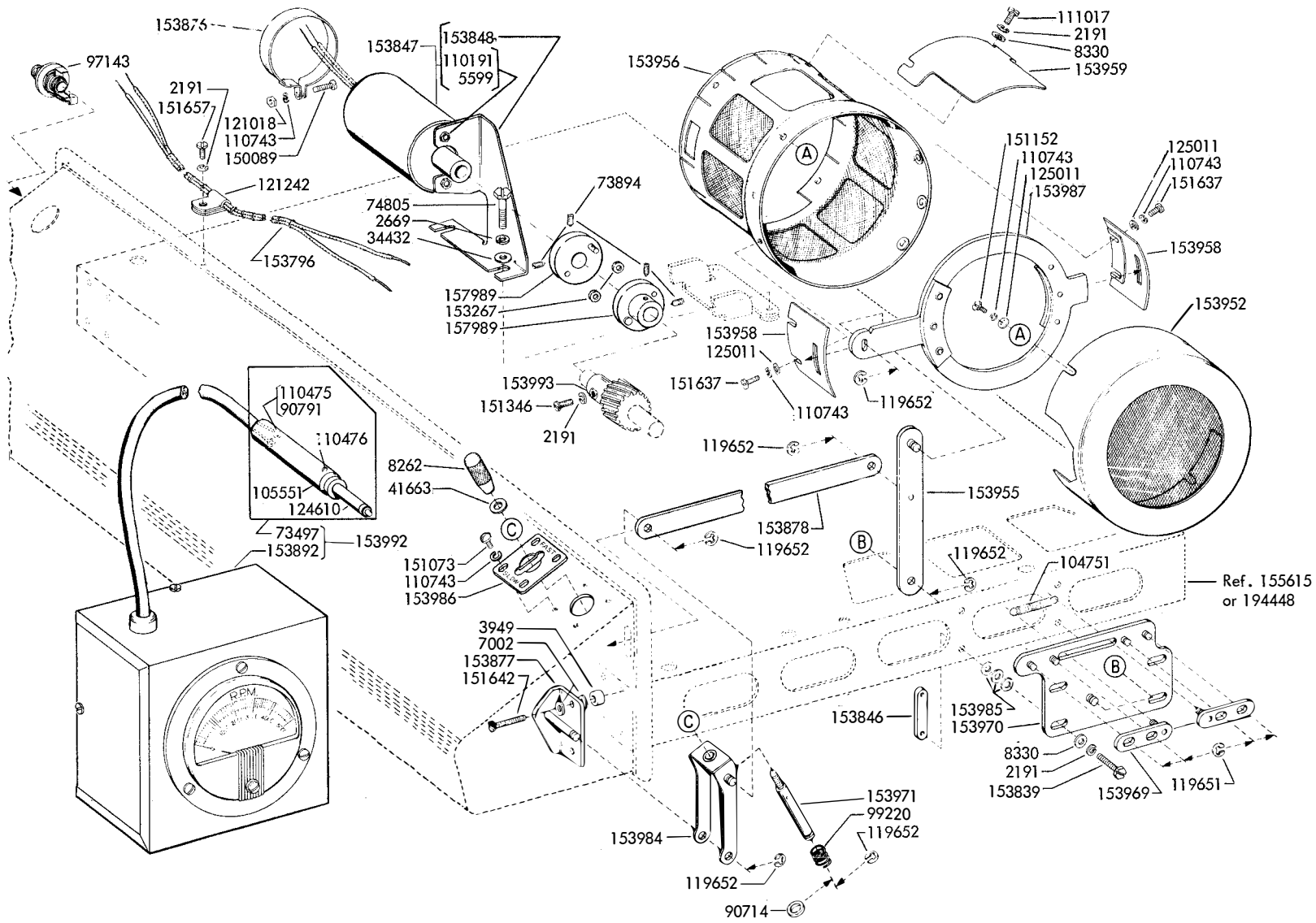


FIGURE 2. TACHOMETER AND GOVERNOR ADJUSTMENT LINKAGE



SPECIFICATION 58195

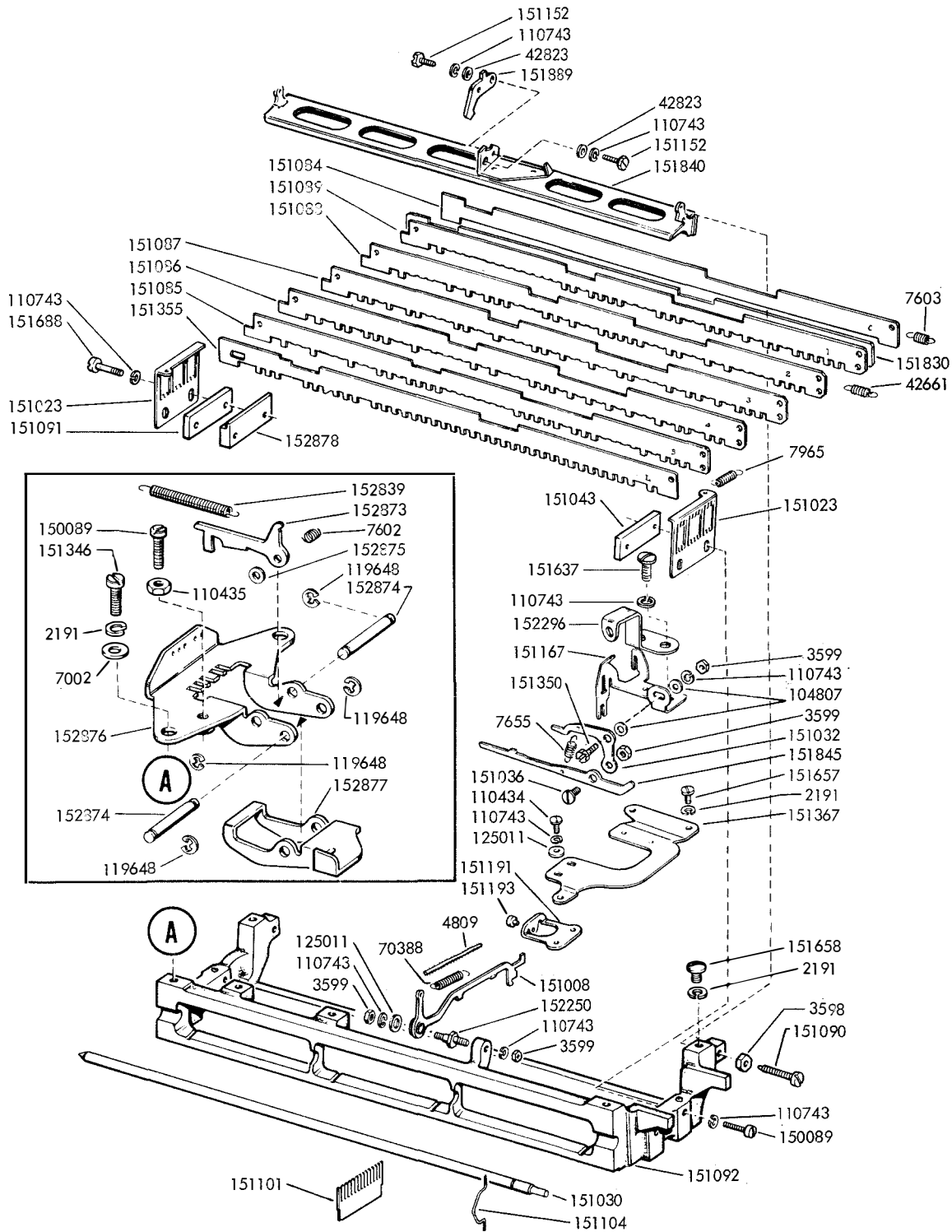


FIGURE 3. CODE BAR MECHANISM (MARK II)

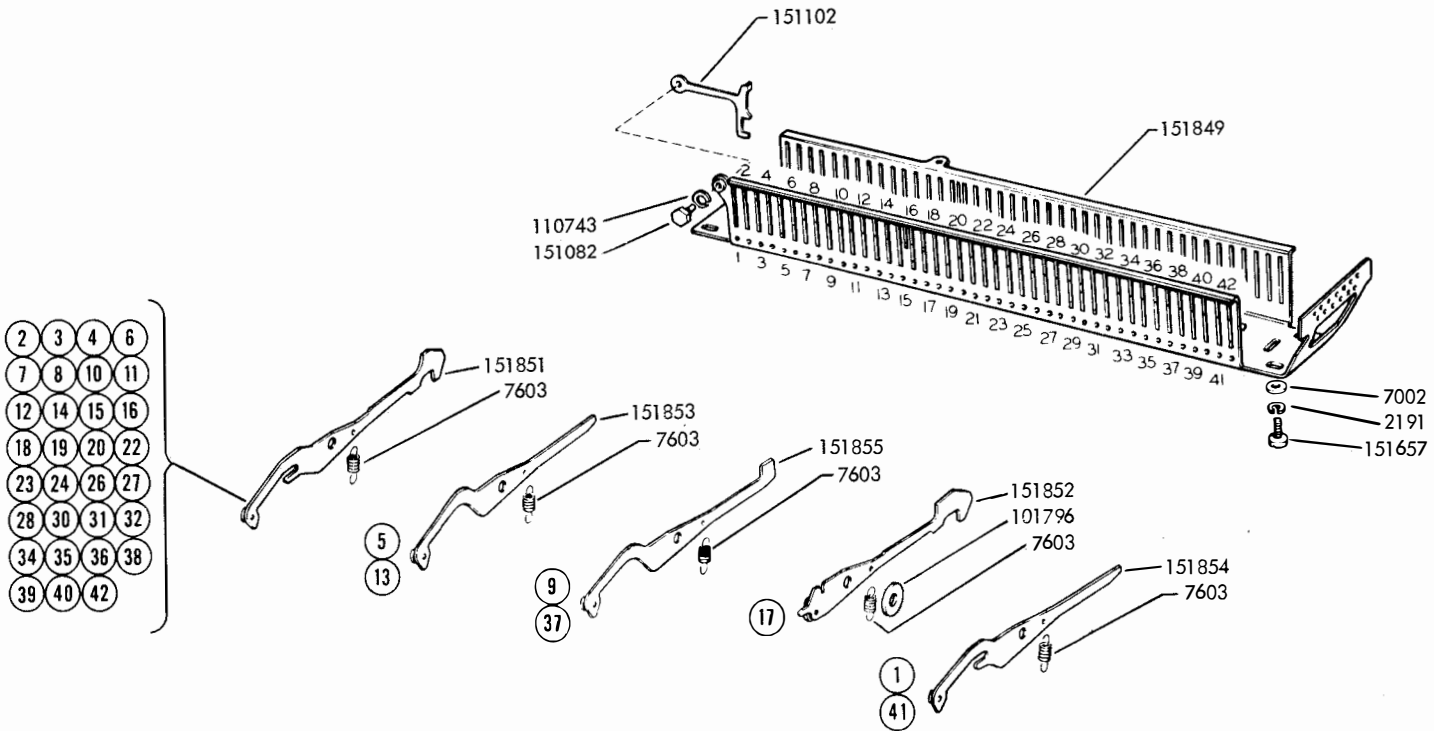


FIGURE 4. FUNCTION AND CODE LEVERS (MARK II)

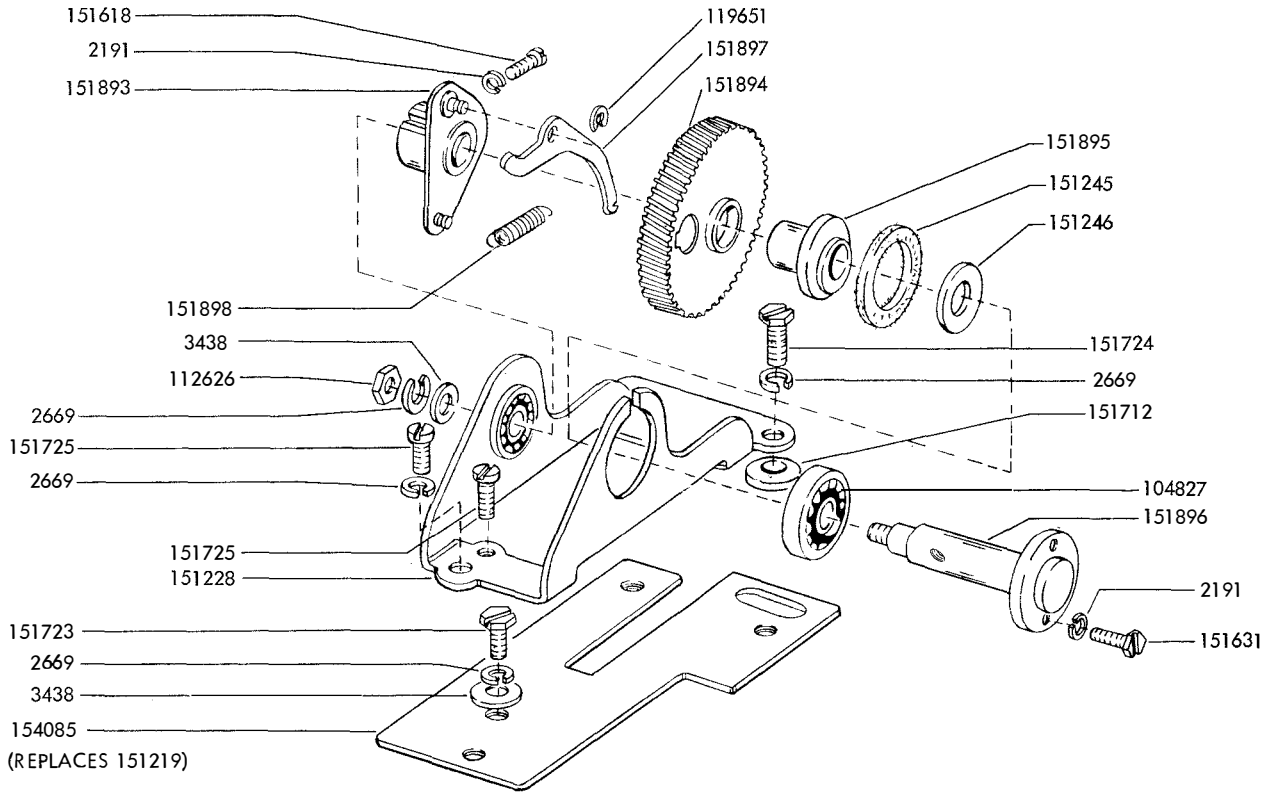


FIGURE 5. 151890 INTERMEDIATE GEAR ASSEMBLY - WITH OVLRLD

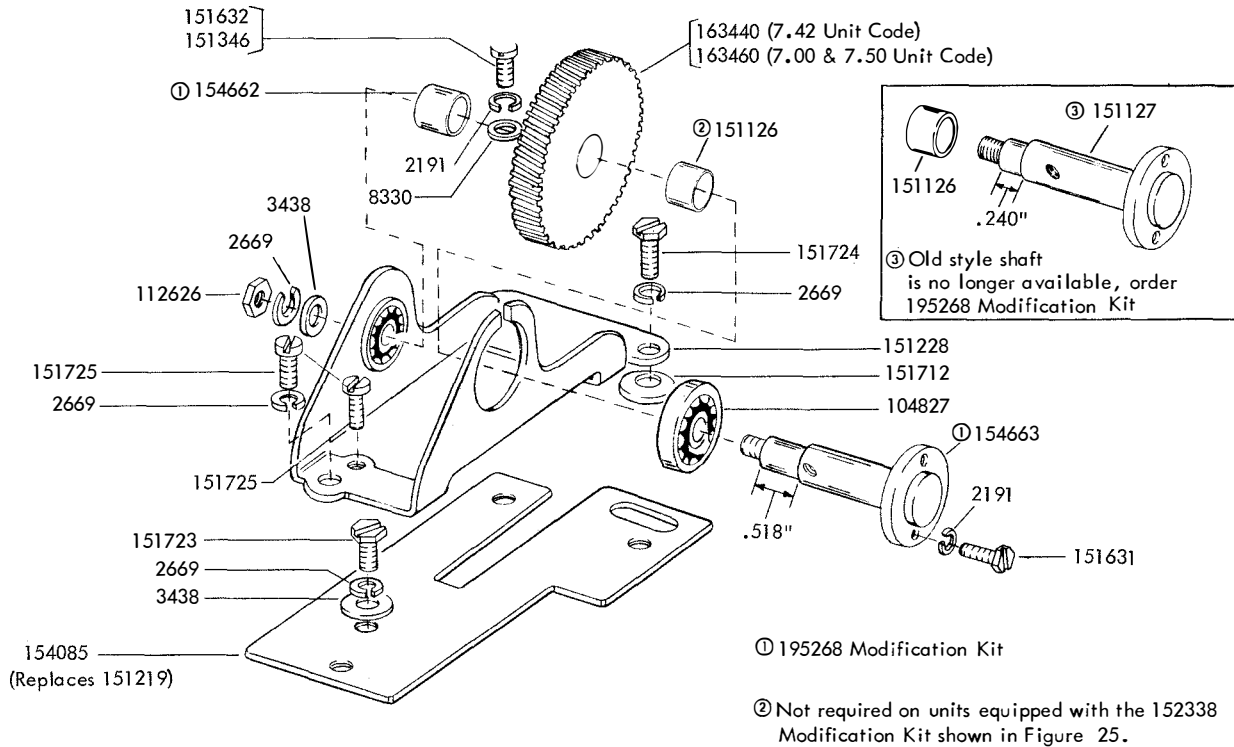


FIGURE 6. INTERMEDIATE GEAR MECHANISM

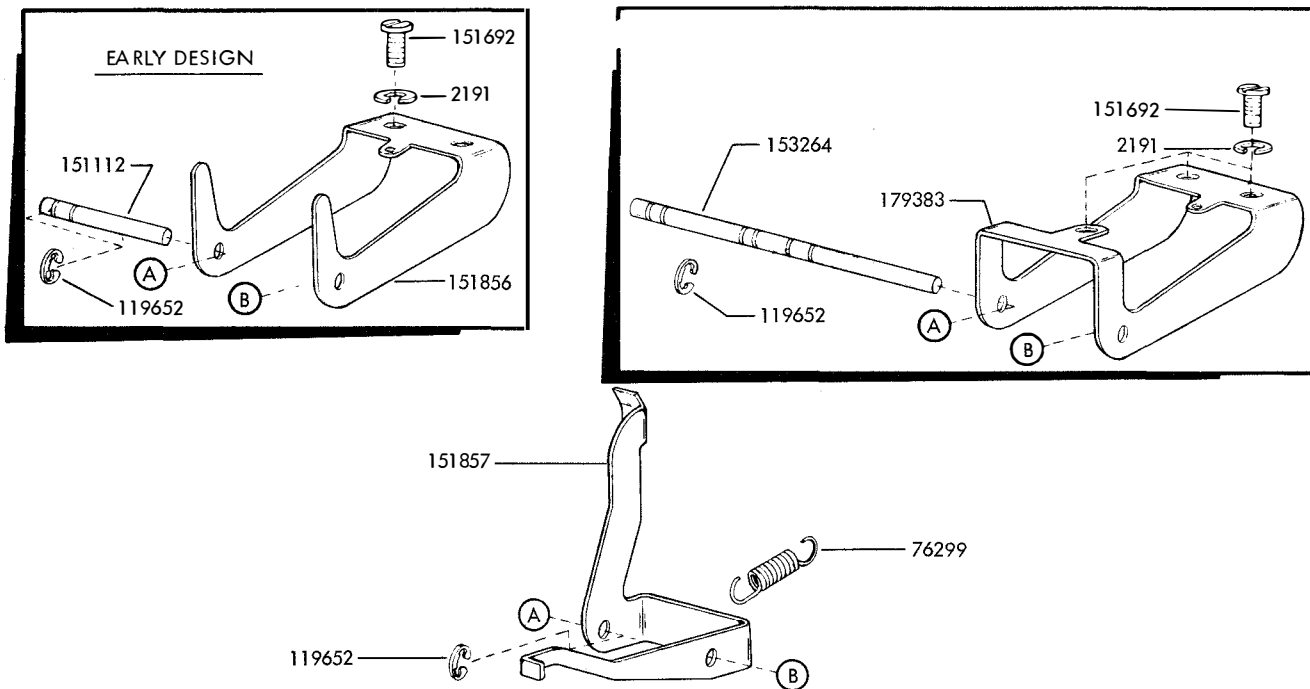


FIGURE 7. CARRIAGE RETURN MECHANISM (MARK II)

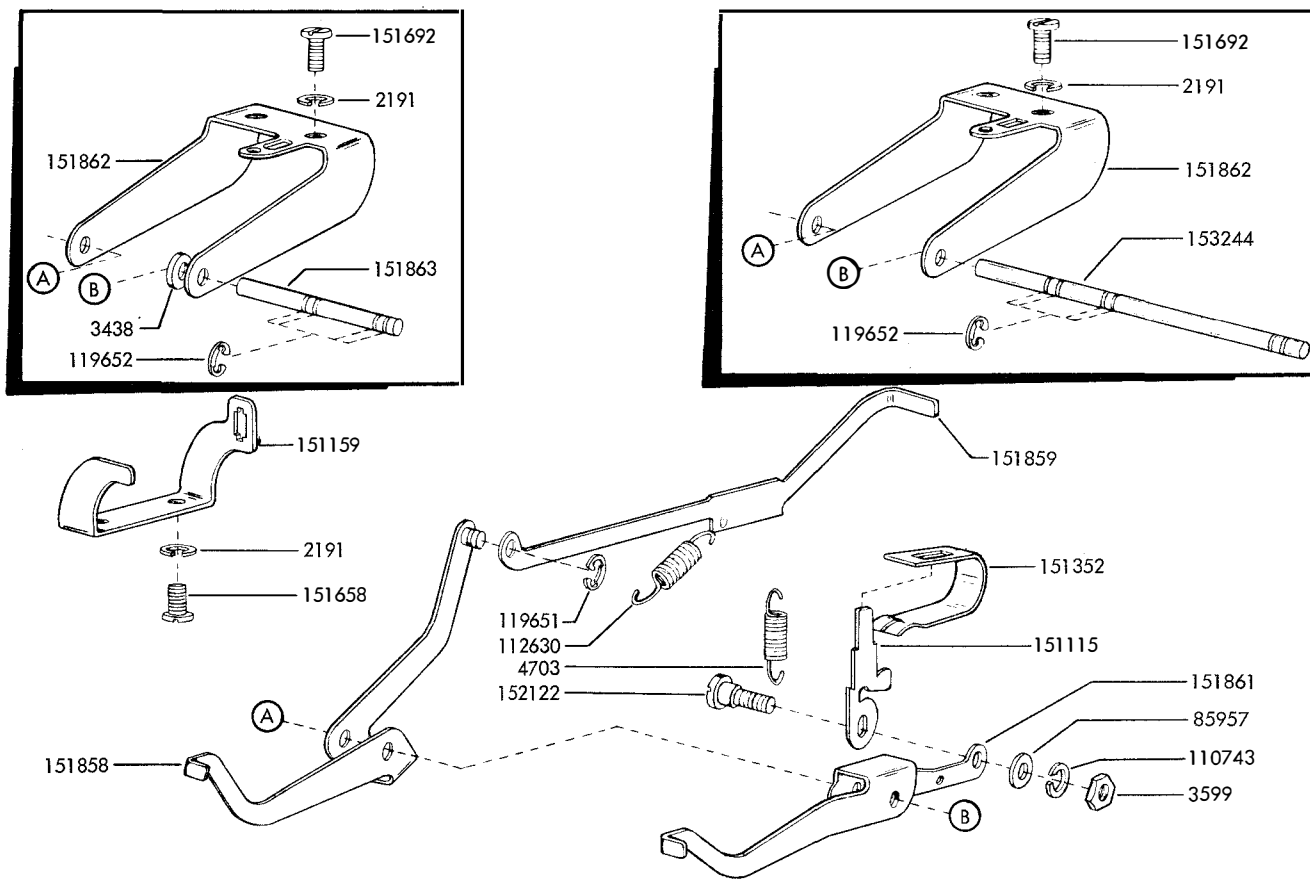
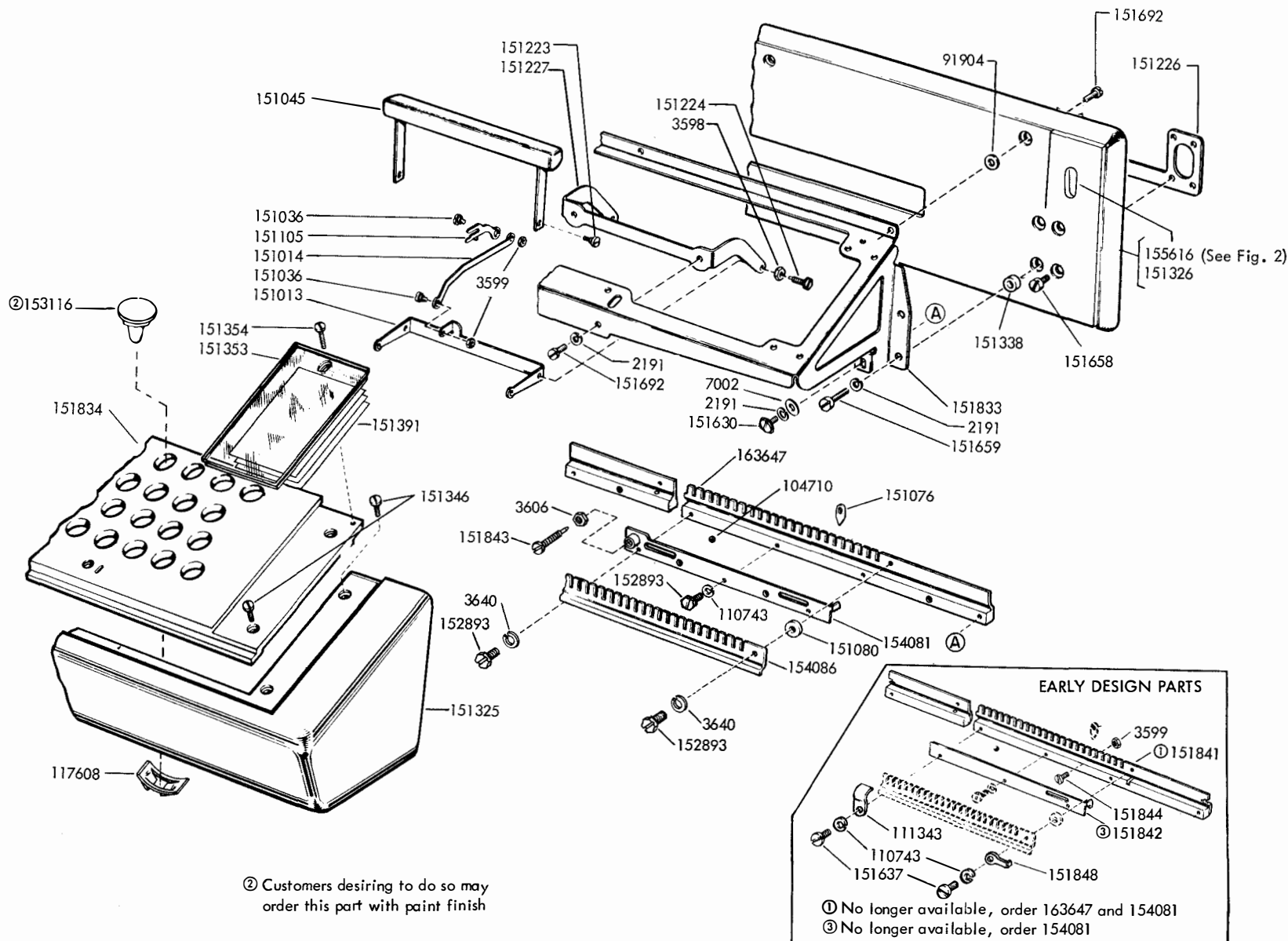
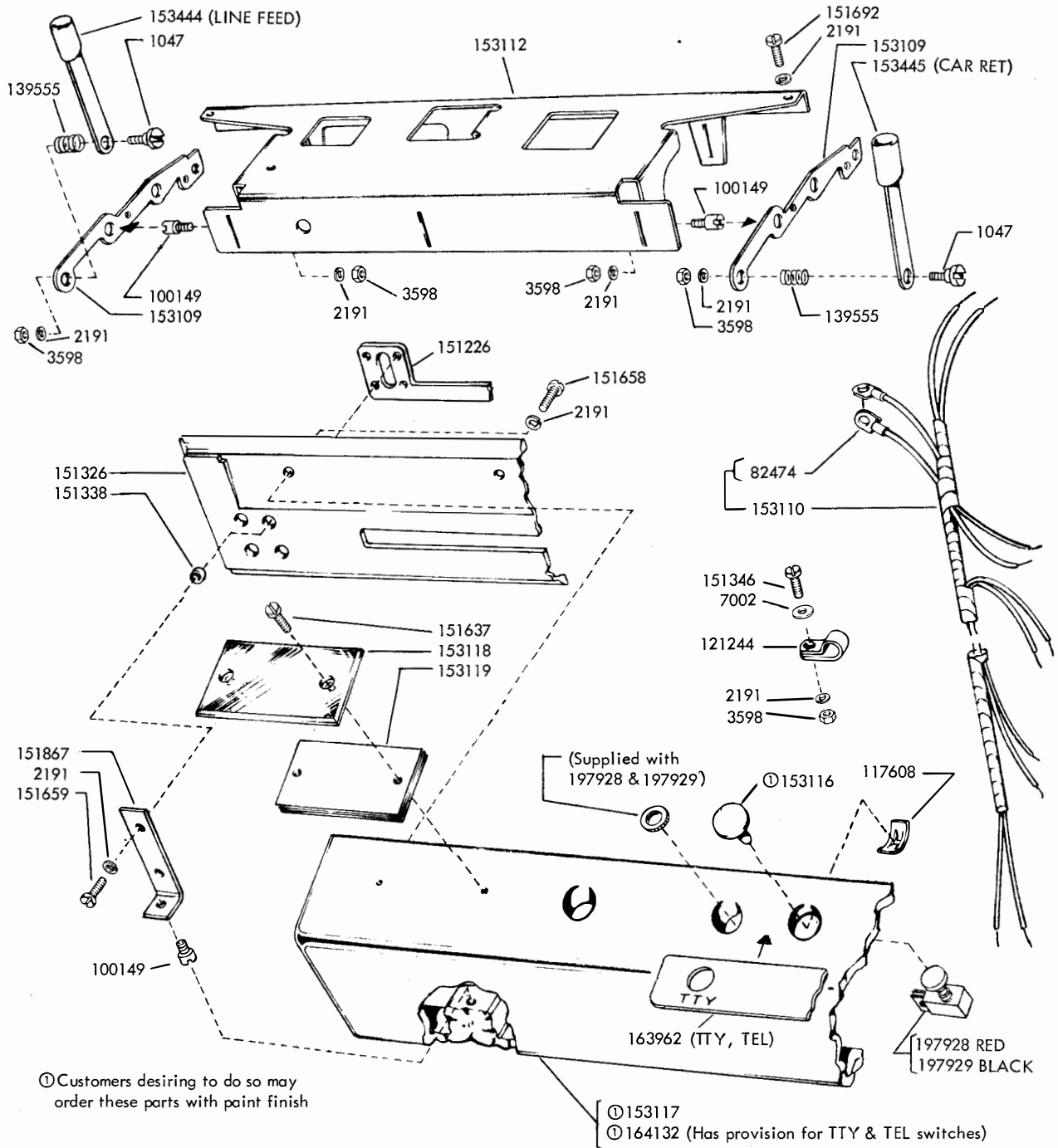


FIGURE 8. KEYBOARD LOCK AND LOCAL LINE FEED MECHANISM (MARK II)

FIGURE 9. KEYBOARD MECHANISM (MARK II)



② Customers desiring to do so may order this part with paint finish



Also see Figure 11 for other variations.

FIGURE 10. BASE MECHANISM (MARK II)

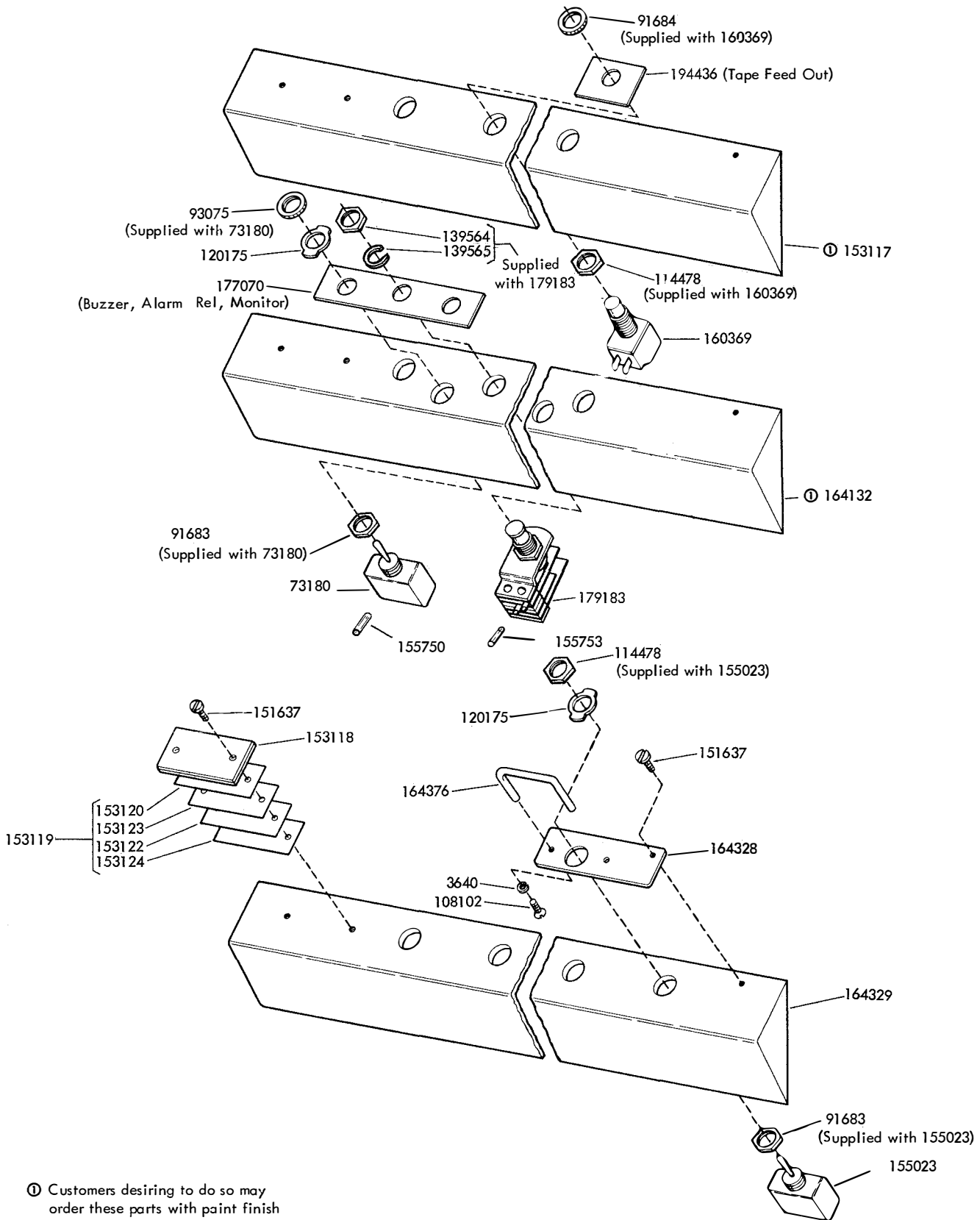
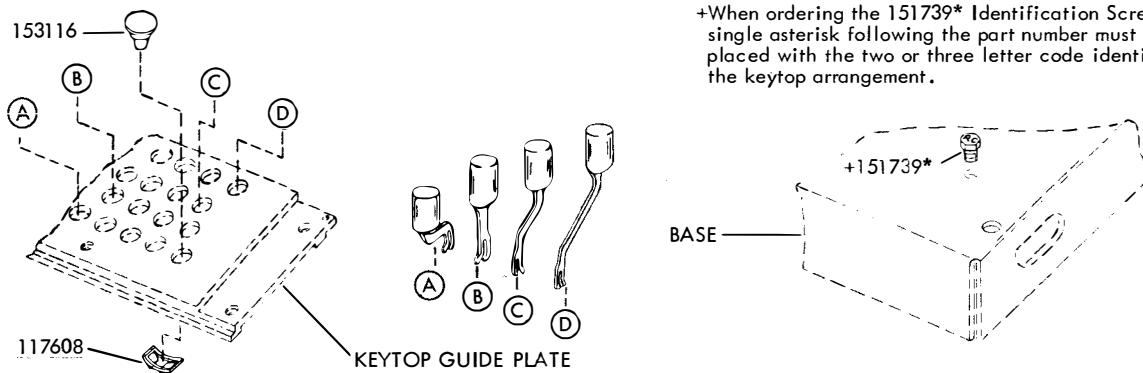


FIGURE 11. RECEIVING-ONLY BASE COVERS (MARK II)



+When ordering the 151739* Identification Screw, the single asterisk following the part number must be replaced with the two or three letter code identifying the keytop arrangement.

KEYTOP DESCRIPTION	PART NUMBER	KEYTOP DESCRIPTION	PART NUMBER	KEYTOP DESCRIPTION	PART NUMBER	KEYTOP DESCRIPTION	PART NUMBER	KEYTOP DESCRIPTION	PART NUMBER
E 3	151294	Q 1	151292	W 2	151293	LTRS	151320	⓪KBD LOCK	151289
I 8	151299	R 4	151295	X /	151314	LINE FEED	151321	⓪BREAK	151290
M .	151319	S BELL	151303	Y 6	151297	⓪ LOC LF	151286	⓪REPT	151291
O 9	151300	T 5	151296	CAR RET	151311	⓪ LOC CR	151287	⓪SEND	164434
P 0	151901	U 7	151298	FIGS	151312	⓪KBD UNLK	151288	⓪RECEIVE	164435

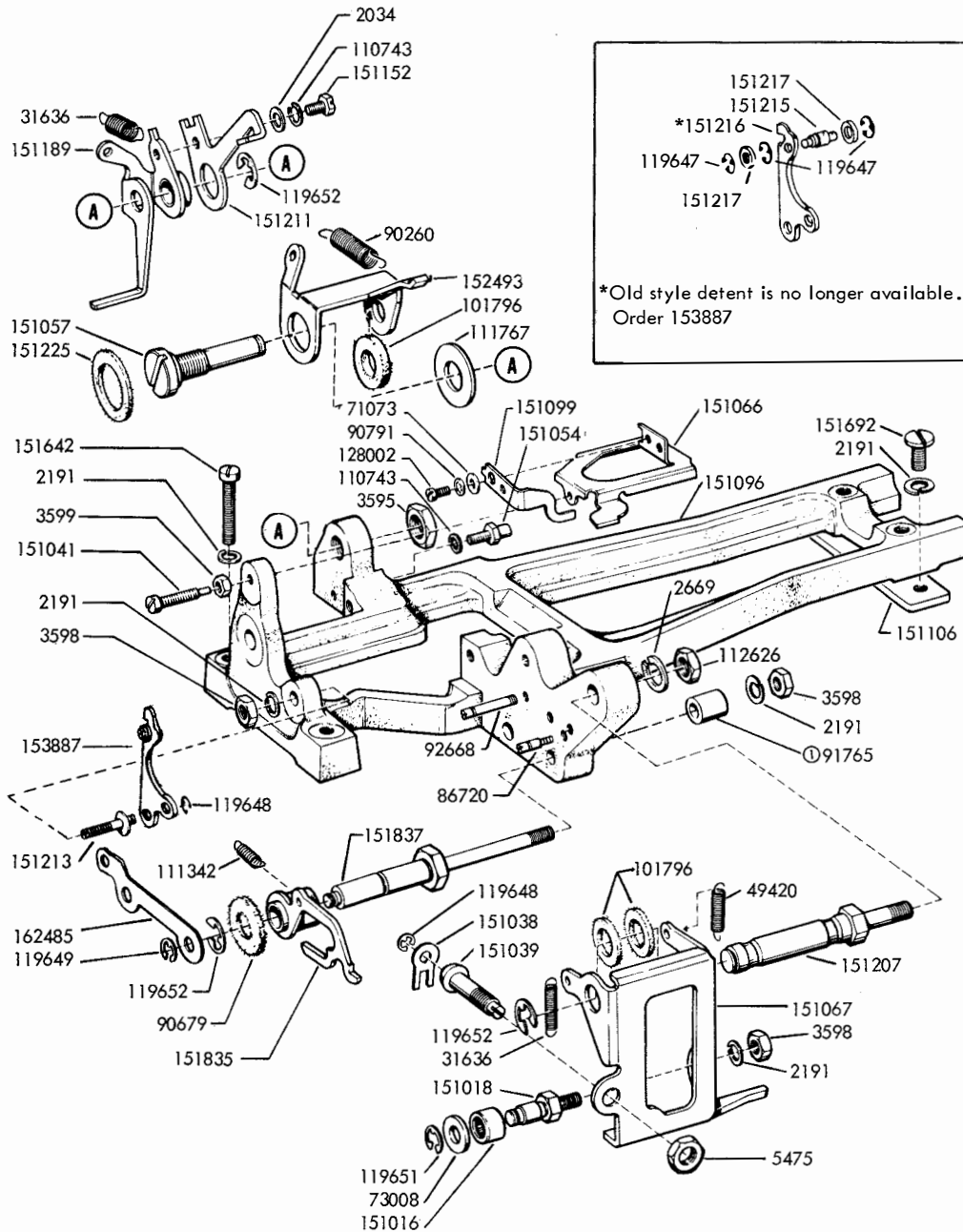
⓪RED KEYTOPS, ALL OTHER KEYTOPS ARE GRAY-GREEN, ALL CHARACTERS ARE WHITE

KEYLEVER ASSEMBLIES					KEYLEVER ASSEM. MOD. KITS				KEYLEVER ASSEMBLIES					KEYLEVER ASSEM. MOD. KITS					
KEYTOP DESCRIPTION	PART NUMBER	KEYTOP ARRANGEMENTS				151934 ARA to ARC	152904 ARC to ARD	152905 ARC to ARB	152906 ARC to ARA	KEYTOP DESCRIPTION	PART NUMBER	KEYTOP ARRANGEMENTS				151934 ARA to ARC	152904 ARC to ARD	152905 ARC to ARB	152906 ARC to ARA
		ARA	ARB	ARC	ARD							ARA	ARB	ARC	ARD				
A -	151302	X	X	X					J ↗	152010				X					
A ↑	152001				X		X		J ,	151904			X	X					
B ?	151317	X						X	K (151309	X							X	
B 5/8	151909		X	X		X			K 1/2	151905		X	X		X				
B ⊕	152002				X		X		K ←	152011				X					
C 1/8	151907		X	X		X			L)	151310	X							X	
C ○	152003				X		X		L 3/4	151906		X	X		X				
C :	151315	X						X	L ↘	152012				X		X			
D \$	151304	X	X	X					N 7/8	151910		X	X		X				
D ↗	152004				X		X		N ⊕	152013				X		X			
F !	151305	X						X	N ,	151318	X							X	
F 1/4	151902		X	X		X			V 3/8	151908		X	X		X				
F →	152005				X		X		V ⊕	152014				X		X			
G &	151306	X	X	X					V ;	151316	X							X	
G ↘	152006				X		X		Z "	151313	X	X	X						
H #	152009	X	X					X	X	152015				X		X			
H STOP	151903			X		X			-	151322									
H ↓	152008				X		X			152016				X		X			
J ▼	151308	X	X					X											

FIGURE 12. KEYLEVER ASSEMBLIES

KEYTOP DESCRIPTION	PART NUMBER	KEYTOP DESCRIPTION	PART NUMBER	KEYTOP DESCRIPTION	PART NUMBER
A #	154530	F 1/3	158435	N ▼	152138
A +	157329	G	157323	N OFF	155029
A 157365	157365	G ON	154527	N n	157353
A ?	158418	G ▼	154532	N *	157357
A @	158438	G TAB	155037	N START	157942
B RUSH	152133	G ♂	157348	N %	157946
B OFF	152136	G TFO	157356	N &	157949
B 154525	154525	G FO	157359	N @	157951
B %	155034	G £	157955	N +	157959
B &	157342	G :	158422	N ♂	157970
B *	157345	G OFF	158444	N -	158412
B '1	157354	G •	158454	N)	158427
B EJT	157334	H	151307	P ∅	151301
B 1	157944	H £	152007	R TAB	158450
B DZ	157961	H +	157358	S ▼	152131
B @	158414	H OFF	154528	S	157367
B #	158417	H ∅	155026	S ∆	154535
B -	158419	H ?	157360	S ON	155030
B ¢	158434	H →	157968	S /	157328
B TAB	158443	H FO	158431	S s	157351
B ON	158452	H &	158440	S #	158439
C W-R-U	164457	J	152134	S STOP	158445
C 154523	154523	J J	157349	U 7	157327
C #	155035	J YIP	157362	V	154524
C 1/4	157321	J ∅	152017	V %	152139
C %	157339	J ¢	152018	V =	157325
C ON	157343	J BELL	152132	V *	155033
C c	157346	J x	154533	V ∅	155039
C 1/2	157945	J ON	155031	V ±	157336
C ¢	157957	J 1/2	157320	V ∅	157361
C &	157964	J *	157340	V x	157943
C (158410	J %	157341	V '1	157950
C +	158420	J YD	157958	V EA	157953
C O	158441	J Yd	157962	V °	157960
D ?	154531	J #	157965	V ⊕	157971
D 155038	155038	J =	158423	V)	158411
D °	157322	J TAB	158447	V -	158415
D ☒	157326	K	154521	V ,	158428
D OFF	157331	K &	157338	V ±	158442
D /	157355	K k	157350	X #	154529
D &	157956	K NYC	157363	X	157332
D ∅	157967	K STOP	157941	X FO	158430
D ;	158421	K ▼	158424	Z	152135
D BO	158448	K +	158453	Z TAB	155027
D TAB	158455	L	154522	Z ON	155028
E 157940	157940	L &	157947	Z OFF	155032
F #	154520	L L	157966	Z %	157337
F %	152020	L .	158425	Z z	157352
F #	152130	L ?	158436	Z VERT	157344
F ¢	155025	L ATL	158449	Z FO	157948
F &	155036	L OFF	158451	Z !	158429
F 3/4	155040	M STOP	152019	Z *	158437
F f	157347	M "	157335	LOC RLF	153283
F CHI	157364	M %	157952	LOC B SP	153284
F ñ	157963	M	157366	.	152137
F TAB	158406	M #	157954	- \\	154534
F DATA	158408	M ∞	157969	BELL -	157330
F ▼▼	158409	M (158426	ON .	157333
F *	158413	M M	158432	.	158407
F F	158433	N	154526	,	158416
				HERE IS	163852

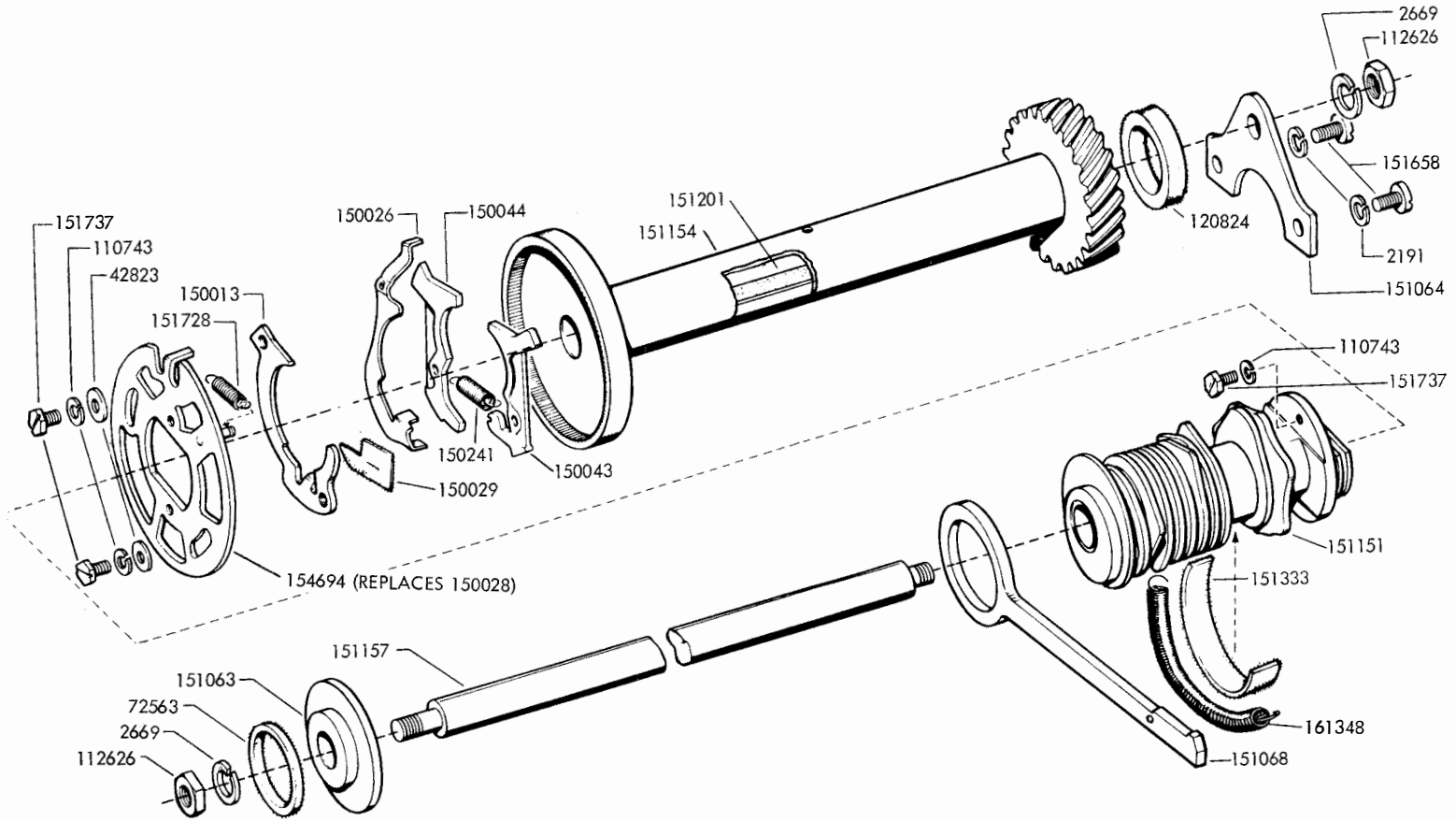
FIGURE 13. KEYLEVER ASSEMBLIES



Ⓞ TO BE DISCARDED WHEN 151887 REPEAT ON SPACE MODIFICATION KIT IS INSTALLED. SEE FIGURE 19.

FIGURE 14. SIGNAL GENERATOR MECHANISM (MARK II)

FIGURE 15. SIGNAL GENERATOR MECHANISM (MARK II)



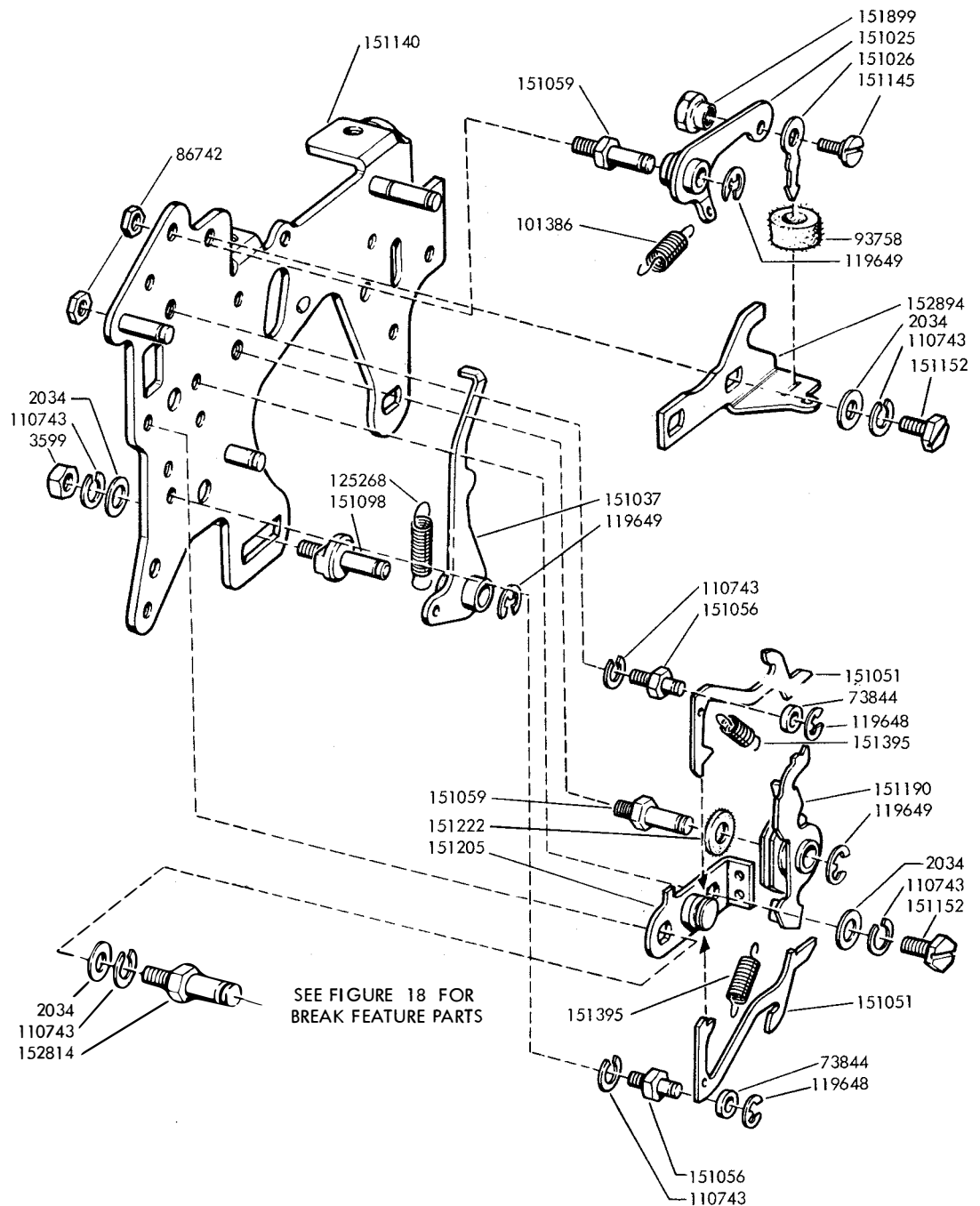


FIGURE 16. SIGNAL GENERATOR MECHANISM (MARK II)

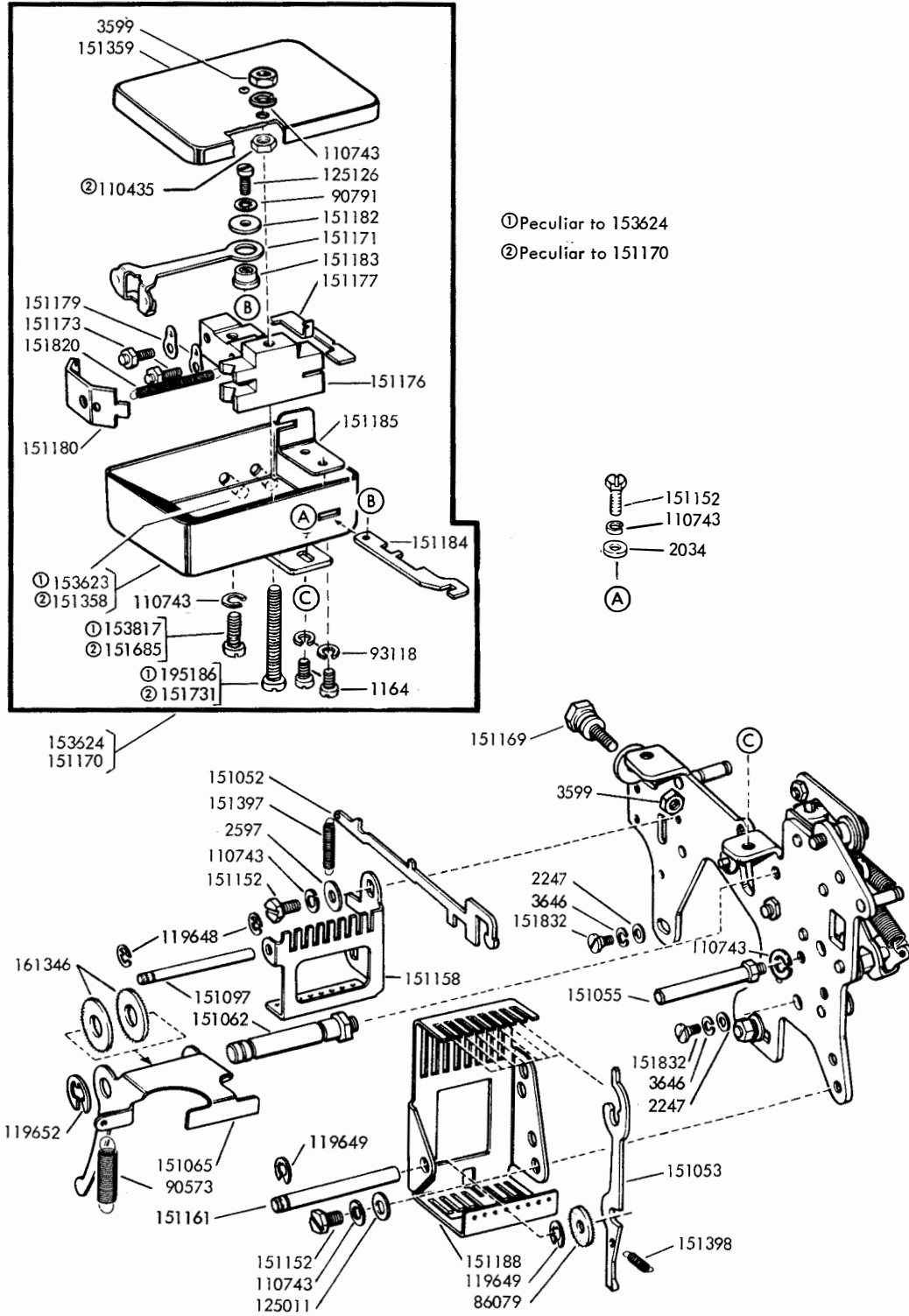


FIGURE 17. SIGNAL GENERATOR MECHANISM (MARK II)

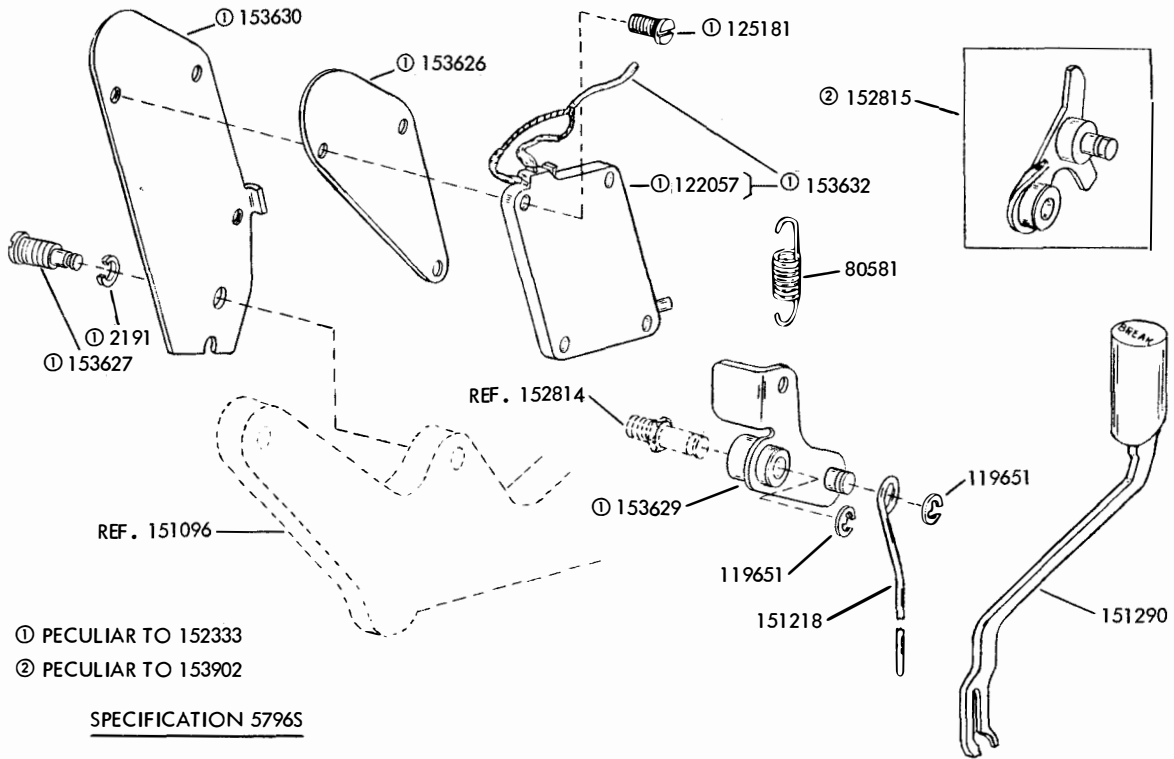


FIGURE 18. 152333 (ELECTRICAL) and 153902 (MECHANICAL) MODIFICATION KITS TO PROVIDE SIGNAL LINE BREAK MECHANISM ON KEYBOARD (MARK II)

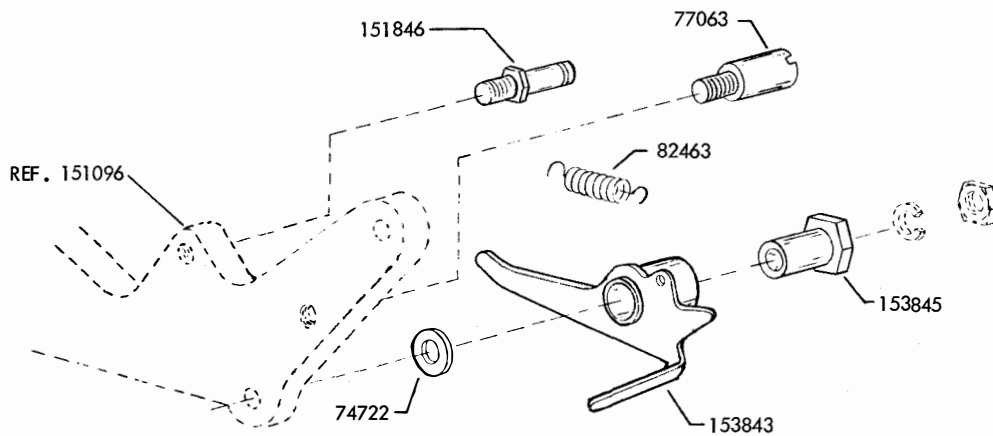
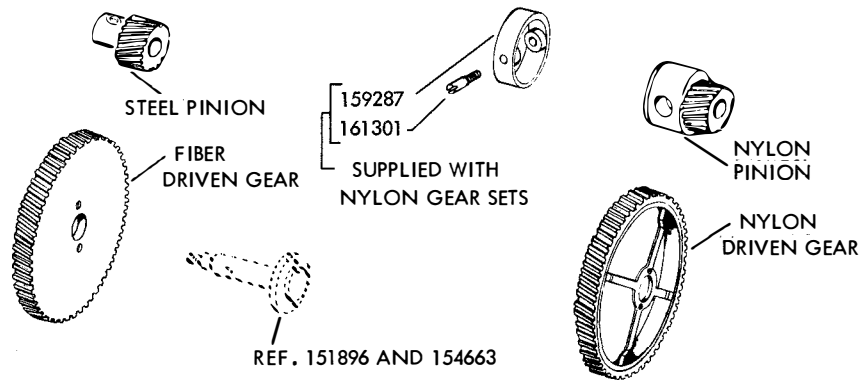


FIGURE 19. 151887 MODIFICATION KIT TO PROVIDE REPEAT ON SPACE MECHANISM (MARK II)



GEAR SETS											
WPM	OPM	BAUD	UNIT CODE	SET NUMBER		PINION		GEAR		TEETH	FIBER
				FIBER	NYLON	TEETH	STEEL	TEETH	FIBER		
60	368	45.45	7.42	151060	161293	14	151130	159278	96	151131	159279
				①159660	—	10	①159661	—	57	①159662	—
				②161111	—	14	②161106	—	96	151131	—
67	404	50	7.42	152766	—	13	152765	—	81	152764	—
				①159667	—	15	①159663	—	78	①159664	—
71	428	50	7.00	—	163504	18	—	163461	117	—	163462
75	460	56.88	7.42	151075	161294	17	151132	159281	93	151133	159282
				①159675	—	14	①159665	—	64	①159666	—
100	600	110	11.0	151100	161295	20	151134	159284	84	151135	159285
		74.2	7.42	①159700	—	20	①159668	—	70	①159669	—
		—	—	—	—	20	②153993	—	84	151135	—
107	643	75	7.00	—	163505	24	—	163463	104	—	163464

①USED WITH SYNCHRONOUS MOTORS OPERATING AT 3000 RPM ON 50 CYCLES¹
 ②SPECIAL GEARS FOR LMU10

FIGURE 20. GEAR SETS

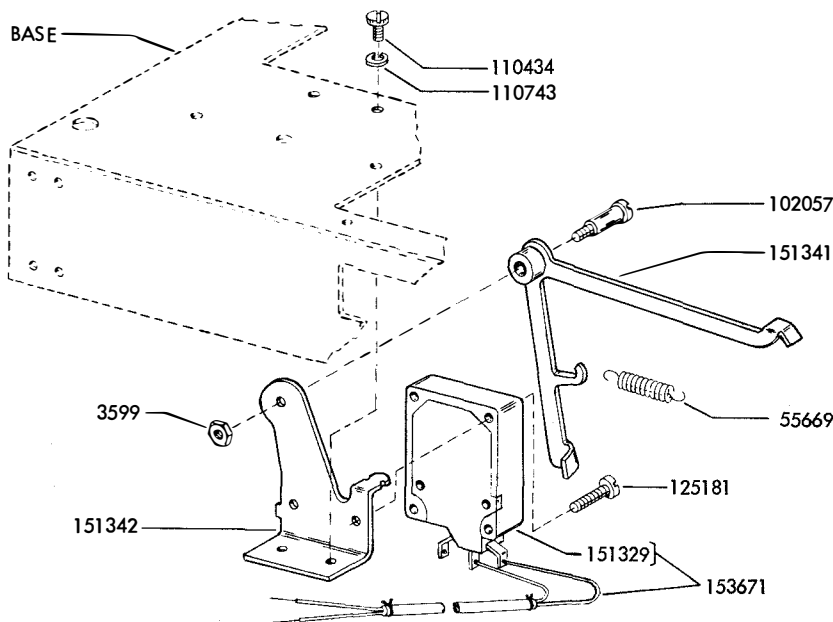


FIGURE 21. 152343 MODIFICATION KIT TO PROVIDE END-OF-LINE SWITCH (MARK II),

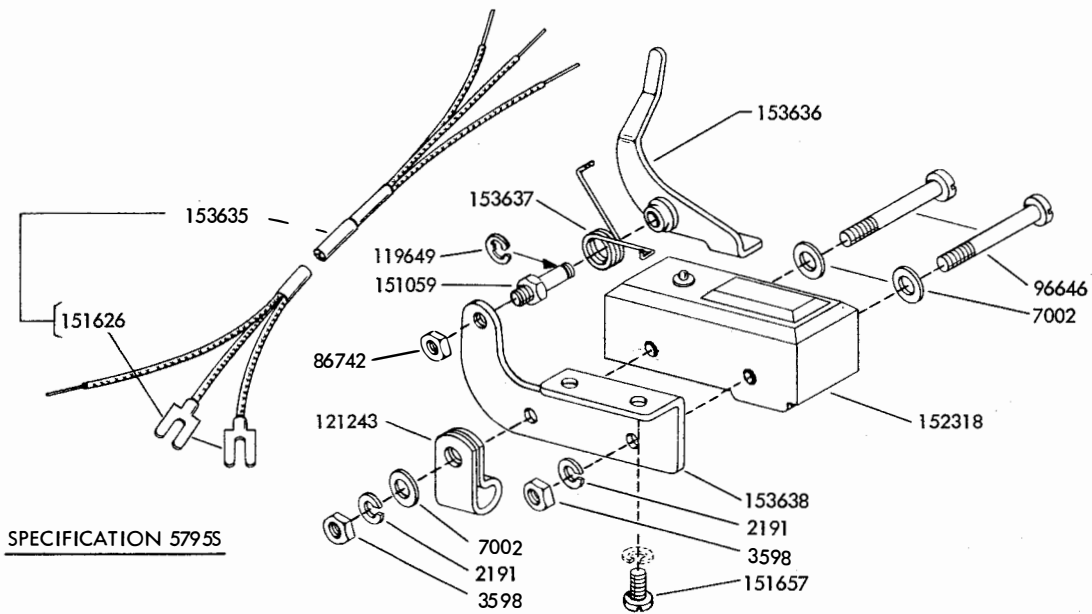


FIGURE 22. 152334 MODIFICATION KIT TO PROVIDE PAPER FEED-OUT MOTOR STARTING MECHANISM (MARK II)

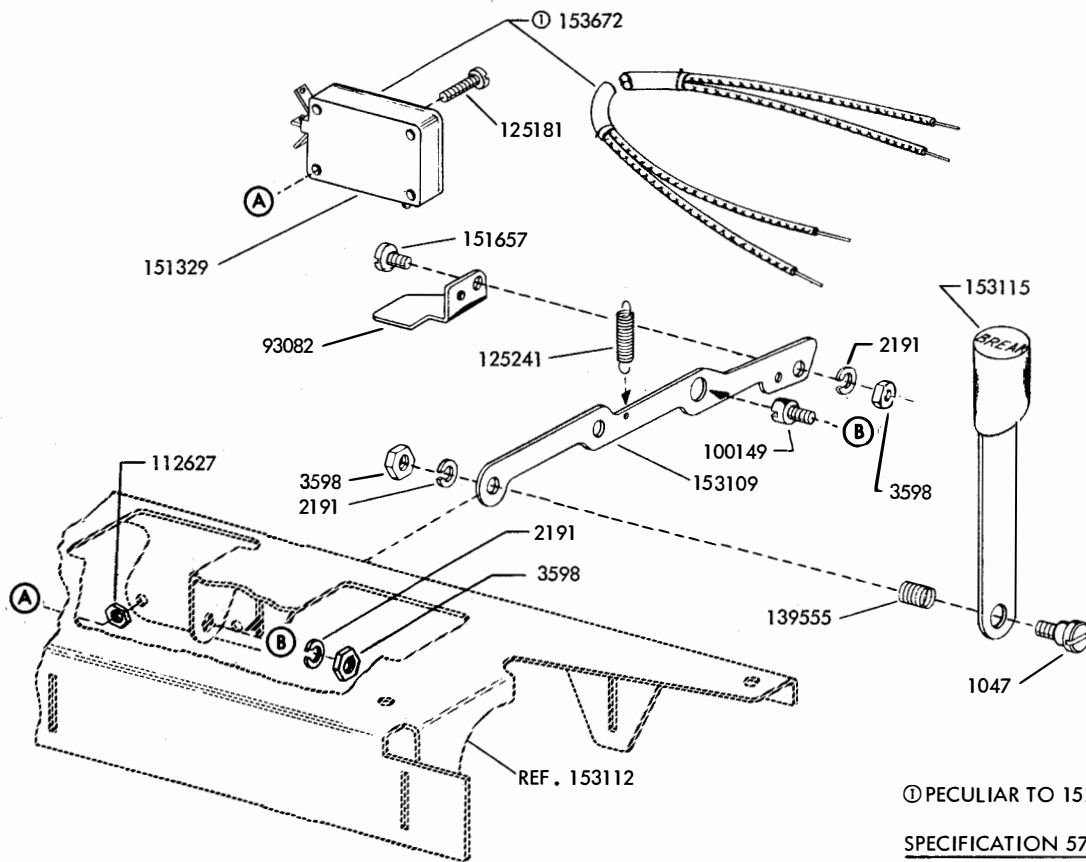
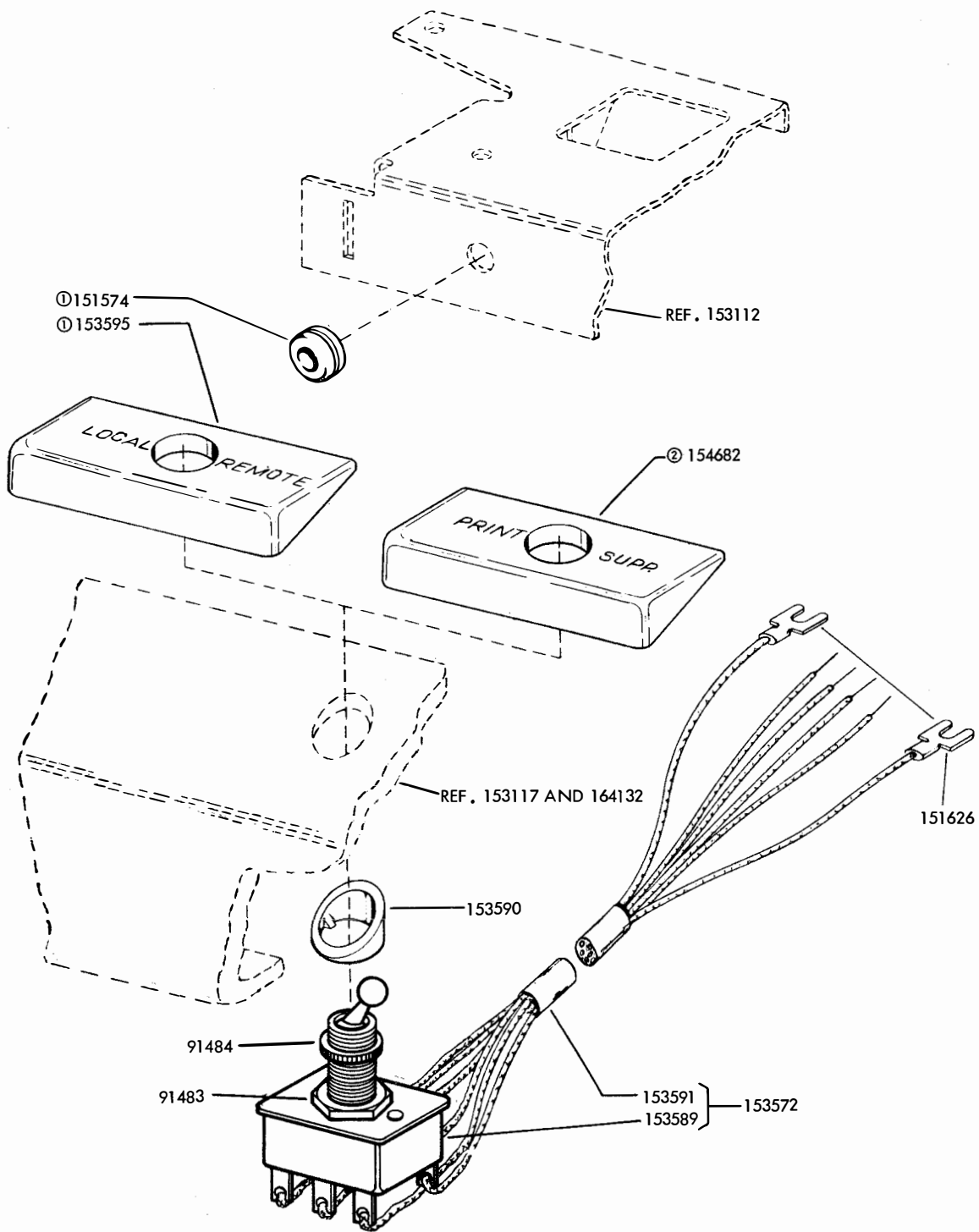


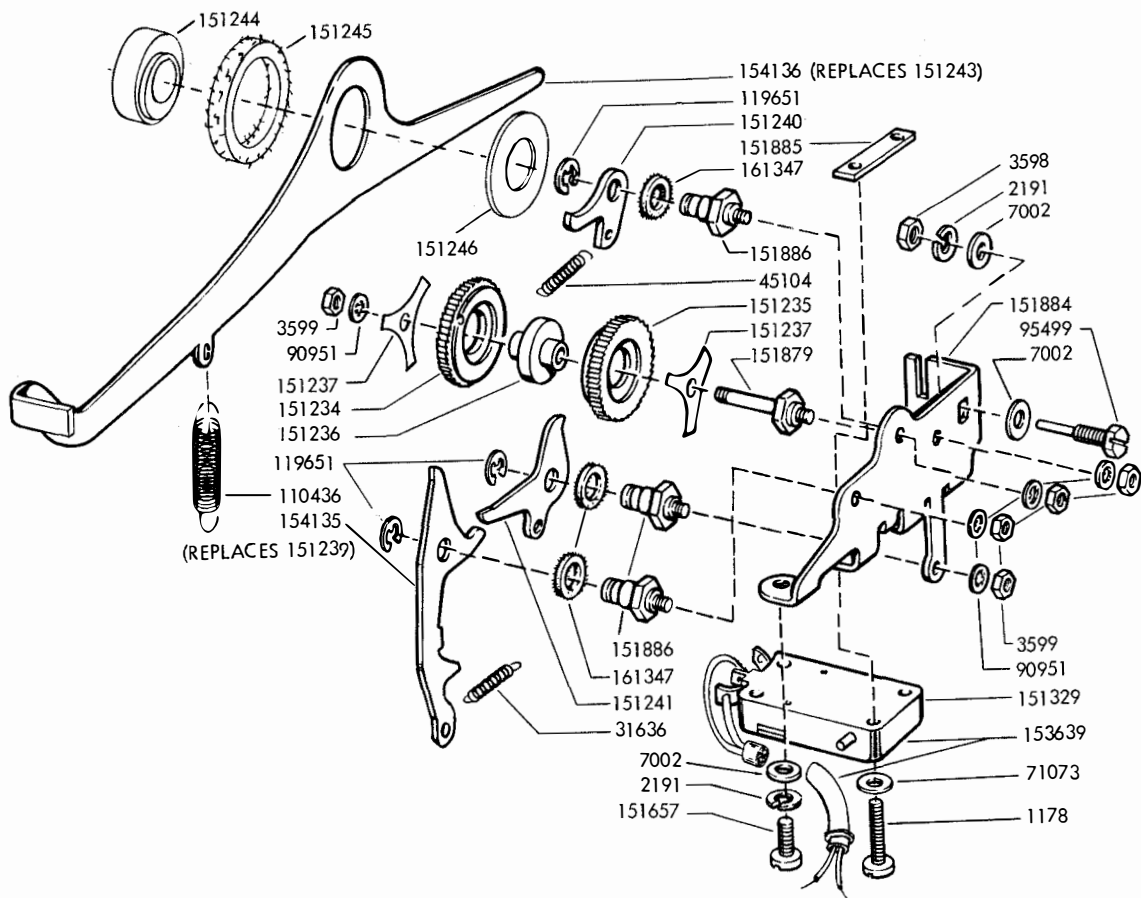
FIGURE 23. 152911 (LESS SWITCH) 152344 (WITH SWITCH) MODIFICATION KITS TO PROVIDE SIGNAL LINE BREAK MECHANISM ON BASE (MARK II)



① PECULIAR TO 152342

② PECULIAR TO 154681

FIGURE 24. 152342 (LOCAL-REMOTE) SWITCH (BASE) 154681 (PRINT SUPPRESSION) MODIFICATION KITS TO PROVIDE SWITCH ON BASE (MARK II)



SPECIFICATION 56615

FIGURE 25. 152338 MODIFICATION KIT TO PROVIDE TIME DELAY MECHANISM ON KEYBOARD OR BASE (MARK II)

FIGURE 26. 152918 MODIFICATION KIT TO PROVIDE LOCAL BACK SPACE MECHANISM ON KEYBOARD (MARK II)

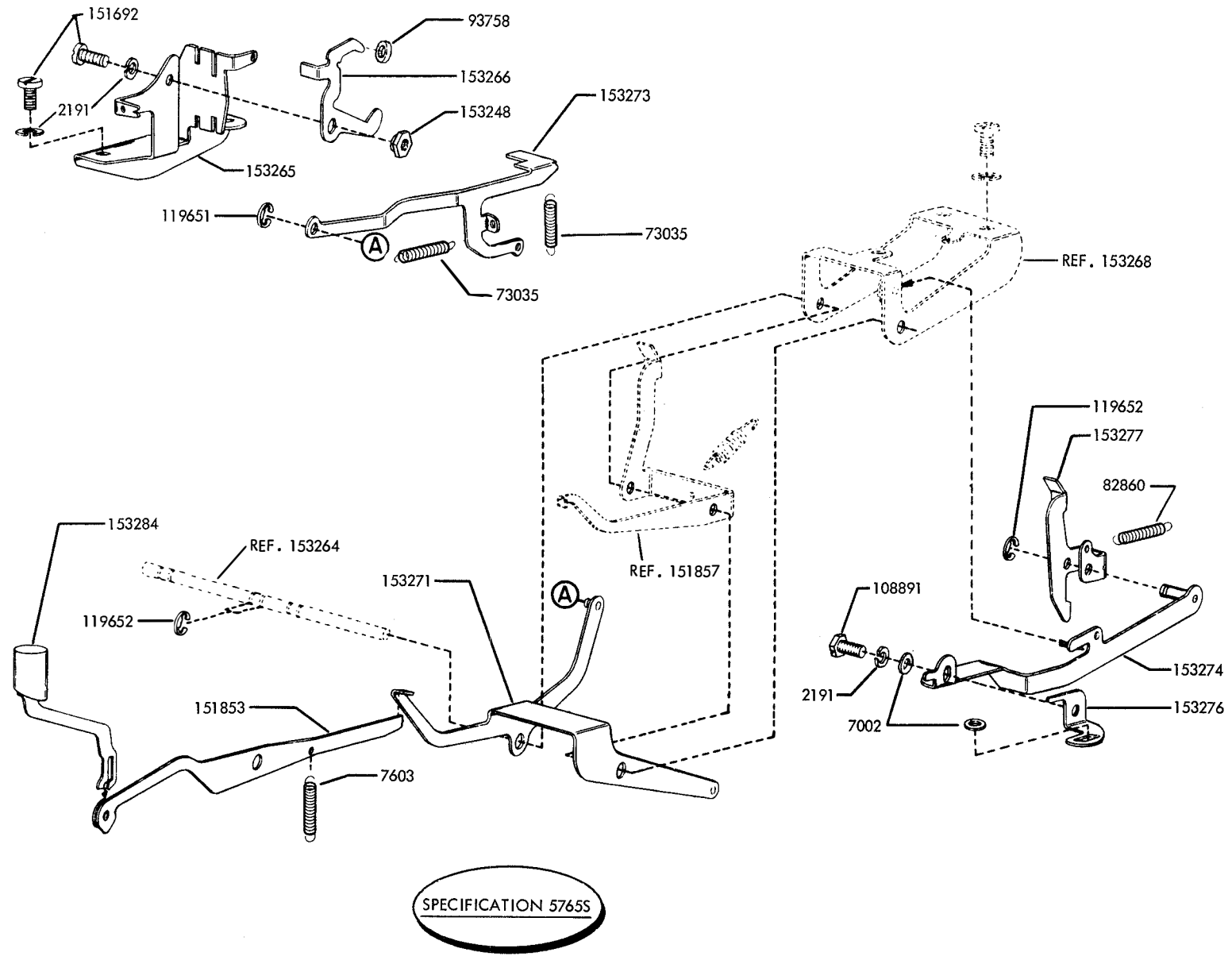
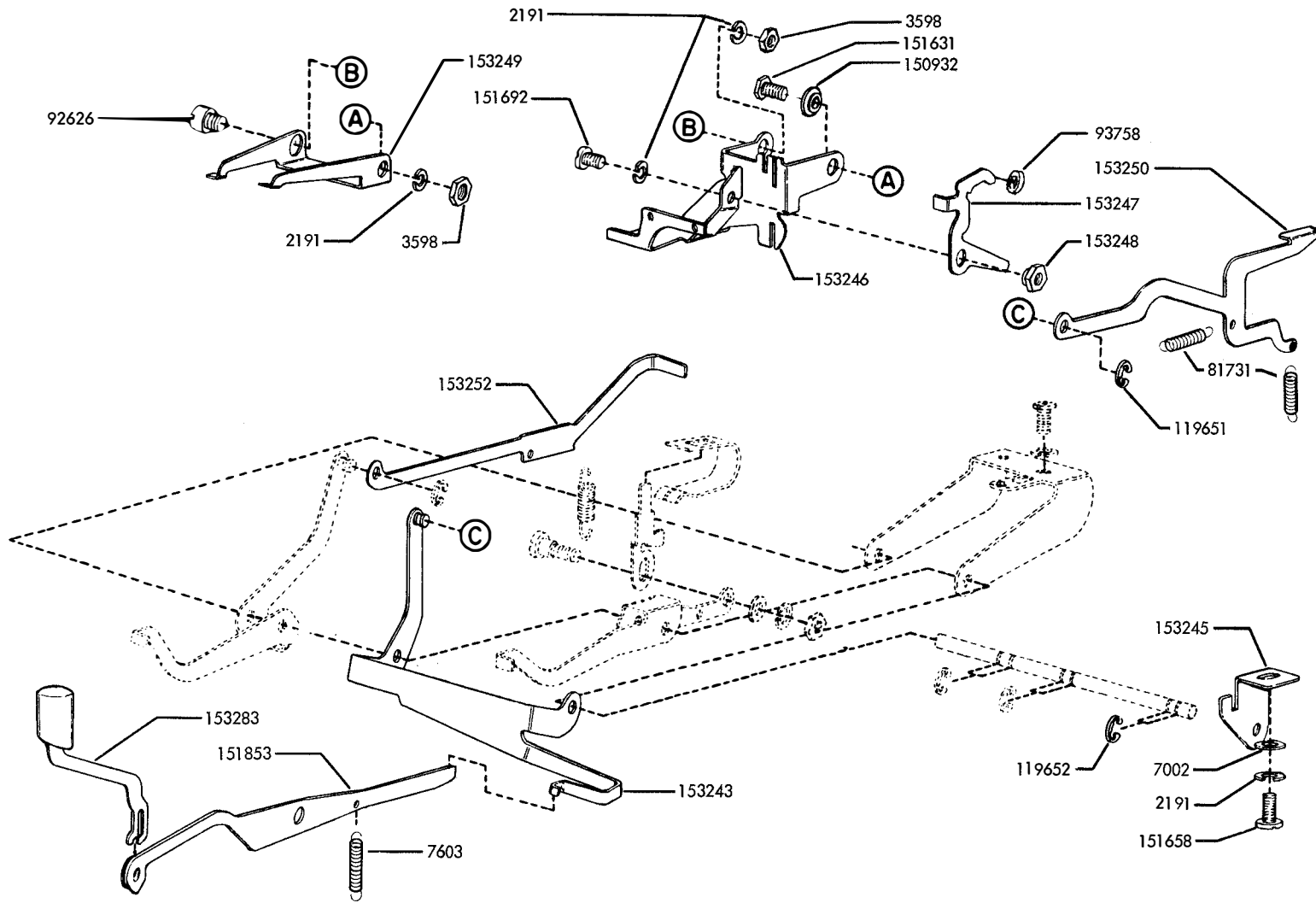


FIGURE 27. 152916 MODIFICATION KIT TO PROVIDE LOCAL
REVERSE LINE FEED MECHANISM ON KEYBOARD (MARK 11)



SEE FIGURE 8 FOR REFERENCE PARTS

SPECIFICATION 57655

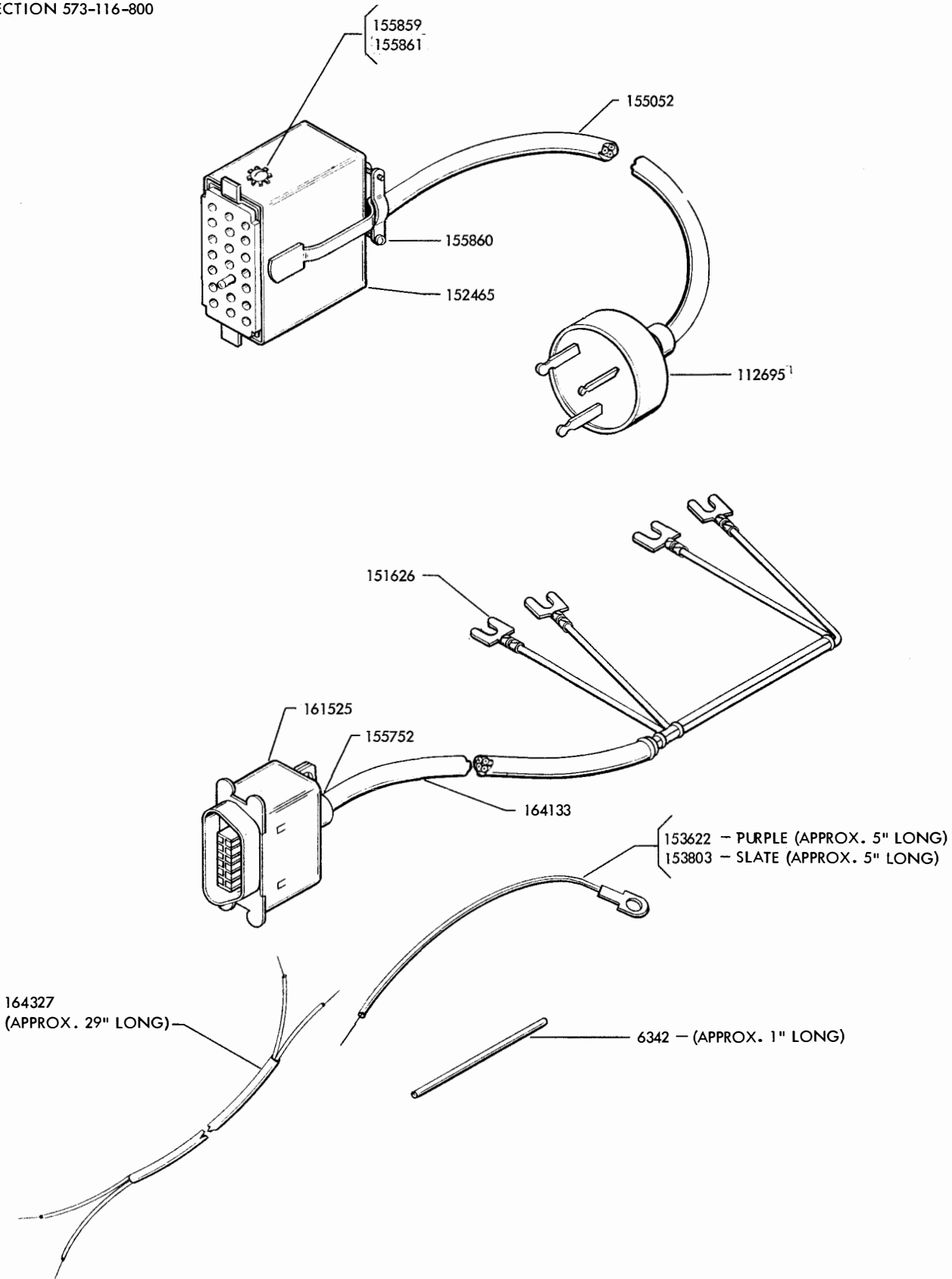
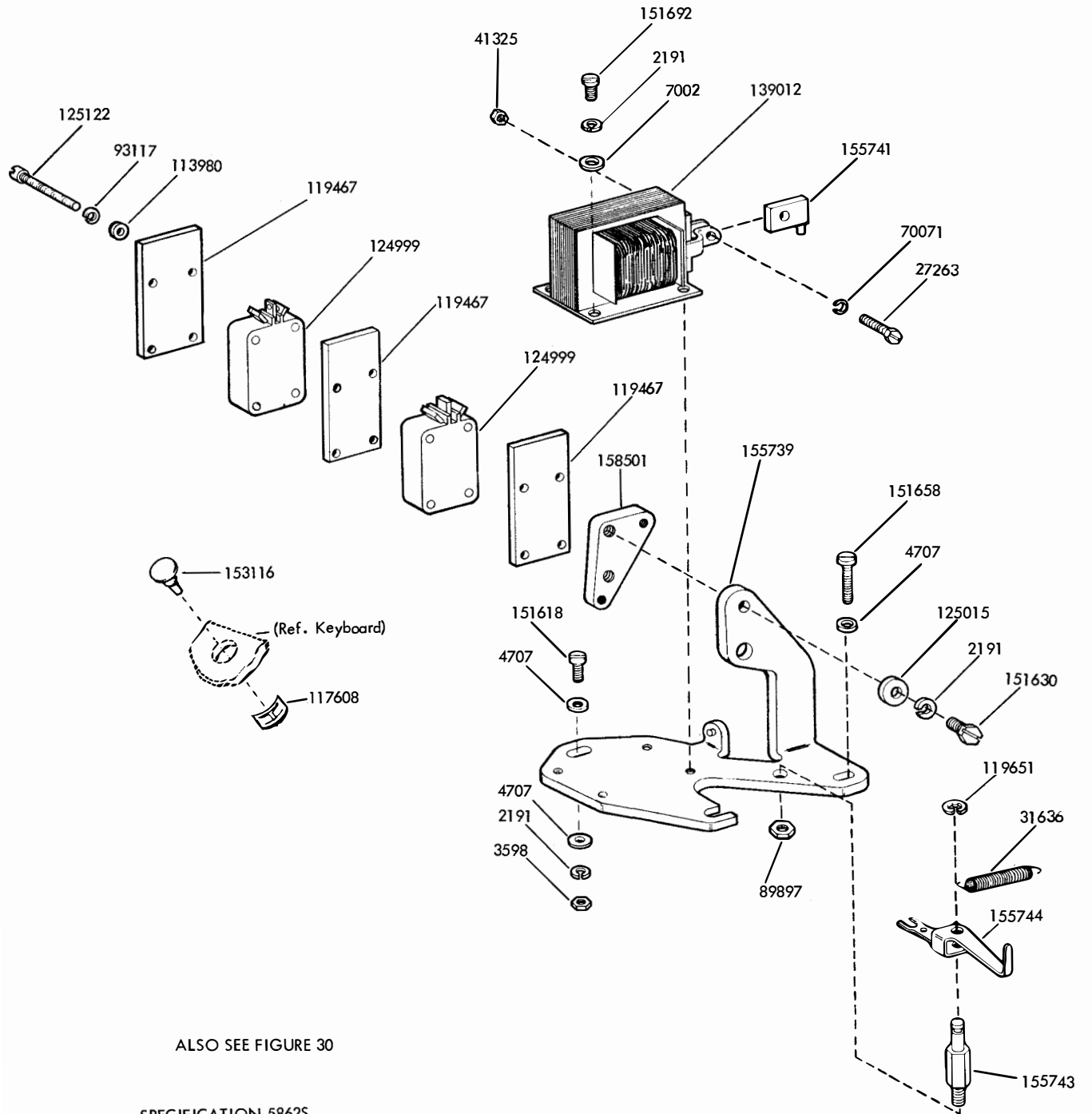


FIGURE 28. AUXILIARY CABLES FOR KEYBOARD OR BASE (MARK II)

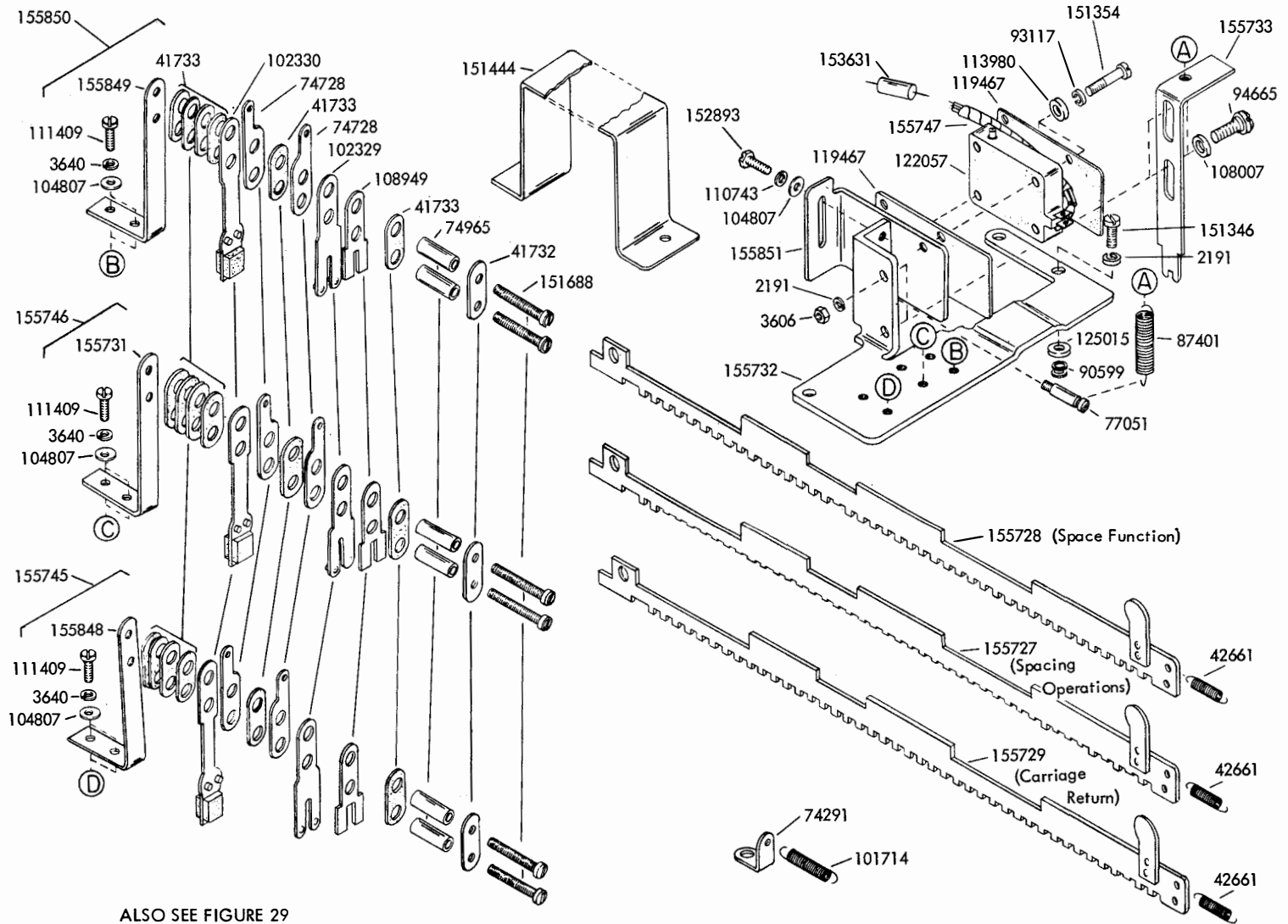


ALSO SEE FIGURE 30

SPECIFICATION 58625

FIGURE 29. 154783 MODIFICATION KIT TO EQUIP A KEYBOARD WITH OFF-LINE CONTACTS

FIGURE 30. 154783 MODIFICATION KIT TO EQUIP A KEYBOARD WITH OFF-LINE CONTACTS (Continued)



ALSO SEE FIGURE 29

SPECIFICATION 5862S

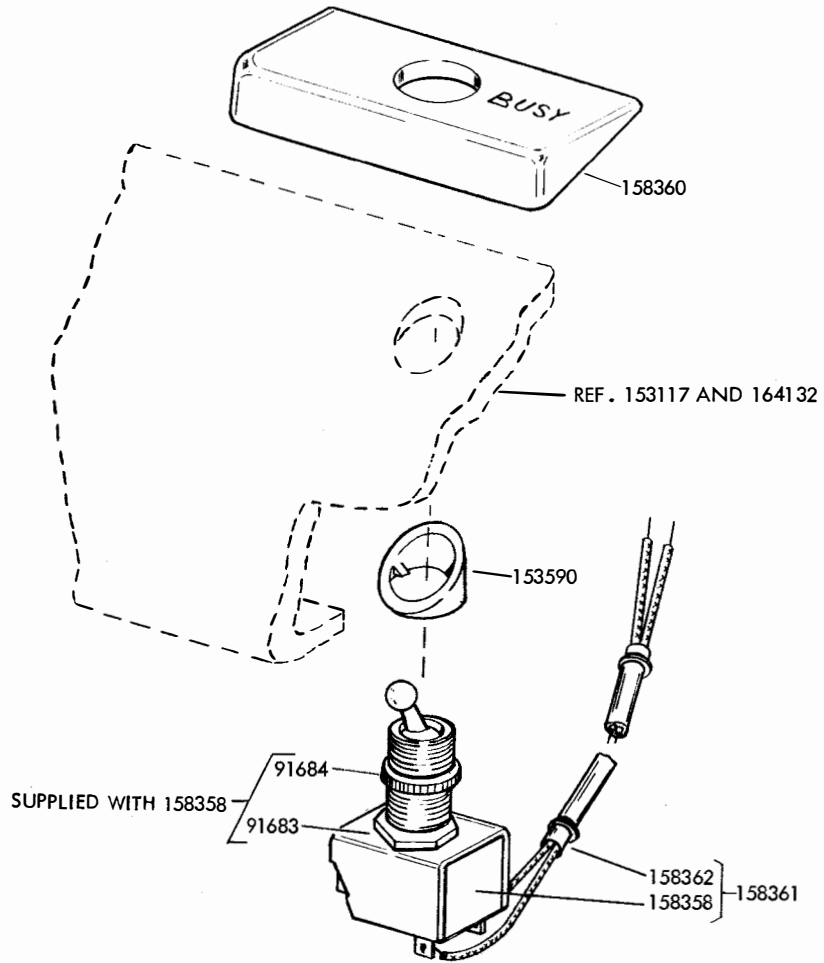


FIGURE 31. 158359 MODIFICATION KIT TO PROVIDE BUSY KEY SWITCH (BASE)

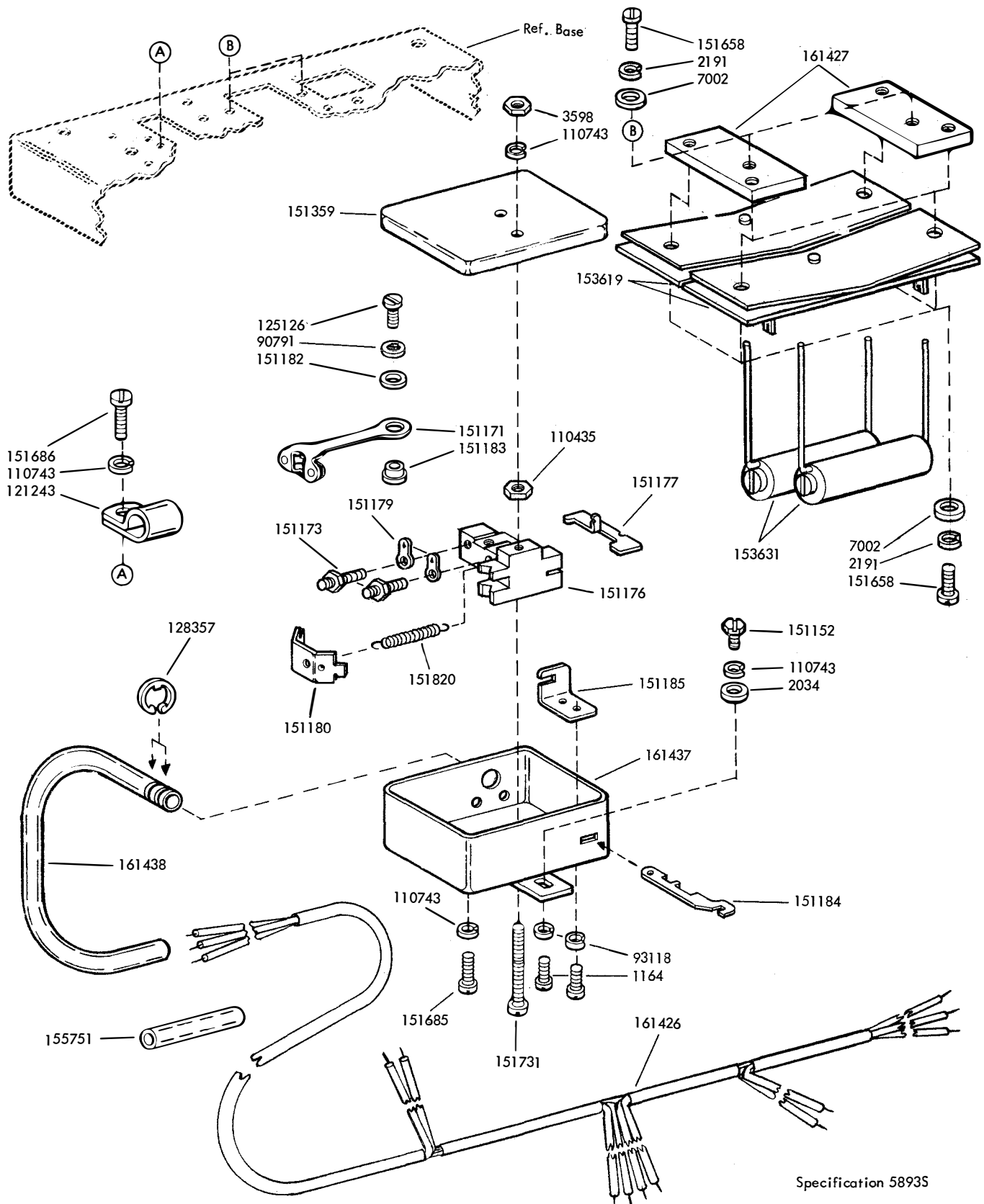
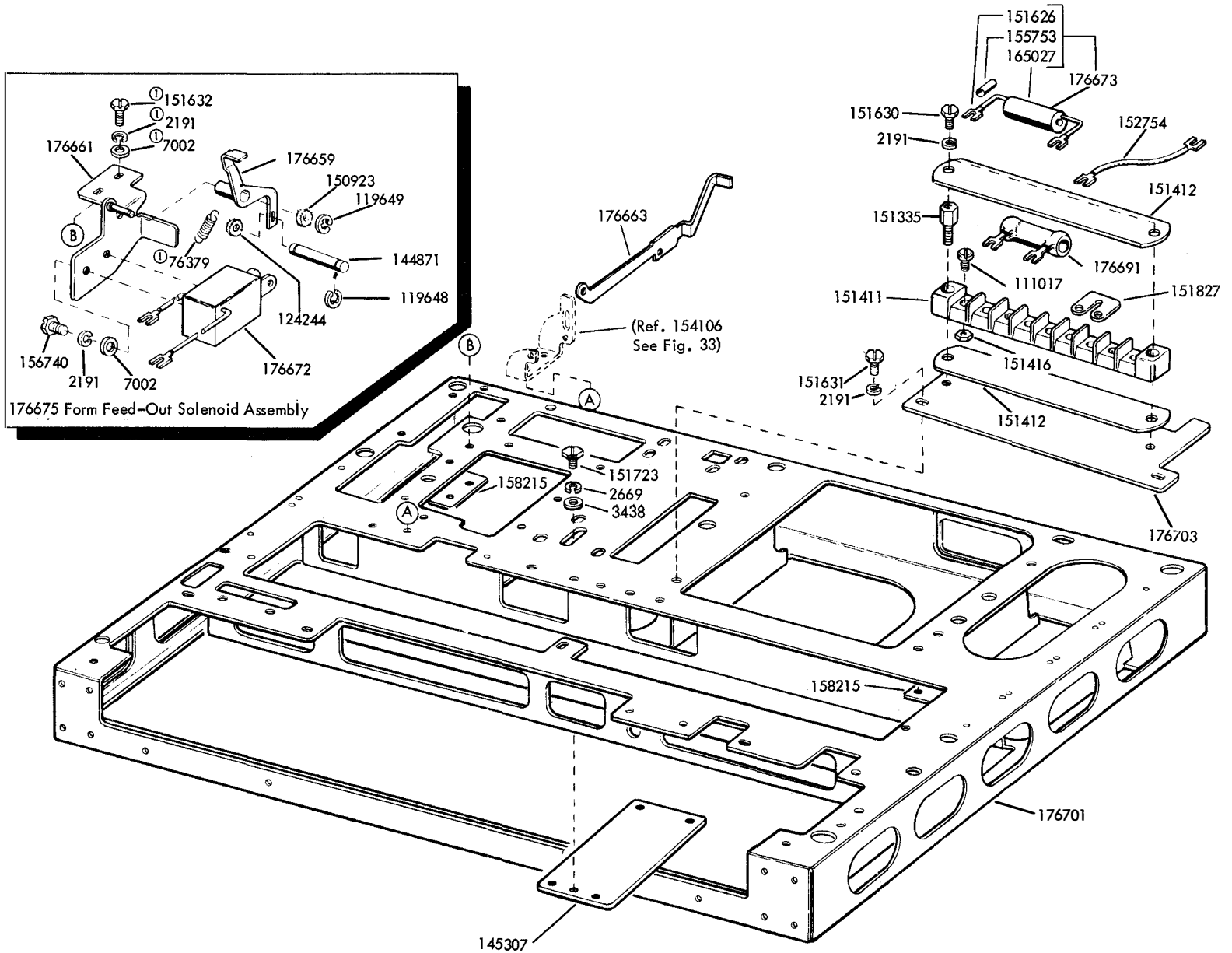


FIGURE 32. 161435 MODIFICATION KIT TO PROVIDE NEUTRAL & INVERSE TRANSMISSION (MARK II)

FIGURE 34. KEYBOARD BASE FOR REMOTE CONTROLLED GEAR SHIFT MECHANISM



Ⓛ Not Part of 176675 Assembly

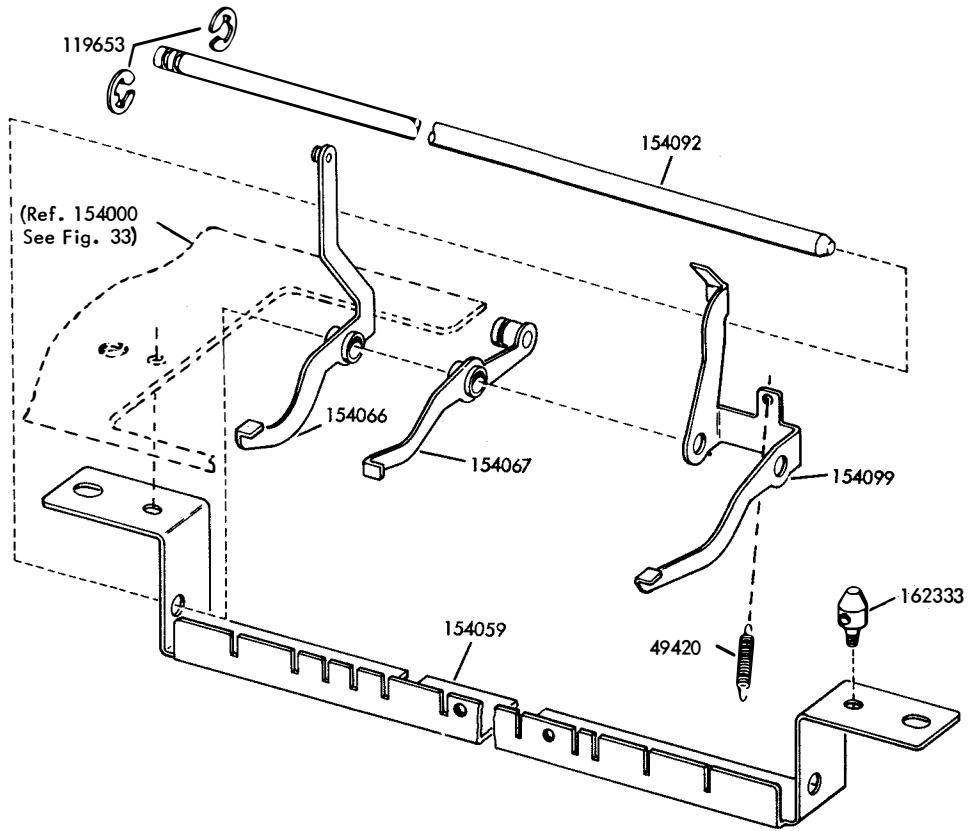


FIGURE 36. FUNCTION BAIL MECHANISM (MARK III)

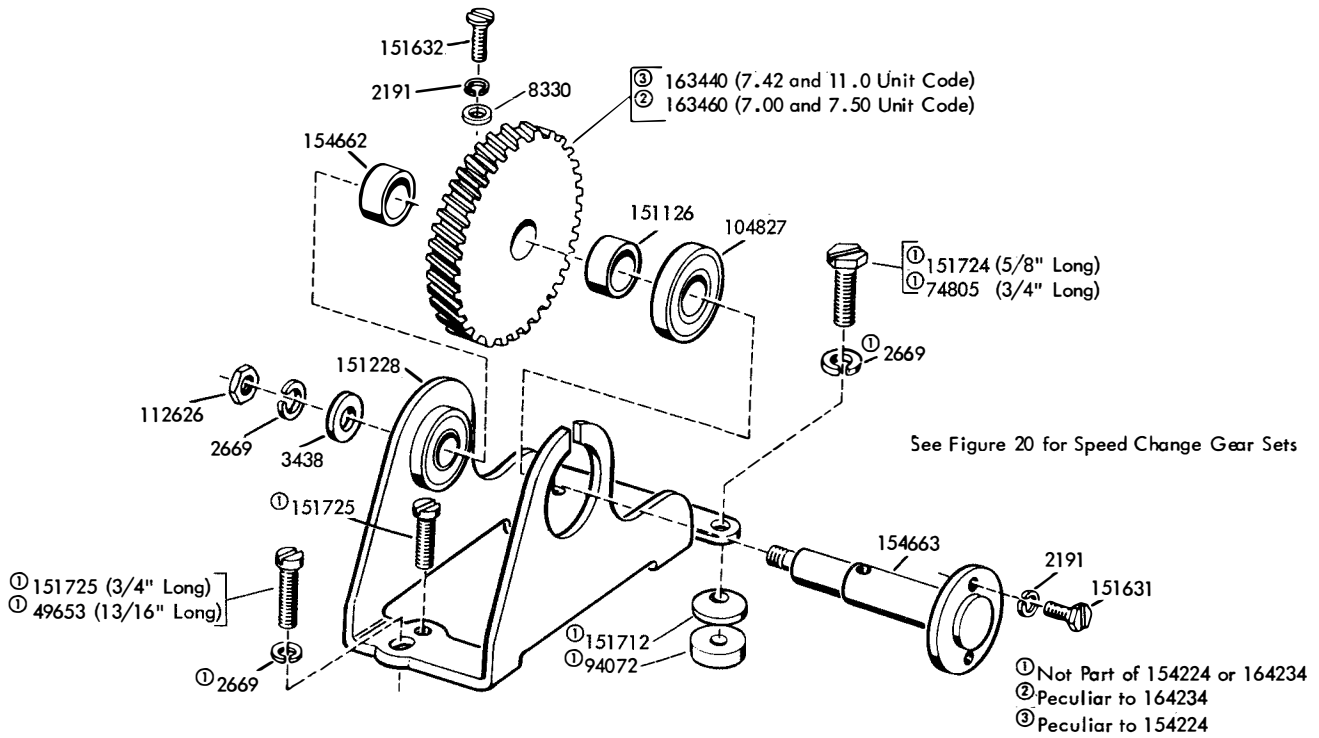


FIGURE 37. 154224 AND 164234 INTERMEDIATE GEAR ASSEMBLIES (MARK III)

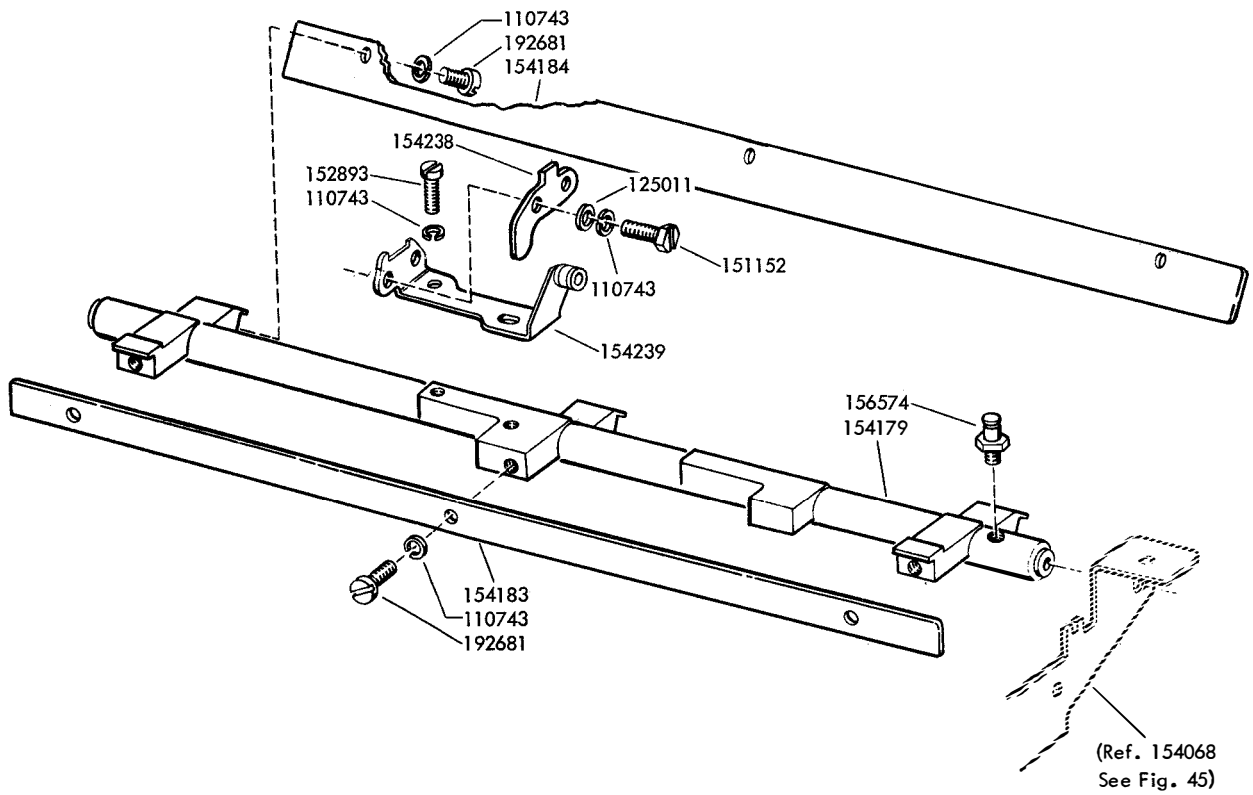


FIGURE 38. 154151 UNIVERSAL BAIL ASSEMBLY (MARK III)

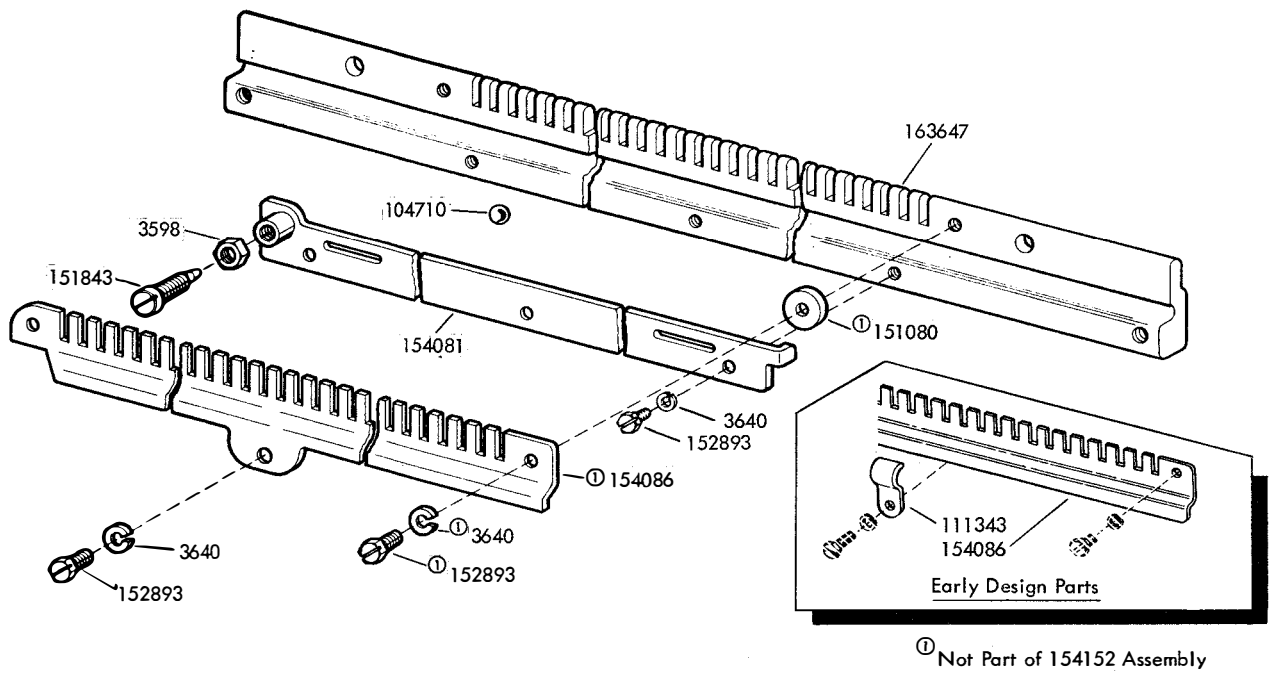


FIGURE 39. 154152 BALL LOCK BAR ASSEMBLY (MARK III)

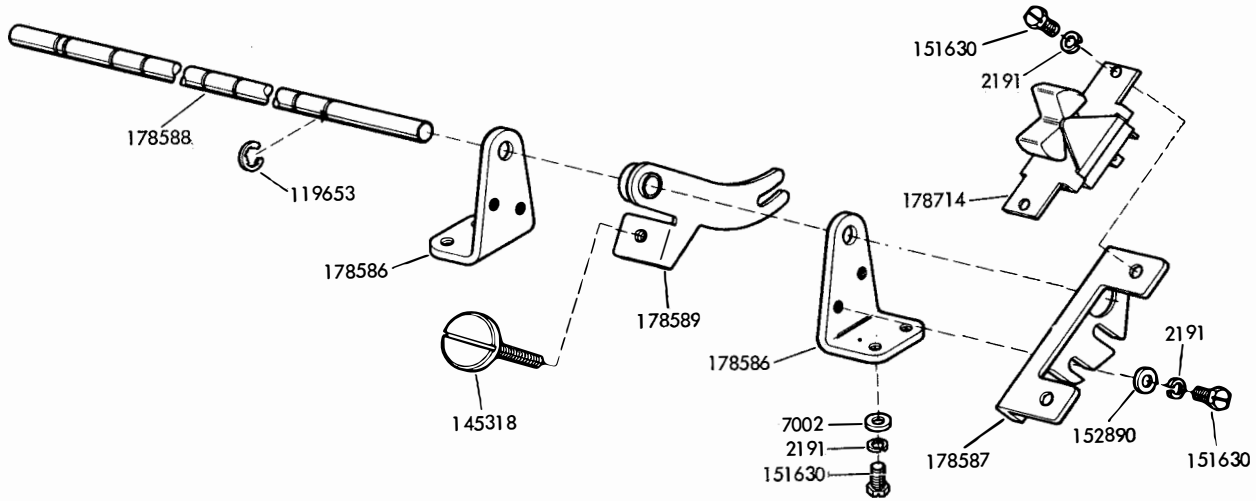


FIGURE 40. TRIP LEVER MECHANISM (WALL MOUNTED)

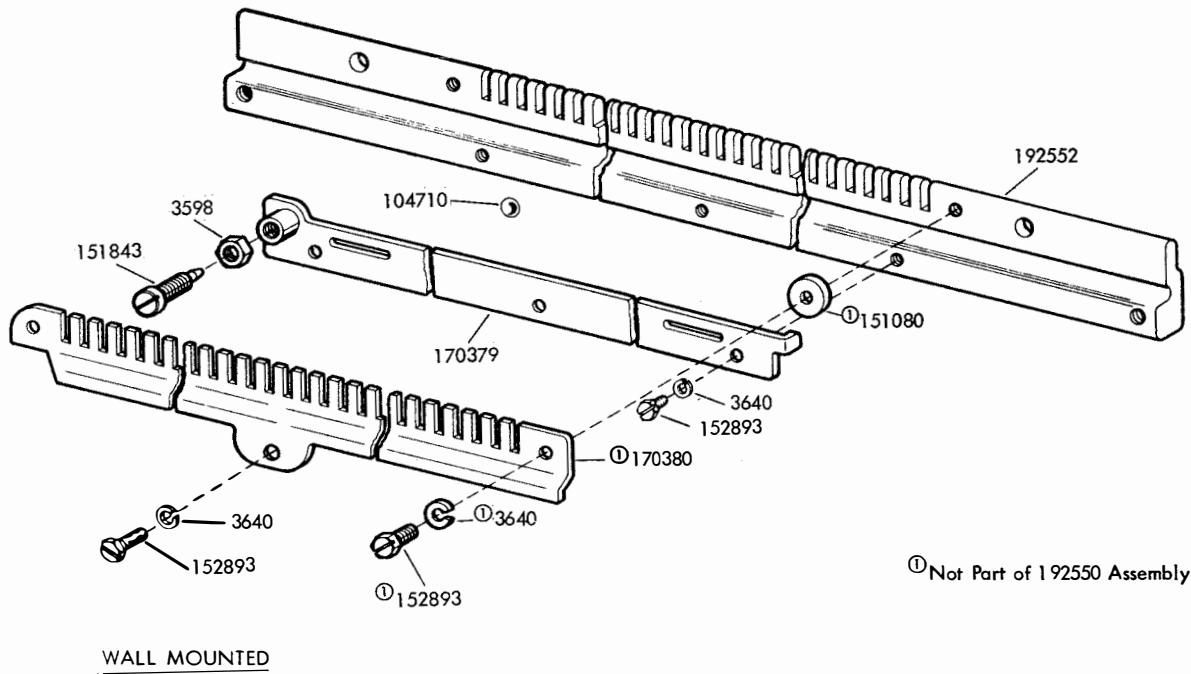


FIGURE 41. 192550 BALL LOCK BAR ASSEMBLY (WALL MOUNTED)

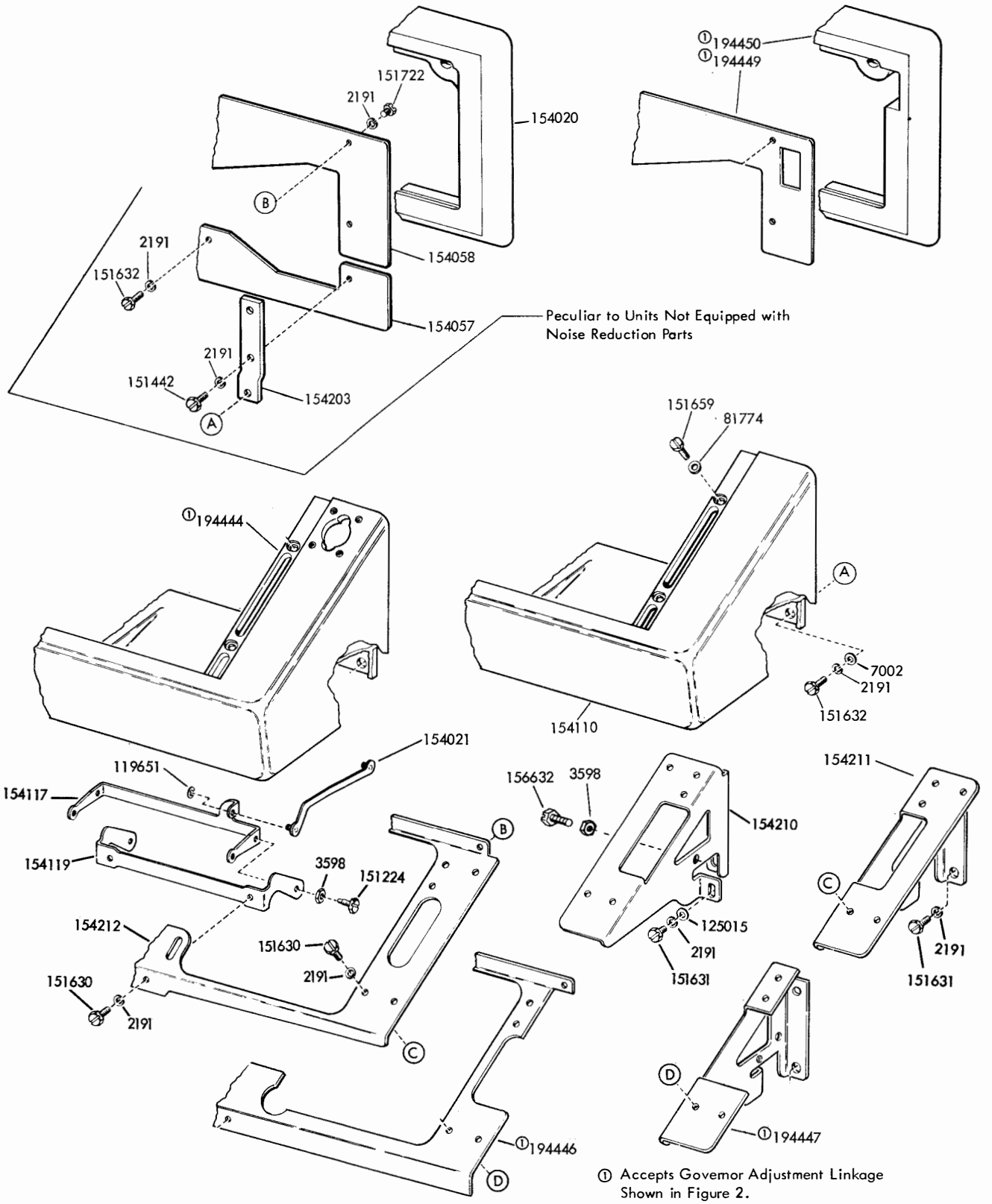


FIGURE 42. KEYBOARD HOOD AND MOUNTING PARTS (MARK III)

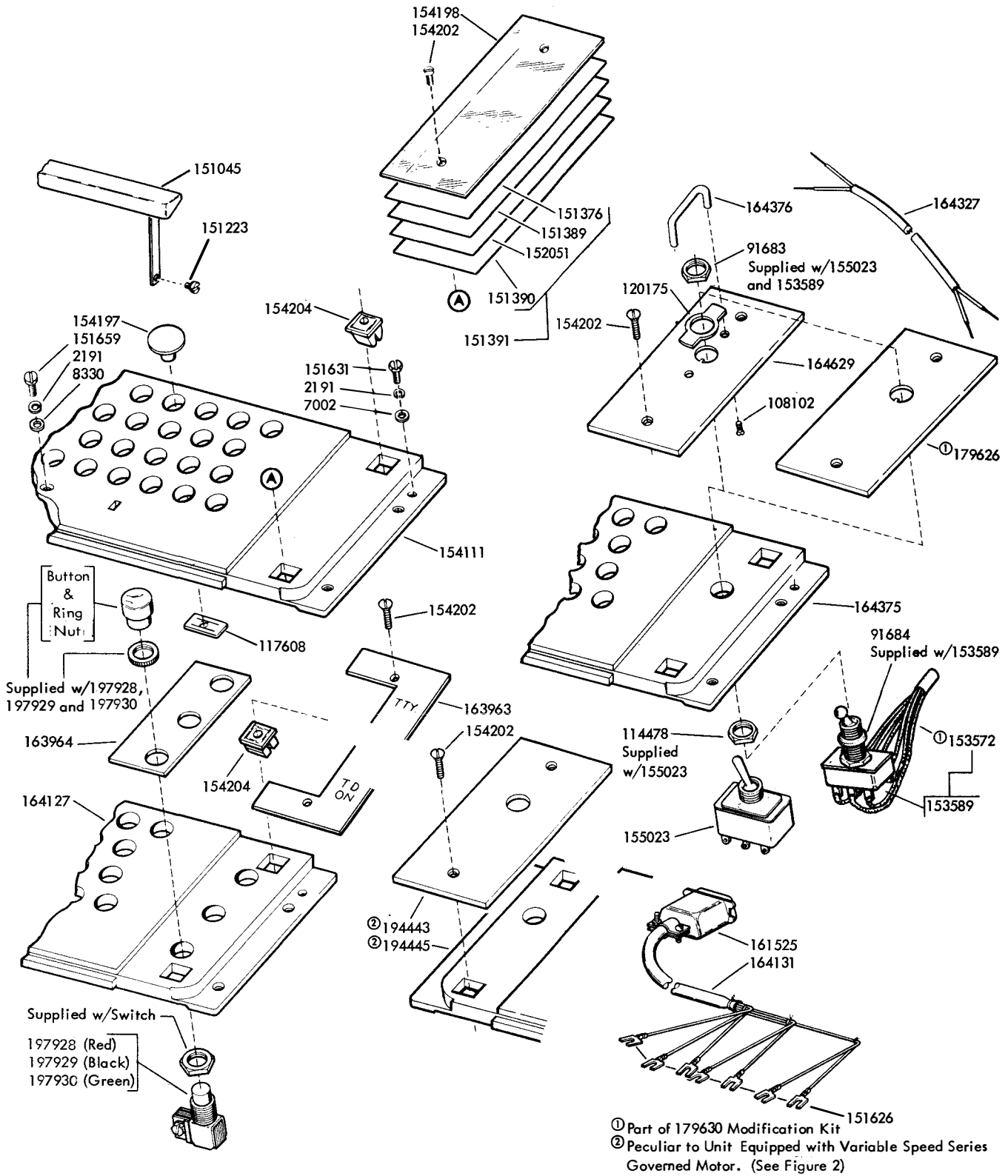


FIGURE 43. KEYBOARD TOP PLATES (MARK III)

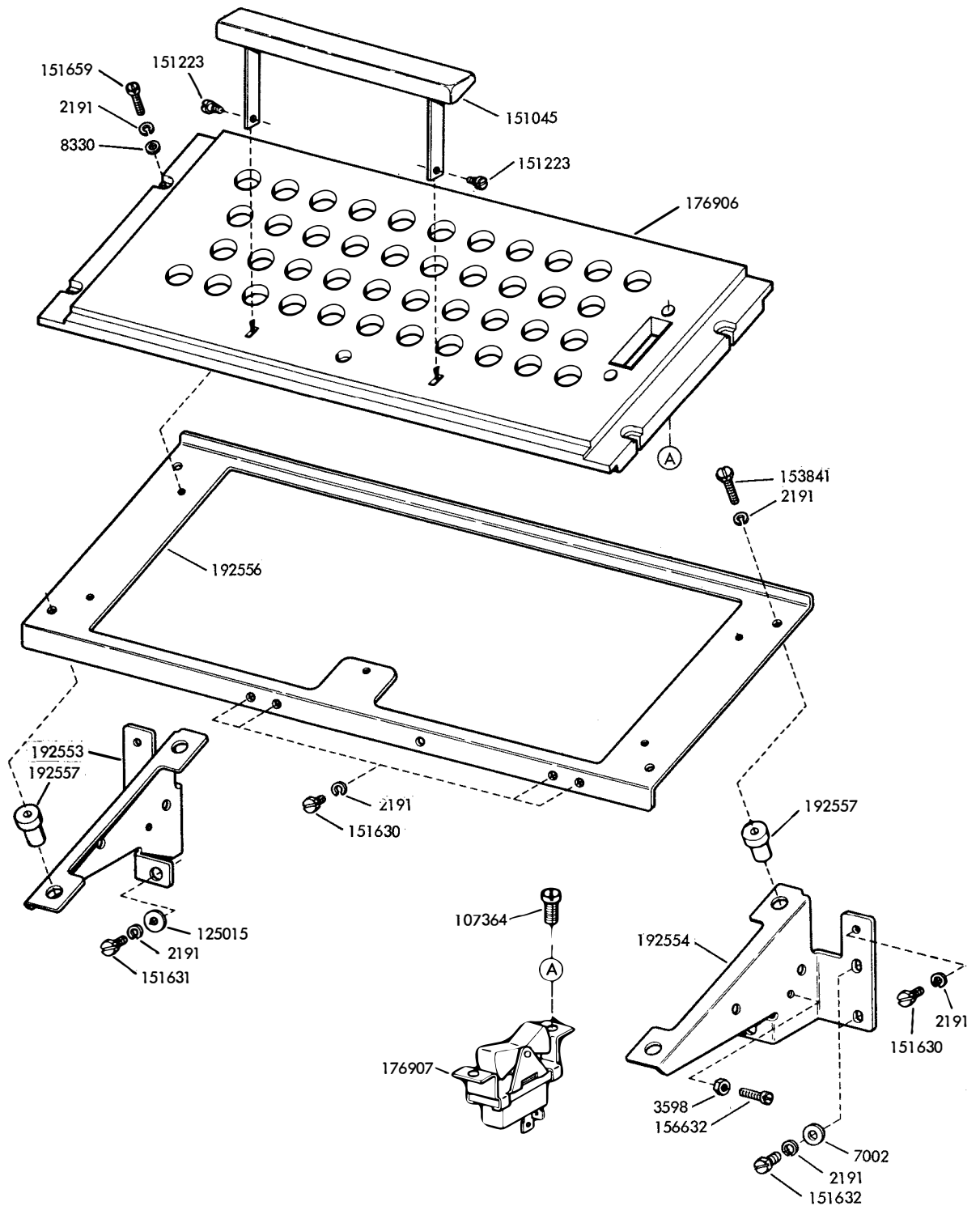
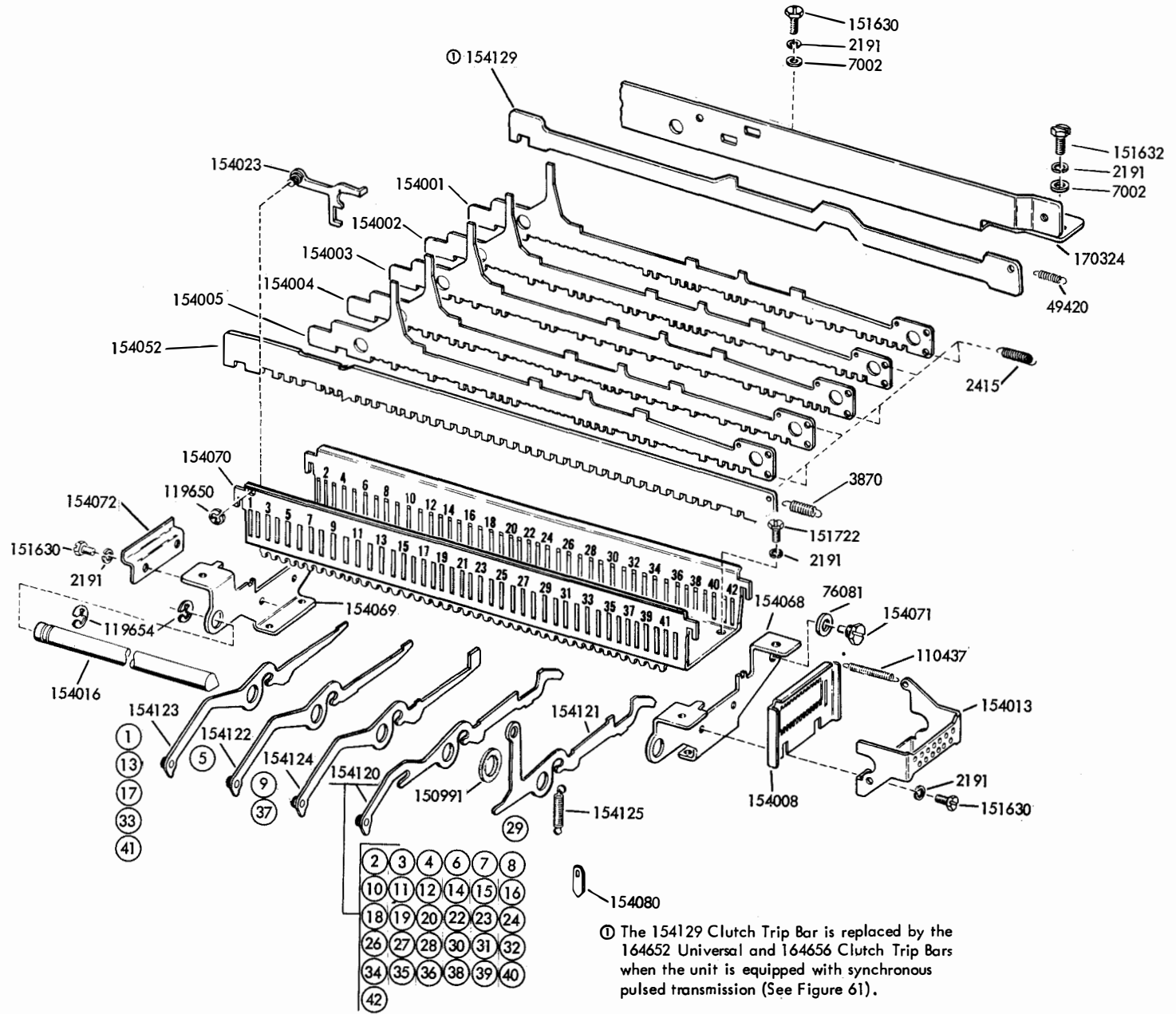
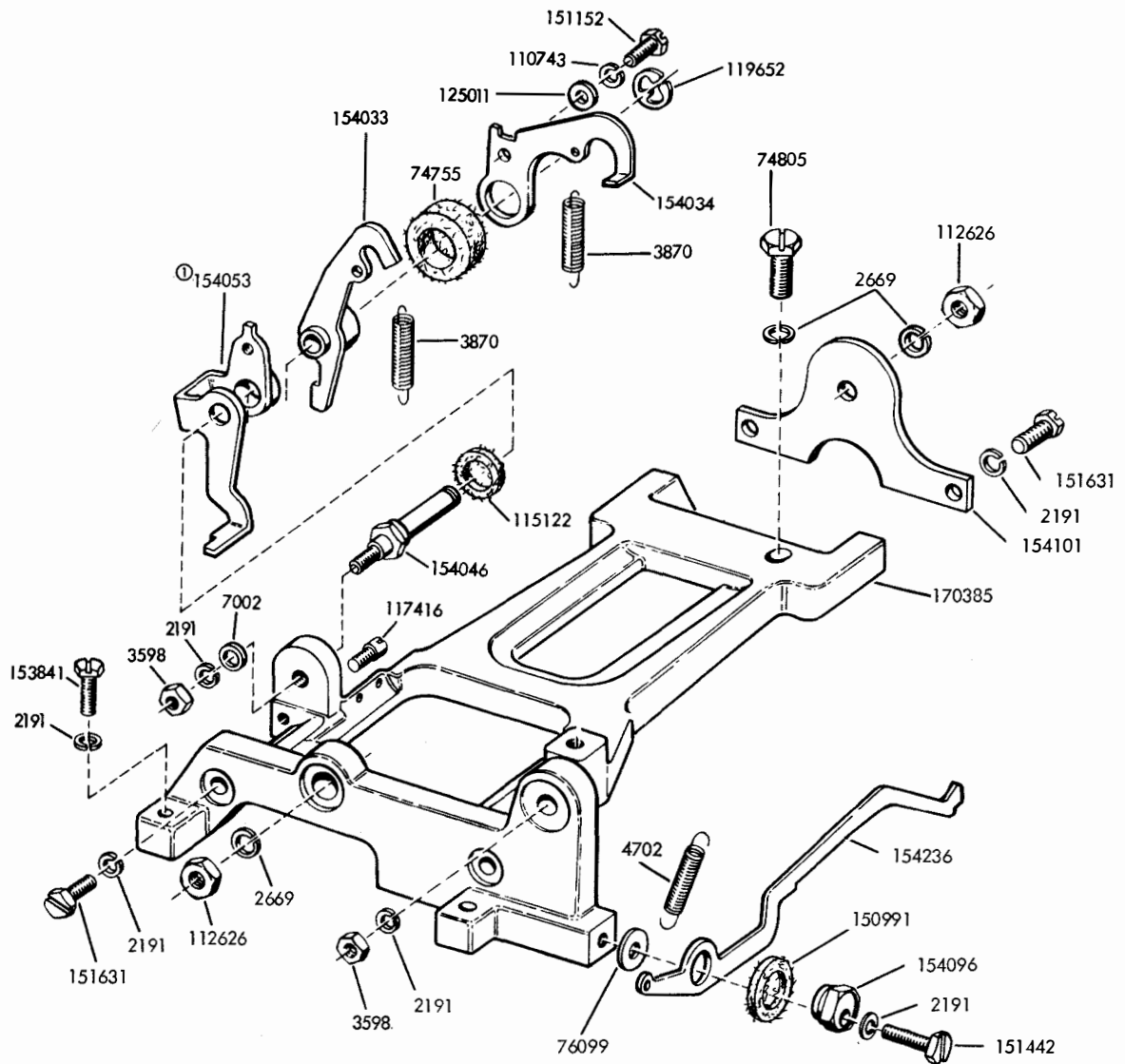


FIGURE 44. KEYBOARD MECHANISM (WALL MOUNTED)

FIGURE 45. CODE BAR MECHANISM (MARK III)

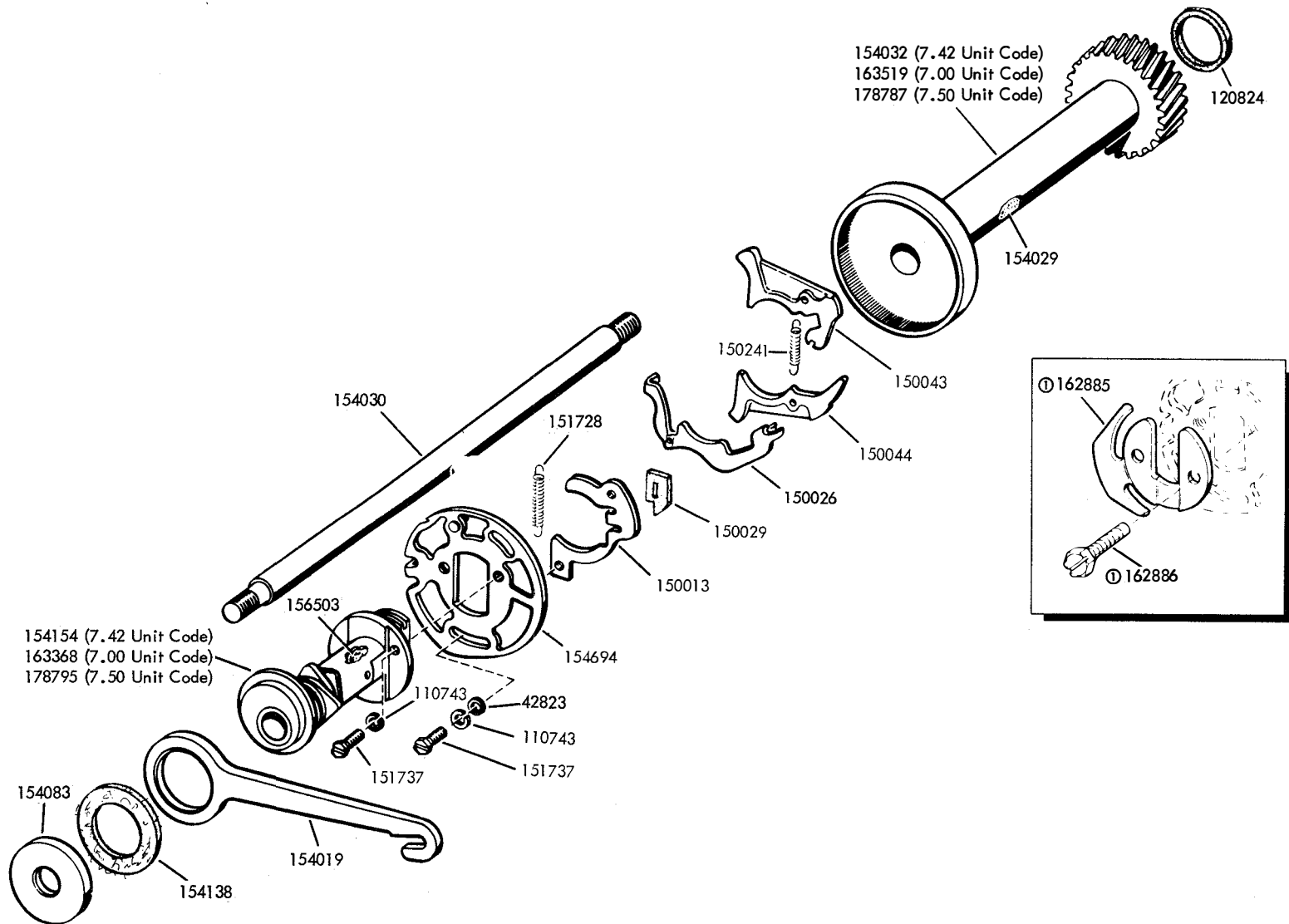




① The 154053 Clutch Trip Bail is replaced by the 164485 Bail when the unit is equipped with synchronous pulsed transmission (See Figure 61).

FIGURE 46. SIGNAL GENERATOR FRAME MECHANISM (MARK III)

FIGURE 47. SIGNAL GENERATOR SHAFT MECHANISM (MARK III)



① Part of 164998 Modification Kit
(See Figure 48)

FIGURE 48. SIGNAL GENERATOR FRONT PLATE MECHANISM (MARK III)

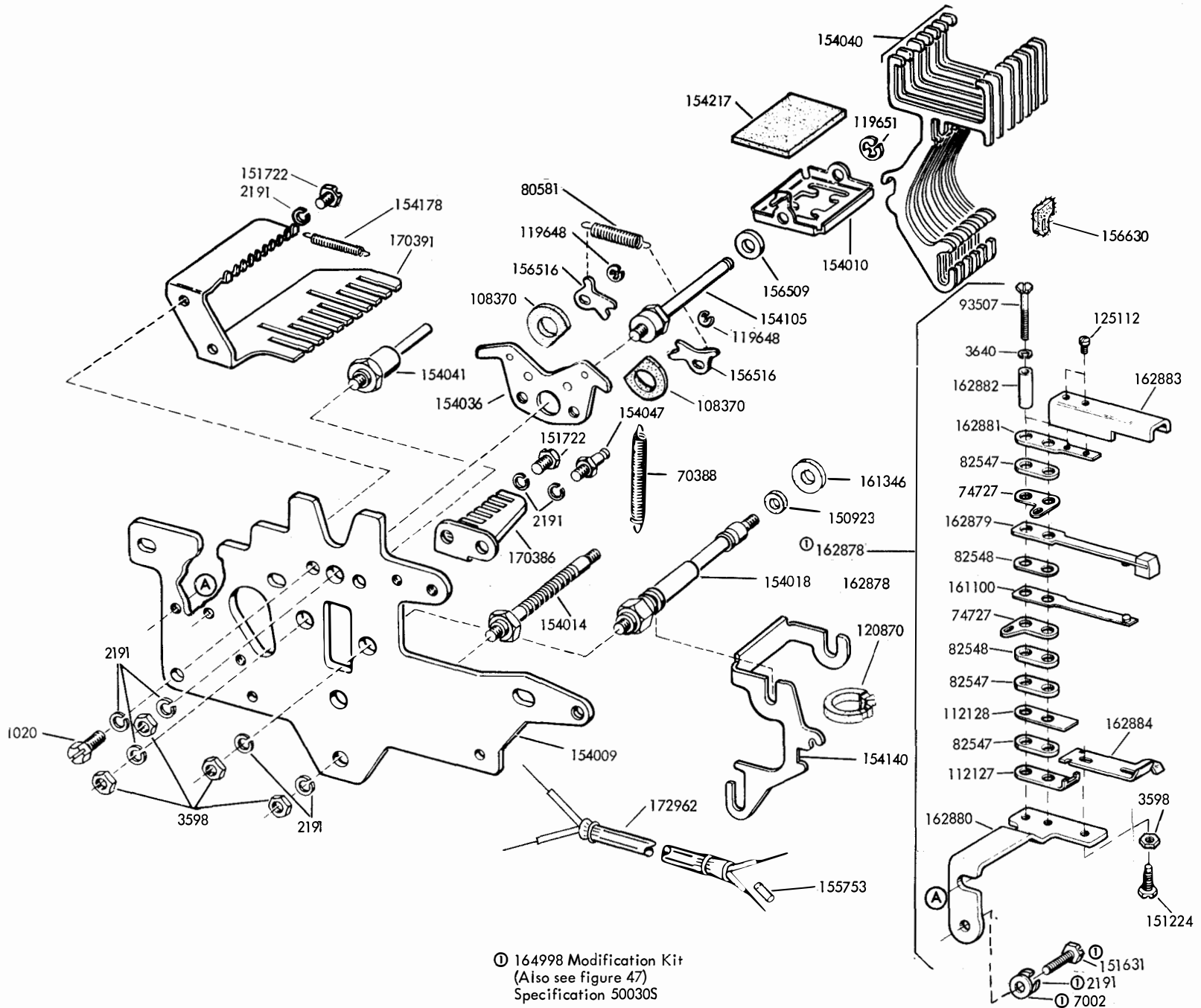
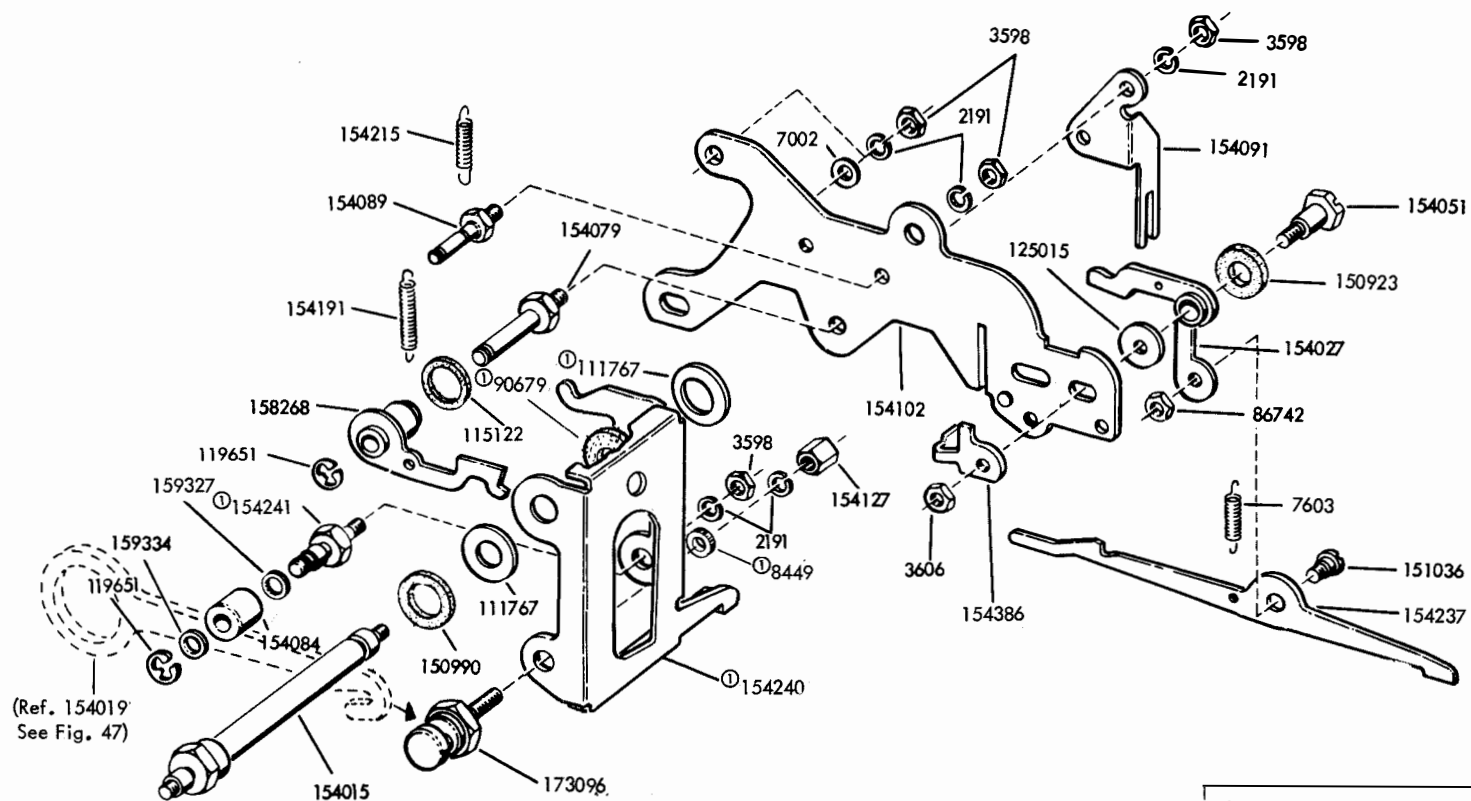
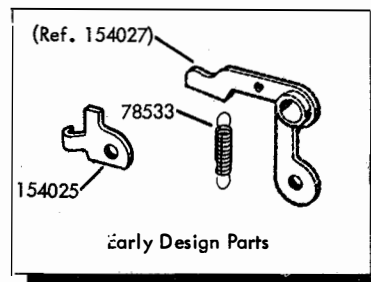


FIGURE 49. SIGNAL GENERATOR REAR PLATE MECHANISM (MARK III)



(Ref. 154019
See Fig. 47)

① 154350 Modification Kit to provide new style code bar bail



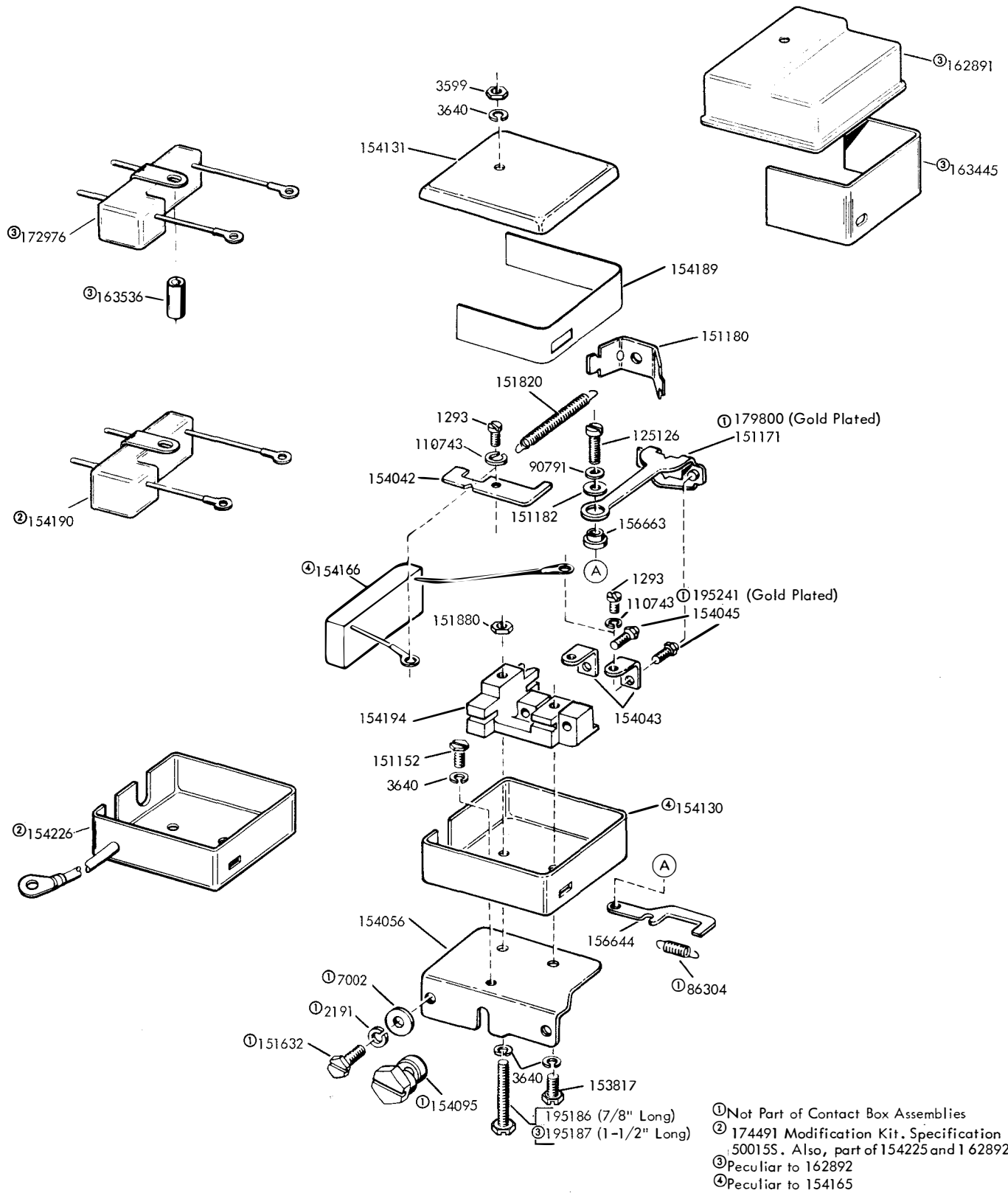
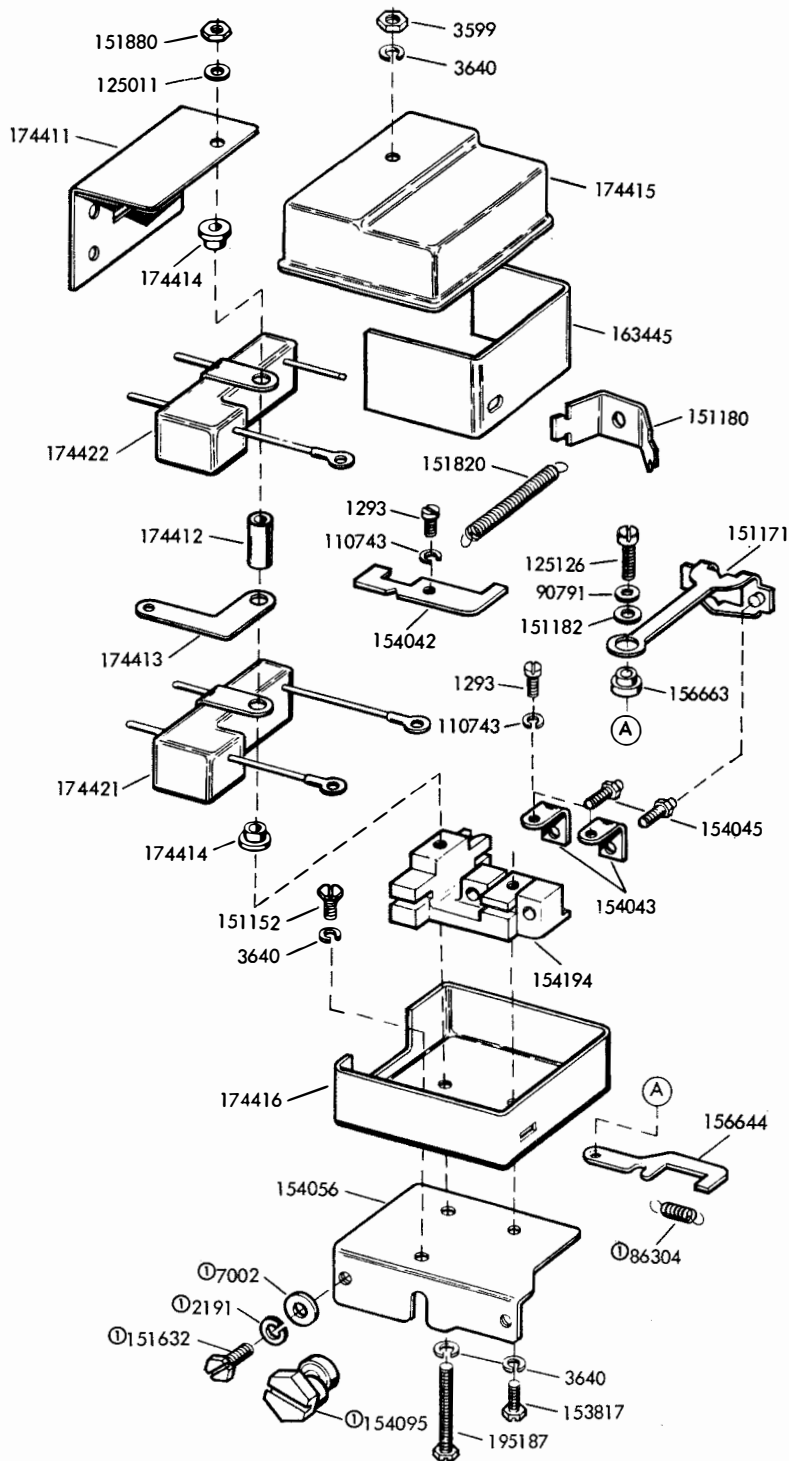


FIGURE 50. 154165 (W/ARC SUPPRESSION), 154225 (W/RF SUPPRESSION-NEUTRAL TRANSMISSION) AND 162892 (W/RF SUPPRESSION - POLAR TRANSMISSION) CONTACT BOX ASSEMBLIES (MARK III)



ⓐ Not Part of 174410 Assembly

FIGURE 51. 174410 CONTACT BOX ASSEMBLY W/RF SUPPRESSION AND SHIELDED SIGNAL LINES-POLAR TRANSMISSION (MARK III)

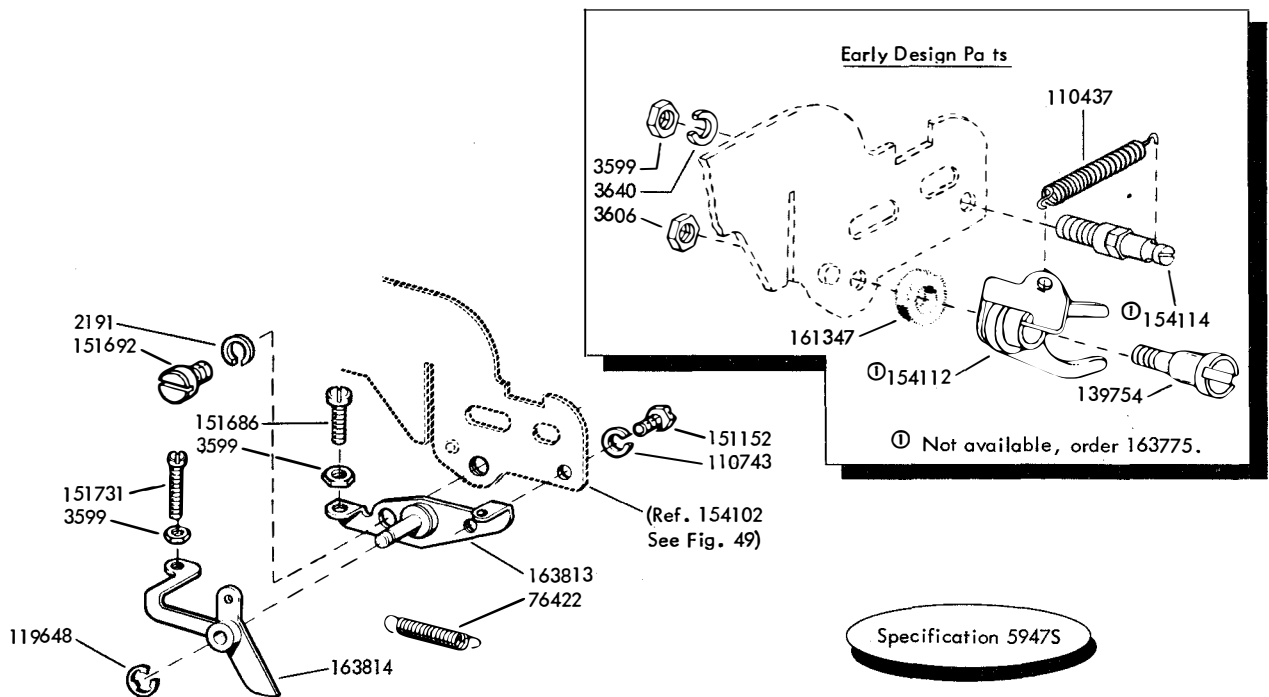


FIGURE 52. 163775 MODIFICATION KIT TO PROVIDE REPEAT ON SPACE MECHANISM (MARK III)

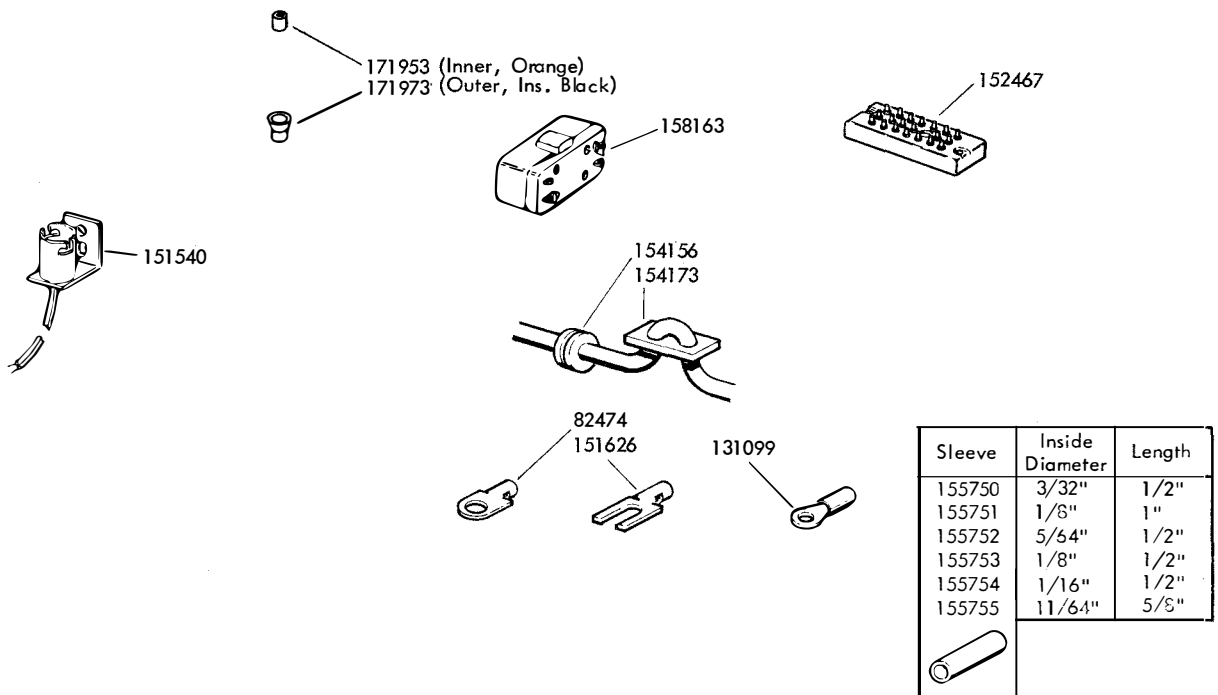


FIGURE 53. KEYBOARD CABLE COMPONENTS

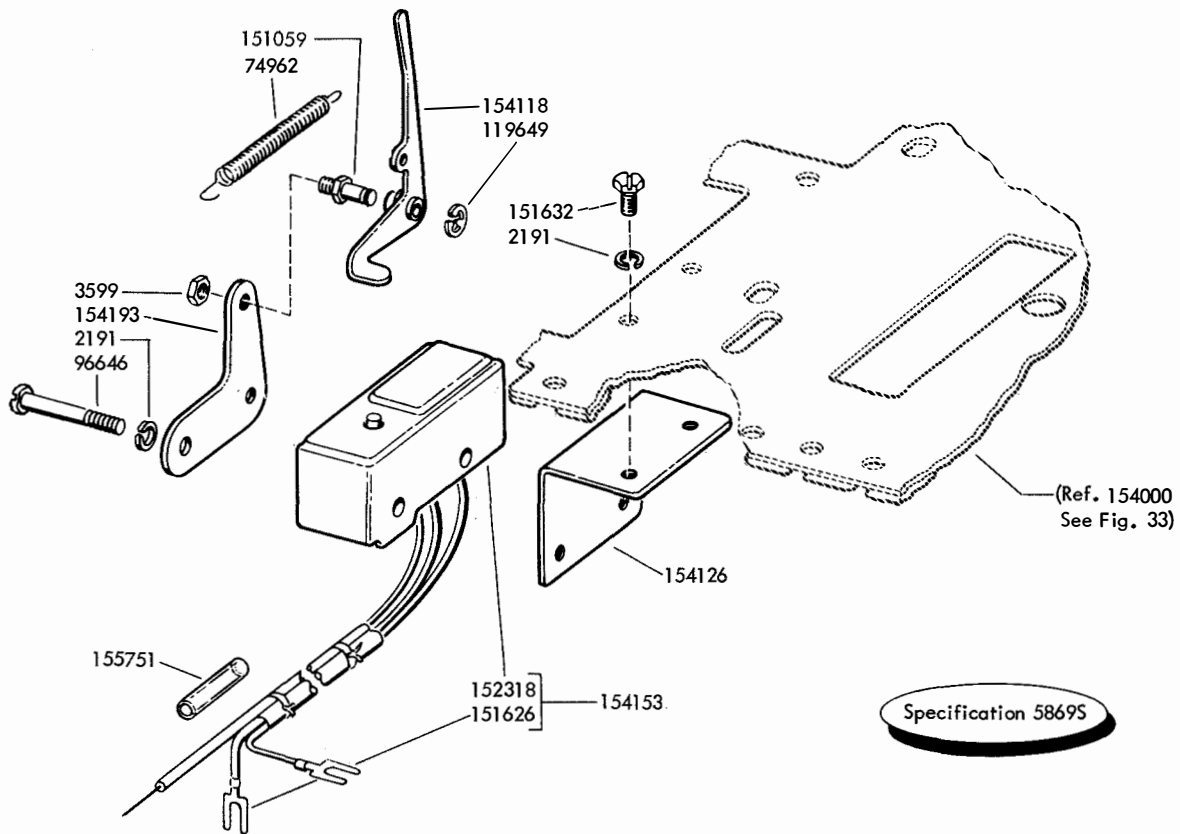


FIGURE 54. 154147 MODIFICATION KIT TO PROVIDE LOCAL PAPER FEED-OUT MOTOR STARTING MECHANISM (MARK III)

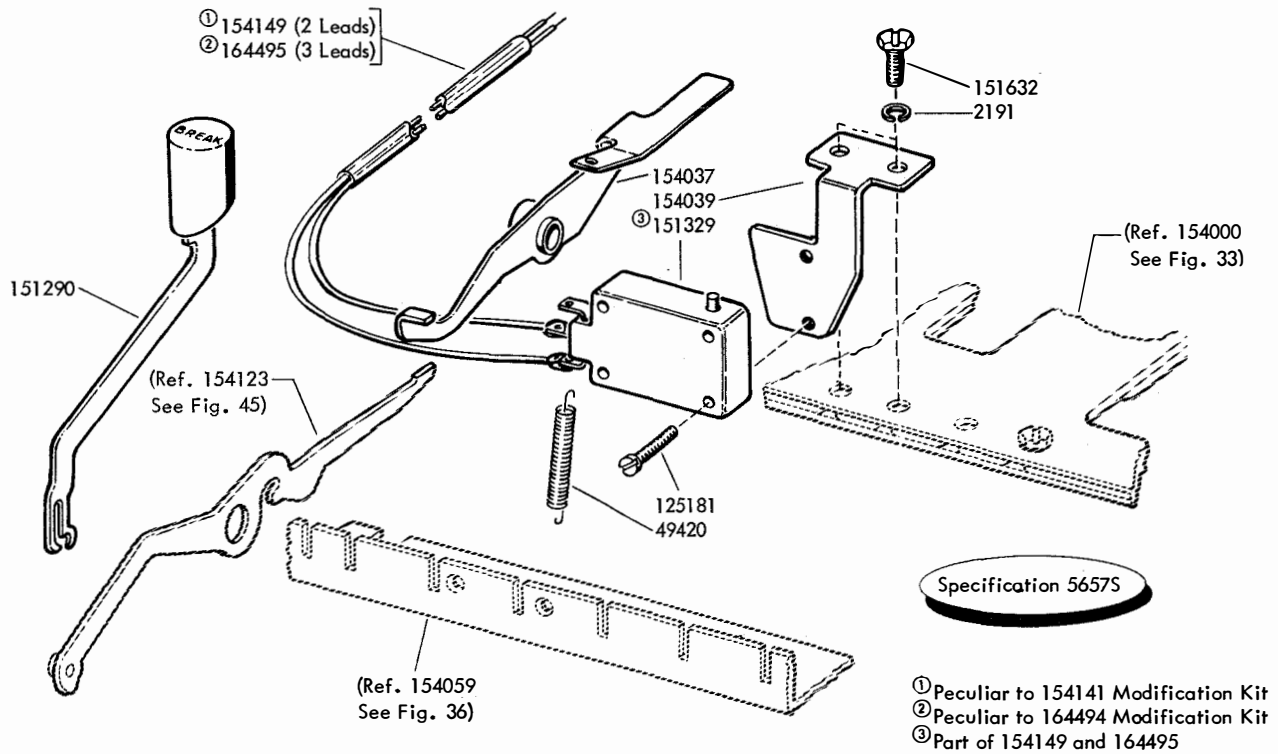


FIGURE 55. 154141 AND 164494 MODIFICATION KITS TO PROVIDE ELECTRICAL SIGNAL LINE BREAK MECHANISM (MARK III)

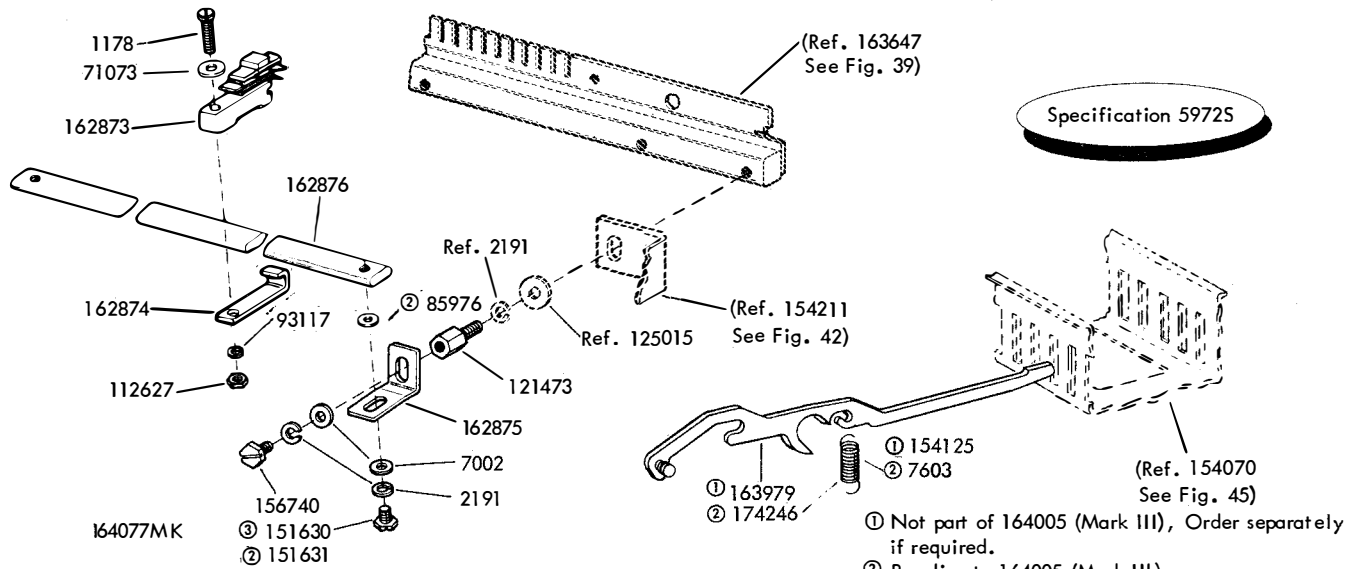


FIGURE 56. 164005 (FOR MARK III) AND 164077 (FOR MARK II) MODIFICATION KITS TO PROVIDE UNIVERSAL KEYBOARD SWITCH

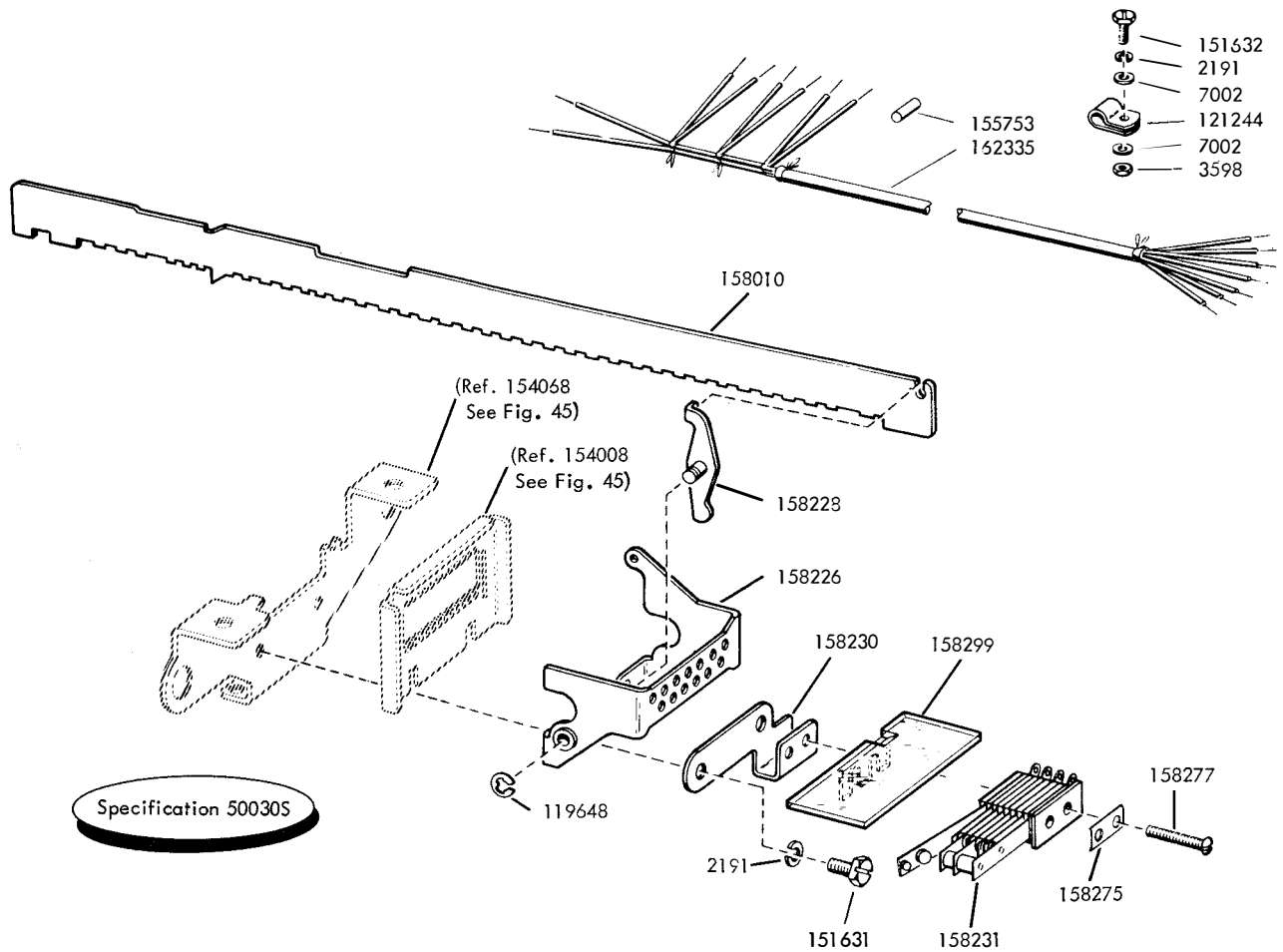


FIGURE 57. 162224 MODIFICATION KIT TO ADD LOCK BAR CONTACT TO KEYBOARD (MARK III)

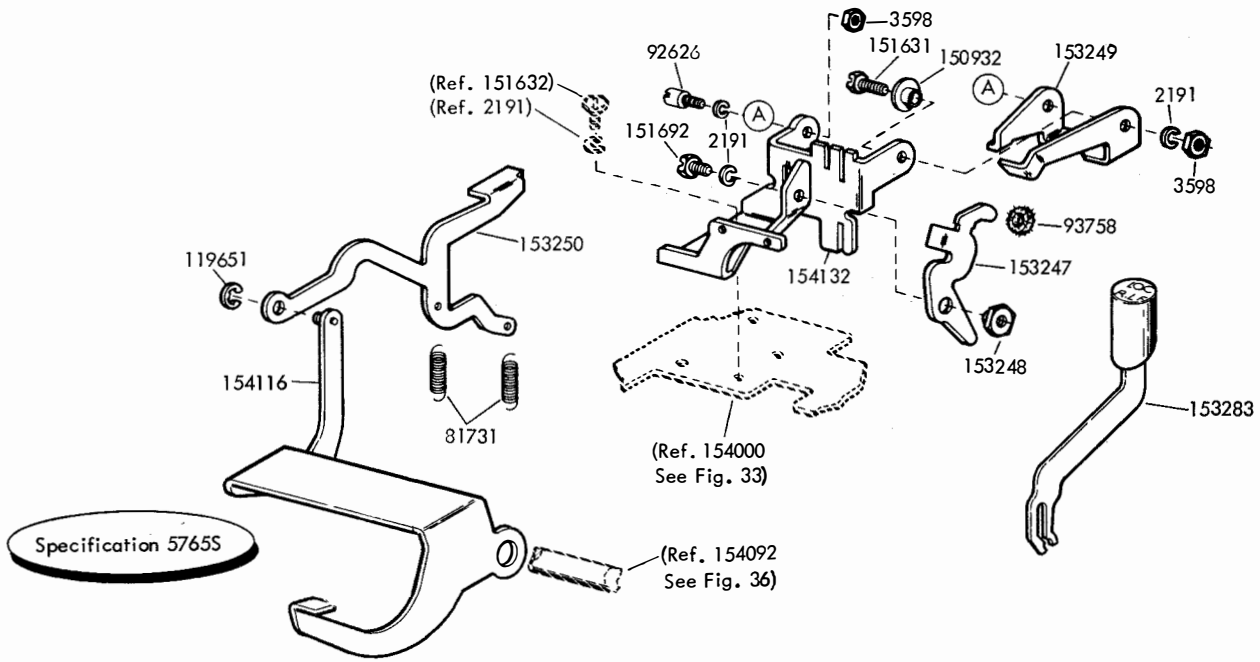


FIGURE 58. 154145 MODIFICATION KIT TO PROVIDE LOCAL REVERSE LINE FEED MECHANISM (MARK III)

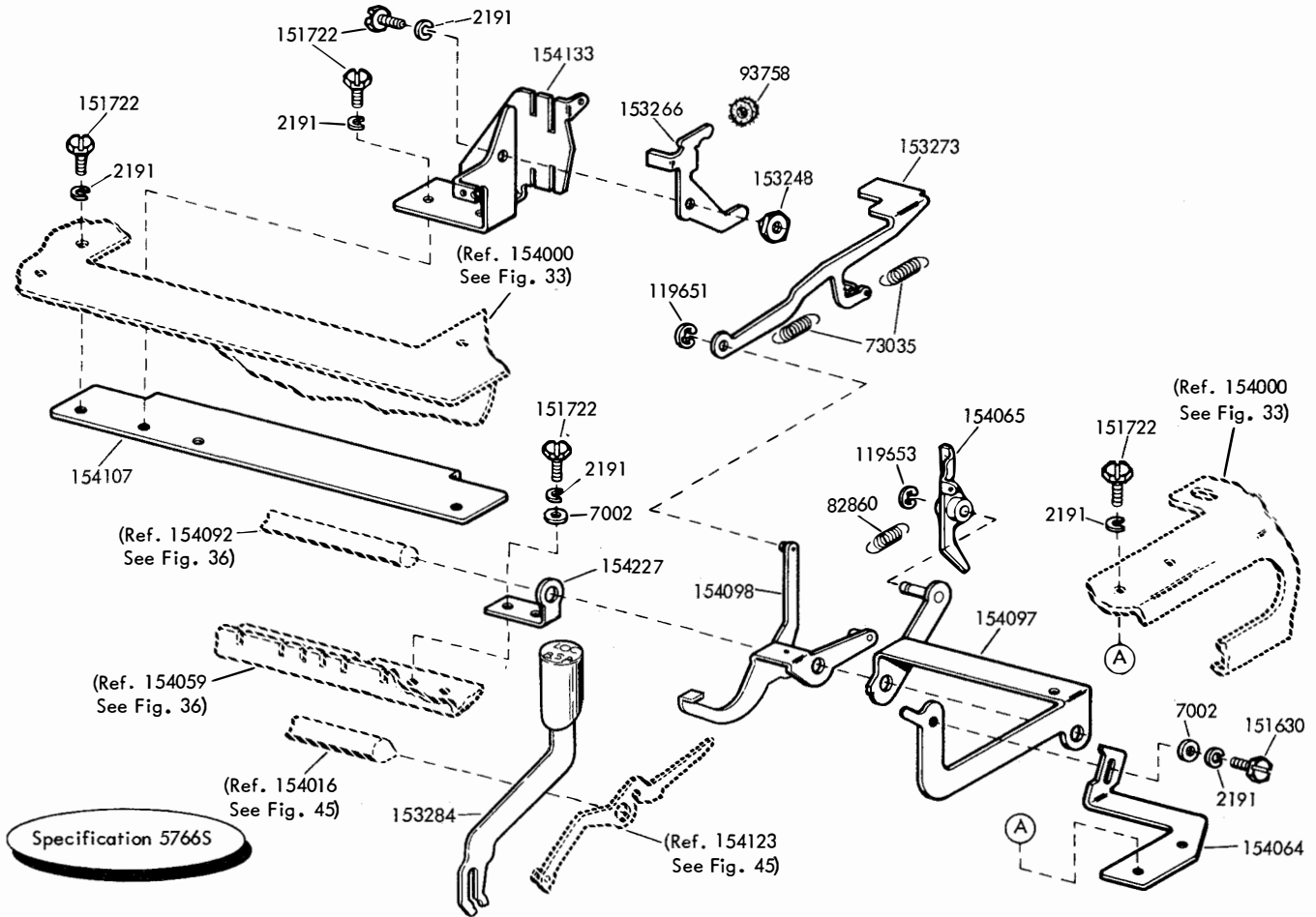
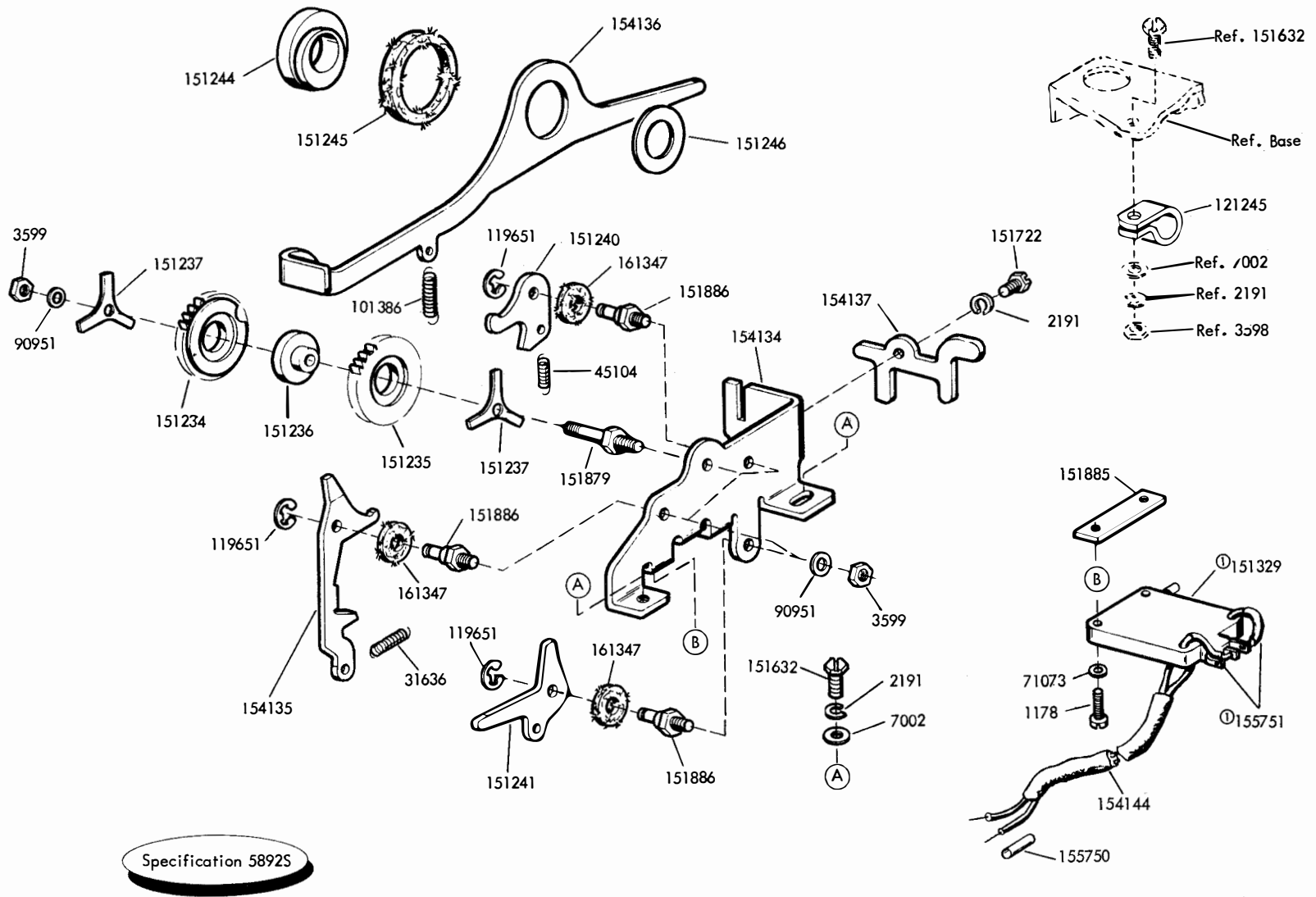


FIGURE 59. 154146 MODIFICATION KIT TO PROVIDE LOCAL BACK SPACE MECHANISM (MARK III)

FIGURE 60. 154142 MODIFICATION KIT TO PROVIDE KEYBOARD WITH TIME DELAY MECHANISM (MARK III)



Specification 58925

ⓐ Part of 154144

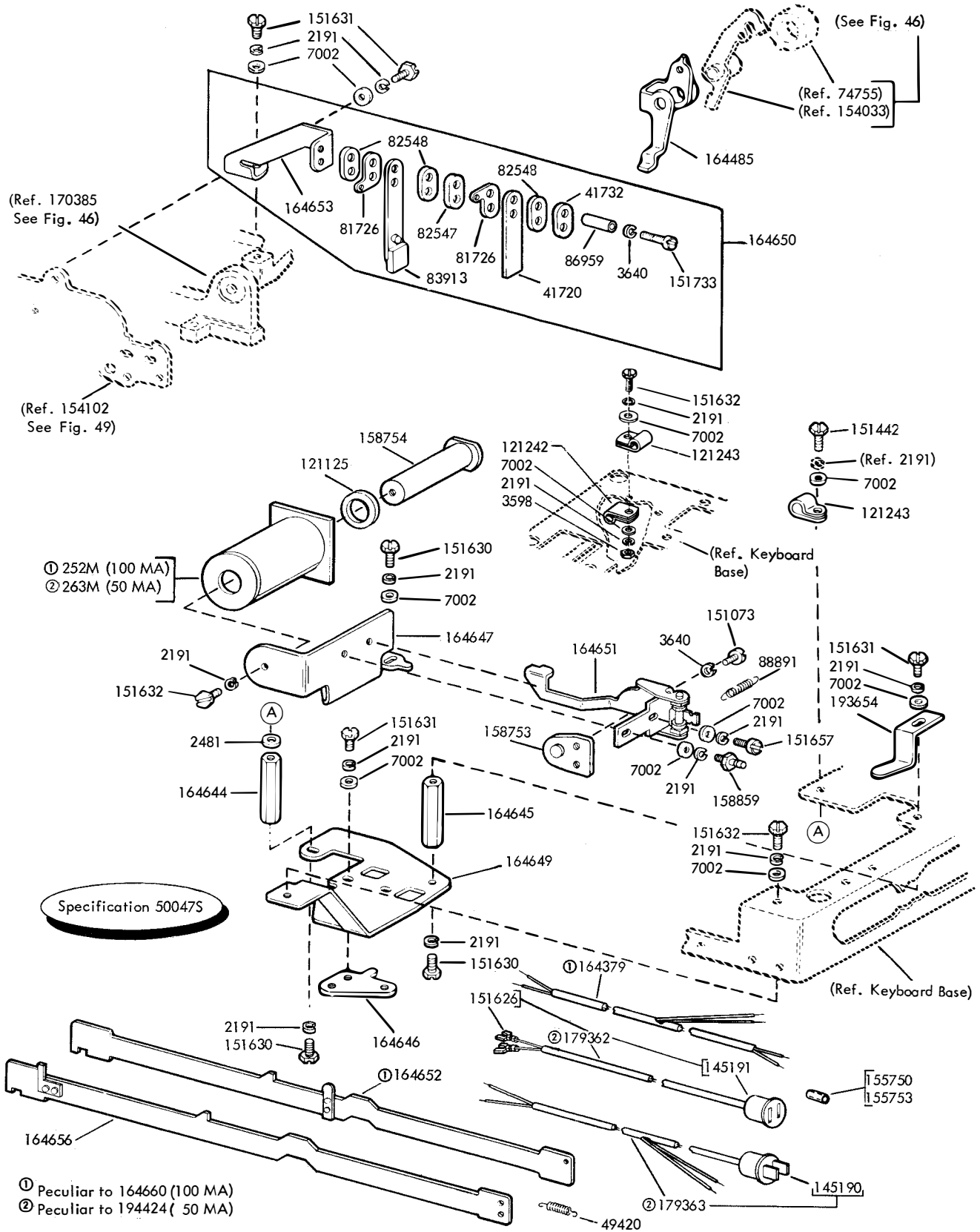
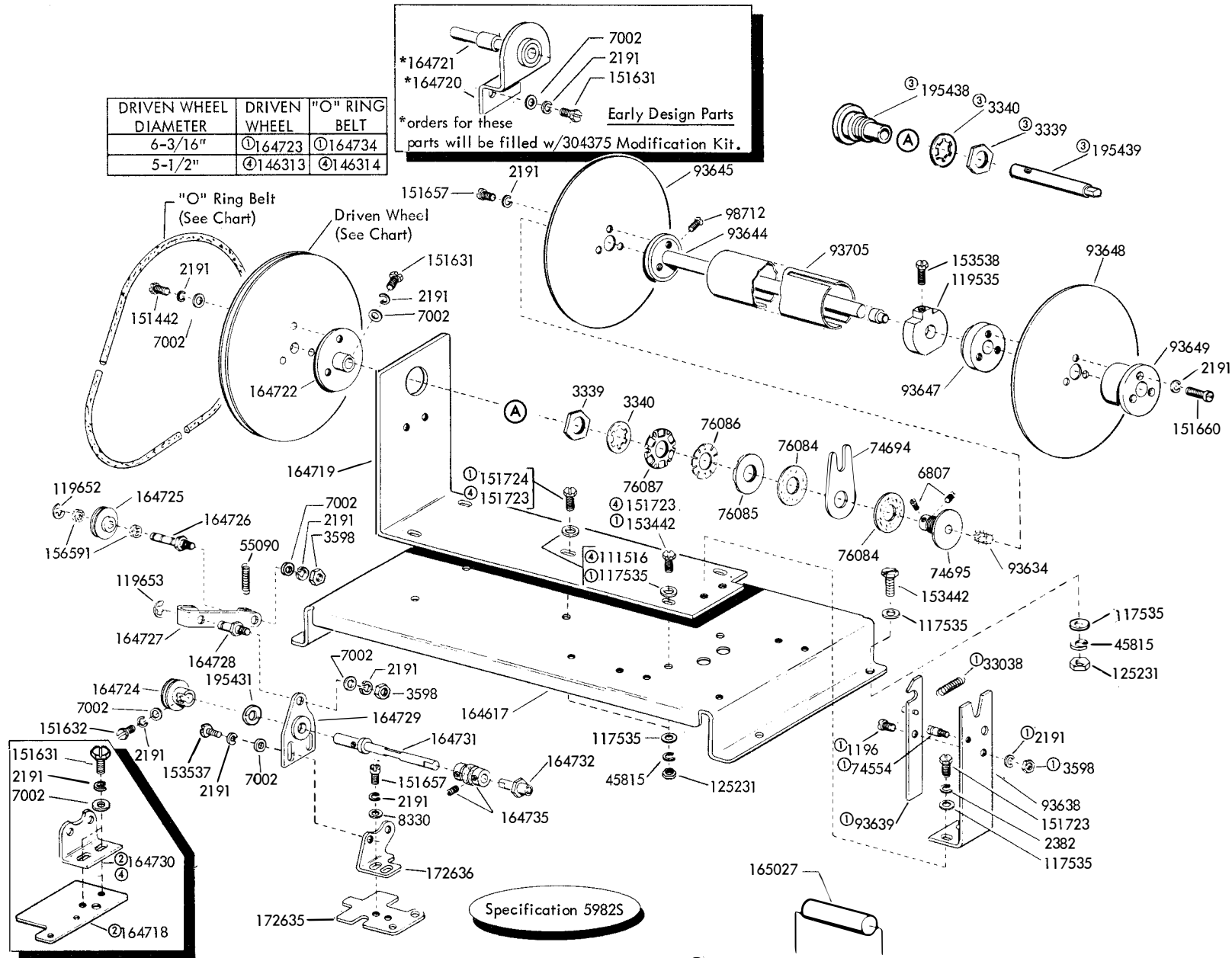


FIGURE 61. 164660 (100 MA) and 194424 (50 MA) MODIFICATION KITS TO PROVIDE SYNCHRONOUS PULSED TRANSMISSION (MARK III)

FIGURE 63. 164926 AND 146320 MODIFICATION KITS TO PROVIDE PAPER WINDING FACILITIES FOR SEND-RECEIVE AND RECEIVE-ONLY BASES MOUNTED IN AN APPARATUS CABINET



- ① Peculiar to 164926
- ② The 164718 Adapter Plate and 164730 Bracket replace the 172635 Adapter Plate and 172636 Bracket for the Mark III Keyboard. Also not part of 164926.
- ③ 304375 Modification Kit to replace early design bearing
- ④ Peculiar to 146320

FIGURE 64. REMOTE CONTROLLED SHIFT GEAR MECHANISM
(60 AND 100 WPM, 7.42 UNIT CODE)

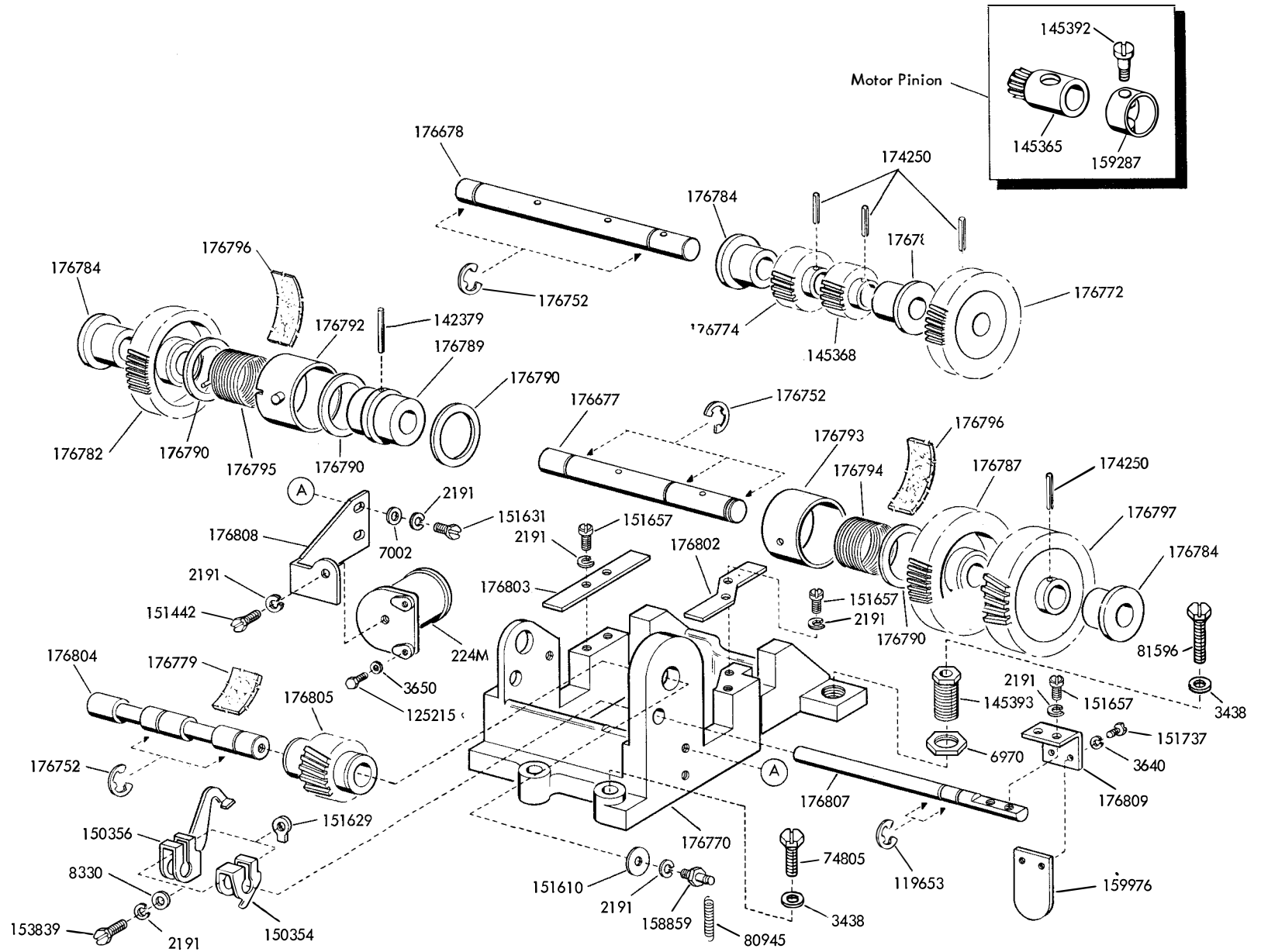
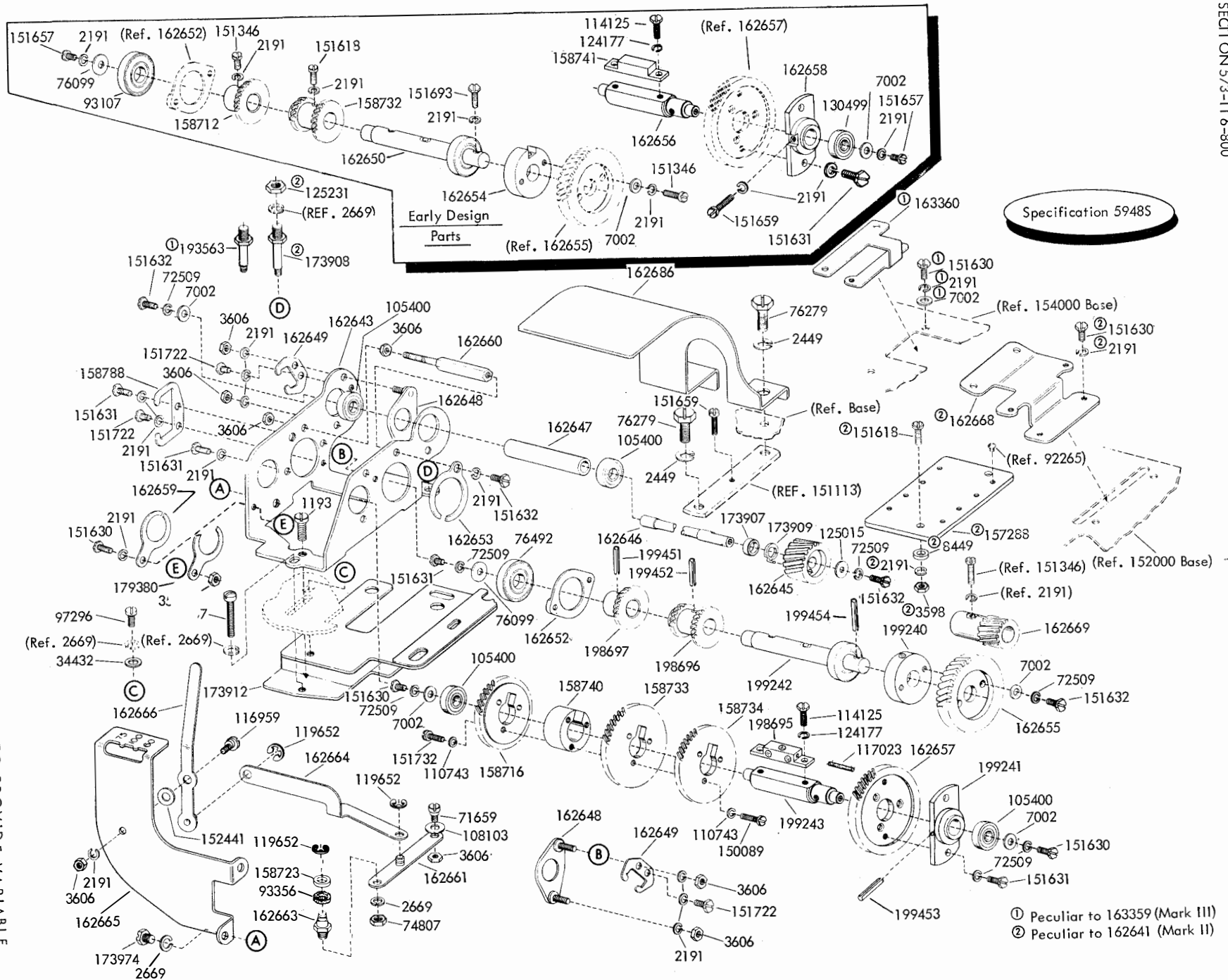


FIGURE 65. 162641 (MARK II) AND 163359 (MARK III) MODIFICATION KITS TO PROVIDE VARIABLE SPEED GEAR SHIFT MECHANISM (60, 75 AND 100 WPM, 7.42 UNIT CODE)



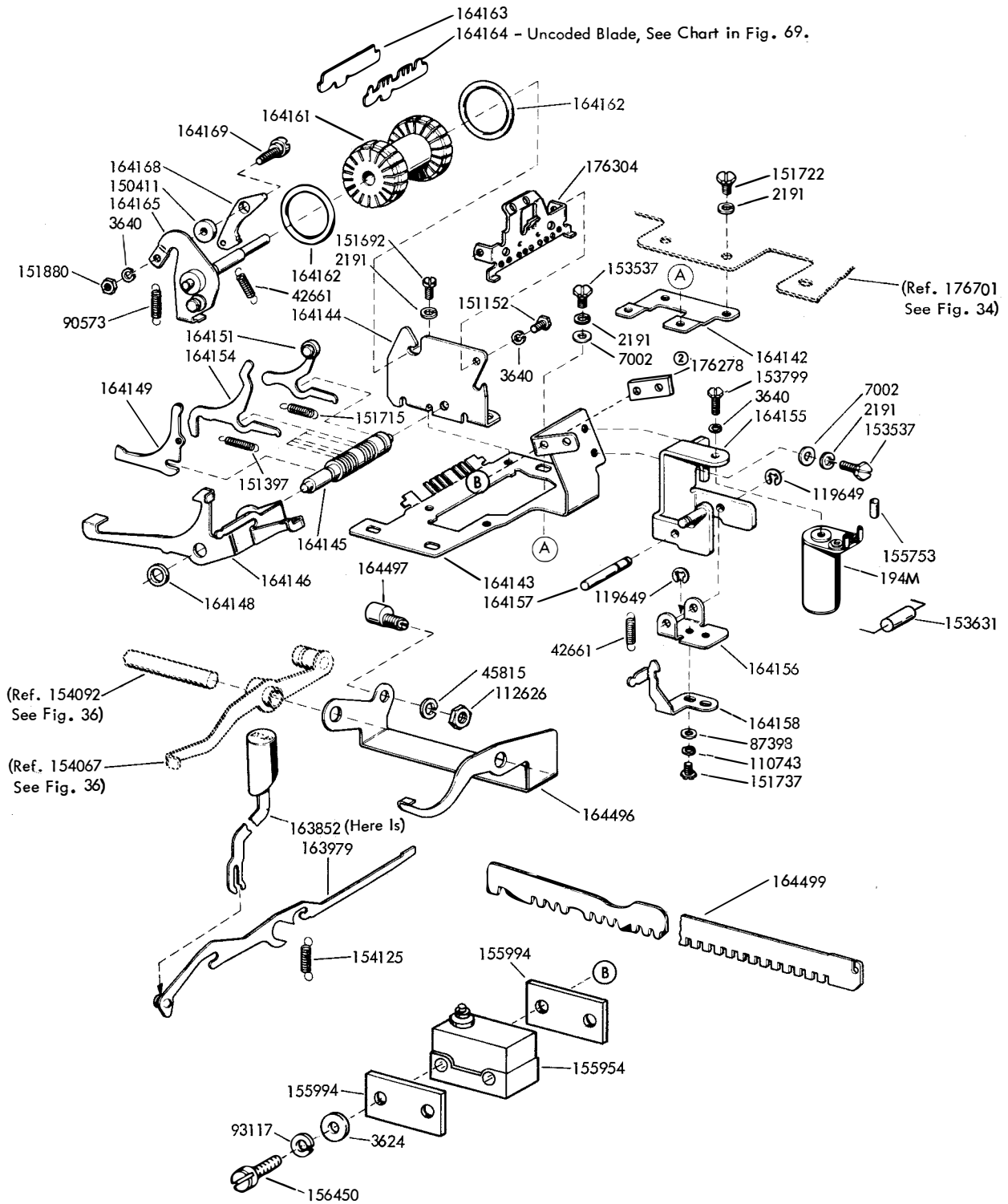


FIGURE 66. ANSWER-BACK MECHANISM

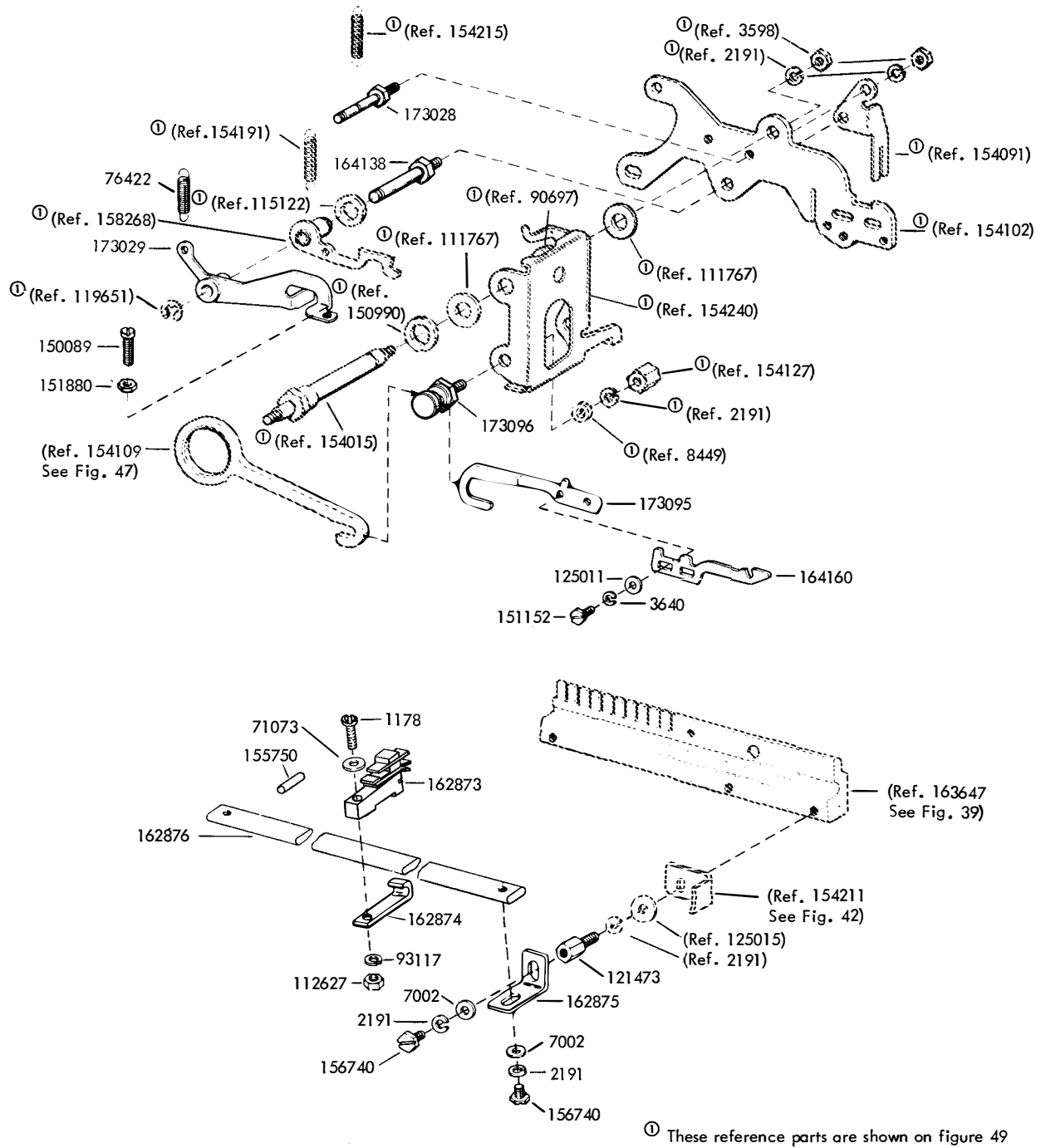


FIGURE 67. ANSWER-BACK MECHANISM (CONTINUED)

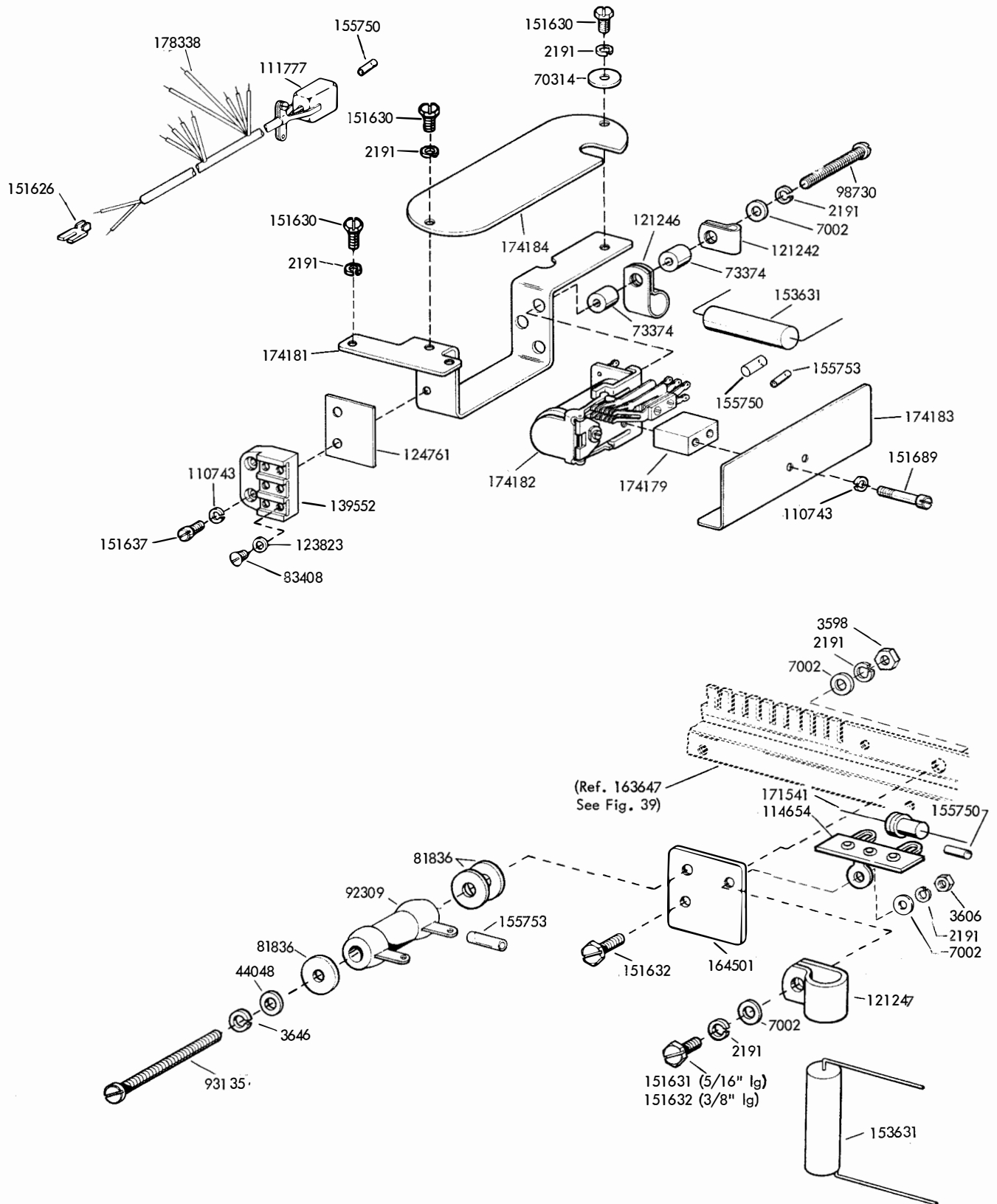
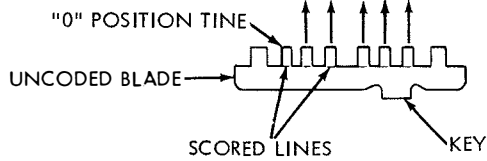


FIGURE 68. ANSWER-BACK MECHANISM (CONTINUED)

Character	Code				
	1	2	3	4	5
A	X	X			
B	X			X	X
C		X	X	X	
D	X			X	
E	X				
F	X		X	X	
G		X		X	X
H			X	X	X
I		X	X		
J	X	X		X	
K	X	X	X	X	
L		X			X
M			X	X	X
N			X	X	
O				X	X
P		X	X	X	X
Q	X	X	X	X	
R		X		X	
S	X		X		
T					X
U	X	X	X		
V		X	X	X	X
W	X	X			X
X	X		X	X	X
Y	X		X		X
Z	X				X
CARRIAGE RETURN				X	
LINE FEED		X			
LETTERS SHIFT	X	X	X	X	X
FIGURES SHIFT	X	X		X	X
SPACE			X		
BLANK					

— LEAVE TINE
 — REMOVE TINE



Coding Instructions for the Code Blades used in the Answer Back Feature on an LK Keyboard Base.

FIGURE 69. CODING KEYBOARD ANSWER-BACK DRUM BLADE

NUMERICAL INDEX

Part Number	Description and Page Number	Part Number	Description and Page Number	Part Number	Description and Page Number
194M	Coil, Magnet 57	8330	Washer, Flat 5, 8, 34, 38, 39, 54, 55	81596	Screw (10-32 x 1-3/8 Hex) 55
224M	Coil, Magnet 55	8449	Spacer (.094") 44, 56	81726	Terminal 52
247M	Coil, Magnet 33	27263	Screw (5-40 x 7/16 Hex) 27	81731	Spring 25, 50
252M	Coil, Magnet 52	31636	Spring 15, 23, 27, 51	81774	Washer, Flat 37
263M	Coil, Magnet 52	33038	Spring 54	81836	Washer, Insulating 59
1020	Screw (6-40 x 1/4 Hex) 43	34432	Washer, Flat 5, 53, 56	82463	Spring 19
1028	Screw (4-4 x 1/4 Fil) 33	41325	Nut (5-40 Hex) 27	82474	Terminal 11, 47
1047	Screw, Shoulder (6-40) 11, 21	41663	Washer, Flat 5	82547	Insulator (.094") 43, 52
1164	Screw (2-56 x 3/16 Fil) 18, 30	41720	Spring, Contact 52	82548	Insulator (.062") 43, 52
1178	Screw (2-56 x 7/16 Fil) 23, 49, 51, 58	41732	Plate, Clamp 28, 52	82860	Spring 24, 50
1193	Screw (10-32 x 7/8 Fil) 56	41733	Insulator (.062") 28	83408	Screw (6-40 x 3/16 Rd) 59
1196	Screw, Shoulder (6-40) 54	42661	Spring 6, 28, 57	83913	Spring, Contact 52
1210	Screw (2-56 x 5/8 Fil) 31	42823	Washer, Flat 6, 16, 42	85957	Washer, Flat 9
1257	Screw (10-32 x 1-1/8 Fil) 56	43954	Bell 33	85976	Washer, Flat 49
1293	Screw (4-40 x 1/8 Fil) 45, 46	44035	Screw (10-32 x 9/16 Hex) 53	86079	Washer, Felt 18
2034	Washer, Flat 15, 17, 18, 30	44048	Washer, Flat 59	86304	Spring 45, 46
2191	Washer, Lock 4 to 11, 15, 16, 19, 21, 23, 24, 25, 27, 28, 30 to 34, 36 to 41, 43 to 59	45104	Spring 23, 51	86720	Post, Spring 15
2247	Washer, Flat 18	45815	Washer, Lock 54, 57	86742	Nut (4-40 Hex) 17, 21, 44
2382	Washer, Lock 54	49420	Spring 15, 34, 40, 48, 52	86835	Spring 4, 31, 33
2415	Spring 40	49653	Screw (10-32 x 3/16 Fil) 34	86959	Bushing, Insulating 52
2449	Washer, Lock 4, 33, 56	55090	Spring 54	87398	Washer, Flat 57
2481	Washer, Flat 52	55219	Screw (8-32 x 3/8 Fil) 33	87401	Spring 28
2597	Washer, Flat 18	55669	Spring 4, 20, 31	88891	Spring 52
2669	Washer, Lock 5, 8, 15, 16, 31, 32, 33, 34, 41, 53, 56	70071	Washer, Lock 27	89897	Nut (10-32 Hex) 27
3339	Nut (9/16-32 Hex) 54	70314	Washer, Flat 59	90260	Spring 15
3340	Washer, Lock 54	70388	Spring 6, 43	90573	Spring 18, 57
3438	Washer, Flat 8, 9, 31, 32, 33, 34, 55	71073	Washer, Flat 15, 23, 49, 51, 58	90599	Shim (.008") 28
3595	Nut (1/4-32 Hex) 15, 33	71659	Screw, Shoulder (6-40) 56	90679	Washer, Felt 15, 44
3598	Nut (6-40 Hex) 4, 6, 10, 11, 15, 21, 23, 25, 27, 30, 31, 33, 35, 36, 37, 39, 41, 43, 44, 49, 50, 52, 53, 54, 56, 59	72509	Washer, Lock 56	90714	Washer, Flat 5
3599	Nut (4-40 Hex) 4, 6, 9, 10, 15, 17, 18, 20, 23, 31, 45, 46, 47, 48, 51	72563	Washer, Felt 16	90790	Washer, Flat 53
3606	Nut (6-40 Hex) 10, 28, 44, 47, 56, 59	73008	Washer, Flat 15	90791	Washer, Lock 5, 15, 18, 30, 45, 46
3624	Washer, Flat 57	73035	Spring 24, 50	90951	Washer, Lock 23, 51
3640	Washer, Lock 10, 12, 28, 31, 33, 35, 36, 43, 45, 46, 47, 52, 55, 57, 58	73180	Switch, Toggle 12	91228	Strap (2-1/2" Braided) 33
3646	Washer, Lock 18, 33, 59	73374	Spacer (.250") 59	91229	Strap (2" Braided) 33
3650	Washer, Flat 55	73497	Plug, Red Shell 5	91683	Nut (15/32-32 Hex) 12, 22, 29, 38
3870	Spring 31, 40, 41	73844	Washer, Flat 17	91684	Nut (15/32-32 Ring) 12, 22, 29, 38
3949	Spacer 5	73894	Screw, Set (6-40) 5	91765	Spacer 15
4702	Spring 41	74291	Bracket, Spring 28	91904	Washer, Flat 10
4703	Spring 9, 33	74554	Post, Spring 54	92309	Resistor (400 Ohm) 59
4707	Washer, Flat 27	74694	Arm 54	92626	Stud 25, 50
4809	Wick, Felt 6	74695	Sleeve, Clutch 54	92668	Post, Spring 15
5475	Nut (3/16-40 Hex) 15	74722	Washer, Flat 19	93075	Nut (15/32-32 Ring) 12
5599	Nut (8-32 Hex) 5	74727	Terminal, Contact 43	93082	Extension 21
6342	Wire (1" Lg) 26	74728	Terminal, Contact 28	93107	Bearing, Ball 56
6807	Screw, Set (6-40) 54	74755	Washer, Felt 41	93117	Washer, Lock 27, 28, 49, 57, 58
6970	Nut (3/8-32 Hex) 53, 55	74805	Screw (10-32 x 3/4 Hex) 5, 34, 41, 55	93118	Washer, Lock 18, 30, 31
7002	Washer, Flat 5, 6, 7, 10, 11, 21, 23, 24, 25, 27, 30, 31, 32, 33, 36 to 40, 41, 43 to 46, 49, 50 to 59	74807	Nut (10-32 Hex) 56	93135	Screw (8-32 x 1-3/4 Fil) 59
7602	Spring 6	74962	Spring 48	93356	Washer, Felt 55
7603	Spring 6, 7, 24, 25, 44, 49	74965	Bushing, Insulating 28	93507	Screw (4-40 x 3/4 Hex) 43
7655	Spring 6	76081	Washer, Flat 40	93634	Wick, Felt 54
7965	Spring 6	76084	Washer, Felt 54	93638	Bracket, Bearing 54
8262	Knob 5	76085	Disk, Friction 54	93639	Latch W/Post 54
		76086	Washer, Spring 54	93644	Shaft 54
		76087	Nut, Friction (9/16-32) 54	93645	Spindle, Left Paper 54
		76099	Washer, Flat 41, 53, 56	93647	Hub, Right Paper Spindle 54
		76279	Screw (1/4-32 x 5/8 Hex) 56	93648	Spindle, Right Paper 54
		76299	Spring 9	93649	Knob 54
		76379	Spring 32	93705	Cylinder 54
		76422	Spring 47, 58	93758	Washer, Felt 17, 24, 25, 50
		76492	Bearing, Ball 56	94072	Bushing 34
		77051	Post, Spring 28	94665	Screw, Shoulder (6-40) 28
		77063	Screw, Stop (4-40) 19	95499	Screw, Pilot (6-40) 23
		78533	Spring 44	96646	Screw (6-40 x 1-3/64 Fil) 21, 48
		80581	Spring 19, 43		
		80945	Spring 55		

NUMERICAL INDEX (Continued)

Part Number	Description and Page Number	Part Number	Description and Page Number	Part Number	Description and Page Number
97143	Jack 5	119535	Bushing 54	145313	Washer, Felt 53
97296	Screw (10-32 x 5/16 Fil) 56	119647	Ring, Retaining 15	145318	Screw (6-40 Spl) 36
97393	Screw, Shoulder (6-40) 53	119648	Ring, Retaining 6, 15, 17, 18, 32, 43, 47, 49	145365	Pinion (20 T) 53, 55
98502	Washer, Flat 53	119649	Ring, Retaining 15, 17, 18, 21, 32, 48, 57	145366	Gear (56 T) 53
98712	Screw (4-40 x 1/4 Flat) 54	119650	Ring, Retaining 40	145367	Shaft, Drive 53
98730	Screw (6-32 x 1-1/4 Rd) 59	119651	Ring, Retaining 5, 8, 9, 15, 19, 23, 24, 25, 27, 31, 37, 43, 44, 50, 51	145368	Gear (27 T) 53, 55
99220	Spring, Compression 5, 30	119652	Ring, Retaining 5, 9, 15, 18, 24, 25, 41, 53, 54, 56	145370	Gear (42 T) 53
100149	Stud 11, 21	119653	Ring, Retaining 34, 36, 50, 54, 55	145373	Gear (66 T) 53
101386	Spring 17, 51	119654	Ring, Retaining 40	145375	Gear (63 T) 53
101714	Spring 28	119655	Ring, Retaining 33, 53	145381	Washer, Thrust 53
101796	Washer, Felt 7, 15	120175	Plate (ON-OFF) 12, 38	145383	Key 53
102057	Screw, Shoulder (4-40) 4, 20, 31	120824	Washer, Felt 16, 42	145384	Pin, Guide 53
102329	Spring, Contact 28	120870	Wick, Felt 43	145385	Spring, Compression 53
102330	Spring, Contact 28	121018	Nut (4-40 Hex) 5	145386	Sleeve 53
104710	Ball, Bearing 10, 35, 36	121125	Washer, Spring 52	145389	Shaft, Idler 53
104751	Spring 5	121242	Clamp, Cable (1/8" ID) 5, 31, 52, 59	145390	Pinion (25 T) 53
104807	Washer, Flat 6, 28	121243	Clamp, Cable (3/16" ID) 4, 21, 30, 52	145393	Bushing 53, 55
104827	Bearing, Ball 8, 33, 34	121244	Clamp, Cable (1/4" ID) 11, 49	146313	Wheel, Driven 54
105400	Bearing, Ball 56	121245	Clamp, Cable (5/16" ID) 31, 51	146314	Belt, "O" Ring 54
105551	Shell, Red 5	121246	Clamp, Cable (3/8" ID) 59	146320	Modification Kit 54
106047	Screw (1/4-32 x 1/2 Hex) 4	121247	Clamp, Cable (7/16" ID) 4, 59	149881	Cover, Gear 53
107364	Screw (6-32 x 3/8 Fil) 39	121473	Post 49, 58	150013	Disk, Adjusting 16, 42
107398	Terminal 33	121539	Terminal 33	150026	Lever, Shoe Release 16, 42
108007	Spacer 28	122057	Switch, Sensitive 19, 28	150028	Disk, Clutch 16
108102	Screw (4-40 x 1/4 Flat) 12, 38	123823	Washer, Flat 59	150029	Wick, Felt 16, 42
108103	Washer, Flat 56	124177	Washer, Lock 56	150043	Shoe, Secondary Clutch 16, 42
108370	Washer, Felt 43	124244	Washer, Felt 32	150044	Shoe, Primary Clutch 16, 42
108891	Screw (6-40 x 3/16 Hex) 24	124610	Plug 5	150089	Screw (4-40 x 1/2 Fil) 5, 6, 56, 58
108949	Stiffener 28	124761	Plate, Insulating 59	150241	Spring 16, 42
110191	Washer, Lock 5	124999	Switch, Sensitive 27	150354	Arm, Trip 55
110434	Screw (4-40 x 3/16 Fil) 4, 6, 20, 33	125011	Washer, Flat 5, 6, 18, 35, 41, 46, 58	150356	Lever, Trip 55
110435	Nut (4-40 Hex) 6, 18, 30, 33	125015	Washer, Flat 27, 28, 33, 37, 39, 44, 56	150923	Washer, Felt 32, 43, 44
110436	Spring 23	125112	Screw (2-56 x 1/8 Fil) 43	150932	Bushing, Shoulder 25, 50
110437	Spring 40, 47	125122	Screw (2-56 x 3/4 Fil) 27	150966	Insulator (1-4) 4, 31, 33
110475	Screw (2-64 x 5/64 Rd) 5	125126	Screw (2-56 x 9/32 Fil) 18, 30, 45, 46	150990	Washer, Felt 44
110476	Screw (4-48 x 5/64 Fil) 5	125181	Screw (2-56 x 3/8 Fil) 4, 19, 20, 21, 48	150991	Washer, Felt 40, 41
110743	Washer, Lock 4, 5, 6, 7, 9, 10, 15, 16, 17, 18, 20, 28, 30, 35, 41, 42, 45, 46, 47, 56, 57, 59	125215	Screw (4-40 x 3/16 Hex) 55	151008	Lever, Latch 6
111017	Screw (6-40 x 5/16 Fil) 4, 5, 32, 33	125231	Nut (10-32 Hex) 33, 54, 56	151013	Bail 10
111342	Spring 15	125241	Spring 21	151014	Link 10
111343	Clamp, Retaining 10, 35	125268	Spring 17	151016	Bearing, Roller 15
111409	Screw (4-40 x 7/32 Fil) 28	128002	Screw (2-56 x 3/16 Fil) 15	151018	Stud 15
111516	Washer, Flat 54	128357	Ring, Retaining 30	151023	Guide 6
111767	Washer, Flat 15, 33, 44	130499	Bearing, Ball 56	151025	Lever, Detent 17
111777	Connector, Receptacle (4 Pt) 59	131099	Terminal 33, 47	151026	Arm, Toggle Detent 17
112127	Hinge 43	139012	Solenoid (85 Ohm) 27	151030	Shaft, Code Lever 6
112128	Retainer 43	139552	Block, Terminal 59	151032	Bellcrank 6
112626	Nut (10-32 Hex) 8, 15, 16, 34, 41, 53, 57	139555	Spring 11, 21	151036	Screw, Shoulder (4-40) 6, 10, 44
112627	Nut (2-56 Hex) 21, 49, 58	139564	Nut (3/8-32 Hex) 12	151037	Lever 17
112630	Spring 9, 31	139565	Washer, Flat 12	151038	Plate, Guide 15
112695	Connector, Plug (3 Pt) 26	139754	Screw, Shoulder (6-40) 47	151039	Stud 15
113980	Washer, Flat 27, 28	142379	Pin, Roll 53, 55	151041	Screw, Pilot (4-40) 15
114125	Screw (6-40 x 3/8 Hex) 56	144871	Shaft, Solenoid Plunger 32	151043	Plate, Nut 6
114478	Nut (15/32-32 Hex) 12, 38	145190	Connector, Plug (2 Pt) 52	151045	Bar, Spacing 10, 38, 39
114654	Strip, Terminal 59	145191	Connector, Receptacle (2 Pt) 52	151051	Lever, Intermediate 17
115122	Washer, Felt 41, 44	145307	Plate, Nut 32	151052	Lever, Selector 18
116959	Screw, Eccentric Shoulder (6-40) 56			151053	Lever, Transfer 18
117023	Wick, Felt 56			151054	Stud 15
117416	Post 41			151055	Post 18
117535	Washer, Flat 54			151056	Stud 17
117608	Nut, Speed 10, 11, 13, 27, 38			151057	Screw, Pilot (1/4-32) 15
119467	Insulator (.032") 27, 28			151059	Stud 17, 21, 48

NUMERICAL INDEX (Continued)

Part Number	Description and Page Number	Part Number	Description and Page Number	Part Number	Description and Page Number
151065	Bail, Locking 18	151189	Bail, Clutch Trip 15	151376	Label, Instruction 38
151066	Bail, Rocker 15	151190	Lever, Oscillating 17	151389	Paper, Carbon 38
151067	Bail, Code Bar 15	151191	Bracket 6	151390	Label 38
151068	Lever, Reset 16	151193	Bumper 6	151391	Label Set 10, 38
151073	Screw (4-40 x 5/32 Fil) 5, 52	151201	Wick, Felt 16	151395	Spring 17
151075	Gear Set (75 WPM) 20	151205	Plate 17	151397	Spring 18, 57
151076	Wedge, Locking 10	151207	Stud 15	151398	Spring 18
151080	Washer, Flat 10, 35, 36	151211	Lever, Stop 15	151399	Bracket 4
151082	Screw, Pilot (4-40) 7	151213	Stud, Eccentric 15	151411	Block, Terminal 32
151084	Bar, Clutch Trip 6	151215	Shaft 15	151412	Insulator (1-9) 32
151085	Bar, Code (#5) 6	151216	Detent 15	151415	Block, Terminal 4, 31, 33
151086	Bar, Code #4 6	151217	Roller 15	151416	Nut (6-40 Hex) 4, 31, 32, 33
151087	Bar Code (#3) 6	151218	Rod, Break 19	151442	Screw (6-40 x 1/2 Hex) 37, 41, 52, 54, 55
151088	Bar, Code (#2) 6	151219	Plate 8	151444	Bracket, Guard 28
151089	Bar, Code (#1) 6	151222	Washer, Felt 17	151540	Lampholder 33, 47
151090	Screw, Pilot (6-40) 6	151223	Screw, Shoulder (4-40) 10, 38, 39	151564	Bracket 33
151091	Plate, Nut 6	151224	Screw, Pilot (6-40) 10, 37, 42	151565	Bushing, Shoulder 33
151092	Frame, Code Bar 6	151225	Washer, Felt 15	151567	Armature W/Clapper 33
151096	Frame, Signal Generator 15	151226	Strip 10, 11	151574	Grommet, Rubber 22, 33
151097	Shaft 18	151227	Bracket, Space Bar 10	151577	Screw, Shoulder (6-40) 33
151098	Stud 17	151228	Bracket W/Bearing 8, 34	151579	Plate, Retaining 33
151099	Extension, Rocker 15	151234	Ratchet (27 T) 23, 51	151610	Washer, Flat 53, 55
151100	Gear Set (100 MPM) 20	151235	Ratchet (28 T) 23, 51	151618	Screw (6-40 x 7/16 Fil) 4, 8, 27, 56
151101	Guide 6	151236	Hub 23, 51	151626	Terminal 21, 22, 26, 31, 32, 38, 47, 48, 52, 59
151102	Pawl 7	151237	Spring, Flat 23, 51	151629	Nut (6-40 Lug) 55
151104	Clip 6	151239	Pawl 23	151630	Screw (6-40 x 1/4 Hex) 10, 27, 31, 32, 33, 36, 37, 39, 40, 49, 50, 52, 53, 56, 59
151105	Extension 10	151240	Pawl 23, 51	151631	Screw (6-40 x 5/16 Hex) 8, 25, 31, 32, 33, 34, 37, 38, 39, 41, 43, 49, 50, 52, 53, 54, 55, 56, 59
151106	Plate 15	151241	Lever, Latching 23, 51	151632	Screw (6-40 x 3/8 Hex) 8, 31, 32, 33, 34, 37, 39, 40, 45, 46, 48, 49, 51, 52, 53, 54, 56, 59
151112	Shaft 9	151243	Pawl 23	151637	Screw (4-40 x 1/4 Fil) 5, 6, 10, 11, 12, 59
151113	Strip, Mounting 4, 31	151244	Bushing, Eccentric 23, 51	151642	Screw (6-40 x 3/4 Fil) 5, 15
151115	Plunger 9	151245	Washer, Felt 8, 23, 51, 53	151657	Screw (6-40 x 1/4 Fil) 4, 5, 6, 7, 21, 23, 52, 54, 55, 56
151118	Plate, Spacing 4, 31	151246	Washer, Flat 8, 23, 51	151658	Screw (6-40 x 5/16 Fil) 4, 6, 9, 10, 11, 16, 25, 27, 30, 31, 33, 53
151126	Spacer (25/64" ID) 8, 34	151286	To	151659	Screw (6-40 x 1/2 Fil) 10, 11, 37, 38, 39, 56
151127	Shaft 8	151289	Keylever Assembly 13	151660	Screw (6-40 x 7/8 Fil) 54
151130	Pinion (14 T) 20	151290	Keylever Assembly 13, 19, 48	151678	Screw, Pilot (1/4-20) 4, 31
151131	Gear (96 T) 20	151291	To	151685	Screw (4-40 x 5/16 Fil) 18, 30
151132	Pinion (17 T) 20	151300	Keylever Assembly 13	151686	Screw (4-40 x 3/8 Fil) 30, 47
151133	Gear (93 T) 20	151301	Keylever Assembly 14	151688	Screw (4-40 x 5/8 Fil) 6, 28
151134	Pinion (20 T) 20	151302	To	151689	Screw (4-40 x 3/4 Fil) 59
151135	Gear (84 T) 20	151306	Keylever Assembly 13	151692	Screw (6-40 x 3/16 Fil) 4, 9, 10, 11, 15, 24, 25, 27, 47, 50, 57
151140	Plate 17	151307	Keylever Assembly 14	151693	Screw (6-40 x 9/16 Fil) 4, 56
151145	Screw, Shoulder (2-56) 17	151308	To	151712	Button, Pivot 8, 34
151146	Strap, Mounting 4, 31	151322	Keylever Assembly 13	151715	Spring 57
151151	Camsleeve 16	151325	Cover 10	151722	Screw (6-40 x 3/16 Hex) 31, 37, 40, 43, 50, 51, 56, 57
151152	Screw (4-40 x 3/16 Hex) 5, 6, 15, 17, 18, 35, 41, 45, 46, 47, 57, 58	151326	Plate, Seal 10, 11	151723	Screw (10-32 x 3/8 Hex) 8, 31, 32, 54
151154	Sleeve, Gear 16	151329	Switch, Sensitive 4, 20, 21, 23, 33, 48, 51	151724	Screw (10-32 x 5/8 Hex) 8, 34, 54
151157	Shaft 16	151333	Wick, Felt 16	151725	Screw (10-32 x 3/4 Fil) 8, 34
151158	Guide, Selector Lever 18	151335	Stud 4, 31, 32, 33		
151159	Bracket 9	151338	Spacer 10, 11		
151161	Shaft 18	151341	Lever, Contact 4, 20		
151167	Bracket 6	151342	Bracket 4, 20		
151169	Screw, Adjusting (4-40) 18	151346	Screw (6-40 x 3/8 Fil) 4, 5, 6, 8, 10, 11, 28, 30, 33, 56		
151170	Box Assembly, Contact 18	151350	Screw, Shoulder 4-40 6		
151171	Toggle 18, 30, 45, 46	151352	Spring, Flat 9, 31		
151173	Screw, Contact 4-40 18, 30	151353	Window, Plastic 10		
151176	Base 18, 30	151354	Screw (2-56 x 15/32 Fil) 10, 28		
151177	Terminal 18, 30	151355	Bar, Lock 6		
151179	Terminal 18, 30	151358	Box, Contact 18		
151180	Link, Toggle 18, 30, 45, 46	151359	Cover 18, 30		
151182	Washer, Insulating 18, 30, 45, 46	151365	Terminal 4		
151183	Insulator 18, 30	151367	Plate 6		
151184	Extension, Toggle 18, 30	151369	Suppressor, Electrical Noise 4		
151185	Guide 18, 30				
151188	Guide, Transfer Lever 18				

NUMERICAL INDEX (Continued)

Part Number	Description and Page Number	Part Number	Description and Page Number	Part Number	Description and Page Number
151728	Spring 16, 42	152007	Keylever Assembly 14	153118	Cover, Lable 11, 12
151731	Screw (4-40 x 7/8 Fil) 18, 30, 47	152008	To	153119	Label Set 11, 12
151732	Screw (4-40 x 11/32 Fil) 56	152016	Keylever Assembly 13	153120	Label, Instruction (Left) 12
151733	Screw (4-40 x 9/16 Fil) 52	152017	To	153122	Label, Blank 12
151737	Screw (4-40 x 11/64 Hex) 16, 42, 55, 57	152020	Keylever Assembly 14	153123	Paper, Carbon 12
151739*	Screw, Identification (6-40) 13	152045	Guard, Gear 4, 31	153124	Tissue 12
151820	Spring 18, 30, 45, 46	152051	Tissue 38	153243	Bail 25
151827	Strap 32	152122	Screw, Shoulder (4-40) 9	153244	Shaft 9
151830	Bar, Upstop 6	152130	To	153245	Bracket 25
151832	Screw, Shoulder (6-40) 18	152139	Keylever Assembly 14	153246	Bracket 25
151833	Frame, Front 10	152250	Stud, Eccentric 6	153247	Lever, Trip 25, 50
151834	Plate, Keytop Guide 10	152296	Bracket, Spring 6	153248	Bushing, Shoulder 24, 25, 50
151835	Lever, Latch 15	152318	Switch, Magnetic 21, 48	153249	Bail, Transfer 25, 50
151837	Stud 15	152333	Modification Kit 19	153250	Link 25, 50
151840	Bail 6	152334	Modification Kit 21	153252	Link 25, 31
151841	Channel 10	152338	Modification Kit 8, 23	153264	Shaft 9
151842	Retainer, Ball 10	152342	Modification Kit 22	153265	Bracket 24
151843	Screw, Adjusting (6-40) 10, 35, 36	152343	Modification Kit 20	153266	Lever, Trip 24, 50
151844	Screw, Stop (4-40) 10	152441	Washer, Flat 53, 56	153267	Washer, Felt 5
151845	Lever 6	152460	Bracket 4	153271	Bail 24
151846	Post, Spring 19	152461	Bracket 33	153273	Link 24, 50
151848	Lock 10	152462	Latch, Right 4, 31, 33	153274	Lever, Adjusting 24
151849	Guide, Code Lever 7	152463	Latch, Left 4, 31, 33	153276	Bracket, Adjusting 24
151851	Lever, Code Bar 7	152464	Insulator (.062") 31, 33	153277	Bail 24
151852	Lever, Space 7	152465	Connector, Receptacle (20 Pt) 26	153283	Keylever Assembly 14, 25, 50
151853	Lever, Keyboard Lock & Break 7, 24, 25	152467	Connector, Plug (20 Pt) 31, 33, 47	153284	Keylever Assembly 14, 24, 50
151854	Lever, Local LF and Local CR 7	152493	Lever, Latch 15	153441	Screw (10-32 x 7/16 Hex) 33
151855	Lever, Keyboard Unlock & Repeat 7	152754	Jumper (4-1/2" Red) 32	153442	Screw (10-32 x 1/2 Hex) 54
151856	Bracket 9	152764	Gear (81 T) 20	153444	Keylever Assembly 11
151857	Bail 9	152765	Pinion (13 T) 20	153445	Keylever Assembly 11
151858	Bail 9	152766	Gear Set (67 WPM) 20	153537	Screw (6-40 x 9/32 Hex) 54, 57
151859	Link 9	152814	Stud 17	153538	Screw (6-40 x 7/16 Hex) 54
151861	Bail 9	152815	Lever, Break 19	153572	Cable Assembly 22, 38
151862	Bracket 9	152839	Spring 6	153589	Switch, Toggle (DP-DT) 22, 38
151863	Shaft 9	152873	Latch 6	153590	Spacer 22, 29
151867	Bracket 11	125874	Shaft, Latch 6	153591	Cable 22
151879	Stud 23, 51	152875	Spacer (.050") 6	153595	Block, Switch Mounting 22
151880	Nut (4-40 Hex) 45, 46, 57, 58	152876	Bracket 6	153619	Board, Terminal 4, 30
151884	Bracket 23	152877	Bail 6	153620	Insulator 4
151885	Plate, Nut 23, 51	152878	Bracket, Stop 6	153622	Jumper (5" Purple) 26
151886	Stud 23, 51	152890	Washer, Flat 36	153623	Box, Contact 18
151887	Modification Kit 15, 19	152893	Screw (4-40 x 1/4 Hex) 10, 28, 35, 36	153624	Box Assembly, Contact 18
151889	Extension 6	152894	Bracket 17	153626	Insulator (.031") 19
151890	Gear Assembly, Intermediate 8	152904	Modification Kit to Convert Keytop Arrangement "ARC" to "ARD" 13	153627	Screw (6-40 Spl) 19
151893	Plate 8	152905	Modification Kit to Convert Keytop Arrangement "ARC" to "ARB" 13	153629	Lever, Break 19
151894	Gear (48 T) 8	152906	Modification Kit to Convert Keytop Arrangement "ARC" to "ARA" 13	153630	Bracket 19
151895	Bushing, Eccentric 8	152911	Modification Kit 21	153631	Network, Spark Suppression 4, 28, 30, 57, 59
151896	Shaft 8	152916	Modification Kit 25	153632	Cable Assembly 19
151897	Lever 8	152918	Modification Kit 24	153633	Suppressor Assembly 4
151898	Spring 8	153109	Lever, Function 11, 21	153635	Cable W/Terminals 21
151899	Nut, Shoulder (2-56) 17	153110	Cable W/Terminals 11	153636	Lever, Switch 21
151901	To	153112	Bracket 11	153637	Spring, Torsion 21
151910	Keylever Assembly 13	153115	Keylever Assembly 21	153638	Bracket, Switch 21
151934	Modification Kit to Convert "ARA" Keytop Arrangement to "ARC" 13	153116	Plug, Button 10, 11, 13, 27	153639	Cable Assembly 23
151939	Grommet, Rubber 33	153117	Cover 11, 12	153671	Cable Assembly 20
151982	Lamp, Incandescent (6V) 33			153672	Cable Assembly 21
152000	Base 4			153796	Cable 5
152001	To			153799	Screw (4-40 x 21/64 Hex) 57
152006	Keylever Assembly 13			153803	Jumper (5" Slate) 26
				153817	Screw (4-40 x 3/8 Hex) 18, 31, 45, 46
				153839	Screw (6-40 x 5/8 Hex) 5, 55
				153841	Screw (6-40 x 9/16 Hex) 39, 41
				153843	Lever, Space Repeat 19
				153845	Bushing 19

*See page 13 for explanation

NUMERICAL INDEX (Continued)

Part Number	Description and Page Number	Part Number	Description and Page Number	Part Number	Description and Page Number
153846	Plate, Nut 5	154066	Lever, LOC-LF 34	154151	Bail Assembly, Universal 35
153847	Generator, Tachometer 5	154067	Lever, KYBD Lock 34	154152	Bar Assembly, Ball Lock 35
153848	Bracket, Generator 5	154068	Bracket, Right 40	154153	Cable Assembly 48
153876	Clamp, Cable (1-21/32" ID) 5	154069	Bracket, Left 40	154154	Cam 42
153877	Bracket 5	154070	Guide, Lever 40	154156	Grommet, Rubber 33, 47
153878	Link 5	154071	Screw, Pilot (1/4-32) 40	154165	Box Assembly, Contact 45
153887	Detent 15	154072	Bracket 40	154166	Suppressor, ARC 45
153892	Meter, Tachometer 5	154076	Plate, Nut 31	154173	Plate 33, 47
153902	Modification Kit 19	154079	Stud 44	154176	Bracket 31
153952	Cover, Motor 30	154080	Lock, Wedge 40	154178	Spring 43
153955	Lever 5	154081	Plate, Retaining 10, 35	154179	Blade, Universal 35
153956	Cover 5	154083	Spacer 42	154183	Blade, Front 35
153958	Plate, Guide 5	154084	Bearing 44	154184	Blade, Rear 35
153959	Plate, Cover 5	154085	Plate 8, 31	154189	Insulator 45
153969	Slide 5	154086	Retainer, Wedge 10, 35	154190	Filter, R.F. 45
153970	Plate, Bearing 5	154087	Plate, Nut 31	154191	Spring 44
153971	Plunger 5	154088	Plate, Nut 31	154193	Plate 48
153984	Bail 5	154089	Post, Spring 44	154194	Base 45, 46
153985	Shim (.020") 5	154091	Guide 44	154197	Plug, Button 38
153986	Plate, Identification 5	154092	Shaft 34	154198	Window, Plastic 38
153987	Brake, Slide 5	154095	Eccentric 45, 46	154199	Shim (.005") 31
153992	Meter Assembly 5	154096	Bushing, Eccentric 41	154201	Shim (.014") 31
153993	Pinion (20 T) 5, 20	154097	Bail 50	154202	Screw (#4 Spl) 38
154000	Base 31	154098	Bail 50	154203	Bracket 37
154001	Bar, Code (#1) 40	154099	Bail 34	154204	Grommet, Plastic 38
154002	Bar, Code (#2) 40	154101	Plate, Rear 41	154208	Bracket 31
154003	Bar, Code (#3) 40	154102	Plate, Rear 44	154210	Bracket, Left 37
154004	Bar, Code (#4) 40	154105	Post 43	154211	Bracket, Right 37
154005	Bar, Code (#5) 40	154106	Bracket 31	154212	Frame, Front 37
154008	Guide, Code Bar 40	154107	Bracket 50	154215	Spring 44
154009	Plate, Front 43	154109	Plunger 31	154217	Wick, Leather 43
154010	Bail, Transfer 43	154110	Hood, Keyboard 37	154224	Gear Assembly, Intermediate 34
154013	Bracket, Spring 40	154111	Plate, Guide 38	154225	Box Assembly, Contact 45
154014	Post, Guide 43	154112	Lever 47	154226	Box W/Strap 45
154015	Post 44	154114	Post 47	154227	Bracket, Support 50
154016	Shaft 40	154115	Plate, Guide 31	154236	Lever, Latch 41
154018	Post 43	154116	Bail 50	154237	Lever, Non-Repeat 44
154019	Follower, Eccentric 42	154117	Bail, Space Bar 37	154238	Extension 35
154020	Seal, Front 37	154118	Lever W/Hub 48	154239	Extension W/Post 35
154021	Link 37	154119	Bracket, Space Bar 37	154240	Bail, Code Bar 44
154023	Latch 40	154120	Lever 40	154241	Stud 44
154025	Plate, Adjusting 44	154121	Lever (Space) 40	154350	Modification Kit 44
154027	Bellcrank 44	154122	Lever (Keyboard Lock) 40	154386	Plate, Adjusting 44
154029	Wick, Felt 42	154123	Lever (Function) 40	154457	Keylever Assembly 14
154030	Shaft 42	154124	Lever (Repeat and Keyboard Unlock) 40	154520	To
154032	Sleeve, Gear 42	154125	Spring 40, 49, 57	154535	Keylever Assembly 14
154033	Lever, Latch 41	154126	Bracket 48	154662	Spacer 8, 34
154034	Lever, Stop 41	154127	Nut (6-40 Hex) 44	154663	Shaft 8, 34
154036	Plate 43	154129	Bar, Clutch Trip 40	154681	Modification Kit 22
154037	Lever 48	154130	Box, Contact 45	154682	Block, Switch Mounting 22
154039	Bracket 48	154131	Cover 45	154694	Disk, Clutch 16, 42
154040	Lever, Transfer 43	154132	Bracket 50	154783	Modification Kit 27, 28
154041	F. st 43	154133	Bracket 50	155023	Switch, Toggle (DP-DT) 12, 38
154042	Terminal 45, 46	154134	Bracket 51	155025	To
154043	Terminal 45, 46	154135	Pawl 23, 51	155040	Keylever Assembly 14
154045	Screw, Contact 45, 46	154136	Pawl 23, 51	155052	Cable Assembly 26
154046	Stud 41	154137	Lever, Adjustment 51	155615	Base 4
154047	Post, Spring 43	154138	Washer, Felt 42	155616	Plate, Seal 10
154051	Screw, Shoulder (6-40) 44	154140	Bail, Locking 43	155727	Bar, Code 28
154052	Bar, Locking 40	154141	Modification Kit 48	155728	Bar, Code 28
154053	Bail 41	154142	Modification Kit 51	155729	Bar, Code 28
154056	Bracket 45, 46	154144	Cable Assembly 51	155731	Bracket, Contact 28
154057	Plate 37	154145	Modification Kit 50	155732	Bracket, Contact 28
154058	Plate 37	154146	Modification Kit 50	155733	Lever 28
154059	Bracket 34	154147	Modification Kit 48	155739	Bracket 27
154064	Bracket, Adjusting 50	154149	Cable Assembly 48		
154065	Lever W/Hub 50				

NUMERICAL INDEX (Continued)

Part Number	Description and Page Number	Part Number	Description and Page Number	Part Number	Description and Page Number
155741	Block W/Pin 27	158361	Cable Assembly 29	162485	Plate 15
155743	Stud 27	158362	Cable 29	162641	Modification Kit 56
155744	Bail 27	158406	To	162643	Bracket 56
155745	Contact Assembly, Left 28			162645	Gear (21 T) 56
155746	Contact Assembly 28	158445	Keylever Assembly 14	162646	Shaft 56
155747	Cable 28	158447	To	162647	Sleeve 56
155750	Sleeve, Insulating (3/32 ID x 1/2" Lg) 12, 47, 51, 52, 58, 59	158455	Keylever Assembly 14	162648	Plate W/Stud 56
155751	Sleeve, Insulating (1/8 ID x 1" Lg) 30, 47, 48, 51	158501	Plate, Switch 27	162649	Retainer 56
155752	Sleeve, Insulating (5/64 ID x 1/2" Lg) 26, 47	158712	Gear (26 T) 56	162650	Shaft 56
155753	Sleeve, Insulating (1/8 ID x 1/2" Lg) 12, 32, 43, 47, 49, 52, 57	158716	Gear (39 T) 56	162652	Plate 56
155754	Sleeve, Insulating (1/16 ID x 1/2" Lg) 47, 48	158723	Roller 56	162653	Retainer 56
155755	Sleeve, Insulating (11/64 ID x 5/8" Lg) 31, 33, 47	158732	Gear (24 & 18 T) 56	162654	Hub 56
155848	Bracket, Left 28	158732	Gear (24 & 18 T) 56	162655	Gear (56 T) 56
155849	Bracket, Right 28	158733	Gear (44 T) 56	162656	Shaft 56
155850	Contact Assembly, Right 28	158734	Gear (47 T) 56	162657	Gear (48 T) 56
155851	Bracket, Switch 28	158740	Block 56	162658	Hub 56
155859	Screw (4-40 Spl) 26	158741	Bar 56	162659	Retainer 53, 56
155860	Screw (4-40 x 3/8 Rd) 26	158745	Clamp, Bearing 33, 53	162660	Post 56
155861	Washer, Lock 26	158753	Armature 52	162661	Link W/Stud 56
155954	Switch, Micro 57	158754	Core, Magnet 52	162663	Stud 56
155994	Insulator (.015") 57	158788	Clamp, Bearing 56	162664	Link 56
156450	Screw (2-56 x 1/2 Fil) 57	158859	Post, Spring 52, 55	162665	Bracket 56
156503	Wick, Felt 42	159278	Pinion (14 T) 20	162666	Lever W/Stud 56
156509	Washer, Flat 43	159279	Gear (96 T) 20	162668	Bracket 56
156516	Latch 43	159281	Pinion (17 T) 20	162669	Gear (15 T) 56
156574	Post, Spring 35	159282	Gear (93 T) 20	162686	Guard 56
156591	Washer, Felt 54	159284	Pinion (20 T) 20	162873	Contact Assembly, Universal 49, 58
156630	Washer, Felt 43	159285	Gear (84 T) 20	162874	Clamp 49, 58
156632	Screw (6-40 x 13/32 Hex) 37, 39	159287	Retainer, Pinion 20, 53, 55	162875	Bracket 49, 58
156644	Link 45, 46	159327	Washer, Flat 44	162876	Bar, Retaining 49, 58
156663	Insulator 45, 46	159334	Washer, Insulating 44	162878	Contact Assembly 43
156740	Screw (6-40 x 7/32 Hex) 32, 49, 58	159341	Bearing, Ball 53	162879	Spring, Contact 43
157288	Plate, Adapter 56	159660	Gear Set (60 WPM) 20	162880	Bracket 43
157320	To	159661	Pinion (10 T) 20	162881	Plate 43
157323	Keylever Assembly 14	159662	Gear (57 T) 20	162882	Bushing, Insulating 43
157325	To	159663	Pinion (15 T) 20	162883	Cover, Insulating 43
157367	Keylever Assembly 14	159664	Gear (78 T) 20	162884	Arm 43
157940	To	159665	Pinion (14 T) 20	162885	Segment, Cam 42
157971	Keylever Assembly 14	159666	Gear (64 T) 20	162886	Screw (4-40 x 7/32 Hex) 42
157989	Hub 5	159667	Gear Set (67 WPM) 20	162891	Cover, Contact Box 45
158010	Bar, Locking 49	159668	Pinion (20 T) 20	162892	Box Assembly, Contact 45
158163	Switch, Sensitive 31, 47	159669	Gear (70 T) 20	163359	Modification Kit 56
158164	Lever W/Hub 31	159675	Gear Set (75 WPM) 20	163360	Bracket 56
158215	Plate, Nut 32	159700	Gear Set (100 WPM) 20	163368	Camsleeve 42
158226	Bracket 49	159976	Armature 55	163440	Gear (48 T) 8, 34
158228	Lever W/Stud 49	160369	Switch (NO) 12	163445	Insulator, Strip 45, 46
158230	Bracket, Contact 49	161100	Spring, Contact 43	163460	Gear (55 T) 8, 34
158231	Contact, Lock Bar 49	161106	Pinion (14 T) 20	163461	Pinion (18 T) 20
158268	Latch W/Hub 44	161111	Gear Set (60 WPM) 20	163462	Gear (117 T) 20
158275	Plate, Clamp 49	161293	Gear Set (60 WPM) 20	163463	Pinion (24 T) 20
158277	Screw (3-48 x 1 Rd) 49	161294	Gear Set (75 WPM) 20	163464	Gear (104 T) 20
158299	Cover, Contact 49	161295	Gear Set (100 WPM) 20	163504	Gear Set (71 WPM) 20
158358	Switch, Toggle (SP-ST) 29	161301	Post 20, 53	163505	Gear Set (107 WPM) 20
158359	Modification Kit 29	161346	Washer, Felt 18, 43	163519	Sleeve, Gear 42
158360	Block, Switch Mounting 29	161347	Washer, Felt 23, 47, 51	163536	Spacer 45
		161348	Spring 16	163647	Channel, Ball 10, 35
		161426	Cable 30	163775	Modification Kit 47
		161427	Plate, Nut 30	163813	Plate 47
		161435	Modification Kit 30	163814	Lever W/Hub 47
		161437	Box, Contact 30	163852	Keylever Assembly 14, 57
		161438	Sleeve 30	163962	Plate 11
		161525	Connector, Plug (14 Pt) 26, 38	163963	Plate 38
		162224	Modification Kit 49	163964	Plate 38
		162333	Stud, Locating 4, 34	163979	Lever, Code Bar 49, 57
		162335	Cable Assembly 49	164005	Modification Kit 49
		162464	Insulator (.062") 4	164077	Modification Kit 49

NUMERICAL INDEX (Continued)

Part Number	Description and Page Number	Part Number	Description and Page Number	Part Number	Description and Page Number
164127	Nut (6-40 Hex) 38	164730	Bracket 54	176772	Gear (56 T) 55
164131	Cable Assembly 38	164731	Shaft 54	176774	Gear (42 T) 55
164132	Cover 11, 12	164732	Extension, Shaft 54	176779	Wick, Felt 55
164133	Cable Assembly 26	164734	Belt, "O" Ring 54	176782	Gear (63 T) 55
164138	Stud 58	164735	Coupling, Flexible 54	176784	Bearing 55
164142	Bracket 57	164926	Modification Kit 54	176787	Gear (66 T) 55
164143	Plate, Mounting 57	164998	Modification Kit to Provide Pulsing Contacts 42, 43	176789	Hub 55
164144	Plate, Side 57			176790	Washer, Bearing 55
164145	Pivot, Lever 57	165027	Network, Spark Suppression 32, 54	176792	Sleeve 55
164146	Lever, Stop 57			176793	Sleeve 55
164148	Spacer, Stop Arm 57	170324	Bracket 40	176794	Spring, Right Clutch 55
164149	Lever, Blocking 57	170379	Retainer, Ball 36	176795	Spring, Left Clutch 55
164151	Lever, Detent 57	170380	Retainer, Wedge 36	176796	Wick, Felt 55
164154	Lever, Sensing 57	170385	Frame 41	176797	Gear (48 T) 55
164155	Yoke, Magnet 57	170386	Guide 43	176802	Plate, Right Bearing 55
164156	Armature 57	170391	Guide 43	176803	Plate, Left Bearing 55
164157	Shaft 57	171541	Diode 59	176804	Shaft, Idler 55
164158	Latch 57	171953	Connector, Shielding 47	176805	Gear (25 T) 55
164160	Link 58	171973	Connector, Shielding 47	176807	Shaft, Trip 55
164161	Drum, Message 57	172635	Plate, Adapter 54	176808	Bracket 55
164162	Ring, "O" 57	172636	Bracket 54	176809	Bracket 55
164163	Blade, Stop 57	172962	Cable 43	176900	Base 33
164164	Blade, Code 57	172976	Filter, R.F. 45	176906	Plate, Keytop Guide 39
164165	Plate, Drive 57	173028	Post, Spring 58	176907	Switch, Rocker 39
164168	Pawl, Stepping 57	173029	Lever, Latch 58	176908	Shaft 33
164169	Stud, Eccentric 57	173095	Link 58	176923	Plate, Vibration 33
164234	Gear Assembly, Intermediate 34	173096	Stud, Eccentric 44, 58	176924	Plate, Nut 33
164327	Cable 26, 38	173712	Cable Assembly 31	176929	Retainer, Belt 33
164328	Plate, Switch 12	173907	Spacer 56	176932	Plate, Upper Bearing 33
164329	Cover 12	173908	Post 56	176933	Stud 33
164375	Plate, Keytop Guide 38	173909	Washer, Locking 56	176936	Bracket, Left 33
164376	Guard 12, 38	173912	Plate 56	176937	Bracket, Right 33
164379	Cable 52	173974	Screw (10-32 x 5/16 Hex) 56	176940	Plate, Nut 33
164434	Keylever Assembly 13	174179	Spacer 59	176941	Plate, Nut 33
164435	Keylever Assembly 13	174181	Bracket, Relay Mounting 59	176944	Plate, Nut 33
164485	Bail 41, 52	174182	Relay 59	176945	Bracket, Connector 33
164494	Modification Kit 48	174183	Guard 59	177070	Plate, Identification 12
164495	Cable Assembly 48	174184	Plate, Cover 59	178338	Cable Assembly 59
164496	Bail 57	174246	Lever, Code Bar 49	178525	Cable Assembly, Signal Generator 33
164497	Eccentric 57	174250	Pin, Roll 53, 55		
164499	Bar, Locking 57	174410	Box Assembly, Contact 46	178526	Cable Assembly, Line Break 33
164501	Plate, Mounting 59	174411	Insulator 46	178547	Plate, Nut 33
164617	Base, Paper Winder 54	174412	Spacer 46	178549	Bumper, Rubber 33
164629	Bracket 38	174413	Terminal 46	178586	Bracket 36
164644	Post 52	174414	Bushing 46	178587	Bracket, Switch 36
164645	Post 52	174415	Cover, Contact Box 46	178588	Shaft 36
164646	Plate, Nut 52	174416	Box, Contact 46	178589	Lever 36
164647	Bracket 52	174421	Filter, R.F. 46	178592	Bracket, Connector 33
164649	Plate, Mounting 52	174422	Filter, R.F. 46	178714	Switch, Rocker Type 36
164650	Contact Assembly 52	174491	Modification Kit to Provide RF Filter 45	178787	Sleeve, Gear 42
164651	Bail, Armature 52			178795	Camsleeve 42
164652	Bar, Universal 40, 52	176278	Plate, Nut 57	179183	Switch, Button (DP-SP) 12
164653	Bracket 52	176304	Bracket 57	179362	Cable Assembly 52
164656	Bar, Clutch Trip 40, 52	176659	Lever, Trip 32	179363	Cable Assembly 52
164660	Modification Kit 52	176661	Bracket 32	179372	Shield, Light 33
164718	Plate, Adapter 54	176663	Link 32	179380	Retainer 56
164719	Bracket, Mounting 54	176672	Solenoid 32	179383	Bracket 9
164720	Bracket 54	176673	Suppressor, Spark 32	179626	Plate, Switch 38
164721	Shaft 54	176675	Solenoid Assembly 32	179630	Modification Kit to Provide Print Suppression Switch On Keyboard 38
164722	Hub, Wheel 54	176677	Shaft, Clutch 55		
164723	Wheel, Driven 54	176678	Shaft, Driver 55		
164724	Pulley 54	176691	Resistor (500 Ohm) W/Terminals 32	179800	Screw, Contact 45
164725	Pulley, Idler 54			192025	Washer, Flat 53
164726	Post, Idler 54	176701	Base 32	192550	Bar Assembly, Ball Lock 36
164727	Lever, Idler 54	176703	Plate, Mounting 32	192552	Channel, Ball 36
164728	Post, Idler Lever 54	176752	Ring, Retaining 55	192553	Bracket, Left Mounting 39
164729	Bracket W/Bearing 54	176770	Bracket 55	192554	Bracket, Right Mounting 39

NUMERICAL INDEX (Continued)

Part Number	Description and Page Number	Part Number	Description and Page Number	Part Number	Description and Page Number
192556	Frame 39	195168	Bracket 53	195994	Pulley, Toothed (34 T) 33
192557	Grommet, Rubber 39	195169	Bracket 53	195997	Gear (34 T) 33
192681	Screw (4-40 Spl) 35	195186	Screw (4-40 x 7/8 Hex) 18, 45	195999	Gear (21 T) 33
193563	Post 56	195187	Screw (4-40 x 1-1/2" Hex) 45, 46	197928	Switch, Push Button (Red) 11, 38
193654	Clamp, Armature 52	195241	Screw, Contact 45	197929	Switch, Push Button (Black) 11, 38
193723	Clip, Spring 33	195263	Pinion (22 T) 53	197930	Switch, Pushbutton (Gray) 38
194424	Modification Kit 52	195264	Gear (49 T) 53	198679	Bracket 53
194436	Plate, Identification 12	195268	Modification Kit to Replace Old Style Shaft 8	198680	Screw, Clamping (10-32) 53
194443	Plate, Jack 38	195415	Modification Kit 53	198695	Bar 56
194444	Hood, Keyboard 37	195417	Shaft, Driven 53	198696	Gear (24 & 18 T) 56
194445	Plate, Keytop Guide 38	195418	Gear (48 T) 53	198697	Gear (27 T) 56
194446	Frame, Front 37	195420	Pawl 53	199240	Hub 56
194447	Bracket, Right 37	195427	Washer, Flat 53	199241	Hub 56
194448	Base 31	195431	Washer, Spring 54	199242	Shaft 56
194449	Plate 37	195438	Sleeve 54	199243	Shaft 56
194450	Seal, Front 37	195439	Shaft 54	199451	Pin, Roll (9/16" Lg) 56
195156	Pinion (28 T) 53	195992	Belt, Toothed (83 T) 33	199452	Pin, Roll (5/8" Lg) 56
195158	Bracket 53	195993	Gear (26 T) 33	199453	Pin, Roll (3/4" Lg) 56
195163	Bracket 53			199454	Pin, Roll (1" Lg) 56
195167	Lever 53			304375	Modification Kit 54