

114-9B

28 SEND-RECEIVE KEYBOARD (LK)  
AND  
28 RECEIVE-ONLY BASE (LB)  
PARTS

PAINT FINISH COLOR CODE CHART			
COLOR	Finish Suffix		
	Smooth Finish	Textured Vinyl	Smooth Vinyl
Charcoal Gray	BZ		HA
Dark Covert Gray	FC		
Light Gray			HB
Light Olive Gray	EW		HF
Gray Green	BK	GA	

The double asterisk(\*\*) denotes a painted part.  
Suffix to be applied following the part number.

FIGURE	CONTENTS	PAGE	FIGURE	CONTENTS	PAGE
1	Keyboard or Base Mechanism (Mark II)	4	31	Auxiliary Cables for Keyboard or Base (Mark II)	28
2	Keyboard or Base Mechanism (Continued)	5	32	154783 Modification Kit to Equip a Keyboard with Off-Line Contacts	29
3	Function and Code Levers (Mark II)	5	33	154783 Modification Kit to Equip a Keyboard with Off-Line Contacts (Continued)	30
4	Tachometer and Governor Linkage	6	34	158359 Modification Kit to Provide Busy Key Switch (Base)	31
5	173518 and 194451 Modification Kits to Adapt a Standard Base or Keyboard for Use with Variable Speed Series Governed Motor Units	7	35	154171 (Mark III) and 178594 (Wall Mounted) Function Bail Assemblies	31
6	Codebar Mechanism (Mark II)	8	36	161435 Modification Kit to Provide Neutral and Inverse Transmission (Mark II)	32
7	327104 Intermediate Gear Assembly with Overload	9	37	Keyboard Base Parts (Mark III)	33
8	152338 Modification Kit to Provide Time Delay Mechanism on Keyboard or Base (Mark II)	10	38	Keyboard Base for Remote Controlled Gearshift Mechanism	34
9	Intermediate Gear Mechanism	10	39	Keyboard or Base Mechanism (Wall Mounted)	35
10	Carriage Return Mechanism (Mark II)	11	40	326727 and 326730 Intermediate Gear Assemblies (Mark III)	36
11	Keyboard Lock and Local Line Feed Mechanism (Mark II)	11	41	154151 Universal Bail Assembly (Mark III)	37
12	Keyboard Mechanism (Mark II)	12	42	154152 Ball Lockbar Assembly (Mark III)	37
13	Base Mechanism (Mark II)	13	43	Trip Lever Mechanism (Wall Mounted)	38
14	Receiving-Only Base Covers (Mark II)	14	44	Signal Generator Shaft Mechanism (Mark III)	38
15	Keylever Assemblies	15	45	Keyboard Hood and Mounting Parts (Mark III)	39
16	Keylever Assemblies (Continued)	16	46	Keyboard Top Plates (Mark III)	40
17	Signal Generator Mechanism (Mark II)	17	47	Keyboard Mounting Gear Shift Control Mechanism	41
18	Signal Generator Mechanism (Mark II)	18	48	Keyboard Mechanism (Wall Mounted)	42
19	Signal Generator Mechanism (Mark II)	19	49	Keyboard Cover (Wall Mounted)	43
20	Signal Generator Mechanism (Mark II)	20	50	192550 Ball Lock Bar Assembly (Wall Mounted)	43
21	152333 (Electrical) and 153902 (Mechanical) Modification Kits to Provide Signal Line Break Mechanism or Keyboard (Mark II)	21	51	164077 Universal Keyboard Switch Mechanism (Mark II)	44
22	151887 Modification Kit to Repeat on Space Mechanism (Mark II)	21	52	162224 Modification Kit to Add Lockbar Contact to Keyboard (Mark III)	44
23	Gearsets	22	53	154150 Keylever Guide Assembly	45
24	152343 Modification Kit to Provide End-of-Line Indicator (Mark II)	22	54	Signal Generator Frame Mechanism (Mark III)	46
25	152334 Modification Kit to Provide Paper Feed-Out Motor Starting Mechanism (Mark II)	23	55	Signal Generator Front Plate Mechanism (Mark III)	47
26	152911 (Less Switch) and 152344 (With Switch) Modification Kits to Provide Signal Line Break Mechanism on Base (Mark II)	23	56	Signal Generator Rear Plate Mechanism (Mark III)	48
27	152342 (Local-Remote) Switch (Base) 154681 (Print Suppression) Modifications Kits to Provide Switch on Base (Mark II)	24	57	154165 (w/ARC Suppression), 154225 (w/RF Suppression-Neutral Transmission), 162892 (w/RF Suppression-Polar Transmission), 305007 (Polar Transmission w/Gold Plated Contacts) and 176352 (Low Voltage Transmission w/Gold Plated Contacts) Contact Box Assemblies (Mark III)	49
28	152918 Modification Kit to Provide Local Back Space Mechanism on Keyboard (Mark II)	25			
29	152916 Modification Kit to Provide Local Reverse Line Feed Mechanism on Keyboard (Mark II)	26			
30	320236 Modification Kit to Modify Keyboard with Distributor from 7.42 Unit Code to 7.00 Unit Code Operating at 80.5 Baud	27			

FIGURE	CONTENTS	PAGE	FIGURE	CONTENTS	PAGE
58	174410 Contact Box Assembly w/RF Suppression and Shielded Signal Lines-Polar Transmission (Mark III)	50	67	195415 Modification Kit to Provide a Three Speed Gear Shift (60, 67, and 100 WPM, 7.42 Unit Code)	56
59	163775 Modification Kit to Provide Repeat on Space Mechanism (Mark III)	51	68	164926 and 146320 Modification Kits to Provide Paper Winding Facilities for Send-Receive and Receive Only Bases Mounted in an Apparatus Cabinet	57
60	Keyboard Cable Components	51	69	Remote Controlled Shift Gear Mechanism (60 and 100 WPM, 7.42 Unit Code)	58
61	154147 Modification Kit to Provide Local Paper Feed Out Motor Starting Mechanism (Mark III)	52	70	162641 (Mark II) and 163359 (Mark III) Modification Kits to Provide Variable Speed Gear Shift Mechanism (60, 75, and 100 WPM, 7.42 Unit Code)	59
62	154141 (Neutral Transmission) and 164494 (Polar Transmission) Modification Kits to Provide Electrical Signal Line Break Mechanism (Mark III)	52	71	162641 (Mark II) and 163359 (Mark III) Modification Kits to Provide Variable Speed Gear Shift Mechanism (60, 75, and 100 WPM, 7.42 Unit Code) Continued	60
63	154145 Modification Kit to Provide Local Reverse Line Feed Mechanism (Mark III)	53	72	Answer-Back Mechanism	61
64	154146 Modification Kit to Provide Local Back Space Mechanism (Mark III)	53	73	Answer-Back Mechanism (Continued)	62
65	154142 Modification Kit to Provide Keyboard with Time Delay Mechanism (Mark III)	54	74	Answer-Back Mechanism (Continued) Modification Kits Numerical Index	63 64-65 66
66	164660 (100MA) and 194424 (50MA) Modification Kits to Provide Synchronous Pulsed Transmission (Mark III)	55			

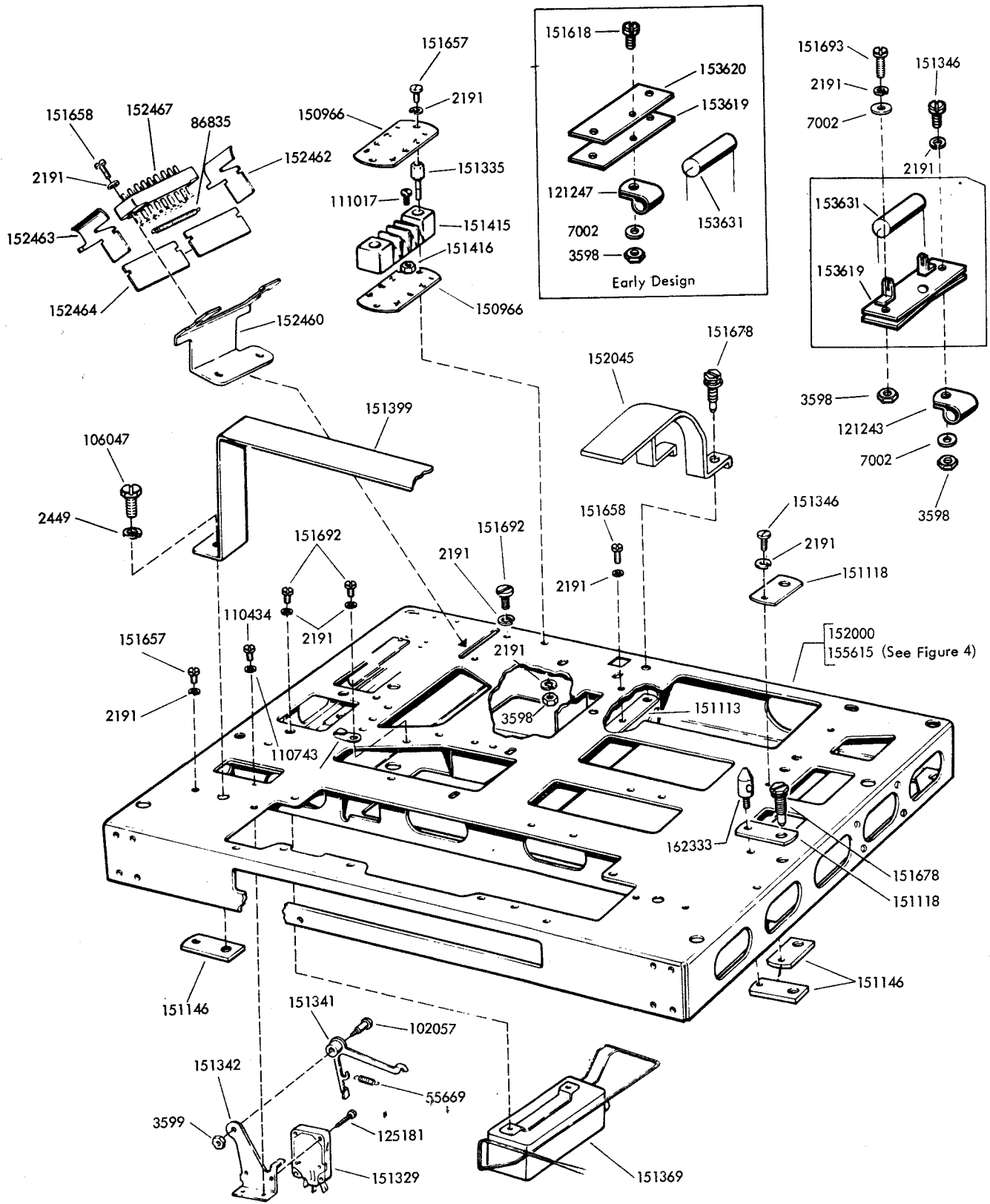


FIGURE 1. KEYBOARD OR BASE MECHANISM (MARK II)



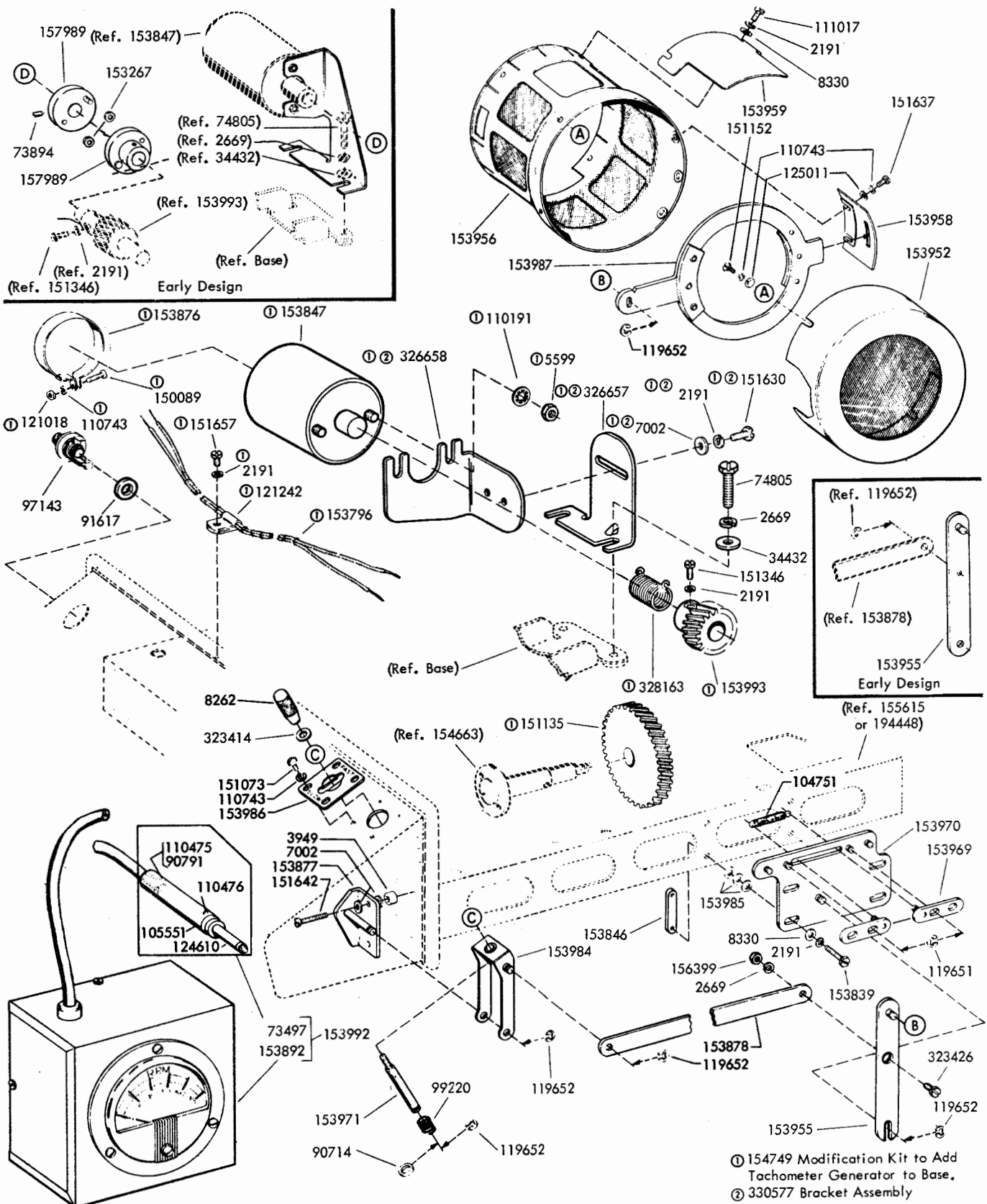


FIGURE 4. TACHOMETER AND GOVERNOR ADJUSTMENT LINKAGE

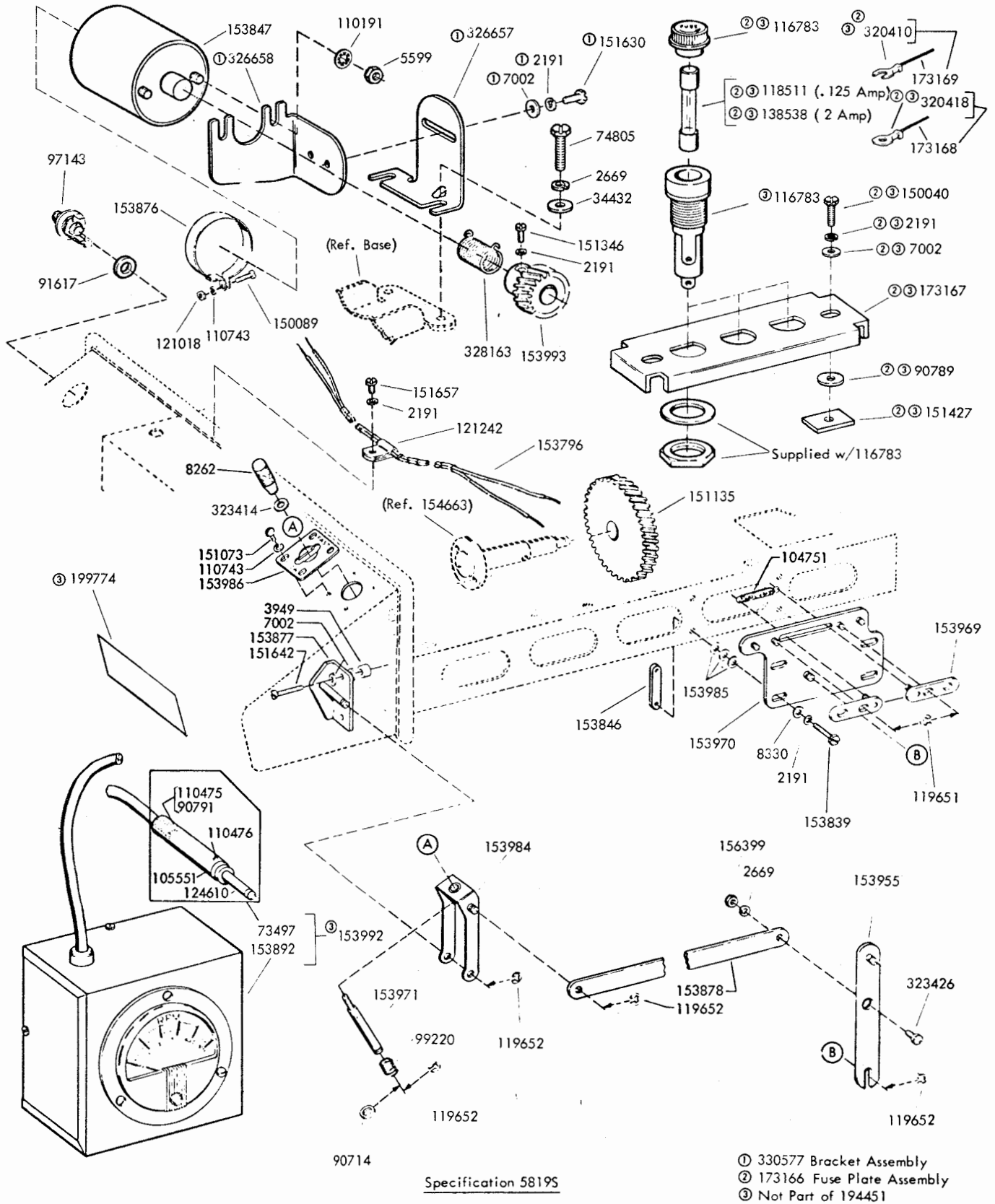


FIGURE 5. 173518 AND 194451 MODIFICATION KITS TO ADAPT A STANDARD BASE OR KEYBOARD FOR USE WITH VARIABLE SPEED SERIES GOVERNED MOTOR UNITS

Specification 5819S

- ① 330577 Bracket Assembly
- ② 173166 Fuse Plate Assembly
- ③ Not Part of 194451

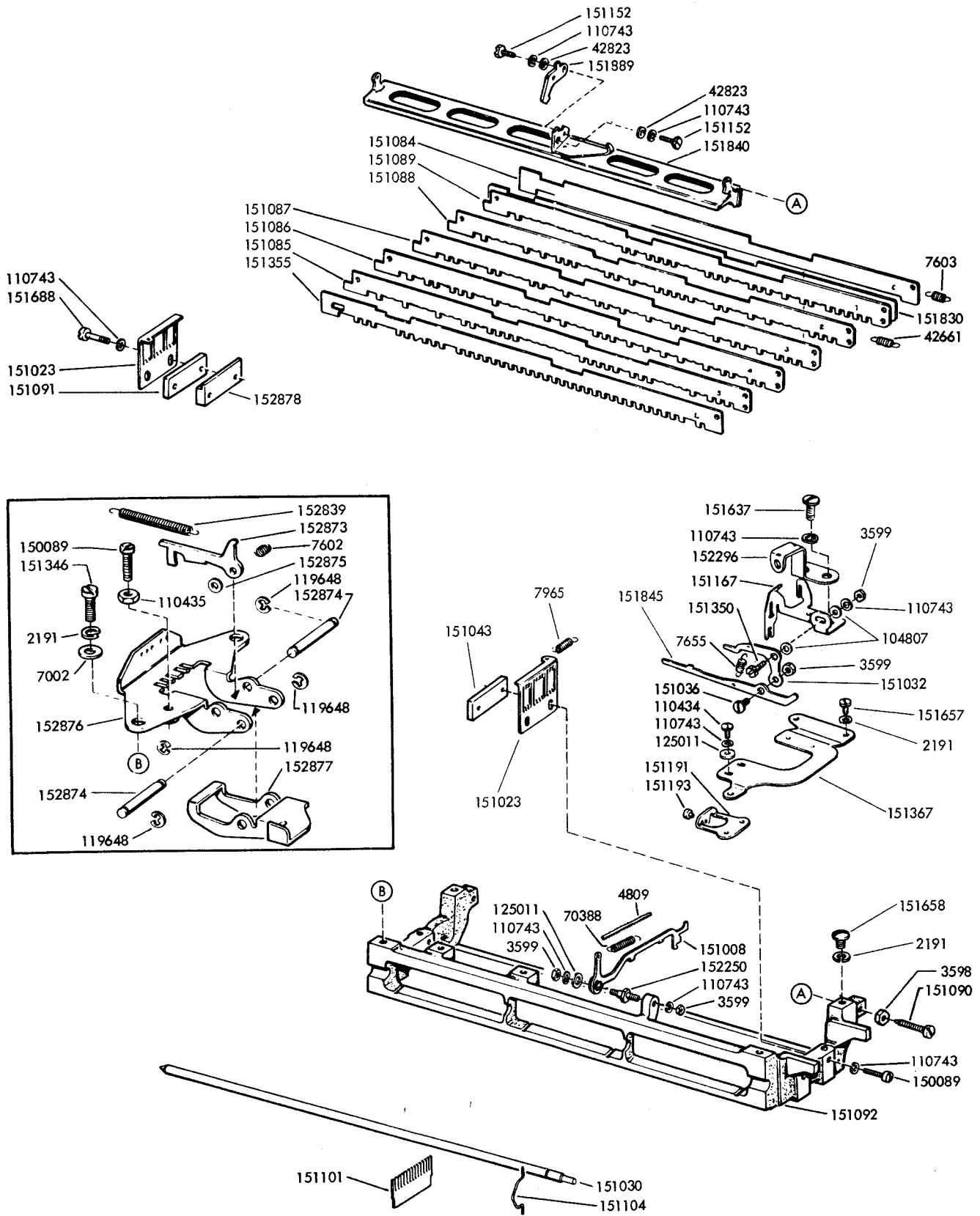
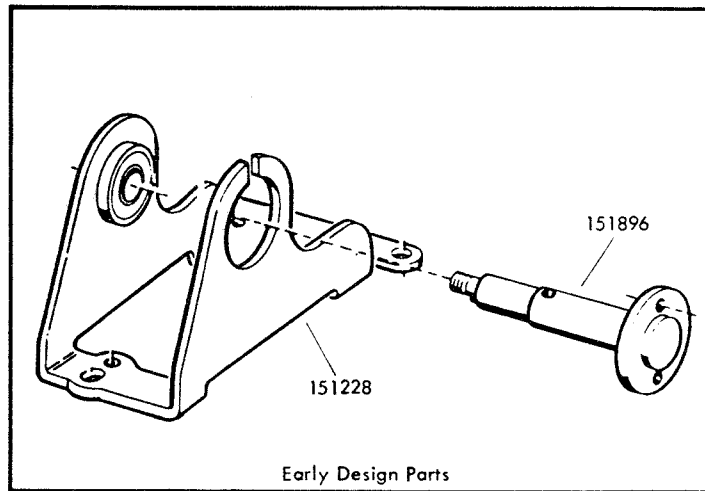
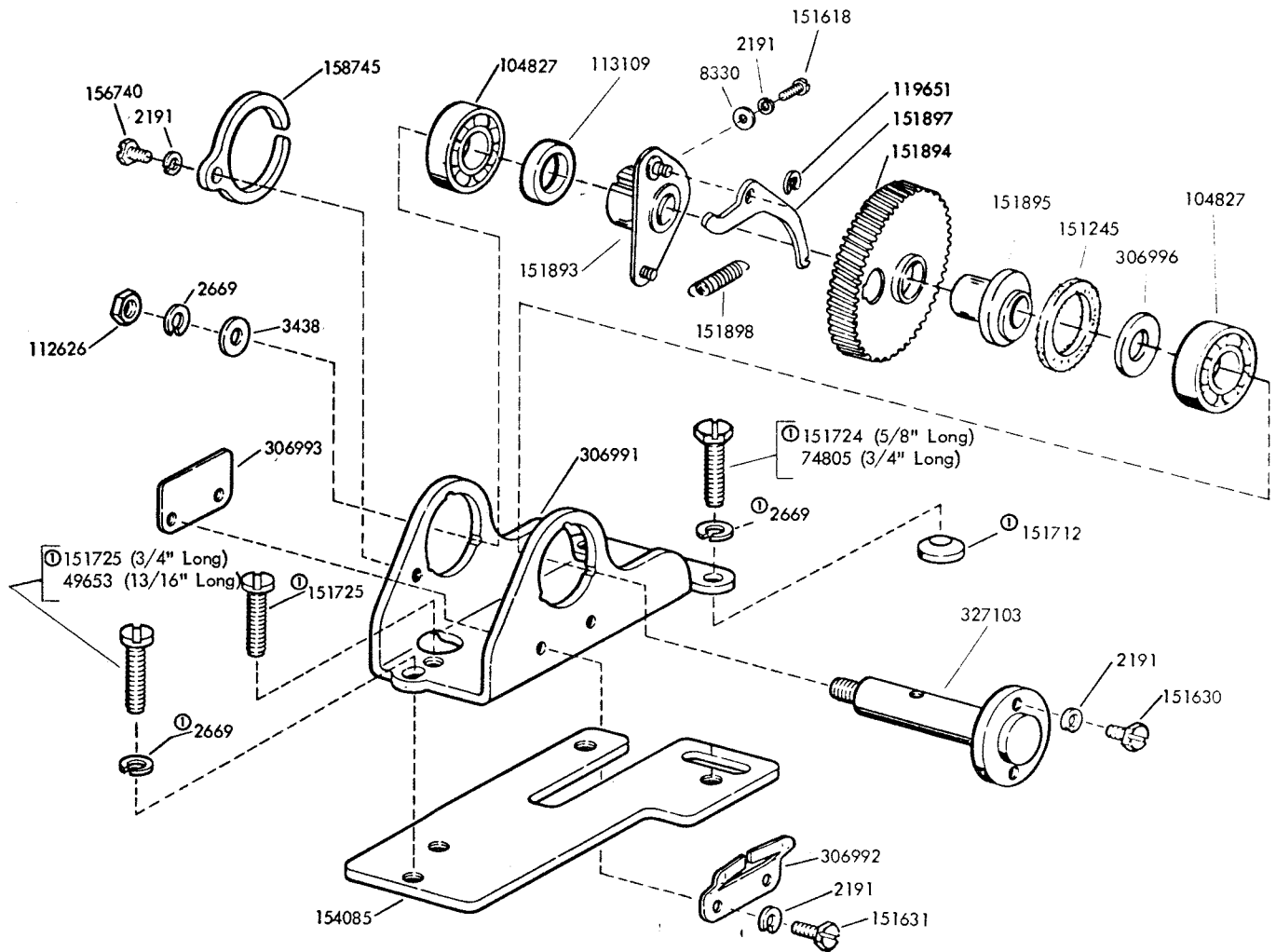


FIGURE 6. CODEBAR MECHANISM (MARK II)





Early Design Parts



Ⓞ Not Part of 327104

FIGURE 7. 327104 INTERMEDIATE GEAR ASSEMBLY WITH OVERLOAD

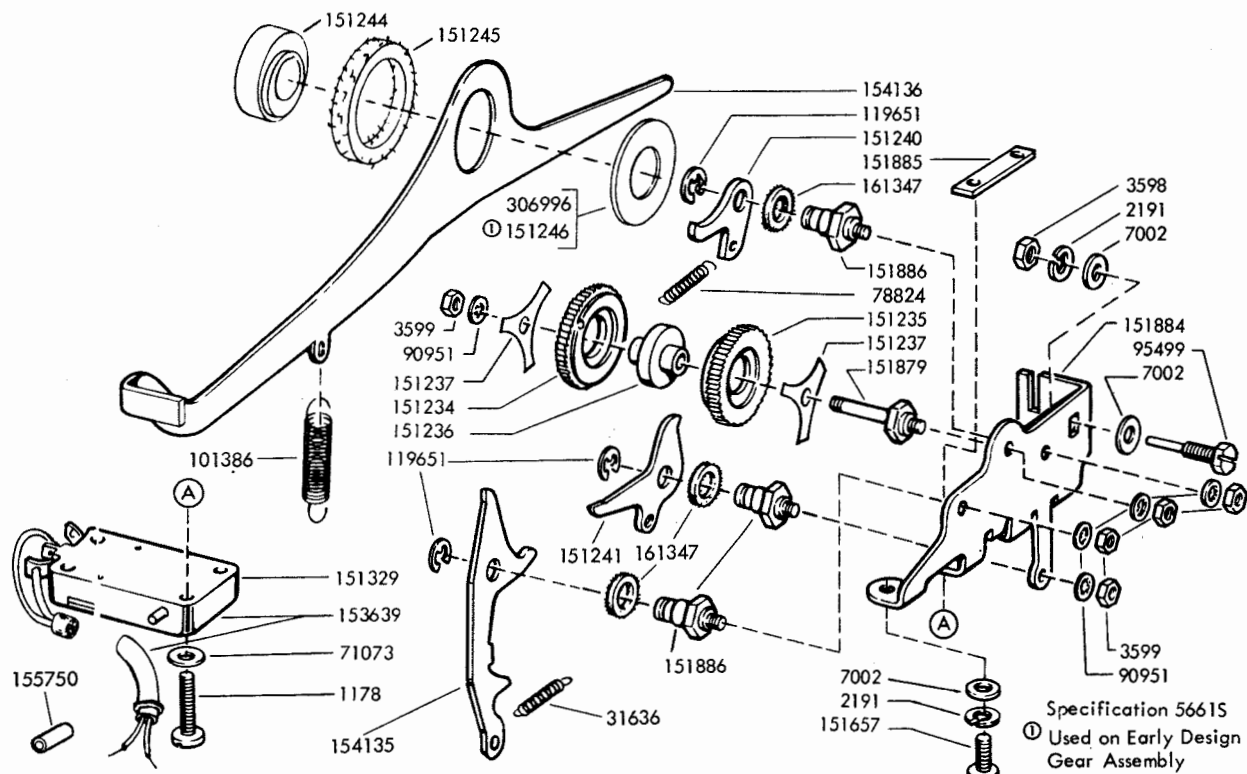


FIGURE 8. 152338 MODIFICATION KIT TO PROVIDE TIME DELAY MECHANISM ON KEYBOARD OR BASE (MARK II)

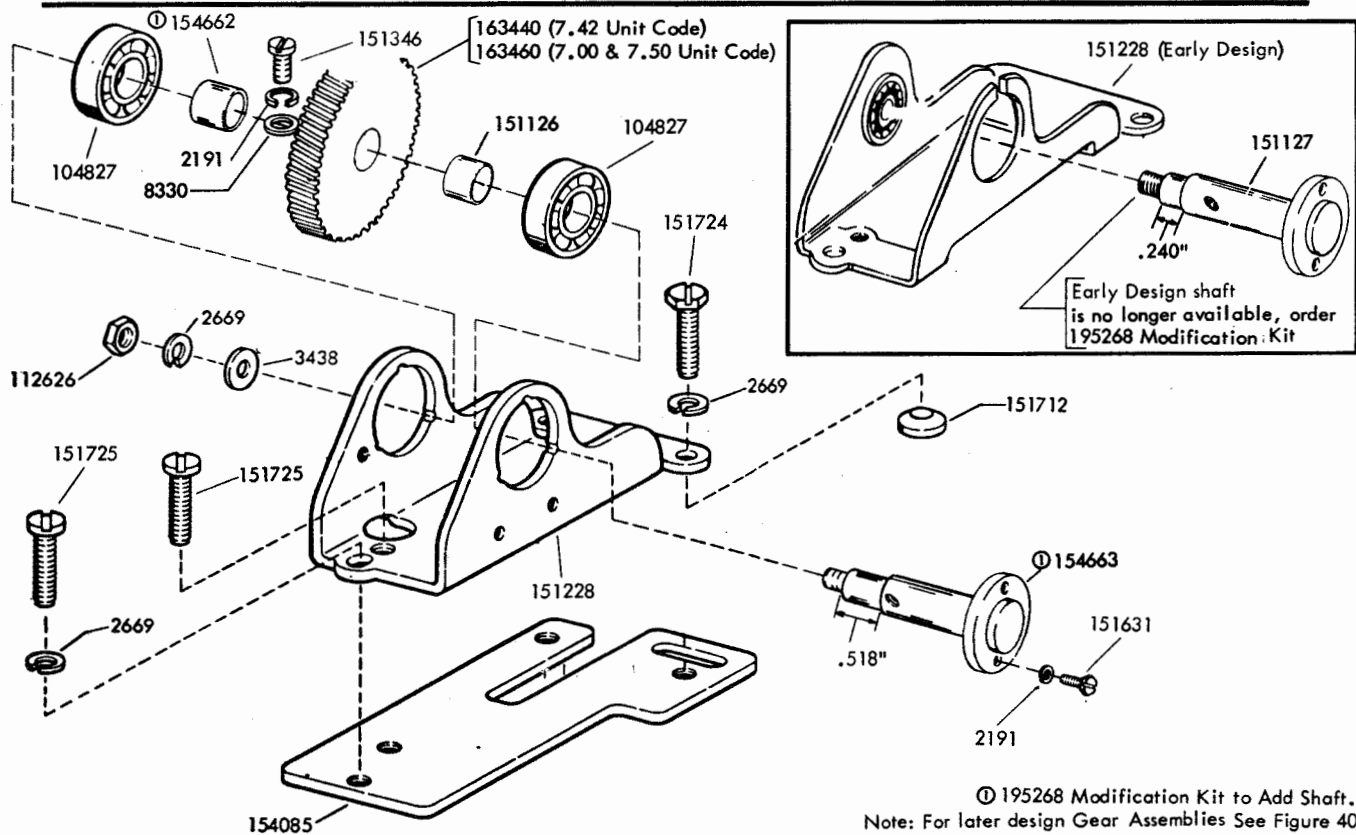


FIGURE 9. INTERMEDIATE GEAR MECHANISM

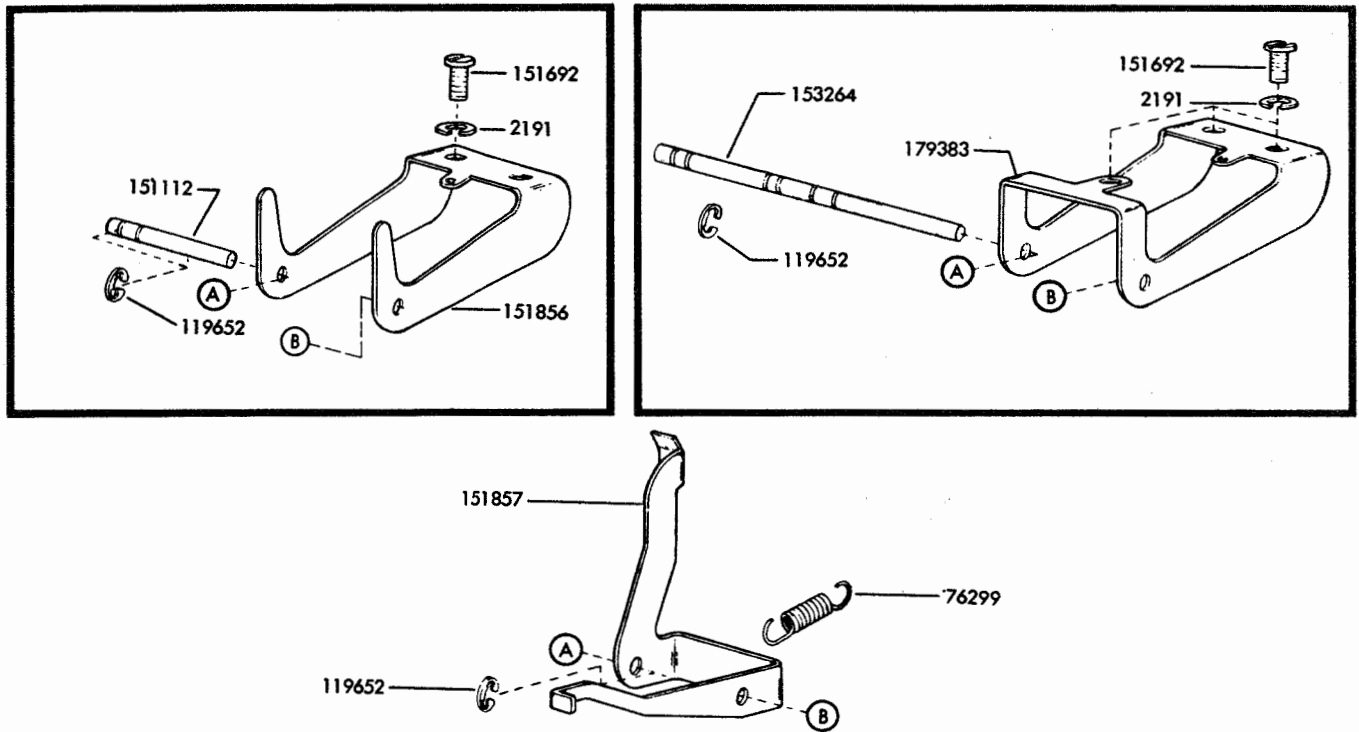


FIGURE 10. CARRIAGE RETURN MECHANISM (MARK II)

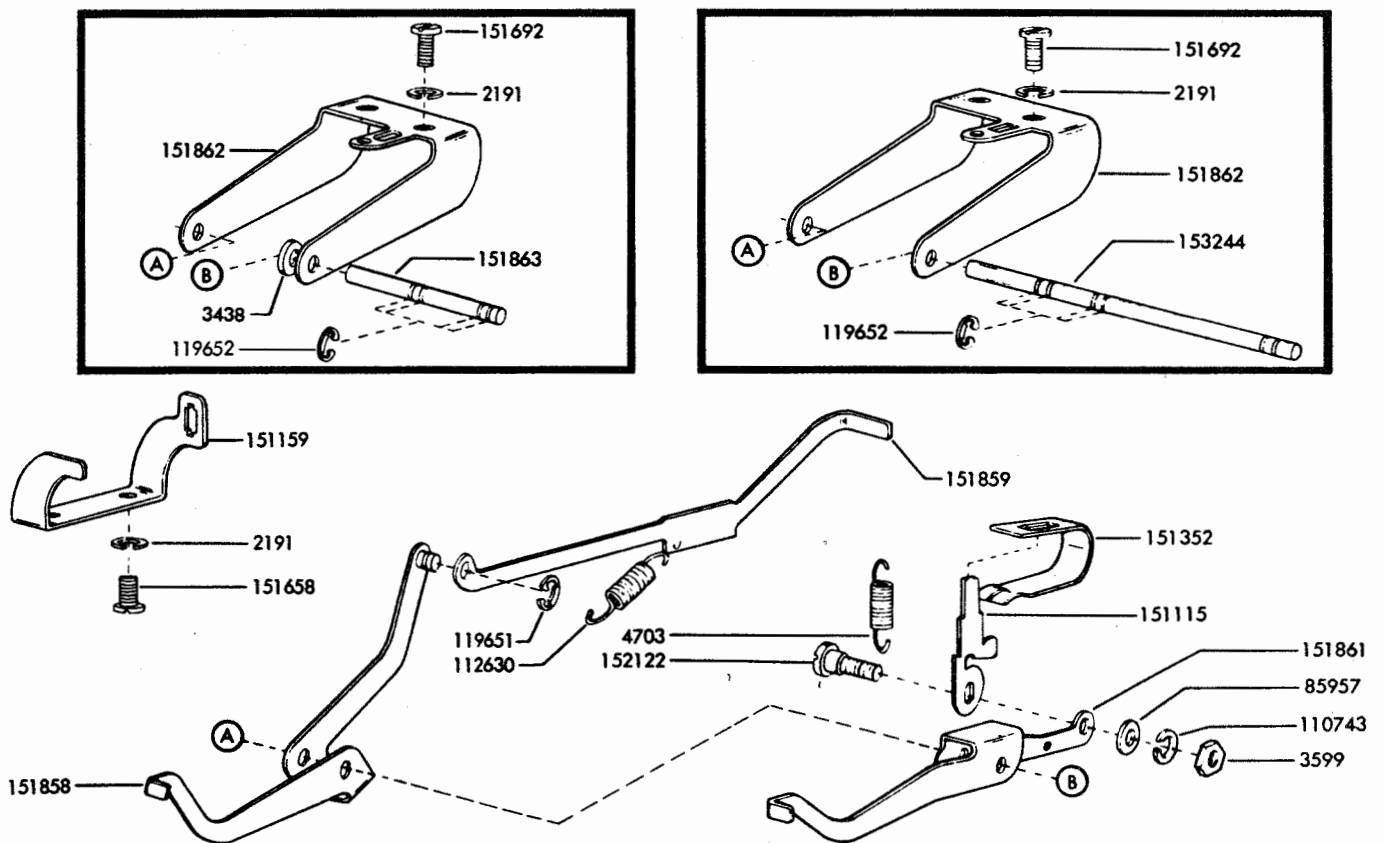


FIGURE 11. KEYBOARD LOCK AND LOCAL LINE FEED MECHANISM (MARK II)

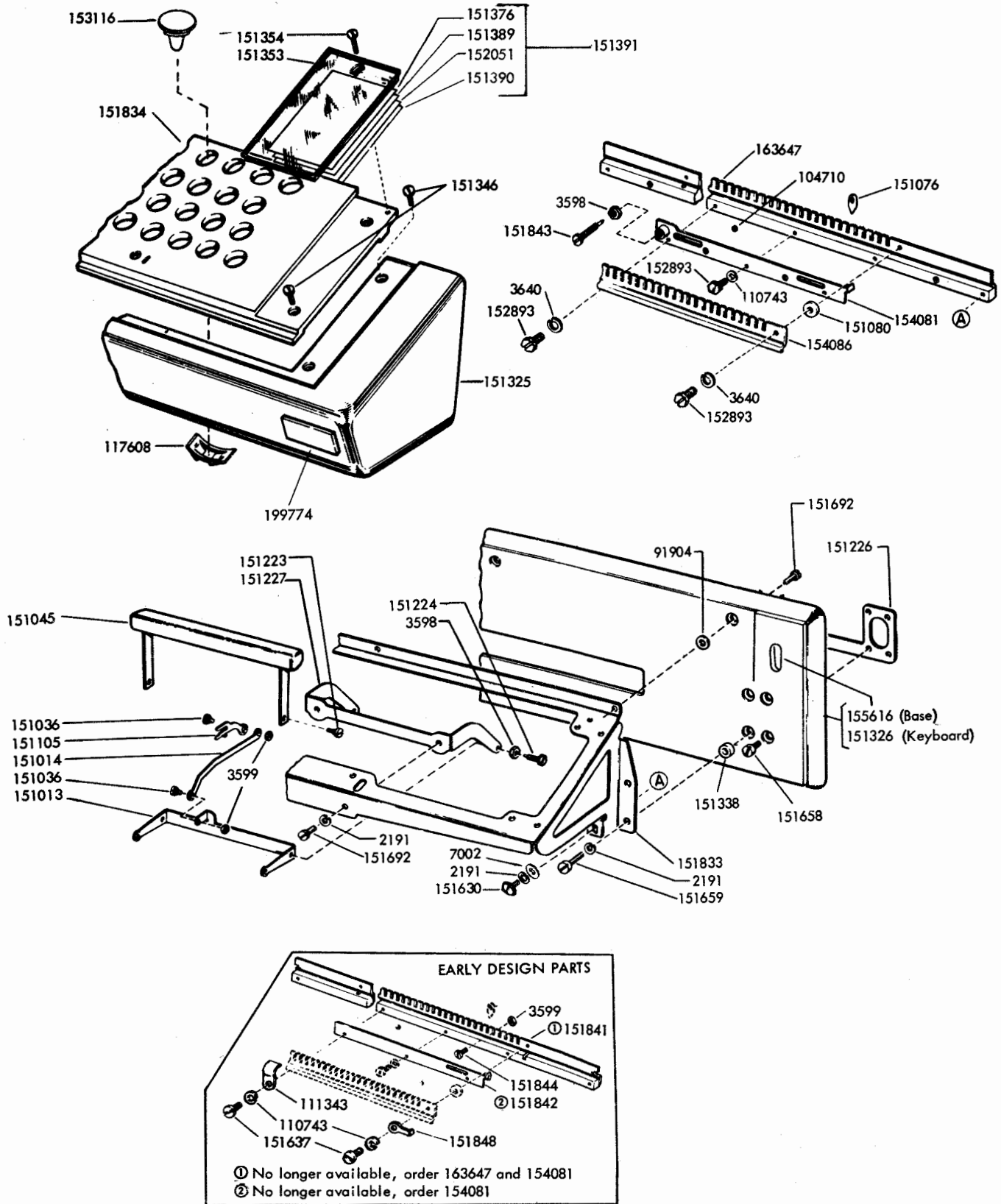
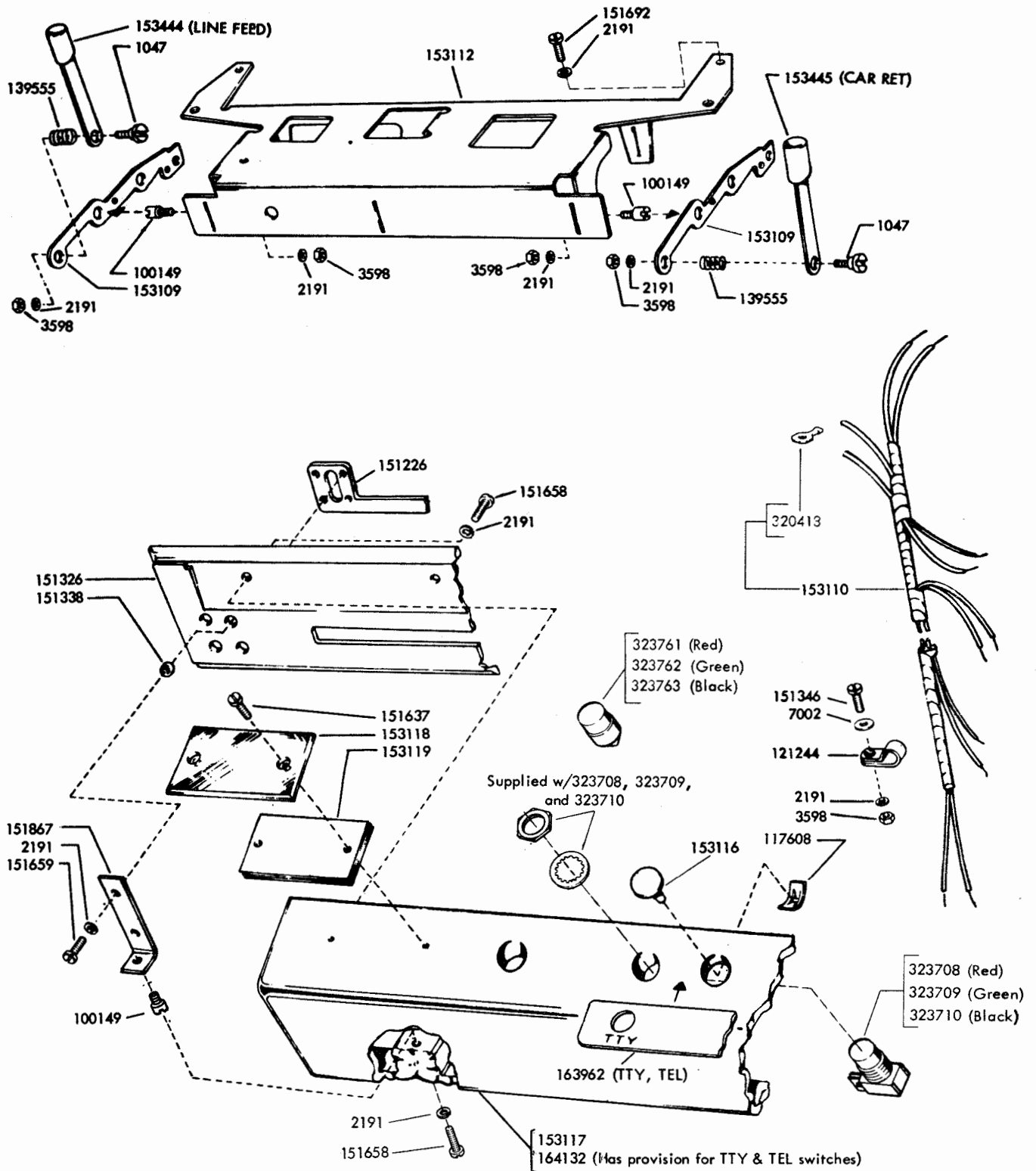


FIGURE 12. KEYBOARD MECHANISM (MARK II)



Also see Figure 14 for other variations on the Base Mechanisms.

FIGURE 13. BASE MECHANISM (MARK II)

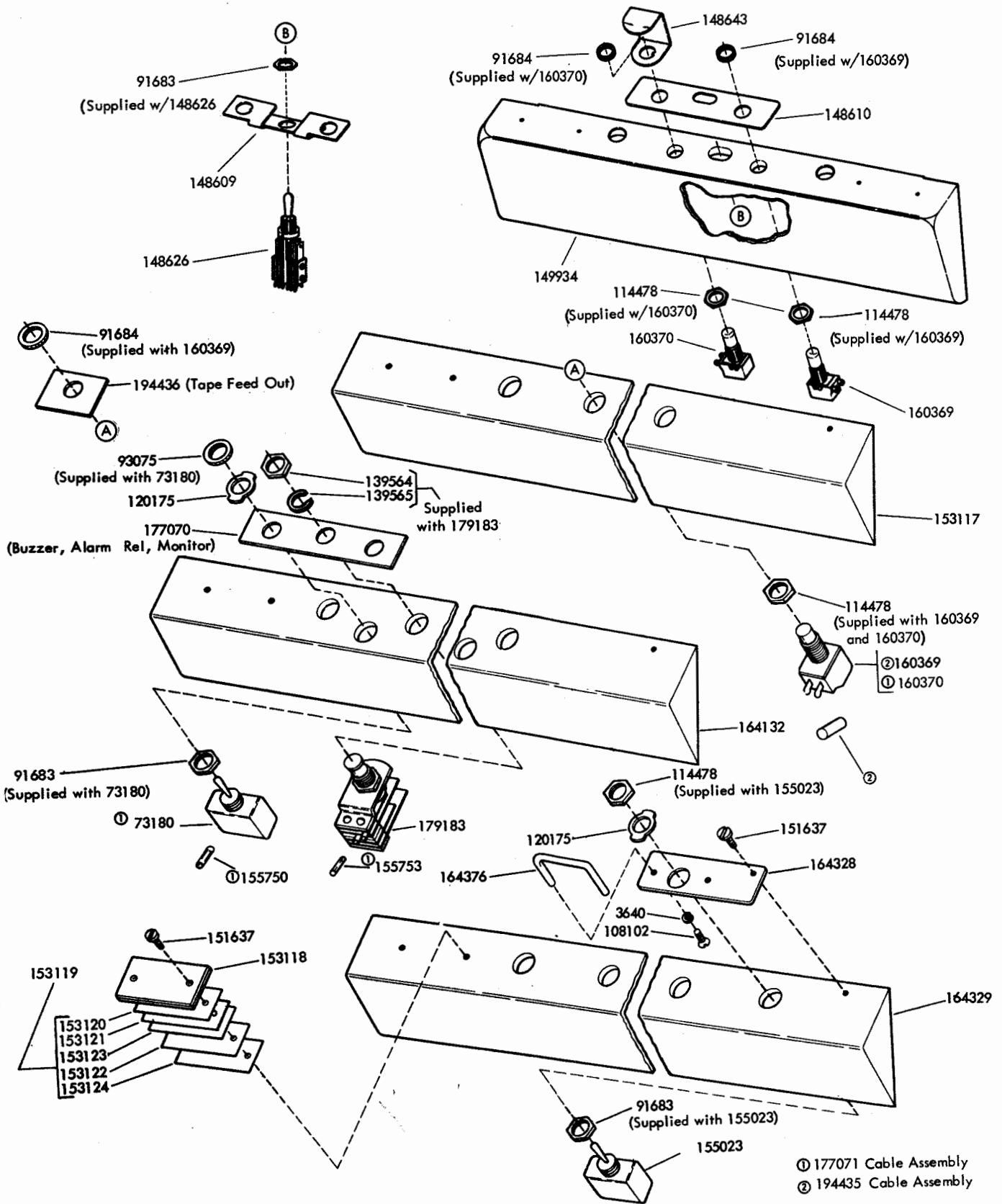
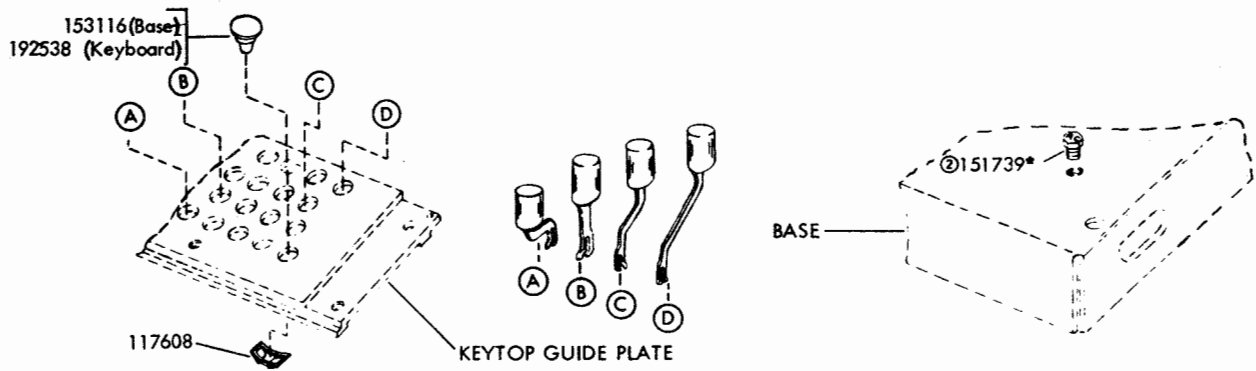


FIGURE 14. RECEIVING-ONLY BASE COVERS (MARK II)



KEYTOP DESCRIPTION	PART NUMBER	KEYTOP DESCRIPTION	PART NUMBER	KEYTOP DESCRIPTION	PART NUMBER	KEYTOP DESCRIPTION	PART NUMBER	KEYTOP DESCRIPTION	PART NUMBER
E 3	151294	Q 1	151292	W 2	151293	LTRS	151320	⓪KBD LOCK	151289
I 8	151299	R 4	151295	X /	151314	LINE FEED	151321	⓪BREAK	151290
M .	151319	S BELL	151303	Y 6	151297	⓪LOC LF	151286	⓪REPT	151291
O 9	151300	T 5	151296	CAR RET	151311	⓪LOC CR	151287	⓪SEND	164434
P 0	151901	U 7	151298	FIGS	151312	⓪KBD UNLK	151288	⓪RECEIVE	164435

⓪ Red Keytops, all other Keytops are Gray-Green, all characters are White.

KEYLEVER ASSEMBLIES				KEYLEVER ASSEM. MOD. KITS				
KEYTOP DESCRIPTION	PART NUMBER	KEYTOP ARRANGEMENTS			151934 ARAtoARC	152904 ARCtoARD	152905 ARCtoARB	152906 ARCtoARA
		ARA	ARB	ARC				
A -	151302	X	X	X				
A †	152001				X	X		
B ?	151317	X					X	
B 5/8	151909		X	X	X			
B ⊕	152002				X	X		
C 1/8	151907		X	X	X			
C O	152003				X	X		
C :	151315	X						X
D \$	151304	X	X	X				
D /	152004				X	X		
F	151305	X						X
F 1/4	151902		X	X	X			
F →	152005				X	X		
G &	151306	X	X	X				
G ↘	152006				X	X		
H #	152009	X	X				X	X
H STOP	151903			X	X			
H ↓	152008				X	X		
J °	151308	X	X				X	X

KEYLEVER ASSEMBLIES				KEYLEVER ASSEM. MOD. KITS				
KEYTOP DESCRIPTION	PART NUMBER	KEYTOP ARRANGEMENTS			151934 ARAtoARC	152904 ARCtoARD	152905 ARCtoARB	152906 ARCtoARA
		ARA	ARB	ARC				
J ↗	152010				X	X		
J ,	151904			X	X			
K (	151309	X						X
K 1/2	151905		X	X	X			
K ←	152011				X	X		
L )	151310	X						X
L 3/4	151906		X	X	X			
L ↖	152012				X	X		
N 7/8	151910		X	X	X			
N ⊕	152013				X	X		
N ,	151318	X						X
V 3/8	151908		X	X	X			
V ⊕	152014				X	X		
V ;	151316	X						X
Z "	151313	X	X	X				
Z +	152015				X	X		
No Symbol	151322							
-	152016				X	X		

⓪ When ordering the 151739\* Identification Screw, include the two or three letter code identifying the keytop arrangement.

FIGURE 15. KEYLEVER ASSEMBLIES

KEYTOP DESCRIPTION	PART NUMBER	KEYTOP DESCRIPTION	PART NUMBER	KEYTOP DESCRIPTION	PART NUMBER
A #	154530	F 1/3	158435	N ▽	152138
A +	157329	G	157323	N OFF	155029
A	157365	G ON	154527	N n	157353
A ?	158418	G ▽	154532	N *	157357
A @	158438	G TAB	155037	N START	157942
B RUSH	152133	G ♂	157348	N %	157946
B OFF	152136	G TFO	157356	N &	157949
B	154525	G FO	157359	N @	157951
B %	155034	G £	157955	N +	157959
B &	157342	G :	158422	N e	157970
B *	157345	G OFF	158444	N -	158412
B "	157354	G •	158454	N )	158427
B EJT	157334	H	151307	P ∅	151301
B ▽	157944	H £	152007	R TAB	158450
B DZ	157961	H +	157358	S ▽	152131
B @	158414	H OFF	154528	S	157367
B #	158417	H °	155026	S ∆	154535
B -	158419	H ?	157360	S ON	155030
B ¢	158434	H →	157968	S /	157328
B TAB	158443	H FO	158431	S s	157351
B ON	158452	H &	158440	S #	158439
C W-R-U	164457	J	152134	S STOP	158445
C	154523	J J	157349	U 7	157327
C #	155035	J YIP	157362	V	154524
C 1/4	157321	J ∅	152017	V %	152139
C %	157339	J ¢	152018	V =	157325
C ON	157343	J BELL	152132	V *	155033
C c	157346	J x	154533	V #	155039
C 1/2	157945	J ON	155031	V ¢	157336
C ¢	157957	J 1/2	157320	V &	157361
C (	157964	J *	157340	V x	157943
C +	158410	J %	157341	V "	157950
C O	158420	J YD	157958	V EA	157953
C ?	158441	J Yd	157962	V °	157960
D	154531	J #	157965	V ⊕	157971
D °	155038	J =	158423	V )	158411
D	157322	J TAB	158447	V -	158415
D	157326	K	154521	V ,	158428
D OFF	157331	K &	157338	V ±	158442
D /	157355	K k	157350	V #	154529
D &	157956	K NYC	157363	X	157332
D ∅	157967	K STOP	157941	X FO	158430
D ;	158421	K ▽	158424	Z	152135
D BO	158448	K +	158453	Z TAB	155027
D TAB	158455	L	154522	Z ON	155028
E #	157940	L &	157947	Z OFF	155032
E	154520	L L	157966	Z %	157337
E %	152020	L .	158425	Z z	157352
E #	152130	L ?	158436	Z VERT	157344
E ¢	155025	L ATL	158449	Z FO	157948
E &	155036	L OFF	158451	Z †	158429
E 3/4	155040	M STOP	152019	Z *	158437
E f	157347	M #	157335	LOC RLF	153283
E CHI	157364	M %	157952	LOC B SP	153284
E N	157963	M	157366	.	152137
E TAB	158406	M #	157954	- \\	154534
E DATA	158408	M ∞	157969	BELL -	157330
E ▽	158409	M (	158426	ON .	157333
E *	158413	M M	158432	.	158407
E F	158433	N	154526	, .	158416
				HERE IS	163852

FIGURE 16. KEYLEVER ASSEMBLIES (Continued)



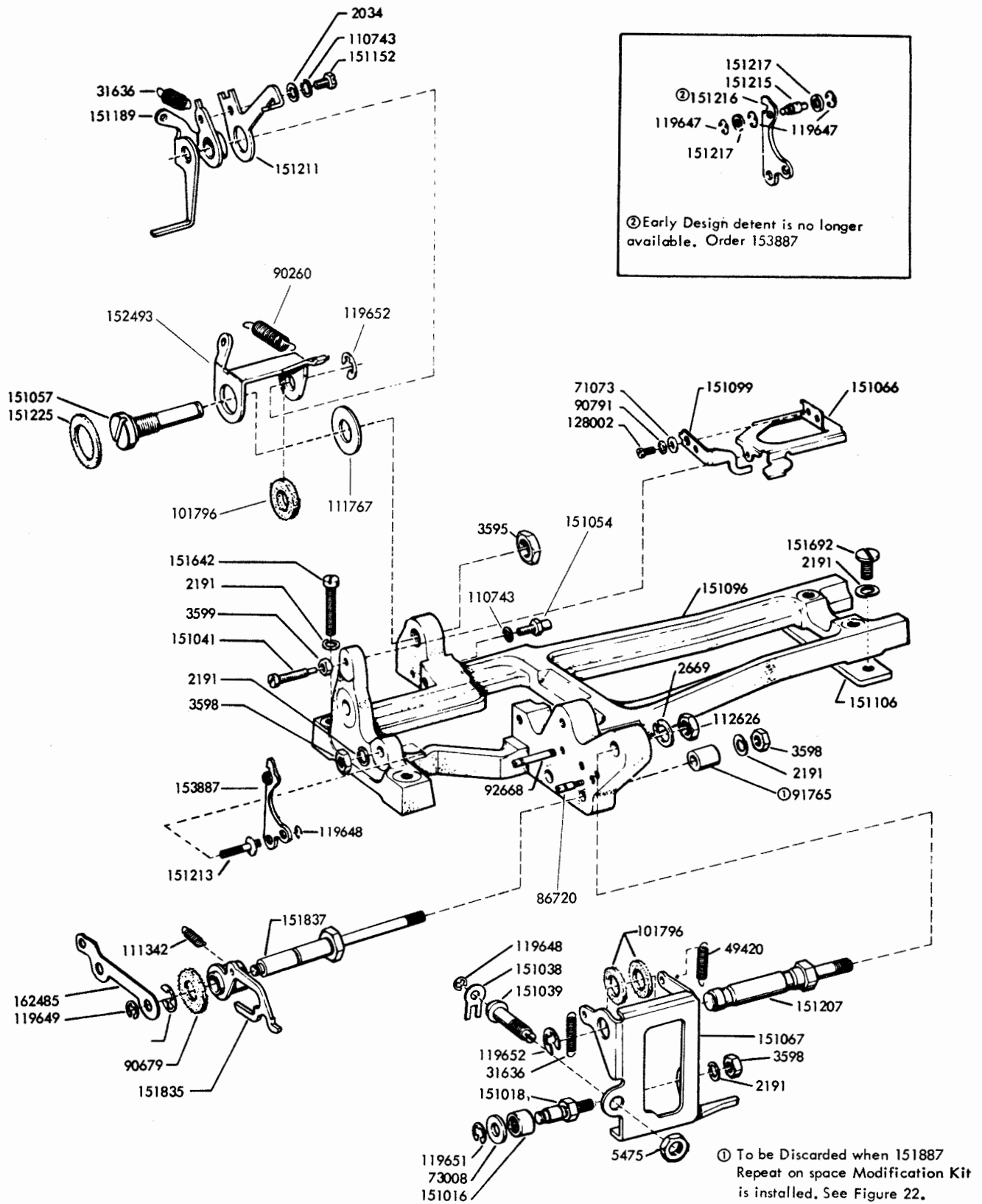


FIGURE 17. SIGNAL GENERATOR MECHANISM (MARK II)

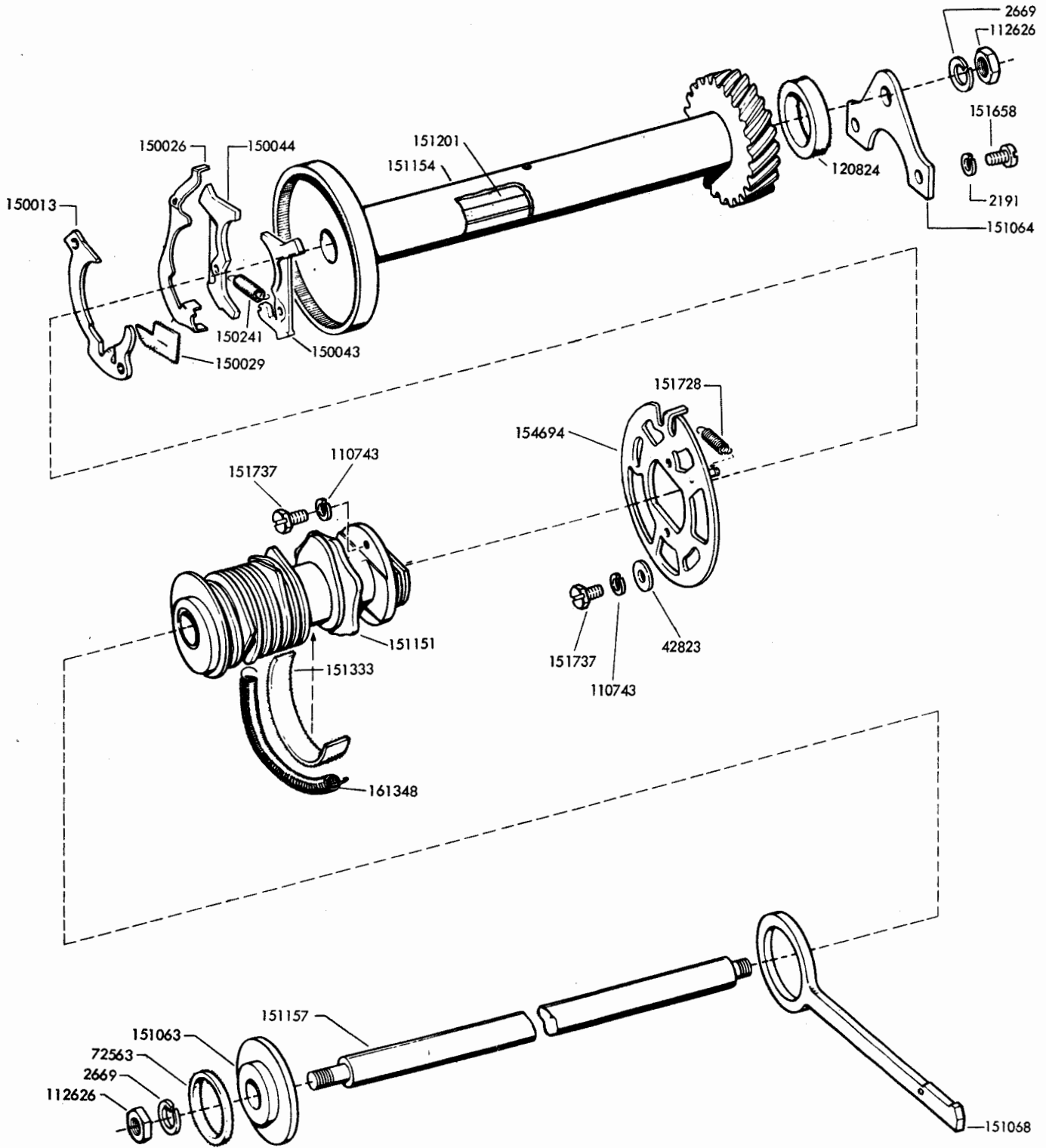


FIGURE 18. SIGNAL GENERATOR MECHANISM (MARK II)

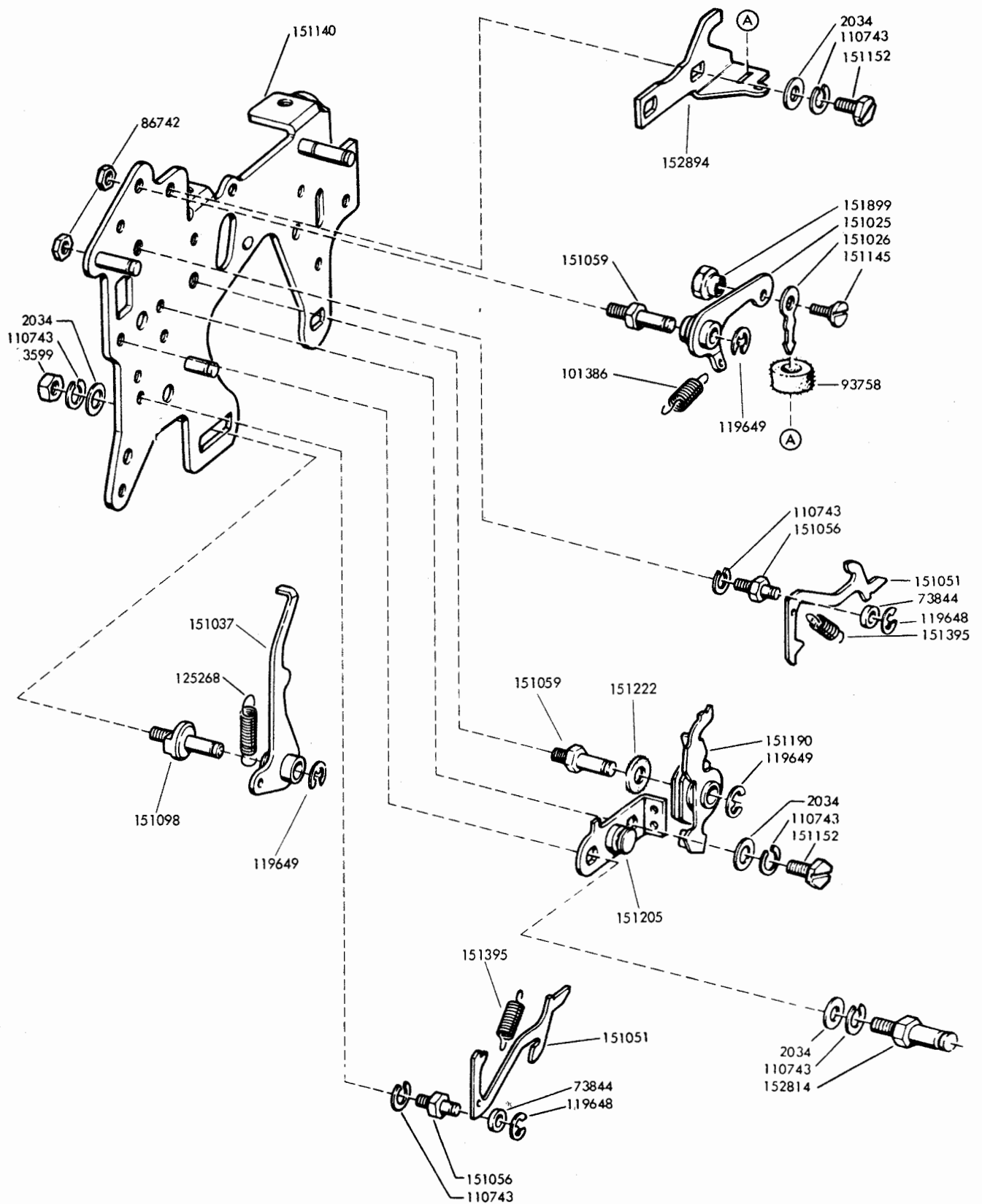


FIGURE 19. SIGNAL GENERATOR MECHANISM (MARK II)



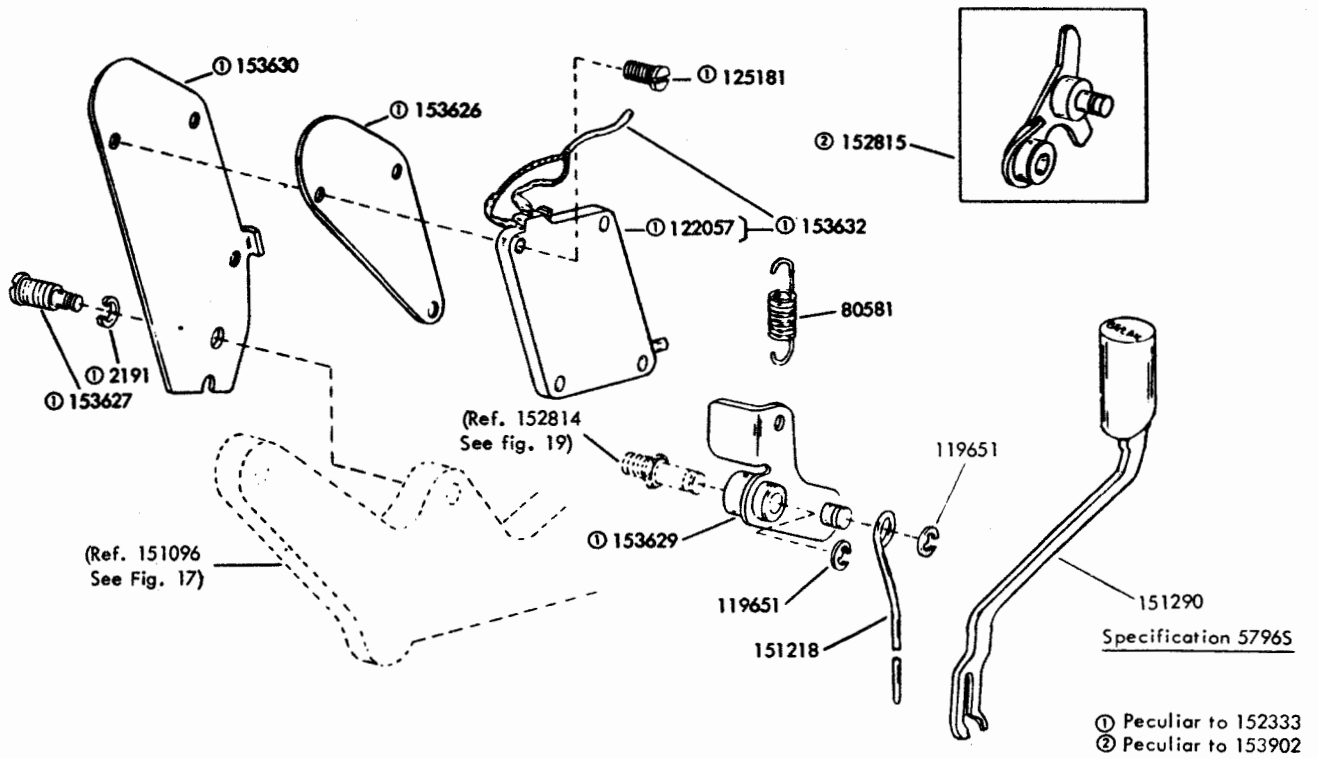


FIGURE 21. 152333 (ELECTRICAL) AND 153902 (MECHANICAL) MODIFICATION KITS TO PROVIDE LINE BREAK MECHANISM ON KEYBOARD (MARK II)

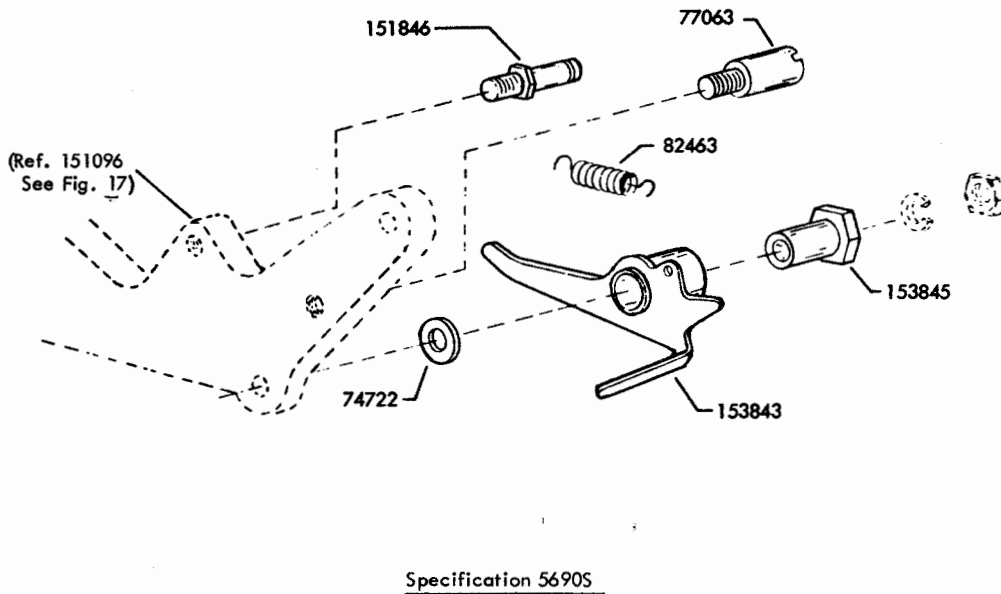
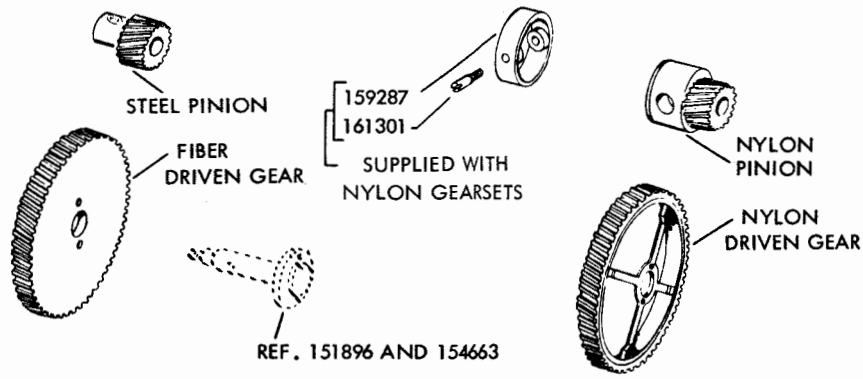


FIGURE 22. 151887 MODIFICATION KIT TO REPEAT ON SPACE MECHANISM (MARK II)



GEARSETS											
			UNIT	SET NUMBER		PINION		GEAR			
WPM	OPM	BAUD	CODE	FIBER	NYLON	TEETH	STEEL	NYLON	TEETH	FIBER	NYLON
				151060	161293	14	151130	159278	96	151131	159279
60	368	45.45	7.42	①159660	307850	10	①159661	307844	57	①159662	307845
				②161111		14	②161106		96	151131	
65	390	45.5	7.00		173795	14		173794	100		173793
67	404	50	7.42	152766	194927	13	152765	194925	81	152764	194926
				①159667	307851	15	①159663	307848	78	①159664	307849
71	428	50	7.00		163504	18		163461	117		163462
75	460	56.88	7.42	151075	161294	17	151132	159281	93	151133	159282
				①159675		14	①159665		64	①159666	
100	600	74.2	7.42	151100	161295	20	151134	159284	84	151135	159285
				①159700	307852	20	①159668	307846	70	①159669	307847
						20	②153993		84	151135	
107	643	75	7.00		163505	24		163463	104	163464	

① Used with Synchronous Motors operating at 3000 RPM on 50 Hertz  
② Special Gears For LMU 10

FIGURE 23. GEARSETS

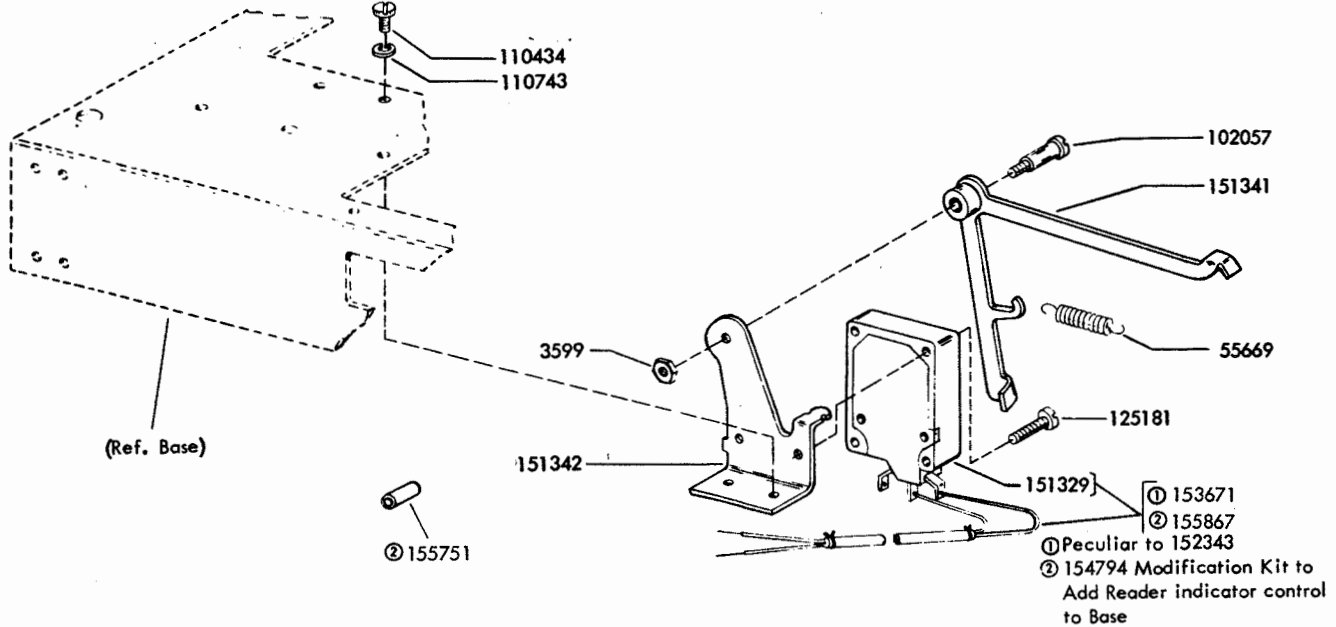


FIGURE 24. 152343 MODIFICATION KIT TO PROVIDE END-OF-LINE INDICATOR (MARK II)

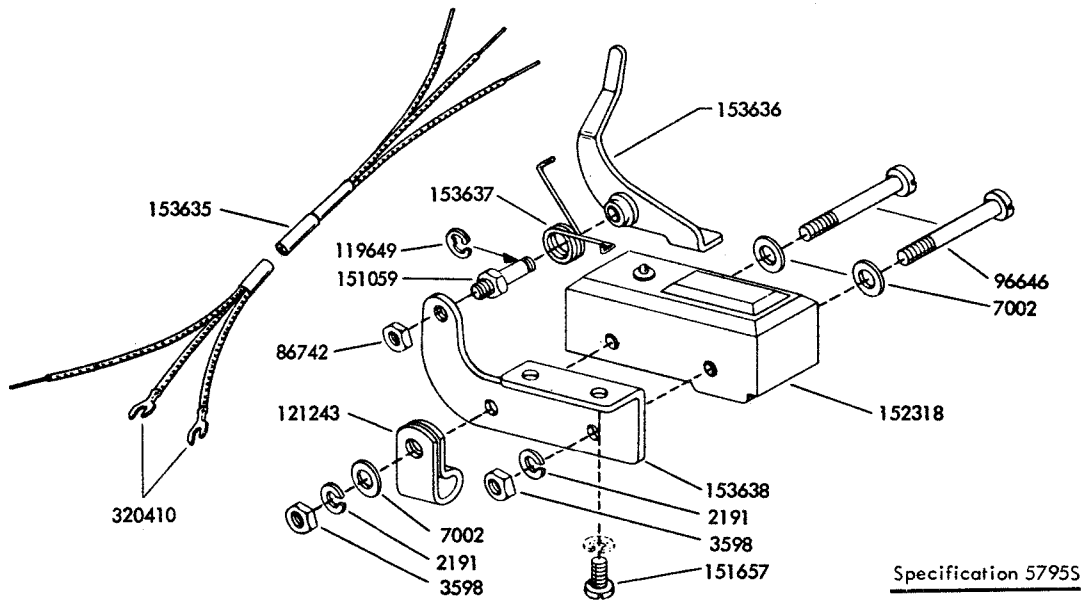


FIGURE 25. 152334 MODIFICATION KIT TO PROVIDE PAPER FEED-OUT MOTOR STARTING MECHANISM (MARK II)

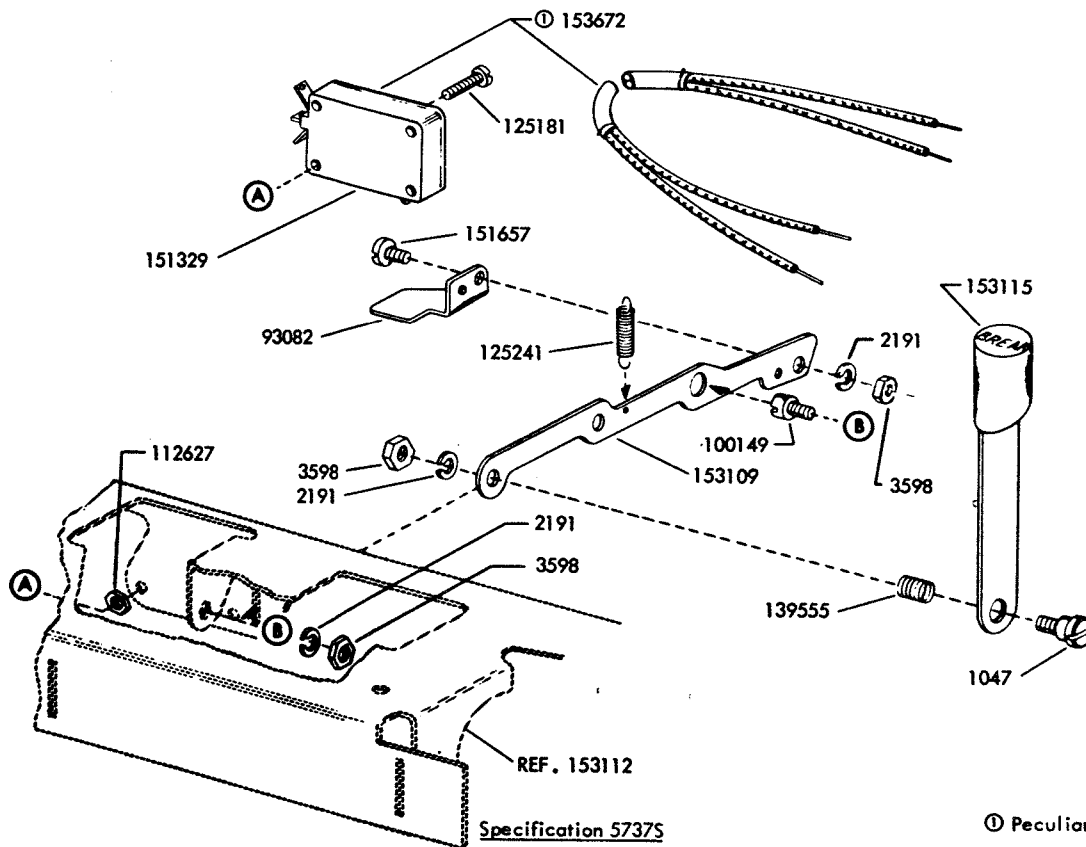
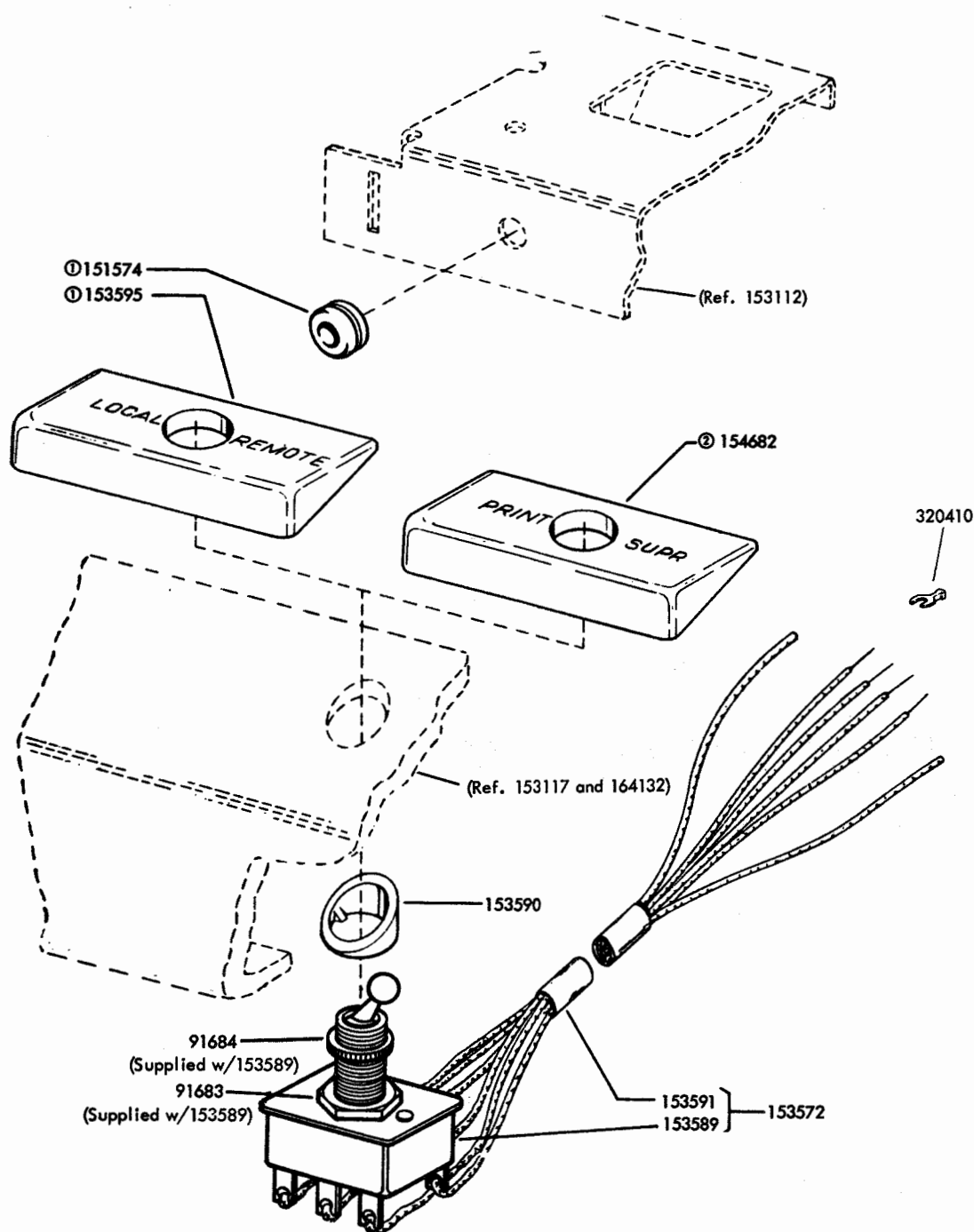


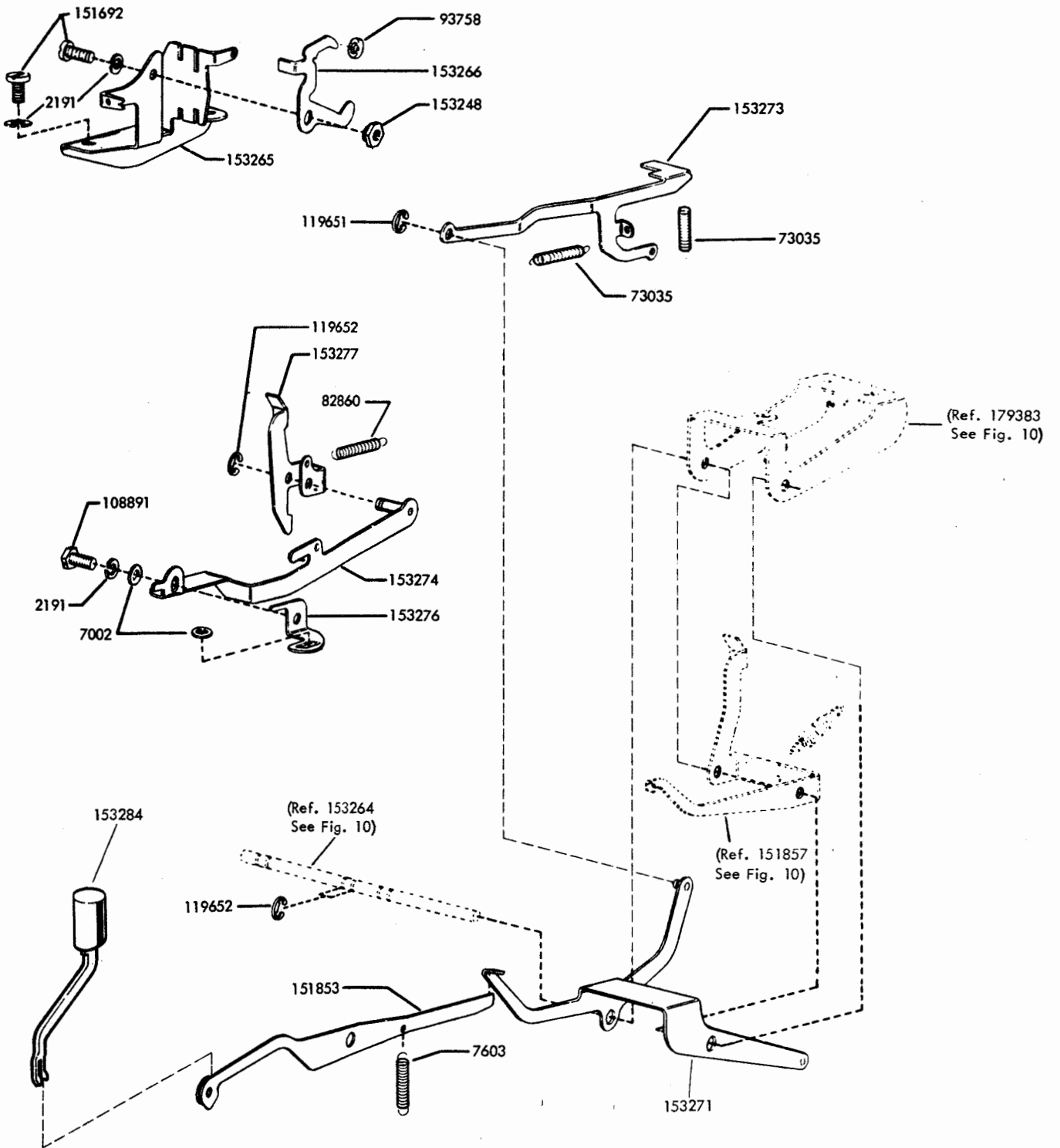
FIGURE 26. 152911 (LESS SWITCH) 152344 (WITH SWITCH) MODIFICATION KITS TO PROVIDE SIGNAL LINE BREAK MECHANISM ON BASE (MARK II)



- ① Peculiar to 152342
- ② Peculiar to 154681

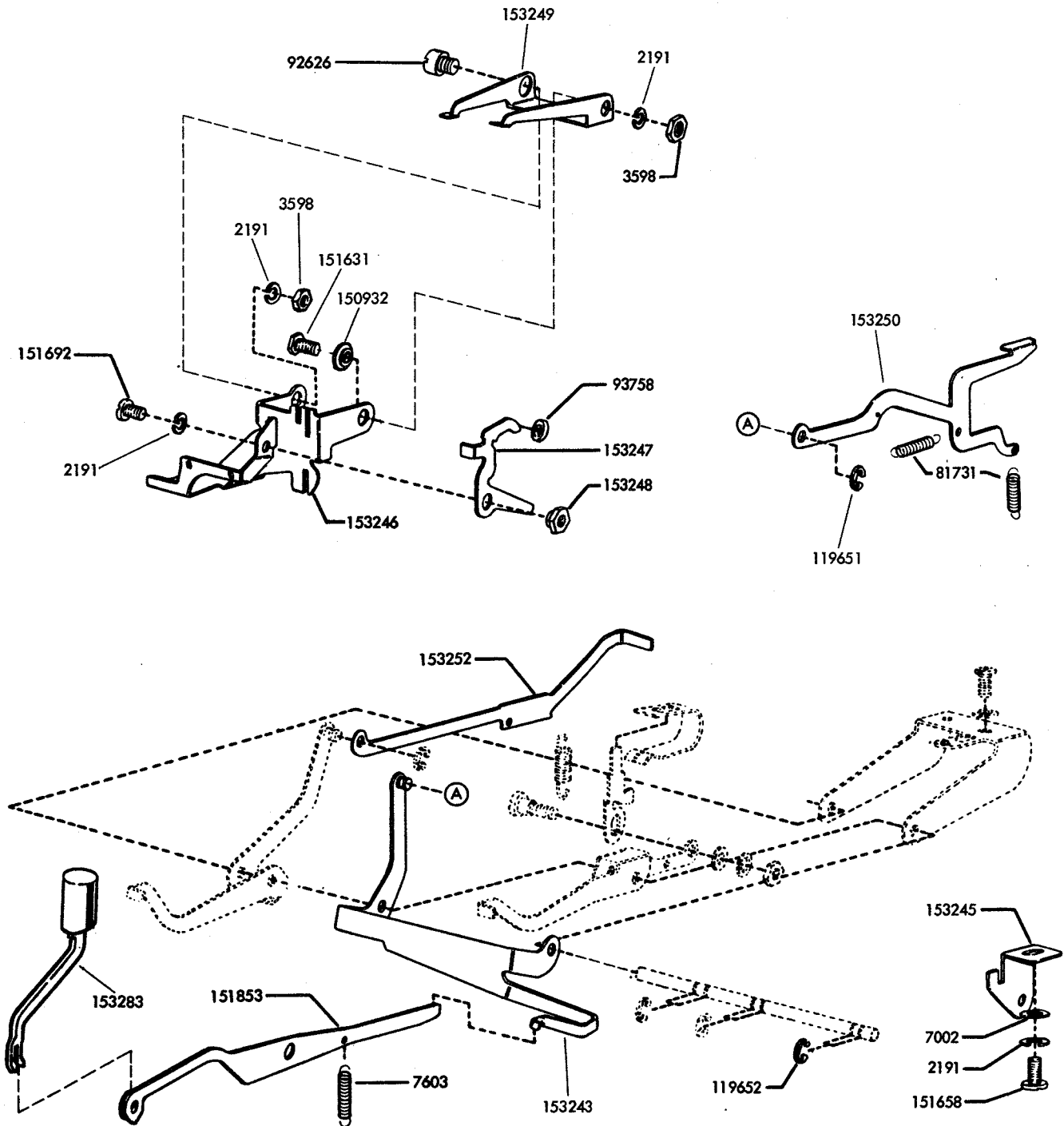
FIGURE 27. 152342 (LOCAL-REMOTE) SWITCH (BASE) 154681 (PRINT SUPPRESSION) MODIFICATION KITS TO PROVIDE SWITCH ON BASE (MARK II)





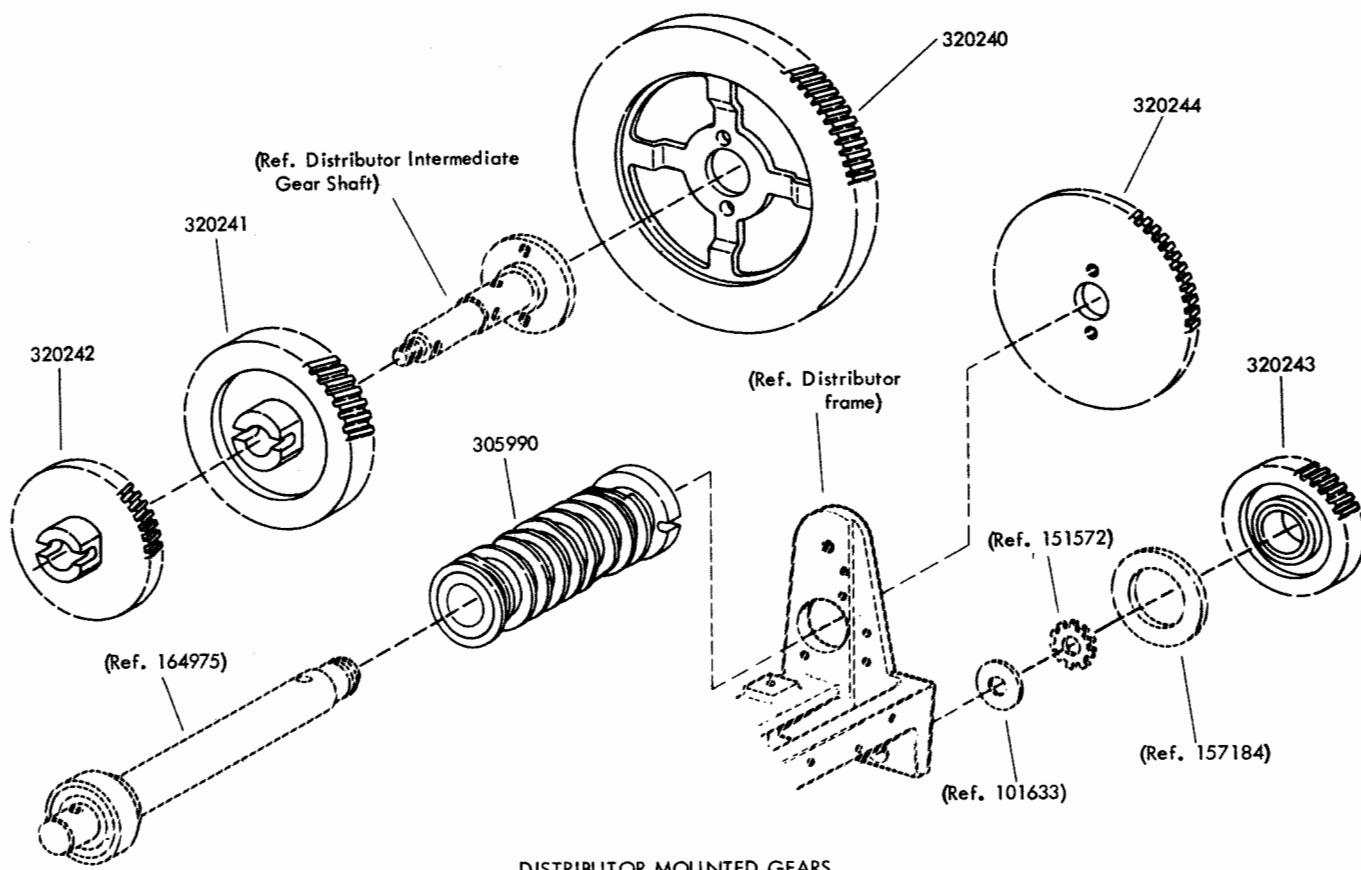
Specification 57655

FIGURE 28. 152918 MODIFICATION KIT TO PROVIDE LOCAL BACK SPACE MECHANISM ON KEYBOARD (MARK II)

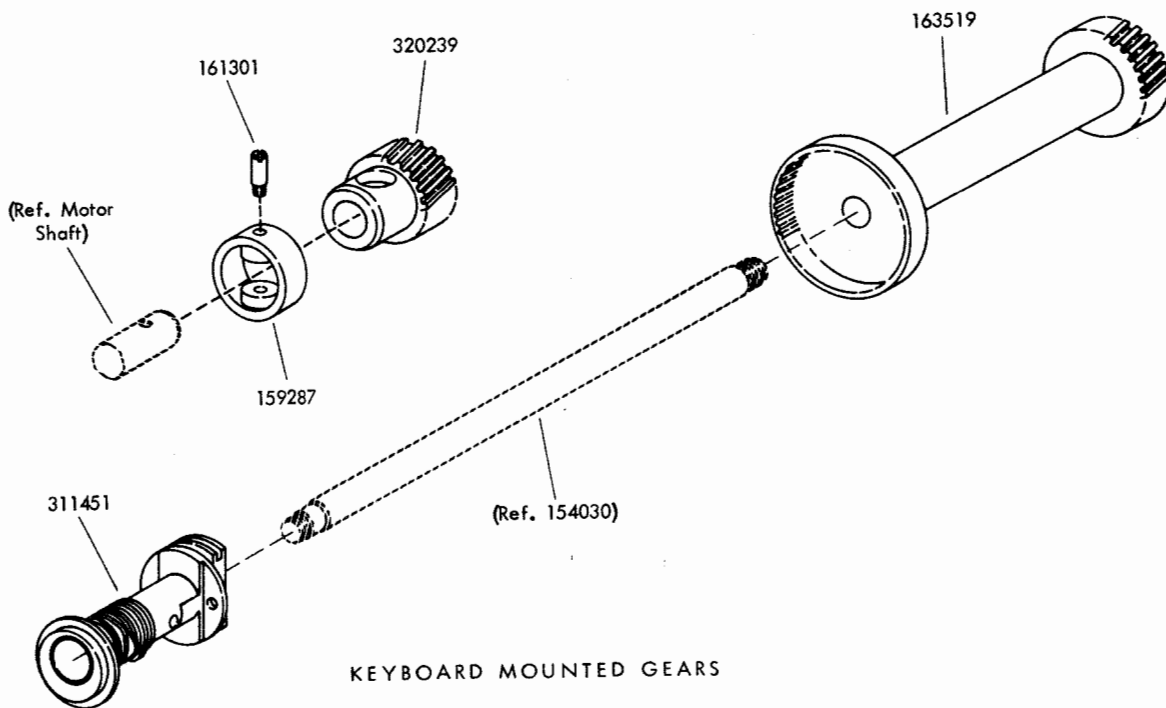


Specification 57655

FIGURE 29. 152916 MODIFICATION KIT TO PROVIDE LOCAL REVERSE LINE FEED MECHANISM ON KEYBOARD (MARK II)



DISTRIBUTOR MOUNTED GEARS



KEYBOARD MOUNTED GEARS

FIGURE 30. 320236 MODIFICATION KIT TO MODIFY KEYBOARD WITH DISTRIBUTOR FROM 7.42 UNIT CODE TO 7.00 UNIT CODE OPERATING AT 8.05 BAUD

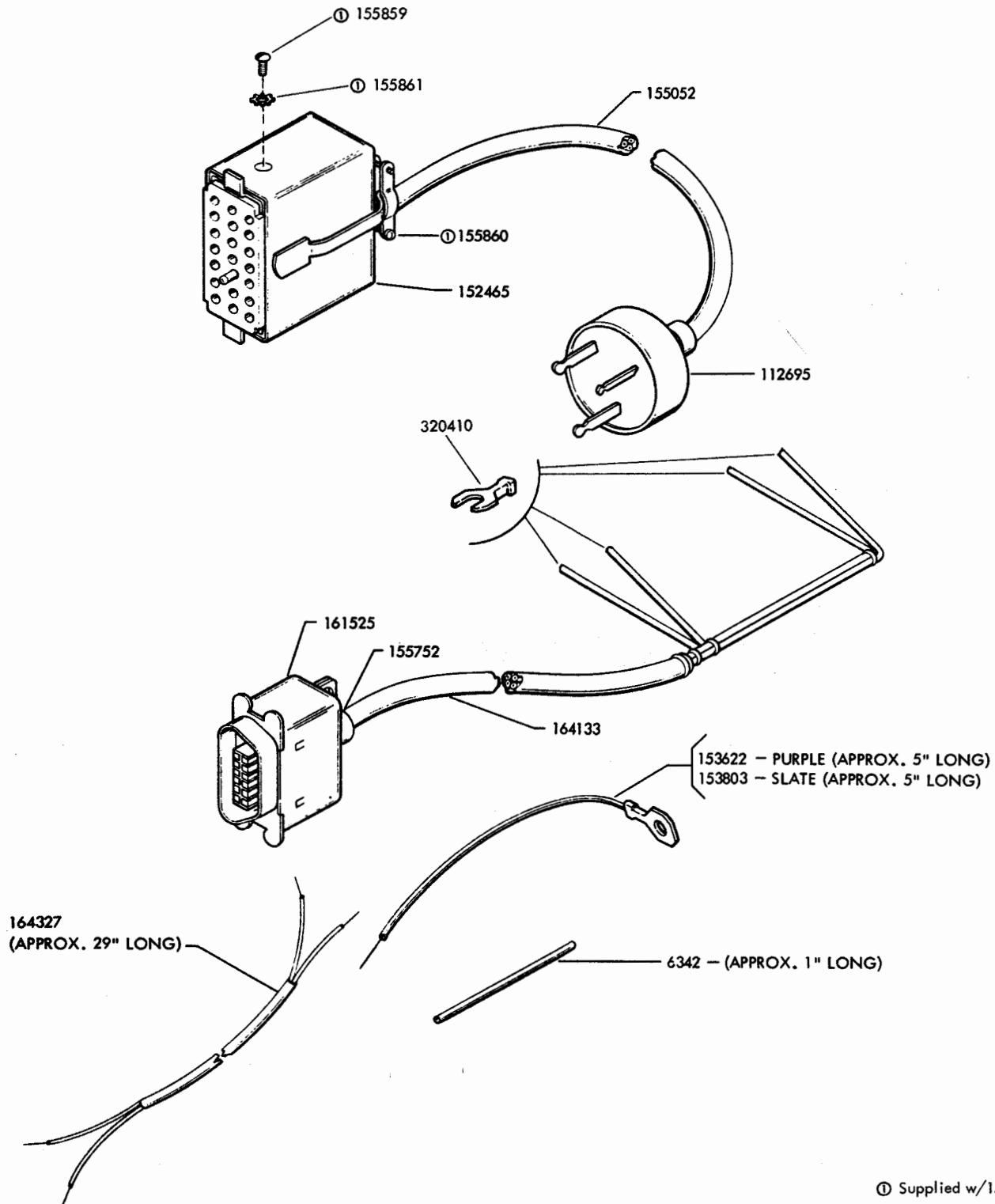


FIGURE 31. AUXILIARY CABLES FOR KEYBOARD OR BASE (MARK II)

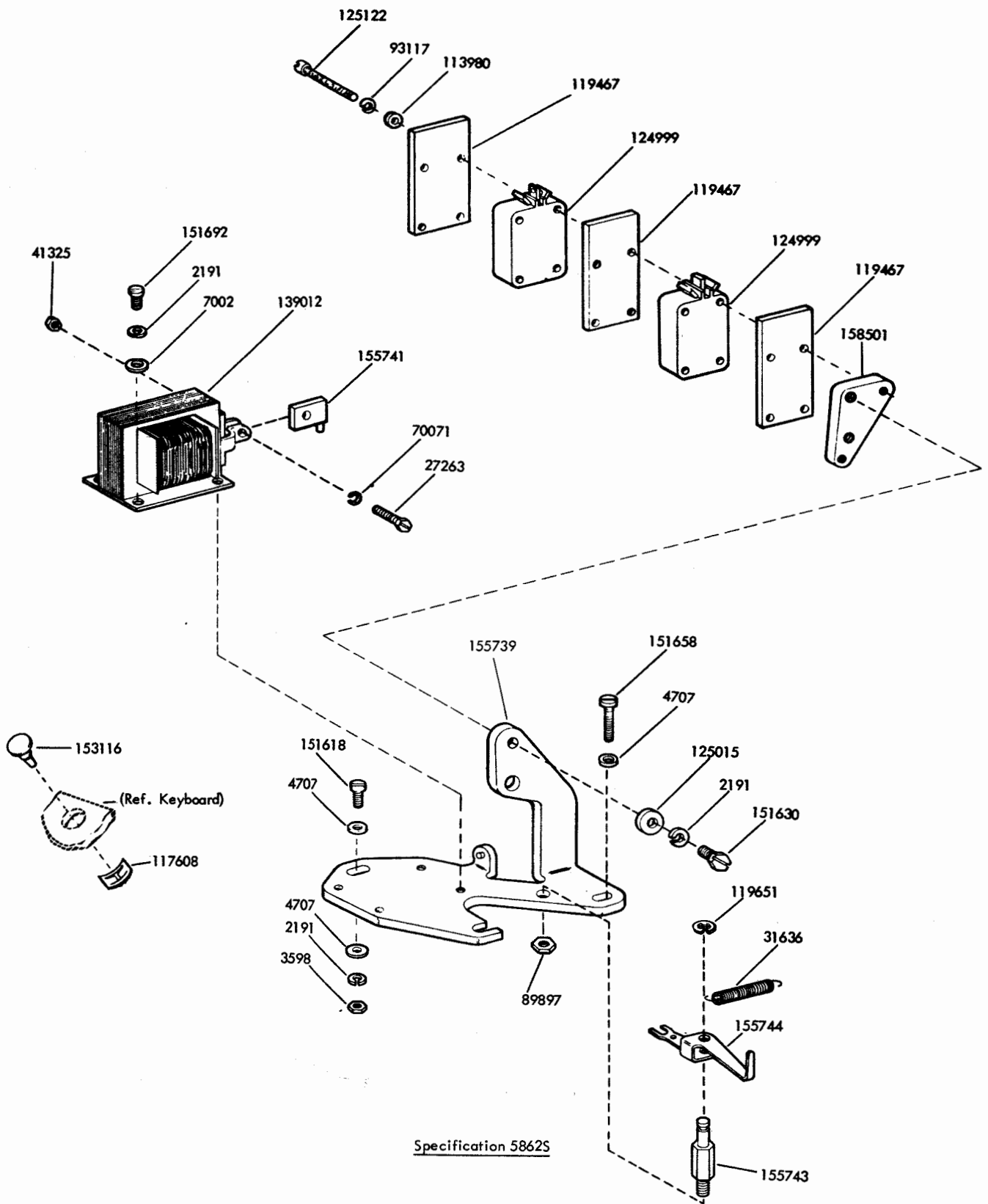
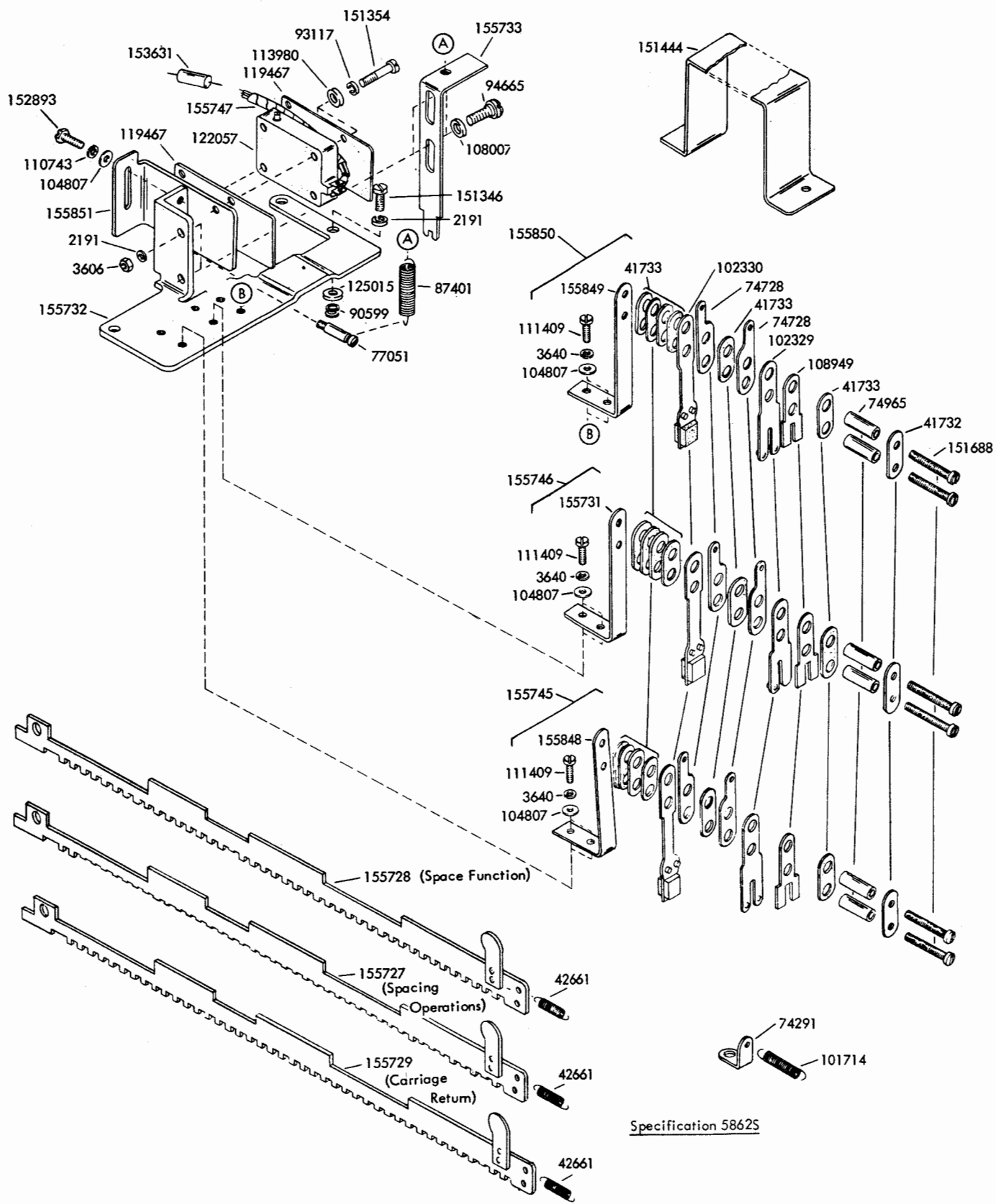


FIGURE 32. 154783 MODIFICATION KIT TO EQUIP A KEYBOARD WITH OFF-LINE CONTACTS



Specification 5862S

FIGURE 33. 154783 MODIFICATION KIT TO EQUIP A KEYBOARD WITH OFF-LINE CONTACTS (Continued)

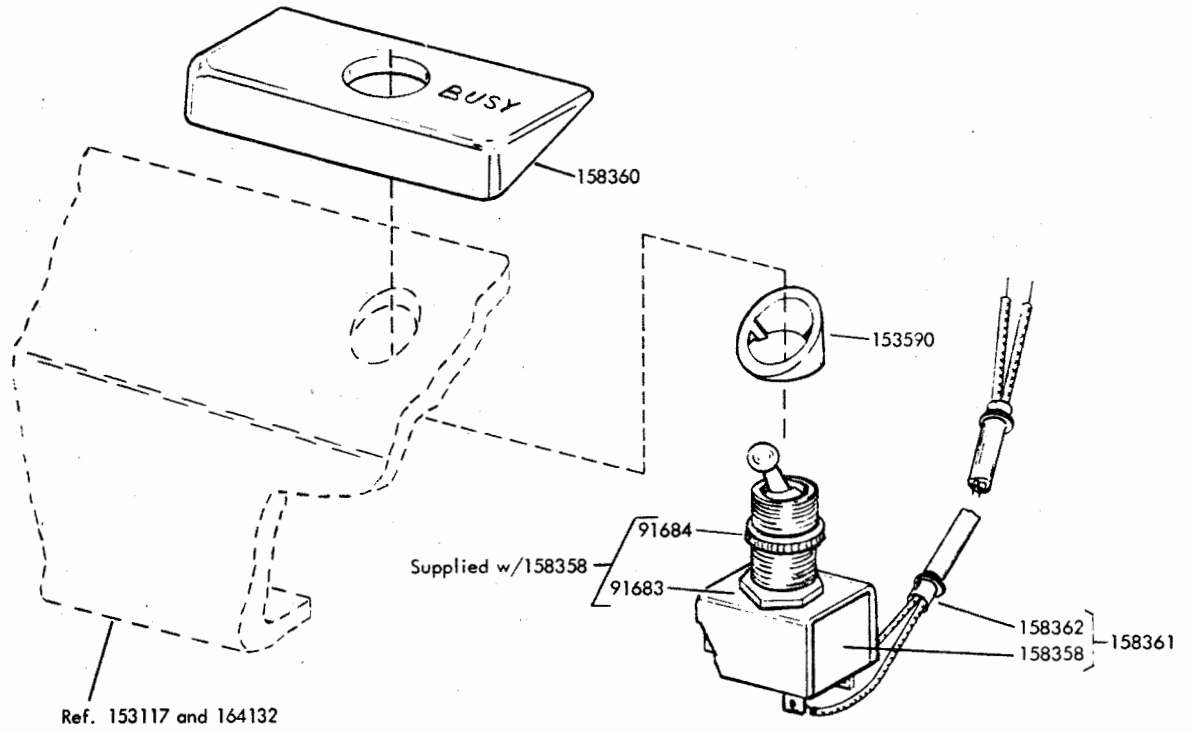


FIGURE 34. 158359 MODIFICATION KIT TO PROVIDE BUSY KEY SWITCH (BASE)

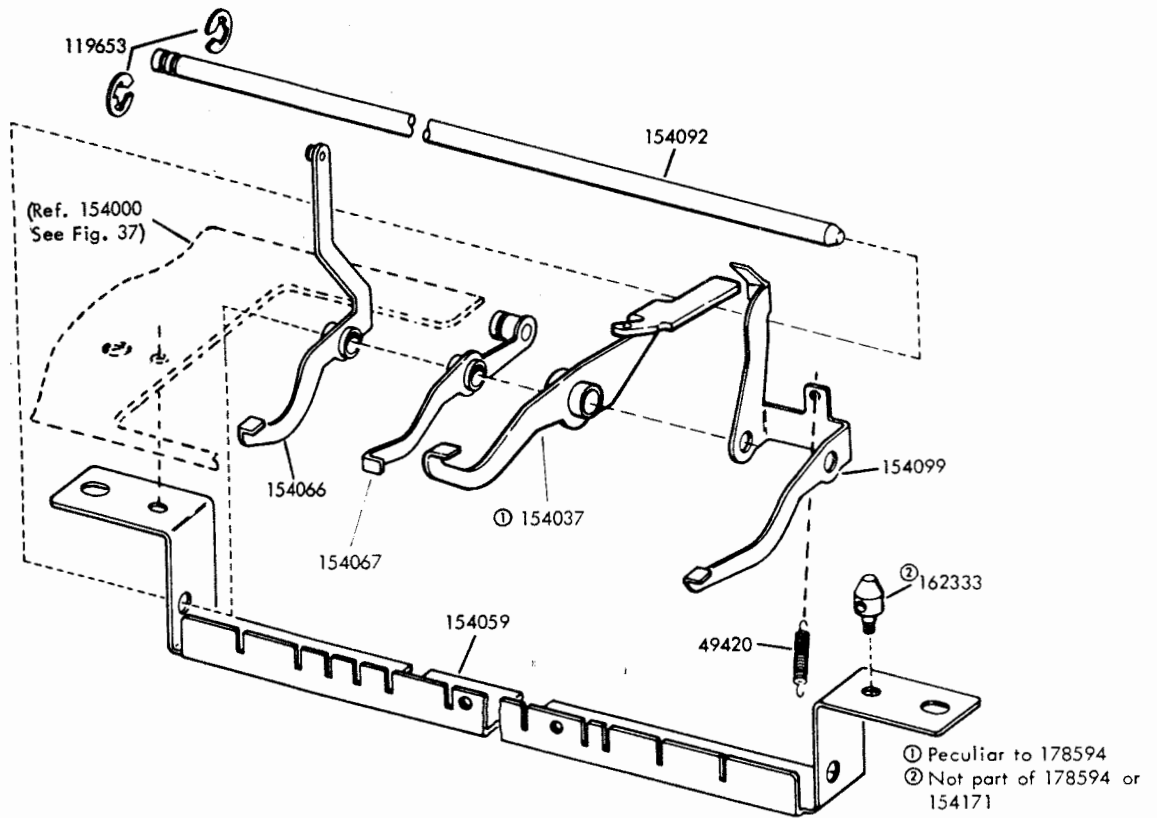


FIGURE 35. 154171 (MARK III) AND 178594 (WALL MOUNTED) FUNCTION BAIL ASSEMBLIES

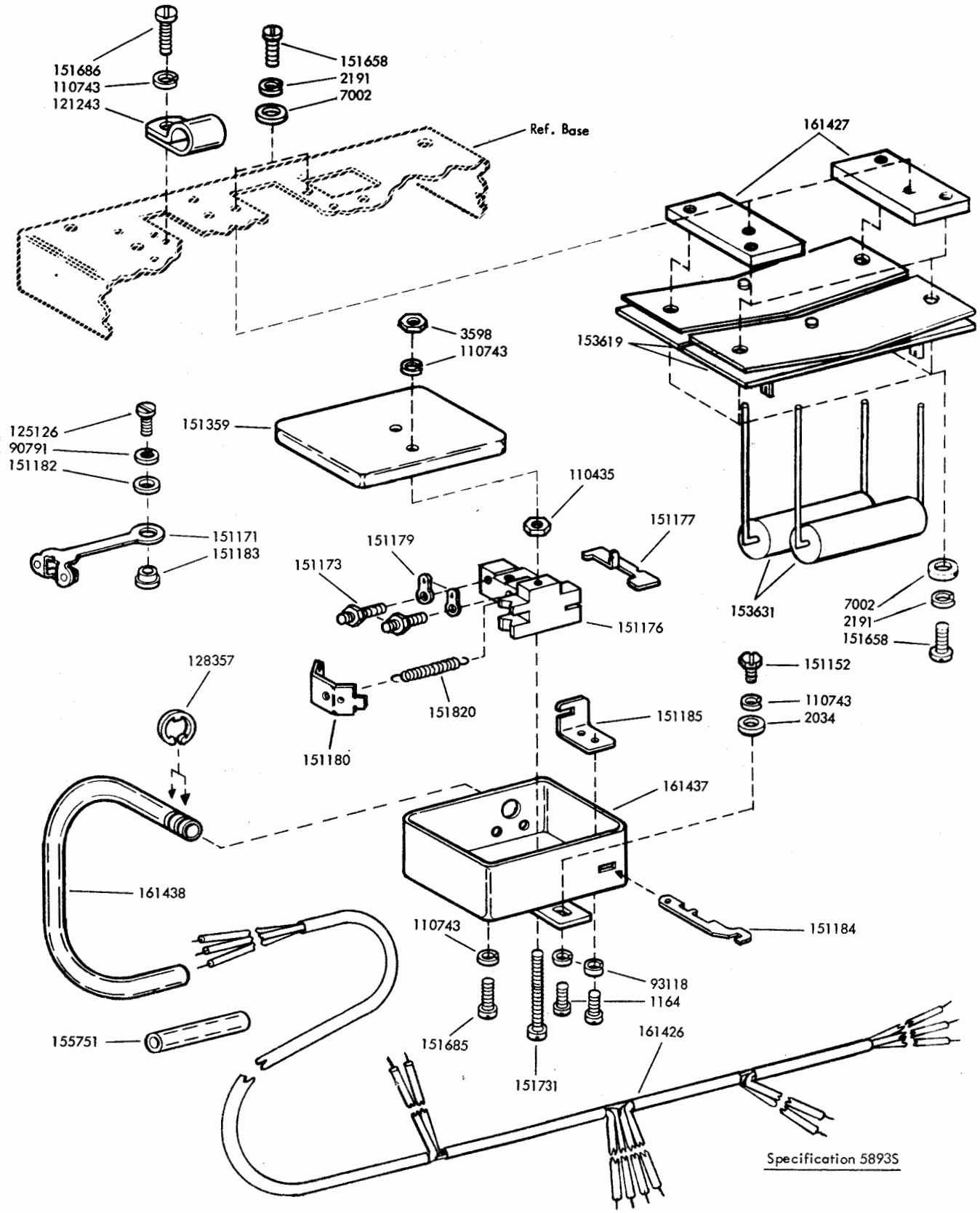


FIGURE 36. 161435 MODIFICATION KIT TO PROVIDE NEUTRAL AND INVERSE TRANSMISSION (MARK II)





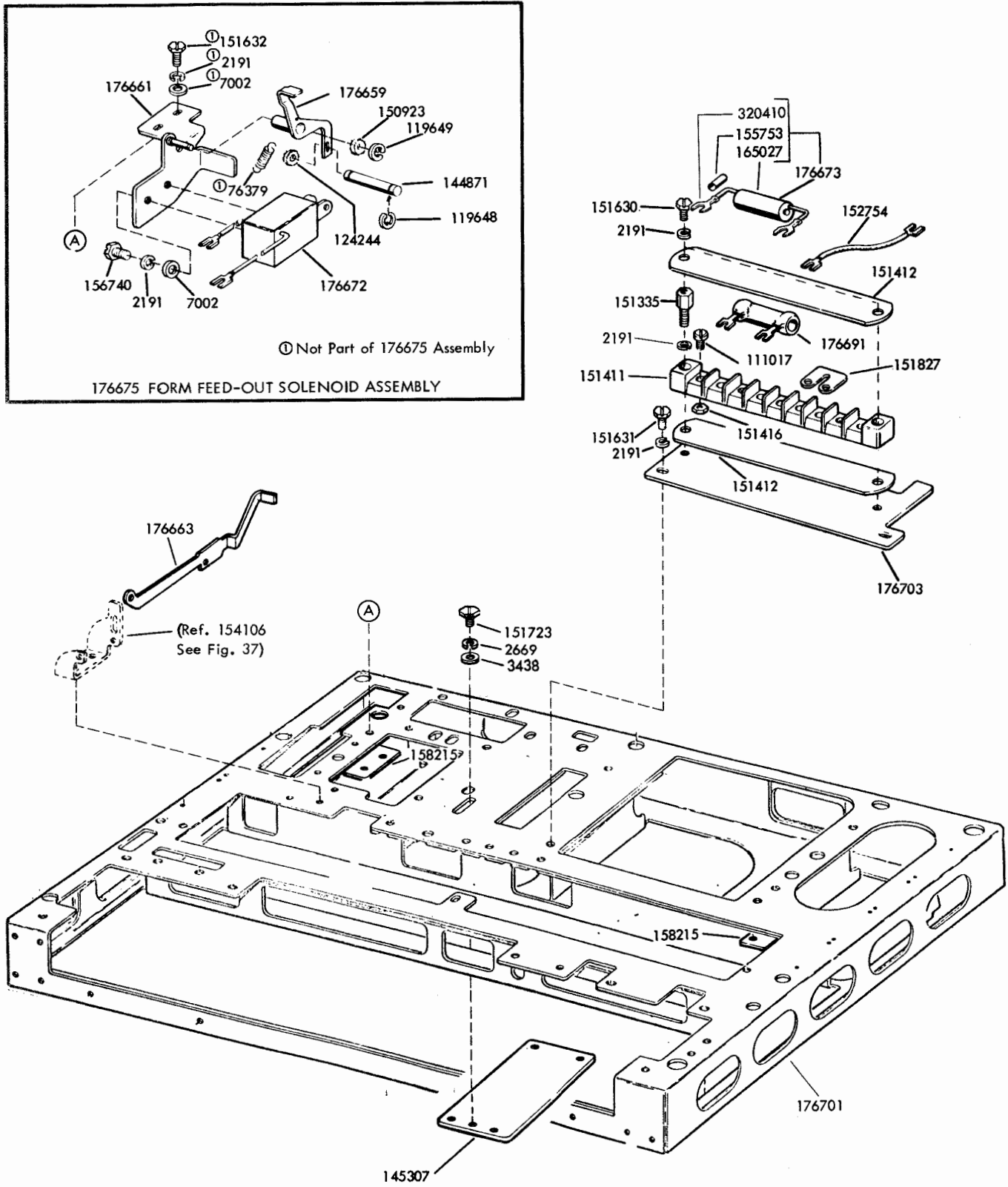


FIGURE 38. KEYBOARD BASE FOR REMOTE CONTROLLED GEARSHIFT MECHANISM

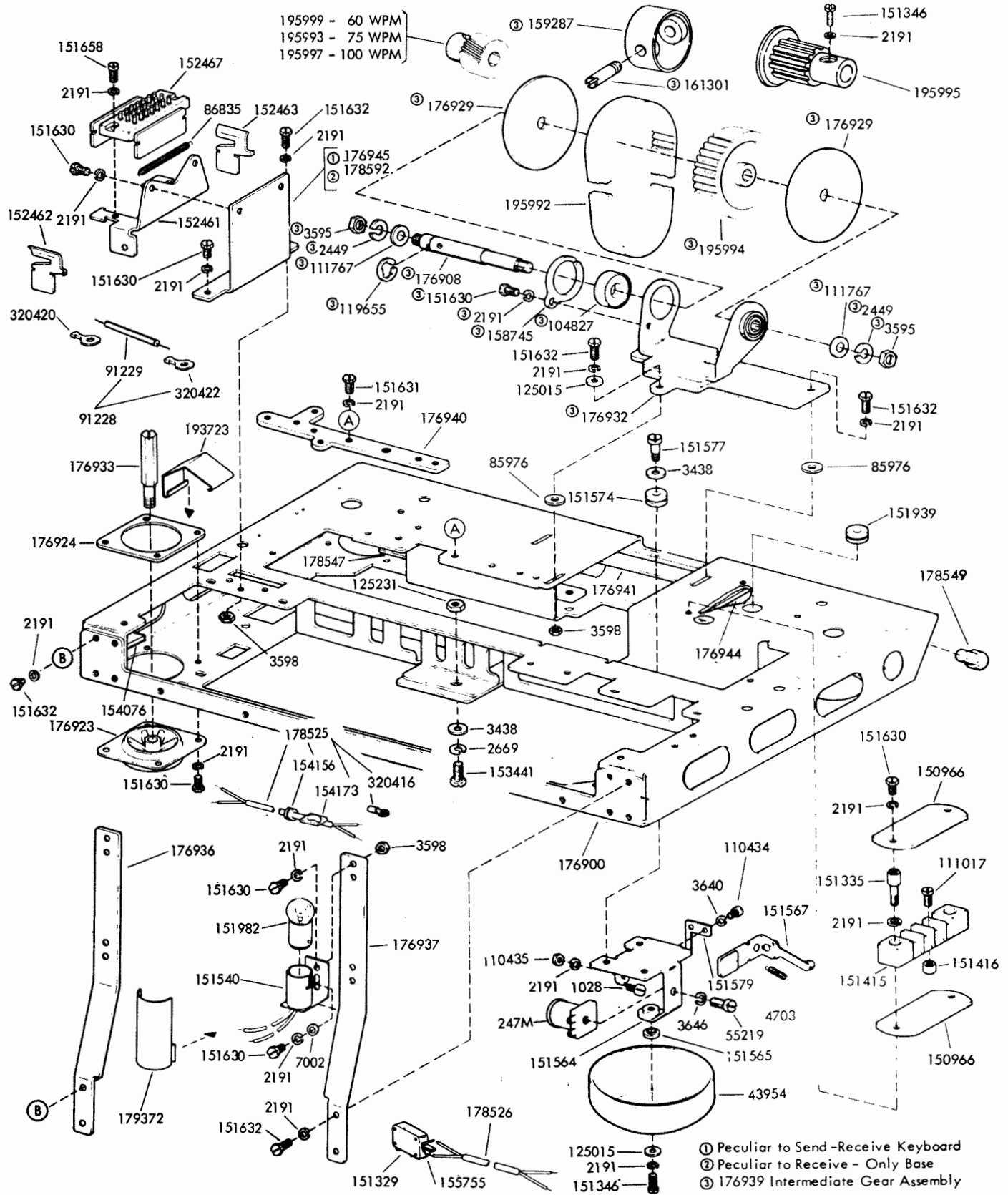
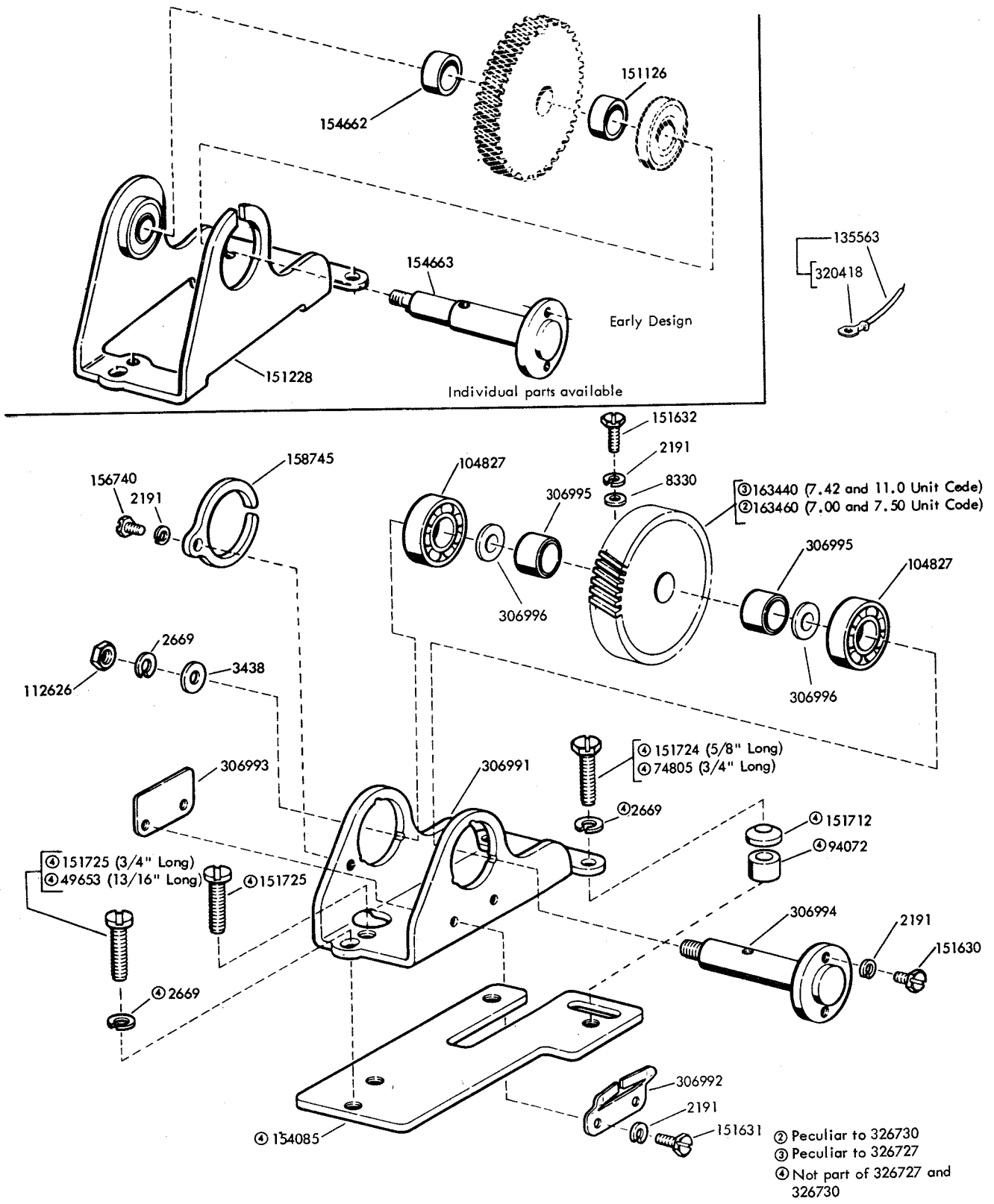


FIGURE 39. KEYBOARD OR BASE MECHANISM (WALL MOUNTED)



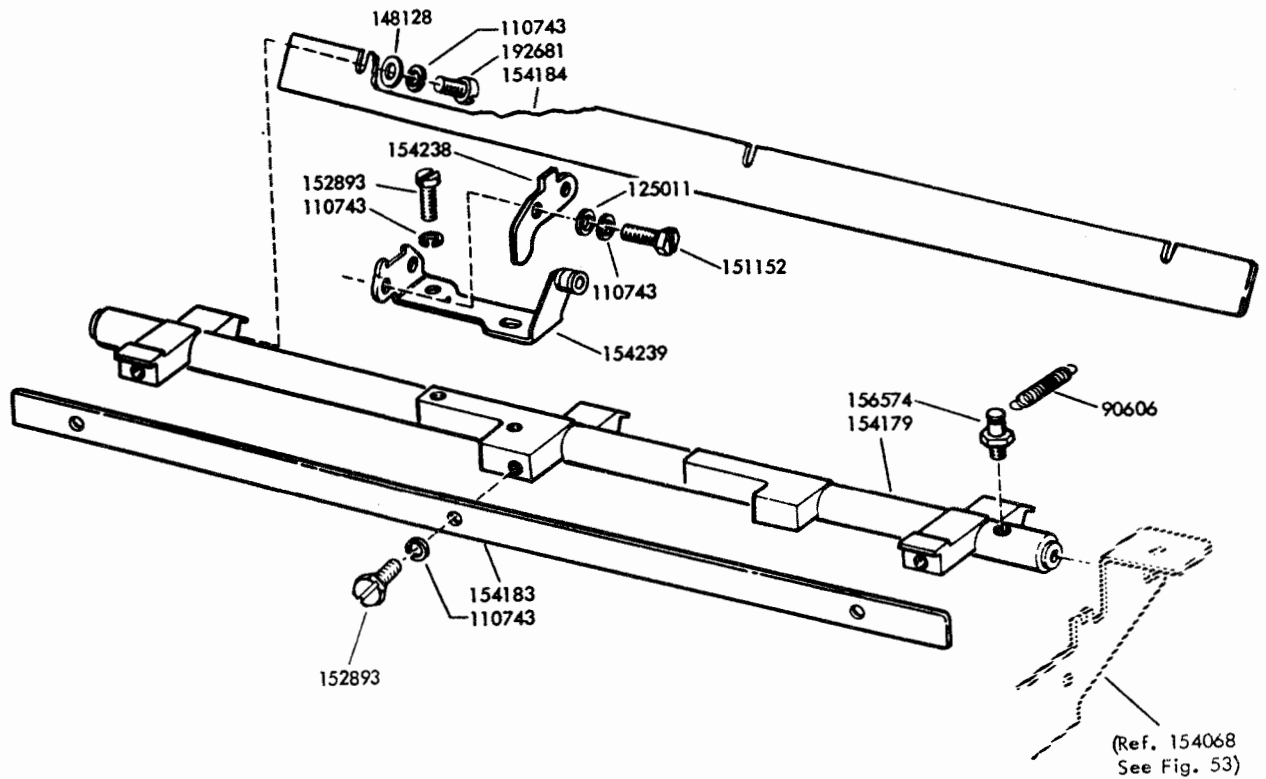


FIGURE 41. 154151 UNIVERSAL BAIL ASSEMBLY (MARK III)

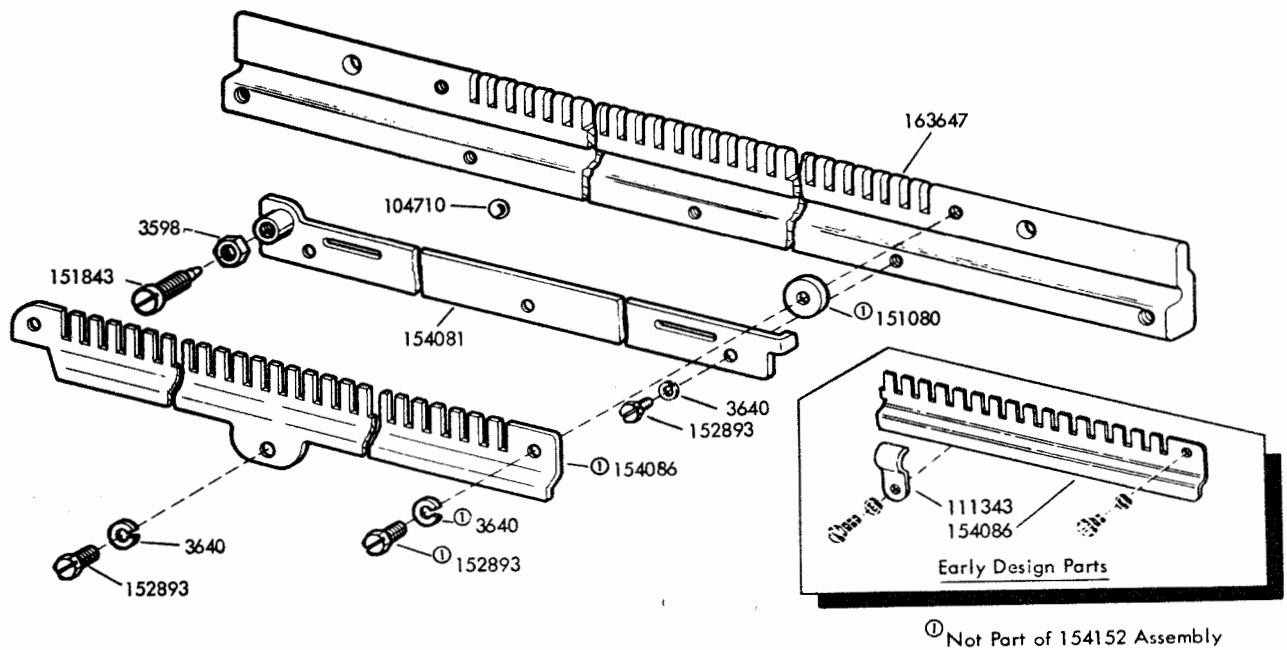


FIGURE 42. 154152 BALL LOCKBAR ASSEMBLY (MARK III)

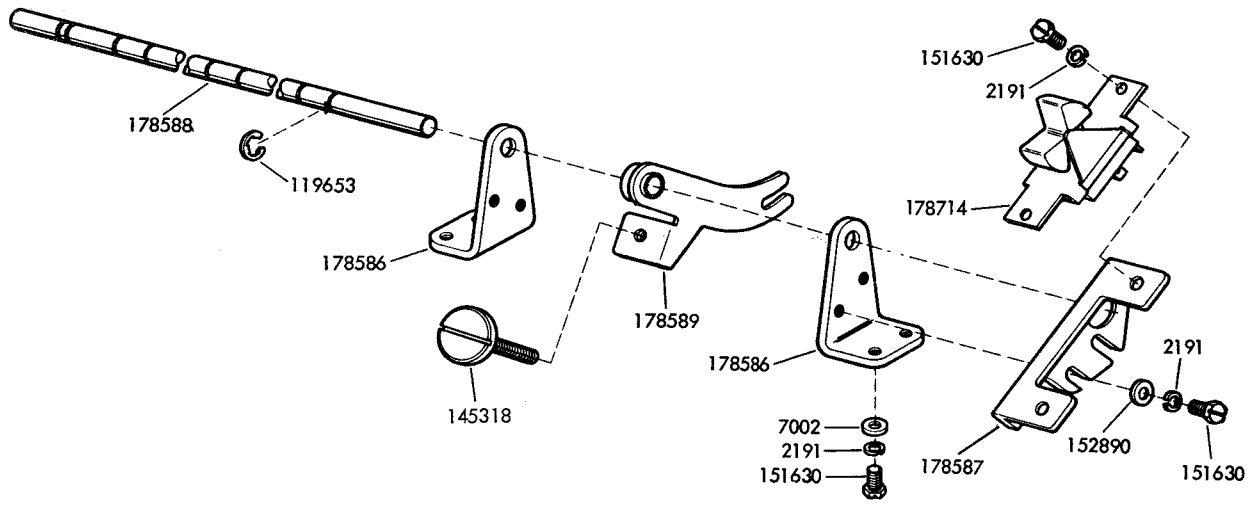


FIGURE 43. TRIP LEVER MECHANISM (WALL MOUNTED)

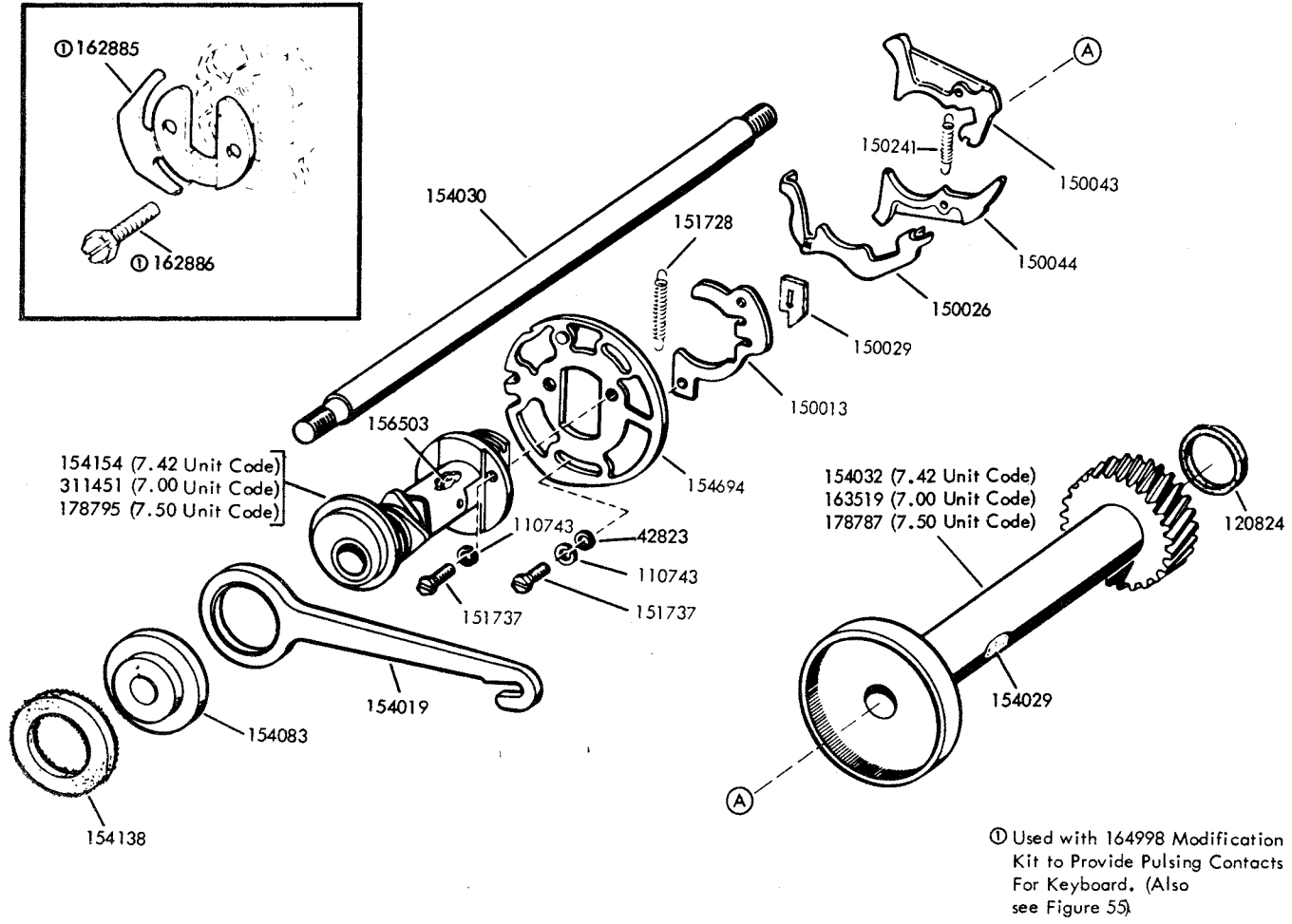


FIGURE 44. SIGNAL GENERATOR SHAFT MECHANISM (MARK III)

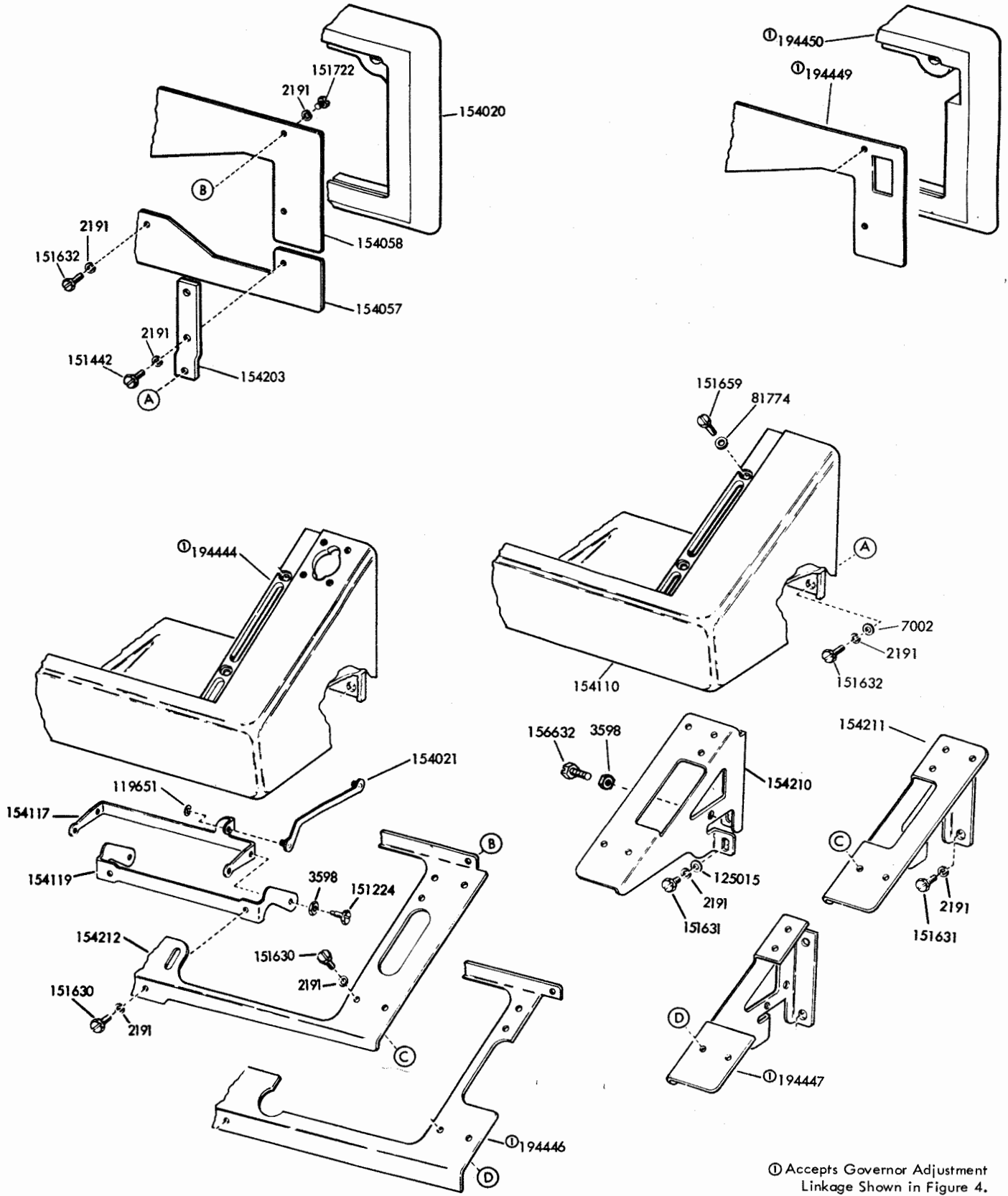


FIGURE 45. KEYBOARD HOOD AND MOUNTING PARTS (MARK III)

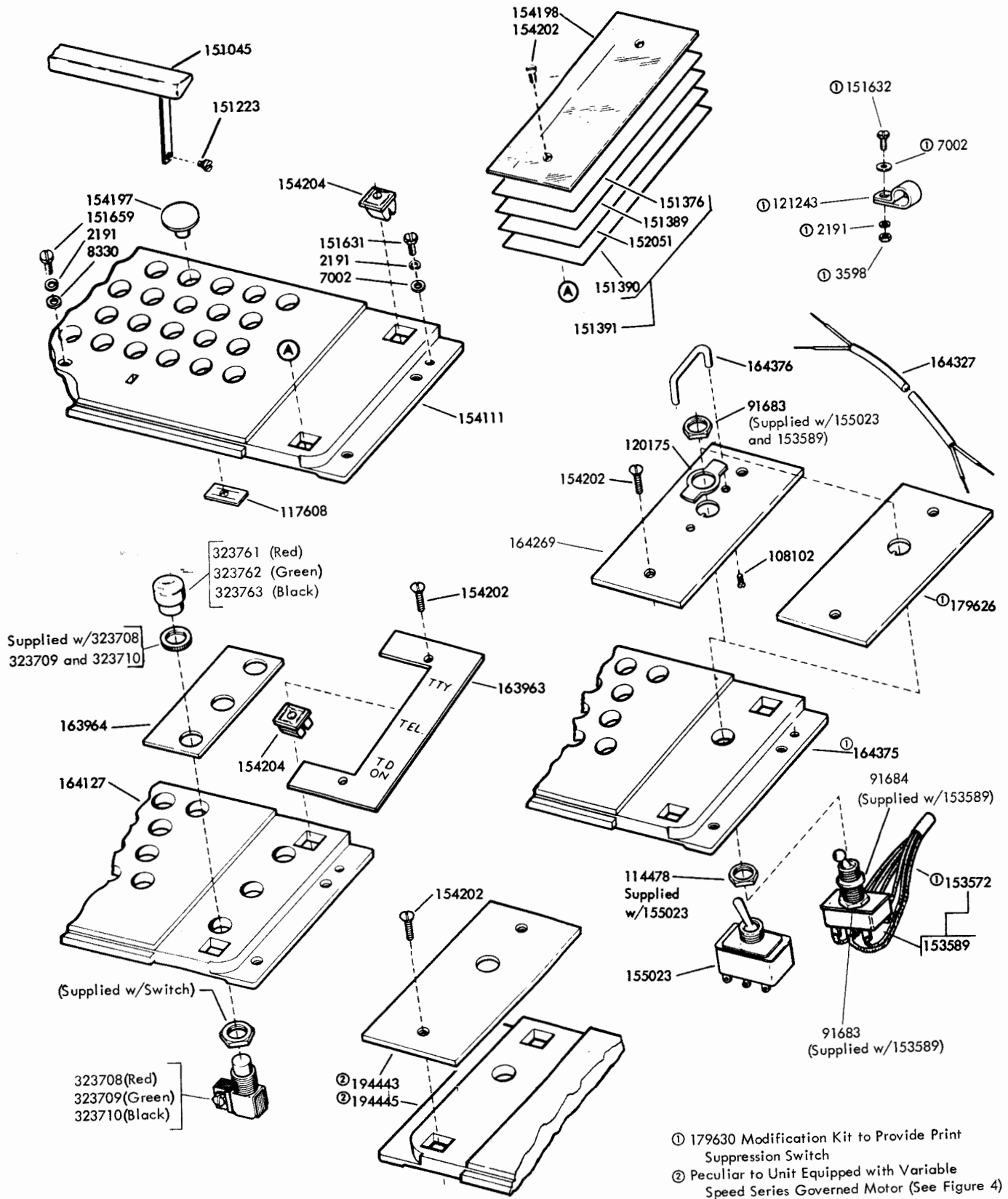


FIGURE 46. KEYBOARD TOP PLATES (MARK III)



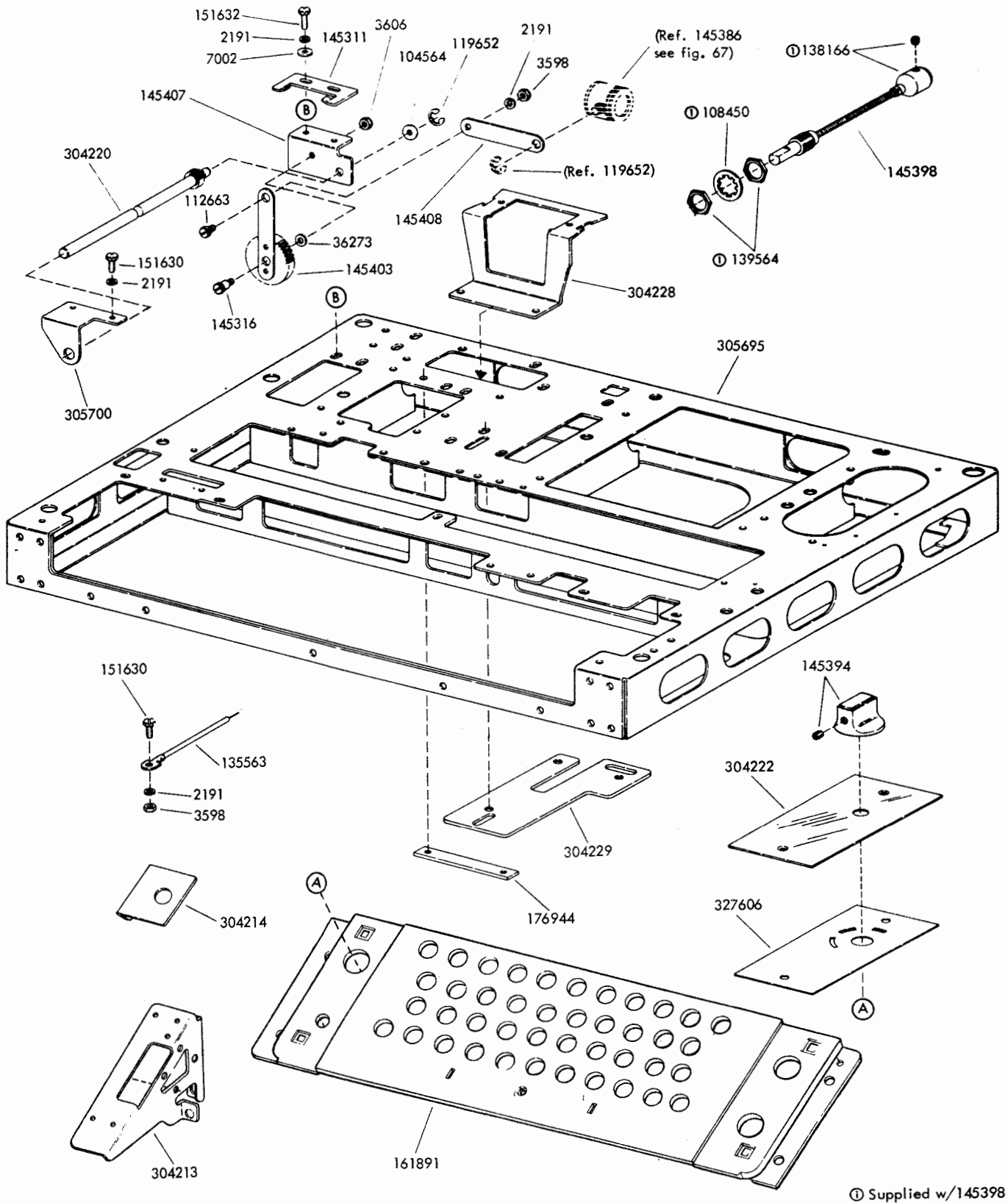


FIGURE 47. KEYBOARD MOUNTING GEARSHIFT CONTROL MECHANISM

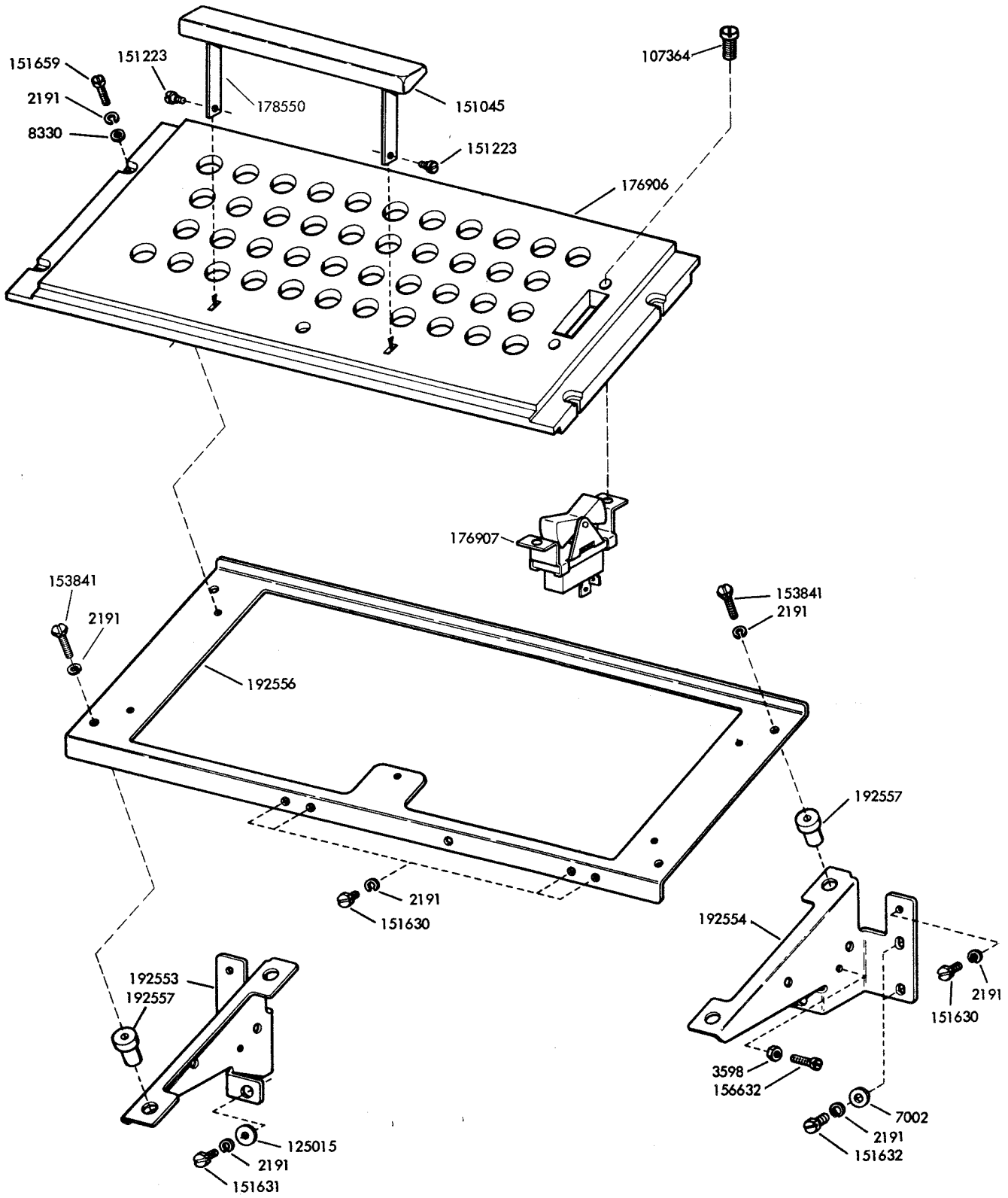


FIGURE 48. KEYBOARD MECHANISM (WALL MOUNTED)

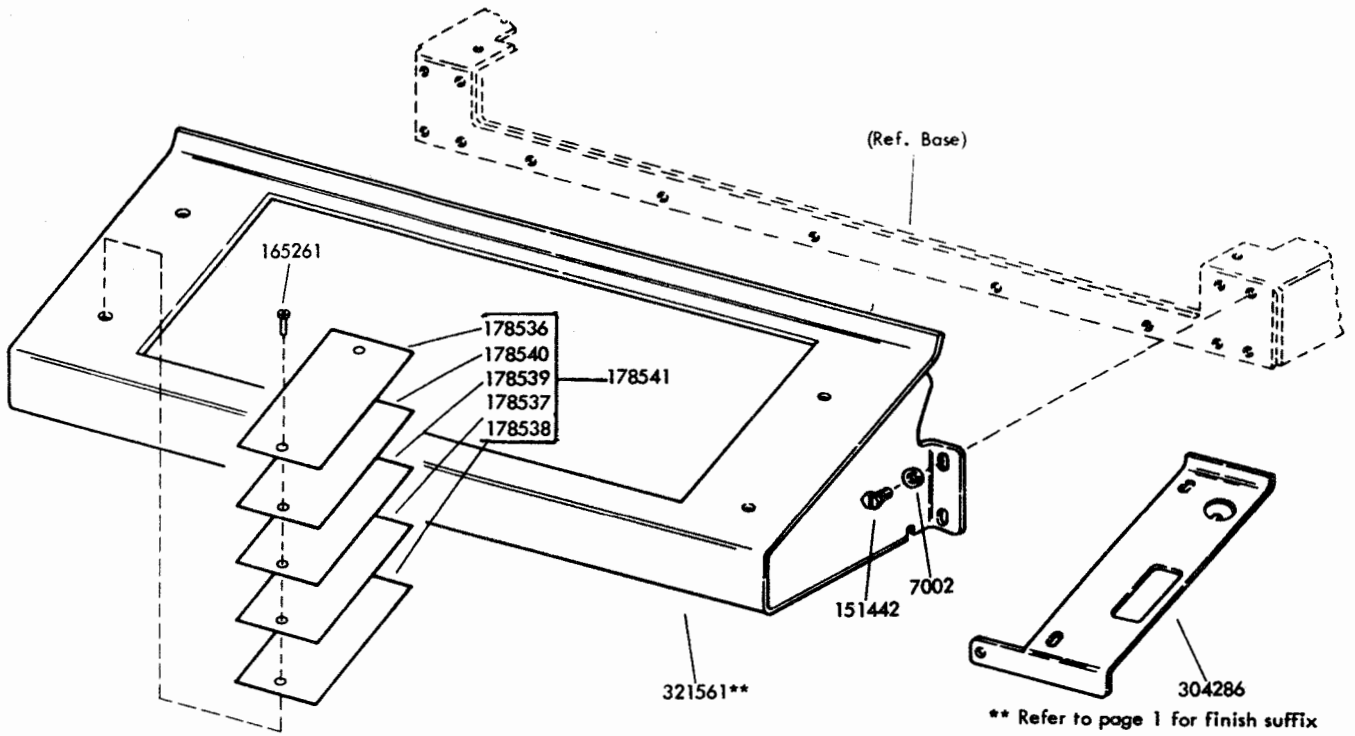


FIGURE 49. KEYBOARD COVER (WALL MOUNTED)

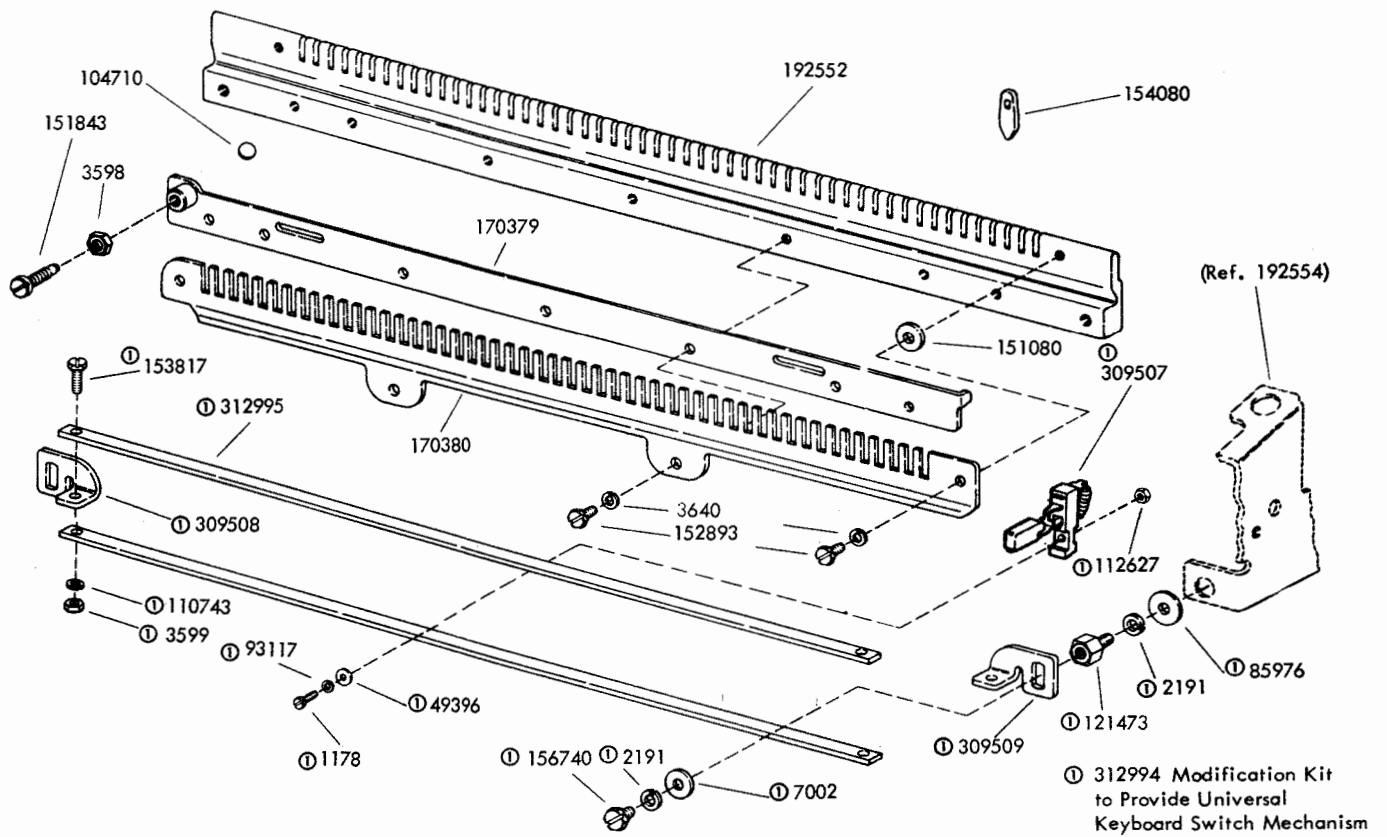


FIGURE 50. 192550 BALL LOCKBAR ASSEMBLY (WALL MOUNTED)

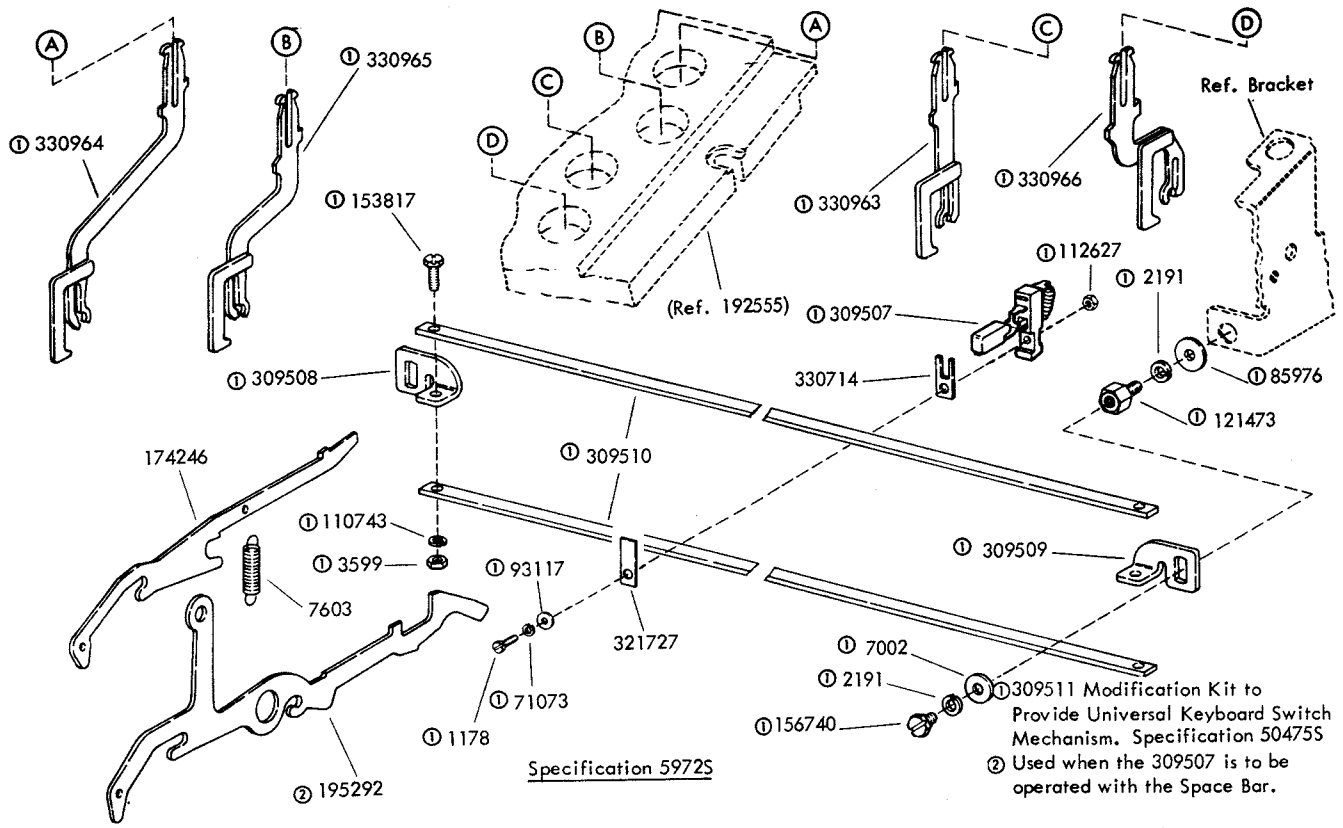


FIGURE 51. 164077 UNIVERSAL KEYBOARD SWITCH MECHANISM (MARK II)

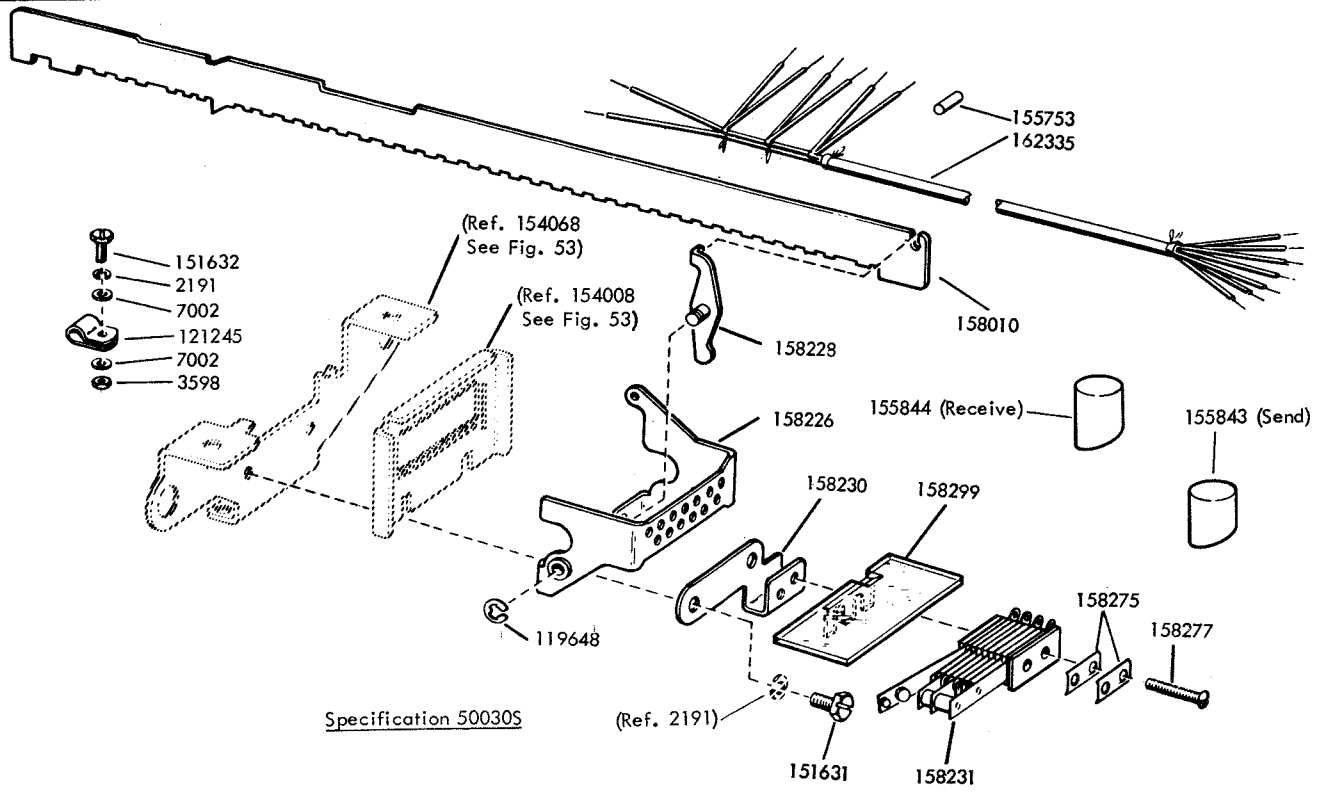


FIGURE 52. 162224 MODIFICATION KIT TO ADD LOCKBAR CONTACT TO KEYBOARD (MARK III)

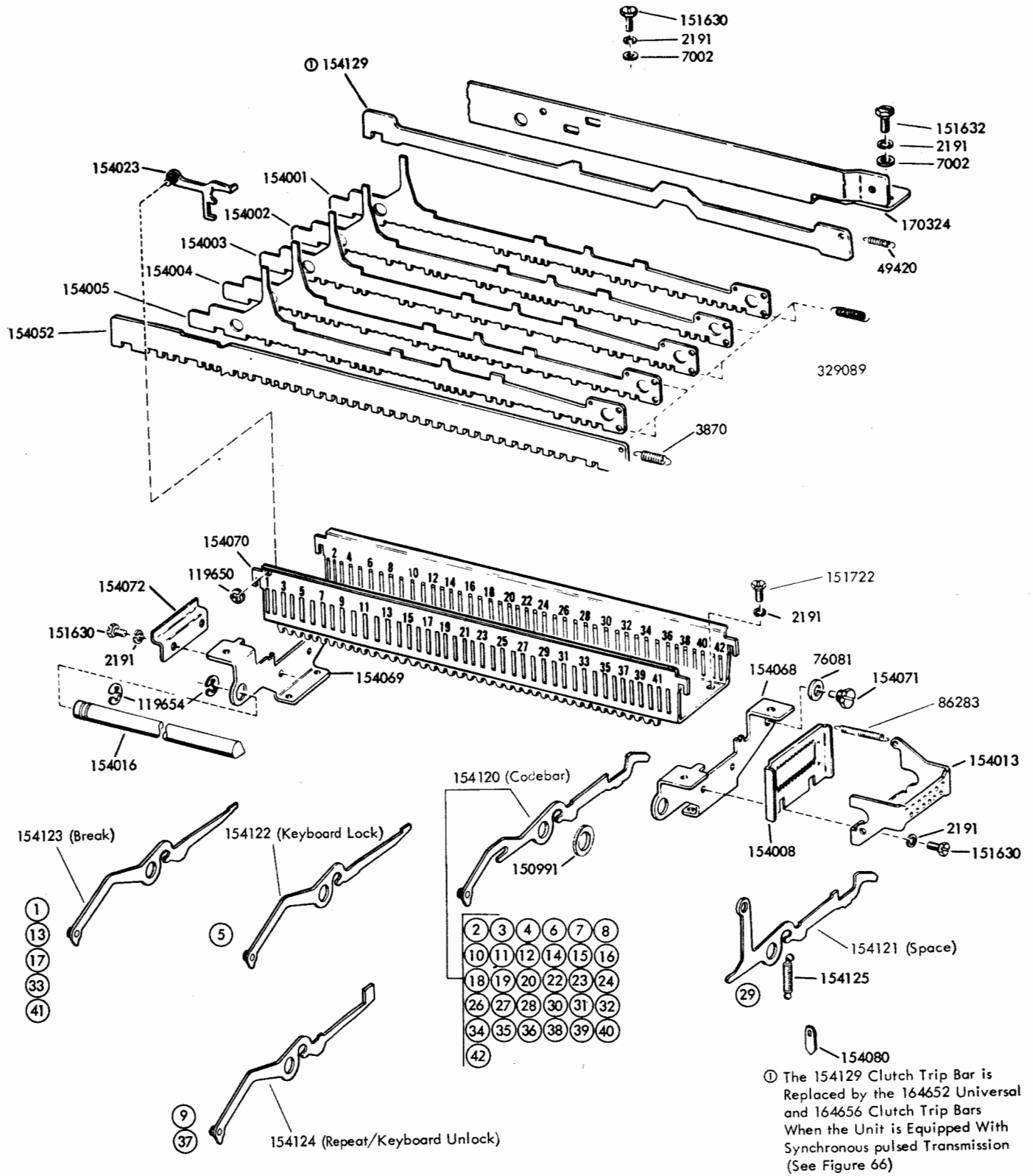
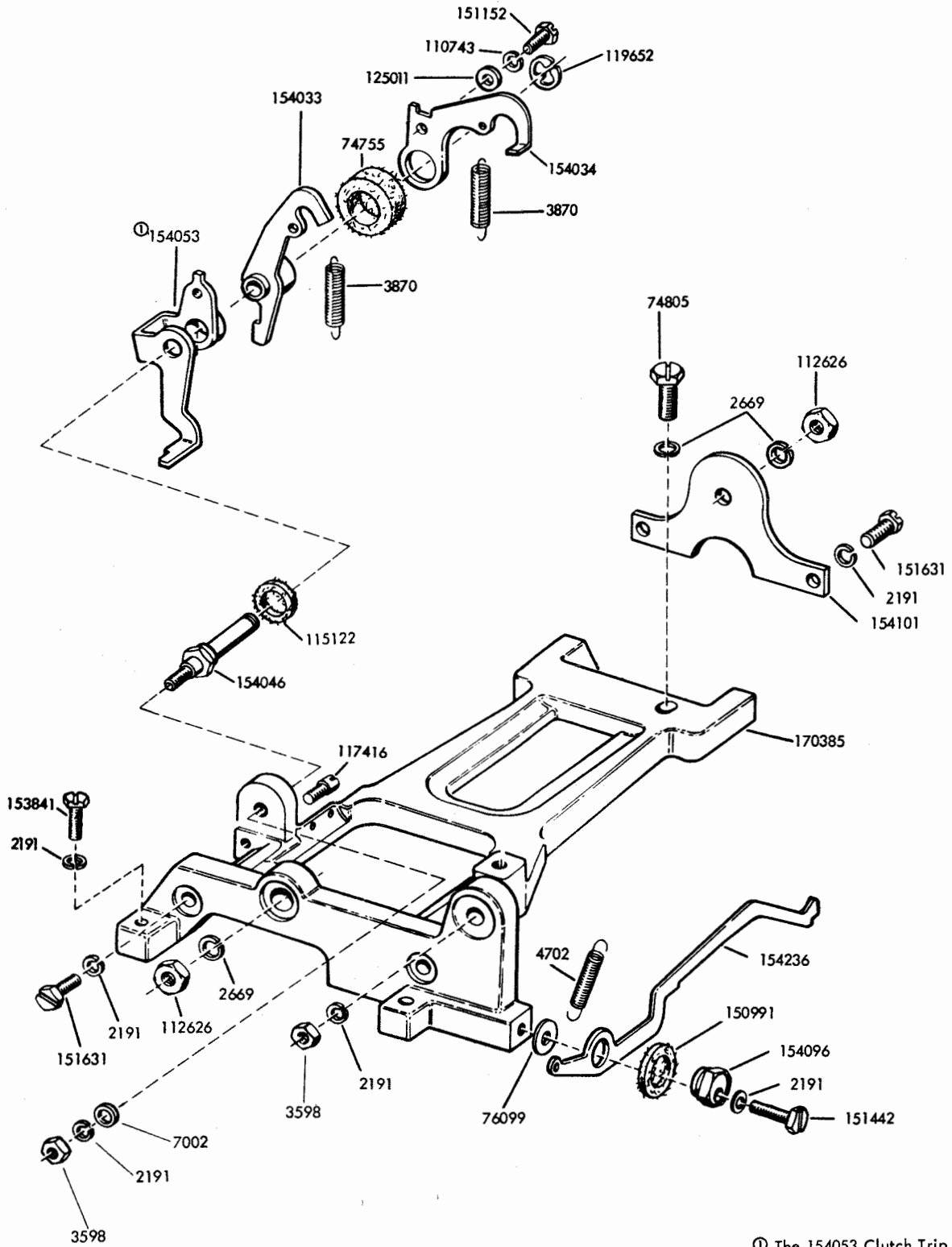


FIGURE 53. 154150 KEYLEVER GUIDE ASSEMBLY



① The 154053 Clutch Trip Bail is Replaced by The 164485 Bail When The Unit is Equipped With Synchronous Pulsed Transmission (See Figure 66)

FIGURE 54. SIGNAL GENERATOR FRAME MECHANISM (MARK III)



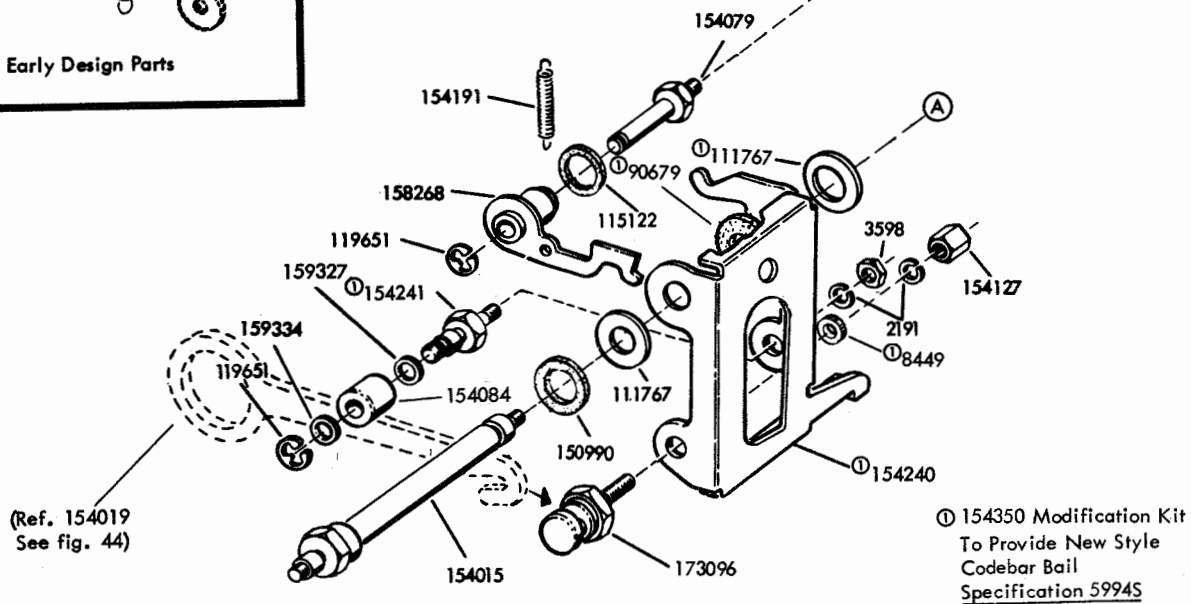
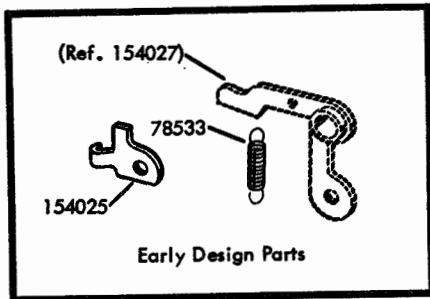
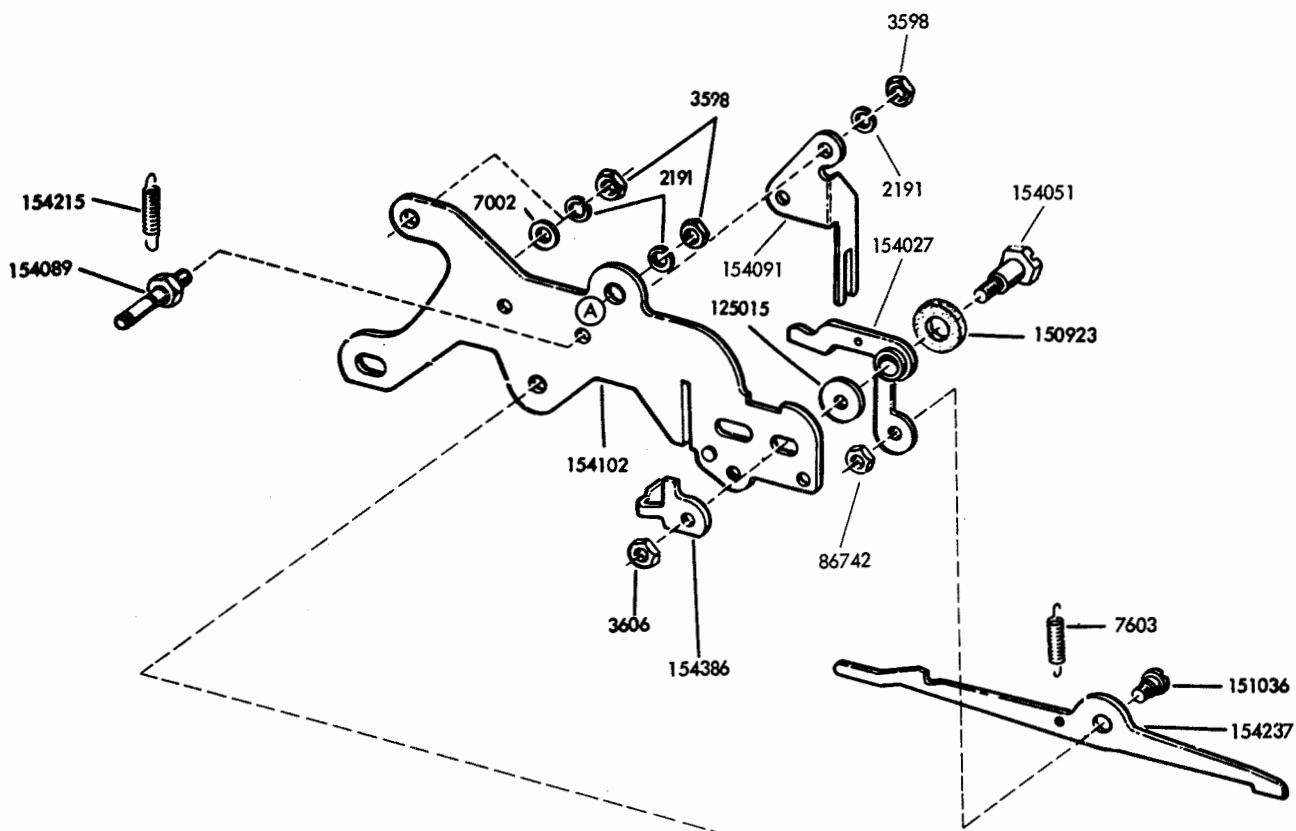
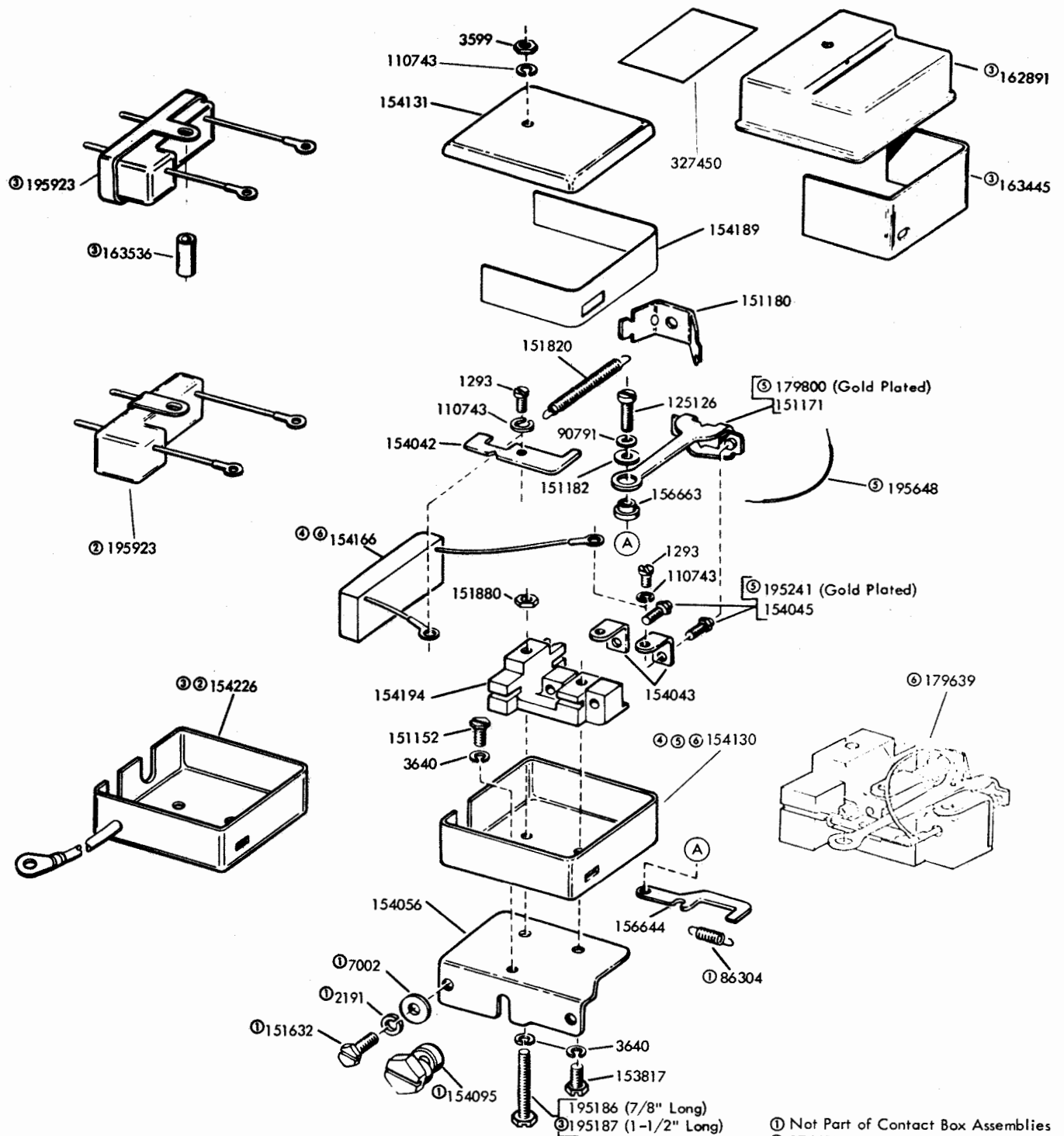


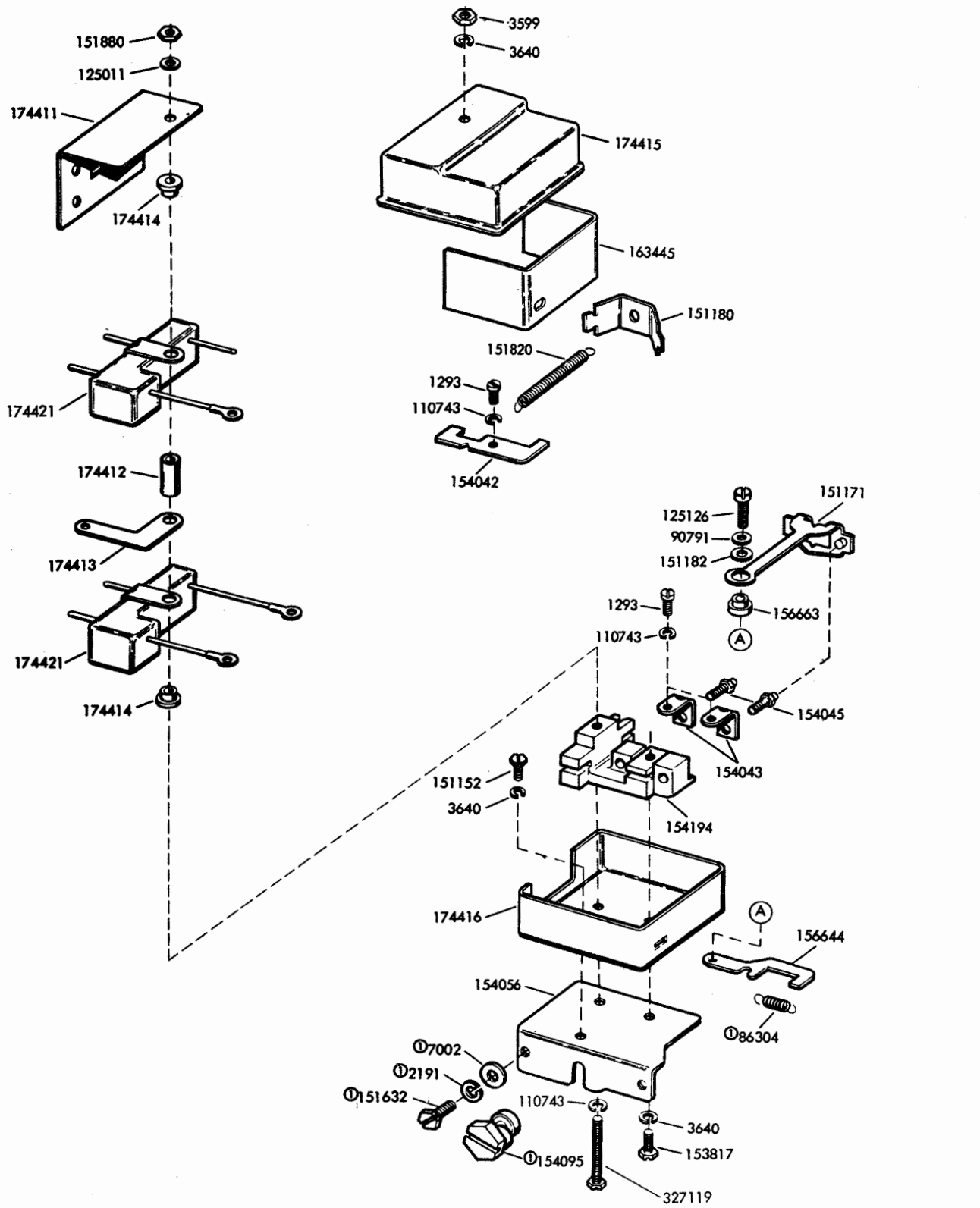
FIGURE 56. SIGNAL GENERATOR REAR PLATE MECHANISM (MARK III)





- ① Not Part of Contact Box Assemblies
- ② 174491 Modification Kit to Provide R.F. Filter Assembly for Signal Generator Contacts Specification 500155.
- ③ Peculiar to 162892 and 154225
- ④ Peculiar to 154165
- ⑤ Peculiar to 305007
- ⑥ Peculiar to 176352

FIGURE 57. 154165 (W/ARC SUPPRESSION), 154225 (W/RF SUPPRESSION - NEUTRAL TRANSMISSION), 162892 (W/RF SUPPRESSION - POLAR TRANSMISSION), 305007 (POLAR TRANSMISSION W/GOLD PLATED CONTACTS) AND 176352 (LOW VOLTAGE TRANSMISSION W/GOLD PLATED CONTACTS) CONTACT BOX ASSEMBLIES (MARK III)



ⓐ Not Part of 174410 Assembly

FIGURE 58. 174410 CONTACT BOX ASSEMBLY W/RF SUPPRESSION AND SHIELDED SIGNAL LINES - POLAR TRANSMISSION (MARK III)

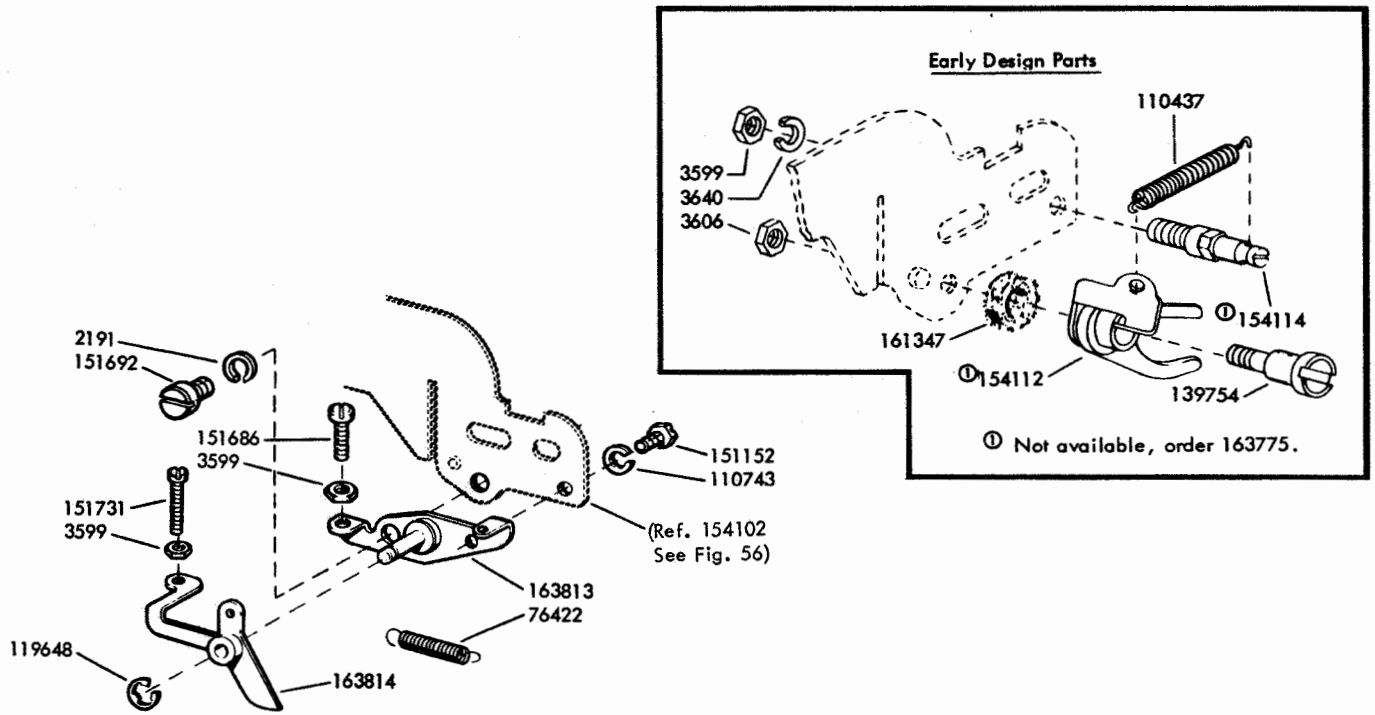


FIGURE 59. 163775 MODIFICATION KIT TO PROVIDE REPEAT ON SPACE MECHANISM (MARK III)

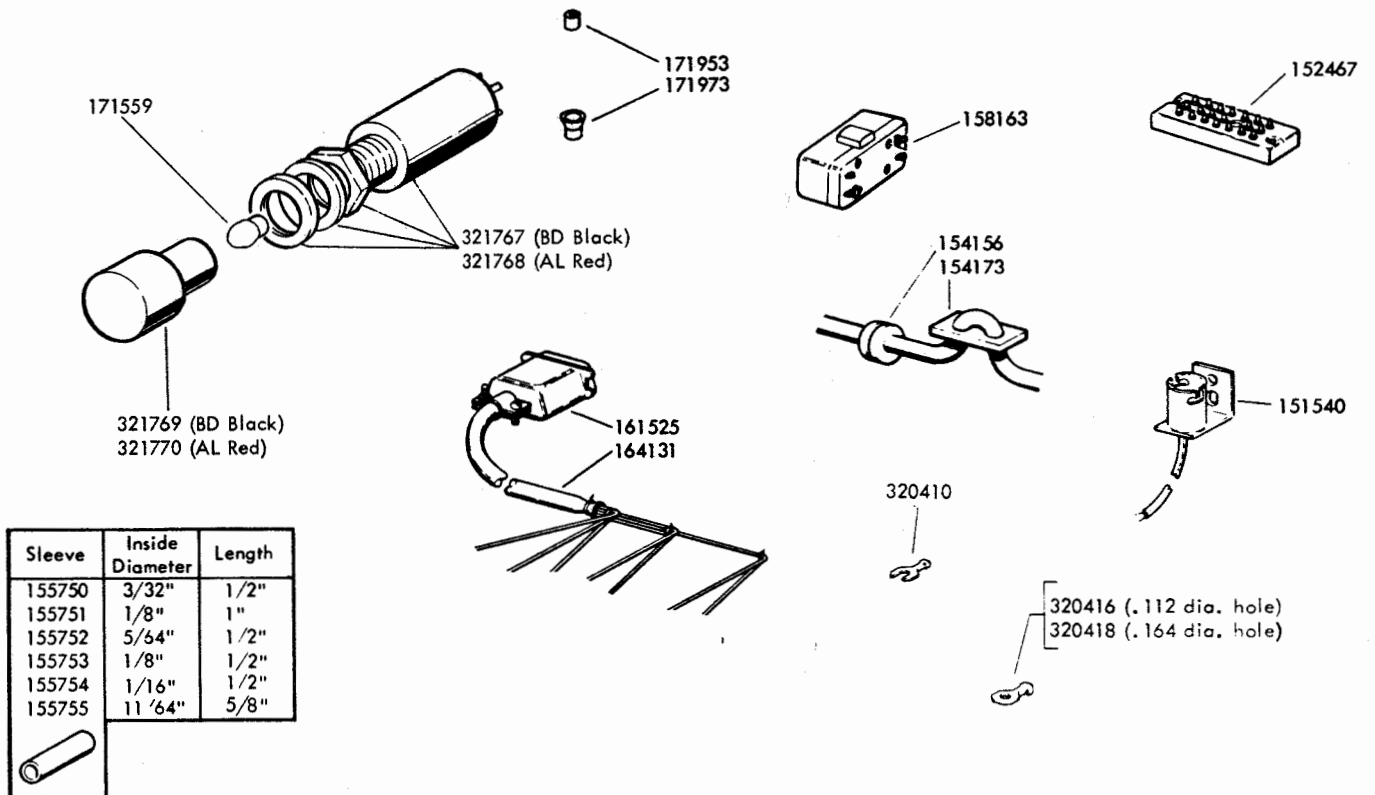


FIGURE 60. KEYBOARD CABLE COMPONENTS

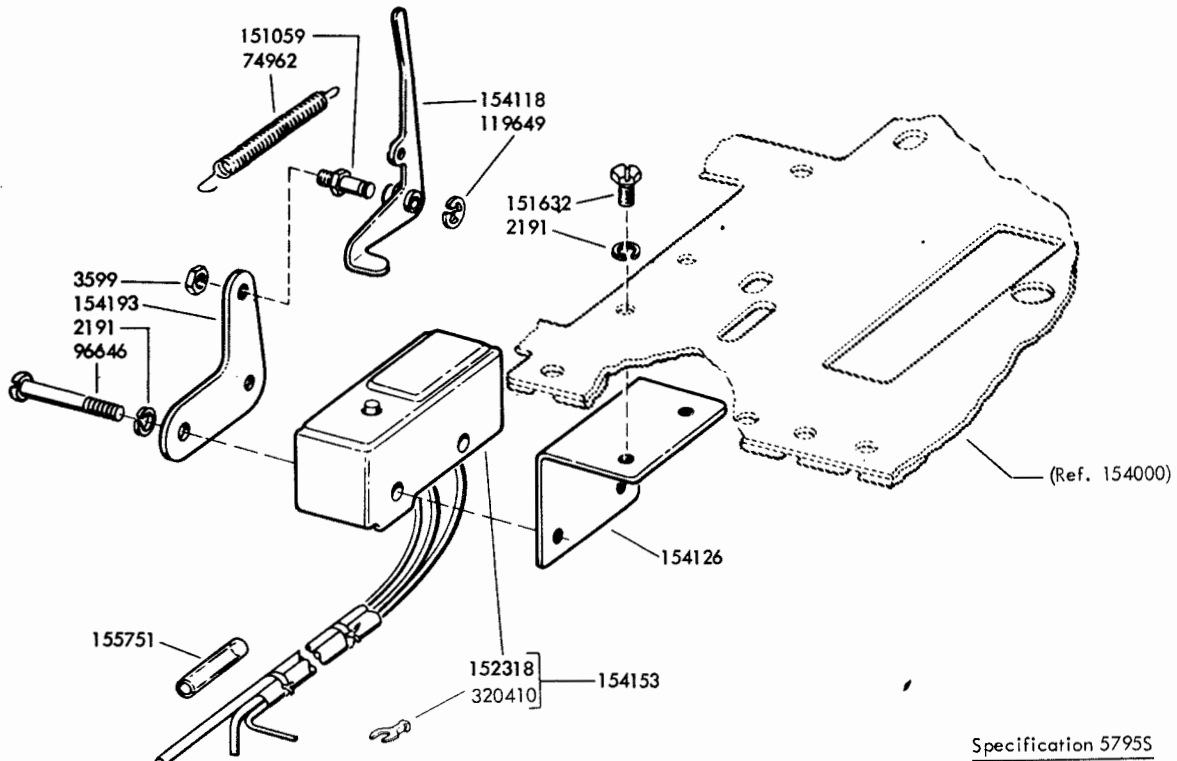


FIGURE 61. 154147 MODIFICATION KIT TO PROVIDE LOCAL PAPER FEED OUT MOTOR STARTING MECHANISM (MARK III)

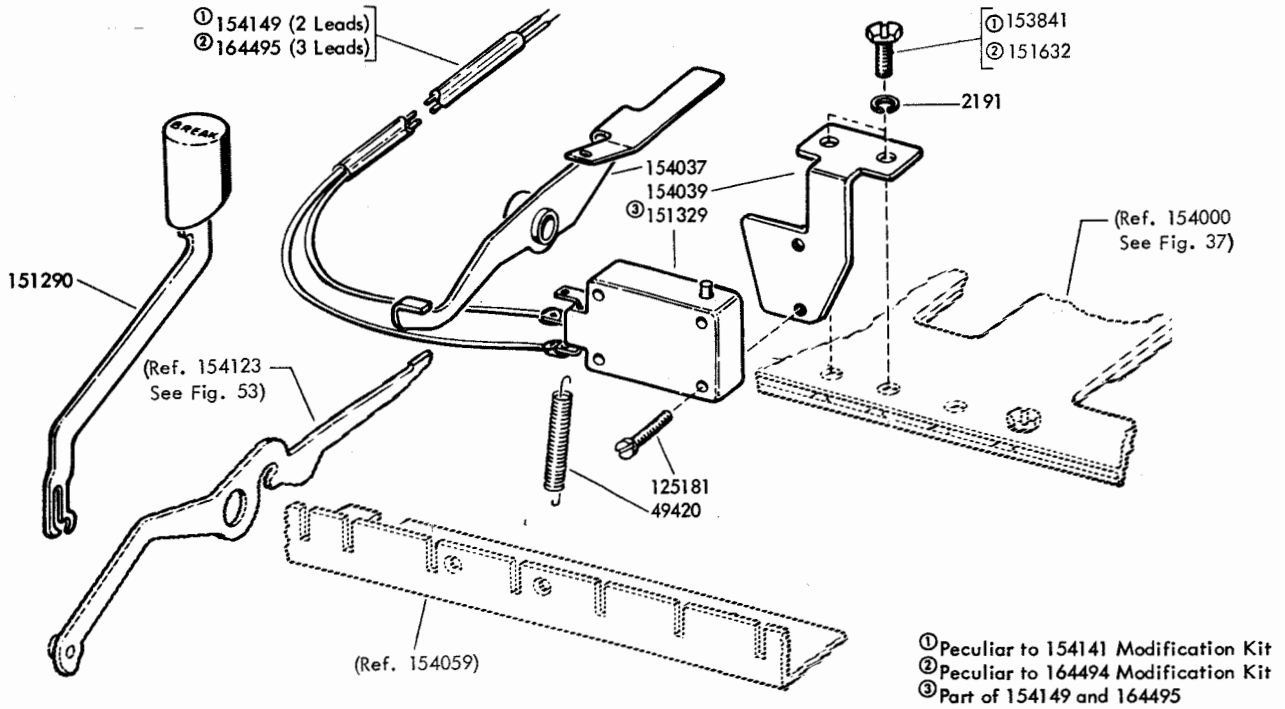


FIGURE 62. 154141 (NEUTRAL TRANSMISSION) AND 164494 (POLAR TRANSMISSION) MODIFICATION KITS TO PROVIDE ELECTRICAL SIGNAL LINE BREAK MECHANISM (MARK III)

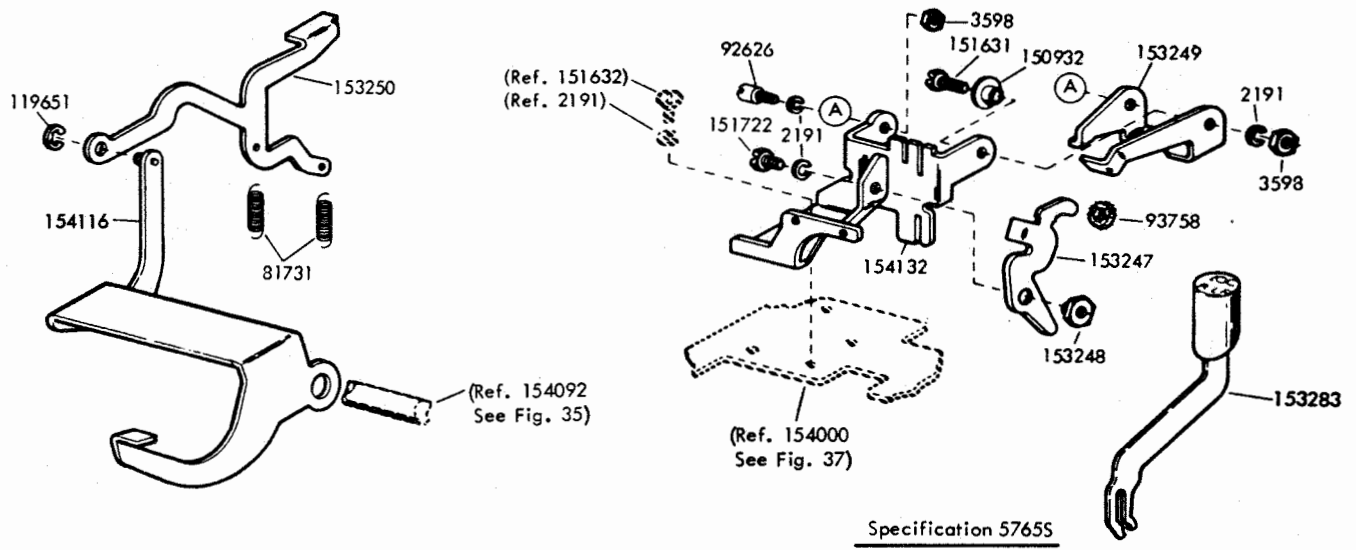


FIGURE 63. 154145 MODIFICATION KIT TO PROVIDE LOCAL REVERSE LINE FEED MECHANISM (MARK III)

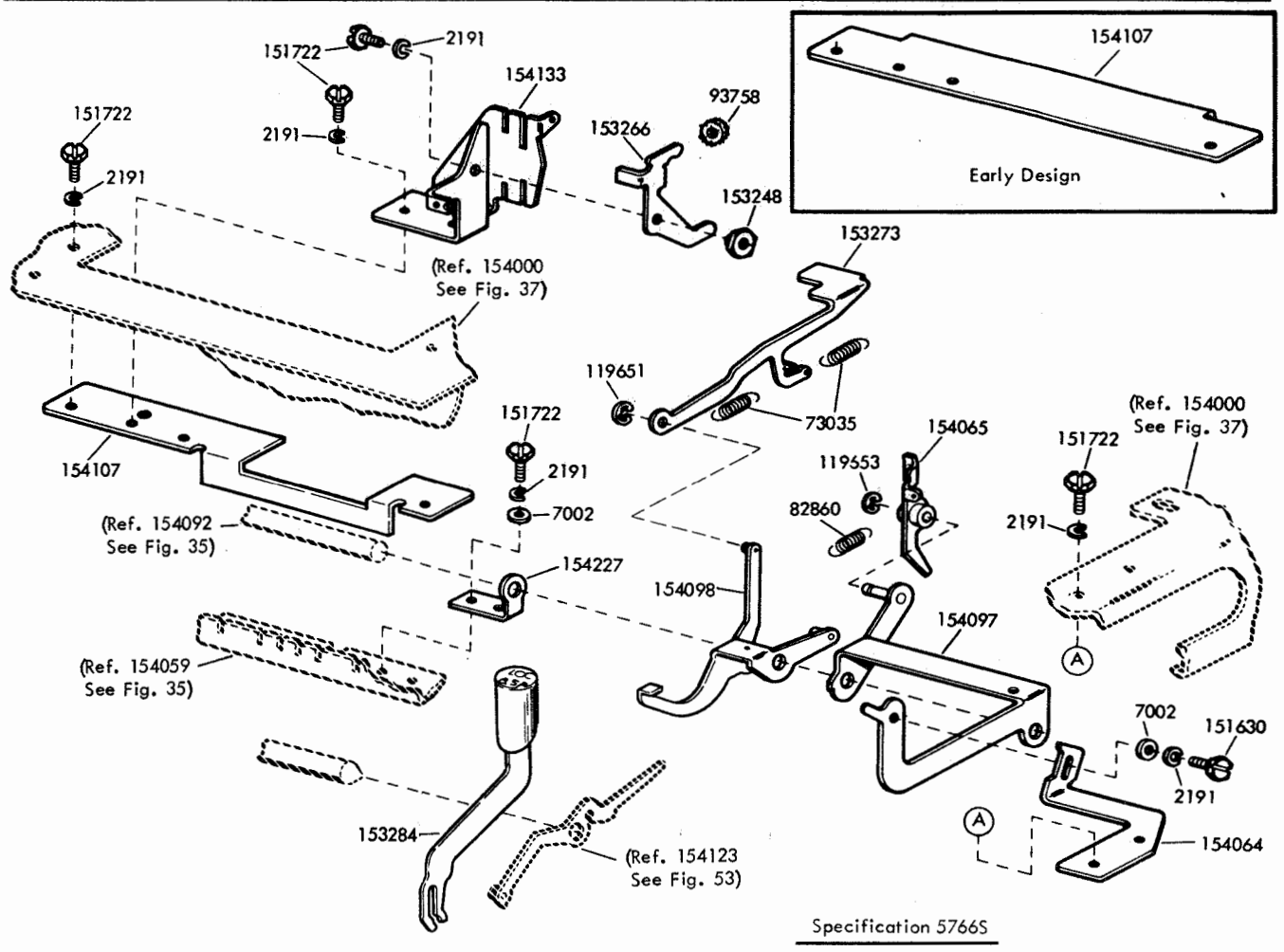


FIGURE 64. 154146 MODIFICATION KIT TO PROVIDE LOCAL BACK SPACE MECHANISM (MARK III)

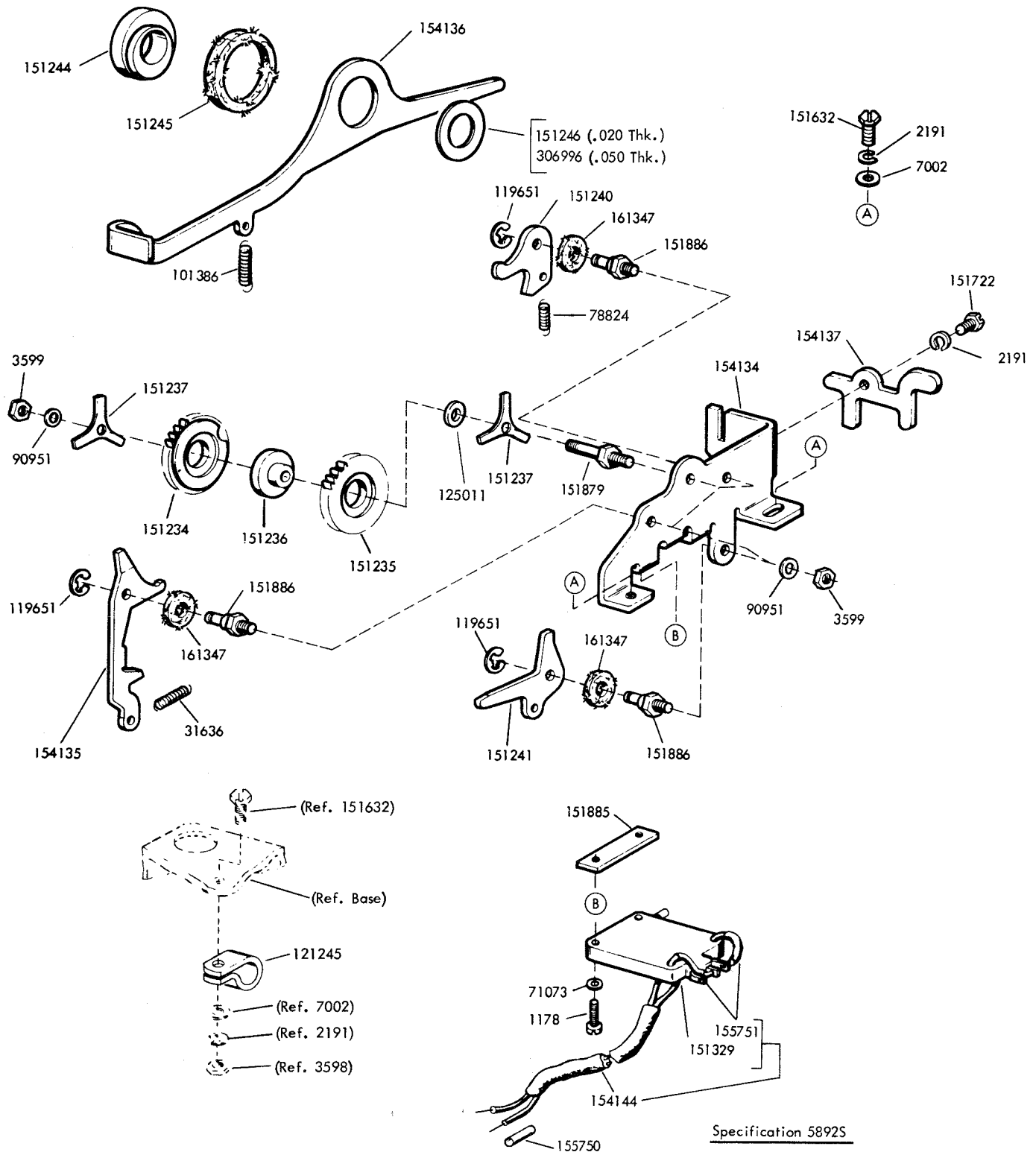


FIGURE 65. 154142 MODIFICATION KIT TO PROVIDE KEYBOARD WITH TIME DELAY MECHANISM (MARK III)

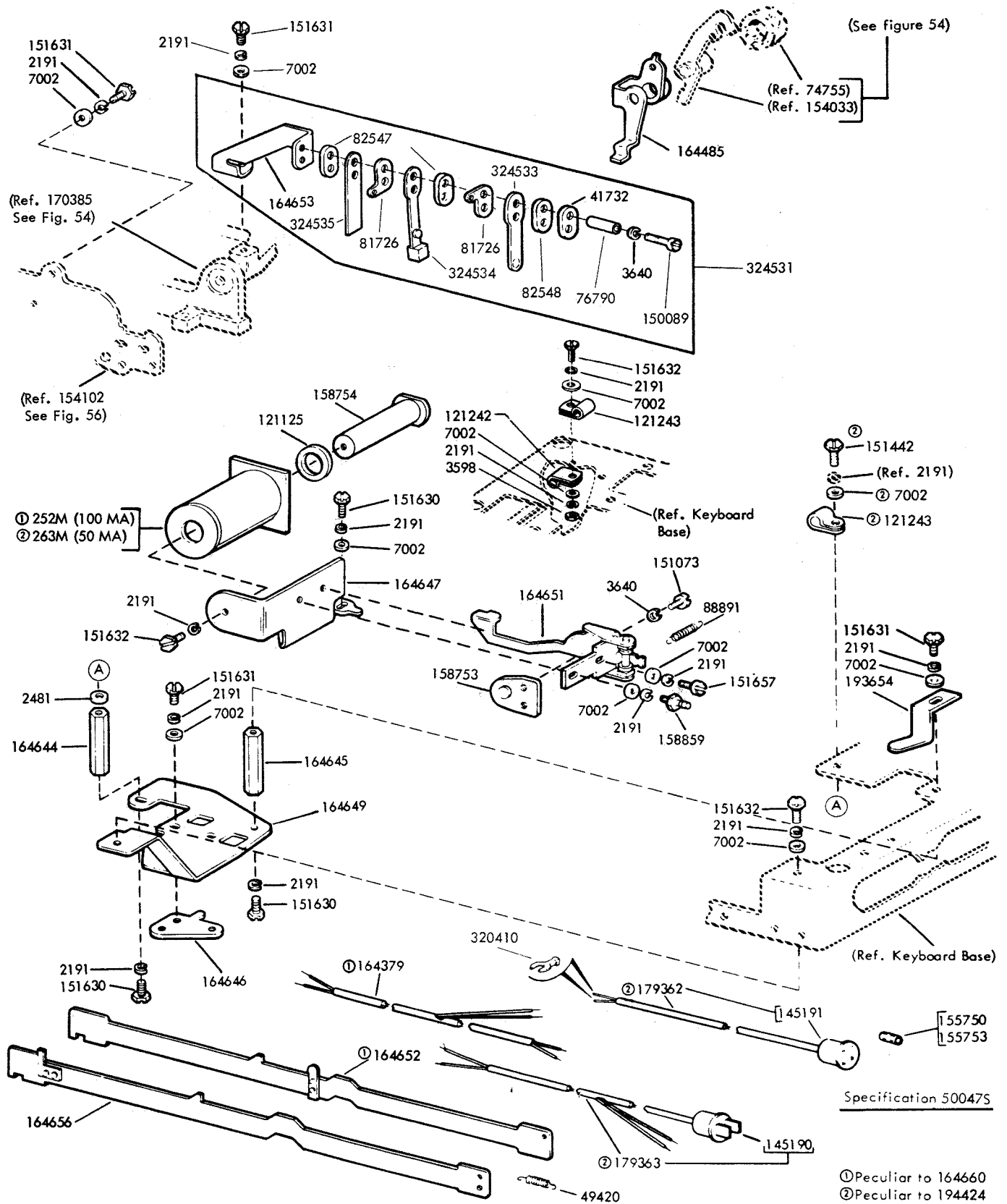


FIGURE 66. 164660 (100 MA) AND 194424 (50 MA) MODIFICATION KITS TO PROVIDE SYNCHRONOUS PULSED TRANSMISSION (MARK III)





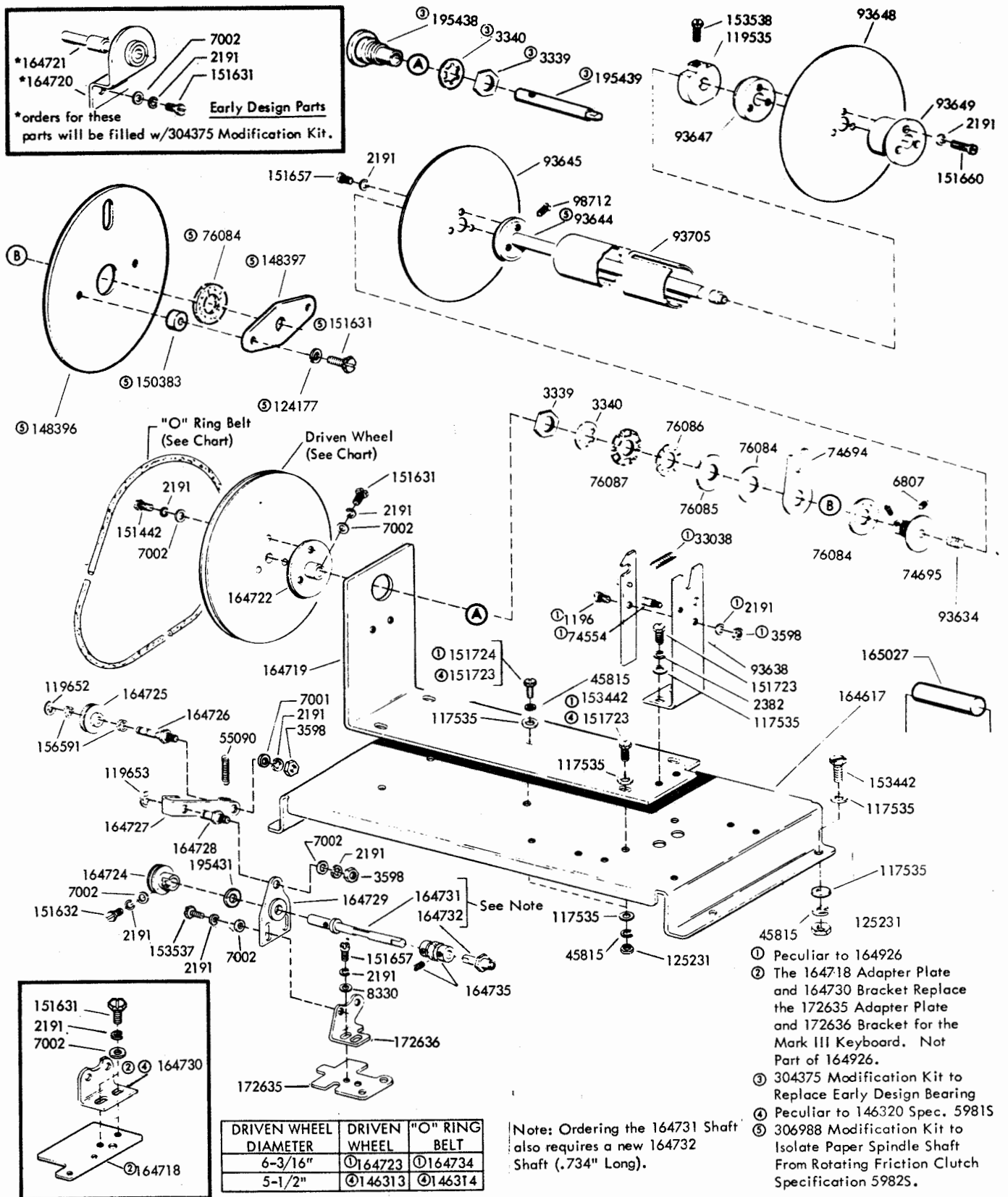


FIGURE 68. 164926 AND 146320 MODIFICATION KITS TO PROVIDE PAPER WINDING FACILITIES FOR SEND-RECEIVE AND RECEIVE ONLY BASES MOUNTED IN AN APPARATUS CABINET

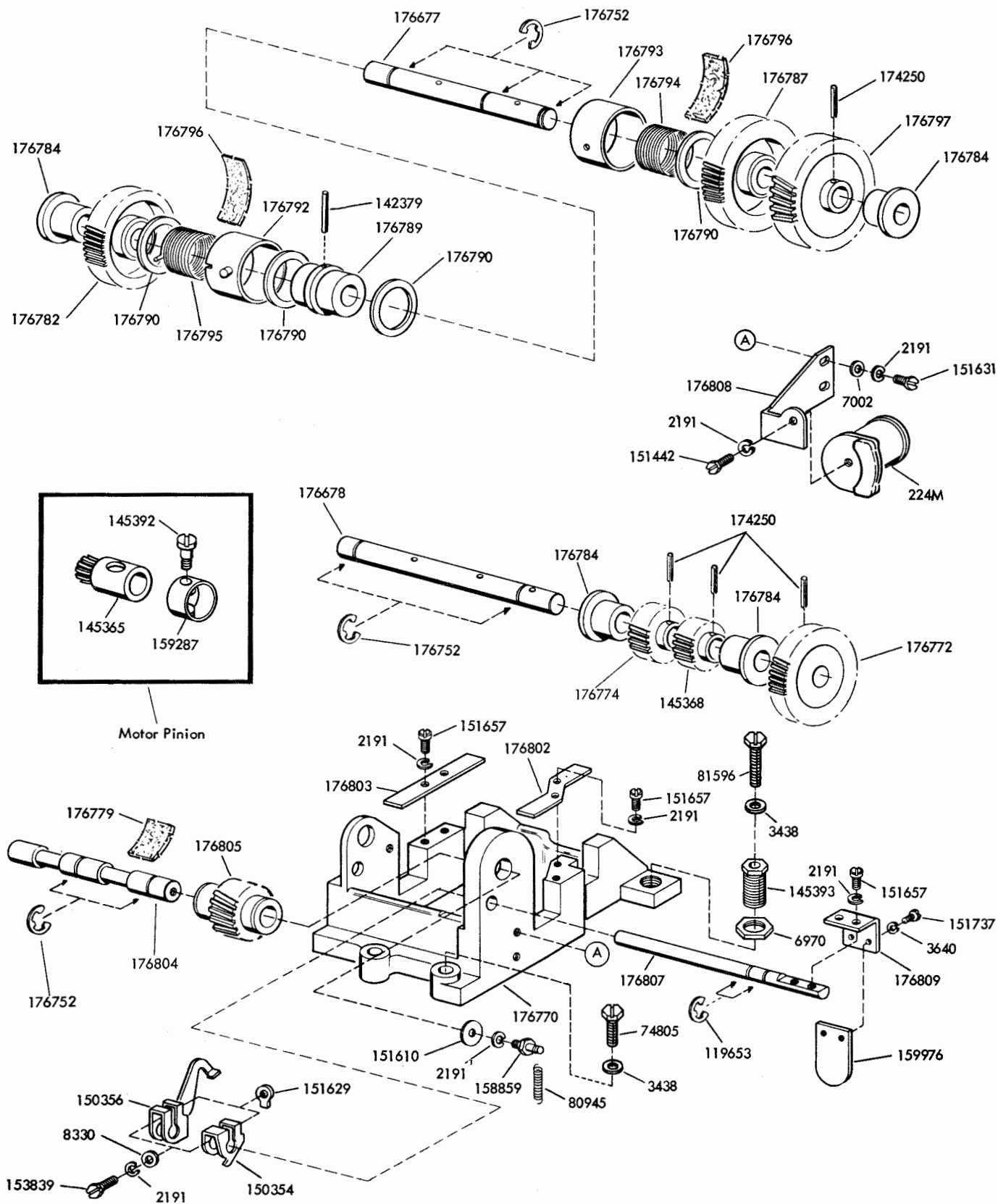
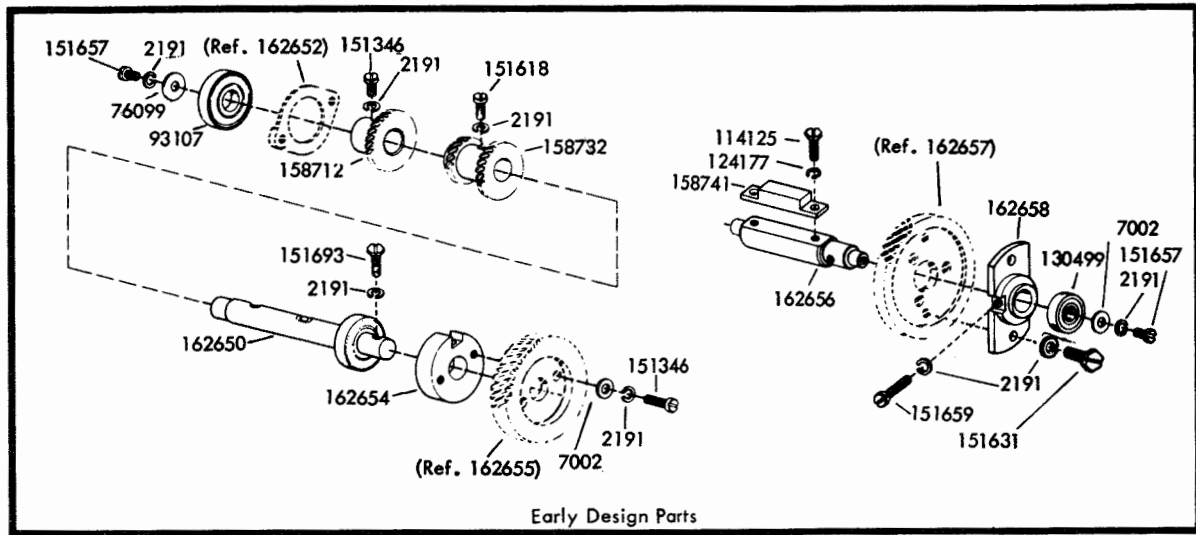
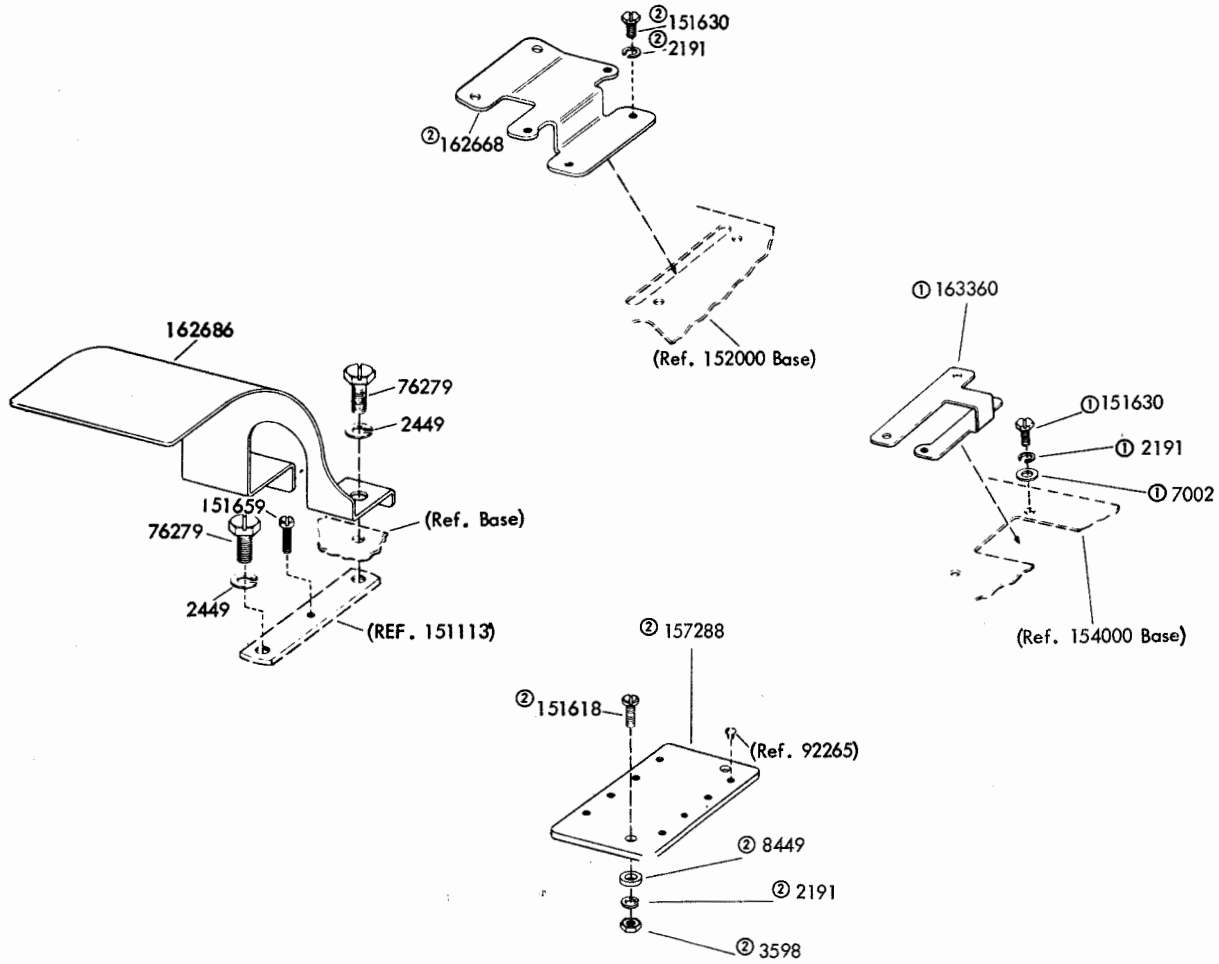


FIGURE 69. REMOTE CONTROLLED SHIFT GEAR MECHANISM (60 AND 100 WPM, 7.42 UNIT CODE)





Early Design Parts



- ① Peculiar to 163359 (Mark III)
- ② Peculiar to 162641 (Mark II)

FIGURE 71. 162641 (MARK II) AND 163359 (MARK III) MODIFICATION KITS TO PROVIDE VARIABLE SPEED GEARSHIFT MECHANISM (60, 75 AND 100 WPM, 7.42 UNIT CODE) Continued

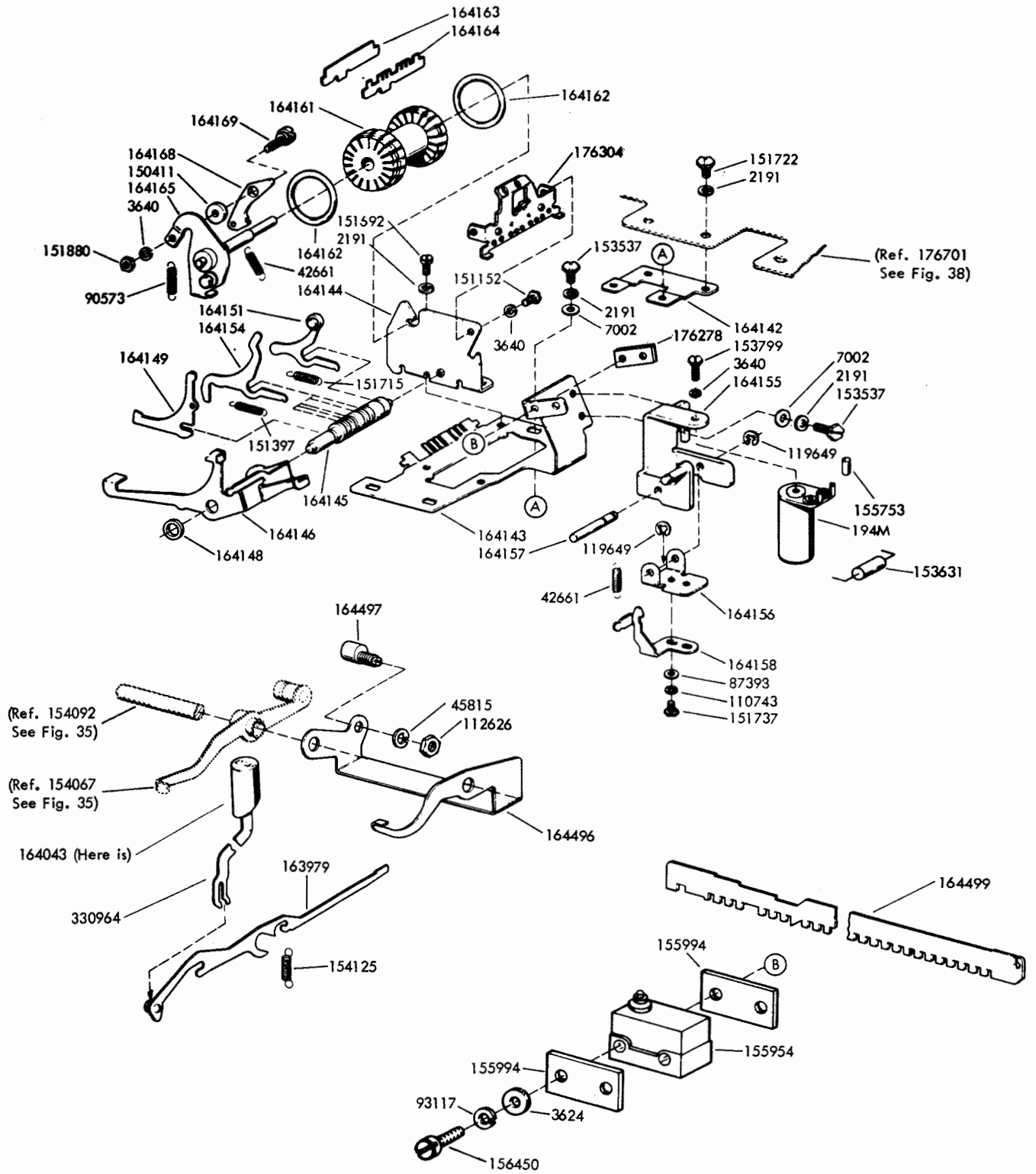
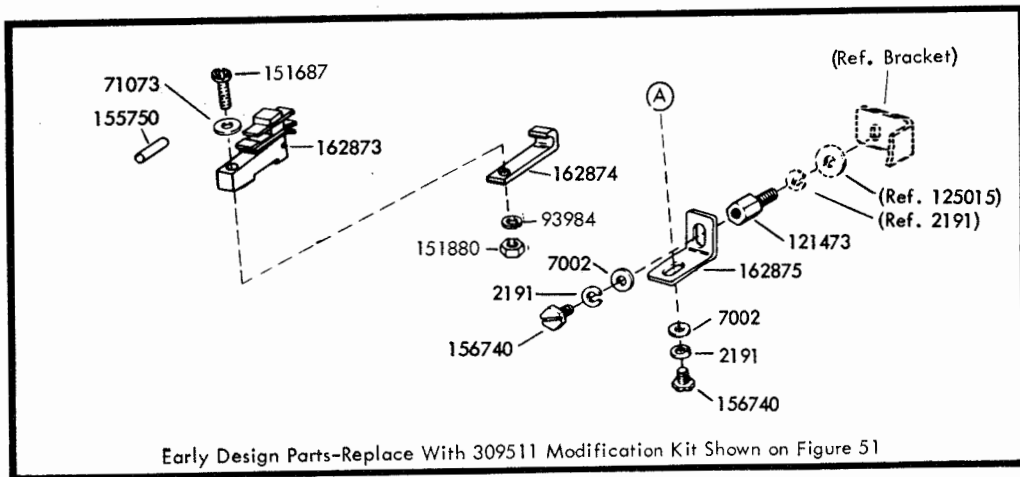
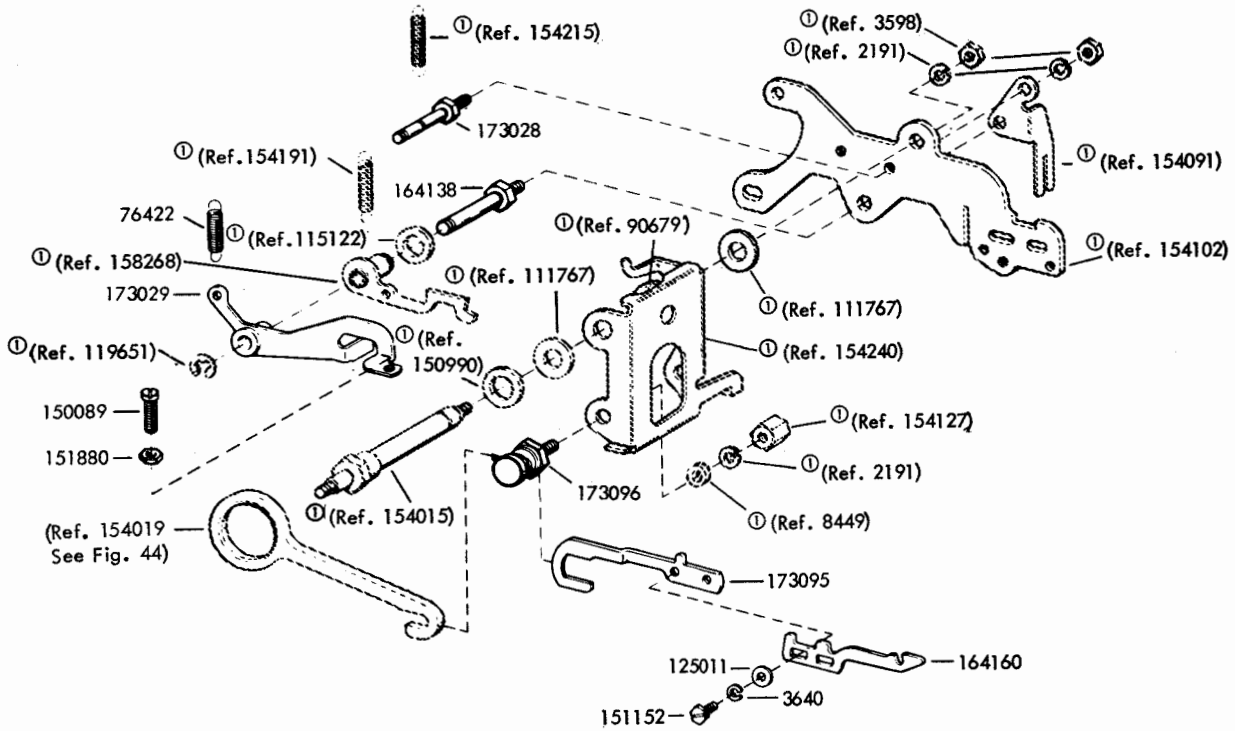
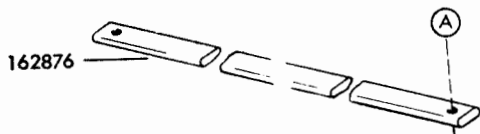


FIGURE 72. ANSWER-BACK MECHANISM



Early Design Parts-Replace With 309511 Modification Kit Shown on Figure 51



ⓐ These Reference Parts Are Shown on Figure 56.

FIGURE 73. ANSWER -BACK MECHANISM (Continued)

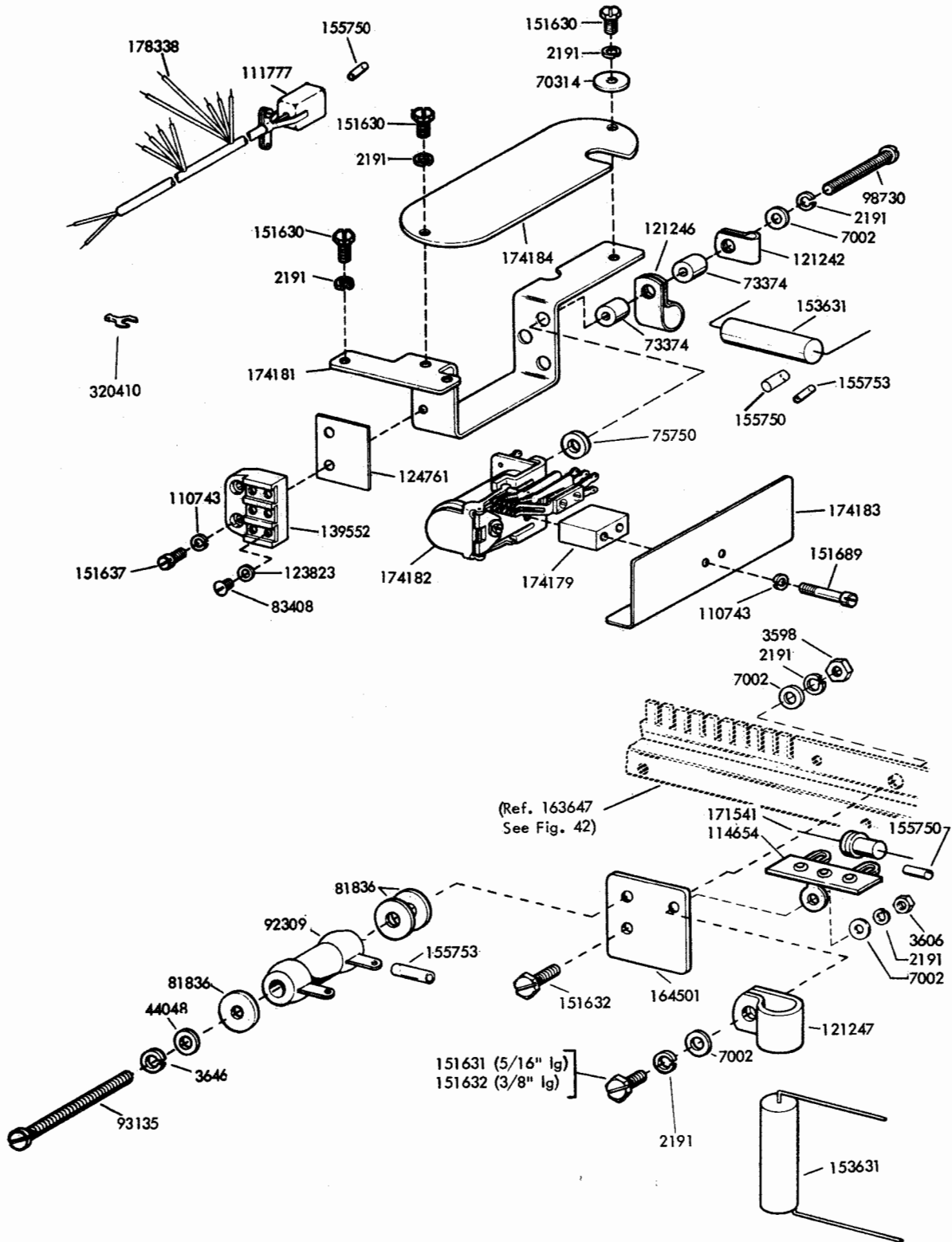


FIGURE 74. ANSWER-BACK MECHANISM (Continued)

## MODIFICATION KITS

MODIFICATION KIT NUMBER	PART NUMBER	DESCRIPTION	QUANTITY	FIGURE NUMBERS
154148		MODIFICATION KIT TO ADAPT (LK6) KEYBOARD FOR USE WITH TABLE OR FLOOR MODEL CABINETS		
	2191	Lockwasher	10	45
	7002	Washer, Flat	2	45
	81774	Washer, Flat	4	45
	151391	Label Set	2	46
	151442	Screw, 6-40 x 1/2 HEX	4	45
	151632	Screw, 6-40 x 3/8 HEX	4	45
	151659	Screw, 6-40 x 1/2 FIL	4	46
	151722	Screw, 6-40 x 3/16 HEX	2	45
	154020	Seal, Front	1	45
	154057	Plate	1	45
	154058	Plate	1	45
	154110	Hood, Keyboard	1	45
	154198	Window, Plastic	2	46
	154202	Screw, #4 Spl	4	46
	154203	Bracket	2	45
	154204	Grommet, Plastic	4	46
164202		MODIFICATION KIT TO ADAPT (LK20) KEYBOARD FOR USE WITH TABLE OR FLOOR MODEL CABINETS		
	2191	Lockwasher	10	45
	7002	Washer, Flat	2	45
	81774	Washer, Flat	4	45
	151391	Label Set	1	46
	151442	Screw, 6-40 x 1/2 HEX	4	45
	151632	Screw, 6-40 x 3/8 HEX	4	45
	151659	Screw, 6-40 x 1/2 FIL	4	46
	151722	Screw, 6-40 x 3/16 HEX	2	45
	154020	Seal, Front	1	45
	154057	Plate	1	45
	154058	Plate	1	45
	154110	Hood, Keyboard	1	45
	154198	Window, Plastic	1	46
	154202	Screw, #4 Spl	4	46
	154203	Bracket	2	45
	154204	Grommet, Plastic	4	46
163963	Plate	1	46	



## MODIFICATION KITS (Continued)

MODIFICATION KIT NUMBER	PART NUMBER	DESCRIPTION	QUANTITY	FIGURE NUMBERS
164373		MODIFICATION KIT TO ADAPT (LK22) KEYBOARD TO CABINET		
	2191	Lockwasher	10	45
	7002	Washer, Flat	2	45
	81774	Washer, Flat	4	45
	151442	Screw, 6-40 x 1/2 HEX	4	45
	151632	Screw, 6-40 x 3/8 HEX	4	45
	151659	Screw, 6-40 x 1/2 FIL	4	46
	151722	Screw, 6-40 x 3/16 HEX	2	45
	154020	Seal, Front	1	45
	154057	Plate	1	45
	154058	Plate	1	45
	154110	Hood Keyboard	1	45
	154203	Bracket	2	45
	154204	Grommet, Plastic	4	46
198393		MODIFICATION KIT TO ADAPT (LK45) KEYBOARD FOR USE WITH TABLE OR FLOOR MODEL CABINETS		
	2191	Lockwasher	10	45
	7002	Washer, Flat	2	45
	151442	Screw, 6-40 x 1/2 HEX	4	45
	151632	Screw, 6-40 x 3/8 HEX	4	45
	151722	Screw, 6-40 x 3/16 HEX	2	45
	154020	Seal, Front	1	45
	154057	Plate	1	45
	154058	Plate	1	45
	154110	Hood, Keyboard	1	45
	154203	Bracket	2	45

## NUMERICAL INDEX

Part Number	Description and Page Number	Part Number	Description and Page Number	Part Number	Description and Page Number
194M	Coil, Magnet 61	3646	Lockwasher 20,35,64	70388	Spring 8,47
224M	Coil, Magnet 58	3870	Spring 33,45,46	71073	Washer, Flat 10,17,44,54, 62
247M	Coil, Magnet 35	3949	Spacer, .160" Thk 6,7	71659	Screw, 6-40 Shoulder 59
252M	Coil, Magnet 55	4702	Spring 46	72509	Lockwasher 59
263M	Coil, Magnet 55	4703	Spring 11,35	72563	Washer, Felt 18
1020	Screw, 6-40 x 1/4 Hex 47	4707	Washer, Flat 29	73008	Washer, Flat 17
1028	Screw, 4-40 x 1/4 Fil 35	4809	Wick, Felt 8	73035	Spring 25,53
1047	Screw, 6-40 Shoulder 13,23	5475	Nut, 3/16-40 Hex 17	73180	Switch, SP Toggle 14
1164	Screw, 2-56 x 3/16 Fil 20,32	5599	Nut, 8-32 Hex 6,7	73374	Spacer, .250 Thk 63
1178	Screw, 2-56 x 7/16 Fil 10,43,44,54	6342	Wire, 1" Lg 28	73497	Plug, Red Shell 6,7
1193	Screw, 10-32 x 7/8 Fil 59	6807	Setscrew, 6-40 57	73844	Washer, Flat 19
1196	Screw, 6-40 Shoulder 57	6970	Nut, 3/8-32 Hex 56,58	73894	Screw, 6-40 Set 6
1210	Screw, 2-56 x 5/8 Fil 33	7001	Washer, Flat 33,57	74291	Bracket, Spring 30
1257	Screw, 10-32 x 1-1/8 Fil 59	7002	Washer, Flat 4,5,6,7,8, 10,12,13,23,25,26,29,32, 33,34,35,38,39,40 to 50, 53 to 65	74554	Post, Spring 57
1293	Screw, 4-40 x 1/8 Fil 49,50	7602	Spring Compression 8	74694	Arm 57
2034	Washer, Flat 17,19,20,32	7603	Spring 5,8,25,26,44,48	74695	Sleeve, Clutch 57
2191	Lockwasher 4 to 13,17,18, 21,23,25,26,29,30,32,33, 34,35,36,38 to 65	7655	Spring 8	74722	Washer, Flat 21
2247	Washer, Flat 20	7965	Spring 8	74728	Terminal, Contact 30,47
2382	Lockwasher 57	8262	Knob 6,7	74755	Washer, Felt 46,55
2449	Lockwasher 4,35,60	8330	Washer, Flat 5,6,7,9,10, 33,36,40,42,57,58	74805	Screw, 10-32 x 3/4 Hex 6,7,9,36,46,58
2481	Washer, Flat 55	8449	Spacer, .094" Thk 48,60, 62	74807	Nut, 10-32 Shoulder Hex 59
2597	Washer, Flat 20	27263	Screw, 5-40 x 7/16 Hex 29	74962	Spring 52
2669	Lockwasher 6,7,9,10,17, 18,33,34,35,36,46,56,59	31636	Spring 10,17,29,54	74965	Bushing, Insulating 30
3339	Nut, 9/16-32 Hex 57	33038	Spring 57	75750	Washer, Insulating 63
3340	Lockwasher 57	34432	Washer, Flat 6,7,56,59	76081	Washer, Flat 45
3438	Washer, Flat 9,10,11,33, 34,35,36,58	36273	Washer, Flat 41	76084	Washer, Felt 57
3595	Nut, 1/4-32 Hex 17,35	41325	Nut, 5-40 Hex 29	76085	Disc, Friction 57
3598	Nut, 6-40 Hex 4,5,8,10, 12,13,17,23,26,29,32,33, 35,37,39,40,41,42,43,44, 46,47,48,53,55,56,57,59, 60,62,63	41732	Plate, Clamp 30,55	76086	Washer, Spring 57
3599	Nut, 4-40 Hex 4,8,10,11, 12,17,19,20,22,33,43,44, 49,50,51,52,54	41733	Insulator, .062" Thk 30	76087	Nut, Friction 9/16-32 57
3606	Nut, 6-40 Hex 30,41,48, 51,59,63	42661	Spring 8,30,61	76099	Washer, Flat 46,56,59,60
3624	Washer, Flat 61	42823	Washer, Flat 8,18,38	76279	Screw, 1/4-32 x 5/8 Hex 60
3640	Lockwasher 12,14,30,33, 35,37,43,47,49,50,51,55, 58,61,62	43954	Bel 35	76299	Spring 11
		44035	Screw, 10-32 x 9/16 Hex 56	76379	Spring 34
		44048	Washer, Flat 63	76422	Spring 51,62
		45815	Lockwasher 57,61	76492	Bearing, Ball 59
		49396	Washer, Flat 43	76790	Bushing, Insulating 55
		49420	Spring 17,31,45,52,55	77051	Post, Spring 30
		49653	Screw, 10-32 x 13/16 Fil 9,36	77063	Screw, 4-40 Stop 21
		55090	Spring 33,57	78533	Spring 48
		55219	Screw, 8-32 x 3/8 Fil 35	78824	Spring 10,54
		55669	Spring 4,22,33	80581	Spring 21,47
		70071	Lockwasher 29	80945	Spring 58
		70314	Washer, Flat 63	81596	Screw, 10-32 x 1-3/8 Hex 58
				81726	Terminal 55
				81731	Spring 26,53

## NUMERICAL INDEX (Continued)

Part Number	Description and Page Number	Part Number	Description and Page Number	Part Number	Description and Page Number
81774	Washer, Flat 39,64,65	93135	Screw, 8-32 x 1-3/4 Fil 63	108370	Washer, Felt 47
81836	Washer, Insulating 63	93356	Washer, Felt 59	108450	Lockwasher 41
82463	Spring 21	93507	Screw, 4-40 x 3/4 Hex 47	108891	Screw, 6-40 x 3/16 Hex 25
82547	Insulator, .094" Thk 47,55	93634	Wick, Felt 57	108949	Stiffener 30
82548	Insulator, .062" Thk 47,55	93638	Bracket, Bearing 57	110191	Lockwasher 6,7
82860	Spring 25,53	93644	Shaft 57	110434	Screw, 4-40 x 3/16 Fil 4,8,22,35
83408	Screw, 4-40 x 3/16 Rd 63	93645	Spindle, Left Paper 57	110435	Nut, 4-40 Hex 8,20,32,35
85957	Washer, Flat 11	93647	Hub, Right Paper Spindle 57	110437	Spring 51
85976	Washer, Flat 35,43,44	93648	Spindle, Right Paper 57	110475	Screw, 2-64 x 5/64 Rd 6,7
86079	Washer, Felt 20	93649	Knob 57	110476	Screw, 4-48 x 5/64 Fil 6,7
86283	Spring 45	93705	Cylinder, Paper Spindle 57	110743	Lockwasher 4,5,6,7,8,11,12,17,18,19,20,22,30,32,37,38,43,44,46,49,50,51,59,61,63
86304	Spring 49,50	93758	Washer, Felt 19,25,26,53	111017	Screw, 6-40 x 5/16 Fil 4,6,33,34,35
86720	Post, Spring 17	93984	Lockwasher 62	111342	Spring 17
86742	Nut, 4-40 Hex 19,23,48	94072	Bushing 36	111343	Clamp, Retaining 12,37
86835	Spring 4,33,35	94665	Screw, 6-40 Shoulder 30	111409	Screw, 4-40 x 7/32 Fil 30
87398	Washer, Flat 61	95499	Screw, 6-40 Pilot 10	111767	Washer, Flat 17,35,48,62
87401	Spring 30	96646	Screw, 6-40 x 1-3/64 Fil 23,52	111777	Connector, 4 Pt Receptacle 63
88891	Spring 55	97143	Jack 6,7	112127	Hinge 47
89897	Nut, 10-32 Hex 29	97296	Screw, 10-32 x 5/16 Fil 59	112128	Retainer 47
90260	Spring 17	97393	Screw, 6-40 Shoulder 56	112626	Nut, 10-32 Hex 9,10,17,18,36,46,56,61
90573	Spring 20,61	98502	Washer, Flat 56	112627	Nut, 2-56 Hex 23,43,44
90599	Shim, .008" Thk 30	98712	Screw, 4-40 x 1/4 Flat 57	112630	Spring 11,33
90606	Spring 37	98730	Screw, 6-32 x 1-1/4 Rd 63	112663	Screw, 6-40 Shoulder 41
90679	Washer, Felt 17,48,62	99220	Spring, Compression 6,7	112695	Connector, 3 Pt Plug 28
90714	Washer, Flat 6,7	100149	Stud 13,23	113109	Soacer, .130" Thk 9
90789	Washer, Flat 7	101386	Spring 10,19,54	113980	Washer, Flat 29,30
90790	Washer, Flat 56	101633	Washer, Flat 27	114125	Screw, 6-40 x 3/8 Hex 59,60
90791	Lockwasher 6,7,17,20,32,49,50	101714	Spring 30	114478	Nut, 15/32 Hex 14,40
90951	Lockwasher 10,54	101796	Washer, Felt 5,17	114654	Strip, Terminal 63
91228	Strap, 2-1/2" Braided 35	102057	Screw, 4-40 Shoulder 4,22,33	115122	Washer, Felt 46,48,62
91229	Strap, 2" Braided 35	102329	Spring, Contact 30	116783	Holder, Fuse 7
91617	Shim, .010" Thk 6,7	102330	Spring, Contact 30	116959	Screw, 6-40 Eccentric Shoulder 59
91683	Nut, 15/32-32 Hex 14,24,31,40	104564	Washer, Flat 41	117023	Wick, Felt 59
91684	Nut, 15/32-32 Ring 14,24,31,40	104710	Ball, Bearing 12,37,43	117416	Post 46
91765	Spacer 17	104751	Spring 6,7	117535	Washer, Flat 57
91904	Washer, Flat 12	104807	Washer, Flat 8,30	117608	Nut, Speed 12,13,15,29,40
92265	Screw, 2-56 x 1/8 Rd 60	104827	Bearing, Ball 9,10,35,36	118511	Fuse, 1/8 Amp 7
92309	Resistor, 400 Ohm 63	105400	Bearing, Ball 59	119467	Insulator, .032" Thk 29,30
92626	Stud 26,53	105551	Shell, Red 6,7		
92668	Post, Spring 17	106047	Screw, 1/4-32 x 1/2 Hex 4		
93075	Ring, Shoulder 14	107116	Lockwasher 59		
93082	Extension 23	107364	Screw, 6-32 x 3/8 Fil 42		
93107	Bearing, Ball 60	108007	Spacer, .040" Thk 30		
93117	Lockwasher 29,30,43,44,61	108102	Screw, 4-40 x 1/4 Flat 14,40		
93118	Lockwasher 20,32,33				

## NUMERICAL INDEX (Continued)

Part Number	Description and Page Number	Part Number	Description and Page Number	Part Number	Description and Page Number
119535	Bushing 57	125231	Nut, 10-32 Hex 35,57,59	145408	Link 41
119647	Ring, Retaining 17	125241	Spring 23	146313	Wheel, Driven 57
119648	Ring, Retaining 8,17,19, 20,34,44,47,51	125268	Spring 19	146314	Belt, "O" Ring 57
119649	Ring, Retaining 17,19,20, 23,34,52,61	128002	Screw, 2-56 x 3/16 Fil 17	146320	Modification Kit 3,57
119650	Ring, Retaining 45	128357	Ring, Retaining 32	148128	Washer, Flat 37
119651	Ring, Retaining 6,7,9,10, 11,17,21,25,26,29,33,39, 47,48,53,54,62	130499	Bearing, Ball 60	148396	Disc 57
119652	Ring, Retaining 6,7,11, 17,20,25,26,33,41,46, 47,56,57,59	135563	Jumper, 2-3/4" Green 36,41	148397	Bracket 57
119653	Ring, Retaining 31,33,38, 53,57,58	136859	Holder, Plug 5	148609	Bracket, Switch Mounting 14
119654	Ring, Retaining 45	138166	Setscrew, 8-32 41	148610	Nameplate 14
119655	Ring, Retaining 35,56	138538	Fuse, SL-BL 2 Amp 7	148626	Switch, Keylever 14
120175	Plate, On-Off 14,40	139012	Solenoid, 85 Ohm 29	148637	Bracket, Mounting 5
120824	Washer, Felt 18,38	139552	Block, Terminal 63	148643	Guard, Switch 14
120870	Wick, Felt 47	139555	Spring 13,23	149881	Cover, Gear 56
121018	Nut, 4-40 Hex 6,7	139564	Nut, 3/8-32 Hex 14,41	149934	Cover 14
121125	Washer, Spring 55	139565	Washer, Flat 14	150013	Disk, Adjusting 18,38
121242	Clamp, 1/8" ID Cable 6,7,33,55,63	139574	Screw, 6-40 Shoulder 51	150026	Lever, Shoe Release 18,38
121243	Clamp, 3/16" ID Cable 4,23,32,33,40,55	142379	Pin, Roll 56,58	150029	Wick, Felt 18,38
121244	Clamp, 1/4" ID Cable 13,33	144871	Shaft, Solenoid Plunger 34	150040	Screw, 6-40 x 5/8 Fil 7
121245	Clamp, 5/16" ID Cable 5,33,44,54	145190	Connector, 2 Pt Plug 55	150043	Shoe, Secondary Clutch 18,38
121246	Clamp, 3/8" ID Cable 63	145191	Connector, 2 Pt Receptacle 55	150044	Shoe, Primary Clutch 18, 38
121247	Clamp, 7/16" ID Cable 4,63	145307	Plate, Nut 34	150089	Screw, 4-40 x 1/2 Fil 5,7,8,55,59,62
121473	Post 43,44,62	145311	Plate, Stop 41	150241	Spring 18,38
122057	Switch, Sensitive 21,30	145313	Washer, Felt 56	150354	Arm, Trip 58
123823	Washer, Flat 63	145316	Screw, 6-40 Shoulder 41	150356	Lever, Trip 58
124177	Lockwasher 57,59,60	145318	Screw, 6-40 Spl 38	150383	Spacer, .149" Thk 57
124244	Washer, Felt 34	145365	Pinion, 20T 56,58	150411	Washer, Flat 61
124610	Plug 6,7	145366	Gear, 56T 56	150923	Washer, Felt 34,47,48
124761	Plate, Insulating 63	145367	Shaft, Drive 56	150932	Bushing, Shoulder 26,53
124999	Switch, Sensitive 29	145368	Gear, 27T 56,58	150966	Insulator 4,33,35
125011	Washer, Flat 6,8,20,37, 46,50,54,62	145369	Gear, 24T 56	150990	Washer, Felt 48,62
125015	Washer, Flat 29,30,35,39, 48,59,62	145370	Gear, 42T 56	150991	Washer, Felt 45,46
125112	Screw, 2-56 x 1/8 Fil 47	145373	Gear, 66T 56	151008	Lever, Latch 8
125122	Screw, 2-56 x 3/4 Fil 29	145374	Gear, 47T 56	151013	Bail, Spacebar 12
125126	Screw, 2-56 x 9/32 Fil 20,32,49,50	145375	Gear, 63T 56	151014	Link 12
125181	Screw, 2-56 x 3/8 Fil 4,21,22,23,52	145381	Washer, Thrust 56	151016	Bearing, Roller 17
		145383	Key 56	151018	Stud 17
		145384	Pin, Guide 56	151023	Guide, Codebar 8
		145385	Spring, Compression 56	151025	Lever, Detent 19
		145386	Sleeve 41,56	151026	Arm, Toggle Detent 19
		145389	Shaft, Idler 56	151030	Shaft, Code Lever 8
		145390	Pinion, 25T 56	151032	Bellcrank 8
		145392	Post 58	151036	Screw, 4-40 Shoulder 8, 12,48
		145393	Bushing 56,58	151037	Lever, Flutter 19
		145394	Knob 41	151038	Plate, Guide 17
		145398	Shaft, Flexible 41	151039	Stud 17
		145403	Gear w/Link, 36T 41		
		145407	Bracket, Rear 41		

## NUMERICAL INDEX (Continued)

Part Number	Description and Page Number	Part Number	Description and Page Number	Part Number	Description and Page Number
151041	Screw, 4-40 Pilot 17	151126	Spacer, .250" Thk 10,36	151223	Screw, 4-40 Shoulder 12, 40,42
151043	Plate, Nut 8	151127	Shaft 10	151224	Screw, 6-40 Pilot 12,39, 47
151045	Bar, Spacing 12,40,42	151130	Pinion, 14T 22	151225	Washer, Felt 17
151051	Lever, Intermediate 19	151131	Gear, 96T 22	151226	Strip 12,13
151052	Lever, Selector 20	151132	Pinion, 17T 22	151227	Bracket, Space Bar 12
151053	Lever, Transfer 20	151133	Gear, 93T 22	151228	Bracket w/Bearing 9,10,36
151054	Stud 17	151134	Pinion, 20T 22	151234	Ratchet, 27T 10,54
151055	Post 20	151135	Gear, 84T 6,7,22	151235	Ratchet, 28T 10,54
151056	Stud 19	151140	Plate 19	151236	Hub 10,54
151057	Screw, 1/4-32 Pilot 17	151145	Screw, 2-56 Shoulder 19	151237	Spring, Flat 10,54
151059	Stud 19,23,52	151146	Strap, Mounting 4,33	151240	Pawl, Latch 10,54
151060	Gearset, 60 WPM 22	151151	Camsleeve 18	151241	Lever, Latching 10,54
151062	Stud 20	151152	Screw, 4-40 x 3/16 Hex 6,8,17,19,20,32,37,46,49, 50,51,61,62	151244	Bushing, Eccentric 10,54
151063	Spacer 18			151245	Washer, Felt 9,10,54,56
151064	Plate, Rear 18	151154	Sleeve, Gear 18	151246	Washer, Flat 10,54
151065	Bail, Locking 20	151157	Shaft 18	151286	thru
151066	Bail, Rocker 17	151158	Guide, Selector Lever 20	151289	Keylever Assembly 15
151067	Bail, Codebar 17	151159	Bracket 11	151290	Keylever Assembly 15,21, 52
151068	Lever, Reset 18	151161	Shaft 20		
151073	Screw, 4-40 x 5/32 Fil 6,7,55	151167	Bracket 8	151291	thru
151075	Gearset, 75 WPM 22	151169	Screw, 4-40 Adjusting 20	151300	Keylever Assembly 15
151076	Wedge, Locking 12	151170	Box Assembly, Contact 20	151301	Keylever Assembly 16
151080	Washer, Flat 12,37,43	151171	Toggle, Contact 20,32,49, 50	151302	thru
151082	Screw, 4-40 Pilot 5			151306	Keylever Assembly 15
151084	Bar, Clutch Trip 8	151173	Screw, 4-40 Contact 20,32	151307	Keylever Assembly 16
151085	Bar, Code No.5 8	151176	Base 20,32	151308	thru
151086	Bar, Code No.4 8	151177	Terminal 20,32	151322	Keylever Assembly 15
151087	Bar, Code No.3 8	151179	Terminal 20,32	151325	Cover 12
151088	Bar, Code No.2 8	151180	Link, Toggle 20,32,49,50	151326	Plate, Seal 12,13
151089	Bar, Code No.1 8	151182	Washer, Insulating 20,32, 49,50	151329	Switch, Sensitive 4,10, 22,23,35,52,54
151090	Screw, 6-40 Pilot 8			151333	Wick, Felt 18
151091	Plate, Nut 8	151183	Insulator 20,32	151335	Stud 4,33,34,35
151092	Frame 8	151184	Extension, Toggle 20,32	151338	Spacer, .075" Thk 12,13
151096	Frame, Signal Generator 17,21	151185	Guide 20,32	151341	Lever, Contact 4,22
151097	Shaft 20	151188	Guide, Transfer Lever 20	151342	Bracket 4,22
151098	Stud 19	151189	Bail, Clutch Trip 17	151346	Screw, 6-40 x 3/8 Fil 4,6,7,8,10,12,13,30,35, 59,60
151099	Extension, Rocker 17	151190	Lever, Oscillating 19	151350	Screw, 4-40 Shoulder 8
151100	Gearset, 100 WPM 22	151191	Bracket 8	151352	Spring, Flat 11,33
151101	Guide 8	151193	Bumper 8	151353	Window, Plastic 12
151102	Pawl 5	151201	Wick, Felt 18	151354	Screw, 2-56 x 15/32 Fil 12,30
151104	Clip 8	151205	Plate 19		
151105	Extension, Space Code Lever 12	151207	Stud 17		
151106	Plate 17	151211	Lever, Stop 17		
151112	Shaft 11	151213	Stud, 6-40 Eccentric 17		
151113	Strip, Mounting 4,33,60	151215	Shaft 17		
151115	Plunger, Lock 11	151216	Detent 17		
151118	Plate, Spacing 4,33	151217	Roller 17		
		151218	Rod, Break 21		
		151222	Washer, Felt 19		

## NUMERICAL INDEX (Continued)

Part Number	Description and Page Number	Part Number	Description and Page Number	Part Number	Description and Page Number
151355	Bar, Lock 8	151657	Screw, 6-40 x 1/4 Fil 4,	151837	Stud 17
151358	Box, Contact 20		5,6,7,8,10,23,55,57,58,60	151840	Bail 8
151359	Cover w/Springs 20,32	151658	Screw, 6-40 x 5/16 Fil 4,	151841	Channel 12
151367	Plate 8		5,8,11,12,13,18,26,29,32,	151842	Retainer, Ball 12
151369	Suppressor, Electrical Noise 4		33,35,56	151843	Screw, 6-40 Adjusting 12, 37,43
151376	Label, Instruction 12,40	151659	Screw, 6-40 x 1/2 Fil 12,	151844	Screw, 4-40 Stop 12
151389	Paper, Carbon 12,40		13,39,40,42,60,64,65	151845	Lever 8
151390	Label, Blank 12,40	151660	Screw, 6-40 x 7/8 Fil 57	151846	Post, Spring 21
151391	Label Set 12,40,64	151678	Screw, 1/4-32 Pilot 4,33	151848	Lock 12
151395	Spring 19	151685	Screw, 4-40 x 5/16 Fil 20,32	151849	Guide, Codelever 5
151397	Spring 20,61	151686	Screw, 4-40 x 3/8 Fil	151851	Lever, Codebar 5
151398	Spring 20		32,51	151852	Lever, Space 5
151399	Bracket 4	151687	Screw, 4-40 x 7/16 Fil 62	151853	Lever, Keyboard Lock & Break 5,25,26
151411	Block, Terminal 34	151688	Screw, 4-40 x 5/8 Fil 8,30	151854	Lever, Local LF and Local CR 5
151412	Insulator, Terminal Block 34	151689	Screw, 4-40 x 3/4 Fil 63	151855	Lever, Keyboard Unlock & Repeat 5
151415	Block, Terminal 4,33,35	151692	Screw, 6-40 x 3/16 Fil 4, 11,12,13,17,25,26,29,51, 61	151856	Bracket 11
151416	Nut, 6-40 Hex 4,33,34,35	151693	Screw, 6-40 x 9/16 Fil 4,60	151857	Bail 11,25
151427	Plate, Clamp 7	151712	Button, Pivot 9,10,36,56	151858	Bail 11
151442	Screw, 6-40 x 1/2 Hex 39, 43,46,55,57,58,64,65	151715	Spring 61	151859	Link 11
151444	Bracket, Guard 30	151722	Screw, 6-40 x 3/16 Hex 33,39,45,47,53,54,59,61, 64,65	151861	Bail 11
151540	Lampholder 35,51	151723	Screw, 10-32 x 3/8 Hex 33,34,57	151862	Bracket 11
151564	Bracket 35	151724	Screw, 10-32 x 5/8 Hex 9,10,36,57	151863	Shaft 11
151565	Bushing, Shoulder 35	151725	Screw, 10-32 x 3/4 Fil 9,10,36	151867	Bracket 13
151567	Armature w/Clapper 35	151728	Spring 18,38	151879	Stud 10,54
151572	Lockwasher 27	151731	Screw, 4-40 x 7/8 Fil 20,32,51	151880	Nut, 4-40 Hex 49,50,61,62
151574	Grommet, Rubber 24,35	151732	Screw, 4-40 x 11/32 Fil 59	151884	Bracket 10
151577	Screw, 6-40 Shoulder 35	151737	Screw, 4-40 x 11/64 Hex 18,38,58,61	151885	Plate, Nut 10,54
151579	Plate, Retaining 35	151739	Screw, 6-40 Identification 15	151886	Stud 10,54
151610	Washer, Flat 56,58	151820	Spring, Contact 20,32,49, 50	151887	Modification Kit 2,17,21
151618	Screw, 6-40 x 7/16 Fil 4,5,9,29,60	151827	Strap, Terminal 34	151889	Extension 8
151629	Nut, 6-40 Lug 58	151830	Bar, Upstop 8	151893	Plate 9
151630	Screw, 6-40 x 1/4 Hex 6,7,9,12,29,33,34,35,36, 38,39,41,42,45,55,56,59, 60,63	151832	Screw, 6-40 Shoulder 20	151894	Gear, 48T 9
151631	Screw, 6-40 x 5/16 Hex 9,10,26,33,34,35,36,39, 40,42,44,46,47,53,55,56, 57,58,59,60,63	151833	Frame, Front 12	151895	Bushing, Eccentric 9
151632	Screw, 6-40 x 3/8 Hex 33, 34,35,36,39,40,41,42,44, 45,49,50,52,53,54,55,56, 59,63,64,65	151834	Plate, Keytop Guide 12	151896	Shaft 9,22
151637	Screw, 4-40 x 1/4 Fil 6, 8,12,13,14,63	151835	Latchlever 17	151897	Lever 9
151642	Screw, 6-40 x 3/4 Fil 6, 7,17			151898	Spring 9
				151899	Nut, 2-56 Shoulder 19
				151901	thru
				151910	Keylever Assembly 15
				151934	Modification Kit 15
				151939	Grommet, Rubber 35
				151982	Lamp, 6V Incandescent 35
				152000	Base 4,60
				152001	thru
				152006	Keylever Assembly 15

## NUMERICAL INDEX (Continued)

Part Number	Description and Page Number	Part Number	Description and Page Number	Part Number	Description and Page Number
152007	Keylever Assembly 16	152894	Bracket 19	153537	Screw, 6-40 x 9/32 Hex 33,61
152008		152904	Modification Kit 15	153538	Screw, 6-40 x 7/16 Hex 57
thru		152905	Modification Kit 15	153572	Cable Assembly 24,40
152016	Keylever Assembly 15	152906	Modification Kit 15	153589	Switch, Toggle 24,40
152017		152911	Modification Kit 2,23	153590	Spacer 24,31
thru		152916	Modification Kit 2,26	153591	Cable 24
152020	Keylever Assembly 16	152918	Modification Kit 2,25	153595	Block, Switch Mounting 24
152045	Guard, Gear 4,33	153109	Lever, Function 13,23	153619	Board, Terminal 4,32
152051	Tissue 12,40	153110	Cable w/Terminals 13	153620	Insulator 4
152122	Screw, 4-40 Shoulder 11	153112	Bracket 13,23,24	153622	Jumper, 5" Purple 28
152130		153115	Keylever Assembly 23	153623	Box, Contact 20
thru		153116	Plug, Button 12,13,15,29	153624	Box Assembly, Contact 20
152139	Keylever Assembly 16	153117	Cover 13,14,24,31	153626	Insulator, .031" Thk 21
152250	Stud, 4-40 Eccentric 8	153118	Cover, Label 13,14	153627	Screw, 6-40 Spl 21
152296	Bracket, Spring 8	153119	Label Set 13,14	153629	Lever, Break 21
152318	Switch, Magnetic 23,52	153120	Label, Instruction Left 14	153630	Bracket 21
152333	Modification Kit 2,21	153121	Label 14	153631	Network, Spark Suppression 4,30,32,61,63
152334	Modification Kit 2,23	153122	Label, Blank 14	153632	Cable Assembly 21
152338	Modification Kit 2,10	153123	Paper, Carbon 14	153635	Cable 23
152342	Modification Kit 2,24	153124	Tissue 14	153636	Lever, Switch 23
152343	Modification Kit 2,22	153243	Bail 26	153637	Spring, Torsion 23
152344	Modification Kit 2,23	153244	Shaft 11	153638	Bracket, Switch 23
152441	Washer, Flat 56,59	153245	Bracket 26	153639	Cable Assembly 10
152460	Bracket 4	153246	Bracket 26	153671	Cable Assembly 22
152461	Bracket 35	153247	Lever, Trip 26,53	153672	Cable Assembly 23
152462	Latch, Right 4,33,35	153248	Bushing, 6-40 Shoulder 25,26,53	153796	Cable 6,7
152463	Latch, Left 4,33,35	153249	Bail, Transfer 26,53	153799	Screw, 4-40 x 21/64 Hex 61
152464	Insulator, .062" Thk 4,33	153250	Link 26,53	153803	Jumper, 5" Slate 28
152465	Connector, 20 Pt Receptacle 28	153252	Link 26,33	153817	Screw, 4-40 x 3/8 Hex 20, 33,43,44,49,50
152467	Connector, 20 Pt Plug 4, 33,35,51	153264	Shaft 11,25	153839	Screw, 6-40 x 5/8 Hex 6,7,58
152493	Lever, Latch 17	153265	Bracket 25	153841	Screw, 6-40 x 9/16 Hex 42,46,52
152754	Jumper, 4-1/2" Red 34	153266	Lever, Trip 25,53	153843	Lever, Space Repeat 21
152764	Gear, 81T 22	153267	Washer, Felt 6	153845	Bushing 21
152765	Pinion, 13T 22	153271	Bail 25	153846	Plate, Nut 6,7
152766	Gearset, 67 WPM 22	153273	Link 25,53	153847	Generator, Tachometer 6,7
152814	Stud 19,21	153274	Lever, Adjusting 25	153876	Clamp, 1-21/32" ID Cable 6,7
152815	Lever, Break 21	153176	Bracket, Adjusting 25	153877	Bracket 6,7
152839	Spring, Latch 8	153277	Bail 25	153878	Link 6,7
152873	Latch 8	153283	Keylever Assembly 16,26, 53	153887	Detent 17
152874	Shaft, Latch 8	153284	Keylever Assembly 16,25, 53	153892	Meter, Tachometer 6,7
152875	Spacer, .050" Thk 8	153441	Screw, 10-32 x 7/16 Hex 35	153902	Modification Kit 2,21
152876	Bracket 8	153442	Screw, 10-32 x 1/2 Hex 57	153952	Cover, Motor 6
152877	Bail 8	153444	Keylever Assembly 13	153955	Lever 6,7
152878	Bracket, Stop 8	153445	Keylever Assembly 13		
152890	Washer, Flat 38	153492	Connector, 3 Pt Plug 5		
152893	Screw, 4-40 x 1/4 Hex 12, 30,37,43				



## NUMERICAL INDEX (Continued)

Part Number	Description and Page Number	Part Number	Description and Page Number	Part Number	Description and Page Number
153956	Cover 6	154052	Bar, Locking 45	154117	Bail, Spacebar 39
153958	Plate, Guide 6	154053	Bail, Clutch Trip 46	154118	Lever w/Hub 52
153959	Plate, Cover 6	154056	Bracket, Contact Box 49,50	154119	Bracket, Spacebar 39
153969	Slide 6,7	154057	Plate 39,64,65	154120	Lever, Codebar 45
153970	Plate, Bearing 6,7	154058	Plate 39,64,65	154121	Lever, Space 45
153971	Plunger 6,7	154059	Bracket, Function Bail 31,52,53	154122	Lever, Keyboard Lock Function 45
153984	Bail 6,7	154064	Bracket, Adjusting 53	154123	Lever, Function 45,52,53
153985	Shim, .020" Thk 6,7	154065	Lever w/Hub 53	154124	Lever, Keyboard Repeat and Unlock 45
153986	Plate, Identification 6,7	165066	Lever, LOC-LF 31	154125	Spring 45,61
153987	Brake, Slide 6	154067	Lever 31,61	154126	Bracket 52
153992	Meter Assembly 6,7	154068	Bracket, Right Guide 37, 44,45	154127	Nut, 6-40 Hex 48,62
153993	Pinion, 20T 6,7,22	154069	Bracket, Left Guide 45	154129	Tripbar, Clutch 45
154000	Base 31,33,52,53,60	154070	Guide, Codelever 45	154130	Box, Contact 49
154001	Codebar, No.1 45	154071	Screw, 1/4-32 Pilot 45	154131	Cover, Contact 49
154002	Codebar, No.2 45	154072	Bracket, Stop 45	154132	Bracket 53
154003	Codebar, No.3 45	154076	Plate, Nut 33,35	154133	Bracket 53
154004	Codebar, No.4 45	154077	Stud 48	154135	Pawl 10,54
154005	Codebar, No.5 45	154079	Lock, Wedge 43,45	154136	Pawl 10,54
154008	Guide, Codebar 44,45	154080	Plate, Retainer 12,37	154137	Lever, Adjusting 54
154009	Plate, Front 47	154081	Spacer, Cam 38	154138	Washer, Felt 38
154010	Bail Transfer 47	154083	Bearing, Needle 48	154140	Bail, Locking 47
154013	Bracket, Spring 45	154084	Plate 9,10,33,36	154141	Modification Kit 3,52
154014	Guidepost 47	154085	Retainer, Wedge 12,37	154142	Modification Kit 3,54
154015	Post 48,62	154086	Plate, Nut 33	154144	Cable Assembly 54
154016	Shaft 45	154087	Plate, Nut 33	154145	Modification Kit 3,53
154018	Post, Locking Bail 47	154088	Post, Spring 48	154146	Modification Kit 3,53
154019	Follower, Eccentric 38, 48,62	154089	Guide, Non-Repeat Lever 48,62	154147	Modification Kit 64
154020	Seal, Front 39,64,65	154091	Shaft, Function 31,53,61	154149	Cable Assembly 52
154021	Link 39	154092	Eccentric, Contact Box 49,50	154150	Guide Assembly, Keylever 2,45
154023	Latch, Lockbar 45	154095	Bushing, Eccentric 46	154151	Bail Assembly, Universal 2,37
154025	Plate, Adjusting 48	154096	Bail 53	154152	Lockbar Assembly, Ball 2,37
154027	Bellcrank 48	154097	Bail 53	154153	Cable Assembly 52
154029	Wick, Felt 38	154098	Bail, LOC-CT Function 31	154154	Cam, Signal Generator 38
154030	Shaft, Signal Generator 27,38	154099	Plate, Rear 46	154156	Grommet, Rubber 5,35,51
154032	Sleeve, Gear 38	154101	Plate, Rear 48,51,55,62	154165	Box Assembly, Contact 2,49
154033	Latchlever, Clutch 46,55	154102	Post, Transfer Bail 47	154166	Suppressor, ARC 49
154034	Lever, Clutch Stop 46	154105	Bracket 33,34	154171	Bail Assembly 2,31
154036	Plate, Detent 46	154106	Bracket 53	154173	Plate 35,51
154037	Lever 31,52	154107	Plunger 33	154176	Bracket 33
154039	Bracket 52	154109	Hood, Keyboard 39,64,65	154178	Spring 47
154040	Lever, Transfer 47	154110	Guideplate, Keytop 40	154179	Blade, Universal 37
154041	Post, Stop 47	154111	Lever 51	154183	Blade, Front 37
154042	Terminal 49,50	154112	Post, Spring 51	154184	Blade, Rear 37
154043	Terminal 49,50	154114	Guideplate 33		
154045	Screw, 6-40 Spl 49,50	154115	Bail 53		
154046	Stud 46	154116			
154047	Post, Spring 47				
154051	Screw, 6-40 Shoulder 48				



## NUMERICAL INDEX (Continued)

Part Number	Description and Page Number	Part Number	Description and Page Number	Part Number	Description and Page Number
154189	Insulator 49	155729	Codebar 30	156740	Screw, 6-40 x 7/32 Hex 9,34,36,43,44,62
154191	Spring 48,62	155731	Bracket, Contact 30	157184	Washer, Felt 27
154193	Plate 52	155732	Bracket, Contact 30	157288	Plate, Adapter 60
154194	Base 49,50	155733	Lever 30	157320	
154197	Plug, Button 40	155739	Bracket 29		thru
154198	Window, Plastic 40,64	155741	Block w/Pin 29	157323	Keylever Assembly 16
154199	Shim, .005" Thk 33	155743	Stud 29	157325	
154201	Shim, .014" Thk 33	155744	Bail 29		thru
154202	Screw, No. 4 Spl 40,64	155745	Contact Assembly, Left 30	157367	Keylever Assembly 16
154203	Bracket 39,64,65	155746	Contact Assembly 30	157940	
154204	Grommet, Plastic 40,64,65	155747	Cable 30		thru
154208	Bracket, Switch 33	155750	Sleeve, 3/32 ID x 1/2" Lg Insulating 10,14,51,54,55,62,63	157971	Keylever Assembly 16
154210	Bracket, Left 39			157989	Hub w/Pin 6
154211	Bracket, Right 39	155751	Sleeve, 1/8 ID x 1" Lg Insulating 22,32,51,52,54	158010	Bar, Locking 44
154212	Frame, Front 39			158163	Switch, Sensitive 33,51
154215	Spring 48,62	155752	Sleeve, 5/64 ID x 1/2" Lg Insulating 28,51	158164	Lever w/Hub 33
154217	Wick, Leather 47			158215	Plate, Nut 34
154225	Box Assembly, Contact 2,49	155753	Sleeve, 1/8 ID x 1/2" Lg Insulating 14,34,44,47,51,55,61,63	158226	Bracket w/Bushing 44
154226	Box w/Strap 49			158228	Lever w/Stud 44
154227	Bracket, Support 53	155754	Sleeve, 1/16 ID x 1/2" Lg Insulating 51	158230	Bracket, Contact 44
154236	Latchlever 46			158231	Contact, Lock Bar 44
154237	Lever, Non-Repeat 48	155755	Sleeve, 11/64 ID x 5/8" Lg Insulating 35,51	158268	Latch w/Hub 48,62
154238	Extension 37			158275	Plate, Clamp 44
154239	Extension w/Post 37	155843	Keytop 44	158277	Screw, 3-48 x 1 Rd 44
154240	Bail, Codebar 48,62	155844	Keytop 44	158299	Cover, Contact 44
154241	Stud 48	155848	Bracket, Left 30	158358	Switch, SP-ST Toggle 31
154350	Modification Kit 48	155849	Bracket, Right 30	158359	Modification Kit 2,31
154386	Plate, Adjusting 48	155850	Contact Assembly, Right 30	158360	Block, Switch Mounting 31
154520				158361	Cable Assembly 31
	thru			158362	Cable 31
154535	Keylever Assembly 16	155851	Bracket, Switch 30	158406	
154662	Spacer 10,36	155859	Screw, 4-40 Spl 28		thru
154663	Shaft 6,7,10,22,36	155860	Screw, 4-40 x 3/8 Rd 28	158445	Keylever Assembly 16
154681	Modification Kit 2,24	155861	Lockwasher 28	158447	
154682	Block, Switch Mounting 24	155867	Cable Assembly 22		thru
154694	Disc, Clutch Cam 18,38	155954	Switch, Sensitive 61	158455	Keylever Assembly 16
154749	Modification Kit 6	155994	Insulator, .015" Thk 61	158501	Plate, Switch 29
154783	Modification Kit 2,29,30	156399	Nut, 6-40 Shoulder 6,7	158712	Gear, 26T 60
154794	Modification Kit 22	156450	Screw, 2-56 x 1/2 Fil 61	158716	Gear, 39T 59
155023	Switch, DP-DT-Toggle 14, 40	156503	Wick Felt 38	158723	Roller 56,59
		156509	Washer, Flat 47	158732	Gear, 24 & 18T 60
155025		156516	Latch 47	158733	Gear, 44T 59
	thru	156574	Post, Spring 37	158734	Gear, 47T 59
155040	Keylever Assembly 16	156591	Washer, Felt 33,57	158740	Block 59
155052	Cable Assembly 28	156630	Washer, Felt 47	158741	Bar 60
155615	Base 4,6	156632	Screw, 6-40 x 13/32 Hex 39,42	158745	Clamp, Bearing 9,35,36,56
155616	Plate, Seal 12			158753	Armature, Magnet 55
155727	Codebar 30	156644	Link, Drive 49,50	158754	Core, Magnet 55
155728	Codebar 30	156663	Bushing, Insulating 49,50	158788	Clamp, Bearing 59

## NUMERICAL INDEX (Continued)

Part Number	Description and Page Number	Part Number	Description and Page Number	Part Number	Description and Page Number
158859	Post, Spring 55,58	162643	Bracket 59	163464	Gear, 104T 22
159278	Pinion, 14T 22	162645	Gear, 21T 59	163504	Gearset, 71 WPM 22
159279	Gear 96T 22	162646	Shaft 59	163505	Gearset, 107 WPM 22
159281	Pinion, 17T 22	162647	Sleeve 59	163519	Sleeve, Gear 27,38
159282	Gear, 93T 22	162648	Plate w/Stud 59	163536	Spacer, .563" Thk 49
159284	Pinion, 20T 22	162649	Retainer 59	163647	Channel, Ball 12,37,63
159285	Gear, 84T 22	162650	Shaft 60	163775	Modification Kit 3,51
159287	Retainer, Pinion 22,27, 35,56,58	162652	Plate 59,60	163813	Plate 51
159327	Washer, Flat 48	162653	Retainer 59	163814	Lever w/Hub 51
159334	Washer, Insulating 48	162654	Hub 60	163852	Keylever Assembly 16
159341	Bearing, Ball 56	162655	Gear, 56T 59,60	163962	Plate 13
159660	Gearset, 60 WPM 22	162656	Shaft 60	163963	Plate 40,64
159661	Pinion, 10T 22	162657	Gear, 48T 59,60	163964	Plate 40
159662	Gear, 57T 22	162658	Hub 60	163979	Lever, Codebar 61
159663	Pinion, 15T 22	162659	Retainer 56,59	164005	Modification Kit
159664	Gear, 78T 22	162660	Post 59	164043	Keytop 61
159665	Pinion, 14T 22	162661	Link w/Stud 59	164077	Modification Kit 2,44
159666	Gear, 64T 22	162663	Stud 59	164127	Guideplate, Keytop 40
159667	Gearset, 67 WPM 22	162664	Link 59	164131	Cable Assembly 51
159668	Pinion, 20T 22	162665	Bracket 59	164132	Cover 13,14,24,31
159669	Gear, 70T 22	162666	Lever w/Stud 59	164133	Cable Assembly 28
159675	Gearset, 75 WPM 22	162668	Bracket 60	163138	Stud 62
159700	Gearset, 100 WPM 22	162669	Gear 15T 59	164142	Bracket 61
159976	Armature 58	162686	Guard, 60	164143	Plate Mounting 61
160369	Switch, No Pushbutton 14	162873	Contact Assembly, Universal 62	164144	Plate, Side 61
160370	Switch, NC Pushbutton 14	162874	Clamp 62	164145	Pivot, Lever 61
161100	Spring, Contact 47	162875	Bracket 62	164146	Lever, Stop 61
161106	Pinion, 14T 22	162876	Bar, Retainer 62	164148	Spacer, Stop Arm 61
161111	Gearset, 60 WPM 22	162878	Contact Assembly 47	164149	Lever, Blocking 61
161293	Gearset, 60 WPM 22	162879	Spring, Contact 47	164151	Lever, Detent 61
161294	Gearset, 75 WPM 22	162880	Bracket 47	164154	Lever, Sensing 61
161295	Gearset, 100 WPM 22	162881	Plate 47	164155	Yoke, Magnet 61
161301	Post 22,27,35,56	162882	Bushing, Insulating 47	164156	Armature 61
161346	Washer, Felt 20,47	162883	Cover, Insulating 47	164157	Shaft 61
161347	Washer, Felt 10,51,54	162884	Arm 47	164158	Latch 61
161348	Spring 18	162885	Segment, Cam 38	164160	Link 62
161426	Cable 32	162886	Screw, 4-40 x 7/32 Hex 38	164161	Drum, Message 61
161427	Plate, Nut 32	162891	Cover, Contact Box 49	164162	Ring, "O" 61
161435	Modification Kit 2,32	162892	Box Assembly, Contact 2, 49,	164163	Blade, Stop 61
161437	Box, Contact 32	163359	Modification Kit 3,59,60	164164	Blade, Code 61
161438	Sleeve 32	163360	Bracket 60	164165	Plate, Drive 61
161525	Connector, 14 Pt Plug 28,51	163440	Gear, 48T 10,36	164168	Pawl, Stepping 61
161891	Guide Plate, Keytop 41	163445	Insulator, Strip 49,50	164169	Stud, Eccentric 61
162224	Modification Kit 2,44	163460	Gear, 55T 10,36	164202	Modification Kit 64
162333	Stud, Locating 4,31	163461	Pinion, 18T 22	164269	Plate, Switch 40
162335	Cable 44	163462	Gear, 117T 22	164327	Cable 28,40
162485	Plate 17	163463	Pinion, 24T 22	164328	Plate, Switch 14
162641	Modification Kit 3,59,60			164329	Cover 14
				164373	Modification 65
				164375	Guideplate, Keytop 40

## NUMERICAL INDEX (Continued)

Part Number	Description and Page Number	Part Number	Description and Page Number	Part Number	Description and Page Number
164376	Guard 14,40	170380	Retainer, Wedge 43	174491	Modification Kit 49
164379	Cable 55	170385	Frame w/Bushing 46,55	176278	Plate, Nut 61
164434	Keylever Assembly 15	170386	Guide, Transfer Lever 47	176304	Bracket 61
164435	Keylever Assembly 15	170391	Guide, Transfer Lever 47	176352	Box Assembly, Contact 2, 49
164457	Keylever Assembly 16	171541	Diode 63	176659	Lever, Trip 34
164485	Bail w/Hub 46,55	171559	Lamp, 28 v incandescent 51	176661	Bracket w/Post 34
164494	Modification Kit 3,52	171953	Connector, Orange Shielding 51	176663	Link 34
164495	Cable Assembly 52	171973	Connector, Black Insulated 51	176672	Solenoid 34
164496	Bail 61	172635	Plate, Adapter 33,57	176673	Suppressor, Spark 34
164497	Eccentric 61	172636	Bracket 33,57	176675	Solenoid Assembly 34
164499	Bar, Locking 61	172962	Cable 47	176677	Shaft, Clutch 58
164501	Plate, Mounting 63	173028	Post, Spring 62	176678	Shaft, Driver 58
164617	Base, Paper Winder 57	173029	Latchlever 62	176691	Resistor w/Terminals, 5 Ohm 34
164644	Post 55	173095	Link 62	176701	Base 34,61
164645	Post 55	173096	Stud, Eccentric 48,62	176703	Plate, Mounting 34
164645	Post 55	173166	Plate Assembly 7	176752	Ring, Retaining 58
164646	Plate, Nut 55	173167	Plate 7	176770	Bracket 58
164649	Plate, Mounting 55	173168	Jumper, 4-1/2" Black 7	176772	Gear, 56T 58
164651	Bail, Armature 55	173169	Jumper, 13" Lg Red 7	176774	Gear, 42T 58
164652	Bar, Universal 45,55	173518	Modification Kit 2,7	176779	Wick, Felt 58
164653	Bracket 55	173712	Cable Assembly 33	176782	Gear, 63T 58
164656	Bar, Clutch Trip 45,55	173793	Gear, 100T 22	176784	Bearing, Flange 58
164660	Modification Kit 3,55	173794	Pinion, 14T 22	176787	Gear, 66T 58
164718	Plate, Adapter 33,57	173795	Gearset, 65 WPM 22	176789	Hub 58
164719	Bracket, Mounting 57	173842	Stud 56	176790	Washer, Bearing 58
164720	Bracket, Assembly 57	173907	Spacer 59	176792	Sleeve w/Stud 58
164721	Shaft 57	173908	Post 59	176793	Sleeve 58
164722	Hub, Wheel 57	173909	Washer, Locking 59	176794	Spring, Right Clutch 58
164723	Wheel, Drive 57	173912	Plate 59	176795	Spring, Left Clutch 58
164724	Pulley 33,57	173974	Screw, 10-32 x 5/16 Hex 59	176796	Wick, Felt 58
164725	Pulley, Idler 33,57	174179	Spacer, .578" Thk 63	176797	Gear, 48T 58
164726	Post, Idler 33,57	174181	Bracket, Rear Mounting 63	176802	Plate, Right Bearing 58
164727	Lever, Idler 33,57	174182	Relay, 550 Ohm 63	176803	Plate, Left Bearing 58
164728	Post, Idler Lever 33,57	174183	Guard 63	176804	Shaft, Idler 58
164729	Bracket w/Bearing 33,57	174184	Coverplate 63	176805	Gear, 25T 58
164730	Bracket 33,57	174246	Lever, Codebar 44	176807	Shaft, Trip 58
164731	Shaft 33,57	174250	Pin, Roll 56,58	176808	Bracket 58
164732	Extension 33,57	174410	Box Assembly, Contact 3,50	176809	Bracket 58
164734	Belt, "O" Ring 57	174411	Insulator 50	176900	Base 35
164735	Coupling, Flexible 33,57	174412	Spacer, .531" Thk 50	176906	Plate, Keytop Guide 42
164926	Modification Kit 3,57	174413	Terminal 50	176907	Switch, Rocker 42
164975	Shaft w/Bearing 27	174414	Bushing 50	176908	Shaft 35
164998	Modification Kit to Provide Pulsing Contact 38,47	174415	Conver, Contact Box 50	176923	Plate, Vibration 35
165027	Network, Spark Suppression 34,57	174416	Box, Contact 50	176924	Plate, Nut 35
165261	Screw, 4-40 x 3/8 Oval 43	174421	Filter, R F 50	176929	Retainer, Belt 35
170324	Bracket, Front 45			176932	Plate, Upper Bearing 35
170379	Retainer, Ball 43			176933	Stud 35
				176936	Bracket, Left 35

## NUMERICAL INDEX (Continued)

Part Number	Description and Page Number	Part Number	Description and Page Number	Part Number	Description and Page Number
176937	Bracket, Right 35	192681	Screw, 4-40 Spl 37	195994	Pulley, 34T 35
176939	Gear Assembly, Intermediate 35	193563	Post 59	195995	Pulley, 12T 35
176940	Plate, Nut 35	193654	Clamp, Armature 55	195997	Gear, 34T 35
176941	Plate, Nut 35	193659	Modification Kit 33	195999	Gear, 21T 35
176944	Plate, Nut 35,41	193723	Clip, Spring 35	198393	Modification Kit 65
176945	Bracket, Connector 35	194424	Modification Kit 3,55	198679	Bracket, Bolt Retaining 56
177070	Plate, Identification 14	194435	Cable Assembly 14	198680	Screw, 10-32 Spl 56
177071	Cable Assembly 14	194436	Plate, Identification 14	198694	Lockwasher 59
178338	Cable Assembly 63	194443	Plate, Jack 40	198695	Bar 59
178525	Cable Assembly 35	194444	Hood, Keyboard 39	198696	Gear, 24 & 18T 59
178526	Cable Assembly 35	194445	Guideplate, Keytop 40	198697	Gear, 26T 59
178536	Window, Plastic 43	194446	Frame, Front 39	199240	Hub 59
178537	Tissue 43	194447	Bracket, Right 39	199241	Hub 59
178538	Label, Blank 43	194448	Base 6	199242	Shaft 59
178539	Paper, White Carbon 43	194449	Plate 39	199243	Shaft 59
178540	Label, Instruction 43	194450	Seal, Front 39	199451	Pin, 9/16" Roll 59
178541	Label Set 43	194451	Modification Kit 2,7	199452	Pin, 5/8" Roll 59
178547	Plate, 10-32 Nut 35	194925	Pinion, 13T 22	199453	Pin, 3/4" Roll 59
178549	Bumper, Rubber 35	194926	Gear, 81T 22	199454	Pin, 1" Roll 59
178550	Bar, Spacing 42	194927	Gearset, 67 WPM 22	199774	Plate 7,12
178586	Bracket 38	195156	Pinion, 28T 36	304213	Bracket, Left 41
178587	Bracket, Switch 38	195158	Bracket w/Bearings 56	304214	Bracket, Mounting 41
178588	Shaft 38	195163	Bracket 56	304220	Shaft w/Gear 41
178589	Lever w/Hub 38	195167	Lever 56	304222	Windowm Plastic 41
178592	Bracket, Connector 35	195168	Bracket 56	304228	Bracket, Connector 41
178594	Bail Assembly 2,31	195169	Bracket 56	304229	Plate 41,56
178714	Switch, Rocker Type 38	195186	Screw, 4-40 x 7/8 Hex 20,49	304286	Bracket, Switch 43
178787	Sleeve, Gear 38	195187	Screw, 4-40 x 1-1/2" Hex 49	304375	Modification Kit 57
178795	Camsleeve 38	195241	Screw, 4-40 Gold Plated Contact 49	305007	Box Assembly, Contact 2,49
179183	Switch, DP-ST Switch 14	195263	Pinion, 22T 56	305695	Base 41
179362	Cable Assembly 55	195264	Gear, 49T 56	305700	Bracket 41
179363	Cable Assembly 55	195268	Modification Kit 10	305990	Camsleeve 27
179372	Shield, Light 35	195292	Lever, Codebar 44	306988	Modification Kit 57
179380	Retainer 59	195327	Bracket, Terminal Block 56	306991	Bracket 9,36
179383	Bracket 11,25	195415	Modification Kit 3,56	306992	Clamp 9,36
179626	Plate, Switch 40	195417	Shaft, Driven 56	306993	Plate 9,36
179630	Modification Kit 40	195418	Gear, 48T 56	306994	Shaft 36
179639	Contact Assembly 49	195420	Pawl 56	306995	Spacer 36
179800	Toggle, Gold Plated 49	195427	Washer, Flat 56	306996	Washer, Flat 9,10,36,54
192025	Washer, Flat 56	195431	Washer, Spring 33,57	307844	Pinion, 10T 22
192538	Plug, Button 15	195438	Sleeve 57	307845	GER, 57T 22
192550	Bar Assembly, Ball Lock 2,43	195439	Shaft 57	307846	Pinion, 20T 22
192552	Channel, Ball 43	195648	Jumper, 1-3/4" Green 49	307847	Gear, 70T 22
192553	Bracket, Left Mounting 42	195923	Filter, R F 49	307848	Pinion, 15T 22
192554	Bracket, Right Mounting 42,43	195992	Belt, 83T 35	307849	Gear, 78T 22
192555	Guideplate, Keytop 44	195993	Gear, 26T 35	307850	Gearset, 60 WPM 22
192556	Frame 42			307851	Gearset, 67 WPM 22
192557	Grommet, Rubber 42			307852	Gearset, 100 WPM 22

## NUMERICAL INDEX (Continued)

Part Number	Description and Page Number	Part Number	Description and Page Number	Part Number	Description and Page Number
309507	Contact 43,44	320420	Terminal, Ring Type 35	324535	Insulator 55
309508	Bracket, Left 43,44	320422	Terminal, Ring Type 35	325902	Bracket 56
309509	Bracket, Right 43,44	321561**	Cover 43	326657	Bracket 6,7
309510	Bar, Retaining 44	321727	Guide 44	326658	Bracket 6,7
309511	Modification Kit 44,62	321767	Switch, Pushbutton 51	326727	Gear Assembly, Intermediate 2,36
311451	Camsleeve 27,38	321768	Switch, Pushbutton 51	326730	Gear Assembly, Intermediate 2,36
312994	Modification Kit 43	321769	Cap, Black Pushbutton 51	327103	Shaft 9
312995	Bar, Retainer 43	321770	Cap, Red Pushbutton 51	327104	Gear Assembly, Intermediate 2,9
318903	Gear, 18T 59	323414	Washer, Flat 6,7	327119	Screw, 4-40 x 1-1/2 Hex 50
320236	Modification Kit 2,27	323426	Screw, 6-40 Shoulder 6,7	327450	Label 49
320239	Gear, 21T 27	323708	Switch, SP-DT Pushbutton 13,40	327606	Label 41
320240	Gear, 78T 27	323709	Switch, SP-DT Pushbutton 13,40	328163	Spring, Torsion 6,7
320241	Gear, 46T 27	323710	Switch, SP-DT Pushbutton 13,40	329089	Spring 45
320242	Gear, 42T 27	323761	Plunger, Red 13,40	330577	Bracket Assembly 6,7
320243	Gear, 35T 27	323762	Plunger, Green 13,40	330714	Insulator 44
320244	Gear, 59T 27	323763	Plunger, Black 13,40	330963	Keylever 44
320410	Terminal, Spade Type 7, 23,24,28,33,34,51,52,55, 63	324531	Contact Assembly 55	330964	Keylever 44,61
320416	Terminal, Ring Type 35,51	324533	Stiffener w/Contact 55	330965	Keylever 44
320418	Terminal, Ring Type 7,13, 36,51	324534	Spring, Contact 55	330966	Keylever 44

\*\*Refer to page 1 for finish suffix