

28 AUTOMATIC SEND-RECEIVE KEYBOARD (LAK)  
PARTS

Teletype to Bell Code Reference Chart	
Teletype Code	Bell System Code
LAK2BRJ	Part of 28A
LAK4ARP	Part of 28B, 28D, 28E, 28F and 28K
LAK10ARC	Part of 28G and 28G-1
LAK20BRV	Part of 28LA
LAK27BRX	Part of 28H
LAK39BRX	Part of 28J
LAK40BRX	Part of 28J-1
LAX44ARP	Part of 28B-1 and 28E-1
LAK49BSE	Part of 28L

NOTE:

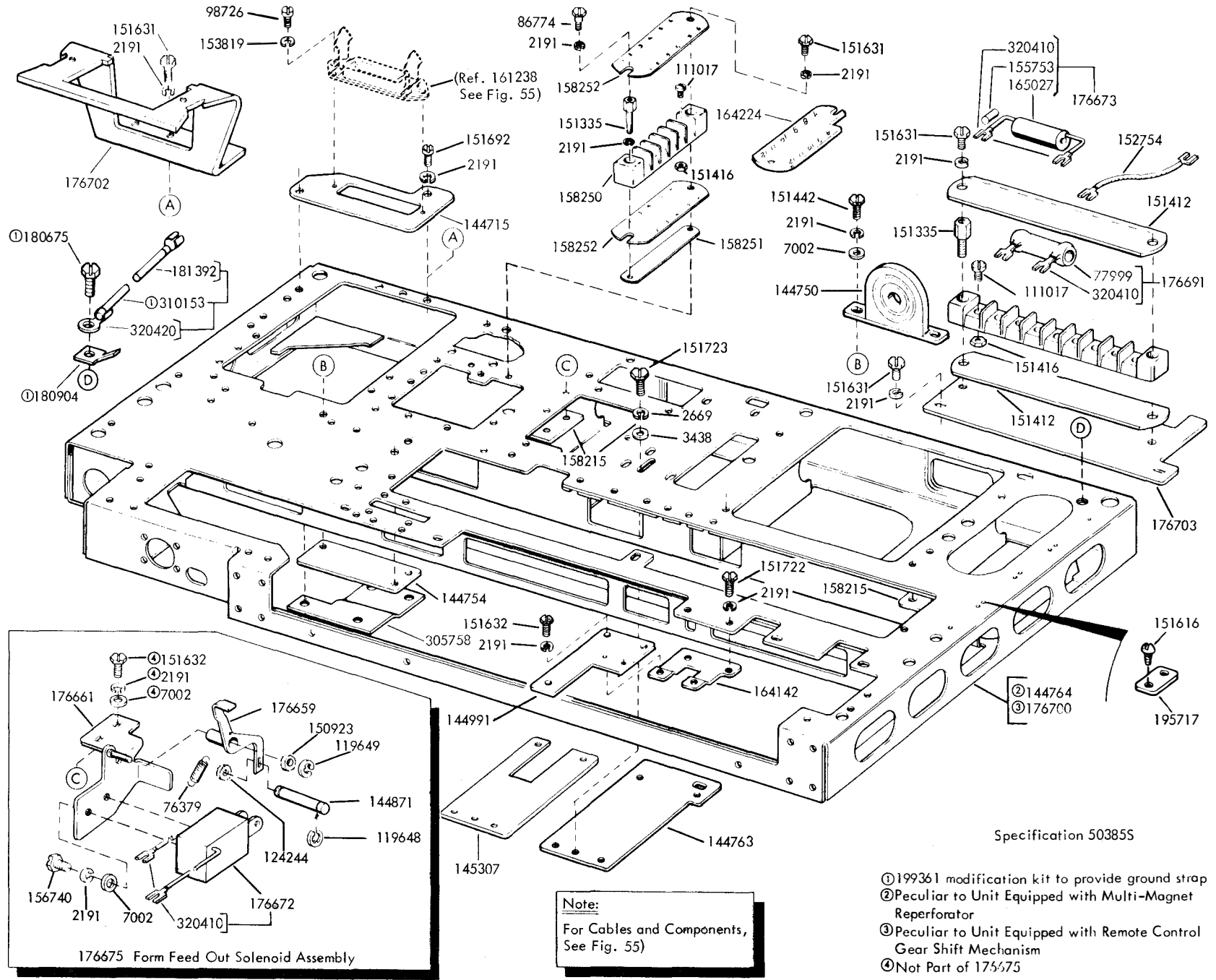
When ordering parts from this section,  
prefix each number with the letters TP.

## SECTION 573-117-800

FIGURE	CONTENTS	PAGE	FIGURE	CONTENTS	PAGE
1	Keyboard Base Parts	3	35	155990 Character Counter Assembly	33
2	Keyboard Base Parts	4	36	178346 Modification Kit to Equip Keyboard with Answer-Back Control	34
3	326727 and 326730 Intermediate Gear Assemblies	5	37	164659 (100 MA) and 194425 (50 MA) Modification Kits to Provide Synchronous Pulsed Transmission	35
4	154224 and 164234 Intermediate Gear Assemblies	6	38	154147 Modification Kit to Provide Local Paper Feed-out Motor Starting Mechanism	36
5	144770 Intermediate Gear Assembly (Noise Reduction)	6	39	154141 Modification Kit to Provide Electrical Signal Line Break Mechanism	36
6	Bearing Bracket Mechanism (Early Design)	7	40	176405 Modification Kit to Add Tape Backspace Button	37
7	144749 and 305634 Bearing Bracket Assemblies	8	41	163775 Modification Kit to Provide Repeat on Space Mechanism	37
8	Function Bail Mechanism	9	42	154142 and 162731 Modification Kits to provide Keyboard with Time Delay Mechanism	38
9	Local Reverse Line Feed Mechanism (8 Level)	10	43	164502 (End of Message Generator) and 172945 (Answer-Back) Modification Kits - See Figs. 44, 45 and 46	39
10	154146 Modification Kit to Provide Local Backspace Mechanism (5 Level)	10	44	164502 (End of Message Generator) and 172945 (Answer-Back) Modification Kits - See Figs. 43, 45 and 46	40
11	Keylever Guide Plates	11	45	164500 Resistor Assembly (Part of 164502 Modification Kit - See Figs. 43 and 44)	41
12	Keyboard Mechanism	12	46	172948 Resistor Assembly (Part of 172945 Modification Kit - See Figs. 43 and 44)	41
13	Keyboard Top Plates and Panel Assemblies	13	47	164426 Modification Kit to Add Horizontal Tab Disabler	42
14	Keyboard Hood and Mounting Parts	14	48	Coding the Keyboard Answer-Back Drum Blade	43
15	Code Bar Mechanism (5 Level)	15	49	176395 Modification Kit to Provide Lock Bar Reset to Answer-Back	44
16	Code Bar Mechanism (6 and 8 Level)	16	50	Remote Control Speed Shift Gear Mechanism (60-100 WPM, 7.42 Unit Code)	45
17	Contact Assemblies	17	51	195154 and 317202 (60-67-100 WPM, 7.42 Unit Code) and 311676 and 317349 (65-71-107 WPM, 7.00 Unit Code) Modification Kits to Add Three Speed Gear Shift to Keyboard	46
18	154151 and 170332 Universal Bail Assemblies	18	52	149896 and 154145 Modification Kits to Provide Local Reverse Line Feed Mechanism (Mark III)	47
19	154152 (5 Level), 170331 (6 and 8 Level) and 192550 (5 Level) Lock Bar Assemblies	18	53	309511 Modification Kit to Provide Universal Keyboard Switch on (Mark III) Keyboards	47
20	Signal Generator Frame Mechanism	19	54	Gear Sets	48
21	Signal Generator Shaft Assemblies	20	55	Keyboard Cable Components	49
22	Signal Generator Front Plate Mechanism	21	56	Time Delay Reset Mechanism	50
23	Signal Generator Rear Plate Mechanism	22	57	Character Counter Stepping Switch	50
24	154165 (w/Arc Suppression) 154225 (w/RF Suppression) - Neutral Transmission and 162892 (w/RF Suppression - Polar Transmission) Contact Box Assemblies	23	58	Tape Container Control Components	51
25	174410 Contact Box Assembly w/RF Suppression - Polar Transmission (Shielded Signal Lines)	24	59	199070 Contact Box Assembly	52
26	Code Bar Extension Basket Mechanism	25		Numerical Index	53
27	Cam Follower Mechanism and Margin Indicator Assemblies	26			
28	Auxiliary Switch Mechanism	27			
29	Keyboard Switch Assemblies	28			
30	144708 (Function Magnet Contact) and 144710 (Code Reading Contacts) Modification Kits	29			
31	144997 Figures - Letters Contact Assembly	30			
32	158007, 170349 and 176709 Tape Container Assemblies	31			
33	158009 (Two Wire) Tape-out Switch Assembly	32			
34	163531 (Three Wire) and 311438 (Two Wire) Tape-out Switch Assemblies	32			



FIGURE 2. KEYBOARD BASE PARTS



**Note:**  
For Cables and Components,  
See Fig. 55)

Specification 503855

- ① 199361 modification kit to provide ground strap
- ② Peculiar to Unit Equipped with Multi-Magnet Reperforator
- ③ Peculiar to Unit Equipped with Remote Control Gear Shift Mechanism
- ④ Not Part of 176675

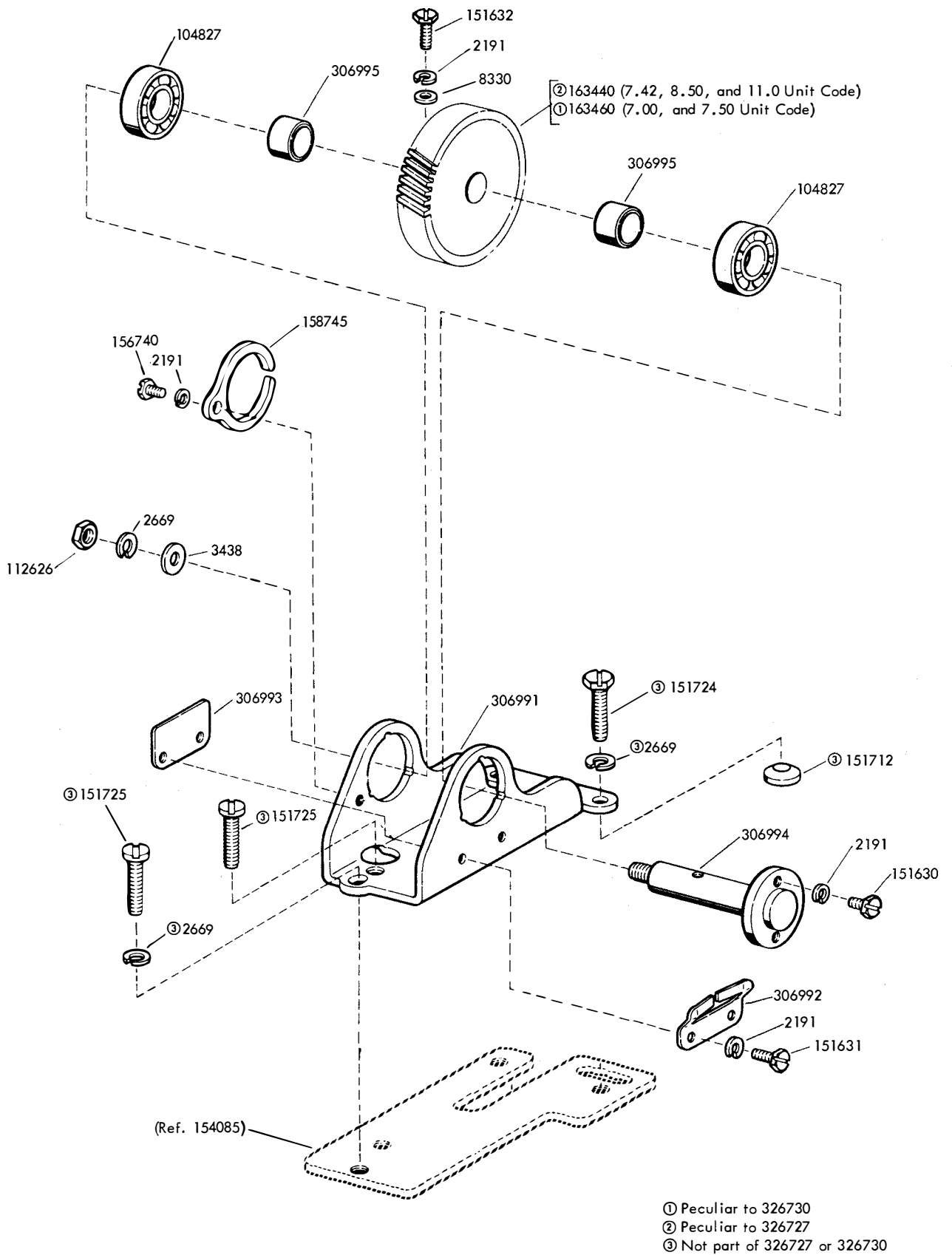


FIGURE 3. 326727 AND 326730 INTERMEDIATE GEAR ASSEMBLY

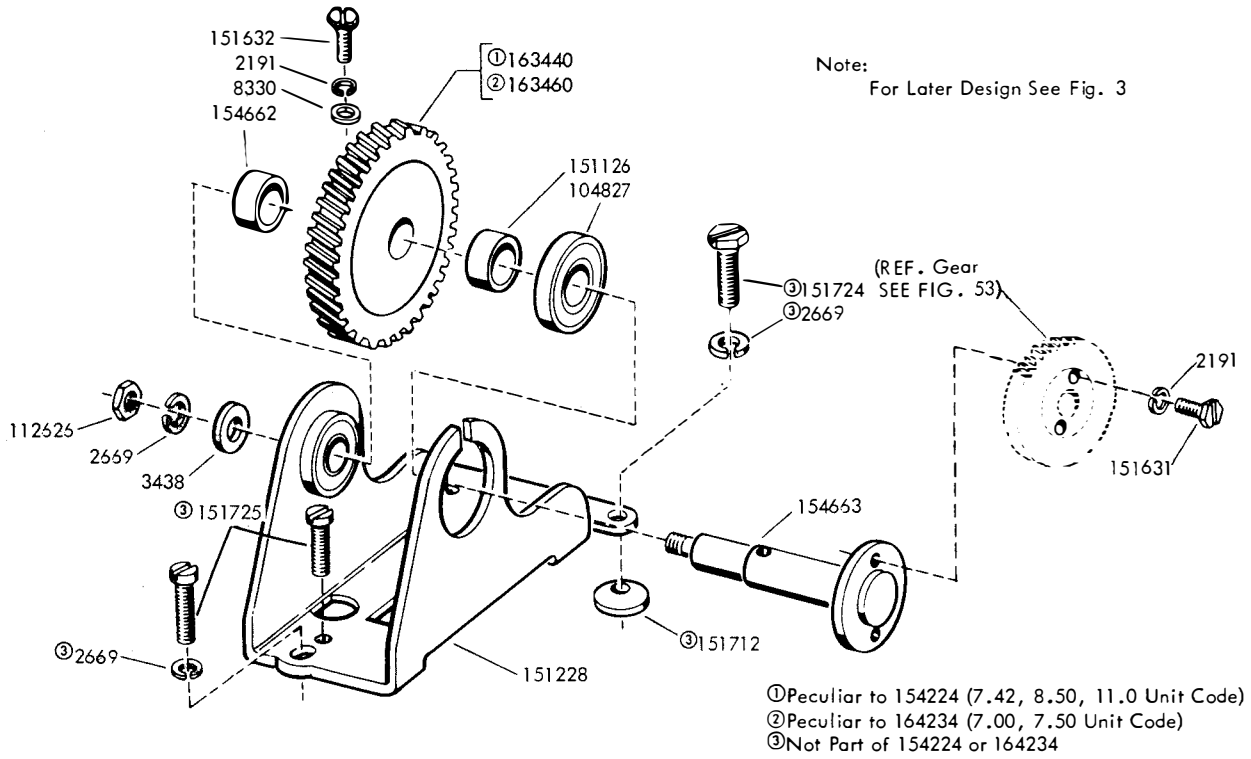


FIGURE 4. 154224 AND 164234 INTERMEDIATE GEAR ASSEMBLY EARLY DESIGN

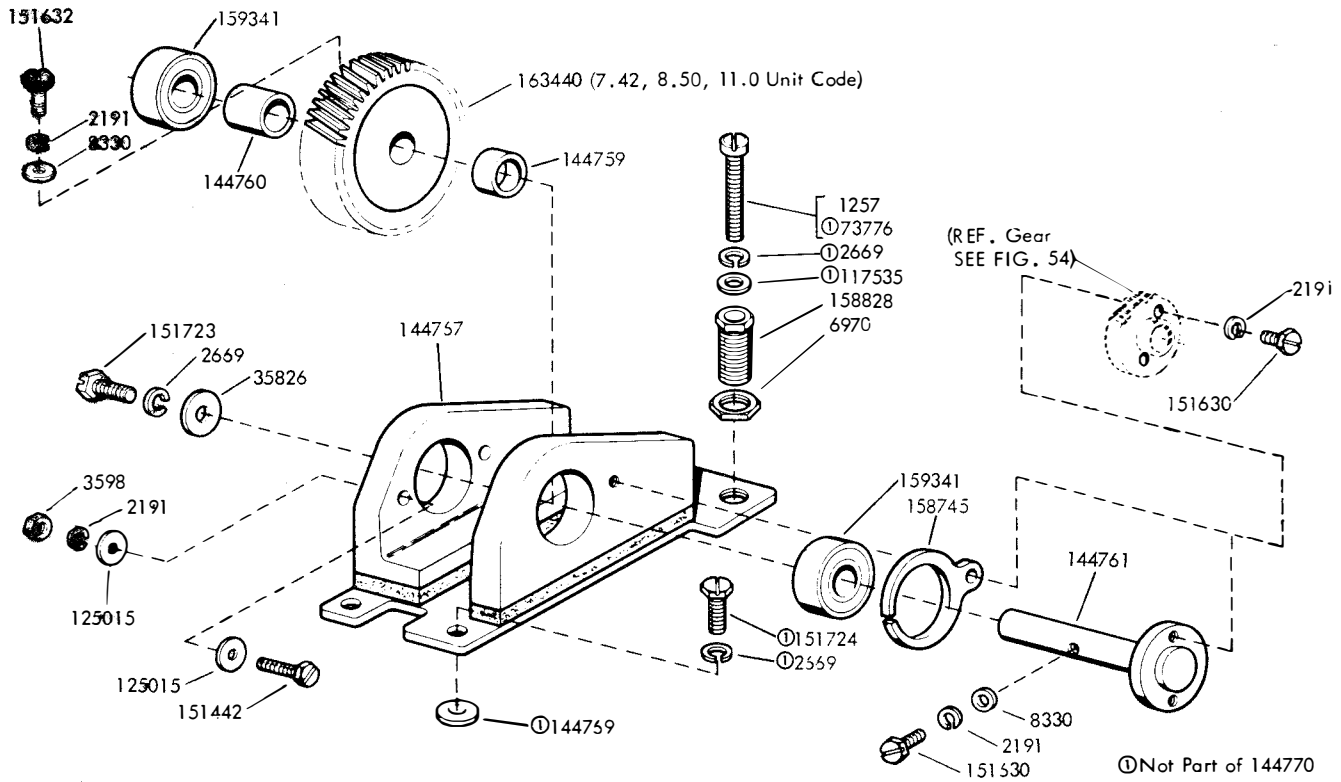
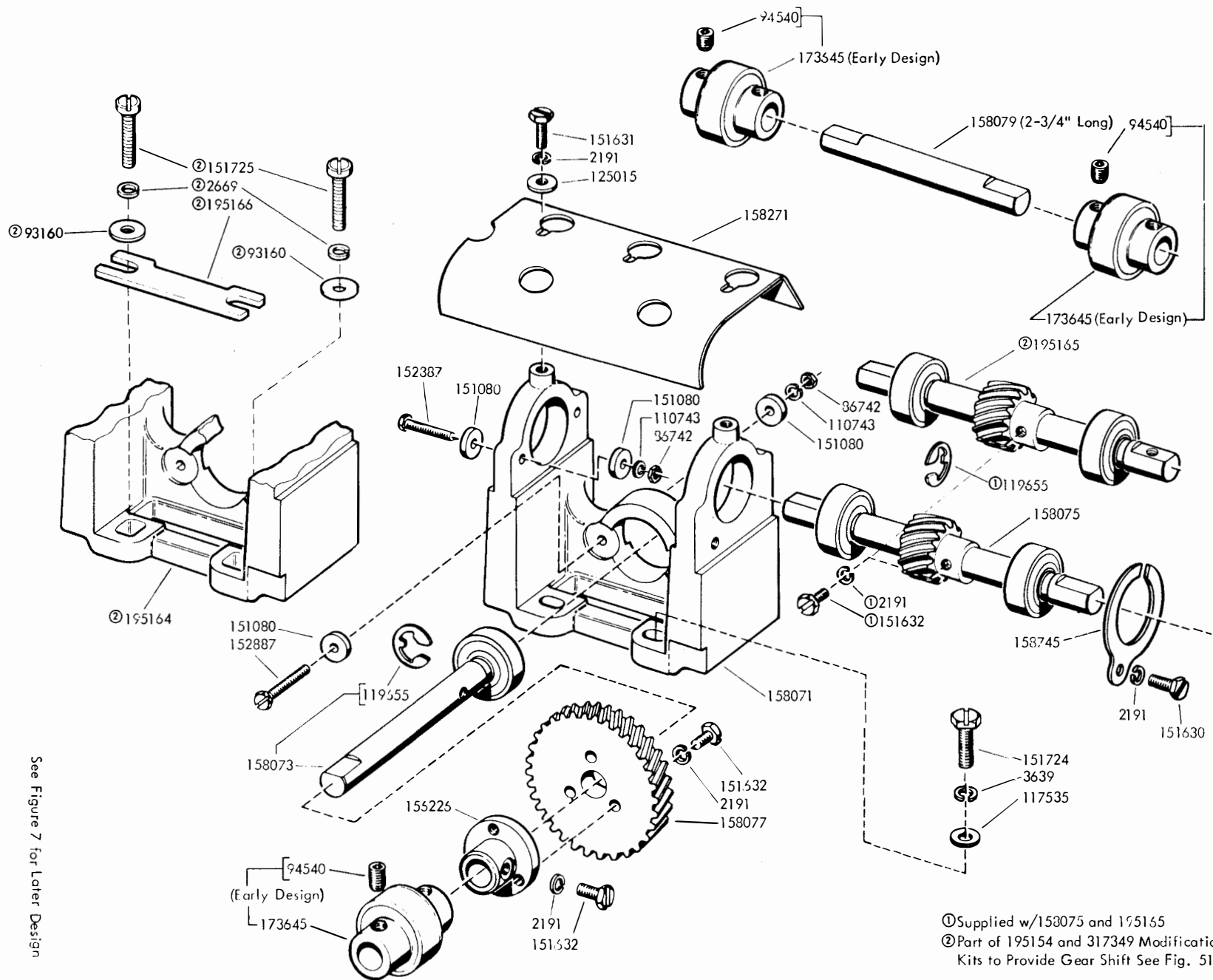


FIGURE 5. 144770 INTERMEDIATE GEAR ASSEMBLY (NOISE REDUCTION)

FIGURE 6. BEARING BRACKET MECHANISM (EARLY DESIGN)



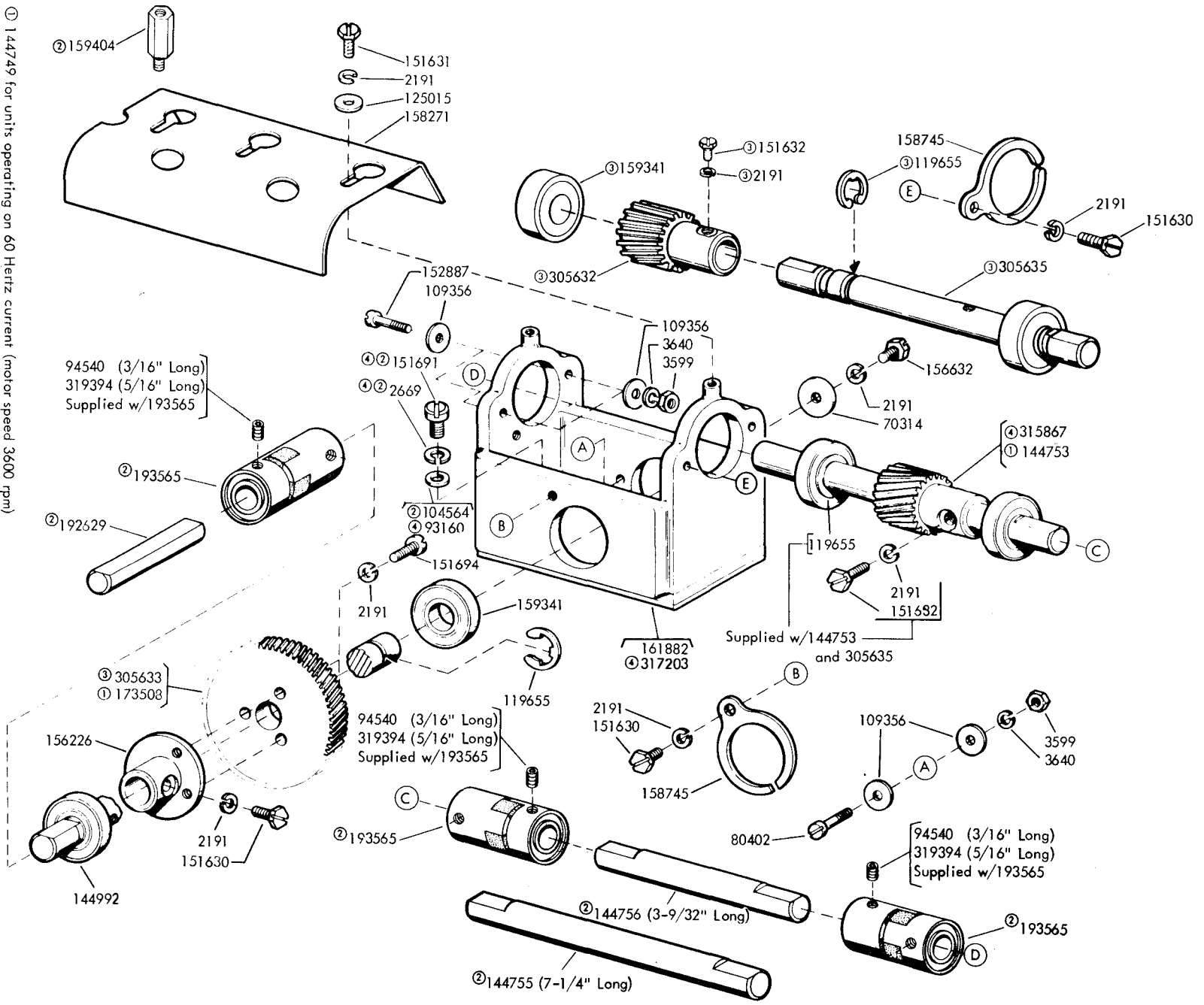


FIGURE 7. 144749 and 305634 BEARING BRACKET ASSEMBLIES



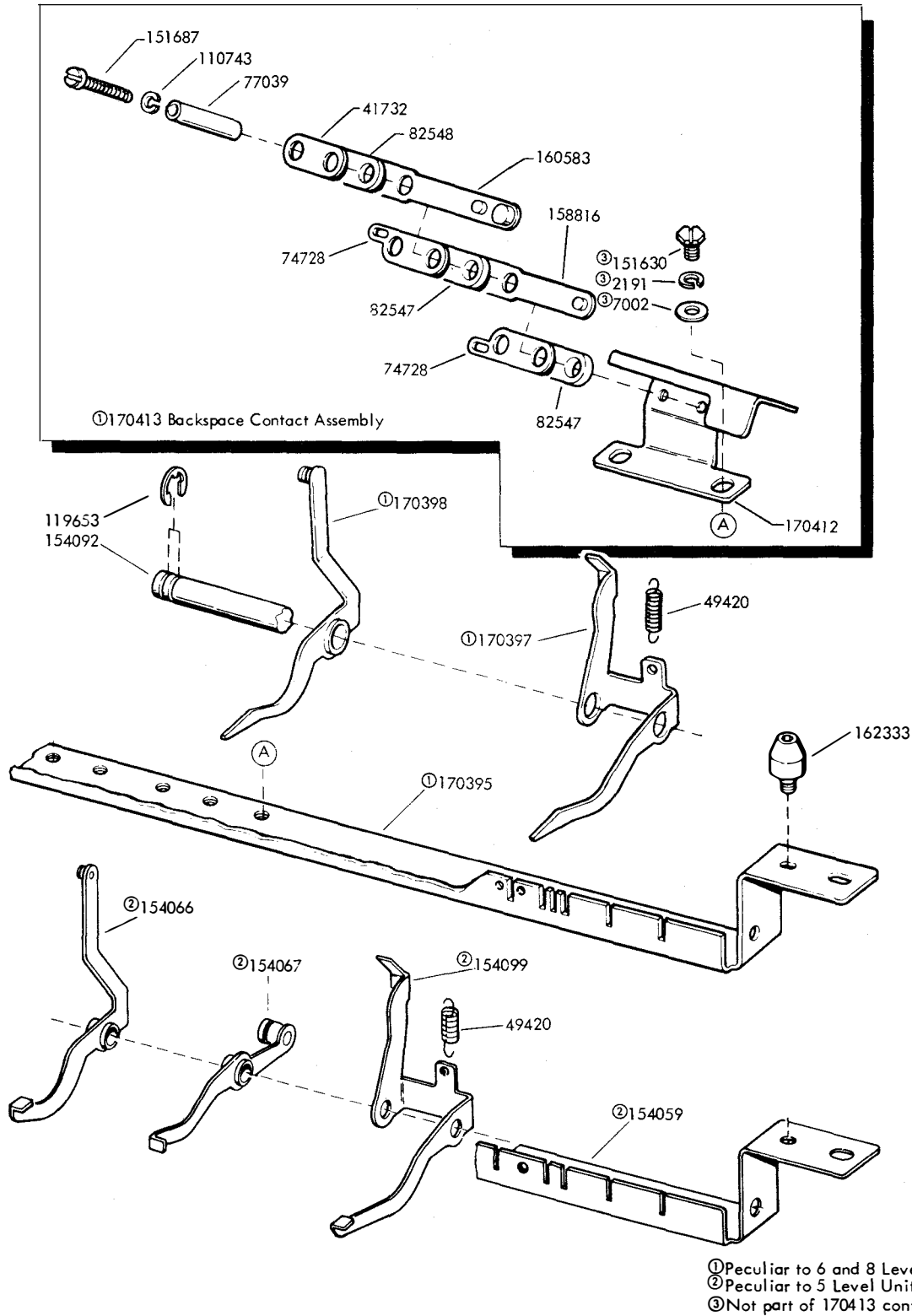
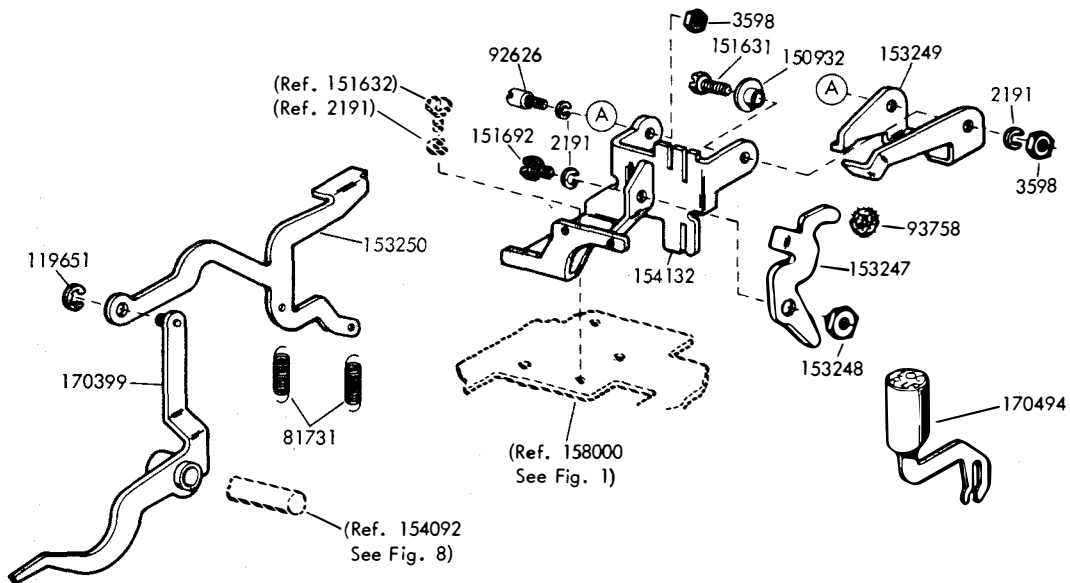
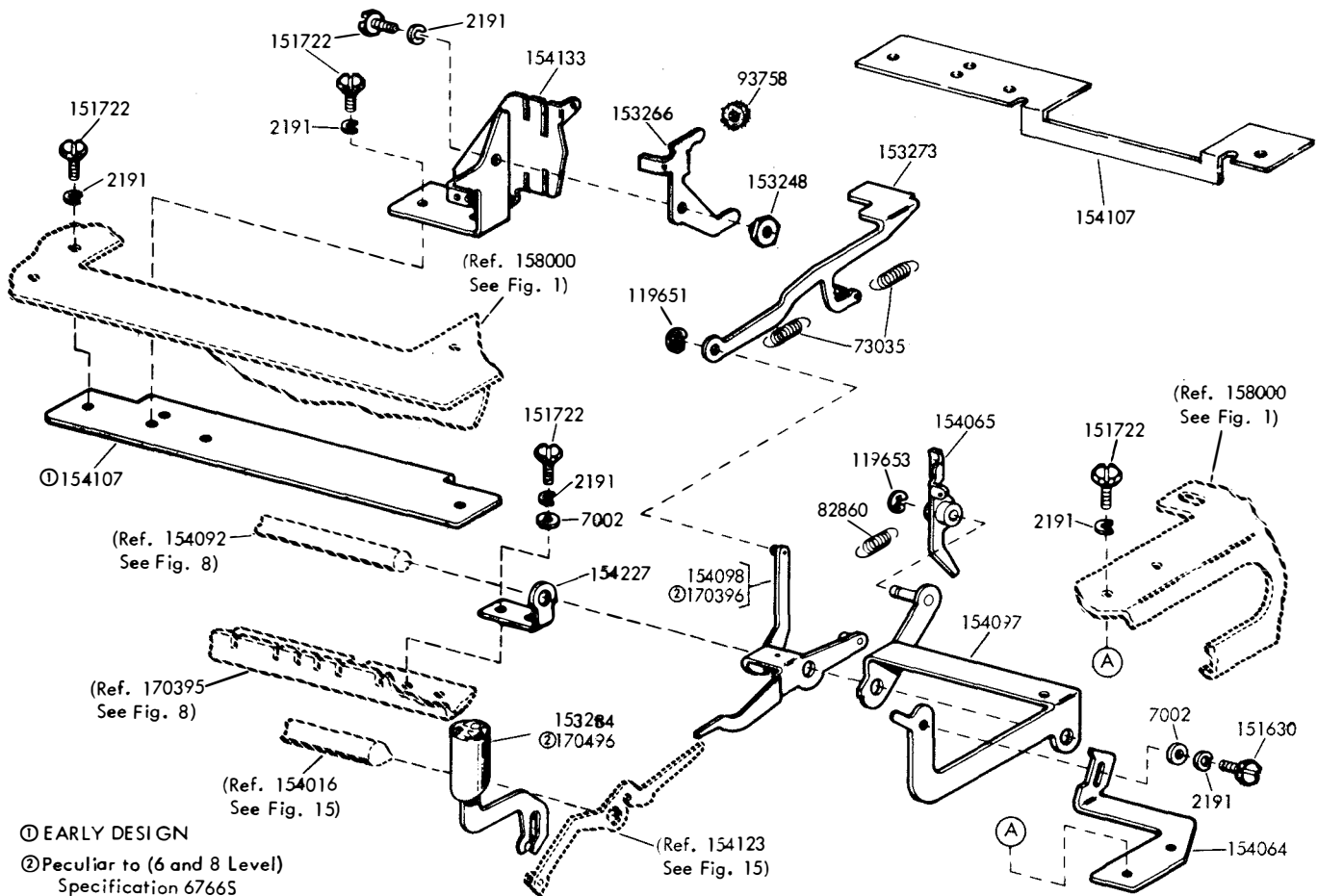


FIGURE 8. FUNCTION BAIL MECHANISM



Specification 57655

FIGURE 9. LOCAL REVERSE LINE FEED MECHANISM (8 LEVEL)



- ① EARLY DESIGN
- ② Peculiar to (6 and 8 Level)  
Specification 67665

FIGURE 10. 154146 MODIFICATION KIT TO PROVIDE LOCAL BACKSPACE MECHANISM (5 LEVEL)

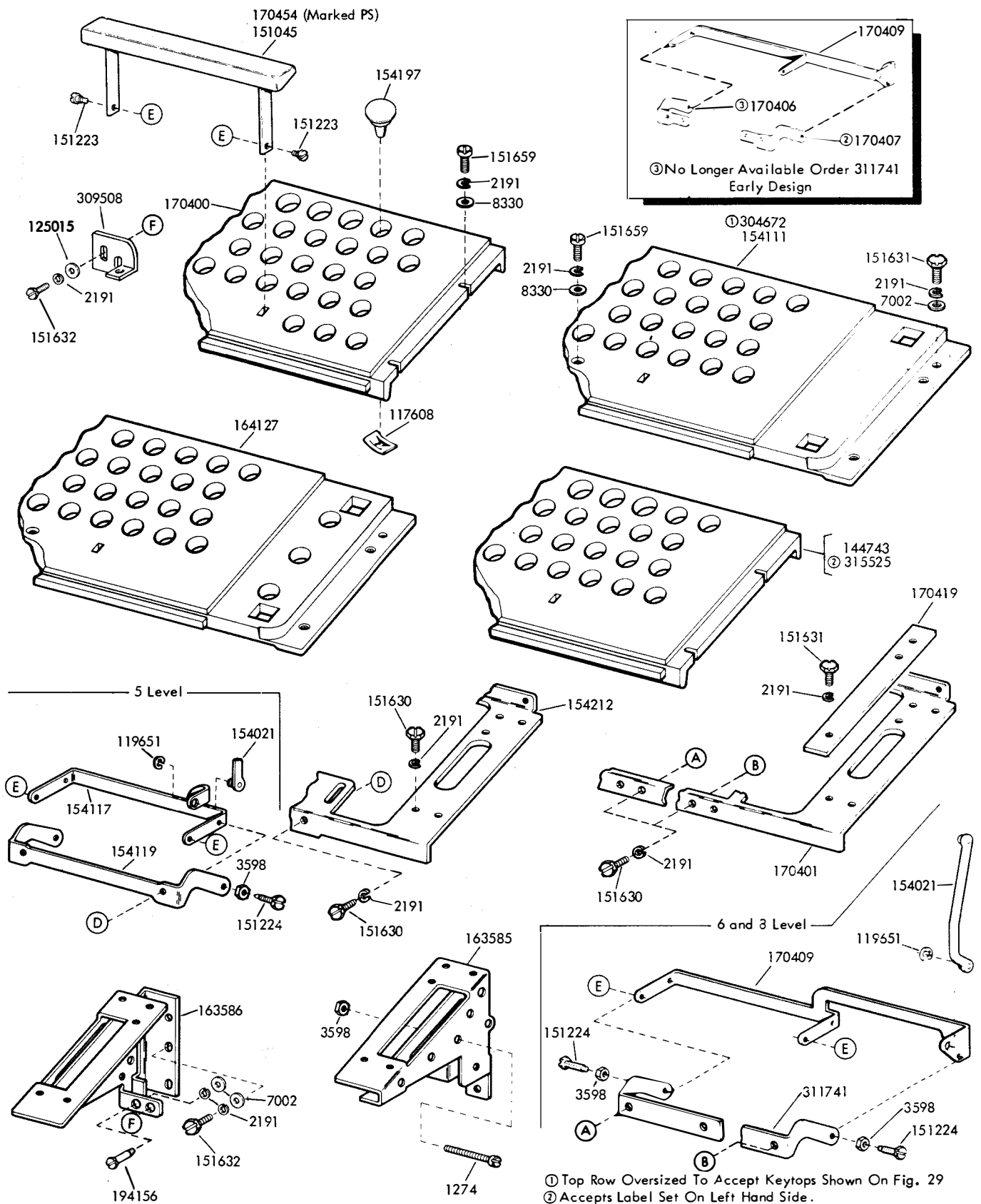


FIGURE 11. KEYLEVER GUIDE PLATES

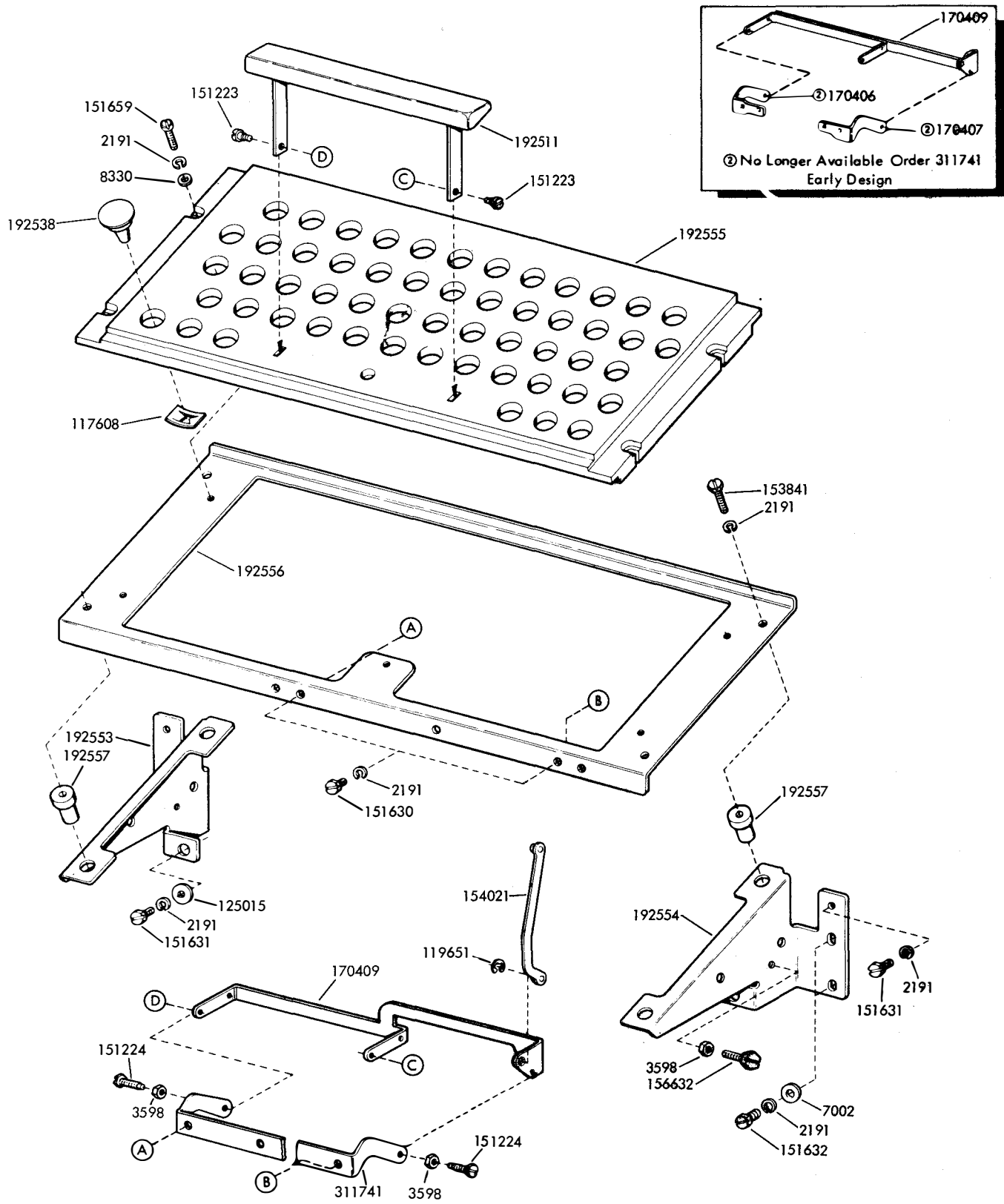


FIGURE 12. KEYBOARD MECHANISM

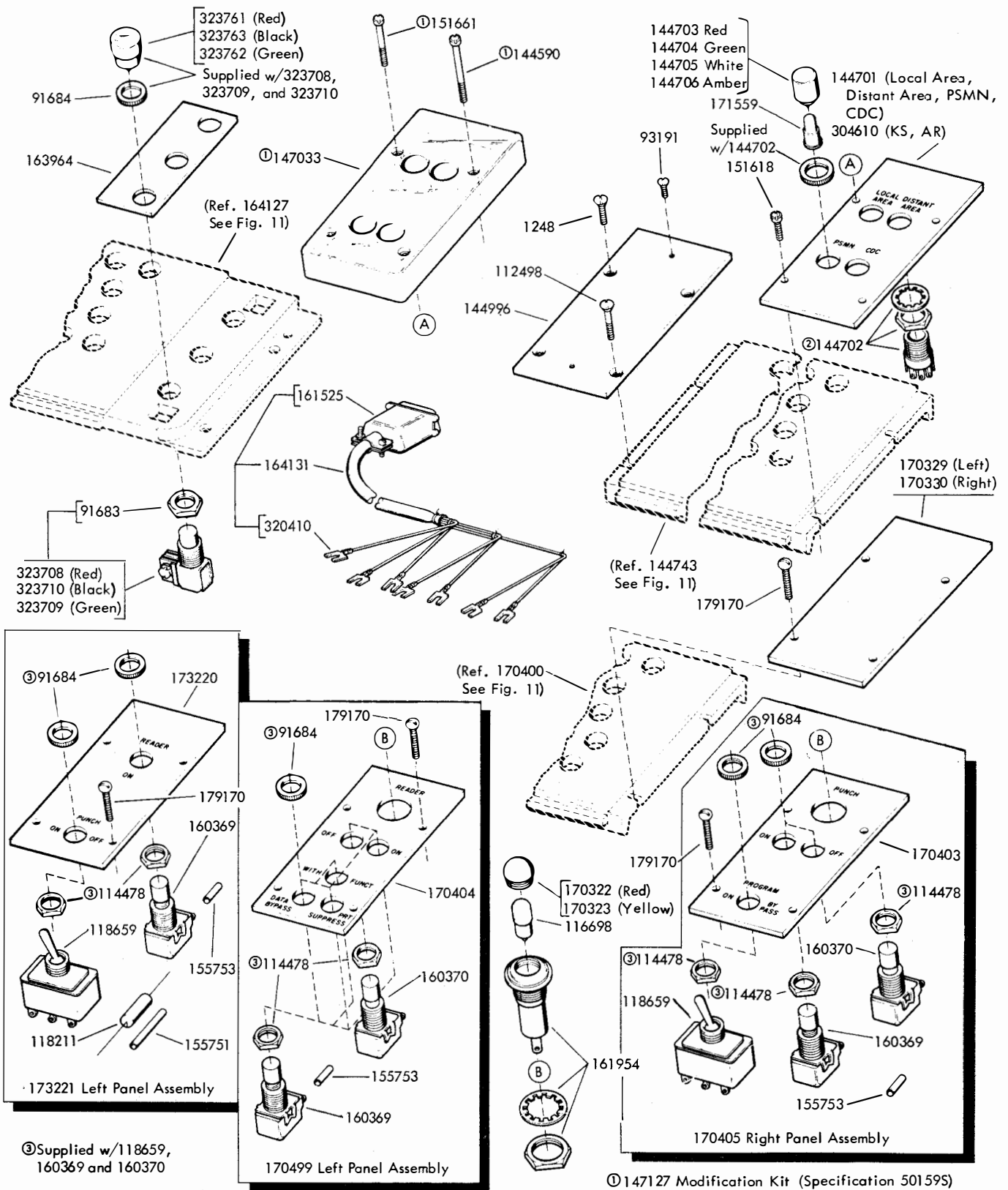


FIGURE 13. KEYBOARD TOP PLATES AND PANEL ASSEMBLIES

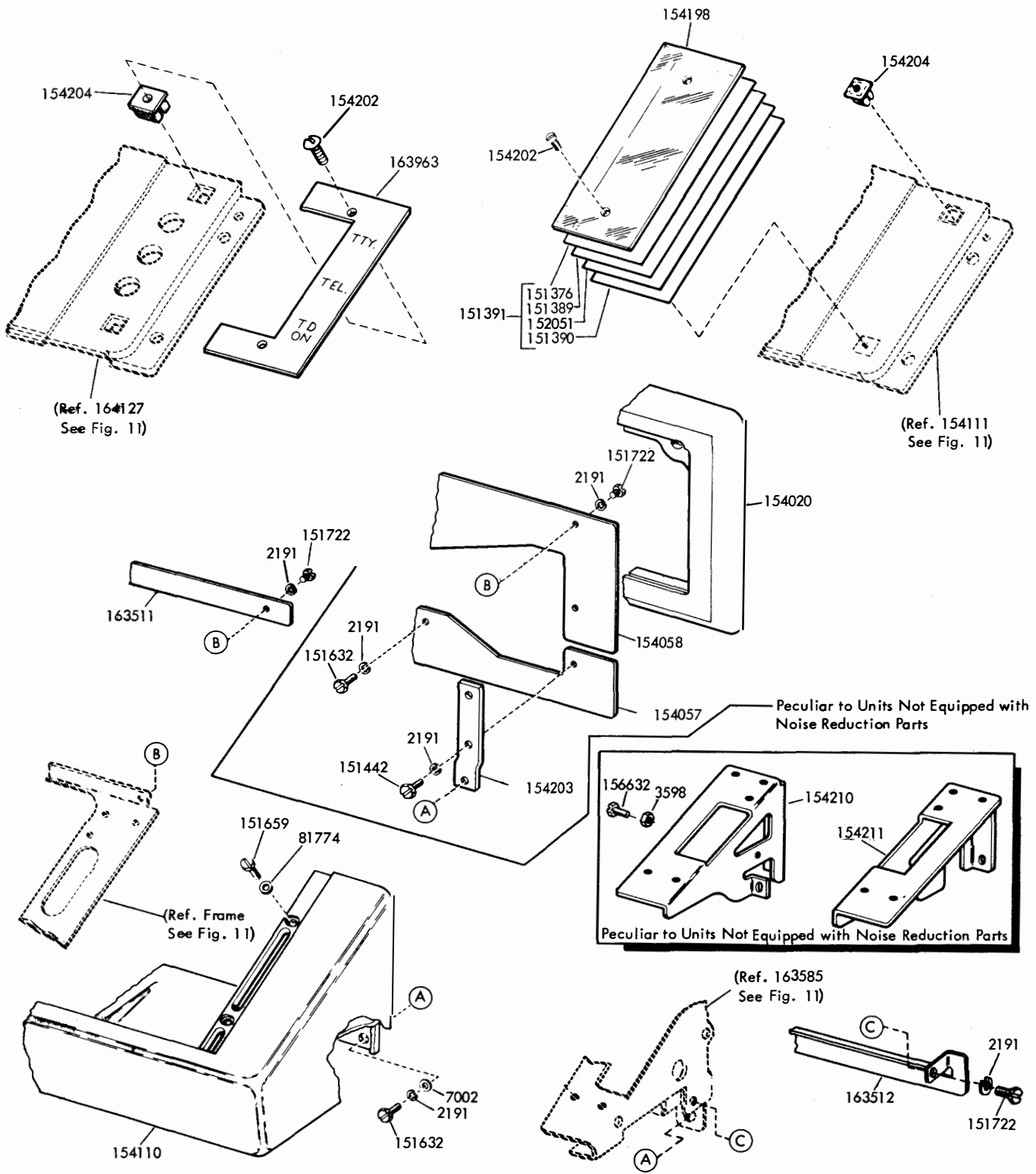


FIGURE 14. KEYBOARD HOOD AND MOUNTING PARTS

FIGURE 15. CODE BAR MECHANISM (5 LEVEL)

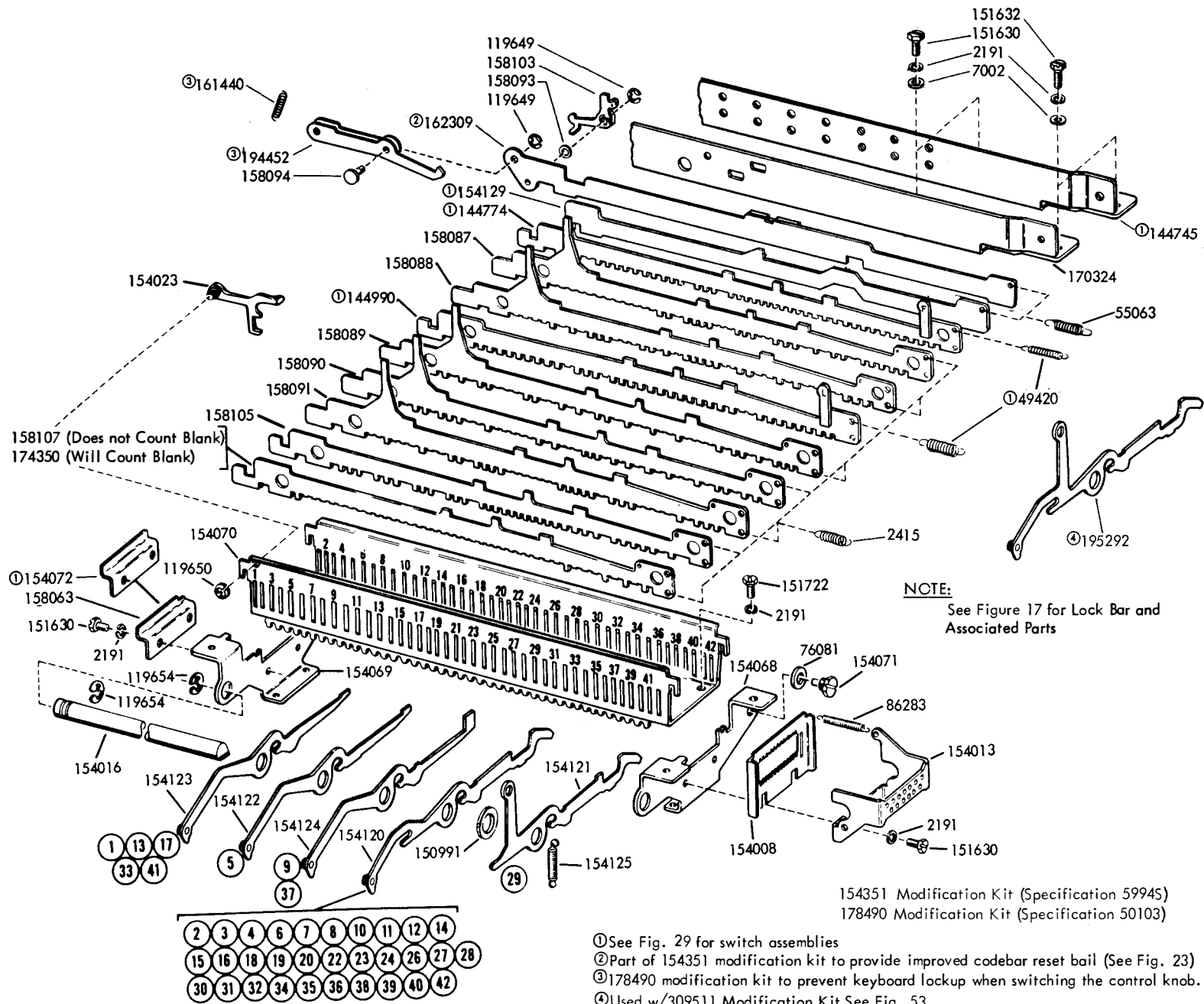
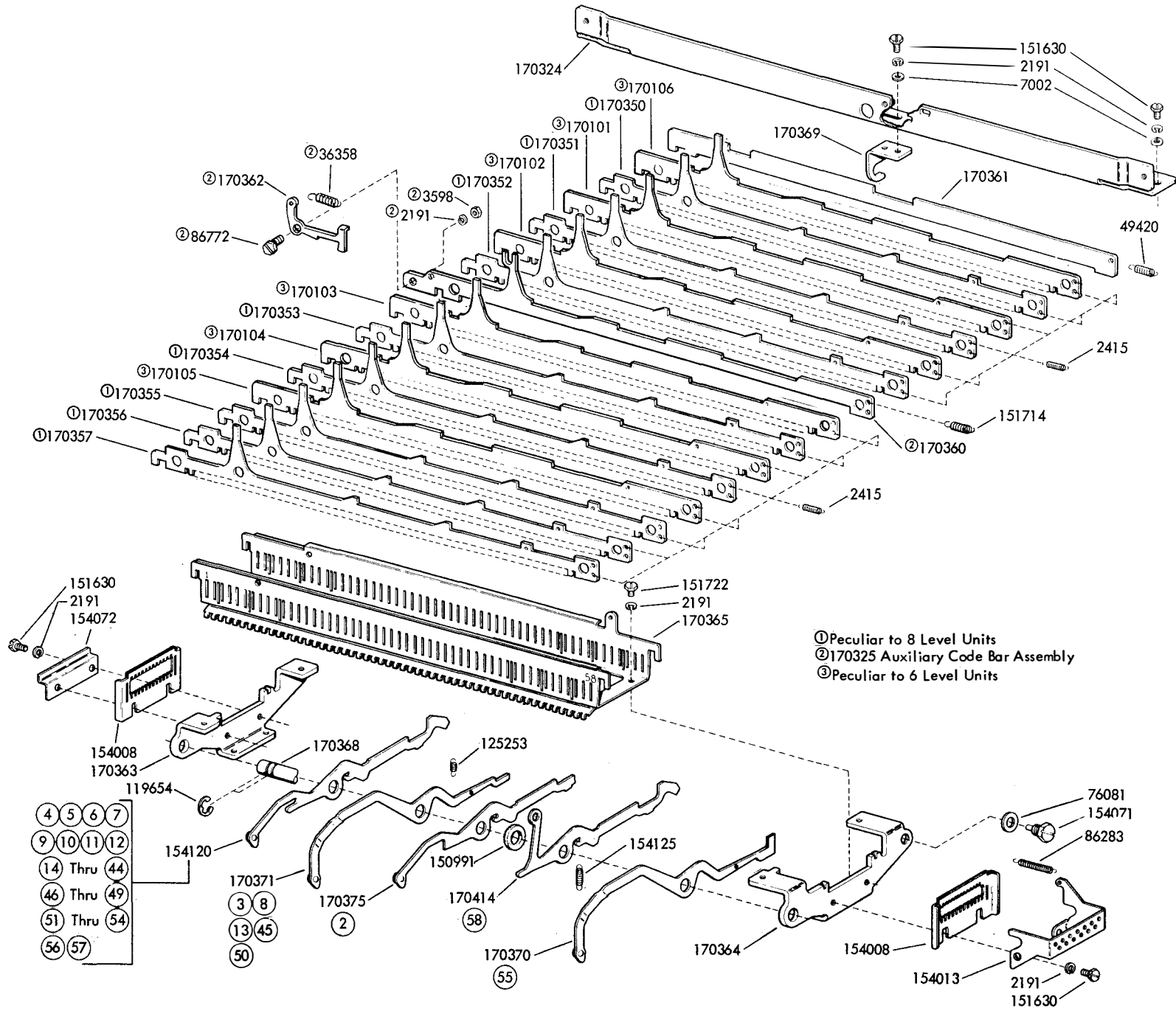


FIGURE 16. CODE BAR MECHANISM (6 AND 8 LEVEL)





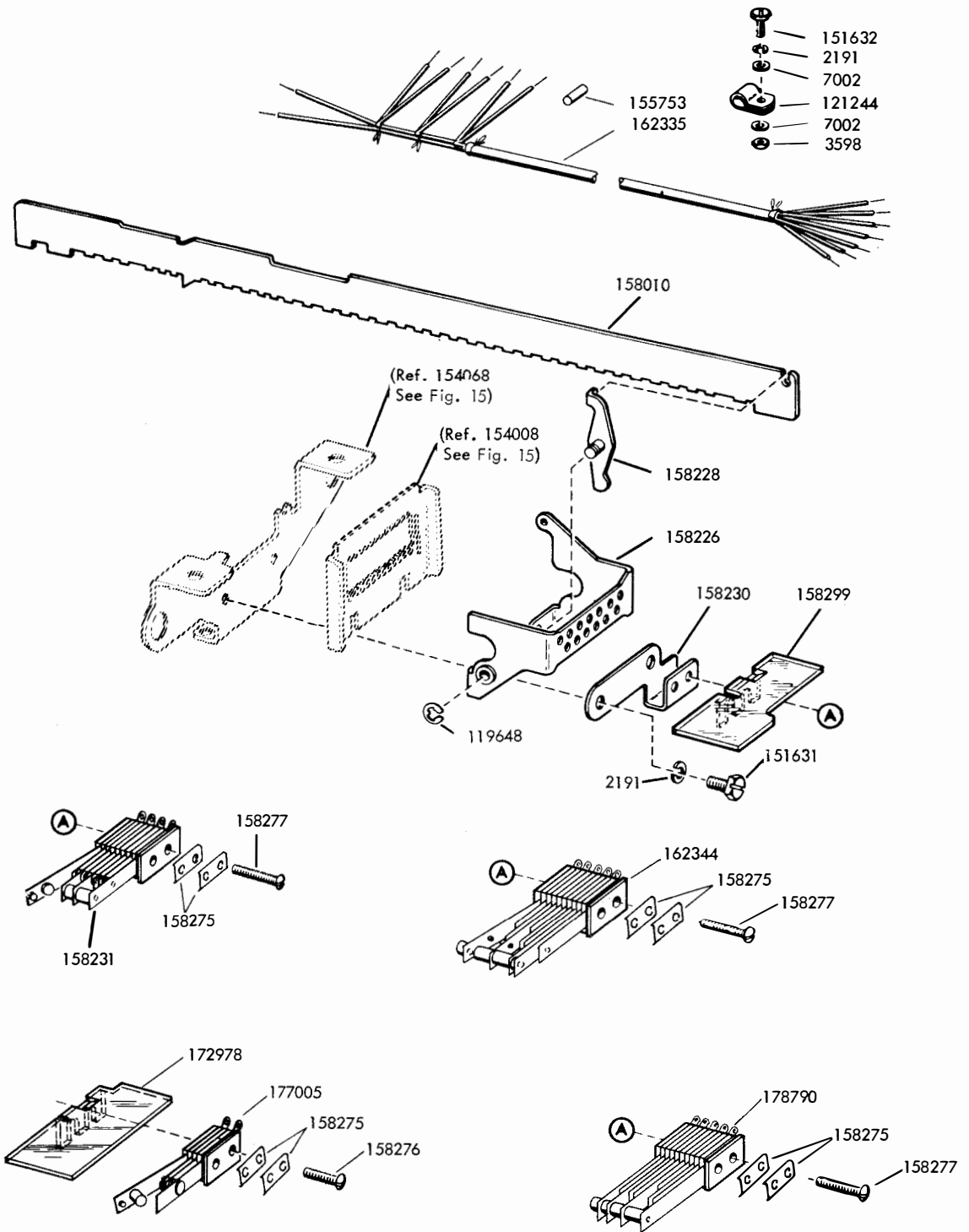
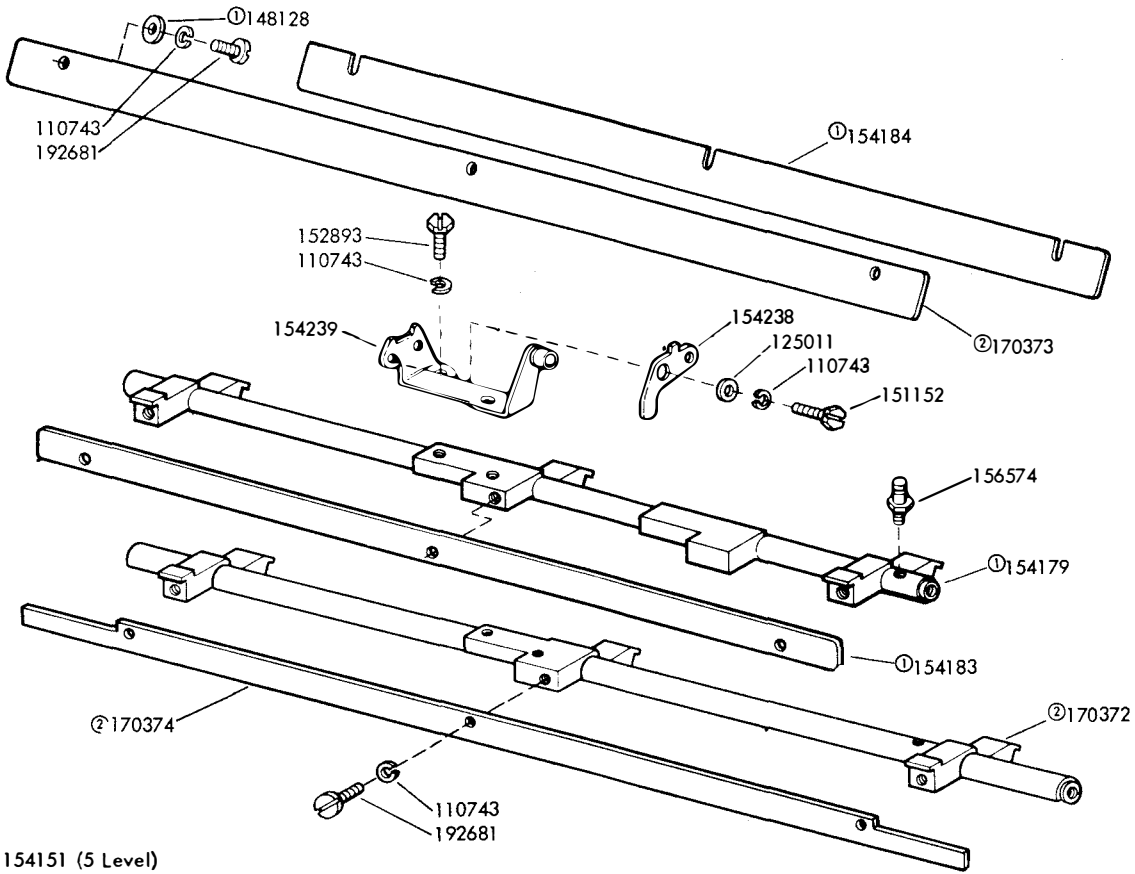
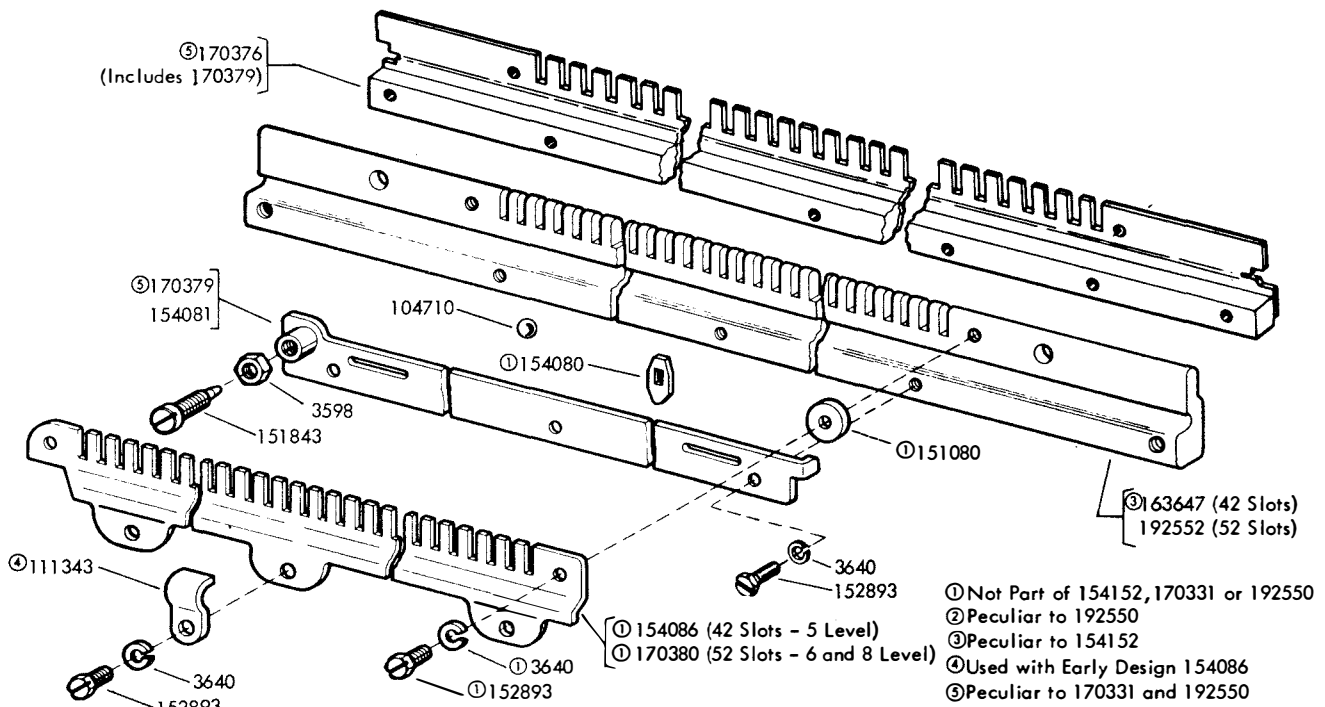


FIGURE 17. CONTACT ASSEMBLIES



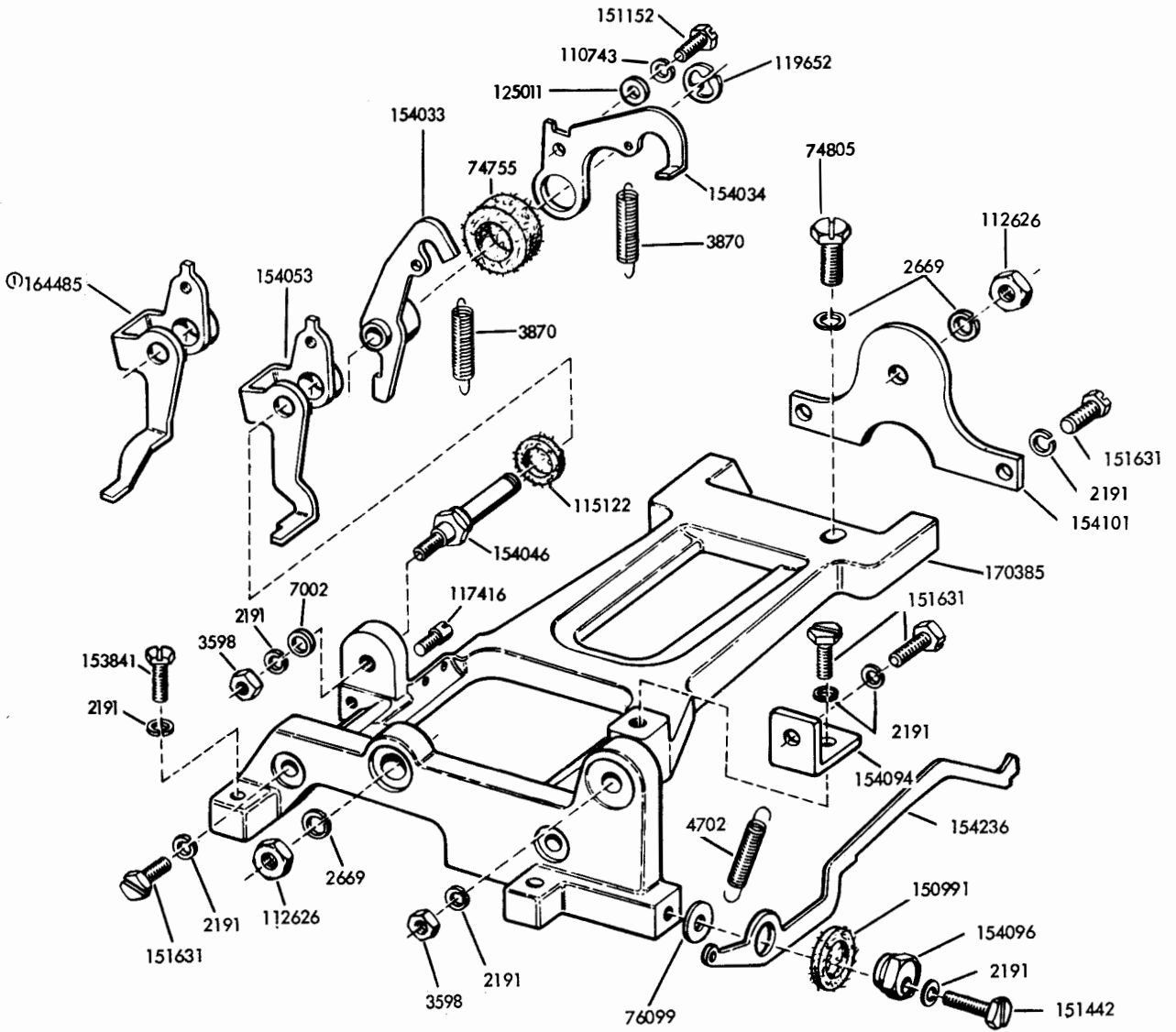
- ① Peculiar to 154151 (5 Level)
- ② Peculiar to 170332 (6 and 8 Level)

FIGURE 18. 154151 AND 170332 UNIVERSAL BAIL ASSEMBLIES



- ① Not Part of 154152, 170331 or 192550
- ② Peculiar to 192550
- ③ Peculiar to 154152
- ④ Used with Early Design 154086
- ⑤ Peculiar to 170331 and 192550

FIGURE 19. 154152 (5 LEVEL), 170331 (6 AND 8 LEVEL) AND 192550 (5 LEVEL) LOCK BAR ASSEMBLIES

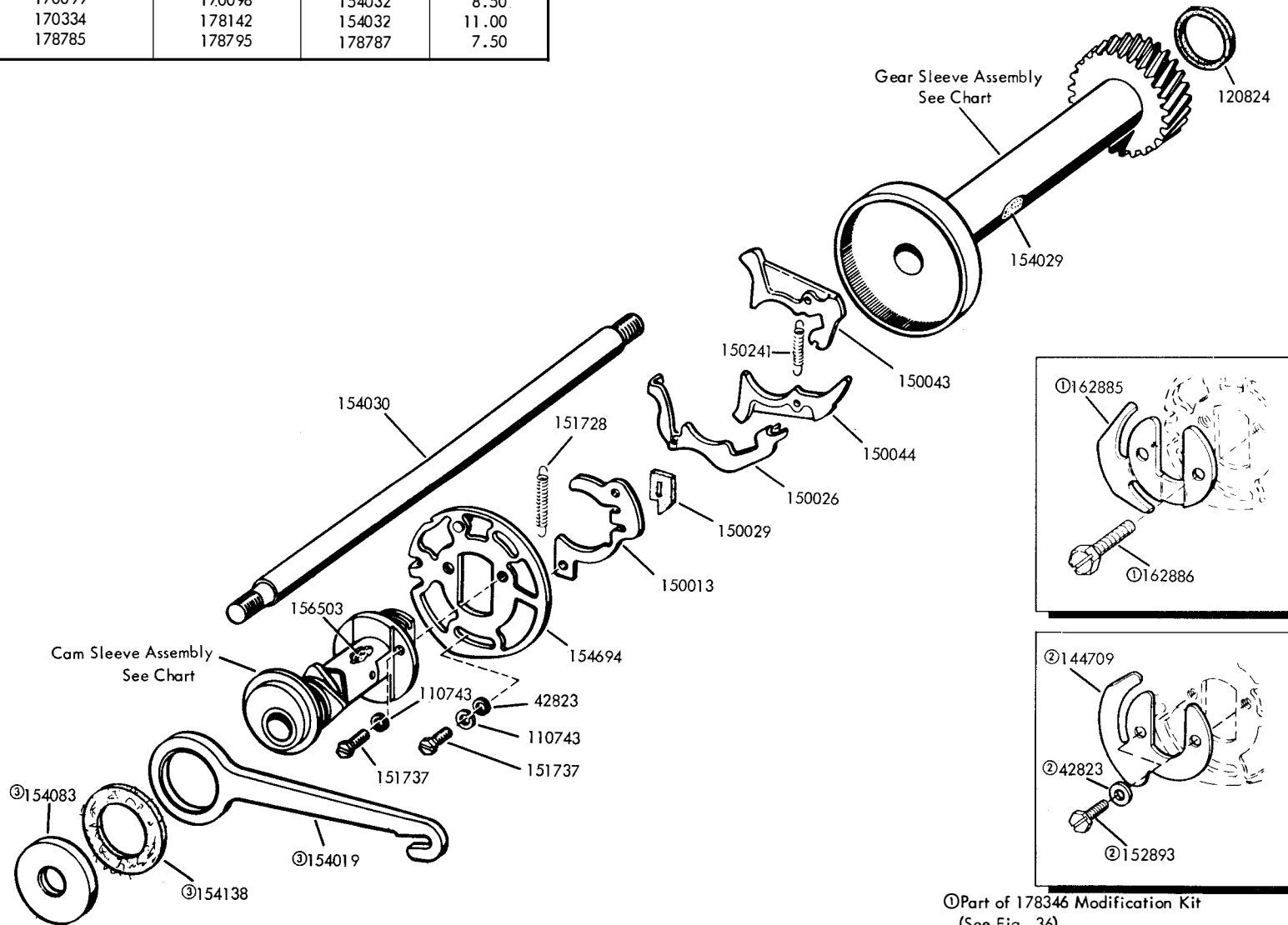


Ⓞ Peculiar to Units Equipped with Synchronous Pulsed Transmission (See Fig. 37)

FIGURE 20. SIGNAL GENERATOR FRAME MECHANISM

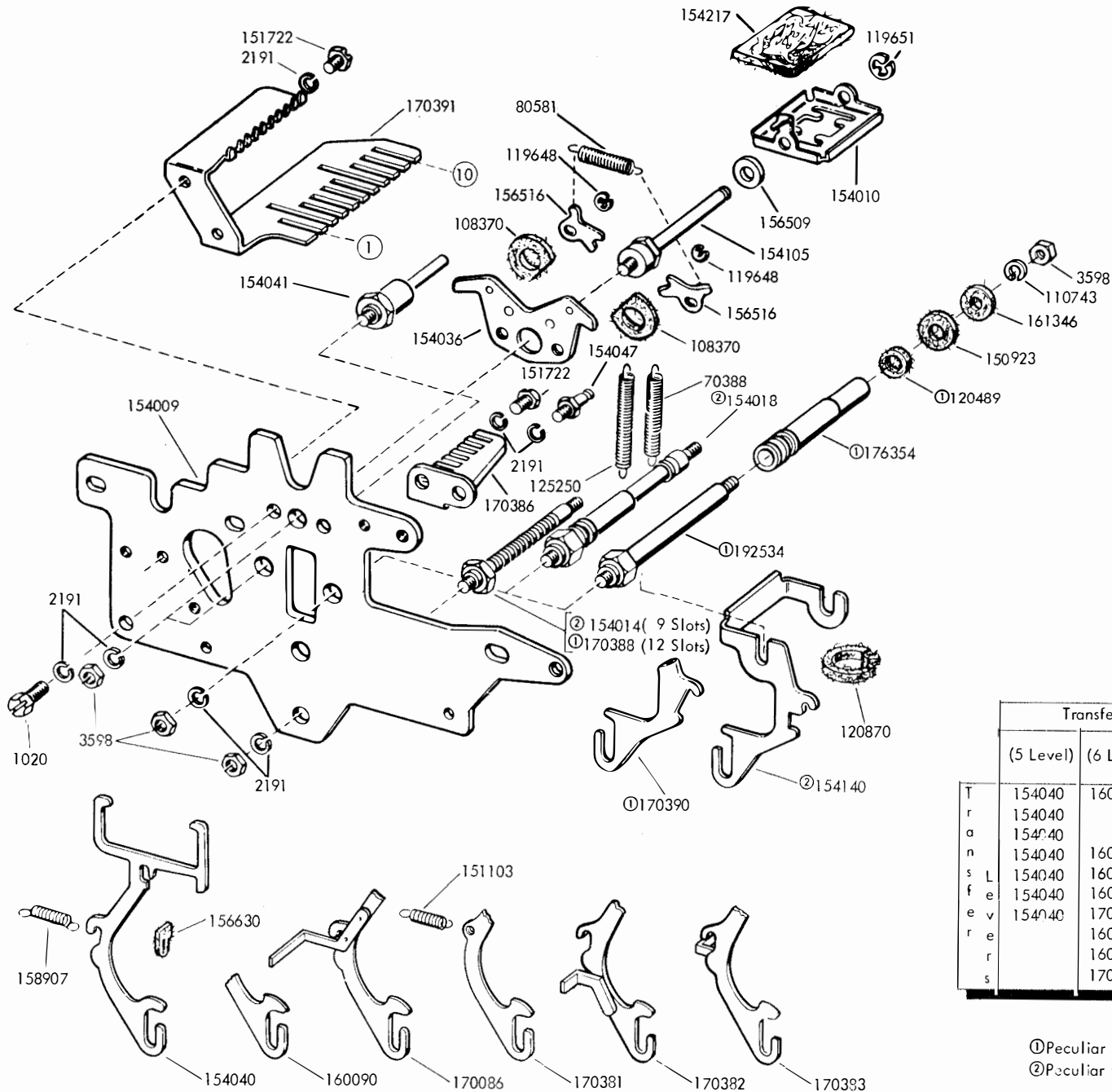
SIGNAL GENERATOR SHAFT ASSEMBLY	CAM SLEEVE ASSEMBLY	GEAR SLEEVE ASSEMBLY	UNIT CODE
154163	154154	154032	7.42
164349	311451	163519	7.00
170099	170098	154032	8.50
170334	178142	154032	11.00
178785	178795	178787	7.50

FIGURE 21. SIGNAL GENERATOR SHAFT ASSEMBLIES



- ① Part of 178346 Modification Kit (See Fig. 36)
- ② Part of 144708 Modification Kit (See Fig. 30)
- ③ Not Part of Signal Generator Shaft Assemblies

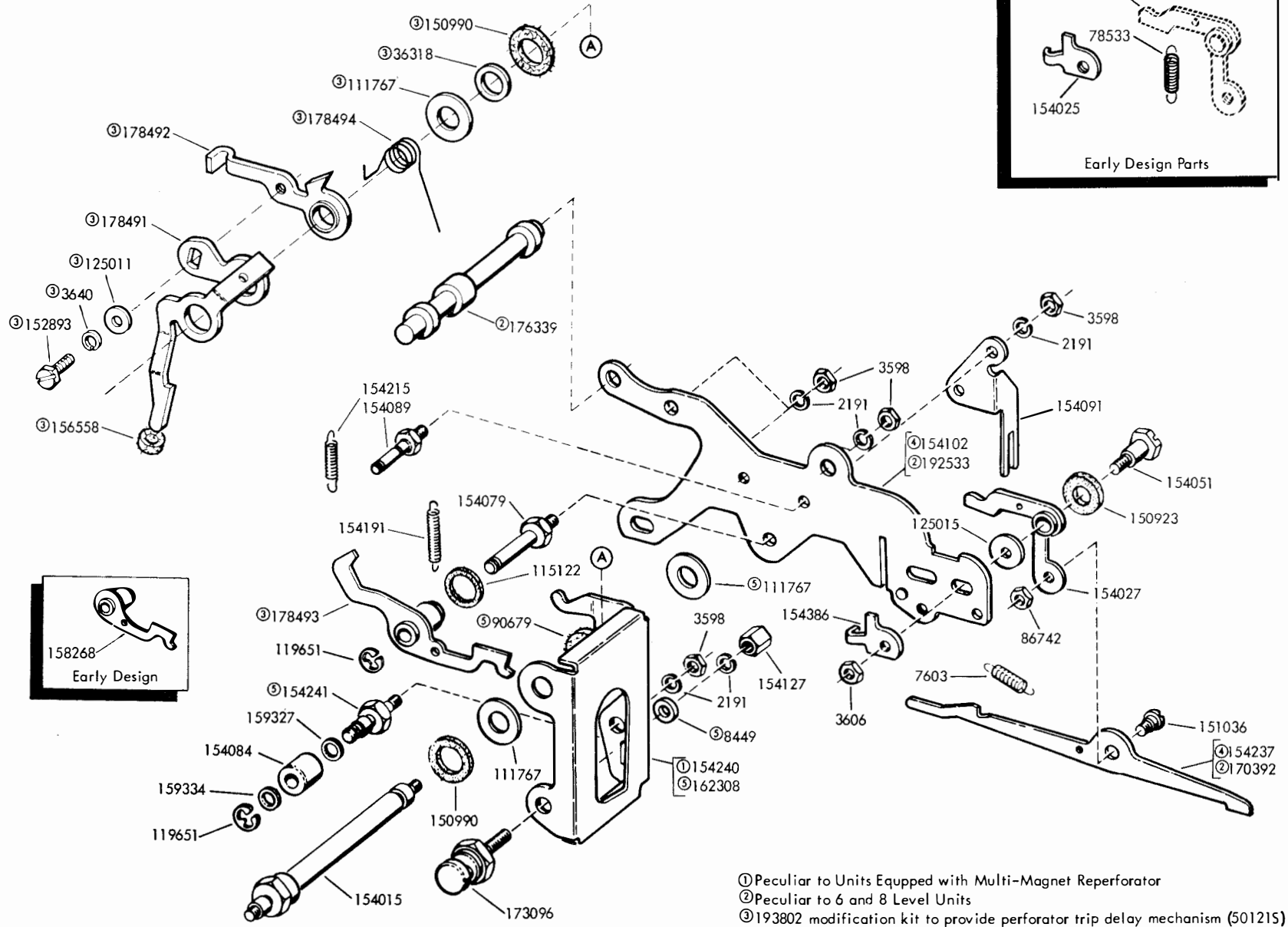
FIGURE 22. SIGNAL GENERATOR FRONT PLATE MECHANISM



	Transfer Levers			Slot No.
	(5 Level)	(6 Level)	(8 Level)	
T	154040	160090	160090	1
r	154040		160090	2
a	154040		160090	3
n	154040	160090	160090	4
s	154040	160090	160090	5
L	154040	160090	160090	6
e	154040	160090	170383	7
v	154040	170381	170331	8
r		160090	170382	9
r		160090	160090	10
s		170085	160090	

①Peculiar to 5 and 8 Level Units Only  
②Peculiar to 5 Level Units Only

FIGURE 23. SIGNAL GENERATOR REAR PLATE MECHANISM



- ① Peculiar to Units Equipped with Multi-Magnet Reperforator
- ② Peculiar to 6 and 8 Level Units
- ③ 193802 modification kit to provide perforator trip delay mechanism (501215)
- ④ Peculiar to 5 Level Units
- ⑤ Part of 154351 Modification Kit (See Fig. 15)

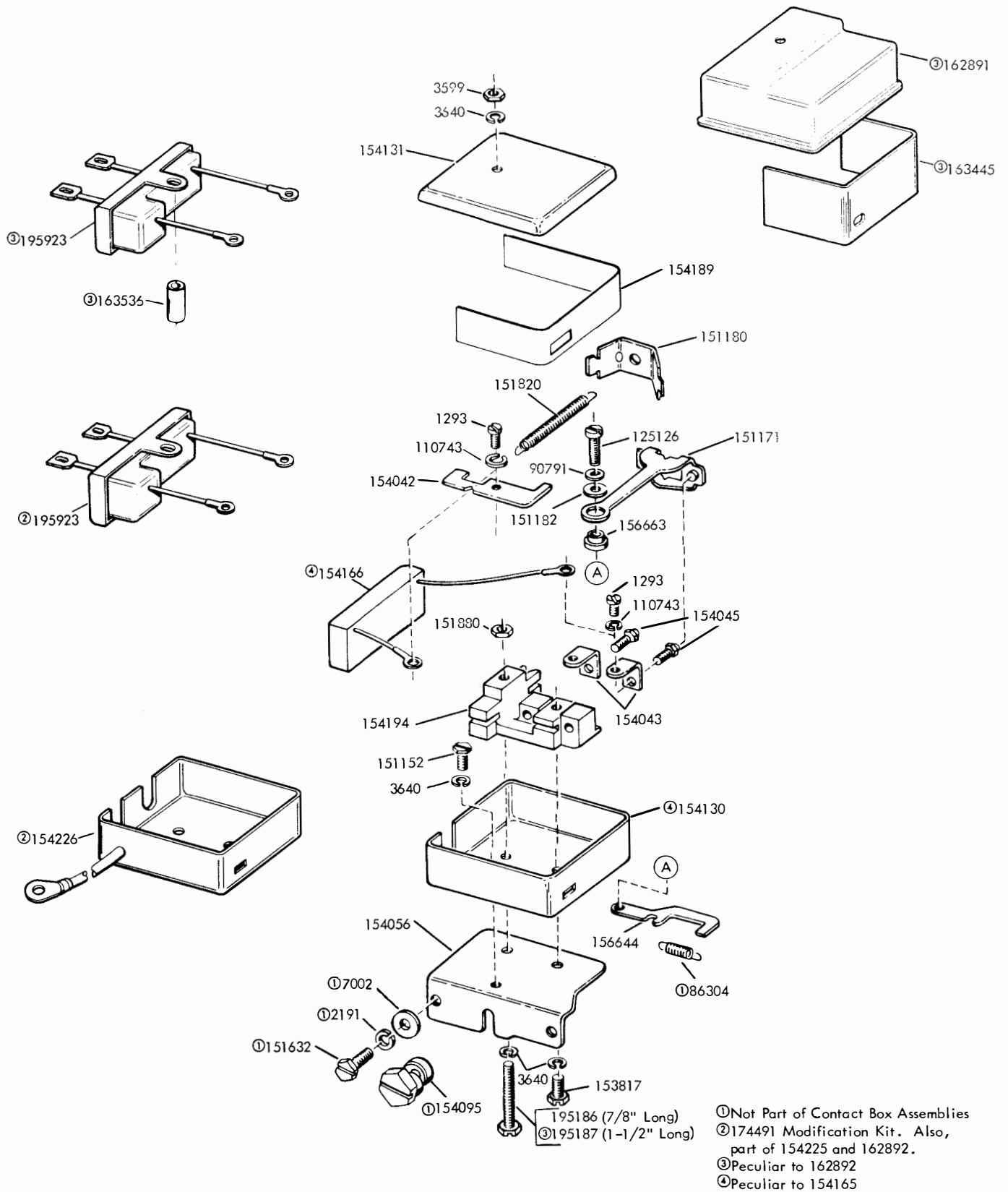
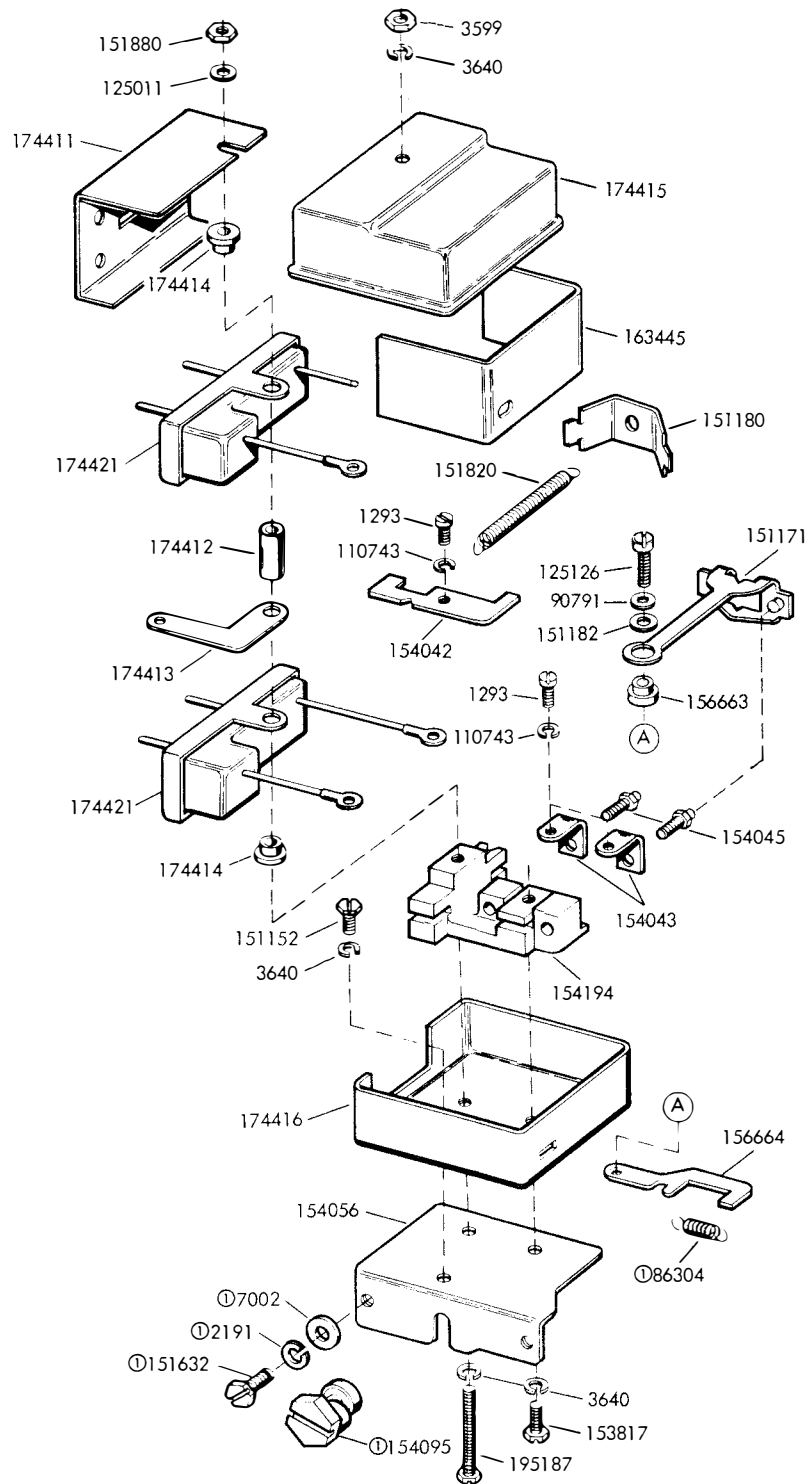


FIGURE 24. 154165 (W/ARC SUPPRESSION) 154225 (W/RF SUPPRESSION) - NEUTRAL TRANSMISSION AND 162892 (W/RF SUPPRESSION - POLAR TRANSMISSION) CONTACT BOX ASSEMBLIES



ⓐNot Part of 174410

FIGURE 25. 174410 CONTACT BOX ASSEMBLY W/RF SUPPRESSION - POLAR TRANSMISSION (SHIELDED SIGNAL LINES)



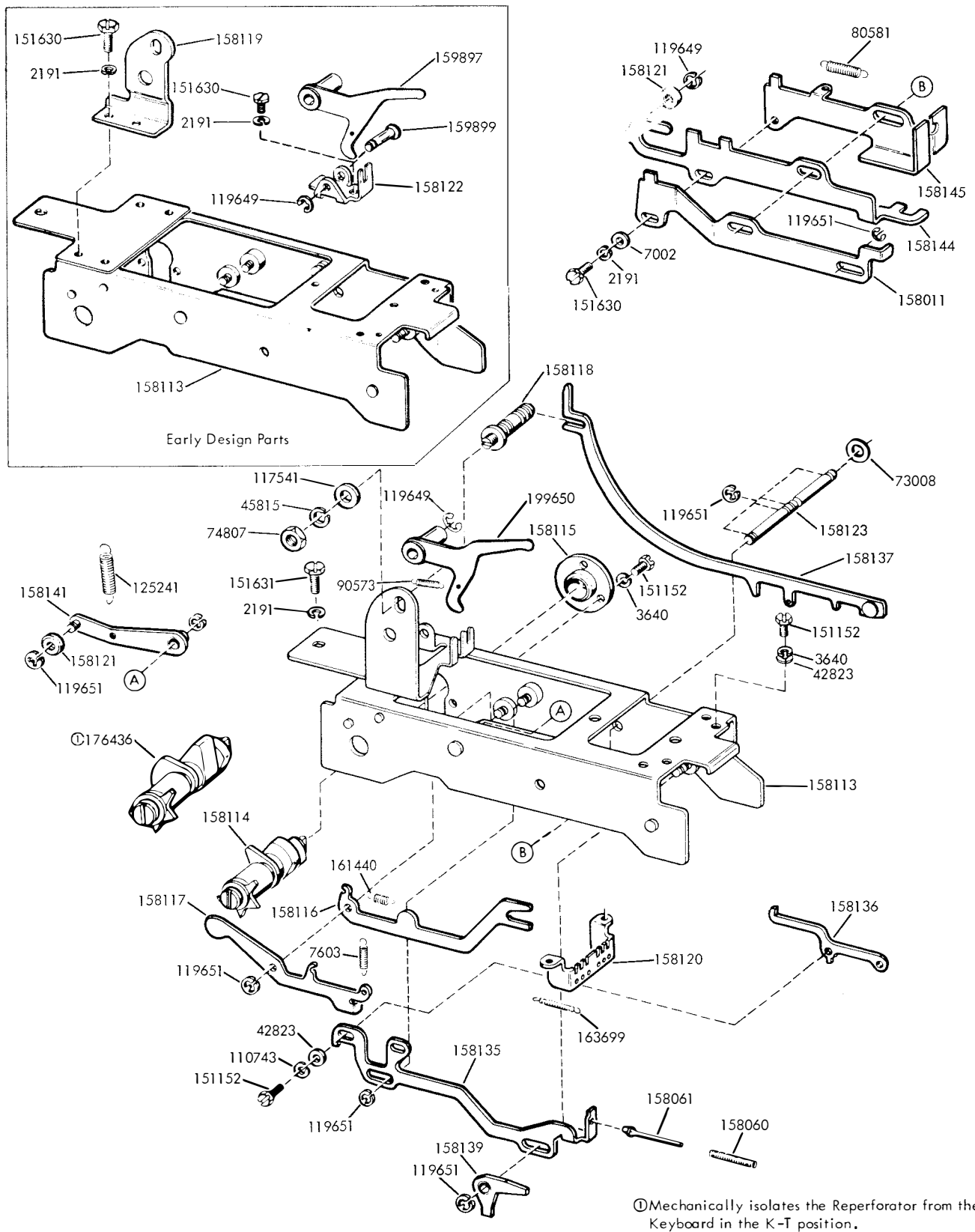


FIGURE 26. CODE BAR EXTENSION BASKET MECHANISM

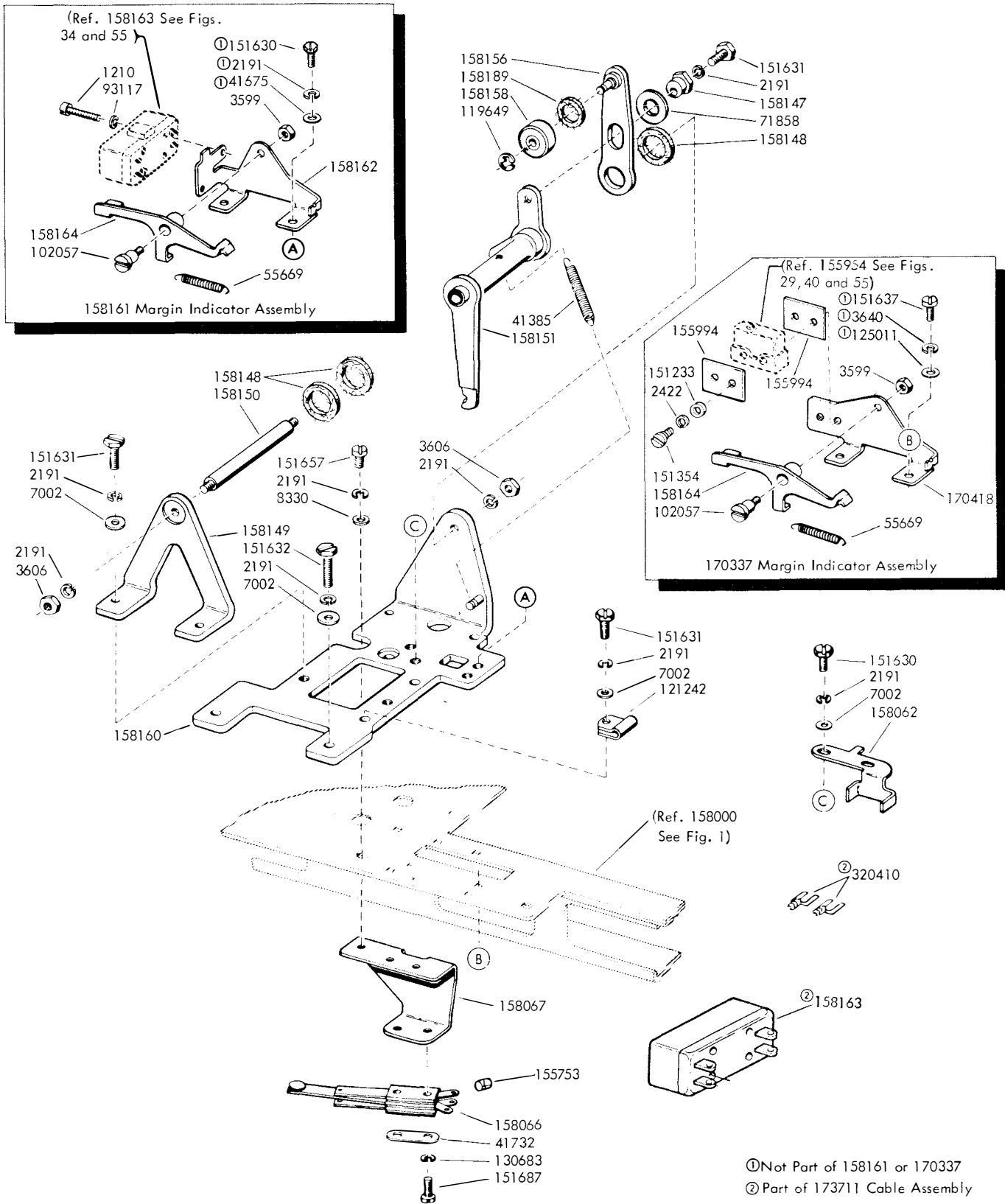


FIGURE 27. CAM FOLLOWER MECHANISM AND MARGIN INDICATOR ASSEMBLIES

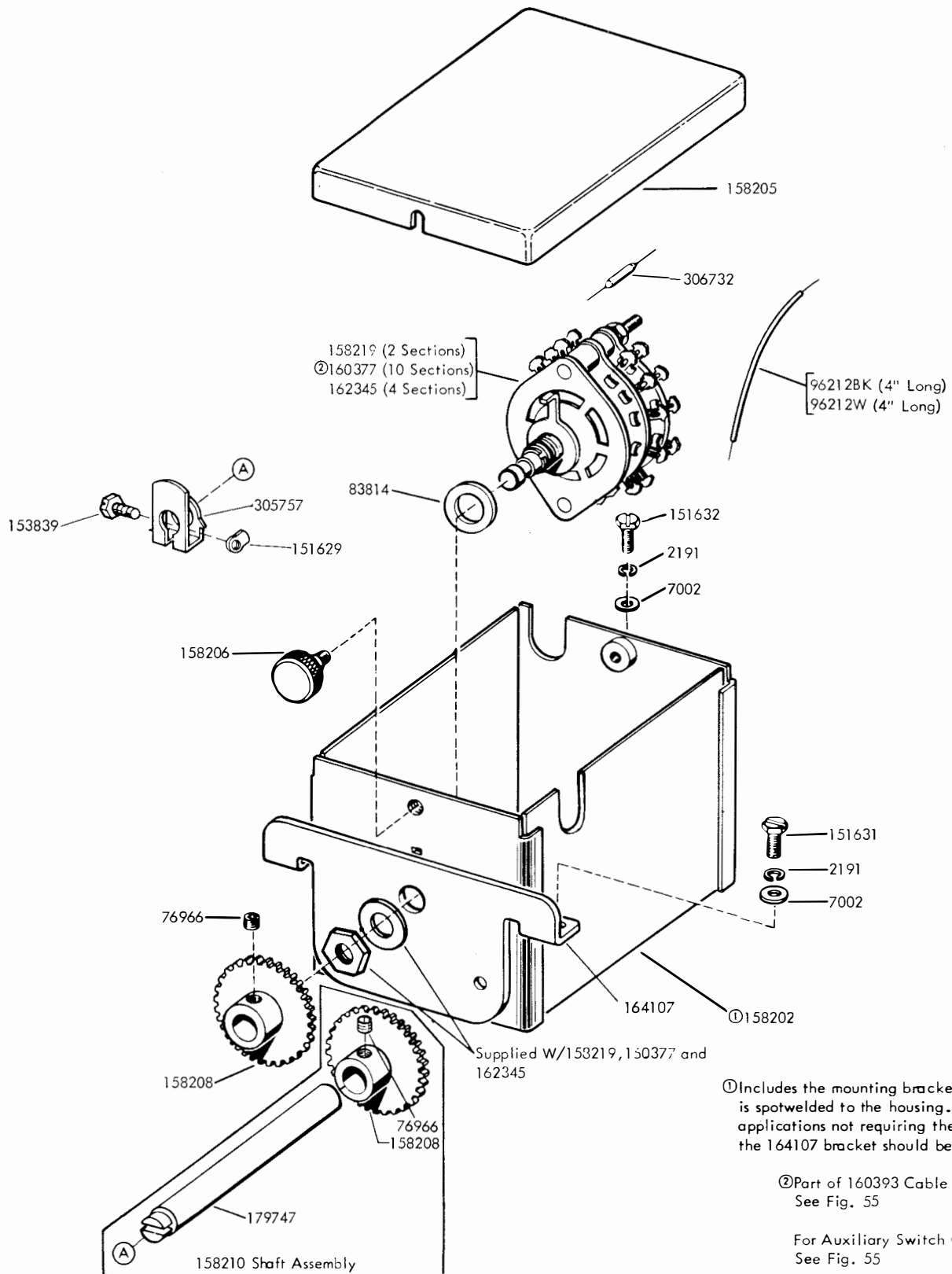
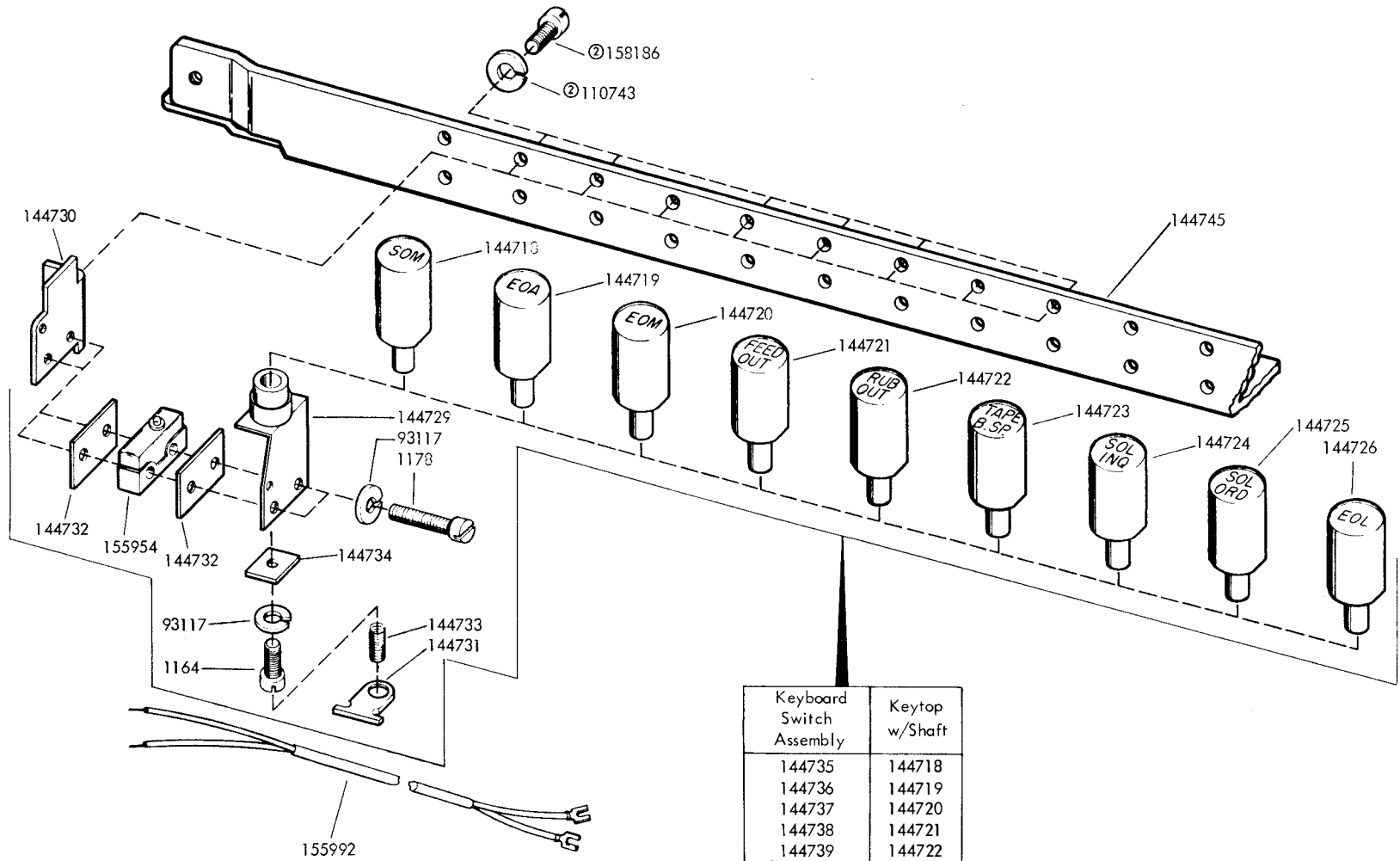


FIGURE 28. AUXILIARY SWITCH MECHANISM

FIGURE 29. KEYBOARD SWITCH ASSEMBLIES



Keyboard Switch Assembly	Keytop w/Shaft
144735	144718
144736	144719
144737	144720
144738	144721
144739	144722
①144740	144723
②147069	144724
③147070	144725
③147071	144726
	199100
	199101
	199102
	199103

①Also Includes 155992 Cable Assembly  
 ②Not Part Of Keyboard Switch Assemblies  
 ③No Longer Available

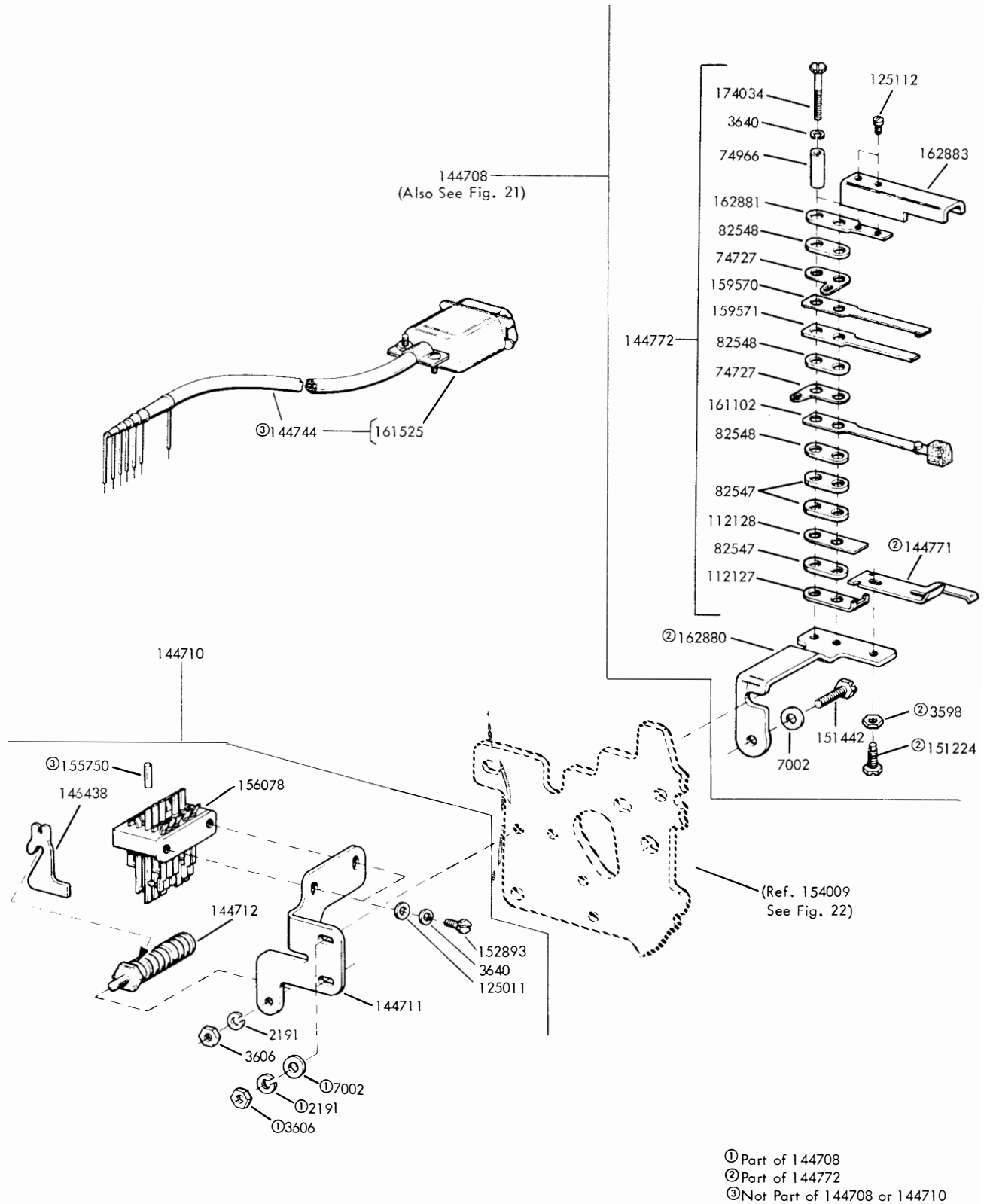
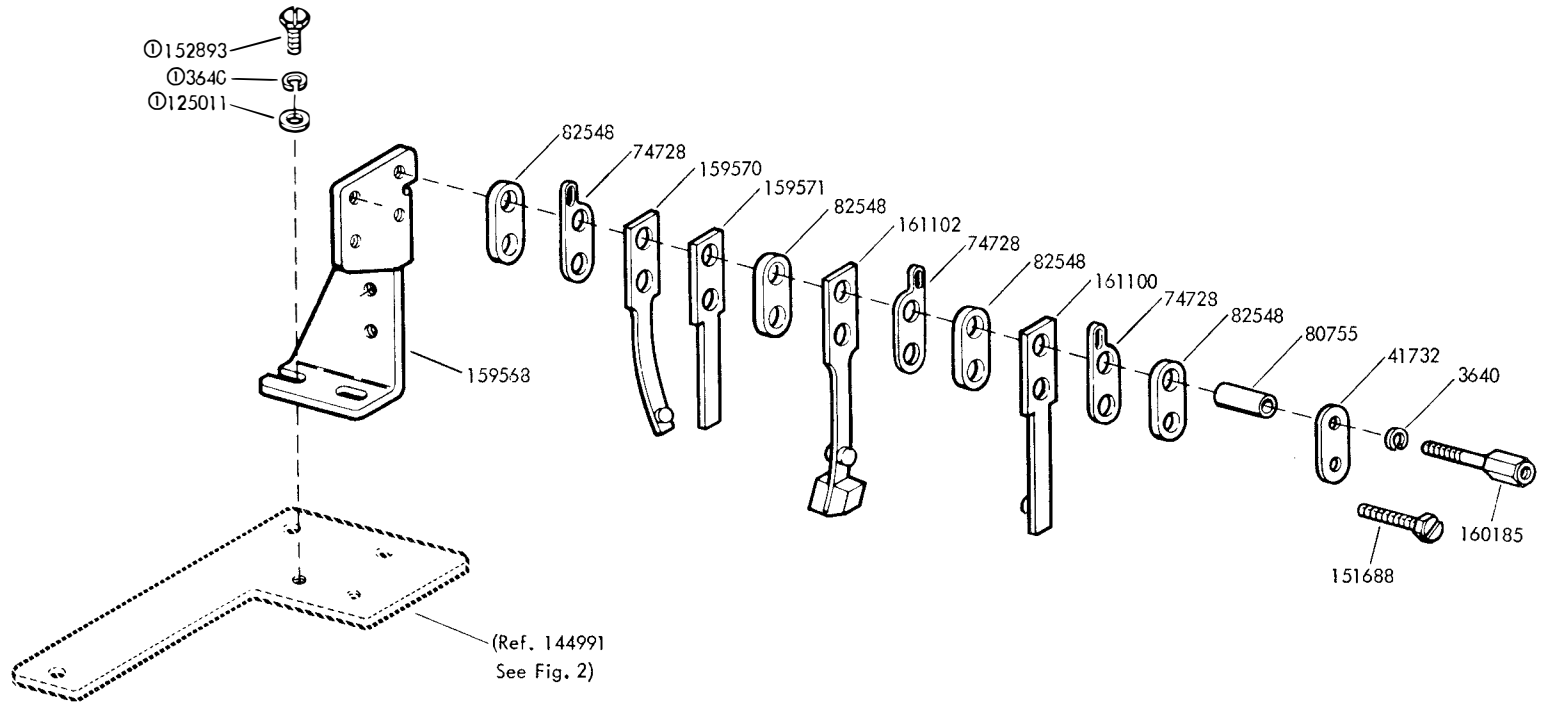
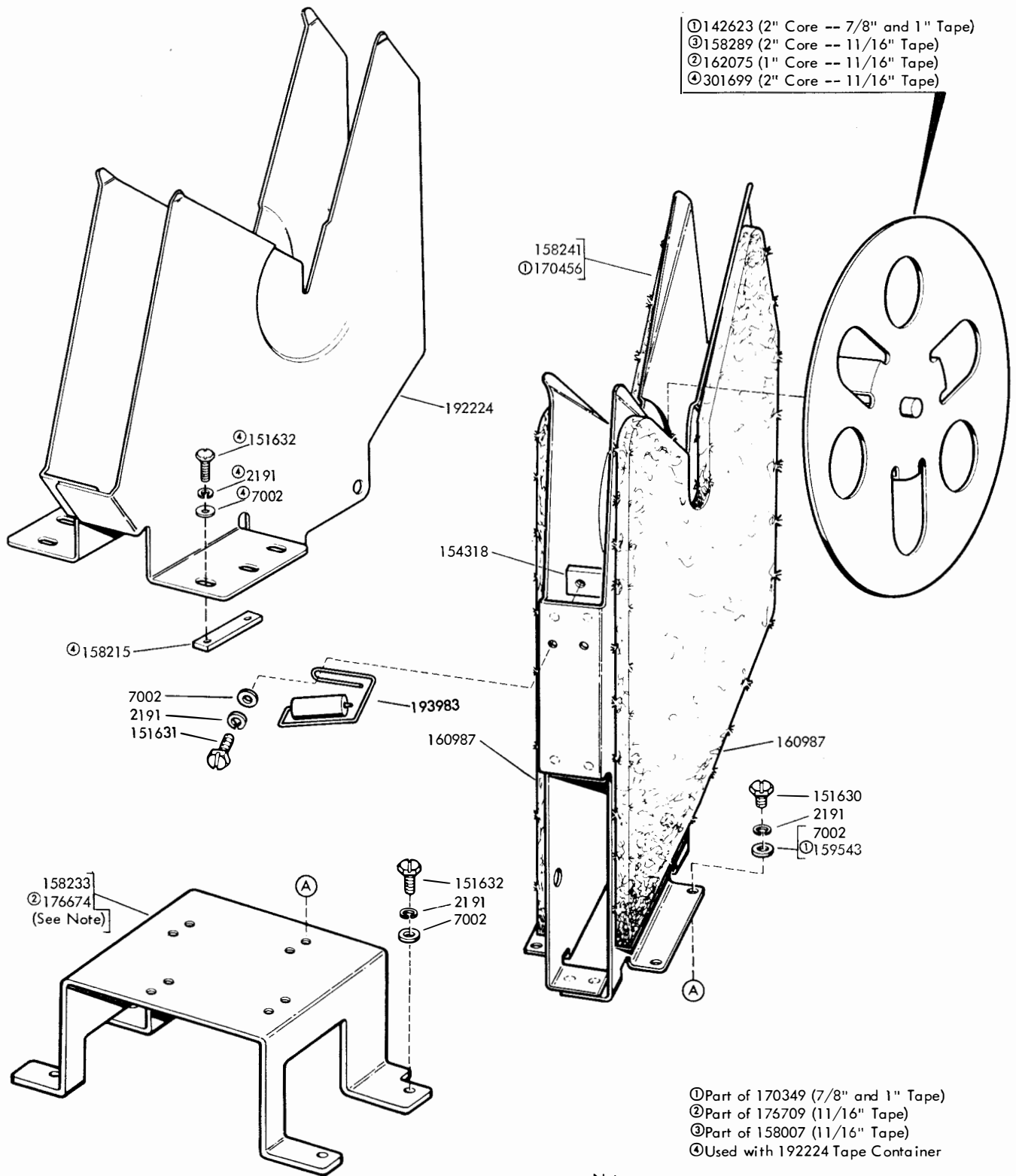


FIGURE 30. 144708 (FUNCTION MAGNET CONTACT) AND 144710 (CODE READING CONTACTS) MODIFICATION KITS

FIGURE 31. 144997 FIGURES - LETTERS CONTACT ASSEMBLY



①Not Part of 144997



**Note:**  
 The 176674 bracket is used to mount the tape container when a perforator is motorized.

FIGURE 32. 158007, 170349 AND 176709 TAPE CONTAINER ASSEMBLIES

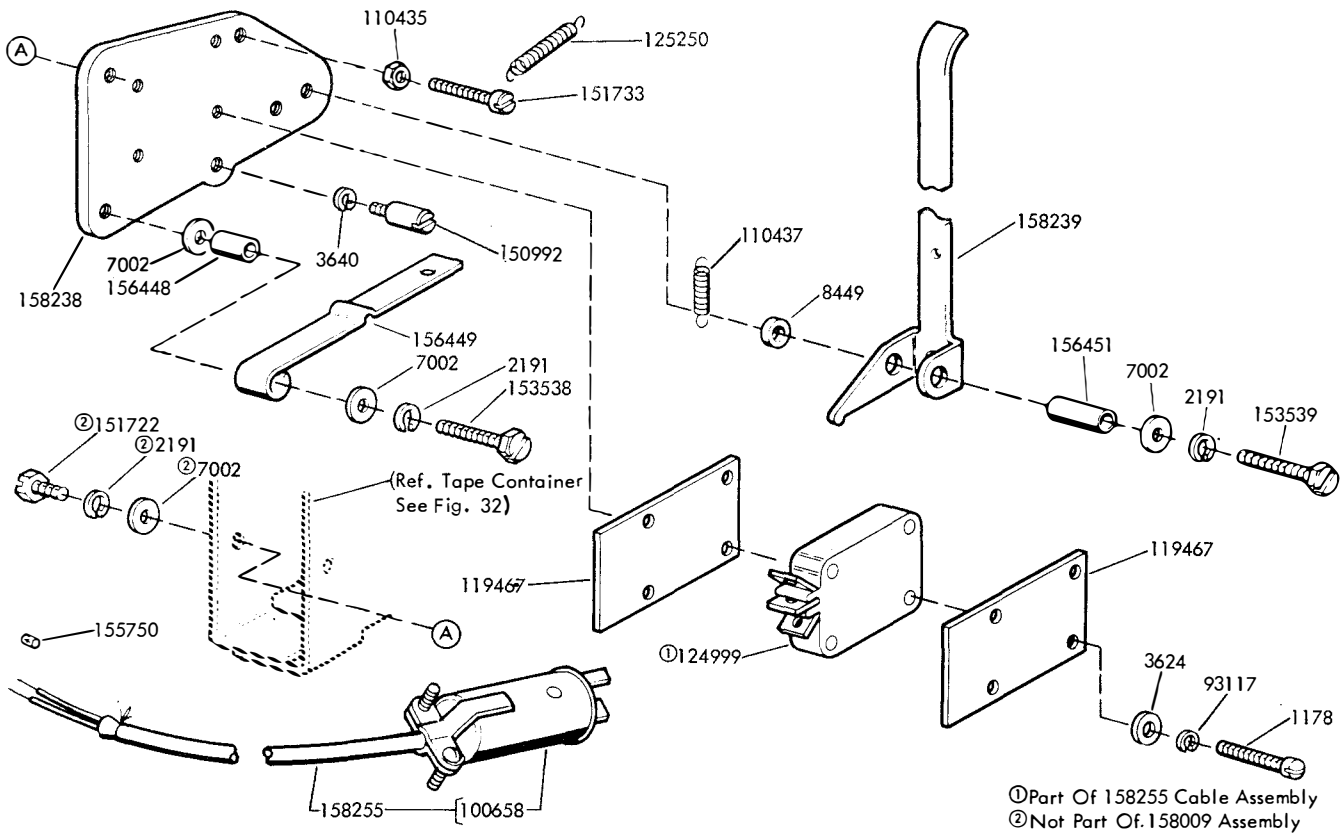


FIGURE 33. 158009 (TWO WIRE) TAPE-OUT SWITCH ASSEMBLY

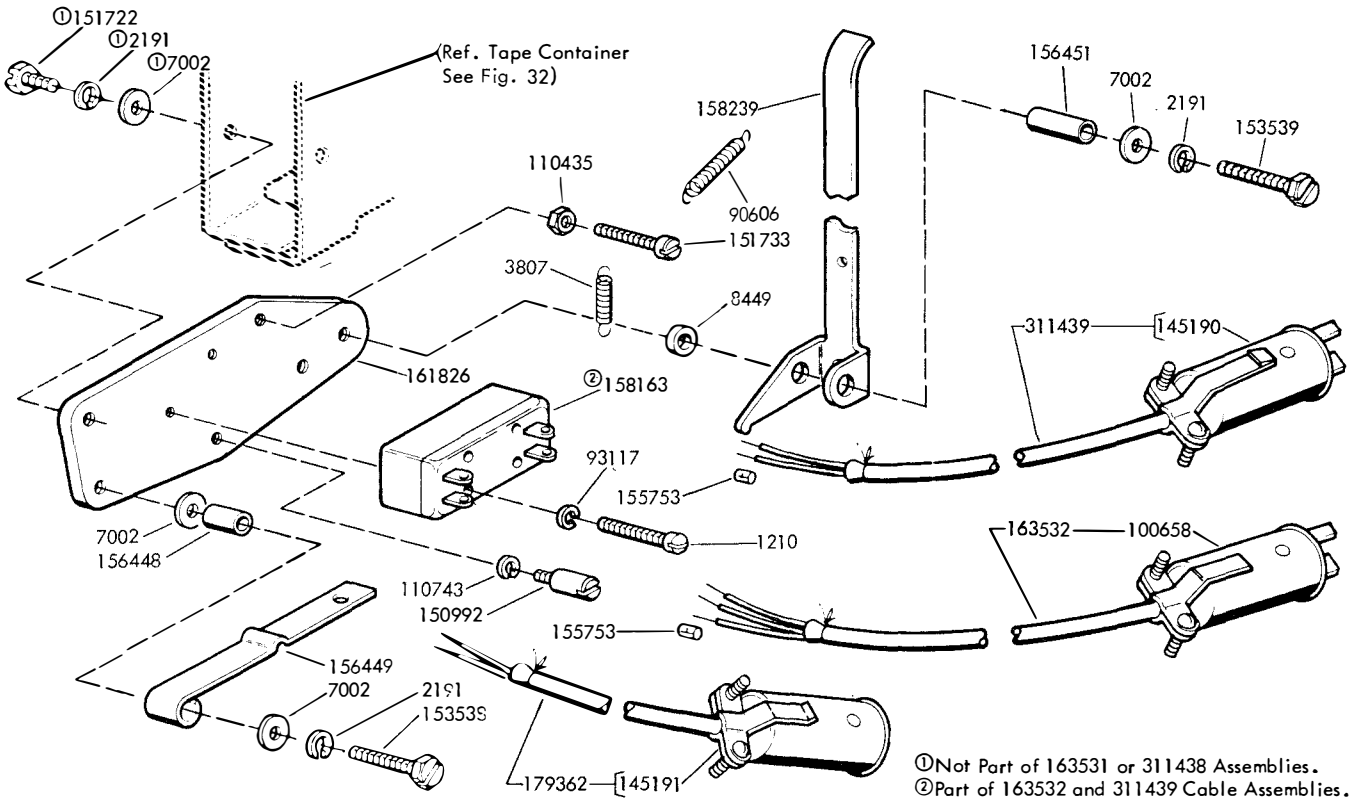


FIGURE 34. 163531 (THREE WIRE) AND 311438 (TWO WIRE) TAPE-OUT SWITCH ASSEMBLIES



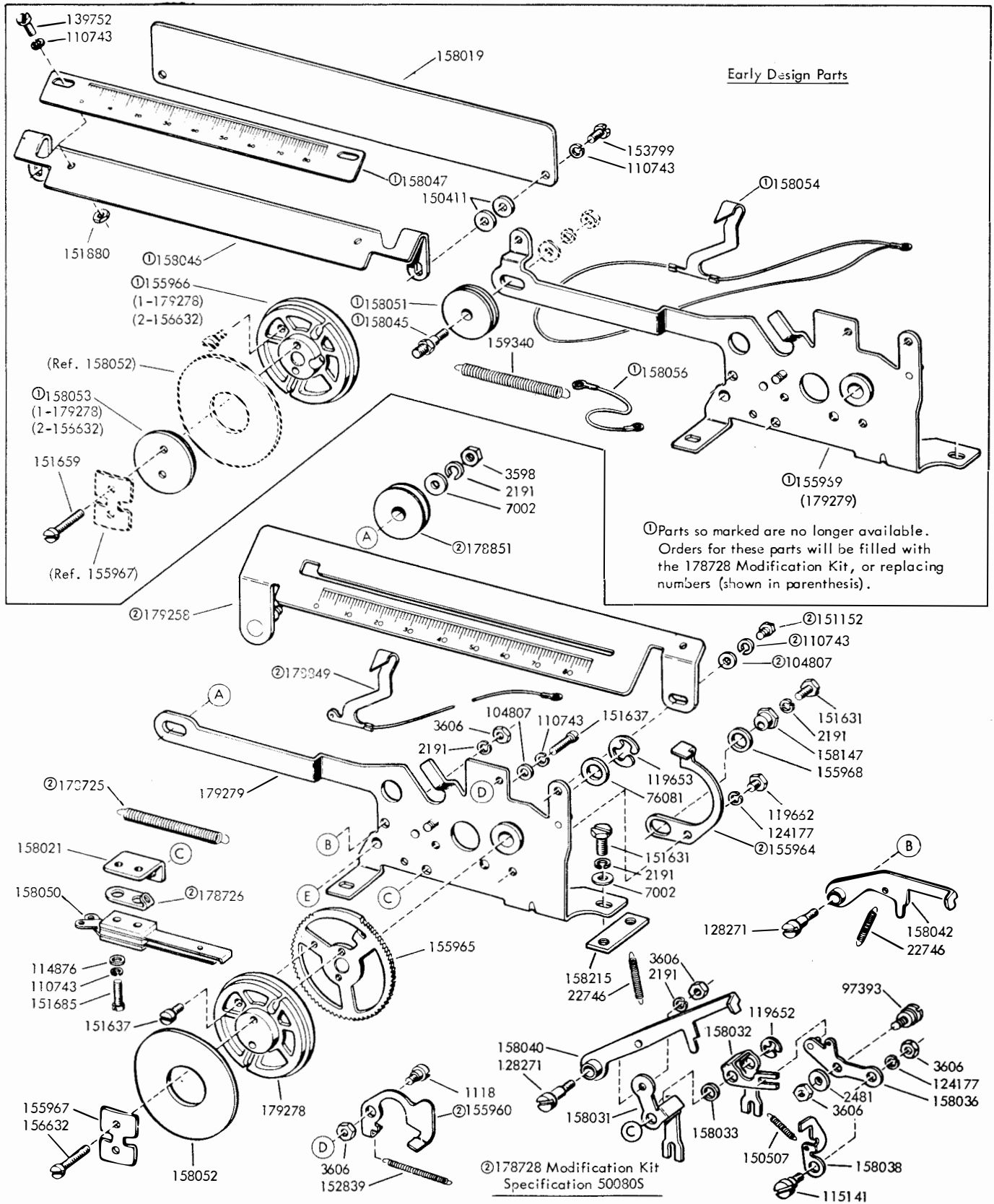


FIGURE 35. 155990 CHARACTER COUNTER ASSEMBLY

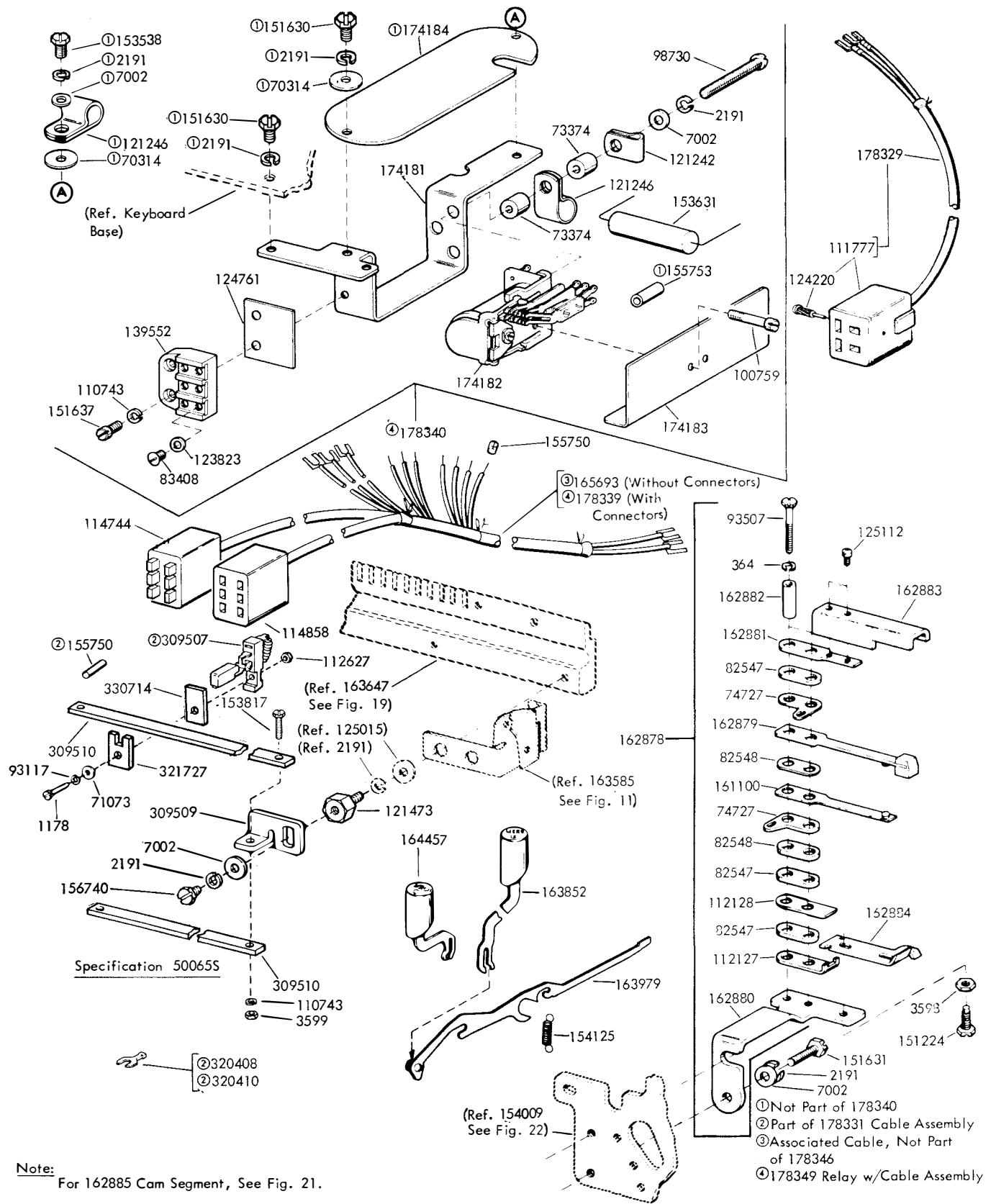


FIGURE 36. 178346 MODIFICATION KIT TO EQUIP KEYBOARD WITH ANSWER-BACK CONTROL

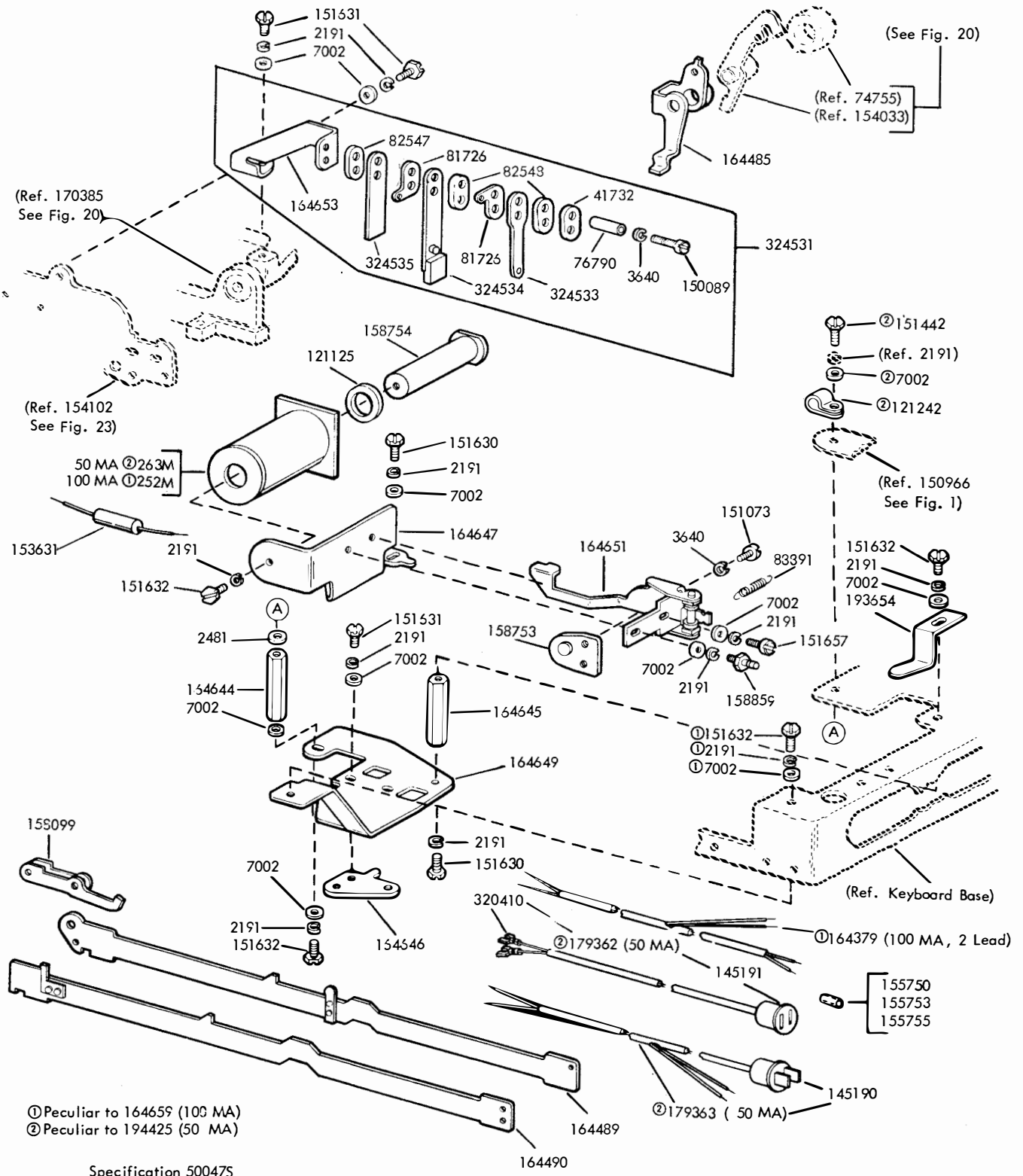


FIGURE 37. 164659 (100 MA) AND 194425 (50 MA) MODIFICATION KITS TO PROVIDE SYNCHRONOUS PULSED TRANSMISSION

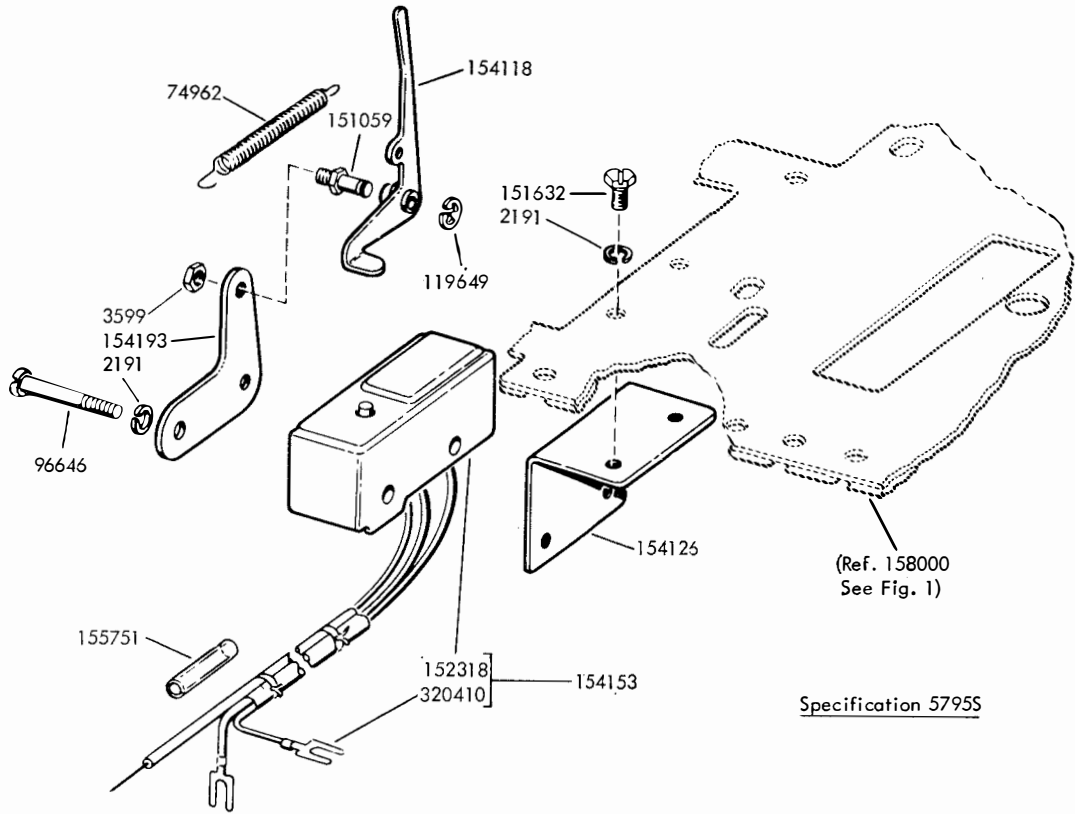


FIGURE 38. 154147 MODIFICATION KIT TO PROVIDE LOCAL PAPER FEED-OUT MOTOR STARTING MECHANISM

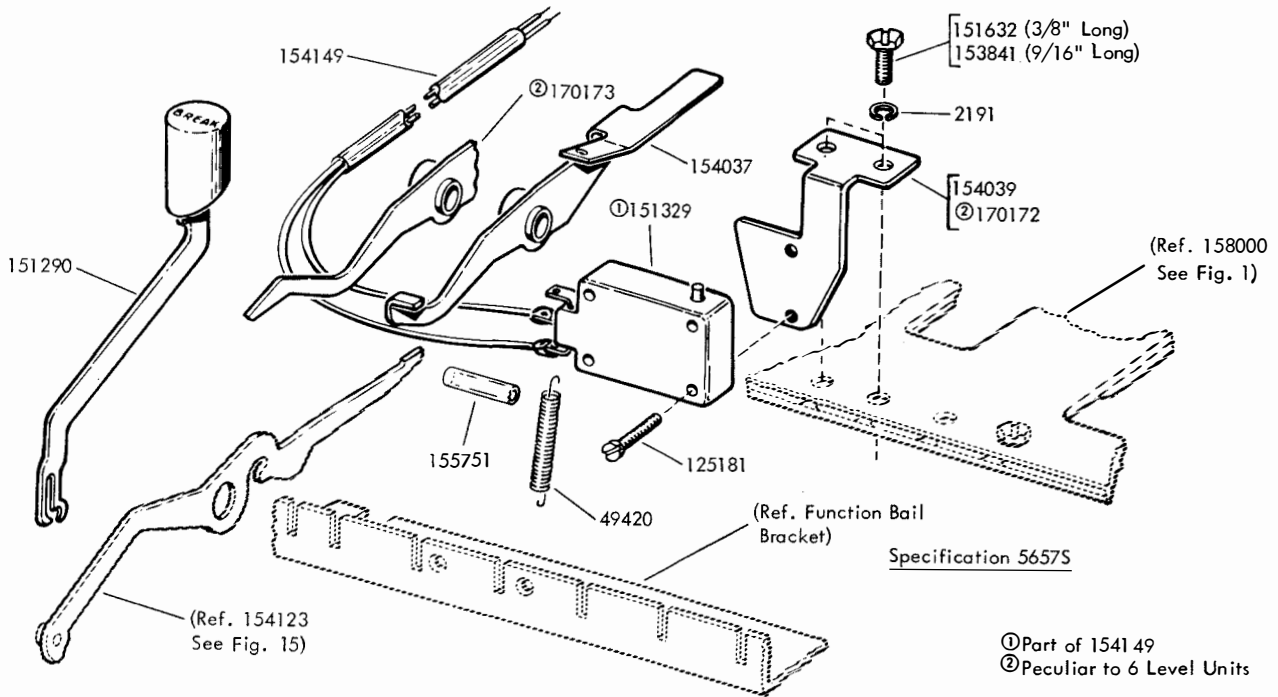


FIGURE 39. 154141 MODIFICATION KIT TO PROVIDE ELECTRICAL SIGNAL LINE BREAK MECHANISM

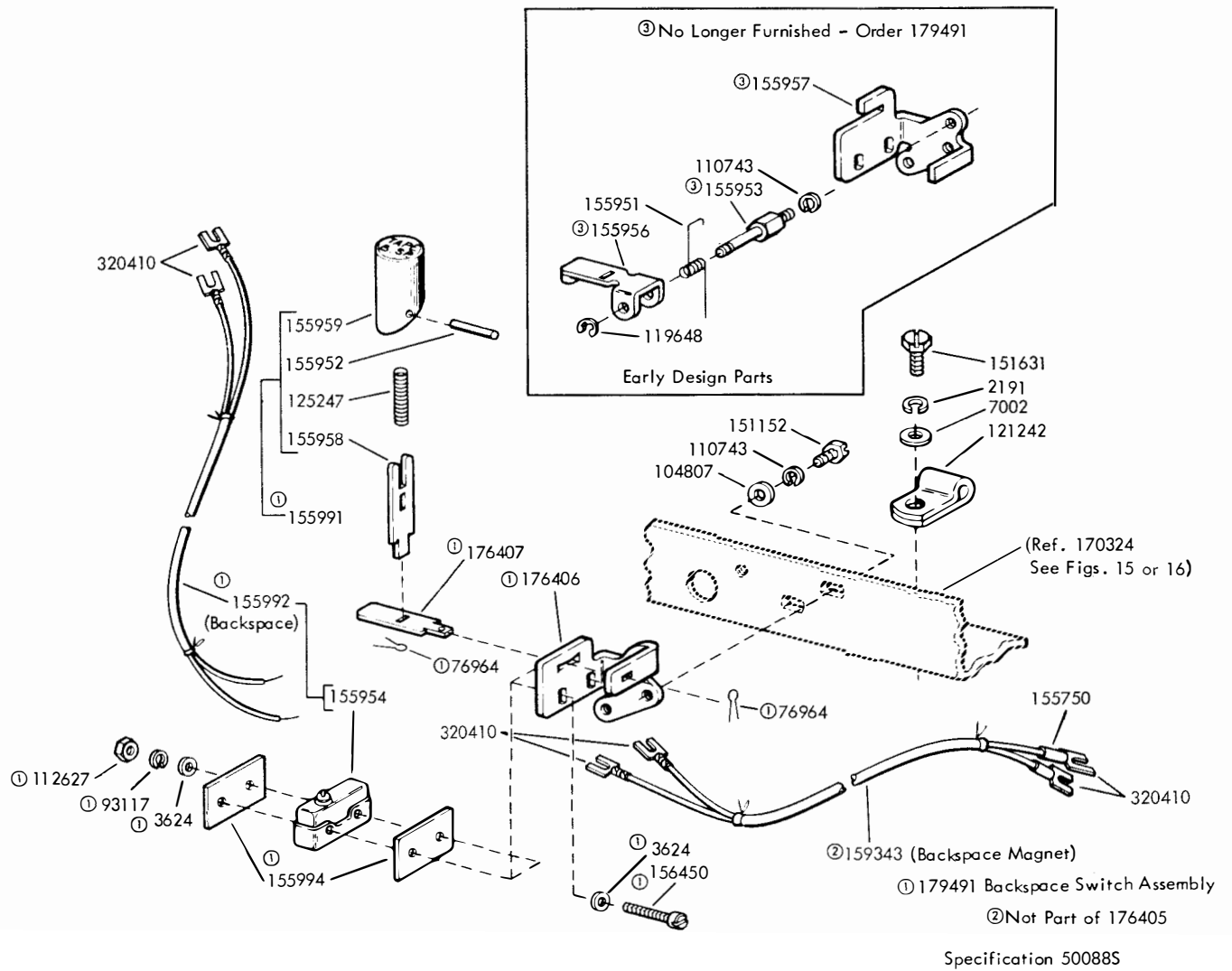


FIGURE 40. 176405 MODIFICATION KIT TO ADD TAPE BACKSPACE BUTTON

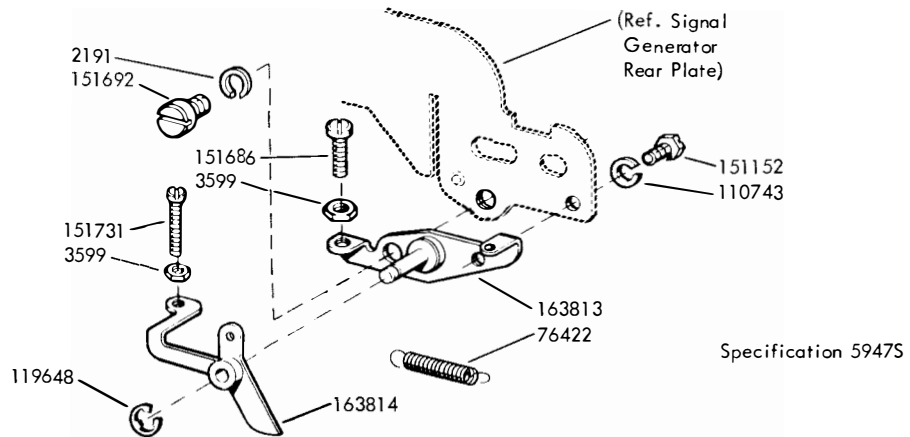
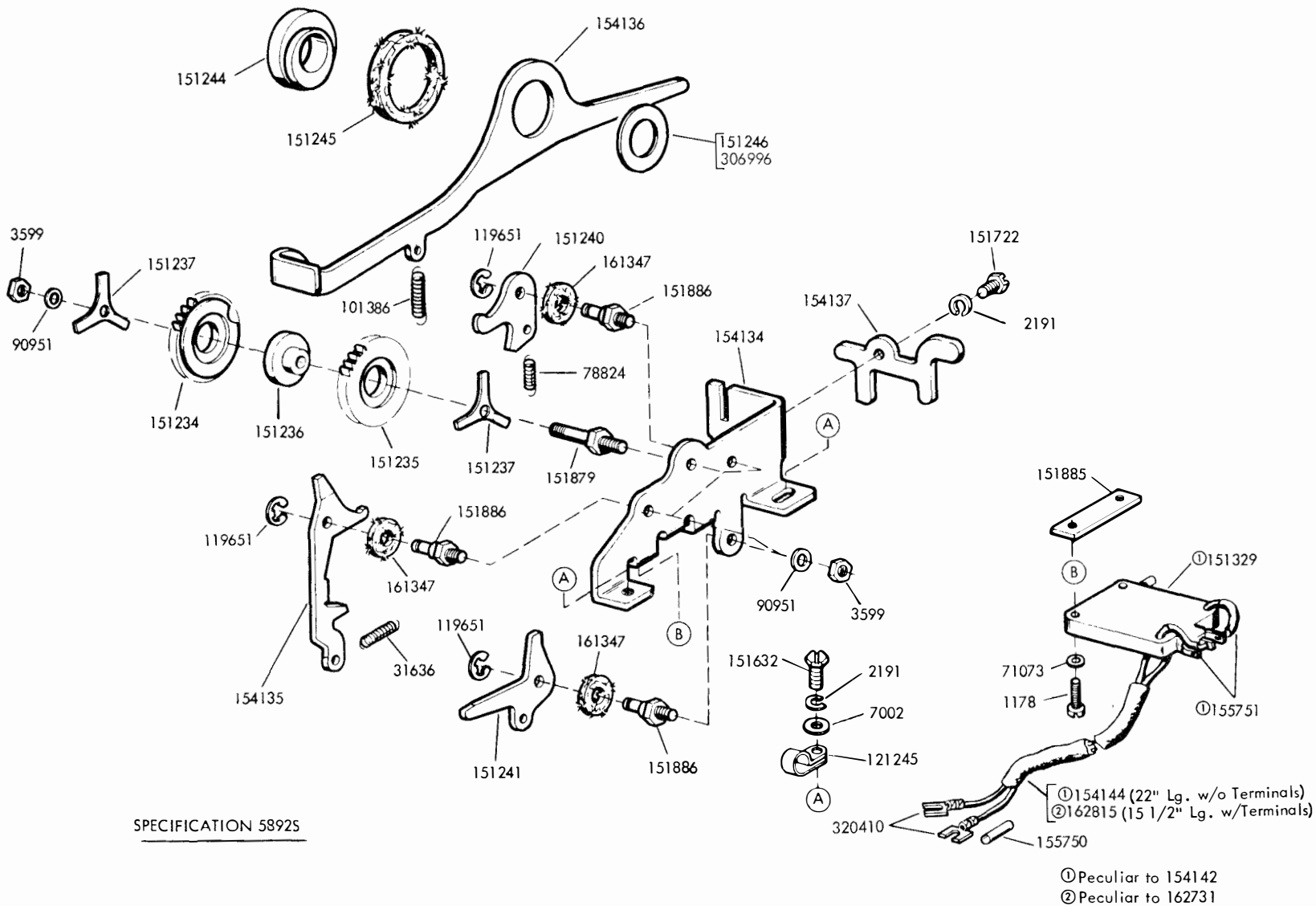
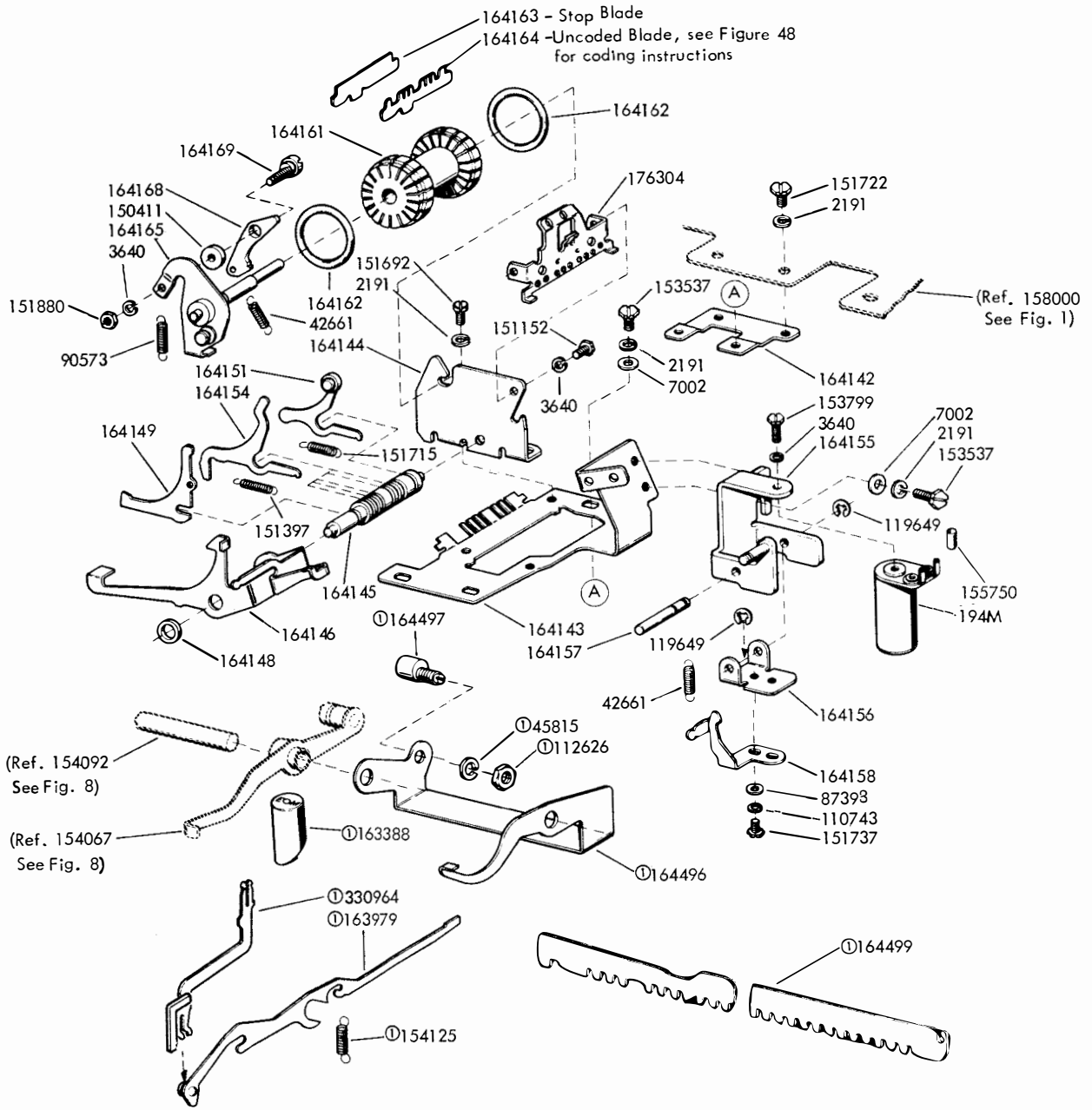


FIGURE 41. 163775 MODIFICATION KIT TO PROVIDE REPEAT ON SPACE MECHANISM

FIGURE 42. 154142 AND 162731 MODIFICATION KITS TO PROVIDE KEYBOARD WITH TIME DELAY MECHANISM





164502 - Specification 5954S  
 172945 - Specification 50006S

Ⓞ Peculiar to 164502 Only

FIGURE 43. 164502 (END OF MESSAGE GENERATOR) AND 172945 (ANSWER-BACK) MODIFICATION KITS - SEE FIGS. 44, 45 AND 46

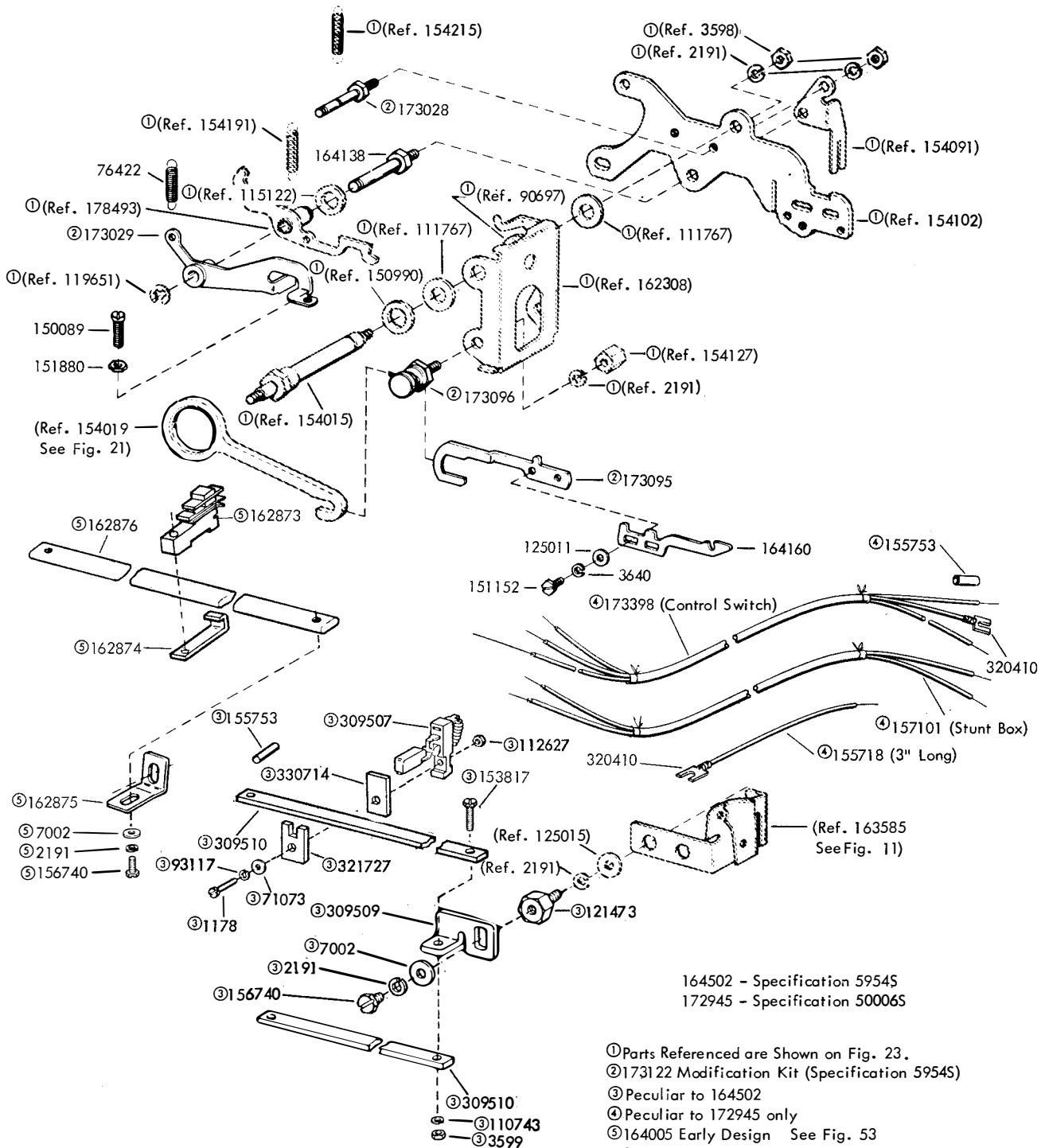


FIGURE 44. 164502 (END OF MESSAGE GENERATOR) AND 172945 (ANSWER-BACK) MODIFICATION KITS - SEE FIGS. 43, 45 AND 46.



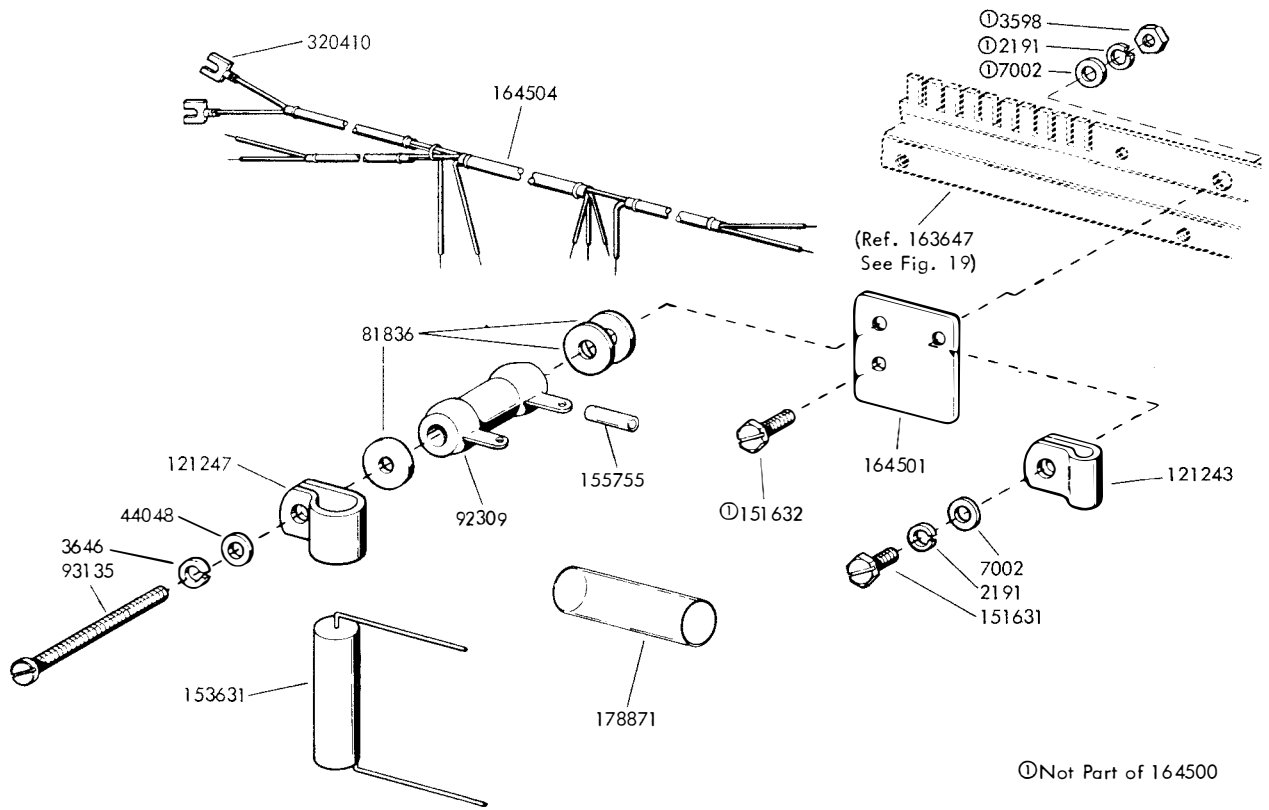


FIGURE 45. 164500 RESISTOR ASSEMBLY (PART OF 164502 MODIFICATION KIT - SEE FIGS. 43 AND 44)

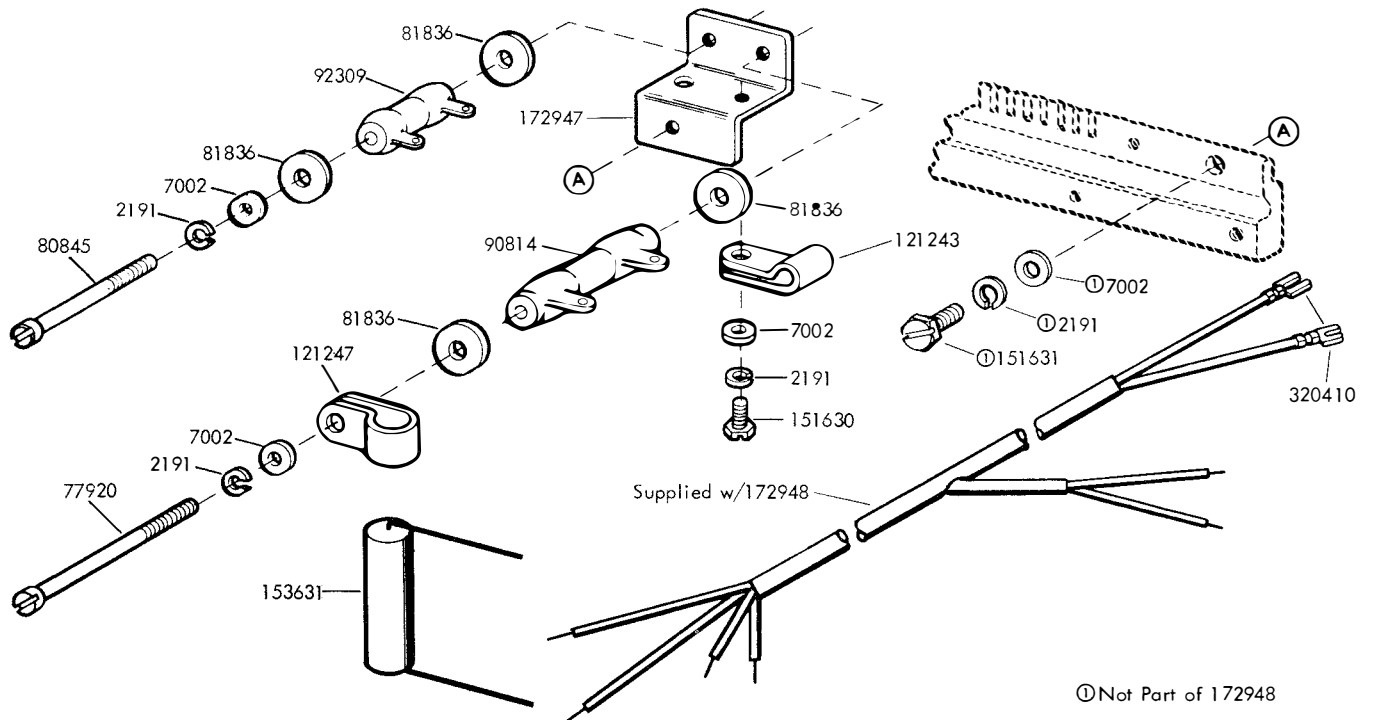


FIGURE 46. 172948 RESISTOR ASSEMBLY (PART OF 172945 MODIFICATION KIT - SEE FIGS. 43 AND 44)

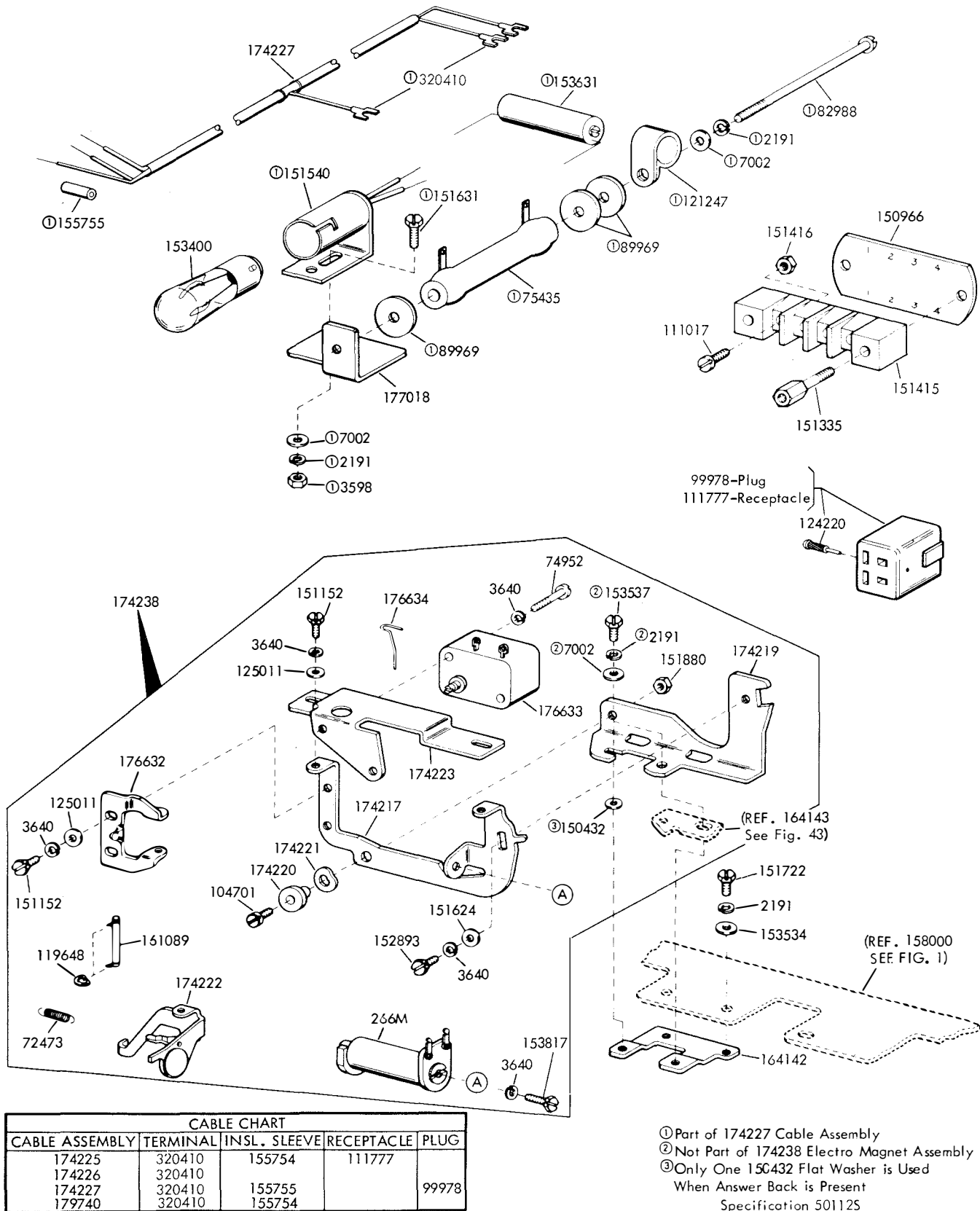


FIGURE 47. 164426 MODIFICATION KIT TO ADD HORIZONTAL TAB DISABLER

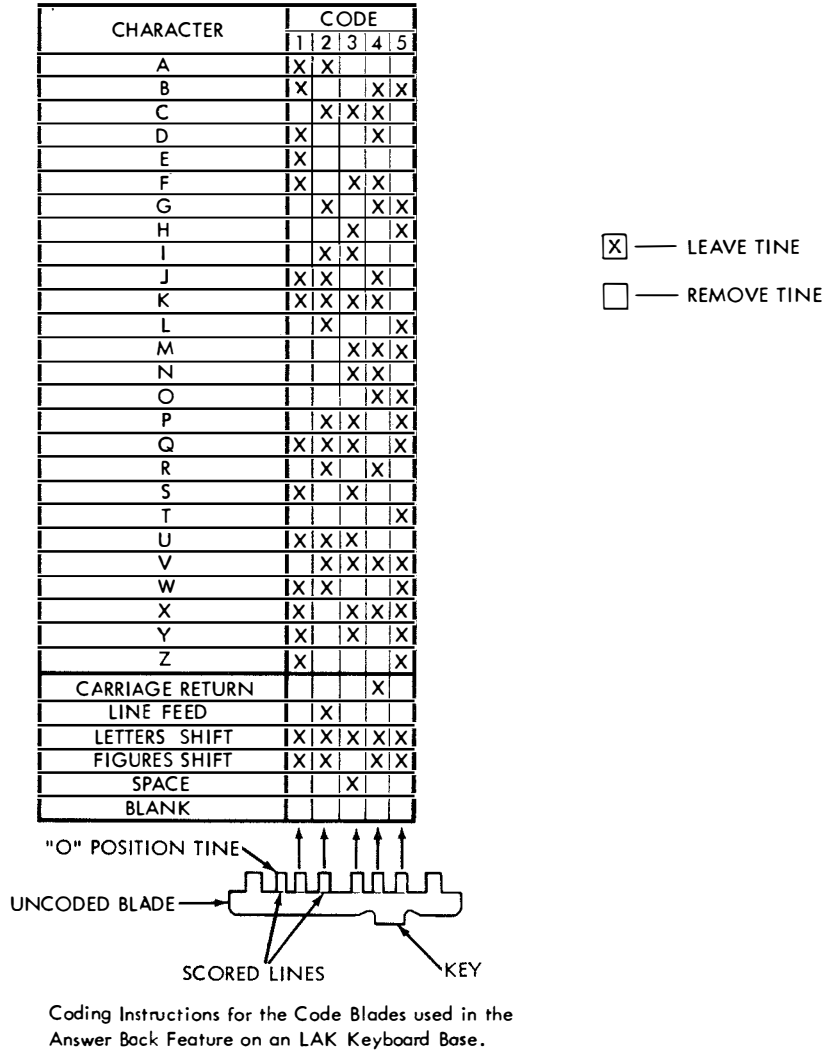


FIGURE 48. CODING THE KEYBOARD ANSWER-BACK DRUM BLADE

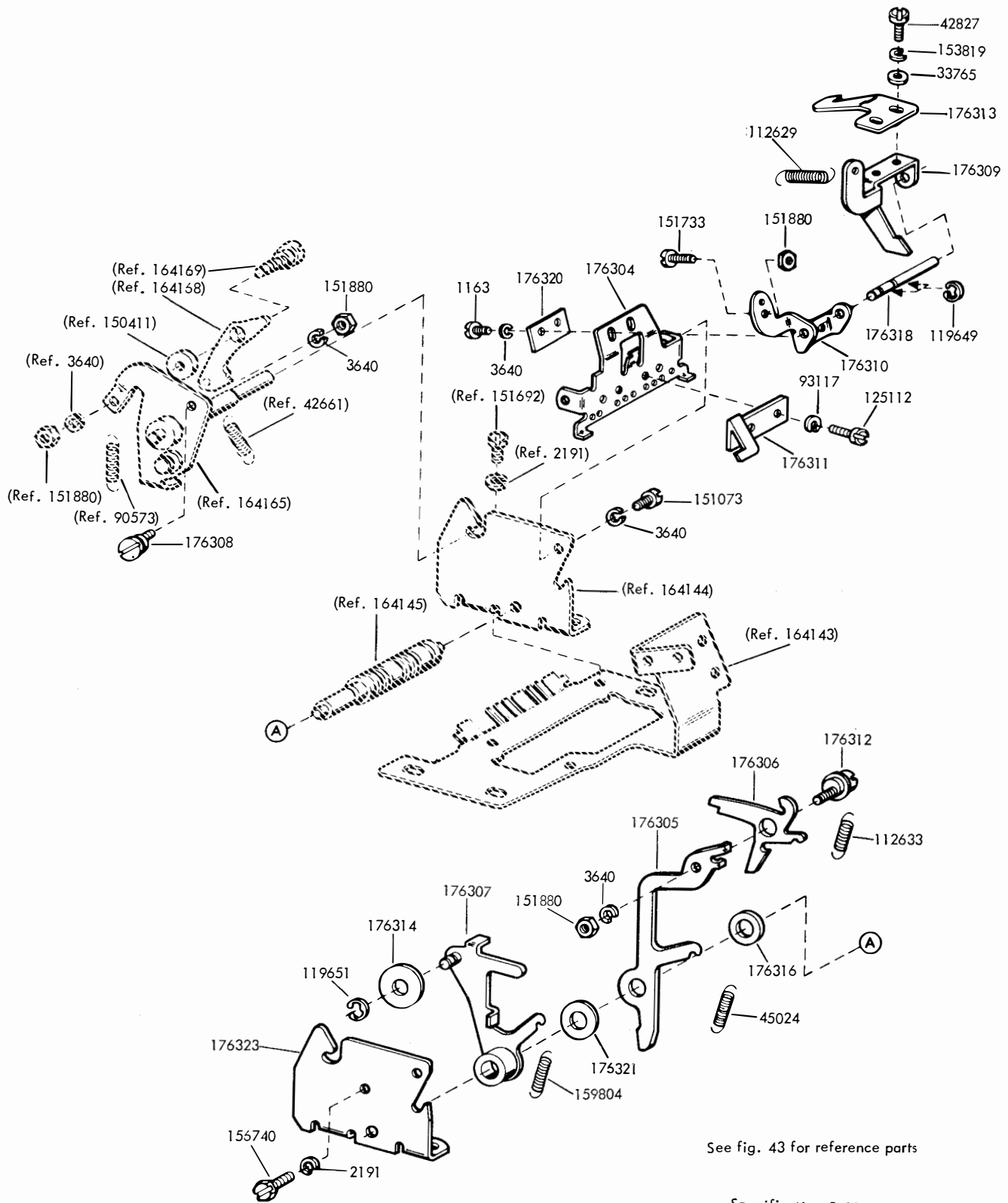
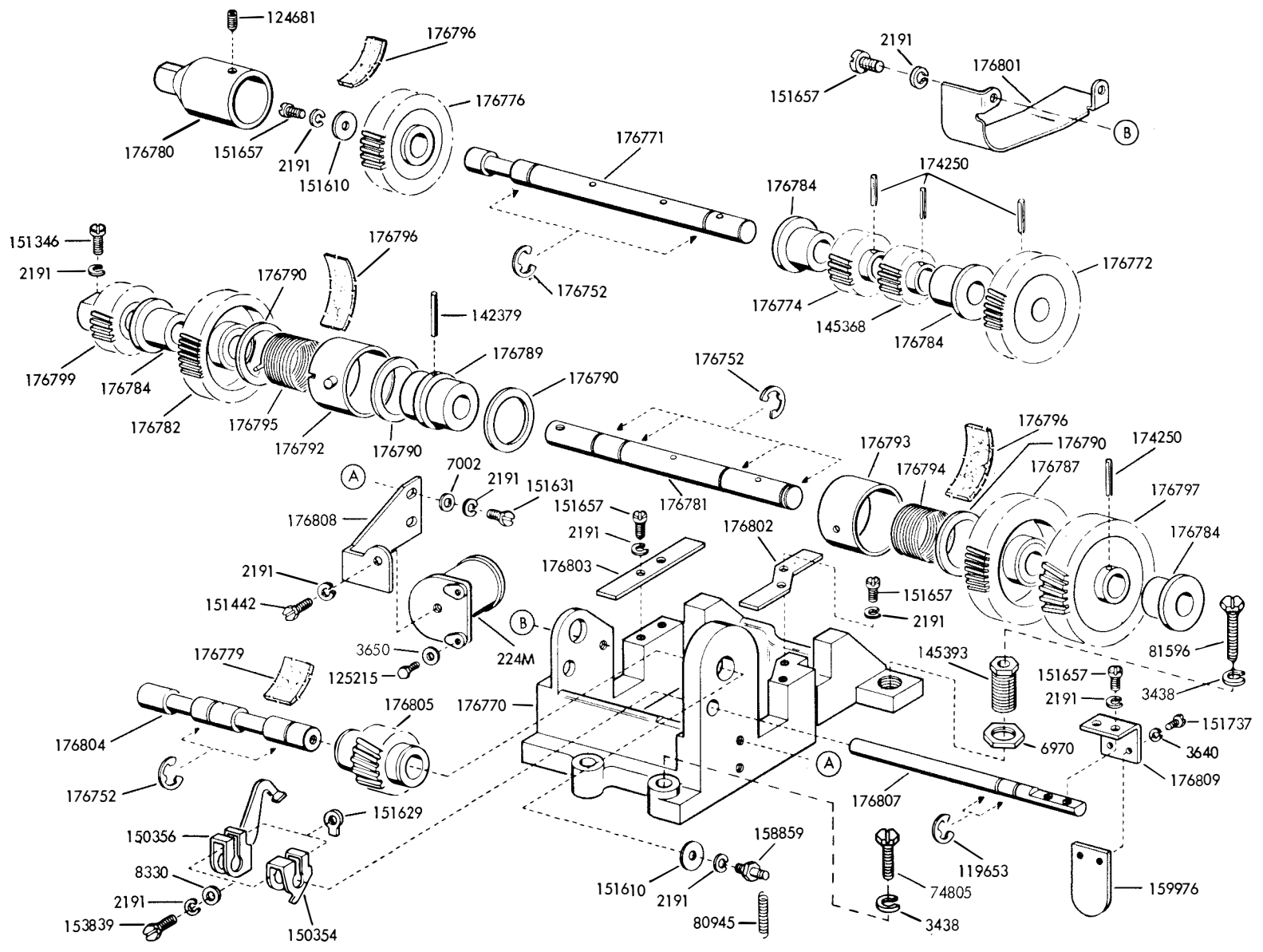


FIGURE 49. 176395 MODIFICATION KIT TO PROVIDE LOCK BAR RESET TO ANSWER-BACK

FIGURE 50. REMOTE CONTROL SPEED SHIFT GEAR MECHANISM  
(60 - 100 WPM, 7.42 UNIT CODE)



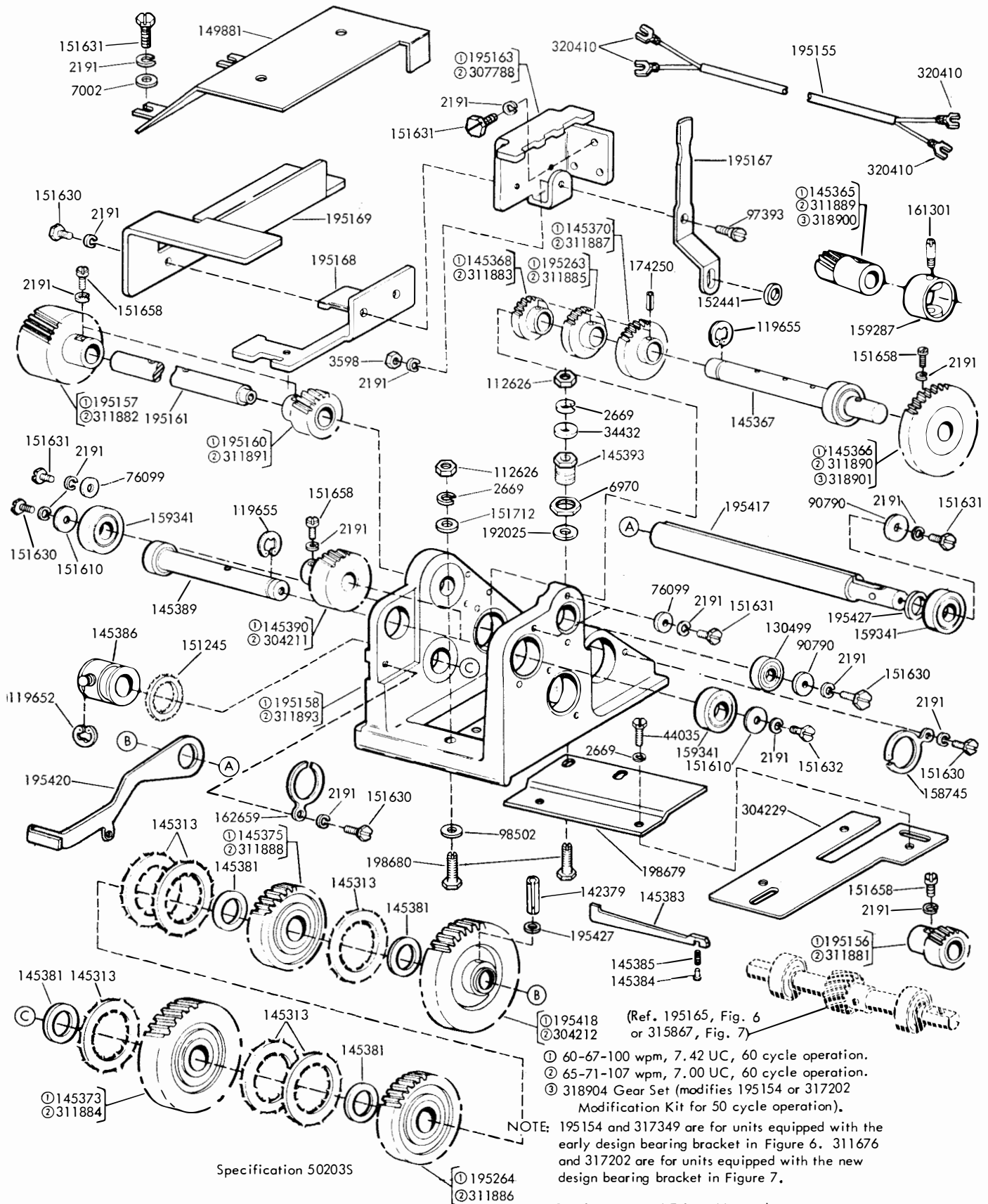


FIGURE 51. 195154 AND 317202 (60-67-100 WPM, 7.42 UNIT CODE) AND 311676 AND 317349 (65-71-107 WPM, 7.00 UNIT CODE) MODIFICATION KITS TO ADD THREE SPEED GEAR SHIFT TO KEYBOARD

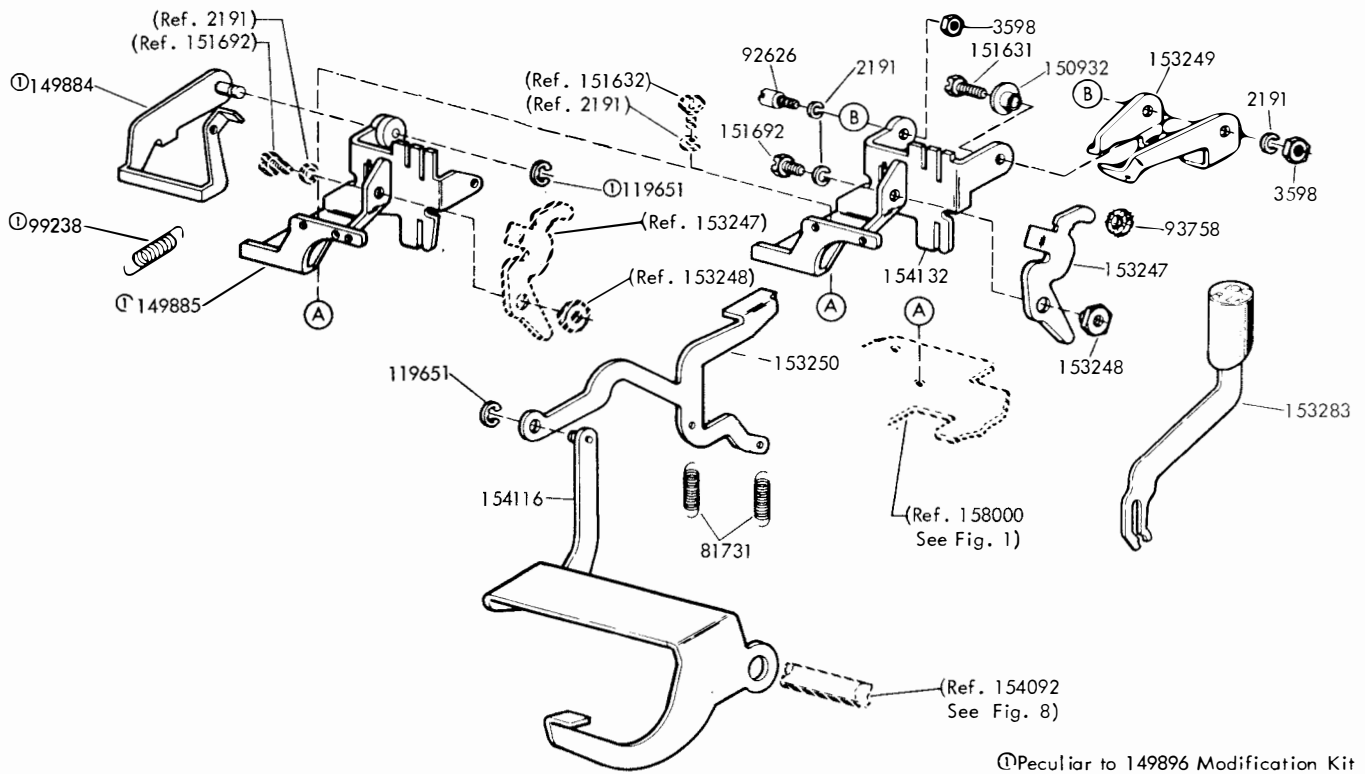


FIGURE 52. 149896 AND 154145 MODIFICATION KITS TO PROVIDE LOCAL REVERSE LINE FEED MECHANISM (MARK III)

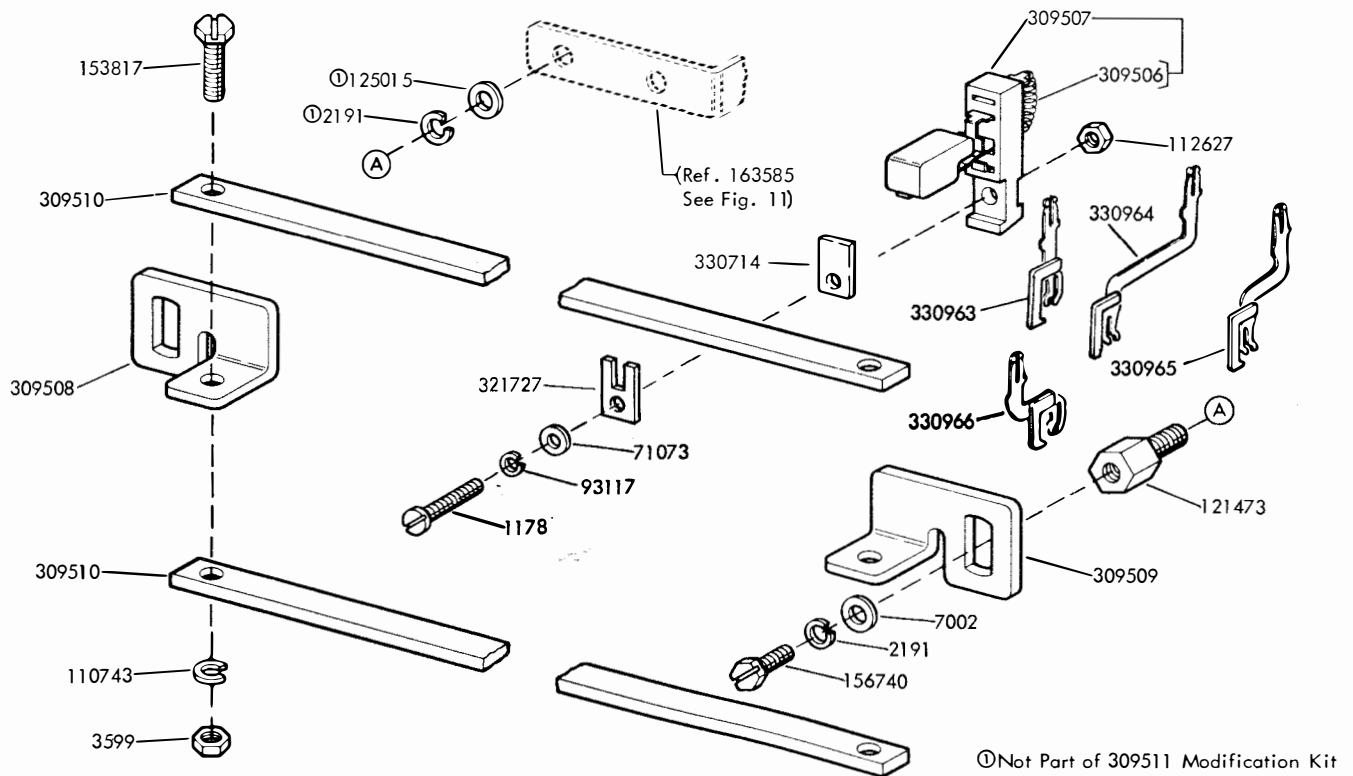
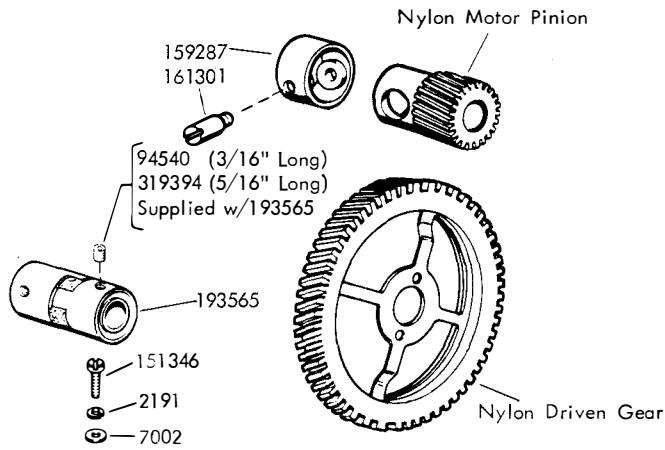
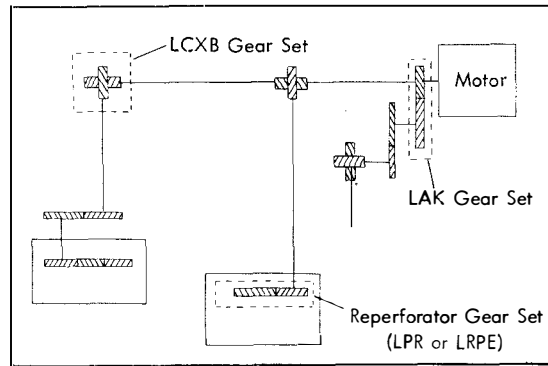
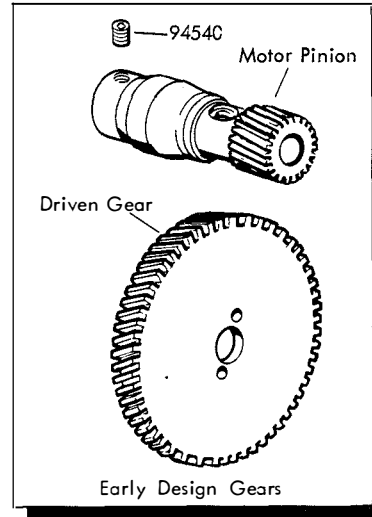


FIGURE 53. 309511 MODIFICATION KIT TO PROVIDE UNIVERSAL KEYBOARD SWITCH ON (MARK III) KEYBOARDS



Mounts Steel Pinion  
To Motor Shaft



WPM/OPM Baud Unit Code	60/368 45.5 7.42	BELL CODE	75/460 56.88 7.42	BELL CODE	100/600 7.42 110 7.42 11.0	BELL CODE
Keyboard (LAK) Gear Set includes: Isolator Post (2)	161293 159278-14T 159279-96T 159287 161301	28A-1	161294 159281-17T 159282-93T 159287 161301	28B-1	161295 159284-20T 159285-84T 159287 161301	28C-1
Reperforator (LPR or Gear Set LRPE) includes:	163023 163021-28T 163022-80T	28N-1	163024 163019-21T 163020-48T	28P-1	163025 163015-28T 163018-49T	28R-1
ASR Gear Set (w/Single TD)	①164583	28D-1	①164584	28E-1	①164585	28F-1

①Modification Kit including keyboard and single TD gear sets and the 193565 coupling (required when replacing an early style gear set).

FIGURE 54. GEAR SETS



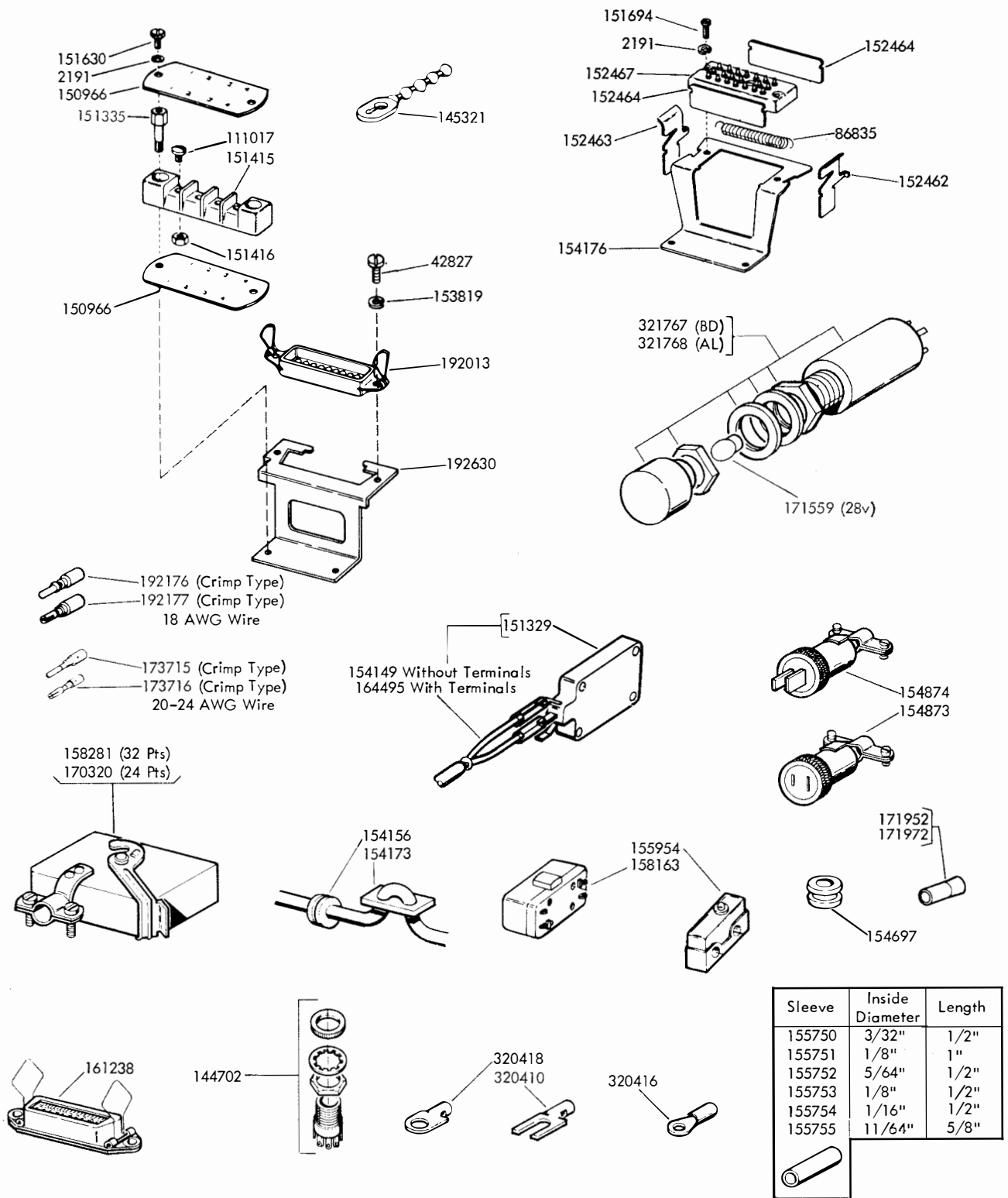


FIGURE 55. KEYBOARD CABLE COMPONENTS

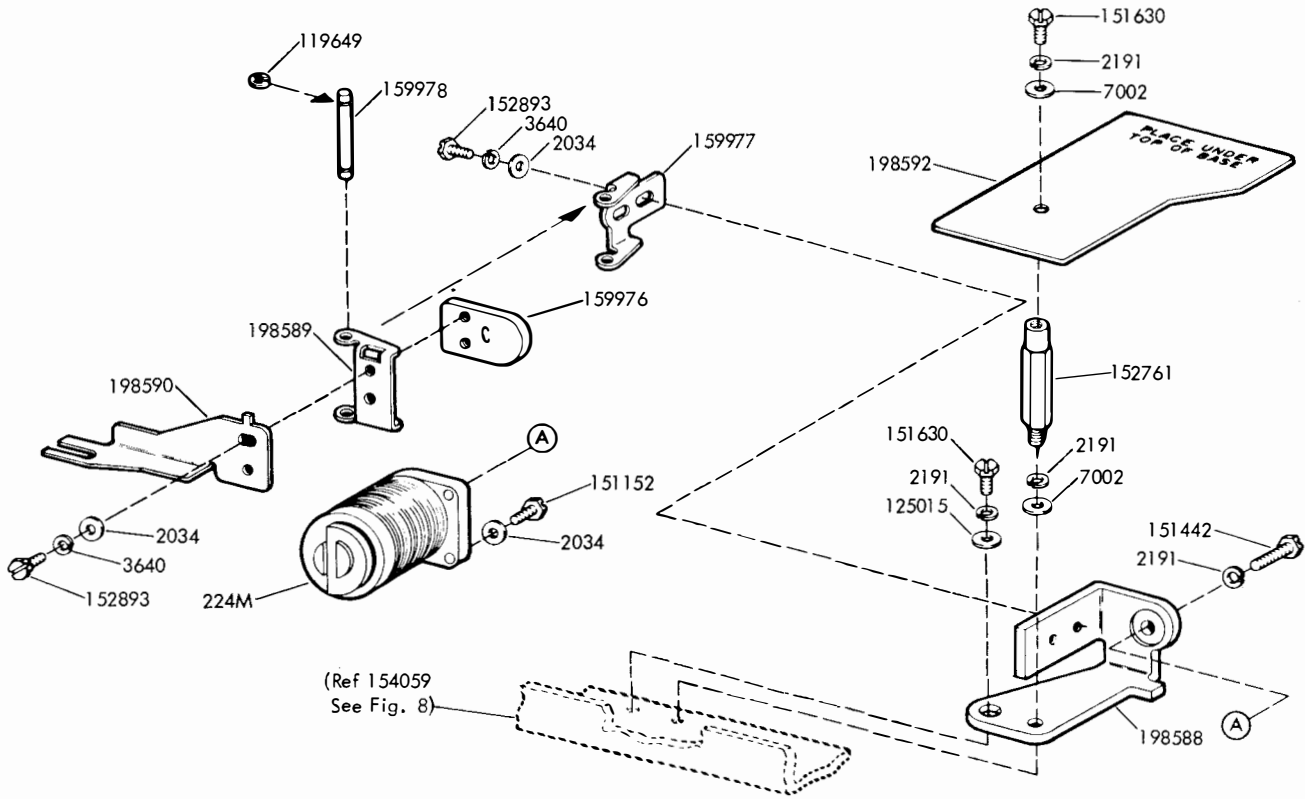


FIGURE 56. TIME DELAY RESET MECHANISM

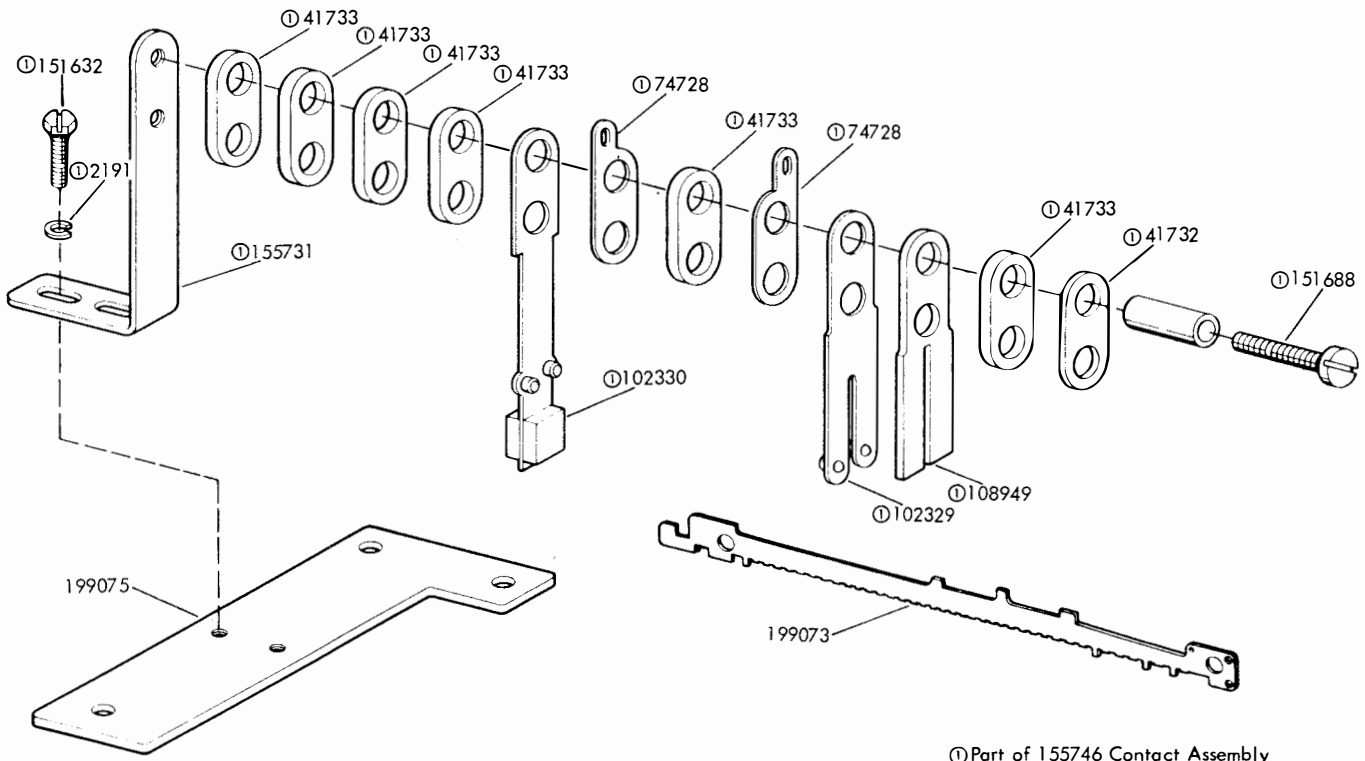


FIGURE 57. CHARACTER COUNTER STEPPING SWITCH

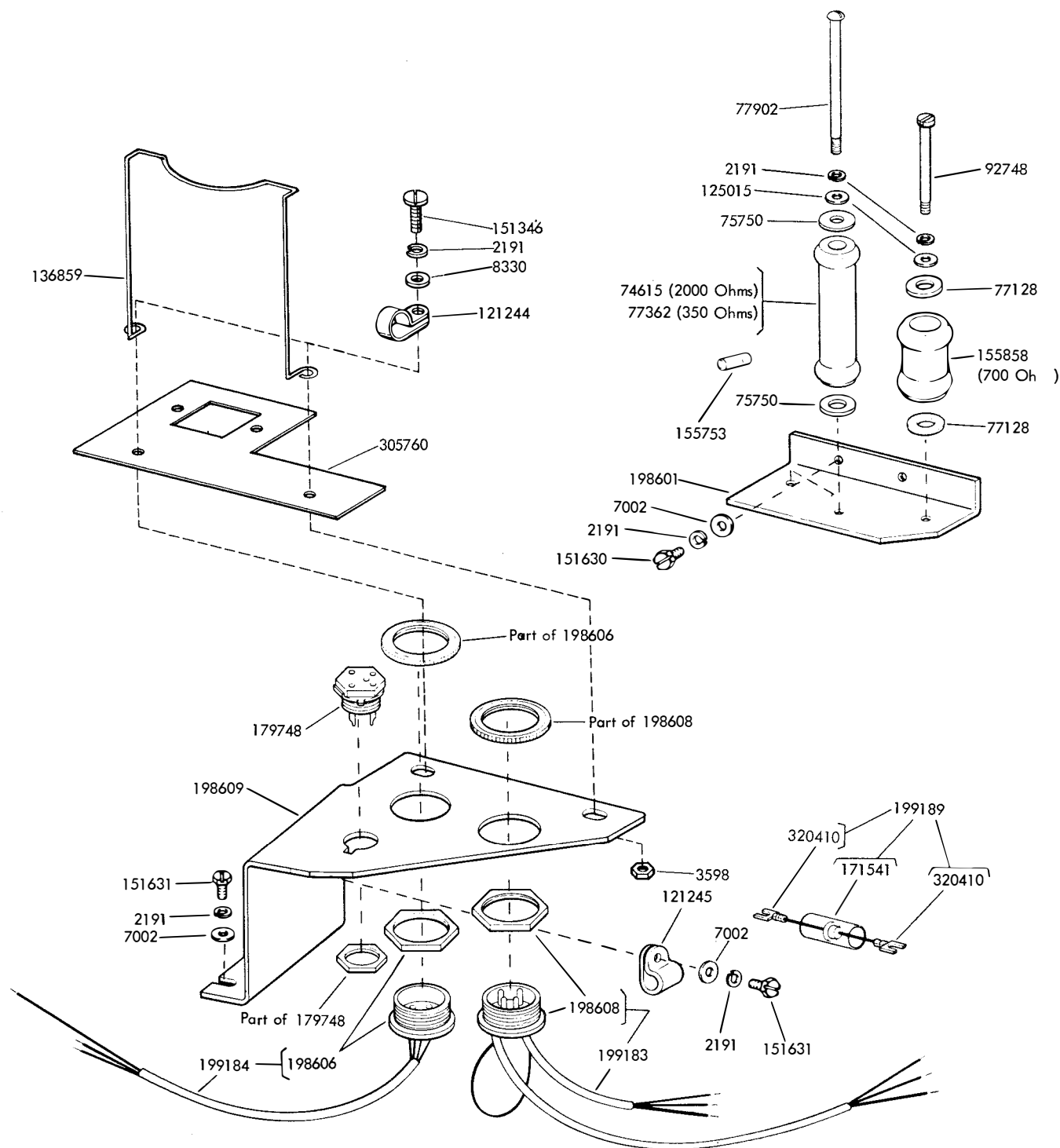


FIGURE 58. TAPE CONTAINER CONTROL COMPONENTS

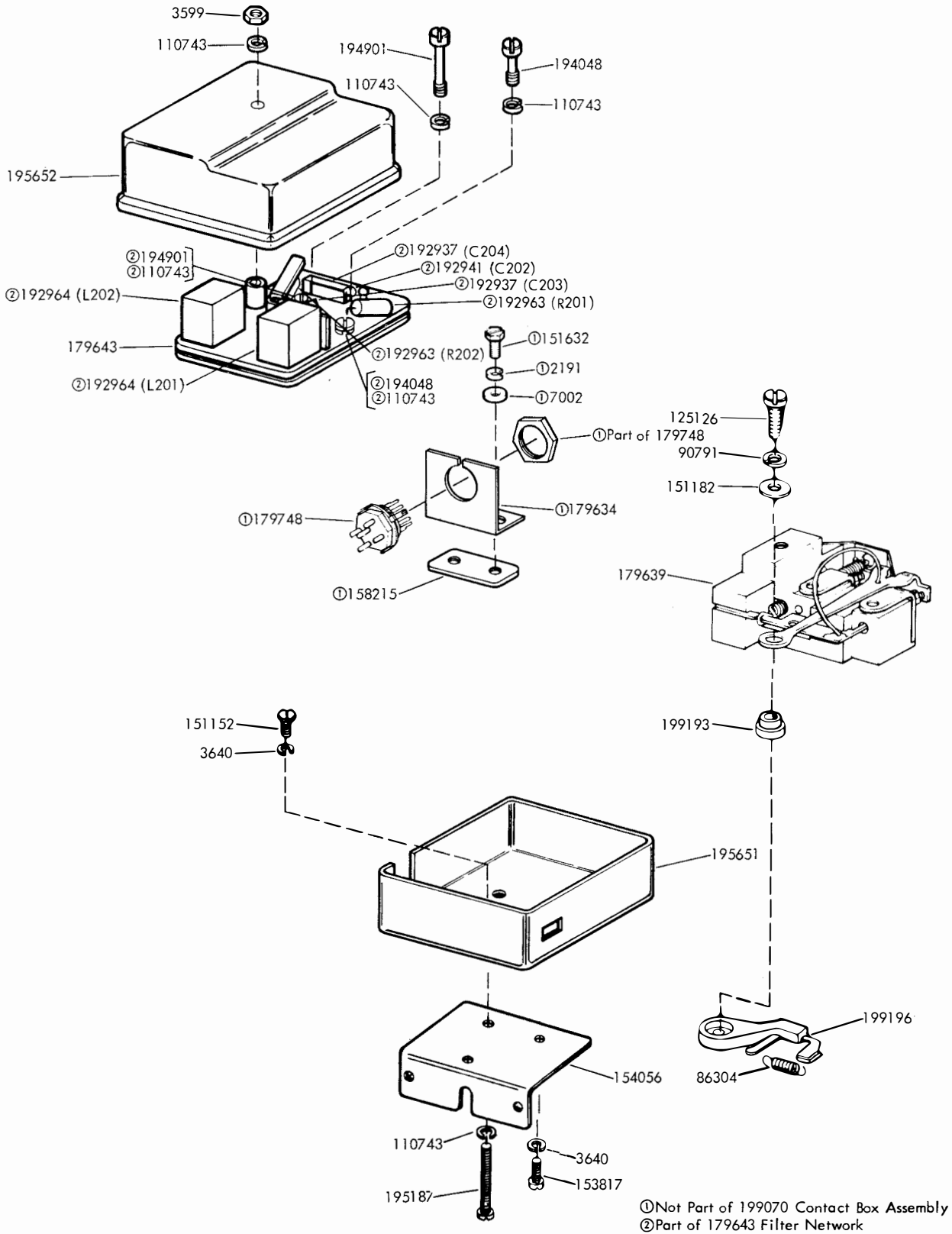


FIGURE 59. 199070 CONTACT BOX ASSEMBLY

## NUMERICAL INDEX

Part Number	Description and Page Number	Part Number	Description and Page Number	Part Number	Description and Page Number
194M	Coil, Magnet 39	6970	Nut, 3/8-32 Hex 6,45,46	74952	Screw, 4-40 x 5/8 Fil 42
224M	Coil, Magnet 45,50	7002	Washer, Flat 3,4,9 to 12,	74962	Spring 36
252M	Coil, Magnet 35		14 to 17,19,23 to 27, 29,	74966	Bushing, Insulating 29
263M	Coil, Magnet 35		31 to 35,37 to 42,45,46,	75435	Resistor, 600 Ohm 42
266M	Coil, Magnet 42		47,48,50 to 52	75750	Washer, Insulating 51
1020	Screw, 6-40 x 1/4 Hex 21	7603	Spring 22,25	76081	Washer, Flat 15,16,33
1118	Screw, 6-40 Shoulder 33	8330	Washer, Flat 3,5,6,11,	76099	Washer, Flat 19,46
1163	Screw, 4-40 x 3/16 Fil 44		12,26,45,51	76379	Spring 4
1164	Screw, 2-56 x 3/16 Fil 28	8449	Spacer, .094" Thk 22,32	76422	Spring 37,40
1178	Screw, 2-56 x 7/16 Fil 28,32,34,38,40,47	22746	Spring 33	76790	Bushing, Insulating 35
1210	Screw, 2-56 x 5/8 Fil 26,32	31636	Spring 38	76964	Pin, Cotter 37
1248	Screw, 6-40 x 1/2 Flat 13	33765	Washer, Flat 44	76966	Screw, 10-32 Set 27
1257	Screw, 10-32 x 1-1/8 Fil 6	34432	Washer, Flat 46	77039	Bushing, Insulating 9
1274	Screw, 6-40 x 1-1/8 Fil 11	35826	Washer, Flat 6	77128	Washer, Insulating 51
1293	Screw, 4-40 x 1/8 Fil 23,24	36318	Washer, Flat 22	77362	Resistor, 350 Ohm 51
2034	Washer, Flat 50	36358	Spring 16	77902	Screw, 6-40 x 2-3/8 Rd 51
2191	Washer, Lock 3 to 12,14 to 17,19,21, to 27,29,31 to 42,44 to 52	41385	Spring 26	77920	Screw, 6-40 x 1-15/16 Fil 41
2415	Spring 15,16	41675	Washer, Flat 26	77999	Resistor, 500 Ohm 4
2422	Washer, Lock 26	41732	Plate, Clamp 9,26,30,35,50	78533	Spring 22
2481	Washer, Flat 33,35	41733	Insulator, .062" Thk 50	78824	Spring 38
2669	Washer, Lock 3 to 8,19, 46	42661	Spring 39,44	80402	Screw, 4-40 x 15/32 Fil 8
3438	Washer, Flat 3 to 6,45	42823	Washer, Flat 20,25	80581	Spring 21,25
3598	Nut, 6-40 Hex 3,6,10,11, 12,14,16,17,18,19,21,22, 29,33,34,40,41,42,46,47, 51	42827	Screw, 3-48 x 1/4 Fil 44,49	80755	Bushing, Insulating 30
3599	Nut, 4-40 Hex 8,23,24, 26,34,36,37,38,40,47,52	44035	Screw, 10-32 x 9/16 Hex 46	80845	Screw, 6-40 x 1-7/16 Fil 41
3606	Nut, 6-40 Hex 22,26,29, 33	44048	Washer, Flat 41	80945	Spring 45
3624	Washer, Flat 32,37	45024	Spring 44	81596	Screw, 10-32 x 1-3/8 Hex 45
3639	Washer, Lock 3,7	45815	Washer, Lock 25,39	81726	Terminal 35
3640	Washer, Lock 8,18,22 to 26,29,30,32,34,35,39,40, 42,44,45,50,52	49420	Spring 9,15,16,36	81731	Spring 10,47
3646	Washer, Lock 41	55063	Spring 15	81774	Washer, Flat 14
3650	Washer, Flat 45	55669	Spring 26	81836	Washer, Insulating 41
3807	Spring 32	70314	Washer, Flat 8,34	82547	Insulator, .094" Thk 8,29, 34,35
3870	Spring 3,19	70388	Spring 21	82548	Insulator, .062" Thk 8, 29,30,34,35
4702	Spring 19	71073	Washer, Flat 34,38,40,47	82860	Spring 10
		71858	Washer, Flat 26	82988	Screw, 6-40 x 2-1/2 Rd 42
		72473	Spring 42	83408	Screw, 4-40 x 3/16 Rd 34
		73008	Washer, Flat 25	83814	Washer, Flat 27
		73035	Spring 10	86283	Spring 15,16
		73374	Spacer, .250" Thk 34	86304	Spring 23,24,52
		73776	Screw, 3/16-32 x 1-3/16 Fil 6	86742	Nut, 4-40 Hex 7,22
		74014	Screw, 10-32 x 3/4 Hex 3	86772	Screw, 6-40 Eccentric Shoulder 16
		74615	Resistor, 2,000 Ohm 51	86774	Screw, 6-40 Shoulder 3,4
		74727	Terminal, Contact 29,34	86835	Spring 49
		74728	Terminal, Contact 9,30,50	87398	Washer, Flat 39
		74755	Washer, Felt 19,35		
		74805	Screw, 10-32 x 3/4 Hex 19,45		
		74807	Nut, 10-32 Shoulder Hex 25		

## NUMERICAL INDEX (Continued)

Part Number	Description and Page Number	Part Number	Description and Page Number	Part Number	Description and Page Number
88891	Spring 35	108949	Stiffener 50	120489	Spacer, .052" Thk 21
89969	Washer, Insulating 42	109356	Washer, Flat 8	120824	Washer, Felt 20
90573	Spring 25,39,44	110435	Nut, 4-40 Hex 32	120870	Wick, Felt 21
90606	Spring 32	110437	Spring 32	121125	Washer, Spring 35
90679	Washer, Felt 22	110743	Washer, Lock 7,9,18 to 21 23,24,25,28,32,33,34, 37,39,40,47,52	121242	Clamp, 1/8 ID Cable 26, 34,35,37
90697	Screw, 10-32 Pivot 40	111017	Screw, 6-40 x 5/16 Fil 3,4,42,49	121243	Clamp, 3/16 ID Cable 41
90790	Washer, Flat 46	111343	Clamp, Retaining 18	121244	Clamp, 1/4 ID Cable 3, 17,51
90791	Washer, Lock 23,24,52	111767	Washer, Flat 22,40	121245	Clamp, 5/16 ID Cable 38, 51
90814	Resistor, 1,000 Ohm 41	111777	Connector, 4 Pt Receptacle 34,42	121246	Clamp, 3/8 ID Cable 3,34
90951	Washer, Lock 38	112127	Hinge 29,34	121247	Clamp, 7/16 ID Cable 41, 42
91683	Nut, 15/32-32 Hex 13	112128	Retainer 29,34	121473	Post 34,40,47
91684	Nut, 15/32-32 Ring 13	112498	Screw, 6-40 x 3/4 Flat 13	123823	Washer, Flat 34
92309	Resistor, 400 Ohm 41	112626	Nut, 10-32 Hex 5,6,19, 39,46	124177	Washer, Lock 33
92626	Stud 10,47	112627	Nut, 2-56 Hex 34,37,40, 47	124220	Pin, Drive 34,42
92748	Screw, 6-40 x 1-7/16 Fil 51	112629	Spring 44	124244	Washer, Felt 4
93117	Washer, Lock 26,28,32, 34,37,40,44,47	112630	Spring 3	124681	Screw, 6-40 Set 45
93135	Screw, 8-32 x 1-3/4 Fil 41	112633	Spring w/Wick 44	124761	Plate, Insulating 34
93160	Washer, Flat 7,8	114478	Nut, 15/32-32 Hex 13	124999	Switch, Sensitive 32
93191	Screw, 4-40 x 5/16 Flat 13	114744	Connector, 6 Pt Plug 34	125011	Washer, Flat 18,19,22, 24,26,29,30,40,42
93507	Screw, 4-40 x 3/4 Hex 34	114858	Connector, 6 Pt Receptacle 34	125015	Washer, Flat 3,6,7,8,11, 12,22,34,40,47,50,51
93758	Washer, Felt 10,47	114876	Washer, Flat 33	125112	Screw, 2-56 x 1/8 Fil 29,34,44
94540	Screw, 10-24 Set 7,8,48	115122	Washer, Felt 19,22,40	125126	Screw, 2-56 x 9/32 Fil 23,24,52
96212BK	Jumper, 4" Black 27	115141	Screw, 6-40 Shoulder 33	125181	Screw, 2-56 x 3/8 Fil 36
96212W	Jumper, 4" White 27	116698	Lamp, 6 V 13	125215	Screw, 4-40 x 3/16 Hex 45
96646	Screw, 6-40 x 1-3/64 Fil 36	117416	Post 19	125241	Spring 25
97393	Screw, 6-40 Shoulder 33, 46	117535	Washer, Flat 6,7	125247	Spring, Compression 37
98502	Washer, Flat 46	117541	Washer, Flat 25	125250	Spring 21,32
98726	Screw, 3-48 x 1/4 Fil 4	117608	Nut, Speed 11,12	125253	Spring 16
98730	Screw, 6-32 x 1-1/4 Rd 34	118211	Resistor, 10,000 Ohm 13	128271	Screw, 6-40 Shoulder 33
99238	Spring 47	118659	Switch, Toggle 13	130499	Bearing, Ball 46
99978	Connector, 4 Pt Plug 42	119467	Insulator, .032" Thk 32	130683	Washer, Lock 26
100658	Connector, 2 Pt Plug 32	119648	Ring, Retaining 4,17,21, 37,42	136859	Holder, Plug 51
100759	Screw, 4-40 x 3/16 Flat 34	119649	Ring, Retaining 4,15,25, 26,36,39,44,50	139552	Block, Terminal 34
101386	Spring 38	119650	Ring, Retaining 15	139752	Screw, 4-40 x 11/64 Fil 33
102057	Screw, 4-40 Shoulder 26	119651	Ring, Retaining 3,10,11, 12,21,22,25,38,40,44,47	142379	Pin, Roll 45,46
102329	Spring, Contact 50	119652	Ring, Retaining 19,33,46	142623	Reel, Tape 31
102330	Spring, Contact 50	119653	Ring, Retaining 9,10,33, 45	144590	Screw, 6-40 x 1-3/8 Fil 13
104564	Washer, Flat 8	119654	Ring, Retaining 15,16	144701	Plate, Right Switch 13
104701	Screw, 4-40 x 9/32 Fil 42	119655	Ring, Retaining 7,8,46	144702	Switch, Push Button 13, 49
104710	Ball, Bearing 18	119662	Screw, 6-40 Spl 33	144703	Cap, Red Lens 13
104807	Washer, Flat 33,37				
104827	Bearing, Ball 5,6				
108370	Washer, Felt 21				

## NUMERICAL INDEX (Continued)

Part Number	Description and Page Number	Part Number	Description and Page Number	Part Number	Description and Page Number
144704	Cap, Green Lens 13	144760	Spacer, .400" Thk 6	149885	Bracket 47
144705	Cap, White Lens 13	144761	Shaft 6	149896	Modification Kit 2,47
144706	Cap, Amber Lens 13	144763	Plate, Nut 4	150013	Disk, Adjusting 20
144708	Modification Kit 2,20,29	144764	Base 4	150026	Lever, Shoe Release 20
144709	Segment, Cam 20	144767	Plate w/Bracket, Bearing 6	150029	Wick, Felt 20
144710	Modification Kit 2,29			150043	Shoe, Secondary Clutch 25
144711	Bracket, Code Contact 29	144769	Button, Pivot 6		
144712	Post, Guide 29	144770	Gear Assembly, Intermediate 2,3,6	150044	Shoe, Primary Clutch 20
144715	Bracket, Connector 4			150089	Screw, 4-40 x 1/2 Fil 35,40
144718	Keytop w/Shaft, SOM 28	144771	Follower, Cam 29		
144719	Keytop w/Shaft, EOA 28	144772	Contact Assembly, Intermediate 29	150241	Spring 20
144720	Keytop w/Shaft, EOM 28			150354	Arm, Trip 45
144721	Keytop w/Shaft, Feed-Out 28	144774	Bar, FIGS Code 15	150356	Lever, Trip 45
		144871	Shaft, Solenoid Plunger 4	150411	Washer, Flat 33,39,44
144722	Keytop w/Shaft, Rub-Out 28	144990	Bar, LTRS Code 15	150432	Washer, Flat 42
		144991	Bracket, Contact 4,30	150507	Spring 33
144723	Keytop w/Shaft, Tape B. Sp 28	144992	Shaft w/Bearing 8	150923	Washer, Felt 4,21,22
		144996	Plate, Left 13	150932	Bushing, Shoulder 10,47
144724	Keytop w/Shaft, SOL INQ 28	144997	Contact Assembly 2,30	150966	Insulator, Terminal Block 35,42,49
		145190	Connector, 2 Pt Plug 32,35	150990	Washer, Felt 22,40
144725	Keytop w/Shaft, SOL ORD 28	145191	Connector, 2 Pt Receptacle 32,35	150991	Washer, Felt 15,16,19
				150992	Stud 32
144726	Keytop w/Shaft, EOL 28	145307	Plate, Nut 4	151036	Screw, 4-40 Shoulder 22
144729	Bracket 28	145313	Washer, Felt 46	151045	Bar, Spacing 11
144730	Bracket, Switch 28	145321	Tie, Cable 49	151059	Stud 36
144731	Plate, Switch Actuator 28	145365	Pinion, 20T 46	151073	Screw, 4-40 x 5/32 Fil 35,44
144732	Insulator 28	145366	Gear, 56T 46		
144733	Spring, Compression 28	145367	Shaft, Drive 46	151080	Washer, Flat 7,18
144734	Plate, Retaining 28	145368	Gear, 27T 45,46	151103	Spring 21
144735	Switch Assembly, SOM 28	145370	Gear, 42T 46	151113	Strip, Mounting 3
144736	Switch Assembly, EOA 28	145373	Gear, 66T 46	151118	Plate, Spacing 3
144737	Switch Assembly, EOM 28	145375	Gear, 63T 46	151126	Spacer, .250" Thk 6
144738	Switch Assembly, Feed-Out 28	145381	Washer, Thrust 46	151146	Strap, Mounting 3
		145383	Key 46	151152	Screw, 4-40 x 3/16 Hex 18,19,23,24,25,33,37,39, 40,42,50,52
144739	Switch Assembly, Rub-Out 28	145384	Pin, Guide 46		
		145385	Spring, Compression 46	151171	Toggle, Contact 23,24
144740	Switch Assembly, Tape B. Sp 28	145386	Sleeve 46	151180	Link, Toggle 23,24
		145389	Shaft, Idler 46	151182	Washer, Insulating 23, 24,52
144741	Cable Assembly 13	145390	Pinion, 25T 46		
144743	Plate, Keytop Guide 11, 13	145393	Bushing 45,46	151223	Screw, 4-40 Shoulder 11, 12
		146149	Plate, Base 39	151224	Screw, 6-40 Pilot 11,12, 29,34
144744	Cable Assembly 29	146438	Bellcrank 29		
144745	Bracket, Front 15,28	147033	Shield 13	151228	Bracket w/Bearing 6
144749	Bracket Assembly, Bearing 2,8	147069	Switch 28	151233	Spacer, .065" Thk 96
		147070	Switch 28	151234	Ratchet, 27T 38
144750	Housing w/Ball Bearing 4	147071	Switch 28	151235	Ratchet, 28T 38
144753	Shaft w/Bearings 8	147127	Modification Kit 13	151236	Hub 38
144754	Plate, Nut 4	148128	Washer, Flat 18	151237	Spring, Flat 38
144755	Shaft, 7-1/4" Lg 8	149881	Cover, Gear 46		
144756	Shaft, 3-9/32" Lg 8	149884	Bail, Transfer 47		
144759	Spacer, .187" Thk 6				

## NUMERICAL INDEX (Continued)

Part Number	Description and Page Number	Part Number	Description and Page Number	Part Number	Description and Page Number
151240	Pawl, Latch 38	151685	Screw, 4-40 x 5/16 Fil 33	153247	Lever, Trip 10,47
151241	Lever, Latching 38	151686	Screw, 4-40 x 3/8 Fil 37	153248	Bushing, 6-40 Shoulder 10,47
151244	Bushing, Eccentric 38	151687	Screw, 4-40 x 7/16 Fil 9,26	153249	Bail, Transfer 10,47
151245	Washer, Felt 38,46	151688	Screw, 4-40 x 5/8 Fil 30,50	153250	Link 10,47
151246	Washer, Flat 38	151691	Screw 10-32 x 3/8 Fil 8	153252	Link 3
151290	Keylever Assembly 36	151692	Screw, 6-40 x 3/16 Fil 4,10,37,39,44,47	153266	Lever, Trip 10
151329	Switch, Sensitive 36, 38,49	151694	Screw, 6-40 x 11/32 Fil 8,49	153273	Link 10
151335	Stud 3,4,42,49	151712	Button, Pivot 5,6,46	153283	Keylever Assembly 47
151346	Screw, 6-40 x 3/8 Fil 45,48,51	151714	Spring 16	153284	Keylever Assembly 10
151352	Spring, Flat 3	151715	Spring 39	153400	Lamp, 60 V Incandescent 42
151354	Screw, 2-56 x 15/32 Fil 26	151722	Screw, 6-40 x 3/16 Hex 3,4,10,14,15,16,21,32, 38,39,42	153534	Washer, Flat 42
151376	Label, Instruction 14	151723	Screw, 10-32 x 3/8 Hex 3,4,6	153537	Screw, 6-40 x 9/32 Hex 39,42
151389	Paper, Carbon 14	151724	Screw, 10-32 x 5/8 Hex 5,6,7	153538	Screw, 6-40 x 7/16 Hex 3,32,34
151390	Label, Blank 14	151725	Screw, 10-32 x 3/4 Fil 5,6,7	153539	Screw, 6-40 x 11/16 Hex 32
151391	Label Set 14	151728	Spring 20	153631	Network, Spark Suppression 34,35,41,42
151397	Spring 39	151731	Screw, 4-40 x 7/8 Fil 37	153799	Screw, 4-40 x 21/64 Hex 33,39
151412	Insulator, Terminal 4	151733	Screw, 4-40 x 9/16 Fil 32,44	153817	Screw, 4-40 x 3/8 Hex 23,24,34,40,42,47,52
151415	Block, Terminal 42,49	151737	Screw, 4-40 x 11/64 Hex 20,39,45	153819	Washer, Lock 4,44,49
151416	Nut, 6-40 Hex 3,4,42,49	151820	Spring, Contact 23,24	153839	Screw, 6-40 x 5/8 Hex 27,45
151442	Screw, 6-40 x 1/2 Hex 3,4,6,14,19,29,35,45,50	151843	Screw, 6-40 Adjusting 18	153841	Screw, 6-40 x 9/16 Hex 12,19,36
151540	Lampholder 42	151879	Stud 38	154008	Guide, Code Bar 15,16,17
151610	Washer, Flat 45,46	151880	Nut, 4-40 Hex 23,24,33, 39,40,42,44	154009	Plate, Front 21,29,34
151616	Screw, no. Self-Tapping 3,4	151885	Plate, Nut 38	154010	Bail, Transfer 21
151618	Screw, 6-40 x 7/16 Fil 13	151886	Stud 38	154013	Bracket, Spring 15,16
151624	Spacer, .072" Thk 42	152045	Guard, Gear 3	154014	Post, Guide 21
151626	Terminal 3,4,13,40,42	152051	Tissue 14	154015	Post 22,40
151629	Nut, 6-40 Lug 27,45	152318	Switch, Magnetic 36	154016	Shaft, 10,15
151630	Screw, 6-40 x 1/4 Hex 3,5,6 to 12,15,16,25,26, 31,34,35,41,46,49,50,51	152441	Washer, Flat 46	154018	Post, Locking Bail 21
151631	Screw, 6-40 x 5/16 Hex 3 to 8,10,11,12,17,19, 25,26,27,31,33,34,35,37, 41,42,45,46,47,51	152462	Latch, Right 49	154019	Follower, Eccentric 20,40
151632	Screw, 6-40 x 3/8 Hex 3 to 8,10,11,12,14,15,17, 23,24,26,27,31,35,36,41, 46,47,50,52	152463	Latch, Left 49	154020	Seal, Front 14
151637	Screw, 4-40 x 1/4 Fil 26,33,34	152464	Insulator, .962" Thk 49	154021	Link 11,12
151657	Screw, 6-40 x 1/4 Fil 26,35,45	152467	Connector, 20 Pt Plug 49	154023	Latch, Lock Bar 15
151658	Screw, 6-40 x 5/16 Fil 3,46	152754	Jumper, 4-1/2" Red 4	154025	Plate, Adjusting 22
151659	Screw, 6-40 x 1/2 Fil 11,12,14,33	152761	Stud 50	154027	Bellcrank 22
151661	Screw, 6-40 x 1 Fil 13	152839	Spring, Latch 33	154029	Wick, Felt 20
151678	Screw, 1/4-32 Pilot 3	152887	Screw, 4-40 x 1/2 Hex 7,8	154030	Shaft, Signal Generator 20
		152893	Screw, 4-40 x 1/4 Hex 18,20,22,29,30,42,50	154032	Sleeve, Gear 20
				154033	Lever, Clutch Latch 19,35
				154034	Lever, Clutch Stop 19
				154036	Plate, Detent 21



## NUMERICAL INDEX (Continued)

Part Number	Description and Page Number	Part Number	Description and Page Number	Part Number	Description and Page Number
154037	Lever 36	154105	Post, Transfer Bail 21	154166	Suppressor, Arc 23
154039	Bracket 36	154106	Bracket 3	154173	Plate 49
154040	Lever, Transfer 21	154107	Bracket 10	154176	Bracket 49
154041	Post, Stop 21	154109	Plunger 3	154179	Bail, Universal 18
154042	Terminal 23,24	154110	Hood, Keyboard 14	154183	Blade, Front 18
154043	Terminal 23,24	154111	Plate, Keytop Guide 11,14	154184	Blade, Rear 18
154045	Screw, 6-40 Spl 23,24	154115	Plate, Guide 3	154189	Insulator 23
154046	Stud 19	154116	Bail 47	154191	Spring 22,40
154047	Post, Spring 21	154117	Bail, Space Bar 11	154193	Plate 36
154051	Screw, 6-40 Shoulder 22	154118	Lever w/Hub 36	154194	Base 23,24
154053	Bail, Clutch Trip 19	154119	Bracket, Space Bar 11	154197	Plug, Button 11
154056	Bracket, Contact Box 23, 24,52	154120	Lever, Code Bar 15,16	154198	Window, Plastic 14
154057	Plate 14	154121	Lever, Space Code Bar 15	154199	Shim, .005" Thk 3
154058	Plate 14	154122	Lever, Keyboard Lock Function 15	154201	Shim, .014" Thk 3
154059	Bracket, Function Bail 9,50	154123	Lever, Function 10,15,36	154202	Screw, no. 4 Spl 14
154064	Bracket, Adjusting 10	154124	Lever, Keyboard Repeat & Unlock 15	154203	Bracket 14
154065	Lever w/Hub 10	154125	Spring 15,16,34,39	154204	Grommet, Plastic 14
154066	Lever, LOC-LF 9	154126	Bracket 36	154210	Bracket, Left 14
154067	Lever 9,39	154127	Nut, 6-40 Hex 22,40	154211	Bracket, Right 14
154068	Bracket, Right Guide 15, 17	154129	Bar, Clutch Trip 15	154212	Frame, Front 11
154069	Bracket, Left Guide 15	154130	Box, Contact 23	154215	Spring 22,40
154070	Guide, Code Lever 15	154131	Cover, Contact 23	154217	Wick, Leather 21
154071	Screw, 1/4-32 Pilot 15,16	154132	Bracket 10,47	154224	Gear Assembly, Intermediate 2,6
154072	Bracket, Stop 15,16	154133	Bracket 10	154225	Box Assembly, Contact 2,23
154076	Plate, Nut 3	154134	Bracket 38	154226	Box w/Strap 23
154079	Stud 22	154135	Pawl 38	154227	Bracket, Support 10
154080	Lock, Wedge 18	154136	Pawl 38	154236	Lever, Latch 19
154081	Plate, Retainer 18	154137	Lever, Adjusting 38	154237	Lever, Non-Repeat 22
154083	Spacer, Cam 20	154138	Washer, Felt 20	154238	Extension 18
154084	Bearing, Needle 22	154140	Bail, Locking 21	154239	Extension w/Post 18
154085	Plate 3,5	154141	Modification Kit 2,36	154240	Bail, Code Bar 22
154086	Retainer, Wedge 18	154142	Modification Kit 38	154241	Stud 22
154087	Plate, Nut 3	154144	Cable Assembly 38	154318	Plate 31
154088	Plate, Nut 3	154145	Modification Kit 2,47	154351	Modification Kit 15,22
154089	Post, Spring 22	154146	Modification Kit 2,10	154386	Plate, Adjusting 22
154091	Guide, Non-Repeat Lever 22,40	154147	Modification Kit 2,36	154662	Spacer 6
154092	Shaft, Function 9,10,39, 47	154149	Cable Assembly 36,49	154663	Shaft 6
154094	Clamp 19	154151	Bail Assembly, Universal 2,18	154694	Disk, Clutch Cam 20
154095	Eccentric, Contact Box 23,24	154152	Bar Assembly, Ball Lock 2,18	154697	Grommet, Rubber 49
154096	Bushing, Eccentric 19	154153	Cable Assembly 36	154873	Connector, 2 Pt Receptacle 49
154097	Bail 10	154154	Cam, Signal Generator 20	154874	Connector, 2 Pt Plug 49
154098	Bail 10	154156	Grommet, Rubber 49	155718	Jumper, 3" Black 40
154099	Bail, LOC-CR Function 9	154163	Shaft Assembly, Clutch Cam 20	155731	Bracket, Contact 50
154101	Plate, Rear 19	154165	Box Assembly, Contact 2,23	155746	Contact Assembly 50
154102	Plate, Rear 22,35,40			155750	Sleeve, 3/32 ID x 1/2 Lg Insulating 29,32,34,35, 37,38,39,49

## NUMERICAL INDEX (Continued)

Part Number	Description and Page Number	Part Number	Description and Page Number	Part Number	Description and Page Number
155751	Sleeve, 1/8 ID x 1 Lg Insulating 13,36,38,49	156740	Screw, 6-40 x 7/32 Hex 4,5,34,40,44,47	158107	Bar, Character Counter Code 15
155752	Sleeve, 5/64 ID x 1/2 Lg Insulating 49	157101	Cable 40	158113	Frame 25
155753	Sleeve, 1/8 ID x 1/2 Lg Insulating 4,13,17,26, 32,34,35,40,41,49,51	158000	Base 3,10,26,36,39,42,47	158114	Cam, Control 25
155754	Sleeve, 1/16 ID x 1/2 Lg Insulating 42,49	158007	Container Assembly 2,31	158115	Bushing 25
155755	Sleeve, 11/64 ID x 5/8 Lg Insulating 3,35,41,42,49	158009	Switch Assembly, Tape- Out 2,32	158116	Lever, Reset 25
155858	Resistor, 700 Ohm 51	158010	Bar, Locking 17	158117	Follower, Reset Cam 25
155951	Spring, Torsion 37	158011	Lever, Blocking 25	158118	Guide 25
155952	Pin 37	158019	Baffle 33	158119	Bracket 25
155953	Stud 37	158021	Bracket, Switch 33	158120	Bracket 25
155954	Switch, Sensitive 26,28, 37,49 6	158031	Bail, Feed 33	158121	Roller 25
155956	Bail 37	158032	Bail, Reset 33	158122	Bracket 25
155958	Keylever 37	158033	Spacer, .055" Thk 33	158123	Shaft 25
155959	Keytop 37	158036	Lever, Reset 33	158135	Link 25
155960	Latch 33	158038	Lever 33	158136	Latch 25
155964	Lever, Stop 33	158040	Lever, Ratchet Drive 33	158137	Extension, Code Bar 25
155965	Ratchet, 88T 33	158042	Lever, Latch 33	158139	Bellcrank 25
155966	Drum 33	158045	Stud 33	158141	Lever w/Hub 25
155967	Washer, Spring 33	158046	Bracket 33	158144	Slide w/Stud 25
155968	Washer, Flat 33	158047	Scale 33	158145	Extension 25
155969	Bracket 33	158050	Switch, Contact 33	158147	Bushing, Eccentric 26,33
155990	Counter Assembly, Character 2,33	158051	Pulley 33	158148	Washer, Felt 26
155991	Keytop Assembly 37	158052	Cam, Switch 33	158149	Bracket 26
155992	Cable Assembly 28,37	158053	Clamp 33	158150	Shaft 26
155994	Insulator, .015" Thk 26,37	158054	Cord Assembly 33	158151	Arm 26
156078	Contact Assembly 29	158056	Cord 33	158156	Lever w/Stud 26
156226	Hub 7,8	158060	Spring 25	158158	Roller 26
156448	Bushing 32	158061	Pin 25	158160	Bracket 26
156449	Lever, Switch 32	158062	Stop 26	158161	Indicator Assembly 26
156450	Screw, 2-56 x 1/2 Fil 37	158063	Bracket, Stop 15	158162	Bracket 26
156451	Bushing 32	158064	Clip, Spring 3	158163	Switch, Sensitive 26,32,49
156503	Wick, Felt 20	158066	Switch 26	158164	Lever w/Hub 26
156509	Washer, Flat 21	158067	Bracket 26	158186	Screw, 4-40 x 7/32 Fil 28
156516	Latch 21	158068	Plate 3	158189	Washer, Felt 26
156558	Washer, Felt 22	158071	Bracket, Bearing 7	158202	Housing, Switch 27
156574	Post, Spring 18	158073	Shaft w/Bearing 7	158205	Cover 27
156630	Washer, Felt 21	157075	Shaft w/Gears 7	158206	Screw, 6-32 Thumb 27
156632	Screw, 6-40 x 13/32 Hex 8,12,14,33	158077	Gear, 33T 7	158208	Gear, 43T 27
156644	Link, Drive 23	158079	Shaft, Motor Coupler 7	158210	Shaft Assembly 27
156663	Bushing, Insulating 23, 24	158087	Bar, no. 1 Code 15	158212	Bracket 3
156664	Sleeve 24	158088	Bar, no. 2 Code 15	158213	Plate, Nut 3
		158089	Bar, no. 3 Code 15	158215	Plate, Nut 3,4,31,33,52
		158090	Bar, no. 4 Code 15	158216	Plate, Nut 3
		158091	Bar, no. 5 Code 15	158217	Plate, Nut 3
		158093	Spacer, .047" Thk 15	158219	Switch, Rotary 27
		158094	Stud 15	158226	Bracket w/Bushing 17
		158099	Lever 35	158228	Lever w/Stud 17
		158103	Latch w/Hub 15	158230	Bracket, Contact 17
		158105	Bar, Carriage Return Code 15	158231	Contact, Lock Bar 17
				158233	Bracket 31
				158238	Plate 32

## NUMERICAL INDEX (Continued)

Part Number	Description and Page Number	Part Number	Description and Page Number	Part Number	Description and Page Number
158239	Lever, Tape 32	160583	Spring, Contact 9	163021	Pinion, 28T 48
158241	Container, Tape 31	160987	Pad, Tape Container 31	163022	Gear, 80T 48
158250	Block, Terminal 3,4	161089	Shaft 42	163023	Gear Set, 60 WPM 48
158251	Plate, Mounting 3,4	161100	Spring, Contact 30,34	163024	Gear Set, 75 WPM 48
158252	Insulator, Terminal Block 4	161102	Spring, Contact 29,30	163025	Gear Set, 100 WPM 48
158255	Cable Assembly 32	161238	Connector, 36 Pt Receptacle 4,49	163388	Keytop 39
158268	Latch w/Hub 22	161293	Gear Set, 60 WPM 48	163440	Gear, 48T 5,6
158271	Guard, Gear 7,8	161294	Gear Set, 75 WPM 48	163445	Insulator, Strip 23,24
158275	Plate, Clamp 17	161295	Gear Set, 100 WPM 48	163460	Gear, 55T 5,6
158276	Screw, 3-48 x 11/16 Rd 17	161301	Post 46,48	163511	Plate 14
158277	Screw, 3-48 x 1 Rd 17	161346	Washer, Felt 21	163512	Bracket 14
158281	Connector, 32 Pt Plug 49	161347	Washer, Felt 38	163519	Gear Sleeve 20
158289	Reel, Tape 31	161440	Spring 15,25	163531	Switch Assembly, Tape- Out 2,32
158299	Cover, Contact 17	161525	Connector, 14 Pt Plug 13,29	163532	Cable Assembly 32
158745	Clamp, Bearing 5,6,7,8,46	161826	Plate 32	163536	Spacer, .562" Thk 23
158753	Armature, Magnet 35	161882	Plate w/Bracket 8	163585	Bracket, Right 11,14,34, 40,47
158754	Core, Magnet 35	161954	Socket, Lamp 13	163586	Bracket, Left 11
158816	Spring, Contact 9	162075	Reel, Tape 31	163647	Channel, Ball 18,34,41
158828	Bushing, Mounting 6	162308	Bail, Code Bar 22,40	163699	Spring 25
158859	Post, Spring 35,45	162309	Bar, Clutch 15	163775	Modification Kit 2,37
158907	Spring 21	162333	Stud, Locating 9	163813	Plate 37
159278	Pinion, 17T 48	162335	Cable 17	163814	Lever w/Hub 37
159279	Gear, 96T 48	162344	Contact Assembly 17	163852	Keylever Assembly 34
159281	Pinion, 17T 48	162345	Switch, Rotary 27	163963	Plate 14
159282	Gear, 93T 48	162659	Retainer 46	163964	Plate 13
159284	Pinion, 20T 48	162731	Modification Kit 2,38	163979	Lever, Code Bar 34,39
159285	Gear, 84T 48	162815	Cable Assembly 38	164005	Modification Kit 40
159287	Retainer, Pinion 46,48	162873	Contact Assembly, Universal 40	164107	Bracket 27
159327	Washer, Flat 22	162874	Clamp 40	164127	Plate, Keytop Guide 11, 13,14
159334	Washer, Insulating 22	162875	Bracket 40	164131	Cable Assembly 13
159340	Spring, Return 33	162876	Bar, Retainer 40	164138	Stud 40
159341	Bearing, Ball 6,8,46	162878	Contact Assembly 34	164142	Bracket 4,39,42
159343	Cable w/Terminals 37	162879	Spring, Contact 34	164143	Plate, Mounting 39,42,44
159404	Post 8	162880	Bracket 29,34	164144	Plate, Side 39,44
159543	Washer, Flat 31	162881	Plate 29,34	164145	Pivot, Lever 39,44
159568	Bracket, Contact 30	162882	Bushing, Insulating 34	164146	Lever, Stop 39
159570	Spring, Contact 29,30	162883	Cover, Insulating 29,34	164148	Spacer, Stop Arm 39
159571	Stiffener 29,30	162884	Arm 34	164151	Lever, Detent 39
159804	Spring 44	162885	Segment, Cam 20,34	164154	Lever, Sensing 39
159897	Arm 25	162886	Screw, 4-40 x 7/32 Hex 20	164155	Yoke, Magnet 39
159899	Pin 25	162891	Cover, Contact Box 23	164156	Armature 39
159976	Armature 45,50	162892	Box Assembly, Contact 2,23	164157	Shaft 39
159977	Hinge 50	163015	Pinion, 28T 48	164158	Latch 39
159978	Shaft 50	163018	Gear, 49T 48	164160	Link 40
160090	Lever, Transfer 21	163019	Pinion, 21T 48	164161	Drum, Message 39
160185	Post 30	163020	Gear, 48T 48	164162	Ring "O" 39
160369	Switch, No Pushbutton 13			164163	Blade, Stop 39
160370	Switch, No Pushbutton 13			164164	Blade, Code 39
160377	Switch, Rotary 27				
160393	Cable Assembly 27				

## NUMERICAL INDEX (Continued)

Part Number	Description and Page Number	Part Number	Description and Page Number	Part Number	Description and Page Number
164165	Plate, Drive 39,44	170322	Lens, Red Pilot Light 13	170396	Bail, L.B.S. 10
164168	Pawl, Stepping 39,44	170323	Lens, Yellow Pilot Light 13	170397	Bail, L.C.R. 9
164169	Stud, Eccentric 39,44	170324	Bracket, Front 15,16,37	170398	Lever, L.L.F. 9
164224	Insulator 3,4	170325	Bar, Auxiliary Code 16	170399	Lever 10
164234	Gear Assembly, Intermediate 2,6	170329	Plate, Left 13	170400	Plate, Keytop Guide 11,13
164349	Shaft Assembly, Clutch Cam 20	170330	Plate, Right 13	170401	Frame, Front 11
164379	Cable 35	170331	Bar Assembly 2,18	170403	Plate, Right 13
164426	Modification Kit 2,42	170332	Bail Assembly, Universal 2,18	170404	Plate, Left 13
164457	Keylever Assembly 34	170334	Shaft Assembly, Clutch Cam 20	170405	Panel Assembly, Right 13
164485	Bail w/Hub 19,35	170337	Indicator Assembly 26	170406	Bracket, Left Space Bar 11,12
164489	Bar, Universal 35	170349	Container Assembly 2,31	170407	Bracket, Right Space Bar 11,12
164490	Bar, Clutch Trip 35	170350	Bar, no. 0 Code 16	170409	Bail, Space Bar 11,12
164495	Cable Assembly 49	170351	Bar, no. 1 Code 16	170410	Plate, Nut 3
164496	Bail 39	170352	Bar, no. 2 Code 16	170412	Bracket, Switch Mounting 9
164497	Eccentric 39	170353	Bar, no. 3 Code 16	170413	Contact Assembly 9
164499	Bar, Locking 39	170354	Bar, no. 4 Code 16	170414	Lever, Function 16
164500	Resistor Assembly 2,41	170355	Bar, no. 5 Code 16	170418	Bracket 26
164501	Plate, Mounting 41	170356	Bar, no. 6 Code 16	170419	Spacer 11
164502	Modification Kit 2,39, 40,41	170357	Bar, no. 7 Code 16	170454	Bar, Space 11
164504	Cable w/Terminals 41	170358	Bracket 3	170456	Container, Tape 31
164583	Modification Kit 48	170360	Bar, Auxiliary Code 16	170494	Keylever Assembly 10
164584	Modification Kit 48	170361	Bar, Clutch Trip 16	170496	Keylever Assembly, LOC B SP 10
164585	Modification Kit 48	170362	Latch, Auxiliary 16	170499	Panel Assembly, Left 13
164644	Post 35	170363	Bracket, Left 16	171541	Diode 51
164645	Post 35	170364	Bracket, Right 16	171559	Lamp, 28 V Incandescent 13,49
164646	Plate, Nut 35	170365	Guide, Code Lever 16	171952	Connector, Green Shielding 49
164647	Bracket 35	170368	Shaft 16	171972	Connector, Green Insulated 49
164649	Plate, Mounting 35	170369	Bracket, Support 16	172945	Modification Kit 2,39, 40,41
164651	Bail, Armature 35	170370	Lever, Function 16	172947	Plate, Mounting 41
164653	Bracket 35	170371	Lever, Function 16	172948	Cable Assembly, Resistor Mounting 2,41
164659	Modification Kit 2,35	170372	Bail, Universal 18	172978	Cover, Contact 17
165027	Network, Spark Suppression 4	170373	Blade, Rear 18	173028	Post, Spring 40
165693	Cable w/Terminals 34	170374	Blade, Front 18	173029	Lever, Latch 40
170086	Lever, Selector 21	170375	Lever, Auxiliary 16	173095	Link 40
170098	Camsleeve 20	170376	Channel Assembly, Ball 18	173096	Stud, Eccentric 22,40
170099	Shaft Assembly, Clutch Cam 20	170379	Retainer, Ball 18	173122	Modification Kit 40
170101	Bar, no. 1 Code 16	170380	Retainer, Wedge 18	173220	Plate, Left 13
170102	Bar, no. 2 Code 16	170381	Lever, Start 21	173221	Panel Assembly, Left 13
170103	Bar, no. 3 Code 16	170382	Lever, no. 2 Selector 21	173398	Cable w/Terminal 40
170104	Bar, no. 4 Code 16	170383	Lever, no. 3 Selector 21	173508	Gear, 66T 8
170105	Bar, no. 5 Code 16	170385	Frame w/Bushing 19,35	173645	Coupling 7
170106	Bar, no. 0 Code 16	170386	Guide, Transfer Lever 21	173711	Cable Assembly 26
170172	Bracket 36	170388	Post, Guide 21		
170173	Lever w/Hub 36	170390	Bail, Locking 21		
170320	Connector, 24 Pt Receptacle 49	170391	Guide, Transfer Lever 21		
		170392	Lever, Non-Repeat 22		
		170395	Bracket, Function Bail 9,10		

## NUMERICAL INDEX (Continued)

Part Number	Description and Page Number	Part Number	Description and Page Number	Part Number	Description and Page Number
173715	Terminal, Plug Type 49	176405	Modification Kit 2,37	177355	Resistor, 4,000 Ohm 3
173716	Terminal, Receptacle Type 49	176406	Bracket 37	178142	Camsleeve 20
174034	Screw, 4-40 x 13/16 Hex 29	176407	Lever 37	178329	Cable Assembly 34
174181	Bracket, Rear Mounting 34	176436	Cam, Control 25	178331	Cable Assembly 34
174182	Relay, 550 Ohm 34	176632	Bracket 42	178339	Cable Assembly 34
174183	Guard 34	176633	Switch, Rotary 42	178340	Relay Assembly, Control 34
174184	Plate, Cover 34	176634	Lever, Actuator 42	178346	Modification Kit 2,20,34
174217	Frame 42	176659	Lever, Trip 4	178349	Cable Assembly 34
174219	Bracket 42	176661	Bracket w/Post 4	178490	Modification Kit 15
174220	Bushing 42	176663	Link 3	178491	Bail 22
174221	Washer, Spring 42	176672	Solenoid 4	178492	Lever 22
174222	Armature 42	176673	Suppressor, Spark 4	178493	Latch w/Hub 22,40
174223	Cover 42	176674	Bracket 31	178494	Spring, Torsion 22
174225	Cable Assembly 42	176675	Solenoid Assembly 4	178535	Suppressor, Spark 3
174226	Cable w/Terminals 42	176691	Resistor w/Terminals, 5 Ohm 4	178599	Cable w/Terminal 3
174227	Cable Assembly 42	176700	Base 4	178725	Spring 33
174238	Magnet Assembly 42	176702	Bracket 4	178726	Bracket, Spring 33
174250	Pin, Roll 45,46	176703	Plate, Mounting 4	178728	Modification Kit 33
174350	Bar, Code 15	176709	Container Assembly 2,31	178785	Shaft Assembly 20
174410	Box Assembly, Contact 2,24	176752	Ring, Retaining 45	178787	Sleeve, Gear 20
174411	Insulator 24	176770	Bracket 45	178790	Contact Assembly 17
174412	Spacer, .531" Thk 24	176771	Shaft, Driver 45	178795	Camsleeve 20
174413	Terminal 24	176772	Gear, 56T 45	178849	Cord Assembly, Indicator 33
174414	Bushing 24	176774	Gear, 42T 45	178851	Pulley 33
174415	Cover, Contact Box 24	176776	Gear, 50T 45	178871	Sleeve, 7/16 ID x 1-1/8 Lg Insulating 41
174416	Box, Contact 24	176779	Wick, Felt 45	179170	Screw, 6-40 x 3/4 Rd 13
174421	Filter, R.F. 24	176780	Hub 45	179258	Bracket, Scale 33
174491	Modification Kit 23	176781	Shaft, Clutch 45	179278	Drum, Ratchet 33
176304	Bracket 39,44	176782	Gear, 63T 45	179279	Bracket w/Posts 33
176305	Lever, Reset 44	176784	Bearing, Flange 45	179362	Cable Assembly 32,35
176306	Pawl 44	176787	Gear, 66T 45	179363	Cable Assembly 35
176307	Arm, Drive 44	176789	Hub 45	179491	Switch Assembly, Back Space 27
176308	Screw, 4-40 Eccentric 44	176790	Washer, Bearing 45	179623	Resistor, 3,920 Ohm 3
176309	Finger 44	176792	Sleeve w/Stud 45	179634	Bracket, Connector Mounting 52
176310	Bracket 44	176793	Sleeve 45	179639	Contact Assembly 52
176311	Pawl, Release Lug 44	176794	Spring, Right Clutch 45	179643	Network Filter 52
176312	Screw, 4-40 Eccentric 44	176795	Spring, Left Clutch 45	179740	Cable Assembly 42
176313	Latch, Drive Pawl 44	176796	Wick, Felt 45	179747	Shaft 27
176314	Roller 44	176797	Gear, 48T 45	179748	Connector, 5 Pt Plug 51,52
176316	Spacer, Reset Lever 44	176799	Gear, 35T 45	180675	Screw, No. 6 Self-Tapping 3,4
176318	Shaft 44	176801	Guard, Gear 45	180904	Tab, Terminal 3,4
176320	Plate 44	176802	Plate, Right Bearing 45	181392	Terminal, Tab Type 3,4
176321	Shim, .010" Thk 44	176803	Plate, Left Bearing 45	192013	Connector, 50 Pt Plug Type 49
176323	Plate, Side 44	176804	Shaft, Idler 45		
176339	Post, Stop 22	176805	Gear, 25T 45		
176354	Sleeve 21	176807	Shaft, Trip 45		
176395	Modification Kit 2,44	176808	Bracket 45		
		176809	Bracket 45		
		177005	Contact Assembly 17		
		177018	Bracket 42		

## NUMERICAL INDEX (Continued)

Part Number	Description and Page Number	Part Number	Description and Page Number	Part Number	Description and Page Number
192025	Washer, Flat 46	195264	Gear, 49T 46	306732	Resistor, 1.5 Meg Ohm 27
192176	Terminal, Plug Type 49	195292	Lever 15	306991	Bracket 5
192177	Terminal, Receptacle Type 49	195417	Shaft, Driven 46	306992	Clamp 5
192224	Panel, Tape Container 31	195418	Gear, 48T 46	306993	Plate 5
192511	Bar, Space 12	195420	Pawl 46	306994	Shaft 5
192533	Plate, Rear 22	195427	Washer, Flat 46	306995	Spacer 5
192534	Post, Locking Bail 21	195651	Box, Contact 52	306996	Shim, .05 Thk 38
192538	Plug, Button 12	195652	Cover, Contact Box 52	307788	Bracket 46
192550	Bar Assembly, Ball Lock 2,18	195717	Plate, Identification 3,4	309506	Spring, Gold Plated 47
192552	Channel, Ball 18	195923	Filter, R.F. 23	309507	Contact 34,40,47
192553	Bracket, Left Mounting 12	198588	Bracket 50	309508	Bracket, Left 11,47
192555	Plate, Keytop Guide 12	198589	Hinge 50	309509	Bracket, Right 34,40,47
192555	Plate, Keytop Guide 12	198590	Fork 50	309510	Bar, Retaining 34,40,47
192556	Frame 12	198592	Cover 50	309511	Modification Kit 2,15,47
192557	Grommet, Rubber 12	198601	Bracket 51	310153	Jumper, 15" Green 3,4
192629	Shaft 8	198606	Connector, 4 Pt Receptacle 51	311439	Switch Assembly, Tape-Out 2,32
192630	Bracket 49	198608	Connector, 4 Pt Plug 51	311439	Cable Assembly 32
192681	Screw, 4-40 Spl 18	198609	Bracket, Mounting 51	311451	Camsleeve 20
192937	Capacitor, .068 MFD 52	198679	Bracket, Bolt Retaining 46	311676	Modification Kit 2,8,46
192941	Capacitor, 1,500 MFD 52	198680	Screw, 10-32 Spl 46	311741	Bracket, Space Bar 11,12
192963	Resistor, 33,200 Ohm 52	199070	Box Assembly, Contact 2,52	311881	Pinion, 15T 46
192964	Inductor, 1,700 Ohm 52	199073	Bar, Counter 50	311882	Gear, 26T 46
193565	Coupling, Flexible 8,48	199075	Plate, Contact Mounting 50	311883	Gear, 21T 46
193654	Clamp, Armature 35	199075	Plate, Contact Mounting 50	311884	Gear, 50T 46
193802	Modification Kit 22	199100	Keytop w/Shaft, FO 28	311885	Gear, 24T 46
193983	Guide, Tape 31	199101	Keytop w/Shaft, H-ON 28	311886	Gear, 52T 46
194048	Screw, 4-40 Spl 52	199102	Keytop w/Shaft, D-ON 28	311887	Gear, 36T 46
194156	Screw, 6-40 Shoulder 11	199103	Keytop w/Shaft, FLD 28	311888	Gear, 52T 46
194425	Modification Kit 2,35	199183	Cable Assembly 51	311889	Pinion, 18T 46
194452	Lever 15	199184	Cable Assembly 51	311890	Gear, 54T 46
194901	Screw, 4-40 Spl 52	100189	Diode Assembly 51	311891	Gear, 22T 46
195154	Modification Kit 2,7,46	199193	Bushing, Insulating 52	311893	Bracket w/Bearings 46
195155	Cable w/Terminals 46	199196	Link 52	315525	Plate, Keytop Guide 11
195156	Pinion, 28T 46	199361	Modification Kit 3,4	315867	Shaft w/Bearing 8,46
195157	Gear, 49T 46	199650	Arm w/Stud 25	317202	Modification Kit 2,8,46
195158	Bracket w/Bearings 46	301699	Reel, Tape 31	317203	Plate w/Bracket 8
195160	Pinion, 20T 46	304211	Gear, 26T 46	317349	Modification Kit 2,7,46
195161	Shaft 46	304212	Gear, 55T 46	318900	Pinion, 24T 46
195163	Bracket 46	304229	Plate 46	318901	Gear, 56T 46
195164	Bracket, Bearing 7	304610	Plate, Right Switch 13	318904	Gear Set 46
195165	Shaft w/Bearing 7,46	304672	Plate, Keytop Guide 11	319394	Screw, 10-24 Set 8,48
195166	Plate 7	305632	Pinion, 22T 8	320408	Terminal, Spade Type 34
195167	Lever 46	305633	Gear, 55T 8	320410	Terminal, Spade Type 3, 4,13,26,34 to 38, 40,41, 42,46,49,51
195168	Bracket 46	305634	Bracket Assembly, Bearing 2,8	320416	Terminal, Ring Type 49
195169	Bracket 46	305635	Shaft w/Bearings 8	320418	Terminal, Ring Type 49
195186	Screw, 4-40 x 7/8 Hex 23	305757	Lever, Switch 27	320420	Terminal, Ring Type 3,4
195187	Screw, 4-40 x 1-1/2 Hex 23,24,52	305758	Bracket 4	321727	Guide 34,40,47
195263	Pinion, 22T 46	305760	Bracket, Connector 51	321767	Switch, Pushbutton 49

## NUMERICAL INDEX (Continued)

Part Number	Description and Page Number	Part Number	Description and Page Number	Part Number	Description and Page Number
321768	Switch, Pushbutton 49	323762	Plunger, Green 13	326730	Gear Assembly, Intermediate 2,5
323708	Switch, SP-DT Pushbutton 13	323763	Plunger, Black 13	330714	Insulator 34,40,47
323709	Switch, SP-DT Pushbutton 13	324531	Contact Assembly 35	330963	Keylever 47
323710	Switch, SP-DT Pushbutton 13	324533	Stiffner w/Contact 35	330964	Keylever 39,47
323761	Plunger, Red 13	324534	Spring, Contact 35	330965	Keylever 47
		324535	Insulator 35	330966	Keylever 47
		326727	Gear Assembly, Intermediate 2,5		

