

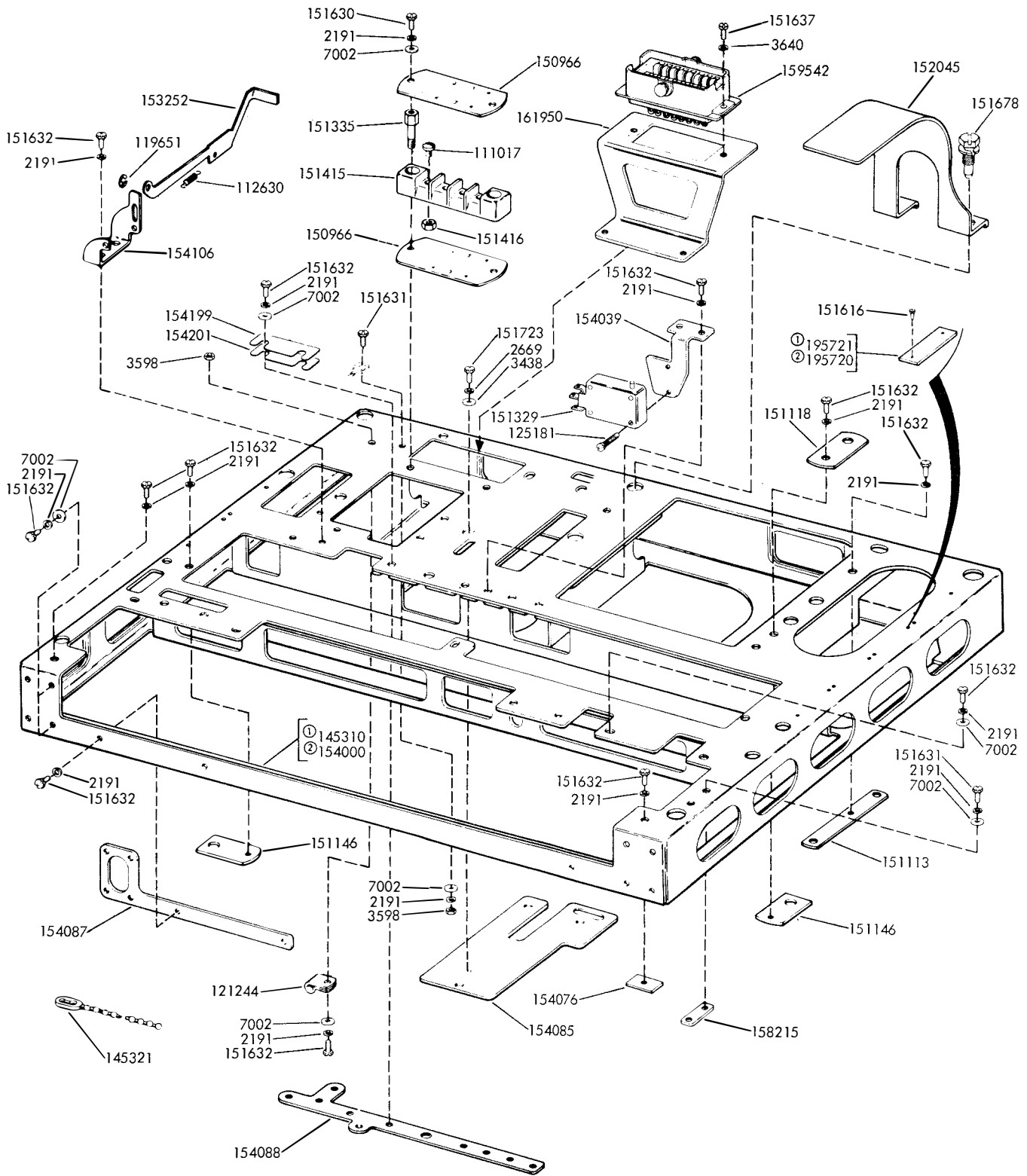
28 SEND-RECEIVE REPERFORATOR KEYBOARD BASE (LTRK)
and
28 SEND-RECEIVE TAPE PRINTER KEYBOARD BASE (LTPK)
PARTS

FIGURE	CONTENTS	PAGE	FIGURE	CONTENTS	PAGE
1	Keyboard Base	2	17	176405 Modification Kit to add Tape Backspace Button	16
2	Electrical Components	3	18	163775 Modification Kit to provide Repeat on Space Mechanism	16
3	Casting	4	19	Gear Shift Mechanism for Tape Printer Keyboard Base	17
4	Tape Container	5	20	Gear Shift Mechanism for Tape Printer Keyboard Base	18
5	326727 and 326730 Intermediate Gear Assembly	6	21	Connectors and Cable	19
6	Keyboard	7	22	Electrical Components for Tape Printer Keyboard Base	20
7	Code Bar Mechanism	8	23	193800 and 193720 Modification Kit to Synchronous Pulsed Transmission	21
8	Universal Bail Mechanism	9	24	192999 Modification Kit to provide Vacuum Chad Removal for Send-Receive Typing Reperforator Set	22
9	Bail Lock Mechanism	9	25	Function Bail Mechanism	23
10	Signal Generator Frame Mechanism	10	26	Cables	23
11	Signal Generator Shaft Mechanism	11		Numerical Index	24
12	Gear Sets	11			
13	Signal Generator Front Plate Mechanism	12			
14	Signal Generator Rear Plate Mechanism	13			
15	154165, 154225, and 176352 Signal Generator Contact Box Assemblies	14			
16	155990 Character Counter Mechanism	15			

Note: When ordering parts from this section, prefix each number with the letters TP.

Reperforator Keyboard Base		Tape Printer Keyboard Base	
Teletype Code	Bell System Code	Teletype Code	Bell System Code
LTPK1 BRV	28LA	LTRK1 ARP	28E
LTPK2 BRX	28LB		
LTPK3 BRX	28LC		

The part identification information contained in the following change notices has been incorporated in this issue.	
TCN	#570, #743, #1090, #1119



① Peculiar to Tape Printer Keyboard Base
 ② Peculiar to Typing Reperator Keyboard Base

FIGURE 1. KEYBOARD BASE

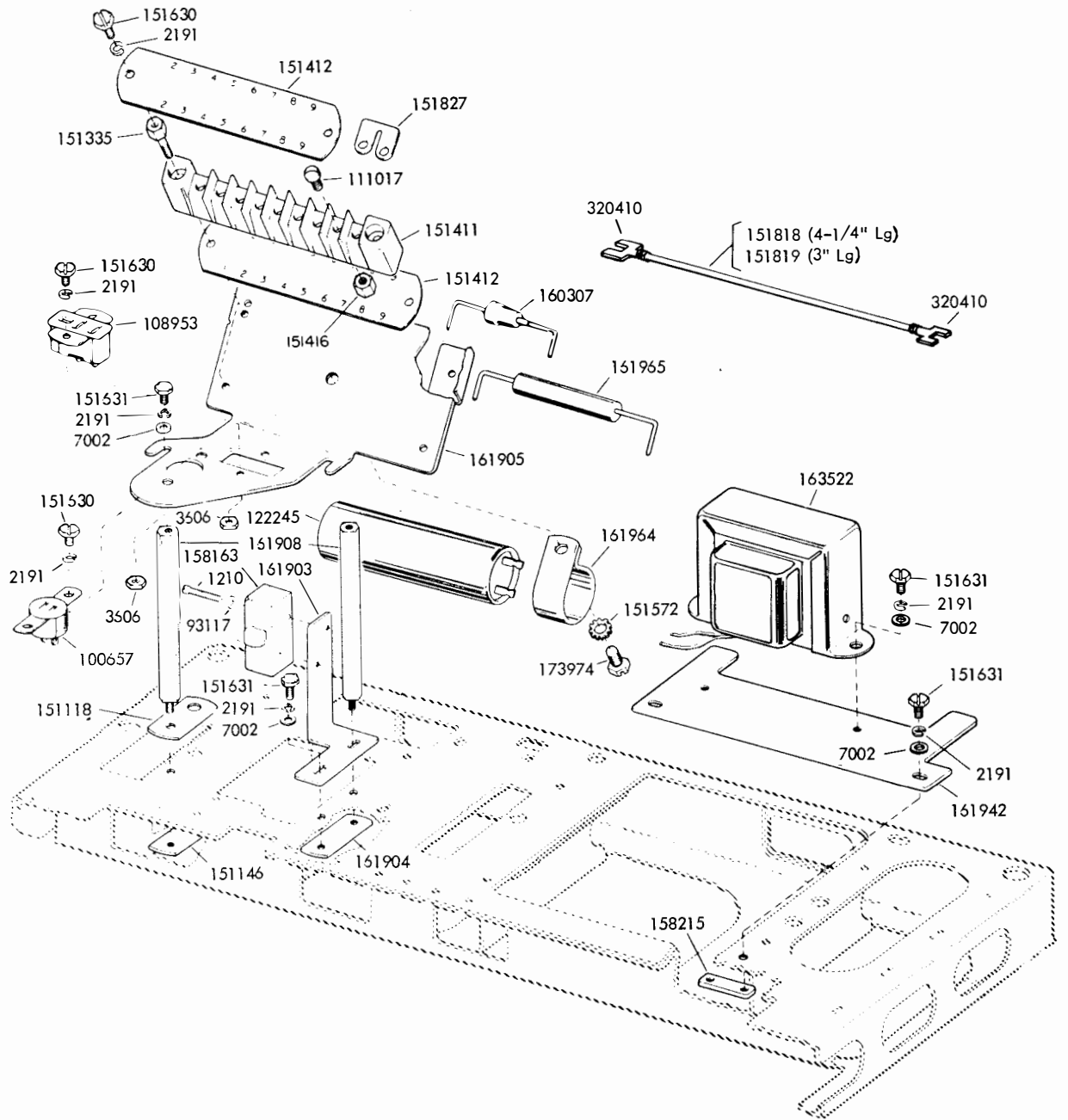


FIGURE 2. ELECTRICAL COMPONENTS

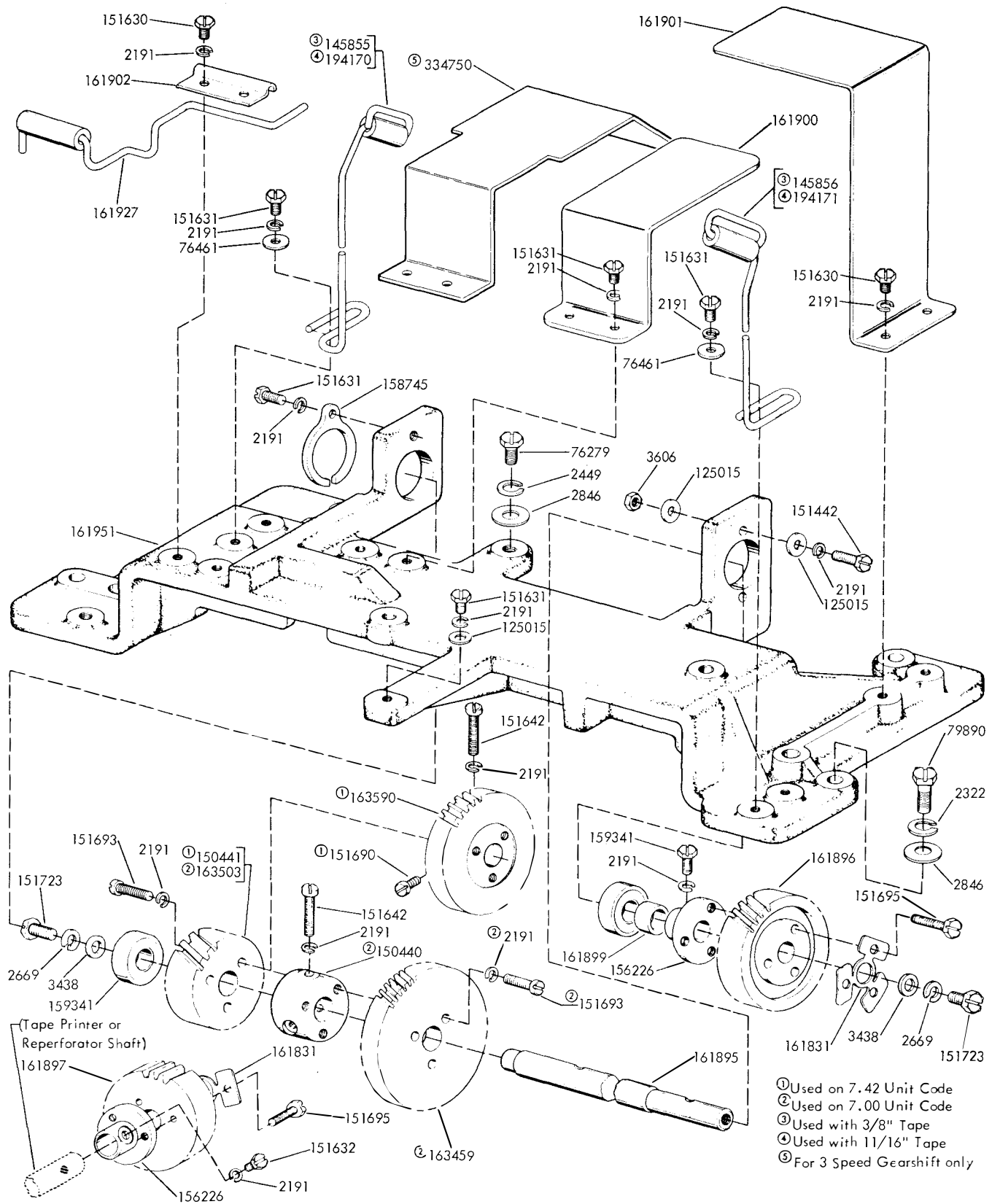
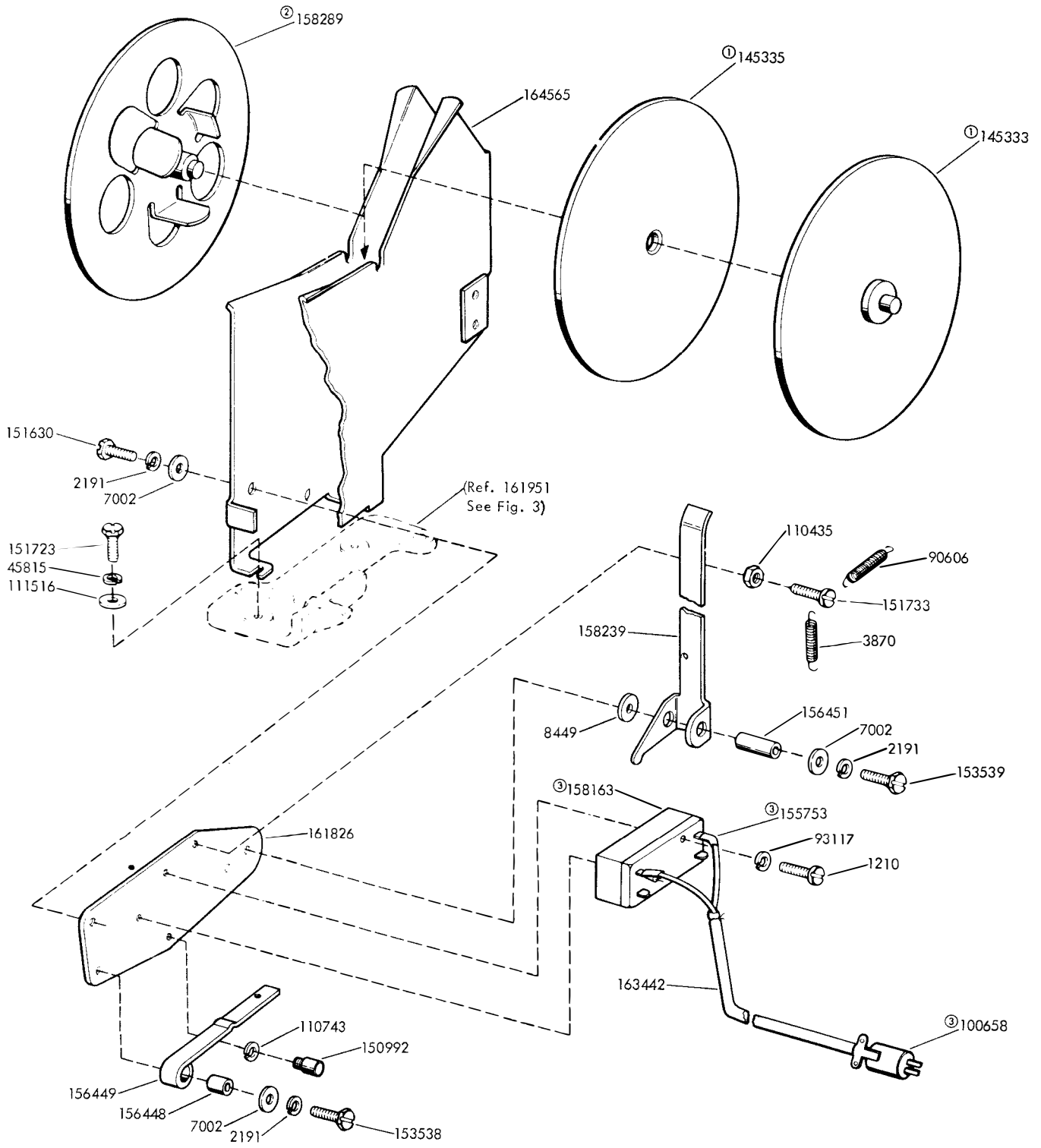
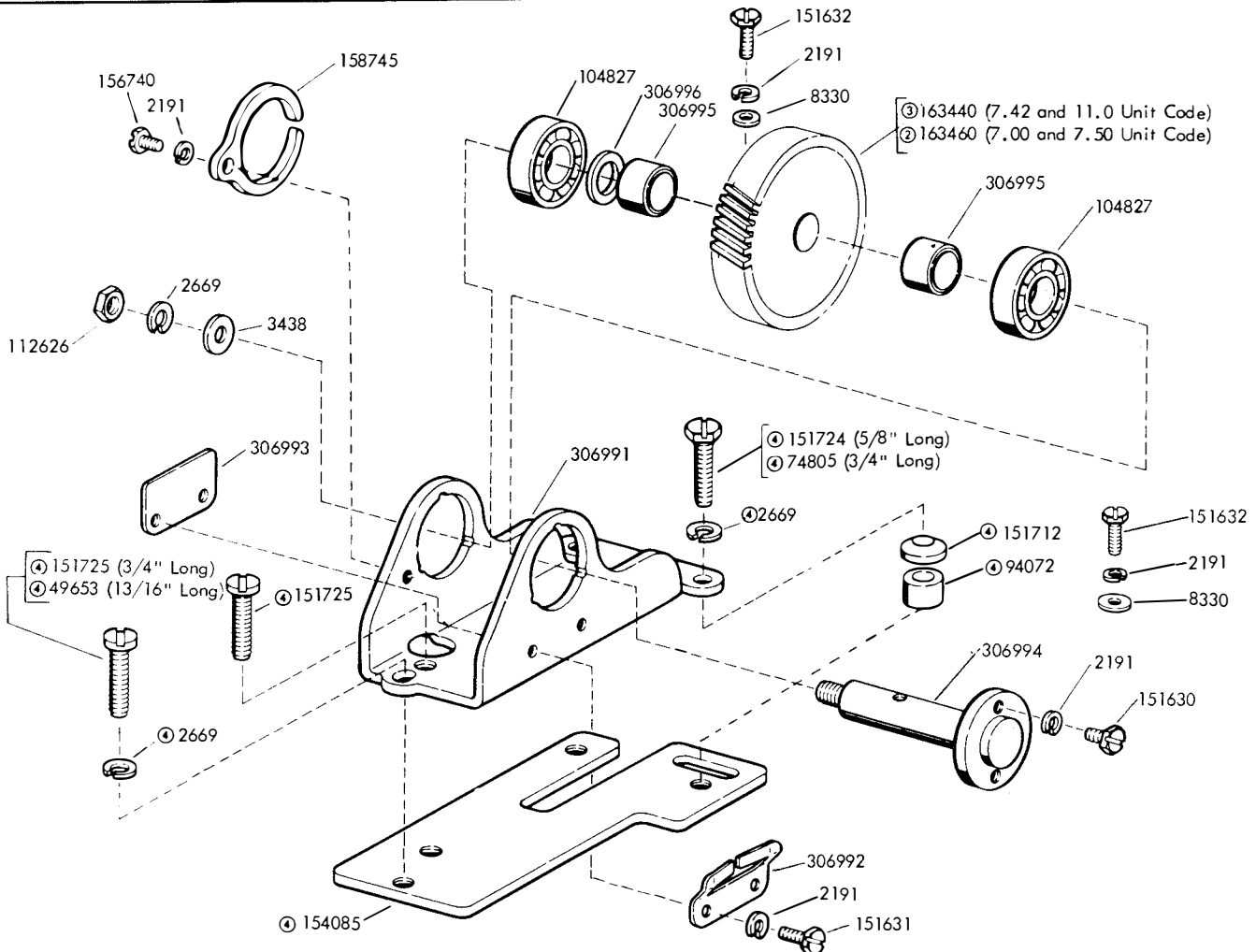
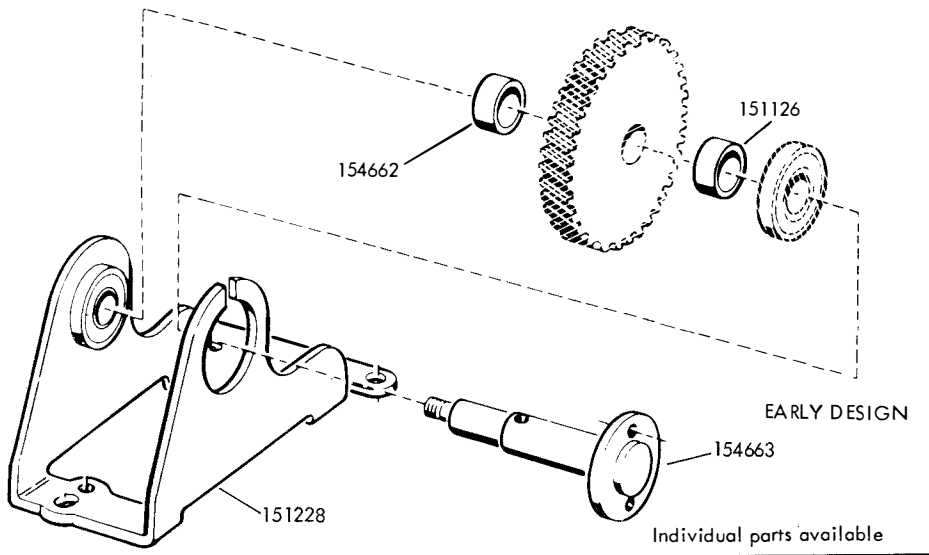


FIGURE 3. CASTING



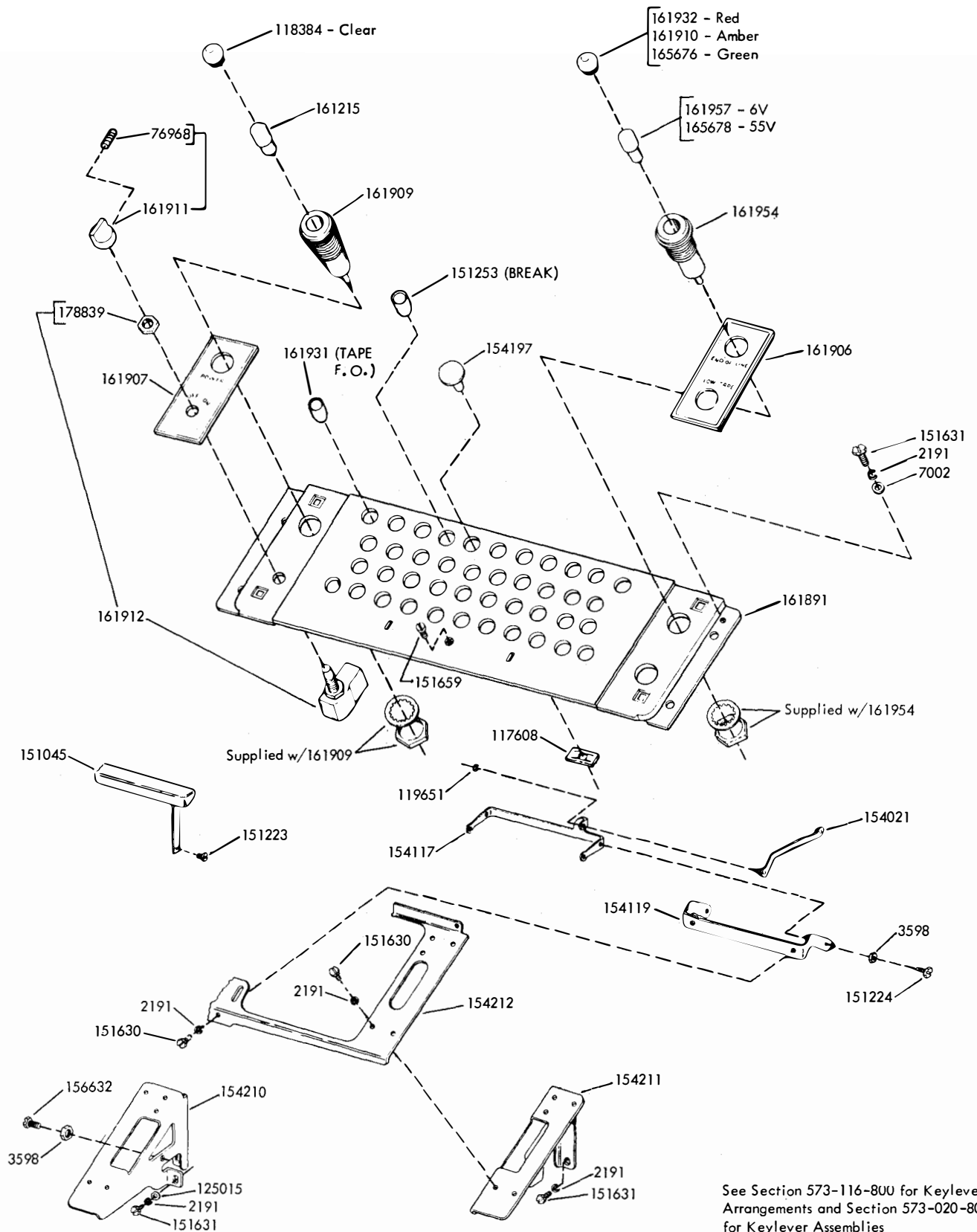
- ① Used with 3/8" Tape
- ② Used with 11/16" Tape
- ③ Part of 163442 Cable Assembly

FIGURE 4. TAPE CONTAINER



- ② Peculiar to the 326730
- ③ Peculiar to the 326727
- ④ Not part of 326727 or 326730

FIGURE 5. 326727 and 326730 INTERMEDIATE GEAR ASSEMBLIES



See Section 573-116-800 for Keylever Arrangements and Section 573-020-800 for Keylever Assemblies

FIGURE 6. KEYBOARD

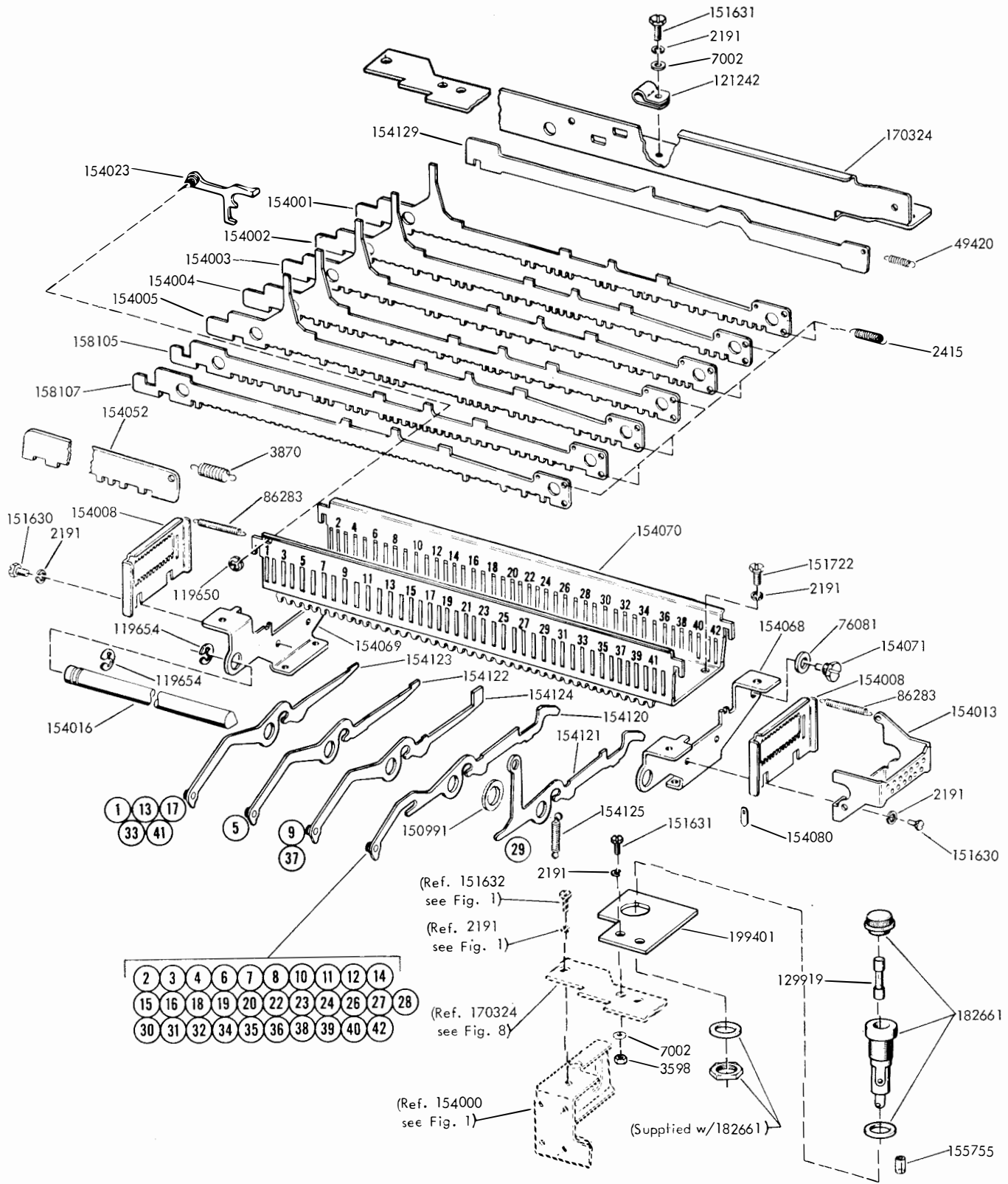


FIGURE 7. CODEBAR MECHANISM

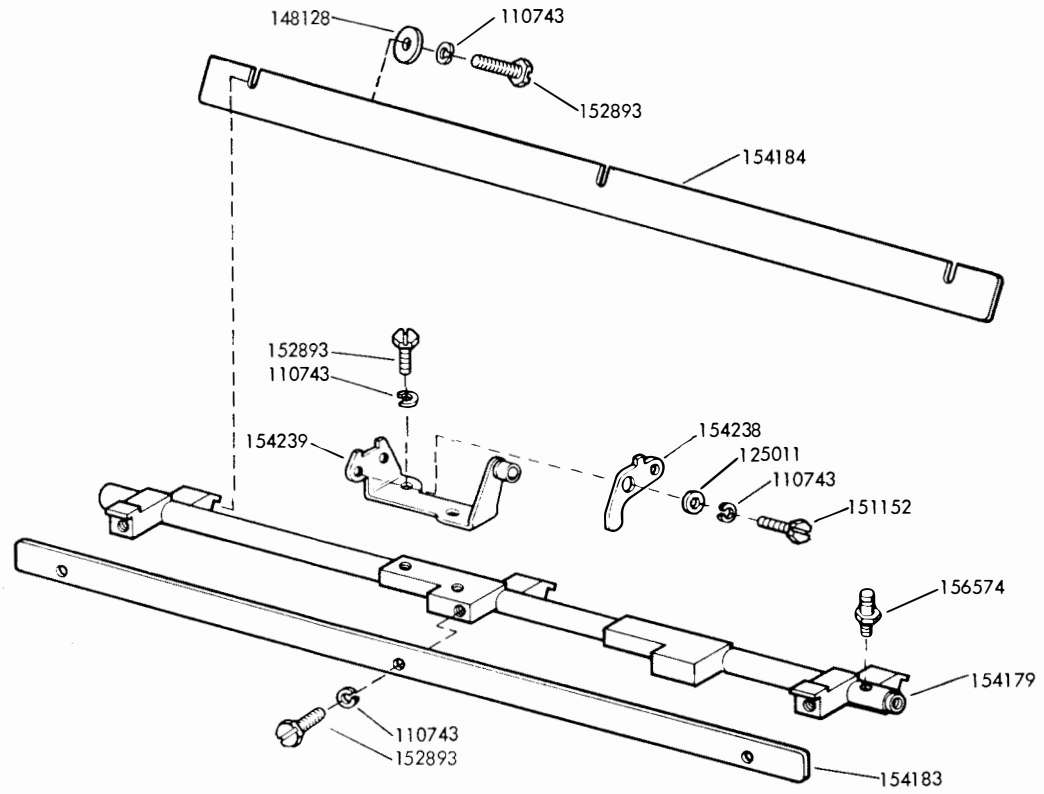


FIGURE 8. UNIVERSAL BAIL MECHANISM

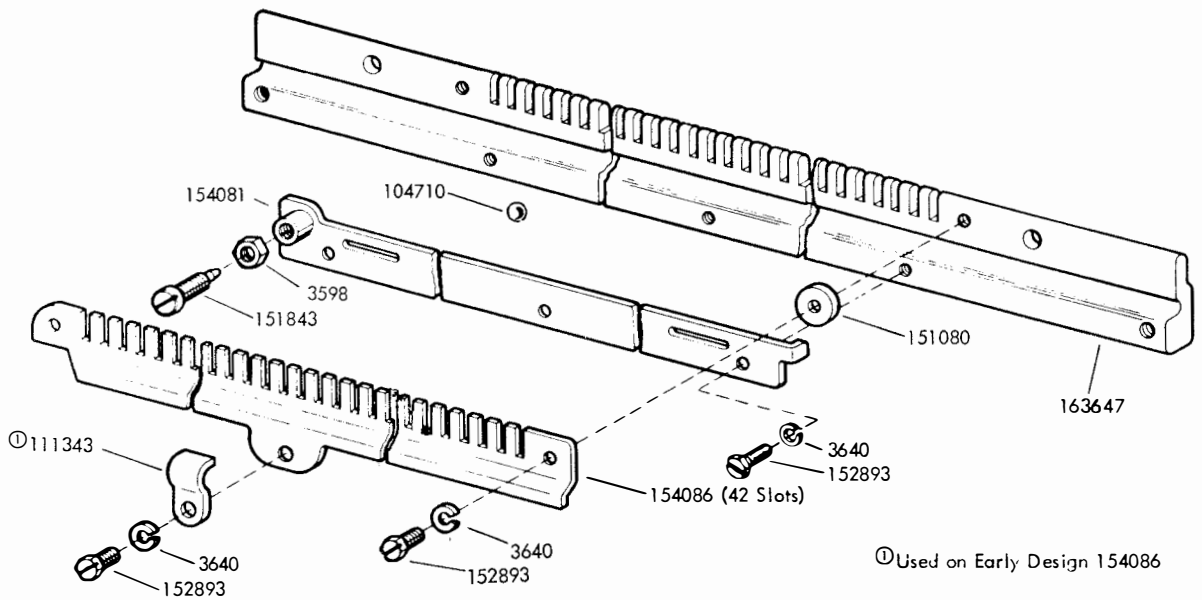


FIGURE 9. BAIL LOCK MECHANISM

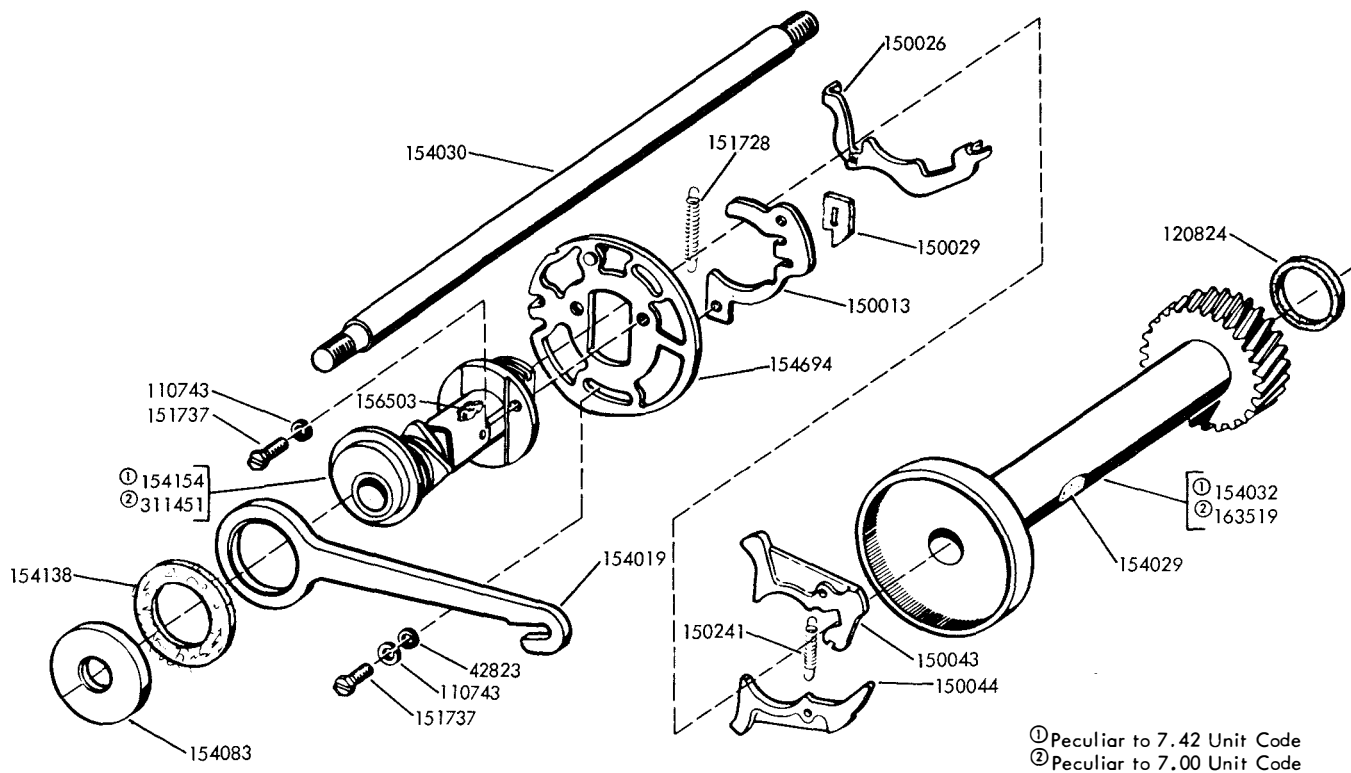
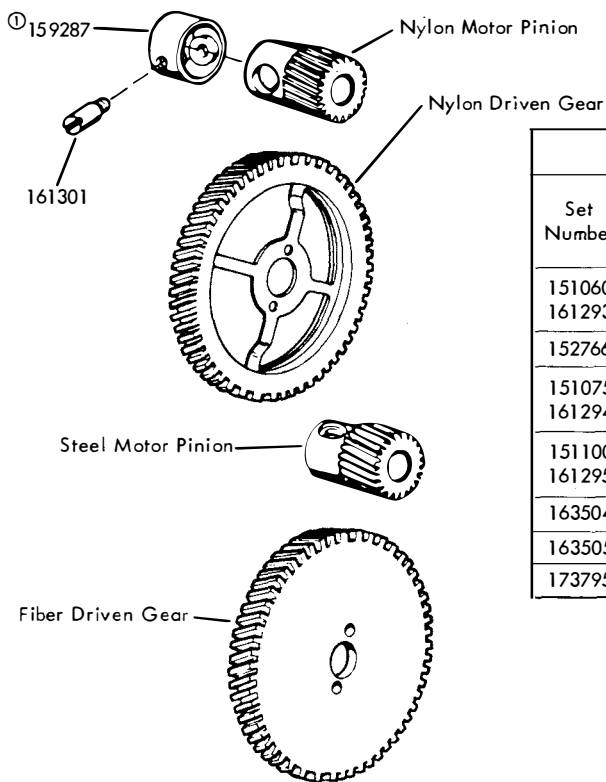


FIGURE 11. SIGNAL GENERATOR SHAFT MECHANISM



GEARSETS FOR SEND-RECEIVE KEYBOARD BASE								
Set Number	Pinion	Teeth	Driven Gear	Teeth	SPEED			
					7.00 Unit Code		7.42 Unit Code	
					WPM	Baud	WPM	Baud
151060 161293	151130 (S) 159278 (N)	14	151131 (F) 159279 (N)	96	—	—	60	45.5
152766	152765 (S)	13	152764 (F)	81	—	—	67	50
151075 161294	151132 (S) 159281 (N)	17	151133 (F) 159282 (N)	93	—	—	75	50
151100 161295	151134 (S) 159284 (N)	20	151135 (F) 159285 (N)	84	—	—	100	74.2
163504	163461 (N)	18	163462 (N)	117	71	50	—	—
163505	163463 (N)	24	163464 (N)	104	107	75	—	—
173795	173794 (N)	14	173793 (N)	100	65	45.5	—	—

Ⓛ Supplied with Nylon Gearsets (except 173795)

FIGURE 12. GEARSETS

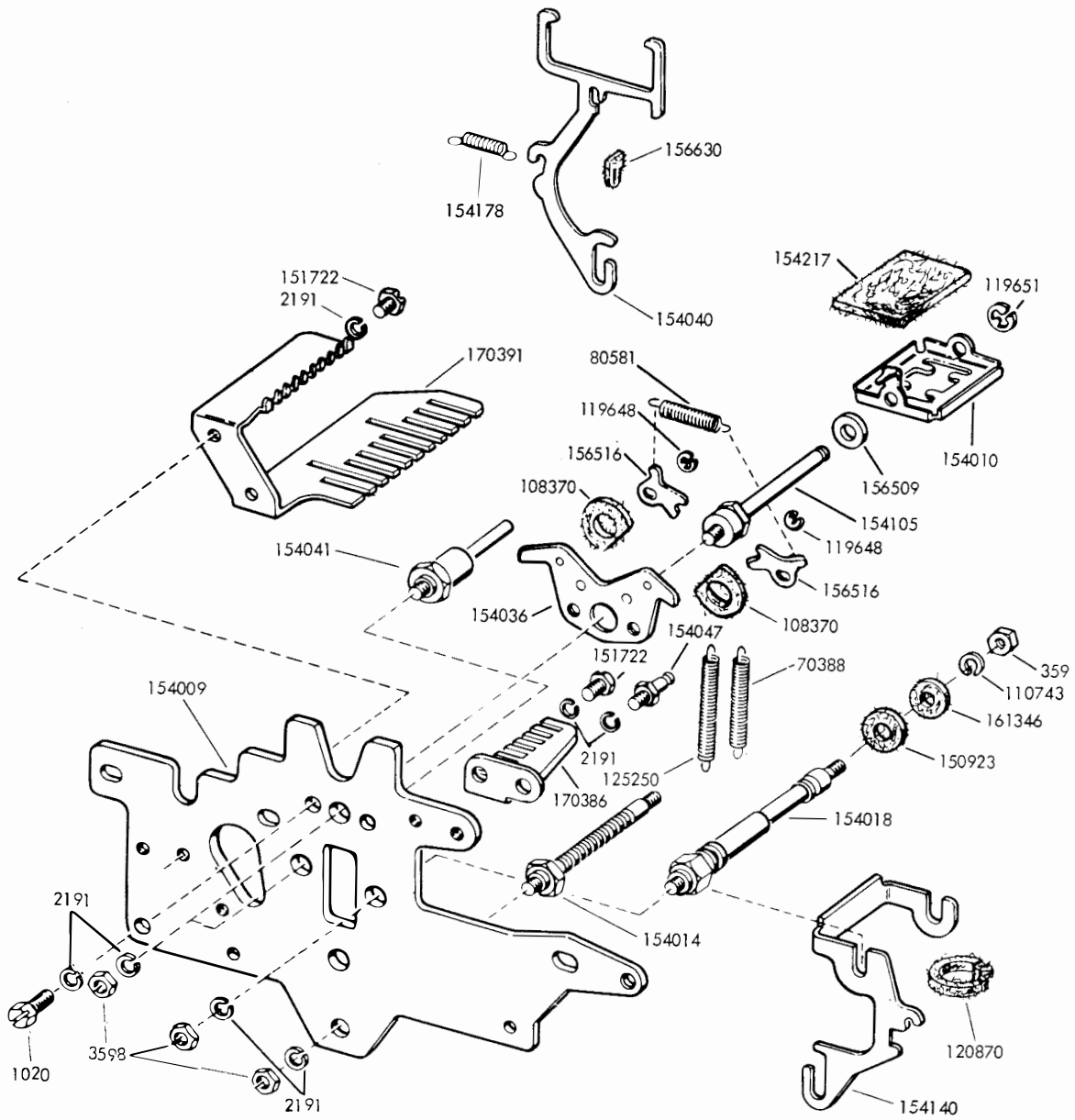


FIGURE 13. SIGNAL GENERATOR FRONT PLATE MECHANISM

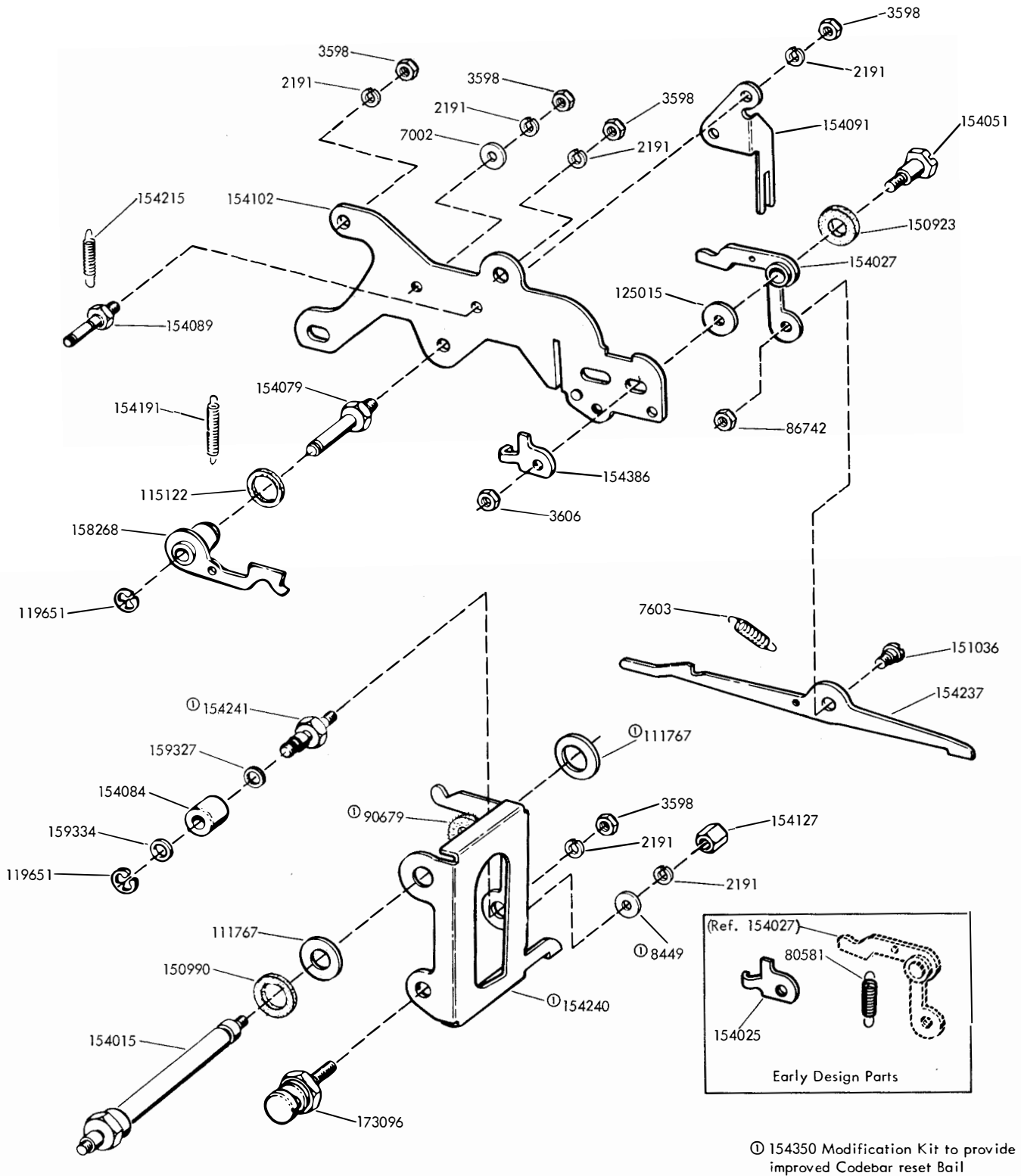


FIGURE 14. SIGNAL GENERATOR REAR PLATE MECHANISM

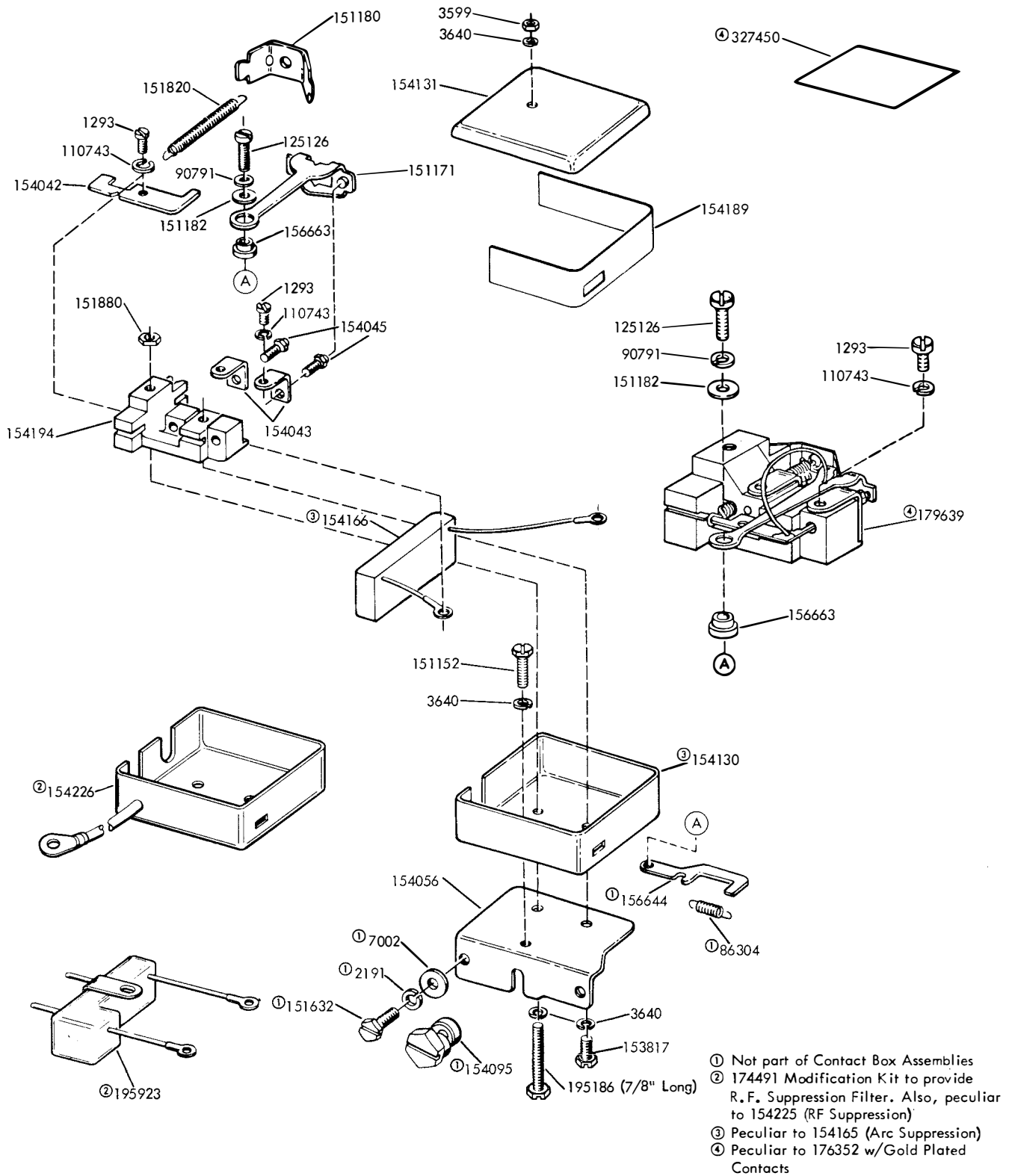


FIGURE 15. 154165, 154225, and 176352 SIGNAL GENERATOR CONTACT BOX ASSEMBLIES

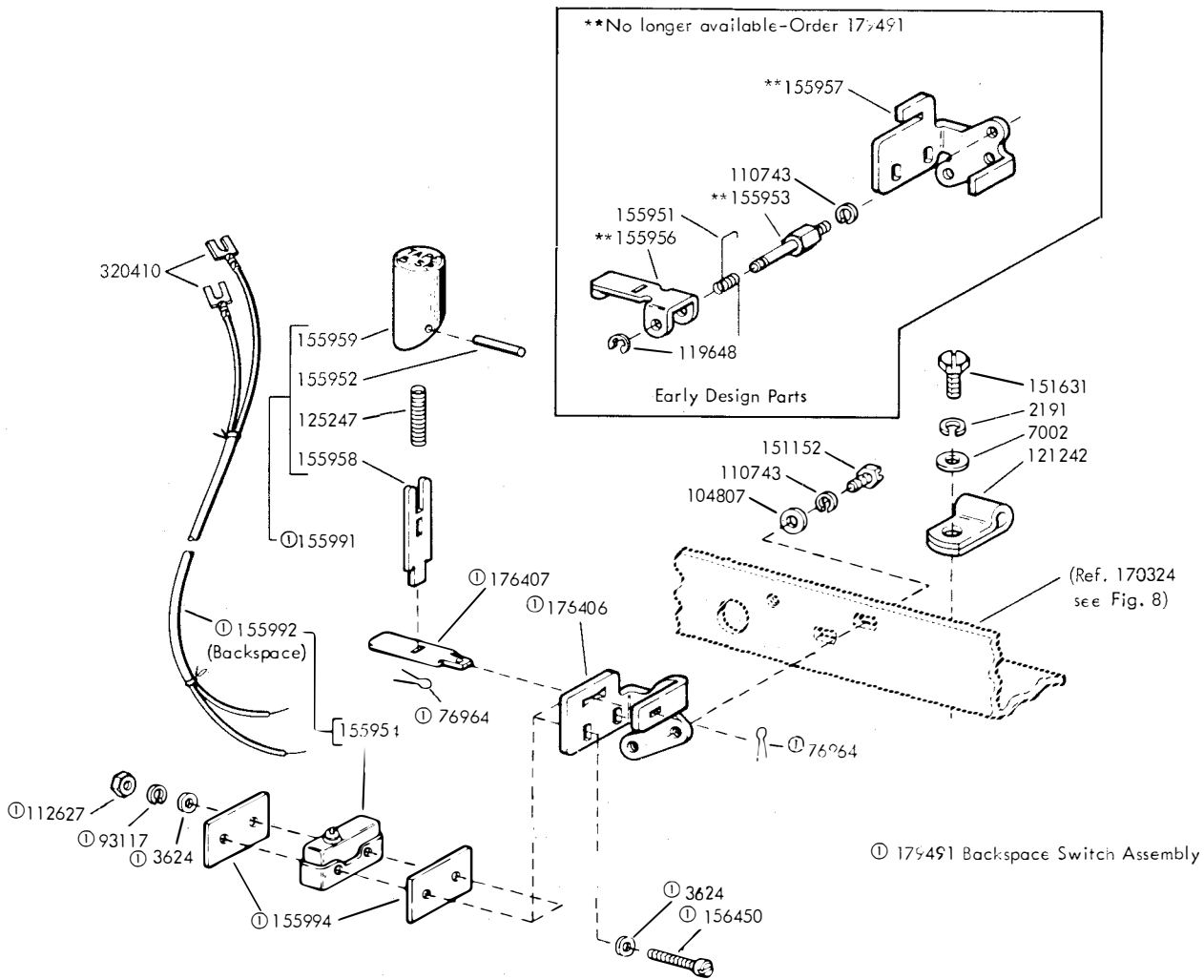


FIGURE 17. 176405 MODIFICATION KIT TO ADD TAPE BACKSPACE BUTTON

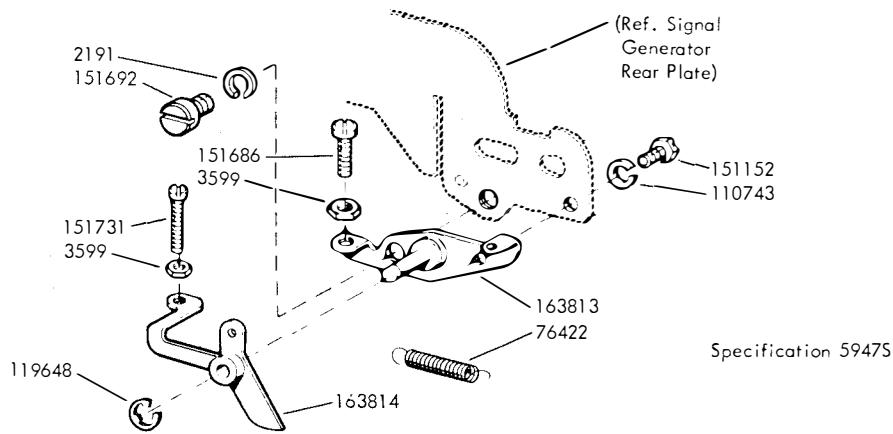


FIGURE 18. 163775 MODIFICATION KIT TO PROVIDE REPEAT ON SPACE MECHANISM

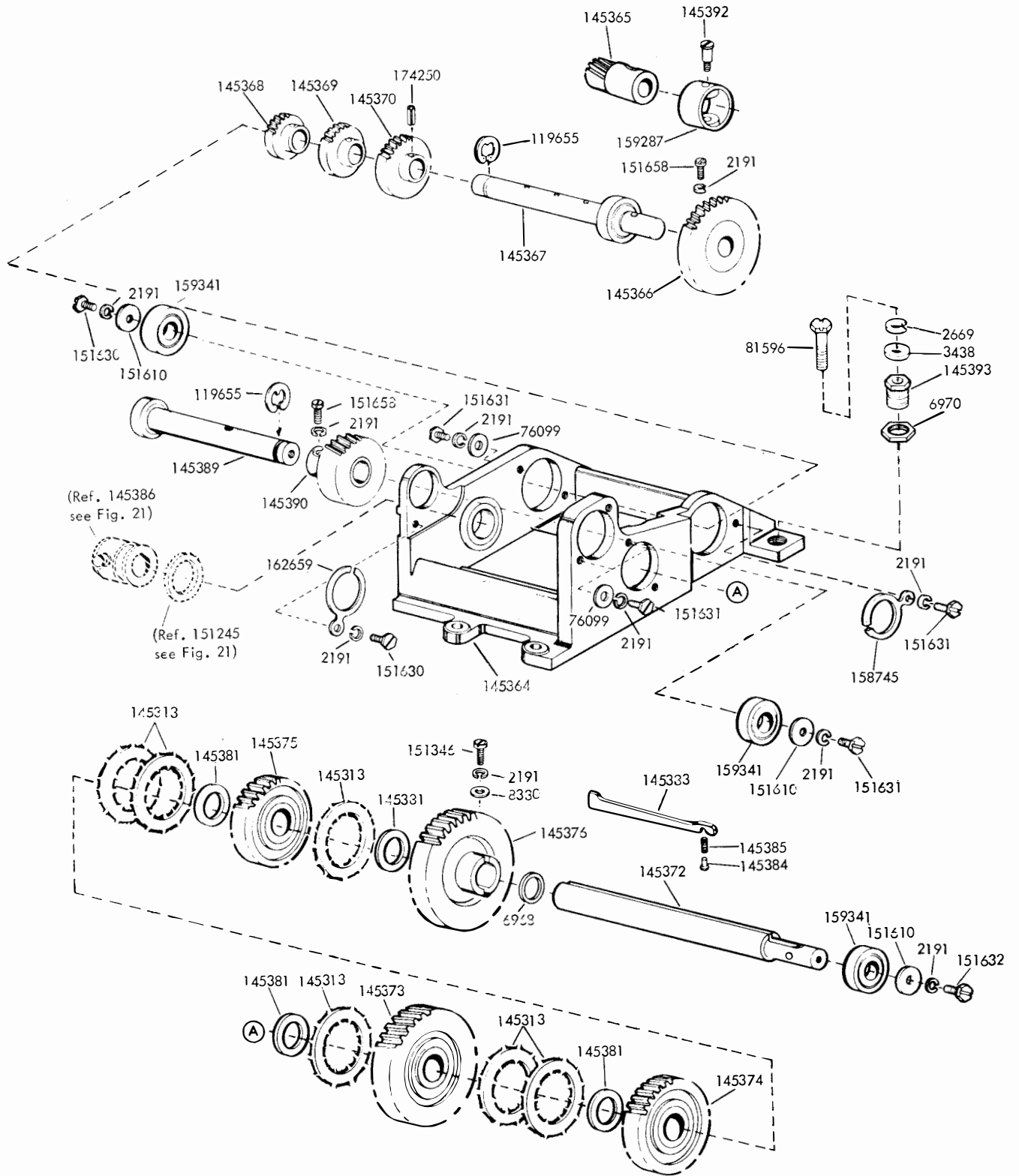


FIGURE 19. GEARSHIFT MECHANISM FOR TAPE PRINTER KEYBOARD BASE

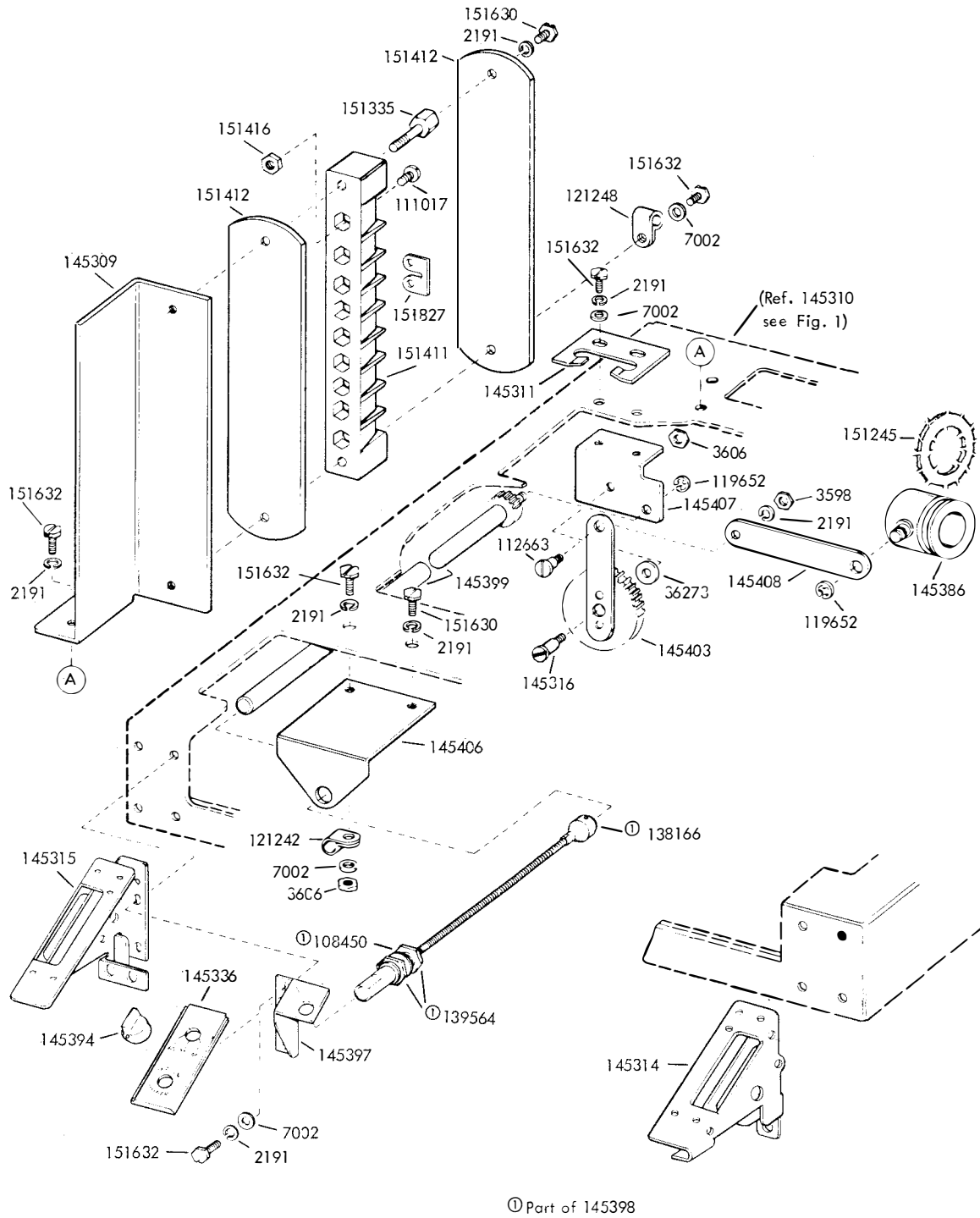


FIGURE 20. GEARSHIFT MECHANISM FOR TAPE PRINTER KEYBOARD BASE

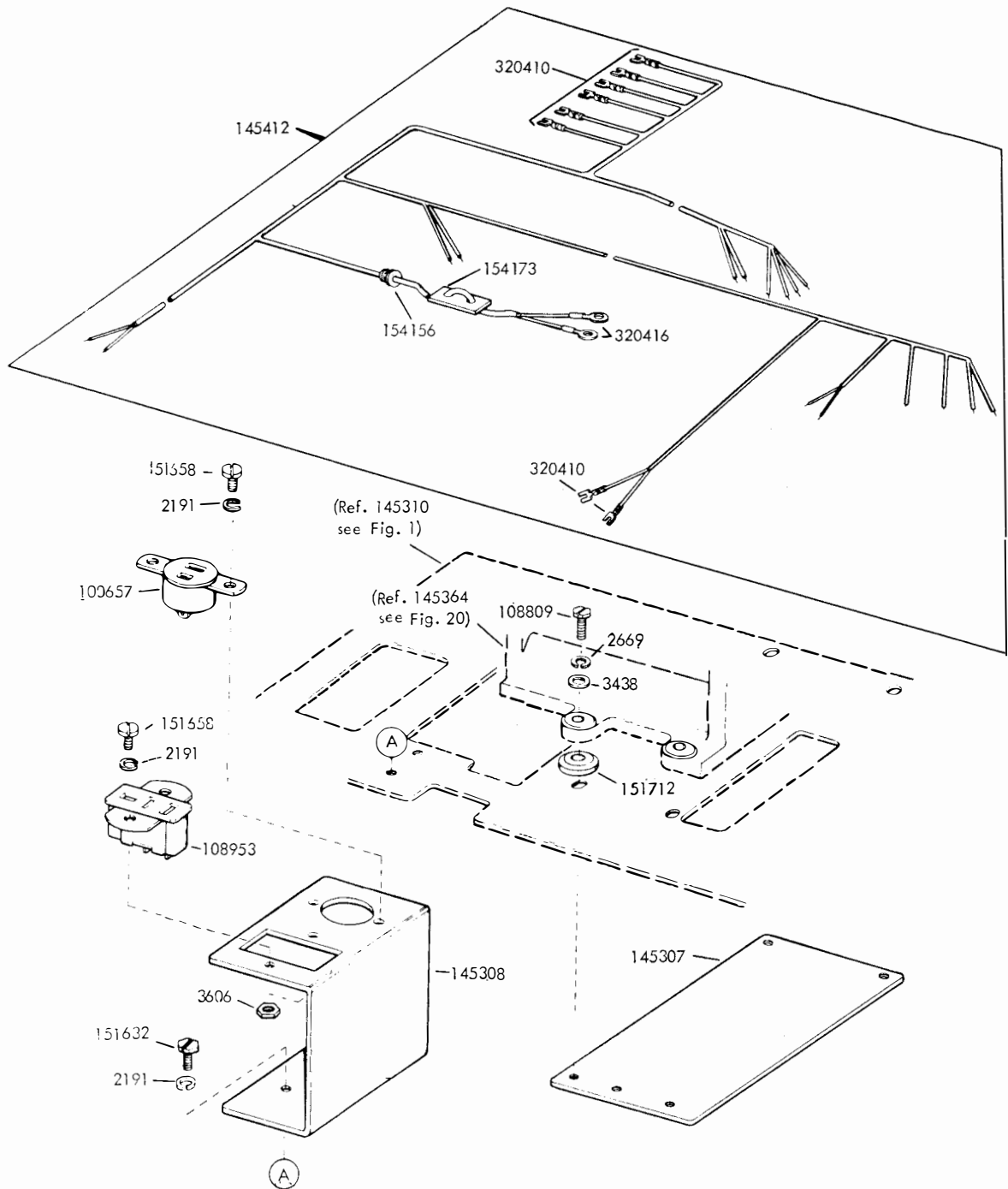


FIGURE 21. CONNECTORS AND CABLE

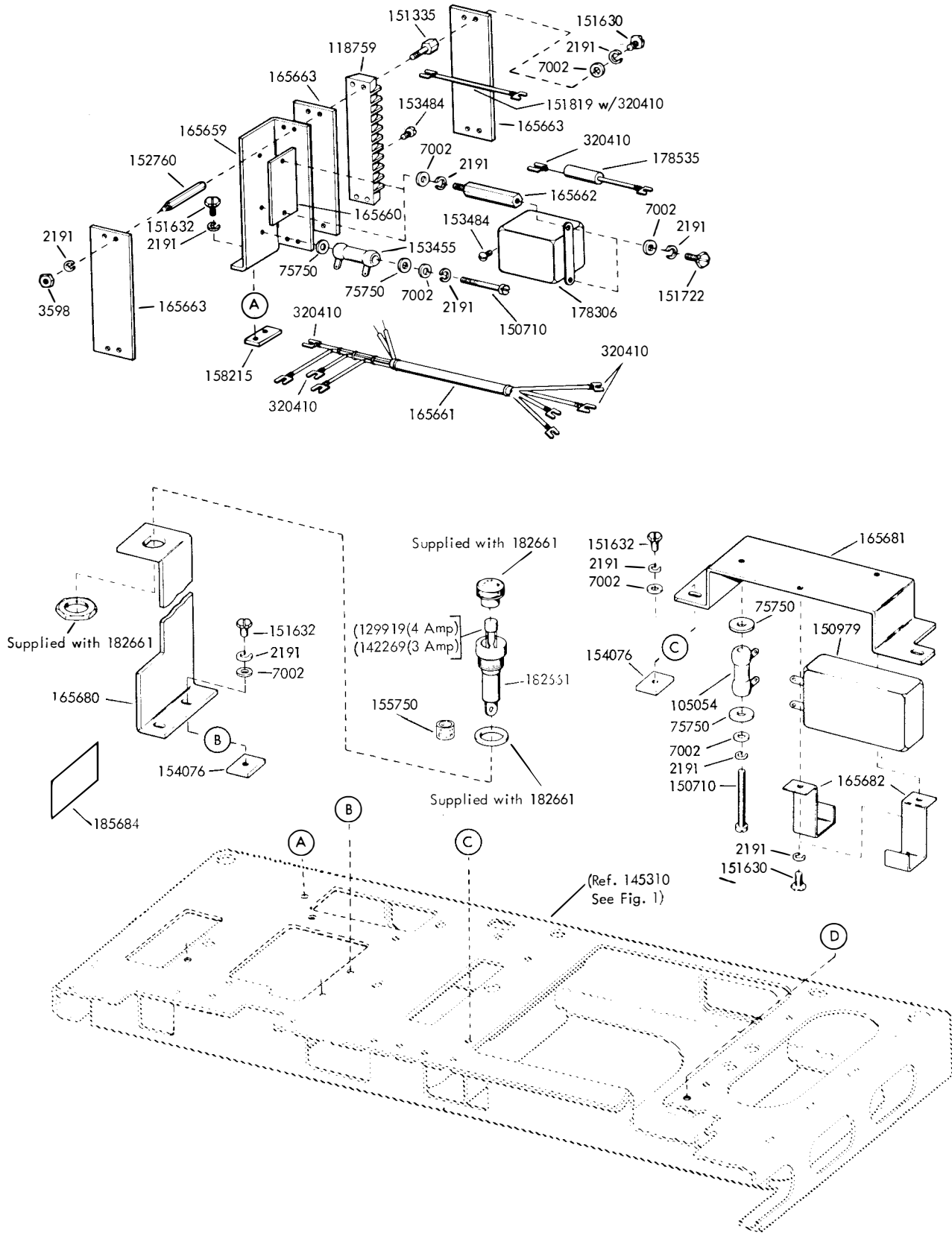


FIGURE 22. ELECTRICAL COMPONENTS FOR THE TAPE PRINTER KEYBOARD BASE

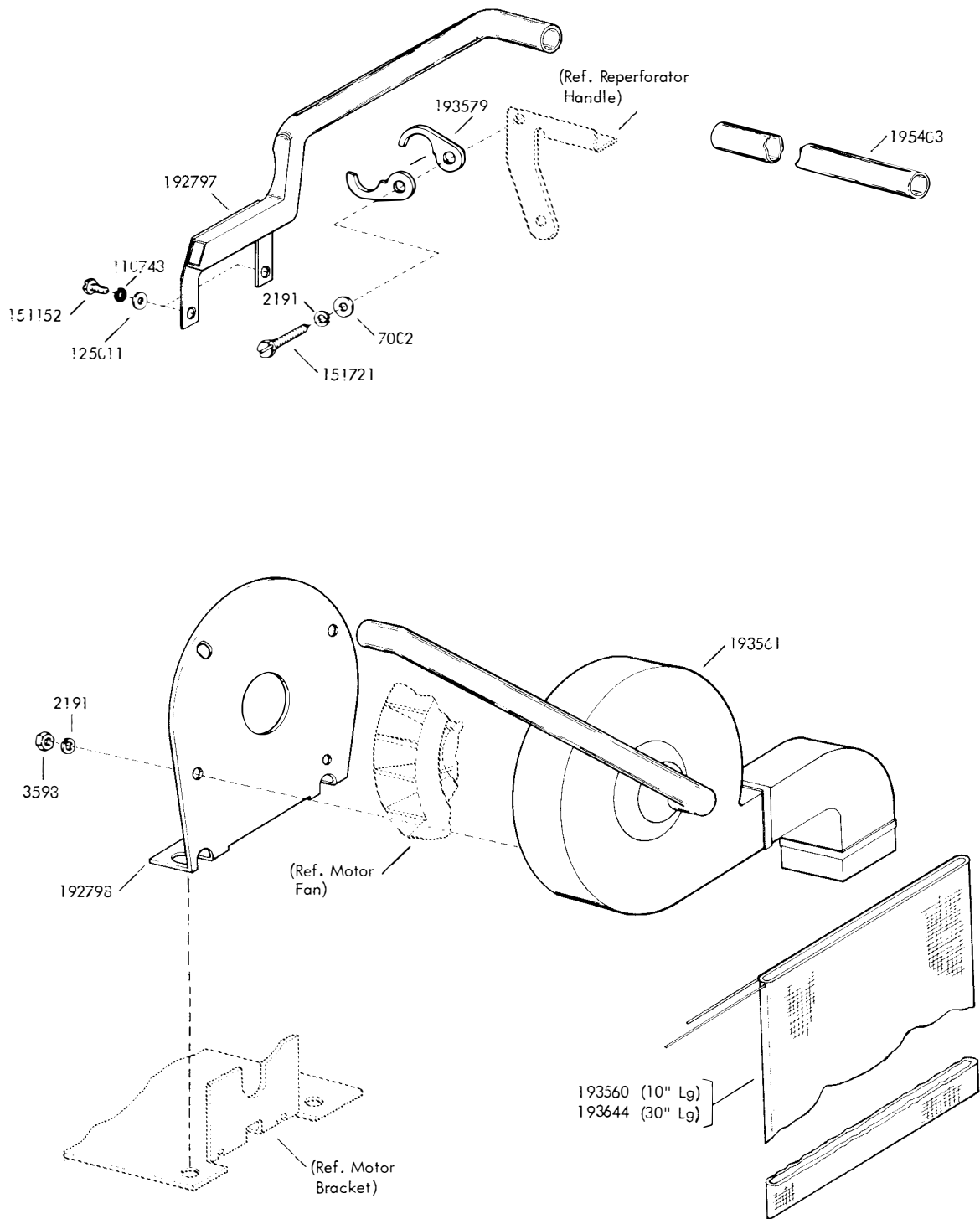


FIGURE 24. 192999 MODIFICATION KIT TO PROVIDE VACUUM CHAD REMOVAL FOR SEND-RECEIVE TYPING REPERFORATOR SET

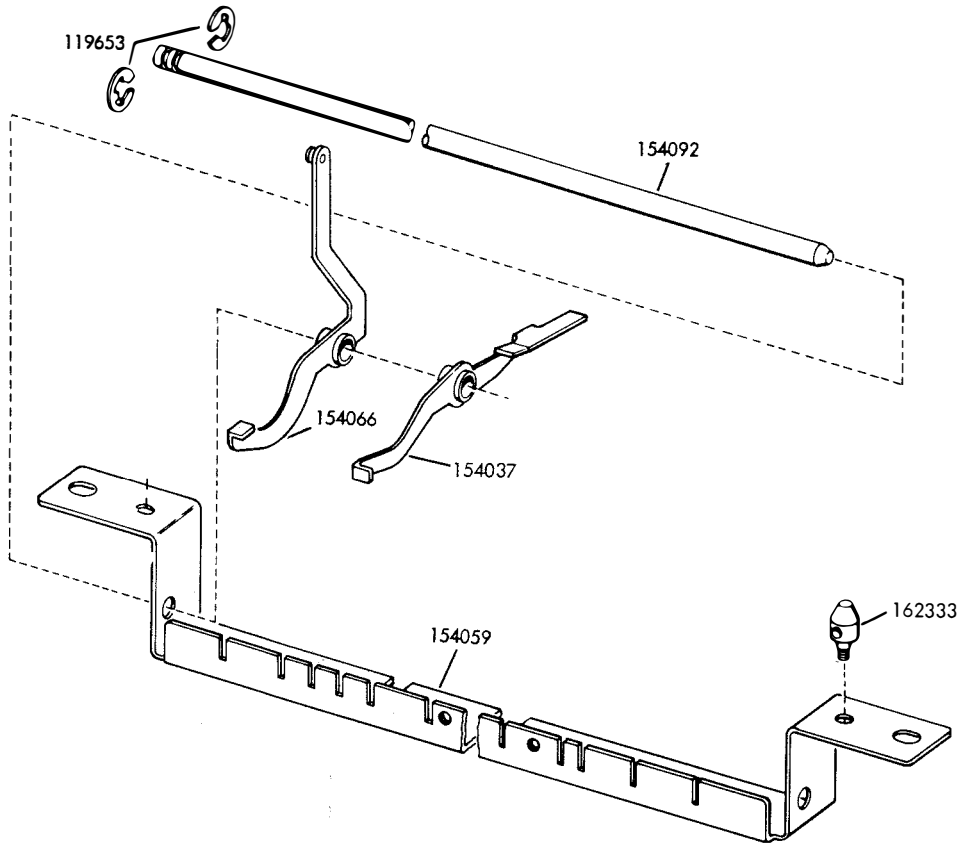


FIGURE 25. FUNCTION BAIL MECHANISM

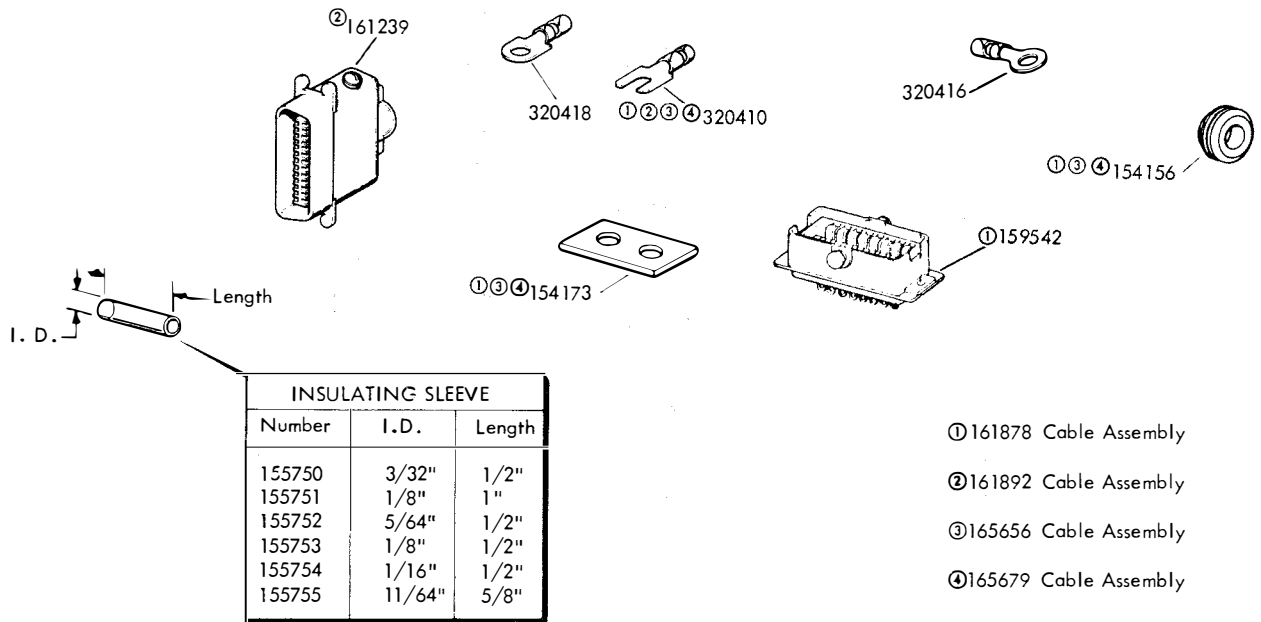


FIGURE 26. CABLES

NUMERICAL INDEX

Part Number	Description and Page Number	Part Number	Description and Page Number	Part Number	Description and Page Number
1020	Screw, 6-40 x 1/4 Hex 12	76964	Pin, Cotter 16	118384	Lens, Clear Indicator Light 7
1118	Screw, 6-40 Shoulder 15	76968	Setscrew, 6-32 7	118759	Block, Terminal 20
1210	Screw, 2-56 x 5/8 Fil 3,5	79890	Screw, 1/4-32 x 7/8 Hex 4	119648	Ring, Retaining 12,16
1293	Screw, 4-40 x 1/8 Fil 14	80581	Spring 12,13	119650	Ring, Retaining 8
2191	Lockwasher 2 to 8,10,12 to 22	81596	Screw, 10-32 x 1-3/8 Hex 17	119651	Ring, Retaining 2,7,12,13
2322	Lockwasher 4	81726	Terminal 21	119652	Ring, Retaining 10,15,18
2415	Spring 8	82547	Insulator, .094" Thk 21	119653	Ring, Retaining 15,23
2449	Lockwasher 4	82548	Insulator, .062" Thk 21	119654	Ring, Retaining 8
2481	Washer, Flat 15,21	86283	Spring 8	119655	Ring, Retaining 17
2669	Lockwasher 2,4,6,10,17,19	86304	Spring 14	120824	Washer, Felt 11
2846	Washer, Flat 4	86742	Nut, 4-40 Hex 13	120870	Wick, Felt 12
3438	Washer, Flat 2,4,6,17,19	86959	Bushing, Insulating 21	121125	Washer, Spring 21
3598	Nut, 6-40 Hex 2,7 to 10, 12,13,15,18,20,22	88891	Spring 21	121242	Clamp, 1/8 Id Cable 8, 16,18
3599	Nut, 4-40 Hex 14,16	90606	Spring 5	121243	Clamp, 3/16 Id Cable 21
3606	Nut, 6-40 Hex 3,4,13, 15,18,19	90679	Washer, Flat 13	121244	Clamp, 1/4 Id Cable 2
3624	Washer, Flat 16	90791	Lockwasher 14	121248	Clamp, 1/2 Id Cable 18
3640	Lockwasher 2,8,14,21	93117	Lockwasher 3,5,16	122245	Capacitor, 43 to 48 MFD 3
3870	Spring 5,8,10	94072	Bushing 6	124177	Lockwasher 15
4702	Spring 10	97393	Screw, 6-40 Shoulder 15	125011	Washer, Flat 9,10,22
6968	Washer, Flat 17	100657	Connector, 2 Pt Receptacle 3,19	125015	Washer, Flat 4,7,13
6970	Nut, 3/8-32 Hex 17	100658	Connector, 2 Pt Plug 5	125126	Screw, 2-56 x 9/32 Fil 14
7002	Washer, Flat 2,3,5,7,8, 10,13 to 16, 18,20,21,22	104710	Ball, Bearing 9	125181	Screw, 2-56 x 3/8 Fil 2
7603	Spring 13	104807	Washer, Flat 15,16	125247	Spring, Compression 16
8330	Washer, Flat 6,17	104827	Bearing, Ball 6	125250	Spring 12
8449	Spacer, .094" Thk 5,13	105054	Resistor, 5 Ohm 20	128271	Screw, 6-40 Shoulder 15
22746	Spring 15	108370	Washer, Felt 12	129919	Fuse, SL-BL 4 Amp 8,20
36273	Washer, Flat 18	108450	Lockwasher 18	138166	Setscrew, 8-32 18
41720	Spring, Contact 21	108809	Screw, 10-32 x 27/32 Hex 19	139564	Nut, 3/8-32 Hex 18
41732	Plate, Clamp 21	108953	Connector, 3 Pt Receptacle 3,19	139752	Screw, 4-40 x 11/64 Fil 15
42823	Washer, Flat 11	110435	Nut, 4-40 Hex 5	142269	Fuse, SL-BL 3 Amp 20
45815	Lockwasher 5	110743	Lockwasher 5,9,10,11,12, 14,15,16,22	145307	Plate, Nut 19
49420	Spring, Torsion 8,21	111017	Screw, 6-40 x 5/16 Fil 2, 3,18	145308	Bracket 19
49653	Screw, 10-32 x 13/16 Fil 6	111343	Clamp, Retaining 9	145309	Bracket 18
70388	Spring 12	111516	Washer, Flat 5	145310	Base 2,18,19,20
74755	Washer, Flat 10,21	111767	Washer, Flat 13	145311	Plate, Stop 18
74805	Screw, 10-32 x 3/4 Hex 6.10	112626	Nut, 10-32 Hex 6,10	145313	Washer, Felt 17
75750	Washer, Insulating 20	112627	Nut, 2-56 Hex 16	145314	Bracket, Right 18
76081	Washer, Flat 8,15	112630	Spring 2	145315	Bracket, Left 18
76099	Washer, Flat 10,17	112663	Screw, 6-40 Shoulder 18	145316	Screw, 6-40 Shoulder 18
76279	Screw, 1/4-32 x 5/8 Hex 4	114876	Washer, Flat 15	145321	Tie, Cable 2
76422	Spring 16	115122	Wahser, Flat 10,13	145333	Disc w/Hub 5
76461	Washer, Flat 4	115141	Screw, 6-40 Shoulder 15	145335	Disc w/Knob 5
76790	Bushing, Insulating 21	117416	Post 10	145336	Plate 18
		117608	Nut, Speed 7	145364	Bracket w/Bearing 17,19
				145365	Pinion, 20T 17
				145366	Gear, 56T 17
				145367	Shaft, Drive 17
				145368	Gear, 27T 17

NUMERICAL INDEX (Continued)

Part Number	Description and Page Number	Part Number	Description and Page Number	Part Number	Description and Page Number
145369	Gear, 24T 17	151060	Gearset, 50 WPM 11	151658	Screw, 6-40 x 5/16 Fil 17,19
145370	Gear, 42T 17	151073	Screw, 4-40 x 5/32 Fil 21	151659	Screw, 6-40 x 1/2 Fil 7,15
145372	Shaft 17	151075	Gearset, 75 WPM 11	151678	Screw, 1/4-32 Pilot 2
145373	Gear, 66T 17	151080	Washer, Flat 9	151685	Screw, 4-40 x 5/16 Fil 15
145374	Gear, 47T 17	151100	Gearset, 100 WPM 11	151686	Screw, 4-40 x 3/8 Fil 16
145375	Gear, 63T 17	151113	Strip, Mounting 2	151690	Screw, 10-32 x 5/16 Fil 4
145376	Gear, 48T 17	151118	Plate, Spacing 2,3	151692	Screw, 6-40 x 3/16 Fil 16
145381	Washer, Thrust 17	151126	Spacer, .250" Thk 6	151693	Screw, 6-40 x 9/16 Fil 4
145383	Key 17	151130	Pinion, 14T 11	151694	Screw, 6-40 x 11/32 Fil 21
145384	Pin, Guide 17	151131	Gear, 96T 11	151695	Screw, 6-40 x 5/8 Hex 4
145385	Spring, Compression 17	151132	Pinion, 17T 11	151712	Button, Pivot 6,19
145386	Sleeve 17,18	151133	Gear, 93T 11	151721	Screw, 6-40 x 3/4 Hex 22
145389	Shaft, Idler 17	151134	Pinion, 20T 11	151722	Screw, 6-40 x 3/16 Hex 8,12,20
145390	Pinion, 25T 17	151135	Gear, 84T 11	151723	Screw, 10-32 x 3/8 Hex 2,4,5
145392	Post 17	151146	Strap, Mounting 2,3	151724	Screw, 10-32 x 5/8 Hex 6
145393	Bushing 17	151152	Screw, 4-40 x 3/16 Hex 9, 10,14,15,16,22	151725	Screw, 10-32 x 3/4 Fil 6
145394	Knob 18	151171	Toggle, Contact 14	151728	Spring 11
145397	Bracket 18	151180	Link, Toggle 14	151731	Screw, 4-40 x 7/8 Fil 16
145398	Shaft, Flexible 18	151182	Washer, Insulating 14	151733	Screw, 4-40 x 9/16 Fil 5,21
145399	Shaft w/Gear 18	151223	Screw, 4-40 Shoulder 7	151737	Screw, 4-40 x 11/16 Hex 11
145403	Gear w/Link 36T 18	151224	Screw, 6-40 Pilot 7	151818	Jumper, 4 1/4" Black 3
145406	Bracket, Front 18	151228	Bracket w/Bearing 6	151819	Jumper, 3" Black 3,20
145407	Bracket, Rear 18	151245	Washer, Felt 17,18	151820	Spring, Contact 14
145408	Link 18	151253	Keytop 7	151827	Strap, Terminal 3,18
145412	Cable Assembly 19,23	151329	Switch, Sensitive 2	151843	Screw, 6-40 Adjusting 9
145855	Guide, Tape 4	151335	Stud 2,3,18,20	151880	Nut, 4-40 Hex 14,15
145856	Guide, Tape 4	151346	Screw, 6-40 x 3/8 Fil 17	152045	Guard, Gear 2
148128	Washer, Flat 9	151411	Block, Terminal 3,18	152760	Stud 20
150013	Disc, Adjusting 11	151412	Insulator, Terminal Block 3,18	152764	Gear, 81T 11
150026	Lever, Shoe Release 11	151415	Block, Terminal 2	152765	Pinion, 13T 11
150029	Wick, Felt 11	151416	Nut, 6-40 Hex 2,3,18	152766	Gearset, 57 WPM 11
150043	Shoe, Secondary Clutch 11	151442	Screw, 6-40 x 1/2 Hex 4, 10,21	152839	Spring, Latch 15
150044	Shoe, Primary Clutch 11	151572	Lockwasher 3	152893	Screw, 4-40 x 1/4 Hex 9
150089	Screw, 4-40 x 1/2 Fil 21	151610	Washer, Flat 17	153252	Link 2
150241	Spring 11	151616	Screw, No.2 Self-Tapping 2	153455	Resistor, 600 Ohm 20
150411	Washer, Flat 15	151630	Screw, 6-40 x 1/4 Hex 2 to 8, 17,18,20,21	153484	Screw, 6-32 Spl 20
150440	Hub 4	151631	Screw, 6-40 x 5/16 Hex 2,3,4,6,7,8,10,15,16, 17,21	153538	Screw, 6-40 x 7/16 Hex 5,15
150441	Gear, 21T 4	151632	Screw, 6-40 x 3/8 Hex 2, 4,6,8,14,17,18,19,20,21	153539	Screw, 6-40 x 11/16 Hex 5
150507	Spring 15	151637	Screw, 4-40 x 1/4 Fil 2,15	153799	Screw, 4-40 x 21/64 Hex 15
150710	Screw, 6-40 x 1-1/4 Fil 20	151642	Screw, 6-40 x 3/4 Fil 4	153817	Screw, 4-40 x 3/8 Hex 14
150923	Washer, Felt 12,13	151657	Screw, 6-40 x 1/4 Fil 21	153841	Screw, 6-40 x 9/16 Hex 10
150966	Insulator, Terminal Block 2			154000	Base 2,8
150979	Capacitor, 1/2 MFD 20			154001	Codebar, No.1 8
150990	Washer, Felt 13			154002	Codebar, No.2 8
150991	Washer, Felt 8,10				
150992	Stud 5				
151036	Screw, 4-40 Shoulder 13				
151045	Bar, Spacing 7				

NUMERICAL INDEX (Continued)

Part Number	Description and Page Number	Part Number	Description and Page Number	Part Number	Description and Page Number
154003	Codebar, No. 3 8	154088	Plate, Nut 2	154236	Latchlever 10
154004	Codebar, No. 4 8	154089	Post, Spring 13	154237	Lever, Non-Repeat 13
154005	Codebar, No.5 8	154091	Guide, Non-Repeat Lever 13	154238	Extension 9
154008	Guide, Codebar 8	154092	Shaft 23	154239	Extension w/Post 9
154009	Plate, Front 12	154094	Clamp 10	154240	Bail, Codebar 13
154010	Bail, Transfer 12	154095	Eccentric, Contact Box, 14	154241	Stud 13
154013	Bracket, Spring 8	154096	Bushing, Eccentric 10	154350	Modification Kit 13
154014	Guidepost 12	154101	Plate, Rear 10	154386	Plate, Adjusting 13
154015	Post 13	154102	Plate, Rear 13,21	154662	Spacer 6
154016	Shaft 8	154105	Post, Transfer, Bail 12	154663	Shaft 6
154018	Post, Locking Bail 12	154106	Bracket 2	154694	Disc, Clutch Cam 11
154019	Follower, Eccentric 11	154117	Bail, Spacebar 7	155750	Sleeve, 3/32 ID x 1/2"
154021	Link 7	154119	Bracket, Spacebar 7		Lg Insulating 20,21,23
154023	Latch, Lockbar 8	154120	Lever, Codebar 8	155751	Sleeve, 1/8 ID x 1"
154025	Plate, Adjusting 13	154121	Lever, Space Codebar 8		Lg Insulating 23
154027	Bellcrank 13	154122	Lever, Keyboard Lock Function 8	155752	Sleeve, 5/64 ID x 1/2"
154029	Wick, Felt 11				Lg Insulating 23
154030	Shaft, Signal Generator 11	154123	Lever, Function 8	155753	Sleeve 1/8 ID x 1/2"
154032	Sleeve, Gear 11	154124	Lever, Keyboard Repeat & Unlock 8		Lg Insulating 5,23
154033	Latchlever, Clutch 10,21			155754	Sleeve, 1/16 ID x 1/2"
154034	Lever, Clutch Stop 10	154125	Spring 8		Lg Insulating 23
154036	Plate, Detent 12	154127	Nut, 6-40 Hex 13	155755	Sleeve, 11/64 ID x 5/8"
154037	Lever 23	154129	Tripbar, Clutch 8		Lg Insulating 8,23
154039	Bracket 2	154130	Box, Contact 14	155951	Spring, Torsion 16
154040	Lever, Transfer 12	154131	Cover, Contact 14	155952	Pin 16
154041	Post, Stop 12	154138	Washer, Felt 11	155953	Stud 16
154042	Terminal 14	154140	Bail, Locking 12	155954	Switch, Sensitive 16
154043	Terminal 14	154154	Cam, Signal Generator 11	155956	Bail 16
154045	Screw, 6-40 Spl 14	154156	Grommet, Rubber 19,23	155957	Bracket 16
154046	Stud 10	154165	Box Assembly, Contact 1,14	155958	Keylever 16
154047	Post, Spring 12	154166	Suppressor, Arc 14	155959	Keytop 16
154051	Screw, 6-40 Shoulder 13	154173	Plate 19,23	155960	Latch 15
154052	Bar, Locking 8	154178	Spring 12	155964	Lever, Stop 15
154053	Bail, Clutch Trip 10	154179	Bail, Universal 9	155965	Ratchet, 88T 15
154056	Bracket, Contact Box 14	154183	Blade, Front 9	155966	Drum 15
154059	Bracket, Function Bail 23	154184	Blade, Rear 9	155967	Washer, Spring 15
154066	Lever, Loc - LF 23	154189	Insulator 14	155968	Washer, Flat 15
154068	Bracket, Right Guide 8	154191	Spring 13	155969	Bracket 15
154069	Bracket, Left Guide 8	154194	Base 14	155990	Counter Assembly, Character 1,15
154070	Guide, Codelever 8	154197	Plug, Button 7		
154071	Screw, 1/4-32 Pilot 8	154199	Shim, .005" Thk 2	155991	Keytop Assembly 16
154076	Plate, Nut 2,20	154201	Shim, .014" Thk 2	155992	Cable Assembly 16
154079	Stud 13	154210	Bracket, Left 7	155994	Insulator, .015" Thk 16
154080	Lock, Wedge 8	154211	Bracket, Right 7	156226	Hub 4
154081	Plate, Retainer 9	154212	Frame, Front 7	156448	Bushing 5
154083	Spacer, Cam 11	154215	Spring 13	156449	Lever, Switch 5
154084	Bearing, Needle 13	154217	Wick, Leather 12	156450	Screw, 2-56 x 1/2 Fil 16
154085	Plate 2,6	154225	Box Assembly, Contact 1,14	156451	Bushing 5
154086	Retainer, Wedge 9			156503	Wick, Felt 11
154087	Plate, Nut 2	154226	Box w/Strap 14	156509	Washer, Flat 12

NUMERICAL INDEX (Continued)

Part Number	Description and Page Number	Part Number	Description and Page Number	Part Number	Description and Page Number
156516	Latch 12	159340	Spring, Return 15	163460	Gear, 55T 6
156574	Post, Spring 9	159341	Bearing, Ball 4,17	163461	Pinion, 18T 11
156630	Washer, Felt 12	159542	Connector, 16 Pt	163462	Gear, 117T 11
156632	Screw, 6-40 x 13/32 Hex 7,15		Receptacle 2	163463	Pinion, 24T 11
156644	Link, Drive 14	160307	Diode 3	163464	Gear, 104T 11
156663	Bushing, Insulating 14	161215	Lamp, 110 V Neon 7	163503	Gear, 26T 4
156740	Screw, 6-40 x 7/32 Hex 6	161239	Connector, 36 Pt Plug 23	163504	Gearset 71 WPM 11
156875	Screw, 6-40 x 5/32 Fil 15	161293	Gearset 6 WPM 11	163505	Gearset, 107 WPM 11
158019	Baffle 15	161294	Gearset, 75 WPM 11	163519	Sleeve, Gear 11
158021	Bracket, Switch 15	161295	Gearset, 100 WPM 11	163522	Transformer 3
158031	Bail, Feed 15	161301	Post 11	163590	Gear, 60T 4
158032	Bail, Reset 15	161346	Washer, Felt 12	163647	Channel, Ball 9
158033	Spacer, .055" Thk 15	161826	Plate 5	163775	Modification Kit 1,16
158036	Lever, Reset 15	161831	Washer, Spring 4	163813	Plate 16
158038	Lever 15	161878	Cable Assembly 23	163814	Lever w/Hub 16
158040	Lever, Ratchet Drive 15	161891	Guideplate, Keytop 7	164379	Cable 21
158042	Latchlever 15	161895	Shaft 4	164485	Bail w/Hub 10,21
158045	Stud 15	161896	Gear, 33T 4	164565	Container, Tape 5
158046	Bracket 15	161897	Gear, 33T 4	164644	Post 21
158047	Scale 15	161899	Spacer, .265" Thk 4	164645	Post 21
158050	Switch, Contact 15	161900	Bracket, Gear Guard 4	164646	Plate, Nut 21
158051	Pulley 15	161901	Bracket, Gear Guard 4	164647	Bracket 21
158052	Cam, Switch 15	161902	Plate 4	164649	Plate, Mounting 21
158053	Clamp 15	161903	Bracket 3	164651	Bail, Armature 21
158054	Cord Assembly 15	161904	Plate, Nut 3	164652	Bar, Universal 21
158056	Cord 15	161905	Bracket 3	164656	Tripbar, Clutch 11
158105	Codebar, Carriage Return 8	161906	Plate 7	165656	Cable w/Terminals 23
158107	Codebar, Character Counter 8	161907	Plate 7	165659	Bracket 20
158147	Bushing, Eccentric 15	161908	Post, Supporting 3	165660	Insulator, .062" Thk 20
158163	Switch, Sensitive 3,5	161909	Socket, Lamp 7	165661	Calbe w/Terminals 20
158215	Plate, Nut 2,3,15,20	161910	Cap, Amber 7	165662	Stud 20
158239	Lever, Tape 5	161911	Knob, Black 7	165663	Insulator, Terminal Black 20
158268	Latch w/Hub 13	161912	Switch, SP-ST 7	165676	Cap, Green 7
158289	Reel, Tape 5	161927	Guide, Tape 4	165678	Lamp, 55V 7
158745	Clamp, Bearing 4,6,17	161931	Keytop 7	165679	Cable w/Terminals 23
158753	Armature, Magnet 21	161932	Cap, Red 7	165680	Bracket, Fuse Holder 20
158754	Core, Magent 21	161942	Plate, Transformer 3	165681	Bracket, Mounting 20
158859	Post, Spring 21	161950	Bracket 2	165682	Bracket 20
159278	Pinion, 14T 11	161951	Bracket 4,5	170324	Bracket, Front 8,16
159279	Gear, 96T 11	161954	Socket, Lamp 7	170368	Guide, Transfer Lever 12
159281	Pinion, 17T 11	161957	Lamp, 6V 7	170385	Frame w/Brushing 10,21
159282	Gear, 93T 11	161964	Clamp, Tube 3	170386	Guide, Transfer Lever 12
159284	Pinion, 20T 11	161965	Resistor, 1000 Ohm 3	170391	Guide, Transfer Lever 12
159285	Gear, 84T 11	162333	Stud, Locating 23	173096	Stud, Eccentric 13
159287	Retainer, Pinion 11,17	162659	Retainer 17	173793	Gear, 100T 11
159327	Washer, Flat 13	163440	Gear, 48T 6	173794	Pinion, 14T 11
159334	Washer, Insulating 13	163442	Cable Assembly 5		
		163459	Gear, 66T 4		

NUMERICAL INDEX (Continued)

Part Number	Description and Page Number	Part Number	Description and Page Number	Part Number	Description and Page Number
173795	Gearset, 65 WPM 11	185684	Plate, Identification 20	306991	Bracket 6
173974	Screw, 10-32 x 5/16 Hex 3	192797	Chute, Chad 22	306992	Clamp 6
174250	Pin, Roll 17	192798	Plate, Mounitng 22	306993	Plate 6
174491	Modification Kit 14	192999	Modification Kit 1,22	306994	Shaft 6
176352	Box Assembly, Contact 1,14	193560	Bag, 10" Lg Chad 22	306995	Spacer 6
176405	Modification Kit 1,16	193561	Casing, Fan Wheel 22	306996	Shim, 0.05.. Thk 6
176406	Bracket 16	193579	Clamp, Tube 22	307722	Cable Assembly 23
176407	Lever 16	193644	Chute, Chad 22	311451	Camsleeve 11
178306	Relay, Power 20	193654	Clamp, Armature 21	320410	Terminal, Spade Type 3,16,19,20,23
178535	Suppressor, Spark 20	193715	Spring, Contact 21	320416	Terminal, Ring Type 19,23
178725	Spring 15	193718	Bracket, Contact 21	320418	Terminal, Ring Type 23
178726	Bracket, Spring 15	193719	Contact Assembly 21	324530	Contact Assembly 21
178728	Modification Kit 15	193720	Modification Kit 1,21	324533	Stiffener w/Contact 21
178839	Nut,11/32 Hex 7	193800	Modification Kit 1,21	324535	Insulator 21
178849	Cord Assembly, Indicator 15	194170	Guide Assembly, Tape 4	326727	Gear Assembly, Intermediate 1,6
178851	Pulley 15	194171	Guide Assembly, Tape 4	326730	Gear Assembly, Intermediate 1,6
179258	Bracket, Scale 15	194172	Bracket, Tape Guide 4	327450	Label 14
179278	Drum, Ratchet 15	194173	Bracket, Tape Guide 4	334750	Guard, Gear 4
179279	Bracket w/Posts 15	195186	Screw, 4-40 x 7/8 Hex 14		
179491	Switch Assembly Backspace 16	195403	Tubing, 7-1/2" Lg 22		
179639	Contact Assembly 14	195720	Plate 2		
182661	Holder, Fuse 8,20	195721	Plate 2		
		195923	Filter, RF 14		
		199401	Bracket 8		