

28 TAPE TELETYPEWRITER COVER
REQUIREMENTS AND ADJUSTMENTS

CONTENTS	PAGE
1. GENERAL	1
2. REQUIREMENTS AND ADJUSTMENTS	2
Alignment of cover and base	3
Copyholder	2
Door	2
Window	3

1. GENERAL

1.01 This section contains the requirements and adjustments for the 28 tape teletypewriter cover. This section and the section covering teletypewriter general requirements and adjustments provide the complete adjusting information for the cover.

1.02 In this practice, references to left or right, front or rear, and up or down apply to the cover as viewed from the position of the operator in front of the keyboard.

2. REQUIREMENTS AND ADJUSTMENTS

2.01 Door and Copyholder

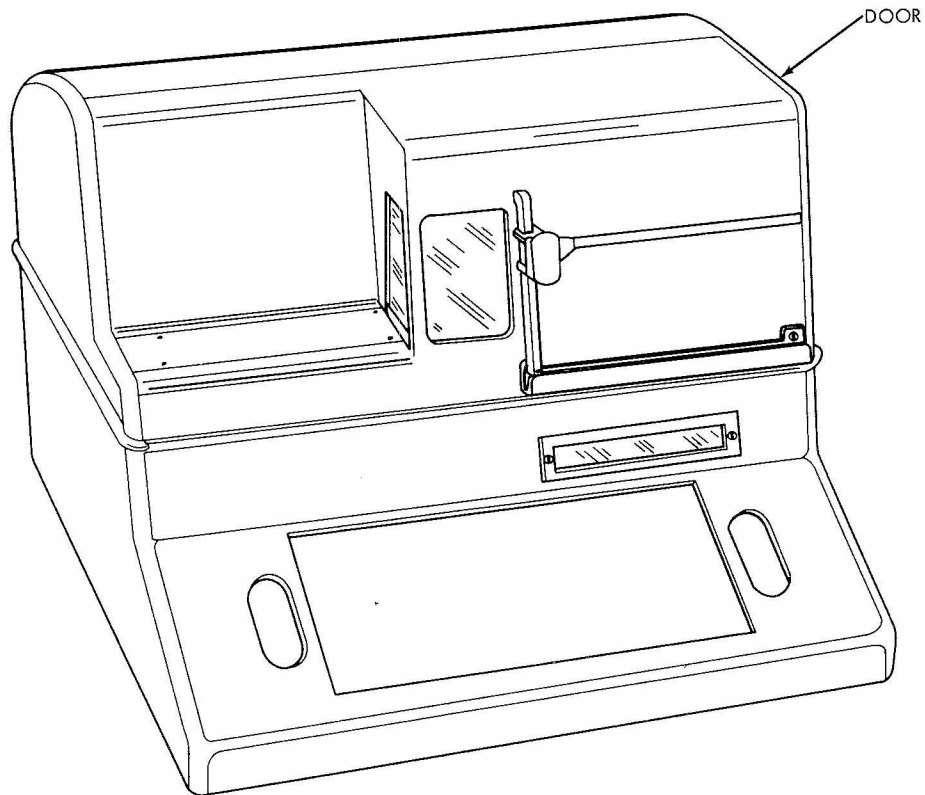
(A) DOOR

REQUIREMENT

- (1) ACCESS DOOR LATCHED WHEN CLOSED.
- (2) MIN. OF PLAY IN DOOR.

TO ADJUST

POSITION THE LATCHES WITH MOUNTING SCREWS FRICTION TIGHT.



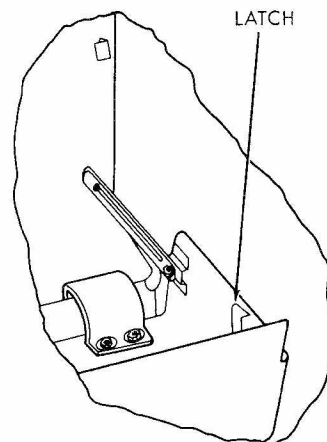
(B) COPYHOLDER

REQUIREMENT

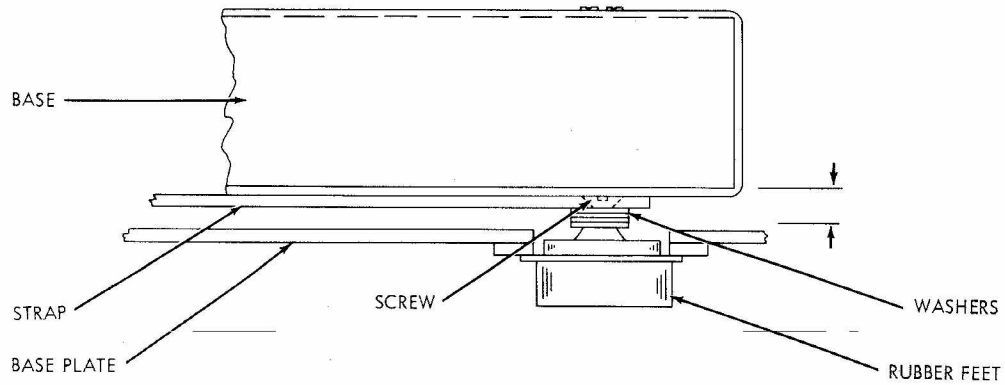
TENSION ON THE LINE GUIDE SHALL BE SUFFICIENT TO HOLD THE LINE GUIDE FROM SLIPPING DOWN THE SHAFT AND TO HOLD THE COPY IN PLACE.

TO ADJUST

REMOVE THE TWO MOUNTING SCREWS FROM INSIDE THE COVER, REMOVE THE LINE GUIDE AND TURN THE SQUARE SHAFT TO A NEW POSITION. REPLACE THE LINE GUIDE AND MOUNTING SCREWS.



2.02 Window and Alignment of Cover and Base



(A) ALIGNMENT OF COVER AND BASE

REQUIREMENT

- (1) COVER SHALL FIT AROUND KEYPAD GUIDE AND REST ON BASE PLATE.
- (2) NOMINAL SPACE BETWEEN BASE PLATE AND BASE: 9/32 INCH.

TO ADJUST

REMOVE COVER AND FOUR BASE MOUNTING SCREWS. ADD OR REMOVE FLAT WASHERS BETWEEN STRAP AND RUBBER FEET. BECAUSE OF WEIGHT VARIANCE OF BASE A DIFFERENT NUMBER OF WASHERS MUST BE USED AT EACH CORNER.

(B) WINDOW

REQUIREMENT

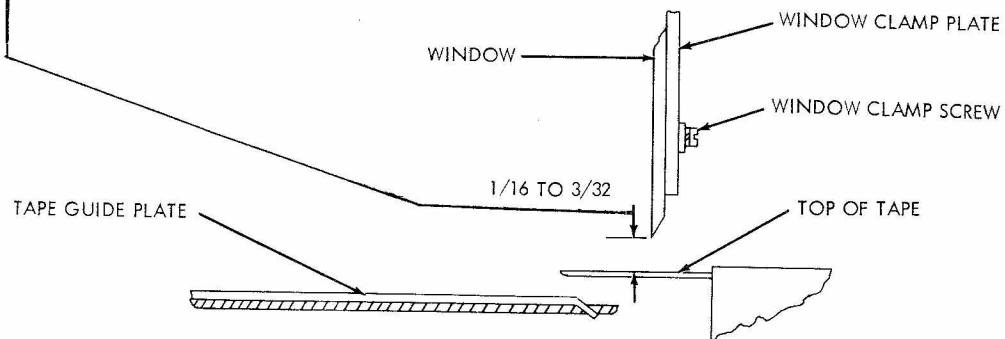
VERTICAL CLEARANCE BETWEEN THE TEARING EDGE OF THE SIDE WINDOW IN THE DOOR AND THE TOP SURFACE OF THE TAPE

MIN. 1/16 INCH

MAX. 3/32 INCH

TO ADJUST

POSITION WINDOW WITH CLAMP SCREWS FRICTION TIGHT.



(

(

(

(

(

(

(

(