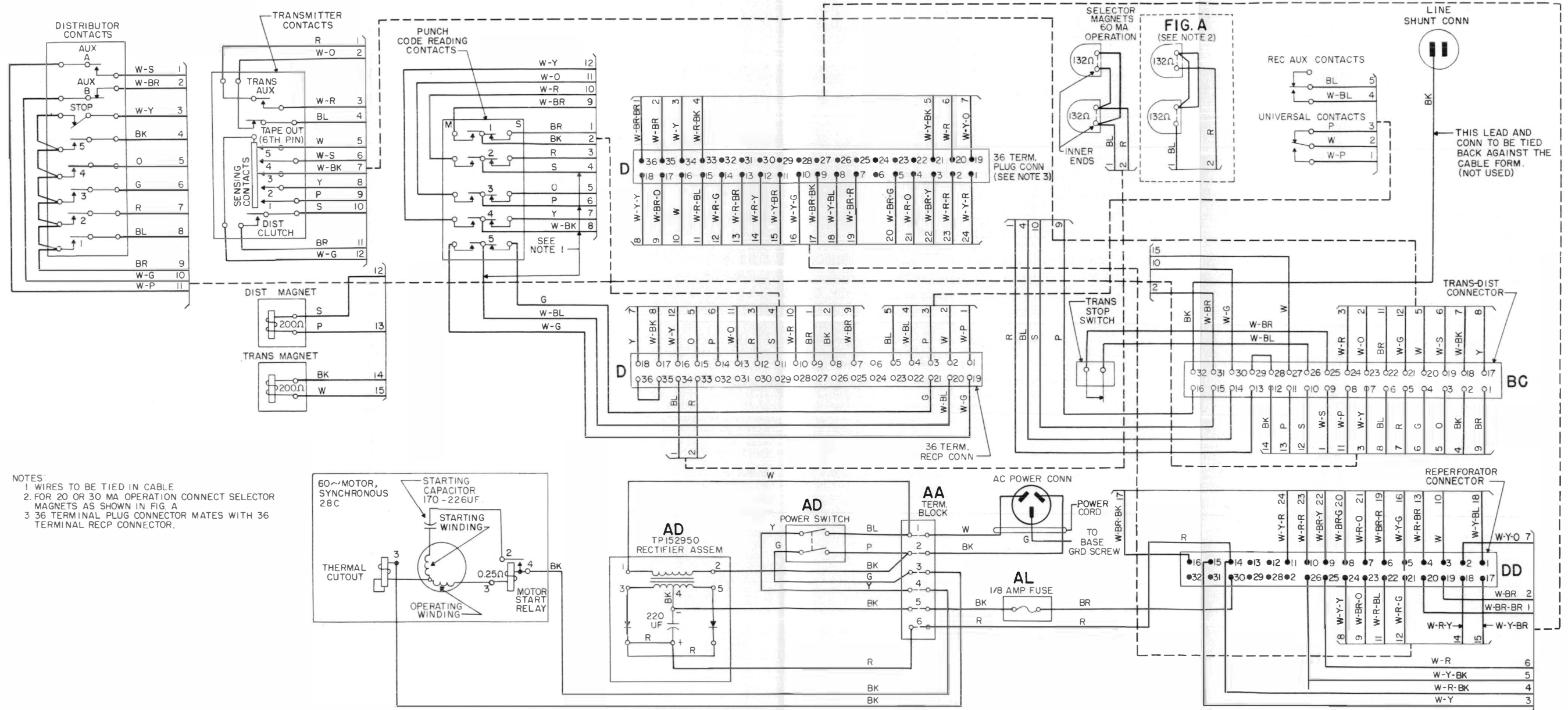


28 REPERFORATOR-TRANSMITTER UNIT
WIRING DIAGRAM

1. GENERAL

- 1.01 This section shows the wiring of the 28F and 28G reperforator-transmitter units.
- 1.02 The 28F and 28G reperforator-transmitter units differ from the 28-type reperforator-transmitter sets in that they do not include a tape handling stand.



NOTES:
 1 WIRES TO BE TIED IN CABLE
 2. FOR 20 OR 30 MA OPERATION CONNECT SELECTOR MAGNETS AS SHOWN IN FIG. A
 3 36 TERMINAL PLUG CONNECTOR MATES WITH 36 TERMINAL RECP CONNECTOR.

Figure 1 - 28F Reperforator-Transmitter Unit

