

28 AND 35 REPERFORATOR TRANSMITTER BASE (LRXB)
PARTS

Figure	Contents	Page
1	Base	2
2	Variable Speed Gear Mechanism	3
3	Fixed Speed Gear Mechanism	4
4	Interchangeable Cross Shaft Gear Sets	5
5	159104 Tape Winder Drive Bracket Assembly (200 WPM Maximum)	6
6	170806 Tape Winder Drive Bracket Assembly (1000 WPM Maximum)	7
7	Base (High Speed)	8
8	High Speed Tape Reader (CX) Mounting Parts	9
9	High Speed Tape Punch (BRPE) Mounting and Drive Parts	10
10	Connector Plate	11
11	Modification Kits to Provide Tape-Out Contacts Ahead of Reperforator Used on the L/H RT Set	12
12	123910 Tape Container Assembly	13
13	Base (AC205 Cabinet Application)	14
14	Intermediate Shaft and Gears	15
15	Tape Container Bracket and Terminal Block	16
16	156974 Tape Container Assembly	17
17	Cable Components	18
18	Covers	19
19	174558 and 311069 Modification Kits to Provide Tape-Out Contacts Ahead of Reperforator Used on H/L RT Set	20
20	Base (DRPE Mounting)	21
21	190540 Tape Winder Drive Bracket Assembly (2000 WPM Maximum)	22
22	174546 Modification Kit to Provide Motor "Running" Contacts	23
	Numerical Index	24

Note:

When ordering parts from this section
prefix each number with the letters TP

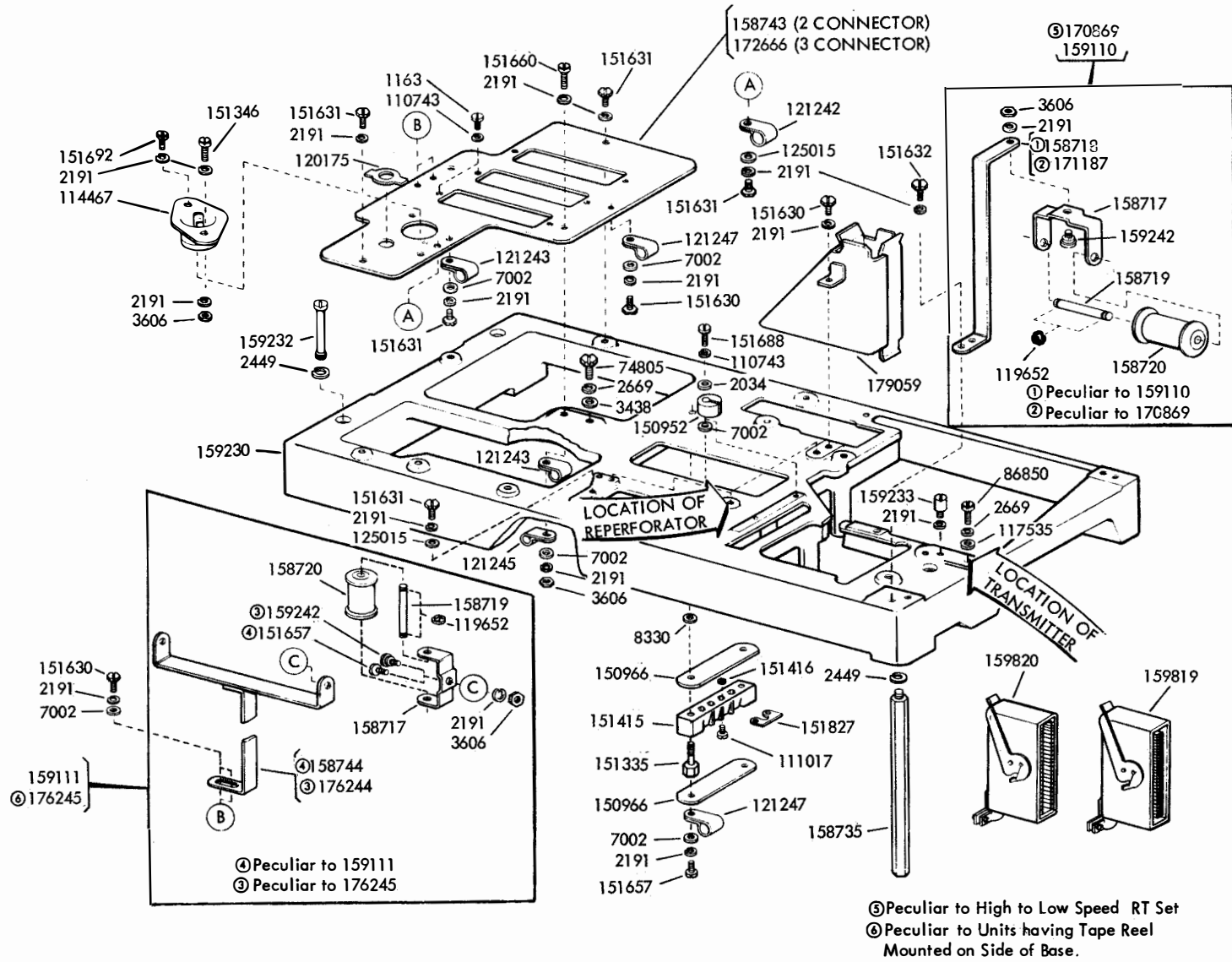
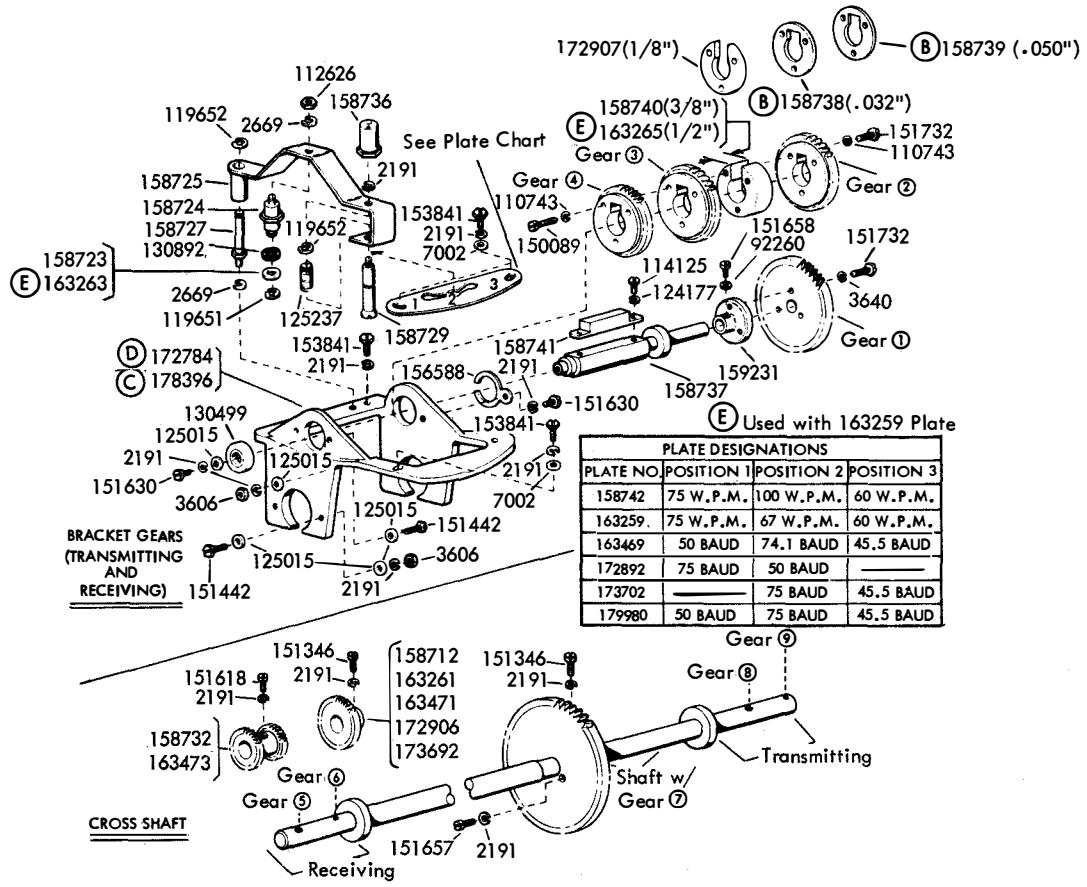


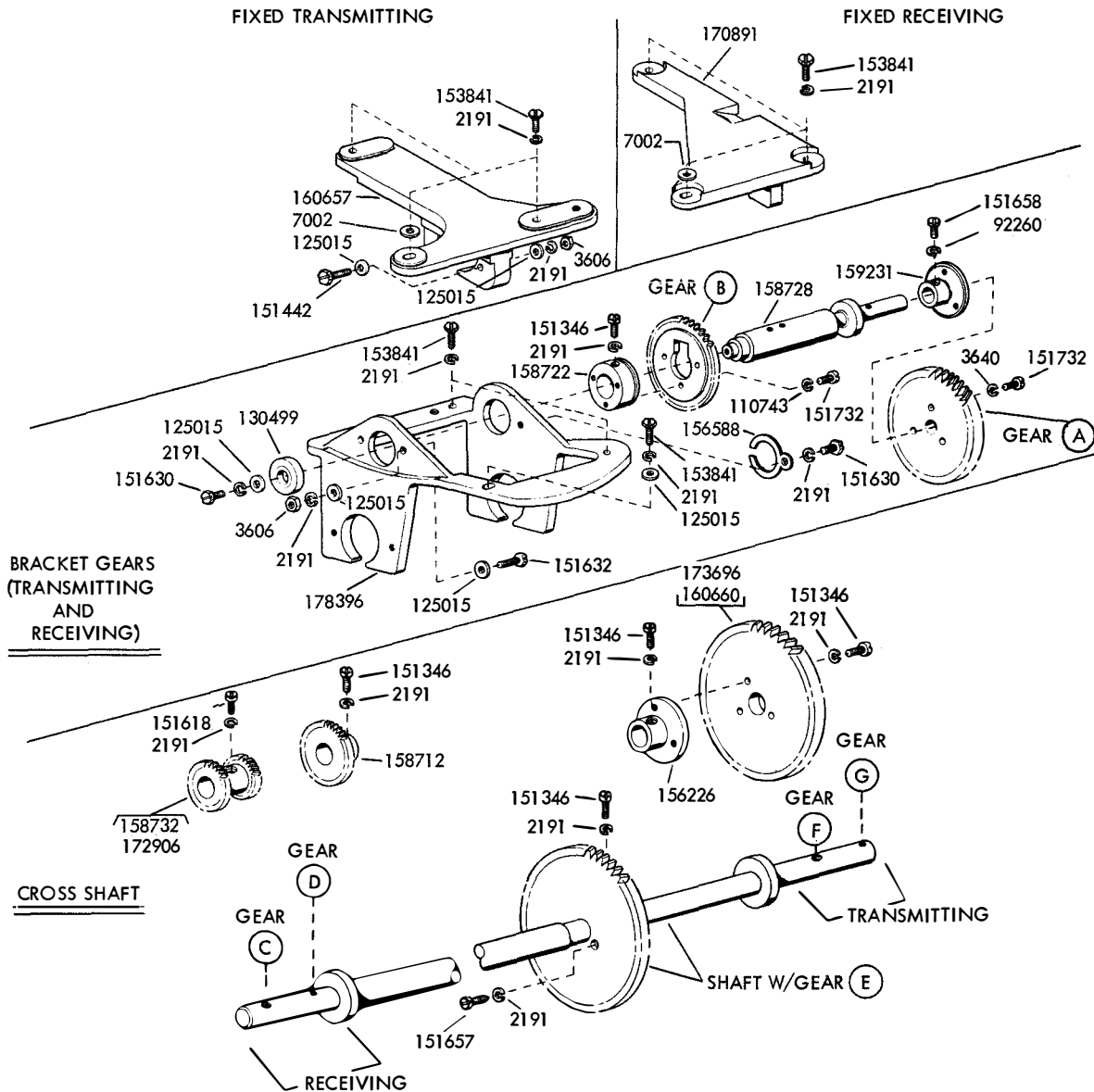
FIGURE 1. BASE



FUNCTION	TRANS.	REC.	TRANS.	REC.	REC.	TRANS.	TRANS.	REC.	TRANS.	REC.	REC.	TRANS.
UNIT CODE	7.42		7.42		7.42	7.00	7.50	7.42		7.00	7.00	
W.P.M.	60-75-100		60-67-75		60-67 100	65-71 106	66-100	60-75-100		65-107	65-71-107	
BAUD	45.5-56.8-74.2		45.5-50-56.8		45.5-50 74.2	45.5-50 74.1	50-75	45.5-56.8-74.2		45.5-75	45.5-50-75	
Gear ①	158703	158700	158703	158700	163475	158703	172628	158700	158703	163475	163475	158703
Gear ②	158716	158716	163262	163262	163470	163470	158716	158716	158716	173693	173693	173693
Gear ③	158733	158733	158733	158733	163474	163474	(A) 158733	158733	158733	163474	163474	163474
Gear ④	158734	158734	163258	163258	163472	163472	172905	158734	158734		163472	163472
Gear ⑤		158732		158732	163473			158732		163473	163473	
Gear ⑥		158712		163261	163471			158712		173692	173692	
Shaft w/ Gear ⑦	158713 (F) 160658		163357		158713		158713	(D) 172871	160658		158713 (F) 160658	
Gear ⑧	158732		158732			163473	172906		158732			(F) 163473
Gear ⑨	158712		163261			163471	158712		158712			173692

- (A) The 172907 (1/8" thick) and 158739 (.050" thick) spacers are used in place of a gear in this position.
- (B) The 158738 (.032" thick) and 158739 (.050" thick) spacers are required with early design gears. The new style gear has a shoulder which replaces the spacer.
- (C) The new design 178396 bracket replaces both early design 158746 (transmitting) and 158749 (receiving) brackets. Orders for the early design parts will be filled with the new design 178396 bracket which is used in both the transmitting and receiving positions.
- (D) The 172784 bracket and 172871 cross shaft w/gear are peculiar to the special square base used in the AC205 cabinet application. See Figures 13 and 14 for associated parts.
- (F) Required when transmitting speed is fixed.

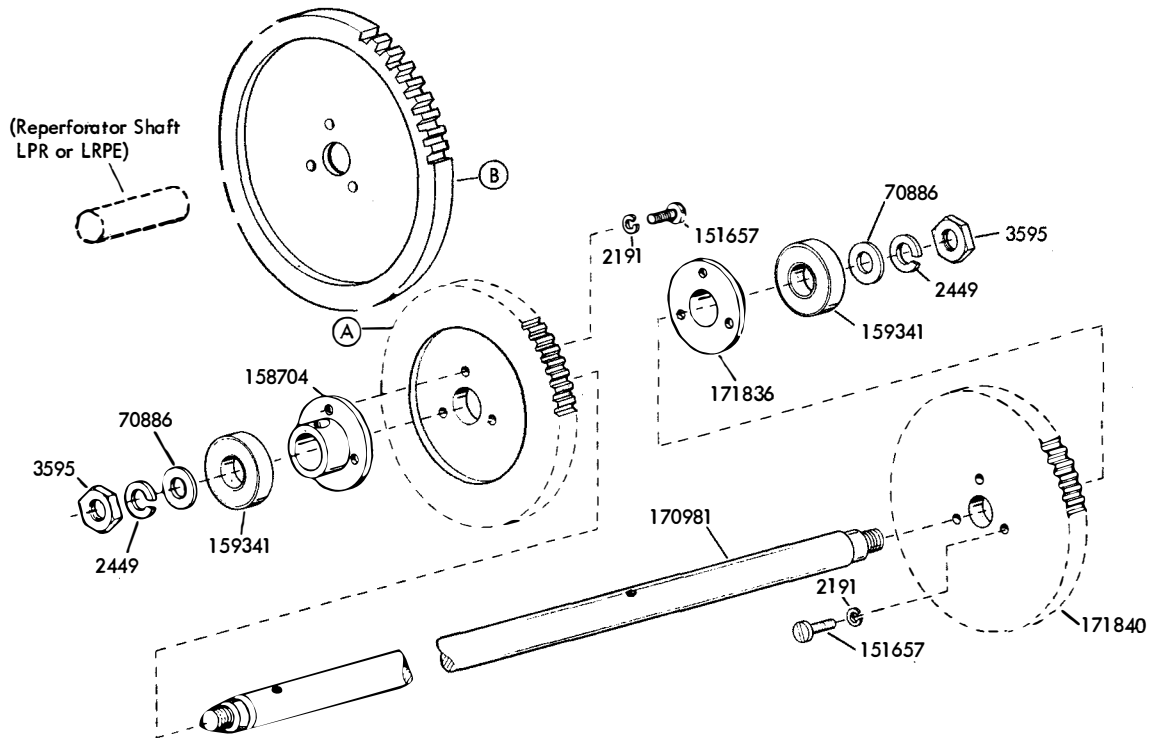
FIGURE 2. VARIABLE SPEED GEAR MECHANISMS



FIXED SPEED GEAR CHART											
FUNCTION	REC	TRANS	REC	TRANS	REC	TRANS	REC	TRANS	TRANS	TRANS	TRANS
UNIT CODE	7.42	7.42	7.42	7.42	7.42	7.42	7.50	7.50	7.50	7.42	7.00
W.P.M.	100	100	75	75	60	60	66	66	100	100	65
BAUD	74.2	74.2	56.8	56.8	45.5	45.5	50	50	75	74.2	45.5
GEAR A	158700	158703	158700	158703	158700	158703	172630	172628	172628	158703	158703
GEAR B	158716	—	158734	158734	158733	158733	158716	158716	172905	158716	—
GEAR C	—	—	158732	—	158732	—	—	—	—	—	—
GEAR D	—	—	—	—	—	—	158712	—	—	—	—
SHAFT W/ GEAR E	160658	160658	158713	158713	158713	158713	158713	158713	158713	170990	160658
GEAR F	—	—	—	158732	—	158732	—	—	172906	—	—
GEAR G	—	160660	—	—	—	—	—	158712	—	158712	173696

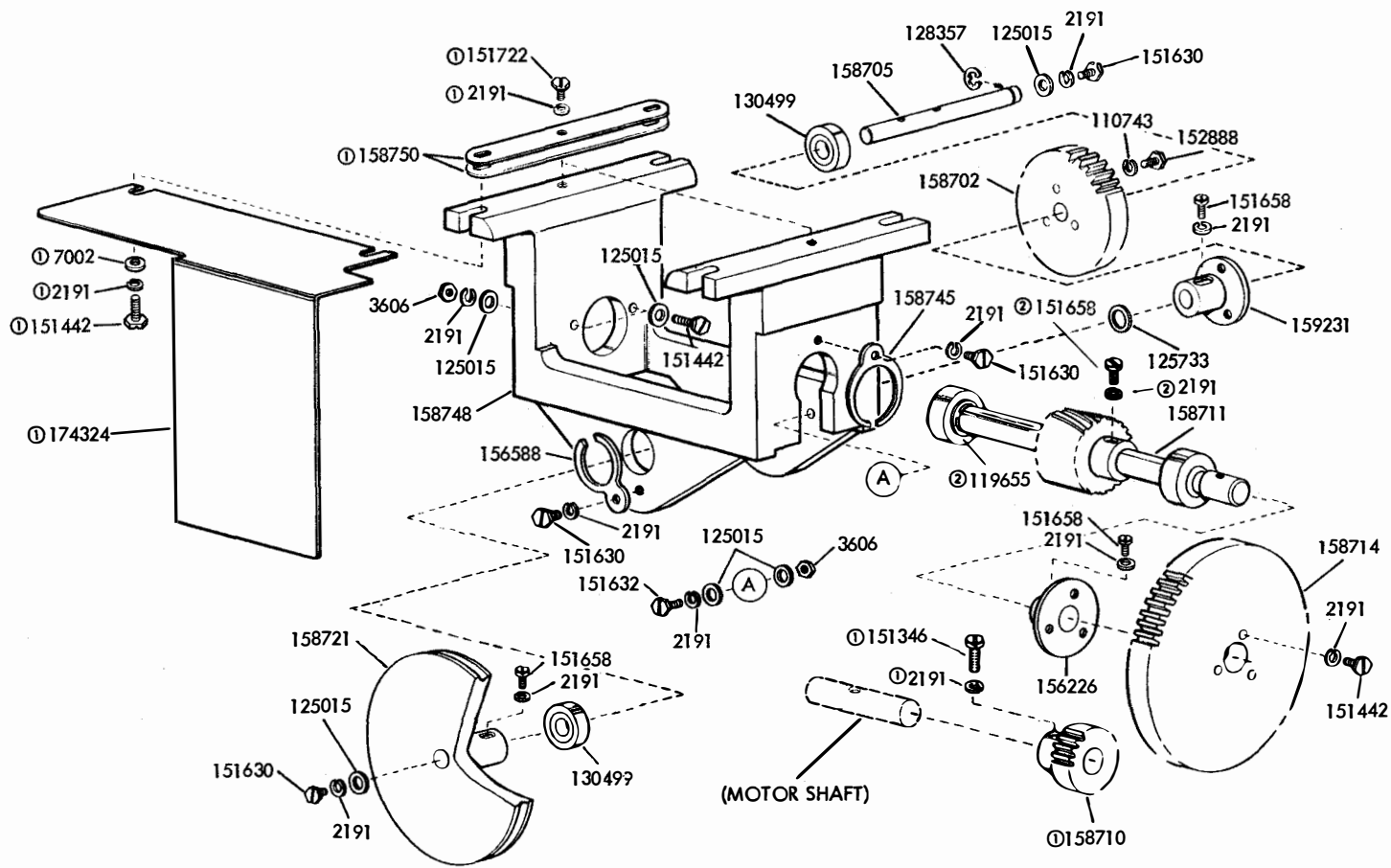
NOTE: When either the transmitting or receiving side is variable speed, use the gear chart on Figure 2.

FIGURE 3. FIXED SPEED GEAR MECHANISMS



INTERCHANGEABLE GEAR SETS FOR L/H RT SETS				
		Gear Sets	Gear "A"	Gear "B"
Motor Speeds	3600 RPM	171695 (60 WPM)	170767	170768
		171696 (75 WPM)	170871	170872
		171697 (100 WPM)	170769	170770
3000 RPM	146953 (60 WPM)	146962	146963	
	146954 (75 WPM)	146960	146961	
	146951 (100 WPM)	146964	146965	

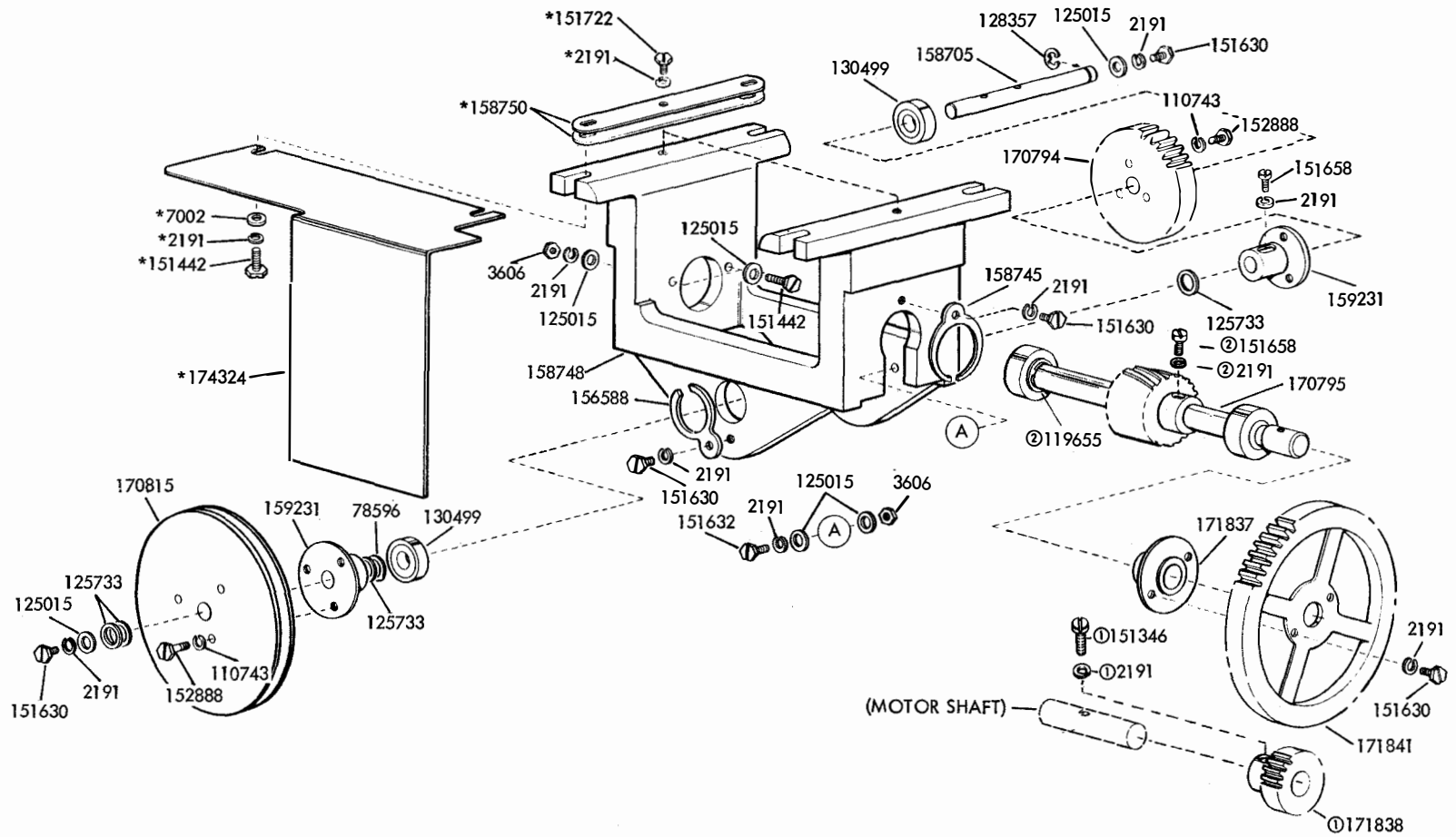
FIGURE 4. INTERCHANGEABLE CROSS SHAFT GEAR SETS



① Not part of 159104
 ② Part of 158711

FIGURE 5. 159104 TAPE WINDER DRIVE BRACKET ASSEMBLY (200 WPM MAXIMUM)

FIGURE 6. 170806 TAPE WINDER DRIVE BRACKET ASSEMBLY (1000 WPM MAXIMUM)



① Not part of 170806
 ② Part of 170795

FIGURE 7. BASE (HIGH SPEED)

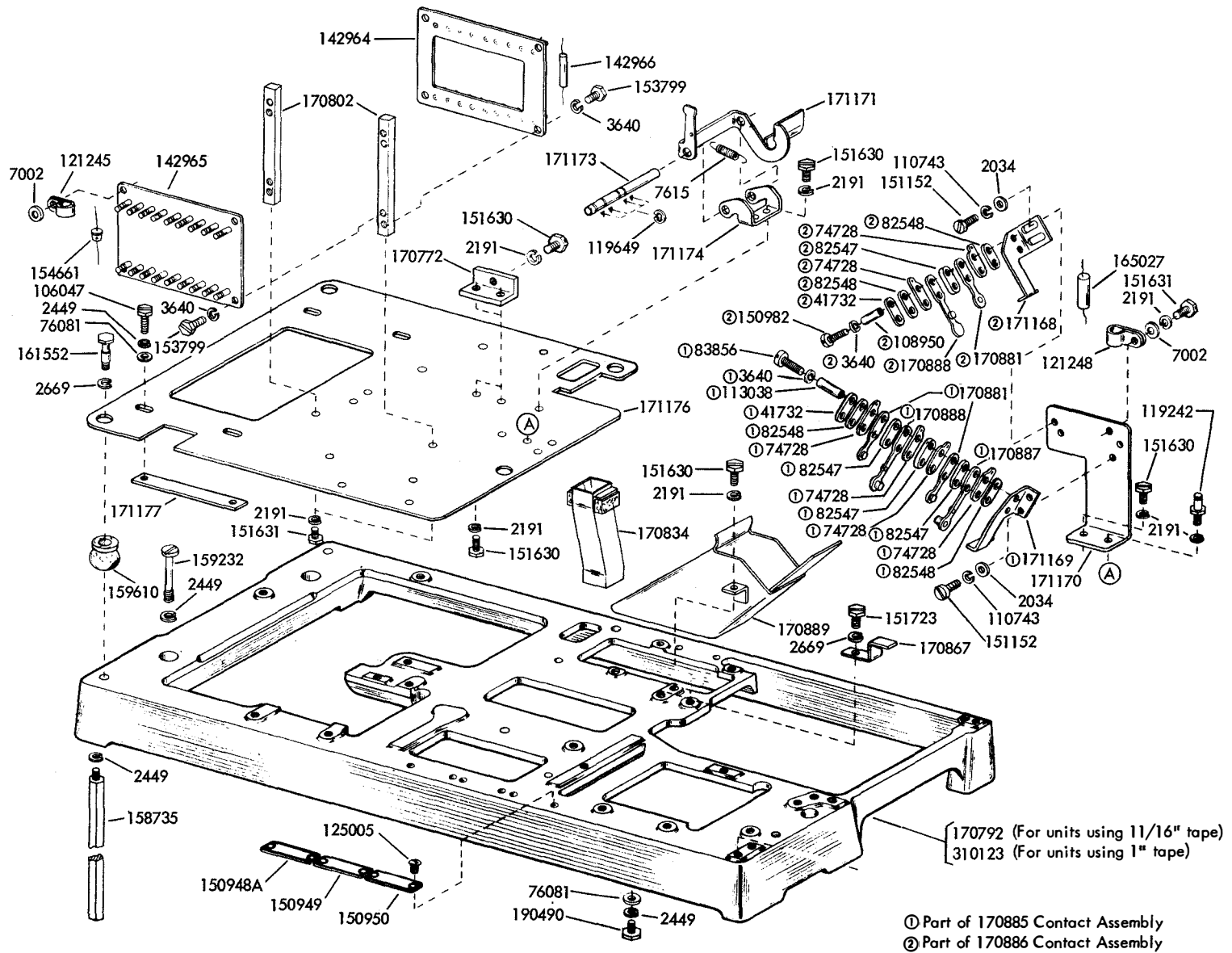
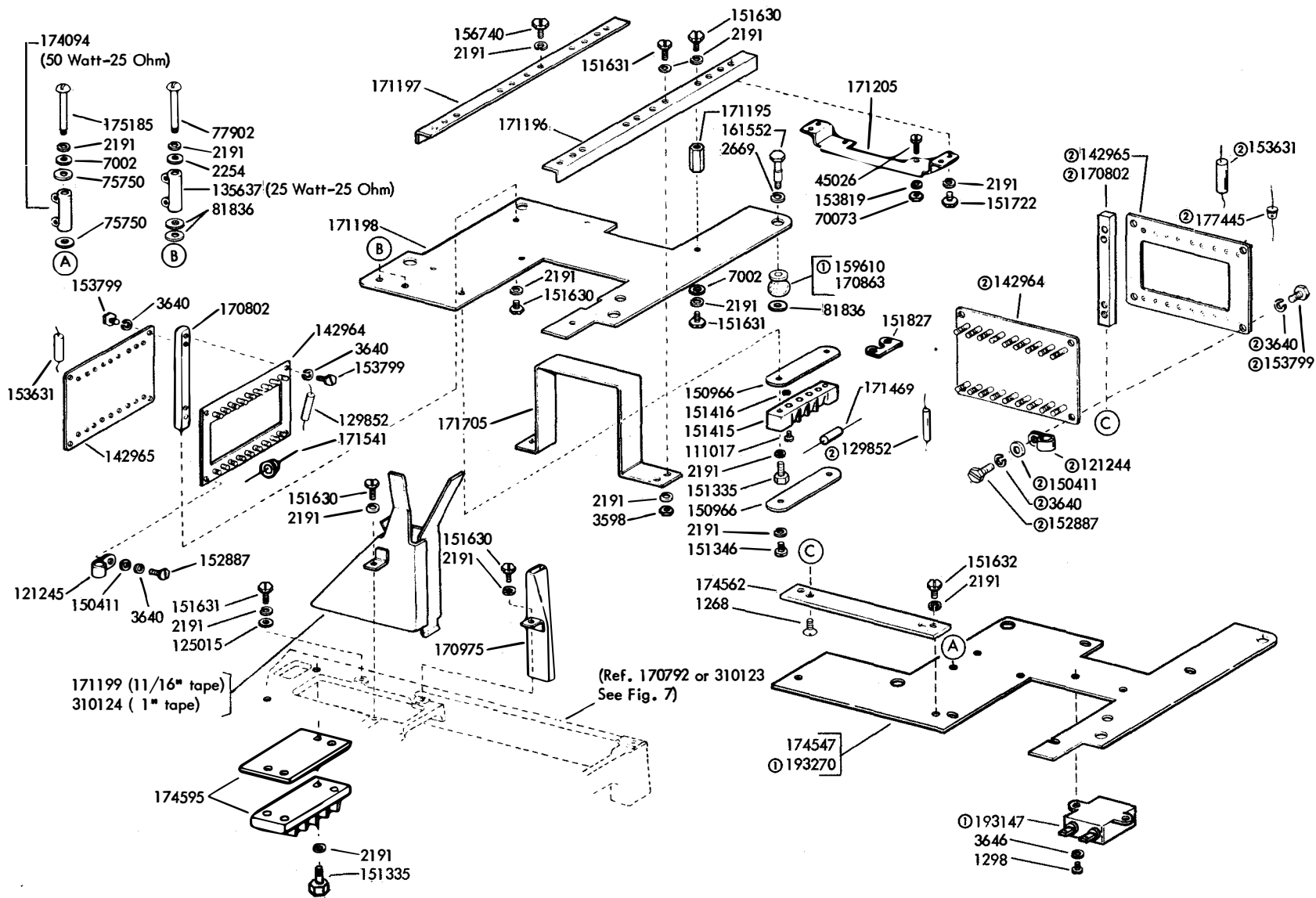


FIGURE 8. HIGH SPEED TAPE READER (CX) MOUNTING PARTS



① When the 193147 capacitor is used, the 193270 plate (with mounting provisions) and the 159610 vibration mount (for the heavier load) are required.

② 197498 Terminal Board Assembly

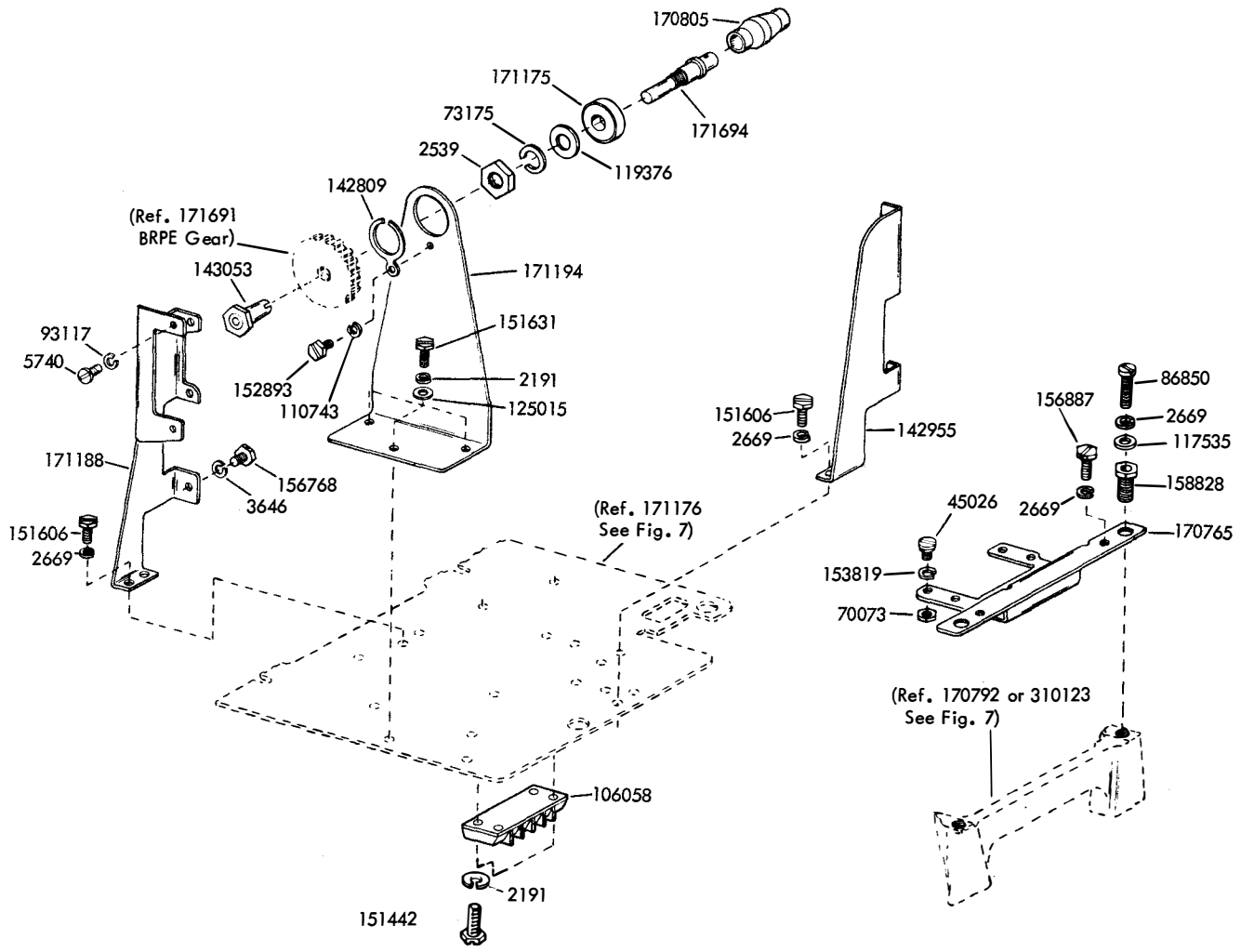
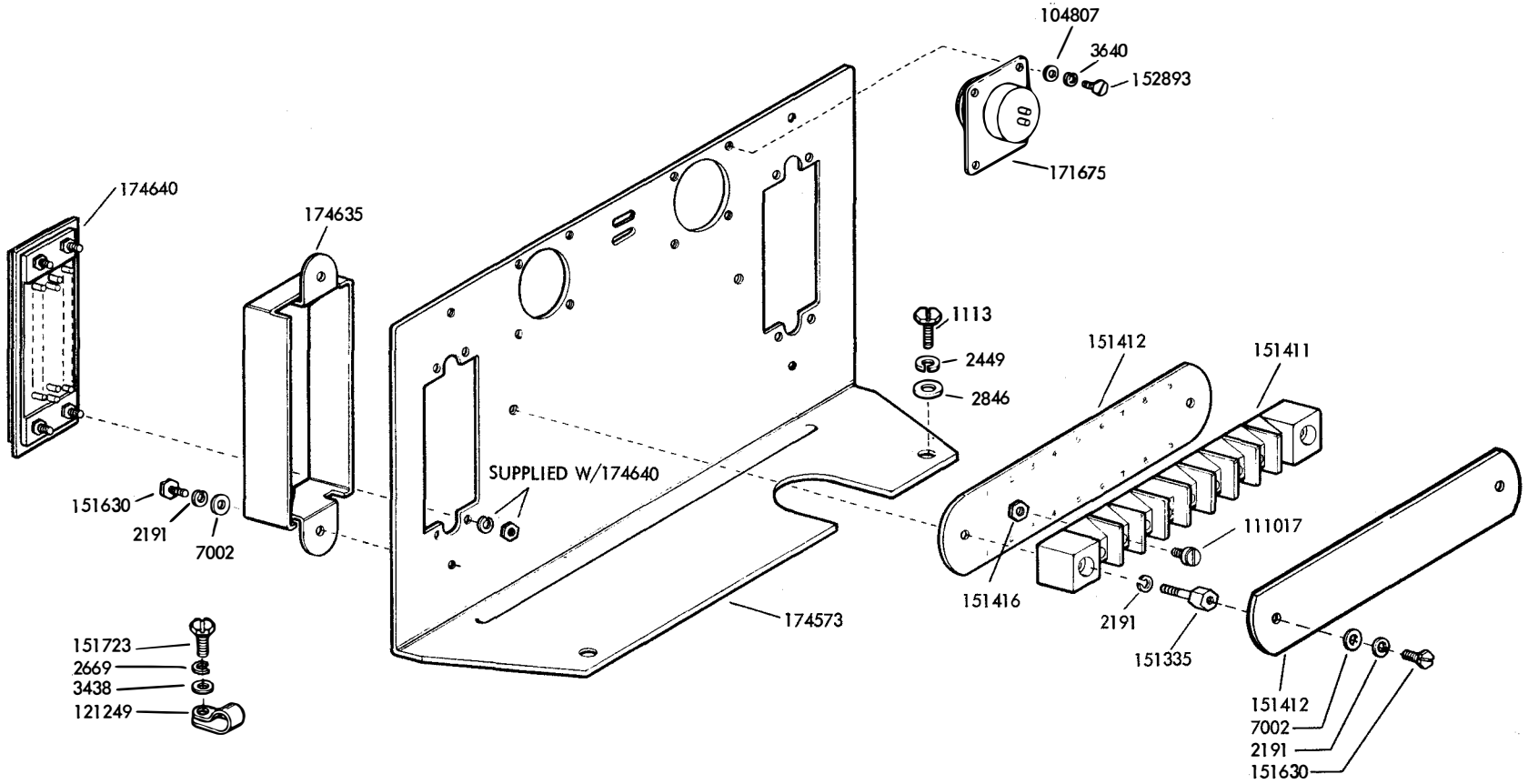


FIGURE 9. HIGH SPEED TAPE PUNCH (BRPE) MOUNTING AND DRIVE PARTS

FIGURE 10. CONNECTOR PLATE



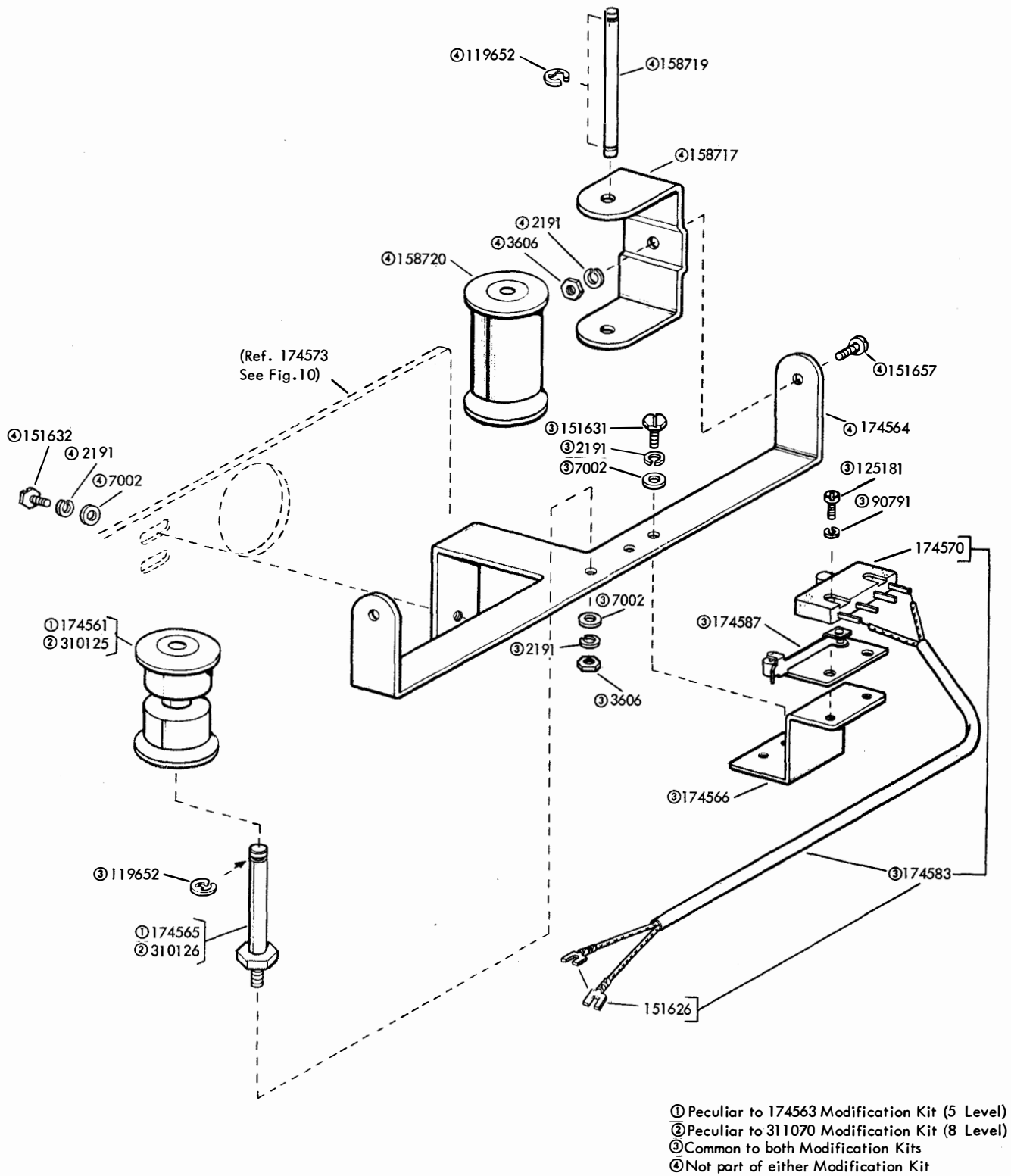
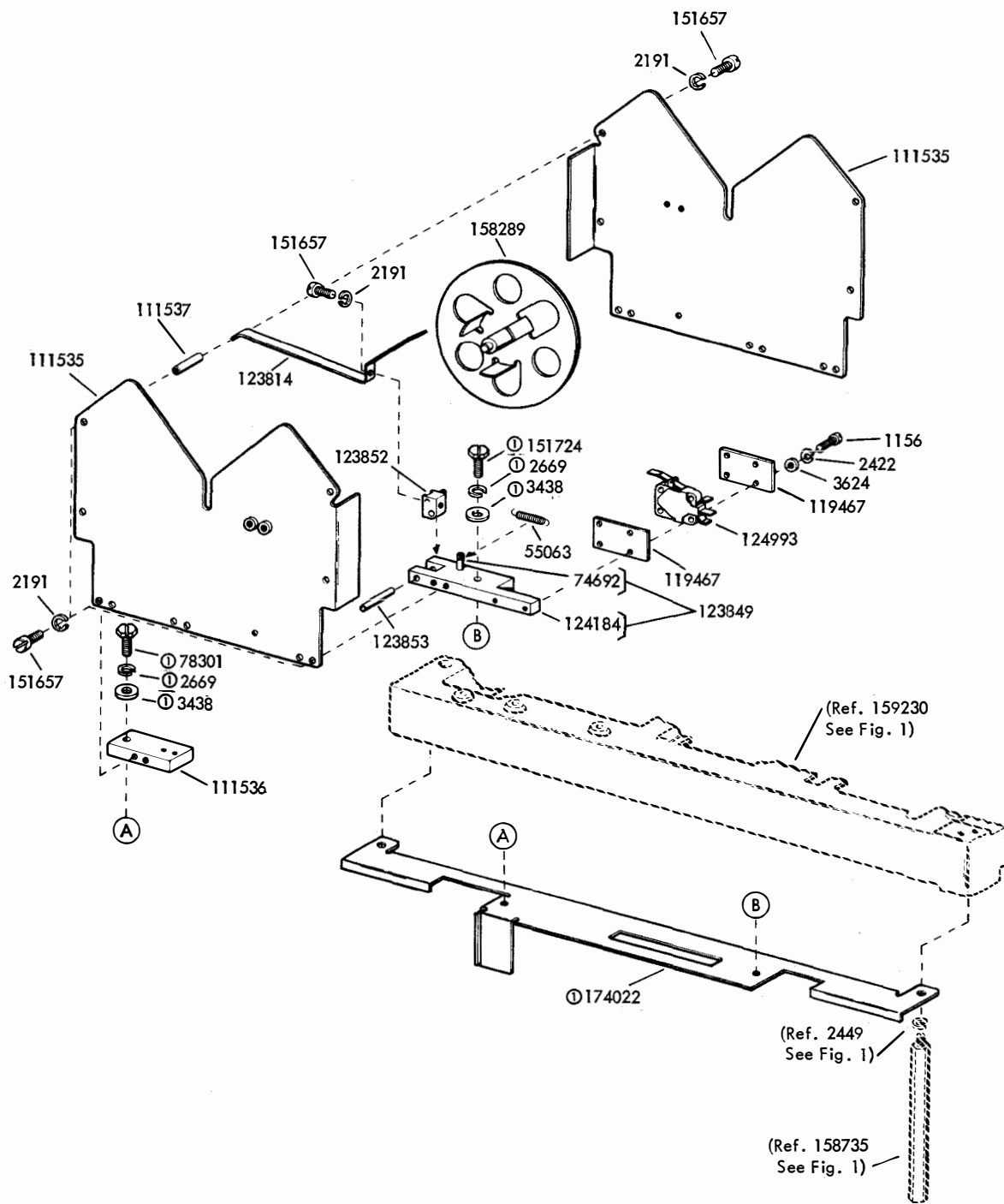


FIGURE 11. MODIFICATION KITS TO PROVIDE TAPE-OUT CONTACTS
AHEAD OF REPERFORATOR USED ON THE H/L RT SET



Ⓞ Not part of 123910

FIGURE 12. 123910 TAPE CONTAINER ASSEMBLY

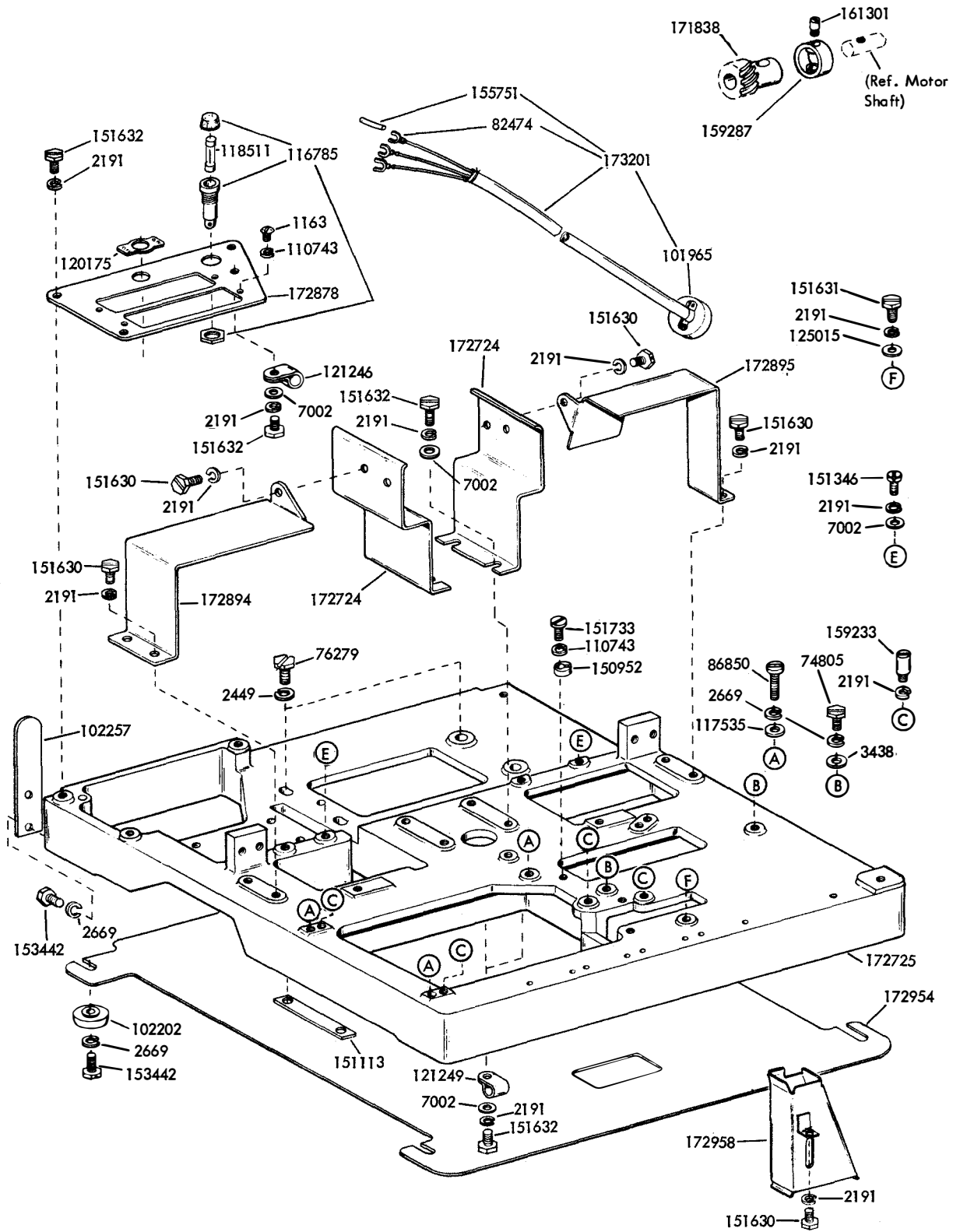


FIGURE 13. BASE (AC205 CABINET APPLICATION)

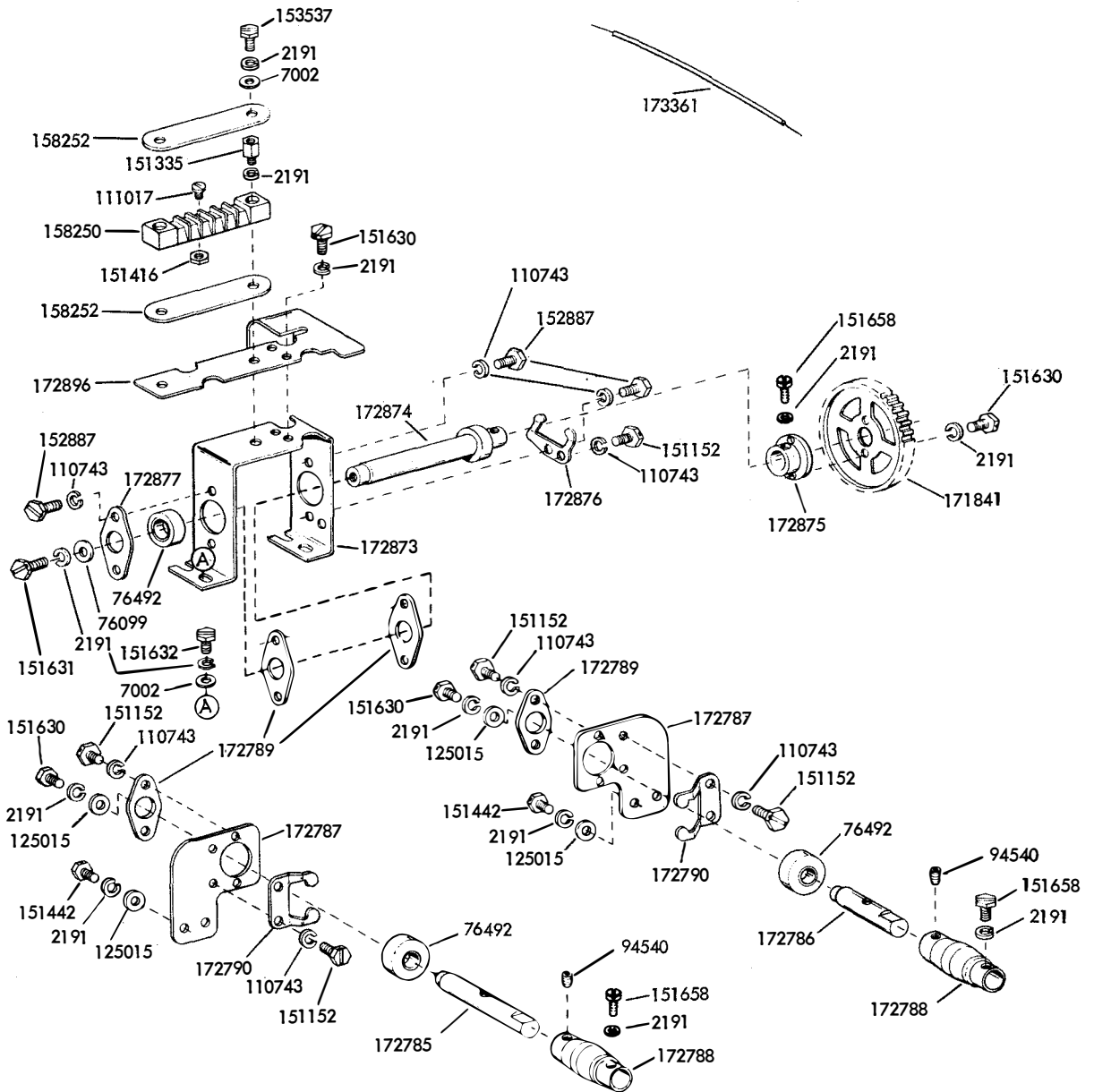


FIGURE 14. INTERMEDIATE SHAFT AND GEARS

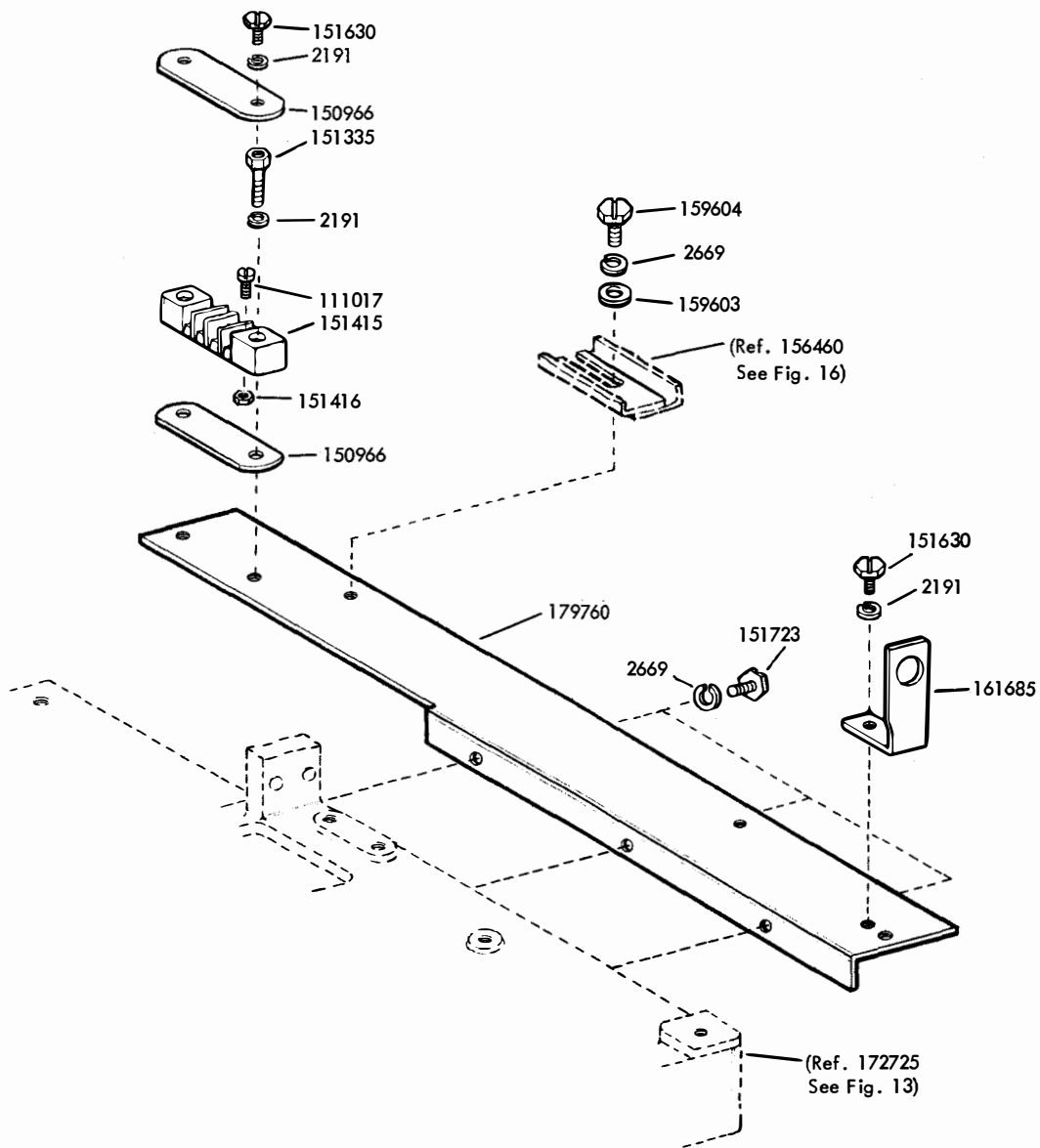


FIGURE 15. TAPE CONTAINER BRACKET AND TERMINAL BLOCK

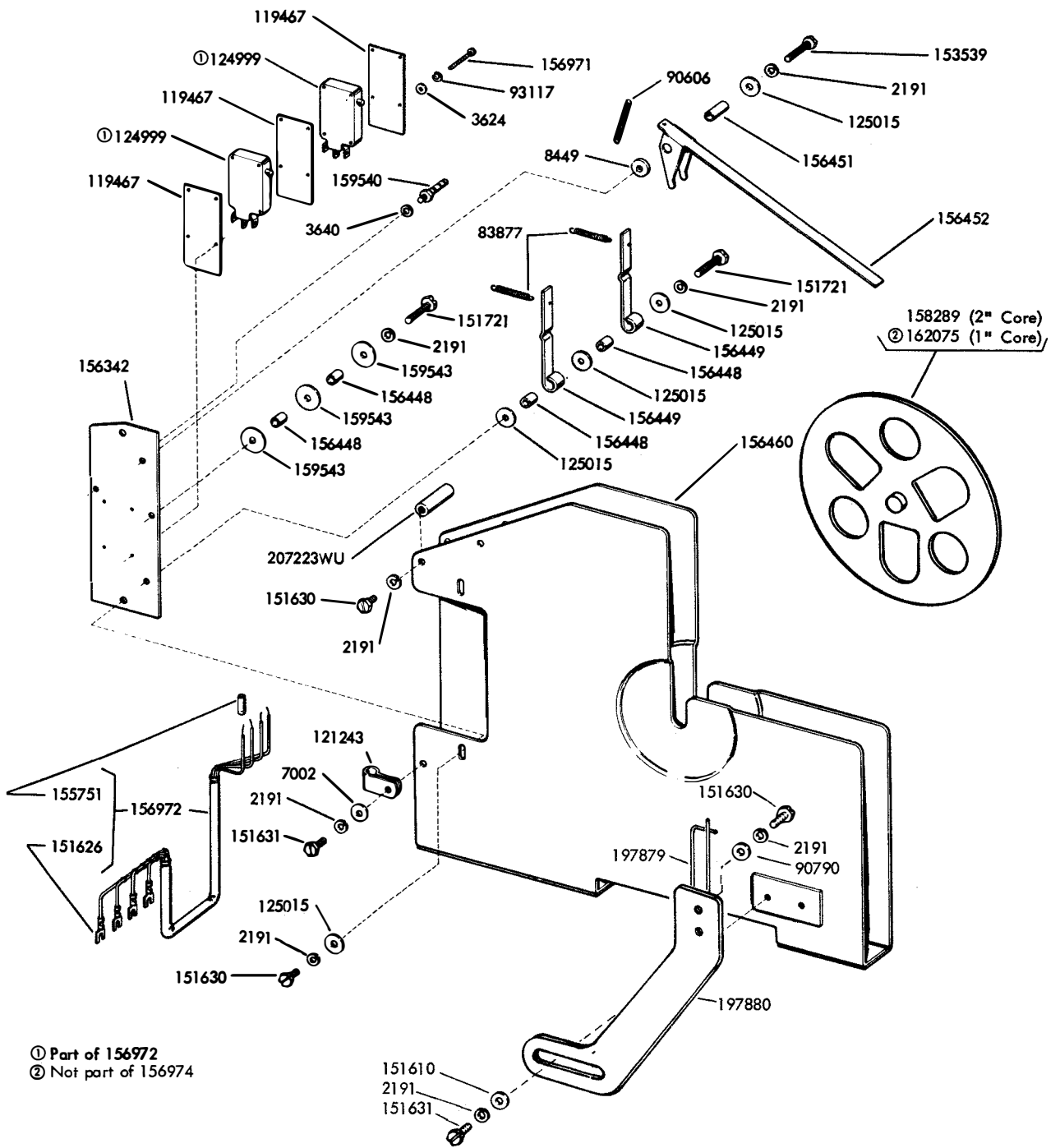


FIGURE 16. 156974 TAPE CONTAINER ASSEMBLY

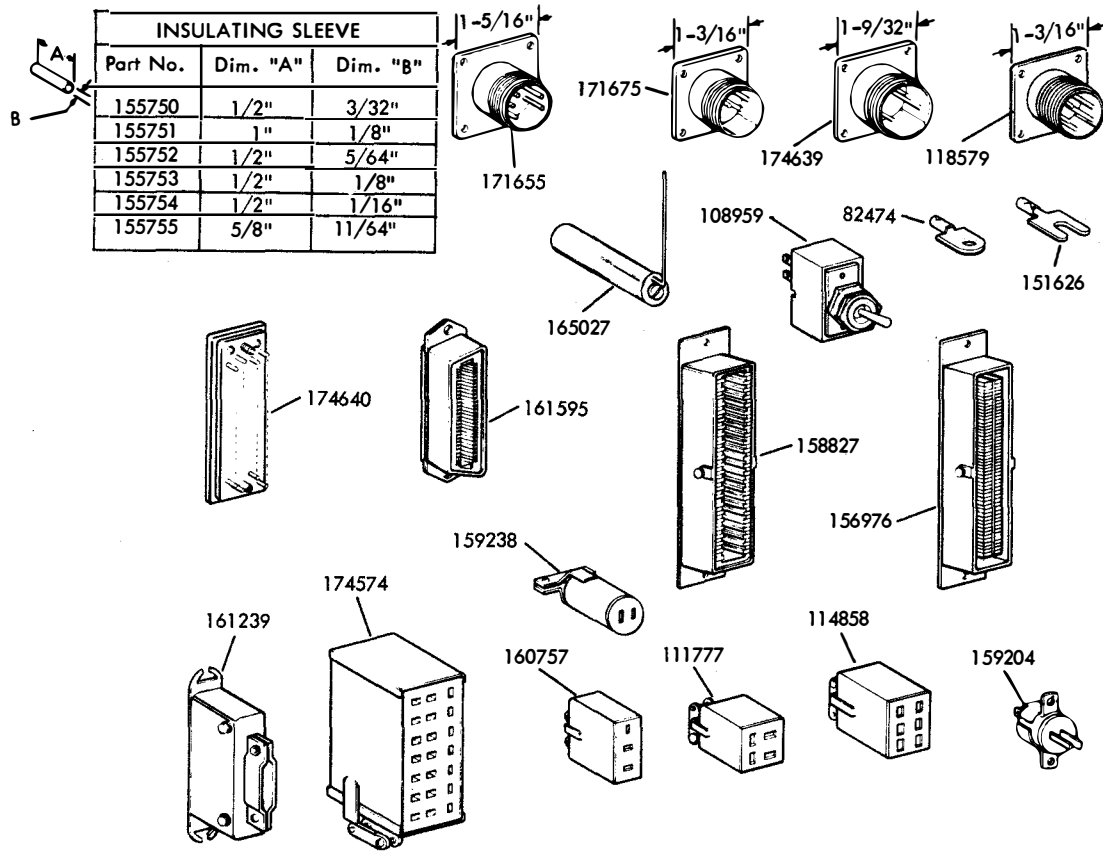


FIGURE 17. CABLE COMPONENTS

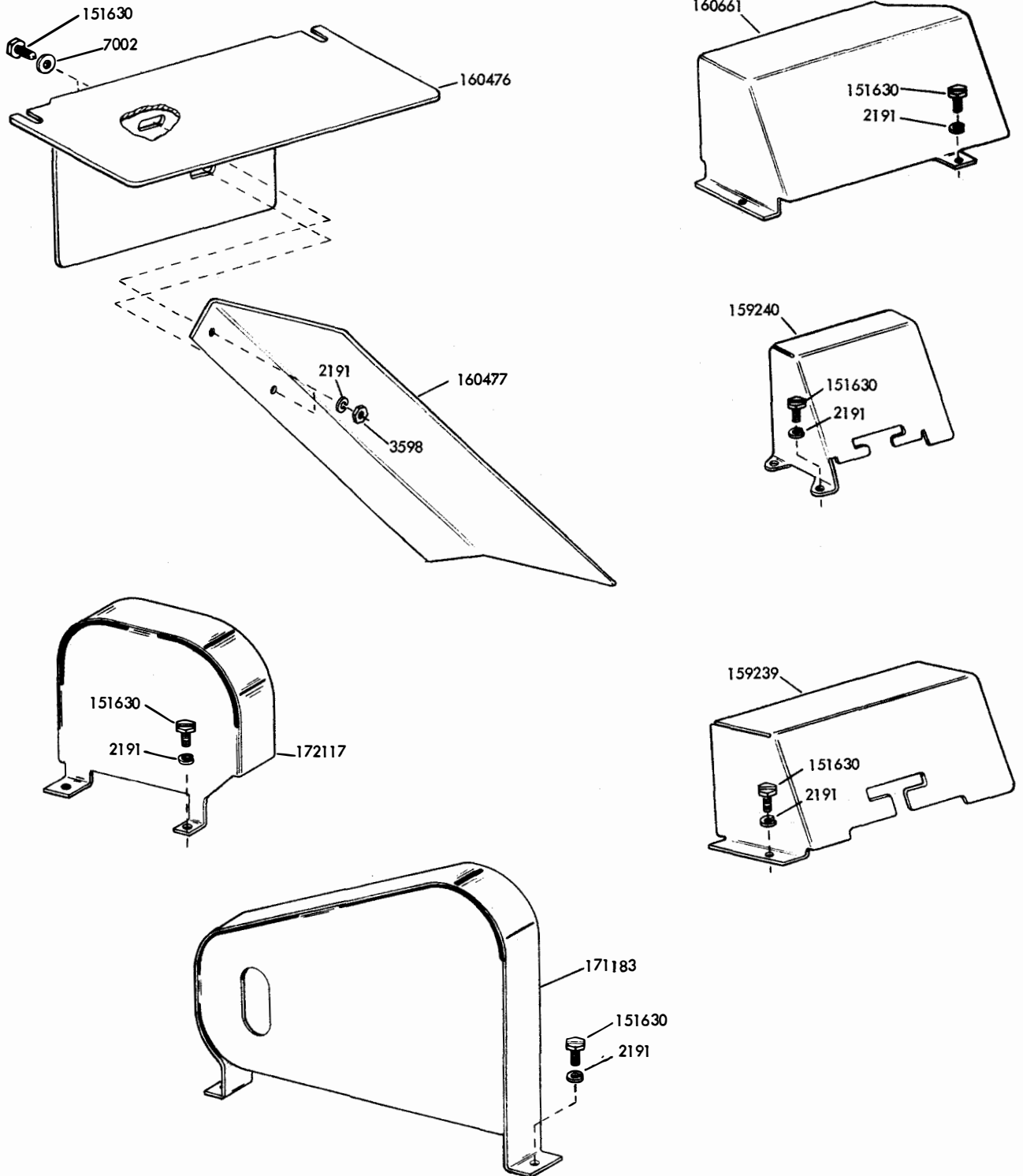
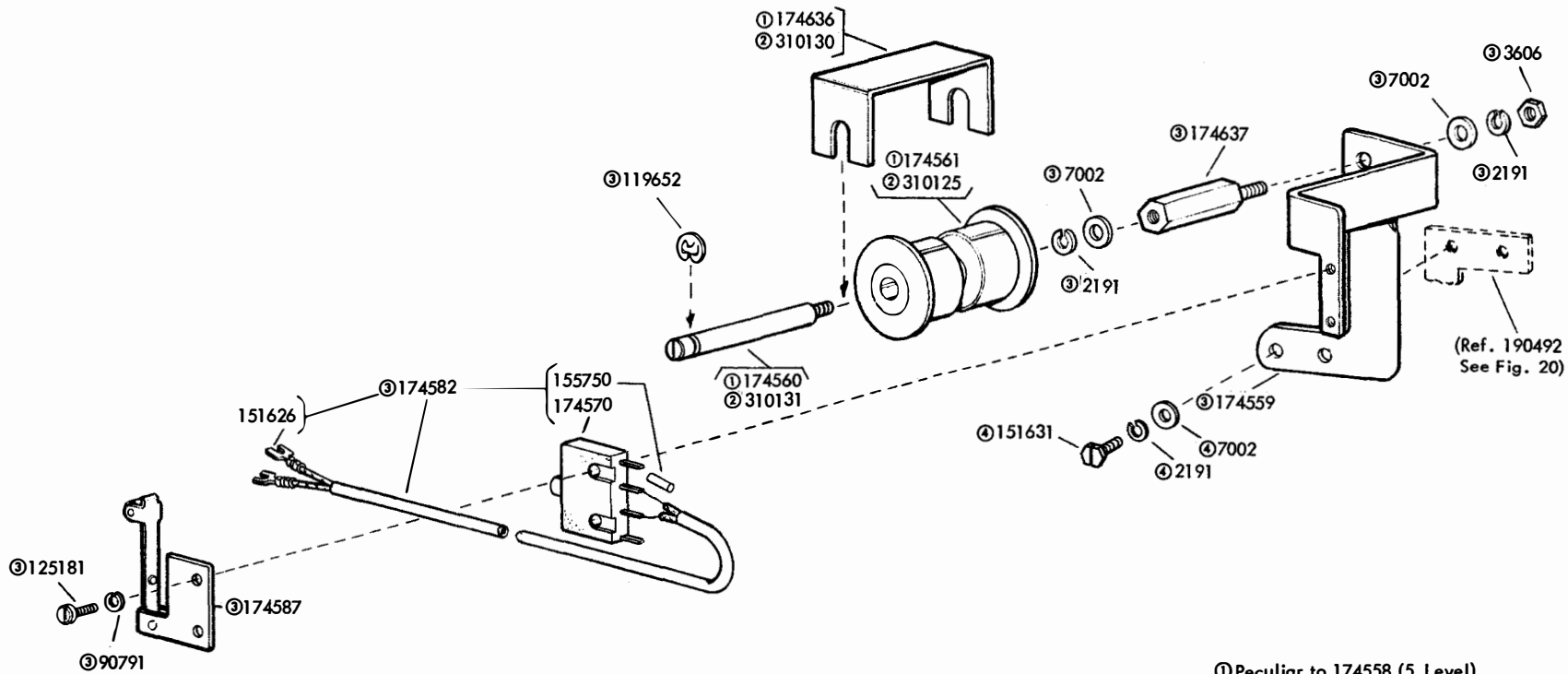


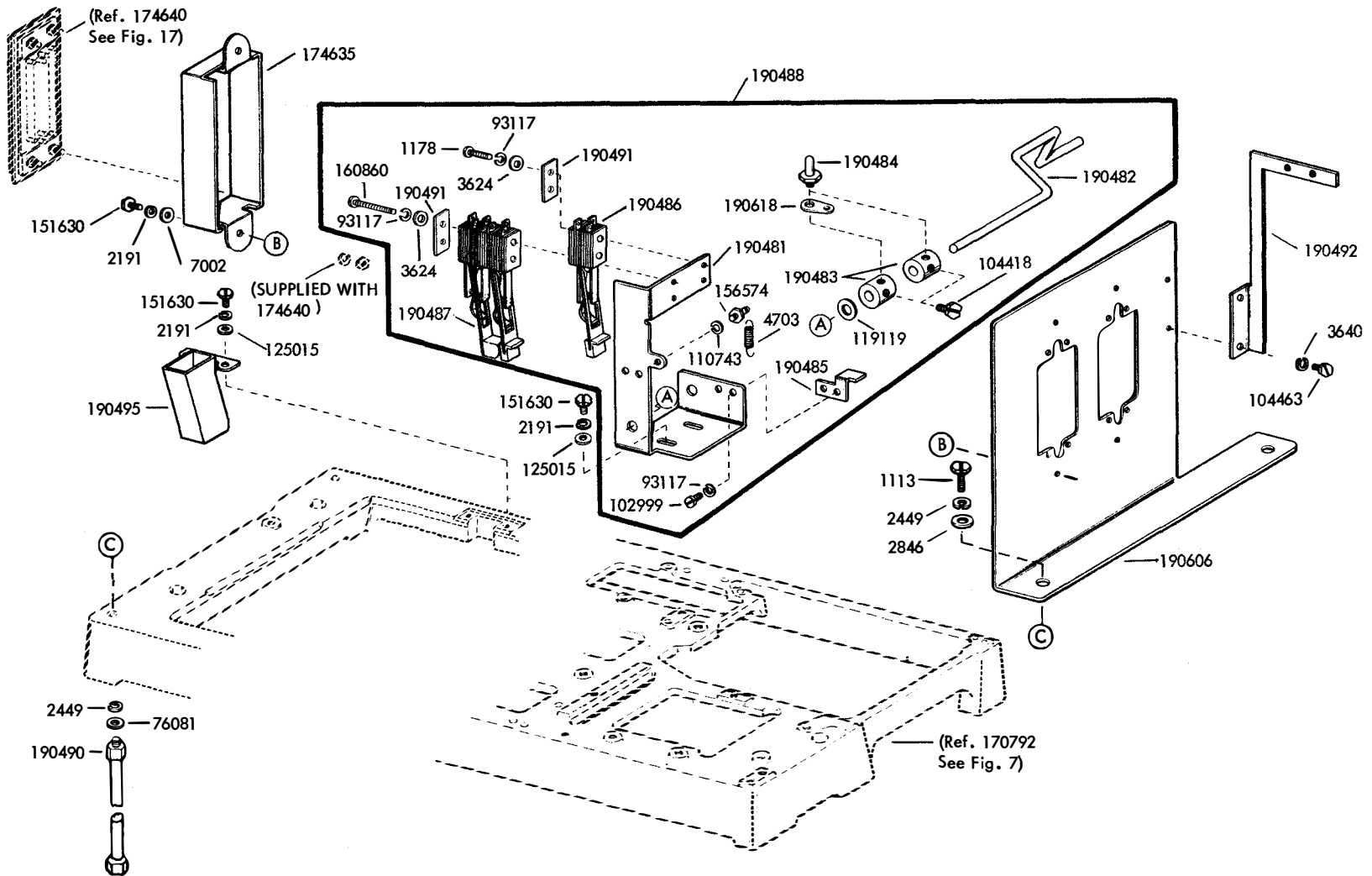
FIGURE 18. COVERS

FIGURE 19. 174558 AND 311069 MODIFICATION KITS TO PROVIDE TAPE-CUT CONTACTS AHEAD OF REPERFORATOR USED ON THE H/L RT SET



- ① Peculiar to 174558 (5 Level)
- ② Peculiar to 311069 (8 Level)
- ③ Common to both Modification Kits
- ④ Not part of either Modification Kit

FIGURE 20. BASE (DRPE MOUNTING)



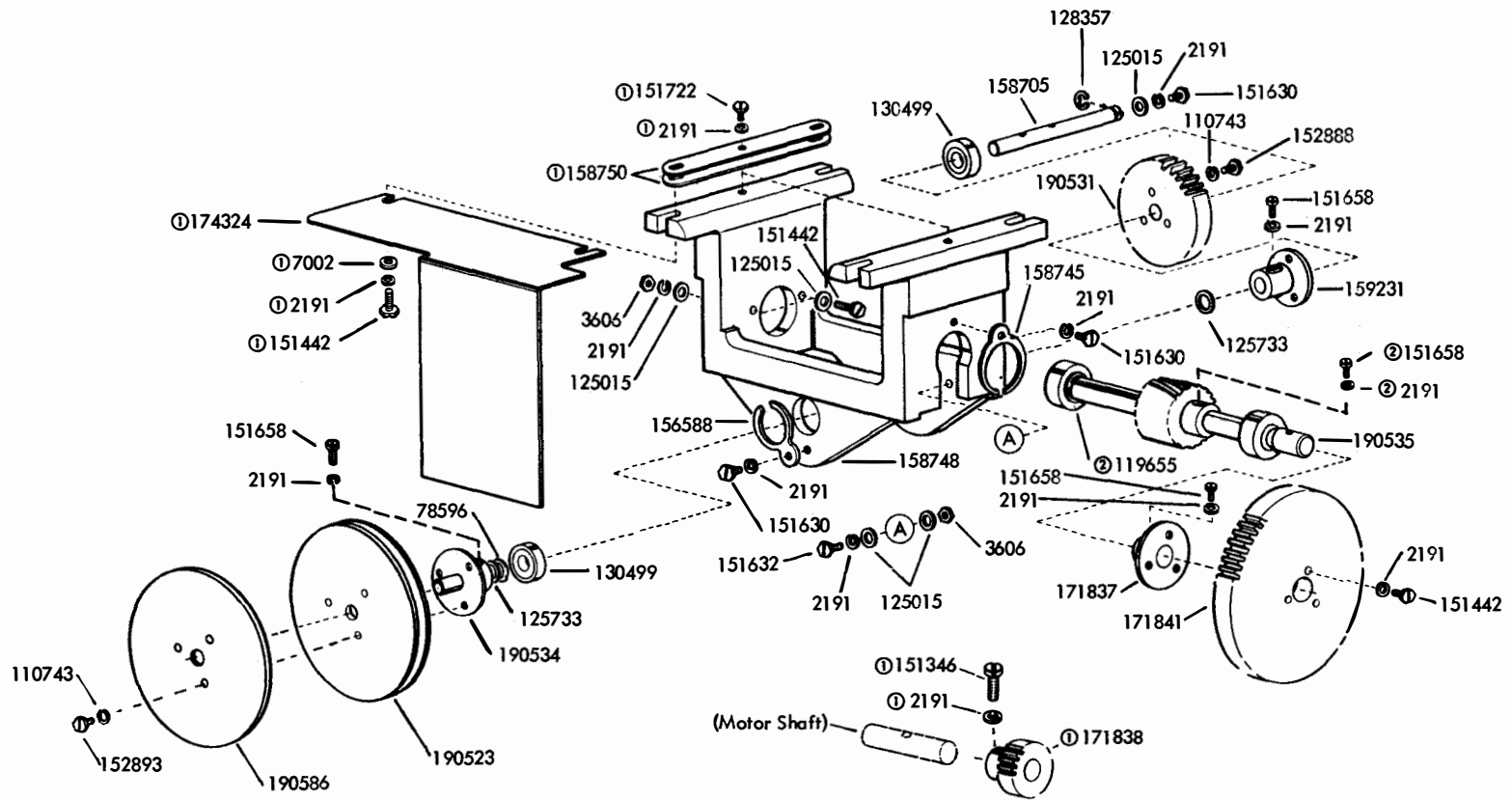


FIGURE 21. 190540 TAPE WINDER DRIVE BRACKET ASSEMBLY (2000 WPM MAXIMUM)

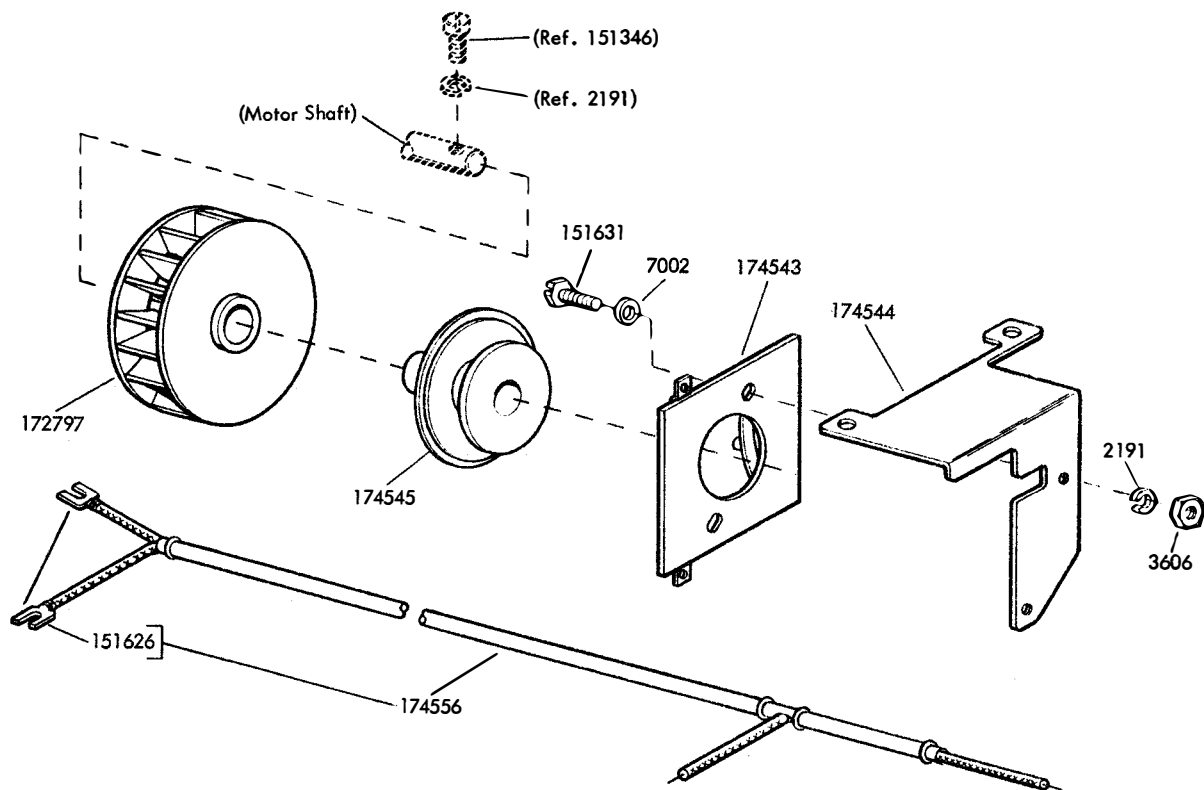


FIGURE 22. 174546 MODIFICATION KIT TO PROVIDE MOTOR "RUNNING" CONTACTS

NUMERICAL INDEX

Part Number	Description and Page Number	Part Number	Description and Page Number	Part Number	Description and Page Number
1113	Screw (1/4-20 x 7/8 Hex) 11, 21	104463	Screw (4-40 x 1/4 Hex) 21	142966	Resistor (25 Ohm) 8
1156	Screw (2-56 x 9/16 Fil) 13	104807	Washer, Flat 11	143053	Hub 10
1163	Screw (4-40 x 3/16 Fil) 2, 14	106047	Screw (1/4-32 x 1/2 Hex) 8	146951	Gear Set (100 WPM) 5
1178	Screw (2-56 x 7/16 Fil) 21	106058	Block, Terminal 10	146953	Gear Set (60 WPM) 5
1268	Screw (6-40 x 5/16 Flat) 9	108950	Bushing 8	146954	Gear Set (75 WPM) 5
1298	Screw (8-32 x 1/4 Fil) 9	108959	Switch, Toggle (DP-ST) 18	146960	Gear (29T) 5
2034	Washer, Flat 2, 8	110743	Washer, Lock 2, 3, 4, 6, 7, 8, 10, 14, 15, 21, 22	146961	Gear (69T) 5
2191	Washer, Lock 2 to 17, 19 to 23	111017	Screw (6-40 x 5/16 Fil) 2, 9, 11, 15, 16	146962	Gear (42T) 5
2254	Washer, Flat 9	111535	Panel, Tape Container 13	146963	Gear (80T) 5
2422	Washer, Lock 13	111536	Block, Mounting 13	146964	Gear (48T) 5
2449	Washer, Lock 2, 5, 8, 11, 14, 21	111537	Post 13	146965	Gear (70T) 5
2539	Nut (3/8-32 Hex) 10	111777	Connector, Receptacle (4 Pt) 18	150089	Screw (4-40 x 1/2 Fil) 3
2669	Washer, Lock 2, 3, 8, 9, 10, 11, 13, 14, 16	112626	Nut (10-32 Hex) 3	150411	Washer, Flat 9
2846	Washer, Flat 11, 21	113038	Bushing 8	150948	Plate, Identification (Teletype) 8
3438	Washer, Flat 2, 11, 13, 14	114125	Screw (6-40 x 3/8 Hex) 3	150949	Plate, Serial 8
3595	Nut (1/4-32 Hex) 5	114467	Connector, Plug (2 Pt) 2	150950	Plate, Code 8
3598	Nut (6-40 Hex) 9, 19	114858	Connector, Receptacle (6 Pt) 18	150952	Eccentric 2, 14
3606	Nut (6-40 Hex) 2, 3, 4, 6, 7, 12, 20, 22, 23	116785	Fuse (.3 Amp) 14	150966	Insulator (1-4) 2, 9, 16
3624	Washer, Flat 13, 17, 21	117535	Washer, Flat 2, 10, 14	150982	Screw (4-40 x 7/16 Fil) 8
3640	Washer, Lock 3, 4, 8, 9, 11, 17, 21	118511	Fuse (.125 Amp) 14	151113	Strip, Mounting 14
3646	Washer, Lock 9, 10	118579	Connector, Receptacle (5 Pt) 18	151152	Screw (4-40 x 3/16 Hex) 8, 15
4703	Spring 21	119119	Washer, Spacing 21	151335	Stud 2, 9, 11, 15, 16
5740	Screw (2-56 x 1/4 Fil) 10	119242	Post, Spring 8	151346	Screw (6-40 x 3/8 Fil) 2, 3, 4, 6, 7, 9, 14, 22
7002	Washer, Flat 2, 3, 4, 6, 7, 8, 9, 11, 12, 14, 15, 17, 19, 20, 21, 22, 23	119376	Washer, Flat 10	151411	Block, Terminal 11
7615	Spring 8	119467	Insulator (.032" Thk) 13, 17	151412	Insulator (1-9) 11
8330	Washer, Flat 2	119649	Ring, Retaining 8	151415	Block, Terminal 2, 9, 16
8449	Spacer (.094" Thk) 17	119651	Ring, Retaining 3	151416	Nut (6-40 Hex) 2, 9, 11, 15, 16
41732	Plate, Clamp 8	119652	Ring, Retaining 2, 3, 12, 20	151442	Screw (6-40 x 1/2 Hex) 3, 4, 6, 7, 10, 15, 22
45026	Screw, Shoulder (3-48) 9, 10	119655	Ring, Retaining 6, 7, 22	151606	Screw (10-32 x 1/4 Hex) 10
55063	Spring 13	119658	Ring, Retaining 6	151610	Washer, Flat 17
70073	Nut (3-48 Hex) 9	120175	Plate (ON-OFF) 2, 14	151618	Screw (6-40 x 7/16 Fil) 3, 4
70886	Washer, Flat 5	121242	Clamp, Cable (1/8" ID) 2	151626	Terminal 12, 17, 18, 20, 23
73175	Washer, Lock 10	121243	Clamp, Cable (3/16" ID) 2, 17	151630	Screw (6-40 x 1/4 Hex) 2, 3, 4, 6, 7, 8, 9, 11, 14, 15, 16, 17, 19, 21, 22
74692	Post, Spring 13	121244	Clamp, Cable (1/4" ID) 9	151631	Screw (6-40 x 5/16 Hex) 2, 8, 9, 10, 12, 14, 15, 17, 20, 23
74728	Terminal, Contact 8	121245	Clamp, Cable (5/16" ID) 2, 8, 9	151632	Screw (6-40 x 3/8 Hex) 2, 4, 6, 7, 9, 12, 14, 15, 22
74805	Screw (10-32 x 3/4 Hex) 2, 14	121246	Clamp, Cable (3/8" ID) 14	151657	Screw (6-40 x 1/4 Fil) 2, 3, 4, 5, 12, 13
75750	Washer, Insulating 9	121247	Clamp, Cable (7/16" ID) 2	151658	Screw (6-40 x 5/16 Fil) 3, 4, 6, 7, 15, 22
76081	Washer, Flat 8, 21	121248	Clamp, Cable (1/2" ID) 8	151660	Screw (6-40 x 7/8 Fil) 2
76099	Washer, Flat 15	121249	Clamp, Cable (5/8" ID) 11, 14	151688	Screw (4-40 x 5/8 Fil) 2
76279	Screw (1/4-32 x 5/8 Hex) 14	123814	Lever, Tape-Out 13	151692	Screw (6-40 x 3/8 Fil) 2
76492	Bearing, Ball 15	123849	Block Assembly, Mounting 13	151721	Screw (6-40 x 3/4 Hex) 17
77902	Screw (6-40 x 2-3/8 Rd) 9	123852	Block Assembly, Left Mounting 13	151722	Screw (6-40 x 3/16 Hex) 6, 7, 9, 22
78596	Washer, Friction 7, 22	123853	Pin 13	151723	Screw (10-32 x 3/8 Hex) 8, 11, 16
81836	Washer, Insulating 9	123910	Container Assembly, Tape 13	151724	Screw (10-32 x 5/8 Hex) 13
82474	Terminal 14, 18	124177	Washer, Lock 3	151732	Screw (4-40 x 11/32 Fil) 3, 4
82547	Insulator (.094" Thk) 8	124184	Block 13	151733	Screw (4-40 x 9/16 Fil) 14
82548	Insulator (.062" Thk) 8	124993	Switch, Sensitive 13	151827	Strap, Terminal 2, 9
83856	Screw (4-40 x 11/16 Fil) 8	124999	Switch, Sensitive 17	152887	Screw (4-40 x 1/2 Hex) 9, 15
83877	Spring 17	125005	Screw (2-56 x 3/16 Rd) 8	152888	Screw (4-40 x 7/16 Hex) 6, 7, 22
86850	Screw (10-32 x 1-1/4 Fil) 2, 10, 14	125015	Washer, Flat 2, 3, 4, 6, 7, 9, 10, 14, 15, 17, 21, 22	152893	Screw (4-40 x 1/4 Hex) 10, 11, 22
90606	Spring 17	125181	Screw (2-56 x 3/8 Fil) 12, 20	153442	Screw (10-32 x 1/2 Hex) 14
90790	Washer, Flat 17	125237	Spring, Compression 3	153537	Screw (6-40 x 9/32 Hex) 15
90791	Washer, Lock 12, 20	125357	Ring, Retaining 6	153539	Screw (6-40 x 11/16 Hex) 17
92260	Washer, Lock 3, 4	125733	Washer, Flat 6, 7, 22	153631	Network, Spark Suppression 9
93117	Washer, Lock 10, 17, 21	128357	Ring, Retaining 7, 22	153799	Screw (4-40 x 21/64 Hex) 8, 9
94540	Screw, Set (10-24) 15	129852	Resistor (2200 Ohm) 9		
101965	Connector, Plug (3 Pt) 14	130499	Bearing, Ball 3, 4, 6, 7, 22		
102202	Foot 14	130892	Washer, Felt 3		
102257	Post 14	135637	Resistor (25 Ohm) 9		
102999	Screw (2-56 x 5/32 Fil) 21	142809	Clamp, Bearing 10		
104418	Screw (4-40 x 5/32 Hex) 21	142955	Bracket, Left Rear 10		
		142964	Board, Terminal 8, 9		
		142965	Board, Terminal 8, 9		

NUMERICAL INDEX (Continued)

Part Number	Description and Page Number	Part Number	Description and Page Number	Part Number	Description and Page Number
153819	Washer, Lock 9, 10	158742	Plate, Locating 3	170769	Gear (32T) 5
153841	Screw (6-40 x 9/16 Hex) 3, 4	158743	Plate 2	170770	Gear (56T) 5
154661	Diode 8	158744	Arm 2	170772	Block 8
155750	Sleeve, Insulating (3/32 ID x 1/2" Lg) 18, 20	158745	Clamp, Bearing 6, 7, 22	170792	Base 8
155751	Sleeve, Insulating (1/8 ID x 1" Lg) 14, 17, 18	158746	Bracket 3	170794	Gear (40T) 7
155752	Sleeve, Insulating (5/64 ID x 1/2" Lg) 18	158748	Bracket 6, 7, 22	170795	Shaft W/Bearings & Gear 7
155753	Sleeve, Insulating (1/8 ID x 1/2" Lg) 18	158749	Post 3	170802	Post 8, 9
155754	Sleeve, Insulating (1/16 ID x 1/2" Lg) 18	158750	Shim (.003" Thk) 6, 7, 22	170805	Coupling, Flexible 10
155755	Sleeve, Insulating (11/64 ID x 5/8" Lg) 18	158827	Connector, Receptacle (32 Pt) 18	170806	Bracket Assembly 7
156226	Hub 4, 6	158828	Bushing, Mounting 10	170815	Pulley (3-21/64") 7
156342	Plate 17	159104	Bracket Assembly, Tape Winder Drive 6	170834	Chute, Chad 8
156448	Bushing 17	159110	Guide Assembly, Front Tape 2	170863	Mount, Vibration 9
156449	Lever, Switch 17	159111	Guide Assembly, Rear Tape 2	170867	Bracket 8
156451	Bushing 17	159204	Connector, Plug (2 Pt) 18	170869	Guide Assembly, Front Tape 2
156452	Lever, Tape 17	159230	Base 2	170871	Gear (35T) 5
156460	Panel 17	159231	Hub, Gear 3, 4, 6, 7, 22	170872	Gear (80T) 5
156574	Post, Spring 21	159232	Screw, Captive (1/4-20) 2, 8	170881	Spring, Contact 8
156588	Ring, Retaining 3, 4, 6, 7, 22	159233	Stud 2, 14	170885	Contact Assembly 8
156740	Screw (6-40 x 7/32 Hex) 9	159238	Connector, Receptacle (2 Pt) 18	170886	Contact Assembly 8
156768	Screw (8-32 x 9/32 Hex) 10	159239	Cover, Gear 19	170887	Spring, Contact 8
156887	Screw (10-32 x 9/16 Hex) 10	159240	Cover, Gear 19	170888	Spring, Contact 8
156971	Screw (2-56 x 3/4 Fil) 17	159242	Screw, Shoulder (6-40) 2	170889	Chute, Tape 8
156972	Cable Assembly 17	159287	Retainer, Pinion 14	170891	Bracket 4
156974	Container Assembly, Tape 17	159341	Bearing, Ball 5	170975	Chute, Chad 9
156976	Connector, Plug (32 Pt) 18	159540	Post, Spring 17	170981	Shaft 5
158250	Block, Terminal 15	159543	Washer, Flat 17	170990	Shaft W/Bearings & Gear 4
158252	Insulator (1-6) 15	159603	Washer, Captive 16	171168	Bracket 8
158289	Reel, Tape 13, 17	159604	Screw (10-32 x 1/2 Hex) 16	171169	Bracket 8
158700	Gear (30T) 3, 4	159610	Mount, Vibration 8, 9	171170	Bracket 8
158702	Gear (40T) 6	159819	Connector, Plug (32 Pt) 2	171171	Bail W/Depressor, Tape 8
158703	Gear (24T) 3, 4	159820	Connector, Receptacle (32 Pt) 2	171173	Shaft 8
158704	Hub 5	160476	Cover 19	171174	Bracket 8
158705	Shaft, Tape Winder 6, 7, 22	160477	Shield 19	171175	Bearing, Ball 10
158710	Gear (14T) 6	160657	Bracket 4	171176	Plate, Base 8
158711	Shaft W/Bearings 6	160658	Shaft W/Bearing & Gear 3, 4	171177	Plate, Nut 8
158712	Gear (26T) 3, 4	160660	Gear (27T) 4	171183	Cover 19
158713	Shaft W/Bearings 3, 4	160661	Cover 19	171187	Bracket 2
158714	Gear (42T) 6	160757	Connector, Receptacle (3 Pt) 18	171188	Bracket 16
158716	Gear (39T) 3, 4	160860	Screw (2-56 x 7/8 Fil) 21	171194	Bracket W/Bearing 10
158717	Bracket 2, 12	161239	Connector, Plug (36 Pt) 18	171195	Post 9
158718	Bracket 2	161301	Post 14	171196	Rail, Left 9
158719	Shaft 2, 12	161552	Screw (10-32 Spl) 8, 9	171197	Rail, Right 9
158720	Roller 2, 12	161595	Connector, Receptacle (36 Pt) 18	171198	Plate, Base 9
158721	Pulley 6	161685	Bracket, Switch 16	171199	Chute, Tape 9
158722	Hub 4	162075	Reel, Tape 17	171205	Bracket, Connector Mounting 9
158723	Roller 3	163258	Gear (47T) 3	171469	Resistor (100 Ohm) 9
158724	Stud 3	163259	Plate, Locating 3	171541	Diode 9
158725	Arm 3	163261	Gear (22T) 3	171655	Connector, Plug (5 Pt) 18
158727	Post 3	163262	Gear (49T) 3	171675	Connector, Plug (3 Pt) 11, 18
158728	Shaft W/Bearing 4	163263	Roller 3	171694	Shaft 10
158729	Stud 3	163265	Block 3	171695	Gear Set 5
158732	Gear (24T & 18T) 3, 4	163357	Shaft W/Bearing & Gear 3	171696	Gear Set 5
158733	Gear (44T) 3, 4	163469	Plate, Locating 3	171697	Gear Set 5
158734	Gear (47T) 3, 4	163470	Gear (34T) 3	171705	Guard, Gear 9
158735	Post 2, 8	163471	Gear (24T) 3	171836	Hub 5
158736	Nut, Cap (6-40) 3	163472	Gear (42T) 3	171837	Hub 7, 22
158737	Shaft W/Bearing 3	163473	Gear (26T & 20T) 3	171838	Gear (28T) 7, 14, 22
158738	Spacer (.032" Thk) 3	163474	Gear (60T) 3	171840	Gear (84T) 5
158739	Disk (.050") 3	163475	Gear (34T) 3	171841	Gear (84T) 7, 15, 22
158740	Block (3/8") 3	165027	Network, Spark Suppression 8, 18	172117	Cover 19
158741	Bar 3	170765	Bracket, Connector 10	172628	Gear (19T) 3, 4
		170767	Gear (28T) 5	172630	Gear (24T) 4
		170768	Gear (80T) 5	172666	Plate 2
				172724	Bracket 14
				172725	Base 14
				172784	Bracket 3
				172785	Shaft 15

NUMERICAL INDEX (Continued)

Part Number	Description and Page Number	Part Number	Description and Page Number	Part Number	Description and Page Number
172786	Shaft 15	174546	Modification Kit 23	190482	Arm, Tape 21
172787	Plate 15	174547	Plate, Base 9	190483	Collar 21
172788	Coupling W/Set Screw 15	174556	Cable W/Terminals 23	190484	Post 21
172789	Clamp, Bearing 15	174558	Modification Kit 20	190485	Bracket, Stop 21
172790	Clamp, Bearing 15	174559	Bracket 20	190486	Switch 21
172797	Fan 23	174560	Stud 20	190487	Switch 21
172871	Shaft W/Bearings & Gear 3	174561	Roller 12, 20	190488	Contact Assembly, Tight Tape 21
172873	Bracket 15	174562	Plate 9	190490	Post 8, 21
172874	Shaft W/Bearing 15	174563	Modification Kit 12	190491	Spacer (.042" Thk) 21
172875	Hub 15	174564	Bracket 12	190492	Bracket, Tape Guide 21
172876	Clamp 15	174565	Stud 12	190495	Chute, Chad 21
172877	Clamp 15	174566	Bracket 12	190523	Pulley, "V" 22
172878	Plate 14	174570	Switch 12, 20	190531	Gear (40T) 22
172892	Plate, Locating 3	174573	Plate, Connector 11	190534	Hub 22
172894	Cover, Gear 14	174574	Connector, Plug (21 PT) 18	190535	Shaft W/Gear 22
172895	Cover, Gear 14	174582	Cable Assembly 20	190540	Bracket Assembly 22
172896	Bracket 15	174583	Cable Assembly 12	190586	Disk, Retaining 22
172905	Gear (34T) 3, 4	174587	Actuator, Switch 12, 20	190606	Plate, Rear Connector 21
172906	Gear (34T) 3, 4	174595	Block W/Insulator, Terminal 9	190618	Terminal, 21
172907	Spacer (.125" Thk) 3	174635	Shield, Connector 11, 21	193147	Capacitor (.25 MFD) 9
172954	Plate, Base 14	174636	Bracket, Tape Guide 20	193270	Plate, Base 9
172958	Chute, Tape 14	174637	Spacer 20	197498	Board Assembly, Terminal 9
173201	Cable Assembly 14	174639	Connector, Receptacle (3 Pt) 18	197879	Guide, Tape 17
173361	Jumper (5-1/2" Lg) 15	174640	Connector, Receptacle (50 Pt) 11, 18, 21	197880	Bracket, Tape Guide 17
173692	Pinion (30T) 3	175185	Screw (6-40 x 4-1/2 Rd) 9	207223WU	Spacer (.937" Thk) 17
173693	Gear (42T) 3	176244	Bracket W/Arm 2	310123	Base 8
173696	Gear (45T) 4	176245	Guide Assembly, Rear Tape 2	310124	Chute, Tape 9
173702	Plate, Locating 3	177445	Diode 9	310125	Roller 12, 20
174022	Bracket, Mounting 13	178396	Bracket 3, 4	310126	Stud 12
174094	Resistor (25 Ohm) 9	179059	Chute, Tape 2	310130	Bracket, Tape Guide 20
174324	Shield, Oil 6, 22	179760	Bracket 16	310131	Stud 20
174543	Switch 23	179980	Plate, Locating 3	311069	Modification Kit 20
174544	Bracket 23	190481	Bracket, Switch 21	311070	Modification Kit 12
174545	Rotor Assembly 23				