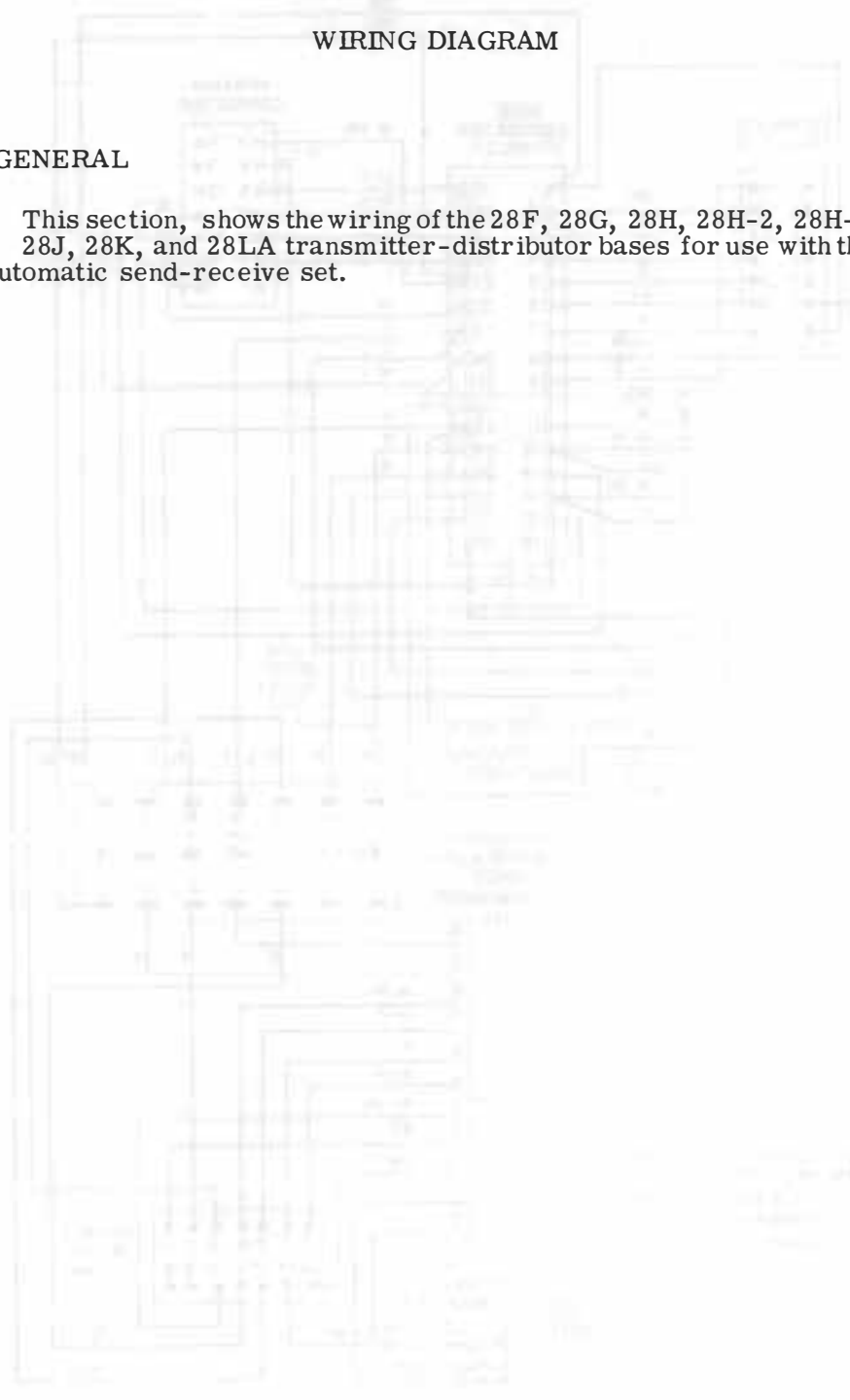


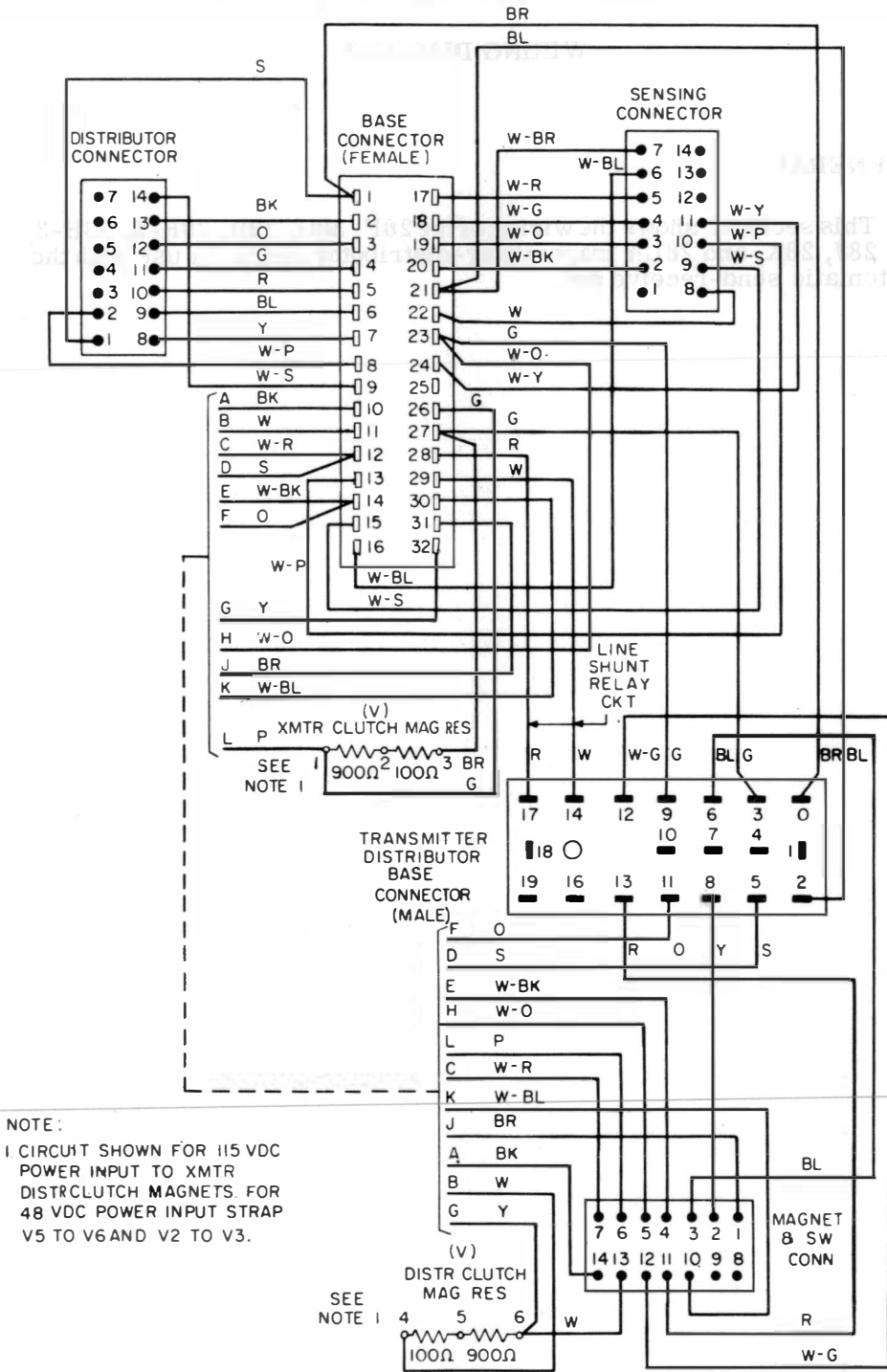
28 TRANSMITTER-DISTRIBUTOR BASE

WIRING DIAGRAM

1. GENERAL

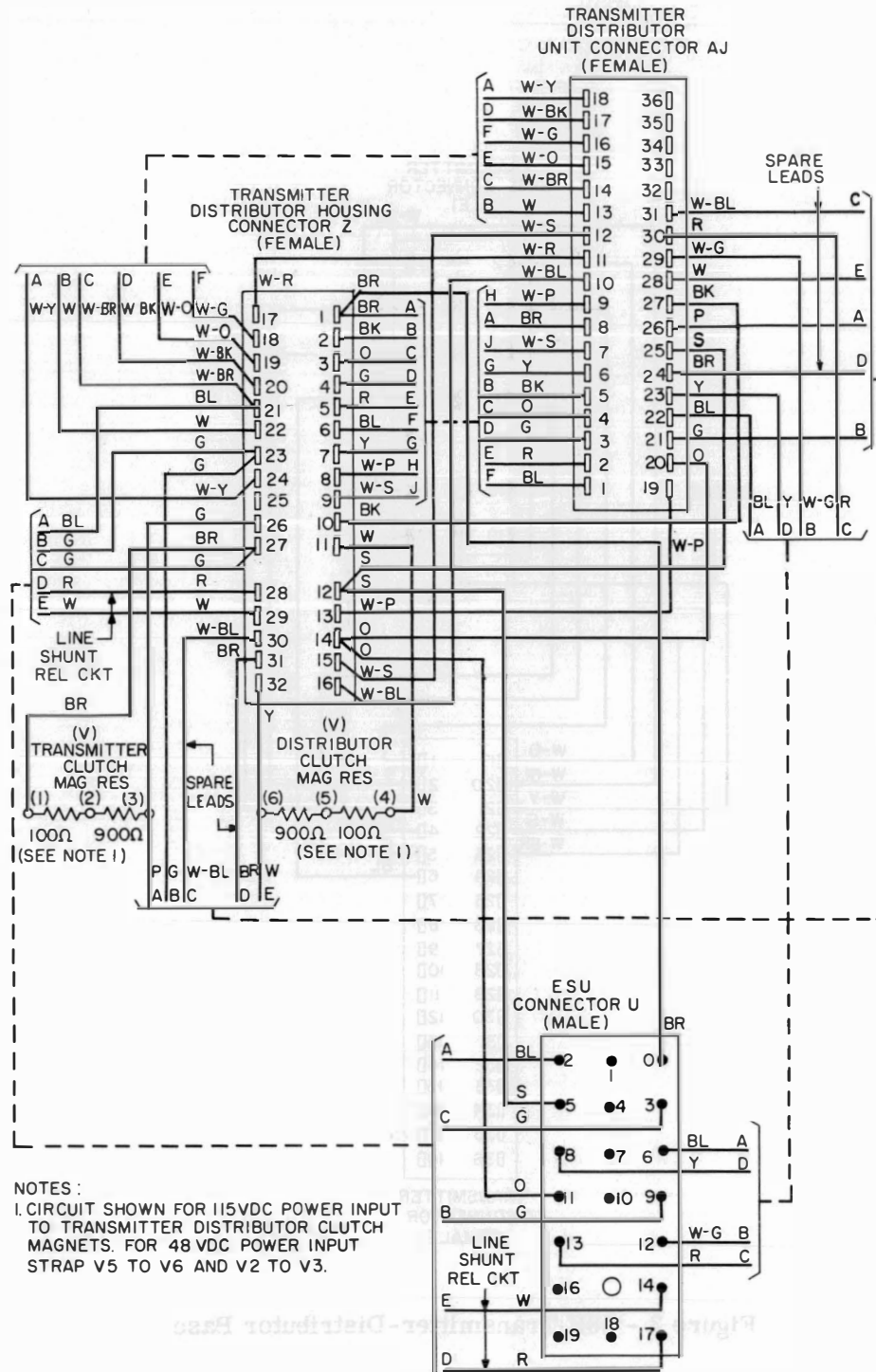
1.01 This section, shows the wiring of the 28F, 28G, 28H, 28H-2, 28H-3, 28J, 28K, and 28LA transmitter-distributor bases for use with the 28 automatic send-receive set.





NOTE:
 I. CIRCUIT SHOWN FOR 115 VDC
 POWER INPUT TO XMTR
 DISTRCLUTCH MAGNETS. FOR
 48 VDC POWER INPUT STRAP
 V5 TO V6 AND V2 TO V3.

Figure 1 - 28F Transmitter-Distributor Base



NOTES:
 1. CIRCUIT SHOWN FOR 115VDC POWER INPUT TO TRANSMITTER DISTRIBUTOR CLUTCH MAGNETS. FOR 48 VDC POWER INPUT STRAP V5 TO V6 AND V2 TO V3.

Figure 2 - 28G Transmitter-Distributor Base

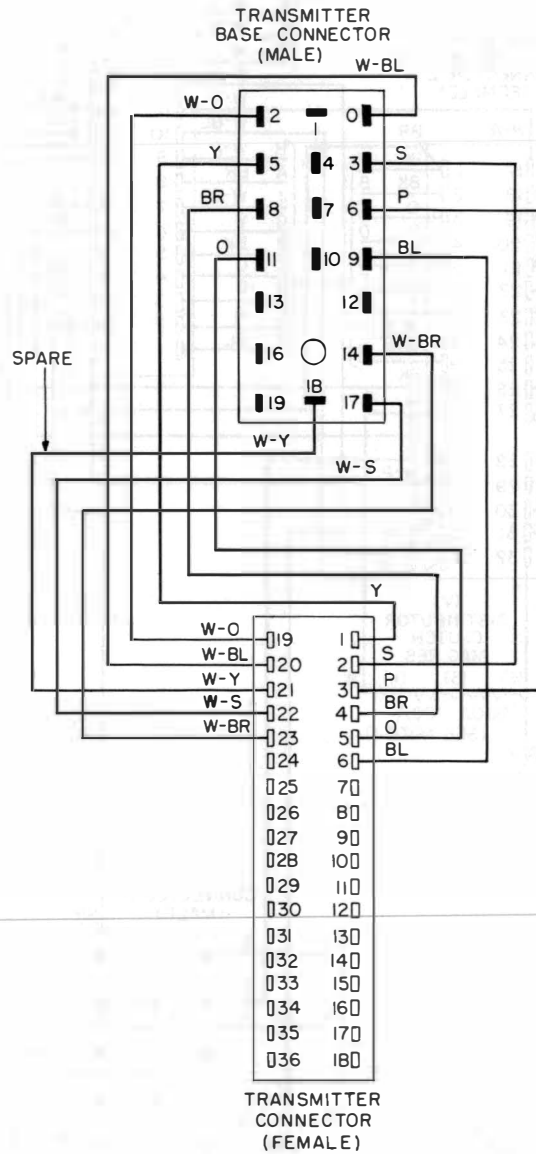


Figure 3 - 28H Transmitter-Distributor Base

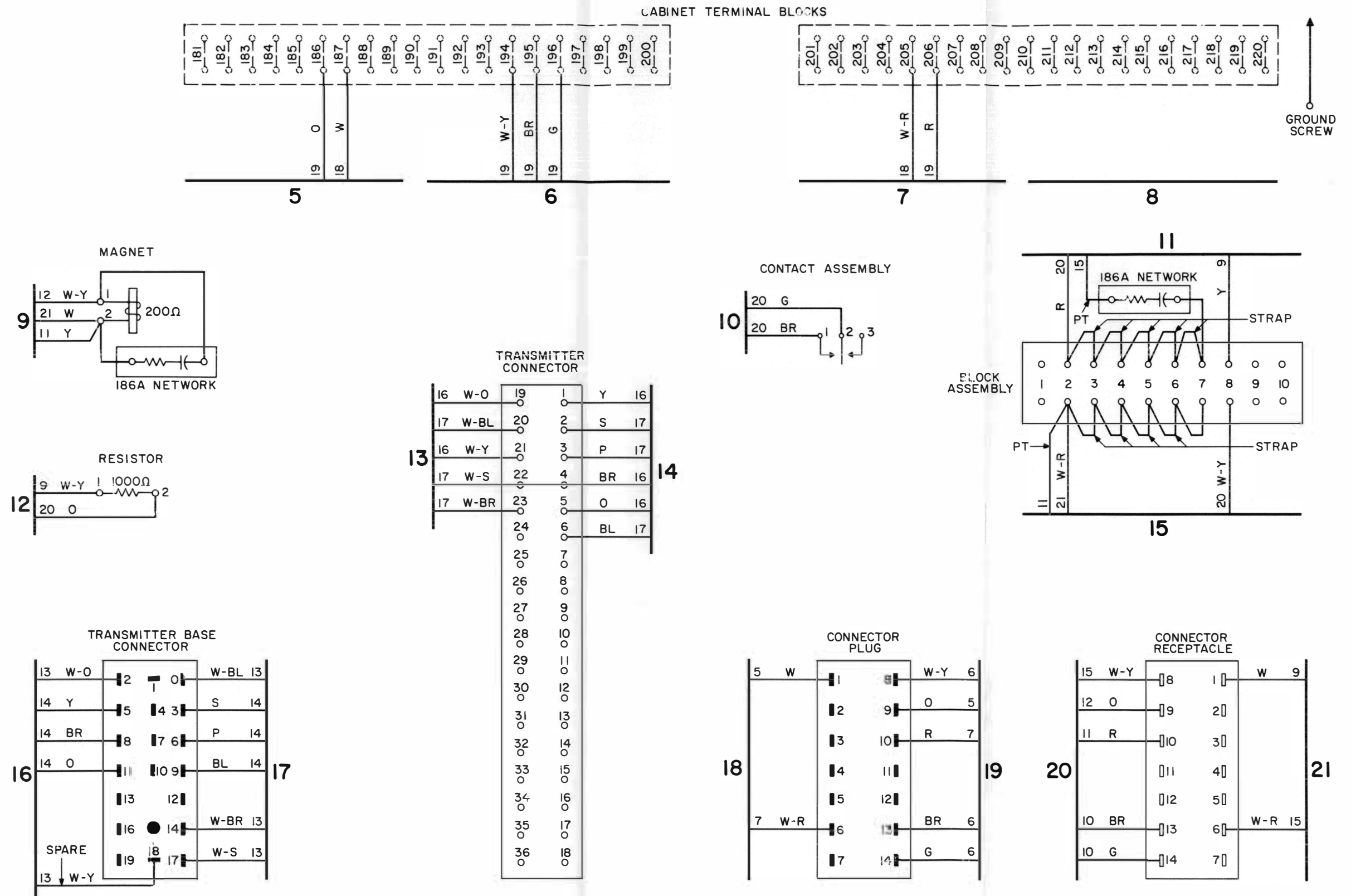


Figure 4 - 28H-2 Transmitter-Distributor Base

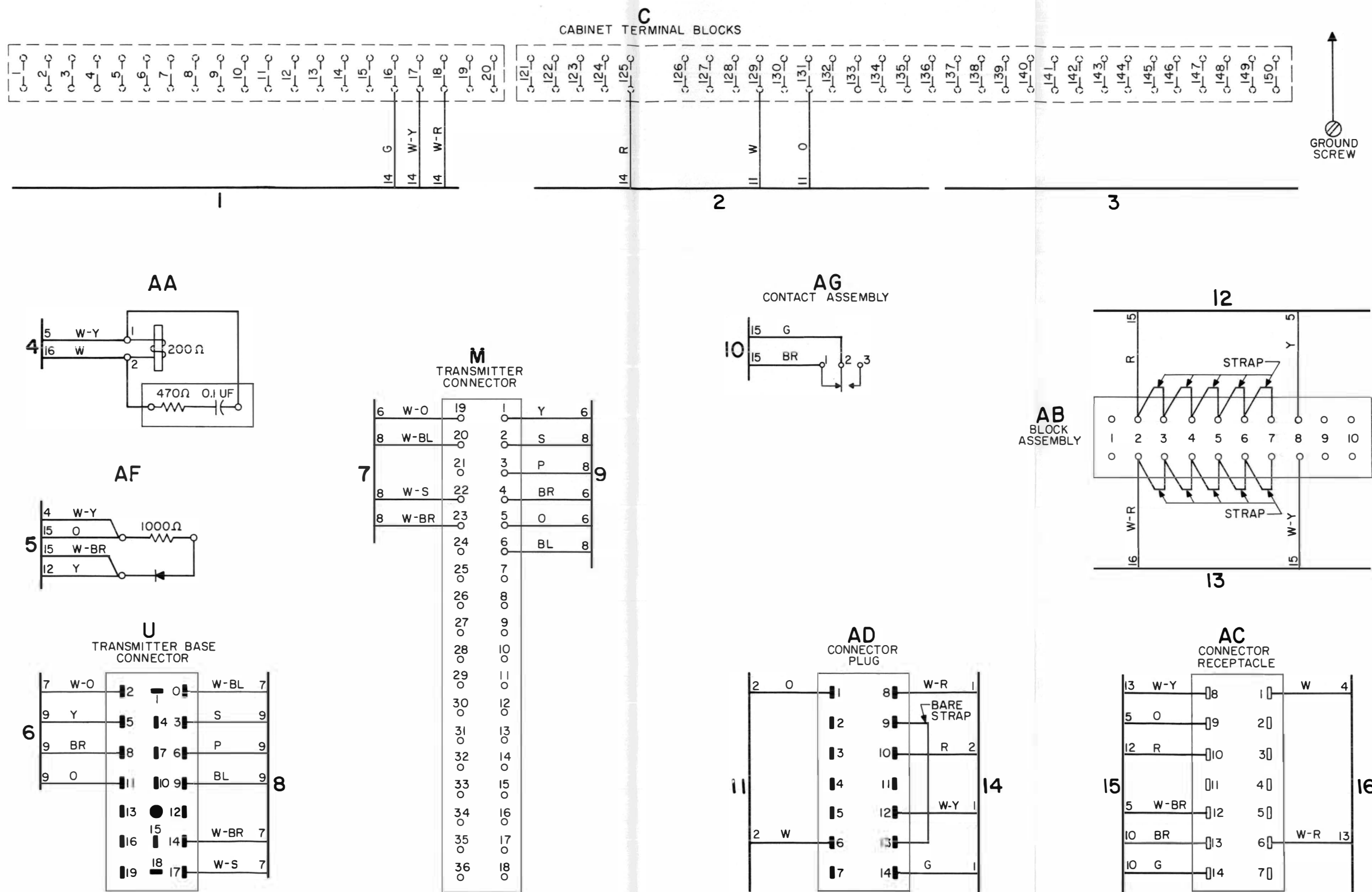


Figure 5 - 28H-3 Transmitter-Distributor Base

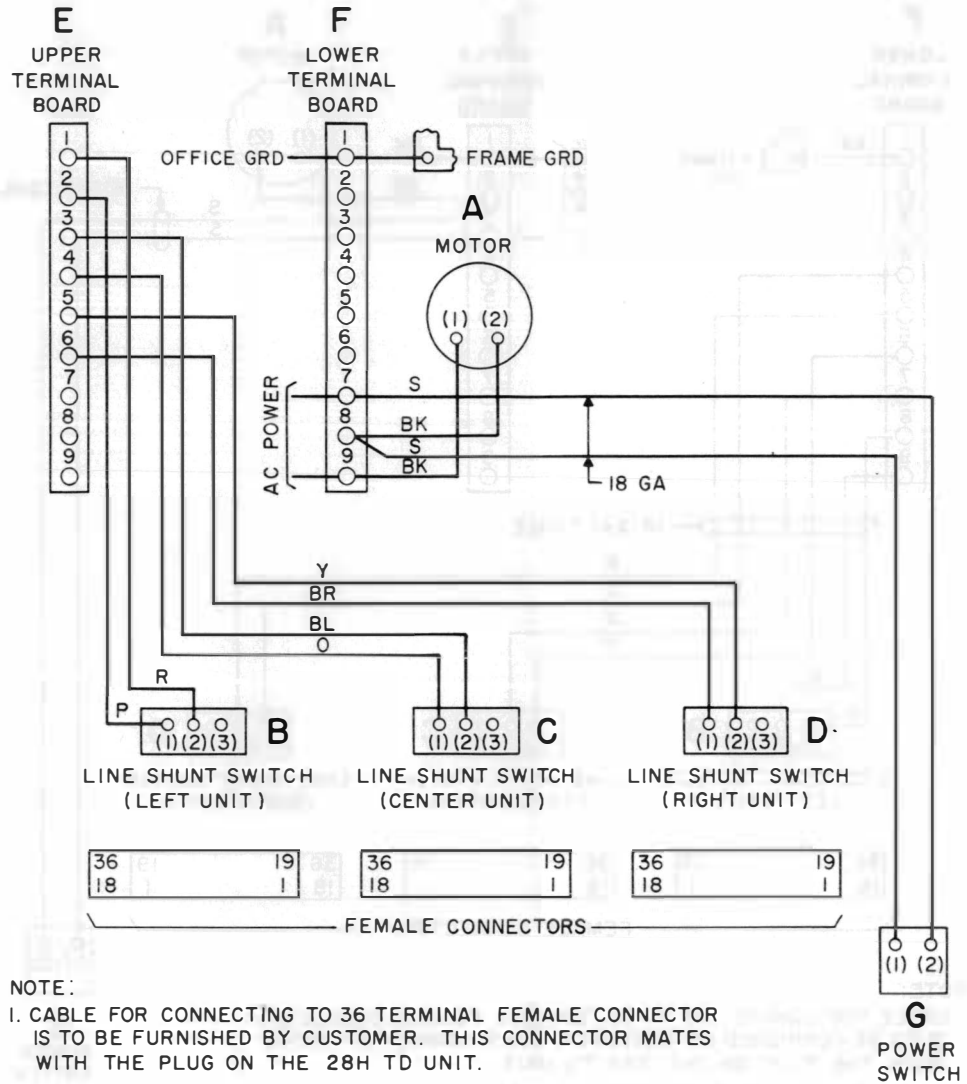


Figure 6 - 28J Transmitter-Distributor Base

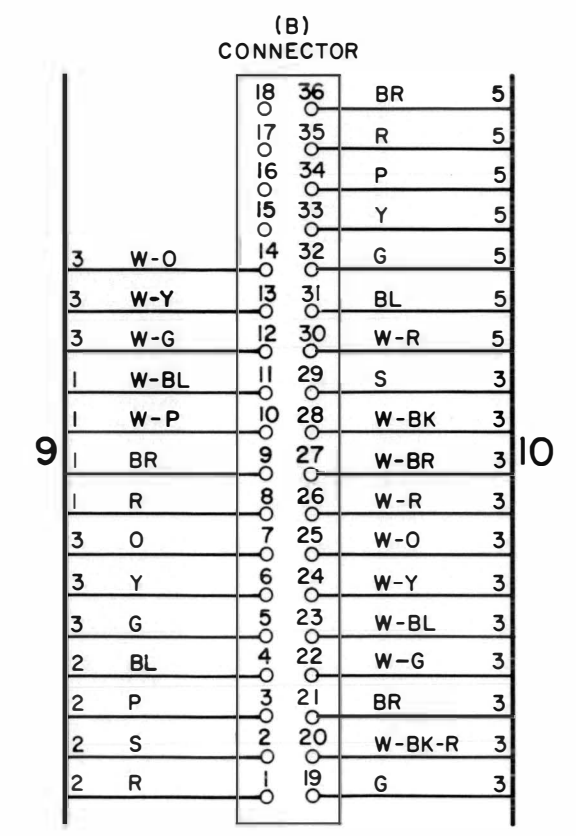
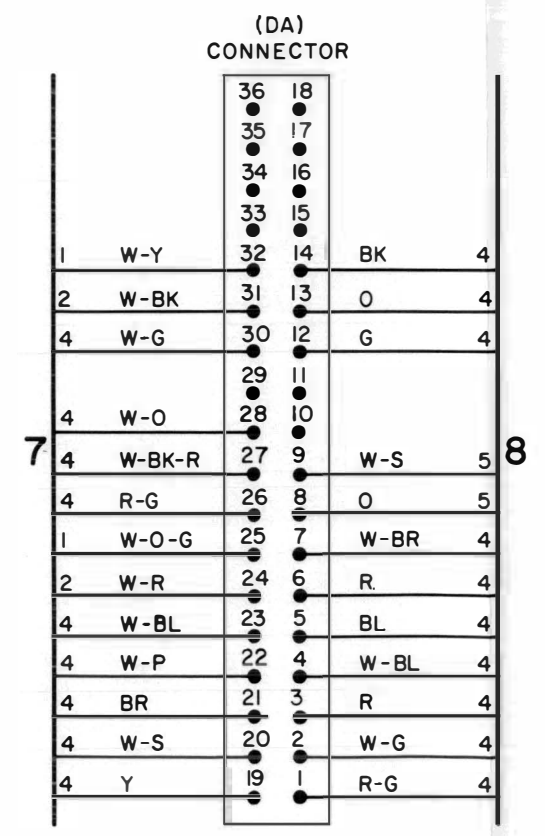
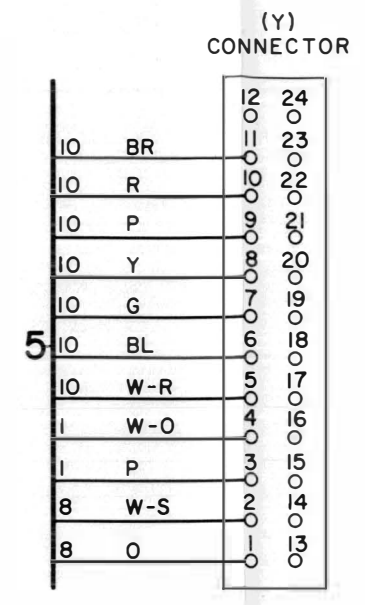
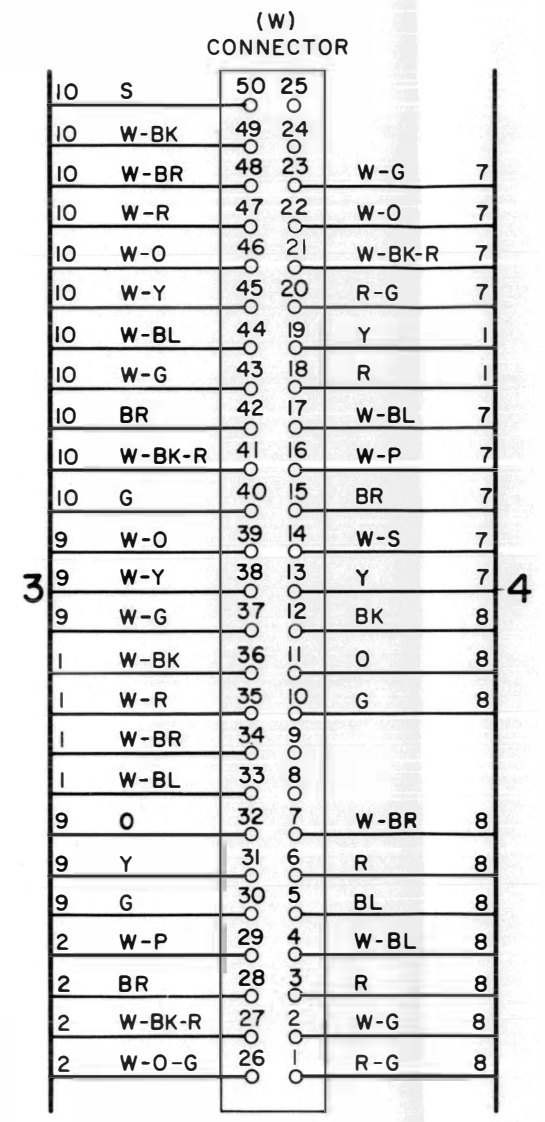
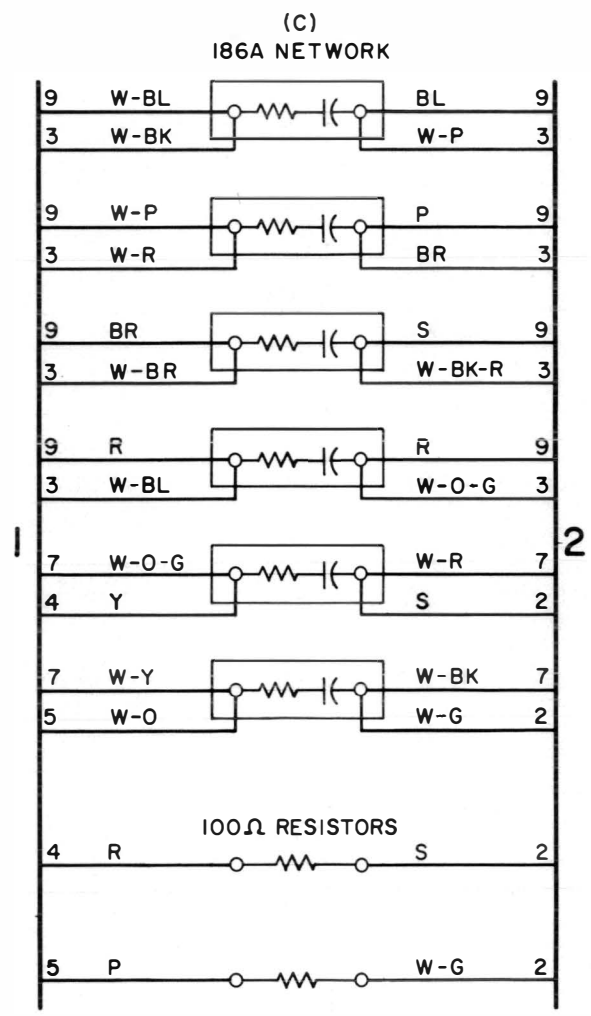


Figure 8 - 28LA Transmitter-Distributor Base