

28 TRANSMITTER DISTRIBUTOR BASE (LCXB)

PARTS

FIGURE	CONTENTS	PAGE	FIGURE	CONTENTS	PAGE
1	Transmitter Distributor Base	2	14	178316 Modification Kit to Provide Answer-Back Features for the Transmitter Distributor Base (Includes Figures 11 through 15)	15
2	Transmitter Distributor Base	3	15	178316 Modification Kit to Provide Answer-Back Features for the Transmitter Distributor Base (Includes Figures 11 through 14)	15
3	Transmitter Distributor Base	4	16	Cabling with Associated Components and Circuit Card for Dual Transmitter Distributor	17
4	Transmitter Distributor Base	5	17	Transmitter Distributor Base	18
5	Transmitter Distributor Base	6	18	161921 Modification Kit to Convert an LCXB7 Base to Accept an LBXD7 Transmitter Distributor	19
6	Transmitter Distributor Base	7	19	161833 Modification Kit to Convert LCXB1 to an LCXB8 Transmitter Distributor	20
7	Transmitter Distributor Base	8	20	173343 Modification Kit for Multiple Wire Output Facilities on LCXB8 Base	21
8	Gear Sets	9		Numerical Index	22
9	Transmitter Distributor Base with Answer-Back Features	10			
10	Transmitter Distributor Base with Answer-Back Feature (continued)	11			
11	178316 Modification Kit to Provide Answer-Back Feature for the Transmitter Distributor Base (Includes Figures 12 through 15)	12			
12	178316 Modification Kit to Provide Answer-Back Features for the Transmitter Distributor Base (Includes Figures 11 through 15)	13			
13	178316 Modification Kit to Provide Answer-Back Features for the Transmitter Distributor Base (Includes Figures 11 through 15)	14			

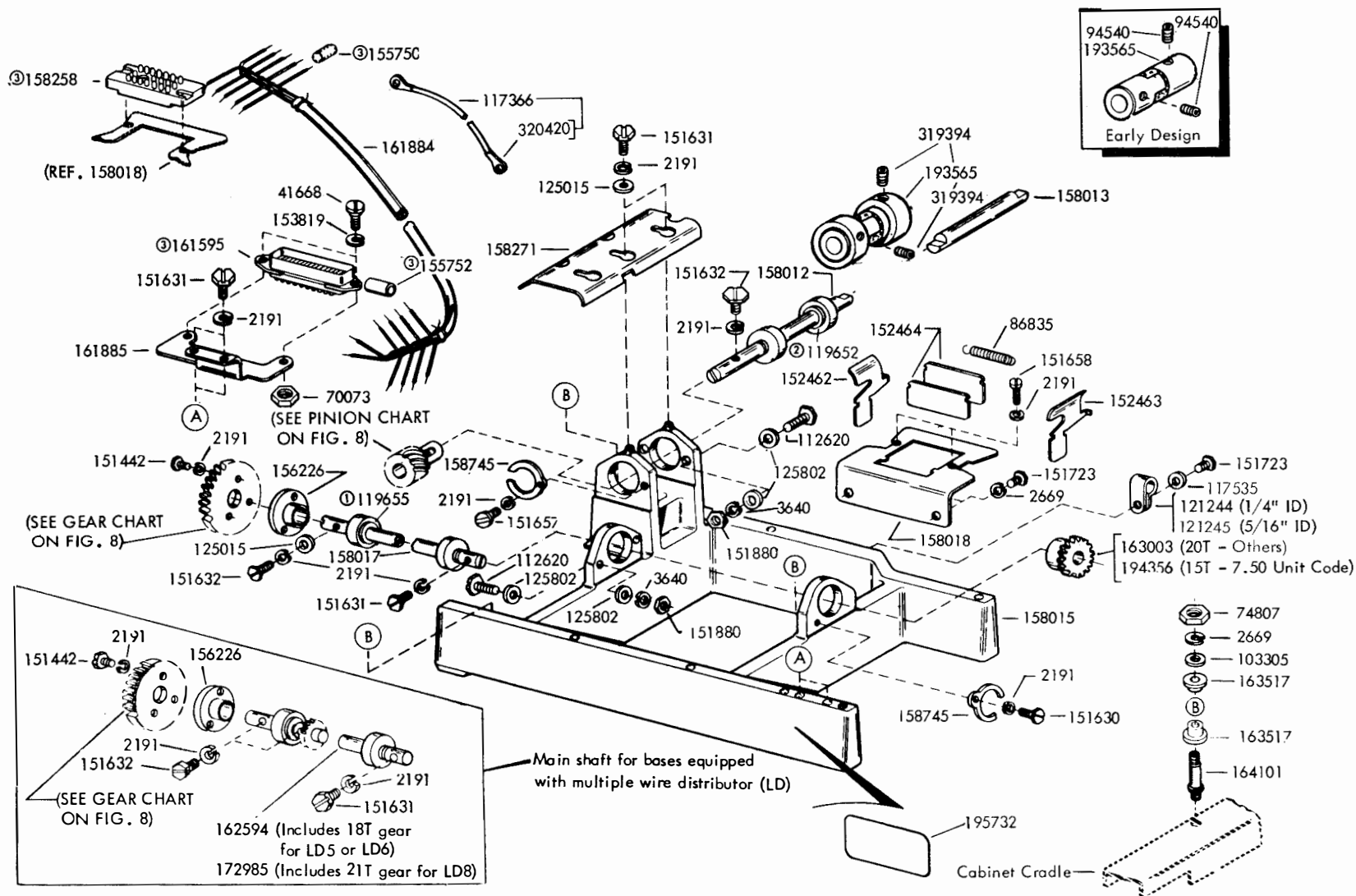
The part identification information contained in the following change notice has been incorporated in this issue.

TCN #622

NOTE:
When ordering parts from this section, prefix each number with the letters TP.

UNIT DESCRIPTION	TELETYPE CODE	BELL SYSTEM CODE
TRANSMITTER DISTRIBUTOR BASE	LCXB1	28E
	LCXB2	28B
	LCXB3	28C
	LCXB7	28F
	LCXB8	28H
	LCXB9	28G
	LCXB16	28H-2
	LCXB17	28H-3
	LCXB24	28L
GEAR SETS	164583	28D-1
	164584	28E-1
	164585	28F-1

FIGURE 1. TRANSMITTER DISTRIBUTOR BASE



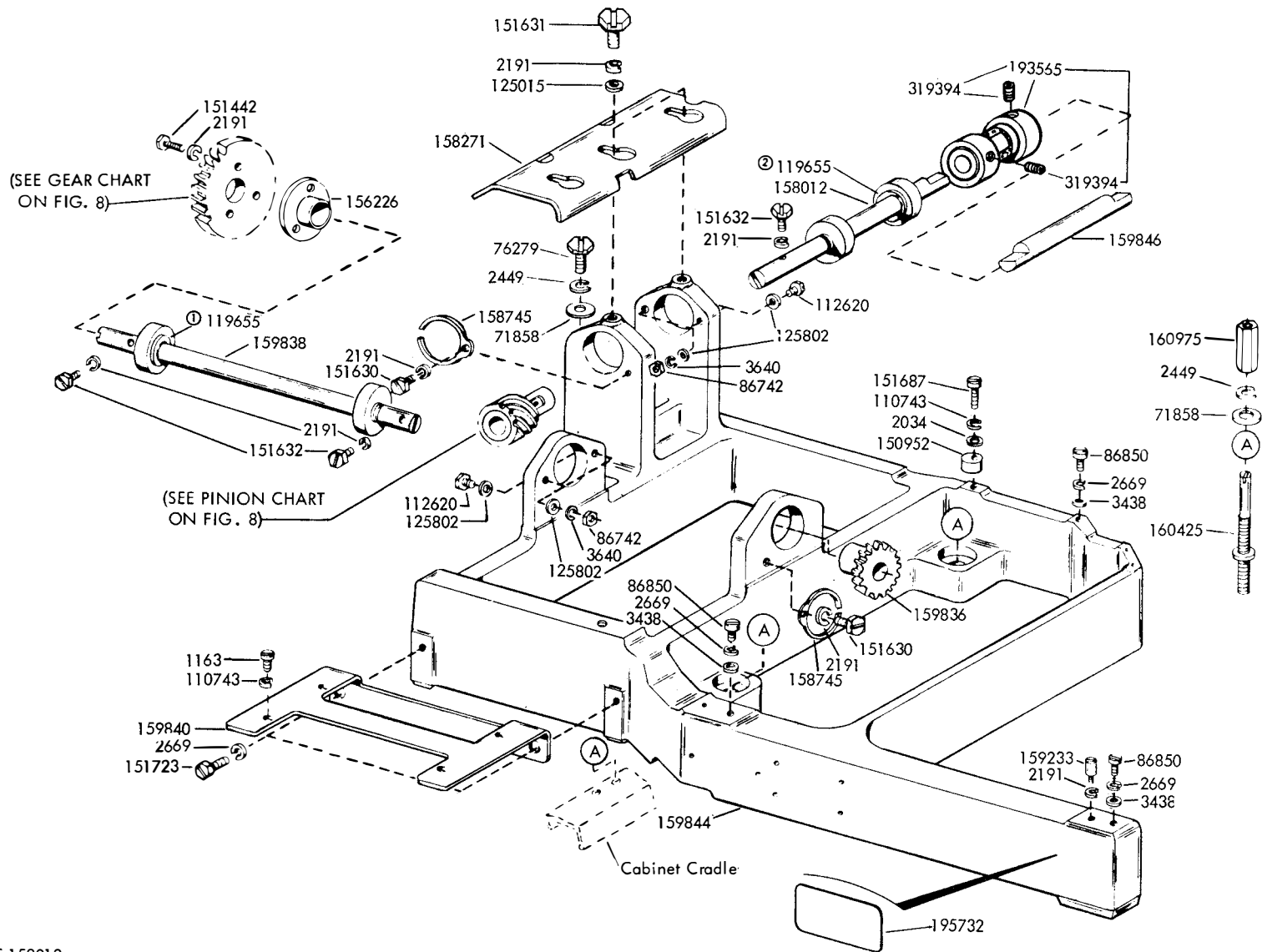
For Answer-Back Features See Fig. 10 through 15.

① Part of 158017 ② Part of 158012

③ Part of 161884 Cable Assembly

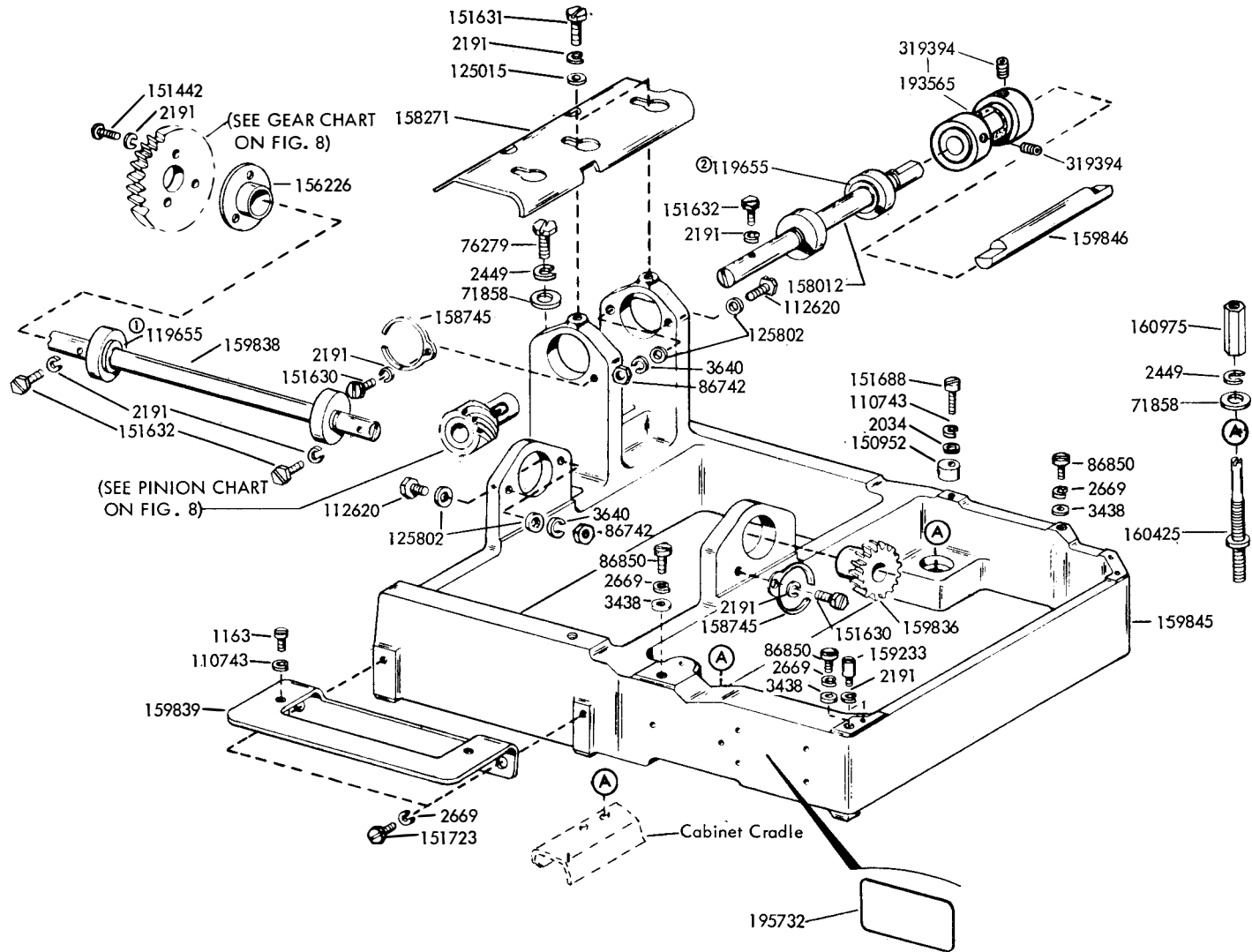
Used with LXD Type Transmitter Distributor Unit

FIGURE 2. TRANSMITTER DISTRIBUTOR BASE



- ② Part of 158012
 - ① Part of 159838
- Used with LCXD Type (Pivoted and Fixed Heads)
Transmitter Distributor Unit

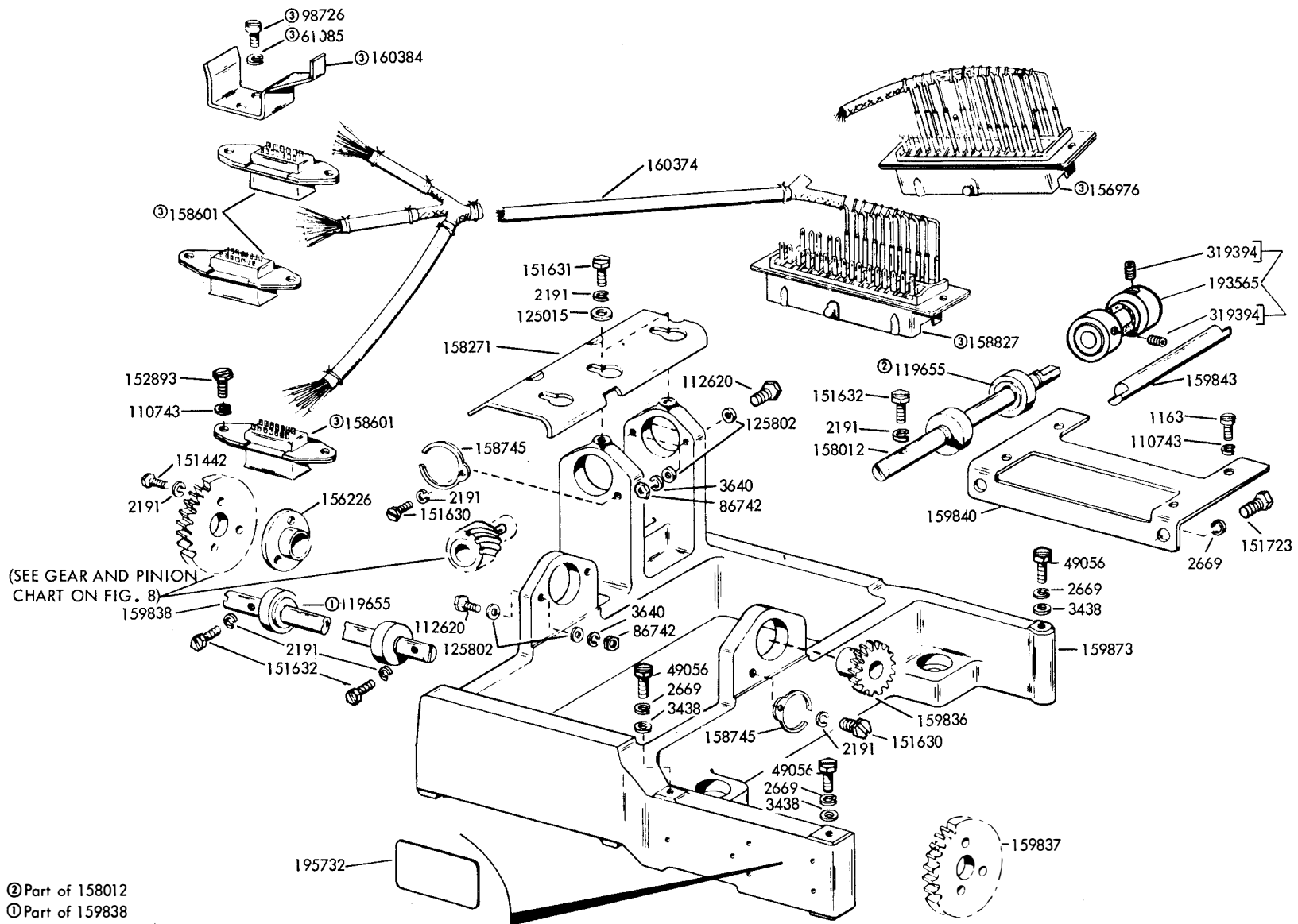
FIGURE 3. TRANSMITTER DISTRIBUTOR BASE



- ⓐ Part of 158012
- ⓑ Part of 159838

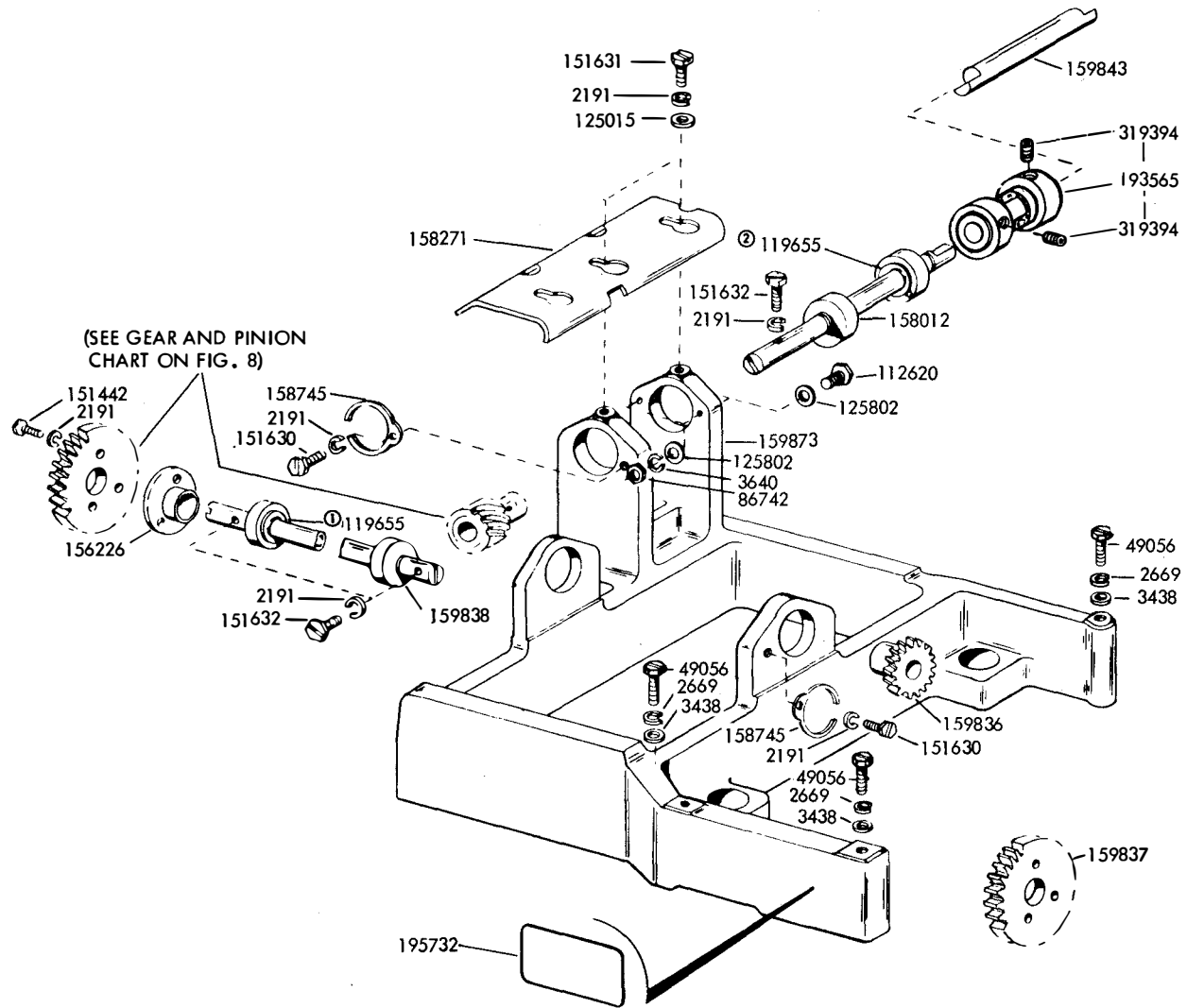
Used with LAXD Type (Pivoted Head, Multi-Contact)
Transmitter Distributor Unit

FIGURE 4. TRANSMITTER DISTRIBUTOR BASE



② Part of 158012
 ① Part of 159838
 ③ Part of 160374 Cable Assembly
 Used with LBXD Type (Fixed Head, Multi-Contact)
 Transmitter Distributor Unit

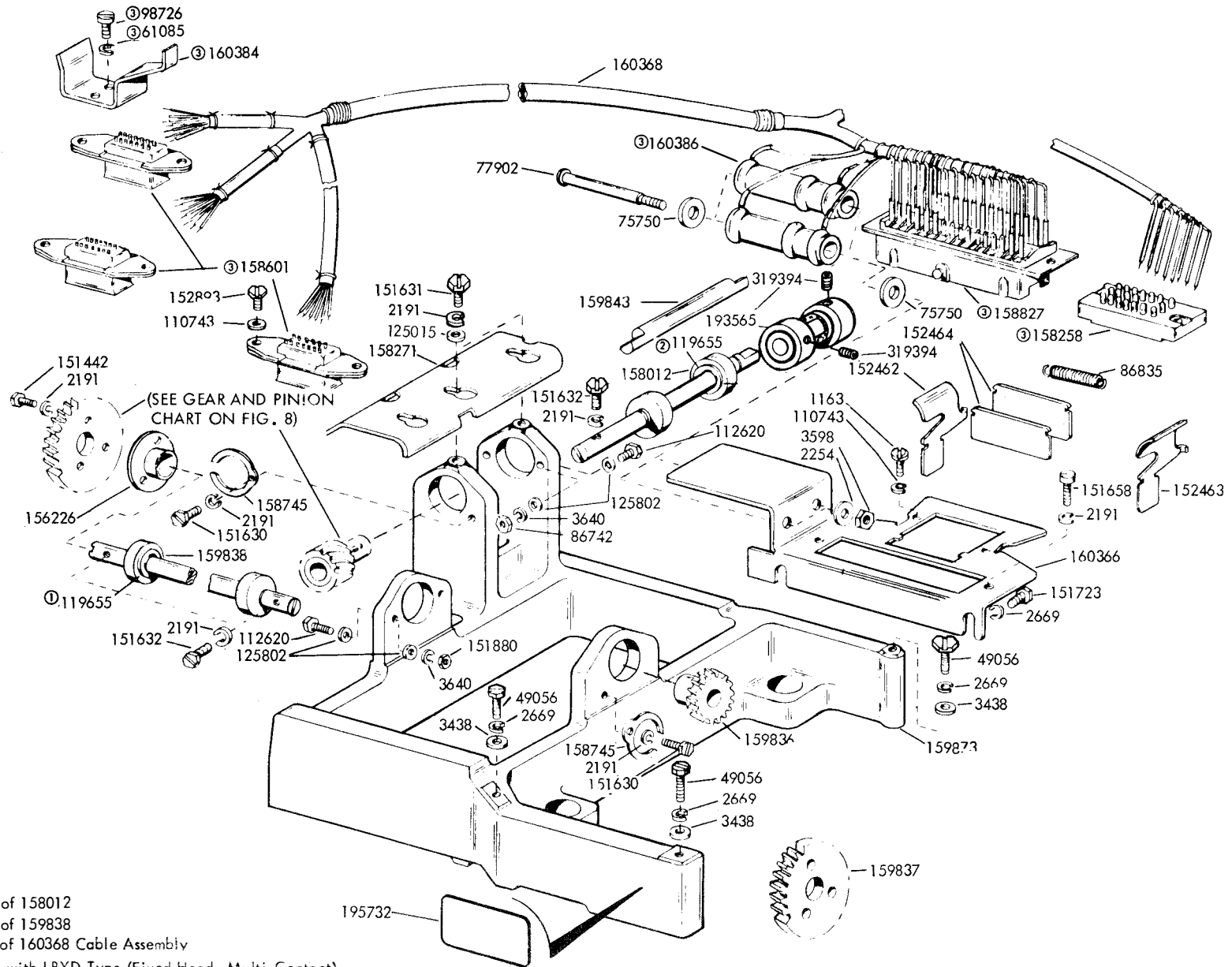
FIGURE 5. TRANSMITTER DISTRIBUTOR BASE



- ② Part of 158012
- ① Part of 159838

Used with LBXD Type (Fixed Head, Multi-Contact)
Transmitter Distributor Unit

FIGURE 6. TRANSMITTER DISTRIBUTOR BASE



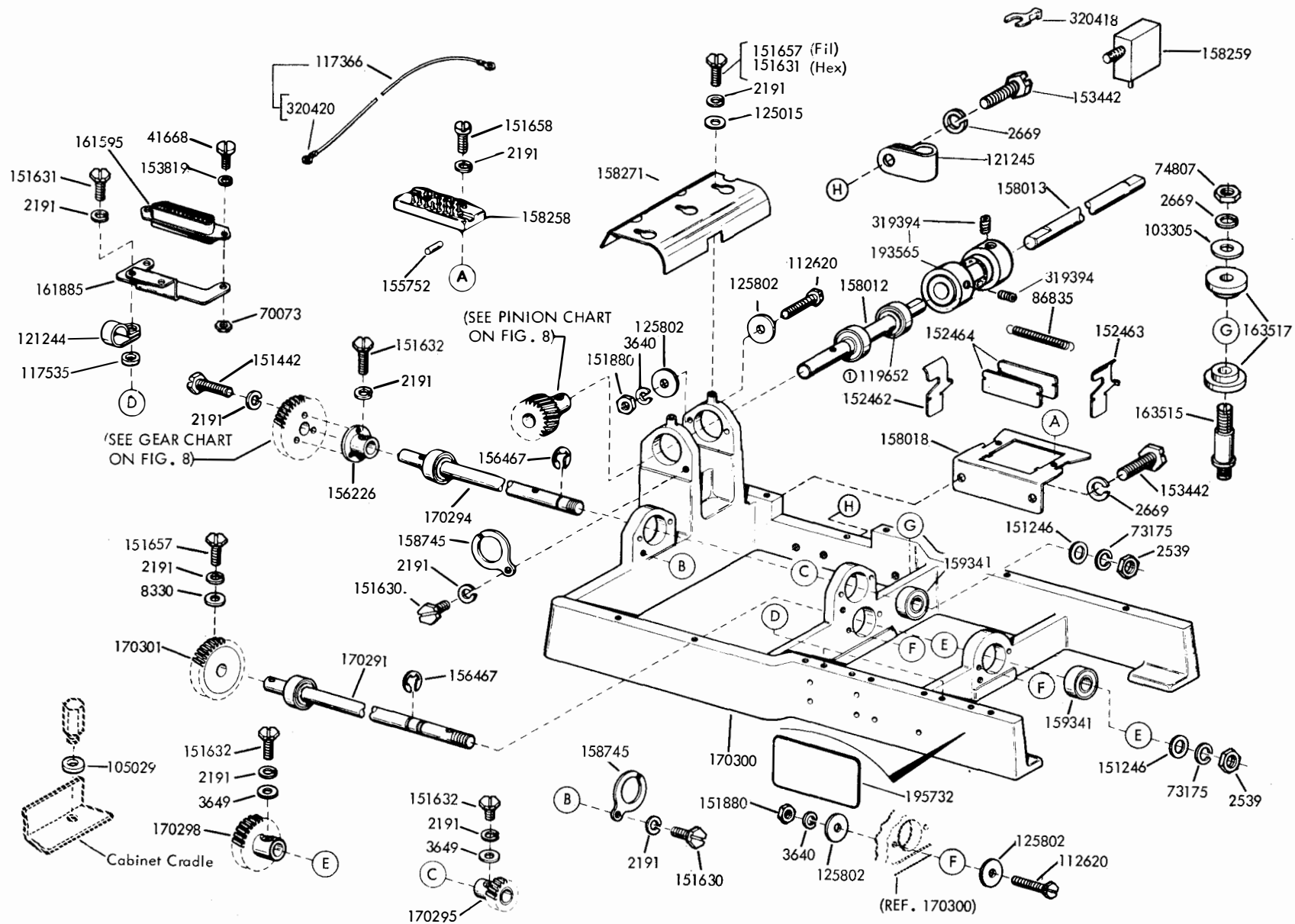
② Part of 158012

① Part of 159838

③ Part of 160368 Cable Assembly

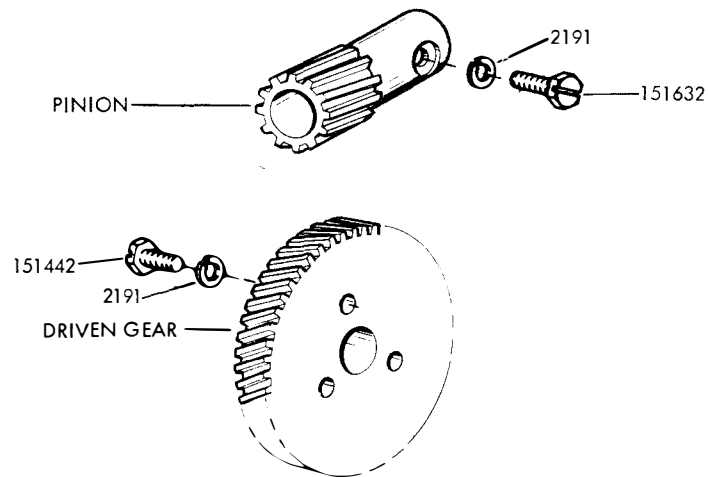
Used with LBXD Type (Fixed Head, Multi-Contact)
Transmitter Distributor Unit

FIGURE 7. TRANSMITTER DISTRIBUTOR BASE



Used with Dual LX Type (Fixed Head, Multiple Wire Output)
or LX D Type (Fixed Head, Single Contact)
Transmitter Distributor Unit

ⓐ Part of 158012



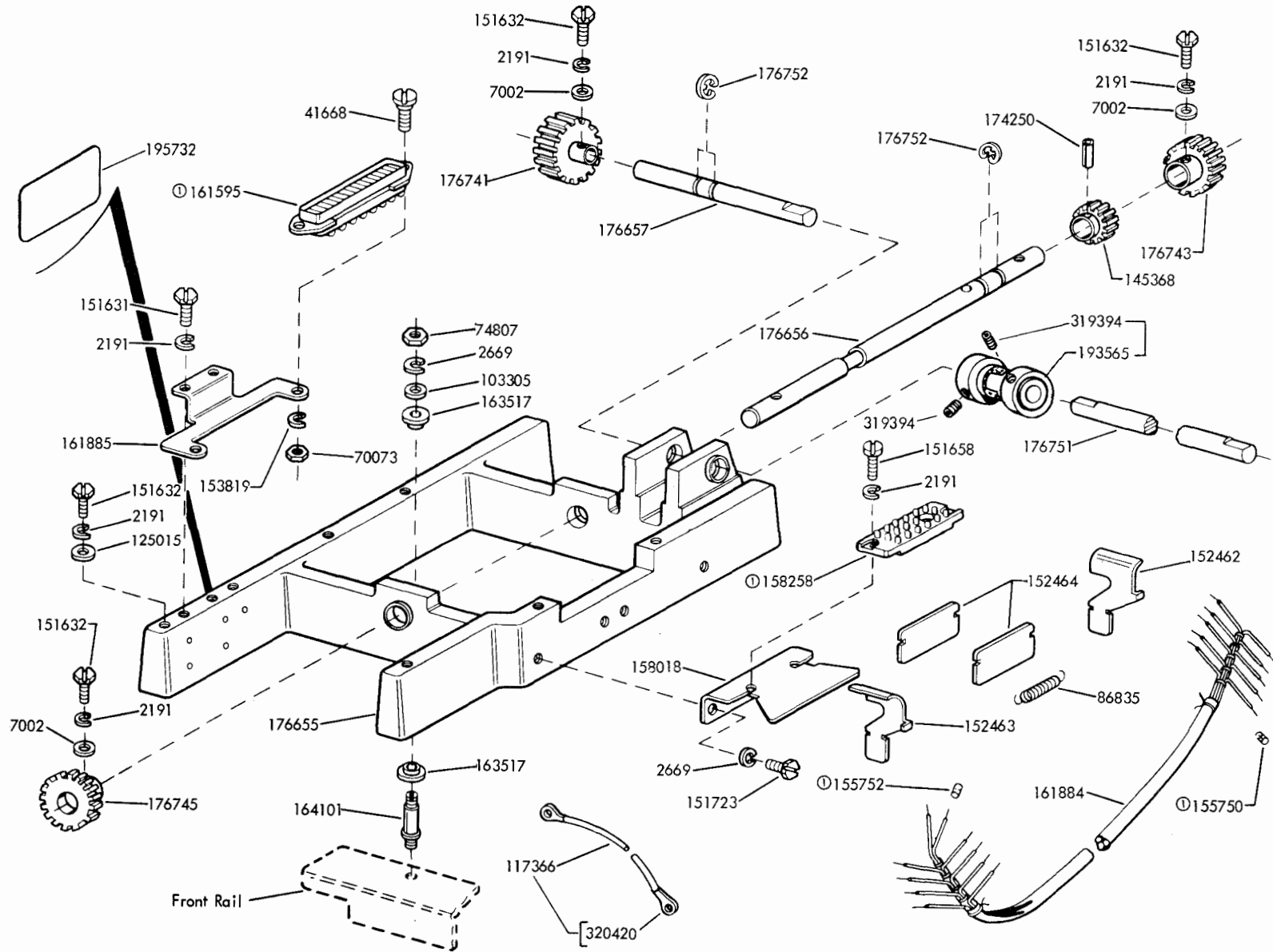
SINGLE TRANSMITTER-DISTRIBUTOR BASE GEAR SETS					
GEAR SET	DRIVEN GEAR	PINION	WPM	UNIT CODE	BAUD
159882	155997 (60T)	155996 (13T)	65	7.00	45.5
173776	173819 (60T)	173818 (13T)	65	7.00	45.5
161357	161332 (42T)	161333 (10T)	71	7.00	50
163499	163498 (63T)	163497 (15T)	71	7.00	50
198056	198058 (70T)	198057 (19T)	81	7.00	56.9
159883	155999 (34T)	155998 (12T)	106	7.00	74.2
163454	163453 (56T)	163452 (20T)	107	7.00	75
158029	158006 (44T)	158005 (9T)	60	7.42	45.5
161356	161330 (49T)	161331 (11T)	67	7.42	50
158028	158004 (47T)	158003 (12T)	75	7.42	56.8
158027	158001 (33T)	158002 (11T)	100	7.42-11.0	74.2-110
178775	178777 (56T)	178776 (17T)	61	7.50	45.5
178772	178774 (60T)	178773 (20T)	66	7.50	50
178769	178771 (46T)	178770 (23T)	100	7.50	75
①305577	305570 (55T)	305569 (22T)	100	7.42	74.2
①305578	305572 (52T)	305571 (14T)	67	7.42	50
①305579	305574 (53T)	305573 (13T)	60	7.42	45.5

DUAL TRANSMITTER-DISTRIBUTOR BASE GEAR SETS					
GEAR SET	DRIVEN GEAR	PINION	WPM	UNIT CODE	BAUD
	199091 (56T)	199090 (20T)	107	7.00	75
	170190 (51T)	170189 (15T)	88	8.50	75
195146	195145 (49T)	195144 (11T)	67	7.42	50
	170297 (33T)	170293 (11T)	100	7.42-11.0	74.2-110

① Motor speed 3000 rpm (50 Hertz operation), all others 3600 rpm (60 Hertz operation).

FIGURE 8. GEAR SETS

FIGURE 9. TRANSMITTER DISTRIBUTOR BASE WITH ANSWER-BACK FEATURE



① 161884 Cable Assembly

Note:

This base is used with a Fixed Head, Single Contact Type 28 Transmitter Distributor Unit.

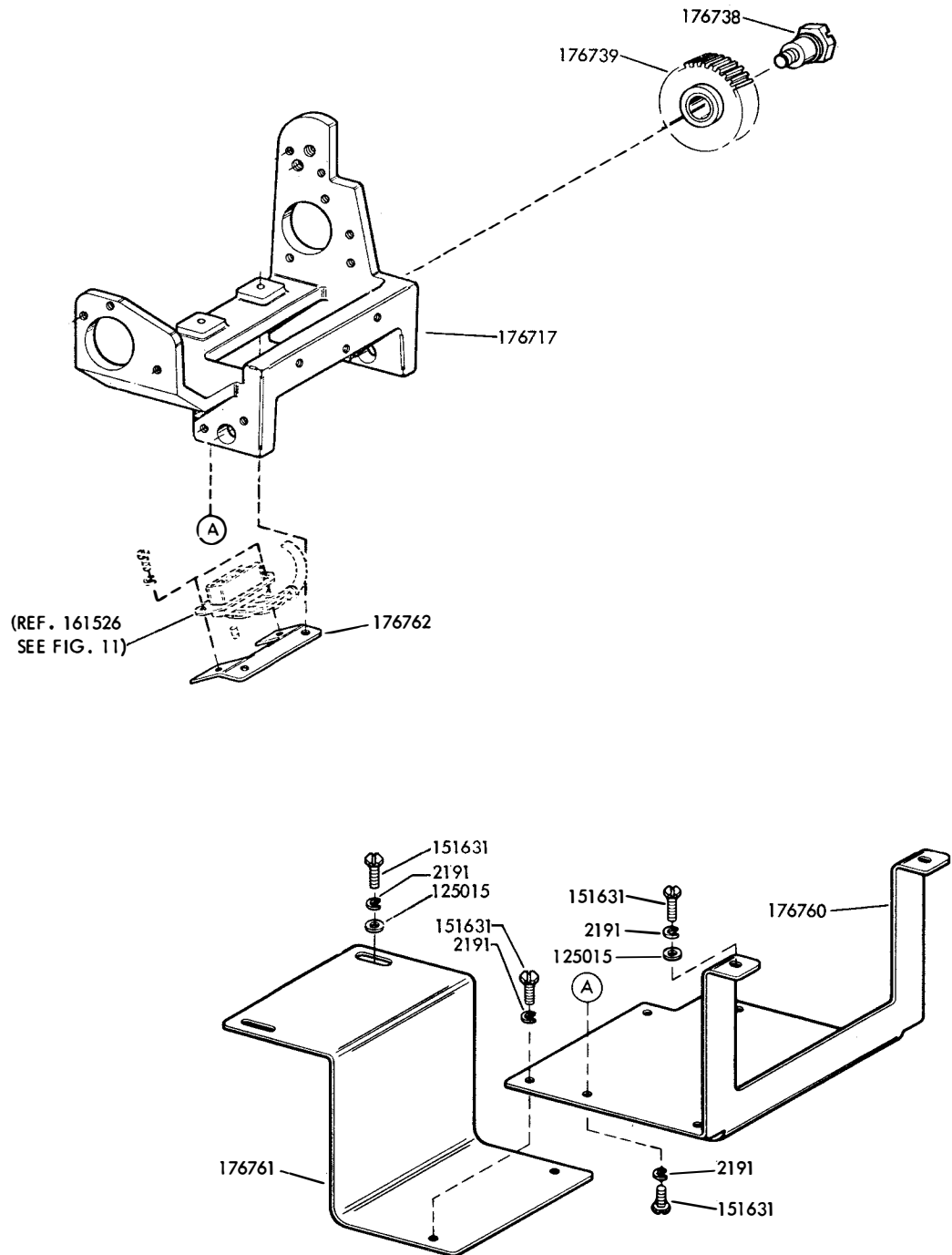


FIGURE 10. TRANSMITTER DISTRIBUTOR BASE WITH ANSWER-BACK FEATURE (Continued)

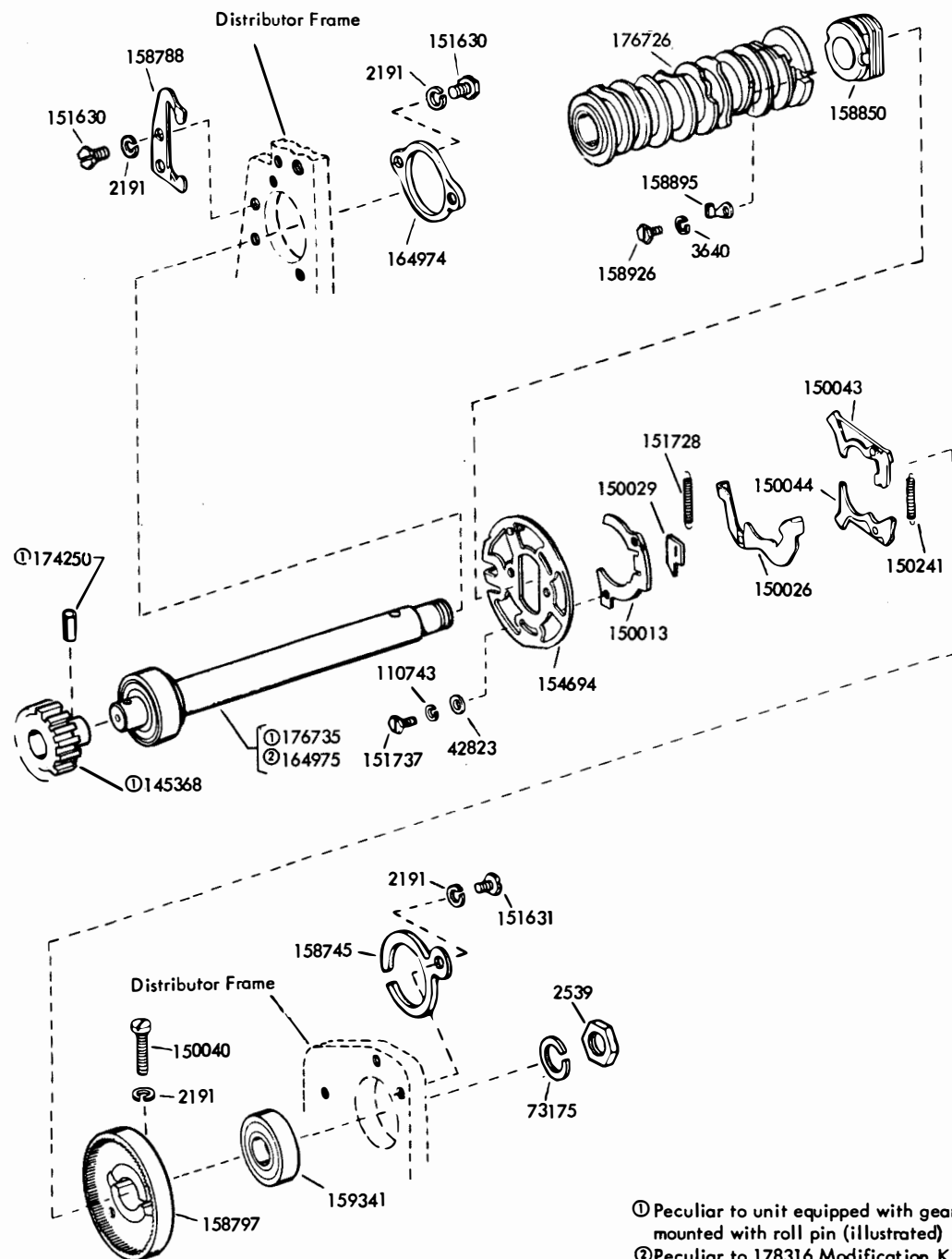


FIGURE 12. 178316 MODIFICATION KIT TO PROVIDE ANSWER BACK FEATURE FOR THE TRANSMITTER DISTRIBUTOR BASE (INCLUDES FIGURES 11 THROUGH 15)

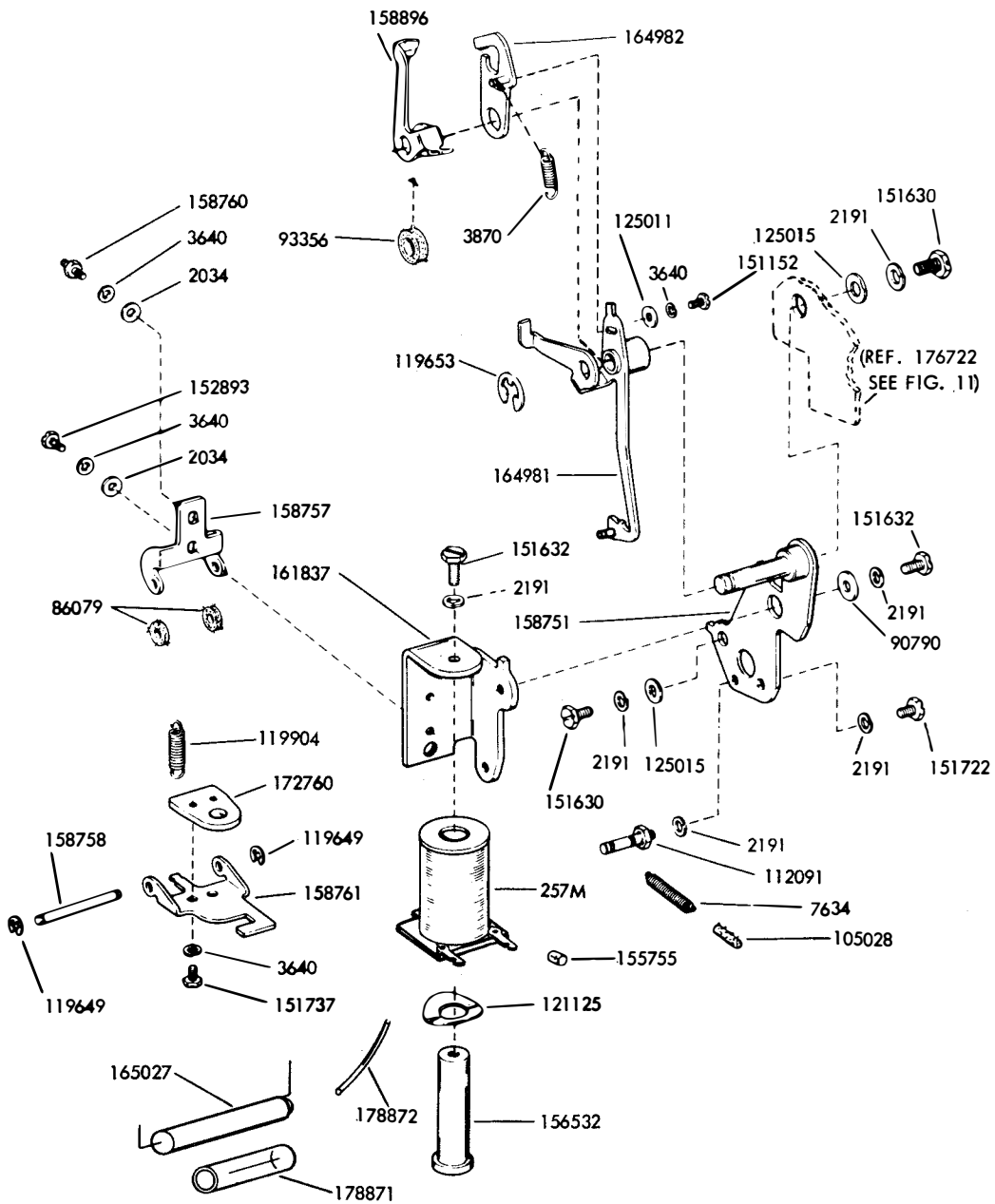


FIGURE 13. 178316 MODIFICATION KIT TO PROVIDE ANSWER BACK FEATURE FOR THE TRANSMITTER DISTRIBUTOR BASE (INCLUDES FIGURES 11 THROUGH 15)

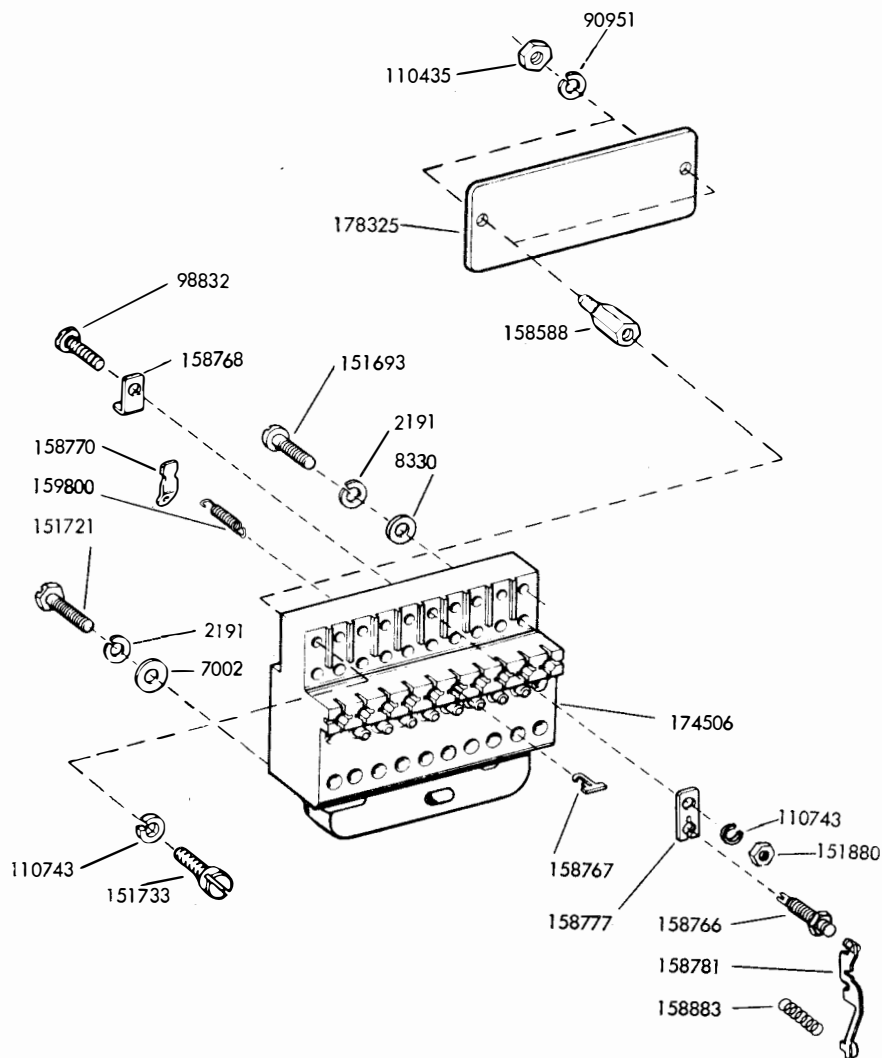


FIGURE 14. 178316 MODIFICATION KIT TO PROVIDE ANSWER BACK FEATURE FOR THE TRANSMITTER DISTRIBUTOR BASE (INCLUDES FIGURES 11 THROUGH 15)

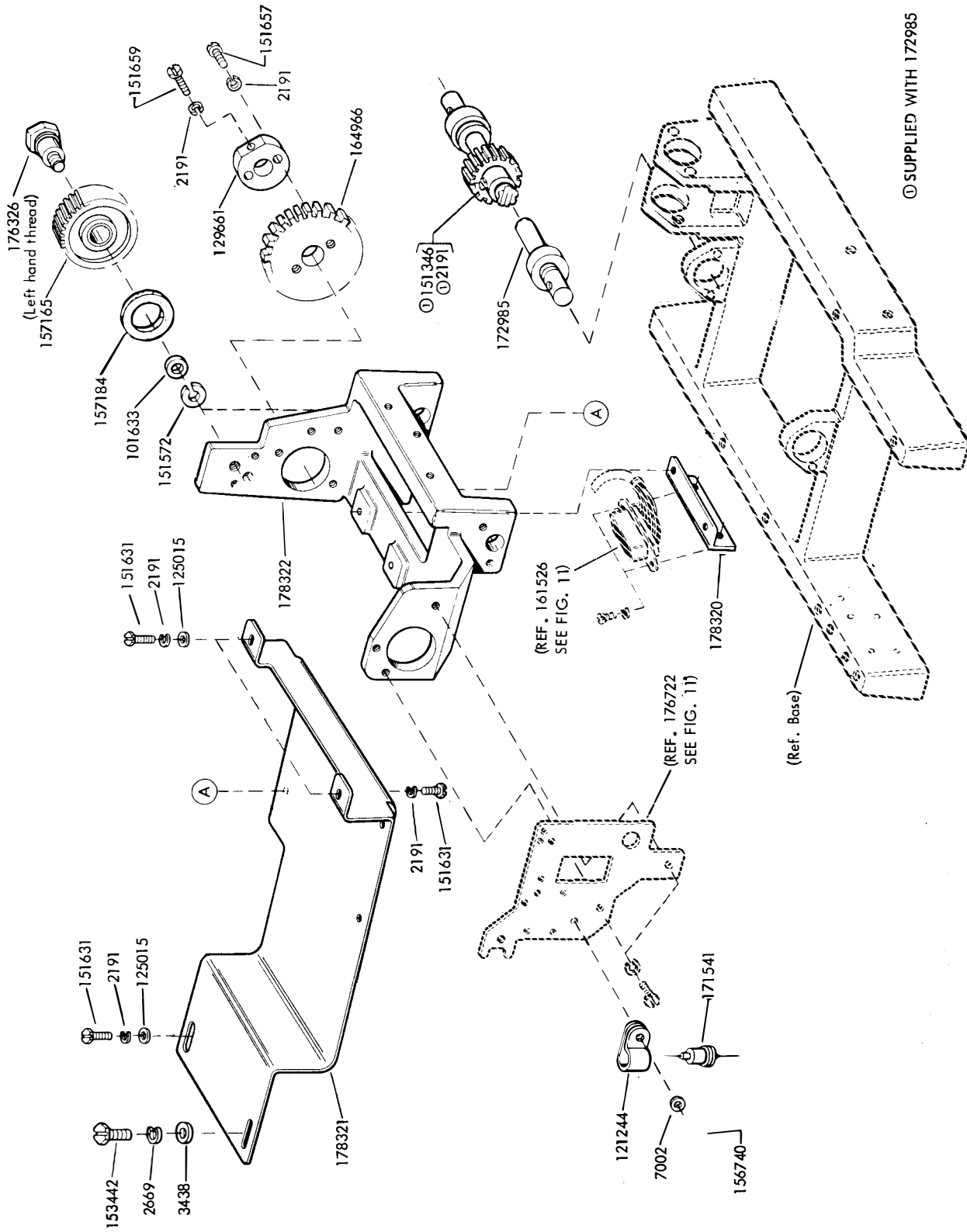
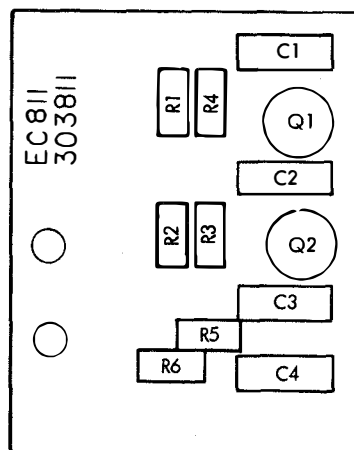


FIGURE 15. 178316 MODIFICATION KIT TO PROVIDE ANSWER BACK FEATURE FOR THE TRANSMITTER DISTRIBUTOR BASE (INCLUDES FIGURES 11 THROUGH 14)



Reference Designation	Part Number	Description
Q1, 2	315930	Transistor
R1, 2	315955	Resistor ,2200 Ohm
R3, 4	321545	Resistor ,12000 Ohm
R5, 6	315948	Resistor ,100 Ohm
C1, 2, 3, 4	312385	Capacitor ,0.1 MFD
	144495	Pad, Transistor (under Q1 & 2)
	326276	Card, Circuit

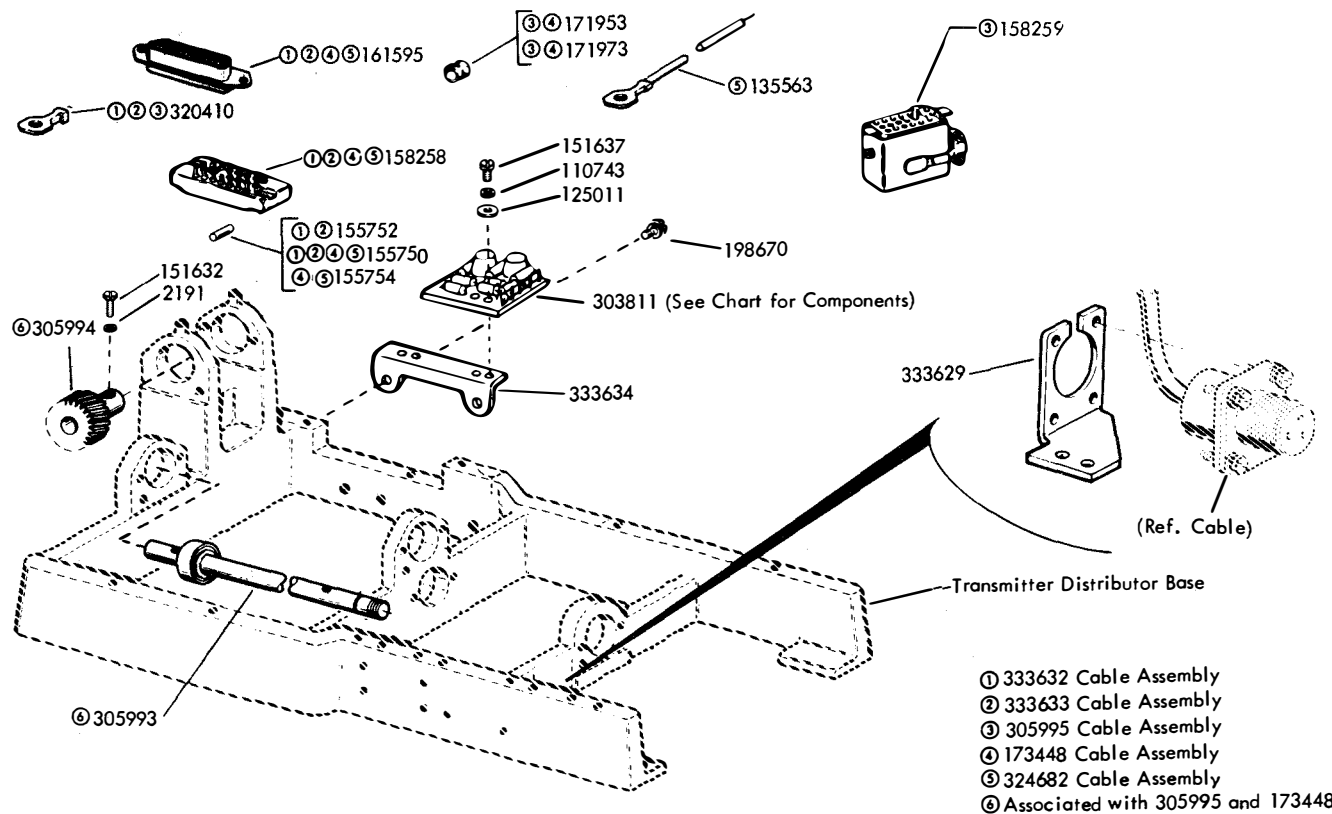
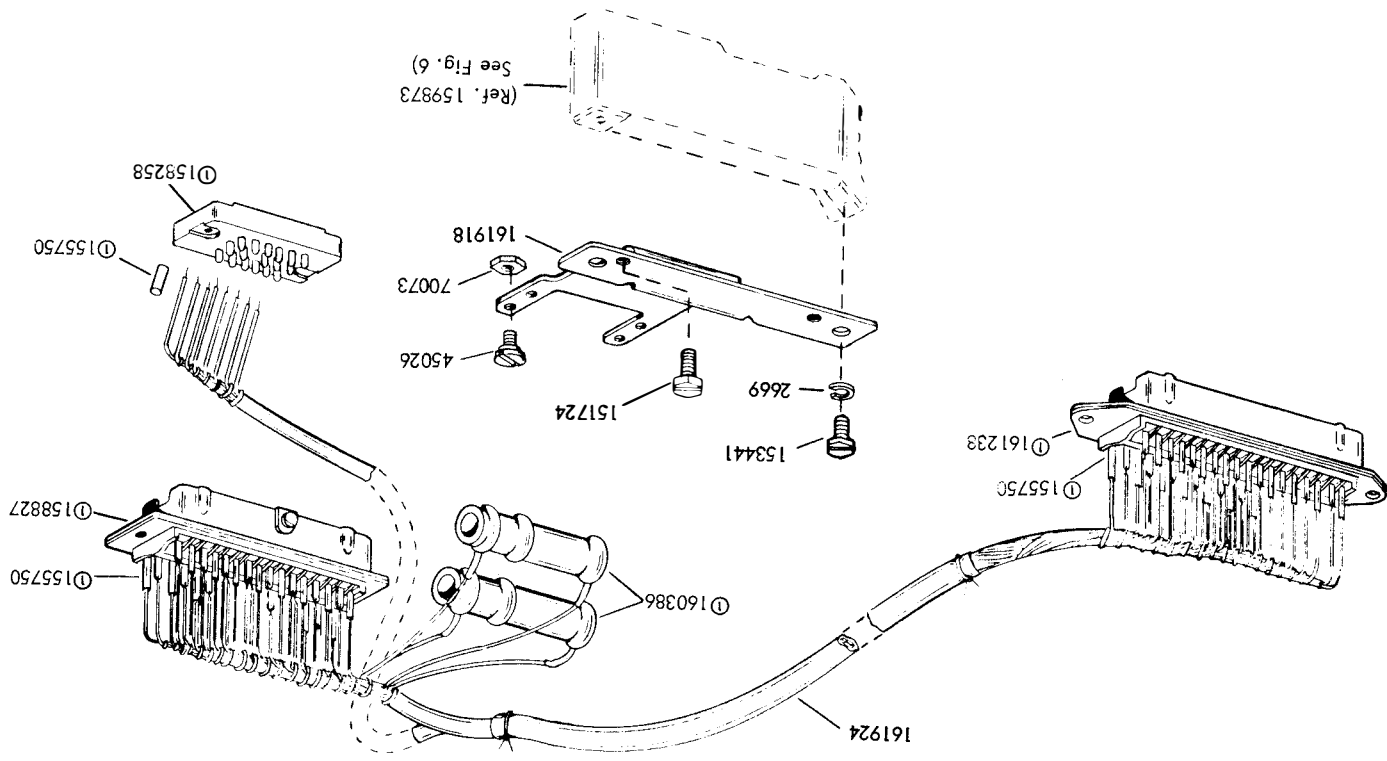


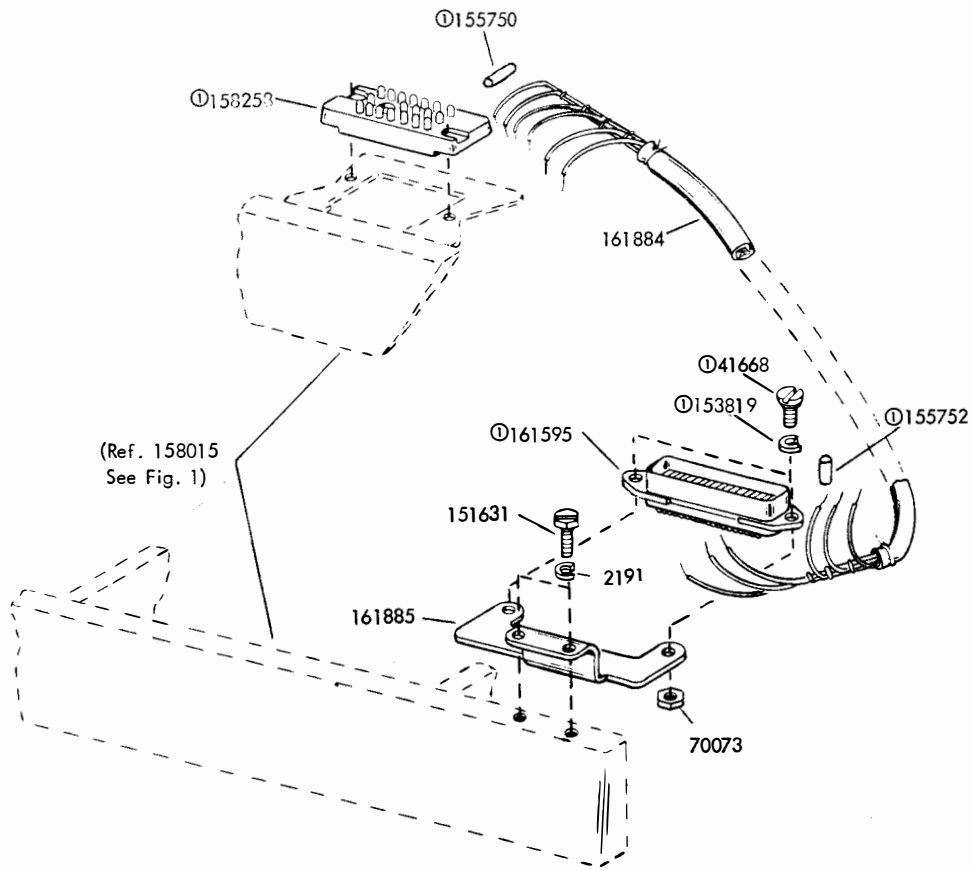
FIGURE 16. CABLING WITH ASSOCIATED COMPONENTS AND CIRCUIT CARD FOR DUAL TRANSMITTER DISTRIBUTORS



Specification 59275

①Part of 161924 Cable Assembly

FIGURE 18. 161921 MODIFICATION KIT TO CONVERT AN LCXB7 BASE TO ACCEPT AN LBXD7 TRANSMITTER DISTRIBUTOR



Specification 59275

Ⓞ Part of 161884 Cable Assembly

FIGURE 19. 161833 MODIFICATION KIT TO CONVERT AN LCXB1 TO AN LCXB8 TRANSMITTER DISTRIBUTOR BASE

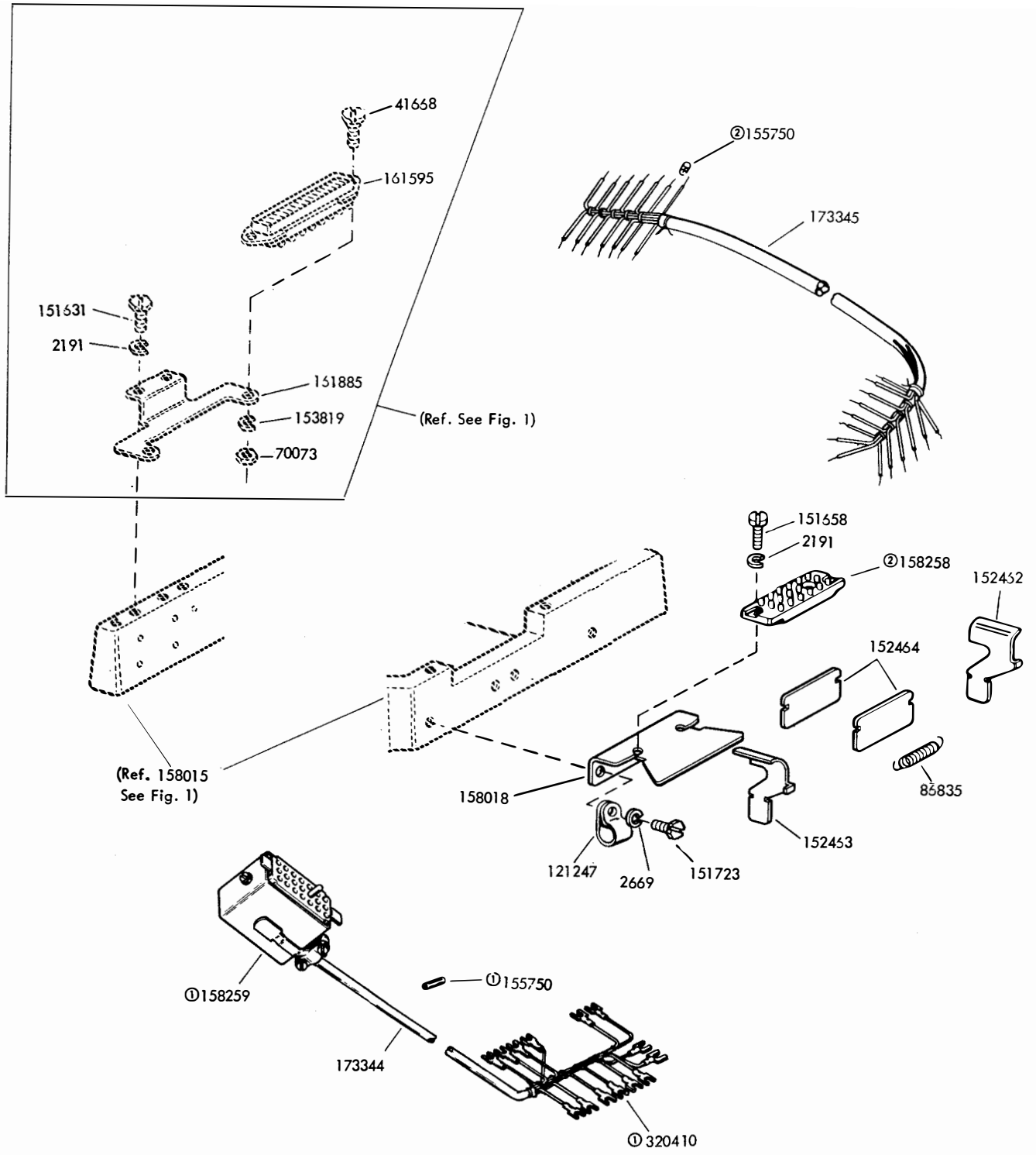


FIGURE 20. 173343 MODIFICATION KIT FOR MULTIPLE WIRE OUTPUT FACILITIES ON LCXB8 BASE

NUMERICAL INDEX

Part Number	Description and Page Number	Part Number	Description and Page Number	Part Number	Description and Page Number
257M	Coil, Magnet 14	84575	Spring 12	129661	Hub 16
1163	Screw, 4-140 x 3/16 Fil 3,4,5,7,18	86079	Washer, Felt 14	130092	Screw, 4-40 Shoulder 12
1164	Screw, 1-56 x 3/16 Fil 12	86742	Nut, 4-40 Hex 3 to 7,18	135563	Jumper, 2-3/4" Green 17
2034	Washer, Flat 3,4,14	86835	Spring 2,7,8,10,18,21	138034	Plate, Clamp 12
2191	Washer, Lock 2 to 18, 20,21	86850	Screw, 10-32 x 1-1/4 Fil 3,4	144495	Pad, Transistor Mounting 17
2254	Washer, Flat 7,18	90790	Washer, Flat 14	145368	Gear, 27T 10,13
2449	Washer, Lock 3,4	90951	Washer, Lock 15	150013	Disc, Adjusting 13
2539	Nut, 3/8-32 Hex 8,13	92260	Washer, Lock 12	150026	Lever, Shoe Release 13
2669	Washer, Lock 2,3,4,5,6, 7,8,10,16,18,19,21	93117	Washer, Lock 12	150029	Wick, Felt 13
3438	Washer, Flat 3,4,5,6,7, 16,18	93118	Washer, Lock 12	150040	Screw, 6-40 x 5/8 Fil 13
3598	Nut, 6-40 Hex 7,12,18	93356	Washer, Felt 14	150043	Shoe, Secondary Clutch 13
3599	Nut, 4-40 Hex 12	94540	Screw, 10-24 Set 2	150044	Shoe, Primary Clutch 13
3606	Nut, 6-40 Hex 12	98726	Screw, 3-48 x 1/4 Fil 5, 7,12	150241	Spring 13
3640	Washer, Lock 2 to 8,12, 13,14,18	98832	Screw, 4-40 x 11/16 Fil 15	150952	Eccentric 3,4
3649	Washer, Flat 8	99978	Connector, 4 Pt Plug 12	151152	Screw, 4-40 x 3/16 Hex 12,14
3870	Spring 14	101633	Washer, Flat 16	151246	Washer, Flat 8
7002	Washer, Flat 10,12,15,16	103305	Washer, Flat 2,8,10	151346	Screw, 6-40 x 3/8 Fil 16
7634	Spring 14	105028	Wick, Felt 14	151442	Screw, 6-40 x 1/2 Hex 2 to 9,18
8330	Washer, Flat 8,15	105029	Washer, Flat 8	151572	Washer, Lock 16
33828	Spring 12	110435	Nut, 4-40 Hex 15	151630	Screw, 6-40 x 1/4 Hex 2 to 8,13,14,18
41668	Screw, 3-48 Shoulder 2,8, 10,20,21	110743	Washer, Lock 3,4,5,7, 12,13,15,17,18	151631	Screw, 6-40 x 5/15 Hex 2 to 8,10 to 13,16,18,20, 21
42661	Spring 12	112091	Post, Spring 14	151632	Screw, 6-40 x 3/8 Hex 2 to 10,14,17,18
42823	Washer, Flat 13	112620	Screw, 4-40 x 1/2 Hex 2 to 8,18	151637	Screw, 4-40 x 1/4 Fil 17
45026	Screw, 3-48 Shoulder 18, 19	112622	Screw, 4-40 Shoulder 12	151657	Screw, 6-40 x 1/4 Fil 2, 8,16
49056	Screw, 10-32 x 7/8 Hex 5,6,7	113388	Screw, 4-40 Shoulder 12	151658	Screw, 6-40 x 5/16 Fil 2, 7,8,10,18,21
61085	Washer, Lock 5,7,12	117366	Jumper, 8-1/2" Green 2, 8,10,18	151659	Screw, 6-40 x 1/2 Fil 16
70073	Nut, 3-48 Hex 2,8,10, 18 to 21	117535	Washer, Flat 2,8	151687	Screw, 4-40 x 7/16 Fil 3
71858	Washer, Flat 3,4	119648	Ring, Retaining 12	151688	Screw, 4-40 x 5/8 Fil 4
73175	Washer, Lock 8,13	119649	Ring, Retaining 14	151693	Screw, 6-40 x 9/16 Fil 15
73427	Washer, Flat 12	119652	Ring, Retaining 2,8	151721	Screw, 6-40 x 3/4 Hex 15
74702	Spring 12	119653	Ring, Retaining 14	151722	Screw, 6-40 x 3/16 Hex 14
74807	Nut, 10-32 Shoulder Hex 2,8,10	119655	Ring, Retaining 2 to 7, 18	151723	Screw, 10-32 x 3/8 Hex 2 to 5,7,10,18,21
75750	Washer, Insulating 7,18	119904	Spring 14	151724	Screw, 10-32 x 5/8 Hex 18,19
76279	Screw, 1/4-32 x 5/8 Hex 3,4	121125	Washer, Spring 14	151728	Spring 13
77902	Screw, 6-40 x 2-3/8 Rd 7,18	121244	Clamp, 1/4 ID Cable 2,8, 16	151733	Screw, 4-40 x 9/16 Fil 15
78533	Spring 12	121245	Clamp, 5/16 ID Cable 2,8	151737	Screw, 4-40 x 11/64 Hex 12,13,14
80706	Screw, 6-40 Set 12	121247	Clamp, 7/16 ID Cable 21	151880	Nut, 4-40 Hex 2,7,8,12, 15,18
		125011	Washer, Flat 12,14,17		
		125015	Washer, Flat 2 to 8,10, 11,14,16,18		
		125802	Washer, Flat 2 to 8,12, 18		

NUMERICAL INDEX (Continued)

Part Number	Description and Page Number	Part Number	Description and Page Number	Part Number	Description and Page Number
152462	Latch, Right 2,7,8,10,18, 21	158015	Base 2,20,21	159873	Base 5,6,7,19
152463	Latch, Left 2,7,8,10,18, 21	158017	Shaft w/Bearing 2	159882	Gear Set, 65 wpm 9
152464	Insulator, .062" Thk 2, 7,8,10,18,21	158018	Bracket 2,8,10,21	159883	Gear Set, 106 wpm 9
152893	Screw, 4-40 x 1/4 Hex 5, 7,12,14	158027	Gear Set, 100 wpm 9	160366	Bracket 7,18
153441	Screw, 10-32 x 7/16 Hex 19	158028	Gear Set, 75 wpm 9	160368	Cable Assembly 7
153442	Screw, 10-32 x 1/2 Hex 8, 16	158029	Gear Set, 60 wpm 9	160374	Cable Assembly 5
153819	Washer, Lock 2,8,10,20,21	158258	Connector, 20 Pt Plug 2, 7,8,10,17 to 21	160384	Bracket 5,7
153841	Screw, 6-40 x 9/16 Hex 12	158259	Connector, 20 Pt Receptacle 8,17,21	160386	Resistor, 1,000 Ohm 7,18, 19
154694	Disc, Clutch Cam 13	158271	Guard, Gear 2 to 8,18	160425	Stud, Adjusting 3,4
155750	Sleeve, 3/32 ID x 1/2" Lg Insulating 2,10,12, 17,19,20,21	158588	Post 15	160626	Insulator, .031" Thk 12
155752	Sleeve, 5/64 ID x 1/2" Lg Insulating 2,8,10,12, 17,20	158601	Connector, 14 Pt Plug 5,7	160627	Bushing, Insulating 12
155753	Sleeve, 1/8 ID x 1/2" Lg Insulating 12	158745	Clamp, Bearing 2 to 8,13, 18	160628	Spring, Contact 12
155754	Sleeve, 1/16 ID x 1/2" Lg Insulating 12,17	158751	Plate, Clutch Trip 14	160630	Spring, Contact 12
155755	Sleeve, 11/64 ID x 5/8" Lg Insulating 14	158757	Hinge, Mounting 14	160631	Spring, Contact 12
155996	Pinion, 13T 9	158758	Shaft 14	160975	Nut, 1/4-32 Hex 3,4
155997	Gear, 60T 9	158760	Post, Spring 14	161238	Connector, 36 Pt Receptacle 19
155998	Pinion, 12T 9	158761	Bail, Armature 14	161330	Gear, 49T 9
155999	Gear, 34T 9	158766	Screw, 6-40 Contact 15	161331	Pinion, 11T 9
156226	Hub 2 to 8,18	158767	Guide, Lever 15	161332	Gear, 42T 9
156450	Screw, 2-56 x 1/2 Fil 12	158768	Terminal 15	161333	Pinion, 10T 9
156467	Ring, Retaining 8	158770	Terminal, Spring Holder 15	161356	Gear Set, 67 wpm 9
156532	Core 14	158777	Holder, Screw 15	161357	Gear Set, 71 wpm 9
156632	Screw, 6-40 x 13/32 Hex 12	158778	Post, Spring 12	161525	Connector, 14 Pt Plug 12
156740	Screw, 6-40 x 7/32 Hex 16	158779	Lever, Cam Follower 12	161526	Connector, 14 Pt Receptacle 11,12,16
156976	Connector, 32 Pt Plug 5	158781	Rocker, Contact 15	161595	Connector, 36 Pt Receptacle 2,8,10,17,18, 20,21
157165	Gear, 35T 16	158788	Clamp, Bearing 13	161833	Modification Kit 1,20
157184	Washer, Felt 16	158797	Drum, Clutch 13	161837	Bracket 14
158001	Gear, 33T 9	158827	Connector, 32 Pt Receptacle 5,7,18,19	161884	Cable Assembly 2,10,20
158002	Pinion, 11T 9	158850	Bearing, Sleeve 13	161885	Bracket, Connector 2,8, 10,20,21
158003	Pinion, 12T 9	158883	Spring, Compression 15	161918	Bracket, Connector 19
158004	Gear, 47T 9	158895	Clip 13	161919	Bracket, Connector 18
158005	Pinion, 9T 9	158896	Lever, Latch 14	161920	Base 18
158006	Gear, 44T 9	158926	Screw, 4-40 x 7/32 Hex 13	161921	Modification Kit 1,19
158012	Shaft w/Bearings 2 to 8, 18	159233	Stud 3,4	161924	Cable Assembly 18,19
158013	Shaft, Coupling 2,8	159341	Bearing, Ball 8,13	162594	Shaft 2
		159800	Spring 15	163003	Gear, 20T 2
		159836	Gear, 24T 3 to 7	163452	Pinion, 20T 9
		159837	Gear, 48T 5,6,7,18	163453	Gear, 56T 9
		159838	Shaft 3 to 7,18	163454	Gear Set, 107 wpm 9
		159839	Bracket, Plug Mounting 4	163497	Pinion, 15T 9
		159840	Bracket, Mounting 3,5	163498	Gear, 63T 9
		159843	Shaft, Coupling 5,6,7,18	163499	Gear Set, 71 wpm 9
		159844	Base 3	163515	Stud, Shoulder 8
		159845	Base 4	163517	Bushing, Rubber 2,8,10
		159846	Shaft, Coupling 3,4		

NUMERICAL INDEX (Continued)

Part Number	Description and Page Number	Part Number	Description and Page Number	Part Number	Description and Page Number
164101	Stud, Shoulder 2,10	176722	Plate, Mounting 12,14,16	178769	Gear Set, 100 wpm 9
164161	Drum, Message 12	176723	Blade, Stop 12	178770	Pinion, 23T 9
164162	Ring, O 12	176724	Cable Assembly 12	178771	Gear, 46T 9
164164	Blade, Code 12	176725	Cable Assembly 12	178772	Gear Set, 66 wpm 9
164966	Gear, 42T 16	176726	Camsleeve 13	178773	Pinion, 20T 9
164974	Plate, Retaining 13	176732	Guide 12	178774	Gear, 60T 9
164975	Shaft w/Bearing 13	176733	Bracket 12	178775	Gear Set, 61 wpm 9
164976	Plate 12	176734	Bracket 12	178776	Pinion, 17T 9
164977	Shaft, Lever 12	176735	Shaft w/Bearing 13	178777	Gear, 56T 9
164981	Lever, Trip 14	176736	Screw, 4-40 Eccentric Shoulder 12	178778	Pinion, 20T 18
164982	Lever, Trip 14			178779	Gear, 60T 18
165027	Network, Spark Suppression 14	176737	Lever, Detent 12	178780	Bracket, Connector 18
		176738	Screw, 10-32 Shoulder 11	178871	Sleeve, 1/2 ID x 1-1/8" Lg Insulating 14
165691	Cable Assembly 12	176739	Gear, 45T 11		
170189	Pinion, 15T 9	176741	Gear, 33T 10	178872	Sleeve, 1/16 ID x 1-1/4" Lg Insulating 14
170190	Gear, 51T 9	176743	Gear, 33T 10		
170291	Shaft, Idler 8	176745	Gear, 40T 10	193565	Coupling, Flexible 2 to 8,10,18
170293	Pinion, 11T 9	176751	Shaft 10		
170294	Shaft w/Bearings 8	176752	Ring, Retaining 10	194356	Pinion, 15T 2
170295	Gear, 25T 8	176754	Lever, No. 1 Cam Follower 12	195144	Pinion, 11T 9
170297	Gear, 33T 9			195145	Gear, 49T 9
170298	Gear, 40T 8	176755	Lever, No. 5 Cam Follower 12	195146	Gear Set, 67 wpm 9
170300	Base 8			195176	Guard, Contact 12
170301	Gear, 50T 8	176756	Lever, No. 2 Cam Follower 12	195732	Plate, Identification 2, 3,4,5,6,7,8,10,18
171541	Diode 16			198056	Gear Set, 81 wpm 9
171953	Connector, Orange Shielding 17	176757	Lever, No. 4 Cam Follower 12	198057	Pinion, 19T 9
		176758	Lever, No. 3 Cam Follower 12	198058	Gear, 70T 9
171973	Connector, Black Insulated 17			198670	Screw w/Lockwasher, 6-40 x 5/16 Hex 17
172760	Armature 14	176759	Lever 12		
172985	Shaft w/Bearing and Gear 2,16	176760	Bracket, Mounting 11	199090	Pinion, 20T 9
		176761	Bracket 11	199091	Gear, 56T 9
173343	Modification Kit 1,21	176762	Bracket, Connector 11	303811	Card, Circuit 17
173344	Cable Assembly 21	176768	Lever, Drive 12	305569	Pinion, 22T 9
173345	Cable Assembly 21	176769	Screw, 6-40 Pilot 12	305570	Gear, 55T 9
173448	Cable Assembly 17	176813	Guide 12	305571	Pinion, 14T 9
173776	Gear Set, 65 wpm 9	176814	Screw, 4-40 Eccentric Shoulder 12	305572	Gear, 52T 9
173818	Pinion, 13T 9			305573	Pinion, 13T 9
173819	Gear, 60T 9	176815	Pawl, Stepping 12	305574	Gear, 53T 9
174250	Pin, Roll 10,13	176816	Plate 12	305577	Gear Set, 100 wpm 9
174506	Block, Contact 15	176817	Plate, Drive 12	305578	Gear Set, 67 wpm 9
176163	Jumper, 18" Black 12	178316	Modification Kit 1,12 to 16	305579	Gear Set, 60 wpm 9
176326	Screw, 10-32 Shoulder 16			305993	Shaft 17
176655	Base w/Bearings 10	178320	Bracket, Connector 16	305994	Pinion, 36T 17
176656	Shaft 10	178321	Plate, Mounting 16	305995	Cable Assembly 17
176657	Shaft 10	178322	Frame, Distributor 16	309400	Bracket, Guide 12
176717	Frame, Distributor 11	178323	Cable Assembly 12	309401	Guide 12
176719	Resistor, 1,000 Ohm 12	178325	Cover, Insulator 15	309405	Modification Kit 12
176720	Contact Assembly 12	178332	Bracket 12	312385	Capacitor, .1 MFD 17
176721	Bracket, Contact 12	178768	Cable Assembly 18	315930	Transistor 17

NUMERICAL INDEX (Continued)

Part Number	Description and Page Number	Part Number	Description and Page Number	Part Number	Description and Page Number
315948	Resistor, 100 Ohm 17	320418	Terminal, Ring Type 8	326276	Card, Circuit 17
315955	Resistor, 2200 Ohm 17	320420	Terminal, Ring Type 2,8, 10,18	333629	Bracket 17
319394	Screw, 10-24 Set 2 to 8, 10,18	321545	Resistor, 12,000 Ohm 17	333632	Cable Assembly 17
320410	Terminal, Spade Type 12, 17,21	324682	Cable Assembly 17	333633	Cable Assembly 17
				333634	Bracket 17



• 1987 •



• 1987 •

