

TELETYPE CORPORATION
Skokie, Illinois, U.S.A.

OBsolete

SECTION 573-133-802TC
Issue 3, December 1970

Issue 3 8/71 (Add 1)

1169B

28 ELECTRICAL SERVICE UNIT (LESU)
FOR
AUTOMATIC SEND-RECEIVE SETS
PARTS

SECTION 573-133-802TC

FIGURE	CONTENTS	PAGE	FIGURE	CONTENTS	PAGE
1	Container	3	27	152625 Line Test Key Assembly	20
2	Line Shunt Relay and Mounting Plates	4	28	Resistor Modification Kits	20
3	Plates and Resistors	5	29	173452 Electronic Keyer Assembly	21
4	Mounting Brackets and Capacitor for 48 Volt Rectifier	6	30	146652 Modification Kit to add Wave Shaping Inductor	21
5	Low Tape Bell	6	31	Line Jack Assembly	22
6	153251 Motor Control Assembly	7	32	154747 Modification Kit to add Continuous Spacing	22
7	152950 Rectifier and Cable Assembly (150 MA)	8	33	164868 Modification Kit to Provide a Cabinet with an Auxiliary Electrical Service Unit	23
8	162361 and 310275 Rectifiers and Cable Assemblies (500 MA)	8	34	Auxiliary Electrical Service Unit	24
9	146901 and 170573 Rectifier Assemblies	9	35	Components to Provide for AC and DC Power Distribution	25
10	305631 Rectifier Assembly	10	36	Components to Provide Line Relays and Selector Battery	26
11	177010 and 178601 Selector Magnet Driver Assemblies 179560 Selector Magnet Driver Assembly with Open Line Detector	11	37	336176 Power Distribution Assembly	27
12	Line Relay Mounting	12	38	336177 Plate Assembly	28
13	170285 and 173281 Resistor Assemblies	13	39	310217 Selector Magnet Driver Assembly	29
14	178138 Slow Release Relay Assemblies (Non-Contention)	13	40	304605 Selector Magnet Driver Relay with Rectifier	30
15	Quick Acting Relay (10 MS) Mechanism	14	41	161829 Modification Kit for Mounting an Electrical Service Unit on Relay Rack Brackets	31
16	159318 Slow Release Relay Assembly	14	42	179139 and 195036 Auxiliary Reperforator Line Relay Assembly	31
17	176810 Answer-Back Control Relay Assembly	15	43	160422 Modification Kit to Equip Cabinet with Rectifier	31
18	176694 (Motor Control) and 176698 (Slow Release) Relay Assemblies	15	44	192750 Rectifier Assembly	32
19	152332 and 176448 Motor Control Relay Assemblies	16	45	179610 and 179611 Modification Kit to Reduce Radio Frequency Noise on ASR Set	33
20	155558 D. C. Control Relay Assembly	16	46	179610 and 179611 Modification Kit to Reduce Radio Frequency Noise on ASR Set (Continued)	34
21	178345 Modification Kit and 178608 Relay Assembly to Provide Motor Control and Answer-Back Relays	17	47	Rectifier-130 V DC-20 V AC	35
22	165650 Motor Control and Answer-Back Relay Assembly	17	48	162483 Call Directing Relay Unit	36
23	165673 and 178307 Motor Control Relay Assemblies	18	49	179472 Modification Kit to Provide a Transmitter Control	37
24	160420 and 195038 Auxiliary Line Shunt Relay Assemblies 179444 and 173239 Auxiliary Reader Control Relay Assemblies	18	50	Cable Components	38
25	158293, 164232, 173252, and 194492 Line Test Key Assemblies	19		Numerical Index	39
26	Line Test Key Control	19			

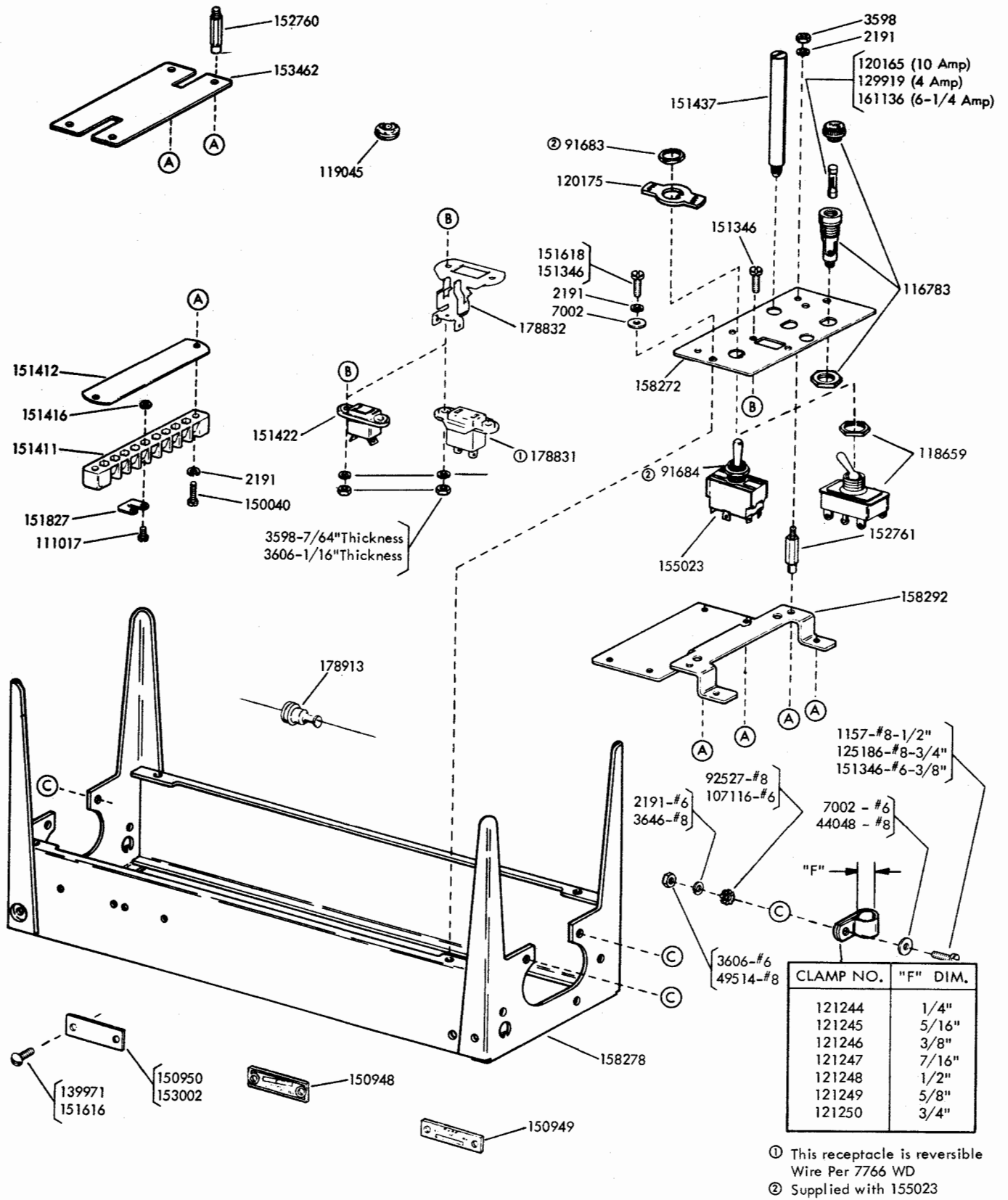


FIGURE 1. CONTAINER

SECTION 573-133-802TC

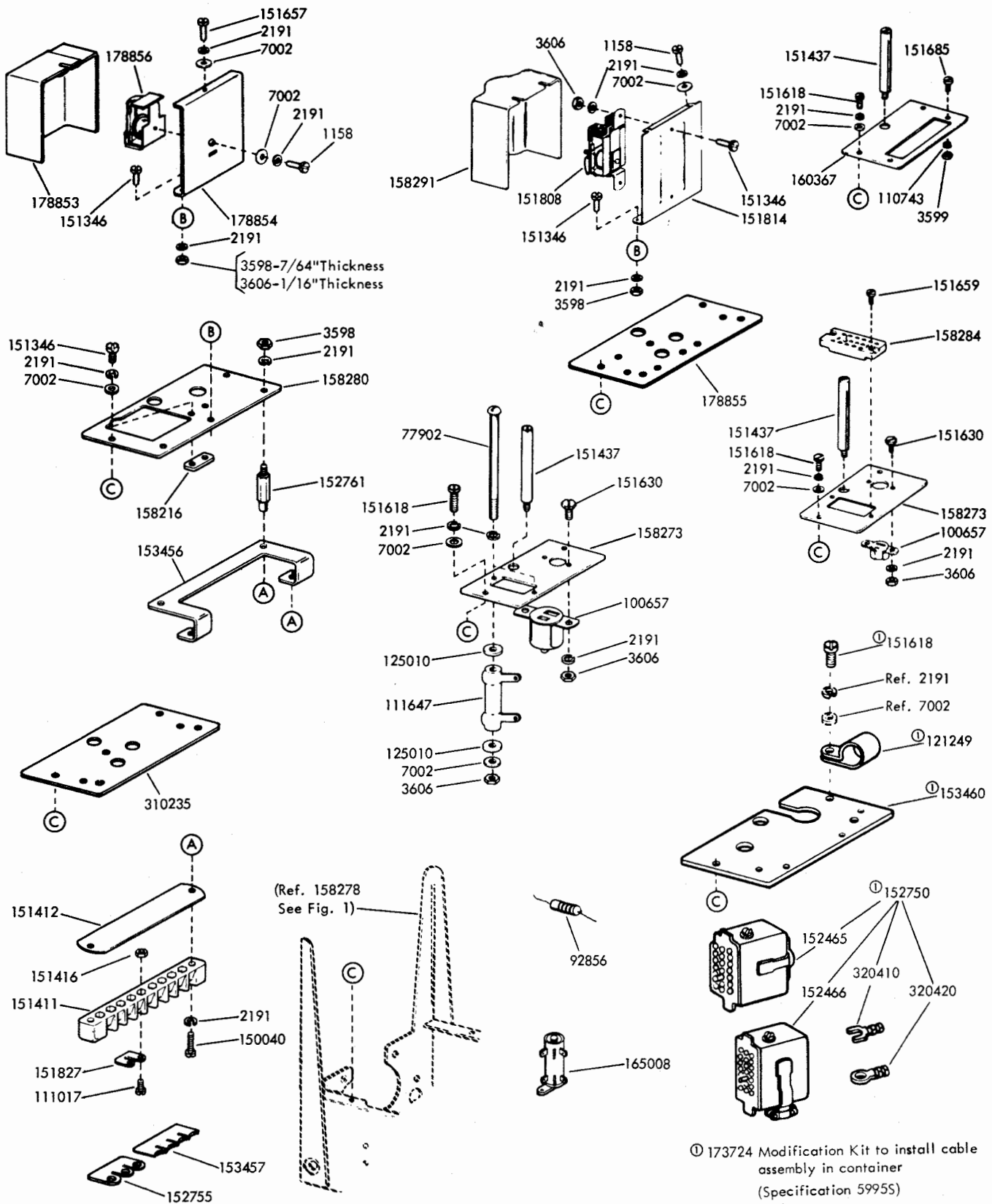


FIGURE 2. LINE SHUNT RELAYS AND MOUNTING PLATES

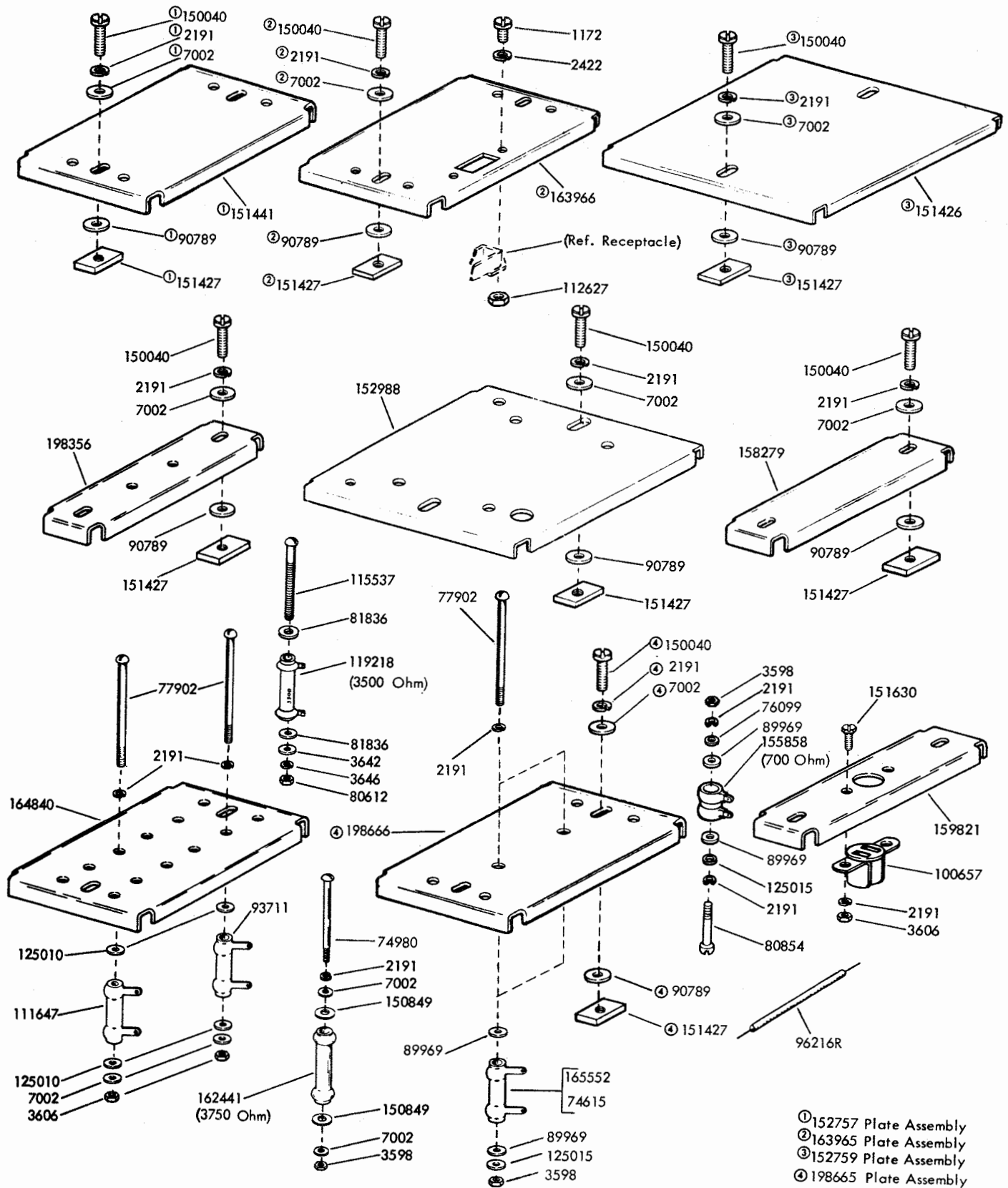


FIGURE 3. PLATES AND RESISTORS

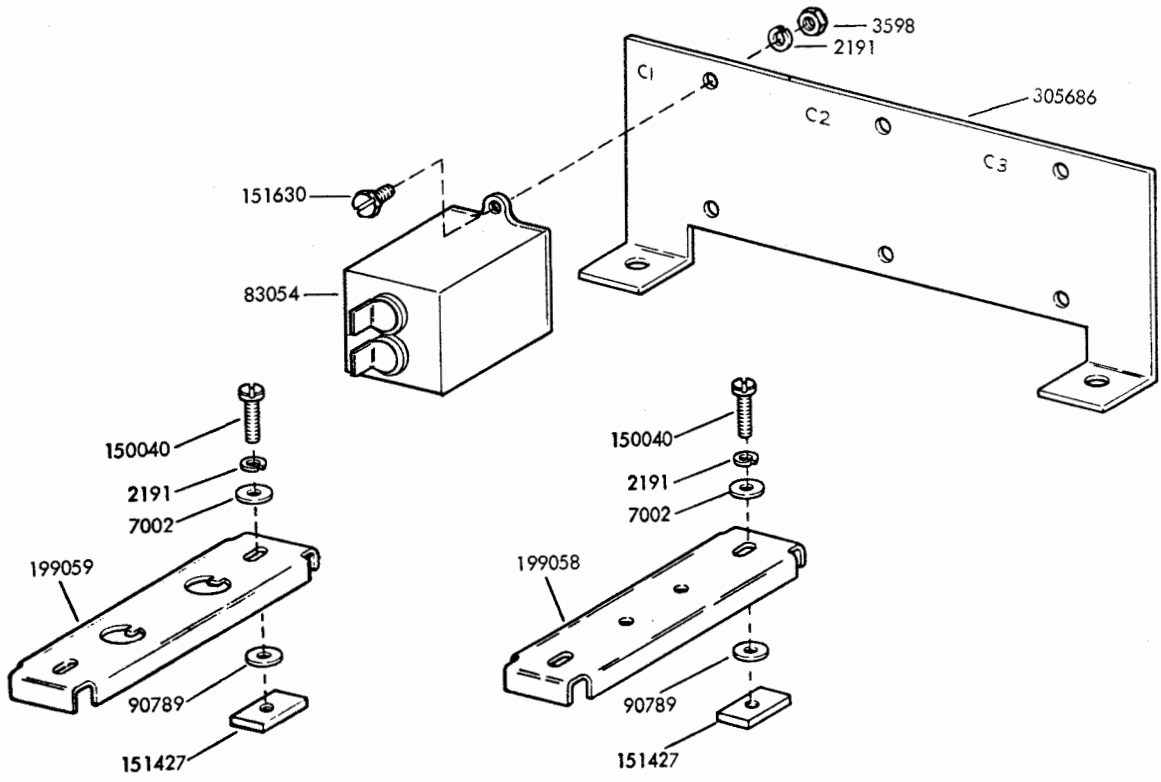


FIGURE 4. MOUNTING BRACKETS AND CAPACITOR FOR 48 VOLT RECTIFIER

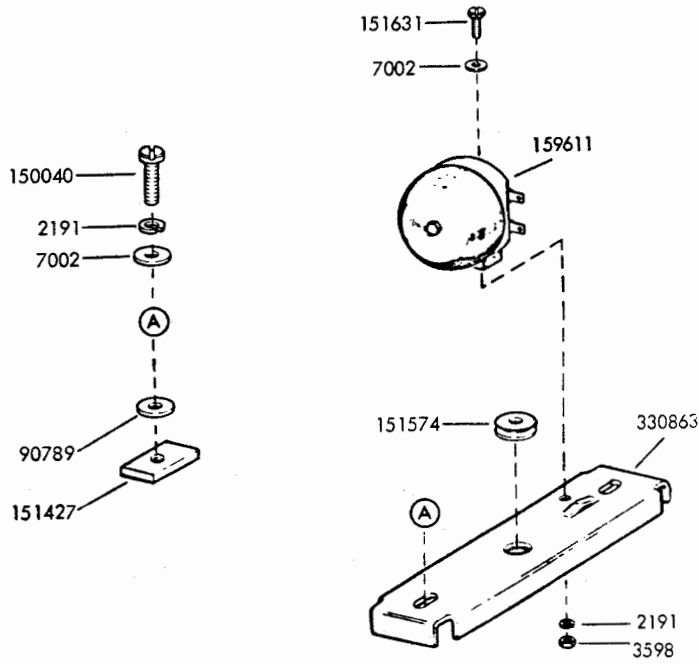


FIGURE 5. LOW TAPE BELL

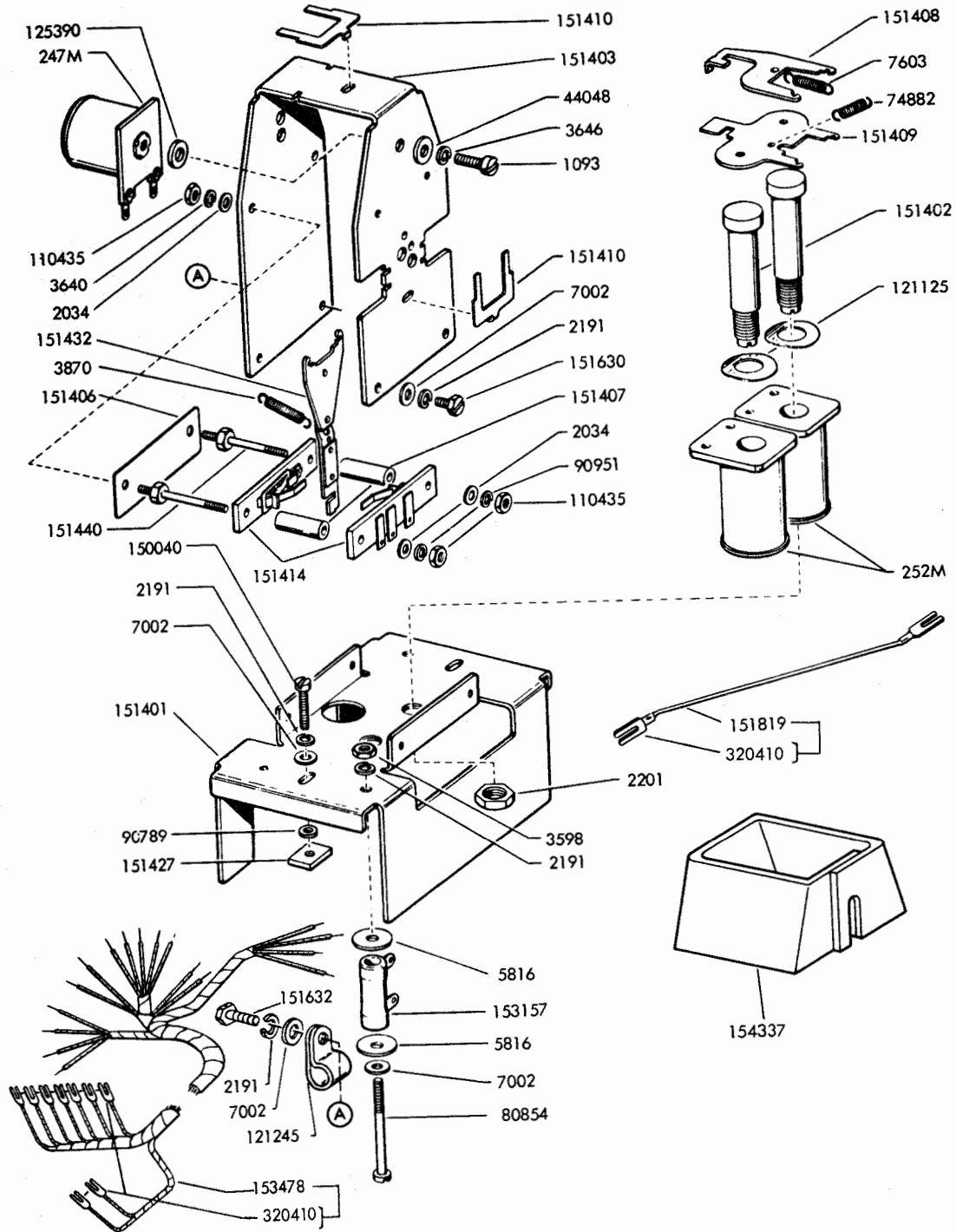


FIGURE 6. 153251 MOTOR CONTROL ASSEMBLY

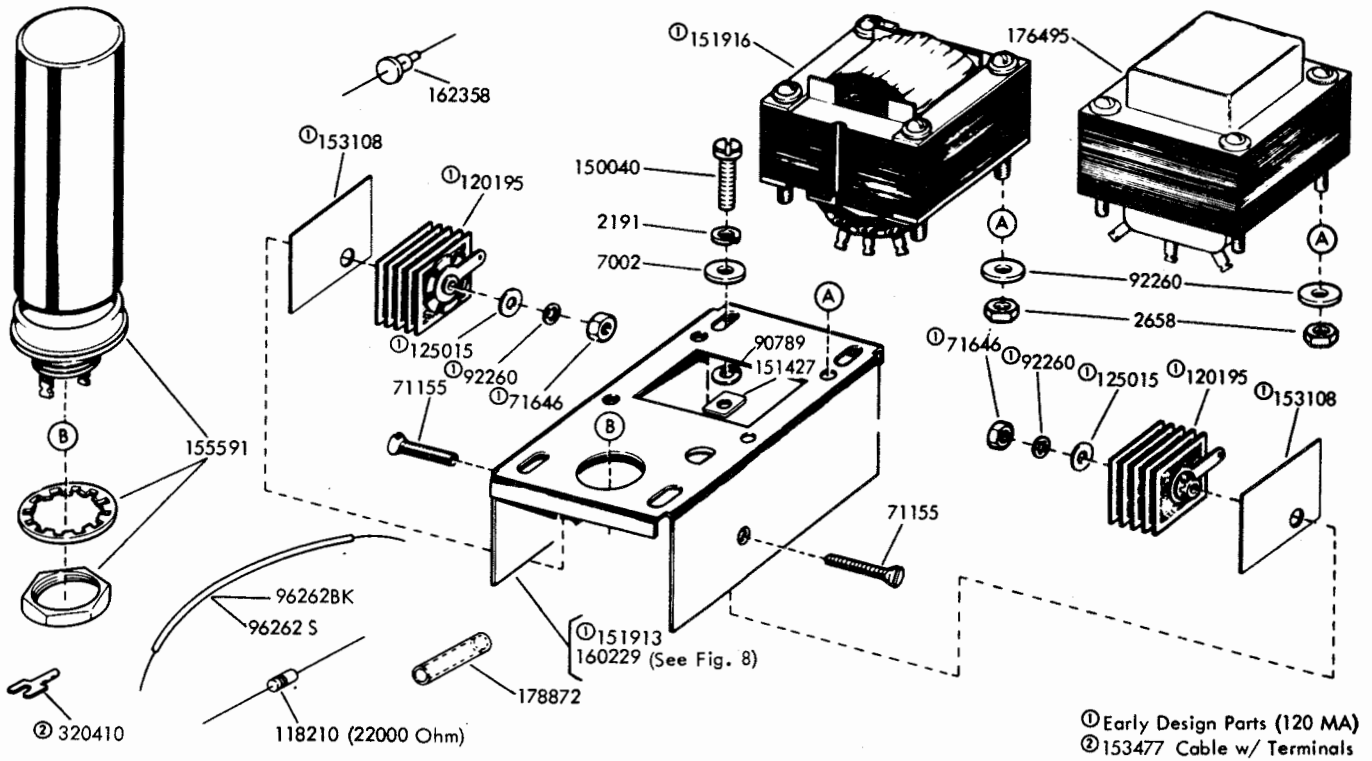


FIGURE 7. 152950 RECTIFIER AND CABLE ASSEMBLY (150 MA)

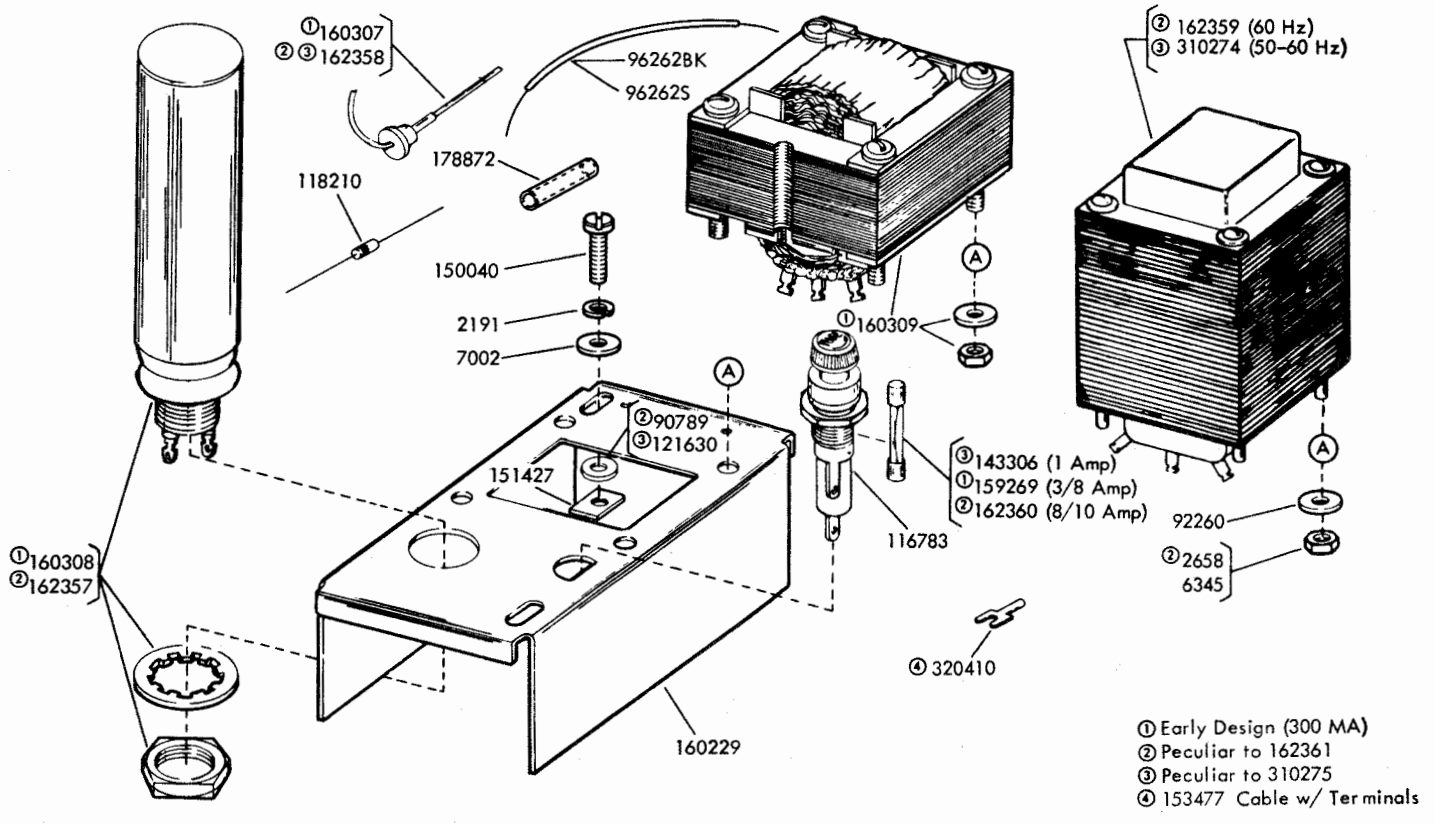
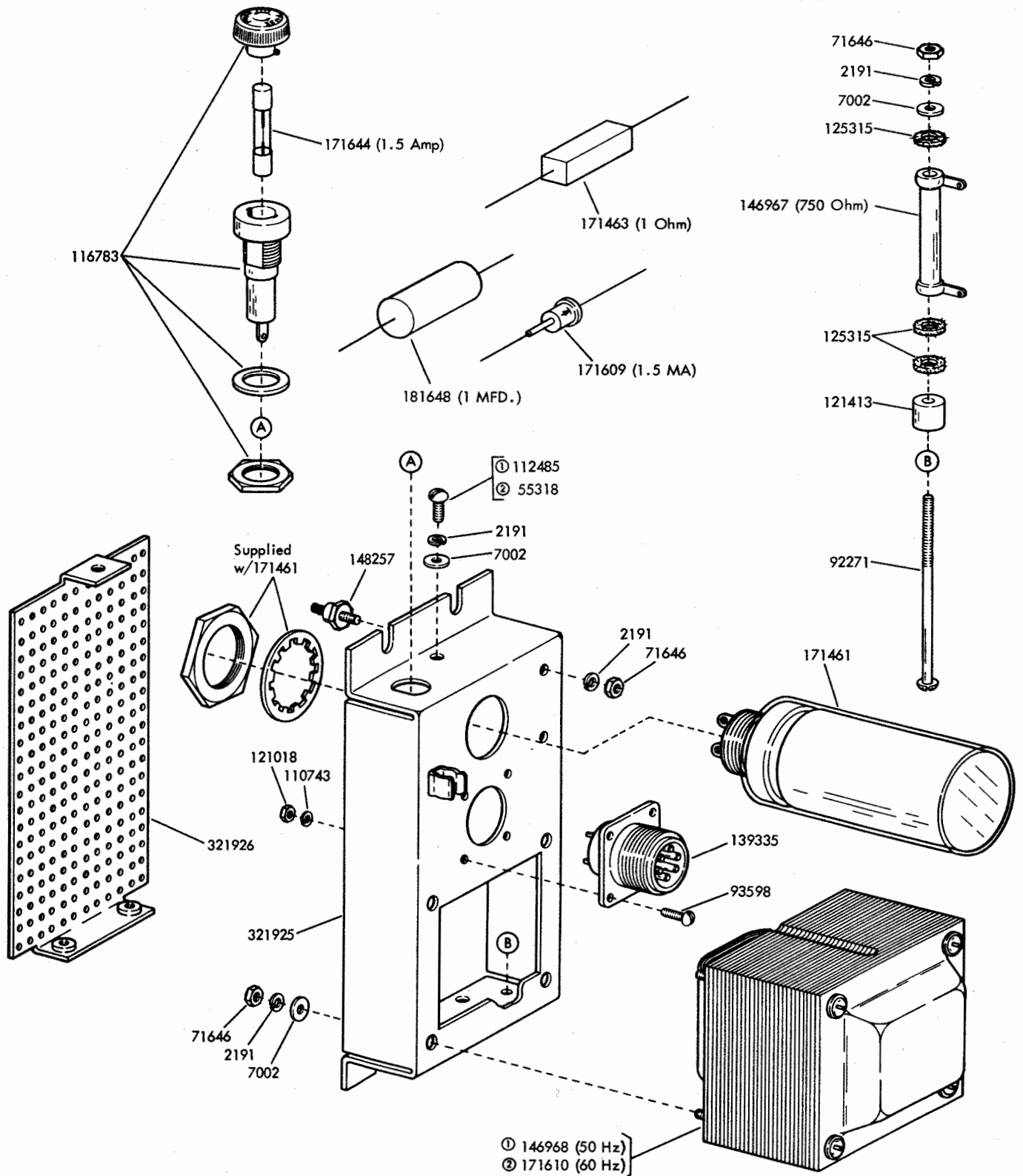
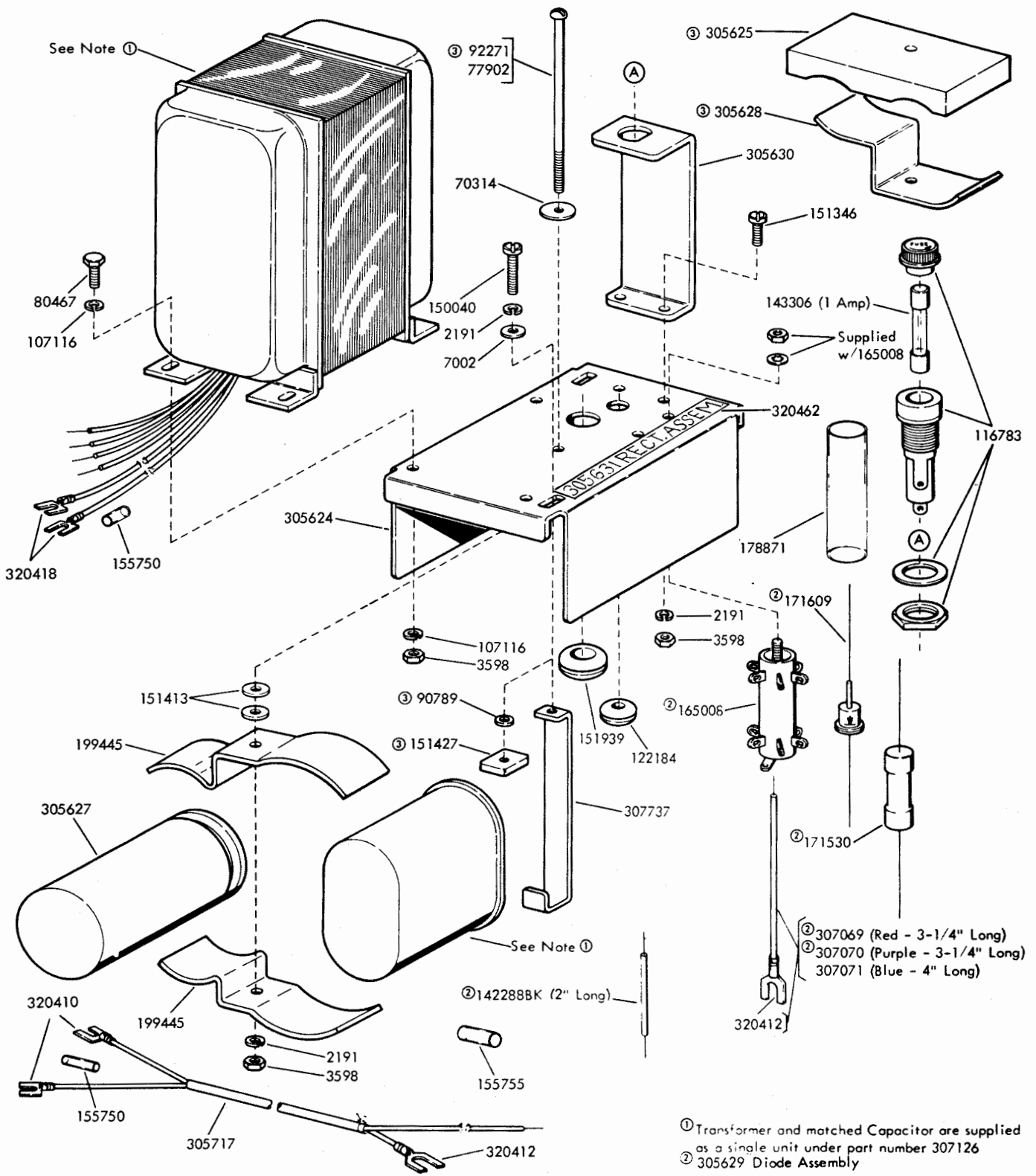


FIGURE 8. 162361 AND 310275 RECTIFIERS AND CABLE ASSEMBLIES (500 MA)



① Peculiar to 146901
 ② Peculiar to 170573

FIGURE 9. 146901 AND 170573 RECTIFIER ASSEMBLIES



- ① Transformer and matched Capacitor are supplied as a single unit under part number 307126
- ② 305629 Diode Assembly
- ③ Early Design Capacitor Mounting Parts

FIGURE 10. 305631 RECTIFIER ASSEMBLY

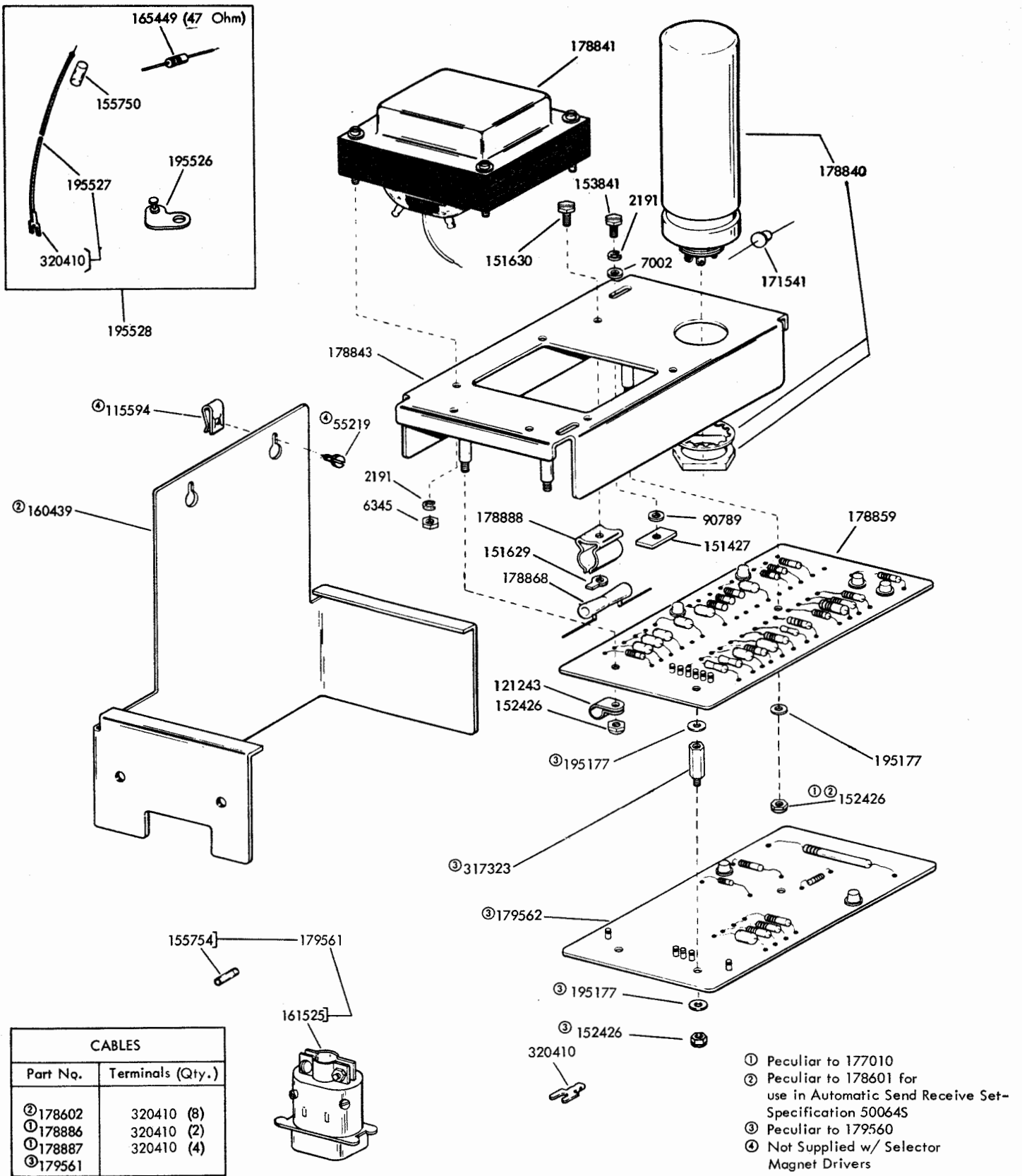


FIGURE 11. 177010 AND 178601 SELECTOR MAGNET DRIVER ASSEMBLIES
179560 SELECTOR MAGNET DRIVER ASSEMBLY WITH OPEN
LINE DETECTOR

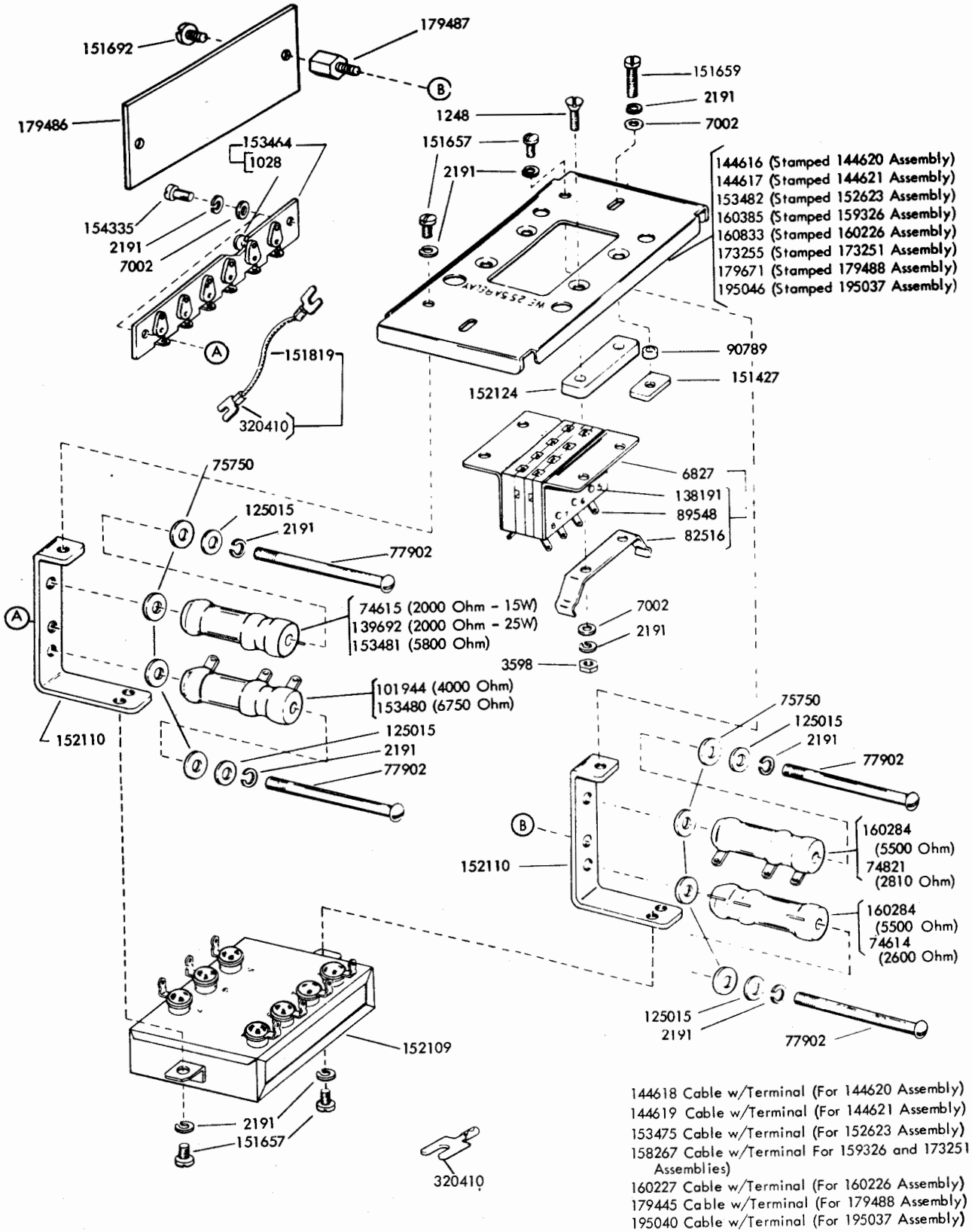


FIGURE 12. LINE RELAY MOUNTING

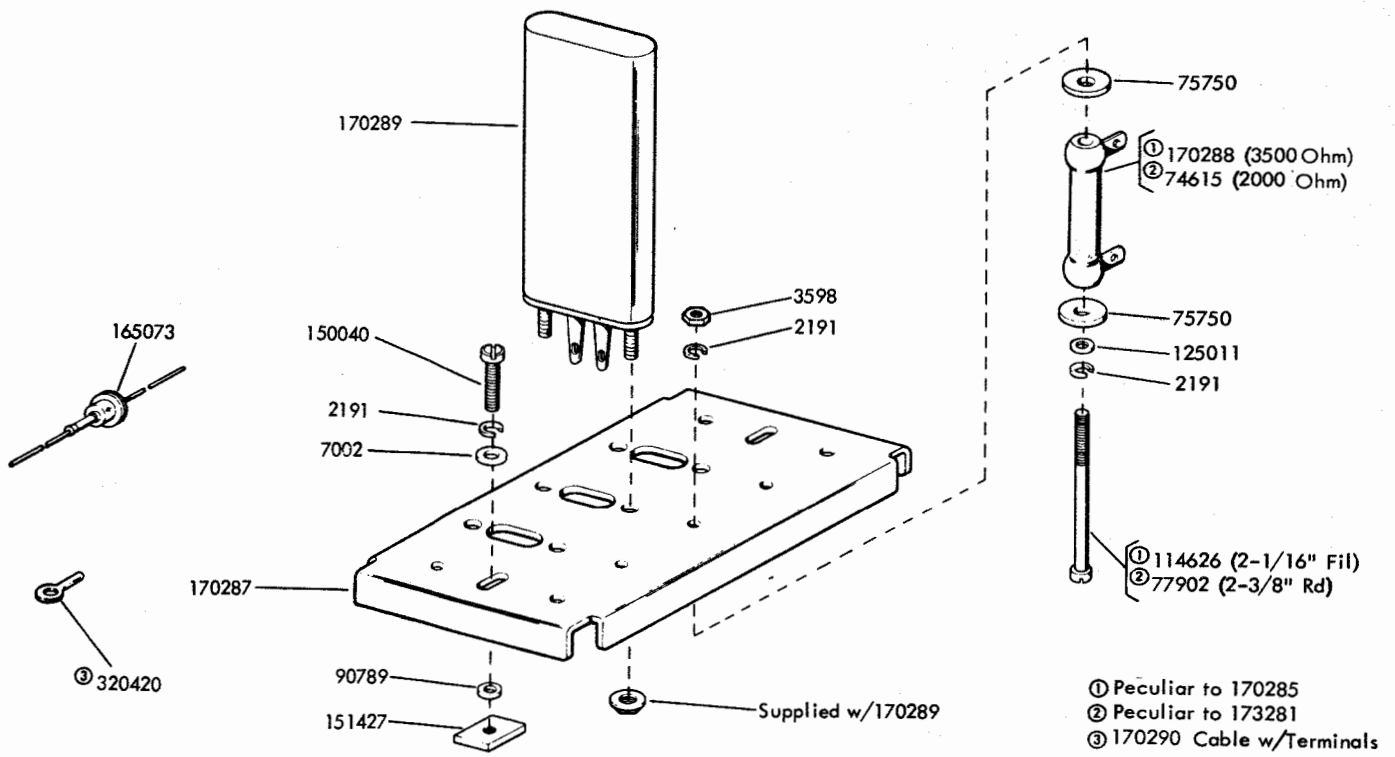


FIGURE 13. 170285 AND 173281 RESISTOR ASSEMBLIES

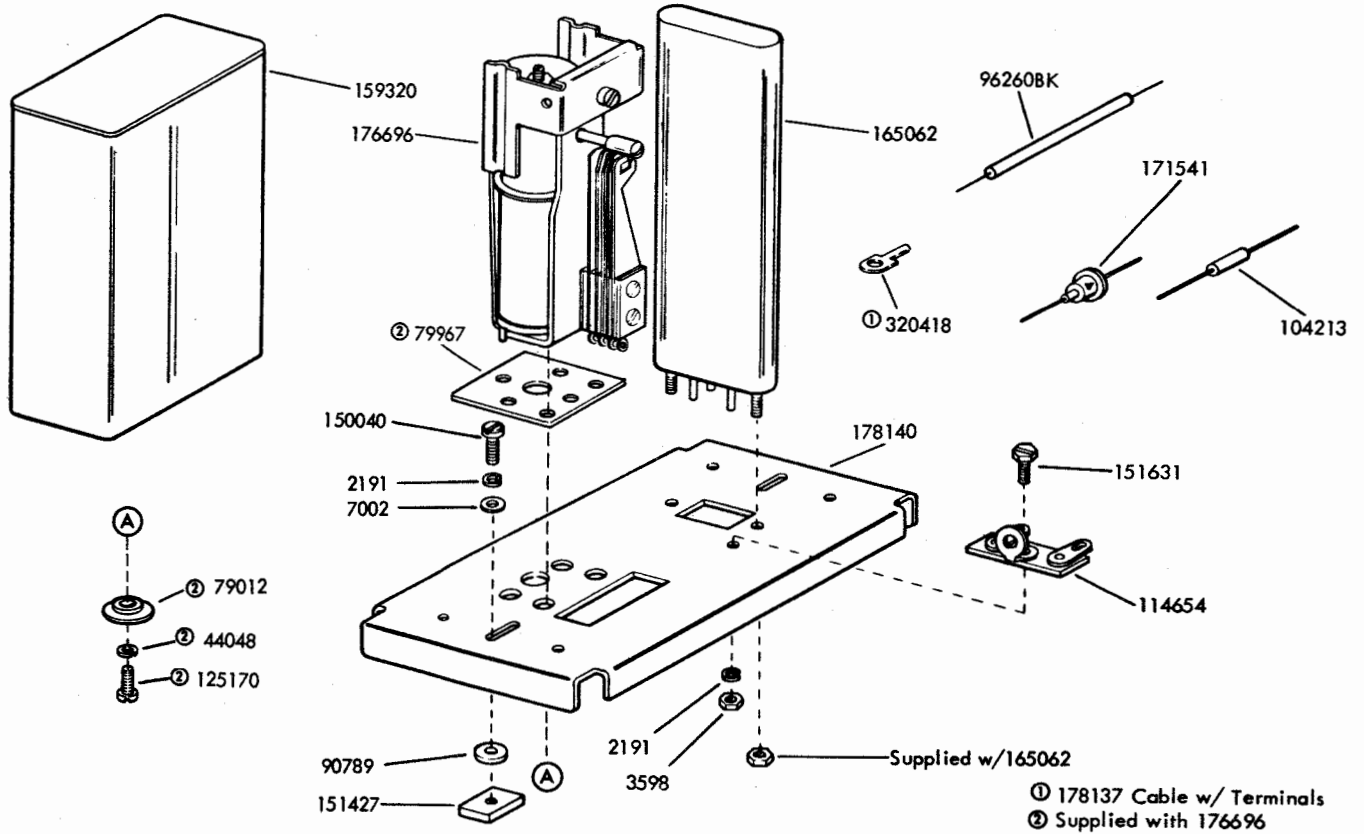


FIGURE 14. 178138 SLOW RELEASE RELAY ASSEMBLY (NON-CONTENTION)

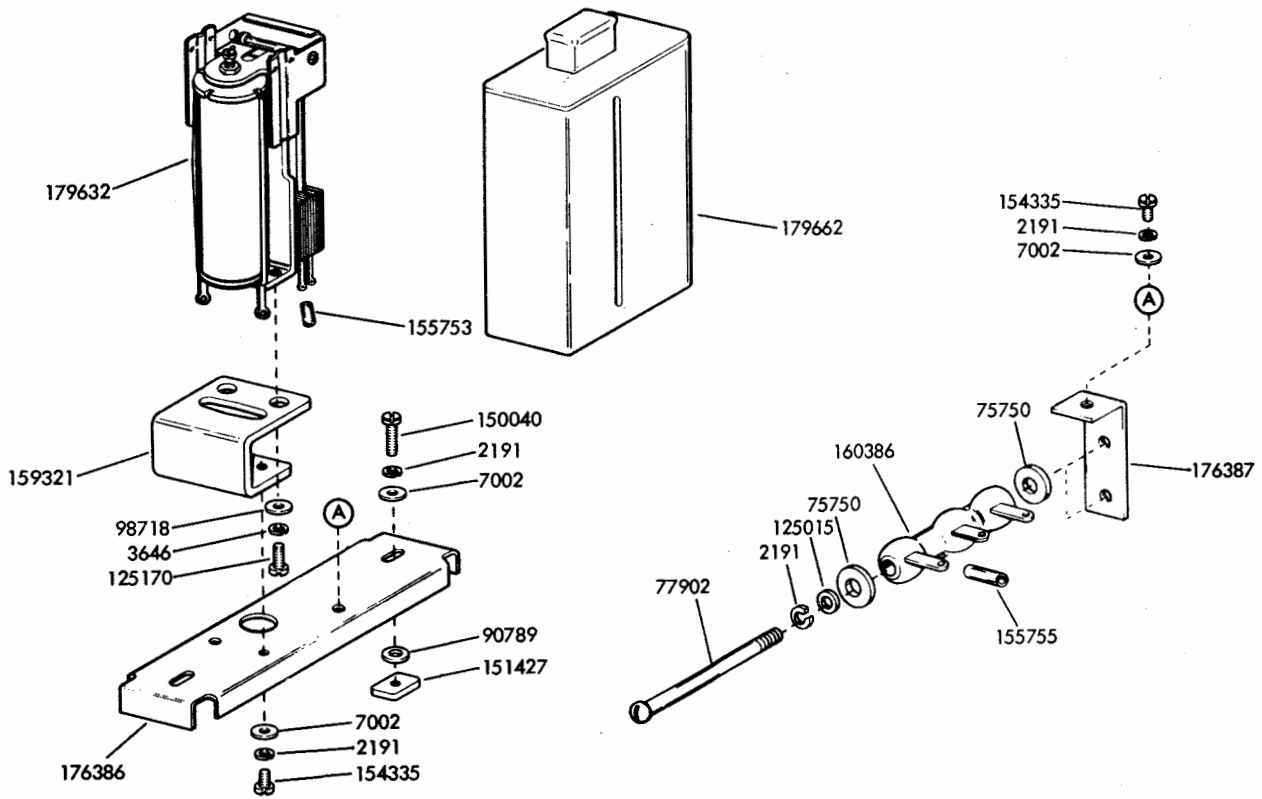


FIGURE 15. QUICK ACTING RELAY (10 MS) MECHANISM

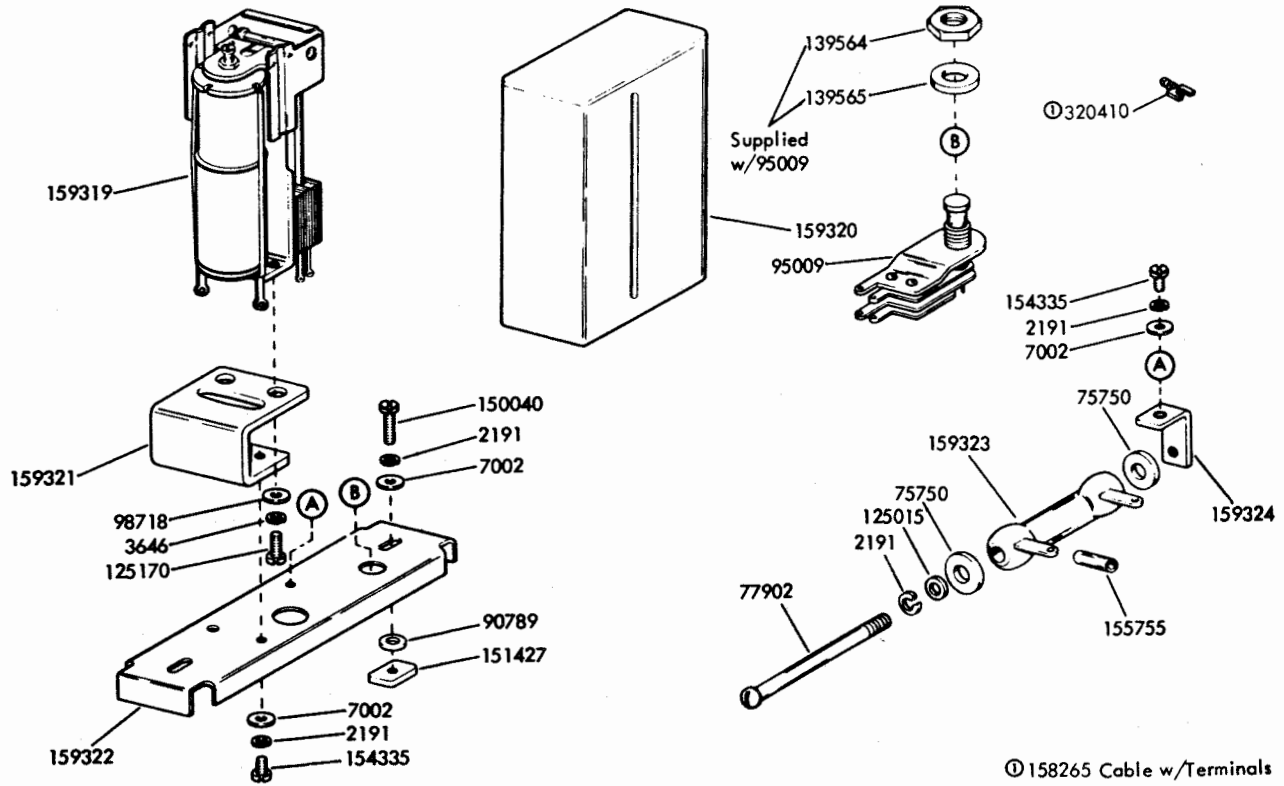


FIGURE 16. 159318 SLOW RELEASE RELAY ASSEMBLY

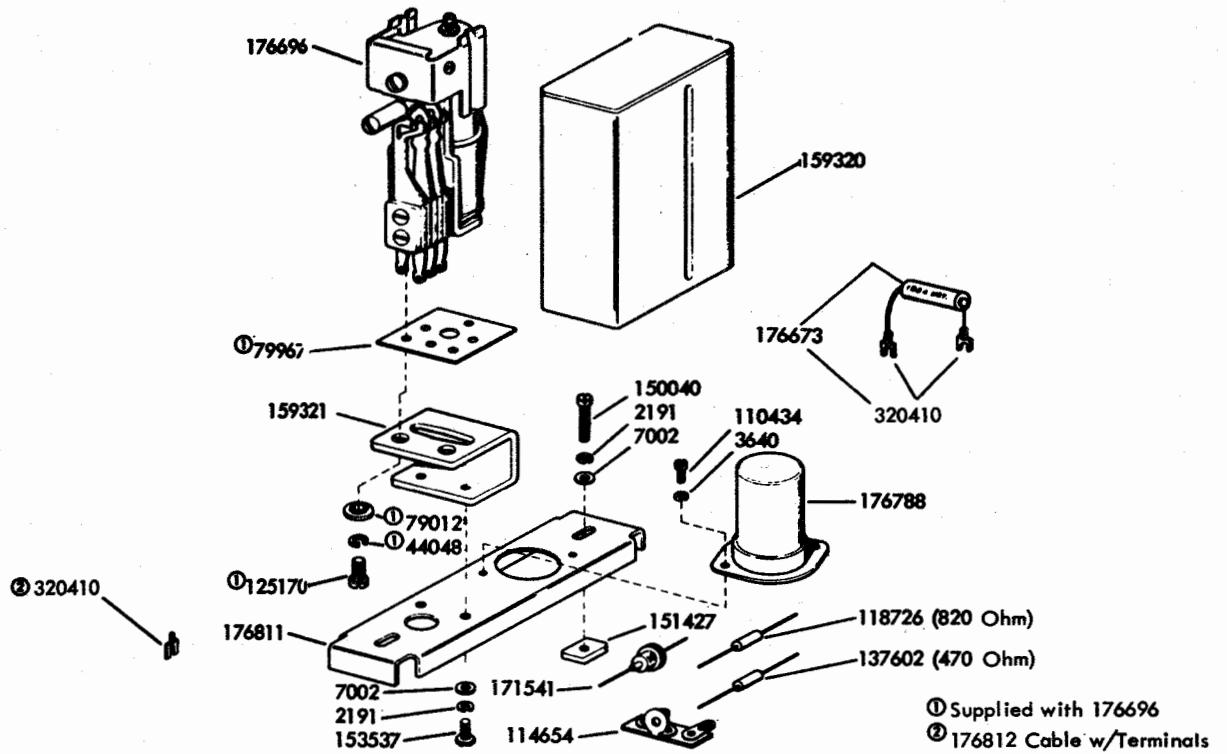


FIGURE 17. 176810 ANSWER-BACK CONTROL RELAY ASSEMBLY

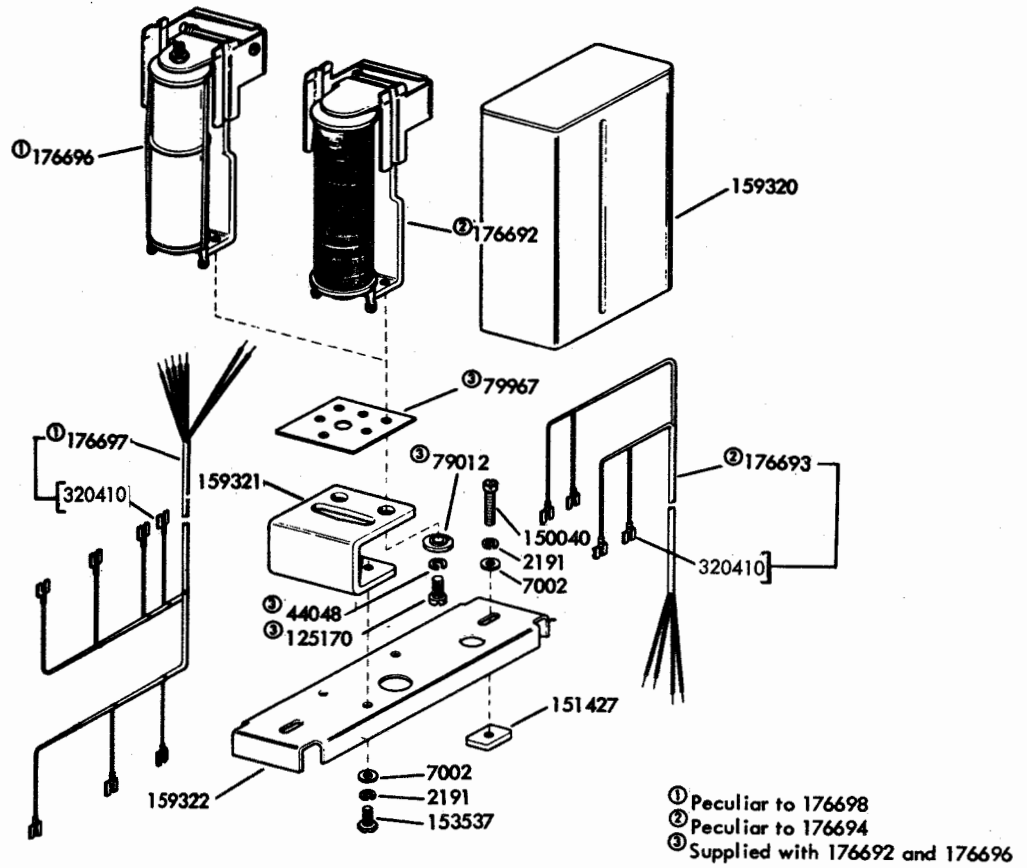


FIGURE 18. 176694 (MOTOR CONTROL) AND 176698 (SLOW RELEASE) RELAY ASSEMBLIES

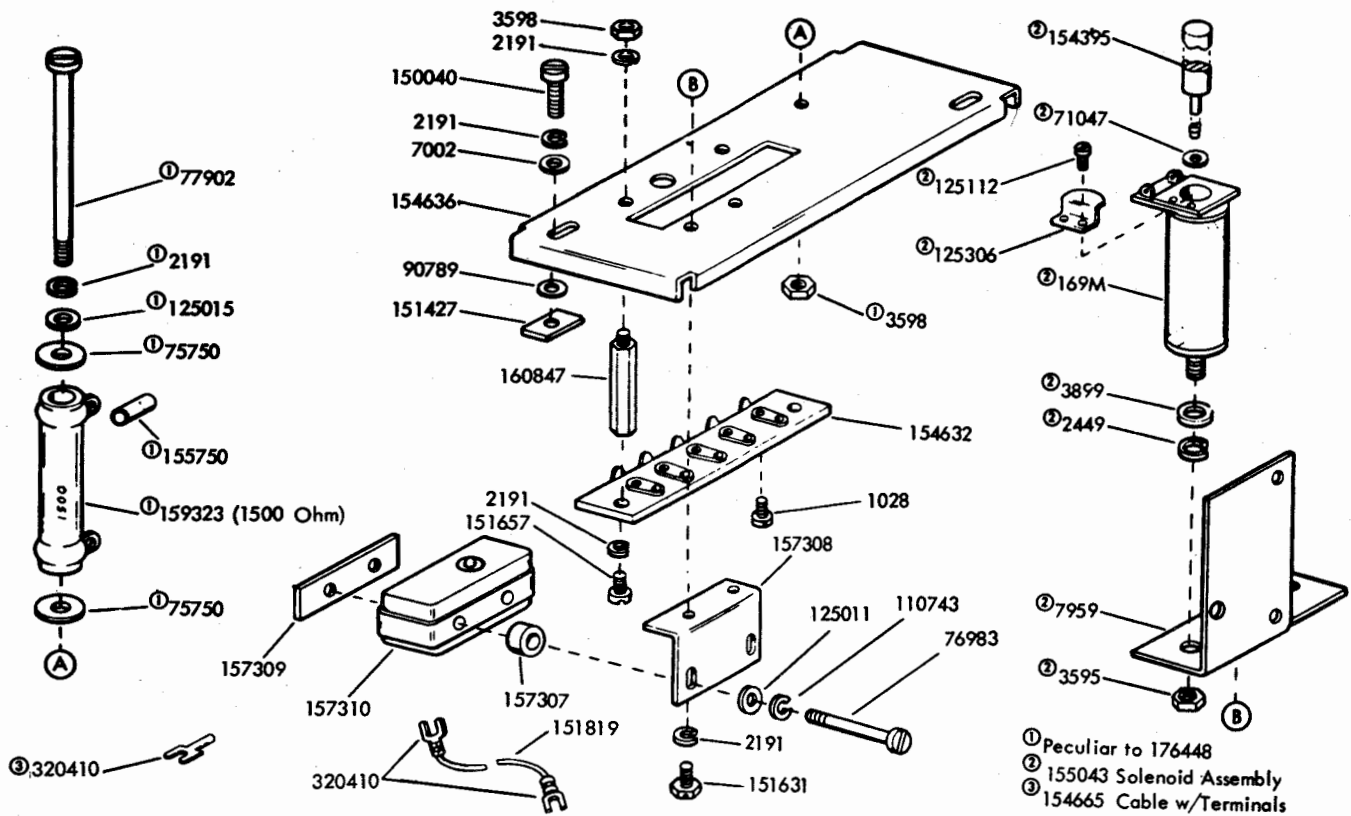


FIGURE 19. 152332 AND 176448 MOTOR CONTROL RELAY ASSEMBLIES

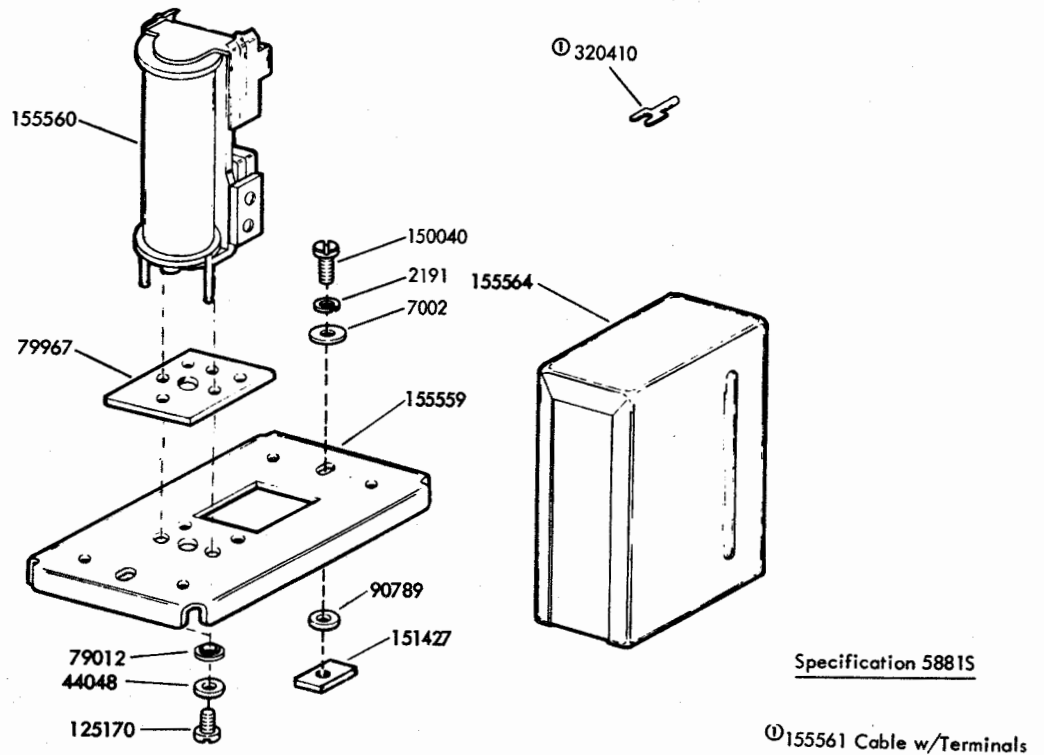


FIGURE 20. 15558 DC CONTROL RELAY ASSEMBLY

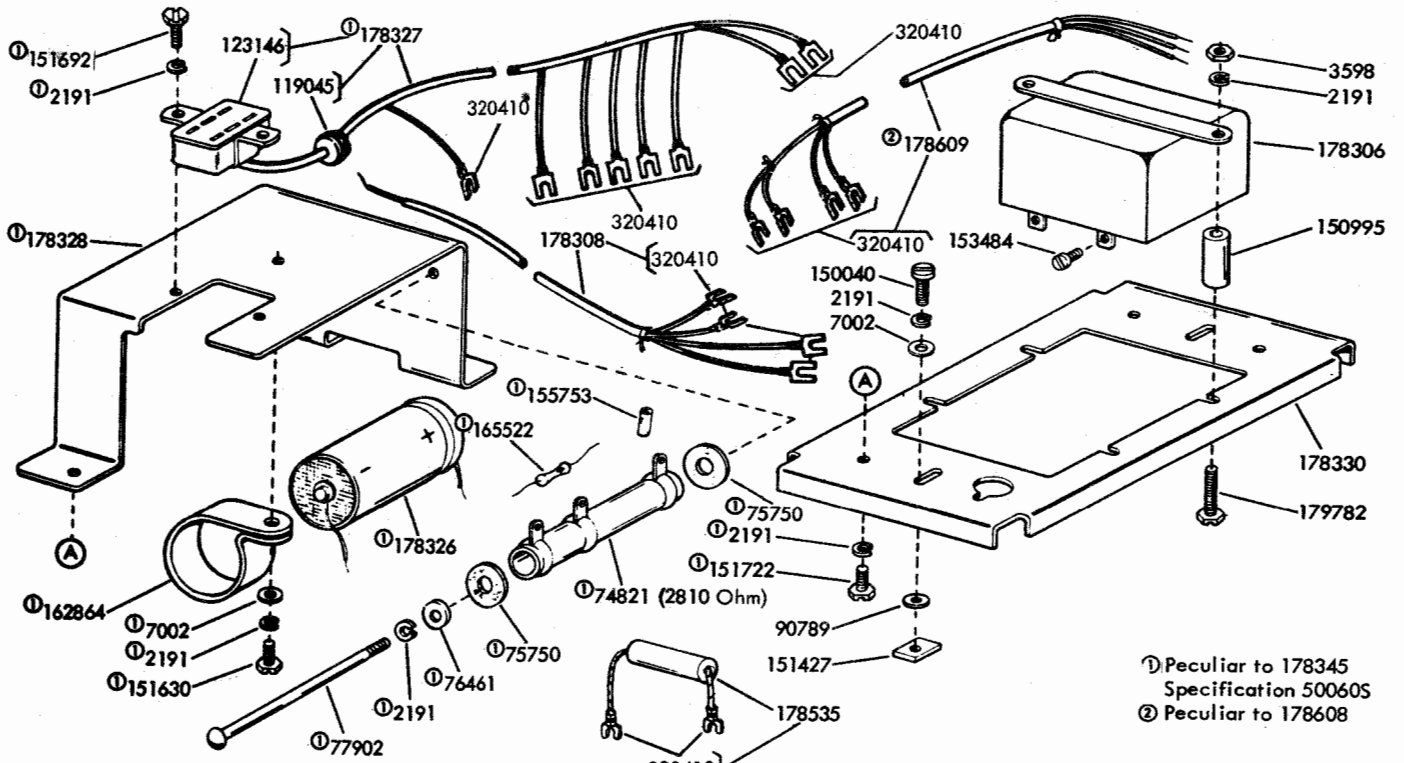


FIGURE 21. 178345 MODIFICATION KIT AND 178608 RELAY ASSEMBLY TO PROVIDE MOTOR CONTROL AND ANSWER BACK RELAYS

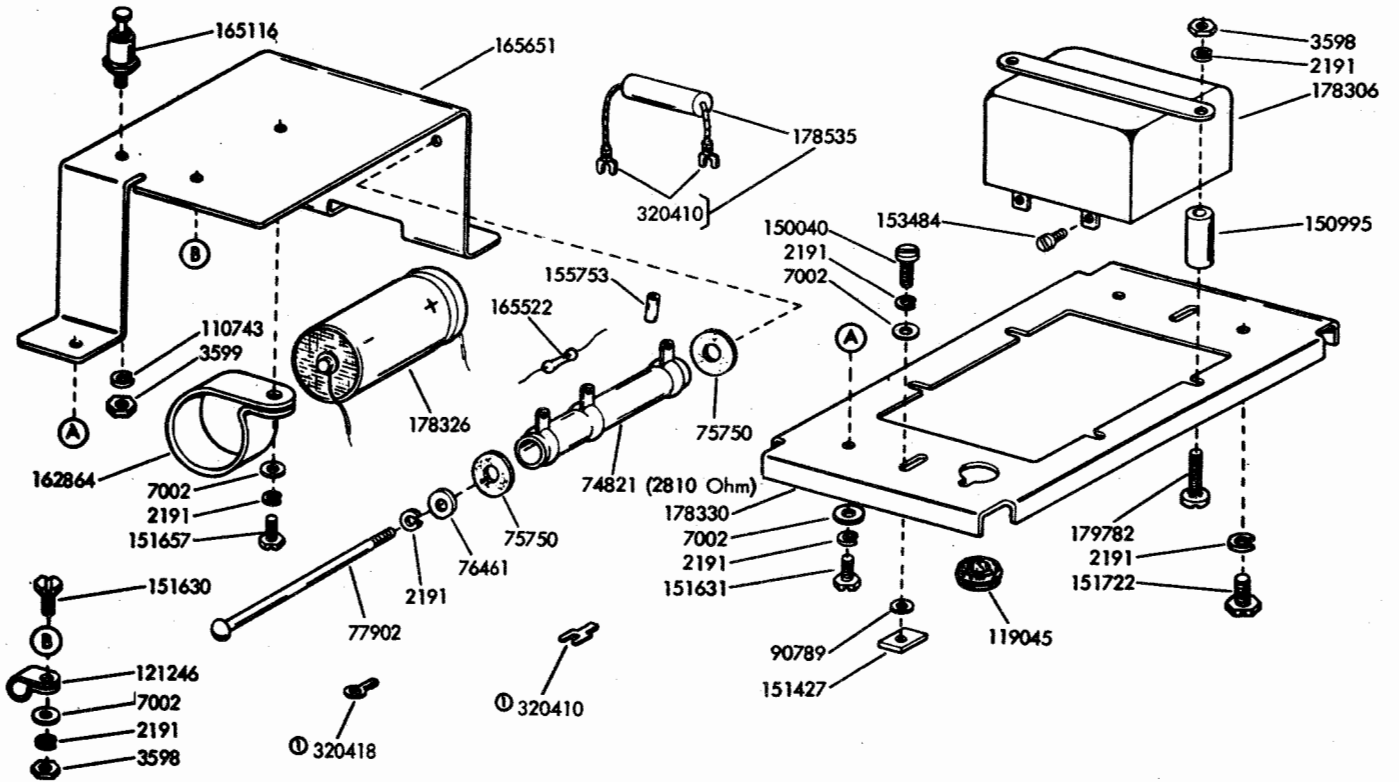


FIGURE 22. 165650 MOTOR CONTROL AND ANSWER-BACK RELAY ASSEMBLY

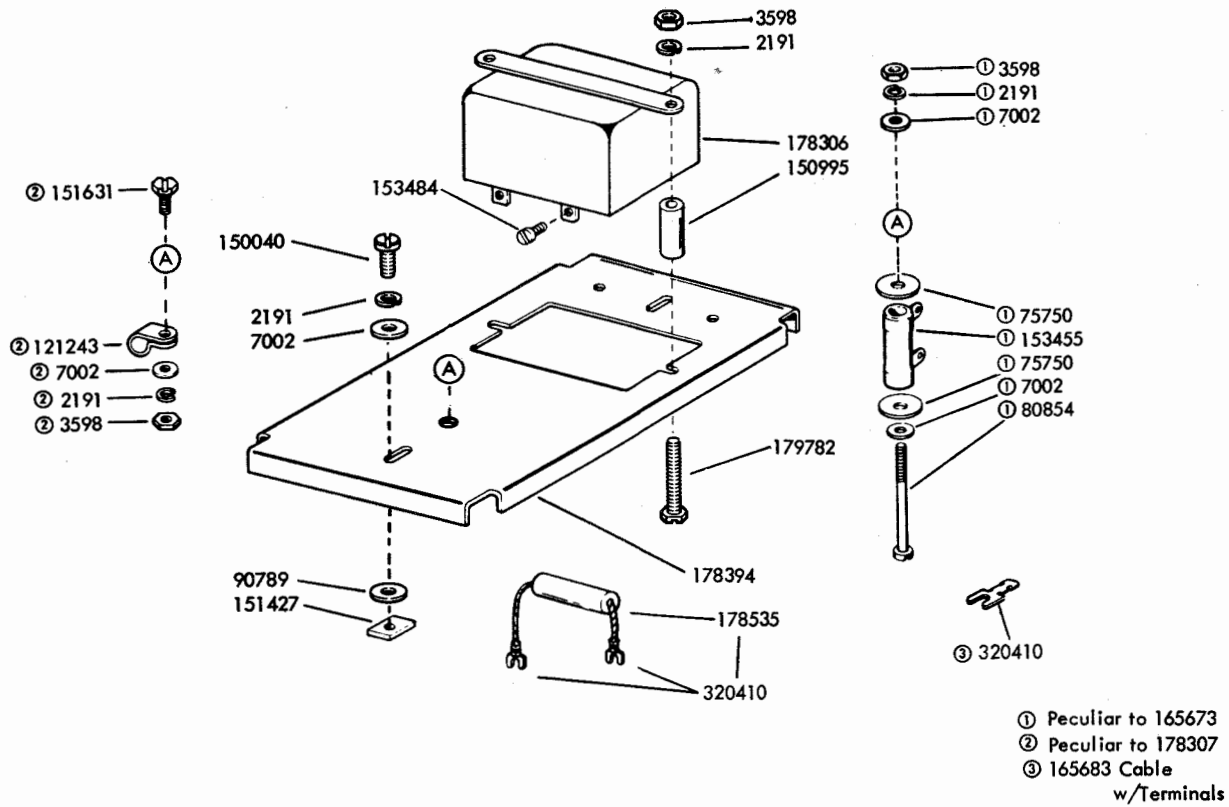


FIGURE 23. 165673 AND 178307 MOTOR CONTROL RELAY ASSEMBLIES

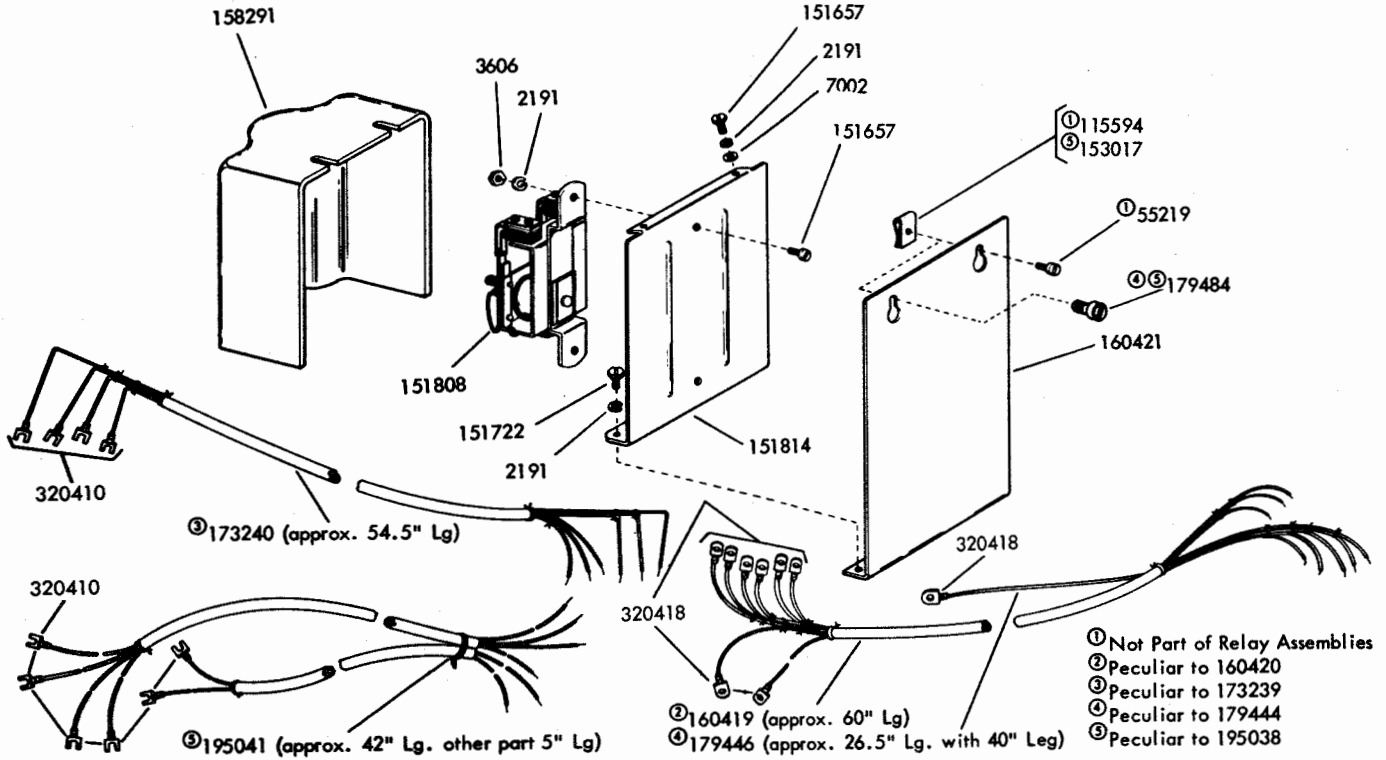


FIGURE 24. 160420 AND 195038 AUXILIARY LINE SHUNT RELAY ASSEMBLIES
 179444 AND 173239 AUXILIARY READER CONTROL RELAY ASSEMBLIES

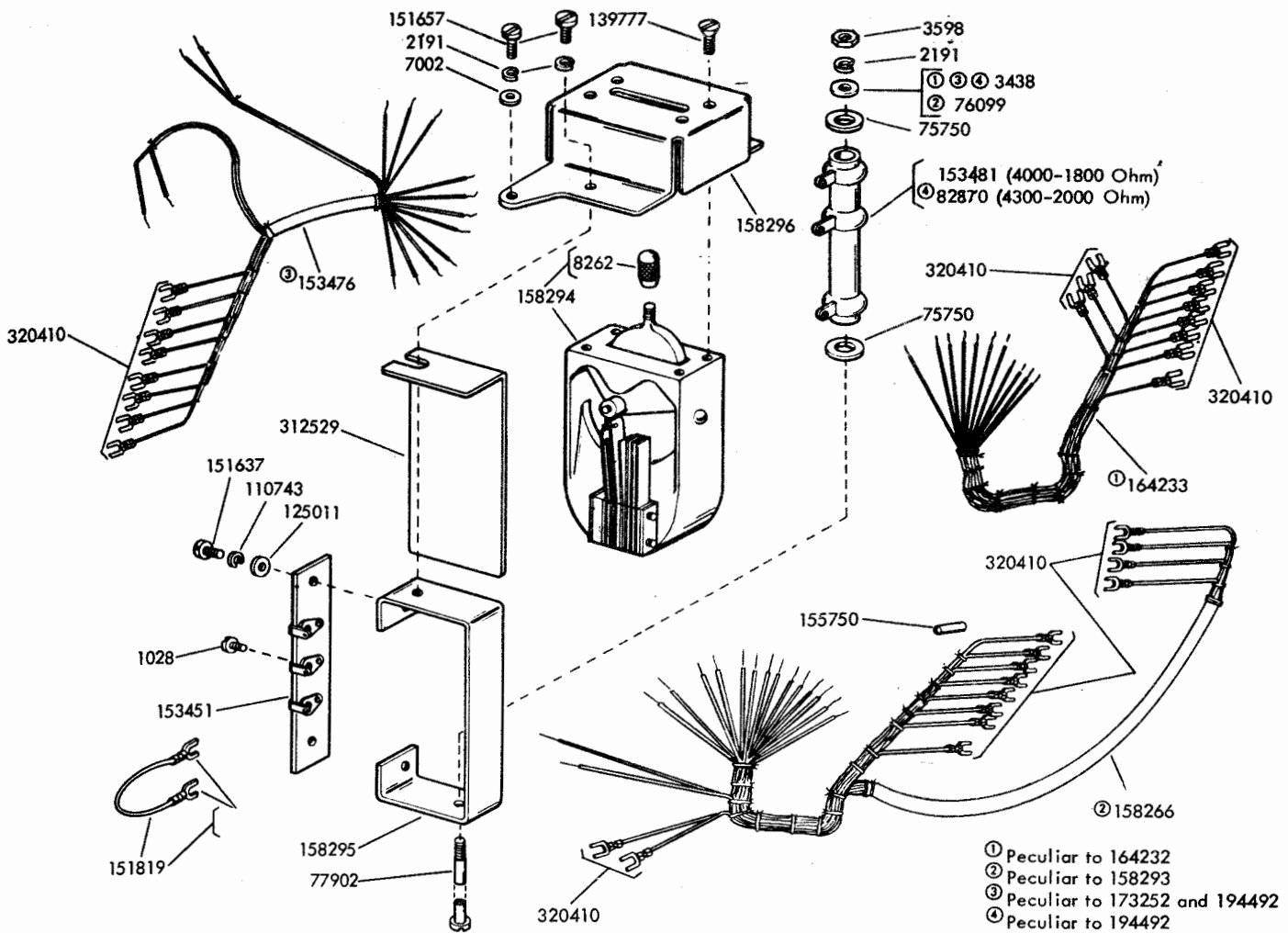


FIGURE 25. 158293, 164232, 173252 AND 194492 LINE TEST KEY ASSEMBLIES

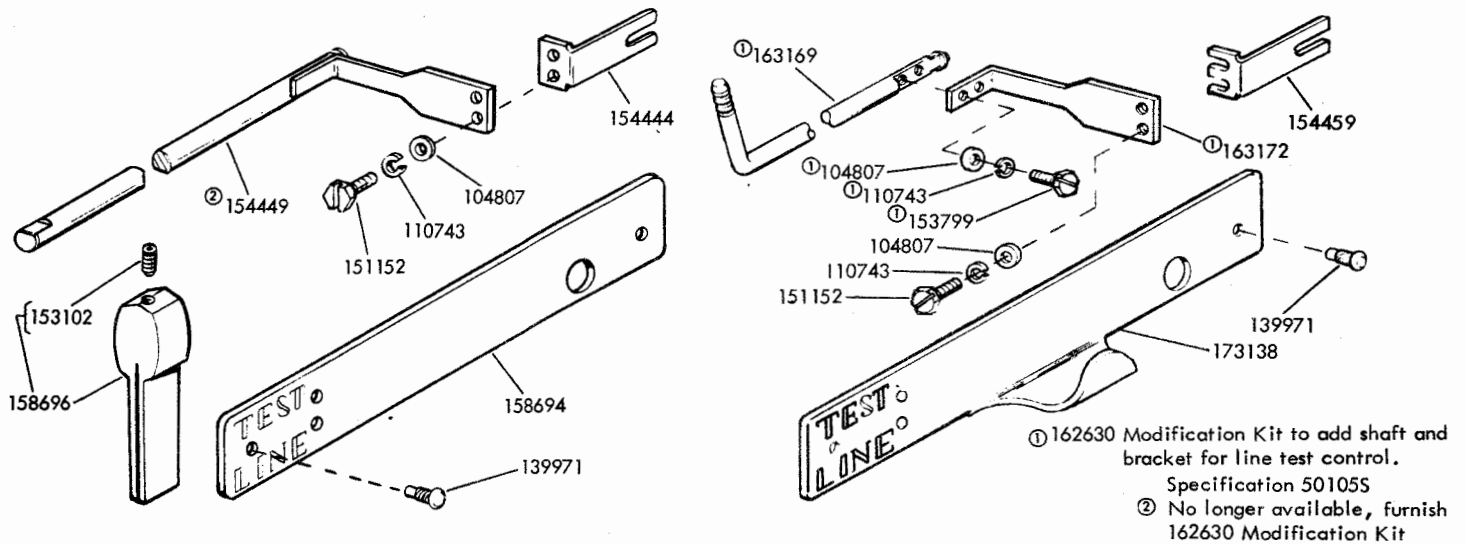


FIGURE 26. LINE TEST KEY CONTROL

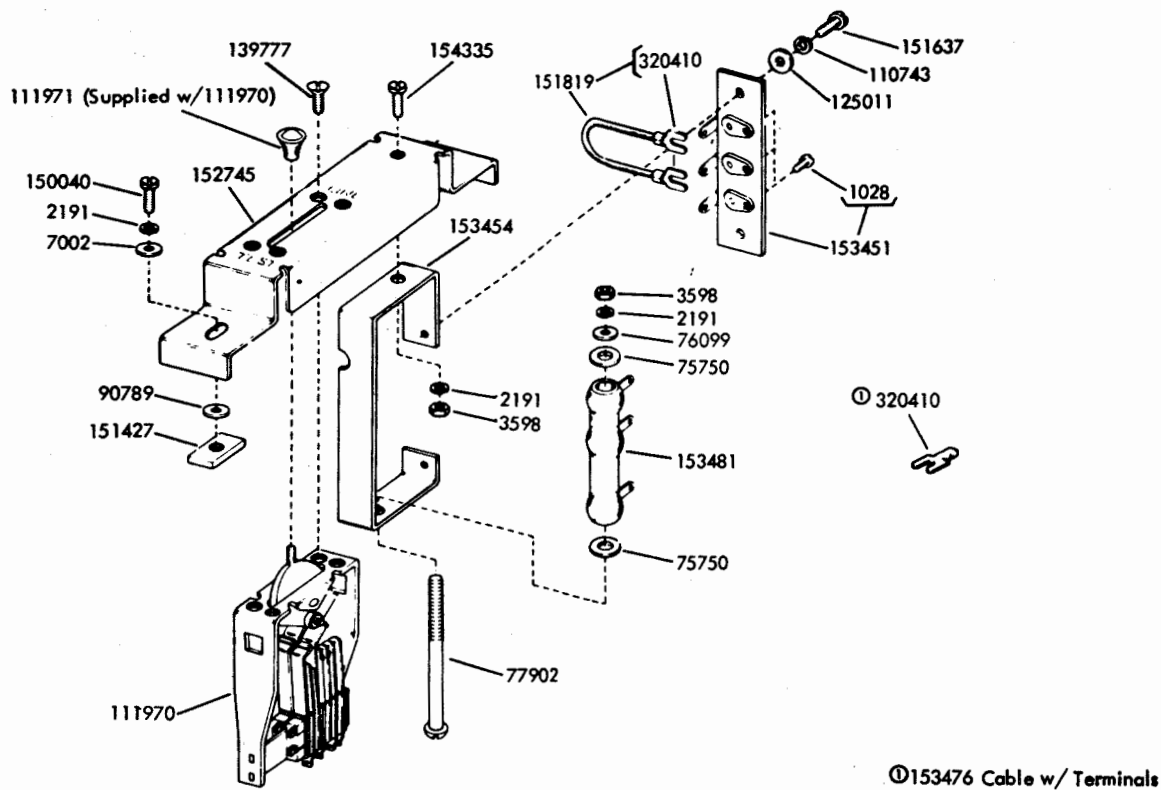


FIGURE 27. 152625 LINE TEST KEY ASSEMBLY

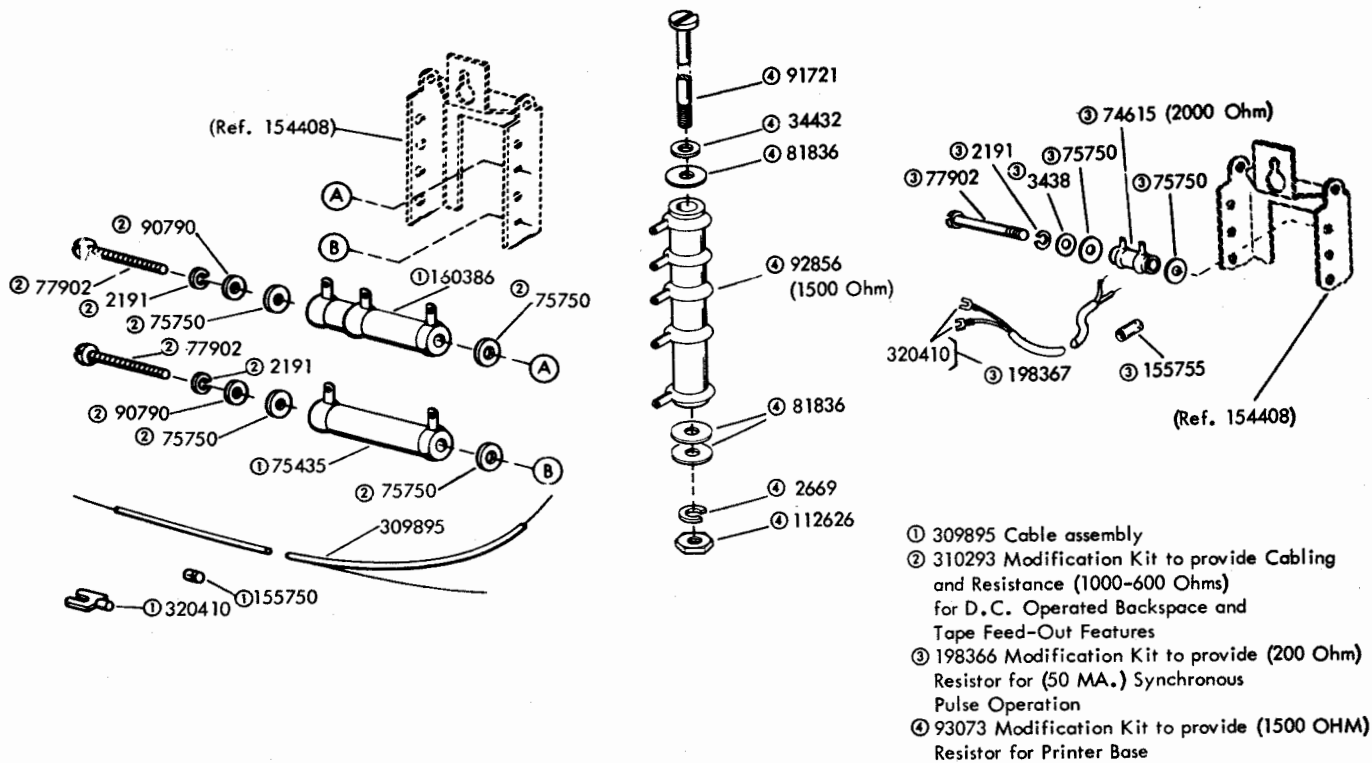


FIGURE 28. RESISTOR MODIFICATION KITS

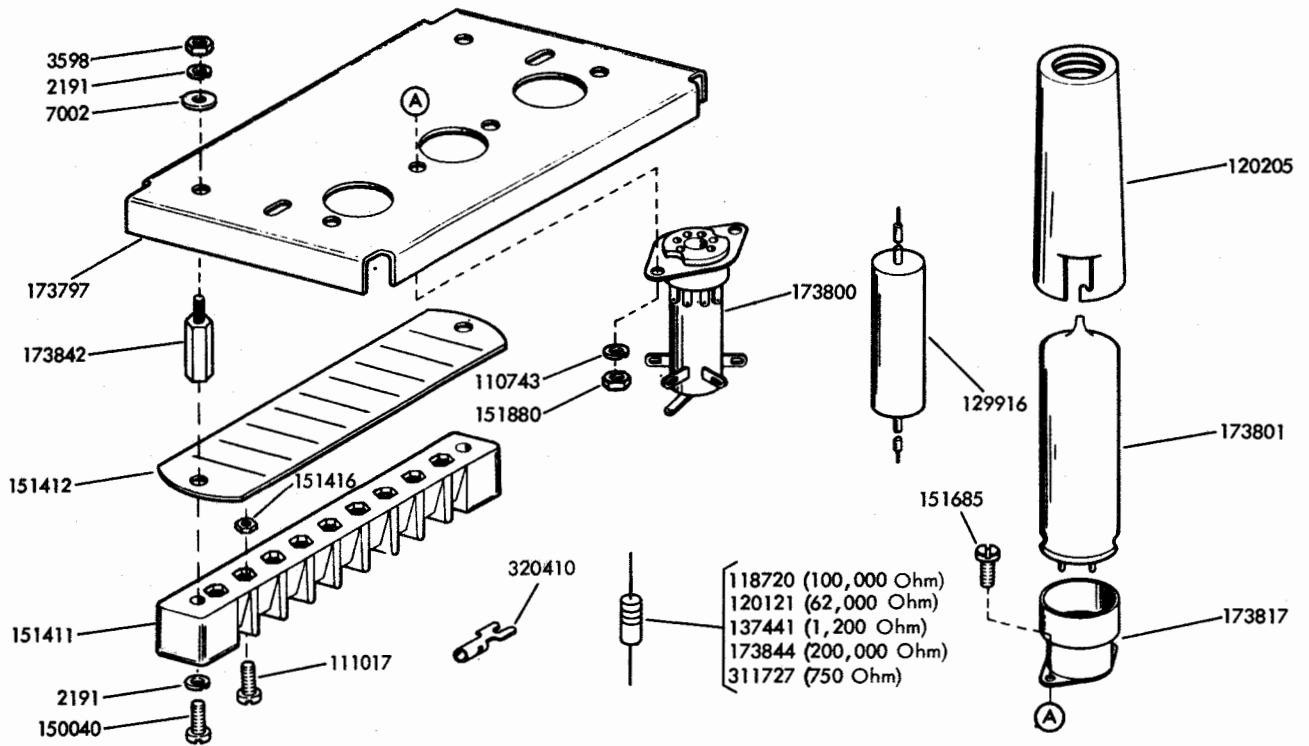


FIGURE 29. 173452 ELECTRONIC KEYSER ASSEMBLY

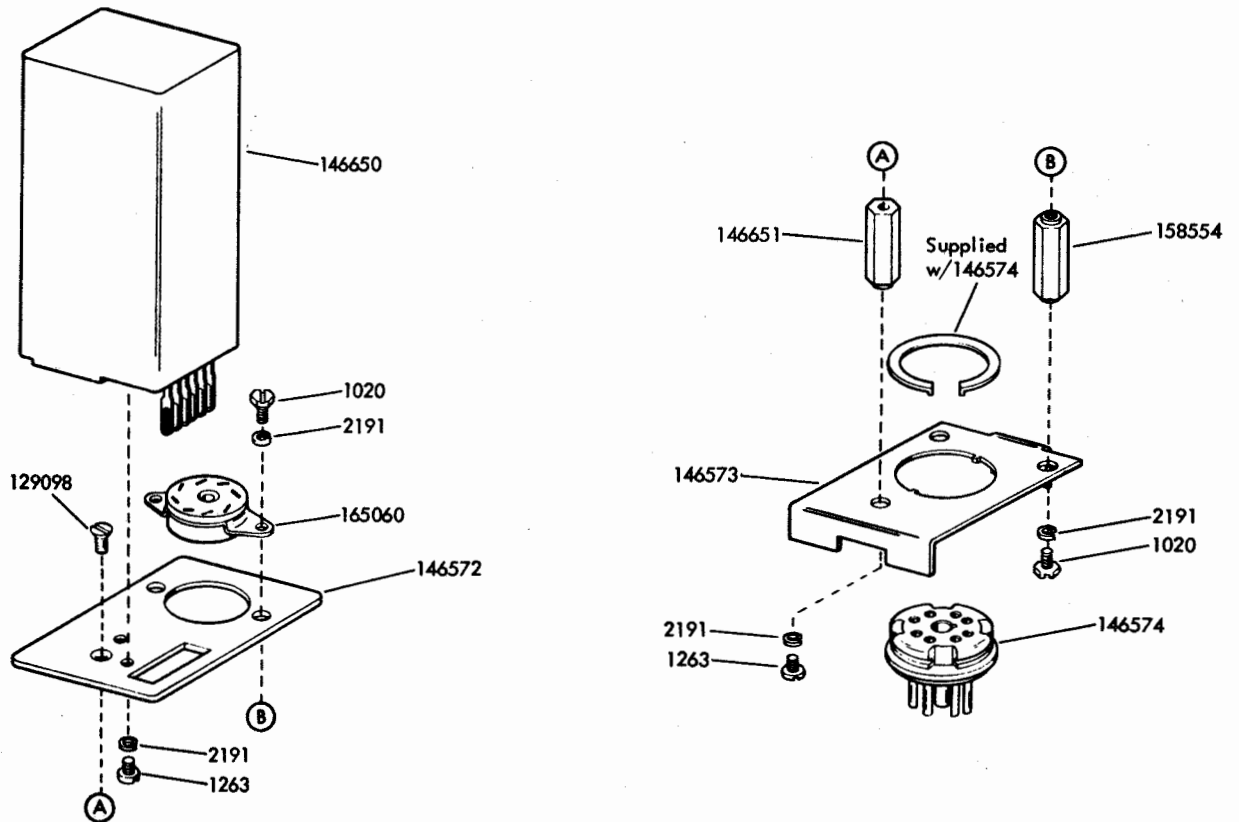
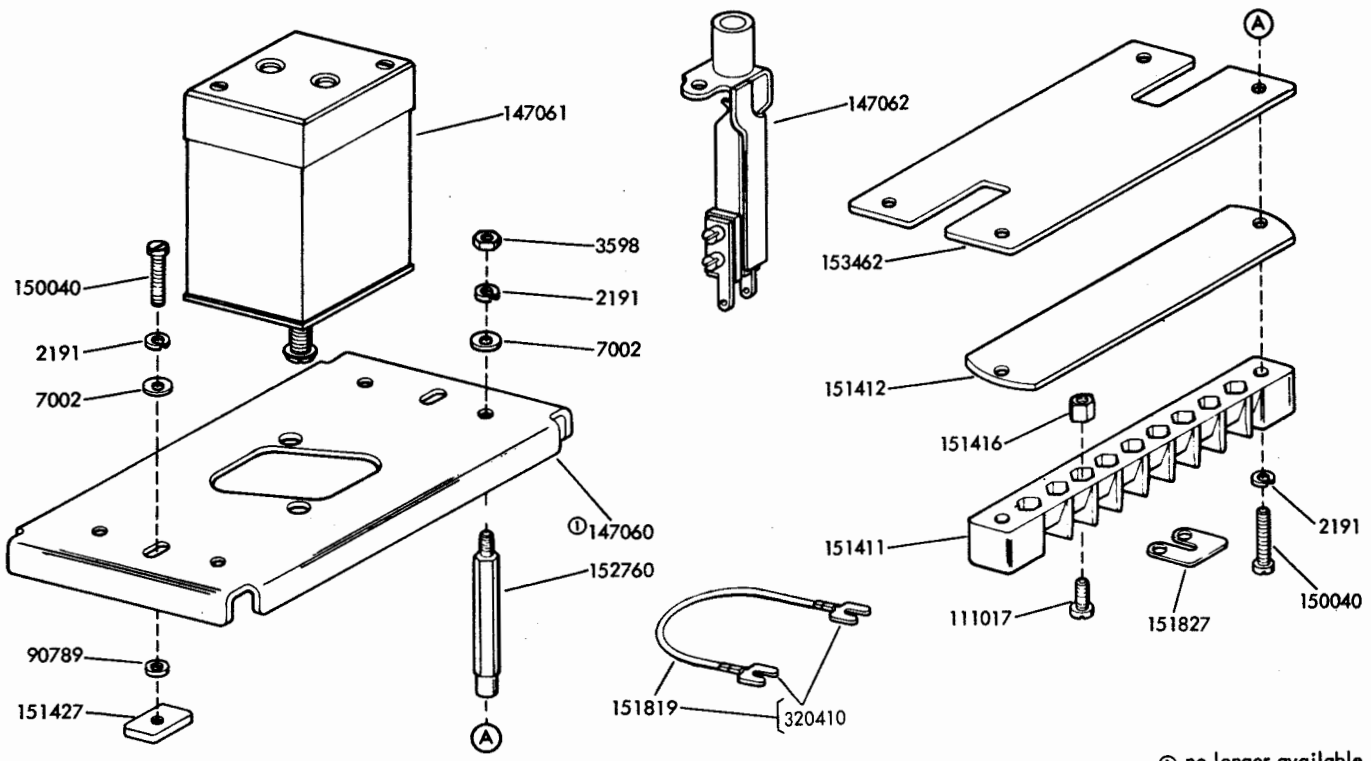


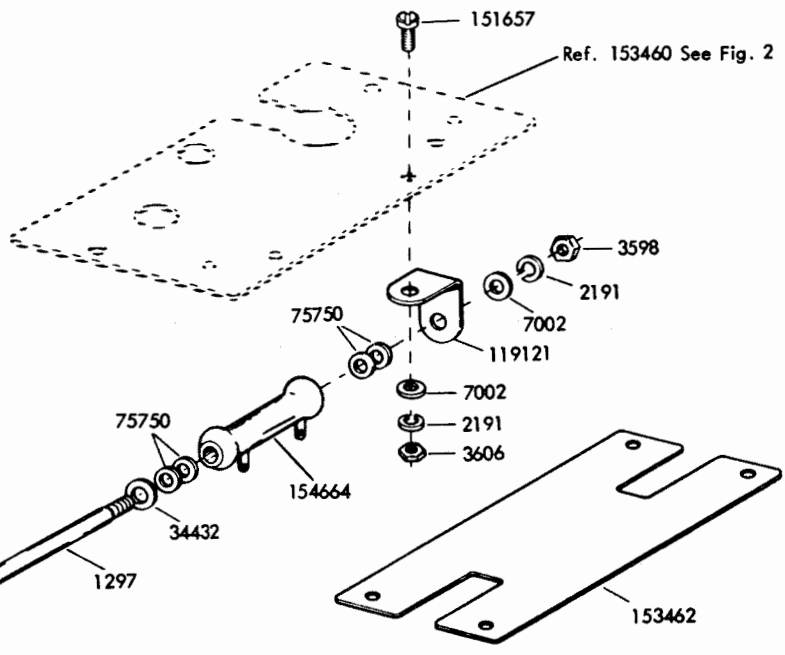
FIGURE 30. 146652 MODIFICATION KIT TO ADD WAVE SHAPING INDUCTOR



ⓐ no longer available

FIGURE 31. LINE JACK ASSEMBLY

PART NUMBER	"A" DIMENSION	PARTS REQUIRED
151819	3"	320410 (2)
157231	8"	320410 (2)
157232	9 1/4"	320410 (2)



Specification 57765

ⓐ 154870 Cable w/Terminals

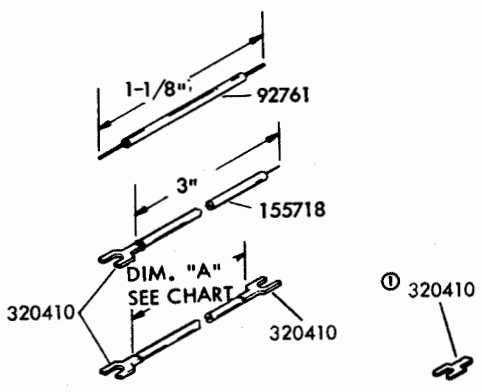


FIGURE 32. 154747 MODIFICATION KIT TO ADD CONTINUOUS SPACING

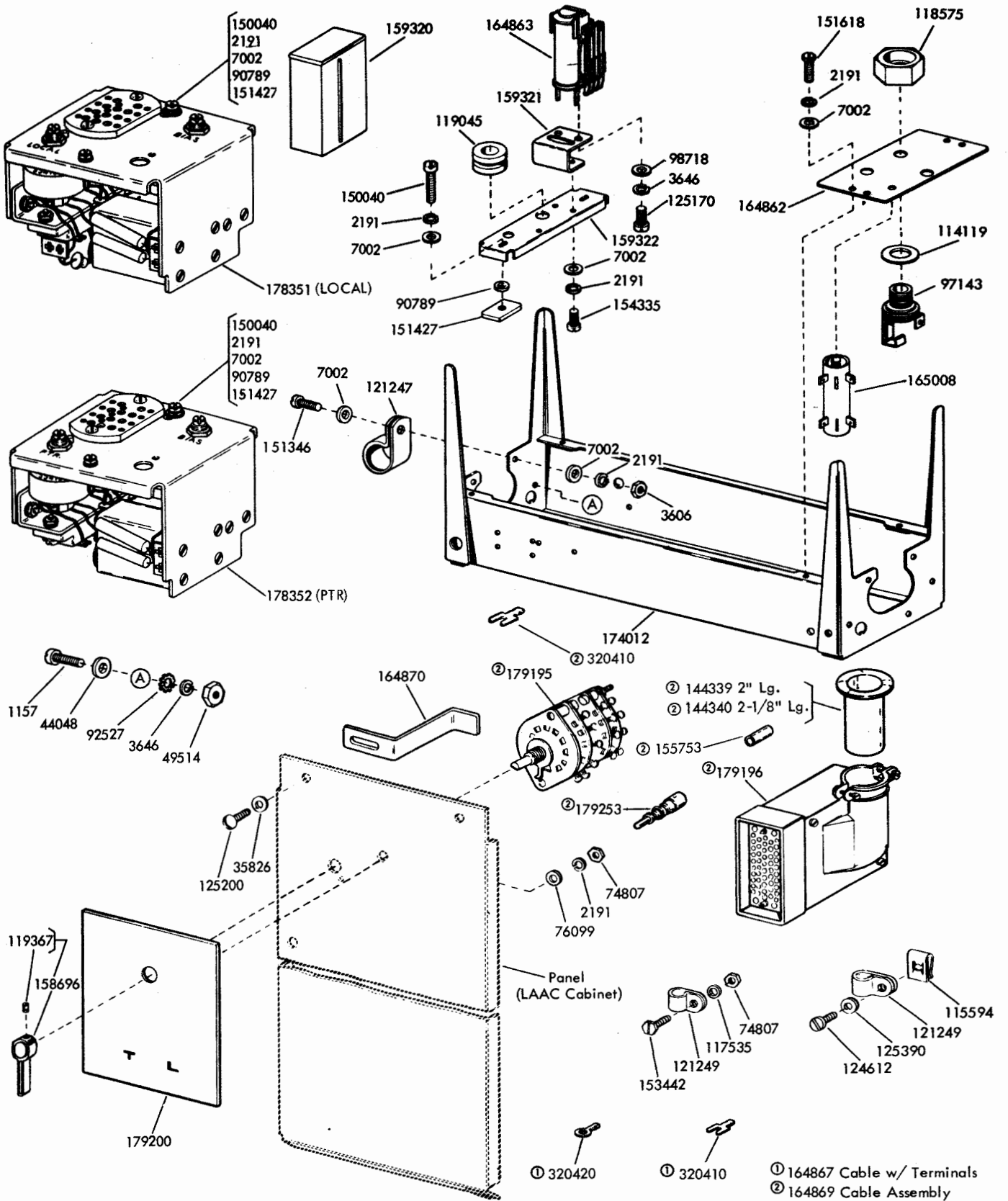


FIGURE 33. 164868 MODIFICATION KIT TO PROVIDE A CABINET WITH AN AUXILIARY ELECTRICAL SERVICE UNIT

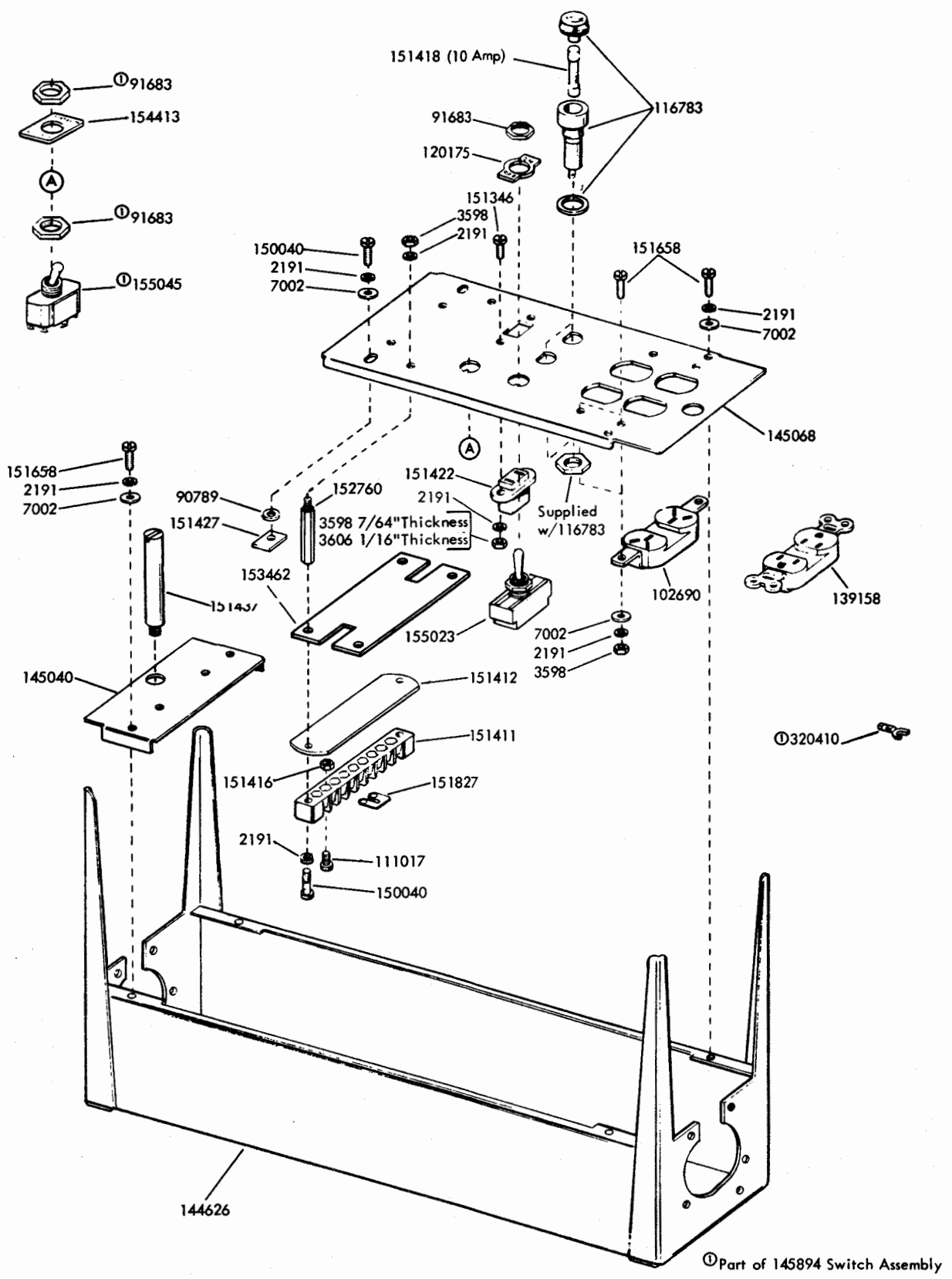


FIGURE 34. AUXILIARY ELECTRICAL SERVICE UNIT

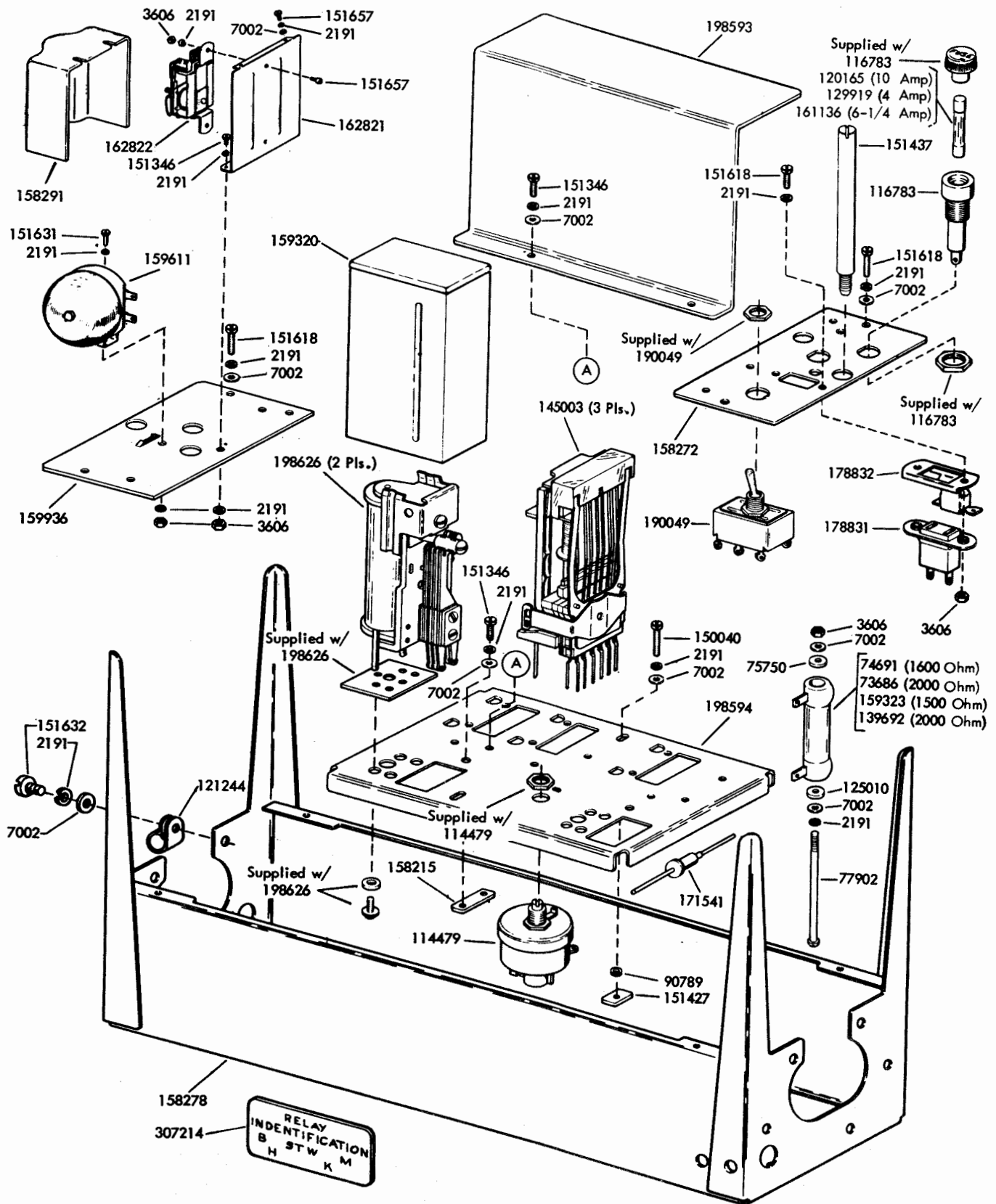


FIGURE 36. COMPONENTS TO PROVIDE LINE RELAYS AND SELECTOR BATTERY

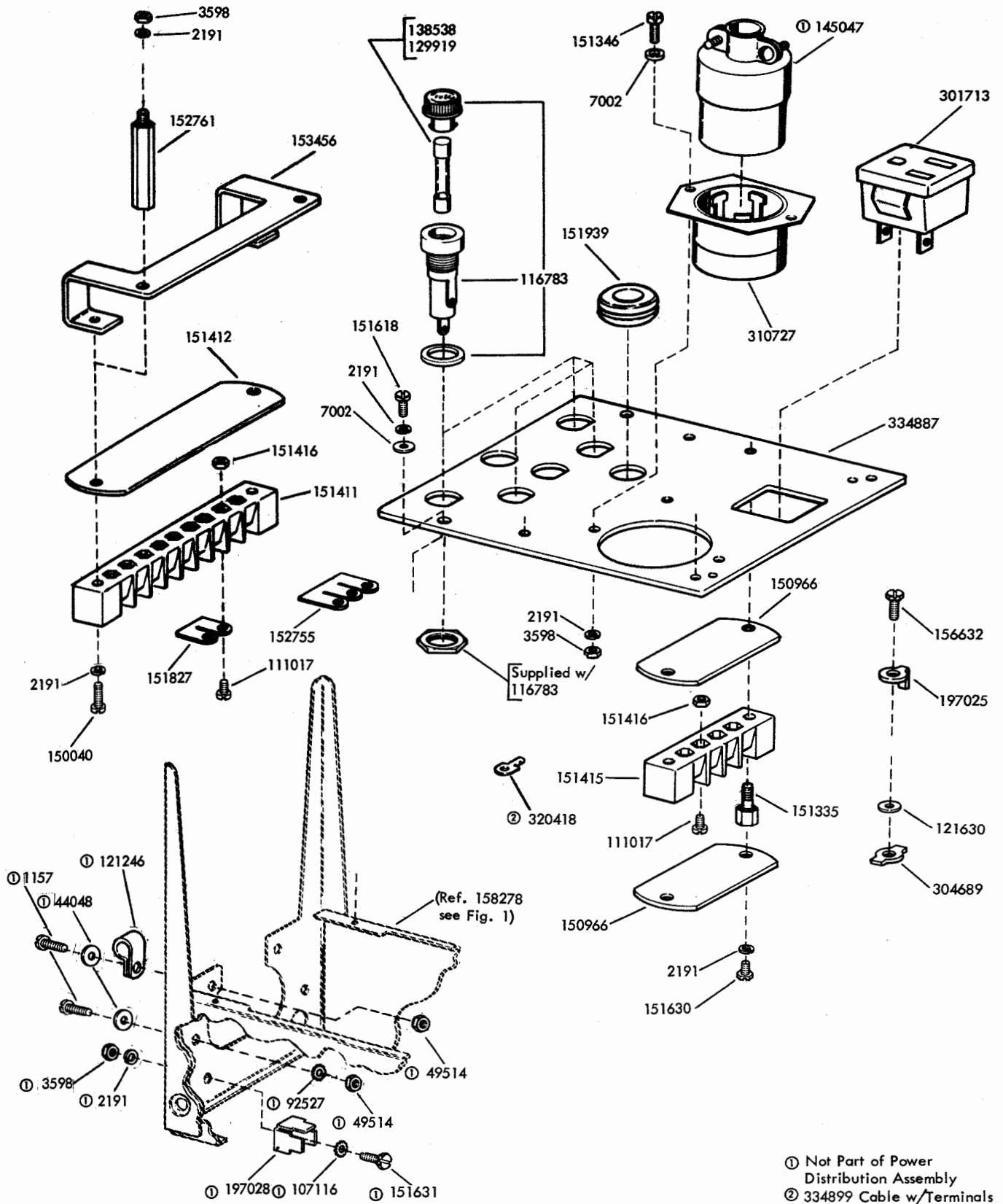
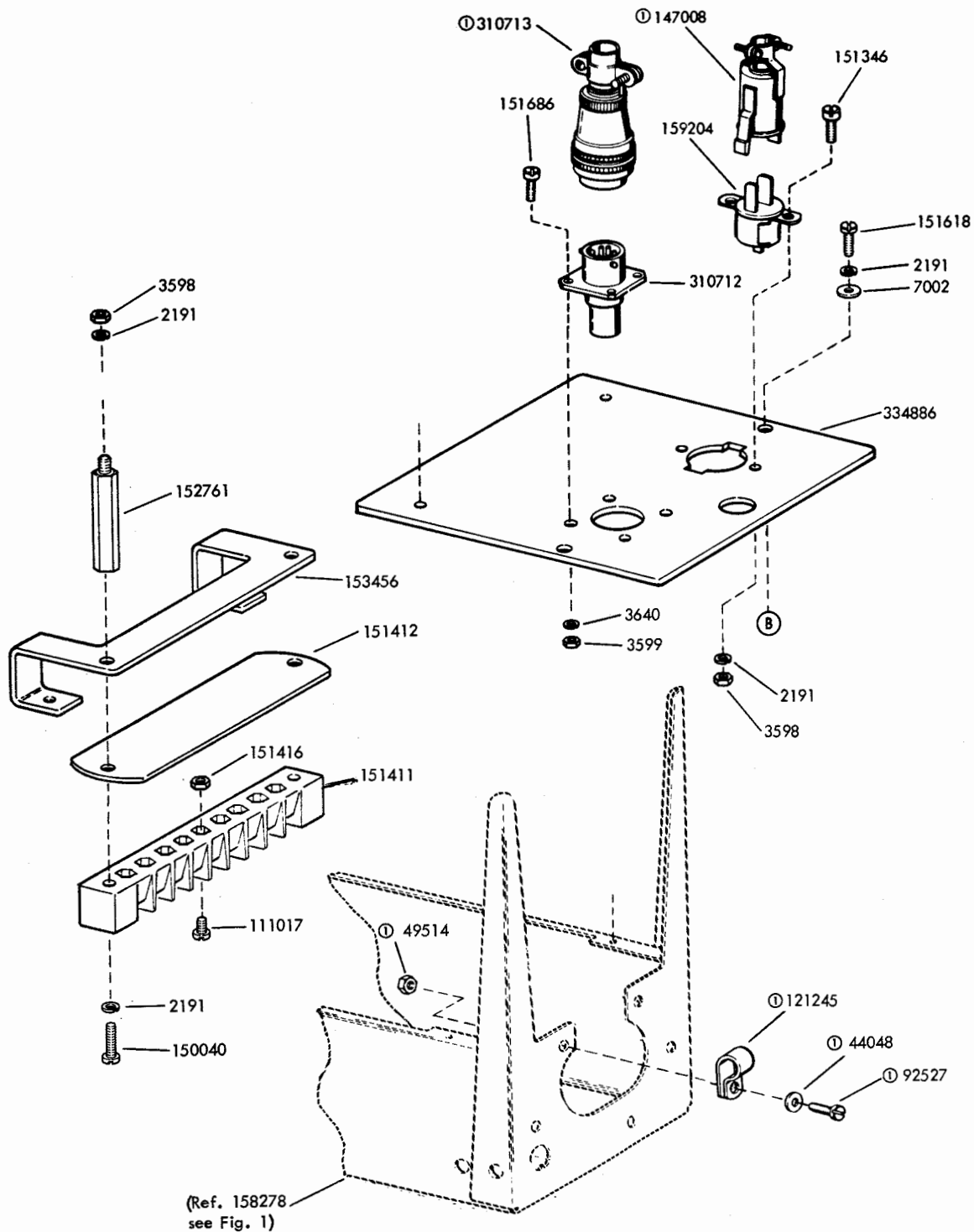
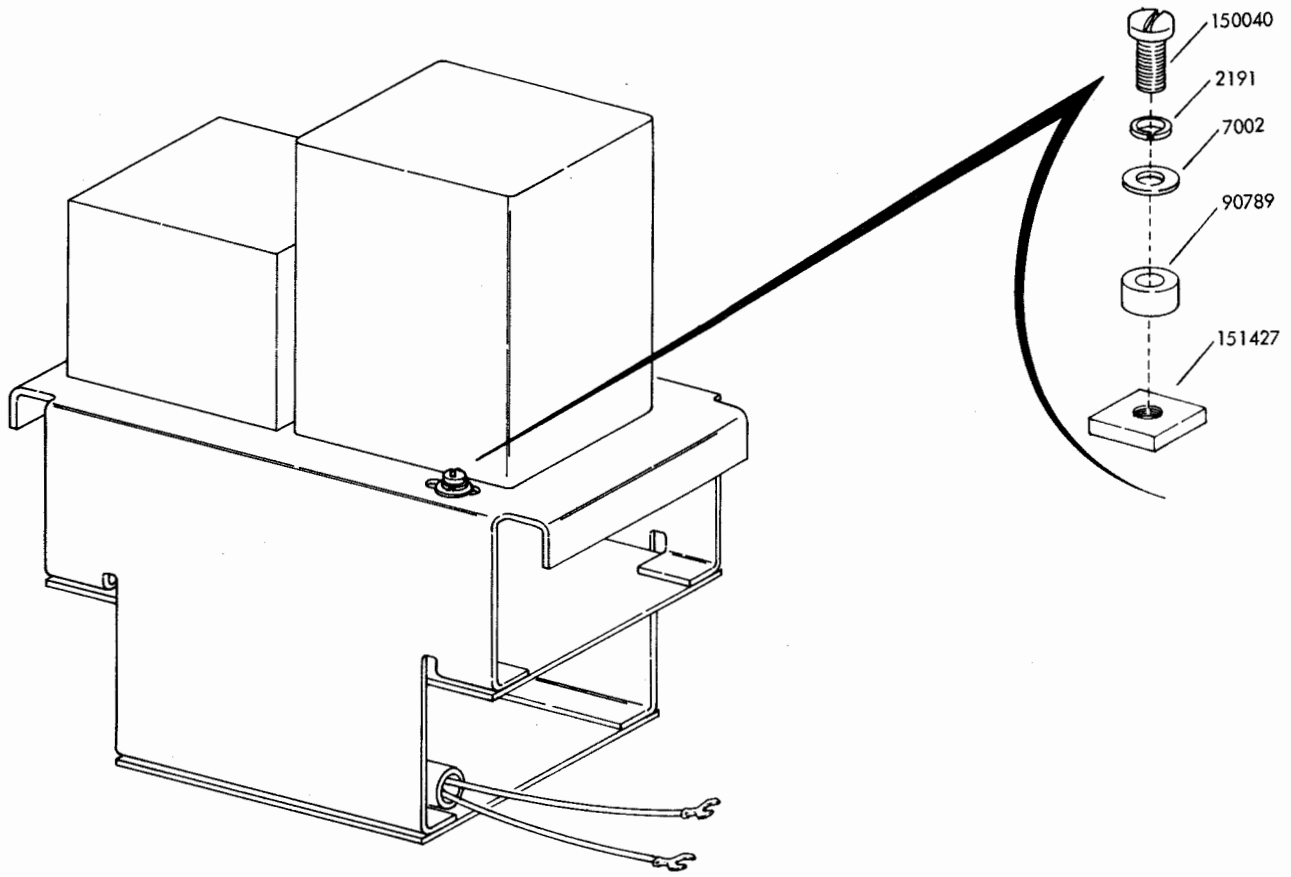


FIGURE 37. 336176 POWER DISTRIBUTION ASSEMBLY



① Not Part of 336177 Plate Assembly

FIGURE 38. 336177 PLATE ASSEMBLY



A C INPUT DATA	117 Volts 60 Hertz 0.23 Amps
D C OUTPUT DATA	199 Volts 0.122 Amps

FIGURE 40. 304605 SELECTOR MAGNET DRIVER RELAY W/RECTIFIER

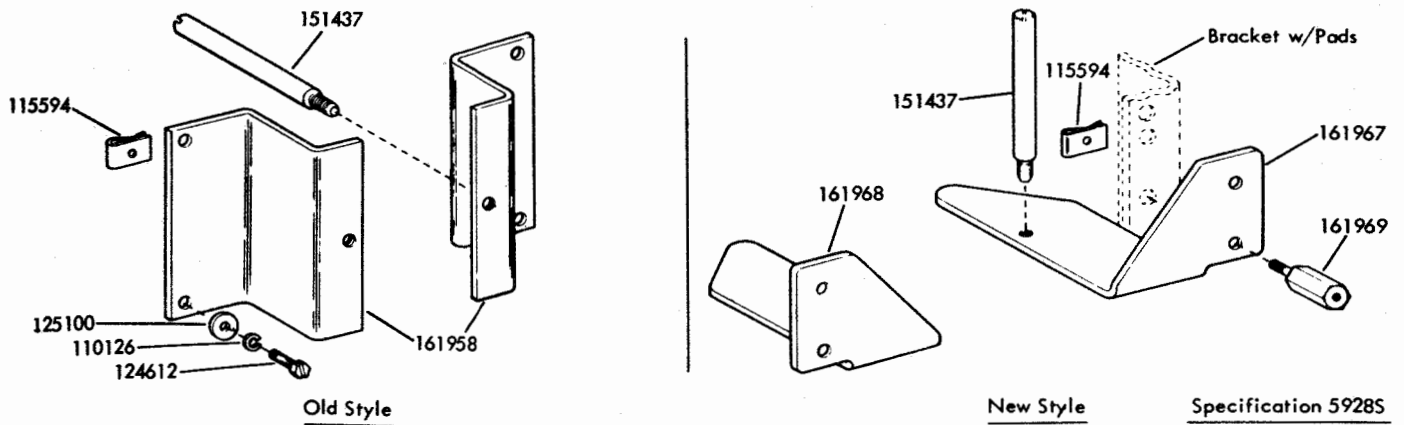


FIGURE 41. 161829 MODIFICATION KIT FOR MOUNTING AN ELECTRICAL SERVICE UNIT ON RELAY RACK BRACKETS

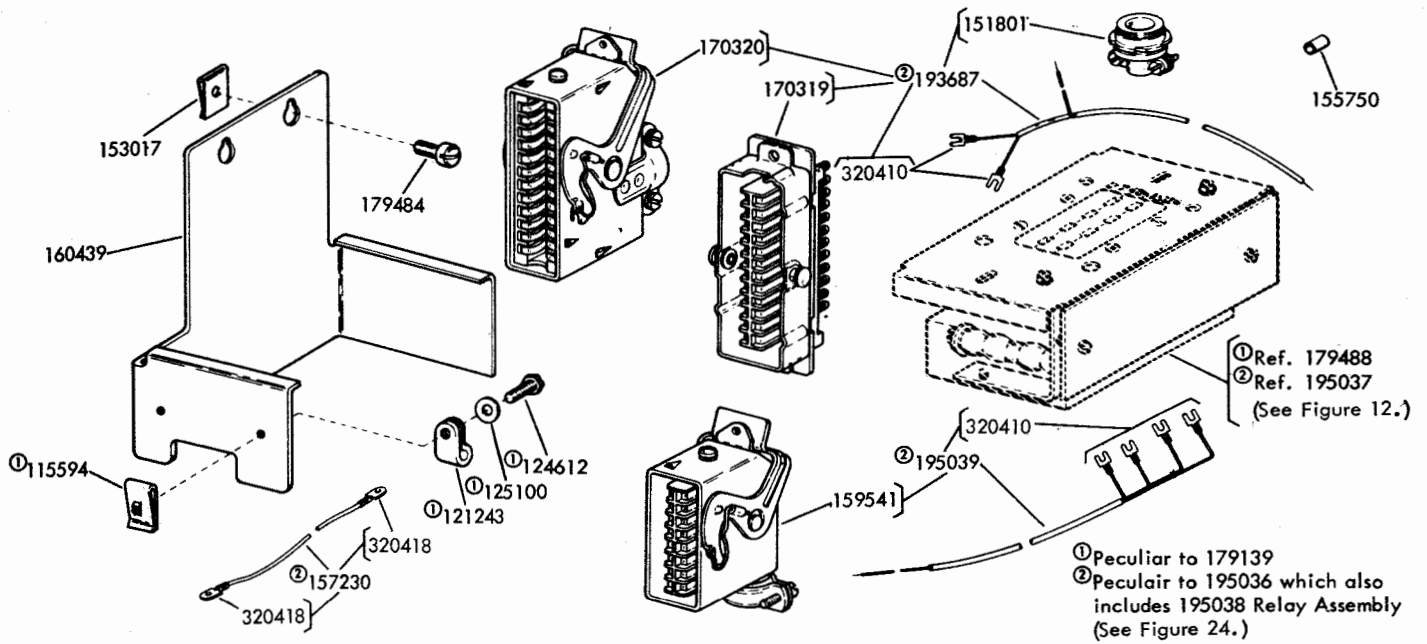


FIGURE 42. 179139 AND 195036 AUXILIARY REPERFORATOR LINE RELAY ASSEMBLY

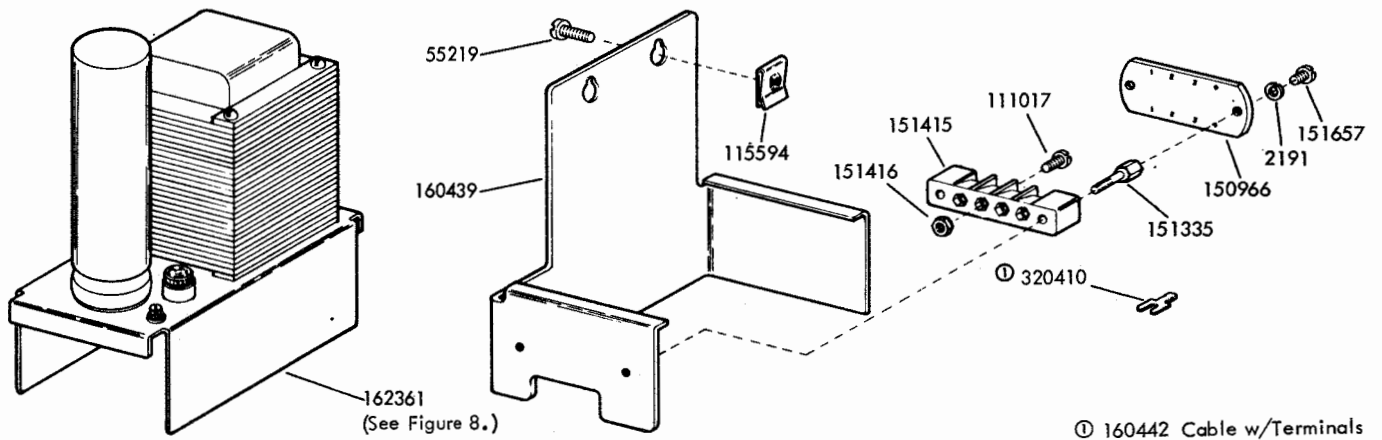


FIGURE 43. 160422 MODIFICATION KIT TO EQUIP CABINET WITH RECTIFIER

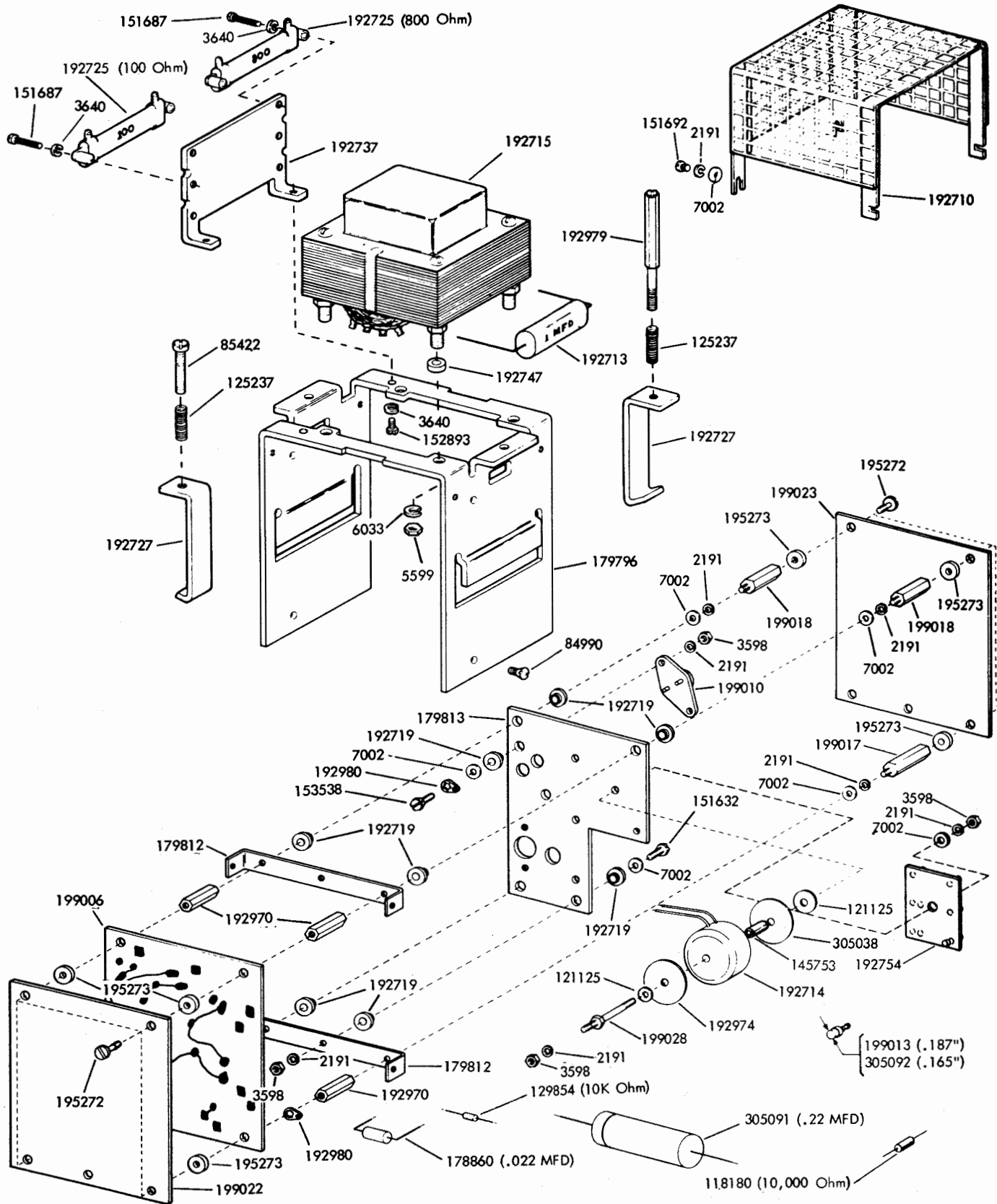
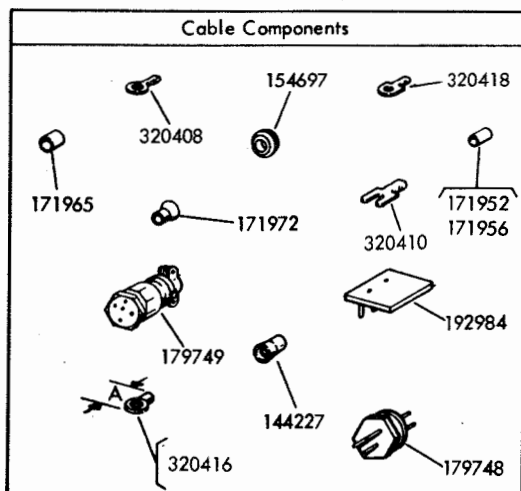
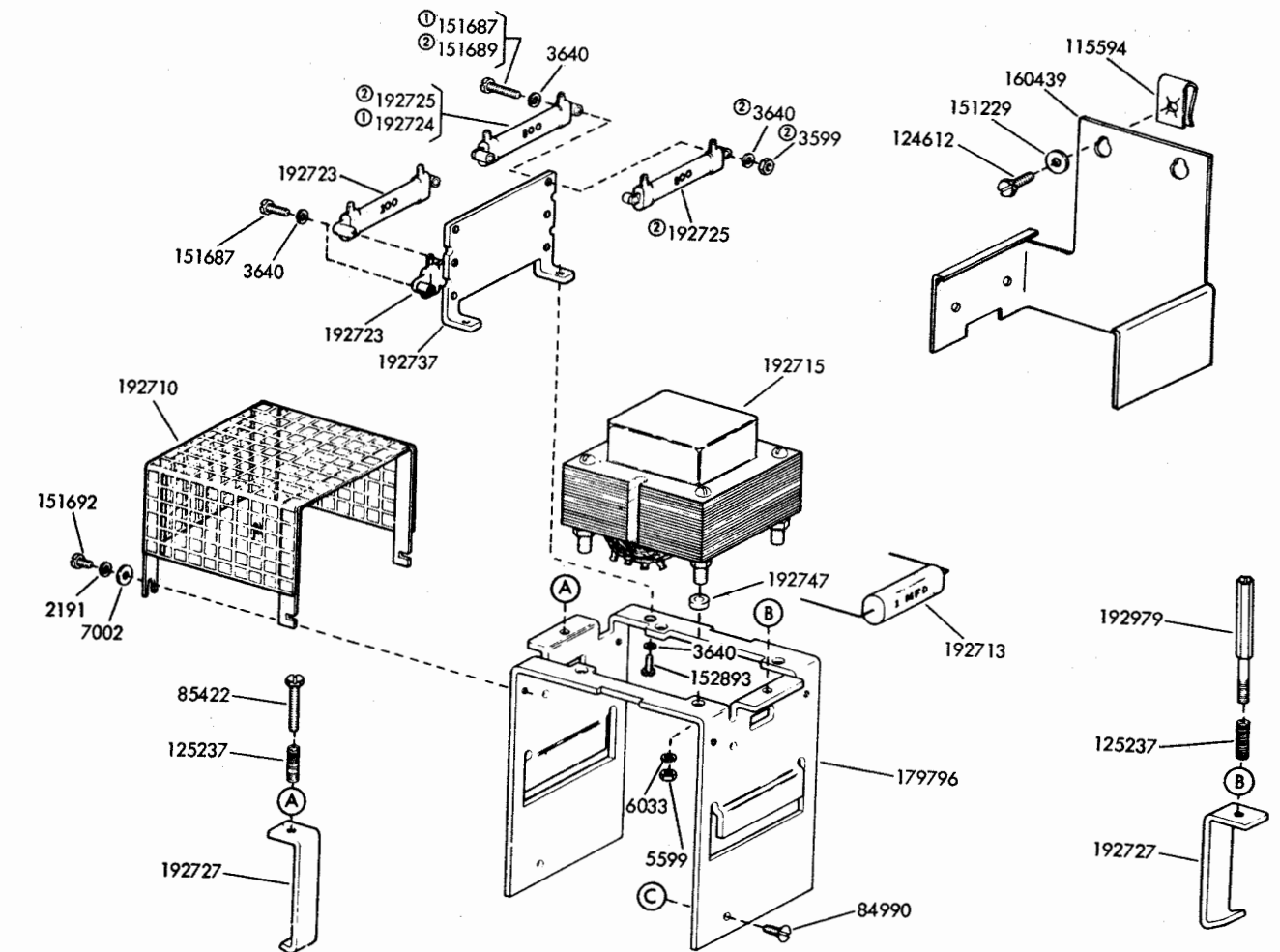


FIGURE 44. 192750 RECTIFIER ASSEMBLY



Jumpers			
Part No.	Color	Terminals	Length
151819	Black	320410 (2)	3-1/16"
156880	Black	320410 (2)	6-1/4"
157230	Black	320410 (2)	9-1/4"
157232	Black	320410 (2)	3-1/2"
195269	Green	320418 (1)	3-1/2"
195270	Green	320416 (1)	3-1/2"
305019	Brown		2"
305020	Purple		2"

Specification 502505

- ① Peculiar to 192730 Selector Magnet Driver Assembly also shown on Figure 46
- ② Peculiar to 192740 Low-Level Keyer Assembly also shown on Figure 46
- 179610 Modification Kit for use w/Auxiliary Reperforator
- 179611 Modification Kit for use w/out Auxiliary Reperforator

FIGURE 45. 179610 AND 179611 MODIFICATION KITS TO REDUCE RADIO FREQUENCY NOISE ON ASR SET

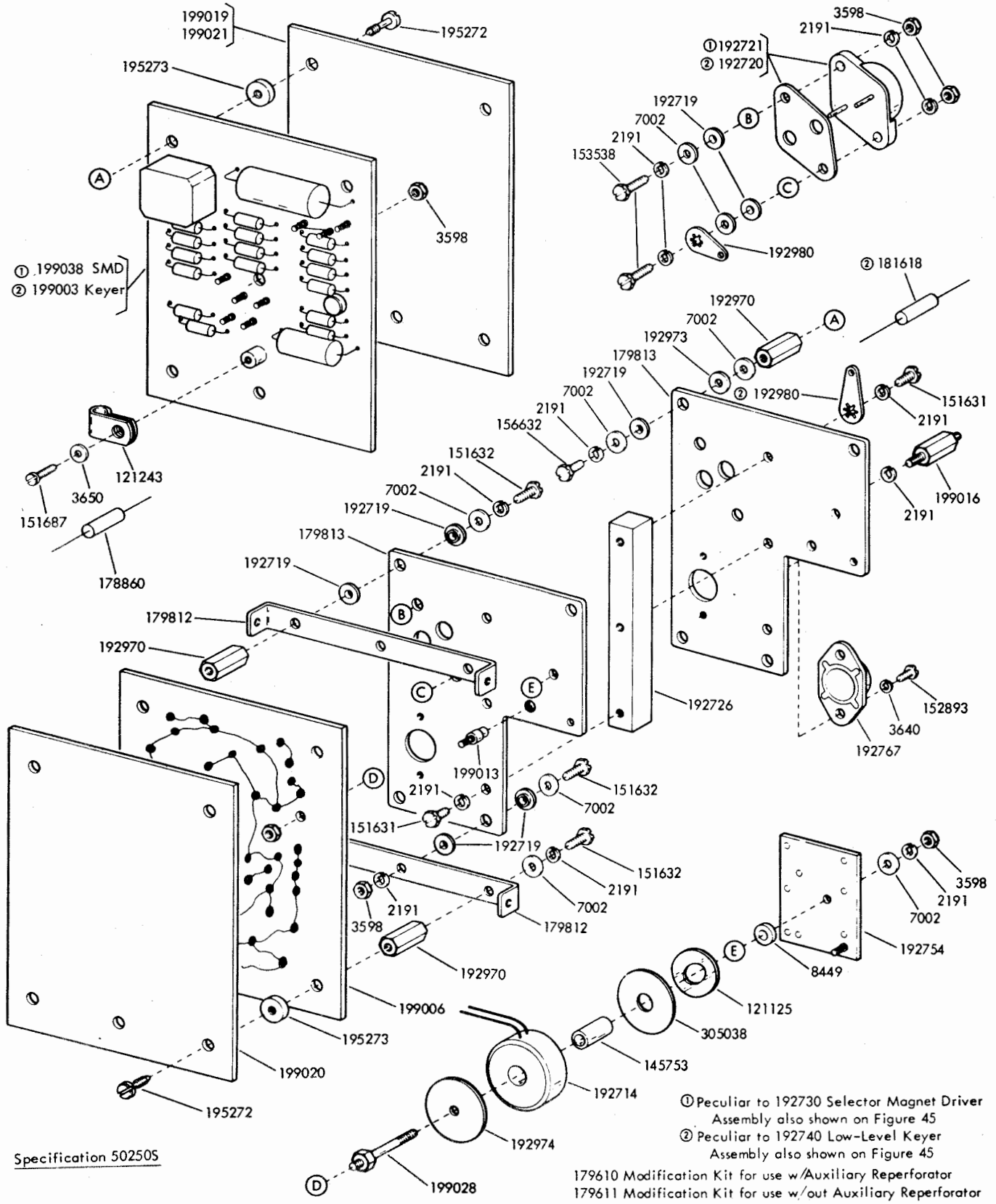


FIGURE 46. 179610 AND 179611 MODIFICATION KITS TO REDUCE RADIO FREQUENCY NOISE ON ASR SET (CONTINUED)

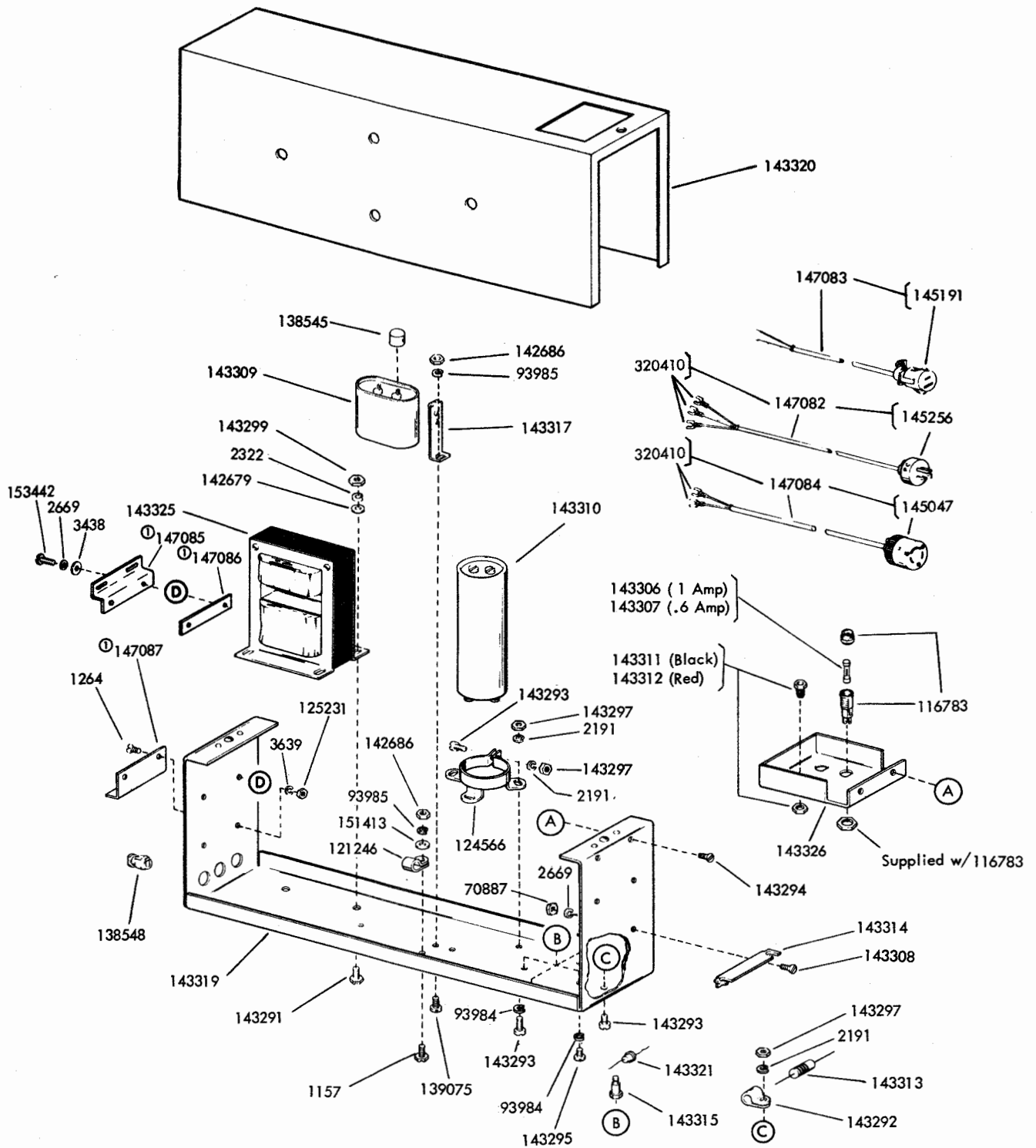


FIGURE 47. RECTIFIER - 130V DC - 20V AC

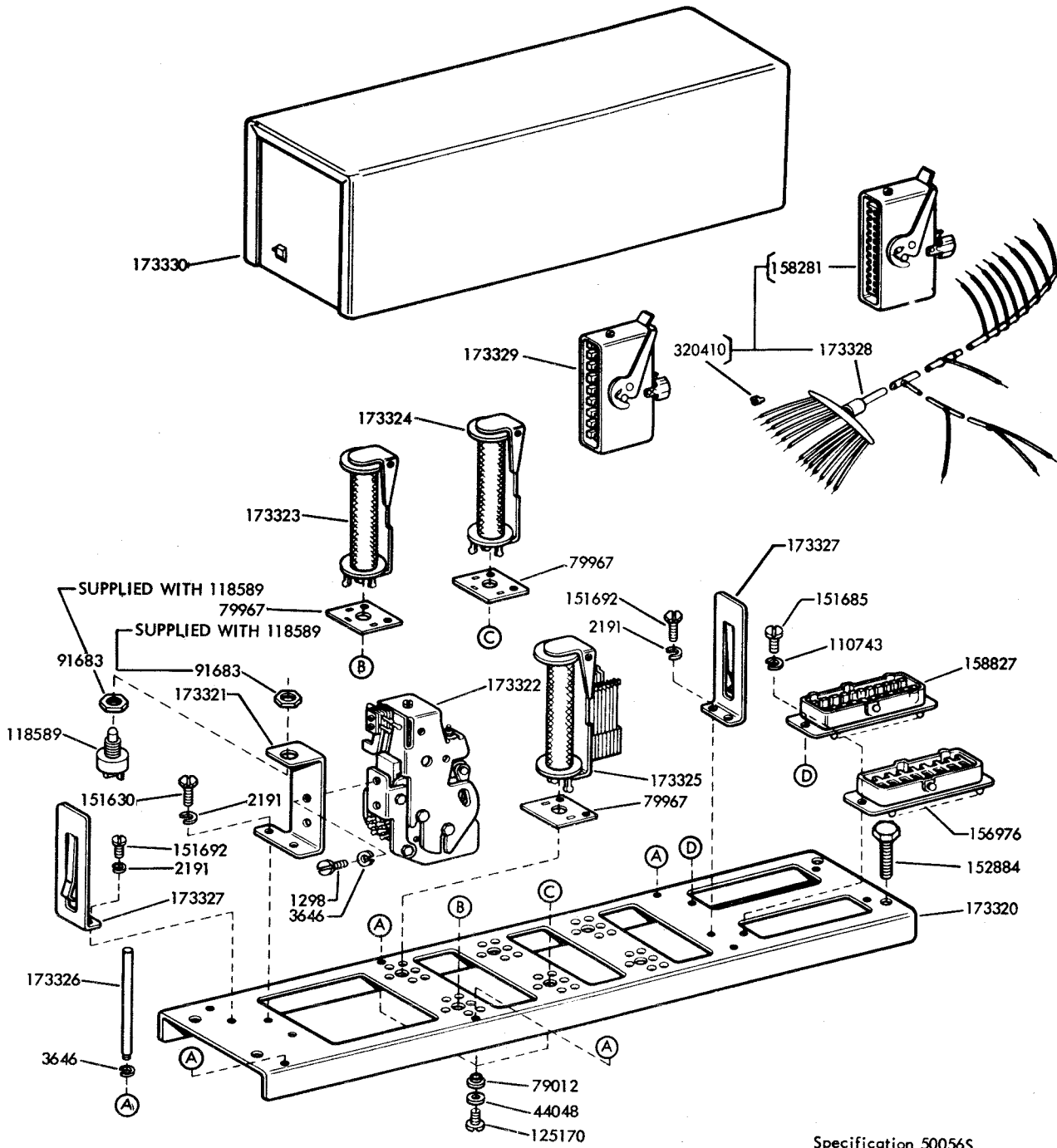
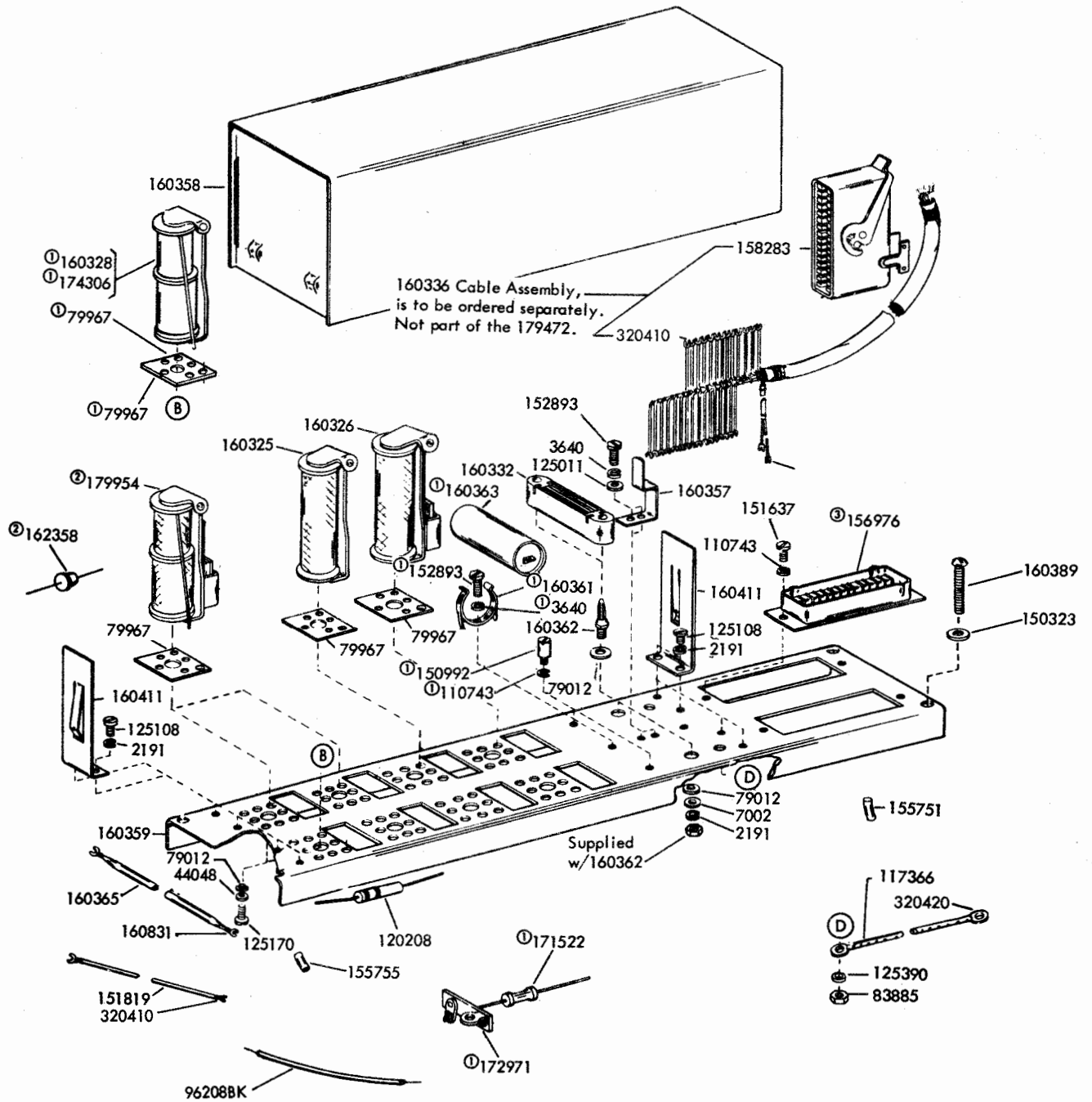


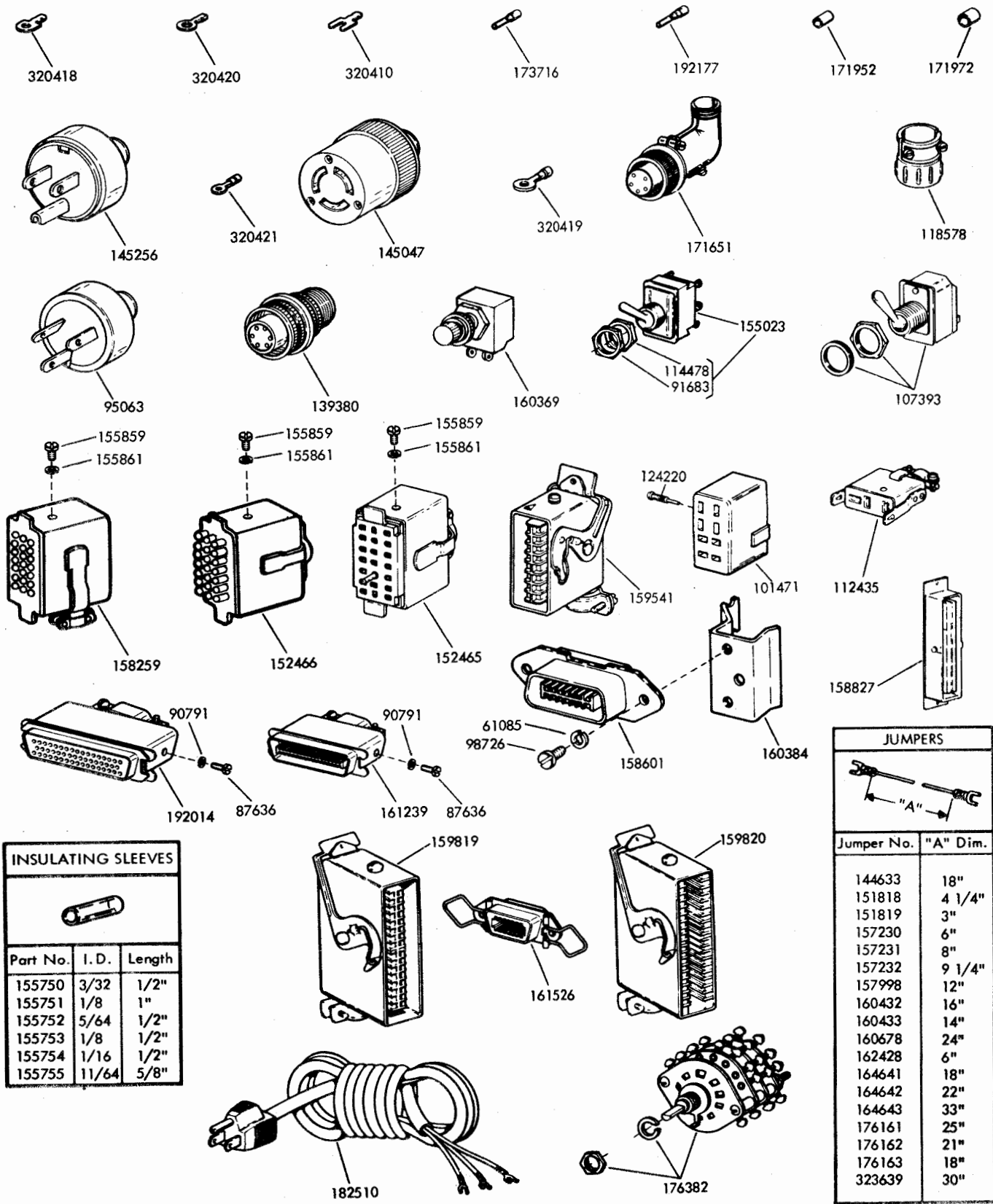
FIGURE 48. 162483 CALL DIRECTING RELAY UNIT



Ⓐ Peculiar to Early Design 160334 Modification Kit. This feature no longer furnished - Specification 58875
 Ⓑ Part of 179953 Modification Kit to convert early design 160334 Central Device to a 179472. Specification 50152S
 Ⓒ 179956 Cable Assembly

FIGURE 49. 179472 MODIFICATION KIT TO PROVIDE A TRANSMITTER CONTROL

SECTION 573-133-802TC



INSULATING SLEEVES		
Part No.	I. D.	Length
155750	3/32	1/2"
155751	1/8	1"
155752	5/64	1/2"
155753	1/8	1/2"
155754	1/16	1/2"
155755	11/64	5/8"

JUMPERS	
Jumper No.	"A" Dim.
144633	18"
151818	4 1/4"
151819	3"
157230	6"
157231	8"
157232	9 1/4"
157998	12"
160432	16"
160433	14"
160678	24"
162428	6"
164641	18"
164642	22"
164643	33"
176161	25"
176162	21"
176163	18"
323639	30"

FIGURE 50. CABLE COMPONENTS

NUMERICAL INDEX

Part Number	Description and Page Number	Part Number	Description and Page Number	Part Number	Description and Page Number
169M	Coil, Magnet 16	7002	Washer, Flat 3 to 30, 32, 33,34,37	81836	Washer, Insulating 5,20
247M	Coil, Magnet 7	7603	Spring 7	82516	Spring, Retaining 12
252M	Coil, Magnet 7	7959	Bracket, Magnet 16	82870	Resistor, 6,300 Ohm 19
1020	Screw, 6-40 x 1/4 Hex 21	8262	Knob 19	83054	Capacitor, 1 MFD 6
1028	Screw, 4-40 x 1/4 Fil 12, 16,19,20	8449	Spacer, .094" Thk 29,34	83885	Nut, 6-32 Hex 37
1093	Screw, 8-32 x 7/16 Fil 7	34432	Washer, Flat 20,22	84990	Screw, 6-40 x 1/4 Flat 29,32,33
1157	Screw, 8-32 x 1/2 Fil 3, 23,27,35	35826	Washer, Flat 23	85422	Screw, 10-32 x 15/16 Hex 29,32,33
1158	Screw, 6-32 x 5/16 Fil 4	44048	Washer, Flat 3,7,13,15, 16,23,27,28,36,37	86742	Nut, 4-40 Hex 25
1172	Screw, 2-56 x 5/16 Fil 5	49514	Nut, 8-32 Hex 3,23,27,28	87636	Screw, 2-56 x 3/16 Rd 38
1248	Screw, 6-40 x 1/2 Flat 12	55219	Screw, 8-32 x 3/8 Fil 10,18,31	89548	Spring, Contact 12
1263	Screw, 6-32 x 1/4 Fil 21	55318	Screw, 6-32 x 1/4 Rd 9	89969	Washer, Insulating 5
1264	Screw, 10-32 x 1/2 Flat 35	61085	Lockwasher 38	90789	Washer, Flat 5,6,7,8,10, to 14,16,17,18,20,22,23, 24,25,26,30
1297	Screw, 6-40 x 2-7/16 Fil 22	70314	Washer, Flat 10	90790	Washer, Flat 20
1298	Screw, 8-32 x 1/4 Fil 36	70887	Nut, 10-24 Hex 35	90791	Lockwasher 38
2034	Washer, Flat 7	71047	Washer, Flat 16	90951	Lockwasher 7
2191	Lockwasher 3 to 37	71155	Screw, 6-32 x 1-1/4 Flat 8	91683	Nut, 15/32 Hex 3,24,36,38
2201	Nut, 5/16-32 Hex 7	71646	Nut, 6-32 Hex 8,9	91684	Nut, 15/32-32 Ring 3
2322	Lockwasher 35	73686	Resistor, 2,000 Ohm 26	91721	Screw, 10-32 x 2-3/4 Fil 20
2422	Lockwasher 5	74614	Resistor, 2,600 Ohm 12	92260	Lockwasher 8
2449	Lockwasher 16	74615	Resistor, 2,000 Ohm 5,12, 13,20	92271	Screw, 6-32 x 2-3/4 Rd 9,10
2658	Nut, 6-32 Hex 8	74691	Resistor, 1,6000 Ohm 26	92527	Lockwasher 3,23,27,28
2669	Lockwasher 20,35	74807	Nut, 10-32 Shoulder Hex 23	92761	Jumper, 1-1/2" Black 22
3438	Washer, Flat 19,20,29,35	74821	Resistor, 2,810 Ohm 12,17	92856	Resistor, 1,500 Ohm 4,20
3595	Nut, 1/4-32 Hex 16	74882	Spring 7	93073	Modification Kit 20
3598	Nut, 6-40 Hex 3,4,5,6,7, 10,12,13,16 to 22, 24, 25,27,28,29,32,34	74980	Screw,6-40 x 1-13/16 Rd 5	93598	Screw, 4-40 x 5/16 Rd 9
3599	Nut, 4-40 Hex 4,17,28,33	75435	Resistor, 600 Ohm 20	93711	Resistor, 200 Ohm 5
3606	Nut, 6-40 Hex 3,4,5,18, 22,23,24,26	75750	Washer, Insulating 12,13, 14,16,17,18,19,20,22, 25,26	93959	Key 23,25
3639	Lockwasher 29,35	76099	Washer, Flat 5,19,20,23	93984	Lockwasher 35
3640	Lockwasher 7,15,25,28, 29,32,33,34,37	76461	Washer, Flat 17	93985	Lockwasher 35
3642	Washer, Flat 5	76983	Screw, 4-40 x 1-1/4 Fil 16	95009	Switch, Push Button 14
3646	Lockwasher 3,5,7,14, 23,36	77902	Screw, 6-40 x 2-3/8 Rd 4,5,10,12,13,14,16,17,19, 20,25,26	95063	Connector, 3 Pt Plug 38
3650	Washer, Flat 29,34	79012	Insulator 13,15,16,36,37	96208BK	Jumper, 3" Lg Black 37
3870	Spring 7	79967	Insulator 13,15,16,36,37	96216R	Jumper, 6" Red 5
3899	Spacer, .188" Thk 16	80342	Screw, 6-40 x 23/64 Hex 25	96260BK	Jumper, 3-1/2" Black 13
5599	Nut, 8-32 Hex 29,32,33	80467	Screw, 6-40 x 3/8 Hex 10	96262BK	Jumper, 4" Lg Black 8
5816	Washer, Insulating 7	80612	Nut, 8-32 Hex 5	96262S	Jumper, 4" Lg Slate 8
6033	Lockwasher 29,32,33	80854	Screw, 6-40 x 1-7/16 Fil 5,7,18	97143	Jack 23
6345	Nut, 6-32 Hex 8,11			98142	Washer, Flat 25
6347	Screw, 6-32 x 3/8 RD 25			98718	Washer, Flat 14,23
6827	Block 12			98726	Screw, 3-48 x 1/4 Fil 38
				100657	Connector, 2 Pt Receptacle 4,5
				101471	Connector, 8 Pt Receptacle 38

NUMERICAL INDEX (Continued)

Part Number	Description and Page Number	Part Number	Description and Page Number	Part Number	Description and Page Number
101944	Resistor, 4,000 Ohm 12	120205	Shield, Tube 21	137441	Resistor, 1,200 Ohm 21
102690	Connector, Duplex Receptacle 24	120208	Resistor, 22 Ohm 37	137602	Resistor, 470 Ohm 15
104213	Resistor, 300 Ohm 13	120421	Resistor, 100 Ohm 25	138191	Screw, 3-48 x 1 Rd 12
104807	Washer, Flat 19	121018	Nut, 4-40 Hex 9	138538	Fuse, SL-BL 2 Amp 27
107116	Lockwasher 3,10,25,27	121125	Washer, Spring 7,29,32,34	138545	Cap, Insulator 35
107393	Switch, SP-ST Toggle 38	121243	Clamp, 3/16" ID Cable 11,18,29,31,34	138548	Connector, Cord 35
110126	Lockwasher 31	121244	Clamp 1/4" Id Cable 3,26	139075	Screw, 8-32 x 1/4 Fil 35
110434	Screw, 4-40 x 3/16 Fil 15	121245	Clamp 5/16" ID Cable 3, 25,28	139158	Connector, Duplex Receptacle 24
110435	Nut, 4-40 Hex 7,25	121246	Clamp, 3/8" ID Cable 3, 17,27,35	139335	Connector, 6 Pt Plug 9
110743	Lockwasher 4,9,16,17,19, 20,21,25,36,37	121247	Clamp, 7/16" ID Cable 3,23,25	139380	Connector, 6 Pt Receptacle 38
111017	Screw, 6-40 x 5/16 Fil 3,4,21,22,24,25,27,28,31	121248	Clamp, 1/2" ID Cable 3	139564	Nut, 3/8-32 Hex 14
111647	Resistor, 1,000 Ohm 4,5	121249	Clamp, 5/8" ID Cable 3,4,23	139565	Washer, Flat 14
111970	Key, Line Test 20	121250	Clamp, 3/4" ID Cable 3	139692	Resistor, 2,000 Ohm 12,26
111971	Knob 20	121413	Spacer, .344" Thk 9	139777	Screw, 3-56 x 1/4 Flat 19,20
112435	Socket 38	121630	Washer, Flat 8,27	139971	Screw, 2-56 Self-Tapping 3,19
112485	Screw, 6-32 x 1/4 Fil 9	122184	Grommet 10	142288BK	Jumper, 2" Black 10
112626	Nut, 10-32 Hex 20	123146	Socket, 6 Pt 17	142679	Washer, Flat 35
112627	Nut, 2-56 Hex 5	124220	Pin, Drive 38	142686	Nut, 8-32 Hex 35
114119	Washer, Insulating 23	124566	Clamp, Capacity 35	143291	Screw, 1/4-20 x 5/8 Hex 35
114478	Nut, 15/32-32 Hex 38	124612	Screw, 8-32 x 1/2 Hex 23,31,33	143292	Clamp, Cable 35
114479	Rheostat, 1,500 Ohm 26	125010	Washer, Insulating 4,5,26	143293	Screw, 6-32 x 1/2 Spl 35
114626	Screw, 6-40 x 2-1/16 Fil 13	125011	Washer, Flat 4,13,16,19, 20,37	143294	Screw, 8-32 x 3/8 Flat 35
114654	Strip, Terminal 13,15	125015	Washer, Flat 5,8,12,14, 16,25	143295	Screw, 4-40 x 1/4 Rd 35
115537	Screw, 8-32 x 2-1/4 Rd 5	125100	Washer, Flat 31	143297	Nut, 6-32 Hex 35
115594	Nut, Speed 11,1823,31,33	125108	Screw, 6-32 x 3/8 Fil 37	143299	Nut, 1 4-20 Hex 35
116783	Holder, Fuse 3,8,10,24, 26,27 35	125112	Screw, 2-56 x 1/8 Fil 16	143306	Fuse, 1 Amp SL-BL 8,10, 35
117366	Jumper, 8-1/2" Green 37	125130	Screw, 6-32 x 1/2 Fil 25	143307	Fuse, .6 Amp 35
117535	Washer, Flat 23	125170	Screw, 8-32 x 5/16 Fil 13,14,15,16,23,36,37	143308	Screw, 10-24 x 5/8 Flat 35
118180	Resistor, 10,000 Ohm 32	125186	Screw, 8-32 x 3/4 Fil 3	143309	Capacitor, 2.75 MFD 35
118210	Resistor, 22,000 Ohm 8	125200	Screw, 10-32 x 1/2 Rd 23	143310	Capacitor, 1250 MFD 35
118575	Nut, 3/8-32-Insulating 23	125231	Nut, 10-32 Hex 35	143311	Jack, Black 35
118578	Clamp, 3/4 Id Cable 38	125237	Spring, Compression 29, 32,33	143312	Jack, Red 35
118589	Switch, Black Pushbutton 36	125306	Stop, Magnet Plunger 16	143313	Resistor, 6,000 Ohm 35
118659	Switch, Toggle 3	125315	Washer, Insulating 9	143314	Bracket, Mounting 35
118720	Resistor, 100K Ohm 21	125390	Washer, Flat 7,23,37	143315	Terminal, Insulating 35
118726	Resistor, 820 Ohm 15	129098	Screw, 6-40 x 11/32 Flat 21	143317	Bracket 35
119045	Grommet, Rubber 3,17,23	129854	Resistor, 10,000 Ohm 32	143319	Chassis 35
119121	Bracket 22	129916	Capacitor, .1 MFD 21	143320	Cover 35
119218	Resistor, 3,500 Ohm 5	129919	Fuse, 4 Amp SL-BL 3,26,27	143321	Diode 35
119367	Set Screw, 8-32 23			143325	Regulator 35
120121	Resistor, 62,00 Ohm 21			143326	Bracket, Fuse Jack 35
120165	Fuse, 10 Amp 3,26			144227	Connector, Black insulated 33
120175	Plate Off-On 3,24				
120195	Rectifier 8				

NUMERICAL INDEX (Continued)

Part Number	Description and Page Number	Part Number	Description and Page Number	Part Number	Description and Page Number
144339	Bushing 2" Lg 23	147082	Cable Assembly 35	151441	Plate, 2-3/4 Wide Blank 5
144340	Bushing, 2-1/8" Lg 23	147083	Cable Assembly 35	151574	Grommet, Rubber 6
144610	Card, EC610 Circuit 25	147084	Cable Assembly 35	151616	Screw, No.2 Self-Tapping 3
144616	Plate, Relay 12	147085	Plate, Upper Adapter 35	151618	Screw, 6-40 x 7/16 Fil 3, 4,23,26,27,28
144617	Plate, Relay 12	147086	Plate, Nut 35	151629	Nut, 6-40 Lug 11
144618	Cable w/Terminals 12	147087	Bracket, Lower 35	151630	Screw, 6-40 x 1/4 Hex 4,5,6,7,11,17,25,27,36
144619	Cable w/Terminals 12	148257	Terminal, Insulated 9	151631	Screw, 6-40 x 5/16 Hex 6,13,16,17,18,26,27, 29,34
144620	Mounting Assembly, Line Relay 12	150040	Screw, 6-40 x 5/8 Fil 3, 4,5,6,7,8,10,13 to 18,20 to 28,30	151632	Screw, 6-40 x 3/8 Hex 7,26,29,32,34
144621	Mounting Assembly, Line Relay 12	150323	Washer, Flat 37	151637	Screw, 4-40 x 1/4 Fil 19, 20,25,37
144625	Guard 25	150849	Washer, Insulating 5	151657	Screw, 6-40 x 1/4 Fil 4, 12,16,17,18,19,22,26,31
144626	Container 24	150948	Plate 3	151658	Screw, 6-40 x 5/16 Fil 24,25
144630	Block, Mounting 25	150949	Plate, Serial 3	151659	Screw, 6-40 x 1/2 Fil 4,12
144631	Post, Mounting 25	150950	Plate, Code 3	151685	Screw, 4-40 x 5/16 Fil 4, 21,36
144633	Jumper, 18" Black 25,38	150966	Insulator, Terminal 27,31	151686	Screw, 4-40 x 3/8 Fil 28
144634	Relay, 90 Ohm 25	150992	Stud 37	151687	Screw, 4-40 x 7/16 Fil 29,32,33,34
144960	Plate, Mounting 25	150995	Bushing 17,18	151689	Screw, 4-40 x 3/4 Fil 33
144962	Bracket, Mounting 25	151152	Screw, 4-40 x 3/16 Hex 19	151692	Screw, 6-40 x 3/16 Fil 12,17,29,32,33,36
144963	Cover 25	151229	Washer, Flat 33	151722	Screw, 6-40 x 3/16 Hex 17,18
145003	Relay 26	151335	Stud 27,31	151733	Screw, 4-40 x 9/16 Fil 25
145021	Relay 25	151346	Screw, 6-40 x 3/8 Fil 3,4,10,23,24,25,26,27,28	151801	Bushing, Clamp 31
145040	Plate, Mounting 24	151401	Base 7	151808	Relay 4,18
145047	Connector, 3 Pt Receptacle 27,35,38	151402	Core 7	151814	Bracket, Relay Mounting 4,18
145068	Plate, Mounting 24	151403	Frame 7	151818	Jumper, 4-1/4" Black 25,38
145071	Plate, Mounting 25	151406	Plate, Insulating 7	151819	Jumper, 3" Black 7,12, 16,19,20,22,25,33,37,38
145072	Plate, Mounting 25	151407	Collar, Spacing 7	151827	Strap, Terminal 3,4,22, 24,25,27
145191	Connector, 2 Pt Receptacle 35	151408	Lever 7	151880	Nut, 4-40 Hex 21
145256	Connector, 3 Pt Receptacle 35,38	151409	Armature 7	151913	Plate, Mounting 8
145270	Capacitor, 1 MFD 25	151410	Clip, Retaining 7	151916	Transformer 8
145753	Bushing 29,32,34	151411	Block, Terminal 3,4,21,22, 24,25,27,28	151939	Grommet, Rubber 10,27
145882	Terminal	151412	Insulator, Terminal 3,4, 21,22,24,25,27,28	153109	Filter 12
145894	Switch 24	151413	Washer, Flat 10,35	152110	Bracket, Resistor Mounting 12
146572	Plate, Top Mounting 21	151414	Switch, Sensitive 7	152124	Spacer 12
146573	Plate, Lower Mounting 21	151415	Block, Terminal 27,31		
146574	Connector, 8 Pt Plug 21	151416	Nut, 6-40 Hex 3,4,21,22, 24,25,27,28,31		
146650	Inductor 21	151418	Fuse, 10 Amp 24		
146651	Post 21	151422	Connector 2 Pt Receptacle 3,24		
146652	Modification Kit 2,21	151426	Plate, 3-3/4 Wide Blank 5		
146901	Rectifier Assembly 2,9	151427	Plate, Clamp 5,6,7,8,10, 11,12,13,14,15,16,17,18, 20,22,23,24,25,26,30		
146967	Resistor, 750 Ohm 9	151432	Armature 7		
146968	Transformer 9	151437	Stud 3,4,24,25,26,31		
147008	Connector, 2 Pt Receptacle 28	151440	Stud 7		
147060	Plate 22				
147061	Mount, Jack 22				
147062	Jack, Line 22				

NUMERICAL INDEX (Continued)

Part Number	Description and Page Number	Part Number	Description and Page Number	Part Number	Description and Page Number
152332	Control Assembly, Motor 2,16	153484	Screw, 6-32 Spl 17,18	155755	Sleeve, 11/64 ID x 5/8" Lg Insulating 10,14,20, 37,38
152426	Nut, 6-40 Self-Locking.11	153537	Screw, 4-40 x 9/32 Hex 15	155858	Resistor, 700 Ohm 5
152465	Connector, 20 Pt Receptacle 4,38	153538	Screw, 6-40 x 7/16 Hex 29,32,34	155859	Screw, 4-40 Spl 38
152466	Connector, 20 Pt Receptacle 4,38	153631	Network, Spark Suppression 25	155861	Lockwasher 38
152623	Mounting Assembly, Line Relay 12	153799	Screw, 4-40 x 21/64 Hex 19	156632	Screw, 6-40 x 13/32 Hex 27,29,34
152625	Key Assembly, Line-Test 2,20	153841	Screw, 6-40 x 9/16 Hex 11,25	156880	Jumper, 2-3/8" Black 33
152745	Bracket, Test Key 20	154335	Screw, 6-40 x 9/32 Fil 12,14,20,23	156976	Connector, 32 Pt Plug 36,37
152750	Cable Assembly 4	154337	Cover 7	157230	Jumper, 6" Black 31,33, 38
152755	Strap, Terminal 4,27	154395	Plunger, Solenoid 16	157231	Jumper, 8" Black 22,38
152757	Plate Assembly, Blank 5	154408	Bracket 20	157232	Jumper, 9-1/4" Black 22,33,38
152759	Plate Assembly 5	154413	Plate, Switch 24	157307	Spacer 16
152760	Stud 3,22,24	154444	Fork 19	157308	Bracket 16
152761	Stud 3,4,27,28	154449	Shaft 19	157309	Plate, Nut 16
152884	Screw, 12-24 x 1 Hex 36	154459	Fork 19	157310	Switch, Sensitive 16
152893	Screw, 4-40 x 1/4 Hex 29,32,33,34,37	154632	Block, Terminal 16	157998	Jumper, 12" Black 38
152950	Rectifier Assembly 2,8	154636	Plate 16	158215	Plate, Nut 26
152988	Plate, Cover 5	154664	Resistor, 2,000 Ohm 22	158216	Plate, Nut 4
153002	Plate, Bell Identification 3	154665	Cable w/Terminals 16	158259	Connector, 20 Pt Receptacle 38
153017	Nut, Speed 18,31	154697	Grommet, Rubber 33	158265	Cable Assembly 14
153102	Screw, 8-32 19	154747	Modification Kit 2,22	158266	Cable w/Terminals 19
153108	Insulator, .031" Thk 8	154870	Cable w/Terminals 22	158267	Cable w/Terminals 12
153157	Resistor, 400 Ohm 7	155023	Switch, DP-DT Toggle 3, 24,38	158272	Plate, Right Mounting 3,26
153251	Control Assembly, Motor 2,7	155043	Solenoid Assembly 16	158273	Plate, Left Mounting 4
153442	Screw, 10-32 x 1/2 Hex 23,35	155045	Switch, SP-DT Toggle 24	158278	Container 3,4,25,26,27,28
153451	Block, Terminal 19,20	155558	Relay Assembly 2,16	158279	Plate, 1-5/16 Wide Blank 5
153454	Bracket 20	155559	Plate 16	158280	Plate, Left Mounting 4
153455	Resistor, 600 Ohm 18	155560	Relay 16	158281	Connector, 32 Pt Plug 36
153456	Bracket 4,27,28	155561	Cable w/Terminals 16	158283	Connector, 32 Pt Receptacle 37
153457	Strap, Terminal 4	155564	Cover, Relay 16	158284	Connector, 20 Pt Receptacle 4
153460	Plate, Left Mounting 4,22	155591	Capacitor, 220 MFD 8	158291	Cover, Relay 4,18,26
153462	Plate 3,22,24	155718	Jumper, 3" Black 22	158292	Bracket, Terminal 3,25
153464	Block Terminal 12	155750	Sleeve, 3/32 ID x 1/2 Lg Insulating 10,11,16,19, 20,31,38	158293	Key Assembly, Line Test 2,19
153475	Cable W/Terminal 12	155751	Sleeve, 1/8 ID x 1" Lg Insulating 37,38	158294	Key, Line Test 19
153476	Cable w/Terminals 19,20	155752	Sleeve, 5/64 ID x 1/2" Lg Insulating 38	158295	Bracket, Resistor 19
153477	Cable w/Terminals 8	155753	Sleeve, 1/8 ID x 1/2" Lg Insulating 14,17,23,38	158296	Bracket, Test Key 19
153478	Cable w/Terminals 7	155754	Sleeve, 1/16 ID x 1/2" Lg Insulating 11,38	158554	Post, Pilot 21
153480	Resistor, 6,750 Ohm 12			158601	Connector, 14 Pt Plug 38
153481	Resistor, 5,800 Ohm 12, 19,20			158694	Plate, Designation 19
153482	Plate, Relay 12				

NUMERICAL INDEX (Continued)

Part Number	Description and Page Number	Part Number	Description and Page Number	Part Number	Description and Page Number
158696	Knob 19,23	160386	Resistor, 1,000 Ohm 14,20	164642	Jumper, 22" Black 38
158827	Connector, 32 Pt Receptacle 36,38	160389	Screw, 12-34 x 1-1/4 RD 37	164643	Jumper, 33" Black 38
159204	Connector, 2 Pt Plug 28	160411	Bracket, Cover Guide 37	164840	Plate, Mounting 5
159269	Fuse, 3/8 Amp 8	160419	Cable w/Terminals 18	164862	Plate, Right and Left Mounting 23
159318	Relay Assembly 2,14	160420	Relay Assembly, Line Shunt 2,18	164863	Relay, 3,300 Ohm 23
159319	Relay 14	160421	Bracket 18	164867	Cable w/Terminals 23
159320	Cover, Relay 13,14,15,23, 26,36	160422	Modification Kit 2,31	164868	Modification Kit 2,23
159321	Bracket, Relay 14,15,23	160432	Jumper, 16" Black 38	164869	Cable Assembly 23
159322	Plate, Relay 14,15,23	160433	Jumper, 14" Black 38	164870	Bracket, Mounting 23
159323	Resistor, 1,500 Ohm 14, 16,26	160439	Bracket 11,31,33	165008	Turret, Terminal 4,10,23
159324	Bracket, Resistor 14	160442	Cable w/Terminals 31	165060	Socket, Tube 21,25
159326	Mounting Assembly, Line Relay 12	160678	Jumper, 24" Black 38	165062	Capacitor, 2 MFD 13
159541	Connector, 16 Pt Plug 31,38	160831	Terminal 37	165073	Diode 13
159611	Bell 6,26	160833	Plate, Relay 12	165116	Terminal 17
159819	Connector, 32 Pt Plug 38	160847	Stud 16	165168	Key 25
159820	Connector, 32 Pt Receptacle 38	161136	Fuse, 6-1/4 Amp SL-BL 3,26	165449	Resistor, 47 Ohm 11
159821	Plate, Tape Out Connector 5	161239	Connector, 36 Pt Plug 38	165522	Diode 17
159936	Plate, Left Mounting 26	161525	Connector, 14 Pt Plug 11	165552	Resistor, 1000 Ohm 4
160226	Mounting Assembly, Line Relay 12	161526	Connector, 14 Pt Receptacle 38	165650	Relay Assembly 2,17
160227	Cable w/Terminals 12	161829	Modification Kit 2,31	165651	Bracket, Mounting 17
160229	Plate, Mounting 8	161875	Resistor, 2,000 Ohm 25	165652	Cable w/Terminals 17
160284	Resistor, 5,500 Ohm 12	161958	Bracket, Mounting 31	165673	Relay Assembly, Motor Control 2,18
160307	Diode 8	161967	Bracket, Right 31	165683	Cable w/Terminals 18
160308	Capacitor, 300 MFD 8	161968	Bracket, Left 31	170285	Resistor Assembly 2,13
160309	Transformer 8	161969	Stud 31	170287	Plate, Mounting Resistor 13
160325	Relay, Quick Acting 37	162357	Capacitor, 500 MFD 8	170288	Resistor, 3,500 Ohm 13
160326	Relay, Quick Acting 37	162358	Diode 8,37	170289	Capacitor, 1.3 - 1.6 MFD 13
160328	Relay, 2,000 Ohm 37	162359	Transformer, Power 8	170290	Cable w/Terminals 13
160332	Flasher, Thermal 37	162360	Fuse, .8 Amp SL-BL 8	170319	Connector, 24 Pt Plug 31
160334	Modification Kit 37	162361	Rectifier Assembly 2,8, 31	170320	Connector, 24 Pt Receptacle 31
160336	Cable Assembly 37	162428	Jumper, 6" Black 38	170573	Rectifier Assembly 2,9
160357	Clip, Spring 37	162441	Resistor, 3,750 Ohm 5	171461	Capacitor, 900 MFD 9
160358	Cover 37	162483	Relay Assembly 2,36	171463	Resistor, 1 Ohm 9
160359	Plate, Relay Mounting 37	162630	Modification Kit 19	171490	Connector, 15 Pt Circuit Card 25
160361	Clip 37	162821	Bracket 26	171516	Relay 25
160362	Plug, Banana 37	162822	Relay 26	171522	Resistor, 400 Ohm 39
160363	Capacitor, 6 MFD 37	162864	Clamp, 7/8" ID Cable 17	171530	Resistor, 2,000 Ohm 10
160365	Jumper, 28" Braided 37	163169	Shaft, Control 19	171541	Diode 11,13,15,26
160367	Plate, Left Mounting 4	163172	Bracket, Arm 19	171602	Diode 25
160369	Switch, NO Pushbutton 38	163965	Plate Assembly 5	171609	Diode 9,10
160384	Bracket 38	163966	Plate 5	171610	Transformer 9
160385	Plate, Relay 12	164232	Key Assembly, Line Test 2,19	171644	Fuse, 1.5 Amp 9
		164233	Cable w/Terminals 19	171651	Connector, 6 Pt Receptacle 38
		164641	Jumper, 18" Lg Black 38		

NUMERICAL INDEX (Continued)

Part Number	Description and Page Number	Part Number	Description and Page Number	Part Number	Description and Page Number
171952	Connector, Green Shielding 33,38	176448	Control Assembly, Relay Motor 2,16	178859	Card, Circuit 11
171956	Connector, Green Shielding 33	176495	Transformer, Power 8	178860	Capacitor, .022 MFD 29,32,34
171965	Connector, Yellow Shielding 33	176673	Suppressor, Spark 15	178868	Resistor, 700 Ohm 11
171972	Connector, Green Insulated 33,38	176692	Relay, 4,000 Ohm 15	178871	Sleeve, 1/2 ID x 1-1/8" Lg Insulating 10
172971	Board, Terminal 37	176693	Cable w/Terminals 15	178872	Sleeve, 1/16 ID x 1-1/4" Lg Insulating 8
173138	Plate, Designation 19	176694	Relay Assembly, Motor Control 2,15	178886	Cable w/Terminals 11
173239	Relay Assembly 2,18	176696	Relay, Slow Release 13,15	178887	Cable w/Terminals 11
173240	Cable w/Terminals 18	176697	Cable w/Terminals 15	178888	Clip 11
173251	Mounting Assembly, Line Relay 12	176698	Relay Assembly 2,15	178913	Diode, 3
173252	Key Assembly, Line Test 2,19	176788	Capacitor, 60 MFD 15	179139	Relay Assembly, Line 2,31
173255	Plate, Relay 12	176810	Relay Assembly 2,15	179195	Switch, Rotary 23
173281	Resistor Assembly 2,13	176811	Plate, Mounting 15	179196	Connector, 75 Pt Plug 23
173320	Plate, Relay Mounting 36	176812	Cable w/Terminals 15	179200	Plate, Designation 23
173321	Bracket, Mounting 36	177010	Driver Assembly, Selector Magnet 2,11	179253	Terminal 23
173322	Switch, Stepping 36	178137	Cable w/Terminals 13	179444	Relay Assembly 2,18
173323	Relay 36	178138	Relay Assembly, Slow Release 2,13	179445	Cable w/Terminals 12
173324	Relay, Delay 36	178140	Plate, Mounting 13	179446	Cable w/Terminals 18
173325	Relay 36	178306	Relay, Power 17,18	179472	Modification Kit 2,37
173326	Post, Guide 36	178307	Relay Assembly, Motor Control 2,18	179484	Screw, 12-24 Spl 18,31
173327	Bracket, Cover Guide 36	178308	Cable w/Terminals 17	179486	Cover, Insulator 12
173328	Cable Assembly 36	178326	Capacitor, 20 MFD 17	179487	Stud 12
173329	Connector, 32 Pt Receptacle 36	178327	Cable Assembly 17	179488	Mounting Assembly, Line Relay 12,31
173330	Cover, Relay Plate 36	178328	Bracket, Mounting 17	179560	Driver Assembly, Selector Magnet 2,11
173452	Keyer Assembly, Electronic 2,21	178330	Plate 17	179561	Cable Assembly 11
173716	Terminal, Receptacle Type 38	178345	Modification Kit 2,17	179562	Card, Circuit 11
173724	Modification Kit 4	178351	Relay Assembly, Line 23	179610	Modification Kit 2,33,34
173797	Plate 21	178352	Relay Assembly, Line 23	179611	Modification Kit 2,33,34
173800	Turret, Socket 21	178394	Plate 18	179632	Relay, Quick Acting 14
173801	Tube, Vacuum 21	178535	Suppressor, Spark 17,18	179662	Cover, Relay 14
173817	Base, Tube Shield 21	178601	Driver Assembly, Selector Magnet 2,11	179671	Plate, Relay 12
173842	Stud 21	178602	Cable w/Terminals 11	179748	Connector, 5 Pt Plug 33
173844	Resistor, 200,000 Ohm 21	178608	Relay Assembly, Motor Control 2,17	179749	Connector, 5 Pt Receptacle 33
173974	Screw, 10-32 x 5/16 Hex 29	178609	Cable w/Terminals 17	179782	Screw, 6-40 x 7/8 Hex 17,18
174012	Container, Electrical 23	178831	Connector, 2 Pt Receptacle 3,26	179796	Chassis 29,32,33
174306	Relay 37	178832	Plate, Adapter 3,26	179812	Bracket, Mounting 29,32,34
176161	Jumper, 25" Black 38	178840	Capacitor, 400 MFD 11	179813	Dissipator, Heat 29,32,34
176162	Jumper, 21" Lg Black 38	178841	Transformer 11	179953	Modification Kit 37
176163	Jumper, 18" Lg Black 38	178843	Plate, Mounting 11	179954	Relay, 2,000 Ohm 37
176382	Switch, Rotary 38	178853	Cover, Relay 4	179956	Cable Assembly 37
176386	Plate 14	178854	Bracket, Relay 4	181618	Capacitor, .01 MFD 34
176387	Bracket, Mounting 14	178855	Plate, Left 4	181648	Capacitor, .1 MFD 9
		178856	Relay, Line Shunt 4	182510	Cord, Power 38

NUMERICAL INDEX (Continued)

Part Number	Description and Page Number	Part Number	Description and Page Number	Part Number	Description and Page Number
190049	Switch, DT-DP Toggle 26	195270	Jumper, 3-1/2" Lg Green 33	305629	Diode Assembly 10
192014	Connector, 50 Pt Recetpacle Type 38	195272	Screw, 6-40 Spl 29,32,34	305630	Bracket, Fuse 10
192177	Terminal, Receptacle Type 38	195273	Bushing 29,32,34	305631	Rectifier Assembly 2,10
192710	Cover 29,32,33	195526	Board w/Terminal 11	305686	Bracket, Capacitor 6
192713	Capacitor, 1 MFD 29,32,33	195527	Jumper, 12" Slate 11	305717	Cable w/Terminals
192714	Choke, .70 Ohm 29,32,34	195528	Modification Kit 11	307069	Jumper, 2-1/4" Lg Red 10
192715	Transformer 29,32,33	197025	Stop 27	307070	Jumper, 3-1/4" Lg 10
192719	Bushing, Shoulder 29,32, 34	197028	Terminal 27	307071	Jumper, 4" Lg Blue 10
192720	Diode 34	198356	Plate 5	307126	Transformer 10
192721	Diode 29,34	198366	Modification Kit 20	307214	Plate, Idnetification 26
192723	Resistor, 100 Ohm 29,33	198367	Cable w/Terminals 20	307737	Bracket 10
192724	Resistor, 600 Ohm 29,33	198593	Shield 26	309895	Cable Assembly 20
192725	Resistor, 800 Ohm 32,33	198594	Plate, Mounting 26	310217	Driver Assembly 2,29
192726	Block 29,34	198626	Relay 26	310218	Cover 29
192727	Clamp 29,32,33	198665	Plate Assembly 5	310220	Card, Circuit 29
192730	Driver Assembly, Selector Magnet 33,34	198666	Plate 5	310235	Plate, Left 4
192737	Bracket, Resistor 29,32, 33	199003	Card, Circuit 34	310274	Transformer 8
192740	Keyer Assembly, Low Level 33,34	199006	Card, Circuit 29,32,34	310275	Rectifier Assembly 2,8
192747	Spacer, .125" Thk 29,32, 33	199010	Diode 32	310293	Modification Kit 20
192750	Rectifier Assembly 2,32	199013	Post, White Insulated 29,32,34	310712	Connector, 6 Pt Receptacle 28
192754	Varistor Assembly 29,32,34	199016	Post 29,34	310713	Connector, 6 Pt Plug 28
192767	Transistor 29,34	199017	Post 32	310727	Connector, 3 Pt Receptacle 27
192970	Post 29,32,34	199018	Post 32	311727	Resistor, 750 Ohm 21
192973	Washer, Insulating 29,34	199019	Cover 34	312529	Cover 19
192974	Washer, Insulating 29,32, 34	199020	Cover 29,34	317323	Post 11
192979	Stud 29,32,33	199021	Cover 34	319003	Bracket 29
192980	Terminal, Lug 29,32,34	199022	Cover 32	320408	Terminal, Spade Type 33
192984	Socket, 3 Pt 29,33	199023	Cover 32	320410	Terminal, Spade Type 4,7, 8,10,11,12,14 to 25, 30, 31,33,35,36,37,38
193687	Cable Assembly 31	199028	Post 29,32,34	320412	Terminal, Spade Type 10
194492	Key Assembly, Line Test 2,19	199038	Card, Circuit 34	320416	Terminal, Ring Type 29,33
195036	Relay Assembly, Line 2,31	199058	Plate, Rectifier Mounting 6	320418	Terminal, Ring Type 10, 13,17,18,27,31,33,38
195037	Mounting Assembly, Line RELay 12	199059	Plate, Switch Mounting 6	320419	Terminal, Ring Type 38
195038	Relay Assembly, Line Shunt 2,18,31	199445	Clamp, Capacitor 10	320420	Terminal, Ring Type 4,13, 23,33,37,38
195039	Cable Assembly 31	300371	Capacitor, .022 MFD 29	320421	Terminal, Ring Type 38
195040	Cable w/Terminals 18	301713	Connector, 2 Pt Receptacle 27	320462	Label 10
195041	Cable w/Terminals 18	304605	Relay w/Rectifier 30	321925	Cover, Rectifier 9
195046	Plate, Relay 12	304689	Plate, Clamp 27	321926	Cover 9
195177	Washer, Insulating 11	305019	Jumper, 2" Brown 33	323639	Jumper, 30" Lg 38
195296	Jumper, 3-1/2" Lg Green 33	305020	Jumper, 2" Purple 33	330863	Plate 6
		305038	Washer, Insulating 29,32, 34	334886	Plate 28
		305091	Capacitor, .22 MFD 32	334887	Plate 27
		305092	Post White Insulated 32	334899	Cable w/Terminals 27
		305624	Plate, Mounting 10	336176	Distributor Assembly, Power 2,27
		305625	Plate 10	336177	Plate Assembly 2,28
		305627	Capacitor, 1,500 MFD 10		
		305628	Clamp 10		